



Count on it.

Parts Catalog

**152cm Z Master® 4000 Series
Riding Mower**

Model No. 74056TE—Serial No. 417400000 and Up



Ordering Replacement Parts

To order replacement parts, please supply the part number, the quantity, and the description of each part desired.

Understanding Reference Numbers

Each identified part in an illustration has a reference number. The reference number for a part also appears in the parts list, along with other information about the part.

This catalog uses two special reference number formats, one to indicate parts in a service assembly and another to indicate the quantity of a given part in an illustration.

Service Assembly Reference Numbers

Parts in service assemblies have reference numbers in the form a:b. The a represents the reference number of the entire service assembly and the b represents a sequential number unique to each part within the service assembly.

For example, a wheel assembly might be identified by reference number 6, the tire by 6:1, the valve by 6:2, and the wheel by 6:3. When you order the assembly identified by reference number 6, you receive all parts identified by reference numbers 6:1, 6:2, and 6:3. However, you may also order any part individually. Reference numbers of this type appear in illustration and in parts lists.

Reference Numbers Indicating Quantity

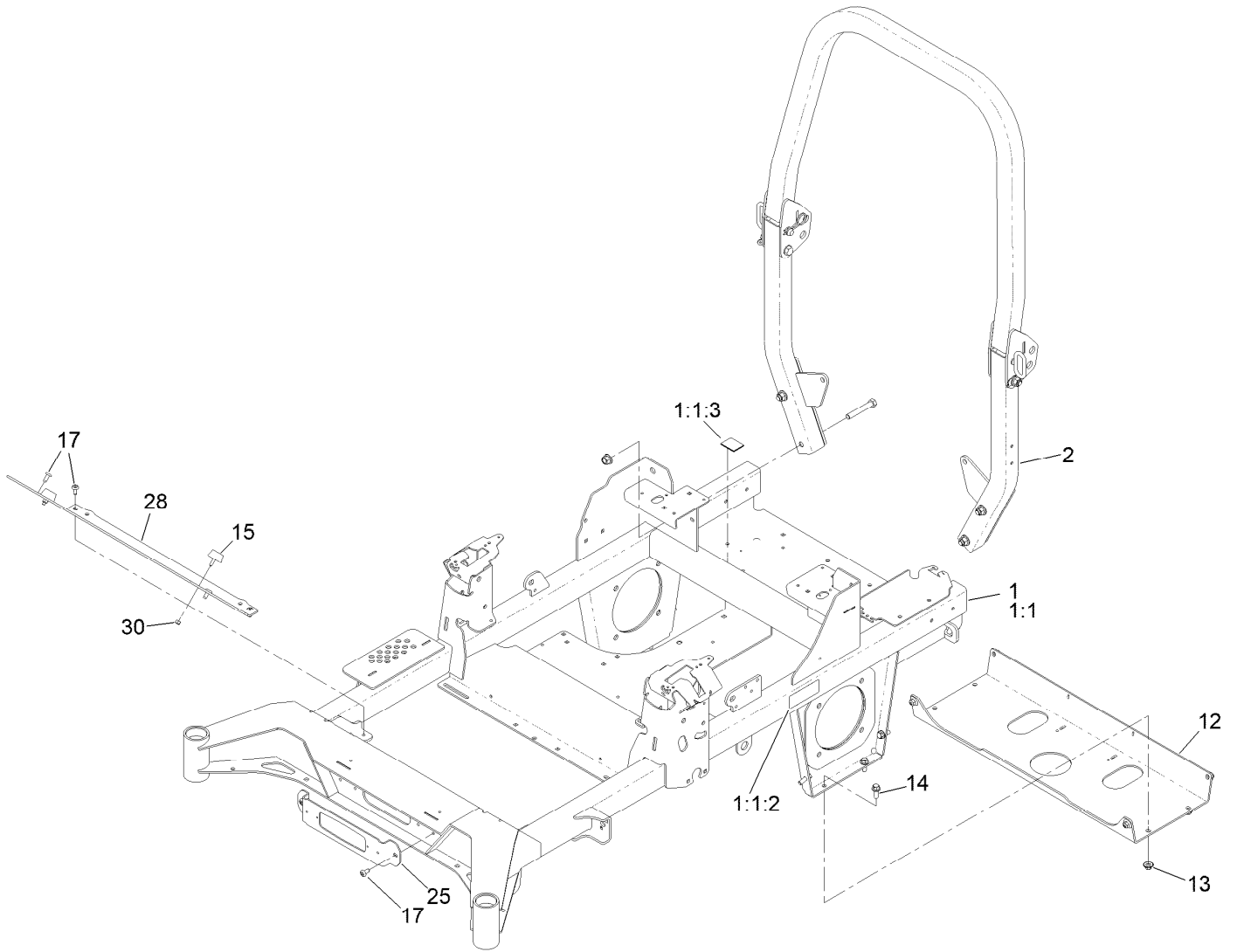
In an illustration, if a reference number indicates more than one part, the reference number has the form nX y. The n represents the quantity of the part, the X is the multiplication symbol, and the y represents the reference number.

For example, in an illustration, the reference number 2X 37 means that two of the parts identified by reference number 37 are indicated.

Contents

| | |
|---|----|
| Frame Assembly | 4 |
| Roll-Over Protection System Assembly No. 139-8063 | 6 |
| Hydraulic Drive Assembly | 8 |
| LH Transaxle Assembly No. 145-3696 | 10 |
| RH Transaxle Assembly No. 145-3695 | 12 |
| Throttle, Choke Cables and Guard Assembly | 14 |
| Fuel System Assembly | 16 |
| Fuel Tank Assembly No. 139-6722 | 18 |
| Tank Retainer Assembly | 20 |
| Motion Control Assembly | 22 |
| Left and Right Control Arm Assembly | 24 |
| Caster Wheel Assembly | 26 |
| Caster Wheel and Fork Assembly | 28 |
| Rear Wheel Assembly | 30 |
| Electrical Assembly | 32 |
| Wire Harness Assembly No. 139-8078 | 34 |
| Deck Lift Assembly | 36 |
| Deck Strut Assembly No. 140-1179 | 38 |
| Engine, Clutch and Muffler Assembly | 40 |
| Seat Suspension Platform Assembly | 42 |
| Seat Assembly No. 144-2631 | 44 |
| Decal Assembly | 46 |
| Deck Assembly | 48 |
| Deck Decal Assembly No. 147-4997 | 50 |
| Spindle Assembly No. 137-9780 | 52 |
| Deflector Assembly No. 144-2635 | 54 |
| Idler Arm Assembly No. 139-1087 | 56 |
| Attachments and Accessories | 58 |

Frame Assembly

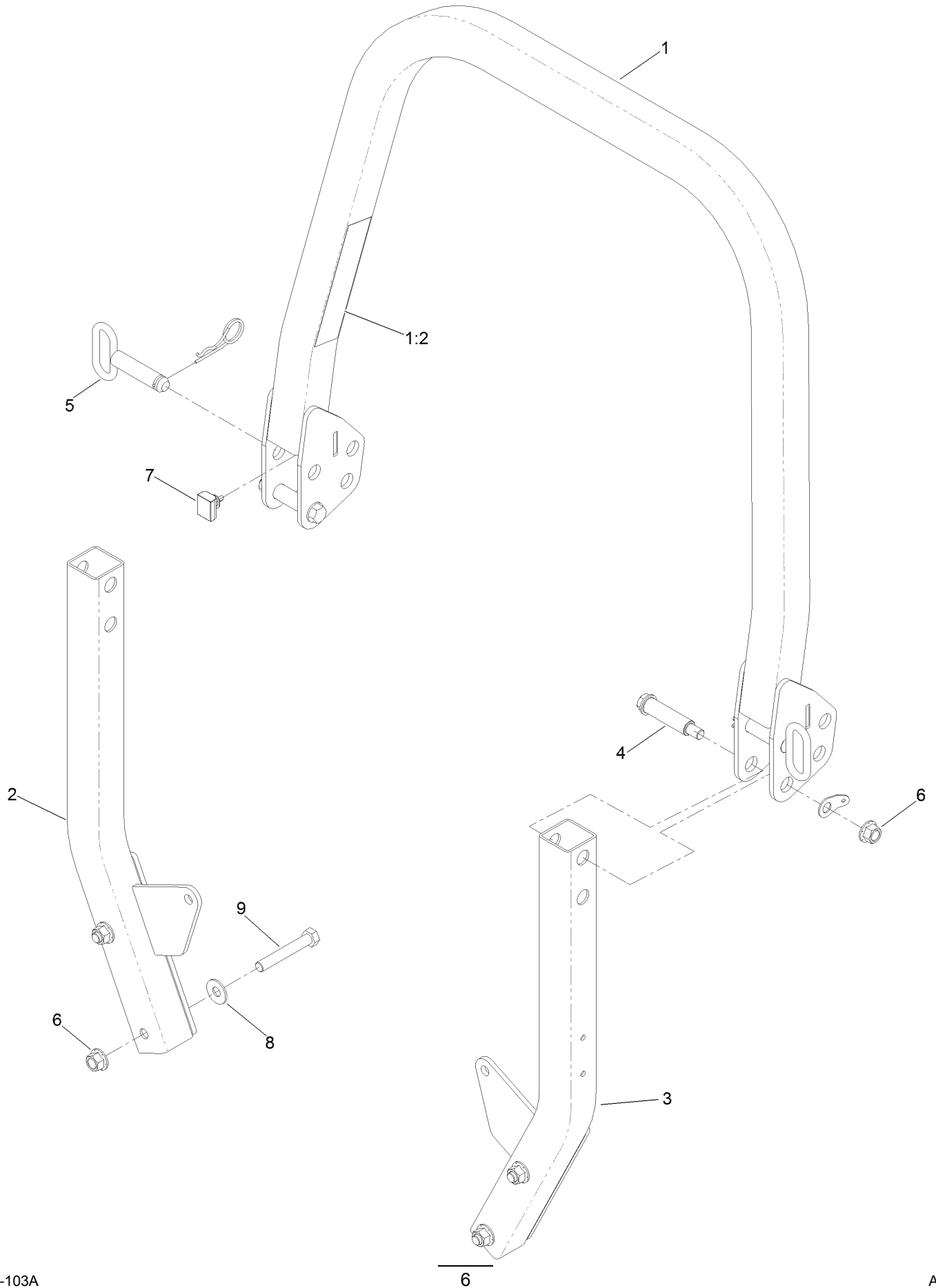


Frame Assembly (continued)

| <i>Ref.</i> | <i>Part Number</i> | <i>Qty.</i> | <i>Description</i> | <i>Ref.</i> | <i>Part Number</i> | <i>Qty.</i> | <i>Description</i> |
|-------------|--------------------|-------------|---------------------|-------------|--------------------|-------------|--------------------|
| 1 | 147-7833 | 1 | Frame ASM-60 | 14 | 3234-42 | 8 | Screw-HHF |
| 1:1 | | 1 | Frame ASM-60 ● | 15 | 131-8834 | 2 | Bumper |
| 1:1:2 | 126-4363 | 2 | Decal-Warning | 17 | 138-9753 | 6 | Screw |
| 1:1:3 | 144-2687 | 1 | Decal, Belt Routing | 25 | 140-4994-01 | 1 | Bracket-Light |
| 2 | 139-8063 | 1 | ASM-ROPS | 28 | 140-4997-01 | 1 | Toeboard |
| 12 | 139-6717-01 | 1 | Plate-Hydro | 30 | 3296-42 | 2 | Nut-Lock, NI |
| 13 | 109-6658 | 8 | Nut-Flange, NI | | | | |

● Not serviced separately

Roll-Over Protection System Assembly No. 139-8063

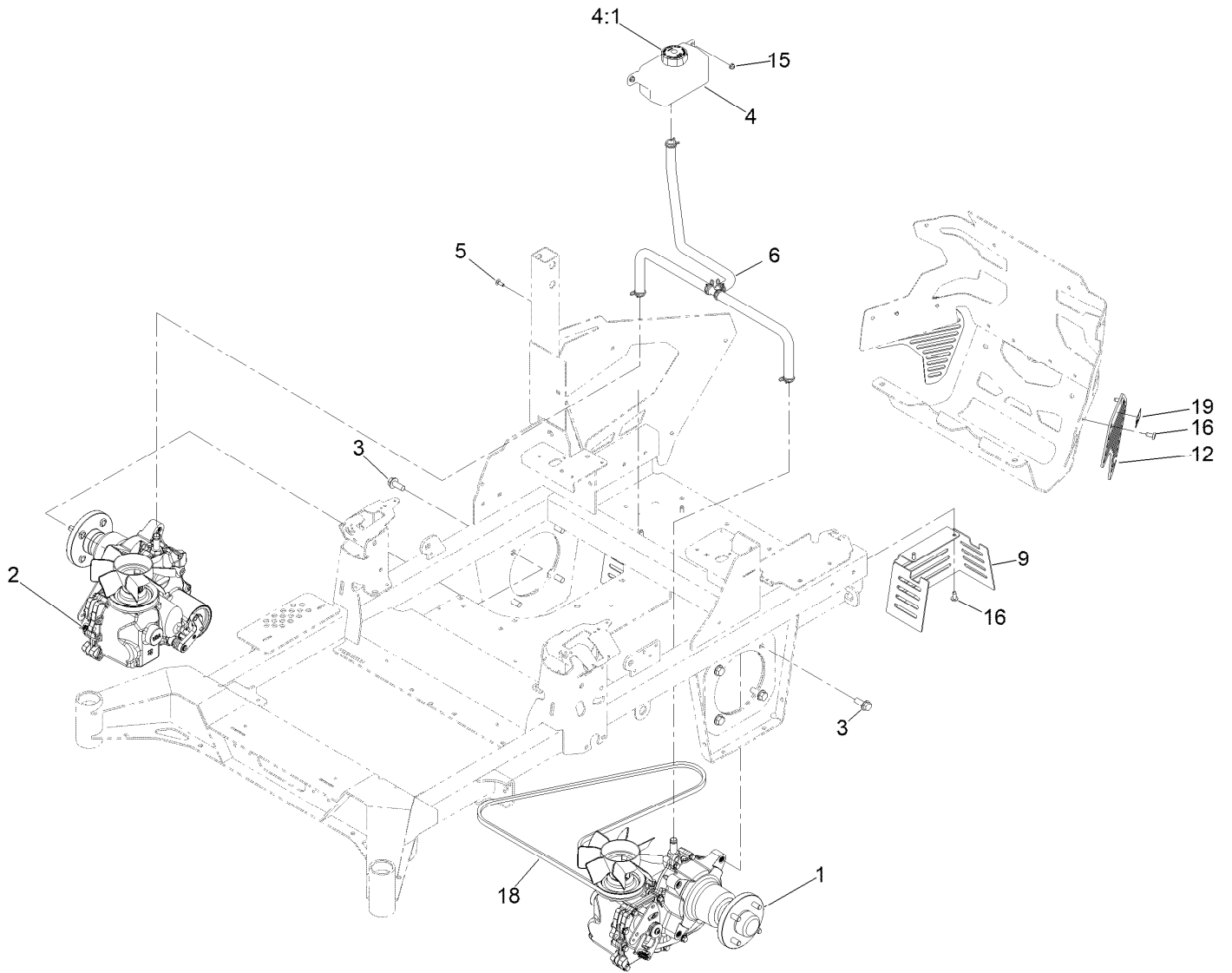


Roll-Over Protection System Assembly No. 139-8063 (continued)

| <i>Ref.</i> | <i>Part Number</i> | <i>Qty.</i> | <i>Description</i> | <i>Ref.</i> | <i>Part Number</i> | <i>Qty.</i> | <i>Description</i> |
|-------------|--------------------|-------------|--------------------------------------|-------------|--------------------|-------------|--------------------|
| 1 | | 1 | Upper ROPS ASM ● | 4 | 126-9209 | 2 | Bolt-Shoulder |
| 1:2 | 107-3069 | 1 | Decal-Warning | 5 | 161-4477 | 2 | Pin-ROPS, ASM |
| 2 | | 1 | ASM-ROPS, RH Suspension [black] ● | 6 | 99-5107 | 6 | Nut-Lock |
| 3 | | 1 | ASM-ROPS, LH Suspension [black] ● | 7 | 109-5337 | 2 | Bumper-ROPS |
| | | | | 8 | 109-9505 | 4 | Washer-Spring |
| | | | | 9 | 325-13 | 4 | Screw-HH |

● Not serviced separately

Hydraulic Drive Assembly



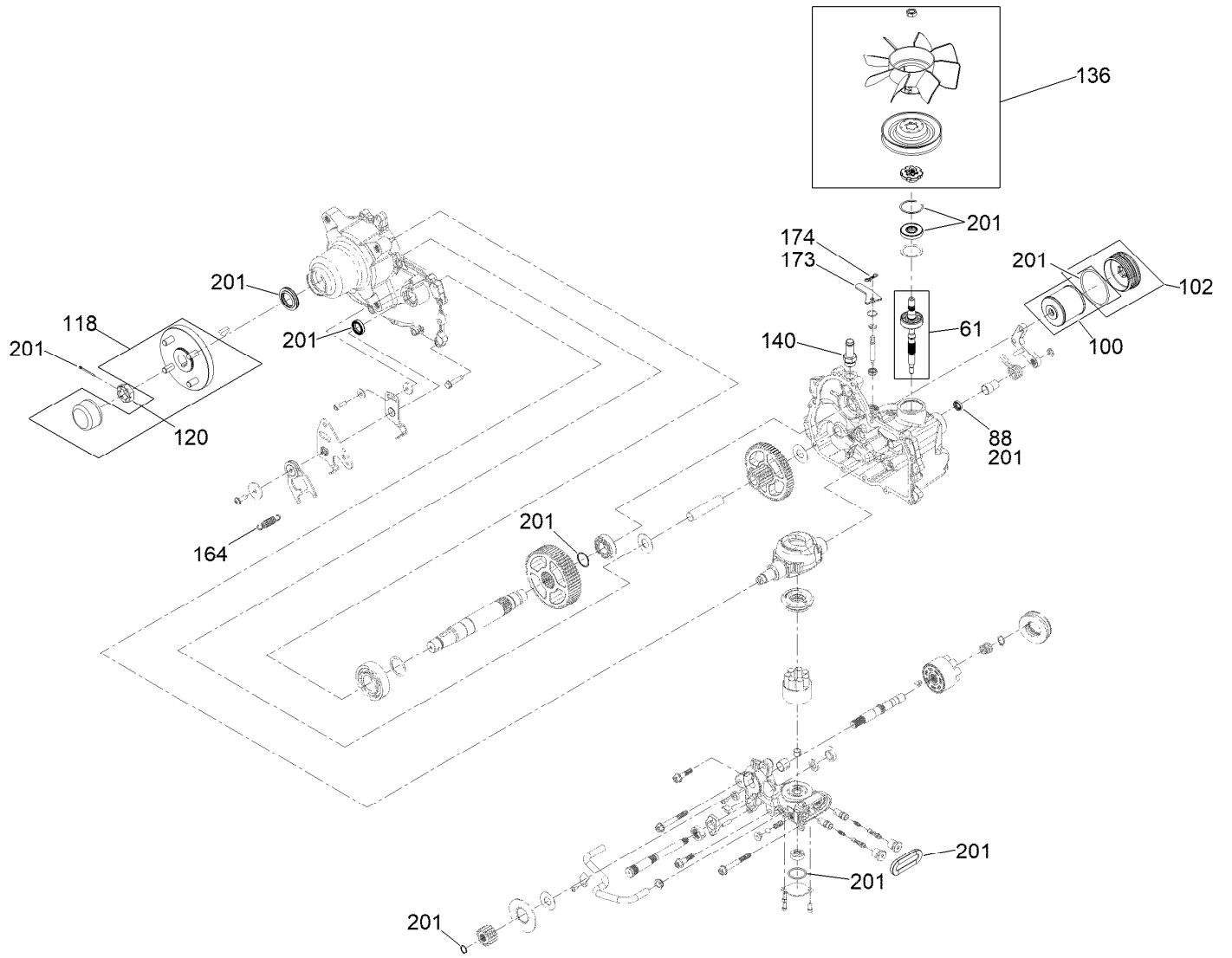
Hydraulic Drive Assembly (continued)

| <i>Ref.</i> | <i>Part Number</i> | <i>Qty.</i> | <i>Description</i> | <i>Ref.</i> | <i>Part Number</i> | <i>Qty.</i> | <i>Description</i> |
|-------------|--------------------|-------------|-------------------------|-------------|--------------------|-------------|----------------------|
| 1 | 145-3696 | 1 | LH Transaxle ASM W/Arm | 9 | 145-1949-03 | 2 | Guard-Clutch [black] |
| 2 | 145-3695 | 1 | RH Transaxle ASM W/Arm | 12 | 144-6591-03 | 2 | Guard-Muffler, Te |
| 3 | 3234-38 | 8 | Screw-HHF | 15 | 104-7201 | 2 | Nut-HF, NI |
| 4 | 119-9908 | 1 | Hydraulic Reservoir ASM | 16 | 138-9753 | 8 | Screw |
| 4:1 | 109-3320 | 1 | Cap-Reservoir, HYD | 18 | 140-7994 | 1 | Belt-V |
| 5 | 3229-28 | 2 | Screw-CARR | 19 | 106-5517 | 2 | Decal-Warning |
| 6 | 140-1225 | 1 | ASM-Hose, Hydraulic | | | | |

LH Transaxle Assembly No. 145-3696 (continued)

| <i>Ref.</i> | <i>Part Number</i> | <i>Qty.</i> | <i>Description</i> | <i>Ref.</i> | <i>Part Number</i> | <i>Qty.</i> | <i>Description</i> |
|-------------|--------------------|-------------|--------------------|-------------|--------------------|-------------|-----------------------------|
| 61 | 147-1671 | 1 | Kit, Input Shaft | 136 | 144-6597 | 1 | Kit, Fan And Pulley |
| 88 | 145-3637 | 1 | Seal, Brake | 140 | 144-6601 | 1 | Fitting-5/8 Beaded, 7/8 SAE |
| 100 | 144-6598 | 1 | Kit, Filter | 164 | 125-4684 | 1 | Spring-Extension |
| 102 | 144-6599 | 1 | Kit, Filler Cap | 173 | 139-8091 | 1 | Plate-Lever, Bypass |
| 118 | 144-6594 | 1 | Hub-4 Bolt | 174 | 119-1415 | 1 | Pin-Cotter, Locking |
| 120 | 144-6595 | 1 | Nut, Slotted | 201 | 144-6600 | 1 | Kit, Seal |

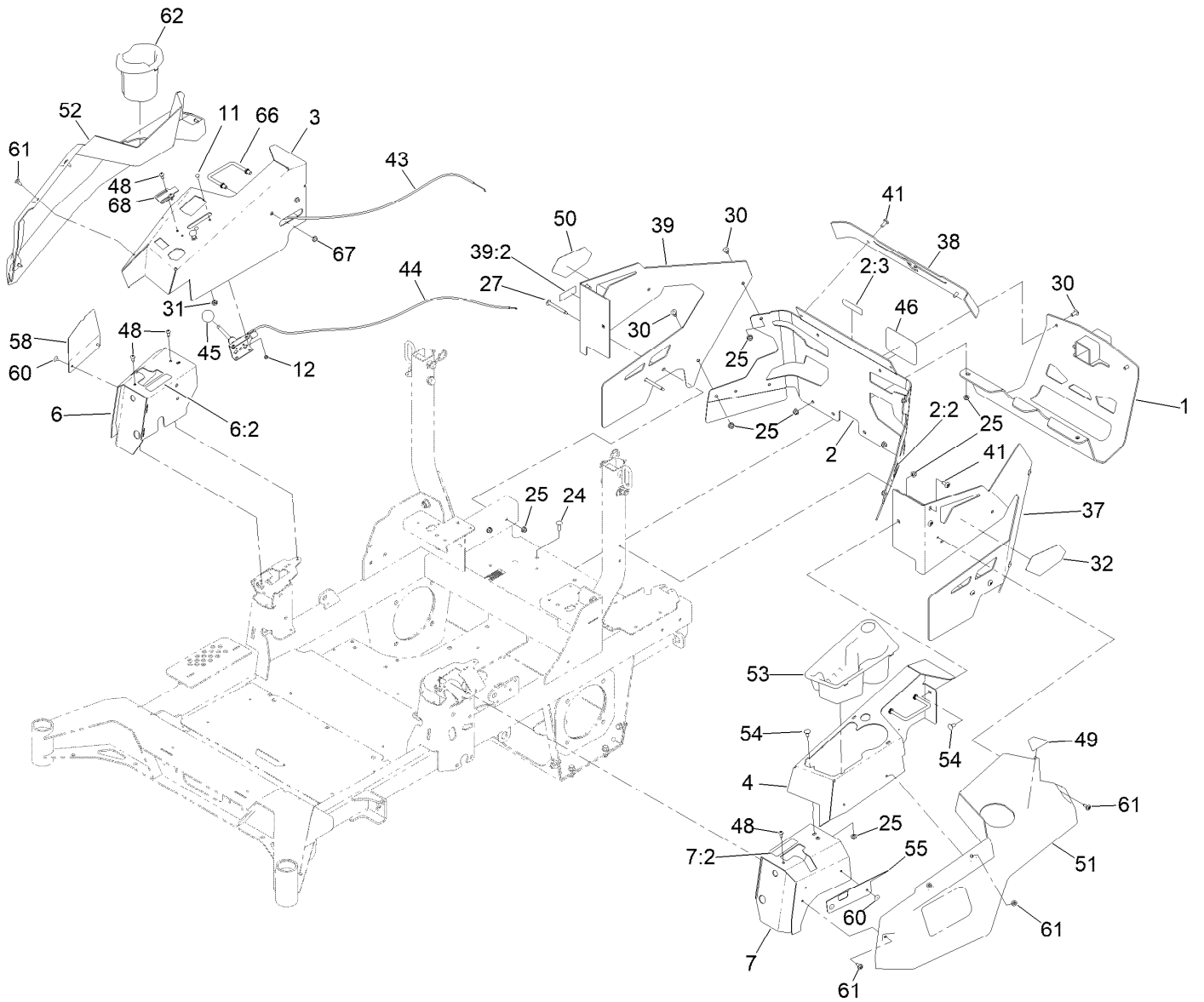
RH Transaxle Assembly No. 145-3695



RH Transaxle Assembly No. 145-3695 (continued)

| <i>Ref.</i> | <i>Part Number</i> | <i>Qty.</i> | <i>Description</i> | <i>Ref.</i> | <i>Part Number</i> | <i>Qty.</i> | <i>Description</i> |
|-------------|--------------------|-------------|--------------------|-------------|--------------------|-------------|-----------------------------|
| 61 | 147-1671 | 1 | Kit, Input Shaft | 136 | 144-6597 | 1 | Kit, Fan And Pulley |
| 88 | 145-3637 | 1 | Seal, Brake | 140 | 144-6601 | 1 | Fitting-5/8 Beaded, 7/8 SAE |
| 100 | 144-6598 | 1 | Kit, Filter | 164 | 125-4684 | 1 | Spring-Extension |
| 102 | 144-6599 | 1 | Kit, Filler Cap | 173 | 139-8091 | 1 | Plate-Lever, Bypass |
| 118 | 144-6594 | 1 | Hub-4 Bolt | 174 | 119-1415 | 1 | Pin-Cotter, Locking |
| 120 | 144-6595 | 1 | Nut, Slotted | 201 | 144-6600 | 1 | Kit, Seal |

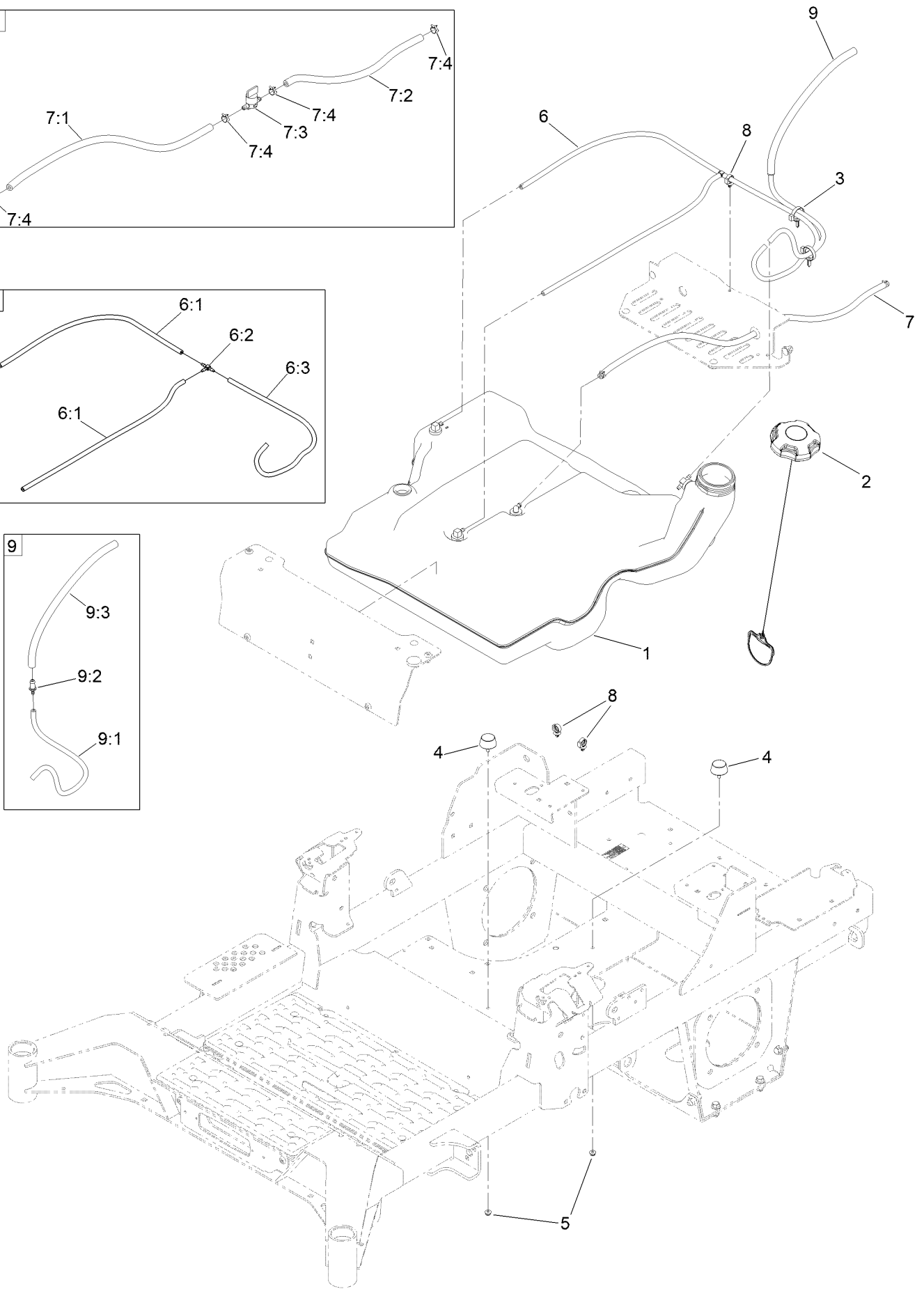
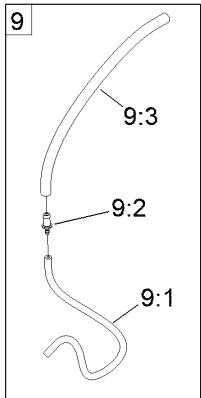
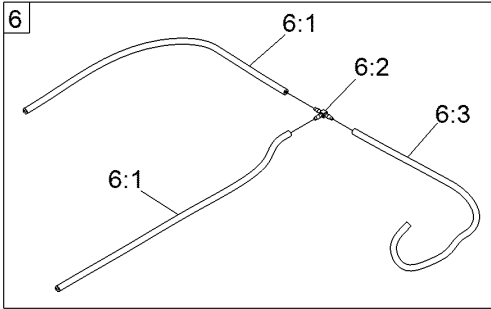
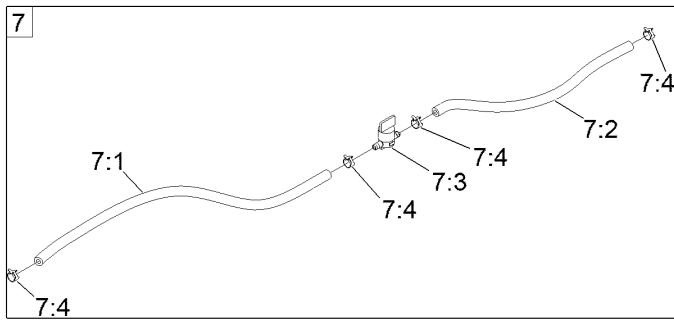
Throttle, Choke Cables and Guard Assembly



Throttle, Choke Cables and Guard Assembly (continued)

| <i>Ref.</i> | <i>Part Number</i> | <i>Qty.</i> | <i>Description</i> | <i>Ref.</i> | <i>Part Number</i> | <i>Qty.</i> | <i>Description</i> |
|-------------|--------------------|-------------|-------------------------|-------------|--------------------|-------------|-------------------------|
| 1 | 147-2408-03 | 1 | Guard-Muffler | 39:2 | 133-8062 | 1 | Decal-Spark Arrestor |
| 2 | 161-6769 | 1 | Rear Guard ASM | 41 | 138-9753 | 6 | Screw |
| 2:2 | 106-5517 | 2 | Decal-Warning | 43 | 139-6735 | 1 | Cable-Control, Choke |
| 2:3 | 161-6763 | 1 | Decal-Hitch | 44 | 139-6734 | 1 | Cable-Control, Throttle |
| 3 | 144-6551-01 | 1 | Console-RH | 45 | 1-603175 | 1 | Knob-Ball |
| 4 | 145-1287-01 | 1 | Console-LH | 46 | 105-8278 | 1 | Decal |
| 6 | 140-4867 | 1 | RH Cover ASM | 48 | 87-6620 | 6 | Screw-Tph Thd Form |
| 6:2 | 99-8936 | 1 | Decal-Control, Motion | 49 | 126-9939 | 1 | Decal-Fill, Fuel |
| 7 | 140-4866 | 1 | LH Cover ASM | 50 | 140-7987 | 1 | Decal-4000 Series, RH |
| 7:2 | 99-8936 | 1 | Decal-Control, Motion | 51 | 140-7979 | 1 | Side Pod, LH |
| 11 | 1-807513 | 2 | Bolt-CARR | 52 | 140-7980 | 1 | Side Pod, RH |
| 12 | 3296-2 | 2 | Nut-Lock, NI | 53 | 140-7968 | 1 | Cup Holder |
| 24 | 3230-22 | 2 | Screw-CARR | 54 | 3230-18 | 4 | Screw-CARR |
| 25 | 104-8300 | 16 | Nut-HF, NI | 55 | 140-7996-03 | 1 | Plate-Cover, LH Front |
| 27 | 126-6267 | 4 | Screw-TTH | 58 | 140-7998-03 | 1 | Plate-Cover, RH Front |
| 30 | 126-6268 | 6 | Screw-TTH | 60 | 130-8451 | 4 | Rivet-Trifold |
| 31 | 3220-3 | 1 | Nut-HJ | 61 | 120-7950 | 8 | Screw-Torx |
| 32 | 139-1149 | 1 | Decal - 4000 Series, LH | 62 | 140-8019 | 1 | Cupholder-RH |
| 37 | 145-6964-01 | 1 | Guard-Rear, LH | 66 | 144-2642 | 2 | Rod-Support, Pod |
| 38 | 140-1221-01 | 1 | Guard-Rear, Top | 67 | 3296-59 | 4 | Nut-Lock, NI |
| 39 | 145-7012 | 1 | RH Rear Guard ASM | 68 | 144-6550 | 1 | Plate-Throttle Stop |

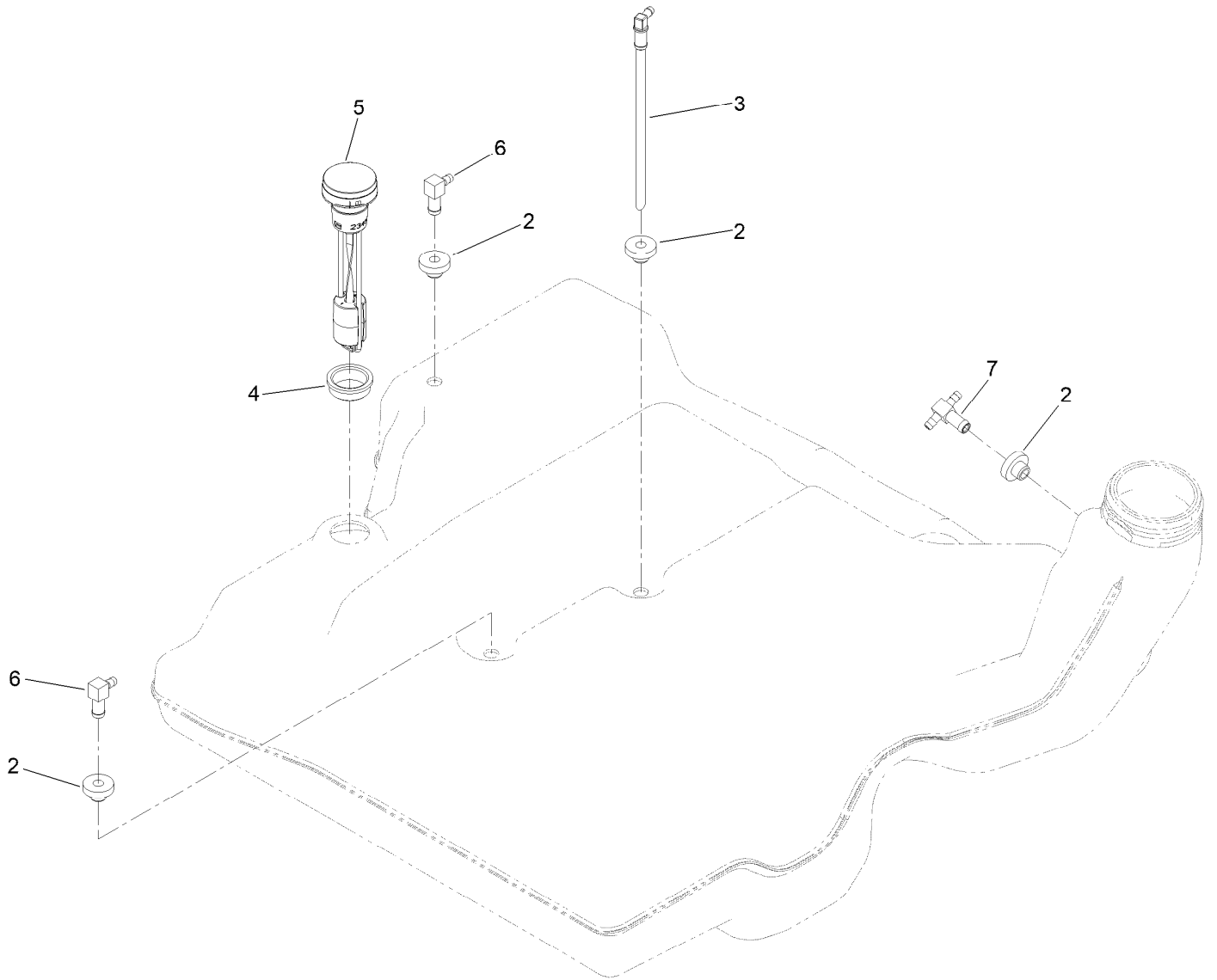
Fuel System Assembly



Fuel System Assembly (continued)

| <i>Ref.</i> | <i>Part Number</i> | <i>Qty.</i> | <i>Description</i> | <i>Ref.</i> | <i>Part Number</i> | <i>Qty.</i> | <i>Description</i> |
|-------------|--------------------|-------------|----------------------|-------------|--------------------|-------------|---------------------------|
| 1 | 139-6722 | 1 | Fuel Tank ASM | 7:1 | 109-0298 | 1 | Line-Fuel |
| 2 | 137-4119 | 1 | Cap-Fuel, Ratcheting | 7:2 | 114-3766 | 1 | Hose-Fuel |
| 3 | 104-2490 | 2 | Clamp-Hose | 7:3 | 1-603770 | 1 | Valve-Fuel |
| 4 | 131-8834 | 2 | Bumper | 7:4 | 2412-98 | 4 | Clamp-Hose |
| 5 | 104-7201 | 2 | Nut-HF, NI | 8 | 126-5523 | 3 | Clip |
| 6 | 139-8067 | 1 | Vent Hose ASM | 9 | 140-4957 | 1 | ASM-Fuel Vent |
| 6:1 | 138-3152 | 2 | Hose-Fuel | 9:1 | 138-3152 | 1 | Hose-Fuel |
| 6:2 | 120-2234 | 1 | Fitting-Tee | 9:2 | 116-4630 | 1 | Fitting-Orifice, Straight |
| 6:3 | 140-4956 | 1 | Hose-Fuel | 9:3 | 116-4344 | 1 | Hose-Fuel |
| 7 | 139-8068 | 1 | Fuel Hose ASM | | | | |

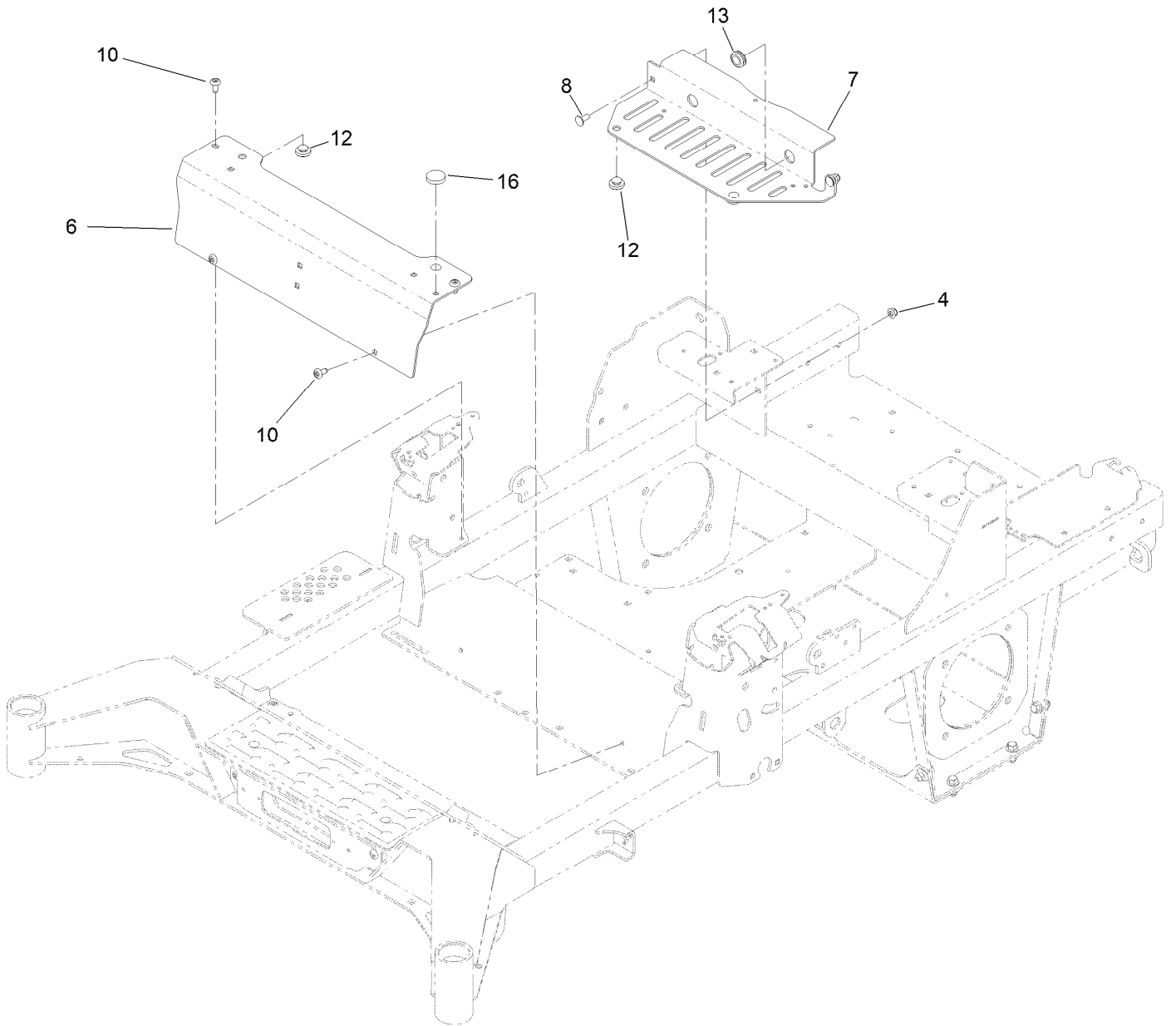
Fuel Tank Assembly No. 139-6722



Fuel Tank Assembly No. 139-6722 (continued)

| <i>Ref.</i> | <i>Part Number</i> | <i>Qty.</i> | <i>Description</i> | <i>Ref.</i> | <i>Part Number</i> | <i>Qty.</i> | <i>Description</i> |
|-------------|--------------------|-------------|------------------------|-------------|--------------------|-------------|--------------------|
| 2 | 46-6560 | 4 | Bushing | 5 | 139-8058 | 1 | Gauge-Fuel |
| 3 | 140-4955 | 1 | Connector Elbow-90 DEG | 6 | 126-9057 | 2 | Fitting-90 DEG |
| 4 | 133-9269 | 1 | Grommet-Fuel | 7 | 140-4954 | 1 | Fitting-Tee |

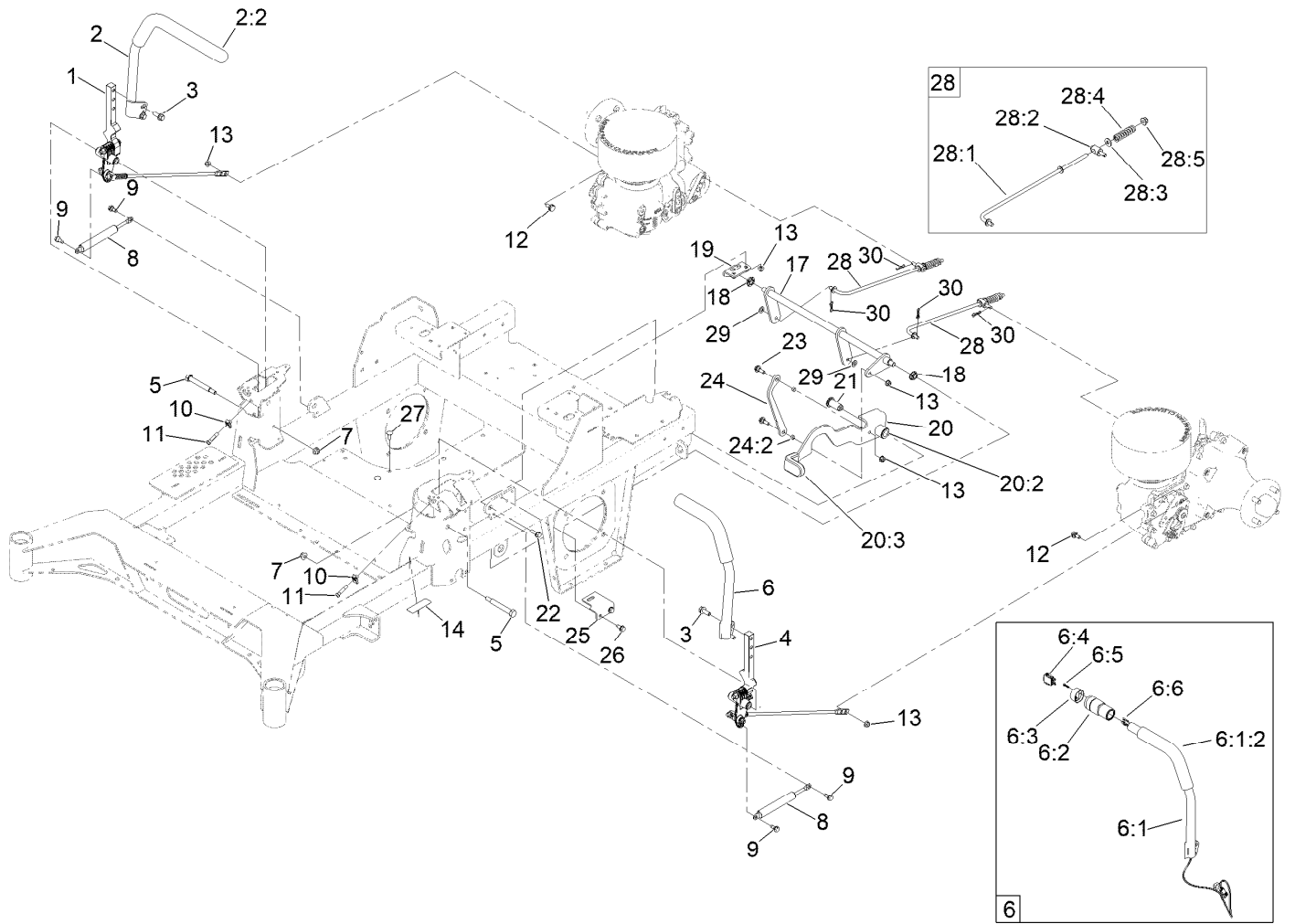
Tank Retainer Assembly



Tank Retainer Assembly (continued)

| <i>Ref.</i> | <i>Part Number</i> | <i>Qty.</i> | <i>Description</i> | <i>Ref.</i> | <i>Part Number</i> | <i>Qty.</i> | <i>Description</i> |
|-------------|--------------------|-------------|----------------------------|-------------|--------------------|-------------|------------------------|
| 4 | 104-8300 | 2 | Nut-HF, NI | 10 | 138-9753 | 4 | Screw |
| 6 | 139-6706-03 | 1 | Plate-Tank Retainer, Front | 12 | 135-0505 | 4 | Bumper-Seat |
| 7 | 147-2436-03 | 1 | Plate-Tank Retainer, Rear | 13 | 1-543286 | 1 | Grommet |
| 8 | 3230-23 | 2 | Bolt-CARR | 16 | 109-9233 | 1 | Bumper-Push-In, Rubber |

Motion Control Assembly

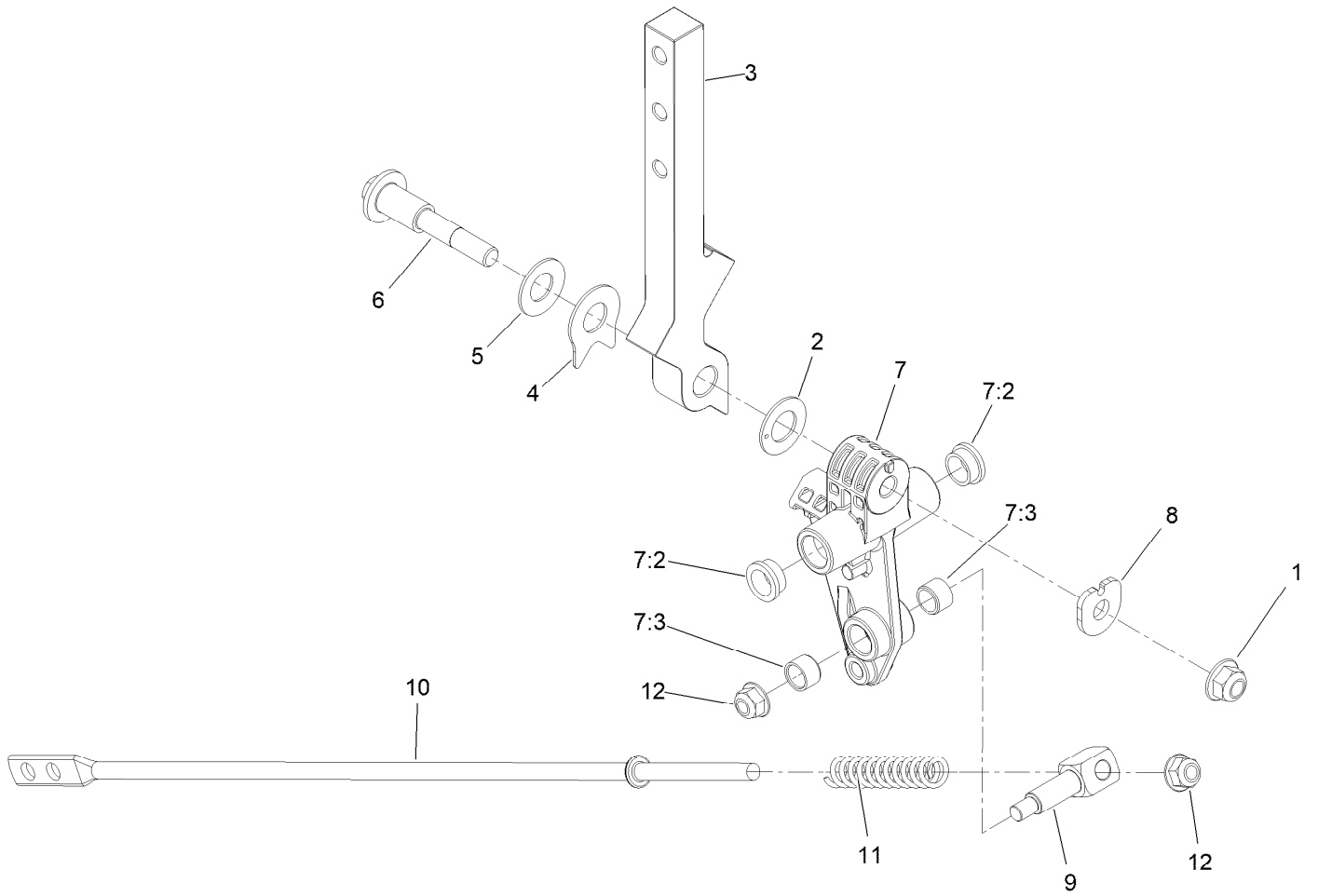


Motion Control Assembly (continued)

| <i>Ref.</i> | <i>Part Number</i> | <i>Qty.</i> | <i>Description</i> | <i>Ref.</i> | <i>Part Number</i> | <i>Qty.</i> | <i>Description</i> |
|-------------|--------------------|-------------|----------------------------|-------------|--------------------|-------------|------------------------|
| 1 | 147-5046 | 1 | Motion Control ASM-RH | 17 | 144-2658 | 1 | Brake ASM |
| 2 | 147-2390 | 1 | RH Handle ASM | 18 | 126-5820 | 2 | Bearing-Spherical |
| 2:2 | 109-5668 | 1 | Grip-Lever, Control | 19 | 139-6742 | 1 | Bracket-Brake |
| 3 | 110-5052 | 4 | Screw-HHF | 20 | 139-6726 | 1 | Brake Lever ASM W/Grip |
| 4 | 147-5047 | 1 | Motion Control ASM-LH | 20:2 | 109-8054 | 2 | Bushing-Flange |
| 5 | 115-5099 | 2 | Bolt-Pivot | 20:3 | 132-4749 | 1 | Grip-Lever |
| 6 | 147-4991 | 1 | Handle ASM-LH | 21 | 139-6743 | 1 | Pivot-Handle |
| 6:1 | | 1 | Handle ASM-LH ● | 22 | 3234-29 | 1 | Screw-HHF |
| 6:1:2 | 109-5668 | 1 | Grip-Lever, Control | 23 | 116-2670 | 2 | Screw-Shoulder |
| 6:2 | 125-2662 | 1 | Case ASM | 24 | 144-6566 | 1 | Brake Link ASM |
| 6:3 | 121-3399 | 1 | Cap-Switch | 24:2 | 116-4976 | 2 | Bushing-Sleeve |
| 6:4 | 140-1228 | 1 | Switch, Spdt (On)-Off-(On) | 25 | 139-6745 | 1 | Plate-Switch |
| 6:5 | 94-4496 | 2 | Screw-PPH | 26 | 32144-70 | 2 | Screw-HWHTF |
| 6:6 | 144-0354 | 1 | Harness-Wire, Handle | 27 | 3230-23 | 2 | Bolt-CARR |
| 7 | 104-8301 | 2 | Nut-HF, NI | 28 | 144-0353 | 2 | Brake Rod ASM |
| 8 | 142-6851 | 2 | Damper | 28:1 | 140-4952 | 1 | Rod-Brake |
| 9 | 126-4424 | 4 | Screw-Shoulder | 28:2 | 139-6741 | 1 | Fitting-Rod |
| 10 | 112-3306 | 2 | Nut | 28:3 | 3256-3 | 1 | Washer-Flat |
| 11 | 126-4299 | 2 | Screw-HSBH | 28:4 | 144-2645 | 1 | Spring-Compression |
| 12 | 37-8771 | 2 | Bolt-Shoulder, HF | 28:5 | 104-8301 | 1 | Nut-HF, NI |
| 13 | 104-8300 | 6 | Nut-HF, NI | 29 | 3256-45 | 2 | Washer-Flat |
| 14 | 115-9625 | 1 | Decal-Brake, Parking | 30 | 119-1415 | 4 | Pin-Cotter, Locking |

● Not serviced separately

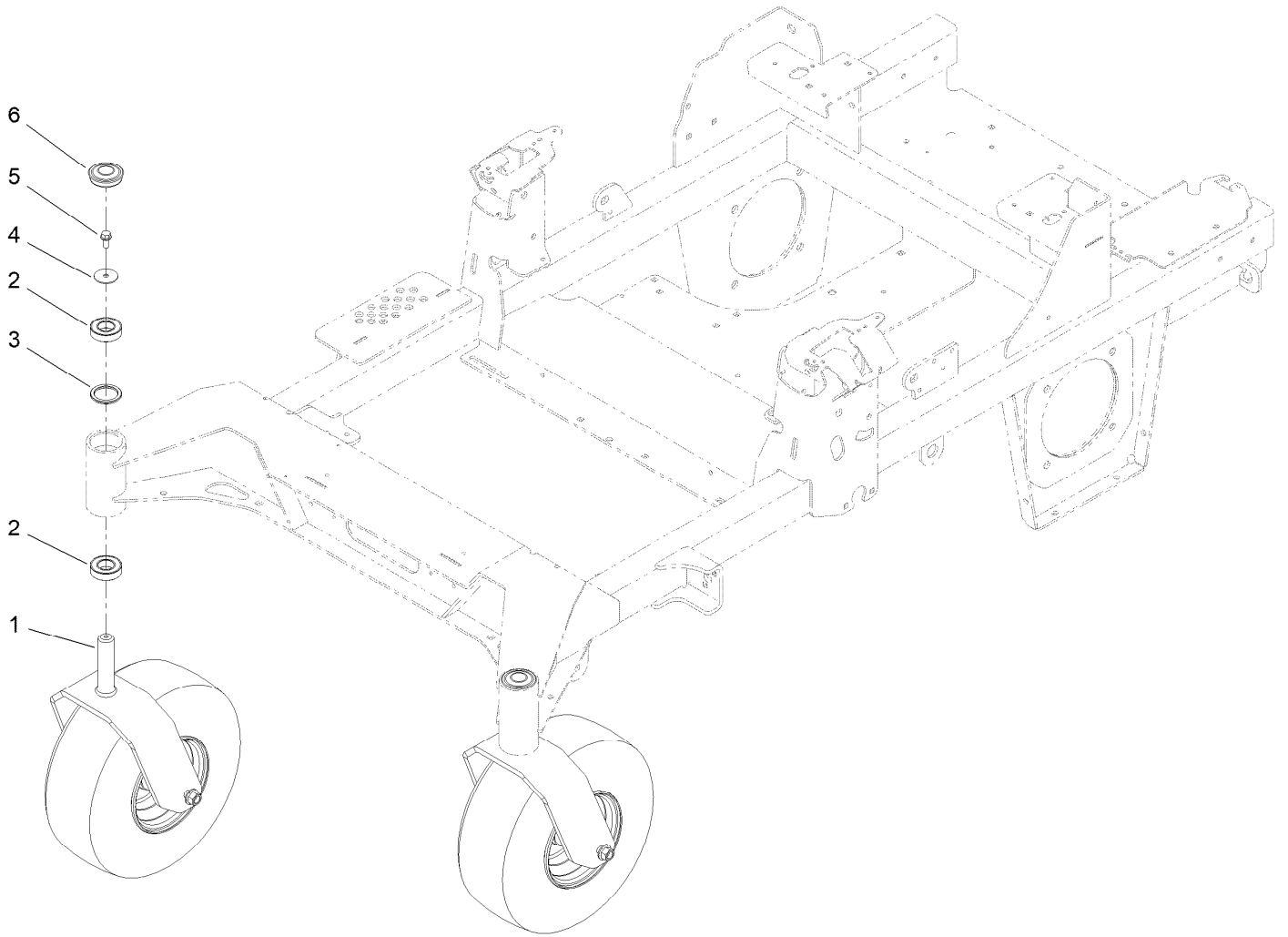
Left and Right Control Arm Assembly



Left and Right Control Arm Assembly (continued)

| <i>Ref.</i> | <i>Part Number</i> | <i>Qty.</i> | <i>Description</i> | <i>Ref.</i> | <i>Part Number</i> | <i>Qty.</i> | <i>Description</i> |
|-------------|--------------------|-------------|-----------------------|-------------|--------------------|-------------|------------------------|
| 1 | 104-8301 | 1 | Nut-HF, NI | 7:2 | 126-8909 | 2 | Bushing |
| 2 | 126-7296 | 1 | Washer-Friction | 7:3 | 1-413152 | 2 | Bushing-Sleeve |
| 3 | 147-2389 | 1 | Arm-Control | 8 | 147-5048 | 1 | Spacer-Actuator |
| 4 | 142-8478 | 1 | Spacer, Anti-Rotation | 9 | 126-5434 | 1 | Swivel |
| 5 | 119-8925 | 1 | Washer-Belleville | 10 | 140-4949 | 1 | Link-Control |
| 6 | 117-1198 | 1 | Bolt-Pivot | 11 | 126-8195 | 1 | Spring-Return, Neutral |
| 7 | 145-5798 | 1 | ASM-Control Arm | 12 | 104-8300 | 2 | Nut-HF, NI |

Caster Wheel Assembly

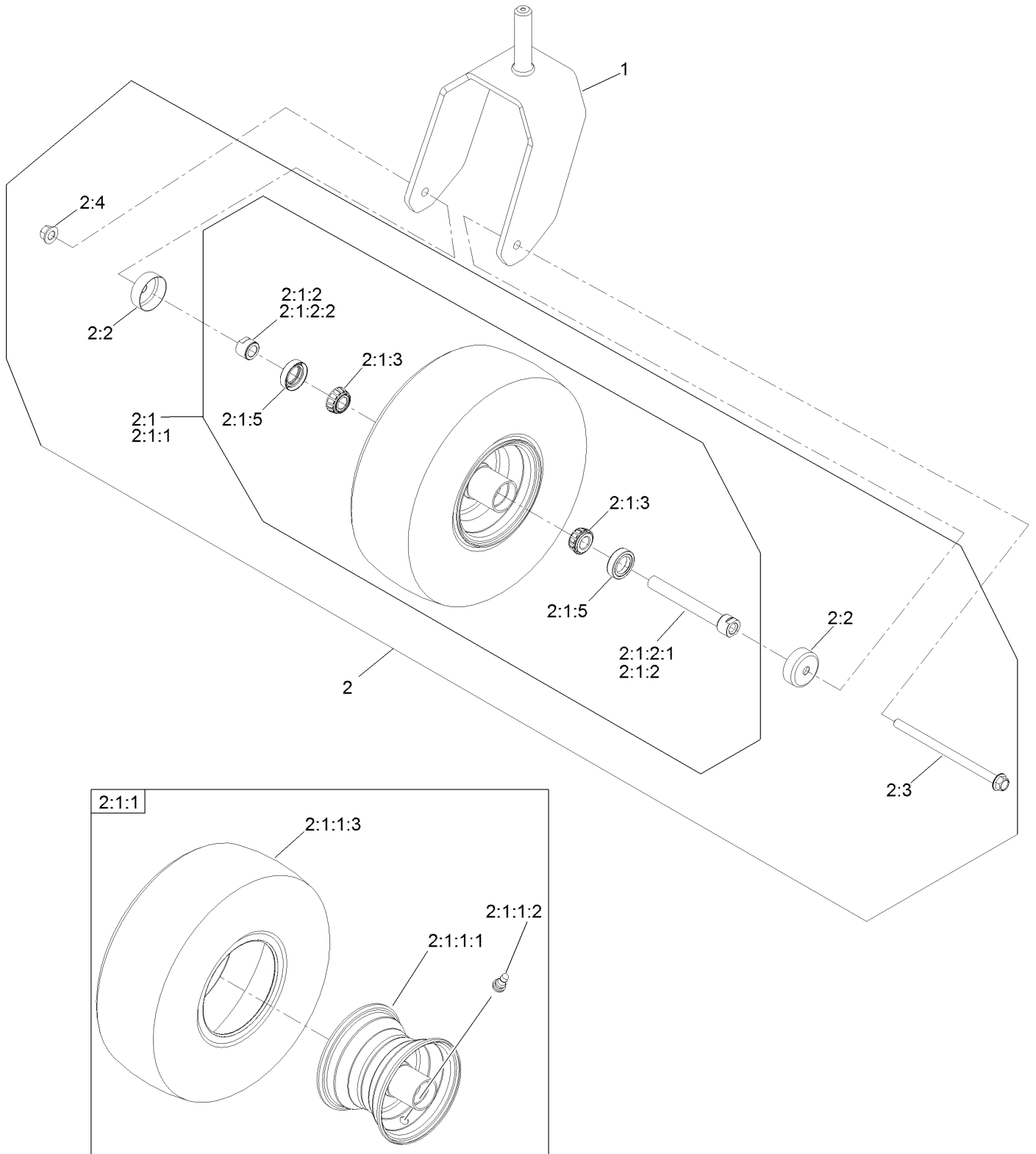


Caster Wheel Assembly (continued)

| <i>Ref.</i> | <i>Part Number</i> | <i>Qty.</i> | <i>Description</i> | <i>Ref.</i> | <i>Part Number</i> | <i>Qty.</i> | <i>Description</i> |
|-------------|--------------------|-------------|---------------------------|-------------|--------------------|-------------|--------------------|
| 1 | | 2 | ASM-Front Caster W/Fork ● | 4 | 3256-68 | 2 | Washer-Flat |
| 2 | 109-3678 | 4 | Bearing-Ball | 5 | 100-1668 | 2 | Screw-HHF |
| 3 | 145-3660 | 2 | Spacer-Bearing | 6 | 144-0375 | 2 | Cap, Grease |

● Not serviced separately

Caster Wheel and Fork Assembly

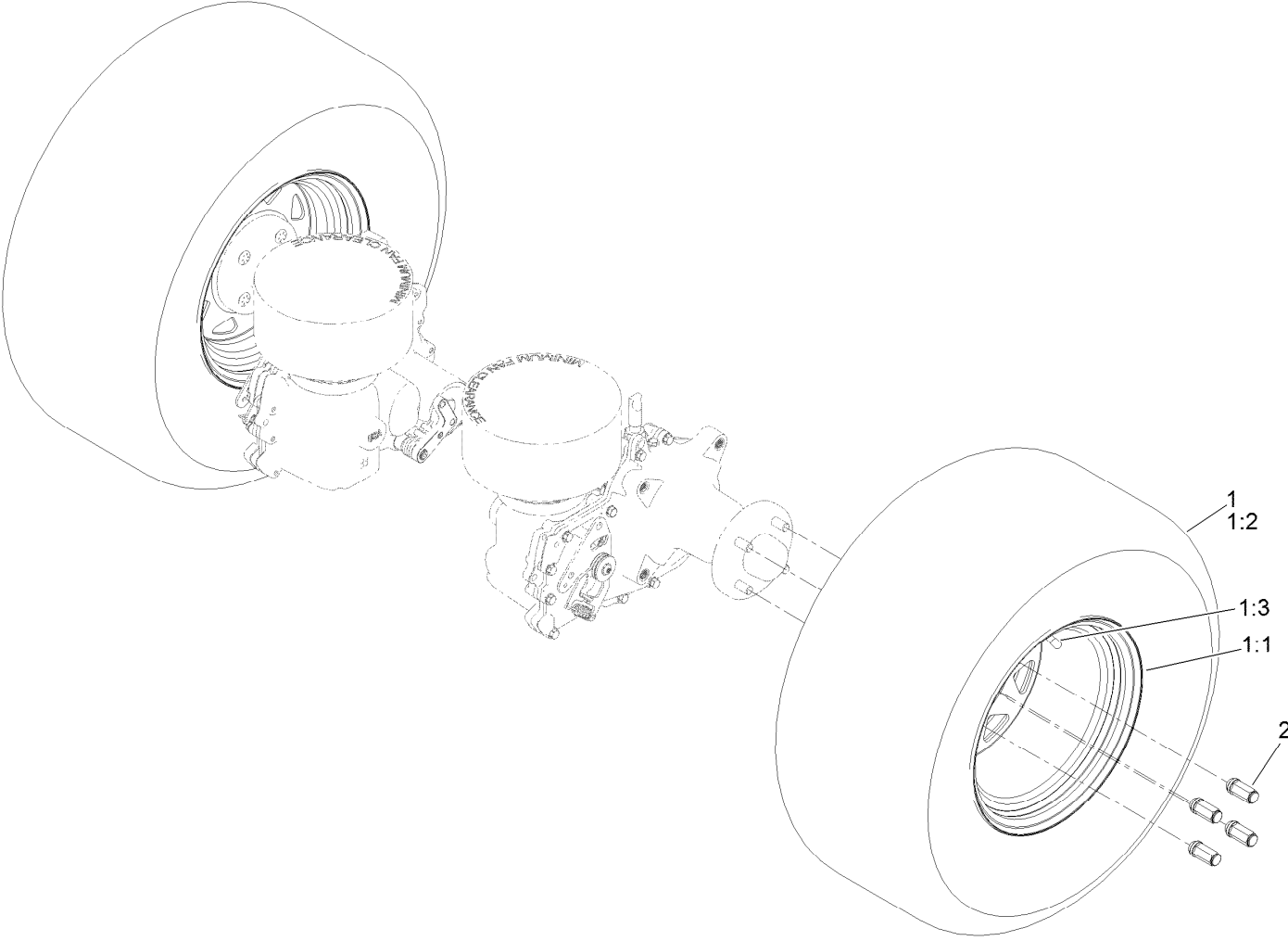


Caster Wheel and Fork Assembly (continued)

| <i>Ref.</i> | <i>Part Number</i> | <i>Qty.</i> | <i>Description</i> | <i>Ref.</i> | <i>Part Number</i> | <i>Qty.</i> | <i>Description</i> |
|-------------|--------------------|-------------|--------------------------------|-------------|--------------------|-------------|---------------------|
| 1 | 147-0295-01 | 1 | 15In Caster Fork [red] | 2:1:2 | | 1 | Caster Axle ASM ● |
| 2 | 140-4943 | 1 | ASM-Pneumatic 15X6.50-6 | 2:1:2:1 | 126-5220 | 1 | Axle-Caster |
| 2:1 | | 1 | ASM Whl/Brgs 15X6.5-6 ● | 2:1:2:2 | 103-3051 | 1 | Spacer-Nut |
| 2:1:1 | 140-4945 | 1 | Wheel And Tire ASM 15X6.5-6 | 2:1:3 | 1-633585 | 2 | Bearing-Cone, Taper |
| 2:1:1:1 | 139-3624 | 1 | Wheel Rim 6X4.5 | 2:1:5 | 103-0063 | 2 | Seal-Caster |
| 2:1:1:2 | 5108 | 1 | Valve | 2:2 | 103-2768 | 2 | Guard-Seal |
| 2:1:1:3 | 140-4946 | 1 | Tire | 2:3 | 126-5389 | 1 | Screw-HHF |
| | | | | 2:4 | 99-5107 | 1 | Nut-Lock |

● Not serviced separately

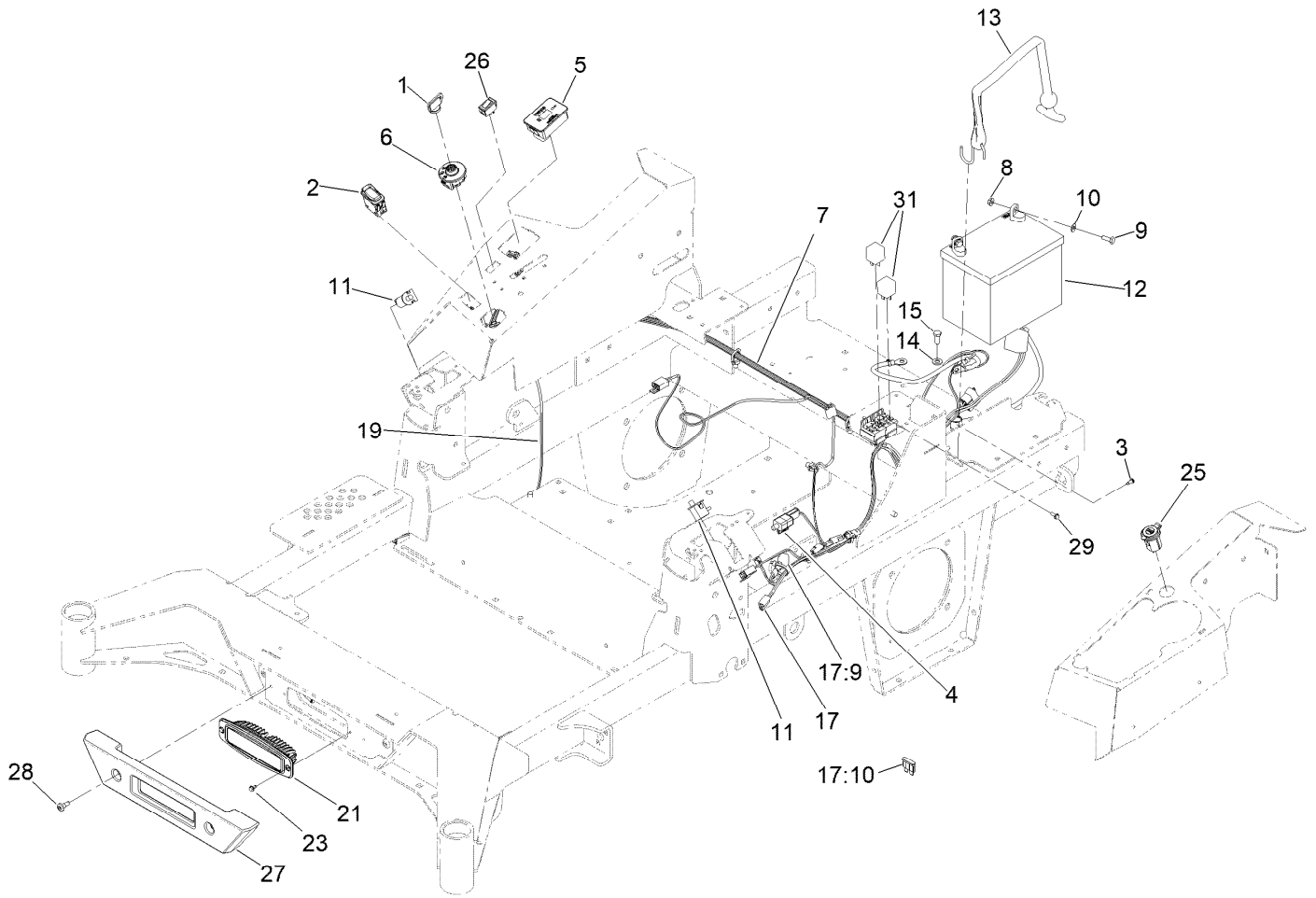
Rear Wheel Assembly



Rear Wheel Assembly (continued)

| <i>Ref.</i> | <i>Part Number</i> | <i>Qty.</i> | <i>Description</i> | <i>Ref.</i> | <i>Part Number</i> | <i>Qty.</i> | <i>Description</i> |
|-------------|--------------------|-------------|--------------------|-------------|--------------------|-------------|--------------------|
| 1 | 144-6620 | 2 | Wheel And Tire ASM | 1:3 | 232-27 | 1 | Stem-Valve |
| 1:1 | 144-6606 | 1 | Wheel | 2 | 139-2564 | 8 | Nut-Lug |
| 1:2 | 140-7986 | 1 | Tire | | | | |

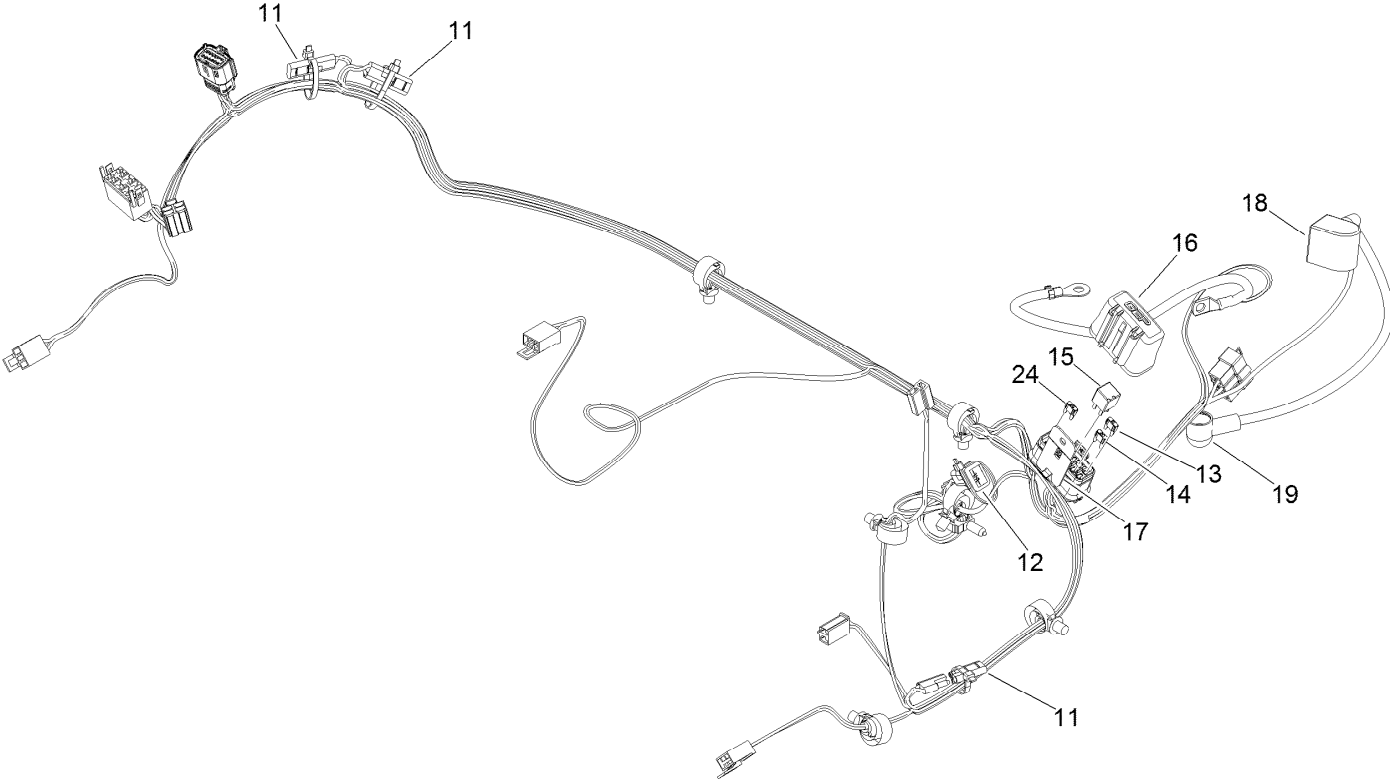
Electrical Assembly



Electrical Assembly (continued)

| <i>Ref.</i> | <i>Part Number</i> | <i>Qty.</i> | <i>Description</i> | <i>Ref.</i> | <i>Part Number</i> | <i>Qty.</i> | <i>Description</i> |
|-------------|--------------------|-------------|------------------------------|-------------|--------------------|-------------|-------------------------|
| 1 | 1-603511 | 1 | Keys-Ignition (Spare Pair) | 14 | 33094-00 | 1 | Washer-Plain |
| 1 | 63-8360 | 1 | Key-Ignition | 15 | 33114-020 | 1 | Screw-HH |
| 2 | 139-6368 | 1 | Switch-Rocker, On-None-On | 17 | 140-1200 | 1 | Harness-Wire, Deck Lift |
| 3 | 99-8445 | 1 | Screw-HWH | 17:9 | 103-3895 | 1 | Diode |
| 4 | 110-6765 | 1 | Switch | 17:10 | 109101 | 1 | Fuse-Blade, 20 Amp |
| 5 | 116-5609 | 1 | Module ASM | 19 | 140-1213 | 1 | Harness-Wire, Light Kit |
| 6 | 137-4100 | 1 | Switch-Ignition | 21 | 139-8089 | 1 | Mount-Flush, Light |
| 7 | 139-8078 | 1 | Harness-Wire | 23 | 104-2065 | 2 | Screw-HWH |
| 8 | 32128-33 | 2 | Nut-HF | 25 | 140-7955 | 1 | Port-Power, USB |
| 9 | 321-4 | 2 | Screw-HH | 26 | 92-8875 | 1 | Switch-Rocker |
| 10 | 3256-22 | 2 | Washer-Flat | 27 | 147-7853 | 1 | Bumper-Front |
| 11 | 82-2190 | 2 | Switch-Bail | 28 | 135-2015 | 2 | Screw-Shoulder |
| 12 | 104-8162 | 1 | Battery | 29 | 32144-1 | 1 | Screw-Taptite |
| 13 | 142-8697 | 1 | Strap, Bungee | 31 | 1-643275 | 2 | Relay |

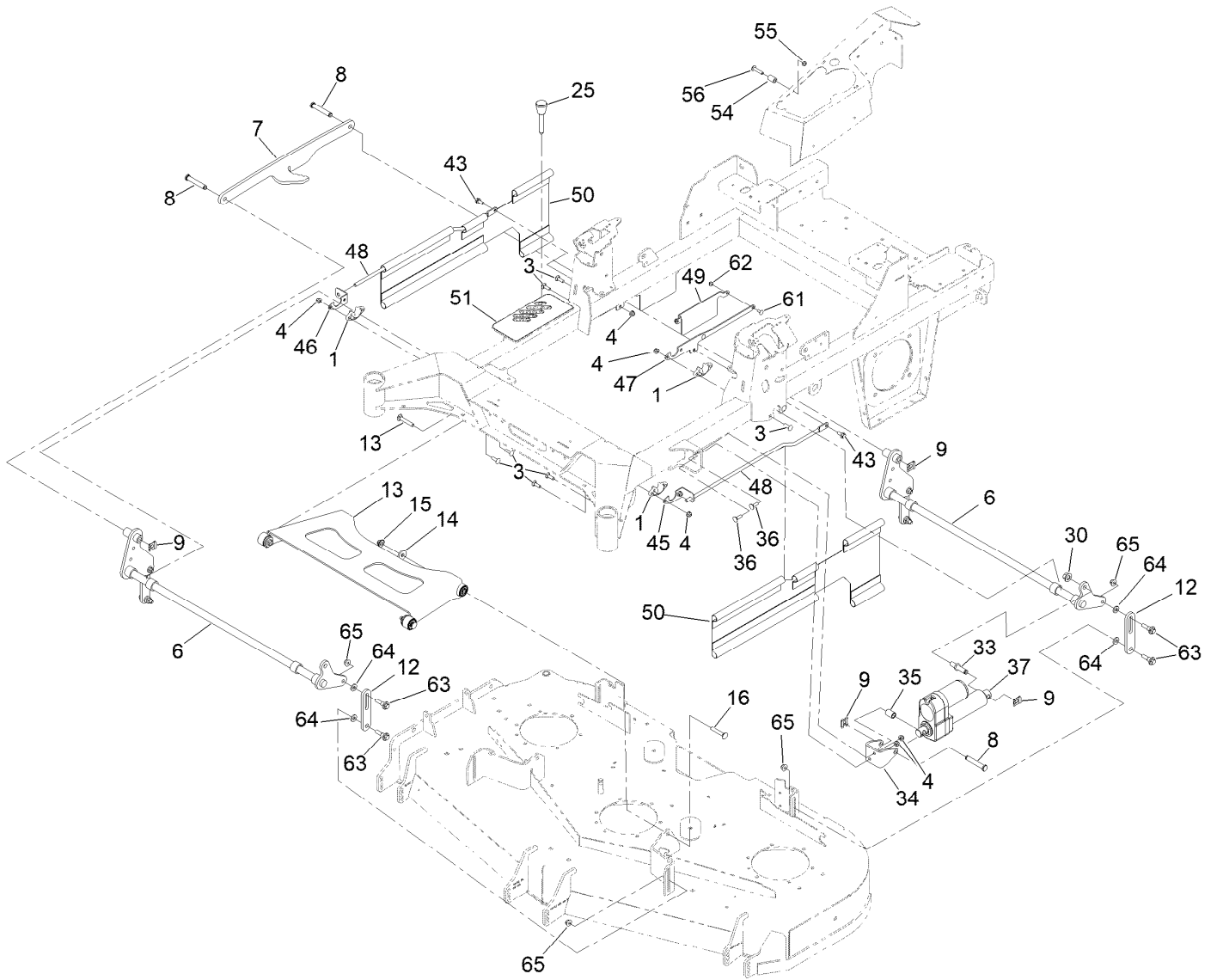
Wire Harness Assembly No. 139-8078



Wire Harness Assembly No. 139-8078 (continued)

| <i>Ref.</i> | <i>Part Number</i> | <i>Qty.</i> | <i>Description</i> | <i>Ref.</i> | <i>Part Number</i> | <i>Qty.</i> | <i>Description</i> |
|-------------|--------------------|-------------|-------------------------|-------------|--------------------|-------------|-------------------------|
| 11 | 116-0053 | 3 | Cap-Plug | 16 | 32180-176 | 1 | Cover-Block, Fuse |
| 12 | 103-3895 | 1 | Diode | 17 | 32180-177 | 1 | Clip-Mounting |
| 13 | 121-8867 | 1 | Fuse-Mini Blade, 15 Amp | 18 | 126-8876 | 1 | Insulator-Battery |
| 14 | 121-8868 | 1 | Fuse-Mini Blade, 20 Amp | 19 | 1-543393 | 1 | Insulator-Solenoid |
| 15 | 126-3991 | 1 | Relay-Micro | 24 | 121-8869 | 1 | Fuse-Mini Blade, 25 Amp |

Deck Lift Assembly



Deck Lift Assembly (continued)

| <i>Ref.</i> | <i>Part Number</i> | <i>Qty.</i> | <i>Description</i> | <i>Ref.</i> | <i>Part Number</i> | <i>Qty.</i> | <i>Description</i> |
|-------------|--------------------|-------------|----------------------------|-------------|--------------------|-------------|---------------------------------|
| 1 | 139-5872 | 4 | Bearing-Flange | 37 | 147-7868 | 1 | Actuator-Linear |
| 3 | 3230-22 | 8 | Screw-CARR | 43 | 3234-47 | 2 | Screw-HHF |
| 4 | 104-8300 | 14 | Nut-HF, NI | 45 | 140-4918 | 1 | Bracket-Mount, Upper Front (LH) |
| 6 | 140-4975-03 | 2 | Shaft-Lift, Deck | 46 | 140-4919 | 1 | Bracket-Mount, Upper Front (RH) |
| 7 | 126-4639-03 | 1 | Link-HOC | 47 | 145-1275 | 2 | Bracket-Mounting, Upper |
| 8 | 126-9181 | 3 | Pin-Clevis | 48 | 126-7760 | 2 | Rod-Support, Upper |
| 9 | 138-8491 | 4 | Clip-Pin | 49 | 145-1276-03 | 2 | Bracket-Flag |
| 12 | 145-5702-03 | 4 | Link-Lift, Deck | 50 | 126-8561 | 2 | Guard-Side |
| 13 | 140-1179 | 1 | Deck Strut W/ Bushings ASM | 51 | 140-4927 | 1 | Decal-HOC, MM |
| 14 | 1-373034 | 2 | Washer | 54 | 114-2754 | 1 | Spacer |
| 15 | 109-6658 | 2 | Nut-Flange, NI | 55 | 3296-47 | 1 | Nut-Lock,NI |
| 16 | 3231-7 | 2 | Screw-CARR | 56 | 126-7439 | 1 | Screw-Torx |
| 25 | 126-5401 | 1 | Pin-HOC | 61 | 3229-11 | 4 | Screw-CARR |
| 30 | 99-5107 | 1 | Nut-Lock | 62 | 104-7201 | 4 | Nut-HF, NI |
| 33 | 139-8135 | 1 | Pin-Pivot, Actuator | 63 | 130-0742 | 8 | Bolt-Shoulder |
| 34 | 147-0271-01 | 1 | CYL Mount Plate | 64 | 43-0940 | 8 | Spacer |
| 35 | 127-6751 | 1 | Spacer-Aluminum | 65 | 104-8301 | 8 | Nut-HF, NI |
| 36 | 3230-2 | 2 | Bolt-CARR | | | | |

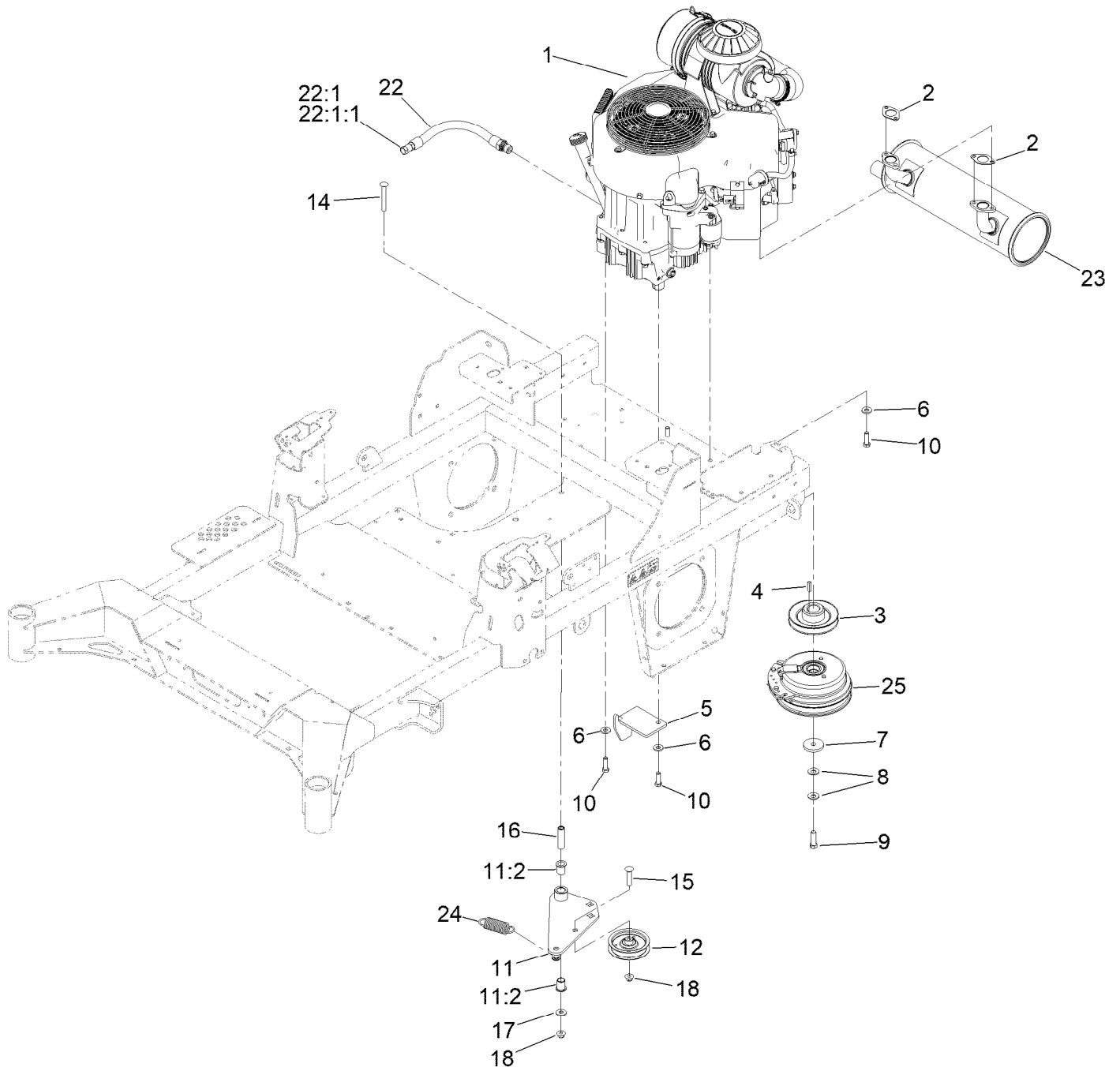
Deck Strut Assembly No. 140-1179



Deck Strut Assembly No. 140-1179 (continued)

| <i>Ref.</i> | <i>Part Number</i> | <i>Qty.</i> | <i>Description</i> | <i>Ref.</i> | <i>Part Number</i> | <i>Qty.</i> | <i>Description</i> |
|-------------|--------------------|-------------|-------------------------------|-------------|--------------------|-------------|--------------------|
| 2 | 126-8360 | 4 | Bushing-Rubber, Suspension | 4 | 3231-7 | 2 | Screw-CARR |
| 3 | 108-6544 | 4 | Spacer | 5 | 2844 | 2 | Washer |
| | | | | 6 | 104-8301 | 2 | Nut-HF, NI |

Engine, Clutch and Muffler Assembly



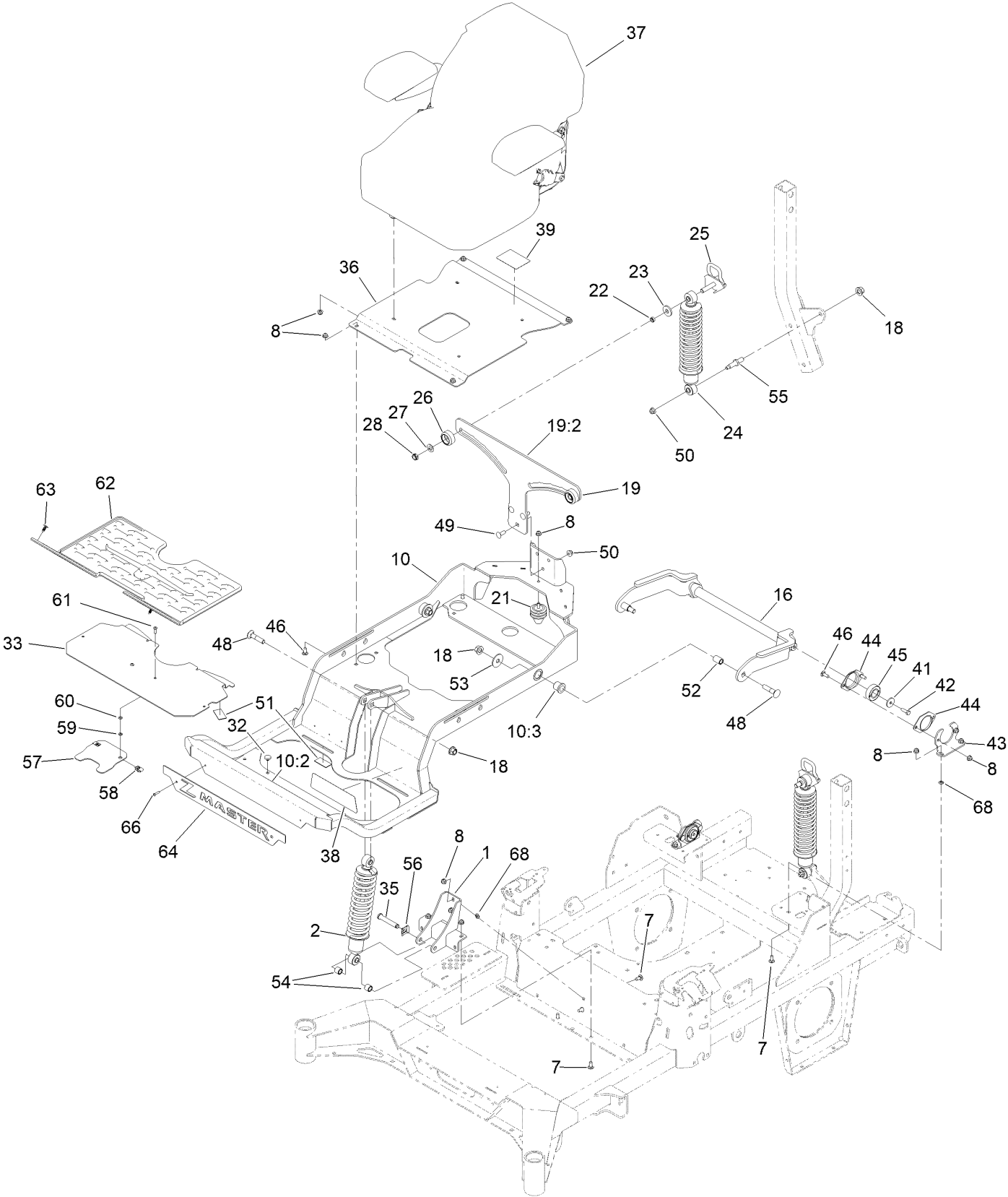
Engine, Clutch and Muffler Assembly (continued)

| <i>Ref.</i> | <i>Part Number</i> | <i>Qty.</i> | <i>Description</i> | <i>Ref.</i> | <i>Part Number</i> | <i>Qty.</i> | <i>Description</i> |
|-------------|--------------------|-------------|--------------------------------------|-------------|--------------------|-------------|---------------------------|
| 1 | | 1 | Engine-Kawasaki, Fx801V-_s22-R ■▲ | 12 | 140-4964 | 1 | Pulley-Idler, Flat |
| 2 | 1-653313 | 2 | Gasket-Exhaust | 14 | 3231-42 | 1 | Screw-CARR |
| 3 | 139-6702 | 1 | Sheave, W/Hub | 15 | 3231-29 | 1 | Screw-CARR |
| 4 | 1-807259 | 1 | Key | 16 | 139-6690 | 1 | Bushing, Idler Pivot |
| 5 | 140-1190 | 1 | Anchor-Clutch | 17 | 3256-4 | 1 | Washer-Flat |
| 6 | 98-5975 | 4 | Washer-Belleville | 18 | 104-8301 | 2 | Nut-HF, NI |
| 7 | 109-6919 | 1 | Washer-Plain | 22 | 116-4924 | 1 | Engine Oil Drain Hose ASM |
| 8 | 1-603610 | 2 | Washer-Spring | 22:1 | 353-508 | 1 | Plug-HH ● |
| 9 | 109-9761 | 1 | Screw-HH | 22:1:1 | 237-42 | 1 | O-Ring |
| 10 | 323-7 | 4 | Screw-HH | 23 | 139-1079 | 1 | Muffler |
| 11 | 144-2671 | 1 | Idler Arm ASM | 24 | 1-653331 | 1 | Spring-Idler |
| 11:2 | 138-2573 | 2 | Bushing-Flange | 25 | 116-1604 | 1 | Clutch |

● Torque to 24-26 ft-lb
▲ Obtain parts from www.kawpower.com

■ Not serviced separately

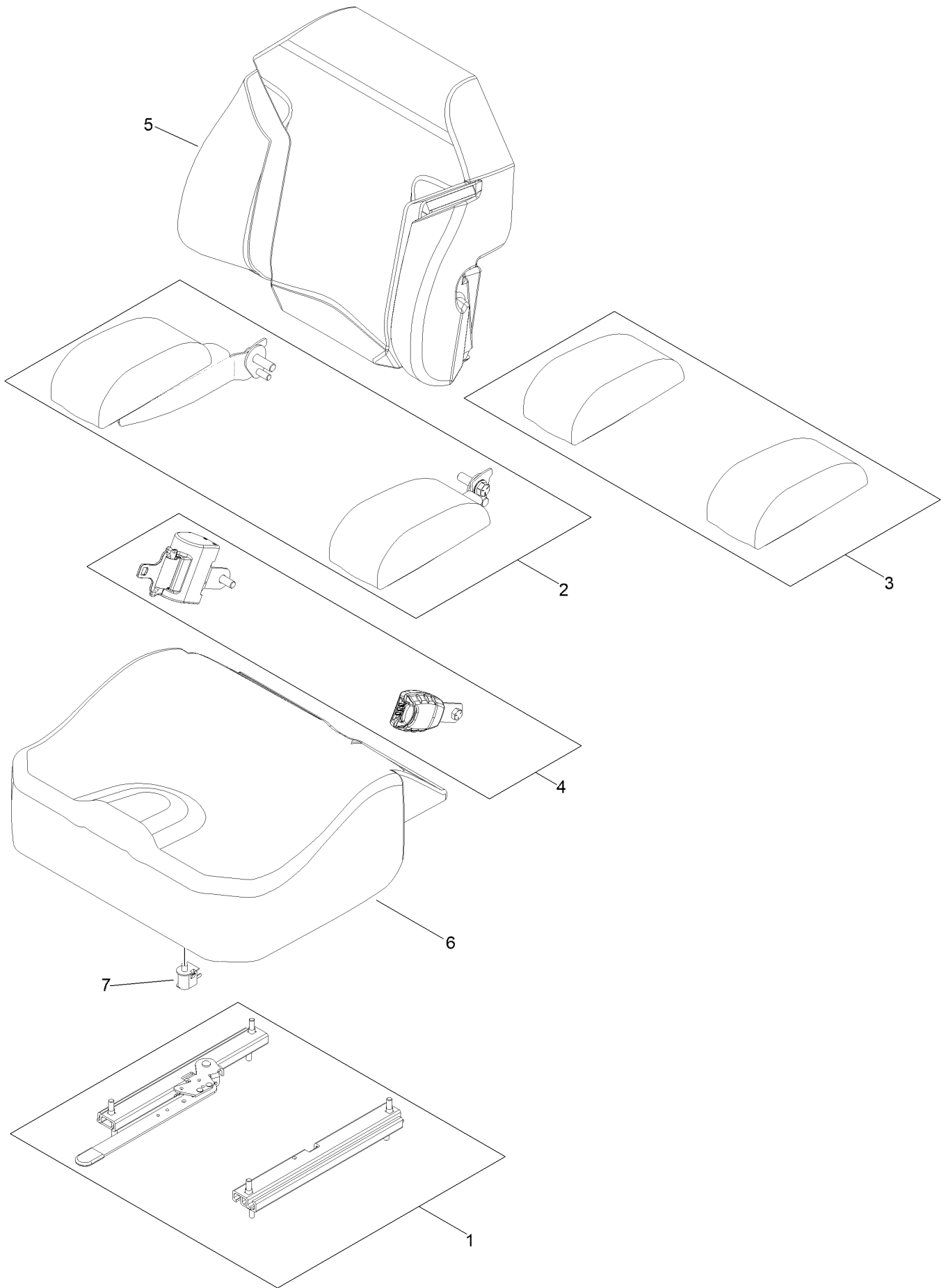
Seat Suspension Platform Assembly



Seat Suspension Platform Assembly (continued)

| <i>Ref.</i> | <i>Part Number</i> | <i>Qty.</i> | <i>Description</i> | <i>Ref.</i> | <i>Part Number</i> | <i>Qty.</i> | <i>Description</i> |
|-------------|--------------------|-------------|----------------------------|-------------|--------------------|-------------|-------------------------|
| 1 | 139-6691-03 | 1 | Mount-Shock, Lower [black] | 41 | 105-3048 | 2 | Washer-Flat |
| 2 | 136-1719 | 1 | Shock ASM-Front | 42 | 116-0648 | 2 | Screw-HH, Thd Lock |
| 7 | 3230-23 | 4 | Bolt-CARR | 43 | 127-6759-03 | 2 | Bracket-Bearing |
| 8 | 104-8300 | 21 | Nut-HF, NI | 44 | 127-6743 | 4 | Housing-Bearing, Flange |
| 10 | 147-4978 | 1 | Subframe ASM | 45 | 1-653346 | 2 | Bearing |
| 10:2 | 132-0871 | 1 | Decal-Danger | 46 | 3230-10 | 8 | Bolt-CARR |
| 10:3 | 127-6745 | 2 | Bushing-Flange | 48 | 127-6768 | 3 | Screw-CARR |
| 16 | 127-6754-03 | 1 | Arm-Trailing | 49 | 3231-22 | 3 | Screw-CARR |
| 18 | 99-5107 | 5 | Nut-Lock | 50 | 104-8301 | 5 | Nut-HF, NI |
| 19 | 144-2602 | 1 | Bracket-Mounting | 51 | 130-0733 | 4 | Pad-Rubber |
| 19:2 | 132-5067 | 1 | Decal-Adjustment, Ride | 52 | 127-6751 | 2 | Spacer-Aluminum |
| 21 | 126-5491 | 1 | Isolator | 53 | 86-1990 | 2 | Washer |
| 22 | 133-5109 | 2 | Bearing-Sleeve | 54 | 140-4869 | 2 | Spacer-Tube |
| 23 | 131-4699 | 2 | Washer-Plastic | 55 | 133-4401 | 2 | Bolt-Shoulder |
| 24 | 133-1815 | 2 | Shock/Spring ASM | 56 | 138-8491 | 1 | Clip-Pin |
| 25 | 136-9017 | 2 | Cam Lock ASM | 57 | 119-0395-03 | 1 | Adapter-Captive |
| 26 | 136-5636 | 2 | Knob-Lock, Cam | 58 | 107069 | 2 | Clip |
| 27 | 3-6803 | 2 | Washer-Adjusting | 59 | 32115-15 | 2 | Nut-Push |
| 28 | 3296-45 | 2 | Nut-Hex | 60 | 3256-60 | 2 | Washer-Flat |
| 32 | 1-513658 | 2 | Bumper | 61 | 3274-69 | 2 | Screw-HSBH |
| 33 | 144-0381-01 | 1 | Floorpan | 62 | 144-0355 | 1 | Floormat-Myride |
| 35 | 126-9181 | 1 | Pin-Clevis | 63 | 117-2382 | 2 | Plug-Plastic |
| 36 | 140-1197-03 | 1 | Pan-Seat | 64 | 147-4956-03 | 1 | Plate-Badge |
| 37 | 144-2631 | 1 | Seat ASM-Standard | 66 | 130-8451 | 2 | Rivet-Trifold |
| 38 | 144-0437 | 1 | Decal-Myride | 68 | 117-2749 | 6 | Nut-Push |
| 39 | 144-2669 | 1 | Decal-Service Aid | | | | |

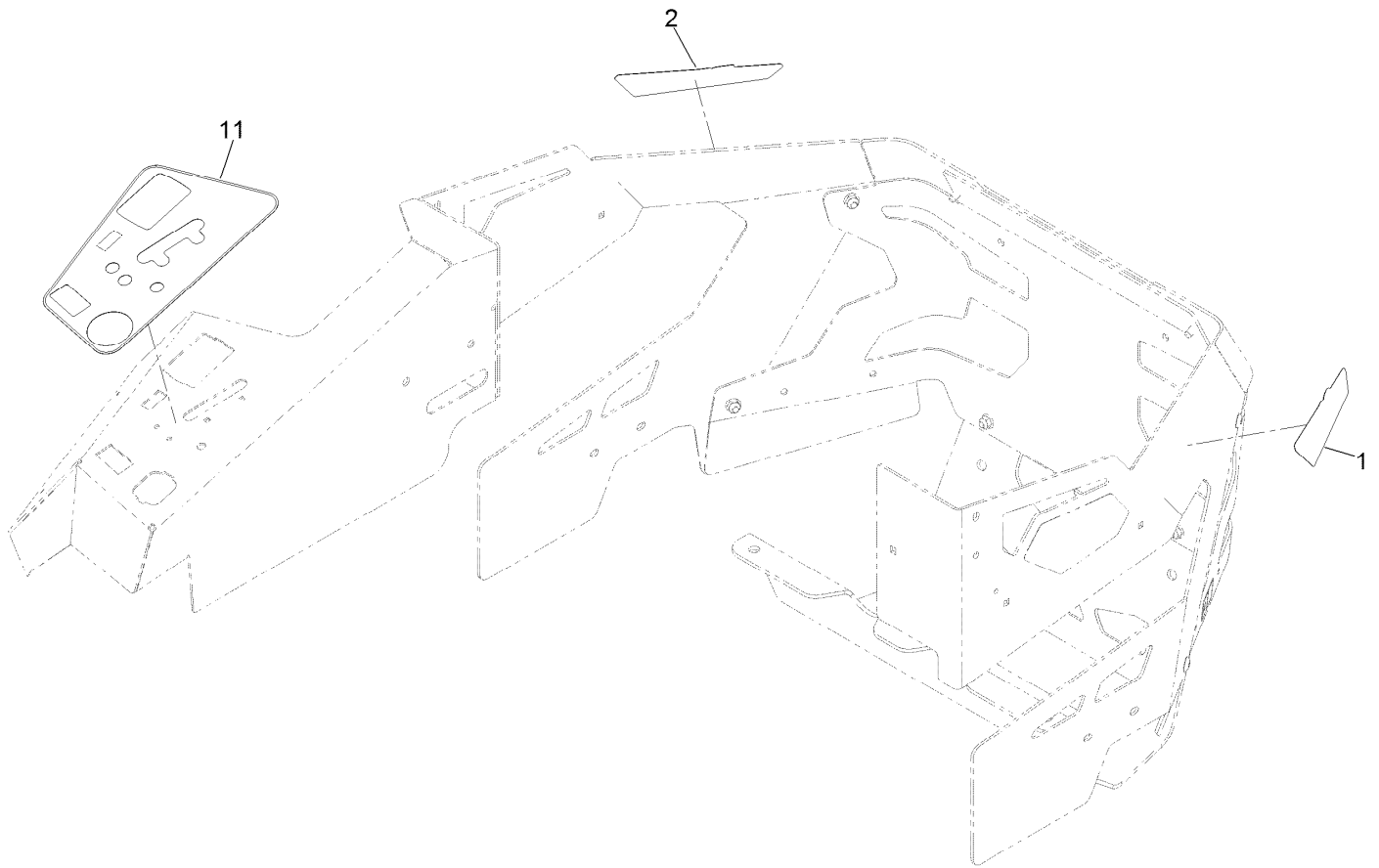
Seat Assembly No. 144-2631



Seat Assembly No. 144-2631 (continued)

| <i>Ref.</i> | <i>Part Number</i> | <i>Qty.</i> | <i>Description</i> | <i>Ref.</i> | <i>Part Number</i> | <i>Qty.</i> | <i>Description</i> |
|-------------|--------------------|-------------|--------------------|-------------|--------------------|-------------|--------------------|
| 1 | 147-7883 | 1 | Seat Track Kit | 5 | 145-3643 | 1 | Cover-Back, Seat |
| 2 | 145-3641 | 1 | Armrest Kit | 6 | 145-3644 | 1 | Cover-Bottom, Seat |
| 3 | 145-3642 | 1 | Pads-Armrest | 7 | 82-2190 | 1 | Switch-Bail |
| 4 | 130-2854 | 1 | Seat Belt Kit | | | | |

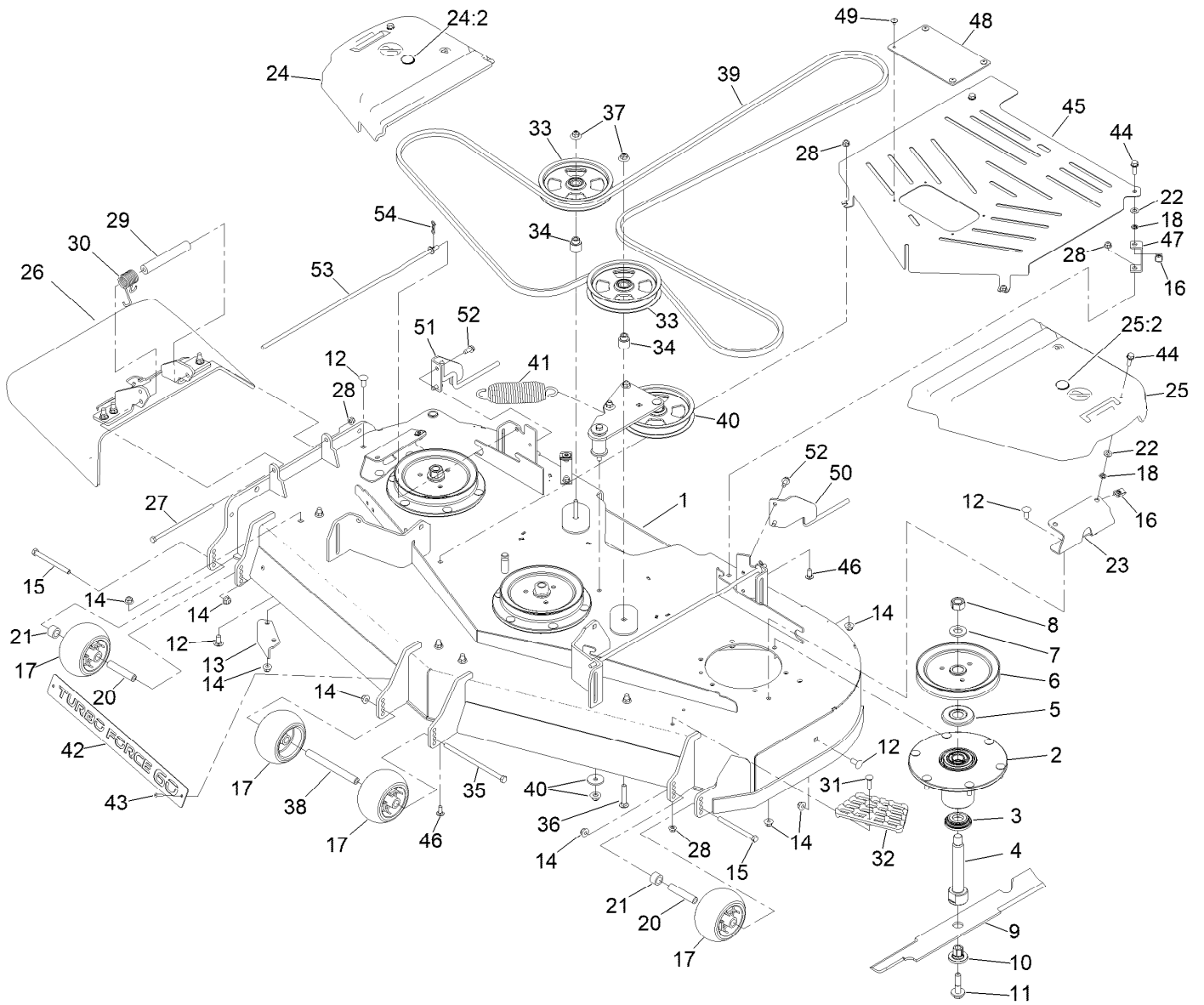
Decal Assembly



Decal Assembly (continued)

| <i>Ref.</i> | <i>Part Number</i> | <i>Qty.</i> | <i>Description</i> |
|-------------|--------------------|-------------|-------------------------|
| 1 | 144-0438 | 1 | Decal - Pro |
| 2 | 144-0439 | 1 | Decal - Pro |
| 11 | 144-6552 | 1 | Decal-Panel, Te Control |

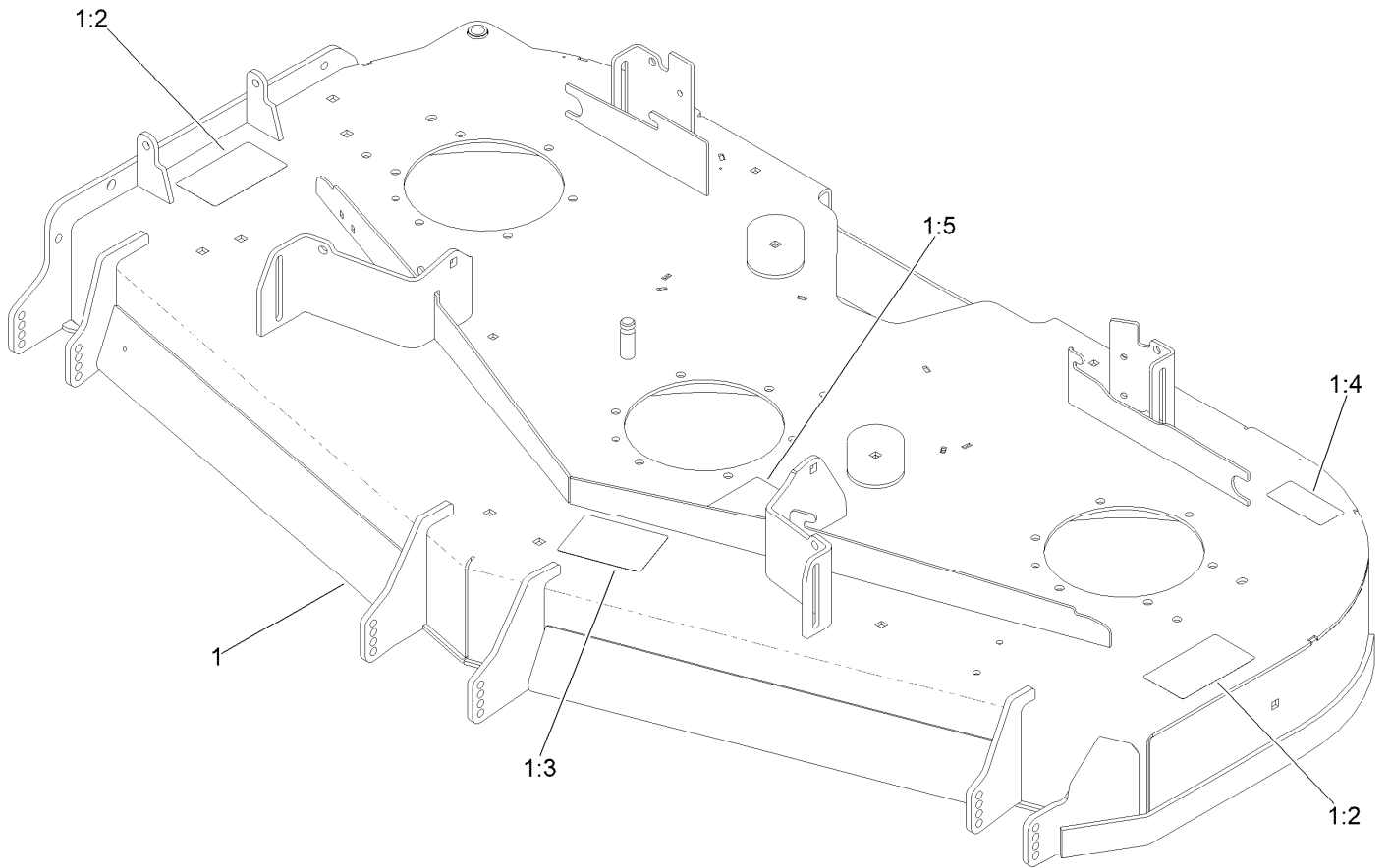
Deck Assembly



Deck Assembly (continued)

| <i>Ref.</i> | <i>Part Number</i> | <i>Qty.</i> | <i>Description</i> | <i>Ref.</i> | <i>Part Number</i> | <i>Qty.</i> | <i>Description</i> |
|-------------|--------------------|-------------|----------------------|-------------|--------------------|-------------|---------------------------|
| 1 | 147-4997 | 1 | Deck Decal ASM | 28 | 104-8300 | 6 | Nut-HF, NI |
| 2 | 137-9780 | 3 | Spindle ASM | 29 | 105-4622 | 1 | Spacer |
| 3 | 137-9784 | 3 | Guard-Bottom | 30 | 108-4052 | 1 | Spring-Torsion |
| 4 | 138-6045 | 3 | Shaft-Spindle | 31 | 3230-3 | 1 | Screw-CARR |
| 5 | 103-1330 | 3 | Guard-Bearing, Top | 32 | 126-4781-03 | 1 | Step-Deck |
| 6 | 138-6059 | 3 | Sheave-Drive, Blade | 33 | 132-9424 | 2 | Pulley-Idler, Flat |
| 7 | 103-2802 | 3 | Washer | 34 | 139-8061 | 2 | Bushing, Idler |
| 8 | 116-7306 | 3 | Nut-Hex | 35 | 108-5388 | 1 | Screw-HH |
| 9 | 140-1240 | 3 | Blade | 36 | 3231-7 | 2 | Screw-CARR |
| 10 | 137-9787 | 3 | Bushing-Hex | 37 | 109-6658 | 2 | Nut-Flange, NI |
| 11 | 109-9220 | 3 | Screw-Sems | 38 | 98-5967 | 1 | Spacer-Wheel |
| 12 | 3231-27 | 13 | Screw-CARR | 39 | 144-0357 | 1 | Belt-V |
| 13 | 107-8541-01 | 1 | Baffle-Discharge | 40 | 139-1087 | 1 | Idler Arm ASM |
| 14 | 104-8301 | 34 | Nut-HF, NI | 41 | 116-6317 | 1 | Spring-Extension |
| 15 | 323-23 | 2 | Screw-HH | 42 | 147-4631-03 | 1 | Plate-Turbo Force [black] |
| 16 | 94-2413 | 4 | Nut-U | 43 | 130-8451 | 2 | Rivet-Trifold |
| 17 | 1-603299 | 4 | Roller-Scalp, Anti | 44 | 3234-29 | 4 | Screw-HHF |
| 18 | 117-2749 | 4 | Nut-Push | 45 | 145-1271-03 | 1 | Guard-Center Belt 60 |
| 20 | 133-2129 | 2 | Tube-Shafting | 46 | 3230-23 | 4 | Bolt-CARR |
| 21 | 133-2128 | 2 | Tube-Spacer | 47 | 126-9646 | 2 | Bracket-Guard |
| 22 | 73-0041 | 4 | Washer-Thrust | 48 | 144-0420 | 1 | Shield-Rubber |
| 23 | 114-5882-01 | 2 | Bracket-Cover, Belt | 49 | 132-5064 | 4 | Rivet-Pop |
| 24 | 117-7815 | 1 | RH Belt Cover ASM | 50 | 140-4913 | 1 | Support-Lower LH |
| 24:2 | 117-3824 | 1 | Plug-Plastic | 51 | 140-4914 | 1 | Support-Lower RH |
| 25 | 117-7816 | 1 | LH Belt Cover ASM | 52 | 32144-70 | 4 | Screw-HWHTF |
| 25:2 | 117-3824 | 1 | Plug-Plastic | 53 | 140-8027 | 2 | Rod-Skirt, Lower |
| 26 | 144-2635 | 1 | Rubber Deflector ASM | 54 | 119-1415 | 2 | Pin-Cotter, Locking |
| 27 | 322-50 | 1 | Screw-HH | | | | |

Deck Decal Assembly No. 147-4997

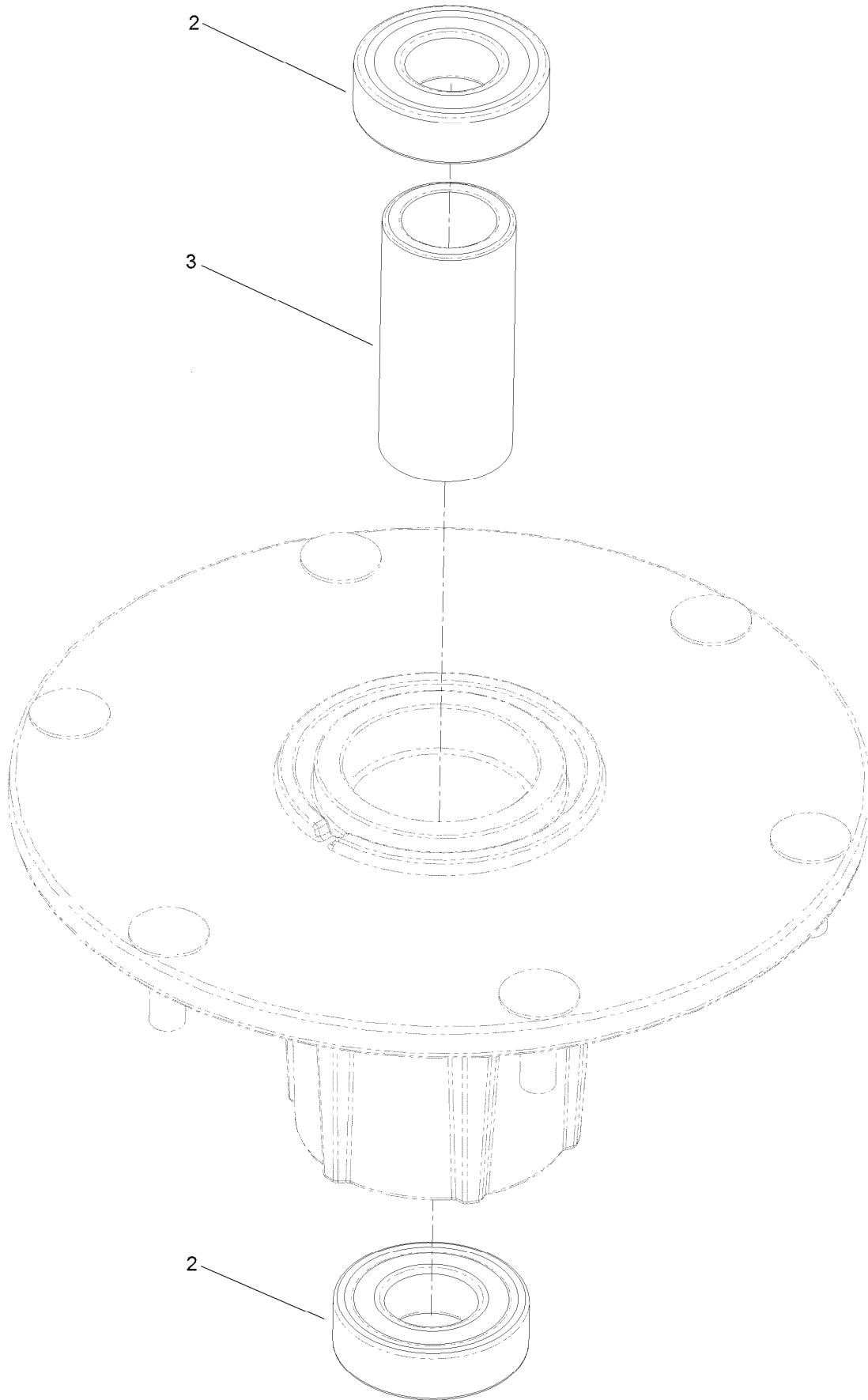


Deck Decal Assembly No. 147-4997 (continued)

| <i>Ref.</i> | <i>Part Number</i> | <i>Qty.</i> | <i>Description</i> | <i>Ref.</i> | <i>Part Number</i> | <i>Qty.</i> | <i>Description</i> |
|-------------|--------------------|-------------|---------------------|-------------|--------------------|-------------|---------------------|
| 1 | | 1 | Deck ASM W/Decals ● | 1:4 | 116-8283 | 1 | Decal-Torque, Bolt |
| 1:2 | 117-3848 | 2 | Decal-Danger | 1:5 | 109-6035 | 1 | Decal-Routing, Belt |
| 1:3 | 127-0326 | 1 | Decal-Scalp, Anti | | | | |

● Not serviced separately

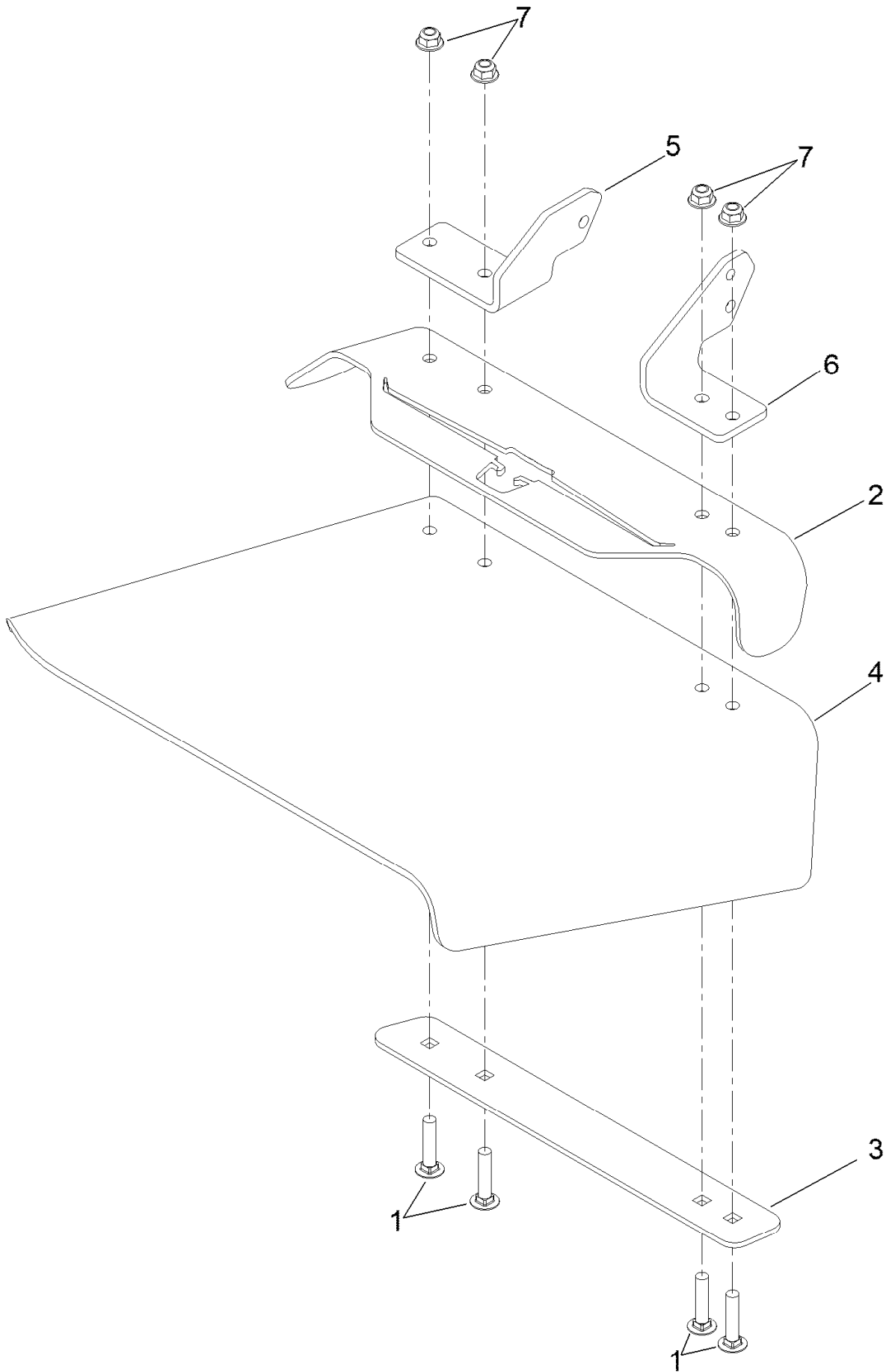
Spindle Assembly No. 137-9780



Spindle Assembly No. 137-9780 (continued)

| <i>Ref.</i> | <i>Part Number</i> | <i>Qty.</i> | <i>Description</i> |
|-------------|--------------------|-------------|--------------------|
| 2 | 116-0720 | 2 | Bearing-Ball |
| 3 | 138-6042 | 1 | Spacer-Bearing |

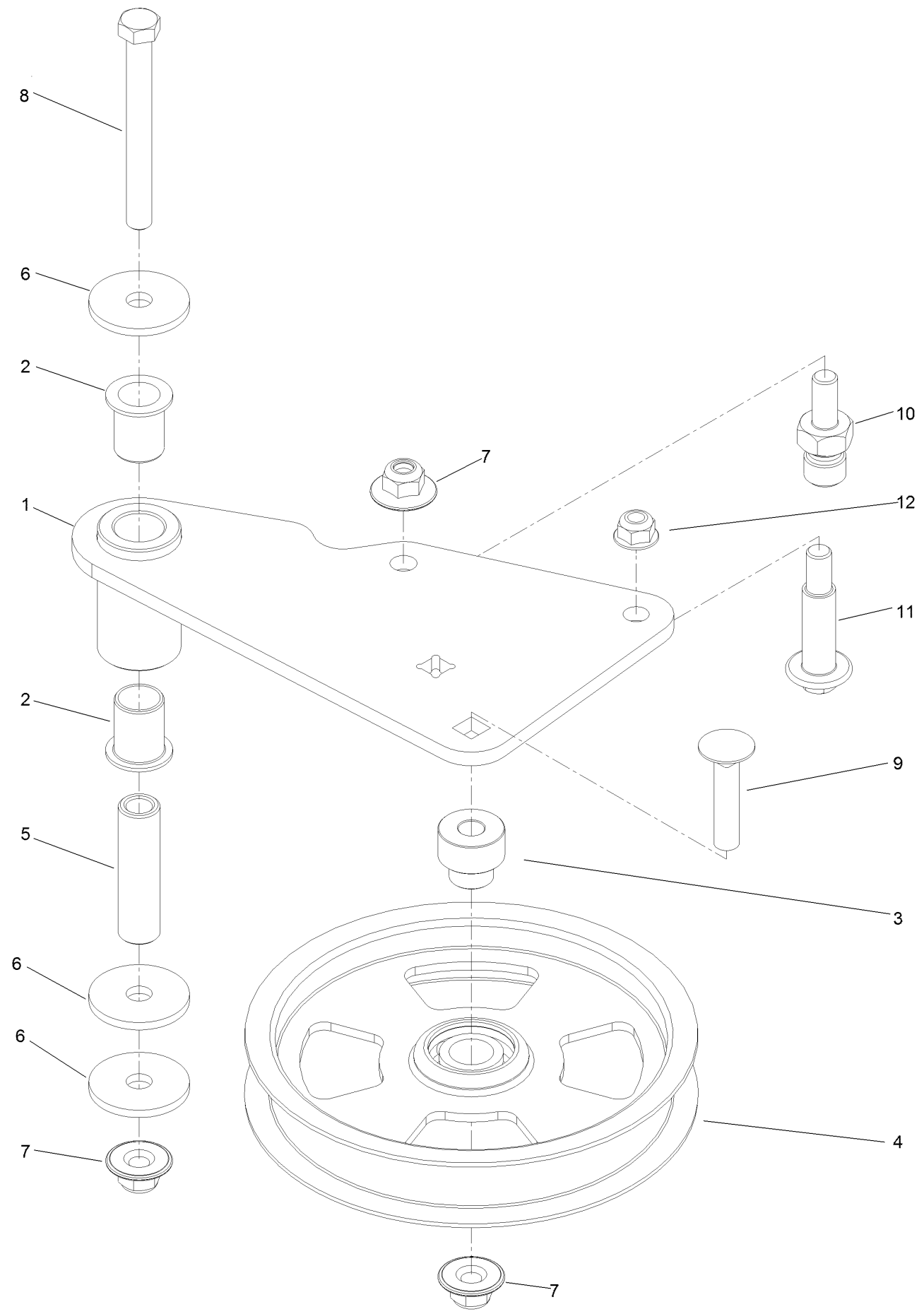
Deflector Assembly No. 144-2635



Deflector Assembly No. 144-2635 (continued)

| <i>Ref.</i> | <i>Part Number</i> | <i>Qty.</i> | <i>Description</i> | <i>Ref.</i> | <i>Part Number</i> | <i>Qty.</i> | <i>Description</i> |
|-------------|--------------------|-------------|-----------------------------|-------------|--------------------|-------------|--------------------|
| 1 | 3231-5 | 4 | Screw-CARR | 5 | 108-4059-01 | 1 | Plate-Hinge, Rear |
| 2 | 161-9815-01 | 1 | Plate-Deflector Mount [red] | 6 | 106-3253-01 | 1 | Plate-Hinge, Front |
| 3 | 106-3248-03 | 1 | Strap-Discharge | 7 | 104-8301 | 4 | Nut-HF, NI |
| 4 | 161-3464 | 1 | Deflector-Deck, Rubber | | | | |

Idler Arm Assembly No. 139-1087



Idler Arm Assembly No. 139-1087 (continued)

| <i>Ref.</i> | <i>Part Number</i> | <i>Qty.</i> | <i>Description</i> | <i>Ref.</i> | <i>Part Number</i> | <i>Qty.</i> | <i>Description</i> |
|-------------|--------------------|-------------|----------------------|-------------|--------------------|-------------|----------------------|
| 1 | 139-1086 | 1 | Idler Arm ASM | 7 | 109-6658 | 3 | Nut-Flange, NI |
| 2 | 138-2573 | 2 | Bushing-Flange | 8 | 323-15 | 1 | Screw-HH |
| 3 | 139-8060 | 1 | Bushing, Idler | 9 | 3231-5 | 1 | Screw-CARR |
| 4 | 132-9424 | 1 | Pulley-Idler, Flat | 10 | 132-4729 | 1 | Anchor-Spring, Short |
| 5 | 139-6690 | 1 | Bushing, Idler Pivot | 11 | 136-9028 | 1 | Bolt-Shoulder, HWH |
| 6 | 1-213069 | 3 | Washer | 12 | 104-8301 | 1 | Nut-HF, NI |

Attachments and Accessories

For 74056TE 152cm Z Master 4000 Series Riding Mower

| Product Name | Model/Part |
|---|-------------------|
| Anti-Scalp Kit (Trim Side)..... | 108-4140 |
| Hypr-Oil 500 (quart)..... | 114-4713 |
| Hypr-Oil 500 (gallon)..... | 114-4714 |
| Hypr-Oil 500-5 (5 gallon)..... | 114-4715 |
| Striper Kit..... | 126-7882 |
| Jack Kit..... | 127-6666 |
| Shock/Spring Asm..... | 136-8993 |
| Recycler Kit..... | 139-6655 |
| Blade-20.5 High Flow..... | 140-1240 |
| Blade-20.50 Atomic..... | 140-1241 |
| Blade-20.50 Medium Flow..... | 140-4853 |
| Blade-20.50, Low Flow..... | 140-4854 |
| Blade-20.50 Recycler..... | 140-4855 |
| 6 Pack-Blade, 20.5 High Flow..... | 140-4877 |
| 6 Pack-Blade, 20.5 Med Flow..... | 140-4878 |
| 6 Pack-Blade, 20.5 Low Flow..... | 140-4879 |
| 6 Pack-Blade, 20.5 Atomic..... | 140-4880 |
| 6 Pack-Blade, 20.5 Recycler..... | 140-4881 |
| Trimmer Mount..... | 144-2665 |
| Jack Mount Kit..... | 144-2676 |
| Hardtop Sun Canopy..... | 144-3719 |
| 60" Chute Gate Kit..... | 144-6572 |
| 60 CE Compliance Kit [4000]..... | 145-1263 |
| Asm-Semi Pneumatic 15x6.50-6..... | 145-1919 |
| Handle Extension Kit..... | 145-3615 |
| Tweel-Turf..... | 147-4600 |
| Blade-20.50 High Flow..... | 147-6252 |
| 6 Pack-Blade, 20.50 High Flow..... | 147-6256 |
| 15inx6n6 Caster Tweel Asm..... | 147-6337 |
| Bucket Mount Kit, Z Master 2000 or 4000 Series Riding Mower..... | 147-6345 |
| Universal Mount Kit, Z Master 2000 or 4000 Series Riding Mower..... | 147-6346 |
| Baffle Kit, Turbo Force 60in..... | 147-7362 |
| 2in Reciever Hitch Kit..... | 161-2810 |
| Fuel Pickup with Screen Kit..... | 161-6806 |
| Spark Arrestor Screen..... | 75-6880 |
| Bagger Kit, Z Master 2000 / 4000..... | 78439 |
| Z 4000 60in Completion Kit..... | 78466 |

Notes:



Count on it.