



Count on it.

Parts Catalog

**72in Z Master® 4000 Series
Riding Mower**

Model No. 74022—Serial No. 417400000 and Up



Ordering Replacement Parts

To order replacement parts, please supply the part number, the quantity, and the description of each part desired.

Understanding Reference Numbers

Each identified part in an illustration has a reference number. The reference number for a part also appears in the parts list, along with other information about the part.

This catalog uses two special reference number formats, one to indicate parts in a service assembly and another to indicate the quantity of a given part in an illustration.

Service Assembly Reference Numbers

Parts in service assemblies have reference numbers in the form a:b. The a represents the reference number of the entire service assembly and the b represents a sequential number unique to each part within the service assembly.

For example, a wheel assembly might be identified by reference number 6, the tire by 6:1, the valve by 6:2, and the wheel by 6:3. When you order the assembly identified by reference number 6, you receive all parts identified by reference numbers 6:1, 6:2, and 6:3. However, you may also order any part individually. Reference numbers of this type appear in illustration and in parts lists.

Reference Numbers Indicating Quantity

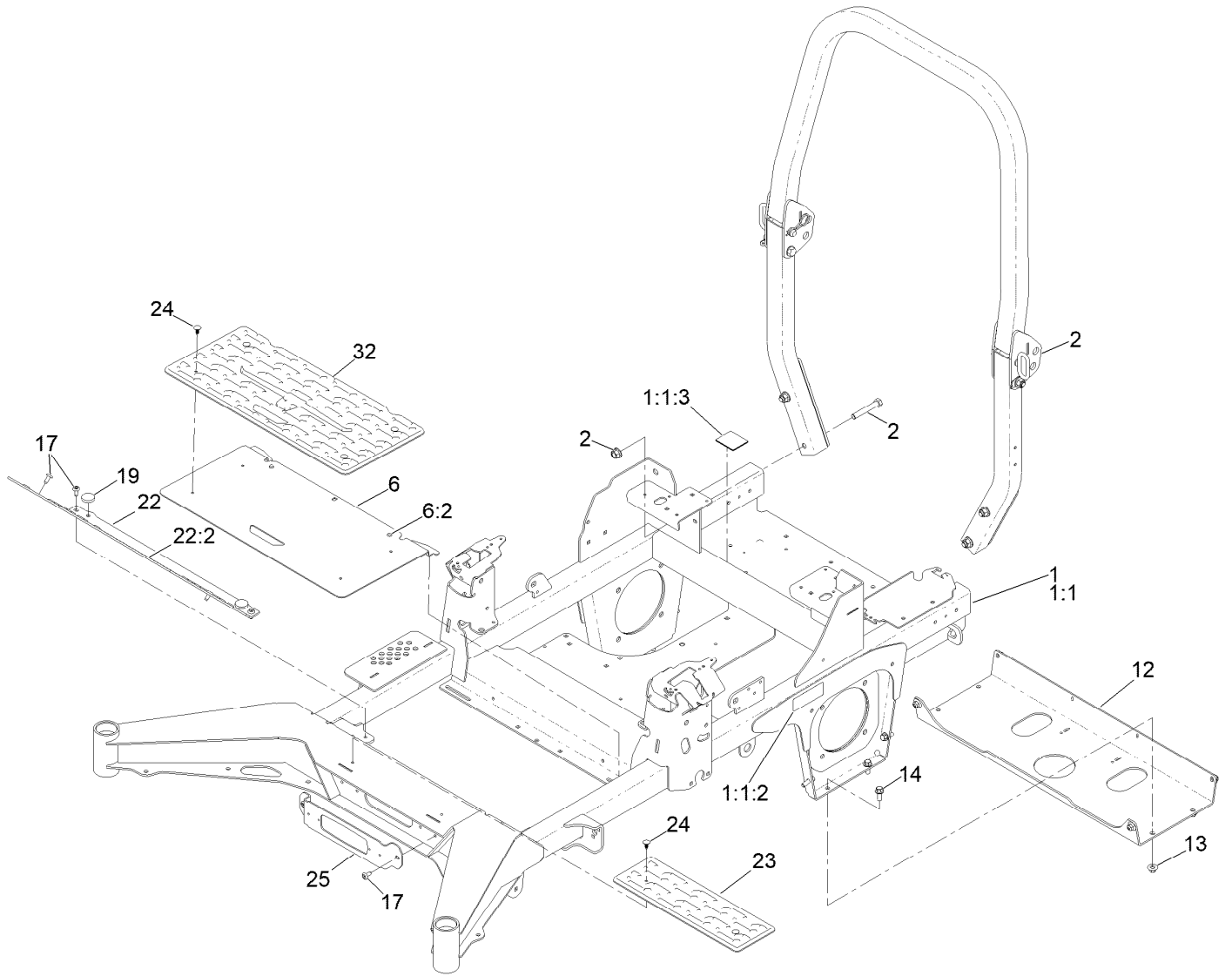
In an illustration, if a reference number indicates more than one part, the reference number has the form nX y. The n represents the quantity of the part, the X is the multiplication symbol, and the y represents the reference number.

For example, in an illustration, the reference number 2X 37 means that two of the parts identified by reference number 37 are indicated.

Contents

Frame and Roll-Over Protection System Assembly	4
Roll-Over Protection System Assembly No. 139-8062.....	6
Hydro Assembly	8
LH Transaxle Assembly No. 138-6076	10
RH Transaxle Assembly No. 138-6077	12
Throttle Cable and Guard Assembly	14
Fuel System Assembly	16
Fuel Tank Assembly No. 139-6722	18
Seat Mount Assembly	20
Seat Assembly No. 144-2632	22
Motion Control Assembly	24
Left and Right Control Arm Assembly	26
Caster Wheel Assembly	28
Caster Wheel and Fork Assembly	30
Rear Wheel Assembly	32
Electrical Assembly	34
Wire Harness Assembly No. 139-8078.....	36
Deck Lift Assembly.....	38
Deck Strut Assembly No. 140-1179	40
Engine, Clutch and Muffler Assembly	42
Decal Assembly	44
Deck Assembly	46
Spindle Assembly No. 137-9780	48
Deck Decal Assembly No. 147-5042	50
Deflector Assembly No. 144-2635.....	52
Idler Arm Assembly No. 139-1087	54
Attachments and Accessories	56

Frame and Roll-Over Protection System Assembly



Frame and Roll-Over Protection System Assembly (continued)

<i>Ref.</i>	<i>Part Number</i>	<i>Qty.</i>	<i>Description</i>	<i>Ref.</i>	<i>Part Number</i>	<i>Qty.</i>	<i>Description</i>
1	147-7839	1	Frame ASM-XI 72	14	3234-42	8	Screw-HHF
1:1		1	Frame ASM-XI 72 ●	17	138-9753	6	Screw
1:1:2	126-4363	2	Decal-Warning	19	109-9233	2	Bumper-Push-In, Rubber
1:1:3	144-2687	1	Decal, Belt Routing	22	140-4995	1	Toeboard
2	139-8062	1	ASM-ROPS	22:2	126-8383	1	Decal-Danger
6	138-6098	1	Floor Pan ASM	23	140-4992	1	Step
6:2	109-9233	2	Bumper-Push-In, Rubber	24	117-2382	6	Plug-Plastic
12	139-6717-01	1	Plate-Hydro	25	140-4994-01	1	Bracket-Light
13	109-6658	8	Nut-Flange, NI	32	140-7950	1	Floormat-Fixed Seat

● Not serviced separately

Roll-Over Protection System Assembly No. 139-8062

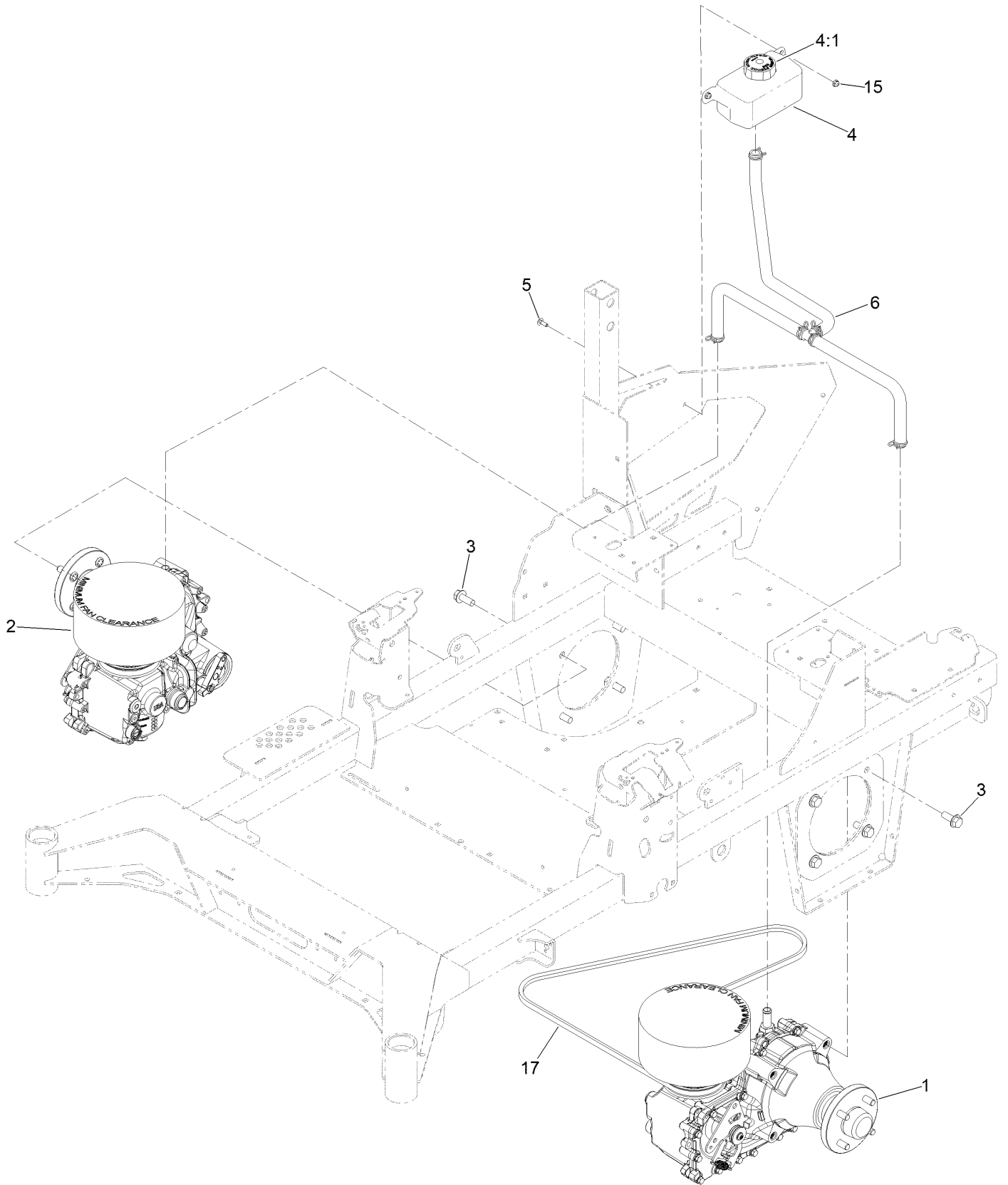


Roll-Over Protection System Assembly No. 139-8062 (continued)

<i>Ref.</i>	<i>Part Number</i>	<i>Qty.</i>	<i>Description</i>	<i>Ref.</i>	<i>Part Number</i>	<i>Qty.</i>	<i>Description</i>
1		1	Upper ROPS ASM ●	5	161-4477	2	Pin-ROPS, ASM
1:2	107-3069	1	Decal-Warning	6	99-5107	6	Nut-Lock
2		1	RH Lower ROPS ASM ●	7	109-5337	2	Bumper-ROPS
3		1	LH Lower ROPS ASM ●	8	109-9505	4	Washer-Spring
4	126-9209	2	Bolt-Shoulder	9	325-13	4	Screw-HH

● Not serviced separately

Hydro Assembly



Hydro Assembly (continued)

<i>Ref.</i>	<i>Part Number</i>	<i>Qty.</i>	<i>Description</i>	<i>Ref.</i>	<i>Part Number</i>	<i>Qty.</i>	<i>Description</i>
1	138-6076	1	LH Transaxle ASM	5	3229-28	2	Screw-CARR
2	138-6077	1	RH Transaxle ASM	6	140-1225	1	ASM-Hose, Hydraulic
3	3234-38	8	Screw-HHF	15	104-7201	2	Nut-HF, NI
4	119-9908	1	Hydraulic Reservoir ASM	17	126-9835	1	Belt-V
4:1	109-3320	1	Cap-Reservoir, HYD				

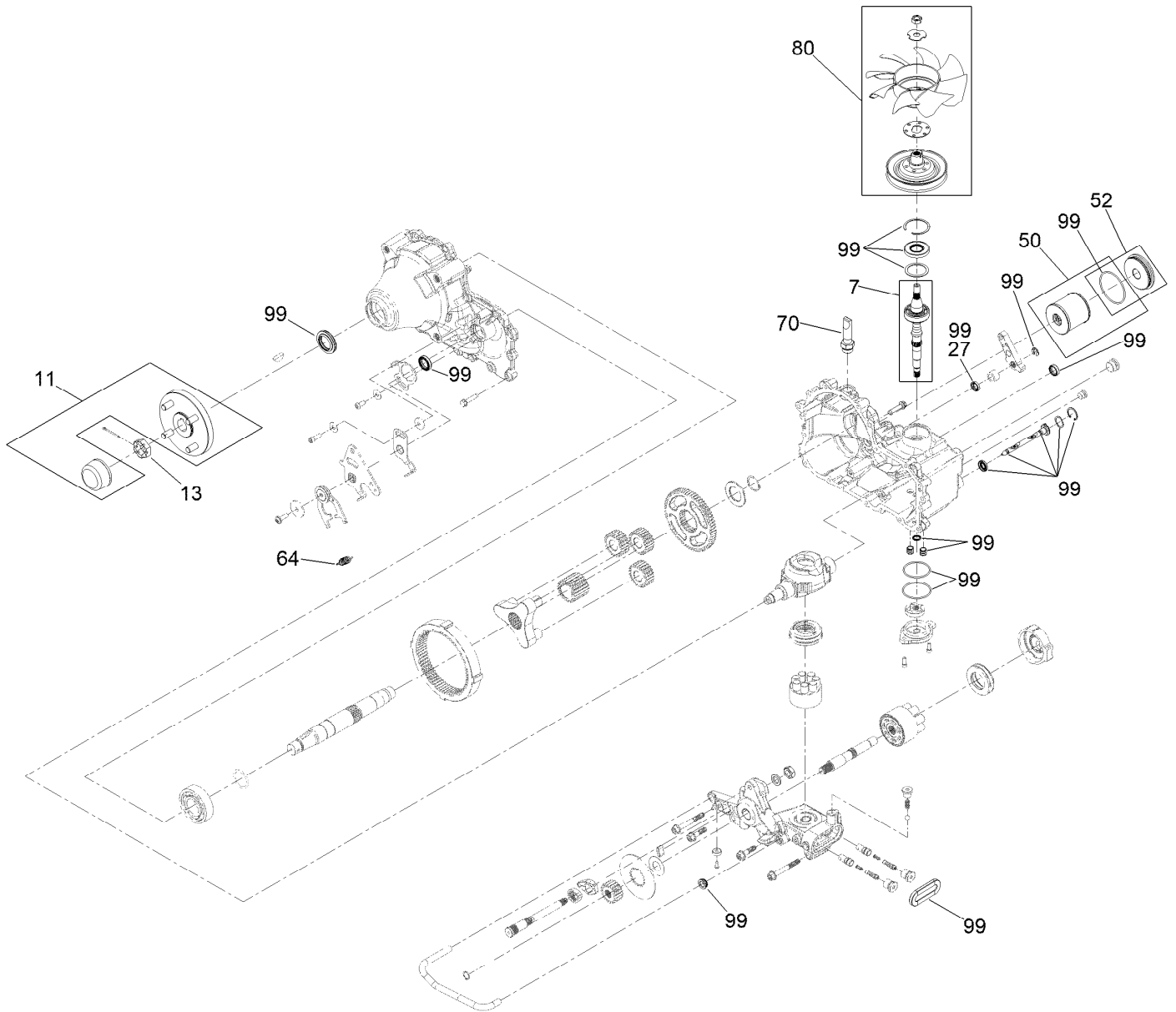
LH Transaxle Assembly No. 138-6076



LH Transaxle Assembly No. 138-6076 (continued)

<i>Ref.</i>	<i>Part Number</i>	<i>Qty.</i>	<i>Description</i>	<i>Ref.</i>	<i>Part Number</i>	<i>Qty.</i>	<i>Description</i>
7	147-1672	1	Kit, Input Shaft	52	144-6604	1	Kit, Filter Plug
11	144-6594	1	Hub-4 Bolt	64	125-4684	1	Spring-Extension
13	144-6595	1	Nut, Slotted	70	144-6601	1	Fitting-5/8 Beaded, 7/8 SAE
27	145-3678	1	Seal, Lip-Brake	80	144-6602	1	Kit, Fan And Pulley
50	144-6603	1	Kit, Filter	99	145-3683	1	Kit-Overhaul Seal

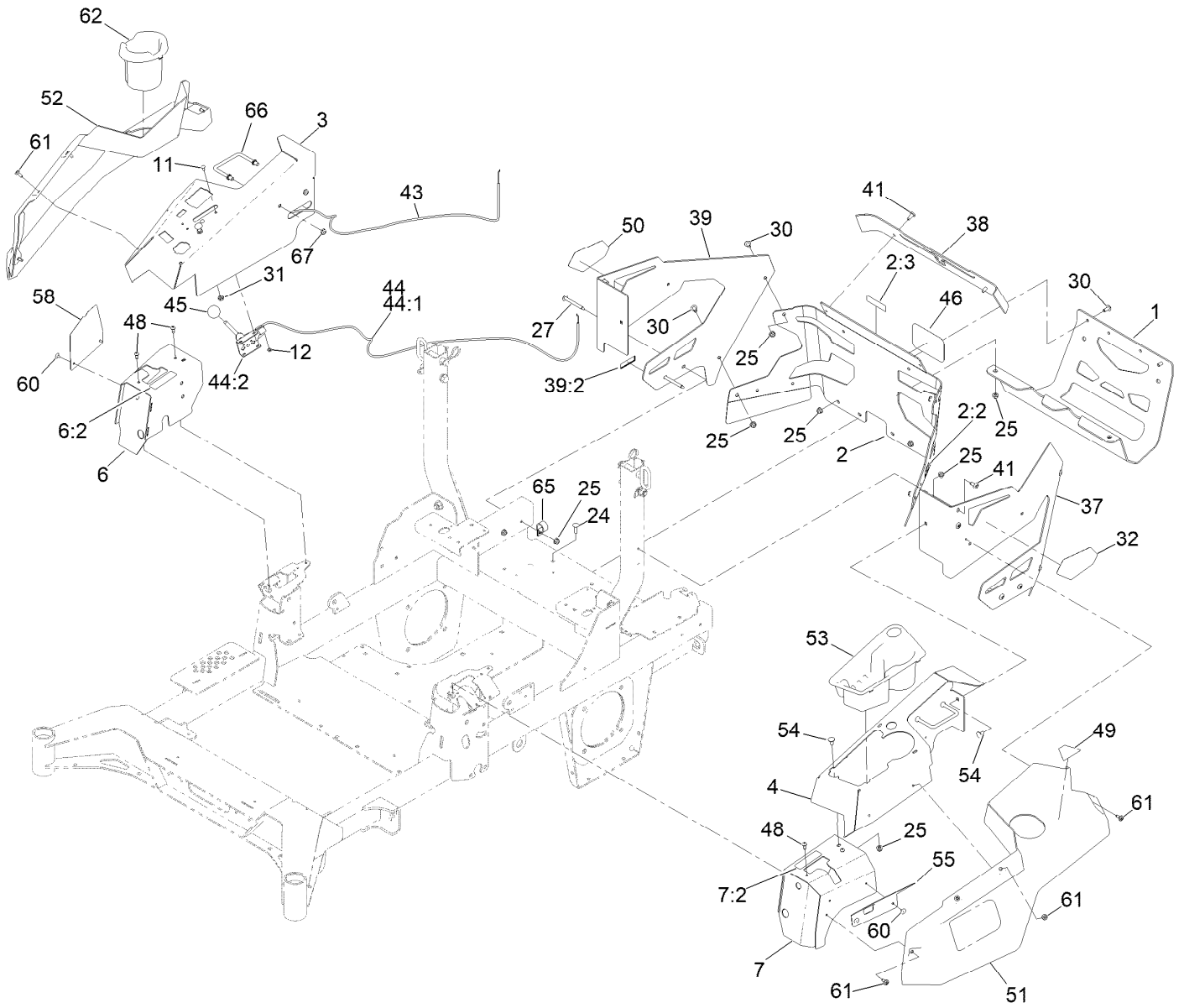
RH Transaxle Assembly No. 138-6077



RH Transaxle Assembly No. 138-6077 (continued)

<i>Ref.</i>	<i>Part Number</i>	<i>Qty.</i>	<i>Description</i>	<i>Ref.</i>	<i>Part Number</i>	<i>Qty.</i>	<i>Description</i>
7	147-1672	1	Kit, Input Shaft	52	144-6604	1	Kit, Filter Plug
11	144-6594	1	Hub-4 Bolt	64	125-4684	1	Spring-Extension
13	144-6595	1	Nut, Slotted	70	144-6601	1	Fitting-5/8 Beaded, 7/8 SAE
27	145-3678	1	Seal, Lip-Brake	80	144-6602	1	Kit, Fan And Pulley
50	144-6603	1	Kit, Filter	99	145-3683	1	Kit-Overhaul Seal

Throttle Cable and Guard Assembly



Throttle Cable and Guard Assembly (continued)

<i>Ref.</i>	<i>Part Number</i>	<i>Qty.</i>	<i>Description</i>	<i>Ref.</i>	<i>Part Number</i>	<i>Qty.</i>	<i>Description</i>
1	145-3686-03	1	Guard-Muffler [black]	41	138-9753	6	Screw
2	147-6259	1	Rear Guard ASM	43	144-2647	1	Cable-Choke Control
2:2	106-5517	2	Decal-Warning	44	110-5727	1	Throttle Control ASM
2:3	147-7364	1	Decal-Hitch	44:1	112-2334	1	Lever-Throttle
3	144-6551-01	1	Console-RH	44:2	110-5728	1	Cable-Throttle
4	145-1287-01	1	Console-LH	45	1-603175	1	Knob-Ball
6	140-4867	1	RH Cover ASM	46	105-8278	1	Decal
6:2	99-8936	1	Decal-Control, Motion	48	87-6620	4	Screw-Tph Thd Form
7	140-4866	1	LH Cover ASM	49	126-9939	1	Decal-Fill, Fuel
7:2	99-8936	1	Decal-Control, Motion	50	140-7987	1	Decal-4000 Series, RH
11	1-807513	2	Bolt-CARR	51	140-7979	1	Side Pod, LH
12	3296-2	2	Nut-Lock, NI	52	140-7980	1	Side Pod, RH
24	3230-22	2	Screw-CARR	53	140-7968	1	Cup Holder
25	104-8300	16	Nut-HF, NI	54	3230-18	4	Screw-CARR
27	126-6267	4	Screw-TTH	55	140-7996-03	1	Plate-Cover, LH Front
30	126-6268	6	Screw-TTH	58	140-7998-03	1	Plate-Cover, RH Front
31	3220-3	1	Nut-HJ	60	130-8451	4	Rivet-Trifold
32	139-1149	1	Decal - 4000 Series, LH	61	120-7950	8	Screw-Torx
37	145-6964-01	1	Guard-Rear, LH	62	140-8019	1	Cupholder-RH
38	140-1221-01	1	Guard-Rear, Top	65	110-0824	1	R-Clamp
39	145-7012	1	RH Rear Guard ASM	66	144-2642	2	Rod-Support, Pod
39:2	133-8062	1	Decal-Spark Arrestor	67	3296-59	4	Nut-Lock, NI

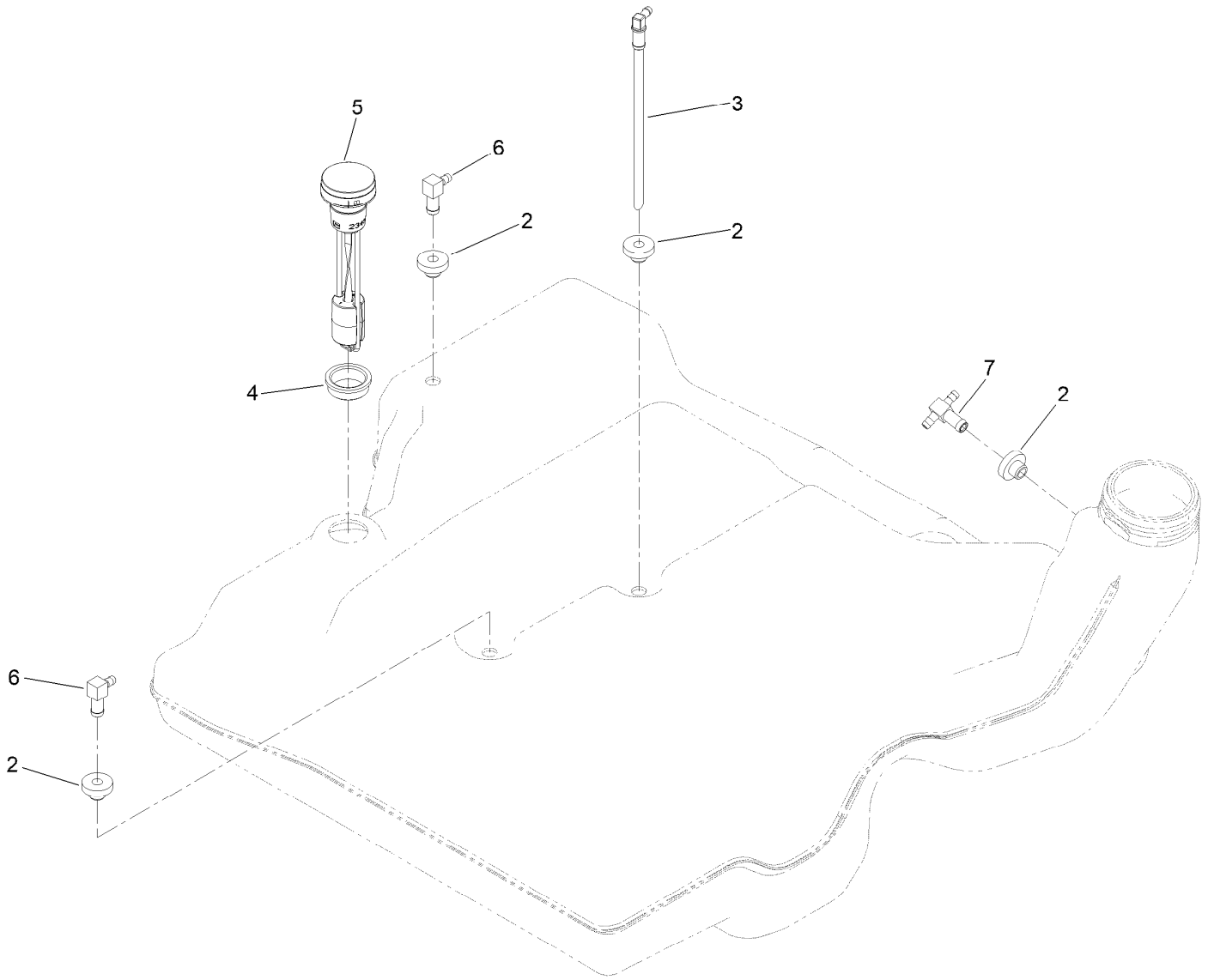
Fuel System Assembly



Fuel System Assembly (continued)

<i>Ref.</i>	<i>Part Number</i>	<i>Qty.</i>	<i>Description</i>	<i>Ref.</i>	<i>Part Number</i>	<i>Qty.</i>	<i>Description</i>
1	139-6722	1	Fuel Tank ASM	7:1	109-0298	1	Line-Fuel
2	137-4119	1	Cap-Fuel, Ratcheting	7:2	114-3766	1	Hose-Fuel
3	104-2490	2	Clamp-Hose	7:3	1-603770	1	Valve-Fuel
4	131-8834	2	Bumper	7:4	2412-98	4	Clamp-Hose
5	104-7201	2	Nut-HF, NI	8	126-5523	3	Clip
6	139-8067	1	Vent Hose ASM	9	140-4957	1	ASM-Fuel Vent
6:1	138-3152	2	Hose-Fuel	9:1	138-3152	1	Hose-Fuel
6:2	120-2234	1	Fitting-Tee	9:2	116-4630	1	Fitting-Orifice, Straight
6:3	140-4956	1	Hose-Fuel	9:3	116-4344	1	Hose-Fuel
7	139-8068	1	Fuel Hose ASM				

Fuel Tank Assembly No. 139-6722



Fuel Tank Assembly No. 139-6722 (continued)

<i>Ref.</i>	<i>Part Number</i>	<i>Qty.</i>	<i>Description</i>
2	46-6560	4	Bushing
3	140-4955	1	Connector Elbow-90 DEG
4	133-9269	1	Grommet-Fuel

<i>Ref.</i>	<i>Part Number</i>	<i>Qty.</i>	<i>Description</i>
5	139-8058	1	Gauge-Fuel
6	126-9057	2	Fitting-90 DEG
7	140-4954	1	Fitting-Tee

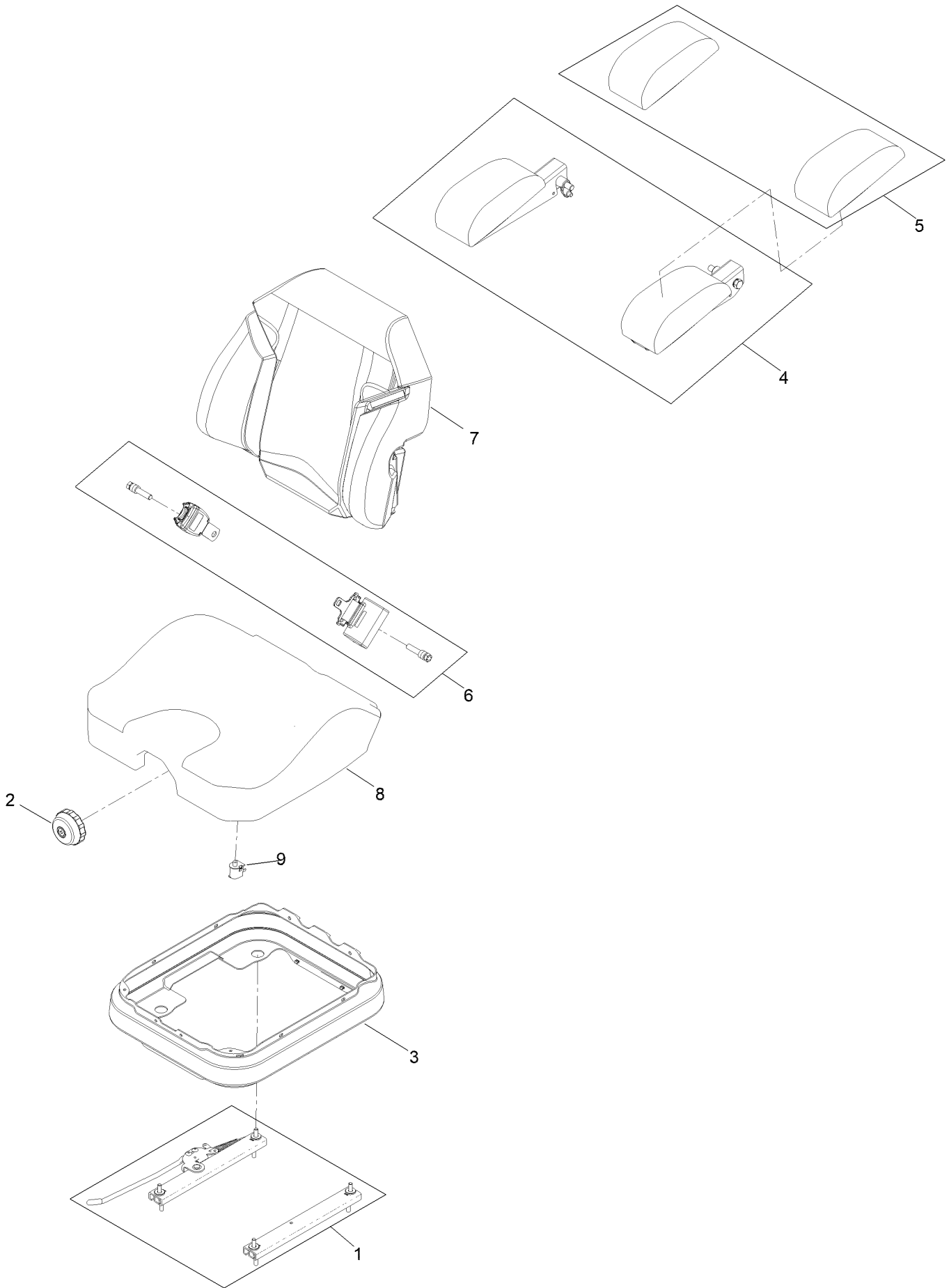
Seat Mount Assembly



Seat Mount Assembly (continued)

<i>Ref.</i>	<i>Part Number</i>	<i>Qty.</i>	<i>Description</i>	<i>Ref.</i>	<i>Part Number</i>	<i>Qty.</i>	<i>Description</i>
1	140-1165-03	1	Pan-Seat [black]	14	5-0652	4	Spacer
4	104-8300	6	Nut-HF, NI	15	144-2632	1	Seat ASM-Suspension
5	144-2669	1	Decal-Service Aid	16	109-9233	1	Bumper-Push-In, Rubber
7	147-2436-03	1	Plate-Tank Retainer, Rear	17	147-4987-03	1	Plate-Tank Retainer, Front
8	3230-23	2	Bolt-CARR	18	130-0733	2	Pad-Rubber
10	138-9753	6	Screw	19	147-4954-01	1	Plate-Backer
12	135-0505	4	Bumper-Seat	20	130-8451	2	Rivet-Trifold
13	1-543286	1	Grommet				

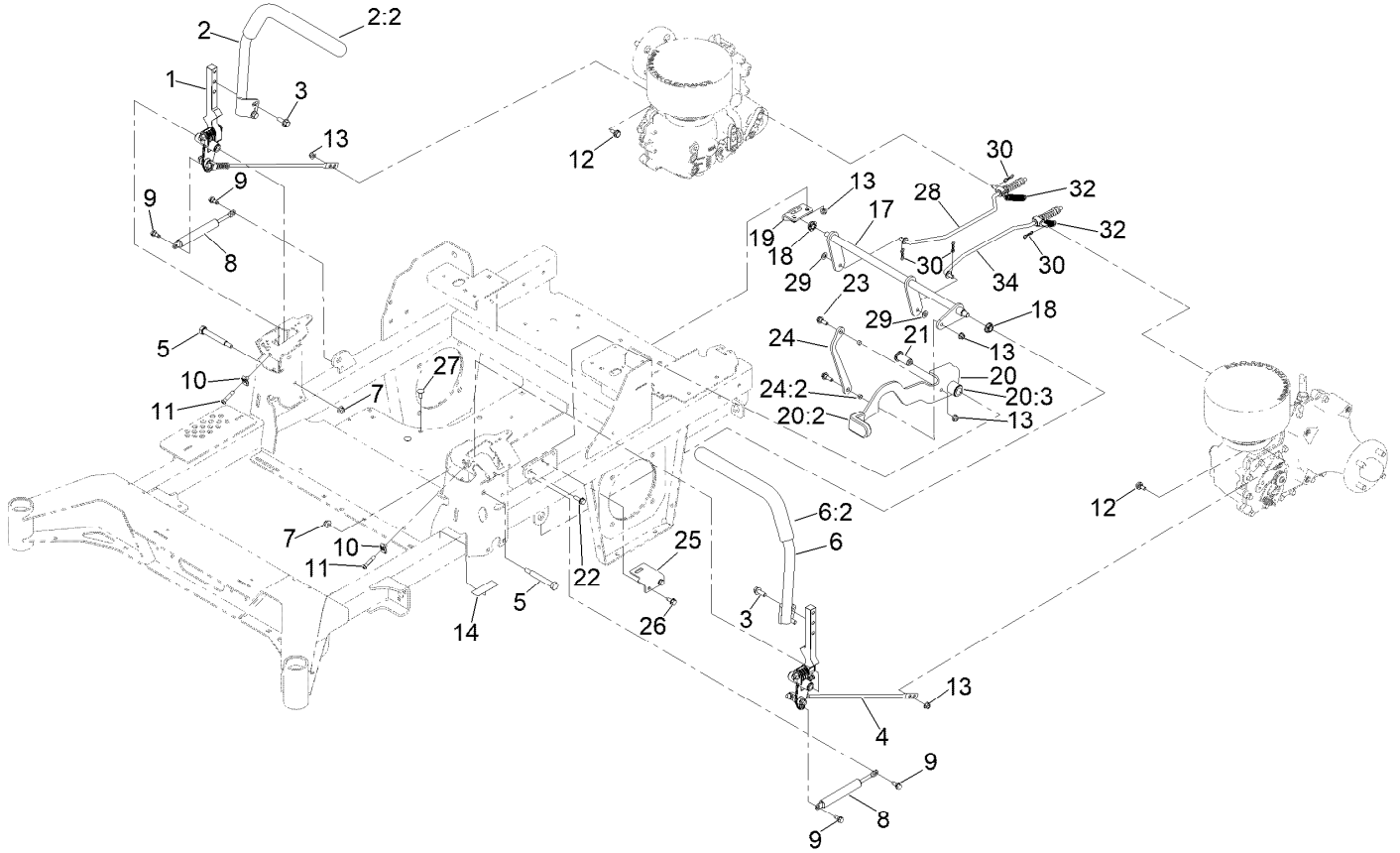
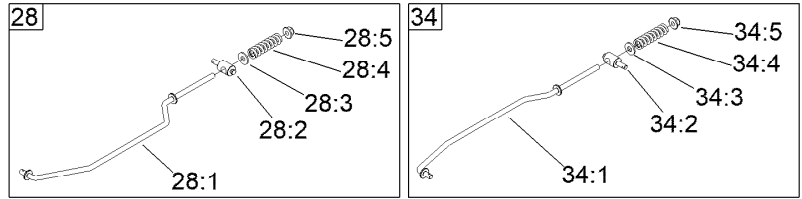
Seat Assembly No. 144-2632



Seat Assembly No. 144-2632 (continued)

<i>Ref.</i>	<i>Part Number</i>	<i>Qty.</i>	<i>Description</i>	<i>Ref.</i>	<i>Part Number</i>	<i>Qty.</i>	<i>Description</i>
1	140-8012	1	Seat Track Set	6	126-8560	1	Kit-Seat Belt
2	116-8911	1	Knob-Adjuster	7	145-3643	1	Cover-Back, Seat
3	126-8559	1	Bellows-Seat	8	145-3659	1	Cover-Bottom, Seat
4	145-3641	1	Armrest Kit	9	82-2190	1	Switch-Bail
5	145-3642	1	Pads-Armrest				

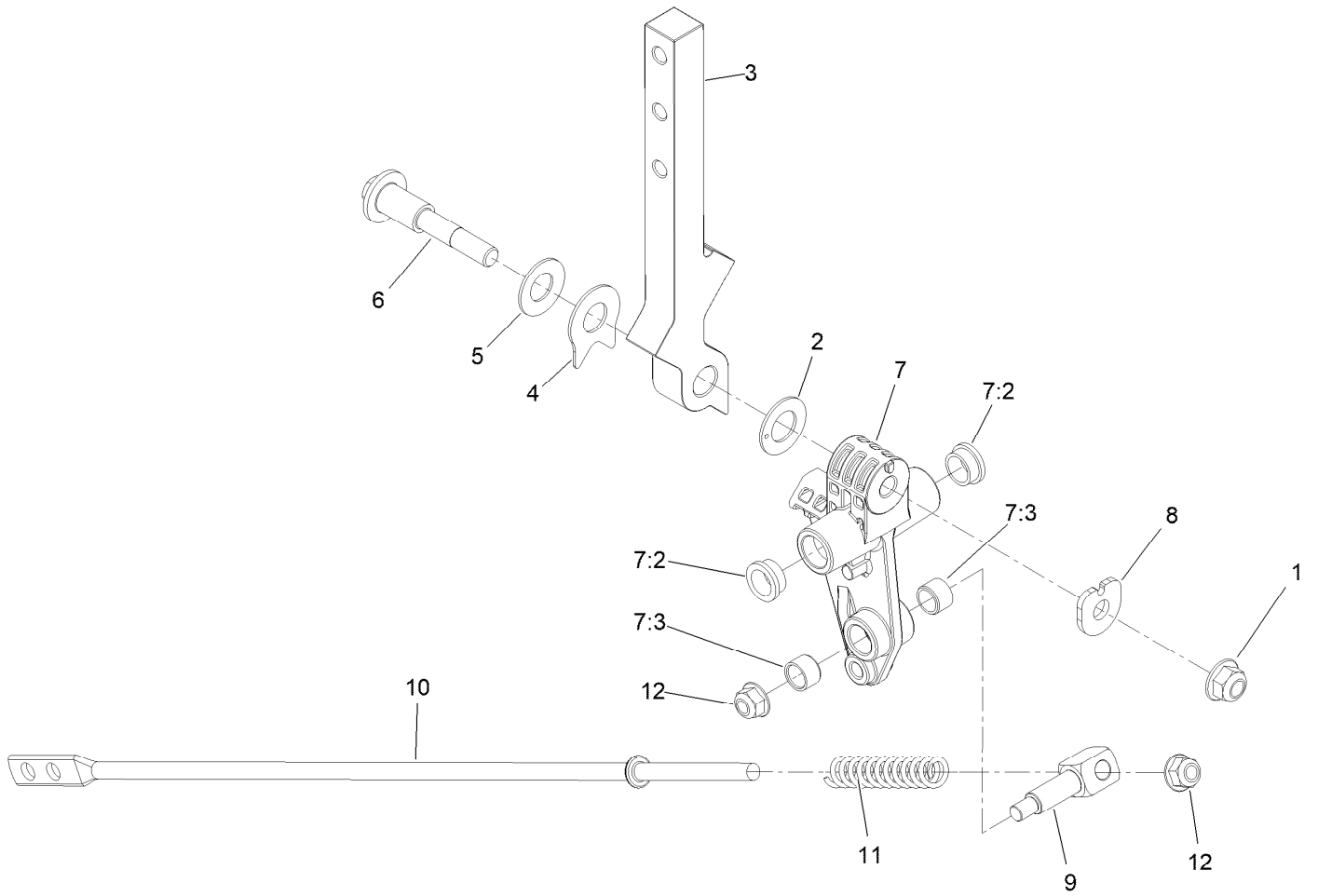
Motion Control Assembly



Motion Control Assembly (continued)

<i>Ref.</i>	<i>Part Number</i>	<i>Qty.</i>	<i>Description</i>	<i>Ref.</i>	<i>Part Number</i>	<i>Qty.</i>	<i>Description</i>
1	147-5046	1	Motion Control ASM-RH	22	3234-29	1	Screw-HHF
2	147-2390	1	RH Handle ASM	23	116-2670	2	Screw-Shoulder
2:2	109-5668	1	Grip-Lever, Control	24	144-6566	1	Brake Link ASM
3	110-5052	4	Screw-HHF	24:2	116-4976	2	Bushing-Sleeve
4	147-5047	1	Motion Control ASM-LH	25	139-6745	1	Plate-Switch
5	115-5099	2	Bolt-Pivot	26	32144-70	2	Screw-HWHTF
6	147-2391	1	LH Handle ASM	27	3230-23	2	Bolt-CARR
6:2	109-5668	1	Grip-Lever, Control	28	144-0352	1	RH Brake Rod ASM
7	104-8301	2	Nut-HF, NI	28:1	140-4950	1	Rod-Brake, RH
8	142-6851	2	Damper	28:2	139-6741	1	Fitting-Rod
9	126-4424	4	Screw-Shoulder	28:3	3256-3	1	Washer-Flat
10	112-3306	2	Nut	28:4	144-2645	1	Spring-Compression
11	126-4299	2	Screw-HSBH	28:5	104-8301	1	Nut-HF, NI
12	37-8771	2	Bolt-Shoulder, HF	29	3256-45	2	Washer-Flat
13	104-8300	6	Nut-HF, NI	30	119-1415	4	Pin-Cotter, Locking
14	115-9625	1	Decal-Brake, Parking	32	109-7124	2	Spring-Extension
17	144-2658	1	Brake ASM	34	144-0351	1	LH Brake Rod ASM
18	126-5820	2	Bearing-Spherical	34:1	140-4951	1	Rod-Brake, LH
19	139-6742	1	Bracket-Brake	34:2	139-6741	1	Fitting-Rod
20	139-6726	1	Brake Lever ASM W/Grip	34:3	3256-3	1	Washer-Flat
20:2	109-8054	2	Bushing-Flange	34:4	144-2645	1	Spring-Compression
20:3	132-4749	1	Grip-Lever	34:5	104-8301	1	Nut-HF, NI
21	139-6743	1	Pivot-Handle				

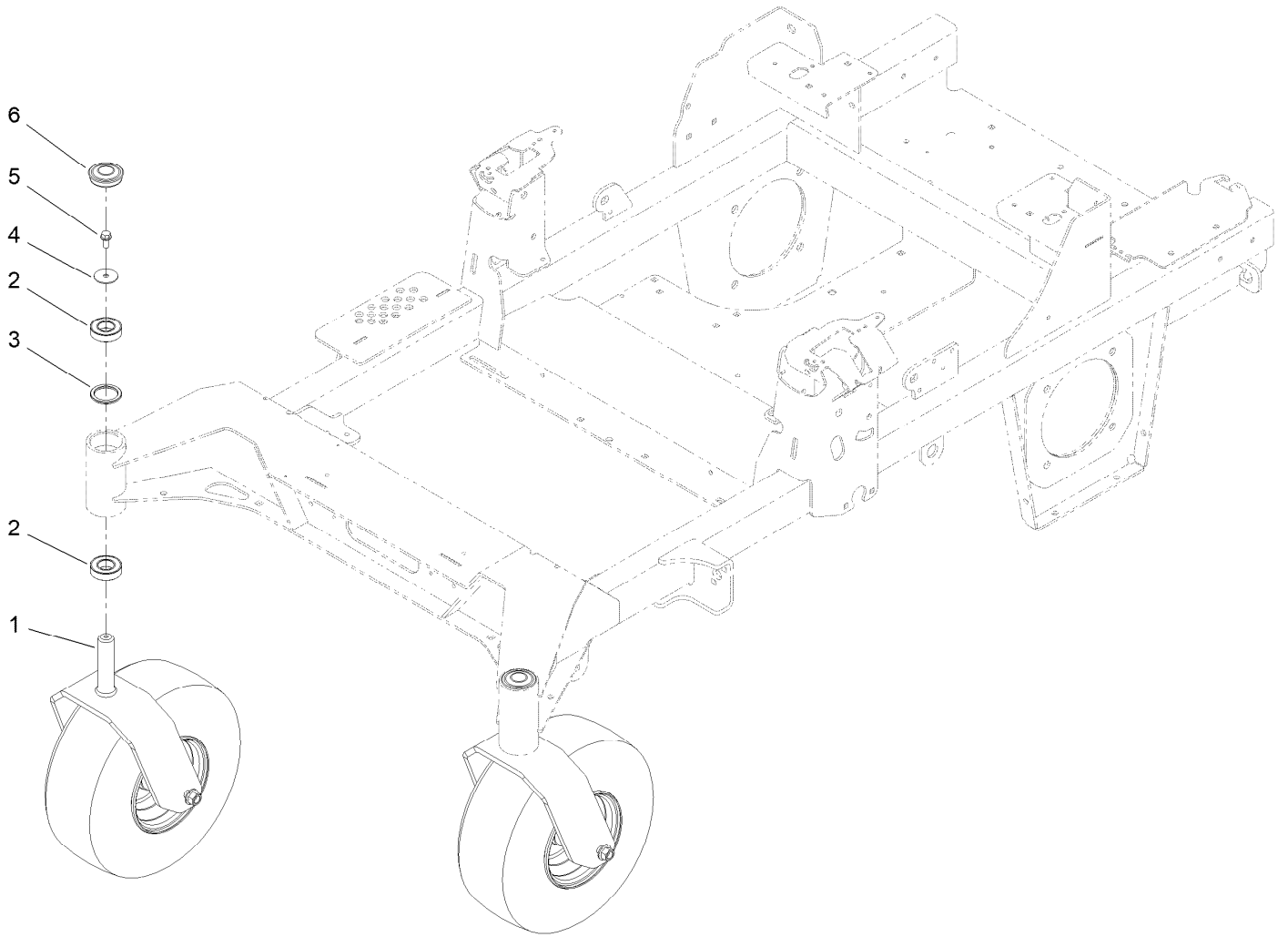
Left and Right Control Arm Assembly



Left and Right Control Arm Assembly (continued)

<i>Ref.</i>	<i>Part Number</i>	<i>Qty.</i>	<i>Description</i>	<i>Ref.</i>	<i>Part Number</i>	<i>Qty.</i>	<i>Description</i>
1	104-8301	1	Nut-HF, NI	7:2	126-8909	2	Bushing
2	126-7296	1	Washer-Friction	7:3	1-413152	2	Bushing-Sleeve
3	147-2389	1	Arm-Control	8	147-5048	1	Spacer-Actuator
4	142-8478	1	Spacer, Anti-Rotation	9	126-5434	1	Swivel
5	119-8925	1	Washer-Belleville	10	140-4949	1	Link-Control
6	117-1198	1	Bolt-Pivot	11	126-8195	1	Spring-Return, Neutral
7	145-5798	1	ASM-Control Arm	12	104-8300	2	Nut-HF, NI

Caster Wheel Assembly

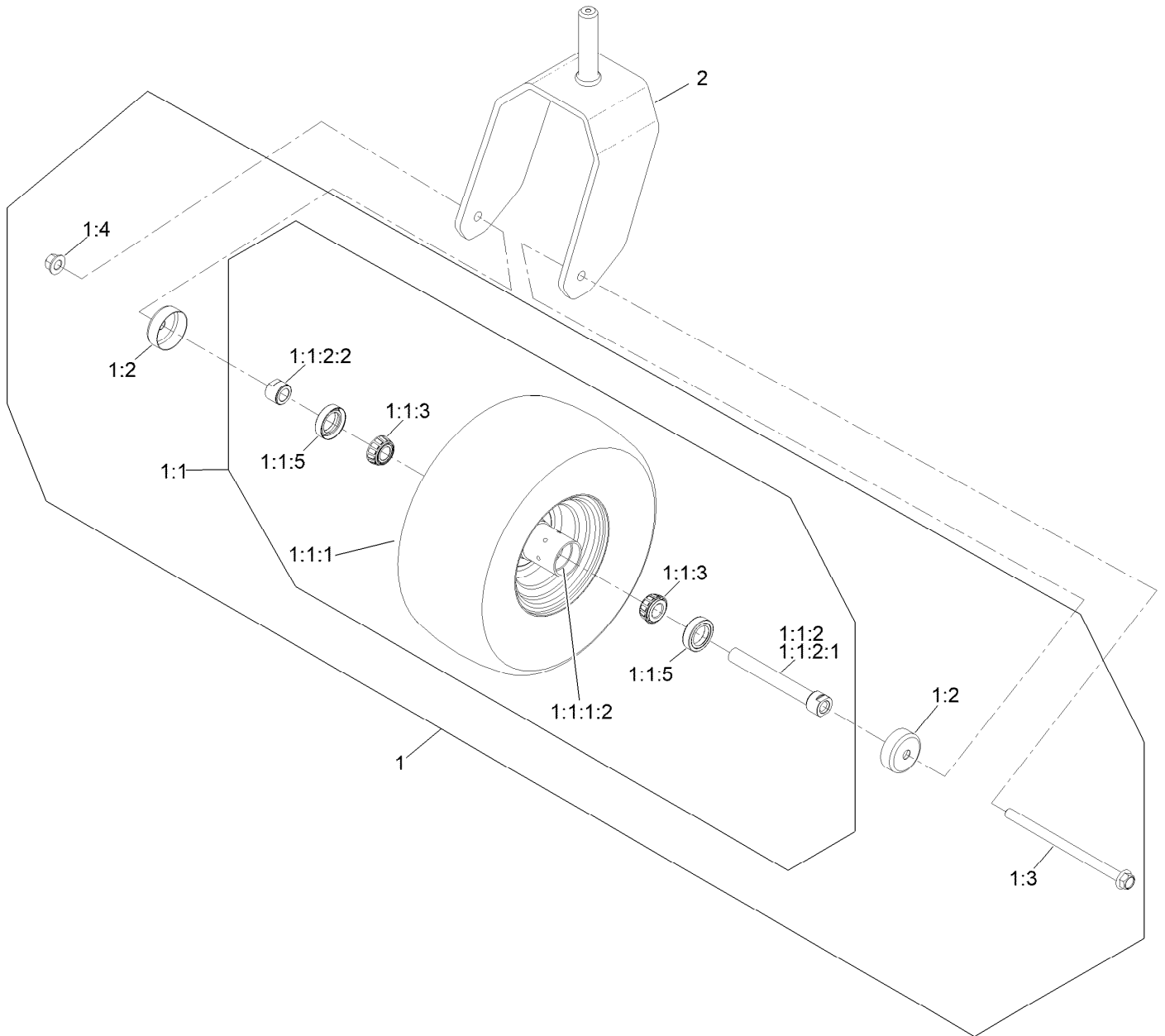


Caster Wheel Assembly (continued)

<i>Ref.</i>	<i>Part Number</i>	<i>Qty.</i>	<i>Description</i>	<i>Ref.</i>	<i>Part Number</i>	<i>Qty.</i>	<i>Description</i>
1		2	ASM-Front Caster W/Fork ●	4	3256-68	2	Washer-Flat
2	109-3678	4	Bearing-Ball	5	100-1668	2	Screw-HHF
3	145-3660	2	Spacer-Bearing	6	144-0375	2	Cap, Grease

● Not serviced separately

Caster Wheel and Fork Assembly

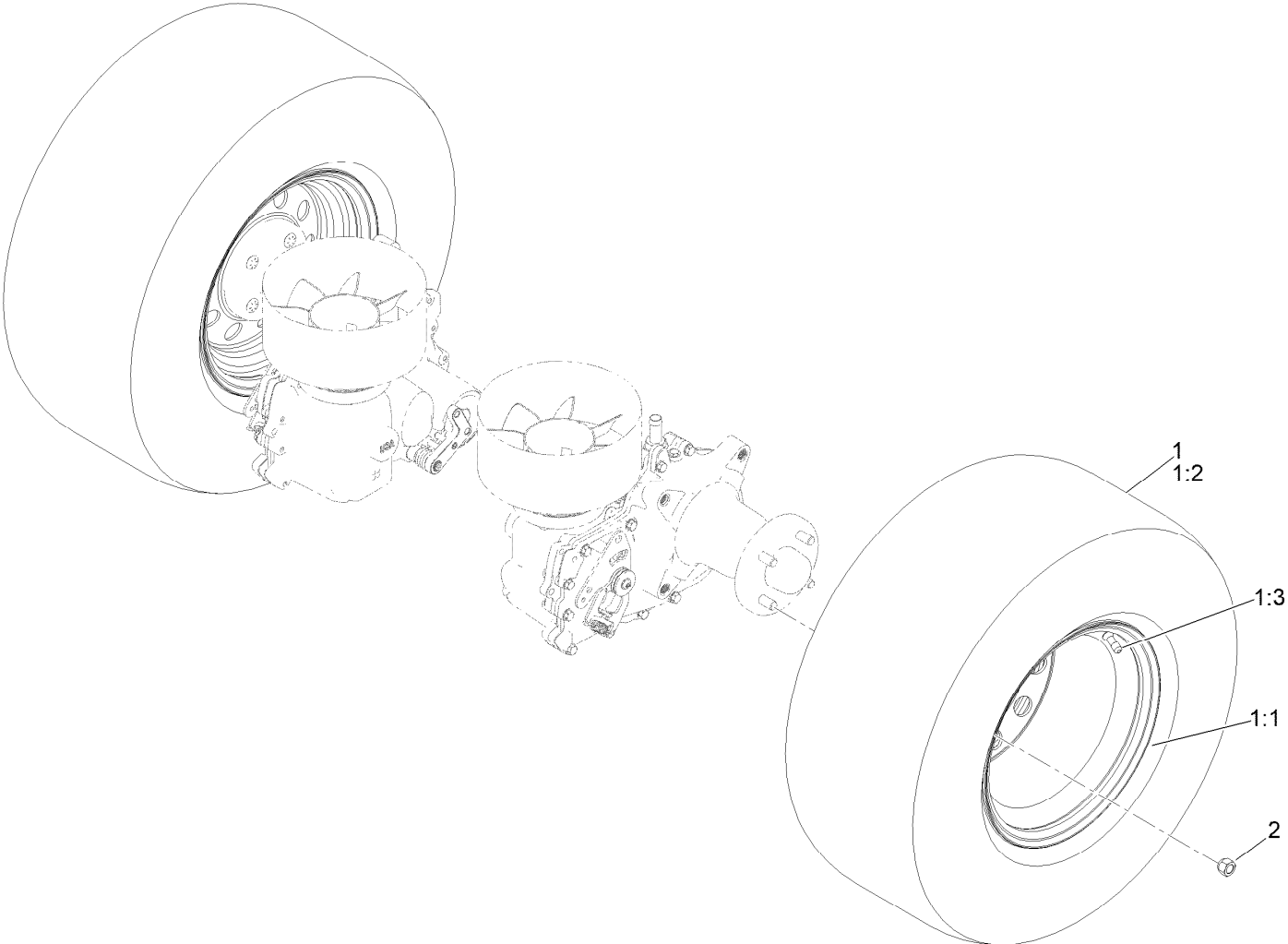


Caster Wheel and Fork Assembly (continued)

<i>Ref.</i>	<i>Part Number</i>	<i>Qty.</i>	<i>Description</i>	<i>Ref.</i>	<i>Part Number</i>	<i>Qty.</i>	<i>Description</i>
1	145-1919	1	ASM-Semi Pneumatic 15X6.50-6	1:1:2:2	103-3051	1	Spacer-Nut
1:1		1	ASM Whl/Brgs 15X6.5-6 ●	1:1:3	1-633585	2	Bearing-Cone, Taper
1:1:1	145-1921	1	Wheel And Tire ASM 15X6.5-6 Sp	1:1:5	103-0063	2	Seal-Caster
1:1:1:2	1-633584	2	Bearing-Cup	1:2	103-2768	2	Guard-Seal
1:1:2		1	Caster Axle ASM ●	1:3	126-5389	1	Screw-HHF
1:1:2:1	126-5220	1	Axle-Caster	1:4	99-5107	1	Nut-Lock
				2	147-0295-01	1	15In Caster Fork [red]

● Not serviced separately

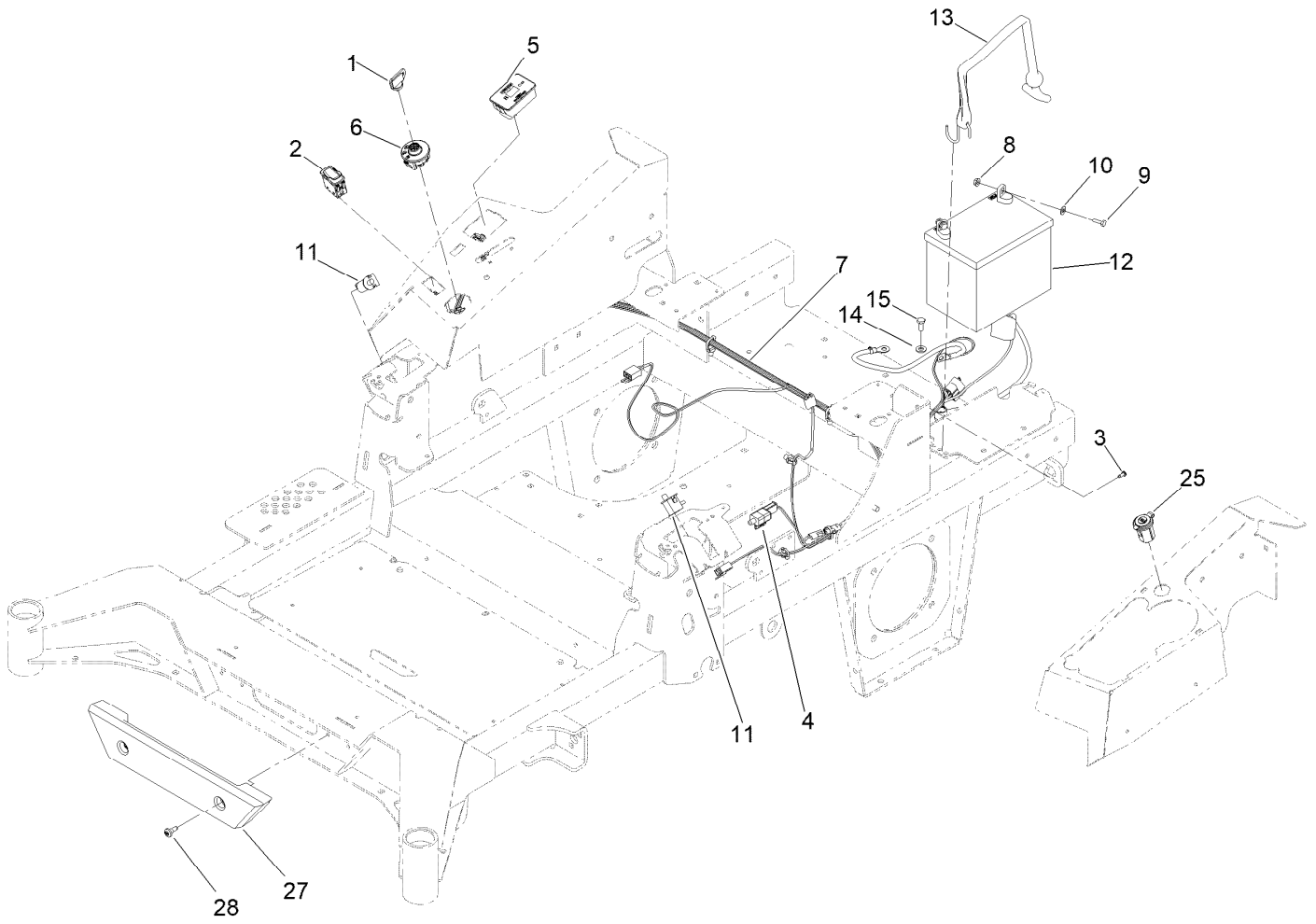
Rear Wheel Assembly



Rear Wheel Assembly (continued)

<i>Ref.</i>	<i>Part Number</i>	<i>Qty.</i>	<i>Description</i>	<i>Ref.</i>	<i>Part Number</i>	<i>Qty.</i>	<i>Description</i>
1	145-1923	2	Wheel And Tire ASM	1:3	232-27	1	Stem-Valve
1:1	145-1945	1	Wheel	2	139-2564	8	Nut-Lug
1:2	126-8033	1	Tire				

Electrical Assembly



Electrical Assembly (continued)

<i>Ref.</i>	<i>Part Number</i>	<i>Qty.</i>	<i>Description</i>	<i>Ref.</i>	<i>Part Number</i>	<i>Qty.</i>	<i>Description</i>
1	1-603511	1	Keys-Ignition (Spare Pair)	9	321-4	2	Screw-HH
1	63-8360	1	Key-Ignition	10	3256-22	2	Washer-Flat
2	139-6368	1	Switch-Rocker, On-None-On	11	82-2190	2	Switch-Bail
3	99-8445	1	Screw-HWH	12	104-8162	1	Battery
4	110-6765	1	Switch	13	142-8697	1	Strap, Bungee
5	116-5609	1	Module ASM	14	33094-00	1	Washer-Plain
6	137-4100	1	Switch-Ignition	15	33114-020	1	Screw-HH
7	139-8078	1	Harness-Wire	25	140-7955	1	Port-Power, USB
8	32128-33	2	Nut-HF	27	147-7852	1	Bumper-Front
				28	135-2015	2	Screw-Shoulder

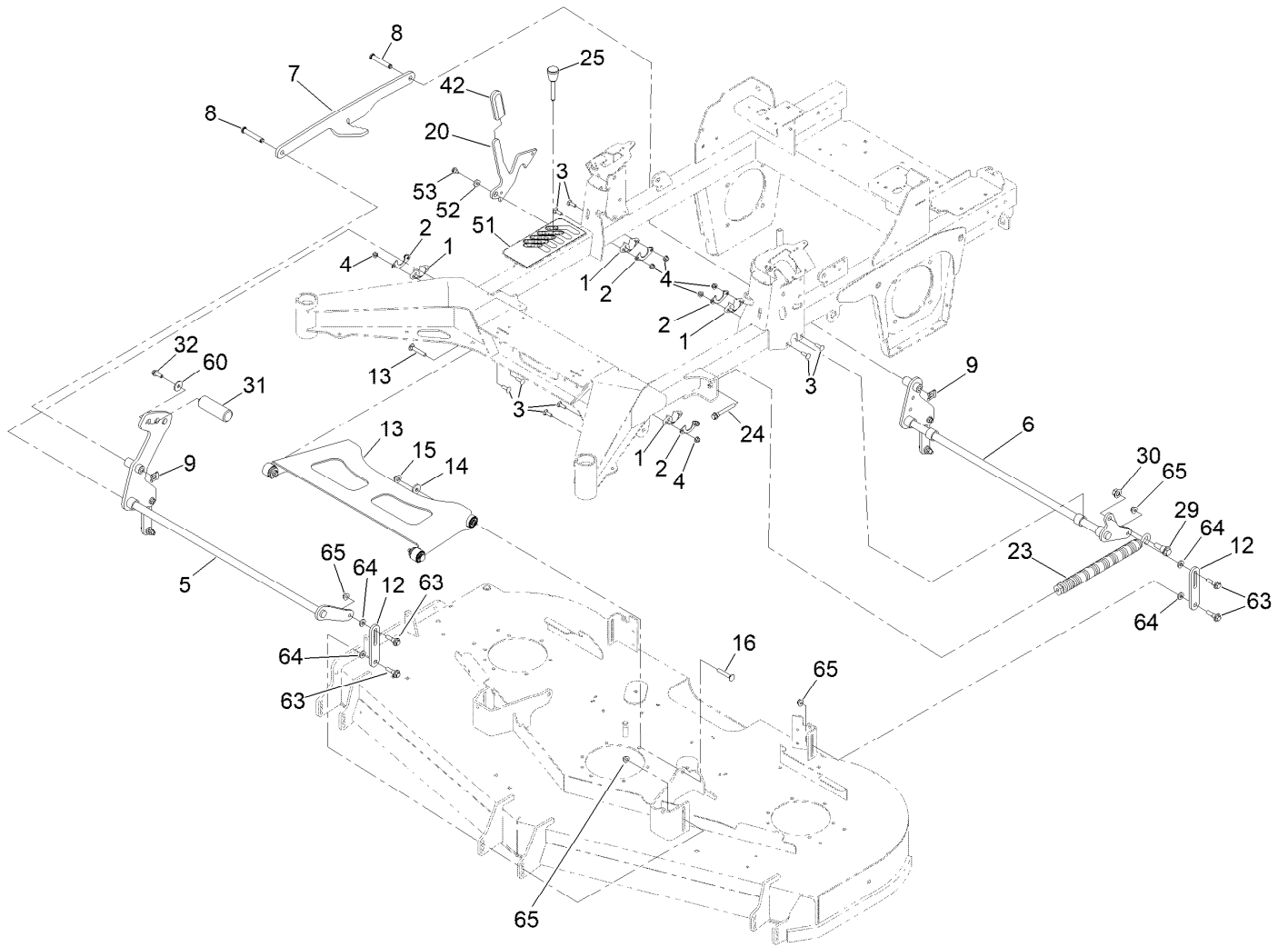
Wire Harness Assembly No. 139-8078



Wire Harness Assembly No. 139-8078 (continued)

<i>Ref.</i>	<i>Part Number</i>	<i>Qty.</i>	<i>Description</i>	<i>Ref.</i>	<i>Part Number</i>	<i>Qty.</i>	<i>Description</i>
11	116-0053	3	Cap-Plug	16	32180-176	1	Cover-Block, Fuse
12	103-3895	1	Diode	17	32180-177	1	Clip-Mounting
13	121-8867	1	Fuse-Mini Blade, 15 Amp	18	126-8876	1	Insulator-Battery
14	121-8868	1	Fuse-Mini Blade, 20 Amp	19	1-543393	1	Insulator-Solenoid
15	126-3991	1	Relay-Micro	24	121-8869	1	Fuse-Mini Blade, 25 Amp

Deck Lift Assembly



Deck Lift Assembly (continued)

<i>Ref.</i>	<i>Part Number</i>	<i>Qty.</i>	<i>Description</i>	<i>Ref.</i>	<i>Part Number</i>	<i>Qty.</i>	<i>Description</i>
1	139-5872	4	Bearing-Flange	20	145-8475-03	1	Plate-Transport Lock
2	116-2887	4	Gusset-Lift, Deck	23	116-0886	1	Spring-Extension
3	3230-22	8	Screw-CARR	24	92-7674	1	Bolt-Shoulder
4	104-8300	8	Nut-HF, NI	25	126-5401	1	Pin-HOC
5	147-2354-03	1	Deck Lift Shaft ASM, Frt [black	29	116-0780	1	Screw-Shoulder, HHF
6	140-4975-03	1	Shaft-Lift, Deck	30	99-5107	1	Nut-Lock
7	126-4639-03	1	Link-HOC	31	140-4959	1	Pedal-Foot Lift
8	126-9181	2	Pin-Clevis	32	3234-42	1	Screw-HHF
9	138-8491	2	Clip-Pin	42	132-4749	1	Grip-Lever
12	145-5702-03	4	Link-Lift, Deck	51	139-6699	1	Decal-HOC
13	140-1179	1	Deck Strut W/ Bushings ASM	52	104-7658	1	Spacer
14	1-373034	2	Washer	53	9266934	1	Screw
15	109-6658	2	Nut-Flange, NI	60	2844	1	Washer
16	3231-7	2	Screw-CARR	63	130-0742	8	Bolt-Shoulder
				64	43-0940	8	Spacer
				65	104-8301	8	Nut-HF, NI

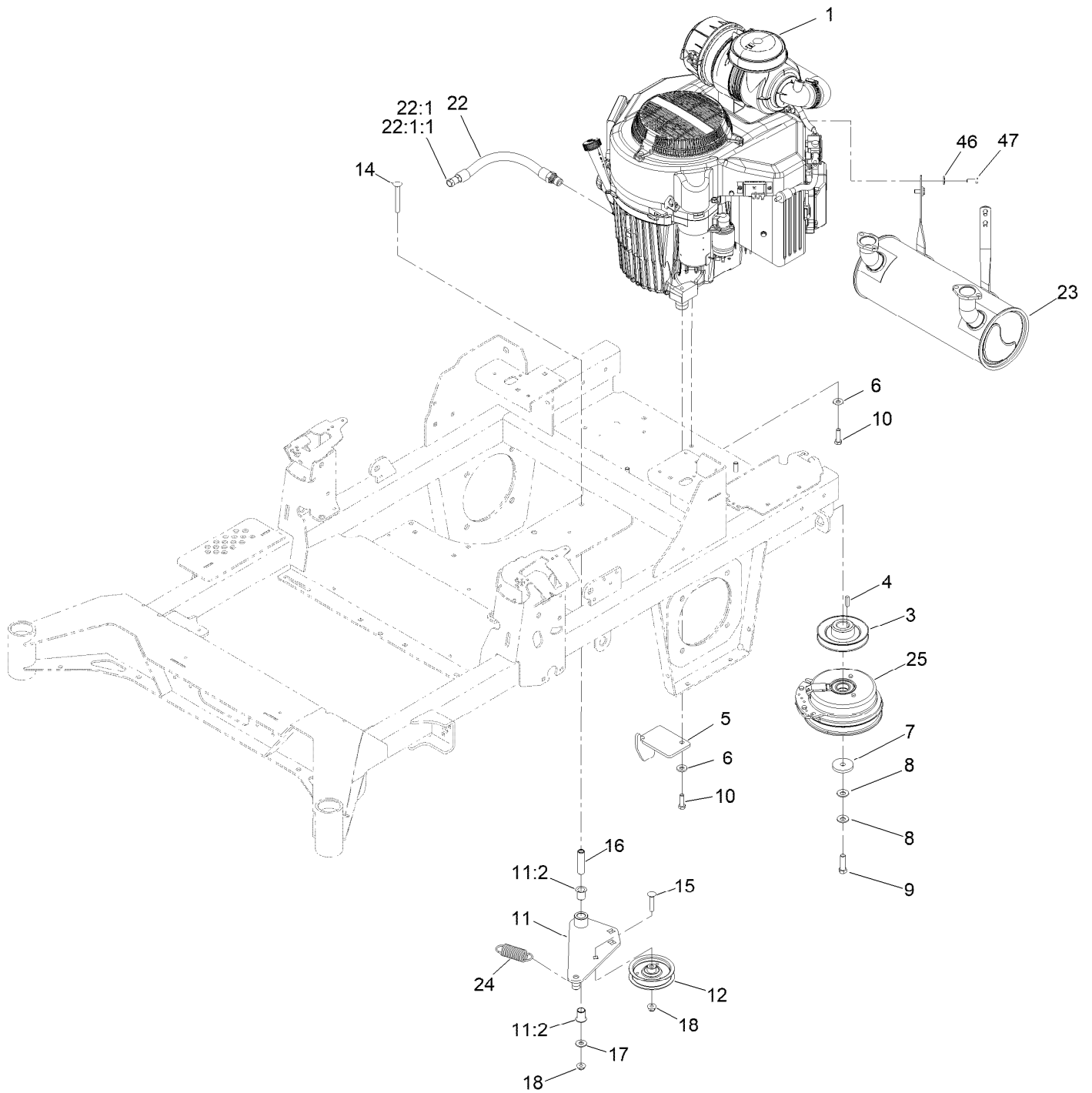
Deck Strut Assembly No. 140-1179



Deck Strut Assembly No. 140-1179 (continued)

<i>Ref.</i>	<i>Part Number</i>	<i>Qty.</i>	<i>Description</i>	<i>Ref.</i>	<i>Part Number</i>	<i>Qty.</i>	<i>Description</i>
2	126-8360	4	Bushing-Rubber, Suspension	4	3231-7	2	Screw-CARR
3	108-6544	4	Spacer	5	2844	2	Washer
				6	104-8301	2	Nut-HF, NI

Engine, Clutch and Muffler Assembly



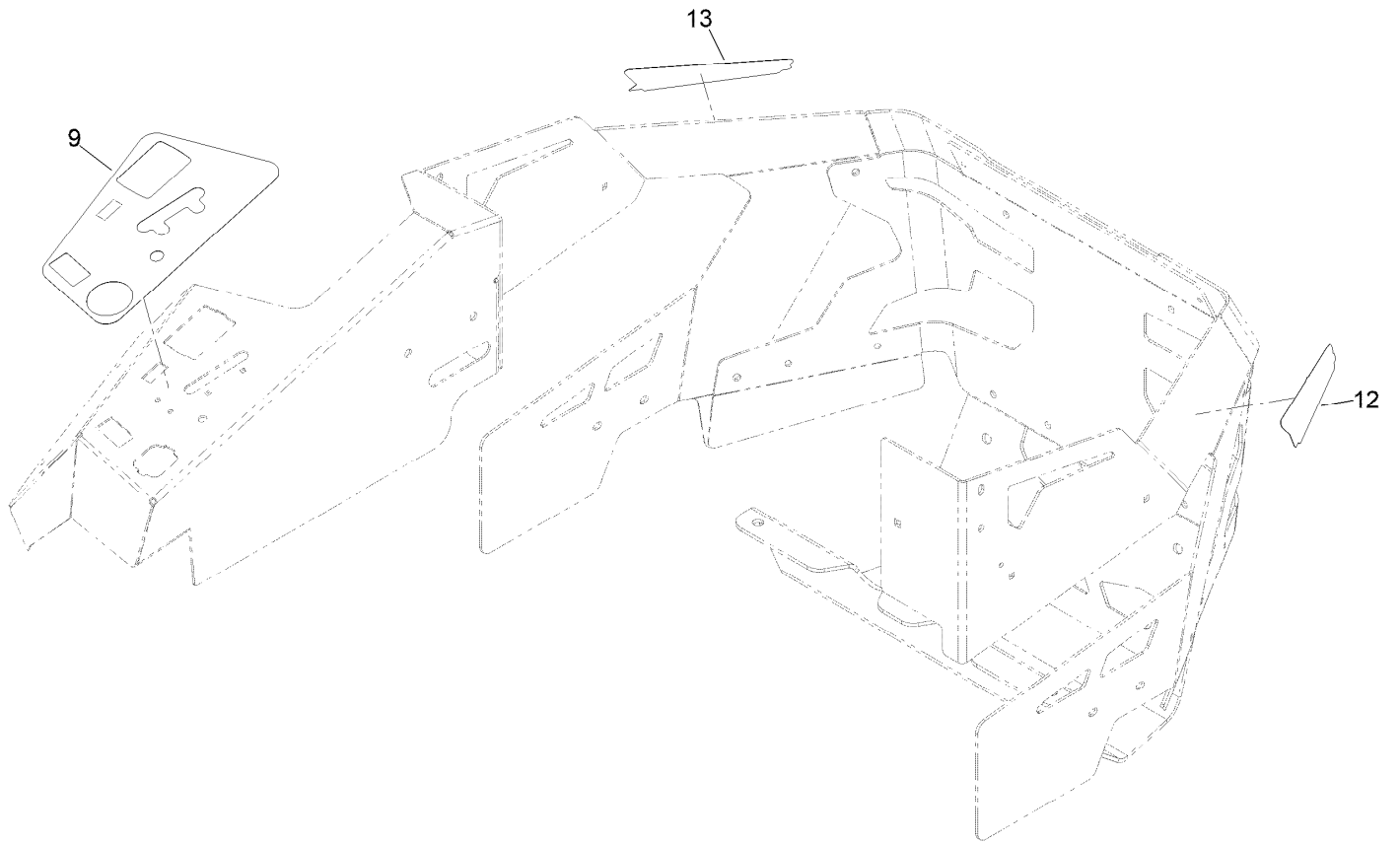
Engine, Clutch and Muffler Assembly (continued)

<i>Ref.</i>	<i>Part Number</i>	<i>Qty.</i>	<i>Description</i>	<i>Ref.</i>	<i>Part Number</i>	<i>Qty.</i>	<i>Description</i>
1		1	Engine-Kawasaki, Fx1000V ■▲	14	3231-42	1	Screw-CARR
3	139-6702	1	Sheave, W/Hub	15	3231-29	1	Screw-CARR
4	1-807259	1	Key	16	139-6690	1	Bushing, Idler Pivot
5	140-1190	1	Anchor-Clutch	17	3256-4	1	Washer-Flat
6	98-5975	4	Washer-Belleville	18	104-8301	2	Nut-HF, NI
7	109-6919	1	Washer-Plain	22	116-4924	1	Engine Oil Drain Hose ASM
8	1-603610	2	Washer-Spring	22:1	353-508	1	Plug-HH ●
9	109-9761	1	Screw-HH	22:1:1	237-42	1	O-Ring
10	323-7	4	Screw-HH	23	140-8002	1	Muffler
11	144-2671	1	Idler Arm ASM	24	1-653331	1	Spring-Idler
11:2	138-2573	2	Bushing-Flange	25	116-1604	1	Clutch
12	140-4964	1	Pulley-Idler, Flat	46	1-303334	4	Washer-Spring
				47	33114-020	4	Screw-HH

● Torque to 24-26 ft-lb
▲ Obtain parts from www.kawpower.com

■ Not serviced separately

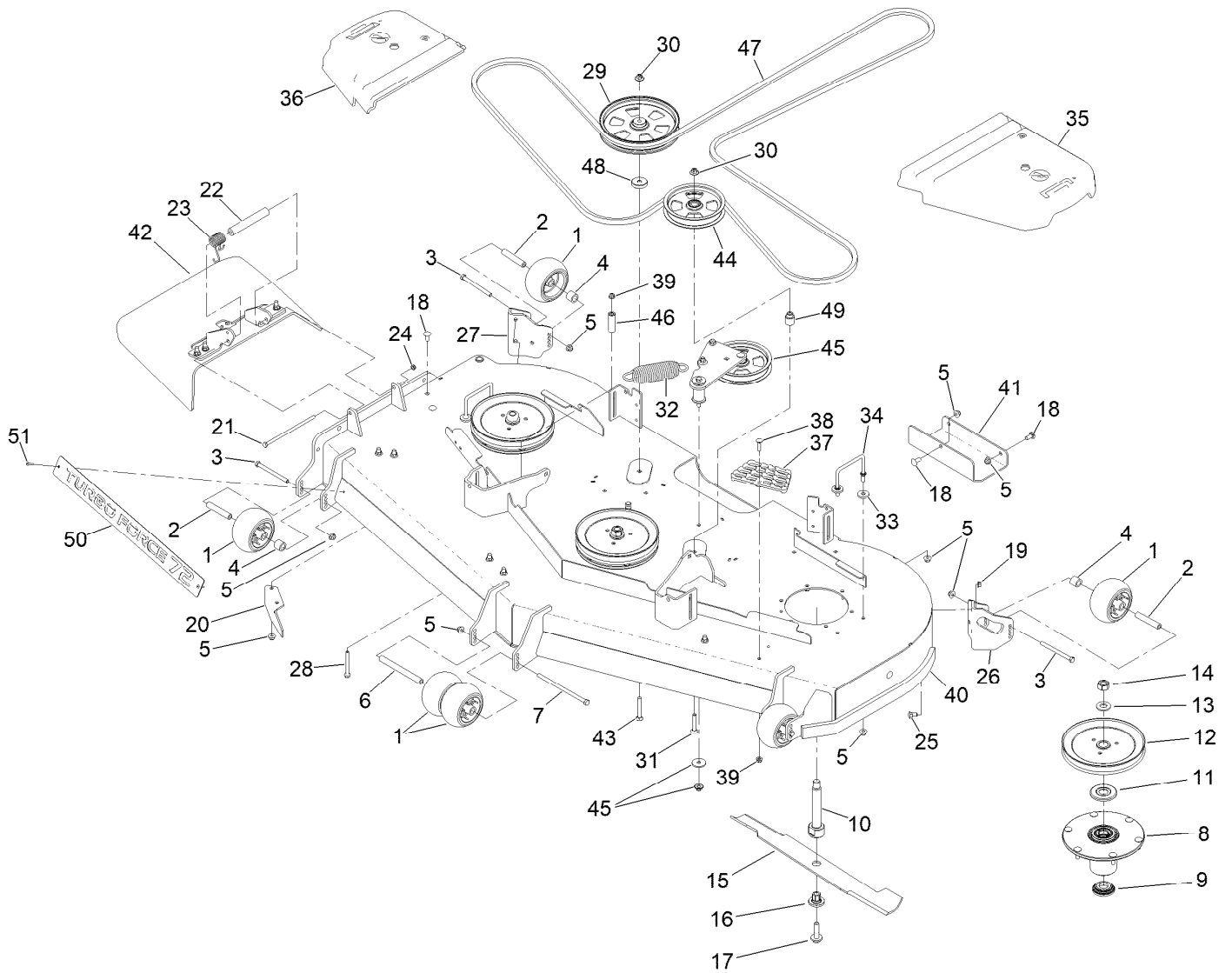
Decal Assembly



Decal Assembly (continued)

<i>Ref.</i>	<i>Part Number</i>	<i>Qty.</i>	<i>Description</i>
9	144-0405	1	Decal-Panel, Control
12	145-6978	1	Decal-HDX Pro XI
13	145-6979	1	Decal-HDX Pro XI

Deck Assembly



Deck Assembly (continued)

<i>Ref.</i>	<i>Part Number</i>	<i>Qty.</i>	<i>Description</i>	<i>Ref.</i>	<i>Part Number</i>	<i>Qty.</i>	<i>Description</i>
1	1-603299	6	Roller-Scalp, Anti	27	106-7355-01	1	Mount-Wheel, RH
2	98-7912	4	Tube-Spanner	28	126-4687	1	Screw-HHF
3	323-23	4	Screw-HH	29	132-4734	1	Pulley-Idler,Flat
4	98-7913	4	Tube-Spacer	30	109-6658	2	Nut-Flange, NI
5	104-8301	39	Nut-HF, NI	31	3231-7	1	Screw-CARR
6	98-5967	1	Spacer-Wheel	32	116-6317	1	Spring-Extension
7	108-5388	1	Screw-HH	33	1-373034	4	Washer
8	137-9780	3	Spindle ASM	34	109-6982	2	Wireform-Cover
9	137-9784	3	Guard-Bottom	35	109-6938	1	Cover-Belt, LH
10	138-6045	3	Shaft-Spindle	36	116-0094	1	Cover-Belt, RH
11	103-1330	3	Guard-Bearing, Top	37	126-4781-03	1	Step-Deck
12	138-6060	3	Sheave-Drive, Blade	38	3230-3	1	Screw-CARR
13	103-2802	3	Washer	39	104-8300	2	Nut-HF, NI
14	116-7306	3	Nut-Hex	40	147-5042	1	Deck Decal ASM
15	140-1238	3	Blade	41	145-1941-01	1	Plate-Skid
16	137-9787	3	Bushing-Hex	42	144-2635	1	Rubber Deflector ASM
17	109-9220	3	Screw-Sems	43	3231-9	1	Screw-CARR
18	3231-27	12	Screw-CARR	44	132-9424	1	Pulley-Idler, Flat
19	3290-357	6	Nut-HSF	45	139-1087	1	Idler Arm ASM
20	106-3216-01	1	Baffle-Discharge	46	116-5809	1	Spacer-Hydro
21	322-50	1	Screw-HH	47	145-1940	1	Belt, V-5V X 206.6"
22	105-4622	1	Spacer	48	145-1942	1	Spacer-Pulley
23	108-4052	1	Spring-Torsion	49	139-8061	1	Bushing, Idler
24	3296-47	1	Nut-Lock,NI	50	147-5026-03	1	Plate-Turbo Force [black]
25	3231-1	6	Screw-CARR	51	130-8451	2	Rivet-Trifold
26	106-7354-01	1	Mount-Wheel, LH				

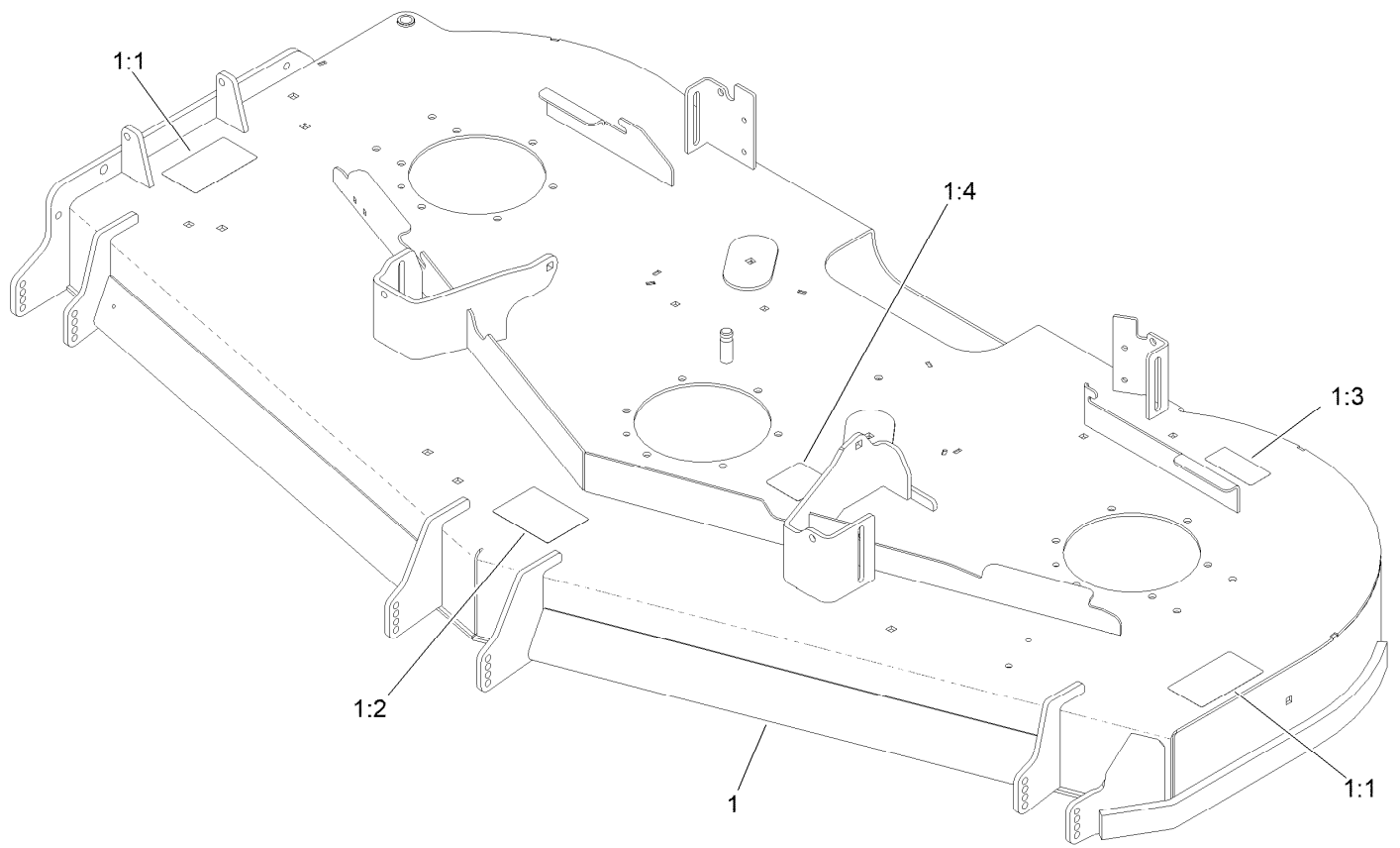
Spindle Assembly No. 137-9780



Spindle Assembly No. 137-9780 (continued)

<i>Ref.</i>	<i>Part Number</i>	<i>Qty.</i>	<i>Description</i>
2	116-0720	2	Bearing-Ball
3	138-6042	1	Spacer-Bearing

Deck Decal Assembly No. 147-5042

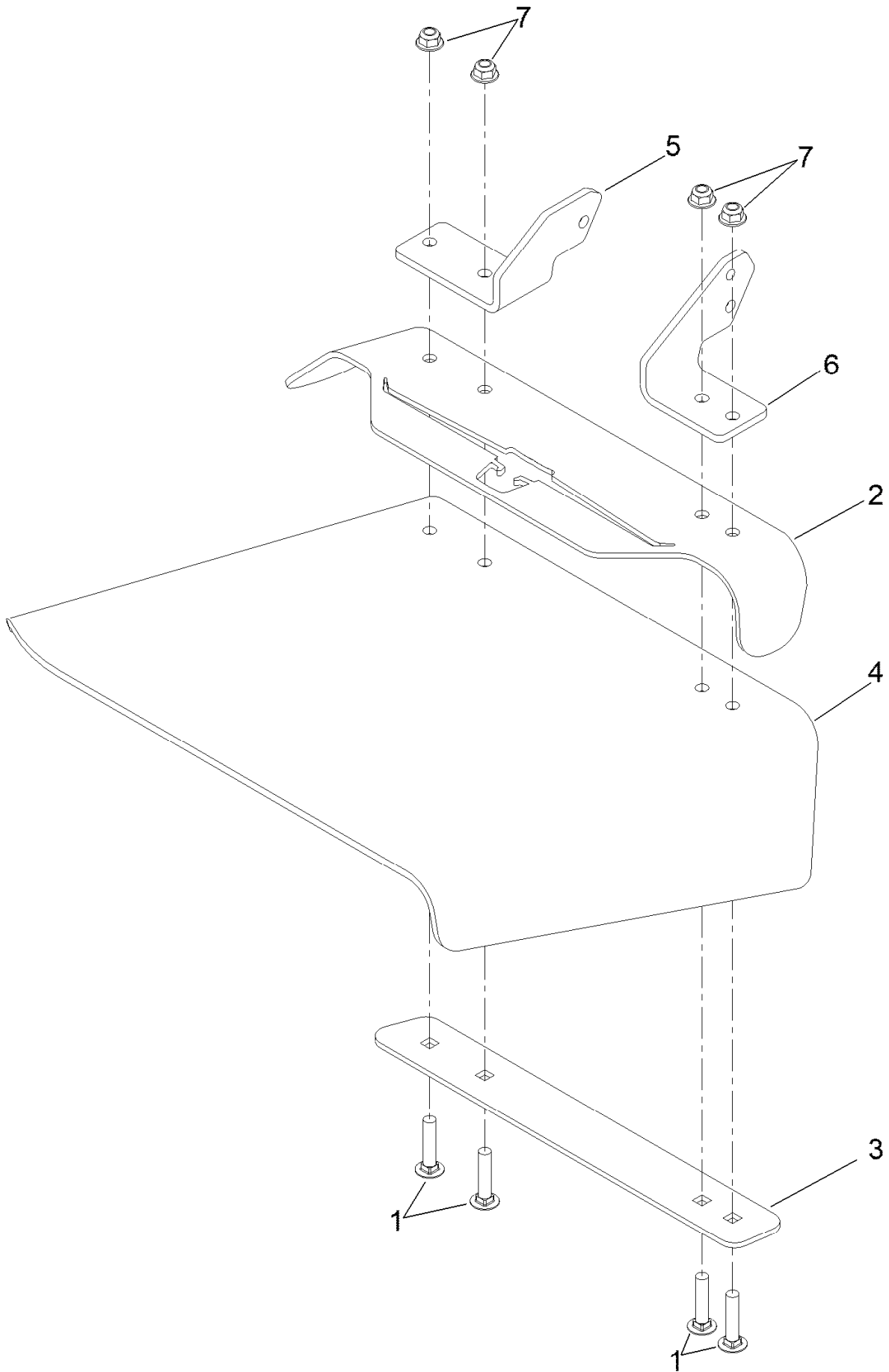


Deck Decal Assembly No. 147-5042 (continued)

<i>Ref.</i>	<i>Part Number</i>	<i>Qty.</i>	<i>Description</i>	<i>Ref.</i>	<i>Part Number</i>	<i>Qty.</i>	<i>Description</i>
1		1	Deck ASM W/Decals ●	1:3	116-8283	1	Decal-Torque, Bolt
1:1	117-3848	2	Decal-Danger	1:4	109-6035	1	Decal-Routing, Belt
1:2	127-0326	1	Decal-Scalp, Anti				

● Not serviced separately

Deflector Assembly No. 144-2635



Deflector Assembly No. 144-2635 (continued)

<i>Ref.</i>	<i>Part Number</i>	<i>Qty.</i>	<i>Description</i>	<i>Ref.</i>	<i>Part Number</i>	<i>Qty.</i>	<i>Description</i>
1	3231-5	4	Screw-CARR	5	108-4059-01	1	Plate-Hinge, Rear
2	161-9815-01	1	Plate-Deflector Mount [red]	6	106-3253-01	1	Plate-Hinge, Front
3	106-3248-03	1	Strap-Discharge	7	104-8301	4	Nut-HF, NI
4	161-3464	1	Deflector-Deck, Rubber				

Idler Arm Assembly No. 139-1087



Idler Arm Assembly No. 139-1087 (continued)

<i>Ref.</i>	<i>Part Number</i>	<i>Qty.</i>	<i>Description</i>	<i>Ref.</i>	<i>Part Number</i>	<i>Qty.</i>	<i>Description</i>
1	139-1086	1	Idler Arm ASM	7	109-6658	3	Nut-Flange, NI
2	138-2573	2	Bushing-Flange	8	323-15	1	Screw-HH
3	139-8060	1	Bushing, Idler	9	3231-5	1	Screw-CARR
4	132-9424	1	Pulley-Idler, Flat	10	132-4729	1	Anchor-Spring, Short
5	139-6690	1	Bushing, Idler Pivot	11	136-9028	1	Bolt-Shoulder, HWH
6	1-213069	3	Washer	12	104-8301	1	Nut-HF, NI

Attachments and Accessories

For 74022 72in Z Master 4000 Series Riding Mower

Product Name	Model/Part
Hypr-Oil 500 (quart)	114-4713
Hypr-Oil 500 (gallon).....	114-4714
Hypr-Oil 500-5 (5 gallon).....	114-4715
Spark Arrestor	117-3281
Striper Kit.....	126-7882
Jack Kit.....	127-6666
Recycler Kit-G3/GM 3300 72in	139-6659
Blade-24.50 High Flow	140-1238
Blade-24.50 Atomic	140-1239
Blade-24.50 Medium Flow	140-4850
Blade-24.50 Low Flow	140-4851
Blade-24.50 Recycler	140-4852
6 Pack-Blade, 24.5 High Flow.....	140-4872
6 Pack-Blade, 24.5 Med Flow	140-4873
6 Pack-Blade, 24.5 Low Flow	140-4874
6 Pack-Blade, 24.5 Atomic.....	140-4875
6 Pack-Blade, 24.5 Recycler.....	140-4876
Base Light Kit-4000 Series	144-0389
Trimmer Mount	144-2665
Jack Mount Kit.....	144-2676
Hardtop Sun Canopy	144-3719
Handle Extension Kit	145-3615
Tweel-Turf.....	147-4600
Blade-24.50 High Flow	147-6253
6 Pack-Blade, 24.50 High Flow.....	147-6257
Kit-Hitch.....	147-6292
15inx6n6 Caster Tweel Asm	147-6337
Bucket Mount Kit, Z Master 2000 or 4000 Series Riding Mower	147-6345
Universal Mount Kit, Z Master 2000 or 4000 Series Riding Mower	147-6346
Kit Baffle Turbo Force 72in	147-7363
Kit-Elec Deck Lift	147-7867
2in Reciever Hitch Kit.....	161-2810
Kit-actuator Replacement,412200557 Below.....	161-3549
Kit-elec Deck Lift, SN 412200557 Below.....	161-3550
Fuel Pickup with Screen Kit	161-6806
4000 HDX 72in Completion Kit	78467
4000 HDX 72in Ez Vac Dfs Bagger	78474
4000 HDX 72in Ez Vac Triple Soft Bagger	78489

Notes:

Notes:

Notes:



Count on it.