



Count on it.

Parts Catalog

GrandStand® Mower

**With 91cm Rear Discharge TURBO FORCE®
Cutting Unit**

Model No. 74540TE—Serial No. 418000000 and Up



Ordering Replacement Parts

To order replacement parts, please supply the part number, the quantity, and the description of each part desired.

Understanding Reference Numbers

Each identified part in an illustration has a reference number. The reference number for a part also appears in the parts list, along with other information about the part.

This catalog uses two special reference number formats, one to indicate parts in a service assembly and another to indicate the quantity of a given part in an illustration.

Service Assembly Reference Numbers

Parts in service assemblies have reference numbers in the form a:b. The a represents the reference number of the entire service assembly and the b represents a sequential number unique to each part within the service assembly.

For example, a wheel assembly might be identified by reference number 6, the tire by 6:1, the valve by 6:2, and the wheel by 6:3. When you order the assembly identified by reference number 6, you receive all parts identified by reference numbers 6:1, 6:2, and 6:3. However, you may also order any part individually. Reference numbers of this type appear in illustration and in parts lists.

Reference Numbers Indicating Quantity

In an illustration, if a reference number indicates more than one part, the reference number has the form nX y. The n represents the quantity of the part, the X is the multiplication symbol, and the y represents the reference number.

For example, in an illustration, the reference number 2X 37 means that two of the parts identified by reference number 37 are indicated.

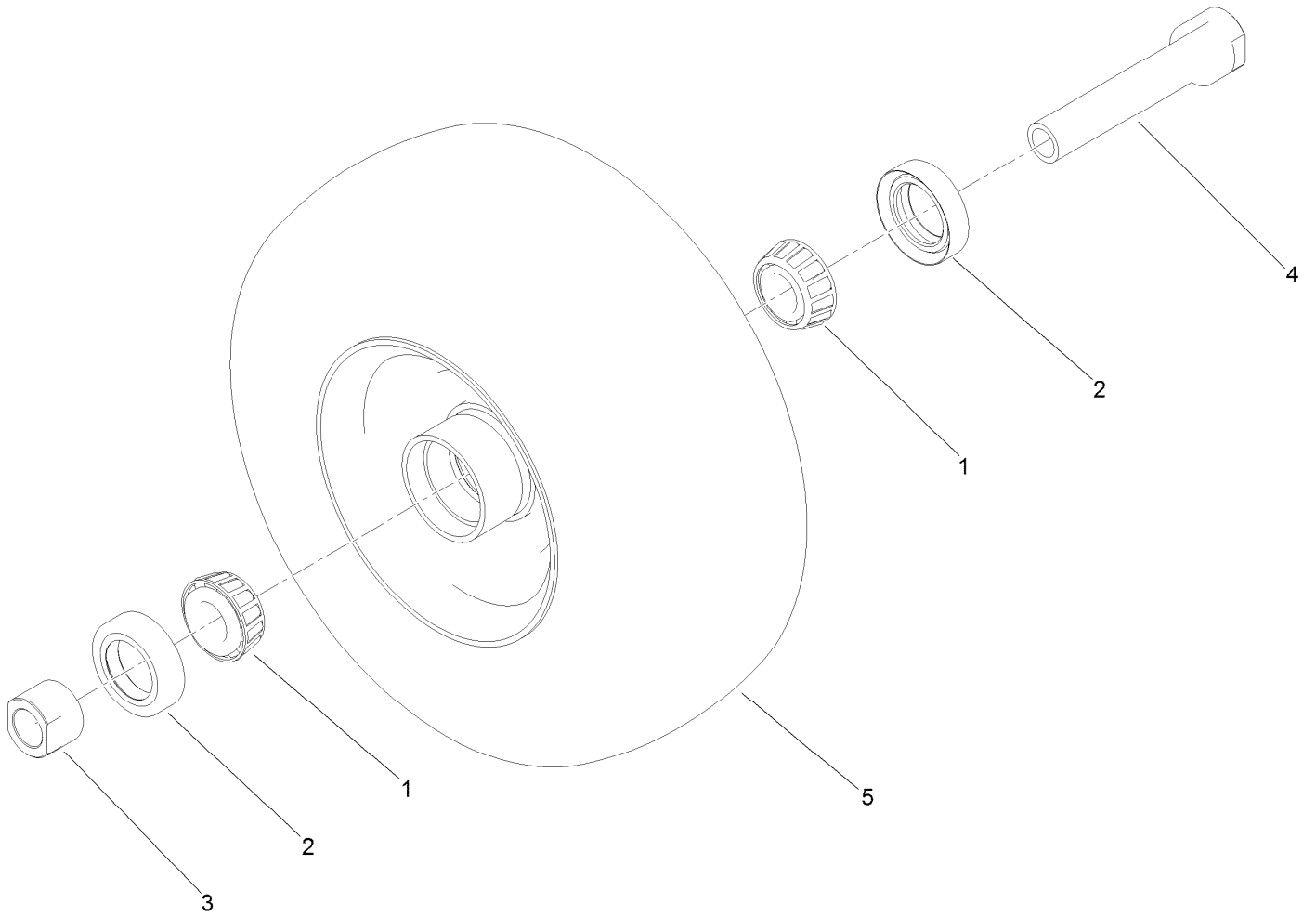
Contents

Main Frame Assembly	4
Wheel and Bearing Assembly	6
Parking Brake Assembly	8
Height-of-Cut Plate Assembly	10
Deck Lift Assembly	12
Deck Lift Spring Assembly No. 119-2337	14
Cushion and Platform Assembly	16
Cushion Assembly No. 130-1767	18
Platform Assembly No. 132-9402	20
Traction Drive Assembly	22
Hydraulic Motor Assembly 104-1171	24
Hydraulic Pump Assembly No. 119-0176	26
Hydraulic Pump Assembly No. 119-0177	28
Pump Idler Assembly No. 117-7685	30
Motion Control Assembly	32
Engine Assembly	34
Fuel Tank Assembly	36
Vent Hose Assembly	38
Electrical Assembly	40
Deck Assembly	42
Spindle Assembly No. 117-7638	44
Deck Decal Assembly No. 134-3657	46
Attachments and Accessories	48

Main Frame Assembly (continued)

<i>Ref.</i>	<i>Part Number</i>	<i>Qty.</i>	<i>Description</i>	<i>Ref.</i>	<i>Part Number</i>	<i>Qty.</i>	<i>Description</i>
1	116-5647	2	Seal-Grease	13	140-4278	1	Tower - Decal ASM
2	1-633508	6	Washer-Bellville	13:2	117-0454	1	Decal-OPC
3	103-4882	2	Cap-Grease	13:3	139-5556	1	Decal-Warning
4	121-7988-01	2	Fork-Caster	13:4	140-4279	1	Decal - Panel, Control
5	104-8301	4	Nut-HF, NI	13:5	139-5560	1	Decal-Service Aid, CE
6	119-7303-01	2	Bracket-Mounting, Guard	13:6	133-4665	1	Decal-Stability, CE
7	116-8739	1	Muffler Guard ASM	13:7	147-0212	1	Decal - Fuse
7:2	106-5517	1	Decal-Warning	14	1-807512	1	Bolt-CARR
8	125-4650	1	Frame ASM	15	119-4061	4	Screw-HHF
8:2	302-5	7	Fitting-Grease	16	119-7312	1	Plate-Striker
8:3	1-811010	2	Plug	20	112-7069	1	Grommet
8:4	1-543508	4	Cup-Bearing	27	32128-21	4	Nut-HF Lock
9	1-543509	4	Bearing-Roller, Tapered	28	321-4	2	Screw-HH
10	3231-10	4	Screw-CARR	29	2412-87	2	Clamp-Cable
11	3296-51	2	Nut-Lock, NI	30	104-7201	3	Nut-HF, NI
12	140-1890	2	Wheel, Tire And Bearing ASM	31	119-1878-03	1	Retainer-Cable
12:2	103-2768	2	Guard-Seal	32	119-0239	1	Cover-Tank
12:3	3296-45	1	Nut-Hex	32:2	116-8775	1	Decal-Fill, Fuel
12:4	325-20	1	Screw-HH	33	32144-70	4	Screw-HWHTF
				47	32180-040	2	Clip-Harness

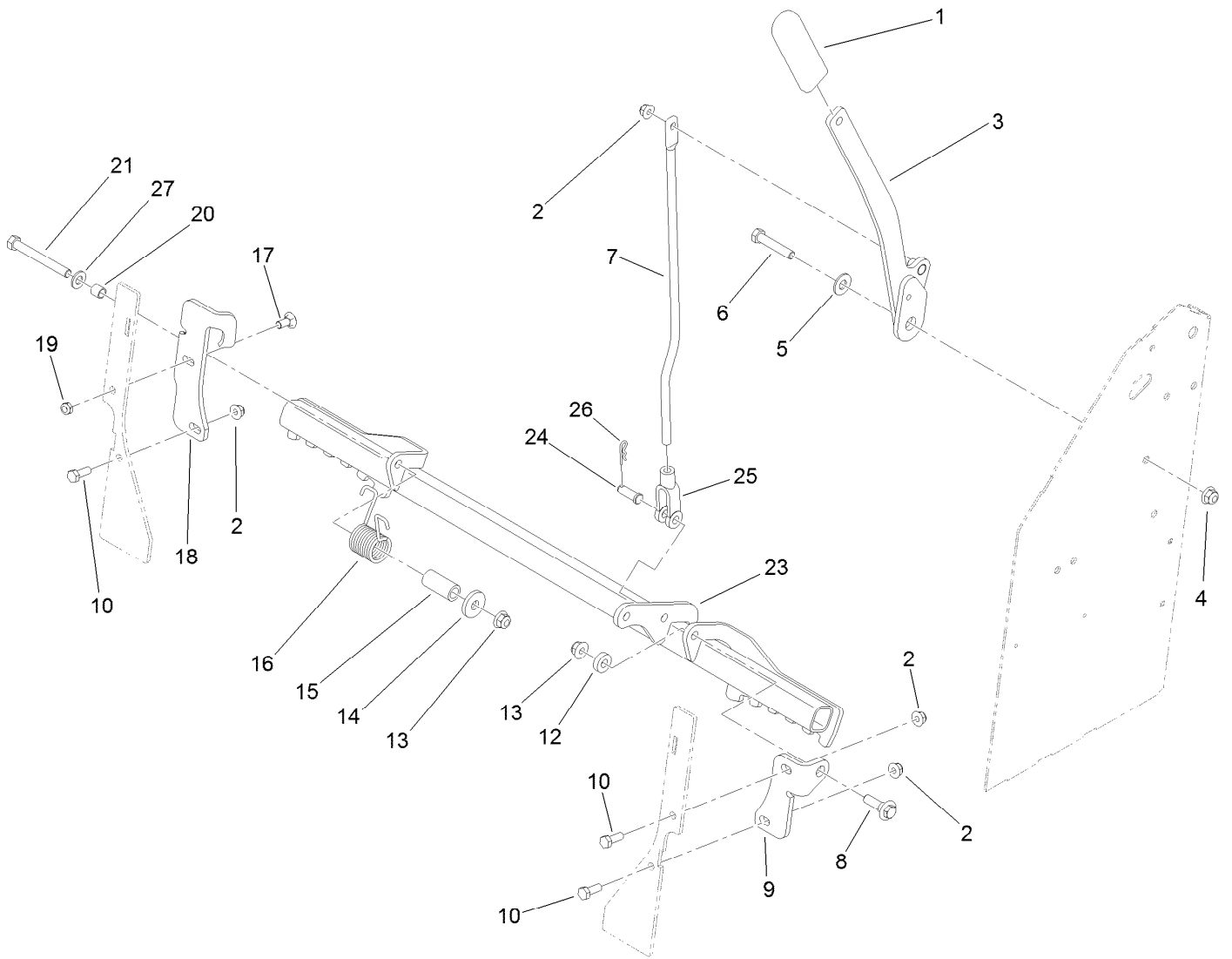
Wheel and Bearing Assembly



Wheel and Bearing Assembly (continued)

<i>Ref.</i>	<i>Part Number</i>	<i>Qty.</i>	<i>Description</i>	<i>Ref.</i>	<i>Part Number</i>	<i>Qty.</i>	<i>Description</i>
1	1-633585	2	Bearing-Cone, Taper	4	126-5359	1	Caster Axle ASM
2	103-0063	2	Seal-Caster	5	140-1892	1	Wheel And Tire ASM
3	103-3051	1	Spacer-Nut				

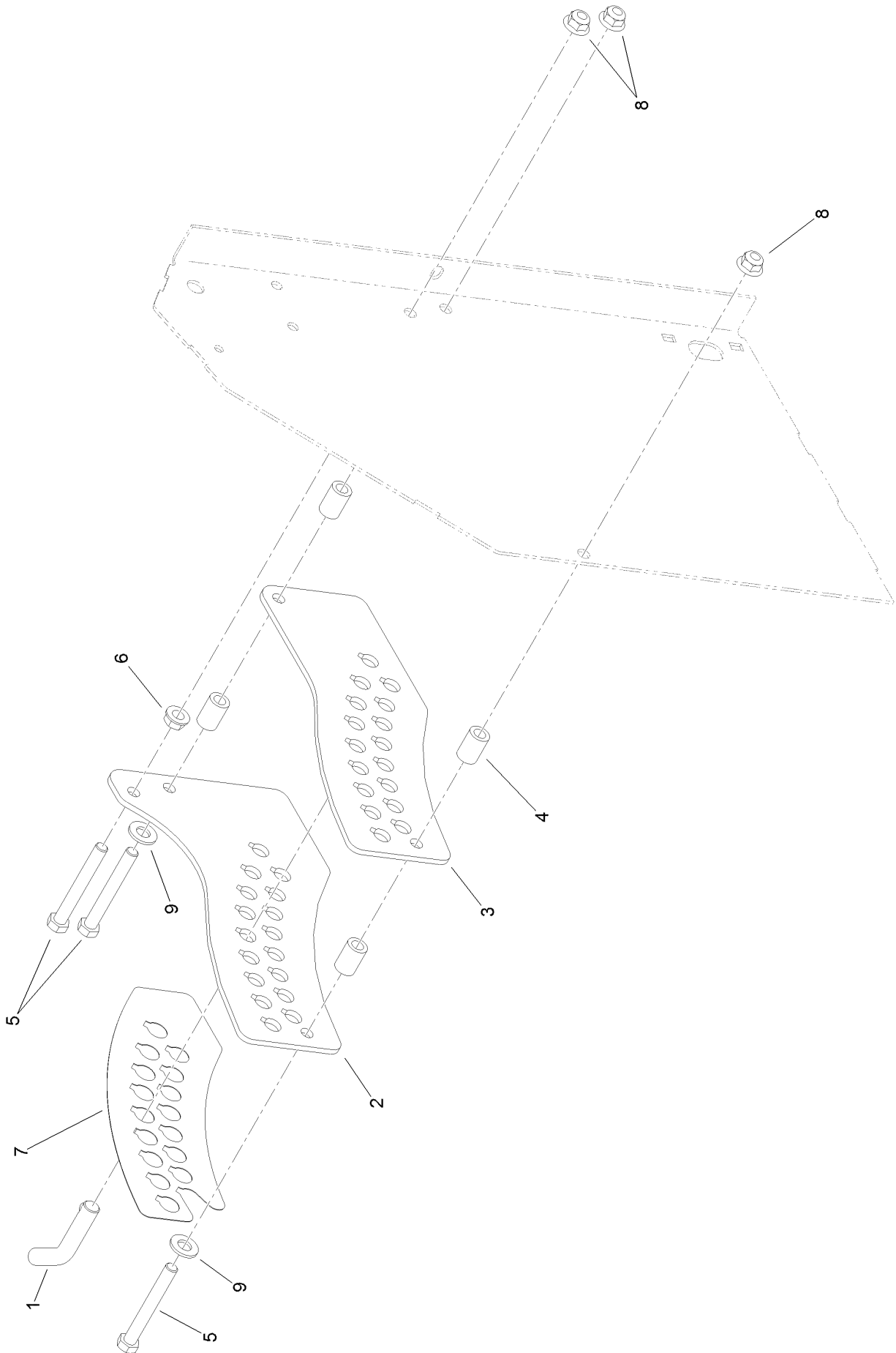
Parking Brake Assembly



Parking Brake Assembly (continued)

<i>Ref.</i>	<i>Part Number</i>	<i>Qty.</i>	<i>Description</i>	<i>Ref.</i>	<i>Part Number</i>	<i>Qty.</i>	<i>Description</i>
1	1-633268	1	Grip-Lever	15	117-9683	1	Spacer
2	104-8300	4	Nut-HF, NI	16	108-4052	1	Spring-Torsion
3	119-1861-01	1	Handle-Brake	17	3230-1	1	Bolt-CARR
4	104-8301	1	Nut-HF, NI	18	125-4667-01	1	Bracket-Brake Mount, RH
5	3256-4	1	Washer-Flat	19	3296-47	1	Nut-Lock,NI
6	323-10	1	Screw-HH	20	117-9684	1	Spacer
7	117-6199	1	Rod-Link, Brake	21	323-20	1	Screw-HH
8	614672	1	Screw-Shoulder, HWH	23	116-4600-03	1	Bar-Brake
9	119-1860-01	1	Bracket-Brake Mount, LH	24	283-2	1	Pin-Clevis
10	322-4	3	Screw-HH	25	1-633131	1	Yoke-Linkage, Brake
12	5-0652	1	Spacer	26	3290-307	1	Pin-Cotter
13	104-8301	2	Nut-HF, NI	27	3256-24	1	Washer-Plain
14	1-373034	1	Washer				

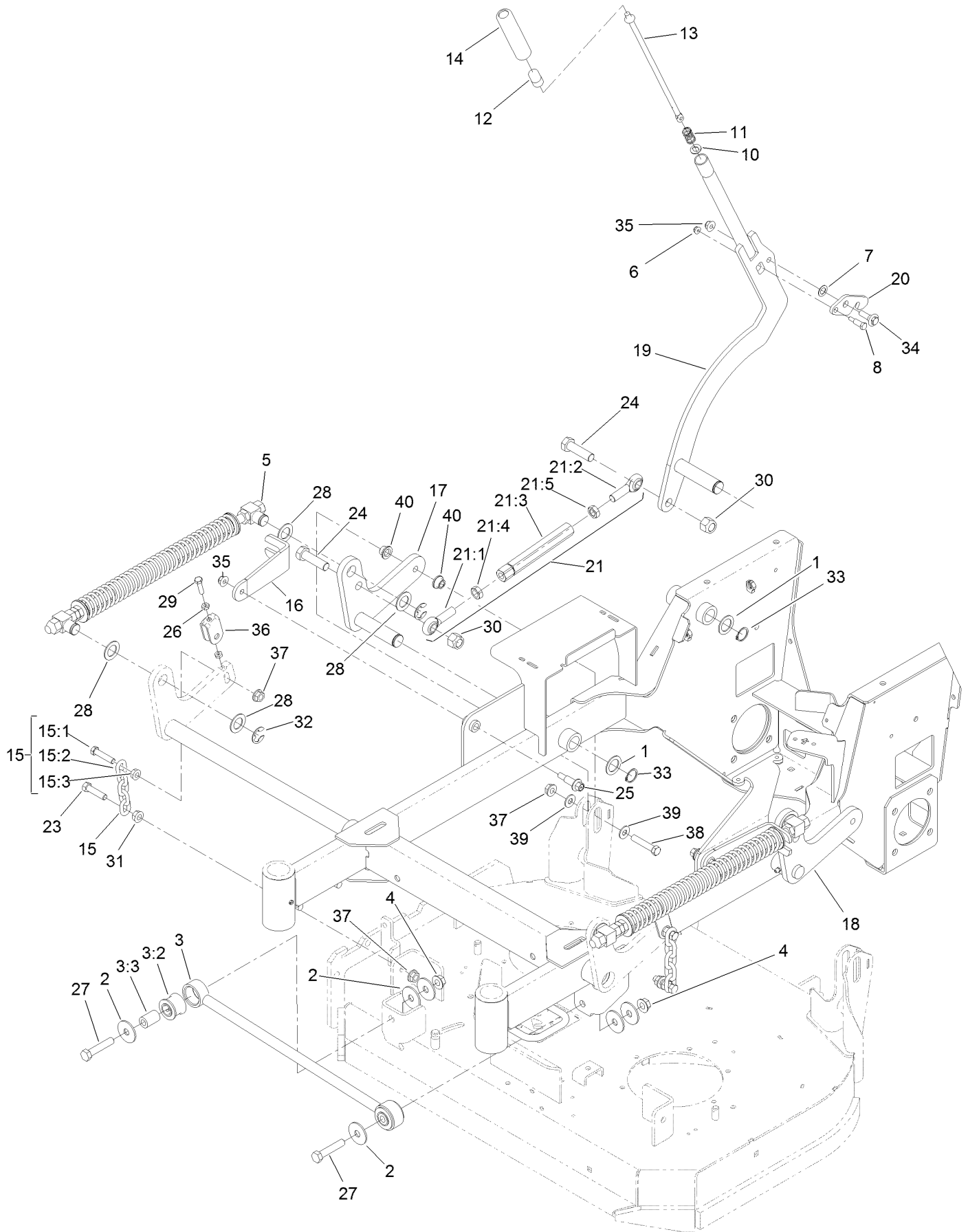
Height-of-Cut Plate Assembly



Height-of-Cut Plate Assembly (continued)

<i>Ref.</i>	<i>Part Number</i>	<i>Qty.</i>	<i>Description</i>	<i>Ref.</i>	<i>Part Number</i>	<i>Qty.</i>	<i>Description</i>
1	116-5584	1	Pin-HOC	6	3290-357	1	Nut-HSF
2	117-5286-01	1	Plate-HOC, Outside	7	119-2317	1	Decal-HOC
3	117-5287-01	1	Plate-HOC, Inside	8	104-8301	3	Nut-HF, NI
4	114-2754	4	Spacer	9	3256-24	2	Washer-Plain
5	323-14	3	Screw-HH				

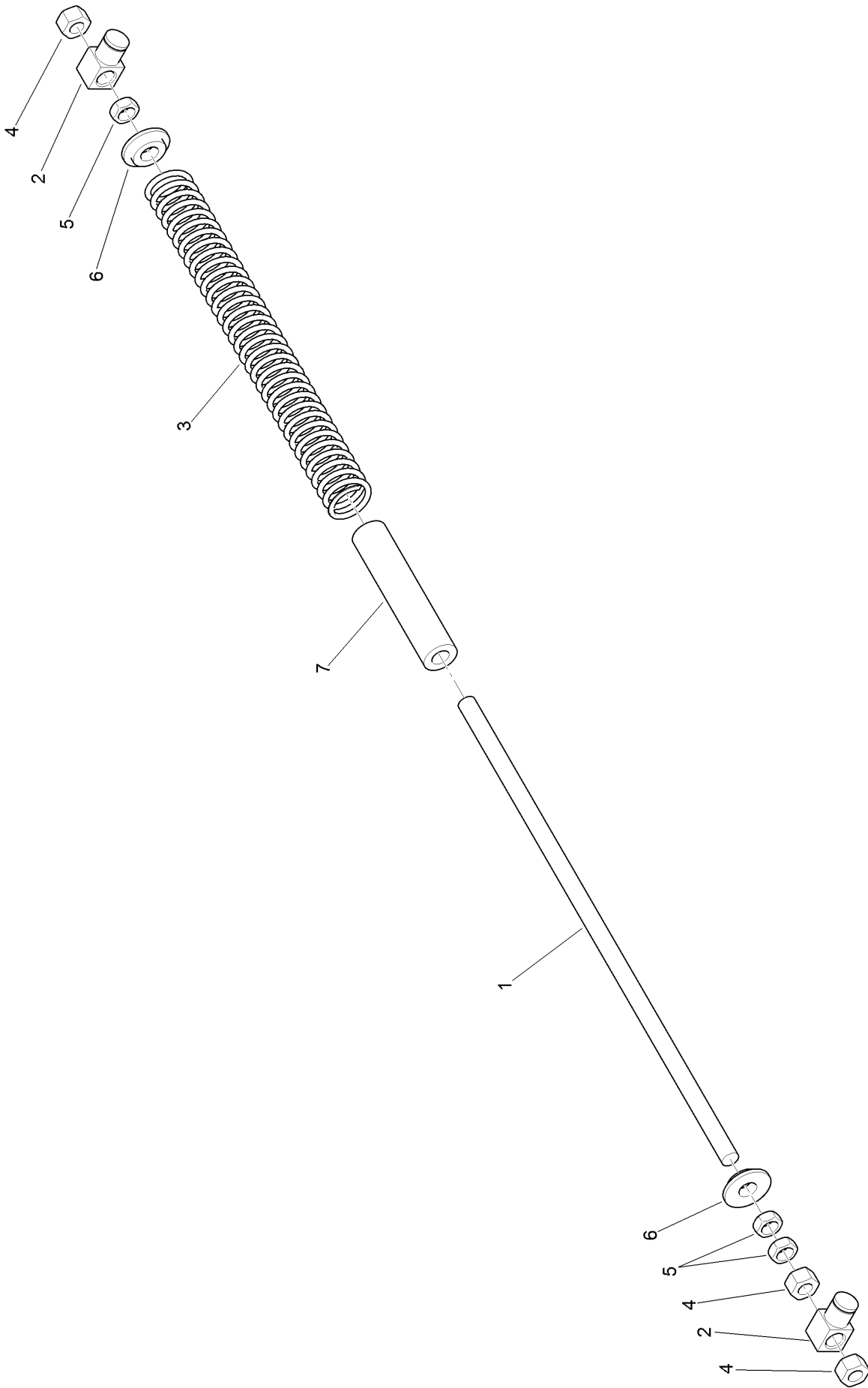
Deck Lift Assembly



Deck Lift Assembly (continued)

<i>Ref.</i>	<i>Part Number</i>	<i>Qty.</i>	<i>Description</i>	<i>Ref.</i>	<i>Part Number</i>	<i>Qty.</i>	<i>Description</i>
1	1-523157	3	Washer-Spacer	21	119-0383	1	Deck Lift Link ASM
2	86-1990	4	Washer	21:1	1-633029	1	Balljoint-Spherical
3	109-5013	1	Panhard Rod ASM	21:2	117-5291	1	Balljoint-Spherical
3:2	109-5009	2	Bushing-Suspension, Rubber	21:3	119-0382	1	Link-Lift, Deck
3:3	109-5010	2	Spacer	21:4	3220-6	1	Nut-Jam
4	32128-23	2	Nut-HF	21:5	117-5293	1	Nut-Jam
5	119-2337	2	Deck Lift Spring ASM	23	324-7	2	Screw-HH
6	104-7201	1	Nut-HF, NI	24	327-22	2	Screw-HH
7	98-1629	1	Washer	25	62-1330	2	Bolt-Shoulder
8	119-2309	1	Bolt-Shldr,HH	26	3218-2	4	Nut-Hex Jam
10	114-1207	1	Washer-Special	27	325-10	2	Screw-HH
11	114-8187	1	Spring-Compression	28	119-2332	8	Washer-Flat
12	115-2750	1	Knob	29	119-3626	2	Screw-HH
13	136-0530	1	Rod-Latch, Release	30	3296-53	2	Nut-Lock, NI
14	115-3592	1	Grip	31	32128-37	2	Nut-HF
15	116-0756	2	Deck Lift Chain ASM	32	32151-103	4	Ring-Retaining, EXT
15:1	1-633447	1	Chain-Lift, Deck	33	32151-29	3	Ring-Retaining
15:2	109-9065	1	Screw-HH	34	614672	1	Screw-Shoulder, HWH
15:3	32128-37	1	Nut-HF	35	104-8301	3	Nut-HF, NI
16	119-2302-01	2	Bracket-Fork	36	109-9066	2	Yoke-Adjust, Deck
17	121-6014-01	1	Arm-Lift, RH	37	32128-42	6	Nut-HF
18	121-6013-01	1	Arm-Lift, LH	38	324-9	2	Screw-HH
19	117-5290-01	1	Arm-Lift, HOC	39	3256-4	4	Washer-Flat
20	117-5292	1	Latch-HOC	40	116-2428	4	Bushing-Flanged

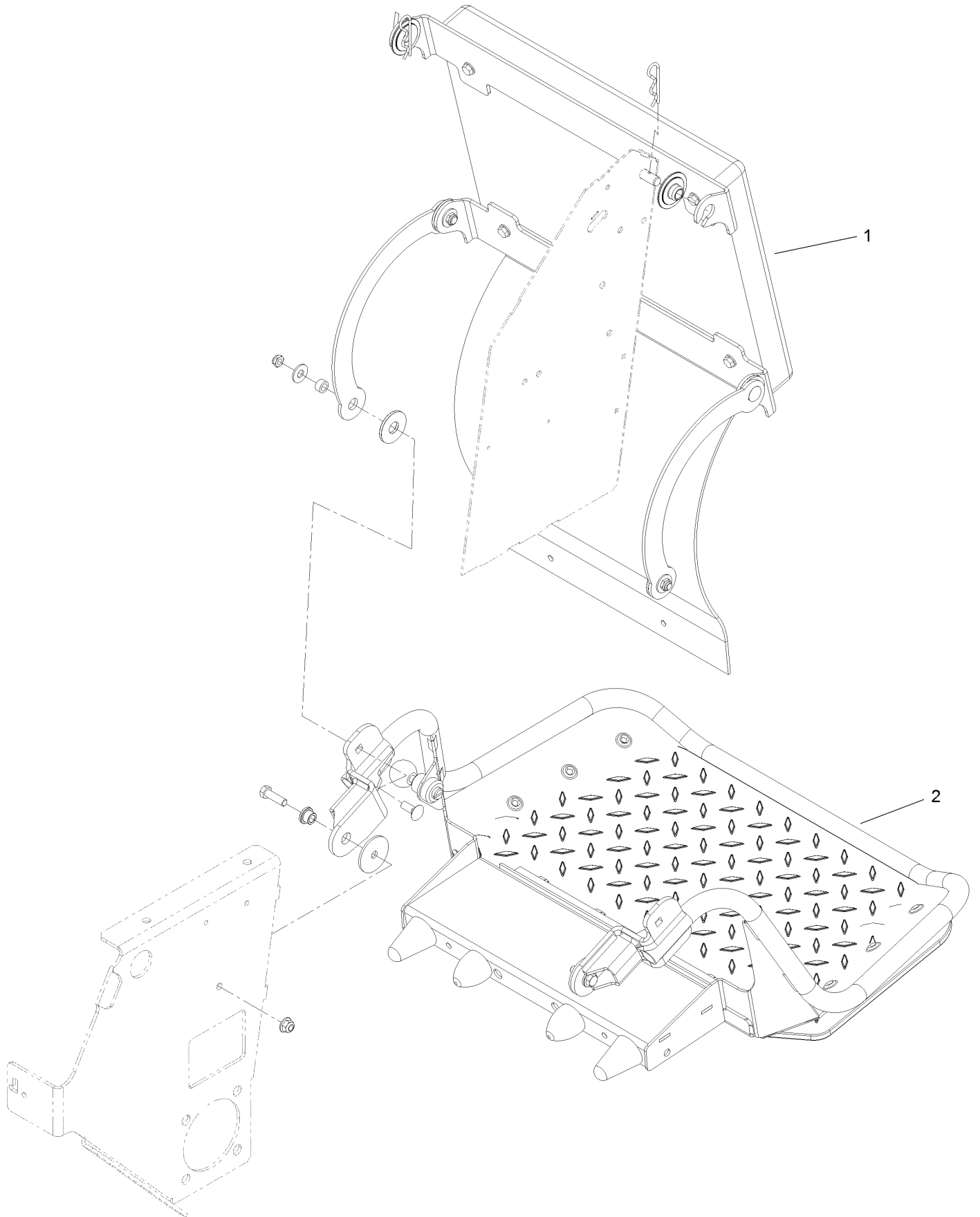
Deck Lift Spring Assembly No. 119-2337



Deck Lift Spring Assembly No. 119-2337 (continued)

<i>Ref.</i>	<i>Part Number</i>	<i>Qty.</i>	<i>Description</i>	<i>Ref.</i>	<i>Part Number</i>	<i>Qty.</i>	<i>Description</i>
1	1-633096	1	Rod-Lift, Deck	5	3218-6	3	Nut-Jam
2	1-633441	2	Swivel-Deck Mount, Rear	6	119-2334	2	Washer-Step
3	119-2327	1	Spring-Compression	7	119-2335	1	Tube-Guide, Spring
4	3217-11	3	Nut-Hex				

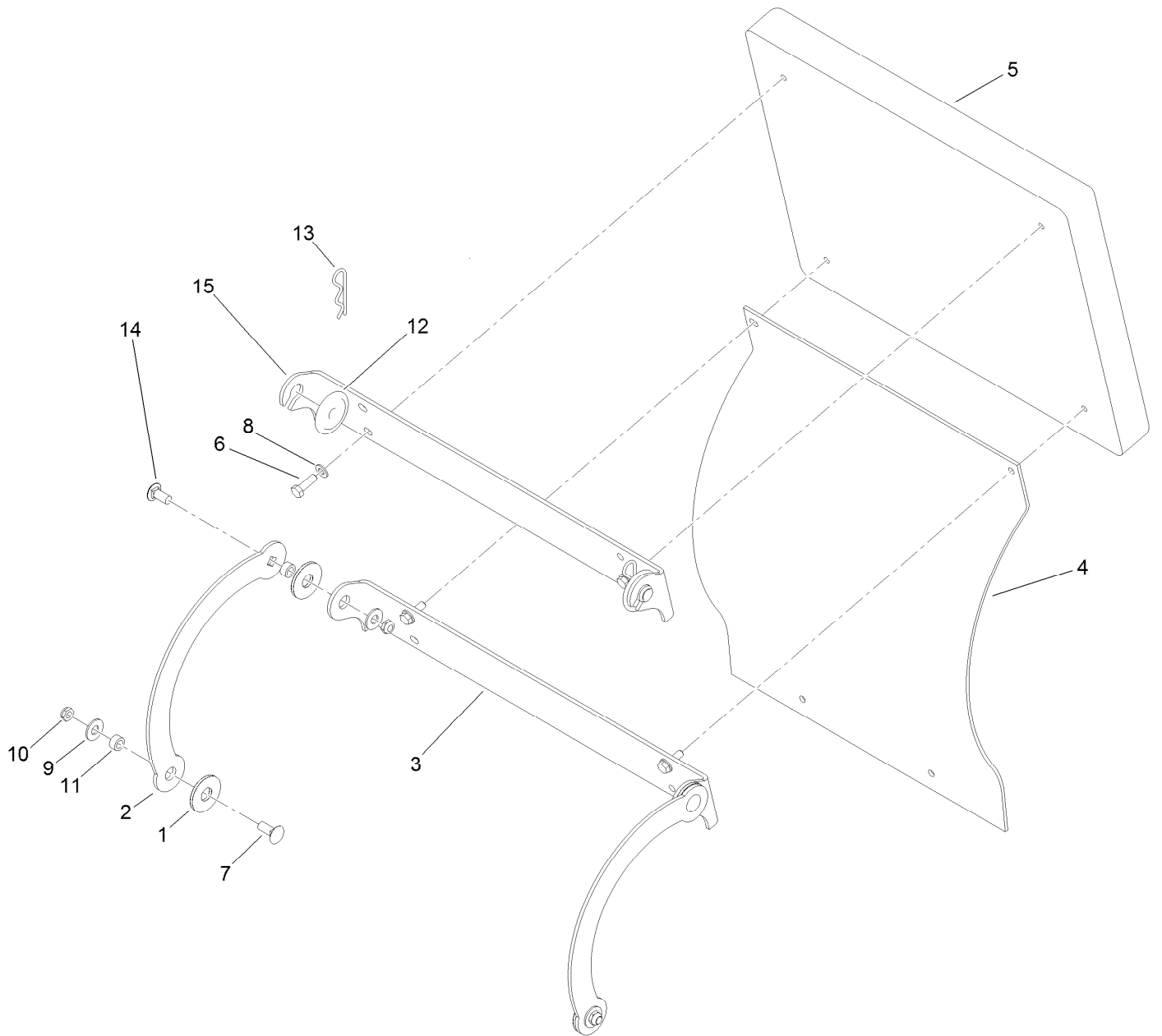
Cushion and Platform Assembly



Cushion and Platform Assembly (continued)

<i>Ref.</i>	<i>Part Number</i>	<i>Qty.</i>	<i>Description</i>
1	130-1767	1	Cushion ASM
2	132-9402	1	Platform ASM

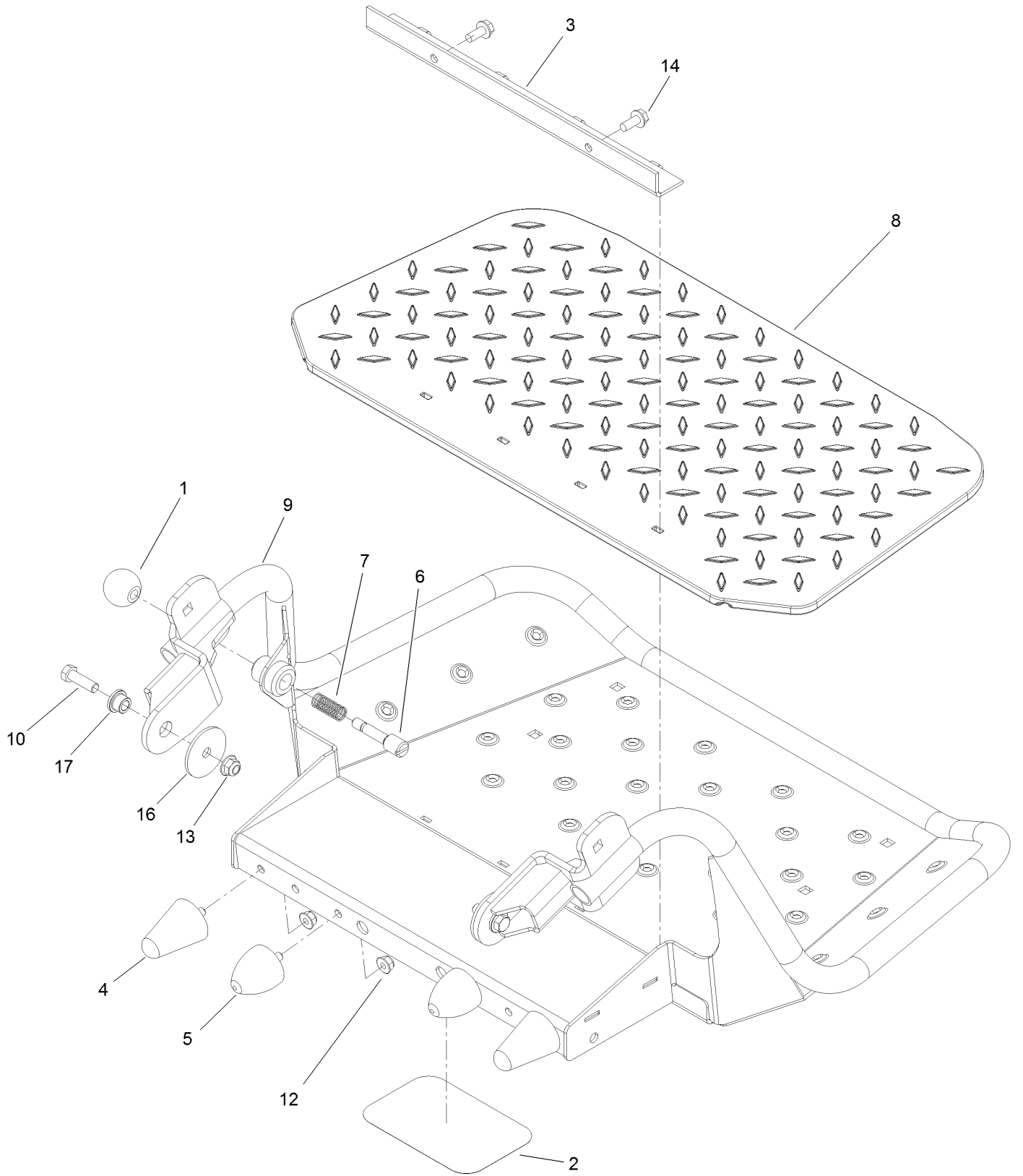
Cushion Assembly No. 130-1767



Cushion Assembly No. 130-1767 (continued)

<i>Ref.</i>	<i>Part Number</i>	<i>Qty.</i>	<i>Description</i>	<i>Ref.</i>	<i>Part Number</i>	<i>Qty.</i>	<i>Description</i>
1	114-0463	4	Washer-Friction, Composite	9	3256-4	4	Washer-Flat
2	114-1915-01	2	Link-Pad	10	3296-59	4	Nut-Lock, NI
3	116-2061-03	1	Hinge-Pad	11	111044	4	Spacer
4	130-1769	1	Shield-Rear	12	116-2886	2	Slide-Bushing
5	117-9739	1	Pad-Cushion	13	3290-355	2	Pin-Hair
6	121-7999	4	Screw-HH, Patch	14	3231-27	2	Screw-CARR
7	3231-2	2	Bolt-CARR	15	116-2757-03	1	Hinge-Pad
8	3256-23	4	Washer-Plain				

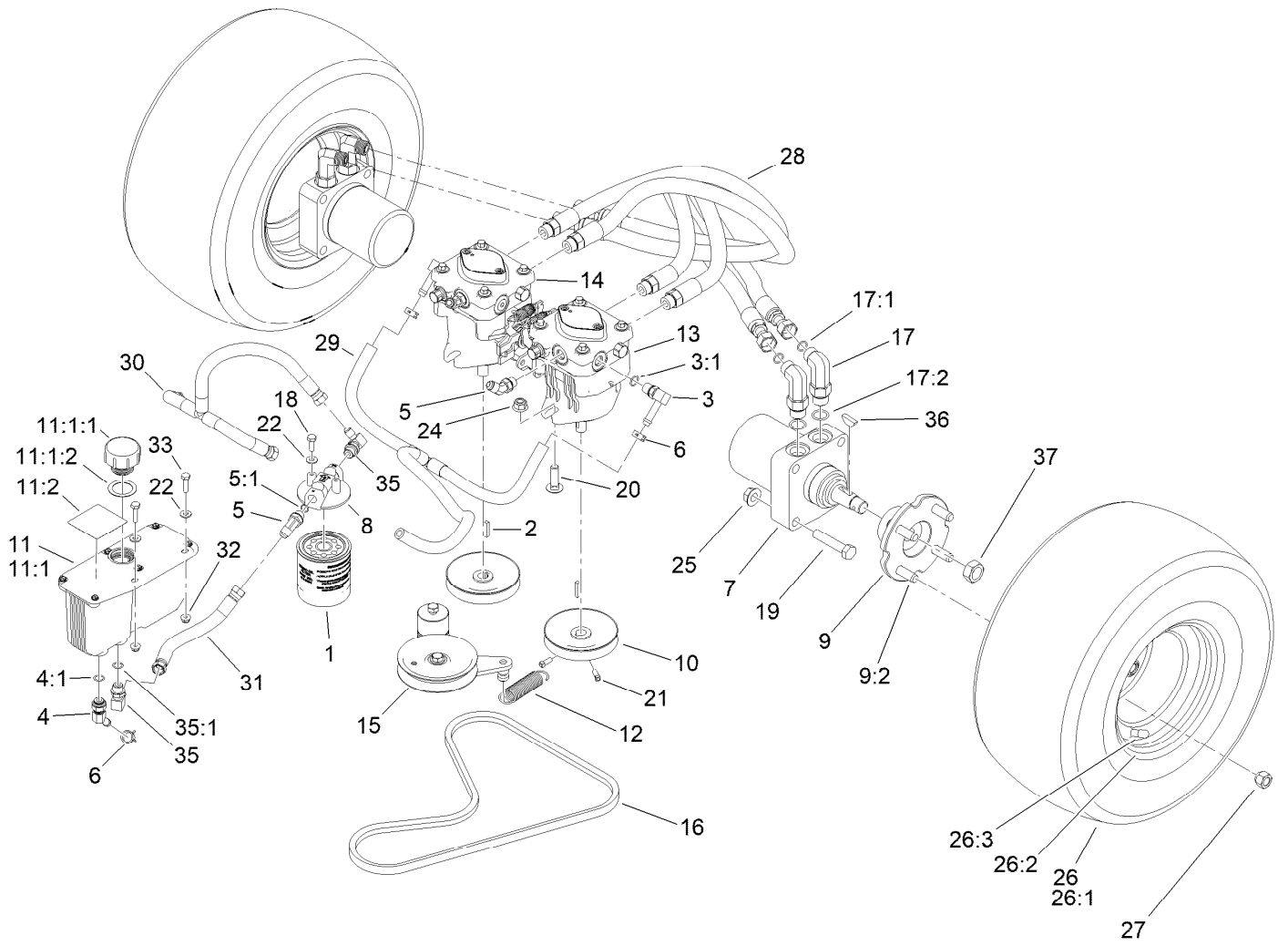
Platform Assembly No. 132-9402



Platform Assembly No. 132-9402 (continued)

<i>Ref.</i>	<i>Part Number</i>	<i>Qty.</i>	<i>Description</i>	<i>Ref.</i>	<i>Part Number</i>	<i>Qty.</i>	<i>Description</i>
1	1-603175	1	Knob-Ball	9	132-9403-01	1	Platform ASM
2	68-3640	1	Decal	10	323-7	2	Screw-HH
3	114-1920-03	1	Clamp-Shield	12	104-8300	4	Nut-HF, NI
4	114-1925	2	Bumper-Rubber	13	104-8301	2	Nut-HF, NI
5	114-1926	2	Bumper-Rubber	14	32144-11	2	Screw-HWH
6	119-8650	1	Pin-Latch	16	83-1040	2	Washer-Flat
7	114-5348	1	Spring	17	109-8788	2	Bushing-Flanged
8	126-7157	1	Mat-Platform				

Traction Drive Assembly



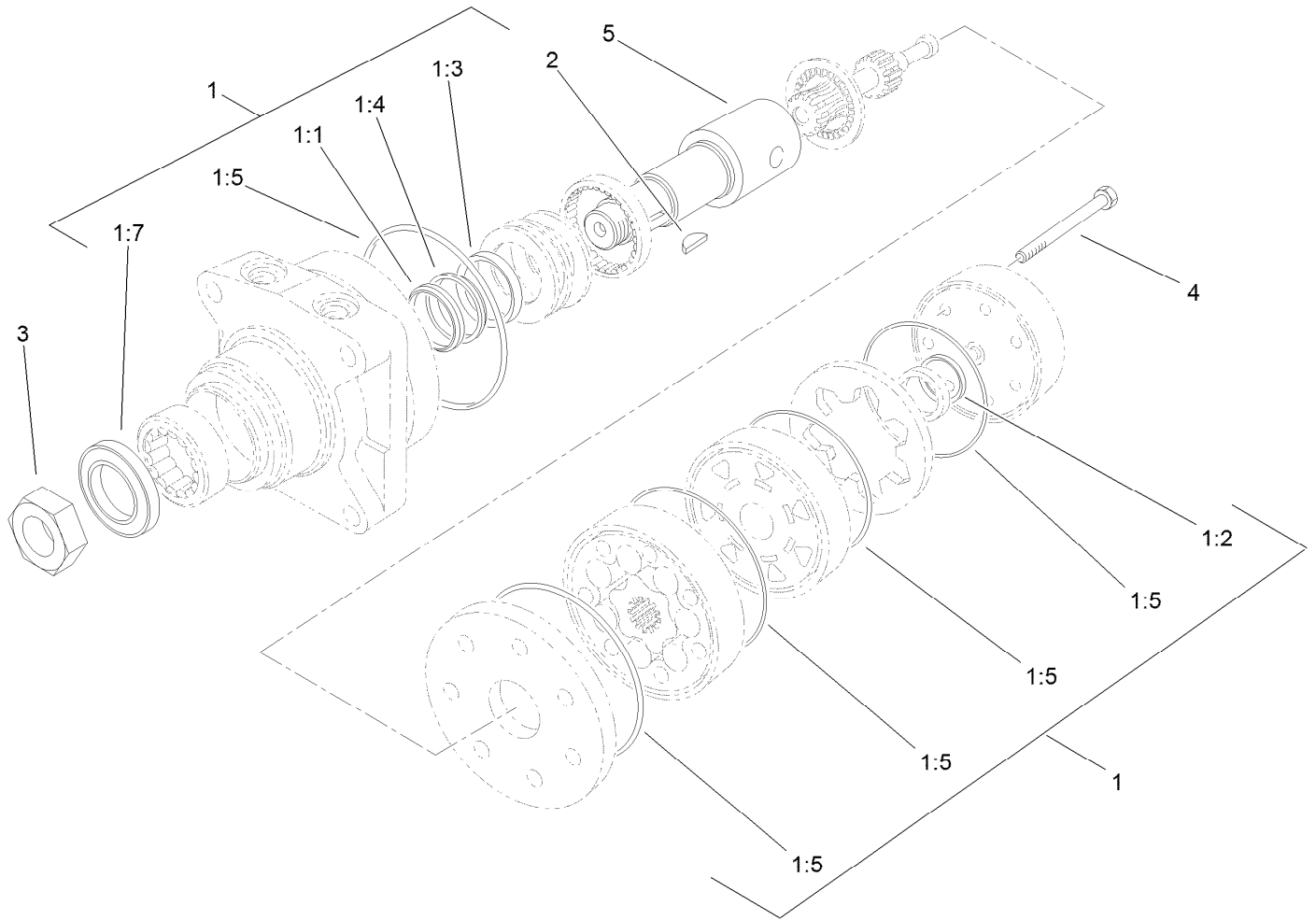
Traction Drive Assembly (continued)

<i>Ref.</i>	<i>Part Number</i>	<i>Qty.</i>	<i>Description</i>	<i>Ref.</i>	<i>Part Number</i>	<i>Qty.</i>	<i>Description</i>
1	114-3494	1	Element-Filter, 25 Micron	17:1	237-30	1	O-Ring
2	1-807272	2	Key	17:2	237-80	1	O-Ring
3	100-4887	2	Fitting-Elbow, 90	18	321-3	2	Screw-HH
3:1	237-42	1	O-Ring	19	325-10	8	Screw-HH
4	103-1807	1	Fitting-Barbed, 45 DEG	20	3232-3	4	Bolt-CARR
4:1	237-42	1	O-Ring	21	3241-5	4	Screw-Set
5	353-212	3	Fitting-Elbow, 45 DEG	22	3256-22	4	Washer-Flat
5:1	237-42	1	O-Ring	24	114-8417	4	Nut-HF, NI
6	103-1988	3	Clamp-Hose	25	32128-23	8	Nut-HF
7	104-1171	2	HYD Motor ASM	26	140-4271	2	Wheel And Tire ASM
8	104-7836	1	Head-Filter	26:1	140-1887	1	Rim-8 Inch Black
9	105-0800	2	Wheel Hub ASM	26:2	116-4606	1	Tire
9:2	10-6830	4	Stud-Type, Drive	26:3	232-27	1	Stem-Valve
10	105-5648	2	Pulley-Pump	27	139-2564	8	Nut-Lug
11	107-8433	1	HYD Reservoir ASM	28	119-0173	4	HYD Hose ASM
11:1		1	Reservoir-HYD ●■	29	119-8745	1	HYD Hose ASM
11:1:1	103-1948	1	Cap-Reservoir, HYD	30	119-0206	1	HYD Hose ASM
11:1:2	142-2792	1	O-Ring	31	119-0203	1	HYD Hose ASM
11:2	115-4212	1	Decal-Warning	32	104-7201	2	Nut-HF, NI
12	108-4056	1	Spring-Extension	33	321-6	2	Screw-HH
13	119-0176	1	Hydraulic Pump ASM	35	103-1802	2	Fitting-Elbow, 90 DEG
14	119-0177	1	Hydraulic Pump ASM	35:1	237-42	1	O-Ring
15	117-7685	1	Pump Idler ASM	36	3257-8	2	Key-Woodruff
16	119-0174	1	Belt-V	37	85-7310	2	Nut-Motor, Wheel
17	119-8680	4	Fitting-Elbow, 90				

● Not illustrated

■ Not serviced separately

Hydraulic Motor Assembly 104-1171

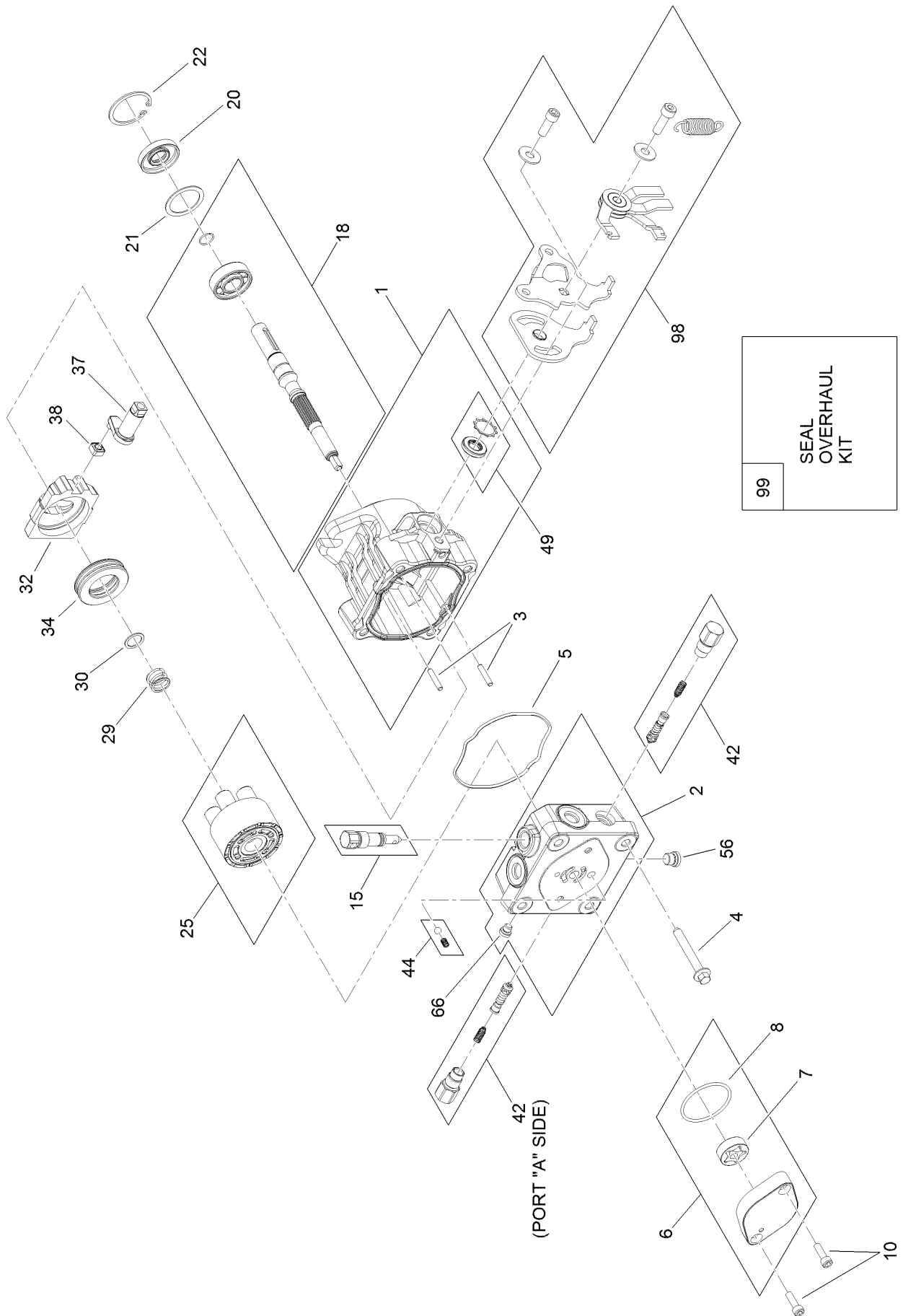


Hydraulic Motor Assembly 104-1171 (continued)

<i>Ref.</i>	<i>Part Number</i>	<i>Qty.</i>	<i>Description</i>	<i>Ref.</i>	<i>Part Number</i>	<i>Qty.</i>	<i>Description</i>
1	1-000119	1	Seal Kit	1:7		1	Seal-Dirt And Water ●
1:1		1	Ring-Back Up ●	2	3257-8	1	Key-Woodruff
1:2		1	Seal-Commutator ●	3	85-7310	1	Nut-Motor, Wheel
1:3		1	Seal-Shaft (Viton) ●	4	106-5549	6	Bolt-Special
1:4		1	Washer-Back Up (Steel) ●	5	106-8764	1	Shaft-Coupling
1:5		5	Ring-Seal (Viton) ●				

● Not serviced separately

Hydraulic Pump Assembly No. 119-0176



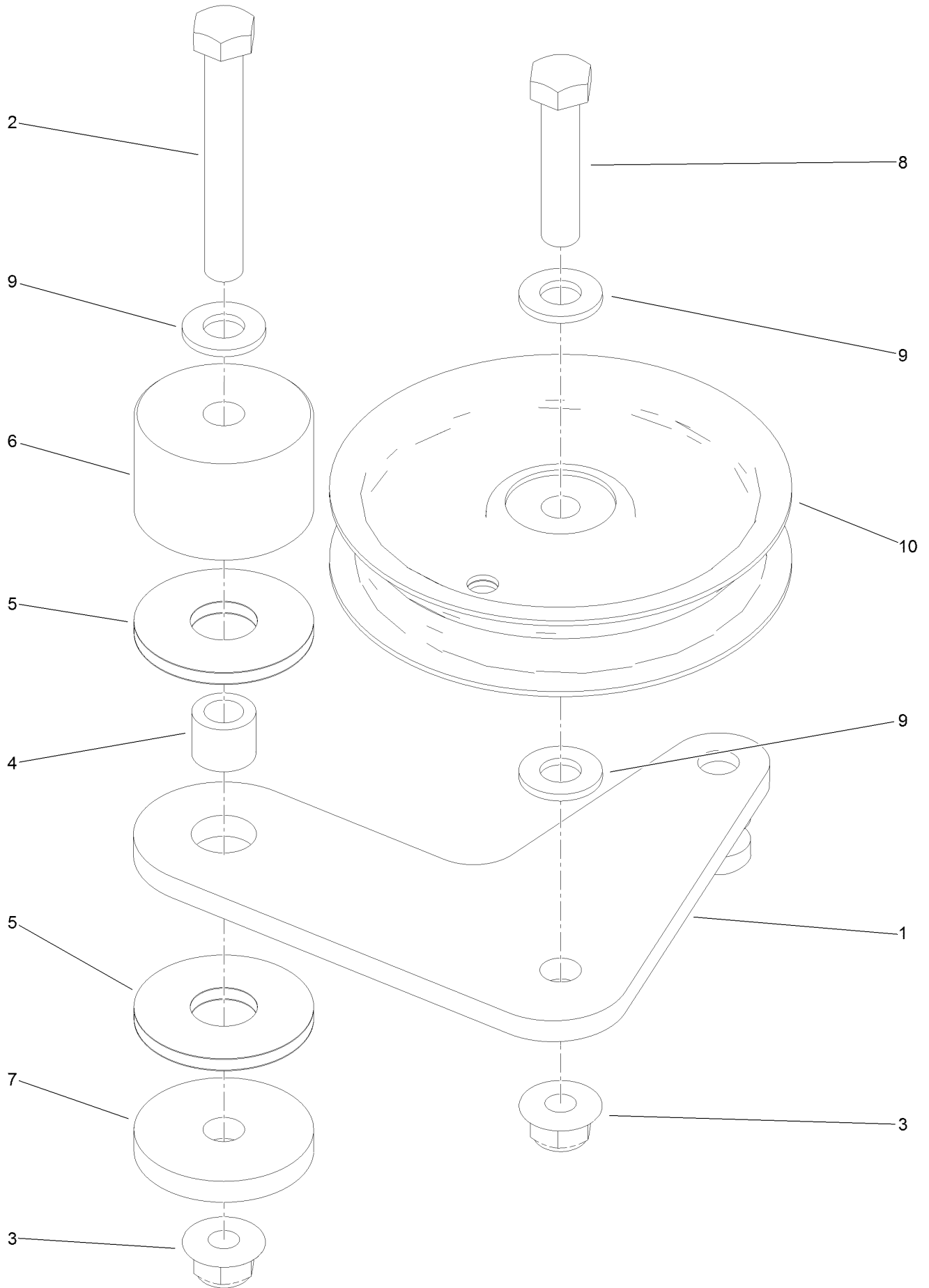
Hydraulic Pump Assembly No. 119-0176 (continued)

<i>Ref.</i>	<i>Part Number</i>	<i>Qty.</i>	<i>Description</i>	<i>Ref.</i>	<i>Part Number</i>	<i>Qty.</i>	<i>Description</i>
1	115-4464	1	Housing Kit	29	94-1936	1	Spring-Block
2	119-0184	1	End Cap STD Charge Kit	30	94-1937	1	Washer-Thrust
3	106-8753	2	Pin-Headless, Straight	32	94-1907	1	Swashplate-Variable
4	106-8754	4	Bolt-HF	34	94-6922	1	Bearing-Thrust
5	106-8755	1	O-Ring	37	115-4458	1	Arm-Trunnion, Tapered Square
6	106-8756	1	Charge Pump Kit	38	94-1910	1	Guide-Slot
7	104-2122	1	Gerotor ASM	42	98-3252	2	Valve-Check (W/Poppet)
8	106-8757	1	O-Ring	44	112-4164	1	Charge Relief Kit
10	104-2111	2	Capscrew	49	106-8761	1	Trunnion Seal / Retainer Kit
15	106-8759	1	Bypass Valve Kit	56	106-8762	1	Plug-HSH
18	103-2664	1	Input Shaft Kit	66	106-8763	1	Plug-HSH
20	104-5310	1	Seal-Lip	98	115-4459	1	Return Kit
21	104-5308	1	Spacer	99	105-6184	1	Kit-Pump Seal Overhaul
22	104-5309	1	Ring-Retaining				
25	103-2666	1	Cylinder Block Kit				

Hydraulic Pump Assembly No. 119-0177 (continued)

<i>Ref.</i>	<i>Part Number</i>	<i>Qty.</i>	<i>Description</i>	<i>Ref.</i>	<i>Part Number</i>	<i>Qty.</i>	<i>Description</i>
1	115-4464	1	Housing Kit	29	94-1936	1	Spring-Block
2	119-0184	1	End Cap STD Charge Kit	30	94-1937	1	Washer-Thrust
3	106-8753	2	Pin-Headless, Straight	32	94-1907	1	Swashplate-Variable
4	106-8754	4	Bolt-HF	34	94-6922	1	Bearing-Thrust
5	106-8755	1	O-Ring	37	115-4458	1	Arm-Trunnion, Tapered Square
6	106-8756	1	Charge Pump Kit	38	94-1910	1	Guide-Slot
7	104-2122	1	Gerotor ASM	42	98-3252	2	Valve-Check (W/Poppet)
8	106-8757	1	O-Ring	44	112-4164	1	Charge Relief Kit
10	104-2111	2	Capscrew	49	106-8761	1	Trunnion Seal / Retainer Kit
15	106-8759	1	Bypass Valve Kit	56	106-8762	1	Plug-HSH
18	103-2664	1	Input Shaft Kit	66	106-8763	1	Plug-HSH
20	104-5310	1	Seal-Lip	98	115-4459	1	Return Kit
21	104-5308	1	Spacer	99	105-6184	1	Kit-Pump Seal Overhaul
22	104-5309	1	Ring-Retaining				
25	103-2666	1	Cylinder Block Kit				

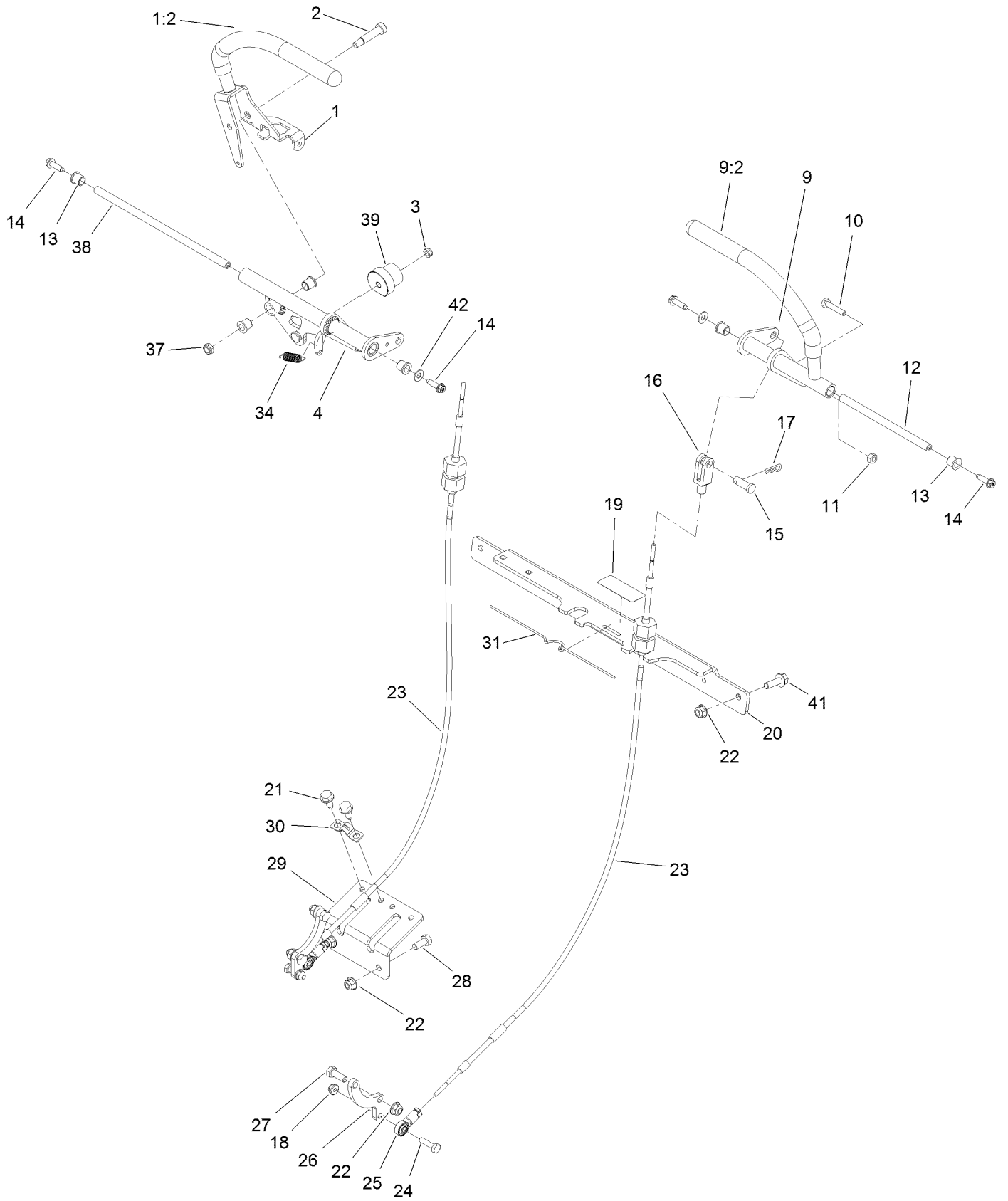
Pump Idler Assembly No. 117-7685



Pump Idler Assembly No. 117-7685 (continued)

<i>Ref.</i>	<i>Part Number</i>	<i>Qty.</i>	<i>Description</i>	<i>Ref.</i>	<i>Part Number</i>	<i>Qty.</i>	<i>Description</i>
1	117-7684	1	Plate-Idler	6	116-7599	1	Hub, Idler
2	323-13	1	Screw-HH	7	110-9981	1	Washer-Plain
3	104-8301	2	Nut-HF, NI	8	323-9	1	Screw-HH
4	1-413088	1	Bushing-Lever, Lift	9	3256-24	3	Washer-Plain
5	114-0463	2	Washer-Friction, Composite	10	93-1622	1	Pulley-Idler

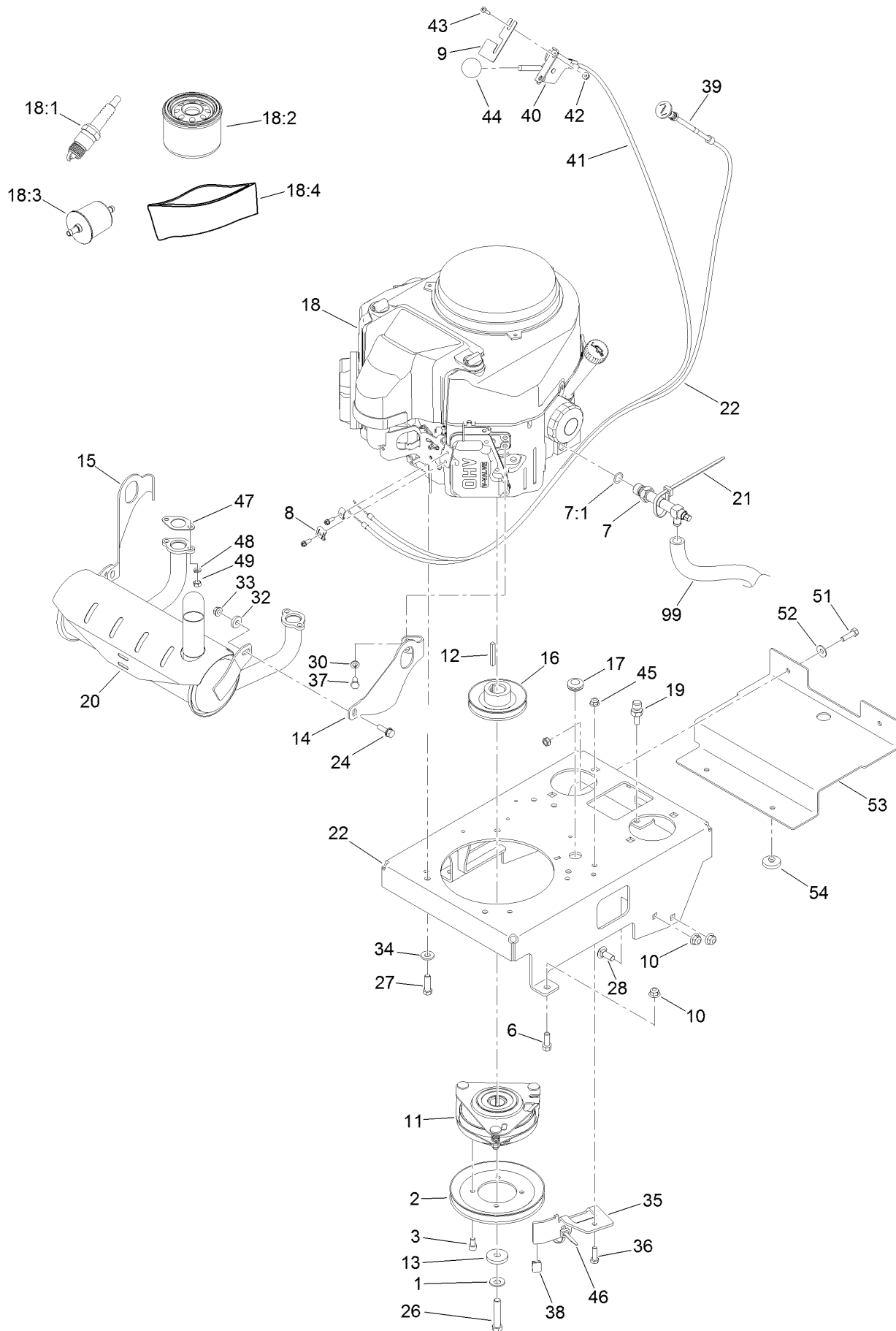
Motion Control Assembly



Motion Control Assembly (continued)

<i>Ref.</i>	<i>Part Number</i>	<i>Qty.</i>	<i>Description</i>	<i>Ref.</i>	<i>Part Number</i>	<i>Qty.</i>	<i>Description</i>
1	120-8393	1	RH Lever ASM	21	32144-70	4	Screw-HWHTF
1:2	119-0222	1	Grip	22	104-8300	8	Nut-HF, NI
2	114-0239	1	Screw-HSH	23	117-6225	2	Cable ASM
3	3296-56	1	Nut-Lock, NI	24	321-6	2	Screw-HH
4	131-7403	1	RH Motion Control ASM	25	117-6222	2	Rod End-Ball Joint
9	125-4671	1	LH Motion Control ASM	26	117-6204	2	Arm-Control, Pump
9:2	119-0222	1	Grip	27	322-4	4	Screw-HH
10	114-0282	2	Screw-HH	28	137-3058	2	Bolt-CARR
11	3217-5	2	Nut-Hex	29	117-6238-01	1	Bracket-Clamp, Cable
12	119-1885	1	Shaft-Pivot, Motion Control	30	93-2279	2	Clamp-Cable
13	103-9928	6	Bearing	31	114-0433	1	Clip-Spring
14	80-0700	4	Screw-Hwhtx	34	114-0249	1	Spring-Extension
15	1-808284	2	Pin-Clevis	37	3296-47	1	Nut-Lock,NI
16	119-1869	2	Yoke-Female	38	119-1886	1	Shaft-Pivot
17	3290-307	2	Pin-Cotter	39	126-1499	1	Cam
18	104-7201	2	Nut-HF, NI	41	3234-29	2	Screw-HHF
19	119-1854	1	Decal-Tracking, Hydro	42	3256-1	2	Washer-Flat
20	117-6239-01	1	Bracket-Cross				

Engine Assembly



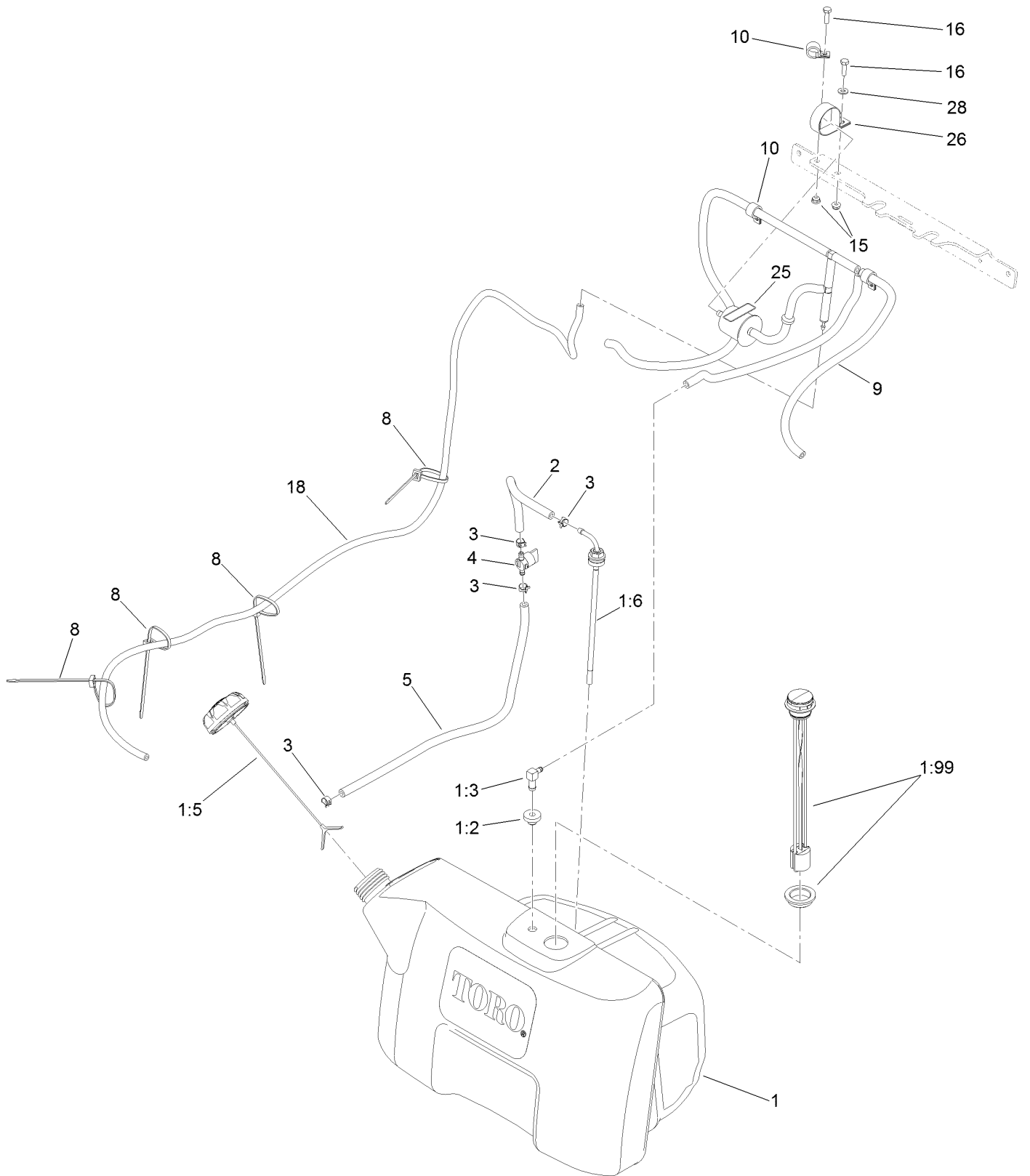
Engine Assembly (continued)

<i>Ref.</i>	<i>Part Number</i>	<i>Qty.</i>	<i>Description</i>	<i>Ref.</i>	<i>Part Number</i>	<i>Qty.</i>	<i>Description</i>
1	1-603610	1	Washer-Spring	27	323-7	4	Screw-HH
2	119-0215	1	Pulley	28	3231-2	4	Bolt-CARR
3	119-0221	4	Screw-HSH	30	3253-4	4	Washer-Lock
6	92-1624	2	Screw-HWH Thd Form	32	104-7658	2	Spacer
7	116-6126	1	Valve-Drain, Oil	33	32128-25	2	Nut-HF
7:1	138-4636	1	O-Ring	34	98-5975	3	Washer-Belleville
8	81-1690	1	Clamp-Cable	35	121-5984-03	1	Bracket-Stop, Clutch
9	119-1883	1	Plate-Set, Throttle	36	322-5	1	Screw-HH
10	104-8301	7	Nut-HF, NI	37	33114-016	4	Screw-HH
11	119-0220	1	Clutch/Brake ASM	38	109-3765	1	Bumper
12	608006	1	Key-Square	39	106-9962	1	Control-Choke, Push/Pull
13	1-543610	1	Washer-Flat	40	110-5547	1	Lever-Control
14	127-1901	1	Bracket-Muffler, LH	41	119-1882	1	Cable-Control
15	127-1902	1	Bracket-Muffler, RH	42	32128-17	2	Nut-Lock, Flange
16	112-7067	1	Pulley	43	3274-39	2	Screw-HSBH
17	112-7069	1	Grommet	44	1-603175	1	Knob-Ball
18		1	Engine Kawasaki, Fs541V ■	45	104-8300	1	Nut-HF, NI
18:1	92-2153	1	Plug-Spark	46	3290-378	2	Tie-Cable
18:2	119-5852	1	Filter-Oil	47	1-653313	2	Gasket-Exhaust
18:3	120-2235	1	Filter-Fuel	48	114-3550	4	Washer-Lock
18:4	120-7447	1	Filter-Air, Foam	49	114-3549	4	Nut
19	132-4729	1	Anchor-Spring, Short	51	322-16	2	Screw-HH
20	131-1183	1	Muffler	52	3290-456	2	Washer-Belleville
21	3290-378	1	Tie-Cable	53	134-3300-01	1	Bracket-Protector, Engine
22	134-2760-01	1	Cover-Engine	54	109-9233	2	Bumper-Push-In, Rubber
24	3234-29	2	Screw-HHF	99	103-1964	1	Hose-Drain, Oil ●
26	3212-9	1	Screw-HH				

● Not illustrated

■ Not serviced separately

Fuel Tank Assembly

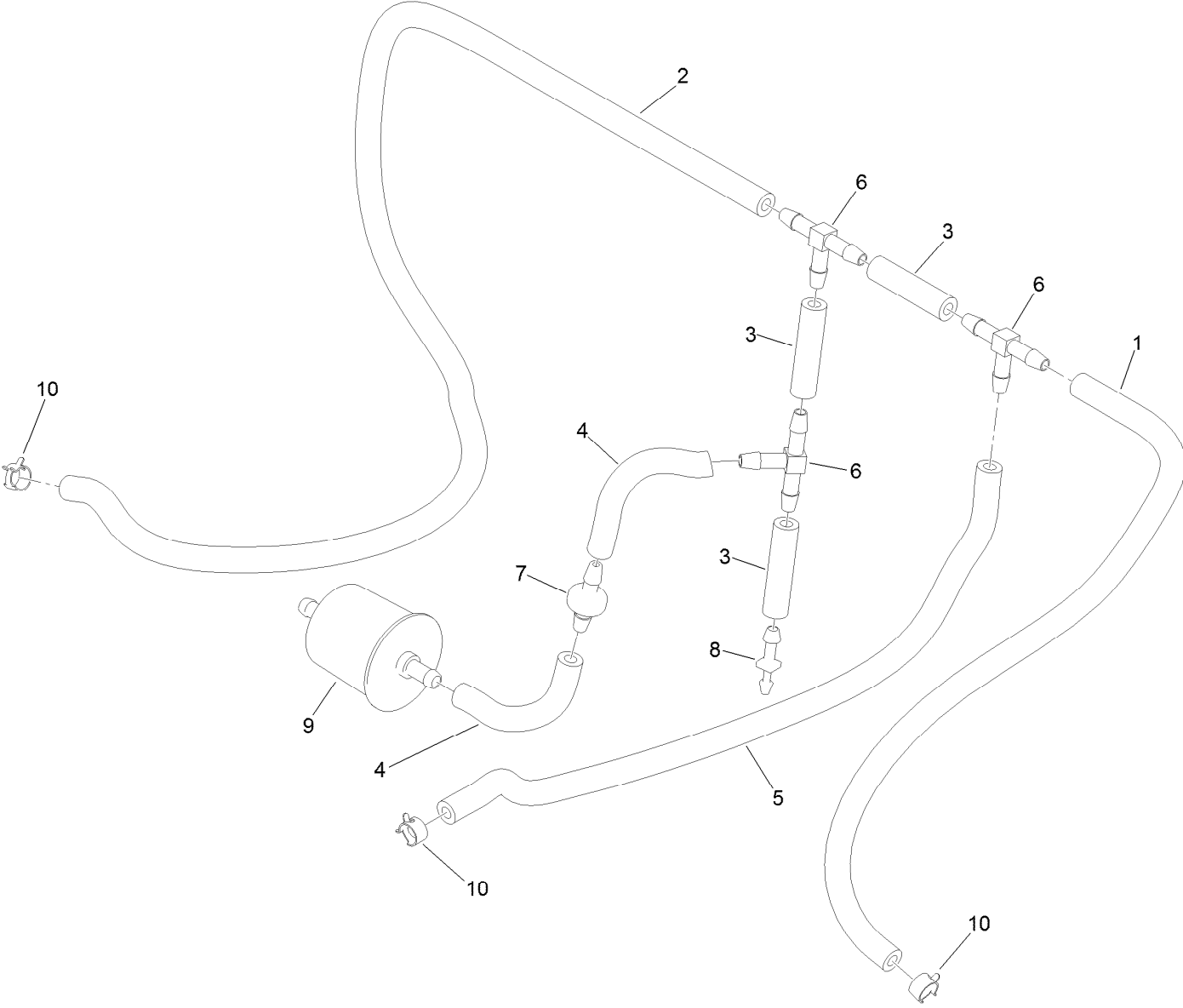


Fuel Tank Assembly (continued)

<i>Ref.</i>	<i>Part Number</i>	<i>Qty.</i>	<i>Description</i>	<i>Ref.</i>	<i>Part Number</i>	<i>Qty.</i>	<i>Description</i>
1	135-0650	1	Tank ASM	5	109-0301	1	Hose-Fuel
1:2	46-6560	3	Bushing	8	3290-378	4	Tie-Cable
1:3	1-643172	3	Elbow-90 DEG	9		1	Vent Hose ASM ●
1:5	126-1789	1	Cap-Fuel, Ratcheting	10	2412-87	3	Clamp-Cable
1:6	116-3408	1	Fitting-Fuel, Bulkhead	15	104-7201	2	Nut-HF, NI
1:99	126-6924	1	Fuel Gauge Replacement Kit	16	321-5	2	Screw-HH
2	109-0297	1	Hose-Fuel	18	110-4102	1	Hose-Fuel
3	2412-98	4	Clamp-Hose	25	116-4769	1	Decal-Filter, Emissions
4	1-603770	1	Valve-Fuel	26	2412-96	1	Clamp-R
				28	3256-22	1	Washer-Flat

● Not serviced separately

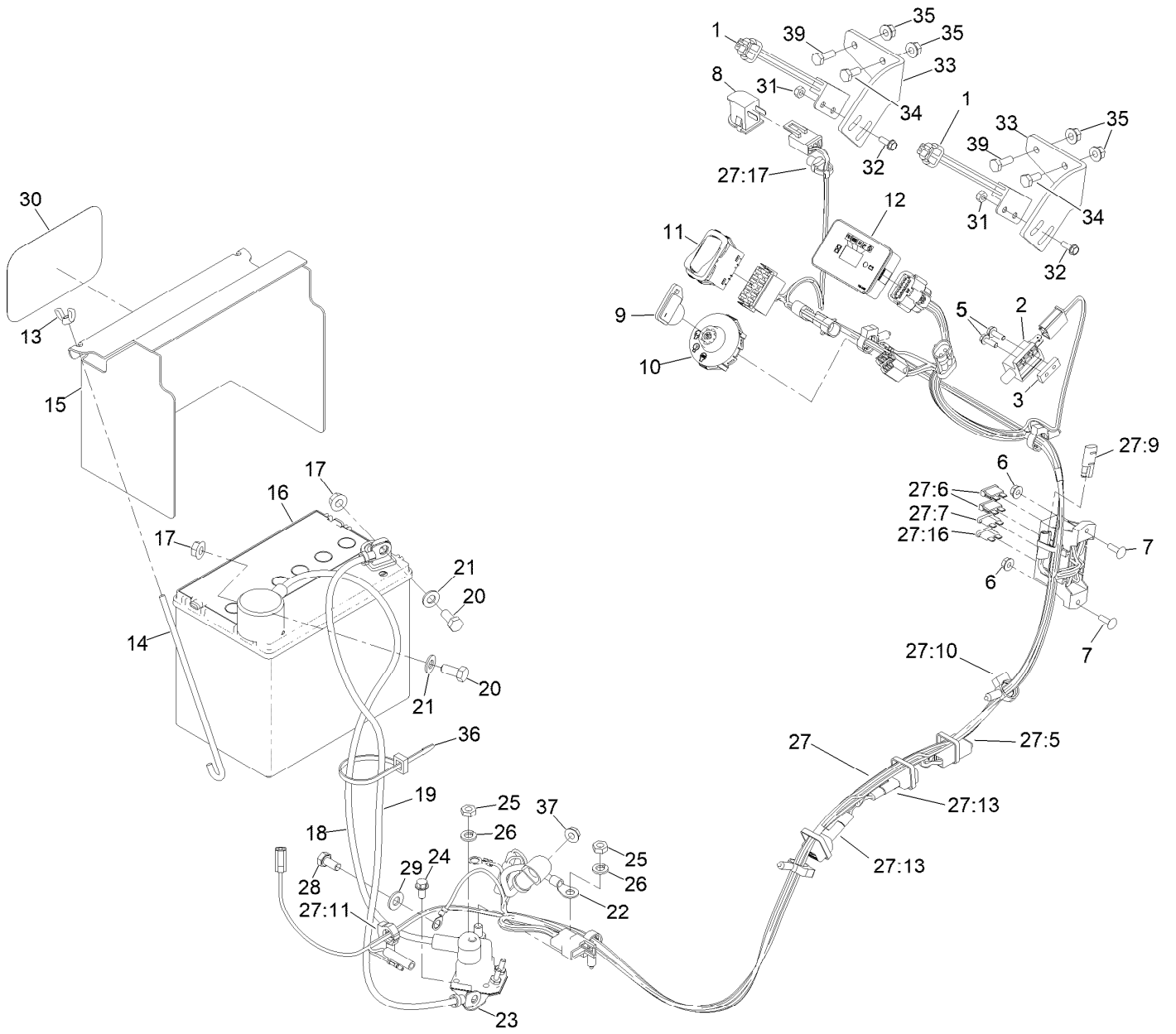
Vent Hose Assembly



Vent Hose Assembly (continued)

<i>Ref.</i>	<i>Part Number</i>	<i>Qty.</i>	<i>Description</i>	<i>Ref.</i>	<i>Part Number</i>	<i>Qty.</i>	<i>Description</i>
1	110-5701	1	Hose-Fuel	6	99-5005	3	Fitting-Tee, Barbed
2	110-5702	1	Hose-Fuel	7	99-5000	1	Valve-Check, Fuel
3	99-9415	3	Hose-Fuel	8	106-8150	1	Fitting-Straight
4	109-0650	2	Hose-Fuel	9	120-2235	1	Filter-Fuel
5	109-0296	1	Hose-Fuel	10	2412-98	3	Clamp-Hose

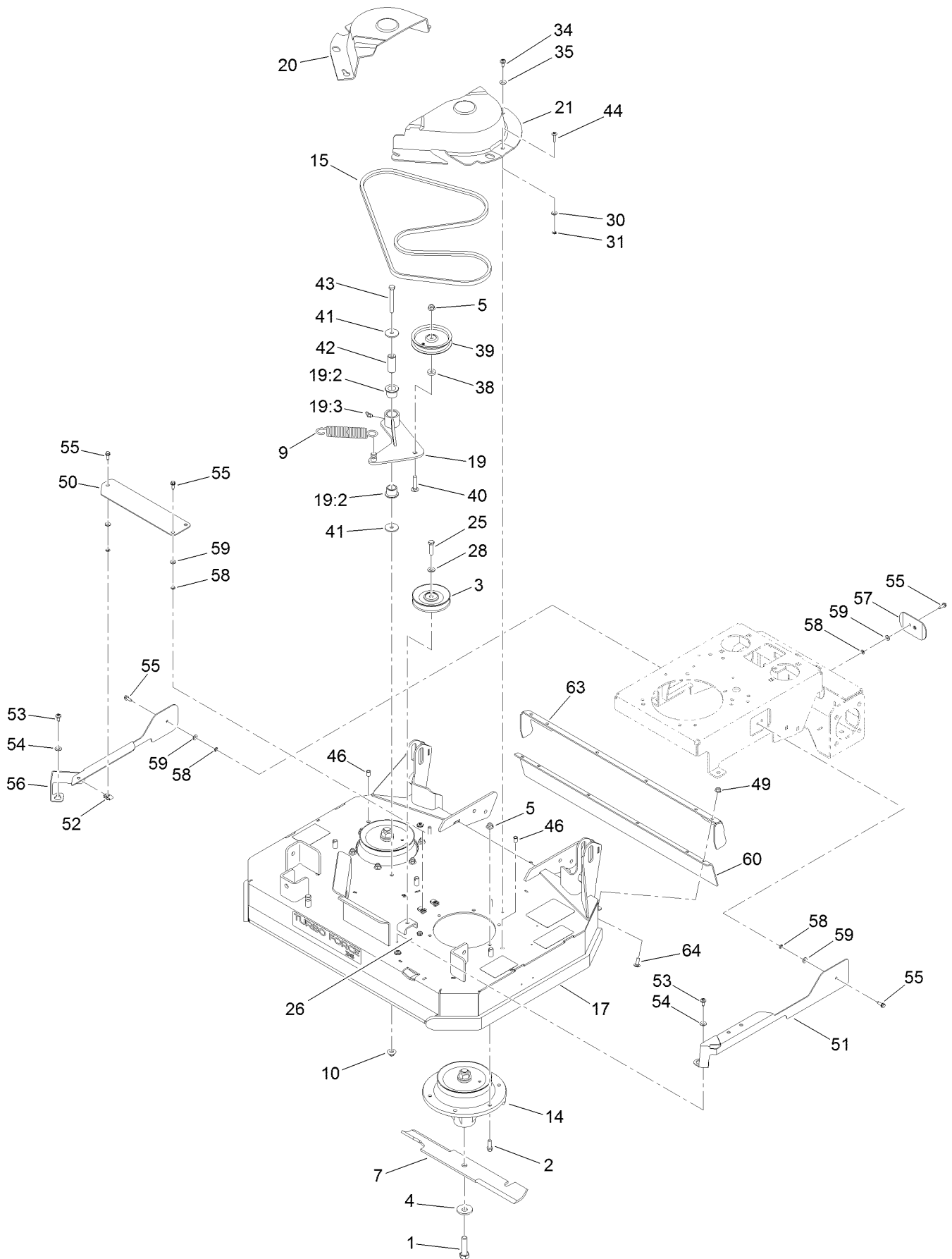
Electrical Assembly



Electrical Assembly (continued)

<i>Ref.</i>	<i>Part Number</i>	<i>Qty.</i>	<i>Description</i>	<i>Ref.</i>	<i>Part Number</i>	<i>Qty.</i>	<i>Description</i>
1	105-0023	2	Switch-Proximity	25	3220-2	2	Nut-Jam
2	1-513152	1	Switch-Closed, Normally	26	3253-4	2	Washer-Lock
3	1-633181	1	Plate-Tapped	27	144-1451	1	Harness-Wire, Main
5	32105-2	2	Screw-SHWH	27:5	109103	1	Fuse-Blade, 30 Amp
6	32128-17	2	Nut-Lock, Flange	27:6	109355	2	Fuse-Blade, 15 Amp
7	1-807533	2	Bolt-CARR	27:7	218-578	1	Fuse-Blade, 10 Amp
8	82-2190	1	Switch-Bail	27:9	116-0053	1	Cap-Plug
9	63-8360	1	Key-Ignition	27:10	32180-047	5	Clip-Tubing, Harness
10	137-4101	1	Switch-Ignition	27:11	32180-037	1	Clip-Harness
11	139-6367	1	Switch-Rocker, (On)-On-Off	27:13	103-3895	2	Diode
12	117-3886	1	Module-Hour Meter	27:16	110928	1	Fuse-Blade, 5 Amp
13	1-543792	2	Wingnut	27:17	32180-030	1	Clip-Tie
14	1-633651	2	Bolt-Holddown	28	33114-016	1	Screw-HH
15	117-0543-01	1	Cover-Battery	29	33094-00	1	Washer-Plain
16	104-8162	1	Battery	30	67-1300	1	Decal
17	109-5715	2	Nut-HHF, Smooth	31	3296-2	4	Nut-Lock, NI
18	120-6442	1	Cable-Battery, Positive	32	32105-23	4	Screw
19	103-0705	1	Cable-Ground, Negative	33	119-8503-01	2	Bracket-Mount, Switch
20	322-3	2	Screw-HH	34	321-3	2	Screw-HH
21	3256-23	2	Washer-Plain	35	32128-32	4	Nut-HHF
22	106-8268	1	Cable-Battery, Red	36	3290-378	1	Tie-Cable
23	117-1197	1	Solenoid	37	32128-33	1	Nut-HF
24	32144-4	2	Screw-HWH	39	321-4	2	Screw-HH

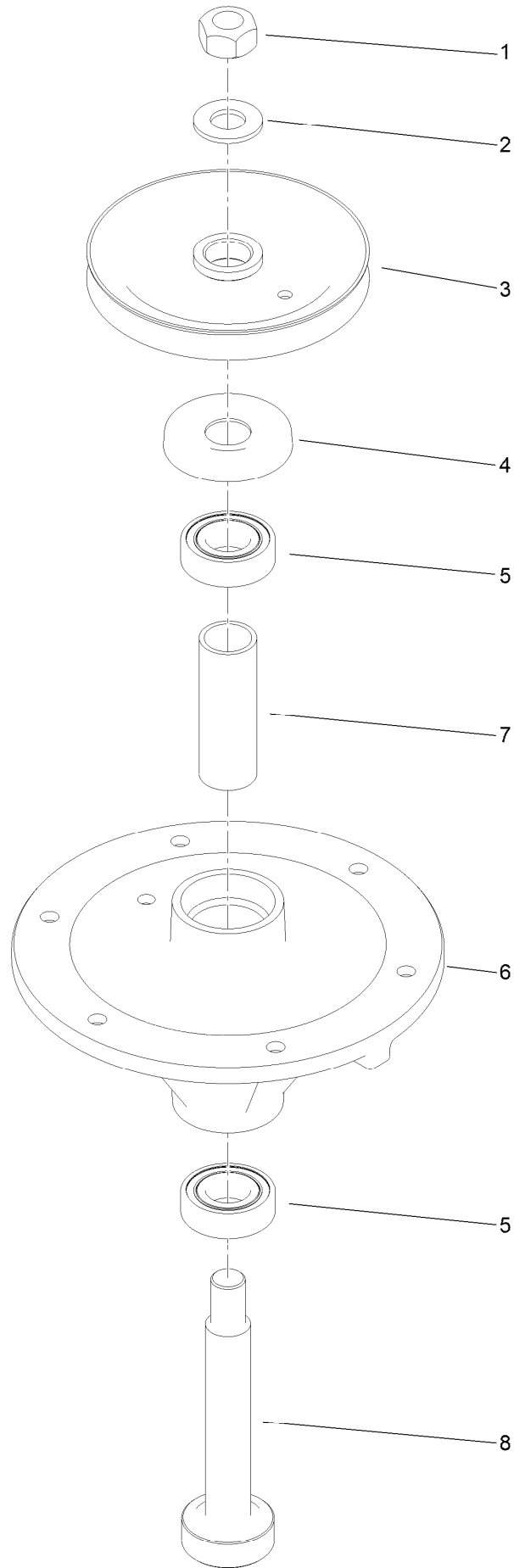
Deck Assembly



Deck Assembly (continued)

<i>Ref.</i>	<i>Part Number</i>	<i>Qty.</i>	<i>Description</i>	<i>Ref.</i>	<i>Part Number</i>	<i>Qty.</i>	<i>Description</i>
1	51-4060	2	Screw-Blade	38	5-0652	1	Spacer
2	92-1624	12	Screw-HWH Thd Form	39	93-1622	1	Pulley-Idler
3	92-7099	1	Pulley-Idler	40	3231-5	1	Screw-CARR
4	103-0865	2	Washer-Blade Bolt, Heavy	41	1-213069	2	Washer
5	104-8301	13	Nut-HF, NI	42	119-0208	1	Spacer-Plain
7	105-7781-03	2	Blade-18In, Hi Flow	43	323-20	1	Screw-HH
9	119-0394	1	Spring-Extension	44	32105-32	2	Screw-TTH
10	109-6658	1	Nut-Flange, NI	46	32148-6	2	Nut-Clinch
14	117-7638	2	Spindle ASM	49	104-8300	6	Nut-HF, NI
15	134-3397	1	Belt-V	50	131-1506-01	1	Guard-Deck, Center
17	134-3657	1	Deck And Decal ASM	51	131-1497-01	1	Guard-Deck, LH
19	119-0180	1	Idler Arm ASM	52	107069	3	Clip
19:2	33-3090	2	Bushing	53	120-7950	2	Screw-Torx
19:3	302-11	1	Fitting-Lube, 45 DEG	54	73-0041	2	Washer-Thrust
20	119-1802	1	Cover-Belt, RH	55	32144-44	6	Screw-HWH, Thread Roll
21	119-1803	1	Cover-Belt, LH	56	131-1498-01	1	Guard-Deck, RH
25	323-8	1	Screw-HH	57	131-1495-01	4	Guard-Plate
26	3296-59	1	Nut-Lock, NI	58	32115-15	3	Nut-Push
28	3256-24	1	Washer-Plain	59	119-8952	6	Washer-Spcl
30	3256-22	2	Washer-Flat	60	134-2819	1	Flap-Rear
31	32115-15	2	Nut-Push	63	134-3733-01	1	Bracket-Deflector
34	120-7950	4	Screw-Torx	64	3230-10	6	Bolt-CARR
35	73-0041	4	Washer-Thrust				

Spindle Assembly No. 117-7638

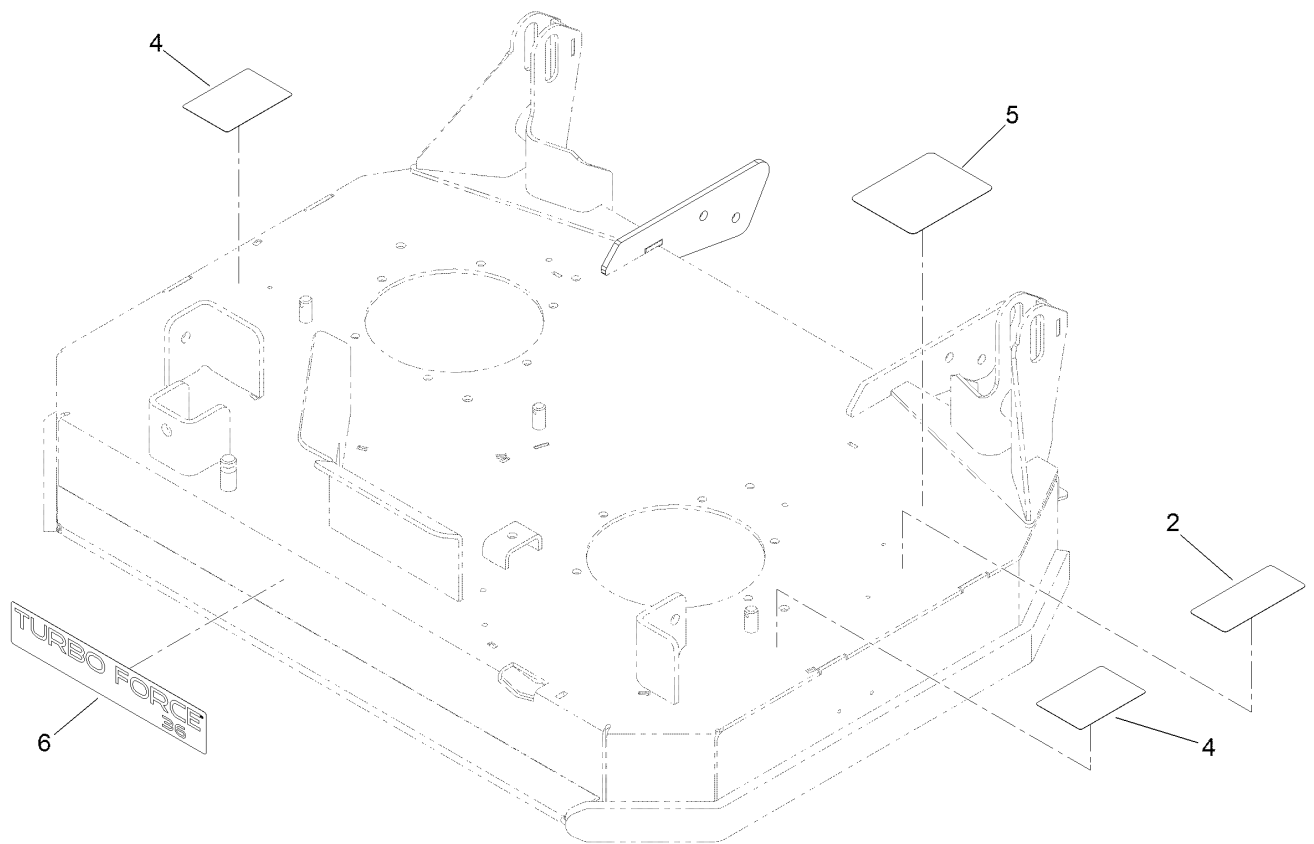


Spindle Assembly No. 117-7638 (continued)

<i>Ref.</i>	<i>Part Number</i>	<i>Qty.</i>	<i>Description</i>
1	3219-7	1	Nut-Hex
2	7-4150	1	Washer
3	117-7614	1	Pulley
4	106-0873	1	Shield-Bearing

<i>Ref.</i>	<i>Part Number</i>	<i>Qty.</i>	<i>Description</i>
5	116-0720	2	Bearing-Ball
6	108-6696	1	Housing-Spindle
7	110-0727	1	Spacer-Bearing
8	110-0726	1	Shaft-Spindle

Deck Decal Assembly No. 134-3657



Deck Decal Assembly No. 134-3657 (continued)

<i>Ref.</i>	<i>Part Number</i>	<i>Qty.</i>	<i>Description</i>
2	93-7818	1	Decal-Torque, Blade Bolt
4	139-5557	2	Decal-Danger, CE

<i>Ref.</i>	<i>Part Number</i>	<i>Qty.</i>	<i>Description</i>
5	139-5559	1	Decal-Belt Routing
6	119-0197	1	Decal

Attachments and Accessories

For 74540TE GrandStand Mower With 91cm Rear Discharge TURBO FORCE Cutting Unit

Product Name	Model/Part
Light Kit.....	114-3505
Hypr-Oil 500 (quart).....	114-4713
Hypr-Oil 500 (gallon).....	114-4714
Hypr-Oil 500-5 (5 gallon).....	114-4715
Weight Kit	117-3620
Striping Kit	117-8560
Operator-Controlled Discharge Chute Kit with Bag	117-8565
Oil Filter	119-5852
Fuel Filter.....	120-2235
Air Filter Element	120-7447
Trash Bag Kit	121-7530
Soft Bag (3 Bushel).....	30104
Spark Plug	92-2153
Spark Arrestor	98-9099

Notes:

Notes:

Notes:



Count on it.