



**Count on it.**

**Parts Catalog**

**GeoLink® GSM Precision Spray  
System Kit**

**Multi Pro® 1750 or 5800 Turf Sprayer**

Model No. 41713—Serial No. 323000000 and Up



# Ordering Replacement Parts

To order replacement parts, please supply the part number, the quantity, and the description of each part desired.

## Understanding Reference Numbers

Each identified part in an illustration has a reference number. The reference number for a part also appears in the parts list, along with other information about the part.

This catalog uses two special reference number formats, one to indicate parts in a service assembly and another to indicate the quantity of a given part in an illustration.

## Service Assembly Reference Numbers

Parts in service assemblies have reference numbers in the form a:b. The a represents the reference number of the entire service assembly and the b represents a sequential number unique to each part within the service assembly.

For example, a wheel assembly might be identified by reference number 6, the tire by 6:1, the valve by 6:2, and the wheel by 6:3. When you order the assembly identified by reference number 6, you receive all parts identified by reference numbers 6:1, 6:2, and 6:3. However, you may also order any part individually. Reference numbers of this type appear in illustration and in parts lists.

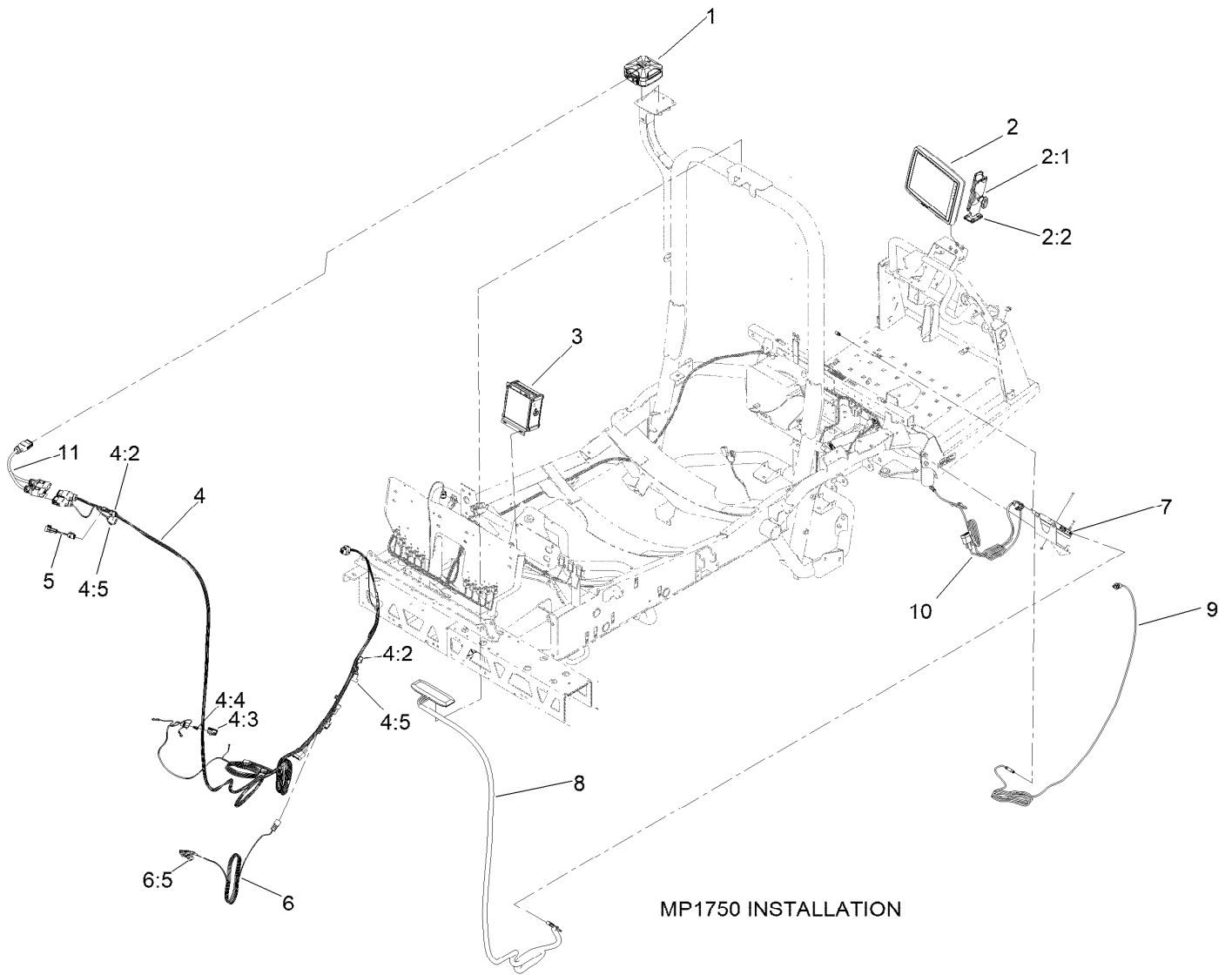
## Reference Numbers Indicating Quantity

In an illustration, if a reference number indicates more than one part, the reference number has the form nX y. The n represents the quantity of the part, the X is the multiplication symbol, and the y represents the reference number.

For example, in an illustration, the reference number 2X 37 means that two of the parts identified by reference number 37 are indicated.

# Contents

Multi Pro 5800 Precision Spray System Assembly ..... 4  
Multi Pro 5800 Precision Spray System Assembly ..... 5

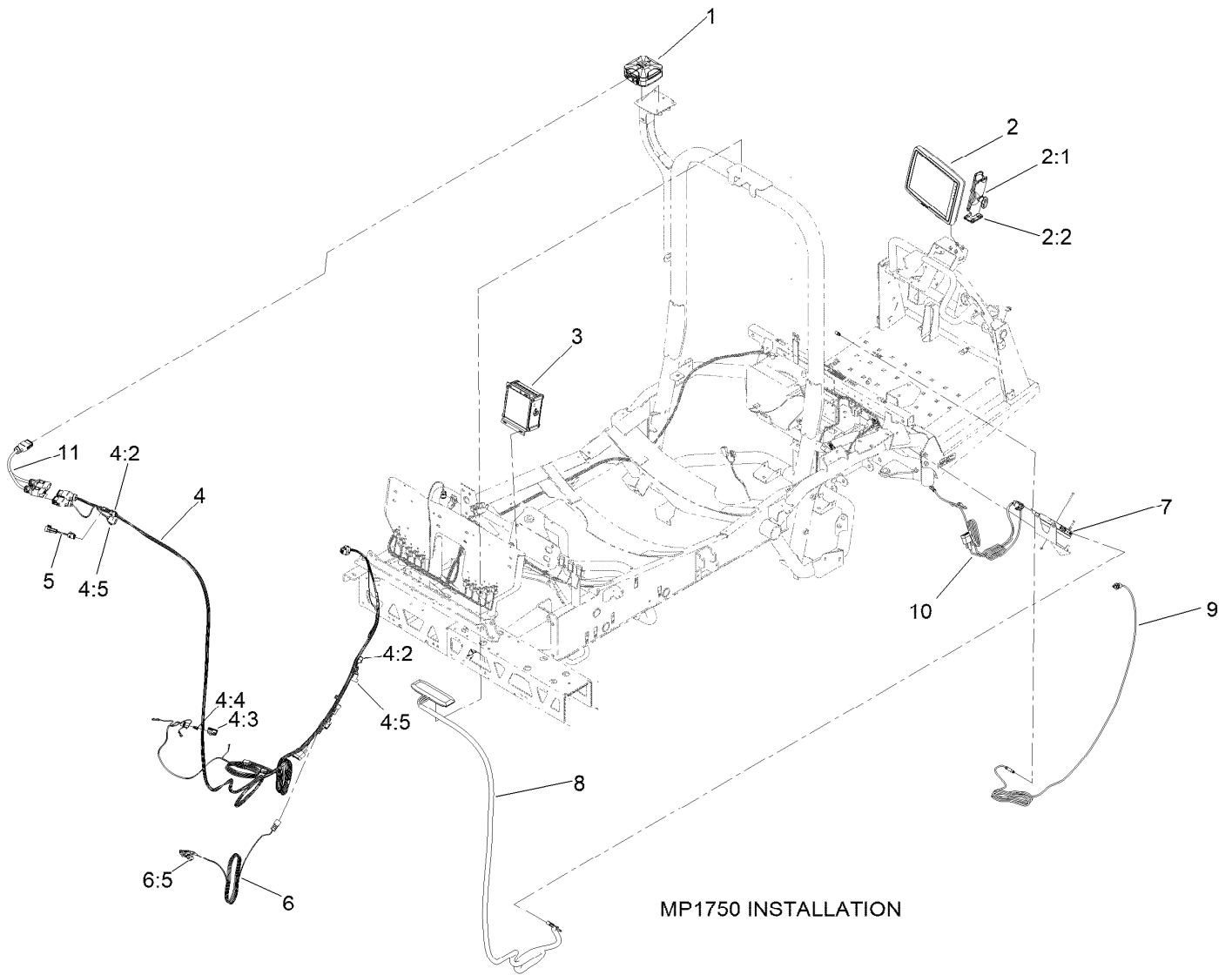


MP1750 INSTALLATION

## Multi Pro 5800 Precision Spray System Assembly

Ref.	Part Number	Qty.	Description
1	140-7378	1	Kit, Ags-2 Reciver +rtk Oaf
2	147-0615	1	Control Console-Xd
2:1	133-0374	1	Arm-Mount, Console
2:2	130-7299	1	Base-Mount, Ram
3	137-4258	1	Controller - Rate/Auto-Section, Asc-10
4	122-1373	1	Harness-Wire, Geolink
4:2	32180-043	2	Resistor-120 Ohm
4:3	218-578	1	Fuse-Blade, 10 Amp
4:4	32180-019	1	Cover-Fuse, Single
4:5	122-1404	2	Terminator-Isobus

Ref.	Part Number	Qty.	Description
5	122-1649	1	Harness-Wire, Adapter
6	122-1650	1	Harness-Wire, Adptr
6:5	32180-089	1	Cap-Plug, 3 Way
7	147-4687	1	Modem-CI55, Universal
8	139-6148	1	Antenna ASM, CI55
9	147-3180	1	Harness-Xd To Modem, CI55
10	138-6285	1	Harness - Modem To Power, CI-55
11	122-2815	1	Harness-Wire, Adaptor



## Multi Pro 5800 Precision Spray System Assembly

Ref.	Part Number	Qty.	Description
1	140-7378	1	Kit, Ags-2 Reciver +rtk Oaf
2	147-0615	1	Control Console-Xd
2:1	133-0374	1	Arm-Mount, Console
2:2	130-7299	1	Base-Mount, Ram
3	137-4258	1	Controller - Rate/Auto-Section, Asc-10
4	122-1373	1	Harness-Wire, Geolink
4:2	32180-043	2	Resistor-120 Ohm
4:3	218-578	1	Fuse-Blade, 10 Amp
4:4	32180-019	1	Cover-Fuse, Single
4:5	122-1404	2	Terminator-Isobus

Ref.	Part Number	Qty.	Description
5	122-1649	1	Harness-Wire, Adapter
6	122-1650	1	Harness-Wire, Adptr
6:5	32180-089	1	Cap-Plug, 3 Way
7	147-4687	1	Modem-CI55, Universal
8	139-6148	1	Antenna ASM, CI55
9	147-3180	1	Harness-Xd To Modem, CI55
10	138-6285	1	Harness - Modem To Power, CI-55
11	122-2815	1	Harness-Wire, Adaptor

**Notes:**

**Notes:**



**Count on it.**