



Count on it.

Parts Catalog

Three-Wheel Drive Kit

**Greensmaster® 3300/3400 Series TriFlex®
Traction Unit**

Model No. 04714



Ordering Replacement Parts

To order replacement parts, please supply the part number, the quantity, and the description of each part desired.

Understanding Reference Numbers

Each identified part in an illustration has a reference number. The reference number for a part also appears in the parts list, along with other information about the part.

This catalog uses two special reference number formats, one to indicate parts in a service assembly and another to indicate the quantity of a given part in an illustration.

Service Assembly Reference Numbers

Parts in service assemblies have reference numbers in the form a:b. The a represents the reference number of the entire service assembly and the b represents a sequential number unique to each part within the service assembly.

For example, a wheel assembly might be identified by reference number 6, the tire by 6:1, the valve by 6:2, and the wheel by 6:3. When you order the assembly identified by reference number 6, you receive all parts identified by reference numbers 6:1, 6:2, and 6:3. However, you may also order any part individually. Reference numbers of this type appear in illustration and in parts lists.

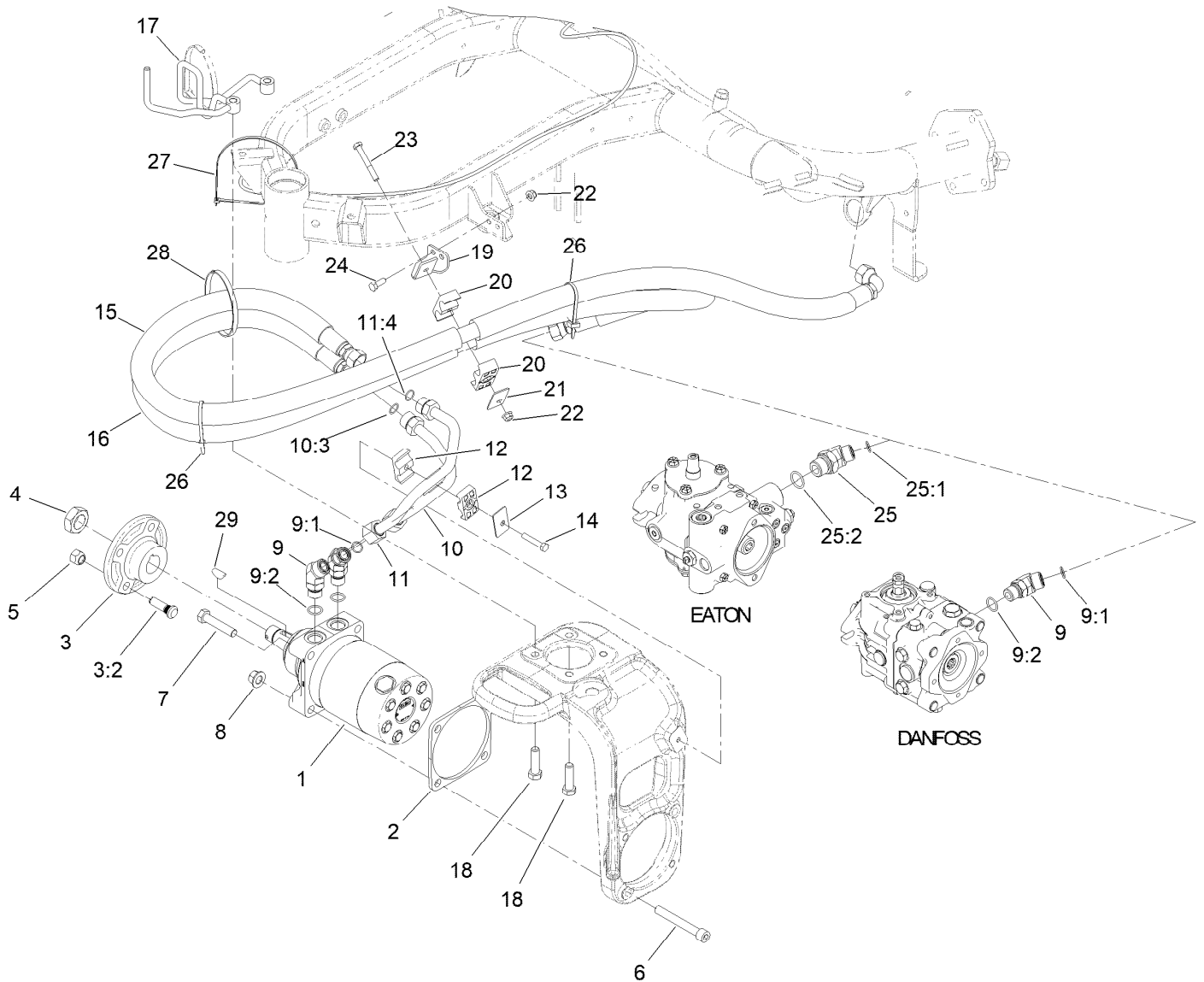
Reference Numbers Indicating Quantity

In an illustration, if a reference number indicates more than one part, the reference number has the form nX y. The n represents the quantity of the part, the X is the multiplication symbol, and the y represents the reference number.

For example, in an illustration, the reference number 2X 37 means that two of the parts identified by reference number 37 are indicated.

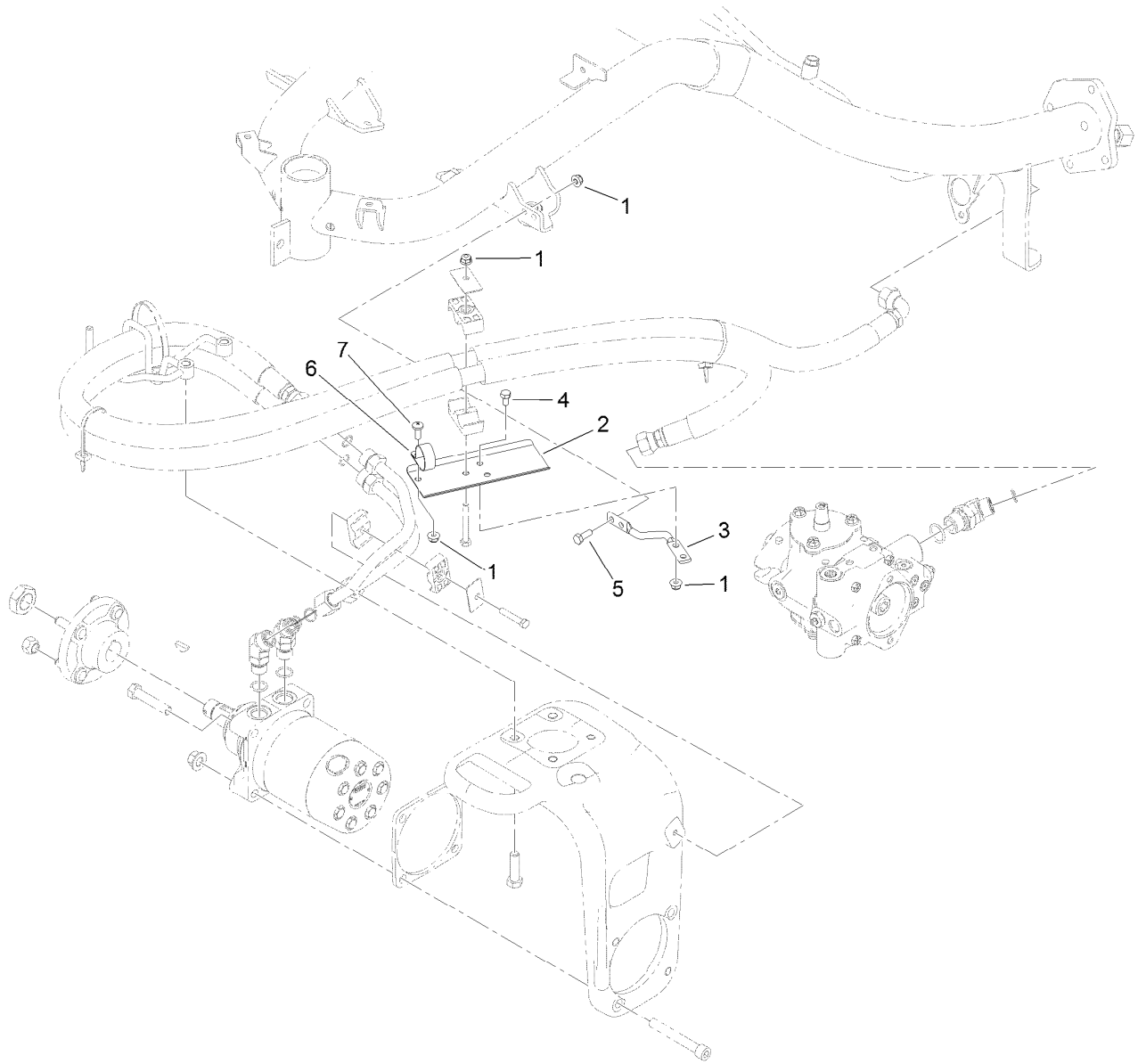
Contents

Three Wheel Drive Assembly 4
Diesel Hose Clamp Three Wheel Drive Assembly 5
Hydraulic Wheel Motor Assembly No. 115-5754 6



Three Wheel Drive Assembly

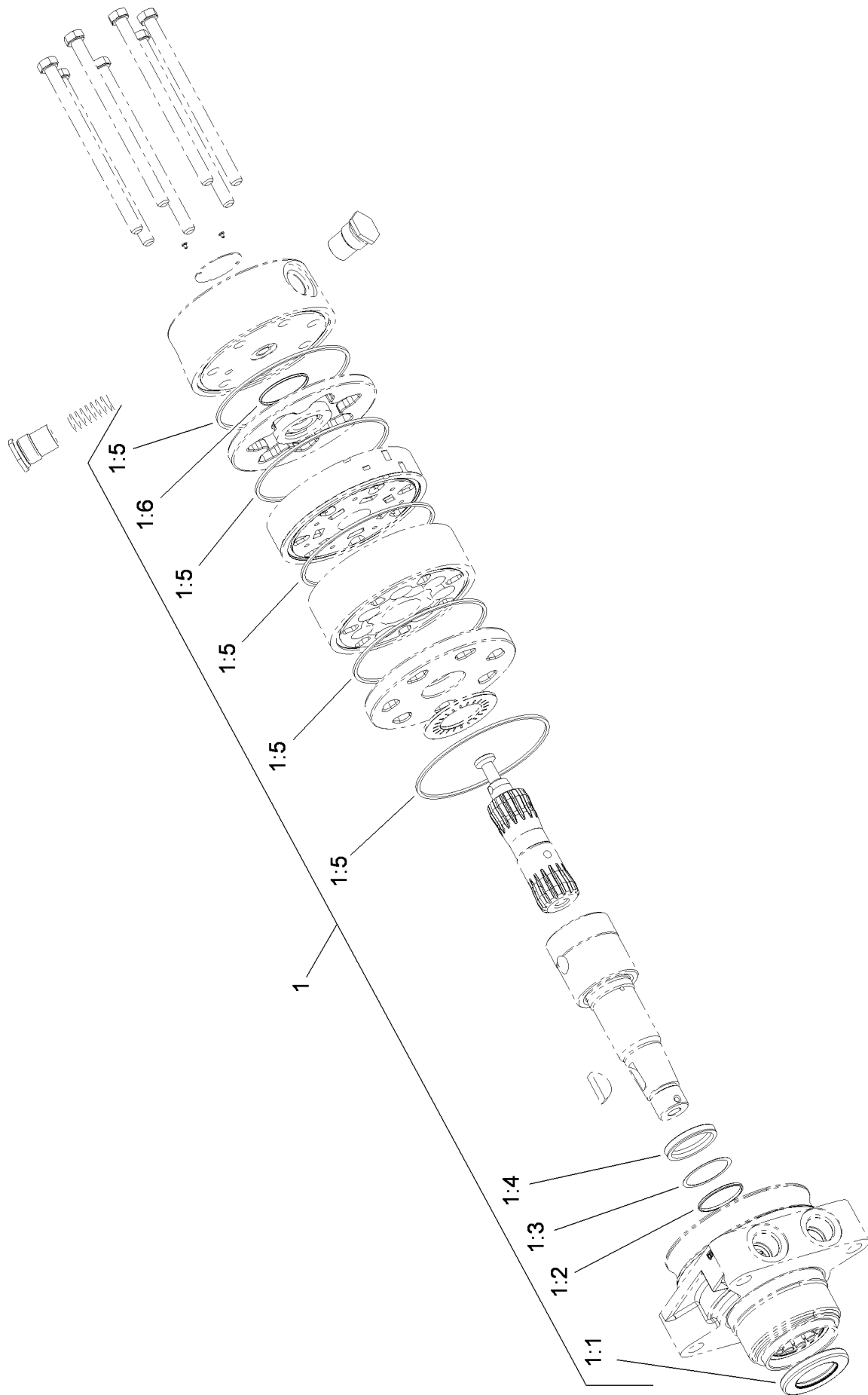
Ref.	Part Number	Qty.	Description	Ref.	Part Number	Qty.	Description
1	115-5754	1	HYD Wheel Motor ASM	14	322-9	1	Screw-HH
2	120-1982-03	1	Plate-Motor	15	120-1977	1	HYD Hose ASM
3	115-5786	1	Hub ASM	16	120-1978	1	HYD Hose ASM
3:2	10-6830	4	Stud-Type, Drive	17	120-1976	1	Guide-Hose
4	26-3790	1	Nut-Lock	18	325-7	2	Screw-HH
5	242-50	4	Nut-Lug	19	120-1971	1	Bracket-Hose
6	120-1983	4	Screw-HSH	20	56-7974	2	Clamp-Tube
7	325-10	2	Screw-HH	21	69-9761	1	Plate-Cover
8	99-5107	4	Nut-Lock	22	104-8300	3	Nut-HF, NI
9	340-14	3	Fitting-HYD, 45 DEG	23	322-12	1	Screw-HH
9:1	237-65	1	O-Ring	24	322-4	2	Screw-HH
9:2	237-80	1	O-Ring	25	340-156	1	Fitting-Elbow 45
10	115-5784	1	Tube ASM	25:1	237-65	1	O-Ring
10:3	237-65	1	O-Ring	25:2	237-81	1	O-Ring
11	115-5785	1	Tube ASM	26	3290-378	2	Tie-Cable
11:4	237-65	1	O-Ring	27	3290-379	1	Tie-Cable
12	56-7971	2	Clamp-Tube	28	3334-945	1	Tie-Cable
13	69-9760	1	Plate-Cover	29	3257-42	1	Key-Woodruff



Diesel Hose Clamp Three Wheel Drive Assembly

<i>Ref.</i>	<i>Part Number</i>	<i>Qty.</i>	<i>Description</i>
1	104-8300	6	Nut-HF, NI
2	120-1980-03	1	Shield-Hose
3	120-1981	1	Wire Form-Hose
4	322-2	2	Screw-HH
5	322-4	2	Screw-HH
6	2412-74	1	R-Clamp
7	32122-14	1	Screw-PPH

Hydraulic Wheel Motor Assembly No. 115-5754



Hydraulic Wheel Motor Assembly No. 115-5754 (continued)

<i>Ref.</i>	<i>Part Number</i>	<i>Qty.</i>	<i>Description</i>	<i>Ref.</i>	<i>Part Number</i>	<i>Qty.</i>	<i>Description</i>
1	119-7119	1	Kit-Seal	1:4		1	Seal-Shaft ●
1:1		1	Seal-Dirt And Water ●	1:5		5	Ring-Seal ●
1:2		1	Ring-Back Up ●	1:6		1	Seal-Commutator ●
1:3		1	Washer-Back Up ●				

● Not serviced separately



Count on it.