



**Count on it.**

**Parts Catalog**

**Titan® ZXM6075 Zero Turn  
Riding Mower**

Model No. 76635—Serial No. 417000000 and Up



# Ordering Replacement Parts

To order replacement parts, please supply the part number, the quantity, and the description of each part desired.

## Understanding Reference Numbers

Each identified part in an illustration has a reference number. The reference number for a part also appears in the parts list, along with other information about the part.

This catalog uses two special reference number formats, one to indicate parts in a service assembly and another to indicate the quantity of a given part in an illustration.

## Service Assembly Reference Numbers

Parts in service assemblies have reference numbers in the form a:b. The a represents the reference number of the entire service assembly and the b represents a sequential number unique to each part within the service assembly.

For example, a wheel assembly might be identified by reference number 6, the tire by 6:1, the valve by 6:2, and the wheel by 6:3. When you order the assembly identified by reference number 6, you receive all parts identified by reference numbers 6:1, 6:2, and 6:3. However, you may also order any part individually. Reference numbers of this type appear in illustration and in parts lists.

## Reference Numbers Indicating Quantity

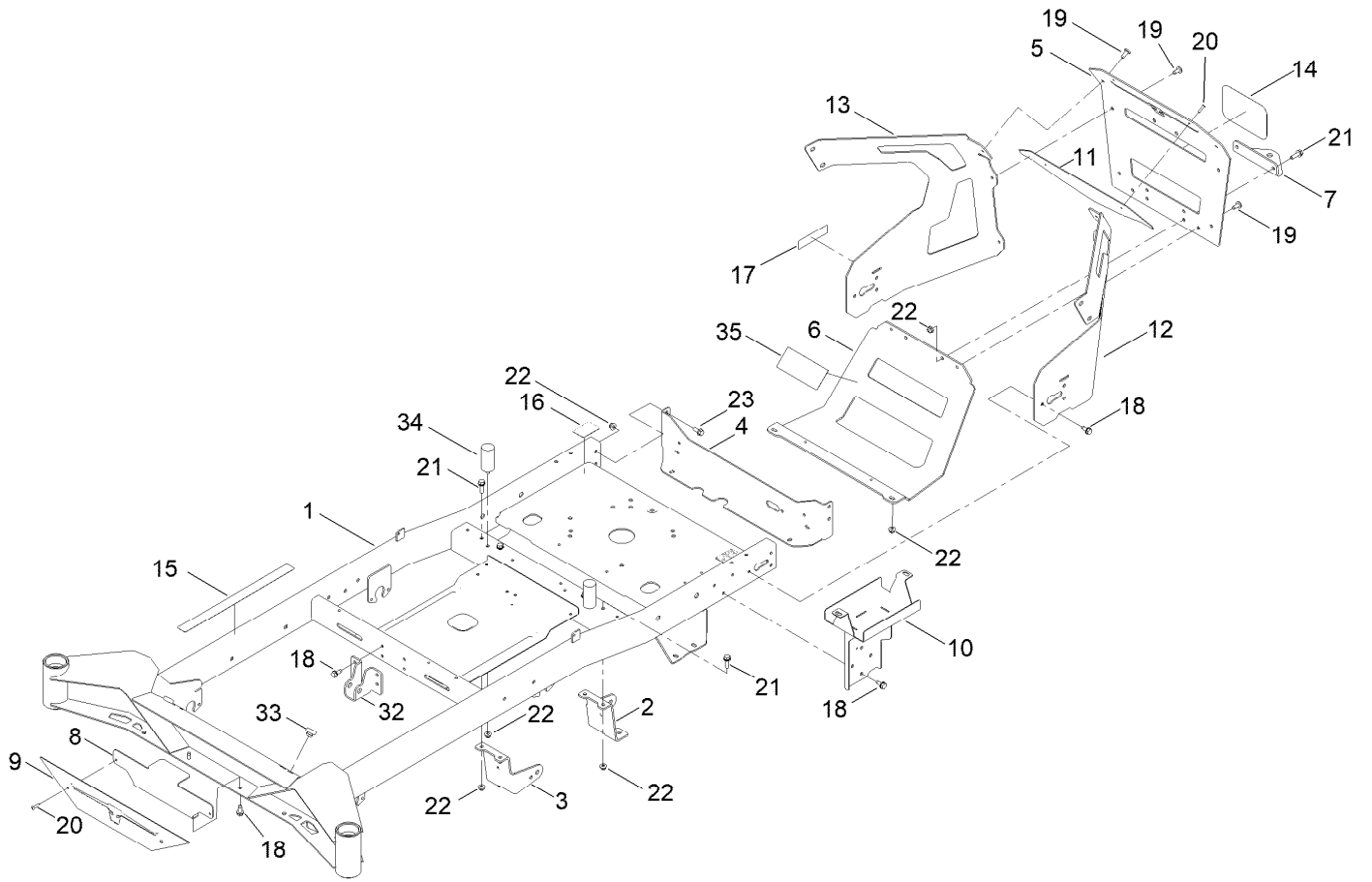
In an illustration, if a reference number indicates more than one part, the reference number has the form nX y. The n represents the quantity of the part, the X is the multiplication symbol, and the y represents the reference number.

For example, in an illustration, the reference number 2X 37 means that two of the parts identified by reference number 37 are indicated.

# Contents

Frame Assembly	4
Deck Lift Assembly	6
Caster Fork and Wheel Assembly	8
Hydraulic Drive Assembly	10
LH Hydro Transmission Assembly No. 147-2860	12
RH Hydro Transmission Assembly No. 147-2861	14
Parking Brake Assembly	16
Rear Wheel Assembly	18
Control Assembly	20
Engine and Muffler Assembly	22
Fuel Pod Assembly	24
Fuel Tank Assembly No. 147-5288	26
Electrical Assembly	28
60in Deck Assembly	30
Deck Decal Assembly No. 147-8751	32
Model Specific Assembly	34
Seat Pan Assembly	36
Clutch Assembly	38
Attachments and Accessories	40

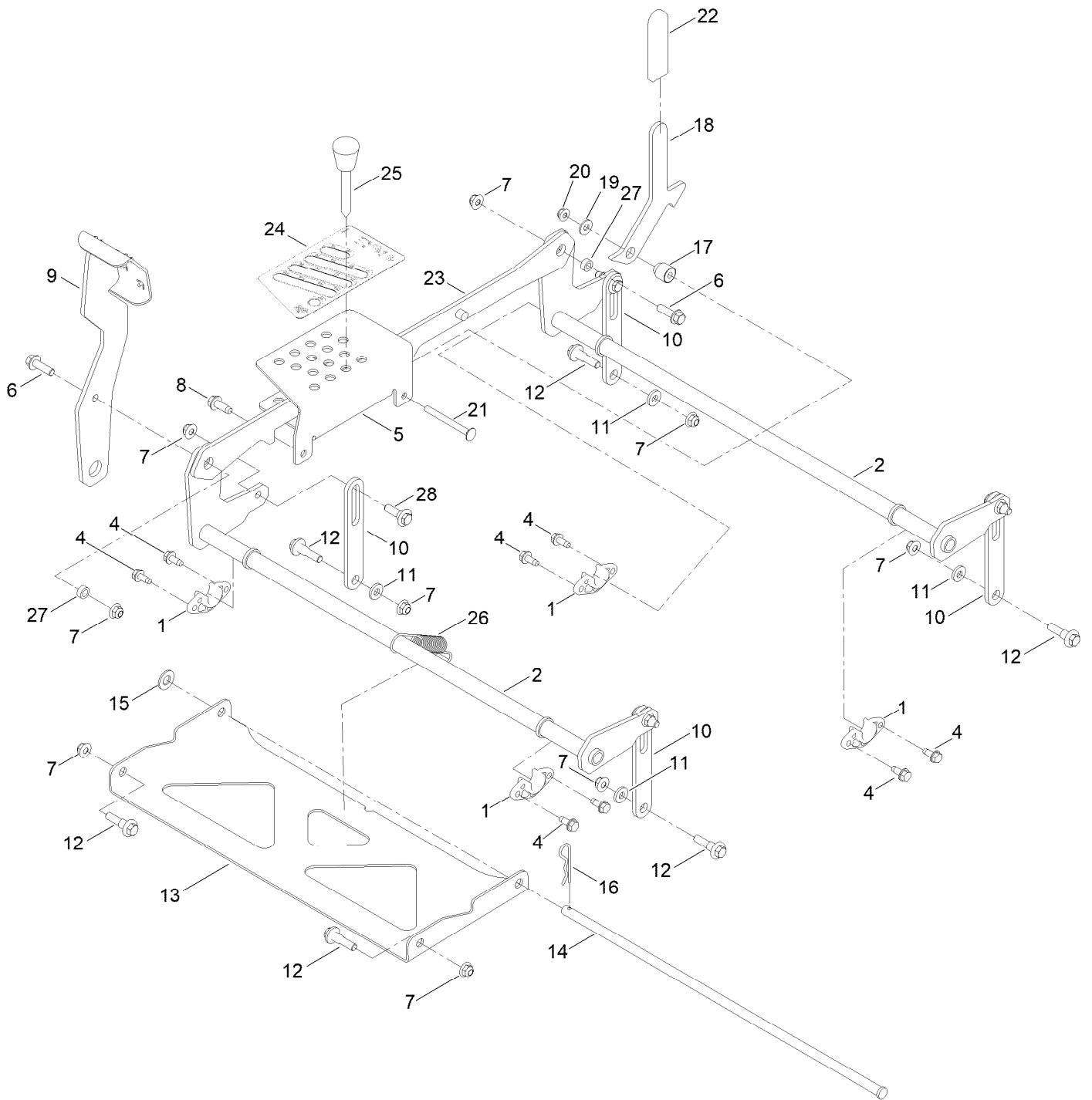
# Frame Assembly



## Frame Assembly (continued)

<i>Ref.</i>	<i>Part Number</i>	<i>Qty.</i>	<i>Description</i>	<i>Ref.</i>	<i>Part Number</i>	<i>Qty.</i>	<i>Description</i>
1	147-8725	1	Service ASM-Frame, Titan	15	144-5288	1	Decal-Warning
2	161-6506-01	1	Mount-Drive, LH	16	161-6207	2	Decal-Bypass
3	161-6507-01	1	Mount-Drive, RH	17	142-5864	1	Decal-Spark Arrester
4	147-8709-03	1	Plate-Mount	18	32144-70	15	Screw-HWHTF
5	147-2998-03	1	Guard-Engine	19	138-9753	8	Screw
6	147-3000-03	1	Guard-Muffler	20	130-8451	4	Rivet-Trifold
7	117-1232-03	1	Bracket-Hitch	21	139-2596	6	Screw-HHF
8	147-2878-01	1	Plate-Backer	22	119-4041	14	Nut-HF
9	147-2879-03	1	Logo-Plate-Front	23	139-2598	4	Screw-HHF
10	145-6283-01	1	Wa-Battery Mount	32	145-6323-01	1	Bracket-Mount Damper, Lower
11	147-2999-01	1	Plate-Backer	33	140-3460	2	Bumper-Rubber
12	147-2996-01	1	Guard-Engine LH	34	145-6310	2	Bumper-Rubber
13	147-2997-01	1	Guard-Engine-RH	35	161-6260	1	Tape-Heat
14	99-4693	1	Decal				

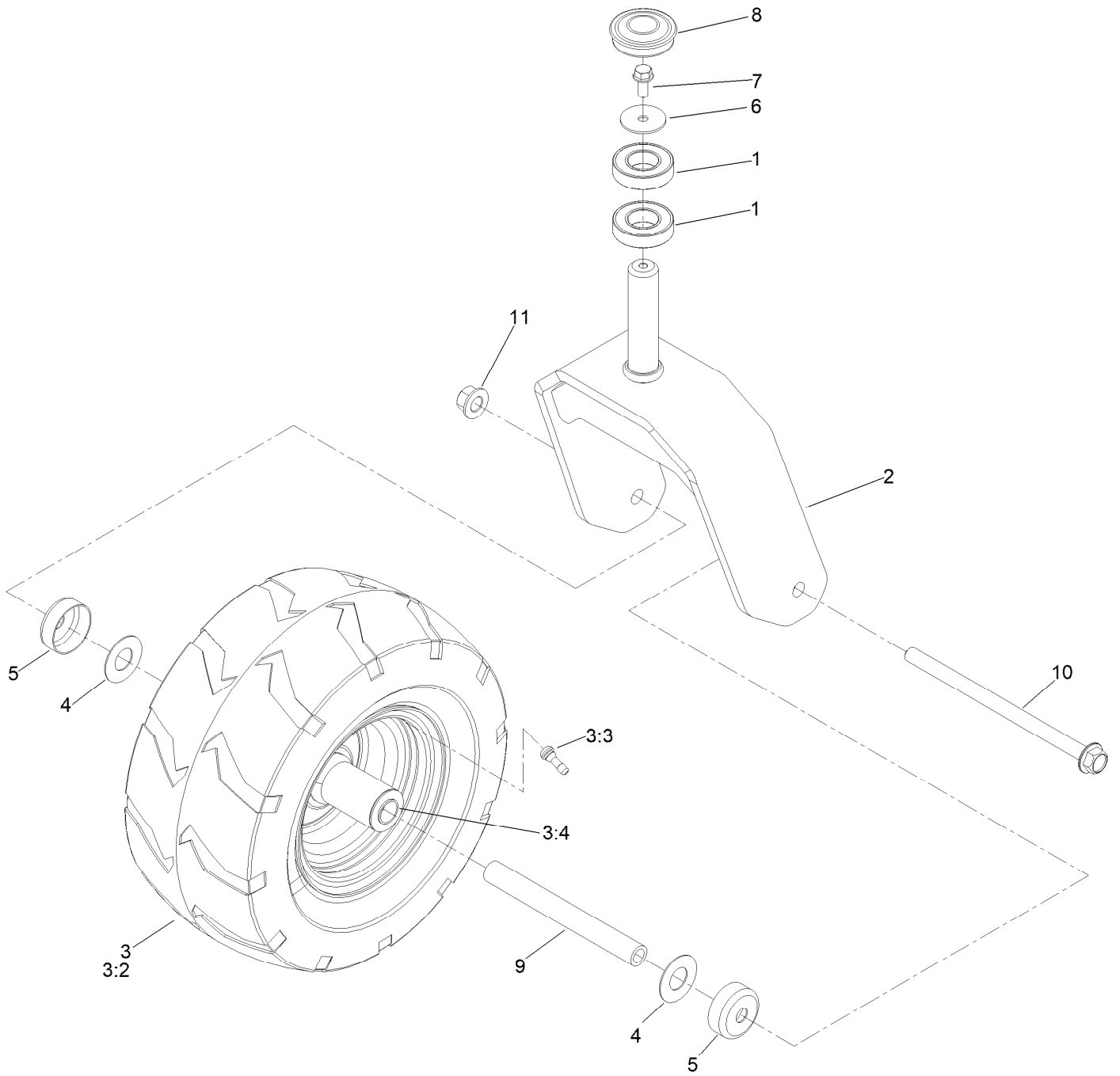
# Deck Lift Assembly



## Deck Lift Assembly (continued)

<i>Ref.</i>	<i>Part Number</i>	<i>Qty.</i>	<i>Description</i>	<i>Ref.</i>	<i>Part Number</i>	<i>Qty.</i>	<i>Description</i>
1	139-5872	4	Bearing-Flange	16	139-2562	1	Pin-Hair
2	161-4632-01	2	Pivot ASM-Decklift [red]	17	145-6282	1	Spacer-Stepped
4	32144-70	8	Screw-HWHTF	18	145-6279	1	Plate-Transport Lock
5	145-6260-01	1	Bracket-HOC	19	137-3082	1	Washer-Plain
6	119-4061	2	Screw-HHF	20	119-4041	1	Nut-HF
7	119-4042	12	Nut-HF, NI	21	138-0741	1	Screw-CARR
8	139-2428	1	Screw-HWH	22	140-0413	1	Grip-Handle
9	145-6278-01	1	Pedal ASM [red]	23	145-6262-01	1	Link ASM-HOC [red]
10	161-4635-01	4	Link-HOC	24	161-6208	1	Decal-HOC
11	138-7207	4	Spacer-Hub, Blower	25	140-2146	1	HOC Pin ASM
12	130-0742	6	Bolt-Shoulder	26	138-7206	1	Spring-Extension
13	145-6248-03	1	Pan-Deck Pivot	27	140-2093	2	Spacer
14	145-6288	1	Pin-Deck	28	614672	4	Screw-Shoulder, HWH
15	139-2611	1	Washer-Flat				

# Caster Fork and Wheel Assembly

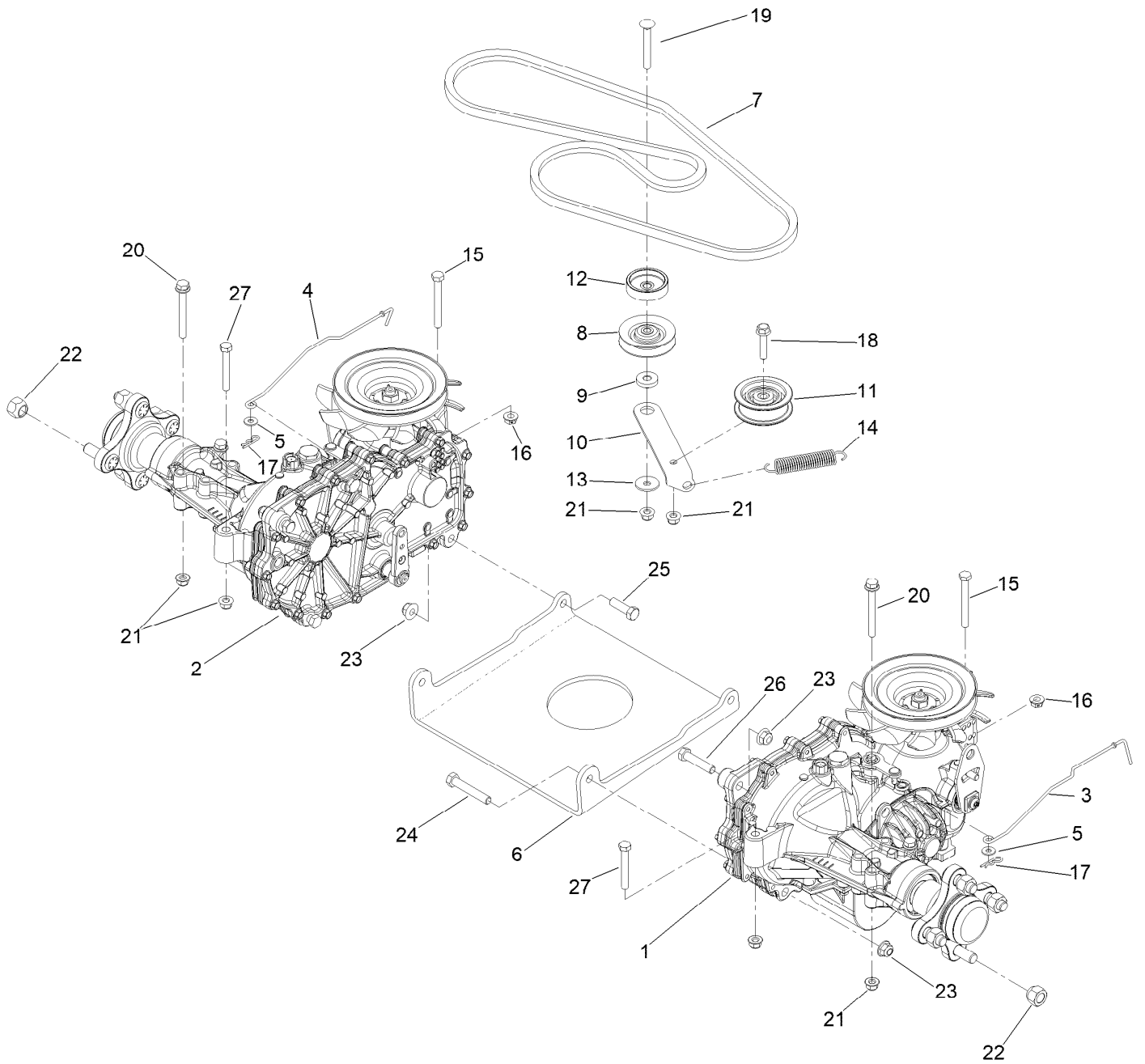




## Caster Fork and Wheel Assembly (continued)

<i>Ref.</i>	<i>Part Number</i>	<i>Qty.</i>	<i>Description</i>	<i>Ref.</i>	<i>Part Number</i>	<i>Qty.</i>	<i>Description</i>
1	109-3678	4	Bearing-Ball	5	138-7208	4	Guard-Seal
2	145-6375-01	2	Castor Fork [red]	6	115-1151	2	Washer-Flat
3	147-7647	2	Tire And Wheel ASM	7	100-1668	2	Screw-HHF
3:2	147-7648	1	Tire 13X6.5-6, Treaded	8	144-0375	2	Cap, Grease
3:3	232-27	1	Stem-Valve	9	133-4487	2	Spanner-Wheel
3:4	147-7652	2	Bearing	10	139-2559	2	Screw-HHF
4	136-5590	4	Washer	11	139-1689	2	Nut-HF

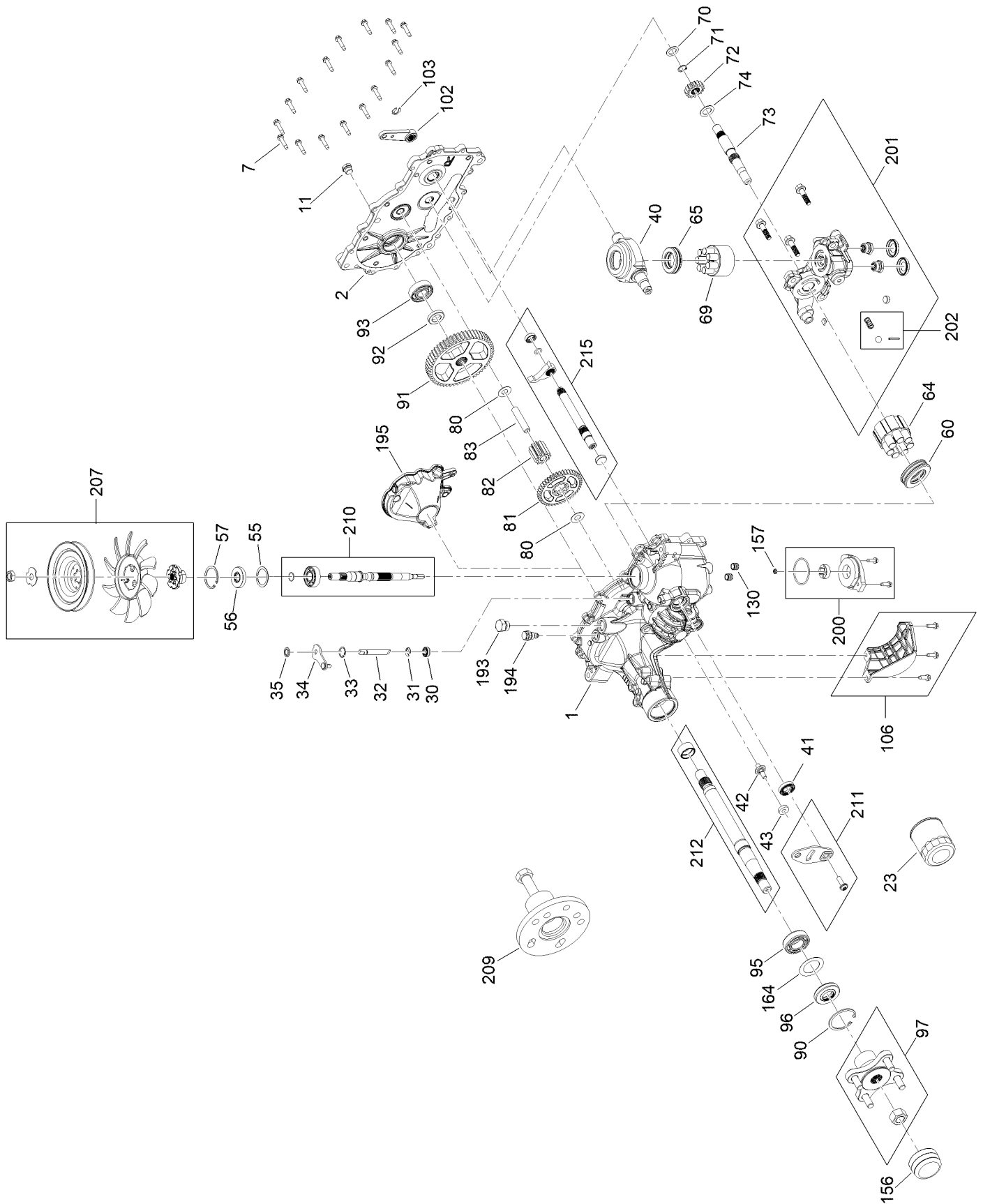
# Hydraulic Drive Assembly



## Hydraulic Drive Assembly (continued)

<i>Ref.</i>	<i>Part Number</i>	<i>Qty.</i>	<i>Description</i>	<i>Ref.</i>	<i>Part Number</i>	<i>Qty.</i>	<i>Description</i>
1	147-2860	1	LH Hydro Transmission ASM	14	137-7040	1	Spring-Return, Pedal
2	147-2861	1	RH Hydro Transmission ASM	15	145-6388	2	Screw-HH Spcl
3	147-2987	1	Rod-Bypass, LH	16	139-2574	2	Nut-HF
4	147-2986	1	Rod-Bypass, RH	17	137-3083	2	Pin-Hair
5	119-8952	2	Washer-Spcl	18	140-5024	1	Screw-HHF
6	145-6383-03	1	Plate-Hydro	19	139-2588	1	Screw-CARR
7	145-6363	1	V-Belt (A Sec 66.30 EI)	20	138-7590	4	Screw-HHF
8	68-0030	1	Idler	21	119-4041	8	Nut-HF
9	138-7277	1	Spacer-Arm, Idler	22	139-2564	8	Nut-Lug
10	147-2925	1	Arm-Idler	23	119-4042	6	Nut-HF, NI
11	138-7597	1	Pulley-Idler, Flat	24	139-2589	2	Screw-HH
12	138-9809	1	Spacer	25	136-8684	2	Screw-HH
13	5-4460	1	Washer-Pivot	26	139-2602	2	Screw-HH
				27	120-9738	2	Screw-HH

# LH Hydro Transmission Assembly No. 147-2860

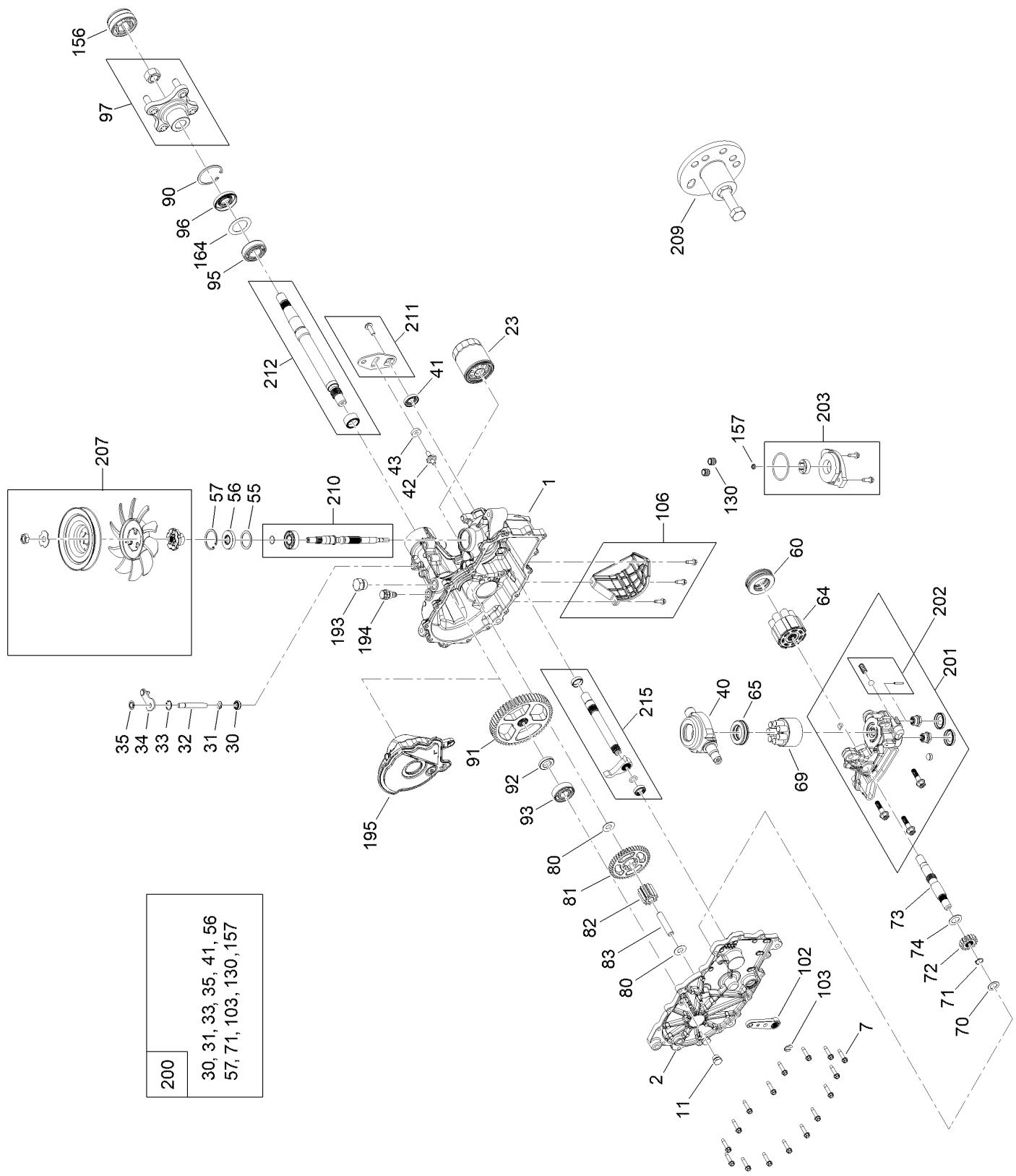


# LH Hydro Transmission Assembly No. 147-2860 (continued)

<i>Ref.</i>	<i>Part Number</i>	<i>Qty.</i>	<i>Description</i>	<i>Ref.</i>	<i>Part Number</i>	<i>Qty.</i>	<i>Description</i>
1	140-8345	1	RH Main Housing Kit	83	104-5329	1	Pin-Jackshaft
2	140-8349	1	RH Side Cover Kit	90	104-2169	1	Ring-Retaining
7	117-5359	16	Screw-HHF	91	114-1694	1	Gear-54T
11	135-1140	1	Plug-Straight	92	120-7975	1	Spacer
23	109-3321	1	Element-Oil Filter, HYD	93	135-1361	1	Bearing-Ball
30	139-7497	1	Seal-Lip	95	130-8477	1	Bearing-Ball
31	106-8677	1	Ring-Retaining, External	96	104-2144	1	Seal
32	114-1685	1	Rod-Bypass	97	109-5939	1	Hub Kit
33	106-8679	1	Ring-Retaining, Internal	102	125-0021	1	Handle-Brake
34	112-9852	1	Arm-Bypass	103	131-0906	1	Ring-Retaining, EXT
35	106-8681	1	Ring-Retaining, External	106	139-7499	1	Filter Guard Kit
40	104-5304	1	Swashplate-Trunnion	130	126-3251	2	Tube-Charge
41	104-5313	1	Seal-Lip	156	115-5057	1	Cover-Nut, Axle
42	104-2116	1	Stud	157	126-1930	1	Gerotor Seal Kit
43	112-9853	1	Puck-Friction	164	121-5745	1	Spacer
55	104-5308	1	Spacer	193	140-8343	1	Plug
56	104-5310	1	Seal-Lip	194	140-8356	1	Breather Fitting ASM
57	104-5309	1	Ring-Retaining	195	140-8357	1	RH Internal Expansion Tank ASM
60	112-4154	1	Bearing-Thrust	200	140-8351	1	Seal Kit
64	139-4074	1	Cylinder Block ASM Kit	201	147-2906	1	Kit, Center Section, LH Charge
65	94-6922	1	Bearing-Thrust	202	114-8464	1	Charge Relief Kit
69	110-8561	1	Pump Block ASM	203	114-8465	1	Charge Kit ●
70	104-5339	1	Washer-Flat	207	135-7343	1	Fan And Pulley Kit
71	104-5340	1	Ring-Retaining	209	114-8467	1	Puller-Hub, 4 Bolt
72	114-1690	1	Gear-14T	210	139-7502	1	Input Shaft Kit
73	114-1691	1	Shaft-Motor	211	117-5362	1	Control Arm Kit
74	104-5360	1	Washer	212	114-8470	1	Axle Shaft Kit
80	94-1933	2	Washer	215	140-8352	1	Inboard Kit
81	114-1692	1	Gear-45T				
82	114-1693	1	Gear-11T				

● Not illustrated

# RH Hydro Transmission Assembly No. 147-2861

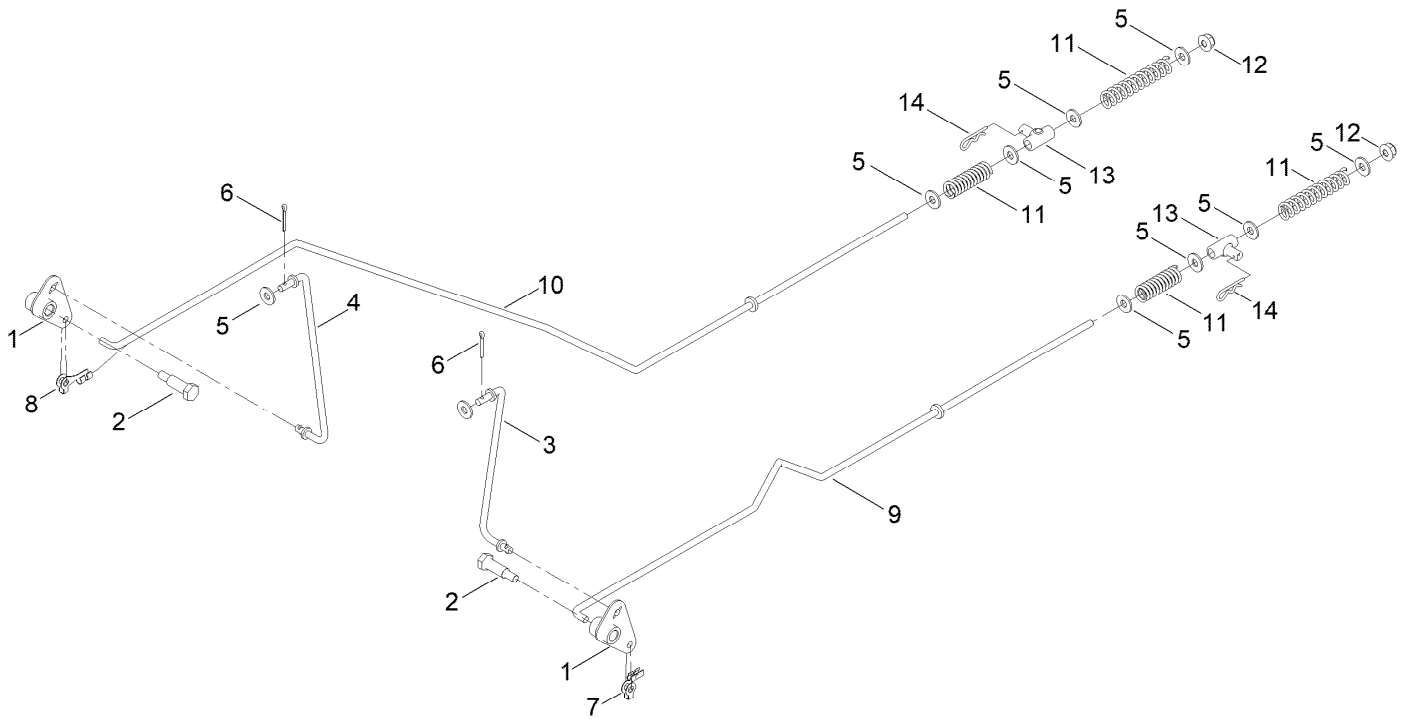


- |     |   |
|-----|---|
| 200 | 30, 31, 33, 35, 41, 56<br>57, 71, 103, 130, 157 |
|-----|---|

# RH Hydro Transmission Assembly No. 147-2861 (continued)

<i>Ref.</i>	<i>Part Number</i>	<i>Qty.</i>	<i>Description</i>	<i>Ref.</i>	<i>Part Number</i>	<i>Qty.</i>	<i>Description</i>
1	140-8347	1	LH Main Housing Kit	83	104-5329	1	Pin-Jackshaft
2	140-8350	1	LH Side Cover Kit	90	104-2169	1	Ring-Retaining
7	117-5359	16	Screw-HHF	91	114-1694	1	Gear-54T
11	135-1140	1	Plug-Straight	92	120-7975	1	Spacer
23	109-3321	1	Element-Oil Filter, HYD	93	135-1361	1	Bearing-Ball
30	139-7497	1	Seal-Lip	95	130-8477	1	Bearing-Ball
31	106-8677	1	Ring-Retaining, External	96	104-2144	1	Seal
32	114-1685	1	Rod-Bypass	97	109-5939	1	Hub Kit
33	106-8679	1	Ring-Retaining, Internal	102	125-0021	1	Handle-Brake
34	107-2490	1	Arm-Bypass	103	131-0906	1	Ring-Retaining, EXT
35	106-8681	1	Ring-Retaining, External	106	139-7498	1	Filter Guard Kit
40	104-5304	1	Swashplate-Trunnion	130	126-3251	2	Tube-Charge
41	104-5313	1	Seal-Lip	156	115-5057	1	Cover-Nut, Axle
42	104-2116	1	Stud	157	126-1930	1	Gerotor Seal Kit
43	112-9853	1	Puck-Friction	164	121-5745	1	Spacer
55	104-5308	1	Spacer	193	140-8343	1	Plug
56	104-5310	1	Seal-Lip	194	140-8356	1	Breather Fitting ASM
57	104-5309	1	Ring-Retaining	195	140-8358	1	LH Internal Expansion Tank ASM
60	112-4154	1	Bearing-Thrust	200	140-8351	1	Seal Kit
64	139-4074	1	Cylinder Block ASM Kit	201	147-2907	1	Kit, Center Section, RH Charge
65	94-6922	1	Bearing-Thrust	202	114-8464	1	Charge Relief Kit
69	110-8561	1	Pump Block ASM	203	114-8465	1	Charge Kit
70	104-5339	1	Washer-Flat	207	135-7343	1	Fan And Pulley Kit
71	104-5340	1	Ring-Retaining	209	114-8467	1	Puller-Hub, 4 Bolt
72	114-1690	1	Gear-14T	210	139-7502	1	Input Shaft Kit
73	114-1691	1	Shaft-Motor	211	117-5362	1	Control Arm Kit
74	104-5360	1	Washer	212	114-8470	1	Axle Shaft Kit
80	94-1933	2	Washer	215	140-8353	1	Inboard Kit
81	114-1692	1	Gear-45T				
82	114-1693	1	Gear-11T				

# Parking Brake Assembly

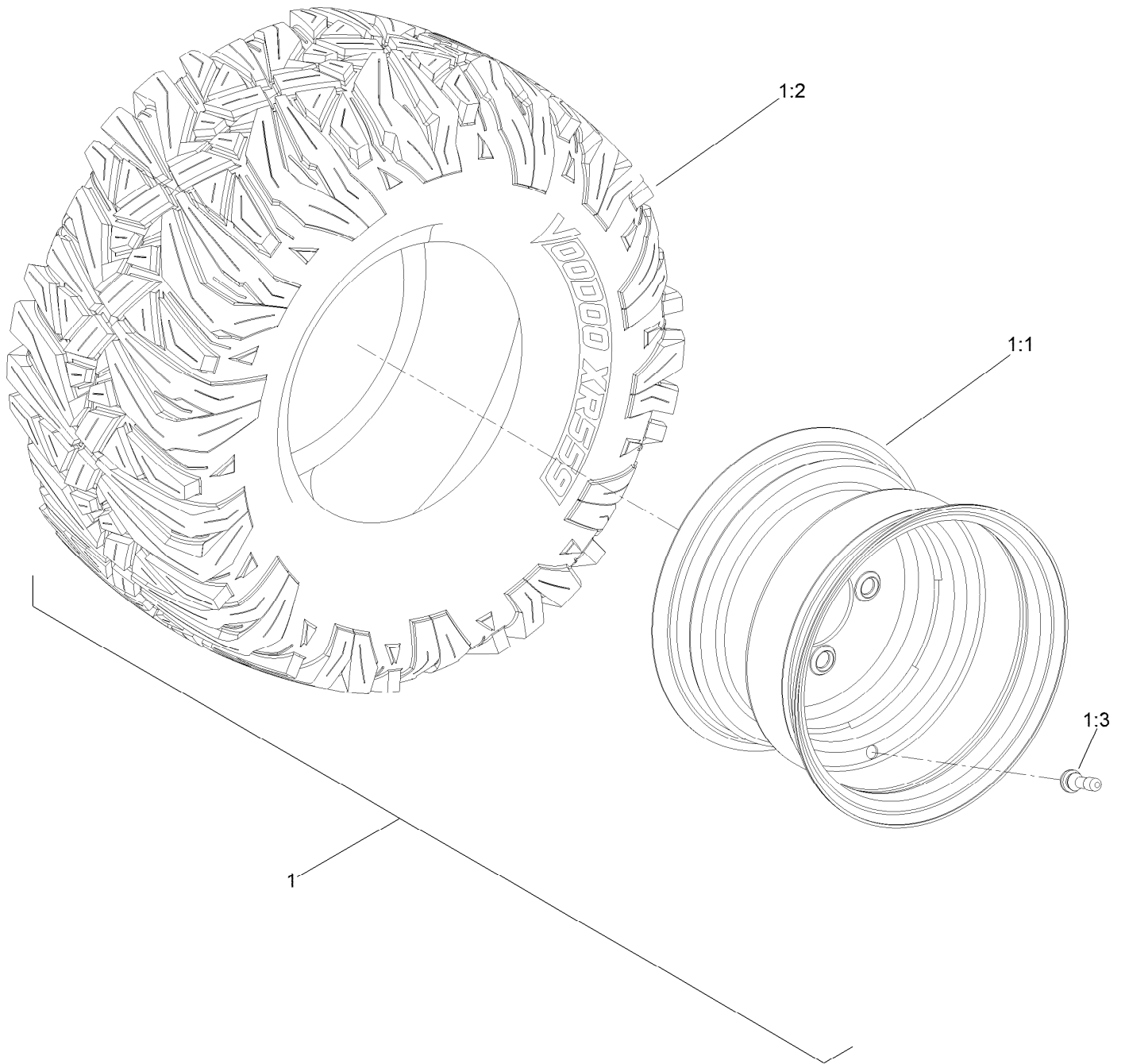




## Parking Brake Assembly (continued)

<i>Ref.</i>	<i>Part Number</i>	<i>Qty.</i>	<i>Description</i>	<i>Ref.</i>	<i>Part Number</i>	<i>Qty.</i>	<i>Description</i>
1	161-6420	2	Bellcrank	8	144-1815	1	Clip-Rod, RH (7R, 1/4In)
2	145-6364	2	Bolt-Shoulder	9	145-0408	1	Rod-Brake LH
3	145-4607	1	Link-Brake, LH	10	145-0407	1	Rod-Brake, RH
4	145-6238	1	Link-Brake, RH	11	1-603807	4	Spring-Return, Neutral
5	119-8952	10	Washer-Spcl	12	119-4040	2	Nut-HF, NI
6	120-9716	2	Pin-Cotter	13	119-8857	2	Mount-Pivot
7	144-1816	1	Clip-Rod, LH (7L, 1/4In)	14	137-3083	2	Pin-Hair

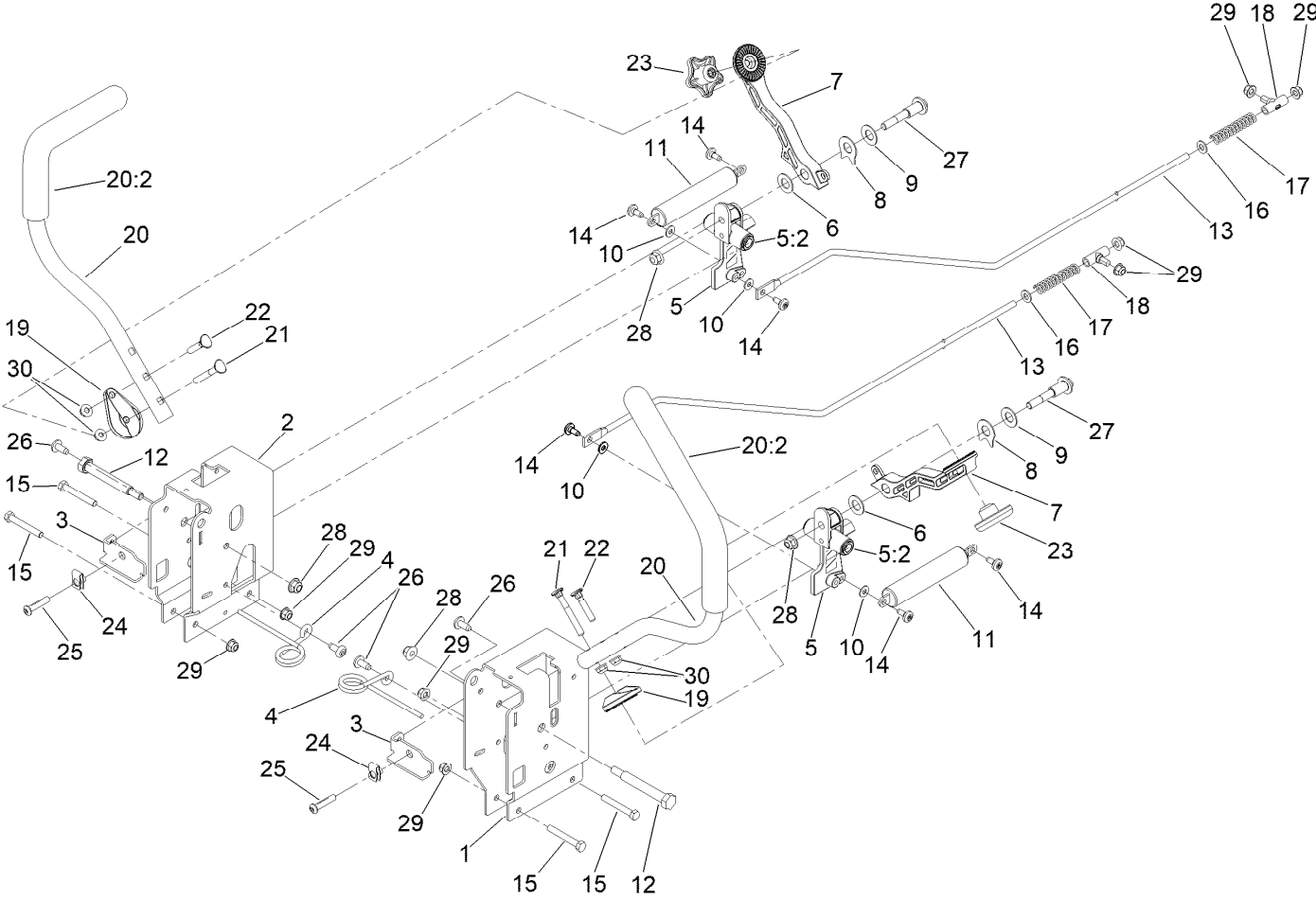
# Rear Wheel Assembly



## Rear Wheel Assembly (continued)

<i>Ref.</i>	<i>Part Number</i>	<i>Qty.</i>	<i>Description</i>	<i>Ref.</i>	<i>Part Number</i>	<i>Qty.</i>	<i>Description</i>
1	145-6393	2	Tire ASM-22X11-10 Nos2.4	1:2	147-5177	1	Tire
1:1	147-5178	1	Rim	1:3	232-27	1	Stem-Valve

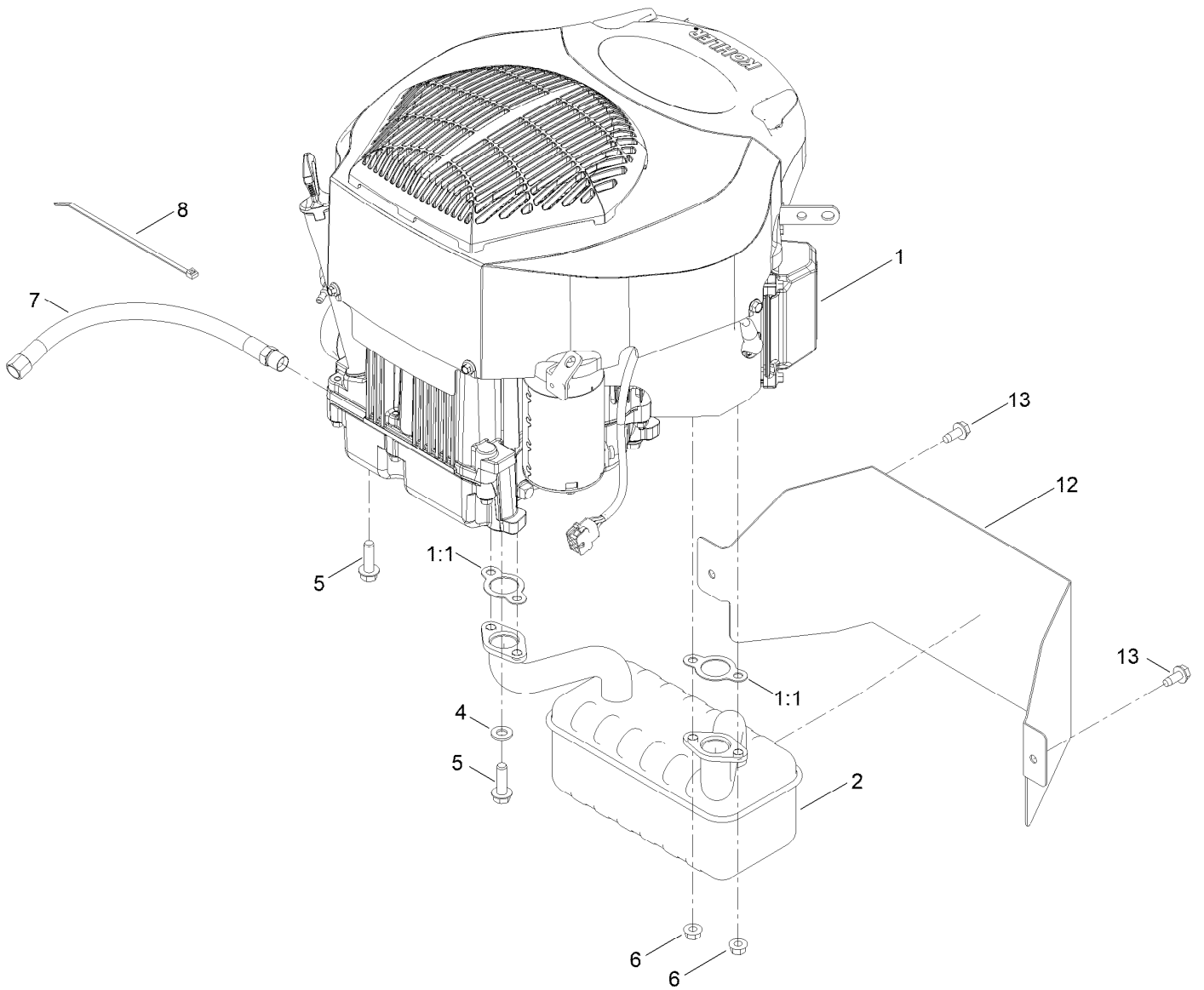
# Control Assembly



## Control Assembly (continued)

<i>Ref.</i>	<i>Part Number</i>	<i>Qty.</i>	<i>Description</i>	<i>Ref.</i>	<i>Part Number</i>	<i>Qty.</i>	<i>Description</i>
1	145-4615-03	1	Control Box - LH G7	16	120-9683	2	Washer-Plain
2	145-4647-03	1	Control Box - RH G7	17	138-7252	2	Spring-Compression
3	147-7580-03	2	Adjustment Plate-Control Box	18	138-7218	2	Mount-Rod, Hydro
4	145-6253	2	Spring-Torsion	19	147-5192-05	2	Disc-Adjustment Handle, 32 Teeth
5	145-4648	2	Pivot Arm ASM	20	145-6327	2	Handle-Control,
5:2	256-156	2	Bushing-Flange	20:2	147-3029	1	Grip
6	120-2273	2	Washer-Nylon	21	145-6366	2	Screw-Handle
7	147-5191-05	2	Arm-Control, 32 Teeth	22	137-3008	2	Screw-Handle
8	142-8478	2	Spacer, Anti-Rotation	23	117-5976	2	Knob-Handle
9	119-8925	2	Washer-Belleville	24	112-3306	2	Nut
10	119-8952	4	Washer-Spcl	25	126-4299	2	Screw-HSBH
11	132-6853	2	Damper-Non Cavitating	26	138-9753	4	Screw
12	115-5099	2	Bolt-Pivot	27	139-2556	2	Bolt-Pivot
13	145-6367	2	Rod - Hydro	28	119-4042	4	Nut-HF, NI
14	120-7950	6	Screw-Torx	29	119-4041	8	Nut-HF
15	322-11	4	Screw-HH	30	138-8401	4	Nut-HF

# Engine and Muffler Assembly



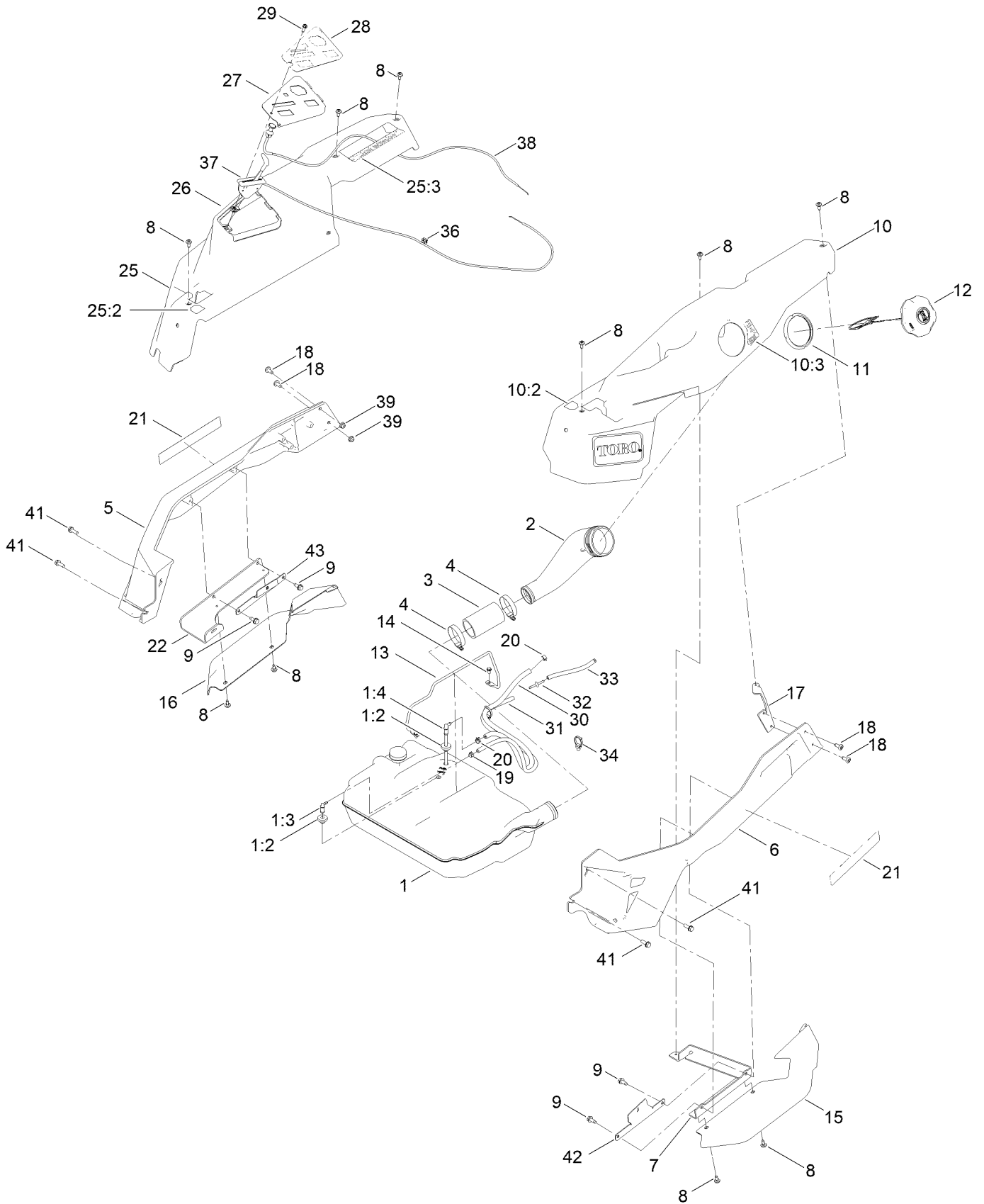
## Engine and Muffler Assembly (continued)

<i>Ref.</i>	<i>Part Number</i>	<i>Qty.</i>	<i>Description</i>	<i>Ref.</i>	<i>Part Number</i>	<i>Qty.</i>	<i>Description</i>
1		1	Engine-Kohler, Kt735 Low Speed ■▲	5	139-2576	4	Screw-HWH
1:1	110-6697	2	Gasket-Exhaust	6	33004-00	4	Nut-HF
1:3	281-2	1	Plug-Pipe, SQH ●	7	117-1261	1	Hose-Drain, Oil
2	147-7707	1	Muffler	8	614249	1	Tie-Cable
4	115-1166	3	Washer-Plain	12	161-6221-03	1	Heat Shield-Muffler
				13	32144-70	2	Screw-HWHTF

● Not illustrated  
▲ Obtain parts from [www.kohlerplus.com](http://www.kohlerplus.com)

■ Not serviced separately

# Fuel Pod Assembly

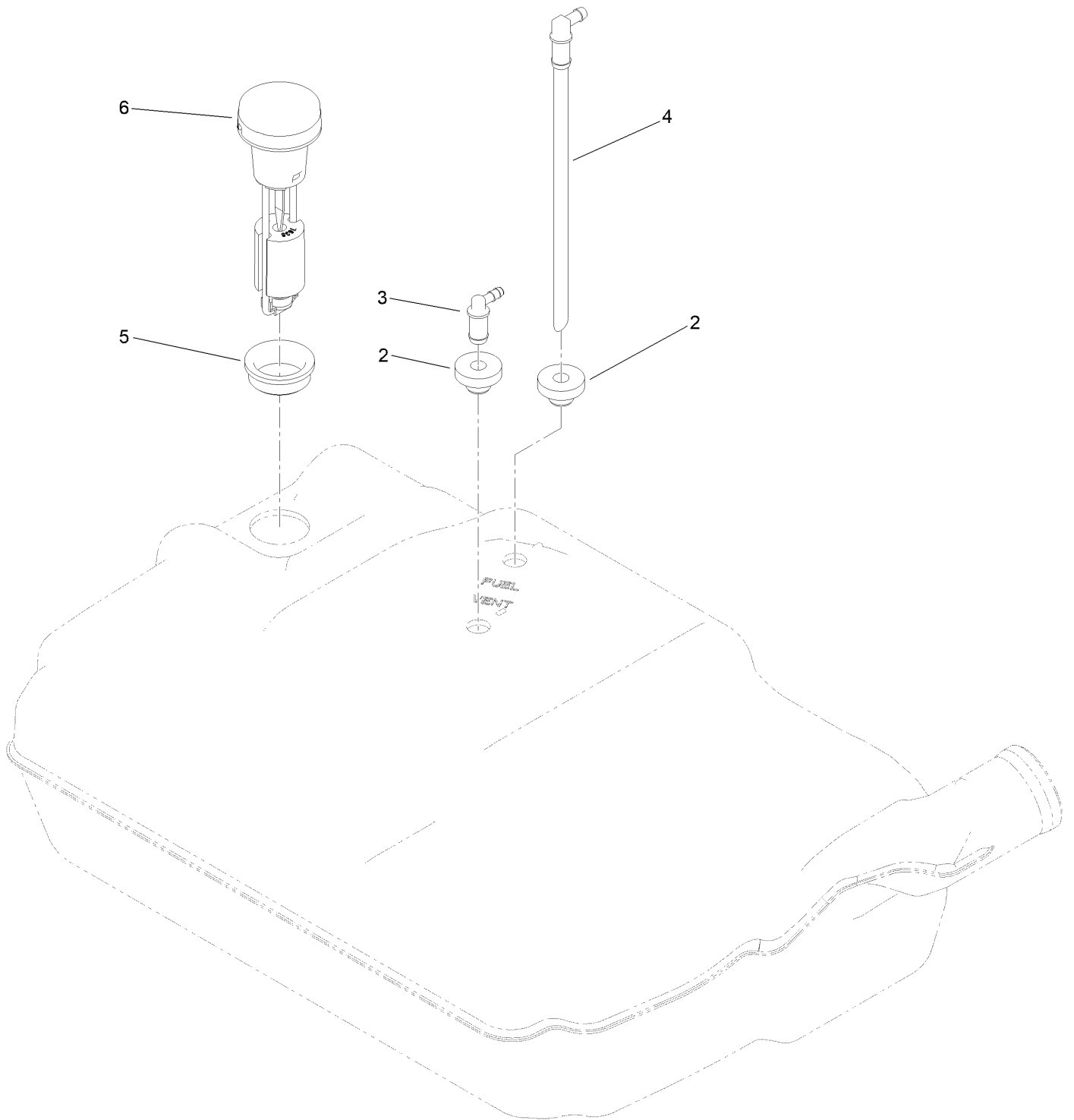




## Fuel Pod Assembly (continued)

<i>Ref.</i>	<i>Part Number</i>	<i>Qty.</i>	<i>Description</i>	<i>Ref.</i>	<i>Part Number</i>	<i>Qty.</i>	<i>Description</i>
1	147-5288	1	Tank ASM - Fuel	20	2412-98	2	Clamp-Hose
1:2	46-6560	2	Bushing	21	147-7566	2	Decal-Titan
1:3	144-5302	1	Fitting-Elbow 90	22	147-5173-03	1	Bracket-Mr Spring
1:4	147-2934	1	Fitting-Pickup, Fuel	25	147-8744	1	Pod ASM - RH , Mr W/Decals
2	147-7657	1	Neck-Filler, Fuel	25:2	139-2394	1	Decal-Control Lever, RH
3	145-4698	1	Hose-Filler, Fuel	25:3	147-7574	1	Decal - Myride
4	2412-130	2	Clamp-Hose	26	107069	1	Clip
5	147-2973-01	1	Cast-Tube, RH [red]	27	147-2990-03	1	Panel-Control
6	147-2972-01	1	Cast-Tube, LH [red]	28	147-7571	1	Decal - Control Panel
7	147-2974-03	1	Mount-Pod Bracket LH	29	49-2040	1	Screw-HWHTF
8	120-7950	10	Screw-Torx	30	109-0284	1	Hose-Fuel
9	32144-70	4	Screw-HWHTF	31	140-4956	1	Hose-Fuel
10	147-8741	1	Pod ASM - LH W/Decals	32	144-1983	1	Adapter Orifice
10:2	139-2395	1	Decal-Control Lever, LH	33	136-1437	1	Hose-Fuel
10:3	147-2399	1	Decal-Fuel Fill	34	32180-030	2	Clip-Tie
11	147-7712	1	Ring-Retaining	36	32180-418	1	Clip-Harness
12	137-4119	1	Cap-Fuel, Ratcheting	37	139-3267	1	Cable-Throttle
13	147-5176	1	Rod-Hold Down	38	147-2902	1	Cable-Choke
14	32144-4	2	Screw-HWH	39	119-4041	2	Nut-HF
15	147-2978	1	Fender-Time Cutter, LH	41	32144-41	4	Screw-Taptite
16	147-2979	1	Fender-Time Cutter, RH	42	161-4609-03	1	Bracket-Alignment, Pod LH
17	147-2976-03	1	Bracket-Rear Pod, LH	43	161-4611-03	1	Bracket- Alignment, Pod RH Mr
18	138-9753	4	Screw				
19	2412-80	1	Clamp-Hose				

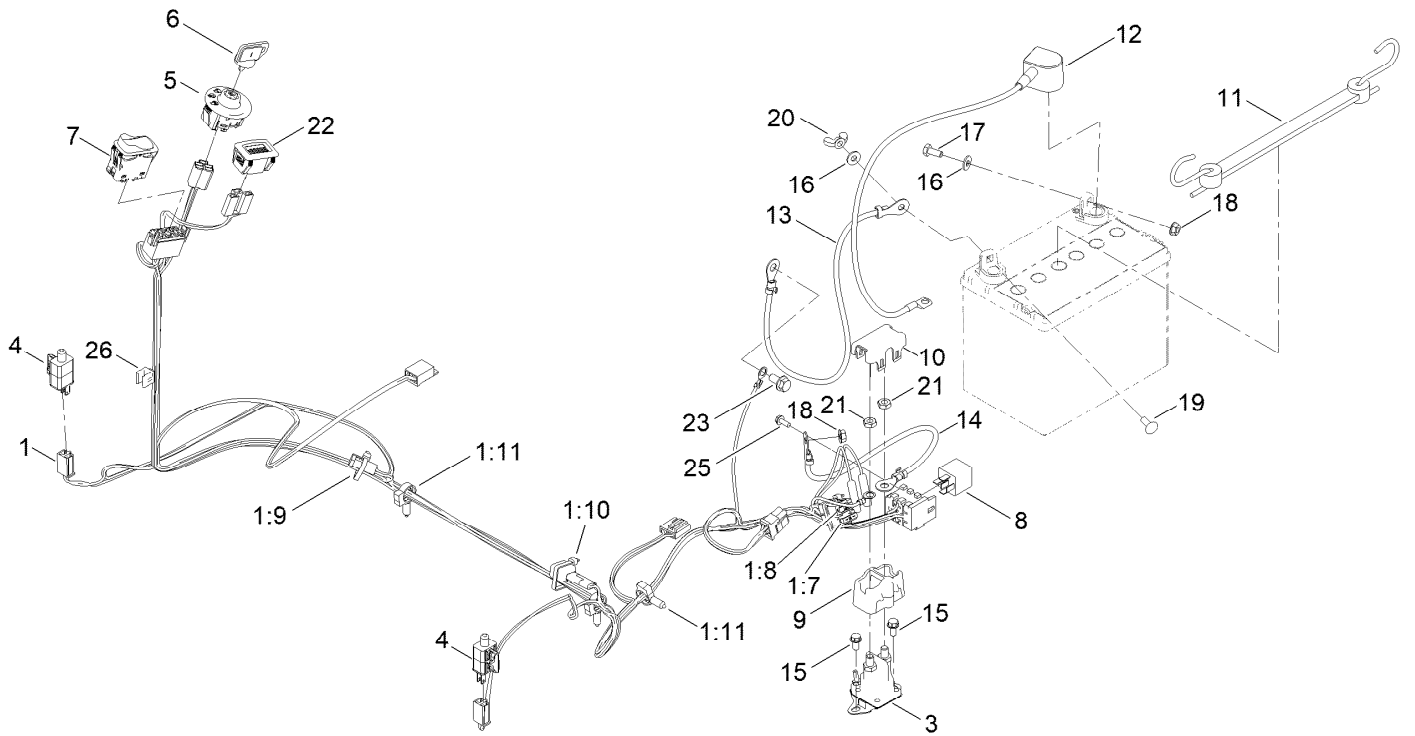
# Fuel Tank Assembly No. 147-5288



## Fuel Tank Assembly No. 147-5288 (continued)

<i>Ref.</i>	<i>Part Number</i>	<i>Qty.</i>	<i>Description</i>	<i>Ref.</i>	<i>Part Number</i>	<i>Qty.</i>	<i>Description</i>
2	46-6560	2	Bushing	5	133-9269	1	Grommet-Fuel
3	144-5302	1	Fitting-Elbow 90	6	147-5166	1	Remote Gauge ASM
4	147-2934	1	Fitting-Pickup, Fuel				

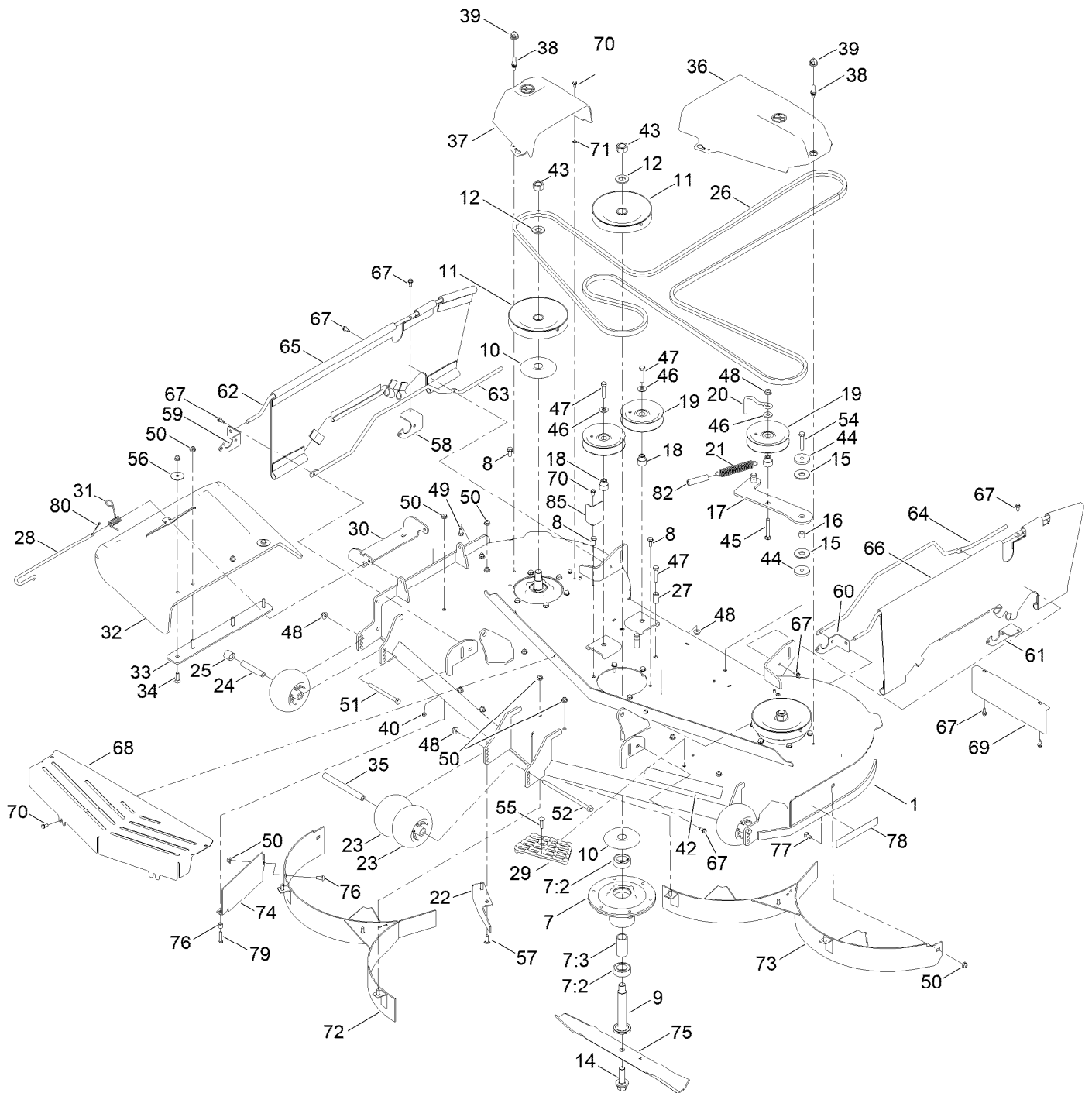
# Electrical Assembly



## Electrical Assembly (continued)

<i>Ref.</i>	<i>Part Number</i>	<i>Qty.</i>	<i>Description</i>	<i>Ref.</i>	<i>Part Number</i>	<i>Qty.</i>	<i>Description</i>
1	145-6382	1	Harness-Wire, Main	12	147-2941	1	Cable-Battery,Red
1:7	109355	1	Fuse-Blade, 15 Amp	13	119-8899	1	Cable-Battery, Black
1:8	109102	1	Fuse-Blade, 25 Amp	14	121-0711	1	Cable-Battery, Positive
1:9	32180-435	1	Cap-Over Mold, 1M/1F	15	32144-4	2	Screw-HWH
1:10	100-4918	1	Diode	16	119-8952	2	Washer-Spcl
1:11	32180-047	3	Clip-Tubing, Harness	17	137-3041	1	Screw-HH
3	117-1197	1	Solenoid	18	139-2575	2	Nut-HF
4	110-6765	2	Switch	19	137-3053	1	Screw-CARR
5	137-4100	1	Switch-Ignition	20	32103-22	1	Nut-Wing
6	63-8360	1	Key-Ignition	21	139-2580	2	Nut-HJ
7	139-6368	1	Switch-Rocker, On-None-On	22	139-6404	1	Hour Meter
8	1-643275	1	Relay	23	139-2593	1	Screw-HHF
9	140-2080	1	Cover-Solenoid	25	139-1713	1	Screw-Thd Roll
10	140-2081	1	Cap-Solenoid	26	32180-082	1	Clip-Edge W/Tie, Perpendicular
11	104-2466	1	Holddown-Battery				

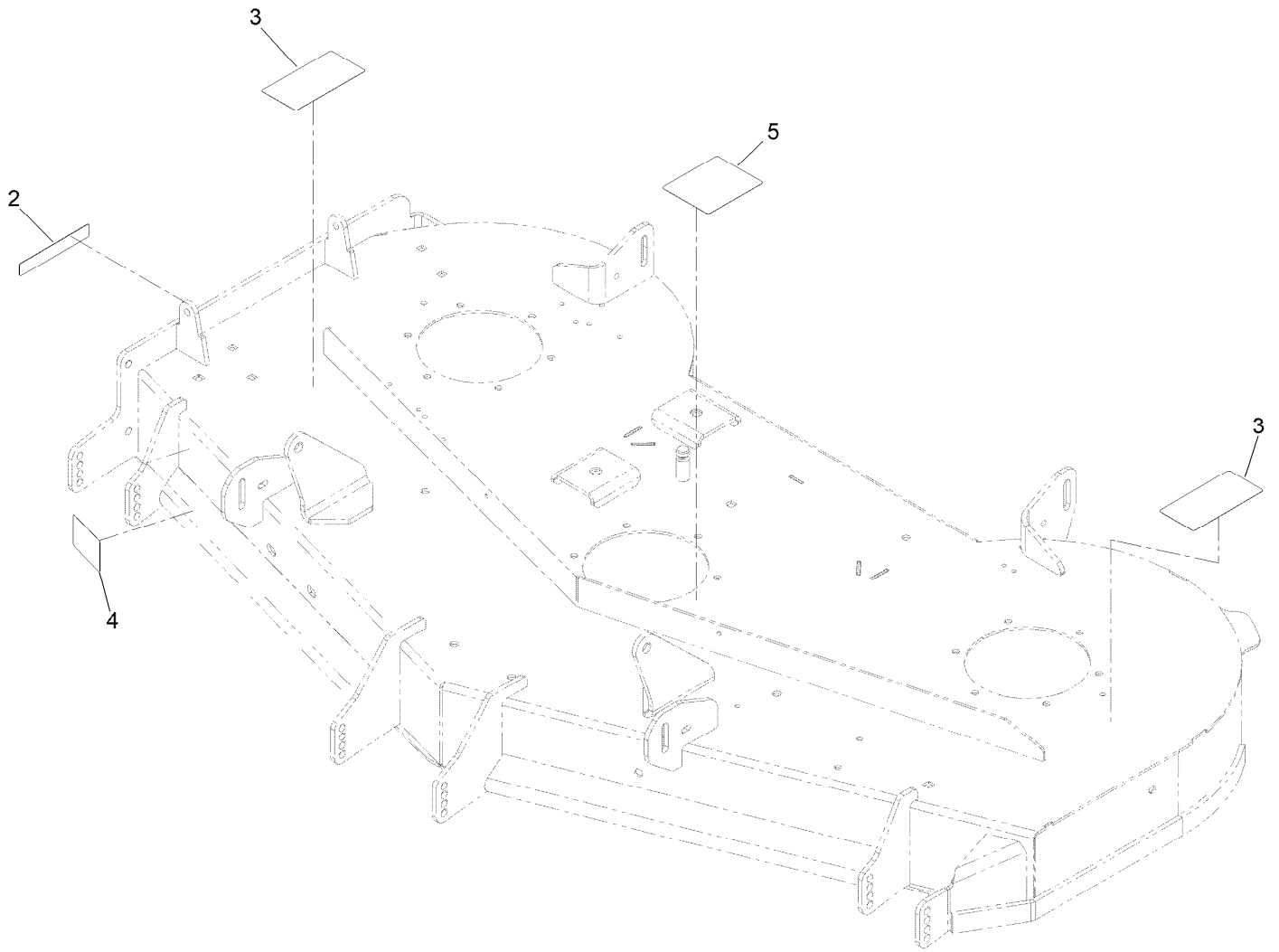
# 60in Deck Assembly



## 60in Deck Assembly (continued)

<i>Ref.</i>	<i>Part Number</i>	<i>Qty.</i>	<i>Description</i>	<i>Ref.</i>	<i>Part Number</i>	<i>Qty.</i>	<i>Description</i>
1	147-8751	1	60 In Deck & Decal ASM	44	139-5802	3	Washer-Plain
7	139-2357	3	Spindle ASM	45	139-2591	1	Screw-CARR
7:2	116-0720	2	Bearing-Ball	46	139-2632	3	Washer-Hardened
7:3	138-7220	1	Spacer-Bearing	47	139-2602	3	Screw-HH
8	32144-41	18	Screw-Taptite	48	119-4042	6	Nut-HF, NI
9	115-2642	3	Shaft-Spindle	49	139-2585	4	Screw-HH
10	138-7221	3	Shield-Bearing	50	119-4041	21	Nut-HF
11	147-7674	3	Pulley	51	139-2592	2	Screw-HH
12	7-4150	3	Washer	52	161-6360	1	Screw-HF
14	145-0412	3	Screw-Blade	54	HDW07736	1	HHCS 3/8-16 X 2, GR5, Cz
15	114-0463	2	Washer-Friction, Composite	55	139-1702	4	Bolt-Carriage
16	138-7225	1	Spacer	56	115-1151	2	Washer-Flat
17	145-7038	1	Idler Arm ASM	57	139-2587	2	Screw-CARR
18	138-7227	3	Bushing-Idler	58	147-5212-01	1	Bracket-French Guard
19	132-4718	3	Pulley-Idler, Flat	59	147-5239-01	1	Bracket-French Guard
20	136-5615	1	Guide-Belt, Idler	60	147-5240-01	1	Bracket-French Guard
21	138-7228	1	Spring-Extension	61	147-5211-01	1	Bracket-French Guard
22	119-3388-03	1	Baffle-Cutoff	62	147-5209	2	Rod-French Guard
23	1-603299	4	Roller-Scalp, Anti	63	147-8708	1	Rod-French Guard
24	138-7229	2	Tube-Spanner	64	147-8707	1	Rod-French Guard
25	104-0892	2	Spacer-Axle, Rear	65	147-5290	1	Guard ASM-Side, Poly Knit
26	133-1168	1	Belt-V	66	147-5292	1	Guard ASM-Side, Poly Knit
27	138-7230	1	Spacer-Fender	67	137-3043	8	Screw-HWH
28	138-7231	1	Pin-Chute	68	161-9776-03	1	Brkt-Shield, Front
29	126-4781-03	1	Step-Deck	69	147-5321-03	1	Plate-Guard Rear
30	114-1648-03	1	Bracket-Deflector, Upper	70	32144-4	12	Screw-HWH
31	138-7232	1	Spring-Torsion	71	1-803037	4	Nut-Retaining
32	147-3015	1	Deflector - Molded	72	133-4408-03	1	Baffle-RH
33	115-5048-03	1	Plate-Deflector	73	133-4409-03	1	Baffle-LH
34	139-1702	1	Bolt-Carriage	74	133-4412-03	1	Guard-Baffle
35	98-5967	1	Spacer-Wheel	75	115-5002-03	3	Blade-Mulch, 20.50 Inch
36	147-2854	1	Cover-Belt, LH	76	1-603903	1	Spacer
37	147-2853	1	Cover-Belt, RH	77	139-2630	3	Bolt-CARR
38	147-2872	2	Stud-Ball	78	119-2368	1	Decal-Recycler
39	147-2871	2	Grommet-Ball	79	120-9696	1	Screw-HH
40	115-7373	2	Nut-Lock	80	139-2614	1	Pin-Cotter
42	147-7567	1	Decal - Iron Forged	82	99-7375	1	Hose-Breather
43	139-2579	3	Nut-Hex	85	163-2305-03	1	Bracket-Guard, CE

# Deck Decal Assembly No. 147-8751



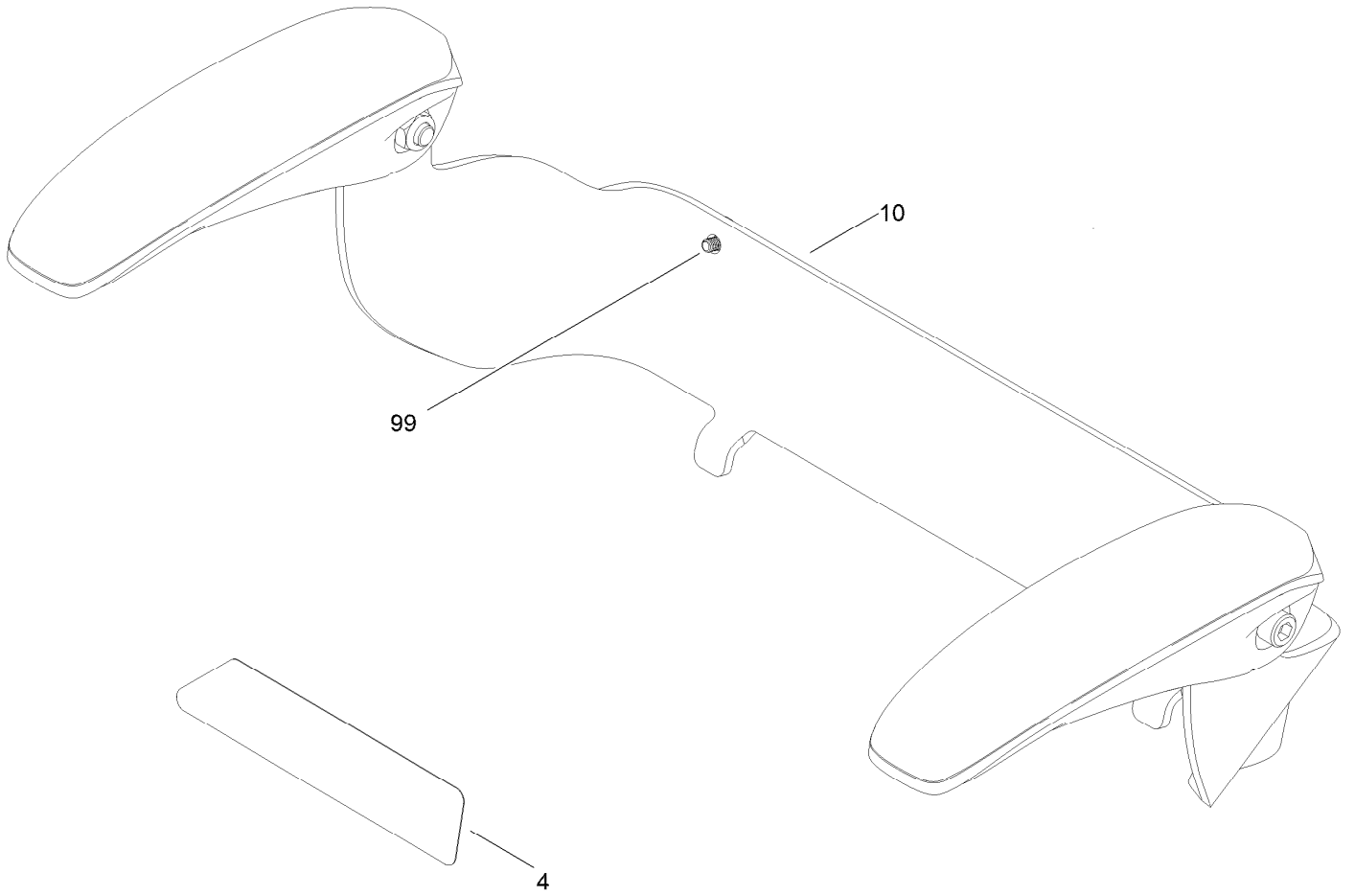


## Deck Decal Assembly No. 147-8751 (continued)

<i>Ref.</i>	<i>Part Number</i>	<i>Qty.</i>	<i>Description</i>
2	130-0731	1	Decal-Danger
3	132-0872	2	Decal-Danger, Deck

<i>Ref.</i>	<i>Part Number</i>	<i>Qty.</i>	<i>Description</i>
4	130-0765	1	Decal-Scalp, Anti
5	117-1194	1	Decal-Routing, Belt

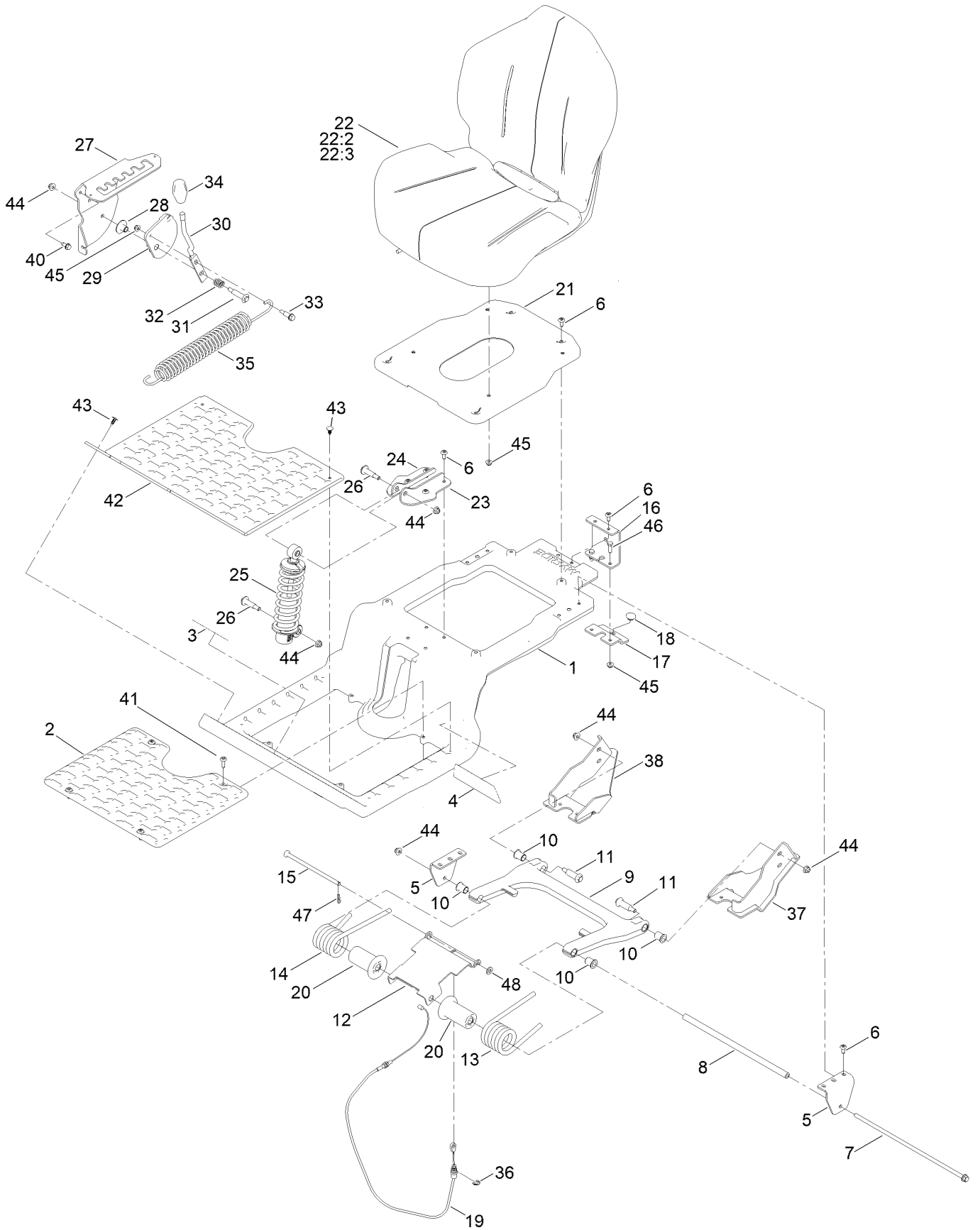
# Model Specific Assembly



## Model Specific Assembly (continued)

<i>Ref.</i>	<i>Part Number</i>	<i>Qty.</i>	<i>Description</i>
4	161-4549	1	Decal Zxm6075
10	161-4567	1	Kit-Arm Rest
99	139-2585	8	Screw-HH

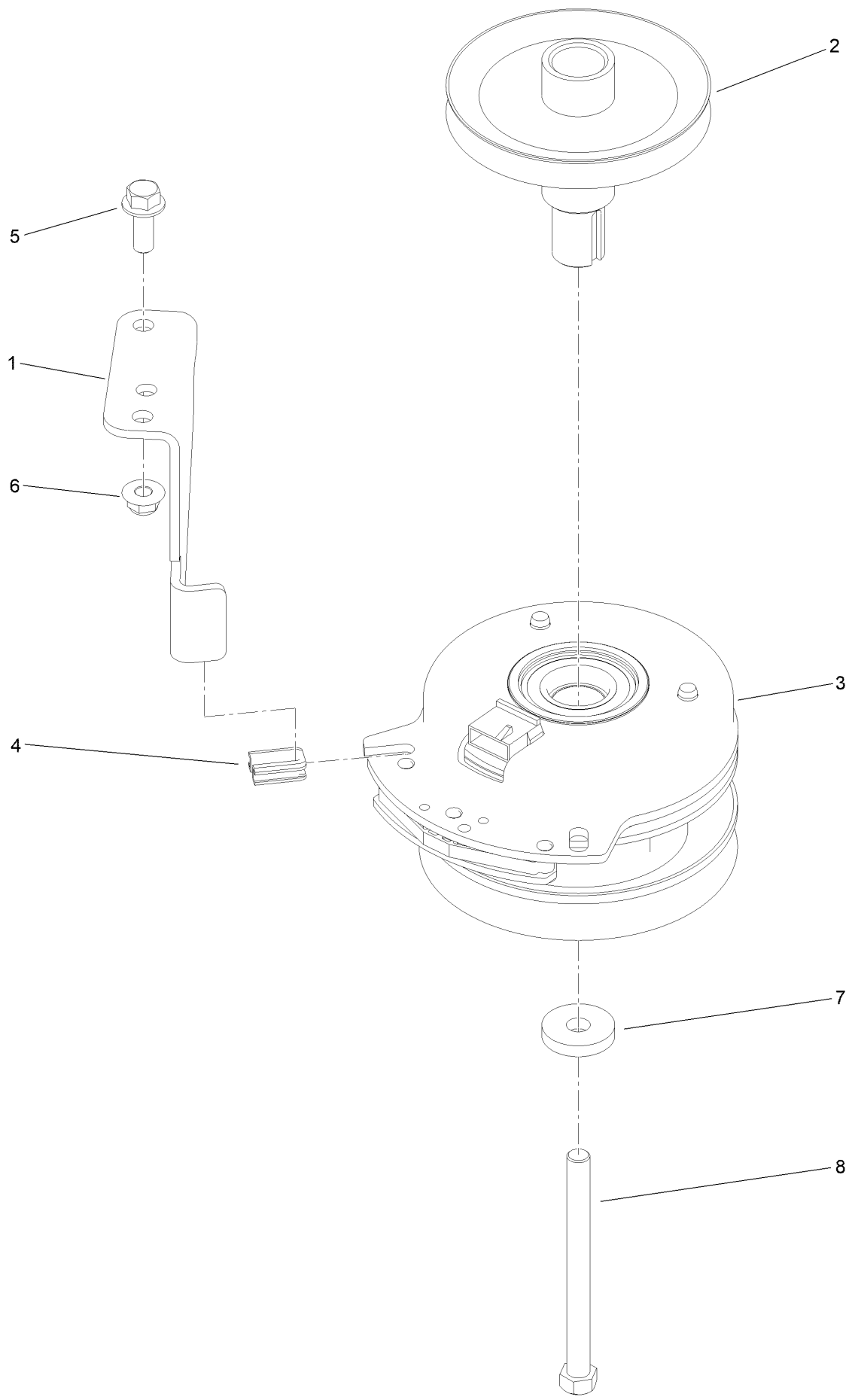
# Seat Pan Assembly



## Seat Pan Assembly (continued)

<i>Ref.</i>	<i>Part Number</i>	<i>Qty.</i>	<i>Description</i>	<i>Ref.</i>	<i>Part Number</i>	<i>Qty.</i>	<i>Description</i>
1	145-6394-05	1	Platform, Myride	24	133-9319-03	1	Bracket-Shock Mount, Upper (RH)
2	145-6395-05	1	Platform, Myride	25	139-2427	1	Shock/Spring ASM
3	147-7662	1	Decal - Myride	26	136-7198	2	Bolt-Shoulder
4	147-7575	1	Decal - Myride	27	145-6309-01	1	Bracket-Mr Gate
5	138-7517	2	Bracket-Mount, Swing Arm	28	139-5800	1	Bushing - Flange
6	138-9753	14	Screw	29	147-5171	1	Pulley-Cam
7	138-7548	1	Screw-HHF	30	147-5172	1	Lever-Adjustment, Threaded
8	138-7549	1	Tube-Spacer	31	92-1057	1	Bolt-Shoulder
9	145-6312	1	Arm-Swing	32	139-5858	1	Spring-Compression
10	138-2573	4	Bushing-Flange	33	140-3759	1	Bolt-Shoulder,HHF
11	138-2547	2	Bolt-Shoulder	34	147-8715	1	Knob-Mr
12	138-7566-03	1	Plate-Adjuster	35	138-9848	1	Spring-Extension
13	137-1983	1	Spring-Torsion, LH	36	32120-47	1	Ring-Retaining, External
14	137-7018	1	Spring-Torsion, RH	37	147-8721-03	1	Mount-Mr Swing Arm, LH
15	138-9813	1	Rod-Adjustment	38	147-8722-03	1	Mount-Mr Swing Arm, RH
16	138-9788	1	Bracket-Cable	40	32144-70	3	Screw-HWHTF
17	139-2361-03	1	Bracket Lower	41	147-7606	4	Screw-Spcl
18	135-0505	1	Bumper-Seat	42	147-7724	1	Floor Mat
19	147-7713	1	Cable-Adjustment, Myride	43	117-2382	4	Plug-Plastic
20	138-9776	2	Retainer-Spring	44	119-4042	6	Nut-HF, NI
21	147-7690-03	1	Pan-Seat [black]	45	119-4041	7	Nut-HF
22	147-8730	1	Seat ASM - Milsco Cs180D	46	139-1716	2	Screw-HH
22:2	161-4566	1	Kit-Adjuster	47	137-3083	1	Pin-Hair
22:3	82-2190	1	Switch-Bail	48	115-1166	1	Washer-Plain
23	133-9318-03	1	Bracket-Shock Mount, Upper (LH)				

# Clutch Assembly



## Clutch Assembly (continued)

<i>Ref.</i>	<i>Part Number</i>	<i>Qty.</i>	<i>Description</i>	<i>Ref.</i>	<i>Part Number</i>	<i>Qty.</i>	<i>Description</i>
1	137-7000	1	Stop-Clutch (Wide)	5	139-2597	1	Screw-HHF
2	138-9831	1	Pulley-Engine	6	119-4042	1	Nut-HF, NI
3	127-3410	1	Clutch-PTO	7	139-2626	1	Washer
4	120-2217	1	Isolator-Clutch	8	139-2573	1	Screw-HH

# Attachments and Accessories

## For 76635 Titan ZXM6075 Zero Turn Riding Mower

<b>Product Name</b>	<b>Model/Part</b>
Hypr-Oil 500 (quart) .....	114-4713
Blade-Hi Flow, 20.5in .....	115-9649-03P
Jack Kit .....	127-6666
Fuel Stabilizer .05 oz .....	130-2393
4-Cycle Fuel, Snow And Lawn 32oz Can .....	131-3823
Toro Premium Fuel Treatment 12oz Bottle .....	131-6572
60in Recycler Kit .....	136-7490
Oil-30/10W-30 Synthetic (Quart) .....	138-6053
Heavy Duty Spring Kit .....	140-2051
HD Bagger Cover Kit .....	140-5036
Leaf Bagging Enhancement Kit .....	140-5122
Hydro Service Kit .....	144-5347
Flat Free Caster Wheel Kit .....	145-0489
Led Light Kit .....	147-8757
Kit-Striping, 54/60in .....	147-8781
Mount, Jack Titan .....	147-8824
Assist Bar Kit .....	161-4450
CE Bagger Compliance Kit .....	161-6178
10W30 4-Cycle Engine Oil (32oz Bottle) .....	38280
Toro 4-Cycle SAE 30 Oil (32oz Bottle) .....	38903
Toro Deluxe Rider Cover .....	490-7319
Powered Bagger, Titan Models ROHS .....	79348
ROPS Kit .....	79487
Kit-Slope Sensor .....	79489



**Notes:**

**Notes:**

**Notes:**



**Count on it.**