



Count on it.

Parts Catalog

**Titan® ZXM6075
Zero Turn Riding Mower**

Model No. 76635—Serial No. 40000000 and Up



Ordering Replacement Parts

To order replacement parts, please supply the part number, the quantity, and the description of each part desired.

Understanding Reference Numbers

Each identified part in an illustration has a reference number. The reference number for a part also appears in the parts list, along with other information about the part.

This catalog uses two special reference number formats, one to indicate parts in a service assembly and another to indicate the quantity of a given part in an illustration.

Service Assembly Reference Numbers

Parts in service assemblies have reference numbers in the form a:b. The a represents the reference number of the entire service assembly and the b represents a sequential number unique to each part within the service assembly.

For example, a wheel assembly might be identified by reference number 6, the tire by 6:1, the valve by 6:2, and the wheel by 6:3. When you order the assembly identified by reference number 6, you receive all parts identified by reference numbers 6:1, 6:2, and 6:3. However, you may also order any part individually. Reference numbers of this type appear in illustration and in parts lists.

Reference Numbers Indicating Quantity

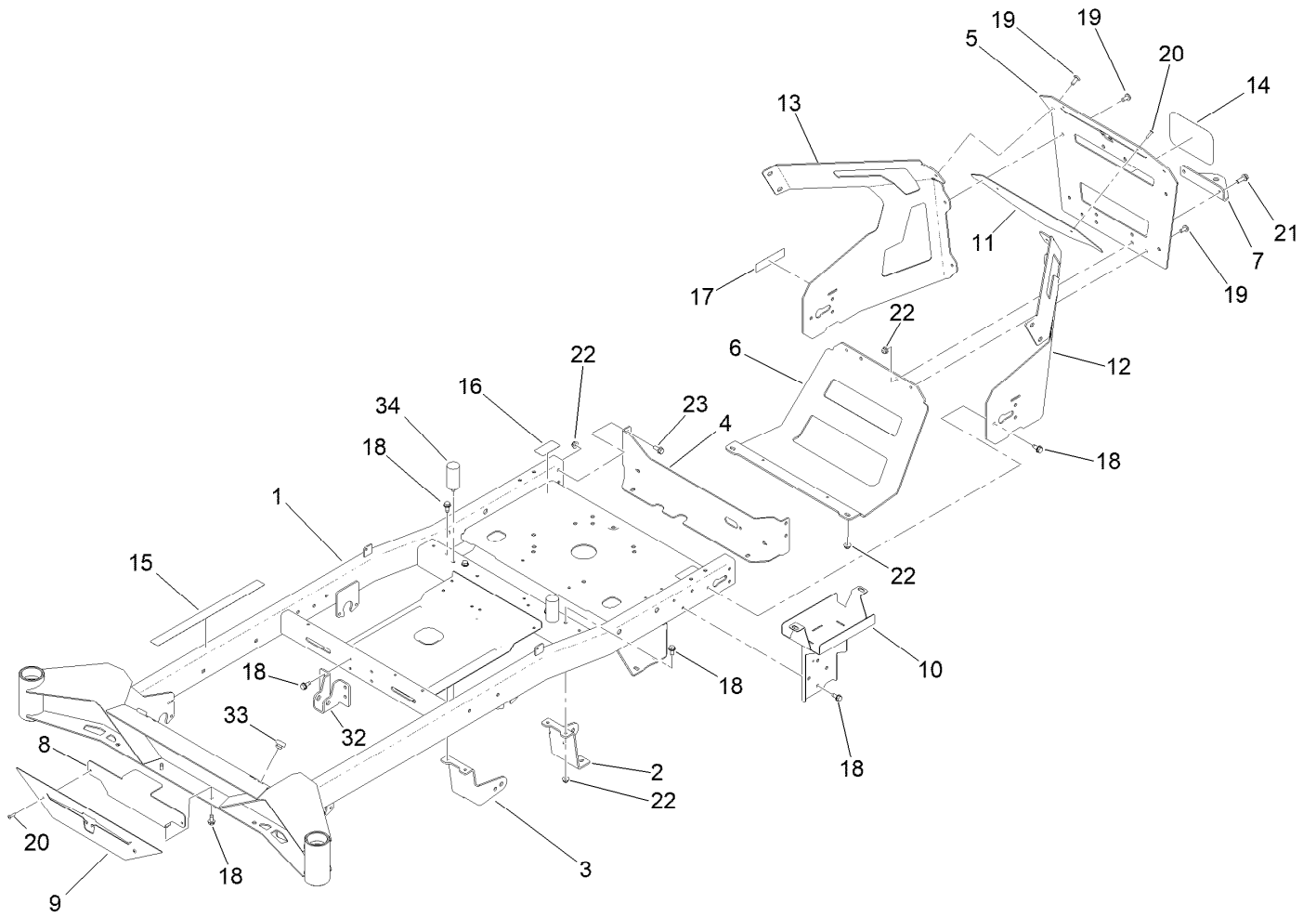
In an illustration, if a reference number indicates more than one part, the reference number has the form nX y. The n represents the quantity of the part, the X is the multiplication symbol, and the y represents the reference number.

For example, in an illustration, the reference number 2X 37 means that two of the parts identified by reference number 37 are indicated.

Contents

Frame Assembly	4
Deck Lift Assembly	6
Caster Fork and Wheel Assembly	8
Hydraulic Drive Assembly	10
LH Hydro Transmission Assembly No. 147-2860	12
RH Hydro Transmission Assembly No. 147-2861	14
Parking Brake Assembly	16
Rear Wheel Assembly	18
Control Assembly	20
Engine and Muffler Assembly	22
Fuel Assembly	24
Fuel Tank Assembly No. 147-5288	26
Electrical Assembly	28
Deck Assembly	30
Deck Decal Assembly No. 147-8751	32
Model Specific Decal Assembly	34
Seat Mounting Assembly	36
Clutch Assembly	38
Attachments and Accessories	40

Frame Assembly

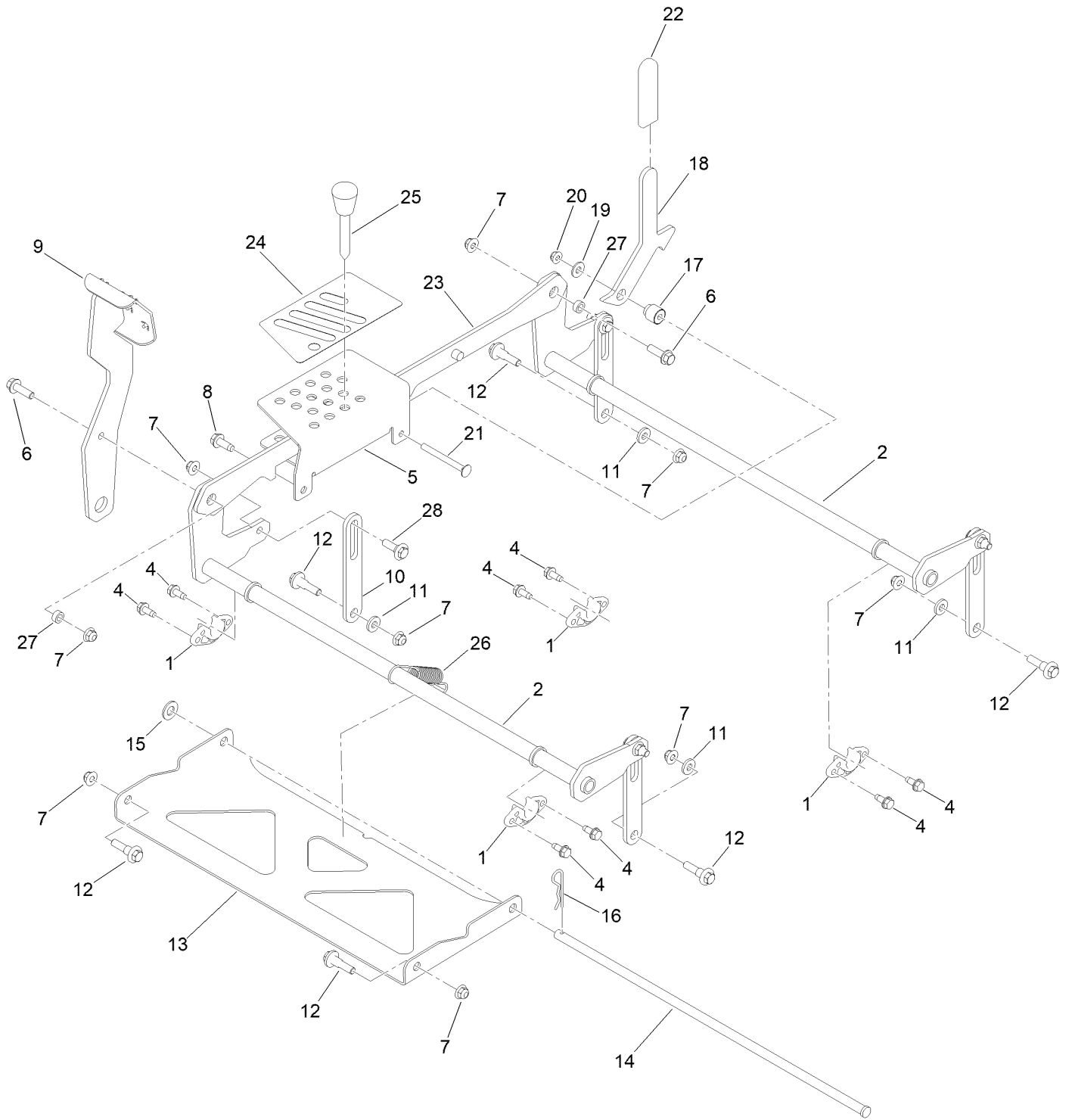


Frame Assembly (continued)

<i>Ref.</i>	<i>Part Number</i>	<i>Qty.</i>	<i>Description</i>	<i>Ref.</i>	<i>Part Number</i>	<i>Qty.</i>	<i>Description</i>
1	147-8725	1	Service ASM-Frame, Titan	15	144-5288	1	Decal-Warning
2	145-6306-01	1	Mount-Drive, LH	16	161-6207	2	Decal-Bypass
3	145-6307-01	1	Mount-Drive, RH	17	142-5864	1	Decal-Spark Arrester
4	147-8709-03	1	Plate-Mount	18	32144-70	15	Screw-HWHTF
5	147-2998-03	1	Guard-Engine	19	138-9753	8	Screw
6	147-3000-03	1	Guard-Muffler	20	130-8451	4	Rivet-Trifold
7	117-1232-03	1	Bracket-Hitch	21	139-2596	2	Screw-HHF
8	147-2878-01	1	Plate-Backer	22	119-4041	10	Nut-HF
9	147-2879-03	1	Logo-Plate-Front	23	139-2598	4	Screw-HHF
10	145-6283-01	1	Wa-Battery Mount	32	145-6323-01	1	Bracket-Mount Damper, Lower
11	147-2999-01	1	Plate-Backer	33	140-3460	2	Bumper-Rubber
12	147-2996-01	1	Guard-Engine LH	34	145-6310	2	Bumper-Rubber
13	147-2997-01	1	Guard-Engine-RH	35	161-6260	1	Tape-Heat ●
14	99-4693	1	Decal				

● Not illustrated

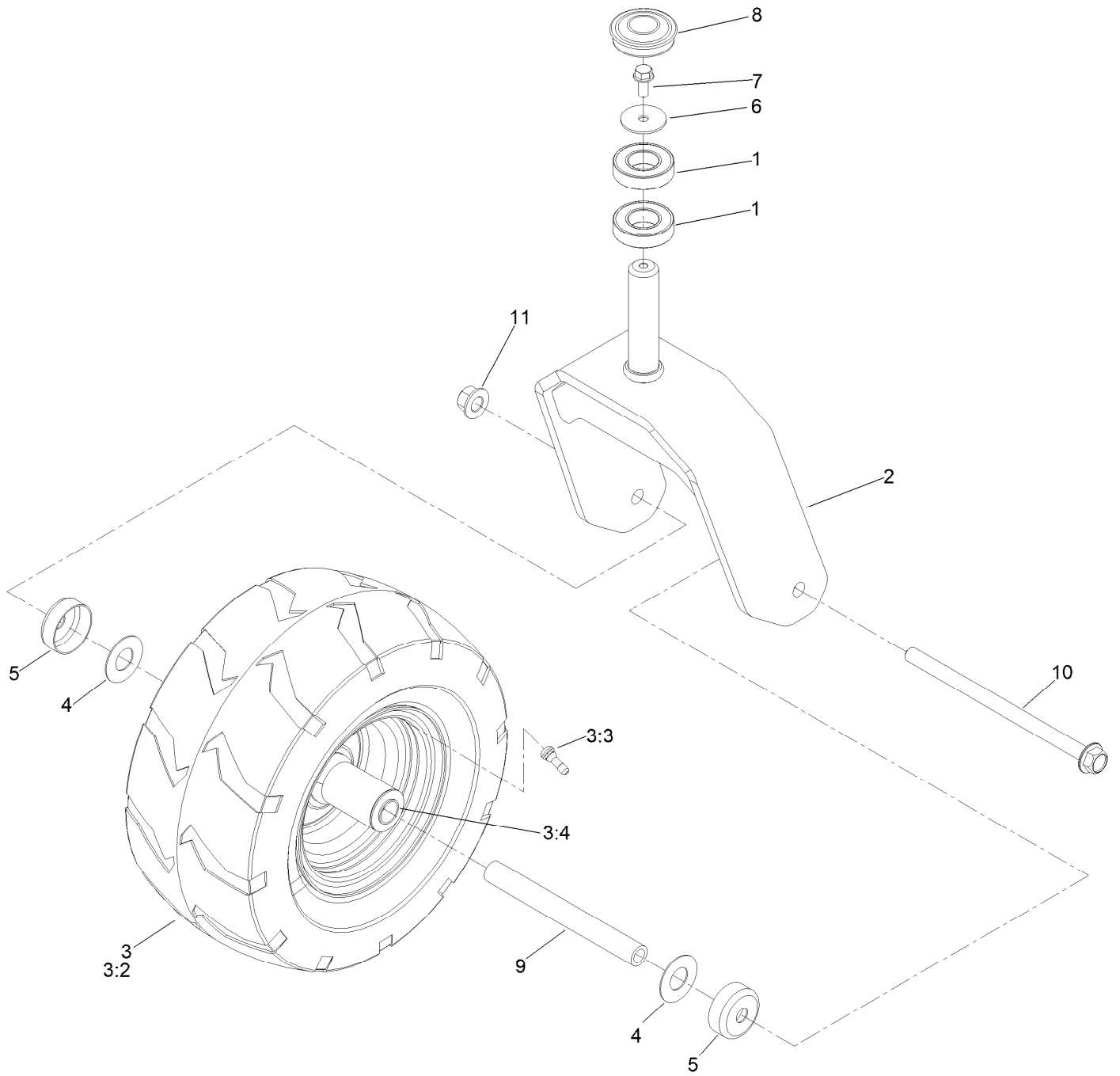
Deck Lift Assembly



Deck Lift Assembly (continued)

<i>Ref.</i>	<i>Part Number</i>	<i>Qty.</i>	<i>Description</i>	<i>Ref.</i>	<i>Part Number</i>	<i>Qty.</i>	<i>Description</i>
1	139-5872	4	Bearing-Flange	16	139-2562	1	Pin-Hair
2	161-4632-01	2	Pivot ASM-Decklift [red]	17	145-6282	1	Spacer-Stepped
4	32144-70	8	Screw-HWHTF	18	145-6279	1	Plate-Transport Lock
5	145-6260-01	1	Bracket-HOC	19	137-3082	1	Washer-Plain
6	119-4061	2	Screw-HHF	20	119-4041	1	Nut-HF
7	119-4042	12	Nut-HF, NI	21	138-0741	1	Screw-CARR
8	139-2428	1	Screw-HWH	22	140-0413	1	Grip-Handle
9	145-6278-01	1	Pedal ASM [red]	23	145-6262-01	1	Link ASM-HOC [red]
10	161-4635-01	4	Link-HOC	24	161-6208	1	Decal-HOC
11	138-7207	4	Spacer-Hub, Blower	25	140-2146	1	HOC Pin ASM
12	130-0742	6	Bolt-Shoulder	26	138-7206	1	Spring-Extension
13	145-6248-03	1	Pan-Deck Pivot	27	140-2093	2	Spacer
14	145-6288	1	Pin-Deck	28	610646	4	Bolt-Shoulder
15	139-2611	1	Washer-Flat				

Caster Fork and Wheel Assembly



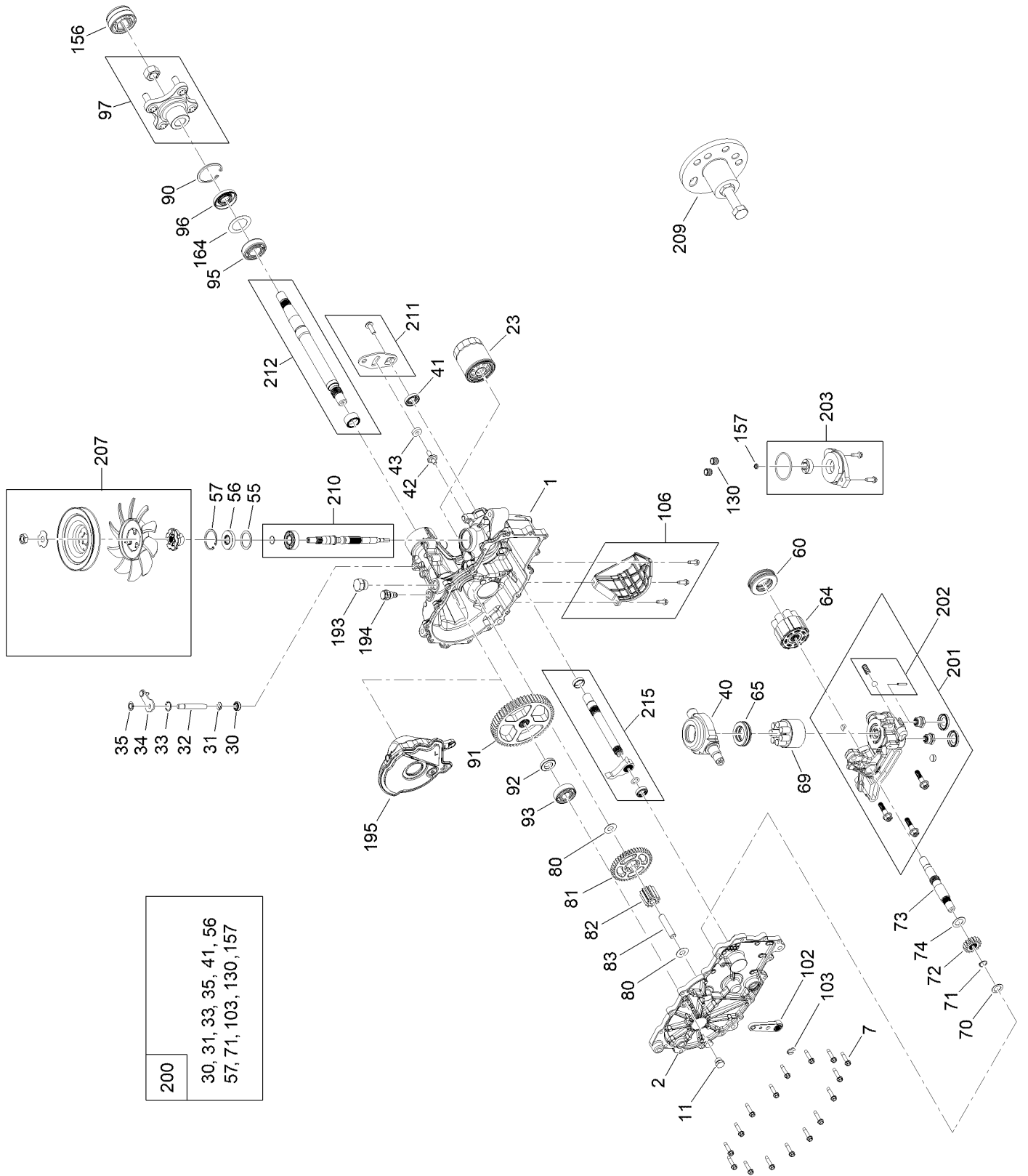
Caster Fork and Wheel Assembly (continued)

<i>Ref.</i>	<i>Part Number</i>	<i>Qty.</i>	<i>Description</i>	<i>Ref.</i>	<i>Part Number</i>	<i>Qty.</i>	<i>Description</i>
1	109-3678	4	Bearing-Ball	5	138-7208	4	Guard-Seal
2	145-6375-01	2	Castor Fork [red]	6	115-1151	2	Washer-Flat
3	147-7647	2	Tire And Wheel ASM	7	100-1668	2	Screw-HHF
3:2	147-7648	1	Tire 13X6.5-6, Treaded	8	144-0375	2	Cap, Grease
3:3	232-27	1	Stem-Valve	9	133-4487	2	Spanner-Wheel
3:4	147-7652	2	Bearing	10	139-2559	2	Screw-HHF
4	136-5590	4	Washer	11	139-1689	2	Nut-HF

Hydraulic Drive Assembly (continued)

<i>Ref.</i>	<i>Part Number</i>	<i>Qty.</i>	<i>Description</i>	<i>Ref.</i>	<i>Part Number</i>	<i>Qty.</i>	<i>Description</i>
1	147-2860	1	LH Hydro Transmission ASM	14	137-7040	1	Spring-Return, Pedal
2	147-2861	1	RH Hydro Transmission ASM	15	145-6388	2	Screw-HH Spcl
3	147-2987	1	Rod-Bypass, LH	16	139-2574	2	Nut-HF
4	147-2986	1	Rod-Bypass, RH	17	137-3083	2	Pin-Hair
5	119-8952	2	Washer-Spcl	18	140-5024	1	Screw-HHF
6	145-6383-03	1	Plate-Hydro	19	139-2588	1	Screw-CARR
7	145-6363	1	V-Belt (A Sec 66.30 EI)	20	138-7590	4	Screw-HHF
8	68-0030	1	Idler	21	119-4041	8	Nut-HF
9	138-7277	1	Spacer-Arm, Idler	22	139-2564	8	Nut-Lug
10	147-2925	1	Arm-Idler	23	119-4042	6	Nut-HF, NI
11	138-7597	1	Pulley-Idler, Flat	24	139-2589	2	Screw-HH
12	138-9809	1	Spacer	25	136-8684	2	Screw-HH
13	5-4460	1	Washer-Pivot	26	139-2602	2	Screw-HH
				27	120-9738	2	Screw-HH

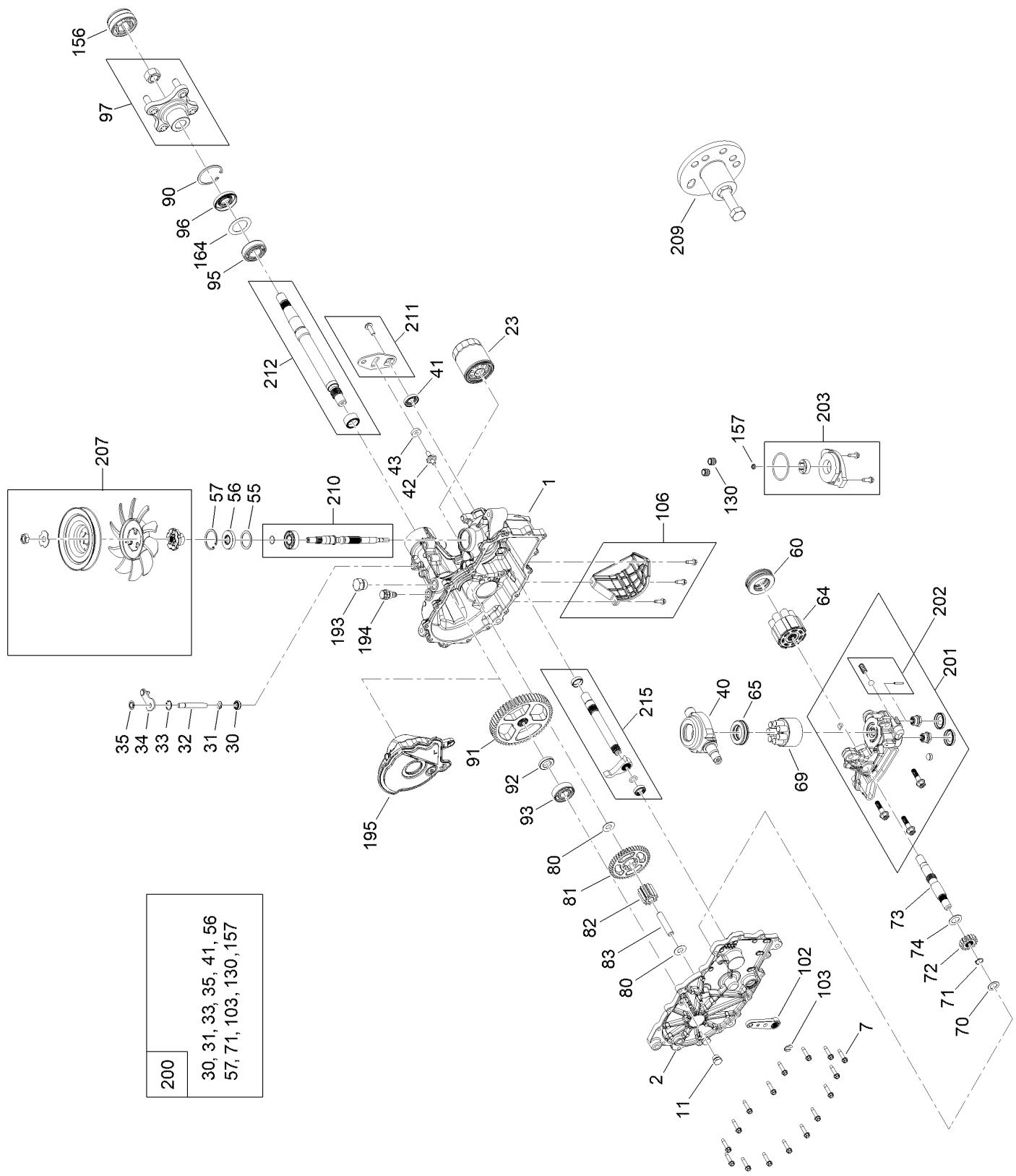
LH Hydro Transmission Assembly No. 147-2860



LH Hydro Transmission Assembly No. 147-2860 (continued)

<i>Ref.</i>	<i>Part Number</i>	<i>Qty.</i>	<i>Description</i>	<i>Ref.</i>	<i>Part Number</i>	<i>Qty.</i>	<i>Description</i>
1	140-8345	1	RH Main Housing Kit	83	104-5329	1	Pin-Jackshaft
2	140-8349	1	RH Side Cover Kit	90	104-2169	1	Ring-Retaining
7	117-5359	16	Screw-HHF	91	114-1694	1	Gear-54T
11	135-1140	1	Plug-Straight	92	120-7975	1	Spacer
23	109-3321	1	Element-Oil Filter, HYD	93	135-1361	1	Bearing-Ball
30	139-7497	1	Seal-Lip	95	130-8477	1	Bearing-Ball
31	106-8677	1	Ring-Retaining, External	96	104-2144	1	Seal
32	114-1685	1	Rod-Bypass	97	109-5939	1	Hub Kit
33	106-8679	1	Ring-Retaining, Internal	102	125-0021	1	Handle-Brake
34	112-9852	1	Arm-Bypass	103	131-0906	1	Ring-Retaining, EXT
35	106-8681	1	Ring-Retaining, External	106	139-7499	1	Filter Guard Kit
40	104-5304	1	Swashplate-Trunnion	130	126-3251	2	Tube-Charge
41	104-5313	1	Seal-Lip	156	115-5057	1	Cover-Nut, Axle
42	104-2116	1	Stud	157	126-1930	1	Gerotor Seal Kit
43	112-9853	1	Puck-Friction	164	121-5745	1	Spacer
55	104-5308	1	Spacer	193	140-8343	1	Plug
56	104-5310	1	Seal-Lip	194	140-8356	1	Breather Fitting ASM
57	104-5309	1	Ring-Retaining	195	140-8357	1	RH Internal Expansion Tank ASM
60	112-4154	1	Bearing-Thrust	200	140-8351	1	Seal Kit
64	139-4074	1	Cylinder Block ASM Kit	201	147-2906	1	Kit, Center Section, LH Charge
65	94-6922	1	Bearing-Thrust	202	114-8464	1	Charge Relief Kit
69	110-8561	1	Pump Block ASM	203	114-8465	1	Charge Kit
70	104-5339	1	Washer-Flat	207	135-7343	1	Fan And Pulley Kit
71	104-5340	1	Ring-Retaining	209	114-8467	1	Puller-Hub, 4 Bolt
72	114-1690	1	Gear-14T	210	139-7502	1	Input Shaft Kit
73	114-1691	1	Shaft-Motor	211	117-5362	1	Control Arm Kit
74	104-5360	1	Washer	212	114-8470	1	Axle Shaft Kit
80	94-1933	2	Washer	215	140-8352	1	Inboard Kit
81	114-1692	1	Gear-45T				
82	114-1693	1	Gear-11T				

RH Hydro Transmission Assembly No. 147-2861

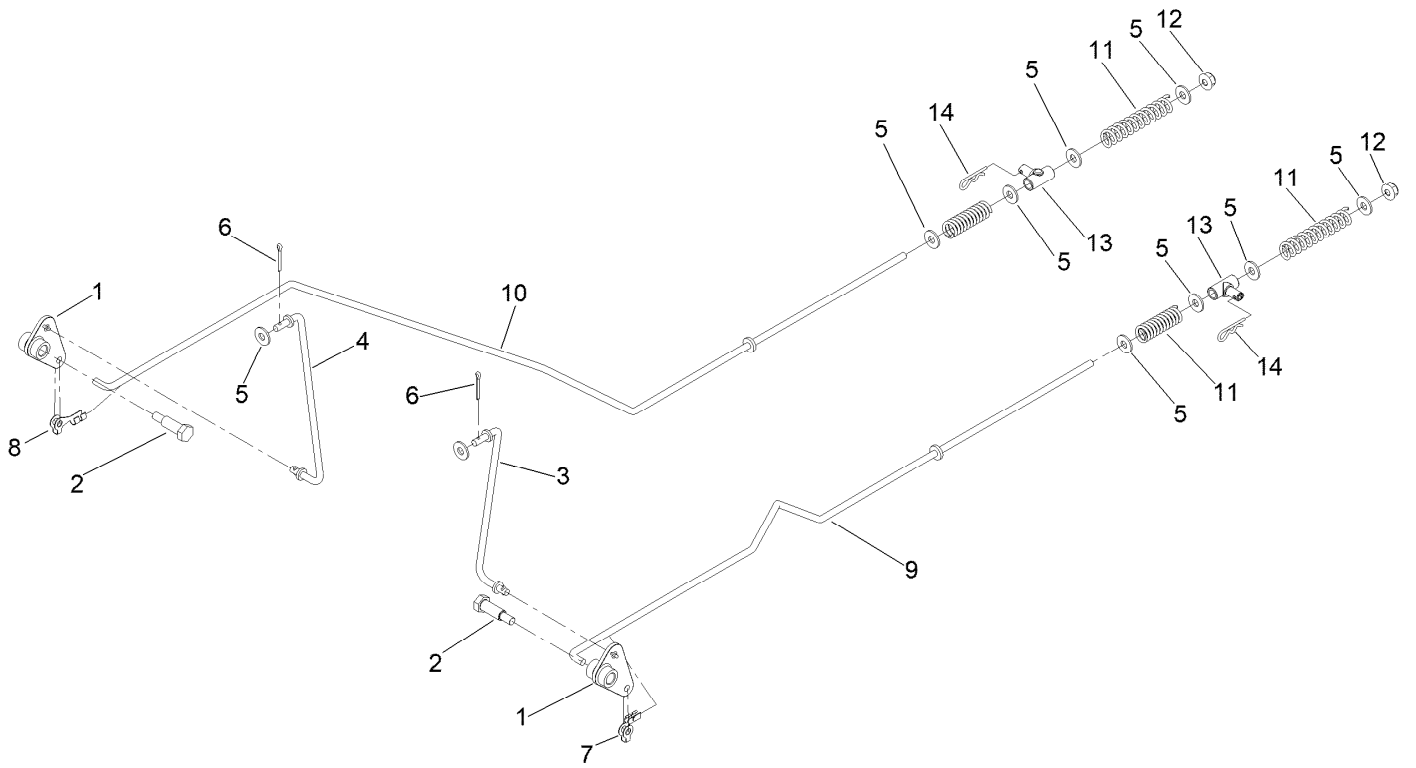


- | | |
|-----|---|
| 200 | 30, 31, 33, 35, 41, 56
57, 71, 103, 130, 157 |
|-----|---|

RH Hydro Transmission Assembly No. 147-2861 (continued)

<i>Ref.</i>	<i>Part Number</i>	<i>Qty.</i>	<i>Description</i>	<i>Ref.</i>	<i>Part Number</i>	<i>Qty.</i>	<i>Description</i>
1	140-8347	1	LH Main Housing Kit	83	104-5329	1	Pin-Jackshaft
2	140-8350	1	LH Side Cover Kit	90	104-2169	1	Ring-Retaining
7	117-5359	16	Screw-HHF	91	114-1694	1	Gear-54T
11	135-1140	1	Plug-Straight	92	120-7975	1	Spacer
23	109-3321	1	Element-Oil Filter, HYD	93	135-1361	1	Bearing-Ball
30	139-7497	1	Seal-Lip	95	130-8477	1	Bearing-Ball
31	106-8677	1	Ring-Retaining, External	96	104-2144	1	Seal
32	114-1685	1	Rod-Bypass	97	109-5939	1	Hub Kit
33	106-8679	1	Ring-Retaining, Internal	102	125-0021	1	Handle-Brake
34	107-2490	1	Arm-Bypass	103	131-0906	1	Ring-Retaining, EXT
35	106-8681	1	Ring-Retaining, External	106	139-7498	1	Filter Guard Kit
40	104-5304	1	Swashplate-Trunnion	130	126-3251	2	Tube-Charge
41	104-5313	1	Seal-Lip	156	115-5057	1	Cover-Nut, Axle
42	104-2116	1	Stud	157	126-1930	1	Gerotor Seal Kit
43	112-9853	1	Puck-Friction	164	121-5745	1	Spacer
55	104-5308	1	Spacer	193	140-8343	1	Plug
56	104-5310	1	Seal-Lip	194	140-8356	1	Breather Fitting ASM
57	104-5309	1	Ring-Retaining	195	140-8358	1	LH Internal Expansion Tank ASM
60	112-4154	1	Bearing-Thrust	200	140-8351	1	Seal Kit
64	139-4074	1	Cylinder Block ASM Kit	201	147-2907	1	Kit, Center Section, RH Charge
65	94-6922	1	Bearing-Thrust	202	114-8464	1	Charge Relief Kit
69	110-8561	1	Pump Block ASM	203	114-8465	1	Charge Kit
70	104-5339	1	Washer-Flat	207	135-7343	1	Fan And Pulley Kit
71	104-5340	1	Ring-Retaining	209	114-8467	1	Puller-Hub, 4 Bolt
72	114-1690	1	Gear-14T	210	139-7502	1	Input Shaft Kit
73	114-1691	1	Shaft-Motor	211	117-5362	1	Control Arm Kit
74	104-5360	1	Washer	212	114-8470	1	Axle Shaft Kit
80	94-1933	2	Washer	215	140-8353	1	Inboard Kit
81	114-1692	1	Gear-45T				
82	114-1693	1	Gear-11T				

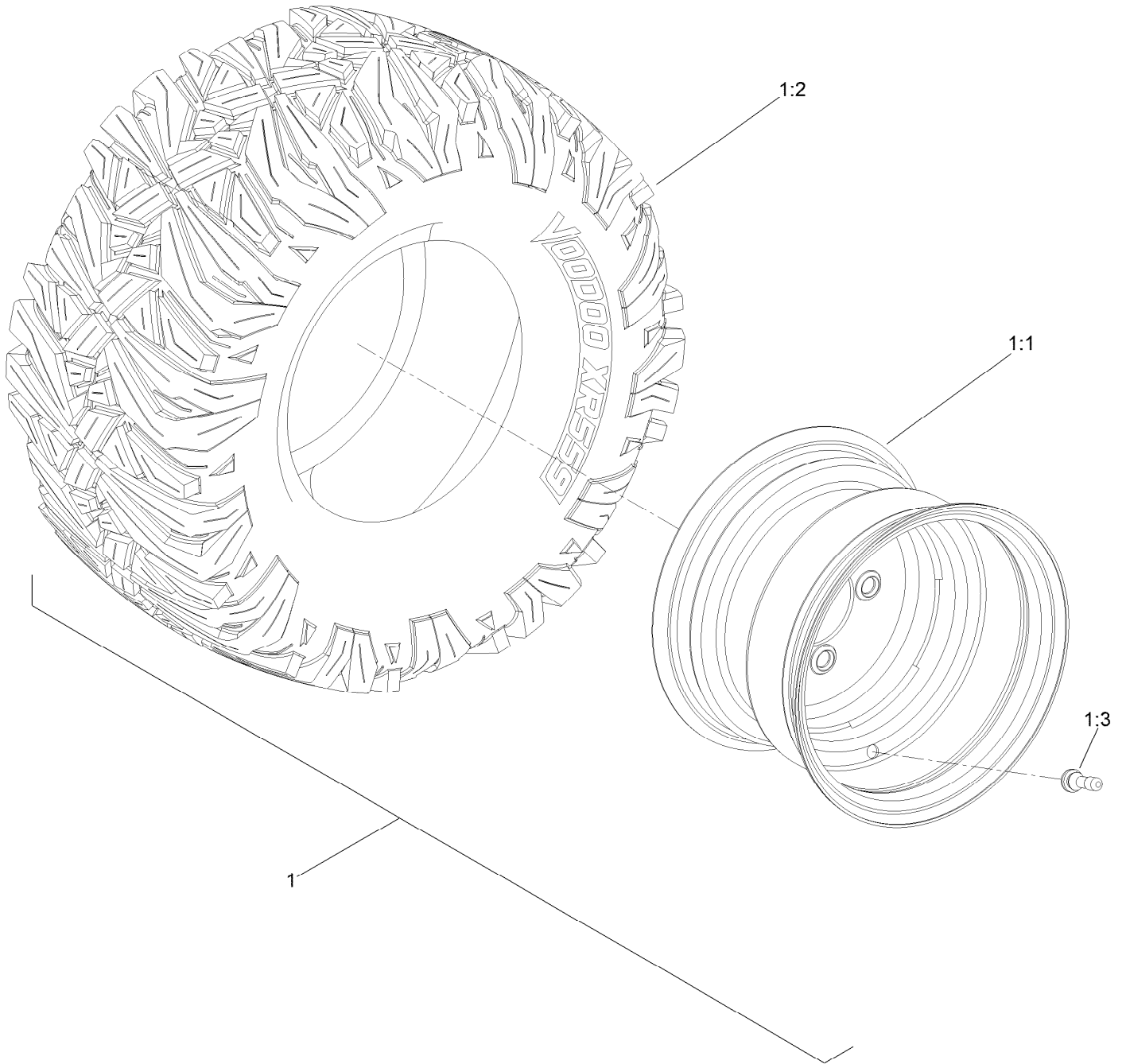
Parking Brake Assembly



Parking Brake Assembly (continued)

<i>Ref.</i>	<i>Part Number</i>	<i>Qty.</i>	<i>Description</i>	<i>Ref.</i>	<i>Part Number</i>	<i>Qty.</i>	<i>Description</i>
1	144-1858	2	Bellcrank	8	144-1815	1	Clip-Rod, RH (7R, 1/4In)
2	145-6364	2	Bolt-Shoulder	9	145-0408	1	Rod-Brake LH
3	145-4607	1	Link-Brake, LH	10	145-0407	1	Rod-Brake, RH
4	145-6238	1	Link-Brake, RH	11	1-603807	4	Spring-Return, Neutral
5	119-8952	10	Washer-Spcl	12	119-4040	2	Nut-HF, NI
6	120-9716	2	Pin-Cotter	13	119-8857	2	Mount-Pivot
7	144-1816	1	Clip-Rod, LH (7L, 1/4In)	14	137-3083	2	Pin-Hair

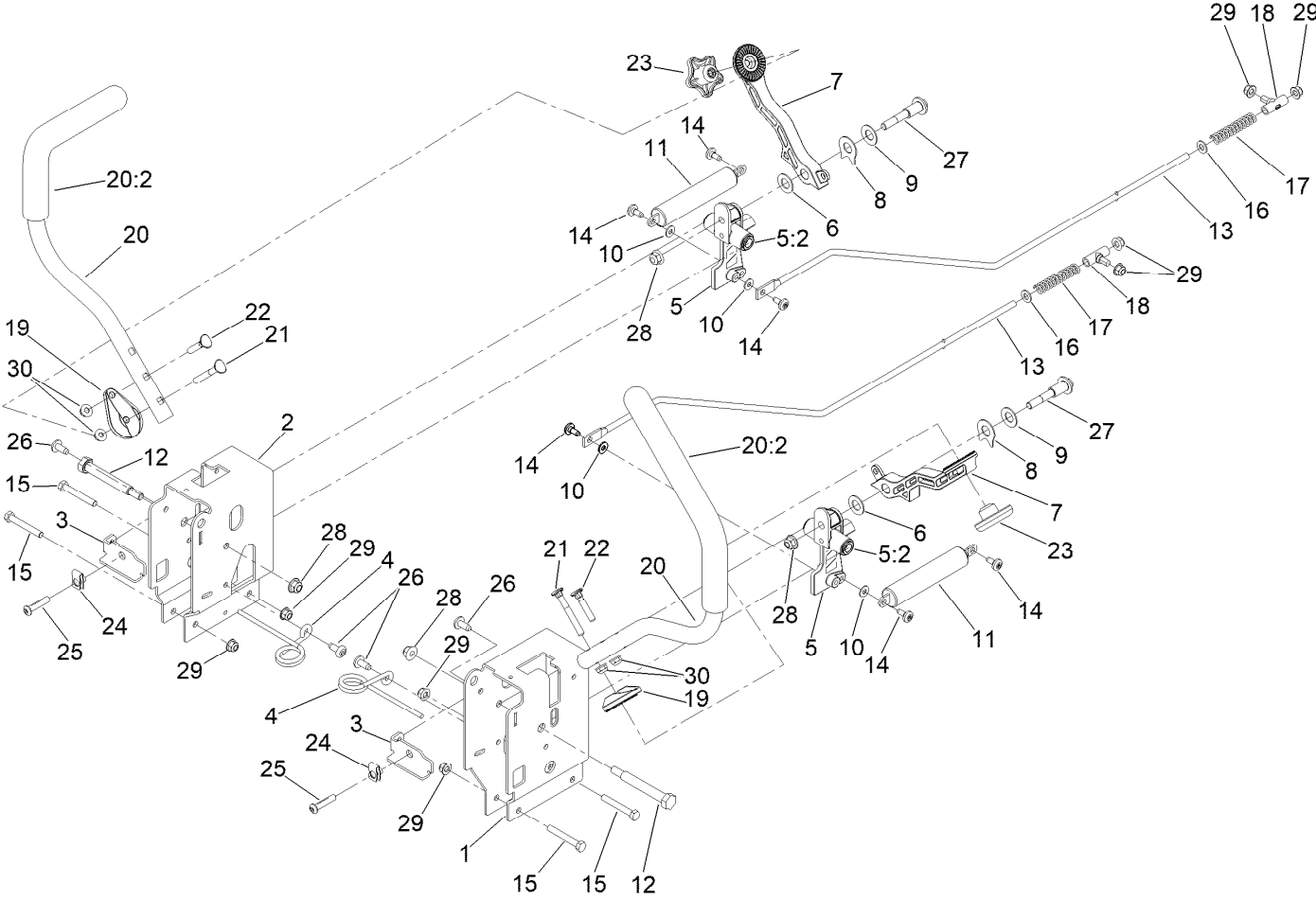
Rear Wheel Assembly



Rear Wheel Assembly (continued)

<i>Ref.</i>	<i>Part Number</i>	<i>Qty.</i>	<i>Description</i>	<i>Ref.</i>	<i>Part Number</i>	<i>Qty.</i>	<i>Description</i>
1	145-6393	2	Tire ASM-22X11-10 Nos2.4	1:2	147-5177	1	Tire
1:1	147-5178	1	Rim	1:3	232-27	1	Stem-Valve

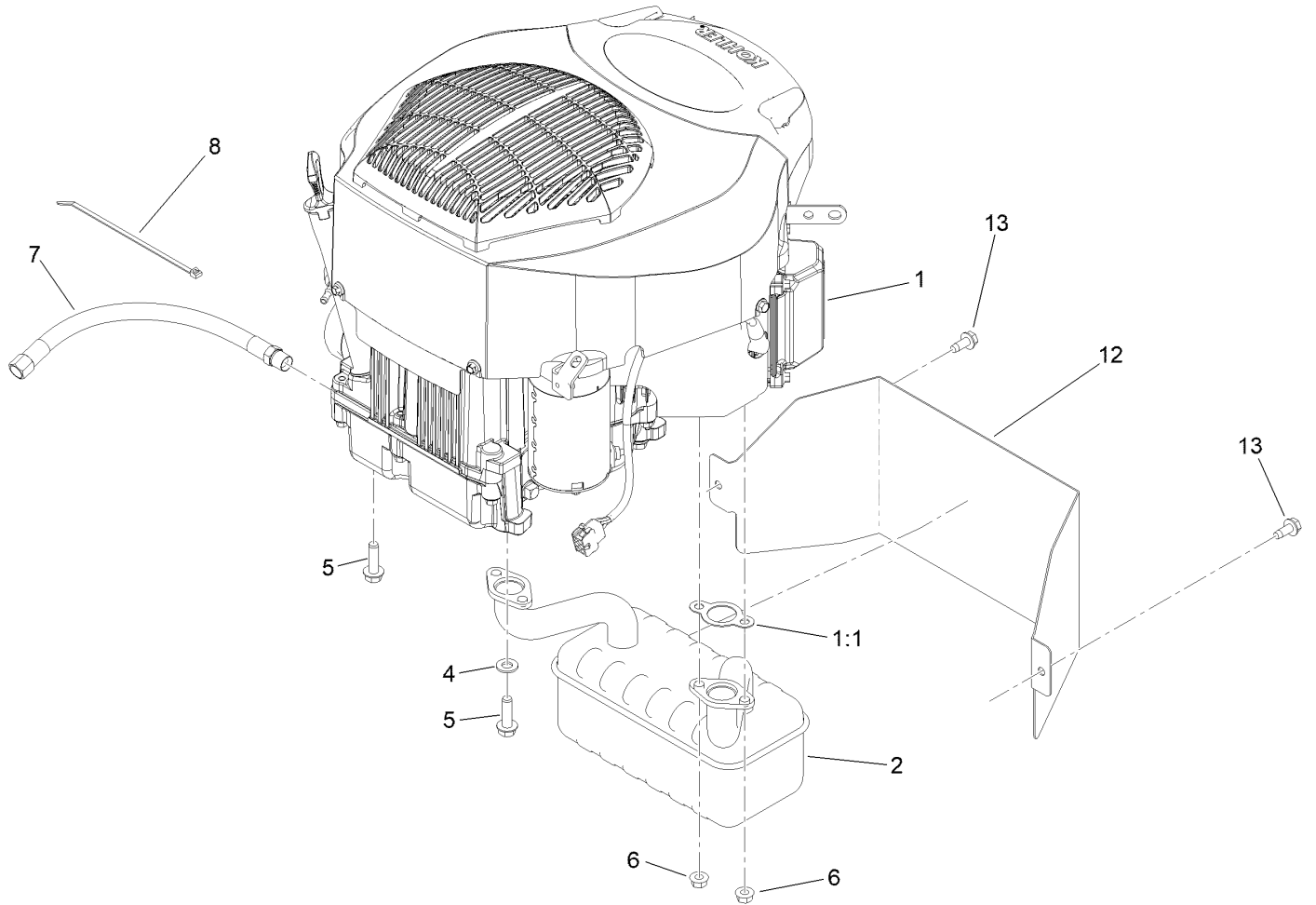
Control Assembly



Control Assembly (continued)

<i>Ref.</i>	<i>Part Number</i>	<i>Qty.</i>	<i>Description</i>	<i>Ref.</i>	<i>Part Number</i>	<i>Qty.</i>	<i>Description</i>
1	145-4615-03	1	Control Box - LH G7	16	120-9683	2	Washer-Plain
2	145-4647-03	1	Control Box - RH G7	17	138-7252	2	Spring-Compression
3	147-7580-03	2	Adjustment Plate-Control Box	18	138-7218	2	Mount-Rod, Hydro
4	145-6253	2	Spring-Torsion	19	147-5192-05	2	Disc-Adjustment Handle, 32 Teeth
5	145-4648	2	Pivot Arm ASM	20	145-6327	2	Handle-Control,
5:2	256-156	2	Bushing-Flange	20:2	147-3029	1	Grip
6	120-2273	2	Washer-Nylon	21	145-6366	2	Screw-Handle
7	147-5191-05	2	Arm-Control, 32 Teeth	22	137-3008	2	Screw-Handle
8	142-8478	2	Spacer, Anti-Rotation	23	117-5976	2	Knob-Handle
9	119-8925	2	Washer-Belleville	24	112-3306	2	Nut
10	119-8952	4	Washer-Spcl	25	126-4299	2	Screw-HSBH
11	132-6853	2	Damper-Non Cavitating	26	138-9753	4	Screw
12	115-5099	2	Bolt-Pivot	27	139-2556	2	Bolt-Pivot
13	145-6367	2	Rod - Hydro	28	119-4042	4	Nut-HF, NI
14	120-7950	6	Screw-Torx	29	119-4041	8	Nut-HF
15	322-11	4	Screw-HH	30	138-8401	4	Nut-HF

Engine and Muffler Assembly



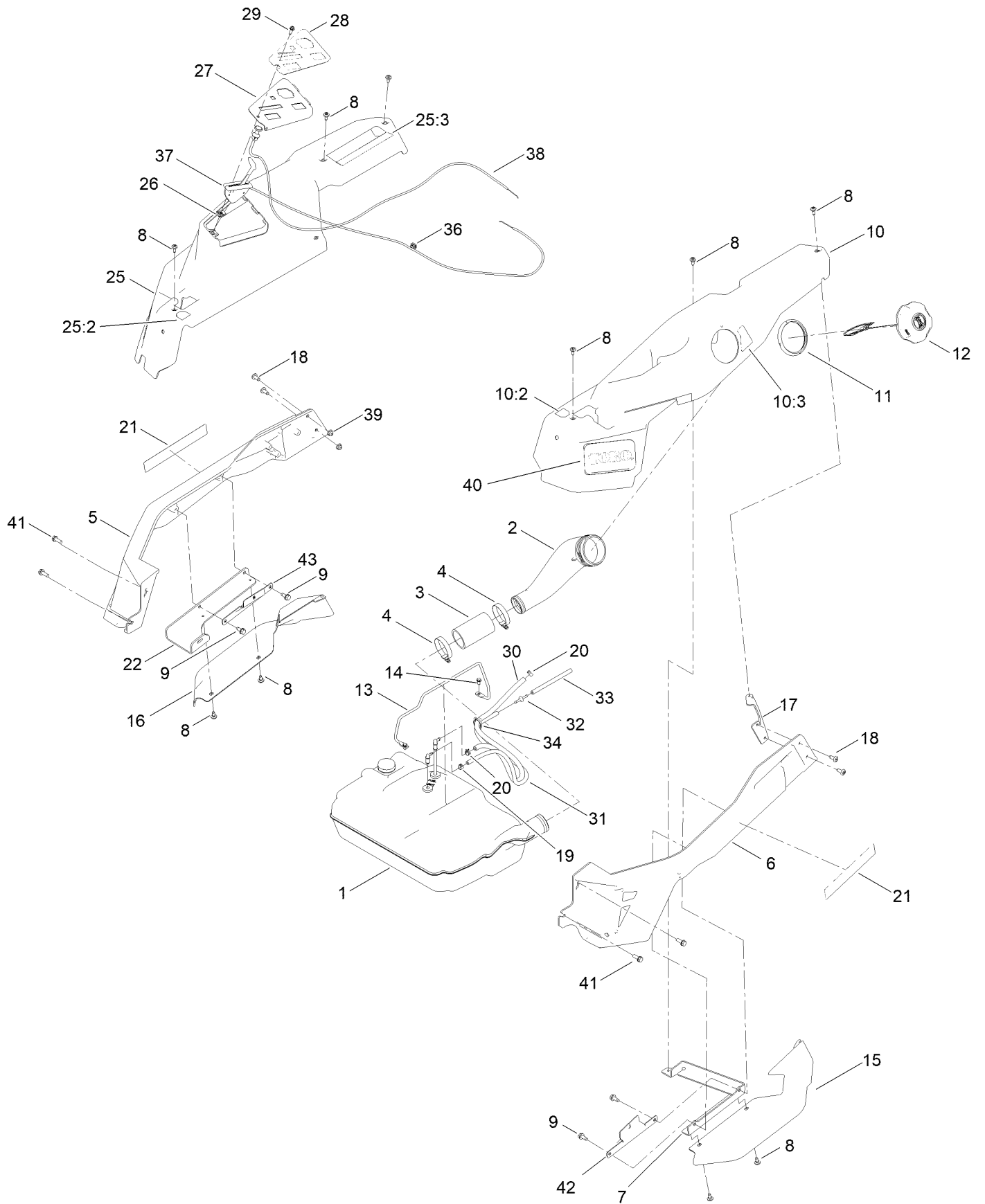
Engine and Muffler Assembly (continued)

<i>Ref.</i>	<i>Part Number</i>	<i>Qty.</i>	<i>Description</i>	<i>Ref.</i>	<i>Part Number</i>	<i>Qty.</i>	<i>Description</i>
1		1	Engine-Kohler, Kt735 Low Speed ■▲	5	139-2576	4	Screw-HWH
1:1	110-6697	2	Gasket-Exhaust	6	33004-00	4	Nut-HF
1:3	281-2	1	Plug-Pipe, SQH ●	7	117-1261	1	Hose-Drain, Oil
2	147-7707	1	Muffler	8	614249	1	Tie-Cable
4	115-1166	3	Washer-Plain	12	161-6221-03	1	Heat Shield-Muffler
				13	32144-70	2	Screw-HWHTF

● Not illustrated
▲ Obtain parts from www.kohlerplus.com

■ Not serviced separately

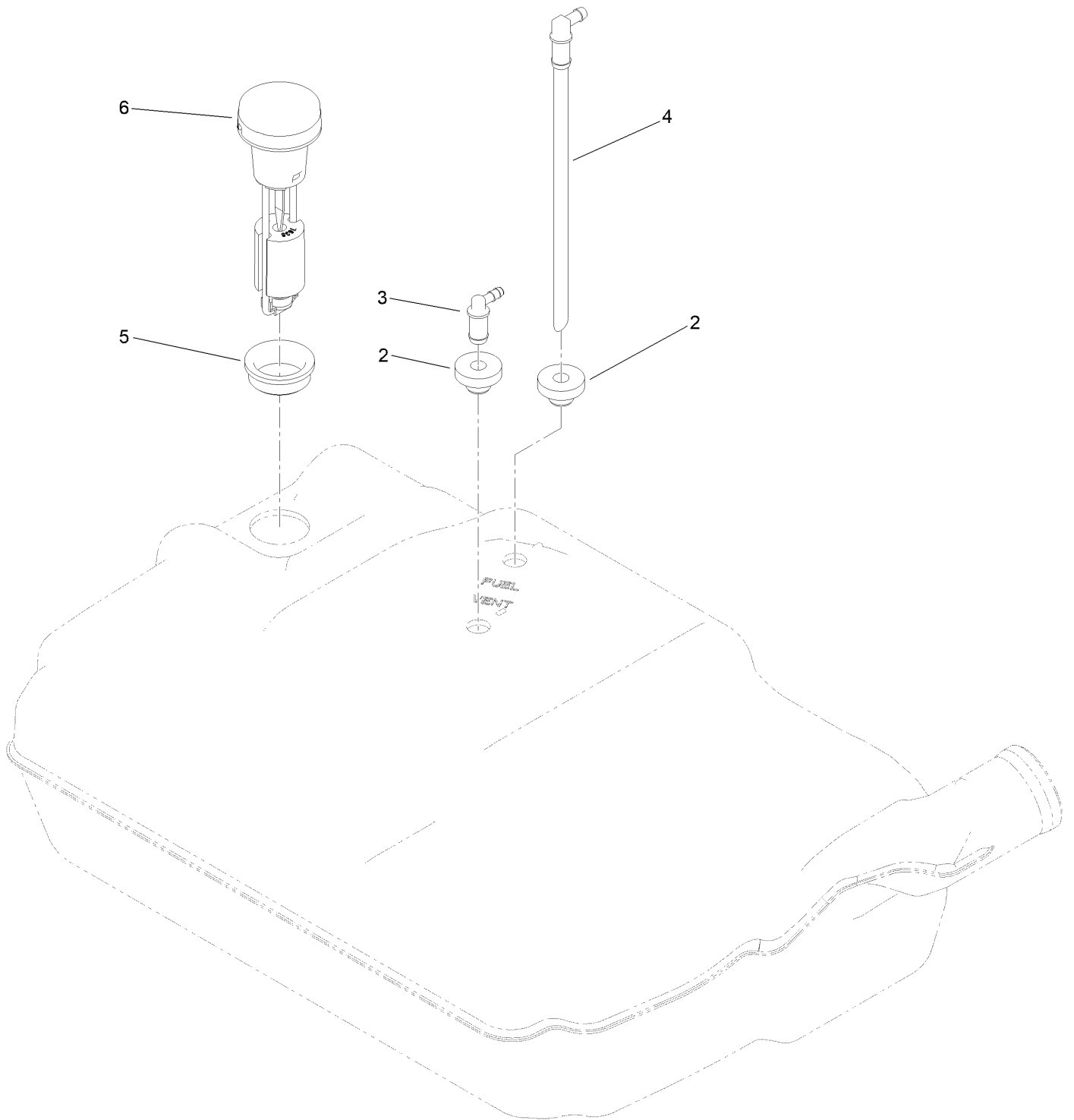
Fuel Assembly



Fuel Assembly (continued)

<i>Ref.</i>	<i>Part Number</i>	<i>Qty.</i>	<i>Description</i>	<i>Ref.</i>	<i>Part Number</i>	<i>Qty.</i>	<i>Description</i>
1	147-5288	1	Tank ASM - Fuel	22	147-5173-03	1	Bracket-Mr Spring
2	147-7657	1	Neck-Filler, Fuel	25	147-8744	1	Pod ASM - RH , Mr W/Decals
3	145-4698	1	Hose-Filler, Fuel	25:2	139-2394	1	Decal-Control Lever, RH
4	2412-130	2	Clamp-Hose	25:3	147-7574	1	Decal - Myride
5	147-2973-01	1	Cast-Tube, RH [red]	26	107069	1	Clip
6	147-2972-01	1	Cast-Tube, LH [red]	27	147-2990-03	1	Panel-Control
7	147-2974-03	1	Mount-Pod Bracket LH	28	147-7571	1	Decal - Control Panel
8	120-7950	10	Screw-Torx	29	49-2040	1	Screw-HWHTF
9	32144-70	4	Screw-HWHTF	30	109-0284	1	Hose-Fuel
10	147-8741	1	Pod ASM - LH W/Decals	31	140-4956	1	Hose-Fuel
10:2	139-2395	1	Decal-Control Lever, LH	32	144-1983	1	Adapter Orifice
10:3	147-2399	1	Decal-Fuel Fill	33	136-1437	1	Hose-Fuel
11	147-7712	1	Ring-Retaining	34	32180-030	2	Clip-Tie
12	137-4119	1	Cap-Fuel, Ratcheting	36	32180-418	1	Clip-Harness
13	147-5176	1	Rod-Hold Down	37	139-3267	1	Cable-Throttle
14	32144-4	2	Screw-HWH	38	147-2902	1	Cable-Choke
15	147-2978	1	Fender-Time Cutter, LH	39	119-4041	2	Nut-HF
16	147-2979	1	Fender-Time Cutter, RH	40	147-7714	2	Decal - Toro Logo
17	147-2976-03	1	Bracket-Rear Pod, LH	41	32144-41	4	Screw-Taptite
18	138-9753	4	Screw	42	161-4609-03	1	Bracket-Alignment, Pod LH
19	2412-80	1	Clamp-Hose	43	161-4611-03	1	Bracket- Alignment, Pod RH Mr
20	2412-98	2	Clamp-Hose				
21	147-7566	2	Decal-Titan				

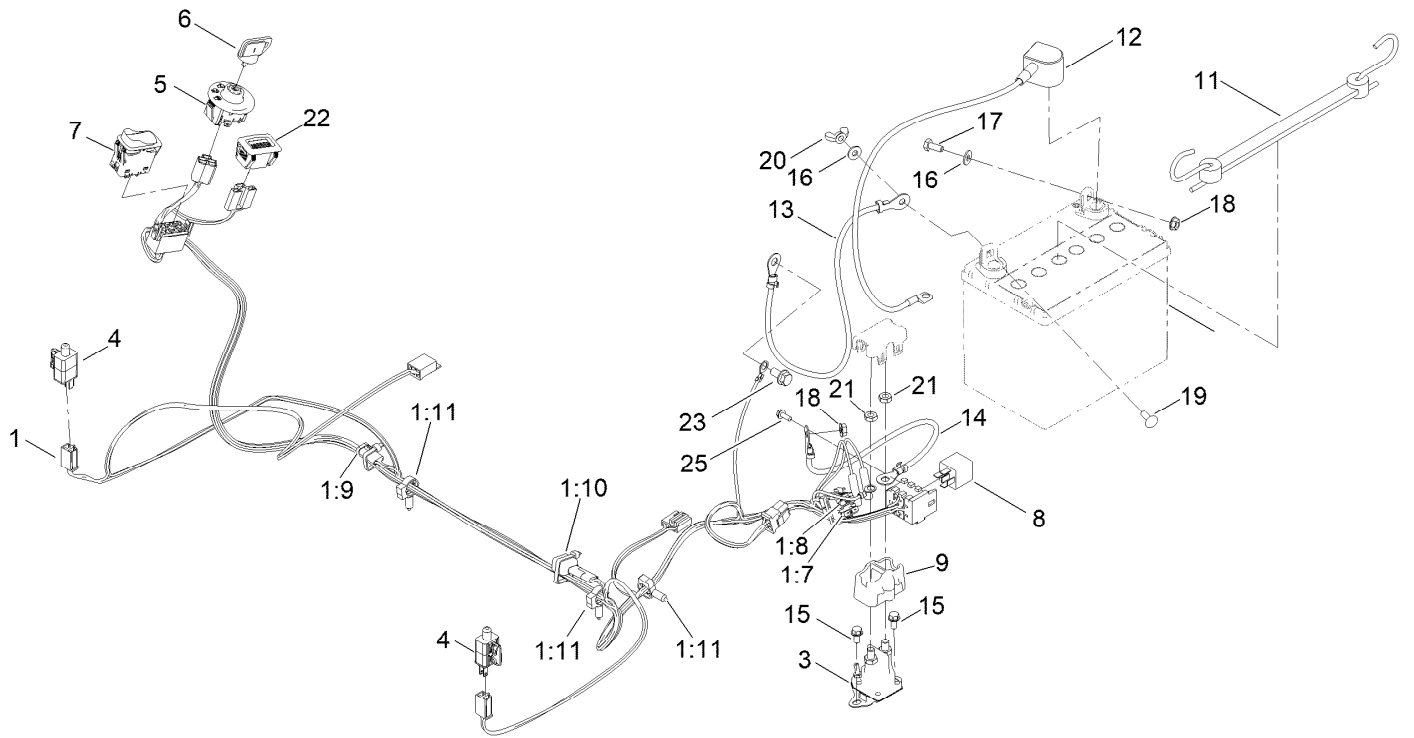
Fuel Tank Assembly No. 147-5288



Fuel Tank Assembly No. 147-5288 (continued)

<i>Ref.</i>	<i>Part Number</i>	<i>Qty.</i>	<i>Description</i>	<i>Ref.</i>	<i>Part Number</i>	<i>Qty.</i>	<i>Description</i>
2	46-6560	2	Bushing	5	133-9269	1	Grommet-Fuel
3	144-5302	1	Fitting-Elbow 90	6	147-5166	1	Remote Gauge ASM
4	147-2934	1	Fitting-Pickup, Fuel				

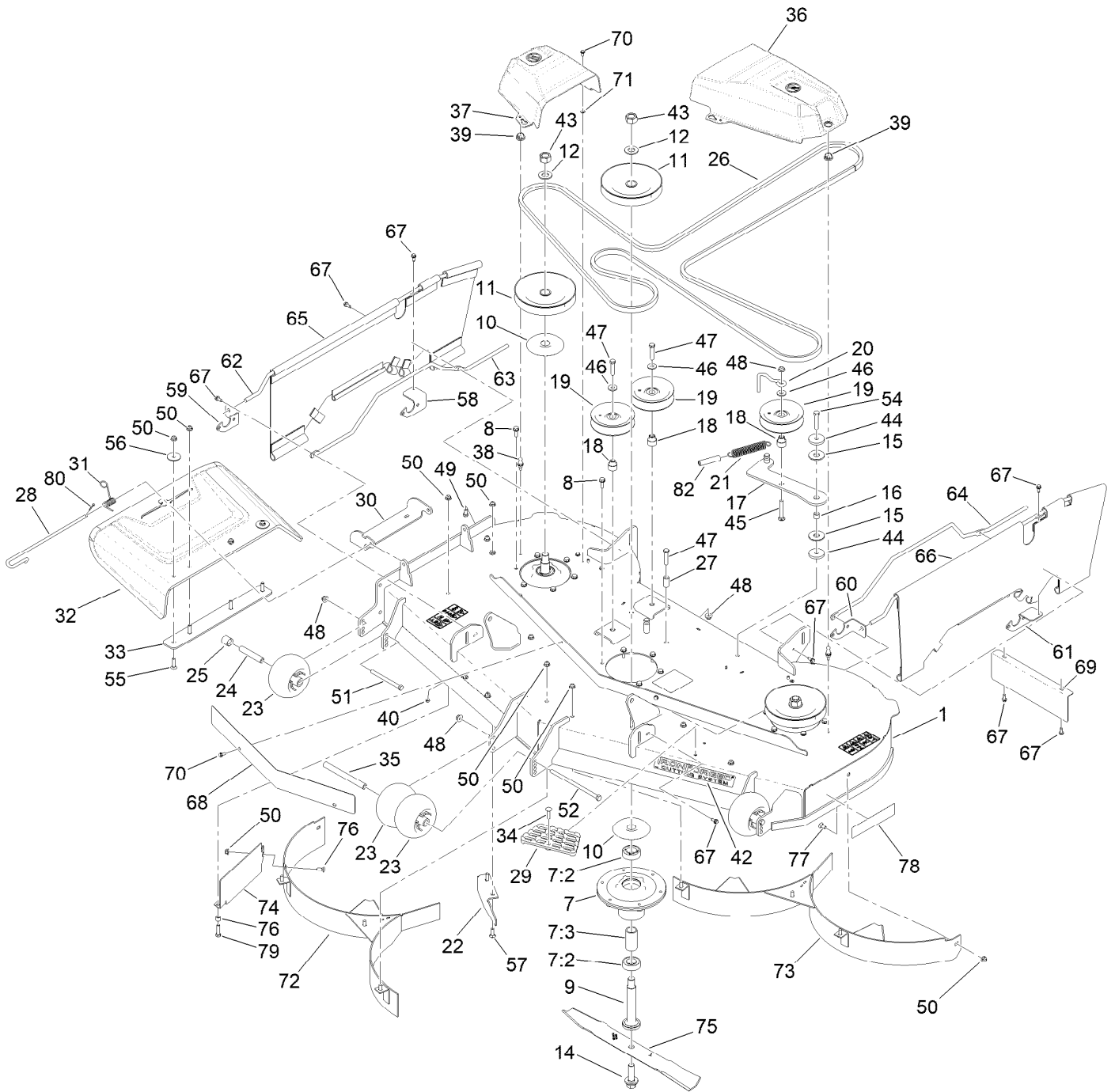
Electrical Assembly



Electrical Assembly (continued)

<i>Ref.</i>	<i>Part Number</i>	<i>Qty.</i>	<i>Description</i>	<i>Ref.</i>	<i>Part Number</i>	<i>Qty.</i>	<i>Description</i>
1	145-6382	1	Harness-Wire, Main	11	104-2466	1	Holddown-Battery
1:7	109355	1	Fuse-Blade, 15 Amp	12	147-2941	1	Cable-Battery,Red
1:8	109102	1	Fuse-Blade, 25 Amp	13	119-8899	1	Cable-Battery, Black
1:9	32180-435	1	Cap-Over Mold, 1M/1F	14	121-0711	1	Cable-Battery, Positive
1:10	100-4918	1	Diode	15	32144-4	2	Screw-HWH
1:11	32180-047	3	Clip-Tubing, Harness	16	119-8952	2	Washer-Spcl
3	117-1197	1	Solenoid	17	137-3041	1	Screw-HH
4	110-6765	2	Switch	18	139-2575	2	Nut-HF
5	137-4100	1	Switch-Ignition	19	137-3053	1	Screw-CARR
6	63-8360	1	Key-Ignition	20	32103-22	1	Nut-Wing
7	139-6368	1	Switch-Rocker, On-None-On	21	139-2580	2	Nut-HJ
8	1-643275	1	Relay	22	139-6404	1	Hour Meter
8	140-2080	1	Cover-Solenoid	23	139-2593	1	Screw-HHF
9	140-2081	1	Cap-Solenoid	25	139-1713	1	Screw-Thd Roll

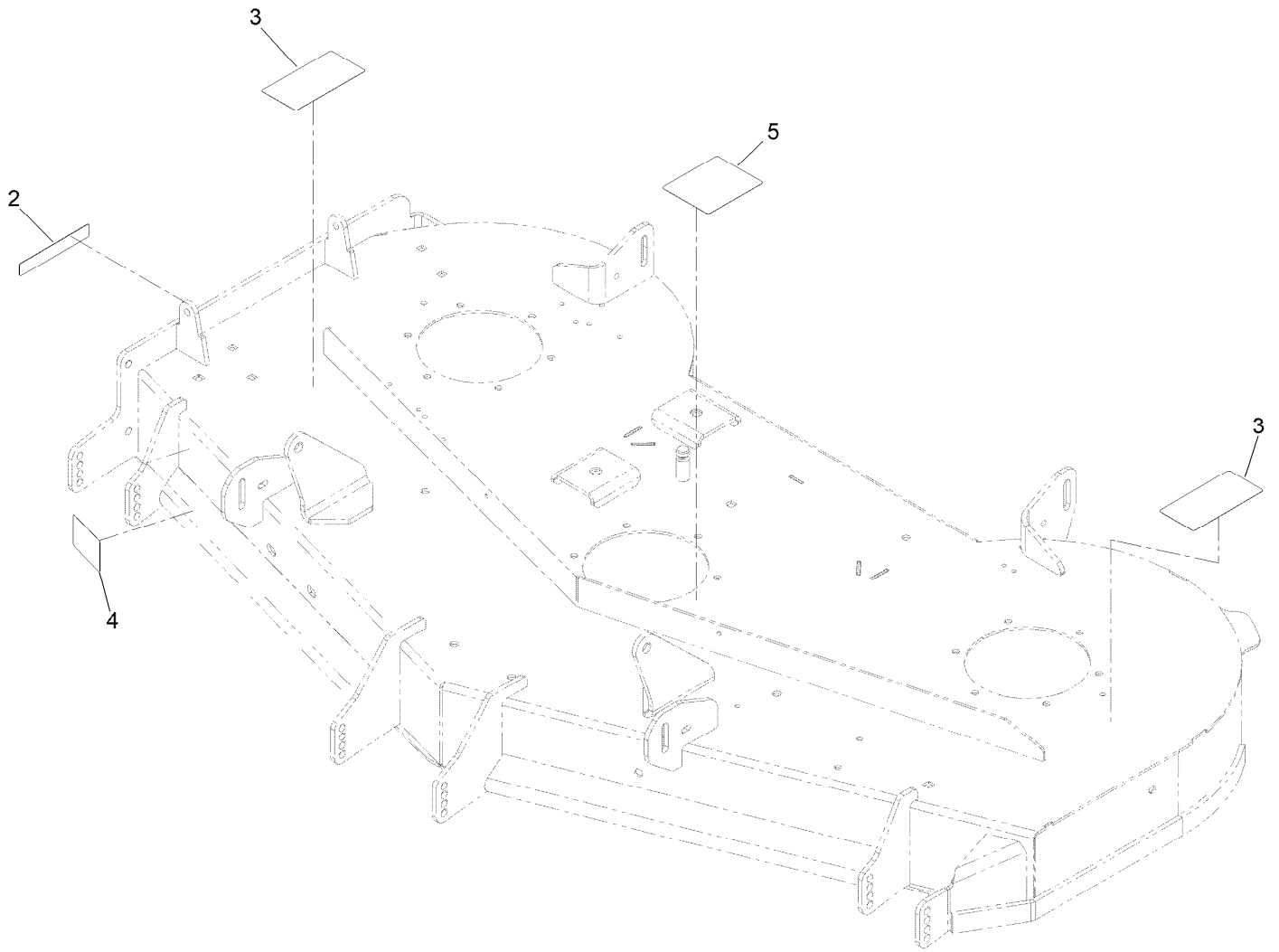
Deck Assembly



Deck Assembly (continued)

<i>Ref.</i>	<i>Part Number</i>	<i>Qty.</i>	<i>Description</i>	<i>Ref.</i>	<i>Part Number</i>	<i>Qty.</i>	<i>Description</i>
1	147-8751	1	60 In Deck & Decal ASM	44	139-5802	3	Washer-Plain
7	139-2357	3	Spindle ASM	45	139-2591	1	Screw-CARR
7:2	116-0720	2	Bearing-Ball	46	139-2632	3	Washer-Hardened
7:3	138-7220	1	Spacer-Bearing	47	139-2602	3	Screw-HH
8	32144-41	18	Screw-Taptite	48	119-4042	6	Nut-HF, NI
9	115-2642	3	Shaft-Spindle	49	139-2585	4	Screw-HH
10	138-7221	3	Shield-Bearing	50	119-4041	21	Nut-HF
11	147-7674	3	Pulley	51	139-2592	2	Screw-HH
12	7-4150	3	Washer	52	108-5388	1	Screw-HH
14	145-0412	3	Screw-Blade	54	HDW07736	1	HHCS 3/8-16 X 2, GR5, Cz
15	114-0463	2	Washer-Friction, Composite	55	139-1702	4	Bolt-Carriage
16	138-7225	1	Spacer	56	115-1151	2	Washer-Flat
17	145-7038	1	Idler Arm ASM	57	139-2587	2	Screw-CARR
18	138-7227	3	Bushing-Idler	58	147-5212-01	1	Bracket-French Guard
19	132-4718	3	Pulley-Idler, Flat	59	147-5239-01	1	Bracket-French Guard
20	136-5615	1	Guide-Belt, Idler	60	147-5240-01	1	Bracket-French Guard
21	138-7228	1	Spring-Extension	61	147-5211-01	1	Bracket-French Guard
22	119-3388-03	1	Baffle-Cutoff	62	147-5209	2	Rod-French Guard
23	1-603299	4	Roller-Scalp, Anti	63	147-8708	1	Rod-French Guard
24	138-7229	2	Tube-Spanner	64	147-8707	1	Rod-French Guard
25	104-0892	2	Spacer-Axle, Rear	65	147-5290	1	Guard ASM-Side, Poly Knit
26	133-1168	1	Belt-V	66	147-5292	1	Guard ASM-Side, Poly Knit
27	138-7230	1	Spacer-Fender	67	137-3043	8	Screw-HWH
28	138-7231	1	Pin-Chute	68	147-5296-03	1	Plate-Shield Front
29	126-4781-03	1	Step-Deck	69	147-5321-03	1	Plate-Guard Rear
30	114-1648-03	1	Bracket-Deflector, Upper	70	32144-4	12	Screw-HWH
31	138-7232	1	Spring-Torsion	71	1-803037	4	Nut-Retaining
32	147-3015	1	Deflector - Molded	72	133-4408-03	1	Baffle-RH
33	115-5048-03	1	Plate-Deflector	73	133-4409-03	1	Baffle-LH
34	139-1702	1	Bolt-Carriage	74	133-4412-03	1	Guard-Baffle
35	98-5967	1	Spacer-Wheel	75	115-5002-03	3	Blade-Mulch, 20.50 Inch
36	147-2854	1	Cover-Belt, LH	76	1-603903	1	Spacer
37	147-2853	1	Cover-Belt, RH	77	139-2630	3	Bolt-CARR
38	147-2872	2	Stud-Ball	78	117-5383	1	Decal-Recycler, 60 Inch
39	147-2871	2	Grommet-Ball	79	120-9696	1	Screw-HH
40	115-7373	2	Nut-Lock	80	139-2614	1	Pin-Cotter
42	147-7567	1	Decal - Iron Forged	82	99-7375	1	Hose-Breather
43	139-2579	3	Nut-Hex				

Deck Decal Assembly No. 147-8751

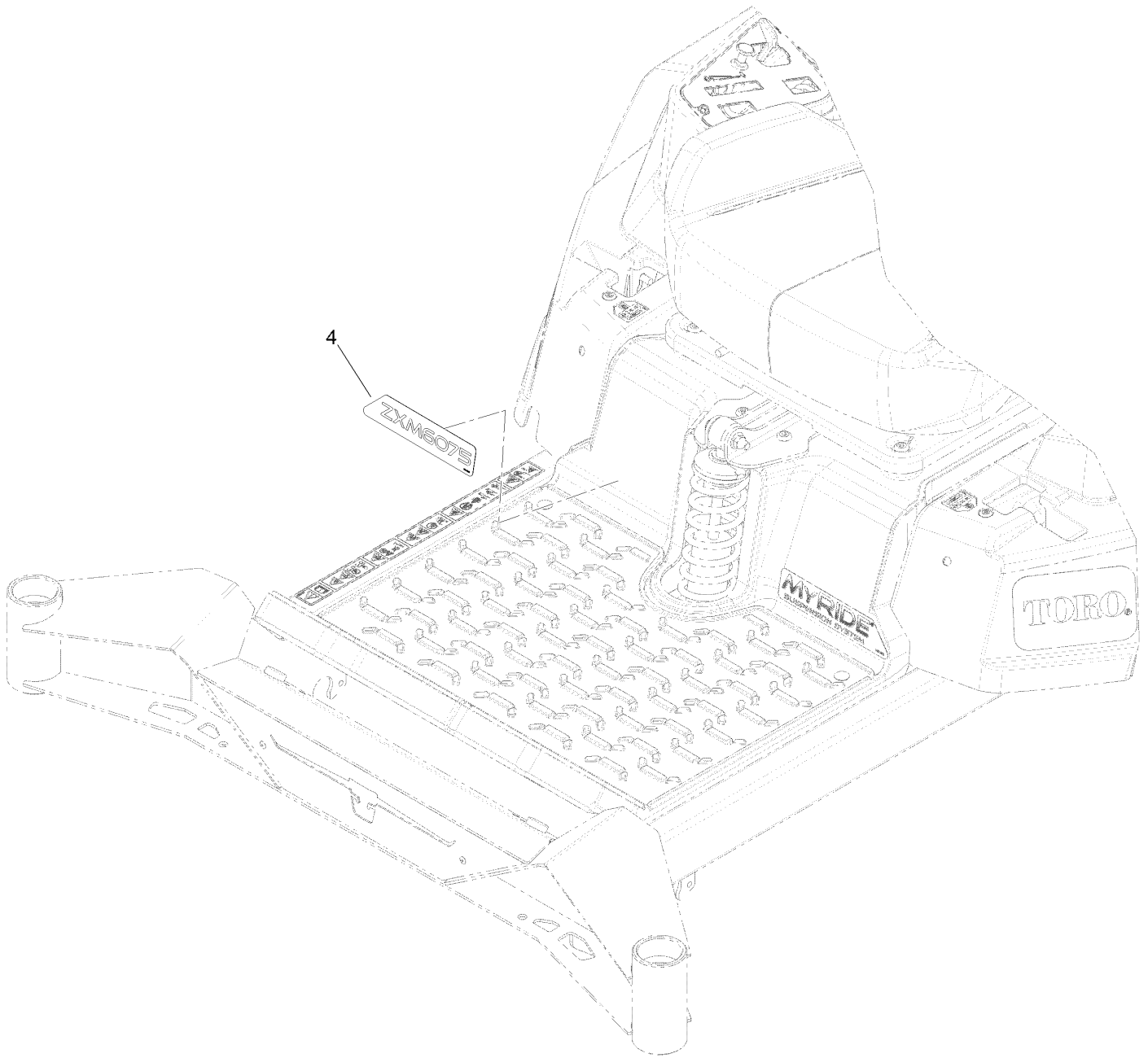


Deck Decal Assembly No. 147-8751 (continued)

<i>Ref.</i>	<i>Part Number</i>	<i>Qty.</i>	<i>Description</i>
2	130-0731	1	Decal-Danger
3	132-0872	2	Decal-Danger, Deck

<i>Ref.</i>	<i>Part Number</i>	<i>Qty.</i>	<i>Description</i>
4	130-0765	1	Decal-Scalp, Anti
5	117-1194	1	Decal-Routing, Belt

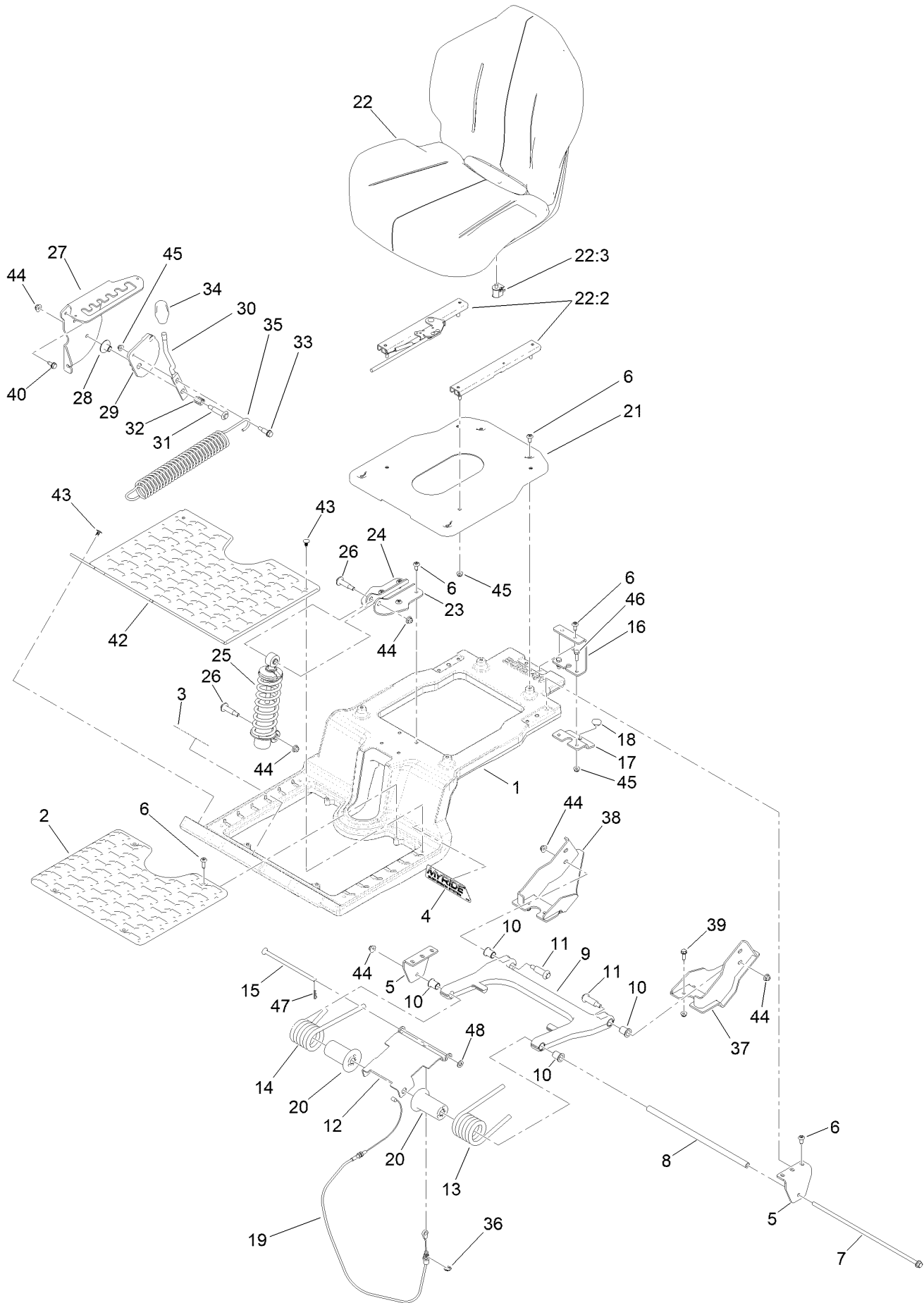
Model Specific Decal Assembly



Model Specific Decal Assembly (continued)

<i>Ref.</i>	<i>Part Number</i>	<i>Qty.</i>	<i>Description</i>
4	161-4549	1	Decal Zxm6075

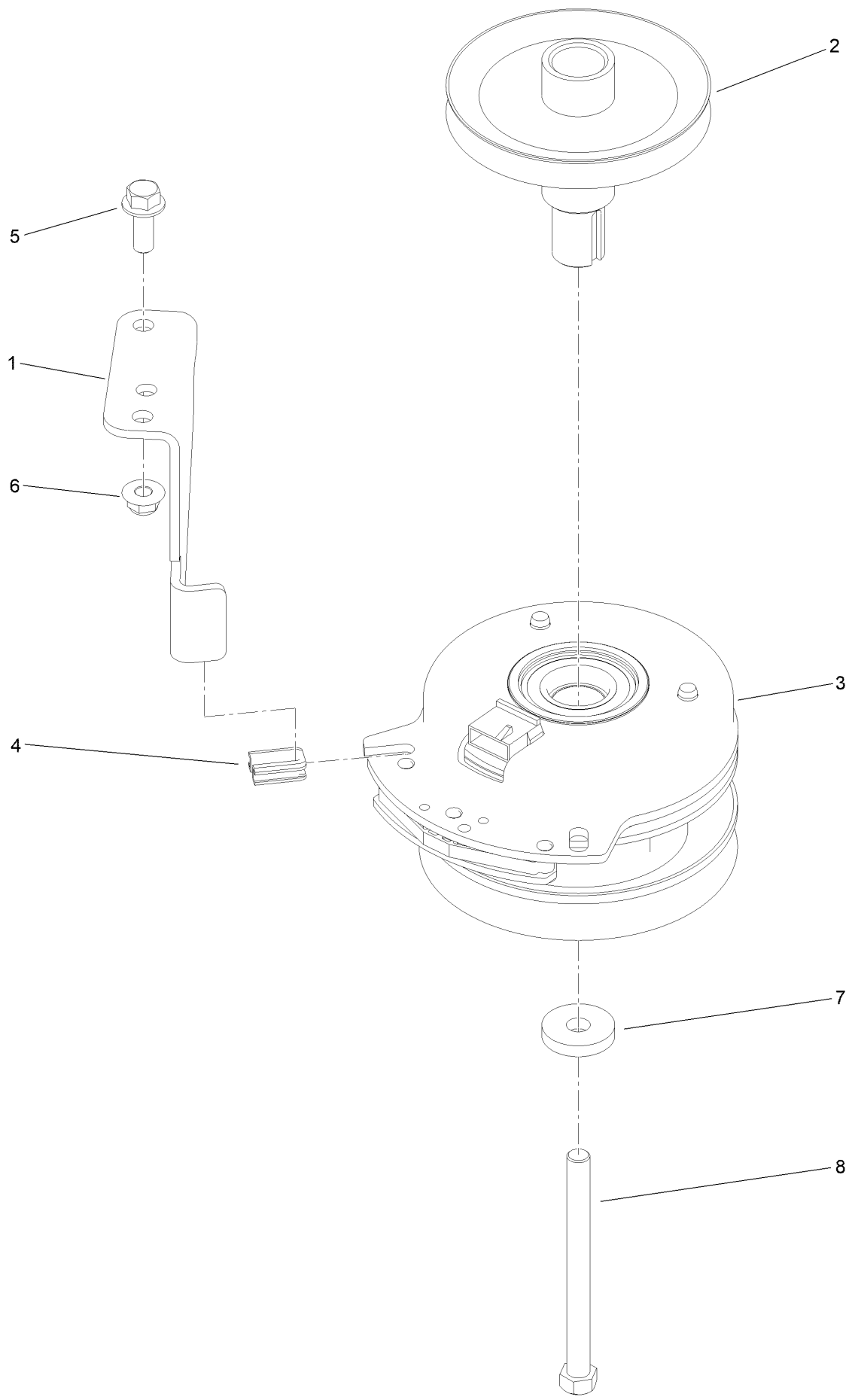
Seat Mounting Assembly



Seat Mounting Assembly (continued)

<i>Ref.</i>	<i>Part Number</i>	<i>Qty.</i>	<i>Description</i>	<i>Ref.</i>	<i>Part Number</i>	<i>Qty.</i>	<i>Description</i>
1	145-6394-05	1	Platform, Myride	24	133-9319-03	1	Bracket-Shock Mount, Upper (RH)
2	145-6395-05	1	Platform, Myride	25	139-2427	1	Shock/Spring ASM
3	147-7662	1	Decal - Myride	26	136-7198	2	Bolt-Shoulder
4	147-7575	1	Decal - Myride	27	145-6309-01	1	Bracket-Mr Gate
5	138-7517	2	Bracket-Mount, Swing Arm	28	139-5800	1	Bushing - Flange
6	138-9753	18	Screw	29	147-5171	1	Pulley-Cam
7	138-7548	1	Screw-HHF	30	147-5172	1	Lever-Adjustment, Threaded
8	138-7549	1	Tube-Spacer	31	92-1057	1	Bolt-Shoulder
9	145-6312	1	Arm-Swing	32	139-5858	1	Spring-Compression
10	138-2573	4	Bushing-Flange	33	140-3759	1	Bolt-Shoulder,HHF
11	138-2547	2	Bolt-Shoulder	34	147-8715	1	Knob-Mr
12	138-7566-03	1	Plate-Adjuster	35	138-9848	1	Spring-Extension
13	137-1983	1	Spring-Torsion, LH	36	32120-47	1	Ring-Retaining, External
14	137-7018	1	Spring-Torsion, RH	37	147-8721-03	1	Mount-Mr Swing Arm, LH
15	138-9813	1	Rod-Adjustment	38	147-8722-03	1	Mount-Mr Swing Arm, RH
16	138-9788	1	Bracket-Cable	39	701243	4	Screw-Thd Roll, HWH
17	139-2361-03	1	Bracket Lower	40	32144-70	3	Screw-HWHTF
18	135-0505	1	Bumper-Seat	42	147-7724	1	Floor Mat
19	147-7713	1	Cable-Adjustment, Myride	43	117-2382	4	Plug-Plastic
20	138-9776	2	Retainer-Spring	44	119-4042	6	Nut-HF, NI
21	147-7690-03	1	Pan-Seat [black]	45	119-4041	11	Nut-HF
22	147-8730	1	Seat ASM - Milsco Cs180D	46	139-1716	2	Screw-HH
22:2	161-4566	1	Kit-Adjuster	47	137-3083	1	Pin-Hair
22:3	82-2190	1	Switch-Bail	48	115-1166	1	Washer-Plain
23	133-9318-03	1	Bracket-Shock Mount, Upper (LH)				

Clutch Assembly



Clutch Assembly (continued)

<i>Ref.</i>	<i>Part Number</i>	<i>Qty.</i>	<i>Description</i>	<i>Ref.</i>	<i>Part Number</i>	<i>Qty.</i>	<i>Description</i>
1	137-7000	1	Stop-Clutch (Wide)	5	139-2597	1	Screw-HHF
2	138-9831	1	Pulley-Engine	6	119-4042	1	Nut-HF, NI
3	127-3410	1	Clutch-PTO	7	139-2626	1	Washer
4	120-2217	1	Isolator-Clutch	8	139-2573	1	Screw-HH

Attachments and Accessories

For 76635 Titan ZXM6075 Zero Turn Riding Mower

Product Name	Model/Part
Hypr-Oil 500 (quart)	114-4713
Blade-Hi Flow, 20.5in	115-9649-03P
Jack Kit	127-6666
Fuel Stabilizer .05 oz	130-2393
4-Cycle Fuel, Snow And Lawn 32oz Can	131-3823
Toro Premium Fuel Treatment 12oz Bottle	131-6572
60in Recycler Kit	136-7490
Oil-30/10W-30 Synthetic (Quart)	138-6053
Heavy Duty Spring Kit	140-2051
HD Bagger Cover Kit	140-5036
Leaf Bagging Enhancement Kit	140-5122
Hydro Service Kit	144-5347
Flat Free Caster Wheel Kit	145-0489
Led Light Kit	147-8757
Kit-Striping, 54/60in	147-8781
Mount, Jack Titan	147-8824
Assist Bar Kit	161-4450
Kit-Arm Rest	161-4567
CE Bagger Compliance Kit	161-6178
10W30 4-Cycle Engine Oil (32oz Bottle)	38280
Toro 4-Cycle SAE 30 Oil (32oz Bottle)	38903
Toro Deluxe Rider Cover	490-7319
Powered Bagger, Titan Models ROHS	79348
ROPS Kit	79487
Kit-Slope Sensor	79489

For 76635 Titan ZXM6075 Zero Turn Riding Mower

Product Name	Model/Part
Hypr-Oil 500 (quart)	114-4713
Blade-Hi Flow, 20.5in	115-9649-03P
Jack Kit	127-6666
Fuel Stabilizer .05 oz	130-2393
4-Cycle Fuel, Snow And Lawn 32oz Can	131-3823
Toro Premium Fuel Treatment 12oz Bottle	131-6572
60in Recycler Kit	136-7490
Oil-30/10W-30 Synthetic (Quart)	138-6053
Heavy Duty Spring Kit	140-2051
HD Bagger Cover Kit	140-5036
Leaf Bagging Enhancement Kit	140-5122
Hydro Service Kit	144-5347
Flat Free Caster Wheel Kit	145-0489
Led Light Kit	147-8757
Kit-Striping, 54/60in	147-8781
Mount, Jack Titan	147-8824

Attachments and Accessories (continued)

Assist Bar Kit 161-4450
CE Bagger Compliance Kit 161-6178
10W30 4-Cycle Engine Oil (32oz Bottle)..... 38280
Toro 4-Cycle SAE 30 Oil (32oz Bottle) 38903
Toro Deluxe Rider Cover..... 490-7319
Powered Bagger, Titan Models ROHS..... 79348
ROPS Kit 79487
Kit-Slope Sensor..... 79489

Notes:

Notes:



Count on it.