



Count on it.

Parts Catalog

**Titan® 60in Zero Turn
Riding Mower**

Model No. 76605—Serial No. 400000000 and Up



Ordering Replacement Parts

To order replacement parts, please supply the part number, the quantity, and the description of each part desired.

Understanding Reference Numbers

Each identified part in an illustration has a reference number. The reference number for a part also appears in the parts list, along with other information about the part.

This catalog uses two special reference number formats, one to indicate parts in a service assembly and another to indicate the quantity of a given part in an illustration.

Service Assembly Reference Numbers

Parts in service assemblies have reference numbers in the form a:b. The a represents the reference number of the entire service assembly and the b represents a sequential number unique to each part within the service assembly.

For example, a wheel assembly might be identified by reference number 6, the tire by 6:1, the valve by 6:2, and the wheel by 6:3. When you order the assembly identified by reference number 6, you receive all parts identified by reference numbers 6:1, 6:2, and 6:3. However, you may also order any part individually. Reference numbers of this type appear in illustration and in parts lists.

Reference Numbers Indicating Quantity

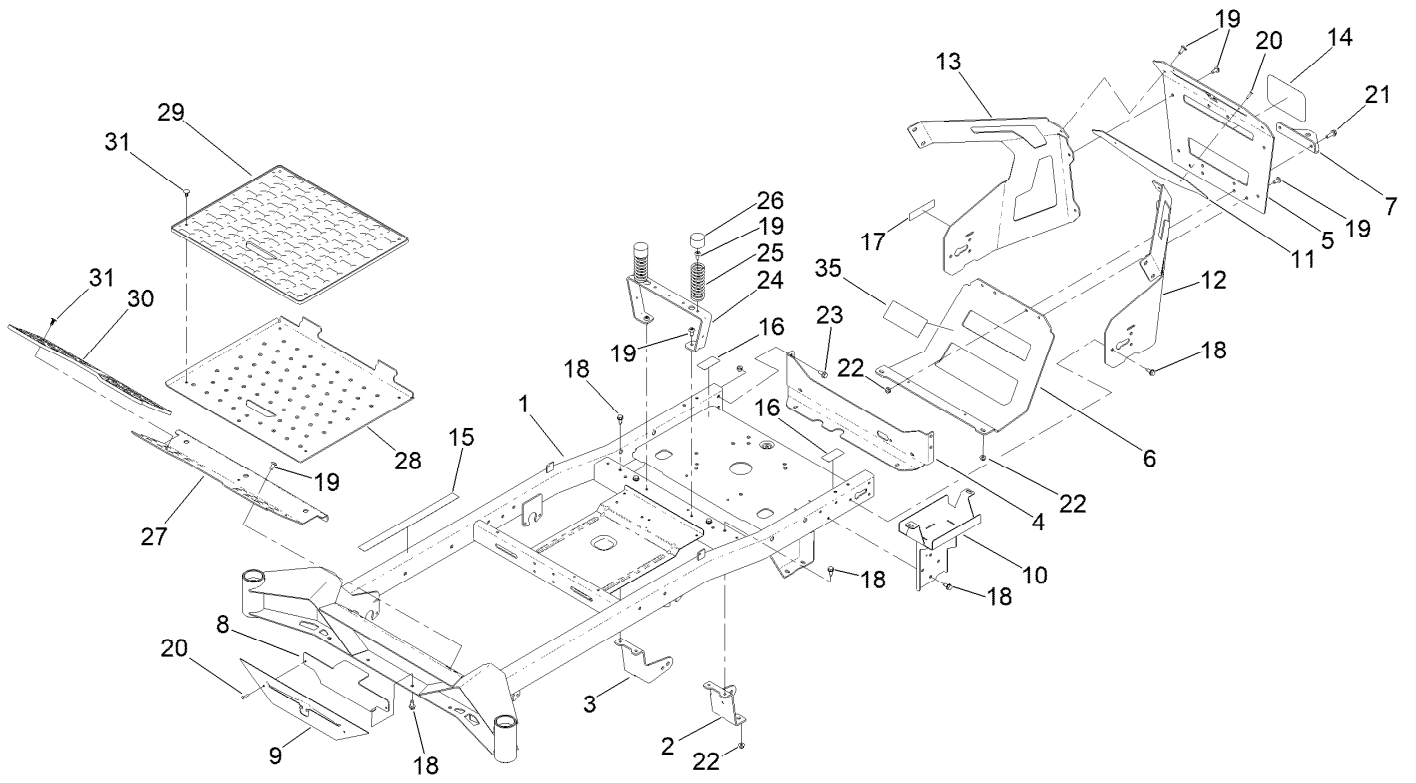
In an illustration, if a reference number indicates more than one part, the reference number has the form nX y. The n represents the quantity of the part, the X is the multiplication symbol, and the y represents the reference number.

For example, in an illustration, the reference number 2X 37 means that two of the parts identified by reference number 37 are indicated.

Contents

Frame Assembly	4
Decklift Assembly	6
Caster Fork and Wheel Assembly	8
Hydraulic Drive Assembly	10
LH Hydro Transmission Assembly No. 147-2860	12
RH Hydro Transmission Assembly No. 147-2861	14
Parking Brake Assembly	16
Rear Wheel Assembly	18
Seat Mounting Assembly	20
Control Assembly	22
Engine and Muffler Assembly	24
Fuel Pod Assembly	26
Fuel Tank Assembly No. 147-5288	28
Electrical Assembly	30
60in Deck and Decal Assembly	32
Deck Decal Assembly No. 147-8751	34
Clutch Assembly	36
Attachments and Accessories	38

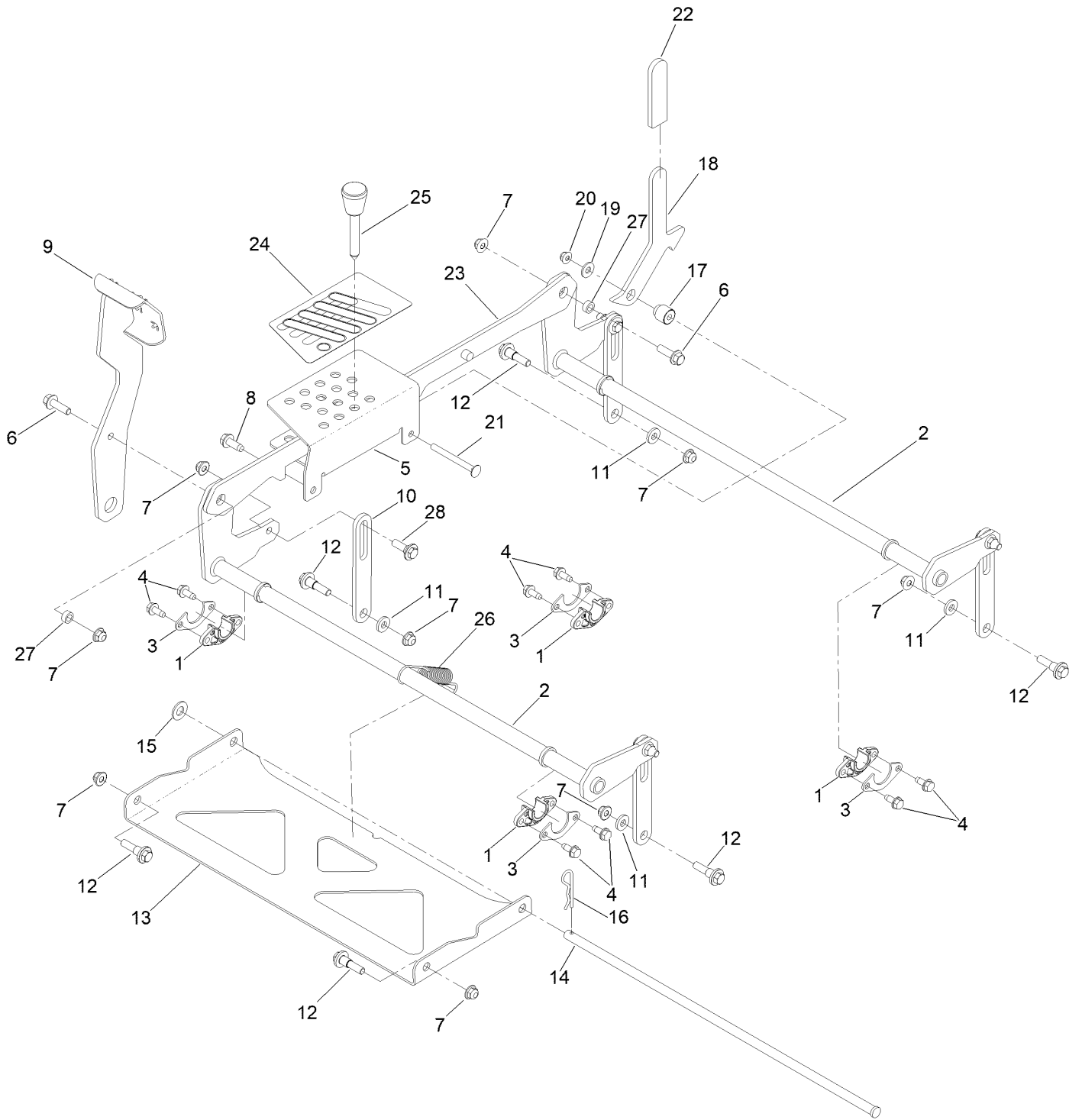
Frame Assembly



Frame Assembly (continued)

<i>Ref.</i>	<i>Part Number</i>	<i>Qty.</i>	<i>Description</i>	<i>Ref.</i>	<i>Part Number</i>	<i>Qty.</i>	<i>Description</i>
1	147-8725	1	Service ASM-Frame, Titan	17	142-5864	1	Decal-Spark Arrester
2	145-6306-01	1	Mount-Drive, LH	18	32144-70	15	Screw-HWHTF
3	145-6307-01	1	Mount-Drive, RH	19	138-9753	14	Screw
4	147-8709-03	1	Plate-Mount	20	130-8451	4	Rivet-Trifold
5	147-2998-03	1	Guard-Engine	21	139-2596	2	Screw-HHF
6	147-3000-03	1	Guard-Muffler	22	119-4041	12	Nut-HF
7	117-1232-03	1	Bracket-Hitch	23	139-2598	4	Screw-HHF
8	147-2878-01	1	Plate-Backer	24	145-6316-01	1	Support-Seat
9	147-2879-03	1	Logo-Plate-Front	25	138-2548	2	Spring-Compression
10	145-6283-01	1	Wa-Battery Mount	26	701178	2	Cap-Protector
11	147-2999-01	1	Plate-Backer	27	145-6369-01	1	Pan-Floor
12	147-2996-01	1	Guard-Engine LH	28	145-6370-01	1	Pan-Floor
13	147-2997-01	1	Guard-Engine-RH	29	147-7609	1	Floor Mat
14	99-4693	1	Decal	30	147-7611	1	Floor Mat - Titan
15	144-5288	1	Decal-Warning	31	117-2382	8	Plug-Plastic
16	161-6207	2	Decal-Bypass	35	161-6260	1	Tape-Heat

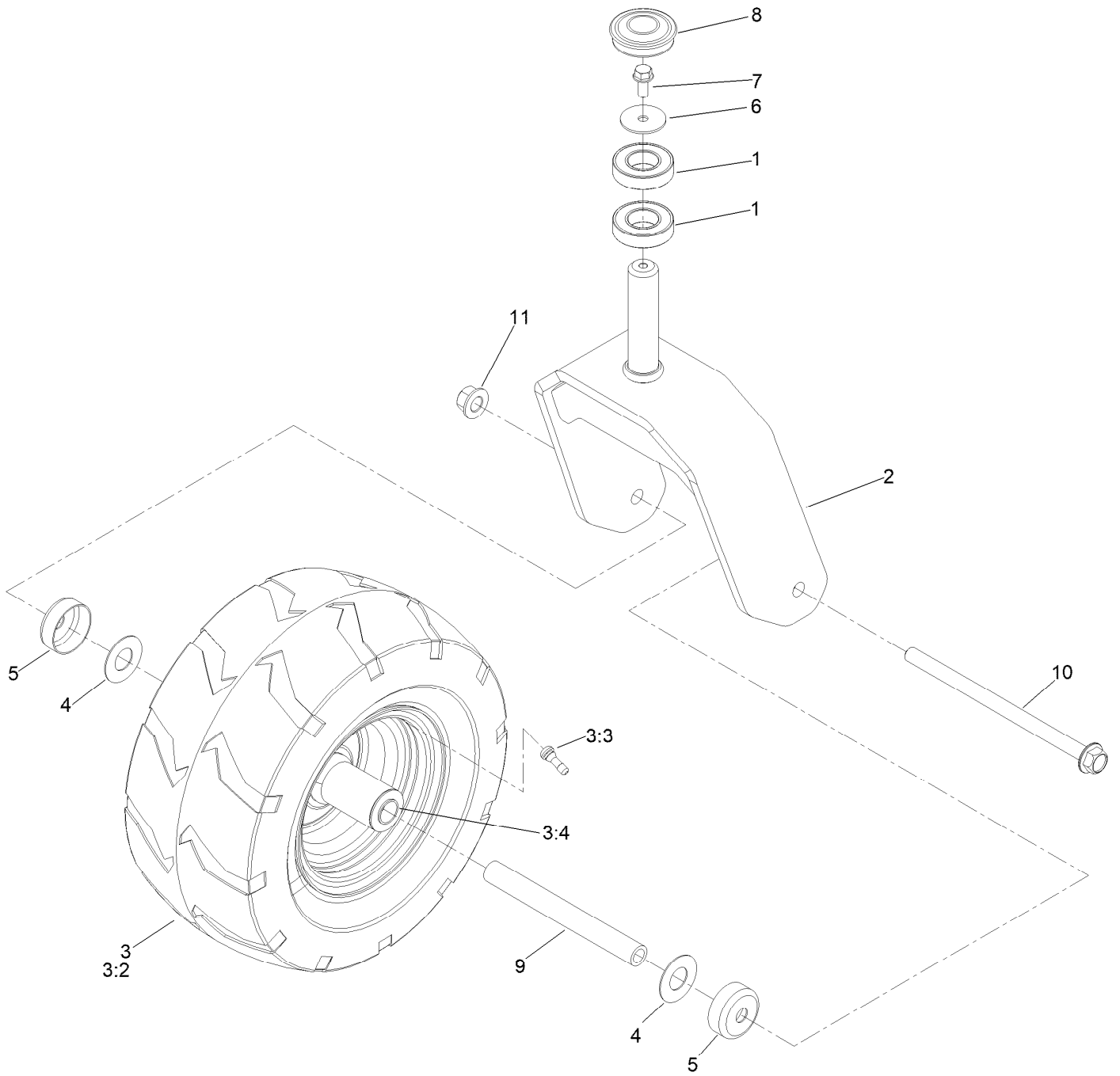
Decklift Assembly



Decklift Assembly (continued)

<i>Ref.</i>	<i>Part Number</i>	<i>Qty.</i>	<i>Description</i>	<i>Ref.</i>	<i>Part Number</i>	<i>Qty.</i>	<i>Description</i>
1	139-5872	4	Bearing-Flange	15	139-2611	1	Washer-Flat
2	161-4632-01	2	Pivot ASM-Decklift [red]	16	139-2562	1	Pin-Hair
3	138-7204	4	Gusset-Deck Lift	17	145-6282	1	Spacer-Stepped
4	32144-70	8	Screw-HWHTF	18	145-6279	1	Plate-Transport Lock
5	145-6260-01	1	Bracket-HOC	19	137-3082	1	Washer-Plain
6	119-4061	2	Screw-HHF	20	119-4041	1	Nut-HF
7	119-4042	12	Nut-HF, NI	21	138-0741	1	Screw-CARR
8	139-2428	1	Screw-HWH	22	140-0413	1	Grip-Handle
9	145-6278-01	1	Pedal ASM [red]	23	145-6262-01	1	Link ASM-HOC [red]
10	161-4635-01	4	Link-HOC	24	147-2867	1	Decal-HOC, Titan
11	138-7207	4	Spacer-Hub, Blower	25	140-2146	1	HOC Pin ASM
12	130-0742	6	Bolt-Shoulder	26	138-7206	1	Spring-Extension
13	145-6248-03	1	Pan-Deck Pivot	27	140-2093	2	Spacer
14	145-6288	1	Pin-Deck	28	610646	4	Bolt-Shoulder

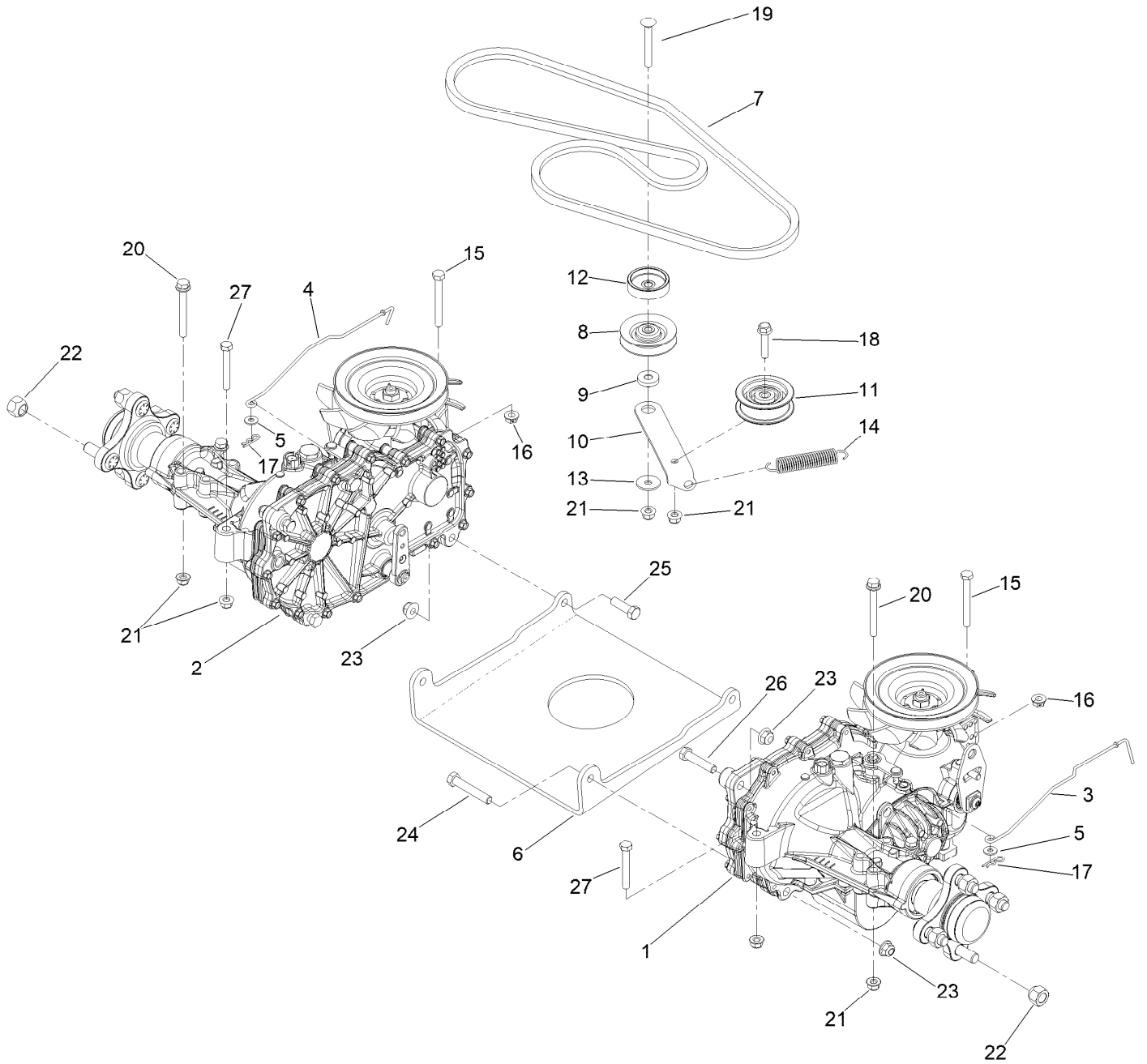
Caster Fork and Wheel Assembly



Caster Fork and Wheel Assembly (continued)

<i>Ref.</i>	<i>Part Number</i>	<i>Qty.</i>	<i>Description</i>	<i>Ref.</i>	<i>Part Number</i>	<i>Qty.</i>	<i>Description</i>
1	109-3678	4	Bearing-Ball	5	138-7208	4	Guard-Seal
2	145-6375-01	2	Castor Fork [red]	6	115-1151	2	Washer-Flat
3	147-7647	2	Tire And Wheel ASM	7	100-1668	1	Screw-HHF
3:2	147-7648	1	Tire 13X6.5-6, Treaded	8	144-0375	2	Cap, Grease
3:3	232-27	1	Stem-Valve	9	133-4487	2	Spanner-Wheel
3:4	147-7652	2	Bearing	10	139-2559	2	Screw-HHF
4	136-5590	4	Washer	11	139-1689	2	Nut-HF

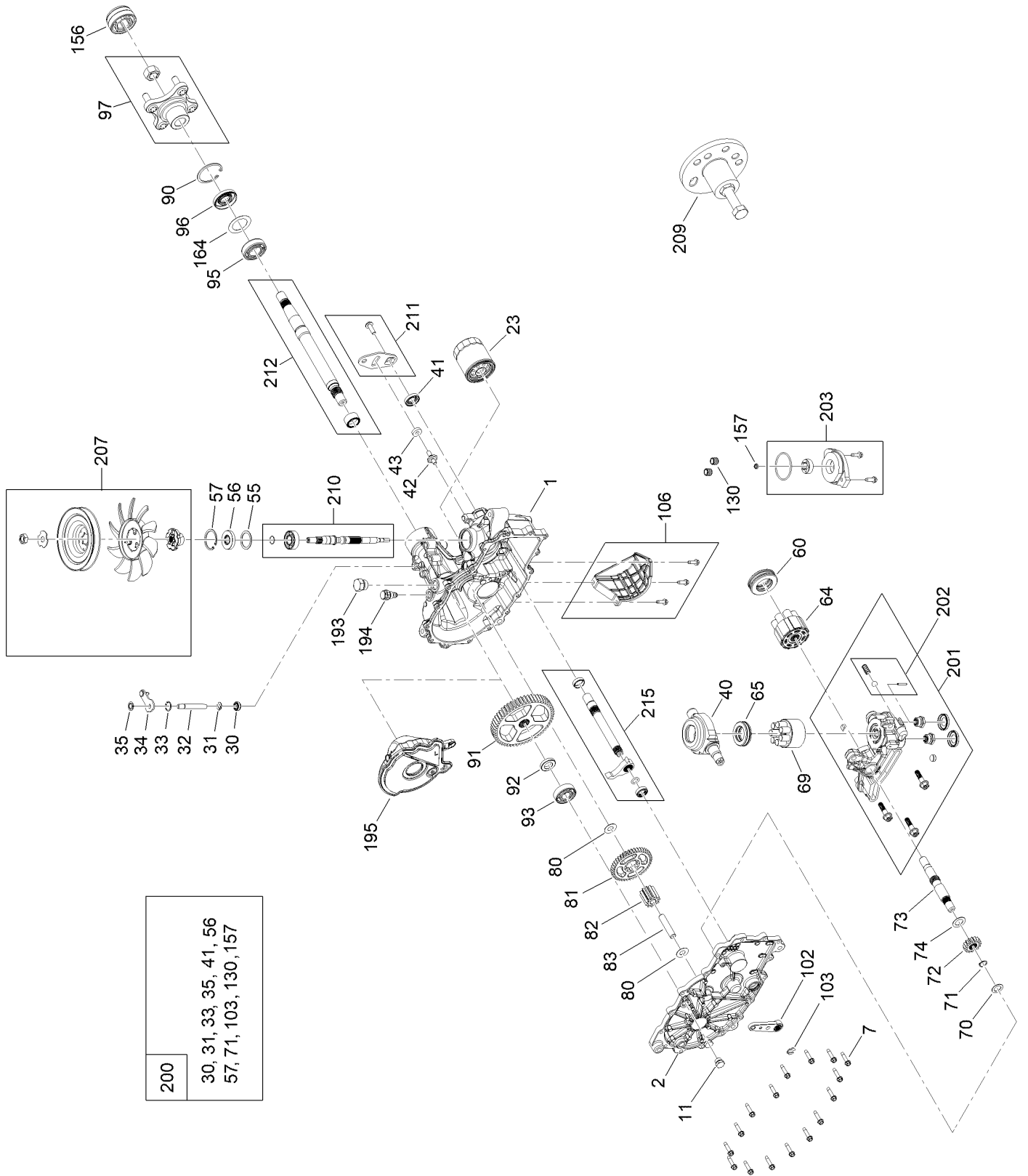
Hydraulic Drive Assembly



Hydraulic Drive Assembly (continued)

<i>Ref.</i>	<i>Part Number</i>	<i>Qty.</i>	<i>Description</i>	<i>Ref.</i>	<i>Part Number</i>	<i>Qty.</i>	<i>Description</i>
1	147-2860	1	LH Hydro Transmission ASM	14	137-7040	1	Spring-Return, Pedal
2	147-2861	1	RH Hydro Transmission ASM	15	145-6388	2	Screw-HH Spcl
3	147-2987	1	Rod-Bypass, LH	16	139-2574	2	Nut-HF
4	147-2986	1	Rod-Bypass, RH	17	3290-307	2	Pin-Cotter
5	119-8952	2	Washer-Spcl	18	115-1794	1	Screw-HHF
6	145-6383-03	1	Plate-Hydro	19	3230-8	1	Screw-CARR
7	145-6363	1	V-Belt (A Sec 66.30 EI)	20	138-7590	4	Screw-HHF
8	68-0030	1	Idler	21	104-8300	8	Nut-HF, NI
9	138-7277	1	Spacer-Arm, Idler	22	242-50	8	Nut-Lug
10	147-2925	1	Arm-Idler	23	104-8301	6	Nut-HF, NI
11	138-7597	1	Pulley-Idler, Flat	24	323-11	2	Screw-HH
12	138-9809	1	Spacer	25	323-7	2	Screw-HH
13	5-4460	1	Washer-Pivot	26	323-9	2	Screw-HH
				27	322-11	2	Screw-HH

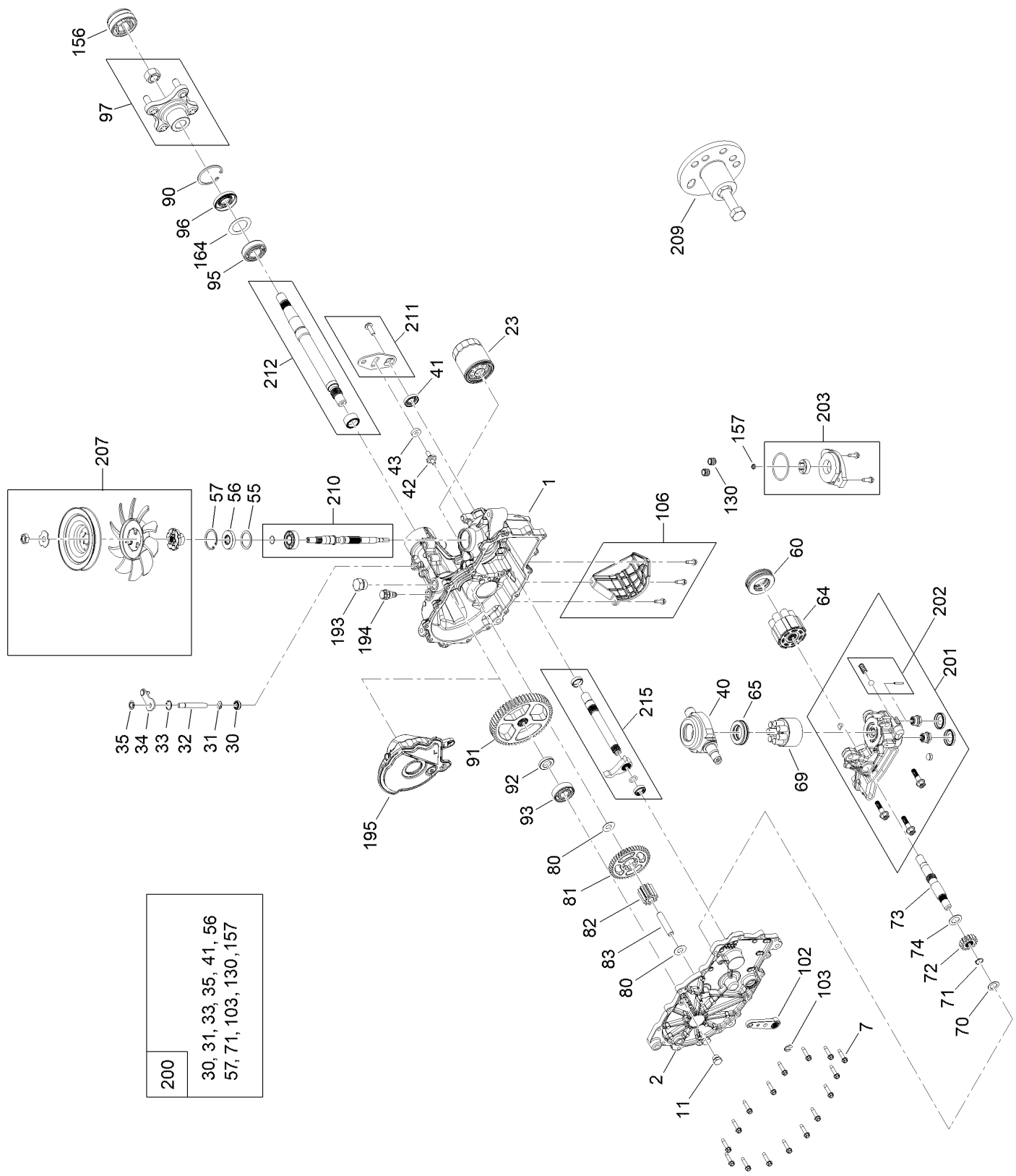
LH Hydro Transmission Assembly No. 147-2860



LH Hydro Transmission Assembly No. 147-2860 (continued)

<i>Ref.</i>	<i>Part Number</i>	<i>Qty.</i>	<i>Description</i>	<i>Ref.</i>	<i>Part Number</i>	<i>Qty.</i>	<i>Description</i>
1	140-8345	1	RH Main Housing Kit	83	104-5329	1	Pin-Jackshaft
2	140-8349	1	RH Side Cover Kit	90	104-2169	1	Ring-Retaining
7	117-5359	16	Screw-HHF	91	114-1694	1	Gear-54T
11	135-1140	1	Plug-Straight	92	120-7975	1	Spacer
23	109-3321	1	Element-Oil Filter, HYD	93	135-1361	1	Bearing-Ball
30	139-7497	1	Seal-Lip	95	130-8477	1	Bearing-Ball
31	106-8677	1	Ring-Retaining, External	96	104-2144	1	Seal
32	114-1685	1	Rod-Bypass	97	109-5939	1	Hub Kit
33	106-8679	1	Ring-Retaining, Internal	102	125-0021	1	Handle-Brake
34	112-9852	1	Arm-Bypass	103	131-0906	1	Ring-Retaining, EXT
35	106-8681	1	Ring-Retaining, External	106	139-7499	1	Filter Guard Kit
40	104-5304	1	Swashplate-Trunnion	130	126-3251	2	Tube-Charge
41	104-5313	1	Seal-Lip	156	115-5057	1	Cover-Nut, Axle
42	104-2116	1	Stud	157	126-1930	1	Gerotor Seal Kit
43	112-9853	1	Puck-Friction	164	121-5745	1	Spacer
55	104-5308	1	Spacer	193	140-8343	1	Plug
56	104-5310	1	Seal-Lip	194	140-8356	1	Breather Fitting ASM
57	104-5309	1	Ring-Retaining	195	140-8357	1	RH Internal Expansion Tank ASM
60	112-4154	1	Bearing-Thrust	200	140-8351	1	Seal Kit
64	139-4074	1	Cylinder Block ASM Kit	201	147-2906	1	Kit, Center Section, LH Charge
65	94-6922	1	Bearing-Thrust	202	114-8464	1	Charge Relief Kit
69	110-8561	1	Pump Block ASM	203	114-8465	1	Charge Kit
70	104-5339	1	Washer-Flat	207	135-7343	1	Fan And Pulley Kit
71	104-5340	1	Ring-Retaining	209	114-8467	1	Puller-Hub, 4 Bolt
72	114-1690	1	Gear-14T	210	139-7502	1	Input Shaft Kit
73	114-1691	1	Shaft-Motor	211	117-5362	1	Control Arm Kit
74	104-5360	1	Washer	212	114-8470	1	Axle Shaft Kit
80	94-1933	2	Washer	215	140-8352	1	Inboard Kit
81	114-1692	1	Gear-45T				
82	114-1693	1	Gear-11T				

RH Hydro Transmission Assembly No. 147-2861

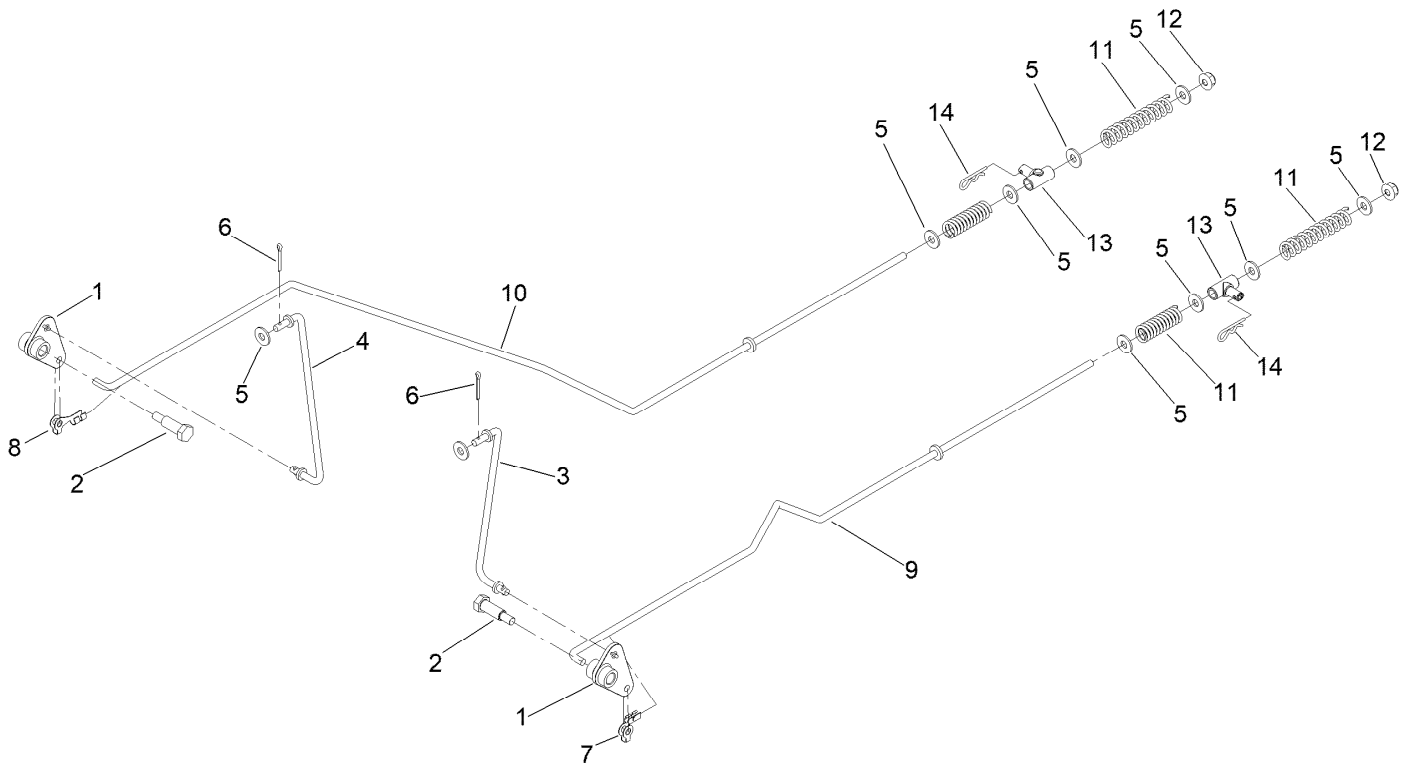


200
 30, 31, 33, 35, 41, 56
 57, 71, 103, 130, 157

RH Hydro Transmission Assembly No. 147-2861 (continued)

<i>Ref.</i>	<i>Part Number</i>	<i>Qty.</i>	<i>Description</i>	<i>Ref.</i>	<i>Part Number</i>	<i>Qty.</i>	<i>Description</i>
1	140-8347	1	LH Main Housing Kit	83	104-5329	1	Pin-Jackshaft
2	140-8350	1	LH Side Cover Kit	90	104-2169	1	Ring-Retaining
7	117-5359	16	Screw-HHF	91	114-1694	1	Gear-54T
11	135-1140	1	Plug-Straight	92	120-7975	1	Spacer
23	109-3321	1	Element-Oil Filter, HYD	93	135-1361	1	Bearing-Ball
30	139-7497	1	Seal-Lip	95	130-8477	1	Bearing-Ball
31	106-8677	1	Ring-Retaining, External	96	104-2144	1	Seal
32	114-1685	1	Rod-Bypass	97	109-5939	1	Hub Kit
33	106-8679	1	Ring-Retaining, Internal	102	125-0021	1	Handle-Brake
34	107-2490	1	Arm-Bypass	103	131-0906	1	Ring-Retaining, EXT
35	106-8681	1	Ring-Retaining, External	106	139-7498	1	Filter Guard Kit
40	104-5304	1	Swashplate-Trunnion	130	126-3251	2	Tube-Charge
41	104-5313	1	Seal-Lip	156	115-5057	1	Cover-Nut, Axle
42	104-2116	1	Stud	157	126-1930	1	Gerotor Seal Kit
43	112-9853	1	Puck-Friction	164	121-5745	1	Spacer
55	104-5308	1	Spacer	193	140-8343	1	Plug
56	104-5310	1	Seal-Lip	194	140-8356	1	Breather Fitting ASM
57	104-5309	1	Ring-Retaining	195	140-8358	1	LH Internal Expansion Tank ASM
60	112-4154	1	Bearing-Thrust	200	140-8351	1	Seal Kit
64	139-4074	1	Cylinder Block ASM Kit	201	147-2907	1	Kit, Center Section, RH Charge
65	94-6922	1	Bearing-Thrust	202	114-8464	1	Charge Relief Kit
69	110-8561	1	Pump Block ASM	203	114-8465	1	Charge Kit
70	104-5339	1	Washer-Flat	207	135-7343	1	Fan And Pulley Kit
71	104-5340	1	Ring-Retaining	209	114-8467	1	Puller-Hub, 4 Bolt
72	114-1690	1	Gear-14T	210	139-7502	1	Input Shaft Kit
73	114-1691	1	Shaft-Motor	211	117-5362	1	Control Arm Kit
74	104-5360	1	Washer	212	114-8470	1	Axle Shaft Kit
80	94-1933	2	Washer	215	140-8353	1	Inboard Kit
81	114-1692	1	Gear-45T				
82	114-1693	1	Gear-11T				

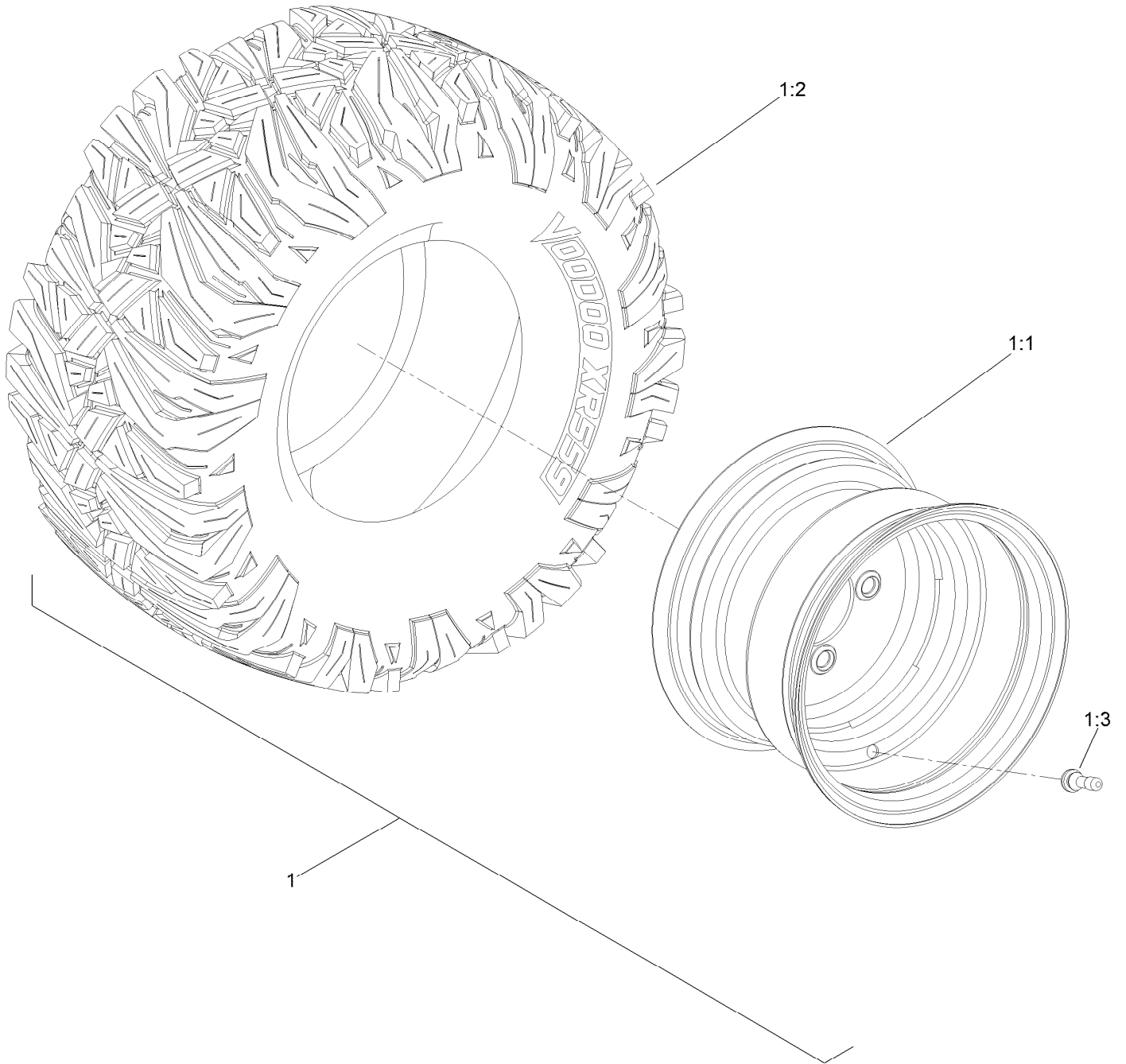
Parking Brake Assembly



Parking Brake Assembly (continued)

<i>Ref.</i>	<i>Part Number</i>	<i>Qty.</i>	<i>Description</i>	<i>Ref.</i>	<i>Part Number</i>	<i>Qty.</i>	<i>Description</i>
1	144-1858	2	Bellcrank	8	144-1815	1	Clip-Rod, RH (7R, 1/4In)
2	145-6364	2	Bolt-Shoulder	9	145-0408	1	Rod-Brake LH
3	145-4607	1	Link-Brake, LH	10	145-0407	1	Rod-Brake, RH
4	145-6238	1	Link-Brake, RH	11	1-603807	4	Spring-Return, Neutral
5	119-8952	10	Washer-Spcl	12	119-4040	2	Nut-HF, NI
6	120-9716	2	Pin-Cotter	13	119-8857	2	Mount-Pivot
7	144-1816	1	Clip-Rod, LH (7L, 1/4In)	14	137-3083	2	Pin-Hair

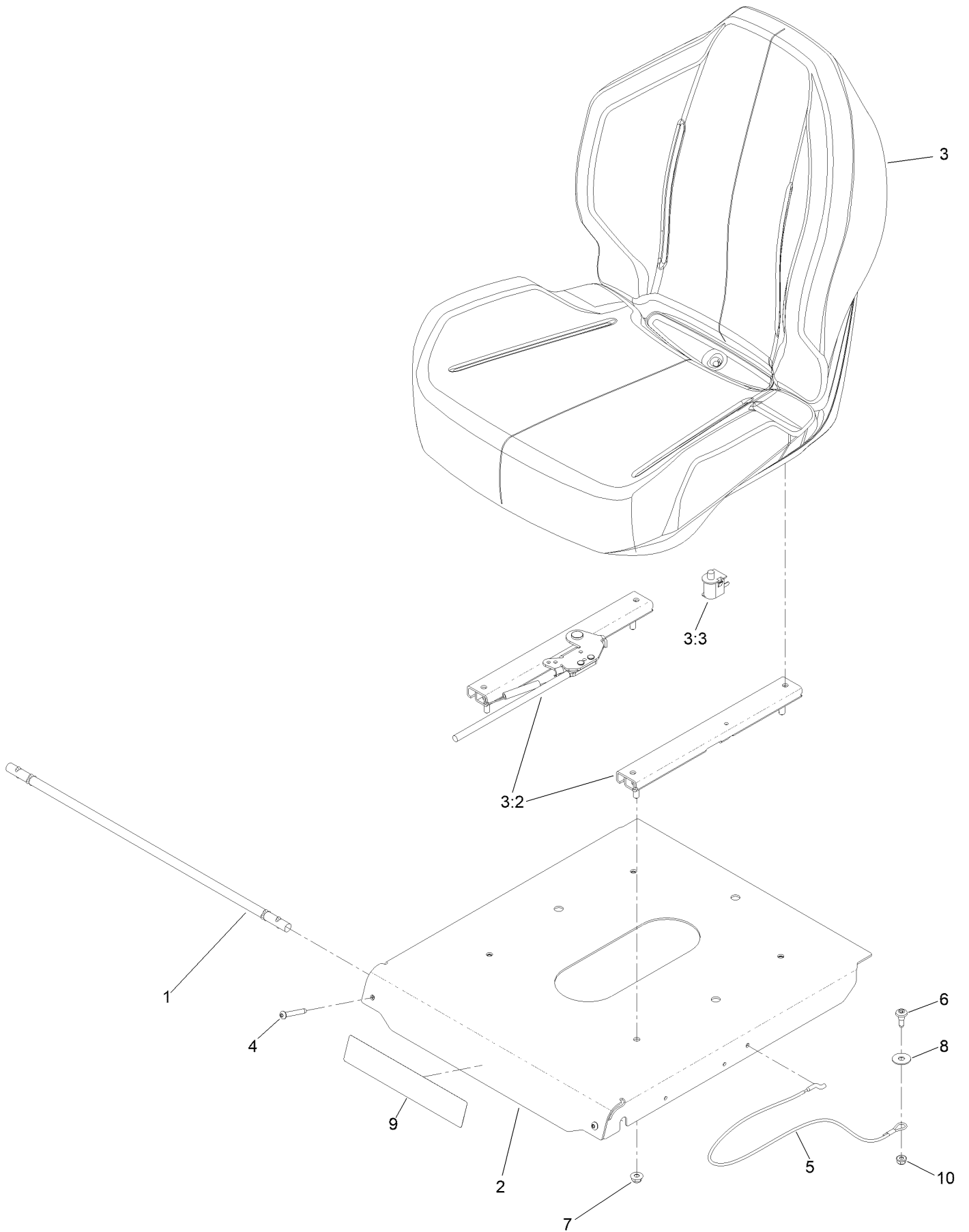
Rear Wheel Assembly



Rear Wheel Assembly (continued)

<i>Ref.</i>	<i>Part Number</i>	<i>Qty.</i>	<i>Description</i>	<i>Ref.</i>	<i>Part Number</i>	<i>Qty.</i>	<i>Description</i>
1	145-6393	2	Tire ASM-22X11-10 Nos2.4	1:2	147-5177	1	Tire
1:1	147-5178	1	Rim	1:3	232-27	1	Stem-Valve

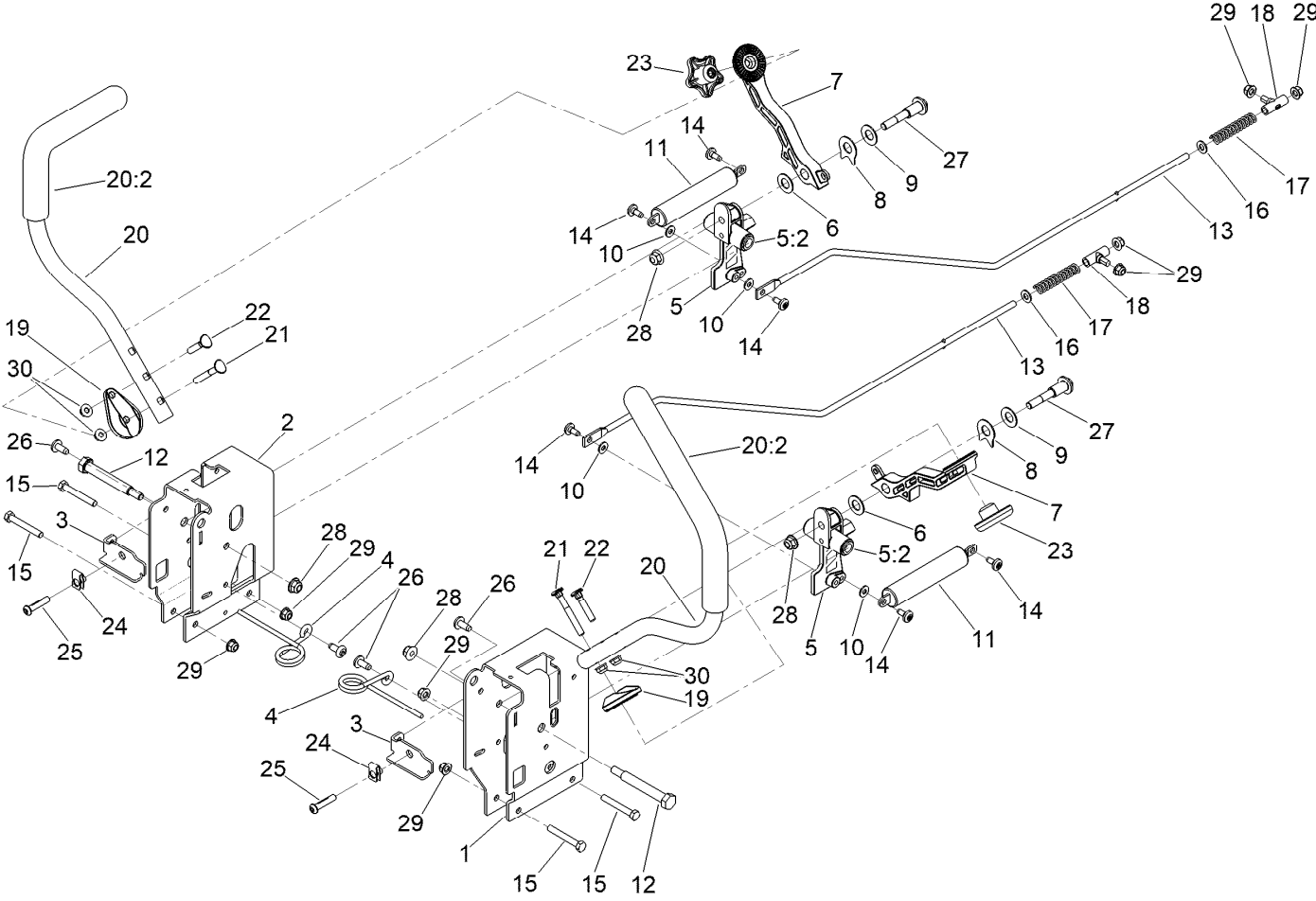
Seat Mounting Assembly



Seat Mounting Assembly (continued)

<i>Ref.</i>	<i>Part Number</i>	<i>Qty.</i>	<i>Description</i>	<i>Ref.</i>	<i>Part Number</i>	<i>Qty.</i>	<i>Description</i>
1	147-5169	1	Rod-Pivot	5	161-4452	1	Cable-Lanyard, 26.75In
2	147-3011-03	1	Pan-Seat	6	135-2015	1	Screw-Shoulder
3	147-8730	1	Seat ASM - Milsco Cs180D	7	119-4041	4	Nut-HF
3:2	161-4566	1	Kit-Adjuster	8	147-5287	1	Washer-Flat
3:3	82-2190	1	Switch-Bail	9	147-7565	1	Decal-Titan
4	147-5175	2	Screw-Tbh,Thd Roll	10	119-4040	1	Nut-HF, NI

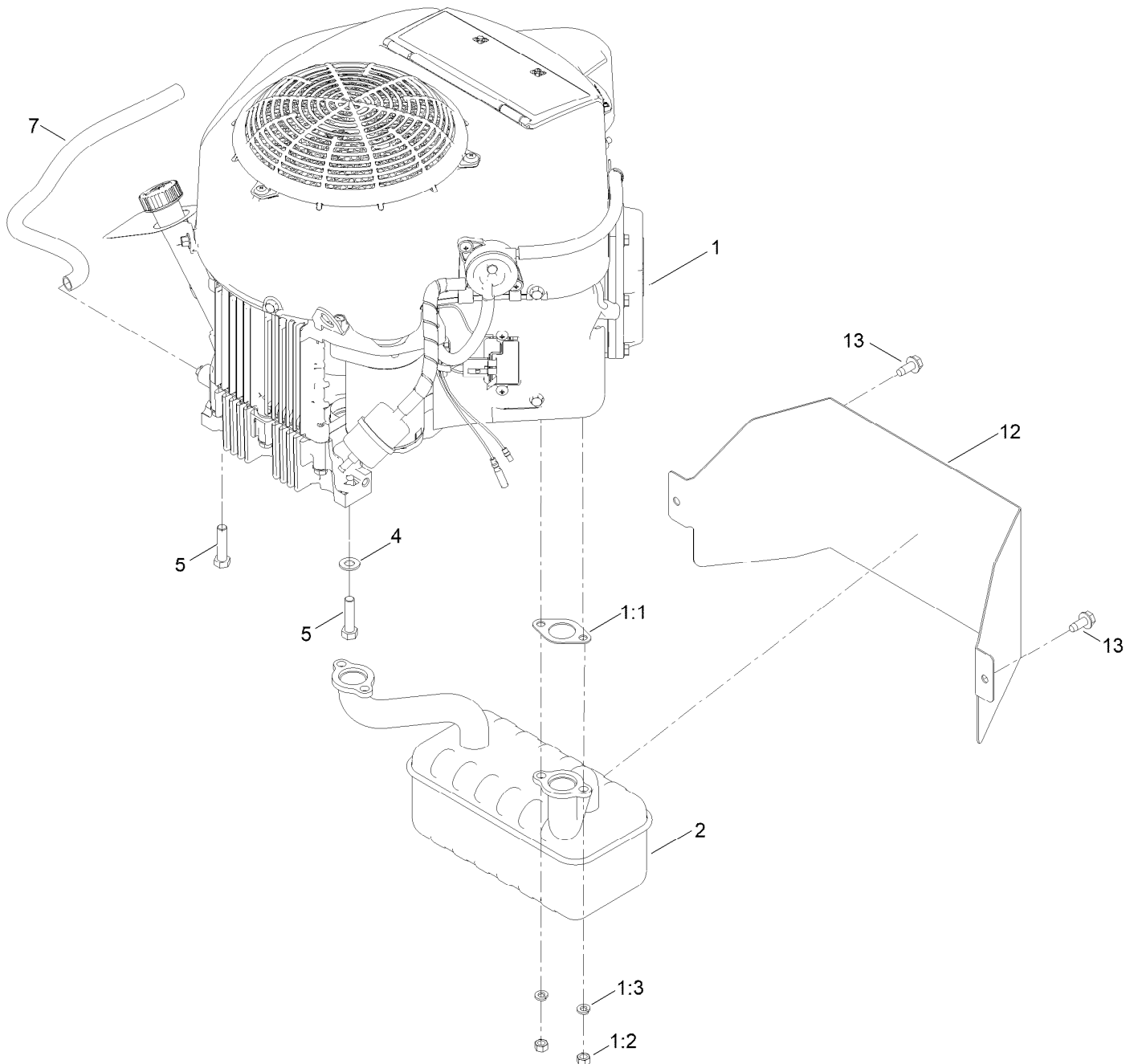
Control Assembly



Control Assembly (continued)

<i>Ref.</i>	<i>Part Number</i>	<i>Qty.</i>	<i>Description</i>	<i>Ref.</i>	<i>Part Number</i>	<i>Qty.</i>	<i>Description</i>
1	145-4615-03	1	Control Box - LH G7	16	120-9683	2	Washer-Plain
2	145-4647-03	1	Control Box - RH G7	17	138-7252	2	Spring-Compression
3	147-7580-03	2	Adjustment Plate-Control Box	18	138-7218	2	Mount-Rod, Hydro
4	145-6253	2	Spring-Torsion	19	147-5192-05	2	Disc-Adjustment Handle, 32 Teeth
5	145-4648	2	Pivot Arm ASM	20	145-6327	2	Handle-Control,
5:2	256-156	2	Bushing-Flange	20:2	147-3029	1	Grip
6	120-2273	2	Washer-Nylon	21	145-6366	2	Screw-Handle
7	147-5191-05	2	Arm-Control, 32 Teeth	22	137-3008	2	Screw-Handle
8	142-8478	2	Spacer, Anti-Rotation	23	117-5976	2	Knob-Handle
9	119-8925	2	Washer-Belleville	24	112-3306	2	Nut
10	119-8952	4	Washer-Spcl	25	126-4299	2	Screw-HSBH
11	132-6853	2	Damper-Non Cavitating	26	138-9753	4	Screw
12	115-5099	2	Bolt-Pivot	27	117-1198	2	Bolt-Pivot
13	145-6367	2	Rod - Hydro	28	104-8301	4	Nut-HF, NI
14	120-7950	6	Screw-Torx	29	104-8300	8	Nut-HF, NI
15	322-11	4	Screw-HH	30	138-8401	4	Nut-HF

Engine and Muffler Assembly



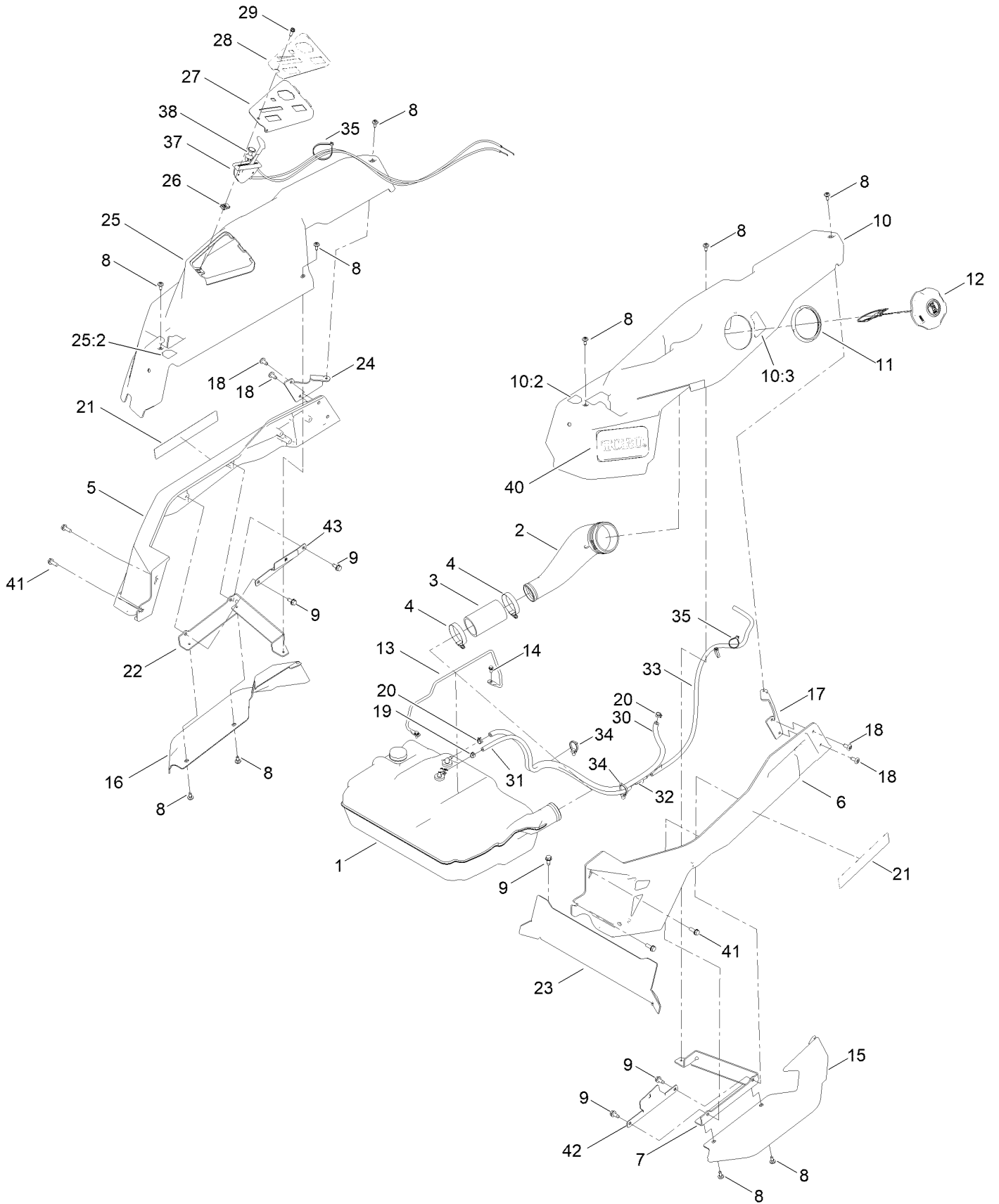
Engine and Muffler Assembly (continued)

<i>Ref.</i>	<i>Part Number</i>	<i>Qty.</i>	<i>Description</i>	<i>Ref.</i>	<i>Part Number</i>	<i>Qty.</i>	<i>Description</i>
1		1	Engine-Kawasaki, Fr730V-S09-R ●■	4	3256-24	3	Washer-Plain
1:1	1-653313	2	Gasket-Exhaust	5	323-50	4	Bolt-HH
1:2	114-3549	4	Nut	7	106-7022	1	Tube-Drain, Oil
1:3	114-3550	4	Washer-Lock	12	161-6221-03	1	Heat Shield-Muffler
2	139-5867	1	Muffler	13	32144-70	2	Screw-HWHTF

● Not serviced separately

■ Obtain parts from www.kawpower.com

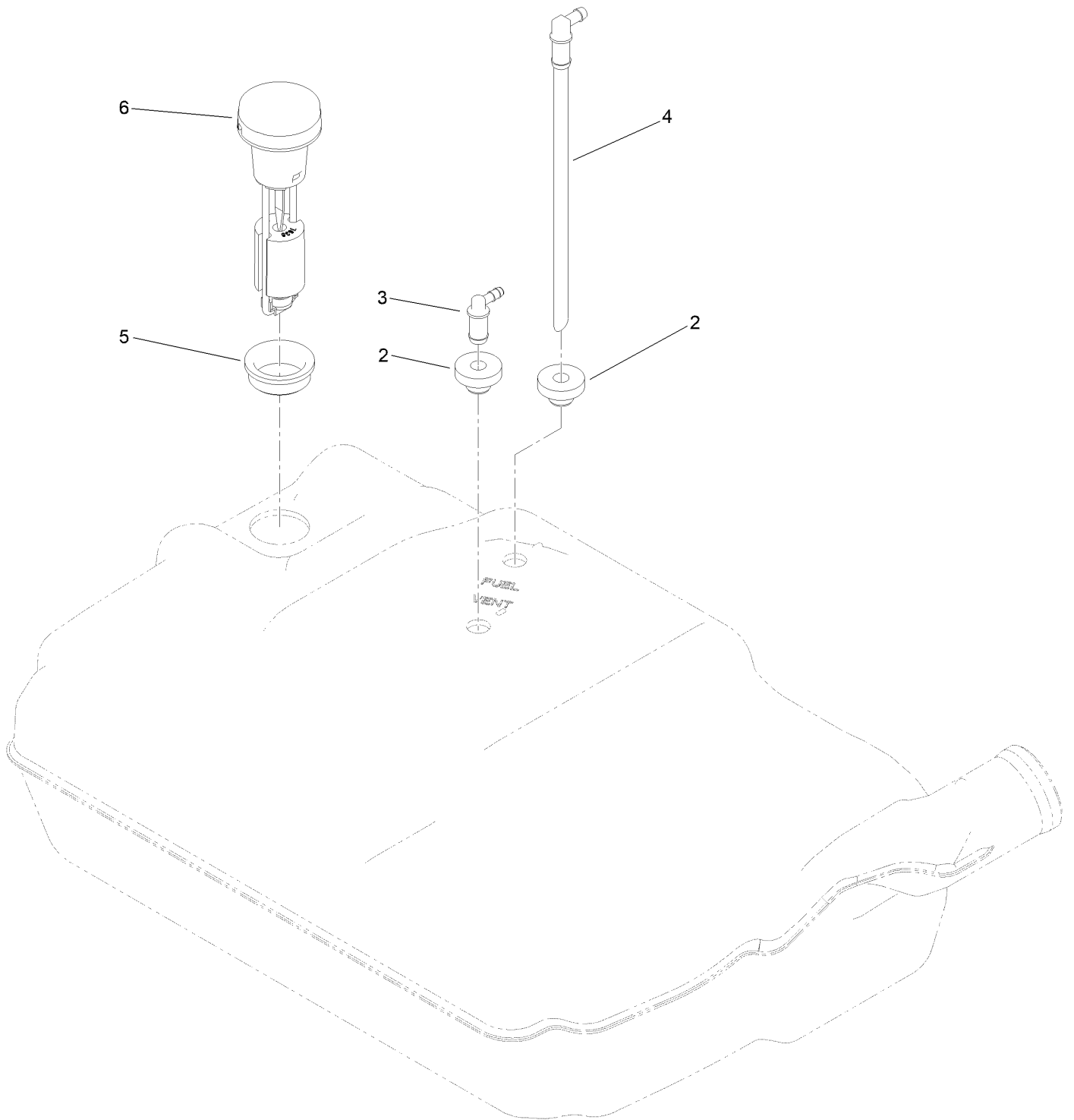
Fuel Pod Assembly



Fuel Pod Assembly (continued)

<i>Ref.</i>	<i>Part Number</i>	<i>Qty.</i>	<i>Description</i>	<i>Ref.</i>	<i>Part Number</i>	<i>Qty.</i>	<i>Description</i>
1	147-5288	1	Tank ASM - Fuel	21	147-7566	2	Decal-Titan
2	147-7657	1	Neck-Filler, Fuel	22	147-2975-03	1	Mount-Pod Bracket RH
3	145-4698	1	Hose-Filler, Fuel	23	147-5170-03	1	Plate-Kick
4	2412-130	2	Clamp-Hose	24	147-2977-03	1	Mount-Pod Bracket RH
5	147-2973-01	1	Cast-Tube, RH [red]	25	147-8742	1	Pod ASM - RH W/Decals
6	147-2972-01	1	Cast-Tube, LH [red]	25:2	139-2394	1	Decal-Control Lever, RH
7	147-2974-03	1	Mount-Pod Bracket LH	26	107069	1	Clip
8	120-7950	10	Screw-Torx	27	147-2990-03	1	Panel-Control
9	32144-70	6	Screw-HWHTF	28	147-7571	1	Decal - Control Panel
10	147-8741	1	Pod ASM - LH W/Decals	29	49-2040	1	Screw-HWHTF
10:2	139-2395	1	Decal-Control Lever, LH	30	109-0275	1	Hose-Fuel
10:3	147-2399	1	Decal-Fuel Fill	31	121-0780	1	Hose-Fuel
11	147-7712	1	Ring-Retaining	32	144-1983	1	Adapter Orifice
12	137-4119	1	Cap-Fuel, Ratcheting	33	108-6344	1	Hose-Fuel
13	147-5176	1	Rod-Hold Down	34	32180-030	2	Clip-Tie
14	32144-4	2	Screw-HWH	35	614249	3	Tie-Cable
15	147-2978	1	Fender-Time Cutter, LH	37	139-5808	1	Cable-Throttle
16	147-2979	1	Fender-Time Cutter, RH	38	147-2902	1	Cable-Choke
17	147-2976-03	1	Bracket-Rear Pod, LH	40	147-7714	2	Decal - Toro Logo
18	138-9753	4	Screw	41	32144-41	4	Screw-Taptite
19	2412-80	1	Clamp-Hose	42	161-4609-03	1	Bracket-Alignment, Pod LH
20	2412-98	2	Clamp-Hose	43	161-4610-03	1	Bracket- Alignment, Pod RH

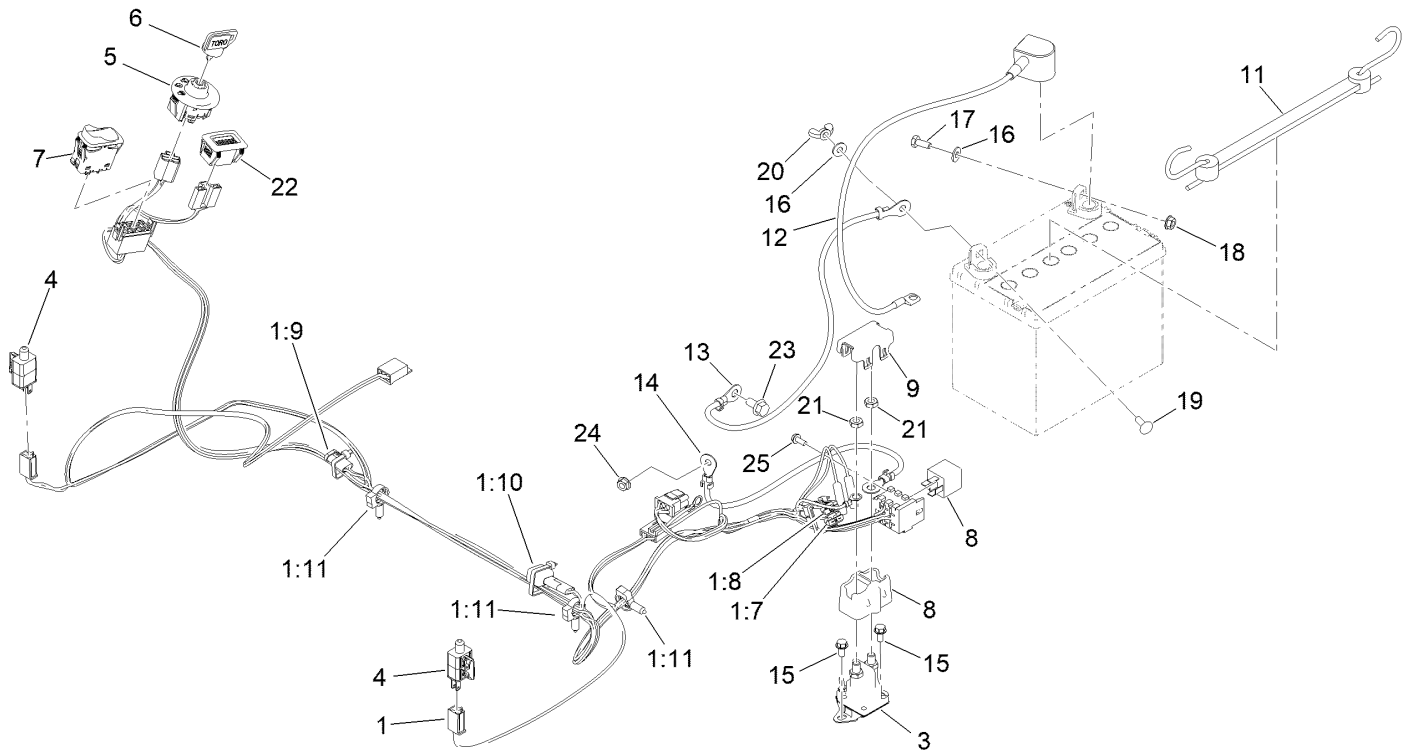
Fuel Tank Assembly No. 147-5288



Fuel Tank Assembly No. 147-5288 (continued)

<i>Ref.</i>	<i>Part Number</i>	<i>Qty.</i>	<i>Description</i>	<i>Ref.</i>	<i>Part Number</i>	<i>Qty.</i>	<i>Description</i>
2	46-6560	2	Bushing	5	133-9269	1	Grommet-Fuel
3	144-5302	1	Fitting-Elbow 90	6	147-5166	1	Remote Gauge ASM
4	147-2934	1	Fitting-Pickup, Fuel				

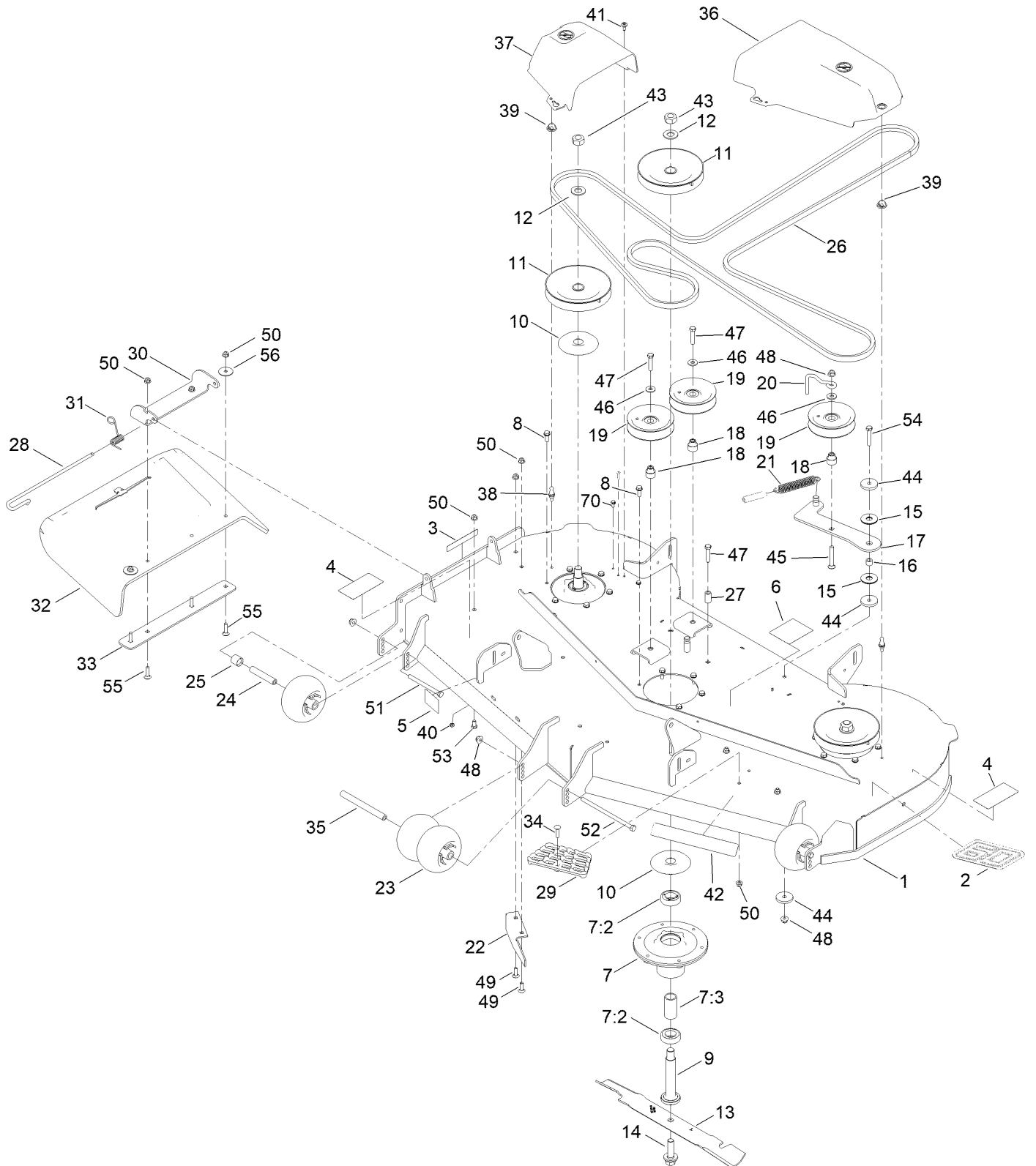
Electrical Assembly



Electrical Assembly (continued)

<i>Ref.</i>	<i>Part Number</i>	<i>Qty.</i>	<i>Description</i>	<i>Ref.</i>	<i>Part Number</i>	<i>Qty.</i>	<i>Description</i>
1	145-6382	1	Harness-Wire, Main	11	104-2466	1	Holddown-Battery
1:7	109355	1	Fuse-Blade, 15 Amp	12	147-2941	1	Cable-Battery,Red
1:8	109102	1	Fuse-Blade, 25 Amp	13	119-8899	1	Cable-Battery, Black
1:9	32180-435	1	Cap-Over Mold, 1M/1F	14	121-0711	1	Cable-Battery, Positive
1:10	100-4918	1	Diode	15	32144-4	2	Screw-HWH
1:11	32180-047	3	Clip-Tubing, Harness	16	119-8952	2	Washer-Spcl
3	117-1197	1	Solenoid	17	137-3041	1	Screw-HH
4	110-6765	2	Switch	18	139-2575	1	Nut-HF
5	137-4100	1	Switch-Ignition	19	137-3053	1	Screw-CARR
6	63-8360	1	Key-Ignition	20	32103-22	1	Nut-Wing
7	139-6368	1	Switch-Rocker, On-None-On	21	139-2580	2	Nut-HJ
8	1-643275	1	Relay	22	139-6404	1	Hour Meter
8	140-2080	1	Cover-Solenoid	23	33104-016	1	Screw-HHF
9	140-2081	1	Cap-Solenoid	24	32128-33	1	Nut-HF
				25	139-1713	1	Screw-Thd Roll

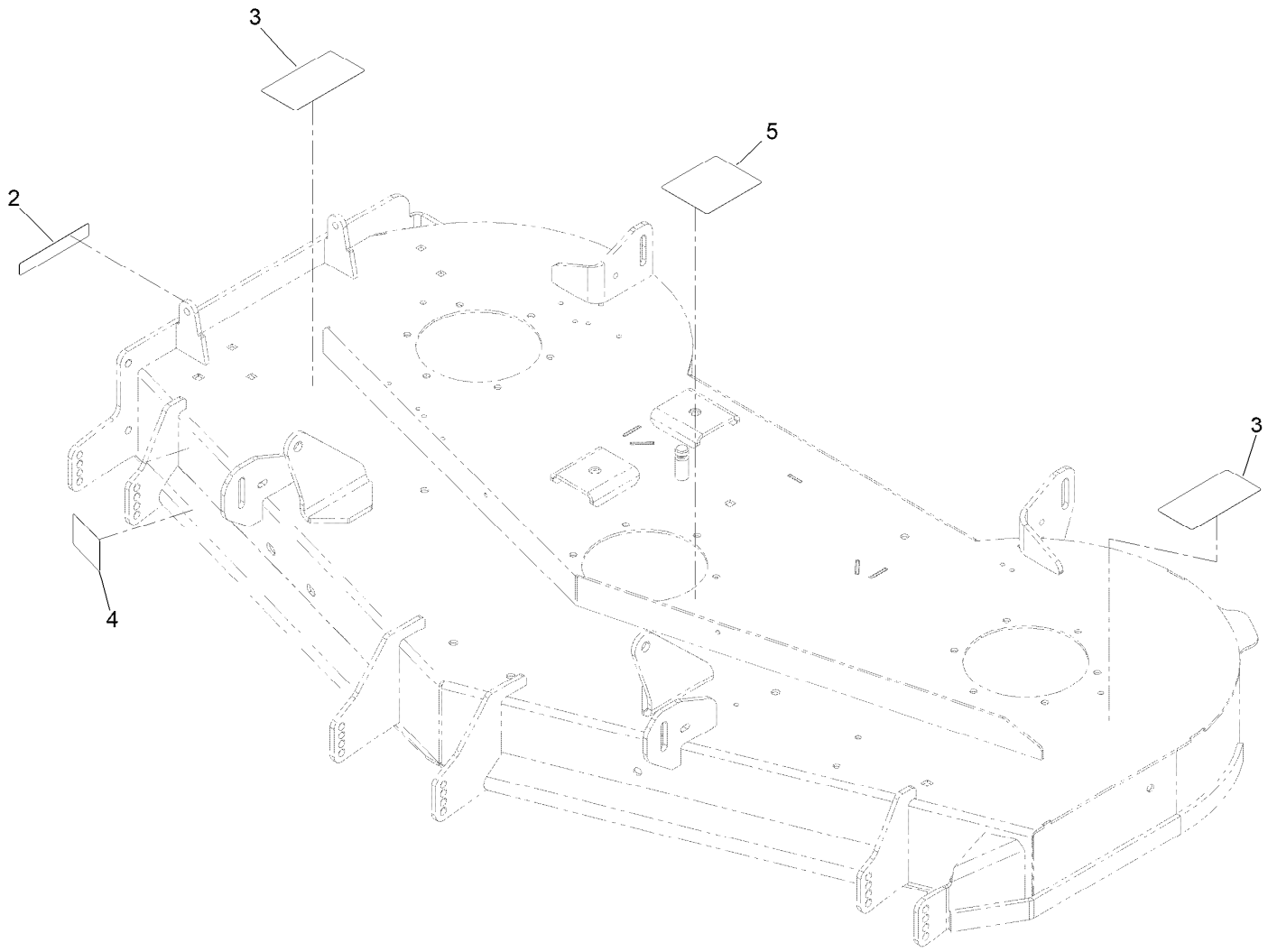
60in Deck and Decal Assembly



60in Deck and Decal Assembly (continued)

<i>Ref.</i>	<i>Part Number</i>	<i>Qty.</i>	<i>Description</i>	<i>Ref.</i>	<i>Part Number</i>	<i>Qty.</i>	<i>Description</i>
1	147-8751	1	60 In Deck & Decal ASM	29	126-4781-03	1	Step-Deck
2	147-7570	1	Decal - Deck 60	30	114-1648-03	1	Bracket-Deflector, Upper
3	130-0731	1	Decal-Danger	31	138-7232	1	Spring-Torsion
4	132-0872	2	Decal-Danger, Deck	32	147-3015	1	Deflector - Molded
5	130-0765	1	Decal-Scalp, Anti	33	115-5048-03	1	Plate-Deflector
6	117-1194	1	Decal-Routing, Belt	34	139-1702	1	Bolt-Carriage
7	139-2357	3	Spindle ASM	35	98-5967	1	Spacer-Wheel
7:2	116-0720	2	Bearing-Ball	36	147-2854	1	Cover-Belt, LH
7:3	138-7220	1	Spacer-Bearing	37	147-2853	1	Cover-Belt, RH
8	32144-41	18	Screw-Taptite	38	147-2872	2	Stud-Ball
9	115-2642	3	Shaft-Spindle	39	147-2871	2	Grommet-Ball
10	138-7221	3	Shield-Bearing	40	115-7373	2	Nut-Lock
11	147-7674	3	Pulley	41	120-7950	4	Screw-Torx
12	7-4150	3	Washer	42	147-7567	1	Decal - Iron Forged
13	115-9649-03	3	Blade-Hi Flow	43	3219-7	3	Nut-Hex
14	145-0412	3	Screw-Blade	44	110-9981	3	Washer-Plain
15	114-0463	2	Washer-Friction, Composite	45	3231-31	1	Screw-CARR
16	138-7225	1	Spacer	46	80-6990	3	Washer-Hardened
17	145-7038	1	Idler Arm ASM	47	323-9	3	Screw-HH
18	138-7227	3	Bushing-Idler	48	104-8301	6	Nut-HF, NI
19	132-4718	3	Pulley-Idler, Flat	49	3230-22	2	Screw-CARR
20	136-5615	1	Guide-Belt, Idler	50	104-8300	10	Nut-HF, NI
21	138-7228	1	Spring-Extension	51	323-23	2	Screw-HH
22	119-3388-03	1	Baffle-Cutoff	52	108-5388	1	Screw-HH
23	1-603299	4	Roller-Scalp, Anti	53	322-2	3	Screw-HH
24	138-7229	2	Tube-Spanner	54	323-10	1	Screw-HH
25	104-0892	2	Spacer-Axle, Rear	55	3230-3	4	Screw-CARR
26	133-1168	1	Belt-V	56	3256-68	2	Washer-Flat
27	138-7230	1	Spacer-Fender	70	32144-4	4	Screw-HWH
28	138-7231	1	Pin-Chute				

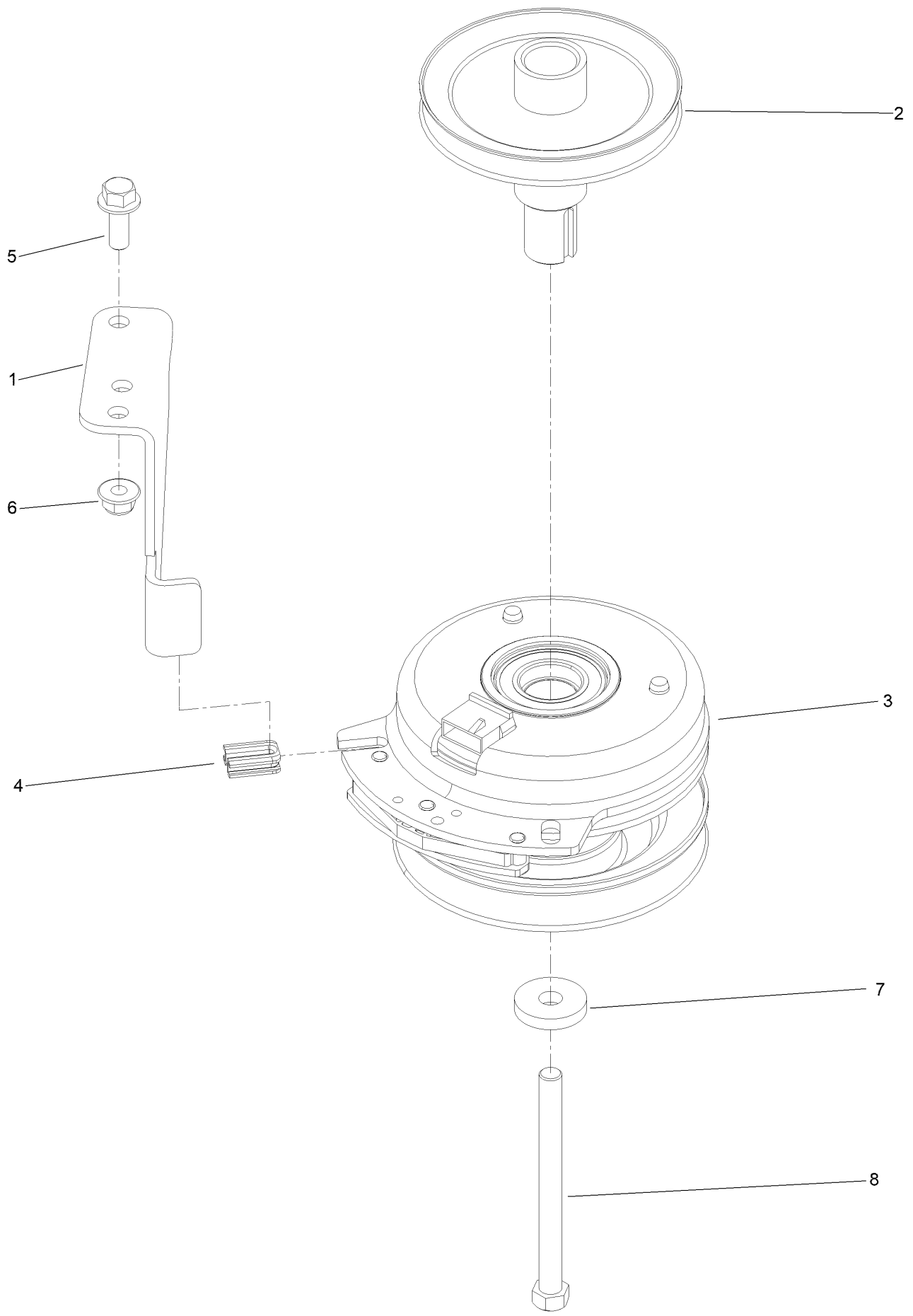
Deck Decal Assembly No. 147-8751



Deck Decal Assembly No. 147-8751 (continued)

<i>Ref.</i>	<i>Part Number</i>	<i>Qty.</i>	<i>Description</i>	<i>Ref.</i>	<i>Part Number</i>	<i>Qty.</i>	<i>Description</i>
2	130-0731	1	Decal-Danger	4	130-0765	1	Decal-Scalp, Anti
3	132-0872	2	Decal-Danger, Deck	5	117-1194	1	Decal-Routing, Belt

Clutch Assembly



Clutch Assembly (continued)

<i>Ref.</i>	<i>Part Number</i>	<i>Qty.</i>	<i>Description</i>	<i>Ref.</i>	<i>Part Number</i>	<i>Qty.</i>	<i>Description</i>
1	137-7000	1	Stop-Clutch (Wide)	5	3234-42	1	Screw-HHF
2	138-9831	1	Pulley-Engine	6	104-8301	1	Nut-HF, NI
3	127-3410	1	Clutch-PTO	7	112843	1	Washer
4	120-2217	1	Isolator-Clutch	8	3212-19	1	Screw-HH

Attachments and Accessories

For 76605 Titan 60in Zero Turn Riding Mower

Product Name	Model/Part
Hypr-Oil 500 (quart)	114-4713
Blade-Hi Flow, 20.5in	115-9649-03P
Jack Kit	127-6666
Fuel Stabilizer .05 oz	130-2393
4-Cycle Fuel, Snow And Lawn 32oz Can	131-3823
Toro Premium Fuel Treatment 12oz Bottle	131-6572
60in Recycler Kit	136-7490
Oil-30/10W-30 Synthetic (Quart)	138-6053
HD Bagger Cover Kit	140-5036
Leaf Bagging Enhancement Kit	140-5122
Hydro Service Kit	144-5347
Flat Free Caster Wheel Kit	145-0489
Led Light Kit	147-8757
Kit-Striping, 54/60in	147-8781
Mount, Jack Titan	147-8824
Assist Bar Kit	161-4450
Kit-Arm Rest	161-4567
10W30 4-Cycle Engine Oil (32oz Bottle)	38280
Toro 4-Cycle SAE 30 Oil (32oz Bottle)	38903
Toro Deluxe Rider Cover	490-7319
Powered Bagger, Titan Models ROHS	79348
ROPS Kit	79487
Kit-Slope Sensor	79489

Notes:



Count on it.