



Count on it.

Parts Catalog

**Titan® MR5400 Zero Turn
Riding Mower**

Model No. 76550TA—Serial No. 417100000 and Up



Ordering Replacement Parts

To order replacement parts, please supply the part number, the quantity, and the description of each part desired.

Understanding Reference Numbers

Each identified part in an illustration has a reference number. The reference number for a part also appears in the parts list, along with other information about the part.

This catalog uses two special reference number formats, one to indicate parts in a service assembly and another to indicate the quantity of a given part in an illustration.

Service Assembly Reference Numbers

Parts in service assemblies have reference numbers in the form a:b. The a represents the reference number of the entire service assembly and the b represents a sequential number unique to each part within the service assembly.

For example, a wheel assembly might be identified by reference number 6, the tire by 6:1, the valve by 6:2, and the wheel by 6:3. When you order the assembly identified by reference number 6, you receive all parts identified by reference numbers 6:1, 6:2, and 6:3. However, you may also order any part individually. Reference numbers of this type appear in illustration and in parts lists.

Reference Numbers Indicating Quantity

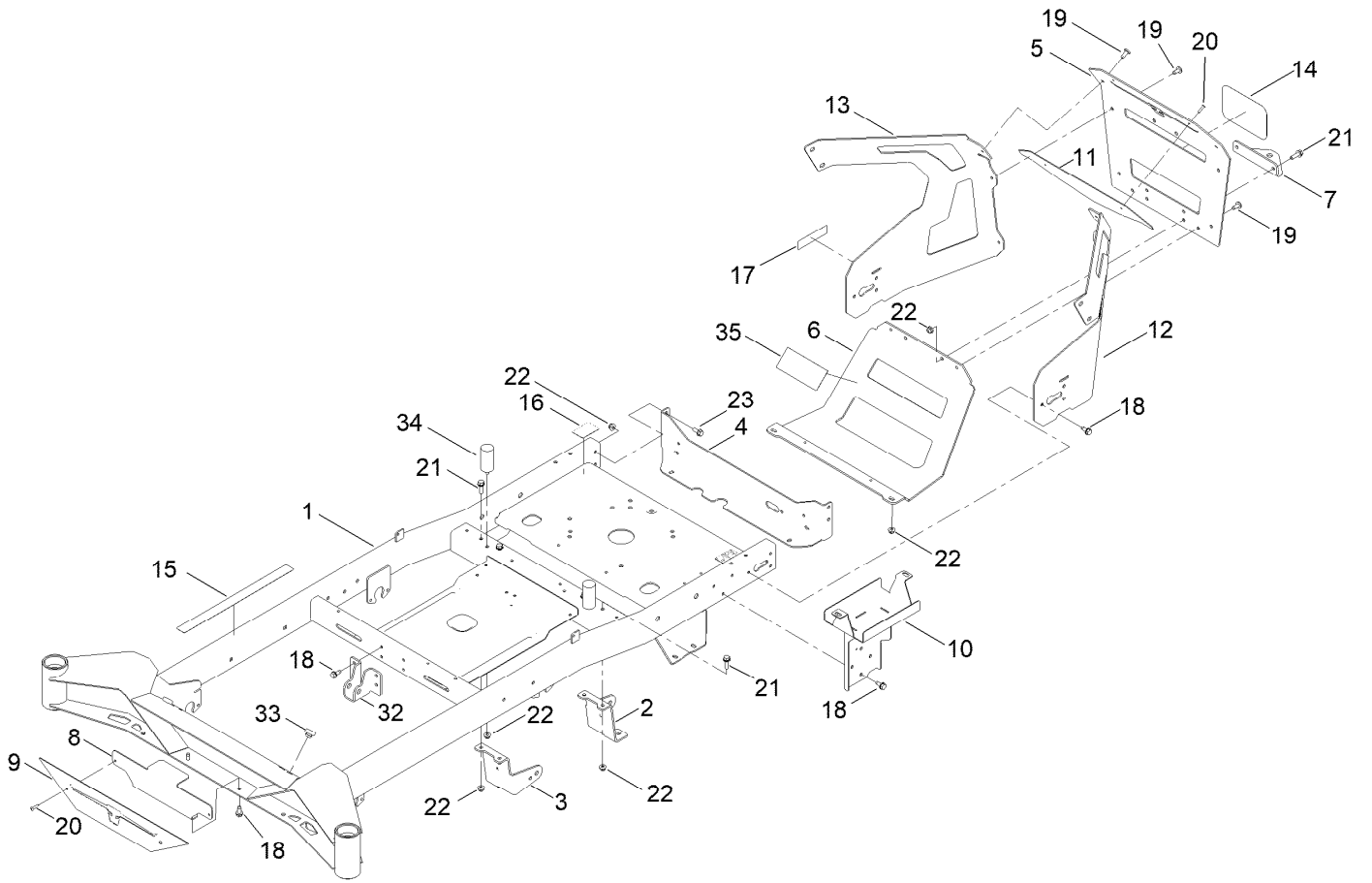
In an illustration, if a reference number indicates more than one part, the reference number has the form nX y. The n represents the quantity of the part, the X is the multiplication symbol, and the y represents the reference number.

For example, in an illustration, the reference number 2X 37 means that two of the parts identified by reference number 37 are indicated.

Contents

| | |
|--|----|
| Frame Assembly..... | 4 |
| Decklift Assembly..... | 6 |
| Caster Fork and Wheel Assembly..... | 8 |
| Hydraulic Drive Assembly..... | 10 |
| LH Hydro Transmission Assembly No. 147-2860..... | 12 |
| RH Hydro Transmission Assembly No. 147-2861..... | 14 |
| Parking Brake Assembly..... | 16 |
| Tire Assembly No. 145-0495..... | 18 |
| Control Assembly..... | 20 |
| Engine and Muffler Assembly..... | 22 |
| Fuel Pod Assembly..... | 24 |
| Fuel Tank Assembly No. 147-5288..... | 26 |
| Electrical Assembly..... | 28 |
| 54in Deck Assembly..... | 30 |
| Deck Decal Assembly No. 147-8750..... | 32 |
| Model Specific Assembly..... | 34 |
| Seat Pan Assembly..... | 36 |
| Clutch Assembly..... | 38 |
| Attachments and Accessories..... | 40 |

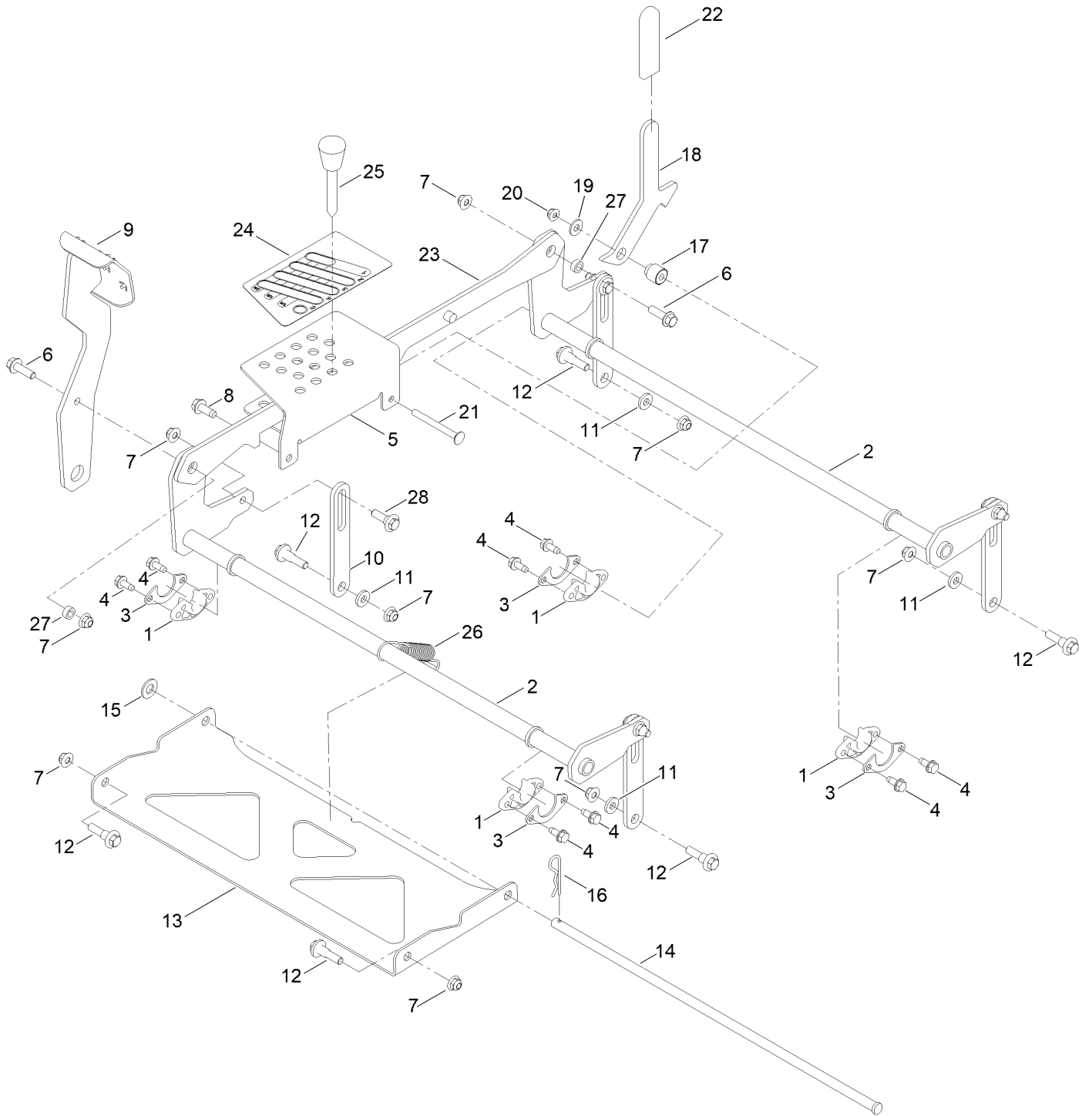
Frame Assembly



Frame Assembly (continued)

| <i>Ref.</i> | <i>Part Number</i> | <i>Qty.</i> | <i>Description</i> | <i>Ref.</i> | <i>Part Number</i> | <i>Qty.</i> | <i>Description</i> |
|-------------|--------------------|-------------|--------------------------|-------------|--------------------|-------------|--------------------------------|
| 1 | 147-8725 | 1 | Service ASM-Frame, Titan | 15 | 144-5288 | 1 | Decal-Warning |
| 2 | 161-6506-01 | 1 | Mount-Drive, LH | 16 | 161-6207 | 2 | Decal-Bypass |
| 3 | 161-6507-01 | 1 | Mount-Drive, RH | 17 | 142-5864 | 1 | Decal-Spark Arrester |
| 4 | 147-8709-03 | 1 | Plate-Mount | 18 | 32144-70 | 15 | Screw-HWHTF |
| 5 | 147-2998-03 | 1 | Guard-Engine | 19 | 138-9753 | 8 | Screw |
| 6 | 147-3000-03 | 1 | Guard-Muffler | 20 | 130-8451 | 4 | Rivet-Trifold |
| 7 | 117-1232-03 | 1 | Bracket-Hitch | 21 | 139-2596 | 6 | Screw-HHF |
| 8 | 147-2878-01 | 1 | Plate-Backer | 22 | 119-4041 | 14 | Nut-HF |
| 9 | 147-2879-03 | 1 | Logo-Plate-Front | 23 | 139-2598 | 4 | Screw-HHF |
| 10 | 145-6283-01 | 1 | Wa-Battery Mount | 32 | 145-6323-01 | 1 | Bracket-Mount Damper, Lower |
| 11 | 147-2999-01 | 1 | Plate-Backer | 33 | 140-3460 | 2 | Bumper-Rubber |
| 12 | 147-2996-01 | 1 | Guard-Engine LH | 34 | 145-6310 | 2 | Bumper-Rubber |
| 13 | 147-2997-01 | 1 | Guard-Engine-RH | 35 | 161-6260 | 1 | Tape-Heat |
| 14 | 99-4693 | 1 | Decal | | | | |

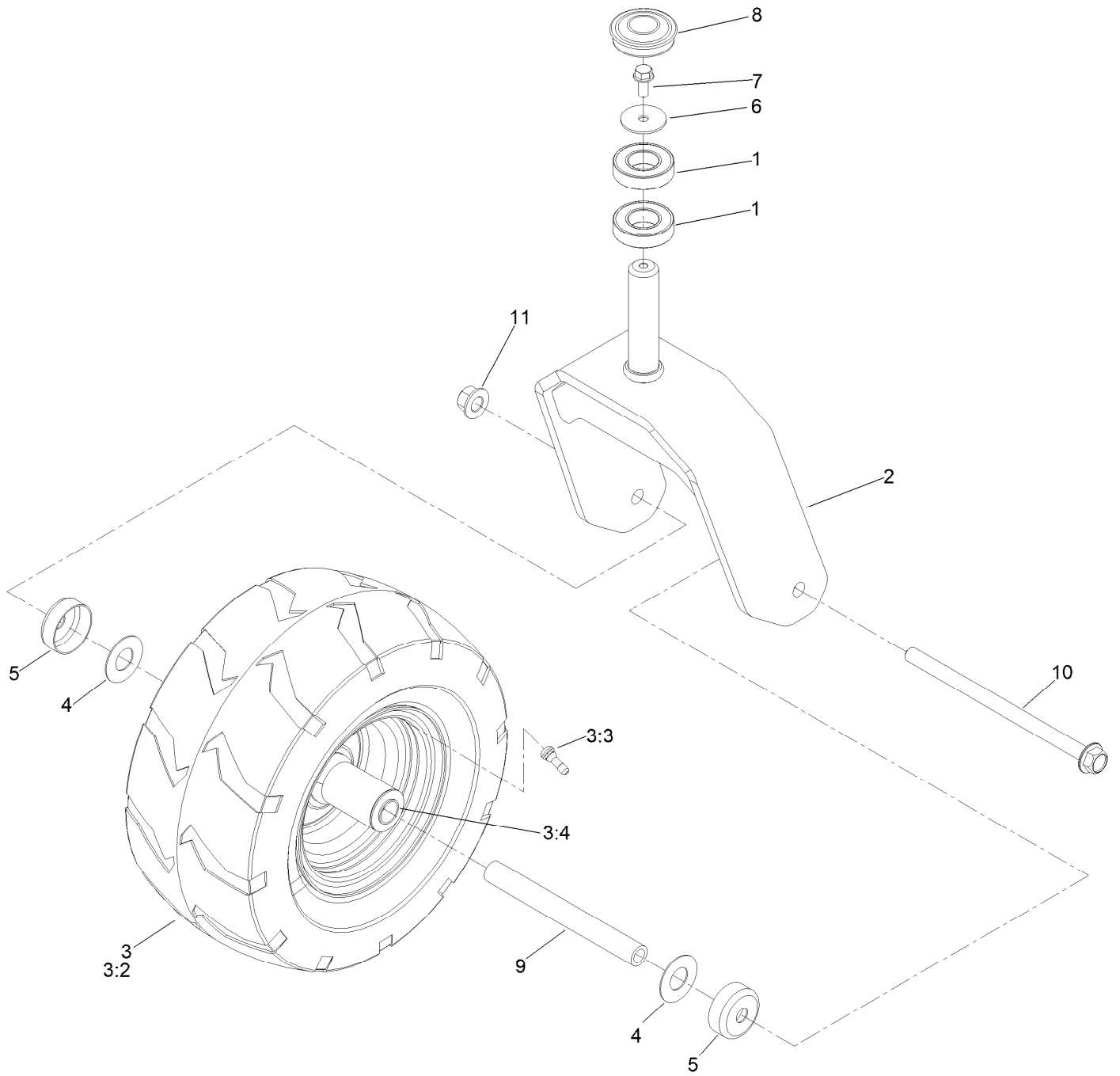
Decklift Assembly



Decklift Assembly (continued)

| <i>Ref.</i> | <i>Part Number</i> | <i>Qty.</i> | <i>Description</i> | <i>Ref.</i> | <i>Part Number</i> | <i>Qty.</i> | <i>Description</i> |
|-------------|--------------------|-------------|--------------------------|-------------|--------------------|-------------|----------------------|
| 1 | 139-5872 | 4 | Bearing-Flange | 15 | 139-2611 | 1 | Washer-Flat |
| 2 | 161-4632-01 | 2 | Pivot ASM-Decklift [red] | 16 | 139-2562 | 1 | Pin-Hair |
| 3 | 138-7204 | 4 | Gusset-Deck Lift | 17 | 145-6282 | 1 | Spacer-Stepped |
| 4 | 32144-70 | 8 | Screw-HWHTF | 18 | 145-6279 | 1 | Plate-Transport Lock |
| 5 | 145-6260-01 | 1 | Bracket-HOC | 19 | 137-3082 | 1 | Washer-Plain |
| 6 | 119-4061 | 2 | Screw-HHF | 20 | 119-4041 | 1 | Nut-HF |
| 7 | 119-4042 | 12 | Nut-HF, NI | 21 | 138-0741 | 1 | Screw-CARR |
| 8 | 139-2428 | 1 | Screw-HWH | 22 | 140-0413 | 1 | Grip-Handle |
| 9 | 145-6278-01 | 1 | Pedal ASM [red] | 23 | 145-6262-01 | 1 | Link ASM-HOC [red] |
| 10 | 161-4635-01 | 4 | Link-HOC | 24 | 147-2867 | 1 | Decal-HOC, Titan |
| 11 | 138-7207 | 4 | Spacer-Hub, Blower | 25 | 140-2146 | 1 | HOC Pin ASM |
| 12 | 130-0742 | 6 | Bolt-Shoulder | 26 | 138-7206 | 1 | Spring-Extension |
| 13 | 145-6248-03 | 1 | Pan-Deck Pivot | 27 | 140-2093 | 2 | Spacer |
| 14 | 145-6288 | 1 | Pin-Deck | 28 | 614672 | 4 | Screw-Shoulder, HWH |

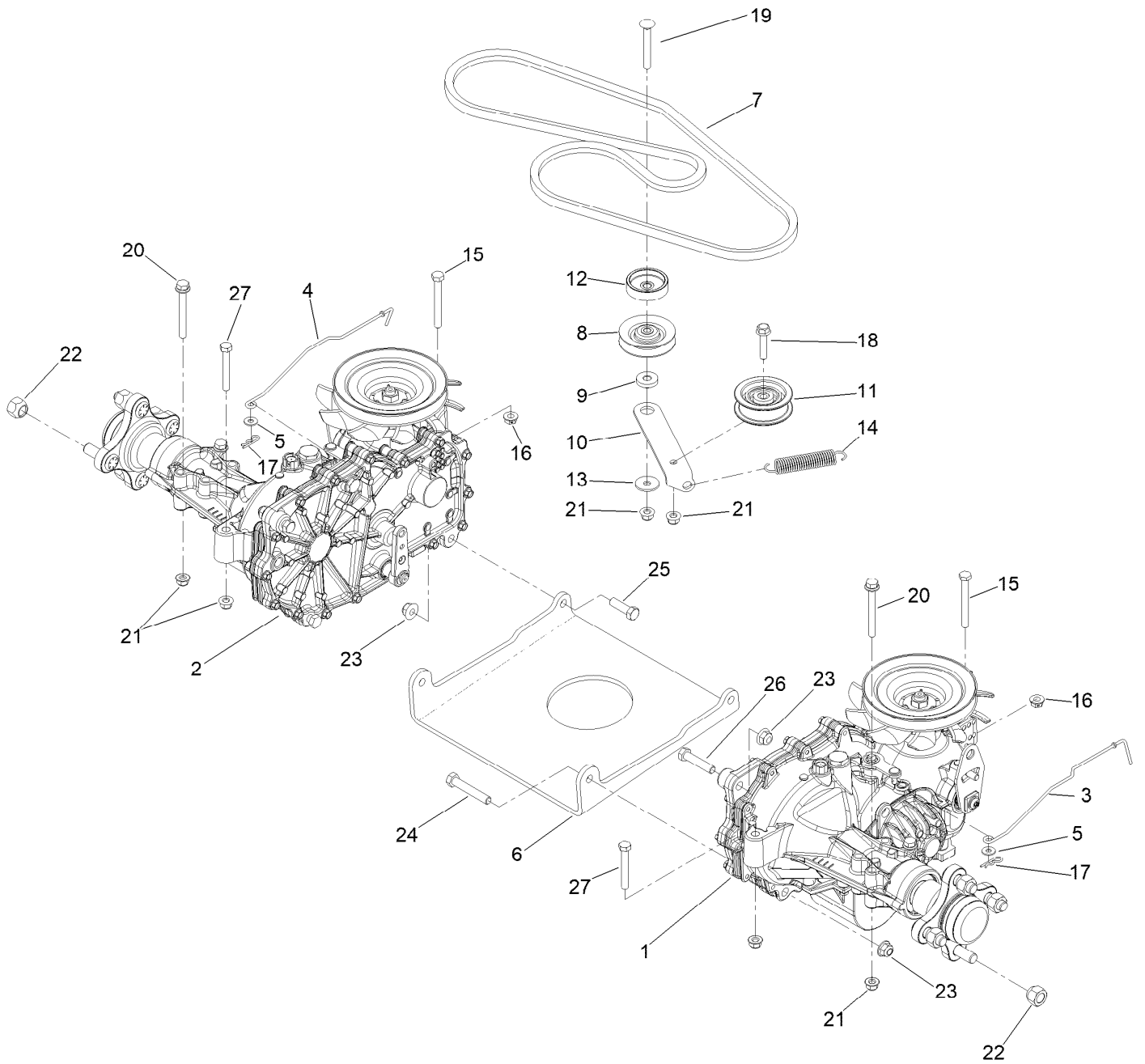
Caster Fork and Wheel Assembly



Caster Fork and Wheel Assembly (continued)

| <i>Ref.</i> | <i>Part Number</i> | <i>Qty.</i> | <i>Description</i> | <i>Ref.</i> | <i>Part Number</i> | <i>Qty.</i> | <i>Description</i> |
|-------------|--------------------|-------------|------------------------|-------------|--------------------|-------------|--------------------|
| 1 | 109-3678 | 4 | Bearing-Ball | 5 | 138-7208 | 4 | Guard-Seal |
| 2 | 145-6375-01 | 2 | Castor Fork [red] | 6 | 115-1151 | 2 | Washer-Flat |
| 3 | 147-7647 | 2 | Tire And Wheel ASM | 7 | 100-1668 | 2 | Screw-HHF |
| 3:2 | 147-7648 | 1 | Tire 13X6.5-6, Treaded | 8 | 144-0375 | 2 | Cap, Grease |
| 3:3 | 232-27 | 1 | Stem-Valve | 9 | 133-4487 | 2 | Spanner-Wheel |
| 3:4 | 147-7652 | 2 | Bearing | 10 | 139-2559 | 2 | Screw-HHF |
| 4 | 136-5590 | 4 | Washer | 11 | 139-1689 | 2 | Nut-HF |

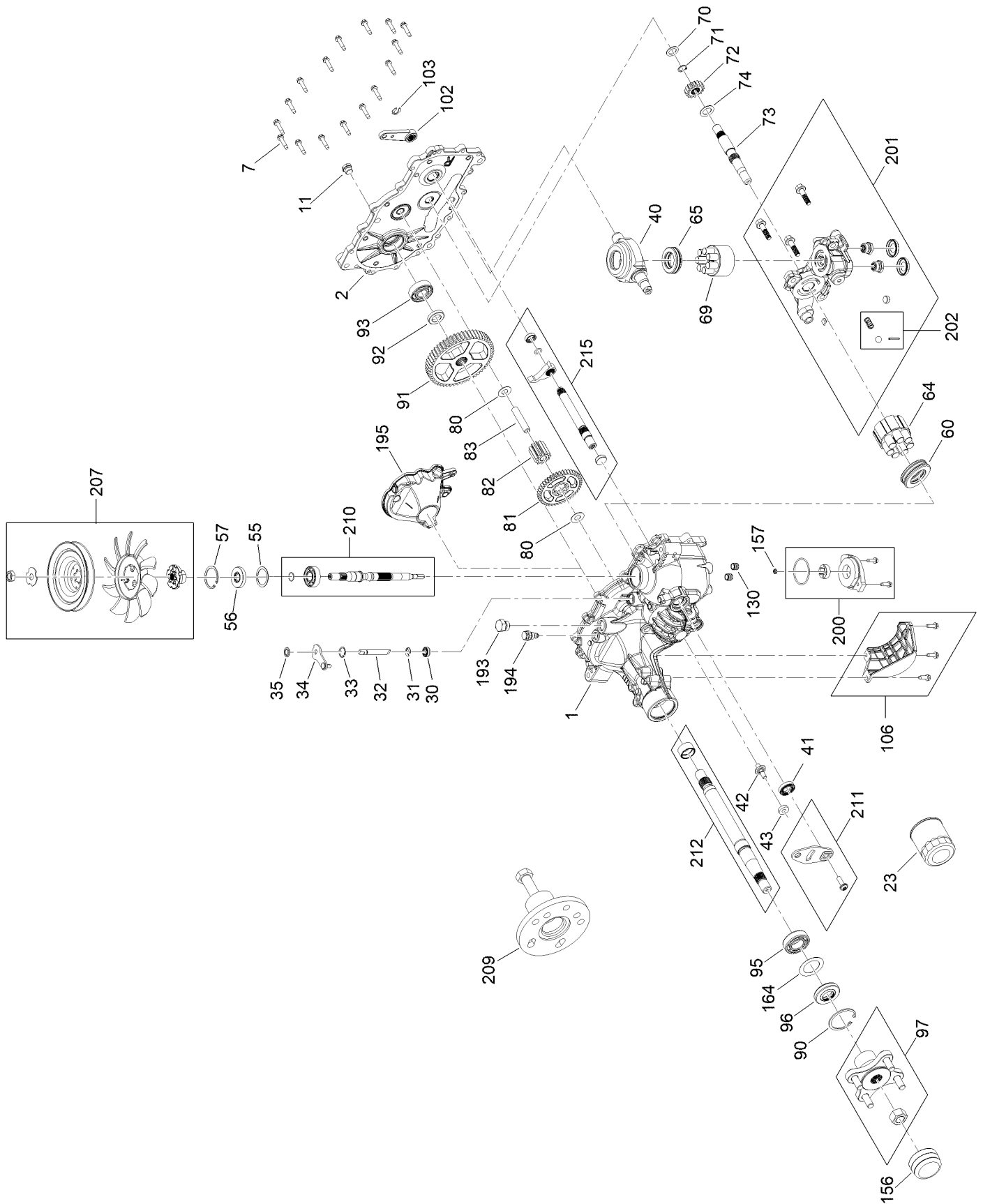
Hydraulic Drive Assembly



Hydraulic Drive Assembly (continued)

| <i>Ref.</i> | <i>Part Number</i> | <i>Qty.</i> | <i>Description</i> | <i>Ref.</i> | <i>Part Number</i> | <i>Qty.</i> | <i>Description</i> |
|-------------|--------------------|-------------|------------------------------|-------------|--------------------|-------------|----------------------|
| 1 | 147-2860 | 1 | LH Hydro Transmission ASM | 14 | 137-7040 | 1 | Spring-Return, Pedal |
| 2 | 147-2861 | 1 | RH Hydro Transmission ASM | 15 | 145-6388 | 2 | Screw-HH Spcl |
| 3 | 147-2987 | 1 | Rod-Bypass, LH | 16 | 139-2574 | 2 | Nut-HF |
| 4 | 147-2986 | 1 | Rod-Bypass, RH | 17 | 3290-307 | 2 | Pin-Cotter |
| 5 | 119-8952 | 2 | Washer-Spcl | 18 | 115-1794 | 1 | Screw-HHF |
| 6 | 145-6383-03 | 1 | Plate-Hydro | 19 | 3230-8 | 1 | Screw-CARR |
| 7 | 145-6363 | 1 | V-Belt (A Sec 66.30 EI) | 20 | 138-7590 | 4 | Screw-HHF |
| 8 | 68-0030 | 1 | Idler | 21 | 104-8300 | 8 | Nut-HF, NI |
| 9 | 138-7277 | 1 | Spacer-Arm, Idler | 22 | 242-50 | 8 | Nut-Lug |
| 10 | 147-2925 | 1 | Arm-Idler | 23 | 104-8301 | 6 | Nut-HF, NI |
| 11 | 138-7597 | 1 | Pulley-Idler, Flat | 24 | 323-11 | 2 | Screw-HH |
| 12 | 138-9809 | 1 | Spacer | 25 | 323-7 | 2 | Screw-HH |
| 13 | 5-4460 | 1 | Washer-Pivot | 26 | 323-9 | 2 | Screw-HH |
| | | | | 27 | 322-11 | 2 | Screw-HH |

LH Hydro Transmission Assembly No. 147-2860

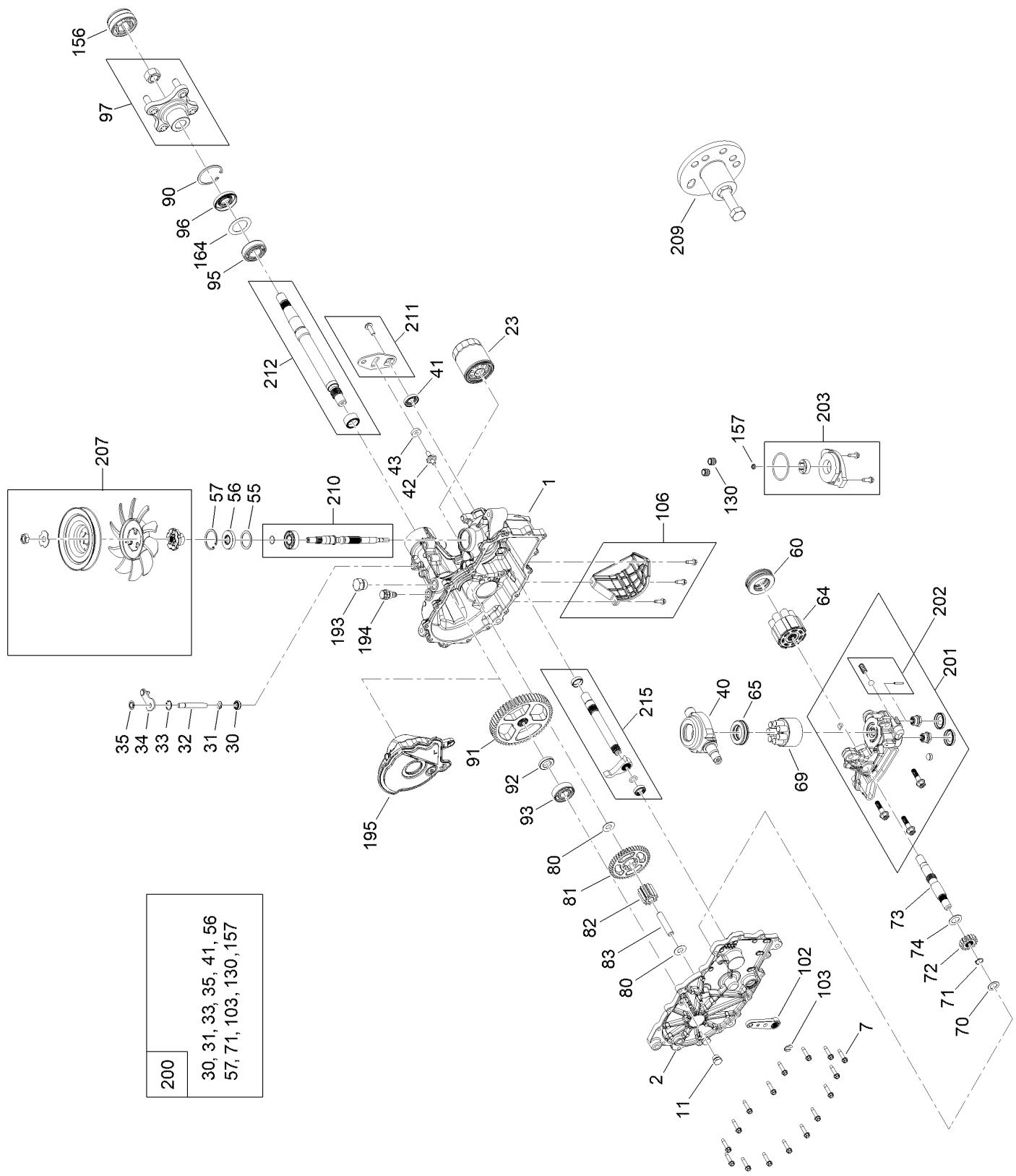


LH Hydro Transmission Assembly No. 147-2860 (continued)

| <i>Ref.</i> | <i>Part Number</i> | <i>Qty.</i> | <i>Description</i> | <i>Ref.</i> | <i>Part Number</i> | <i>Qty.</i> | <i>Description</i> |
|-------------|--------------------|-------------|--------------------------|-------------|--------------------|-------------|-----------------------------------|
| 1 | 140-8345 | 1 | RH Main Housing Kit | 83 | 104-5329 | 1 | Pin-Jackshaft |
| 2 | 140-8349 | 1 | RH Side Cover Kit | 90 | 104-2169 | 1 | Ring-Retaining |
| 7 | 117-5359 | 16 | Screw-HHF | 91 | 114-1694 | 1 | Gear-54T |
| 11 | 135-1140 | 1 | Plug-Straight | 92 | 120-7975 | 1 | Spacer |
| 23 | 109-3321 | 1 | Element-Oil Filter, HYD | 93 | 135-1361 | 1 | Bearing-Ball |
| 30 | 139-7497 | 1 | Seal-Lip | 95 | 130-8477 | 1 | Bearing-Ball |
| 31 | 106-8677 | 1 | Ring-Retaining, External | 96 | 104-2144 | 1 | Seal |
| 32 | 114-1685 | 1 | Rod-Bypass | 97 | 109-5939 | 1 | Hub Kit |
| 33 | 106-8679 | 1 | Ring-Retaining, Internal | 102 | 125-0021 | 1 | Handle-Brake |
| 34 | 112-9852 | 1 | Arm-Bypass | 103 | 131-0906 | 1 | Ring-Retaining, EXT |
| 35 | 106-8681 | 1 | Ring-Retaining, External | 106 | 139-7499 | 1 | Filter Guard Kit |
| 40 | 104-5304 | 1 | Swashplate-Trunnion | 130 | 126-3251 | 2 | Tube-Charge |
| 41 | 104-5313 | 1 | Seal-Lip | 156 | 115-5057 | 1 | Cover-Nut, Axle |
| 42 | 104-2116 | 1 | Stud | 157 | 126-1930 | 1 | Gerotor Seal Kit |
| 43 | 112-9853 | 1 | Puck-Friction | 164 | 121-5745 | 1 | Spacer |
| 55 | 104-5308 | 1 | Spacer | 193 | 140-8343 | 1 | Plug |
| 56 | 104-5310 | 1 | Seal-Lip | 194 | 140-8356 | 1 | Breather Fitting ASM |
| 57 | 104-5309 | 1 | Ring-Retaining | 195 | 140-8357 | 1 | RH Internal Expansion Tank ASM |
| 60 | 112-4154 | 1 | Bearing-Thrust | 200 | 140-8351 | 1 | Seal Kit |
| 64 | 139-4074 | 1 | Cylinder Block ASM Kit | 201 | 147-2906 | 1 | Kit, Center Section, LH Charge |
| 65 | 94-6922 | 1 | Bearing-Thrust | 202 | 114-8464 | 1 | Charge Relief Kit |
| 69 | 110-8561 | 1 | Pump Block ASM | 203 | 114-8465 | 1 | Charge Kit ● |
| 70 | 104-5339 | 1 | Washer-Flat | 207 | 135-7343 | 1 | Fan And Pulley Kit |
| 71 | 104-5340 | 1 | Ring-Retaining | 209 | 114-8467 | 1 | Puller-Hub, 4 Bolt |
| 72 | 114-1690 | 1 | Gear-14T | 210 | 139-7502 | 1 | Input Shaft Kit |
| 73 | 114-1691 | 1 | Shaft-Motor | 211 | 117-5362 | 1 | Control Arm Kit |
| 74 | 104-5360 | 1 | Washer | 212 | 114-8470 | 1 | Axle Shaft Kit |
| 80 | 94-1933 | 2 | Washer | 215 | 140-8352 | 1 | Inboard Kit |
| 81 | 114-1692 | 1 | Gear-45T | | | | |
| 82 | 114-1693 | 1 | Gear-11T | | | | |

● Not illustrated

RH Hydro Transmission Assembly No. 147-2861

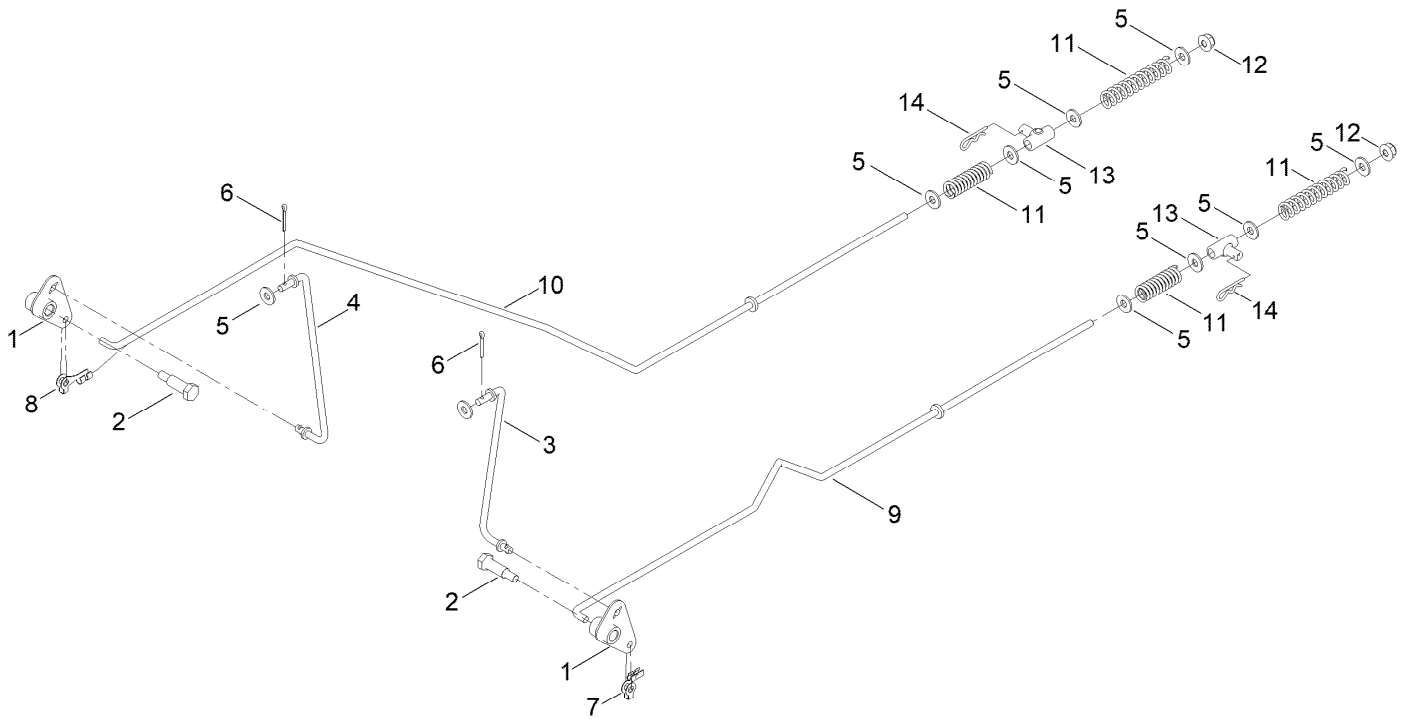


- | | |
|-----|---|
| 200 | 30, 31, 33, 35, 41, 56 57, 71, 103, 130, 157 |
|-----|---|

RH Hydro Transmission Assembly No. 147-2861 (continued)

| <i>Ref.</i> | <i>Part Number</i> | <i>Qty.</i> | <i>Description</i> | <i>Ref.</i> | <i>Part Number</i> | <i>Qty.</i> | <i>Description</i> |
|-------------|--------------------|-------------|--------------------------|-------------|--------------------|-------------|-----------------------------------|
| 1 | 140-8347 | 1 | LH Main Housing Kit | 83 | 104-5329 | 1 | Pin-Jackshaft |
| 2 | 140-8350 | 1 | LH Side Cover Kit | 90 | 104-2169 | 1 | Ring-Retaining |
| 7 | 117-5359 | 16 | Screw-HHF | 91 | 114-1694 | 1 | Gear-54T |
| 11 | 135-1140 | 1 | Plug-Straight | 92 | 120-7975 | 1 | Spacer |
| 23 | 109-3321 | 1 | Element-Oil Filter, HYD | 93 | 135-1361 | 1 | Bearing-Ball |
| 30 | 139-7497 | 1 | Seal-Lip | 95 | 130-8477 | 1 | Bearing-Ball |
| 31 | 106-8677 | 1 | Ring-Retaining, External | 96 | 104-2144 | 1 | Seal |
| 32 | 114-1685 | 1 | Rod-Bypass | 97 | 109-5939 | 1 | Hub Kit |
| 33 | 106-8679 | 1 | Ring-Retaining, Internal | 102 | 125-0021 | 1 | Handle-Brake |
| 34 | 107-2490 | 1 | Arm-Bypass | 103 | 131-0906 | 1 | Ring-Retaining, EXT |
| 35 | 106-8681 | 1 | Ring-Retaining, External | 106 | 139-7498 | 1 | Filter Guard Kit |
| 40 | 104-5304 | 1 | Swashplate-Trunnion | 130 | 126-3251 | 2 | Tube-Charge |
| 41 | 104-5313 | 1 | Seal-Lip | 156 | 115-5057 | 1 | Cover-Nut, Axle |
| 42 | 104-2116 | 1 | Stud | 157 | 126-1930 | 1 | Gerotor Seal Kit |
| 43 | 112-9853 | 1 | Puck-Friction | 164 | 121-5745 | 1 | Spacer |
| 55 | 104-5308 | 1 | Spacer | 193 | 140-8343 | 1 | Plug |
| 56 | 104-5310 | 1 | Seal-Lip | 194 | 140-8356 | 1 | Breather Fitting ASM |
| 57 | 104-5309 | 1 | Ring-Retaining | 195 | 140-8358 | 1 | LH Internal Expansion Tank ASM |
| 60 | 112-4154 | 1 | Bearing-Thrust | 200 | 140-8351 | 1 | Seal Kit |
| 64 | 139-4074 | 1 | Cylinder Block ASM Kit | 201 | 147-2907 | 1 | Kit, Center Section, RH Charge |
| 65 | 94-6922 | 1 | Bearing-Thrust | 202 | 114-8464 | 1 | Charge Relief Kit |
| 69 | 110-8561 | 1 | Pump Block ASM | 203 | 114-8465 | 1 | Charge Kit |
| 70 | 104-5339 | 1 | Washer-Flat | 207 | 135-7343 | 1 | Fan And Pulley Kit |
| 71 | 104-5340 | 1 | Ring-Retaining | 209 | 114-8467 | 1 | Puller-Hub, 4 Bolt |
| 72 | 114-1690 | 1 | Gear-14T | 210 | 139-7502 | 1 | Input Shaft Kit |
| 73 | 114-1691 | 1 | Shaft-Motor | 211 | 117-5362 | 1 | Control Arm Kit |
| 74 | 104-5360 | 1 | Washer | 212 | 114-8470 | 1 | Axle Shaft Kit |
| 80 | 94-1933 | 2 | Washer | 215 | 140-8353 | 1 | Inboard Kit |
| 81 | 114-1692 | 1 | Gear-45T | | | | |
| 82 | 114-1693 | 1 | Gear-11T | | | | |

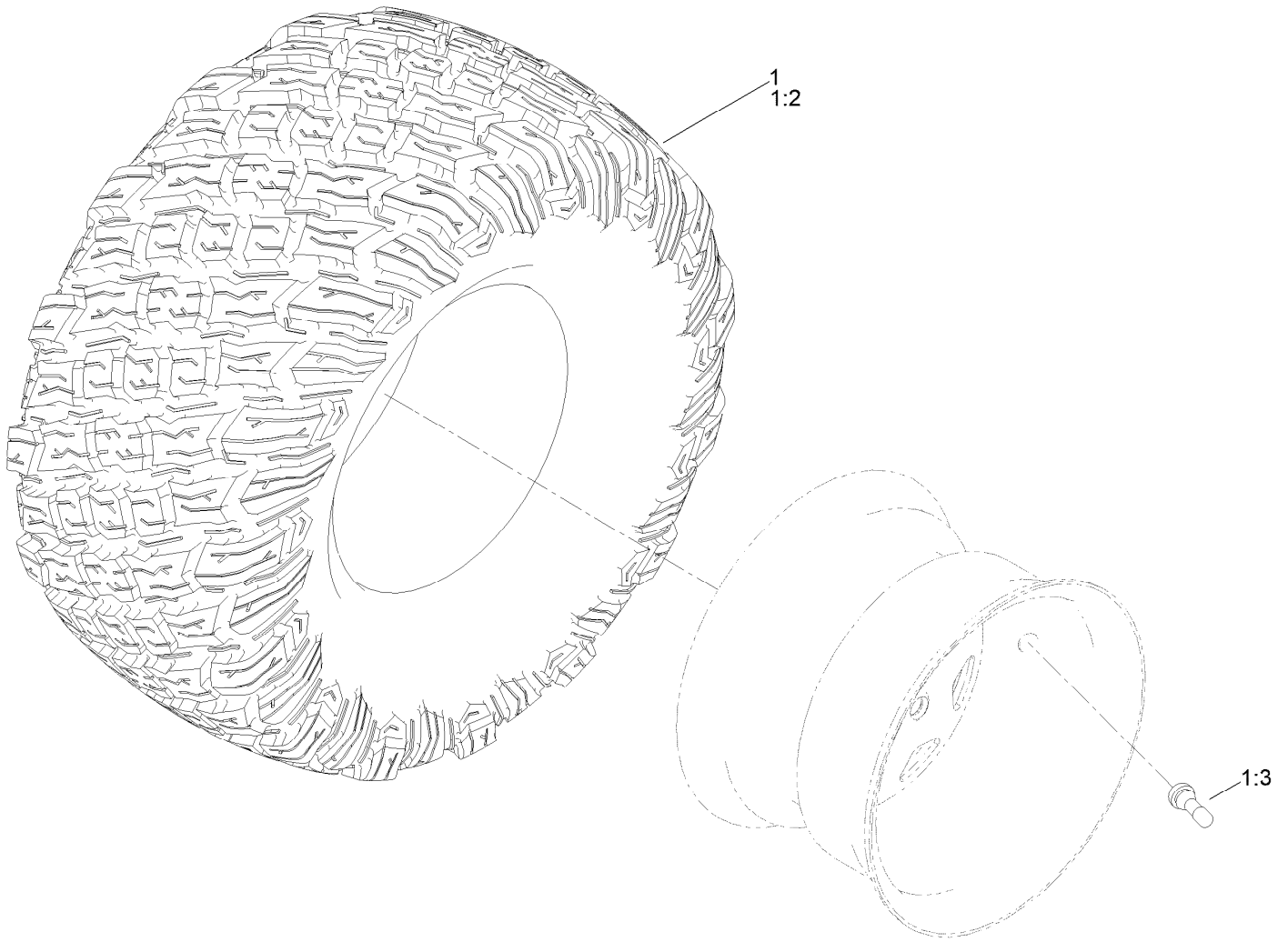
Parking Brake Assembly



Parking Brake Assembly (continued)

| <i>Ref.</i> | <i>Part Number</i> | <i>Qty.</i> | <i>Description</i> | <i>Ref.</i> | <i>Part Number</i> | <i>Qty.</i> | <i>Description</i> |
|-------------|--------------------|-------------|--------------------------|-------------|--------------------|-------------|--------------------------|
| 1 | 161-6420 | 2 | Bellcrank | 8 | 144-1815 | 1 | Clip-Rod, RH (7R, 1/4In) |
| 2 | 145-6364 | 2 | Bolt-Shoulder | 9 | 145-0408 | 1 | Rod-Brake LH |
| 3 | 145-4607 | 1 | Link-Brake, LH | 10 | 145-0407 | 1 | Rod-Brake, RH |
| 4 | 145-6238 | 1 | Link-Brake, RH | 11 | 1-603807 | 4 | Spring-Return, Neutral |
| 5 | 119-8952 | 10 | Washer-Spcl | 12 | 119-4040 | 2 | Nut-HF, NI |
| 6 | 120-9716 | 2 | Pin-Cotter | 13 | 119-8857 | 2 | Mount-Pivot |
| 7 | 144-1816 | 1 | Clip-Rod, LH (7L, 1/4In) | 14 | 137-3083 | 2 | Pin-Hair |

Tire Assembly No. 145-0495



Tire Assembly No. 145-0495 (continued)

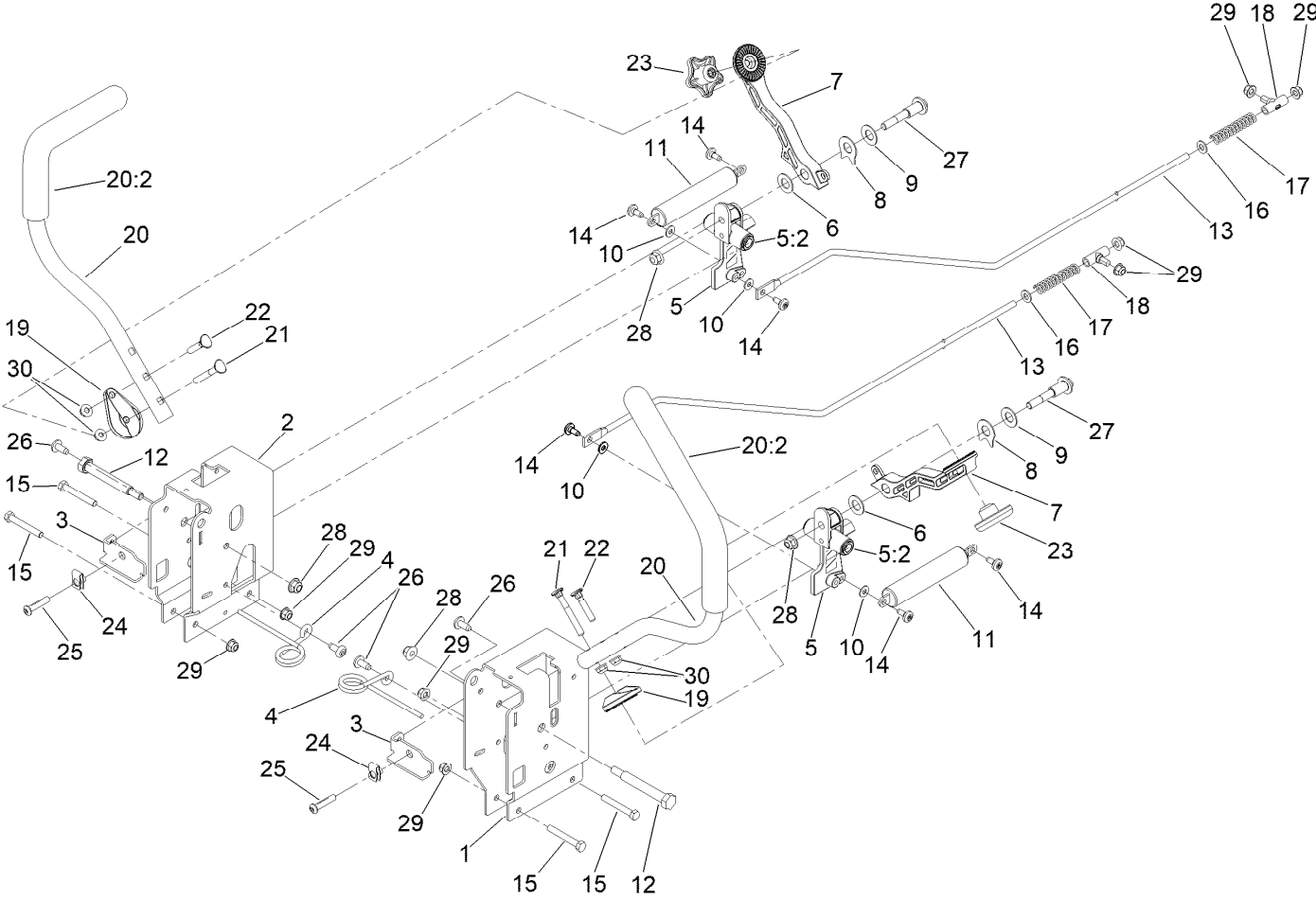
| <i>Ref.</i> | <i>Part Number</i> | <i>Qty.</i> | <i>Description</i> |
|-------------|--------------------|-------------|--------------------|
| 1 | 145-0495 | 2 | Tire ASM |
| 1:2 | 145-0494 | 1 | Tire |

| <i>Ref.</i> | <i>Part Number</i> | <i>Qty.</i> | <i>Description</i> |
|-------------|--------------------|-------------|--------------------|
| 1:3 | 232-27 | 1 | Stem-Valve |
| 1:99 | 105-4070 | 1 | Tube-Inner ■● |

● Not illustrated

■ Optional Equipment

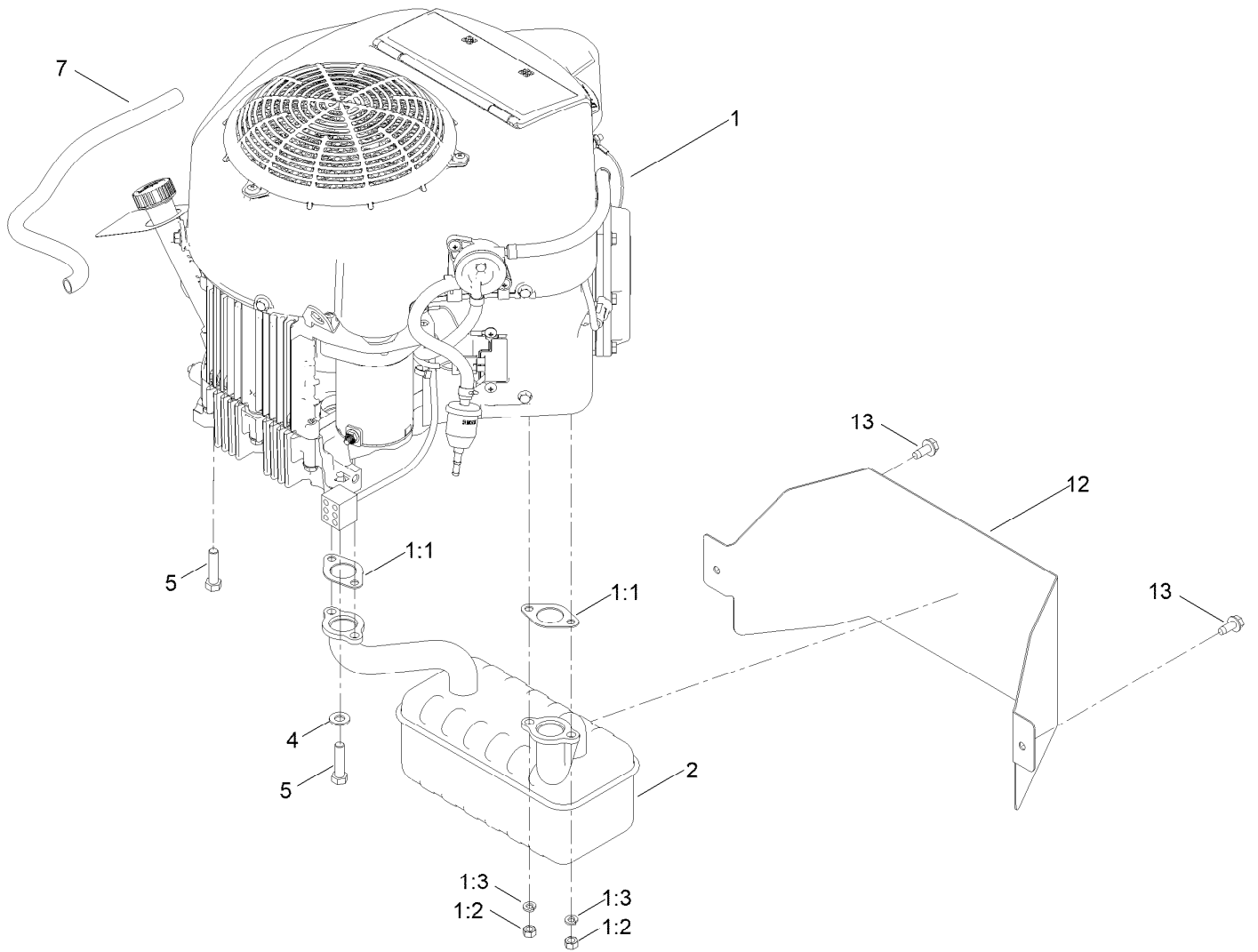
Control Assembly



Control Assembly (continued)

| <i>Ref.</i> | <i>Part Number</i> | <i>Qty.</i> | <i>Description</i> | <i>Ref.</i> | <i>Part Number</i> | <i>Qty.</i> | <i>Description</i> |
|-------------|--------------------|-------------|---------------------------------|-------------|--------------------|-------------|-------------------------------------|
| 1 | 145-4615-03 | 1 | Control Box - LH G7 | 16 | 120-9683 | 2 | Washer-Plain |
| 2 | 145-4647-03 | 1 | Control Box - RH G7 | 17 | 138-7252 | 2 | Spring-Compression |
| 3 | 147-7580-03 | 2 | Adjustment Plate-Control Box | 18 | 138-7218 | 2 | Mount-Rod, Hydro |
| 4 | 145-6253 | 2 | Spring-Torsion | 19 | 147-5192-05 | 2 | Disc-Adjustment Handle, 32 Teeth |
| 5 | 145-4648 | 2 | Pivot Arm ASM | 20 | 145-6327 | 2 | Handle-Control, |
| 5:2 | 256-156 | 2 | Bushing-Flange | 20:2 | 147-3029 | 1 | Grip |
| 6 | 120-2273 | 2 | Washer-Nylon | 21 | 145-6366 | 2 | Screw-Handle |
| 7 | 147-5191-05 | 2 | Arm-Control, 32 Teeth | 22 | 137-3008 | 2 | Screw-Handle |
| 8 | 142-8478 | 2 | Spacer, Anti-Rotation | 23 | 117-5976 | 2 | Knob-Handle |
| 9 | 119-8925 | 2 | Washer-Belleville | 24 | 112-3306 | 2 | Nut |
| 10 | 119-8952 | 4 | Washer-Spcl | 25 | 126-4299 | 2 | Screw-HSBH |
| 11 | 132-6853 | 2 | Damper-Non Cavitating | 26 | 138-9753 | 4 | Screw |
| 12 | 115-5099 | 2 | Bolt-Pivot | 27 | 117-1198 | 2 | Bolt-Pivot |
| 13 | 145-6367 | 2 | Rod - Hydro | 28 | 104-8301 | 4 | Nut-HF, NI |
| 14 | 120-7950 | 6 | Screw-Torx | 29 | 104-8300 | 8 | Nut-HF, NI |
| 15 | 322-11 | 4 | Screw-HH | 30 | 138-8401 | 4 | Nut-HF |

Engine and Muffler Assembly



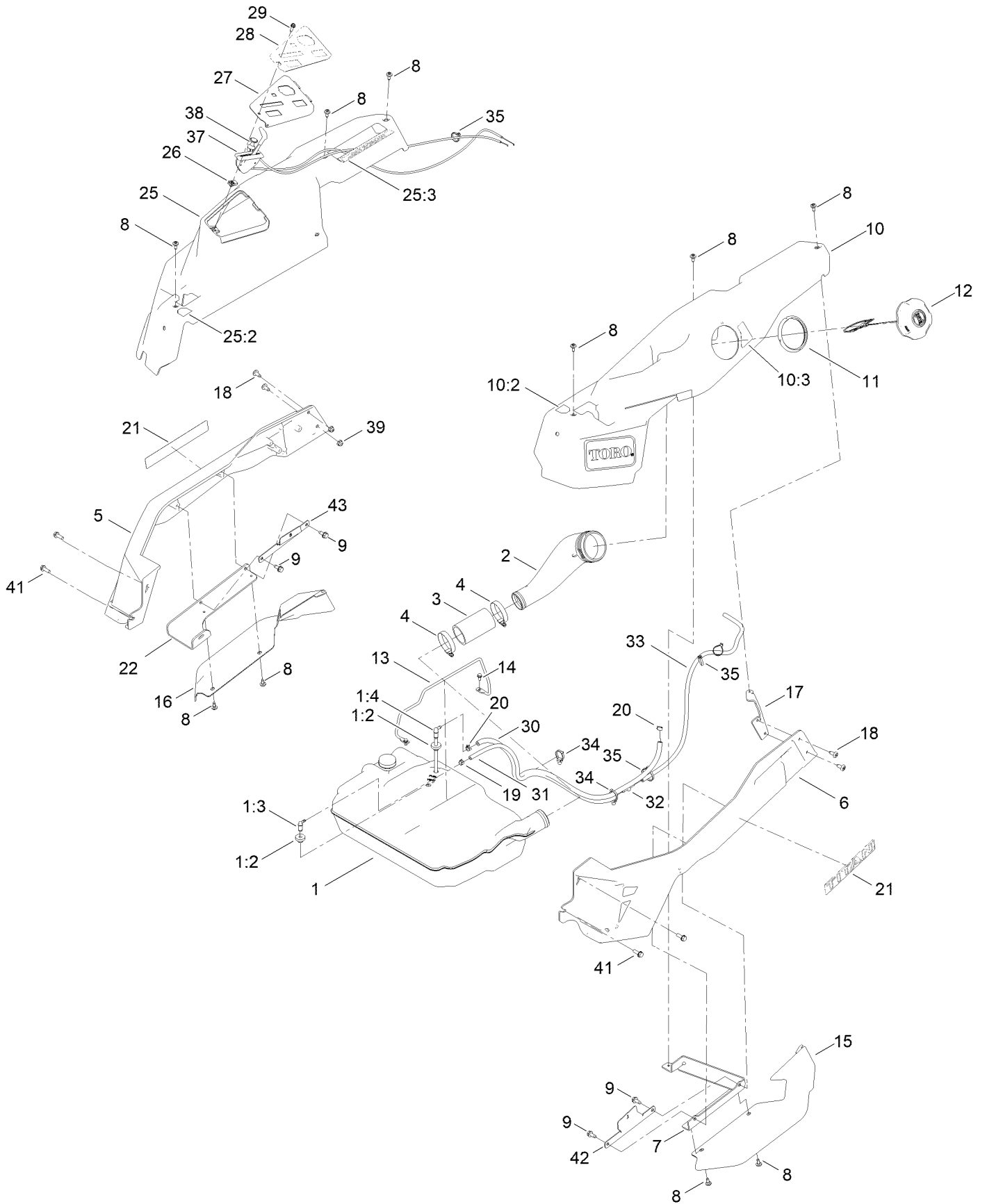
Engine and Muffler Assembly (continued)

| <i>Ref.</i> | <i>Part Number</i> | <i>Qty.</i> | <i>Description</i> | <i>Ref.</i> | <i>Part Number</i> | <i>Qty.</i> | <i>Description</i> |
|-------------|--------------------|-------------|-------------------------------------|-------------|--------------------|-------------|---------------------|
| 1 | | 1 | Engine-Kawasaki, Fr730V-S09-R ●■ | 4 | 3256-24 | 3 | Washer-Plain |
| 1:1 | 1-653313 | 2 | Gasket-Exhaust | 5 | 323-50 | 4 | Bolt-HH |
| 1:2 | 114-3549 | 4 | Nut | 7 | 106-7022 | 1 | Tube-Drain, Oil |
| 1:3 | 114-3550 | 4 | Washer-Lock | 12 | 161-6221-03 | 1 | Heat Shield-Muffler |
| 2 | 139-5867 | 1 | Muffler | 13 | 32144-70 | 2 | Screw-HWHTF |

● Not serviced separately

■ Obtain parts from www.kawpower.com

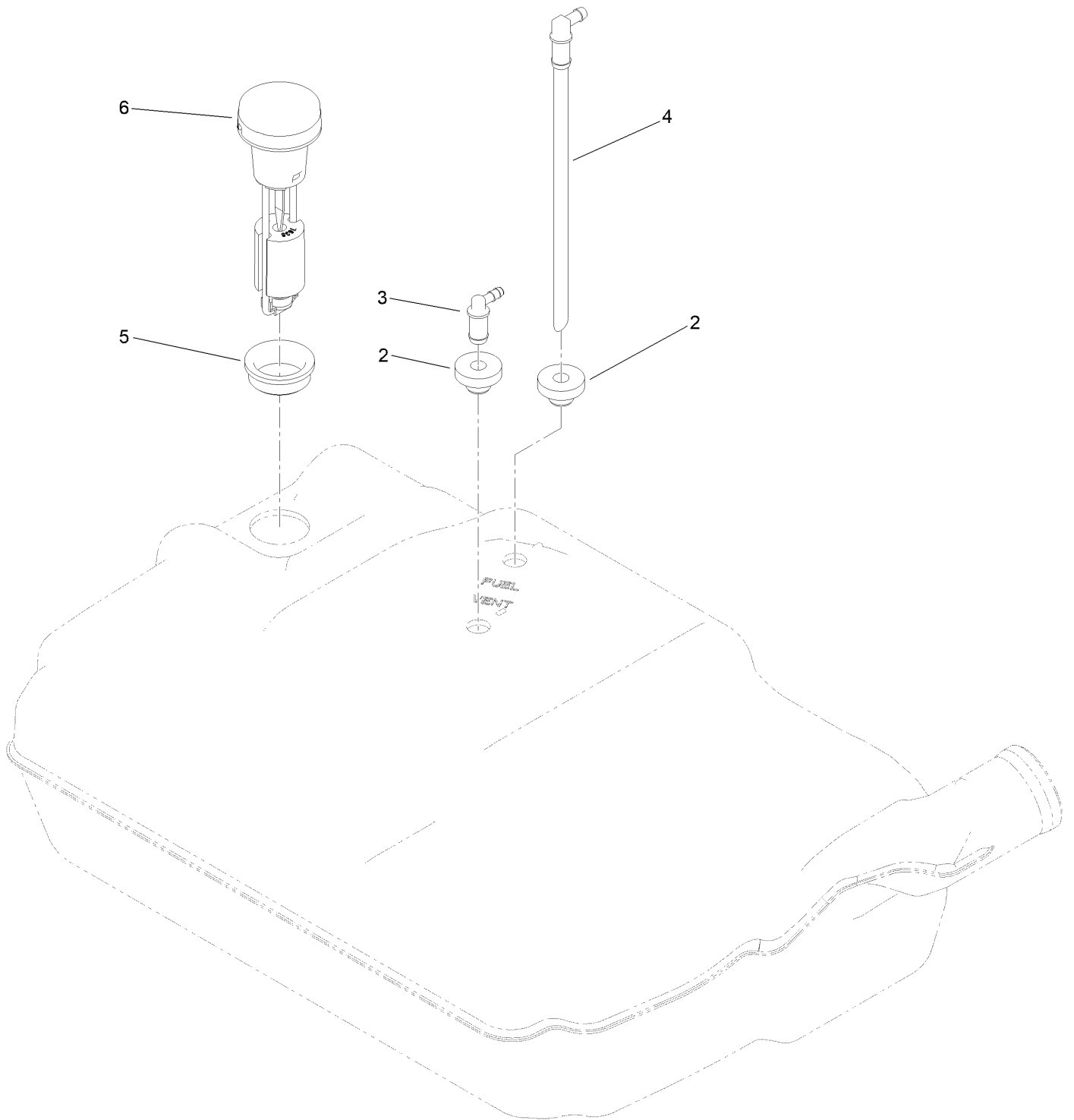
Fuel Pod Assembly



Fuel Pod Assembly (continued)

| <i>Ref.</i> | <i>Part Number</i> | <i>Qty.</i> | <i>Description</i> | <i>Ref.</i> | <i>Part Number</i> | <i>Qty.</i> | <i>Description</i> |
|-------------|--------------------|-------------|-------------------------|-------------|--------------------|-------------|----------------------------------|
| 1 | 147-5288 | 1 | Tank ASM - Fuel | 20 | 2412-98 | 2 | Clamp-Hose |
| 1:2 | 46-6560 | 2 | Bushing | 21 | 147-7566 | 2 | Decal-Titan |
| 1:3 | 144-5302 | 1 | Fitting-Elbow 90 | 22 | 147-5173-03 | 1 | Bracket-Mr Spring |
| 1:4 | 147-2934 | 1 | Fitting-Pickup, Fuel | 25 | 147-8744 | 1 | Pod ASM - RH , Mr W/Decals |
| 2 | 147-7657 | 1 | Neck-Filler, Fuel | 25:2 | 139-2394 | 1 | Decal-Control Lever, RH |
| 3 | 145-4698 | 1 | Hose-Filler, Fuel | 25:3 | 147-7574 | 1 | Decal - Myride |
| 4 | 2412-130 | 2 | Clamp-Hose | 26 | 107069 | 1 | Clip |
| 5 | 147-2973-01 | 1 | Cast-Tube, RH [red] | 27 | 147-2990-03 | 1 | Panel-Control |
| 6 | 147-2972-01 | 1 | Cast-Tube, LH [red] | 28 | 147-7571 | 1 | Decal - Control Panel |
| 7 | 147-2974-03 | 1 | Mount-Pod Bracket LH | 29 | 49-2040 | 1 | Screw-HWHTF |
| 8 | 120-7950 | 10 | Screw-Torx | 30 | 109-0275 | 1 | Hose-Fuel |
| 9 | 32144-70 | 4 | Screw-HWHTF | 31 | 121-0780 | 1 | Hose-Fuel |
| 10 | 147-8741 | 1 | Pod ASM - LH W/Decals | 32 | 144-1983 | 1 | Adapter Orifice |
| 10:2 | 139-2395 | 1 | Decal-Control Lever, LH | 33 | 108-6344 | 1 | Hose-Fuel |
| 10:3 | 147-2399 | 1 | Decal-Fuel Fill | 34 | 32180-030 | 2 | Clip-Tie |
| 11 | 147-7712 | 1 | Ring-Retaining | 35 | 614249 | 4 | Tie-Cable |
| 12 | 137-4119 | 1 | Cap-Fuel, Ratcheting | 37 | 139-5808 | 1 | Cable-Throttle |
| 13 | 147-5176 | 1 | Rod-Hold Down | 38 | 147-2902 | 1 | Cable-Choke |
| 14 | 32144-4 | 2 | Screw-HWH | 39 | 119-4041 | 2 | Nut-HF |
| 15 | 147-2978 | 1 | Fender-Time Cutter, LH | 41 | 32144-41 | 4 | Screw-Taptite |
| 16 | 147-2979 | 1 | Fender-Time Cutter, RH | 42 | 161-4609-03 | 1 | Bracket-Alignment, Pod LH |
| 17 | 147-2976-03 | 1 | Bracket-Rear Pod, LH | 43 | 161-4611-03 | 1 | Bracket- Alignment, Pod RH Mr |
| 18 | 138-9753 | 4 | Screw | | | | |
| 19 | 2412-80 | 1 | Clamp-Hose | | | | |

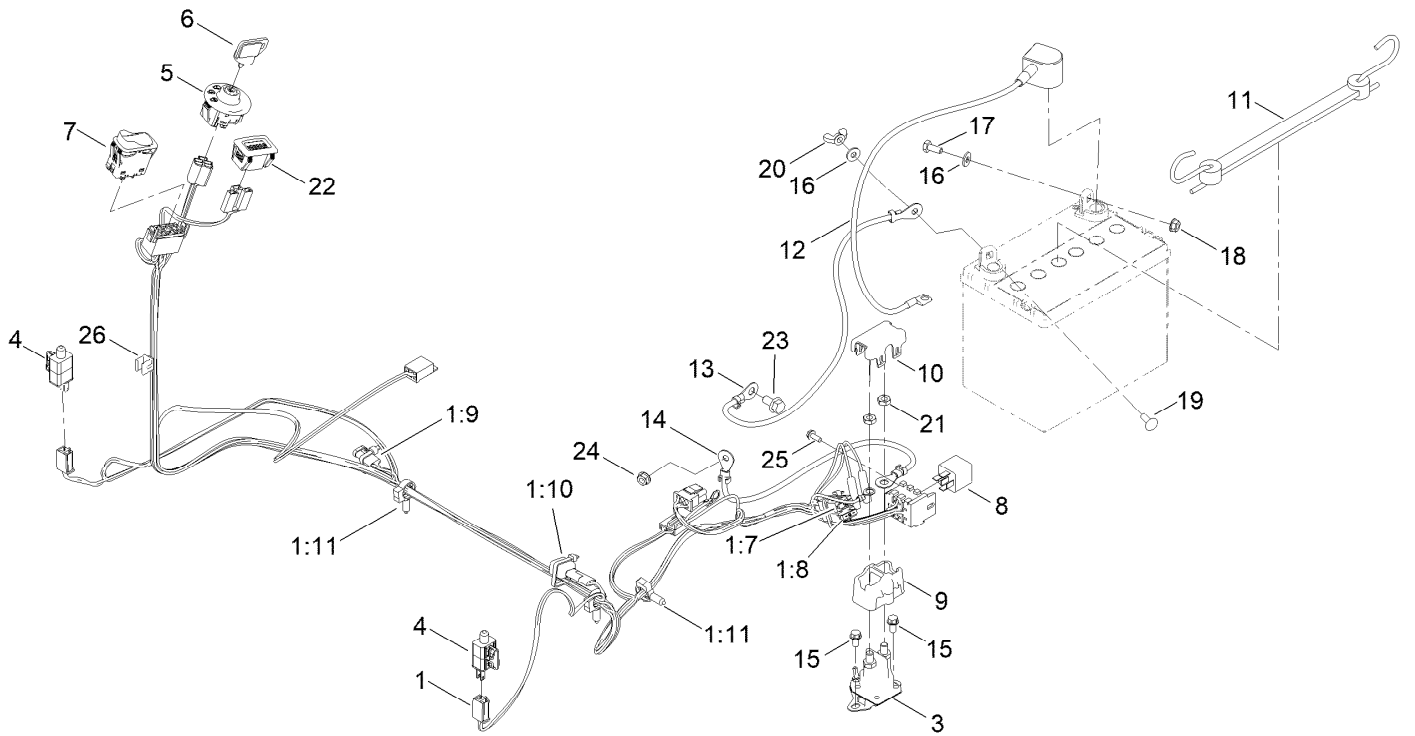
Fuel Tank Assembly No. 147-5288



Fuel Tank Assembly No. 147-5288 (continued)

| <i>Ref.</i> | <i>Part Number</i> | <i>Qty.</i> | <i>Description</i> | <i>Ref.</i> | <i>Part Number</i> | <i>Qty.</i> | <i>Description</i> |
|-------------|--------------------|-------------|----------------------|-------------|--------------------|-------------|--------------------|
| 2 | 46-6560 | 2 | Bushing | 5 | 133-9269 | 1 | Grommet-Fuel |
| 3 | 144-5302 | 1 | Fitting-Elbow 90 | 6 | 147-5166 | 1 | Remote Gauge ASM |
| 4 | 147-2934 | 1 | Fitting-Pickup, Fuel | | | | |

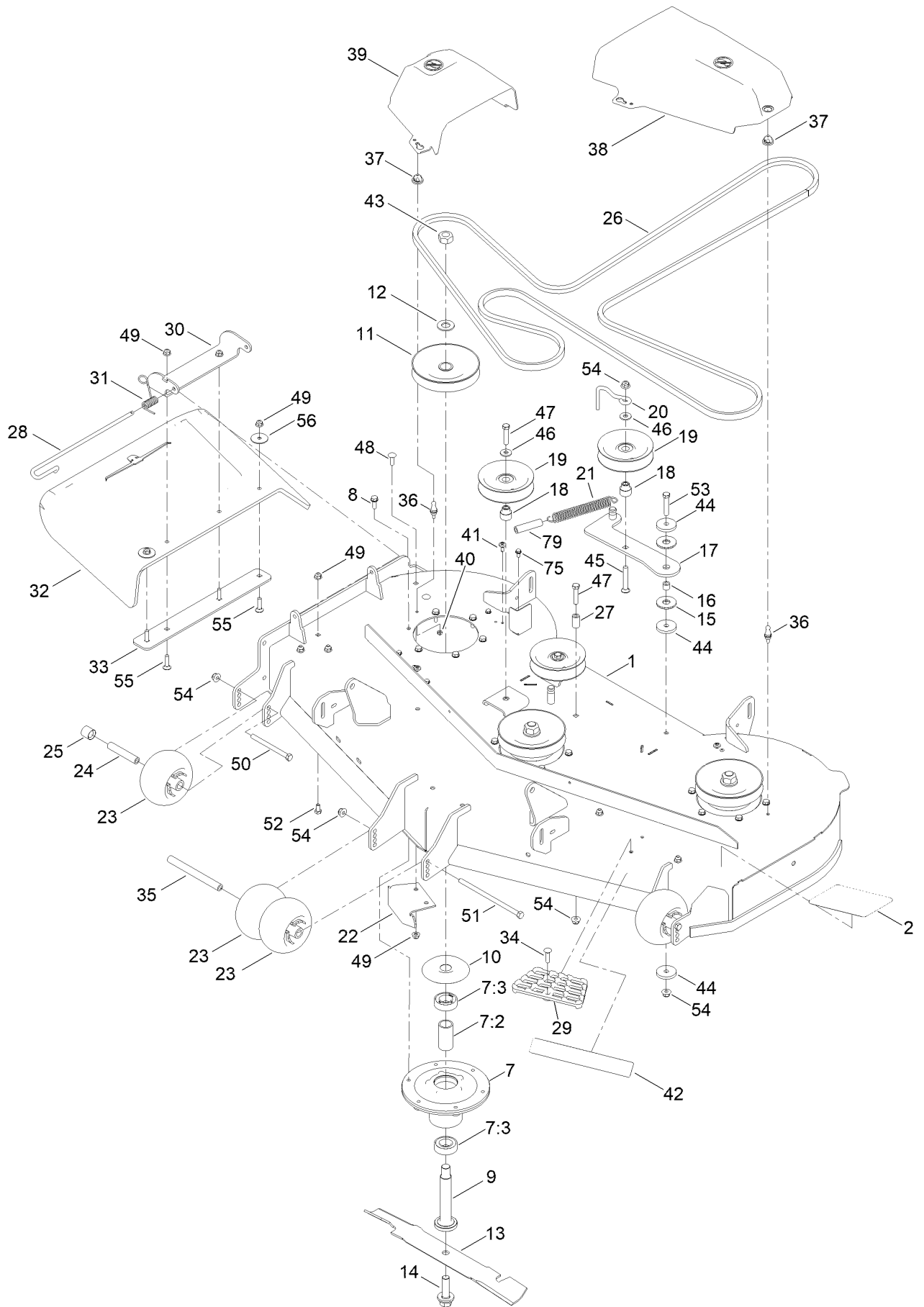
Electrical Assembly



Electrical Assembly (continued)

| <i>Ref.</i> | <i>Part Number</i> | <i>Qty.</i> | <i>Description</i> | <i>Ref.</i> | <i>Part Number</i> | <i>Qty.</i> | <i>Description</i> |
|-------------|--------------------|-------------|------------------------------|-------------|--------------------|-------------|-----------------------------------|
| 1 | 145-6382 | 1 | Harness-Wire, Main | 12 | 147-2941 | 1 | Cable-Battery,Red |
| 1:7 | 109355 | 1 | Fuse-Blade, 15 Amp | 13 | 119-8899 | 1 | Cable-Battery, Black |
| 1:8 | 109102 | 1 | Fuse-Blade, 25 Amp | 14 | 121-0711 | 1 | Cable-Battery, Positive |
| 1:9 | 32180-435 | 1 | Cap-Over Mold, 1M/1F | 15 | 32144-4 | 2 | Screw-HWH |
| 1:10 | 100-4918 | 1 | Diode | 16 | 119-8952 | 2 | Washer-Spcl |
| 1:11 | 32180-047 | 3 | Clip-Tubing, Harness | 17 | 137-3041 | 1 | Screw-HH |
| 3 | 117-1197 | 1 | Solenoid | 18 | 139-2575 | 1 | Nut-HF |
| 4 | 110-6765 | 2 | Switch | 19 | 137-3053 | 1 | Screw-CARR |
| 5 | 137-4100 | 1 | Switch-Ignition | 20 | 32103-22 | 1 | Nut-Wing |
| 6 | 63-8360 | 1 | Key-Ignition | 21 | 139-2580 | 2 | Nut-HJ |
| 7 | 139-6368 | 1 | Switch-Rocker, On-None-On | 22 | 139-6404 | 1 | Hour Meter |
| 8 | 1-643275 | 1 | Relay | 23 | 33104-016 | 1 | Screw-HHF |
| 9 | 140-2080 | 1 | Cover-Solenoid | 24 | 32128-33 | 1 | Nut-HF |
| 10 | 140-2081 | 1 | Cap-Solenoid | 25 | 139-1713 | 1 | Screw-Thd Roll |
| 11 | 104-2466 | 1 | Holddown-Battery | 26 | 32180-082 | 1 | Clip-Edge W/Tie, Perpendicular |

54in Deck Assembly

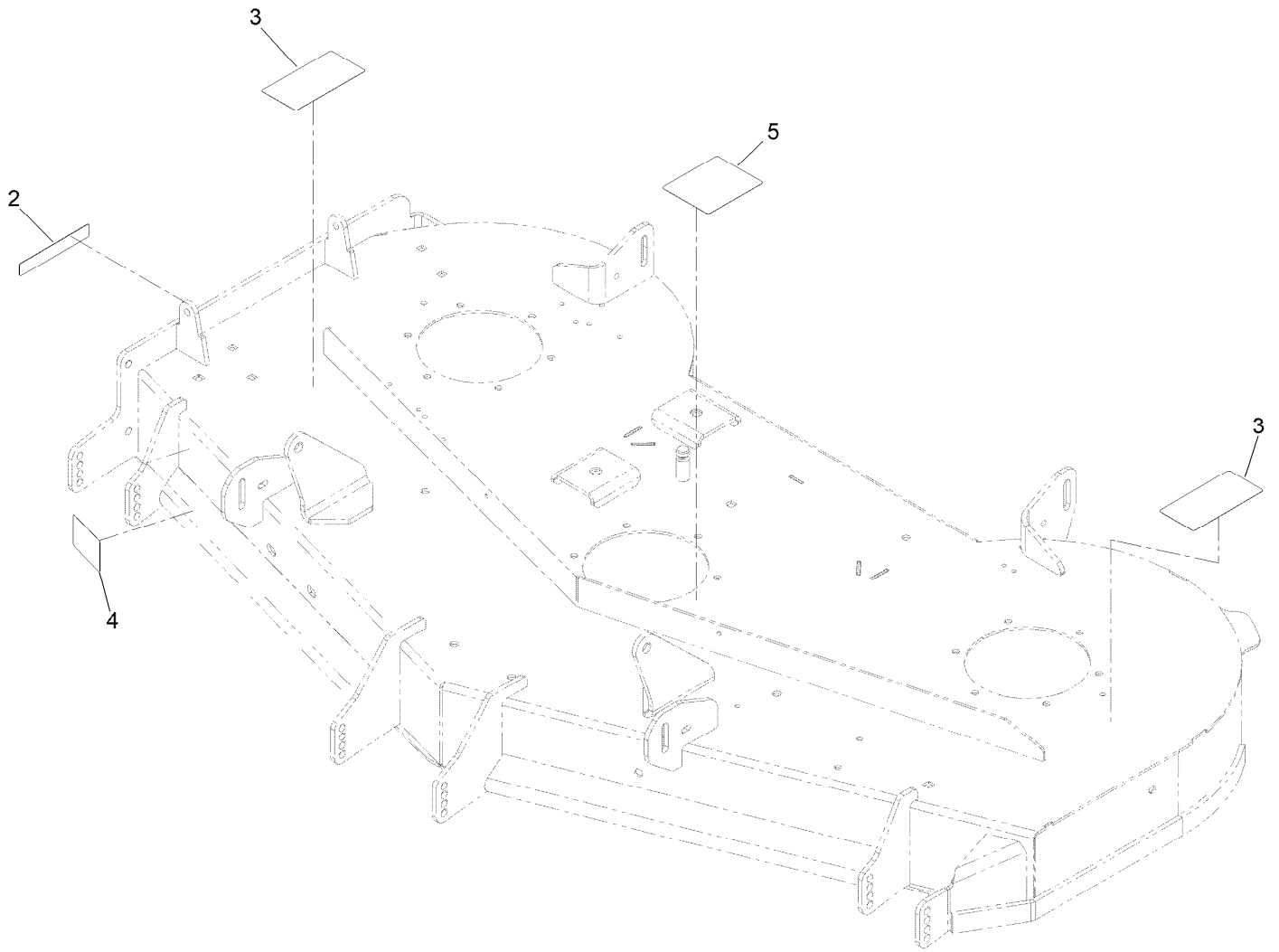


54in Deck Assembly (continued)

| <i>Ref.</i> | <i>Part Number</i> | <i>Qty.</i> | <i>Description</i> | <i>Ref.</i> | <i>Part Number</i> | <i>Qty.</i> | <i>Description</i> |
|-------------|--------------------|-------------|----------------------------|-------------|--------------------|-------------|---------------------|
| 1 | 147-8750 | 1 | 54 In Deck & Decal ASM | 31 | 138-7232 | 1 | Spring-Torsion |
| 2 | 147-7569 | 1 | Decal - Deck 54 | 32 | 147-3015 | 1 | Deflector - Molded |
| 7 | 139-2357 | 3 | Spindle ASM | 33 | 115-5048-03 | 1 | Plate-Deflector |
| 7:2 | 116-0720 | 2 | Bearing-Ball | 34 | 139-1702 | 1 | Bolt-Carriage |
| 7:3 | 138-7220 | 1 | Spacer-Bearing | 35 | 98-5967 | 1 | Spacer-Wheel |
| 8 | 32144-41 | 18 | Screw-Taptite | 36 | 147-2872 | 2 | Stud-Ball |
| 9 | 115-2642 | 3 | Shaft-Spindle | 37 | 147-2871 | 2 | Grommet-Ball |
| 10 | 138-7221 | 3 | Shield-Bearing | 38 | 147-2854 | 1 | Cover-Belt, LH |
| 11 | 139-7455 | 3 | Pulley | 39 | 147-2853 | 1 | Cover-Belt, RH |
| 12 | 7-4150 | 3 | Washer | 40 | 115-7373 | 2 | Nut-Lock ● |
| 13 | 115-9650-03 | 3 | Blade-Hi Flo | 41 | 120-7950 | 4 | Screw-Torx |
| 14 | 145-0412 | 3 | Screw-Blade | 42 | 147-7567 | 1 | Decal - Iron Forged |
| 15 | 114-0463 | 2 | Washer-Friction, Composite | 43 | 3219-7 | 3 | Nut-Hex |
| 16 | 138-7225 | 1 | Spacer | 44 | 110-9981 | 3 | Washer-Plain |
| 17 | 145-7038 | 1 | Idler Arm ASM | 45 | 3231-31 | 1 | Screw-CARR |
| 18 | 138-7227 | 3 | Bushing-Idler | 46 | 80-6990 | 3 | Washer-Hardened |
| 19 | 132-4718 | 3 | Pulley-Idler, Flat | 47 | 323-9 | 3 | Screw-HH |
| 20 | 136-5615 | 1 | Guide-Belt, Idler | 48 | 3230-22 | 2 | Screw-CARR |
| 21 | 138-7228 | 1 | Spring-Extension | 49 | 104-8300 | 12 | Nut-HF, NI |
| 22 | 115-9653-03 | 1 | Baffle-Cutoff | 50 | 323-23 | 2 | Screw-HH |
| 23 | 1-603299 | 4 | Roller-Scalp, Anti | 51 | 108-5388 | 1 | Screw-HH |
| 24 | 138-7229 | 2 | Tube-Spanner | 52 | 322-2 | 5 | Screw-HH |
| 25 | 104-0892 | 2 | Spacer-Axle, Rear | 53 | 323-10 | 1 | Screw-HH |
| 26 | 147-2913 | 1 | V-Belt (B Sec 174.25 EI) | 54 | 104-8301 | 6 | Nut-HF, NI |
| 27 | 138-7230 | 1 | Spacer-Fender | 55 | 3230-3 | 4 | Screw-CARR |
| 28 | 138-7231 | 1 | Pin-Chute | 56 | 3256-68 | 2 | Washer-Flat |
| 29 | 126-4781-03 | 1 | Step-Deck | 75 | 32144-4 | 4 | Screw-HWH |
| 30 | 114-1648-03 | 1 | Bracket-Deflector, Upper | 79 | 99-7375 | 1 | Hose-Breather |

● Not illustrated

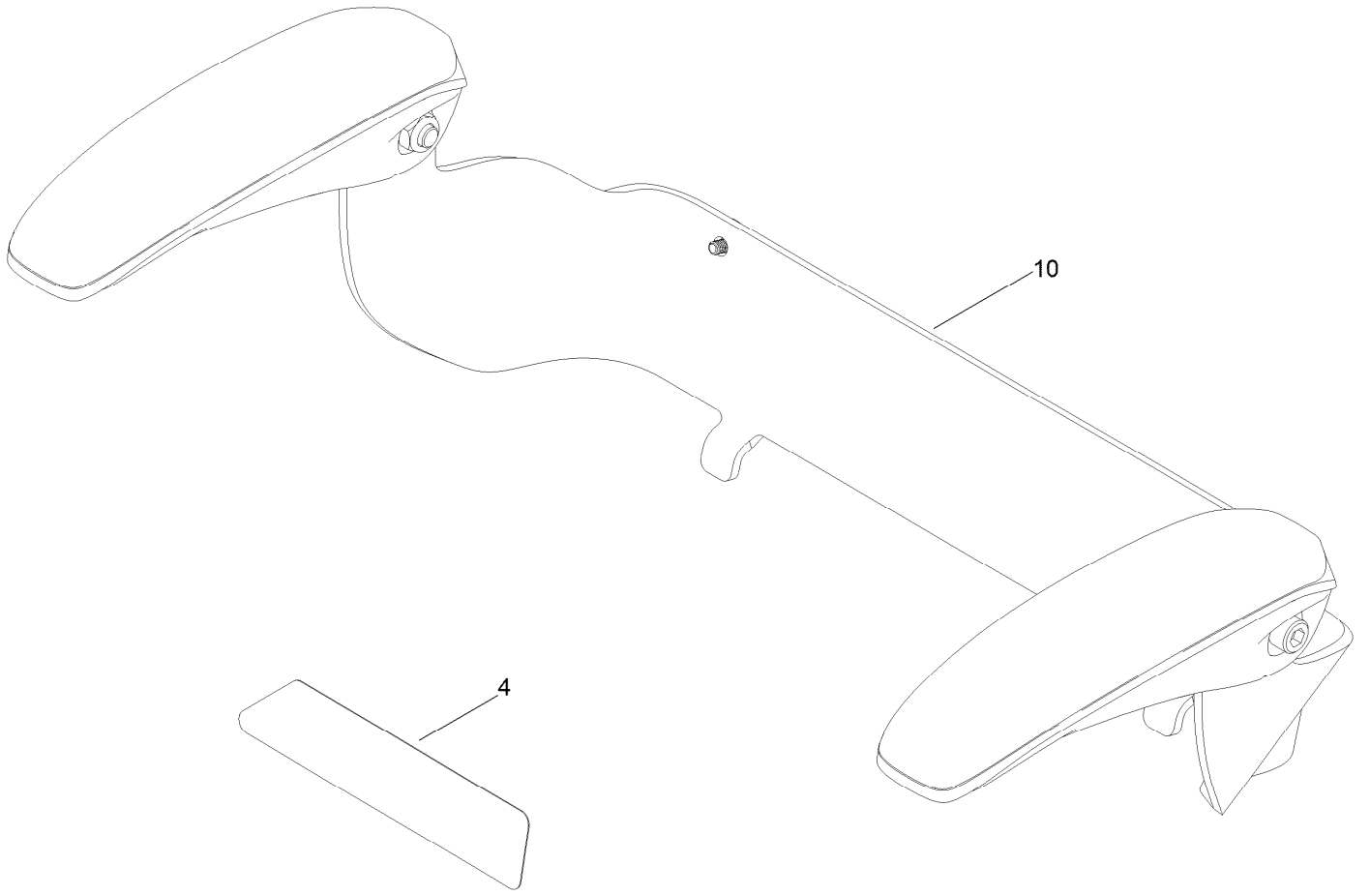
Deck Decal Assembly No. 147-8750



Deck Decal Assembly No. 147-8750 (continued)

| <i>Ref.</i> | <i>Part Number</i> | <i>Qty.</i> | <i>Description</i> | <i>Ref.</i> | <i>Part Number</i> | <i>Qty.</i> | <i>Description</i> |
|-------------|--------------------|-------------|--------------------|-------------|--------------------|-------------|---------------------|
| 2 | 130-0731 | 1 | Decal-Danger | 4 | 130-0765 | 1 | Decal-Scalp, Anti |
| 3 | 132-0872 | 2 | Decal-Danger, Deck | 5 | 117-1194 | 1 | Decal-Routing, Belt |

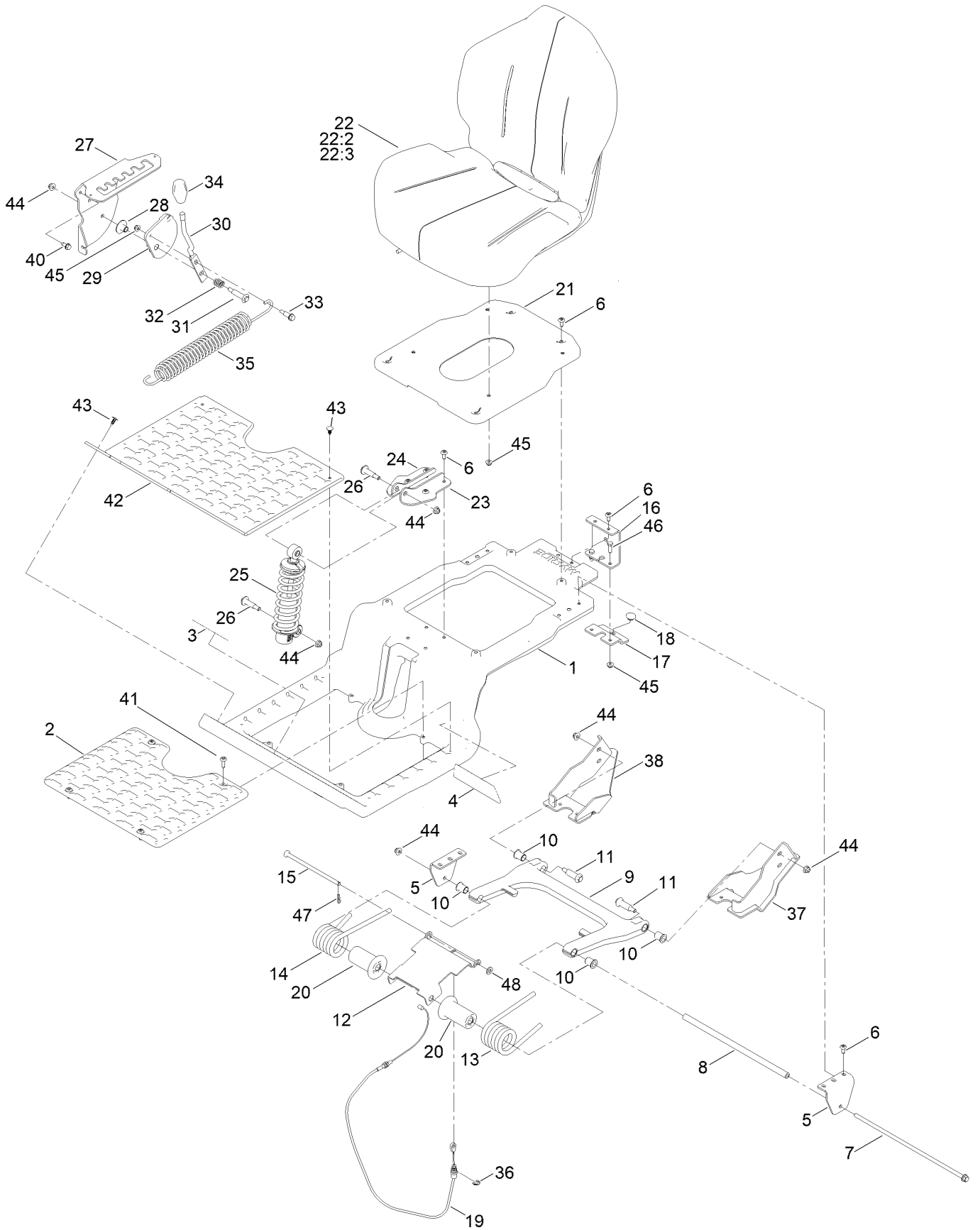
Model Specific Assembly



Model Specific Assembly (continued)

| <i>Ref.</i> | <i>Part Number</i> | <i>Qty.</i> | <i>Description</i> |
|-------------|--------------------|-------------|--------------------|
| 4 | 161-4556 | 1 | Decal Mr5400 |
| 10 | 161-4567 | 1 | Kit-Arm Rest |

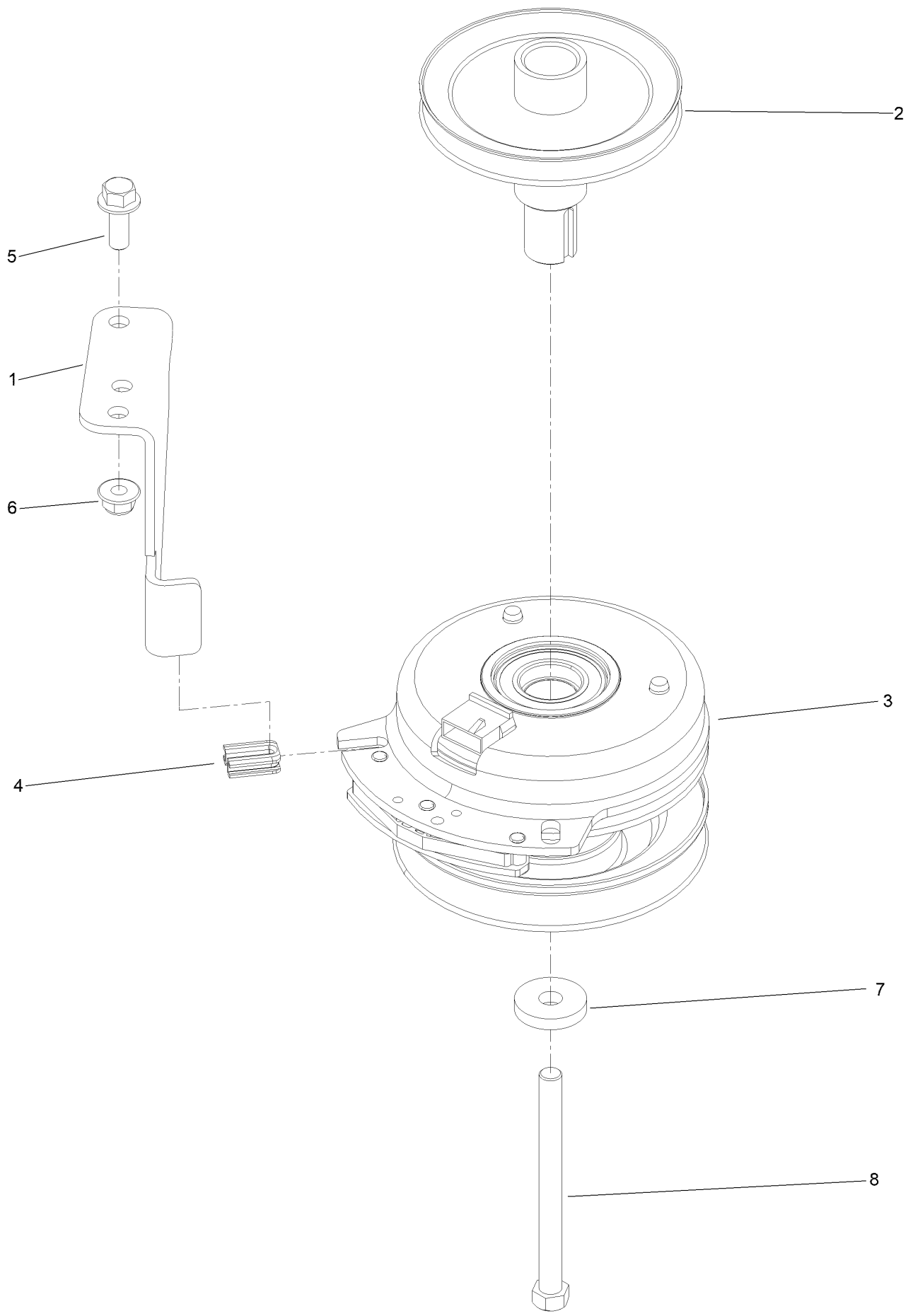
Seat Pan Assembly



Seat Pan Assembly (continued)

| <i>Ref.</i> | <i>Part Number</i> | <i>Qty.</i> | <i>Description</i> | <i>Ref.</i> | <i>Part Number</i> | <i>Qty.</i> | <i>Description</i> |
|-------------|--------------------|-------------|---------------------------------|-------------|--------------------|-------------|---------------------------------|
| 1 | 145-6394-05 | 1 | Platform, Myride | 24 | 133-9319-03 | 1 | Bracket-Shock Mount, Upper (RH) |
| 2 | 145-6395-05 | 1 | Platform, Myride | 25 | 139-2427 | 1 | Shock/Spring ASM |
| 3 | 147-7662 | 1 | Decal - Myride | 26 | 136-7198 | 2 | Bolt-Shoulder |
| 4 | 147-7575 | 1 | Decal - Myride | 27 | 145-6309-01 | 1 | Bracket-Mr Gate |
| 5 | 138-7517 | 2 | Bracket-Mount, Swing Arm | 28 | 139-5800 | 1 | Bushing - Flange |
| 6 | 138-9753 | 14 | Screw | 29 | 147-5171 | 1 | Pulley-Cam |
| 7 | 138-7548 | 1 | Screw-HHF | 30 | 147-5172 | 1 | Lever-Adjustment, Threaded |
| 8 | 138-7549 | 1 | Tube-Spacer | 31 | 92-1057 | 1 | Bolt-Shoulder |
| 9 | 145-6312 | 1 | Arm-Swing | 32 | 139-5858 | 1 | Spring-Compression |
| 10 | 138-2573 | 4 | Bushing-Flange | 33 | 140-3759 | 1 | Bolt-Shoulder,HHF |
| 11 | 138-2547 | 2 | Bolt-Shoulder | 34 | 147-8715 | 1 | Knob-Mr |
| 12 | 138-7566-03 | 1 | Plate-Adjuster | 35 | 138-9848 | 1 | Spring-Extension |
| 13 | 137-1983 | 1 | Spring-Torsion, LH | 36 | 32120-47 | 1 | Ring-Retaining, External |
| 14 | 137-7018 | 1 | Spring-Torsion, RH | 37 | 147-8721-03 | 1 | Mount-Mr Swing Arm, LH |
| 15 | 138-9813 | 1 | Rod-Adjustment | 38 | 147-8722-03 | 1 | Mount-Mr Swing Arm, RH |
| 16 | 138-9788 | 1 | Bracket-Cable | 40 | 32144-70 | 3 | Screw-HWHTF |
| 17 | 139-2361-03 | 1 | Bracket Lower | 41 | 147-7606 | 4 | Screw-Spcl |
| 18 | 135-0505 | 1 | Bumper-Seat | 42 | 147-7724 | 1 | Floor Mat |
| 19 | 147-7713 | 1 | Cable-Adjustment, Myride | 43 | 117-2382 | 4 | Plug-Plastic |
| 20 | 138-9776 | 2 | Retainer-Spring | 44 | 119-4042 | 6 | Nut-HF, NI |
| 21 | 147-7690-03 | 1 | Pan-Seat [black] | 45 | 119-4041 | 7 | Nut-HF |
| 22 | 147-8730 | 1 | Seat ASM - Milsco Cs180D | 46 | 139-1716 | 2 | Screw-HH |
| 22:2 | 161-4566 | 1 | Kit-Adjuster | 47 | 137-3083 | 1 | Pin-Hair |
| 22:3 | 82-2190 | 1 | Switch-Bail | 48 | 115-1166 | 1 | Washer-Plain |
| 23 | 133-9318-03 | 1 | Bracket-Shock Mount, Upper (LH) | | | | |

Clutch Assembly



Clutch Assembly (continued)

| <i>Ref.</i> | <i>Part Number</i> | <i>Qty.</i> | <i>Description</i> | <i>Ref.</i> | <i>Part Number</i> | <i>Qty.</i> | <i>Description</i> |
|-------------|--------------------|-------------|--------------------|-------------|--------------------|-------------|--------------------|
| 1 | 137-7000 | 1 | Stop-Clutch (Wide) | 5 | 3234-42 | 1 | Screw-HHF |
| 2 | 138-9831 | 1 | Pulley-Engine | 6 | 104-8301 | 1 | Nut-HF, NI |
| 3 | 127-3410 | 1 | Clutch-PTO | 7 | 112843 | 1 | Washer |
| 4 | 120-2217 | 1 | Isolator-Clutch | 8 | 3212-19 | 1 | Screw-HH |

Attachments and Accessories

For 76550TA Titan MR5400 Zero Turn Riding Mower

| Product Name | Model/Part |
|---|-------------------|
| Hypr-Oil 500 (quart) | 114-4713 |
| Jack Kit | 127-6666 |
| Fuel Stabilizer .05 oz | 130-2393 |
| 4-Cycle Fuel, Snow And Lawn 32oz Can | 131-3823 |
| Toro Premium Fuel Treatment 12oz Bottle | 131-6572 |
| 54in Recycler Kit | 136-7489 |
| Oil-30/10W-30 Synthetic (Quart)..... | 138-6053 |
| Heavy Duty Spring Kit..... | 140-2051 |
| HD Bagger Cover Kit | 140-5036 |
| Leaf Bagging Enhancement Kit | 140-5122 |
| Hydro Service Kit | 144-5347 |
| Flat Free Caster Wheel Kit..... | 145-0489 |
| Led Light Kit..... | 147-8757 |
| Kit-Striping, 54/60in | 147-8781 |
| Mount, Jack Titan | 147-8824 |
| Assist Bar Kit | 161-4450 |
| 10W30 4-Cycle Engine Oil (32oz Bottle)..... | 38280 |
| Toro 4-Cycle SAE 30 Oil (32oz Bottle) | 38903 |
| Toro Deluxe Rider Cover..... | 490-7319 |
| Powered Bagger, Titan Models ROHS..... | 79348 |
| ROPS Kit | 79487 |
| Kit-Slope Sensor..... | 79489 |

Notes:

Notes:

Notes:



Count on it.