



# Universal Groomer Drive Kit

Greensmaster® Flex™/eFlex® 1800 and 2100, or Greensmaster® 3000 Series DPA Cutting Units

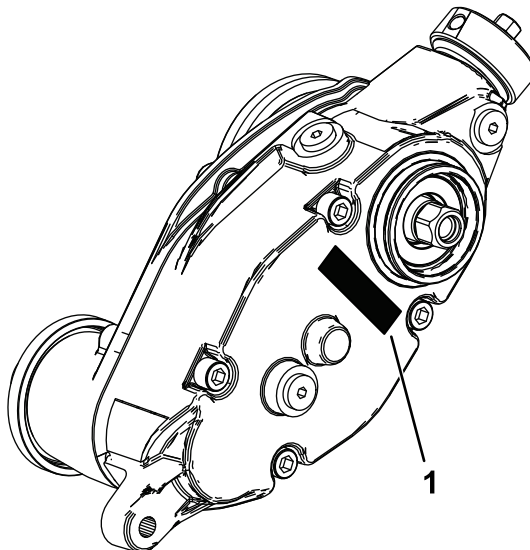
Model No. 04648—Serial No. 321000000 and Up

## Installation Instructions

# Introduction

**Important:** Before installing this kit, ensure that you have a compatible cutting unit; refer to the following table for further detail:

Cutting Unit Type	Compatible Cutting Units (2012 and Newer)	Incompatible Cutting Units (From 2003 to 2011)
<b>3000 Series DPA</b>	Model Numbers: 04651, 04652, 04653, 04654, 04655, 04656, 04657, 04613, 04614, 04615, 04618, 04619, 04624	Model Numbers: 04610, 04611, and 04616
<b>Walk Flex DPA</b>	Model Numbers: 04853, 04854, 04863, 04864, 04289, 04290, 04291, 04292, 04251, 04252, 04253, 04254	Model Numbers: 04200, 04202, 04206, 04207, 04208



**Figure 1**

g346921

1. Model and serial number location

Read this information carefully to learn how to operate and maintain your product properly and to avoid injury and product damage. You are responsible for operating the product properly and safely.

Visit [www.Toro.com](http://www.Toro.com) for product safety and operation training materials, accessory information, help finding a dealer, or to register your product.

Whenever you need service, genuine Toro parts, or additional information, contact an Authorized Service Dealer or Toro Customer Service and have the model and serial numbers of your product ready. [Figure 1](#) identifies the location of the model and serial numbers on the product. Write the numbers in the space provided.

<b>Model No.</b>	_____
<b>Serial No.</b>	_____

This product complies with all relevant European directives. For details, please see the Declaration of Incorporation (DOI) at the back of this publication.



## Loose Parts

Use the chart below to verify that all parts have been shipped.

Procedure	Description	Qty.	Use
<b>1</b>	No parts required	–	Prepare the machine.
<b>2</b>	Torque wrench (Not included)	–	Gather the tools required for setup.
<b>3</b>	No parts required	–	Prepare the cutting unit.
<b>4</b>	No parts required	–	Remove the drive-belt assembly.
<b>5</b>	Weight Torx-socket screw Locknut Right reel adapter (silver) Left reel adapter (black) Shim washer Groomer drive box	1 2 2 1 1 2 1	Install the groomer drive box and weight.
<b>6</b>	Cap	1	Install the groomer drive cap (for universal groomer assemblies with no Rear Roller Brush Kit installed only).
<b>7</b>	Stub-shaft assembly Bearing shield Idler assembly Adjuster collar Flange nut	1 2 1 1 1	Install the idler assembly.
<b>8</b>	Grass basket guard (left) Grass basket guard (right) Flange-head screws	1 1 2	Install the grass basket guards (Greensmaster 3000 Series cutting units only).
<b>9</b>	Left height-of-cut bracket assembly Right height-of-cut bracket assembly Shoulder bolts Hardened washer	1 1 2 1	Install the HOC assemblies and the front roller.
<b>10</b>	Bolt (1/4 x 1-1/2 inches) Jam locknut Shaft clamp Grooming reel (order separately)	4 4 4 1	Install the groomer assembly.
<b>11</b>	Washer (Part No. 3256-24, not included)	–	Adjust the groomer spring force.
<b>12</b>	Pull Link Kit and extension coupler for Greensmaster 3120, 3150, and 3250 machines (ordered separately)	–	Install the suspension front roller.

# 1

## Preparing the Machine

No Parts Required

### Procedure

1. Park the machine on a level surface.
2. Engage the parking brake.
3. Shut off the engine and remove the key; refer to your *Operator's Manual*.
4. If the cutting unit is installed, remove the cutting unit from the traction unit; refer to the *Operator's Manual* for the traction unit.

# 2

## Gathering the Tools Required for Setup

Parts needed for this procedure:

-	Torque wrench (Not included)
---	------------------------------

**Note:** Ensure that the torque wrenches are capable of torquing both clockwise and counterclockwise.

- Small torque wrench—5 to 12 N·m (46 to 110 in-lb)
- Medium torque wrench—16 to 45 N·m (12 to 33 ft-lb)
- Large torque wrench—135 to 163 N·m (100 to 120 ft-lb)
- Reel driveshaft tool, Part No. TOR4112 (used only on 5-inch reels)
- Long-handled pry bar (3/8 x 12 inches)

### Service Tools

Oil syringe (included), Part No. 137-0872; refer to [Changing the Gearbox Lubricant \(page 19\)](#).

Drive shaft tool (optional), Part No. 137-0920; refer to your traction unit *Service Manual* or contact your authorized Toro distributor.

# 3

## Preparing the Cutting Unit

No Parts Required

### Removing the Front Roller and Height-of-Cut Arms

1. On the cutting unit, loosen the roller mounting screws securing each end of the front roller to the height-of-cut arms ([Figure 2](#)).

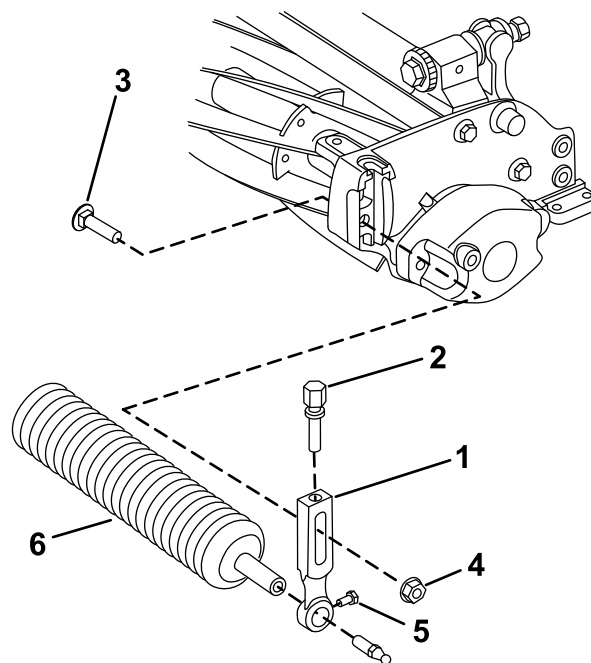


Figure 2

- |                      |                          |
|----------------------|--------------------------|
| 1. Height-of-cut arm | 4. Flange locknut        |
| 2. Adjusting screw   | 5. Roller-mounting screw |
| 3. Plow bolt         | 6. Roller assembly       |

2. Remove the plow bolts and flange locknuts securing the height-of-cut arms to each end of cutting unit ([Figure 2](#)). Remove the height-of-cut arms and roller assembly.

**Note:** Save the removed hardware to install the new height-of-cut arms.

3. Remove the height-of-cut adjusting screws and roller-mounting screws from the height-of-cut arms ([Figure 2](#)).

**Note:** Save the roller mounting screws and the roller for later installation.

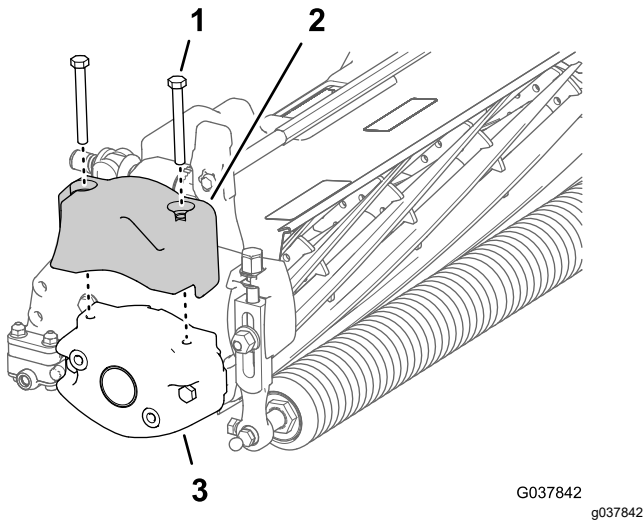
g335501

# Removing the Electric Motor Counterweight

## Greensmaster 3000 Series Machines with Electric Reel-Drive Motors Only

Remove the 2 cap screws that secure the electrical counterweight to the reel, and remove the counterweight (Figure 3).

**Note:** Retain the electrical counterweight and 2 cap screws for assembly in [Preparing the Counterweight](#) (page 6).



**Figure 3**

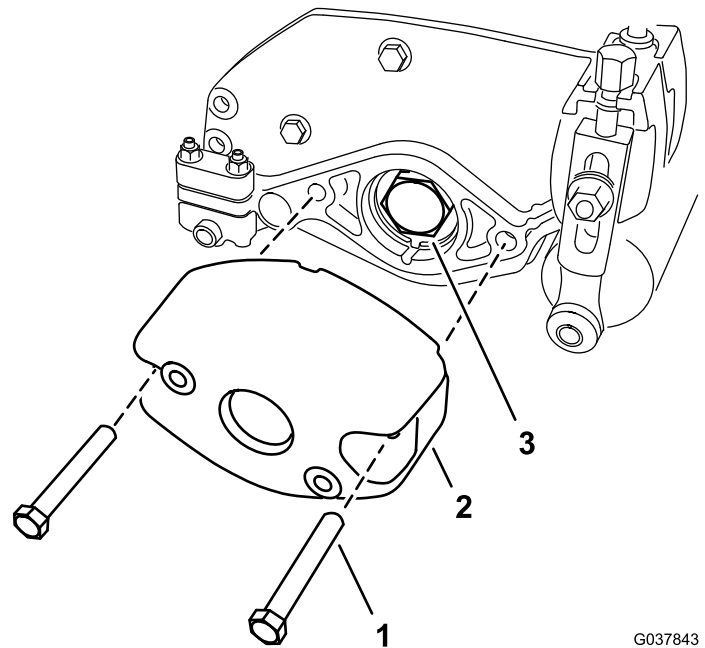
Cutting Unit—Hybrid TriFlex Machine

1. Cap screws (5/16 x 2-3/4 inches)
2. Counterweight (electric reel drive—hybrid TriFlex machine)
3. Counterweight (cutting unit)

## Removing the Counterweight

1. Remove the 2 bolts (5/16 x 2-1/4 inches) from the 2 nuts (held captive by the side plate) securing the counterweight on the side plate of the cutting unit. Remove the counterweight (Figure 4).

**Note:** You may discard the cutting unit counterweight and the mounting bolts.



**Figure 4**

1. Bolt (5/16 x 2-1/4 inches)
2. Counterweight (reel-cutting unit)
3. Bearing nut

2. Restrain the reel to remove the bearing nut; refer to [Restraining the Reel for Removing Threaded Inserts](#) (page 21).
3. Remove the bearing nut from the reel shaft (Figure 4).

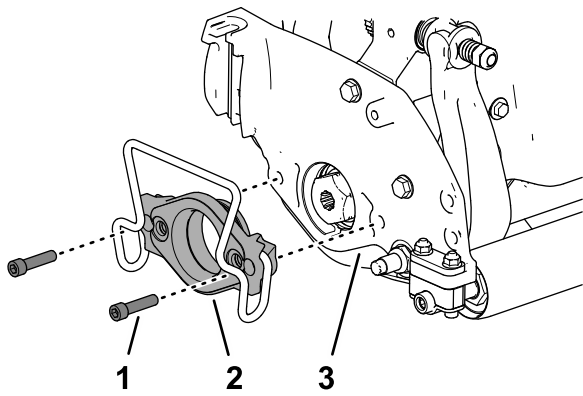
**Important:** Clean the threads in the end of the reel shaft of any debris or grease before installing the kit splined insert and groomer box.

## Removing the Motor Mount

### Greensmaster 3000 Series Machines with Electric Reel-Drive Motors Only

Remove the 2 socket-head screw (5/16 x 1-1/4 inches) securing the motor mount to the side plate of the cutting unit, and remove the motor mount (Figure 5).

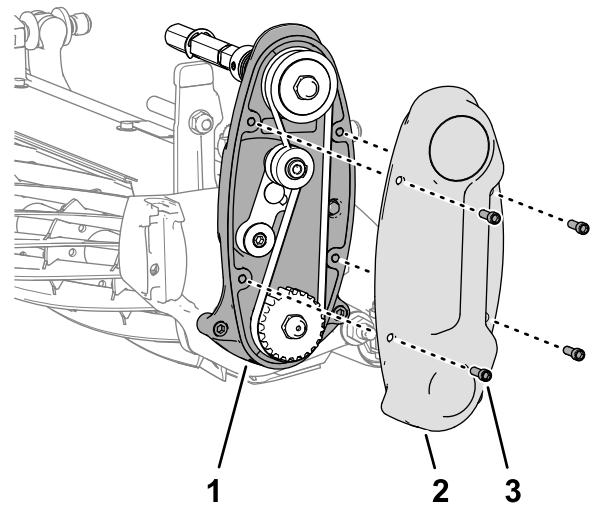
**Note:** Retain the motor mount and capscrews installation in [Assembling the Motor Mount to the Cutting Unit](#) (page 10).



**Figure 5**

g329966

1. Socket-head screw (5/16 x 1-1/4 inches)
2. Motor mount
3. Side plate



**Figure 6**

g329654

1. Reel-drive housing
2. Cover
3. Socket-head screws

# 4

## Removing the Reel-Drive

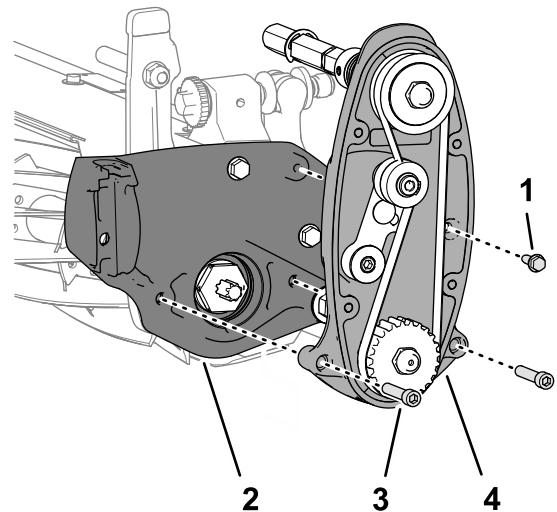
### Walk-Behind Greensmowers Only

No Parts Required

### Procedure

**Note:** Retain all parts in this section except where noted.

1. Remove the 4 socket-head screws that secure the cover to the reel-drive housing ([Figure 6](#)).



**Figure 7**

g329655

1. Flange-head screw (1/4 x 3/4 inch)
2. Side plate (cutting unit)
3. Socket-head screw (5/16 x 1-1/2 inches)
4. Reel-drive assembly

3. Remove the 2 socket-head screws (5/16 x 1-1/2 inches) from the 2 locknuts (held captive in the side plate) that secure the reel-drive assembly to the side plate of the cutting unit, and remove the reel drive ([Figure 7](#)).

# 5

## Installing the Counterweight and Groomer Drive Box

Parts needed for this procedure:

1	Weight
2	Torx-socket screw
2	Locknut
1	Right reel adapter (silver)
1	Left reel adapter (black)
2	Shim washer
1	Groomer drive box

### Preparing the Counterweight

#### Greensmaster 3000 Series Machines with Electric Reel-Drive Motors Only

- Assemble the electric counterweight and 2 cap screws (5/16 x 2-3/4 inches) that you removed in [Removing the Electric Motor Counterweight \(page 4\)](#) to the new weight ([Figure 8](#)).

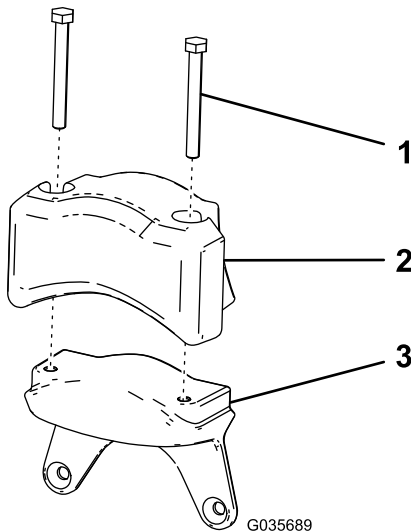


Figure 8

- Cap screw (5/16 x 2-3/4 inches)
- Electrical counterweight
- New weight

- Torque the bolts to 19.8 to 25.4 N·m (175 to 225 in-lb).

### Installing the Counterweight

- Secure the new weight to the side of the cutting unit using 2 bolts (5/16 inch) and 2 nuts (5/16 inch) as shown in [Figure 9](#).

**Note:** Attach the weight to the side of the cutting unit on which you intend to mount the groomer drive box.

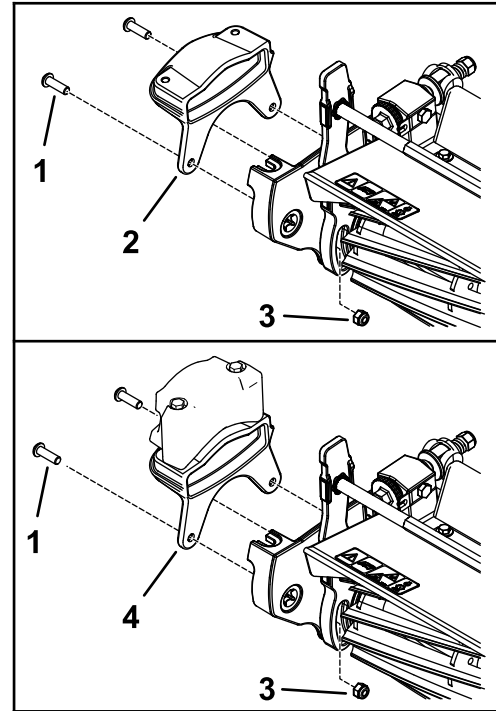


Figure 9

- Torx-socket screw (5/16 x 1-1/4 inches)
- Counterweight
- Locknut (5/16 inch)
- Counterweight (TriFlex machines with an electric cutting unit)

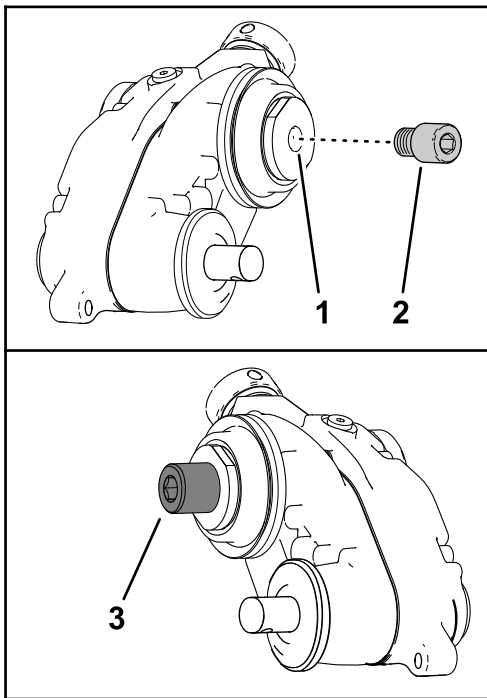
- Torque the screws and locknuts to 20 to 26 N·m (175 to 225 in-lb).

### Installing the Groomer Drive Box

- Apply medium-strength thread-locking compound (such as Blue Loctite® 243) to the internal threads of the drive-box shaft as shown in [Figure 10](#) and torque the reel adapter and groomer drive-box shaft to 150 to 163 N·m (110 to 120 ft-lb).

**Note:** Use the silver adapter if you installed the counterweight at the right side of the cutting unit. Use the black reel adapter if you installed the counterweight at the left side of the cutting unit.

**Important:** Clean the threads in the end of the reel shaft of any debris or grease before installing the kit splined insert.



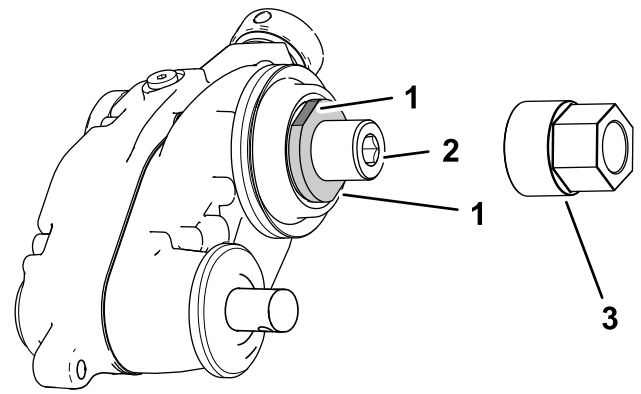
**Figure 10**

g349445

1. Groomer drive-box shaft
2. Reel adapter—**black** (groomer drive-box and counterweight at the **left** side of the cutting unit)
3. Reel adapter—**silver** (groomer drive-box and counterweight at the **right** side of the cutting unit)

**Important:** Allow the thread-locking compound to cure for 15 minutes before continuing the procedure.

**Note:** When torquing the reel adapter and drive-box shaft, restrain the drive-box shaft with the groomer drive-box socket tool, or a wrench, on the wrench flats at the inboard side of the groomer drive box (Figure 11).



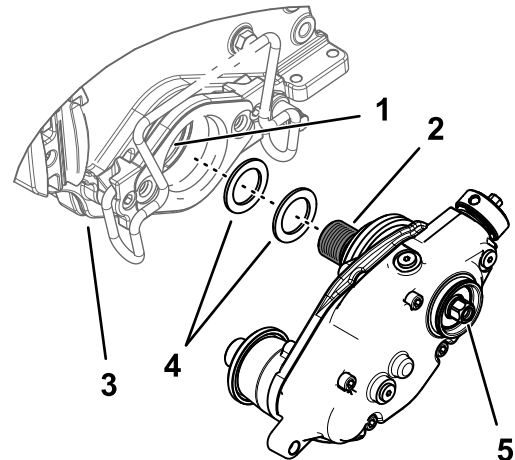
g350306

**Figure 11**

1. Wrench flats (drive-box shaft)
2. Hex socket (reel adapter)
3. Groomer drive-box socket tool

2. For a groomer drive box installed at the left side of the cutting unit, assemble 2 shim washers over the threads of the black reel adapter (Figure 12).

**Important:** If you are installing the groomer drive box at the right side of the cutting unit, use only 1 shim washer.



g349496

**Figure 12**

1. Apply thread-locking compound
2. Reel adapter (black) into reel shaft
3. Cutting unit
4. Shim washers
5. Hex head reel shaft

3. Apply medium-strength thread-locking compound (such as Blue Loctite® 243) to the internal threads of the reel shaft threads.
4. Attach the groomer drive box to the reel shaft (Figure 12).

**Important:** The reel shaft on the left side of the cutting unit has left-hand threads. The



reel shaft on the right side of the cutting unit has right-hand threads.

5. Restrain the cutting reel to install the gear box assembly; refer to [Restraining the Reel for Installing Threaded Inserts](#) (page 22).
6. While the reel is restrained, torque the hex-head of the drive-box shaft to 135 to 150 N·m (100 to 110 ft-lb); refer to [Figure 12](#).

**Important:** You must torque the hex head of the drive-box shaft to 135 to 150 N·m (100 to 110 ft-lb).

**Important:** You must use a 6-point socket with heavy wall.

**Important:** Do not use an impact wrench for this step.

**Important:** Allow the thread-locking compound to cure for 15 minutes before continuing the procedure.

**Note:** Do not damage the seal under the outer cover.

7. If you are installing the groomer at the left side of the machine, perform the following ([Figure 13](#)):
  - A. Remove the hex-socket screw that secures the clutch knob to the actuator shaft.
  - B. Remove the clutch-knob assembly and flip it over.
  - C. Assemble the clutch knob to the actuator shaft with the hex-socket screw.

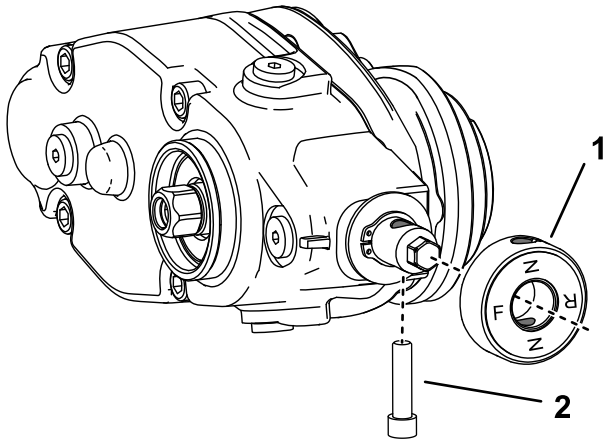


Figure 13

g298196

1. Hex-socket bolt
2. Clutch-knob assembly

# 6

## Installing the Groomer Drive Cap

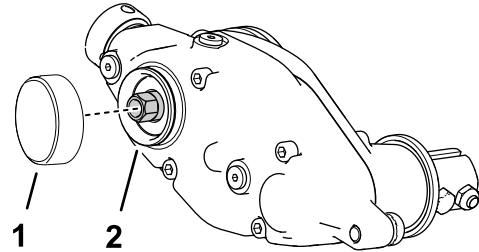
Parts needed for this procedure:

1	Cap
---	-----

### Procedure

Perform this procedure only for Universal Groomer assemblies with no Rear Roller Brush Kit installed:

1. Apply medium-strength, cylindrical-bonding retaining compound (such as Green Loctite 609®) around the snap ring groove and the outer diameter surface ([Figure 14](#)).
2. Install the cap as shown in [Figure 14](#).



g346927

Figure 14

1. Cap
2. Apply medium-strength bonding compound

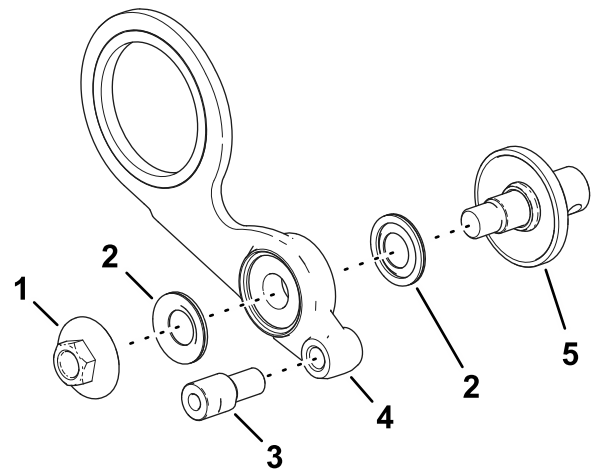


# 7

## Installing the Idler Assembly

Parts needed for this procedure:

1	Stub-shaft assembly
2	Bearing shield
1	Idler assembly
1	Adjuster collar
1	Flange nut



g329967

**Figure 16**

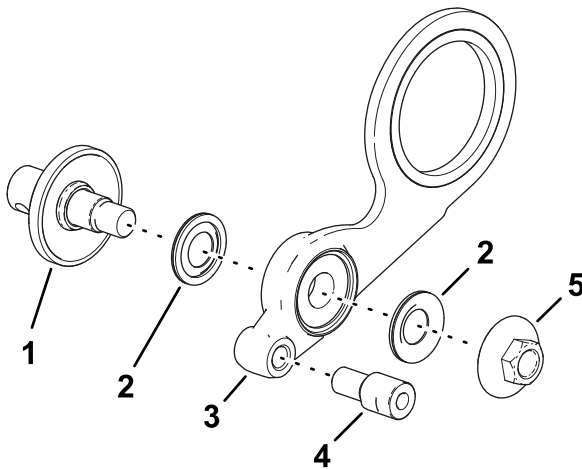
Right side installation shown

1. Flange nut—torque to 37 to 45 N·m (27 to 33 ft-lb)
2. Bearing shield
3. Adjuster collar—torque to 23 to 31 N·m (17 to 23 ft-lb)
4. Idler assembly
5. Stub-shaft assembly

## Assembling the Idler Plate

1. Assemble the stub-shaft assembly, 2 bearing shields, and flange nut to the idler assembly as shown in [Figure 15](#).

**Important:** Install the bearing shields with the fabric side toward the bearing in the idler.



g329955

**Figure 15**

Left side installation shown

1. Stub-shaft assembly
2. Bearing shield
3. Idler assembly
4. Adjuster collar—torque to 23 to 31 N·m (17 to 23 ft-lb)
5. Flange nut—torque to 37 to 45 N·m (27 to 33 ft-lb)

**Note:** Assemble the stub shaft and flange nut ([Figure 16](#)) on the opposite sides of the idler assembly if you are installing the idler assembly at the right side of the cutting unit.

# Assembling the Reel Drive to the Cutting Unit

## Walk-Behind Greensmower Cutting Units Only

1. Align the idler assembly to the cutting unit as shown in [Figure 17](#).

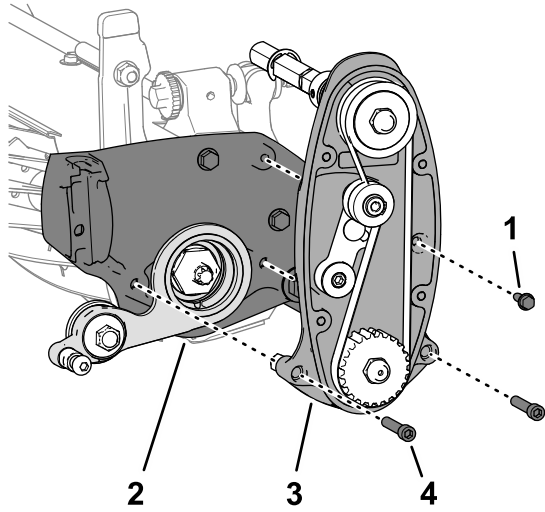


Figure 17

g335504

- |                                       |  |
|---------------------------------------|--|
| 1. Flange-head screw (1/4 x 3/4 inch) | 3. Socket-head screw (5/16 x 1-1/2 inches) |
| 2. Idler assembly                     | 4. Reel-drive                              |

2. Assemble the idler assembly and reel drive to the cutting unit ([Figure 17](#)) with the 2 socket-head screws (5/16 x 1-1/2 inches) and locknuts (5/16 inch) that you removed in [4 Removing the Reel-Drive \(page 5\)](#).
3. Assemble the reel drive to the cutting unit ([Figure 17](#)) with the flange-head screw (1/4 x 3/4 inch).
4. Torque the fasteners as show in the table that follows:

Fastener	Torque
Socket-head screw (5/16 x 1-1/2 inches)	20 to 26 N·m (175 to 225 in-lb)
Flange-head screw (1/4 x 3/4 inch)	10 to 12 N·m (90 to 110 in-lb)

5. Assemble the cover to the reel-drive housing ([Figure 18](#)) with the 4 socket-head screws (1/4 x 3/4 inch).

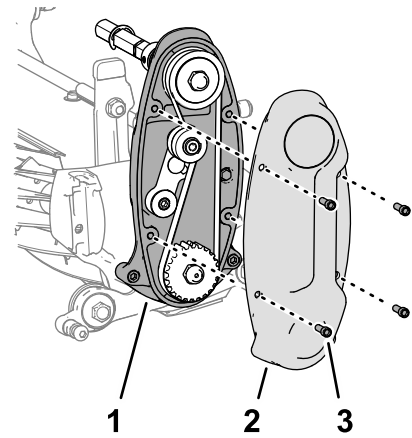


Figure 18

g335505

- |                       |                       |
|-----------------------|-----------------------|
| 1. Reel-drive housing | 3. Socket-head screws |
| 2. Cover              |                       |

6. Torque the socket-head screws to 10 to 12 N·m (90 to 110 in-lb).

# Assembling the Motor Mount to the Cutting Unit

## Greensmaster 3000 Series Cutting Units Only

1. Align the idler assembly to the cutting unit as shown in [Figure 19](#).

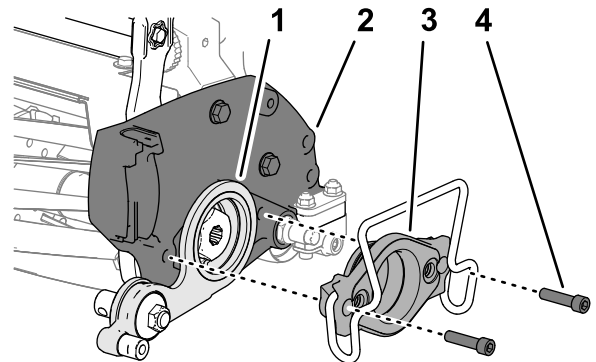


Figure 19

g329944

Motor mount shown with an electric-motor clamp; the hydraulic mount is similar.

- |                   |  |
|-------------------|--|
| 1. Idler assembly | 3. Motor mount                             |
| 2. Side plate     | 4. Socket-head screw (5/16 x 1-1/4 inches) |

2. Align the idler plate to the side plate of the cutting unit as shown in [Figure 19](#).
3. Assemble the motor mount through the idler plate and into the side plate of the cutting unit ([Figure 19](#)).
4. Assemble the mount to the plate ([Figure 19](#)) with the 2 socket-head screw (5/16 x 1-1/4 inches)

that you removed in [Removing the Motor Mount \(page 4\)](#).

- Torque the socket-head screws to 20 to 26 N·m (175 to 225 in-lb).

# 8

## Installing the Grass Basket Guards

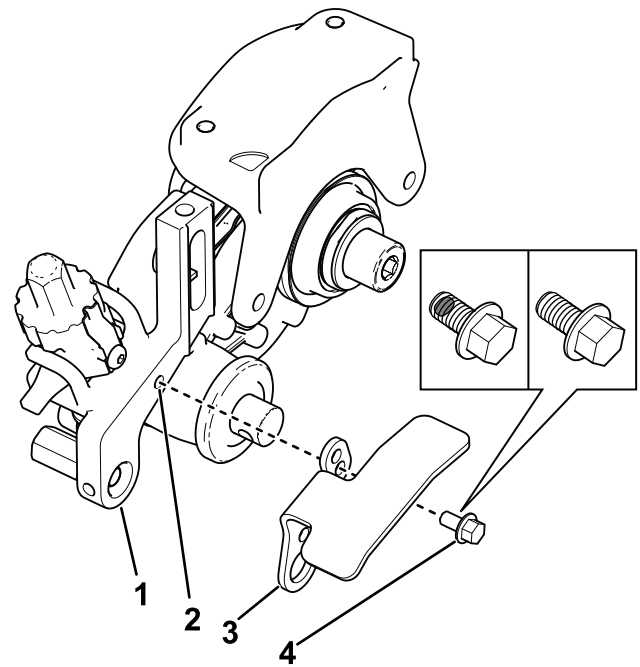
### Greensmaster 3000 Series Cutting Units Only

Parts needed for this procedure:

1	Grass basket guard (left)
1	Grass basket guard (right)
2	Flange-head screws

### Procedure

- Apply removable thread-locking compound to the hole for the flange-head screw if it is not present on the screw threads.
- Secure the grass basket guard to the height-of-cut arm ([Figure 20](#)).



**Figure 20**

Right side shown

g349743

- Height-of-cut arm
- Hole
- Grass basket guard (right)
- Flange-head screw (shown with or without removable thread-locking compound)

- Repeat this procedure on the opposite side.

# 9

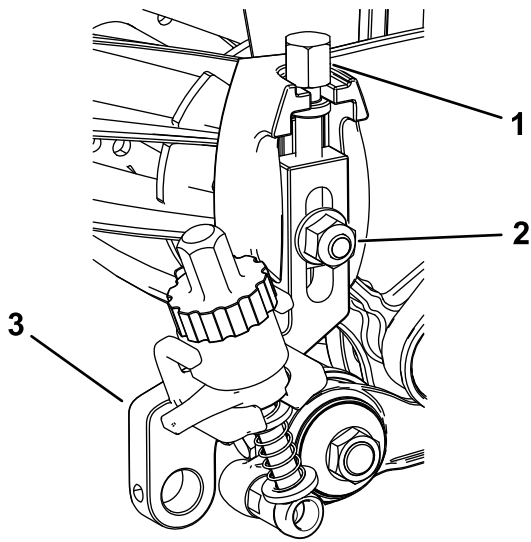
## Installing the Height-of-Cut Bracket Assemblies and the Front Roller

Parts needed for this procedure:

1	Left height-of-cut bracket assembly
1	Right height-of-cut bracket assembly
2	Shoulder bolts
1	Hardened washer

### Procedure

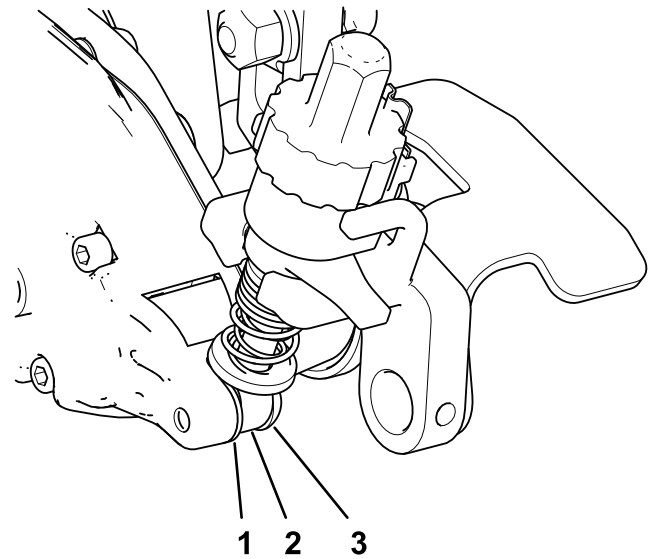
- Thread the previously removed height-of-cut adjusting screws into the top of the height-of-cut assemblies ([Figure 21](#)).



**Figure 21**

g349744

- |                                  |                                   |
|----------------------------------|-----------------------------------|
| 1. Height-of-cut adjusting screw | 3. Height-of-cut bracket assembly |
| 2. Plow bolt and flange locknut  |                                   |



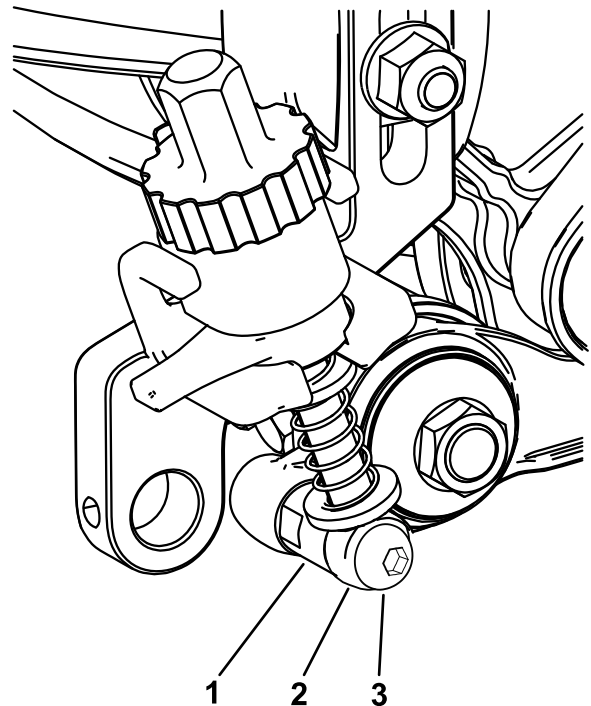
**Figure 22**

g349746

- |                              |                  |
|------------------------------|------------------|
| 1. Hardened washer           | 3. Shoulder bolt |
| 2. Adjuster-arm assembly rod |                  |

2. Install the height-of-cut assemblies to the cutting unit side plates using the previously removed plow bolt, nut, and special washer (Figure 21).
3. Apply medium-strength thread-locking compound (such as Blue Loctite® 243) to the shoulder bolts before installing them to the adjuster-arm assemblies.
4. On the groomer drive box side, position the adjuster-arm rod of the HOC bracket on the inside of the groomer drive box and secure it with a shoulder bolt and a hardened washer as shown in Figure 22; torque the shoulder bolt to 16 to 22 N·m (12 to 16 ft-lb).

5. On the idler assembly side, secure the adjuster-arm assembly rod to the idler assembly by installing a shoulder bolt through the adjuster collar as shown in Figure 23; torque the shoulder bolt to 20 to 26 N·m (15 to 19 ft-lb).



**Figure 23**

g349745

- |                              |                  |
|------------------------------|------------------|
| 1. Adjuster collar           | 3. Shoulder bolt |
| 2. Adjuster-arm assembly rod |                  |

- Insert and center the front roller shaft between the height-of-cut brackets and secure it with the 2 mounting screws removed from the old height-of-cut brackets (Figure 24).

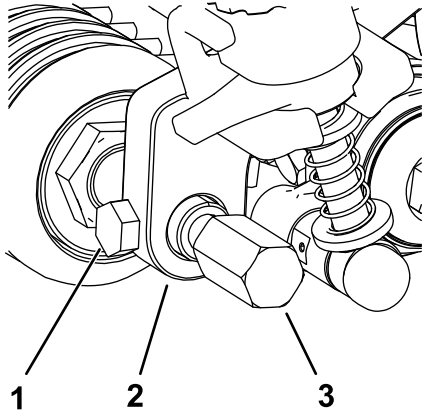


Figure 24

- Mounting screw
- Height-of-cut bracket assembly
- Groomer guard

g231793

- Attach the groomer guards to either side of the front roller shaft (Figure 24).
- Torque the groomer guards to 22 to 24 N·m (16 to 18 ft-lb).

- Line up the grooming reel assembly with the groomer drive box and idler assembly (Figure 25).

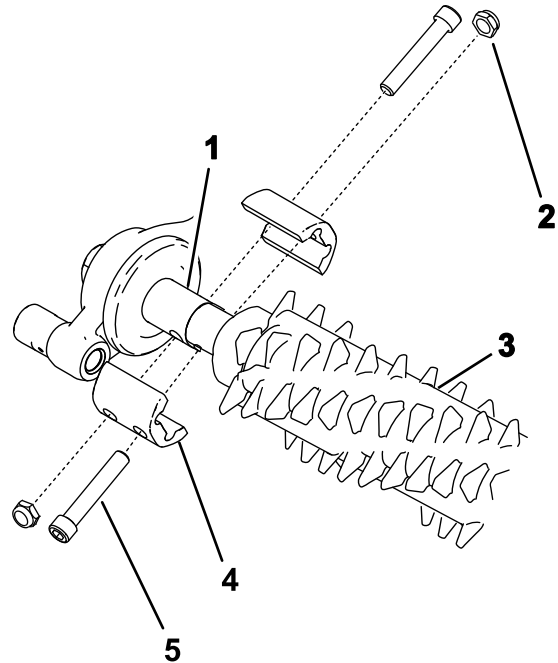


Figure 25

- Drive-stub shaft
- Jam locknut (4)
- Groomer assembly
- Shaft clamp (4)
- Bolt (4)

g283516

- Ensure that the groomer box alignment is correct and do the following:
  - Loosely install the bolts to hold the groomer assembly in place.
  - Set the height of cut and height of groom to be equal.
  - Ensure that the groomer box is centered.

**Note:** To set the height of cut, refer to your cutting unit *Operator's Manual*; refer to [Adjusting the Groomer Height \(page 16\)](#) for adjusting the height of groom.

- Tighten the bolts that hold the groomer assembly in place as shown in Figure 25; torque the bolts to 5 to 7 N·m (46 to 60 in-lb).

**Important:** Ensure that you do not put any side load on the groomer box when tightening the bolts and jam nuts; keep the box centered and perpendicular to the reel.

# 10

## Installing the Groomer

### Parts needed for this procedure:

4	Bolt (1/4 x 1-1/2 inches)
4	Jam locknut
4	Shaft clamp
1	Grooming reel (order separately)

### Procedure

- Obtain a grooming reel appropriate for your needs and cutting unit; refer to the following list of available groomer reels:
  - 18-inch twin tip groomer blade (Model 04801)
  - 18-inch soft grooming brush (Model 04268)
  - 18-inch stiff grooming brush (Model 04269)
  - 21-inch twin tip groomer blade (Model 04802)
  - 21-inch soft grooming brush (Model 04270)
  - 21-inch stiff grooming brush (Model 04271)

# 11

## Adjusting the Groomer Spring Force

### Parts needed for this procedure:

-	Washer (Part No. 3256-24, not included)
---	---

### Procedure

For low height-of-groom setups where additional spring force is required, install additional washers (Part No. 3256-24) to the eye bolt to compress the height-of-groom springs at a low height of groom.

1. Set the desired cutting unit height of cut; refer to your cutting unit *Operator's Manual*.
2. Set the desired height of groom; refer to [Adjusting the Groomer Height \(page 16\)](#).
3. Ensure that the groomer adjusters are in the engaged (operating) position; refer to [Transporting the Machine \(page 18\)](#).
4. Measure the distance between the washers (the current spring length) as shown in [Figure 26](#).

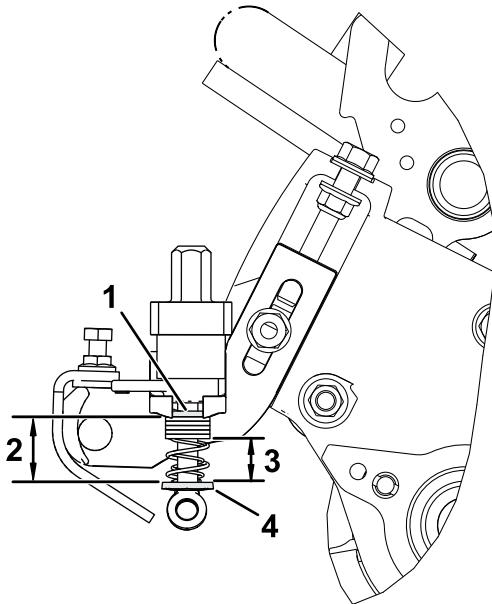


Figure 26

- |   |  |
|---|--|
| 1. Top washer   | 3. Desired spring length with optional washers – 0.75 inches (19 mm) |
| 2. Original spring length (distance between top and bottom washers) | 4. Bottom washer   |

5. Subtract the desired (.75 inch or 19 mm) spring length from the current spring length, and divide this difference by 0.06 inches to determine how many washers you need to add to achieve the desired spring length.

# 12

## Install the Suspension Front Roller

### Parts needed for this procedure:

-	Pull Link Kit and extension coupler for Greensmaster 3120, 3150, and 3250 machines (ordered separately)
---	---

### Procedure

Some machines require a Pull Link Kit and extension couplers when installing this universal groomer kit; refer to the following list and their *Installation Instructions*.

- Pre-2018 Greensmaster 3120 or 3150 traction units have roller shafts with fine threads and require Pull Link Kit (Part No. 106-2643).
- Post-2018 Greensmaster 3120 or 3150 traction units have roller shafts with course threads and require Pull Link Kit (Part No. 138-4976).
- Greensmaster 3250 traction units require 1 Pull Link Kit (Part No. 112-9248) per cutting unit.

# Operation

## Introduction

Grooming is performed in the turf canopy above the soil level. Grooming promotes vertical growth of grass plants, reduces grain, and severs stolons, producing a denser turf. Grooming produces a more uniform and tighter playing surface for faster and truer action of the golf ball.

Grooming is not considered as a replacement for verticutting. Verticutting is generally a more rigorous and periodic treatment that can temporarily damage the playing surface, while grooming is a routine and gentler treatment designed to manicure the turf.

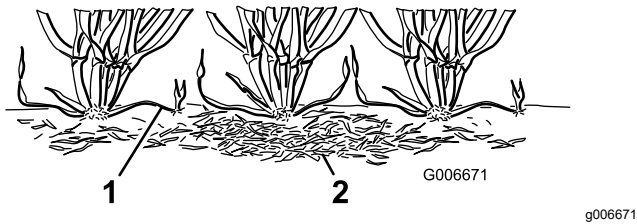


Figure 27

1. Grass runners (stolons)    2. Thatch

Grooming brushes are less intrusive than conventional grooming blades when adjusted to lightly contact the turf canopy. Brushing may be better for the ultra-dwarf cultivars, since these grass types have an upright growth pattern and do not fill in well through horizontal growth. Brushes can injure leaf tissue if they are set to penetrate too deeply into the canopy.

Groomer blades should never penetrate the soil. They are effective in cutting runners and removing thatch.

Because grooming injures leaf tissue, avoid grooming during periods of high stress. Cool season species, such as creeping bent grass and annual bluegrass, should not be groomed during high-temperature (and high-humidity) periods in midsummer.

Many variables affect the performance of grooming, including:

- The time of the year (i.e., the growing season) and the weather pattern
- The general condition of each green
- The frequency of grooming/cutting—both how many cuttings per week and how many passes per cutting
- The height-of-cut setting on the main reel
- The height/depth setting on the grooming reel
- How long the grooming reel has been in use on the green

- The type of grass on the green
- The overall greens management program (i.e., irrigation, fertilizing, spraying, coring, overseeding, etc.)
- Traffic
- Stress periods (i.e., hot temperatures, high humidity, unusually high traffic)

These factors can vary from green to green. Inspect the greens frequently and change the grooming practice as needed.

Various grooming shaft assemblies are available. The 13 mm (1/2 inch) spacing allows you to groom slightly deeper to cut stolons without thinning out the turf excessively. By removing spacers and adding blades or by adding spacers and removing blades, you can adjust the spacing between the groomer and blade to 6 mm (1/4 inch) or 19 mm (3/4 inch).

**Note:** Groom with a 6 mm (1/4 inch) blade spacing for fast-growth periods (spring through early summer) to thin out the top layer of the canopy. Groom with a 19 mm (3/4 inch) blade spacing for slower growth periods (late summer through fall and winter). During high-stress periods, using the grooming reel may cause damage to the turf.

**Note:** Using the groomer reel improperly or aggressive groomer use (i.e., grooming too deep or grooming too frequently) may unnecessarily stress the turf, causing severe turf damage. Use the groomer cautiously.

**Note:** Continue changing the direction of cut whenever you use the groomer. This enhances the effects of the grooming.

**Note:** Operate the groomer in a straight line as much as possible. Use caution when turning while operating the groomer.



# Adjusting the Groomer Height

**Note:** If you are using the groomer on an eFlex traction unit, note that the groomer causes the traction unit to deplete the battery faster than when not running the groomer. The deeper into the grass you set the groomer, the more power it requires and the faster the machine uses up the battery charge.

Use the following chart, figures, and procedures to set the groomer height/depth.

**Groomer Height and Depth Table**

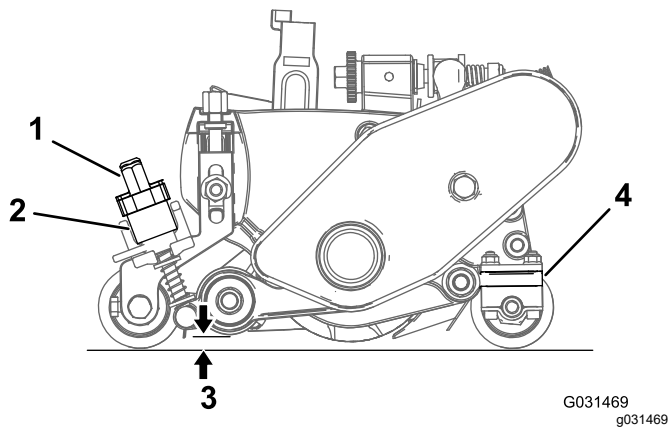
Number of rear-roller spacers required	Height of cut (HOC)	Height-of-grooming range (HOG)
0	1.5 mm (0.06 inch)	0.8 to 1.5 mm (0.03 to 0.06 inch)
	3.0 mm (0.12 inch)	1.5 to 3.0 mm (0.06 to 0.12 inch)
	4.8 mm (0.19 inch)	2.3 to 4.8 mm (0.09 to 0.19 inch)
	6.4 mm (0.25 inch)	3.0 to 6.4 mm (0.12 to 0.25 inch)
1	7.9 mm (0.31 inch)	3.8 to 7.9 mm (0.15 to 0.31 inch)
	9.7 mm (0.38 inch)	4.6 to 9.7 mm (0.18 to 0.38 inch)
2	11.2 mm (0.44 inch)*	5.3 to 11.2 mm (0.21 to 0.44 inch)
	12.7 mm (0.50 inch)*	6.4 to 12.7 mm (0.25 to 0.50 inch)
3	15.9 mm (0.625 inch)*	9.4 to 15.9 mm (0.37 to 0.625 inch)
4	19.1 mm (0.75 inch)*	12.7 to 19.1 mm (0.50 to 0.75 inch)
<b>Note:</b> The max HOC range for walk-behind mowers with Universal Groomer Drive Kits installed is 12.7 mm (0.50 inch).		
*Use High Height-of-Cut Grooming Kit (Part No. 133-9110)		

## Preparing the Cutting Unit

1. Ensure that the rollers are clean. Position the machine on a flat, level work surface.
2. Use the Groomer Height and Depth Table to determine the amount of rear-roller spacers required to set the desired grooming height/depth.  
**Note:** The high HOC Groom kit includes 6 rear spacers and 4 longer rear roller bolts.
3. Set the height of cut of the main reel.

## Adjusting the Groomer Height

1. Use the Groomer Height and Depth Table to determine the position required to set the desired grooming height/depth. Raise or lower the grooming reel as follows:  
**Important:** Never set the groomer lower than 1/2 the height of the cut—up to 13 mm (0.5 inch); you can adjust the groomer 0 to 6 mm (0 to 0.25 inch) below the height of cut thereafter.  
**Important:** If you set the groomer higher than the height of cut, inadvertent groomer contact with the basket may occur when using the QUICK-UP position. Never set the groomer higher than the height of cut in the OPERATING position.
2. Rotate the quick-up levers (Figure 28) to the OPERATING position (the handle points toward the front of the cutting unit).



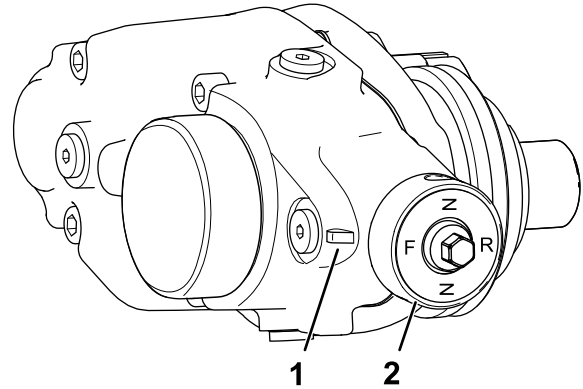
**Figure 28**

- |   |   |
|---|---|
| 1. Height-adjuster knob                           | 3. Groomer height (HOG)                                 |
| 2. Quick-up lever (shown in the ENGAGED position) | 4. Number of rear-roller spacers (below side plate pad) |

- At the end of the groomer reel, measure the distance from the lowest tip of the groomer blade to the working surface (Figure 28). Turn the height-adjuster knob (Figure 28) to raise or lower the tip of the groomer blade to the desired height.
- Repeat step 3 on the opposite end of the groomer, then check the setting on the first side of the groomer. The measured height at each end of the groomer reel must be identical. If the measured height at each end of the groomer is different, rotate the adjuster knob(s) until they are identical.

## Changing the Groomer Operating Direction

The groomer has 3 settings: NEUTRAL (N), FORWARD (F), and REVERSE (R). To change the direction of the groomer, turn the knob at the end of the groomer drive box and align the desired position with the adjustment notch.



**Figure 29**

- |                     |         |
|---------------------|---------|
| 1. Adjustment notch | 2. Knob |
|---------------------|---------|

## Testing the Groomer Performance

**Important:** Improper or over-aggressive groomer use (i.e., grooming too deep or grooming too frequently) may cause unnecessary stress on the turf, leading to severe greens damage. Use the groomer cautiously.

### **⚠ DANGER**

Contact with the reels or other moving parts can result in personal injury.

- Before you make any adjustments to the cutting unit, disengage the cutting unit, engage the parking brake, shut off the engine, and wait for all movement to stop.
- Keep your hands, feet, and clothing away from the reel or other moving parts.

To determine the proper height/depth setting, do the following:

- Set the cutting reel to the height of cut that would normally be used without a grooming reel.
- Set the groomer reel to the height-of-cut setting above the roller level.
- Set the grooming brush equal to the height-of-cut setting above the roller.

**Note:** Adjust the grooming brush (up or down) in 0.25 mm (0.01 inch) increments to avoid unintended turf damage.

4. Make a pass over the test green, then lower the grooming reel 1/2 the roller level and make another pass over the test green.

**Note:** For example, to set a 3.2 mm (1/8 inch) height of cut, set the grooming reel at 1.6 mm (1/16 inch) above the roller.

5. Compare the results.

**Note:** The first setting (when the groomer setting was adjusted to the height-of-cut setting above the roller level) should have removed significantly less grass and thatch than the second setting.

6. Check the test green 2 or 3 days after the first grooming for general condition or damage. If the groomed areas are turning yellow or brown, and the non-groomed areas are green, the grooming was too aggressive.

**Note:** The color of the grass changes when you use the grooming reel. An experienced greens superintendent can judge by the color of the turf (along with close examination) if the current grooming practice is appropriate for the particular green. Because the groom reel stands up more grass and removes thatch, the quality of cut is different from cutting without the groomer. This effect is most noticeable the first few times that you use a groomer on a green.

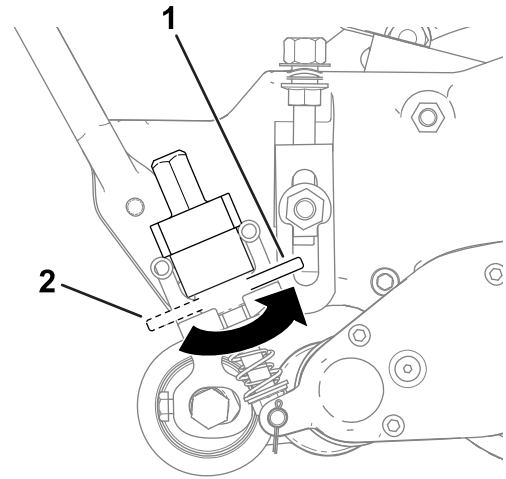
**Note:** On multiple passes (i.e., double cutting and triple cutting), the groomer penetrates deeper on each successive pass. Multiple passes are not recommended.

After testing the performance of the groomer on a test green and you obtain satisfactory results, you can begin grooming on the playing greens. However, each green may respond differently to grooming. In addition, growing conditions constantly change. Inspect the groomed greens frequently and adjust to the grooming procedure as often as necessary.

## Transporting the Machine

When you wish to mow without the groomer or need to transport the machine, move the quick-up lever to the TRANSPORT position (Figure 30).

**Note:** This moves the groomer reel into a raised position.



**Figure 30**

1. TRANSPORT position

2. OPERATION position

g287375

# Maintenance

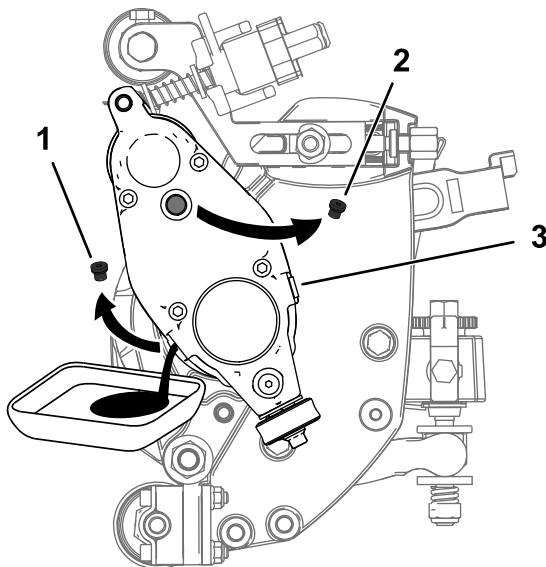
## Changing the Gearbox Lubricant

<b>Service Interval</b>
After the first 100 hours
Every 500 hours / Yearly (Whichever comes first)

1. Clean the external surfaces of the groomer housing.

**Important:** Ensure that there is no dirt or clippings on the outside of the groomer housing; if debris gets inside of the groomer it can damage the gearbox.

2. Remove the drain plug on the bottom of the housing (Figure 33).
3. Remove the fill plug on the side of the housing and loosen the air vent plug on the top so air can pass through (Figure 33).
4. Align a suitable container beneath the oil drain port to catch drained oil.
5. Tip the cutting unit vertically until the drain port is at the bottom to ensure complete drainage (Figure 31).

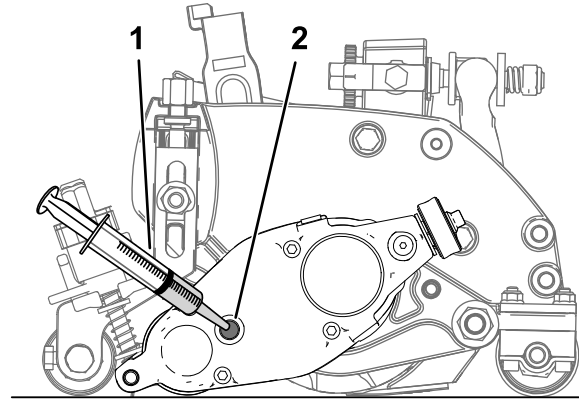


**Figure 31**

g349499

1. Remove the drain plug from the drain port.
  2. Remove the fill plug from the fill port.
  3. Loosen the air vent plug.
- 
6. Rock the cutting unit back and forth to ensure complete drainage. When the oil is completely drained, place the cutting unit on a level surface.

7. Install the drain plug.
8. Use a syringe (Part No. 137-0872) to fill the drive box with 50 cc of 80-90W oil.

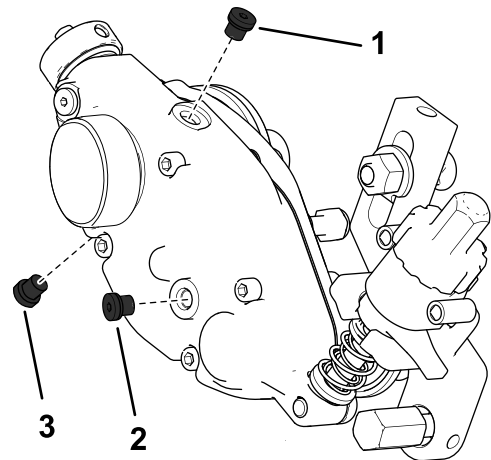


**Figure 32**

g349498

1. Syringe with 50 cc of 80-90W oil
2. Fill port

9. Install the fill plug and tighten the air-vent plug.
10. Torque all plugs to 3.62 to 4.75 N·m (32 to 42 in-lb).



**Figure 33**

Left side shown

g349497

1. Air-vent plug
2. Fill plug
3. Drain plug

# Removing the Groomer Drive Box

**Note:** Retain all removed parts for later installation unless otherwise stated.

**Important:** If you have any issues removing the groomer drive box, refer to your traction unit *Service Manual* or contact your authorized Toro distributor.

1. Remove the cap from the groomer.
2. Remove the clamp bolts connecting the groomer to the drive box (Figure 34).
3. Remove the shoulder bolt and hardened washer connecting the groomer drive box to the adjuster arm (Figure 34).

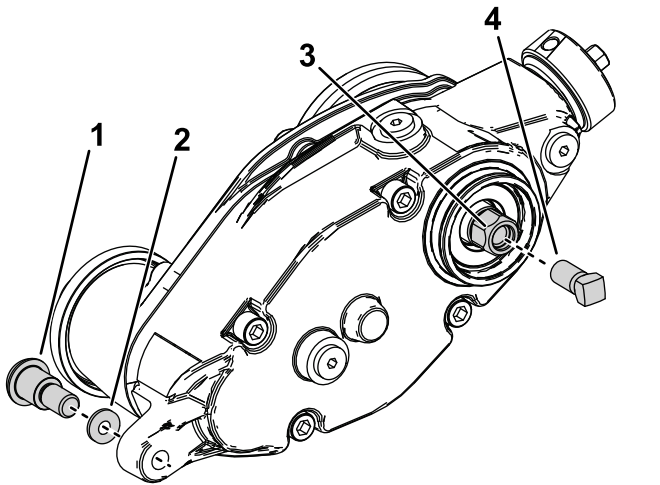


Figure 34

g346932

- |                    |                           |
|--------------------|---------------------------|
| 1. Shoulder bolt   | 3. Groomer drive hex-head |
| 2. Hardened washer | 4. Reinforcement screw    |

4. Restrain the reel for removal; refer to [Restraining the Reel for Removing Threaded Inserts](#) (page 21).
5. Install the reinforcement screw (Part No. 1-803022—sold separately) to the internal threads of the groomer drive hex head and torque to 13.5 N·m (120 in-lb) as shown in Figure 34.
6. Remove the groomer drive box from the cutting reel by turning the groomer drive hex-head (Figure 34).

**Important:** If the groomer drive box is installed on the right side of a cutting unit, turn the groomer drive hex-head counter-clockwise (right-hand thread) to remove the drive-box shaft from cutting unit.

**Important:** If the groomer drive box is installed on the left side of a cutting unit,

turn the groomer drive hex-head clockwise (left-hand thread) to remove drive-box shaft from cutting unit

**Important:** You must use a 6-point socket with heavy wall.

# Cleaning the Grooming Reel

**Service Interval:** After each use

Clean off the grooming reel after using it by spraying it with water. Do not direct the water stream directly at the groomer bearing seals. Do not permit the grooming reel to stand in water so that the components rust.

# Inspecting the Blades

**Service Interval:** Before each use or daily

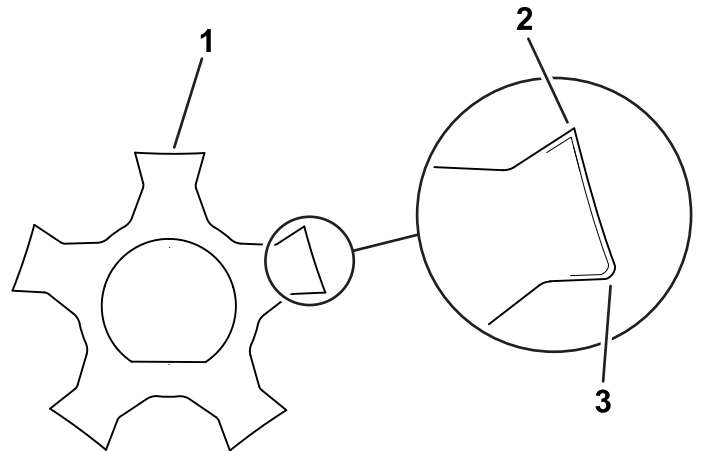


Figure 35

g287987

- |                   |                         |
|-------------------|-------------------------|
| 1. Grooming blade | 3. Dull (rounded) edges |
| 2. Sharp edges    |                         |

Inspect the grooming-reel blades frequently for damage and wear. Straighten bent blades with a pliers. Replace worn blades, and torque the locknuts to 42 to 49 N·m (31 to 36 ft-lb). When inspecting the blades, check to see that nuts on the right and left blade-shaft ends are tight.

**Note:** If you are using spring steel blades, when 1 side of the blades become worn, remove the grooming reel, rotate it 180°, and install it so that the unworn side is facing the direction of rotation.

**Note:** Because the groomer may introduce more debris (e.g., dirt and sand) into the cutting unit than what the reel would normally be exposed to, check the bedknife and main reel for wear more frequently.

This is especially important in sandy soil and/or when the groomer is set for penetration.

## Restraining the Reel

### **▲ WARNING**

The cutting reel blades are sharp and capable of amputating hands and feet.

- Keep your hands and feet outside of the reel.
- Ensure that the reel is restrained before servicing it.

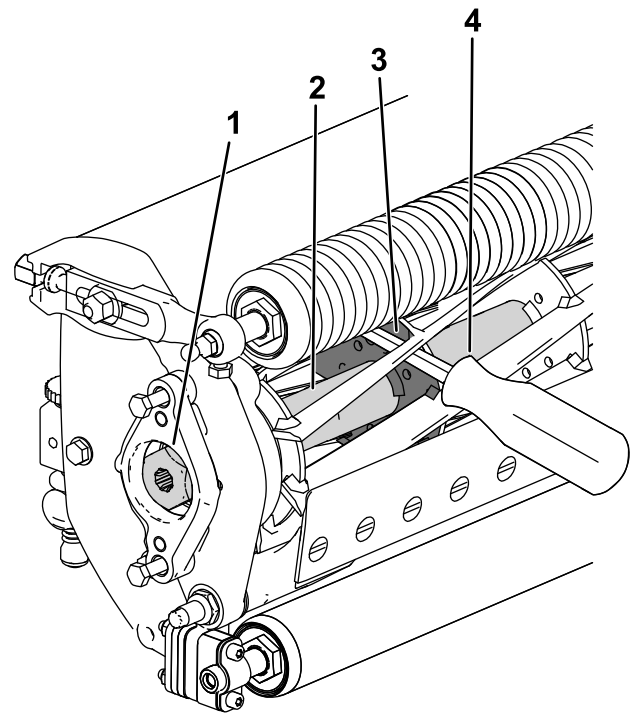
## Restraining the Reel for Removing Threaded Inserts

1. Tip up the cutting unit so that you access the bottom of the reel.
2. Insert a long-handled pry bar (recommended 3/8 x 12 inches with a screwdriver handle) through the bottom of the cutting reel, closest to the side of the cutting unit that you will be torquing (Figure 36).
3. Place the pry bar against the weld side of the reel support plate (Figure 36).

**Note:** Insert the pry bar between the top of the reel shaft and the backs of the reel blades so that the reel will not move.

**Important:** Do not contact the cutting edge of any blades with the pry bar; this may damage the cutting edge and/or cause a high blade.

**Important:** The insert on the left side of the cutting unit has left-hand threads. The insert on the right side of the cutting unit has right-hand threads.



g280339

**Figure 36**

- |                                |                                    |
|--------------------------------|------------------------------------|
| 1. Threaded insert for removal | 3. Weld side of reel support plate |
| 2. Reel shaft                  | 4. Pry bar                         |
- 
4. Rest the handle of the pry bar against the roller.
  5. Complete the removal of the threaded insert while ensuring that the pry bar stays in place, then remove the pry bar.
  6. Lower the cutting unit to rest on the rollers.



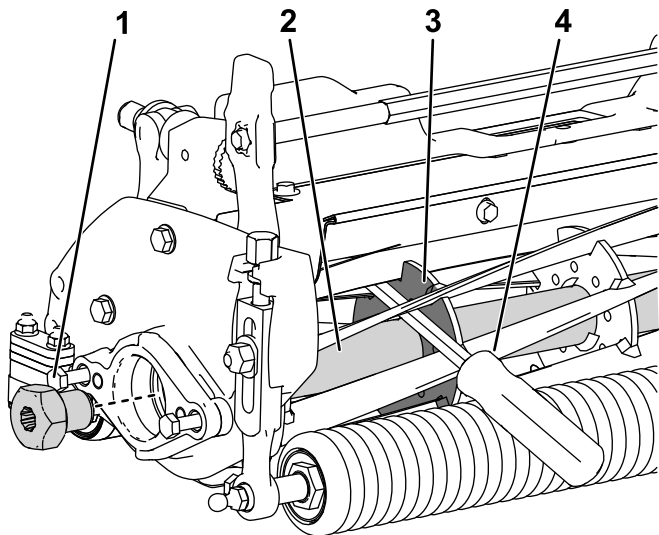
## Restraining the Reel for Installing Threaded Inserts

1. Insert a long-handled pry bar (recommended 3/8 x 12 inches with a screwdriver handle) through the front of the cutting reel, closest to the side of the cutting unit that you will be torquing (Figure 37).
2. Place the pry bar against the weld side of the reel support plate (Figure 37).

**Note:** Insert the pry bar between the top of the reel shaft and the backs of the reel blades so that the reel will not move.

**Important:** Do not contact the cutting edge of any blades with the pry bar; this may damage the cutting edge or cause a high blade.

**Important:** The insert on the left side of the cutting unit has left-hand threads. The insert on the right side of the cutting unit has right-hand threads.



g280287

**Figure 37**

- |                                     |                                   |
|-------------------------------------|-----------------------------------|
| 1. Threaded insert for installation | 3. Weld side of the support plate |
| 2. Reel shaft                       | 4. Pry bar                        |

3. Rest the handle of the pry bar against the roller.
4. Follow the installation instructions for the threaded inserts to install them while keeping the pry bar in place. Torque the insert as recommended.
5. Remove the pry bar.



# Notes:

# Notes:

# Declaration of Incorporation

The Toro Company, 8111 Lyndale Ave. South, Bloomington, MN, USA declares that the following unit(s) conform(s) to the directives listed, when installed in accordance with the accompanying instructions onto certain Toro models as indicated on the relevant Declarations of Conformity.

Model No.	Serial No.	Product Description	Invoice Description	General Description	Directive
04648	321000000 and Up and Up	Universal Groomer Drive Kit, Greensmaster Flex 1800 and 2100, eFlex 1800 and 2100 or Greensmaster 3000 Series DPA Cutting Units	UNIV GROOMER DRIVE, NEWGEN DPA GREENS CU	Groomer Drive System	2006/42/EC

Relevant technical documentation has been compiled as required per Part B of Annex VII of 2006/42/EC.

We will undertake to transmit, in response to requests by national authorities, relevant information on this partly completed machinery. The method of transmission shall be electronic transmittal.

This machinery shall not be put into service until incorporated into approved Toro models as indicated on the associated Declaration of Conformity and in accordance with all instructions, whereby it can be declared in conformity with all relevant Directives.

Certified:



Tom Langworthy  
Engineering Director  
8111 Lyndale Ave. South  
Bloomington, MN 55420, USA  
September 13, 2024

Authorized Representative:

Marcel Dutrieux  
Manager European Product Integrity  
Toro Europe NV  
Nijverheidsstraat 5  
2260 Oevel  
Belgium

# UK Declaration of Incorporation

The Toro Company, 8111 Lyndale Ave. South, Bloomington, MN, USA declares that the following unit(s) conform(s) to the directives listed, when installed in accordance with the accompanying instructions onto certain Toro models as indicated on the relevant Declarations of Conformity.

Model No.	Serial No.	Product Description	Invoice Description	General Description	Regulation
04648	321000000 and Up and Up	Universal Groomer Drive Kit, Greensmaster Flex 1800 and 2100, eFlex 1800 and 2100 or Greensmaster 3000 Series DPA Cutting Units	UNIV GROOMER DRIVE, NEWGEN DPA GREENS CU	Groomer Drive System	S.I. 2008 No. 1597

Relevant technical documentation has been compiled as required per Schedule 10 of S.I. 2008 No. 1597.

We will undertake to transmit, in response to requests by national authorities, relevant information on this partly completed machinery. The method of transmission shall be electronic transmittal.

This machinery shall not be put into service until incorporated into approved Toro models as indicated on the associated Declaration of Conformity and in accordance with all instructions, whereby it can be declared in conformity with all relevant Regulations.

This declaration has been issued under the sole responsibility of the manufacturer.  
The object of the declaration is in conformity with relevant UK legislation.



Tom Langworthy  
Engineering Director  
8111 Lyndale Ave. South  
Bloomington, MN 55420, USA  
September 13, 2024

Authorized Representative:

Marcel Dutrieux  
Manager European Product Integrity  
Toro U.K. Limited  
Spellbrook Lane West  
Bishop's Stortford  
CM23 4BU  
United Kingdom



# The Toro Warranty

Two-Year or 1,500 Hours Limited Warranty

## Conditions and Products Covered

The Toro Company warrants your Toro Commercial product ("Product") to be free from defects in materials or workmanship for 2 years or 1,500 operational hours\*, whichever occurs first. This warranty is applicable to all products with the exception of Aerators (refer to separate warranty statements for these products). Where a warrantable condition exists, we will repair the Product at no cost to you including diagnostics, labor, parts, and transportation. This warranty begins on the date the Product is delivered to the original retail purchaser.

\* Product equipped with an hour meter.

## Instructions for Obtaining Warranty Service

You are responsible for notifying the Commercial Products Distributor or Authorized Commercial Products Dealer from whom you purchased the Product as soon as you believe a warrantable condition exists. If you need help locating a Commercial Products Distributor or Authorized Dealer, or if you have questions regarding your warranty rights or responsibilities, you may contact us at:

Toro Commercial Products Service Department  
8111 Lyndale Avenue South  
Bloomington, MN 55420-1196

952-888-8801 or 800-952-2740  
E-mail: [commercial.warranty@toro.com](mailto:commercial.warranty@toro.com)

## Owner Responsibilities

As the product owner, you are responsible for required maintenance and adjustments stated in your *Operator's Manual*. Repairs for product issues caused by failure to perform required maintenance and adjustments are not covered under this warranty.

## Items and Conditions Not Covered

Not all product failures or malfunctions that occur during the warranty period are defects in materials or workmanship. This warranty does not cover the following:

- Product failures which result from the use of non-Toro replacement parts, or from installation and use of add-on, or modified non-Toro branded accessories and products.
- Product failures which result from failure to perform recommended maintenance and/or adjustments.
- Product failures which result from operating the Product in an abusive, negligent, or reckless manner.
- Parts consumed through use that are not defective. Examples of parts which are consumed, or used up, during normal Product operation include, but are not limited to, brake pads and linings, clutch linings, blades, reels, rollers and bearings (sealed or greasable), bed knives, spark plugs, castor wheels and bearings, tires, filters, belts, and certain sprayer components such as diaphragms, nozzles, flow meters, and check valves.
- Failures caused by outside influence, including, but not limited to, weather, storage practices, contamination, use of unapproved fuels, coolants, lubricants, additives, fertilizers, water, or chemicals.
- Failure or performance issues due to the use of fuels (e.g. gasoline, diesel, or biodiesel) that do not conform to their respective industry standards.
- Normal noise, vibration, wear and tear, and deterioration. Normal "wear and tear" includes, but is not limited to, damage to seats due to wear or abrasion, worn painted surfaces, scratched decals or windows.

## Countries Other than the United States or Canada

Customers who have purchased Toro products exported from the United States or Canada should contact their Toro Distributor (Dealer) to obtain guarantee policies for your country, province, or state. If for any reason you are dissatisfied with your Distributor's service or have difficulty obtaining guarantee information, contact your Authorized Toro Service Center.

## Parts

Parts scheduled for replacement as required maintenance are warranted for the period of time up to the scheduled replacement time for that part. Parts replaced under this warranty are covered for the duration of the original product warranty and become the property of Toro. Toro will make the final decision whether to repair any existing part or assembly or replace it. Toro may use remanufactured parts for warranty repairs.

## Deep Cycle and Lithium-Ion Battery Warranty

Deep cycle and Lithium-Ion batteries have a specified total number of kilowatt-hours they can deliver during their lifetime. Operating, recharging, and maintenance techniques can extend or reduce total battery life. As the batteries in this product are consumed, the amount of useful work between charging intervals will slowly decrease until the battery is completely worn out. Replacement of worn out batteries, due to normal consumption, is the responsibility of the product owner. Note: (Lithium-Ion battery only): Refer to the battery warranty for additional information.

## Lifetime Crankshaft Warranty (ProStripe 02657 Model Only)

The Prostripe which is fitted with a genuine Toro Friction Disc and Crank-Safe Blade Brake Clutch (integrated Blade Brake Clutch (BBC) + Friction Disc assembly) as original equipment and used by the original purchaser in accordance with recommended operating and maintenance procedures, are covered by a Lifetime Warranty against engine crankshaft bending. Machines fitted with friction washers, Blade Brake Clutch (BBC) units and other such devices are not covered by the Lifetime Crankshaft Warranty.

## Maintenance is at Owner's Expense

Engine tune-up, lubrication, cleaning and polishing, replacement of filters, coolant, and completing recommended maintenance are some of the normal services Toro products require that are at the owner's expense.

## General Conditions

Repair by an Authorized Toro Distributor or Dealer is your sole remedy under this warranty.

**The Toro Company is not liable for indirect, incidental or consequential damages in connection with the use of the Toro Products covered by this warranty, including any cost or expense of providing substitute equipment or service during reasonable periods of malfunction or non-use pending completion of repairs under this warranty. Except for the Emissions warranty referenced below, if applicable, there is no other express warranty. All implied warranties of merchantability and fitness for use are limited to the duration of this express warranty.**

Some states do not allow exclusions of incidental or consequential damages, or limitations on how long an implied warranty lasts, so the above exclusions and limitations may not apply to you. This warranty gives you specific legal rights, and you may also have other rights which vary from state to state.

## Note Regarding Emissions Warranty

The Emissions Control System on your Product may be covered by a separate warranty meeting requirements established by the U.S. Environmental Protection Agency (EPA) and/or the California Air Resources Board (CARB). The hour limitations set forth above do not apply to the Emissions Control System Warranty. Refer to the Engine Emission Control Warranty Statement supplied with your product or contained in the engine manufacturer's documentation.



**Count on it.**