



Count on it.

Parts Catalog

TimeCutter® MyRIDE® 60in Zero Turn

Riding Mower

Model No. 77603—Serial No. 417112059 and Up



Ordering Replacement Parts

To order replacement parts, please supply the part number, the quantity, and the description of each part desired.

Understanding Reference Numbers

Each identified part in an illustration has a reference number. The reference number for a part also appears in the parts list, along with other information about the part.

This catalog uses two special reference number formats, one to indicate parts in a service assembly and another to indicate the quantity of a given part in an illustration.

Service Assembly Reference Numbers

Parts in service assemblies have reference numbers in the form a:b. The a represents the reference number of the entire service assembly and the b represents a sequential number unique to each part within the service assembly.

For example, a wheel assembly might be identified by reference number 6, the tire by 6:1, the valve by 6:2, and the wheel by 6:3. When you order the assembly identified by reference number 6, you receive all parts identified by reference numbers 6:1, 6:2, and 6:3. However, you may also order any part individually. Reference numbers of this type appear in illustration and in parts lists.

Reference Numbers Indicating Quantity

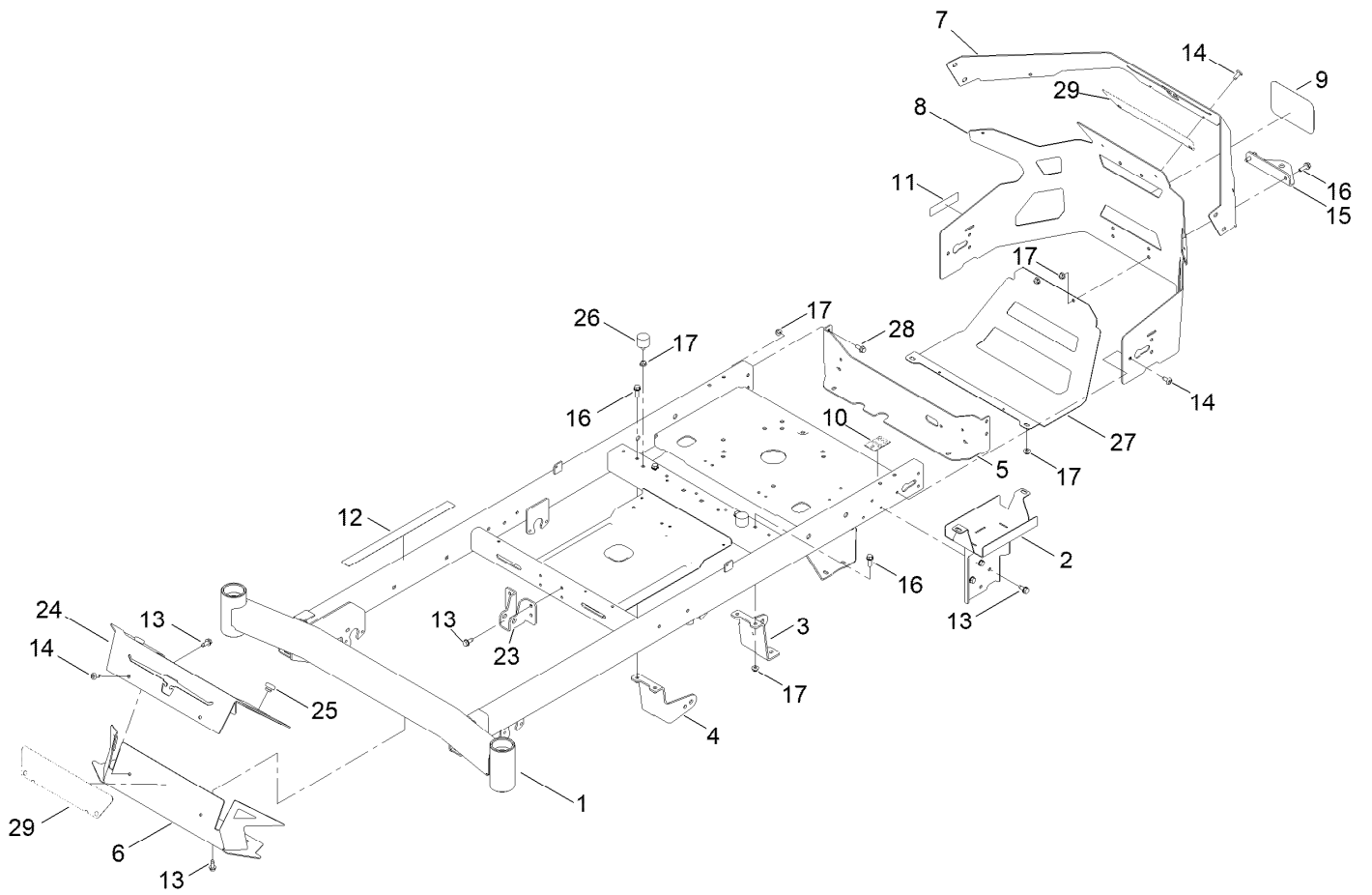
In an illustration, if a reference number indicates more than one part, the reference number has the form nX y. The n represents the quantity of the part, the X is the multiplication symbol, and the y represents the reference number.

For example, in an illustration, the reference number 2X 37 means that two of the parts identified by reference number 37 are indicated.

Contents

Frame Assembly	4
Deck Lift Assembly	6
Caster Wheel Assembly	8
Traction Control Assembly	10
LH Hydro Transmission Assembly No. 140-8301	12
RH Hydro Transmission Assembly No. 140-8300	14
Brake Assembly	16
Tire Assembly	18
Motion Control Assembly	20
Engine and Muffler Assembly	22
Fuel Tank Assembly	24
Electrical Assembly	26
Main Wire Harness Assembly No. 145-6382	28
60 Inch Deck and Decal Assembly	30
Model Specific Assembly	32
Seat Pan Assembly	34
Seat Assembly No. 147-8731	36
Clutch Assembly	38
Attachments and Accessories	40

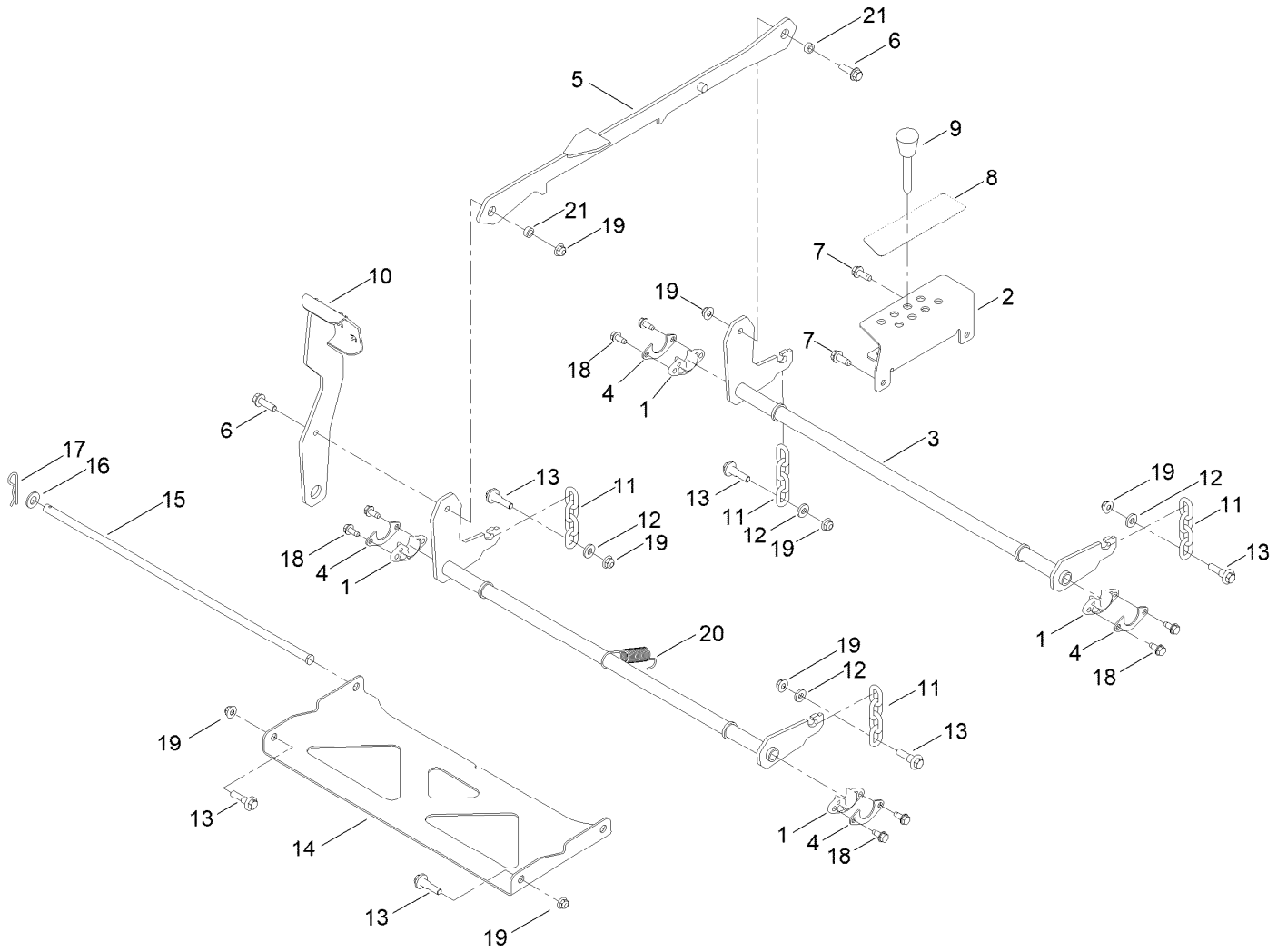
Frame Assembly



Frame Assembly (continued)

<i>Ref.</i>	<i>Part Number</i>	<i>Qty.</i>	<i>Description</i>	<i>Ref.</i>	<i>Part Number</i>	<i>Qty.</i>	<i>Description</i>
1	161-6614	1	Service ASM-Frame, Tc	14	138-9753	12	Screw
2	145-6283-05	1	Wa-Battery Mount	15	117-1232-03	1	Bracket-Hitch
3	161-6506-01	1	Mount-Drive, LH	16	139-2596	6	Screw-HHF
4	161-6507-01	1	Mount-Drive, RH	17	119-4041	14	Nut-HF
5	147-8709-03	1	Plate-Mount	23	145-6323-01	1	Bracket-Mount Damper, Lower
6	147-2966-05	1	Footrest-Top	24	147-2850-05	1	Plate-Kick, Mr
7	147-2995-05	1	Plate-Rear Cladding Tc	25	140-3460	2	Bumper-Rubber
8	147-2994-05	1	Guard-Engine Tc	26	137-4803	2	Bumper-Rubber
9	127-7590	1	Decal	27	147-7717-03	1	Guard-Muffler [black]
10	161-6207	1	Decal-Bypass	28	139-2598	4	Screw-HHF
11	142-5864	1	Decal-Spark Arrester	29	147-7699	2	Decal-Backer, Red
12	144-5288	1	Decal-Warning				
13	32144-70	11	Screw-HWHTF				

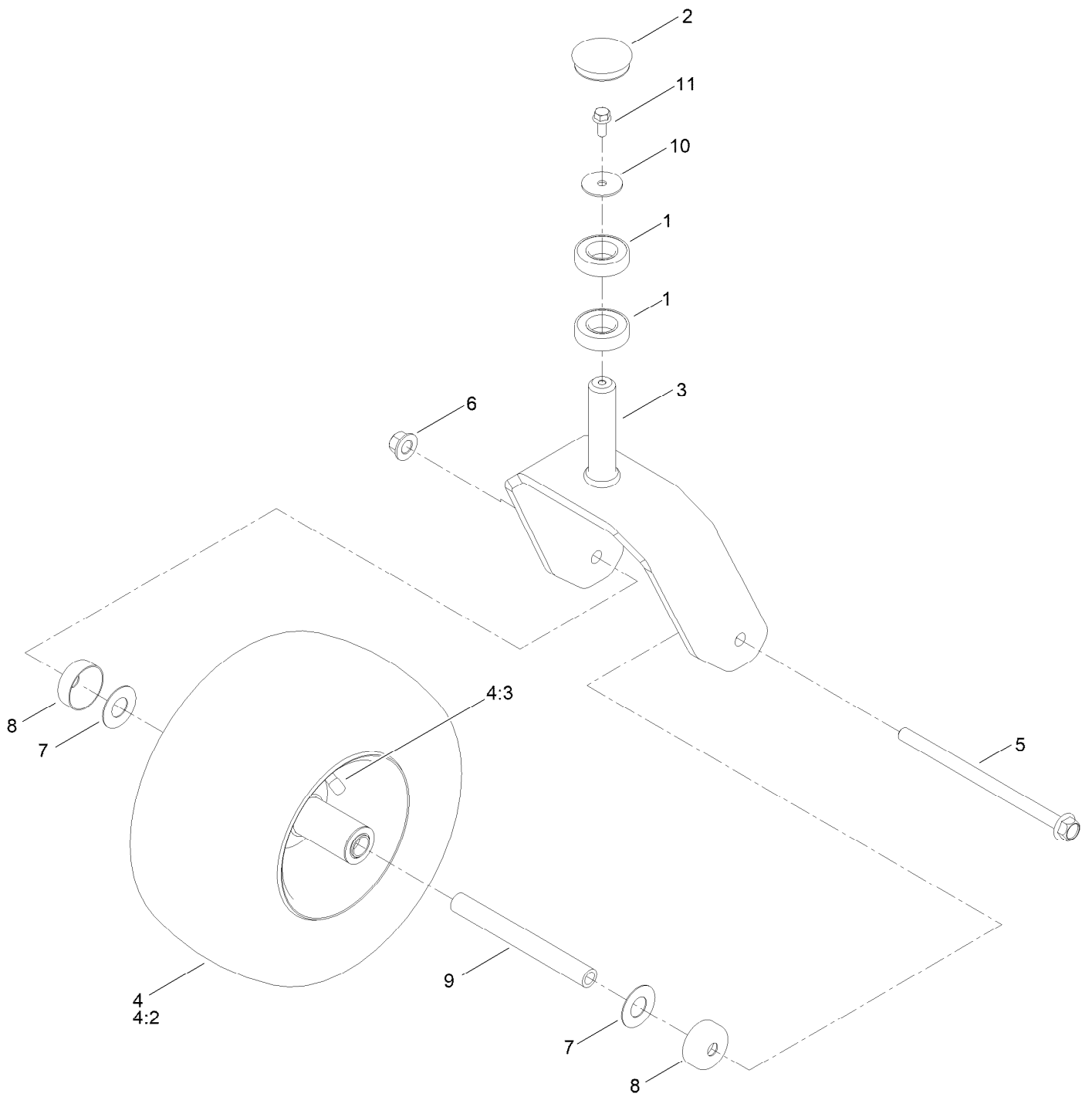
Deck Lift Assembly



Deck Lift Assembly (continued)

<i>Ref.</i>	<i>Part Number</i>	<i>Qty.</i>	<i>Description</i>	<i>Ref.</i>	<i>Part Number</i>	<i>Qty.</i>	<i>Description</i>
1	139-5872	4	Bearing-Flange	12	138-7207	4	Spacer-Hub, Blower
2	145-6257-05	1	Bracket-HOC	13	130-0742	6	Bolt-Shoulder
3	145-4645-05	2	Pivot ASM-Decklift [blk-Txt]	14	145-6248-03	1	Pan-Deck Pivot
4	138-7204	4	Gusset-Deck Lift	15	145-6288	1	Pin-Deck
5	145-0557-05	1	Link ASM-HOC [blk-Txt]	16	139-2611	1	Washer-Flat
6	119-4061	2	Screw-HHF	17	139-2562	1	Pin-Hair
7	139-2428	2	Screw-HWH	18	32144-70	8	Screw-HWHTF
8	147-2866	1	Decal-HOC, Tc	19	119-4042	8	Nut-HF, NI
9	140-2146	1	HOC Pin ASM	20	138-7206	1	Spring-Extension
10	145-6278-05	1	Pedal ASM [blk-Txt]	21	140-2093	2	Spacer
11	138-7205	4	Chain-Decklift, 4-Link				

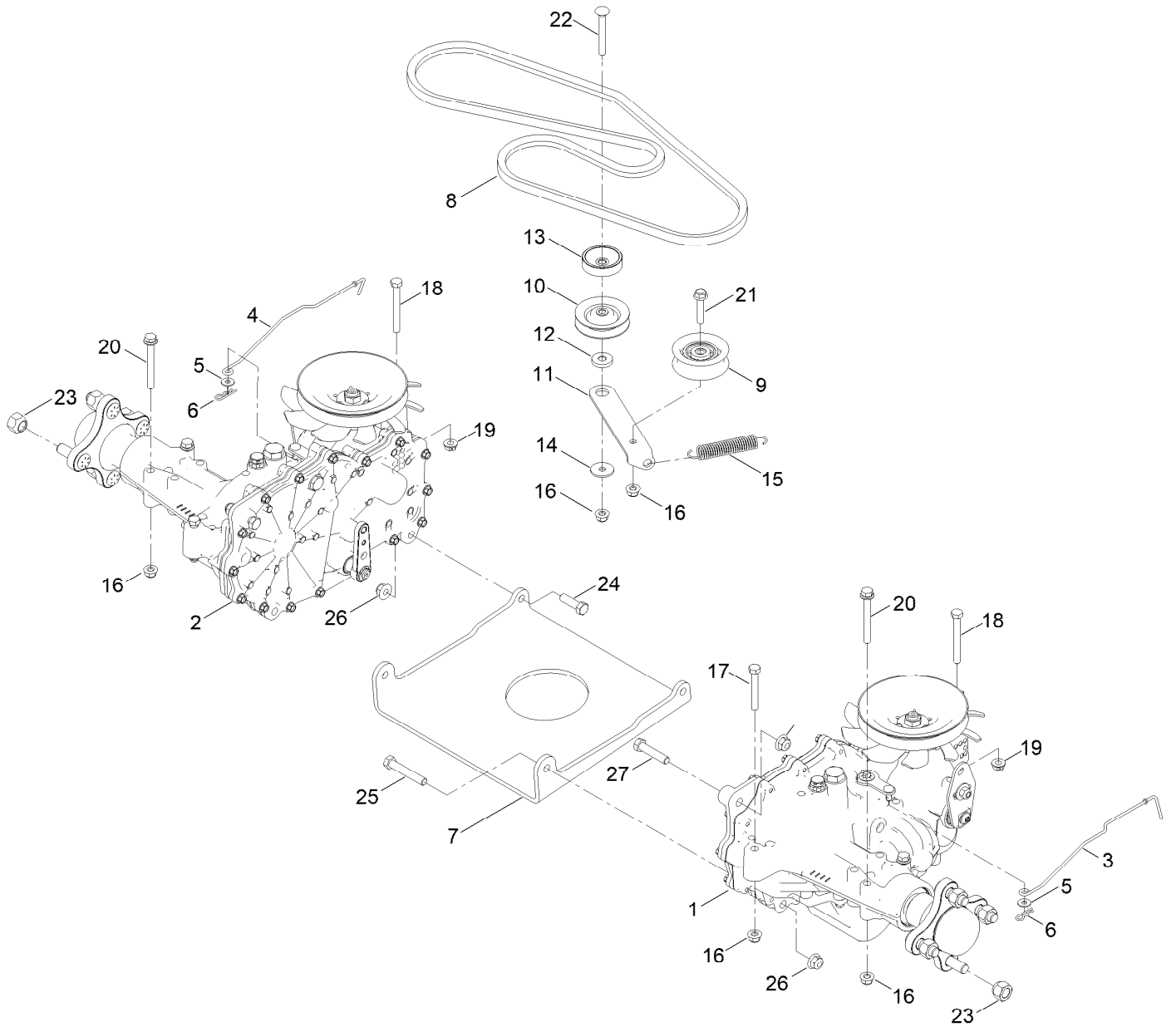
Caster Wheel Assembly



Caster Wheel Assembly (continued)

<i>Ref.</i>	<i>Part Number</i>	<i>Qty.</i>	<i>Description</i>	<i>Ref.</i>	<i>Part Number</i>	<i>Qty.</i>	<i>Description</i>
1	109-3678	4	Bearing-Ball	6	99-5107	2	Nut-Lock
2	144-0375	2	Cap, Grease	7	136-5590	4	Washer
3	133-4375-05	2	Fork	8	138-7208	4	Guard-Seal
4	147-7598	2	Caster Tire ASM 13X6.5-6	9	133-4487	2	Spanner-Wheel
4:2	147-7599	1	Tire 13X6.5-6	10	115-1151	2	Washer-Flat
4:3	232-27	1	Stem-Valve	11	100-1668	2	Screw-HHF
5	126-5389	2	Screw-HHF				

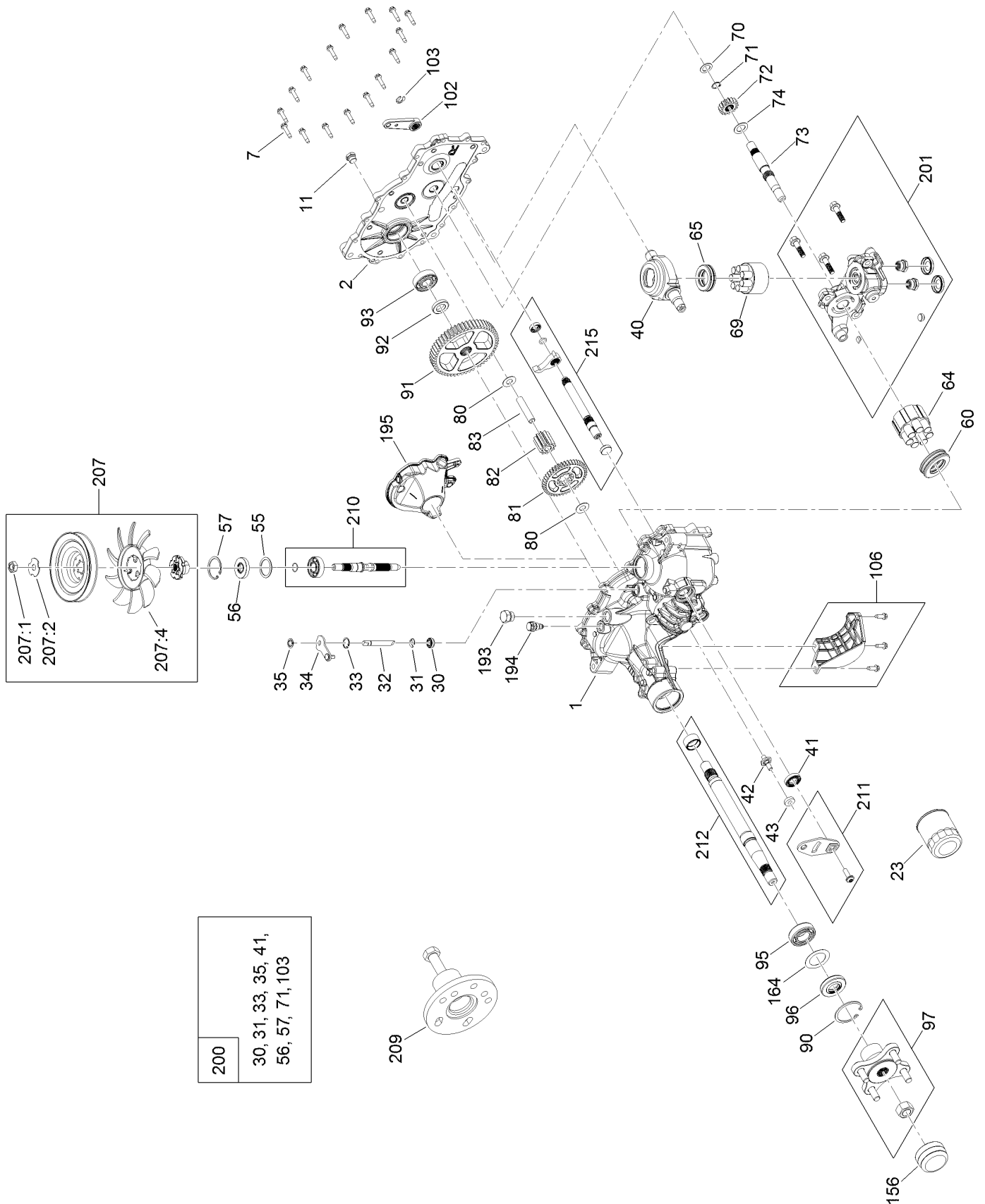
Traction Control Assembly



Traction Control Assembly (continued)

<i>Ref.</i>	<i>Part Number</i>	<i>Qty.</i>	<i>Description</i>	<i>Ref.</i>	<i>Part Number</i>	<i>Qty.</i>	<i>Description</i>
1	140-8301	1	LH Hydro Transmission ASM	14	5-4460	1	Washer-Pivot
2	140-8300	1	RH Hydro Transmission ASM	15	137-7040	1	Spring-Return, Pedal
3	147-2987	1	Rod-Bypass, LH	16	104-8300	8	Nut-HF, NI
4	147-2986	1	Rod-Bypass, RH	17	322-11	2	Screw-HH
5	119-8952	2	Washer-Spcl	18	145-6388	2	Screw-HH Spcl
6	3290-307	2	Pin-Cotter	19	139-2574	2	Nut-HF
7	145-6383-03	1	Plate-Hydro	20	138-7590	4	Screw-HHF
8	145-6362	1	V-Belt (A Sec 65.30 EI)	21	115-1794	1	Screw-HHF
9	138-7597	1	Pulley-Idler, Flat	22	3230-8	1	Screw-CARR
10	68-0030	1	Idler	23	139-2564	8	Nut-Lug
11	147-2925	1	Arm-Idler	24	323-7	2	Screw-HH
12	138-7277	1	Spacer-Arm, Idler	25	323-11	2	Screw-HH
13	138-9809	1	Spacer	26	104-8301	6	Nut-HF, NI
				27	323-9	2	Screw-HH

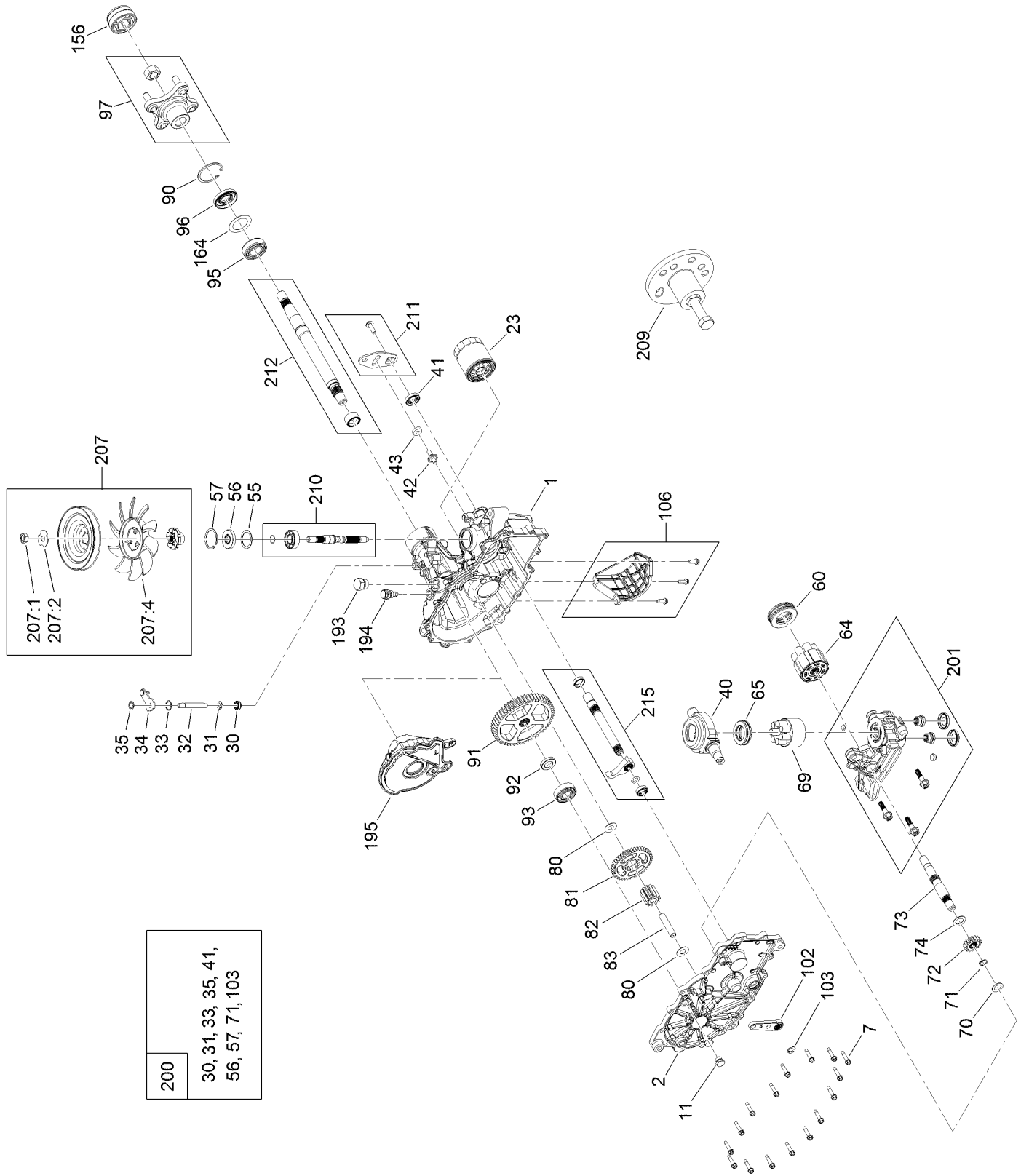
LH Hydro Transmission Assembly No. 140-8301



LH Hydro Transmission Assembly No. 140-8301 (continued)

<i>Ref.</i>	<i>Part Number</i>	<i>Qty.</i>	<i>Description</i>	<i>Ref.</i>	<i>Part Number</i>	<i>Qty.</i>	<i>Description</i>
1	140-8346	1	RH Control Main Housing Kit	80	94-1933	2	Washer
2	140-8349	1	RH Side Cover Kit	81	125-0000	1	Gear-43T
7	117-5359	16	Screw-HHF	82	114-1693	1	Gear-11T
11	135-1140	1	Plug-Straight	83	104-5329	1	Pin-Jackshaft
23	109-3321	1	Element-Oil Filter, HYD	90	104-2169	1	Ring-Retaining
30	139-7497	1	Seal-Lip	91	114-1694	1	Gear-54T
31	106-8677	1	Ring-Retaining, External	92	120-7975	1	Spacer
32	114-1685	1	Rod-Bypass	93	137-2004	1	Bearing Kit
33	106-8679	1	Ring-Retaining, Internal	95	130-8477	1	Bearing-Ball
34	112-9852	1	Arm-Bypass	96	104-2144	1	Seal
35	106-8681	1	Ring-Retaining, External	97	109-5939	1	Hub Kit
40	104-5304	1	Swashplate-Trunnion	102	125-0021	1	Handle-Brake
41	104-5313	1	Seal-Lip	103	131-0906	1	Ring-Retaining, EXT
42	104-2116	1	Stud	106	139-7499	1	Filter Guard Kit
43	112-9853	1	Puck-Friction	156	115-5057	1	Cover-Nut, Axle
55	104-5308	1	Spacer	164	121-5745	1	Spacer
56	104-5310	1	Seal-Lip	193	140-8343	1	Plug
57	104-5309	1	Ring-Retaining	194	140-8356	1	Breather Fitting ASM
60	112-4154	1	Bearing-Thrust	195	140-8357	1	RH Internal Expansion Tank ASM
64	139-4074	1	Cylinder Block ASM Kit	200	140-8351	1	Seal Kit
65	94-6922	1	Bearing-Thrust	201	132-0940	1	RH Center Section Kit
69	110-8561	1	Pump Block ASM	207	135-7343	1	Fan And Pulley Kit
70	104-5339	1	Washer-Flat	209	114-8467	1	Puller-Hub, 4 Bolt
71	104-5340	1	Ring-Retaining	210	140-8344	1	Input Shaft Kit
72	121-5749	1	Gear-16T	211	117-5362	1	Control Arm Kit
73	114-1691	1	Shaft-Motor	212	114-8470	1	Axle Shaft Kit
74	104-5360	1	Washer	215	140-8352	1	Inboard Kit

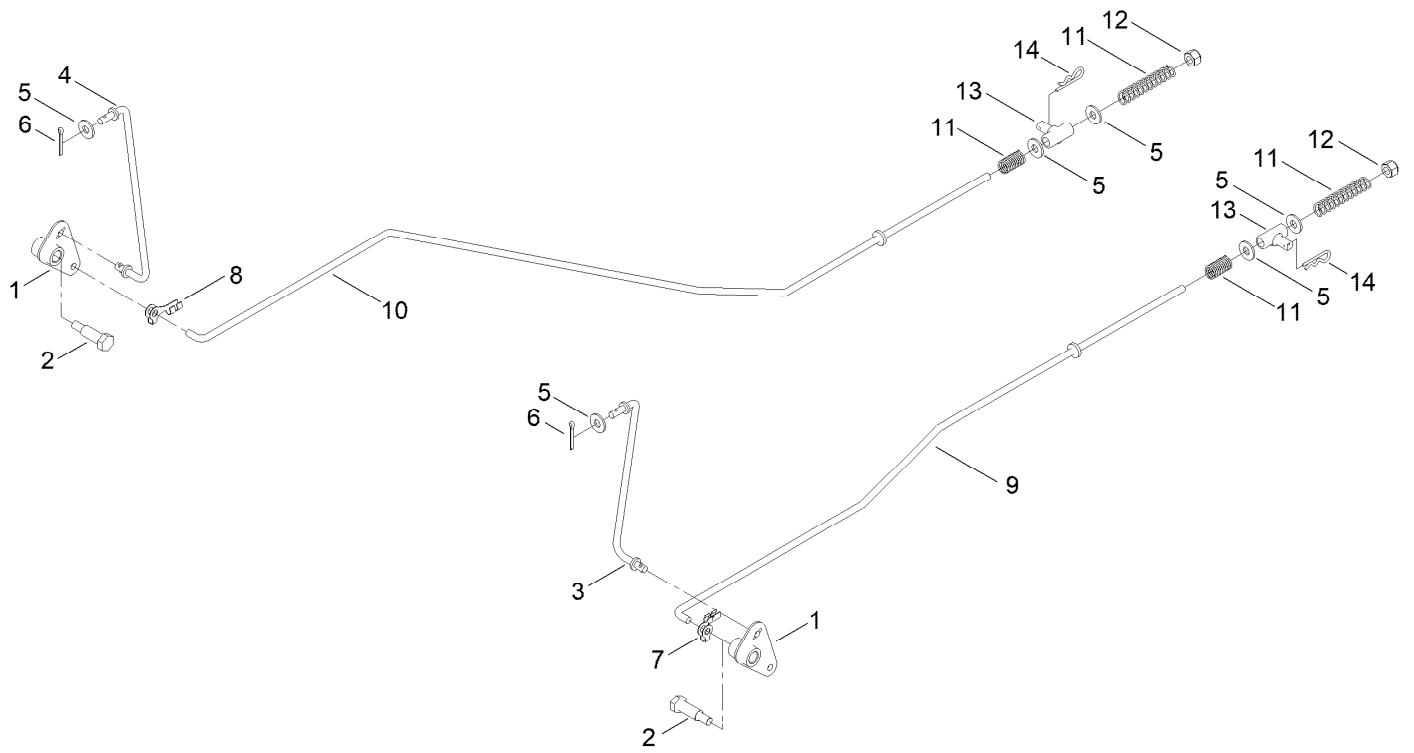
RH Hydro Transmission Assembly No. 140-8300



RH Hydro Transmission Assembly No. 140-8300 (continued)

<i>Ref.</i>	<i>Part Number</i>	<i>Qty.</i>	<i>Description</i>	<i>Ref.</i>	<i>Part Number</i>	<i>Qty.</i>	<i>Description</i>
1	140-8348	1	LH Control Main Housing Kit	81	125-0000	1	Gear-43T
2	140-8350	1	LH Side Cover Kit	82	114-1693	1	Gear-11T
7	117-5359	16	Screw-HHF	83	104-5329	1	Pin-Jackshaft
11	135-1140	1	Plug-Straight	90	104-2169	1	Ring-Retaining
23	109-3321	1	Element-Oil Filter, HYD	91	114-1694	1	Gear-54T
30	139-7497	1	Seal-Lip	92	120-7975	1	Spacer
31	106-8677	1	Ring-Retaining, External	93	137-2004	1	Bearing Kit
32	114-1685	1	Rod-Bypass	95	130-8477	1	Bearing-Ball
33	106-8679	1	Ring-Retaining, Internal	96	104-2144	1	Seal
34	107-2490	1	Arm-Bypass	97	109-5939	1	Hub Kit
35	106-8681	1	Ring-Retaining, External	102	125-0021	1	Handle-Brake
40	104-5304	1	Swashplate-Trunnion	103	131-0906	1	Ring-Retaining, EXT
41	104-5313	1	Seal-Lip	106	139-7498	1	Filter Guard Kit
42	104-2116	1	Stud	156	115-5057	1	Cover-Nut, Axle
43	112-9853	1	Puck-Friction	164	121-5745	1	Spacer
55	104-5308	1	Spacer	193	140-8343	1	Plug
56	104-5310	1	Seal-Lip	194	140-8356	1	Breather Fitting ASM
57	104-5309	1	Ring-Retaining	195	140-8358	1	LH Internal Expansion Tank ASM
60	112-4154	1	Bearing-Thrust	200	140-8351	1	Seal Kit
64	139-4074	1	Cylinder Block ASM Kit	201	125-0036	1	Center Section Kit
65	94-6922	1	Bearing-Thrust	207	135-7343	1	Fan And Pulley Kit
69	110-8561	1	Pump Block ASM	209	114-8467	1	Puller-Hub, 4 Bolt
70	104-5339	1	Washer-Flat	210	140-8344	1	Input Shaft Kit
71	104-5340	1	Ring-Retaining	211	117-5362	1	Control Arm Kit
72	121-5749	1	Gear-16T	212	114-8470	1	Axle Shaft Kit
73	114-1691	1	Shaft-Motor	215	140-8353	1	Inboard Kit
74	104-5360	1	Washer				
80	94-1933	2	Washer				

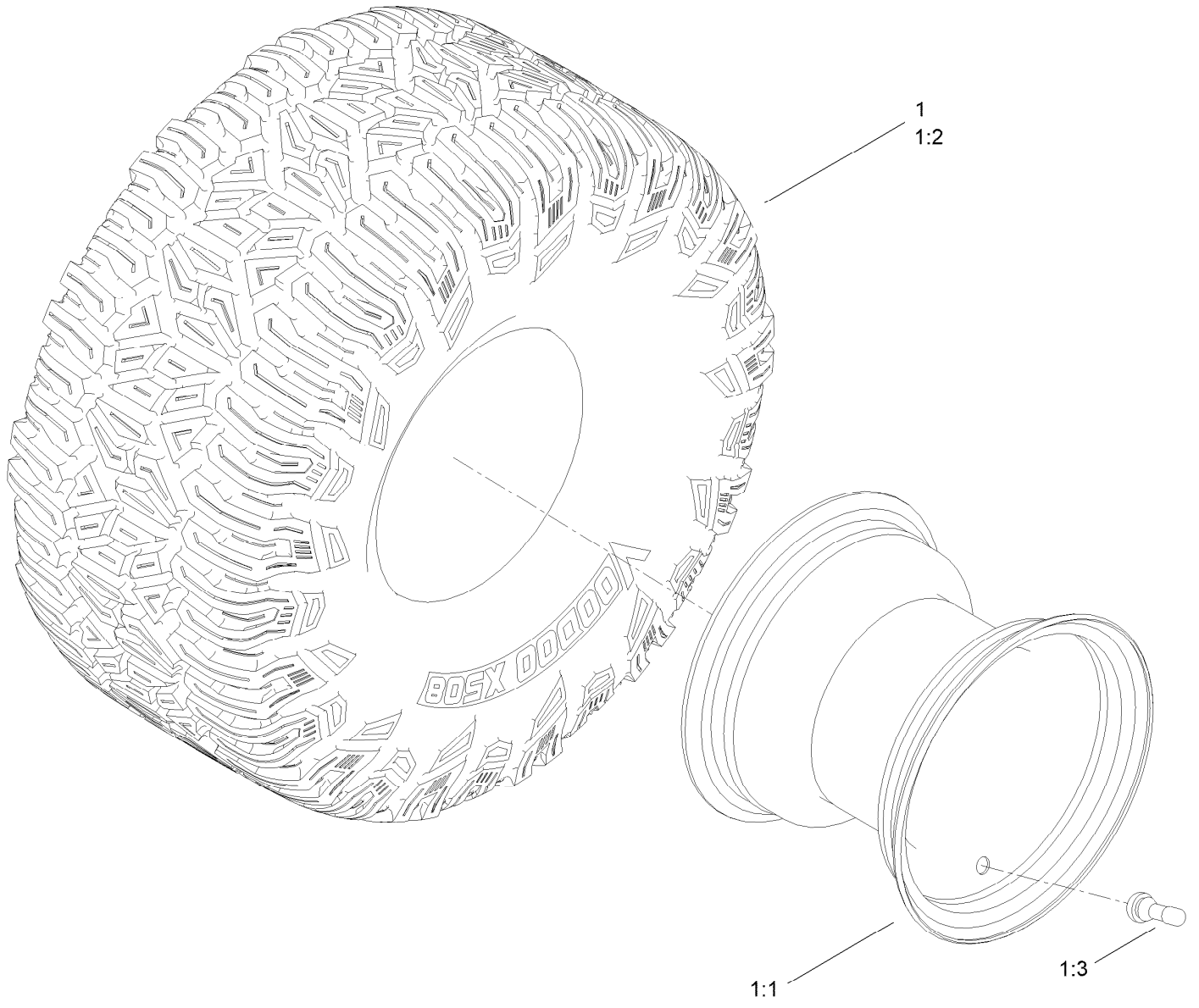
Brake Assembly



Brake Assembly (continued)

<i>Ref.</i>	<i>Part Number</i>	<i>Qty.</i>	<i>Description</i>	<i>Ref.</i>	<i>Part Number</i>	<i>Qty.</i>	<i>Description</i>
1	161-6420	2	Bellcrank	8	144-1815	1	Clip-Rod, RH (7R, 1/4In)
2	145-6364	2	Bolt-Shoulder	9	145-6372	1	Rod-Brake LH
3	145-4607	1	Link-Brake, LH	10	145-6371	1	Rod-Brake, RH
4	145-6238	1	Link-Brake, RH	11	121-5654	4	Spring-Compression
5	119-8952	6	Washer-Spcl	12	3296-42	2	Nut-Lock, NI
6	120-9716	2	Pin-Cotter	13	119-8857	2	Mount-Pivot
7	144-1816	1	Clip-Rod, LH (7L, 1/4In)	14	3290-307	2	Pin-Cotter

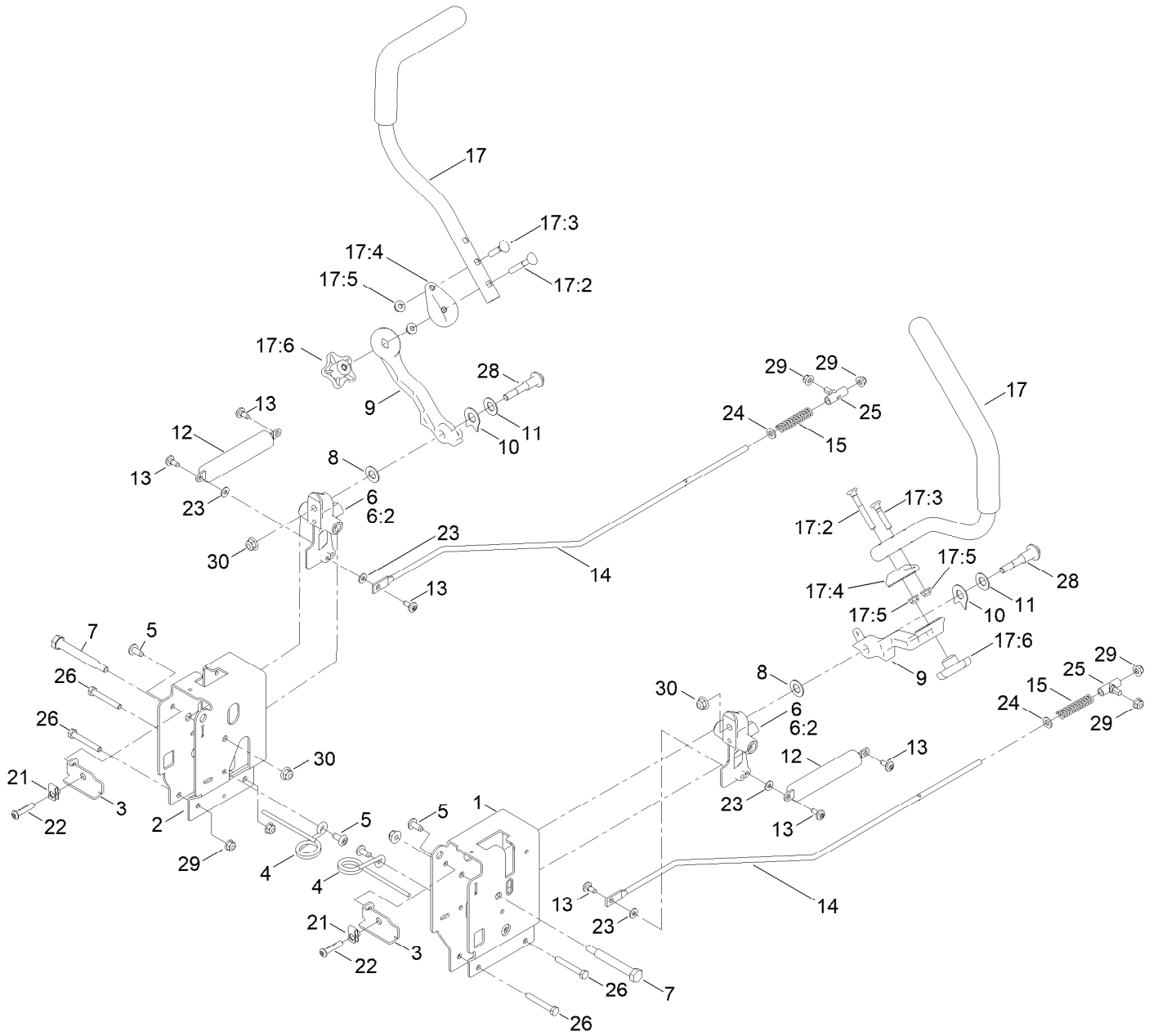
Tire Assembly



Tire Assembly (continued)

<i>Ref.</i>	<i>Part Number</i>	<i>Qty.</i>	<i>Description</i>	<i>Ref.</i>	<i>Part Number</i>	<i>Qty.</i>	<i>Description</i>
1	145-6391	2	Tire ASM	1:2	147-5179	1	Tire
1:1	147-5180	1	Rim	1:3	232-27	1	Stem-Valve

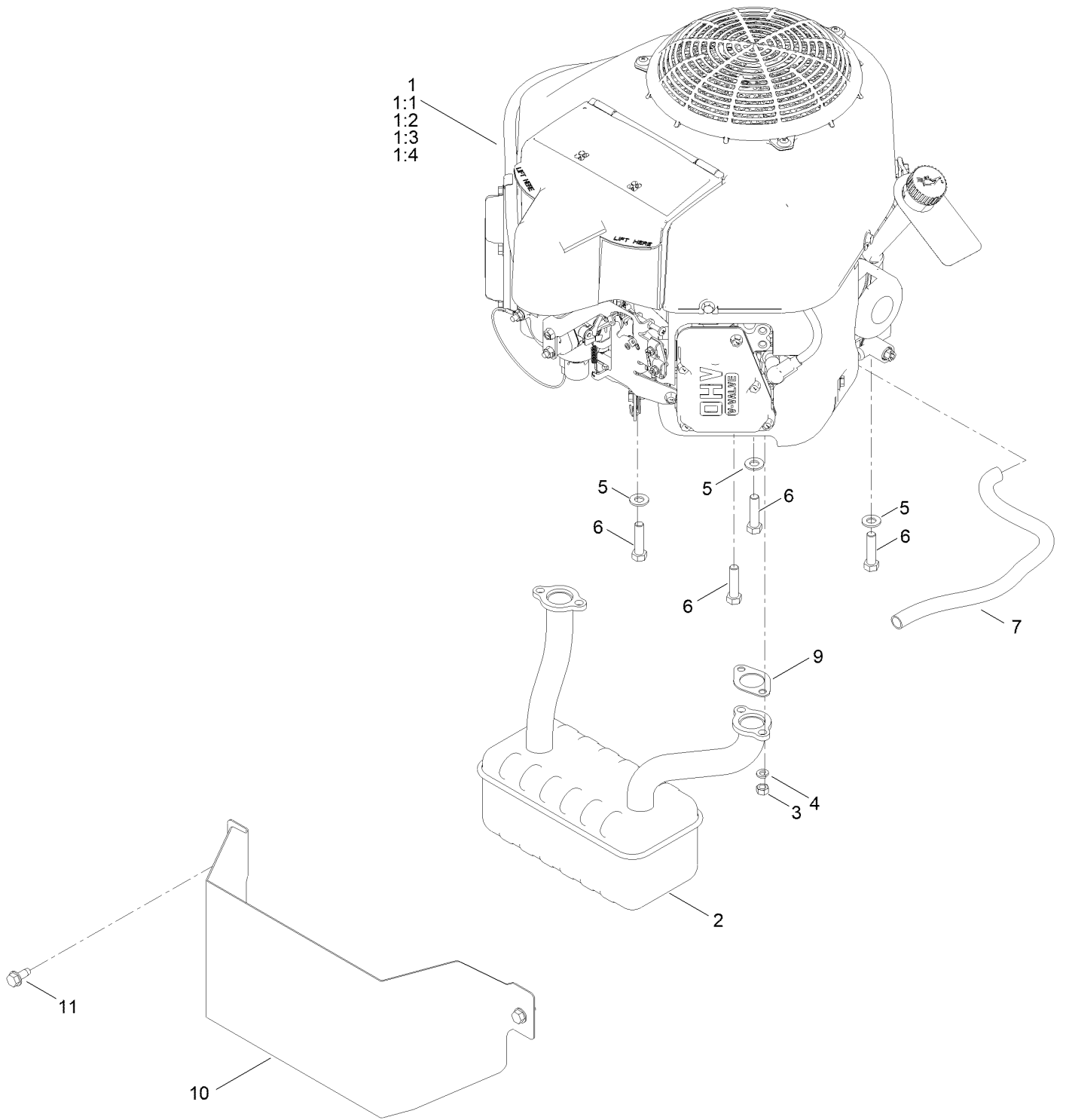
Motion Control Assembly



Motion Control Assembly (continued)

<i>Ref.</i>	<i>Part Number</i>	<i>Qty.</i>	<i>Description</i>	<i>Ref.</i>	<i>Part Number</i>	<i>Qty.</i>	<i>Description</i>
1	145-4615-03	1	Control Box - LH G7	17	161-6525	2	Handle-Control, ASM
2	145-4647-03	1	Control Box - RH G7	17:2	145-6366	1	Screw-Handle
3	147-7580-03	2	Adjustment Plate-Control Box	17:3	137-3008	1	Screw-Handle
4	145-6253	2	Spring-Torsion	17:4	147-5192-05	1	Disc-Adjustment Handle, 32 Teeth
5	138-9753	4	Screw	17:5	138-8401	2	Nut-HF
6	145-4648	2	Pivot Arm ASM	17:6	117-5976	1	Knob-Handle
6:2	256-156	2	Bushing-Flange	21	112-3306	2	Nut
7	115-5099	2	Bolt-Pivot	22	126-4299	2	Screw-HSBH
8	120-2273	2	Washer-Nylon	23	119-8952	4	Washer-Spcl
9	147-5191-05	2	Arm-Control, 32 Teeth	24	120-9683	2	Washer-Plain
10	142-8478	2	Spacer, Anti-Rotation	25	138-7218	2	Mount-Rod, Hydro
11	119-8925	2	Washer-Belleville	26	120-9738	4	Screw-HH
12	132-6853	2	Damper-Non Cavitating	28	117-1198	2	Bolt-Pivot
13	120-7950	6	Screw-Torx	29	104-8300	8	Nut-HF, NI
14	145-4699	2	Rod - Hydro, LH	30	104-8301	4	Nut-HF, NI
15	138-7252	2	Spring-Compression				

Engine and Muffler Assembly



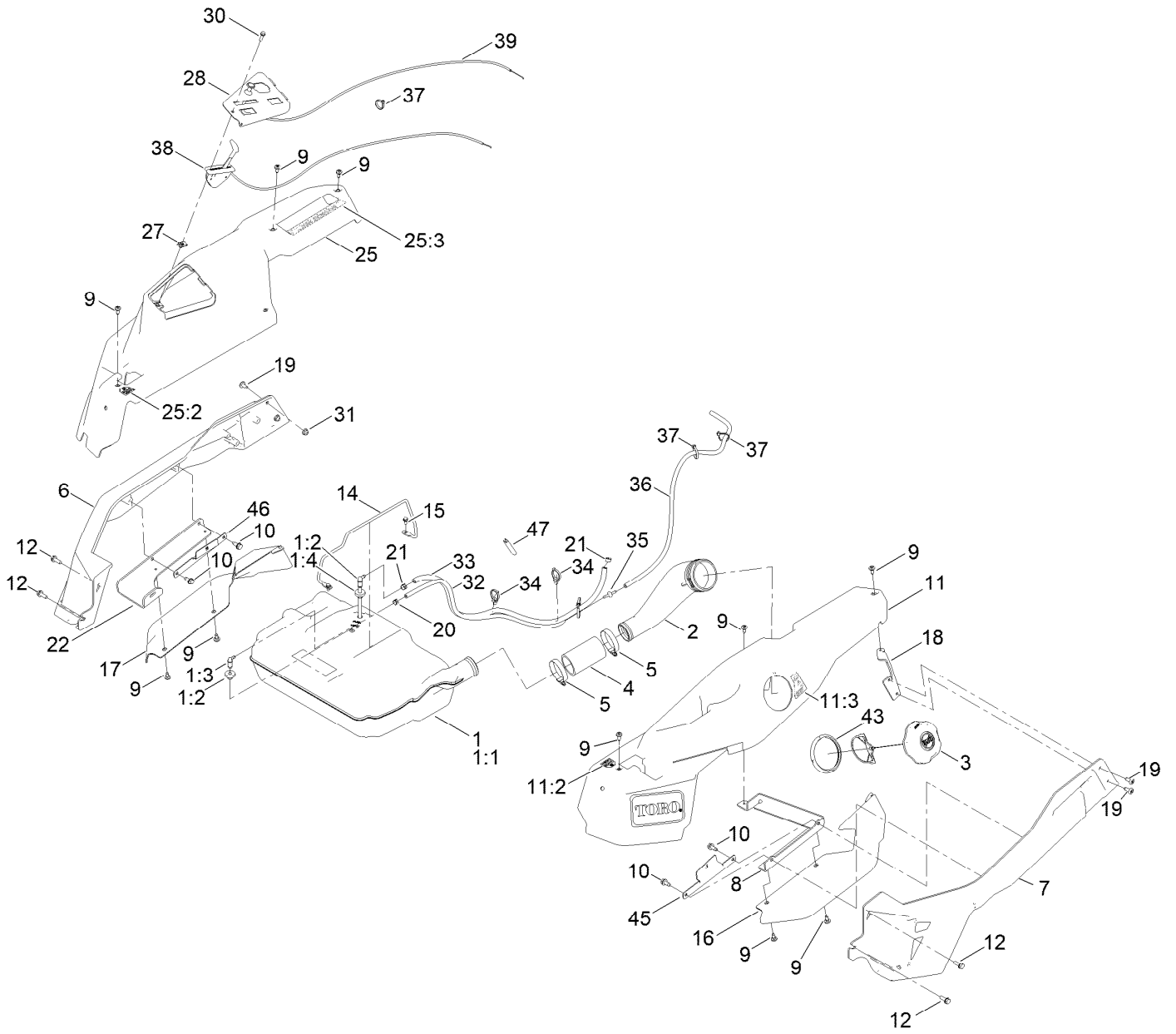
Engine and Muffler Assembly (continued)

<i>Ref.</i>	<i>Part Number</i>	<i>Qty.</i>	<i>Description</i>	<i>Ref.</i>	<i>Part Number</i>	<i>Qty.</i>	<i>Description</i>
1		1	Engine-Kawasaki Fr691 ●■	4	114-3550	4	Washer-Lock
1:1		1	Filter-Oil ●	5	3256-24	3	Washer-Plain
1:2		1	Filter-Fuel ●	6	323-50	4	Bolt-HH
1:3		2	Plug-Spark ●	7	106-7022	1	Tube-Drain, Oil
1:4		1	Filter-Air, Paper ●	9	1-653313	2	Gasket-Exhaust
2	139-5867	1	Muffler	10	161-6221-03	1	Heat Shield-Muffler
3	114-3549	4	Nut	11	32144-70	2	Screw-HWHTF

● Not serviced separately

■ Obtain parts from www.kawpower.com

Fuel Tank Assembly



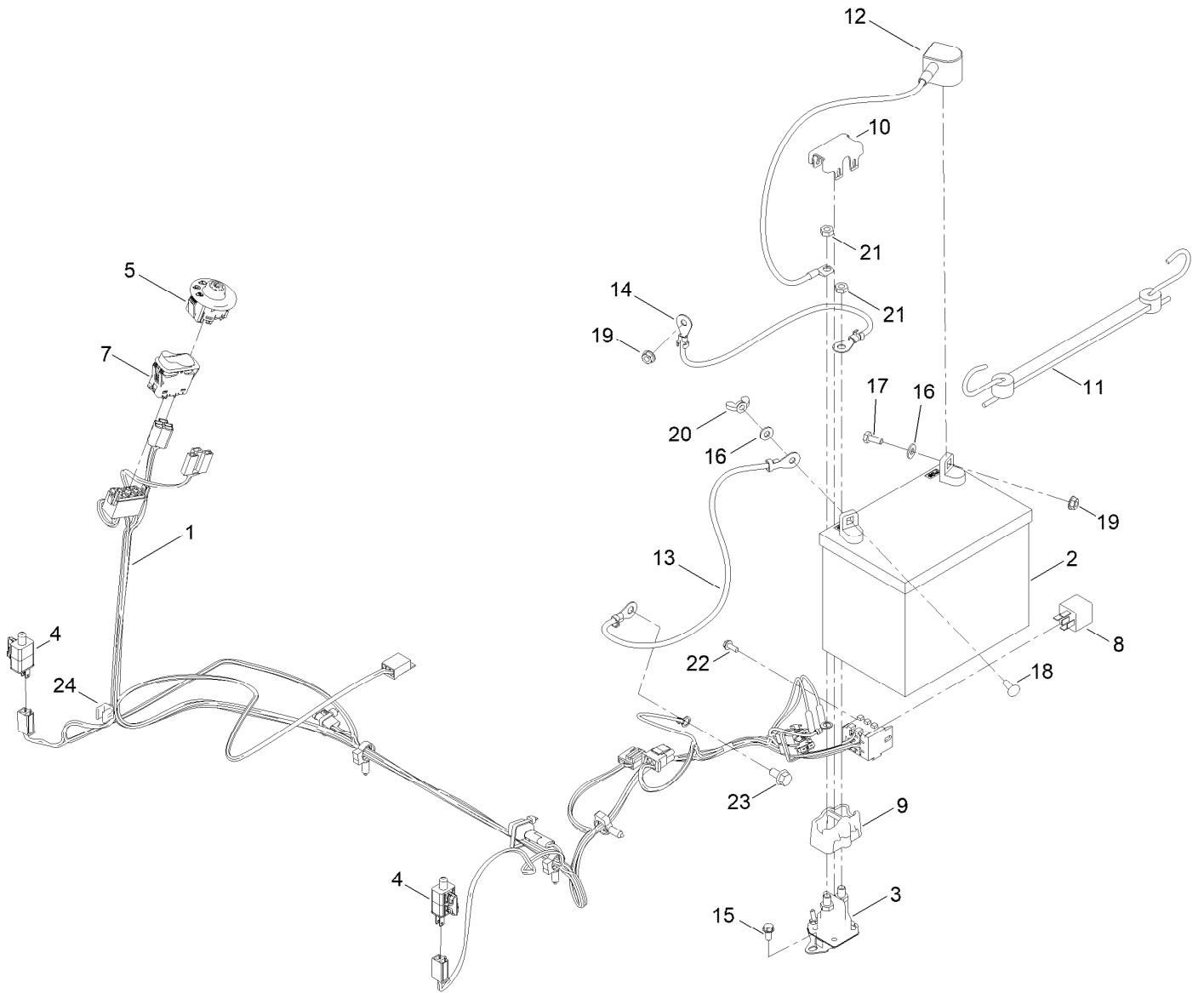
Fuel Tank Assembly (continued)

<i>Ref.</i>	<i>Part Number</i>	<i>Qty.</i>	<i>Description</i>	<i>Ref.</i>	<i>Part Number</i>	<i>Qty.</i>	<i>Description</i>
1	161-6588	1	Fuel Tank ASM	20	2412-80	1	Clamp-Hose
1:1		1	Tank-Fuel ■	21	2412-98	2	Clamp-Hose
1:2	46-6560	2	Bushing	22	147-5173-03	1	Bracket-Mr Spring
1:3	161-6609	1	Fitting-Elbow 90	25	147-8744	1	Pod ASM - RH , Mr W/Decals
1:4	147-2934	1	Fitting-Pickup, Fuel	25:2	139-2394	1	Decal-Control Lever, RH
2	147-2852	1	Neck-Filler, Fuel	25:3	147-7574	1	Decal - Myride ●
3	137-4119	1	Cap-Fuel, Ratcheting	27	107069	1	Clip
4	145-4698	1	Hose-Filler, Fuel	28	147-2990-03	1	Panel-Control
5	2412-130	2	Clamp-Hose	30	32105-15	1	Screw-HWH
6	147-2973-05	1	Cast-Tube, RH [blk-Txt]	31	119-4041	2	Nut-HF
7	147-2972-05	1	Cast-Tube, LH [blk-Txt]	32	140-4956	1	Hose-Fuel
8	147-2974-03	1	Mount-Pod Bracket LH	33	109-0275	1	Hose-Fuel
9	120-7950	10	Screw-Torx	34	32180-030	2	Clip-Tie
10	32144-70	4	Screw-HWHTF	35	144-1983	1	Adapter Orifice
11	147-8741	1	Pod ASM - LH W/Decals	36	108-6344	1	Hose-Fuel
11:2	139-2395	1	Decal-Control Lever, LH	37	614249	4	Tie-Cable
11:3	147-2399	1	Decal-Fuel Fill	38	139-2403	1	Cable-Throttle
12	32144-41	4	Screw-Taptite	39	139-2402	1	Cable-Choke
14	147-5176	1	Rod-Hold Down	43	147-7712	1	Ring-Retaining
15	32144-4	2	Screw-HWH	45	161-4609-03	1	Bracket-Alignment, Pod LH
16	147-2978	1	Fender-Time Cutter, LH	46	161-4611-03	1	Bracket- Alignment, Pod RH Mr
17	147-2979	1	Fender-Time Cutter, RH	47	161-6414	1	Trim-Edge Guard
18	147-2976-03	1	Bracket-Rear Pod, LH				
19	138-9753	4	Screw				

● Not illustrated

■ Not serviced separately

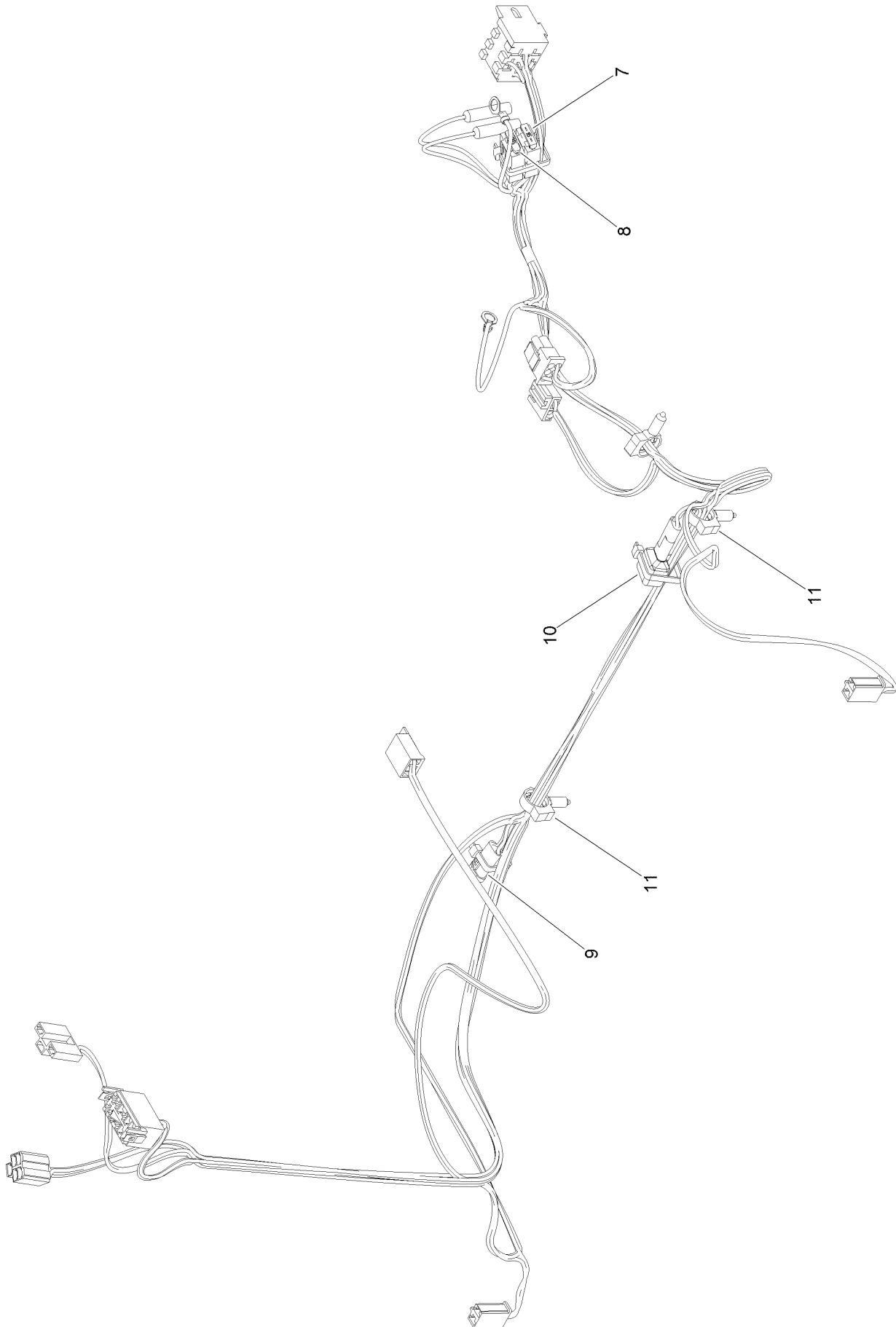
Electrical Assembly



Electrical Assembly (continued)

<i>Ref.</i>	<i>Part Number</i>	<i>Qty.</i>	<i>Description</i>	<i>Ref.</i>	<i>Part Number</i>	<i>Qty.</i>	<i>Description</i>
1	145-6382	1	Harness-Wire, Main	14	121-0711	1	Cable-Battery, Positive
2	140-2076	1	Battery - Wet	15	32144-4	2	Screw-HWH
3	117-1197	1	Solenoid	16	3256-22	2	Washer-Flat
4	110-6765	2	Switch	17	321-3	1	Screw-HH
5	137-4100	1	Switch-Ignition	18	3229-1	1	Screw-CARR
7	139-6368	1	Switch-Rocker, On-None-On	19	32128-33	2	Nut-HF
8	1-643275	1	Relay	20	32103-22	1	Nut-Wing
9	140-2080	1	Cover-Solenoid	21	3220-2	2	Nut-Jam
10	140-2081	1	Cap-Solenoid	22	139-1713	1	Screw-Thd Roll
11	104-2466	1	Holddown-Battery	23	33104-016	1	Screw-HHF
12	147-2941	1	Cable-Battery,Red	24	32180-082	1	Clip-Edge W/Tie, Perpendicular
13	119-8899	1	Cable-Battery, Black				

Main Wire Harness Assembly No. 145-6382

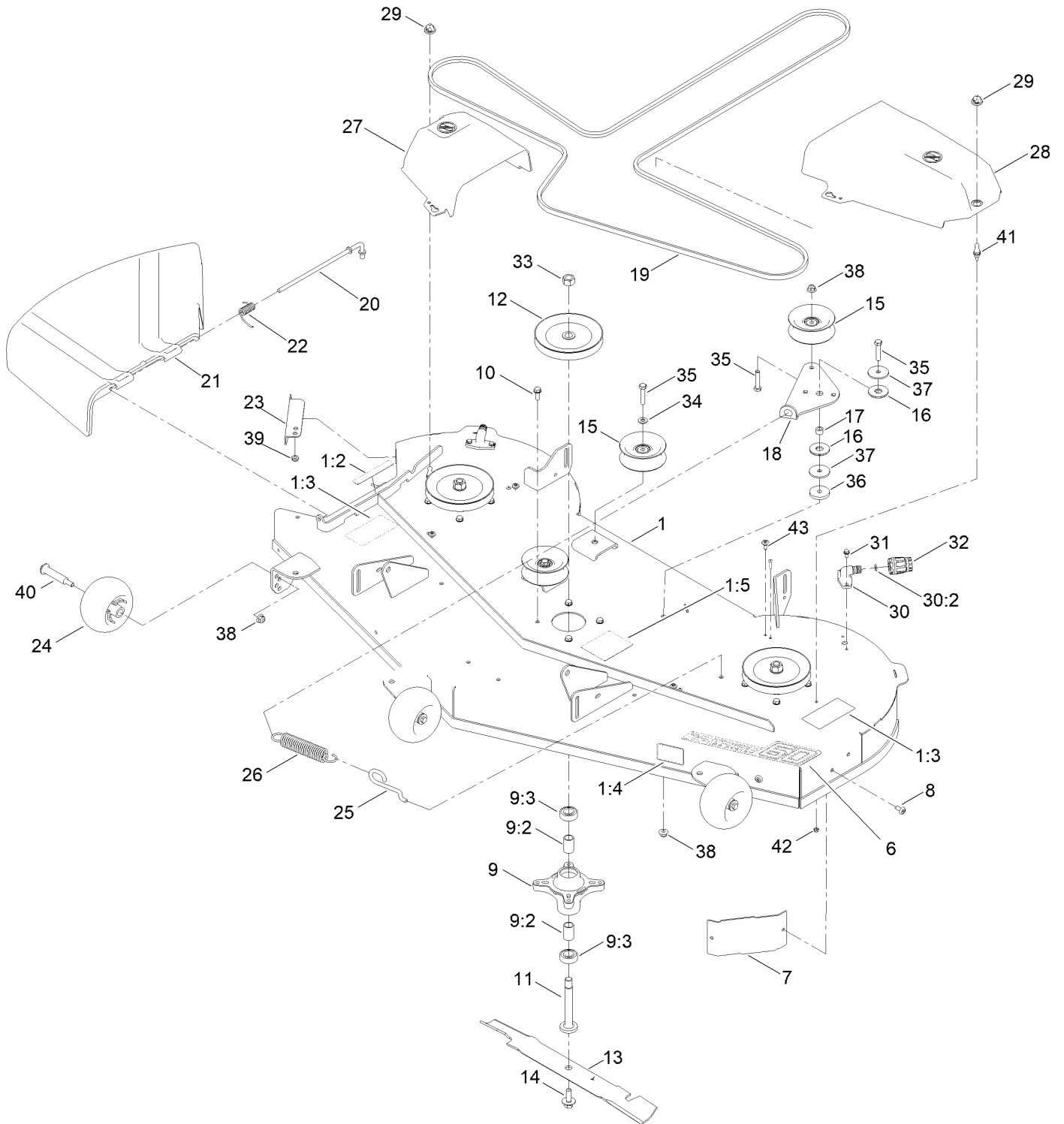


Main Wire Harness

Assembly No. 145-6382 (continued)

<i>Ref.</i>	<i>Part Number</i>	<i>Qty.</i>	<i>Description</i>	<i>Ref.</i>	<i>Part Number</i>	<i>Qty.</i>	<i>Description</i>
7	109355	1	Fuse-Blade, 15 Amp	10	100-4918	1	Diode
8	109102	1	Fuse-Blade, 25 Amp	11	32180-047	3	Clip-Tubing, Harness
9	32180-435	1	Cap-Over Mold, 1M/1F				

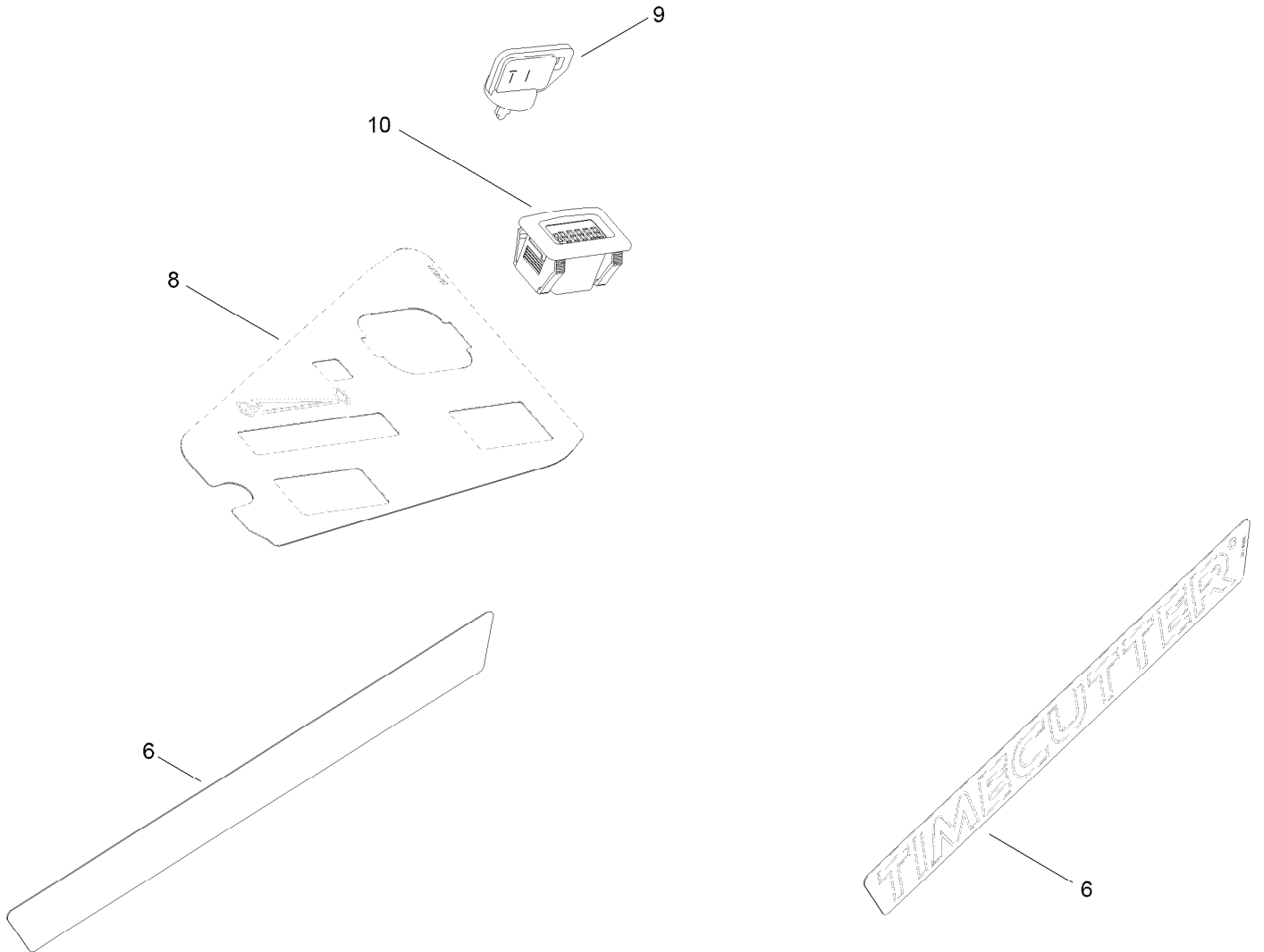
60 Inch Deck and Decal Assembly



60 Inch Deck and Decal Assembly (continued)

<i>Ref.</i>	<i>Part Number</i>	<i>Qty.</i>	<i>Description</i>	<i>Ref.</i>	<i>Part Number</i>	<i>Qty.</i>	<i>Description</i>
1	147-8748	1	60 In Deck & Decal ASM	22	138-7268	1	Spring-Torsion
1:2	147-3023	1	Decal-Danger Deflector	23	138-9800-03	1	Baffle-Cutoff
1:3	147-5152	2	Decal-Danger, Deck	24	1-603299	3	Roller-Scalp, Anti
1:4	147-3024	1	Decal-Scalp, Anti	25	138-7266	1	Spring-Return, Hook
1:5	147-3025	1	Decal-Routing, Belt	26	138-7264	1	Spring-Extension
6	147-7564	1	Decal - Iron Forged 60	27	147-2853	1	Cover-Belt, RH
7	139-2448-03	1	Baffle-Corner	28	147-2854	1	Cover-Belt, LH
8	138-9753	2	Screw	29	147-2871	2	Grommet-Ball
9	139-3214	3	Spindle ASM	30	133-9289	2	Fitting-Washout
9:2	120-7935	2	Spacer	30:2	133-9290	1	O-Ring
9:3	138-9770	2	Bearing-Ball	31	32144-4	4	Screw-HWH
10	32144-41	12	Screw-Taptite	32	95-3270	1	Connector-Hose
11	117-7268	3	Shaft-Spindle	33	3219-6	3	Nut-Hex
12	133-1199	3	Pulley	34	3256-24	2	Washer-Plain
13	115-9649-03	3	Blade-Hi Flow	35	323-9	4	Screw-HH
14	145-0411	3	Bolt-Blade, Sems	36	110-9981	1	Washer-Plain
15	132-9420	3	Pulley-Idler, Flat	37	63-7400	2	Washer-Rebound
16	114-0463	2	Washer-Friction, Composite	38	104-8301	5	Nut-HF, NI
17	115-4986	1	Spacer	39	3296-59	1	Nut-Lock, NI
18	138-7262	1	Arm-Idler	40	112-3977	3	Bolt-Shoulder
19	147-2911	1	Belt-V (A Sec, 154.96 EI)	41	147-2872	2	Stud-Ball
20	137-2019	1	Rod-Pivot	42	115-7373	2	Nut-Lock
21	138-7502	1	Deflector-Discharge	43	120-7950	4	Screw-Torx

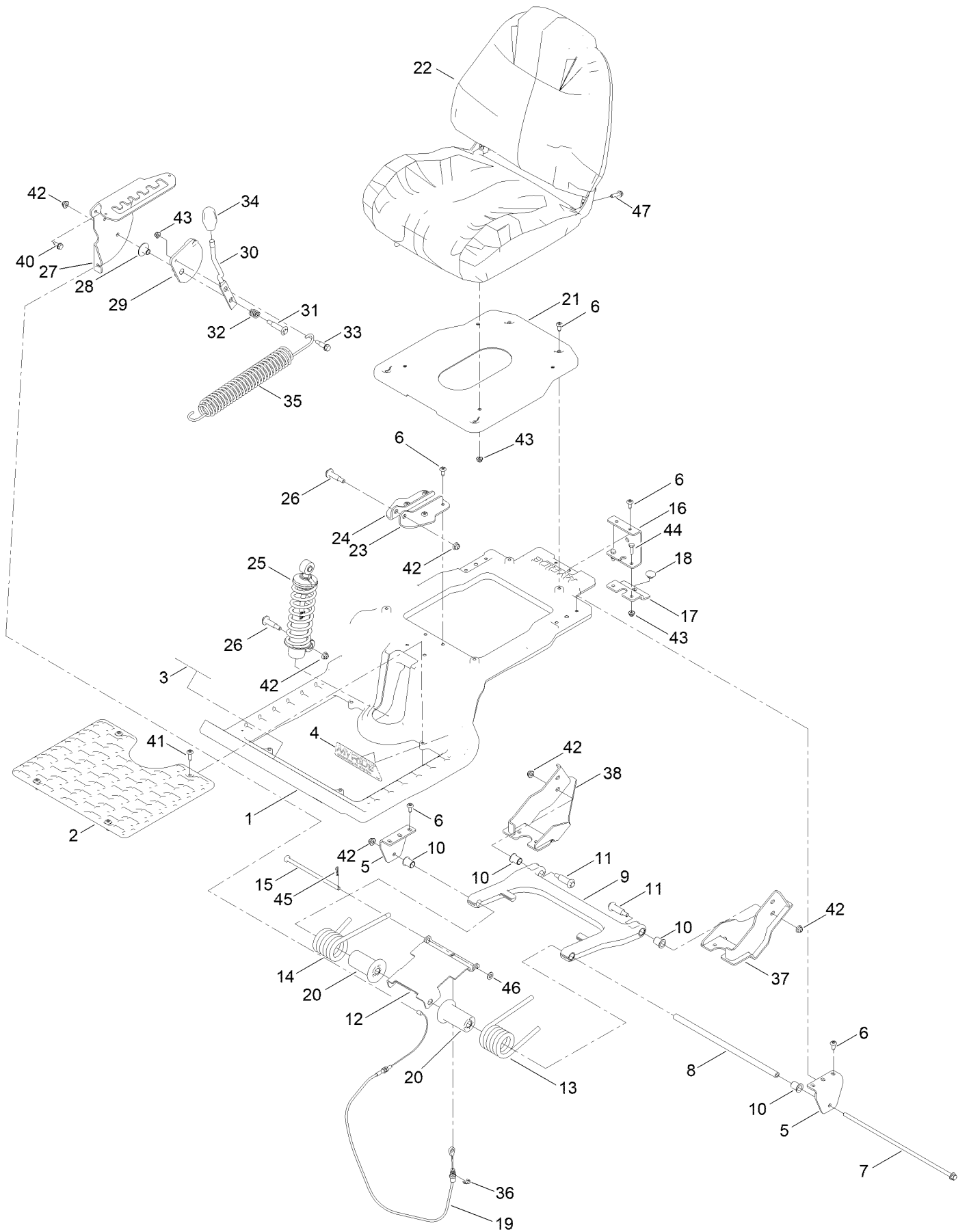
Model Specific Assembly



Model Specific Assembly (continued)

<i>Ref.</i>	<i>Part Number</i>	<i>Qty.</i>	<i>Description</i>	<i>Ref.</i>	<i>Part Number</i>	<i>Qty.</i>	<i>Description</i>
6	161-6220	2	Decal - Timecutter	9	63-8360	1	Key-Ignition
8	147-7571	1	Decal - Control Panel	10	139-6404	1	Hour Meter

Seat Pan Assembly

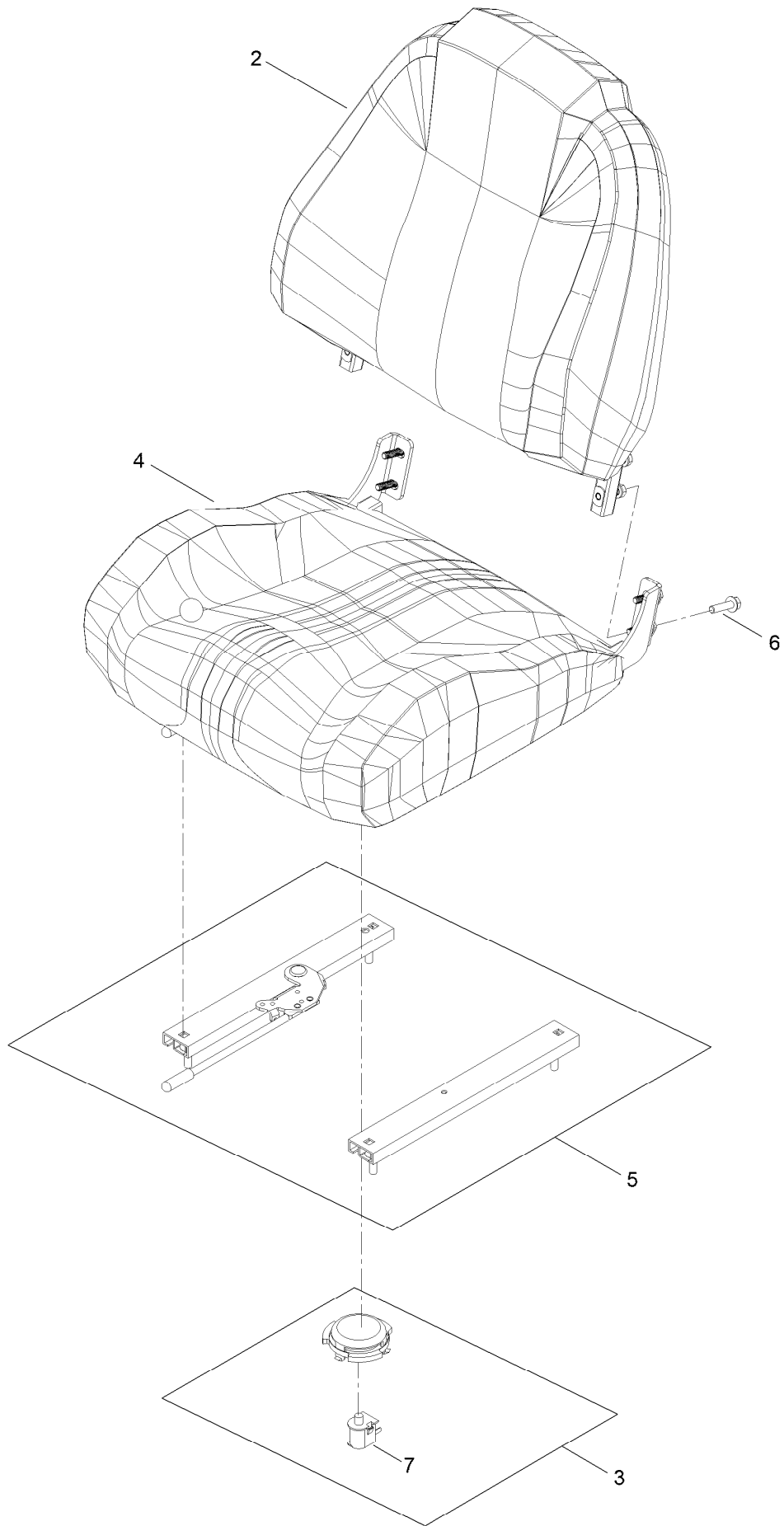


Seat Pan Assembly (continued)

<i>Ref.</i>	<i>Part Number</i>	<i>Qty.</i>	<i>Description</i>	<i>Ref.</i>	<i>Part Number</i>	<i>Qty.</i>	<i>Description</i>
1	145-6394-05	1	Platform, Myride	25	139-2427	1	Shock/Spring ASM
2	145-6395-05	1	Platform, Myride	26	136-7198	2	Bolt-Shoulder
3	147-7662	1	Decal - Myride	27	145-6309-05	1	Bracket-Mr Gate
4	147-7575	1	Decal - Myride	28	139-5800	1	Bushing - Flange
5	138-7517	2	Bracket-Mount, Swing Arm	29	147-5171	1	Pulley-Cam
6	138-9753	14	Screw	30	147-5172	1	Lever-Adjustment, Threaded
7	138-7548	1	Screw-HHF	31	92-1057	1	Bolt-Shoulder
8	138-7549	1	Tube-Spacer	32	139-5858	1	Spring-Compression
9	145-6312	1	Arm-Swing	33	140-3759	1	Bolt-Shoulder,HHF
10	138-2573	4	Bushing-Flange	34	147-8715	1	Knob-Mr
11	138-2547	2	Bolt-Shoulder	35	138-9848	1	Spring-Extension
12	138-7566-03	1	Plate-Adjuster	36	32120-47	1	Ring-Retaining, External
13	137-1983	1	Spring-Torsion, LH	37	147-8721-03	1	Mount-Mr Swing Arm, LH
14	137-7018	1	Spring-Torsion, RH	38	147-8722-03	1	Mount-Mr Swing Arm, RH
15	138-9813	1	Rod-Adjustment	40	32144-70	3	Screw-HWHTF
16	138-9788	1	Bracket-Cable	41	147-7606	4	Screw-Spcl
17	139-2361-03	1	Bracket Lower	42	119-4042	6	Nut-HF, NI
18	135-0505	1	Bumper-Seat	43	119-4041	7	Nut-HF
19	147-7713	1	Cable-Adjustment, Myride	44	139-1716	2	Screw-HH
20	138-9776	2	Retainer-Spring	45	137-3083	1	Pin-Hair
21	145-6265-03	1	Pan-Seat	46	115-1166	1	Washer-Plain
22	147-8731	1	Seat King Sk220 Seat	47	119-4036	4	Screw-HHF ●
23	133-9318-03	1	Bracket-Shock Mount, Upper (LH)				
24	133-9319-03	1	Bracket-Shock Mount, Upper (RH)				

● Not illustrated

Seat Assembly No. 147-8731

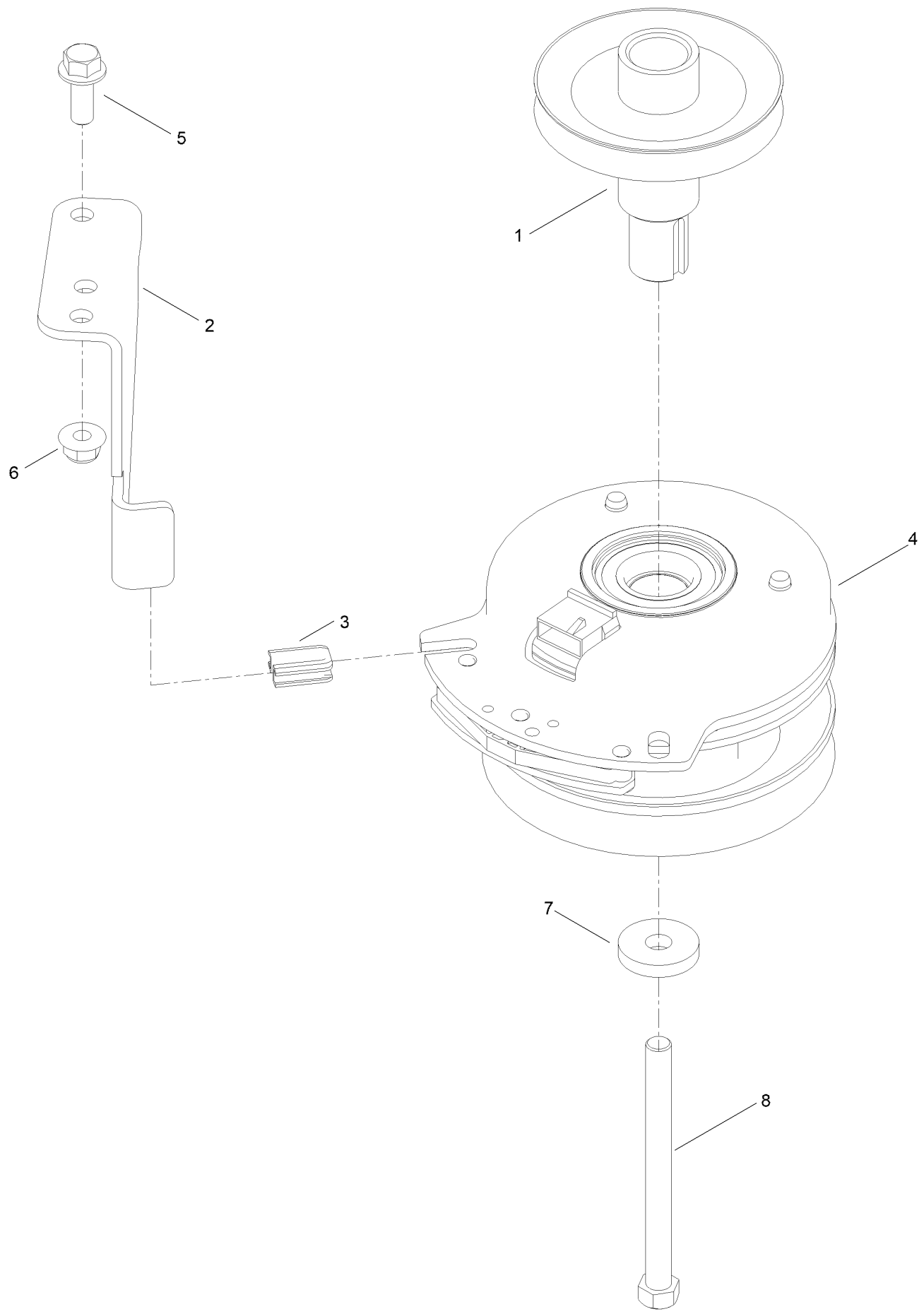


Seat Assembly No. 147-8731 (continued)

<i>Ref.</i>	<i>Part Number</i>	<i>Qty.</i>	<i>Description</i>
2	147-8735	1	Toro Back Cover
3	147-8736	1	Seat Switch Delta 6500-02 Open
4	147-8739	1	Toro Seat Cover

<i>Ref.</i>	<i>Part Number</i>	<i>Qty.</i>	<i>Description</i>
5	147-8740	1	Slide ASM-Seat
6	119-4036	4	Screw-HHF
7	82-2190	1	Switch-Bail

Clutch Assembly



Clutch Assembly (continued)

<i>Ref.</i>	<i>Part Number</i>	<i>Qty.</i>	<i>Description</i>	<i>Ref.</i>	<i>Part Number</i>	<i>Qty.</i>	<i>Description</i>
1	138-9792	1	Pulley-Engine	5	3234-42	1	Screw-HHF
2	137-7000	1	Stop-Clutch (Wide)	6	104-8301	1	Nut-HF, NI
3	120-2217	1	Isolator-Clutch	7	112843	1	Washer
4	127-3410	1	Clutch-PTO	8	3212-19	1	Screw-HH

Attachments and Accessories

For 77603 TimeCutter MyRIDE 60in Zero Turn Riding Mower

Product Name	Model/Part
Residential Z Max 60in Bagger	79601
60 Inch Recycler Kit	139-3290
60 Inch Bagging Enhancement Kit	140-3508
Kit-Striping, 54/60in	147-8781
ROPS Kit	79487
Floormat Kit	147-8764
Assist Bar Kit	161-4450
Mount, Jack TC.....	147-8836
Jack Kit.....	127-6666
Heavy Duty Spring Kit.....	161-4525
10W30 4-Cycle Engine Oil (32oz Bottle).....	38280
Oil-30/10W-30 Synthetic (Quart).....	138-6053
Flat Free Caster Wheel Kit.....	145-0489
Transport Lock Kit.....	161-4510
Arm Rest Kit.....	147-8773
Toro Deluxe Rider Cover.....	490-7319
Led Light Kit.....	147-8757
Hydro Service Kit.....	144-5347
Kit-Slope Sensor.....	79489
Blade-Hi Flow, 20.5in	115-9649-03P
4-Cycle Fuel, Snow And Lawn 32oz Can	131-3823
Toro Premium Fuel Treatment 12oz Bottle.....	131-6572
Toro 4-Cycle SAE 30 Oil (32oz Bottle)	38903

Notes:

Notes:

Notes:



Count on it.