



**Count on it.**

**Parts Catalog**

**GrandStand® Mower**

**With 52in TURBO FORCE® Cutting Unit**

Model No. 72519—Serial No. 417330000 and Up



# Ordering Replacement Parts

To order replacement parts, please supply the part number, the quantity, and the description of each part desired.

## Understanding Reference Numbers

Each identified part in an illustration has a reference number. The reference number for a part also appears in the parts list, along with other information about the part.

This catalog uses two special reference number formats, one to indicate parts in a service assembly and another to indicate the quantity of a given part in an illustration.

## Service Assembly Reference Numbers

Parts in service assemblies have reference numbers in the form a:b. The a represents the reference number of the entire service assembly and the b represents a sequential number unique to each part within the service assembly.

For example, a wheel assembly might be identified by reference number 6, the tire by 6:1, the valve by 6:2, and the wheel by 6:3. When you order the assembly identified by reference number 6, you receive all parts identified by reference numbers 6:1, 6:2, and 6:3. However, you may also order any part individually. Reference numbers of this type appear in illustration and in parts lists.

## Reference Numbers Indicating Quantity

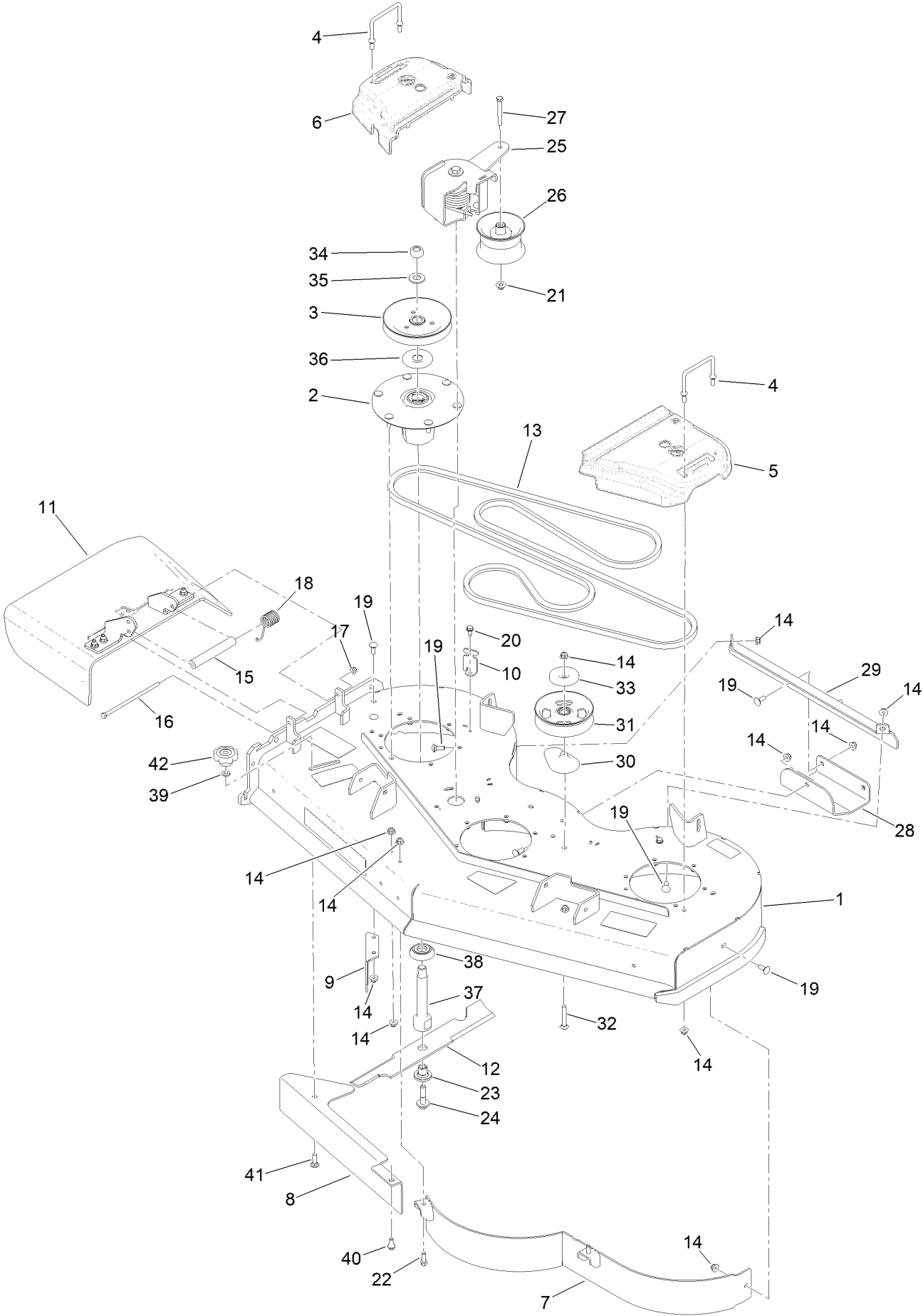
In an illustration, if a reference number indicates more than one part, the reference number has the form nX y. The n represents the quantity of the part, the X is the multiplication symbol, and the y represents the reference number.

For example, in an illustration, the reference number 2X 37 means that two of the parts identified by reference number 37 are indicated.

# Contents

52 Inch Deck Assembly .....	4
Deck and Decal Assembly No. 139-8097 .....	6
Spindle Assembly No. 137-9780 .....	8
Deflector Assembly No. 163-4031 .....	10
Ground Drive Assembly .....	12
LH Transmission Assembly No. 138-5838 .....	14
RH Transmission Assembly No. 138-5839 .....	16
Overflow Hose Assembly .....	18
Motion Control Assembly .....	20
Control Handle Assembly No. 132-5157 .....	22
Control Handle Assembly No. 132-5158 .....	24
Parking Brake Assembly .....	26
Deck Lift Assembly .....	28
HOC Lever Assembly No. 161-6735 .....	30
HOC Link Assembly No. 130-6615 .....	32
Frame Assembly .....	34
Wheel and Bearing Assembly .....	36
Platform Assembly .....	38
Engine Assembly .....	40
Fuel Tank Assembly .....	42
Electrical Assembly .....	44
Attachments and Accessories .....	46

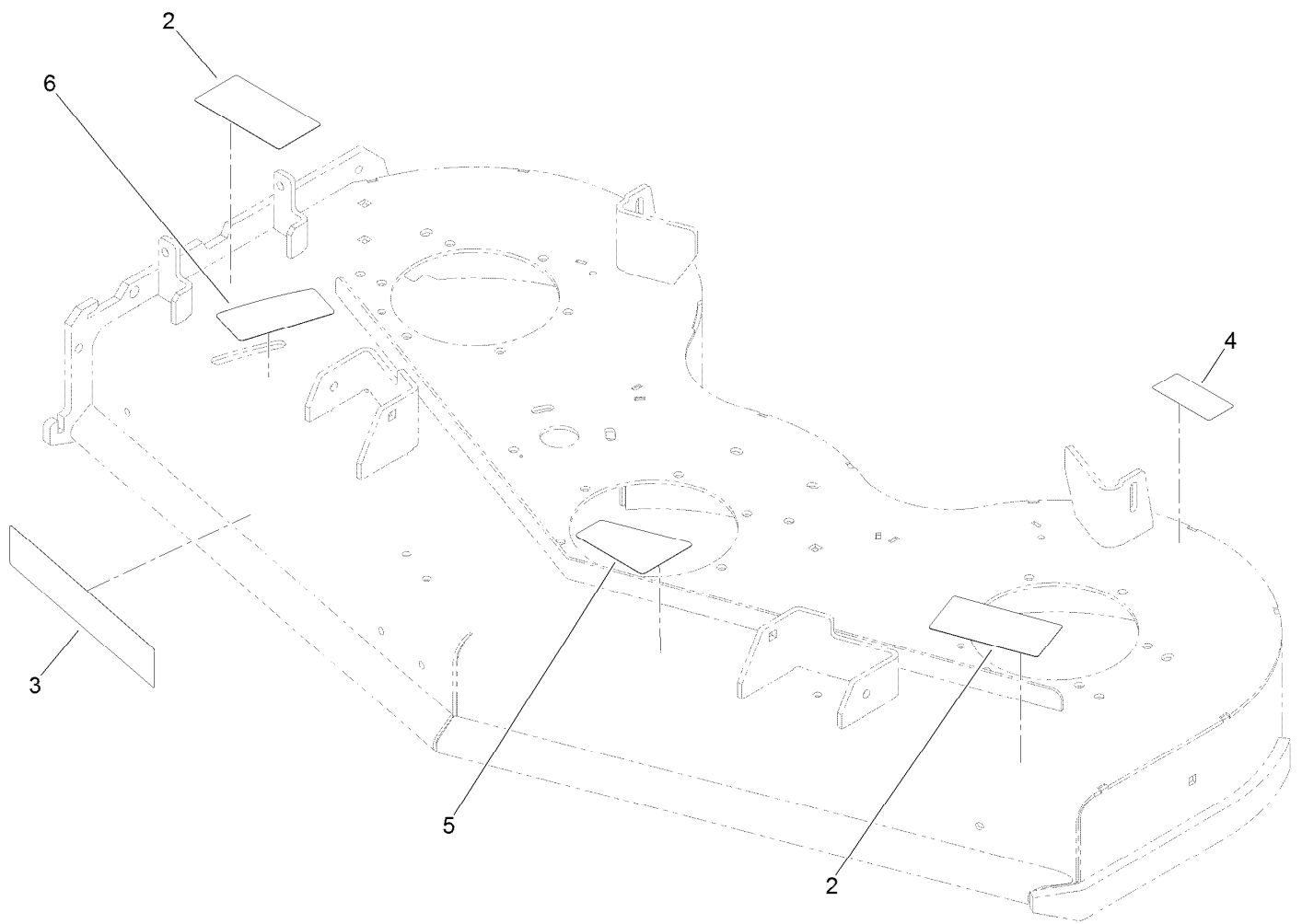
# 52 Inch Deck Assembly



## 52 Inch Deck Assembly (continued)

<i>Ref.</i>	<i>Part Number</i>	<i>Qty.</i>	<i>Description</i>	<i>Ref.</i>	<i>Part Number</i>	<i>Qty.</i>	<i>Description</i>
1	139-8097	1	52 Deck ASM	22	92-1624	2	Screw-HWH Thd Form
2	137-9780	3	Spindle ASM	23	137-9787	3	Bushing-Hex
3	138-6061	3	Sheave-Blade, Drive	24	109-9220	3	Screw-Sems
4	109-6982	3	Wireform-Cover	25	145-3450	1	Gs Torsion Idler ASM li
5	109-6936	1	Cover-Belt, LH	26	127-1971	1	Pulley-Idler
6	109-6935	1	Cover-Belt, RH	27	323-20	1	Screw-HH
7	114-1979-01	1	Baffle-52 Inch	28	114-1908-01	1	Skid
8	139-8105-01	1	Plate-Baffle, Formed [red]	29	130-6648-01	1	Bracket-Skid
9	130-6594-01	1	Baffle-Discharge	30	109-2872	1	Spacer-Pulley
10	117-5758-03	4	Bracket-Cover	31	136-5405	1	Pulley-Idler, Flat
11	163-4031	1	Rubber Deflector ASM	32	3231-44	1	Screw-CARR
12	140-1242	3	Blade-Flow, High	33	132-5153	1	Shield-Dust
13	131-1122	1	Belt-V	34	116-7306	3	Nut-Hex
14	104-8301	39	Nut-HF, NI	35	103-2802	3	Washer
15	105-4622	1	Spacer	36	103-1330	3	Guard-Bearing, Top
16	322-50	1	Screw-HH	37	138-6045	3	Shaft-Spindle
17	104-8300	1	Nut-HF, NI	38	137-9784	3	Guard-Bottom
18	108-4052	1	Spring-Torsion	39	100-4852	1	Washer-Hardened
19	3231-2	8	Bolt-CARR	40	94-7582	1	Bolt-Shoulder
20	32144-70	4	Screw-HWHTF	41	3231-25	1	Bolt-CARR
21	109-6658	1	Nut-Flange, NI	42	109-1092	1	Knob

# Deck and Decal Assembly No. 139-8097



## Deck and Decal Assembly No. 139-8097 (continued)

<i>Ref.</i>	<i>Part Number</i>	<i>Qty.</i>	<i>Description</i>	<i>Ref.</i>	<i>Part Number</i>	<i>Qty.</i>	<i>Description</i>
2	133-4604	2	Decal-Danger	5	131-3507	1	Decal-Belt, Tension (CE)
3	107-1618	1	Decal	6	138-1147	1	Decal - Baffle Adjustment
4	116-8283	1	Decal-Torque, Bolt				

# Spindle Assembly No. 137-9780

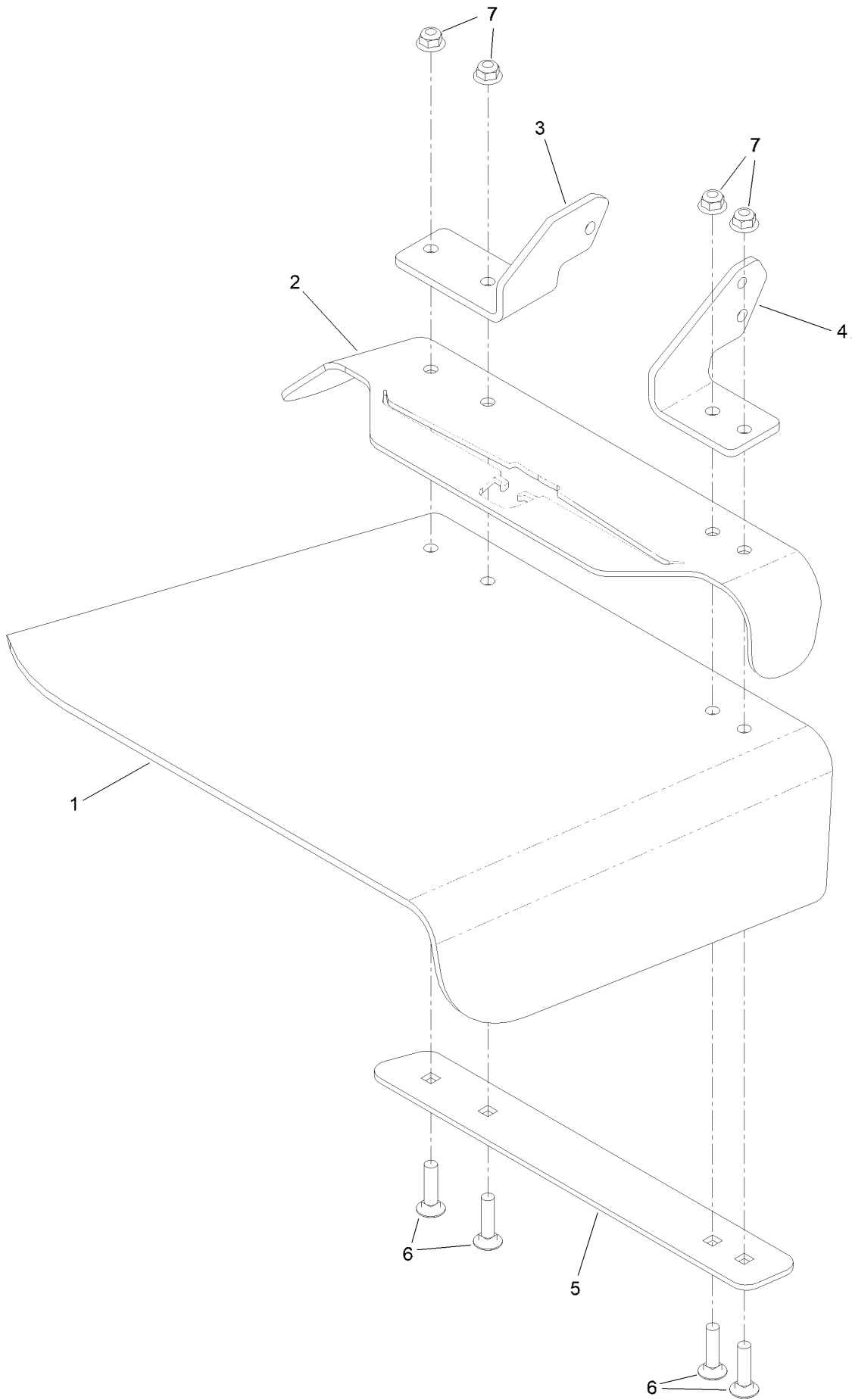




# Spindle Assembly No. 137-9780 (continued)

<i>Ref.</i>	<i>Part Number</i>	<i>Qty.</i>	<i>Description</i>
2	116-0720	2	Bearing-Ball
3	138-6042	1	Spacer-Bearing

# Deflector Assembly No. 163-4031



## Deflector Assembly No. 163-4031 (continued)

<i>Ref.</i>	<i>Part Number</i>	<i>Qty.</i>	<i>Description</i>	<i>Ref.</i>	<i>Part Number</i>	<i>Qty.</i>	<i>Description</i>
1	110-0759	1	Deflector-Rubber	5	106-3248-03	1	Strap-Discharge
2	161-9815-01	1	Plate-Deflector Mount [red]	6	3431-5	4	Screw-CARR
3	108-4059-01	1	Plate-Hinge, Rear	7	104-8301	4	Nut-HF, NI
4	106-3253-01	1	Plate-Hinge, Front				

# Ground Drive Assembly



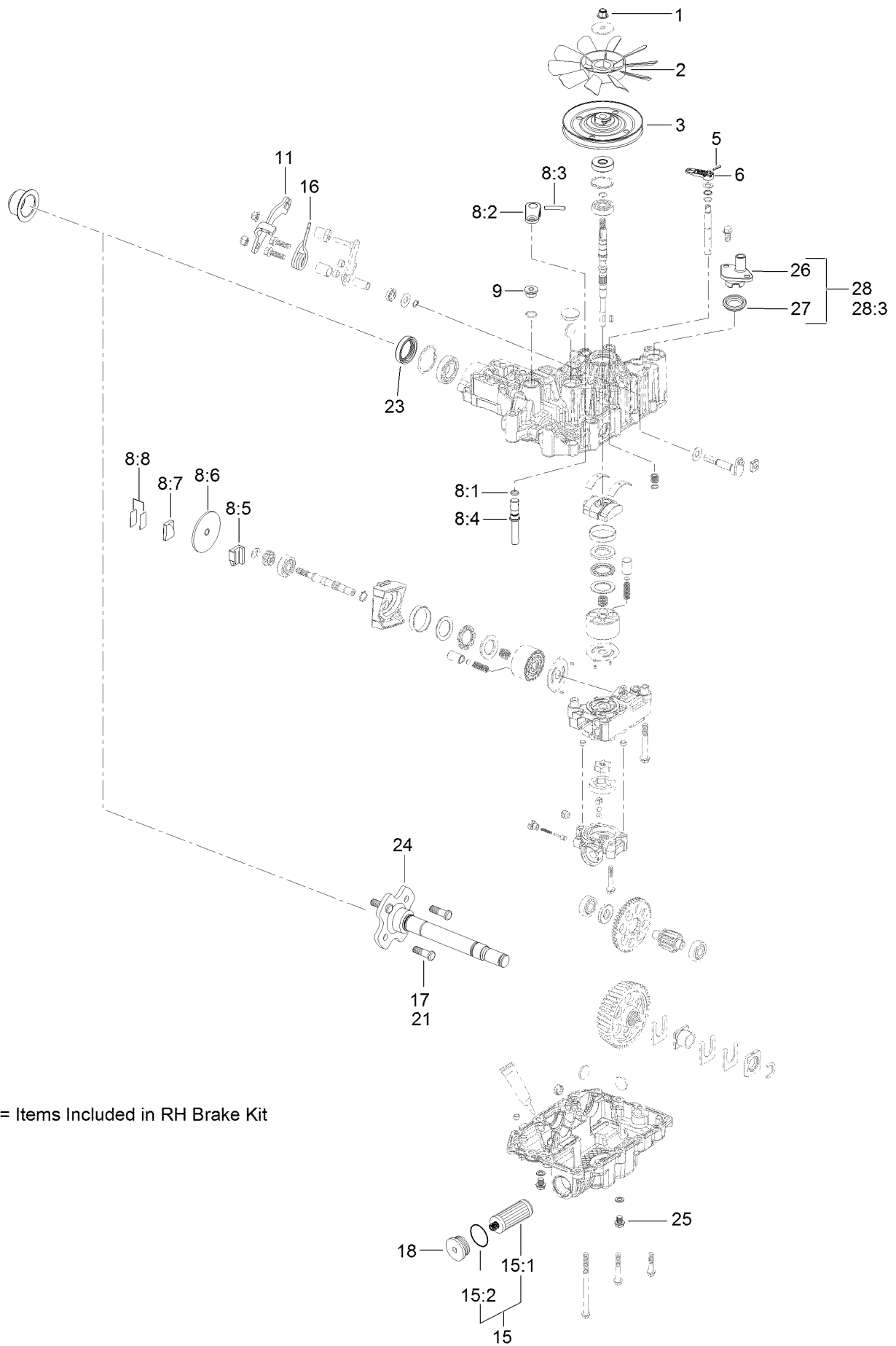
## Ground Drive Assembly (continued)

<i>Ref.</i>	<i>Part Number</i>	<i>Qty.</i>	<i>Description</i>	<i>Ref.</i>	<i>Part Number</i>	<i>Qty.</i>	<i>Description</i>
1	138-5838	1	LH Transmission ASM	20	3229-25	3	Screw-CARR
2	138-5839	1	RH Transmission ASM	21	104-7201	3	Nut-HF, NI
3	131-1131-03	1	Support-Transaxle	22		1	Gs Overflow Hose ASM ■
4	93-2569	4	Screw-HHF	23	109-0309	1	Hose-Fuel
5	116-4701	16	Screw-HHF	24	92-2379	1	Clamp-Hose
6	104-8301	18	Nut-HF, NI	25	131-7469	1	Rod-Bypass, RH
7	138-1108-03	1	Plate-Skid	26	131-7470	1	Rod-Bypass, LH
9	117-5351	1	Spacer	27	108-2992	2	Pin-Hair
10	1-413088	1	Bushing-Lever, Lift	28	32180-030	1	Clip-Tie
11	131-1175	1	Arm-Idler	29	140-1888	2	Wheel And Tire ASM
12	114-0463	2	Washer-Friction, Composite	29:1	140-1889	1	Rim-8 Inch Black
13	110-9981	1	Washer-Plain	29:2	120-6466	1	Tire
14	3234-39	1	Screw-HHF	29:3	232-27	1	Stem-Valve
15	93-1622	1	Pulley-Idler	30	139-2564	8	Nut-Lug
16	3231-4	1	Screw-CARR	31	132-7584	2	Spacer-Hex
17	138-1104	1	Spring-Extension	32	104-8300	2	Nut-HF, NI
18	131-1124	1	Belt-V	33	3290-250	2	Pin-Cotter
19	132-1135	1	Tank-HYD	34	2412-129	2	Clamp-Hose
19:2	133-8677	1	Cap-Vented	35	3290-378	1	Tie-Cable
19:5	140-9463	1	Strainer-Neck, Removable ●				

● Not illustrated

■ Not serviced separately

# LH Transmission Assembly No. 138-5838



8 = Items Included in RH Brake Kit

# LH Transmission Assembly No. 138-5838 (continued)

<i>Ref.</i>	<i>Part Number</i>	<i>Qty.</i>	<i>Description</i>	<i>Ref.</i>	<i>Part Number</i>	<i>Qty.</i>	<i>Description</i>
1	132-4737	1	Nut-Lock	15	132-4743	1	Hydro Filter Kit
2	132-4738	1	Fan	15:1	136-5409	2	Filter
3	132-4739	1	Pulley	15:2	136-5410	2	O-Ring
5	104-3265	1	Pin	16	137-4109	1	Spring-Torsion
6	132-4700	1	Lever-Bypass	17	137-9509	4	Stud-Wheel
8	133-1468	1	Brake Kit,Left	18	138-4613	1	Cap-Oil Filter
8:1		1	O-Ring ●	21	137-9509	1	Stud-Wheel
8:2		1	Arm-Brake ●	23	139-5587	1	Seal-Axle, Ua
8:3		1	Pin-Roll ●	24	139-5588	1	Axle
8:4		1	Shaft-Brake ●	25	139-5589	2	Drain Bolt
8:5		1	Actuator-Brake ●	26	139-5590	1	Expansion Fitting
8:6		1	Disc-Brake ●	27	139-5591	1	Grommet Seal, Expansion Fitting
8:7		1	Shoe-Brake ●				
8:8		1	Shim Kit ●	28	139-7871	1	Expansion Fitting - W/ Seal
9	132-4735	1	Cap-Oil	28:3		1	M8*20 Flange Bolt ●
11	136-5401	1	Lever-Control, RH				

● Not serviced separately

# RH Transmission Assembly No. 138-5839





# RH Transmission Assembly No. 138-5839 (continued)

<i>Ref.</i>	<i>Part Number</i>	<i>Qty.</i>	<i>Description</i>	<i>Ref.</i>	<i>Part Number</i>	<i>Qty.</i>	<i>Description</i>
1	132-4737	1	Nut-Lock	11	136-5401	1	Lever-Control, RH
2	132-4738	1	Fan	15	132-4743	1	Hydro Filter Kit
3	132-4739	1	Pulley	15:1	136-5409	2	Filter
5	104-3265	1	Pin	15:2	136-5410	2	O-Ring
6	132-4700	1	Lever-Bypass	16	137-4109	1	Spring-Torsion
8	133-1462	1	RH Brake Kit	17	137-9509	4	Stud-Wheel
8:1		1	O-Ring ●	18	138-4613	1	Cap-Oil Filter
8:2		1	Arm-Brake ●	19	139-5587	1	Seal-Axle, Ua
8:3		1	Pin-Roll ●	20	139-5588	1	Axle
8:4		1	Shaft-Brake ●	21	139-5589	2	Drain Bolt
8:5		1	Actuator-Brake ●	22	139-5590	1	Expansion Fitting
8:6		1	Disc-Brake ●	23	139-5591	1	Grommet Seal, Expansion Fitting
8:7		1	Shoe-Brake ●	28	139-7871	1	Expansion Fitting - W/ Seal
8:8		1	Shim Kit ●	28:3		1	M8*20 Flange Bolt ●
9	132-4735	1	Cap-Oil				

● Not serviced separately

# Overflow Hose Assembly



## Overflow Hose Assembly (continued)

<i>Ref.</i>	<i>Part Number</i>	<i>Qty.</i>	<i>Description</i>	<i>Ref.</i>	<i>Part Number</i>	<i>Qty.</i>	<i>Description</i>
1	145-3444	1	Hose-Hydraulic	4	147-0201	1	R-Clamp
2	139-4055	1	Fitting Tee	5	147-0204	1	Hydraulic Hose
3	147-0202	1	Hydraulic Hose	6	145-3599	4	Hose Clamp

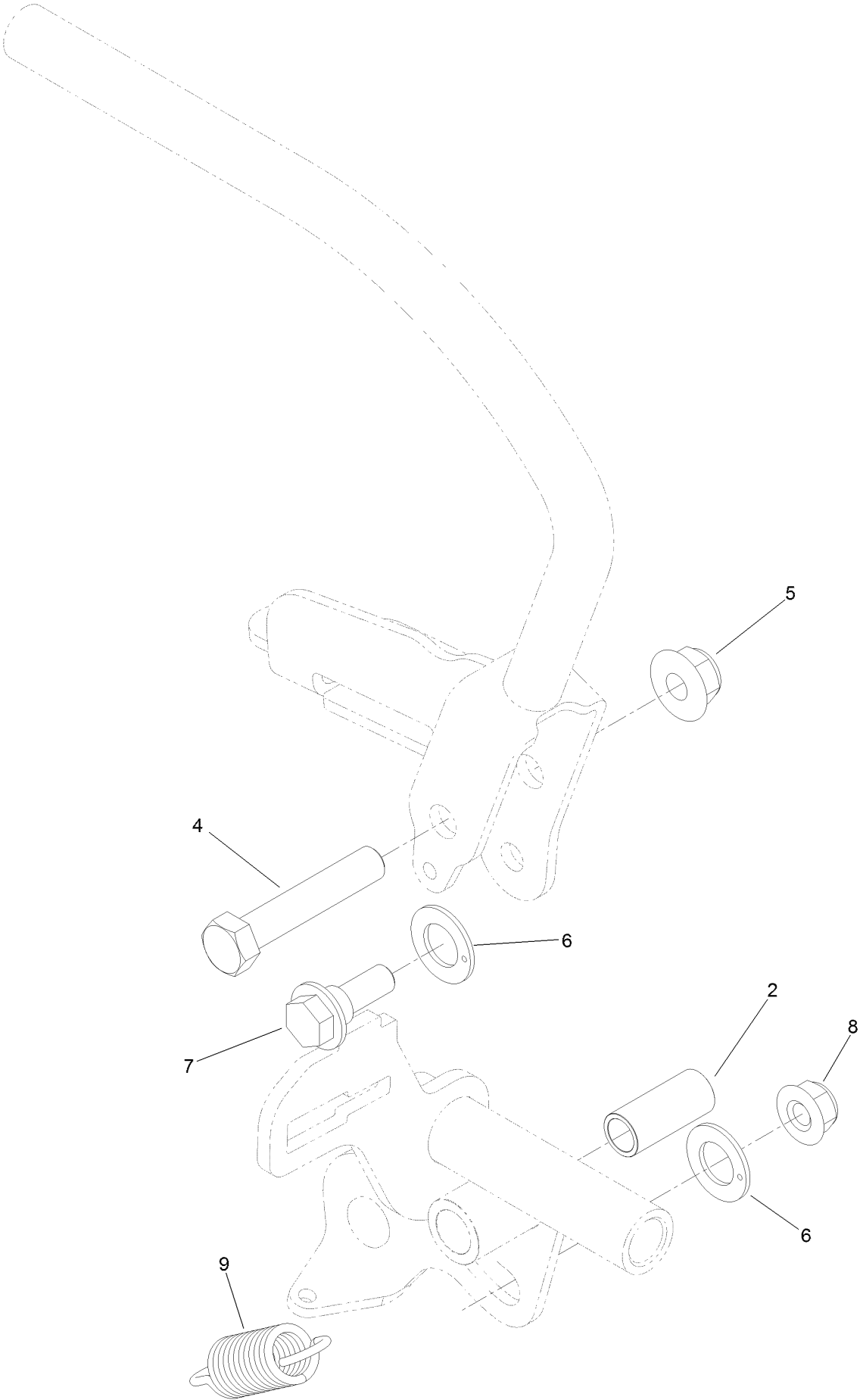
# Motion Control Assembly



## Motion Control Assembly (continued)

<i>Ref.</i>	<i>Part Number</i>	<i>Qty.</i>	<i>Description</i>	<i>Ref.</i>	<i>Part Number</i>	<i>Qty.</i>	<i>Description</i>
1	132-5157	1	LH Control Handle ASM	9:5	1-603807	1	Spring-Return, Neutral
2	132-5158	1	RH Control Handle ASM	10	138-4620	1	RH Control Rod ASM
3	119-0222	2	Grip	10:1	138-4647	1	Ball Joint-LH
4	103-9928	2	Bearing	10:2	138-4648	1	Ball Joint-RH
5	120-3288	1	Tab-Pivot, LH	10:4	3219-3	1	Nut-Hex
6	3229-1	4	Screw-CARR	11	3231-28	2	Screw-CARR
7	104-7201	6	Nut-HF, NI	12	104-8301	4	Nut-HF, NI
8	120-3287	1	Tab-Pivot, RH	13	3256-24	2	Washer-Plain
9	138-4619	1	LH Control Rod ASM	14	132-7538	1	Bracket-Adjustment, Speed
9:1	138-4647	1	Ball Joint-LH	15	126-1499	2	Cam
9:2	138-4648	1	Ball Joint-RH	16	323-7	2	Screw-HH
9:4	3219-3	1	Nut-Hex				

# Control Handle Assembly No. 132-5157



## Control Handle Assembly No. 132-5157 (continued)

<i>Ref.</i>	<i>Part Number</i>	<i>Qty.</i>	<i>Description</i>	<i>Ref.</i>	<i>Part Number</i>	<i>Qty.</i>	<i>Description</i>
2	131-3562	1	Bearing-Sleeve	7	116-2670	1	Screw-Shoulder
4	323-10	1	Screw-HH	8	104-8300	1	Nut-HF, NI
5	104-8301	1	Nut-HF, NI	9	132-5146	1	Spring-Extension
6	110-7191	2	Washer-Thrust				

# Control Handle Assembly No. 132-5158





## Control Handle Assembly No. 132-5158 (continued)

<i>Ref.</i>	<i>Part Number</i>	<i>Qty.</i>	<i>Description</i>
3	104-8301	1	Nut-HF, NI
4	323-10	1	Screw-HH
5	110-7191	2	Washer-Thrust
6	116-2670	1	Screw-Shoulder

<i>Ref.</i>	<i>Part Number</i>	<i>Qty.</i>	<i>Description</i>
7	104-8300	1	Nut-HF, NI
8	131-3562	1	Bearing-Sleeve
9	132-5146	1	Spring-Extension

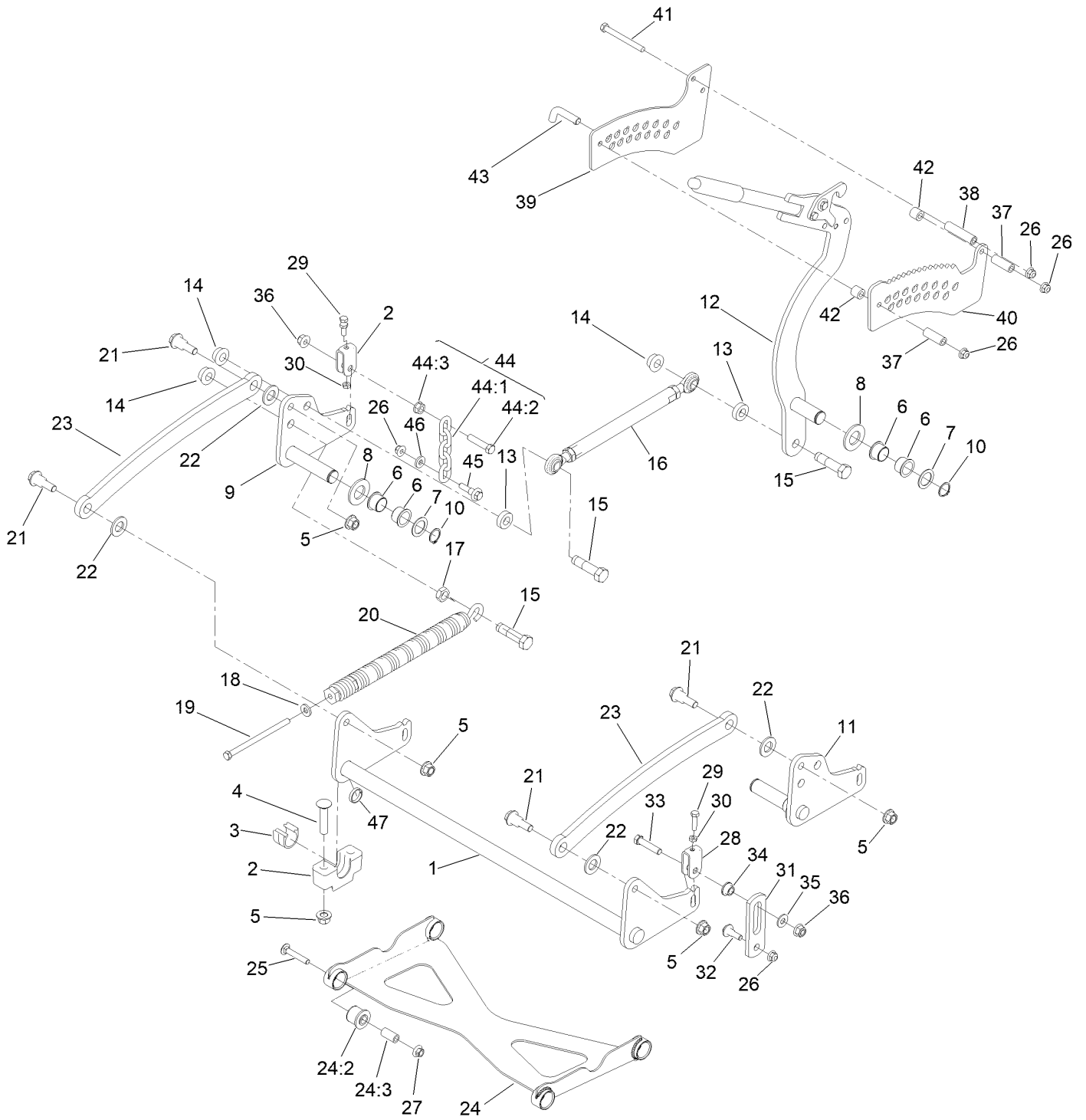
# Parking Brake Assembly



## Parking Brake Assembly (continued)

<i>Ref.</i>	<i>Part Number</i>	<i>Qty.</i>	<i>Description</i>	<i>Ref.</i>	<i>Part Number</i>	<i>Qty.</i>	<i>Description</i>
1	132-5170	1	Brake Handle ASM	7	32144-4	2	Screw-HWH
2	3230-23	5	Bolt-CARR	8	132-1187	1	Clamp-Cable
3	104-8300	6	Nut-HF, NI	9	132-7582	1	Mount-Cable, Brake
4	132-5168	1	RH Brake Caliper ASM	10	1-633268	1	Grip-Lever
5	132-5169	1	LH Brake Caliper ASM	11	131-1195	2	Cable-Brake
6	104-8301	2	Nut-HF, NI				

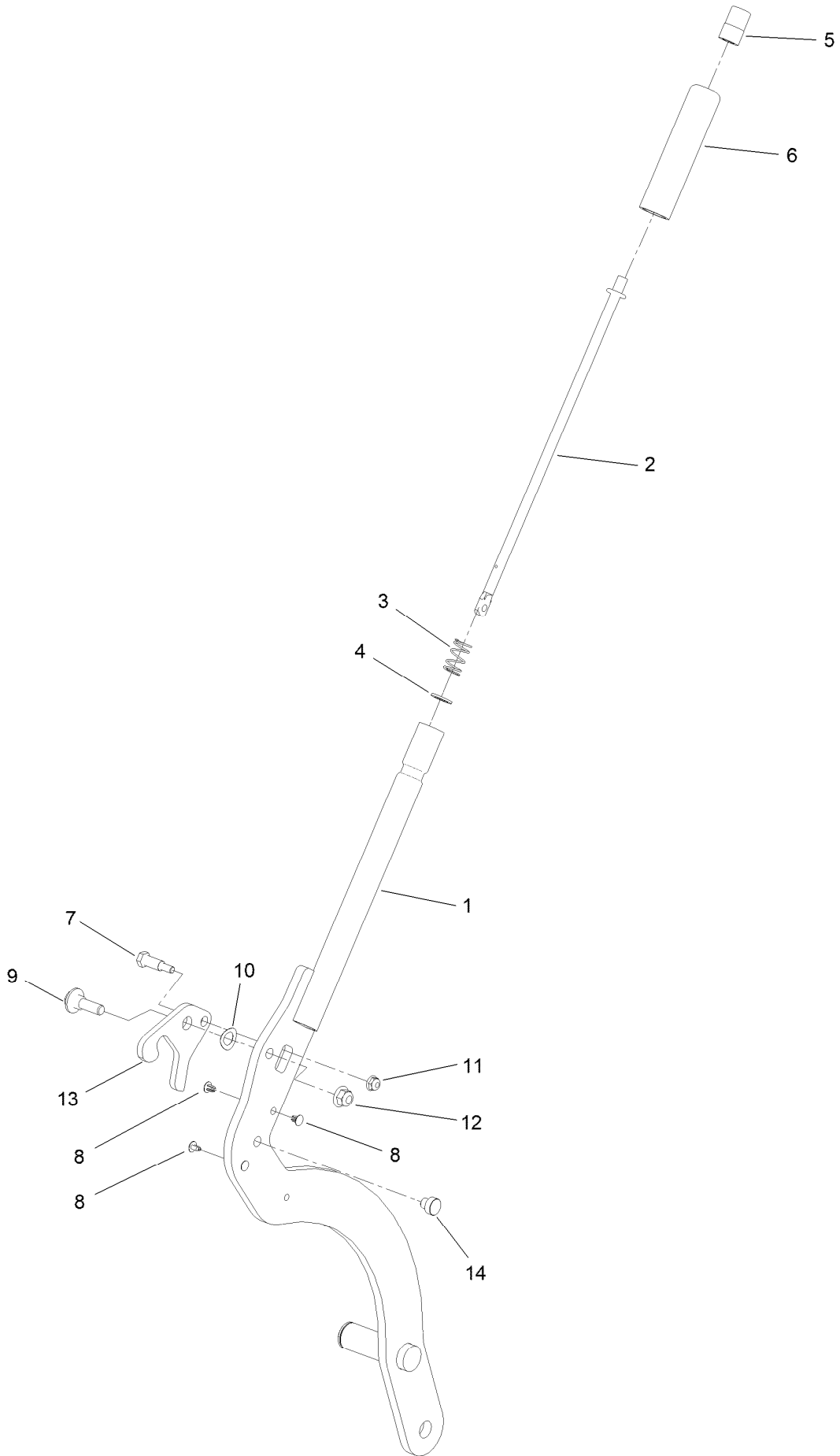
# Deck Lift Assembly



## Deck Lift Assembly (continued)

<i>Ref.</i>	<i>Part Number</i>	<i>Qty.</i>	<i>Description</i>	<i>Ref.</i>	<i>Part Number</i>	<i>Qty.</i>	<i>Description</i>
1	120-8405-01	1	Shaft-Cross, Front	25	3231-7	4	Screw-CARR
2	109-9409	2	Support-Bearing, Cross Shaft (Front)	26	104-8301	7	Nut-HF, NI
3	109-9410	2	Bearing-Cross Shaft, Front	27	32128-19	4	Nut-HF Lock, Large Flg
4	116-1700	4	Bolt-CARR	28	109-9066	4	Yoke-Adjust, Deck
5	99-5107	8	Nut-Lock	29	322-47	4	Screw-HH
6	127-0369	6	Bushing	30	3218-2	8	Nut-Hex Jam
7	10-8110	3	Washer-Thrust	31	130-6589	2	Link-Lift
8	3256-62	3	Washer-Flat	32	109-9840	2	Screw-Shoulder, HHF
9	120-8411-01	1	Arm-Lift, RH	33	109-9065	2	Screw-HH
10	32151-29	3	Ring-Retaining	34	116-2428	2	Bushing-Flanged
11	120-8410-01	1	Arm-Lift, LH	35	3256-4	2	Washer-Flat
12	161-6735	1	HOC Lever ASM	36	3296-48	4	Nut-Hex
13	119-6223	2	Washer	37	95-6448	2	Spacer
14	138-4932	3	Nut-Hex Flg	38	138-1111	1	Spacer
15	138-4931	3	Screw-Lock	39	132-7581	1	HOC Plate And Decal ASM
16	130-6615	1	HOC Link ASM	40	138-4887	1	Plate-HOC, Inner
17	3218-6	1	Nut-Jam	41	116-4701	3	Screw-HHF
18	98-5975	1	Washer-Belleville	42	121-1760	2	Spacer
19	323-58	1	Bolt-TAP, HH	43	116-5584	1	Pin-HOC
20	116-0886	1	Spring-Extension	44	116-0756	2	Deck Lift Chain ASM
21	116-0780	4	Screw-Shoulder, HHF	44:1	1-633447	1	Chain-Lift, Deck
22	3256-28	4	Washer-Flat	44:2	109-9065	1	Screw-HH
23	127-1948-03	2	Link-Lift	44:3	32128-37	1	Nut-HF
24	137-4129	1	Deck Strut ASM	45	130-0742	2	Bolt-Shoulder
24:2	137-4108	4	Bushing-Rubber	46	43-0940	2	Spacer
24:3	108-6544	4	Spacer	47	133-1431	1	Spacer-Split

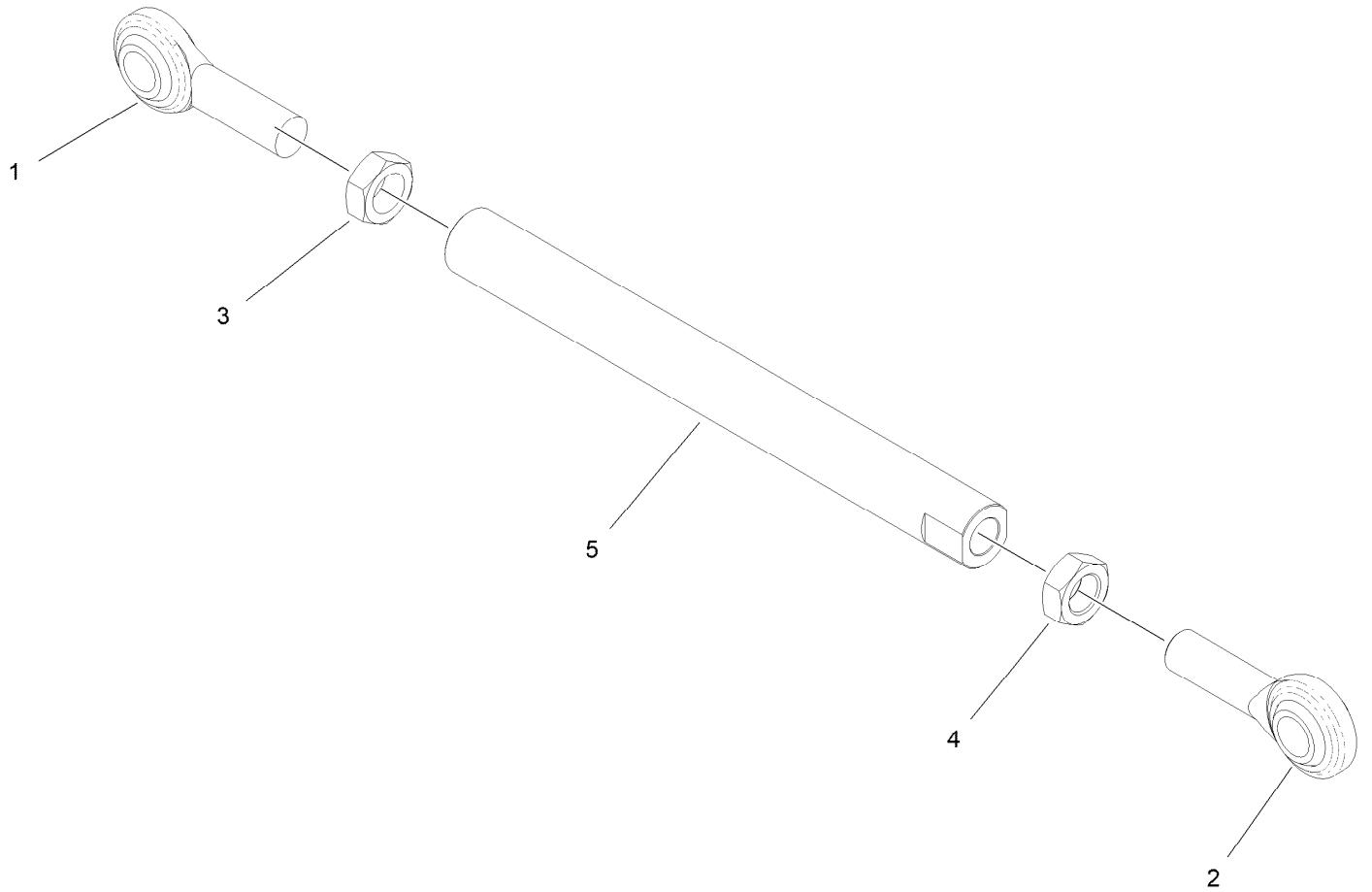
# HOC Lever Assembly No. 161-6735



## HOC Lever Assembly No. 161-6735 (continued)

<i>Ref.</i>	<i>Part Number</i>	<i>Qty.</i>	<i>Description</i>	<i>Ref.</i>	<i>Part Number</i>	<i>Qty.</i>	<i>Description</i>
1	161-6736-01	1	Lift Lever ASM [red]	8	103-1363	4	Rivet
2	136-0530	1	Rod-Latch, Release	9	614672	1	Screw-Shoulder, HWH
3	114-8187	1	Spring-Compression	10	110-8982	1	Washer-Spring
4	114-1207	1	Washer-Special	11	104-7201	1	Nut-HF, NI
5	115-2750	1	Knob	12	104-8301	1	Nut-HF, NI
6	115-3592	1	Grip	13	138-4888	1	Latch-HOC
7	119-2309	1	Bolt-Shldr,HH	14	138-4863	1	Plug-Wear

# HOC Link Assembly No. 130-6615



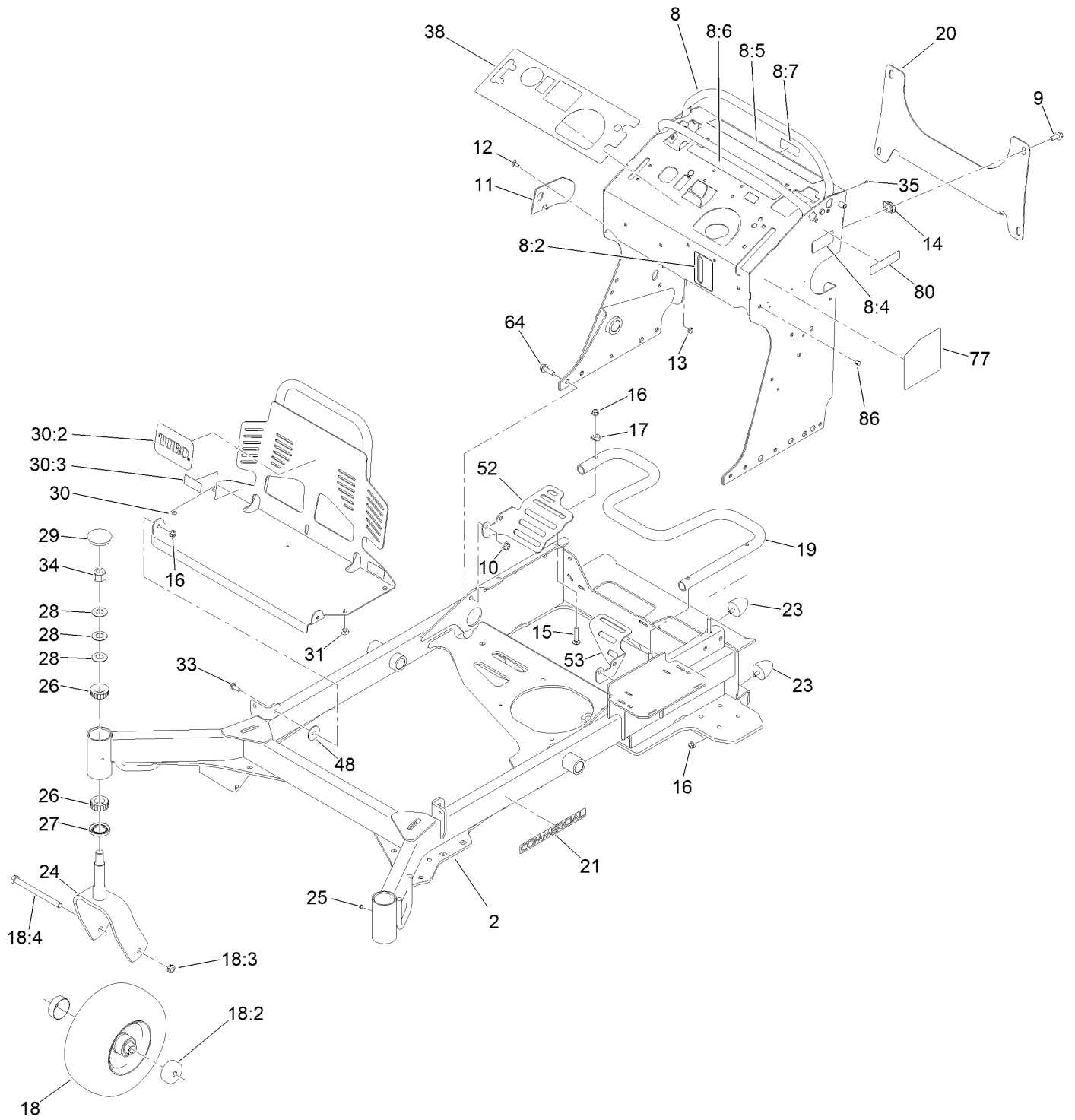


## HOC Link Assembly No. 130-6615 (continued)

<i>Ref.</i>	<i>Part Number</i>	<i>Qty.</i>	<i>Description</i>
1	1-633029	1	Balljoint-Spherical
2	117-5291	1	Balljoint-Spherical
3	3220-6	1	Nut-Jam

<i>Ref.</i>	<i>Part Number</i>	<i>Qty.</i>	<i>Description</i>
4	117-5293	1	Nut-Jam
5	130-6614	1	Link-Height Of Cut

# Frame Assembly



## Frame Assembly (continued)

<i>Ref.</i>	<i>Part Number</i>	<i>Qty.</i>	<i>Description</i>	<i>Ref.</i>	<i>Part Number</i>	<i>Qty.</i>	<i>Description</i>
2	131-7423-01	1	Frame	23	114-1926	4	Bumper-Rubber
8	140-4283	1	Tower Decal ASM	24	147-6343-01	2	Caster Fork ASM [red]
8:2	147-7921	1	Decal-Oil Level	25	1-811010	2	Plug
8:4	116-8775	1	Decal-Fill, Fuel	26	1-543509	4	Bearing-Roller, Tapered
8:5	139-2878	1	Decal-Warning	27	116-5647	2	Seal-Grease
8:6	131-3526	1	Decal-Controls	28	1-633508	6	Washer-Bellville
8:7	147-0212	1	Decal - Fuse	29	103-4882	2	Cap-Grease
9	3234-42	4	Screw-HHF	30	161-3586	1	Engine Guard ASM W/Decals
10	104-8301	8	Nut-HF, NI	30:2	105-8278	1	Decal
11	131-7455	1	Plate-Striker	30:3	133-4641	2	Decal-Warning, No Riders
12	3229-11	1	Screw-CARR	31	1-513658	4	Bumper
13	104-7201	1	Nut-HF, NI	33	3230-10	2	Bolt-CARR
14	105-4886	4	Nut-Tinnerman	34	3296-51	2	Nut-Lock, NI
15	3230-5	3	Bolt-CARR	35	3290-271	2	Rivet-Pop
16	104-8300	9	Nut-HF, NI	38	140-4259	1	Decal-Panel, Control
17	107-3844	3	Washer	48	107-3002	2	Washer-Nylon
18	140-5485	2	Mf Wheel Tire Bearing ASM	52	132-7578-01	1	Guard-Fan, RH
18:2	103-2768	2	Guard-Seal	53	132-7598-01	1	Guard-Fan, LH
18:3	3296-45	1	Nut-Hex	64	119-4061	8	Screw-HHF
18:4	325-20	1	Screw-HH	77	131-3529	1	Decal-Service Aid
19	132-5161-01	1	Tube-Mount, Fuel Tank	80	133-8062	1	Decal-Spark Arrestor
20	132-1145-03	1	Bracket-Cross	86	145-3595	3	Dome Panel Plug
21	117-3591	2	Decal-Commercial				

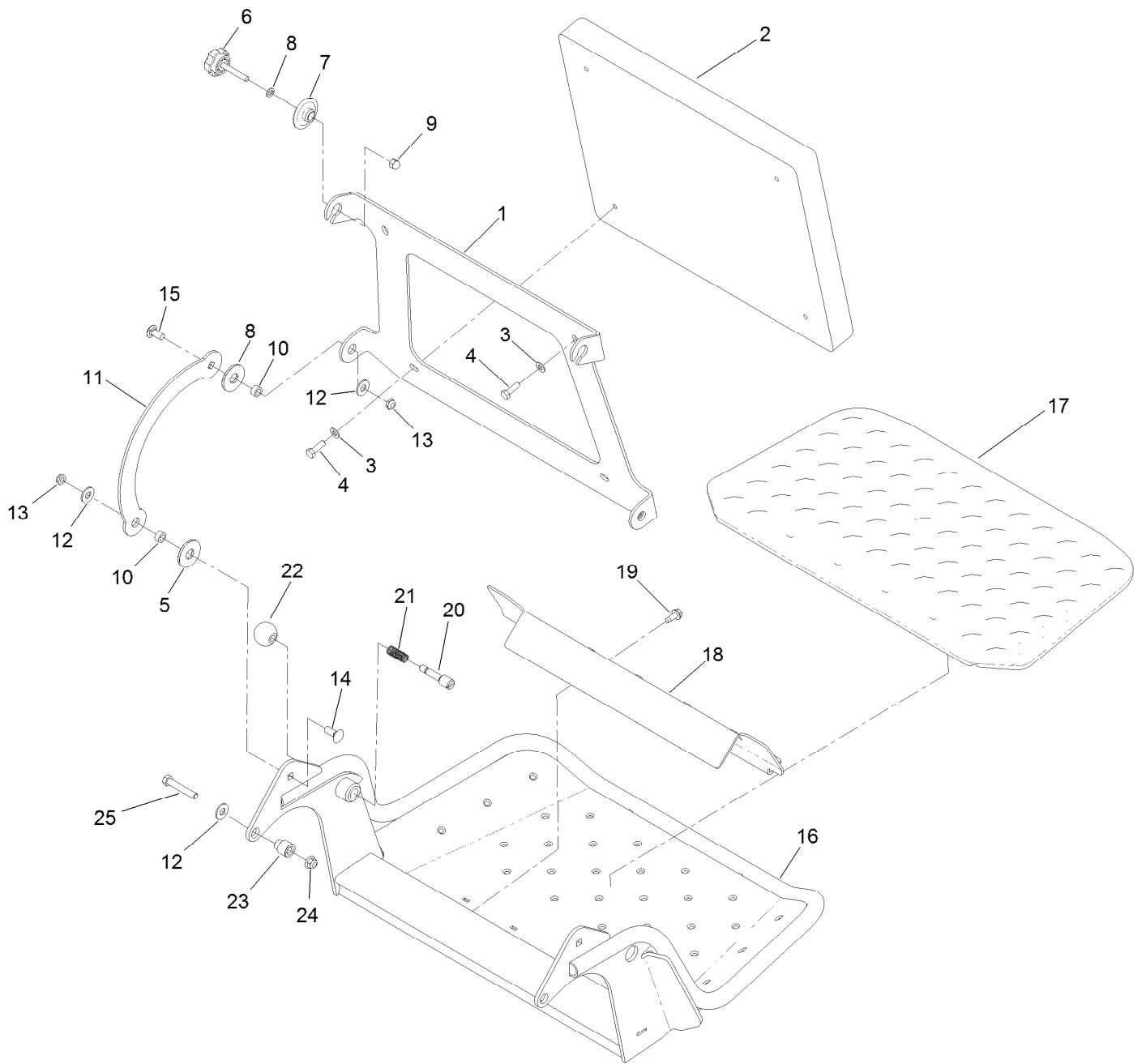
# Wheel and Bearing Assembly



## Wheel and Bearing Assembly (continued)

<i>Ref.</i>	<i>Part Number</i>	<i>Qty.</i>	<i>Description</i>	<i>Ref.</i>	<i>Part Number</i>	<i>Qty.</i>	<i>Description</i>
1	1-633585	2	Bearing-Cone, Taper	4	126-5359	1	Caster Axle ASM
2	103-0063	2	Seal-Caster	5	140-5483	1	Mf Wheel And Tire ASM
3	103-3051	1	Spacer-Nut				

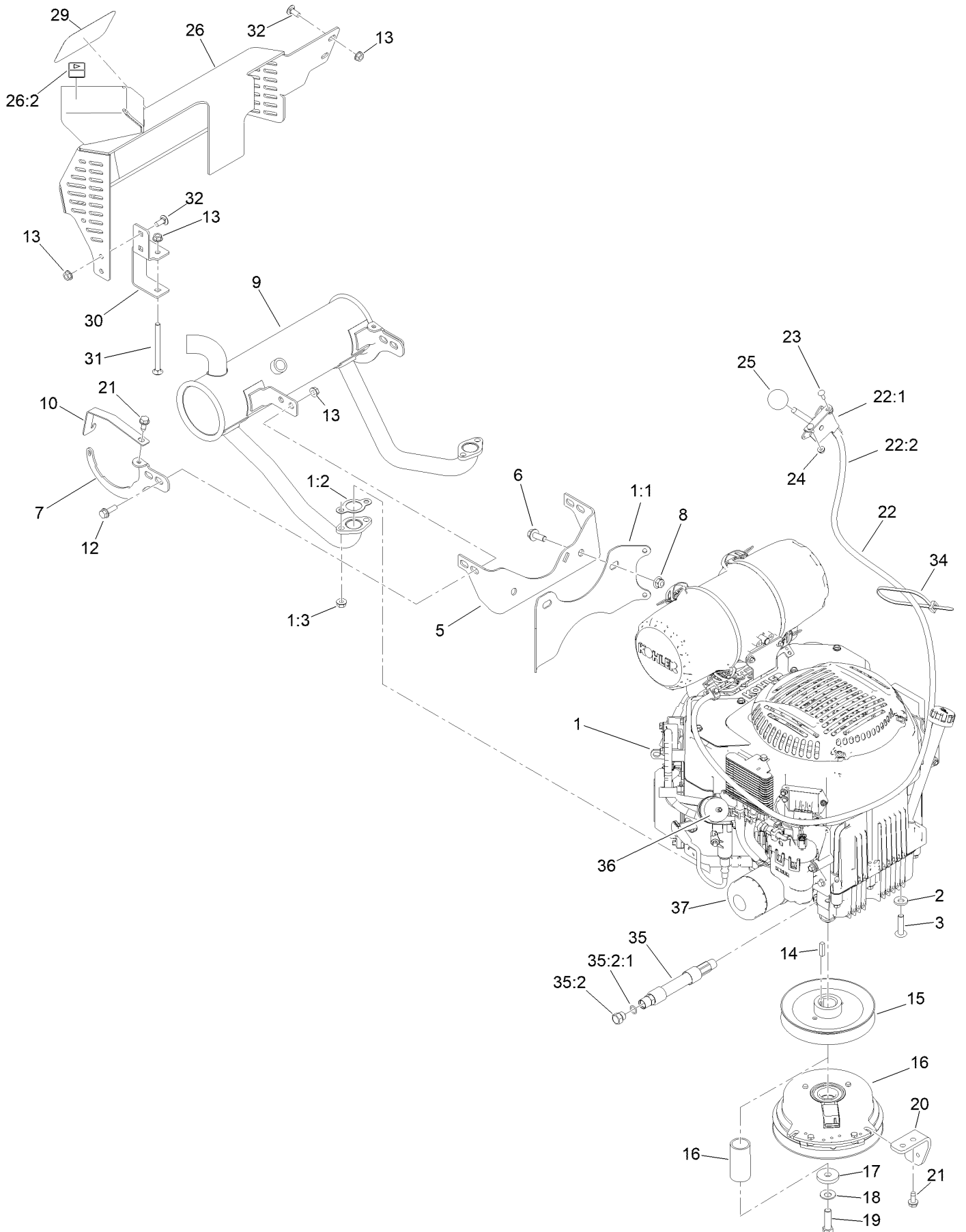
# Platform Assembly



## Platform Assembly (continued)

<i>Ref.</i>	<i>Part Number</i>	<i>Qty.</i>	<i>Description</i>	<i>Ref.</i>	<i>Part Number</i>	<i>Qty.</i>	<i>Description</i>
1	120-8499-03	1	Hinge-Pad	14	3231-2	2	Bolt-CARR
2	117-9739	1	Pad-Cushion	15	3231-27	2	Screw-CARR
3	3256-23	4	Washer-Plain	16	161-6796-01	1	Platform ASM [red]
4	121-7999	4	Screw-HH, Patch	17	126-7157	1	Mat-Platform
5	114-0463	4	Washer-Friction, Composite	18	3345-771	1	Shield Clamp Kit
6	133-1426	2	Knob	19	32144-70	2	Screw-HWHTF
7	116-2886	2	Slide-Bushing	20	119-8650	1	Pin-Latch
8	3253-4	2	Washer-Lock	21	114-5348	1	Spring
9	137-4808	2	Nut-Acorn	22	1-603175	1	Knob-Ball
10	111044	4	Spacer	23	132-7583	2	Bushing-Flanged
11	114-1915-01	2	Link-Pad	24	104-8301	2	Nut-HF, NI
12	3256-4	6	Washer-Flat	25	323-45	2	Screw-HH
13	3296-59	4	Nut-Lock, NI				

# Engine Assembly





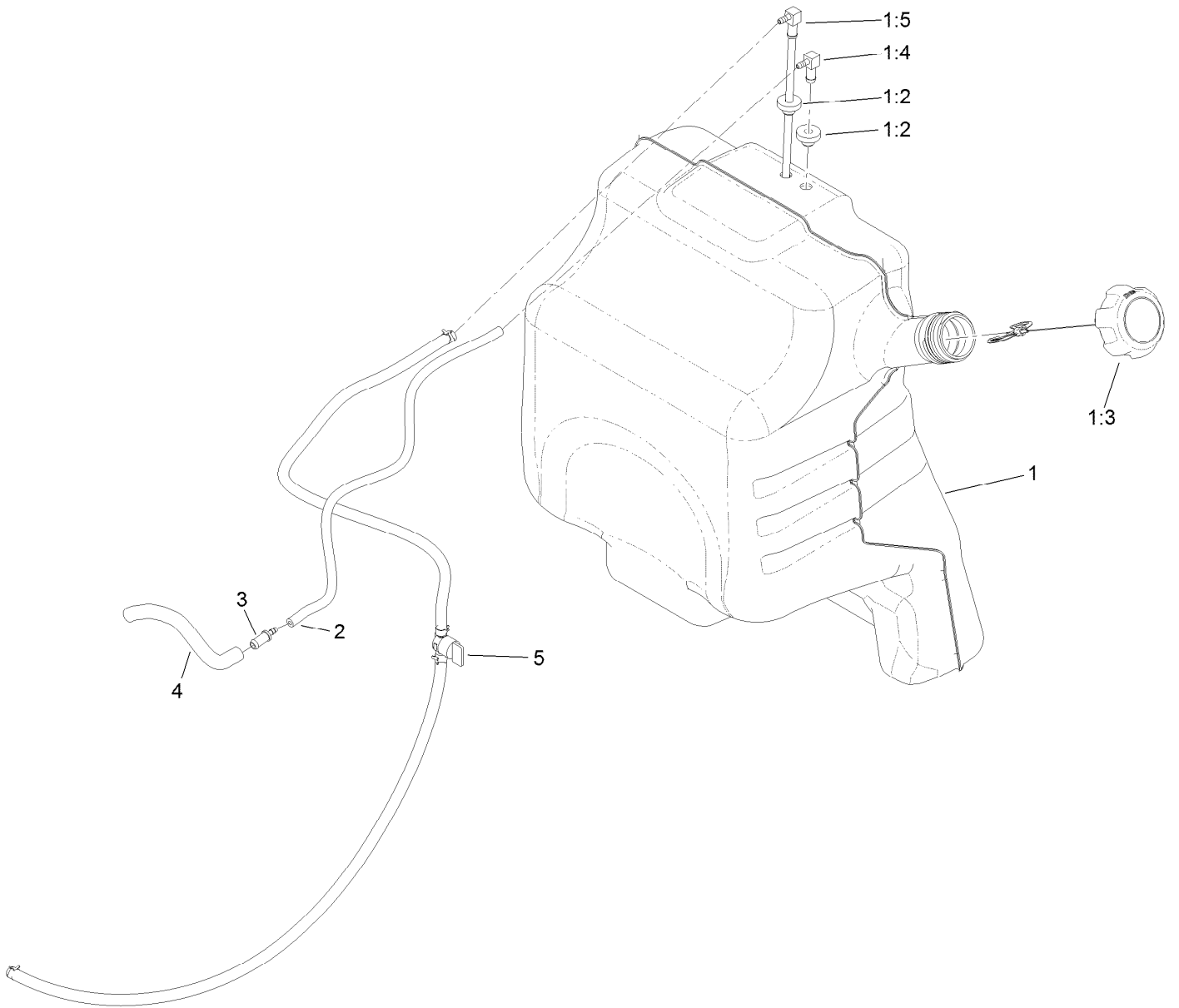
## Engine Assembly (continued)

<i>Ref.</i>	<i>Part Number</i>	<i>Qty.</i>	<i>Description</i>	<i>Ref.</i>	<i>Part Number</i>	<i>Qty.</i>	<i>Description</i>
1		1	Engine-Kohler, Ecv740 ●■	20	131-3586-03	1	Stop-Clutch
1:1	131-7400	1	Bracket-Muffler	21	32144-70	4	Screw-HWHTF
1:2	110-6697	2	Gasket-Exhaust	22	147-1664	1	Throttle ASM
1:3	68-9400	4	Nut-Flange	22:1	145-6187	1	Lever-Control
2	98-5975	4	Washer-Belleville	22:2	147-1674	1	Cable-Throttle
3	126-0983	4	Screw-BHTF	23	1-807533	2	Bolt-CARR
5	132-1168	1	Bracket-Muffler	24	32128-17	2	Nut-Lock, Flange
6	3234-42	2	Screw-HHF	25	1-603175	1	Knob-Ball
7	133-4613	2	Support-Muffler	26	131-3550	1	Muffler Guard ASM
8	104-8301	2	Nut-HF, NI	26:2	106-5517	1	Decal-Warning
9	133-4634	1	Muffler-Kohler	29	94-2579	1	Decal
10	133-4639	2	Bracket-Muffler, Koh	30	131-3530-03	1	Bracket-Mounting, Guard
12	3234-17	4	Screw-HHF	31	106-9758	1	Screw-CARR
13	32128-25	9	Nut-HF	32	3230-23	4	Bolt-CARR
14	1-807259	1	Key	34	3290-378	1	Tie-Cable
15	120-8498	1	Pulley	35	133-4657	1	Hose ASM
16	139-7910	1	Clutch-200Cms	35:2	353-508	1	Plug-HH
17	1-543610	1	Washer-Flat	35:2:1	237-42	1	O-Ring
18	1-603610	1	Washer-Spring	36	94-9695	1	Filter-Fuel
19	3212-6	1	Screw-HH	37	98020	1	Filter-Oil

● Not serviced separately

■ Obtain parts from [www.kohlerplus.com](http://www.kohlerplus.com)

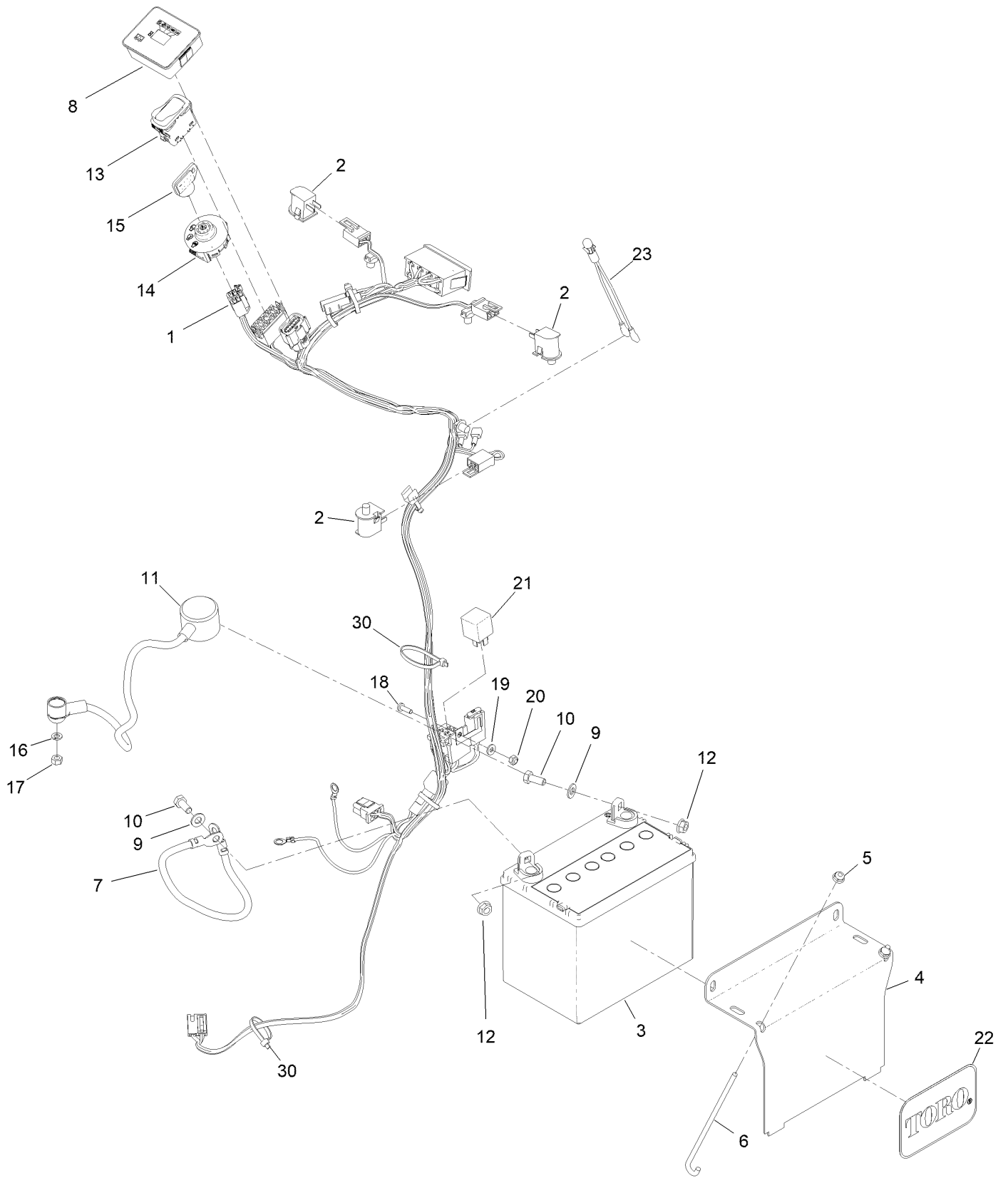
# Fuel Tank Assembly



## Fuel Tank Assembly (continued)

<i>Ref.</i>	<i>Part Number</i>	<i>Qty.</i>	<i>Description</i>	<i>Ref.</i>	<i>Part Number</i>	<i>Qty.</i>	<i>Description</i>
1	132-7560	1	Fuel Tank ASM	2	110-8255	1	Hose-Fuel
1:2	46-6560	2	Bushing	3	98-2952	1	Fitting-Straight
1:3	137-4127	1	Cap-Fuel	4	132-7576	1	Hose-Fuel
1:4	104-5228	1	Fitting-Elbow, 90 DEG	5	132-7545	1	Fuel Line ASM
1:5	145-6195	1	ASM, Tube-Fuel				

# Electrical Assembly



## Electrical Assembly (continued)

<i>Ref.</i>	<i>Part Number</i>	<i>Qty.</i>	<i>Description</i>	<i>Ref.</i>	<i>Part Number</i>	<i>Qty.</i>	<i>Description</i>
1	147-7942	1	Harness-Wire, Grandstand	13	139-6367	1	Switch-Rocker, (On)-On-Off
2	82-2190	3	Switch-Bail	14	137-4101	1	Switch-Ignition
3	104-8162	1	Battery	15	63-8360	1	Key-Ignition
4	130-6635-01	1	Bracket-Hold Down, Battery	16	3253-3	1	Washer-Lock
5	104-7201	2	Nut-HF, NI	17	3217-5	1	Nut-Hex
6	1-633651	2	Bolt-Holddown	18	3290-500	1	Screw-PPH
7	112-7063	1	Cable-Battery, Black	19	3256-14	1	Washer-Flat
8	140-1884	1	Module-Meter, Hour	20	3296-2	1	Nut-Lock, NI
9	3256-23	2	Washer-Plain	21	1-643275	1	Relay
10	322-3	2	Screw-HH	22	67-1300	1	Decal
11	115-3864	1	Cable-Battery, Positive	23	1-643267	1	Indicator-LED, Red
12	109-5715	2	Nut-HHF, Smooth	30	3290-378	2	Tie-Cable

# Attachments and Accessories

## For 72519 GrandStand Mower With 52in TURBO FORCE Cutting Unit

<b>Product Name</b>	<b>Model/Part</b>
Air Cleaner Filter.....	100-4556
Filter Air Safety.....	103-1326
Hypr-Oil 500 (quart).....	114-4713
Hypr-Oil 500 (gallon).....	114-4714
Hypr-Oil 500-5 (5 gallon).....	114-4715
Harness Wire Splitter.....	121-5988
Spark Plug.....	130-8380
Fuel Filter.....	130-8381
Toro Premium Fuel Treatment 12oz Bottle.....	131-6572
Speed Setting Tool.....	132-7595
Stand-On Weight Kit.....	133-1428
Chute Gate Kit W/ Bag.....	133-1434
Trash Bag Assembly.....	133-1435
Roller Striper Kit.....	133-1436
Light Kit.....	133-1437
Electric Accessory Port.....	133-1438
HOC Set Blocks.....	133-1439
Anti-Scalp Kit, 48/52 Grandstand Deck.....	133-1440
Trimmer Rack.....	133-1441
Hydro Oil Change Kit.....	133-1457
Strobe Light Kit.....	133-1495
5 Gallon Bucket.....	133-2533
Hydraulic Cap Lock Kit.....	136-5420
Bucket Mount Kit.....	136-5681
Bagger Enhancement Kit.....	139-1529
Recycler Kit.....	139-6653
18x8.5n10 X-Tweel Turf.....	139-7890
Blade-18.00 High Flow.....	140-1242
Pneumatic Castor Wheel Kit.....	140-4311
Blade-18.00 Medium Flow.....	140-4856
Blade-18.00 Low Flow.....	140-4857
Blade-18.00 Atomic.....	140-4858
Blade-18.00 Recycler.....	140-4859
6 Pack-Blade, 18.00 High Flow.....	140-4882
6 Pack-Blade, 18.00 Med Flow.....	140-4883
6 Pack-Blade, 18.00 Low Flow.....	140-4884
6 Pack-Blade, 18.00 Atomic.....	140-4885
6 Pack-Blade, 18.00 Recycler.....	140-4886
2 Transmission Filter Kit.....	144-3842
Blade-18.00 High Flow.....	147-6251
6 Pack-blade, 18.00 High Flow.....	147-6255
Kit-pneumatic Caster Tire.....	161-3470
Kit-semi Pneu Caster Tire.....	161-3471
Soft Bag (3 Bushel).....	30104
10W30 4-Cycle Engine Oil (32oz Bottle).....	38280
Toro 4-Cycle SAE 30 Oil (32oz Bottle).....	38903

# Attachments and Accessories (continued)

Twin Bagger Kit.....	78524
Blower Drive 52in.....	78526
Spark Arrestor .....	98-9099
Filter-Oil.....	98020



**Count on it.**