



Count on it.

Parts Catalog

**Power TRX Commercial 1428
OHXE
Snowthrower**

Model No. 38870—Serial No. 409000000 and Up



Ordering Replacement Parts

To order replacement parts, please supply the part number, the quantity, and the description of each part desired.

Understanding Reference Numbers

Each identified part in an illustration has a reference number. The reference number for a part also appears in the parts list, along with other information about the part.

This catalog uses two special reference number formats, one to indicate parts in a service assembly and another to indicate the quantity of a given part in an illustration.

Service Assembly Reference Numbers

Parts in service assemblies have reference numbers in the form a:b. The a represents the reference number of the entire service assembly and the b represents a sequential number unique to each part within the service assembly.

For example, a wheel assembly might be identified by reference number 6, the tire by 6:1, the valve by 6:2, and the wheel by 6:3. When you order the assembly identified by reference number 6, you receive all parts identified by reference numbers 6:1, 6:2, and 6:3. However, you may also order any part individually. Reference numbers of this type appear in illustration and in parts lists.

Reference Numbers Indicating Quantity

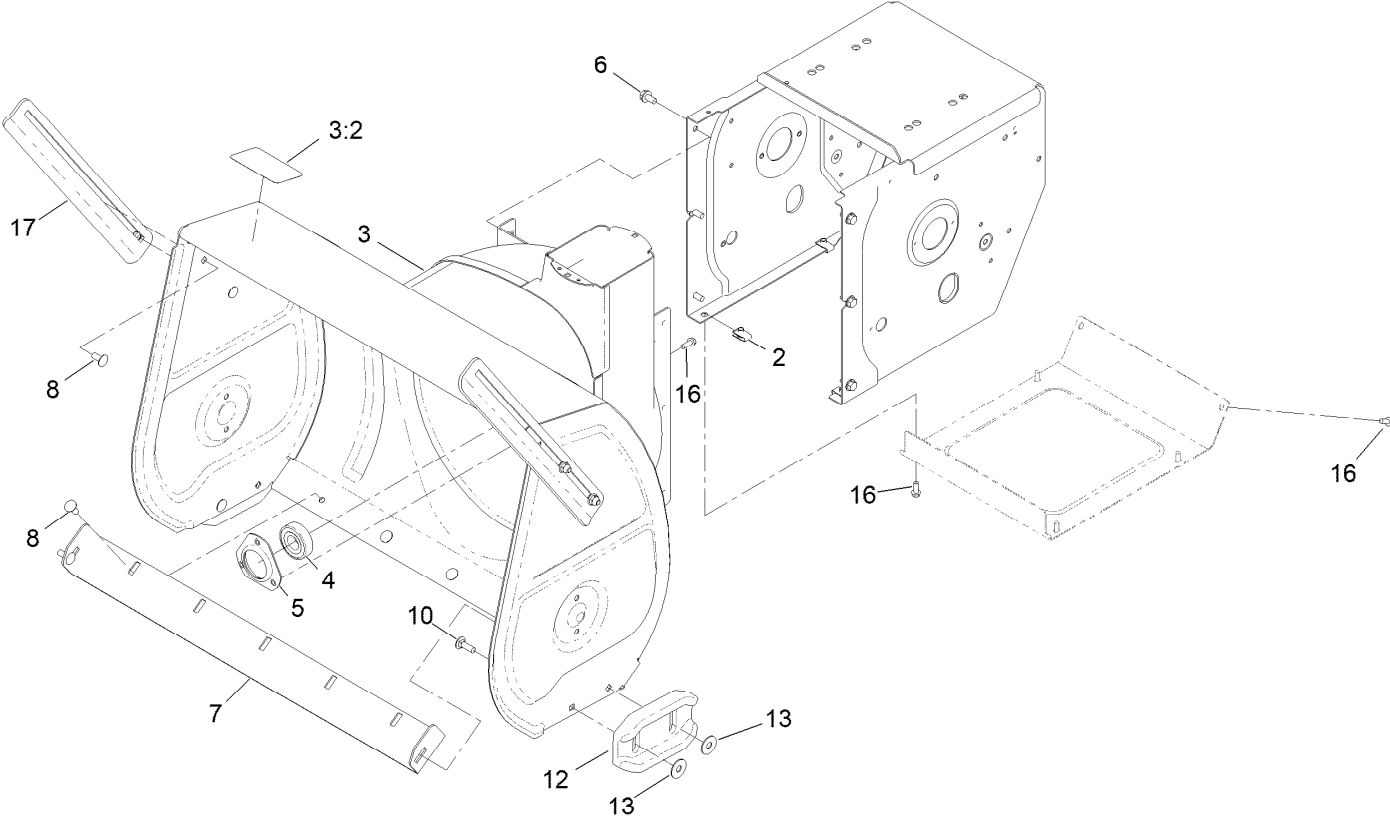
In an illustration, if a reference number indicates more than one part, the reference number has the form nX y. The n represents the quantity of the part, the X is the multiplication symbol, and the y represents the reference number.

For example, in an illustration, the reference number 2X 37 means that two of the parts identified by reference number 37 are indicated.

Contents

Main Frame Assembly	4
Traction Frame Assembly	6
Auger Drive Assembly	8
Belt Drive Assembly	10
Gear Case Assembly	12
Engine Assembly	14
Fuel Systems and Carburetor Assembly	16
Intake and Exhaust Assembly	18
Ignition and Electrical Assembly	20
Crankcase Assembly	22
Governor Assembly	24
Piston and Head Assembly	26
Blower Housing and Shrouds Assembly	28
Engine Decal Assembly	30
Chute Assembly	32
Chute Control Assembly	34
Traction Control Assembly	36
Handle Assembly	38
Hydrostatic Drive Assembly	40
Track Drive Assembly	42
Attachments and Accessories	44

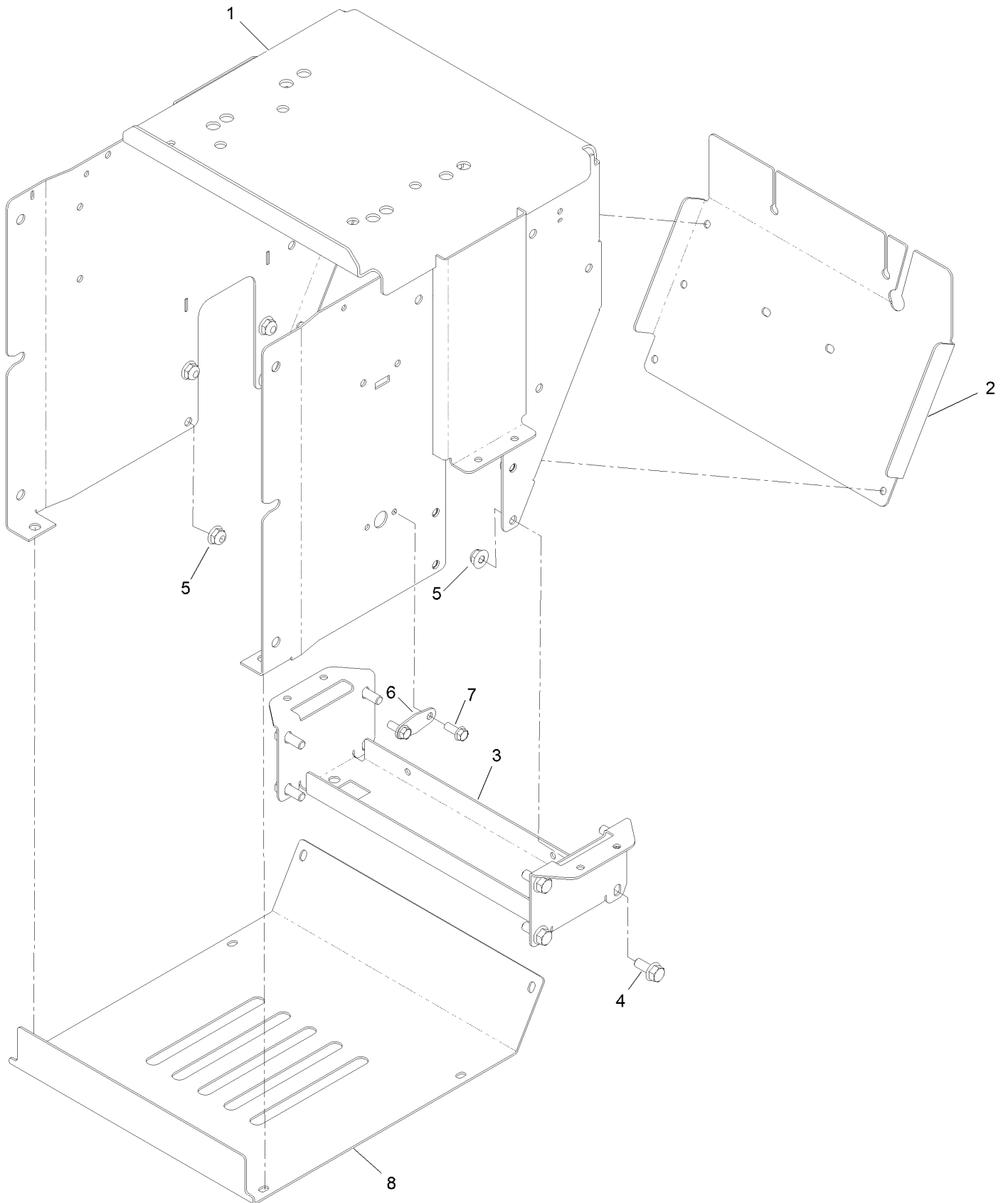
Main Frame Assembly



Main Frame Assembly (continued)

<i>Ref.</i>	<i>Part Number</i>	<i>Qty.</i>	<i>Description</i>	<i>Ref.</i>	<i>Part Number</i>	<i>Qty.</i>	<i>Description</i>
2	107069	8	Clip	8	137-3061	9	Bolt-CARR
3	139-1562	1	Auger Housing ASM	10	110-3144	4	Bolt-CARR
3:2	121-6817	1	Decal-Danger, Auger	12	120-3098-03	2	Skid-Cast
4	136-6571	1	Bearing-Ball	13	119-4150	4	Washer-Flat
5	136-6573	1	Retainer-Bearing	16	32144-85	11	Screw-HWH Thd Form
6	32144-14	6	Screw-HWHTF	17	121-1228-03	2	Breaker-Drift, Side
7	136-6588-01	1	Blade-Scraper				

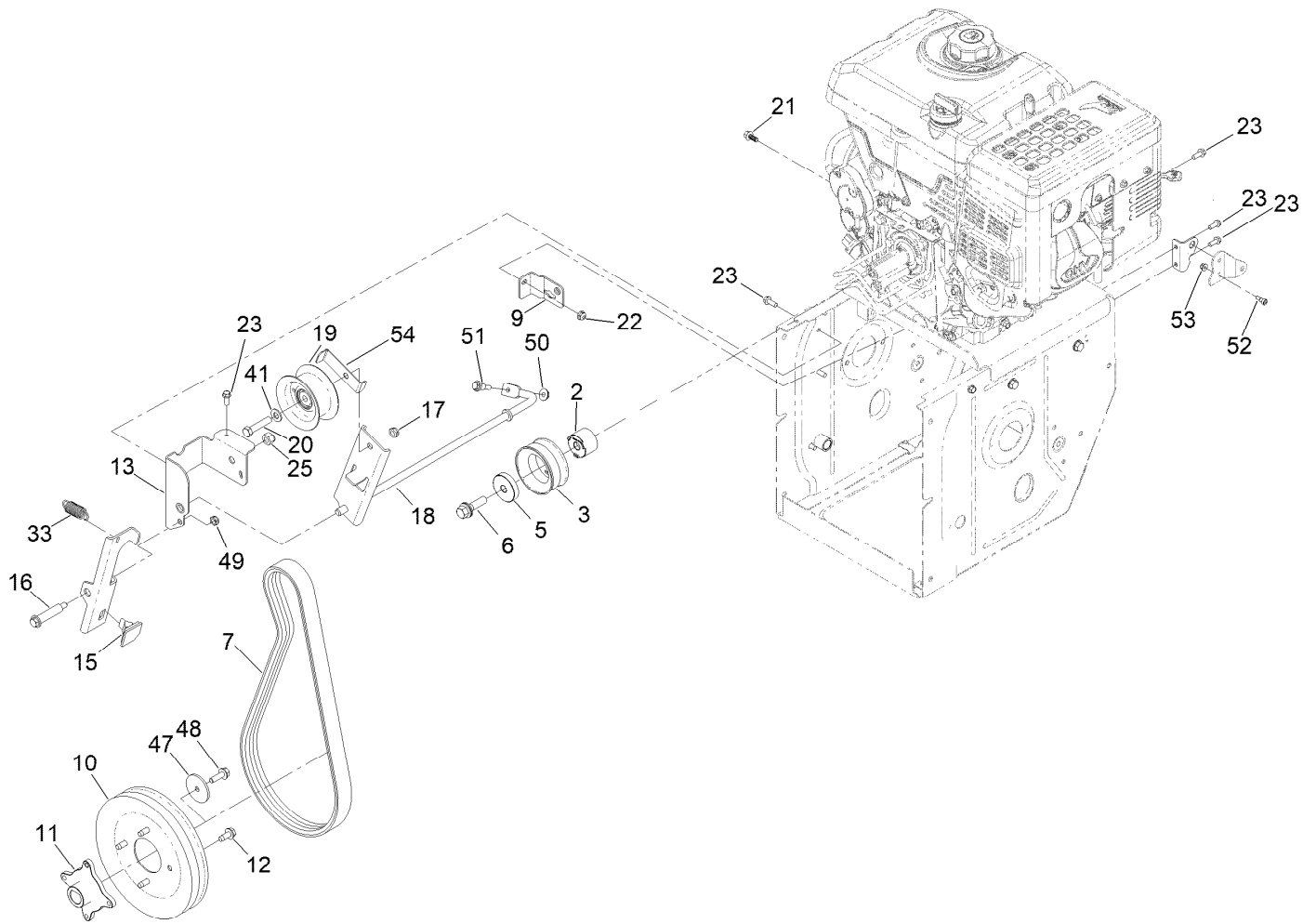
Traction Frame Assembly



Traction Frame Assembly (continued)

<i>Ref.</i>	<i>Part Number</i>	<i>Qty.</i>	<i>Description</i>	<i>Ref.</i>	<i>Part Number</i>	<i>Qty.</i>	<i>Description</i>
1	140-7904-01	1	Frame-Traction	5	119-4041	8	Nut-HF
2	140-7916-01	1	Cover-Rear	6	140-7934-03	1	Cover-Lock, Neutral
3	140-7915-01	1	Brace-Frame, Lower	7	32144-85	2	Screw-HWH Thd Form
4	139-2598	8	Screw-HHF	8	145-1654-01	1	Cover-Bottom

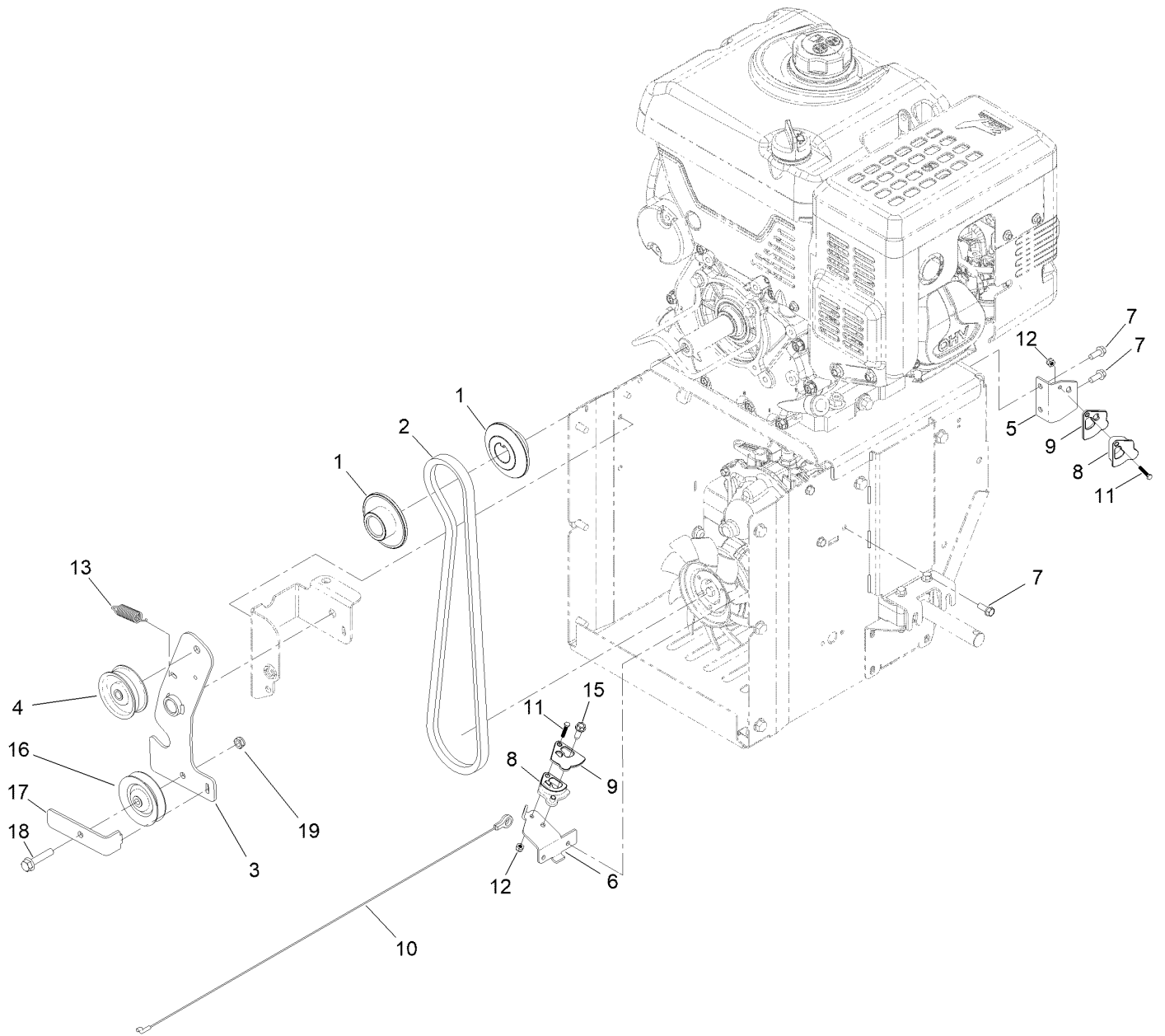
Auger Drive Assembly



Auger Drive Assembly (continued)

<i>Ref.</i>	<i>Part Number</i>	<i>Qty.</i>	<i>Description</i>	<i>Ref.</i>	<i>Part Number</i>	<i>Qty.</i>	<i>Description</i>
2	136-6691	1	Pulley-Spacer	19	136-6531	1	Pulley, Idler
3	136-6690	1	Pulley-Impeller, Double Sheave	20	138-0722	1	Screw-HH
5	138-3662	1	Support-Pulley	21	137-3111	1	Screw-HHF
6	125-2466	1	Bolt-Blade	22	137-3005	1	Nut-HF
7	136-6504	1	Belt-V	23	32144-85	9	Screw-HWH Thd Form
9	136-8654-03	1	Bracket-Clutch, Impeller	25	137-3095	1	Nut-Hex
10	136-6557	1	Pulley-Impeller, Double Sheave	33	137-3435	1	Spring-Extension
11	136-6558	1	Hub-Pulley	41	115-1166	2	Washer-Plain
12	32144-70	4	Screw-HWHTF	47	137-3121	1	Washer-Plain
13	136-8671-03	1	Bracket-Brake, Clutch	48	115-5142	1	Screw-HHF
15	66-8060	1	Pad-Brake	49	137-3089	1	Nut-Hex
16	136-7199	1	Bolt-Shoulder	50	137-3016	1	Nut-HF
17	121-4600	2	Nut-Hex	51	104-0858	1	Bolt-Shoulder
18	137-6234-03	1	Arm-Clutch, Impeller	52	94-9422	2	Screw-Shoulder
				53	138-0719	2	Nut-HF
				54	145-1659-03	1	Stop-Arm

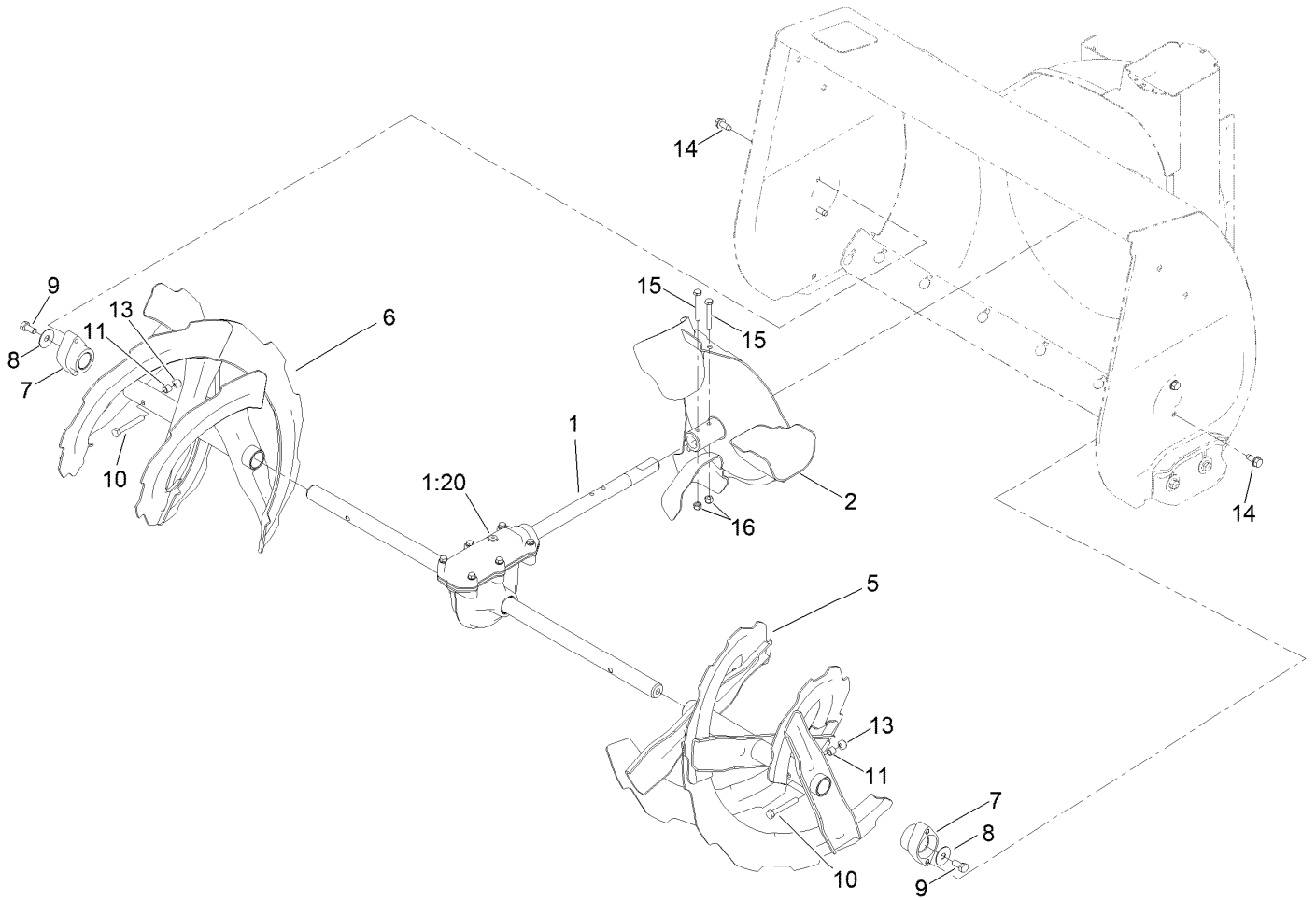
Belt Drive Assembly



Belt Drive Assembly (continued)

<i>Ref.</i>	<i>Part Number</i>	<i>Qty.</i>	<i>Description</i>	<i>Ref.</i>	<i>Part Number</i>	<i>Qty.</i>	<i>Description</i>
1	140-7944	2	Sheave-Traction	10	144-2828	1	Cable-Traction
2	140-7940	1	Belt-Traction (A, 41.00)	11	360-0272	2	Screw
3	145-1652	1	Arm-Clutch, Traction Weld ASM	12	520-0006	2	Nut-Hex, Nylock
4	3-4244	1	Pulley-Idler	13	145-0675	1	Spring-Extension
5	140-7895-03	1	Bracket-Cable	15	49-2040	1	Screw-HWHTF
6	140-7894-03	1	Anchor-Cable	16	119-8822	1	Pulley-Idler
7	32144-85	4	Screw-HWH Thd Form	17	144-2892	1	Guide-Belt
8	139-3565	2	Guide-Cable	18	140-5024	1	Screw-HHF
9	139-3564	2	Cap-Guide, Cable	19	137-3089	1	Nut-Hex

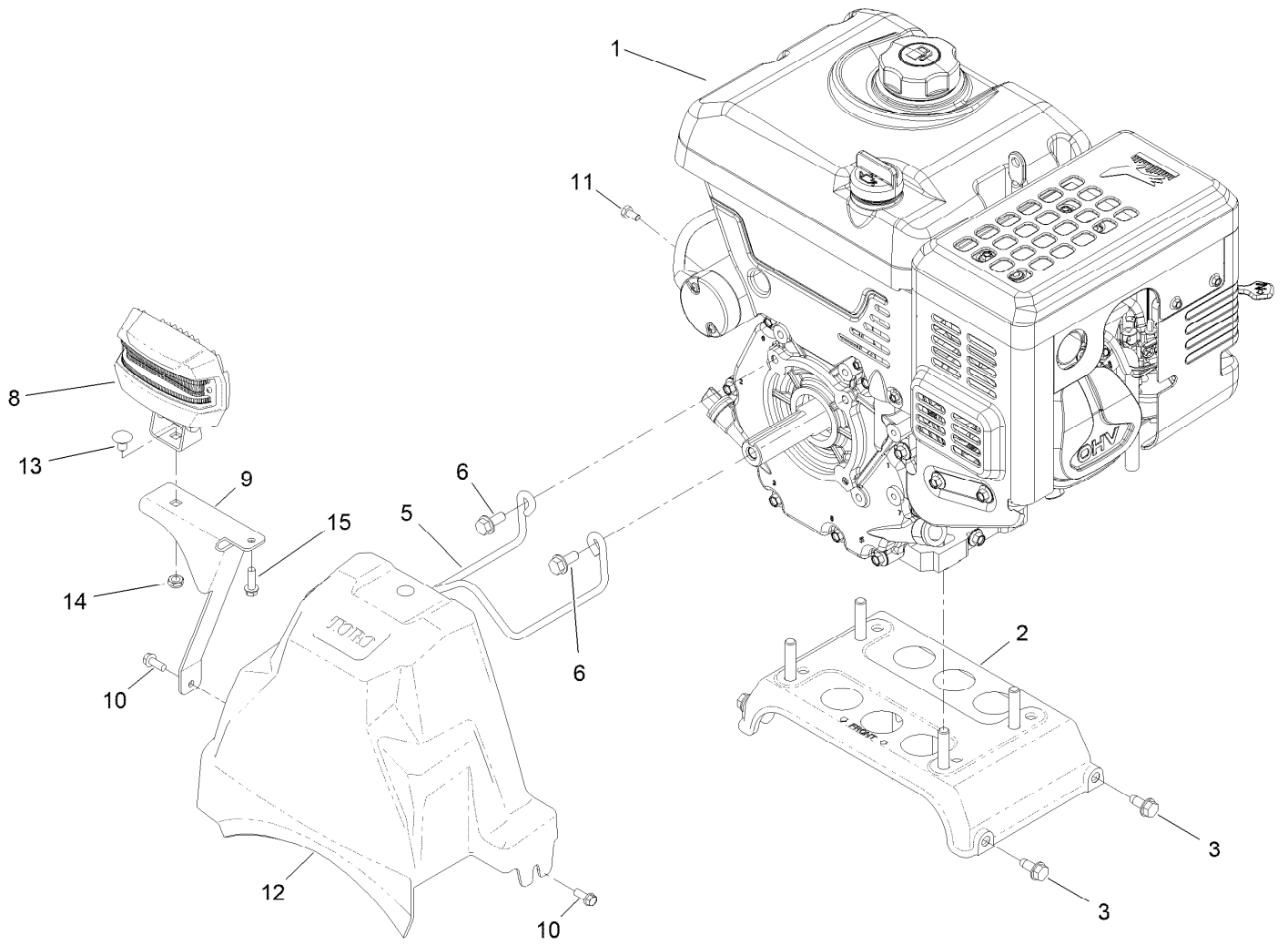
Gear Case Assembly



Gear Case Assembly (continued)

<i>Ref.</i>	<i>Part Number</i>	<i>Qty.</i>	<i>Description</i>	<i>Ref.</i>	<i>Part Number</i>	<i>Qty.</i>	<i>Description</i>
1	136-6549	1	Auger Gearcase ASM	9	137-3066	2	Screw-HH
1:20	138-3629	1	Plug-Oil	10	120-9738	2	Screw-HH
2	136-6570-03	1	Impeller	11	136-7148	2	Spacer-Grommet
5	136-6600-03	1	Auger-LH	13	119-4038	2	Nut-Hex
6	136-6601-03	1	Auger-RH	14	32144-70	4	Screw-HWHTF
7	106-4570	2	Bearing-Auger	15	137-3032	2	Screw-HH
8	3-0750	2	Washer	16	137-3088	2	Nut-Hex

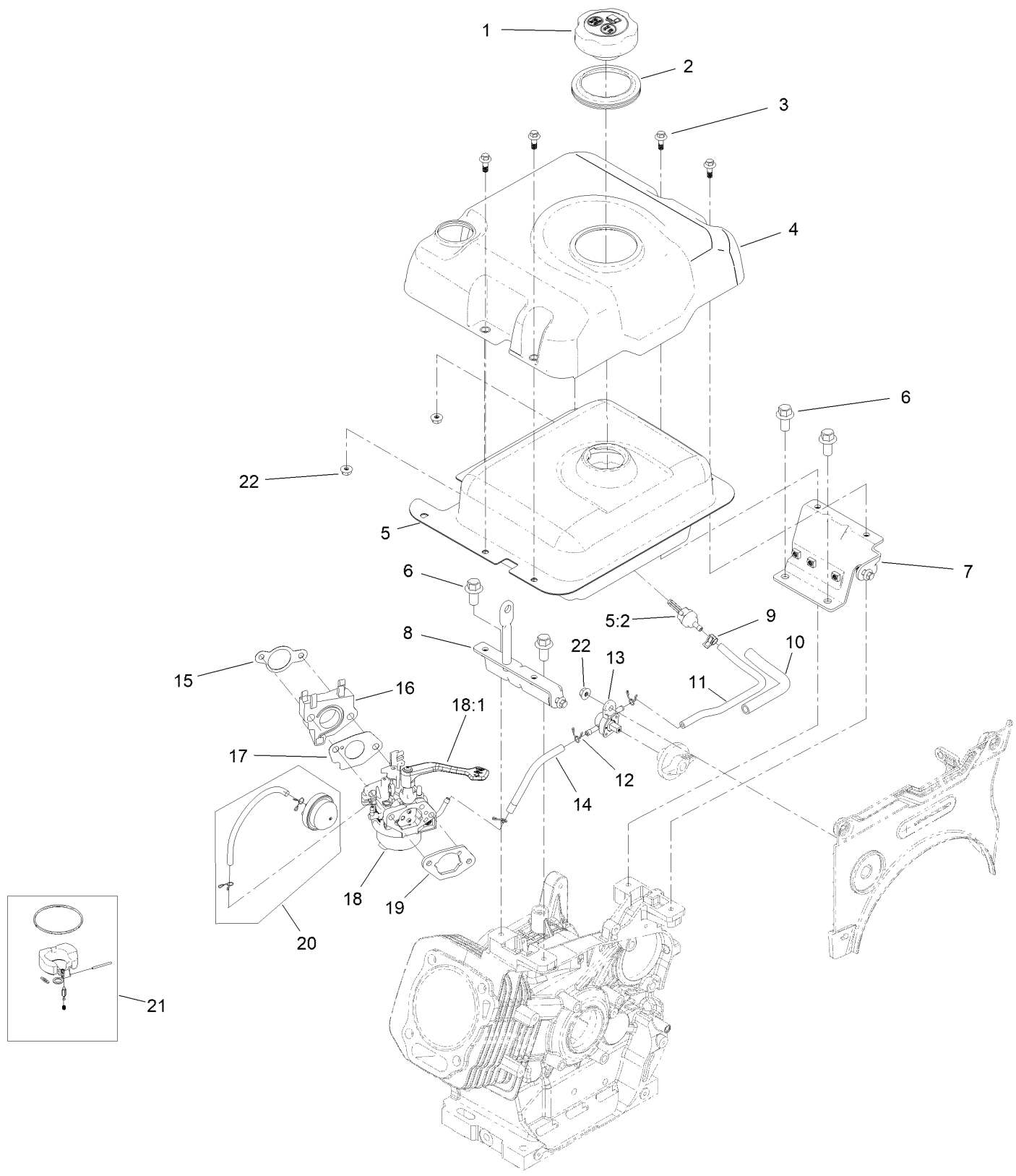
Engine Assembly



Engine Assembly (continued)

<i>Ref.</i>	<i>Part Number</i>	<i>Qty.</i>	<i>Description</i>	<i>Ref.</i>	<i>Part Number</i>	<i>Qty.</i>	<i>Description</i>
1	139-0732	1	Engine-Lc190Fds-1	10	32144-85	2	Screw-HWH Thd Form
2	137-6165	1	Engine Plate ASM	11	121-4604	1	Screw-HH
3	32144-70	4	Screw-HWHTF	12	136-6606	1	Cover-Belt
5	136-6607	1	Belt Guide	13	3230-19	1	Bolt-CARR
6	138-0690	2	Screw-HH	14	137-3089	1	Nut-Hex
8	138-0670	1	LED Light ASM	15	137-3099	1	Screw-Plastite, HWH
9	138-0683-03	1	Bracket-Light				

Fuel Systems and Carburetor Assembly

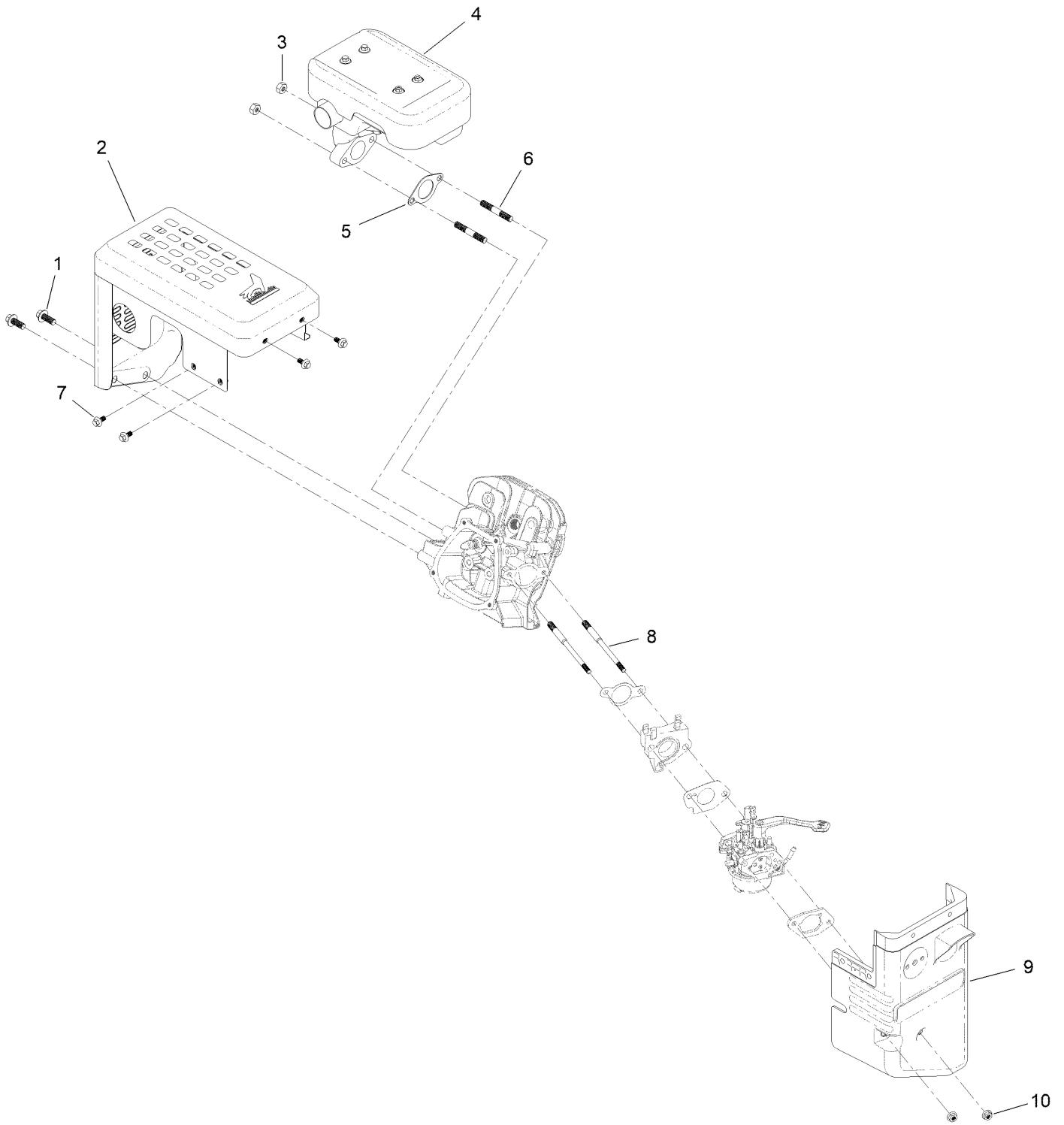


Fuel Systems and Carburetor Assembly (continued)

<i>Ref.</i>	<i>Part Number</i>	<i>Qty.</i>	<i>Description</i>	<i>Ref.</i>	<i>Part Number</i>	<i>Qty.</i>	<i>Description</i>
1	133-9823	1	Cap-Fuel	13	121-0258	1	Valve-Fuel
2	121-0324	1	Insert-Cover, Tank	14	139-0583	1	Hose-Fuel
3	121-0296	4	Screw-HHF	15	139-0579	1	Gasket-Carburetor
4	139-0574	1	Cover-Tank, Fuel	16	139-0580	1	Insulator-Carburetor
5	139-0567	1	Fuel Tank And Filter ASM	17	139-0581	1	Gasket-Carburetor
5:2	127-9065	1	Filter-Fuel	18	144-0964	1	Carburetor ASM
6	139-0569	4	Screw-HHF	18:1	139-0638	1	Lever-Choke
7	139-0571	1	Bracket-Tank, Right	19	121-0254	1	Gasket-Coated, Rubber
8	139-0570	1	Bracket-Tank, Left	20	127-9372	1	Primer Kit
9	127-9120	1	Clamp-Hose	21	139-0625	1	Internal Carb Service Kit
10	139-0566	1	Sleeve-Abrasion	22	121-0010	3	Nut-Flange
11	127-9064	1	Hose-Fuel	99	144-0970	1	High Altitude Kit ●
12	121-0087	3	Clamp-Hose				

● Not illustrated

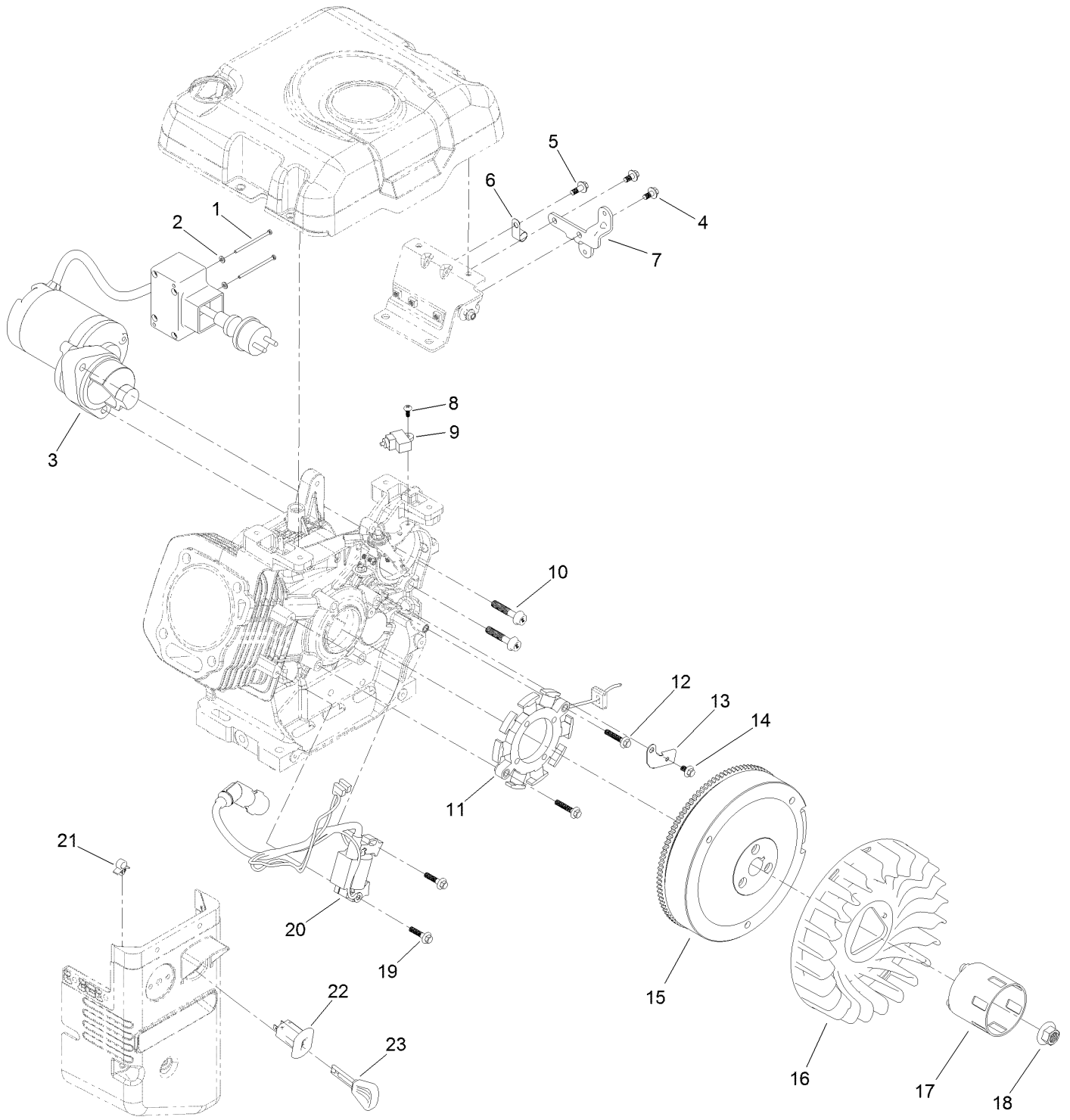
Intake and Exhaust Assembly



Intake and Exhaust Assembly (continued)

<i>Ref.</i>	<i>Part Number</i>	<i>Qty.</i>	<i>Description</i>	<i>Ref.</i>	<i>Part Number</i>	<i>Qty.</i>	<i>Description</i>
1	121-0297	2	Screw-HHF	6	121-0304	2	Stud-Mount, Muffler
2	139-0577	1	Shield-Muffler	7	121-0294	4	Screw-HHF
3	121-0199	2	Nut-HH	8	121-0303	2	Stud-Mount, Carburetor
4	139-0578	1	Muffler ASM	9	144-0962	1	Box-Heater
5	121-0272	1	Gasket-Exhaust	10	121-0308	2	Nut-Flange

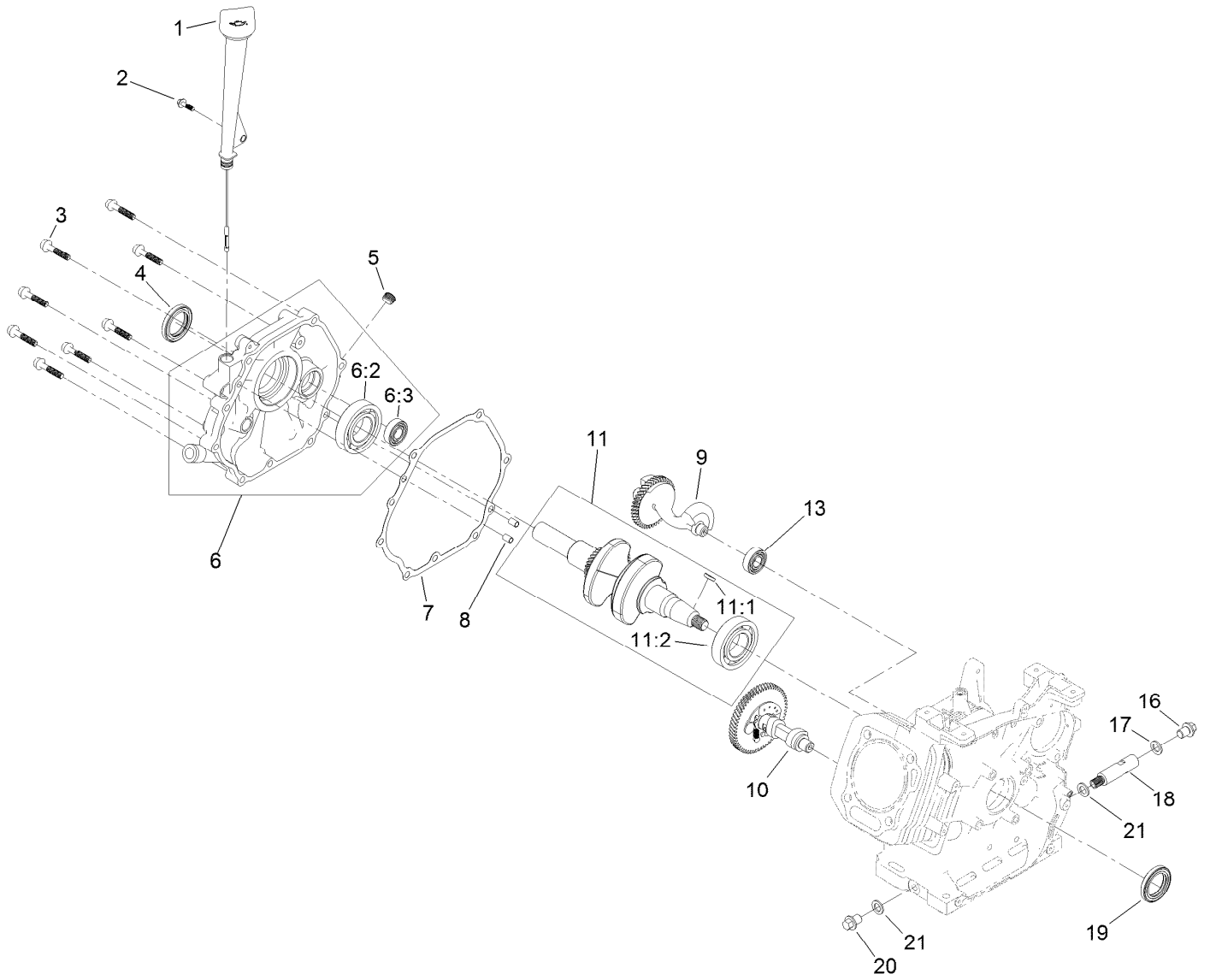
Ignition and Electrical Assembly



Ignition and Electrical Assembly (continued)

<i>Ref.</i>	<i>Part Number</i>	<i>Qty.</i>	<i>Description</i>	<i>Ref.</i>	<i>Part Number</i>	<i>Qty.</i>	<i>Description</i>
1	121-0306	2	Screw-Bhp	13	139-0555	1	Clamp-Wire, Charge
2	121-0312	2	Washer-Plain	14	121-0118	1	Screw-HHF
3	139-0589	1	Motor-Starter	15	139-0558	1	Flywheel ASM
4	121-0294	2	Screw-HHF	16	139-0559	1	Fan-Cooling
5	121-0296	1	Screw-HHF	17	139-0560	1	Cup-Starter
6	121-0017	1	Clip-Harness, Wire	18	121-0309	1	Nut-Flange
7	139-0572	1	Bracket-Box, Switch	19	121-0097	2	Screw-HHF
8	120-4461	1	Screw-PPH	20	139-0557	1	Ignition Coil ASM
9	139-0563	1	Switch-Stop, Engine	21	121-0326	1	Clip
10	121-0298	2	Screw-HHF	22	121-0283	1	Switch-Key
11	121-4108	1	Stator Coil ASM	23	117-7728	1	Key
12	120-4223	2	Screw-HHF				

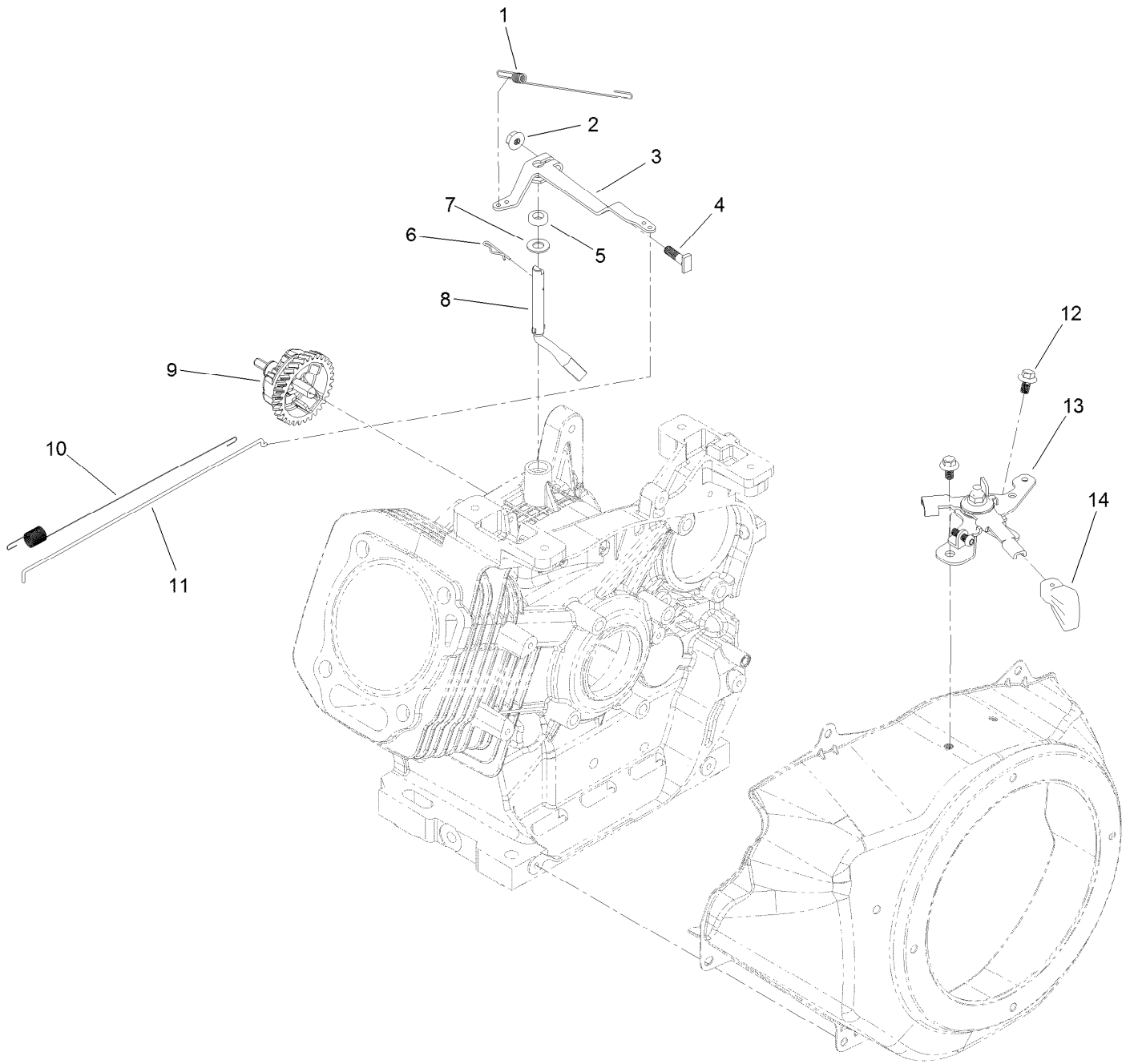
Crankcase Assembly



Crankcase Assembly (continued)

<i>Ref.</i>	<i>Part Number</i>	<i>Qty.</i>	<i>Description</i>	<i>Ref.</i>	<i>Part Number</i>	<i>Qty.</i>	<i>Description</i>
1	136-7941	1	Oil Fill ASM	10	136-7939	1	Camshaft ASM
2	127-9123	1	Screw-HHF	11	139-0586	1	Crankshaft ASM
3	121-0298	8	Screw-HHF	11:1	120-4320	1	Key-Woodruff
4	136-7942	1	Seal-Oil	11:2	120-4261	1	Bearing-Ball
5	133-9805	1	Plug-Drain	13	136-7949	1	Bearing-Ball
6	139-0611	1	Crankcase Cover ASM	16	121-0030	1	Screw-HHF
6:2	120-4261	1	Bearing-Ball	17	121-0048	1	Washer-Plain
6:3	136-7949	1	Bearing-Ball	18	121-0229	1	Tube-Drain, Oil
7	136-7945	1	Gasket-Cover, Case	19	139-0556	1	Seal-Oil
8	121-0314	2	Pin-Dowel	20	121-0222	1	Screw-HHF
9	139-0550	1	Shaft-Balance	21	121-0310	2	Washer-Plain

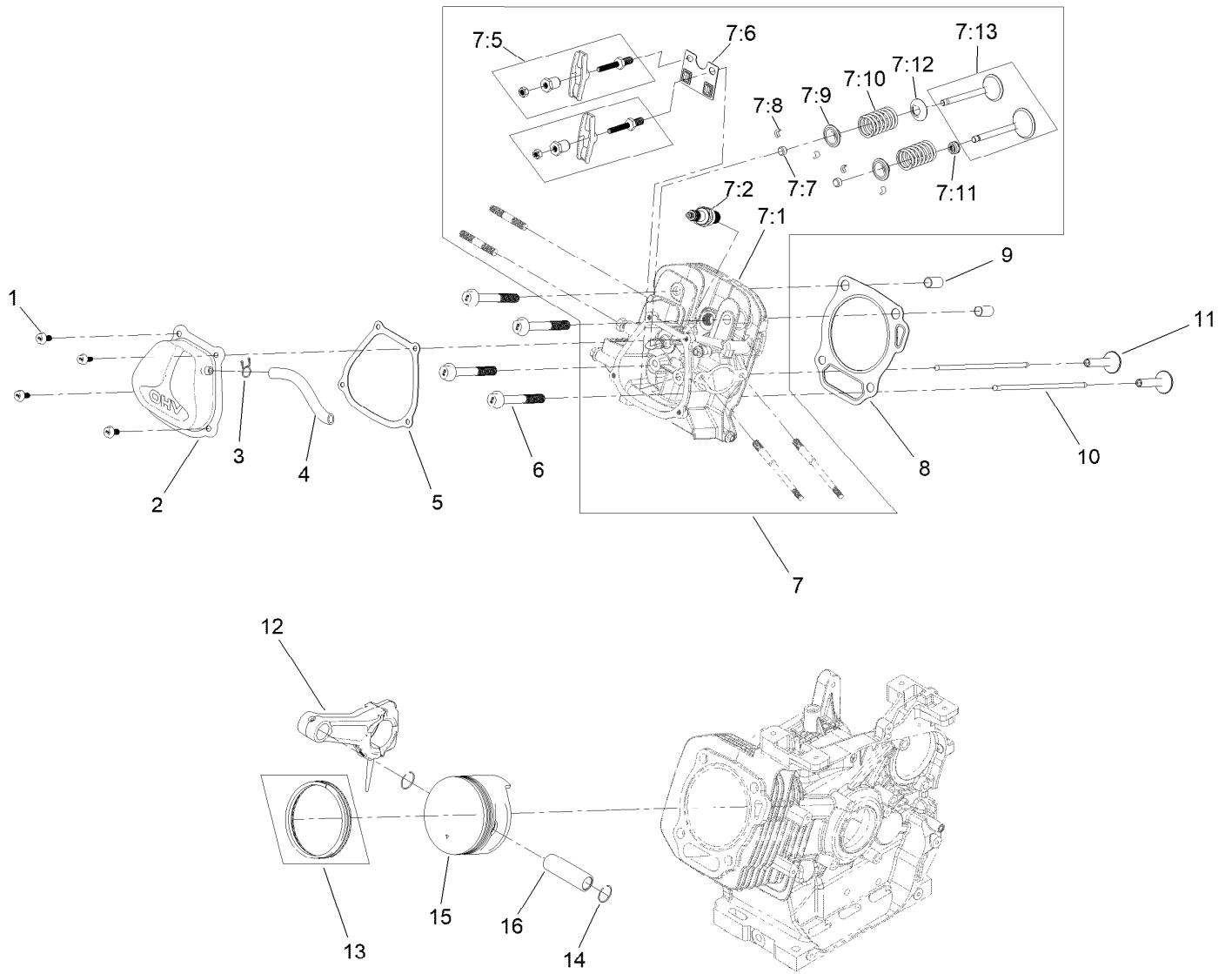
Governor Assembly



Governor Assembly (continued)

<i>Ref.</i>	<i>Part Number</i>	<i>Qty.</i>	<i>Description</i>	<i>Ref.</i>	<i>Part Number</i>	<i>Qty.</i>	<i>Description</i>
1	139-0564	1	Spring-Governor	8	139-0553	1	Shaft-Governor
2	139-0552	1	Nut-Flange	9	136-7944	1	Governor Gear ASM
3	139-0551	1	Arm-Governor	10	121-0261	1	Spring-Return, Throttle
4	120-4238	1	Bolt-Arm, Governor	11	139-0584	1	Rod-Governor
5	120-4257	1	Seal-Oil	12	121-0118	2	Screw-HHF
6	120-4256	1	Pin-Hair	13	139-0562	1	Throttle Control ASM
7	121-0311	1	Washer-Plain	14	121-0269	1	Knob-Control, Throttle

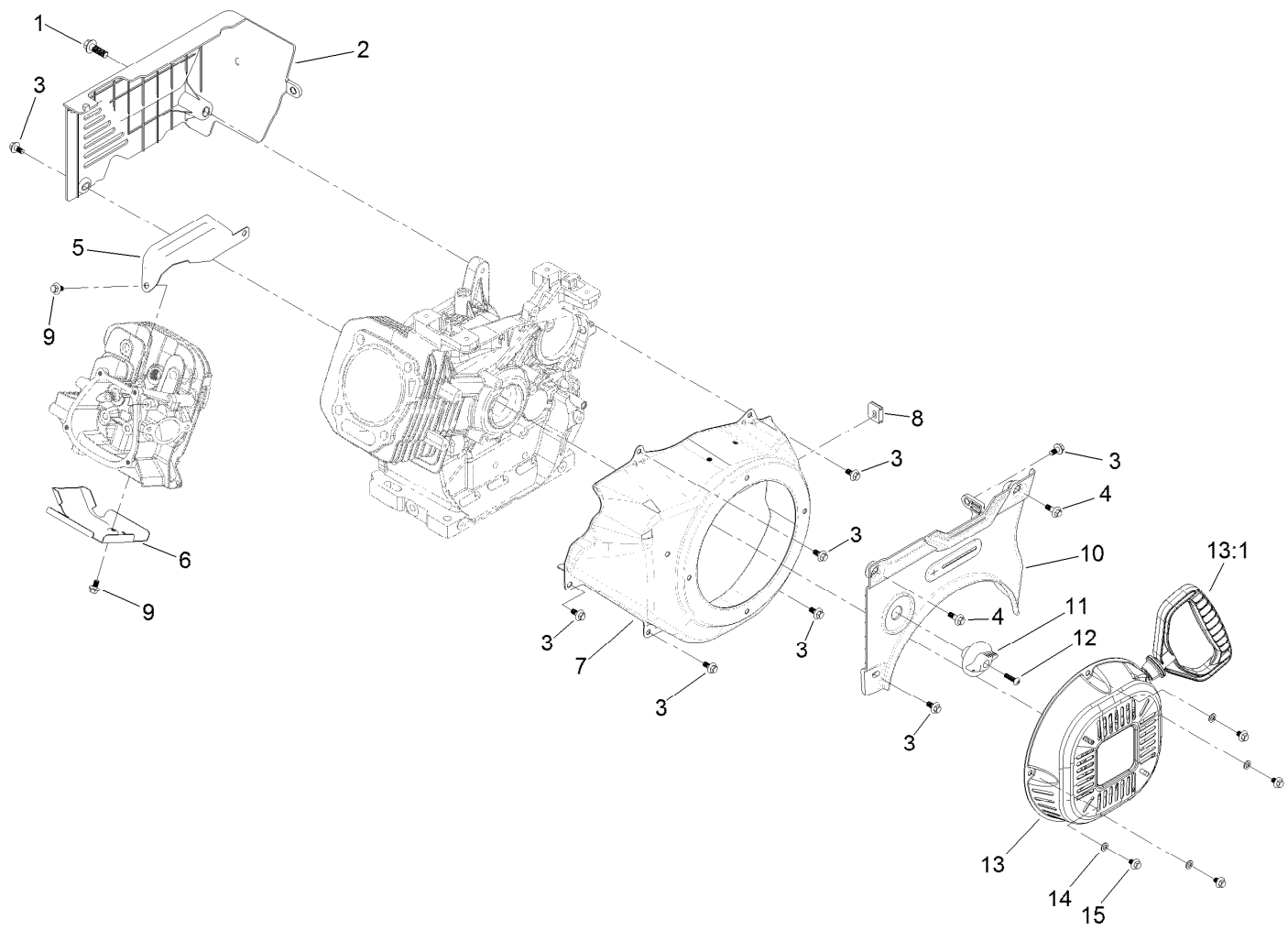
Piston and Head Assembly



Piston and Head Assembly (continued)

<i>Ref.</i>	<i>Part Number</i>	<i>Qty.</i>	<i>Description</i>	<i>Ref.</i>	<i>Part Number</i>	<i>Qty.</i>	<i>Description</i>
1	121-0044	4	Screw-HHF	7:10	120-4305	2	Spring-Valve
2	121-0233	1	Valve Cover ASM	7:11	120-4304	1	Seal-Stem, Valve
3	127-9408	1	Clamp-Hose	7:12	120-4303	1	Seat-Spring, Valve
4	144-1008	1	Tube-Breather	7:13	136-7940	1	Valve Set
5	121-0234	1	Gasket-Cover, Valve	8	139-0590	1	Gasket-Head, Cylinder
6	121-0302	4	Screw-HHF	9	120-4200	2	Pin-Dowel
7	139-0595	1	Complete Head ASM	10	136-7938	2	Rod-Push
7:1	136-7932	1	Head-Cylinder	11	120-4298	2	Lifter-Valve
7:2	81-3250	1	Spark Plug	12	136-7946	1	Connecting Rod ASM
7:5	121-0245	2	Rocker Arm ASM	13	144-0961	1	Ring Set, Piston
7:6	121-0247	1	Plate-Guide, Push Rod	14	120-4288	2	Ring-Retaining, Piston Pin
7:7	121-0244	2	Rotator-Valve	15	144-0960	1	Piston
7:8	120-4307	4	Keeper-Valve	16	120-4291	1	Pin-Piston
7:9	120-4306	2	Retainer-Spring, Valve				

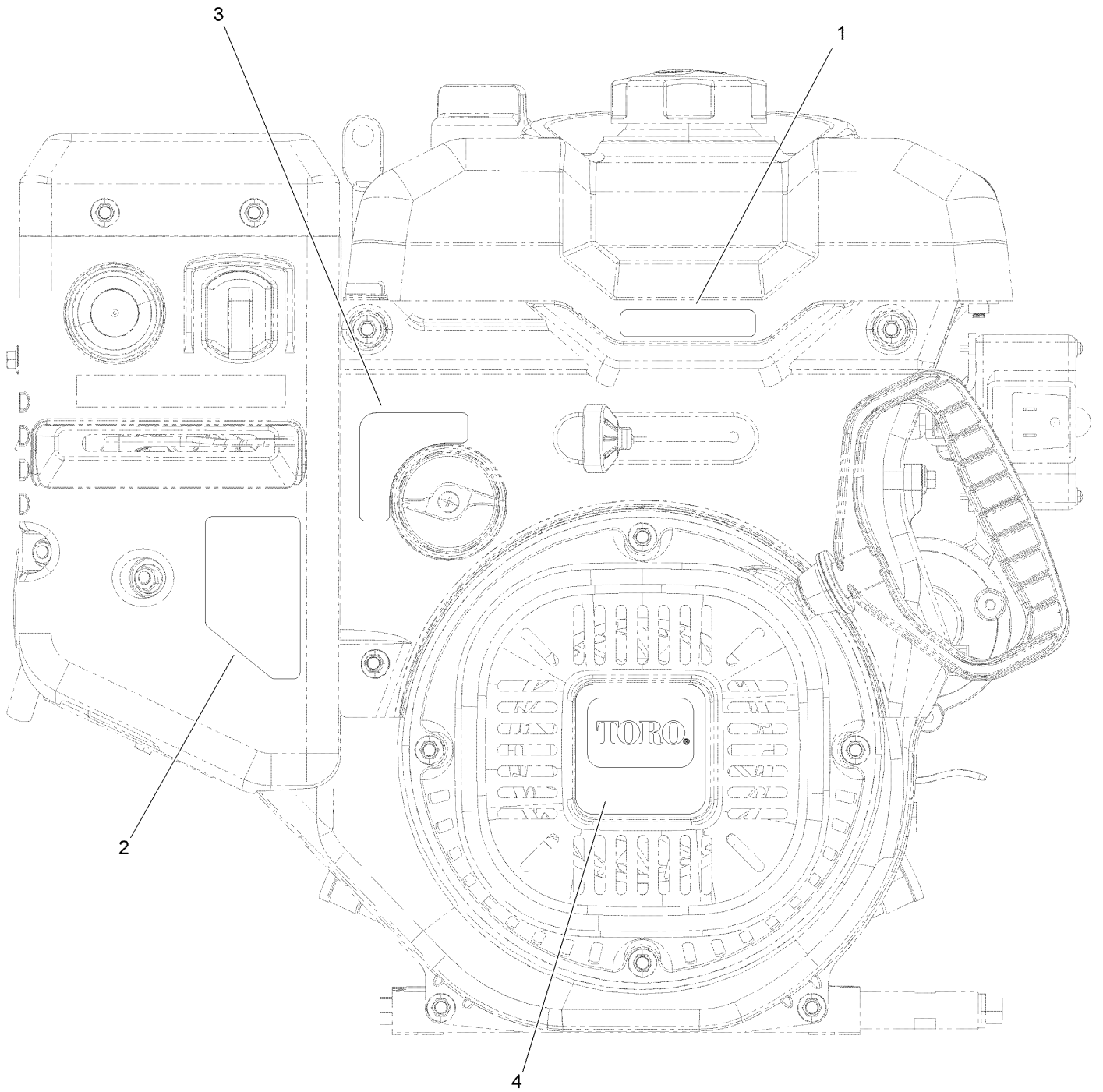
Blower Housing and Shrouds Assembly



Blower Housing and Shrouds Assembly (continued)

<i>Ref.</i>	<i>Part Number</i>	<i>Qty.</i>	<i>Description</i>	<i>Ref.</i>	<i>Part Number</i>	<i>Qty.</i>	<i>Description</i>
1	139-0575	1	Screw-HHF	9	121-0118	2	Screw-HHF
2	139-0576	1	Panel-Rear	10	139-0565	1	Panel-Control, Front
3	121-0294	8	Screw-HHF	11	121-0268	1	Knob-Valve, Fuel
4	121-0296	2	Screw-HHF	12	121-0305	1	Screw-Bhp
5	136-7937	1	Shroud-Head, Upper	13	139-0561	1	Recoil ASM
6	136-7933	1	Shroud-Head, Lower	13:1	121-0287	1	Handle-Recoil
7	121-0307	1	Shroud-Recoil	14	127-9380	4	Washer-Plain
8	121-0325	1	Grommet-Rubber	15	127-9031	4	Screw-HHF

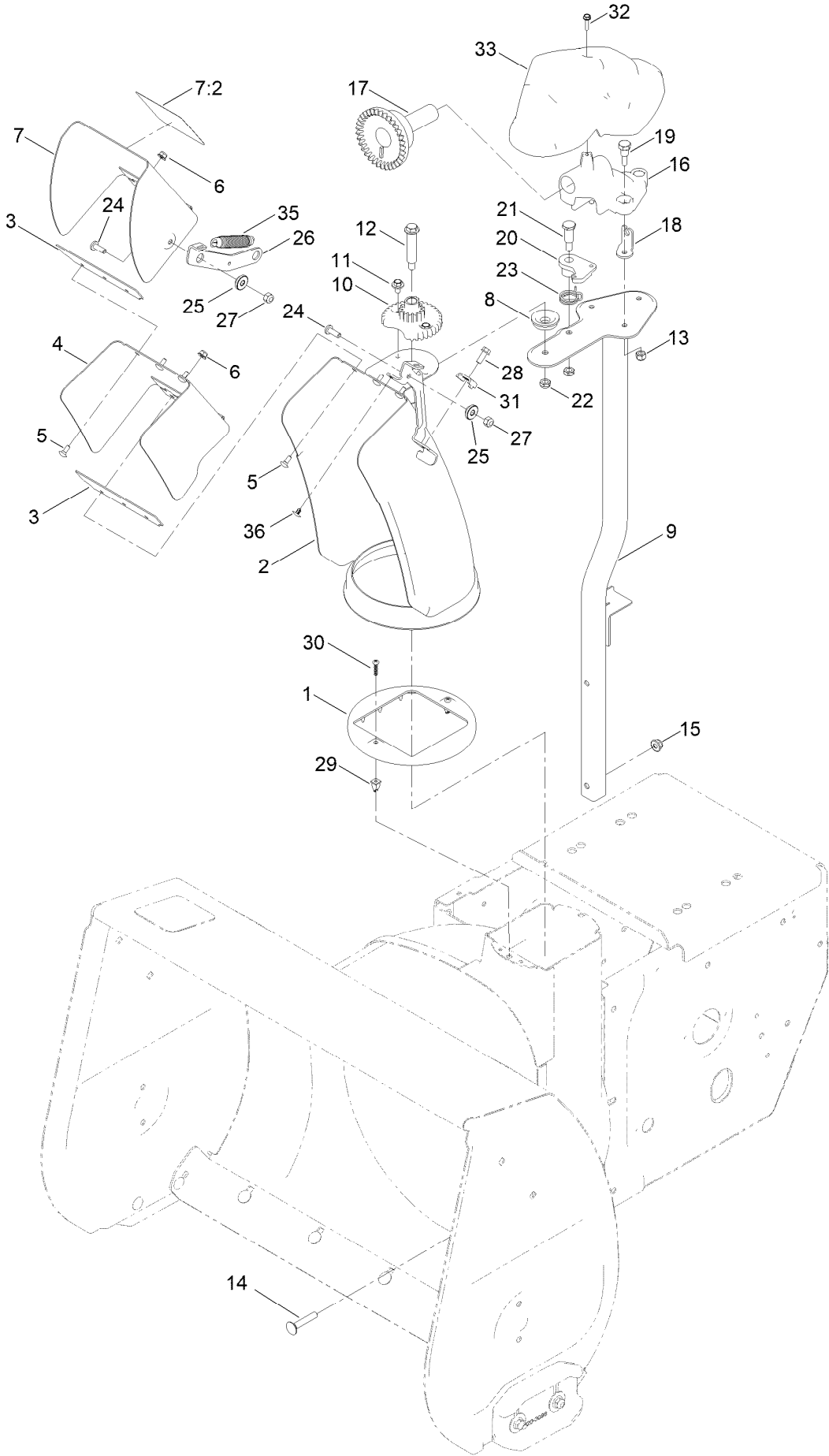
Engine Decal Assembly



Engine Decal Assembly (continued)

<i>Ref.</i>	<i>Part Number</i>	<i>Qty.</i>	<i>Description</i>	<i>Ref.</i>	<i>Part Number</i>	<i>Qty.</i>	<i>Description</i>
1	131-6487	1	Decal-Throttle	3	136-7825	1	Decal-Valve, Fuel
2	120-9805	1	Decal-Control, Engine	4	138-3622	1	Decal-Recoil

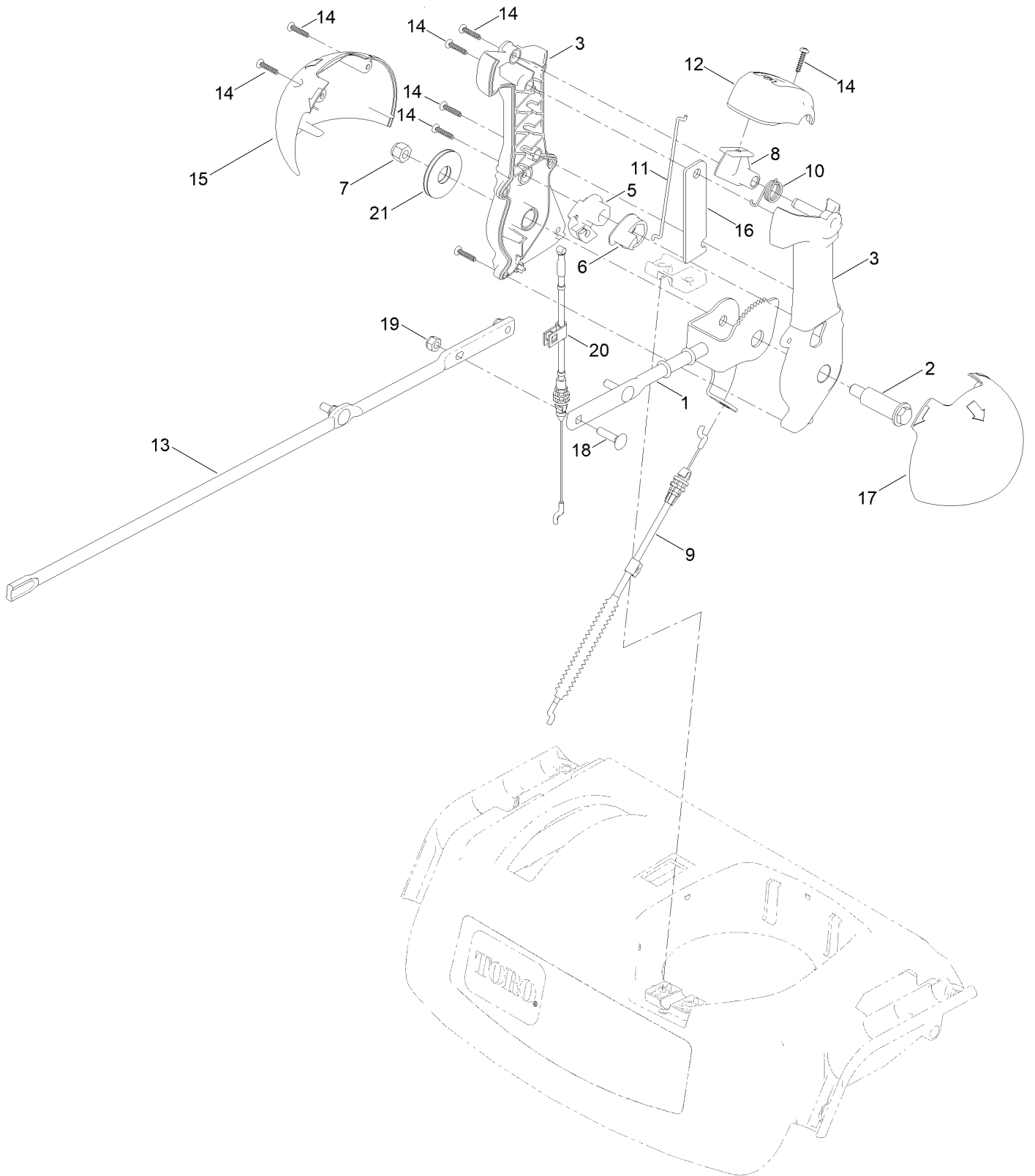
Chute Assembly



Chute Assembly (continued)

<i>Ref.</i>	<i>Part Number</i>	<i>Qty.</i>	<i>Description</i>	<i>Ref.</i>	<i>Part Number</i>	<i>Qty.</i>	<i>Description</i>
1	136-6515	1	Guide-Chute	18	136-6676	1	Anchor-Cable
2	136-6580-01	1	Lower Chute ASM	19	136-7197	3	Screw-Shoulder
3	138-3671	2	Gasket-Deflector	20	136-6525	1	Latch-Chute
4	136-6582-01	1	Middle Deflector ASM	21	137-3103	1	Screw-Shoulder, HH
5	135-1929	6	Bolt-CARR	22	137-3089	2	Nut-Hex
6	138-0719	6	Nut-HF	23	108-7315	1	Spring-Torsion
7	139-1564	1	Deflector ASM	24	138-0689	2	Screw-PH
7:2	121-6847	1	Decal-Danger	25	138-0687	2	Bushing-Pivot
8	106-4422	1	Spacer-Chute	26	136-6522	1	Link-Deflector
9	137-6245-03	1	Chute Post ASM	27	137-3094	2	Nut-Hex
10	106-4472	1	Gear-Chute	28	32144-85	1	Screw-HWH Thd Form
11	46-6810	2	Screw And Washer ASM	29	136-6586	2	Grommet-Screw
12	136-7199	1	Bolt-Shoulder	30	94-4496	2	Screw-PPH
13	137-3088	3	Nut-Hex	31	136-7191	1	Clamp-Cable
14	137-3063	2	Bolt-Car	32	137-3110	1	Screw-Plastite, HWH
15	119-4041	2	Nut-HF	33	136-6672	1	Cover-Gear, Face
16	136-6517	1	Mount-Gear, Face	35	132-6915	1	Spring-Extension
17	106-4471	1	Gear-Face	36	138-3651	1	Plug-Plastic

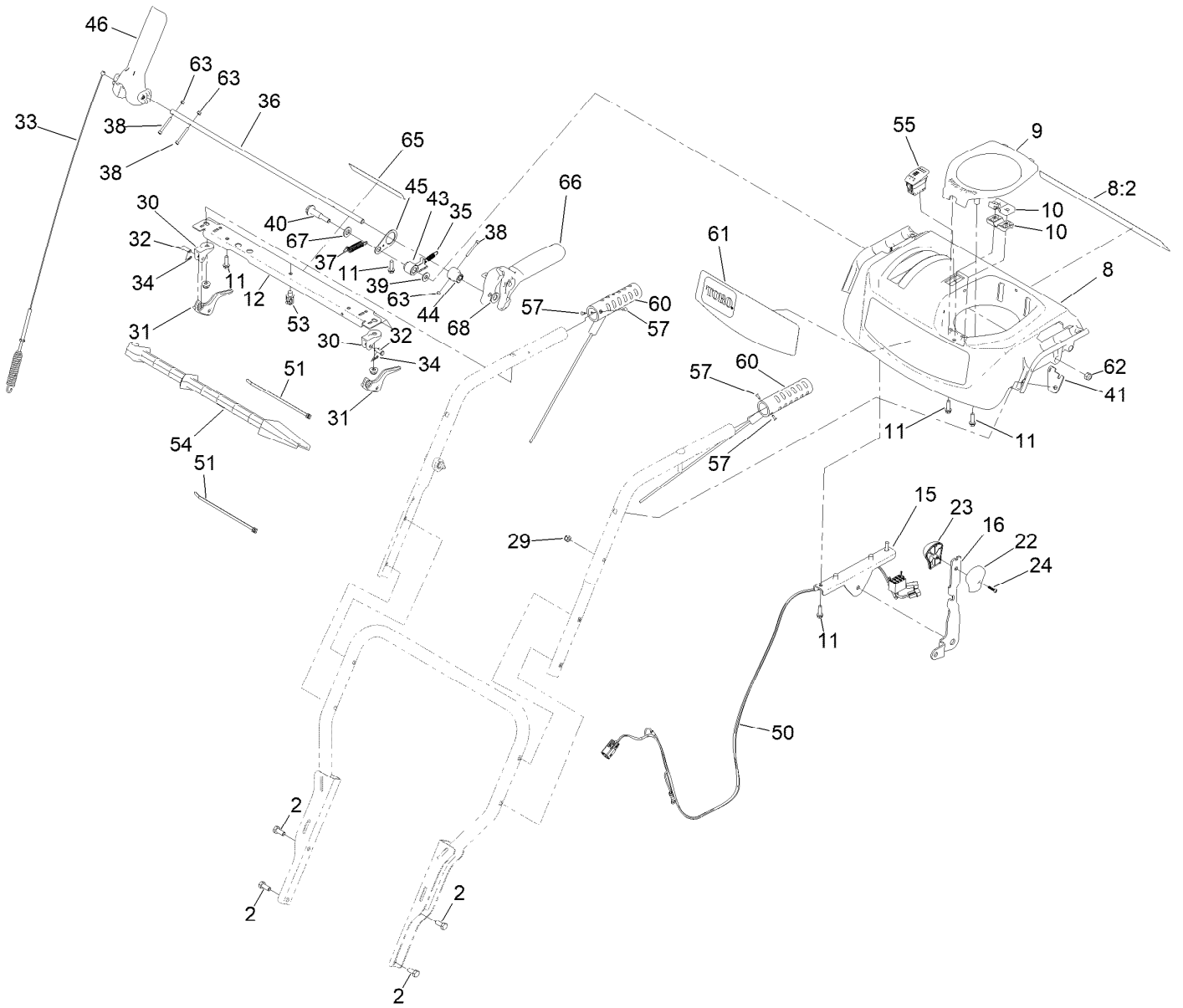
Chute Control Assembly



Chute Control Assembly (continued)

<i>Ref.</i>	<i>Part Number</i>	<i>Qty.</i>	<i>Description</i>	<i>Ref.</i>	<i>Part Number</i>	<i>Qty.</i>	<i>Description</i>
1	138-0662	1	Rod-Control, Chute	12	137-6239	1	Cap-Lever
2	138-0659	1	Screw-Shoulder, HWH	13	136-6578	1	Rod-Chute, Rotation
3	139-1552	1	Chute Control Lever ASM	14	94-4496	8	Screw-PPH
5	105-9988	1	Lever-Cable, Deflector	15	136-6677	1	Globe-Quickstick, RH
6	106-7310	1	Pawl-Latch	16	136-6632-03	1	Plate-Stiffner
7	137-3087	1	Nut-Hex	17	136-6678	1	Globe-Quickstick, LH
8	137-6238	1	Trigger-Latch	18	137-3056	3	Bolt-CARR
9	138-0730	1	Cable-Control, Deflector	19	137-3094	3	Nut-Hex
10	105-9982	1	Spring-Torsion	20	139-9903	1	Cable-Release, Chute
11	138-0688	1	Link-Latch	21	138-0744	1	Washer-Friction, Composite

Traction Control Assembly

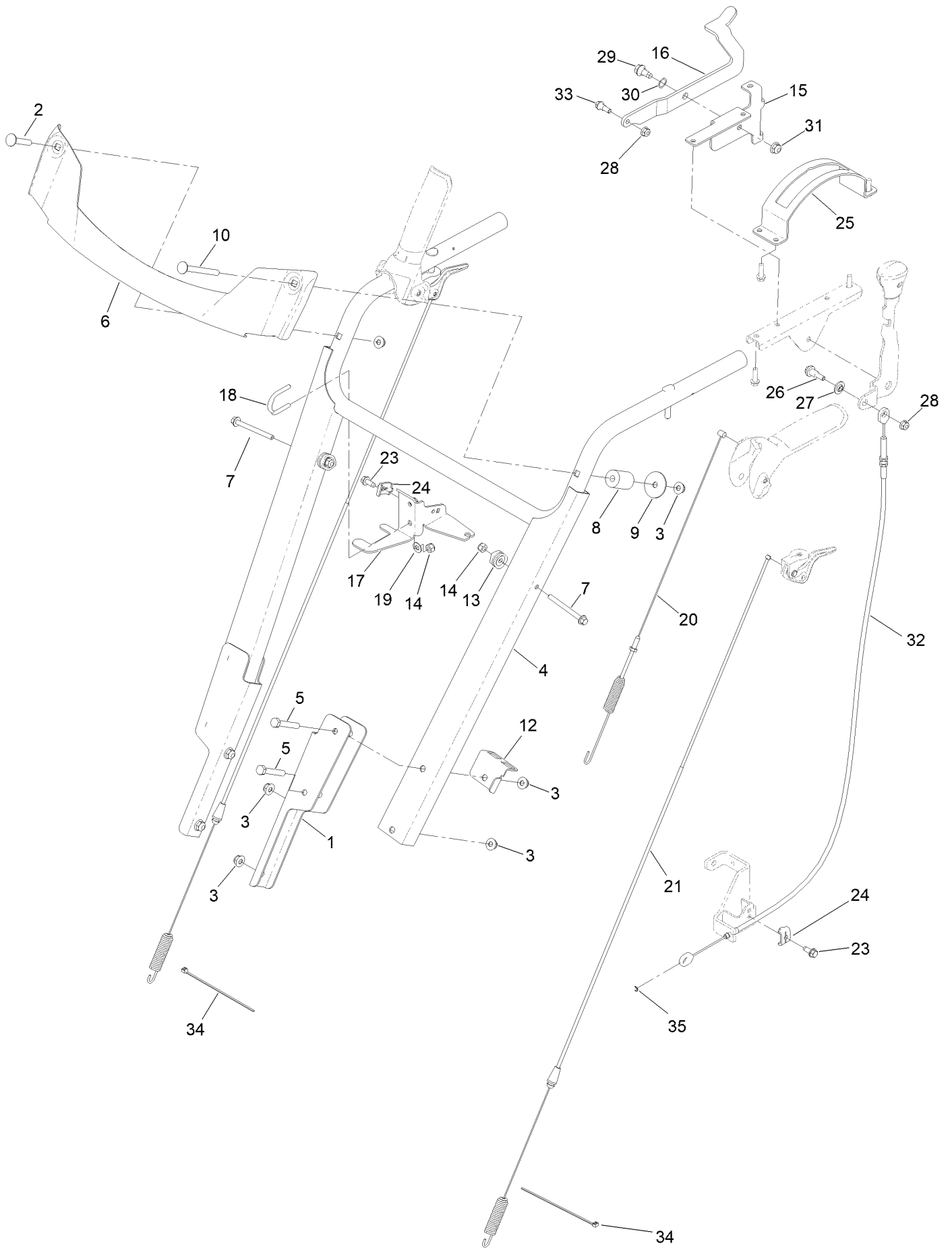


Traction Control Assembly (continued)

<i>Ref.</i>	<i>Part Number</i>	<i>Qty.</i>	<i>Description</i>	<i>Ref.</i>	<i>Part Number</i>	<i>Qty.</i>	<i>Description</i>
2	137-3052	4	Screw-HH	41	144-1345	1	Plate-Spring
8	145-0666	1	Panel-Control, Assembly	43	144-1342	1	Latch, Lockout
8:2	138-0650	1	Decal-Safety	44	144-1341	1	Cam-Lockout
9	137-6178	1	Cover-Quickstick	45	145-0677-03	1	Bracket-Interlock
10	105-9987	2	Support-Rod	46	137-6171	2	Lever-Control
11	137-3099	9	Screw-Plastite, HWH	50	138-3644	1	Harness-Wire, LED And Hand Warmers
12	145-4075-01	1	Brace-Console	51	614249	2	Tie-Cable
15	137-6188-03	1	Bracket-Shift	53	32180-030	1	Clip-Tie
16	137-6231-03	1	Selector-Speed	54	110-3408	1	Stick-Cleanout
22	105-9999	1	Knob-Shift, LH	55	122-1124	1	Switch-Rocker, On-None-Off (Heater)
23	106-4423	1	Knob-Shift, RH	57	3290-271	4	Rivet-Pop
24	94-4496	1	Screw-PPH	60	144-1602	1	Red Heated Grip
29	137-3094	2	Nut-Hex	61	144-0328	1	Decal-Console, Powermax Trx HD 1428
30	105-9980	2	Mount-Lever, Clutch	62	137-3093	1	Nut-Hex
31	106-4505	2	Lever-Clutch	63	140-3749	3	Nut-Lock Rohs
32	1-808265	2	Pin-Clevis	64	49-2040	2	Screw-HWHTF ●
33	138-3661	1	Cable-Auger	65	144-1619	1	Decal-Hydro, Trx
34	108-2992	2	Pin-Hair	66	144-1347	1	Lever-Control
35	136-7161	1	Spring-Lockout, Handle	67	3256-25	1	Washer-Flat
36	144-1343	1	Rod-Lockout	68	115-1166	1	Washer-Plain
37	136-7162	1	Spring-Return, Lever				
38	145-0660	3	Screw-HSH,Spl				
39	98-3499	1	Washer-Flat				
40	145-0687	1	Screw-Shoulder				

● Not illustrated

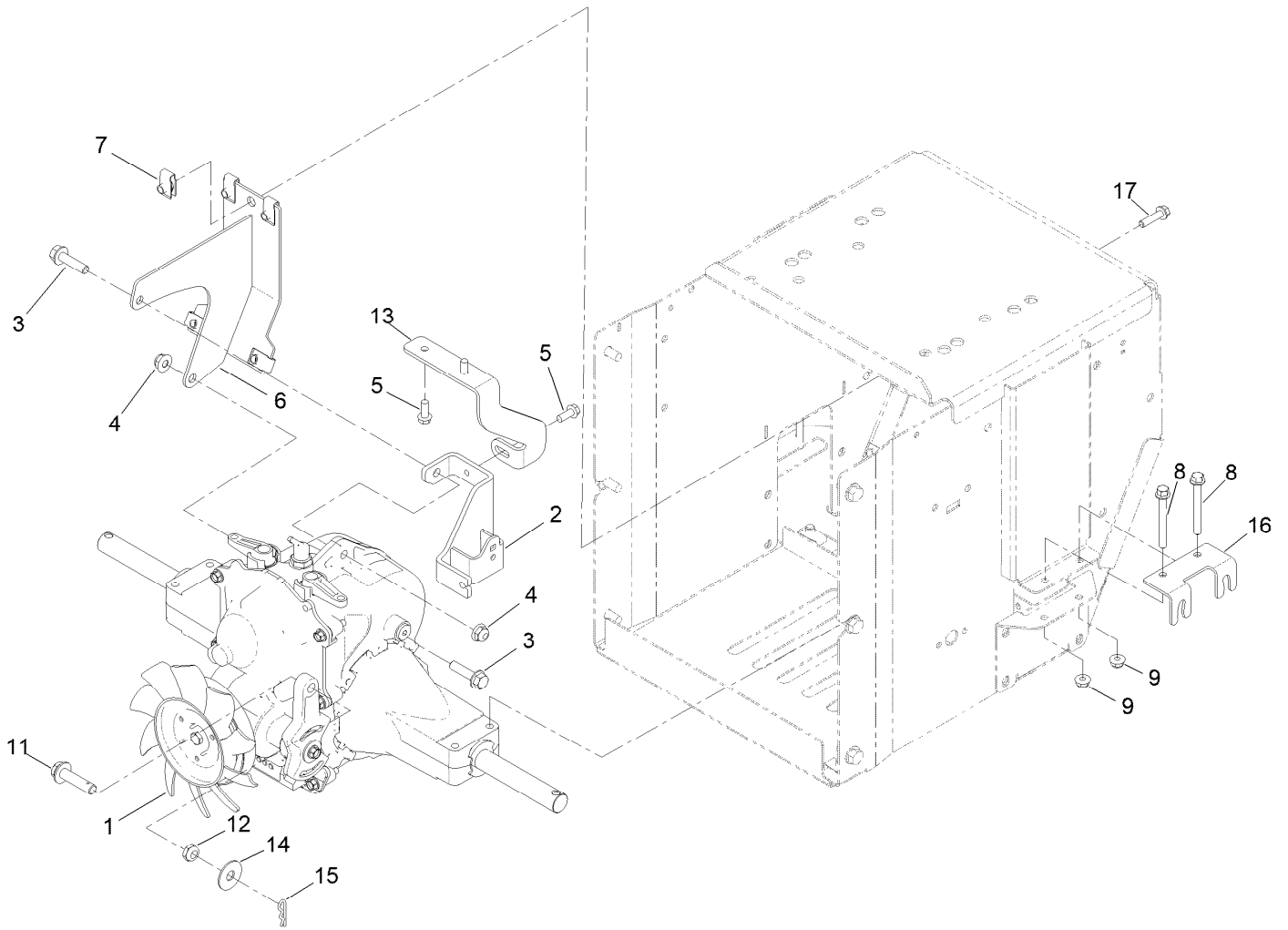
Handle Assembly



Handle Assembly (continued)

<i>Ref.</i>	<i>Part Number</i>	<i>Qty.</i>	<i>Description</i>	<i>Ref.</i>	<i>Part Number</i>	<i>Qty.</i>	<i>Description</i>
1	137-6221-03	2	Bracket-Handle, Lower	19	139-1699	2	Washer-Flat
2	138-8402	1	Bolt-CARR	20	140-7927	1	Cable - Traction Upper
3	138-8401	12	Nut-HF	21	140-7926	2	Cable-Clutch
4	137-6224-03	1	HD Handle ASM	23	137-3043	2	Screw-HWH
5	120-9686	4	Screw-HH	24	136-7191	2	Clamp-Cable
6	137-6233-01	1	Trim-Metal, HD	25	140-7925-03	1	Gate-Shift, Speed
7	138-3653	2	Screw-HHF	26	104-0858	1	Bolt-Shoulder
8	108-2301	1	Spacer	27	99-6808	1	Washer-Stepped
9	115-1151	1	Washer-Flat	28	119-4040	2	Nut-HF, NI
10	138-0741	1	Screw-CARR	29	126-4424	1	Screw-Shoulder
12	138-0724-03	1	Bracket-Stick, Cleanout	30	142-2432	1	Washer, Wave
13	106-4509	2	Clamp-Cable	31	119-4041	1	Nut-HF
14	137-3094	2	Nut-Hex	32	140-7863	1	Cable-Hydro, Push Pull
15	140-7917-03	1	Bracket-Lever	33	42-3560	1	Bolt-Shoulder
16	140-7932-03	1	Lever-Adjustment, Track	34	1-303287	2	Tie-Cable
17	140-7931-03	1	Bracket-Cable, Speed	35	144-2822	1	Ring-Retaining, EXT
18	136-7120	1	Clamp-Light				

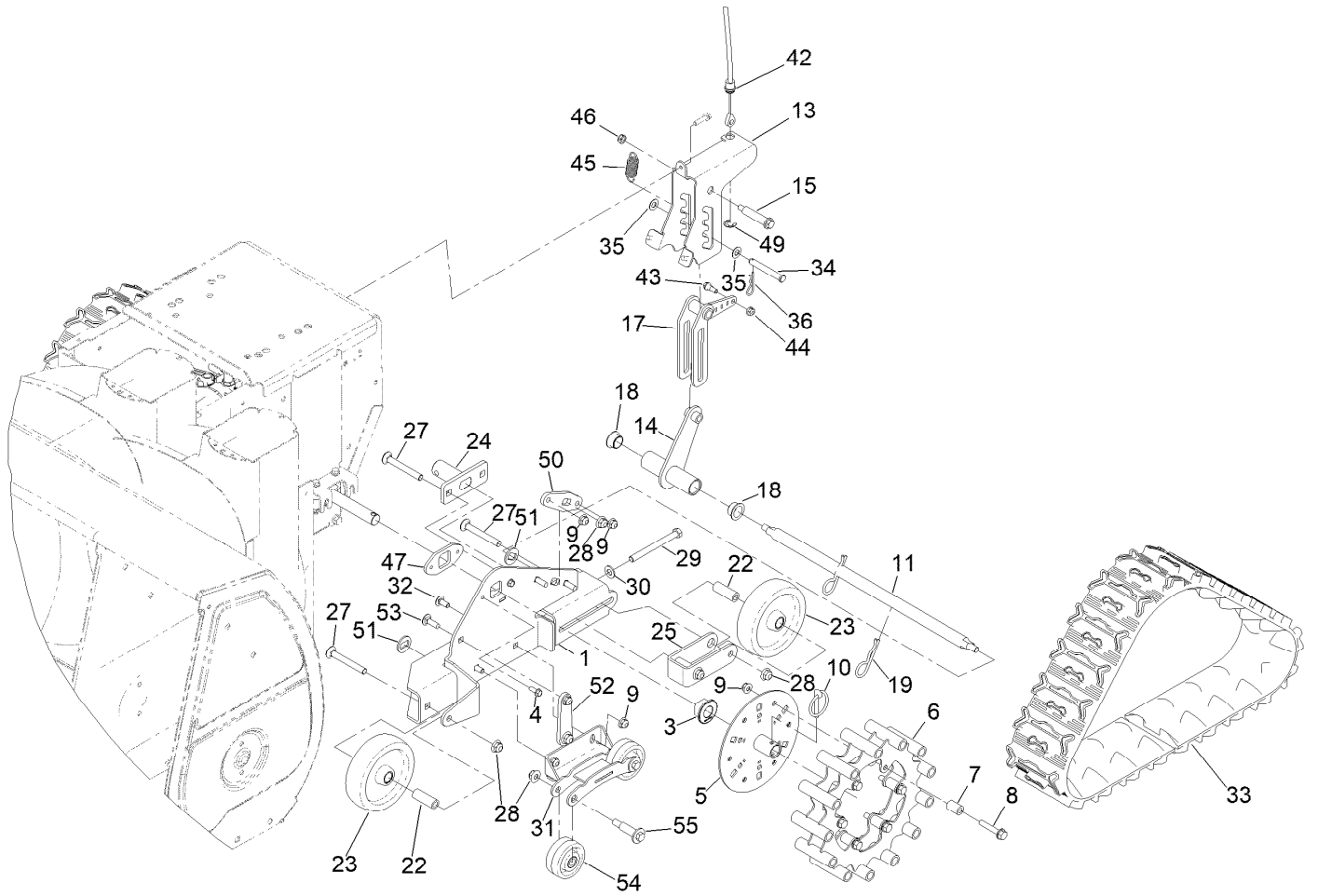
Hydrostatic Drive Assembly



Hydrostatic Drive Assembly (continued)

<i>Ref.</i>	<i>Part Number</i>	<i>Qty.</i>	<i>Description</i>	<i>Ref.</i>	<i>Part Number</i>	<i>Qty.</i>	<i>Description</i>
1	140-7930	1	Hydro - Sst	9	137-3005	4	Nut-HF
2	145-1657-03	1	Bracket-Hydro, Weld ASM	11	144-1226	1	Screw-HHF Spcl
3	119-4036	2	Screw-HHF	12	3296-59	1	Nut-Lock, NI
4	119-4041	2	Nut-HF	13	140-7937-03	1	Bracket-Hydro, Upper
5	32144-85	5	Screw-HWH Thd Form	14	119-4150	1	Washer-Flat
6	145-1658-03	1	Support-Hydro, Rear Weld ASM	15	3290-307	1	Pin-Cotter
7	107069	5	Clip	16	140-7946-01	2	Stop-Carrier
8	138-3326	4	Screw-HHF	17	32144-86	3	Screw-HWHTF

Track Drive Assembly



Track Drive Assembly (continued)

<i>Ref.</i>	<i>Part Number</i>	<i>Qty.</i>	<i>Description</i>	<i>Ref.</i>	<i>Part Number</i>	<i>Qty.</i>	<i>Description</i>
1	140-7865-03	1	Support-Track, ASM LH	28	119-4042	14	Nut-HF, NI
2	140-7870-03	1	Support-Track, ASM RH ●	29	140-7923	2	Screw-HH
3	120-7162	2	Bushing-Axle	30	115-1166	2	Washer-Plain
4	32144-85	4	Screw-HWH Thd Form	31	145-1705-03	2	Support-Wheel, ASM [black]
5	140-7886-03	2	Hub-Drive, Weld ASM	32	137-3061	4	Bolt-CARR
6	140-7889-01	2	Wheel-Drive, Weld ASM	33	140-7862	2	Track-Snow
7	140-7864	12	Tube-Support	34	283-52	1	Pin-Clevis
8	135-5779	12	Screw-HHF	35	131-8667	2	Washer-Thrust
9	119-4041	22	Nut-HF	36	3290-467	1	Pin-Hair
10	107-3039	2	Pin-Lynch	42	140-7928	1	Cable-Adjust, Height
11	144-2854	2	Bar-Pivot	43	42-3560	1	Bolt-Shoulder
13	140-7905-03	1	Bracket-Height, Adjuster	44	119-4040	1	Nut-HF, NI
14	140-7910-03	1	Pivot-Link, Weld ASM	45	107-1045	1	Spring-Extension
15	136-7199	1	Bolt-Shoulder	46	137-3089	1	Nut-Hex
17	140-7909-03	1	Latch ASM, Welded	47	140-7943-03	2	Support-Bushing, Axle
18	109-8054	2	Bushing-Flange	49	32120-47	1	Ring-Retaining, External
19	3290-343	2	Pin-Hair	50	144-2857-03	2	Plate-Bar, Pivot
22	140-7876	6	Bushing-Tensioner	51	144-2881	4	Washer-Special, D
23	140-7921	4	Wheel-Bogey	52	144-2882-03	2	Plate-Support
24	140-7890-03	2	Tensioner, Welded	53	110-3144	6	Bolt-CARR
25	140-7879-03	2	Yoke-Bogey	54	145-1685	4	Wheel-Bogey
27	109-6868	6	Bolt-Carriage	55	136-7198	4	Bolt-Shoulder

● Not illustrated

Attachments and Accessories

For 38870 Power TRX Commercial 1428 OHXE Snowthrower

Product Name	Model/Part
Heated Grip Kit	131-6460
Kit-Cab.....	139-1640
Toro Snow Oil 0W30 Synthetic 20-Ounce Bottle	38913
Power Max HD Covers (2019)	490-7415

Notes:

Notes:

Notes:



Count on it.