



**Count on it.**

**Parts Catalog**

**ProCore® 648s  
Aerator**

Model No. 09960—Serial No. 412061295 and Up



# Ordering Replacement Parts

To order replacement parts, please supply the part number, the quantity, and the description of each part desired.

## Understanding Reference Numbers

Each identified part in an illustration has a reference number. The reference number for a part also appears in the parts list, along with other information about the part.

This catalog uses two special reference number formats, one to indicate parts in a service assembly and another to indicate the quantity of a given part in an illustration.

## Service Assembly Reference Numbers

Parts in service assemblies have reference numbers in the form a:b. The a represents the reference number of the entire service assembly and the b represents a sequential number unique to each part within the service assembly.

For example, a wheel assembly might be identified by reference number 6, the tire by 6:1, the valve by 6:2, and the wheel by 6:3. When you order the assembly identified by reference number 6, you receive all parts identified by reference numbers 6:1, 6:2, and 6:3. However, you may also order any part individually. Reference numbers of this type appear in illustration and in parts lists.

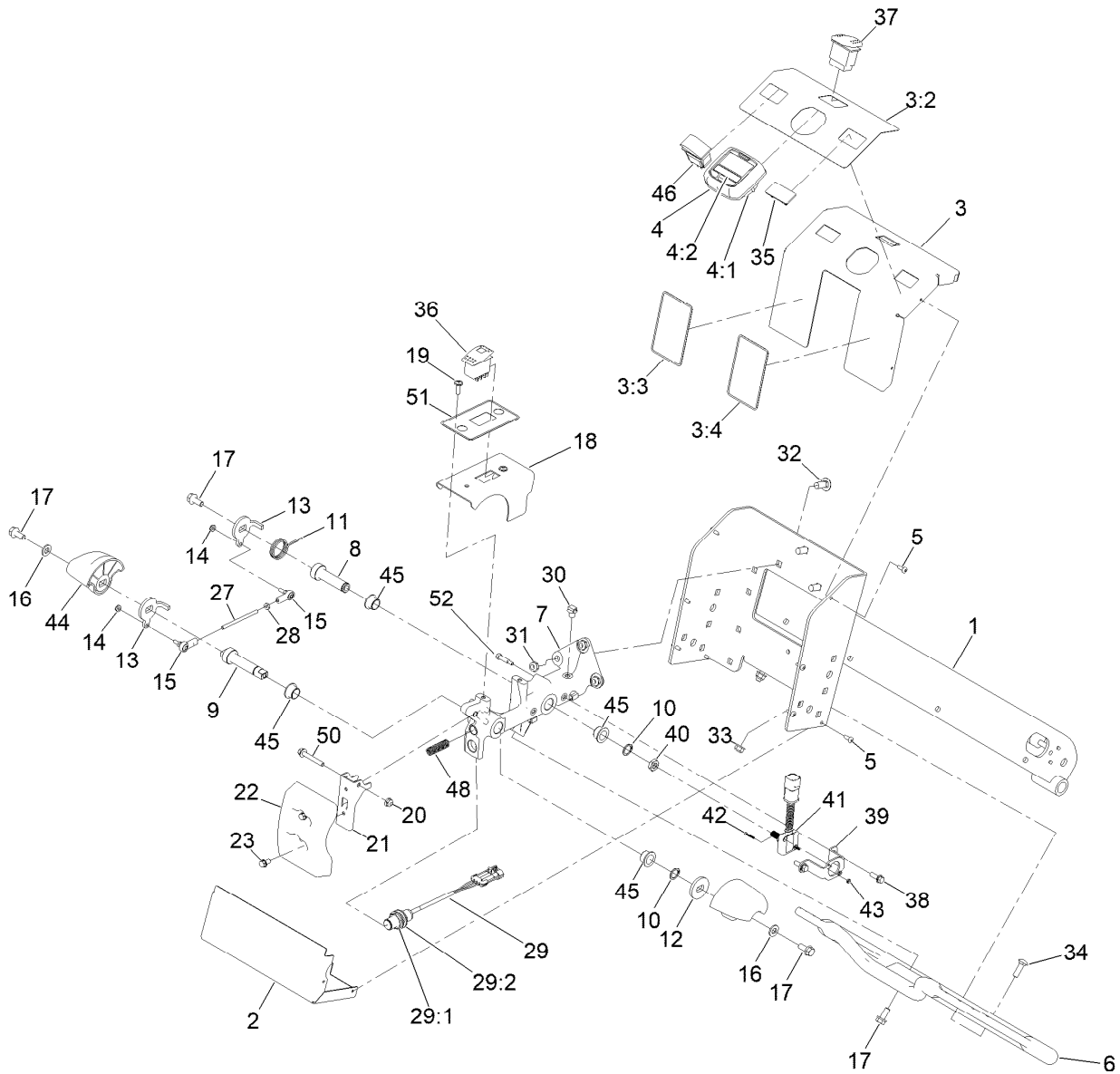
## Reference Numbers Indicating Quantity

In an illustration, if a reference number indicates more than one part, the reference number has the form nX y. The n represents the quantity of the part, the X is the multiplication symbol, and the y represents the reference number.

For example, in an illustration, the reference number 2X 37 means that two of the parts identified by reference number 37 are indicated.

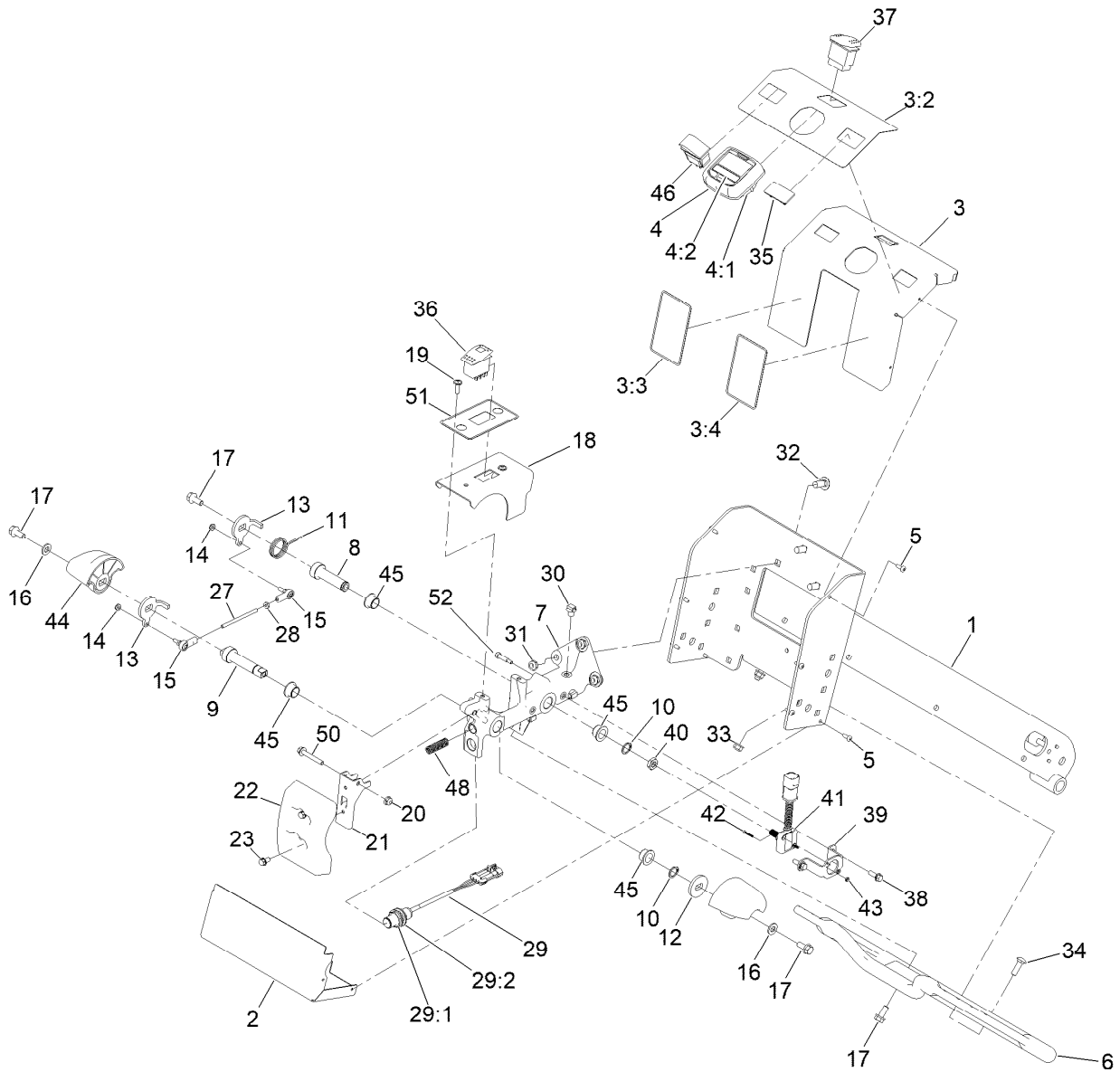
# Contents

Control Assembly	4
Sensor Mounting Assembly	6
Column Pivot Assembly	7
Steering Spindle and Arm Assembly	8
Front Drive Assembly	9
(CCW) Hydraulic Motor Assembly No. 106-8808	10
Rear Hydraulic Drive Assembly	11
(CCW) Hydraulic Motor Assembly No. 106-8806	12
(CW) Hydraulic Motor Assembly No. 106-8807	13
Parking Brake Assembly	14
Lift Linkage Assembly	15
Hydraulic Assembly	16
Hydrostat Assembly No. 140-8564	18
Gear Pump Assembly No. 140-8836	19
Manifold Assembly No. 140-8614	20
Hydraulic Hose and Tube Assembly	21
Fuel System Assembly	22
Engine and Muffler Assembly	23
Idler, Pulley and Belt Assembly	24
Clutch Assembly	25
Hood Assembly	26
Electrical Assembly	27
Wire Harness Assembly No. 122-1868	29
Rear Frame and Hood Assembly	30
Belt Shield Assembly	31
Hydraulic Cylinder Assembly No. 140-2205	32
Turf Guard Mount Assembly	33
RH Crankarm Assembly	34
Center Crankarm Assembly	35
LH Crankarm Assembly	36
Damper Link Assembly	37
Attachments and Accessories	38



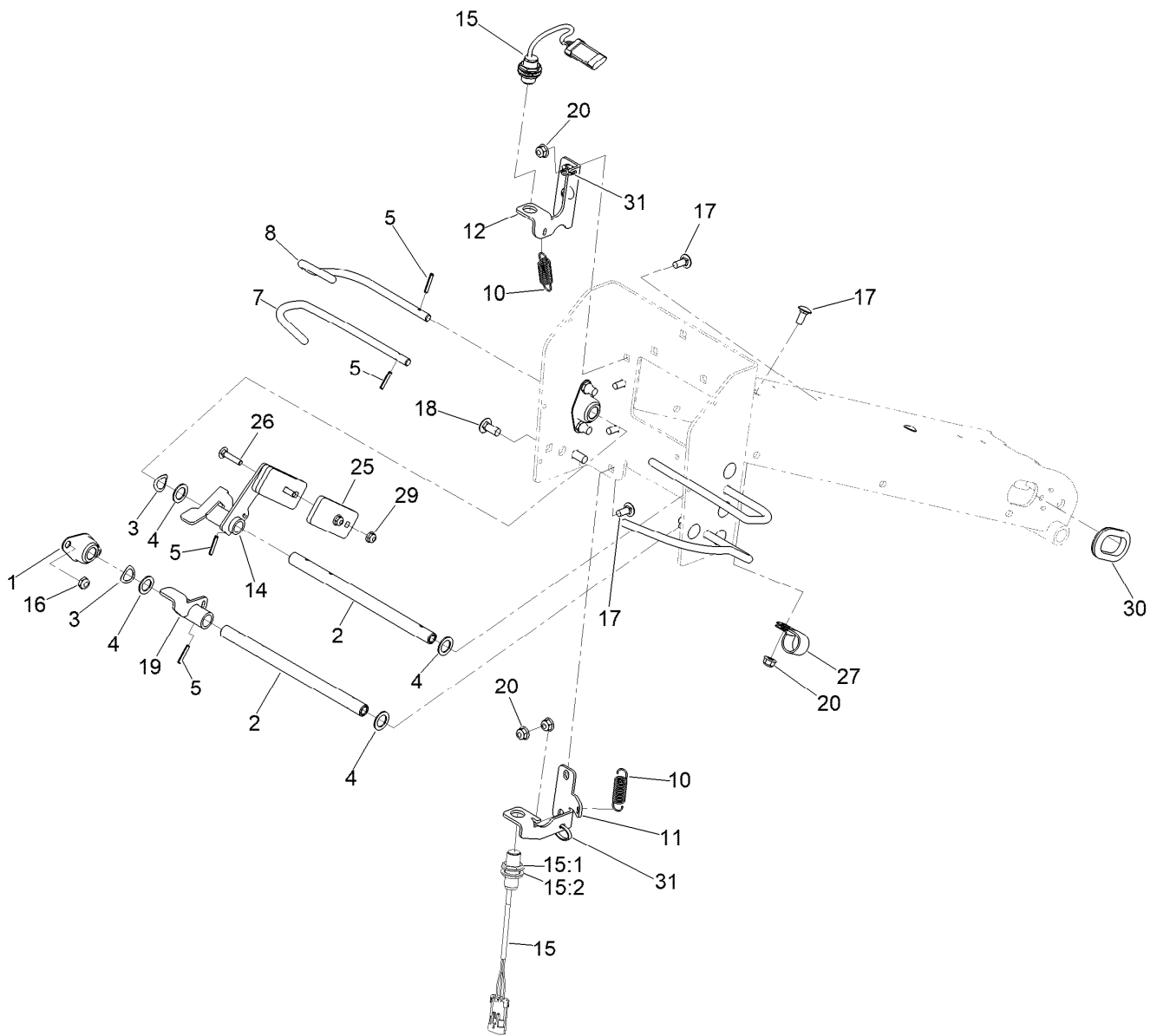
## Control Assembly

Ref.	Part Number	Qty.	Description	Ref.	Part Number	Qty.	Description
1	140-8589-01	1	Control Handle ASM [red]	16	3256-38	2	Washer-Flat
2	144-9821-03	1	Cover-Controls, Lower	17	100-1668	4	Screw-HHF
3	144-9840	1	Dash Panel Assembly	18	140-8631-03	1	Panel-Control
3:2	140-8810	1	Decal-Controls	19	92-3911	2	Screw-Hsbfh
3:3	140-8811	1	Decal-Controls	20	104-7201	1	Nut-HF, NI
3:4	140-8812	1	Decal-Controls	21	140-8629	1	Paddle-Switch
4	120-6310	1	LCD Display ASM Kantrak 1700	22	140-8632	1	Cover-Switch, Stop
4:1	120-4630	1	Nut-Display	23	137-4795	2	Screw
4:2	120-6311	1	Decal-Display	27	140-8764	1	Rod-Threaded
5	105-6849	8	Screw-Forming, Thread	28	3219-14	1	Nut-Hex
6	140-8929	1	Handle	29	115-0282	1	Proximity Sensor ASM
7	140-8936	1	Hub-Controls	29:1	117-3207	2	Nut-Hex
8	140-8590	1	Shaft-Sensor	29:2	117-3208	2	Washer-Lock, Internal Tooth
9	140-8625	1	Shaft-Sensor	30	32180-030	3	Clip-Tie
10	32151-62	2	Ring-Retaining	31	3296-59	3	Nut-Lock, NI
11	139-8662	1	Spring-Torsion	32	3231-27	3	Screw-CARR
12	140-8941	1	Plate-Sensor	33	104-8300	2	Nut-HF, NI
13	140-8594	2	Plate-Sensor	34	3230-22	2	Screw-CARR
14	3296-27	2	Nut-Lock, NI	35	99-7420	1	Plug-Hole
15	117-9720	2	Ball Joint	36	100-8490	1	Switch-Rocker, On-None-On



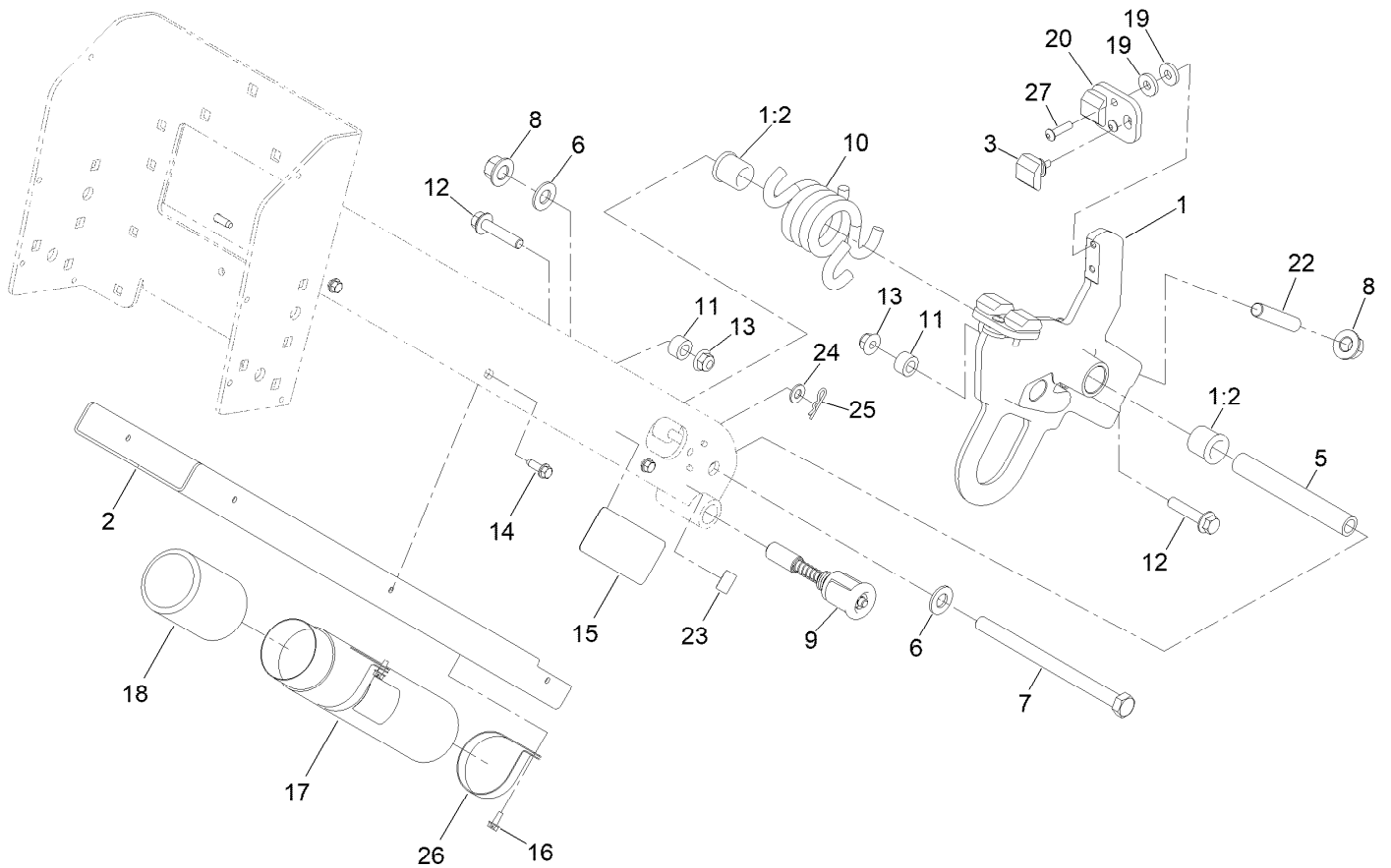
## Control Assembly (continued)

<i>Ref.</i>	<i>Part Number</i>	<i>Qty.</i>	<i>Description</i>	<i>Ref.</i>	<i>Part Number</i>	<i>Qty.</i>	<i>Description</i>
37	95-8999	1	Switch-Rocker, On-None-On	44	140-8949	2	Knob-Rotary
38	117-8304	2	Screw-HHF, Patch	45	108-2973	4	Bushing-Flange
39	140-8776	1	Brkt-Sensor	46	119-8355	1	Switch-Rocker
40	112-8617	1	Nut-Hex	48	136-7136	1	Spring-Compression
41	138-6252	1	Sensor-Rotary	50	32105-18	1	Screw-HHF
42	140-8959	2	Screw-Fht	51	140-8813	1	Decal-Controls
43	3296-52	2	Nut-Lock, NI	52	130-9374	1	Screw-Shoulder



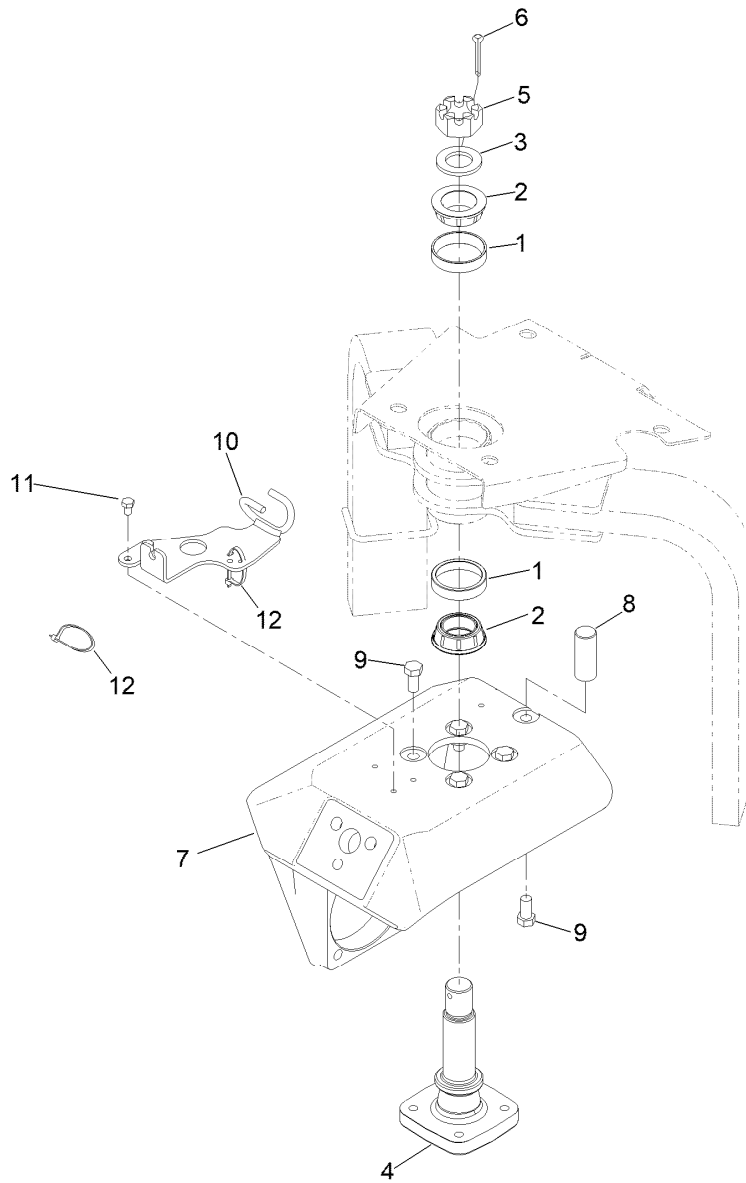
## Sensor Mounting Assembly

Ref.	Part Number	Qty.	Description	Ref.	Part Number	Qty.	Description
1	256-236	4	Bearing-Mount, Flange	15:2	117-3208	2	Washer-Lock, Internal Tooth
2	140-8639	2	Tube-Bail	16	3296-59	8	Nut-Lock, NI
3	108-2100	2	Washer-Spring, Curved	17	3230-23	6	Bolt-CARR
4	3256-69	4	Washer-Flat	18	3231-27	8	Screw-CARR
5	32121-45	6	Pin-Spring	19	140-8920	1	Flag ASM
7	144-9842	2	Bail-Aerator, 1	20	104-8300	6	Nut-HF, NI
8	144-9844	2	Bail-Aerator, 2	25	140-8933	3	Plate-Weight
10	136-7153	2	Spring-Extension	26	3229-3	2	Screw-CARR
11	144-9822	1	Brkt-Sensor, Lower	27	2412-39	2	Clamp-R
12	144-9823	1	Brkt-Sensor, Upper	29	104-7201	2	Nut-HF, NI
14	140-8930	1	Flag ASM	30	240-2	1	Grommet-Rubber
15	115-0282	2	Proximity Sensor ASM	31	3290-378	2	Tie-Cable
15:1	117-3207	2	Nut-Hex				



## Column Pivot Assembly

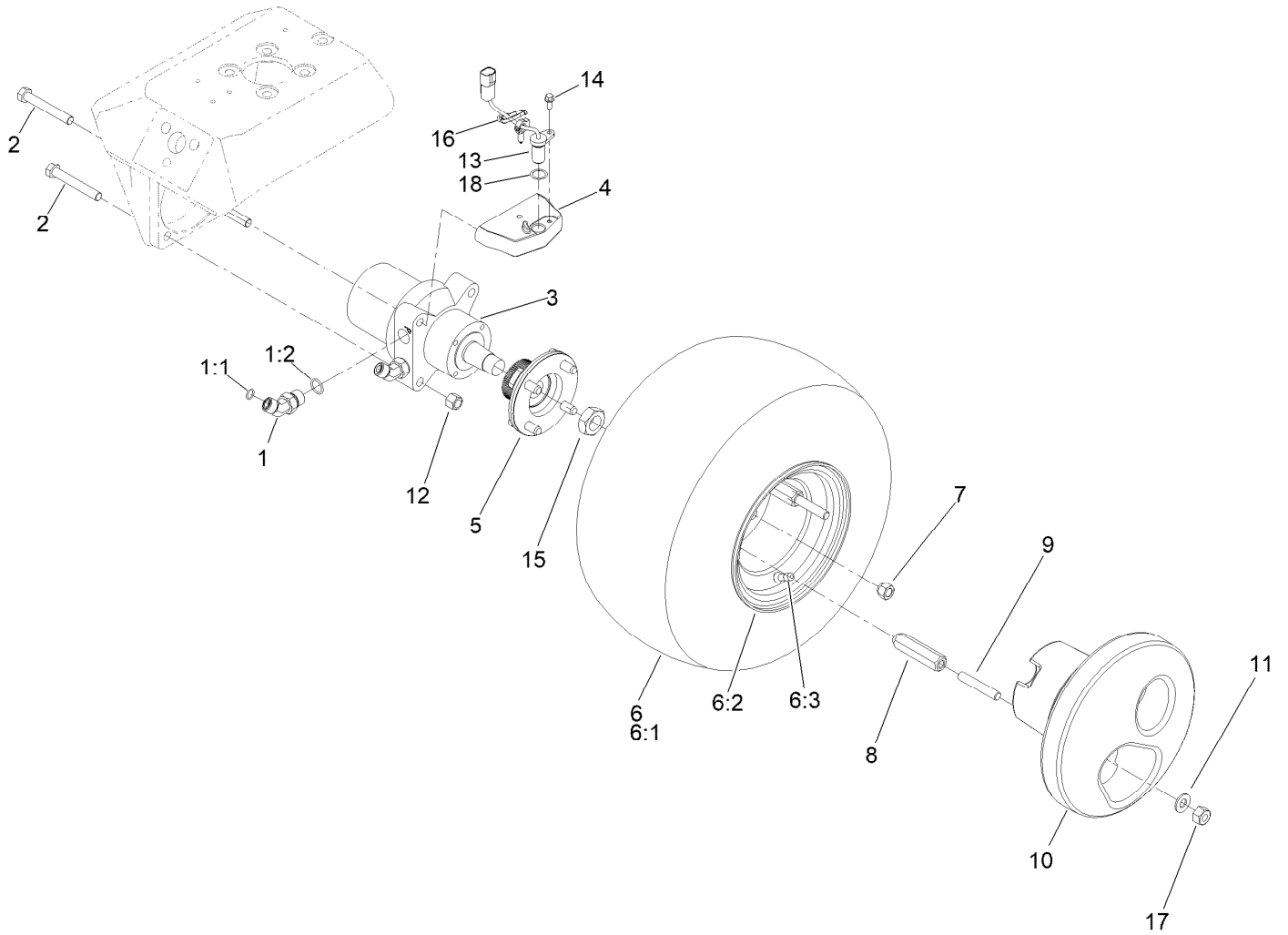
<i>Ref.</i>	<i>Part Number</i>	<i>Qty.</i>	<i>Description</i>	<i>Ref.</i>	<i>Part Number</i>	<i>Qty.</i>	<i>Description</i>
1	144-9845	1	Column Pivot ASM	14	32144-44	6	Screw-HWH, Thread Roll
1:2	117-0826	2	Bushing-Flange	15	140-8963	1	Decal-Parking Brake
2	140-8751-03	1	Cover-Handle, Lower	16	32104-60	2	Screw-HWH
3	126-9966	4	Bumper-ROPS	17	104-7050	1	Tube-Manual
5	140-8549	1	Tube-Pivot	18	104-7048	1	Cap-Housing
6	3256-26	2	Washer-Flat	19	88-7200	8	Washer-Flat
7	325-37	1	Screw-HH	20	140-8955	2	Plate-Stop
8	99-5107	4	Nut-Lock	22	144-9825	3	Stud
9	116-0104	1	Pin-Spring	23	93-9084	1	Decal-Point, Lift
10	140-8768	1	Spring-Torsion	24	3256-23	1	Washer-Plain
11	140-8770	2	Spacer	25	3290-307	1	Pin-Cotter
12	3234-19	2	Screw-HHF	26	2412-120	2	Clamp-R
13	104-8301	2	Nut-HF, NI	27	3274-65	4	Screw-HSBH



## Steering Spindle and Arm Assembly

<i>Ref.</i>	<i>Part Number</i>	<i>Qty.</i>	<i>Description</i>
1	107-7590	2	Cup-Bearing
2	107-7589	2	Cone-Bearing (W/ Seal)
3	107-7597	1	Washer-Plain
4	107-7595-0P	1	Spindle-Steer
5	32136-9	1	Nut-Hex, Slotted
6	3272-37	1	Pin-Cotter
7	144-9881-01	1	Arm-Steering
8	106-8939	1	Stop-Steering
9	325-4	5	Screw-HH
10	139-8664	1	Guide ASM
11	322-1	2	Screw-HH
12	3290-378	2	Tie-Cable

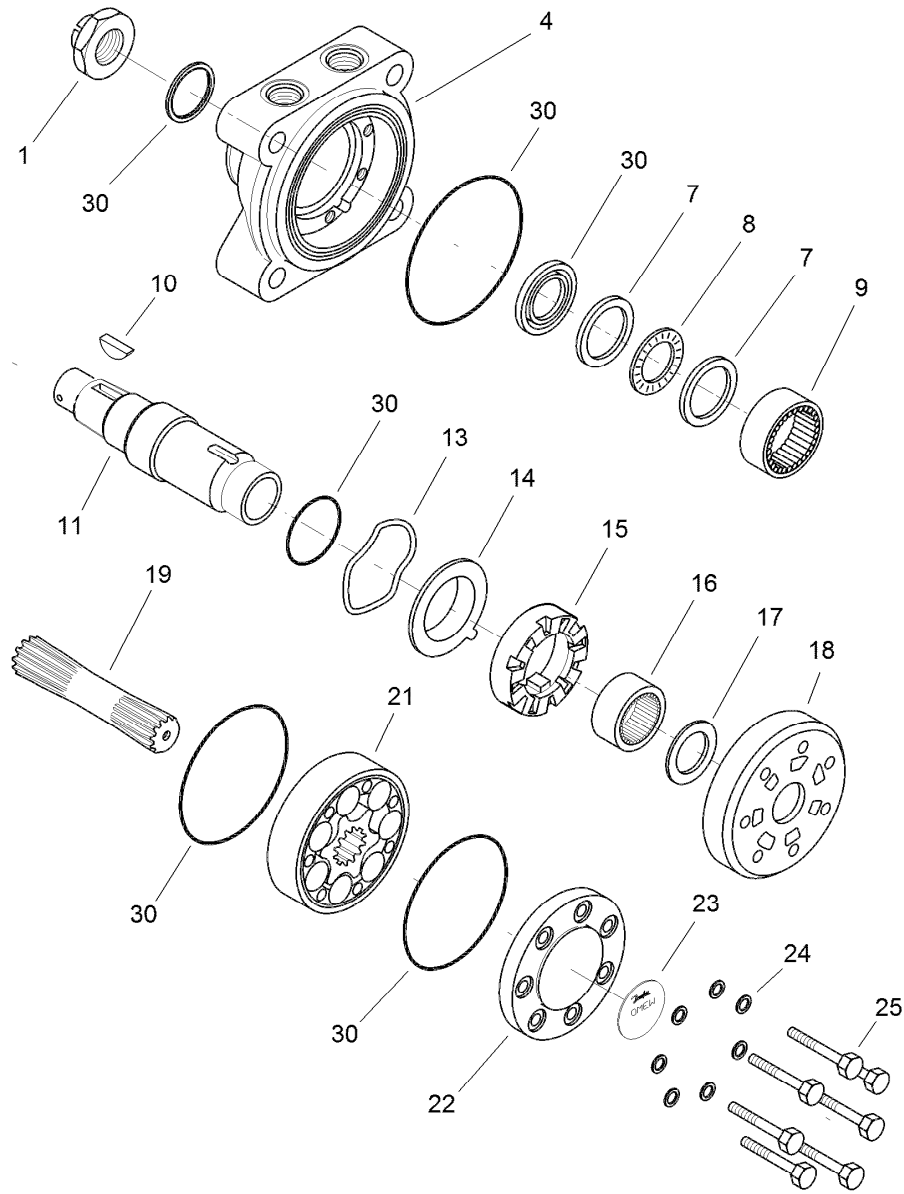




## Front Drive Assembly

Ref.	Part Number	Qty.	Description
1	340-89	2	Fitting-HYD, 45 DEG
1:1	237-30	1	O-Ring
1:2	237-80	1	O-Ring
2	325-13	4	Screw-HH
3	106-8808	1	HYD Motor ASM
4	144-9879	1	Bracket-Sensor
5	144-9813	1	Hub -Wheel
6	114-4665	1	Tire ASM
6:1	70-8500	1	Tire-Smooth, 4-Ply
6:2	114-4643	1	Wheel
6:3	232-27	1	Stem-Valve
7	242-50	2	Nut-Lug

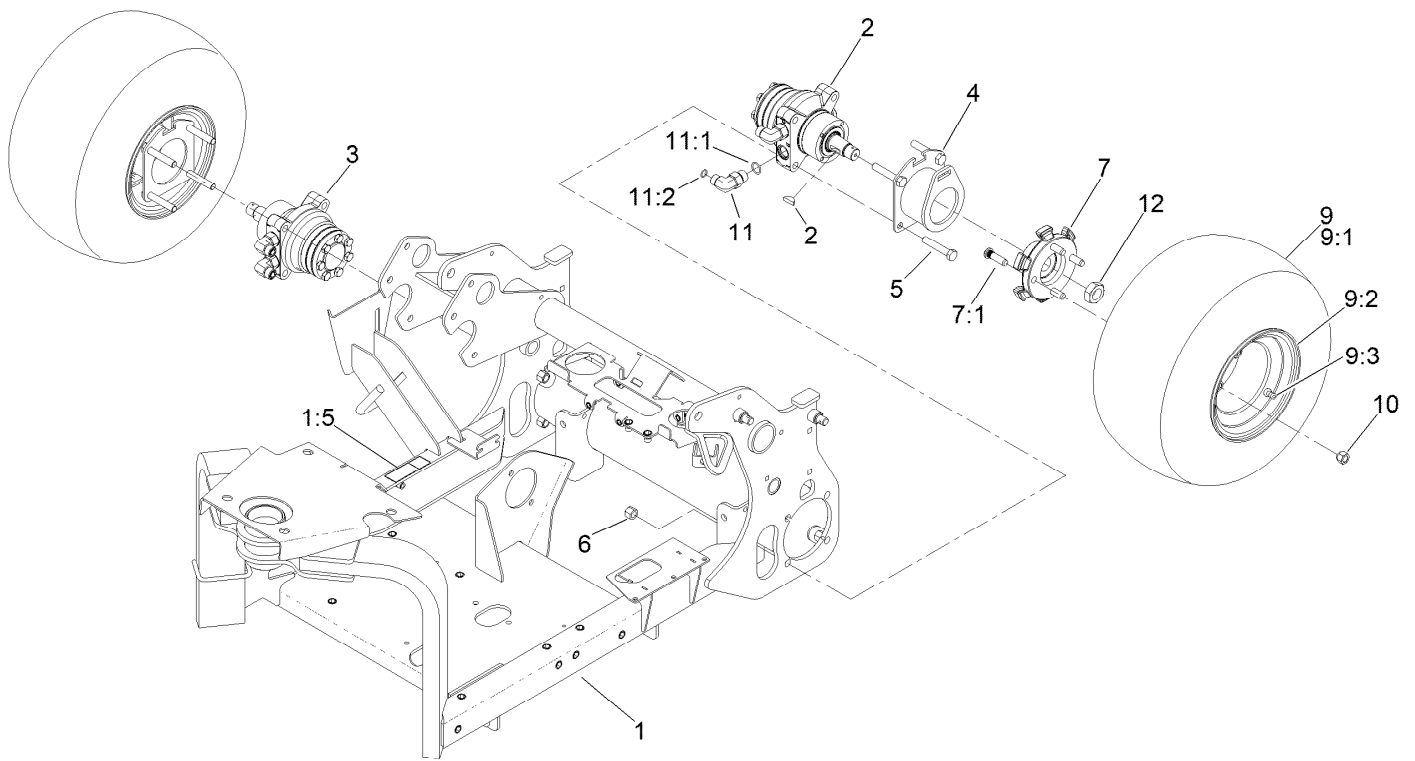
Ref.	Part Number	Qty.	Description
8	107-3399	2	Adapter-Weight, Wheel
9	105-1088	2	Stud
10	107-3396-03	1	Weight-Wheel
11	87-7270	2	Washer-Thrust
12	3296-23	2	Nut-Lock, NI
13	144-9802	1	Sensor-Speed
14	3234-33	1	Screw-HHF
15	26-3790	1	Nut-Lock
16	32180-030	1	Clip-Tie
17	3296-25	2	Nut-Lock, NI
18	139-8694	1	Shim



## (CCW) Hydraulic Motor Assembly No. 106-8808

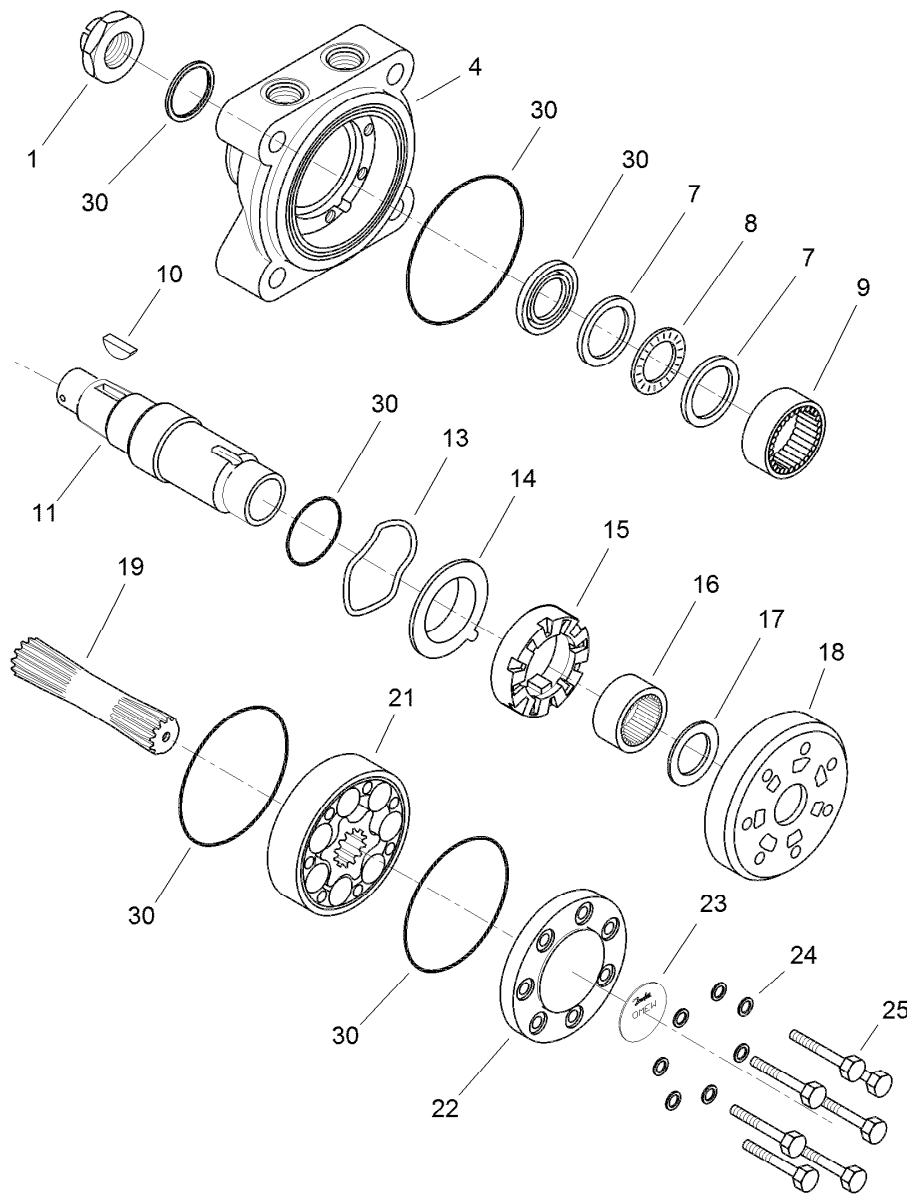
Ref.	Part Number	Qty.	Description	Ref.	Part Number	Qty.	Description
1		1	Nut-Castellated ●	16		1	Bearing-Needle, Radial ●
4		1	Housing ●	17		1	Race-Bearing ●
7		2	Race-Bearing ●	18		1	Plate-Distributor ●
8		1	Bearing-Needle, Axial ●	19		1	Shaft-Cardan ●
9		1	Bearing-Needle, Radial ●	21		1	Gearwheel Set ●
10	3257-42	1	Key-Woodruff	22		1	Cover-End ●
11		1	Shaft-Tapered ●	23		1	Plate-Name ●
13		1	Washer-Spring ●	24		7	Washer ●
14		1	Plate-Balance ●	25		7	Screw ●
15		1	Disc-Valve ●	30	109-5966	1	Wheel Motor Seal Kit

● Not serviced separately



## Rear Hydraulic Drive Assembly

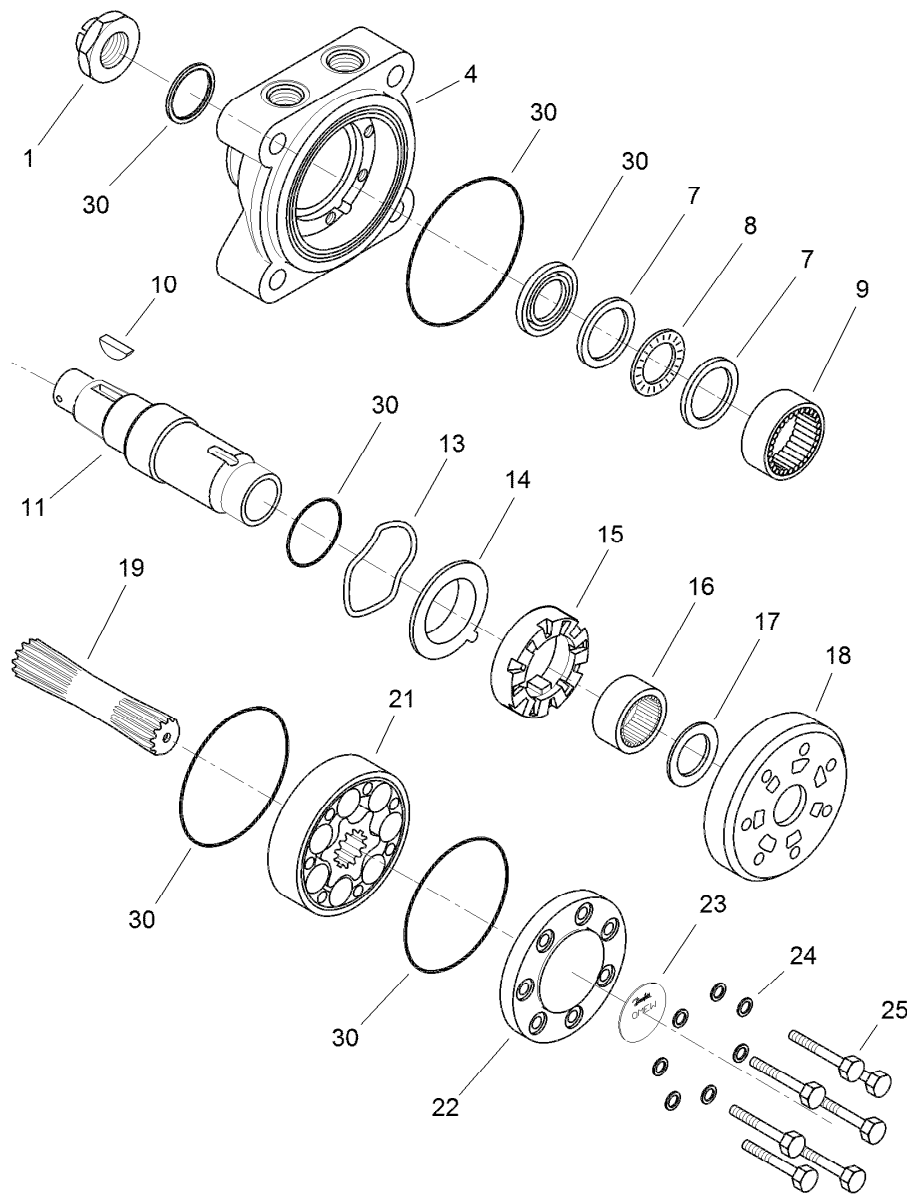
<i>Ref.</i>	<i>Part Number</i>	<i>Qty.</i>	<i>Description</i>	<i>Ref.</i>	<i>Part Number</i>	<i>Qty.</i>	<i>Description</i>
1	137-6690	1	Front Frame ASM	9	114-4665	2	Tire ASM
1:5	117-4979	1	Decal-Warning	9:1	70-8500	1	Tire-Smooth, 4-Ply
2	106-8806	1	HYD Motor ASM	9:2	114-4643	1	Wheel
3	106-8807	1	HYD Motor ASM	9:3	232-27	1	Stem-Valve
4	140-6269	2	Parking Latch Supt	10	242-50	8	Nut-Lug
5	325-11	8	Screw-HH	11	340-105	4	Fitting-Elbow, 90 DEG
6	3296-23	8	Nut-Lock, NI	11:1	237-80	1	O-Ring
7	140-6277	2	Wheel Hub ASM	11:2	237-30	1	O-Ring
7:1	10-6830	4	Stud-Type, Drive	12	26-3790	2	Nut-Lock



## (CCW) Hydraulic Motor Assembly No. 106-8806

Ref.	Part Number	Qty.	Description	Ref.	Part Number	Qty.	Description
1		1	Nut-Castellated ●	16		1	Bearing-Needle, Radial ●
4		1	Housing ●	17		1	Race-Bearing ●
7		2	Race-Bearing ●	18		1	Plate-Distributor ●
8		1	Bearing-Needle, Axial ●	19		1	Shaft-Cardan ●
9		1	Bearing-Needle, Radial ●	21		1	Gearwheel Set ●
10	3257-42	1	Key-Woodruff	22		1	Cover-End ●
11		1	Shaft-Tapered ●	23		1	Plate-Name ●
13		1	Washer-Spring ●	24		7	Washer ●
14		1	Plate-Balance ●	25		7	Screw ●
15		1	Disc-Valve ●	30	109-5966	1	Wheel Motor Seal Kit

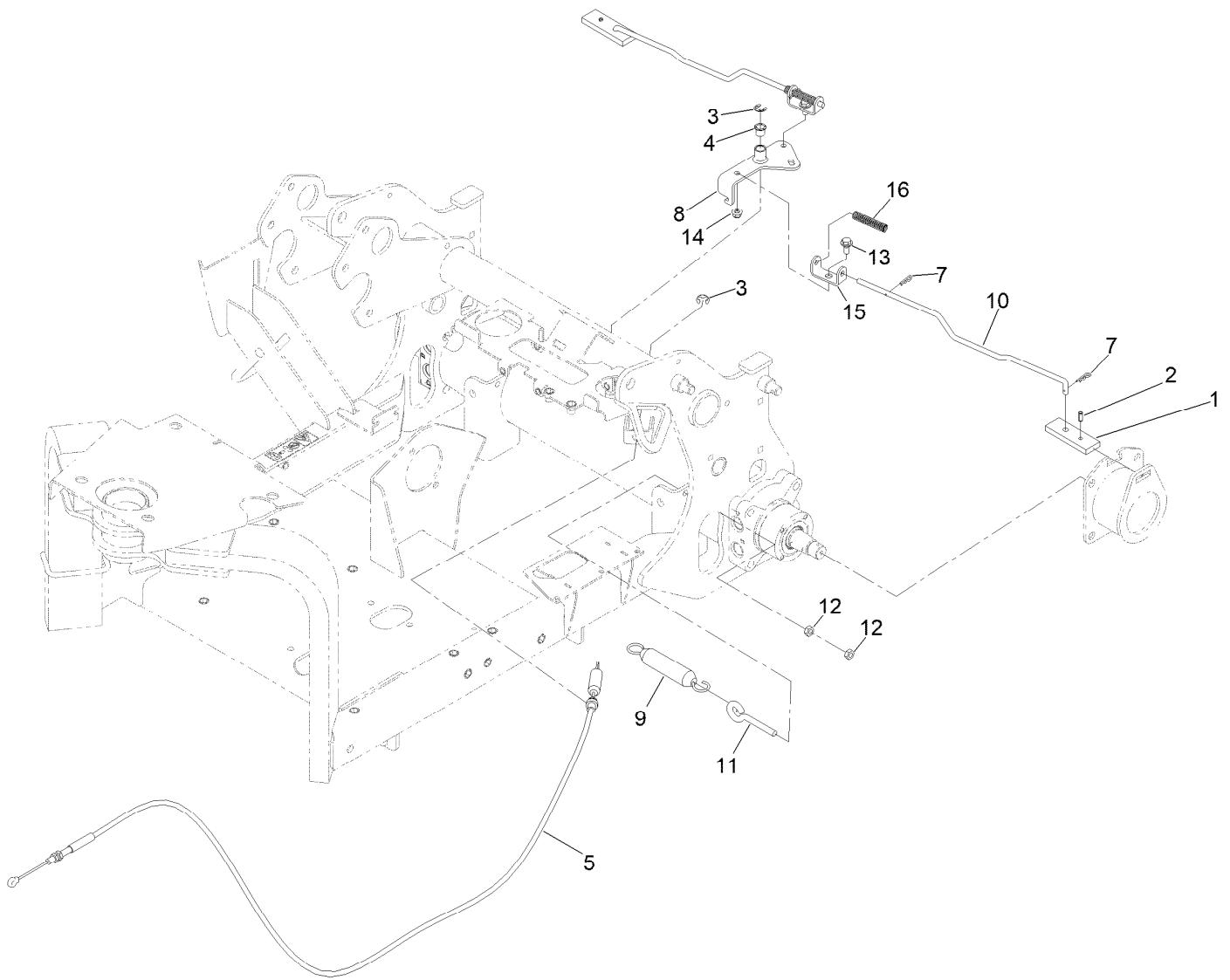
● Not serviced separately



## (CW) Hydraulic Motor Assembly No. 106-8807

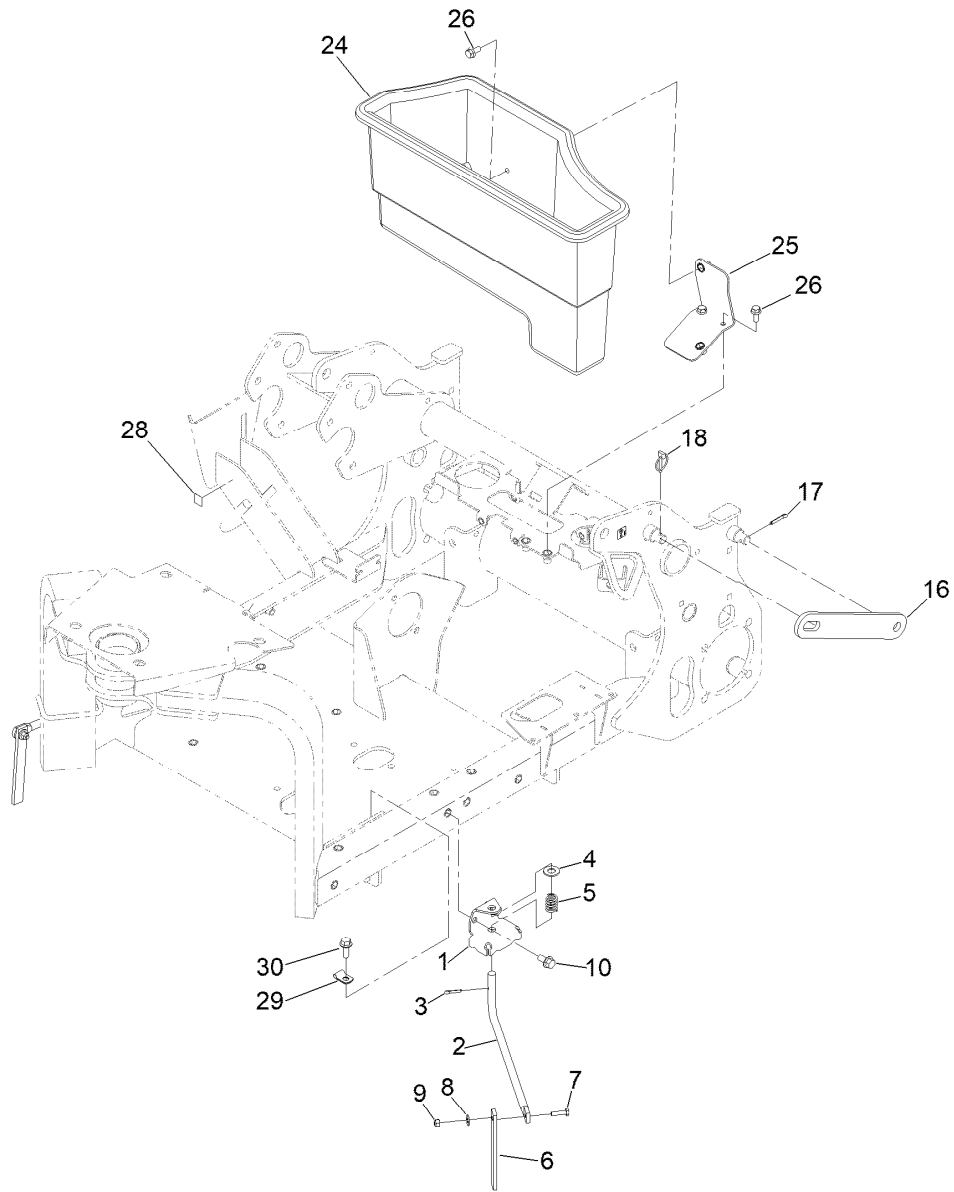
Ref.	Part Number	Qty.	Description	Ref.	Part Number	Qty.	Description
1		1	Nut-Castellated ●	16		1	Bearing-Needle, Radial ●
4		1	Housing ●	17		1	Race-Bearing ●
7		2	Race-Bearing ●	18		1	Plate-Distributor ●
8		1	Bearing-Needle, Axial ●	19		1	Shaft-Cardan ●
9		1	Bearing-Needle, Radial ●	21		1	Gearwheel Set ●
10	3257-42	1	Key-Woodruff	22		1	Cover-End ●
11		1	Shaft-Tapered ●	23		1	Plate-Name ●
13		1	Washer-Spring ●	24		7	Washer ●
14		1	Plate-Balance ●	25		7	Screw ●
15		1	Disc-Valve ●	30	109-5966	1	Wheel Motor Seal Kit

● Not serviced separately



## Parking Brake Assembly

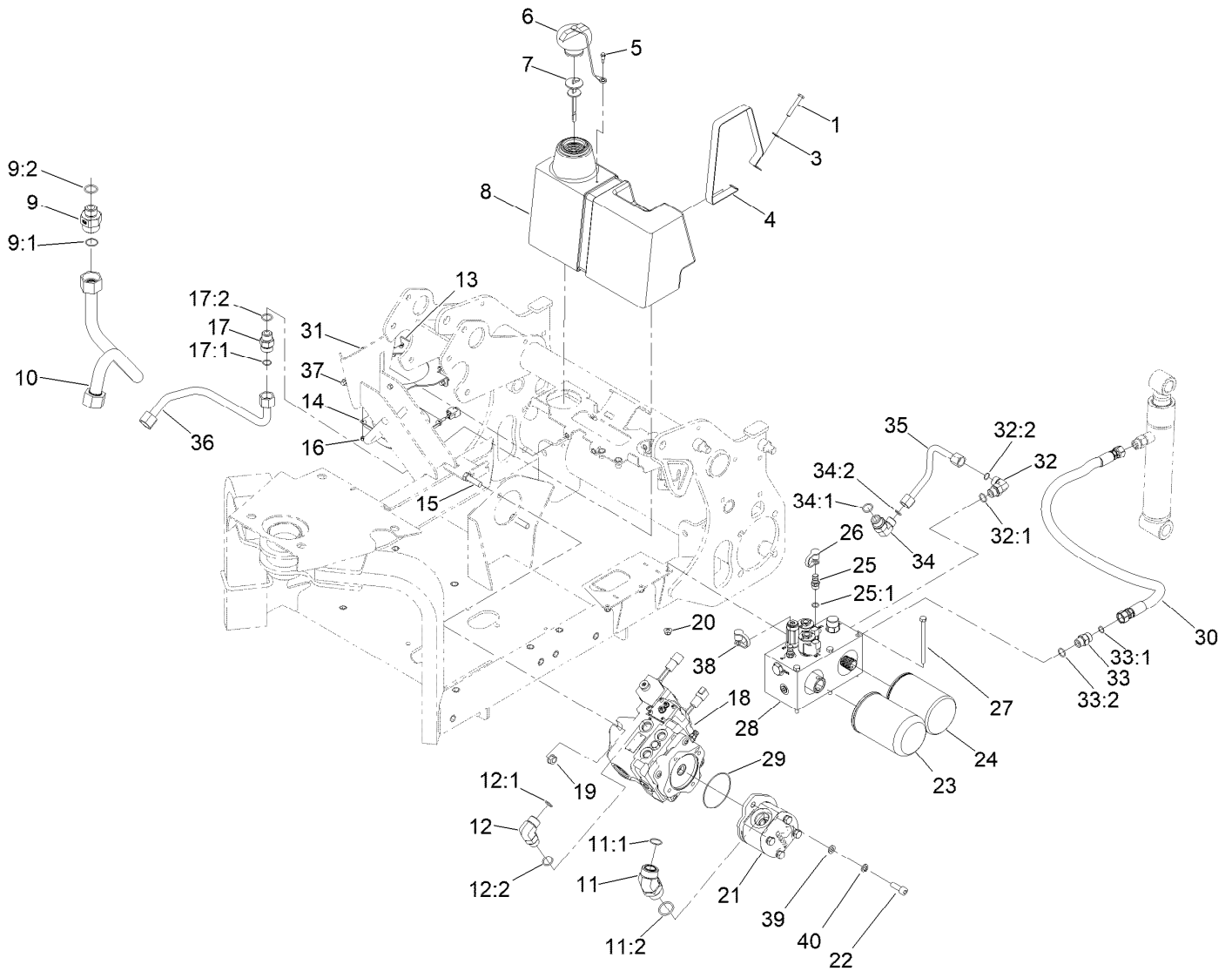
Ref.	Part Number	Qty.	Description
1	106-8885-03	2	Bar-Latch, Parking
2	32121-134	2	Pin-Roll
3	32120-47	2	Ring-Retaining, External
4	256-257	2	Bushing-Nyliner
5	140-8978	1	Cable-Brake
7	3290-307	4	Pin-Cotter
8	140-8586	1	Pivot Latch ASM
9	66-4270	1	Spring-Extension
10	140-8743	2	Link-Latch, Parking
11	94-2547	1	Bolt-Eye
12	3217-7	2	Nut-Hex
13	19-1470	2	Screw-Shoulder
14	104-8300	2	Nut-HF, NI
15	114-0631	2	Clevis-Latch, Parking
16	107-3376	2	Spring-Compression



## Lift Linkage Assembly

Ref.	Part Number	Qty.	Description
1	105-1178-01	2	Bracket-Marker
2	105-1179	2	Rod-Marker
3	3272-31	2	Pin-Cotter
4	3256-26	2	Washer-Flat
5	20-6110	2	Spring-Compression
6	59-9460	2	Guide
7	321-6	2	Screw-HH
8	3256-2	2	Washer-Flat
9	3296-42	2	Nut-Lock, NI
10	3234-1	4	Screw-HHF

Ref.	Part Number	Qty.	Description
16	105-0983-01	1	Bar-Prop
17	3272-21	1	Pin-Cotter
18	3290-495	1	Pin-Klik
24	139-8692	1	Bin-Storage
25	144-9882	1	Bin Bracket ASM
26	3234-47	4	Screw-HHF
28	93-9084	2	Decal-Point, Lift
29	2412-112	1	Clamp-R
30	3234-11	1	Screw-HHF

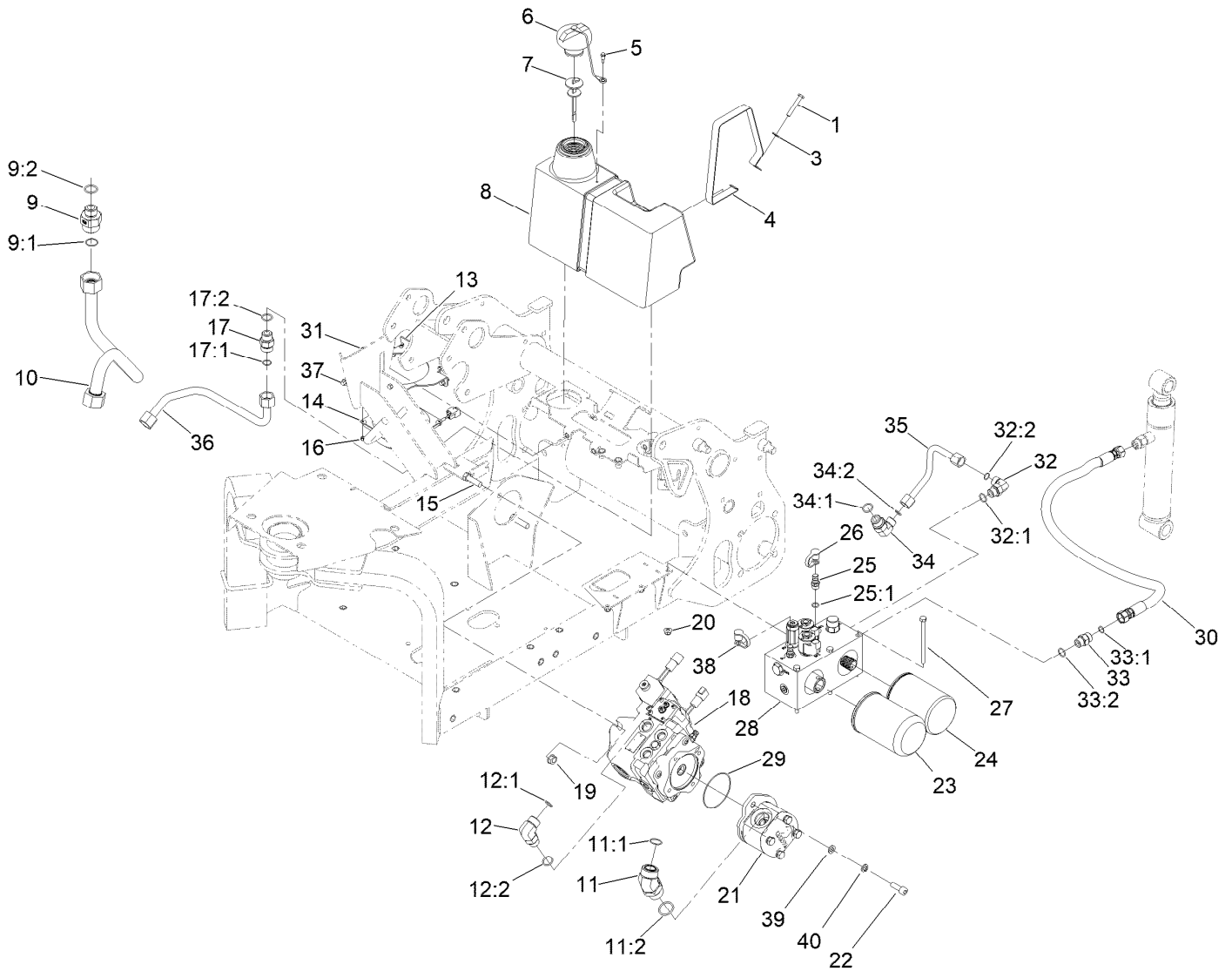


## Hydraulic Assembly

Ref.	Part Number	Qty.	Description	Ref.	Part Number	Qty.	Description
1	120-6000	1	Bolt-TAP, HH	14	139-8651	1	Fan-Electric
3	3256-23	1	Washer-Plain	15	324-6	2	Screw-HH
4	94-4642-03	1	Strap-Tank, HYD	16	3296-1	4	Nut-Lock
5	57-5420	1	Screw-Shoulder	17	340-7	1	Fitting-Straight
6	93-7160	1	Cap-Oil, HYD	17:1	237-65	1	O-Ring
7	106-8811	1	Dipstick ASM	17:2	237-80	1	O-Ring
8	127-4162	1	Reservoir-Oil, HYD	18	140-8564	1	Hydrostat
9	87-7290	1	Fitting-STR	19	32128-37	2	Nut-HF
9:1	340-65	1	O-Ring	20	104-8300	3	Nut-HF, NI
9:2	237-81	1	O-Ring	21	140-8836	1	Pump-Gear
10	139-8649	1	Hydraulic Tube ASM	22	AU862-10030	2	Screw-HSH
11	104-3509	1	Fitting-HYD, 45 DEG	23	75-1310	1	Filter-HYD
11:1	237-146	1	O-Ring	24	107-9531	1	Filter-Oil, HYD
11:2	340-65	1	O-Ring	25	59-7410	2	Fitting-Diagnostic
12	340-17	1	Fitting-Elbow, 90 DEG	25:1	237-42	1	O-Ring
12:1	237-65	1	O-Ring	26	354-79	1	Cap-Dust
12:2	237-80	1	O-Ring	27	322-38	3	Screw-HH
13	139-8634-03	1	Bracket-Fan	28	140-8614	1	Manifold

● Not illustrated

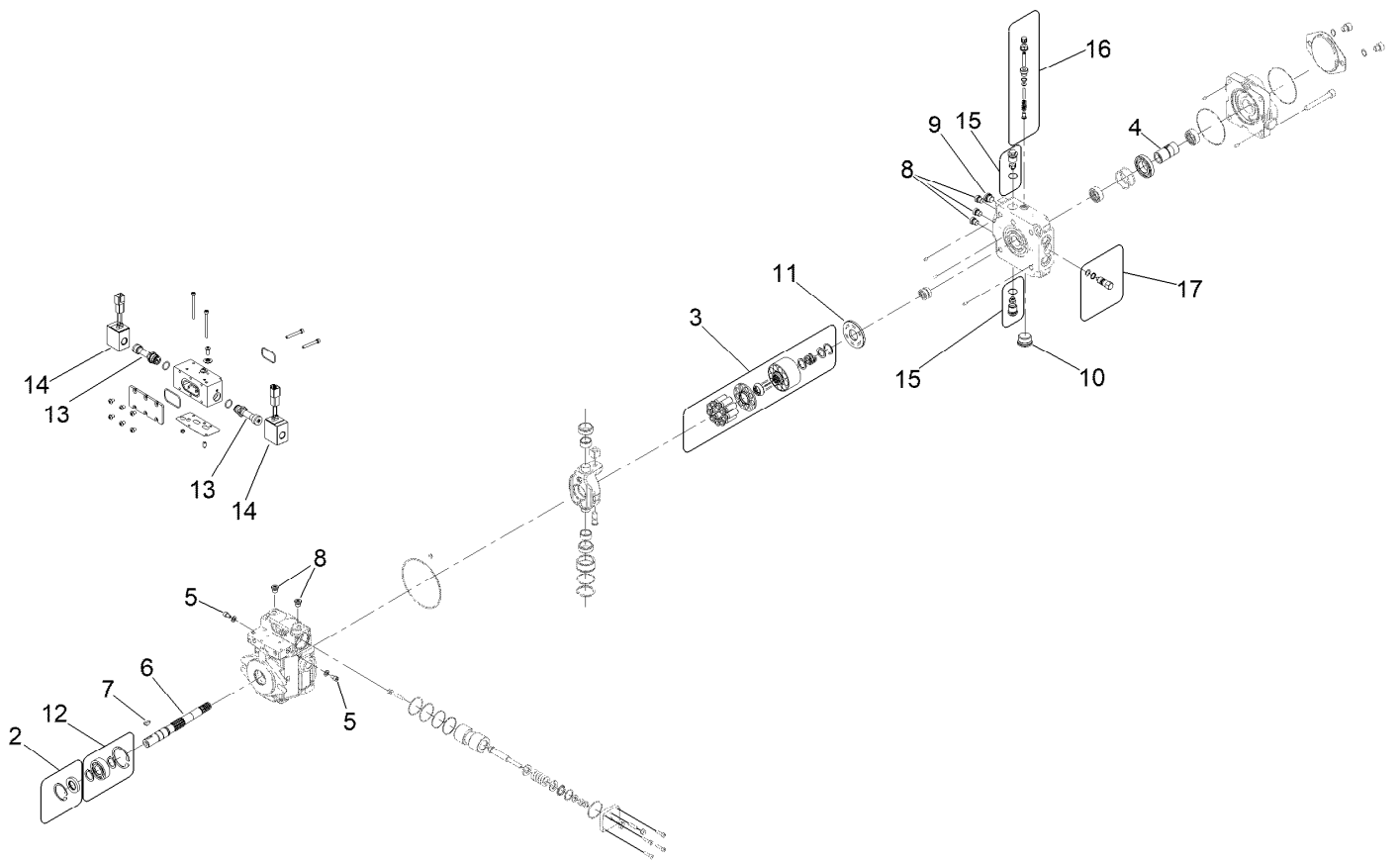




## Hydraulic Assembly (continued)

<i>Ref.</i>	<i>Part Number</i>	<i>Qty.</i>	<i>Description</i>	<i>Ref.</i>	<i>Part Number</i>	<i>Qty.</i>	<i>Description</i>
29	353-949	1	O-Ring	34:1	237-80	1	O-Ring
30	95-5985	1	Hose-HYD	34:2	237-30	1	O-Ring
31	3250-26	4	Screw-PPH	35	140-8864	1	Hydraulic Tube ASM
32	340-98	1	Fitting-Elbow, 90 DEG	36	144-9876	1	Hydraulic Tube ASM
32:1	237-79	1	O-Ring	37	137-3111	4	Screw-HHF
32:2	237-30	1	O-Ring	38	353-947	1	Cap-Dust, Black
33	340-4	1	Fitting-Straight	39	107-1413	2	Washer-Hardened
33:1	237-30	1	O-Ring	40	48-9590	2	Washer-Lock
33:2	237-79	1	O-Ring	99	505-180	12	Oil-HYD, Toro Px ●
34	340-105	1	Fitting-Elbow, 90 DEG				

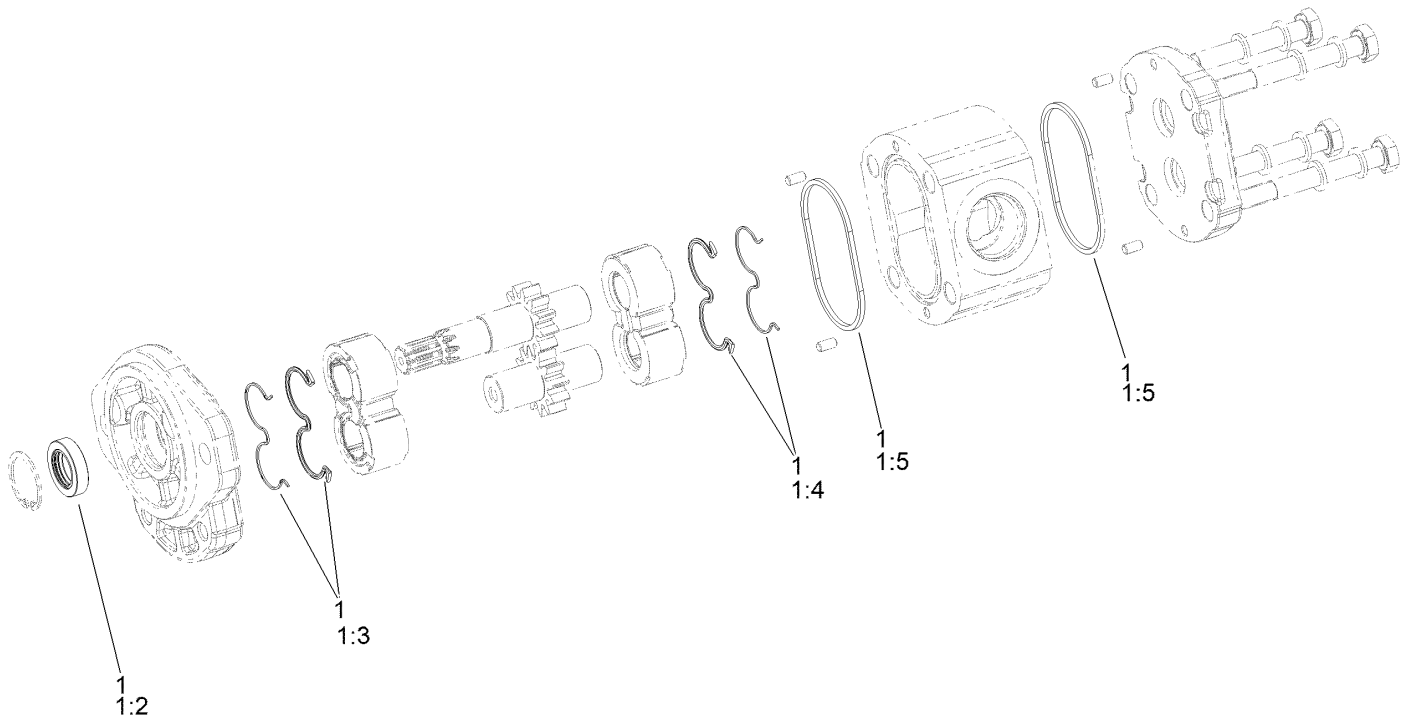
● Not illustrated



## Hydrostat Assembly No. 140-8564

<i>Ref.</i>	<i>Part Number</i>	<i>Qty.</i>	<i>Description</i>	<i>Ref.</i>	<i>Part Number</i>	<i>Qty.</i>	<i>Description</i>
1	132-6041	1	Seal Kit ●	10	139-8676	1	Plug
2	132-6045	1	Shaft Seal Kit	11	139-8677	1	Valveplate
3	132-6048	1	Rotating Group Kit	12	139-8680	1	Driveshaft Bearing Kit
4	139-8670	1	Coupling	13	139-8681	2	Control Valve
5	139-8671	2	Screw	14	139-8682	2	Coil-Control Valve
6	139-8672	1	Driveshaft-Pump	15	139-8684	2	Main Relief Valve
7	139-8673	1	Key	16	139-8685	1	Charge Relief Valve
8	139-8674	3	Plug	17	139-8686	1	Bypass Valve Kit
9	139-8675	1	Plug				

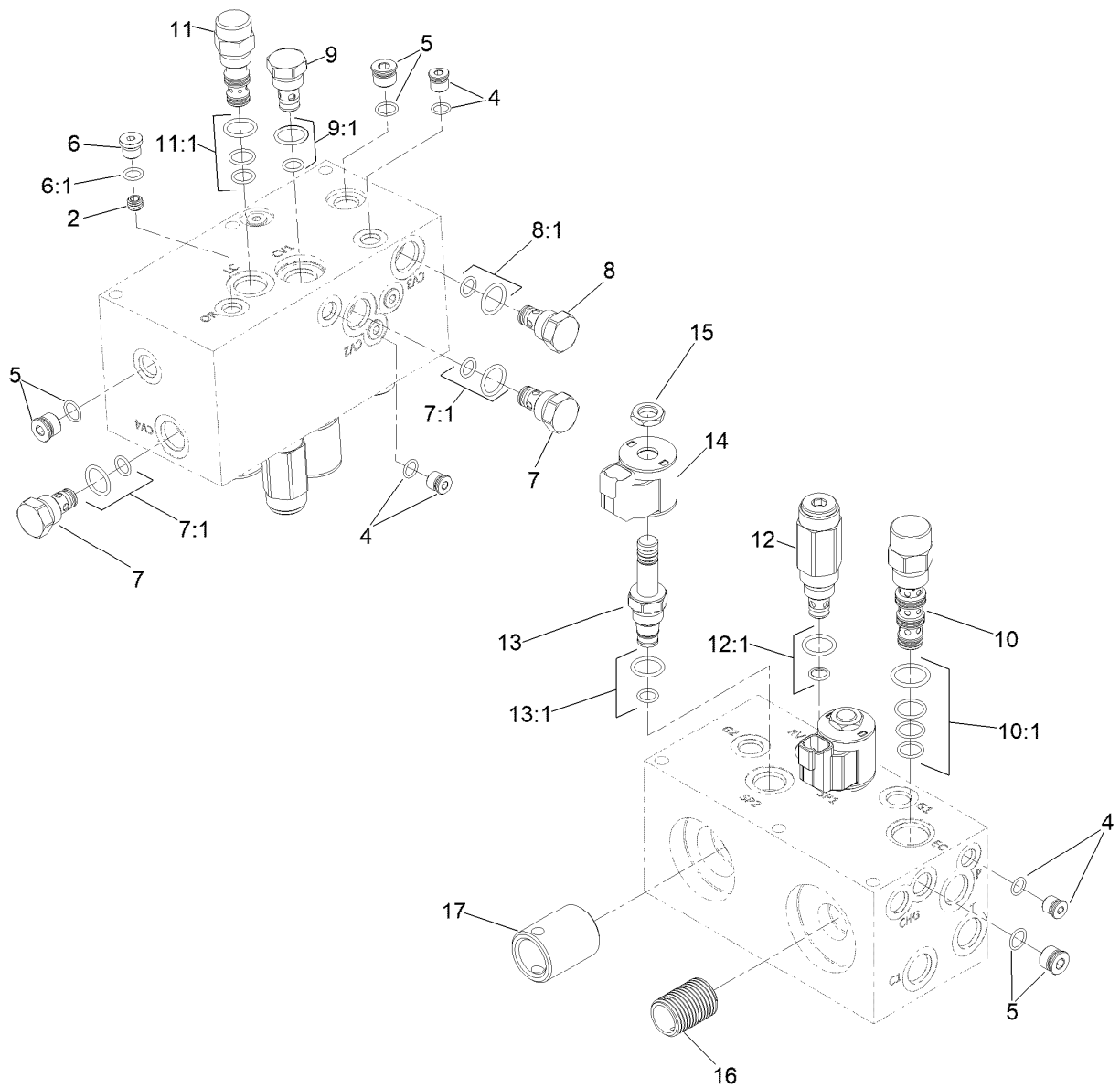
● Not illustrated



## Gear Pump Assembly No. 140-8836

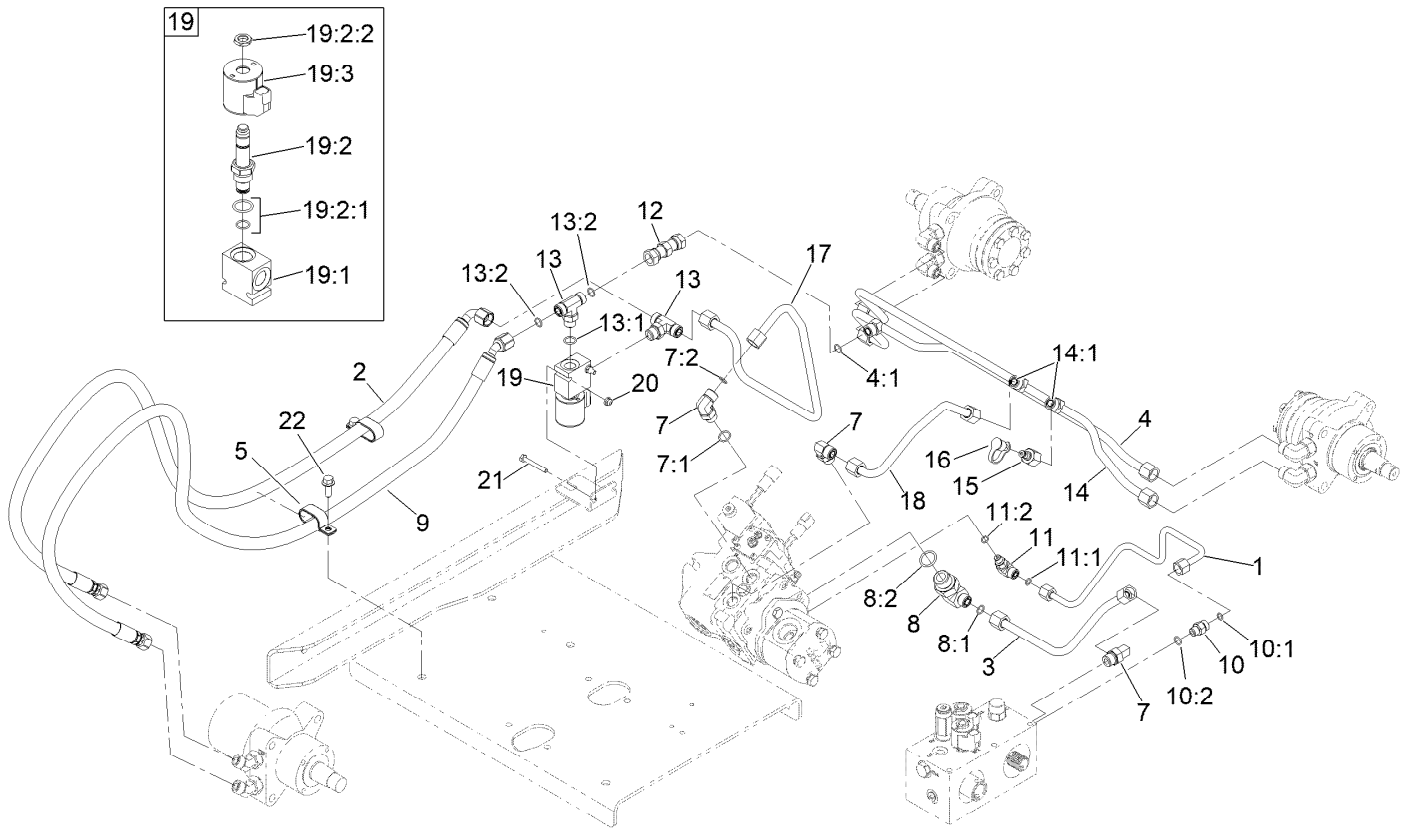
<i>Ref.</i>	<i>Part Number</i>	<i>Qty.</i>	<i>Description</i>
1	119-7135	1	Kit-Seal
1:2		1	Shaft Seal ●
1:3		2	Anti-Extrusion Seal ●
1:4		2	Seal ●
1:5		2	Seal Square Section ●

● Not serviced separately



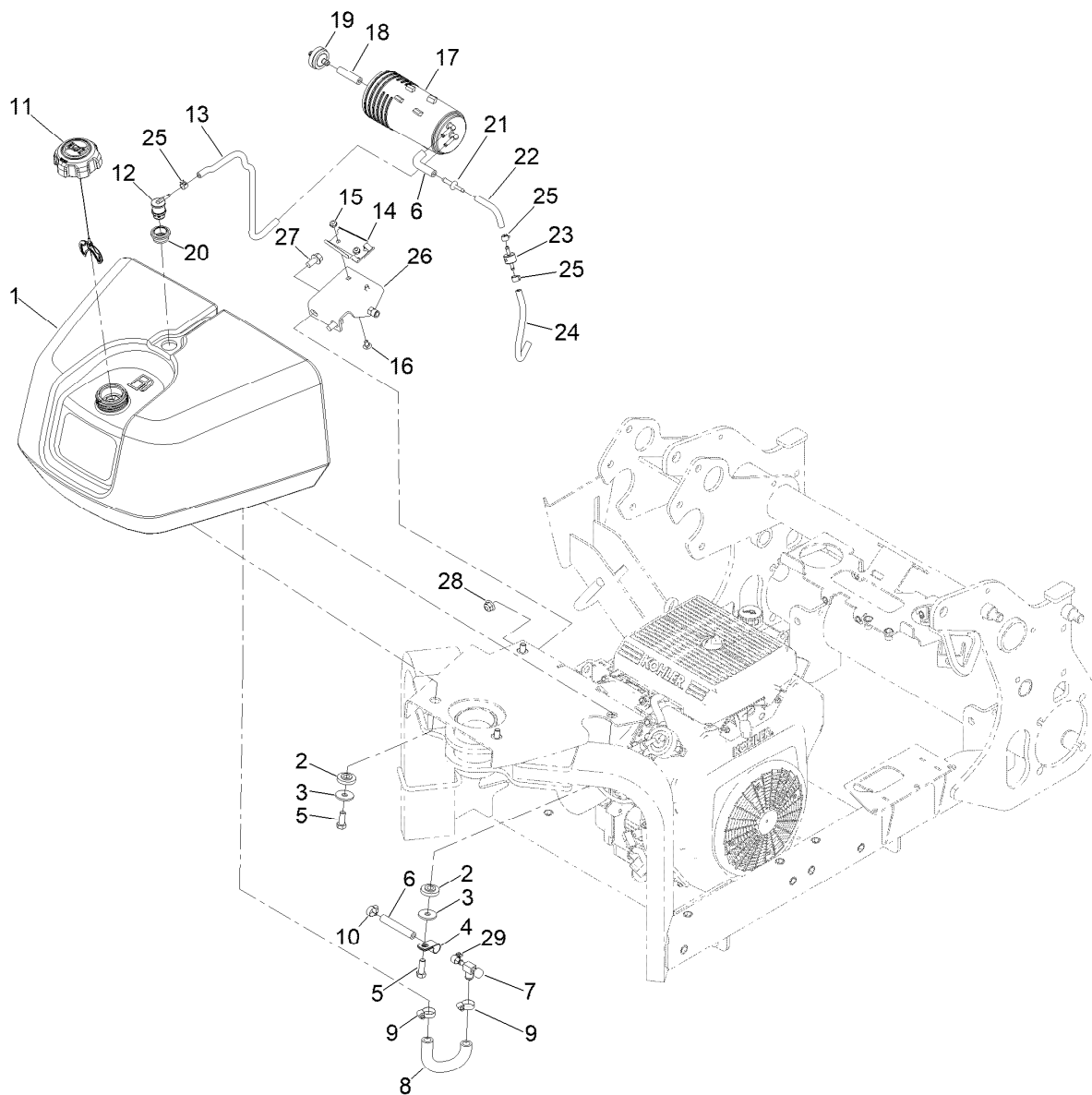
## Manifold Assembly No. 140-8614

<i>Ref.</i>	<i>Part Number</i>	<i>Qty.</i>	<i>Description</i>	<i>Ref.</i>	<i>Part Number</i>	<i>Qty.</i>	<i>Description</i>
2	110-0495	1	Plug-Orifice (0.050 Inch)	10:1	110-8908	1	Spool Valve Seal Kit
4	112-9212	6	Plug	11	139-8631	1	Pilot Logic Element
5	112-9213	3	Plug	11:1	110-8773	1	Seal Kit
6	139-8642	1	Plug-Socket, SAE	12	139-8630	1	Valve-Relief
6:1	139-8643	1	Seal Kit	12:1	105-9156	1	Seal Kit
7	107-7524	2	Check Valve ASM	13	139-8629	2	Valve-Electro Proportional
7:1	105-9156	1	Seal Kit	13:1	105-9156	1	Seal Kit
8	139-1213	1	Valve-Check	14	112-0197	2	E Coil-12V DC
8:1	105-9156	1	Seal Kit	15	110-2634	2	Nut-Coil
9	105-9321	1	Check Valve ASM	16	139-8633	1	Nipple-Filter
9:1	105-9156	1	Seal Kit	17	125-7551	1	Nipple-Filter
10	139-8632	1	Spool Valve				



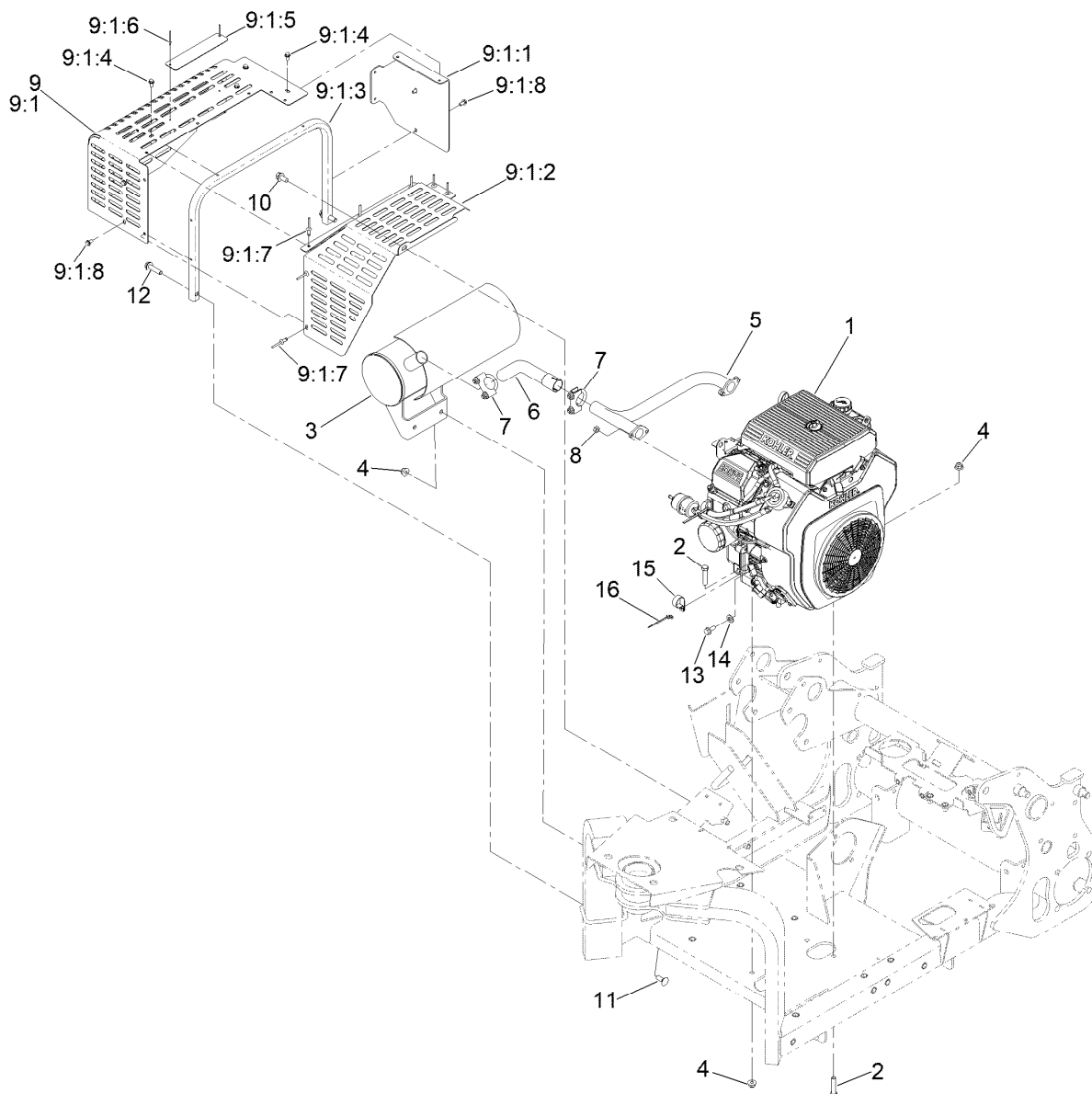
## Hydraulic Hose and Tube Assembly

Ref.	Part Number	Qty.	Description	Ref.	Part Number	Qty.	Description
1	140-8866	1	Hydraulic Tube ASM	13	340-157	2	Fitting-HYD, Tee
2	139-7974	1	HYD Hose ASM	13:1	237-79	1	O-Ring
3	140-8865	1	Hydraulic Tube ASM	13:2	237-30	2	O-Ring
4	106-8818	1	Tube ASM	14	140-8855	1	Hydraulic Tube ASM
4:1	237-30	1	O-Ring	14:1	237-30	2	O-Ring
5	106-8829	2	R Clamp-Double	15	100-5616	1	Fitting
7	340-98	3	Fitting-Elbow, 90 DEG	16	354-79	1	Cap-Dust
7:1	237-79	1	O-Ring	17	140-8862	1	Hydraulic Tube ASM
7:2	237-30	1	O-Ring	18	144-9803	1	Hydraulic Tube ASM
8	340-105	1	Fitting-Elbow, 90 DEG	19	140-8867	1	Manifold-Traction
8:1	237-80	1	O-Ring	19:1	T56054034	1	Body-Valve, Hydraulic
8:2	237-30	1	O-Ring	19:2	T56054036	1	Valve-HYD, Solenoid (W/O Coil)
9	144-9869	1	Hydraulic Hose ASM	19:2:1	110-2633	1	Seal Kit
10	340-2	1	Fitting-Straight	19:2:2	110-2634	1	Nut-Coil
10:1	237-22	1	O-Ring	19:3	119-4619	1	Coil-Solenoid
10:2	237-42	1	O-Ring	20	104-7201	2	Nut-HF, NI
11	340-97	1	Fitting-Elbow, 90 DEG	21	321-11	2	Screw-HH
11:1	237-22	1	O-Ring	22	3234-11	2	Screw-HHF
11:2	237-78	1	O-Ring				
12	115-9036	1	Fitting-Straight Union				



## Fuel System Assembly

<i>Ref.</i>	<i>Part Number</i>	<i>Qty.</i>	<i>Description</i>	<i>Ref.</i>	<i>Part Number</i>	<i>Qty.</i>	<i>Description</i>
1	115-5387	1	Tank-Fuel	16	3229-10	2	Screw-CARR
2	240-11	4	Bushing-Flange	17	117-1221	1	Canister-Carbon, 800Cc
3	63-8410	4	Washer	18	99-9415	1	Hose-Fuel
4	2412-41	1	Clamp-R	19	115-7854	1	Filter-Fuel, Inline
5	323-6	4	Screw-HH	20	114-0284	1	Grommet
6	114-3765	2	Hose-Fuel	21	121-0743	1	Adapter-Orifice
7	83-1390	1	Valve-Shut-Off, Fuel	22	115-4736	1	Hose-Fuel
8	108-6818	1	Hose-Fuel, Molded	23	133-8499	1	Valve-Check, Vacuum
9	2412-36	2	Clamp-Hose	24	51-3217	1	Hose-Fuel
10	2412-108	1	Clamp-Worm	25	2412-146	3	Clamp-Hose
11	137-4127	1	Cap-Fuel	26	144-9870	1	Canaster Bracket ASM
12	114-0285	1	Valve-Rollover	27	3234-1	2	Screw-HHF
13	115-4735	1	Hose-Fuel	28	104-8301	2	Nut-HF, NI
14	114-0292	1	Bracket-Canister, Carbon	29	145-4564	1	Clamp-Band, Screw
15	3296-56	2	Nut-Lock, NI				

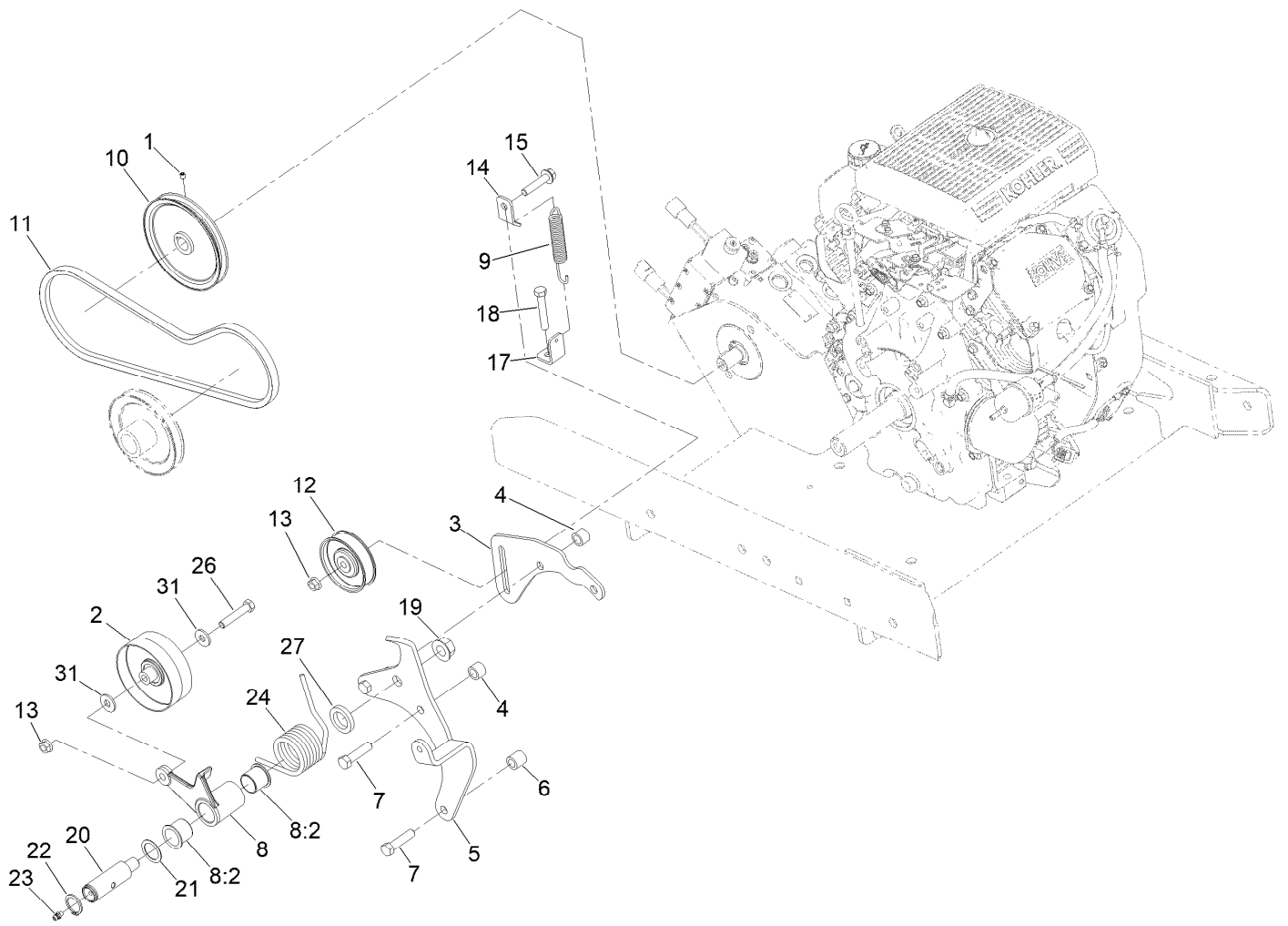


## Engine and Muffler Assembly

Ref.	Part Number	Qty.	Description	Ref.	Part Number	Qty.	Description
1	161-9175	1	Engine-Kohler Ch680-3165	9:1:5	140-8962	1	Artwork-Plate, Warning, Procure
2	323-9	4	Screw-HH	9:1:6	3269-32	2	Rivet-Pop
3	106-8859	1	Muffler-Exhaust	9:1:7	93-8744	7	Rivet-Blind
4	104-8301	6	Nut-HF, NI	9:1:8	32144-4	10	Screw-HWH
5	106-8858	1	Manifold-Exhaust	10	3234-1	1	Screw-HHF
6	106-8857	1	Elbow-Exhaust	11	3231-2	2	Bolt-CARR
7	104-4090	2	Clamp-Muffler	12	3234-18	2	Screw-HHF
8	33014-00	4	Nut-Hex	13	33104-020	1	Screw-HHF
9	107-7546SP	1	Shield ASM	14	33095-00	1	Washer-Flat
9:1		1	Shield ASM ■	15	2412-106	1	Clamp-R
9:1:1	106-8903-01	1	Shield-Muffler	16	3290-381	2	Tie-Cable
9:1:2	106-8904-03	1	Shield-Clutch	99	505-117	2	Oil-Engine ●
9:1:3	106-8848-01	1	Tube-Shield, Muffler				
9:1:4	106-8906-01	1	Bracket-Shield, Muffler				

● Not illustrated

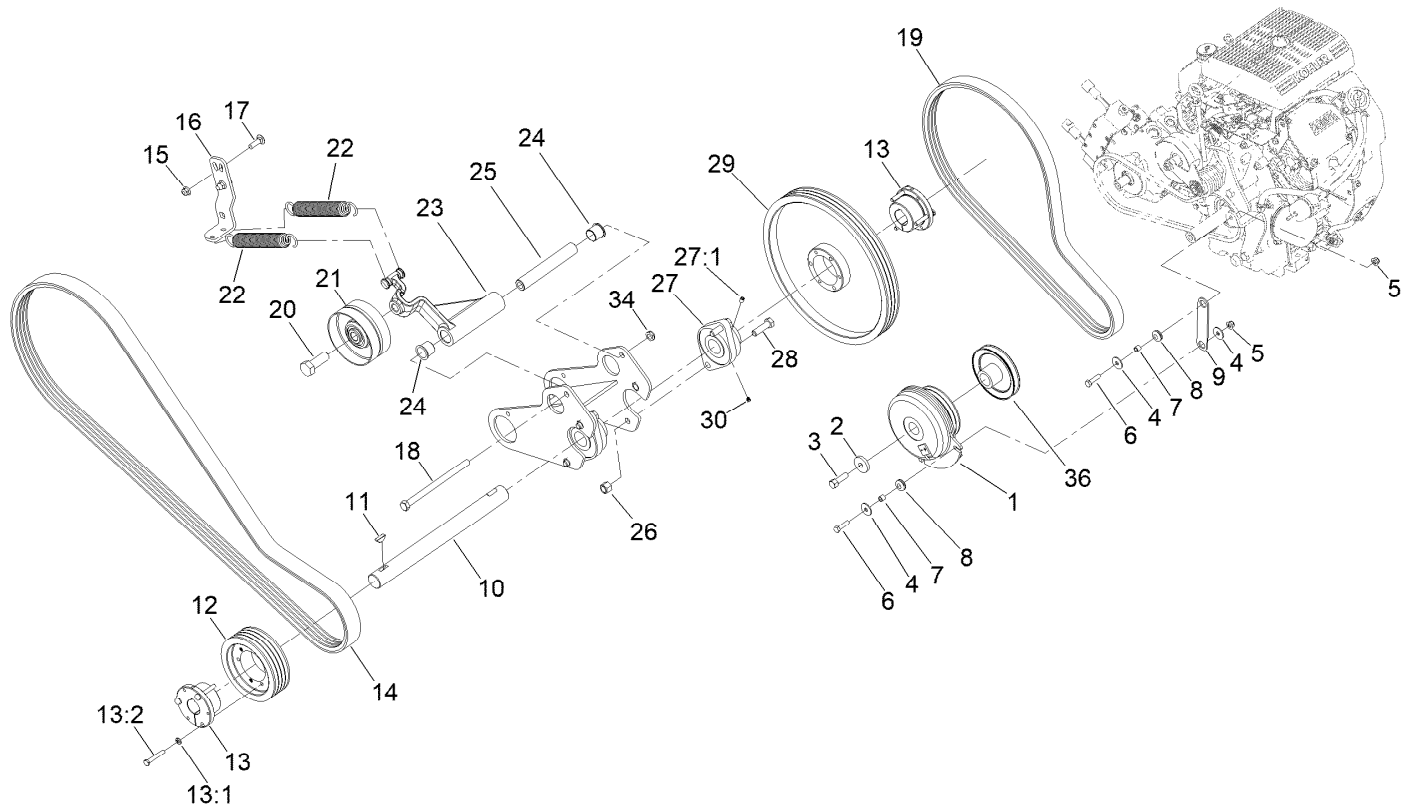
■ Not serviced separately



## Idler, Pulley and Belt Assembly

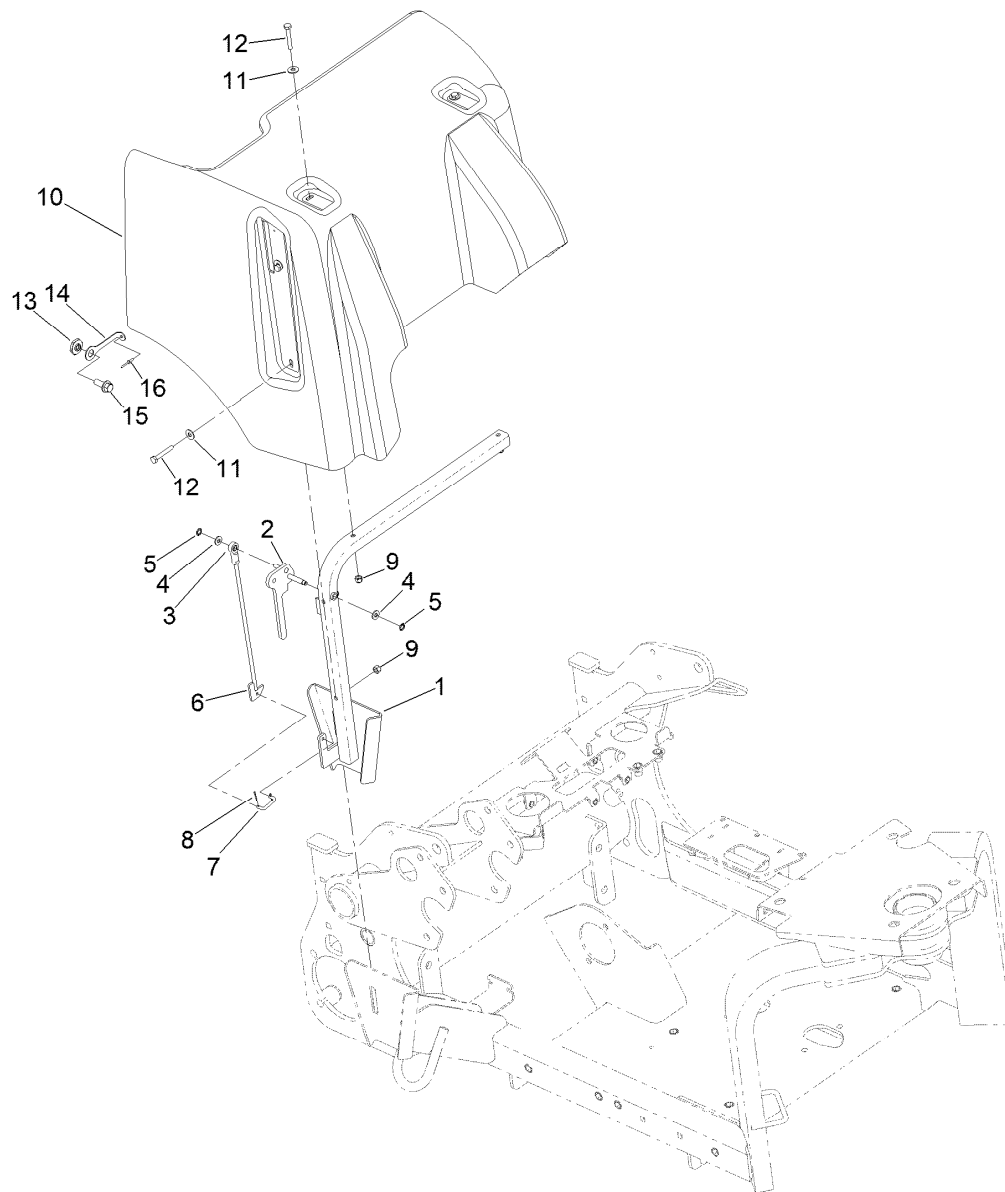
<i>Ref.</i>	<i>Part Number</i>	<i>Qty.</i>	<i>Description</i>	<i>Ref.</i>	<i>Part Number</i>	<i>Qty.</i>	<i>Description</i>
1	3245-7	2	Screw-Set	14	107-7588	1	Bracket-Spring
2	139-6031	1	Pulley-Idler	15	3234-19	1	Screw-HHF
3	105-1085-03	1	Support-Idler	17	107-7583	1	Bracket-L
4	68-5440	2	Spacer	18	104-3396	1	Screw-HH
5	115-4724-03	1	Bracket-Mounting, Idler	19	32128-54	1	Nut-HF
6	105-0985	1	Spacer-Support, Idler	20	99-3624	1	Shaft-Pivot, Idler
7	324-7	3	Screw-HH	21	74-1810	1	Washer
8	137-1653	1	Idler Arm ASM	22	32151-36	1	Ring-Retaining
8:2	126-1963	2	Bushing-Pivot	23	302-5	1	Fitting-Grease
9	106-4502	1	Spring-Scraper	24	115-3488	1	Spring-Torsion
10	137-6686	1	Pulley	26	323-10	1	Screw-HH
11	107-7513	1	V-Belt	27	99-3625	1	Spacer-Arm, Idler
12	112426	1	Pulley-Idler	31	80-6990	2	Washer-Hardened
13	32128-21	2	Nut-HF Lock				





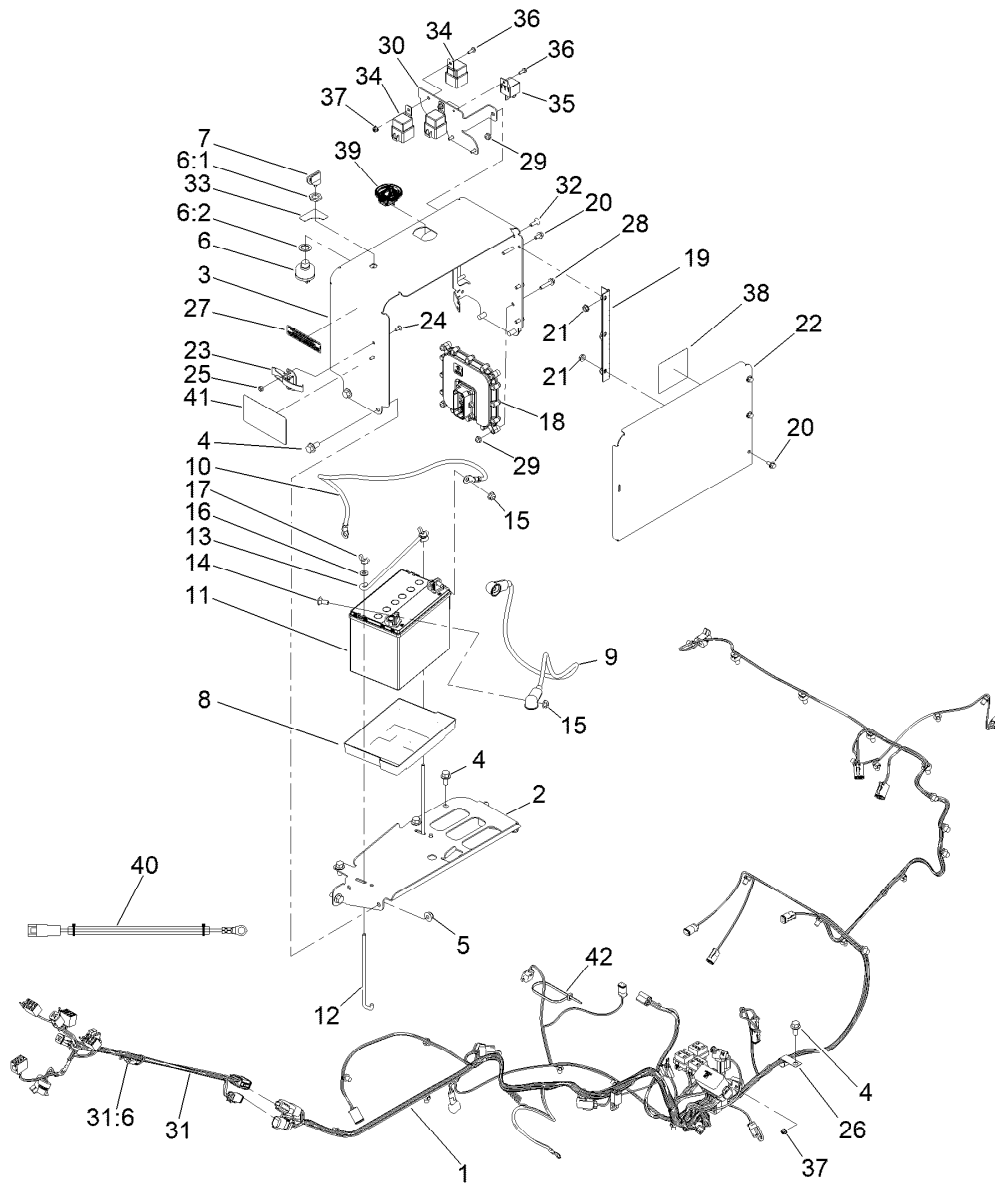
## Clutch Assembly

Ref.	Part Number	Qty.	Description	Ref.	Part Number	Qty.	Description
1	138-5986	1	Clutch-Electric	17	3231-25	2	Bolt-CARR
2	1-543610	1	Washer-Flat	18	325-36	1	Screw-HH
3	26-0671	1	Screw-HH	19	105-0989	1	Belt-3V
4	3256-82	3	Washer-Flat	20	328-24	1	Screw-HH
5	104-8300	2	Nut-HF, NI	21	100-7631	1	Pulley-Idler
6	322-6	2	Screw-HH	22	106-8933	2	Spring-Extension
7	1-633545	2	Spacer	23	105-1132-03	1	Arm-Idler
8	1-633630	2	Grommet	24	126-1963	2	Bushing-Pivot
9	107-3382	1	Strap-Clutch	25	105-1172	1	Tube-Pivot, Idler
10	105-0975	1	Jackshaft	26	3296-23	4	Nut-Lock, NI
11	3257-42	2	Key-Woodruff	27	105-0962	2	Bearing-Mount, Flange
12	140-8880	1	Pulley-3V, 4 Groove	27:1	3246-17	1	Setscrew-HSH
13	59-3790	2	Bushing-Lock, Taper	28	325-7	4	Screw-HH
13:1	3253-4	3	Washer-Lock	29	105-0977	1	Pulley-3V
13:2	120-6000	3	Bolt-TAP, HH	30	302-59	2	Plug-EXT Hex Spl
14	140-8882	1	Belt-V, Banded	34	3296-45	1	Nut-Hex
15	104-8301	2	Nut-HF, NI	36	107-3379	1	Pulley
16	105-1118-03	1	Arm-Spring, Idler				



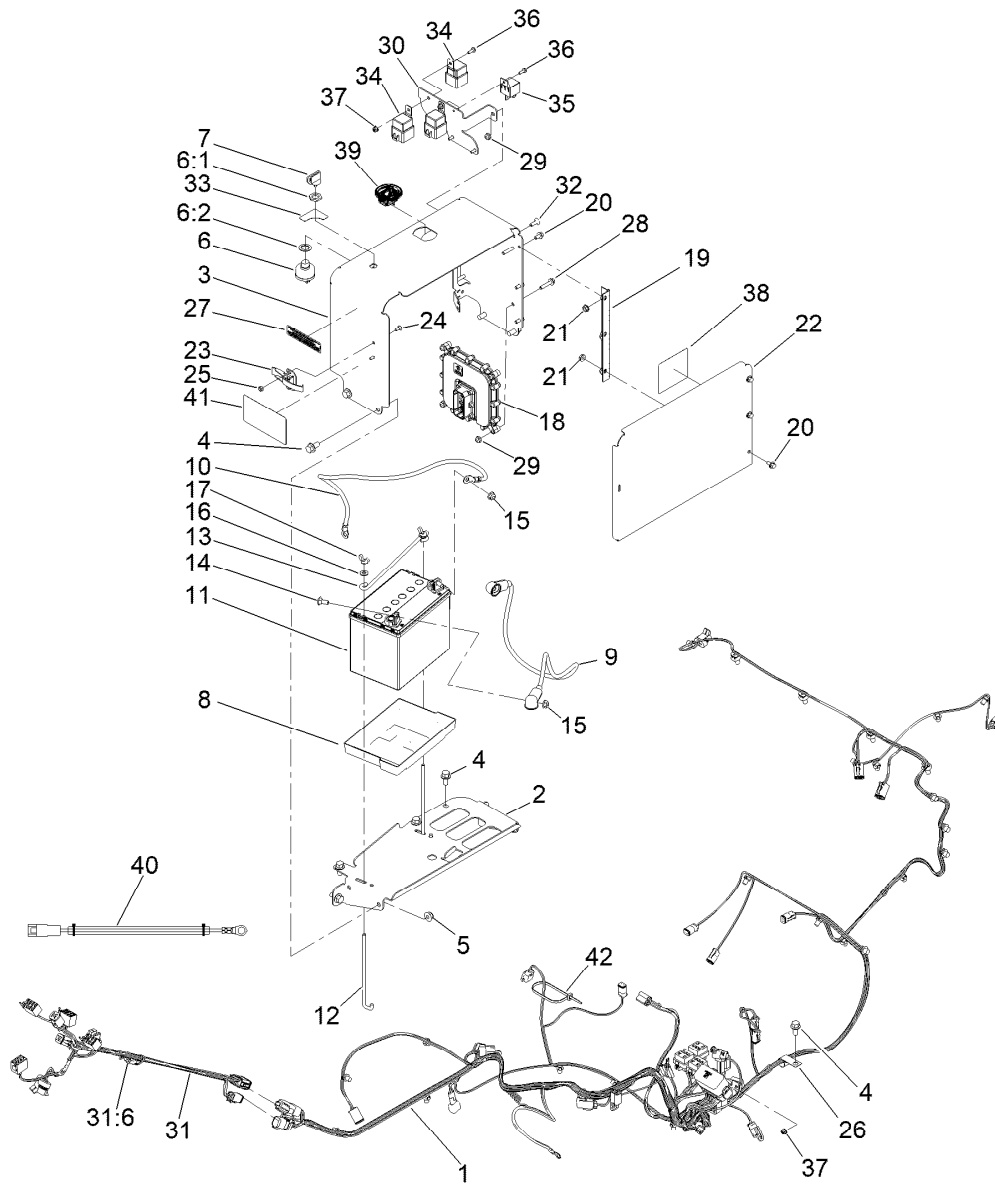
## Hood Assembly

<i>Ref.</i>	<i>Part Number</i>	<i>Qty.</i>	<i>Description</i>	<i>Ref.</i>	<i>Part Number</i>	<i>Qty.</i>	<i>Description</i>
1	106-8846-03	1	Frame-Hood	9	3296-42	4	Nut-Lock, NI
2	115-4737-03	1	Lever-Hood	10	140-8780	1	Hood-Front
3	2411-41	1	Rod End-Ball Joint	11	100-2400	4	Washer
4	3256-22	2	Washer-Flat	12	321-10	4	Screw-HH
5	104-8310	2	Ring-Retaining	13	117-8347	1	Nut-Shoulder
6	106-8928	1	Hook ASM	14	117-8339	1	Lanyard-3 Inch
7	69-9140	1	Link-Lever, Valve	15	3234-42	1	Screw-HHF
8	3272-1	2	Pin-Cotter	16	3290-55	1	Rivet-Pop



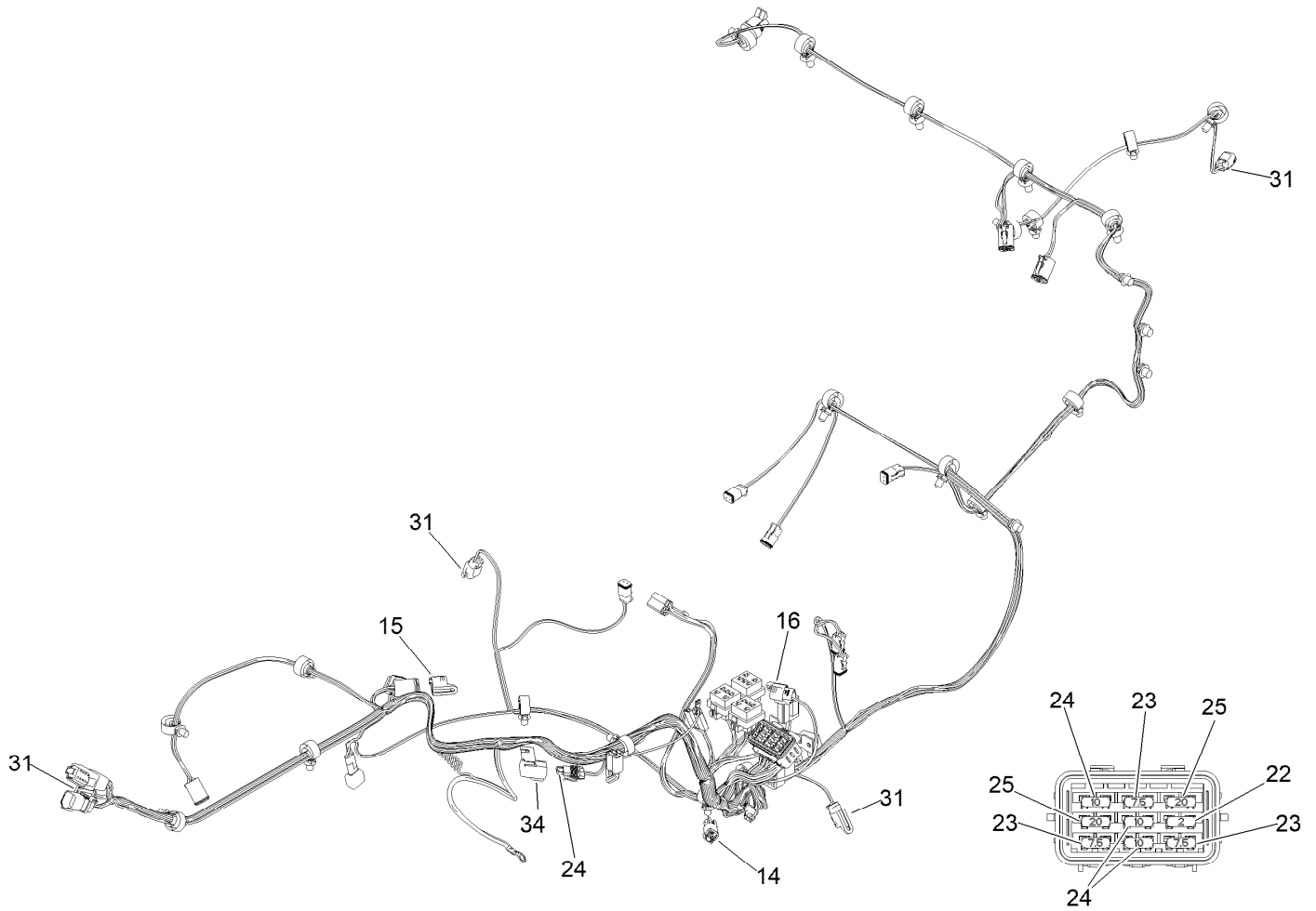
## Electrical Assembly

Ref.	Part Number	Qty.	Description	Ref.	Part Number	Qty.	Description
1	122-1868	1	Harness-Wire, Pc648 Whm	20	3234-13	6	Screw-HHF
2	140-8845-01	1	Base-Battery	21	32128-33	6	Nut-HF
3	140-8621-01	1	Console	22	140-8701-01	1	Cover-Console
4	3234-1	10	Screw-HHF	23	249-21	1	Clamp-Slotted
5	104-8301	4	Nut-HF, NI	24	104-1450	2	Bolt-CARR
6	83-0020	1	Switch-Ignition	25	3296-2	2	Nut-Lock, NI
6:1	218-461	1	Nut-HH	26	2412-150	1	Clip-J
6:2	3254-5	1	Washer-Lock	27	133-8062	1	Decal-Spark Arrestor
7	63-8360	1	Key-Ignition	28	127-8639	4	Screw-HHF
8	106948	1	Tray-Battery	29	104-7201	5	Nut-HF, NI
9	106-8945	1	Cable-Battery, Positive	30	140-8754	1	Brkt-Controls
10	106-8946	1	Cable-Battery, Negative	31	122-2170	1	Harness-Wire, Pc648, Console
11	99-7421	1	Battery- Wet, 12V, 300 CCA	31:6	32180-282	1	Resistor-120 Ohm
12	100-6435	2	Post-Battery	32	1-807512	1	Bolt-CARR
13	100-6434	1	Rod-Hold Down, Battery	33	130-7360	1	Decal-Ignition
14	3230-1	2	Bolt-CARR	34	99-7430	4	Relay-Mini
15	104-8300	2	Nut-HF, NI	35	99-7435	1	Relay
16	3256-23	2	Washer-Plain	36	32105-23	5	Screw
17	32103-22	2	Nut-Wing	37	120-4578	5	Nut-HF
18	127-2770	1	Controller	38	139-8691	1	Decal-Fuse
19	106-8908	1	Hinge-Console				



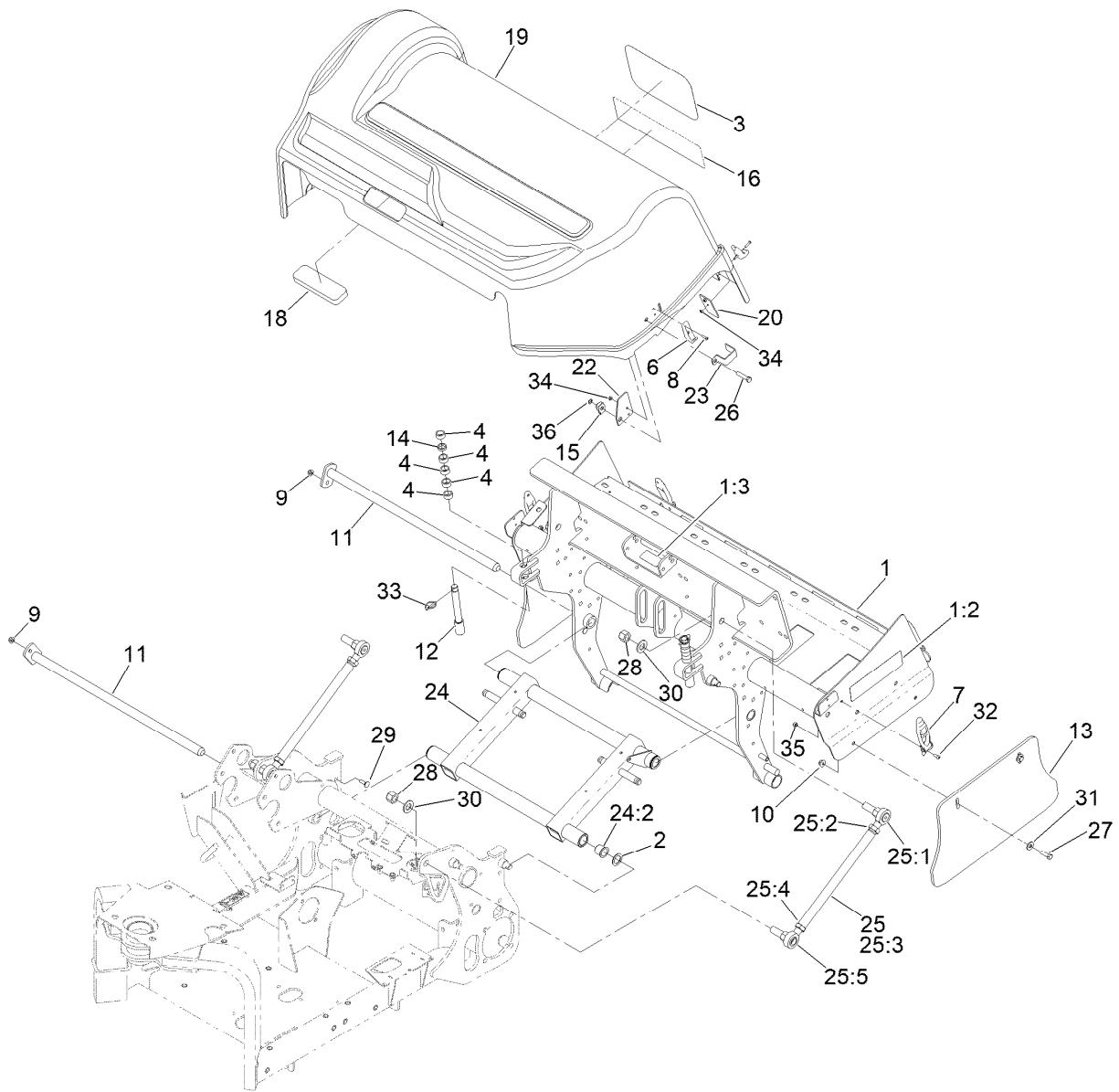
## Electrical Assembly (continued)

<i>Ref.</i>	<i>Part Number</i>	<i>Qty.</i>	<i>Description</i>	<i>Ref.</i>	<i>Part Number</i>	<i>Qty.</i>	<i>Description</i>
39	144-9891	1	Tachometer-Inductive, Round	41	139-8653	1	Decal -Service Instructions
40	108-9455	1	Harness-Wire, Fusible Link	42	3290-379	7	Tie-Cable



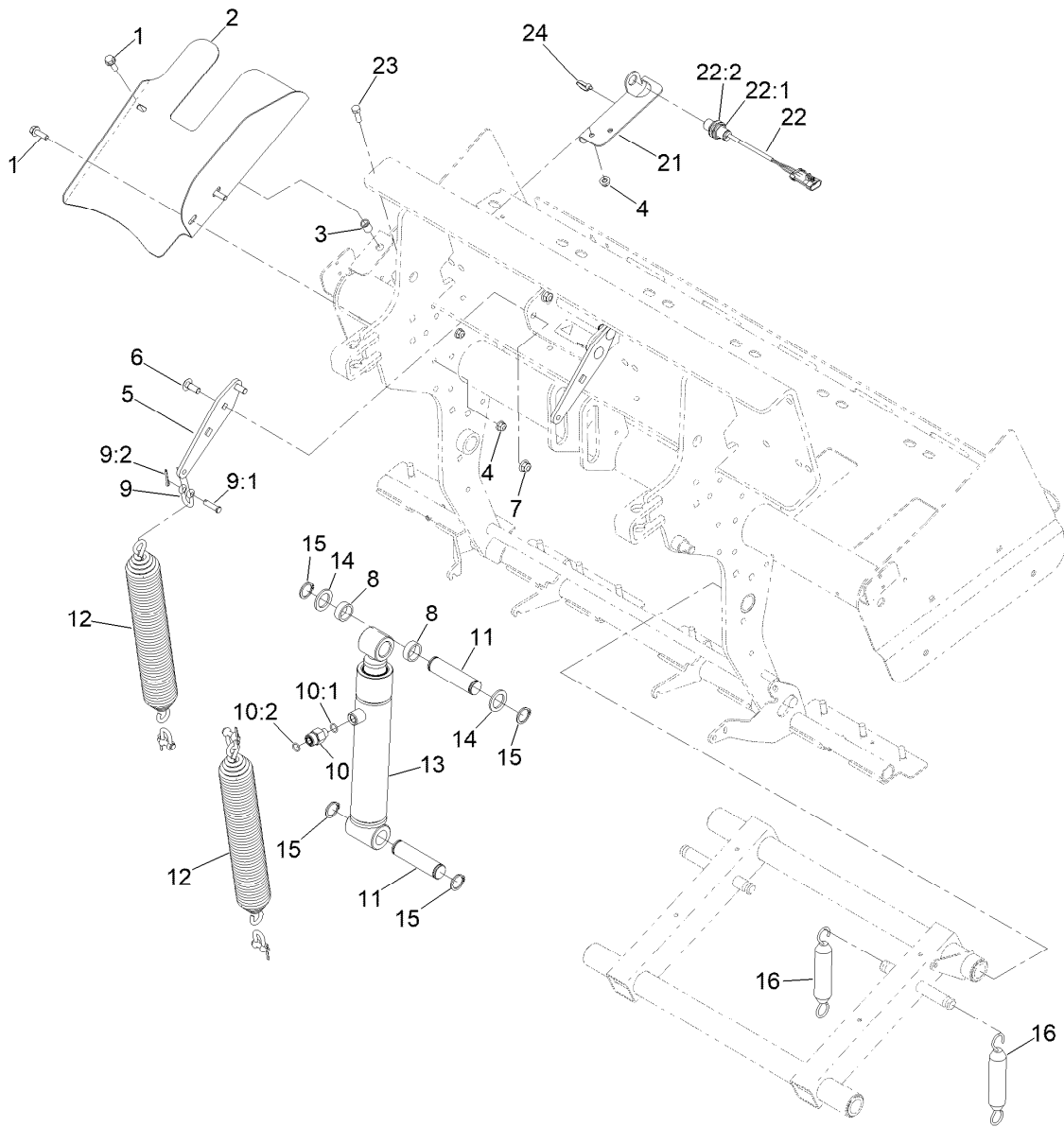
## Wire Harness Assembly No. 122-1868

<i>Ref.</i>	<i>Part Number</i>	<i>Qty.</i>	<i>Description</i>
14	32180-282	1	Resistor-120 Ohm
15	32180-156	1	Cap-Plug, 6 Way
16	32180-089	1	Cap-Plug, 3 Way
22	121-8861	1	Fuse-Mini Blade, 2 Amp
23	121-8865	3	Fuse-Mini Blade, 7.5 Amp
24	121-8866	4	Fuse-Mini Blade, 10 Amp
25	121-8868	2	Fuse-Mini Blade, 20 Amp
31	32180-091	4	Cap-Dust, 2 Way
34	32180-101	1	Cover-Fuse, Single



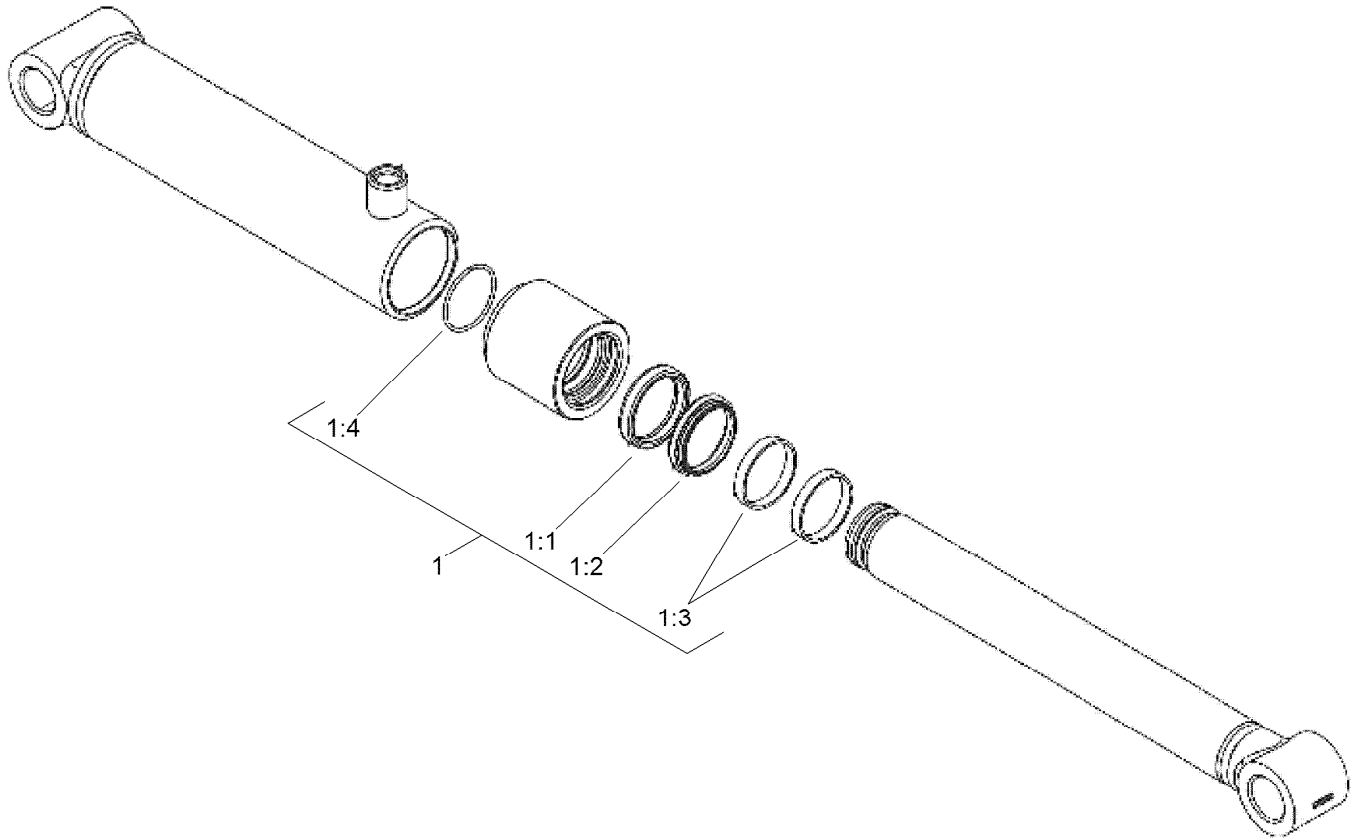
## Rear Frame and Hood Assembly

Ref.	Part Number	Qty.	Description	Ref.	Part Number	Qty.	Description
1	140-8571	1	Rear Frame ASM	23	110-4673	2	Lock-Latch, CE
1:2	140-8960	3	Decal-Warning, Procore	24	139-7991	1	H-Frame ASM
1:3	93-6696	1	Decal-Warning	24:2	126-1963	4	Bushing-Pivot
2	10-8110	4	Washer-Thrust	25	114-2702	2	Link ASM
3	67-7310	1	Decal	25:1	105-1025	1	End-Rod
4	74-3730	10	Spacer-Spindle, Rear	25:2	3220-17	1	Nut-Jam, LH
6	103-2897	4	Latch-Catch	25:3	105-1007	1	Link-Upper
7	103-2898	4	Latch-Rubber	25:4	3220-7	1	Nut-Jam
8	104-2408	8	Screw-HSBH	25:5	2411-40	1	End-Rod
9	104-8300	2	Nut-HF, NI	26	323-53	2	Screw-HH
10	104-8301	4	Nut-HF, NI	27	323-7	4	Screw-HH
11	105-0950	2	Pivot Shaft ASM	28	3296-50	4	Nut-Lock, NI
12	105-1004	2	Pin-Stop, Depth	29	3230-2	2	Bolt-CARR
13	105-1069	2	Shield-Side	30	92-5836	4	Washer
14	105-3828	2	Spacer	31	3256-4	4	Washer-Flat
15	105-4886	2	Nut-Tinnerman	32	3274-31	4	Screw-HSBH
16	140-8964	1	Decal-Procore 648S	33	3290-495	2	Pin-Klik
18	107-7507	3	Pad-Foam	34	3296-2	8	Nut-Lock, NI
19	144-9858	1	Hood - Rear	35	3296-42	4	Nut-Lock, NI
20	110-1499	2	Plate-Reinforcement	36	32151-72	2	Ring-Retaining
22	110-4672	2	Plate-Reinforcement				



## Belt Shield Assembly

Ref.	Part Number	Qty.	Description	Ref.	Part Number	Qty.	Description
1	3234-17	3	Screw-HHF	10:2	237-30	1	O-Ring
2	105-1092-01	1	Shield-Top, Belt	11	105-1031	2	Pin-Cylinder
3	32148-7	1	Nut-Clinch	12	105-1156-03	2	Spring-Extension
4	104-8300	4	Nut-HF, NI	13	140-2205	1	Cylinder-Hydraulic
5	105-1190-01	2	Plate-Tension, Spring	14	256-115	2	Washer-Thrust
6	3231-2	4	Bolt-CARR	15	32151-36	4	Ring-Retaining
7	104-8301	4	Nut-HF, NI	16	66-4270	2	Spring-Extension
8	88-7530	2	Spacer	21	140-2277	1	Bracket-Sensor
9	282-4	4	Shackle	22	115-0282	1	Proximity Sensor ASM
9:1	283-6	1	Pin-Clevis	22:1	117-3207	2	Nut-Hex
9:2	3272-11	1	Pin-Cotter	22:2	117-3208	2	Washer-Lock, Internal Tooth
10	340-5	1	Fitting-Straight	23	322-5	2	Screw-HH
10:1	237-42	1	O-Ring	24	3290-378	1	Tie-Cable

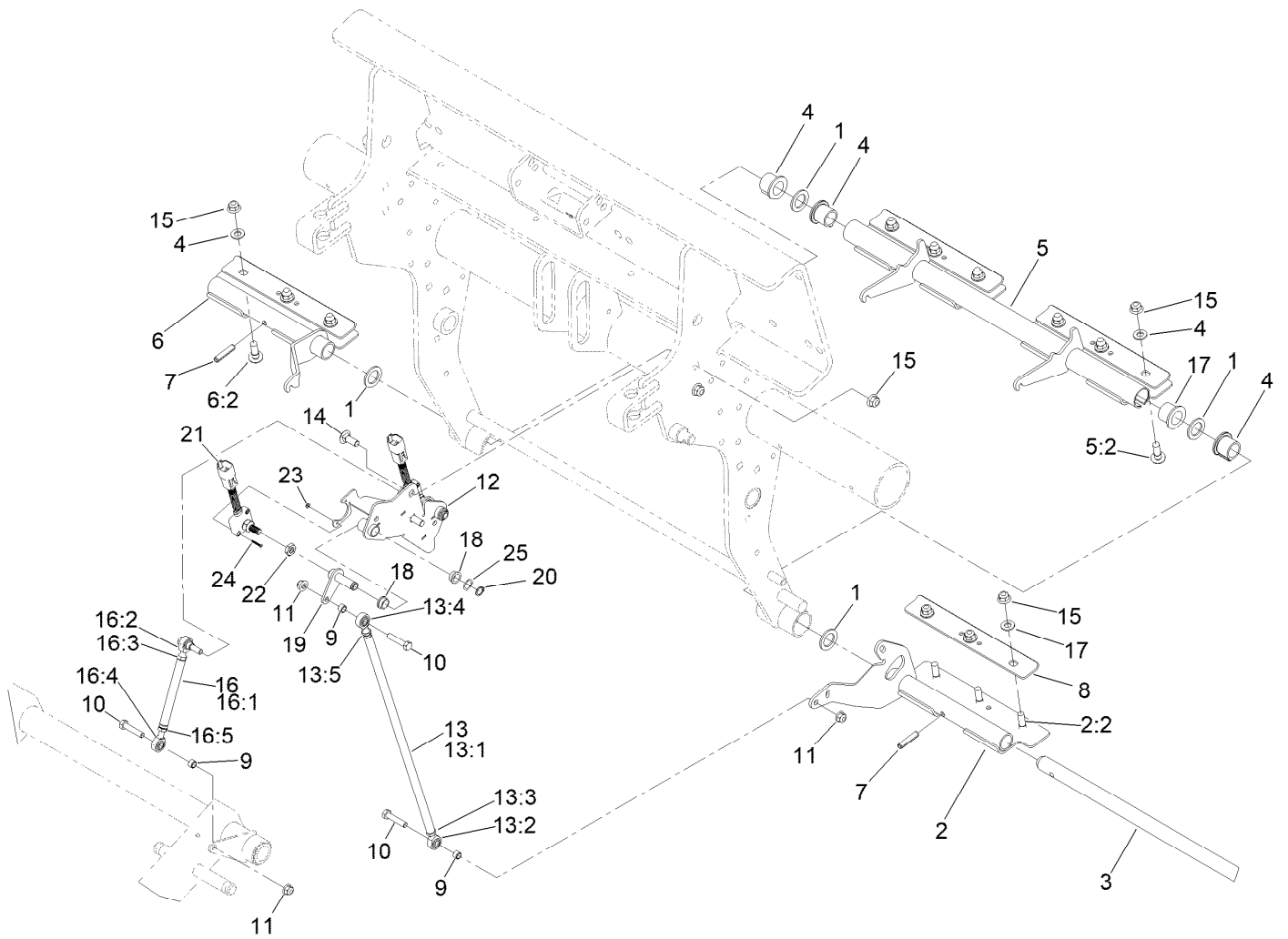


## Hydraulic Cylinder Assembly No. 140-2205

<i>Ref.</i>	<i>Part Number</i>	<i>Qty.</i>	<i>Description</i>
1	140-2207	1	Seal Kit
1:1		1	Rod Seal ●
1:2		1	Rod Wiper ●
1:3		2	Wear Ring ●
1:4		1	Wire Ring ●

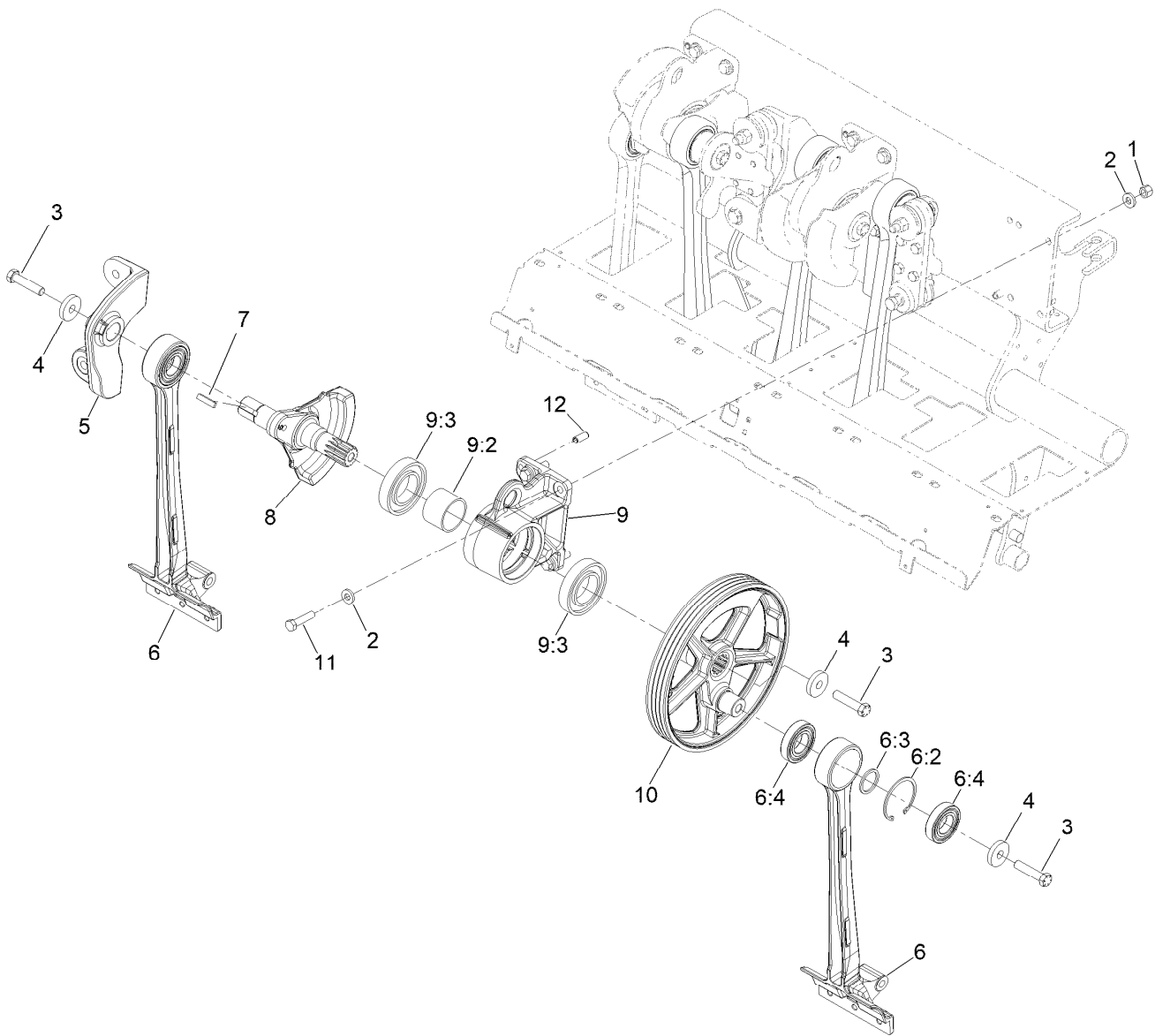
● Not serviced separately





## Turf Guard Mount Assembly

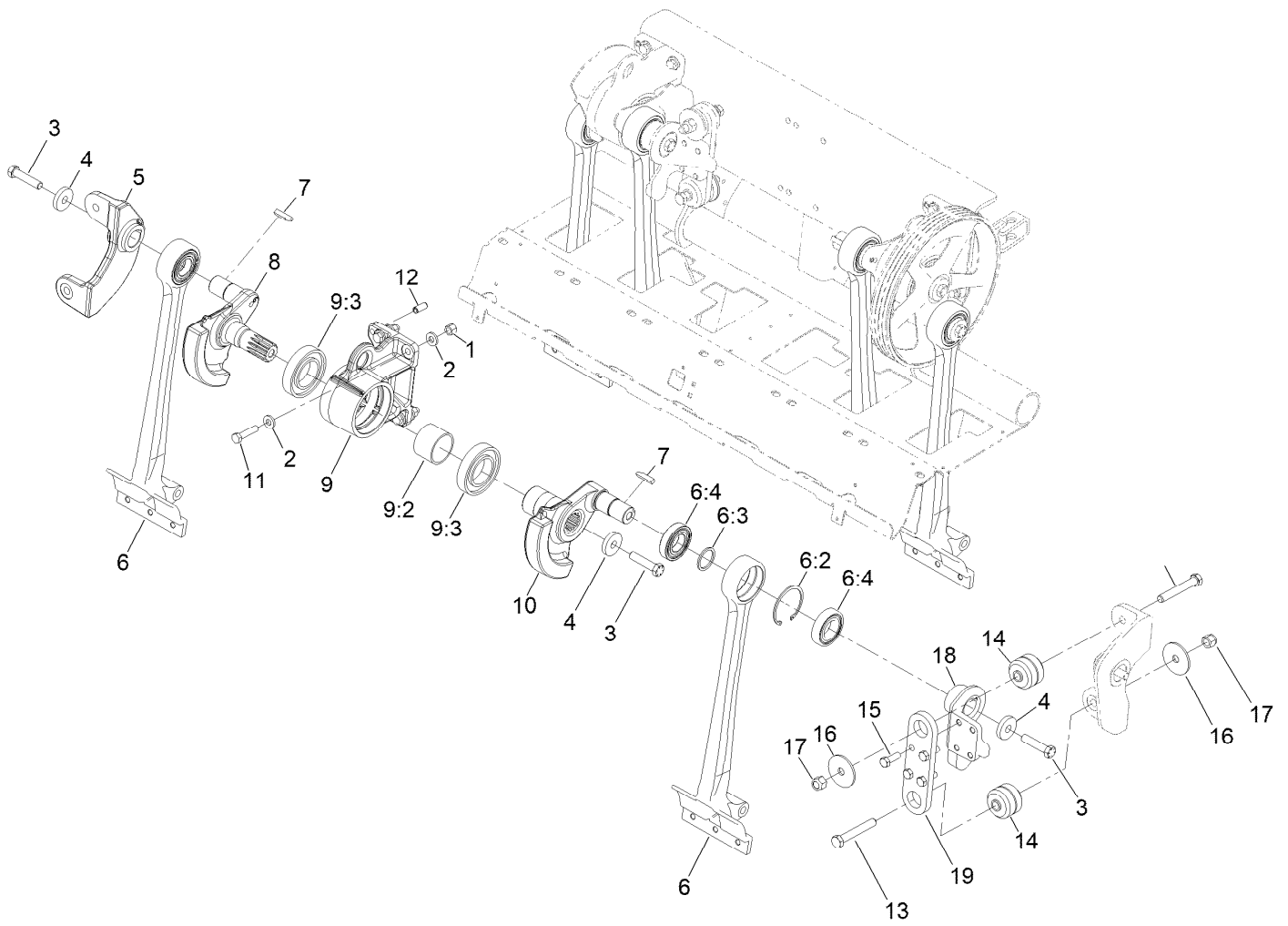
<i>Ref.</i>	<i>Part Number</i>	<i>Qty.</i>	<i>Description</i>	<i>Ref.</i>	<i>Part Number</i>	<i>Qty.</i>	<i>Description</i>
1	3-7898	4	Washer-Thrust	13:4	2411-53	1	Bearing-Rod End, LH
2	140-6451	1	Bracket ASM-Turf Guard, LH	13:5	3220-20	1	Nut-Jam
2:2	125-3318	3	Screw-Neck, Rib	14	3231-2	2	Bolt-CARR
3	105-1024	1	Shaft-Guard, Turf	15	104-8301	14	Nut-HF, NI
4	107-7581	4	Bushing-Flange, Keyed	16	140-8619	1	Control Rod ASM
5	140-6460	1	Bracket ASM-Turf Guard, Center	16:1	140-8618	1	Rod-Control, Sensor
5:2	125-3318	6	Screw-Neck, Rib	16:2	2411-52	1	Bearing-Rod End, RH
6	140-6450	1	Bracket ASM-Turf Guard, RH	16:3	3220-2	1	Nut-Jam
6:2	125-3318	3	Screw-Neck, Rib	16:4	2411-53	1	Bearing-Rod End, LH
7	32121-25	2	Pin-Roll	16:5	3220-20	1	Nut-Jam
8	110-4274-03	4	Clamp-Guard, Turf	17	3256-24	12	Washer-Plain
9	92-3133	4	Spacer-Lever, Traction	18	256-156	4	Bushing-Flange
10	322-7	4	Screw-HH	19	139-7999	2	Lever ASM
11	104-8300	4	Nut-HF, NI	20	32151-61	2	Ring-Retaining
12	140-8661-01	1	Sensor Bracket ASM	21	122-0914	2	Sensor-Rotary, Body/Magnet Matched Set
13	140-2252	1	Control Rod ASM	22	112-8617	2	Nut-Hex
13:1	139-7994	1	Rod-Control, Depth	23	3296-52	4	Nut-Lock, NI
13:2	2411-52	1	Bearing-Rod End, RH	24	140-8959	4	Screw-Fht
13:3	3220-2	1	Nut-Jam	25	108473	2	Washer-Wave



## RH Crankarm Assembly

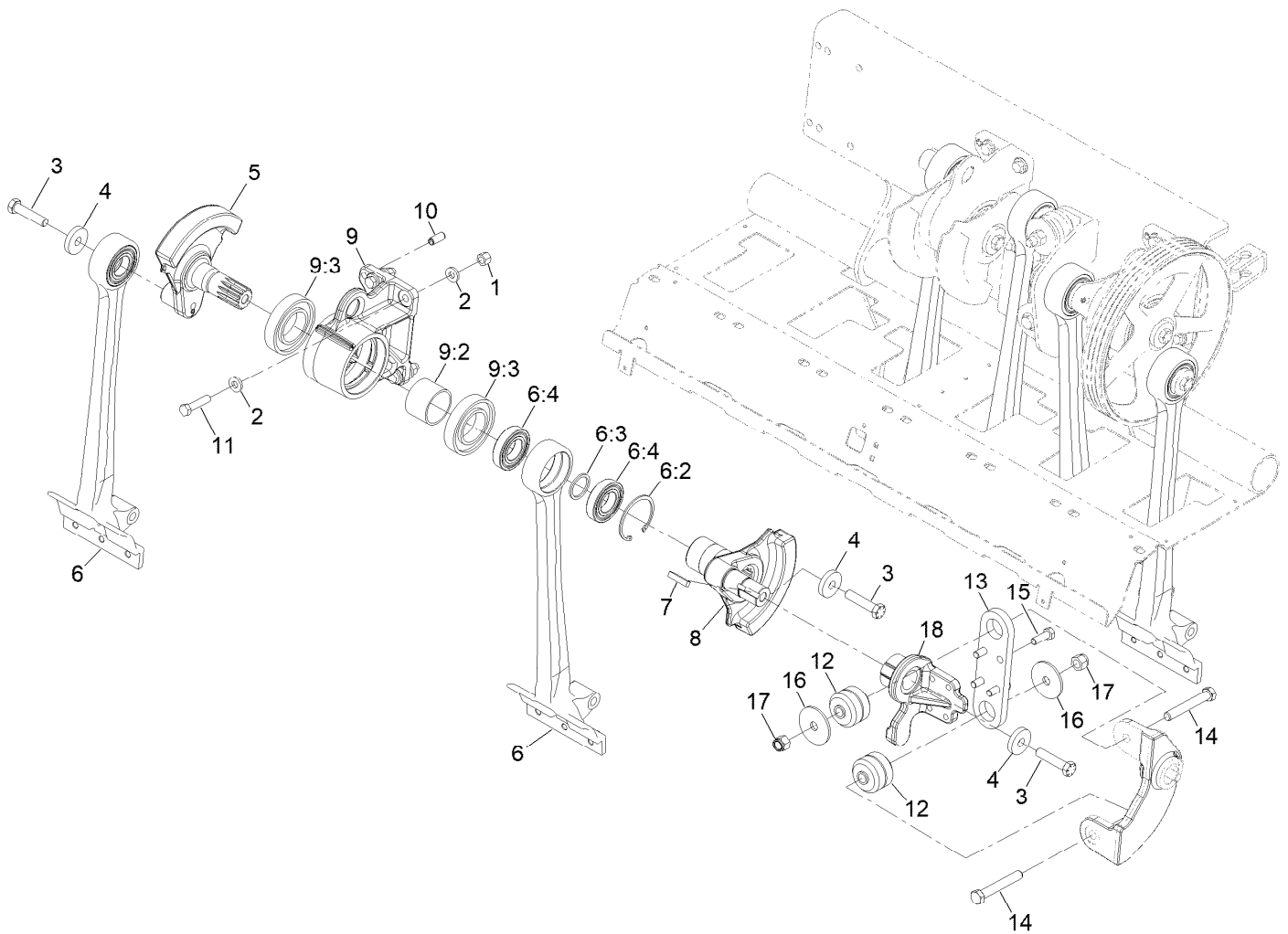
<i>Ref.</i>	<i>Part Number</i>	<i>Qty.</i>	<i>Description</i>
1	3296-23	4	Nut-Lock, NI
2	107-3395	8	Washer-Hardened
3	110-4614	3	Screw-HH
4	105-1016	3	Washer-Hardened
5	110-4567	1	Coupling-No. 2
6	140-8809	2	Stomper Arm ASM
6:2	32151-76	1	Ring-Retaining, Internal
6:3	110-4557	1	Spacer-Bearing
6:4	140-8808	2	Bearing

<i>Ref.</i>	<i>Part Number</i>	<i>Qty.</i>	<i>Description</i>
7	110-4546	1	Key-Square
8	110-4571	1	Crankarm-No. 2, 4, 6
9	115-4703	1	Housing ASM
9:2	105-1017	1	Spacer
9:3	105-0965	2	Bearing-Ball
10	114-1458	1	Pulley-Crankshaft
11	325-9	4	Screw-HH
12	105-1041	2	Pin-Spring



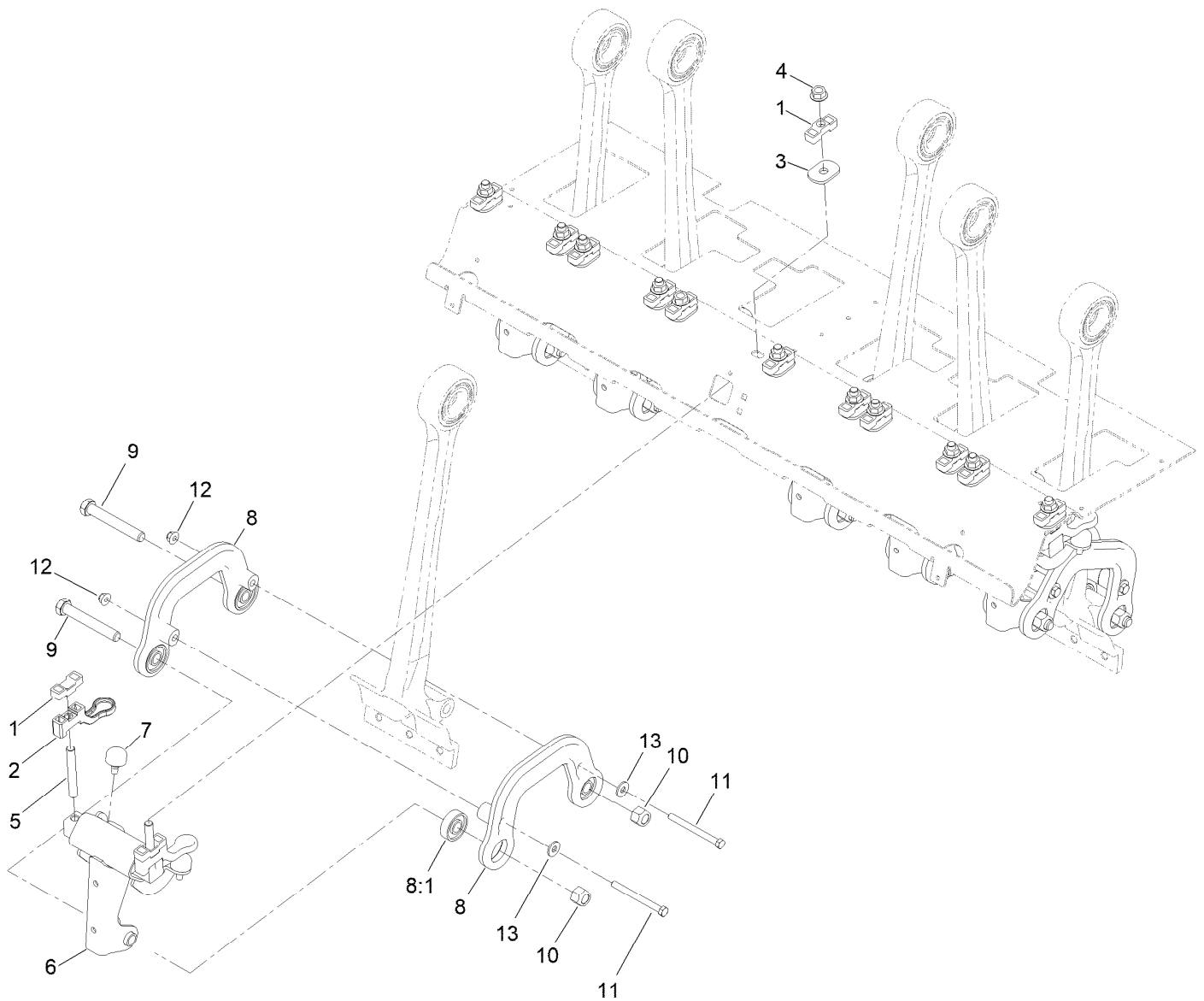
## Center Crankarm Assembly

<i>Ref.</i>	<i>Part Number</i>	<i>Qty.</i>	<i>Description</i>	<i>Ref.</i>	<i>Part Number</i>	<i>Qty.</i>	<i>Description</i>
1	3296-23	4	Nut-Lock, NI	9:2	105-1017	1	Spacer
2	107-3395	8	Washer-Hardened	9:3	105-0965	2	Bearing-Ball
3	110-4614	3	Screw-HH	10	110-4572	1	Crankarm-No. 3, 5, 7
4	105-1016	3	Washer-Hardened	11	325-9	4	Screw-HH
5	110-4569	1	Coupling-No.4	12	105-1041	2	Pin-Spring
6	140-8809	2	Stomper Arm ASM	13	327-29	2	Screw-HH
6:2	32151-76	1	Ring-Retaining, Internal	14	105-0963	2	Mount-ISO, Crank
6:3	110-4557	1	Spacer-Bearing	15	325-6	4	Screw-HH
6:4	140-8808	2	Bearing	16	110-4549	2	Washer-Snubbing
7	110-4546	2	Key-Square	17	3296-53	2	Nut-Lock, NI
8	110-4571	1	Crankarm-No. 2, 4, 6	18	110-4568	1	Coupling-No. 3
9	115-4703	1	Housing ASM	19	105-0974-03	1	Plate-Coupling



## LH Crankarm Assembly

<i>Ref.</i>	<i>Part Number</i>	<i>Qty.</i>	<i>Description</i>	<i>Ref.</i>	<i>Part Number</i>	<i>Qty.</i>	<i>Description</i>
1	3296-23	4	Nut-Lock, NI	9:2	105-1017	1	Spacer
2	107-3395	8	Washer-Hardened	9:3	105-0965	2	Bearing-Ball
3	110-4614	3	Screw-HH	10	105-1041	2	Pin-Spring
4	105-1016	3	Washer-Hardened	11	325-9	4	Screw-HH
5	110-4576	1	Crankarm-No.6	12	105-0963	2	Mount-ISO, Crank
6	140-8809	2	Stomper Arm ASM	13	105-0974-03	1	Plate-Coupling
6:2	32151-76	1	Ring-Retaining, Internal	14	327-29	2	Screw-HH
6:3	110-4557	1	Spacer-Bearing	15	325-6	4	Screw-HH
6:4	140-8808	2	Bearing	16	110-4549	2	Washer-Snubbing
7	110-4546	1	Key-Square	17	3296-53	2	Nut-Lock, NI
8	110-4572	1	Crankarm-No. 3, 5, 7	18	110-4570	1	Coupling-No.5
9	115-4703	1	Housing ASM				



## Damper Link Assembly

<b>Ref.</b>	<b>Part Number</b>	<b>Qty.</b>	<b>Description</b>
1	110-4507	24	Standoff-Rotolink
2	110-4506	12	Bumper-Rotolink
3	107-7543	12	Washer-Hardened
4	32128-23	12	Nut-HF
5	110-4504	12	Stud
6	106-8922	6	Damper
7	87-2440	12	Bumper-Rubber
8	140-6194	12	Link ASM-Damper
8:1	251-311	2	Bearing-Ball
9	327-29	12	Screw-HH
10	3296-53	12	Nut-Lock, NI
11	323-16	12	Screw-HH
12	104-8301	12	Nut-HF, NI
13	80-6990	12	Washer-Hardened

# Attachments and Accessories

## For 09960 ProCore 648s Aerator

<b>Product Name</b>	<b>Model/Part</b>
Windrower Kit .....	09220
Tire Scraper Kit.....	09225
Rear Roller Kit .....	09234
2 x 5 Mini Tine Head .....	09736
1 x 6 Mini Tine Head .....	09737
Needle Tine Head .....	09739
3/4in Three-Tine Head .....	09794
3/4in Four-Tine Head .....	09796
7/8in Three-Tine Head .....	09797
Light Kit-Procore 648s (09960) .....	09962
Yellow Hydraulic Fluid Cap (Tethered) .....	107-2174
Premium All Purpose Grease (Tube) .....	108-1190
Wireless Hourmeter .....	115-4754
Inline Fuel Filter .....	115-7854
Turf Guard 3 Tine (Short) .....	120-1044
Turf Guard 4 Tine (Short) .....	120-1045
4-Tine Turf Guard (long) .....	120-1046
Turf Guard 5 Tine (Short) .....	120-1047
Turf Guard 6 Tine (Short) .....	120-1050
3-Tine Turf Guard (long) .....	120-1051
5-Tine Turf Guard (long) .....	120-1052
6-Tine Turf Guard (long) .....	120-1053
Premium Engine Oil 10w30 (55 Gallon Drum) .....	121-6392
Premium Engine Oil 10w30 (5 Gallon Pail) .....	121-6393
Head Bearing Kit.....	131-4876
PX Hydraulic Fluid (5 Gal) .....	133-8086
PX Hydraulic Fluid (55 Gal).....	133-8087
Exhaust Silencer Screen .....	93-9911

**Notes:**



**Count on it.**