



**Count on it.**

**Parts Catalog**

**TimeCutter® Max 50in Zero Turn  
Riding Mower**

Model No. 77505—Serial No. 416947380 and Up



# Ordering Replacement Parts

To order replacement parts, please supply the part number, the quantity, and the description of each part desired.

## Understanding Reference Numbers

Each identified part in an illustration has a reference number. The reference number for a part also appears in the parts list, along with other information about the part.

This catalog uses two special reference number formats, one to indicate parts in a service assembly and another to indicate the quantity of a given part in an illustration.

## Service Assembly Reference Numbers

Parts in service assemblies have reference numbers in the form a:b. The a represents the reference number of the entire service assembly and the b represents a sequential number unique to each part within the service assembly.

For example, a wheel assembly might be identified by reference number 6, the tire by 6:1, the valve by 6:2, and the wheel by 6:3. When you order the assembly identified by reference number 6, you receive all parts identified by reference numbers 6:1, 6:2, and 6:3. However, you may also order any part individually. Reference numbers of this type appear in illustration and in parts lists.

## Reference Numbers Indicating Quantity

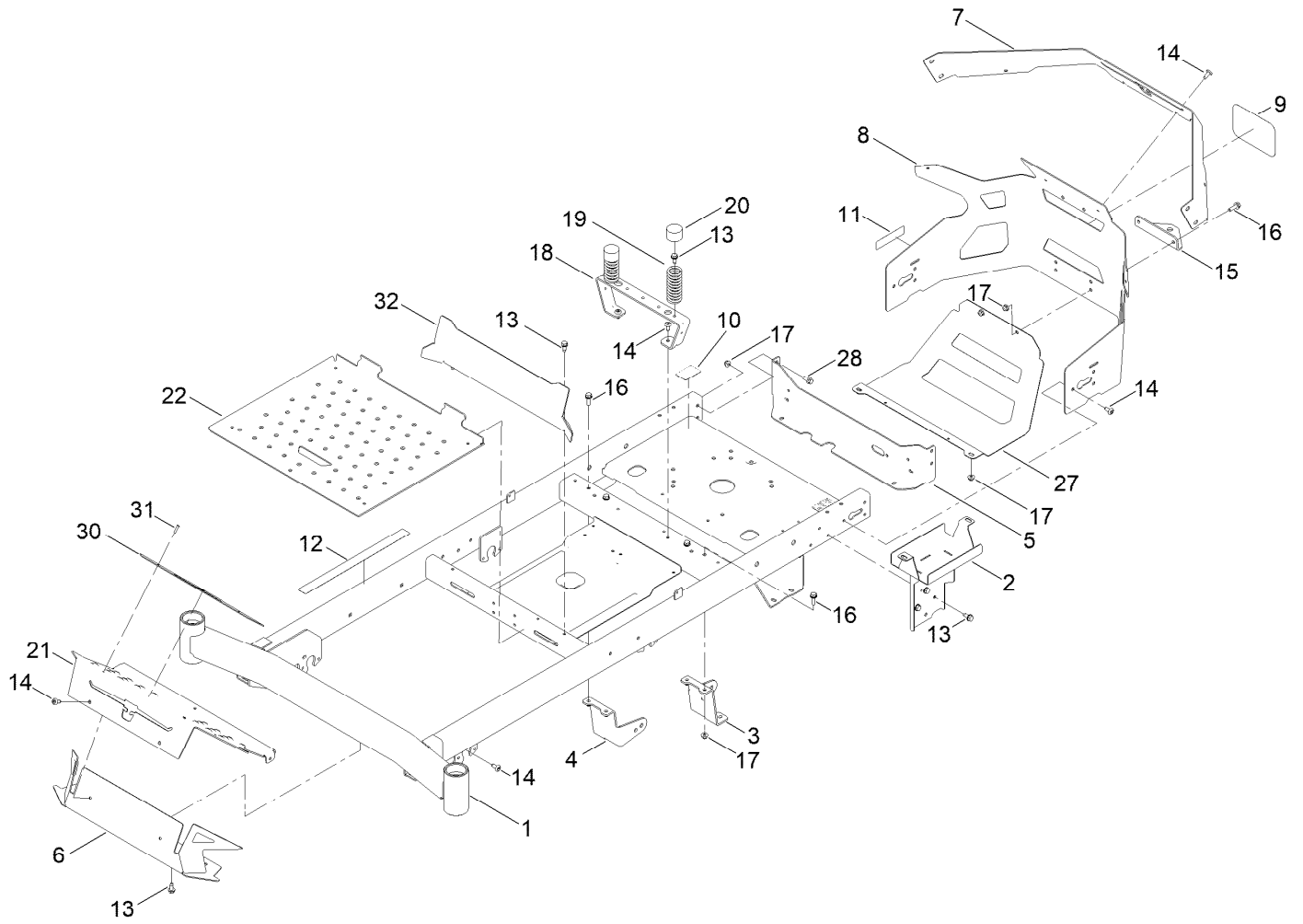
In an illustration, if a reference number indicates more than one part, the reference number has the form nX y. The n represents the quantity of the part, the X is the multiplication symbol, and the y represents the reference number.

For example, in an illustration, the reference number 2X 37 means that two of the parts identified by reference number 37 are indicated.

# Contents

Frame Assembly	4
Decklift Assembly	6
Caster Wheel Assembly	8
Wheel Assembly No. 145-4692	10
Traction Drive Assembly	12
LH Transaxle Assembly No. 139-7470	14
RH Transaxle Assembly No. 139-7471	16
Brake Assembly	18
Tire Assembly	20
Seat Pat Assembly	22
Motion Control Assembly	24
Engine and Muffler Assembly	26
Fuel Pod Assembly	28
Electrical Assembly	30
50in Deck and Decal Assembly	32
Model Specific Assembly	34
Clutch Assembly	36
Attachments and Accessories	38

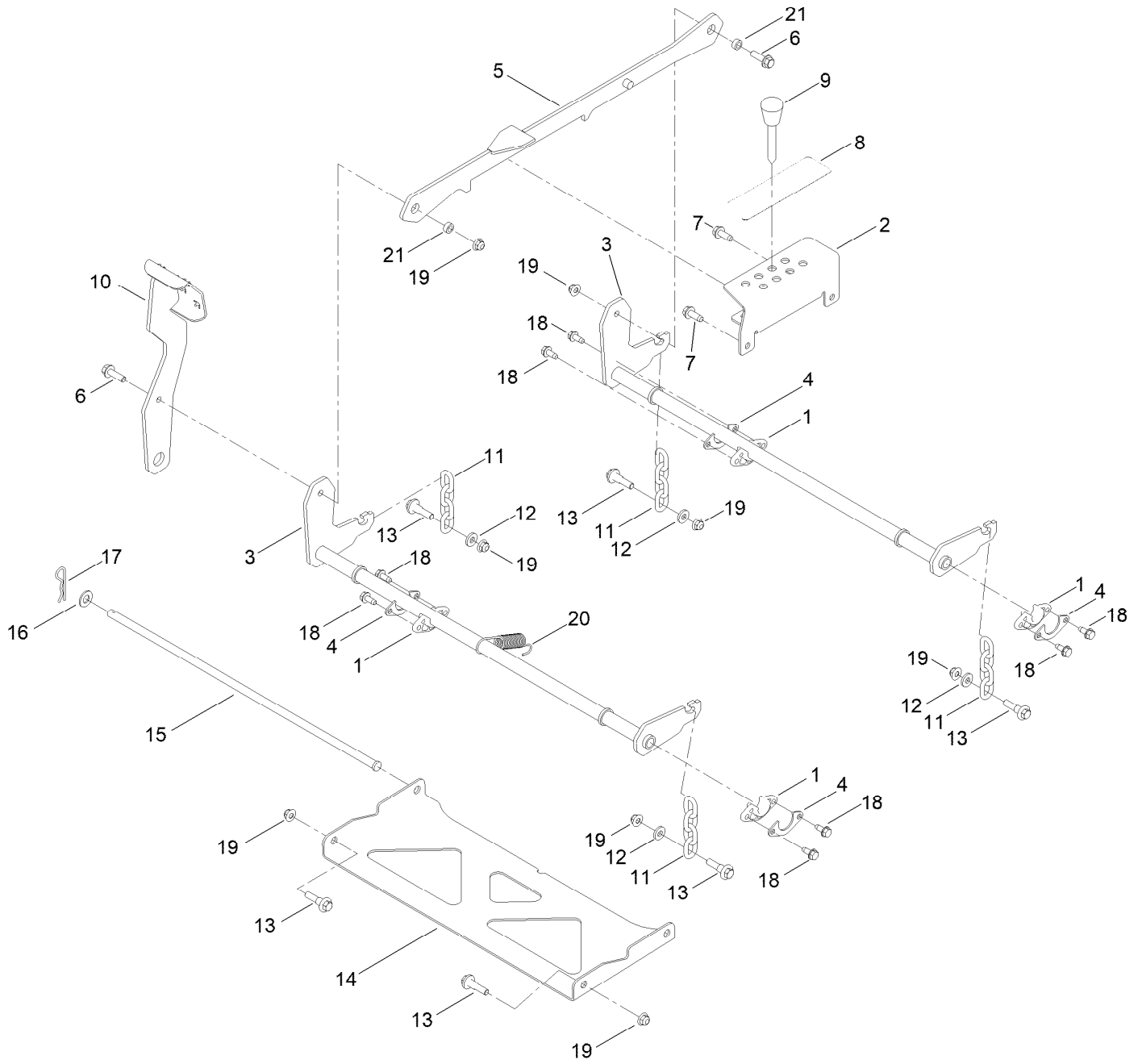
# Frame Assembly



## Frame Assembly (continued)

<i>Ref.</i>	<i>Part Number</i>	<i>Qty.</i>	<i>Description</i>	<i>Ref.</i>	<i>Part Number</i>	<i>Qty.</i>	<i>Description</i>
1	147-8723	1	Service ASM-Frame, Tc	15	117-1232-03	1	Bracket-Hitch
2	145-6283-01	1	Wa-Battery Mount	16	139-2596	6	Screw-HHF
3	161-6506-01	1	Mount-Drive, LH	17	119-4041	12	Nut-HF
4	161-6507-01	1	Mount-Drive, RH	18	145-6315-03	1	Support-Seat
5	147-8709-03	1	Plate-Mount	19	138-2548	2	Spring-Compression
6	147-2966-03	1	Footrest-Top	20	701178	2	Cap-Protector
7	147-2995-01	1	Plate-Rear Cladding Tc	21	145-6368-01	1	Plate-Kick
8	147-2994-03	1	Guard-Engine Tc	22	145-6370-01	1	Pan-Floor
9	99-4693	1	Decal	27	147-7717-03	1	Guard-Muffler [black]
10	161-6207	2	Decal-Bypass	28	139-2598	4	Screw-HHF
11	142-5864	1	Decal-Spark Arrester	30	147-8716-05	1	Plate- Toeboard
12	144-5288	1	Decal-Warning	31	130-8451	2	Rivet-Trifold
13	32144-70	9	Screw-HWHTF	32	147-5170-03	1	Plate-Kick
14	138-9753	16	Screw				

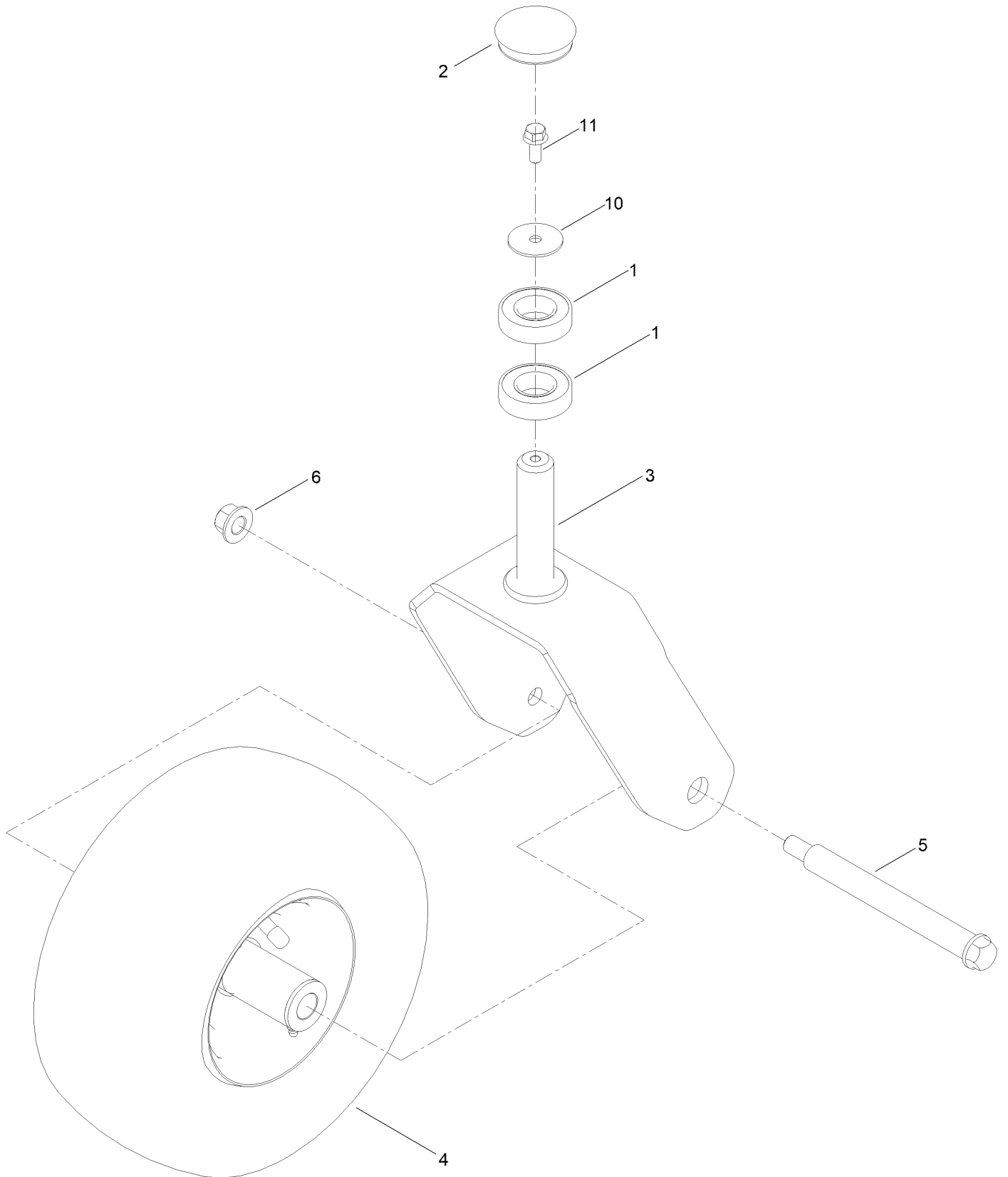
# Decklift Assembly



## Decklift Assembly (continued)

<i>Ref.</i>	<i>Part Number</i>	<i>Qty.</i>	<i>Description</i>	<i>Ref.</i>	<i>Part Number</i>	<i>Qty.</i>	<i>Description</i>
1	139-5872	4	Bearing-Flange	12	138-7207	4	Spacer-Hub, Blower
2	145-6257-01	1	Bracket-HOC	13	130-0742	6	Bolt-Shoulder
3	145-4645-01	2	Pivot ASM-Decklift [red]	14	145-6248-03	1	Pan-Deck Pivot
4	138-7204	4	Gusset-Deck Lift	15	145-6288	1	Pin-Deck
5	145-0557-01	1	Link ASM-HOC [red]	16	139-2611	1	Washer-Flat
6	119-4061	2	Screw-HHF	17	139-2562	1	Pin-Hair
7	139-2428	2	Screw-HWH	18	32144-70	8	Screw-HWHTF
8	147-2866	1	Decal-HOC, Tc	19	119-4042	8	Nut-HF, NI
9	140-2146	1	HOC Pin ASM	20	138-7206	1	Spring-Extension
10	145-6278-01	1	Pedal ASM [red]	21	140-2093	2	Spacer
11	138-7205	4	Chain-Decklift, 4-Link				

# Caster Wheel Assembly

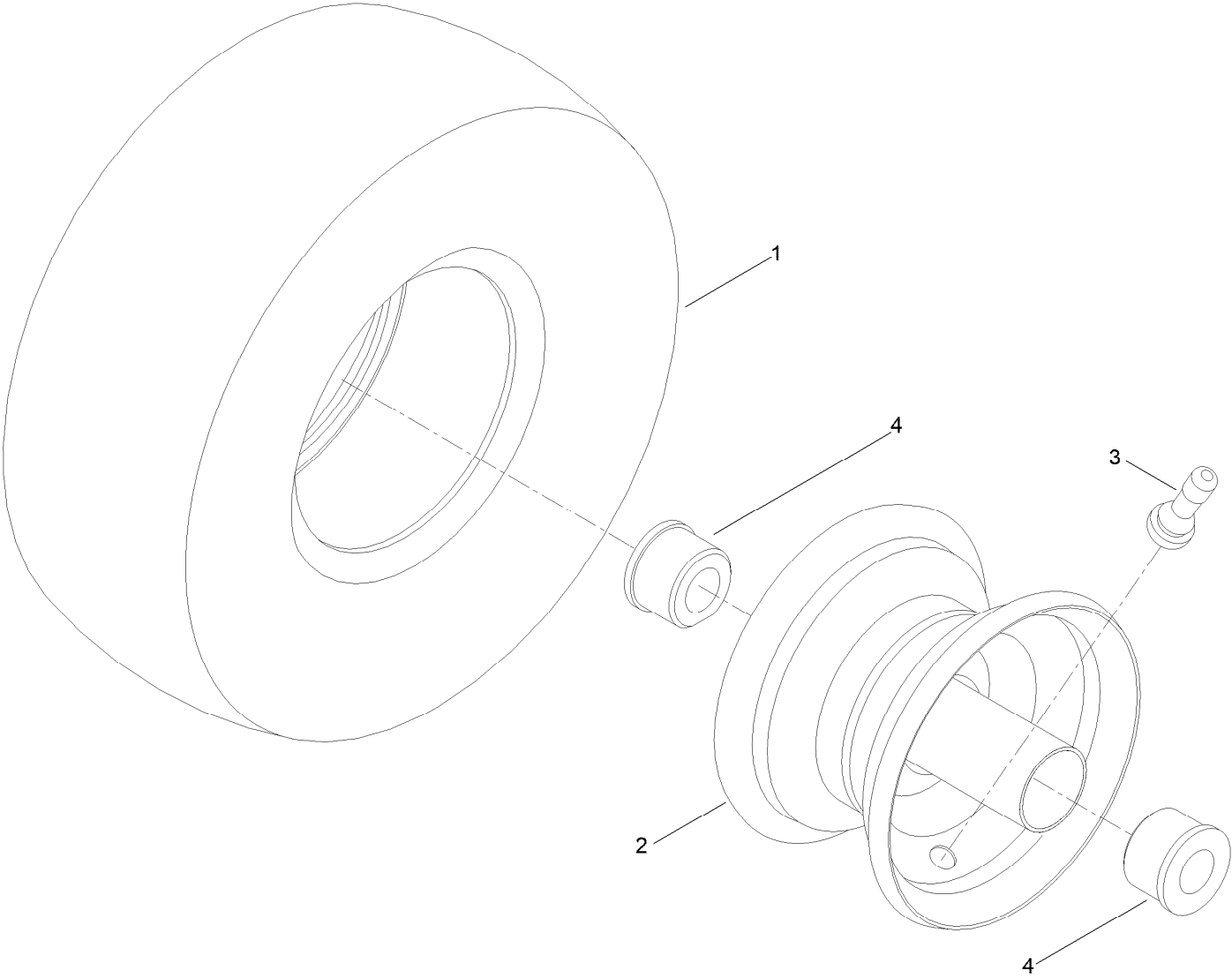




## Caster Wheel Assembly (continued)

<i>Ref.</i>	<i>Part Number</i>	<i>Qty.</i>	<i>Description</i>	<i>Ref.</i>	<i>Part Number</i>	<i>Qty.</i>	<i>Description</i>
1	109-3678	4	Bearing-Ball	5	145-4649	2	Screw-Shoulder HHF
2	144-0375	2	Cap, Grease	6	99-5107	2	Nut-Lock
3	145-4674-01	2	Fork	10	115-1151	2	Washer-Flat
4	145-4692	2	Wheel ASM - Caster 12X6-5	11	100-1668	2	Screw-HHF

# Wheel Assembly No. 145-4692

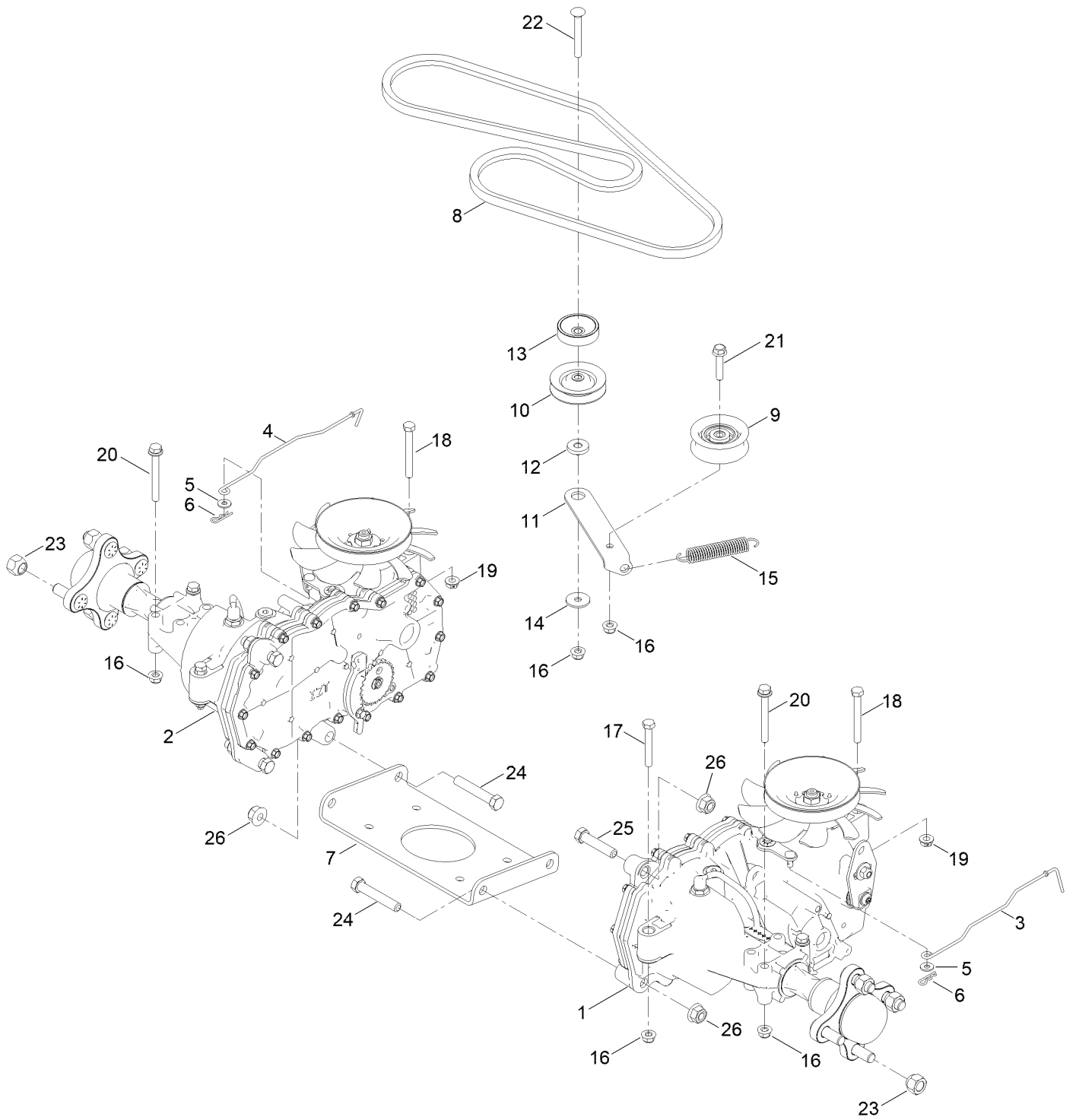


## Wheel Assembly No. 145-4692 (continued)

<i>Ref.</i>	<i>Part Number</i>	<i>Qty.</i>	<i>Description</i>
1	145-4672	1	Tire 12X6-5
2	145-4673	1	Wheel (W/ Zerk And Bushings)

<i>Ref.</i>	<i>Part Number</i>	<i>Qty.</i>	<i>Description</i>
3	232-27	1	Stem-Valve
4	114-1640	2	Bushing-Flange

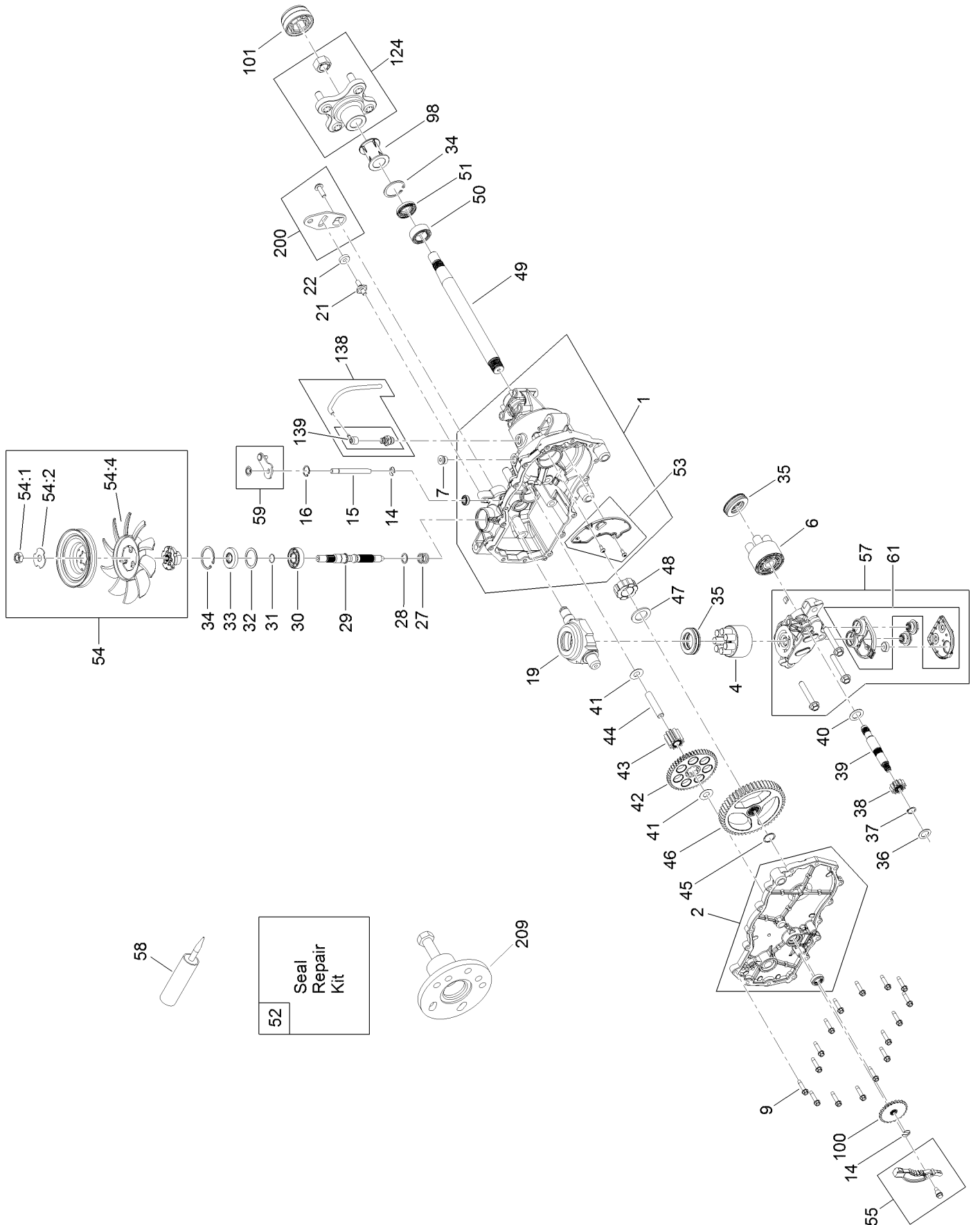
# Traction Drive Assembly



## Traction Drive Assembly (continued)

<i>Ref.</i>	<i>Part Number</i>	<i>Qty.</i>	<i>Description</i>	<i>Ref.</i>	<i>Part Number</i>	<i>Qty.</i>	<i>Description</i>
1	139-7470	1	LH Hydro Transaxle ASM	14	5-4460	1	Washer-Pivot
2	139-7471	1	RH Hydro Transaxle ASM	15	137-7040	1	Spring-Return, Pedal
3	147-2988	1	Rod-Bypass, LH	16	104-8300	8	Nut-HF, NI
4	147-2989	1	Rod-Bypass, RH	17	322-11	2	Screw-HH
5	119-8952	2	Washer-Spcl	18	145-6388	2	Screw-HH Spcl
6	3290-307	2	Pin-Cotter	19	139-2574	2	Nut-HF
7	145-6390-03	1	Plate-Cross Hydro	20	138-7590	4	Screw-HHF
8	145-6361	1	V-Belt (A Sec 63.8 EI)	21	115-1794	1	Screw-HHF
9	138-7597	1	Pulley-Idler, Flat	22	3230-8	1	Screw-CARR
10	68-0030	1	Idler	23	139-2564	8	Nut-Lug
11	147-2925	1	Arm-Idler	24	324-10	4	Screw-HH
12	138-7277	1	Spacer-Arm, Idler	25	324-8	2	Screw-HH
13	138-9809	1	Spacer	26	114-8417	6	Nut-HF, NI

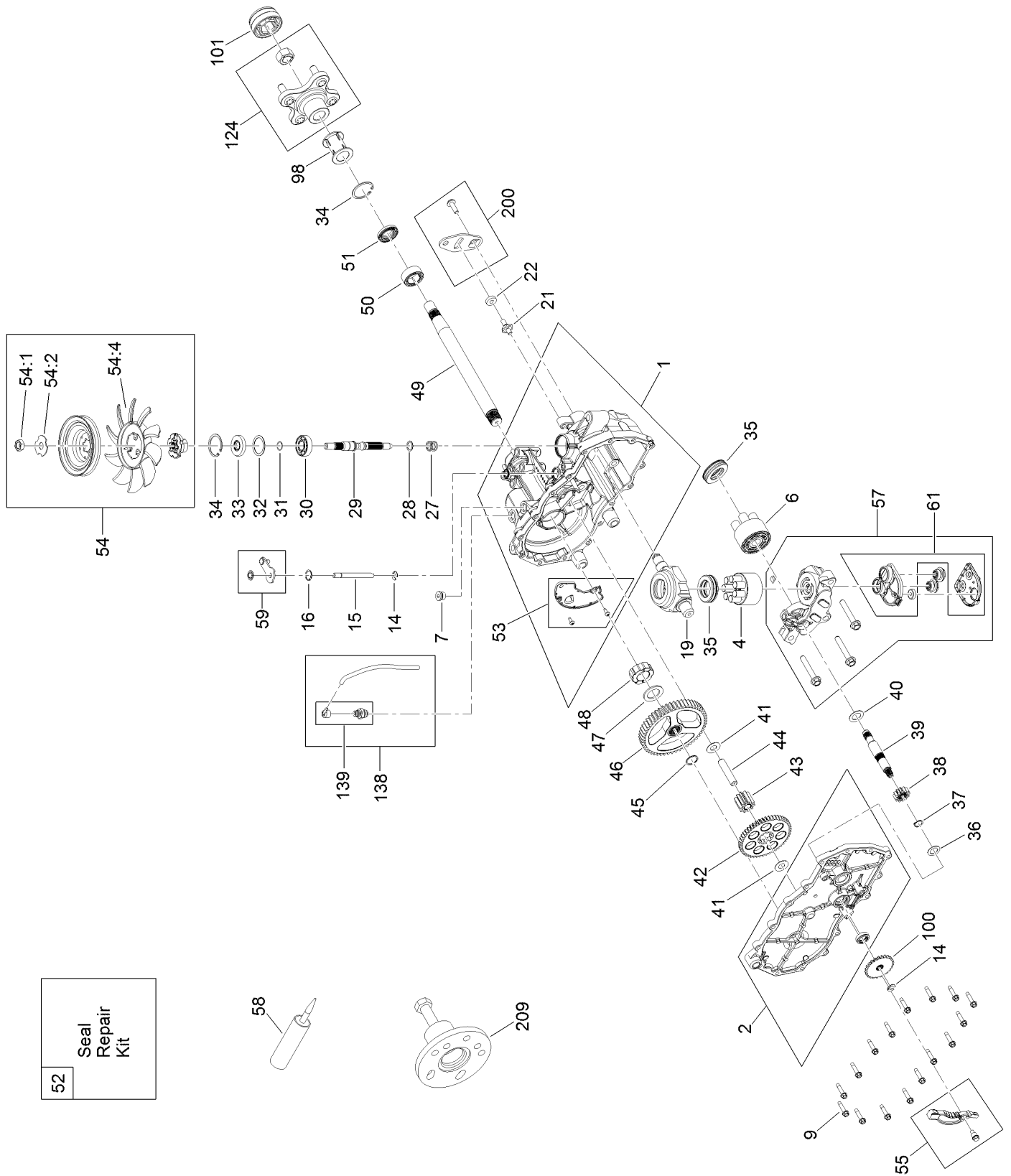
# LH Transaxle Assembly No. 139-7470



## LH Transaxle Assembly No. 139-7470 (continued)

<i>Ref.</i>	<i>Part Number</i>	<i>Qty.</i>	<i>Description</i>	<i>Ref.</i>	<i>Part Number</i>	<i>Qty.</i>	<i>Description</i>
1	106-8695	1	Main Housing ASM	44	104-5329	1	Pin-Jackshaft
2	106-8696	1	Side ASM	45	112-9854	1	Ring-Spiral, Retaining
4	110-8561	1	Pump Block ASM	46	112-9855	1	Gear-52T, Bull
6	103-2666	1	Cylinder Block Kit	47	112-9856	1	Washer
7	104-2189	1	Plug-Thread, Straight	48	112-9857	1	Bearing-Sleeve
9	117-5359	16	Screw-HHF	49	120-7104	1	Shaft-Axle
14	106-8677	2	Ring-Retaining, External	50	112-9859	1	Bushing-Axle
15	106-8678	1	Rod-Bypass	51	112-9860	1	Seal-Lip
16	106-8679	1	Ring-Retaining, Internal	52	106-8686	1	Seal Kit
19	104-5304	1	Swashplate-Trunnion	53	106-8697	1	Expansion Plate Kit
21	104-2116	1	Stud	54	135-7349	1	Fan And Pulley Kit
22	112-9853	1	Puck-Friction	54:1	116-9714	1	Nut-HJ
27	94-1936	1	Spring-Block	54:2	116-9708	1	Washer-Slotted
28	94-1937	1	Washer-Thrust	54:4	135-7364	1	Fan 7.0 X 10 Blade
29	104-5306	1	Shaft-Input	55	106-8688	1	Brake Arm Kit
30	104-5311	1	Bearing-Ball	57	112-9861	1	Center Section Filter Kit
31	104-5307	1	Ring-Retaining	58	104-2147	1	Sealant, Silicone - Non-Flammable
32	104-5308	1	Spacer				
33	104-5310	1	Seal-Lip	59	120-5549	1	Bypass Kit
34	104-5309	2	Ring-Retaining	61	114-1634	1	Filter Kit
35	94-6922	2	Bearing-Thrust	98	120-7109	1	Tube-Axle
36	104-5339	1	Washer-Flat	100	106-8694	1	Disc-Brake, Cog
37	104-5340	1	Ring-Retaining	101	115-5057	1	Cover-Nut, Axle
38	132-0912	1	Gear-12T	124	109-5939	1	Hub Kit
39	106-8683	1	Shaft-Motor	138	112-9866	1	Breather Kit
40	104-5360	1	Washer	139	114-1635	1	Breather ASM
41	94-1933	2	Washer	200	117-5362	1	Control Arm Kit
42	132-0911	1	Gear-49T	209	114-8467	1	Puller-Hub, 4 Bolt
43	104-5318	1	Gear-Jackshaft, 10T				

# RH Transaxle Assembly No. 139-7471

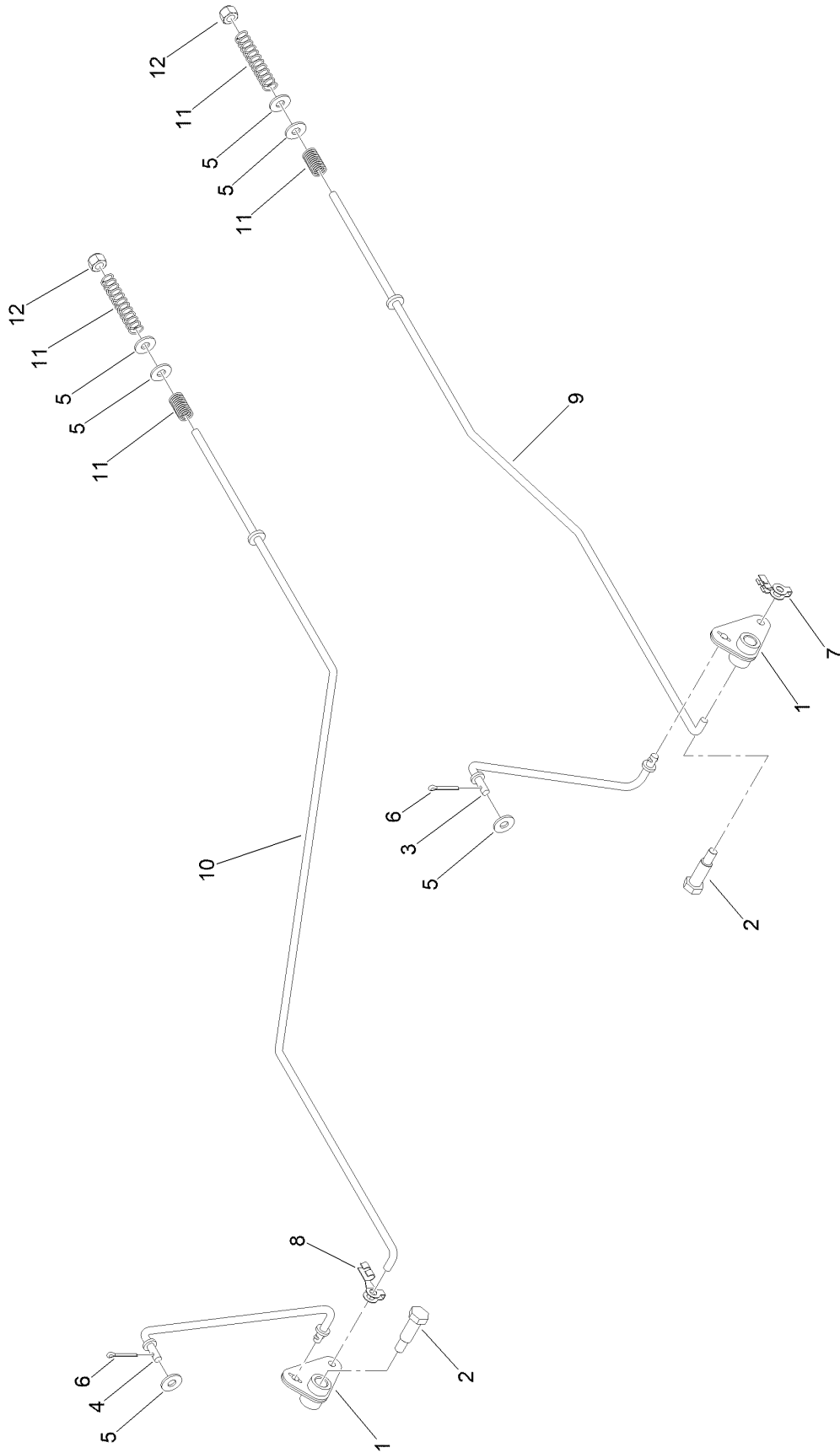




## RH Transaxle Assembly No. 139-7471 (continued)

<i>Ref.</i>	<i>Part Number</i>	<i>Qty.</i>	<i>Description</i>	<i>Ref.</i>	<i>Part Number</i>	<i>Qty.</i>	<i>Description</i>
1	106-8674	1	Main Housing ASM	44	104-5329	1	Pin-Jackshaft
2	106-8675	1	Side ASM	45	112-9854	1	Ring-Spiral, Retaining
4	110-8561	1	Pump Block ASM	46	112-9855	1	Gear-52T, Bull
6	103-2666	1	Cylinder Block Kit	47	112-9856	1	Washer
7	104-2189	1	Plug-Thread, Straight	48	112-9857	1	Bearing-Sleeve
9	117-5359	16	Screw-HHF	49	120-7104	1	Shaft-Axle
14	106-8677	2	Ring-Retaining, External	50	112-9859	1	Bushing-Axle
15	106-8678	1	Rod-Bypass	51	112-9860	1	Seal-Lip
16	106-8679	1	Ring-Retaining, Internal	52	106-8686	1	Seal Kit
19	104-5304	1	Swashplate-Trunnion	53	106-8687	1	Expansion Plate Kit
21	104-2116	1	Stud	54	135-7349	1	Fan And Pulley Kit
22	112-9853	1	Puck-Friction	54:1	116-9714	1	Nut-HJ
27	94-1936	1	Spring-Block	54:2	116-9708	1	Washer-Slotted
28	94-1937	1	Washer-Thrust	54:4	135-7364	1	Fan 7.0 X 10 Blade
29	104-5306	1	Shaft-Input	55	106-8688	1	Brake Arm Kit
30	104-5311	1	Bearing-Ball	57	112-9862	1	Center Section Filter Kit
31	104-5307	1	Ring-Retaining	58	104-2147	1	Sealant, Silicone - Non-Flammable
32	104-5308	1	Spacer	59	107-2489	1	Bypass Arm Kit
33	104-5310	1	Seal-Lip	61	114-1634	1	Filter Kit
34	104-5309	2	Ring-Retaining	98	120-7109	1	Tube-Axle
35	94-6922	2	Bearing-Thrust	100	106-8694	1	Disc-Brake, Cog
36	104-5339	1	Washer-Flat	101	115-5057	1	Cover-Nut, Axle
37	104-5340	1	Ring-Retaining	124	109-5939	1	Hub Kit
38	132-0912	1	Gear-12T	138	112-9866	1	Breather Kit
39	106-8683	1	Shaft-Motor	139	114-1635	1	Breather ASM
40	104-5360	1	Washer	200	117-5362	1	Control Arm Kit
41	94-1933	2	Washer	209	114-8467	1	Puller-Hub, 4 Bolt
42	132-0911	1	Gear-49T				
43	104-5318	1	Gear-Jackshaft, 10T				

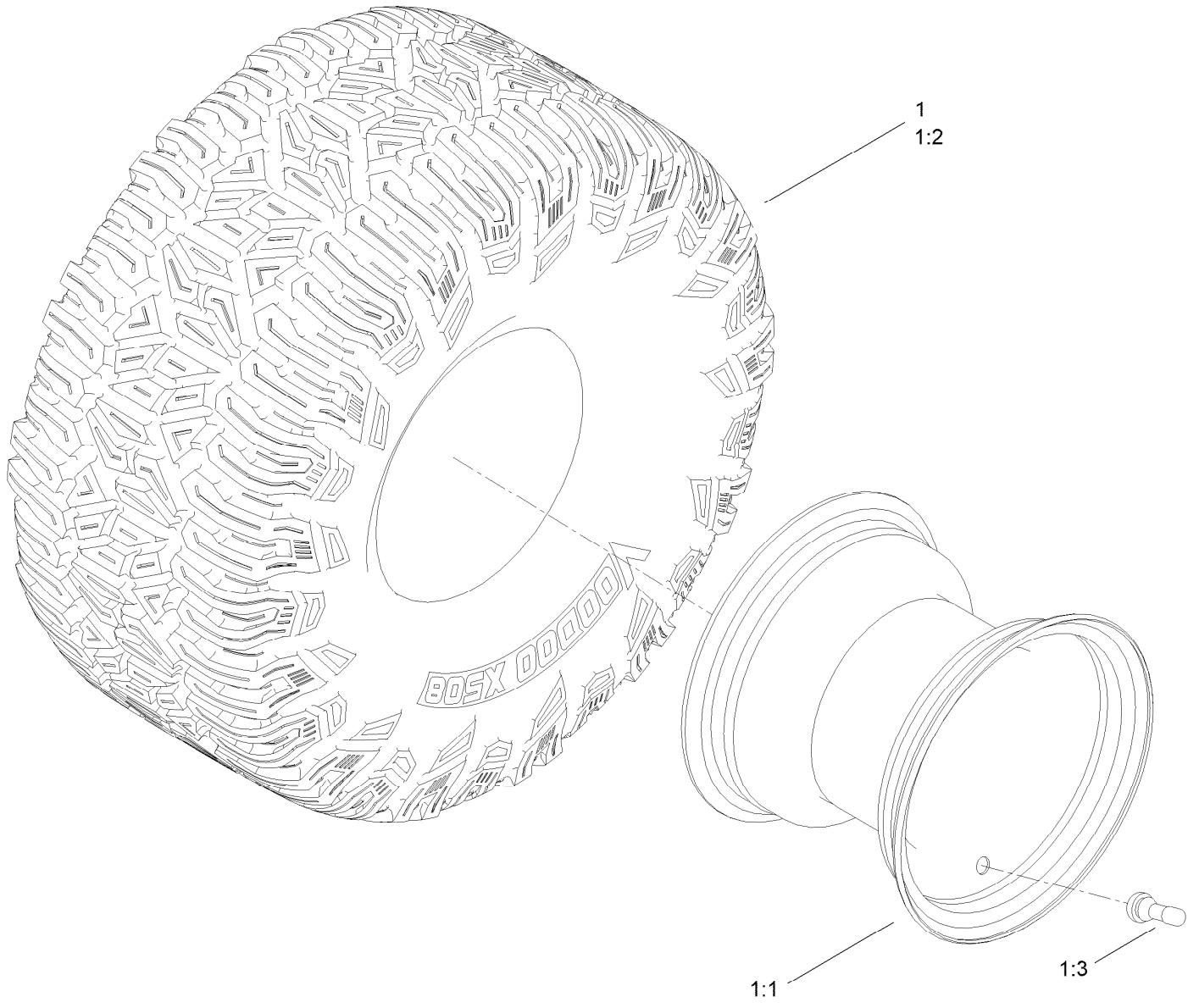
# Brake Assembly



## Brake Assembly (continued)

<i>Ref.</i>	<i>Part Number</i>	<i>Qty.</i>	<i>Description</i>	<i>Ref.</i>	<i>Part Number</i>	<i>Qty.</i>	<i>Description</i>
1	161-6420	2	Bellcrank	7	144-1816	1	Clip-Rod, LH (7L, 1/4In)
2	145-6364	2	Bolt-Shoulder	8	144-1815	1	Clip-Rod, RH (7R, 1/4In)
3	145-4607	1	Link-Brake, LH	9	144-1860	1	Rod-Brake, LH
4	145-6238	1	Link-Brake, RH	10	144-1851	1	Rod-Brake, RH
5	119-8952	6	Washer-Spcl	11	117-1169	4	Spring-Compression
6	120-9716	2	Pin-Cotter	12	3296-42	2	Nut-Lock, NI

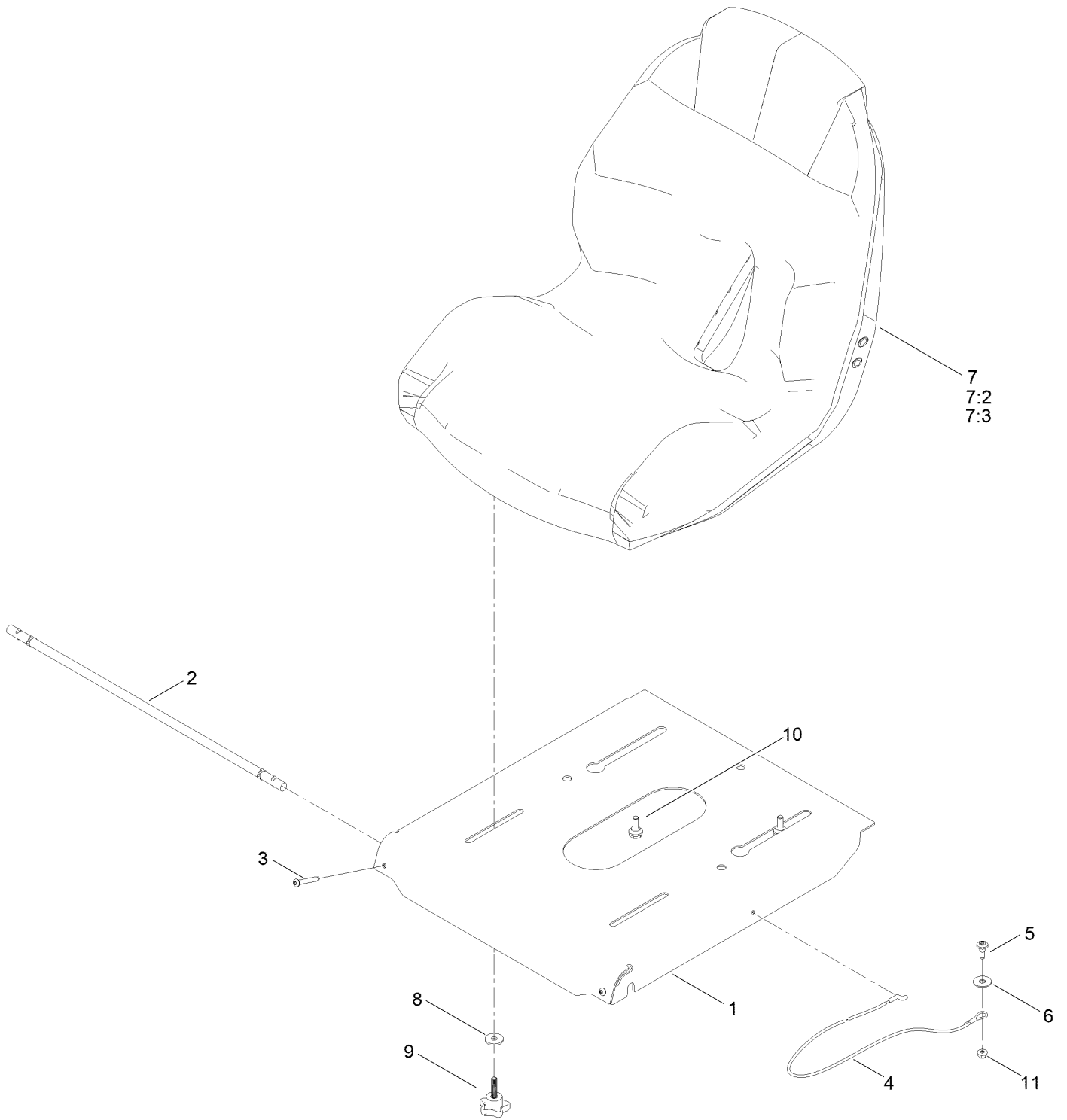
# Tire Assembly



## Tire Assembly (continued)

<i>Ref.</i>	<i>Part Number</i>	<i>Qty.</i>	<i>Description</i>	<i>Ref.</i>	<i>Part Number</i>	<i>Qty.</i>	<i>Description</i>
1	145-6391	2	Tire ASM	1:2	147-5179	1	Tire
1:1	147-5180	1	Rim	1:3	232-27	1	Stem-Valve

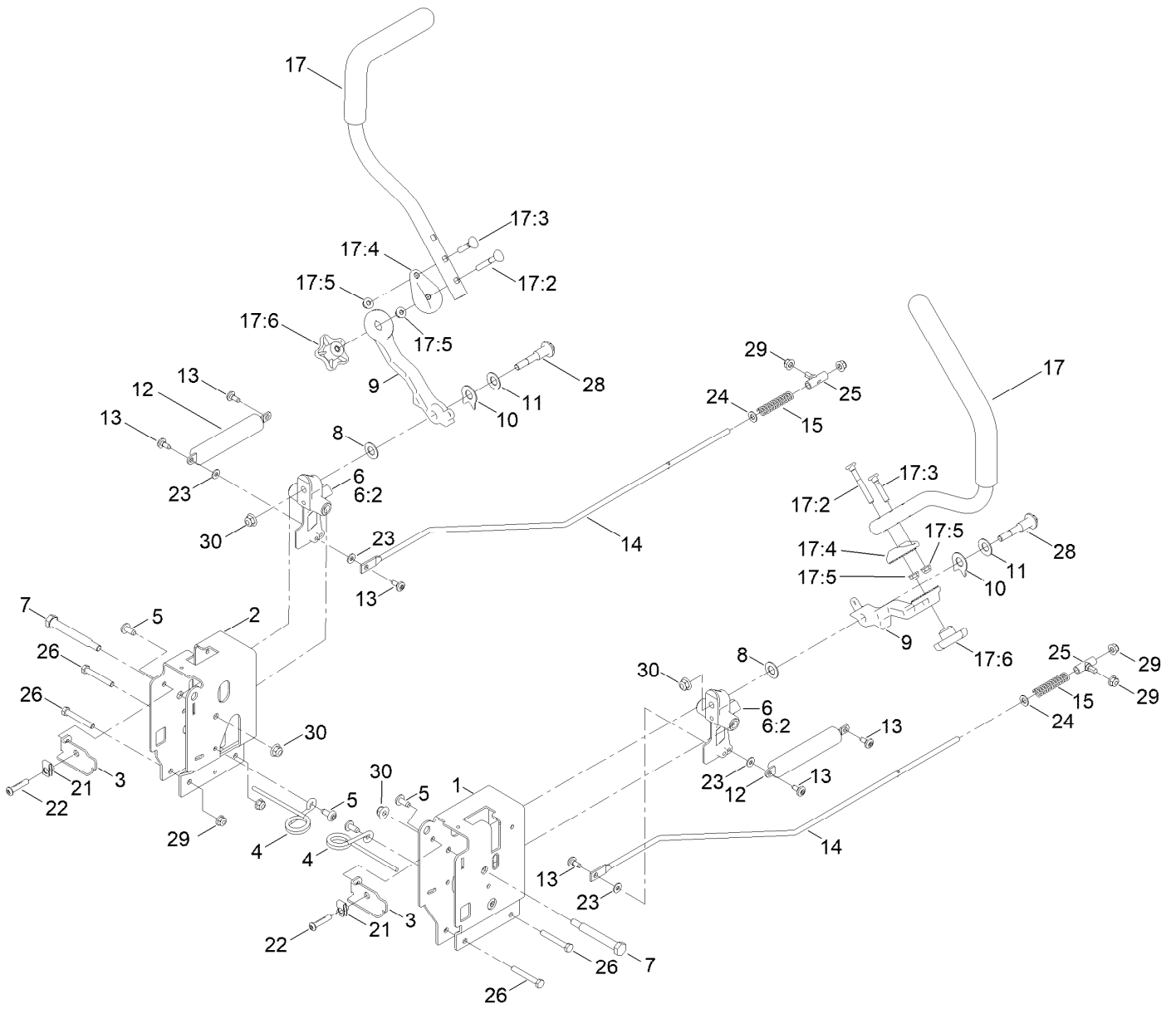
# Seat Pat Assembly



## Seat Pat Assembly (continued)

<i>Ref.</i>	<i>Part Number</i>	<i>Qty.</i>	<i>Description</i>	<i>Ref.</i>	<i>Part Number</i>	<i>Qty.</i>	<i>Description</i>
1	147-3002-03	1	Pan-Seat	7:2	147-8752	1	Cover-Seat
2	147-5169	1	Rod-Pivot	7:3	82-2190	1	Switch-Bail
3	147-5175	2	Screw-Tbh,Thd Roll	8	1-603716	2	Washer-Friction
4	161-4452	1	Cable-Lanyard, 26.75In	9	139-2401	2	Knob
5	135-2015	1	Screw-Shoulder	10	147-5174	2	Bolt-Shoulder,Hfh
6	147-5287	1	Washer-Flat	11	119-4040	1	Nut-HF, NI
7	147-8732	1	Seat ASM - Seat King Sk130				

# Motion Control Assembly

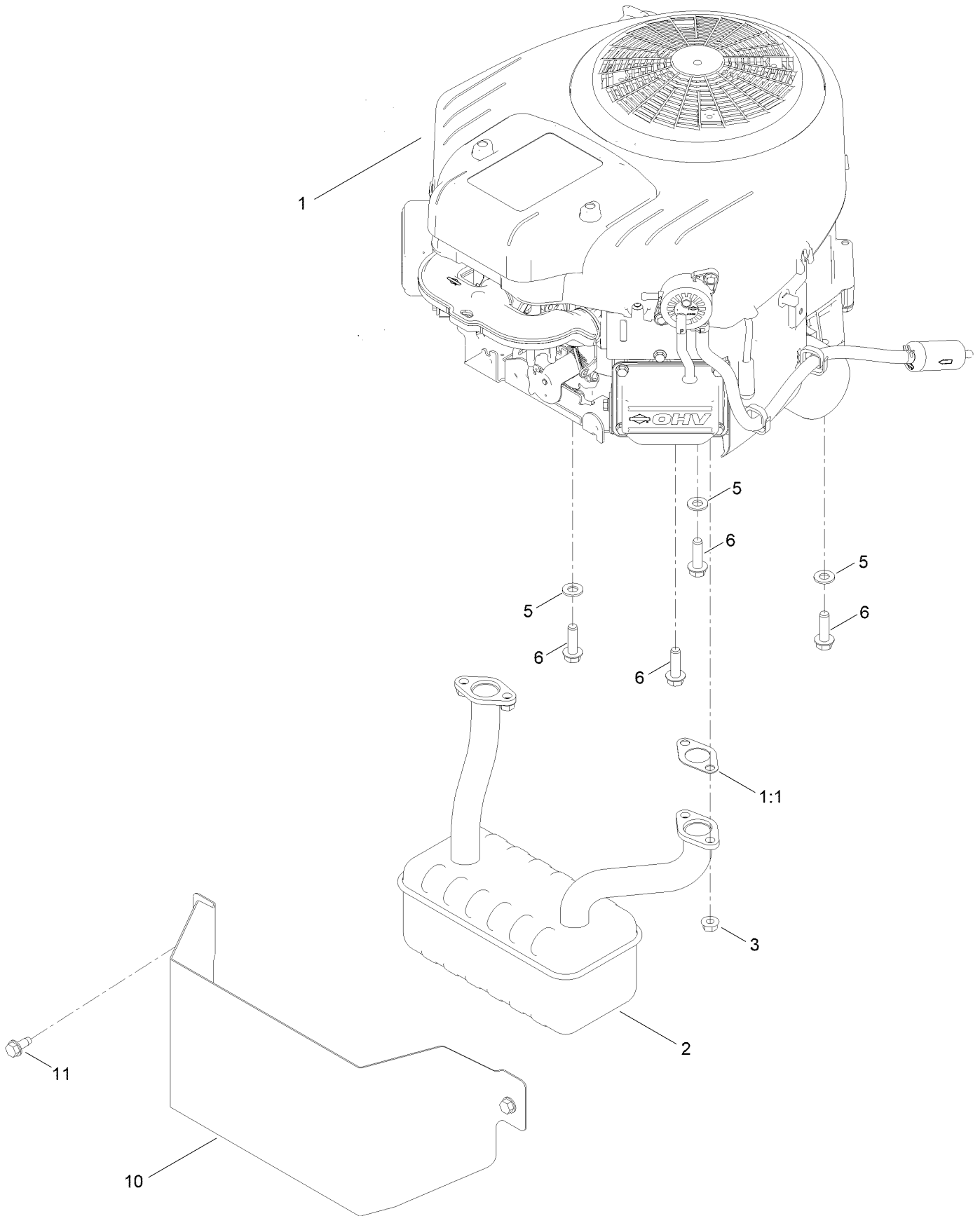




## Motion Control Assembly (continued)

<i>Ref.</i>	<i>Part Number</i>	<i>Qty.</i>	<i>Description</i>	<i>Ref.</i>	<i>Part Number</i>	<i>Qty.</i>	<i>Description</i>
1	145-4615-03	1	Control Box - LH G7	17	161-6523	2	Handle-Control, ASM
2	145-4647-03	1	Control Box - RH G7	17:2	145-6366	1	Screw-Handle
3	147-7580-03	2	Adjustment Plate-Control Box	17:3	137-3008	1	Screw-Handle
4	145-6253	2	Spring-Torsion	17:4	147-5192-05	1	Disc-Adjustment Handle, 32 Teeth
5	138-9753	4	Screw	17:5	138-8401	2	Nut-HF
6	145-4648	2	Pivot Arm ASM	17:6	117-5976	1	Knob-Handle
6:2	256-156	2	Bushing-Flange	21	112-3306	2	Nut
7	115-5099	2	Bolt-Pivot	22	126-4299	2	Screw-HSBH
8	120-2273	2	Washer-Nylon	23	119-8952	4	Washer-Spcl
9	147-5191-05	2	Arm-Control, 32 Teeth	24	120-9683	2	Washer-Plain
10	142-8478	2	Spacer, Anti-Rotation	25	138-7218	2	Mount-Rod, Hydro
11	119-8925	2	Washer-Belleville	26	120-9738	4	Screw-HH
12	132-6853	2	Damper-Non Cavitating	28	117-1198	2	Bolt-Pivot
13	120-7950	6	Screw-Torx	29	104-8300	8	Nut-HF, NI
14	145-4699	2	Rod - Hydro, LH	30	104-8301	4	Nut-HF, NI
15	138-7252	2	Spring-Compression				

# Engine and Muffler Assembly



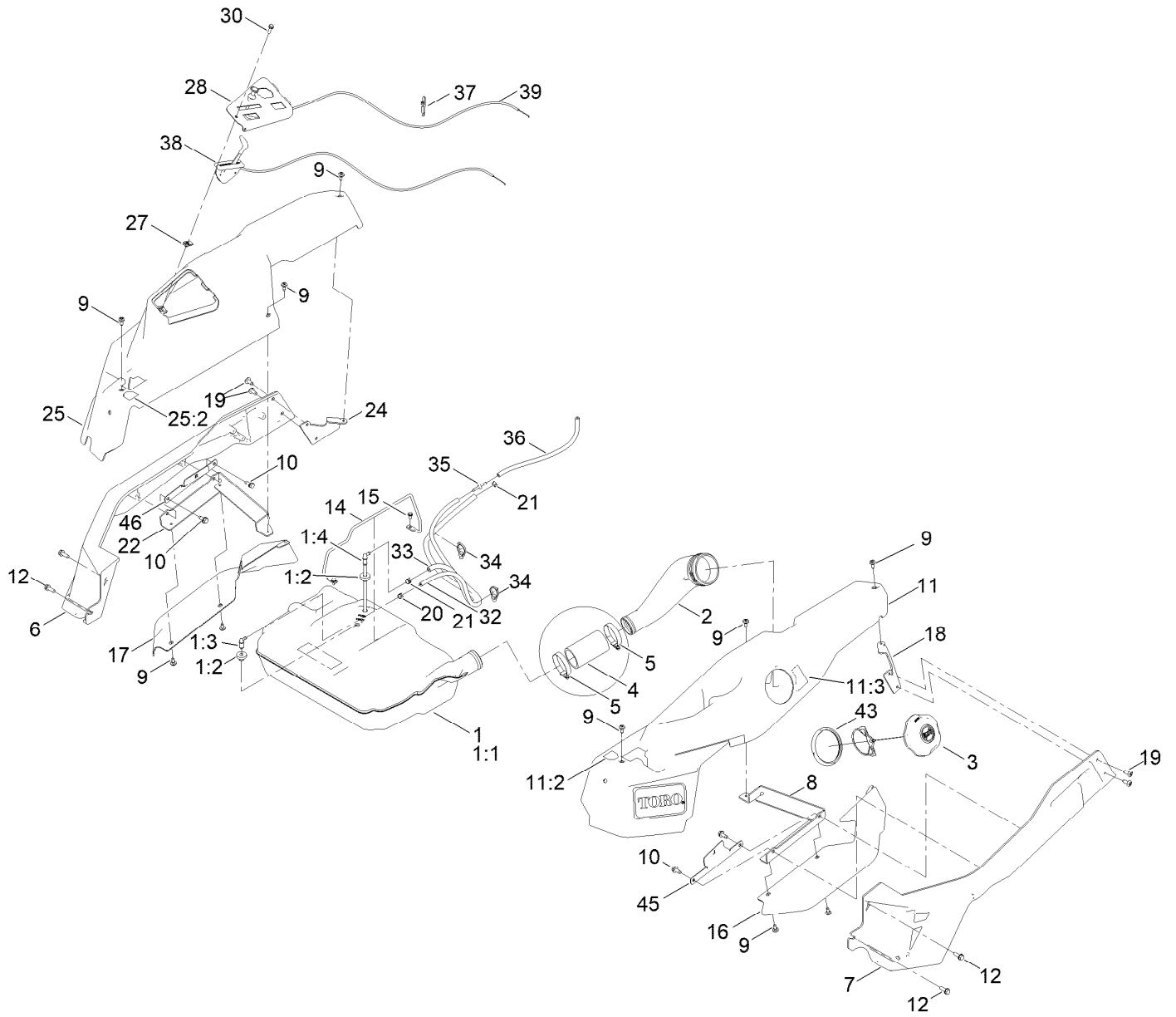
## Engine and Muffler Assembly (continued)

<i>Ref.</i>	<i>Part Number</i>	<i>Qty.</i>	<i>Description</i>	<i>Ref.</i>	<i>Part Number</i>	<i>Qty.</i>	<i>Description</i>
1		1	Engine - B&s Exi ■	5	115-1166	3	Washer-Plain
1:1	147-5158	2	Gasket-Exhaust, Briggs Twin ●	6	139-2576	4	Screw-HWH
2	145-6318	1	Muffler	10	161-6221-03	1	Heat Shield-Muffler
3	33004-00	4	Nut-HF	11	32144-70	2	Screw-HWHTF

● Not illustrated

■ Not serviced separately

# Fuel Pod Assembly

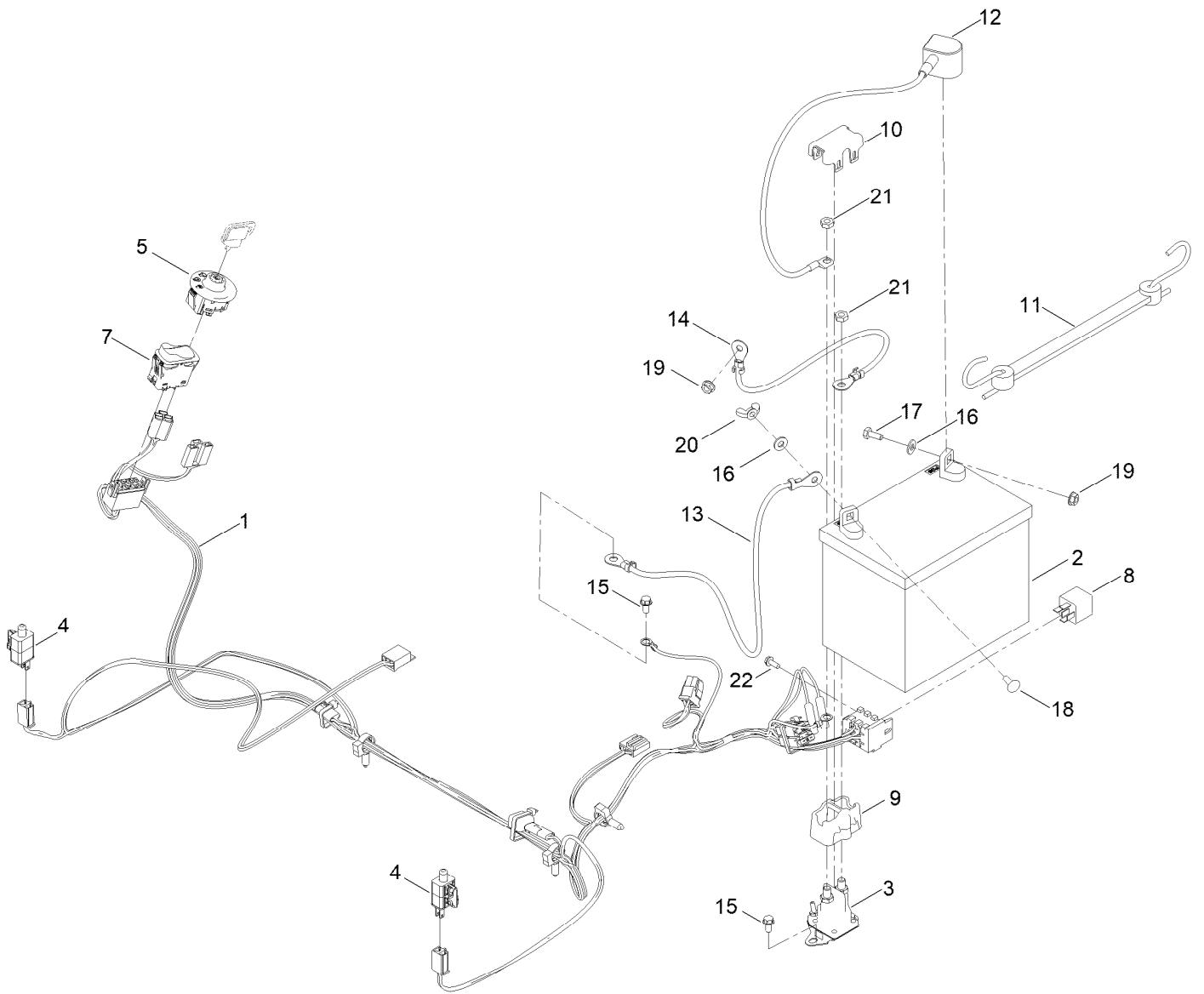


## Fuel Pod Assembly (continued)

<i>Ref.</i>	<i>Part Number</i>	<i>Qty.</i>	<i>Description</i>	<i>Ref.</i>	<i>Part Number</i>	<i>Qty.</i>	<i>Description</i>
1	145-6304	1	Fuel Tank ASM	18	147-2976-03	1	Bracket-Rear Pod, LH
1:1		1	Tank-Fuel ●	19	138-9753	4	Screw
1:2	46-6560	2	Bushing	20	2412-80	1	Clamp-Hose
1:3	144-5302	1	Fitting-Elbow 90	21	2412-98	2	Clamp-Hose
1:4	147-2934	1	Fitting-Pickup, Fuel	22	147-2975-03	1	Mount-Pod Bracket RH
2	147-7657	1	Neck-Filler, Fuel	24	147-2977-03	1	Mount-Pod Bracket RH
3	137-4119	1	Cap-Fuel, Ratcheting	25	147-8742	1	Pod ASM - RH W/Decals
4	145-4698	1	Hose-Filler, Fuel	25:2	139-2394	1	Decal-Control Lever, RH
5	2412-130	2	Clamp-Hose	27	107069	1	Clip
6	147-2973-01	1	Cast-Tube, RH [red]	28	147-2990-03	1	Panel-Control
7	147-2972-01	1	Cast-Tube, LH [red]	30	32105-15	1	Screw-HWH
8	147-2974-03	1	Mount-Pod Bracket LH	32	110-3254	1	Hose-Fuel
9	120-7950	10	Screw-Torx	33	109-3491	1	Hose-Fuel
10	32144-70	4	Screw-HWHTF	34	32180-030	2	Clip-Tie
11	147-8741	1	Pod ASM - LH W/Decals	35	144-1983	1	Adapter Orifice
11:2	139-2395	1	Decal-Control Lever, LH	36	115-4735	1	Hose-Fuel
11:3	147-2399	1	Decal-Fuel Fill	37	614249	1	Tie-Cable
12	32144-41	4	Screw-Taptite	38	139-2403	1	Cable-Throttle
14	147-5176	1	Rod-Hold Down	39	139-2402	1	Cable-Choke
15	32144-4	2	Screw-HWH	43	147-7712	1	Ring-Retaining
16	147-2978	1	Fender-Time Cutter, LH	45	161-4609-03	1	Bracket-Alignment, Pod LH
17	147-2979	1	Fender-Time Cutter, RH	46	161-4610-03	1	Bracket- Alignment, Pod RH

● Not serviced separately

# Electrical Assembly

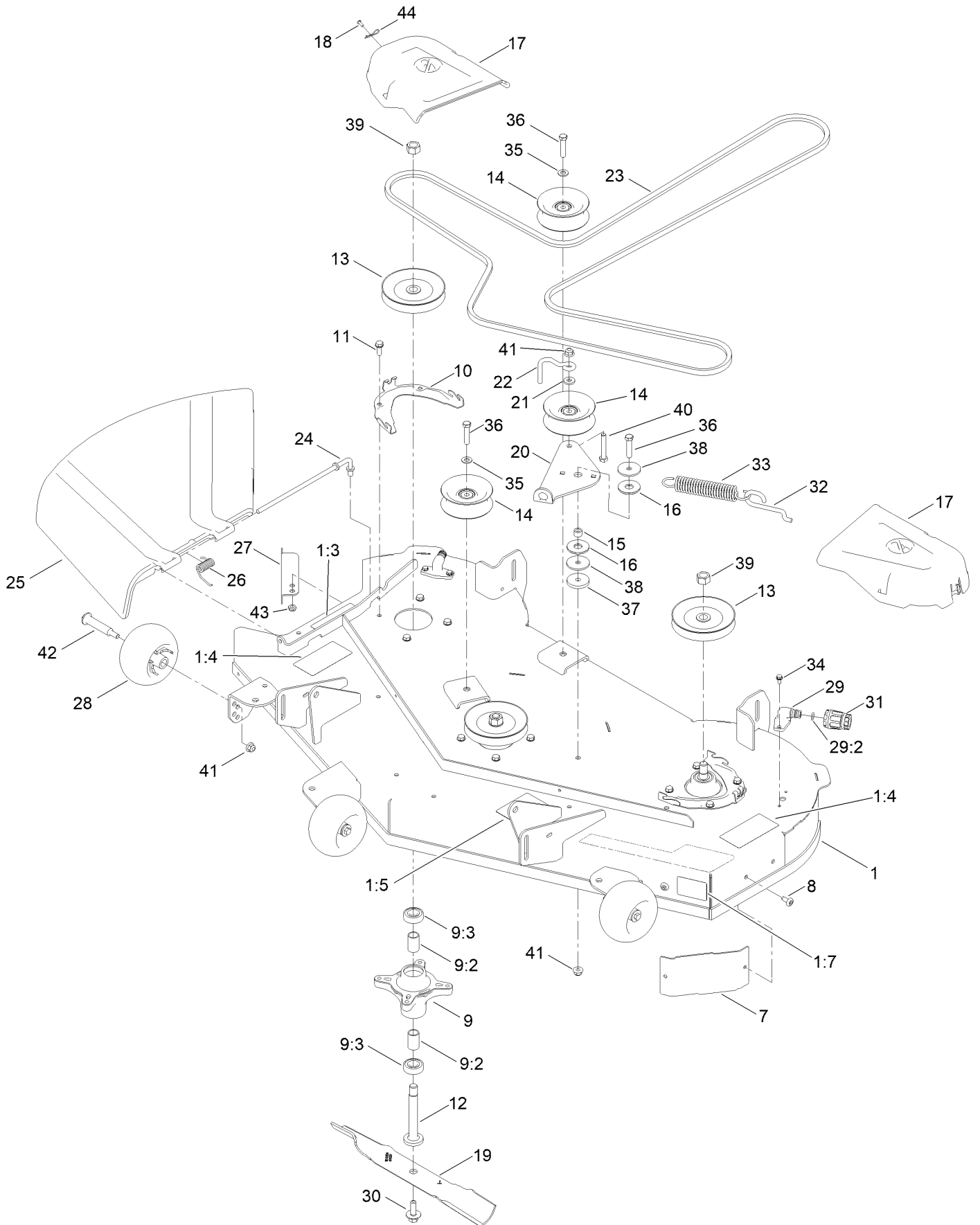


## Electrical Assembly (continued)

<i>Ref.</i>	<i>Part Number</i>	<i>Qty.</i>	<i>Description</i>	<i>Ref.</i>	<i>Part Number</i>	<i>Qty.</i>	<i>Description</i>
1	145-6382	1	Harness-Wire, Main	10	140-2081	1	Cap-Solenoid
1:7	109355	1	Fuse-Blade, 15 Amp ●	11	104-2466	1	Holddown-Battery
1:8	109102	1	Fuse-Blade, 25 Amp ●	12	147-2941	1	Cable-Battery, Red
1:9	32180-435	1	Cap-Over Mold, 1M/1F ●	13	119-8899	1	Cable-Battery, Black
1:10	100-4918	1	Diode ●	14	121-0711	1	Cable-Battery, Positive
1:11	32180-047	3	Clip-Tubing, Harness ●	15	32144-4	3	Screw-HWH
2	140-2076	1	Battery - Wet	16	3256-22	2	Washer-Flat
3	117-1197	1	Solenoid	17	321-3	1	Screw-HH
4	110-6765	2	Switch	18	3229-1	1	Screw-CARR
5	137-4100	1	Switch-Ignition	19	32128-33	2	Nut-HF
7	139-6368	1	Switch-Rocker, On-None-On	20	32103-22	1	Nut-Wing
8	1-643275	1	Relay	21	3220-2	2	Nut-Jam
9	140-2080	1	Cover-Solenoid	22	139-1713	1	Screw-Thd Roll

● Not illustrated

# 50in Deck and Decal Assembly

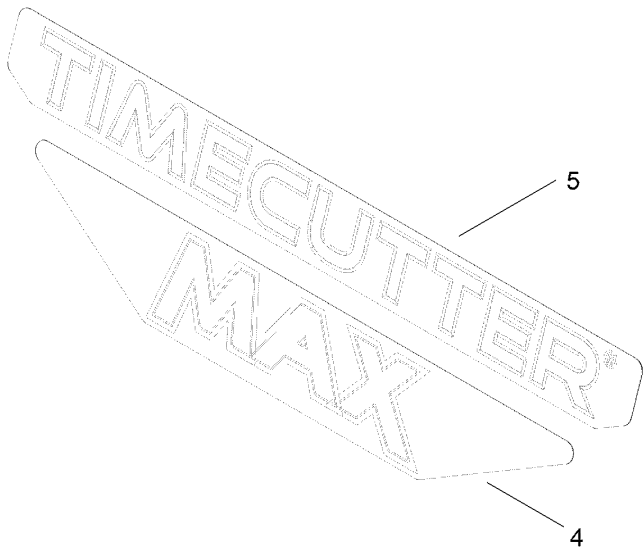
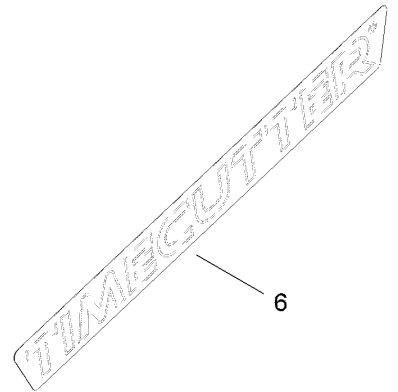
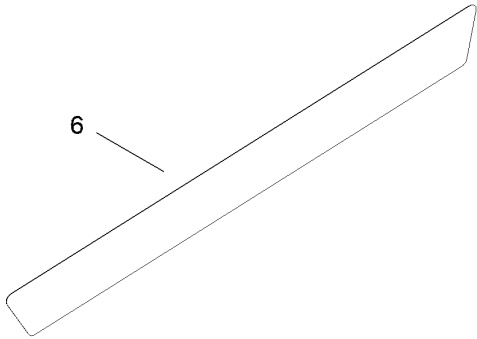
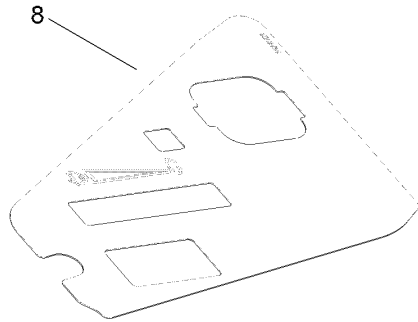




## 50in Deck and Decal Assembly (continued)

<i>Ref.</i>	<i>Part Number</i>	<i>Qty.</i>	<i>Description</i>	<i>Ref.</i>	<i>Part Number</i>	<i>Qty.</i>	<i>Description</i>
1	147-8745	1	50 In Deck & Decal ASM	23	147-2909	1	V Belt (A Sec 142.06 EI)
1:3	130-0731	1	Decal-Danger	24	137-2019	1	Rod-Pivot
1:4	132-0872	2	Decal-Danger, Deck	25	138-7502	1	Deflector-Discharge
1:5	99-3943	1	Decal-Routing, Belt	26	138-7268	1	Spring-Torsion
1:7	112-9840	1	Decal-Scalp, Anti	27	138-9800-03	1	Baffle-Cutoff
7	139-2448-03	1	Baffle-Corner	28	1-603299	3	Roller-Scalp, Anti
8	138-9753	2	Screw	29	133-9289	2	Fitting-Washout
9	139-3214	3	Spindle ASM	29:2	133-9290	1	O-Ring
9:2	120-7935	2	Spacer	30	145-0411	3	Bolt-Blade, Sems
9:3	138-9770	2	Bearing-Ball	31	95-3270	1	Connector-Hose
10	139-3272-03	2	Bracket-Cover, Belt	32	138-7266	1	Spring-Return, Hook
11	32144-41	12	Screw-Taptite	33	138-7264	1	Spring-Extension
12	117-7268	3	Shaft-Spindle	34	32144-4	4	Screw-HWH
13	139-7454	3	Pulley	35	3256-24	2	Washer-Plain
14	132-9420	3	Pulley-Idler, Flat	36	323-9	3	Screw-HH
15	115-4986	1	Spacer	37	110-9981	1	Washer-Plain
16	114-0463	2	Washer-Friction, Composite	38	63-7400	2	Washer-Rebound
17	144-1906	2	Cover-Belt	39	3219-6	3	Nut-Hex
18	94-6961	2	Screw	40	323-11	1	Screw-HH
19	115-5059-03	3	Blade-Hi Lift	41	104-8301	5	Nut-HF, NI
20	138-7262	1	Arm-Idler	42	112-3977	3	Bolt-Shoulder
21	138-7207	1	Spacer-Hub, Blower	43	3296-59	1	Nut-Lock, NI
22	138-7270	1	Guide-Belt, Idler	44	144-1944	2	Pin-Hair

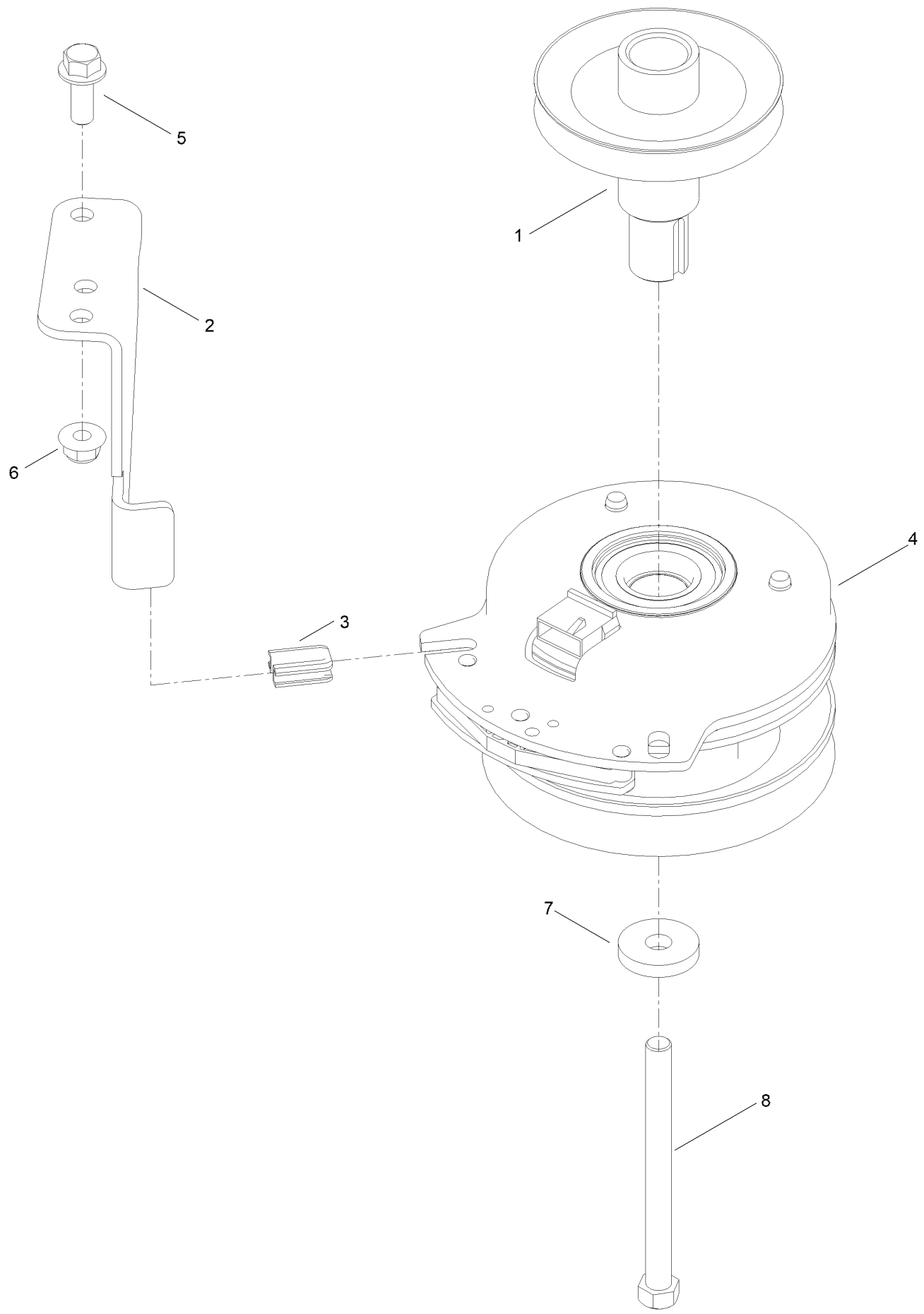
# Model Specific Assembly



## Model Specific Assembly (continued)

<i>Ref.</i>	<i>Part Number</i>	<i>Qty.</i>	<i>Description</i>	<i>Ref.</i>	<i>Part Number</i>	<i>Qty.</i>	<i>Description</i>
4	147-7573	1	Decal-Max	8	147-8753	1	Decal - Control Panel W/Out
5	147-7561	1	Decal-Timecutter				Hour Meter
6	147-7560	2	Decal-Timecutter	9	63-8360	1	Key-Ignition

# Clutch Assembly



## Clutch Assembly (continued)

<i>Ref.</i>	<i>Part Number</i>	<i>Qty.</i>	<i>Description</i>	<i>Ref.</i>	<i>Part Number</i>	<i>Qty.</i>	<i>Description</i>
1	138-9792	1	Pulley-Engine	5	3234-42	1	Screw-HHF
2	137-7000	1	Stop-Clutch (Wide)	6	104-8301	1	Nut-HF, NI
3	120-2217	1	Isolator-Clutch	7	112843	1	Washer
4	127-3410	1	Clutch-PTO	8	3212-19	1	Screw-HH

# Attachments and Accessories

## For 77505 TimeCutter Max 50in Zero Turn Riding Mower

<b>Product Name</b>	<b>Model/Part</b>
Jack Kit .....	127-6666
4-Cycle Fuel, Snow And Lawn 32oz Can .....	131-3823
Toro Premium Fuel Treatment 12oz Bottle.....	131-6572
Oil-30/10W-30 Synthetic (Quart).....	138-6053
50 Inch Recycler Kit.....	139-3240
50 Inch Bagging Enhancement Kit.....	139-7459
Led Light Kit.....	147-8757
Floormat Kit .....	147-8765
Kit-Caster Wheel .....	147-8772
Arm Rest Kit.....	147-8774
Kit-Striping, 50".....	147-8779
Kit, Hour Meter.....	147-8791
Mount, Jack TC.....	147-8836
Assist Bar Kit .....	161-4450
Transport Lock Kit.....	161-4510
10W30 4-Cycle Engine Oil (32oz Bottle).....	38280
Toro 4-Cycle SAE 30 Oil (32oz Bottle) .....	38903
Toro Deluxe Rider Cover.....	490-7319
Belt-Deck, 50 TCSS.....	79006
Blade Kit .....	79016P
ROPS Kit .....	79487
Kit-Slope Sensor.....	79489
Residential Z Max 50in Bagger.....	79501

**Notes:**



**Count on it.**