



Count on it.

Parts Catalog

**TimeCutter® MyRIDE® 60in
Zero Turn Riding Mower**

Model No. 77603—Serial No. 40000000 and Up



Ordering Replacement Parts

To order replacement parts, please supply the part number, the quantity, and the description of each part desired.

Understanding Reference Numbers

Each identified part in an illustration has a reference number. The reference number for a part also appears in the parts list, along with other information about the part.

This catalog uses two special reference number formats, one to indicate parts in a service assembly and another to indicate the quantity of a given part in an illustration.

Service Assembly Reference Numbers

Parts in service assemblies have reference numbers in the form a:b. The a represents the reference number of the entire service assembly and the b represents a sequential number unique to each part within the service assembly.

For example, a wheel assembly might be identified by reference number 6, the tire by 6:1, the valve by 6:2, and the wheel by 6:3. When you order the assembly identified by reference number 6, you receive all parts identified by reference numbers 6:1, 6:2, and 6:3. However, you may also order any part individually. Reference numbers of this type appear in illustration and in parts lists.

Reference Numbers Indicating Quantity

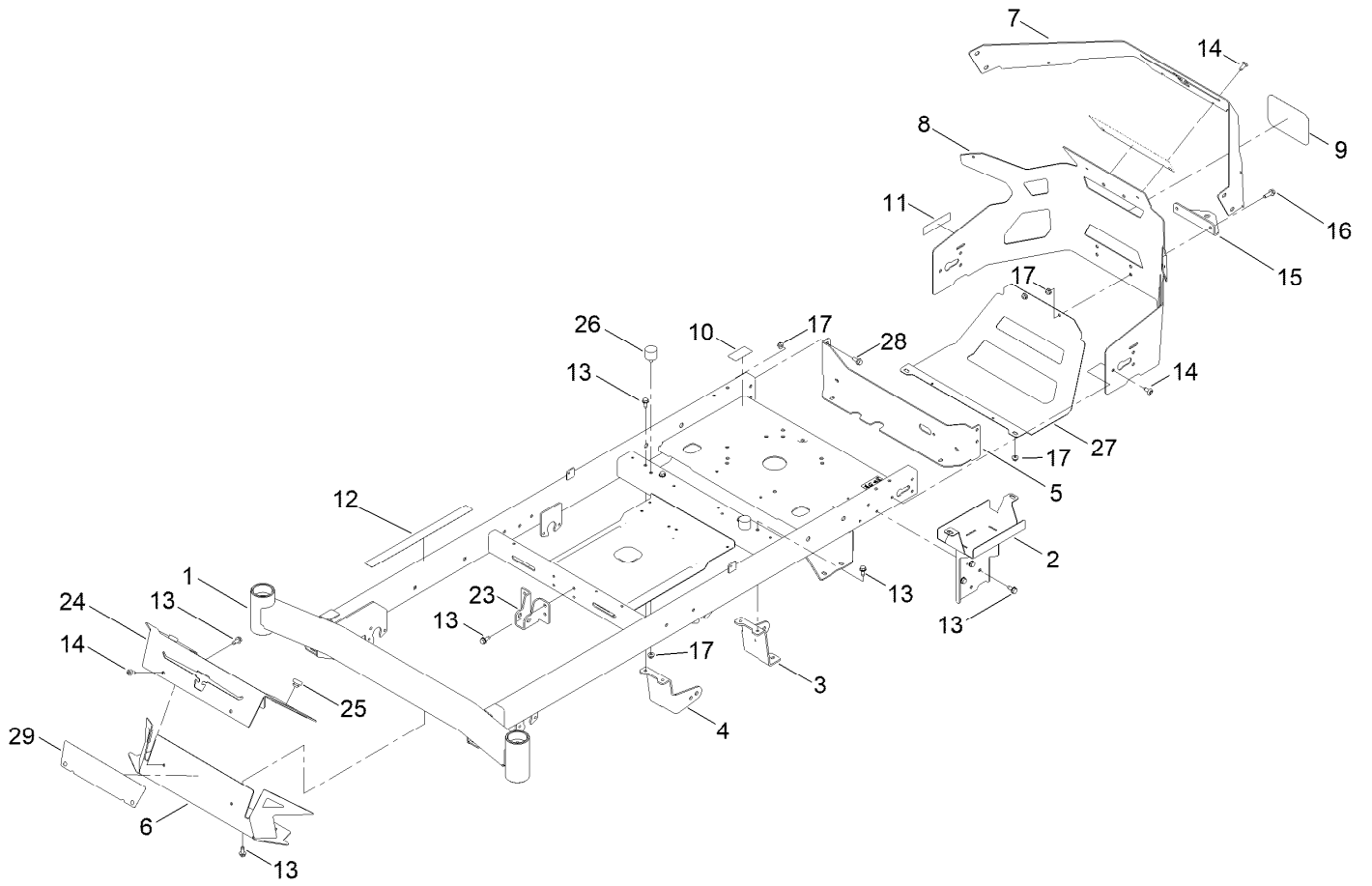
In an illustration, if a reference number indicates more than one part, the reference number has the form nX y. The n represents the quantity of the part, the X is the multiplication symbol, and the y represents the reference number.

For example, in an illustration, the reference number 2X 37 means that two of the parts identified by reference number 37 are indicated.

Contents

| | |
|---|----|
| Frame Assembly | 4 |
| Deck Lift Assembly | 6 |
| Caster Wheel Assembly | 8 |
| Traction Control Assembly | 10 |
| LH Hydro Transmission Assembly No. 140-8301 | 12 |
| RH Hydro Transmission Assembly No. 140-8300 | 14 |
| Brake Assembly | 16 |
| Tire Assembly | 18 |
| Motion Control Assembly | 20 |
| Engine and Muffler Assembly | 22 |
| Fuel Pod Assembly | 24 |
| Electrical Assembly | 26 |
| 60in Deck and Decal Assembly | 28 |
| Frame Decal Assembly | 30 |
| Seat Pan Assembly | 32 |
| Seat Assembly No. 147-8731 | 34 |
| Clutch Assembly | 36 |
| Attachments and Accessories | 38 |

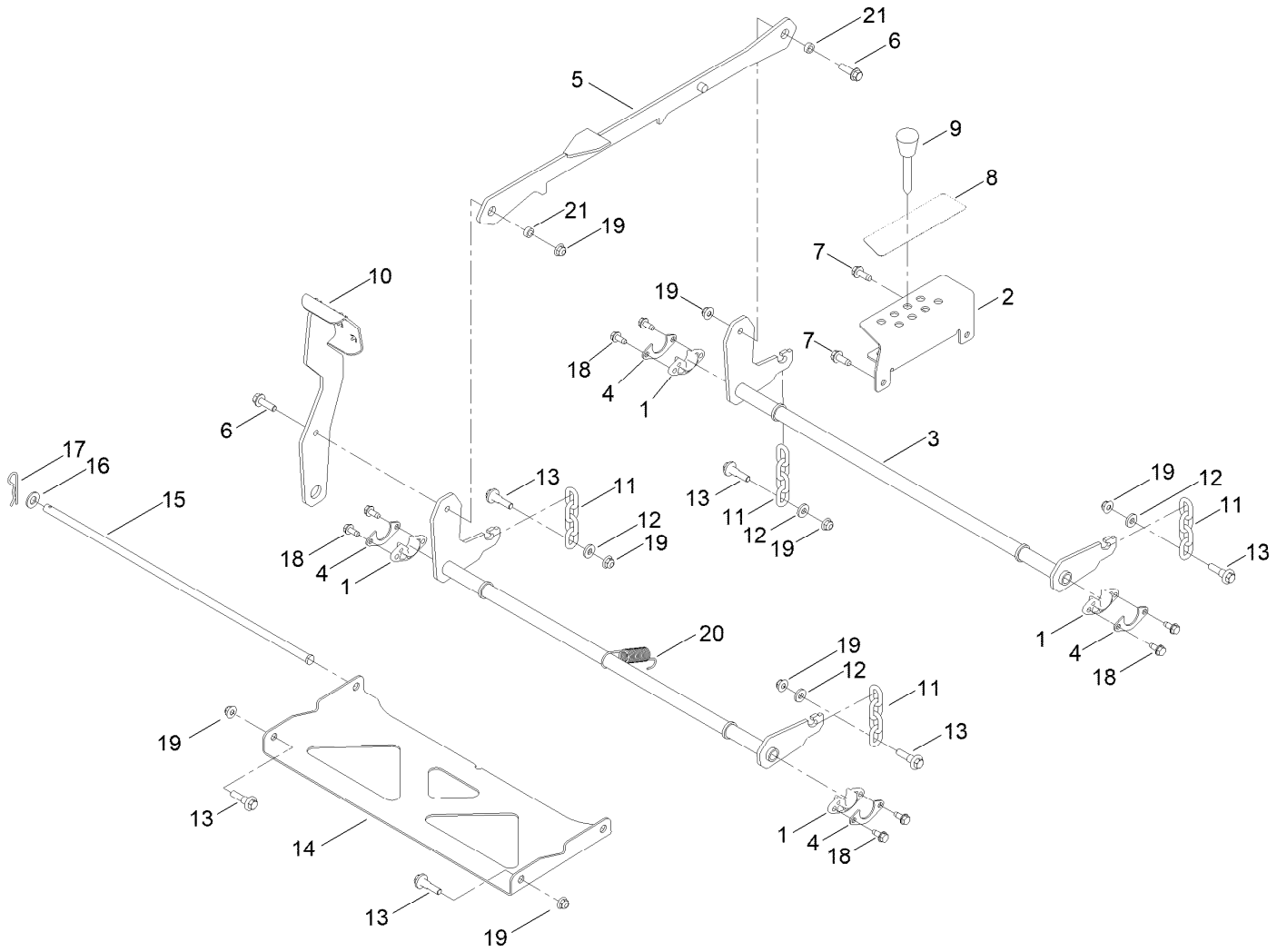
Frame Assembly



Frame Assembly (continued)

| <i>Ref.</i> | <i>Part Number</i> | <i>Qty.</i> | <i>Description</i> | <i>Ref.</i> | <i>Part Number</i> | <i>Qty.</i> | <i>Description</i> |
|-------------|--------------------|-------------|------------------------|-------------|--------------------|-------------|--------------------------------|
| 1 | 147-8724 | 1 | Service ASM-Frame, Tc | 14 | 138-9753 | 12 | Screw |
| 2 | 145-6283-05 | 1 | Wa-Battery Mount | 15 | 117-1232-03 | 1 | Bracket-Hitch |
| 3 | 145-6306-01 | 1 | Mount-Drive, LH | 16 | 139-2596 | 2 | Screw-HHF |
| 4 | 145-6307-01 | 1 | Mount-Drive, RH | 17 | 119-4041 | 10 | Nut-HF |
| 5 | 147-8709-03 | 1 | Plate-Mount | 23 | 145-6323-01 | 1 | Bracket-Mount Damper, Lower |
| 6 | 147-2966-05 | 1 | Footrest-Top | 24 | 147-2850-05 | 1 | Plate-Kick, Mr |
| 7 | 147-2995-05 | 1 | Plate-Rear Cladding Tc | 25 | 140-3460 | 2 | Bumper-Rubber |
| 8 | 147-2994-05 | 1 | Guard-Engine Tc | 26 | 137-4803 | 2 | Bumper-Rubber |
| 9 | 127-7590 | 1 | Decal | 27 | 147-7717-03 | 1 | Guard-Muffler [black] |
| 10 | 161-6207 | 2 | Decal-Bypass | 28 | 139-2598 | 4 | Screw-HHF |
| 11 | 142-5864 | 1 | Decal-Spark Arrester | 29 | 147-7699 | 2 | Decal-Backer, Red |
| 12 | 144-5288 | 1 | Decal-Warning | | | | |
| 13 | 32144-70 | 15 | Screw-HWHTF | | | | |

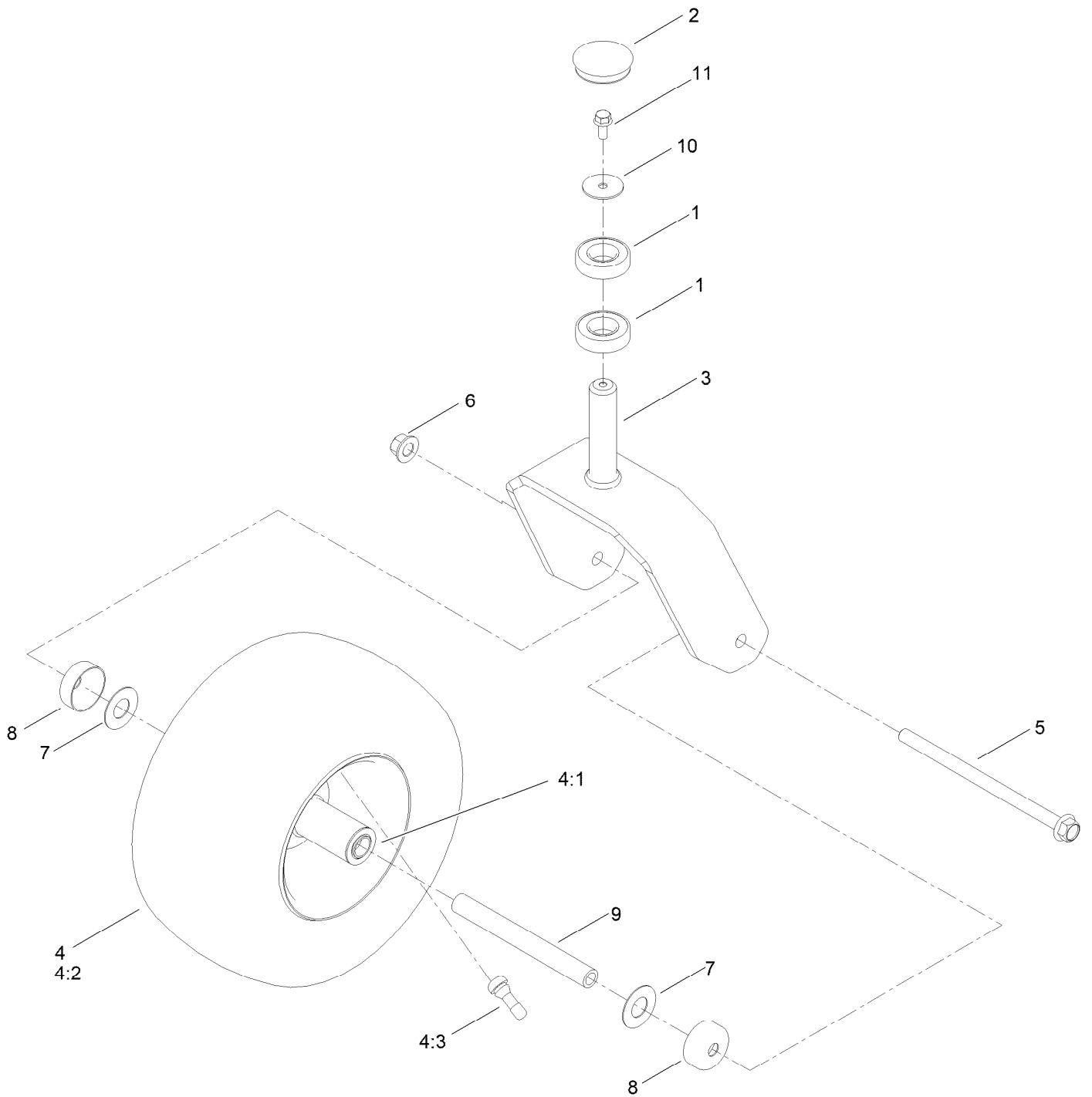
Deck Lift Assembly



Deck Lift Assembly (continued)

| <i>Ref.</i> | <i>Part Number</i> | <i>Qty.</i> | <i>Description</i> | <i>Ref.</i> | <i>Part Number</i> | <i>Qty.</i> | <i>Description</i> |
|-------------|--------------------|-------------|------------------------------|-------------|--------------------|-------------|--------------------|
| 1 | 139-5872 | 4 | Bearing-Flange | 12 | 138-7207 | 4 | Spacer-Hub, Blower |
| 2 | 145-6257-05 | 1 | Bracket-HOC | 13 | 130-0742 | 6 | Bolt-Shoulder |
| 3 | 145-4645-05 | 2 | Pivot ASM-Decklift [blk-Txt] | 14 | 145-6248-03 | 1 | Pan-Deck Pivot |
| 4 | 138-7204 | 4 | Gusset-Deck Lift | 15 | 145-6288 | 1 | Pin-Deck |
| 5 | 145-0557-05 | 1 | Link ASM-HOC [blk-Txt] | 16 | 139-2611 | 1 | Washer-Flat |
| 6 | 119-4061 | 2 | Screw-HHF | 17 | 139-2562 | 1 | Pin-Hair |
| 7 | 139-2428 | 2 | Screw-HWH | 18 | 32144-70 | 8 | Screw-HWHTF |
| 8 | 147-2866 | 1 | Decal-HOC, Tc | 19 | 119-4042 | 8 | Nut-HF, NI |
| 9 | 140-2146 | 1 | HOC Pin ASM | 20 | 138-7206 | 1 | Spring-Extension |
| 10 | 145-6278-05 | 1 | Pedal ASM [blk-Txt] | 21 | 140-2093 | 2 | Spacer |
| 11 | 138-7205 | 4 | Chain-Decklift, 4-Link | | | | |

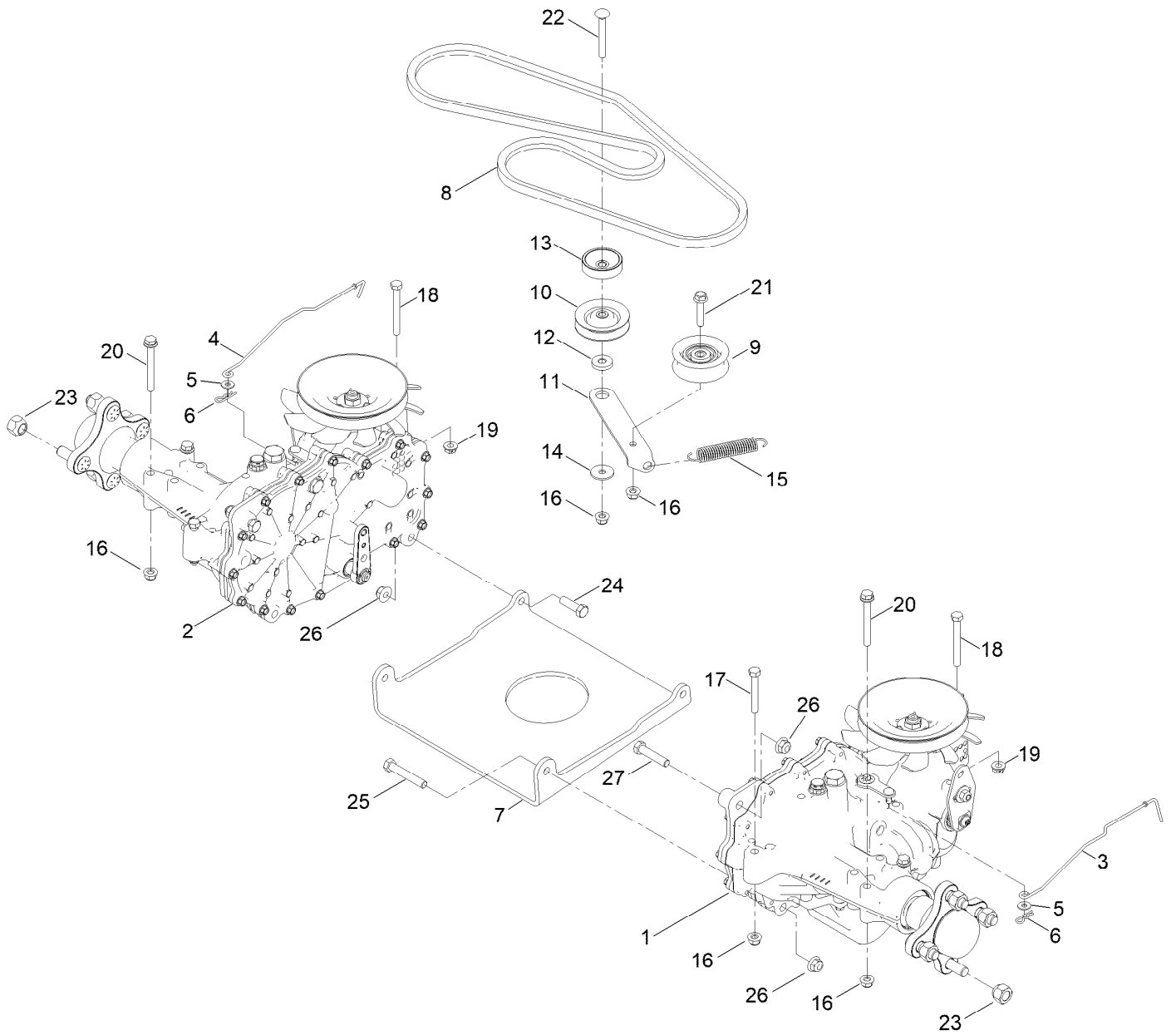
Caster Wheel Assembly



Caster Wheel Assembly (continued)

| <i>Ref.</i> | <i>Part Number</i> | <i>Qty.</i> | <i>Description</i> | <i>Ref.</i> | <i>Part Number</i> | <i>Qty.</i> | <i>Description</i> |
|-------------|--------------------|-------------|--------------------------|-------------|--------------------|-------------|--------------------|
| 1 | 109-3678 | 4 | Bearing-Ball | 5 | 126-5389 | 2 | Screw-HHF |
| 2 | 144-0375 | 2 | Cap, Grease | 6 | 99-5107 | 2 | Nut-Lock |
| 3 | 133-4375-05 | 2 | Fork | 7 | 136-5590 | 4 | Washer |
| 4 | 147-7598 | 2 | Caster Tire ASM 13X6.5-6 | 8 | 138-7208 | 4 | Guard-Seal |
| 4:1 | 147-7600 | 1 | Wheel W/Bearings | 9 | 133-4487 | 2 | Spanner-Wheel |
| 4:2 | 147-7599 | 1 | Tire 13X6.5-6 | 10 | 115-1151 | 2 | Washer-Flat |
| 4:3 | 232-27 | 1 | Stem-Valve | 11 | 100-1668 | 2 | Screw-HHF |

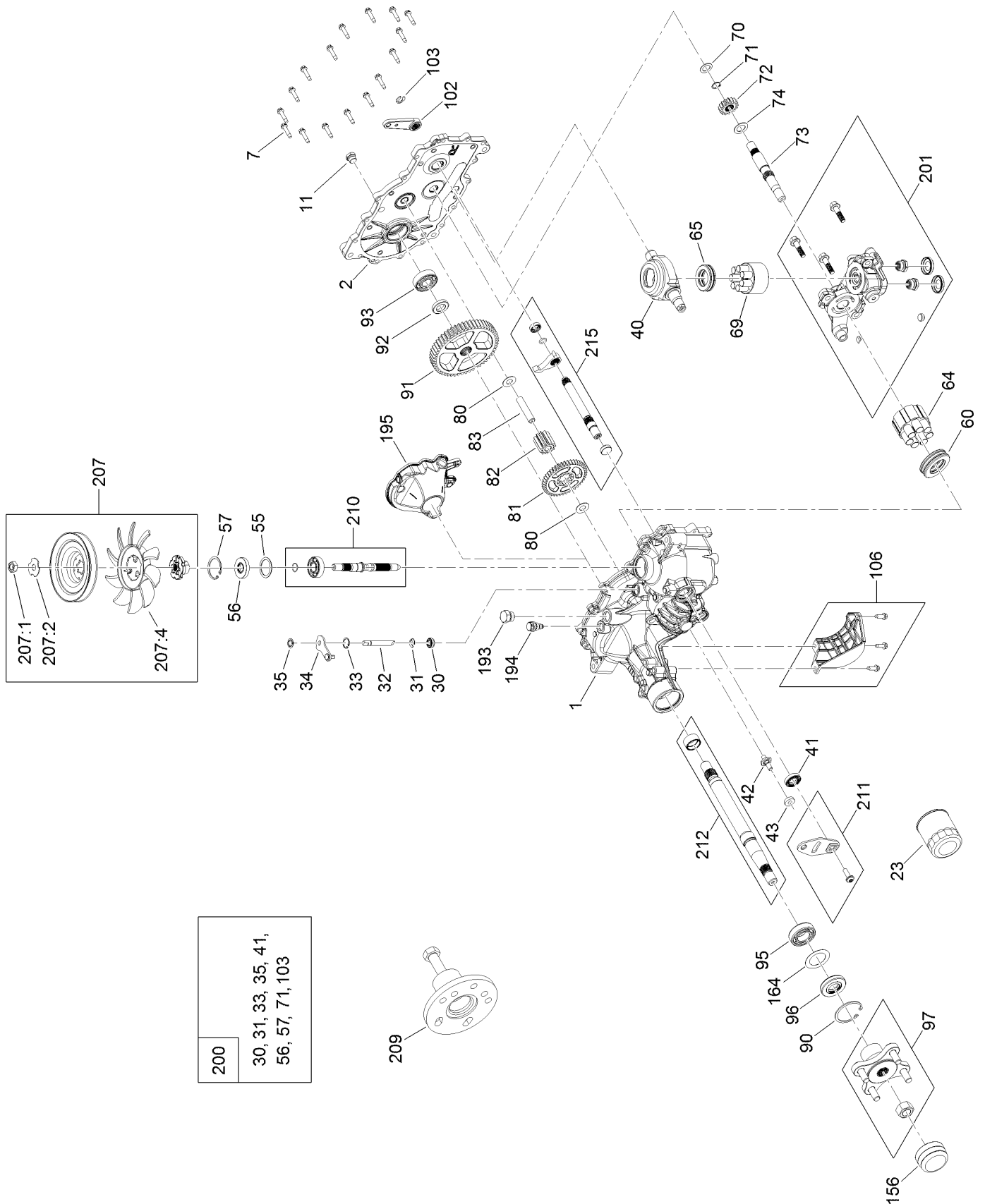
Traction Control Assembly



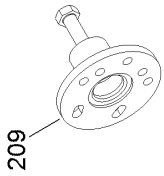
Traction Control Assembly (continued)

| <i>Ref.</i> | <i>Part Number</i> | <i>Qty.</i> | <i>Description</i> | <i>Ref.</i> | <i>Part Number</i> | <i>Qty.</i> | <i>Description</i> |
|-------------|--------------------|-------------|------------------------------|-------------|--------------------|-------------|----------------------|
| 1 | 140-8301 | 1 | LH Hydro Transmission ASM | 14 | 5-4460 | 1 | Washer-Pivot |
| 2 | 140-8300 | 1 | RH Hydro Transmission ASM | 15 | 137-7040 | 1 | Spring-Return, Pedal |
| 3 | 147-2987 | 1 | Rod-Bypass, LH | 16 | 104-8300 | 8 | Nut-HF, NI |
| 4 | 147-2986 | 1 | Rod-Bypass, RH | 17 | 322-11 | 2 | Screw-HH |
| 5 | 119-8952 | 2 | Washer-Spcl | 18 | 145-6388 | 2 | Screw-HH Spcl |
| 6 | 3290-307 | 2 | Pin-Cotter | 19 | 139-2574 | 2 | Nut-HF |
| 7 | 145-6383-03 | 1 | Plate-Hydro | 20 | 138-7590 | 4 | Screw-HHF |
| 8 | 145-6362 | 1 | V-Belt (A Sec 65.30 EI) | 21 | 115-1794 | 1 | Screw-HHF |
| 9 | 138-7597 | 1 | Pulley-Idler, Flat | 22 | 3230-8 | 1 | Screw-CARR |
| 10 | 68-0030 | 1 | Idler | 23 | 242-50 | 8 | Nut-Lug |
| 11 | 147-2925 | 1 | Arm-Idler | 24 | 323-7 | 2 | Screw-HH |
| 12 | 138-7277 | 1 | Spacer-Arm, Idler | 25 | 323-11 | 2 | Screw-HH |
| 13 | 138-9809 | 1 | Spacer | 26 | 104-8301 | 6 | Nut-HF, NI |
| | | | | 27 | 323-9 | 2 | Screw-HH |

LH Hydro Transmission Assembly No. 140-8301



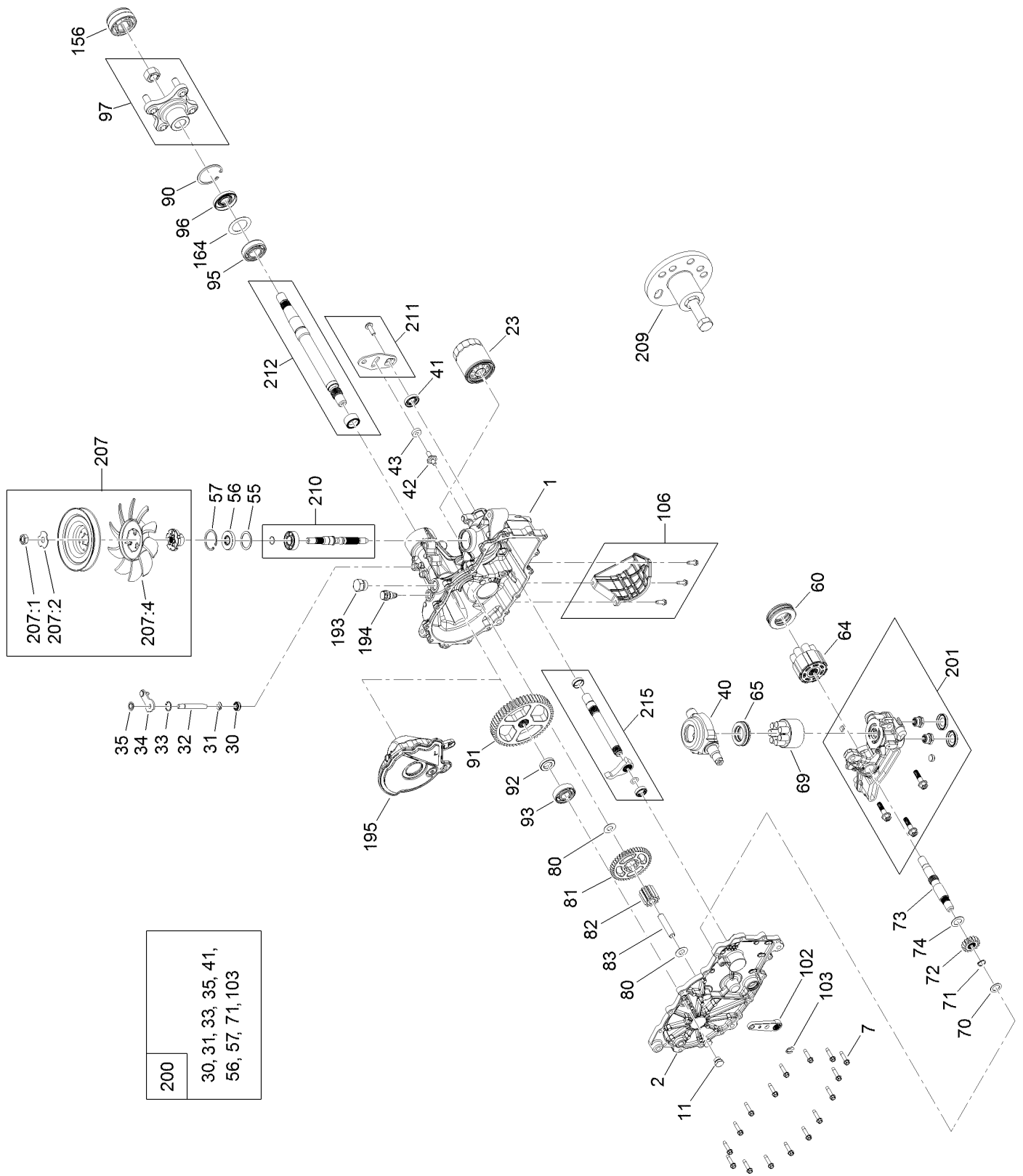
- | |
|--|
| 200 |
| 30, 31, 33, 35, 41, 56, 57, 71, 103 |



LH Hydro Transmission Assembly No. 140-8301 (continued)

| <i>Ref.</i> | <i>Part Number</i> | <i>Qty.</i> | <i>Description</i> | <i>Ref.</i> | <i>Part Number</i> | <i>Qty.</i> | <i>Description</i> |
|-------------|--------------------|-------------|-----------------------------|-------------|--------------------|-------------|--------------------------------|
| 1 | 140-8346 | 1 | RH Control Main Housing Kit | 80 | 94-1933 | 2 | Washer |
| 2 | 140-8349 | 1 | RH Side Cover Kit | 81 | 125-0000 | 1 | Gear-43T |
| 7 | 117-5359 | 16 | Screw-HHF | 82 | 114-1693 | 1 | Gear-11T |
| 11 | 135-1140 | 1 | Plug-Straight | 83 | 104-5329 | 1 | Pin-Jackshaft |
| 23 | 109-3321 | 1 | Element-Oil Filter, HYD | 90 | 104-2169 | 1 | Ring-Retaining |
| 30 | 139-7497 | 1 | Seal-Lip | 91 | 114-1694 | 1 | Gear-54T |
| 31 | 106-8677 | 1 | Ring-Retaining, External | 92 | 120-7975 | 1 | Spacer |
| 32 | 114-1685 | 1 | Rod-Bypass | 93 | 137-2004 | 1 | Bearing Kit |
| 33 | 106-8679 | 1 | Ring-Retaining, Internal | 95 | 130-8477 | 1 | Bearing-Ball |
| 34 | 112-9852 | 1 | Arm-Bypass | 96 | 104-2144 | 1 | Seal |
| 35 | 106-8681 | 1 | Ring-Retaining, External | 97 | 109-5939 | 1 | Hub Kit |
| 40 | 104-5304 | 1 | Swashplate-Trunnion | 102 | 125-0021 | 1 | Handle-Brake |
| 41 | 104-5313 | 1 | Seal-Lip | 103 | 131-0906 | 1 | Ring-Retaining, EXT |
| 42 | 104-2116 | 1 | Stud | 106 | 139-7499 | 1 | Filter Guard Kit |
| 43 | 112-9853 | 1 | Puck-Friction | 156 | 115-5057 | 1 | Cover-Nut, Axle |
| 55 | 104-5308 | 1 | Spacer | 164 | 121-5745 | 1 | Spacer |
| 56 | 104-5310 | 1 | Seal-Lip | 193 | 140-8343 | 1 | Plug |
| 57 | 104-5309 | 1 | Ring-Retaining | 194 | 140-8356 | 1 | Breather Fitting ASM |
| 60 | 112-4154 | 1 | Bearing-Thrust | 195 | 140-8357 | 1 | RH Internal Expansion Tank ASM |
| 64 | 139-4074 | 1 | Cylinder Block ASM Kit | 200 | 140-8351 | 1 | Seal Kit |
| 65 | 94-6922 | 1 | Bearing-Thrust | 201 | 132-0940 | 1 | RH Center Section Kit |
| 69 | 110-8561 | 1 | Pump Block ASM | 207 | 135-7343 | 1 | Fan And Pulley Kit |
| 70 | 104-5339 | 1 | Washer-Flat | 209 | 114-8467 | 1 | Puller-Hub, 4 Bolt |
| 71 | 104-5340 | 1 | Ring-Retaining | 210 | 140-8344 | 1 | Input Shaft Kit |
| 72 | 121-5749 | 1 | Gear-16T | 211 | 117-5362 | 1 | Control Arm Kit |
| 73 | 114-1691 | 1 | Shaft-Motor | 212 | 114-8470 | 1 | Axle Shaft Kit |
| 74 | 104-5360 | 1 | Washer | 215 | 140-8352 | 1 | Inboard Kit |

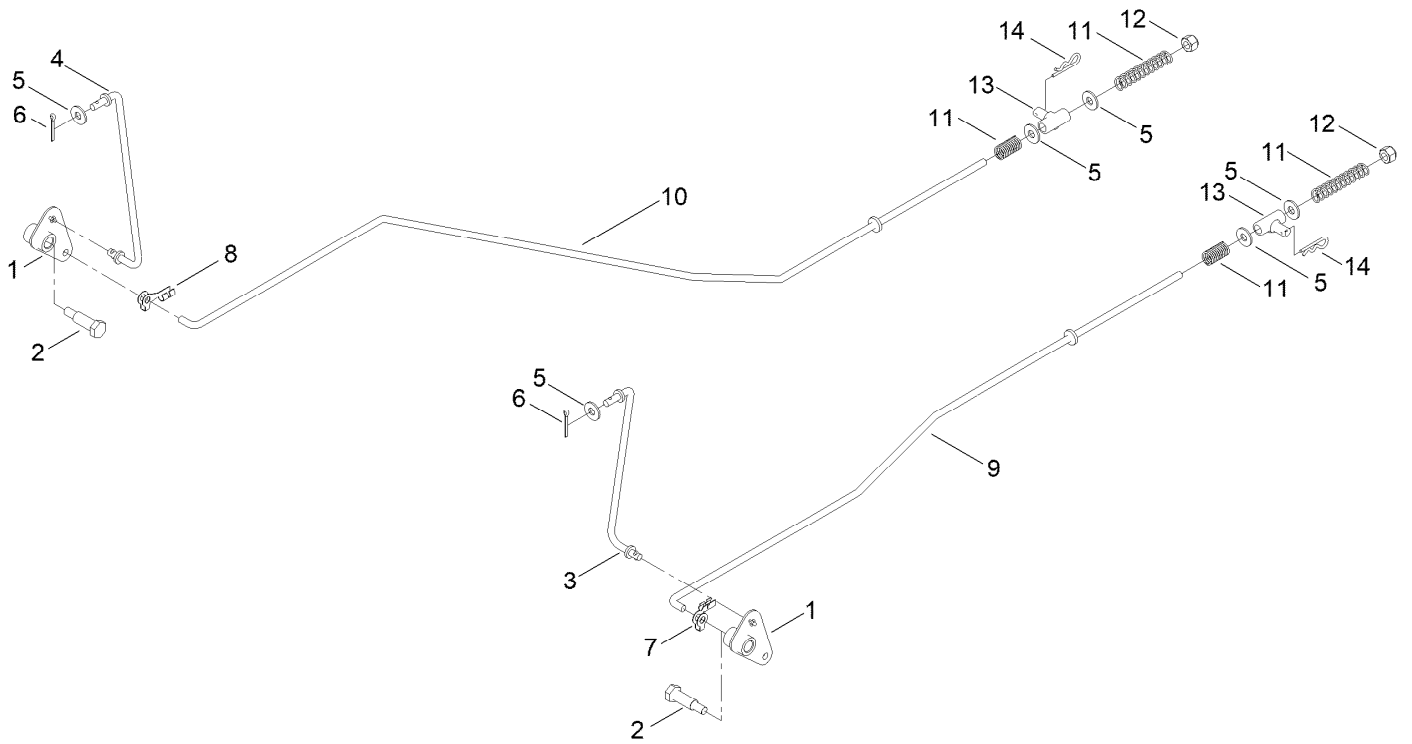
RH Hydro Transmission Assembly No. 140-8300



RH Hydro Transmission Assembly No. 140-8300 (continued)

| <i>Ref.</i> | <i>Part Number</i> | <i>Qty.</i> | <i>Description</i> | <i>Ref.</i> | <i>Part Number</i> | <i>Qty.</i> | <i>Description</i> |
|-------------|--------------------|-------------|-----------------------------|-------------|--------------------|-------------|-----------------------------------|
| 1 | 140-8348 | 1 | LH Control Main Housing Kit | 81 | 125-0000 | 1 | Gear-43T |
| 2 | 140-8350 | 1 | LH Side Cover Kit | 82 | 114-1693 | 1 | Gear-11T |
| 7 | 117-5359 | 16 | Screw-HHF | 83 | 104-5329 | 1 | Pin-Jackshaft |
| 11 | 135-1140 | 1 | Plug-Straight | 90 | 104-2169 | 1 | Ring-Retaining |
| 23 | 109-3321 | 1 | Element-Oil Filter, HYD | 91 | 114-1694 | 1 | Gear-54T |
| 30 | 139-7497 | 1 | Seal-Lip | 92 | 120-7975 | 1 | Spacer |
| 31 | 106-8677 | 1 | Ring-Retaining, External | 93 | 137-2004 | 1 | Bearing Kit |
| 32 | 114-1685 | 1 | Rod-Bypass | 95 | 130-8477 | 1 | Bearing-Ball |
| 33 | 106-8679 | 1 | Ring-Retaining, Internal | 96 | 104-2144 | 1 | Seal |
| 34 | 107-2490 | 1 | Arm-Bypass | 97 | 109-5939 | 1 | Hub Kit |
| 35 | 106-8681 | 1 | Ring-Retaining, External | 102 | 125-0021 | 1 | Handle-Brake |
| 40 | 104-5304 | 1 | Swashplate-Trunnion | 103 | 131-0906 | 1 | Ring-Retaining, EXT |
| 41 | 104-5313 | 1 | Seal-Lip | 106 | 139-7498 | 1 | Filter Guard Kit |
| 42 | 104-2116 | 1 | Stud | 156 | 115-5057 | 1 | Cover-Nut, Axle |
| 43 | 112-9853 | 1 | Puck-Friction | 164 | 121-5745 | 1 | Spacer |
| 55 | 104-5308 | 1 | Spacer | 193 | 140-8343 | 1 | Plug |
| 56 | 104-5310 | 1 | Seal-Lip | 194 | 140-8356 | 1 | Breather Fitting ASM |
| 57 | 104-5309 | 1 | Ring-Retaining | 195 | 140-8358 | 1 | LH Internal Expansion Tank ASM |
| 60 | 112-4154 | 1 | Bearing-Thrust | 200 | 140-8351 | 1 | Seal Kit |
| 64 | 139-4074 | 1 | Cylinder Block ASM Kit | 201 | 125-0036 | 1 | Center Section Kit |
| 65 | 94-6922 | 1 | Bearing-Thrust | 207 | 135-7343 | 1 | Fan And Pulley Kit |
| 69 | 110-8561 | 1 | Pump Block ASM | 209 | 114-8467 | 1 | Puller-Hub, 4 Bolt |
| 70 | 104-5339 | 1 | Washer-Flat | 210 | 140-8344 | 1 | Input Shaft Kit |
| 71 | 104-5340 | 1 | Ring-Retaining | 211 | 117-5362 | 1 | Control Arm Kit |
| 72 | 121-5749 | 1 | Gear-16T | 212 | 114-8470 | 1 | Axle Shaft Kit |
| 73 | 114-1691 | 1 | Shaft-Motor | 215 | 140-8353 | 1 | Inboard Kit |
| 74 | 104-5360 | 1 | Washer | | | | |
| 80 | 94-1933 | 2 | Washer | | | | |

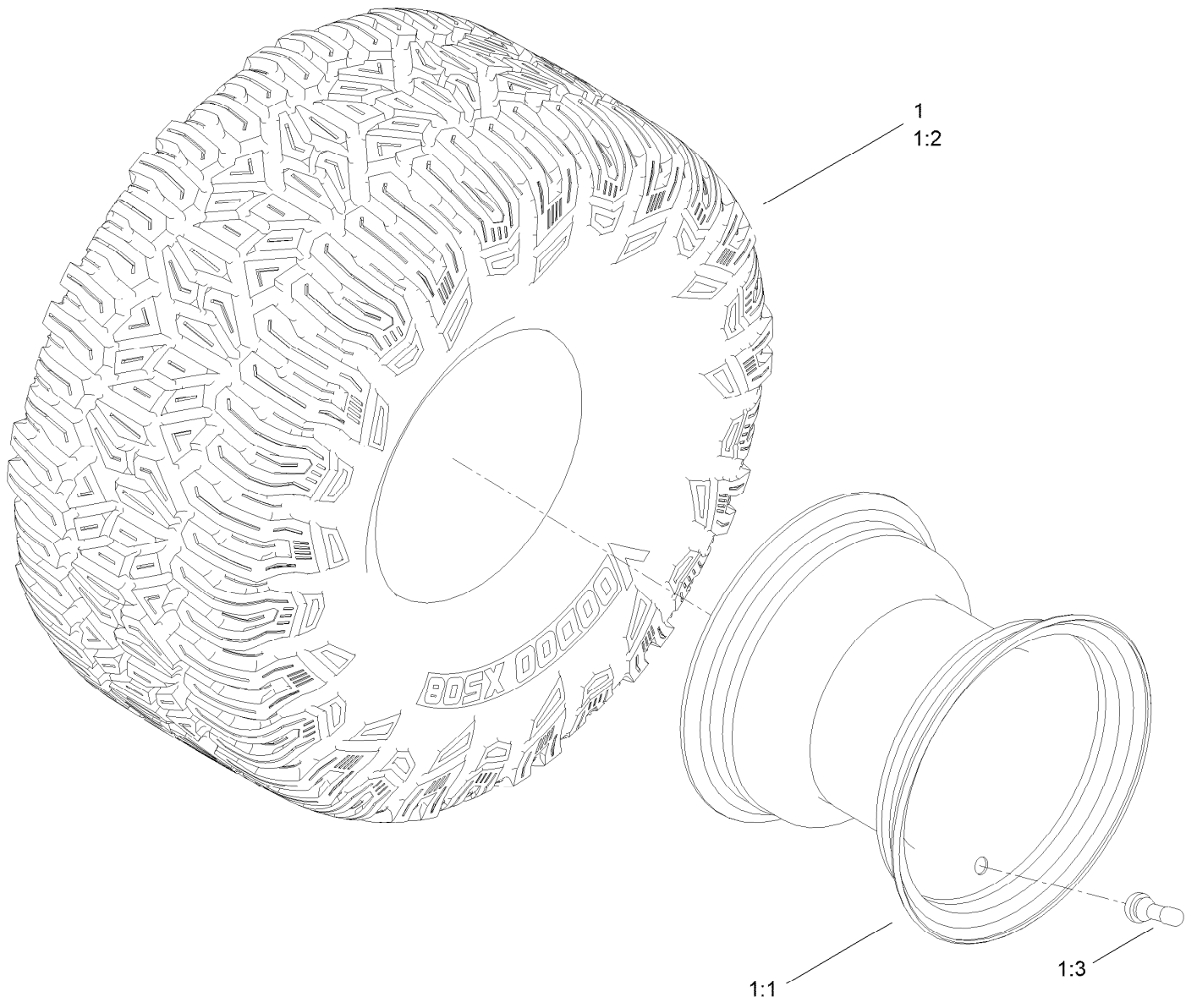
Brake Assembly



Brake Assembly (continued)

| <i>Ref.</i> | <i>Part Number</i> | <i>Qty.</i> | <i>Description</i> | <i>Ref.</i> | <i>Part Number</i> | <i>Qty.</i> | <i>Description</i> |
|-------------|--------------------|-------------|--------------------------|-------------|--------------------|-------------|--------------------------|
| 1 | 144-1858 | 2 | Bellcrank | 8 | 144-1815 | 1 | Clip-Rod, RH (7R, 1/4In) |
| 2 | 145-6364 | 2 | Bolt-Shoulder | 9 | 145-6372 | 1 | Rod-Brake LH |
| 3 | 145-4607 | 1 | Link-Brake, LH | 10 | 145-6371 | 1 | Rod-Brake, RH |
| 4 | 145-6238 | 1 | Link-Brake, RH | 11 | 121-5654 | 4 | Spring-Compression |
| 5 | 119-8952 | 6 | Washer-Spcl | 12 | 3296-42 | 2 | Nut-Lock, NI |
| 6 | 120-9716 | 2 | Pin-Cotter | 13 | 119-8857 | 2 | Mount-Pivot |
| 7 | 144-1816 | 1 | Clip-Rod, LH (7L, 1/4In) | 14 | 3290-307 | 2 | Pin-Cotter |

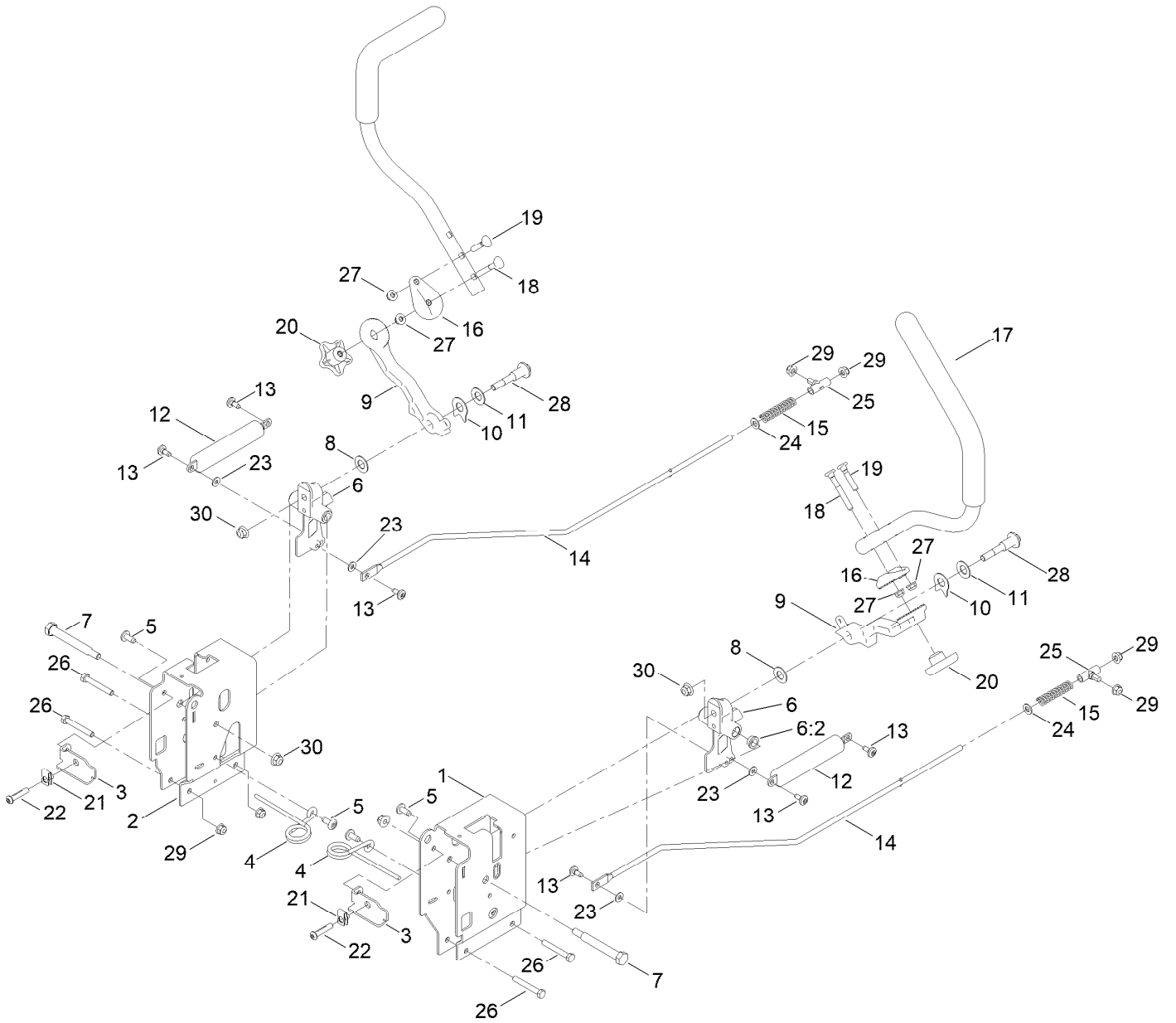
Tire Assembly



Tire Assembly (continued)

| <i>Ref.</i> | <i>Part Number</i> | <i>Qty.</i> | <i>Description</i> | <i>Ref.</i> | <i>Part Number</i> | <i>Qty.</i> | <i>Description</i> |
|-------------|--------------------|-------------|--------------------|-------------|--------------------|-------------|--------------------|
| 1 | 145-6391 | 2 | Tire ASM | 1:2 | 147-5179 | 1 | Tire |
| 1:1 | 147-5180 | 1 | Rim | 1:3 | 232-27 | 1 | Stem-Valve |

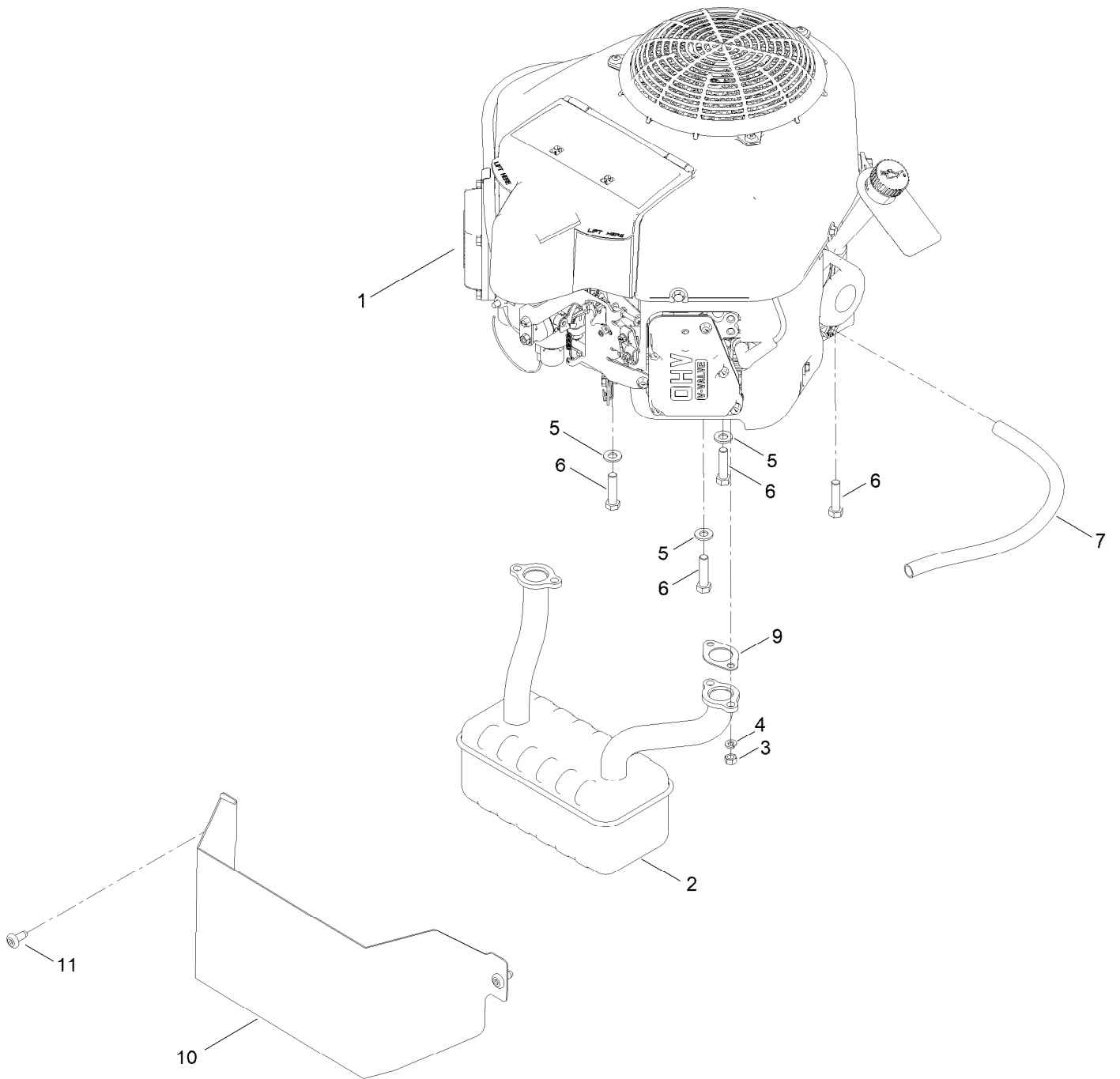
Motion Control Assembly



Motion Control Assembly (continued)

| <i>Ref.</i> | <i>Part Number</i> | <i>Qty.</i> | <i>Description</i> | <i>Ref.</i> | <i>Part Number</i> | <i>Qty.</i> | <i>Description</i> |
|-------------|--------------------|-------------|---------------------------------|-------------|--------------------|-------------|-------------------------------------|
| 1 | 145-4615-03 | 1 | Control Box - LH G7 | 16 | 147-5192-05 | 2 | Disc-Adjustment Handle, 32 Teeth |
| 2 | 145-4647-03 | 1 | Control Box - RH G7 | 17 | 147-7679 | 2 | Handle-Control |
| 3 | 147-7580-03 | 2 | Adjustment Plate-Control Box | 18 | 145-6366 | 2 | Screw-Handle |
| 4 | 145-6253 | 2 | Spring-Torsion | 19 | 137-3008 | 2 | Screw-Handle |
| 5 | 138-9753 | 4 | Screw | 20 | 117-5976 | 2 | Knob-Handle |
| 6 | 145-4648 | 2 | Pivot Arm ASM | 21 | 112-3306 | 2 | Nut |
| 6:2 | 256-156 | 2 | Bushing-Flange | 22 | 126-4299 | 2 | Screw-HSBH |
| 7 | 115-5099 | 2 | Bolt-Pivot | 23 | 119-8952 | 4 | Washer-Spcl |
| 8 | 120-2273 | 2 | Washer-Nylon | 24 | 120-9683 | 2 | Washer-Plain |
| 9 | 147-5191-05 | 2 | Arm-Control, 32 Teeth | 25 | 138-7218 | 2 | Mount-Rod, Hydro |
| 10 | 142-8478 | 2 | Spacer, Anti-Rotation | 26 | 120-9738 | 4 | Screw-HH |
| 11 | 119-8925 | 2 | Washer-Belleville | 27 | 138-8401 | 4 | Nut-HF |
| 12 | 132-6853 | 2 | Damper-Non Cavitating | 28 | 117-1198 | 2 | Bolt-Pivot |
| 13 | 120-7950 | 6 | Screw-Torx | 29 | 104-8300 | 8 | Nut-HF, NI |
| 14 | 145-4699 | 2 | Rod - Hydro, LH | 30 | 104-8301 | 4 | Nut-HF, NI |
| 15 | 138-7252 | 2 | Spring-Compression | | | | |

Engine and Muffler Assembly



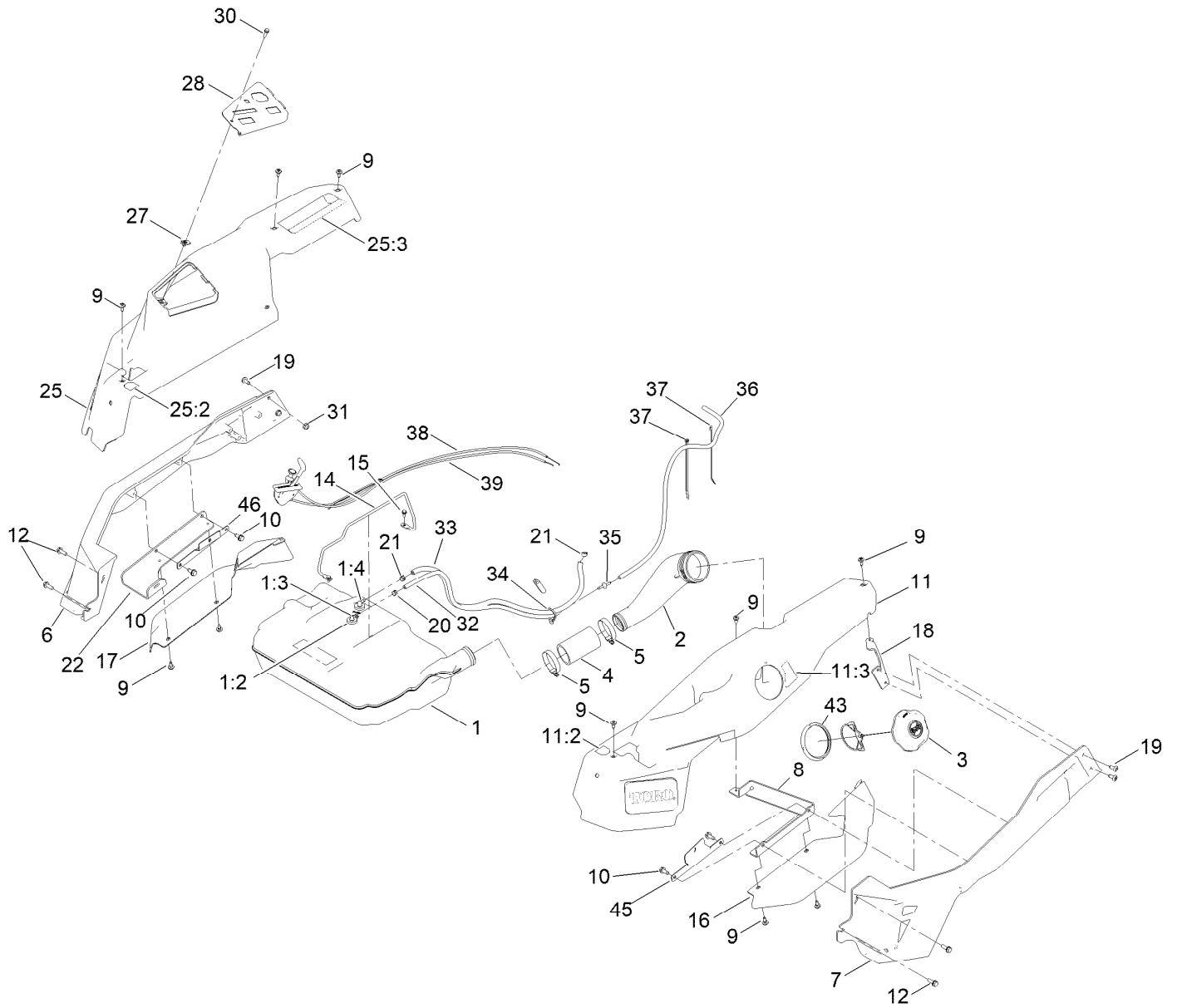
Engine and Muffler Assembly (continued)

| <i>Ref.</i> | <i>Part Number</i> | <i>Qty.</i> | <i>Description</i> | <i>Ref.</i> | <i>Part Number</i> | <i>Qty.</i> | <i>Description</i> |
|-------------|--------------------|-------------|--------------------------|-------------|--------------------|-------------|---------------------|
| 1 | | 1 | Engine-Kawasaki Fr691 ●■ | 6 | 323-50 | 4 | Bolt-HH |
| 2 | 139-5867 | 1 | Muffler | 7 | 106-7022 | 1 | Tube-Drain, Oil |
| 3 | 114-3549 | 4 | Nut | 9 | 1-653313 | 2 | Gasket-Exhaust |
| 4 | 114-3550 | 4 | Washer-Lock | 10 | 161-6221-03 | 1 | Heat Shield-Muffler |
| 5 | 3256-24 | 3 | Washer-Plain | 11 | 138-9753 | 2 | Screw |

● Not serviced separately

■ Obtain parts from www.kawpower.com

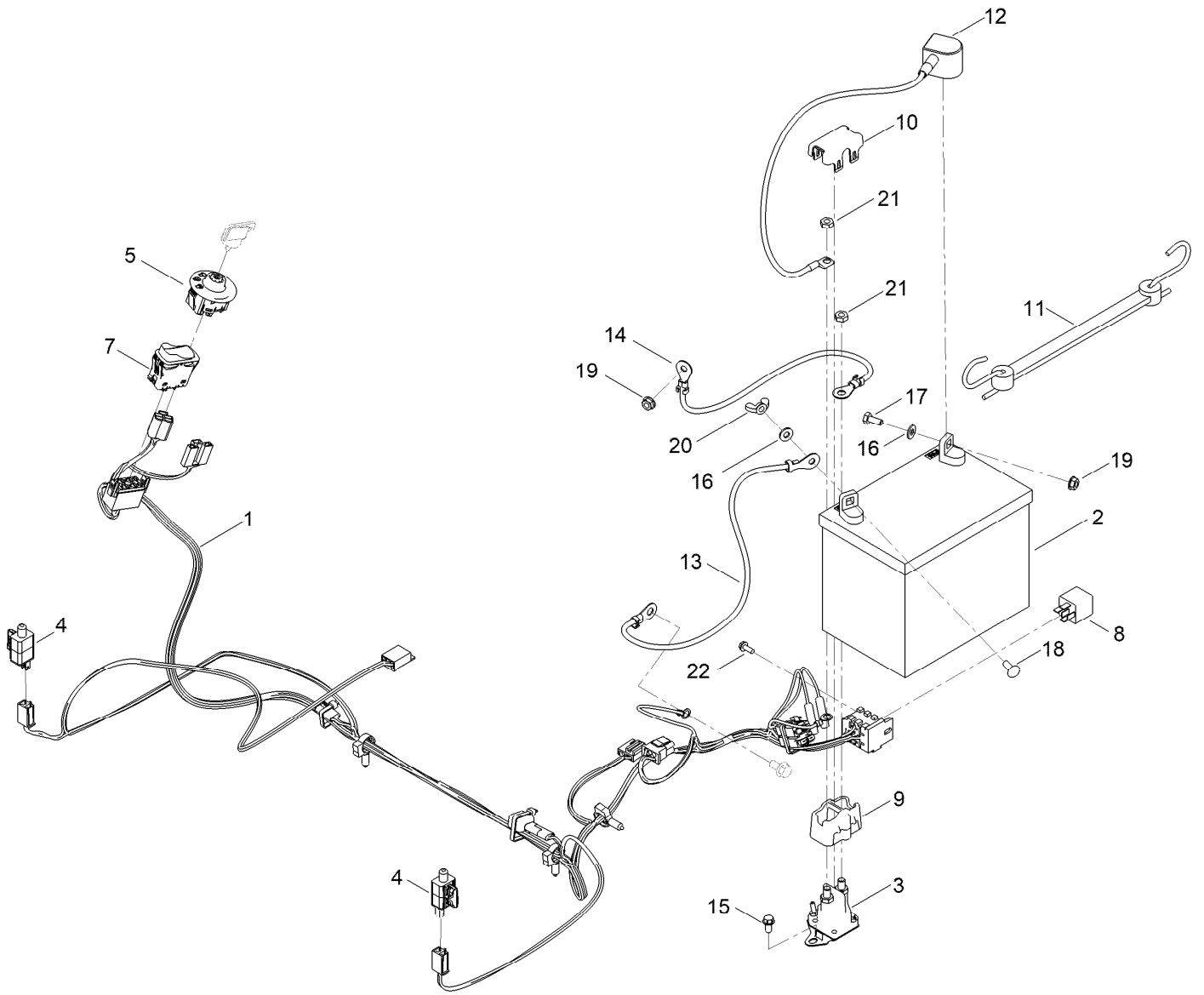
Fuel Pod Assembly



Fuel Pod Assembly (continued)

| <i>Ref.</i> | <i>Part Number</i> | <i>Qty.</i> | <i>Description</i> | <i>Ref.</i> | <i>Part Number</i> | <i>Qty.</i> | <i>Description</i> |
|-------------|--------------------|-------------|-------------------------|-------------|--------------------|-------------|----------------------------------|
| 1 | 145-6304 | 1 | Fuel Tank ASM | 20 | 2412-80 | 1 | Clamp-Hose |
| 1:2 | 46-6560 | 2 | Bushing | 21 | 2412-98 | 2 | Clamp-Hose |
| 1:3 | 144-5302 | 1 | Fitting-Elbow 90 | 22 | 147-5173-03 | 1 | Bracket-Mr Spring |
| 1:4 | 147-2934 | 1 | Fitting-Pickup, Fuel | 25 | 147-8744 | 1 | Pod ASM - RH , Mr W/Decals |
| 2 | 147-7657 | 1 | Neck-Filler, Fuel | 25:2 | 139-2394 | 1 | Decal-Control Lever, RH |
| 3 | 137-4119 | 1 | Cap-Fuel, Ratcheting | 25:3 | 147-7574 | 1 | Decal - Myride |
| 4 | 145-4698 | 1 | Hose-Filler, Fuel | 27 | 107069 | 1 | Clip |
| 5 | 2412-130 | 2 | Clamp-Hose | 28 | 147-2990-03 | 1 | Panel-Control |
| 6 | 147-2973-01 | 1 | Cast-Tube, RH [red] | 30 | 32105-15 | 1 | Screw-HWH |
| 7 | 147-2972-01 | 1 | Cast-Tube, LH [red] | 31 | 119-4041 | 2 | Nut-HF |
| 8 | 147-2974-03 | 1 | Mount-Pod Bracket LH | 32 | 140-4956 | 1 | Hose-Fuel |
| 9 | 120-7950 | 10 | Screw-Torx | 33 | 109-0275 | 1 | Hose-Fuel |
| 10 | 32144-70 | 4 | Screw-HWHTF | 34 | 32180-030 | 2 | Clip-Tie |
| 11 | 147-8741 | 1 | Pod ASM - LH W/Decals | 35 | 144-1983 | 1 | Adapter Orifice |
| 11:2 | 139-2395 | 1 | Decal-Control Lever, LH | 36 | 108-6344 | 1 | Hose-Fuel |
| 11:3 | 147-2399 | 1 | Decal-Fuel Fill | 37 | 614249 | 3 | Tie-Cable |
| 12 | 32144-41 | 4 | Screw-Taptite | 38 | 139-2403 | 1 | Cable-Throttle |
| 14 | 147-5176 | 1 | Rod-Hold Down | 39 | 139-2402 | 1 | Cable-Choke |
| 15 | 32144-4 | 2 | Screw-HWH | 43 | 147-7712 | 1 | Ring-Retaining |
| 16 | 147-2978 | 1 | Fender-Time Cutter, LH | 45 | 161-4609-03 | 1 | Bracket-Alignment, Pod LH |
| 17 | 147-2979 | 1 | Fender-Time Cutter, RH | 46 | 161-4611-03 | 1 | Bracket- Alignment, Pod RH Mr |
| 18 | 147-2976-03 | 1 | Bracket-Rear Pod, LH | | | | |
| 19 | 138-9753 | 4 | Screw | | | | |

Electrical Assembly

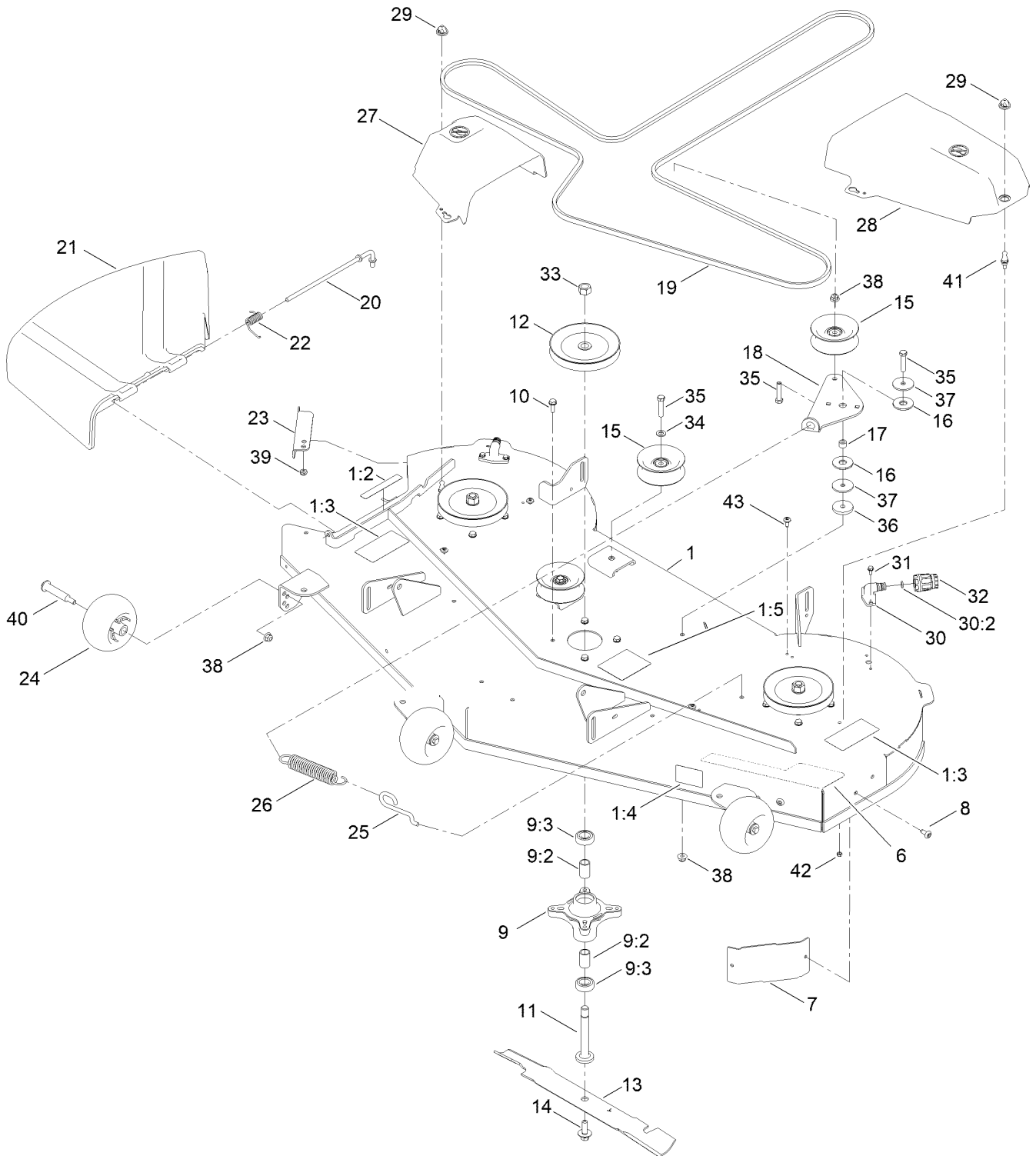


Electrical Assembly (continued)

| <i>Ref.</i> | <i>Part Number</i> | <i>Qty.</i> | <i>Description</i> | <i>Ref.</i> | <i>Part Number</i> | <i>Qty.</i> | <i>Description</i> |
|-------------|--------------------|-------------|------------------------------|-------------|--------------------|-------------|-------------------------|
| 1 | 145-6382 | 1 | Harness-Wire, Main | 10 | 140-2081 | 1 | Cap-Solenoid |
| 1:7 | 109355 | 1 | Fuse-Blade, 15 Amp ● | 11 | 104-2466 | 1 | Holddown-Battery |
| 1:8 | 109102 | 1 | Fuse-Blade, 25 Amp ● | 12 | 147-2941 | 1 | Cable-Battery, Red |
| 1:9 | 32180-435 | 1 | Cap-Over Mold, 1M/1F ● | 13 | 119-8899 | 1 | Cable-Battery, Black |
| 1:10 | 100-4918 | 1 | Diode ● | 14 | 121-0711 | 1 | Cable-Battery, Positive |
| 1:11 | 32180-047 | 3 | Clip-Tubing, Harness ● | 15 | 32144-4 | 2 | Screw-HWH |
| 2 | 140-2076 | 1 | Battery - Wet | 16 | 3256-22 | 2 | Washer-Flat |
| 3 | 117-1197 | 1 | Solenoid | 17 | 321-3 | 1 | Screw-HH |
| 4 | 110-6765 | 2 | Switch | 18 | 3229-1 | 1 | Screw-CARR |
| 5 | 137-4100 | 1 | Switch-Ignition | 19 | 32128-33 | 2 | Nut-HF |
| 7 | 139-6368 | 1 | Switch-Rocker, On-None-On | 20 | 32103-22 | 1 | Nut-Wing |
| 8 | 1-643275 | 1 | Relay | 21 | 3220-2 | 2 | Nut-Jam |
| 9 | 140-2080 | 1 | Cover-Solenoid | 22 | 139-1713 | 1 | Screw-Thd Roll |

● Not illustrated

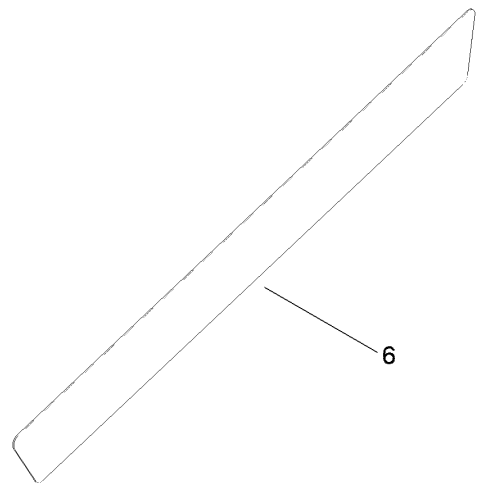
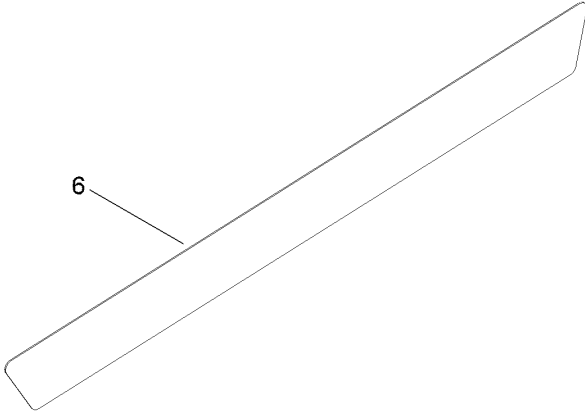
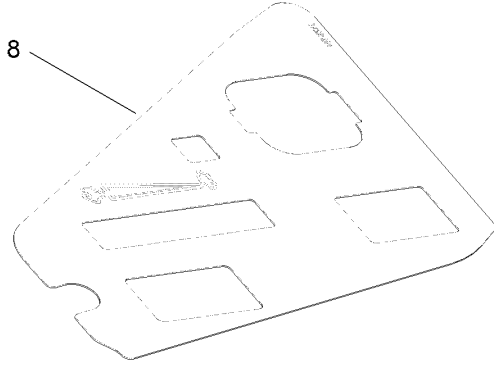
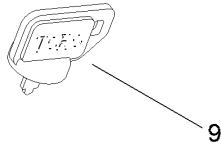
60in Deck and Decal Assembly



60in Deck and Decal Assembly (continued)

| <i>Ref.</i> | <i>Part Number</i> | <i>Qty.</i> | <i>Description</i> | <i>Ref.</i> | <i>Part Number</i> | <i>Qty.</i> | <i>Description</i> |
|-------------|--------------------|-------------|----------------------------|-------------|--------------------|-------------|---------------------|
| 1 | 147-8748 | 1 | 60 In Deck & Decal ASM | 22 | 138-7268 | 1 | Spring-Torsion |
| 1:2 | 130-0731 | 1 | Decal-Danger | 23 | 138-9800-03 | 1 | Baffle-Cutoff |
| 1:3 | 132-0872 | 2 | Decal-Danger, Deck | 24 | 1-603299 | 3 | Roller-Scalp, Anti |
| 1:4 | 147-3024 | 1 | Decal-Scalp, Anti | 25 | 138-7266 | 1 | Spring-Return, Hook |
| 1:5 | 147-3025 | 1 | Decal-Routing, Belt | 26 | 138-7264 | 1 | Spring-Extension |
| 6 | 147-7564 | 1 | Decal - Iron Forged 60 | 27 | 147-2853 | 1 | Cover-Belt, RH |
| 7 | 139-2448-03 | 1 | Baffle-Corner | 28 | 147-2854 | 1 | Cover-Belt, LH |
| 8 | 138-9753 | 2 | Screw | 29 | 147-2871 | 2 | Grommet-Ball |
| 9 | 139-3214 | 3 | Spindle ASM | 30 | 133-9289 | 2 | Fitting-Washout |
| 9:2 | 120-7935 | 2 | Spacer | 30:2 | 133-9290 | 1 | O-Ring |
| 9:3 | 138-9770 | 2 | Bearing-Ball | 31 | 32144-4 | 4 | Screw-HWH |
| 10 | 32144-41 | 12 | Screw-Taptite | 32 | 95-3270 | 1 | Connector-Hose |
| 11 | 117-7268 | 3 | Shaft-Spindle | 33 | 3219-6 | 3 | Nut-Hex |
| 12 | 133-1199 | 3 | Pulley | 34 | 3256-24 | 2 | Washer-Plain |
| 13 | 115-9649-03 | 3 | Blade-Hi Flow | 35 | 323-9 | 4 | Screw-HH |
| 14 | 145-0411 | 3 | Bolt-Blade, Sems | 36 | 110-9981 | 1 | Washer-Plain |
| 15 | 132-9420 | 3 | Pulley-Idler, Flat | 37 | 63-7400 | 2 | Washer-Rebound |
| 16 | 114-0463 | 2 | Washer-Friction, Composite | 38 | 104-8301 | 5 | Nut-HF, NI |
| 17 | 115-4986 | 1 | Spacer | 39 | 3296-59 | 1 | Nut-Lock, NI |
| 18 | 138-7262 | 1 | Arm-Idler | 40 | 112-3977 | 3 | Bolt-Shoulder |
| 19 | 147-2911 | 1 | Belt-V (A Sec, 154.96 EI) | 41 | 147-2872 | 2 | Stud-Ball |
| 20 | 137-2019 | 1 | Rod-Pivot | 42 | 115-7373 | 2 | Nut-Lock |
| 21 | 138-7502 | 1 | Deflector-Discharge | 43 | 120-7950 | 4 | Screw-Torx |

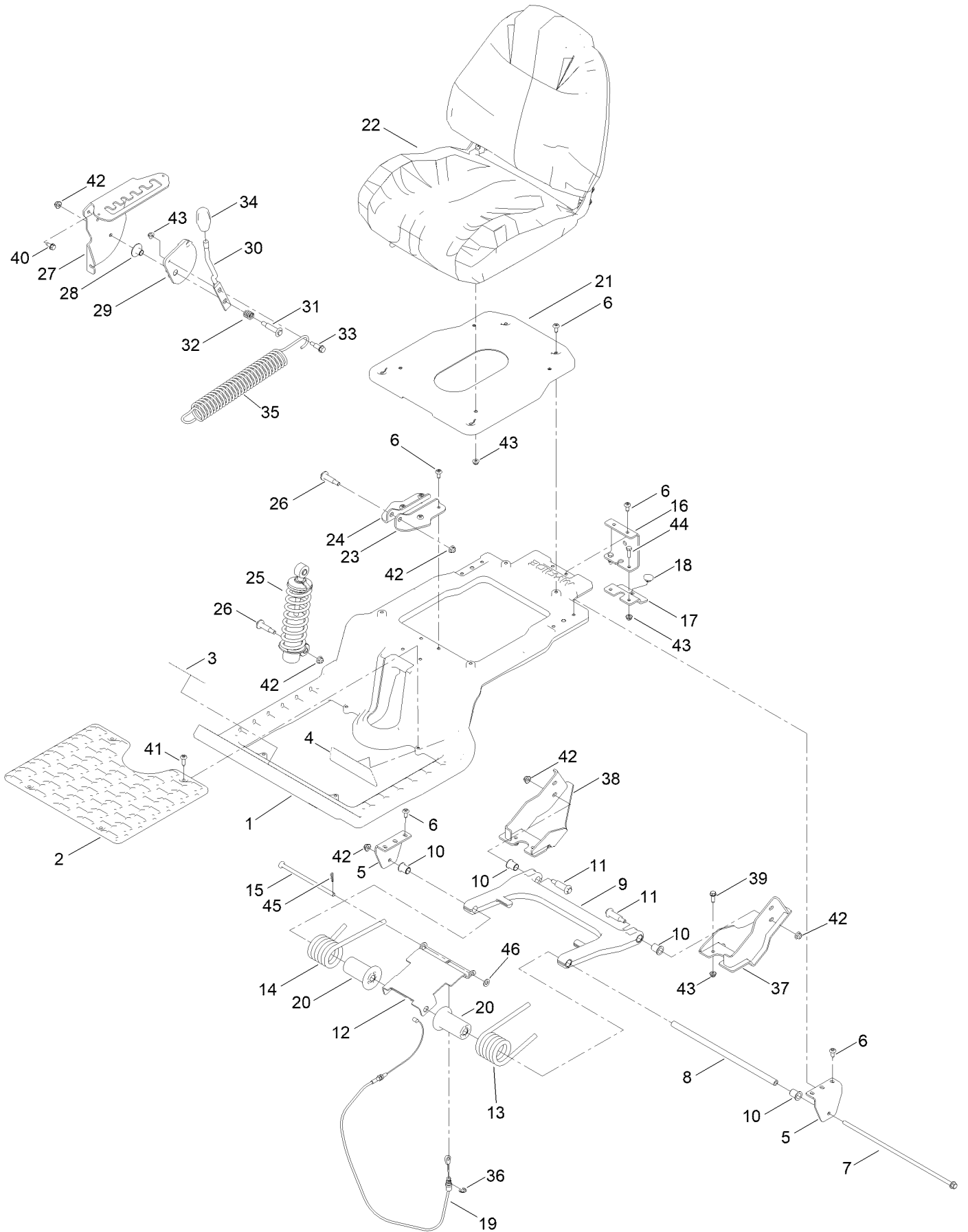
Frame Decal Assembly



Frame Decal Assembly (continued)

| <i>Ref.</i> | <i>Part Number</i> | <i>Qty.</i> | <i>Description</i> |
|-------------|--------------------|-------------|-----------------------|
| 6 | 161-6220 | 2 | Decal - Timecutter |
| 8 | 147-7571 | 1 | Decal - Control Panel |
| 9 | 63-8360 | 1 | Key-Ignition |

Seat Pan Assembly

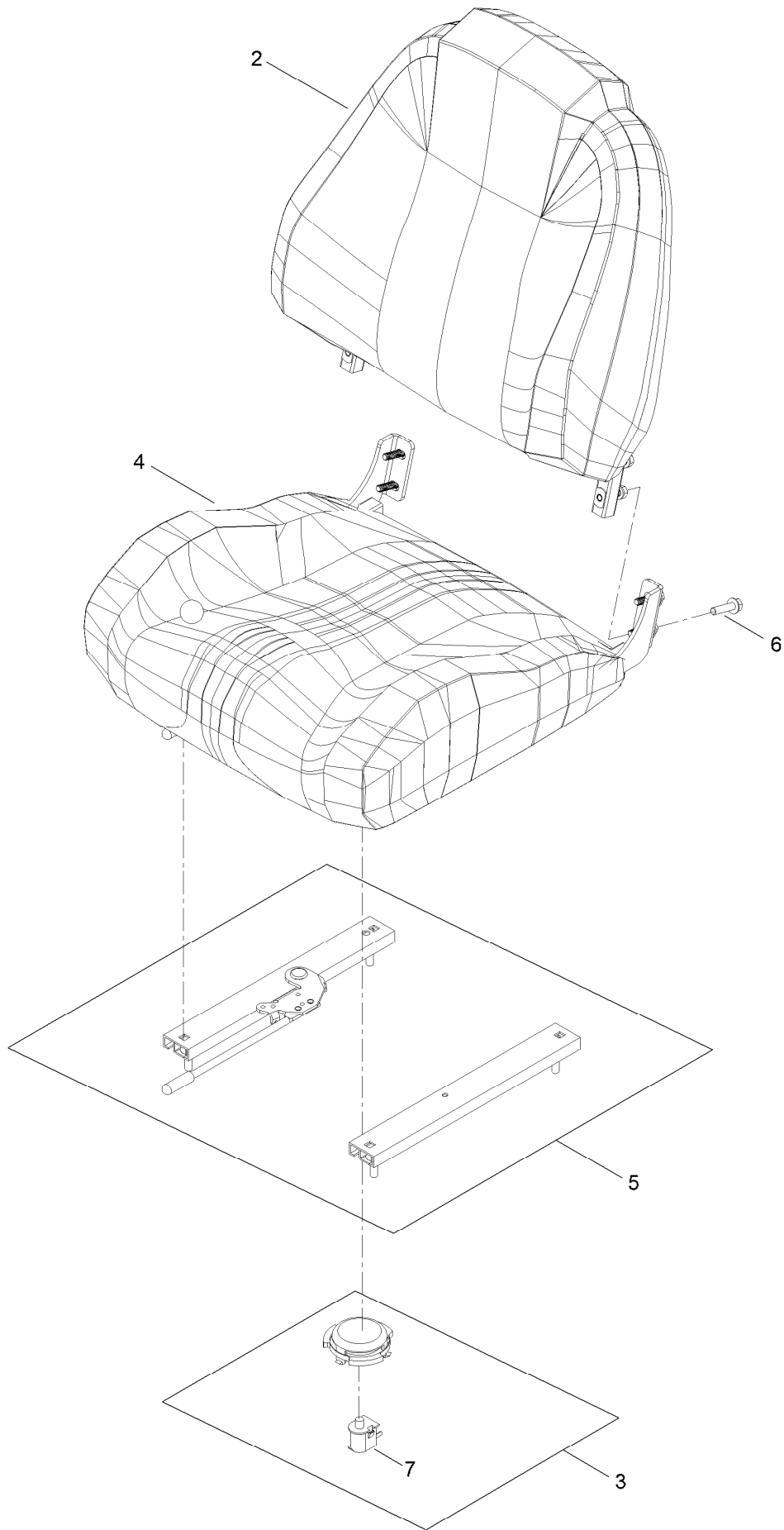


Seat Pan Assembly (continued)

| <i>Ref.</i> | <i>Part Number</i> | <i>Qty.</i> | <i>Description</i> | <i>Ref.</i> | <i>Part Number</i> | <i>Qty.</i> | <i>Description</i> |
|-------------|--------------------|-------------|------------------------------------|-------------|--------------------|-------------|-------------------------------|
| 1 | 145-6394-05 | 1 | Platform, Myride | 25 | 139-2427 | 1 | Shock/Spring ASM |
| 2 | 145-6395-05 | 1 | Platform, Myride | 26 | 136-7198 | 2 | Bolt-Shoulder |
| 3 | 147-7662 | 1 | Decal - Myride | 27 | 145-6309-05 | 1 | Bracket-Mr Gate |
| 4 | 147-7575 | 1 | Decal - Myride | 28 | 139-5800 | 1 | Bushing - Flange |
| 5 | 138-7517 | 2 | Bracket-Mount, Swing Arm | 29 | 147-5171 | 1 | Pulley-Cam |
| 6 | 138-9753 | 18 | Screw | 30 | 147-5172 | 1 | Lever-Adjustment, Threaded |
| 7 | 138-7548 | 1 | Screw-HHF | 31 | 92-1057 | 1 | Bolt-Shoulder |
| 8 | 138-7549 | 1 | Tube-Spacer | 32 | 139-5858 | 1 | Spring-Compression |
| 9 | 145-6312 | 1 | Arm-Swing | 33 | 140-3759 | 1 | Bolt-Shoulder,HHF |
| 10 | 138-2573 | 4 | Bushing-Flange | 34 | 147-8715 | 1 | Knob-Mr |
| 11 | 138-2547 | 2 | Bolt-Shoulder | 35 | 138-9848 | 1 | Spring-Extension |
| 12 | 138-7566-03 | 1 | Plate-Adjuster | 36 | 32120-47 | 1 | Ring-Retaining, External |
| 13 | 137-1983 | 1 | Spring-Torsion, LH | 37 | 147-8721-03 | 1 | Mount-Mr Swing Arm, LH |
| 14 | 137-7018 | 1 | Spring-Torsion, RH | 38 | 147-8722-03 | 1 | Mount-Mr Swing Arm, RH |
| 15 | 138-9813 | 1 | Rod-Adjustment | 39 | 701243 | 4 | Screw-Thd Roll, HWH |
| 16 | 138-9788 | 1 | Bracket-Cable | 40 | 32144-70 | 3 | Screw-HWHTF |
| 17 | 139-2361-03 | 1 | Bracket Lower | 41 | 138-9753 | 4 | Screw |
| 18 | 135-0505 | 1 | Bumper-Seat | 42 | 119-4042 | 6 | Nut-HF, NI |
| 19 | 147-7713 | 1 | Cable-Adjustment, Myride | 43 | 119-4041 | 11 | Nut-HF |
| 20 | 138-9776 | 2 | Retainer-Spring | 44 | 139-1716 | 2 | Screw-HH |
| 21 | 145-6265-03 | 1 | Pan-Seat | 45 | 137-3083 | 1 | Pin-Hair |
| 22 | 147-8731 | 1 | Seat King Sk220 Seat | 46 | 115-1166 | 1 | Washer-Plain |
| 23 | 133-9318-03 | 1 | Bracket-Shock Mount, Upper (LH) | 47 | 119-4036 | 4 | Screw-HHF ● |
| 24 | 133-9319-03 | 1 | Bracket-Shock Mount, Upper (RH) | | | | |

● Not illustrated

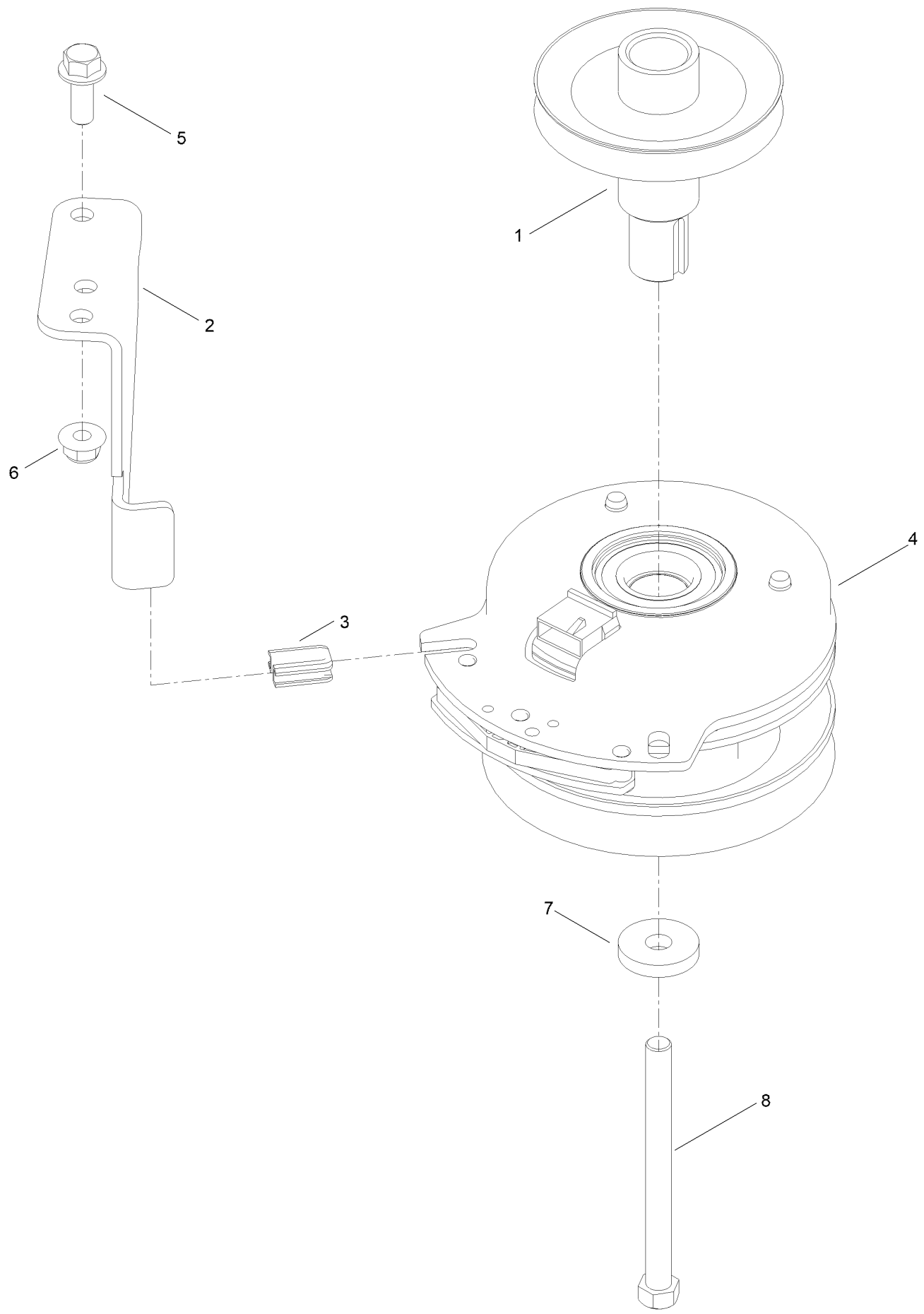
Seat Assembly No. 147-8731



Seat Assembly No. 147-8731 (continued)

| <i>Ref.</i> | <i>Part Number</i> | <i>Qty.</i> | <i>Description</i> | <i>Ref.</i> | <i>Part Number</i> | <i>Qty.</i> | <i>Description</i> |
|-------------|--------------------|-------------|-----------------------------------|-------------|--------------------|-------------|--------------------|
| 2 | 147-8735 | 1 | Toro Back Cover | 5 | 147-8740 | 1 | Slide ASM-Seat |
| 3 | 147-8736 | 1 | Seat Switch Delta 6500-02 Open | 6 | 119-4036 | 4 | Screw-HHF |
| 4 | 147-8739 | 1 | Toro Seat Cover | 7 | 82-2190 | 1 | Switch-Bail |

Clutch Assembly



Clutch Assembly (continued)

| <i>Ref.</i> | <i>Part Number</i> | <i>Qty.</i> | <i>Description</i> | <i>Ref.</i> | <i>Part Number</i> | <i>Qty.</i> | <i>Description</i> |
|-------------|--------------------|-------------|--------------------|-------------|--------------------|-------------|--------------------|
| 1 | 138-9792 | 1 | Pulley-Engine | 5 | 3234-42 | 1 | Screw-HHF |
| 2 | 137-7000 | 1 | Stop-Clutch (Wide) | 6 | 104-8301 | 1 | Nut-HF, NI |
| 3 | 120-2217 | 1 | Isolator-Clutch | 7 | 112843 | 1 | Washer |
| 4 | 127-3410 | 1 | Clutch-PTO | 8 | 3212-19 | 1 | Screw-HH |

Attachments and Accessories

For 77603 TimeCutter MyRIDE 60in Zero Turn Riding Mower

| Product Name | Model/Part |
|--------------------------------------|-------------------|
| 60 Inch Recycler Kit..... | 139-3290 |
| Heavy Duty Spring Kit..... | 140-2051 |
| 60 Inch Bagging Enhancement Kit..... | 140-3508 |
| Hydro Service Kit..... | 144-5347 |
| Flat Free Caster Wheel Kit..... | 145-0489 |
| Led Light Kit..... | 147-8757 |
| Floormat Kit..... | 147-8764 |
| Arm Rest Kit..... | 147-8773 |
| Kit-Striping, 54/60in..... | 147-8781 |
| Kit, Hour Meter..... | 147-8791 |
| Kit, Jack TC..... | 147-8835 |
| Assist Bar Kit..... | 161-4450 |
| Transport Lock Kit..... | 161-4510 |
| Weight-Kit..... | 161-4516 |
| Toro Deluxe Rider Cover..... | 490-7319 |
| ROPS Kit..... | 79487 |
| Kit-Slope Sensor..... | 79489 |
| Residential Z Max 60in Bagger..... | 79601 |

For 77603 TimeCutter MyRIDE 60in Zero Turn Riding Mower

| Product Name | Model/Part |
|--|-------------------|
| Blade-Hi Flow, 20.5in..... | 115-9649-03P |
| Jack Kit..... | 127-6666 |
| 4-Cycle Fuel, Snow And Lawn 32oz Can..... | 131-3823 |
| Toro Premium Fuel Treatment 12oz Bottle..... | 131-6572 |
| Oil-30/10W-30 Synthetic (Quart)..... | 138-6053 |
| 60 Inch Recycler Kit..... | 139-3290 |
| Heavy Duty Spring Kit..... | 140-2051 |
| 60 Inch Bagging Enhancement Kit..... | 140-3508 |
| Hydro Service Kit..... | 144-5347 |
| Flat Free Caster Wheel Kit..... | 145-0489 |
| Led Light Kit..... | 147-8757 |
| Floormat Kit..... | 147-8764 |
| Arm Rest Kit..... | 147-8773 |
| Kit-Striping, 54/60in..... | 147-8781 |
| Mount, Jack TC..... | 147-8836 |
| Assist Bar Kit..... | 161-4450 |
| Transport Lock Kit..... | 161-4510 |
| 10W30 4-Cycle Engine Oil (32oz Bottle)..... | 38280 |
| Toro 4-Cycle SAE 30 Oil (32oz Bottle)..... | 38903 |
| Toro Deluxe Rider Cover..... | 490-7319 |
| ROPS Kit..... | 79487 |
| Kit-Slope Sensor..... | 79489 |
| Residential Z Max 60in Bagger..... | 79601 |

Notes:



Count on it.