



Count on it.

Parts Catalog

**TimeCutter® MyRIDE® 54in Zero
Turn**

Riding Mower

Model No. 77507—Serial No. 417200000 and Up



Ordering Replacement Parts

To order replacement parts, please supply the part number, the quantity, and the description of each part desired.

Understanding Reference Numbers

Each identified part in an illustration has a reference number. The reference number for a part also appears in the parts list, along with other information about the part.

This catalog uses two special reference number formats, one to indicate parts in a service assembly and another to indicate the quantity of a given part in an illustration.

Service Assembly Reference Numbers

Parts in service assemblies have reference numbers in the form a:b. The a represents the reference number of the entire service assembly and the b represents a sequential number unique to each part within the service assembly.

For example, a wheel assembly might be identified by reference number 6, the tire by 6:1, the valve by 6:2, and the wheel by 6:3. When you order the assembly identified by reference number 6, you receive all parts identified by reference numbers 6:1, 6:2, and 6:3. However, you may also order any part individually. Reference numbers of this type appear in illustration and in parts lists.

Reference Numbers Indicating Quantity

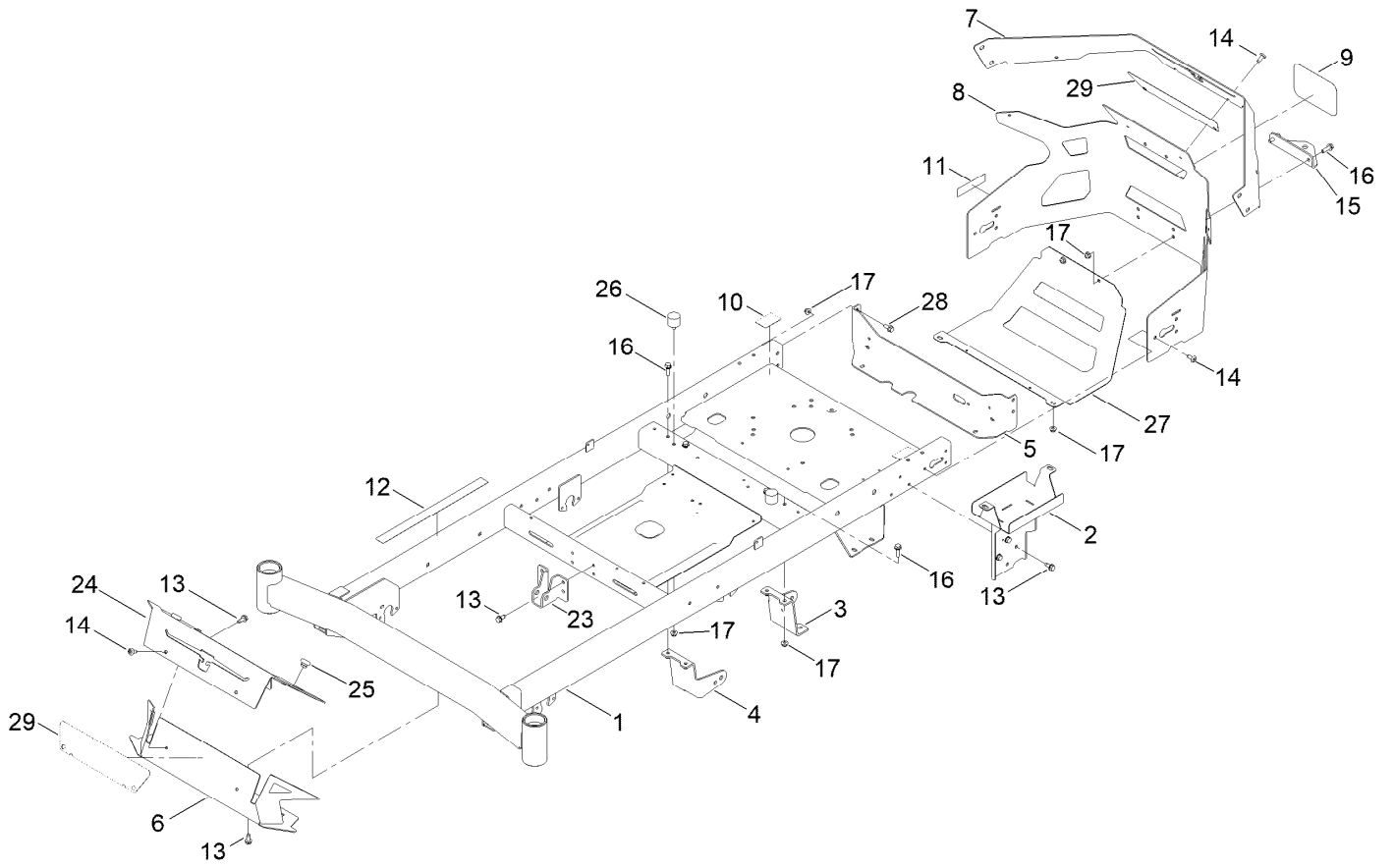
In an illustration, if a reference number indicates more than one part, the reference number has the form nX y. The n represents the quantity of the part, the X is the multiplication symbol, and the y represents the reference number.

For example, in an illustration, the reference number 2X 37 means that two of the parts identified by reference number 37 are indicated.

Contents

| | |
|--|----|
| Frame Assembly | 4 |
| Deck Lift Assembly | 6 |
| Caster Wheel Assembly | 8 |
| Wheel Assembly No. 145-4692 | 10 |
| Traction Drive Assembly | 12 |
| LH Transaxle Assembly No. 139-7470 | 14 |
| RH Transaxle Assembly No. 139-7471 | 16 |
| Brake Assembly | 18 |
| Tire Assembly | 20 |
| Motion Control Assembly | 22 |
| Engine and Muffler Assembly | 24 |
| Fuel Pod Assembly | 26 |
| Electrical Assembly | 28 |
| 54in Deck and Decal Assembly | 30 |
| Decal Assembly | 32 |
| Seat Pan Assembly | 34 |
| Seat Assembly No. 147-8731 | 36 |
| Clutch Assembly | 38 |
| Attachments and Accessories | 40 |

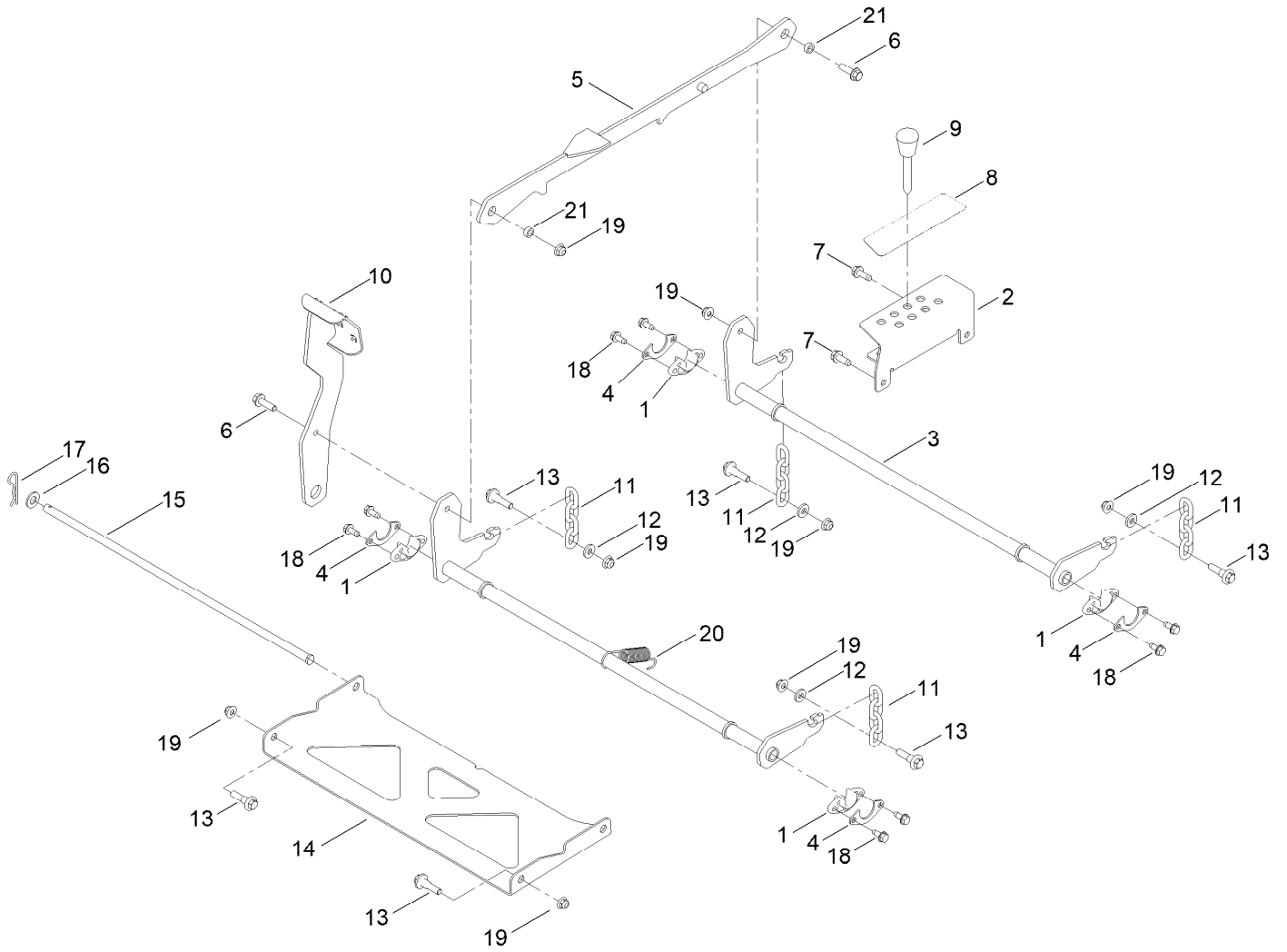
Frame Assembly



Frame Assembly (continued)

| <i>Ref.</i> | <i>Part Number</i> | <i>Qty.</i> | <i>Description</i> | <i>Ref.</i> | <i>Part Number</i> | <i>Qty.</i> | <i>Description</i> |
|-------------|--------------------|-------------|------------------------|-------------|--------------------|-------------|--------------------------------|
| 1 | 147-8724 | 1 | Service ASM-Frame, Tc | 14 | 138-9753 | 12 | Screw |
| 2 | 145-6283-05 | 1 | Wa-Battery Mount | 15 | 117-1232-03 | 1 | Bracket-Hitch |
| 3 | 161-6506-01 | 1 | Mount-Drive, LH | 16 | 139-2596 | 6 | Screw-HHF |
| 4 | 161-6507-01 | 1 | Mount-Drive, RH | 17 | 119-4041 | 14 | Nut-HF |
| 5 | 147-8709-03 | 1 | Plate-Mount | 23 | 145-6323-01 | 1 | Bracket-Mount Damper, Lower |
| 6 | 147-2966-05 | 1 | Footrest-Top | 24 | 147-2850-05 | 1 | Plate-Kick, Mr |
| 7 | 147-2995-05 | 1 | Plate-Rear Cladding Tc | 25 | 140-3460 | 2 | Bumper-Rubber |
| 8 | 147-2994-05 | 1 | Guard-Engine Tc | 26 | 137-4803 | 2 | Bumper-Rubber |
| 9 | 127-7590 | 1 | Decal | 27 | 147-7717-03 | 1 | Guard-Muffler [black] |
| 10 | 161-6207 | 2 | Decal-Bypass | 28 | 139-2598 | 4 | Screw-HHF |
| 11 | 142-5864 | 1 | Decal-Spark Arrester | 29 | 147-7699 | 2 | Decal-Backer, Red |
| 12 | 144-5288 | 1 | Decal-Warning | | | | |
| 13 | 32144-70 | 11 | Screw-HWHTF | | | | |

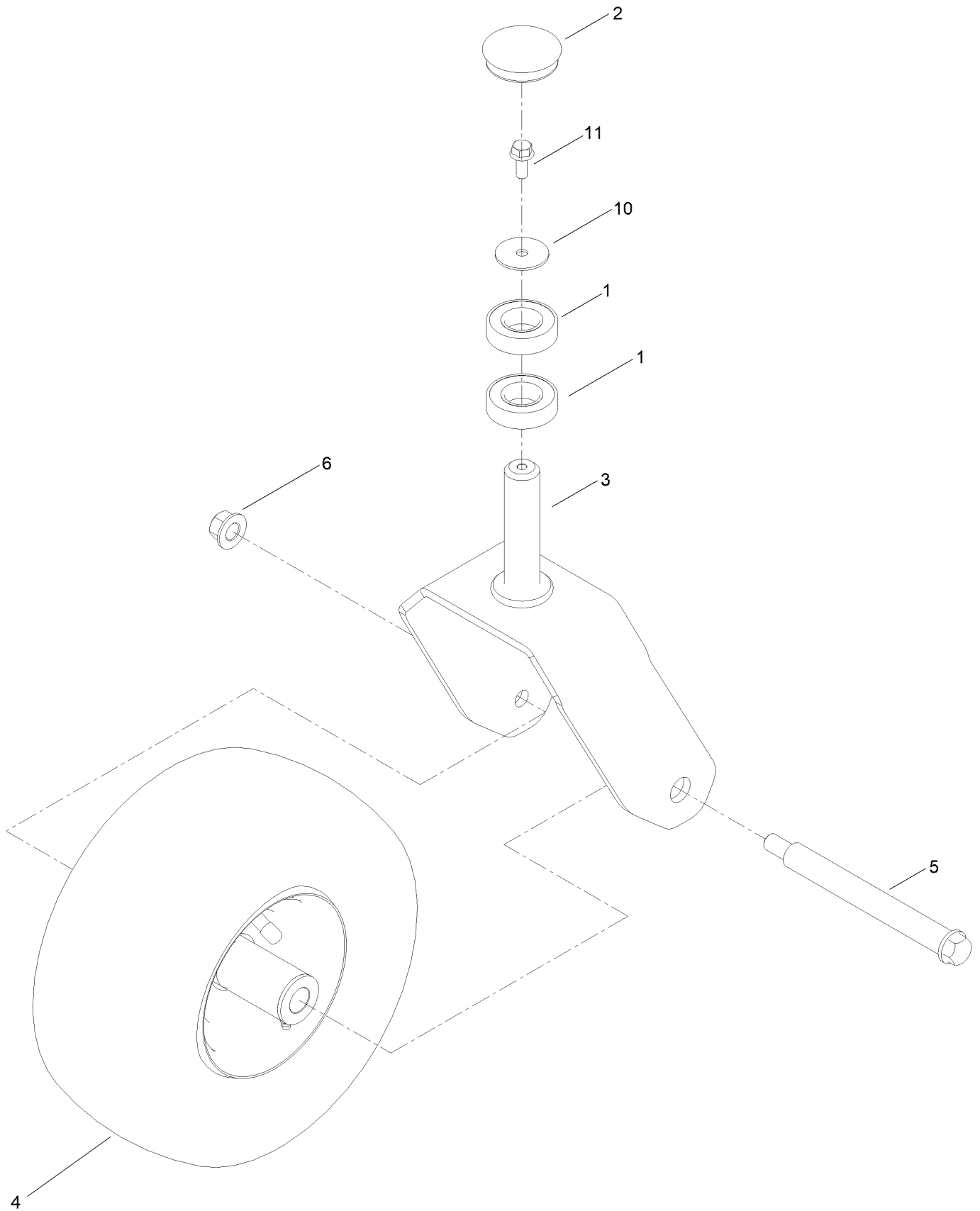
Deck Lift Assembly



Deck Lift Assembly (continued)

| <i>Ref.</i> | <i>Part Number</i> | <i>Qty.</i> | <i>Description</i> | <i>Ref.</i> | <i>Part Number</i> | <i>Qty.</i> | <i>Description</i> |
|-------------|--------------------|-------------|------------------------------|-------------|--------------------|-------------|--------------------|
| 1 | 139-5872 | 4 | Bearing-Flange | 12 | 138-7207 | 4 | Spacer-Hub, Blower |
| 2 | 145-6257-05 | 1 | Bracket-HOC | 13 | 130-0742 | 6 | Bolt-Shoulder |
| 3 | 145-4645-05 | 2 | Pivot ASM-Decklift [blk-Txt] | 14 | 145-6248-03 | 1 | Pan-Deck Pivot |
| 4 | 138-7204 | 4 | Gusset-Deck Lift | 15 | 145-6288 | 1 | Pin-Deck |
| 5 | 145-0557-05 | 1 | Link ASM-HOC [blk-Txt] | 16 | 139-2611 | 1 | Washer-Flat |
| 6 | 119-4061 | 2 | Screw-HHF | 17 | 139-2562 | 1 | Pin-Hair |
| 7 | 139-2428 | 2 | Screw-HWH | 18 | 32144-70 | 8 | Screw-HWHTF |
| 8 | 147-2866 | 1 | Decal-HOC, Tc | 19 | 119-4042 | 8 | Nut-HF, NI |
| 9 | 140-2146 | 1 | HOC Pin ASM | 20 | 138-7206 | 1 | Spring-Extension |
| 10 | 145-6278-05 | 1 | Pedal ASM [blk-Txt] | 21 | 140-2093 | 2 | Spacer |
| 11 | 138-7205 | 4 | Chain-Decklift, 4-Link | | | | |

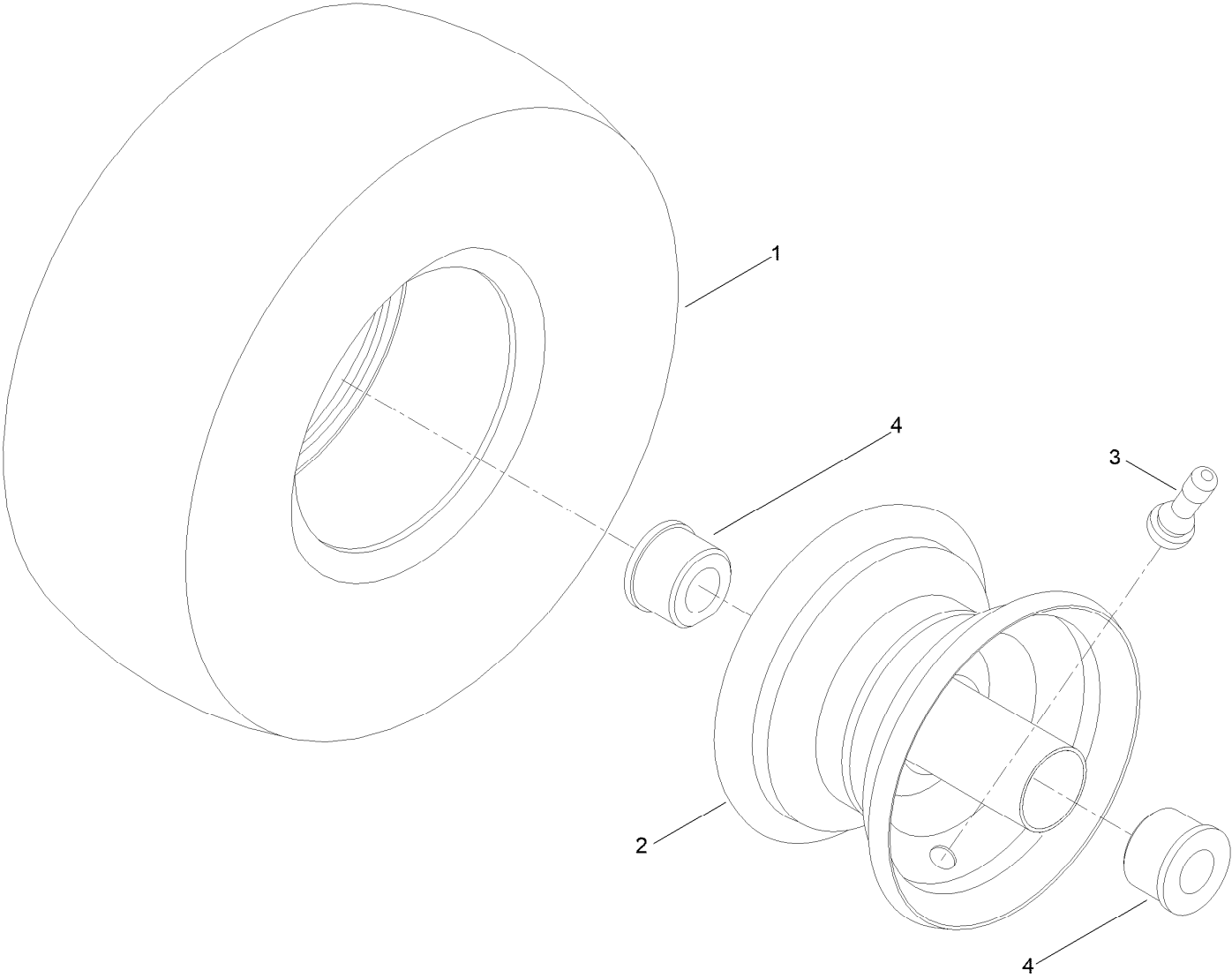
Caster Wheel Assembly



Caster Wheel Assembly (continued)

| <i>Ref.</i> | <i>Part Number</i> | <i>Qty.</i> | <i>Description</i> | <i>Ref.</i> | <i>Part Number</i> | <i>Qty.</i> | <i>Description</i> |
|-------------|--------------------|-------------|---------------------------|-------------|--------------------|-------------|--------------------|
| 1 | 109-3678 | 4 | Bearing-Ball | 5 | 145-4649 | 2 | Screw-Shoulder HHF |
| 2 | 144-0375 | 2 | Cap, Grease | 6 | 99-5107 | 2 | Nut-Lock |
| 3 | 145-4674-05 | 2 | Fork | 10 | 115-1151 | 2 | Washer-Flat |
| 4 | 145-4692 | 2 | Wheel ASM - Caster 12X6-5 | 11 | 100-1668 | 2 | Screw-HHF |

Wheel Assembly No. 145-4692

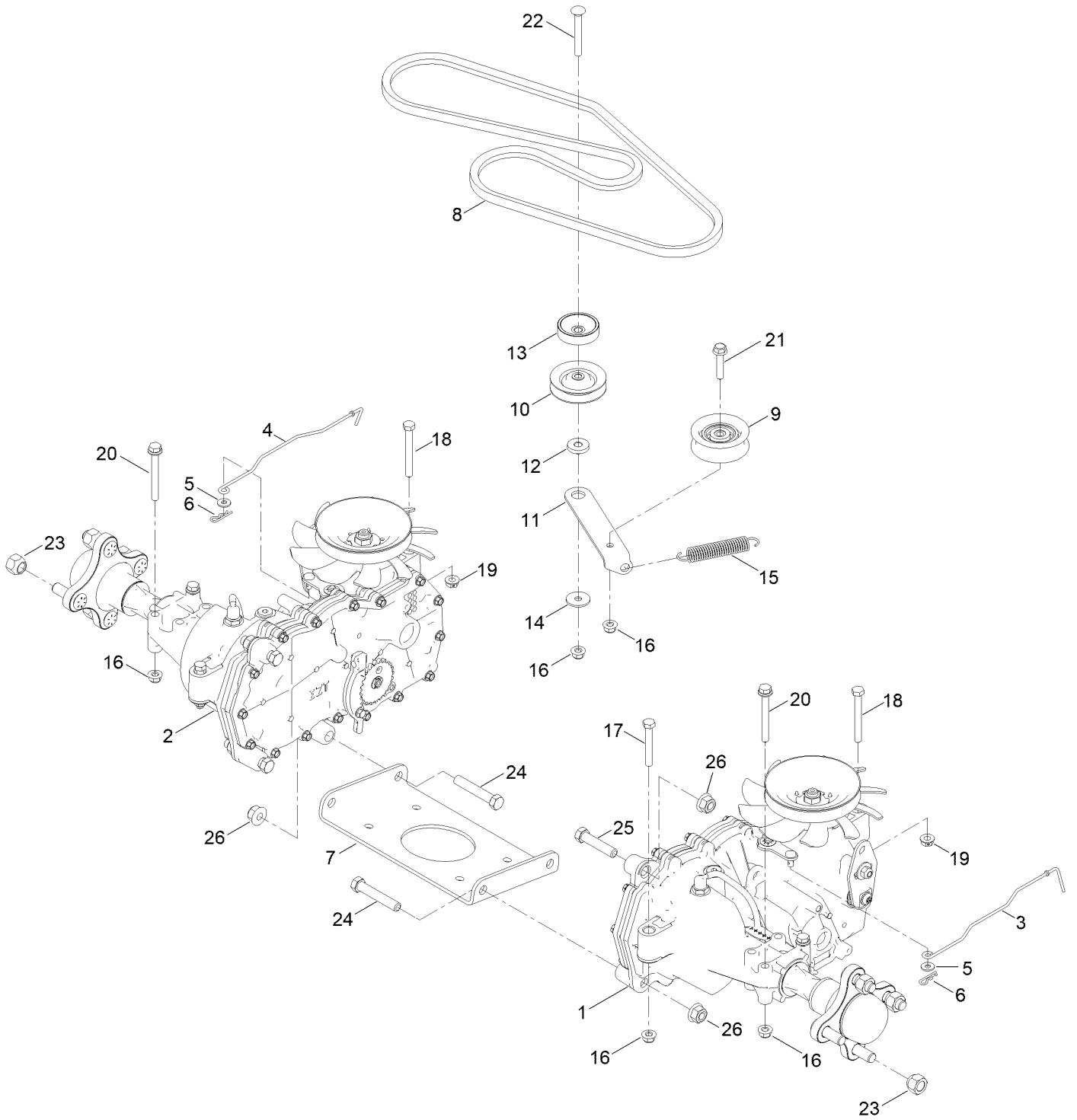


Wheel Assembly No. 145-4692 (continued)

| <i>Ref.</i> | <i>Part Number</i> | <i>Qty.</i> | <i>Description</i> |
|-------------|--------------------|-------------|------------------------------|
| 1 | 145-4672 | 1 | Tire 12X6-5 |
| 2 | 145-4673 | 1 | Wheel (W/ Zerk And Bushings) |

| <i>Ref.</i> | <i>Part Number</i> | <i>Qty.</i> | <i>Description</i> |
|-------------|--------------------|-------------|--------------------|
| 3 | 232-27 | 1 | Stem-Valve |
| 4 | 114-1640 | 2 | Bushing-Flange |

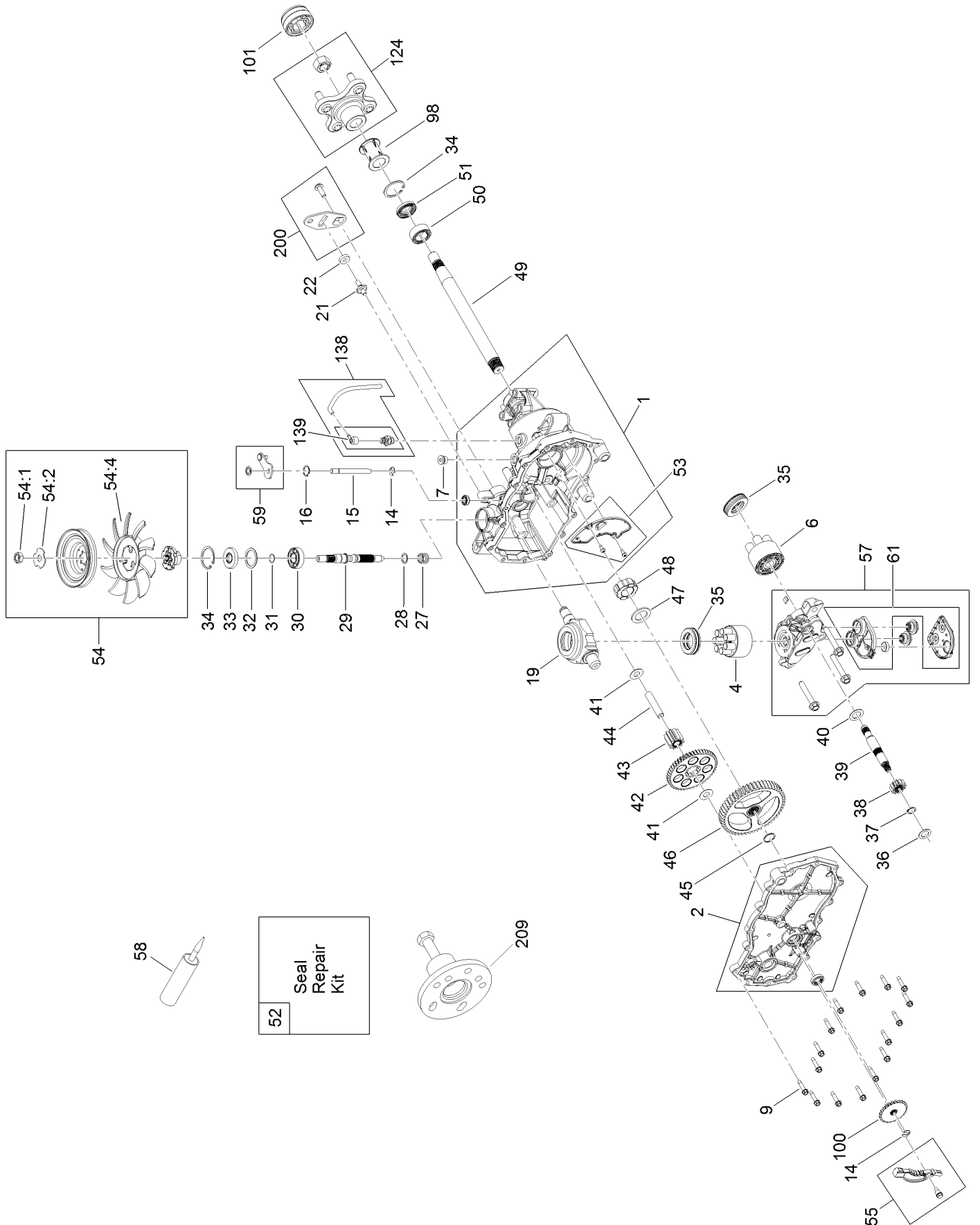
Traction Drive Assembly



Traction Drive Assembly (continued)

| <i>Ref.</i> | <i>Part Number</i> | <i>Qty.</i> | <i>Description</i> | <i>Ref.</i> | <i>Part Number</i> | <i>Qty.</i> | <i>Description</i> |
|-------------|--------------------|-------------|------------------------|-------------|--------------------|-------------|----------------------|
| 1 | 139-7470 | 1 | LH Hydro Transaxle ASM | 14 | 5-4460 | 1 | Washer-Pivot |
| 2 | 139-7471 | 1 | RH Hydro Transaxle ASM | 15 | 137-7040 | 1 | Spring-Return, Pedal |
| 3 | 147-2988 | 1 | Rod-Bypass, LH | 16 | 104-8300 | 8 | Nut-HF, NI |
| 4 | 147-2989 | 1 | Rod-Bypass, RH | 17 | 322-11 | 2 | Screw-HH |
| 5 | 119-8952 | 2 | Washer-Spcl | 18 | 145-6388 | 2 | Screw-HH Spcl |
| 6 | 3290-307 | 2 | Pin-Cotter | 19 | 139-2574 | 2 | Nut-HF |
| 7 | 145-6390-03 | 1 | Plate-Cross Hydro | 20 | 138-7590 | 4 | Screw-HHF |
| 8 | 145-6361 | 1 | V-Belt (A Sec 63.8 EI) | 21 | 115-1794 | 1 | Screw-HHF |
| 9 | 138-7597 | 1 | Pulley-Idler, Flat | 22 | 3230-8 | 1 | Screw-CARR |
| 10 | 68-0030 | 1 | Idler | 23 | 139-2564 | 8 | Nut-Lug |
| 11 | 147-2925 | 1 | Arm-Idler | 24 | 324-10 | 4 | Screw-HH |
| 12 | 138-7277 | 1 | Spacer-Arm, Idler | 25 | 324-8 | 2 | Screw-HH |
| 13 | 138-9809 | 1 | Spacer | 26 | 114-8417 | 6 | Nut-HF, NI |

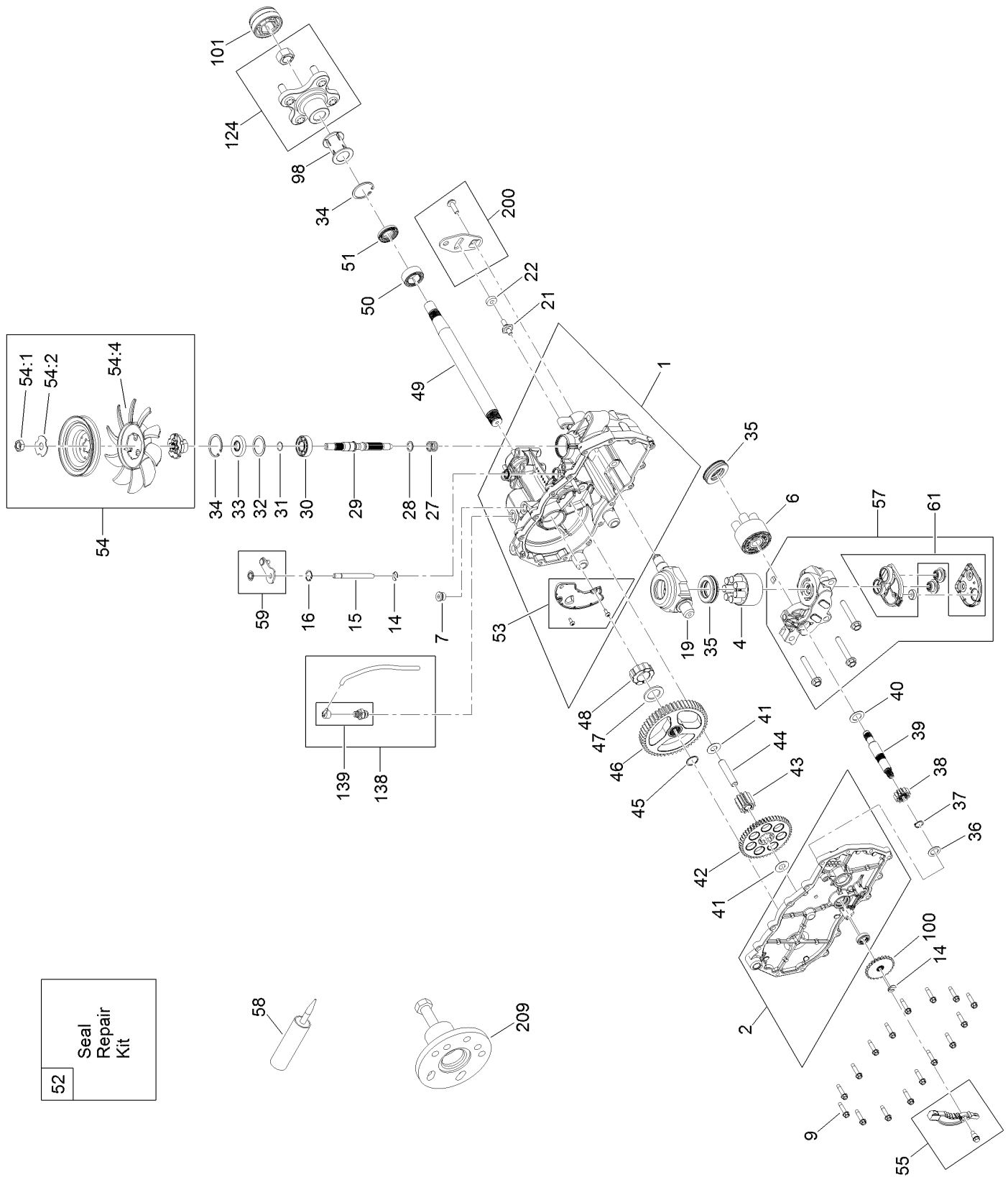
LH Transaxle Assembly No. 139-7470



LH Transaxle Assembly No. 139-7470 (continued)

| <i>Ref.</i> | <i>Part Number</i> | <i>Qty.</i> | <i>Description</i> | <i>Ref.</i> | <i>Part Number</i> | <i>Qty.</i> | <i>Description</i> |
|-------------|--------------------|-------------|--------------------------|-------------|--------------------|-------------|--------------------------------------|
| 1 | 106-8695 | 1 | Main Housing ASM | 44 | 104-5329 | 1 | Pin-Jackshaft |
| 2 | 106-8696 | 1 | Side ASM | 45 | 112-9854 | 1 | Ring-Spiral, Retaining |
| 4 | 110-8561 | 1 | Pump Block ASM | 46 | 112-9855 | 1 | Gear-52T, Bull |
| 6 | 103-2666 | 1 | Cylinder Block Kit | 47 | 112-9856 | 1 | Washer |
| 7 | 104-2189 | 1 | Plug-Thread, Straight | 48 | 112-9857 | 1 | Bearing-Sleeve |
| 9 | 117-5359 | 16 | Screw-HHF | 49 | 120-7104 | 1 | Shaft-Axle |
| 14 | 106-8677 | 2 | Ring-Retaining, External | 50 | 112-9859 | 1 | Bushing-Axle |
| 15 | 106-8678 | 1 | Rod-Bypass | 51 | 112-9860 | 1 | Seal-Lip |
| 16 | 106-8679 | 1 | Ring-Retaining, Internal | 52 | 106-8686 | 1 | Seal Kit |
| 19 | 104-5304 | 1 | Swashplate-Trunnion | 53 | 106-8697 | 1 | Expansion Plate Kit |
| 21 | 104-2116 | 1 | Stud | 54 | 135-7349 | 1 | Fan And Pulley Kit |
| 22 | 112-9853 | 1 | Puck-Friction | 54:1 | 116-9714 | 1 | Nut-HJ |
| 27 | 94-1936 | 1 | Spring-Block | 54:2 | 116-9708 | 1 | Washer-Slotted |
| 28 | 94-1937 | 1 | Washer-Thrust | 54:4 | 135-7364 | 1 | Fan 7.0 X 10 Blade |
| 29 | 104-5306 | 1 | Shaft-Input | 55 | 106-8688 | 1 | Brake Arm Kit |
| 30 | 104-5311 | 1 | Bearing-Ball | 57 | 112-9861 | 1 | Center Section Filter Kit |
| 31 | 104-5307 | 1 | Ring-Retaining | 58 | 104-2147 | 1 | Sealant, Silicone - Non-Flammable |
| 32 | 104-5308 | 1 | Spacer | | | | |
| 33 | 104-5310 | 1 | Seal-Lip | 59 | 120-5549 | 1 | Bypass Kit |
| 34 | 104-5309 | 2 | Ring-Retaining | 61 | 114-1634 | 1 | Filter Kit |
| 35 | 94-6922 | 2 | Bearing-Thrust | 98 | 120-7109 | 1 | Tube-Axle |
| 36 | 104-5339 | 1 | Washer-Flat | 100 | 106-8694 | 1 | Disc-Brake, Cog |
| 37 | 104-5340 | 1 | Ring-Retaining | 101 | 115-5057 | 1 | Cover-Nut, Axle |
| 38 | 132-0912 | 1 | Gear-12T | 124 | 109-5939 | 1 | Hub Kit |
| 39 | 106-8683 | 1 | Shaft-Motor | 138 | 112-9866 | 1 | Breather Kit |
| 40 | 104-5360 | 1 | Washer | 139 | 114-1635 | 1 | Breather ASM |
| 41 | 94-1933 | 2 | Washer | 200 | 117-5362 | 1 | Control Arm Kit |
| 42 | 132-0911 | 1 | Gear-49T | 209 | 114-8467 | 1 | Puller-Hub, 4 Bolt |
| 43 | 104-5318 | 1 | Gear-Jackshaft, 10T | | | | |

RH Transaxle Assembly No. 139-7471



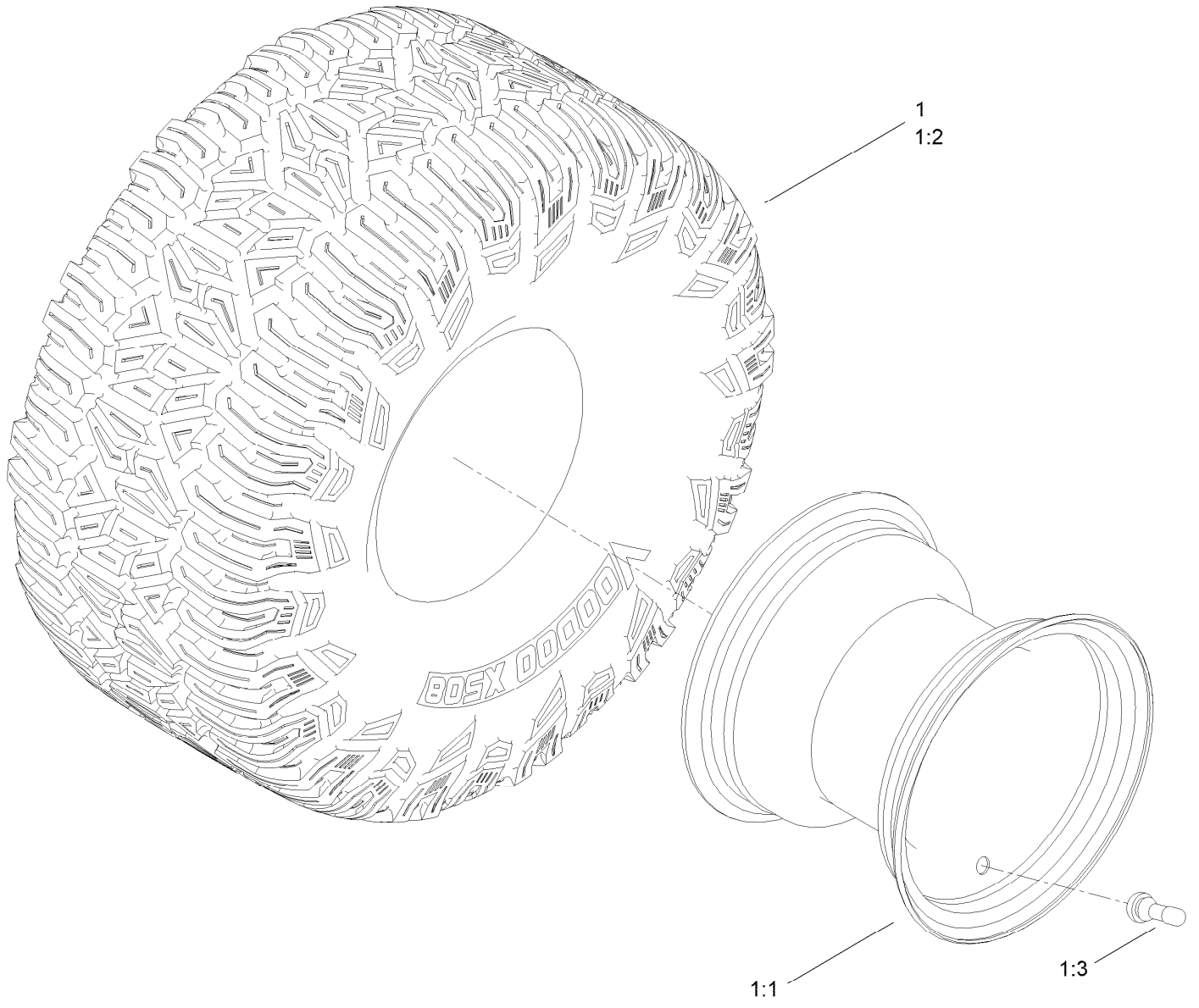
RH Transaxle Assembly No. 139-7471 (continued)

| <i>Ref.</i> | <i>Part Number</i> | <i>Qty.</i> | <i>Description</i> | <i>Ref.</i> | <i>Part Number</i> | <i>Qty.</i> | <i>Description</i> |
|-------------|--------------------|-------------|--------------------------|-------------|--------------------|-------------|--------------------------------------|
| 1 | 106-8674 | 1 | Main Housing ASM | 44 | 104-5329 | 1 | Pin-Jackshaft |
| 2 | 106-8675 | 1 | Side ASM | 45 | 112-9854 | 1 | Ring-Spiral, Retaining |
| 4 | 110-8561 | 1 | Pump Block ASM | 46 | 112-9855 | 1 | Gear-52T, Bull |
| 6 | 103-2666 | 1 | Cylinder Block Kit | 47 | 112-9856 | 1 | Washer |
| 7 | 104-2189 | 1 | Plug-Thread, Straight | 48 | 112-9857 | 1 | Bearing-Sleeve |
| 9 | 117-5359 | 16 | Screw-HHF | 49 | 120-7104 | 1 | Shaft-Axle |
| 14 | 106-8677 | 2 | Ring-Retaining, External | 50 | 112-9859 | 1 | Bushing-Axle |
| 15 | 106-8678 | 1 | Rod-Bypass | 51 | 112-9860 | 1 | Seal-Lip |
| 16 | 106-8679 | 1 | Ring-Retaining, Internal | 52 | 106-8686 | 1 | Seal Kit |
| 19 | 104-5304 | 1 | Swashplate-Trunnion | 53 | 106-8687 | 1 | Expansion Plate Kit |
| 21 | 104-2116 | 1 | Stud | 54 | 135-7349 | 1 | Fan And Pulley Kit |
| 22 | 112-9853 | 1 | Puck-Friction | 54:1 | 116-9714 | 1 | Nut-HJ |
| 27 | 94-1936 | 1 | Spring-Block | 54:2 | 116-9708 | 1 | Washer-Slotted |
| 28 | 94-1937 | 1 | Washer-Thrust | 54:4 | 135-7364 | 1 | Fan 7.0 X 10 Blade |
| 29 | 104-5306 | 1 | Shaft-Input | 55 | 106-8688 | 1 | Brake Arm Kit |
| 30 | 104-5311 | 1 | Bearing-Ball | 57 | 112-9862 | 1 | Center Section Filter Kit |
| 31 | 104-5307 | 1 | Ring-Retaining | 58 | 104-2147 | 1 | Sealant, Silicone - Non-Flammable |
| 32 | 104-5308 | 1 | Spacer | 59 | 107-2489 | 1 | Bypass Arm Kit |
| 33 | 104-5310 | 1 | Seal-Lip | 61 | 114-1634 | 1 | Filter Kit |
| 34 | 104-5309 | 2 | Ring-Retaining | 98 | 120-7109 | 1 | Tube-Axle |
| 35 | 94-6922 | 2 | Bearing-Thrust | 100 | 106-8694 | 1 | Disc-Brake, Cog |
| 36 | 104-5339 | 1 | Washer-Flat | 101 | 115-5057 | 1 | Cover-Nut, Axle |
| 37 | 104-5340 | 1 | Ring-Retaining | 124 | 109-5939 | 1 | Hub Kit |
| 38 | 132-0912 | 1 | Gear-12T | 138 | 112-9866 | 1 | Breather Kit |
| 39 | 106-8683 | 1 | Shaft-Motor | 139 | 114-1635 | 1 | Breather ASM |
| 40 | 104-5360 | 1 | Washer | 200 | 117-5362 | 1 | Control Arm Kit |
| 41 | 94-1933 | 2 | Washer | 209 | 114-8467 | 1 | Puller-Hub, 4 Bolt |
| 42 | 132-0911 | 1 | Gear-49T | | | | |
| 43 | 104-5318 | 1 | Gear-Jackshaft, 10T | | | | |

Brake Assembly (continued)

| <i>Ref.</i> | <i>Part Number</i> | <i>Qty.</i> | <i>Description</i> | <i>Ref.</i> | <i>Part Number</i> | <i>Qty.</i> | <i>Description</i> |
|-------------|--------------------|-------------|--------------------|-------------|--------------------|-------------|--------------------------|
| 1 | 161-6420 | 2 | Bellcrank | 7 | 144-1816 | 1 | Clip-Rod, LH (7L, 1/4In) |
| 2 | 145-6364 | 2 | Bolt-Shoulder | 8 | 144-1815 | 1 | Clip-Rod, RH (7R, 1/4In) |
| 3 | 145-4607 | 1 | Link-Brake, LH | 9 | 144-1860 | 1 | Rod-Brake, LH |
| 4 | 145-6238 | 1 | Link-Brake, RH | 10 | 144-1851 | 1 | Rod-Brake, RH |
| 5 | 119-8952 | 6 | Washer-Spcl | 11 | 117-1169 | 4 | Spring-Compression |
| 6 | 120-9716 | 2 | Pin-Cotter | 12 | 3296-42 | 2 | Nut-Lock, NI |

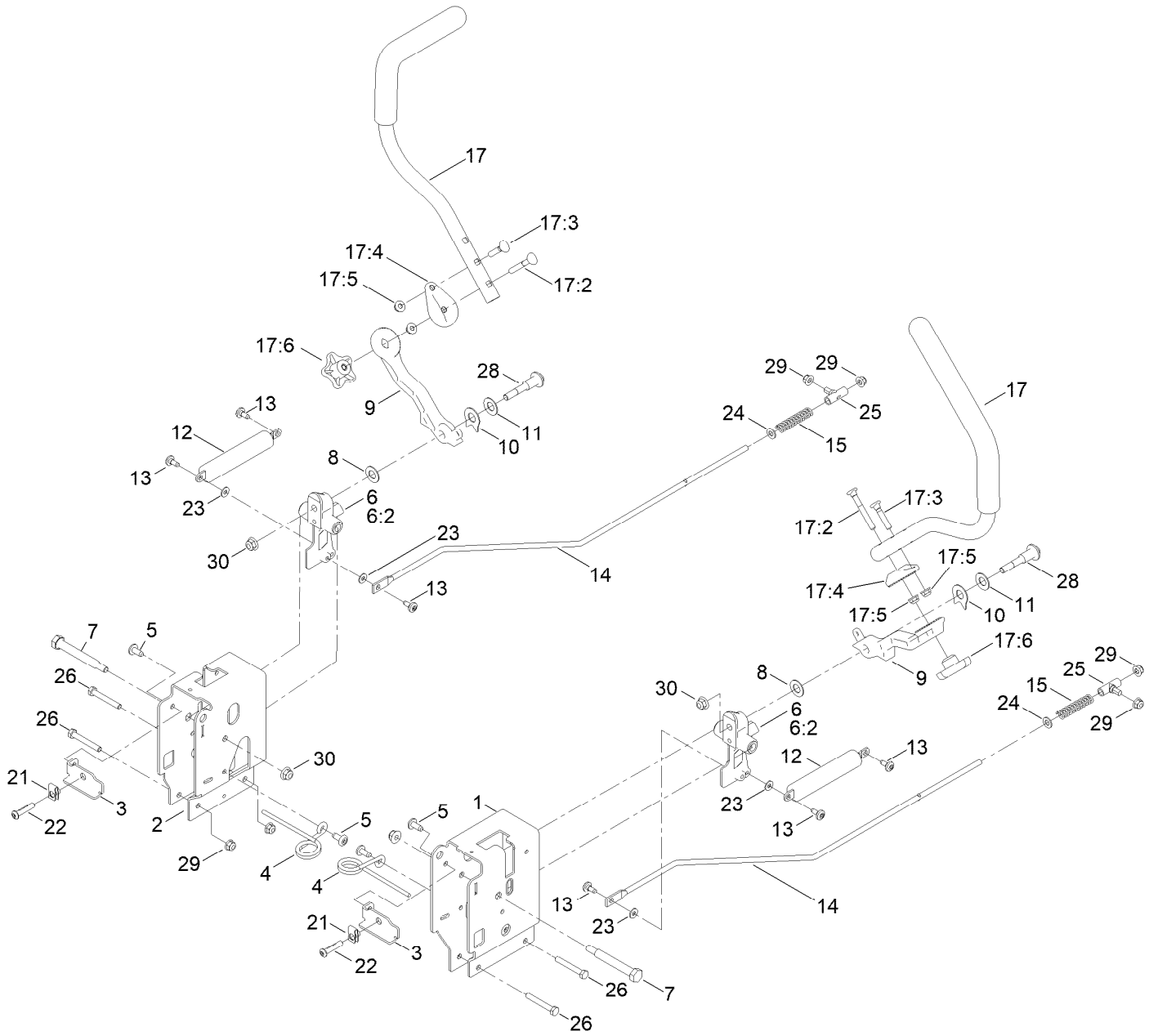
Tire Assembly



Tire Assembly (continued)

| <i>Ref.</i> | <i>Part Number</i> | <i>Qty.</i> | <i>Description</i> | <i>Ref.</i> | <i>Part Number</i> | <i>Qty.</i> | <i>Description</i> |
|-------------|--------------------|-------------|--------------------|-------------|--------------------|-------------|--------------------|
| 1 | 145-6391 | 2 | Tire ASM | 1:2 | 147-5179 | 1 | Tire |
| 1:1 | 147-5180 | 1 | Rim | 1:3 | 232-27 | 1 | Stem-Valve |

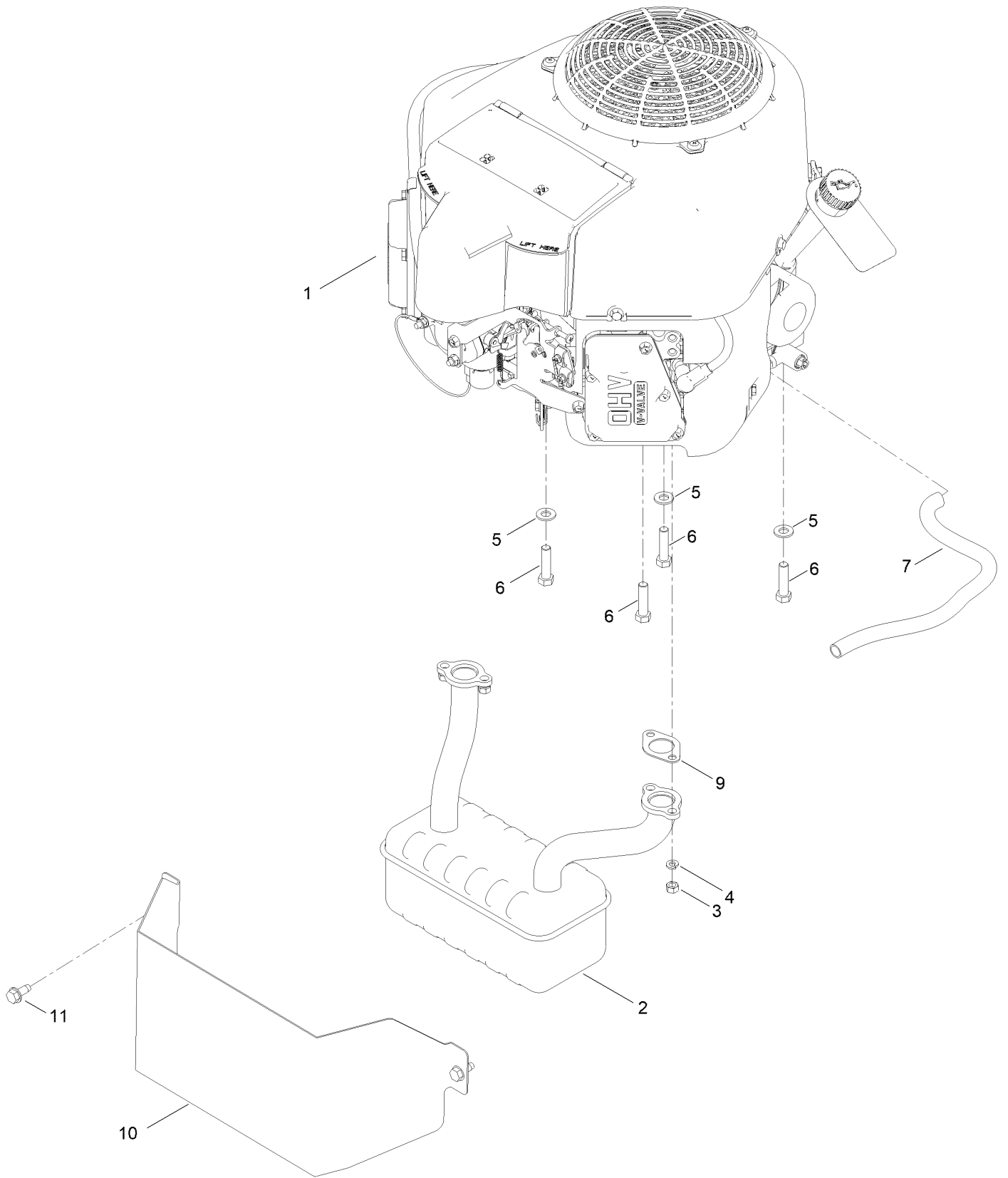
Motion Control Assembly



Motion Control Assembly (continued)

| <i>Ref.</i> | <i>Part Number</i> | <i>Qty.</i> | <i>Description</i> | <i>Ref.</i> | <i>Part Number</i> | <i>Qty.</i> | <i>Description</i> |
|-------------|--------------------|-------------|---------------------------------|-------------|--------------------|-------------|-------------------------------------|
| 1 | 145-4615-03 | 1 | Control Box - LH G7 | 17 | 161-6525 | 2 | Handle-Control, ASM |
| 2 | 145-4647-03 | 1 | Control Box - RH G7 | 17:2 | 145-6366 | 1 | Screw-Handle |
| 3 | 147-7580-03 | 2 | Adjustment Plate-Control Box | 17:3 | 137-3008 | 1 | Screw-Handle |
| 4 | 145-6253 | 2 | Spring-Torsion | 17:4 | 147-5192-05 | 1 | Disc-Adjustment Handle, 32 Teeth |
| 5 | 138-9753 | 4 | Screw | 17:5 | 138-8401 | 2 | Nut-HF |
| 6 | 145-4648 | 2 | Pivot Arm ASM | 17:6 | 117-5976 | 1 | Knob-Handle |
| 6:2 | 256-156 | 2 | Bushing-Flange | 21 | 112-3306 | 2 | Nut |
| 7 | 115-5099 | 2 | Bolt-Pivot | 22 | 126-4299 | 2 | Screw-HSBH |
| 8 | 120-2273 | 2 | Washer-Nylon | 23 | 119-8952 | 4 | Washer-Spcl |
| 9 | 147-5191-05 | 2 | Arm-Control, 32 Teeth | 24 | 120-9683 | 2 | Washer-Plain |
| 10 | 142-8478 | 2 | Spacer, Anti-Rotation | 25 | 138-7218 | 2 | Mount-Rod, Hydro |
| 11 | 119-8925 | 2 | Washer-Belleville | 26 | 120-9738 | 4 | Screw-HH |
| 12 | 132-6853 | 2 | Damper-Non Cavitating | 28 | 117-1198 | 2 | Bolt-Pivot |
| 13 | 120-7950 | 6 | Screw-Torx | 29 | 104-8300 | 8 | Nut-HF, NI |
| 14 | 145-4699 | 2 | Rod - Hydro, LH | 30 | 104-8301 | 4 | Nut-HF, NI |
| 15 | 138-7252 | 2 | Spring-Compression | | | | |

Engine and Muffler Assembly



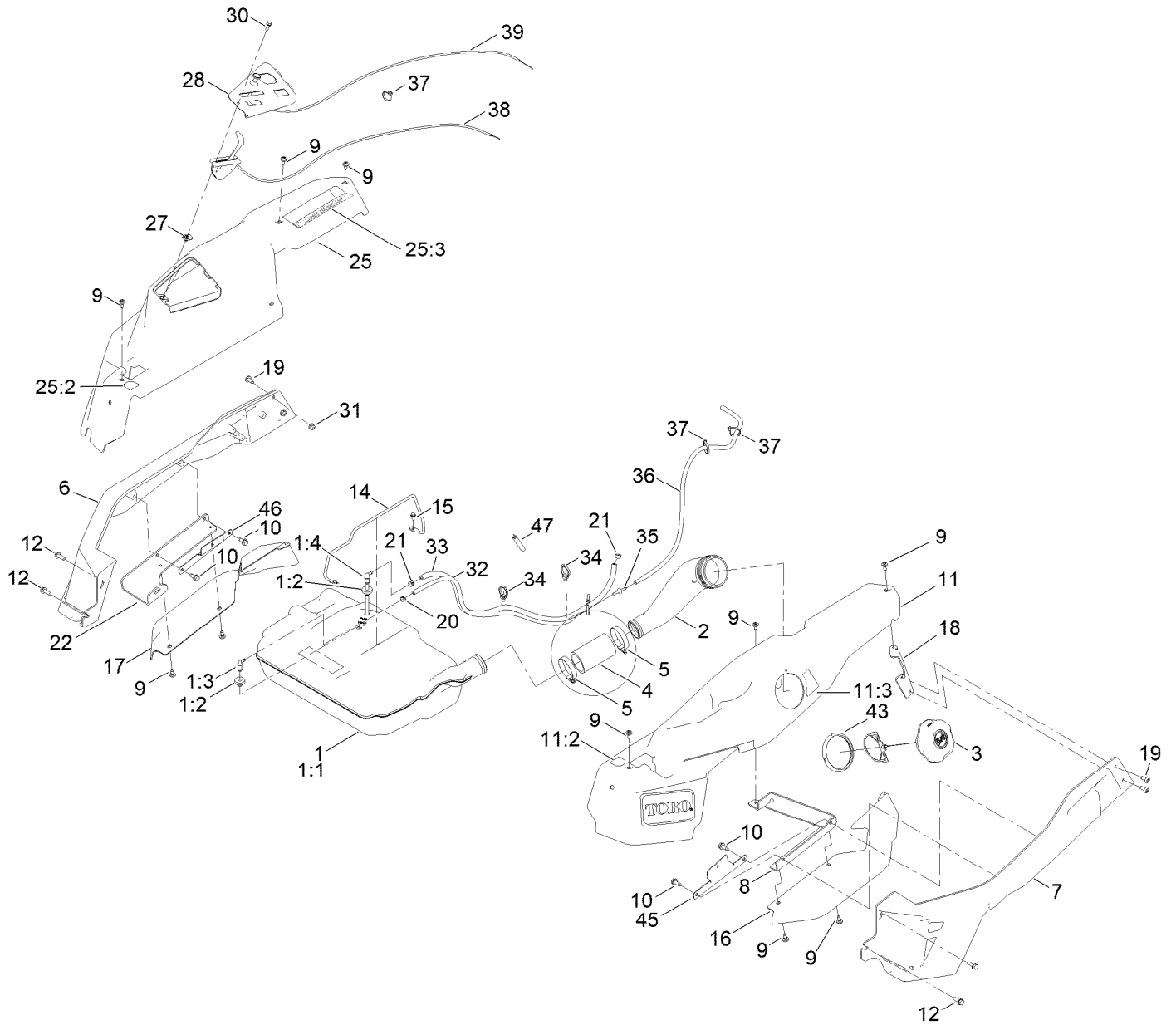
Engine and Muffler Assembly (continued)

| <i>Ref.</i> | <i>Part Number</i> | <i>Qty.</i> | <i>Description</i> | <i>Ref.</i> | <i>Part Number</i> | <i>Qty.</i> | <i>Description</i> |
|-------------|--------------------|-------------|--------------------------------------|-------------|--------------------|-------------|---------------------|
| 1 | | 1 | Engine-Kawasaki, Fr691V-_s07-R ●■ | 6 | 323-50 | 4 | Bolt-HH |
| 2 | 139-5867 | 1 | Muffler | 7 | 106-7022 | 1 | Tube-Drain, Oil |
| 3 | 114-3549 | 4 | Nut | 9 | 1-653313 | 2 | Gasket-Exhaust |
| 4 | 114-3550 | 4 | Washer-Lock | 10 | 161-6221-03 | 1 | Heat Shield-Muffler |
| 5 | 3256-24 | 3 | Washer-Plain | 11 | 32144-70 | 2 | Screw-HWHTF |

● Not serviced separately

■ Obtain parts from www.kawpower.com

Fuel Pod Assembly

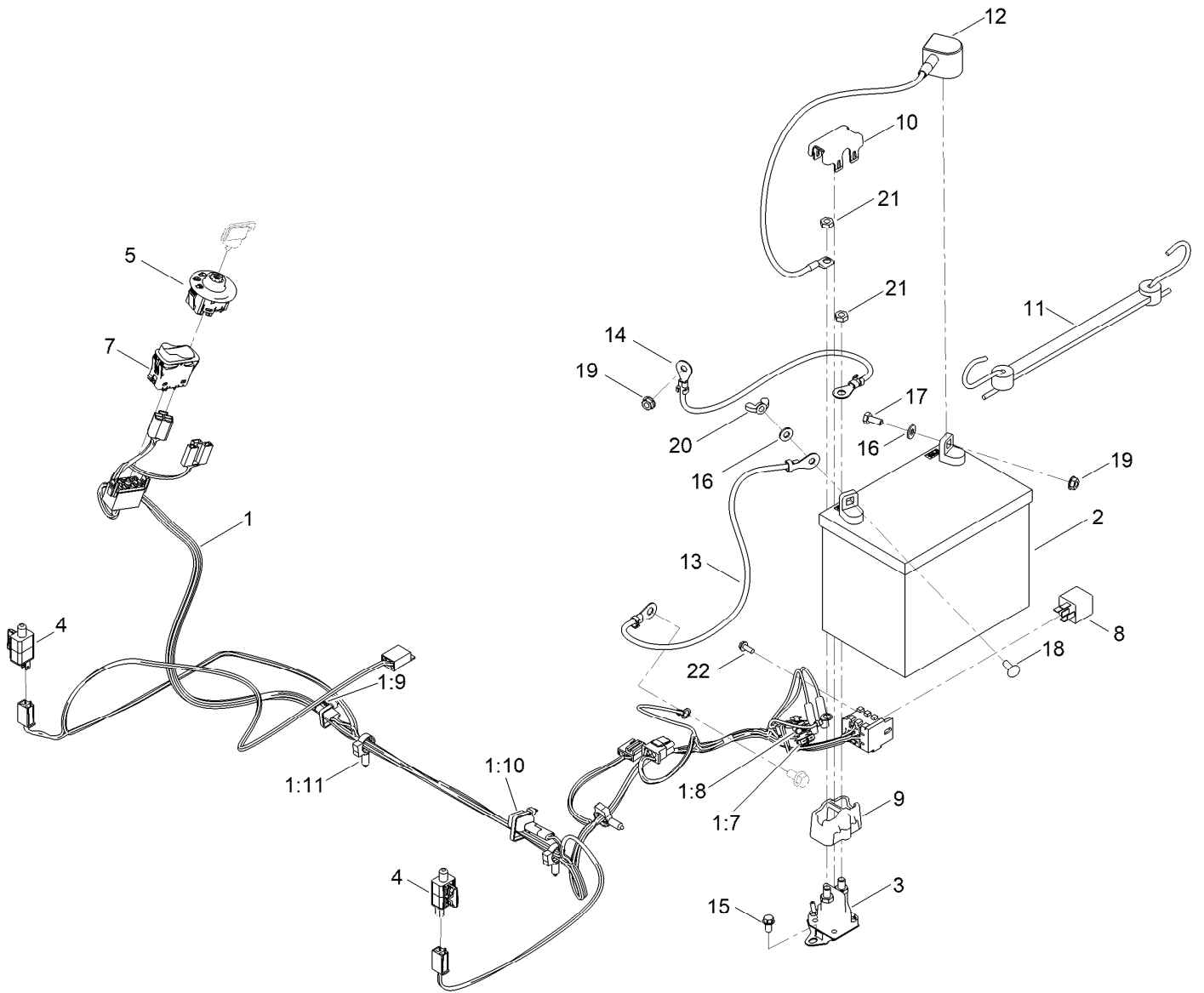


Fuel Pod Assembly (continued)

| <i>Ref.</i> | <i>Part Number</i> | <i>Qty.</i> | <i>Description</i> | <i>Ref.</i> | <i>Part Number</i> | <i>Qty.</i> | <i>Description</i> |
|-------------|--------------------|-------------|-------------------------|-------------|--------------------|-------------|----------------------------------|
| 1 | 145-6304 | 1 | Fuel Tank ASM | 20 | 2412-80 | 1 | Clamp-Hose |
| 1:1 | | 1 | Tank-Fuel ● | 21 | 2412-98 | 2 | Clamp-Hose |
| 1:2 | 46-6560 | 2 | Bushing | 22 | 147-5173-03 | 1 | Bracket-Mr Spring |
| 1:3 | 144-5302 | 1 | Fitting-Elbow 90 | 25 | 147-8744 | 1 | Pod ASM - RH , Mr W/Decals |
| 1:4 | 147-2934 | 1 | Fitting-Pickup, Fuel | 25:2 | 139-2394 | 1 | Decal-Control Lever, RH |
| 2 | 147-7657 | 1 | Neck-Filler, Fuel | 25:3 | 147-7574 | 1 | Decal - Myride |
| 3 | 137-4119 | 1 | Cap-Fuel, Ratcheting | 27 | 107069 | 1 | Clip |
| 4 | 145-4698 | 1 | Hose-Filler, Fuel | 28 | 147-2990-03 | 1 | Panel-Control |
| 5 | 2412-130 | 2 | Clamp-Hose | 30 | 32105-15 | 1 | Screw-HWH |
| 6 | 147-2973-05 | 1 | Cast-Tube, RH [blk-Txt] | 31 | 119-4041 | 2 | Nut-HF |
| 7 | 147-2972-05 | 1 | Cast-Tube, LH [blk-Txt] | 32 | 140-4956 | 1 | Hose-Fuel |
| 8 | 147-2974-03 | 1 | Mount-Pod Bracket LH | 33 | 109-0275 | 1 | Hose-Fuel |
| 9 | 120-7950 | 10 | Screw-Torx | 34 | 32180-030 | 2 | Clip-Tie |
| 10 | 32144-70 | 4 | Screw-HWHTF | 35 | 144-1983 | 1 | Adapter Orifice |
| 11 | 147-8741 | 1 | Pod ASM - LH W/Decals | 36 | 108-6344 | 1 | Hose-Fuel |
| 11:2 | 139-2395 | 1 | Decal-Control Lever, LH | 37 | 614249 | 4 | Tie-Cable |
| 11:3 | 147-2399 | 1 | Decal-Fuel Fill | 38 | 139-2403 | 1 | Cable-Throttle |
| 12 | 32144-41 | 4 | Screw-Taptite | 39 | 139-2402 | 1 | Cable-Choke |
| 14 | 147-5176 | 1 | Rod-Hold Down | 43 | 147-7712 | 1 | Ring-Retaining |
| 15 | 32144-4 | 2 | Screw-HWH | 45 | 161-4609-03 | 1 | Bracket-Alignment, Pod LH |
| 16 | 147-2978 | 1 | Fender-Time Cutter, LH | 46 | 161-4611-03 | 1 | Bracket- Alignment, Pod RH Mr |
| 17 | 147-2979 | 1 | Fender-Time Cutter, RH | 47 | 161-6414 | 1 | Trim-Edge Guard |
| 18 | 147-2976-03 | 1 | Bracket-Rear Pod, LH | | | | |
| 19 | 138-9753 | 4 | Screw | | | | |

● Not serviced separately

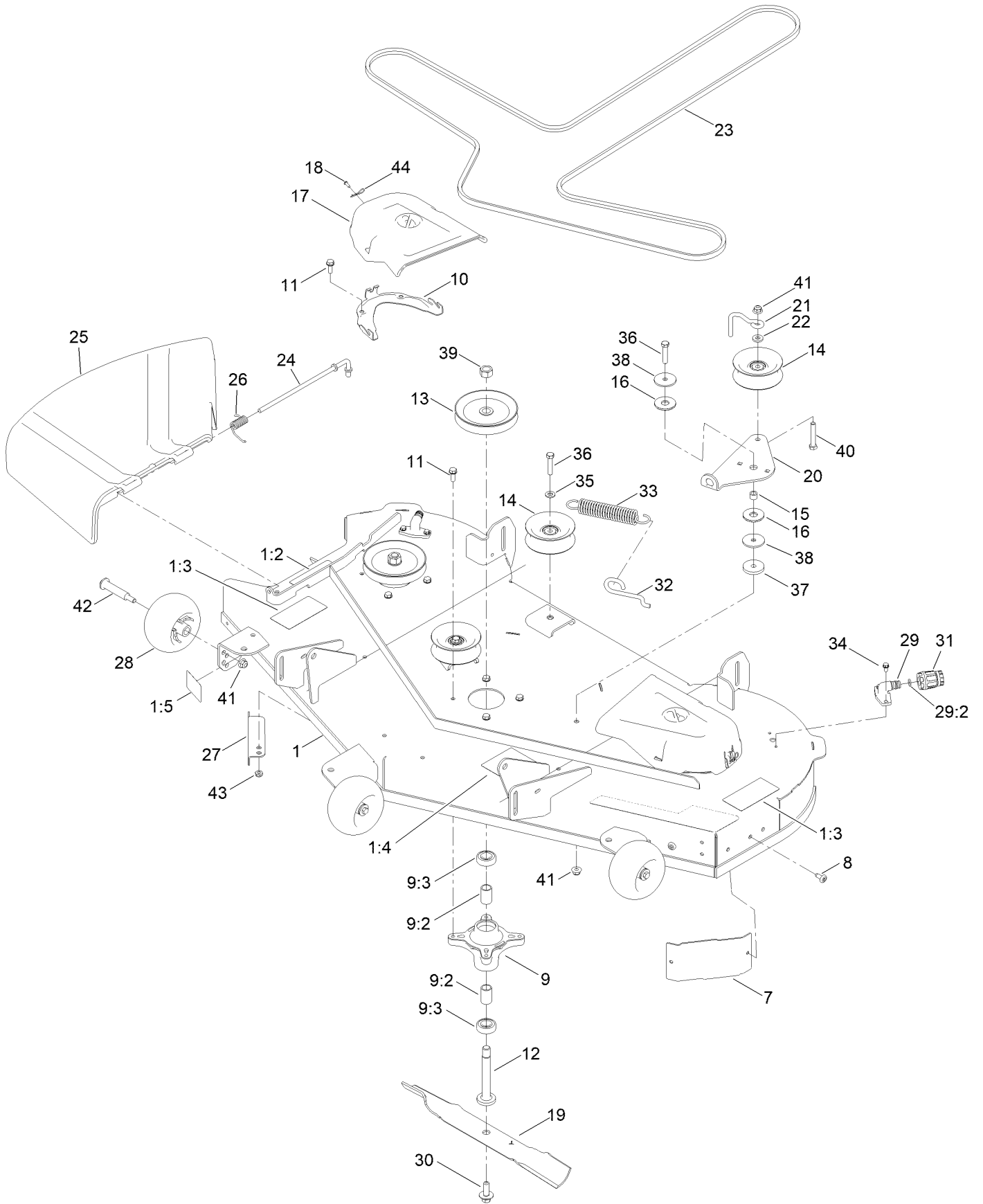
Electrical Assembly



Electrical Assembly (continued)

| <i>Ref.</i> | <i>Part Number</i> | <i>Qty.</i> | <i>Description</i> | <i>Ref.</i> | <i>Part Number</i> | <i>Qty.</i> | <i>Description</i> |
|-------------|--------------------|-------------|------------------------------|-------------|--------------------|-------------|-------------------------|
| 1 | 145-6382 | 1 | Harness-Wire, Main | 10 | 140-2081 | 1 | Cap-Solenoid |
| 1:7 | 109355 | 1 | Fuse-Blade, 15 Amp | 11 | 104-2466 | 1 | Holddown-Battery |
| 1:8 | 109102 | 1 | Fuse-Blade, 25 Amp | 12 | 147-2941 | 1 | Cable-Battery, Red |
| 1:9 | 32180-435 | 1 | Cap-Over Mold, 1M/1F | 13 | 119-8899 | 1 | Cable-Battery, Black |
| 1:10 | 100-4918 | 1 | Diode | 14 | 121-0711 | 1 | Cable-Battery, Positive |
| 1:11 | 32180-047 | 3 | Clip-Tubing, Harness | 15 | 32144-4 | 2 | Screw-HWH |
| 2 | 140-2076 | 1 | Battery - Wet | 16 | 3256-22 | 2 | Washer-Flat |
| 3 | 117-1197 | 1 | Solenoid | 17 | 321-3 | 1 | Screw-HH |
| 4 | 110-6765 | 2 | Switch | 18 | 3229-1 | 1 | Screw-CARR |
| 5 | 137-4100 | 1 | Switch-Ignition | 19 | 32128-33 | 2 | Nut-HF |
| 7 | 139-6368 | 1 | Switch-Rocker, On-None-On | 20 | 32103-22 | 1 | Nut-Wing |
| 8 | 1-643275 | 1 | Relay | 21 | 3220-2 | 2 | Nut-Jam |
| 9 | 140-2080 | 1 | Cover-Solenoid | 22 | 139-1713 | 1 | Screw-Thd Roll |

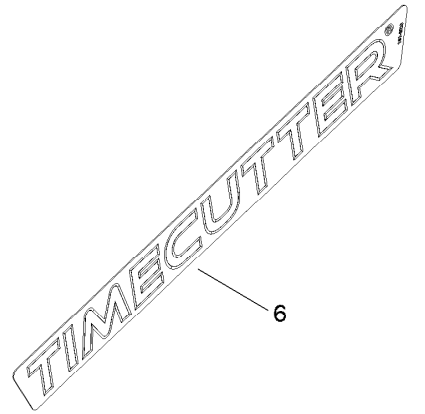
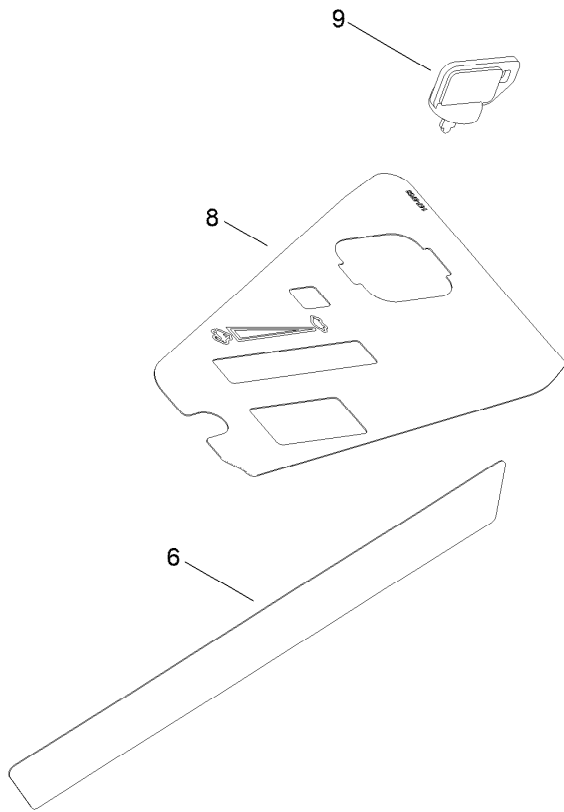
54in Deck and Decal Assembly



54in Deck and Decal Assembly (continued)

| <i>Ref.</i> | <i>Part Number</i> | <i>Qty.</i> | <i>Description</i> | <i>Ref.</i> | <i>Part Number</i> | <i>Qty.</i> | <i>Description</i> |
|-------------|--------------------|-------------|----------------------------|-------------|--------------------|-------------|--------------------------|
| 1 | 161-6250 | 1 | 54 In Deck & Decal ASM | 23 | 147-2910 | 1 | Belt-V (A Sec, 145.5 El) |
| 1:2 | 147-3023 | 1 | Decal-Danger Deflector | 24 | 137-2019 | 1 | Rod-Pivot |
| 1:3 | 147-5152 | 2 | Decal-Danger, Deck | 25 | 138-7502 | 1 | Deflector-Discharge |
| 1:4 | 147-3025 | 1 | Decal-Routing, Belt | 26 | 138-7268 | 1 | Spring-Torsion |
| 1:5 | 147-3024 | 1 | Decal-Scalp, Anti | 27 | 138-9800-03 | 1 | Baffle-Cutoff |
| 7 | 139-2448-03 | 1 | Baffle-Corner | 28 | 1-603299 | 3 | Roller-Scalp, Anti |
| 8 | 138-9753 | 2 | Screw | 29 | 133-9289 | 2 | Fitting-Washout |
| 9 | 139-3214 | 3 | Spindle ASM | 29:2 | 133-9290 | 1 | O-Ring |
| 9:2 | 120-7935 | 2 | Spacer | 30 | 145-0411 | 3 | Bolt-Blade, Sems |
| 9:3 | 138-9770 | 2 | Bearing-Ball | 31 | 95-3270 | 1 | Connector-Hose |
| 10 | 139-3272-03 | 2 | Bracket-Cover, Belt | 32 | 138-7266 | 1 | Spring-Return, Hook |
| 11 | 32144-41 | 12 | Screw-Taptite | 33 | 138-7264 | 1 | Spring-Extension |
| 12 | 117-7268 | 3 | Shaft-Spindle | 34 | 32144-4 | 4 | Screw-HWH |
| 13 | 138-7261 | 3 | Pulley ASM | 35 | 3256-24 | 2 | Washer-Plain |
| 14 | 132-9420 | 3 | Pulley-Idler, Flat | 36 | 323-9 | 3 | Screw-HH |
| 15 | 115-4986 | 1 | Spacer | 37 | 110-9981 | 1 | Washer-Plain |
| 16 | 114-0463 | 2 | Washer-Friction, Composite | 38 | 63-7400 | 2 | Washer-Rebound |
| 17 | 144-1906 | 2 | Cover-Belt | 39 | 3219-6 | 3 | Nut-Hex |
| 18 | 94-6961 | 2 | Screw | 40 | 323-11 | 1 | Screw-HH |
| 19 | 115-2454-03 | 3 | Blade-Hi Lift | 41 | 104-8301 | 5 | Nut-HF, NI |
| 20 | 138-7262 | 1 | Arm-Idler | 42 | 112-3977 | 3 | Bolt-Shoulder |
| 21 | 138-7270 | 1 | Guide-Belt, Idler | 43 | 3296-59 | 1 | Nut-Lock, NI |
| 22 | 138-7207 | 1 | Spacer-Hub, Blower | 44 | 144-1944 | 2 | Pin-Hair |

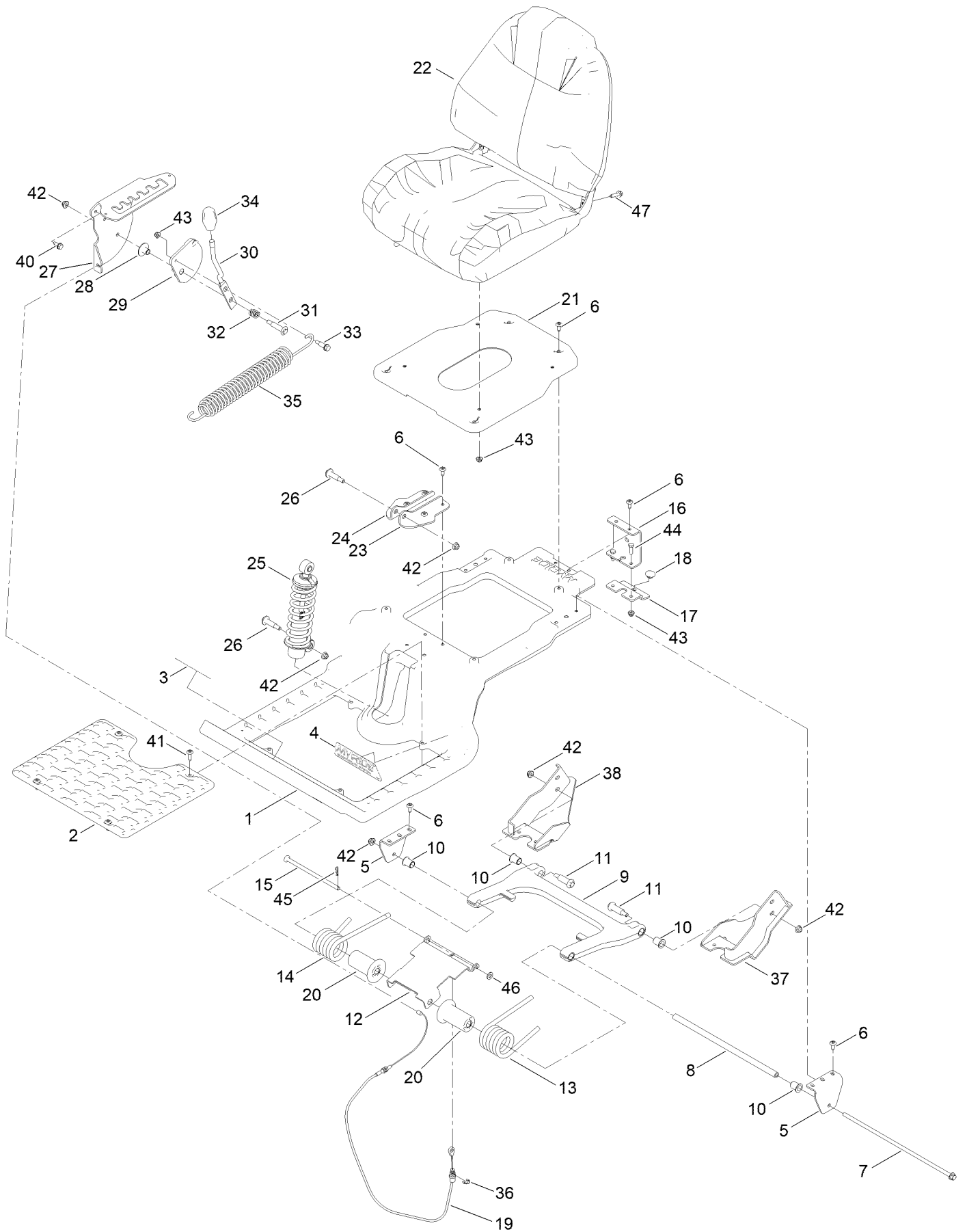
Decal Assembly



Decal Assembly (continued)

| <i>Ref.</i> | <i>Part Number</i> | <i>Qty.</i> | <i>Description</i> |
|-------------|--------------------|-------------|---|
| 6 | 161-6220 | 2 | Decal - Timecutter |
| 8 | 147-8753 | 1 | Decal - Control Panel W/Out Hour Meter |
| 9 | 63-8360 | 1 | Key-Ignition |

Seat Pan Assembly

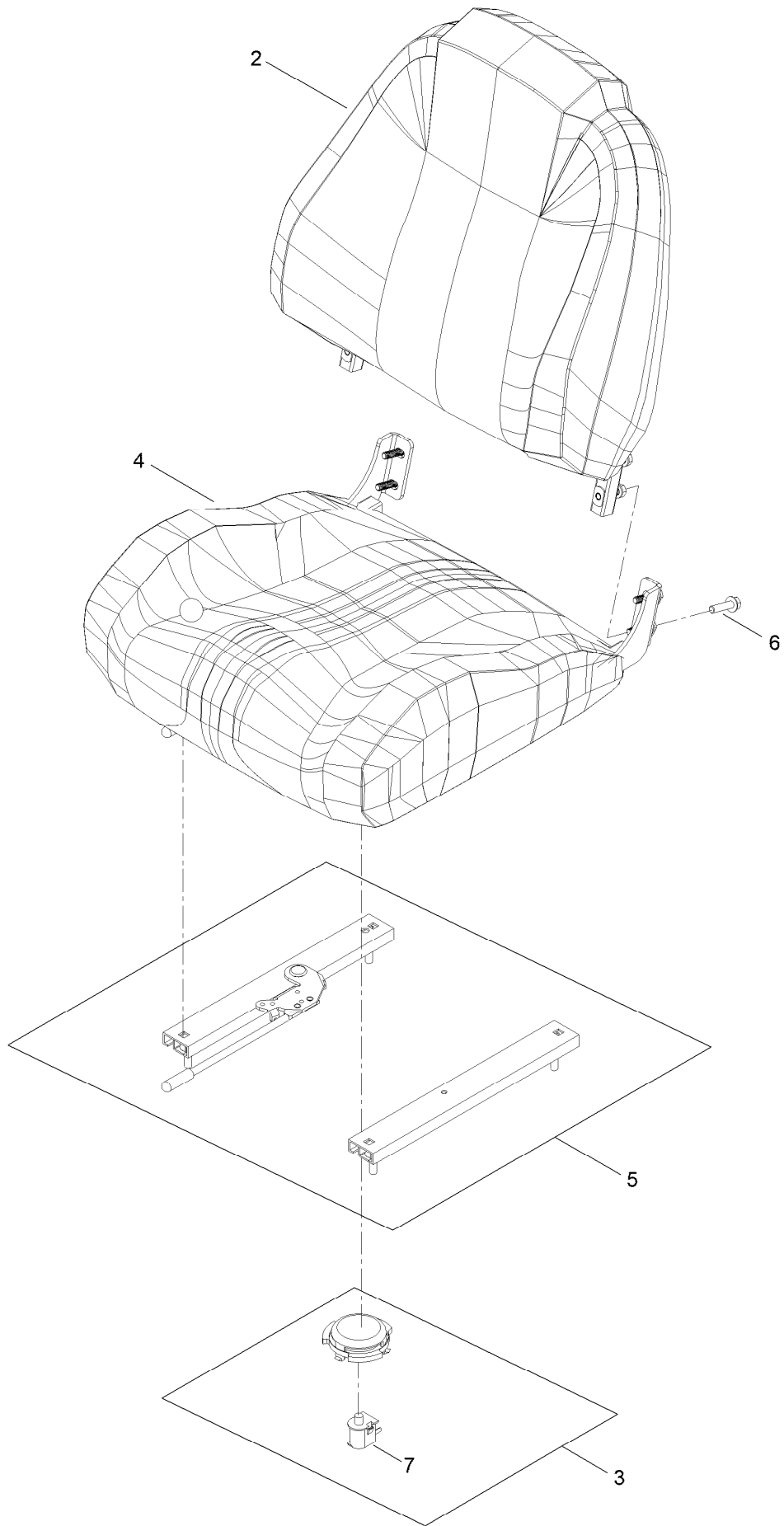


Seat Pan Assembly (continued)

| <i>Ref.</i> | <i>Part Number</i> | <i>Qty.</i> | <i>Description</i> | <i>Ref.</i> | <i>Part Number</i> | <i>Qty.</i> | <i>Description</i> |
|-------------|--------------------|-------------|------------------------------------|-------------|--------------------|-------------|-------------------------------|
| 1 | 145-6394-05 | 1 | Platform, Myride | 25 | 139-2427 | 1 | Shock/Spring ASM |
| 2 | 145-6395-05 | 1 | Platform, Myride | 26 | 136-7198 | 2 | Bolt-Shoulder |
| 3 | 147-7662 | 1 | Decal - Myride | 27 | 145-6309-05 | 1 | Bracket-Mr Gate |
| 4 | 147-7575 | 1 | Decal - Myride | 28 | 139-5800 | 1 | Bushing - Flange |
| 5 | 138-7517 | 2 | Bracket-Mount, Swing Arm | 29 | 147-5171 | 1 | Pulley-Cam |
| 6 | 138-9753 | 14 | Screw | 30 | 147-5172 | 1 | Lever-Adjustment, Threaded |
| 7 | 138-7548 | 1 | Screw-HHF | 31 | 92-1057 | 1 | Bolt-Shoulder |
| 8 | 138-7549 | 1 | Tube-Spacer | 32 | 139-5858 | 1 | Spring-Compression |
| 9 | 145-6312 | 1 | Arm-Swing | 33 | 140-3759 | 1 | Bolt-Shoulder,HHF |
| 10 | 138-2573 | 4 | Bushing-Flange | 34 | 147-8715 | 1 | Knob-Mr |
| 11 | 138-2547 | 2 | Bolt-Shoulder | 35 | 138-9848 | 1 | Spring-Extension |
| 12 | 138-7566-03 | 1 | Plate-Adjuster | 36 | 32120-47 | 1 | Ring-Retaining, External |
| 13 | 137-1983 | 1 | Spring-Torsion, LH | 37 | 147-8721-03 | 1 | Mount-Mr Swing Arm, LH |
| 14 | 137-7018 | 1 | Spring-Torsion, RH | 38 | 147-8722-03 | 1 | Mount-Mr Swing Arm, RH |
| 15 | 138-9813 | 1 | Rod-Adjustment | 40 | 32144-70 | 3 | Screw-HWHTF |
| 16 | 138-9788 | 1 | Bracket-Cable | 41 | 147-7606 | 4 | Screw-Spcl |
| 17 | 139-2361-03 | 1 | Bracket Lower | 42 | 119-4042 | 6 | Nut-HF, NI |
| 18 | 135-0505 | 1 | Bumper-Seat | 43 | 119-4041 | 7 | Nut-HF |
| 19 | 147-7713 | 1 | Cable-Adjustment, Myride | 44 | 139-1716 | 2 | Screw-HH |
| 20 | 138-9776 | 2 | Retainer-Spring | 45 | 137-3083 | 1 | Pin-Hair |
| 21 | 145-6265-03 | 1 | Pan-Seat | 46 | 115-1166 | 1 | Washer-Plain |
| 22 | 147-8731 | 1 | Seat King Sk220 Seat | 47 | 119-4036 | 4 | Screw-HHF ● |
| 23 | 133-9318-03 | 1 | Bracket-Shock Mount, Upper (LH) | | | | |
| 24 | 133-9319-03 | 1 | Bracket-Shock Mount, Upper (RH) | | | | |

● Not illustrated

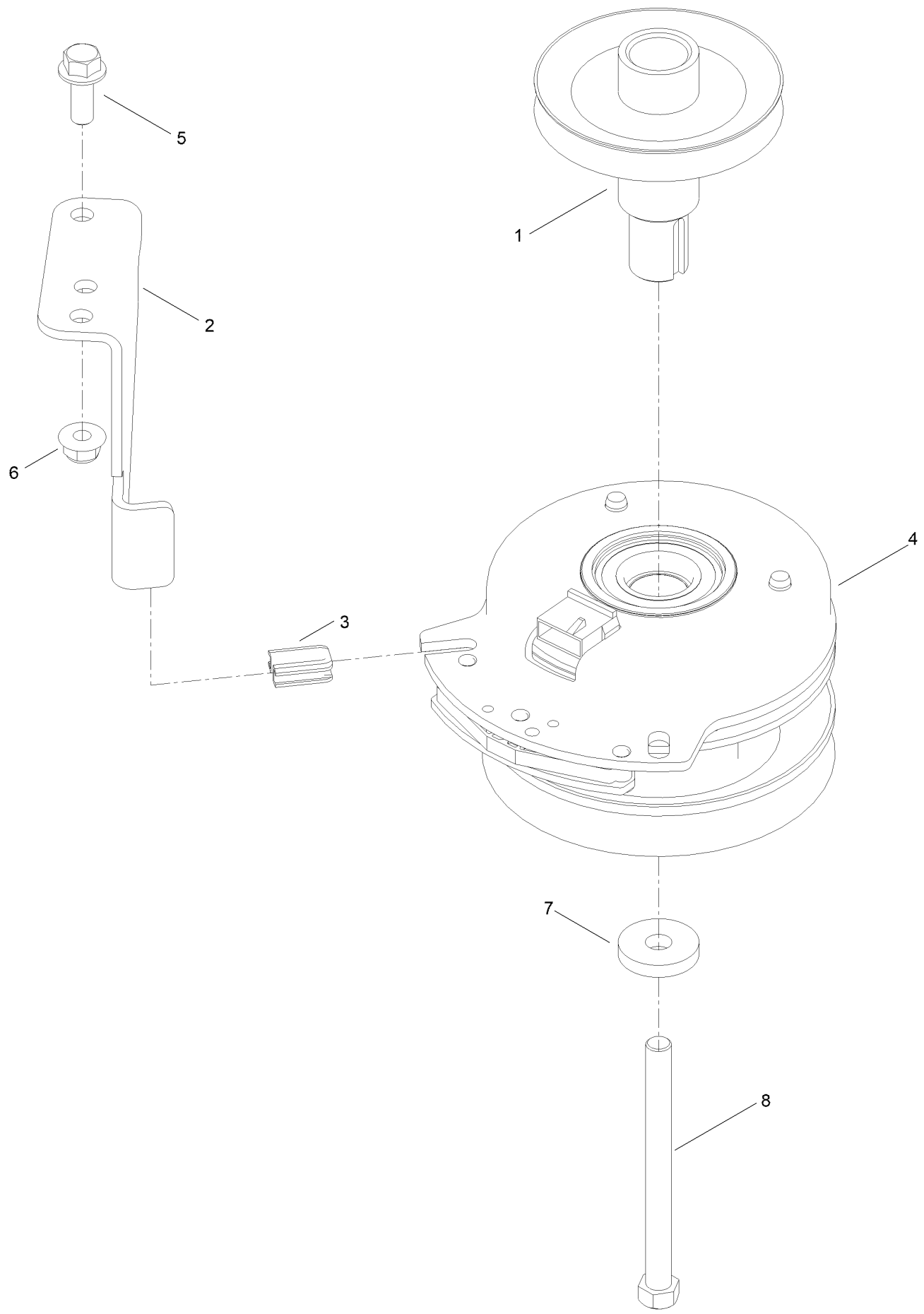
Seat Assembly No. 147-8731



Seat Assembly No. 147-8731 (continued)

| <i>Ref.</i> | <i>Part Number</i> | <i>Qty.</i> | <i>Description</i> | <i>Ref.</i> | <i>Part Number</i> | <i>Qty.</i> | <i>Description</i> |
|-------------|--------------------|-------------|-----------------------------------|-------------|--------------------|-------------|--------------------|
| 2 | 147-8735 | 1 | Toro Back Cover | 5 | 147-8740 | 1 | Slide ASM-Seat |
| 3 | 147-8736 | 1 | Seat Switch Delta 6500-02 Open | 6 | 119-4036 | 4 | Screw-HHF |
| 4 | 147-8739 | 1 | Toro Seat Cover | 7 | 82-2190 | 1 | Switch-Bail |

Clutch Assembly



Clutch Assembly (continued)

| <i>Ref.</i> | <i>Part Number</i> | <i>Qty.</i> | <i>Description</i> | <i>Ref.</i> | <i>Part Number</i> | <i>Qty.</i> | <i>Description</i> |
|-------------|--------------------|-------------|--------------------|-------------|--------------------|-------------|--------------------|
| 1 | 138-9792 | 1 | Pulley-Engine | 5 | 3234-42 | 1 | Screw-HHF |
| 2 | 137-7000 | 1 | Stop-Clutch (Wide) | 6 | 104-8301 | 1 | Nut-HF, NI |
| 3 | 120-2217 | 1 | Isolator-Clutch | 7 | 112843 | 1 | Washer |
| 4 | 127-3410 | 1 | Clutch-PTO | 8 | 3212-19 | 1 | Screw-HH |

Attachments and Accessories

For 77507 TimeCutter MyRIDE 54in Zero Turn Riding Mower

| Product Name | Model/Part |
|--|-------------------|
| Blade-Hi Lift, 18.75 Inch For 54 Inch TC | 115-2454-03P |
| Jack Kit | 127-6666 |
| 4-Cycle Fuel, Snow And Lawn 32oz Can | 131-3823 |
| Toro Premium Fuel Treatment 12oz Bottle | 131-6572 |
| Oil-30/10W-30 Synthetic (Quart)..... | 138-6053 |
| 54 Inch Recycler Kit | 139-3235 |
| Heavy Duty Spring Kit..... | 140-2051 |
| 54 Inch Bagging Enhancement Kit..... | 140-5054 |
| Led Light Kit..... | 147-8757 |
| Floormat Kit | 147-8764 |
| Kit-Caster Wheel | 147-8772 |
| Arm Rest Kit..... | 147-8773 |
| Kit-Striping, 54/60in | 147-8781 |
| Kit, Hour Meter..... | 147-8791 |
| Mount, Jack TC..... | 147-8836 |
| Assist Bar Kit | 161-4450 |
| Transport Lock Kit..... | 161-4510 |
| 10W30 4-Cycle Engine Oil (32oz Bottle)..... | 38280 |
| Toro 4-Cycle SAE 30 Oil (32oz Bottle) | 38903 |
| Toro Deluxe Rider Cover..... | 490-7319 |
| BELT - DECK 54 TC [PKGD 23+] | 79007 |
| ROPS Kit | 79487 |
| Kit-Slope Sensor..... | 79489 |
| Residential Z Max 50in Bagger | 79501 |

Notes:

Notes:

Notes:



Count on it.