



**Count on it.**

**Parts Catalog**

**TimeCutter® ZS 4200S**

**Riding Mower**

Model No. 74683—Serial No. 418000000 and Up



# Ordering Replacement Parts

To order replacement parts, please supply the part number, the quantity, and the description of each part desired.

## Understanding Reference Numbers

Each identified part in an illustration has a reference number. The reference number for a part also appears in the parts list, along with other information about the part.

This catalog uses two special reference number formats, one to indicate parts in a service assembly and another to indicate the quantity of a given part in an illustration.

## Service Assembly Reference Numbers

Parts in service assemblies have reference numbers in the form a:b. The a represents the reference number of the entire service assembly and the b represents a sequential number unique to each part within the service assembly.

For example, a wheel assembly might be identified by reference number 6, the tire by 6:1, the valve by 6:2, and the wheel by 6:3. When you order the assembly identified by reference number 6, you receive all parts identified by reference numbers 6:1, 6:2, and 6:3. However, you may also order any part individually. Reference numbers of this type appear in illustration and in parts lists.

## Reference Numbers Indicating Quantity

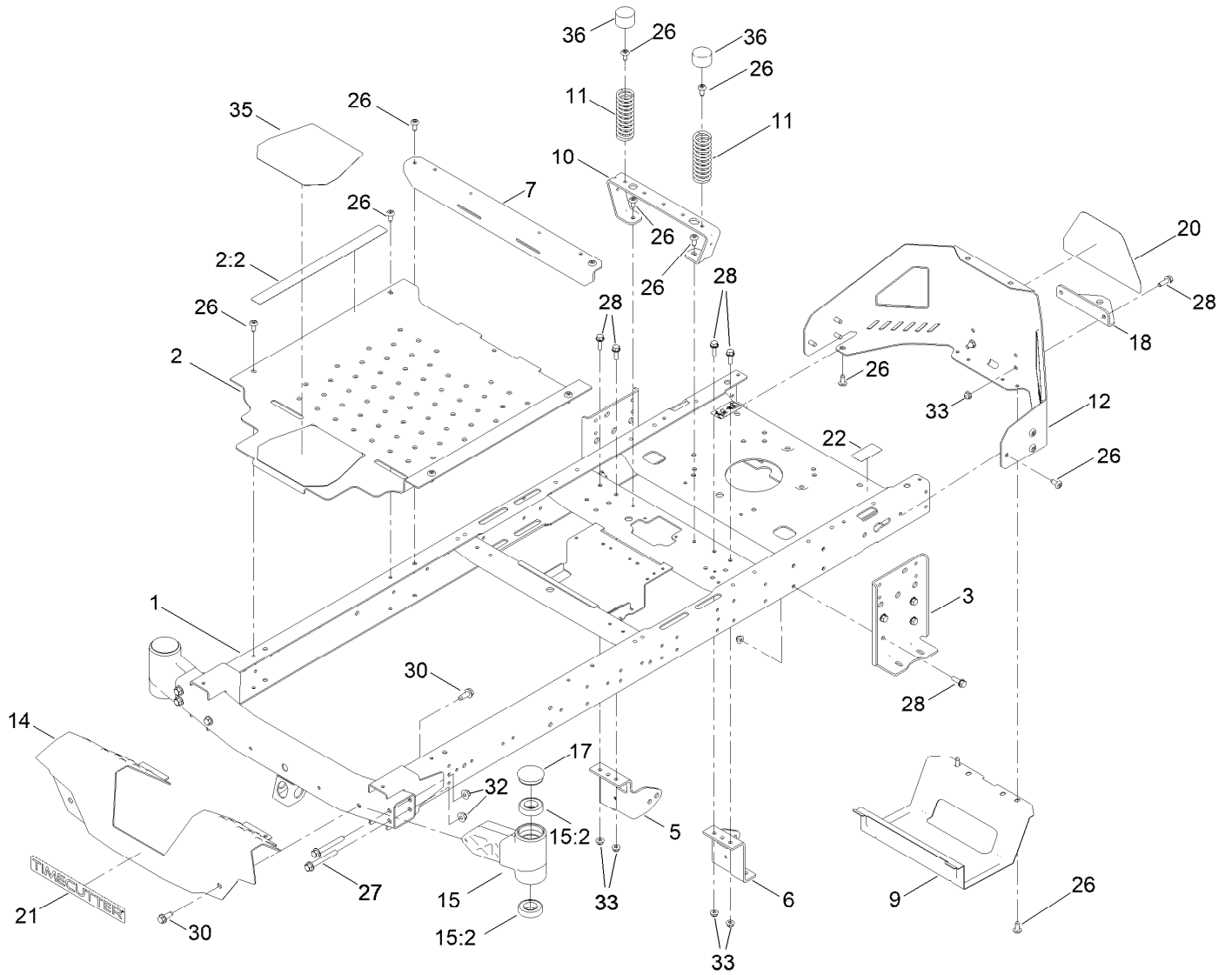
In an illustration, if a reference number indicates more than one part, the reference number has the form nX y. The n represents the quantity of the part, the X is the multiplication symbol, and the y represents the reference number.

For example, in an illustration, the reference number 2X 37 means that two of the parts identified by reference number 37 are indicated.

# Contents

Frame Assembly . . . . .	4
Deck Lift Assembly . . . . .	6
Tire and Caster Assembly . . . . .	8
Traction Drive Assembly . . . . .	10
LH Hydro Transmission Assembly No. 139-7450 . . . . .	12
RH Hydro Transmission Assembly No. 139-7451 . . . . .	14
Brake Assembly . . . . .	16
Rear Tire Assembly . . . . .	18
Seat Assembly . . . . .	20
Seat Assembly No. 147-5157 . . . . .	22
Motion Control Assembly . . . . .	24
Engine and Muffler Assembly . . . . .	26
Fuel and Body Styling Assembly . . . . .	28
Electrical Assembly . . . . .	30
42 Inch Deck and Decal Assembly . . . . .	32
42 Inch Mulch Plug Assembly No. 137-5034 . . . . .	34
Model Specific Assembly . . . . .	36
Clutch Assembly . . . . .	38
Attachments and Accessories . . . . .	40

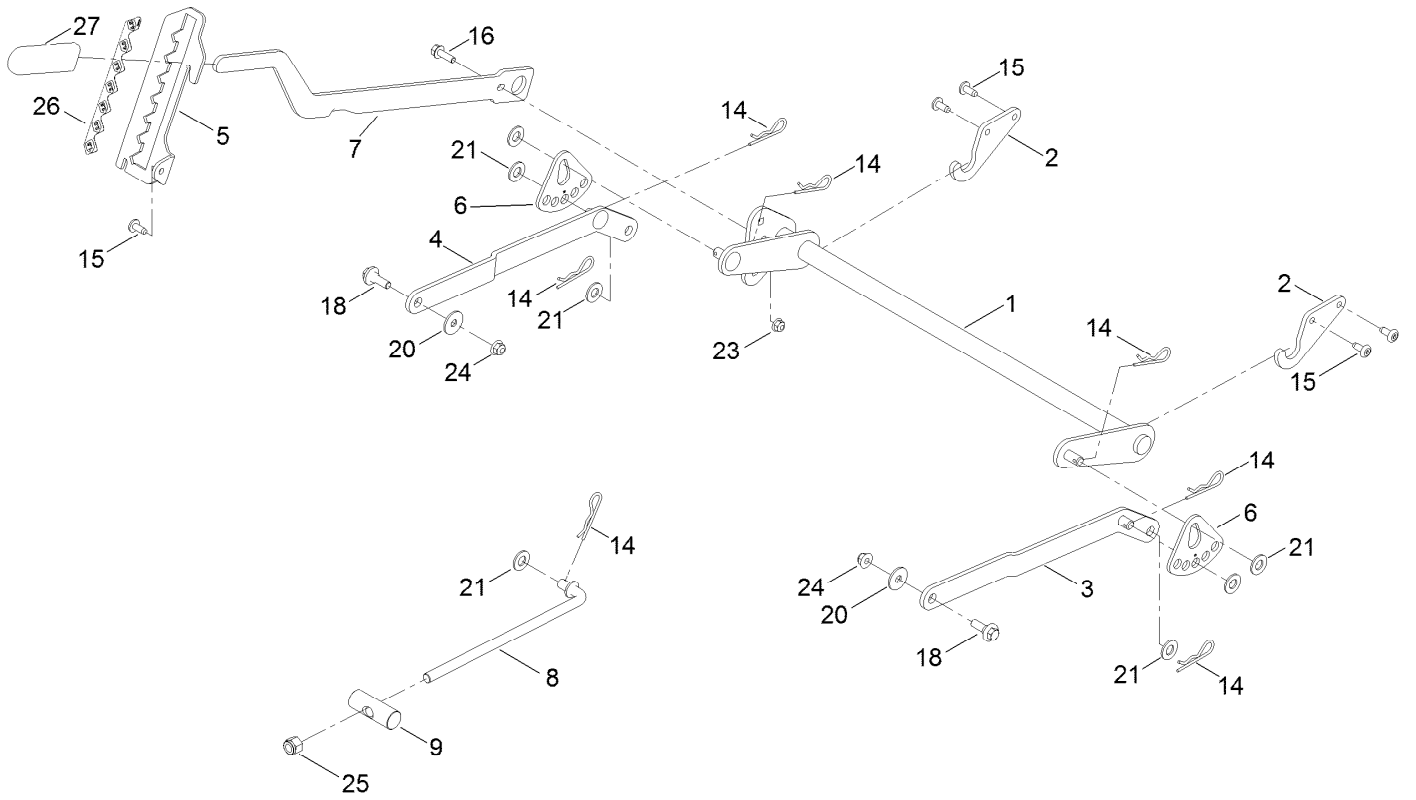
# Frame Assembly



## Frame Assembly (continued)

<i>Ref.</i>	<i>Part Number</i>	<i>Qty.</i>	<i>Description</i>	<i>Ref.</i>	<i>Part Number</i>	<i>Qty.</i>	<i>Description</i>
1	137-9820-01	1	Frame Assembly	17	138-7200	2	Cap-Grease
2	140-5045	1	Pan-Floor ASM	18	117-1232-03	1	Bracket-Hitch
2:2	144-5288	1	Decal-Warning	20	139-5890	1	Decal-Timecutter
3	138-7520-01	2	Plate-Mount, Hydro	21	139-2387	1	Decal-Timecutter
5	137-7020-01	1	Mount-Hydro, Front (Right)	22	121-2989	2	Decal-Bypass
6	139-3211-01	1	Mount-Hydro, Front (Left)	26	138-9753	20	Screw
7	138-9791-01	1	Brace-Cross	27	139-2429	4	Screw-HHF
9	138-0867-03	1	Guard-Muffler	28	139-2596	14	Screw-HHF
10	138-6036-03	1	Support-Seat	30	139-2428	4	Screw-HWH
11	138-2548	2	Spring-Compression	32	139-2430	4	Nut-HF, NI
12	138-9820-03	1	Guard-Engine	33	119-4041	14	Nut-HF
14	138-9827-01	1	Footrest	35	139-3220	1	Tread-Step
15	140-2098	2	Axle Stub ASM	36	701178	2	Cap-Protector
15:2	109-3678	2	Bearing-Ball				

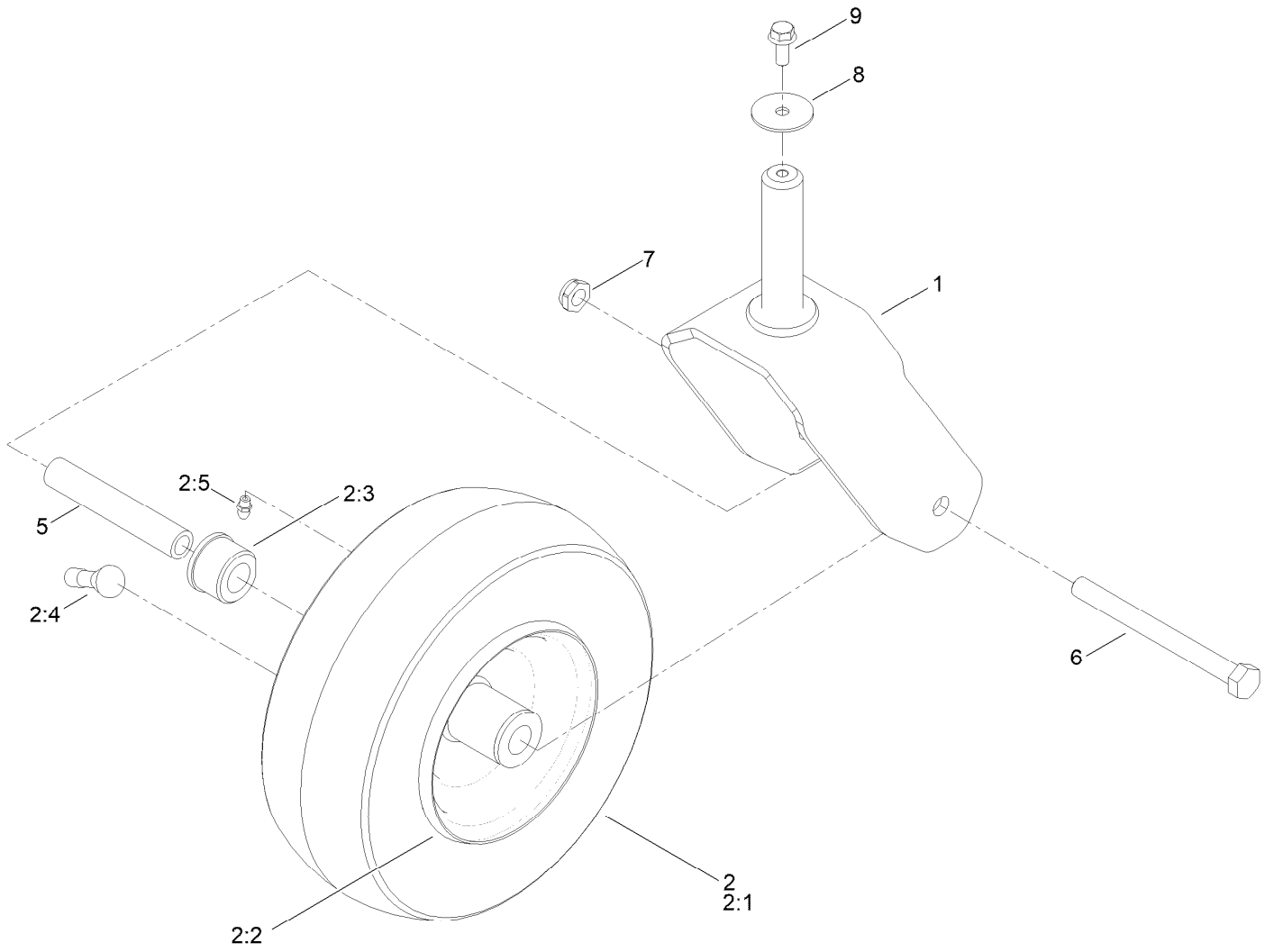
# Deck Lift Assembly



## Deck Lift Assembly (continued)

<i>Ref.</i>	<i>Part Number</i>	<i>Qty.</i>	<i>Description</i>	<i>Ref.</i>	<i>Part Number</i>	<i>Qty.</i>	<i>Description</i>
1	137-7093-03	1	Deck Lift ASM	15	138-9753	5	Screw
2	138-6021	2	Bracket-Pivot, Decklift	16	139-2596	1	Screw-HHF
3	137-9844	1	LH Arm ASM	18	137-9847	2	Screw-Shoulder
4	137-9846	1	RH Arm ASM	20	140-5063	2	Washer-Hardened, Cz
5	139-2350-01	1	Bracket-HOC	21	139-2611	7	Washer-Flat
6	138-2564	2	Plate-Adjustment, HOC	23	119-4041	1	Nut-HF
7	137-7087-03	1	Lever-Lift	24	119-4042	2	Nut-HF, NI
8	138-6050	1	Rod-Mount, Deck	25	139-1725	1	Nut-Hex
9	119-8810	1	Pin-Pivot	26	140-2748	1	Decal-HOC
14	139-2562	7	Pin-Hair	27	1-633268	1	Grip-Lever

# Tire and Caster Assembly

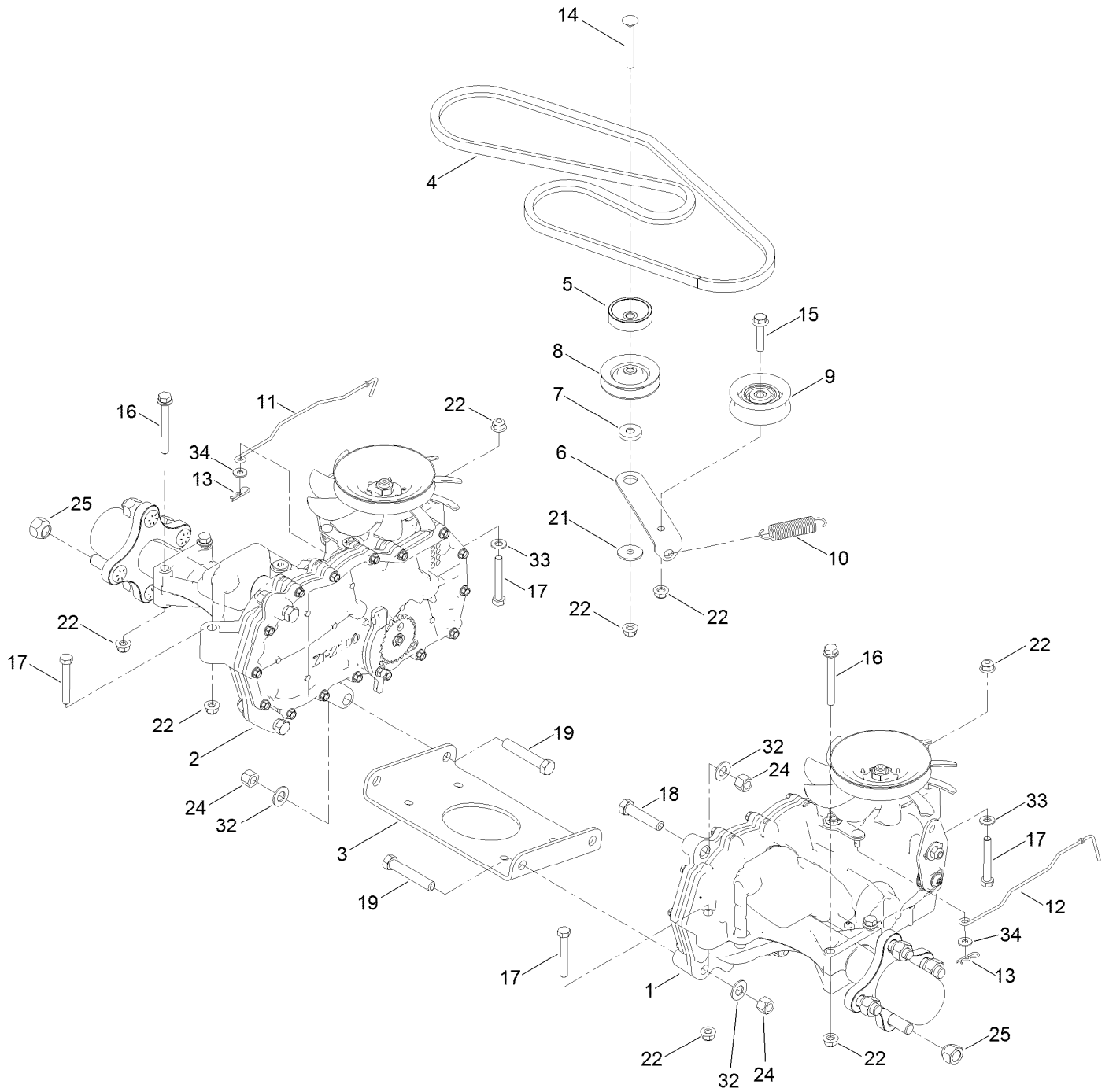




## Tire and Caster Assembly (continued)

<i>Ref.</i>	<i>Part Number</i>	<i>Qty.</i>	<i>Description</i>	<i>Ref.</i>	<i>Part Number</i>	<i>Qty.</i>	<i>Description</i>
1	139-3274-01	2	Fork ASM	2:5	302-5	1	Fitting-Grease
2	147-2935	2	Tire ASM	5	138-7240	2	Bushing-Spanner
2:1	147-2936	1	Tire	6	139-2607	2	Screw-HH
2:2	147-2937	1	Rim	7	139-2617	2	Nut-Lock, NI
2:3	114-1640	2	Bushing-Flange	8	115-1151	2	Washer-Flat
2:4	232-27	1	Stem-Valve	9	139-2598	2	Screw-HHF

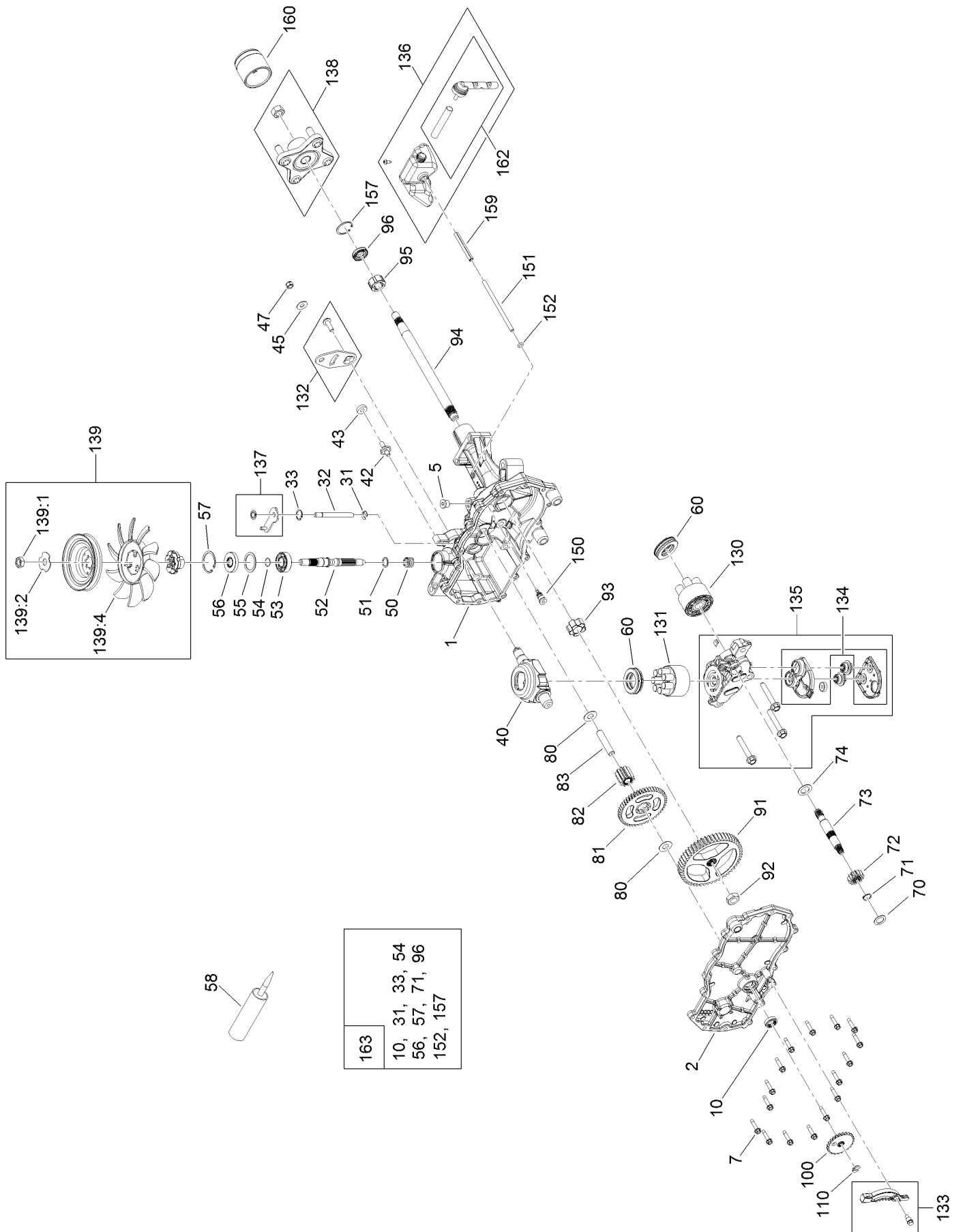
# Traction Drive Assembly



## Traction Drive Assembly (continued)

<i>Ref.</i>	<i>Part Number</i>	<i>Qty.</i>	<i>Description</i>	<i>Ref.</i>	<i>Part Number</i>	<i>Qty.</i>	<i>Description</i>
1	139-7450	1	LH Hydro Transaxle ASM	14	139-2588	1	Screw-CARR
2	139-7451	1	RH Hydro Transaxle ASM	15	140-5024	1	Screw-HHF
3	138-2571-03	1	Crossplate-Hydro	16	138-7590	4	Screw-HHF
4	139-2399	1	V-Belt	17	120-9738	4	Screw-HH
5	138-9809	1	Spacer	18	139-2605	2	Screw-HH
6	138-7276	1	Arm-Idler	19	139-2603	4	Screw-HH
7	138-7277	1	Spacer-Arm, Idler	21	5-4460	1	Washer-Pivot
8	68-0030	1	Idler	22	119-4041	10	Nut-HF
9	138-7597	1	Pulley-Idler, Flat	24	119-4039	6	Nut-Hex
10	137-7040	1	Spring-Return, Pedal	25	139-2564	8	Nut-Lug
11	138-7245	1	Rod-Bypass, RH	32	139-2610	6	Washer-Flat
12	138-7243	1	Rod-Bypass, LH	33	120-9683	2	Washer-Plain
13	137-3083	2	Pin-Hair	34	119-8952	2	Washer-Spcl

# LH Hydro Transmission Assembly No. 139-7450

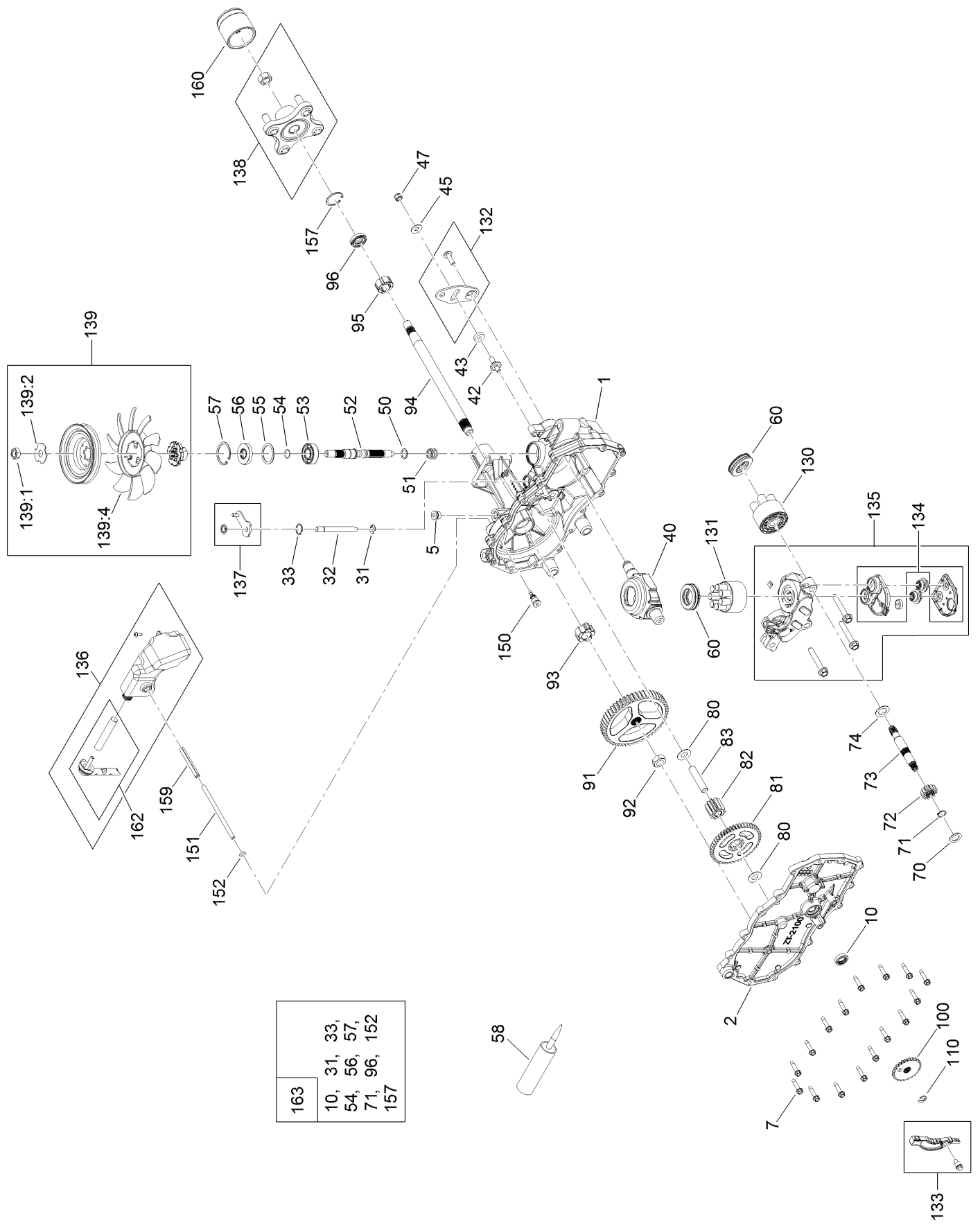


# LH Hydro Transmission Assembly No. 139-7450 (continued)

<i>Ref.</i>	<i>Part Number</i>	<i>Qty.</i>	<i>Description</i>	<i>Ref.</i>	<i>Part Number</i>	<i>Qty.</i>	<i>Description</i>
1	120-5532	1	Main Housing ASM	80	119-5541	1	*obs* Washer
2	120-5534	1	Housing Side Kit	81	104-5317	1	Gear-10T/48T
5	104-2189	1	Plug-Thread, Straight	82	104-5318	1	Gear-Jackshaft, 10T
7	117-5359	16	Screw-HHF	83	104-5329	1	Pin-Jackshaft
10	104-2147	1	Sealant, Silicone - Non-Flammable ●	91	120-5539	1	Gear-Bull
31	106-8677	1	Ring-Retaining, External	92	104-2142	1	Nut-HJ
32	106-8678	1	Rod-Bypass	93	115-8314	1	Bushing-Inboard
33	106-8679	1	Ring-Retaining, Internal	94	120-5540	1	Shaft-Axle
40	104-5304	1	Swashplate-Trunnion	95	120-5541	1	Bearing-Sleeve
42	104-2116	1	Stud	100	106-8694	1	Disc-Brake, Cog
43	112-9853	1	Puck-Friction	110	106-8677	1	Ring-Retaining, External
50	133-1793	1	Spring-Block	130	103-2666	1	Cylinder Block Kit
51	120-5538	1	Washer	131	110-8561	1	Pump Block ASM
52	104-5306	1	Shaft-Input	132	117-5362	1	Control Arm Kit
53	104-5311	1	Bearing-Ball	133	106-8688	1	Brake Arm Kit
54	104-5307	1	Ring-Retaining	134	112-9861	1	Center Section Filter Kit
55	104-5308	1	Spacer	135	114-1634	1	Filter Kit
56	104-5310	1	Seal-Lip	136	121-5730	1	RH Expansion Tank Kit
57	104-5309	1	Ring-Retaining	137	120-5549	1	Bypass Kit
58	104-2147	1	Sealant, Silicone - Non-Flammable	138	121-5731	1	Hub Kit
60	94-6922	2	Bearing-Thrust	139	135-7349	1	Fan And Pulley Kit
70	104-5339	1	Washer-Flat	150	104-5349	1	Fitting-SAE
71	104-5340	1	Ring-Retaining	151	115-8302	1	Hose
72	104-5316	1	Gear-Pinnion, 13T	152	104-5361	1	O-Ring
73	106-8683	1	Shaft-Motor	159	121-5728	1	Case-Tube
74	104-5360	1	Washer	160	125-0041	1	Cap-Axle
				162	139-3278	1	Breather ASM Kit
				163	120-7103	1	Seal And Ring Kit

● Not illustrated

# RH Hydro Transmission Assembly No. 139-7451



# RH Hydro Transmission Assembly No. 139-7451 (continued)

<i>Ref.</i>	<i>Part Number</i>	<i>Qty.</i>	<i>Description</i>	<i>Ref.</i>	<i>Part Number</i>	<i>Qty.</i>	<i>Description</i>
1	120-5531	1	Main Housing ASM	80	119-5541	1	*obs* Washer
2	120-5533	1	Housing Side Kit	81	104-5317	1	Gear-10T/48T
5	104-2189	1	Plug-Thread, Straight	82	104-5318	1	Gear-Jackshaft, 10T
7	117-5359	16	Screw-HHF	83	104-5329	1	Pin-Jackshaft
10	104-2147	1	Sealant, Silicone - Non-Flammable ●	91	120-5539	1	Gear-Bull
31	106-8677	2	Ring-Retaining, External	92	104-2142	1	Nut-HJ
32	106-8678	1	Rod-Bypass	93	115-8314	1	Bushing-Inboard
33	106-8679	1	Ring-Retaining, Internal	94	120-5540	1	Shaft-Axle
40	104-5304	1	Swashplate-Trunnion	95	120-5541	1	Bearing-Sleeve
42	104-2116	1	Stud	100	106-8694	1	Disc-Brake, Cog
43	112-9853	1	Puck-Friction	110	106-8677	1	Ring-Retaining, External
51	133-1793	1	Spring-Block	130	103-2666	1	Cylinder Block Kit
51	120-5538	1	Washer	131	110-8561	1	Pump Block ASM
52	104-5306	1	Shaft-Input	132	117-5362	1	Control Arm Kit
53	104-5311	1	Bearing-Ball	133	106-8688	1	Brake Arm Kit
54	104-5307	1	Ring-Retaining	134	112-9862	1	Center Section Filter Kit
55	104-5308	1	Spacer	135	114-1634	1	Filter Kit
56	104-5310	1	Seal-Lip	136	121-5735	1	LH Expansion Tank Kit
57	104-5309	1	Ring-Retaining	137	107-2489	1	Bypass Arm Kit
58	104-2147	1	Sealant, Silicone - Non-Flammable	138	121-5731	1	Hub Kit
60	94-6922	2	Bearing-Thrust	139	135-7349	1	Fan And Pulley Kit
70	104-5339	1	Washer-Flat	150	104-5349	1	Fitting-SAE
71	104-5340	1	Ring-Retaining	151	115-8302	1	Hose
72	104-5316	1	Gear-Pinnion, 13T	152	104-5361	1	O-Ring
73	106-8683	1	Shaft-Motor	159	121-5728	1	Case-Tube
74	104-5360	1	Washer	160	125-0041	1	Cap-Axle
				162	139-3278	1	Breather ASM Kit
				163	120-7103	1	Seal And Ring Kit

● Not illustrated

# Brake Assembly

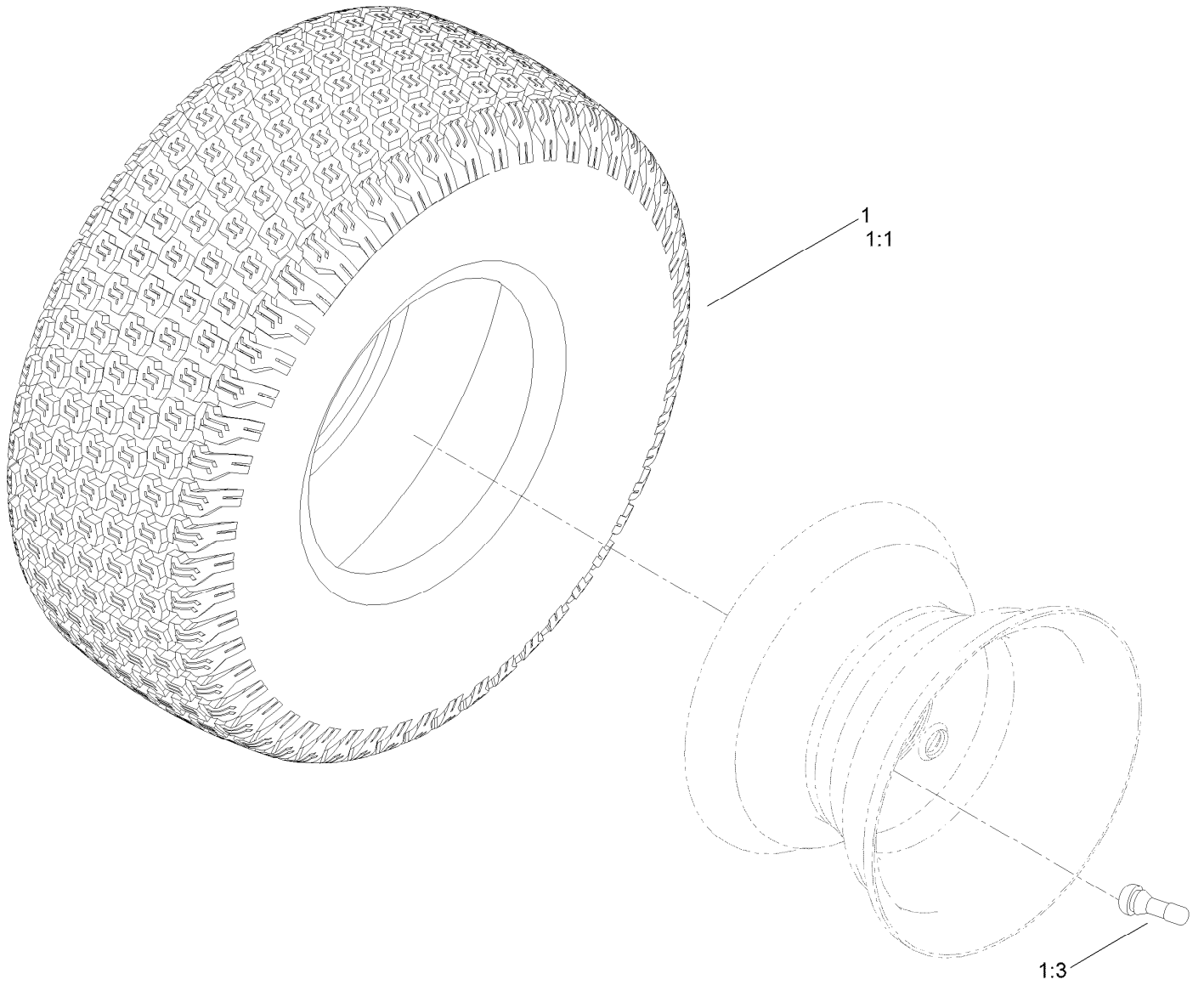




## Brake Assembly (continued)

<i>Ref.</i>	<i>Part Number</i>	<i>Qty.</i>	<i>Description</i>	<i>Ref.</i>	<i>Part Number</i>	<i>Qty.</i>	<i>Description</i>
1	138-2514	1	Brake Box ASM	7	137-3083	2	Pin-Hair
2	133-9284-03	1	Bracket-Mount, Brake	8	32144-36	4	Screw-PPH
3	138-2591	1	Rod-Brake, LH	9	32144-4	2	Screw-HWH
4	138-2592	1	Rod-Brake, RH	10	119-8952	6	Washer-Spcl
5	117-1169	4	Spring-Compression	11	137-3088	2	Nut-Hex

# Rear Tire Assembly



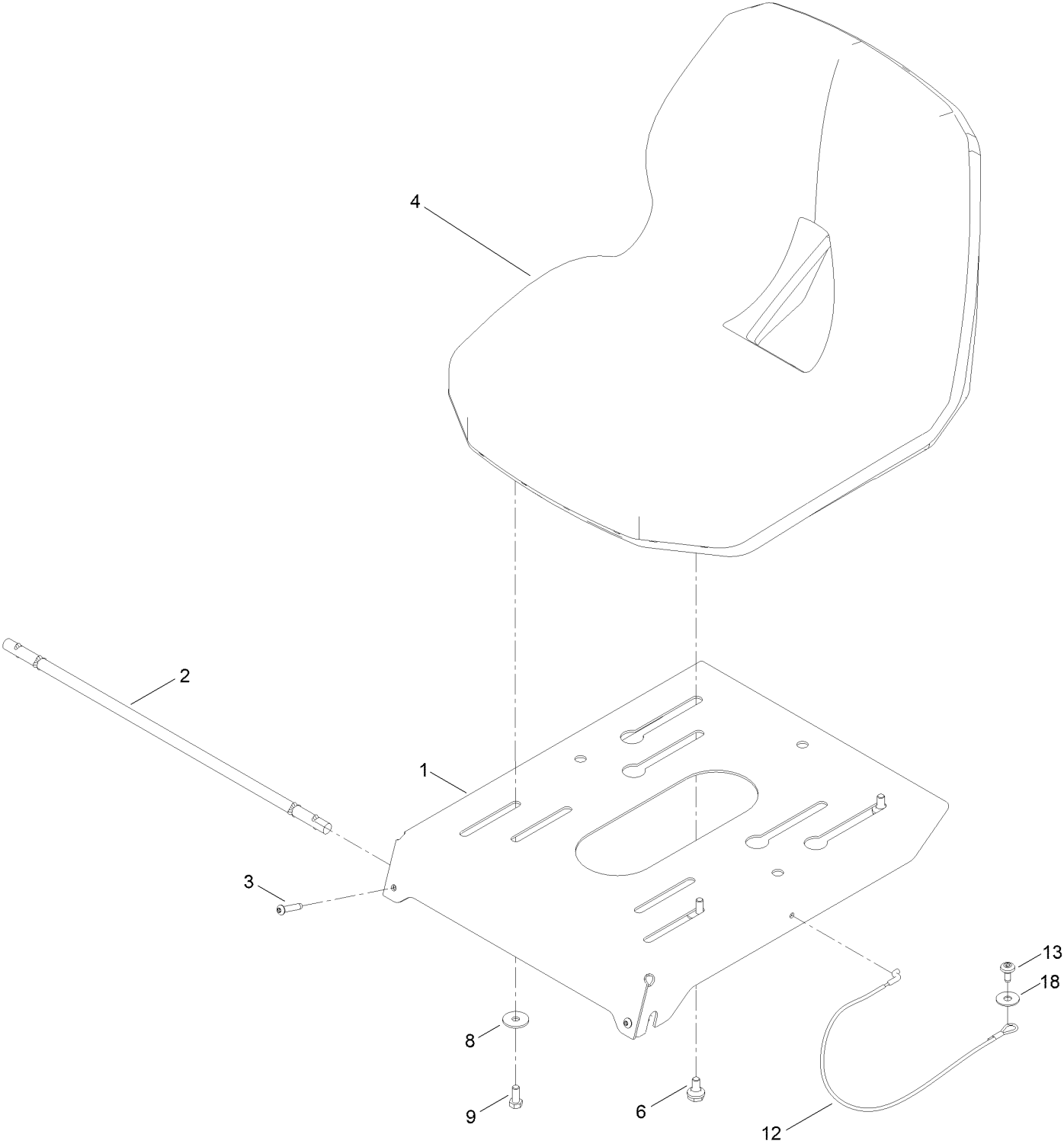
# Rear Tire Assembly (continued)

<i>Ref.</i>	<i>Part Number</i>	<i>Qty.</i>	<i>Description</i>
1	139-5846	2	Tire ASM
1:1	126-1618	1	Tire

<i>Ref.</i>	<i>Part Number</i>	<i>Qty.</i>	<i>Description</i>
1:3	232-27	1	Stem-Valve
1:99	107-2491	1	Tube-Tire ●

● Not illustrated

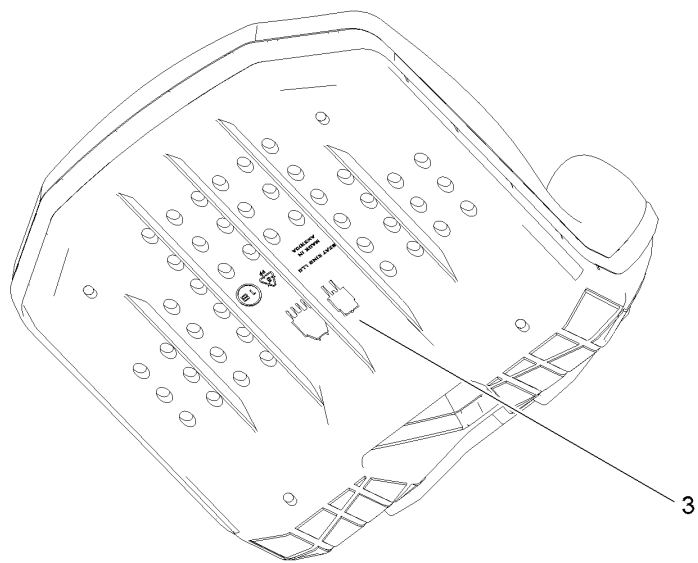
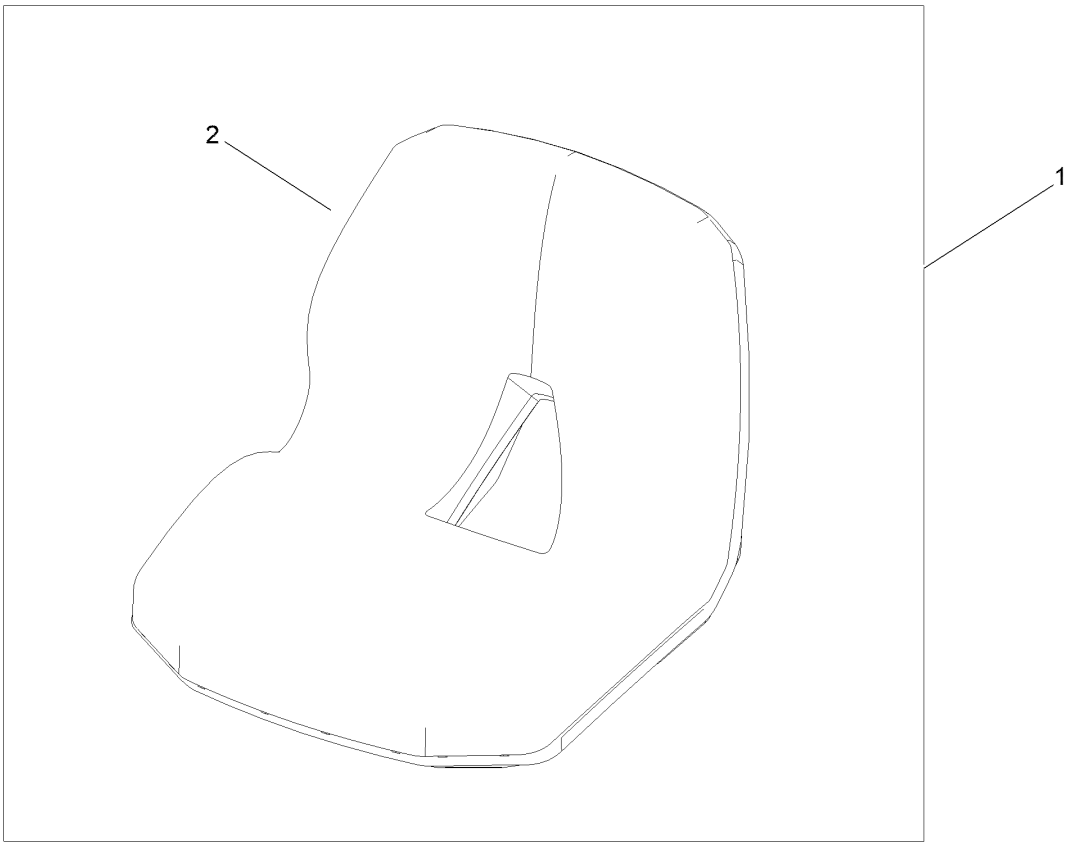
# Seat Assembly



## Seat Assembly (continued)

<i>Ref.</i>	<i>Part Number</i>	<i>Qty.</i>	<i>Description</i>	<i>Ref.</i>	<i>Part Number</i>	<i>Qty.</i>	<i>Description</i>
1	138-9781-03	1	Pan-Seat	8	5-4460	2	Washer-Pivot
2	138-7555	1	Rod-Pivot	9	137-3052	2	Screw-HH
3	137-3010	2	Screw-BHCS	12	139-2398	1	Cable-Lanyard
4	147-5157	1	Seat-16 In	13	120-7950	1	Screw-Torx
6	37-8771	2	Bolt-Shoulder, HF	18	147-5287	1	Washer-Flat

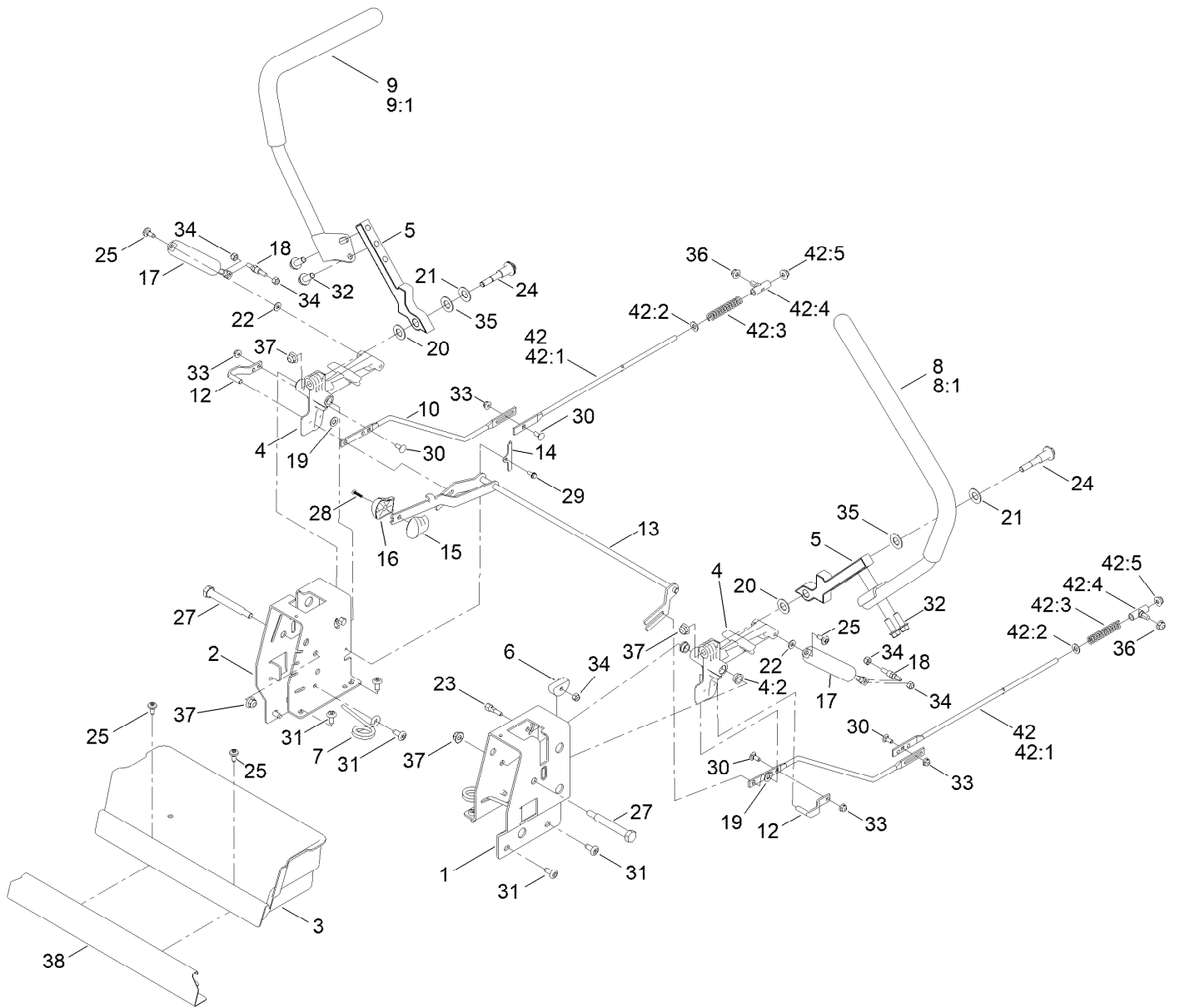
# Seat Assembly No. 147-5157



## Seat Assembly No. 147-5157 (continued)

<i>Ref.</i>	<i>Part Number</i>	<i>Qty.</i>	<i>Description</i>
1	139-5891	1	Seat-16 In
2	147-2983	1	Cover-Seat
3	82-2190	1	Switch-Bail

# Motion Control Assembly



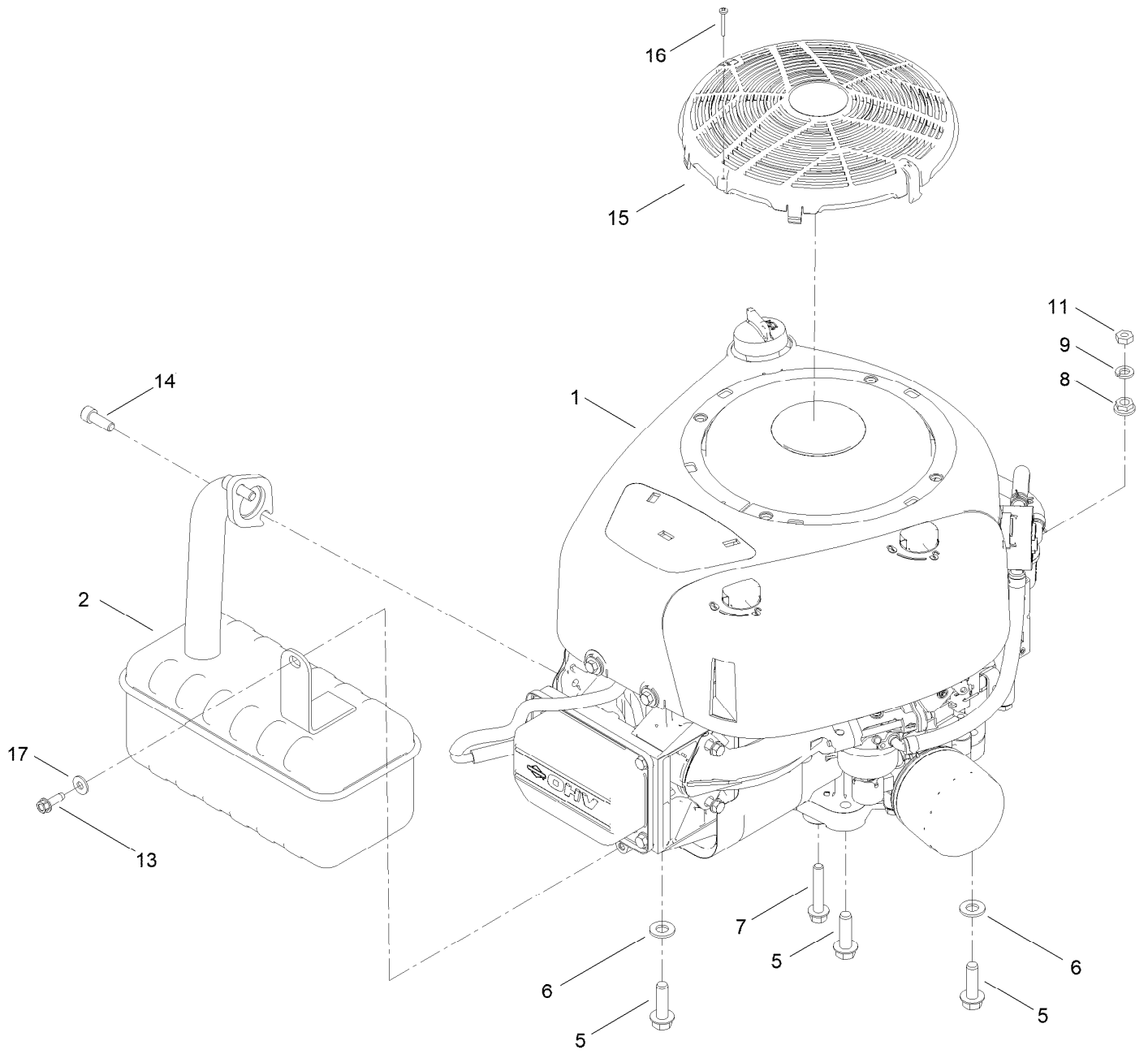


## Motion Control Assembly (continued)

<i>Ref.</i>	<i>Part Number</i>	<i>Qty.</i>	<i>Description</i>	<i>Ref.</i>	<i>Part Number</i>	<i>Qty.</i>	<i>Description</i>
1	138-7598-03	1	Plate-Control Box, LH	22	119-8952	2	Washer-Spcl
2	138-7599-03	1	Plate-Control Box, RH	23	139-5811	2	Bolt-Pivot, Eccentric
3	145-0421	1	Box-Storage	24	139-2556	2	Bolt-Pivot
4	119-3470	2	Actuator Arm ASM	25	120-7950	4	Screw-Torx
4:2	256-156	2	Bushing-Flange	27	115-5099	2	Bolt-Pivot
5	133-9299-05	2	Arm-Control	28	94-4496	1	Screw-PPH
6	139-5803	2	Eccentric	29	139-1713	2	Screw-Thd Roll
7	138-7539	2	Spring-Torsion	30	100-1445	4	Bolt-CARR
8	133-7055	1	Handle-Control, LH	31	138-9753	10	Screw
8:1	121-0726	1	Grip	32	139-2597	4	Screw-HHF
9	133-7057	1	Handle-Control, RH	33	137-3005	4	Nut-HF
9:1	121-0726	1	Grip	34	137-3088	6	Nut-Hex
10	138-2580	2	Rod-Hydro, Front	35	117-1240	2	Washer
12	121-1753	2	Pin-Rod, Hydro	36	119-4041	2	Nut-HF
13	138-9750	1	Speed Control ASM	37	119-4042	4	Nut-HF, NI
14	138-7541	2	Plate-Retainer	38	139-3280-01	1	Plate-Kick
15	132-9368	1	Knob-RH	42		2	Rod Hydro ASM ●
16	132-9369	1	Knob-LH	42:1	144-1818	1	Rod-Hydro, Rear
17	132-6853	2	Damper-Non Cavitating	42:2	120-9683	1	Washer-Plain
18	138-7215	2	Stud-Damper	42:3	138-7252	1	Spring-Compression
19	93-6079	2	Spacer-Nylon	42:4	138-7218	1	Mount-Rod, Hydro
20	120-2273	2	Washer-Nylon	42:5	119-4041	1	Nut-HF
21	119-8925	2	Washer-Belleville				

● Not serviced separately

# Engine and Muffler Assembly



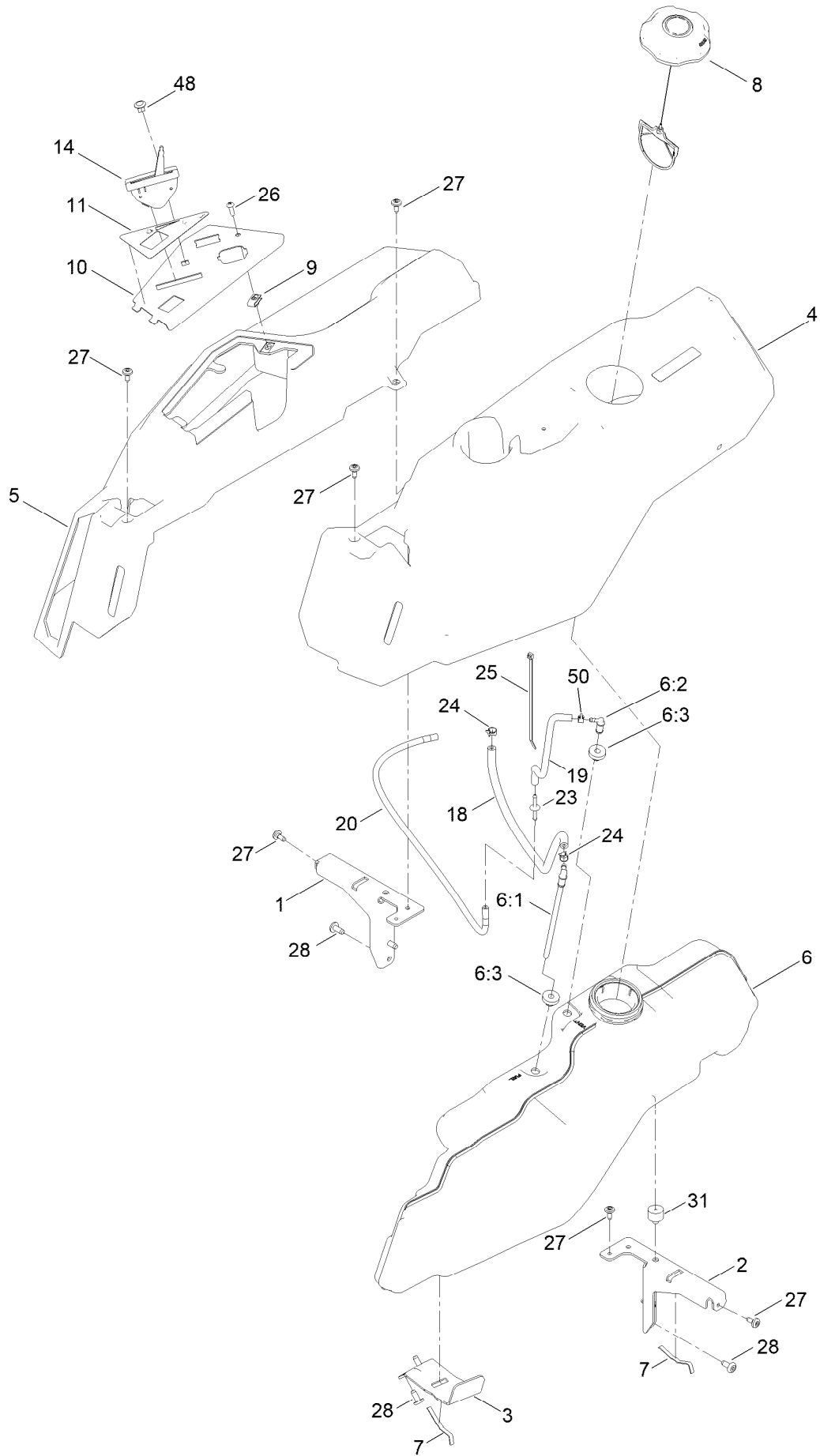
## Engine and Muffler Assembly (continued)

<i>Ref.</i>	<i>Part Number</i>	<i>Qty.</i>	<i>Description</i>	<i>Ref.</i>	<i>Part Number</i>	<i>Qty.</i>	<i>Description</i>
1		1	Engine-Briggs, 1550 Series ■▲	9	136-8682	1	Washer-Lock
1:1	145-6270	1	Gasket-Exhaust, Briggs ●	11	120-9638	1	Nut-Jam
2	145-4614	1	Muffler	13	49-2040	1	Screw-HWHTF
5	139-2576	3	Screw-HWH	14	120-3227	2	Screw-HSH
6	115-1166	2	Washer-Plain	15	145-4669	1	Cover-Fan
7	94-5780	1	Screw-HWH	16	145-4670	1	Screw-Fan
8	137-3039	1	Nut-HF	17	119-8952	1	Washer-Spcl

● Not illustrated  
▲ Obtain parts from [www.briggsandstratton.com](http://www.briggsandstratton.com)

■ Not serviced separately

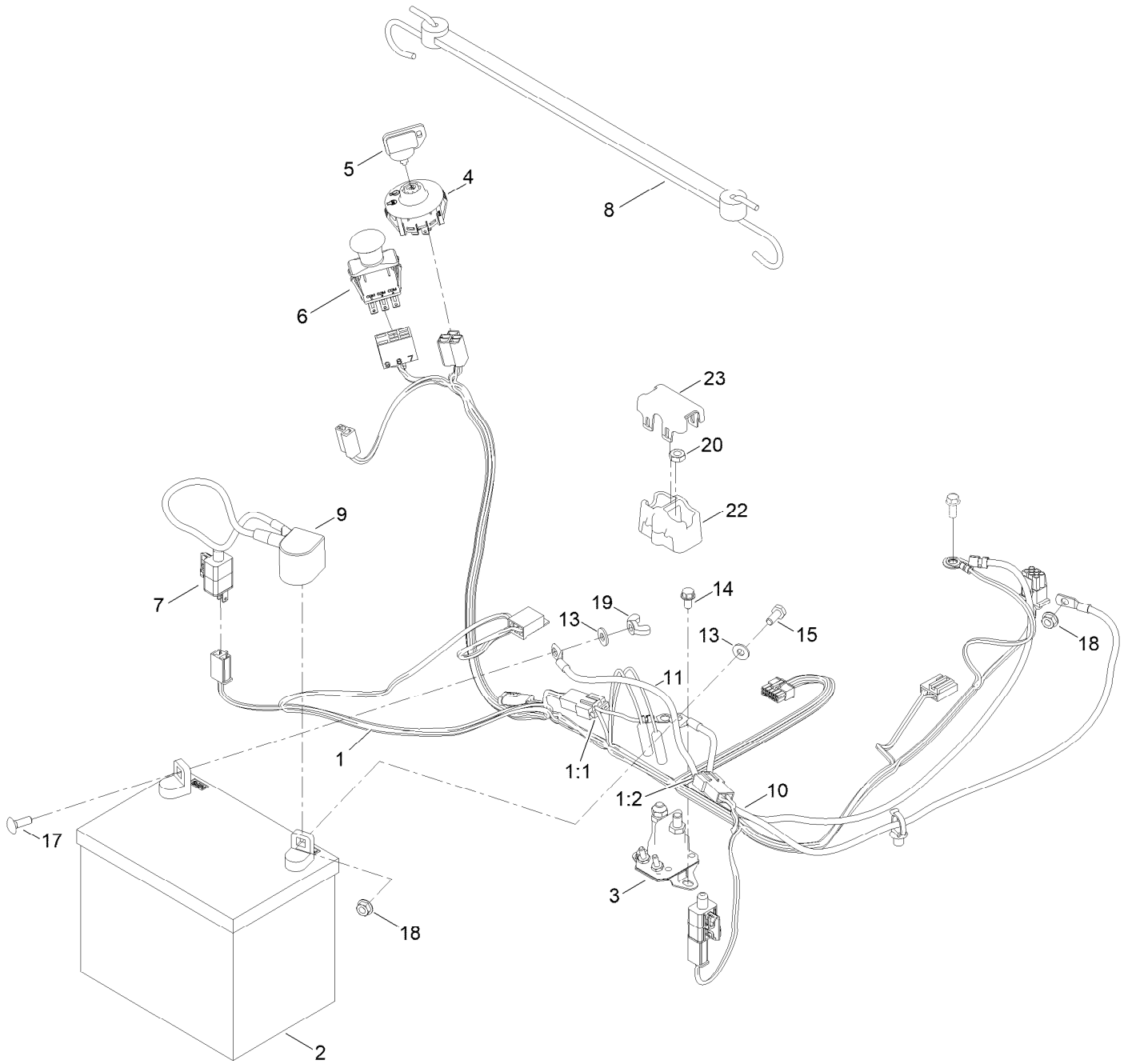
# Fuel and Body Styling Assembly



## Fuel and Body Styling Assembly (continued)

<i>Ref.</i>	<i>Part Number</i>	<i>Qty.</i>	<i>Description</i>	<i>Ref.</i>	<i>Part Number</i>	<i>Qty.</i>	<i>Description</i>
1	138-6070-03	1	Support-Pod, RH	14	145-4666	1	Cable-Throttle And Choke
2	138-6071-03	1	Support-Pod, LH	18	110-4103	1	Hose-Fuel
3	139-3271-03	1	Support-Tank, Fuel	19	136-6345	1	Hose-Fuel
4	138-6074	1	Pod-LH	20	138-3152	1	Hose-Fuel
5	138-6075	1	Pod-RH	23	144-1983	1	Adapter Orifice
6	144-5304	1	Tank-Fuel ASM	24	2412-98	2	Clamp-Hose
6:1	139-1091	1	Connector-Elbow, 90 DEG	25	614249	1	Tie-Cable
6:2	144-5302	1	Fitting-Elbow 90	26	3258-166	1	Screw-PRH
6:3	46-6560	2	Bushing	27	120-7950	6	Screw-Torx
7	609830	2	Spring	28	138-9753	6	Screw
8	137-4119	1	Cap-Fuel, Ratcheting	31	120-7893	1	Bumper-Grommet
9	107069	1	Clip	48	140-2750	1	Plug-Dash
10	139-2380-03	1	Panel - Control	50	2412-80	1	Clamp-Hose
11	140-2716	1	Decal-Panel Control				

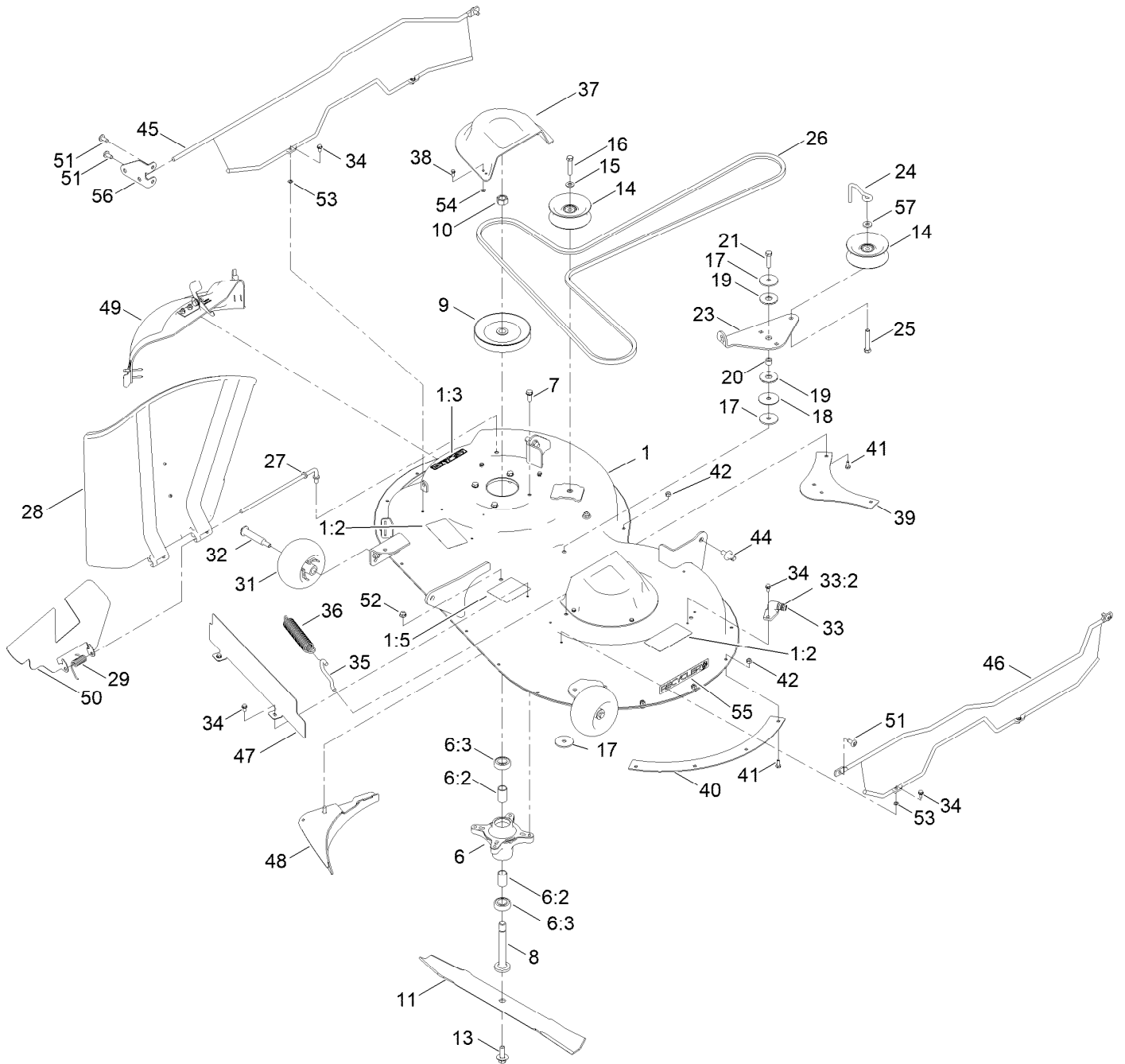
# Electrical Assembly



## Electrical Assembly (continued)

<i>Ref.</i>	<i>Part Number</i>	<i>Qty.</i>	<i>Description</i>	<i>Ref.</i>	<i>Part Number</i>	<i>Qty.</i>	<i>Description</i>
1	138-2521	1	Harness-Wire	11	121-5726	1	Cable-Battery, Black
1:1	109355	1	Fuse-Blade, 15 Amp	13	120-9679	2	Washer-Flat
1:2	109102	1	Fuse-Blade, 25 Amp	14	32144-4	2	Screw-HWH
2	105-1692	1	Battery- Dry, 12V, 230 CCA	15	137-3041	1	Screw-HH
3	117-1197	1	Solenoid	17	137-3053	1	Screw-CARR
4	137-4100	1	Switch-Ignition	18	139-2575	2	Nut-HF
5	63-8360	1	Key-Ignition	19	32103-22	1	Nut-Wing
6	103-5221	1	Switch-PTO	20	139-2580	2	Nut-HJ
7	110-6765	2	Switch	22	140-2080	1	Cover-Solenoid
8	139-2381	1	Strap-Rubber	23	140-2081	1	Cap-Solenoid
9	140-2713	1	Cable-Battery, Pos				
10	139-2431	1	Cable-Battery, Red (8 Gauge)				

# 42 Inch Deck and Decal Assembly



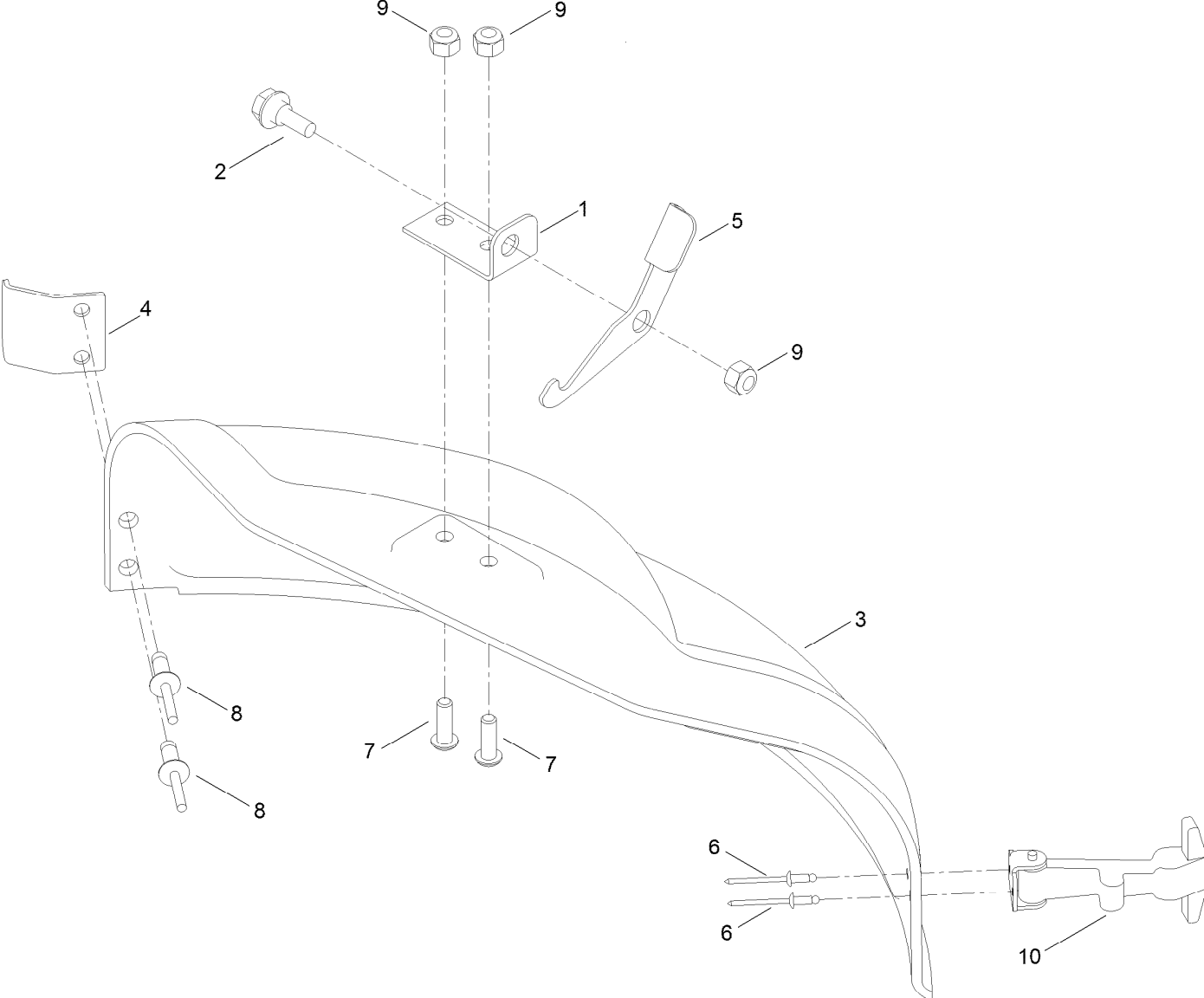


## 42 Inch Deck and Decal Assembly (continued)

<i>Ref.</i>	<i>Part Number</i>	<i>Qty.</i>	<i>Description</i>	<i>Ref.</i>	<i>Part Number</i>	<i>Qty.</i>	<i>Description</i>
1	138-9761	1	42 Inch Deck And Decal ASM	29	138-7268	1	Spring-Torsion
1:2	132-0872	2	Decal-Danger, Deck	30	121-4600	1	Nut-Hex ●
1:3	130-0731	1	Decal-Danger	31	1-603299	2	Roller-Scalp, Anti
1:5	105-7015	1	Decal-Routing, Belt	32	139-2551	2	Bolt-Shoulder
6	139-3214	2	Spindle ASM	33	133-9289	1	Fitting-Washout
6:2	120-7935	2	Spacer	33:2	133-9290	1	O-Ring
6:3	138-9770	2	Bearing-Ball	34	32144-4	8	Screw-HWH
7	32144-41	8	Screw-Taptite	35	138-7267	1	Hook-Spring, Return
8	117-7268	2	Shaft-Spindle	36	138-7265	1	Spring Extension
9	139-2433	2	Pulley	37	108-7889	2	Cover-Belt
10	139-2578	2	Nut-Hex	38	139-1713	6	Screw-Thd Roll
11	117-5376-03	2	Blade-Mulch	39	137-2036-03	1	Baffle-Blowout, Rear
13	145-0411	2	Bolt-Blade, Sems	40	137-2037-03	1	Baffle-Blowout, Side
14	132-9420	2	Pulley-Idler, Flat	41	137-3041	8	Screw-HH
15	115-1166	1	Washer-Plain	42	137-3088	8	Nut-Hex
16	138-0722	1	Screw-HH	44	139-5871	2	Pin-Deck
17	139-1726	3	Washer-Rebound	45	161-6251	1	Left Guard ASM
18	120-2229	1	Washer	46	161-6252	1	Right Guard ASM
19	114-0463	2	Washer-Friction, Composite	47	137-2039-03	1	Shield-Front
20	115-4986	1	Spacer	48	137-7034-03	1	Baffle-Clipping
21	137-3070	1	Screw-HH	49	137-5034	1	42 Inch Mulch Plug ASM
22	119-4042	6	Nut-HF, NI ●	50	138-2555-03	1	Deflector Insert
23	138-7262	1	Arm-Idler	51	138-9753	5	Screw
24	138-7270	1	Guide-Belt, Idler	52	119-4041	1	Nut-HF
25	139-2589	1	Screw-HH	53	1-803037	4	Nut-Retaining
26	119-8819	1	V-Belt	54	132-0900	6	Nut-Retaining
27	137-2019	1	Rod-Pivot	55	119-2368	1	Decal-Recycler
28	137-7046	1	Deflector	56	140-5183-01	1	Plate-Mount, Guard
				57	138-7207	1	Spacer-Hub, Blower

● Not illustrated

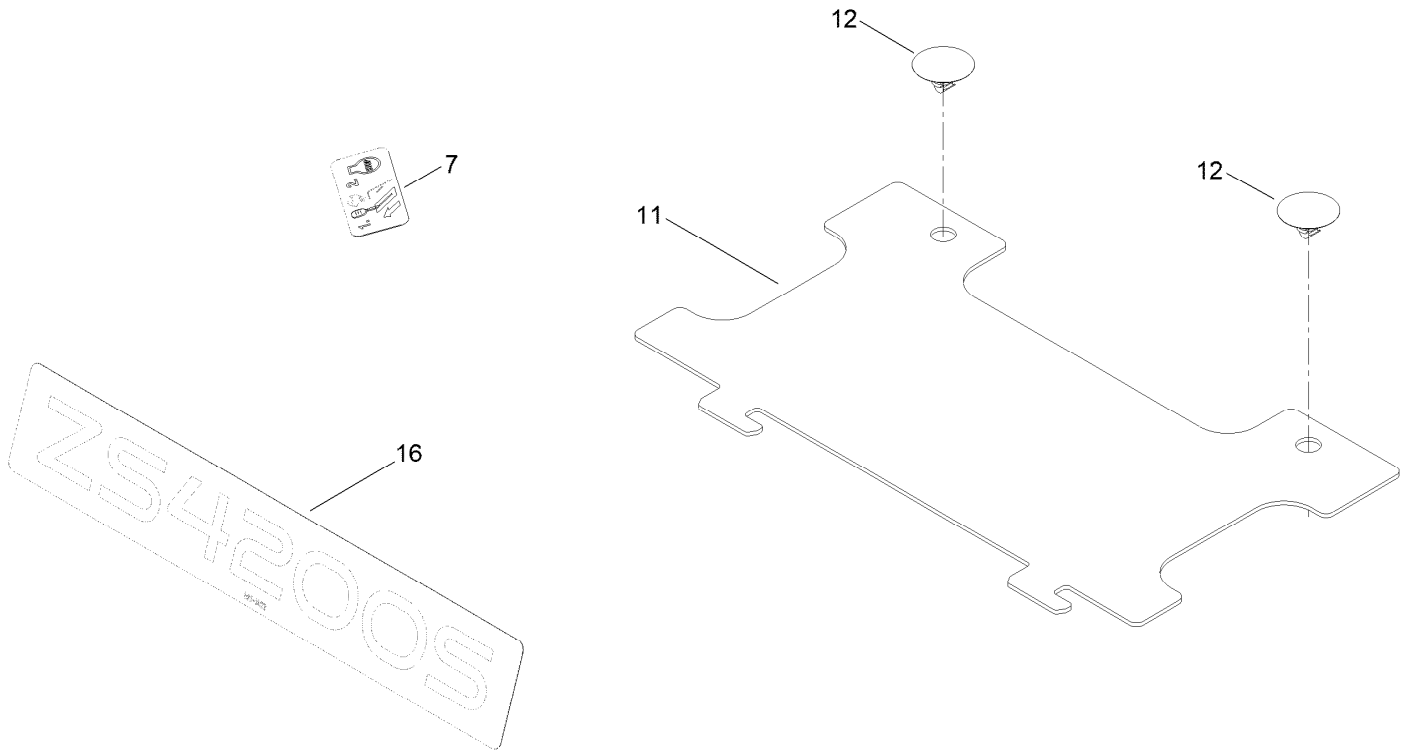
# 42 Inch Mulch Plug Assembly No. 137-5034



## 42 Inch Mulch Plug Assembly No. 137-5034 (continued)

<i>Ref.</i>	<i>Part Number</i>	<i>Qty.</i>	<i>Description</i>	<i>Ref.</i>	<i>Part Number</i>	<i>Qty.</i>	<i>Description</i>
1	138-7271	1	Plate-Pivot	6	3269-31	2	Rivet-Pop
2	139-1730	1	Screw-Shoulder, HHF	7	3274-69	2	Screw-HSBH
3	137-2009	1	Plug-Mulch, 42 Inch	8	3290-412	2	Rivet-Blind
4	137-2023	1	Bracket-Elbow	9	137-3088	3	Nut-Hex
5	140-3497	1	Latch	10	117344	1	Handle ASM

# Model Specific Assembly

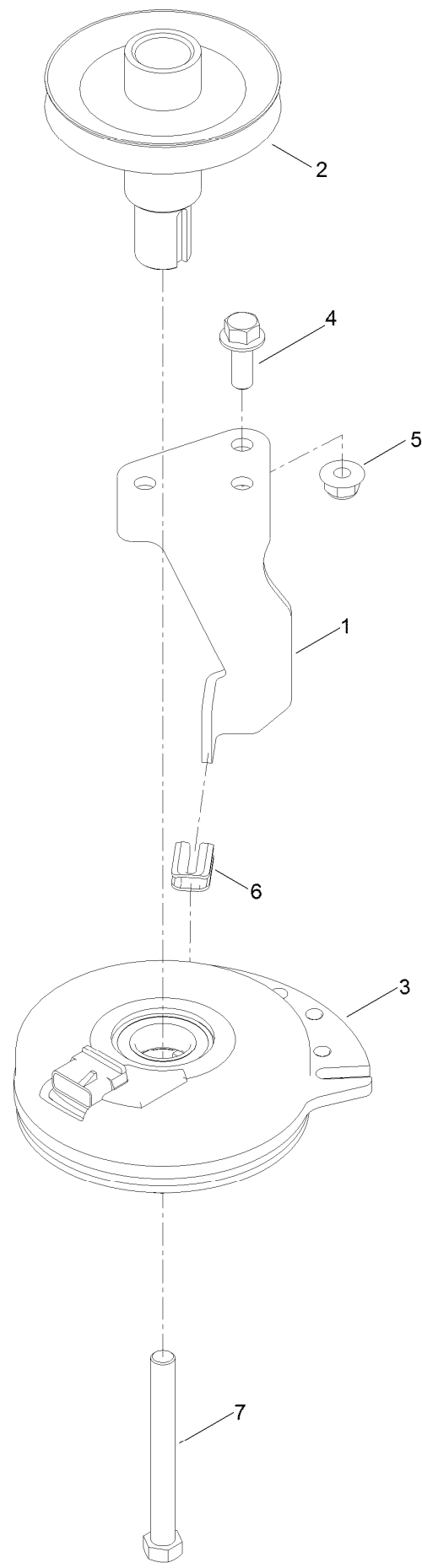


## Model Specific Assembly (continued)

<i>Ref.</i>	<i>Part Number</i>	<i>Qty.</i>	<i>Description</i>
7	132-0905	1	Decal-Shutdown, CE
11	140-0355	1	Shield

<i>Ref.</i>	<i>Part Number</i>	<i>Qty.</i>	<i>Description</i>
12	139-3205	2	Rivet-Pa66
16	161-4582	1	Decal Zs4200S

# Clutch Assembly



## Clutch Assembly (continued)

<i>Ref.</i>	<i>Part Number</i>	<i>Qty.</i>	<i>Description</i>	<i>Ref.</i>	<i>Part Number</i>	<i>Qty.</i>	<i>Description</i>
1	138-7275	1	Stop-Clutch (Narrow)	5	119-4042	1	Nut-HF, NI
2	138-9792	1	Pulley-Engine	6	120-2217	1	Isolator-Clutch
3	117-7468	1	Clutch-Electric	7	139-2571	1	Screw-HH
4	139-2597	1	Screw-HHF				

# Attachments and Accessories

## For 74683 TimeCutter ZS 4200S Riding Mower

<b>Product Name</b>	<b>Model/Part</b>
Twin Bagger, Timecutter 42in Stamped .....	79410
42in Recycler Kit.....	137-7042
Bagging Enhancement Kit .....	137-7048
Striping Kit, 42in and Riding Mowers .....	140-5198
Hourmeter Kit .....	116-5461
Front Weight Kit.....	140-2050
Assist Bar Kit .....	140-2052
ROPS Kit .....	79485
Slope Sensor Kit.....	79486
LED Light Kit.....	140-2056
Fuel Stabilizer .05 oz .....	130-2393
Deluxe Seat Kit .....	140-2057
4-Cycle Fuel, Snow And Lawn 32oz Can .....	131-3823
Armrest Kit.....	140-2058
Deck Footlift Assist Kit .....	161-4527
Floormat Kit .....	161-4528
Jack Mount Kit .....	140-2711
Replacement Blade Kit .....	137-1999-03P
Storage Cover .....	490-7516
Seat Cover W/O Arm Rest - TC 18in.....	117-0096
Mower Deck Drive Belt, TimeCutter SS Riding Mower with 42-inch Mowing Deck.....	79004
Kit-Caster Wheel .....	161-4530
Jack Kit.....	127-6666
Toro Premium Fuel Treatment 12oz Bottle.....	131-6572
10W30 4-Cycle Engine Oil (32oz Bottle).....	38280
Toro 4-Cycle SAE 30 Oil (32oz Bottle) .....	38903



**Notes:**

**Notes:**

**Notes:**



**Count on it.**