



Count on it.

Parts Catalog

**Greensmaster® 3320 TriFlex®
Traction Unit**

Model No. 04530—Serial No. 417361079 and Up



Ordering Replacement Parts

To order replacement parts, please supply the part number, the quantity, and the description of each part desired.

Understanding Reference Numbers

Each identified part in an illustration has a reference number. The reference number for a part also appears in the parts list, along with other information about the part.

This catalog uses two special reference number formats, one to indicate parts in a service assembly and another to indicate the quantity of a given part in an illustration.

Service Assembly Reference Numbers

Parts in service assemblies have reference numbers in the form a:b. The a represents the reference number of the entire service assembly and the b represents a sequential number unique to each part within the service assembly.

For example, a wheel assembly might be identified by reference number 6, the tire by 6:1, the valve by 6:2, and the wheel by 6:3. When you order the assembly identified by reference number 6, you receive all parts identified by reference numbers 6:1, 6:2, and 6:3. However, you may also order any part individually. Reference numbers of this type appear in illustration and in parts lists.

Reference Numbers Indicating Quantity

In an illustration, if a reference number indicates more than one part, the reference number has the form nX y. The n represents the quantity of the part, the X is the multiplication symbol, and the y represents the reference number.

For example, in an illustration, the reference number 2X 37 means that two of the parts identified by reference number 37 are indicated.

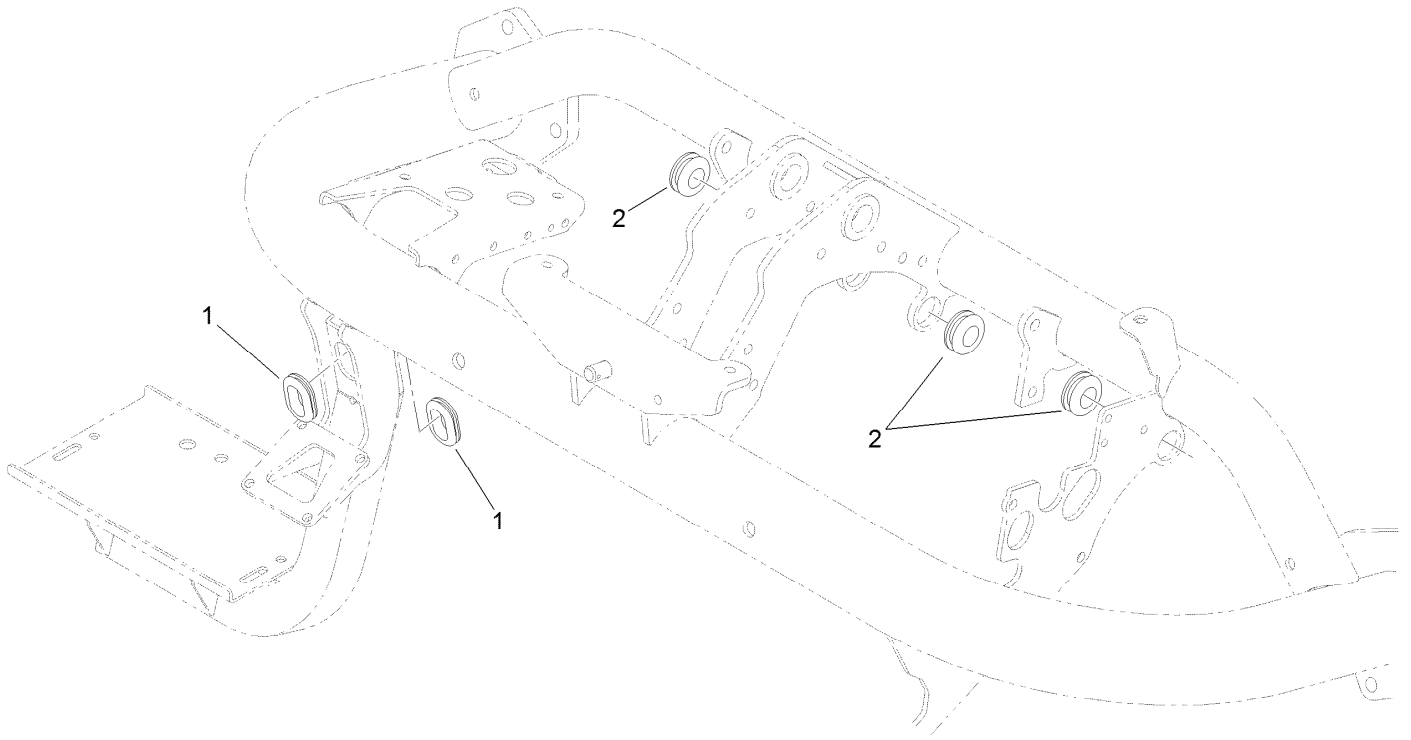
Contents

| | |
|-----------------------------------------------------------|----|
| Roll-Over Protection System Assembly | 4 |
| Brake Cable Grommet Assembly | 5 |
| Frame Assembly | 6 |
| Platform Assembly | 7 |
| Right Hand Support Platform Assembly | 8 |
| Seatbase Assembly | 9 |
| Steering Arm and Adjuster Assembly | 10 |
| Brake Cable and Lever Assembly | 11 |
| Back Wheel Assembly | 12 |
| Hydraulic Cylinder Assembly No. 117-4480 | 13 |
| Front Wheel Assembly | 14 |
| Right Hand Brake Assembly No. 139-2722 | 15 |
| Left Hand Brake Assembly No. 139-2721 | 16 |
| Left Hand Wheel Motor Assembly No. 117-4303 | 17 |
| Right Hand Wheel Motor Assembly No. 117-4302 | 18 |
| Console and Reel Control Assembly | 19 |
| Traction Interface Control Assembly | 20 |
| Ignition, Throttle and Choke Control Assembly | 21 |
| Console Cable Routing Assembly | 22 |
| Engine and Exhaust Assembly | 23 |
| Generator and Engine Frame Assembly | 24 |
| Generator/Controller Assembly No. 127-2580 | 25 |
| Generator Assembly No. 127-2579 | 26 |
| Generator Service Assembly No. 127-2578 | 27 |
| Battery Assembly | 28 |
| Wire Harness Assembly | 29 |
| Pump Coupling Assembly | 30 |
| Hydraulic Pump Assembly No. 139-6474 | 31 |
| Neutral Centering Assembly | 33 |
| Traction Drive Hydraulic Line Assembly | 34 |
| Traction Drive Hose Routing Assembly | 35 |
| Lift Circuit Assembly | 36 |
| Steering Valve Assembly No. 114-4672 | 38 |
| Hydraulic Cylinder Assembly No. 119-8129 | 39 |
| Hydraulic Cylinder Assembly No. 119-8128 | 40 |
| Hydraulic Lift Manifold Assembly | 41 |
| Hydraulic Lift Manifold Assembly No. 125-5187 | 42 |
| Steering Circuit Assembly | 43 |
| Steering Circuit Assembly (2) | 44 |
| Hydraulic Gear Pump Assembly No. 114-9958 | 45 |
| Fuel Line and Carbon Canister Hose Routing Assembly | 46 |
| Fuel Tank Assembly | 47 |
| Hydraulic Tank Assembly | 48 |
| Hydraulic Tank Cover Assembly | 49 |
| Suspension and Basket Assembly | 50 |
| Basket Assembly No. 132-9599 | 51 |
| Suspension Pin Position Assembly | 52 |
| Electric Motor and Bracket Assembly | 53 |
| Motor Assembly No. 144-6666 | 54 |
| Electric Mow Battery Assembly | 55 |
| Suspension A-Arm Assembly | 57 |
| Suspension Crossarm Assembly | 58 |
| Attachments and Accessories | 59 |



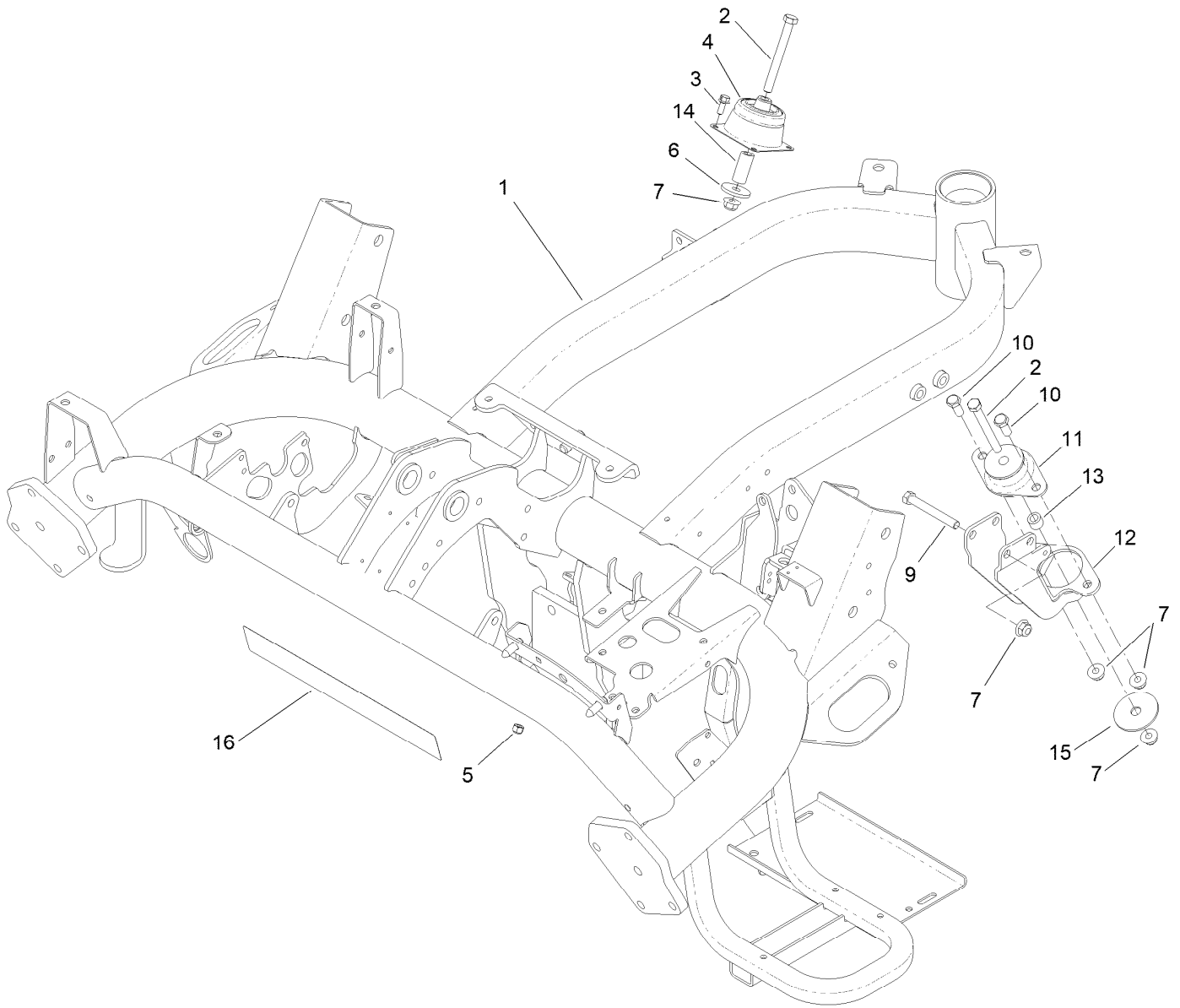
Roll-Over Protection System Assembly

| <i>Ref.</i> | <i>Part Number</i> | <i>Qty.</i> | <i>Description</i> | <i>Ref.</i> | <i>Part Number</i> | <i>Qty.</i> | <i>Description</i> |
|-------------|--------------------|-------------|--------------------|-------------|--------------------|-------------|-----------------------|
| 1 | 115-8206 | 1 | ROPS ASM | 7 | 117-9051-01 | 1 | Step |
| 1:2 | 115-8199 | 1 | Decal-ROPS | 8 | 119-4468-01 | 1 | Plate-Step |
| 1:3 | 115-8226 | 1 | Decal-ROPS | 9 | 32104-32 | 9 | Screw-HWH |
| 2 | 325-35 | 4 | Screw-HH | 11 | 2412-133 | 2 | Clamp-R |
| 3 | 117-9023 | 1 | Casting-Side, RH | 12 | 104-7050 | 1 | Tube-Manual |
| 3:2 | 94-9609 | 2 | Bushing-Straight | 13 | 104-7048 | 1 | Cap-Housing |
| 4 | 99-5107 | 4 | Nut-Lock | 14 | 302-59 | 1 | Plug-EXT Hex Spl |
| 5 | 117-9035 | 8 | Screw-HHF | 17 | 119-1730 | 1 | Receptacle-Clip, Mini |
| 6 | 117-9022 | 1 | Casting-Side, LH | 18 | 3269-32 | 2 | Rivet-Pop |
| 6:2 | 60-0080 | 2 | Bushing | 19 | 121-5865 | 1 | Clip-Cover, Back |



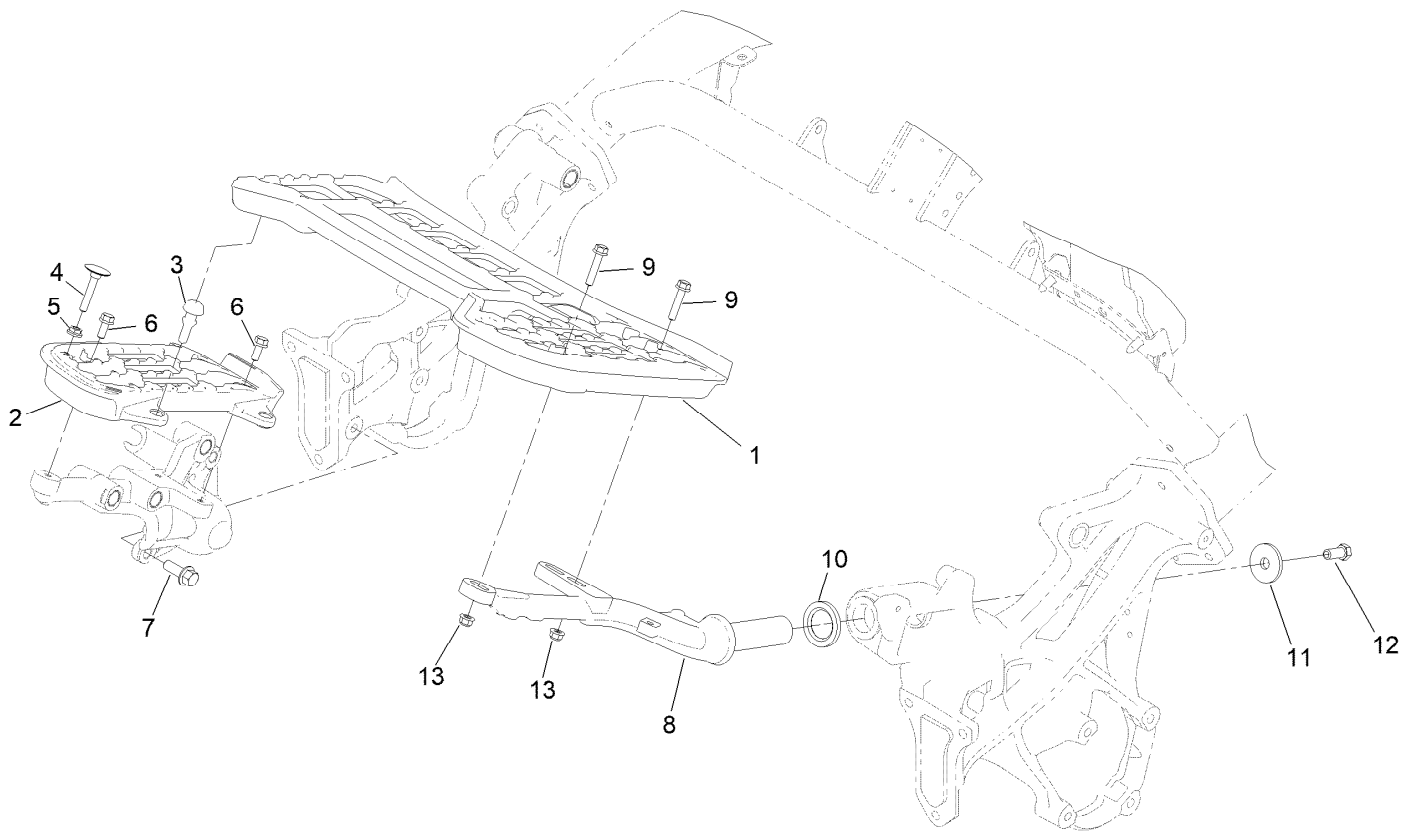
Brake Cable Grommet Assembly

| <i>Ref.</i> | <i>Part Number</i> | <i>Qty.</i> | <i>Description</i> |
|-------------|--------------------|-------------|--------------------|
| 1 | 240-5 | 2 | Grommet |
| 2 | 98-8529 | 3 | Grommet |



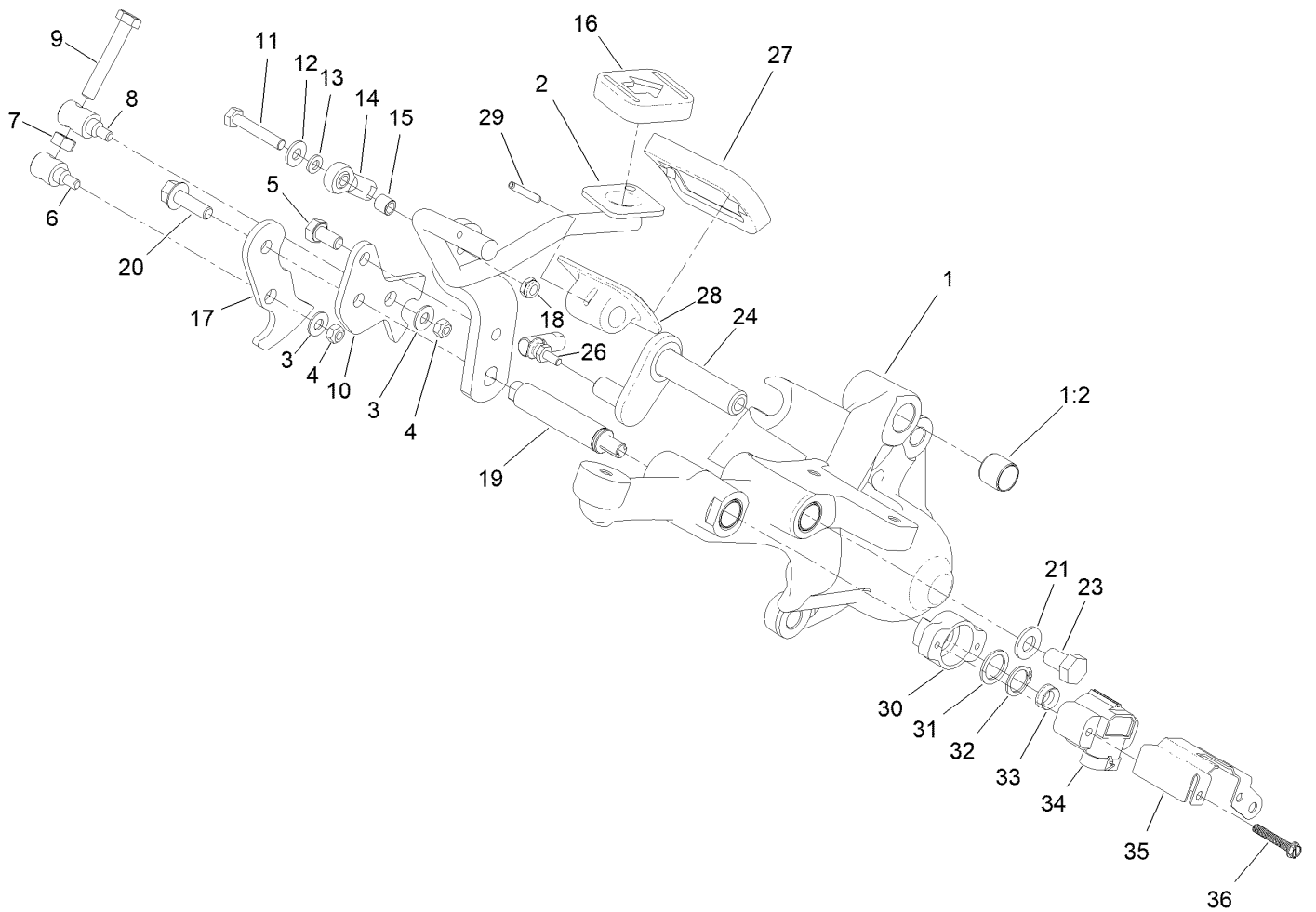
Frame Assembly

| Ref. | Part Number | Qty. | Description |
|-------------|--------------------|-------------|--------------------|
| 1 | 147-3072-01 | 1 | Frame ASM [red] |
| 2 | 323-15 | 3 | Screw-HH |
| 3 | 322-4 | 4 | Screw-HH |
| 4 | 121-9076 | 2 | Mount-Engine |
| 5 | 104-8300 | 4 | Nut-HF, NI |
| 6 | 117-9330 | 2 | Spacer |
| 7 | 104-8301 | 7 | Nut-HF, NI |
| 9 | 323-14 | 2 | Screw-HH |
| 10 | 323-5 | 2 | Screw-HH |
| 11 | 131-1821 | 1 | Mount-Engine |
| 12 | 117-9256-01 | 1 | Mount-Engine, Rear |
| 13 | 52-2480 | 1 | Spacer-Wheel |
| 14 | 104-0151 | 2 | Spacer |
| 15 | 87-5100 | 1 | Washer-Snubbing |
| 16 | 115-8195 | 1 | Decal |



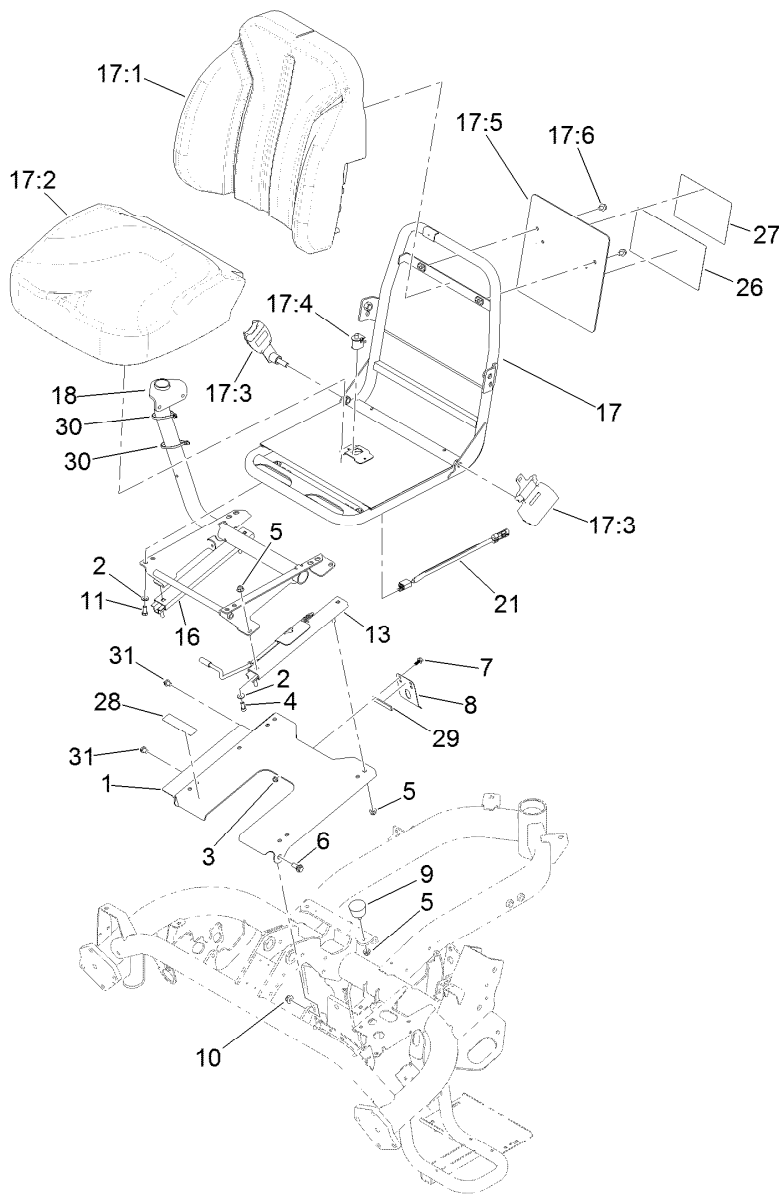
Platform Assembly

| <i>Ref.</i> | <i>Part Number</i> | <i>Qty.</i> | <i>Description</i> |
|-------------|--------------------|-------------|-----------------------------|
| 1 | 137-7768 | 1 | Platform-LH |
| 2 | 117-9008 | 1 | Platform-RH |
| 3 | 117-9072 | 2 | Bumper-Rubber |
| 4 | 115-8240 | 1 | Screw-Elevator |
| 5 | 32128-20 | 1 | Nut-HF |
| 6 | 3234-47 | 3 | Screw-HHF |
| 7 | 117-9035 | 3 | Screw-HHF |
| 8 | 139-8575-01 | 1 | Support-Platform, LH (Mach) |
| 9 | 115-1794 | 3 | Screw-HHF |
| 10 | 94-8946 | 1 | Washer-Thrust |
| 11 | 84-1560 | 1 | Washer-Thrust |
| 12 | 324-4 | 1 | Screw-HH |
| 13 | 104-8300 | 3 | Nut-HF, NI |



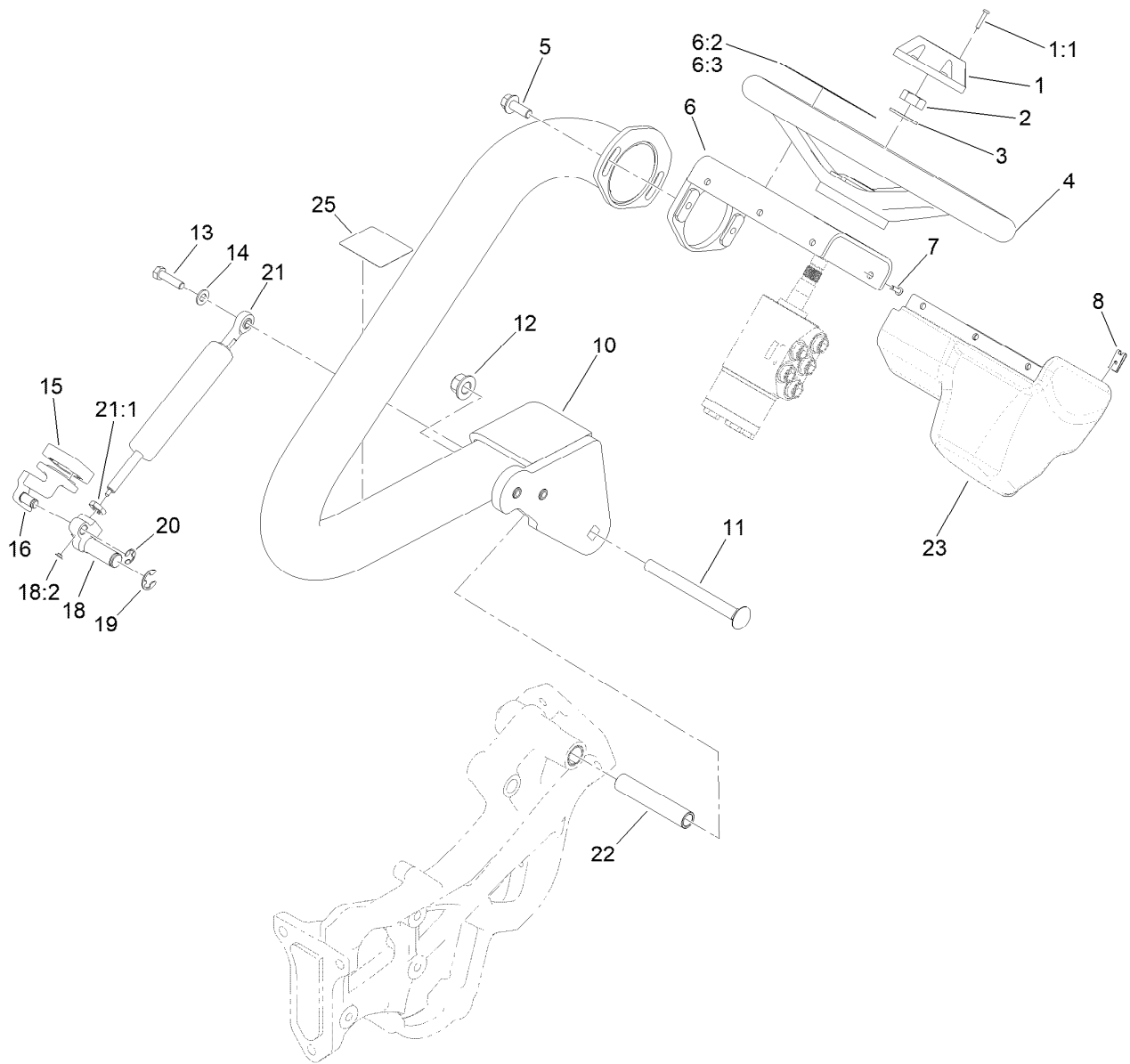
Right Hand Support Platform Assembly

| <i>Ref.</i> | <i>Part Number</i> | <i>Qty.</i> | <i>Description</i> | <i>Ref.</i> | <i>Part Number</i> | <i>Qty.</i> | <i>Description</i> |
|-------------|--------------------|-------------|------------------------|-------------|--------------------|-------------|------------------------|
| 1 | 133-2313 | 1 | Support-Platform, RH | 18 | 3296-56 | 1 | Nut-Lock, NI |
| 1:2 | 256-311 | 6 | Bushing-Split | 19 | 131-3177 | 1 | Shaft-Pedal |
| 2 | 131-3179-01 | 1 | Pedal-Traction | 20 | 3234-29 | 1 | Screw-HHF |
| 3 | 3256-1 | 2 | Washer-Flat | 21 | 3256-24 | 1 | Washer-Plain |
| 4 | 33023-00 | 2 | Nut-Lock | 23 | 33115-016 | 1 | Screw-HH |
| 5 | 33114-016 | 1 | Screw-HH | 24 | 140-6108 | 1 | Pin-Flag, Neutral Lock |
| 6 | 94-1374 | 1 | Trunnion-Bracket, Mow | 26 | 2411-38 | 1 | Joint-Ball |
| 7 | 33014-00 | 1 | Nut-Hex | 27 | 74-9100 | 1 | Pad-Pedal, Forward |
| 8 | 94-1375 | 1 | Trunnion-Bracket, Lock | 28 | 117-9507 | 1 | Pedal-Accelerator |
| 9 | 94-3489 | 1 | Screw-HH | 29 | 32121-45 | 1 | Pin-Spring |
| 10 | 131-3181 | 1 | Bracket-Lock | 30 | 131-3178 | 1 | Adaptor-Sensor |
| 11 | 321-9 | 1 | Screw-HH | 31 | 7-3590 | 1 | Washer |
| 12 | 3256-22 | 1 | Washer-Flat | 32 | 32151-62 | 1 | Ring-Retaining |
| 13 | 33093-00 | 1 | Washer-Flat | 33 | 131-3187 | 1 | Seal-V-Ring |
| 14 | 2411-41 | 1 | Rod End-Ball Joint | 34 | 122-0055 | 1 | Sensor Position |
| 15 | 99-3545 | 1 | Spacer | 35 | 131-3184 | 1 | Shield-Sensor |
| 16 | 74-9110 | 1 | Pad-Pedal, Reverse | 36 | 692501 | 2 | Screw-SHWH |
| 17 | 140-5254 | 1 | Bracket-Mow | | | | |



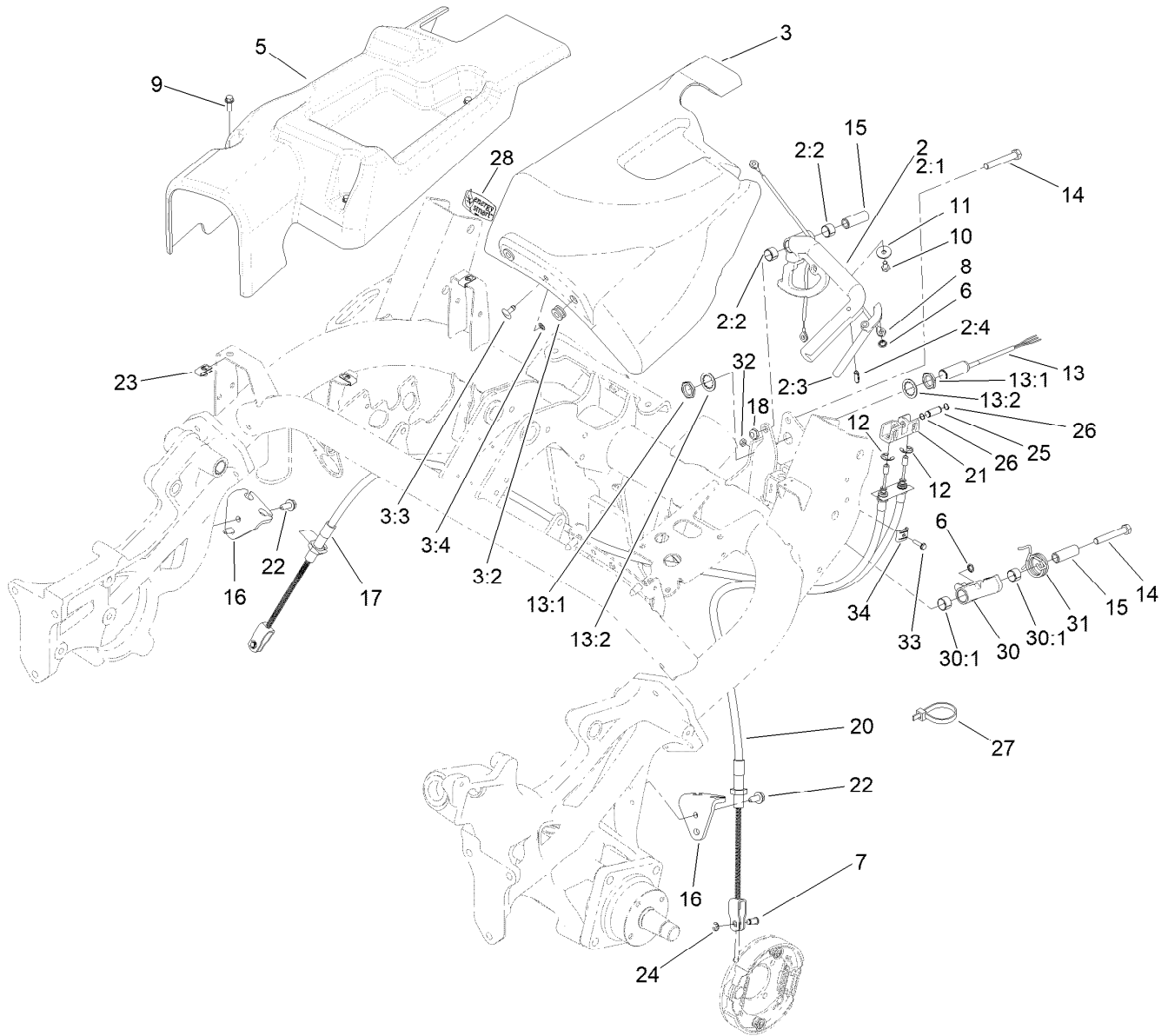
Seatbase Assembly

| <i>Ref.</i> | <i>Part Number</i> | <i>Qty.</i> | <i>Description</i> | <i>Ref.</i> | <i>Part Number</i> | <i>Qty.</i> | <i>Description</i> |
|-------------|--------------------|-------------|----------------------------|-------------|--------------------|-------------|----------------------------|
| 1 | 136-8405-03 | 1 | Plate-Seat | 18 | 139-6453-03 | 1 | Console Mount ASM, Welded |
| 2 | 3256-23 | 8 | Washer-Plain | 21 | 108-8657 | 1 | Harness-Wire, Seat |
| 3 | 104-7201 | 2 | Nut-HF, NI | 26 | 115-8159 | 1 | Decal-Service, Spanish |
| 4 | 3274-10 | 4 | Screw-HSH | 26 | 115-8160 | 1 | Decal-Service, French |
| 5 | 104-8300 | 10 | Nut-HF, NI | 26 | 115-8161 | 1 | Decal-Service, German |
| 6 | 94-7582 | 2 | Bolt-Shoulder | 26 | 115-8162 | 1 | Decal-Service, Swedish |
| 7 | 99-6810 | 2 | Screw-HHF | 26 | 115-8163 | 1 | Decal-Service, Italian |
| 8 | 66-2630 | 1 | Latch-Seat | 26 | 115-8164 | 1 | Decal-Service, Portuguese |
| 9 | 68-3270 | 2 | Bumper-Rubber | 26 | 115-8165 | 1 | Decal-Service, Norwegian |
| 10 | 104-8301 | 2 | Nut-HF, NI | 26 | 115-8166 | 1 | Decal-Service, Finnish |
| 11 | 322-3 | 4 | Screw-HH | 26 | 115-8167 | 1 | Decal-Service, Danish |
| 13 | 133-8896 | 1 | Seat Adjuster Lever ASM | 26 | 115-8168 | 1 | Decal-Service, Dutch |
| 16 | 92-8990 | 1 | Adjuster-Seat, Non-Locking | 26 | 115-8169 | 1 | Decal-Service, Japanese |
| 17 | 139-2680 | 1 | Seat ASM | 26 | 139-2727 | 1 | Decal-Service, GR3300/3320 |
| 17:1 | 145-0083 | 1 | Cover-Seat, Back | 27 | 115-8156 | 1 | Decal-Speed, Clip |
| 17:2 | 145-0084 | 1 | Cover-Seat, Bottom | 28 | 133-8062 | 1 | Decal-Spark Arrestor |
| 17:3 | 139-2707 | 1 | Seat Belt Kit | 29 | 120-5753 | 1 | Strip-Foam |
| 17:4 | 82-2190 | 1 | Switch-Bail | 30 | 3290-379 | 2 | Tie-Cable |
| 17:5 | 139-2701 | 1 | Plate-Decal | 31 | 32180-030 | 2 | Clip-Tie |
| 17:6 | 3234-30 | 2 | Screw-HHF | | | | |



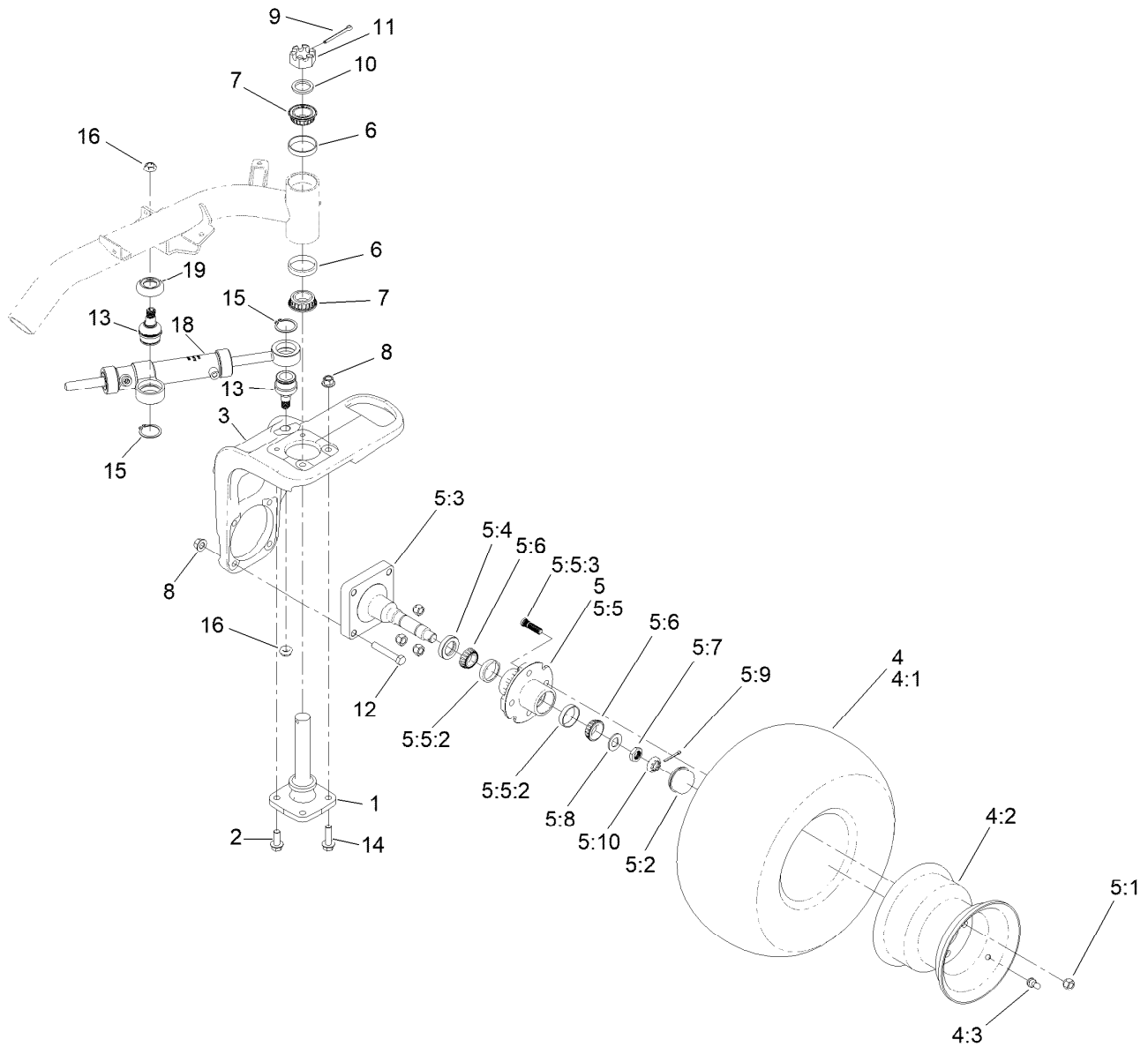
Steering Arm and Adjuster Assembly

| <i>Ref.</i> | <i>Part Number</i> | <i>Qty.</i> | <i>Description</i> | <i>Ref.</i> | <i>Part Number</i> | <i>Qty.</i> | <i>Description</i> |
|-------------|--------------------|-------------|------------------------|-------------|--------------------|-------------|-----------------------|
| 1 | 68-5140 | 1 | Cap-Wheel, Steering | 13 | 322-5 | 1 | Screw-HH |
| 1:1 | 32144-21 | 1 | Screw | 14 | 3256-23 | 1 | Washer-Plain |
| 2 | 3296-33 | 1 | Nut-Lock, NI | 15 | 74-9110 | 1 | Pad-Pedal, Reverse |
| 3 | 3256-27 | 1 | Washer-Flat | 16 | 138-6456 | 1 | Lever (Mach) |
| 4 | 145-0051 | 1 | Steering Wheel | 18 | 133-9030 | 1 | Pivot Lever ASM |
| 5 | 3234-42 | 2 | Screw-HHF | 18:2 | 133-8995 | 1 | Bushing |
| 6 | 136-8571 | 1 | Mount-Steering | 19 | 32120-19 | 1 | E-Ring |
| 6:2 | 136-8506 | 1 | Decal-Danger | 20 | 105-7004 | 1 | E-Ring |
| 6:3 | 136-8505 | 1 | Decal-Danger, CE | 21 | 133-9036 | 1 | Cylinder-Gas |
| 7 | 3274-39 | 6 | Screw-HSBH | 21:1 | 112-8617 | 1 | Nut-Hex |
| 8 | 3290-277 | 6 | Nut-Speed | 22 | 117-9002 | 1 | Spacer |
| 10 | 145-0093-01 | 1 | Steering Arm ASM [red] | 23 | 119-9300 | 1 | Cover-Valve, Steering |
| 11 | 140-7029 | 1 | Screw-CARR | 25 | 119-9346 | 1 | Decal-Arm, Steering |
| 12 | 99-5107 | 1 | Nut-Lock | | | | |



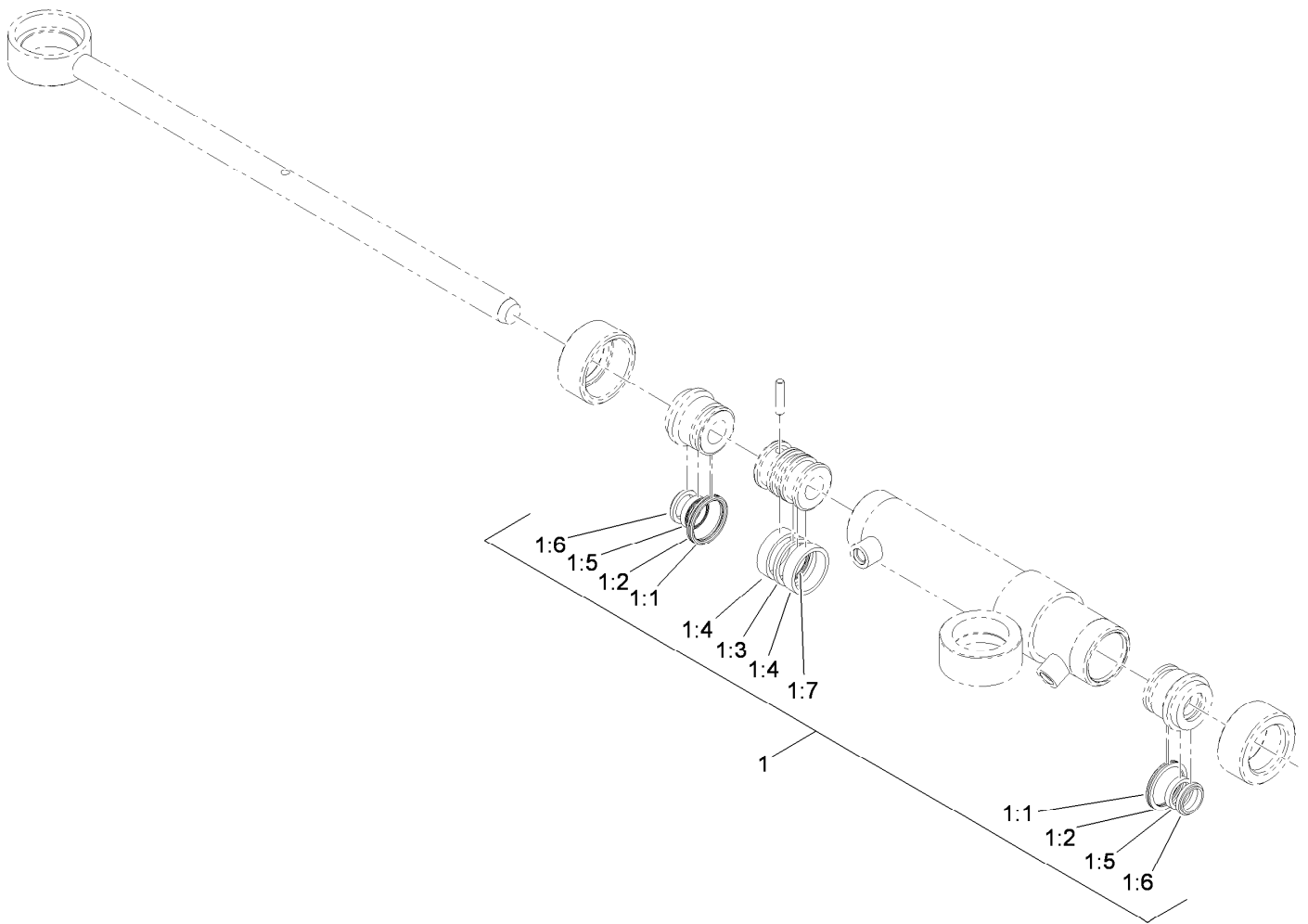
Brake Cable and Lever Assembly

| Ref. | Part Number | Qty. | Description | Ref. | Part Number | Qty. | Description |
|------|-------------|------|-----------------------------|------|-------------|------|----------------------|
| 2 | 140-6217 | 1 | Hand Brake Lever Assembly | 14 | 323-12 | 2 | Screw-HH |
| 2:1 | 131-3024 | 1 | Lever-Brake, Hand | 15 | 131-3017 | 2 | Spacer |
| 2:2 | 1-653600 | 2 | Bushing | 16 | 133-8901 | 2 | Bracket-Cable, Brake |
| 2:3 | 131-3003 | 1 | Lever-Release | 17 | 131-1833 | 1 | Cable-Brake, RH |
| 2:4 | 32121-24 | 1 | Pin-Spring | 18 | 3296-59 | 2 | Nut-Lock, NI |
| 3 | 131-3025 | 1 | LH Cover ASM | 20 | 131-1834 | 1 | Cable-Brake, LH |
| 3:2 | 119-1728 | 1 | Stud-1/4 Turn | 21 | 131-3065 | 1 | Equalizer-Cable |
| 3:3 | 119-1729 | 1 | Retainer-Stud | 22 | 32104-32 | 4 | Screw-HWH |
| 3:4 | 92-5972 | 2 | Grommet-Rubber | 23 | 107069 | 3 | Clip |
| 5 | 138-5029 | 1 | Cover-Side, RH | 24 | 701197 | 2 | E-Ring |
| 6 | 104-8310 | 2 | Ring-Retaining | 25 | 131-3021 | 1 | Pin |
| 7 | 109-6887 | 2 | Pin-Clevis | 26 | 32120-46 | 2 | Ring-Retaining |
| 8 | 131-3004 | 1 | Cable | 27 | 3290-379 | 1 | Tie-Cable |
| 9 | 115-5103 | 3 | Screw-HHF | 28 | 119-7580 | 1 | Decal-Smart, Energy |
| 10 | 321-2 | 1 | Screw-HH | 30 | 137-1659 | 1 | Brake Pawl ASM |
| 11 | 3256-67 | 1 | Washer | 30:1 | 1-653600 | 2 | Bushing |
| 12 | 32120-47 | 2 | Ring-Retaining, External | 31 | 132-3833 | 1 | Spring-Torsion |
| 13 | 115-5300 | 1 | Proximity Switch ASM | 32 | 3296-2 | 1 | Nut-Lock, NI |
| 13:1 | 117-3207 | 2 | Nut-Hex | 33 | 3290-126 | 1 | Screw-HWH |
| 13:2 | 117-3208 | 2 | Washer-Lock, Internal Tooth | 34 | 81-1690 | 1 | Clamp-Cable |



Back Wheel Assembly

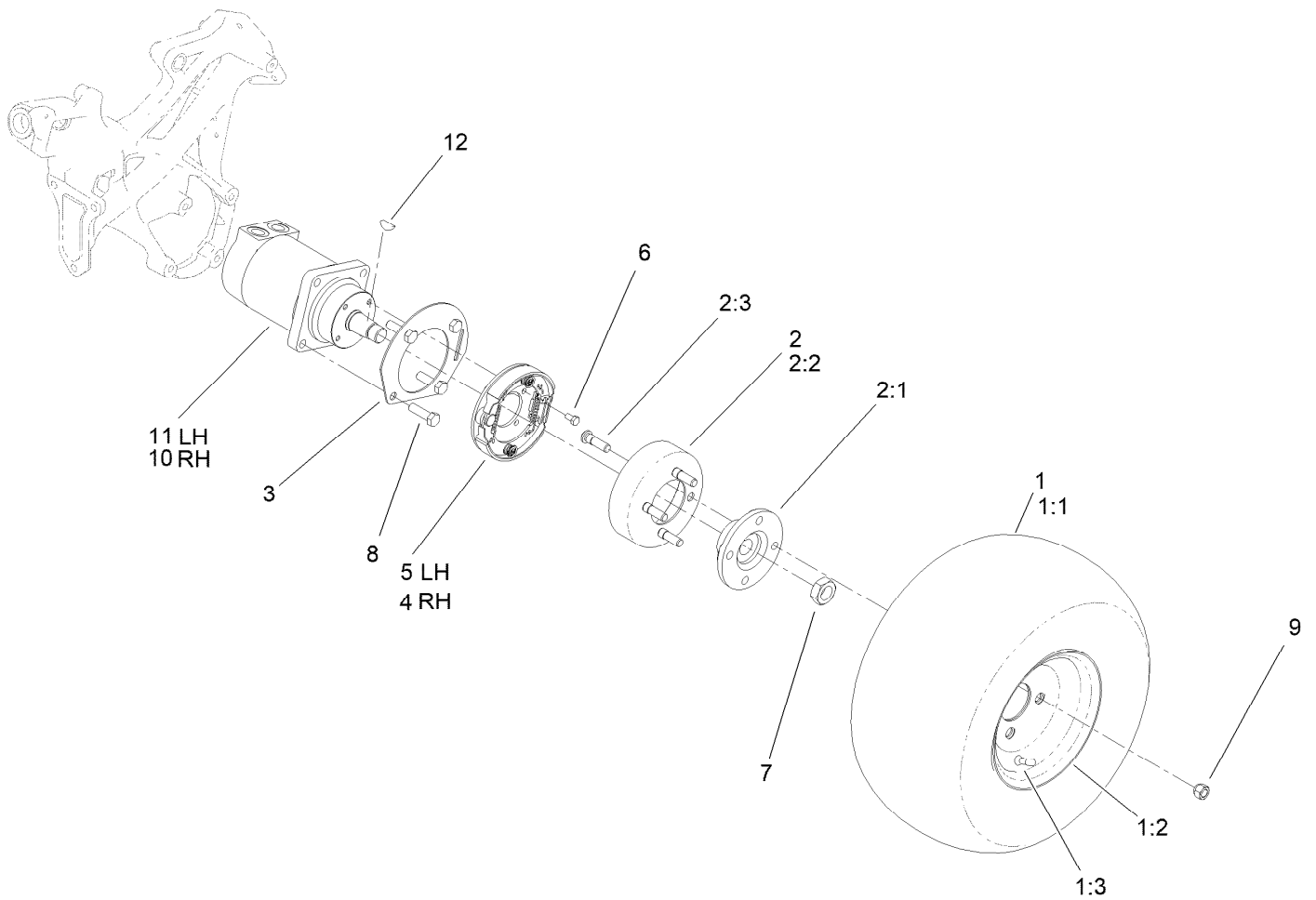
| Ref. | Part Number | Qty. | Description | Ref. | Part Number | Qty. | Description |
|-------|-------------|------|----------------------------|------|-------------|------|--------------------------|
| 1 | 115-2657 | 1 | Spindle-Steering | 5:8 | 117-8259 | 1 | Washer-Spindle |
| 2 | 3234-38 | 2 | Screw-HHF | 5:9 | 3272-18 | 1 | Pin-Cotter |
| 3 | 145-4578-01 | 1 | Base-Rear Fork (Machining) | 5:10 | 93-0307 | 1 | Nut-Lock, Retainer |
| 4 | 117-9033 | 1 | Wheel And Tire ASM | 6 | 115-9471 | 2 | Bearing-Cup |
| 4:1 | 120-2783 | 1 | Tire | 7 | 115-9472 | 2 | Bearing-Cone And Seal |
| 4:2 | 217-60 | 1 | Rim | 8 | 99-5107 | 6 | Nut-Lock |
| 4:3 | 232-27 | 1 | Stem-Valve | 9 | 3272-37 | 1 | Pin-Cotter |
| 5 | 119-4490 | 1 | Wheel Spindle ASM | 10 | 18-6320 | 1 | Washer |
| 5:1 | 139-2564 | 4 | Nut-Lug | 11 | 32136-9 | 1 | Nut-Hex, Slotted |
| 5:2 | 241-119 | 1 | Cap-Dust | 12 | 325-12 | 4 | Screw-HH |
| 5:3 | 112-7173 | 1 | Spindle | 13 | 121-3605 | 2 | Ball Joint |
| 5:4 | 112-1690 | 1 | Seal-Oil | 14 | 3234-22 | 2 | Screw-HHF |
| 5:5 | 117-9093 | 1 | Hub ASM | 15 | 32151-104 | 2 | Ring-Retaining, External |
| 5:5:2 | 254-72 | 2 | Bearing-Cup, Tapered | 16 | 121-3611 | 2 | Nut-Hex, Flextop |
| 5:5:3 | 114-3918 | 4 | Stud-Wheel | 18 | 117-4480 | 1 | HYD Cylinder ASM |
| 5:6 | 254-92 | 2 | Cone-Bearing, Outer | 19 | 120-2026 | 1 | Spacer-Cylinder |
| 5:7 | 117-8260 | 1 | Nut | | | | |



Hydraulic Cylinder Assembly No. 117-4480

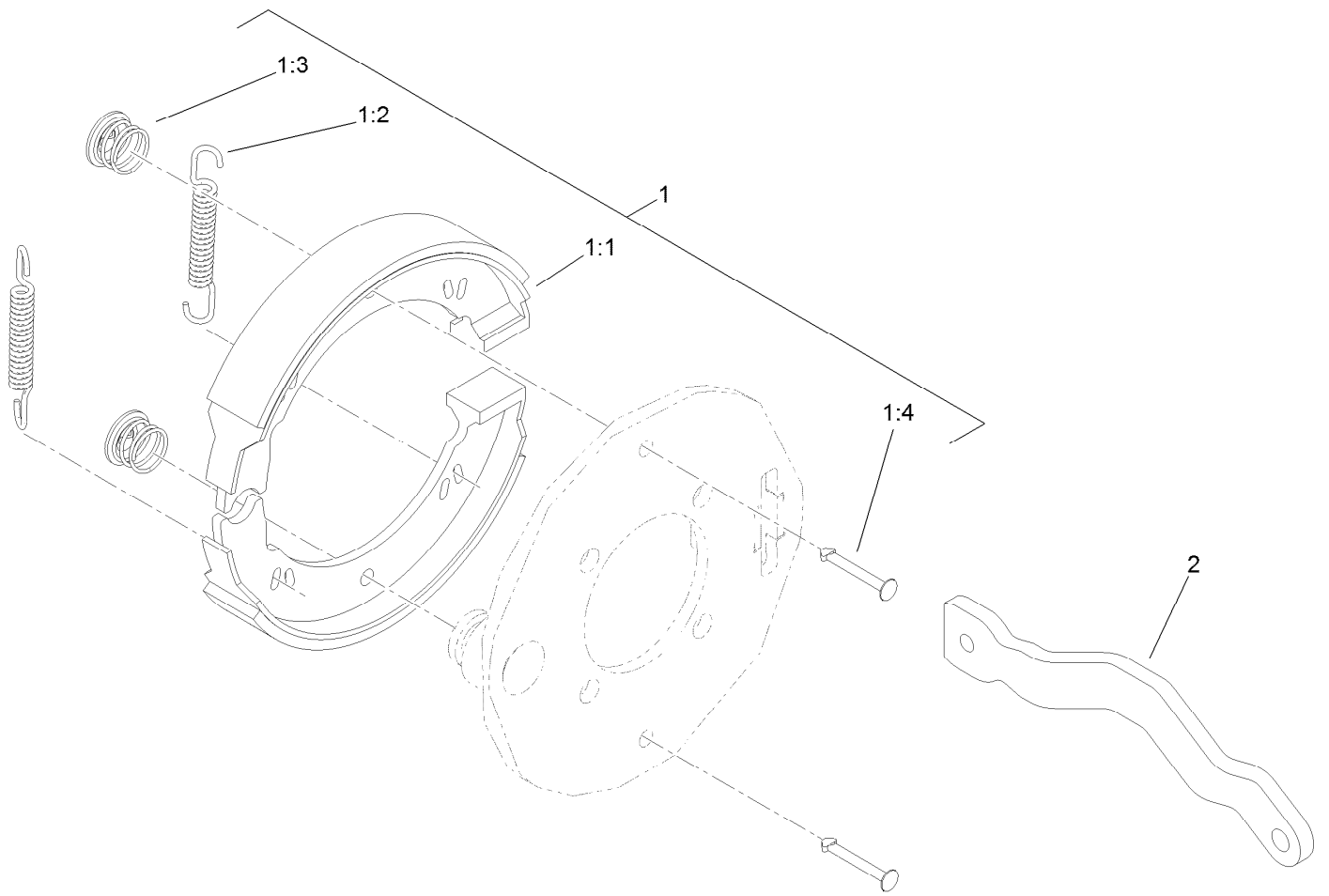
| <i>Ref.</i> | <i>Part Number</i> | <i>Qty.</i> | <i>Description</i> |
|-------------|--------------------|-------------|--------------------|
| 1 | 119-7124 | 1 | Kit-Seal |
| 1:1 | | 2 | O-Ring ● |
| 1:2 | | 2 | Ring-Backup ● |
| 1:3 | | 1 | Seal-Psp ● |
| 1:4 | | 2 | Ring-Wear ● |
| 1:5 | | 2 | Seal-Bs ● |
| 1:6 | | 2 | Seal-Dust ● |
| 1:7 | | 1 | O-Ring ● |

● Not serviced separately



Front Wheel Assembly

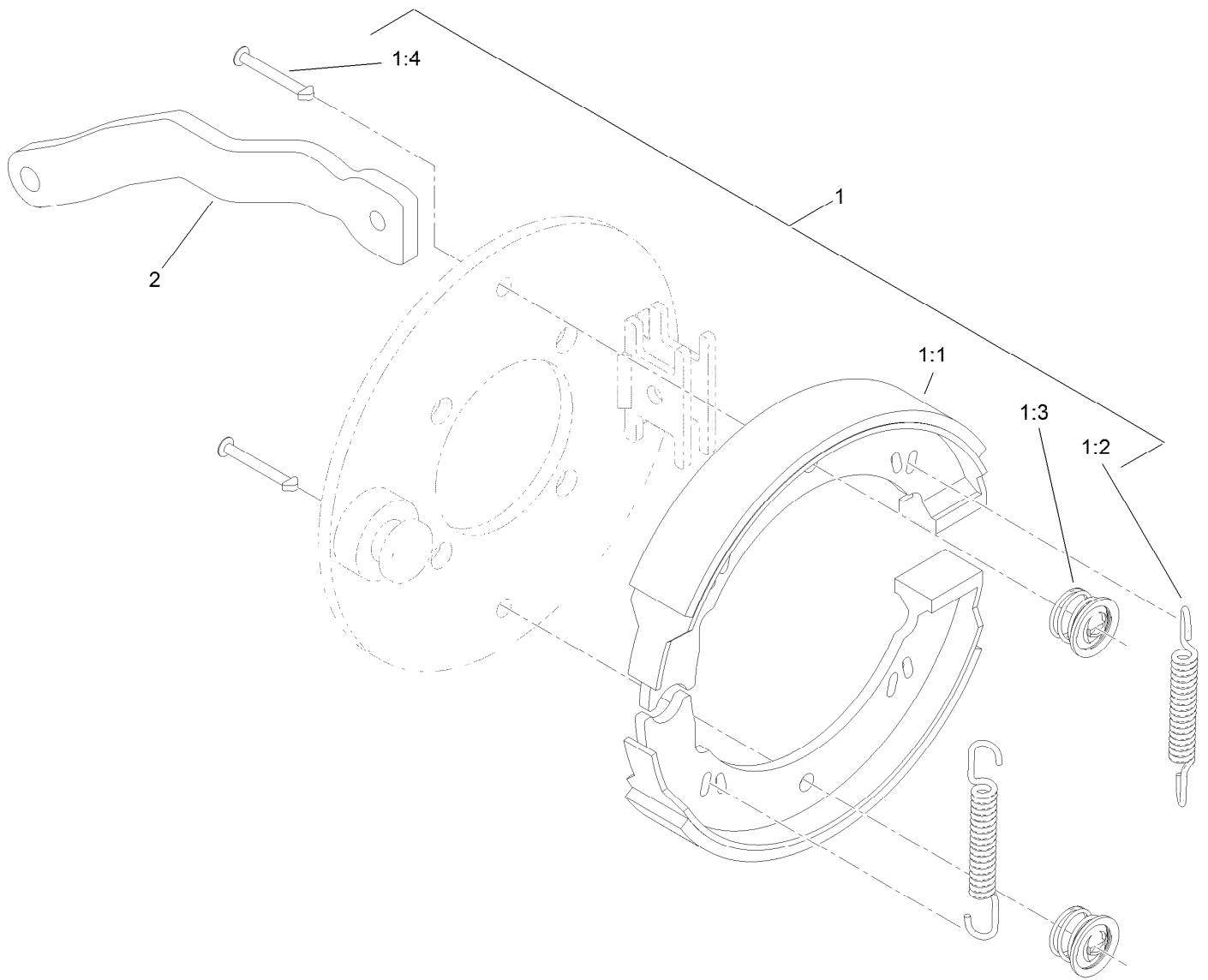
| Ref. | Part Number | Qty. | Description | Ref. | Part Number | Qty. | Description |
|------|-------------|------|--------------------|------|-------------|------|--------------------|
| 1 | 117-9030 | 2 | Wheel And Tire ASM | 4 | 139-2722 | 1 | RH Brake ASM |
| 1:1 | 120-2783 | 1 | Tire | 5 | 139-2721 | 1 | LH Brake ASM |
| 1:2 | 117-9032 | 1 | Rim | 6 | 322-2 | 8 | Screw-HH |
| 1:3 | 232-27 | 1 | Stem-Valve | 7 | 26-3790 | 2 | Nut-Lock |
| 2 | 115-2661 | 2 | Brake Drum ASM | 8 | 325-7 | 8 | Screw-HH |
| 2:1 | 115-2662-0P | 1 | Hub-Wheel [primed] | 9 | 139-2564 | 8 | Nut-Lug |
| 2:2 | 115-2663 | 1 | Drum-Brake | 10 | 117-4302 | 1 | RH Wheel Motor ASM |
| 2:3 | 85-6540 | 4 | Stud-Drive | 11 | 117-4303 | 1 | LH Wheel Motor ASM |
| 3 | 114-9998-03 | 2 | Tab-Lever, Brake | 12 | 3257-42 | 1 | Key-Woodruff |



Right Hand Brake Assembly No. 139-2722

| Ref. | Part Number | Qty. | Description |
|------|-------------|------|-----------------|
| 1 | 139-2723 | 1 | Kit-Brake |
| 1:1 | | 2 | Shoe-Brake ● |
| 1:2 | | 2 | Spring ● |
| 1:3 | | 2 | Clip ● |
| 1:4 | | 2 | Pin-Retainer ● |
| 2 | 115-5789 | 1 | Lever-Brake, RH |

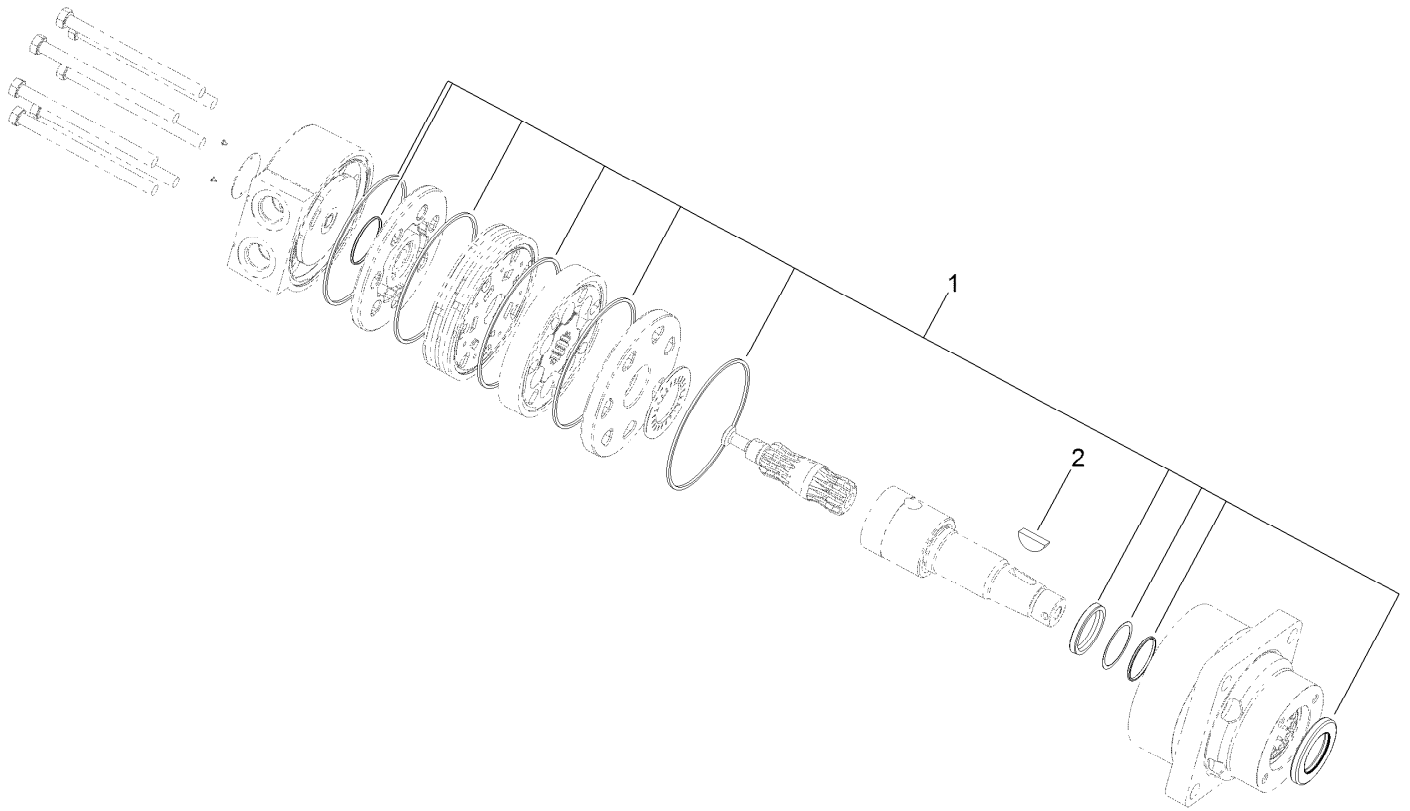
● Not serviced separately



Left Hand Brake Assembly No. 139-2721

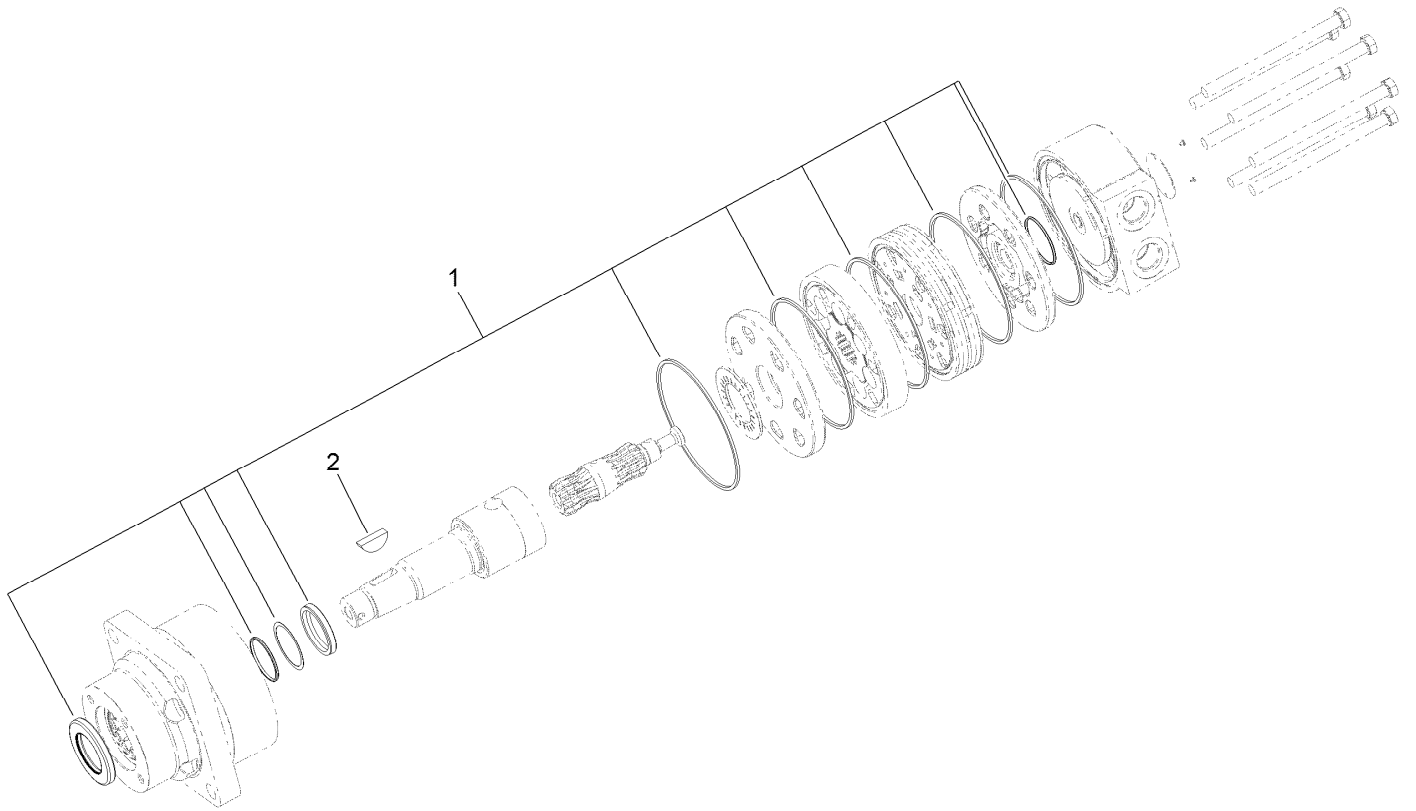
| Ref. | Part Number | Qty. | Description |
|------|-------------|------|-----------------|
| 1 | 139-2723 | 1 | Kit-Brake |
| 1:1 | | 2 | Shoe-Brake ● |
| 1:2 | | 2 | Spring ● |
| 1:3 | | 2 | Clip ● |
| 1:4 | | 2 | Pin-Retainer ● |
| 2 | 115-2664 | 1 | Lever-Brake, LH |

● Not serviced separately



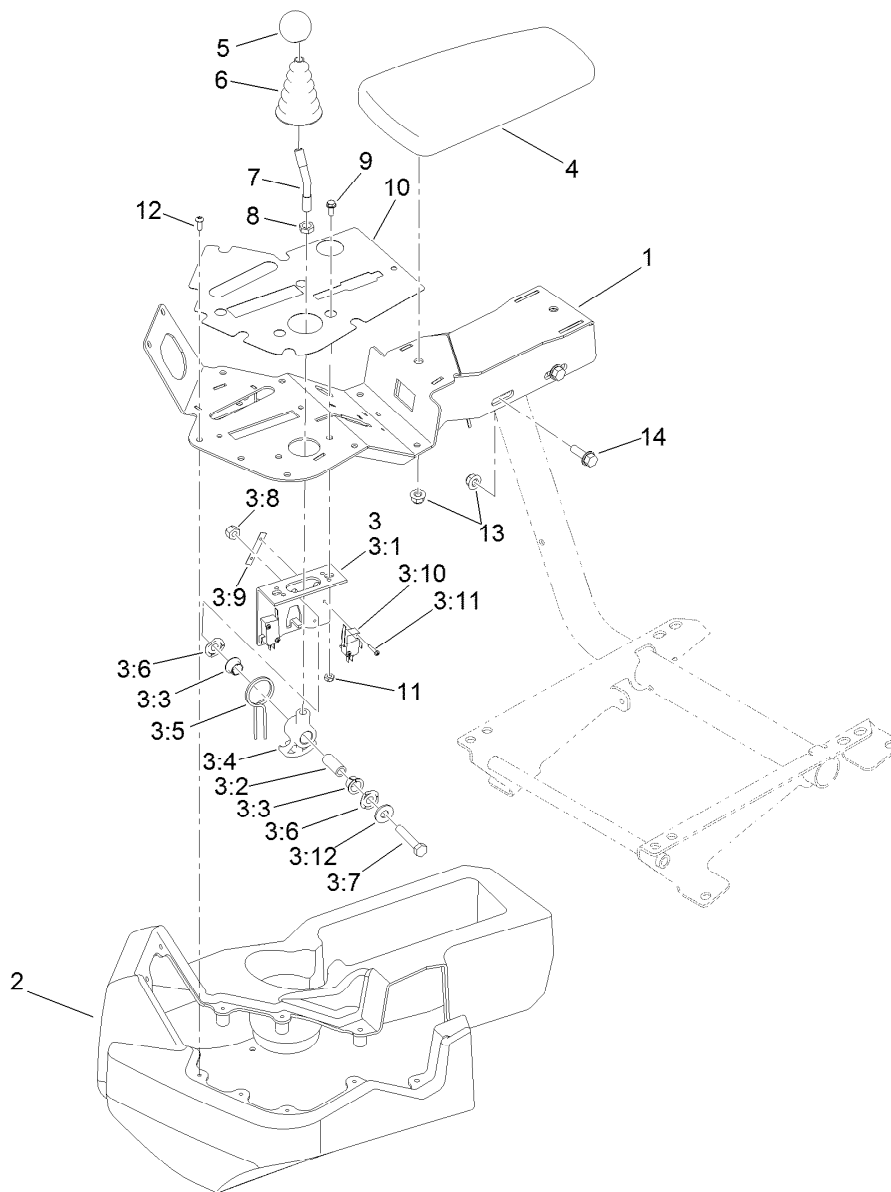
Left Hand Wheel Motor Assembly No. 117-4303

| <i>Ref.</i> | <i>Part Number</i> | <i>Qty.</i> | <i>Description</i> |
|-------------|--------------------|-------------|--------------------|
| 1 | 94-8178 | 1 | Seal Kit |
| 2 | 3257-42 | 1 | Key-Woodruff |



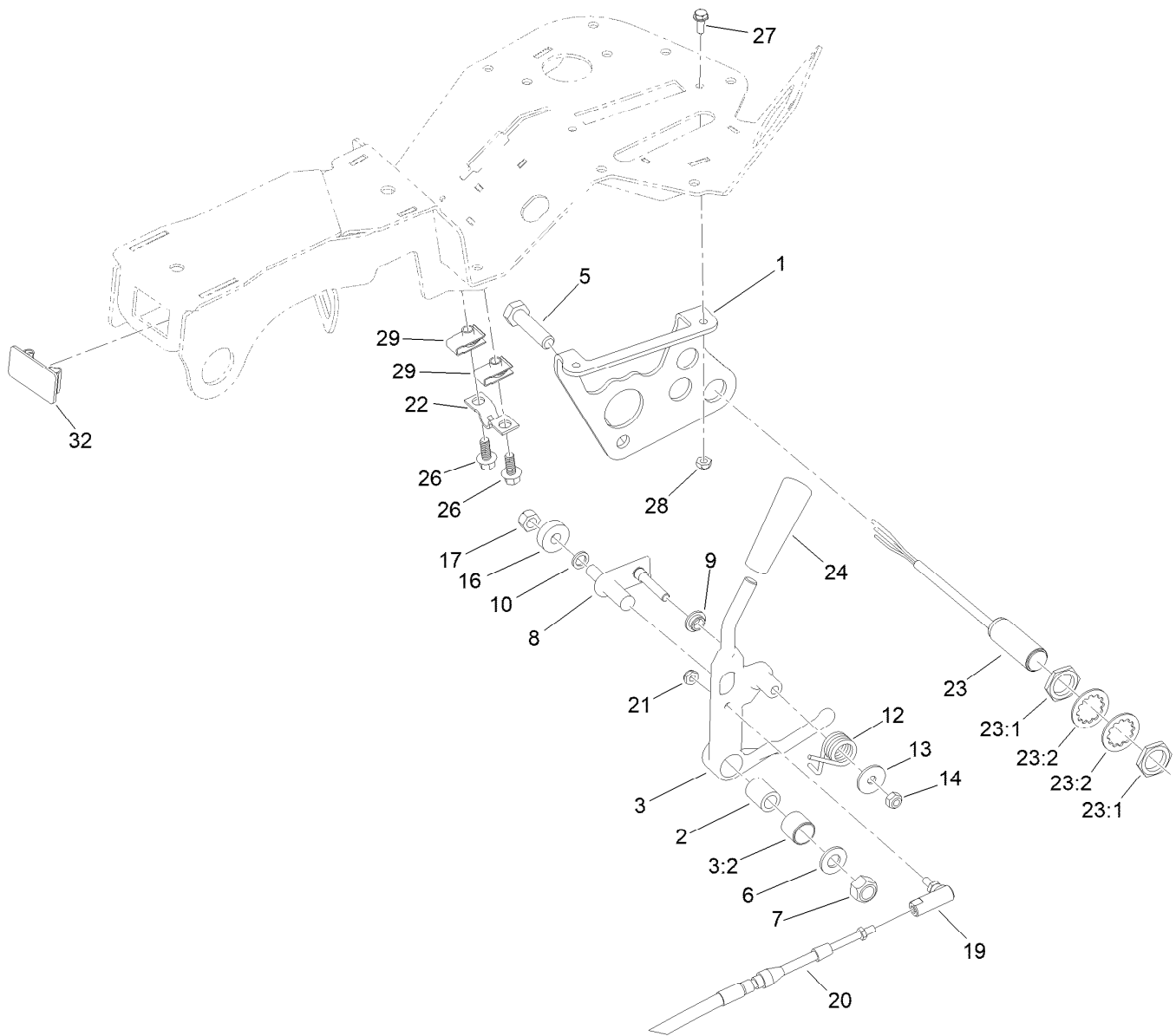
Right Hand Wheel Motor Assembly No. 117-4302

| <i>Ref.</i> | <i>Part Number</i> | <i>Qty.</i> | <i>Description</i> |
|-------------|--------------------|-------------|--------------------|
| 1 | 94-8178 | 1 | Seal Kit |
| 2 | 3257-42 | 1 | Key-Woodruff |



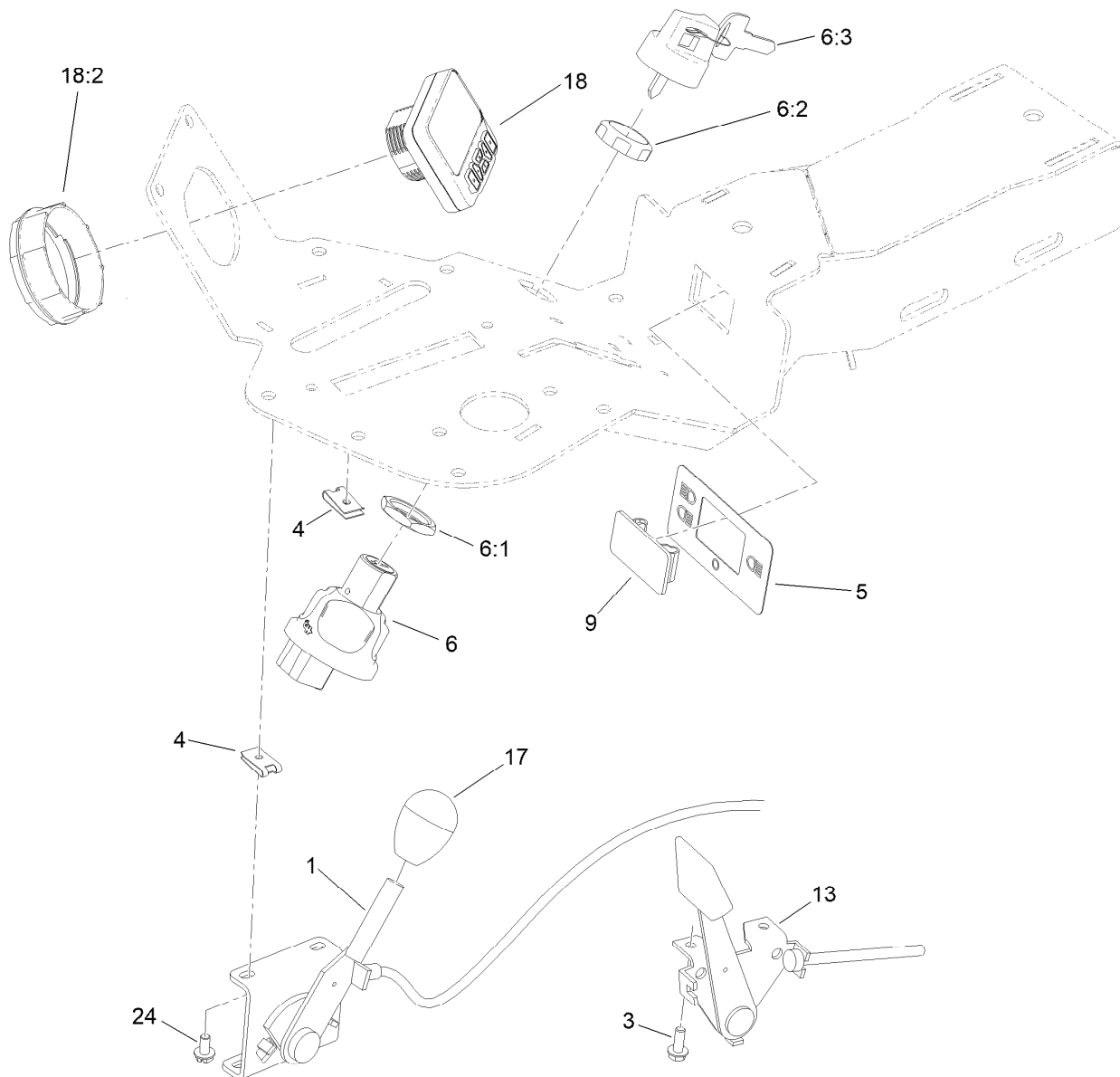
Console and Reel Control Assembly

| Ref. | Part Number | Qty. | Description | Ref. | Part Number | Qty. | Description |
|------|-------------|------|-----------------------|------|-------------|------|--------------------|
| 1 | 140-5244-03 | 1 | Console-Info Center | 3:11 | 95-3003 | 4 | Screw-PPHTF |
| 2 | 132-9955 | 1 | Cover-Console | 3:12 | 3256-3 | 1 | Washer-Flat |
| 3 | 106-4167 | 1 | Joystick Bracket ASM | 4 | 108-7602 | 1 | Rest-Arm |
| 3:1 | 115-5357-03 | 1 | Bracket-Joystick | 5 | 120-9752 | 1 | Knob-Round, Yellow |
| 3:2 | 106-4192 | 1 | Spacer | 6 | 93-5961 | 1 | Boot-Lever |
| 3:3 | 93-5547 | 2 | Bushing-Nylon | 7 | 121-6681 | 1 | Stem-Joystick |
| 3:4 | 147-3050 | 1 | Hub-Pivot, Joystick | 8 | 3218-3 | 1 | Nut-Jam |
| 3:5 | 105-8289 | 1 | Spring-Torsion | 9 | 3290-321 | 2 | Screw-HWH |
| 3:6 | 106-4193 | 2 | Washer-Finger, Spring | 10 | 139-6493 | 1 | Decal-Console |
| 3:7 | 322-9 | 1 | Screw-HH | 11 | 3296-12 | 2 | Nut-Lock, NI |
| 3:8 | 3296-29 | 1 | Nut-Lock, NI | 12 | 115-9830 | 8 | Screw-HSBH |
| 3:9 | 3290-354 | 2 | Nut-Speed | 13 | 104-8300 | 4 | Nut-HF, NI |
| 3:10 | 108-6496 | 2 | Switch (W/Boot) | 14 | 3234-29 | 2 | Screw-HHF |



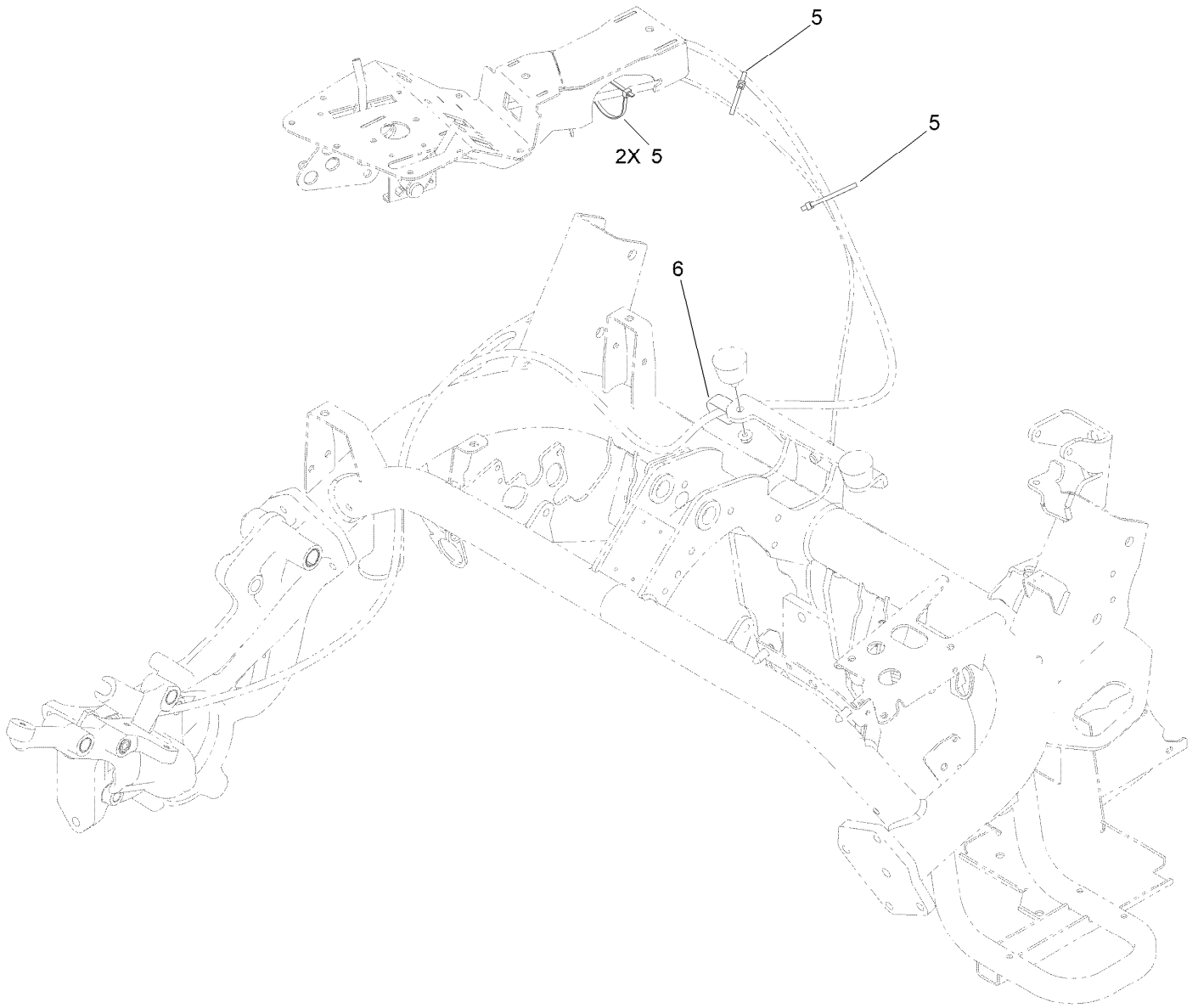
Traction Interface Control Assembly

| <i>Ref.</i> | <i>Part Number</i> | <i>Qty.</i> | <i>Description</i> | <i>Ref.</i> | <i>Part Number</i> | <i>Qty.</i> | <i>Description</i> |
|-------------|--------------------|-------------|--------------------|-------------|--------------------|-------------|-----------------------------|
| 1 | 132-3822-03 | 1 | Bracket | 17 | 33024-00 | 1 | Nut-Lock, NI |
| 2 | 94-1378 | 1 | Tube-Pivot, Handle | 19 | 2411-38 | 1 | Joint-Ball |
| 3 | 145-0062 | 1 | Handle ASM | 20 | 132-6991 | 1 | Cable-Lock, Neutral |
| 3:2 | 136-8417 | 1 | Bushing | 21 | 3296-27 | 1 | Nut-Lock, NI |
| 5 | 33115-040 | 1 | Screw-HH | 22 | 93-2279 | 1 | Clamp-Cable |
| 6 | 3256-24 | 1 | Washer-Plain | 23 | 115-5300 | 2 | Proximity Switch ASM |
| 7 | 33025-00 | 1 | Nut-Lock, NI | 23:1 | 117-3207 | 2 | Nut-Hex |
| 8 | 125-1928 | 1 | Pin | 23:2 | 117-3208 | 2 | Washer-Lock, Internal Tooth |
| 9 | 94-9619 | 1 | Bushing | 24 | 233-39 | 1 | Knob-Control |
| 10 | 75-5470 | 1 | Spacer-Bearing | 26 | 99-6810 | 2 | Screw-HHF |
| 12 | 94-9620 | 1 | Spring-Torsion | 27 | 3290-321 | 2 | Screw-HWH |
| 13 | 3256-67 | 1 | Washer | 28 | 3296-12 | 2 | Nut-Lock, NI |
| 14 | 33023-00 | 1 | Nut-Lock | 29 | 107069 | 2 | Clip |
| 16 | 251-259 | 1 | Bearing-Ball | 32 | 99-7420 | 1 | Plug-Hole |



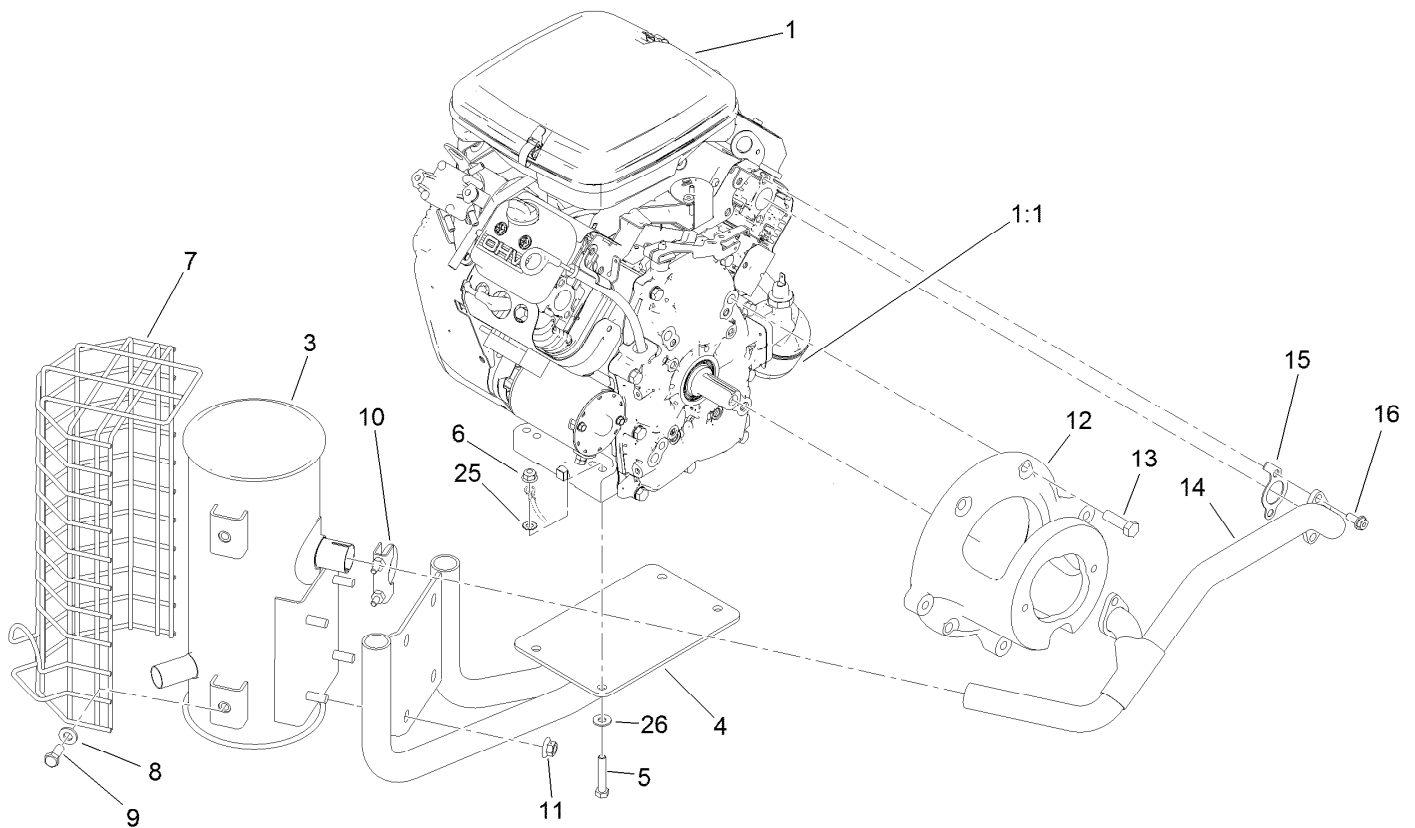
Ignition, Throttle and Choke Control Assembly

| Ref. | Part Number | Qty. | Description |
|------|-------------|------|-------------------------|
| 1 | 119-1652 | 1 | Throttle |
| 3 | 3290-321 | 2 | Screw-HWH |
| 4 | 3290-277 | 4 | Nut-Speed |
| 5 | 131-2046 | 1 | Decal-Light, Console |
| 6 | 121-5159 | 1 | Switch-Ignition |
| 6:1 | 121-5160 | 1 | Nut-Hex |
| 6:2 | 122-2704 | 1 | Nut-Face, M22 (Plastic) |
| 6:3 | 121-5162 | 1 | Set-Key, Ignition |
| 9 | 99-7420 | 1 | Plug-Hole |
| 13 | 132-9540 | 1 | Lever-Choke |
| 17 | 120-9751 | 1 | Knob-Oval, Black |
| 18 | 161-1700 | 1 | Display-LCD |
| 18:2 | 161-1723 | 1 | Nut-Display |
| 24 | 3290-144 | 2 | Screw-SHWH |



Console Cable Routing Assembly

| <i>Ref.</i> | <i>Part Number</i> | <i>Qty.</i> | <i>Description</i> |
|-------------|--------------------|-------------|--------------------|
| 5 | 3290-379 | 4 | Tie-Cable |
| 6 | 120-1959 | 1 | Clamp |

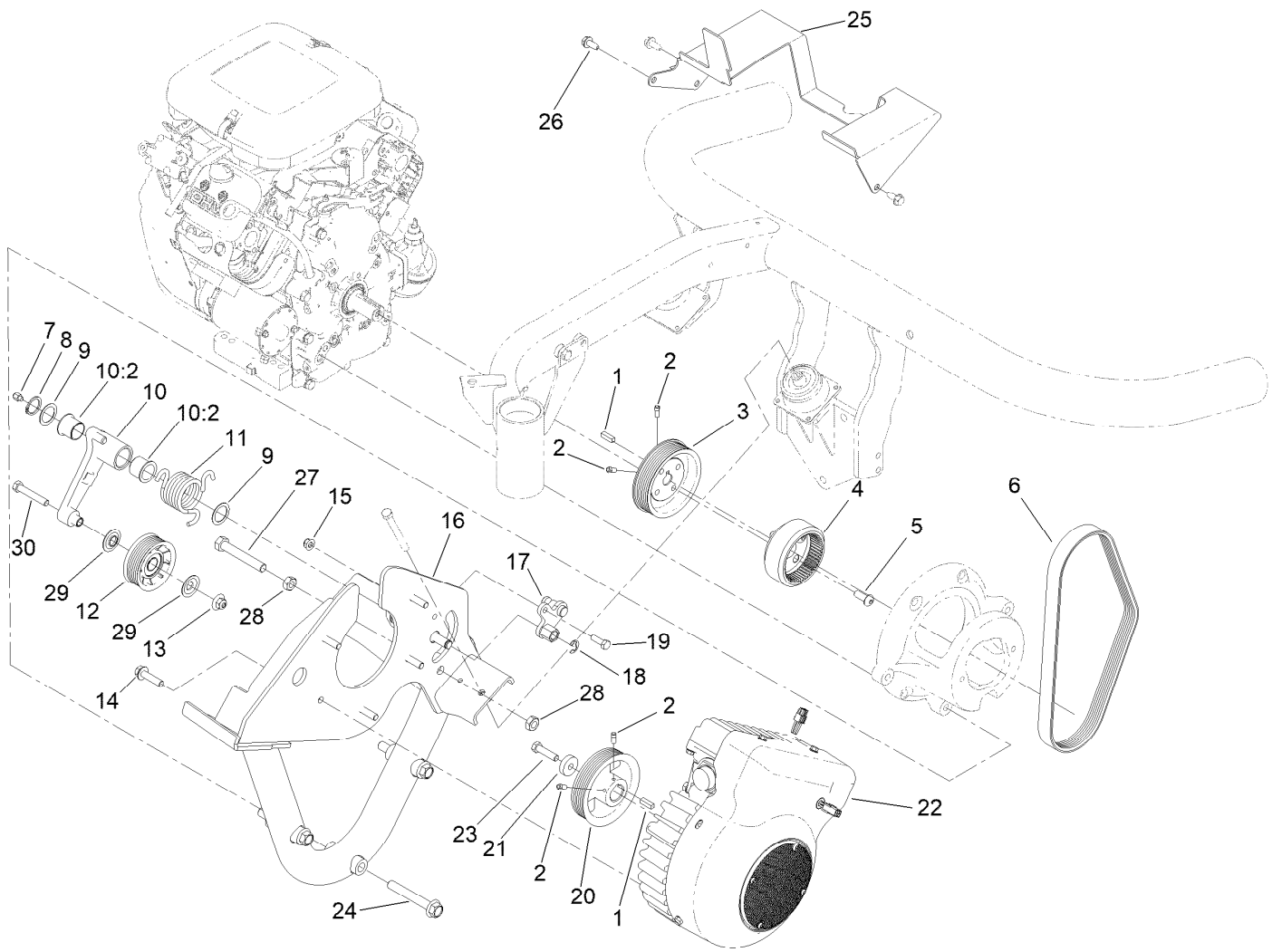


Engine and Exhaust Assembly

| Ref. | Part Number | Qty. | Description | Ref. | Part Number | Qty. | Description |
|------|-------------|------|-------------------------|------|-------------|------|--------------------------|
| 1 | 161-4662 | 1 | Engine-23 HP Vanguard ■ | 10 | 2112-11 | 1 | Clamp-Muffler |
| 1:1 | 107-7817 | 1 | Filter-Oil, Engine | 11 | 32128-19 | 4 | Nut-HF Lock, Large Flg |
| 1:2 | 147-3139 | 1 | Filter-Air ● | 12 | 117-4363-0P | 1 | Mount-Pump (Machining) |
| 3 | 110-4001 | 1 | Muffler | 13 | 324-32 | 4 | Screw-HH |
| 4 | 117-4364-03 | 1 | Mount-Muffler | 14 | 117-4379 | 1 | Manifold-Exhaust |
| 5 | 322-10 | 4 | Screw-HH | 15 | 115-8154 | 2 | Gasket-Manifold, Exhaust |
| 6 | 104-8300 | 4 | Nut-HF, NI | 16 | 94-5300 | 4 | Screw-HHF |
| 7 | 112-0291 | 1 | Shield-Muffler | 25 | 3256-23 | 1 | Washer-Plain |
| 8 | 100-4852 | 4 | Washer-Hardened | 26 | 87-8640 | 4 | Washer-Flat |
| 9 | 323-5 | 4 | Screw-HH | | | | |

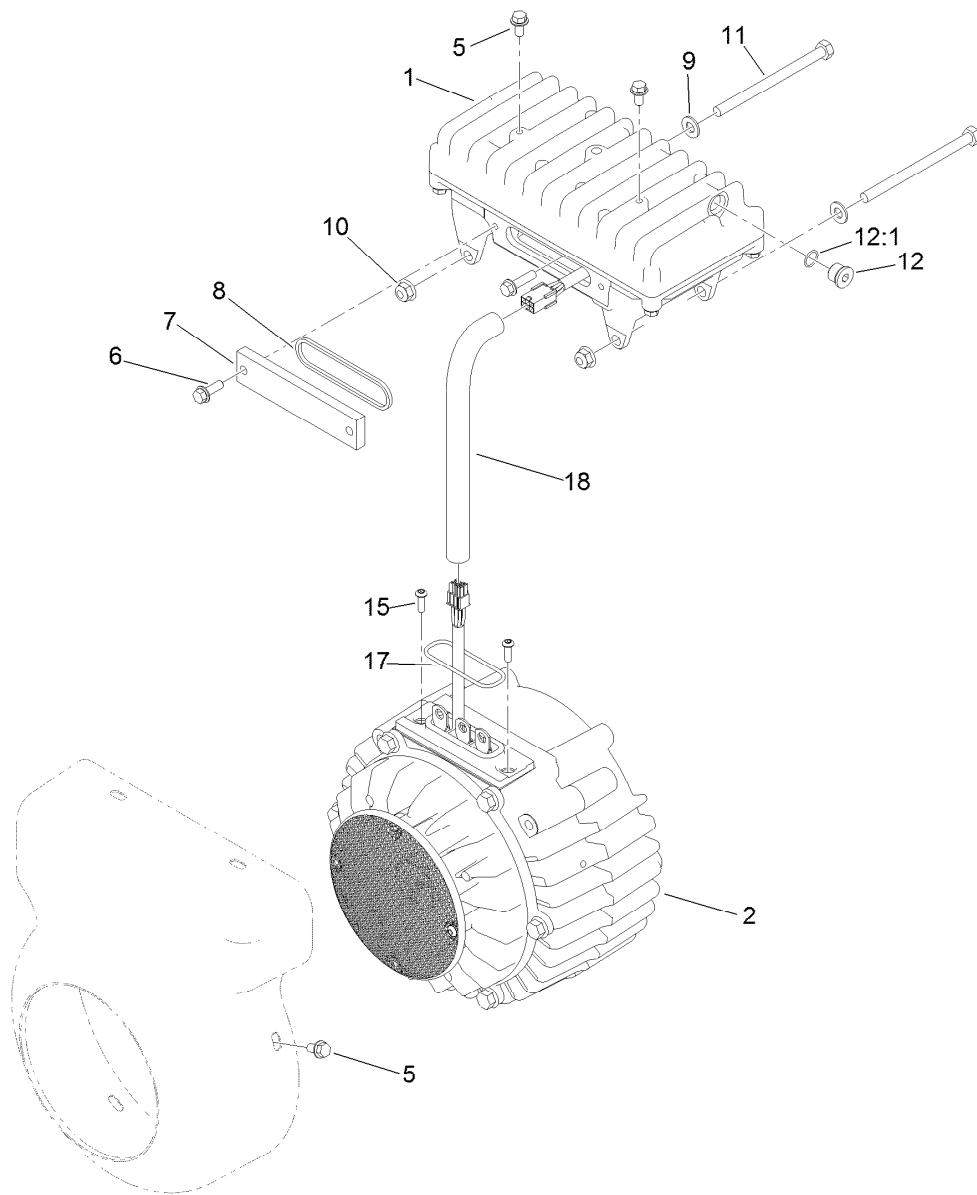
● Not illustrated

■ Obtain parts from www.briggsandstratton.com



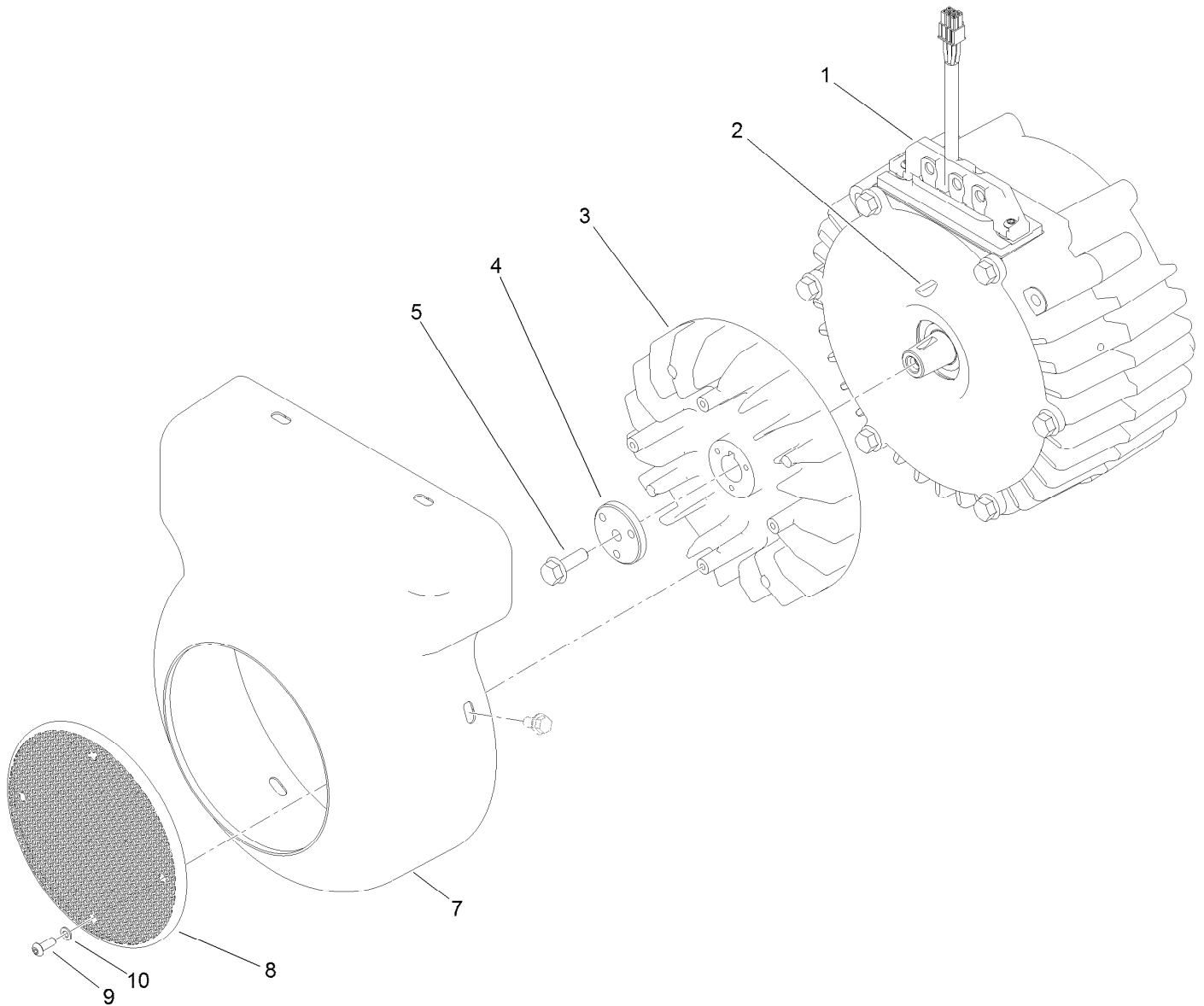
Generator and Engine Frame Assembly

| Ref. | Part Number | Qty. | Description | Ref. | Part Number | Qty. | Description |
|------|-------------|------|----------------------|------|-------------|------|--------------------------|
| 1 | 10-7070 | 2 | Key-Square | 16 | 117-4423-03 | 1 | Frame-Engine |
| 2 | 3241-7 | 4 | Screw-SQH | 17 | 117-9289 | 1 | Adjuster-Spring |
| 3 | 117-4449 | 1 | Pulley-Engine | 18 | 32120-47 | 1 | Ring-Retaining, External |
| 4 | 119-4484 | 1 | Coupling | 19 | 322-5 | 1 | Screw-HH |
| 5 | 119-8195 | 4 | Screw-HSBH | 20 | 115-9806 | 1 | Pulley-Generator |
| 6 | 117-4406 | 1 | Belt-V | 21 | 138-8594 | 1 | Spacer |
| 7 | 302-11 | 1 | Fitting-Lube, 45 DEG | 22 | 127-2580 | 1 | Generator/Controller ASM |
| 8 | 32151-36 | 1 | Ring-Retaining | 23 | 3211-6 | 1 | Screw-HH |
| 9 | 74-1810 | 2 | Washer | 24 | 126-3900 | 3 | Screw-HHF |
| 10 | 145-0052 | 1 | Idler Bracket ASM | 25 | 145-4561-03 | 1 | Shield-Belt |
| 10:2 | 126-1963 | 2 | Bushing-Pivot | 26 | 32104-32 | 1 | Screw-HWH |
| 11 | 117-9282 | 1 | Spring-Torsion | 27 | 325-13 | 1 | Screw-HH |
| 12 | 120-5766 | 1 | Pulley | 28 | 3218-5 | 2 | Nut-Jam |
| 13 | 109-6658 | 1 | Nut-Flange, NI | 29 | 120-5757 | 2 | Washer-Flange |
| 14 | 114-4681 | 5 | Screw-HHF | 30 | 323-11 | 1 | Screw-HH |
| 15 | 104-8300 | 1 | Nut-HF, NI | | | | |



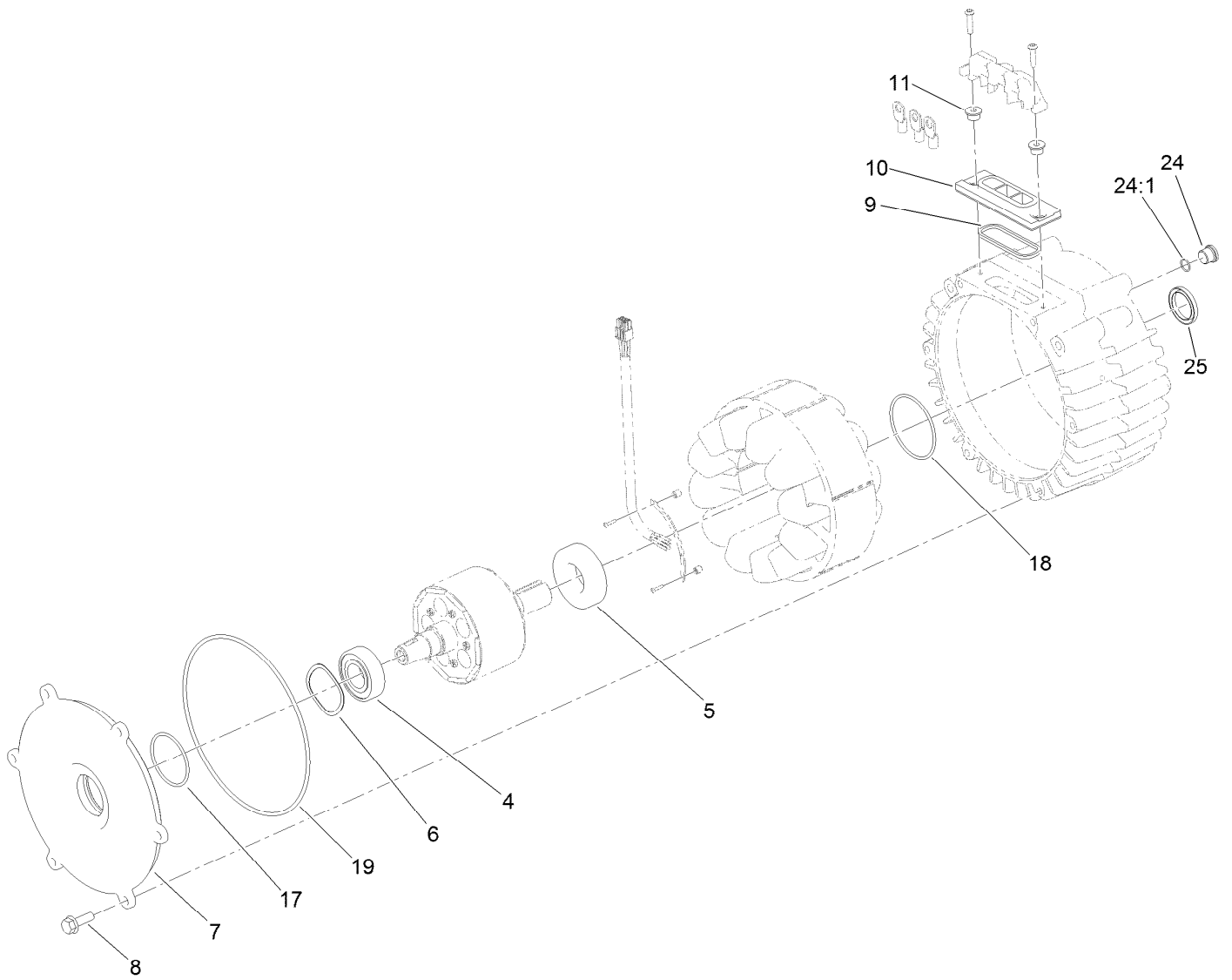
Generator/Controller Assembly No. 127-2580

| <i>Ref.</i> | <i>Part Number</i> | <i>Qty.</i> | <i>Description</i> |
|-------------|--------------------|-------------|----------------------------|
| 1 | 117-8181 | 1 | Controller ASM |
| 2 | 127-2579 | 1 | Generator ASM |
| 5 | 119-1065 | 6 | Screw-Lock, HF |
| 6 | 119-1138 | 2 | Screw-HHF, Patch |
| 7 | 120-4511 | 1 | Cover-Access |
| 8 | 120-4513 | 1 | Gasket-Cover, Access |
| 9 | 3256-23 | 2 | Washer-Plain |
| 10 | 104-8300 | 2 | Nut-HF, NI |
| 11 | 322-38 | 2 | Screw-HH |
| 12 | 353-989 | 1 | Plug-Hex, Hollow |
| 12:1 | 237-42 | 1 | O-Ring |
| 15 | 119-7568 | 2 | Screw-HSBH |
| 17 | 117-8176 | 1 | O-Ring |
| 18 | 127-2747 | 1 | Sleeve-Harness, Expandable |



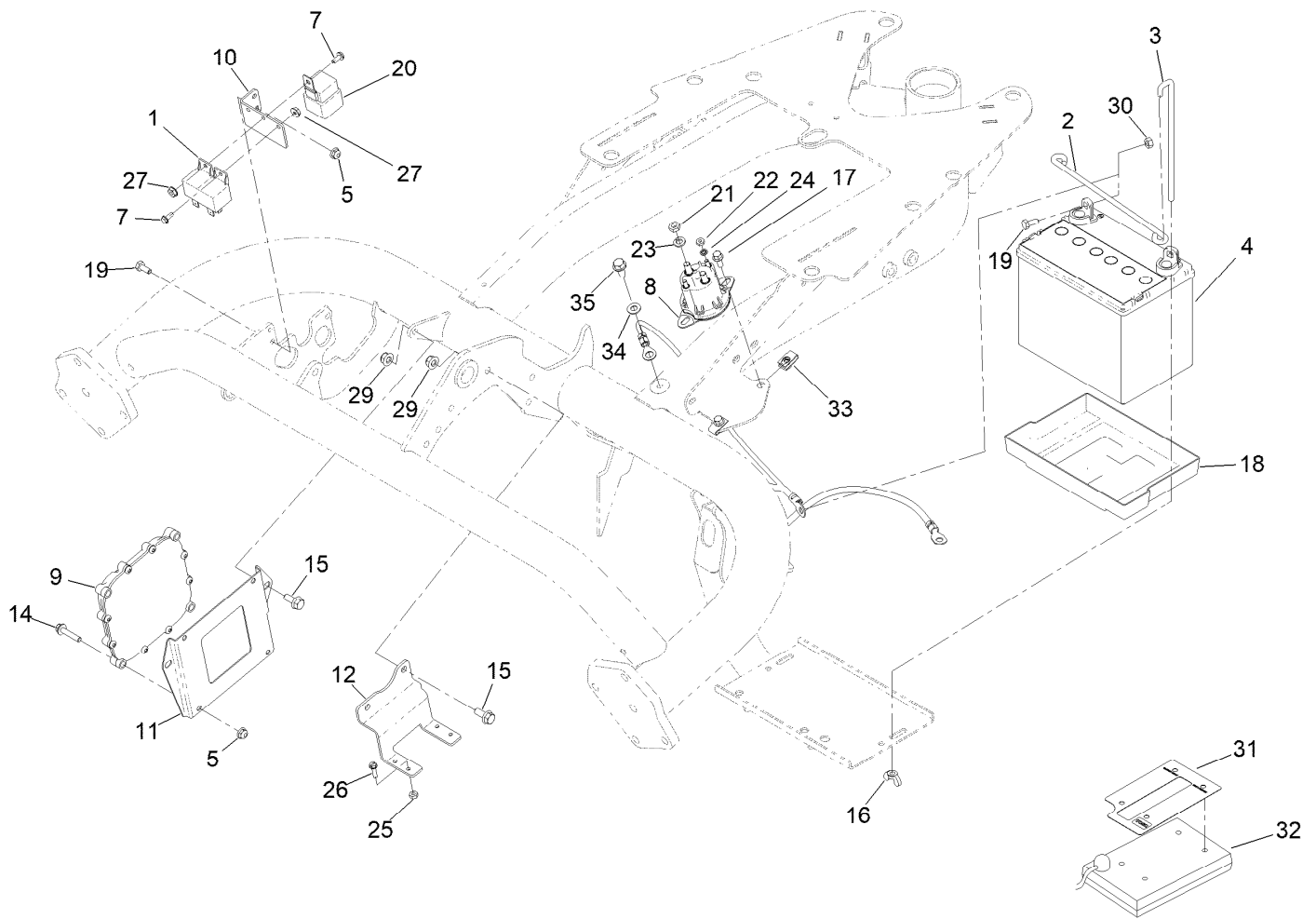
Generator Assembly No. 127-2579

| <i>Ref.</i> | <i>Part Number</i> | <i>Qty.</i> | <i>Description</i> |
|-------------|--------------------|-------------|-----------------------|
| 1 | 127-2578 | 1 | Generator Service ASM |
| 2 | 112-5193 | 1 | Key-Woodruff |
| 3 | 117-8184 | 1 | Fan-Generator |
| 4 | 112-9604 | 1 | Collar |
| 5 | 33104-025 | 1 | Screw-HHF |
| 7 | 121-7082 | 1 | Cover-Generator |
| 8 | 120-4582 | 1 | Screen-Fan |
| 9 | 120-4564 | 4 | Screw-BHCS |
| 10 | 120-4563 | 4 | Washer-Flat |



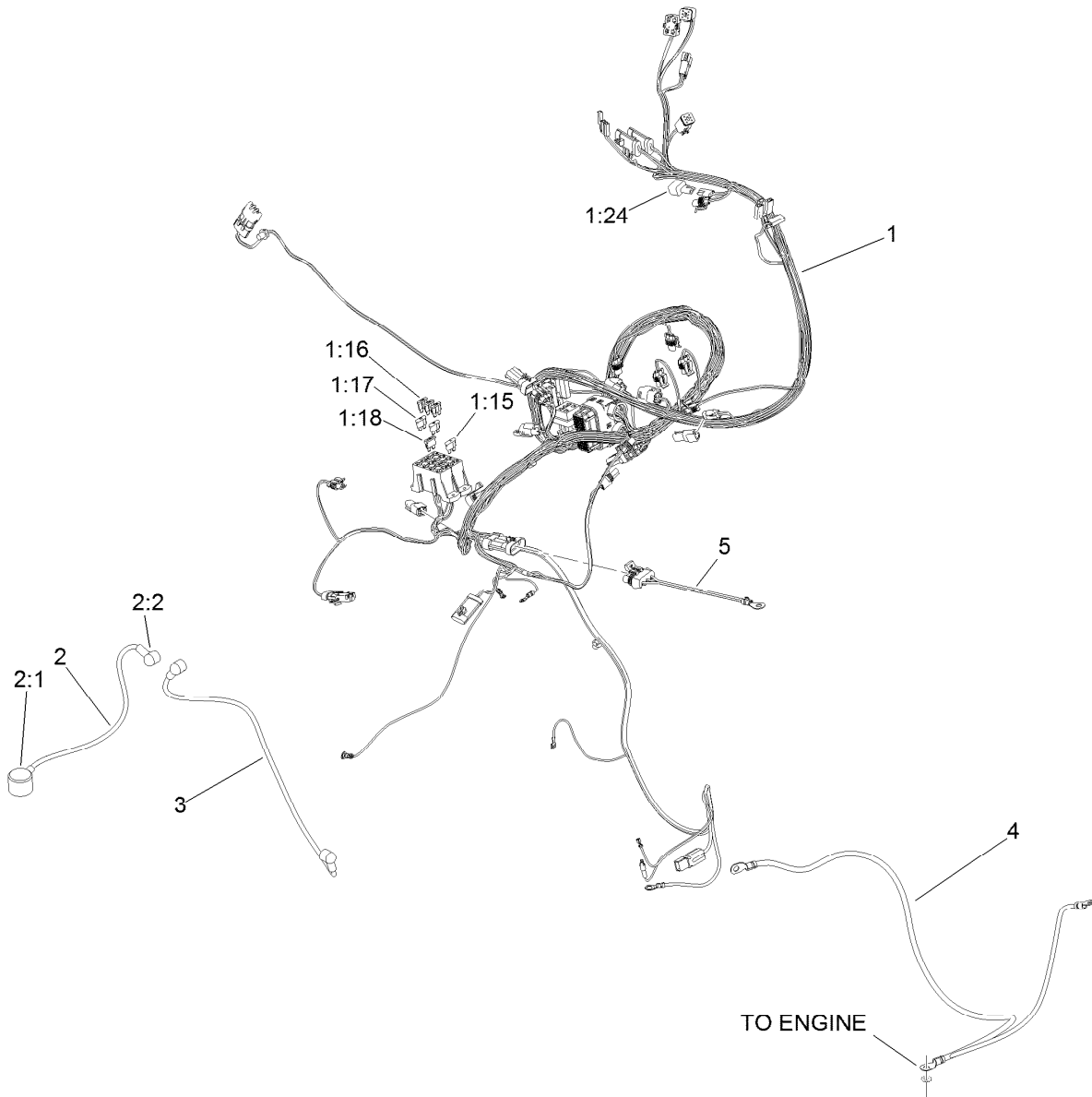
Generator Service Assembly No. 127-2578

| <i>Ref.</i> | <i>Part Number</i> | <i>Qty.</i> | <i>Description</i> |
|-------------|--------------------|-------------|--------------------|
| 4 | 120-4621 | 1 | Bearing |
| 5 | 120-4622 | 1 | Bearing |
| 6 | 117-8148 | 1 | Washer-Wave |
| 7 | 117-4514 | 1 | Cover-Generator |
| 8 | 33104-025 | 6 | Screw-HHF |
| 9 | 120-4518 | 1 | Gasket-Isolator |
| 10 | 112-5155 | 1 | Isolator-Thermal |
| 11 | 117-4501 | 2 | Spacer-Shoulder |
| 17 | 107-3244 | 1 | O-Ring |
| 18 | 117-8177 | 1 | O-Ring |
| 19 | 112-5199 | 1 | O-Ring |
| 24 | 353-989 | 1 | Plug-Hex, Hollow |
| 24:1 | 237-42 | 1 | O-Ring |
| 25 | 125-1509 | 1 | Seal |



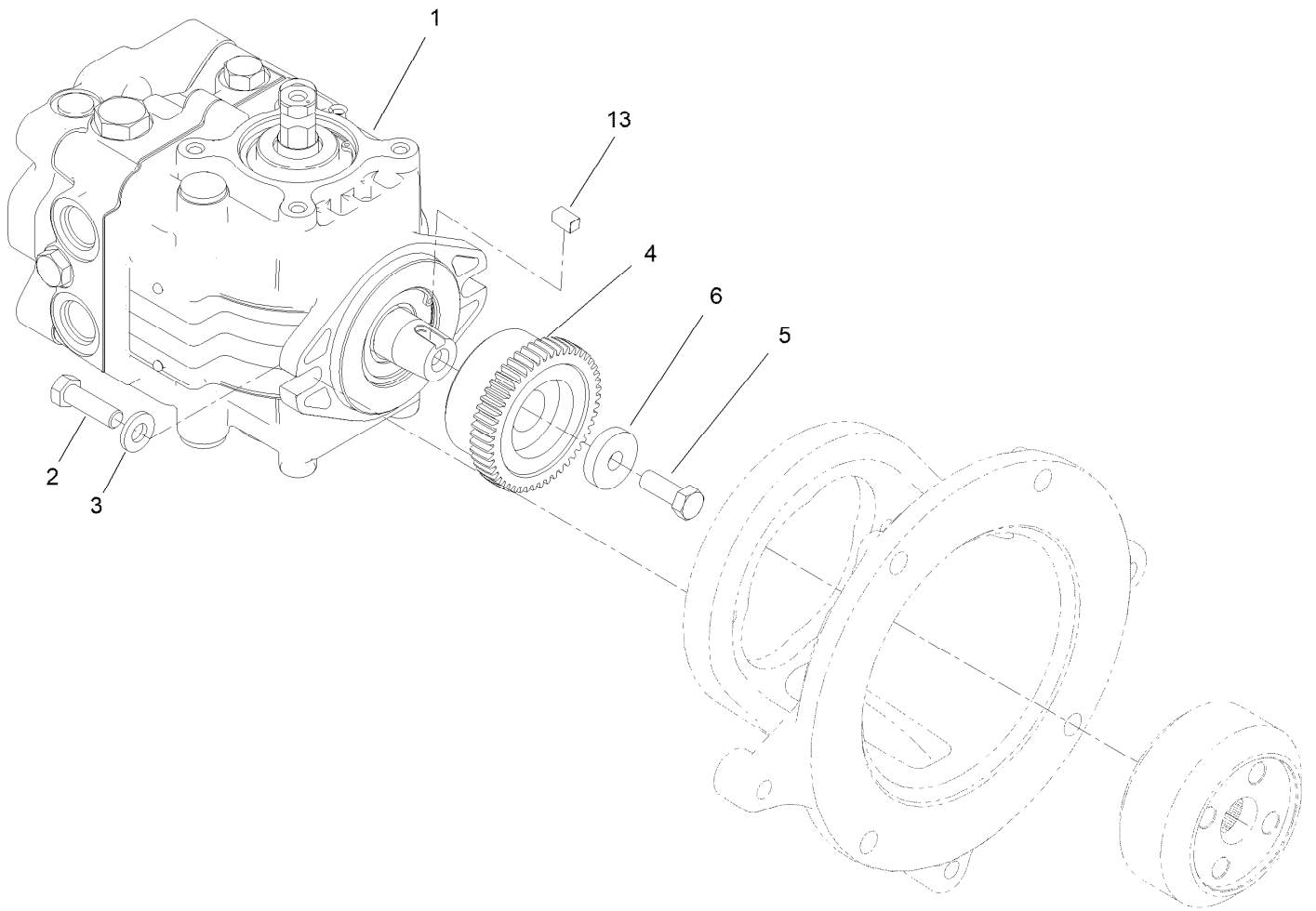
Battery Assembly

| Ref. | Part Number | Qty. | Description | Ref. | Part Number | Qty. | Description |
|------|-------------|------|----------------------------|------|-------------|------|-------------------------|
| 1 | 99-7435 | 2 | Relay | 19 | 321-3 | 2 | Screw-HH |
| 2 | 100-6434 | 1 | Rod-Hold Down, Battery | 20 | 99-7430 | 1 | Relay-Mini |
| 3 | 100-6435 | 2 | Post-Battery | 21 | 3220-2 | 2 | Nut-Jam |
| 4 | 99-7421 | 1 | Battery- Wet, 12V, 300 CCA | 22 | 3219-14 | 2 | Nut-Hex |
| 5 | 104-7201 | 6 | Nut-HF, NI | 23 | 3253-4 | 2 | Washer-Lock |
| 7 | 112-6349 | 2 | Screw-HWH | 24 | 3254-1 | 2 | Washer-Lock, Int |
| 8 | 114-3315 | 1 | Solenoid | 25 | 3296-2 | 4 | Nut-Lock, NI |
| 9 | 122-3374 | 1 | Controller | 26 | 32105-13 | 4 | Screw-HWH |
| 10 | 119-2097-01 | 1 | Bracket-Relay | 27 | 32149-8 | 2 | Nut-Keps |
| 11 | 119-2099-01 | 1 | Plate-Mounting, Controller | 29 | 104-8300 | 4 | Nut-HF, NI |
| 12 | 119-2119-01 | 1 | Bracket-Block, Fuse | 30 | 3217-5 | 2 | Nut-Hex |
| 14 | 3234-21 | 4 | Screw-HHF | 31 | 115-8227 | 1 | Decal-Controller |
| 15 | 3234-47 | 4 | Screw-HHF | 32 | 85-4750 | 1 | Box-Display, Diagnostic |
| 16 | 32103-22 | 2 | Nut-Wing | 33 | 107069 | 2 | Clip |
| 17 | 3234-33 | 2 | Screw-HHF | 34 | 3256-23 | 1 | Washer-Plain |
| 18 | 106948 | 1 | Tray-Battery | 35 | 32104-32 | 1 | Screw-HWH |



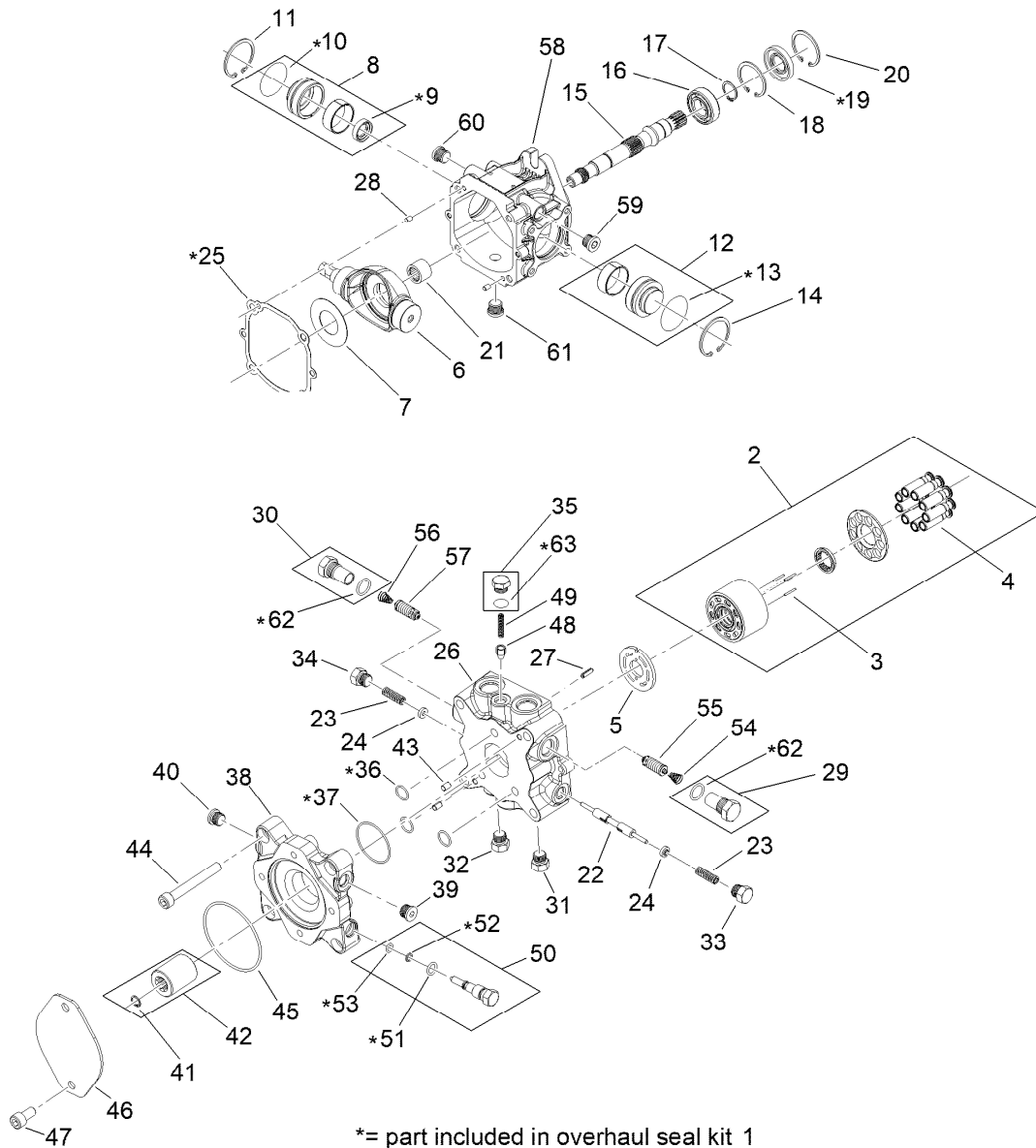
Wire Harness Assembly

| <i>Ref.</i> | <i>Part Number</i> | <i>Qty.</i> | <i>Description</i> |
|-------------|--------------------|-------------|----------------------------|
| 1 | 122-1736 | 1 | Harness-Wire, Triflex Gas |
| 1:15 | 94-6710 | 1 | Fuse-2 Amp |
| 1:16 | 114241 | 3 | Fuse-Blade, 7.5 Amp |
| 1:17 | 218-578 | 2 | Fuse-Blade, 10 Amp |
| 1:18 | 109355 | 1 | Fuse-Blade, 15 Amp |
| 1:24 | 104-4022 | 1 | Resistor-75 Ohm |
| 2 | 109-7653 | 1 | Positive Battery Cable ASM |
| 2:1 | 109-2407 | 1 | Insulator-Battery |
| 2:2 | 1-543393 | 1 | Insulator-Solenoid |
| 3 | 119-1781 | 1 | Cable-Battery, Positive |
| 4 | 114-9748 | 1 | Cable-Battery, Negative |
| 5 | 99-3441 | 1 | Harness-Wire, Fusible Link |



Pump Coupling Assembly

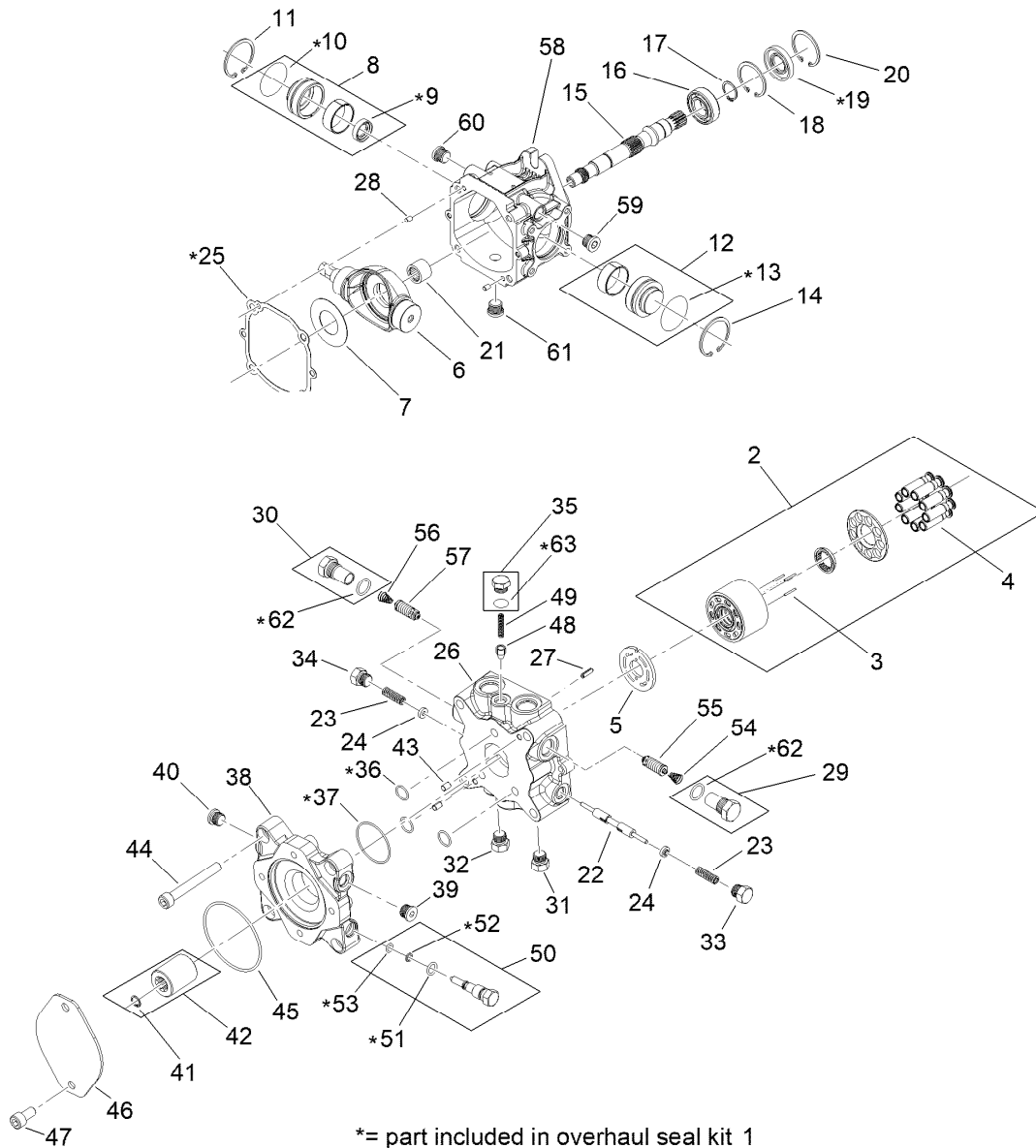
| <i>Ref.</i> | <i>Part Number</i> | <i>Qty.</i> | <i>Description</i> |
|-------------|--------------------|-------------|---------------------|
| 1 | 139-6474 | 1 | Pump-Hydro, Danfoss |
| 2 | 323-7 | 2 | Screw-HH |
| 3 | 100-4852 | 2 | Washer-Hardened |
| 4 | 119-4418 | 1 | Coupling |
| 5 | 3211-4 | 1 | Screw-HH |
| 6 | 138-8594 | 1 | Spacer |
| 13 | 145-4589 | 1 | Key-Squ |



*= part included in overhaul seal kit 1

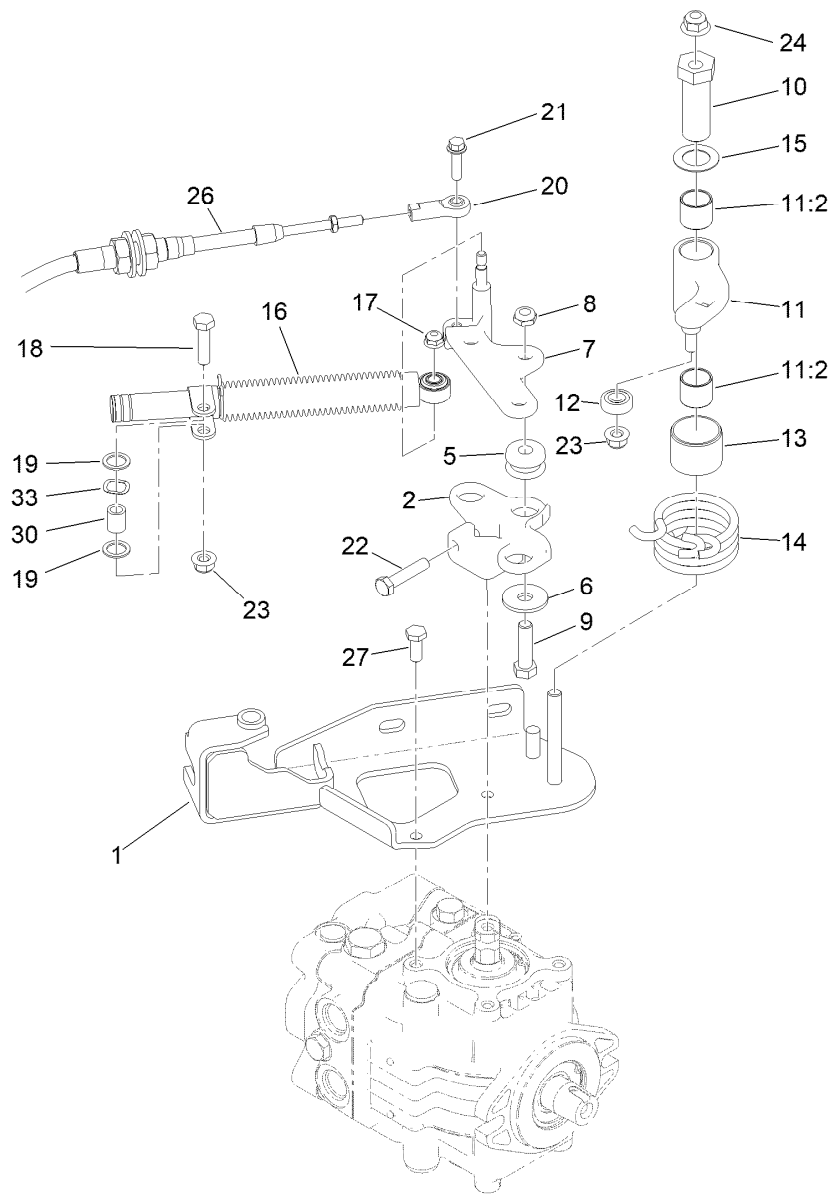
Hydraulic Pump Assembly No. 139-6474

| Ref. | Part Number | Qty. | Description | Ref. | Part Number | Qty. | Description |
|------|-------------|------|--------------------------|------|-------------|------|-----------------|
| 1 | 136-1010 | 1 | Seal Overhaul Kit | 22 | 145-2690 | 1 | Spool-Flushing |
| 2 | 145-2670 | 1 | Kit-Cylinder Block | 23 | 145-2691 | 2 | Spring Flushing |
| 3 | 145-2671 | 3 | Pin-Slipper Holddown | 24 | 145-2692 | 2 | Guide Spring |
| 4 | 145-2672 | 9 | Piston Assy | 25 | 145-2693 | 1 | Gasket |
| 5 | 145-2673 | 1 | Valveplate-Pump | 26 | 145-2694 | 1 | Endcap |
| 6 | 145-2674 | 1 | Swashplate | 27 | 145-2695 | 1 | Pin-Slitted |
| 7 | 145-2675 | 1 | Plate-Thrust | 28 | 145-2696 | 2 | Pin-Straight |
| 8 | 145-2676 | 1 | Journal Carrier (A) Assy | 29 | 145-2697 | 1 | Plug Assy |
| 9 | 145-2677 | 1 | Seal Lip | 30 | 145-2698 | 1 | Plug Assy |
| 10 | 145-2678 | 1 | O-Ring | 31 | 145-2699 | 1 | Plug Assy |
| 11 | 145-2679 | 1 | Ring-Retaining | 32 | 145-2700 | 1 | Plug Assy |
| 12 | 145-2680 | 1 | Journal Carrier (B) Assy | 33 | 145-2701 | 1 | Plug Assy |
| 13 | 145-2681 | 1 | O-Ring | 34 | 145-2702 | 1 | Plug Assy |
| 14 | 145-2682 | 1 | Ring-Retaining | 35 | 145-2703 | 1 | Plug Assy |
| 15 | 145-2683 | 1 | Shaft-Pump | 36 | 145-2704 | 3 | O-Ring |
| 16 | 145-2684 | 1 | Bearing-Ball | 37 | 145-2705 | 1 | O-Ring |
| 17 | 145-2685 | 1 | Ring-Retaining | 38 | 145-2706 | 1 | Adapter |
| 18 | 145-2686 | 1 | Ring-Retaining | 39 | 145-2707 | 1 | Plug Assy |
| 19 | 145-2687 | 1 | Seal-Lip | 40 | 145-2708 | 1 | Plug Assy |
| 20 | 145-2688 | 1 | Ring-Retaining | 41 | 145-2709 | 1 | Ring-Retaining |
| 21 | 145-2689 | 1 | Needle Bearing | 42 | 145-2710 | 1 | Coupling Assy |



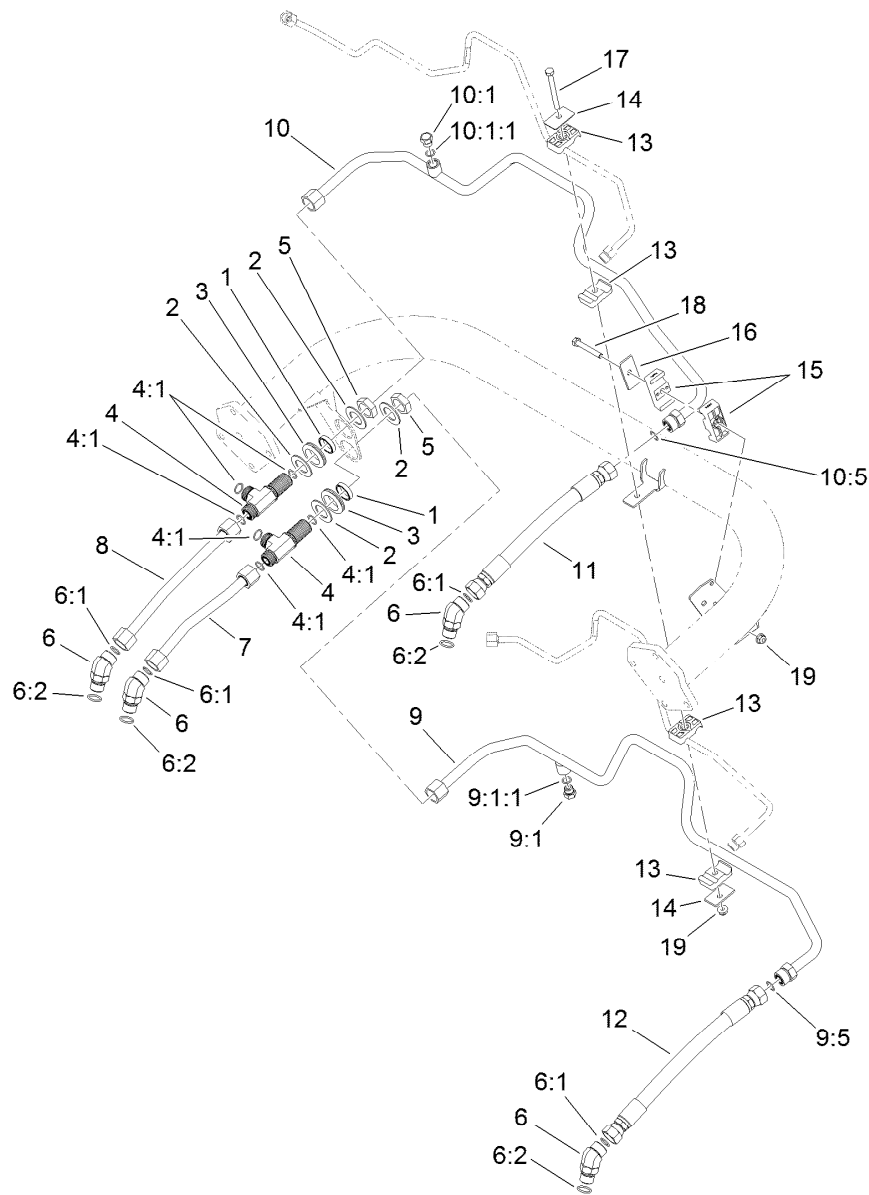
Hydraulic Pump Assembly No. 139-6474 (continued)

| Ref. | Part Number | Qty. | Description | Ref. | Part Number | Qty. | Description |
|------|-------------|------|-------------------|------|-------------|------|---------------------|
| 43 | 145-2711 | 2 | Pin-Straight | 54 | 145-2722 | 1 | Spring-Compression |
| 44 | 145-2712 | 4 | Screw-Soc | 55 | 145-2723 | 1 | Valve Assy-Scr |
| 45 | 145-2713 | 1 | O-Ring | 56 | 145-2724 | 1 | Spring-Compression |
| 46 | 145-2714 | 1 | Flange Cover | 57 | 145-2725 | 1 | Valve Assy-Scr |
| 47 | 145-2715 | 2 | Screw-Soc | 58 | 145-2726 | 1 | Housing A-Pad Ddc20 |
| 48 | 145-2716 | 1 | Cone Relief Valve | 59 | 145-2727 | 1 | Plug Assy-Soc |
| 49 | 145-2717 | 1 | Spring | 60 | 145-2728 | 1 | Plug Assy-Soc |
| 50 | 145-2718 | 1 | Valve Assy-Bypass | 61 | 145-2729 | 1 | Plug Assy-Soc |
| 51 | 145-2719 | 1 | O-Ring | 62 | 145-2730 | 2 | O-Ring |
| 52 | 145-2720 | 1 | Ring-Back Up | 63 | 145-2731 | 1 | O-Ring |
| 53 | 145-2721 | 1 | O-Ring | | | | |



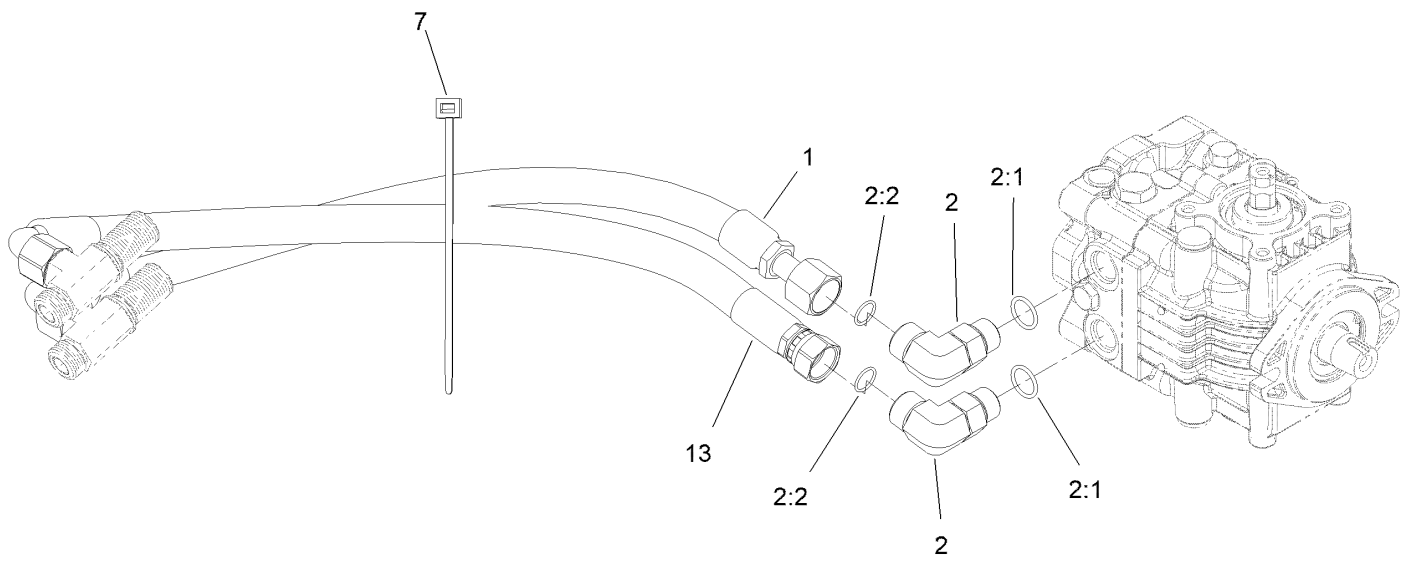
Neutral Centering Assembly

| <i>Ref.</i> | <i>Part Number</i> | <i>Qty.</i> | <i>Description</i> | <i>Ref.</i> | <i>Part Number</i> | <i>Qty.</i> | <i>Description</i> |
|-------------|--------------------|-------------|---------------------------------|-------------|--------------------|-------------|-------------------------|
| 1 | 140-5211-03 | 1 | Bracket-Cable, Hydro [black] | 15 | 119-8199 | 1 | Washer-Nylon |
| 2 | 140-5231 | 1 | Cam-Neutral | 16 | 140-6248 | 1 | Damper |
| 5 | 63-9750 | 3 | Mount | 17 | 104-7201 | 1 | Nut-HF, NI |
| 6 | 93-8806 | 3 | Washer-Hardened | 18 | 322-6 | 1 | Screw-HH |
| 7 | 140-5221 | 1 | Lever-Hydro | 19 | 94-8196 | 2 | Washer-Nylon |
| 8 | 3296-59 | 3 | Nut-Lock, NI | 20 | 2411-41 | 1 | Rod End-Ball Joint |
| 9 | 323-29 | 3 | Screw-HH | 21 | 119-1066 | 1 | Screw-HHF, Patch |
| 10 | 117-9046 | 1 | Stud-Eccentric | 22 | 120-2779 | 1 | Screw-HH |
| 11 | 145-0071 | 1 | Neutral Arm ASM | 23 | 104-8300 | 2 | Nut-HF, NI |
| 11:2 | 94-9609 | 2 | Bushing-Straight | 24 | 104-8301 | 1 | Nut-HF, NI |
| 12 | 251-259 | 1 | Bearing-Ball | 26 | 119-1735 | 1 | Cable-Control, Traction |
| 13 | 136-8418 | 1 | Bushing | 27 | 33114-020 | 2 | Screw-HH |
| 14 | 117-9047 | 1 | Spring-Torsion | 30 | 94-8197 | 1 | Tube-Pivot |
| | | | | 33 | 108473 | 1 | Washer-Wave |



Traction Drive Hydraulic Line Assembly

| <i>Ref.</i> | <i>Part Number</i> | <i>Qty.</i> | <i>Description</i> | <i>Ref.</i> | <i>Part Number</i> | <i>Qty.</i> | <i>Description</i> |
|-------------|--------------------|-------------|---------------------|-------------|--------------------|-------------|--------------------|
| 1 | 125-1984 | 2 | Spacer | 9:5 | 237-65 | 1 | O-Ring |
| 2 | 69-9010 | 4 | Washer | 10 | 119-2064 | 1 | HYD Tube ASM |
| 3 | 240-3 | 2 | Grommet-Rubber | 10:1 | 353-508 | 1 | Plug-HH |
| 4 | 94-5350 | 2 | Fitting-Tee | 10:1:1 | 237-42 | 1 | O-Ring |
| 4:1 | 237-65 | 3 | O-Ring | 10:5 | 237-65 | 1 | O-Ring |
| 5 | 340-74 | 2 | Nut-Lock, Bulkhead | 11 | 115-9484 | 1 | Hose-HYD |
| 6 | 340-14 | 4 | Fitting-HYD, 45 DEG | 12 | 115-9485 | 1 | Hose-HYD |
| 6:1 | 237-65 | 1 | O-Ring | 13 | 56-7970 | 4 | Clamp-Tube |
| 6:2 | 237-80 | 1 | O-Ring | 14 | 69-9760 | 2 | Plate-Cover |
| 7 | 119-2057 | 1 | Tube-HYD | 15 | 138-5045 | 2 | Clamp-Tube |
| 8 | 119-2058 | 1 | Tube-HYD | 16 | 69-9761 | 1 | Plate-Cover |
| 9 | 119-2063 | 1 | Tube-HYD | 17 | 322-20 | 1 | Screw-HH |
| 9:1 | 353-508 | 1 | Plug-HH | 18 | 322-12 | 1 | Screw-HH |
| 9:1:1 | 237-42 | 1 | O-Ring | 19 | 104-8300 | 2 | Nut-HF, NI |



Traction Drive Hose Routing Assembly

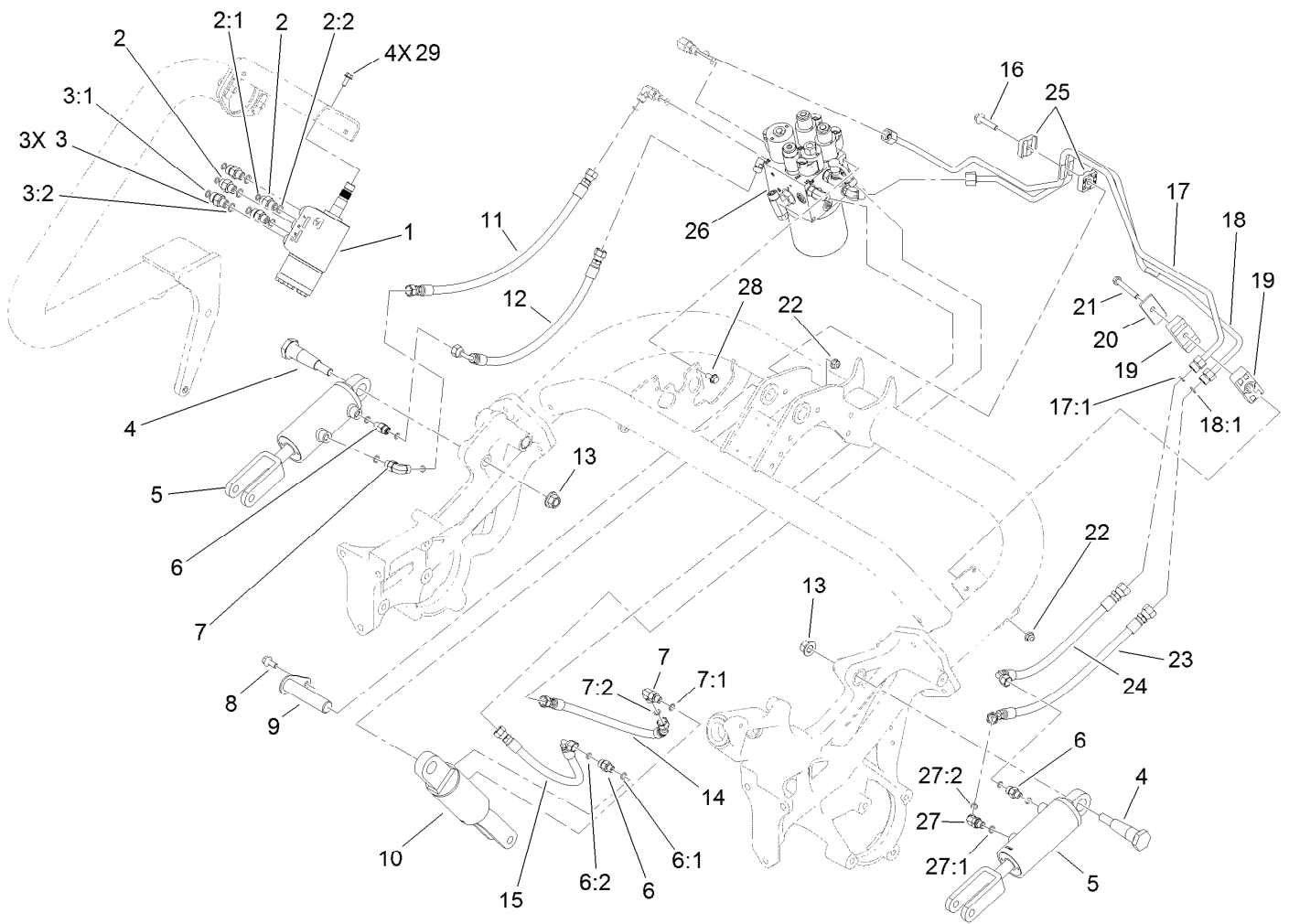
| <i>Ref.</i> | <i>Part Number</i> | <i>Qty.</i> | <i>Description</i> |
|-------------|--------------------|-------------|-----------------------|
| 1 | 119-2060 | 1 | Hose-HYD |
| 2 | 340-17 | 2 | Fitting-Elbow, 90 DEG |
| 2:1 | 237-65 | 1 | O-Ring |
| 2:2 | 237-80 | 1 | O-Ring |
| 7 | 3290-378 | 1 | Tie-Cable |
| 13 | 120-1988 | 1 | Hose-HYD |



Lift Circuit Assembly

| Ref. | Part Number | Qty. | Description | Ref. | Part Number | Qty. | Description |
|------|-------------|------|------------------------------|------|-------------|------|------------------------|
| 1 | 114-4672 | 1 | Steering Valve ASM | 10 | 119-8128 | 1 | No. 1 HYD Cylinder ASM |
| 2 | 340-1 | 2 | Fitting-Straight | 11 | 119-2052 | 1 | Hose-HYD |
| 2:1 | 237-21 | 1 | O-Ring | 12 | 119-2053 | 1 | Hose-HYD |
| 2:2 | 237-42 | 1 | O-Ring | 13 | 99-5107 | 2 | Nut-Lock |
| 3 | 340-2 | 3 | Fitting-Straight | 14 | 119-2051 | 1 | Hose-HYD |
| 3:1 | 237-22 | 1 | O-Ring | 15 | 119-2050 | 1 | Hose-HYD |
| 3:2 | 237-42 | 1 | O-Ring | 16 | 115-1794 | 1 | Screw-HHF |
| 4 | 112-5709 | 2 | Pin-Tapered | 17 | 119-8126 | 1 | HYD Tube ASM |
| 5 | 119-8129 | 2 | No. 2 And 3 HYD Cylinder ASM | 17:1 | 237-22 | 1 | O-Ring |
| 6 | 340-92 | 3 | Fitting-Straight | 18 | 119-8127 | 1 | HYD Tube ASM |
| 6:1 | 237-78 | 1 | O-Ring | 18:1 | 237-22 | 1 | O-Ring |
| 6:2 | 237-21 | 1 | O-Ring | 19 | 120-3200 | 2 | Clamp-Tube |
| 7 | 340-132 | 2 | Fitting-Elbow, 90 DEG | 20 | 69-9761 | 1 | Plate-Cover |
| 7:1 | 237-78 | 1 | O-Ring | 21 | 322-12 | 1 | Screw-HH |
| 7:2 | 237-21 | 1 | O-Ring | 22 | 104-8300 | 3 | Nut-HF, NI |
| 8 | 3234-47 | 1 | Screw-HHF | 23 | 119-2066 | 1 | Hose-HYD |
| 9 | 119-8104 | 1 | Pin | 24 | 119-2065 | 1 | Hose-HYD |
| | | | | 25 | 56-7973 | 2 | Clamp-Tube |

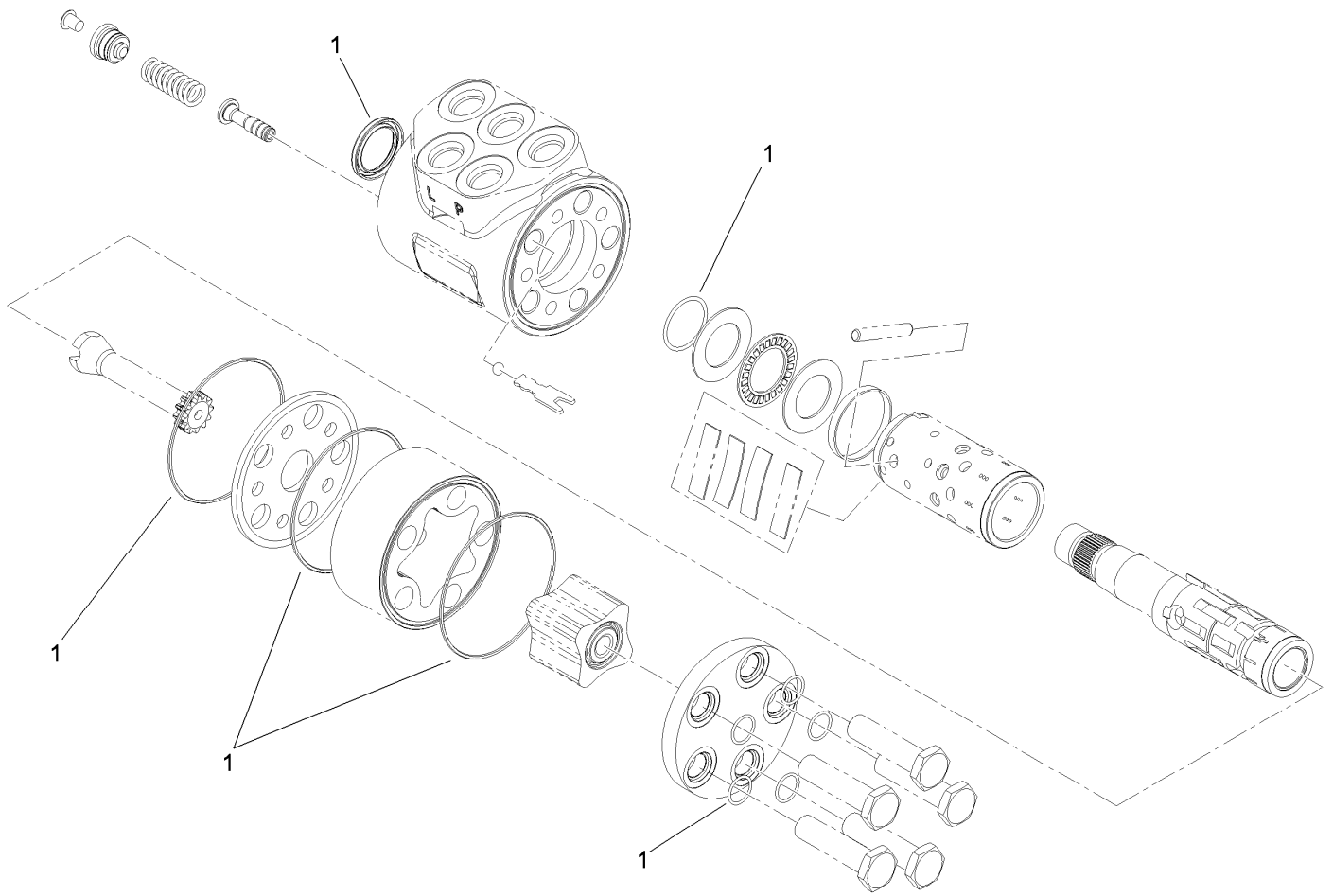
● Not serviced separately



Lift Circuit Assembly (continued)

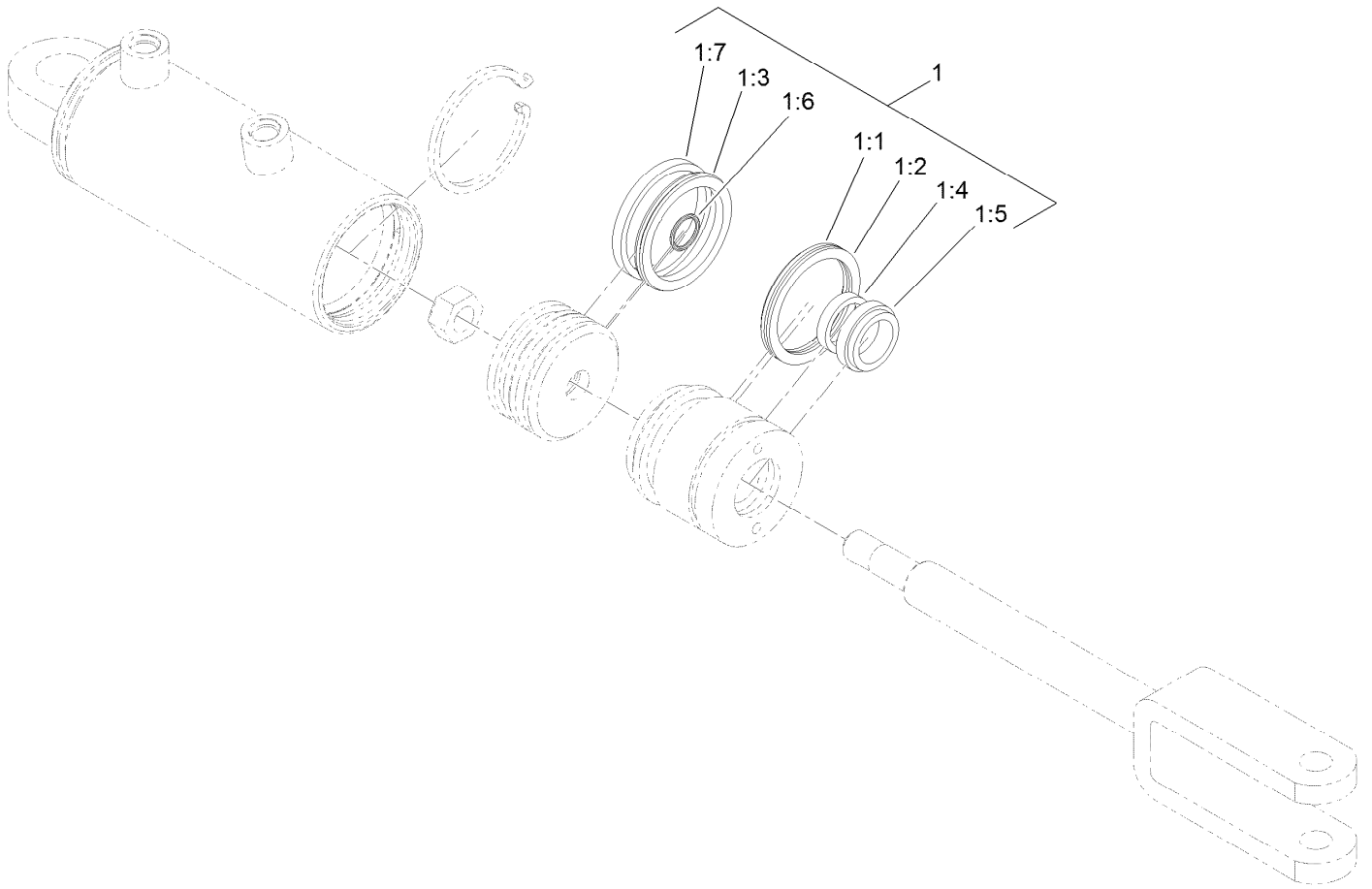
| Ref. | Part Number | Qty. | Description | Ref. | Part Number | Qty. | Description |
|------|-------------|------|-----------------------------|------|-------------|------|-------------|
| 26 | | 1 | Hydraulic Lift Manifold ASM | 27:2 | 237-21 | 1 | O-Ring |
| 27 | 340-103 | 1 | Fitting-HYD, 45 DEG | 28 | 3234-7 | 2 | Screw-HHF |
| 27:1 | 237-78 | 1 | O-Ring | 29 | 33103-016 | 4 | Screw-HHF |

● Not serviced separately



Steering Valve Assembly No. 114-4672

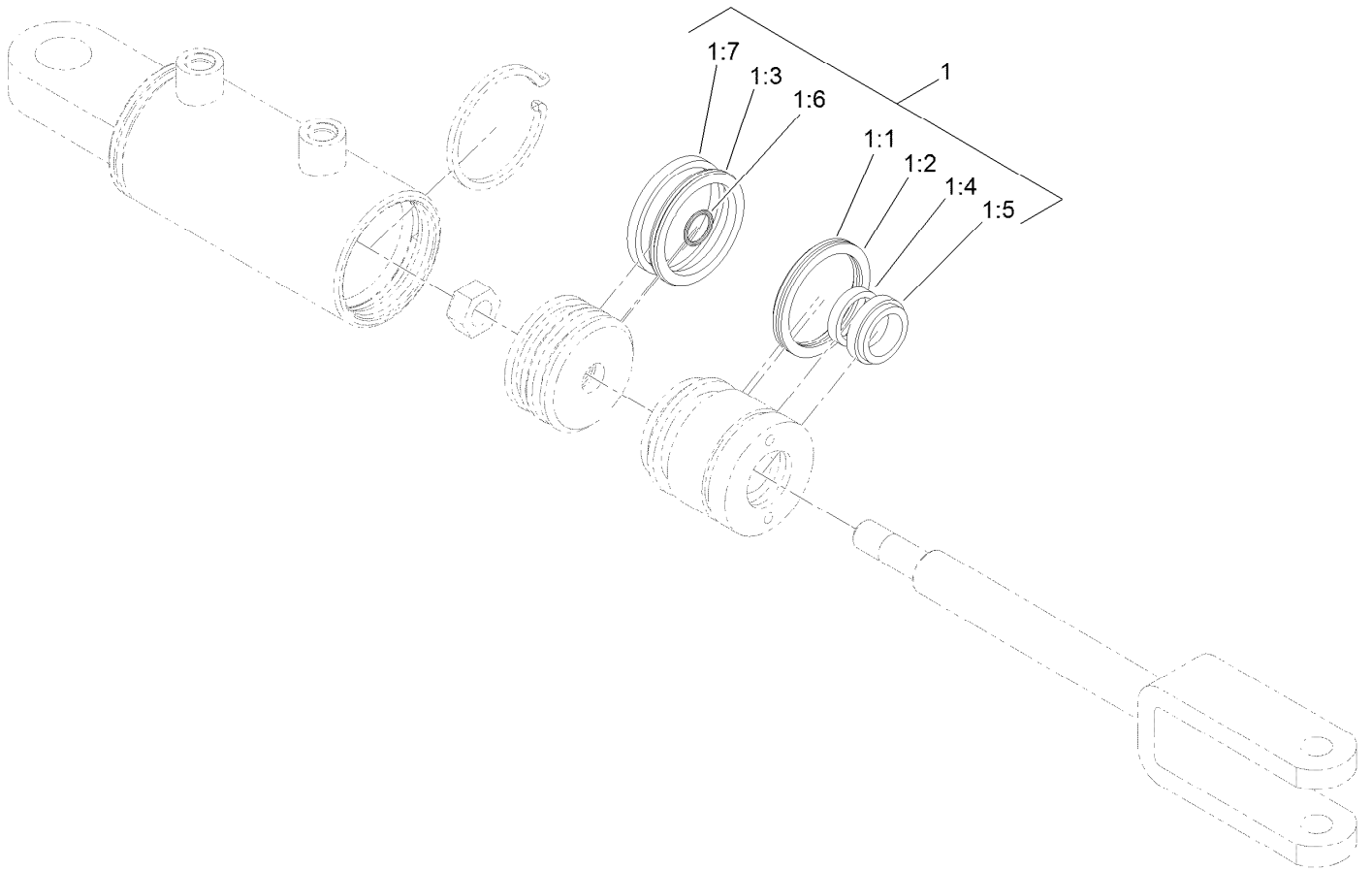
| <i>Ref.</i> | <i>Part Number</i> | <i>Qty.</i> | <i>Description</i> |
|-------------|--------------------|-------------|--------------------|
| 1 | 106-6716 | 1 | Seal Kit |



Hydraulic Cylinder Assembly No. 119-8129

| <i>Ref.</i> | <i>Part Number</i> | <i>Qty.</i> | <i>Description</i> |
|-------------|--------------------|-------------|--------------------|
| 1 | 115-3410 | 1 | Seal Kit |
| 1:1 | | 1 | O-Ring ● |
| 1:2 | | 1 | Backup ● |
| 1:3 | | 1 | Bp Seal ● |
| 1:4 | | 1 | Bs Seal ● |
| 1:5 | | 1 | Seal-Dust ● |
| 1:6 | | 1 | O-Ring ● |
| 1:7 | | 1 | Ring-Wear ● |

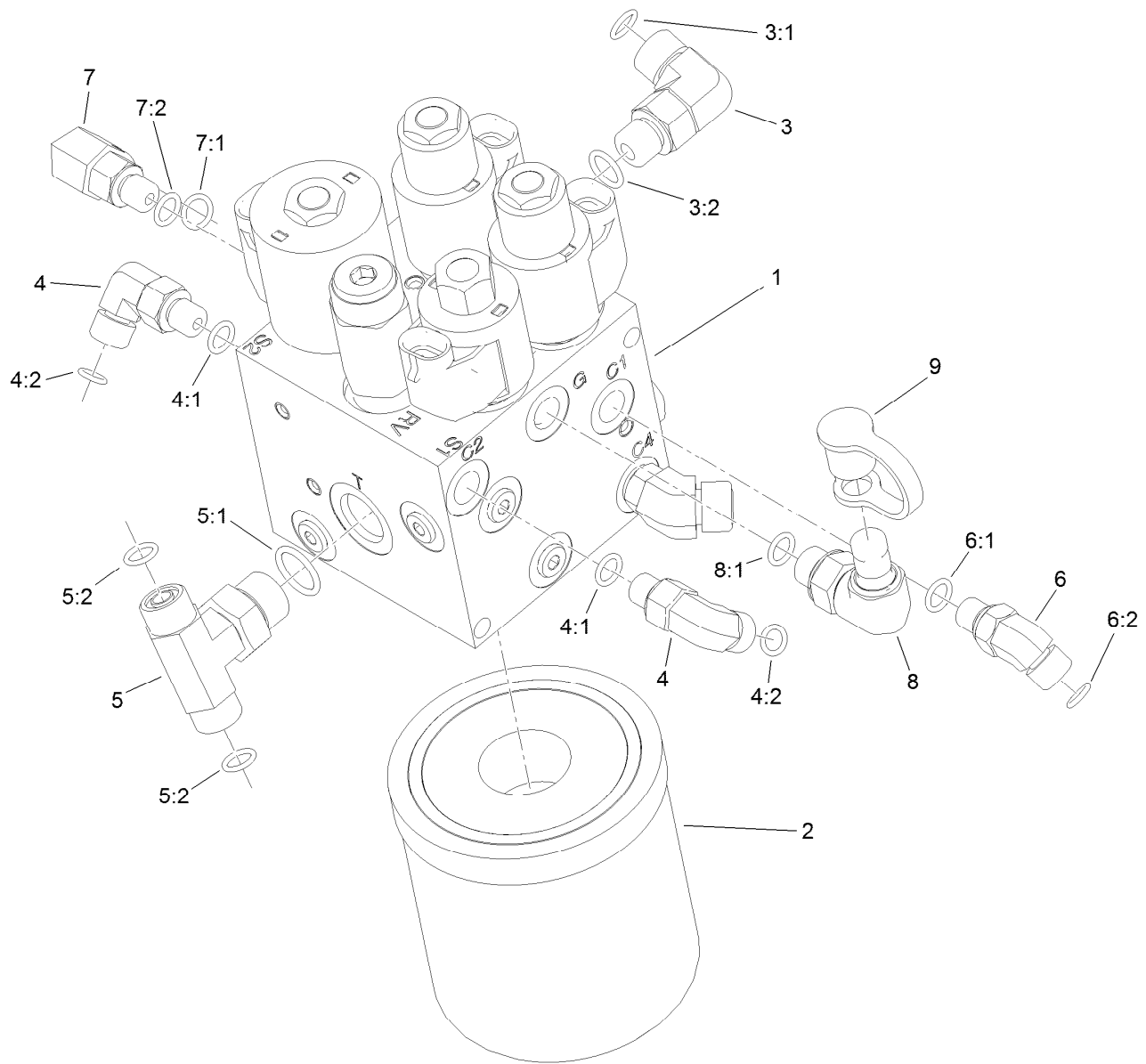
● Not serviced separately



Hydraulic Cylinder Assembly No. 119-8128

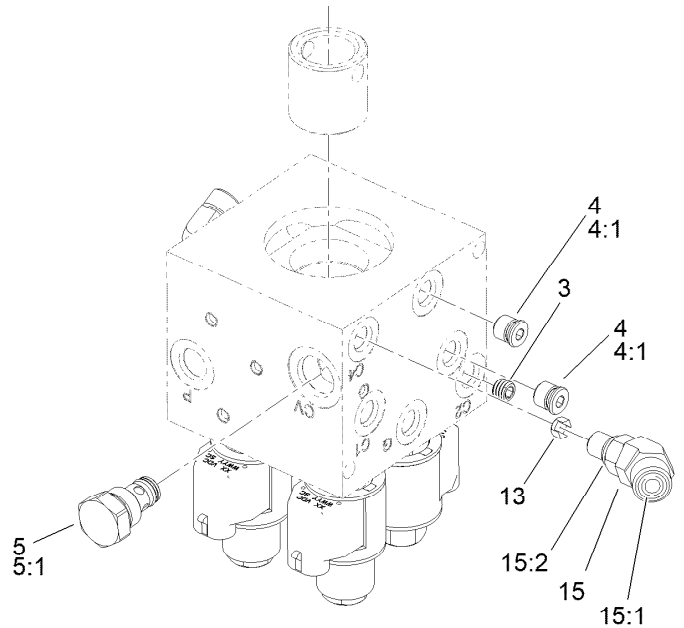
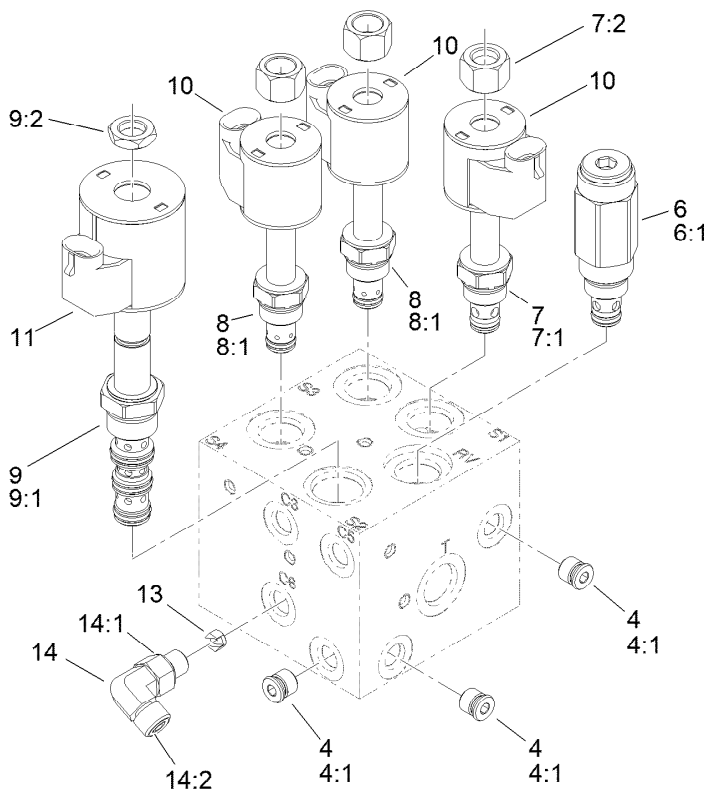
| <i>Ref.</i> | <i>Part Number</i> | <i>Qty.</i> | <i>Description</i> |
|-------------|--------------------|-------------|--------------------|
| 1 | 115-3410 | 1 | Seal Kit |
| 1:1 | | 1 | O-Ring ● |
| 1:2 | | 1 | Backup ● |
| 1:3 | | 1 | Bp Seal ● |
| 1:4 | | 1 | Bs Seal ● |
| 1:5 | | 1 | Seal-Dust ● |
| 1:6 | | 1 | O-Ring ● |
| 1:7 | | 1 | Ring-Wear ● |

● Not serviced separately



Hydraulic Lift Manifold Assembly

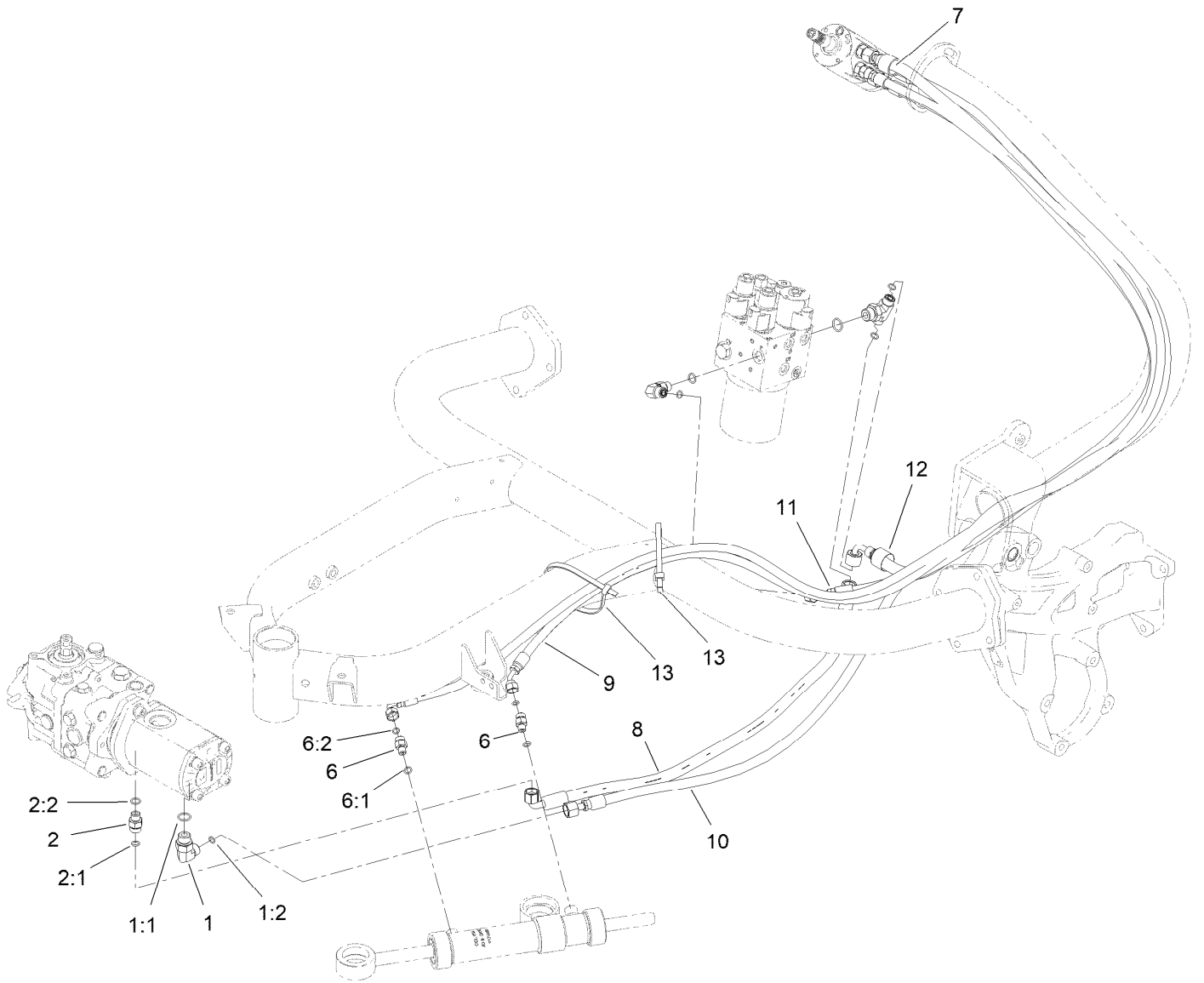
| Ref. | Part Number | Qty. | Description | Ref. | Part Number | Qty. | Description |
|------|-------------|------|-----------------------|------|-------------|------|-----------------------|
| 1 | 125-5187 | 1 | Manifold-Lift, HYD | 5:2 | 237-22 | 2 | O-Ring |
| 2 | 108-5194 | 1 | Filter-Oil, HYD | 6 | 340-103 | 1 | Fitting-HYD, 45 DEG |
| 3 | 340-77 | 1 | Fitting-Elbow, 90 DEG | 6:1 | 237-78 | 1 | O-Ring |
| 3:1 | 237-22 | 1 | O-Ring | 6:2 | 237-21 | 1 | O-Ring |
| 3:2 | 237-42 | 1 | O-Ring | 7 | 340-97 | 1 | Fitting-Elbow, 90 DEG |
| 4 | 340-132 | 2 | Fitting-Elbow, 90 DEG | 7:1 | 237-22 | 1 | O-Ring |
| 4:1 | 237-78 | 1 | O-Ring | 7:2 | 237-78 | 1 | O-Ring |
| 4:2 | 237-21 | 1 | O-Ring | 8 | 115-9147 | 1 | Fitting-Elbow, 90 DEG |
| 5 | 92-4799 | 1 | Fitting-Tee, HYD | 8:1 | 237-78 | 1 | O-Ring |
| 5:1 | 237-79 | 1 | O-Ring | 9 | 354-79 | 1 | Cap-Dust |



Hydraulic Lift Manifold Assembly No. 125-5187

| <i>Ref.</i> | <i>Part Number</i> | <i>Qty.</i> | <i>Description</i> |
|-------------|--------------------|-------------|---------------------|
| 3 | 119-7144 | 1 | Orifice (.037 Inch) |
| 4 | 353-990 | 5 | Plug ASM |
| 4:1 | 237-78 | 1 | O-Ring |
| 5 | 107-7524 | 1 | Check Valve ASM |
| 5:1 | 105-9156 | 1 | Seal Kit |
| 6 | 112-9207 | 1 | Valve-Relief |
| 6:1 | 105-9156 | 1 | Seal Kit |
| 7 | 107-7517 | 1 | Valve-Solenoid |
| 7:1 | 105-9156 | 1 | Seal Kit |
| 7:2 | 107-7812 | 1 | Nut-Solenoid |
| 8 | 147-3090 | 2 | Valve-Solenoid |
| 8:1 | 107-7527 | 1 | Seal Kit |

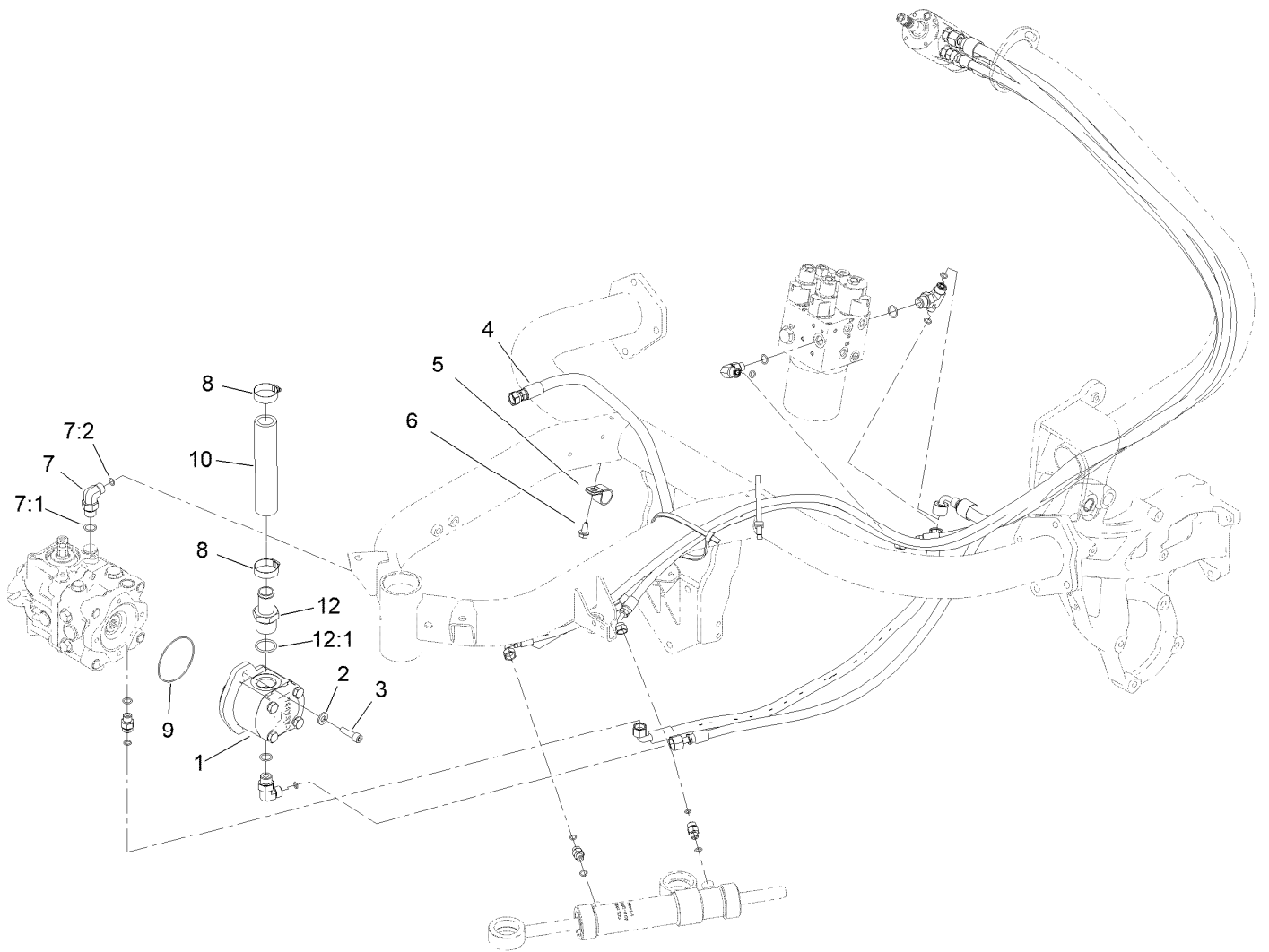
| <i>Ref.</i> | <i>Part Number</i> | <i>Qty.</i> | <i>Description</i> |
|-------------|--------------------|-------------|-------------------------------|
| 9 | 110-8906 | 1 | Valve-Solenoid |
| 9:1 | 110-8908 | 1 | Spool Valve Seal Kit |
| 9:2 | 110-2634 | 1 | Nut-Coil |
| 10 | 110-0497 | 3 | Coil-Solenoid |
| 11 | 110-6344 | 1 | Coil-12V, DC |
| 13 | 125-5211 | 2 | Orifice-Control, Flow (0.030) |
| 14 | 340-132 | 1 | Fitting-Elbow, 90 DEG |
| 14:1 | 237-78 | 1 | O-Ring |
| 14:2 | 237-21 | 1 | O-Ring |
| 15 | 340-54 | 1 | Elbow-45 DEG |
| 15:1 | 237-22 | 1 | O-Ring |
| 15:2 | 237-78 | 1 | O-Ring |



Steering Circuit Assembly

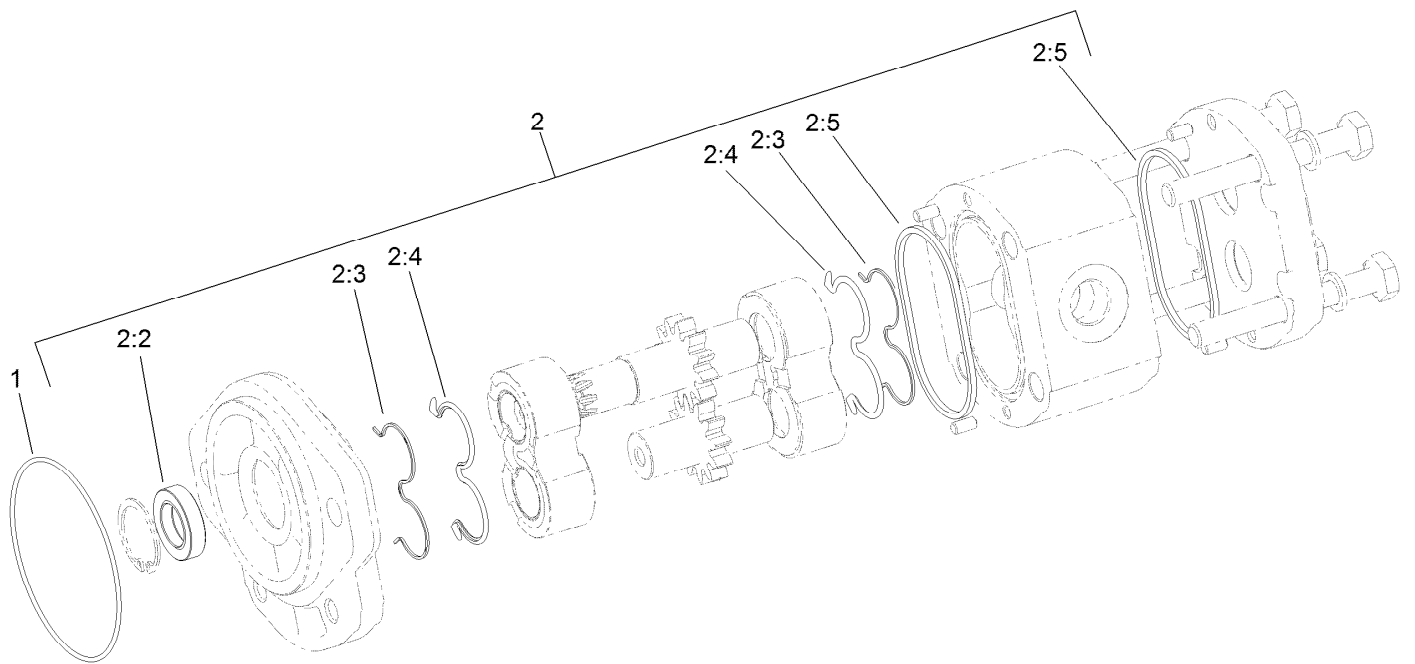
| Ref. | Part Number | Qty. | Description |
|------|-------------|------|---------------------|
| 1 | 340-18 | 1 | Fitting-HYD, 90 DEG |
| 1:1 | 237-79 | 1 | O-Ring |
| 1:2 | 237-22 | 1 | O-Ring |
| 2 | 340-2 | 1 | Fitting-Straight |
| 2:1 | 237-22 | 1 | O-Ring |
| 2:2 | 237-42 | 1 | O-Ring |
| 6 | 340-92 | 2 | Fitting-Straight |
| 6:1 | 237-78 | 1 | O-Ring |

| Ref. | Part Number | Qty. | Description |
|------|-------------|------|---------------|
| 6:2 | 237-21 | 1 | O-Ring |
| 7 | 119-8124 | 1 | Hose-HYD |
| 8 | 140-5230 | 1 | Hose ASM |
| 9 | 119-8123 | 1 | Hose-HYD |
| 10 | 145-0056 | 1 | HYD Hose ASM |
| 11 | 117-3683 | 1 | Hose-HYD |
| 12 | 140-5270 | 1 | Hose ASM, HYD |
| 13 | 3334-945 | 2 | Tie-Cable |



Steering Circuit Assembly (2)

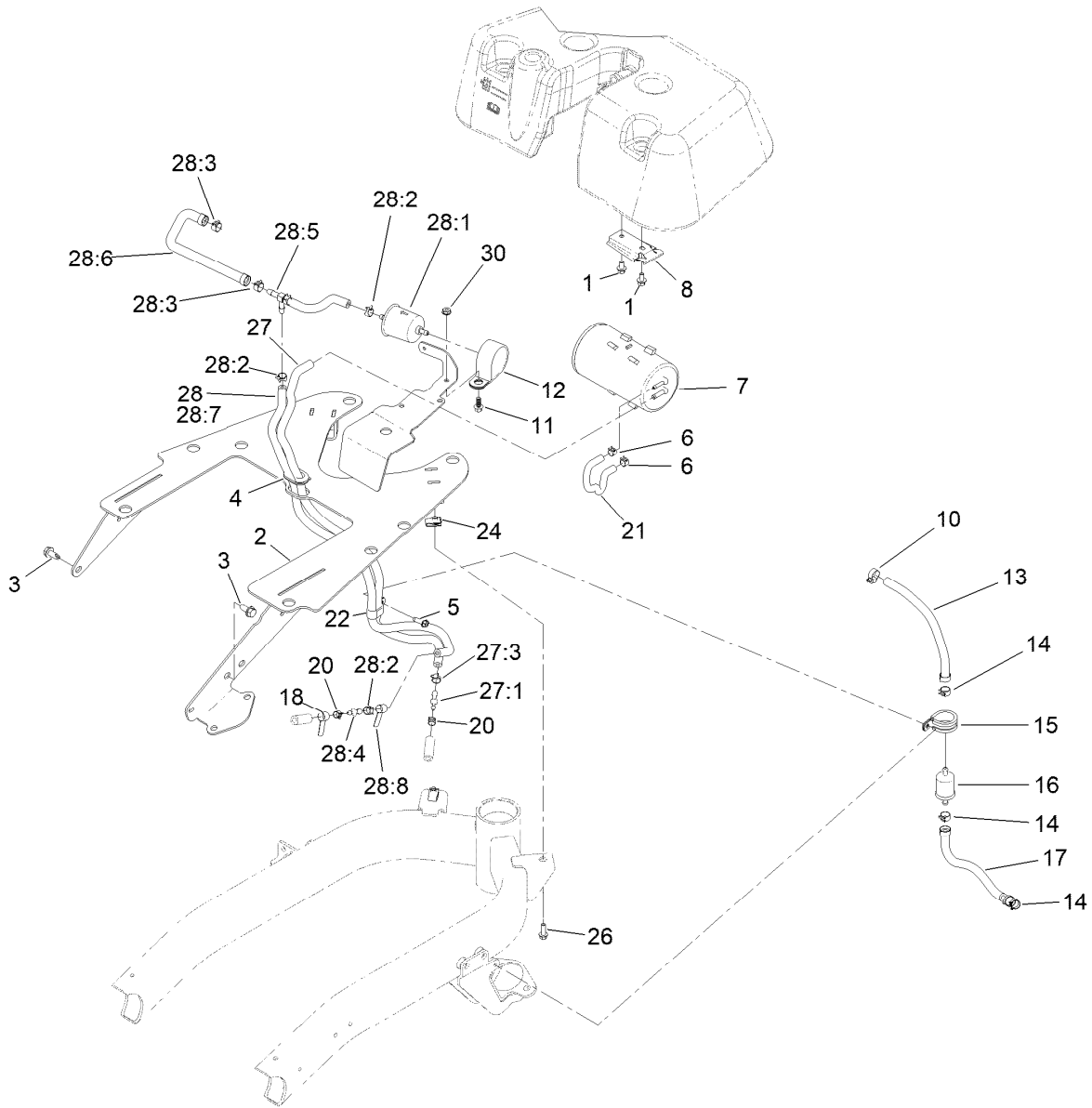
| Ref. | Part Number | Qty. | Description |
|------|-------------|------|---------------------|
| 1 | 114-9958 | 1 | HYD Gear Pump ASM |
| 2 | 100-4852 | 2 | Washer-Hardened |
| 3 | 3274-1 | 2 | Screw-HSH |
| 4 | 119-8125 | 1 | Hose-HYD |
| 5 | 2412-39 | 2 | Clamp-R |
| 6 | 32104-32 | 1 | Screw-HWH |
| 7 | 340-18 | 1 | Fitting-HYD, 90 DEG |
| 7:1 | 237-79 | 1 | O-Ring |
| 7:2 | 237-22 | 1 | O-Ring |
| 8 | 2412-34 | 2 | Clamp-Hose |
| 9 | 237-161 | 1 | O-Ring |
| 10 | 119-2069 | 1 | Hose-Suction |
| 12 | 354-78 | 1 | Fitting-STR |
| 12:1 | 237-146 | 1 | O-Ring |



Hydraulic Gear Pump Assembly No. 114-9958

| <i>Ref.</i> | <i>Part Number</i> | <i>Qty.</i> | <i>Description</i> |
|-------------|--------------------|-------------|-----------------------|
| 1 | 353-949 | 1 | O-Ring |
| 2 | 119-7135 | 1 | Kit-Seal |
| 2:2 | | 1 | Shaft Seal ● |
| 2:3 | | 2 | Anti-Extrusion Seal ● |
| 2:4 | | 2 | Seal ● |
| 2:5 | | 2 | Seal Square Section ● |

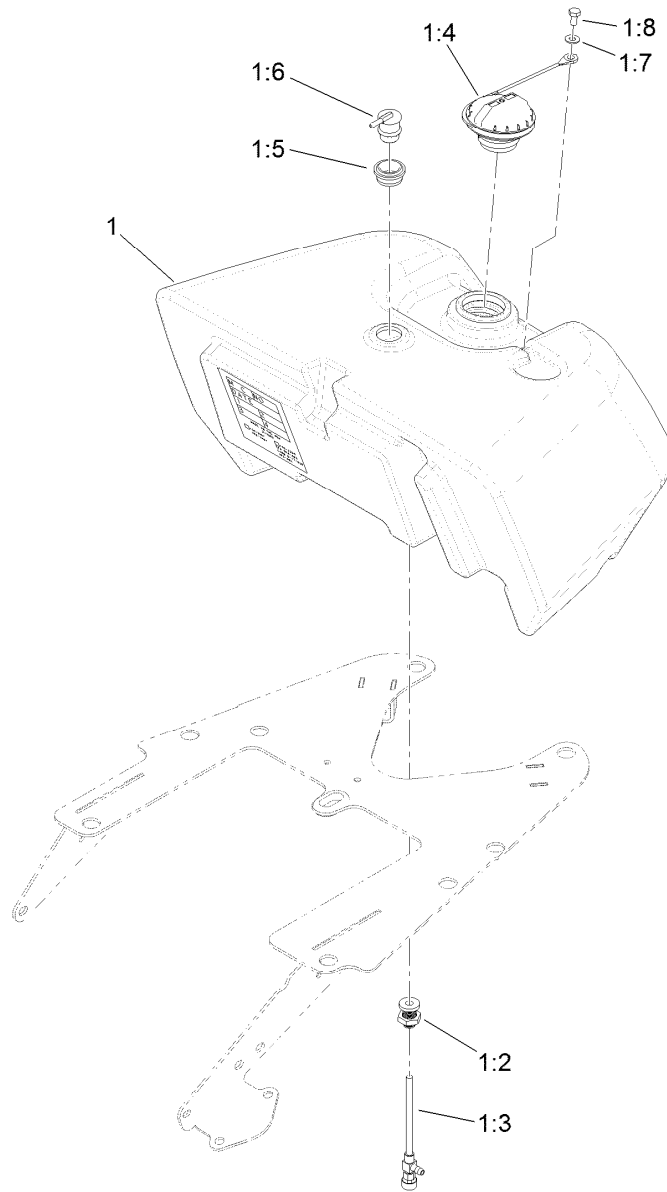
● Not serviced separately



Fuel Line and Carbon Canister Hose Routing Assembly

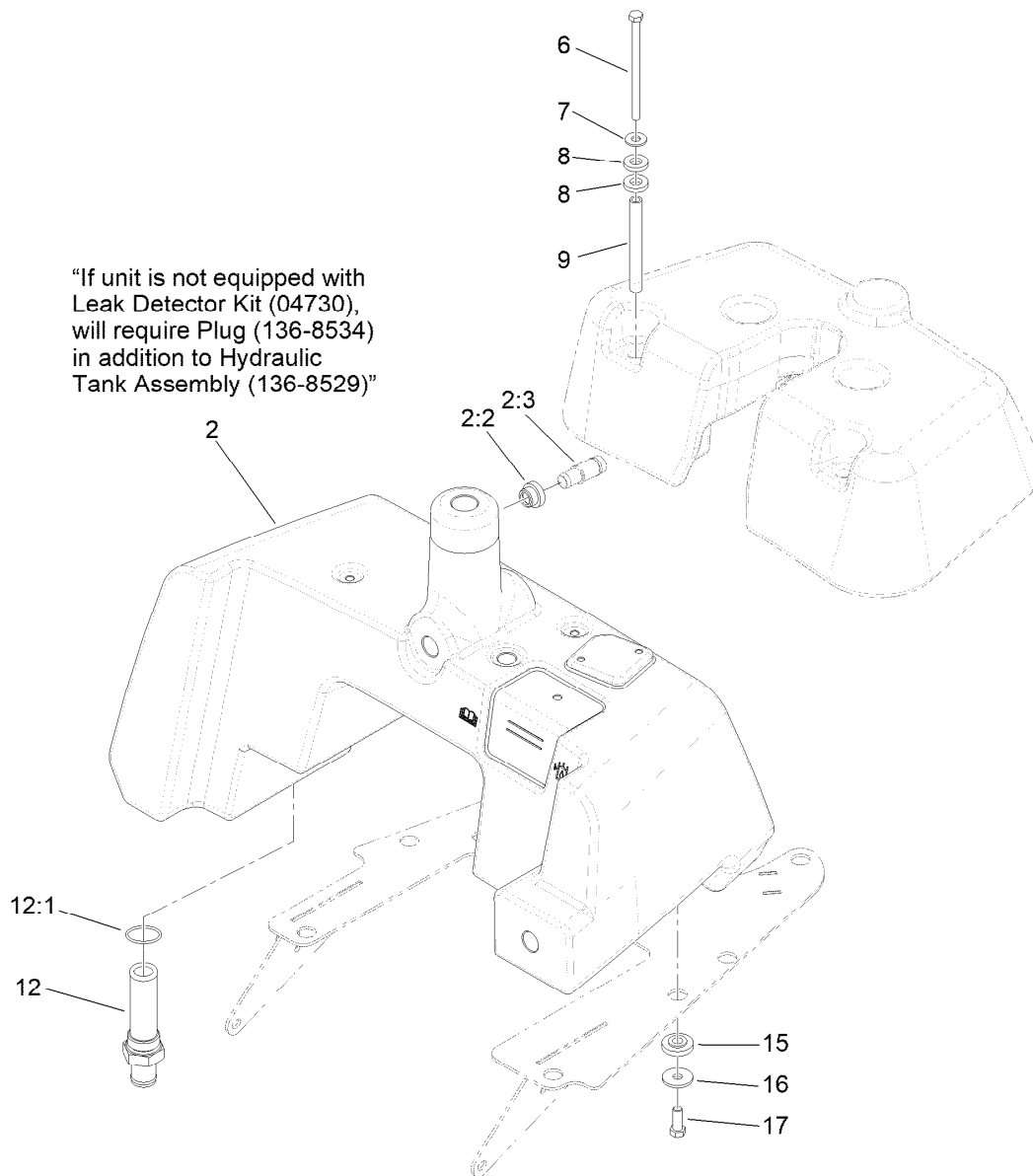
| Ref. | Part Number | Qty. | Description | Ref. | Part Number | Qty. | Description |
|------|-------------|------|--------------------------|------|-------------|------|----------------------|
| 1 | 3234-13 | 2 | Screw-HHF | 21 | 119-8523 | 1 | Hose-Fuel |
| 2 | 132-9597-03 | 1 | Plate Wa [black] | 22 | 119-8153 | 1 | Clamp-R, Double Tube |
| 3 | 32104-32 | 2 | Screw-HWH | 24 | 107069 | 2 | Clip |
| 4 | 240-5 | 2 | Grommet | 26 | 115-5103 | 2 | Screw-HHF |
| 5 | 49-2040 | 1 | Screw-HWHTF | 27 | 121-5181 | 1 | Purge Hose ASM |
| 6 | 2412-146 | 2 | Clamp-Hose | 27:1 | 121-2573 | 1 | Fitting-Straight |
| 7 | 127-8685 | 1 | Canister-Carbon | 27:3 | 2412-98 | 2 | Clamp-Hose |
| 8 | 114-0292 | 1 | Bracket-Canister, Carbon | 28 | | 1 | Tee Hose ASM ● |
| 10 | 2412-108 | 1 | Clamp-Worm | 28:1 | 121-2583 | 1 | Filter-Fuel, Inline |
| 11 | 99-6810 | 1 | Screw-HHF | 28:2 | 2412-98 | 3 | Clamp-Hose |
| 12 | 100-1424 | 1 | Clamp-R | 28:3 | 92-2379 | 2 | Clamp-Hose |
| 13 | 109-0282 | 1 | Hose-Fuel | 28:4 | 121-2573 | 1 | Fitting-Straight |
| 14 | 92-2379 | 3 | Clamp-Hose | 28:5 | 121-6663 | 1 | Check Valve Hose ASM |
| 15 | 120-2037 | 1 | R-Clamp | 28:6 | 139-6544 | 1 | Hose-Formed |
| 16 | 94-2690 | 1 | Filter-Fuel | 28:7 | 109-3491 | 1 | Hose-Fuel |
| 17 | 109-0293 | 1 | Hose-Fuel | 28:8 | 121-6664 | 1 | Decal-Cleaner, Air |
| 18 | 121-6664 | 1 | Decal-Cleaner, Air | 30 | 32149-2 | 1 | Nut-Keps |
| 20 | 2412-80 | 2 | Clamp-Hose | | | | |

● Not serviced separately



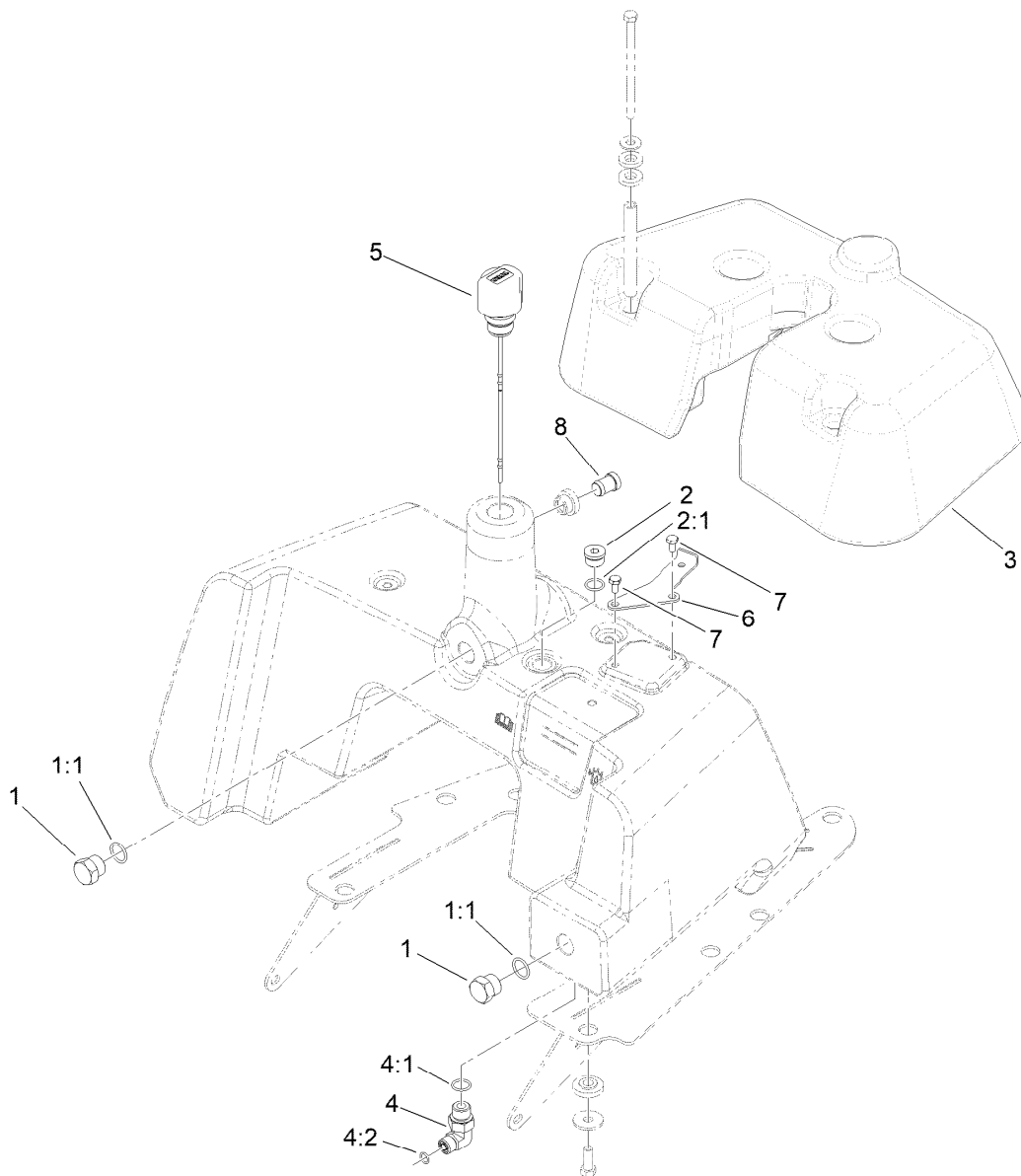
Fuel Tank Assembly

| Ref. | Part Number | Qty. | Description |
|-------------|--------------------|-------------|------------------------|
| 1 | 139-2664 | 1 | Fuel Tank ASM, Gas |
| 1:2 | 114-4677 | 1 | Bulkhead ASM |
| 1:3 | 114-4679 | 1 | Fitting-Shut Off, Fuel |
| 1:4 | 117-1722 | 1 | Cap-Fuel |
| 1:5 | 114-0284 | 1 | Grommet |
| 1:6 | 119-3547 | 1 | Valve-Vent, Fuel |
| 1:7 | 3256-1 | 1 | Washer-Flat |
| 1:8 | 321-2 | 1 | Screw-HH |



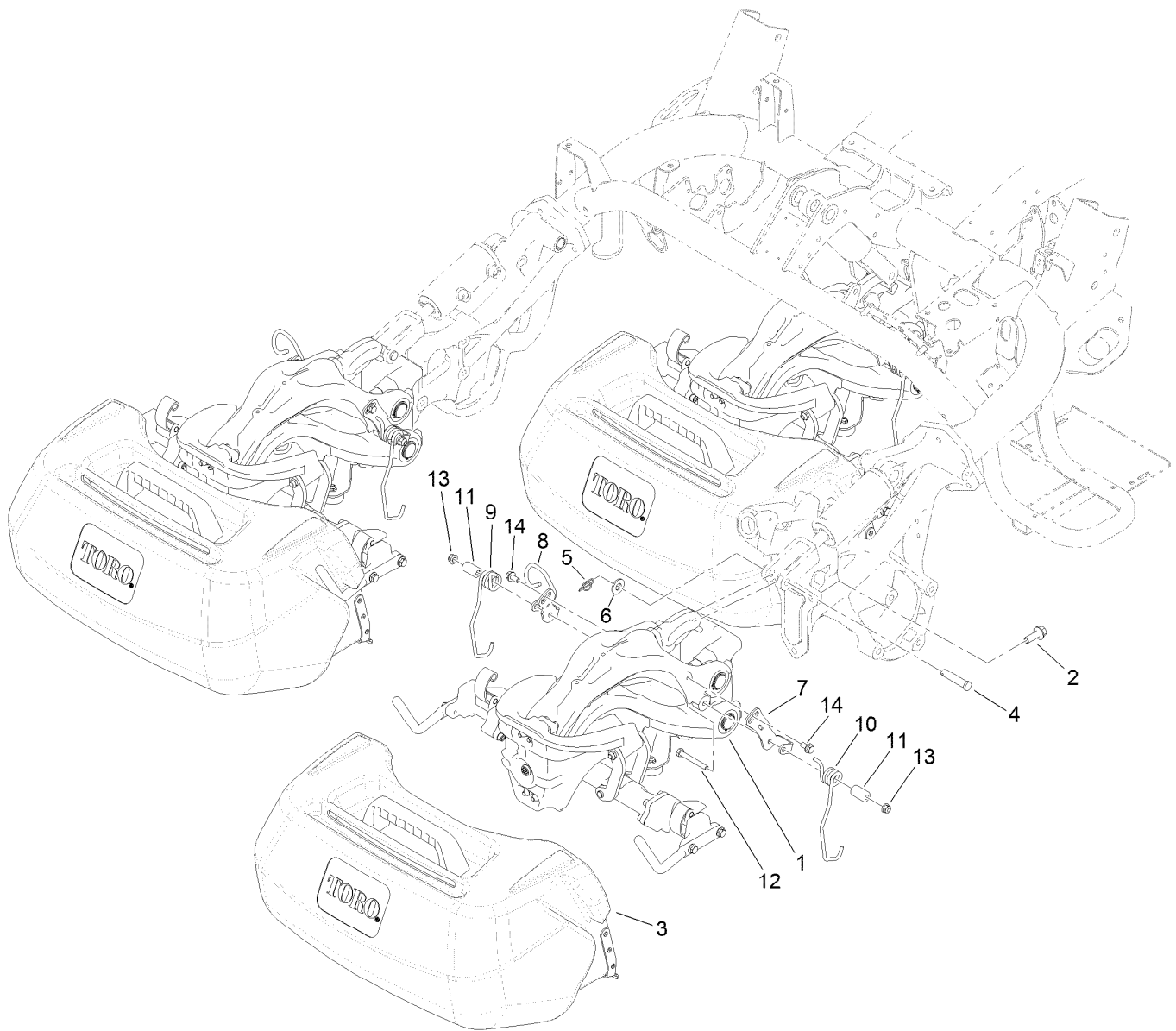
Hydraulic Tank Assembly

| Ref. | Part Number | Qty. | Description |
|------|-------------|------|----------------------|
| 2 | 136-8529 | 1 | HYD Tank ASM |
| 2:2 | 136-8531 | 1 | Grommet |
| 2:3 | 136-8532 | 1 | Spout |
| 6 | 322-29 | 4 | Screw-HH |
| 7 | 3256-71 | 4 | Washer-Flat |
| 8 | 83-1470 | 8 | Washer-Neoprene |
| 9 | 145-4580 | 4 | Spacer-Tube |
| 12 | 112-0211 | 1 | Strainer Fitting ASM |
| 12:1 | 237-146 | 1 | O-Ring |
| 15 | 240-11 | 8 | Bushing-Flange |
| 16 | 63-8410 | 8 | Washer |
| 17 | 323-6 | 8 | Screw-HH |



Hydraulic Tank Cover Assembly

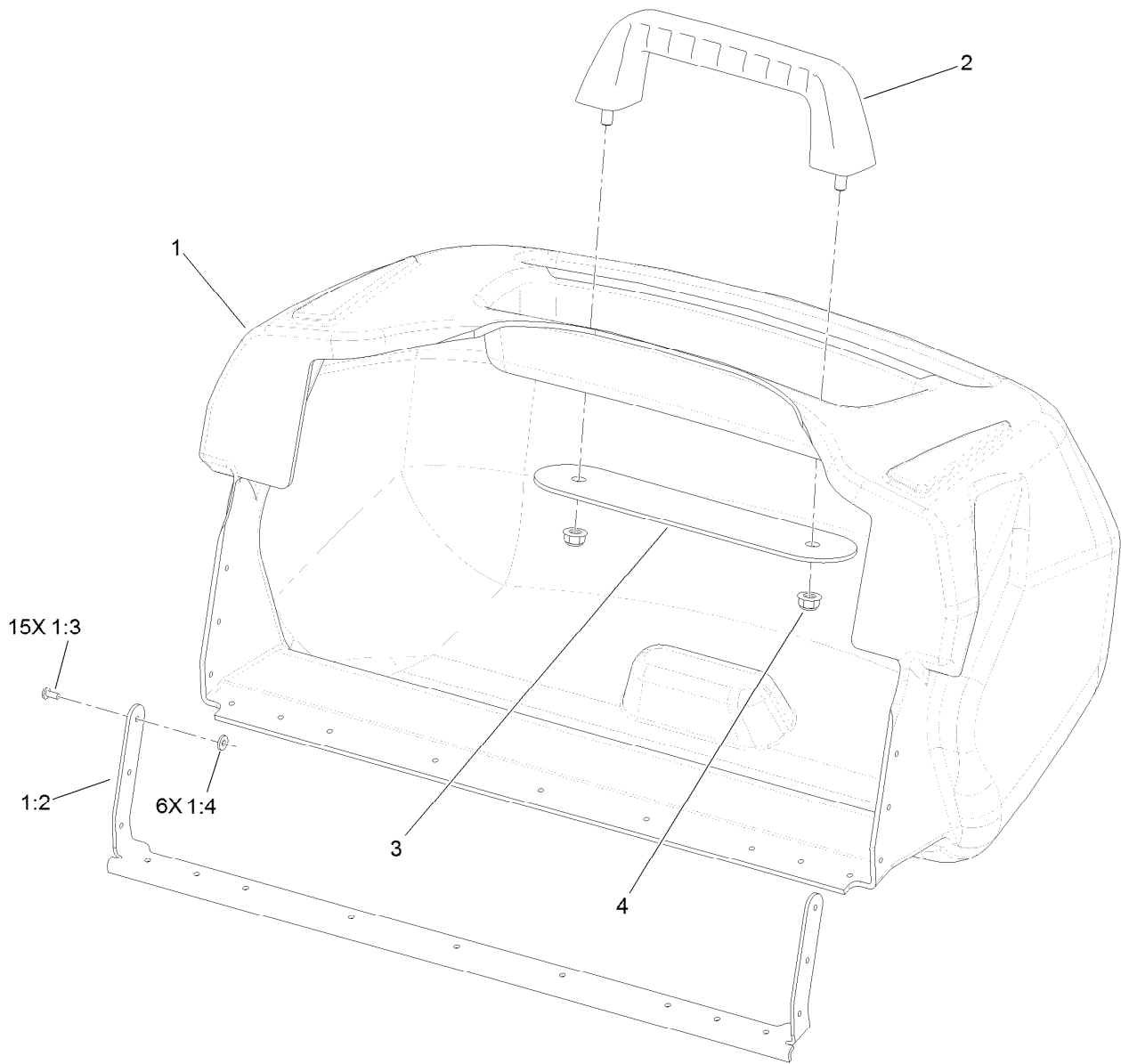
| Ref. | Part Number | Qty. | Description |
|------|-------------|------|---------------------|
| 1 | 353-551 | 2 | Plug-HH |
| 1:1 | 237-80 | 1 | O-Ring |
| 2 | 353-988 | 1 | Plug-Hex |
| 2:1 | 237-79 | 1 | O-Ring |
| 3 | 136-8520 | 1 | Cover-Tank |
| 4 | 340-18 | 1 | Fitting-HYD, 90 DEG |
| 4:1 | 237-79 | 1 | O-Ring |
| 4:2 | 237-22 | 1 | O-Ring |
| 5 | 136-8559 | 1 | Dipstick-Breather |
| 6 | 121-5182 | 1 | Plate-Filter |
| 7 | 120-9688 | 2 | Screw-HH |
| 8 | 136-8534 | 1 | Plug |



Suspension and Basket Assembly

| Ref. | Part Number | Qty. | Description |
|------|-------------|------|-----------------------|
| 1 | | 3 | Suspension ASM ● |
| 2 | 117-9035 | 9 | Screw-HHF |
| 3 | 132-9599 | 3 | Basket ASM |
| 4 | 92-2739 | 3 | Pin-Clevis |
| 5 | 112-1491 | 3 | Pin-Cotter |
| 6 | 29-8910 | 3 | Washer |
| 7 | 133-8998 | 3 | Retainer-Spring, LH |
| 8 | 133-9025 | 3 | Bracket ASM |
| 9 | 117-6826 | 3 | Spring-Stabilizer, RH |
| 10 | 117-6827 | 3 | Spring-Stabilizer, LH |
| 11 | 117-6825 | 6 | Spacer |
| 12 | 322-12 | 6 | Screw-HH |
| 13 | 104-8300 | 6 | Nut-HF, NI |
| 14 | 114-7728 | 6 | Screw-HF, Spcl |

● Not serviced separately



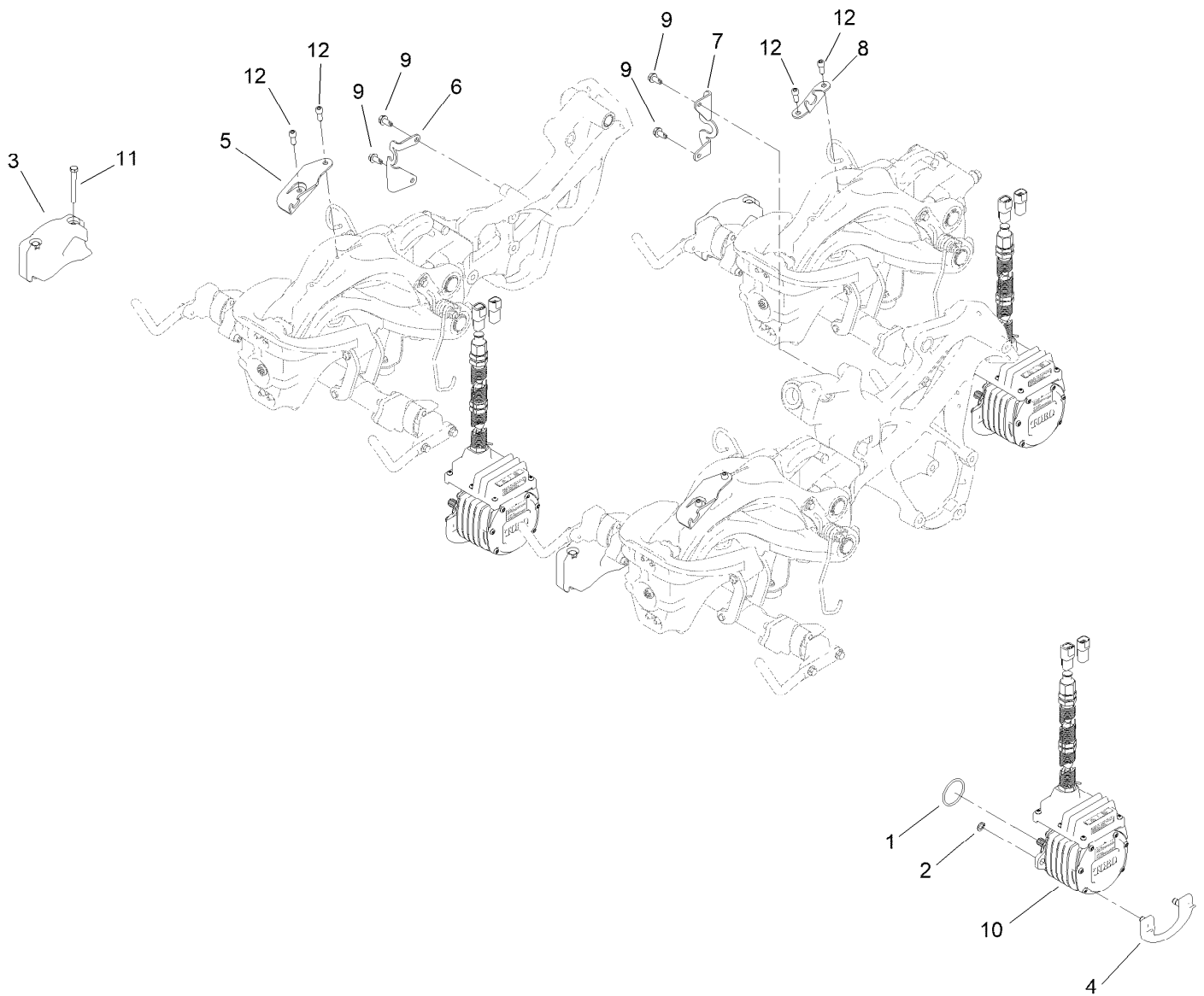
Basket Assembly No. 132-9599

| <i>Ref.</i> | <i>Part Number</i> | <i>Qty.</i> | <i>Description</i> |
|-------------|--------------------|-------------|--------------------|
| 1 | 132-9510 | 1 | Basket Assembly |
| 1:2 | 132-3806 | 1 | Support-Basket |
| 1:3 | 3269-25 | 15 | Rivet-Pop |
| 1:4 | 3256-75 | 6 | Washer-Flat |
| 2 | 117-8088 | 1 | Handle-Grab |
| 3 | 117-8092-03 | 1 | Plate-Mounting |
| 4 | 104-8300 | 2 | Nut-HF, NI |



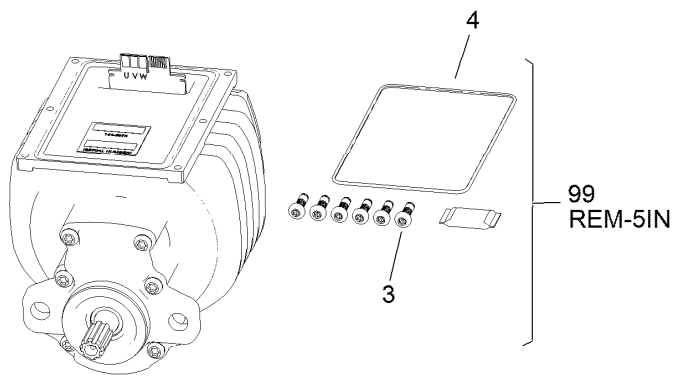
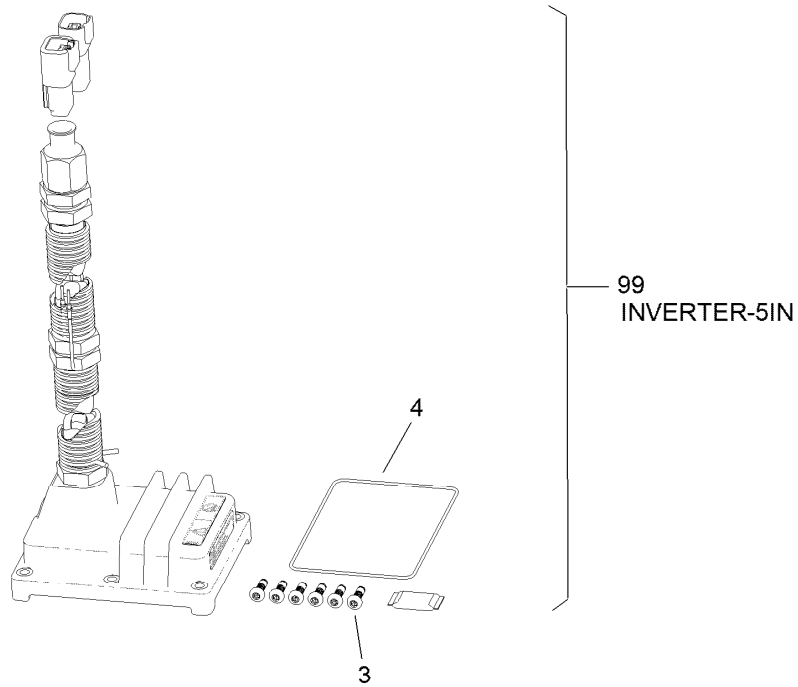
Suspension Pin Position Assembly

| <i>Ref.</i> | <i>Part Number</i> | <i>Qty.</i> | <i>Description</i> |
|-------------|--------------------|-------------|--------------------|
| 1 | 100-6541 | 3 | Pin-Clevis |
| 2 | 112-1491 | 3 | Pin-Cotter |



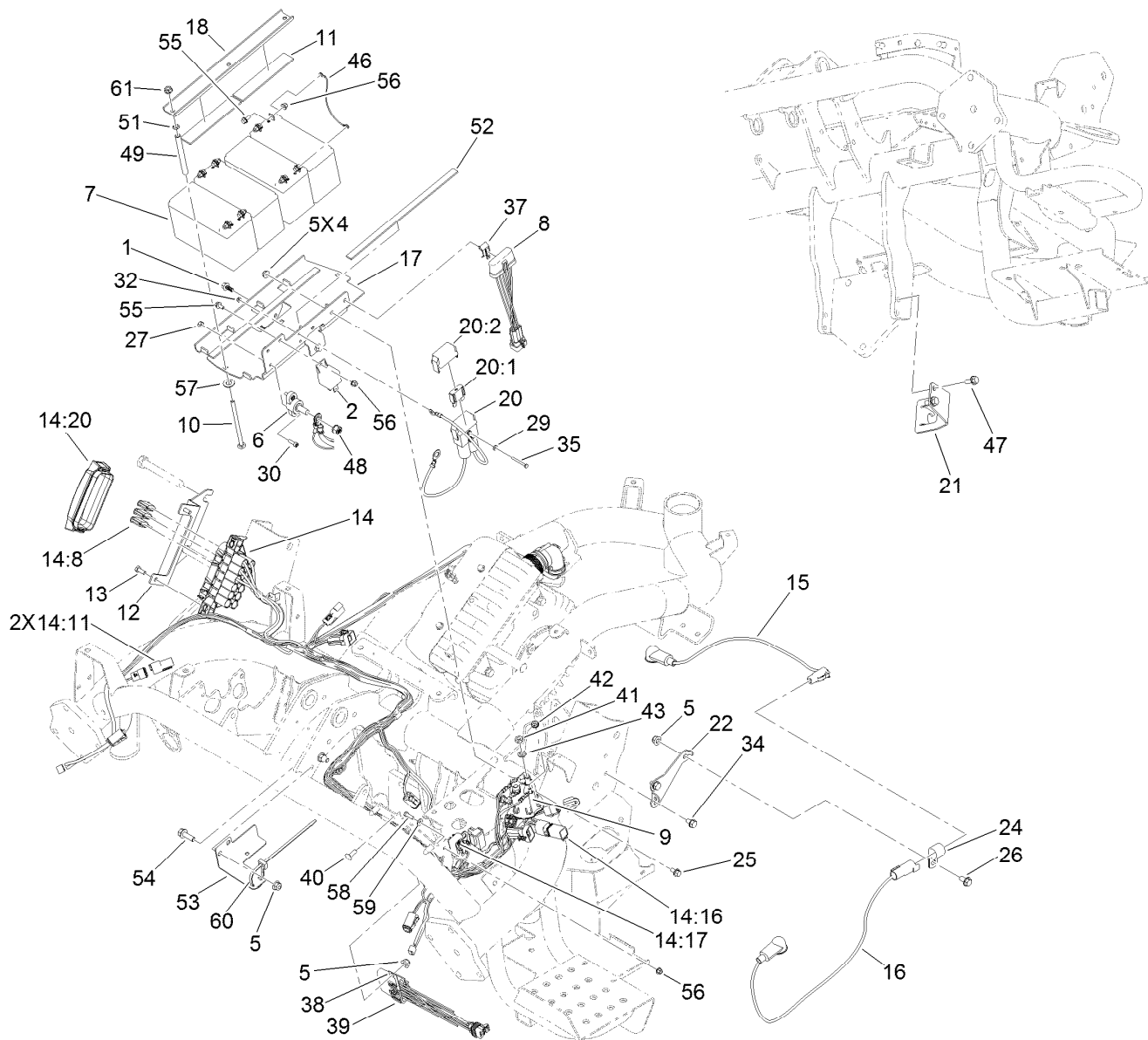
Electric Motor and Bracket Assembly

| Ref. | Part Number | Qty. | Description |
|------|-------------|------|-------------------------|
| 1 | 115-3298 | 3 | O-Ring |
| 2 | 133-8926 | 6 | Ring-Retaining (Metric) |
| 3 | 117-6774-03 | 3 | Weight-Electric |
| 4 | 115-5389 | 3 | Cam-Mount, Motor |
| 5 | 119-7487 | 2 | Bracket-Clamp, Hose |
| 6 | 138-9741 | 1 | Bracket-Hose |
| 7 | 120-4531 | 1 | Bracket-Hose |
| 8 | 119-7540 | 1 | Bracket-Hose, Rear |
| 9 | 32104-32 | 4 | Screw-HWH |
| 10 | 144-6666 | 3 | Rem/Inv Assy, 5In Grn |
| 11 | 322-13 | 6 | Screw-HH |
| 12 | 100-2401 | 6 | Screw-HSH |



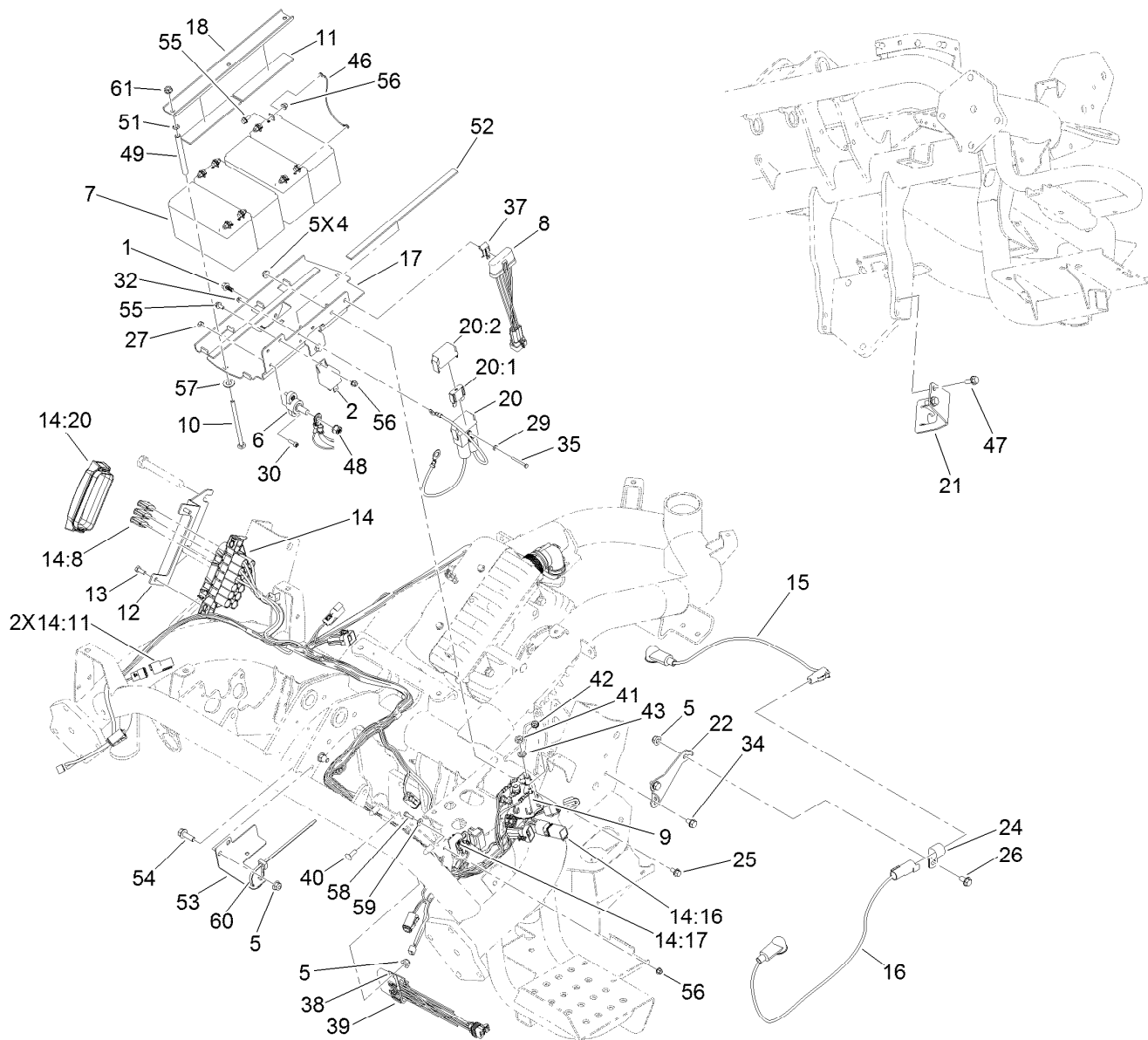
Motor Assembly No. 144-6666

| Ref. | Part Number | Qty. | Description |
|------|-------------|------|--------------------------------|
| 3 | 144-6692 | 6 | Screw-Tph |
| 4 | 144-6731 | 1 | Service Kit-Controller & Motor |
| 4 | 144-6738 | 1 | O-Ring-Formed, Controller |
| 99 | 161-0344 | 1 | Rem-5In Greens |
| 99 | 161-0345 | 1 | Inverter-5In Greens |



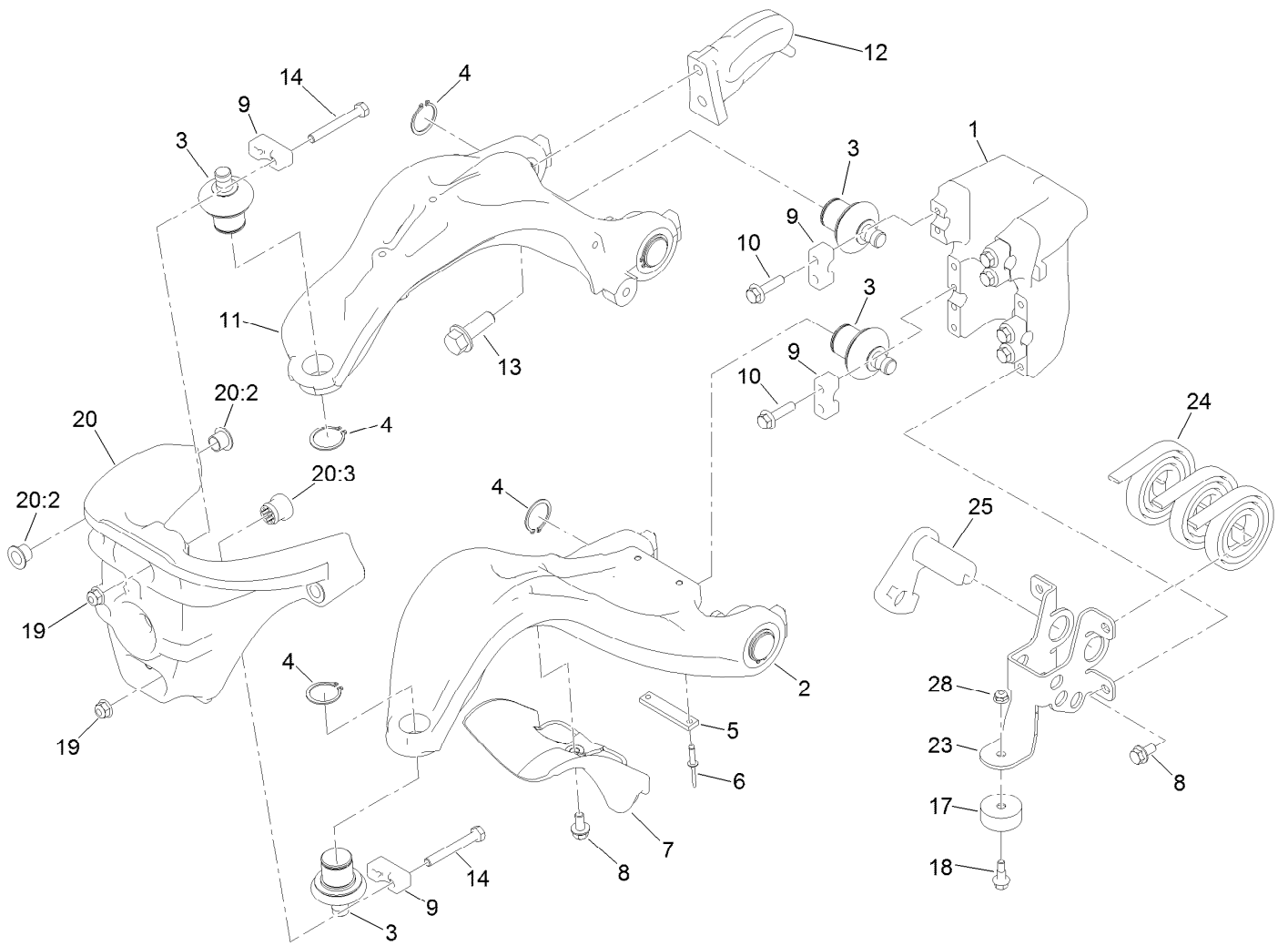
Electric Mow Battery Assembly

| Ref. | Part Number | Qty. | Description | Ref. | Part Number | Qty. | Description |
|-------|-------------|------|----------------------------------|------|-------------|------|----------------------------------|
| 1 | 99-6810 | 3 | Screw-HHF | 16 | 119-1784 | 1 | Harness-Wire, Battery Disconnect |
| 2 | 99-7435 | 1 | Relay | 17 | 132-3770-01 | 1 | Plate-Battery |
| 4 | 104-7201 | 5 | Nut-HF, NI | 18 | 119-2104-01 | 1 | Channel-Clamp, Battery |
| 5 | 104-8300 | 4 | Nut-HF, NI | 20 | 119-5773 | 1 | Harness-Wire |
| 6 | 110-8823 | 1 | Block-Junction | 20:1 | 120-3954 | 1 | Fuse-60 Amp |
| 7 | 112-9621 | 4 | Battery-Wet, 12V 9Ah, Sealed | 20:2 | 32180-085 | 1 | Fuse-Cover |
| 8 | 112-9630 | 1 | Module-Reel, I.D. | 21 | 119-7566-03 | 1 | Bracket-Hose, Rear |
| 9 | 122-1274 | 1 | Contactor-DC, 48V | 22 | 119-8175 | 1 | Bracket-Disconnect |
| 10 | 120-4585 | 3 | Screw-CARR | 24 | 2412-4 | 1 | Clamp-R |
| 11 | 115-9477 | 2 | Strip-Foam | 25 | 3234-13 | 2 | Screw-HHF |
| 12 | 131-3100-03 | 1 | Bracket-Holder, Fuse | 26 | 3234-7 | 1 | Screw-HHF |
| 13 | 33113-016 | 2 | Screw-HH | 27 | 3296-21 | 2 | Nut-Hex |
| 14 | 122-0523 | 1 | Harness-Wire, E-Reels | 29 | 3256-12 | 2 | Washer-Flat |
| 14:8 | 122-0255 | 3 | Fuse-Maxi, 35 Amp-58V | 30 | 3273-26 | 2 | Screw-HSH |
| 14:11 | 32180-043 | 2 | Resistor-120 Ohm | 32 | 3296-9 | 2 | Nut-Hex |
| 14:16 | 119-7781 | 1 | Diode-Sealed | 34 | 32104-82 | 2 | Screw-HHF |
| 14:17 | 120-3958 | 1 | Fuse-Blade, 10A | 35 | 32105-21 | 2 | Screw-HH |
| 14:20 | 32180-146 | 1 | Cover-Fuse | 37 | 32180-011 | 1 | Clip-Connector |
| 15 | 119-1783 | 1 | Harness-Wire, Battery Disconnect | 38 | 32180-020 | 1 | Clip-Connector |
| | | | | 39 | 119-4330 | 1 | Isolated Can Module ASM |



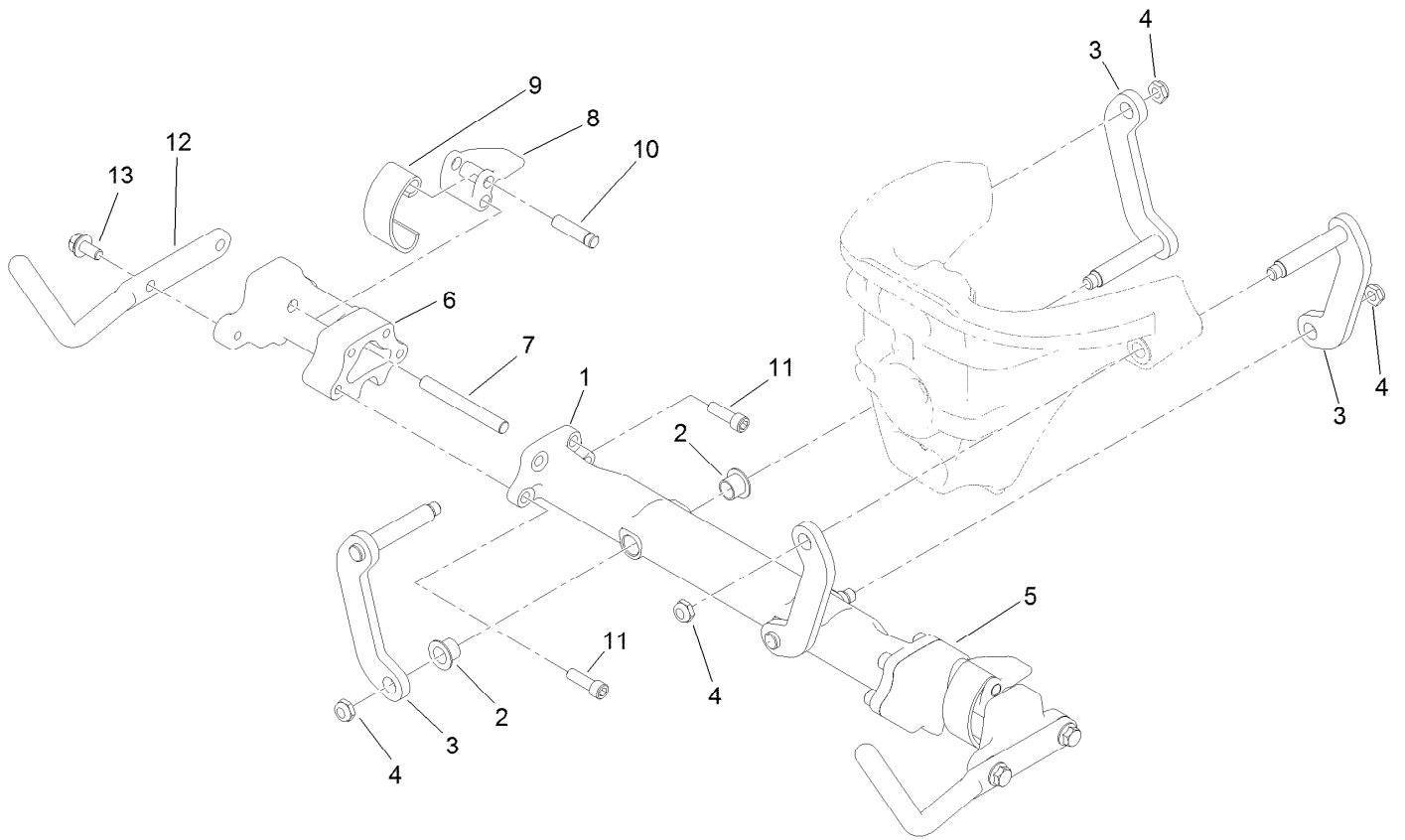
Electric Mow Battery Assembly (continued)

| <i>Ref.</i> | <i>Part Number</i> | <i>Qty.</i> | <i>Description</i> | <i>Ref.</i> | <i>Part Number</i> | <i>Qty.</i> | <i>Description</i> |
|-------------|--------------------|-------------|-----------------------------------|-------------|--------------------|-------------|--------------------|
| 40 | 1-807512 | 1 | Bolt-CARR | 52 | 115-8827 | 2 | Foam-Strip |
| 41 | 3220-2 | 2 | Nut-Jam | 53 | 120-4570 | 1 | Bracket-Harness |
| 42 | 32149-8 | 2 | Nut-Keps | 54 | 3234-29 | 2 | Screw-HHF |
| 43 | 3253-4 | 2 | Washer-Lock | 55 | 120-4579 | 9 | Screw-HHF |
| 46 | 119-1782 | 3 | Harness-Wire, Jumper (Battery) | 56 | 120-4580 | 10 | Nut-HF |
| 47 | 32144-14 | 2 | Screw-HWHTF | 57 | 48-9220 | 3 | Washer-Flat |
| 48 | 32149-10 | 1 | Nut-Keps | 58 | 60-6910 | 1 | Screw-HH |
| 49 | 120-4586 | 3 | Tube | 59 | 3256-14 | 1 | Washer-Flat |
| 51 | 1-803037 | 3 | Nut-Retaining | 60 | 3290-378 | 1 | Tie-Cable |
| | | | | 61 | 32128-33 | 3 | Nut-HF |



Suspension A-Arm Assembly

| Ref. | Part Number | Qty. | Description | Ref. | Part Number | Qty. | Description |
|------|-------------|------|---------------------|------|-------------|------|--------------------|
| 1 | 117-9480 | 1 | Mount-Pivot, A-Arms | 13 | 100-6116 | 2 | Screw-HHF |
| 2 | 117-6656 | 1 | A-Arm, Lower | 14 | 132-3838 | 4 | Screw-HH |
| 3 | 132-6959 | 6 | Balljoint | 17 | 133-0308 | 1 | Bumper-Rubber |
| 4 | 120-3225 | 6 | Ring-Retaining, EXT | 18 | 133-0315 | 1 | Screw-Shoulder, HF |
| 5 | 117-6674 | 1 | Plate-Striker | 19 | 104-8300 | 4 | Nut-HF, NI |
| 6 | 3269-28 | 2 | Rivet-Pop | 20 | 120-3216 | 1 | Steering Head ASM |
| 7 | 117-6755 | 1 | Stop-Steering | 20:2 | 125-5239 | 4 | Bushing-Flange |
| 8 | 114-7728 | 5 | Screw-HF, Spcl | 20:3 | 131-1836 | 1 | Grommet |
| 9 | 112-5647 | 6 | Clamp | 23 | 140-5232 | 1 | C-Balance Mount |
| 10 | 132-3837 | 8 | Screw-HHF | 24 | 114-9306 | 3 | Spring |
| 11 | 139-6452 | 1 | A-Arm, Upper | 25 | 140-5234 | 1 | Tensioner |
| 12 | 139-8407 | 1 | Plate-Lift | 28 | 104-7201 | 1 | Nut-HF, NI |



Suspension Crossarm Assembly

| <i>Ref.</i> | <i>Part Number</i> | <i>Qty.</i> | <i>Description</i> |
|-------------|--------------------|-------------|---------------------|
| 1 | 120-3217 | 1 | Crossarm |
| 2 | 125-5239 | 4 | Bushing-Flange |
| 3 | 117-6654 | 4 | Link |
| 4 | 3296-59 | 4 | Nut-Lock, NI |
| 5 | 117-9482 | 1 | Mount-Cross Arm, LH |
| 6 | 117-9492 | 1 | Mount-Cross Arm, RH |
| 7 | 114-8051 | 2 | Pin-Pivot |
| 8 | 114-8047 | 2 | Lever |
| 9 | 114-8048 | 2 | Spring |
| 10 | 114-8049 | 2 | Pin-Pivot |
| 11 | 120-3227 | 8 | Screw-HSH |
| 12 | 120-2784-01 | 2 | Horn-Basket |
| 13 | 114-7728 | 4 | Screw-HF, Spcl |

Attachments and Accessories

For 04530 Greensmaster 3320 TriFlex Traction Unit

| Product Name | Model/Part |
|------------------------------------------------------------------------|-------------------|
| Turf Evaluator | 04399 |
| Standard Greensmower Seat Kit | 04508 |
| Light Kit..... | 04554 |
| 8-Blade DPA Reel Mower | 04651 |
| 11-Blade DPA Reel Mower | 04653 |
| 14-Blade DPA Reel Mower | 04655 |
| Three-Wheel Drive Kit | 04714 |
| Anti-Bobbing Kit..... | 04716 |
| Dethatching Unit | 04720 |
| Tri-Roller | 04722 |
| Spiker | 04723 |
| Premium Seat..... | 04729 |
| Hydraulic Oil Leak Detector Kit | 04730 |
| Spark Arrestor Screen | 104-6540 |
| Wireless Hourmeter | 115-4754 |
| Premium Synthetic Bio-Degradable Hydraulic Fluid (5 Gallon Pail) | 119-2157 |
| Premium Synthetic Bio-Degradable Hydraulic Fluid (55 Gallon Drum)..... | 119-2158 |
| Premium Armrest Kit..... | 119-7105 |
| Weight Kit | 119-7129 |
| Three-Wheel Drive Weight Kit | 120-5750 |
| Armrest Kit..... | 121-3660 |
| Premium Engine Oil 10w30 (55 Gallon Drum) | 121-6392 |
| Premium Engine Oil 10w30 (5 Gallon Pail) | 121-6393 |
| Hi-Back Seat Cover | 133-1308 |
| PX Hydraulic Fluid (5 Gal) | 133-8086 |
| PX Hydraulic Fluid (55 Gal)..... | 133-8087 |
| Bag Kit | 137-8130 |
| Bimini Shade Kit | 138-8579 |
| TriFlex Hydraulic Hose Rebuild MVP Kit..... | 140-5233 |
| Tire - 20 X 10.00-8, 4ply..... | 144-3665 |
| MVP Kit 1000 Hour - GR3300/3320 | 44969 |
| Height-of-Cut Bar..... | 94-9010 |



Count on it.