



Count on it.

Parts Catalog

Groundsmaster® 3310
All-Wheel Drive Traction Unit

Model No. 31903—Serial No. 415400000 and Up



Ordering Replacement Parts

To order replacement parts, please supply the part number, the quantity, and the description of each part desired.

Understanding Reference Numbers

Each identified part in an illustration has a reference number. The reference number for a part also appears in the parts list, along with other information about the part.

This catalog uses two special reference number formats, one to indicate parts in a service assembly and another to indicate the quantity of a given part in an illustration.

Service Assembly Reference Numbers

Parts in service assemblies have reference numbers in the form a:b. The a represents the reference number of the entire service assembly and the b represents a sequential number unique to each part within the service assembly.

For example, a wheel assembly might be identified by reference number 6, the tire by 6:1, the valve by 6:2, and the wheel by 6:3. When you order the assembly identified by reference number 6, you receive all parts identified by reference numbers 6:1, 6:2, and 6:3. However, you may also order any part individually. Reference numbers of this type appear in illustration and in parts lists.

Reference Numbers Indicating Quantity

In an illustration, if a reference number indicates more than one part, the reference number has the form nX y. The n represents the quantity of the part, the X is the multiplication symbol, and the y represents the reference number.

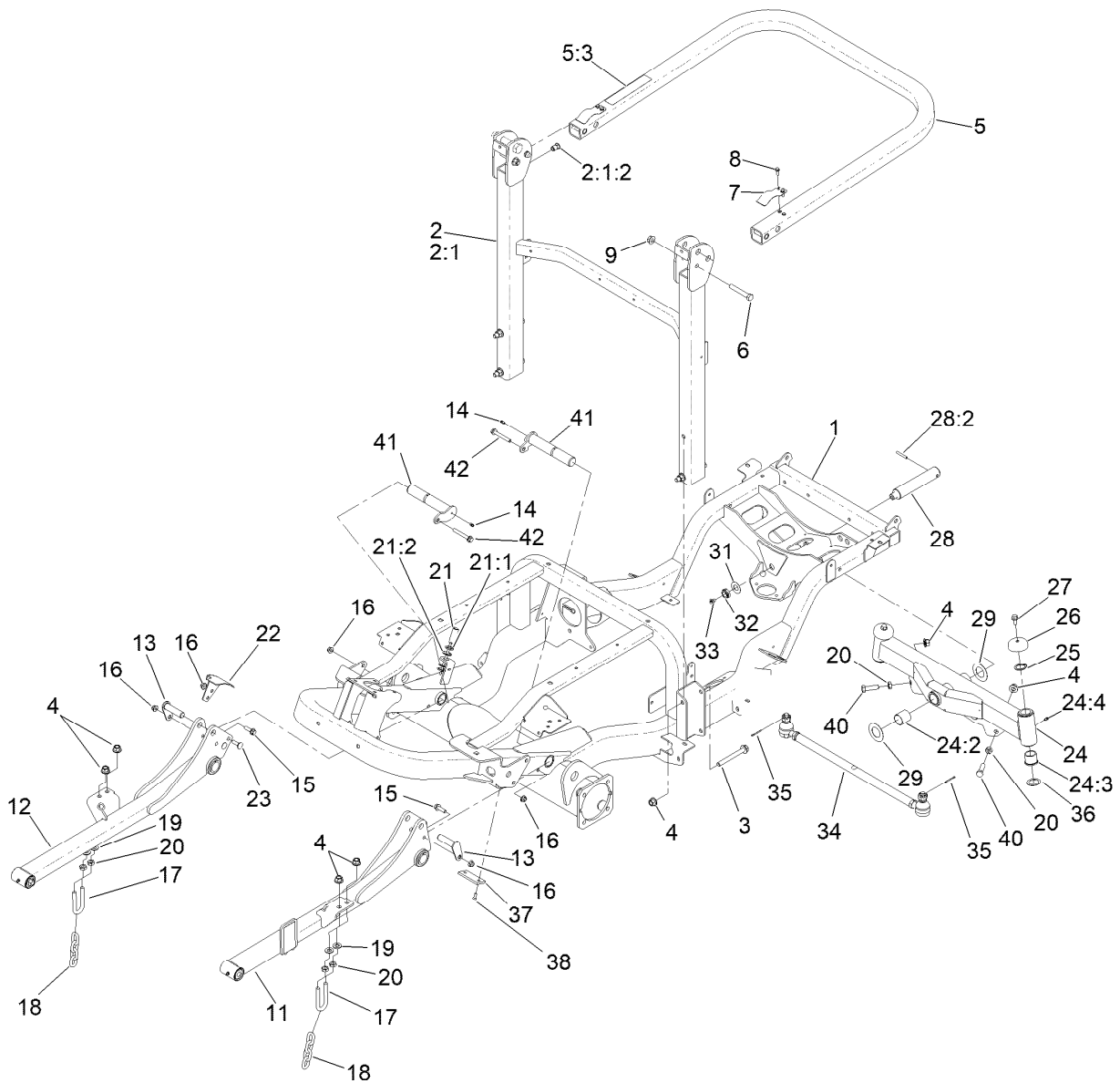
For example, in an illustration, the reference number 2X 37 means that two of the parts identified by reference number 37 are indicated.

Contents

Frame and Roll-Over Protection System Assembly	5
LH Lift Arm Assembly No. 138-7419SP	7
RH Lift Arm Assembly No. 138-7429SP	8
Tie Rod Assembly No. 144-3900	9
Front Axle and Parking Brake Assembly	10
Left Hand Brake Assembly No. 120-0235	12
Right Hand Brake Assembly No. 120-0233	13
Hydraulic Drive Assembly	14
Hydraulic Motor Assembly No. 138-0303	15
Hydraulic Motor Assembly No. 138-0304	16
Hydraulic Motor Assembly No. 137-2478	17
Hydraulic Motor Assembly No. 137-2458	18
Steer/Lift Manifold Assembly No. 138-4489	19
Engine, Radiator Hoses and Shroud Assembly	21
Air Cleaner and Exhaust Assembly	23
Air Cleaner Assembly No. 136-4481	24
Frame and Roll-Over Protection System Assembly	25
Fuel and Hydraulic Tank Assembly	26
Fuel Tank Assembly No. 138-0291	27
Hydraulic Tank Assembly No. 138-4418	28
Platform, Steering and Console Assembly	29
Steering Column Assembly No. 139-0857	30
Traction Pedal Assembly	31
Control Console Assembly	32
Hood Assembly	33
Hydraulic PTO Assembly	34
Variable Piston Pump Assembly No. 138-0305	35
Driveshaft Assembly No. 144-0521SP	37
Hydraulic Assembly	38
Gear Pump Assembly No. 138-0321	41
Steering Valve Assembly No. 114-8119	42
Traction Hydraulic Assembly	43
Electrical Assembly	44
Main Wire Harness Assembly No. 122-2517	46
Seat, Firewall and Step Mount Assembly	48
Air Ride Suspension Seat Assembly No. 138-4535	49
Compressor and Belt Assembly	50
Bumper and Weight Assembly	52
Frame, Mount and Seals Assembly	54
Interior Foam and Carpet Assembly	56
Cab Mirrors Assembly	58
Decal Assembly	60
Door Assembly	62
LH Door Assembly	64
RH Door Assembly	66
Front and Rear Glass Assembly	68
Window Wiper System Assembly	70
Window Wiper Assembly	72
Window Wiper Hose Assembly	74
Heater Assembly	76
Heater Control Panel Assembly	78
Roof, Air Filter and Condenser Assembly	80
Heat Hose Assembly	82
Electrical Component Assembly	84

Contents (continued)

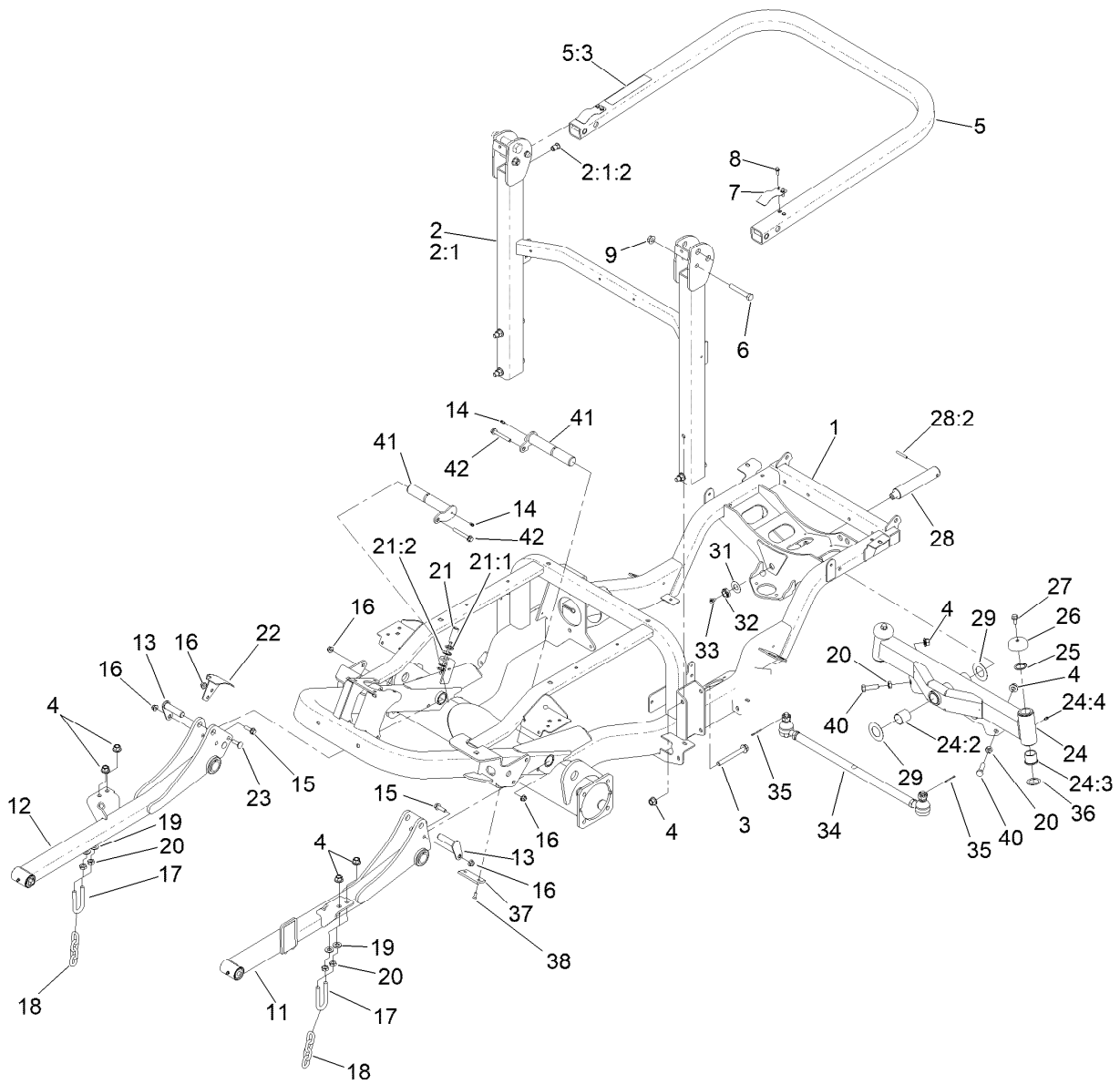
Floor Sound Reduction Assembly	86
Cab Sound Reduction Assembly	88
Cylinder Block Assembly	90
Gear Housing Assembly	92
Flywheel Housing and Oil Sump Assembly	94
Cylinder Head and Cover Assembly	96
Suction Manifold Assembly	98
Exhaust Manifold Assembly	100
Diesel Particulate Filter Assembly	102
Camshaft and Driving Gear Assembly	104
Crankshaft and Piston Assembly	106
Lubrication and Oil System Assembly	108
Cooling Water System Assembly	110
Fuel Supply Pump Assembly	112
Fuel Injection Valve Assembly	114
Fuel Filter Assembly	116
Starting Motor Assembly	118
Generator Assembly	120
Electronic Control Unit Assembly	122
Electric Parts Assembly	124
Accessory Assembly	126
Gasket Set	128
Attachments and Accessories	130



Frame and Roll-Over Protection System Assembly

Ref.	Part Number	Qty.	Description	Ref.	Part Number	Qty.	Description
1	133-6450SP	1	Frame ASM	17	104-0108	2	U-Bolt
2	139-6254SP	1	ROPS ASM, Lower	18	95-6231	2	Chain-HOC
2:1		1	ROPS ASM, Lower ●	19	3256-26	4	Washer-Flat
2:1:2	138-2760	4	Nut-Clinch, Hex	20	3218-5	6	Nut-Jam
3	117-3176	4	Screw-HHF	21	115-5300	1	Proximity Switch ASM
4	99-5107	10	Nut-Lock	21:1	117-3207	2	Nut-Hex
5	138-7470	1	ROPS ASM, Upper	21:2	117-3208	2	Washer-Lock, Internal Tooth
5:3	108-2073	1	Decal-Warning	22	139-6170-0P	1	Bracket-Sensor Mount [primed]
6	325-13	2	Screw-HH	23	3231-2	2	Bolt-CARR
7	110-5696	2	Spring-Leaf	24	138-4588	1	Axle ASM
8	32105-15	4	Screw-HWH	24:2	99-6964	2	Bushing-Axle
9	32128-23	2	Nut-HF	24:3	104-0015	4	Bushing-Flange
11	138-7419SP	1	LH Lift Arm ASM	24:4	302-5	2	Fitting-Grease
12	138-7429SP	1	RH Lift Arm ASM	25	32151-77	2	Ring-Retaining, External
13	138-7489	2	Pin (Machined)	26	69-8890	2	Cap-Spindle
14	302-5	2	Fitting-Grease	27	3234-1	2	Screw-HHF
15	119-4061	2	Screw-HHF	28	140-6101	1	Pin ASM-Axle Pivot
16	104-8301	6	Nut-HF, NI				

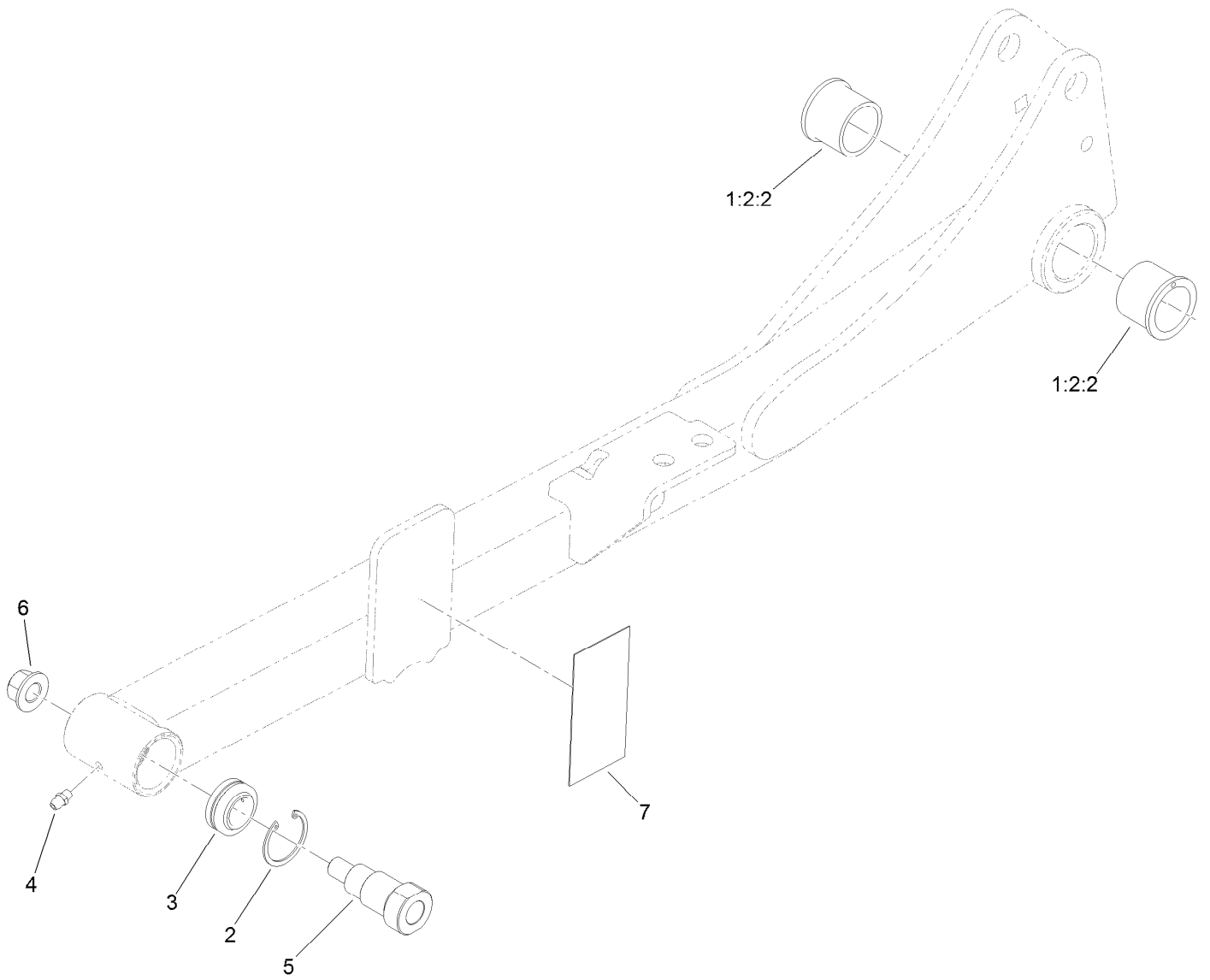
● Not serviced separately



Frame and Roll-Over Protection System Assembly (continued)

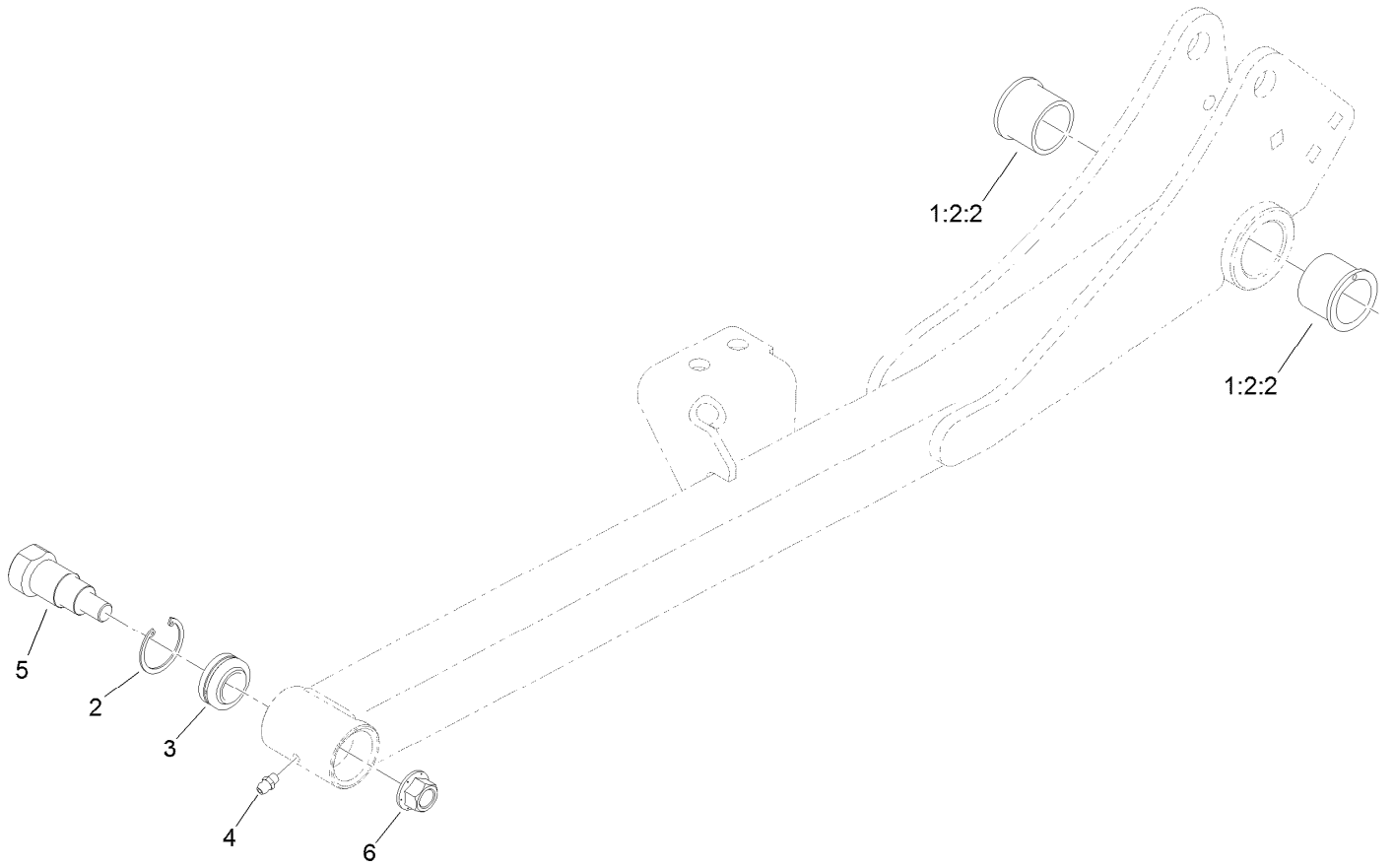
<i>Ref.</i>	<i>Part Number</i>	<i>Qty.</i>	<i>Description</i>	<i>Ref.</i>	<i>Part Number</i>	<i>Qty.</i>	<i>Description</i>
28:2	32121-32	1	Pin-Roll	36	76-2980	2	Washer-Thrust
29	99-8432	2	Washer-Thrust	37	138-4452	2	Pad-Stop, Deck
31	71-4540	1	Washer-Thrust	38	3289-4	4	Screw-FH
32	3296-15	1	Nut-Lock, NI	40	325-7	2	Screw-HH
33	302-33	1	Fitting-Grease	41	138-4593	2	Pin
34	144-3900	1	Tie Rod ASM	42	133-9682	2	Screw-Hfh
35	3272-12	2	Pin-Cotter				

● Not serviced separately



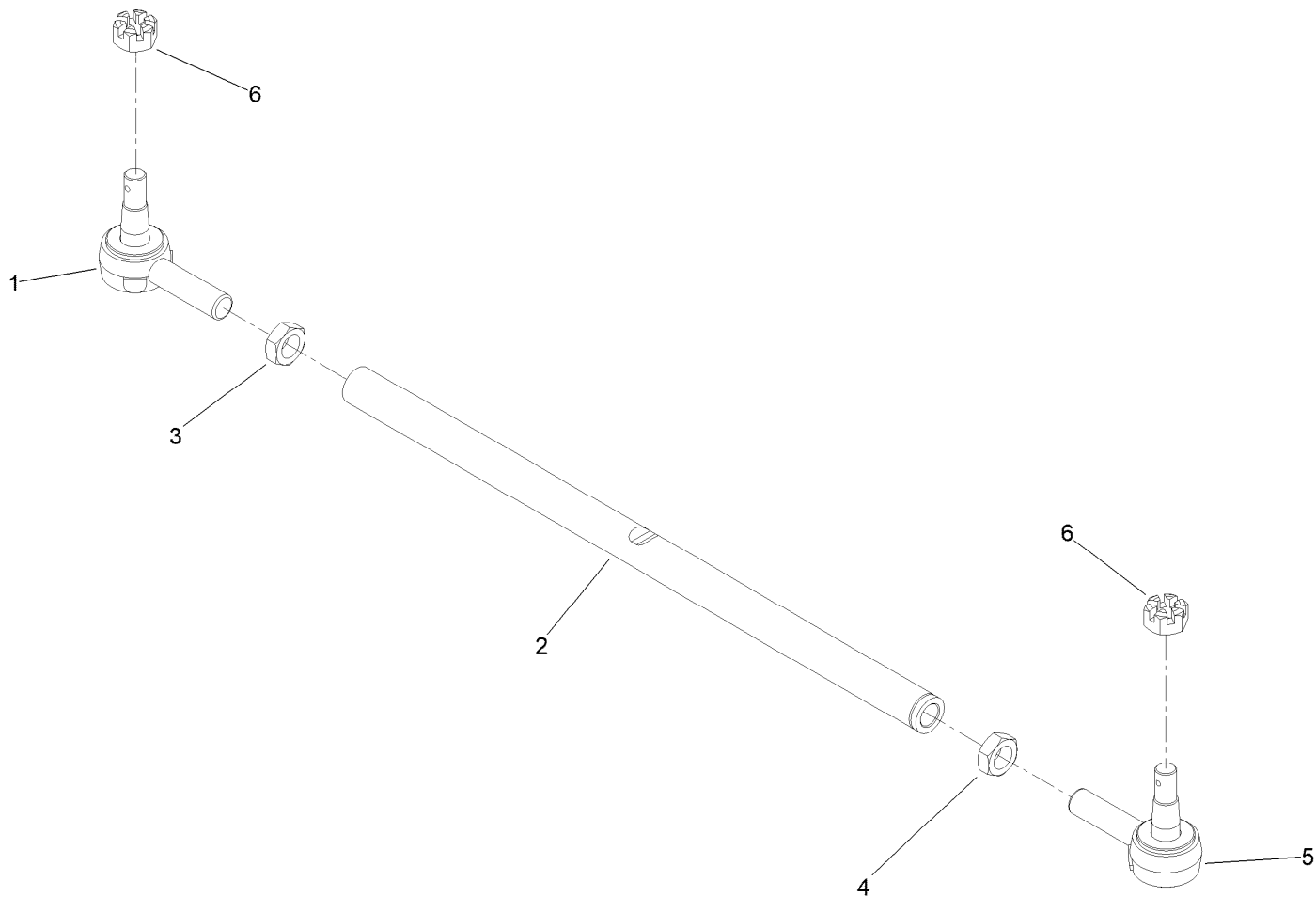
LH Lift Arm Assembly No. 138-7419SP

<i>Ref.</i>	<i>Part Number</i>	<i>Qty.</i>	<i>Description</i>
1:2:2	104-0015	2	Bushing-Flange
2	32151-34	1	Ring-Retaining
3	105-7441	1	Bearing-Spherical
4	302-5	1	Fitting-Grease
5	139-0910	1	Bolt-Shoulder
6	99-5107	1	Nut-Lock
7	139-0948	1	Pad-Ride, Pin



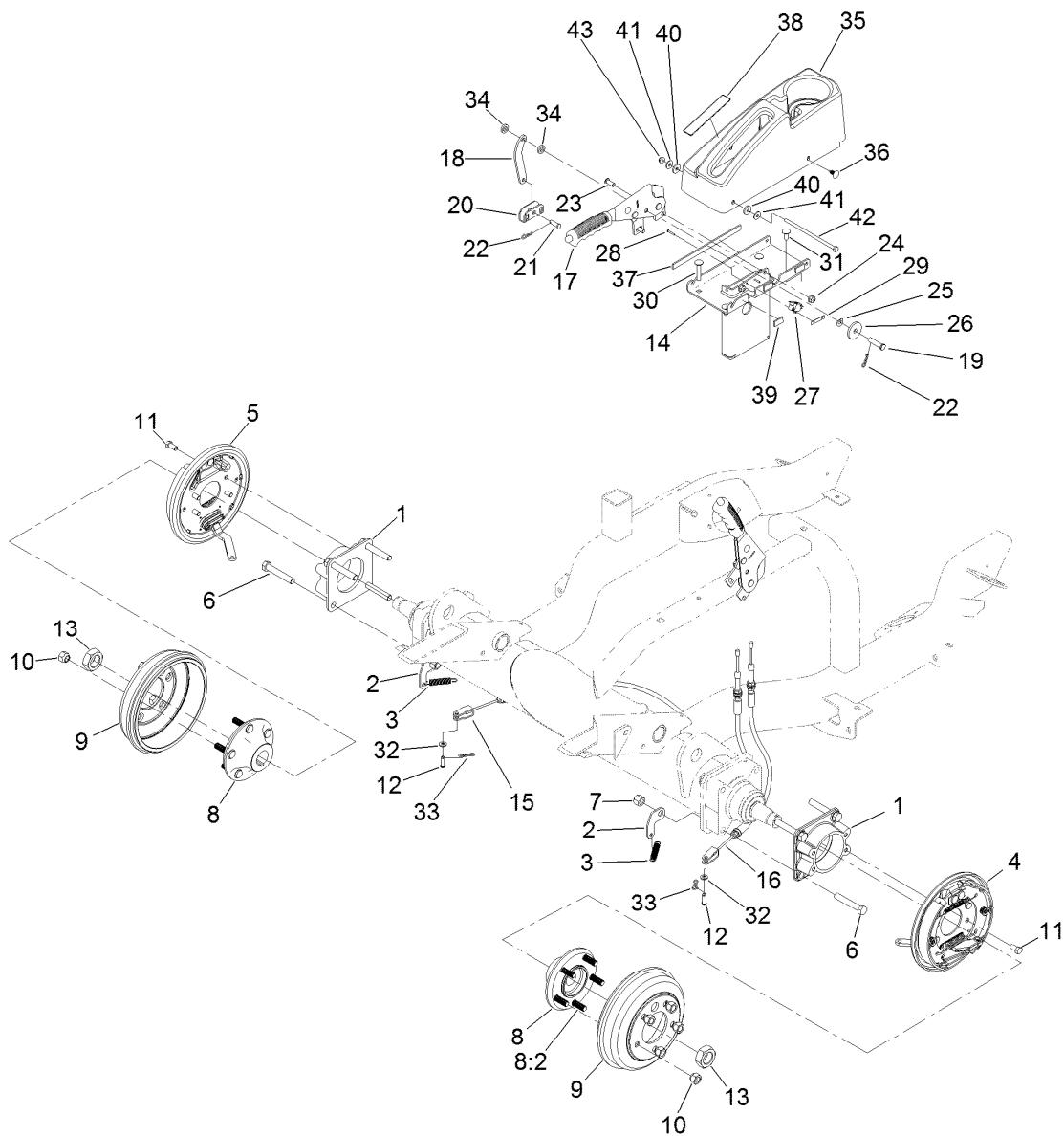
RH Lift Arm Assembly No. 138-7429SP

<i>Ref.</i>	<i>Part Number</i>	<i>Qty.</i>	<i>Description</i>
1:2:2	104-0015	2	Bushing-Flange
2	32151-34	1	Ring-Retaining
3	105-7441	1	Bearing-Spherical
4	302-5	1	Fitting-Grease
5	139-0910	1	Bolt-Shoulder
6	99-5107	1	Nut-Lock



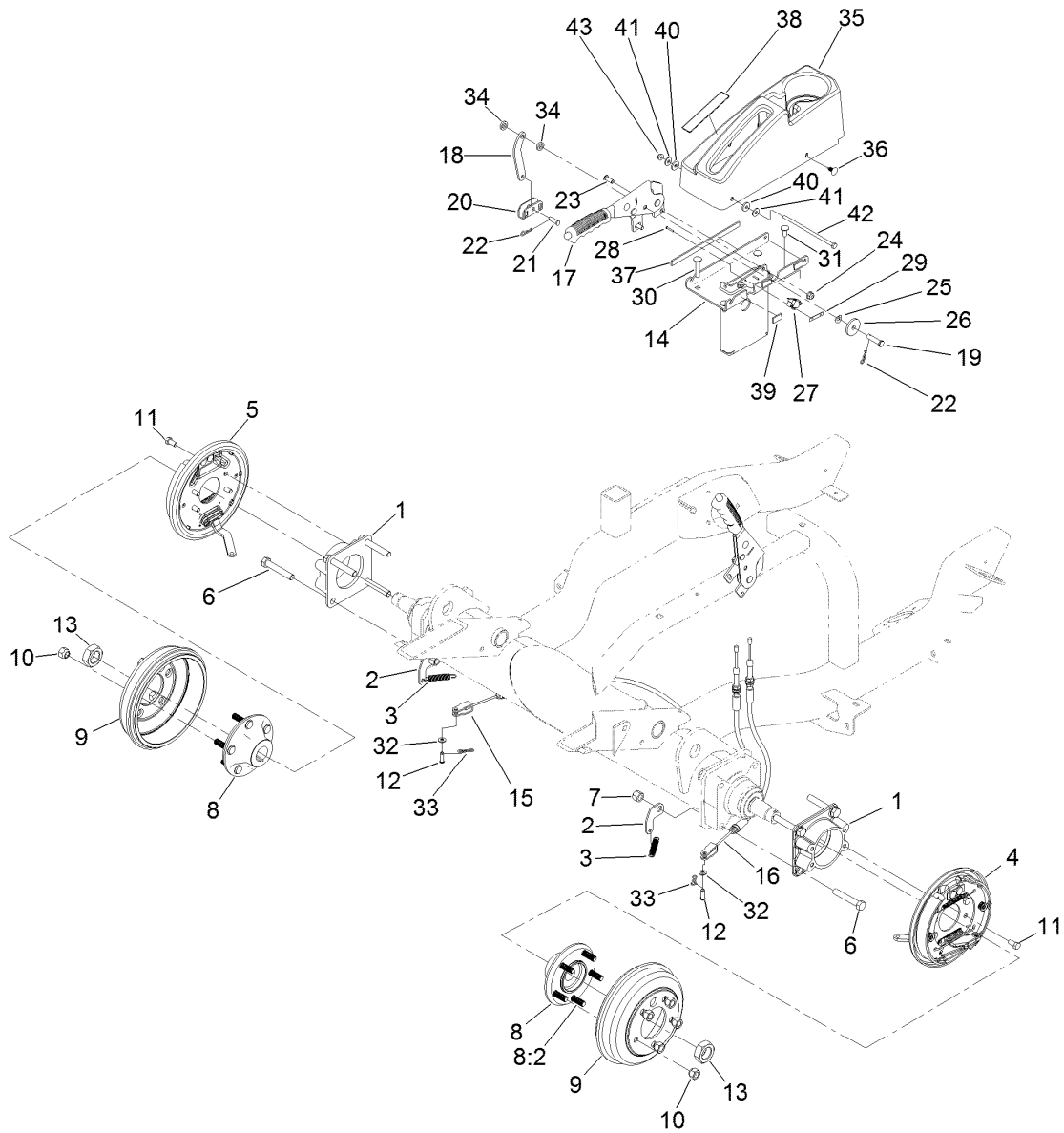
Tie Rod Assembly No. 144-3900

<i>Ref.</i>	<i>Part Number</i>	<i>Qty.</i>	<i>Description</i>
1	144-3901	1	Tie Rod End
2	133-6463	1	Tie-Rod
3	84-5300	1	Nut-Jam
4	110-5337	1	Nut-Jam
5	144-3902	1	Tie Rod End
6	140-6135	2	Nut-Hex, Slotted



Front Axle and Parking Brake Assembly

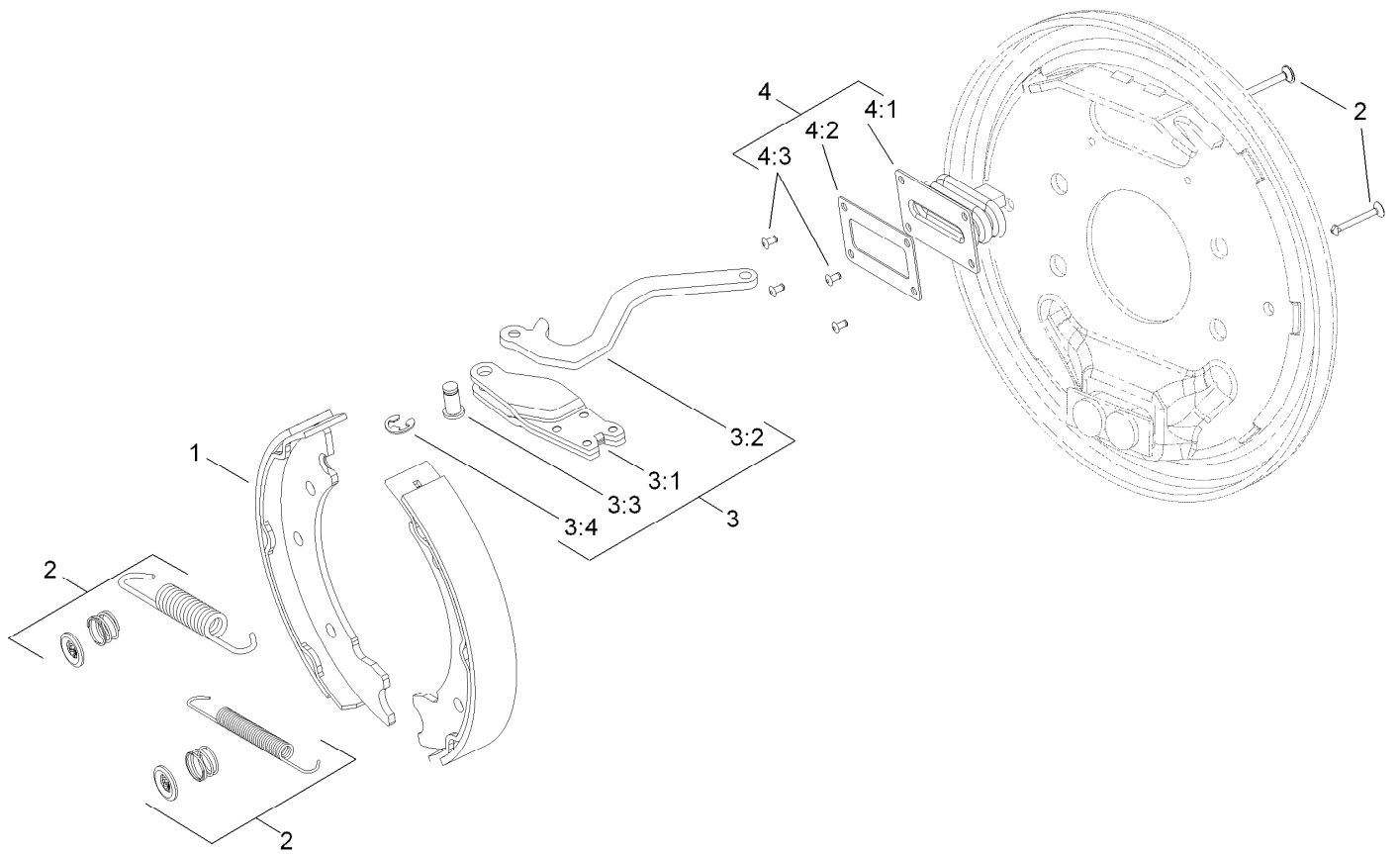
Ref.	Part Number	Qty.	Description	Ref.	Part Number	Qty.	Description
1	120-6253-03	2	Adapter-Brake	20	87-3480	1	Bracket-Equalizer, Cable
2	138-4499	2	Clip-Spring	21	1-808280	1	Pin-Clevis
3	137-2591	2	Spring-Extension	22	1-806003	2	Pin-Cotter
4	120-0235	1	LH Brake ASM	23	3274-55	2	Screw-HSBH
5	120-0233	1	RH Brake ASM	24	104-8300	6	Nut-HF, NI
6	325-12	8	Screw-HH	25	121-4605	1	Washer-Spring
7	3296-23	8	Nut-Lock, NI	26	131-8496	1	Washer-Plain
8	137-2470	2	Hub ASM	27	108-6496	1	Switch (W/Boot)
8:2	114-3918	5	Stud-Wheel	28	95-3003	2	Screw-PPHTF
9	114-8864	2	Drum-Brake	29	3290-354	1	Nut-Speed
10	242-50	10	Nut-Lug	30	116-0629	2	Screw-CARR
11	323-4	8	Screw-HH	31	3230-23	2	Bolt-CARR
12	283-58	2	Pin-Clevis	32	3256-74	2	Washer-Flat
13	107-9319	2	Nut-Hex	33	119-1415	2	Pin-Cotter, Locking
14	144-0517-0P	1	Parking Brake Mount	34	3-3287	2	Spacer
			[primed]	35	138-7475	1	Cover-Brake, Parking
15	137-2640	1	Cable-Brake, Adjustable RH	36	117-2382	2	Plug-Plastic
16	137-2641	1	Cable-Brake, Adjustable LH	37	132-7282	1	Strip-Foam
17	131-8320	1	Lever-Brake, Park	38	139-6224	1	Decal-Brake, Parking
18	144-0516	1	Link-Park, Brake	39	115-5417	3	Strip-Foam
19	283-10	1	Pin-Clevis	40	144-0499	2	Washer-Epdm



Front Axle and Parking Brake Assembly (continued)

Ref.	Part Number	Qty.	Description
41	3256-78	2	Washer-Flat

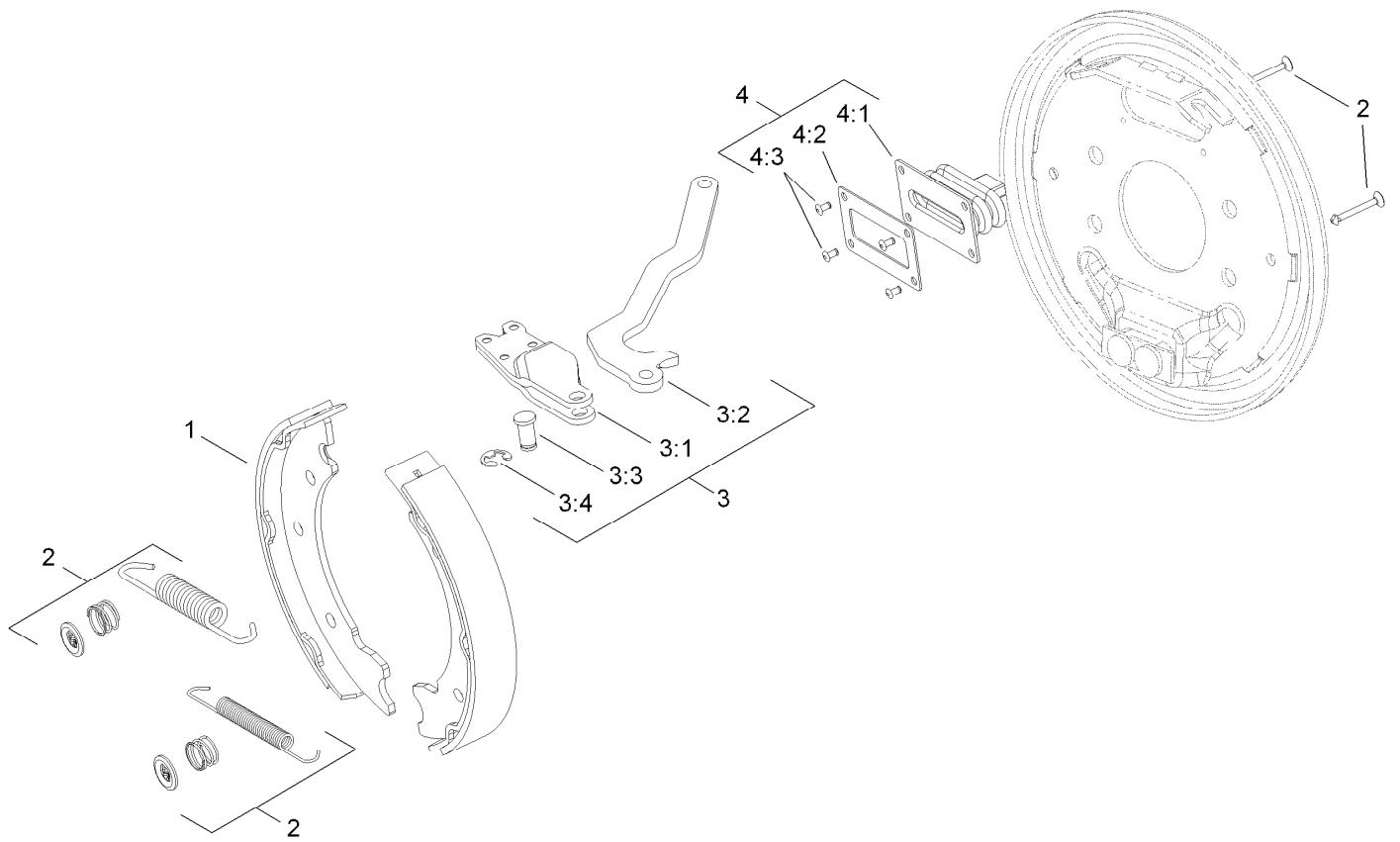
Ref.	Part Number	Qty.	Description
42	321-21	1	Screw-HH
43	104-7201	1	Nut-HF, NI



Left Hand Brake Assembly No. 120-0235

Ref.	Part Number	Qty.	Description
1	139-5950	1	Brake Shoe Kit
2	108-6983	1	Brake Hardware Kit
3	120-0236	1	LH Actuator Kit
3:1		1	Housing ●
3:2		1	Lever-LH ●
3:3		1	Pin-Pivot ●
3:4		1	E-Ring ●
4	110-8885	1	Dust Boot Kit
4:1		1	Boot ●
4:2		1	Plate-Back Up ●
4:3		2	Rivet ●

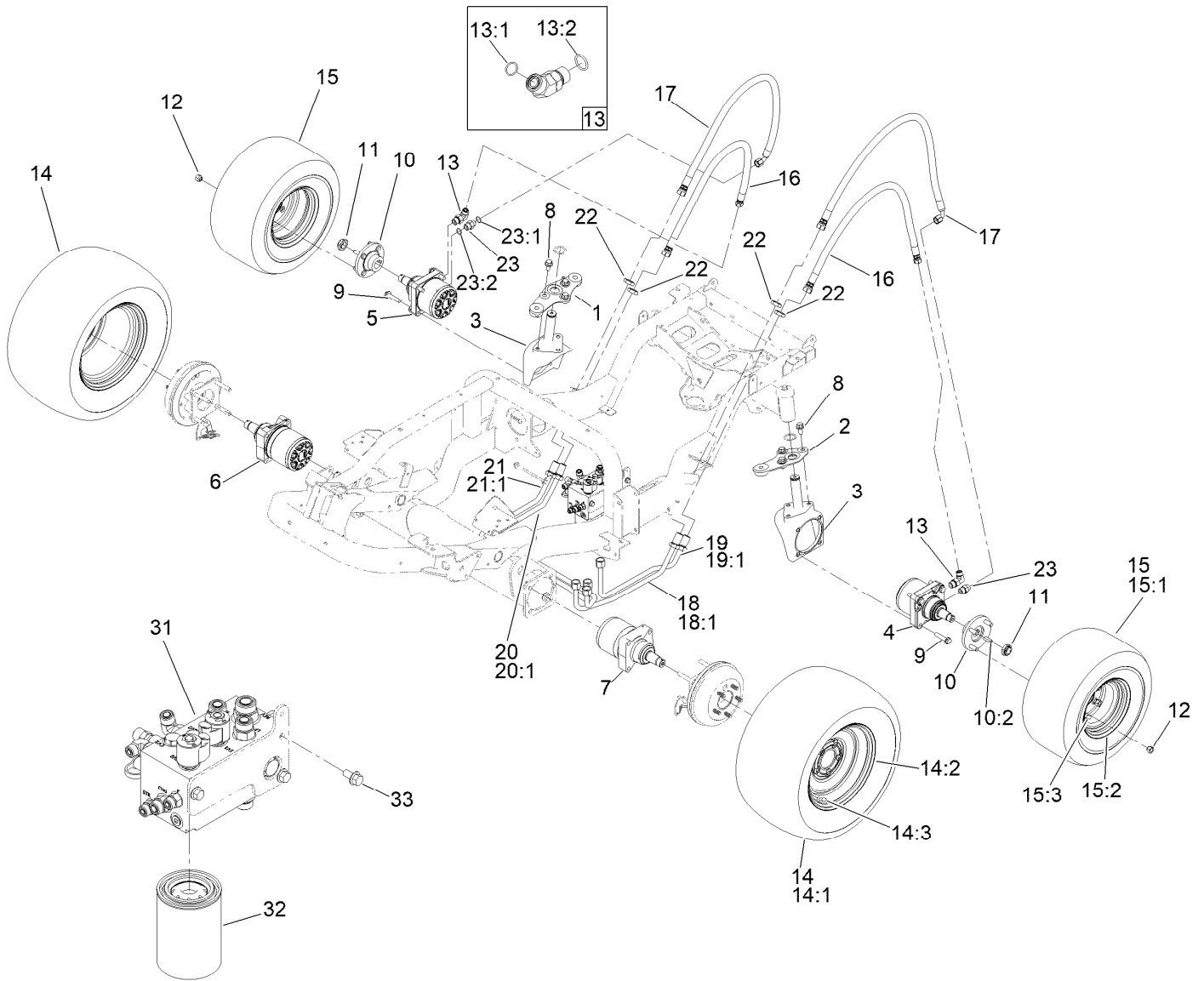
● Not serviced separately



Right Hand Brake Assembly No. 120-0233

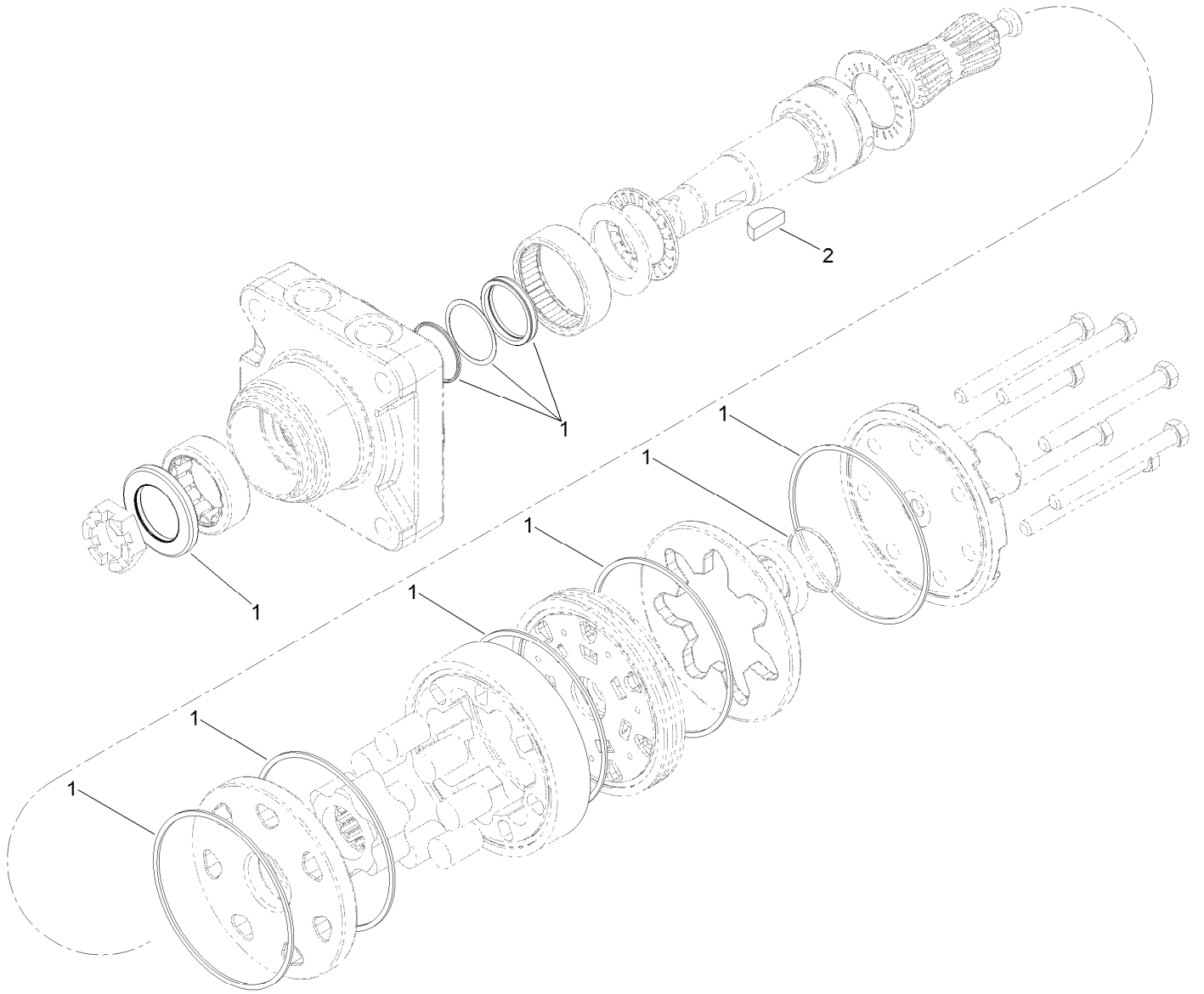
Ref.	Part Number	Qty.	Description
1	139-5950	1	Brake Shoe Kit
2	108-6983	1	Brake Hardware Kit
3	120-0234	1	RH Actuator Kit
3:1		1	Housing ●
3:2		1	Lever-RH ●
3:3		1	Pin-Pivot ●
3:4		1	E-Ring ●
4	110-8885	1	Dust Boot Kit
4:1		1	Boot ●
4:2		1	Plate-Back Up ●
4:3		2	Rivet ●

● Not serviced separately



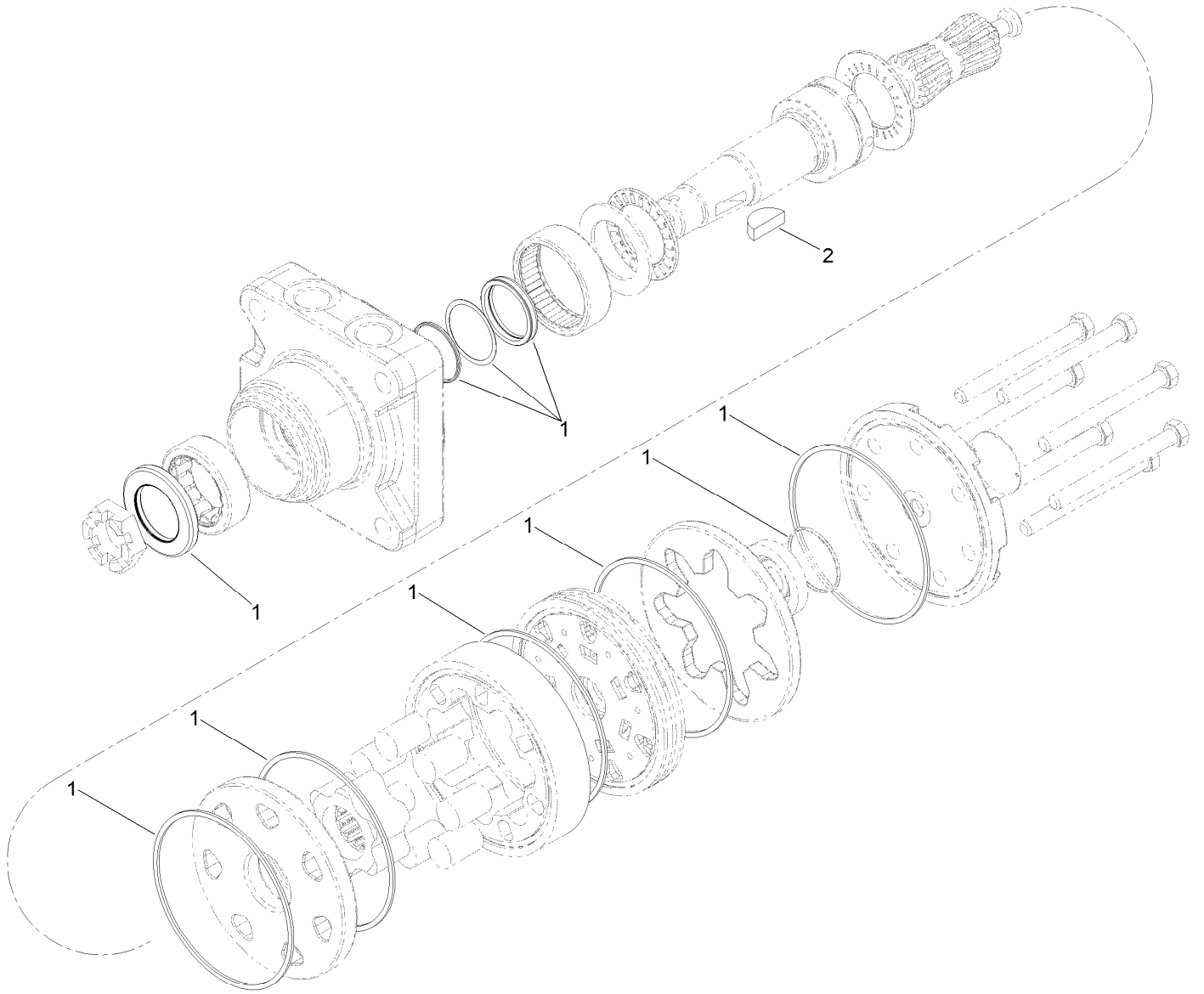
Hydraulic Drive Assembly

Ref.	Part Number	Qty.	Description	Ref.	Part Number	Qty.	Description
1	140-3142	1	Link-Drag, RH	15:1	137-2596	1	Tire
2	140-3144	1	Link-Drag, LH	15:2	137-2597	1	Rim
3	107-4517-03	2	Housing-Motor	15:3	232-27	1	Stem-Valve
4	138-0303	1	Motor-Hydraulic, CCW	16	144-3929	2	Hose ASM, Hydraulic
5	138-0304	1	Motor-Hydraulic, CW	17	144-3928	2	Hose ASM, Hydraulic
6	137-2478	1	Motor-Hydraulic, CW	18	138-0334	1	Hydraulic Tube ASM
7	137-2458	1	Motor-Hydraulic, CCW	18:1	237-65	1	O-Ring
8	3234-38	6	Screw-HHF	19	138-0335	1	Hydraulic Tube ASM
9	3234-46	8	Screw-HHF	19:1	237-65	1	O-Ring
10	18-3209	2	Wheel Hub/Stud ASM	20	138-0337	1	Hydraulic Tube ASM
10:2	10-6830	4	Stud-Type, Drive	20:1	237-65	1	O-Ring
11	116-1399	2	Locknut	21	138-0338	1	Hydraulic Tube ASM
12	242-50	8	Nut-Lug	21:1	237-65	1	O-Ring
13	340-105	2	Fitting-Elbow, 90 DEG	22	340-74	4	Nut-Lock, Bulkhead
13:1	237-80	1	O-Ring	23	340-6	2	Fitting-Straight
13:2	237-30	1	O-Ring	23:1	237-30	1	O-Ring
14	137-2590	2	Wheel ASM	23:2	237-80	1	O-Ring
14:1	137-2594	1	Tire	31	138-4489	1	Manifold-Steering/Lift
14:2	137-2595	1	Rim	32	86-3010	1	Filter-Oil
14:3	232-27	1	Stem-Valve	33	3234-1	3	Screw-HHF
15	137-2592	2	Wheel ASM				



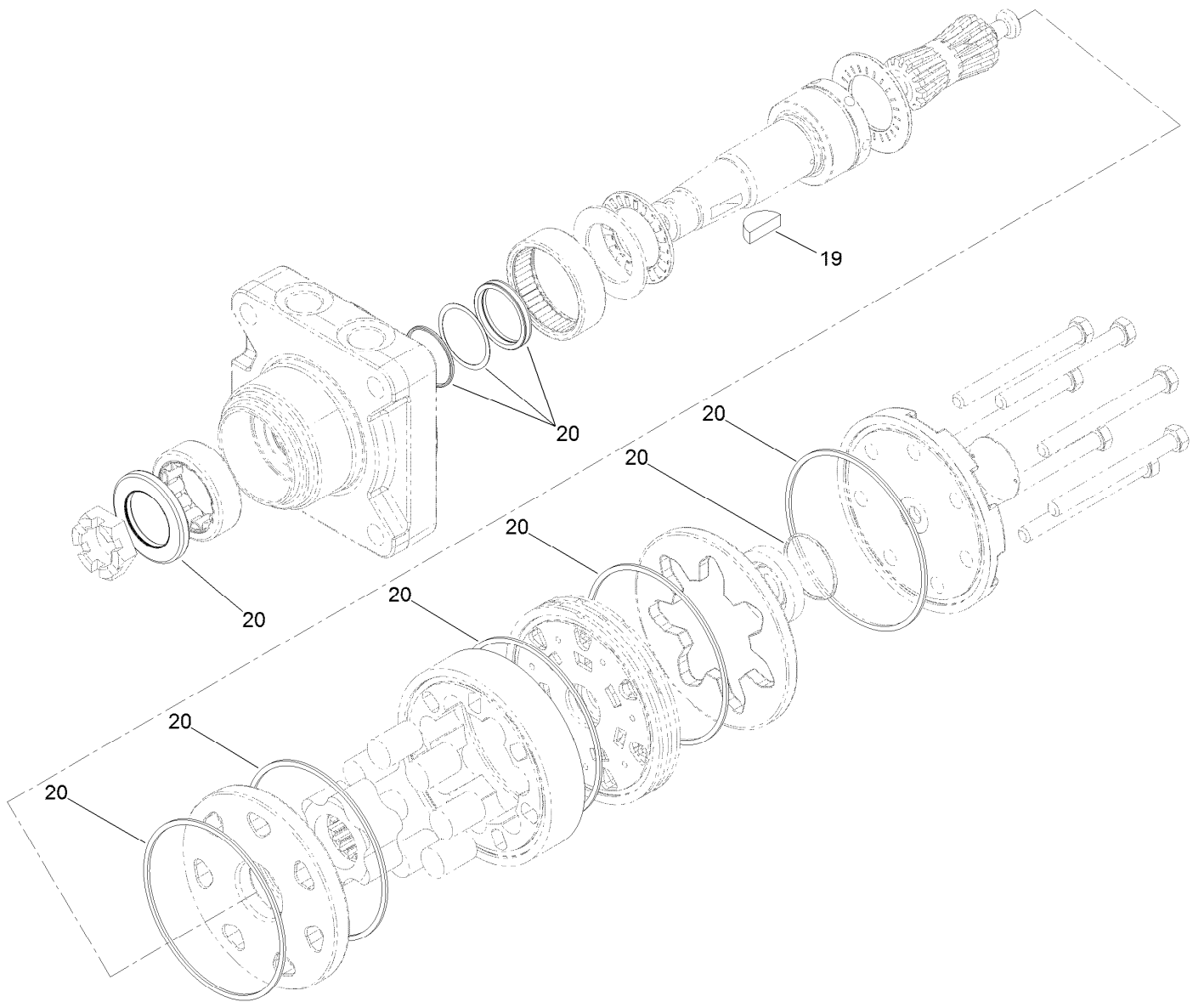
Hydraulic Motor Assembly No. 138-0303

<i>Ref.</i>	<i>Part Number</i>	<i>Qty.</i>	<i>Description</i>
1	110-8897	1	Seal Kit
2	3257-42	1	Key-Woodruff



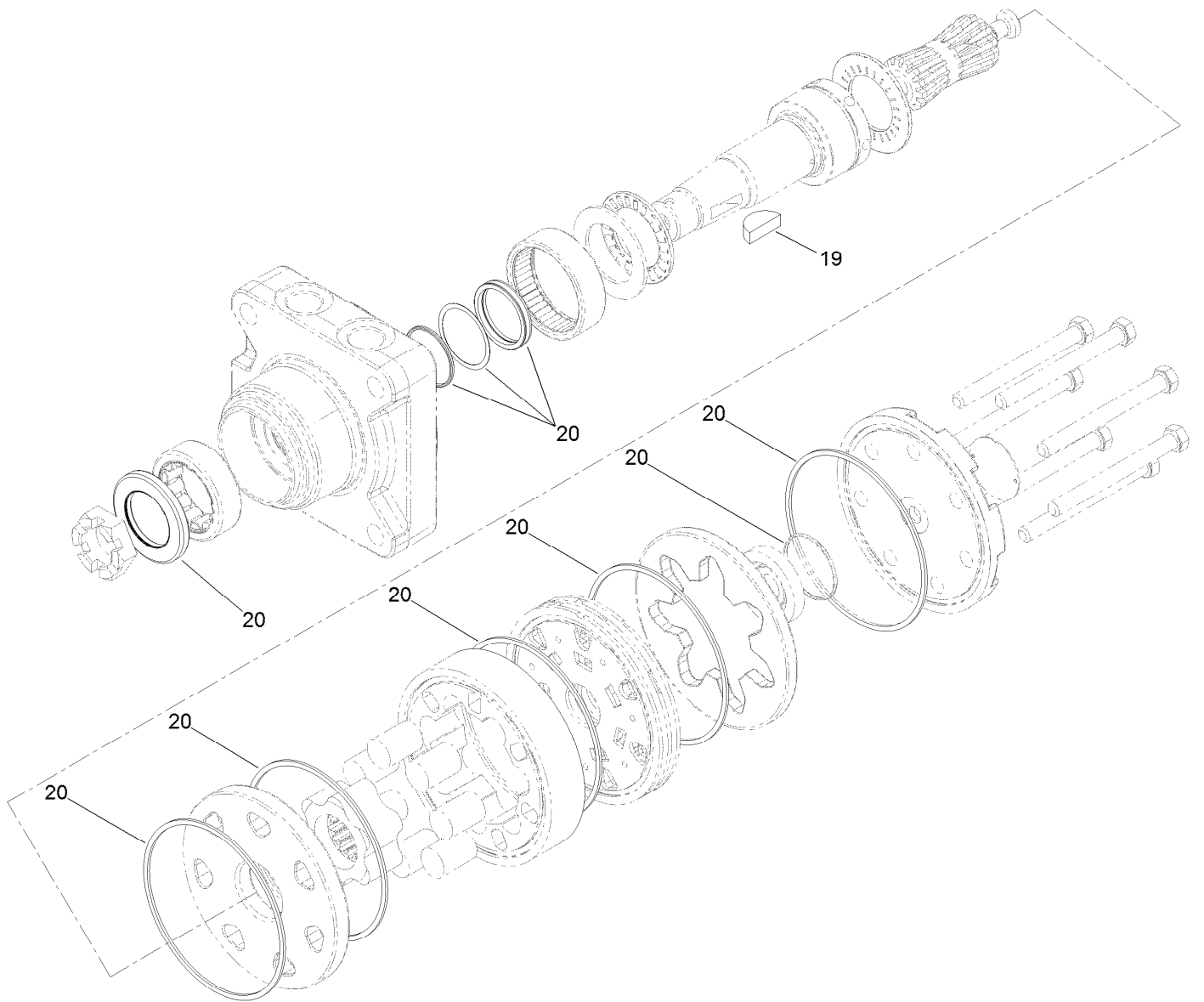
Hydraulic Motor Assembly No. 138-0304

<i>Ref.</i>	<i>Part Number</i>	<i>Qty.</i>	<i>Description</i>
1	110-8897	1	Seal Kit
2	3257-42	1	Key-Woodruff



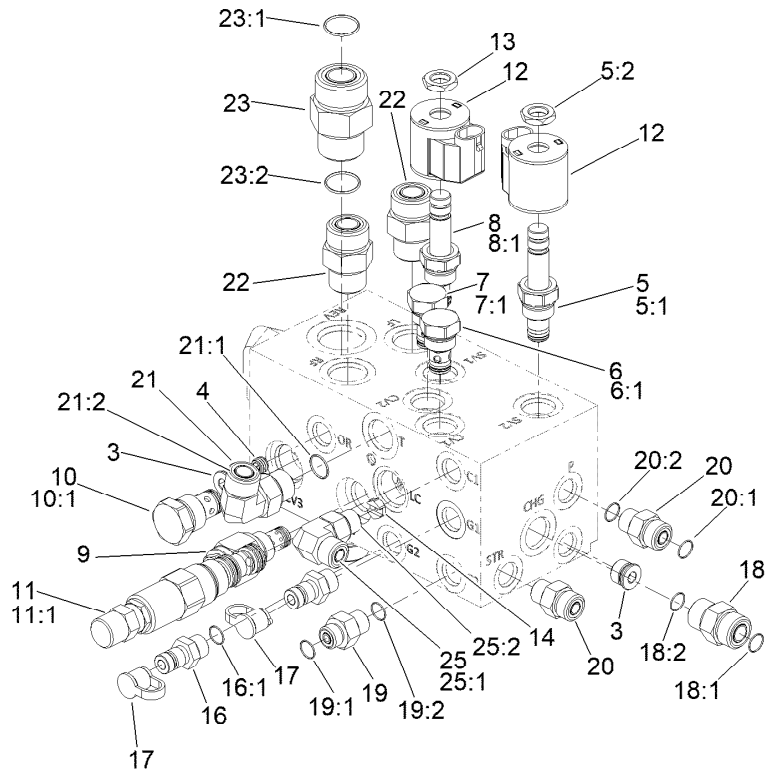
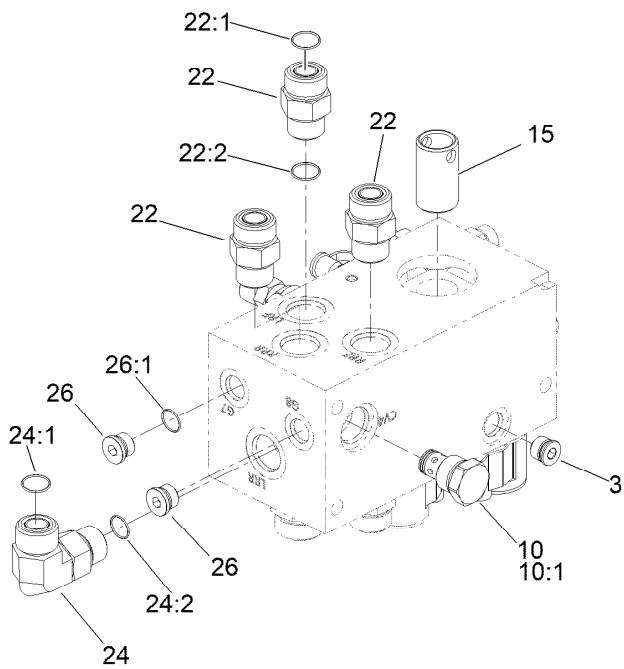
Hydraulic Motor Assembly No. 137-2478

<i>Ref.</i>	<i>Part Number</i>	<i>Qty.</i>	<i>Description</i>
19	3257-42	1	Key-Woodruff
20	110-8896	1	Seal Kit



Hydraulic Motor Assembly No. 137-2458

<i>Ref.</i>	<i>Part Number</i>	<i>Qty.</i>	<i>Description</i>
19	3257-42	1	Key-Woodruff
20	110-8896	1	Seal Kit

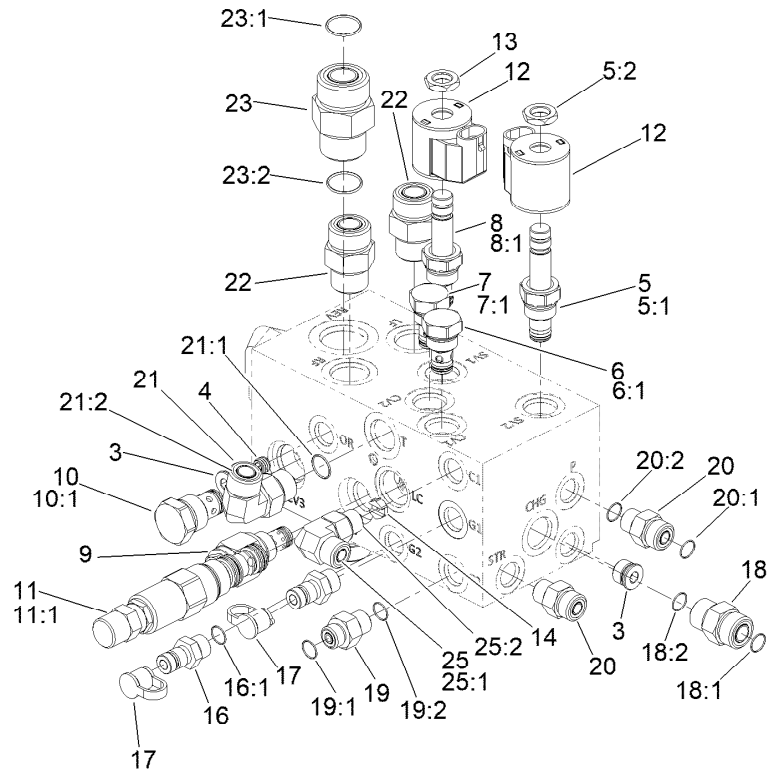
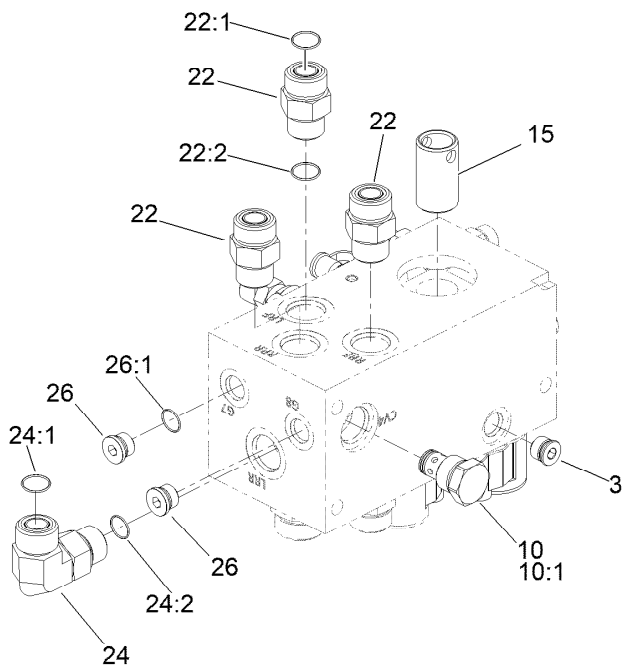


Steer/Lift Manifold Assembly No. 138-4489

Ref.	Part Number	Qty.	Description
3	112-9213	3	Plug
4	110-8883	1	Plug-Orifice (0.040)
5	112-9206	1	Solenoid Valve ASM
5:1	105-9156	1	Seal Kit
5:2	110-2634	1	Nut-Coil
6	114-2873	1	Check Valve ASM
6:1	105-9156	1	Seal Kit
7	139-1213	1	Valve-Check
7:1	105-9156	1	Seal Kit
8	120-6562	1	Valve-Solenoid
8:1	105-9156	1	Seal Kit
9	139-6298	1	Valve-Relief (Bi-Directional)
10	110-8881	2	Valve-Check
10:1	105-9159	1	Seal Kit ●
11	144-0501	1	Valve-Logic, 220 PSI (Adjustable)
12	110-0497	2	Coil-Solenoid
13	110-2634	2	Nut-Coil

Ref.	Part Number	Qty.	Description
14	139-6296	1	Orifice-Check 0.100 DIA
15	139-6297	1	Nipple-Filter
16	59-7410	2	Fitting-Diagnostic
16:1	237-42	1	O-Ring
17	354-79	2	Cap-Dust
18	340-4	1	Fitting-Straight
18:1	237-30	1	O-Ring
18:2	237-79	1	O-Ring
19	340-1	1	Fitting-Straight
19:1	237-21	1	O-Ring
19:2	237-42	1	O-Ring
20	340-2	2	Fitting-Straight
20:1	237-22	1	O-Ring
20:2	237-42	1	O-Ring
21	340-98	1	Fitting-Elbow, 90 DEG
21:1	237-79	1	O-Ring
21:2	237-30	1	O-Ring
22	340-7	5	Fitting-Straight

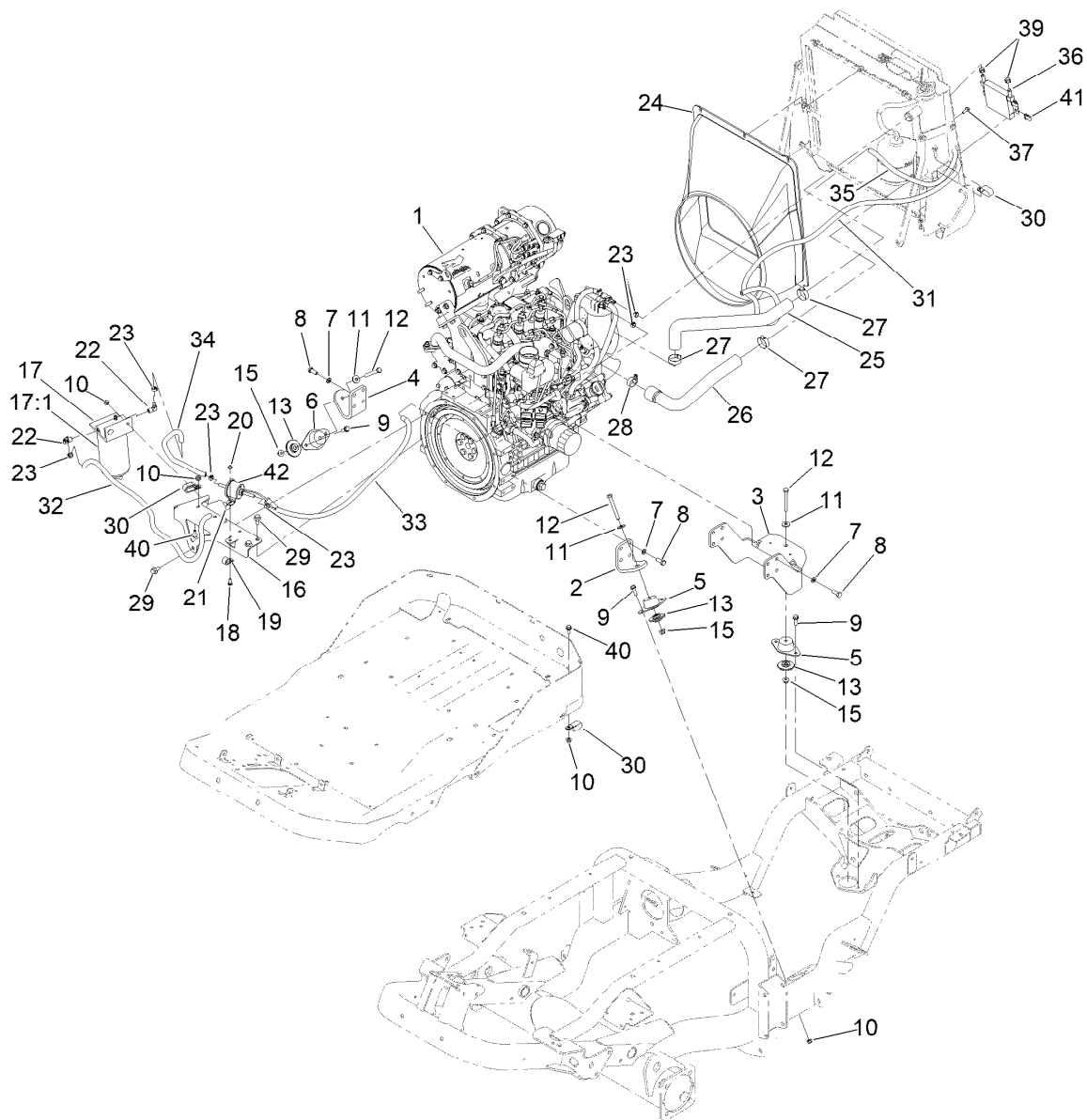
● Not illustrated



Steer/Lift Manifold Assembly No. 138-4489 (continued)

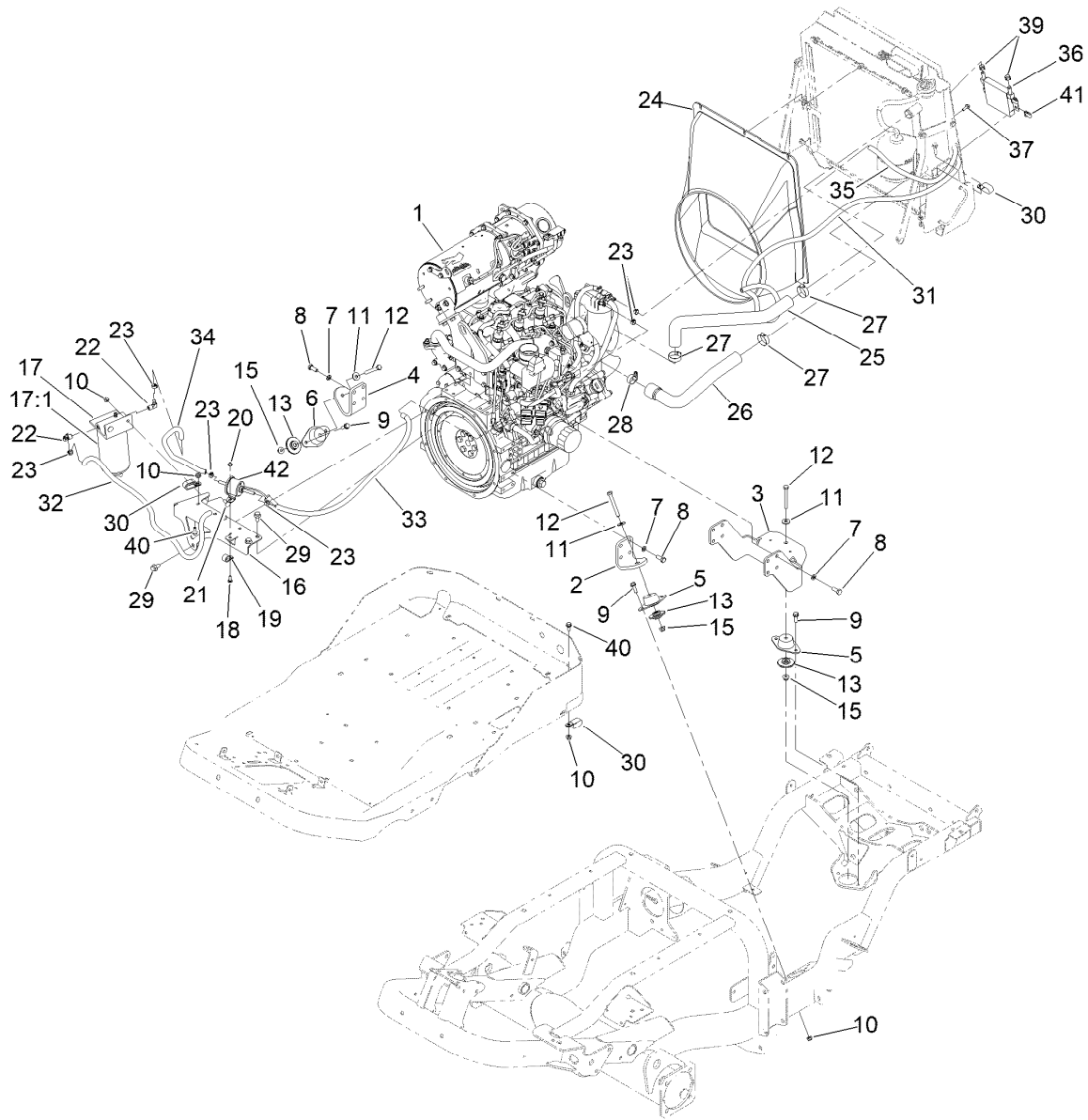
<i>Ref.</i>	<i>Part Number</i>	<i>Qty.</i>	<i>Description</i>	<i>Ref.</i>	<i>Part Number</i>	<i>Qty.</i>	<i>Description</i>
22:1	237-65	1	O-Ring	24:2	237-80	1	O-Ring
22:2	237-80	1	O-Ring	25	340-77	1	Fitting-Elbow, 90 DEG
23	340-9	1	Fitting-STR	25:1	237-22	1	O-Ring
23:1	237-58	1	O-Ring	25:2	237-42	1	O-Ring
23:2	237-81	1	O-Ring	26	353-989	2	Plug-Hex, Hollow
24	340-17	1	Fitting-Elbow, 90 DEG	26:1	237-42	1	O-Ring
24:1	237-65	1	O-Ring				

● Not illustrated



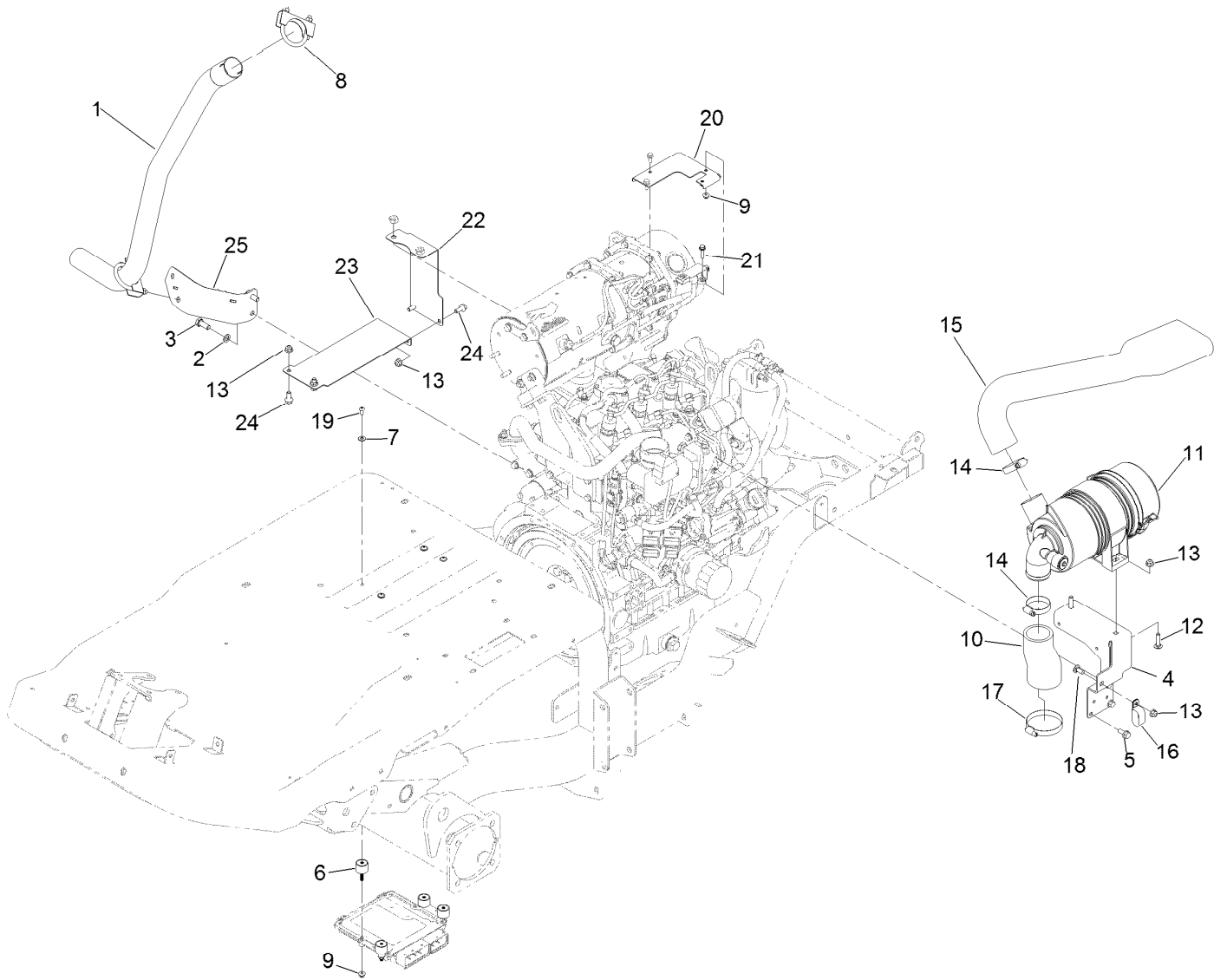
Engine, Radiator Hoses and Shroud Assembly

<i>Ref.</i>	<i>Part Number</i>	<i>Qty.</i>	<i>Description</i>	<i>Ref.</i>	<i>Part Number</i>	<i>Qty.</i>	<i>Description</i>
1	139-6183	1	Engine-Yanmar 3Tnv88C-Dtr6	17:1	125-2915	1	Filter-Fuel/Water Separator
2	138-0409-0P	1	Mount-Engine, LH Front	18	1-807512	2	Bolt-CARR
3	138-0410-0P	1	Mount-Engine, Rear 37HP [primed]	19	2412-87	1	Clamp-Cable
4	138-0408-0P	1	Mount-Engine, RH Front	20	104-7201	2	Nut-HF, NI
5	120-6274	2	Mount-Engine	21	3230-10	2	Bolt-CARR
6	139-0856	1	Mount-Engine	22	353-781	2	Fitting-HYD, 90
7	48-9590	14	Washer-Lock	23	92-2379	6	Clamp-Hose
8	33115-025	14	Screw-HH	24	138-0419	1	Shroud-Fan
9	3234-29	6	Screw-HHF	25	138-0429	1	Hose-Radiator, Upper
10	104-8300	10	Nut-HF, NI	26	138-0430	1	Hose-Radiator, Lower
11	80-6990	3	Washer-Hardened	27	2412-34	3	Clamp-Hose
12	323-14	3	Screw-HH	28	2412-3	1	Clamp-Hose
13	138-6462	3	Support-Isolator	29	33105-020	2	Screw-HHF
15	104-8301	3	Nut-HF, NI	30	120-1959	3	Clamp
16	138-4532-0P	1	Bracket-Filter Mount [primed]	31	139-6255	1	Hose-Fuel
17	125-2914	1	Filter-Separator	32	126-1805	1	Hose-Fuel
				33	110-3257	1	Hose-Fuel
				34	110-4101	1	Hose-Fuel
				35	139-6276	1	Hose-Fuel



Engine, Radiator Hoses and Shroud Assembly (continued)

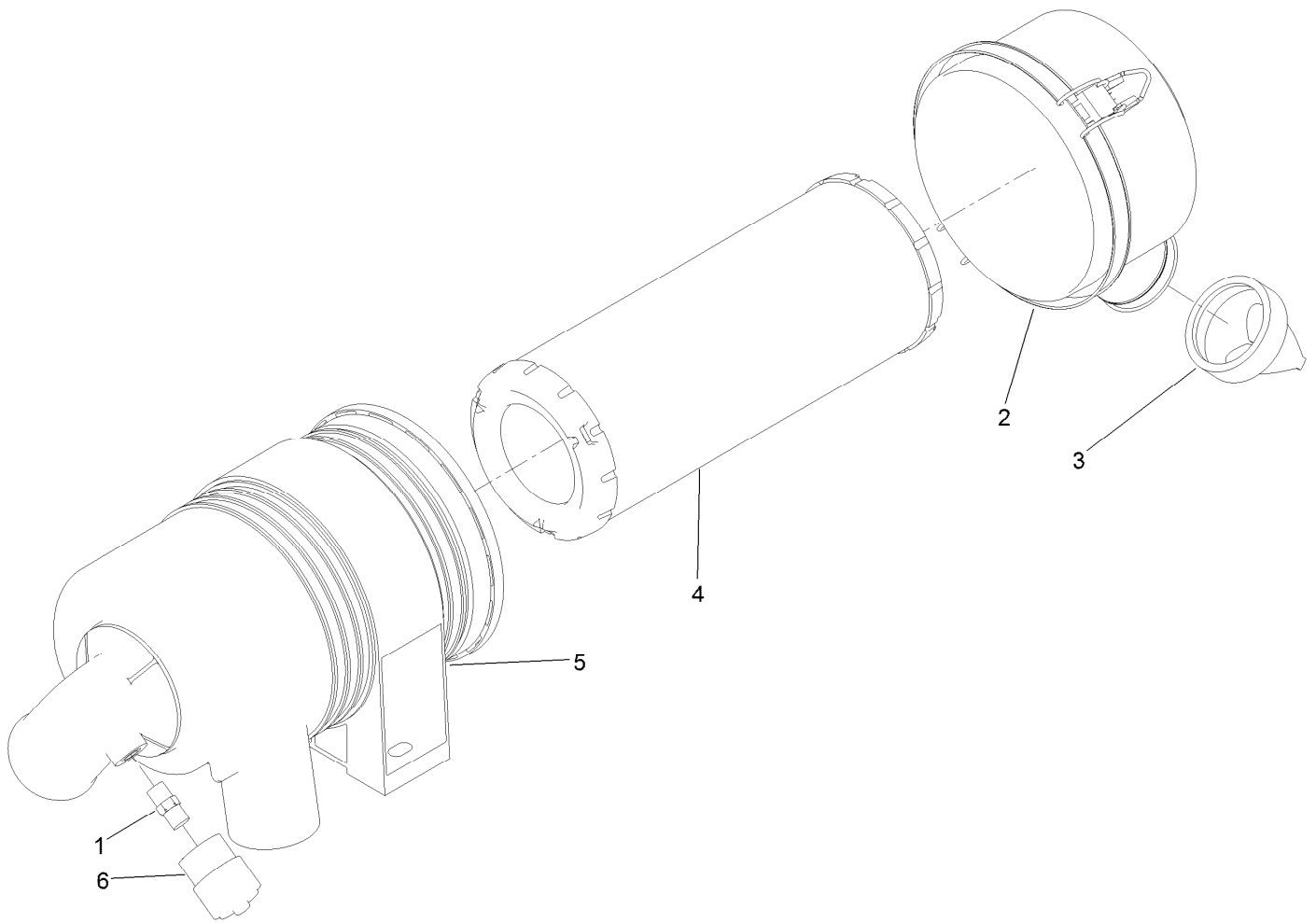
<i>Ref.</i>	<i>Part Number</i>	<i>Qty.</i>	<i>Description</i>	<i>Ref.</i>	<i>Part Number</i>	<i>Qty.</i>	<i>Description</i>
36	116-7205	1	Cooler	40	3234-47	2	Screw-HHF
37	3234-4	4	Screw-HHF	41	107069	4	Clip
39	103-1988	2	Clamp-Hose	42	121-5613	1	Pump-Fuel, Electric



Air Cleaner and Exhaust Assembly

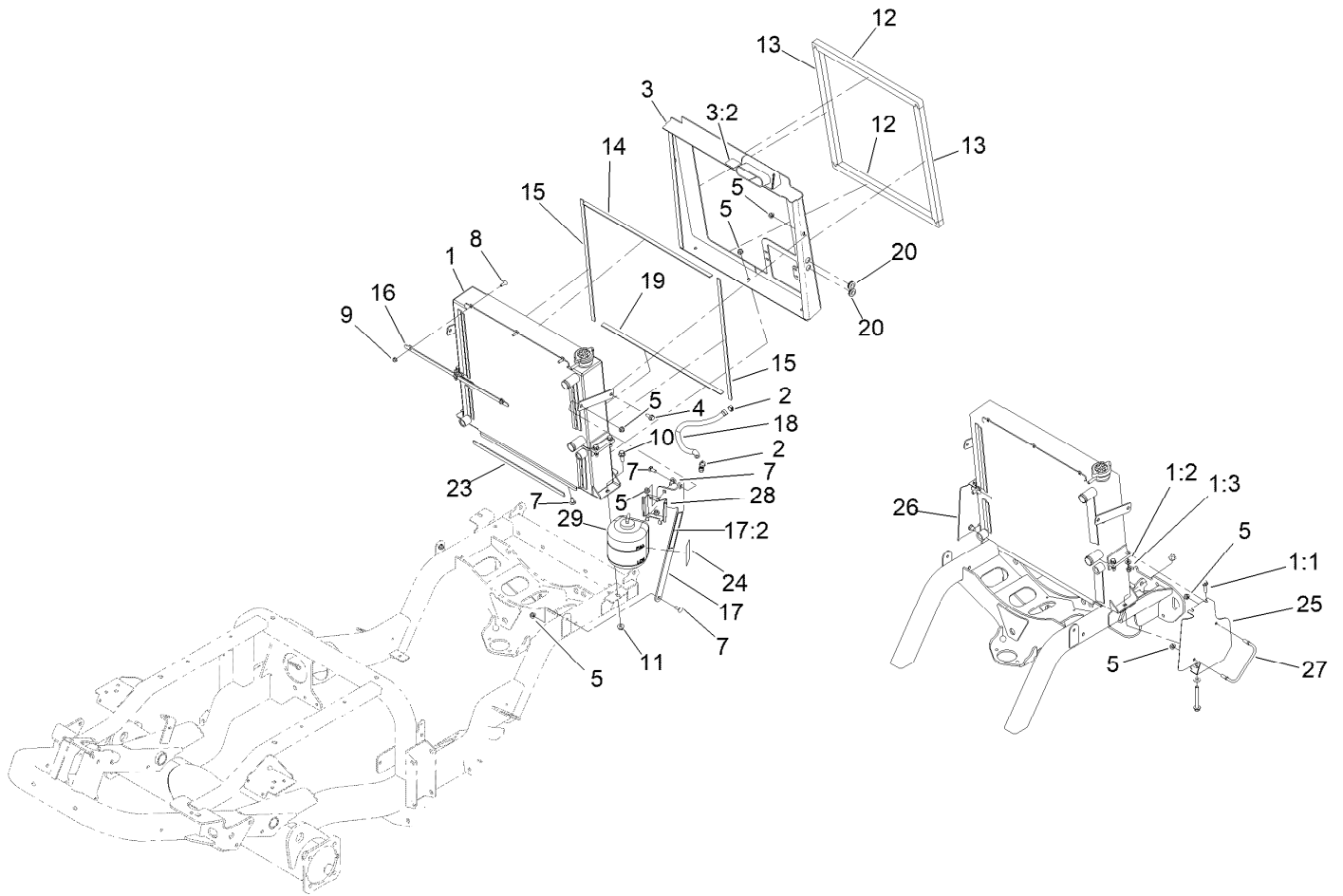
<i>Ref.</i>	<i>Part Number</i>	<i>Qty.</i>	<i>Description</i>
1	144-0569	1	Pipe-Exhaust
2	48-9590	2	Washer-Lock
3	33115-025	2	Screw-HH
4	138-0432-0P	1	Bracket-Air Filter [primed]
5	33104-020	3	Screw-HHF
6	139-6176	4	Mount-ISO
7	3256-1	4	Washer-Flat
8	18-2130	2	Clamp
9	104-7201	6	Nut-HF, NI
10	137-5809	1	Hose-Cleaner, Air
11	136-4481	1	Air Cleaner ASM
12	3230-29	2	Screw-CARR
13	104-8300	6	Nut-HF, NI

<i>Ref.</i>	<i>Part Number</i>	<i>Qty.</i>	<i>Description</i>
14	2412-130	2	Clamp-Hose
15	138-4455	1	Hose-Intake
16	120-1959	1	Clamp
17	2412-53	1	Clamp-Drive, Worm
18	3230-23	1	Bolt-CARR
19	135-6367	4	Screw-HSBH
20	139-6181-0P	1	Bracket-Sensor, Dpf
21	120-4654	2	Screw-HHF
22	139-6185	1	Bracket-Heat Shield, Rear
23	139-6184	1	Bracket-Heat Shield, Lower
24	3234-47	3	Screw-HHF
25	144-0572-03	1	Support-Tailpipe



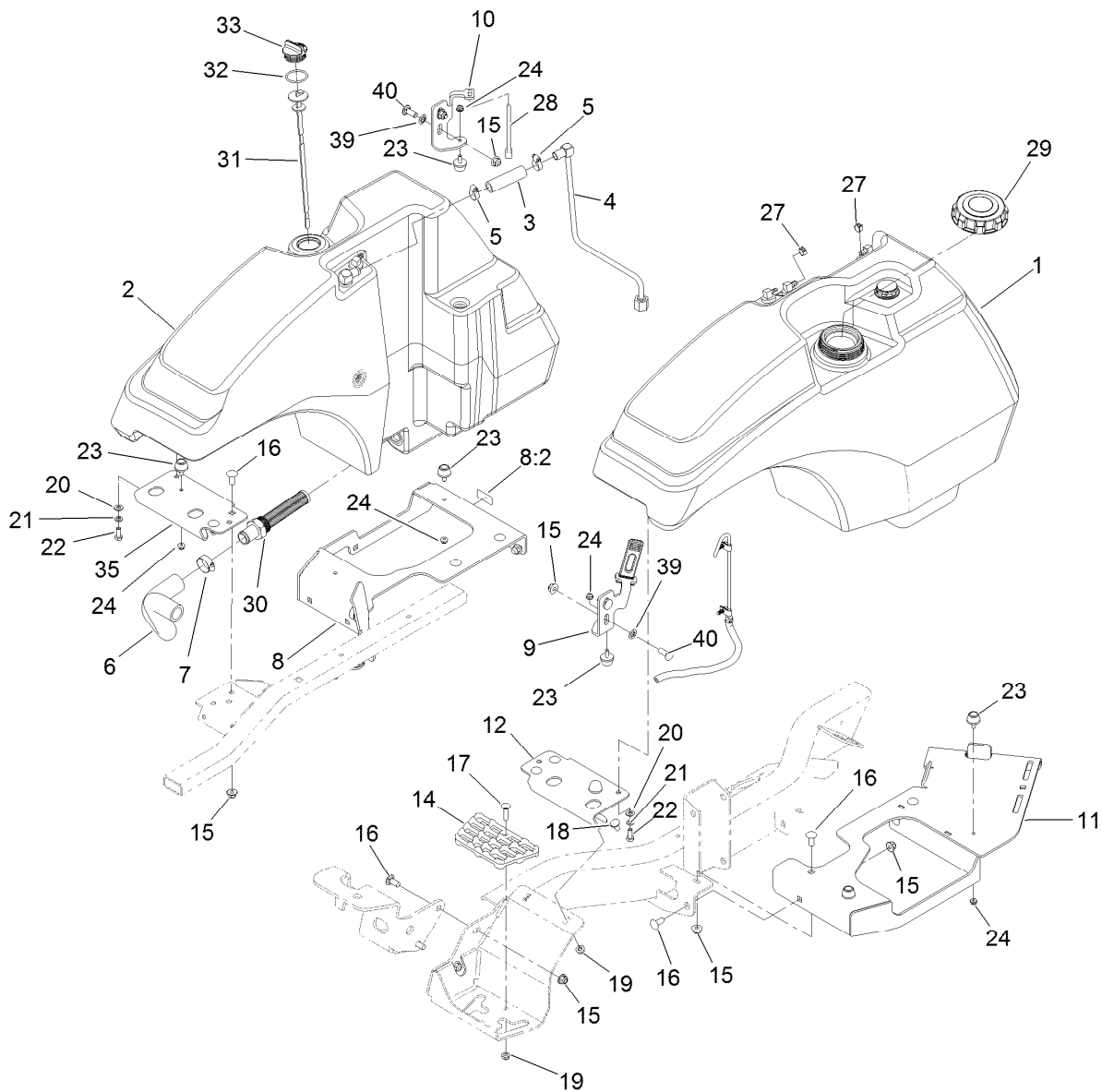
Air Cleaner Assembly No. 136-4481

<i>Ref.</i>	<i>Part Number</i>	<i>Qty.</i>	<i>Description</i>
1	94-1416	1	Adapter-Indicator
2	98-9771	1	Cover ASM
3	94-1414	1	Valve-Vacuator
4	108-3810	1	Filter-Air
5	98-4525	1	Bracket-Cleaner, Air
6	93-9164	1	Indicator-Mini



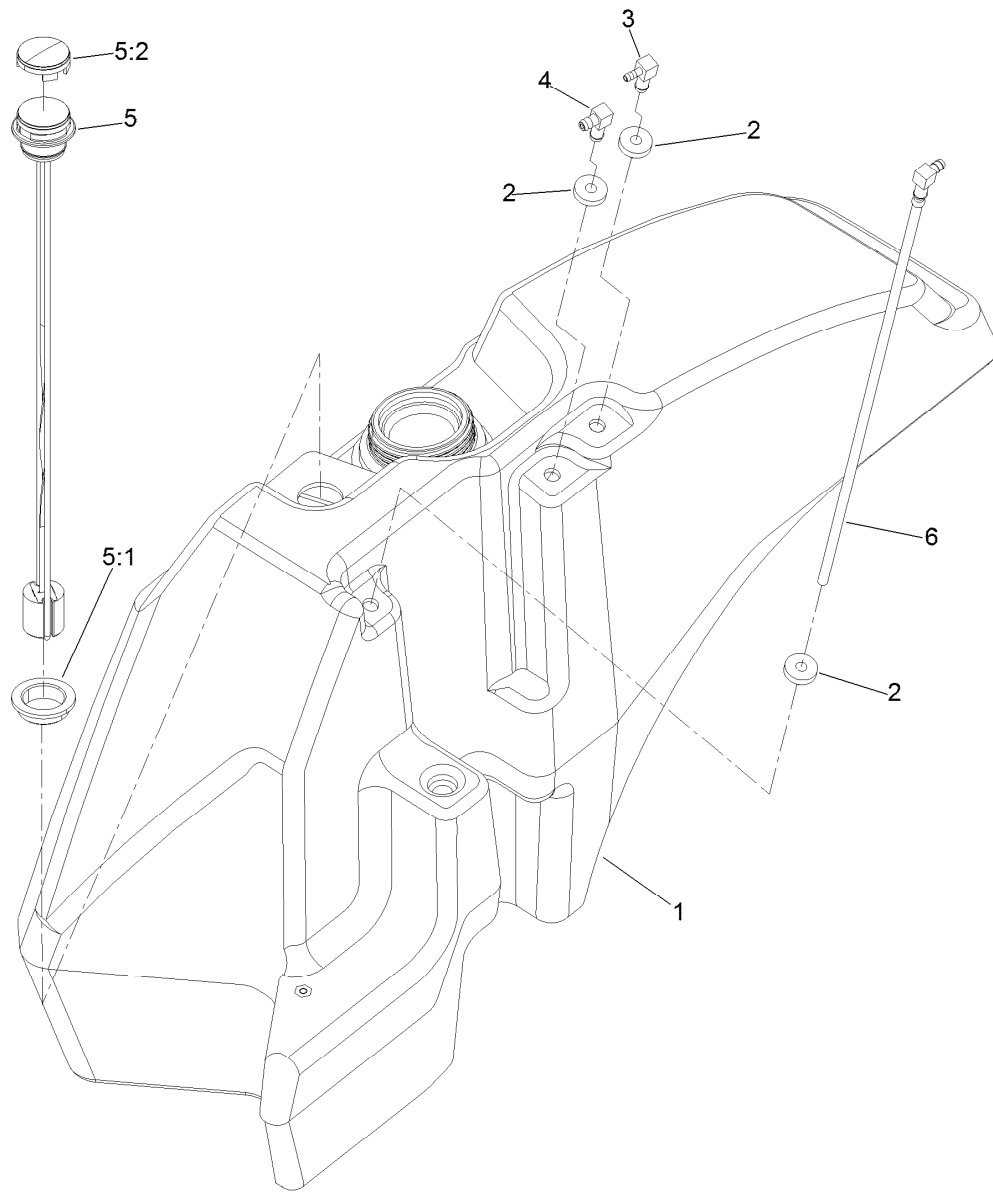
Frame and Roll-Over Protection System Assembly

<i>Ref.</i>	<i>Part Number</i>	<i>Qty.</i>	<i>Description</i>	<i>Ref.</i>	<i>Part Number</i>	<i>Qty.</i>	<i>Description</i>
1	138-7420	1	Radiator/Oil Cooler ASM	14	138-4453	1	Foam-Radiator
1:1	119-4036	4	Screw-HHF	15	138-4454	2	Foam-Radiator, Side
1:2	3256-23	4	Washer-Plain	16	138-4461-0P	1	Bracket-Shroud Retainer
1:3	137-3093	4	Nut-Hex	17	139-6230	1	Bracket-Bottle Mount
2	92-2379	2	Clamp-Hose	17:2	93-7272	1	Decal-Warning
3	139-6232	1	Shroud-Cooler ASM	18	106-1126	1	Hose-Fuel
3:2	115-8155	1	Decal-Warning	19	108-1393	1	Strip-Foam
4	3234-47	2	Screw-HHF	20	MSC14544	2	Grommet
5	104-8300	15	Nut-HF, NI	23	130-9182	1	Foam-Radiator, Short
7	3230-23	9	Bolt-CARR	24	144-0472	1	Decal-Coolant Level
8	1-807512	3	Bolt-CARR	25	144-0537-03	1	Bracket-Cooler Shroud, LH
9	104-7201	3	Nut-HF, NI	26	144-0544-03	1	Bracket-Cooler Shroud, RH
10	3234-42	2	Screw-HHF	27	144-3905	2	Guide-Hose
11	104-8301	2	Nut-HF, NI	28	140-7165	1	Bracket-Tank
12	138-4410	2	Seal-Foam	29	140-7185RT01	1	Tank ASM
13	138-4411	2	Seal-Foam				



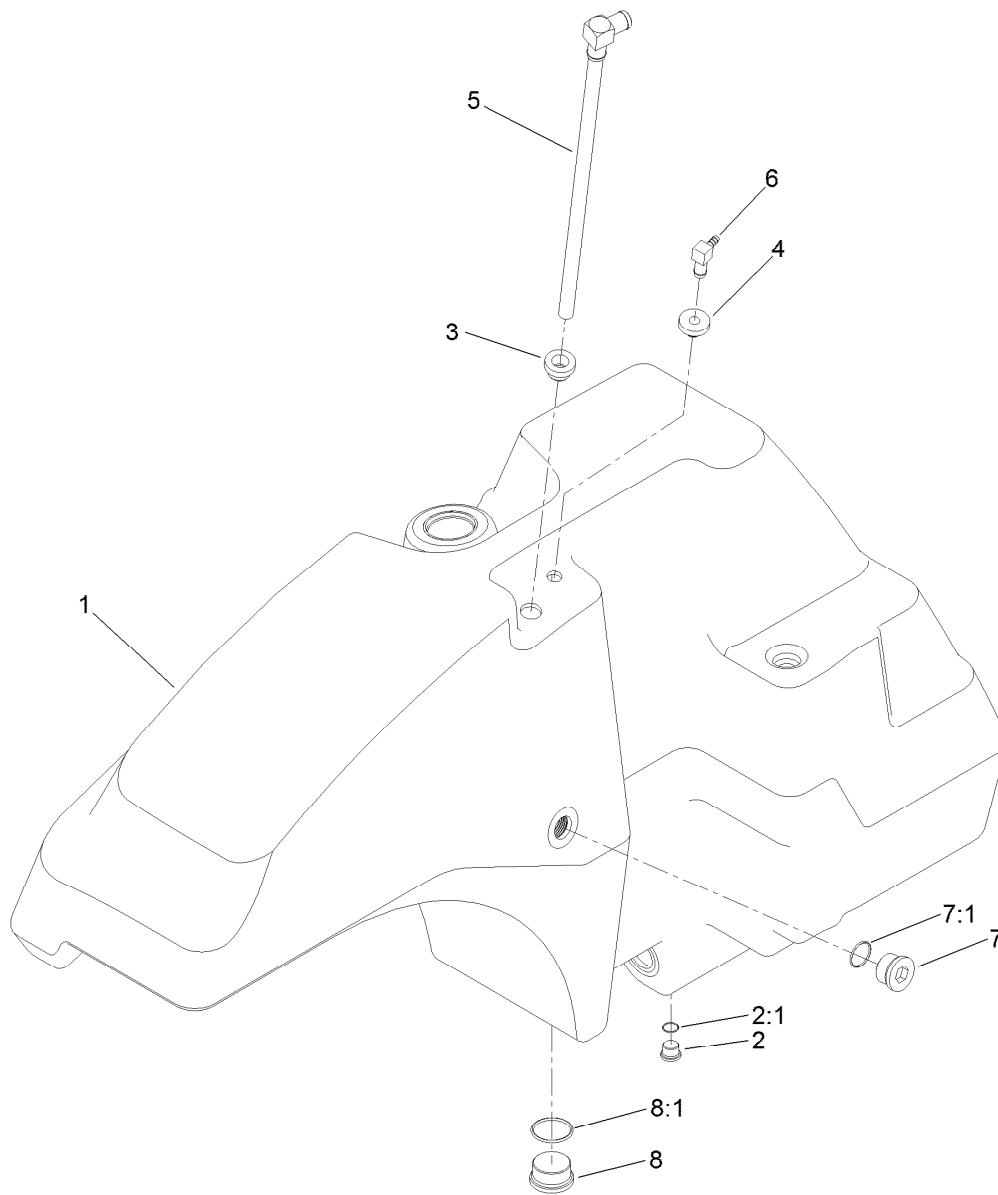
Fuel and Hydraulic Tank Assembly

Ref.	Part Number	Qty.	Description	Ref.	Part Number	Qty.	Description
1	138-0291	1	Fuel Tank	17	3230-3	1	Screw-CARR
2	138-4418	1	Hydraulics Tank ASM	18	3230-23	2	Bolt-CARR
3	114-4920	1	Hose	19	104-8300	3	Nut-HF, NI
4	138-7392	1	Hydraulic Tube ASM	20	3256-23	2	Washer-Plain
5	2412-119	2	Clamp-Hose	21	3253-4	2	Washer-Lock
6	138-7361	1	Hose-Suction	22	322-3	2	Screw-HH
7	2412-34	1	Clamp-Hose	23	109-2365	8	Bumper-Rubber
8	139-6228	1	Tank Support-Hydraulic	24	104-7201	8	Nut-HF, NI
8:2	127-0392	1	Decal-Hot Surface	27	92-2379	2	Clamp-Hose
9	138-0441-03	1	Bracket-Tank Hold Down, LH	28	131-8402	2	Strap-Down, Hold
10	138-7315-03	1	Bracket-Tank Hold Down, RH	29	125-9171	1	Cap-Fuel
11	138-4404-03	1	Tray-Tank/Battery	30	138-7499	1	Fitting-Strainer
12	138-7365-03	1	Bracket-Tank Mount, Front LH	31	138-7388	1	Dipstick
14	126-4781	1	Step-Deck	32	94-8166	1	O-Ring
15	104-8301	19	Nut-HF, NI	33	93-7498	1	Plug-Plastic
16	3231-27	15	Screw-CARR	35	139-0940-03	1	Bracket-Tank Mount, Front RH
				39	107-3154	6	Nut-Push
				40	3231-22	4	Screw-CARR



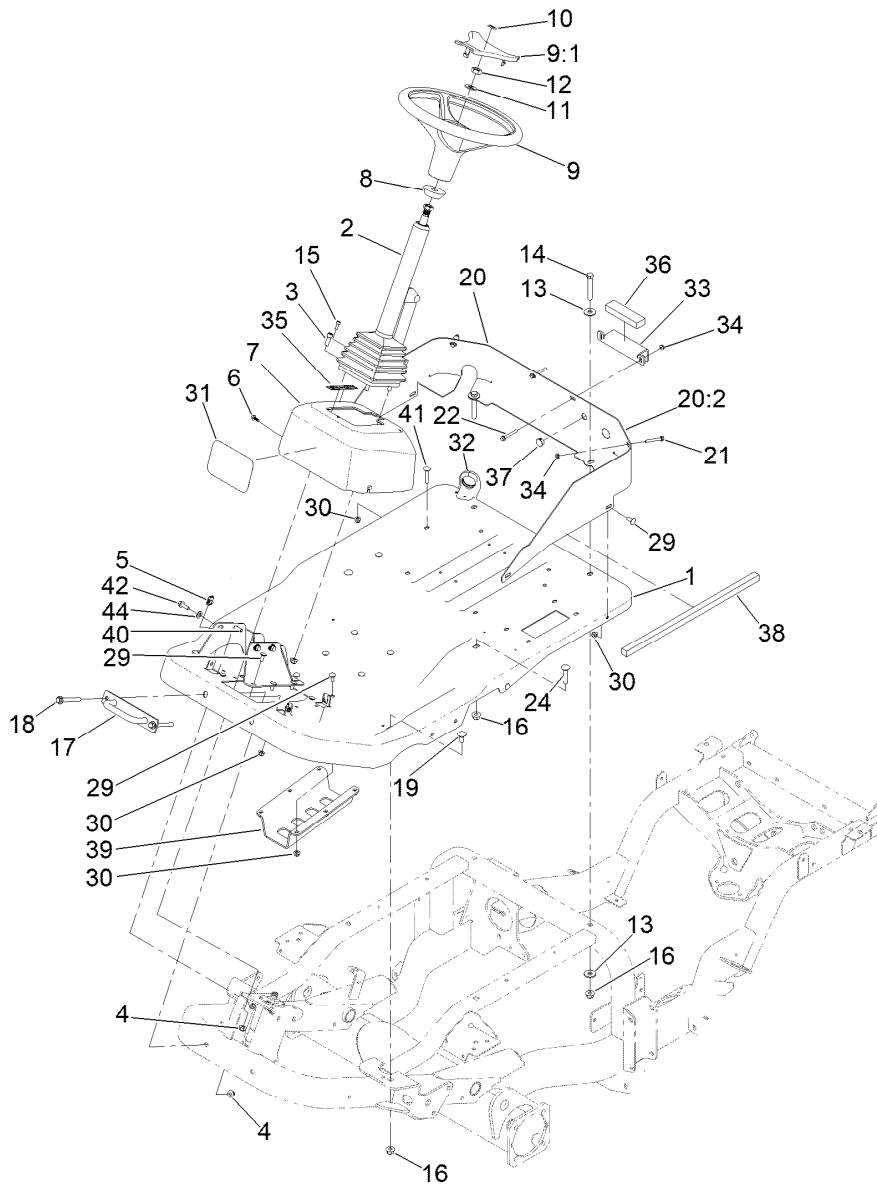
Fuel Tank Assembly No. 138-0291

<i>Ref.</i>	<i>Part Number</i>	<i>Qty.</i>	<i>Description</i>
1	138-7385	1	Fuel Tank W/Inserts ASM
2	46-6560	3	Bushing
3	104-5228	1	Fitting-Elbow, 90 DEG
4	46-6550	1	Fitting-Elbow, 90 DEG
5	139-0872	1	Gauge-Fuel
5:1	119-0508	1	Seal
5:2	117-8404	1	Dial-Gauge
6	138-7389	1	Pipe-Stand



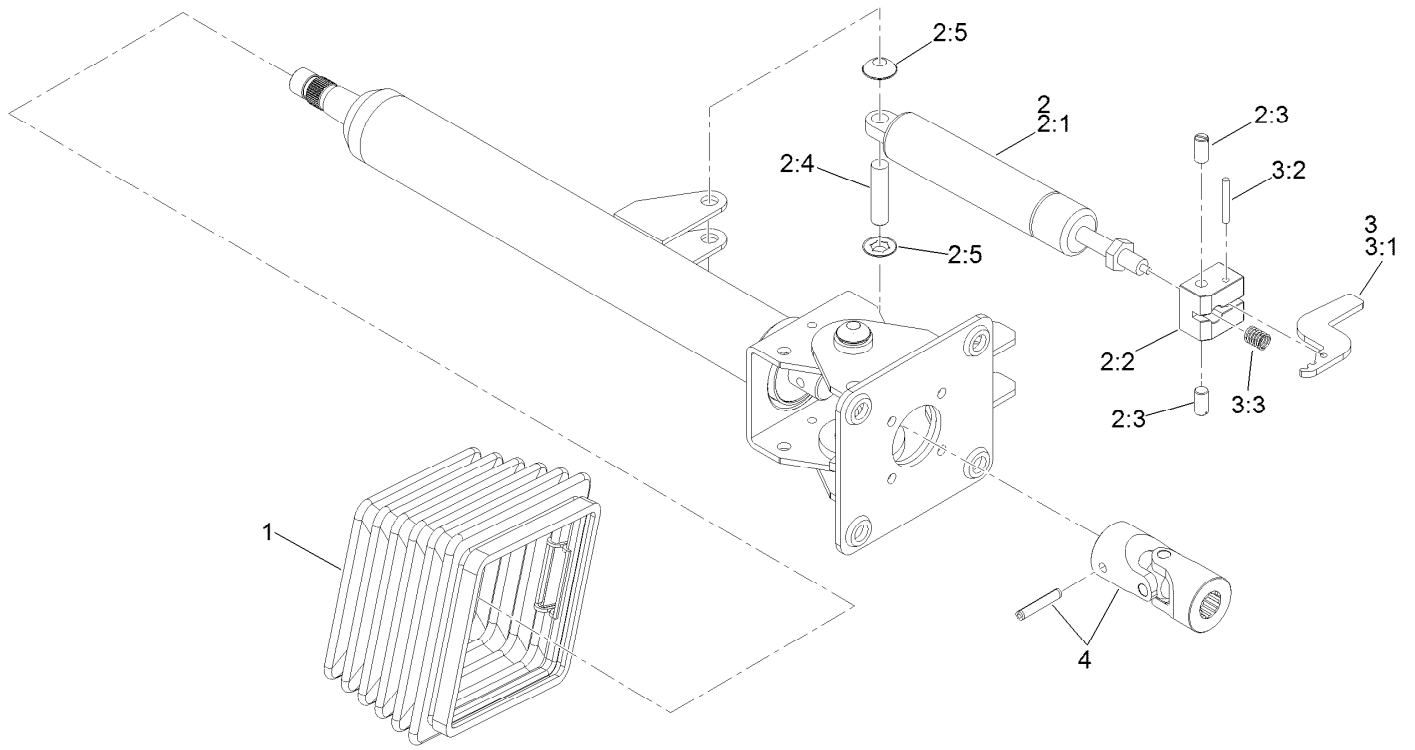
Hydraulic Tank Assembly No. 138-4418

Ref.	Part Number	Qty.	Description
1	138-7386	1	Tank-Hydraulic W/Inserts
2	353-989	1	Plug-Hex, Hollow
2:1	237-42	1	O-Ring
3	104-0790	1	Bushing
4	46-6560	1	Bushing
5	138-7384	1	Tube-Drop
6	104-5228	1	Fitting-Elbow, 90 DEG
7	139-6333	1	Fitting-Plug
7:1	237-81	1	O-Ring
8	105-3921	1	Fitting-Plug
8:1	237-146	1	O-Ring



Platform, Steering and Console Assembly

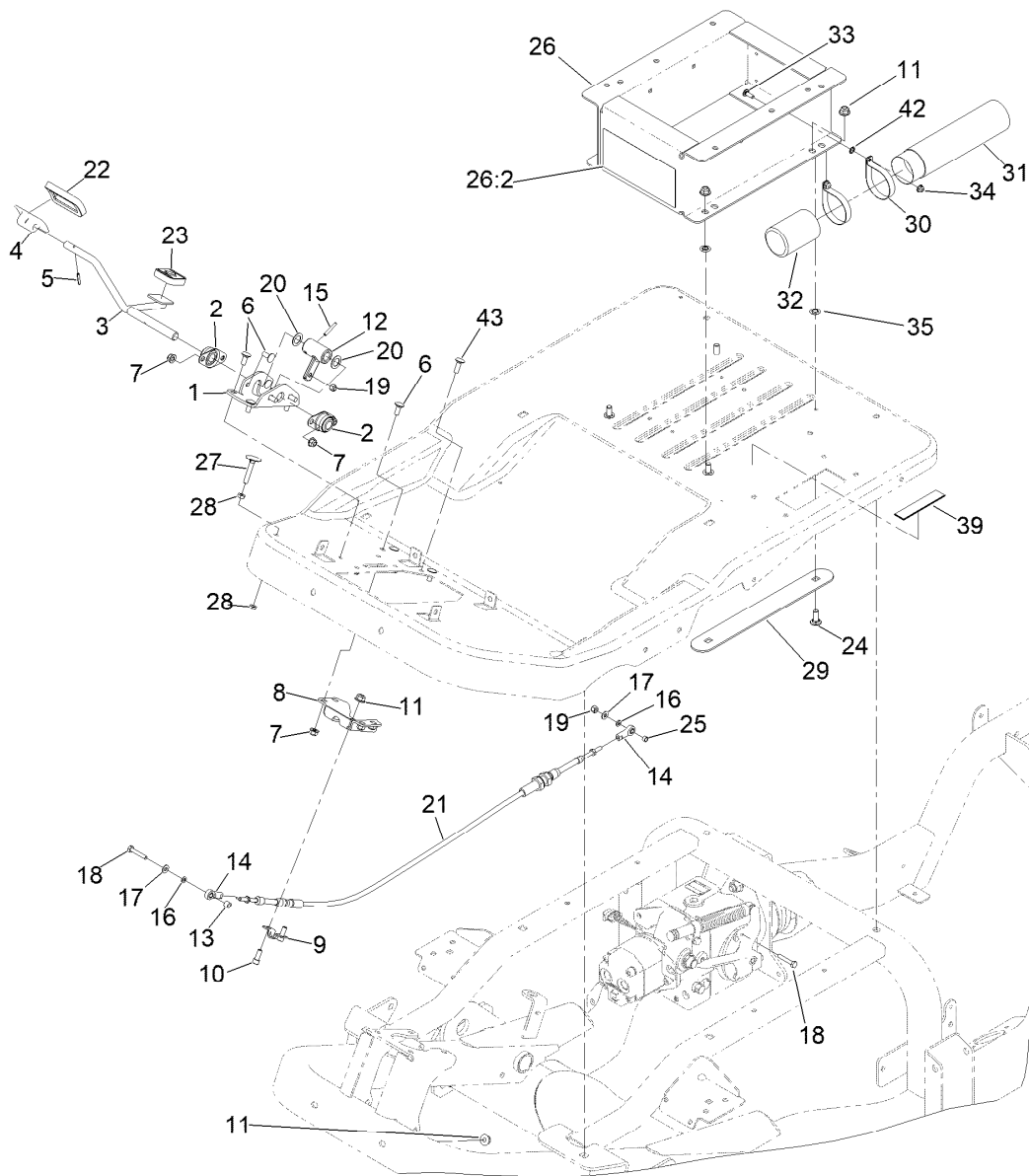
Ref.	Part Number	Qty.	Description	Ref.	Part Number	Qty.	Description
1	144-4030SP	1	Platform-Stamped	20:2	132-1316	2	Decal-Danger, Belt
2	139-0857	1	Column-Steering, Tilt	21	125-4287	2	Screw-HHF
3	3274-7	4	Screw-HSH	22	3234-34	2	Screw-HHF
4	104-8301	6	Nut-HF, NI	24	3232-5	2	Screw-CARR
5	107069	4	Clip	29	3230-23	15	Bolt-CARR
6	99-6810	4	Screw-HHF	30	104-8300	21	Nut-HF, NI
7	138-7494	1	Cover-Steering	31	105-1217	1	Decal
8	93-5429	1	Collar-Foam	32	144-0473	1	Plug-Harness, Firewall
9	98-1471	1	Wheel-Steering	33	139-2166-0P	1	Bracket-Hood Support
9:1	98-1468	1	Cover-Wheel, Steering	34	104-7201	4	Nut-HF, NI
10	98-1459	1	Decal	35	140-1460	1	Decal-Traction Pedal
11	3256-27	1	Washer-Flat	36	139-6202	1	Foam-Strip
12	3296-33	1	Nut-Lock, NI	37	130-8439	1	Plug-Dome
13	3256-40	4	Washer-Flat	38	139-6207	1	Foam-Strip
14	324-12	2	Screw-HH	39	144-3954-03	1	Guard-Tubes, Hydraulic
15	105-2409	4	Screw-HSH	40	145-5983-0P	1	Bracket-Steering Mount [primed]
16	114-8417	6	Nut-HF, NI	41	116-0629	2	Screw-CARR
17	138-0288	1	Bracket-Down, Tie	42	3234-29	4	Screw-HHF
18	3234-41	2	Screw-HHF	44	3256-38	4	Washer-Flat
19	3232-1	2	Screw-CARR				
20	144-0528	1	Plate-Firewall, Lower				



Steering Column Assembly No. 139-0857

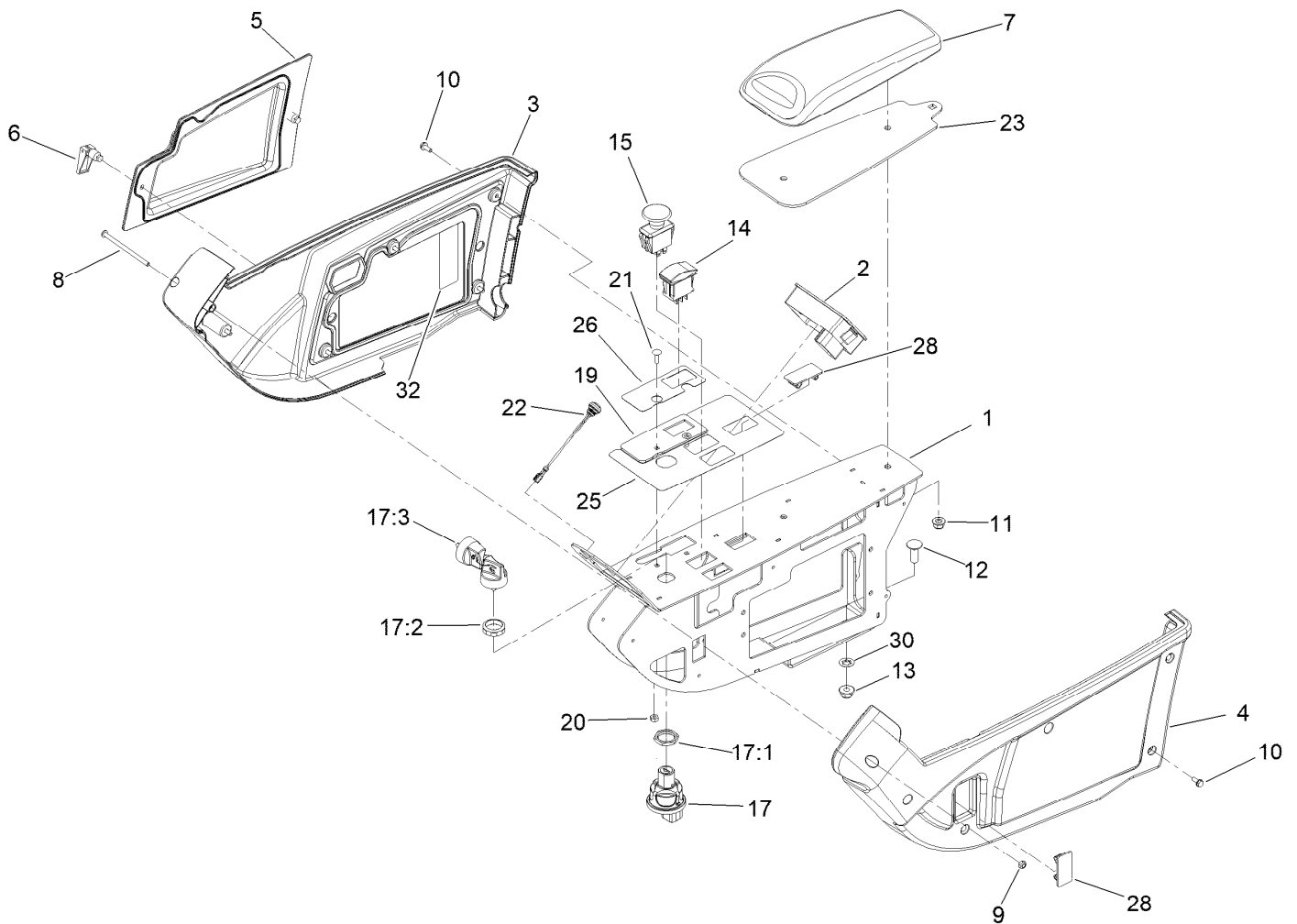
Ref.	Part Number	Qty.	Description
1	110-6462	1	Bellows-Rubber
2	110-6463	1	Cylinder Service Kit
2:1		1	Cylinder-Gas ●
2:2		1	Block-Pedal ●
2:3		2	Bolt ●
2:4		1	Pin ●
2:5		2	Washer-Lock ●
3	136-4385	1	Pedal Service Kit
3:1		1	Pedal ●
3:2		1	Pin ●
3:3		1	Spring ●
4	120-6256	1	Universal Joint Kit

● Not serviced separately



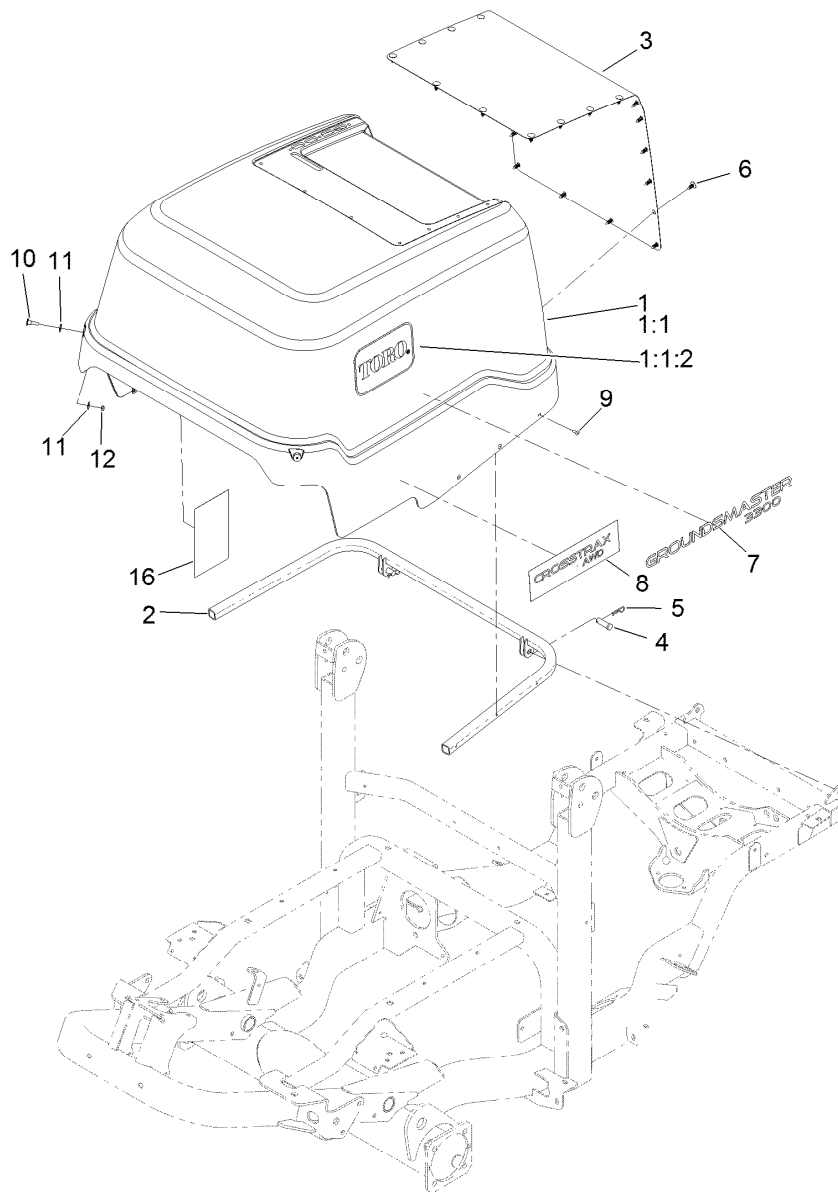
Traction Pedal Assembly

Ref.	Part Number	Qty.	Description	Ref.	Part Number	Qty.	Description
1	138-7477-01	1	Bracket-Pedal, Traction	21	137-2568	1	Traction-Cable
2	256-236	2	Bearing-Mount, Flange	22	74-9100	1	Pad-Pedal, Forward
3	138-4594	1	Pedal-Traction	23	74-9110	1	Pad-Pedal, Reverse
4	117-9507	1	Pedal-Accelerator	24	3231-22	4	Screw-CARR
5	32121-45	1	Pin-Spring	25	130-9691	1	Spacer
6	3230-23	12	Bolt-CARR	26	139-6221	1	Seat Box ASM
7	104-8300	14	Nut-HF, NI	26:2	139-6215	1	Decal-Warning
8	138-7446-01	1	Bracket-Cable, Traction	27	115-8240	1	Screw-Elevator
9	93-2092	1	Clamp-Cable	28	3218-2	2	Nut-Hex Jam
10	3274-10	2	Screw-HSH	29	138-7422-0P	2	Strip-Seat Mount
11	104-8301	4	Nut-HF, NI	30	107-1865	2	R-Clamp
12	117-5199	1	Hub-Pedal, Traction	31	104-7050	1	Tube-Manual
13	66-8010	1	Spacer	32	104-7048	1	Cap-Housing
14	2411-41	2	Rod End-Ball Joint	33	1-807512	2	Bolt-CARR
15	32121-6	1	Pin-Roll, Slotted	34	104-7201	2	Nut-HF, NI
16	33093-00	2	Washer-Flat	35	107-3154	4	Nut-Push
17	3256-22	2	Washer-Flat	39	133-8062	1	Decal-Spark Arrestor
18	321-9	2	Screw-HH	42	32115-15	2	Nut-Push
19	3296-42	2	Nut-Lock, NI	43	3230-10	1	Bolt-CARR
20	137-2601	2	Washer				



Control Console Assembly

<i>Ref.</i>	<i>Part Number</i>	<i>Qty.</i>	<i>Description</i>	<i>Ref.</i>	<i>Part Number</i>	<i>Qty.</i>	<i>Description</i>
1	133-6406-03	1	Panel	15	93-9999	1	Switch-PTO
2	132-9751	1	Tdm 2001	17	121-5159	1	Switch-Ignition
3	108-7605	1	Cover-RH	17:1	121-5160	1	Nut-Hex
4	108-7604	1	Cover-LH	17:2	122-2704	1	Nut-Face, M22 (Plastic)
5	108-7616	1	Panel-Access	17:3	121-5162	1	Set-Key, Ignition
6	74-5950	2	Latch-Swell	19	137-2511	1	Cover-Throttle, Switch
7	131-9637	1	Armrest-Quick Find	20	3296-2	2	Nut-Lock, NI
8	3250-22	1	Screw-PPH	21	1-807533	2	Bolt-CARR
9	3296-12	1	Nut-Lock, NI	22	136-9678	1	Switch-Pushbutton
10	32144-112	10	Screw-HWH	23	138-4548-03	1	Plate-Spacer, Console Pad
11	104-8300	2	Nut-HF, NI	25	138-7471	1	Decal-Console
12	3231-22	2	Screw-CARR	26	138-7472	1	Decal-Throttle
13	104-8301	2	Nut-HF, NI	28	99-7420	2	Plug-Hole
14	100-1535	2	Switch-Rocker, (On)-Off-(On)	30	107-3154	2	Nut-Push
				32	140-3126	1	Decal-Fuse

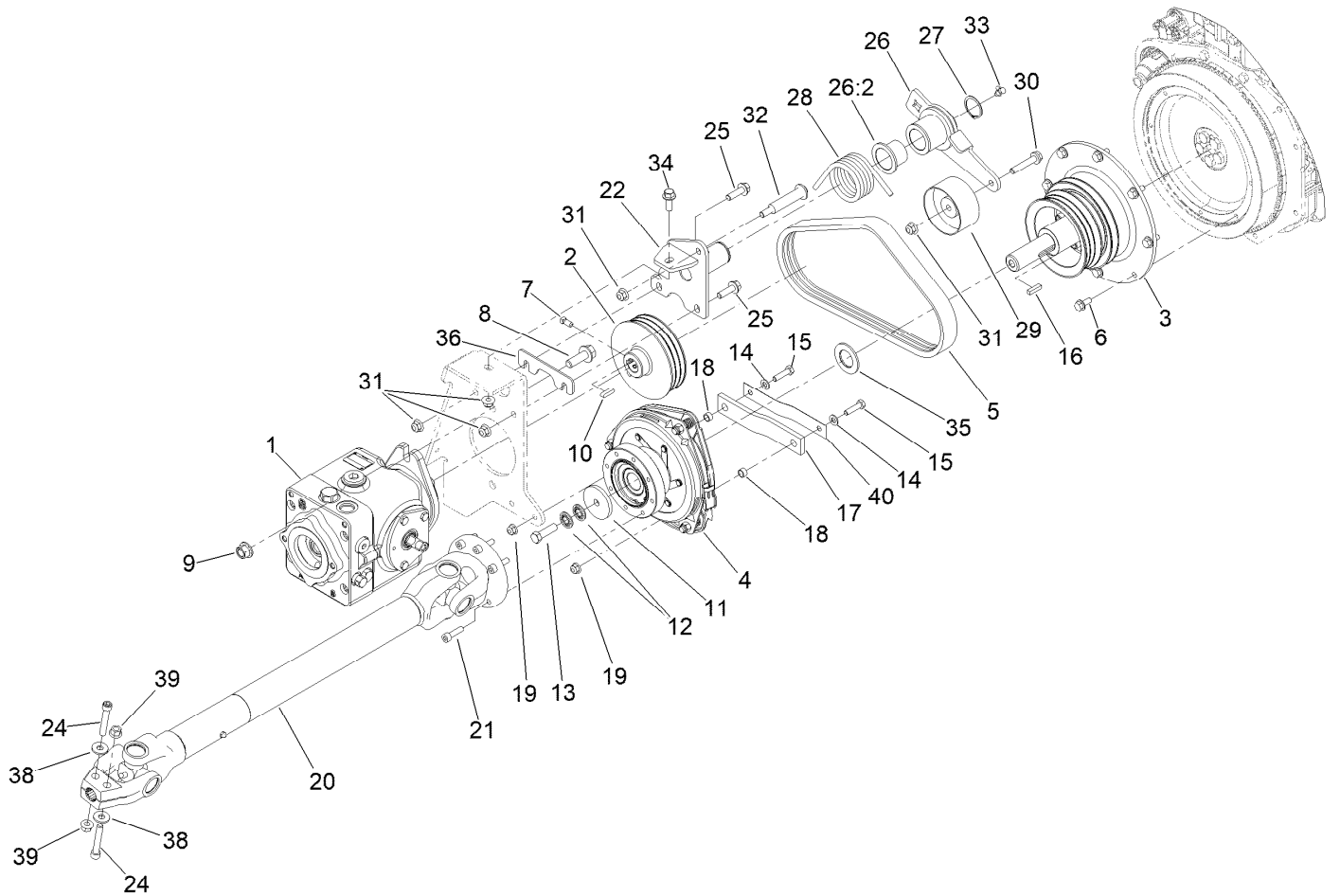


Hood Assembly

Ref.	Part Number	Qty.	Description	Ref.	Part Number	Qty.	Description
1	138-7330SP	1	Hood	5	3290-467	2	Pin-Hair
1:1		1	Hood ASM ■	6	117-2382	24	Plug-Plastic
1:1:2	62-7400	2	Decal-Toro Logo	7	139-6153	2	Decal-Identification
1:2	139-6225	1	Tape-Heat, Hood Front ●	8	110-8859	2	Decal
1:3	139-6226	1	Tape-Heat, Hood Rear ●	9	114439	10	Rivet-Blind
1:4	139-6227	1	Tape-Heat, Hood Side ●	10	139-0855	2	Screw-Countersunk, Oval
2	138-7331-03	1	Support-Hood	11	3256-2	4	Washer-Flat
3	138-7474-03	1	Screen-Cooler	12	3296-56	2	Nut-Lock, NI
4	283-68	2	Pin-Clevis	16	139-6218	1	Decal-Service, Gm3300

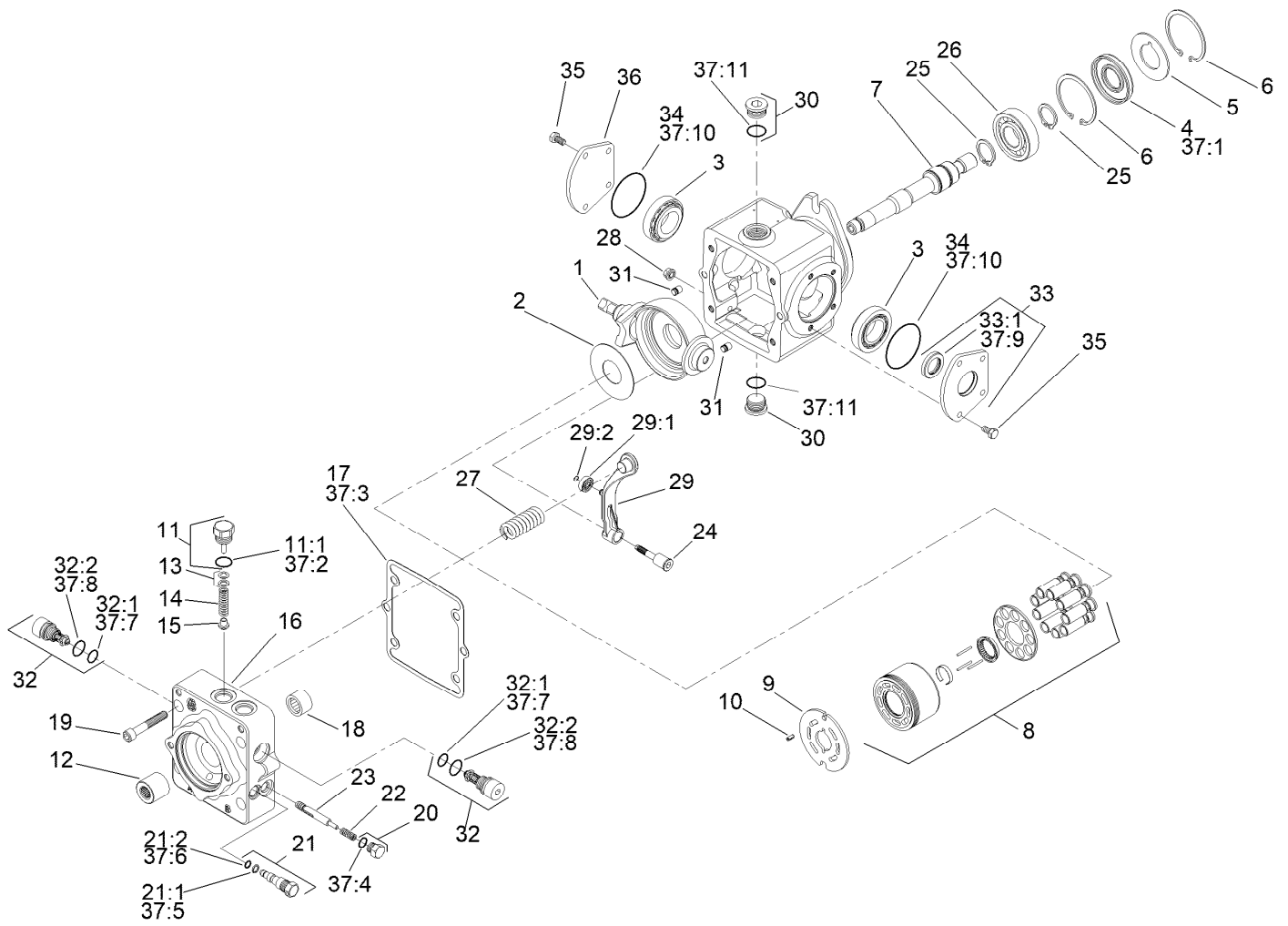
● Not illustrated

■ Not serviced separately



Hydraulic PTO Assembly

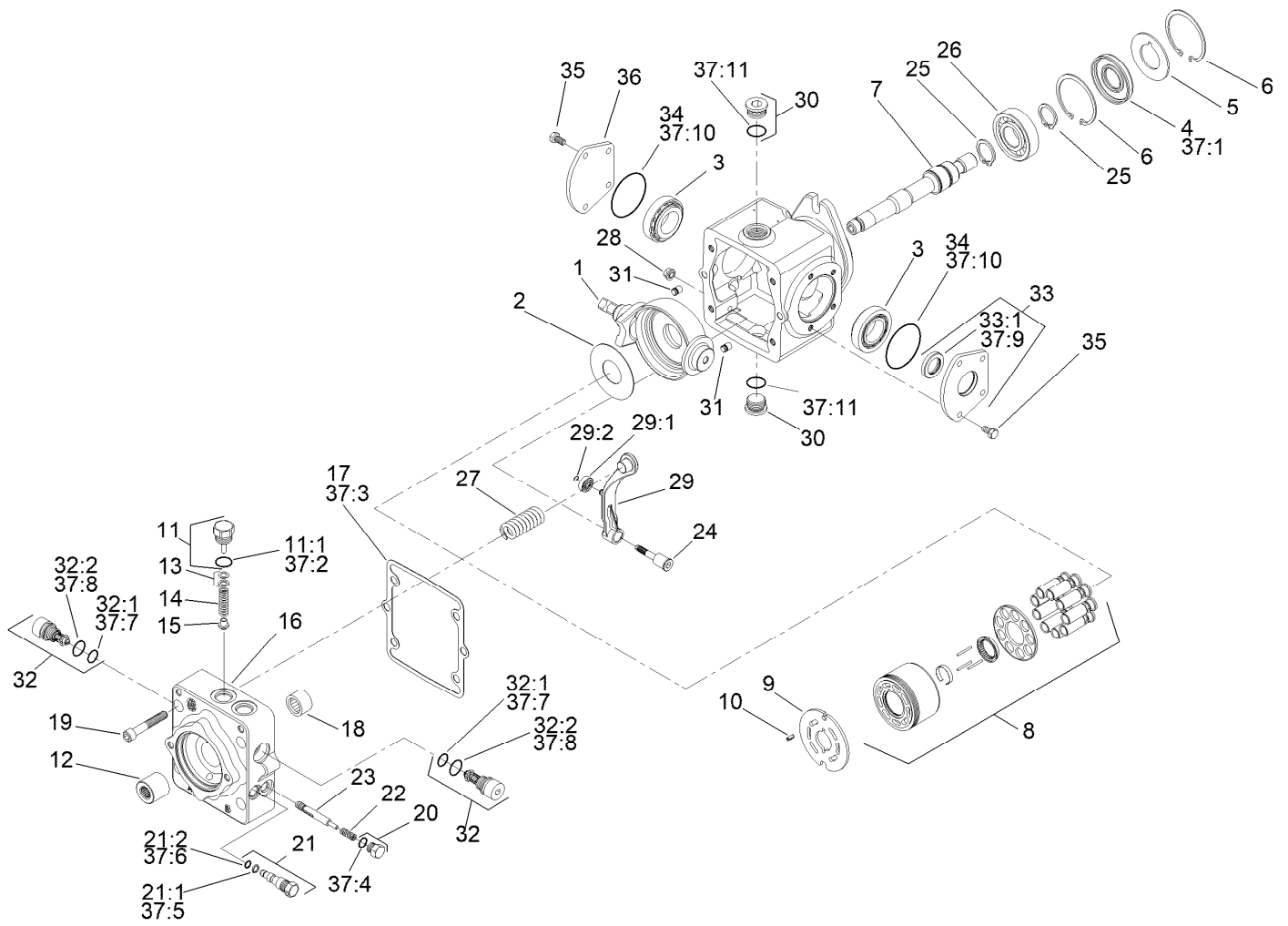
Ref.	Part Number	Qty.	Description	Ref.	Part Number	Qty.	Description
1	138-0305	1	Variable Piston Pump ASM	21	144-0452	6	Screw-Hex Socket
2	139-6257	1	Pulley-3/3V	22	140-3091	1	Idler Pivot ASM
3	139-6258	1	Stubshaft-3/3V	24	131-8591	2	Screw-HSH
4	145-5987	1	Clutch-Gt5 W/Integral Con	25	119-4061	2	Screw-HHF
5	139-6259	1	Belt-3/3V	26	140-6179	1	Idler Arm ASM
6	138-0690	8	Screw-HH	26:2	93-4510	2	Bushing-Caster
7	1-803022	2	Screw-Set	27	32120-84	1	Ring-Snap, External
8	100-6116	2	Screw-HHF	28	140-3102	1	Spring-Torsion
9	99-5107	2	Nut-Lock	29	140-3101	1	Pulley-Flat
10	94-3645	1	Key	30	108-3742	1	Screw-HHF
11	139-6238	1	Washer	31	104-8301	5	Nut-HF, NI
12	1-603610	2	Washer-Spring	32	112-3977	1	Bolt-Shoulder
13	109-9761	1	Screw-HH	33	302-40	1	Fitting-Grease, 90 DEG
14	3256-23	2	Washer-Plain	34	3234-42	1	Screw-HHF
15	322-6	2	Screw-HH	35	139-6239	1	Washer
16	1-807259	1	Key	36	144-4046	1	Shim-Pivot
17	139-6278	1	Strap-Clutch Stop	38	80-6990	2	Washer-Hardened
18	65-9820	2	Spacer	39	32128-36	2	Nut-HF
19	104-8300	3	Nut-HF, NI	40	144-4025	1	Strip-Steel, Spring
20	144-0521SP	1	Driveshaft ASM				



Variable Piston Pump Assembly No. 138-0305

Ref.	Part Number	Qty.	Description	Ref.	Part Number	Qty.	Description
1	140-3111	1	Plate-Swash	18	75-0500	1	Bearing-Needle
2	75-0400	1	Plate-Thrust	19	110-6489	4	Screw
3	110-6483	2	Bearing Kit	20	94-9415	2	Plug ASM
4	110-6471	1	Seal-Lip	21	107-4364	1	Bypass Valve ASM
5	95-4400	1	Washer-Backup	21:1	25-2630	1	Ring-Back Up
6	131-8616	2	Ring-Retaining	21:2	110-6498	1	O-Ring
7	140-3113	1	Shaft	22	140-3116	2	Spring
8	110-6472	1	Cylinder Block Kit ASM	23	110-6492	1	Spool-Loop, Flush
9	140-3114	1	Plate-Valve, CW	24	110-6493	1	Pivot-Return, Neutral
10	131-3800	1	Pin-Slotted	25	125-5280	2	Ring-Retaining
11	110-6486	1	Plug-Relief, Charge	26	75-0460	1	Bearing-Ball
11:1	28-3570	1	O-Ring	27	140-3117	1	Spring-Neutral Return
12	140-3122	1	Coupling	28	110-6496	1	Nut-Seal
13	140-3115	1	Shim Kit	29	110-6497	1	Neutral Return Arm ASM
14	110-6474	1	Spring	29:1	110-6494	1	Bearing-Cam
15	110-6475	1	Poppet	29:2	110-3056	1	Ring-Retaining
16	115-8087	1	Cap-End	30	69-3130	2	Plug
17	110-6476	1	Gasket-Cap, End	31	112-0158	2	Pin

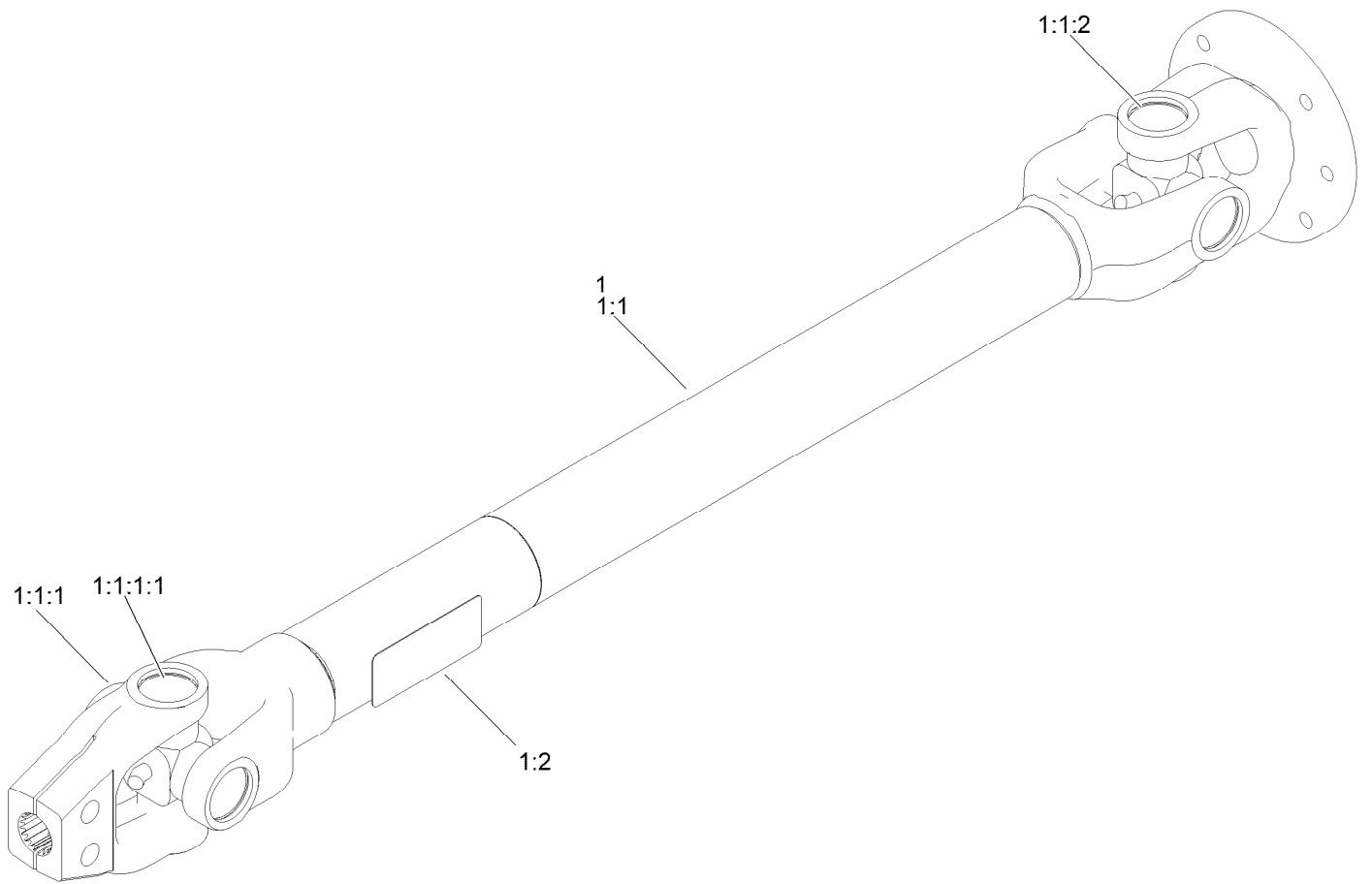
● Not illustrated



Variable Piston Pump Assembly No. 138-0305 (continued)

Ref.	Part Number	Qty.	Description	Ref.	Part Number	Qty.	Description
32	110-6477	2	Valve-Relief	37:2	28-3570	1	O-Ring
32:1	75-0240	1	O-Ring ●	37:3	110-6476	1	Gasket-Cap, End
32:2	84-0560	1	O-Ring ●	37:4	131-8631	2	O-Ring
33	110-6499	1	Trunnion Cover ASM	37:5	25-2630	1	Ring-Back Up
33:1	110-6478	1	Seal-Lip	37:6	110-6498	1	O-Ring
34	84-0430	2	O-Ring	37:7	75-0240	2	O-Ring
35	112-0151	8	Screw	37:8	84-0560	2	O-Ring
36	84-0440	1	Cover-Trunnion	37:9	110-6478	1	Seal-Lip
37	110-6481	1	Seal Kit ●	37:10	84-0430	2	O-Ring
37:1	110-6471	1	Seal-Lip	37:11	131-8614	2	O-Ring

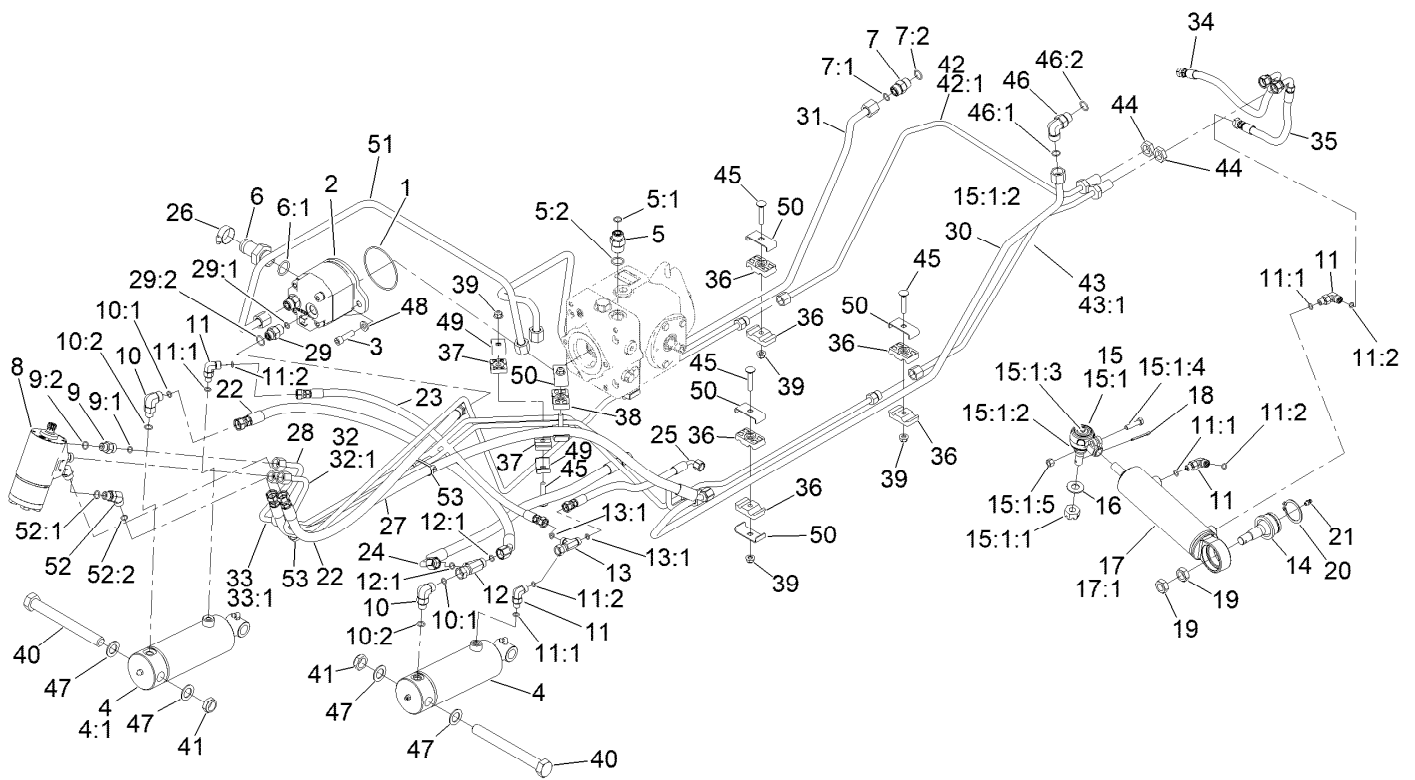
● Not illustrated



Driveshaft Assembly No. 144-0521SP

<i>Ref.</i>	<i>Part Number</i>	<i>Qty.</i>	<i>Description</i>
1		1	Driveshaft ASM ●
1:1		1	Shaft-Drive, Jdl ●
1:1:1	144-0519	1	Yoke-Splined W/Cross Joint
1:1:1:1	144-0550	1	Bearing-Cross Joint
1:1:2	144-0550	1	Bearing-Cross Joint
1:2	139-6304	1	Decal-Danger, Entanglement

● Not serviced separately

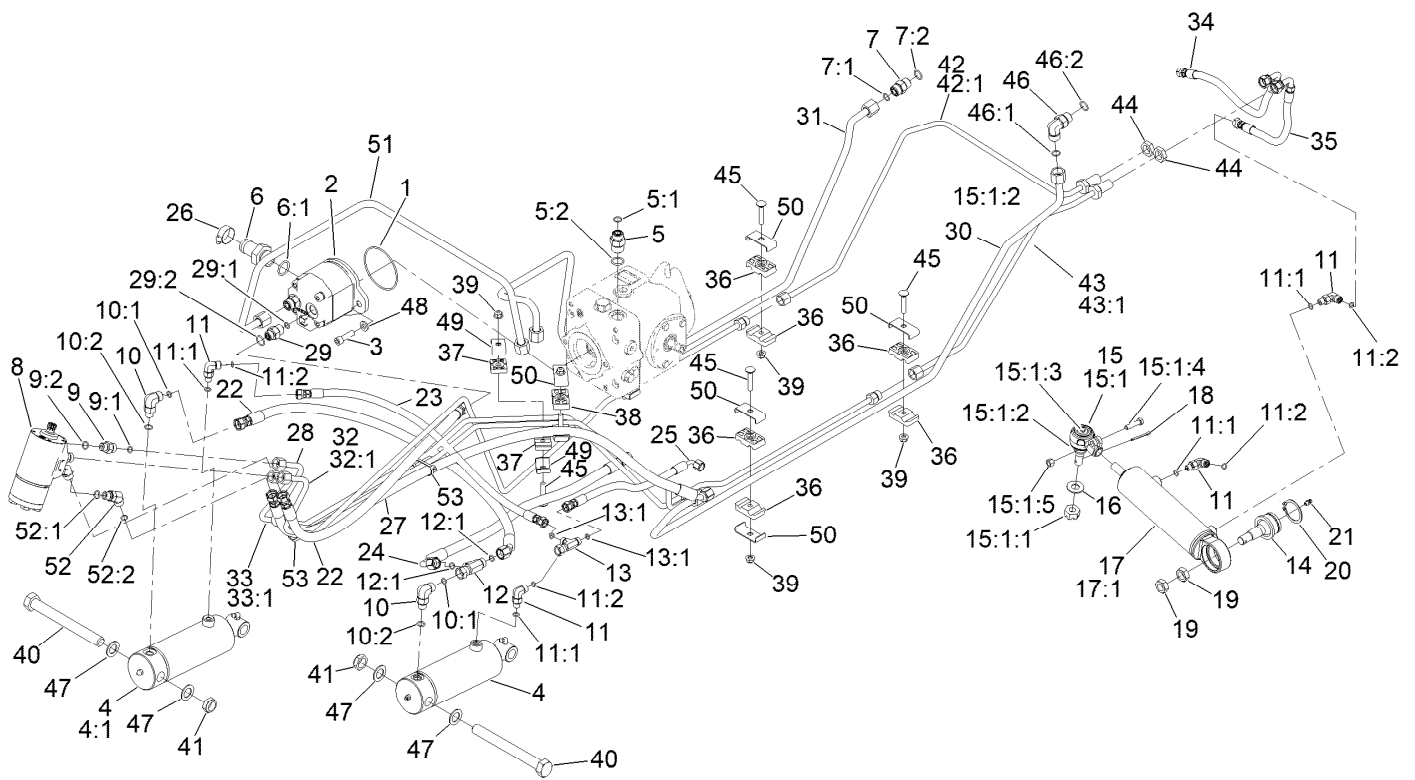


Hydraulic Assembly

Ref.	Part Number	Qty.	Description	Ref.	Part Number	Qty.	Description
1	237-161	1	O-Ring	10:1	237-22	1	O-Ring
2	138-0321	1	Pump-Gear	10:2	237-42	1	O-Ring
3	3274-1	2	Screw-HSH	11	340-132	4	Fitting-Elbow, 90 DEG
4	139-0854	2	Cylinder-Hydraulic	11:1	237-78	1	O-Ring
4:1	140-3110	1	Kit-Seal ●	11:2	237-21	1	O-Ring
5	340-6	1	Fitting-Straight	12	340-115	1	Fitting-Tee
5:1	237-30	1	O-Ring	12:1	237-22	2	O-Ring
5:2	237-80	1	O-Ring	13	340-151	1	Fitting-Tee
6	99-3017	1	Fitting	13:1	237-21	2	O-Ring
6:1	237-81	1	O-Ring	14	106-6774	1	Joint-Ball
7	340-4	2	Fitting-Straight	15	106-6895-03	1	Ball Joint ASM
7:1	237-30	1	O-Ring	15:1		1	Joint-Ball ■
7:2	237-79	1	O-Ring	15:1:1	32136-13	1	Nut-SHH
8	114-8119	1	Steering Valve ASM	15:1:2	106-6896	1	Seal
9	340-2	3	Fitting-Straight	15:1:3	302-5	1	Fitting-Grease
9:1	237-22	1	O-Ring	15:1:4	3210-7	1	Screw-HH
9:2	237-42	1	O-Ring	15:1:5	32152-5	1	Nut-Hex
10	340-77	2	Fitting-Elbow, 90 DEG	16	69-8980	1	Washer

● Not illustrated

■ Not serviced separately

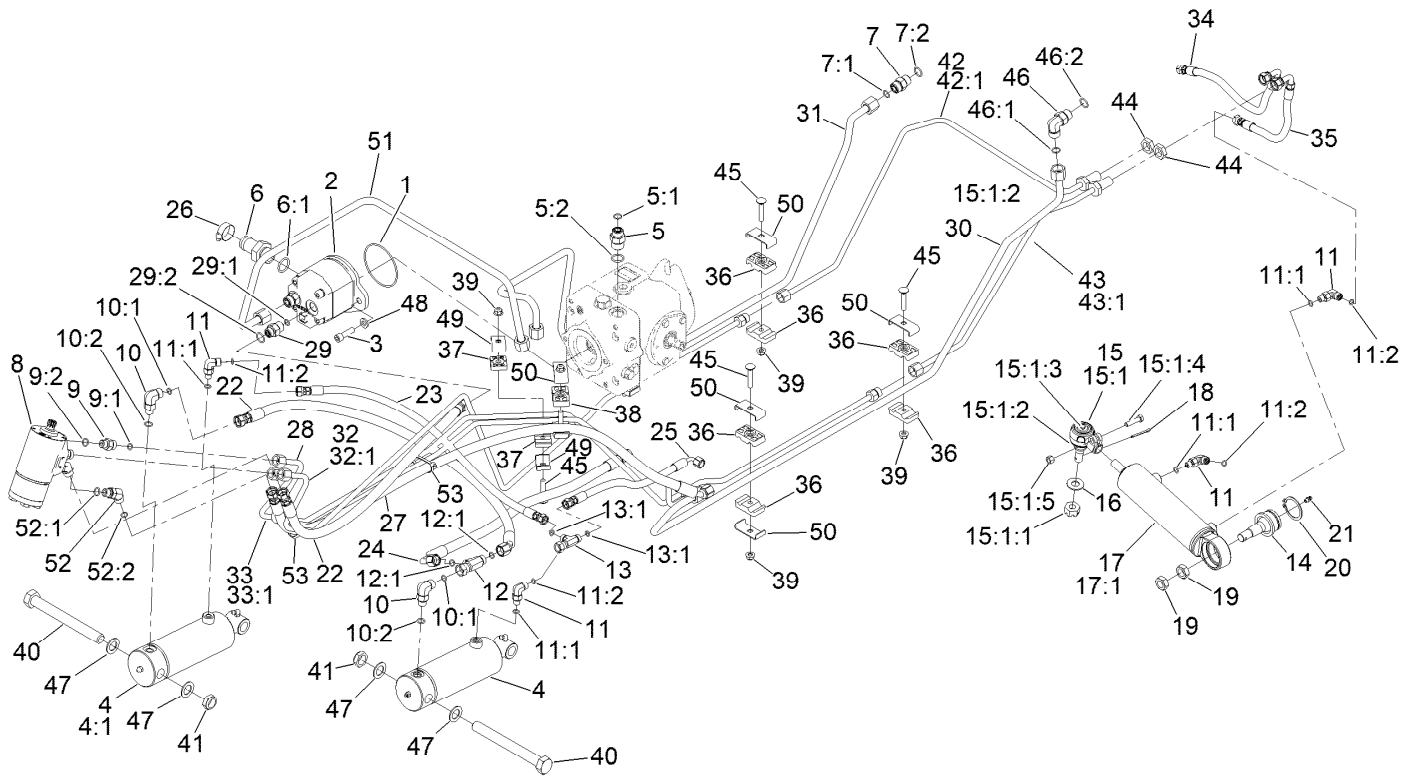


Hydraulic Assembly (continued)

Ref.	Part Number	Qty.	Description	Ref.	Part Number	Qty.	Description
17	139-6277	1	Steering Cylinder	32	138-0333	1	Hydraulic Tube ASM
17:1	140-3120	1	Kit-Seal ●	32:1	237-22	1	O-Ring
18	3272-12	1	Pin-Cotter	33	138-0336	1	Hydraulic Tube ASM
19	3220-6	2	Nut-Jam	33:1	237-22	1	O-Ring
20	32151-104	1	Ring-Retaining, External	34	115-0383	1	Hose ASM
21	302-5	1	Fitting-Grease	35	137-2584	1	Hose ASM
22	137-5844	2	Hose ASM	36	56-7972	8	Clamp-Tube
23	137-5845	1	Hose ASM	37	56-7973	2	Clamp-Tube
24	137-5846	1	Hose ASM	38	56-7970	2	Clamp-Tube
25	137-5847	1	Hose ASM	39	104-8300	6	Nut-HF, NI
26	2412-34	1	Clamp-Hose	40	328-23	2	Screw-HH
27	140-3097	1	Hose ASM	41	HDW02059	2	Nut-Hex
28	138-0331	1	Hydraulic Tube ASM	42	138-0343	1	Hydraulic Tube ASM
29	340-3	1	Fitting-Straight	42:1	237-22	1	O-Ring
29:1	237-22	1	O-Ring	43	138-0344	1	Hydraulic Tube ASM
29:2	237-79	1	O-Ring	43:1	237-22	1	O-Ring
30	138-7448	1	Hydraulic Tube ASM	44	340-70	2	Nut-Lock
31	138-7447	1	Hydraulic Tube ASM	45	3230-5	6	Bolt-CARR

● Not illustrated

■ Not serviced separately

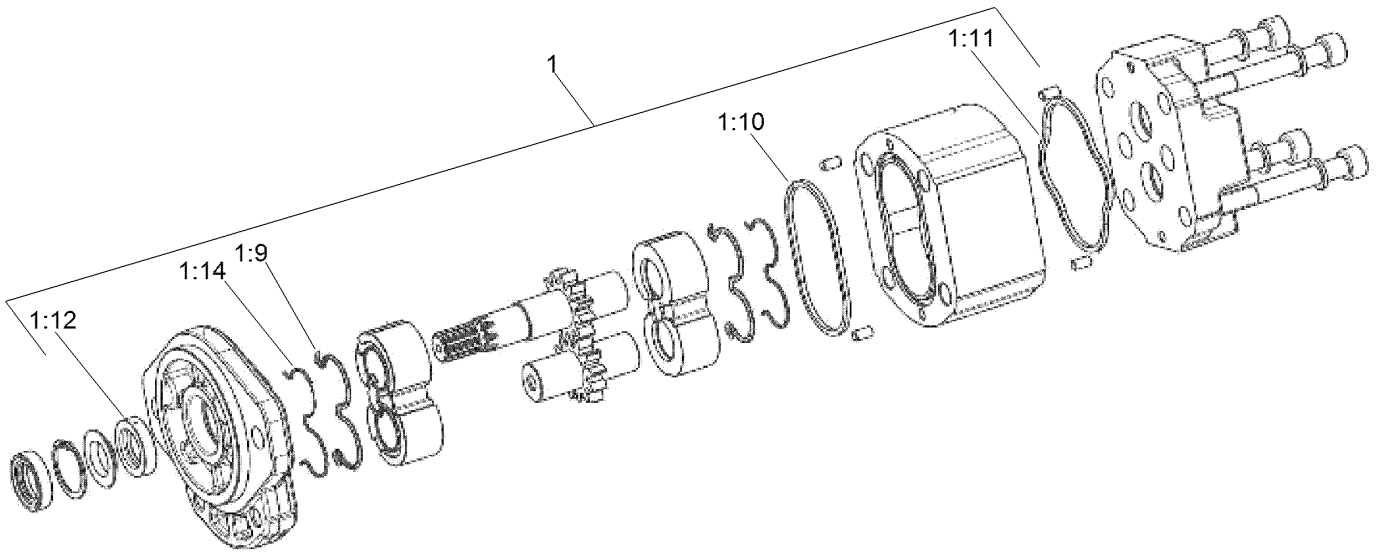


Hydraulic Assembly (continued)

<i>Ref.</i>	<i>Part Number</i>	<i>Qty.</i>	<i>Description</i>	<i>Ref.</i>	<i>Part Number</i>	<i>Qty.</i>	<i>Description</i>
46	340-98	1	Fitting-Elbow, 90 DEG	50	119-1419	8	Plate-Clamp
46:1	237-79	1	O-Ring	51	138-0342	1	Hydraulic Tube ASM
46:2	237-30	1	O-Ring	52	340-87	2	Fitting-Elbow, 45 DEG
47	126-7888	4	Washer-Nylon	52:1	237-22	1	O-Ring
48	139-6293	2	Washer	52:2	237-42	1	O-Ring
49	119-1418	2	Plate-Clamp, Short	53	3290-378	4	Tie-Cable

● Not illustrated

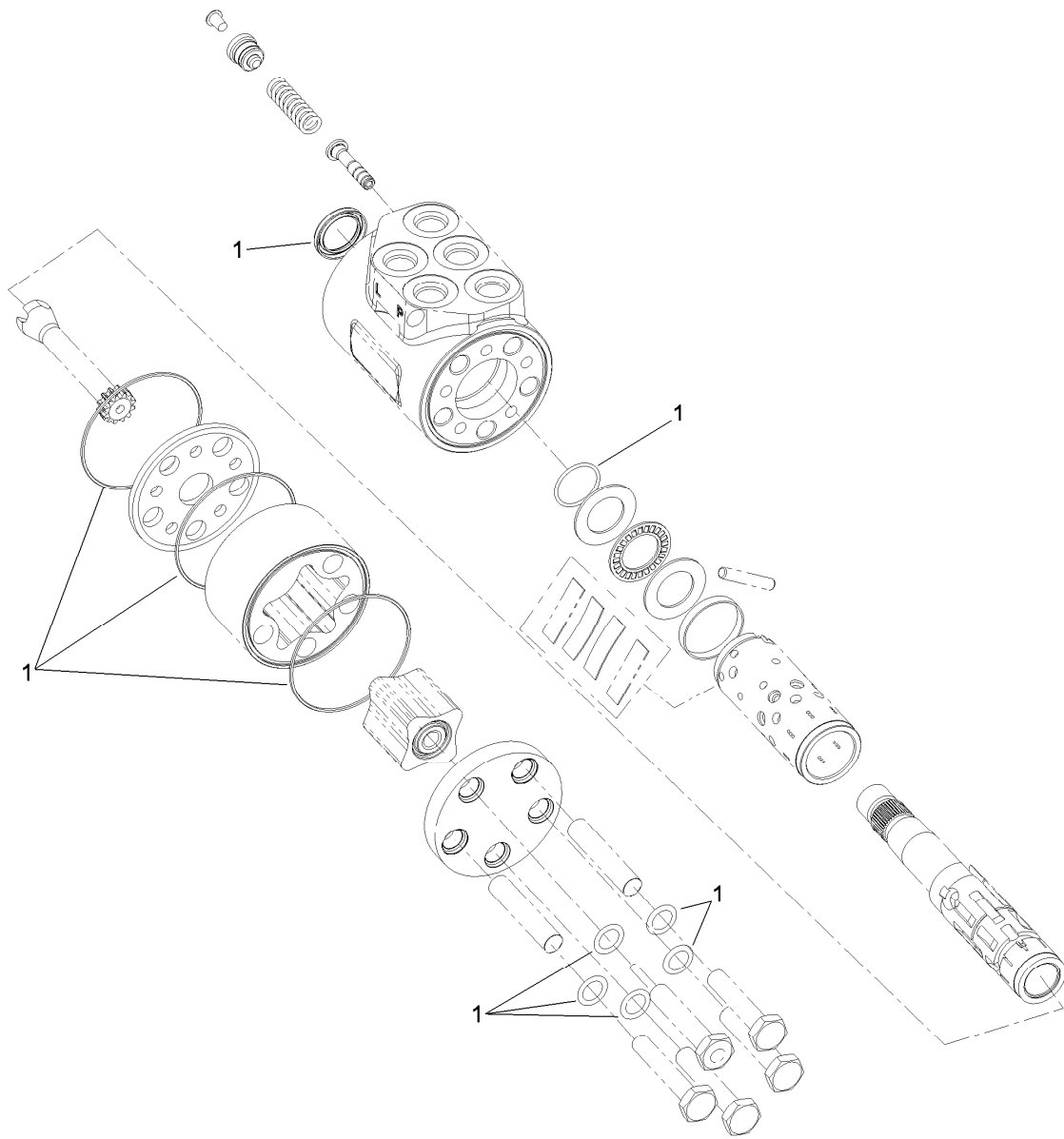
■ Not serviced separately



Gear Pump Assembly No. 138-0321

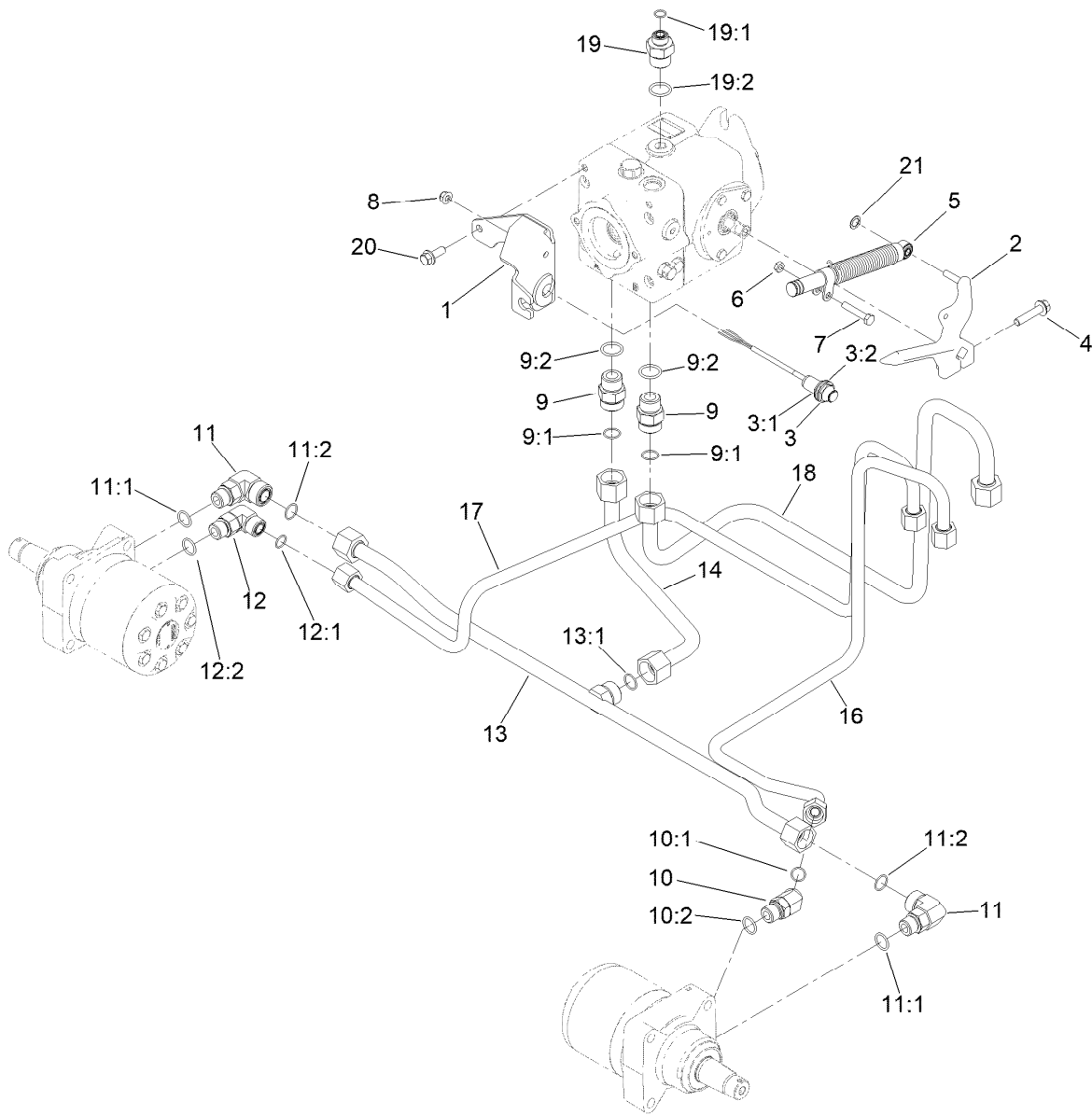
<i>Ref.</i>	<i>Part Number</i>	<i>Qty.</i>	<i>Description</i>
1	139-6299	1	Kit-Seal
1:9		1	Seal ●
1:10		1	Seal-Standard ●
1:11		1	Seal-Square ●
1:12		1	Seal-Shaft ●
1:14		1	Anti Extrusion ●

● Not serviced separately



Steering Valve Assembly No. 114-8119

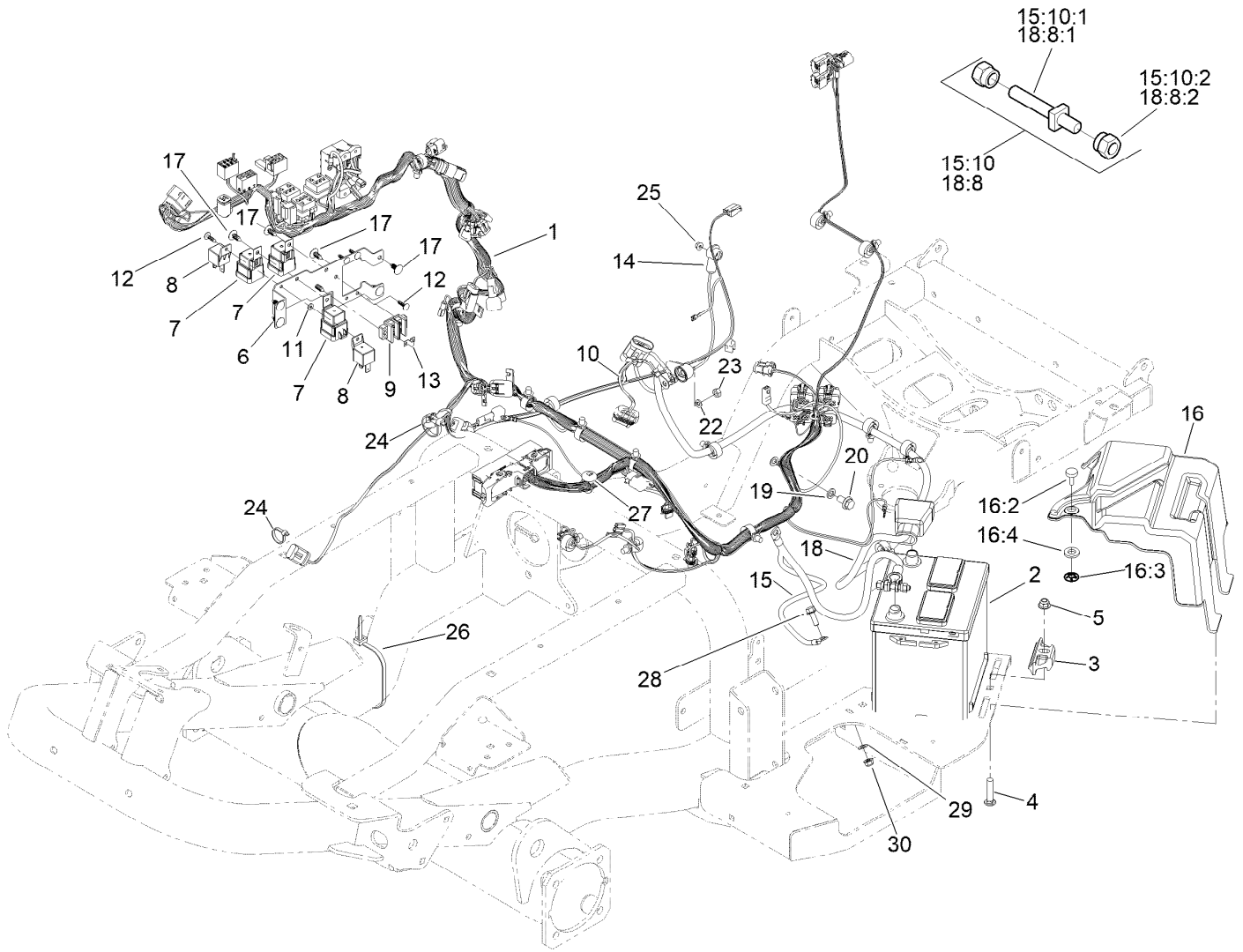
<i>Ref.</i>	<i>Part Number</i>	<i>Qty.</i>	<i>Description</i>
1	106-6716	1	Seal Kit



Traction Hydraulic Assembly

Ref.	Part Number	Qty.	Description	Ref.	Part Number	Qty.	Description
1	139-6195-0P	1	Bracket-Cable Support [primed]	11:1	237-80	1	O-Ring
2	138-6378	1	Lever-Pump	11:2	237-58	1	O-Ring
3	115-5300	1	Proximity Switch ASM	12	340-17	1	Fitting-Elbow, 90 DEG
3:1	117-3207	2	Nut-Hex	12:1	237-65	1	O-Ring
3:2	117-3208	2	Washer-Lock, Internal Tooth	12:2	237-80	1	O-Ring
4	3234-19	1	Screw-HHF	13	138-0340	1	Hydraulic Tube ASM
5	140-6248	1	Damper	13:1	237-58	1	O-Ring
6	3218-2	1	Nut-Hex Jam	14	138-0341	1	Hydraulic Tube ASM
7	322-10	1	Screw-HH	16	138-0345	1	Hydraulic Tube ASM
8	104-8300	1	Nut-HF, NI	17	138-0346	1	Hydraulic Tube ASM
9	340-9	2	Fitting-STR	18	138-0339	1	Hydraulic Tube ASM
9:1	237-58	1	O-Ring	19	100-4240	1	Fitting-STR
9:2	237-81	1	O-Ring	19:1	237-30	1	O-Ring
10	340-14	1	Fitting-HYD, 45 DEG	19:2	237-81	1	O-Ring
10:1	237-65	1	O-Ring	20	3234-42	2	Screw-HHF
10:2	237-80	1	O-Ring	21	32151-72	1	Ring-Retaining
11	340-16	2	Fitting-HYD, 90 DEG				

Electrical Assembly



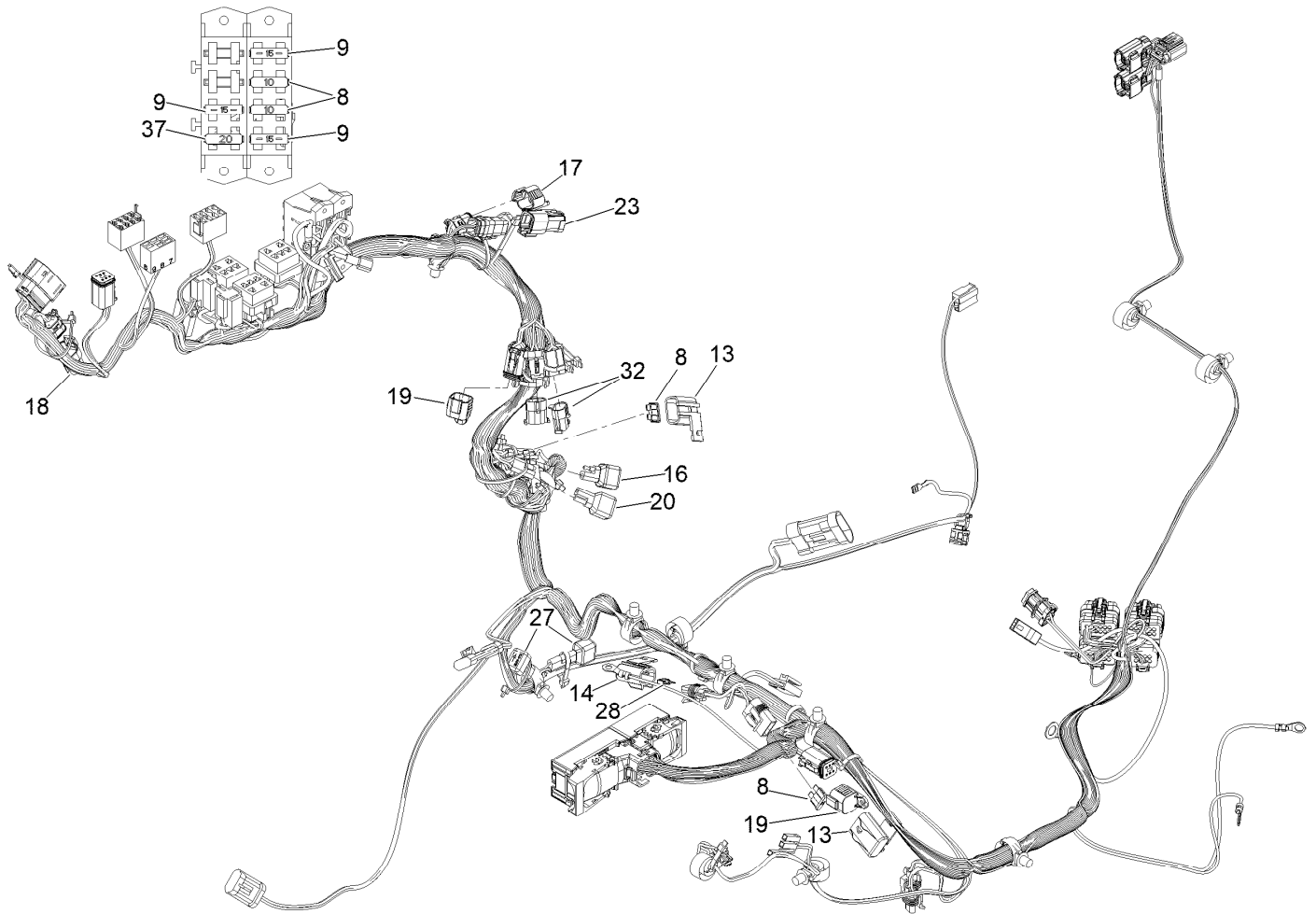
Electrical Assembly (continued)

<i>Ref.</i>	<i>Part Number</i>	<i>Qty.</i>	<i>Description</i>	<i>Ref.</i>	<i>Part Number</i>	<i>Qty.</i>	<i>Description</i>
1	122-2517	1	Harness-Wire, Main	16	140-9010	1	Battery Cover ASM
2		1	Battery - Wet, 12V, 540 CCA ■	16:2	140-9033	1	Knob-Stud
3	138-6335	1	Retainer-Battery	16:3	32115-15	1	Nut-Push
4	3231-29	1	Screw-CARR	16:4	3256-22	1	Washer-Flat
5	104-8301	1	Nut-HF, NI	17	117-2382	10	Plug-Plastic
6	138-7467-0P	1	Bracket-Electrical	18	122-1275	1	Cable-Battery, Positive ASM
7	99-7430	3	Relay-Mini	18:8		1	Bolt ASM ●■
8	99-7435	2	Relay	18:8:1	32180-107	1	Bolt-Clamp, Battery
9	42862	1	Block-Terminal, Ground	18:8:2	32180-108	2	Nut-Hex Shoulder
10	99-3441	1	Harness-Wire, Fusible Link	19	33095-00	1	Washer-Flat
11	3256-21	1	Washer-Flat	20	33115-020	1	Screw-HH
12	125-8067	1	Plug-Plastic	22	3253-4	1	Washer-Lock
13	42863	1	Strip-Jumper	23	33014-00	1	Nut-Hex
14	100-5552	1	Harness-Wire	24	3290-378	5	Tie-Cable
15	122-1276	1	Cable-Battery, Negative ASM	25	33003-00	1	Nut-HF
15:10		1	Bolt ASM ●■	26	3290-379	1	Tie-Cable
15:10:1	32180-107	1	Bolt-Clamp, Battery	27	32180-149	1	Tie-Button Head
15:10:2	32180-108	2	Nut-Hex Shoulder	28	3234-29	1	Screw-HHF
				29	120-9683	1	Washer-Plain
				30	104-8300	1	Nut-HF, NI

● Not illustrated

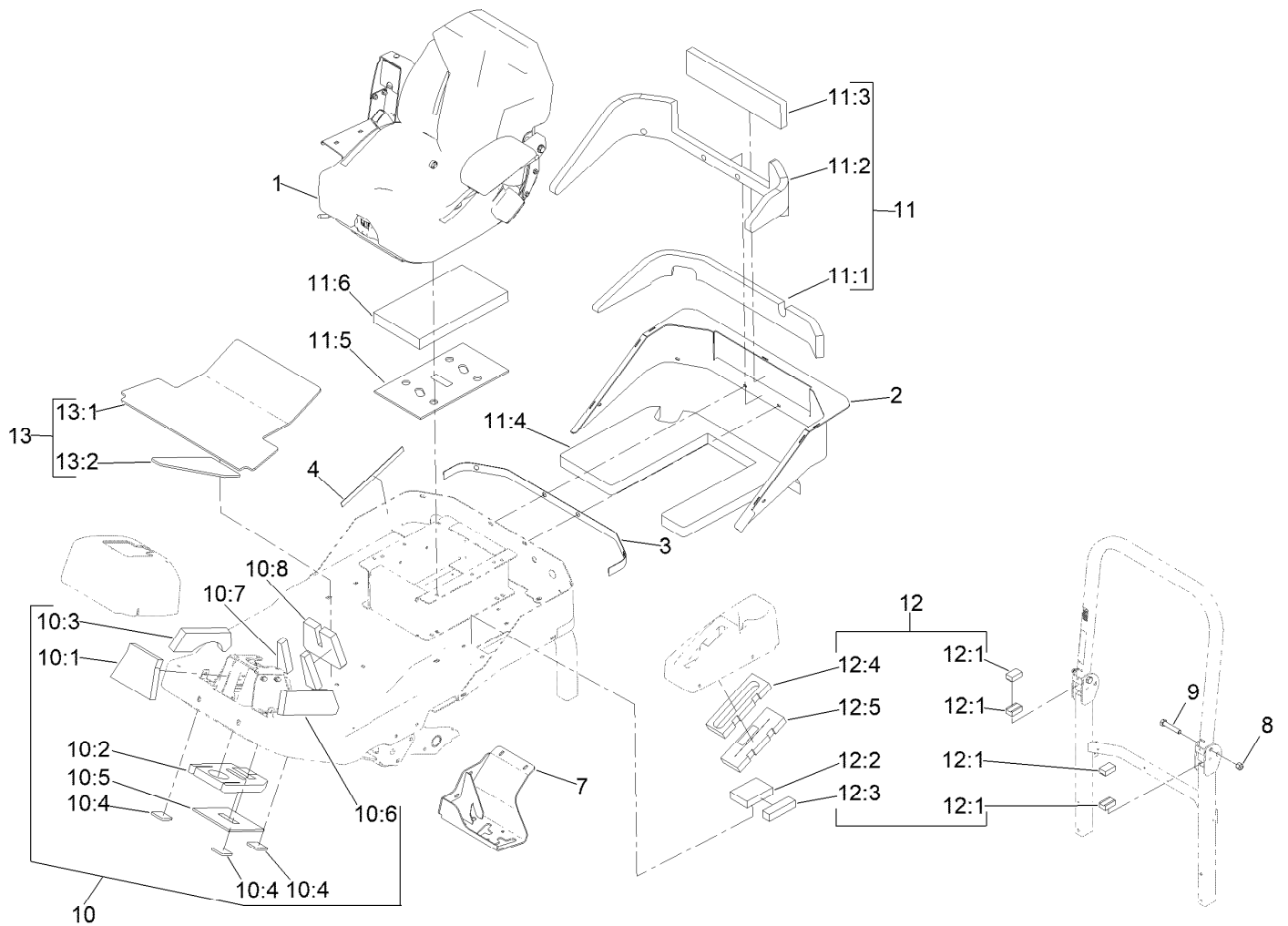
■ Not serviced separately

Main Wire Harness Assembly No. 122-2517



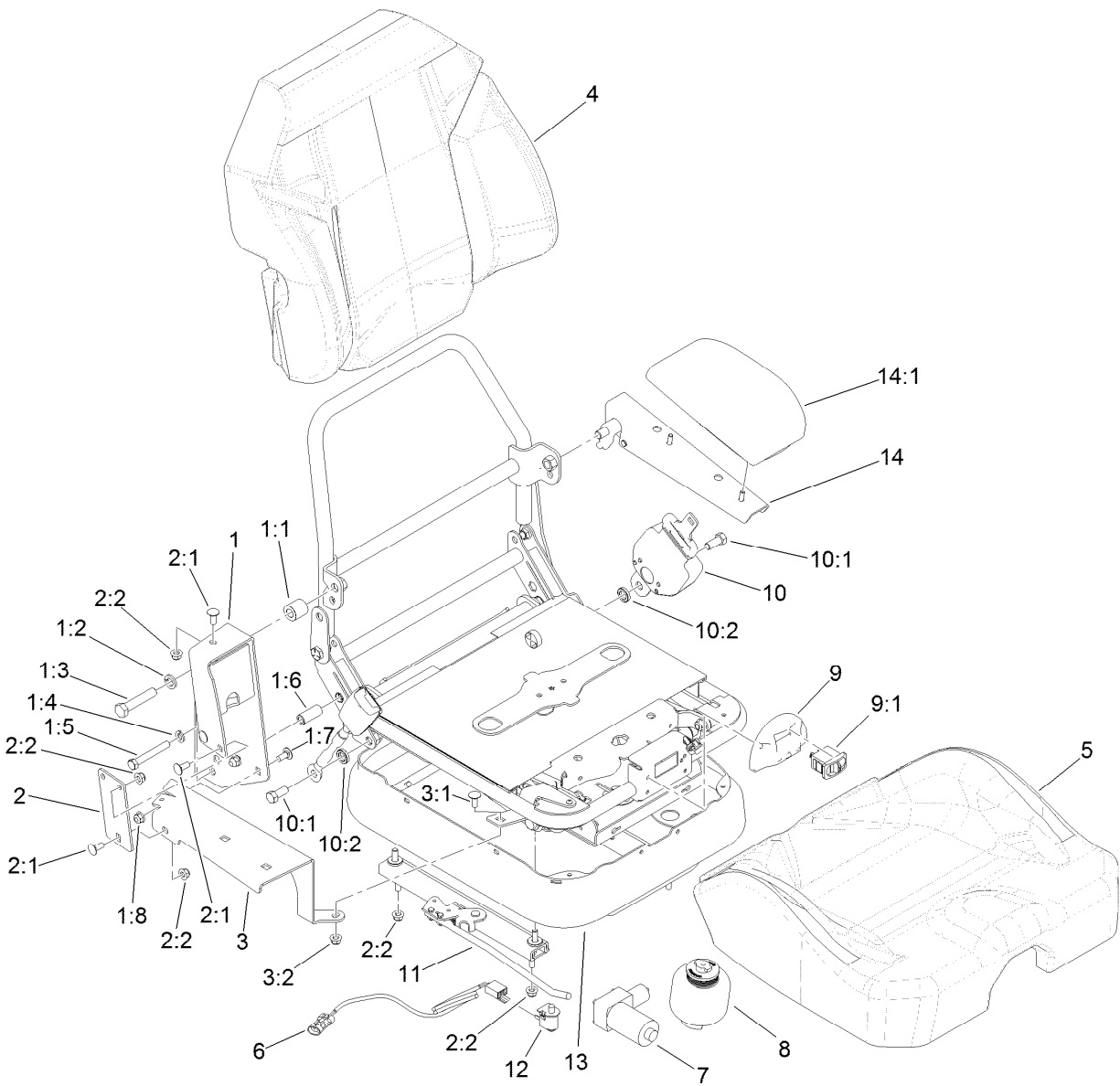
Main Wire Harness Assembly No. 122-2517 (continued)

<i>Ref.</i>	<i>Part Number</i>	<i>Qty.</i>	<i>Description</i>	<i>Ref.</i>	<i>Part Number</i>	<i>Qty.</i>	<i>Description</i>
8	218-578	4	Fuse-Blade, 10 Amp	19	32180-156	2	Cap-Plug, 6 Way
9	109355	3	Fuse-Blade, 15 Amp	20	104-4022	1	Resistor-75 Ohm
13	32180-019	2	Cover-Fuse, Single	23	32160-359	1	Connector (6M)
14	32180-101	1	Cover-Fuse, Single	27	100-4918	2	Diode
16	108-9493	1	Diode-Tvs	28	121-8866	1	Fuse-Mini Blade, 10 Amp
17	32180-089	1	Cap-Plug, 3 Way	32	32180-056	2	Cap
18	32180-043	1	Resistor-120 Ohm	37	109101	1	Fuse-Blade, 20 Amp



Seat, Firewall and Step Mount Assembly

<i>Ref.</i>	<i>Part Number</i>	<i>Qty.</i>	<i>Description</i>	<i>Ref.</i>	<i>Part Number</i>	<i>Qty.</i>	<i>Description</i>
1	138-4535	1	Seat ASM, Air Ride	11	144-0525	1	Kit-Foam, Sound Reduction
2	139-2035-03	1	Firewall-Upper	11:1	140-6891	1	Panel-Firewall, Sound
3	139-2039	1	Seal-Foam, Firewall	11:2	140-6892	1	Panel-Firewall, Sound
4	139-2040	2	Seal-Foam, Side	11:3	140-6893	1	Tile-Firewall, Sound
7	139-2030-03	1	Mount-Step	11:4	140-6896	1	Floor-Pad
8	3296-51	2	Nut-Lock, NI	11:5	140-6724	1	Pad-Seat Base, Sound
9	328-7	2	Screw-HH	11:6	140-6725	1	Pad-Seat Base, Sound
10	144-4028	1	Kit-Foam, Sound Reduction	12	144-0526	1	Kit-Foam, Sound Reduction
10:1	144-3640	1	Steer-Plug Front	12:1	140-6897	4	Plug-ROPS
10:2	144-3224	1	Steer-Plug	12:2	140-6898	1	Brake-Plug
10:3	144-3639	1	Steer-Plug Right	12:3	140-6899	1	Brake-Plug
10:4	144-3227	3	Steering-Pad	12:4	144-3221	1	Brake-Plug
10:5	144-3228	1	Steering-Pad	12:5	144-3222	1	Brake-Plug
10:6	144-3638	1	Steer-Plug Left	13	144-0527	1	Kit-Foam, Sound Reduction
10:7	144-3641	2	Steer-Plug	13:1	144-3233	1	Floor-Pad, Center
10:8	144-3637	1	Steer-Plug Bottom	13:2	144-3234	1	Floor-Pad, Corner

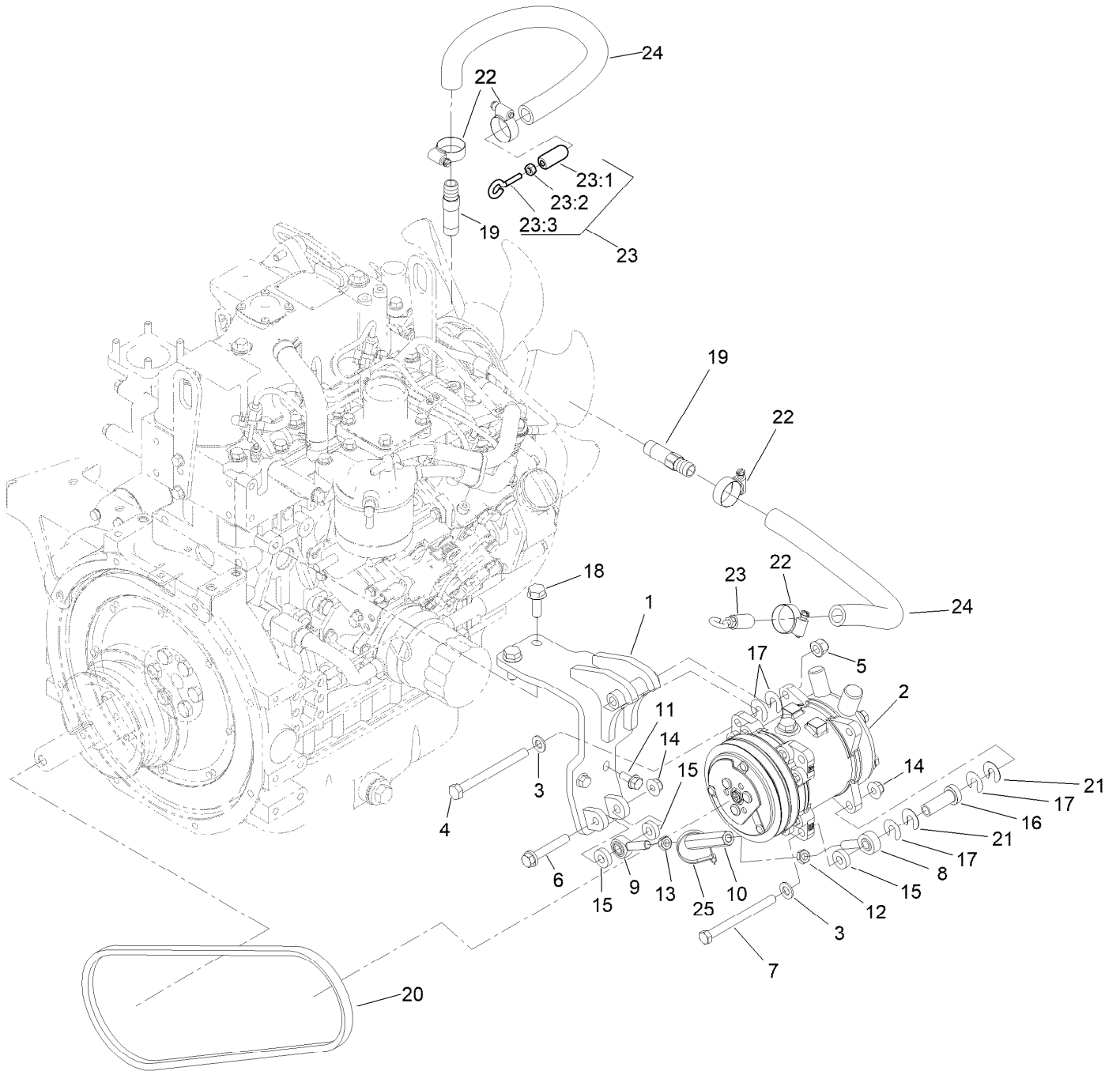


Air Ride Suspension Seat Assembly No. 138-4535

Ref.	Part Number	Qty.	Description	Ref.	Part Number	Qty.	Description
1	140-7112	1	Upper Console Mount Kit	5	125-3111	1	Cover-Cushion
1:1	140-7113	1	Spacer	6	106-7090	1	Harness-Wire, Seat Switch
1:2	3253-7	1	Washer-Lock	7	140-7120	1	Air Compressor Kit
1:3	325-10	1	Screw-HH	8	140-7121	1	Air Bag Kit
1:4	3253-21	1	Washer-Lock	9	140-7122	1	Air Valve Kit
1:5	323-13	1	Screw-HH	9:1	126-2747	1	Valve-Air Adjust
1:6	140-7114	1	Spacer	10	140-7116	1	Seat Belt Kit
1:7	3230-23	2	Bolt-CARR	10:1	3212-4	2	Screw-HH
1:8	104-8300	2	Nut-HF, NI	10:2	140-7108	2	Spacer
2	140-7103	1	Bracket Kit	11	144-0458	1	Track Kit
2:1	3230-23	4	Bolt-CARR	12	82-2190	1	Switch-Bail
2:2	104-8300	8	Nut-HF, NI	13	126-8559	1	Bellows-Seat
3	140-7115	1	Lower Console Mount Kit	14	140-7110	1	Armrest-Deluxe, With Pad
3:1	3230-23	1	Bolt-CARR	14:1	140-7111	1	Pad-Armrest
3:2	104-8300	1	Nut-HF, NI	99	140-7119	1	Harness-Air Ride ●
4	125-3112	1	Cover-Back				

● Not illustrated

Compressor and Belt Assembly

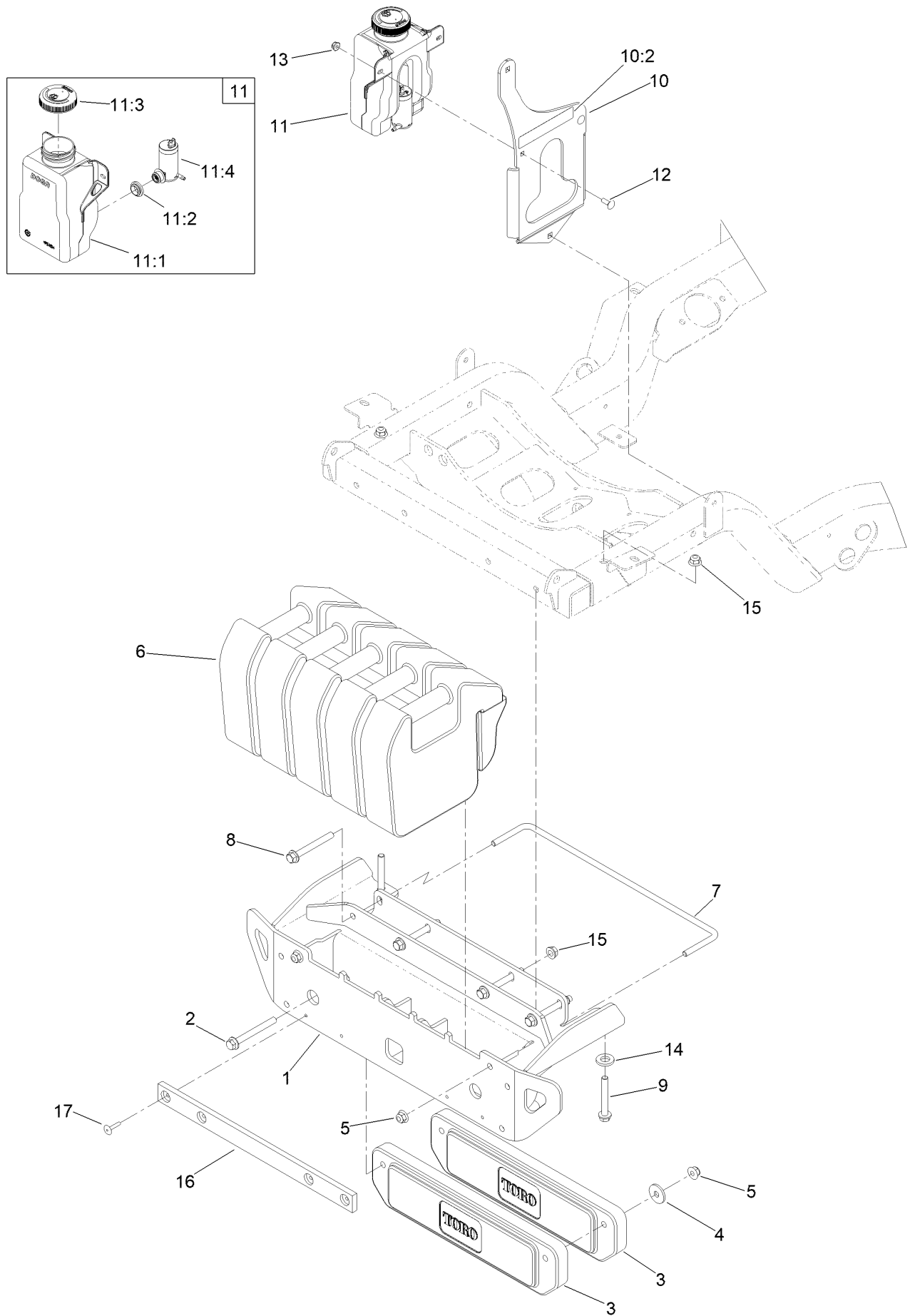


Compressor and Belt Assembly (continued)

<i>Ref.</i>	<i>Part Number</i>	<i>Qty.</i>	<i>Description</i>	<i>Ref.</i>	<i>Part Number</i>	<i>Qty.</i>	<i>Description</i>
1	138-7435-0P	1	Bracket-Compressor Mount [prime	15	5-0652	3	Spacer
2	119-0103	1	Compressor	16	139-0873	1	Spacer
3	33095-00	2	Washer-Flat	17	119-7734	10	Shim
4	33115-110	1	Screw-HH	18	33105-030	2	Screw-HHF
5	103-9511	1	Nut-Lock, NI	19	139-2236	2	Fitting-STR Spcl
6	100-2592	1	Screw-HHF	20	106-4498	1	Belt-V
7	119-0723	1	Screw-HH, Lock	21	139-6205	4	Shim
8	1-613204	1	Balljoint	22	2412-119	4	Clamp-Hose
9	125-4389	1	Bearing-End, Rod	23		2	Plug-Hose, ASM ●
10	136-7390	1	Turnbuckle	23:1	139-1904	1	Plug-Hose
11	33104-020	2	Screw-HHF	23:2	3217-5	1	Nut-Hex
12	3220-3	1	Nut-HJ	23:3	71-2870	1	Bolt-Eye
13	3220-16	1	Nut-Hex Jam, LH	24	140-6560	2	Hose-Heater, 5/8
14	104-8301	2	Nut-HF, NI	25	3290-378	1	Tie-Cable

● Not serviced separately

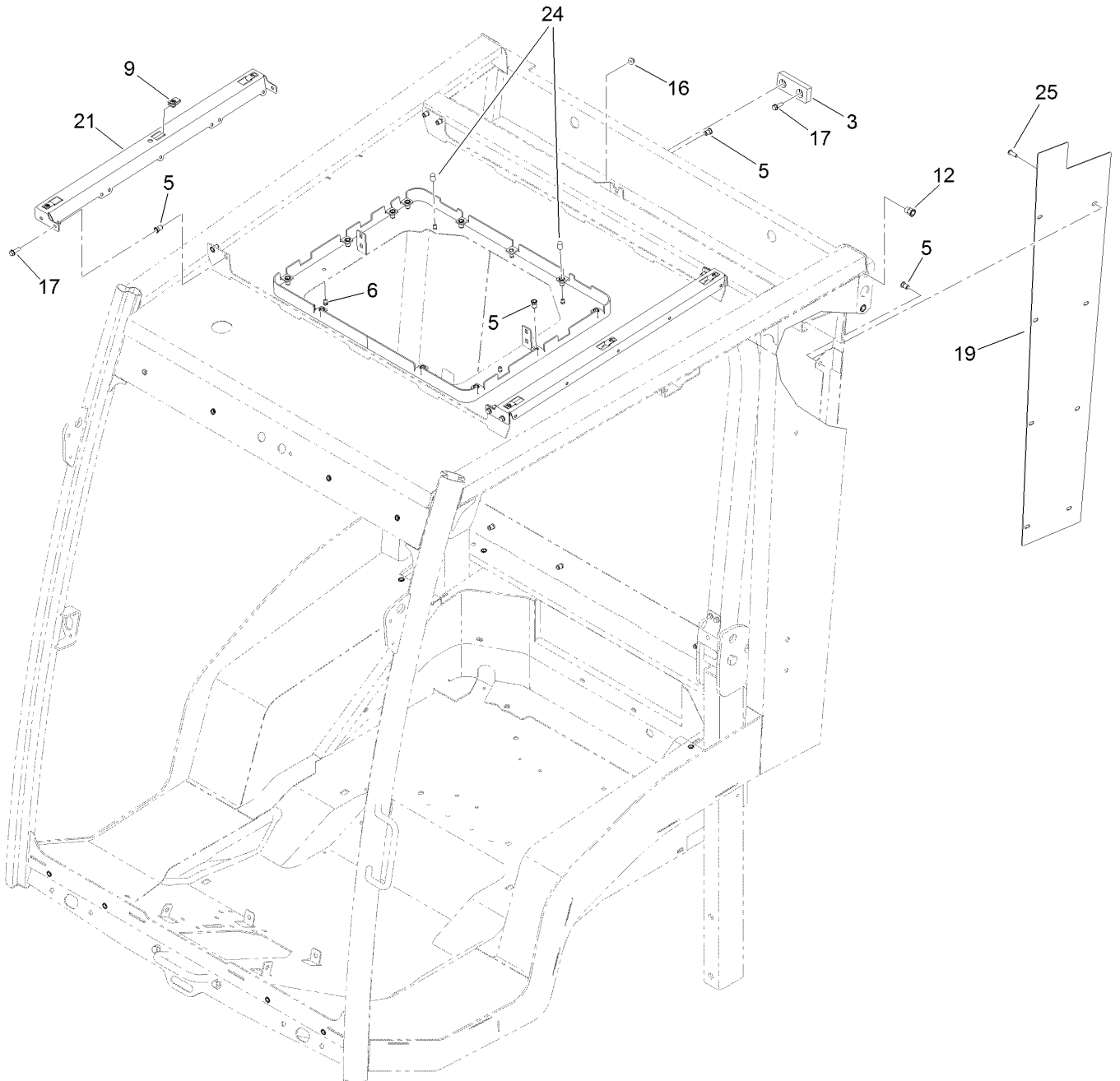
Bumper and Weight Assembly



Bumper and Weight Assembly (continued)

<i>Ref.</i>	<i>Part Number</i>	<i>Qty.</i>	<i>Description</i>	<i>Ref.</i>	<i>Part Number</i>	<i>Qty.</i>	<i>Description</i>
1	145-5981SP	1	Bumper-Rear Wa	11	140-6665	1	Tank-Fluid, Washer (1.1L)
2	116-4701	2	Screw-HHF	11:1	140-6666	1	Tank
3	112-7059-01	2	Weight-Cast	11:2	140-6667	1	Grommet
4	125-9676	2	Washer-Backup	11:3	140-6669	1	Cap-Washer
5	104-8301	4	Nut-HF, NI	11:4	140-6668	1	Pump-Washer
6	114-4096	5	Weight	12	3229-1	2	Screw-CARR
7	125-2667	1	Lock-Weight	13	104-7201	2	Nut-HF, NI
8	3234-41	4	Screw-HHF	14	3256-24	2	Washer-Plain
9	139-2429	2	Screw-HHF	15	32128-43	6	Nut-Flange
10	144-3252	1	Mount-Washer	16	144-4014	1	Bumper-Rubber
10:2	93-7272	1	Decal-Warning	17	3269-11	4	Rivet-Pop

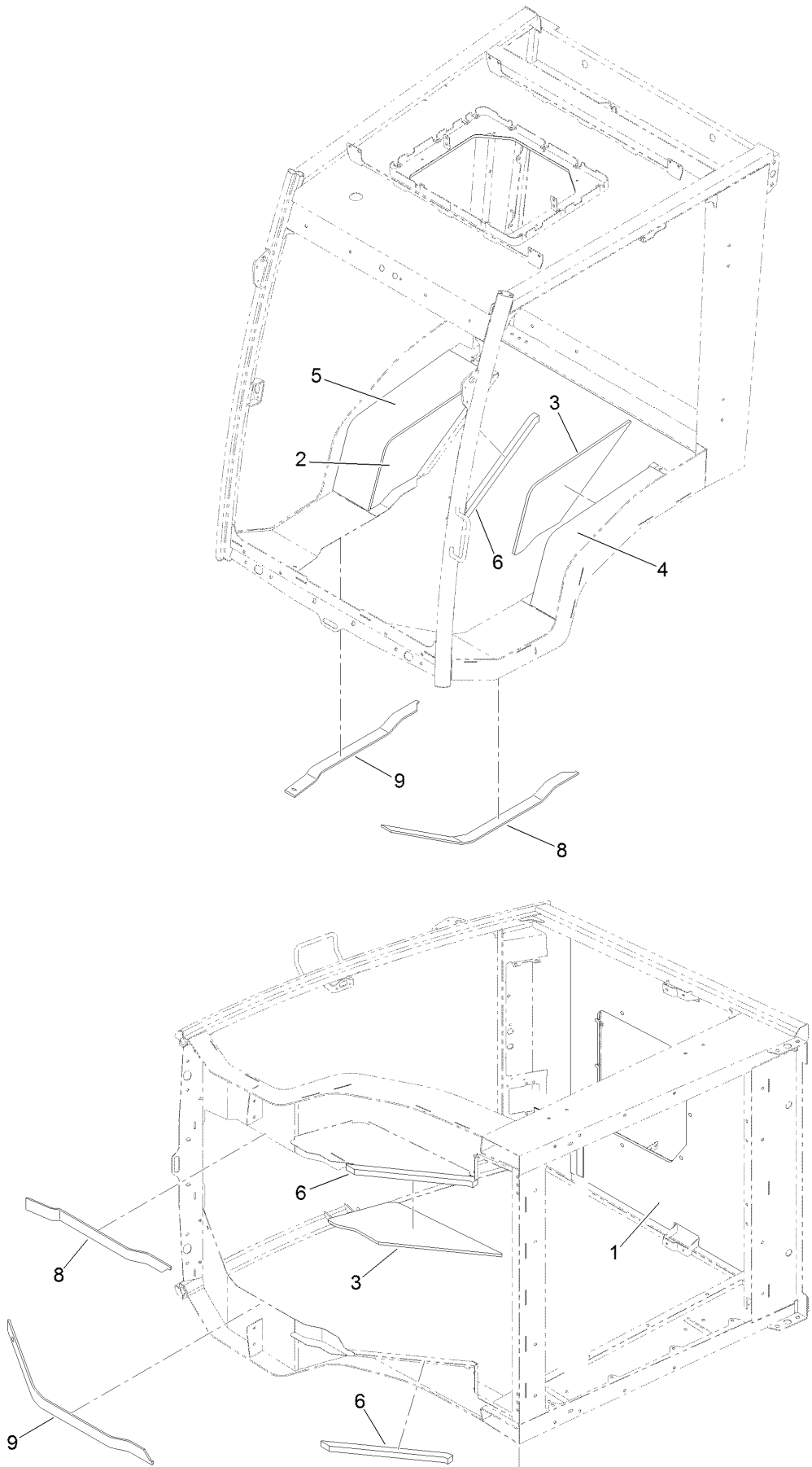
Frame, Mount and Seals Assembly



Frame, Mount and Seals Assembly (continued)

<i>Ref.</i>	<i>Part Number</i>	<i>Qty.</i>	<i>Description</i>	<i>Ref.</i>	<i>Part Number</i>	<i>Qty.</i>	<i>Description</i>
3	86-5350	4	Bumper-Rubber	17	32105-15	16	Screw-HWH
5	138-2760	69	Nut-Clinch, Hex	19	137-1167-03	2	Cover-Post, Rear
6	137-1225	8	Nut-Clinch,Hex	21	139-2158-03	2	Bracket-Mount, Roof
9	107069	6	Clip	24	139-2180	2	Plug-Cap, Plastic
12	138-2899	4	Nut-Clinch	25	32105-15	16	Screw-HWH
16	104-7201	8	Nut-HF, NI				

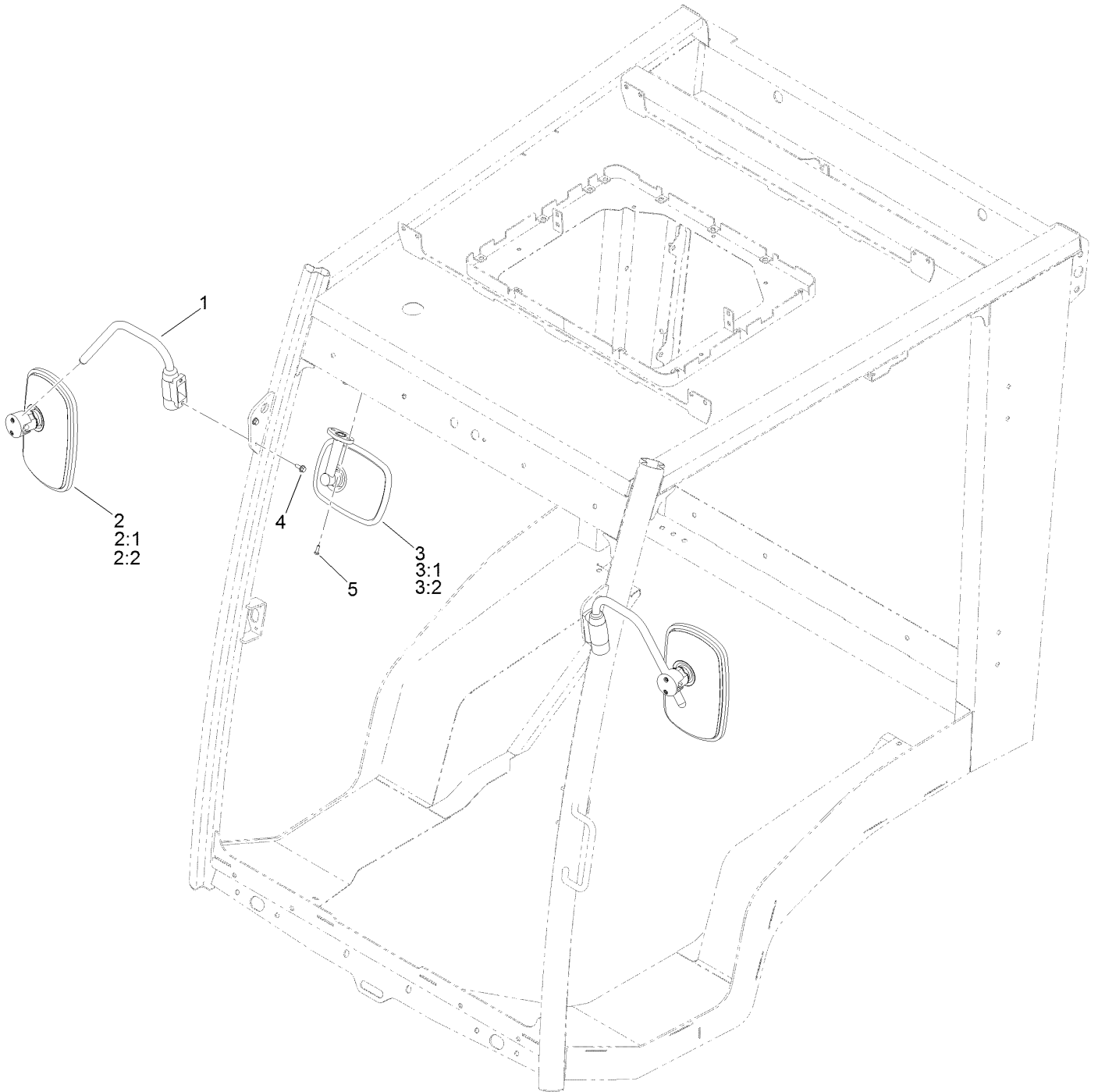
Interior Foam and Carpet Assembly



Interior Foam and Carpet Assembly (continued)

<i>Ref.</i>	<i>Part Number</i>	<i>Qty.</i>	<i>Description</i>	<i>Ref.</i>	<i>Part Number</i>	<i>Qty.</i>	<i>Description</i>
1	140-1499	1	Foam-Interior Roof	5	139-1968	1	Carpet-Interior, Tank RH
2	139-1966	1	Carpet-Interior, Side RH	6	139-2003	2	Seal-Foam, Side
3	139-1965	1	Carpet-Interior, Side LH	8	139-2004	1	Seal-Foam, LH
4	139-1967	1	Carpet-Interior, Tank LH	9	139-2005	1	Seal-Foam, RH

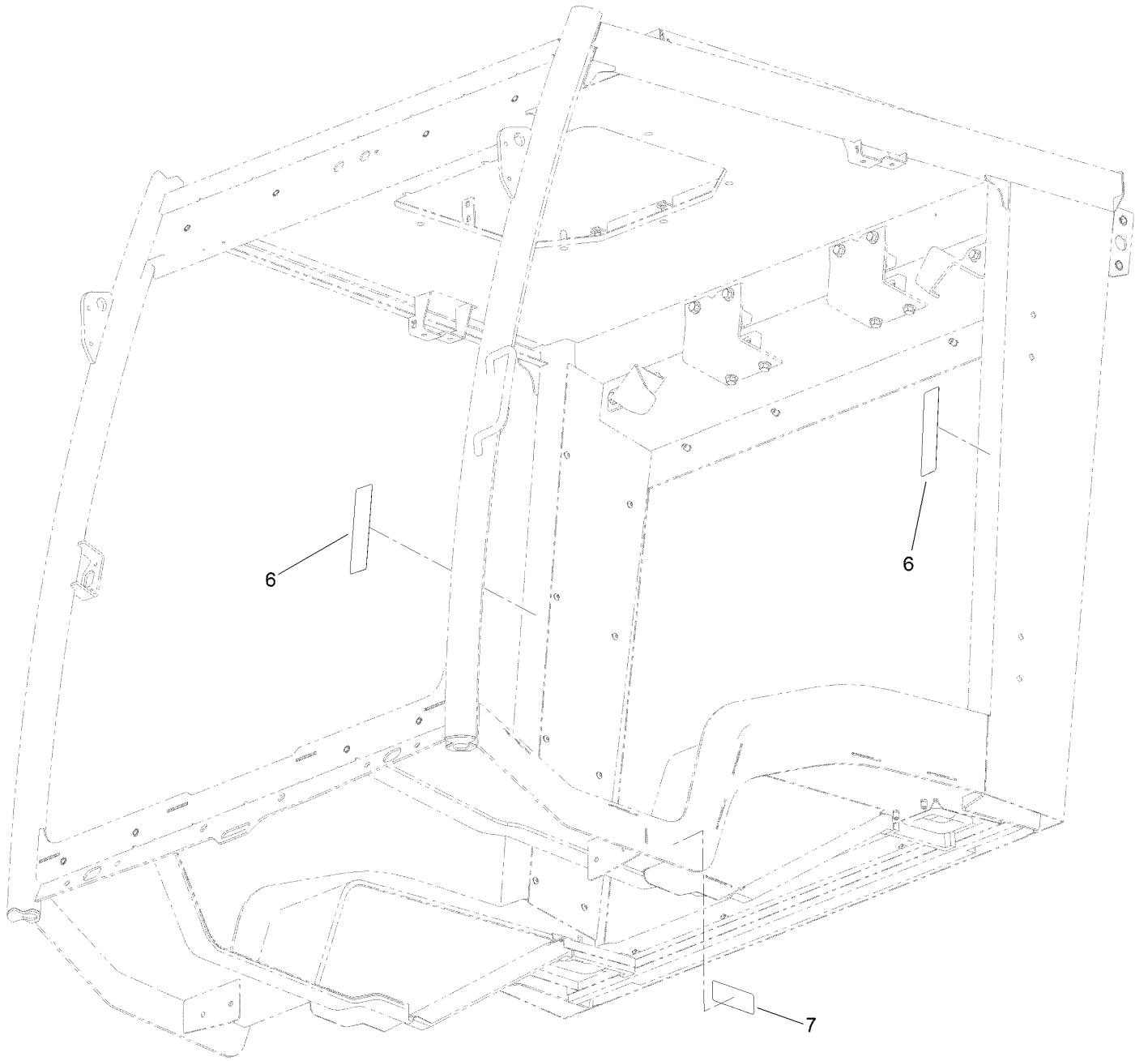
Cab Mirrors Assembly



Cab Mirrors Assembly (continued)

<i>Ref.</i>	<i>Part Number</i>	<i>Qty.</i>	<i>Description</i>	<i>Ref.</i>	<i>Part Number</i>	<i>Qty.</i>	<i>Description</i>
1	121-8275	2	Arm-Mirror, Side	3:1	121-8342	1	Mirror
2	121-8341	2	Side Mirror ASM	3:2	121-8389	1	Gasket
2:1	161-1779	1	Mirror-Glass	4	33103-016	4	Screw-HHF
2:2	121-8339	1	Gasket	5	32144-32	2	Screw
3	121-8343	1	Interior Mirror ASM				

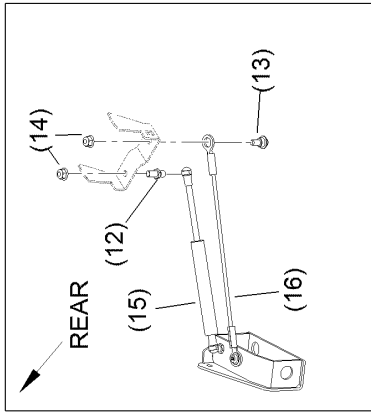
Decal Assembly



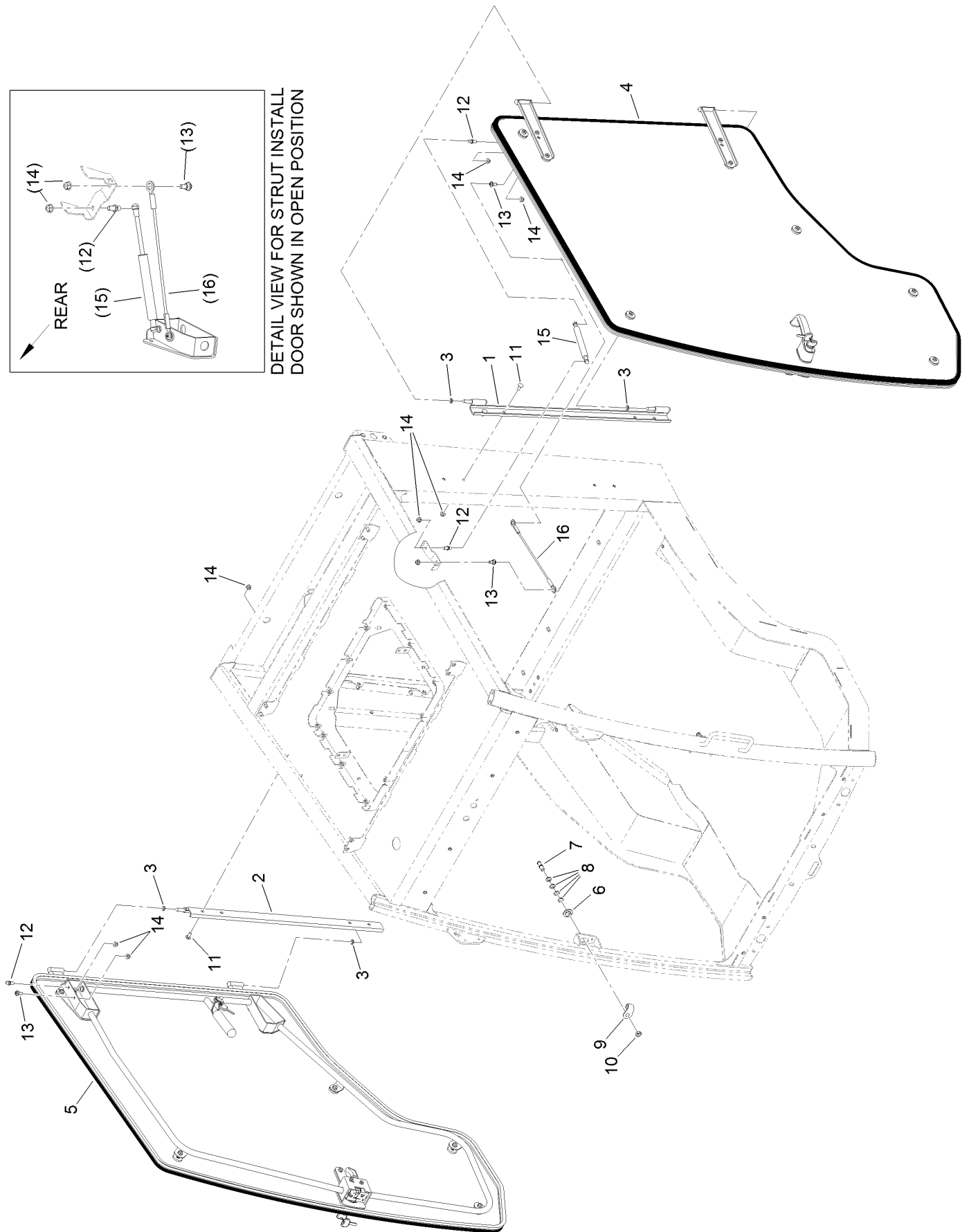
Decal Assembly (continued)

<i>Ref.</i>	<i>Part Number</i>	<i>Qty.</i>	<i>Description</i>
6	130-0594	2	Decal-Warning
7	106-9206	2	Decal-Torque, Wheel

Door Assembly



DETAIL VIEW FOR STRUT INSTALL
DOOR SHOWN IN OPEN POSITION

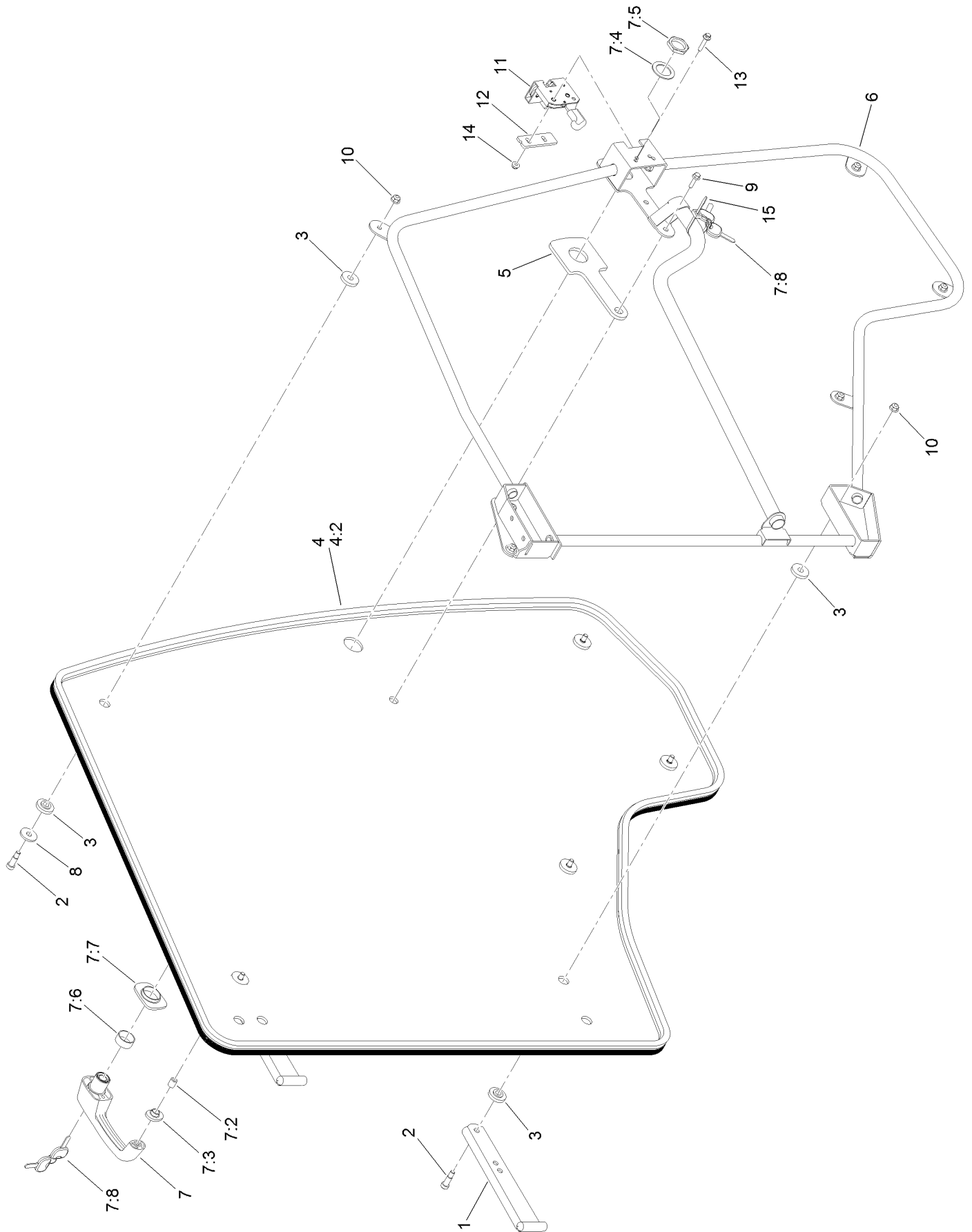


Door Assembly (continued)

<i>Ref.</i>	<i>Part Number</i>	<i>Qty.</i>	<i>Description</i>	<i>Ref.</i>	<i>Part Number</i>	<i>Qty.</i>	<i>Description</i>
1	138-2944-03	1	Mount-Door, LH	9	121-8393	2	Guard-Striker
2	138-2945-03	1	Mount-Door, RH	10	140-4431	2	Nut-Hex, Jam
3	121-8441	4	Washer-Spacer	11	3230-23	8	Bolt-CARR
4		1	LH Door ASM ●	12	98-3104	4	Stud-Ball
5		1	RH Door ASM ●	13	120-9471	4	Bolt-Shoulder
6	125-9992	2	Adjuster-Stud	14	104-8300	16	Nut-HF, NI
7	140-4422	2	Striker-Stud	15	144-3517	2	Spring-Gas, Door
8	73-0040	8	Washer-Thrust	16	140-1636	2	Lanyard-Coated

● Not serviced separately

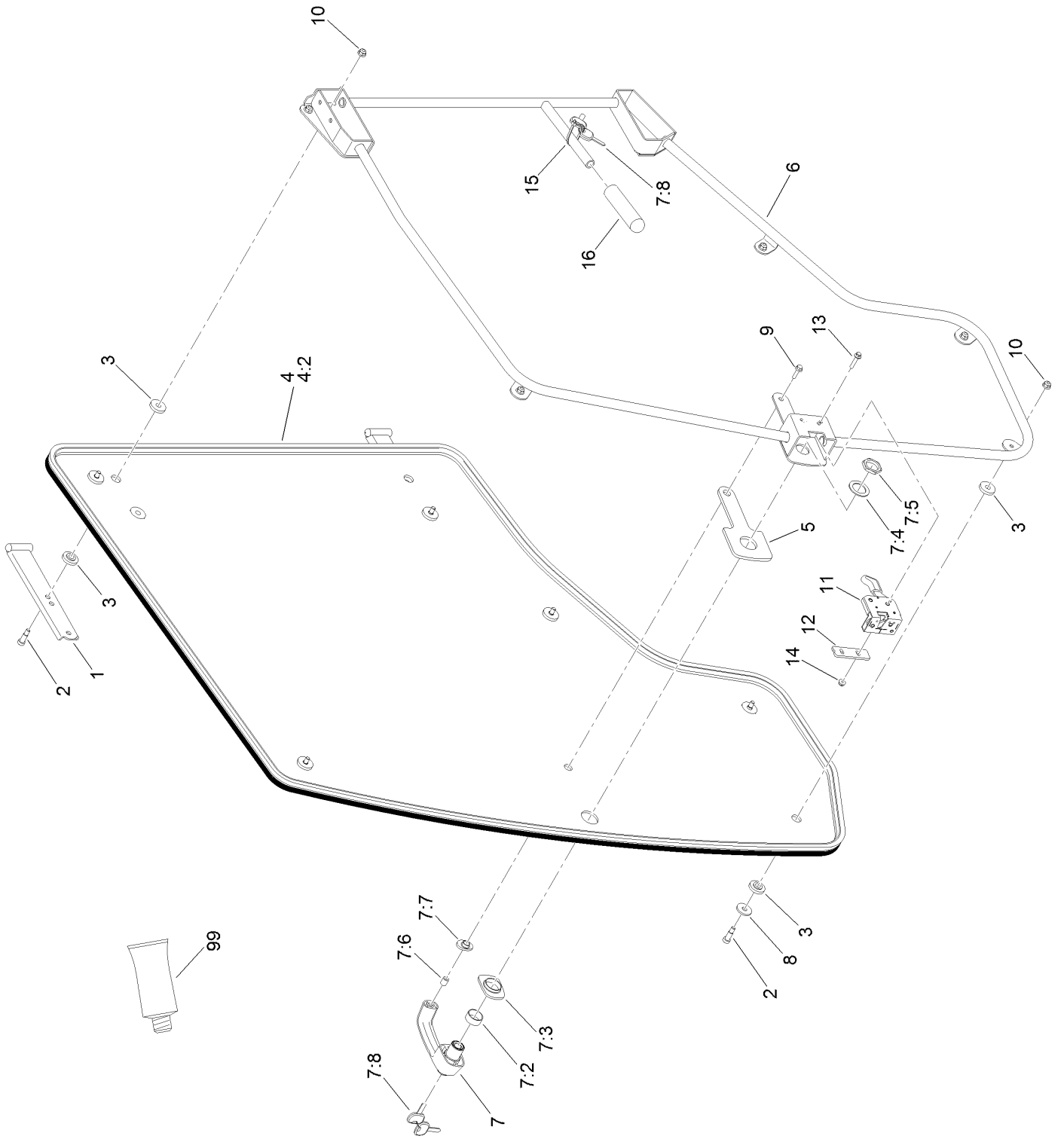
LH Door Assembly



LH Door Assembly (continued)

<i>Ref.</i>	<i>Part Number</i>	<i>Qty.</i>	<i>Description</i>	<i>Ref.</i>	<i>Part Number</i>	<i>Qty.</i>	<i>Description</i>
1	132-3622-03	2	Hinge-Door, LH	7:6	121-8627	1	Cylinder-Mounting, End
2	125-9520	9	Screw-Shoulder, HSH	7:7	121-8323	1	Grommet-Mounting, Small
3	125-9982	18	Bushing-Flange	7:8	125-9531	1	Key-Set
4	137-1207	1	LH Glass Door ASM	8	125-9676	5	Washer-Backup
4:2	137-1205	1	Trim-Seal, Door	9	33103-025	1	Screw-HHF
5	121-8331	1	Gasket-Handle	10	104-8300	9	Nut-HF, NI
6	140-6552-03	1	Frame-Door, LH	11	121-8391	1	Latch-LH
7	121-8630	1	Handle ASM	12	121-8395	1	Plate-Support, Latch
7:2	121-8628	1	Cylinder-Mounting, Key	13	3234-21	2	Screw-HHF
7:3	121-8322	1	Grommet-Mounting, Large	14	104-7201	2	Nut-HF, NI
7:4	121-8327	1	Washer	15	3290-378	1	Tie-Cable
7:5	121-8328	1	Nut				

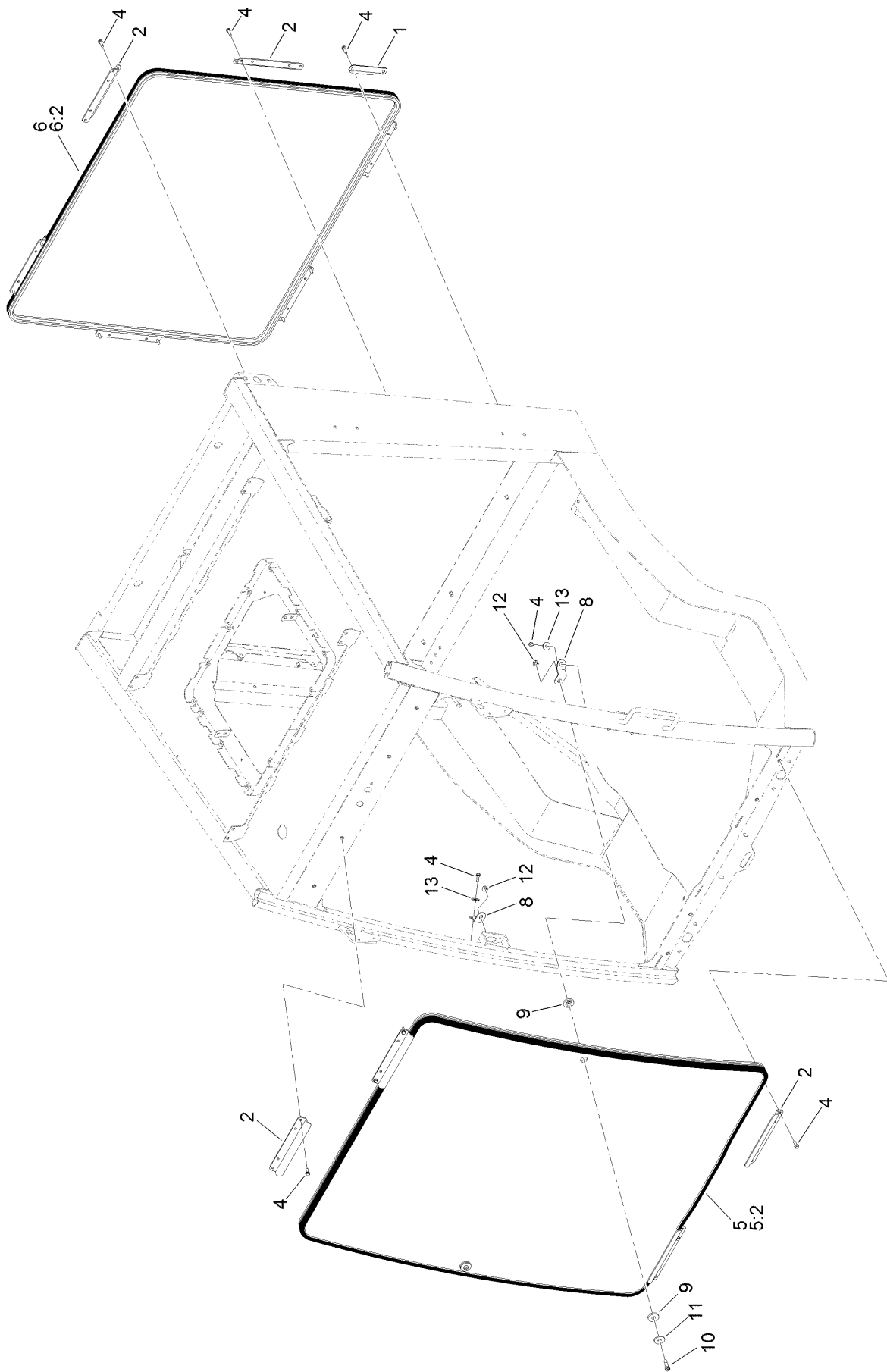
RH Door Assembly



RH Door Assembly (continued)

<i>Ref.</i>	<i>Part Number</i>	<i>Qty.</i>	<i>Description</i>	<i>Ref.</i>	<i>Part Number</i>	<i>Qty.</i>	<i>Description</i>
1	132-3636-03	2	Hinge-Door, RH	7:7	121-8323	1	Grommet-Mounting, Small
2	125-9520	9	Screw-Shoulder, HSH	7:8	125-9531	1	Key-Set
3	125-9982	18	Bushing-Flange	8	125-9676	5	Washer-Backup
4	137-1208	1	RH Glass Door ASM	9	33103-025	1	Screw-HHF
4:2	137-1205	1	Trim-Seal, Door	10	104-8300	9	Nut-HF, NI
5	121-8331	1	Gasket-Handle	11	121-8390	1	Latch-RH
6	140-6553-03	1	Frame-Door, RH	12	121-8395	1	Plate-Support, Latch
7	121-8630	1	Handle ASM	13	3234-21	2	Screw-HHF
7:2	121-8628	1	Cylinder-Mounting, Key	14	104-7201	2	Nut-HF, NI
7:3	121-8322	1	Grommet-Mounting, Large	15	3290-378	1	Tie-Cable
7:4	121-8327	1	Washer	16	110-1037	1	Grip-Handle
7:5	121-8328	1	Nut	99	505-42	1	Adhesive-Loctite
7:6	121-8627	1	Cylinder-Mounting, End				

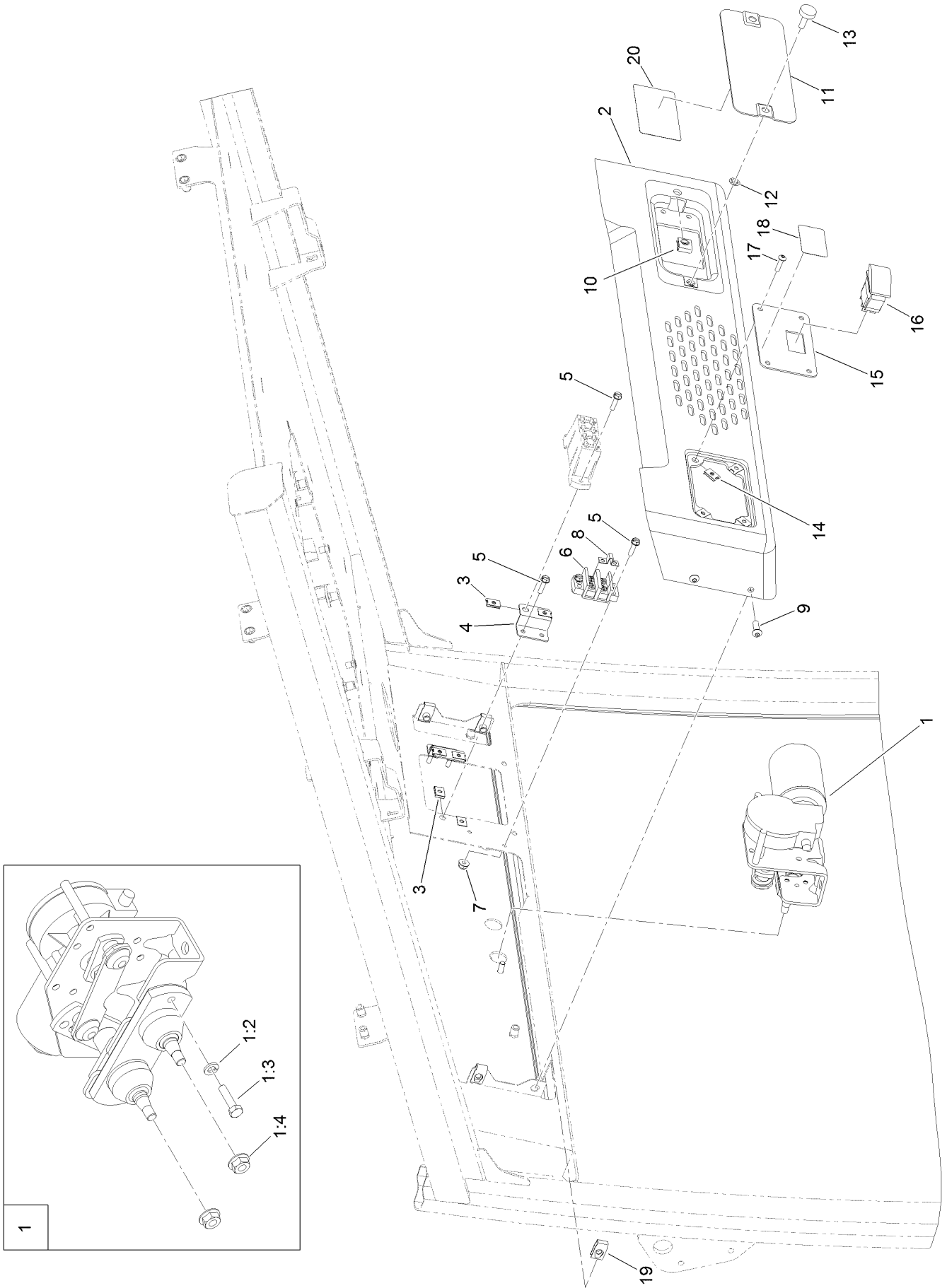
Front and Rear Glass Assembly



Front and Rear Glass Assembly (continued)

<i>Ref.</i>	<i>Part Number</i>	<i>Qty.</i>	<i>Description</i>	<i>Ref.</i>	<i>Part Number</i>	<i>Qty.</i>	<i>Description</i>
1	140-6575-03	2	Bracket-Cover	8	140-4432	2	Bracket-Mount, Window
2	139-2313-03	10	Bracket-Retainer	9	125-9982	4	Bushing-Flange
4	32105-15	26	Screw-HWH	10	125-9520	2	Screw-Shoulder, HSH
5	137-1209	1	Glass Windshield ASM	11	125-9676	2	Washer-Backup
5:2	139-2263	1	Trim-Seal, Windshield	12	104-8300	2	Nut-HF, NI
6	139-1971	1	Rear Window ASM	13	3256-67	2	Washer
6:2	138-2895	1	Trim-Glass.Rear				

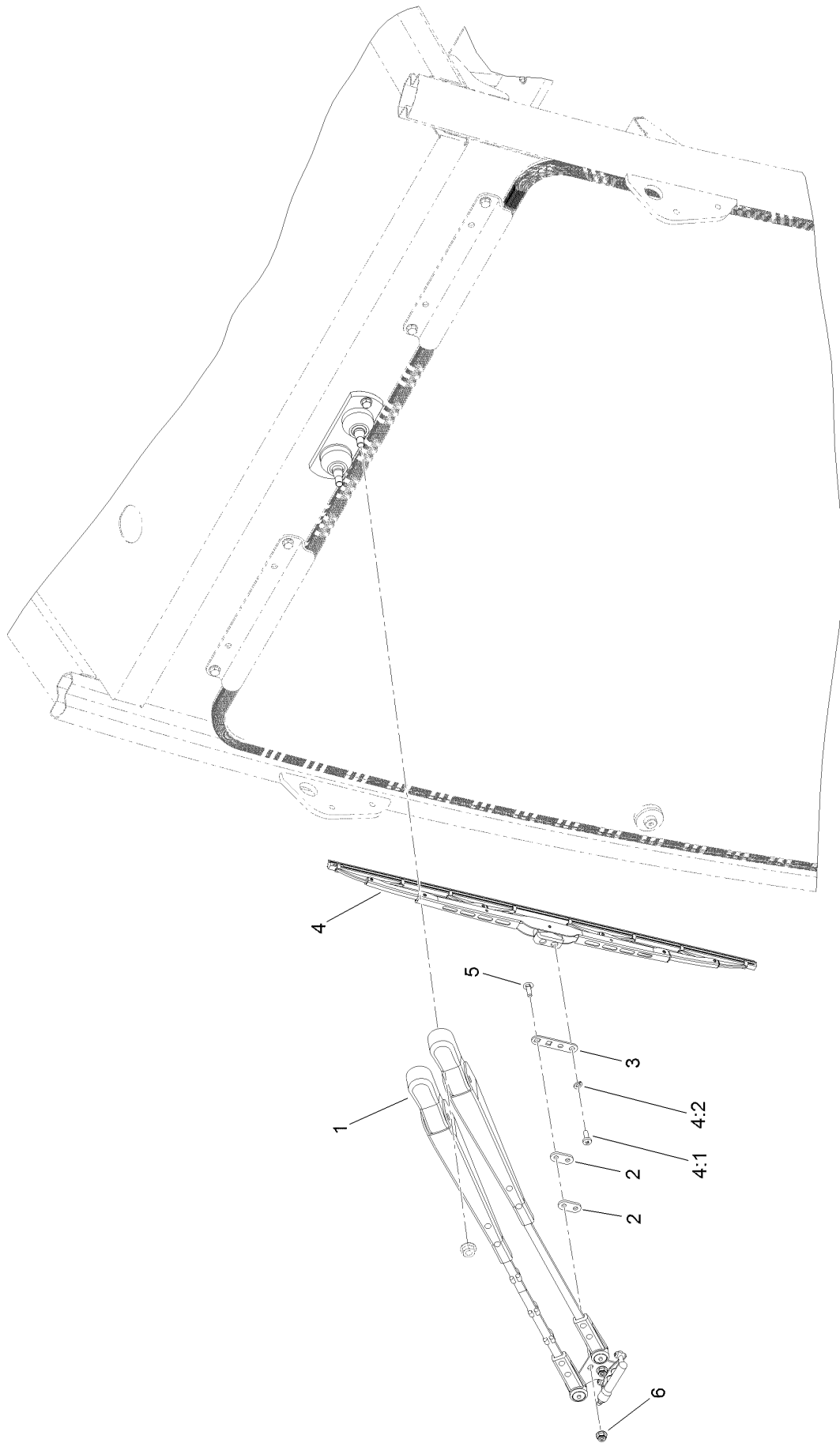
Window Wiper System Assembly



Window Wiper System Assembly (continued)

<i>Ref.</i>	<i>Part Number</i>	<i>Qty.</i>	<i>Description</i>	<i>Ref.</i>	<i>Part Number</i>	<i>Qty.</i>	<i>Description</i>
1	125-7452	1	Wiper Motor ASM	10	609900	2	Nut-Speed
1:2	3253-3	1	Washer-Lock	11	125-9603-03	1	Plate-Cover, Fuse
1:3	33113-025	1	Screw-HH	12	32115-15	4	Nut-Push
1:4	112-2844	2	Nut-HF	13	125-7438	2	Knob-Screw, Thumb
2	138-2764	1	Cover-Wiper	14	701493	4	Nut-Speed
3	107-1013	6	Nut-Speed	15	139-2048-03	1	Plate-Mount, Switch
4	138-2822	2	Bracket-Fuse Block	16	119-8355	1	Switch-Rocker
5	32105-13	8	Screw-HWH	17	104-2408	4	Screw-HSBH
6	42862	1	Block-Terminal, Ground	18	125-9688	1	Decal-Washer
7	120-4578	2	Nut-HF	19	107069	4	Clip
8	42863	1	Strip-Jumper	20	140-6632	1	Decal-Fuse Panel
9	3274-69	4	Screw-HSBH				

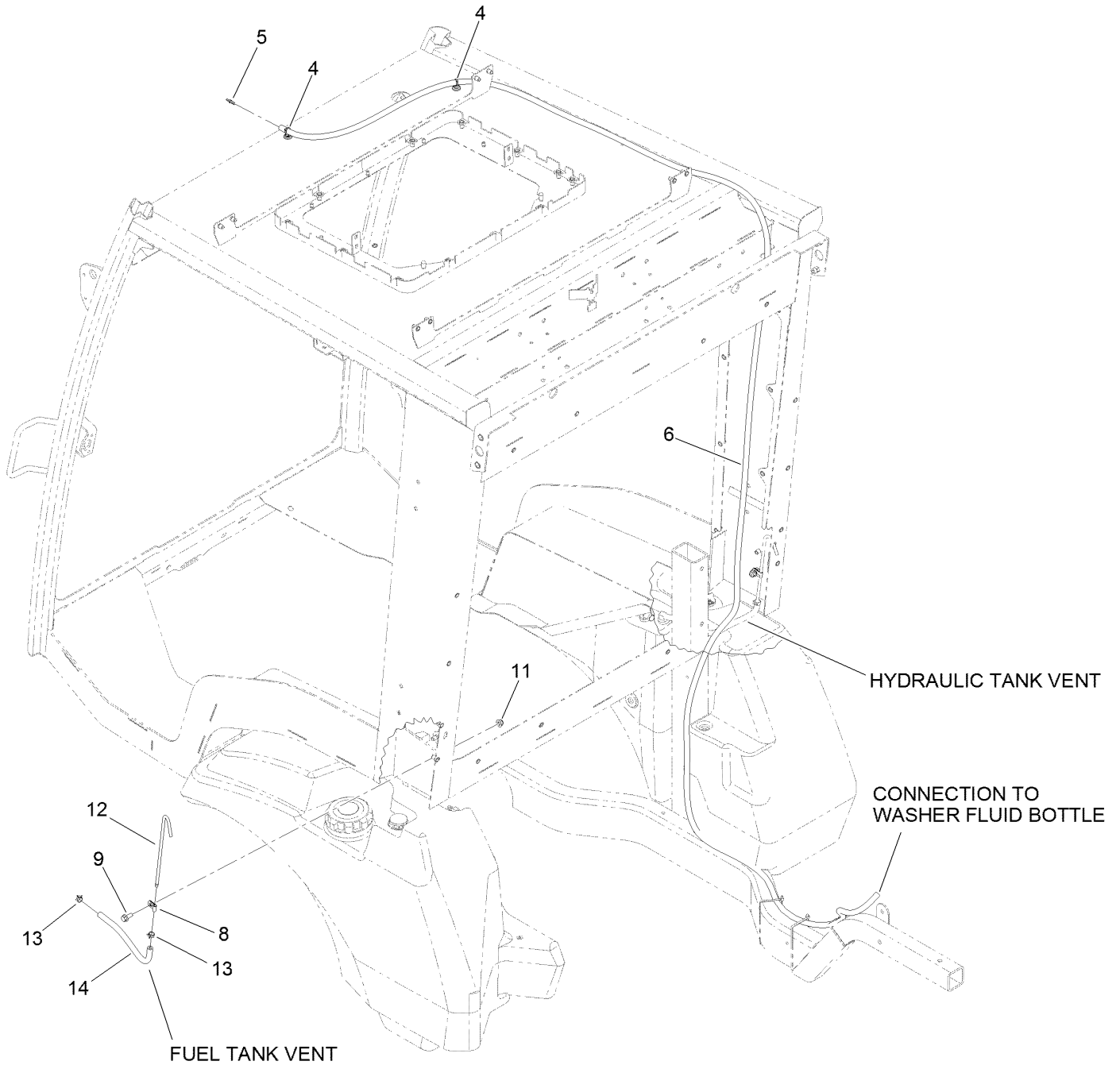
Window Wiper Assembly



Window Wiper Assembly (continued)

<i>Ref.</i>	<i>Part Number</i>	<i>Qty.</i>	<i>Description</i>	<i>Ref.</i>	<i>Part Number</i>	<i>Qty.</i>	<i>Description</i>
1	137-1114	1	Arm-Wiper	4:1	47-2830	2	Screw
2	139-2250	2	Mount-Wiper, Spacer	4:2	43-5920	2	Washer-Lock, Spring
3	140-6556	1	Mount-Wiper	5	3229-20	2	Screw-CARR
4	137-1127	1	Blade-Wiper	6	138-0719	2	Nut-HF

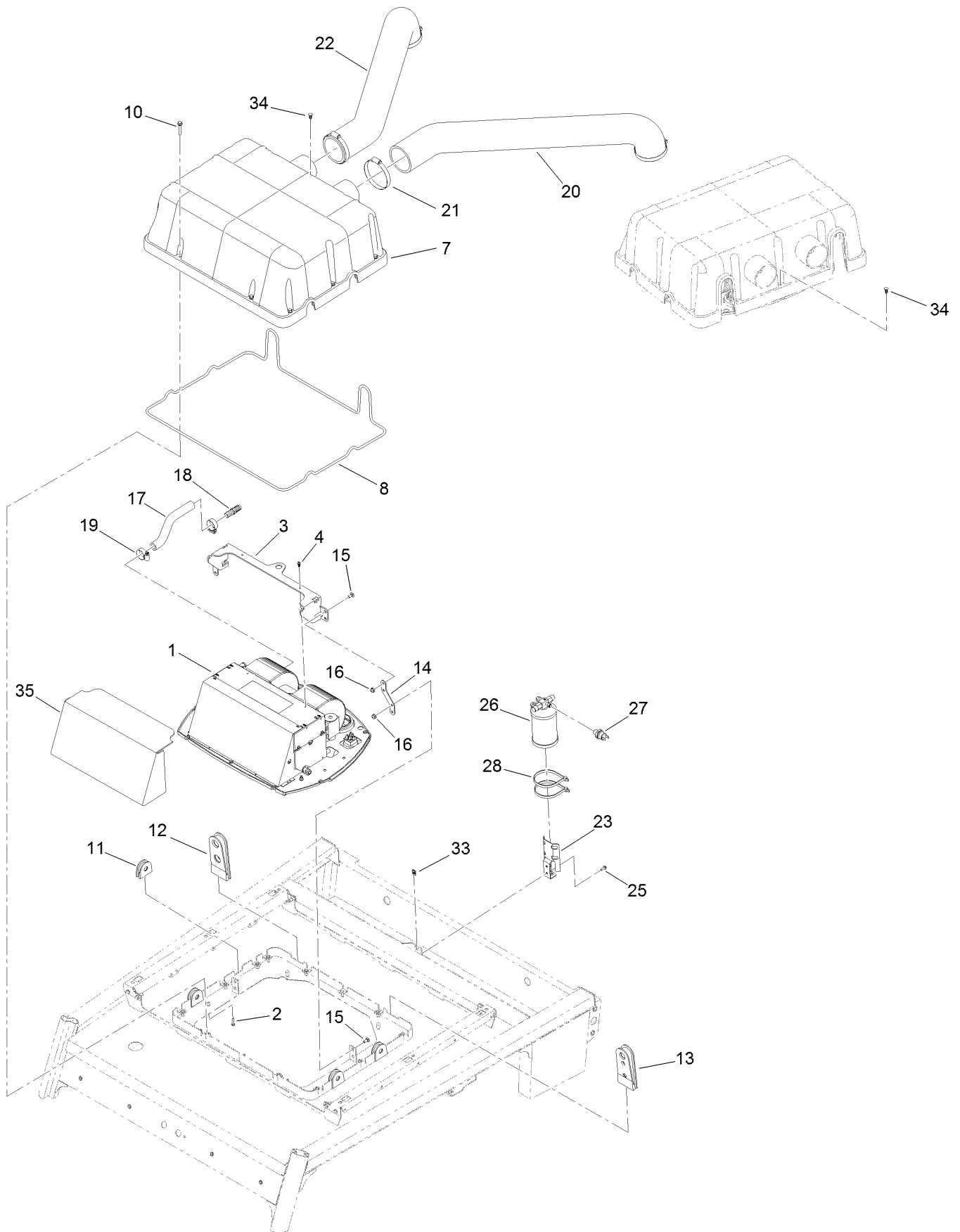
Window Wiper Hose Assembly



Window Wiper Hose Assembly (continued)

<i>Ref.</i>	<i>Part Number</i>	<i>Qty.</i>	<i>Description</i>	<i>Ref.</i>	<i>Part Number</i>	<i>Qty.</i>	<i>Description</i>
4	32180-139	2	Mount-Tie Wrap, Magnetic	11	104-8300	2	Nut-HF, NI
5	127-9905	1	Fitting-Hose, Barb	12	139-6252	2	Tube-Vent
6	139-2175	1	Hose-Washer Fluid	13	2412-98	2	Clamp-Hose
8	2412-103	2	Clamp	14	139-6253	2	Hose-Fuel
9	3234-47	2	Screw-HHF				

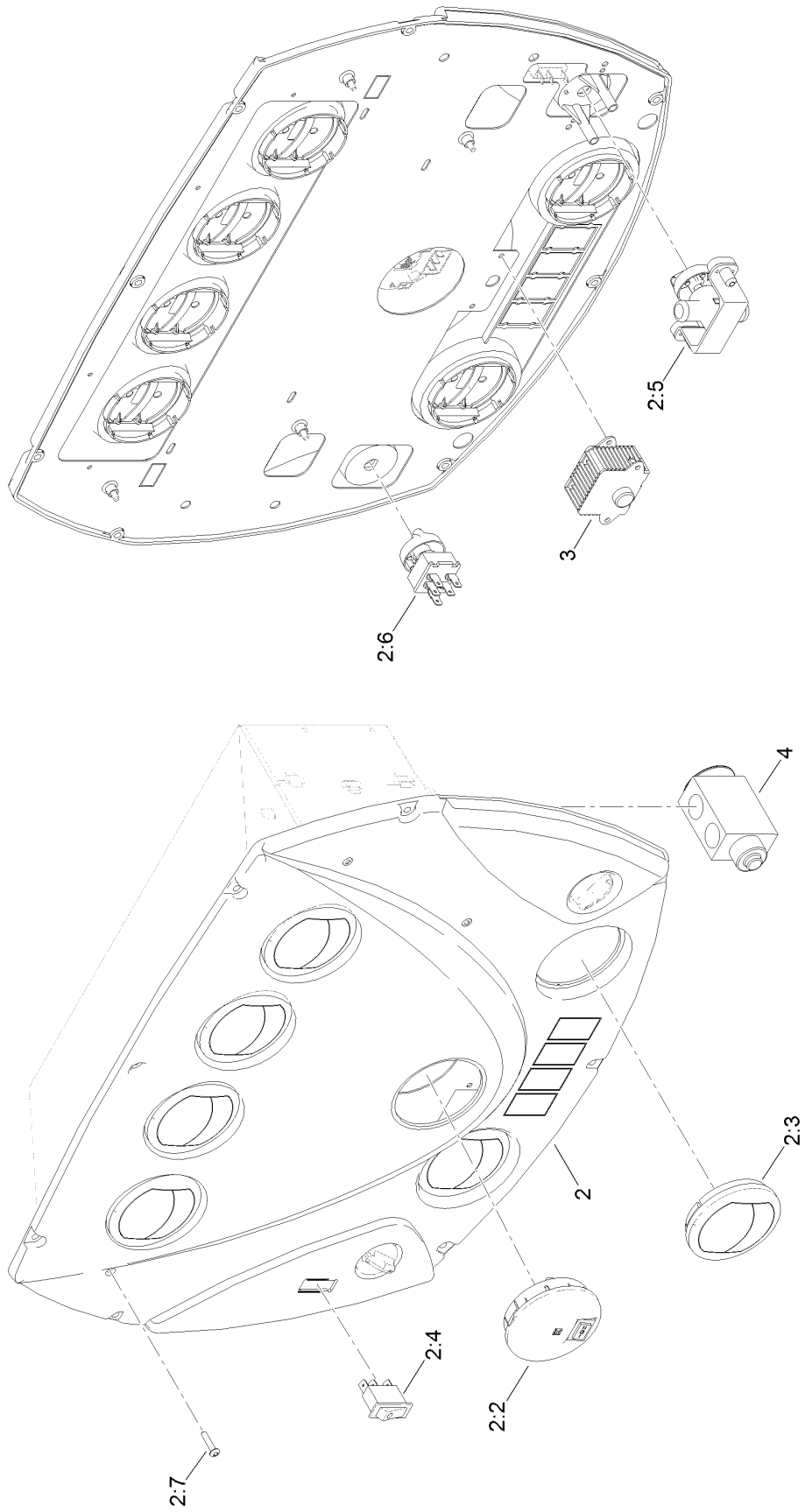
Heater Assembly



Heater Assembly (continued)

<i>Ref.</i>	<i>Part Number</i>	<i>Qty.</i>	<i>Description</i>	<i>Ref.</i>	<i>Part Number</i>	<i>Qty.</i>	<i>Description</i>
1	139-2308	1	AC/Heat ASM	18	131-3373	1	Fitting-STR
2	3250-27	8	Screw-PPH	19	2412-129	2	Clamp-Hose
3	139-2317-03	1	Mount-Install	20	139-1928	1	Hose-Intake, LH
4	137-9137	6	Screw-PPH	21	2412-110	4	Clamp-Band/Screw
7	138-2827	1	Cover-A/C	22	139-1929	1	Hose-Intake, RH
8	138-2831	1	Seal-Cord, Foam	23	138-2790	1	Bracket-Mount, Drier
10	131-5927	11	Screw-HHF	25	32105-23	2	Screw
11	140-6566	4	Plug - A/C Drain Line	26	130-5999	1	Drier-Receiver
12	138-2816	1	Plug-Lines, Heat	27	119-4501	1	Switch-Function, Dual
13	140-1624	1	Plug-A/C Lines	28	3334-945	2	Tie-Cable
14	139-2316	2	Support-AC	33	701493	2	Nut-Speed
15	3229-11	8	Screw-CARR	34	114-4899	1	Rivet-Push
16	104-7201	8	Nut-HF, NI	35	140-6646	1	Insulation-AC
17	139-2177	1	Hose-Heater, Formed				

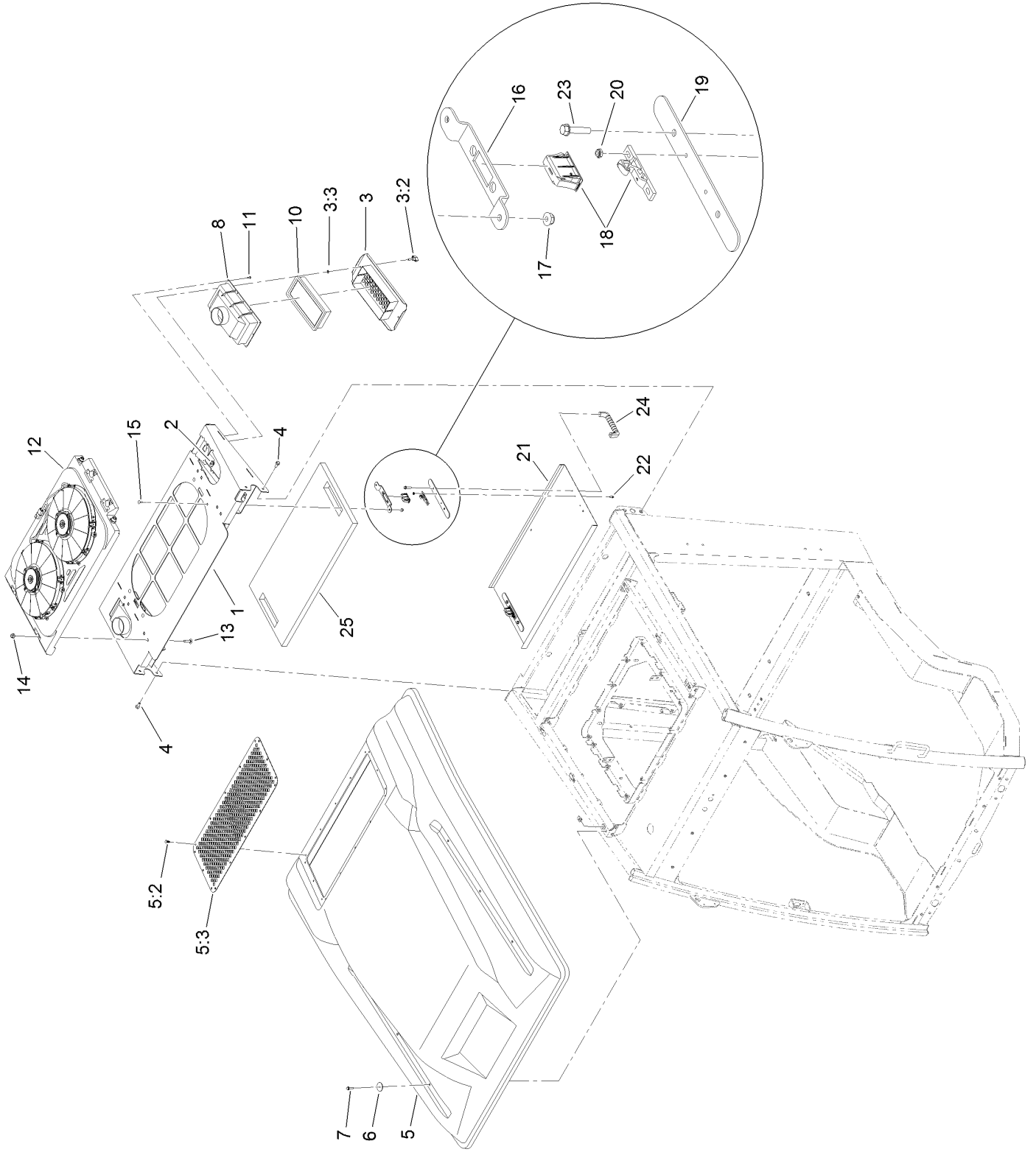
Heater Control Panel Assembly



Heater Control Panel Assembly (continued)

<i>Ref.</i>	<i>Part Number</i>	<i>Qty.</i>	<i>Description</i>	<i>Ref.</i>	<i>Part Number</i>	<i>Qty.</i>	<i>Description</i>
2	137-1357	1	Heater Control Panel ASM	2:6	138-2956	1	Switch-Fan
2:2	137-1378	1	Light-Cab, Interior	2:7	119-7444	4	Screw-HSBH
2:3	138-2959	6	Vent-Return	3	138-2967	1	Thermostat-Resistor
2:4	138-2958	1	Switch-A/C	4	138-2912	1	Expansion-Valve
2:5	138-2961	1	Valve-Heat				

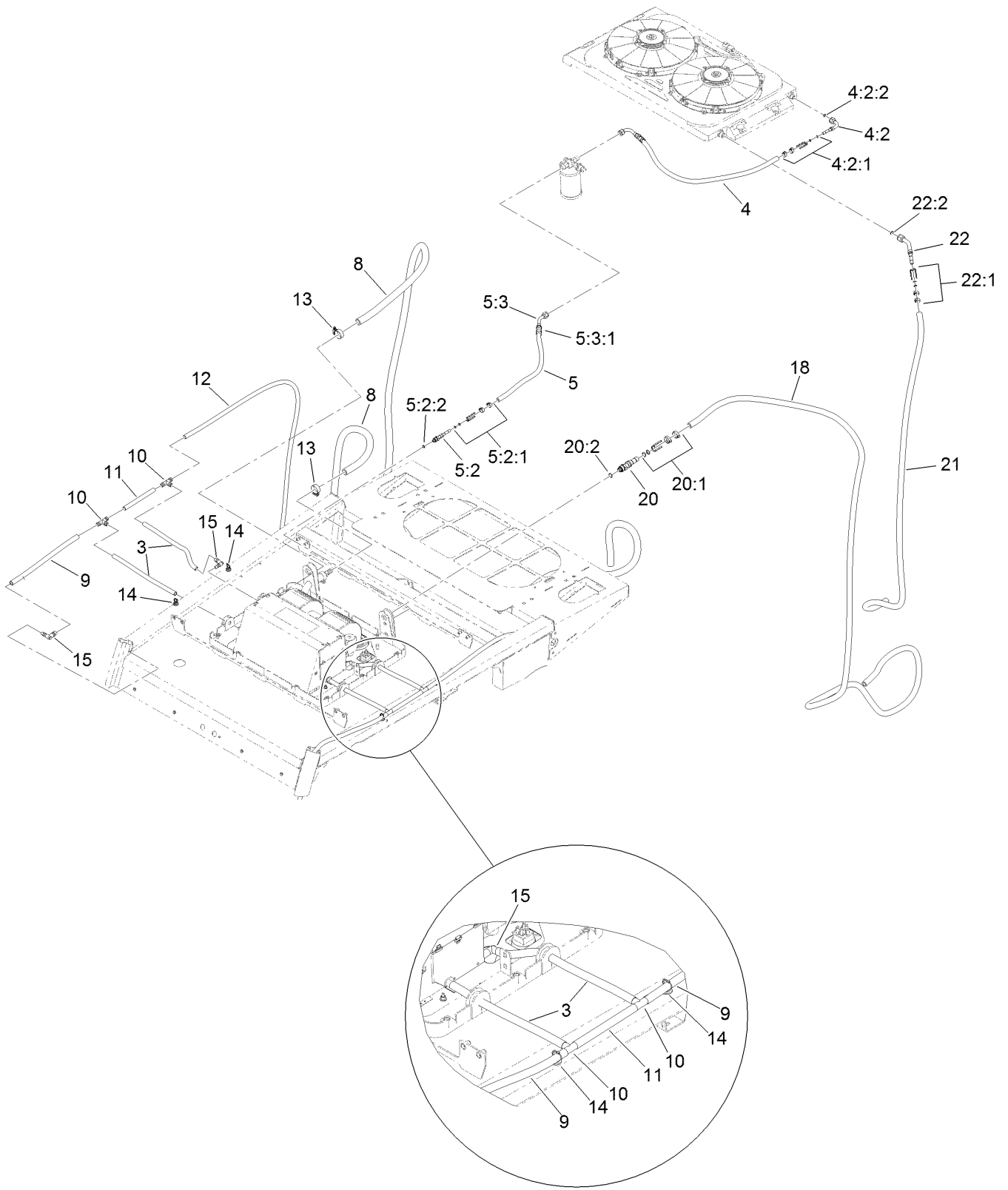
Roof, Air Filter and Condenser Assembly



Roof, Air Filter and Condenser Assembly (continued)

<i>Ref.</i>	<i>Part Number</i>	<i>Qty.</i>	<i>Description</i>	<i>Ref.</i>	<i>Part Number</i>	<i>Qty.</i>	<i>Description</i>
1	139-1958-03	1	Wing-Rear	12	138-2907	1	Condenser
2	107069	4	Clip	13	3231-28	4	Screw-CARR
3	137-1397	2	Filter Cover ASM	14	104-8301	4	Nut-HF, NI
3:2	126-5846	2	Knob-T	15	3229-11	4	Screw-CARR
3:3	32115-15	2	Nut-Push	16	138-2742	2	Mount-Latch
4	3234-47	4	Screw-HHF	17	104-7201	4	Nut-HF, NI
5	139-1898	1	Roof ASM	18	130-0643	2	Latch-Push To Close
5:2	138-2714-03	1	Screen-Roof	19	138-2744-03	2	Plate-Backing
5:3	114-4899	16	Rivet-Push	20	3296-54	4	Nut-Lock
6	136-7176	6	Washer-Fender	21	139-1923-03	1	Pre-Filter, Screen
7	120-4654	6	Screw-HHF	22	112-3169	4	Screw-HHF, Serrated
8	137-1281	2	Box-Intake, Air	23	137-3101	4	Screw-Plastic, HWH
10	121-8457	2	Filter-Air	24	65-5100	2	Handle-Door
11	3290-55	20	Rivet-Pop	25	139-1922	1	Filter-Pre-Scren

Heat Hose Assembly

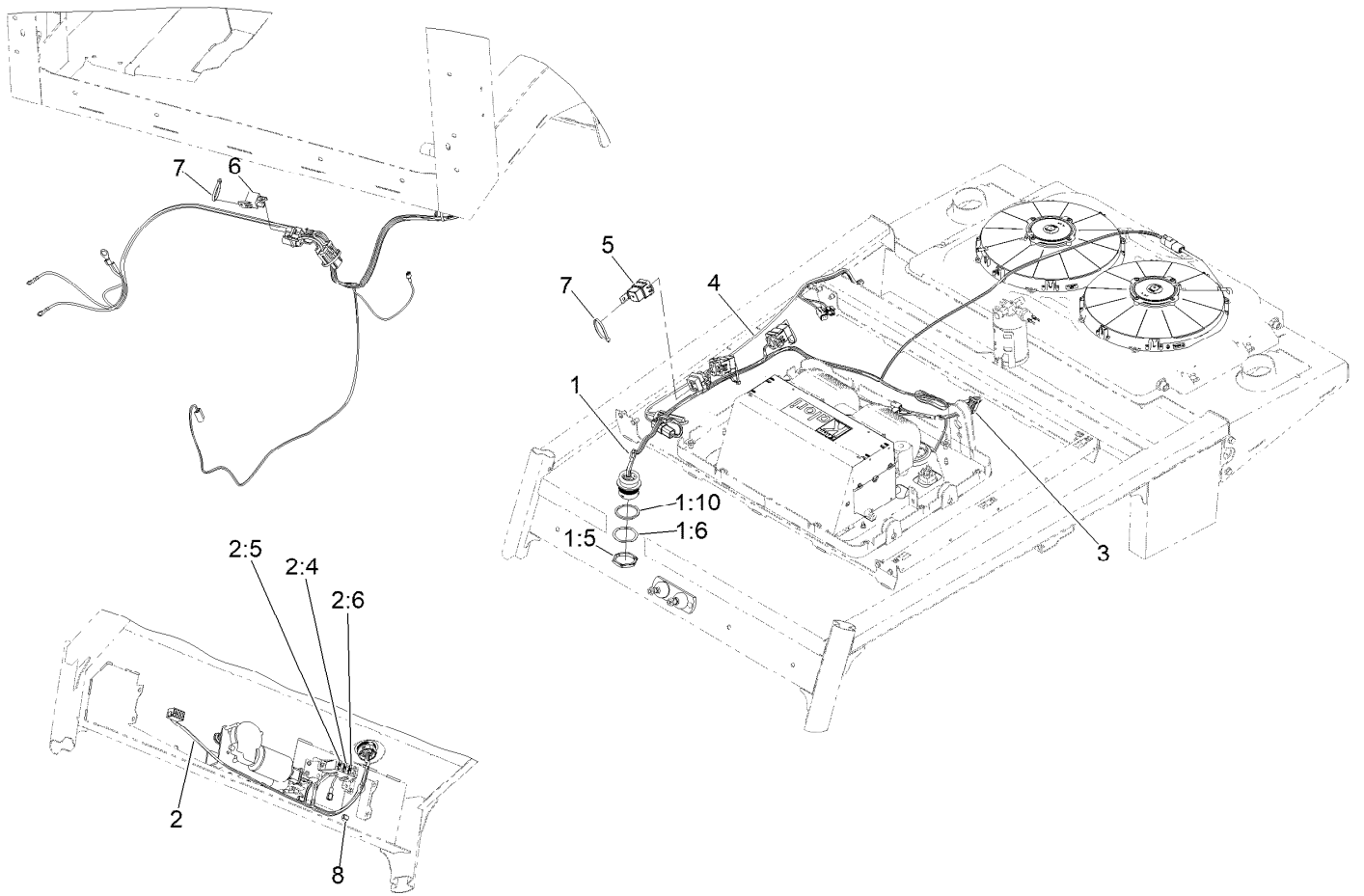


Heat Hose Assembly (continued)

<i>Ref.</i>	<i>Part Number</i>	<i>Qty.</i>	<i>Description</i>	<i>Ref.</i>	<i>Part Number</i>	<i>Qty.</i>	<i>Description</i>
3	140-6573	4	Hose-Drain	11	139-1994	2	Hose-Drain
4	139-1983	1	Hose ASM-AC	12	139-1995	2	Hose-Drain
4:2	130-5751	2	Fitting-Female, 90 DEG	13	2412-119	2	Clamp-Hose
4:2:1	130-5772	1	Fitting Kit	14	32180-139	4	Mount-Tie Wrap, Magnetic
4:2:2	117-2778	1	O-Ring	15	139-2178	4	Fitting-Elbow 90
5	139-1984	1	Hose ASM-AC, Drier	18	139-1991	1	Hose-Refrigerant
5:2	138-2963	1	Fitting-Straight, Male	20	130-5944	1	Fitting-Male, Straight
5:2:1	130-5772	1	Fitting Kit	20:1	130-5775	1	Fitting Kit
5:2:2	117-2778	1	O-Ring	20:2	117-2780	1	O-Ring
5:3	139-2251	1	Ftg-45 DEG, Female	21	139-1992	1	Hose-Refrigerant
5:3:1	130-5772	1	Fitting Kit	22	139-2252	1	Ftg-45 DEG, Female
8	139-1987	2	Hose-Heater, 5/8	22:1	130-5773	1	Fitting Kit
9	139-1993	2	Hose-Drain	22:2	117-2779	1	O-Ring
10	138-2751	4	Fitting-Tee, Barb	24	130-8304	4	Tape-Refrigeration ●

● Not illustrated

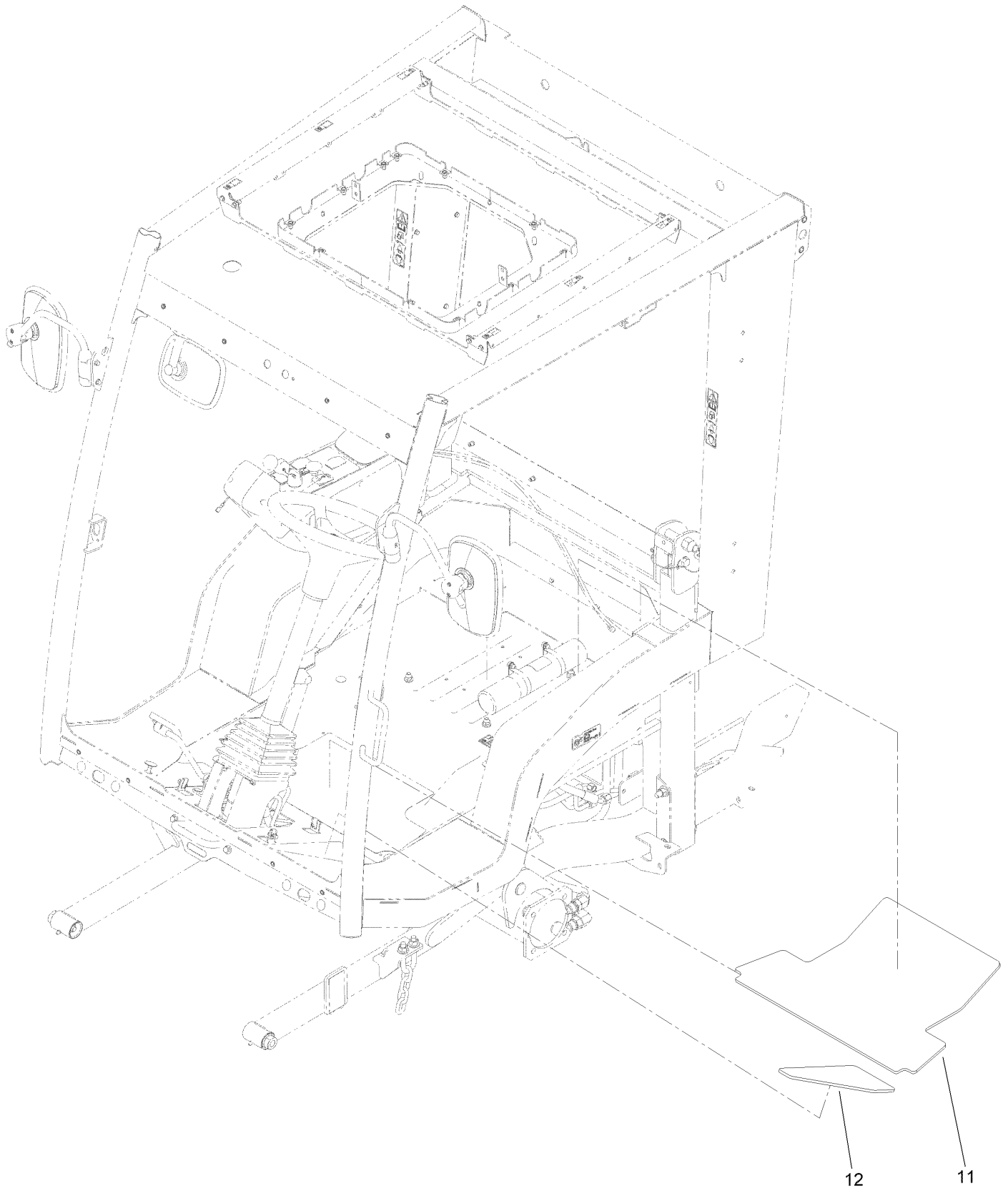
Electrical Component Assembly



Electrical Component Assembly (continued)

<i>Ref.</i>	<i>Part Number</i>	<i>Qty.</i>	<i>Description</i>	<i>Ref.</i>	<i>Part Number</i>	<i>Qty.</i>	<i>Description</i>
1	122-1245	1	Harness-Wire, A/C Roof	2:6	99-6124	1	Fuse-40 Amp
1:5	32180-135	1	Nut-Connector	3	122-1678	1	Harness-Wire, Adapter
1:6	32180-143	1	Washer-Lock	4	122-1435	1	Harness-Wire, Cab Power
1:10	161-7851	1	Gasket-Receptacle	5	99-7430	3	Relay-Mini
2	122-1660	1	Harness-Wire, A/C Panel	6	99-7435	1	Relay
2:4	109101	1	Fuse-Blade, 20 Amp	7	3290-378	6	Tie-Cable
2:5	109102	1	Fuse-Blade, 25 Amp	8	32180-030	2	Clip-Tie

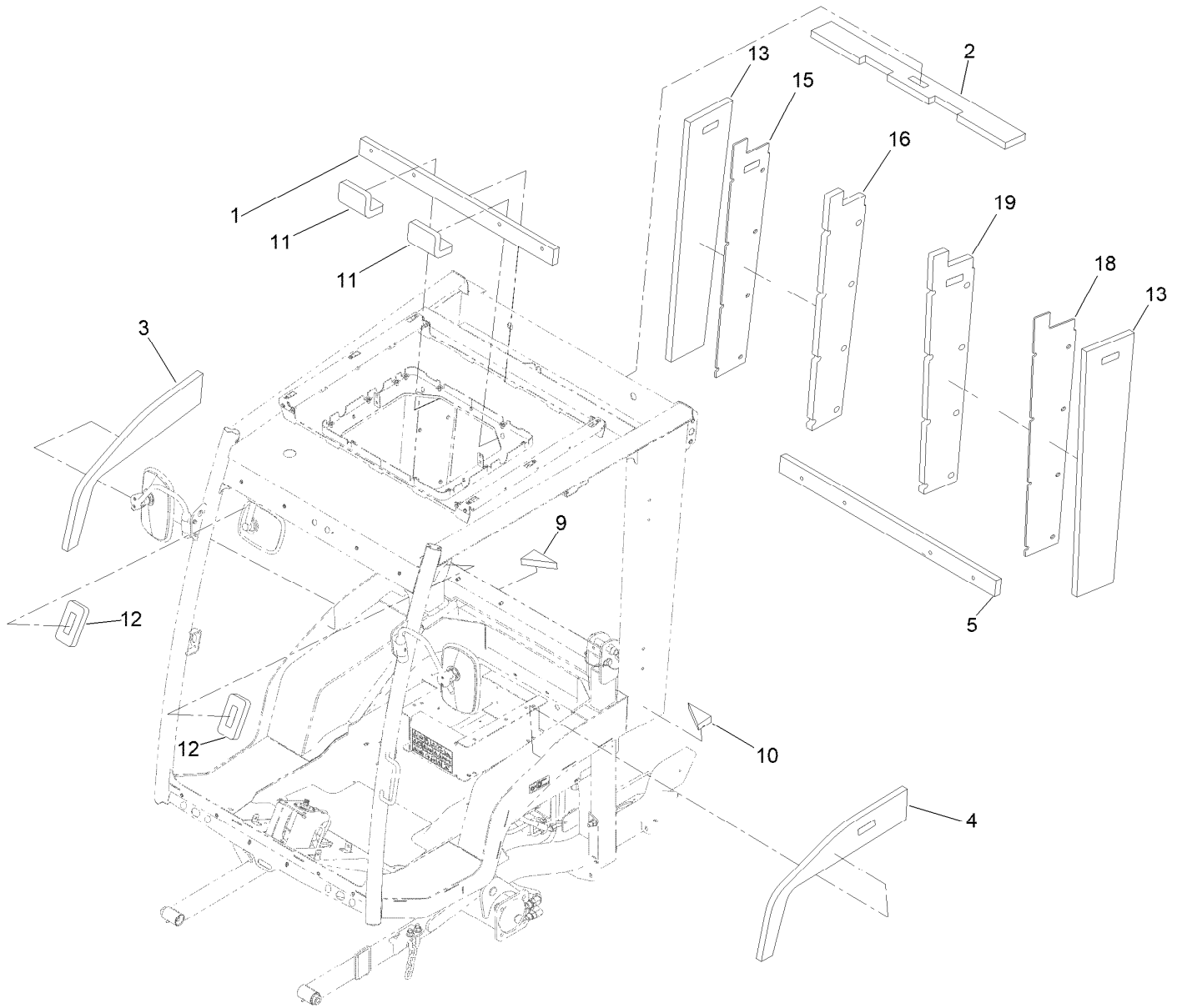
Floor Sound Reduction Assembly



Floor Sound Reduction Assembly (continued)

<i>Ref.</i>	<i>Part Number</i>	<i>Qty.</i>	<i>Description</i>
11	144-3233	1	Floor-Pad, Center
12	144-3234	1	Floor-Pad, Corner

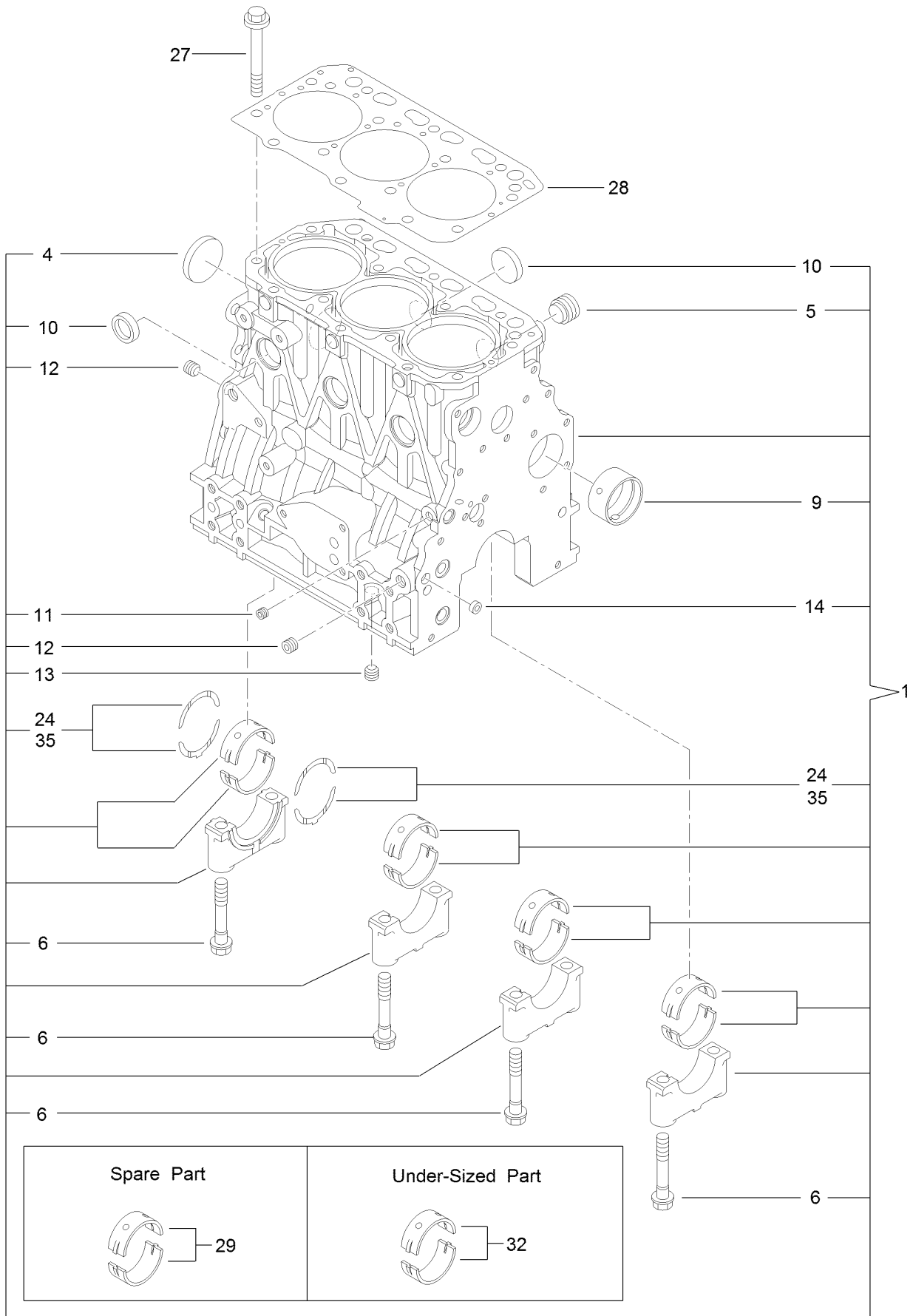
Cab Sound Reduction Assembly



Cab Sound Reduction Assembly (continued)

<i>Ref.</i>	<i>Part Number</i>	<i>Qty.</i>	<i>Description</i>	<i>Ref.</i>	<i>Part Number</i>	<i>Qty.</i>	<i>Description</i>
1	140-6886	1	Rear-Window	12	144-3238	2	Dash-Pad
2	140-6887	1	Rear-Ceiling	13	140-6884	2	Pillar-Pad, Rear
3	140-6888	1	Side-Door, RH	15	140-6737	1	Panel-Sound Dampening, RH
4	140-6889	1	Side-Door, LH	16	144-3235	1	Pillar-Pad, Rear RH
5	140-6890	1	Rear-Window	18	140-6738	1	Panel-Sound, Dampening LH
9	140-6894	1	Tile-Corner, RH	19	144-3236	1	Pillar-Pad, Rear LH
10	140-6895	1	Tile-Corner, LH				
11	144-3237	2	ROPS-Pad				

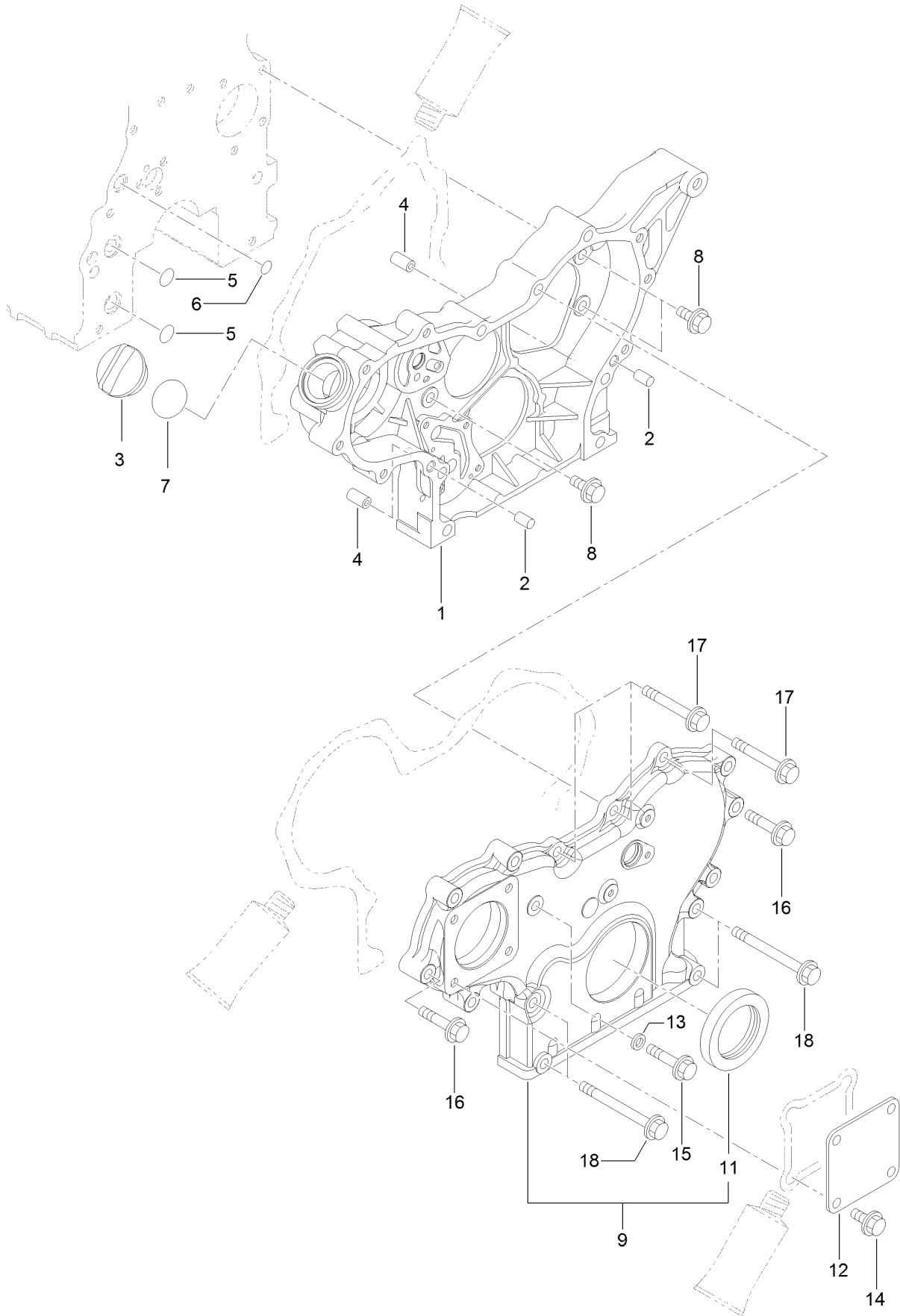
Cylinder Block Assembly



Cylinder Block Assembly (continued)

<i>Ref.</i>	<i>Part Number</i>	<i>Qty.</i>	<i>Description</i>	<i>Ref.</i>	<i>Part Number</i>	<i>Qty.</i>	<i>Description</i>
1	127-4717	1	Cylinder Block ASM	13	125-6973	1	Plug
4	125-6980	1	Plug	14	125-7237	1	Plug
5	125-7170	1	Plug	24	125-7010	2	Metal-Thrust
6	125-7007	8	Bolt	27	125-7006	14	Bolt
9	125-7108	1	Bushing	28	127-4716	1	Head Gasket ASM
10	140-7182	6	Plug 30	29	125-6981	4	Metal-Main
11	125-6969	1	Plug	32	125-7009	4	Metal-Main (0.25)
12	125-6973	2	Plug	35	125-7011	1	Metal-Thrust (0.25)

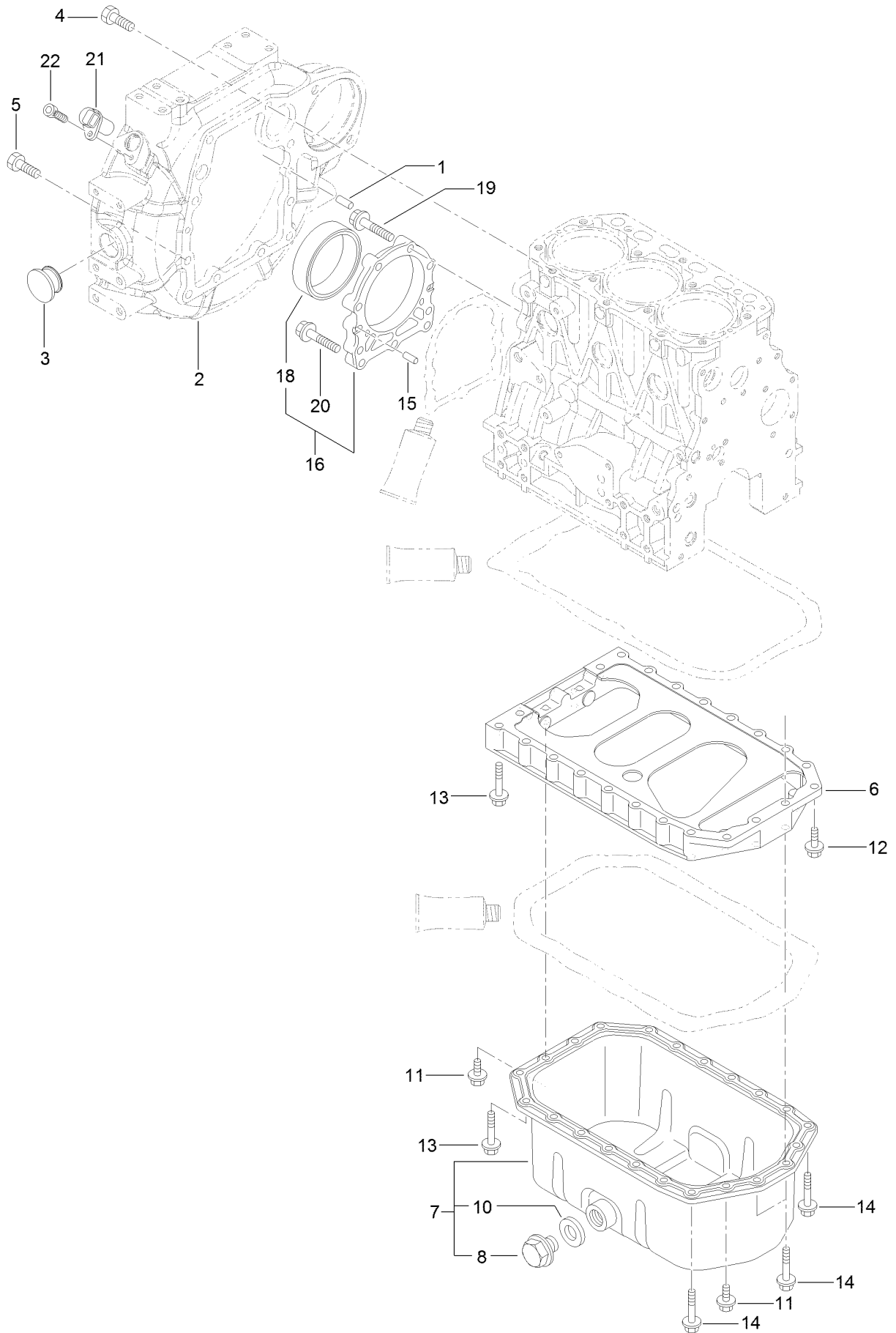
Gear Housing Assembly



Gear Housing Assembly (continued)

<i>Ref.</i>	<i>Part Number</i>	<i>Qty.</i>	<i>Description</i>	<i>Ref.</i>	<i>Part Number</i>	<i>Qty.</i>	<i>Description</i>
1	127-3023	1	Case-Gear	11	125-6944	1	Seal-Oil
2	125-6995	2	Pin	12	125-6977	1	Cover
3	125-6972	1	Cover-Filler	13	125-7174	1	Washer-Seal
4	125-7107	2	Pipe	14	125-7214	4	Bolt
5	125-6909	2	O-Ring	15	125-7217	1	Bolt
6	127-2973	1	O-Ring	16	125-7218	7	Bolt
7	125-7197	1	O-Ring	17	125-7222	3	Bolt
8	125-7214	3	Bolt	18	125-7224	4	Bolt
9	127-3024	1	Gearcase Cover ASM				

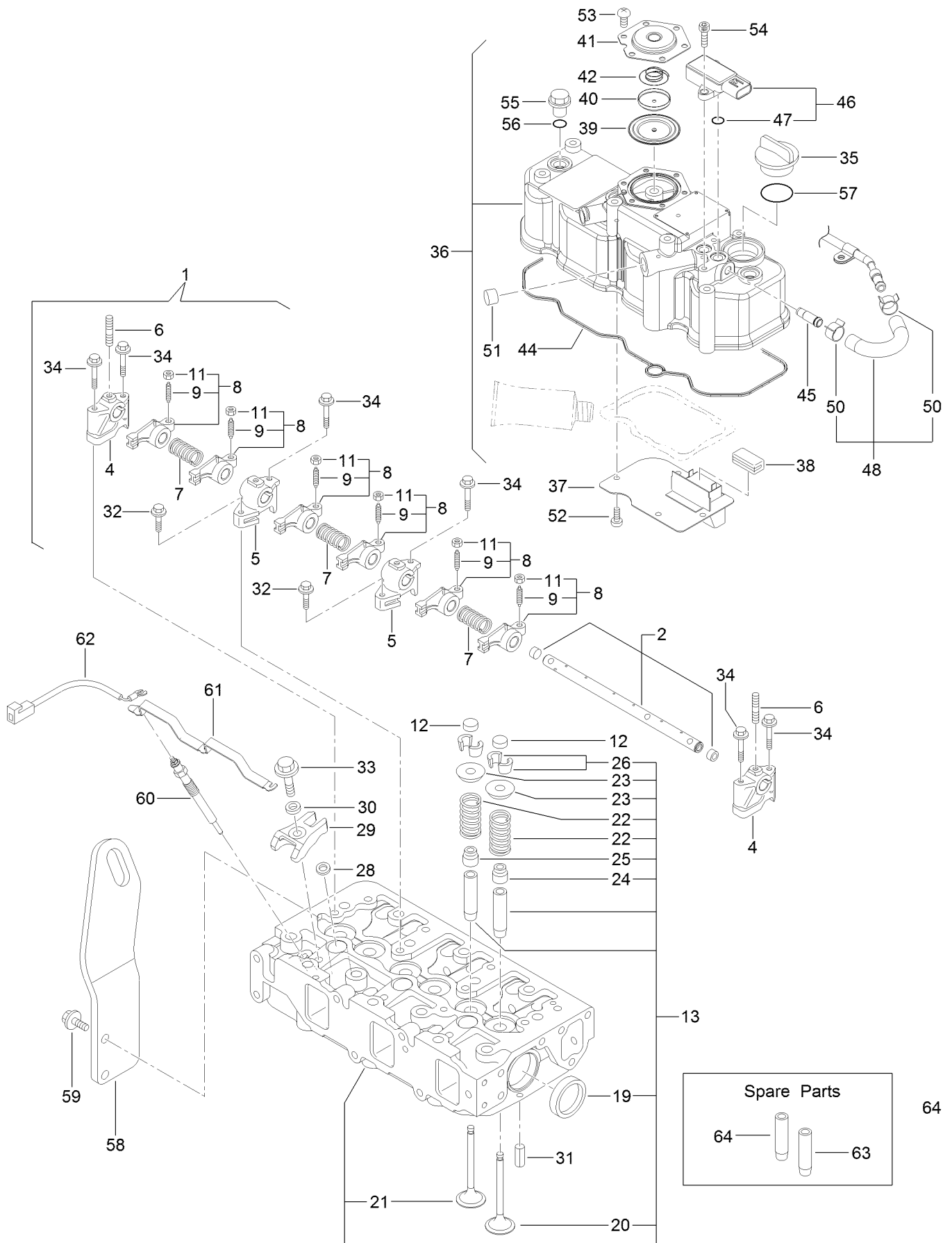
Flywheel Housing and Oil Sump Assembly



Flywheel Housing and Oil Sump Assembly (continued)

<i>Ref.</i>	<i>Part Number</i>	<i>Qty.</i>	<i>Description</i>	<i>Ref.</i>	<i>Part Number</i>	<i>Qty.</i>	<i>Description</i>
1	125-6995	2	Pin	12	125-7215	2	Bolt
2	127-3025	1	Housing-Flywheel	13	125-7219	16	Bolt
3	125-6910	1	Cap	14	125-7220	4	Bolt
4	125-7226	6	Bolt	15	125-6995	2	Pin
5	125-7227	4	Bolt	16	140-7173	1	Oil Seal Case ASM
6	127-3756	1	Spacer	18	140-7174	1	Seal-Oil
7	135-4010	1	Oil Pan ASM	19	125-7045	6	Bolt
8	125-6912	1	Plug-Drain	20	125-7217	3	Bolt
10	125-7177	1	Washer-Seal	21	127-3062	1	Sensor-Rev, Flywheel
11	125-7214	4	Bolt	22	127-3184	1	Bolt

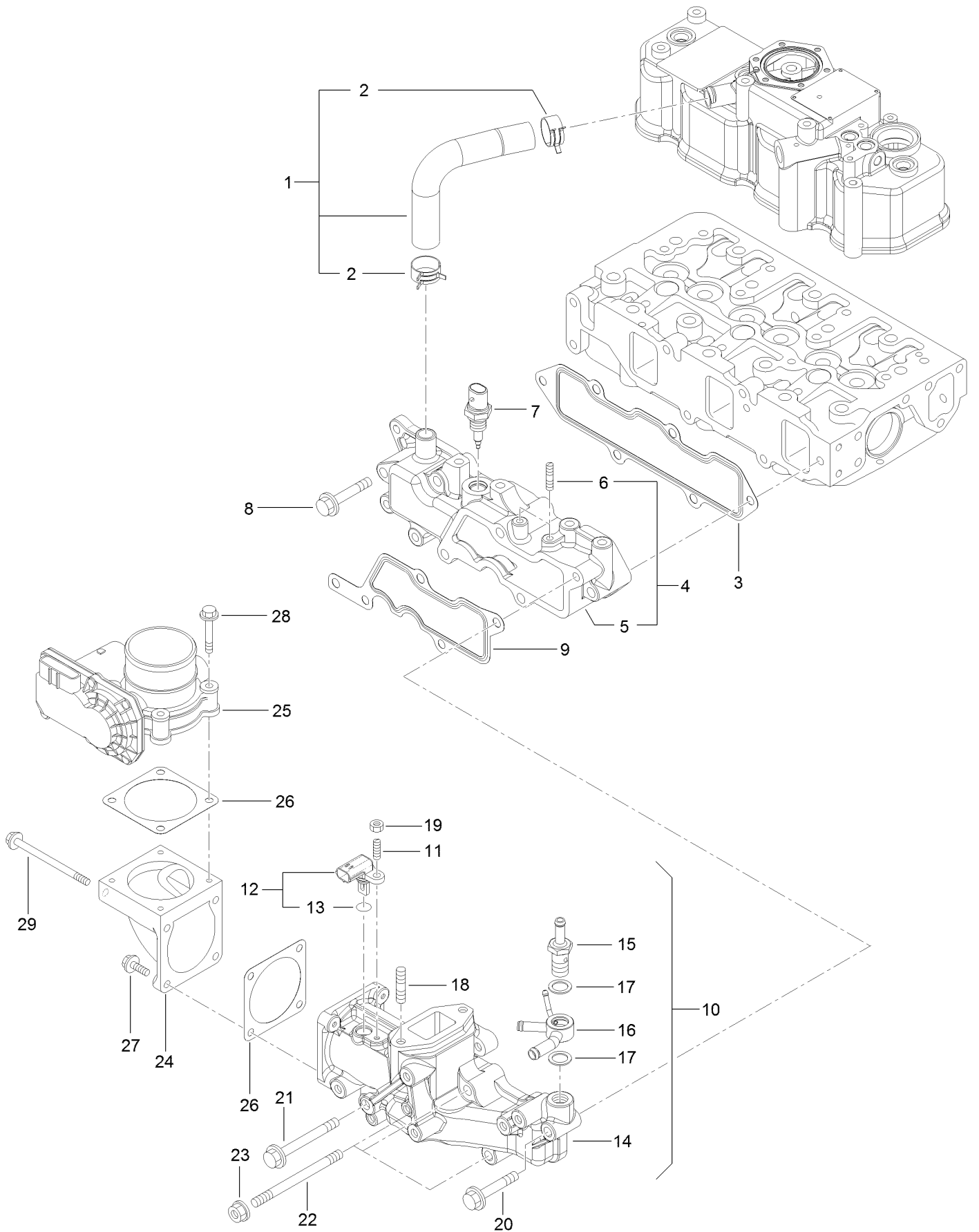
Cylinder Head and Cover Assembly



Cylinder Head and Cover Assembly (continued)

<i>Ref.</i>	<i>Part Number</i>	<i>Qty.</i>	<i>Description</i>	<i>Ref.</i>	<i>Part Number</i>	<i>Qty.</i>	<i>Description</i>
1	127-3757	1	Shaft ASM	37	127-2988	1	Plate
2	127-3758	1	Shaft	38	125-7012	1	Baffle
4	127-2974	2	Support	39	125-6959	1	Diaphragm
5	127-2975	2	Support	40	125-6960	1	Plate
6	135-4012	3	Bolt,Stud	41	125-6961	1	Plate-Breather
7	127-2995	3	Spring	42	125-6962	1	Spring-Diaphragm
8	127-2989	6	Arm-Rocker	44	127-3762	1	Gasket-Cover, Cylinder Head
9	125-7013	6	Screw-Adjust, Valve				
11	125-7014	6	Nut	45	127-3026	1	Joint
12	127-2996	6	Cap-Valve	46	127-3029	1	Sensor-Pressure
13	139-6014	1	Cylinder Head ASM	47	127-3032	2	O Ring-Sensor, Pressure
19	125-7240	2	Plug	48	127-3040	1	Hose ASM
20	127-2990	3	Valve	50	127-3041	2	Clip-Hose
21	127-4710	3	Valve	51	125-6913	1	Plug
22	127-3012	6	Spring	52	125-7186	4	Screw
23	127-3013	6	Retainer-Spring	53	125-7186	6	Screw
24	127-2986	3	Seal-Stem, Valve	54	127-3184	2	Bolt
25	127-3027	3	Seal-Stem, Valve	55	125-6974	3	Knob
26	127-3186	6	Pin-Cotter	56	138-7829	3	O-Ring
28	127-3021	3	Gasket-Injector	57	125-7197	1	O-Ring
29	127-3028	3	Retainer-Injector	58	127-4718	1	Lifter-Engine
30	127-2980	3	Washer-Injector	59	125-7595	2	Bolt
31	125-7184	2	Pin-Spring	60	127-2991	3	Plug-Glow
32	125-7215	2	Bolt	61	127-3768	1	Connector-Plug, Glow
33	125-7217	3	Bolt	62	131-2704	1	Harness-Wire
34	125-7220	6	Bolt	63	127-2979	3	Guide
35	125-6972	1	Cover-Filler	64	127-2997	3	Guide-Valve
36	127-4719	1	Cylinder Head Cover ASM				

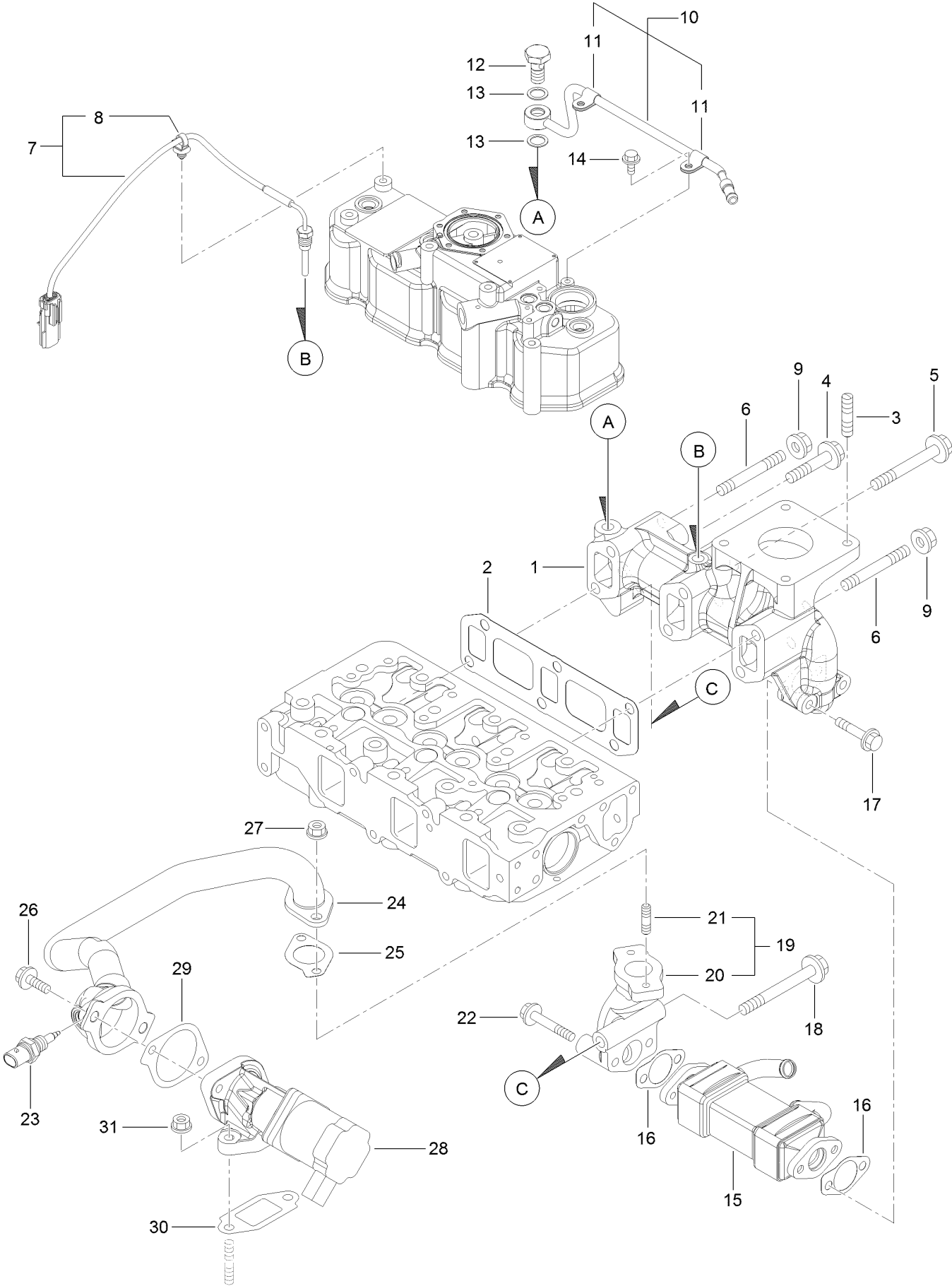
Suction Manifold Assembly



Suction Manifold Assembly (continued)

<i>Ref.</i>	<i>Part Number</i>	<i>Qty.</i>	<i>Description</i>	<i>Ref.</i>	<i>Part Number</i>	<i>Qty.</i>	<i>Description</i>
1	127-4704	1	Pipe	16	127-3081	1	Joint-Hose
2	125-7040	2	Clip-Hose	17	127-3166	2	Washer-Seal
3	127-3769	1	Gasket-Manifold, Intake	18	127-3181	2	Stud
4	127-4722	1	Intake Manifold ASM	19	127-4775	1	Nut
5	127-4721	1	Manifold-Intake	20	125-7220	1	Bolt
6	127-3180	2	Stud	21	127-3178	1	Bolt
7	137-5167	1	Sensor-Temperature, Air	22	127-3182	3	Stud
8	125-7220	3	Bolt	23	125-7229	3	Nut
9	127-3034	1	Gasket-Collector	24	127-3035	1	Bend-Inlet
10	127-4725	1	Intake Collector ASM	25	127-3036	1	Body-Throttle
11	127-4701	1	Stud	26	127-3037	2	Gasket-Throttle
12	127-3030	1	Sensor-Temp, Air	27	125-7209	2	Bolt
13	127-3033	1	O-Ring	28	125-7211	4	Bolt
14	127-4724	1	Collector-Intake	29	127-3177	2	Bolt
15	127-3080	1	Joint-Hose				

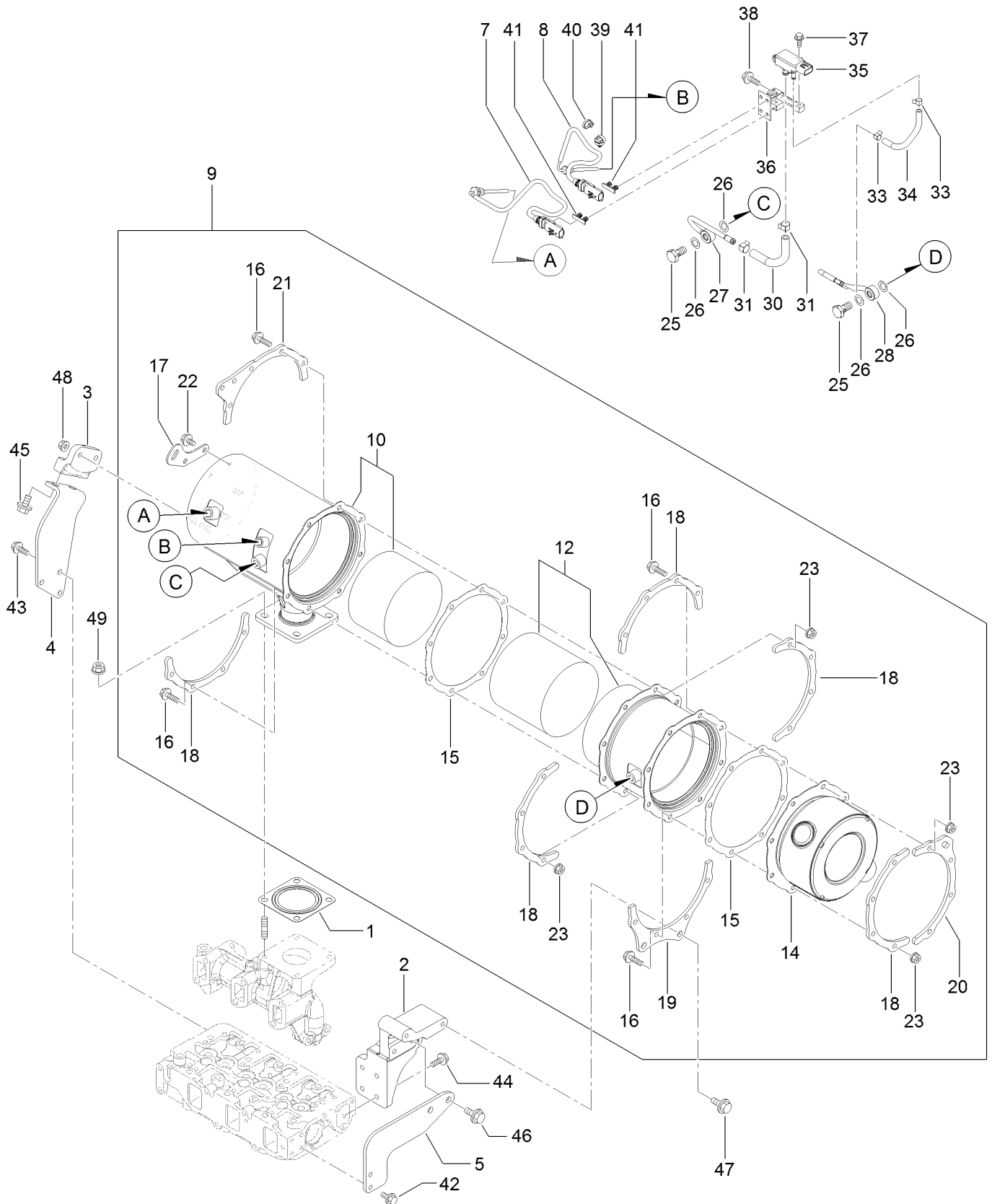
Exhaust Manifold Assembly



Exhaust Manifold Assembly (continued)

<i>Ref.</i>	<i>Part Number</i>	<i>Qty.</i>	<i>Description</i>	<i>Ref.</i>	<i>Part Number</i>	<i>Qty.</i>	<i>Description</i>
1	127-4726	1	Manifold-Exhaust	17	133-6715	2	Bolt
2	127-3775	1	Gasket-Manifold, Exhaust	18	127-3022	1	Bolt-Flange
3	127-2984	4	Stud	19	127-3048	1	E G R Pipe ASM
4	135-4013	1	Bolt	20	127-3049	1	Pipe-Out, E G R
5	135-4014	3	Bolt	21	125-7043	2	Stud
6	127-4756	2	Stud	22	125-7220	2	Bolt
7	127-4729	1	Sensor-Temp, Exhaust	23	137-5168	1	Sensor-Gas Temp, E G R
8	127-3087	1	Band-Clip	24	127-3780	1	E G R Pipe ASM
9	125-7230	2	Nut	25	127-3016	1	Gasket
10	127-3038	1	Exhaust Pipe ASM	26	125-7215	2	Bolt
11	127-3173	2	Clamp	27	125-7229	2	Nut
12	127-3039	1	Bolt-Joint, Pipe	28	127-3781	1	Valve-E G R
13	127-3174	2	Gasket	29	127-3050	1	Gasket-Intake Valve, E G R
14	125-7206	2	Bolt	30	127-3051	1	Gasket-Out Valve, E G R
15	127-3042	1	Cooler-E G R	31	125-7229	2	Nut
16	127-3043	2	Gasket-Cooler, E G R				

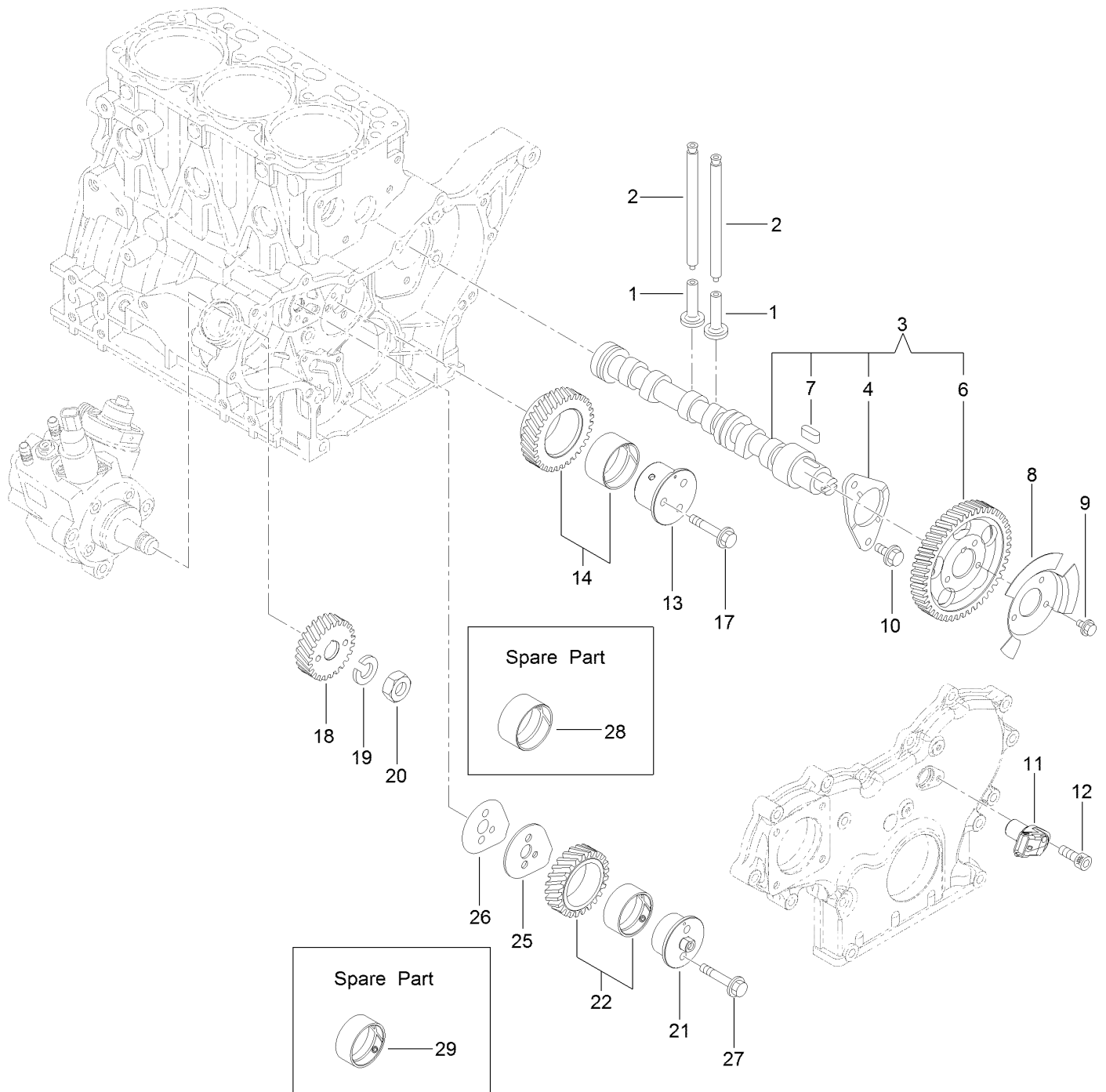
Diesel Particulate Filter Assembly



Diesel Particulate Filter Assembly (continued)

<i>Ref.</i>	<i>Part Number</i>	<i>Qty.</i>	<i>Description</i>	<i>Ref.</i>	<i>Part Number</i>	<i>Qty.</i>	<i>Description</i>
1	127-2987	1	Gasket-Silencer	27	127-4744	1	Sensor Pipe ASM
2	127-4738	1	Stay-D P F	28	127-4745	1	Sensor Pipe ASM
3	127-4739	1	Stay-D P F	30	140-7175	1	Hose-Pressure
4	127-4740	1	Stay-D P F	31	127-3057	2	Clip-Hose
5	127-4741	1	Stay-D P F	33	127-3058	2	Clip-Hose
7	127-4764	1	Sensor-Temp, Exhaust	34	138-8257	1	Exhaust Press Hose ASM
8	127-3112	1	Sensor-Temp, Exhaust	35	127-3060	1	Sensor-Pressure
9	127-4759	1	D P F ASM	36	127-4750	1	Bracket-Sensor
10	127-4732	1	Case-D O C	37	125-7208	2	Bolt
12	127-4734	1	Case-Filter, Soot	38	125-7595	2	Bolt
14	127-3786	1	Silencer-D P F	39	127-3087	1	Band-Clip
15	127-3787	2	Gasket-D P F	40	127-3124	1	Band
16	127-3055	16	Bolt	41	127-3088	2	Clip-Connector
17	127-3788	1	Lifter-D P F	42	125-7214	2	Bolt
18	127-3789	5	Stiffener-D P F, A	43	125-7214	3	Bolt
19	127-4735	1	Stiffener-D P F, B	44	125-7595	4	Bolt
20	127-3792	1	Stiffener-D P F, C	45	127-3179	2	Bolt
21	127-4736	1	Stiffener-D P F, C	46	127-3179	2	Bolt
22	125-7213	2	Bolt	47	127-3179	2	Bolt
23	125-7229	16	Nut	48	125-7229	2	Nut
25	127-3039	2	Bolt-Joint, Pipe	49	125-7230	4	Nut
26	127-3056	4	Gasket-Sensor				

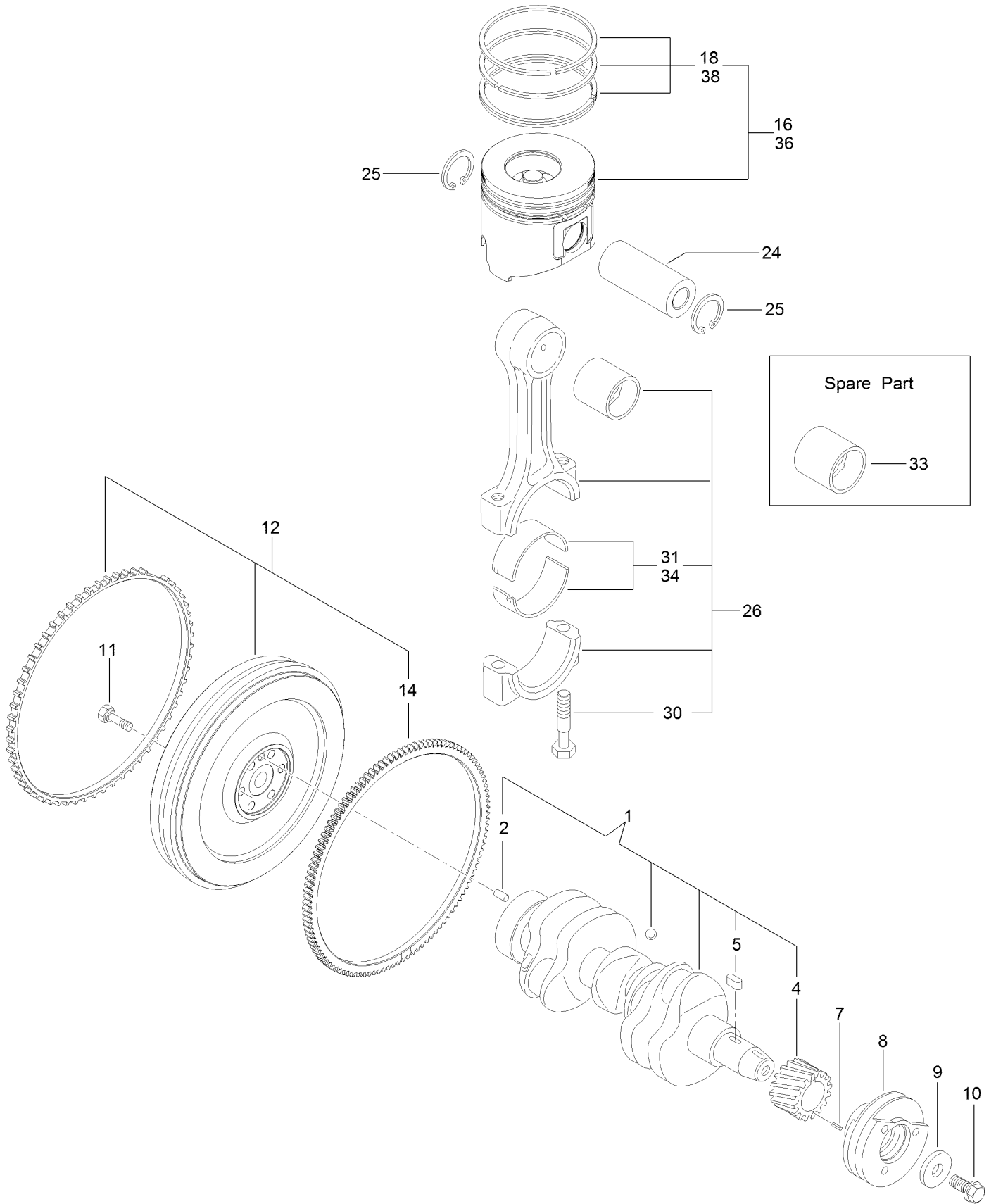
Camshaft and Driving Gear Assembly



Camshaft and Driving Gear Assembly (continued)

<i>Ref.</i>	<i>Part Number</i>	<i>Qty.</i>	<i>Description</i>	<i>Ref.</i>	<i>Part Number</i>	<i>Qty.</i>	<i>Description</i>
1	125-7016	6	Tappet	14	127-3066	1	Idle Gear A ASM
2	125-7017	6	Rod-Push	17	125-7219	3	Bolt
3	127-3797	1	Camshaft ASM	18	127-3070	1	Gear-Pump, Supply
4	125-7008	1	Metal-Thrust	19	127-3167	1	Washer-Spring
6	127-3052	1	Gear-Camshaft	20	127-3185	1	Nut-Lock
7	125-7185	1	Key	21	127-3064	1	Shaft-Idle, Gear B
8	127-3053	1	Pulser-Camshaft	22	127-3067	1	Idle Gear B ASM
9	125-7205	3	Bolt	25	127-3068	1	Plate-Idle, Shaft
10	125-7213	2	Bolt	26	127-3069	1	Gasket-Idle, Shaft B
11	127-3054	1	Sensor-Rev, Gear	27	125-7218	2	Bolt
12	127-3184	1	Bolt	28	125-6926	1	Bush
13	127-3063	1	Shaft-Idle, Gear A	29	127-3065	1	Bushing

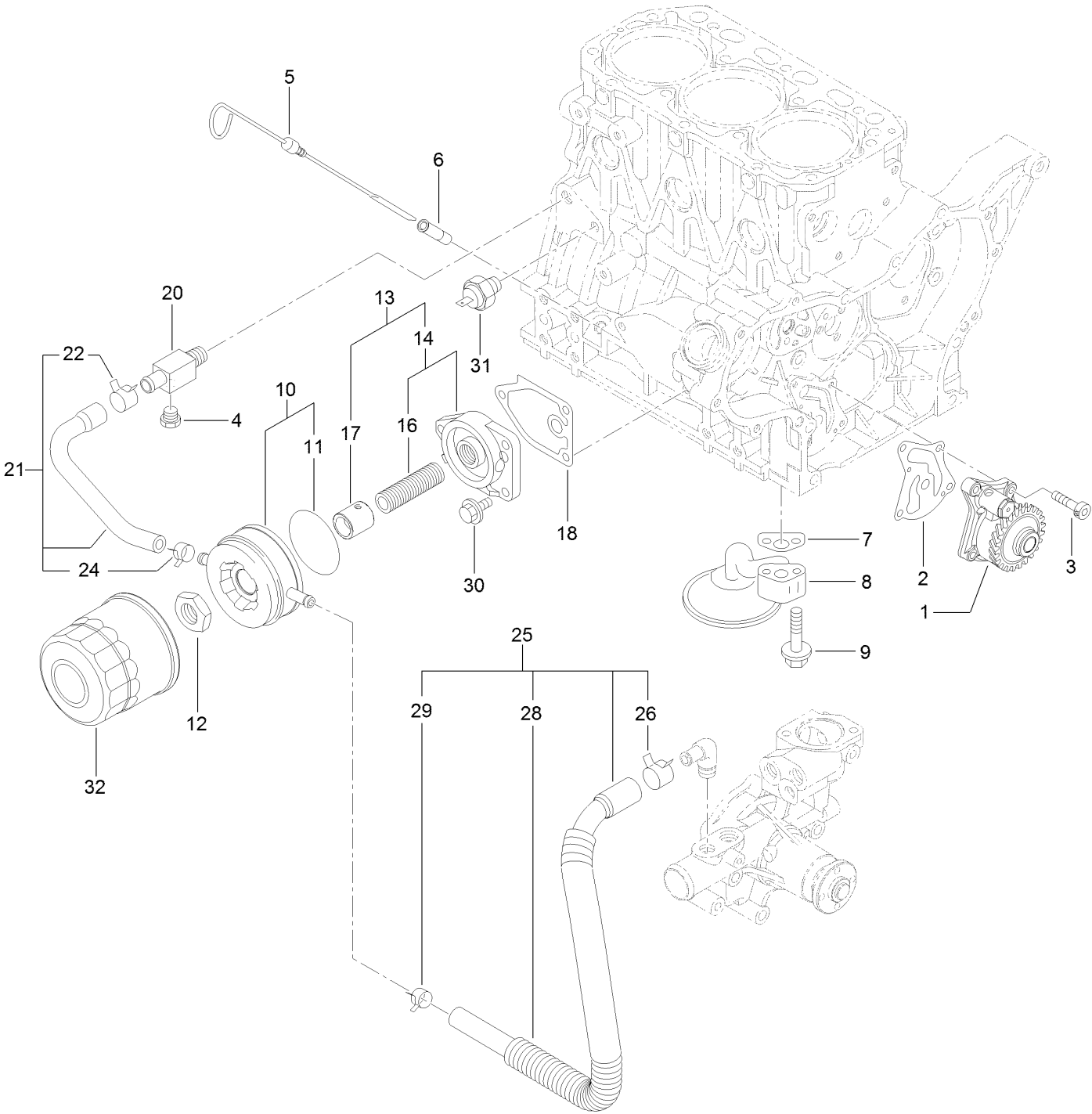
Crankshaft and Piston Assembly



Crankshaft and Piston Assembly (continued)

<i>Ref.</i>	<i>Part Number</i>	<i>Qty.</i>	<i>Description</i>	<i>Ref.</i>	<i>Part Number</i>	<i>Qty.</i>	<i>Description</i>
1	127-3800	1	Crankshaft ASM	16	127-4766	3	Piston ASM
2	125-6995	1	Pin	18	127-4751	3	Piston Ring ASM
4	125-6937	1	Gear	24	125-7030	3	Pin
5	125-7185	1	Key	25	125-7180	6	Ring
7	125-7182	1	Pin-Spring	26	125-7242	3	Connecting Rod ASM
8	127-3801	1	Pulley-V	30	125-6955	6	Bolt
9	125-7109	1	Washer	31	125-7018	3	Pin-Crank
10	125-6956	1	Bolt	33	125-6997	3	Pin-Piston
11	125-6951	6	Bolt	34	125-7019	3	Pin-Crank (.25)
12	127-3802	1	Flywheel ASM	36	127-4767	3	Piston ASM (0.25 O S)
14	125-6943	1	Gear	38	127-4752	3	Ring Set (0.25 O S)

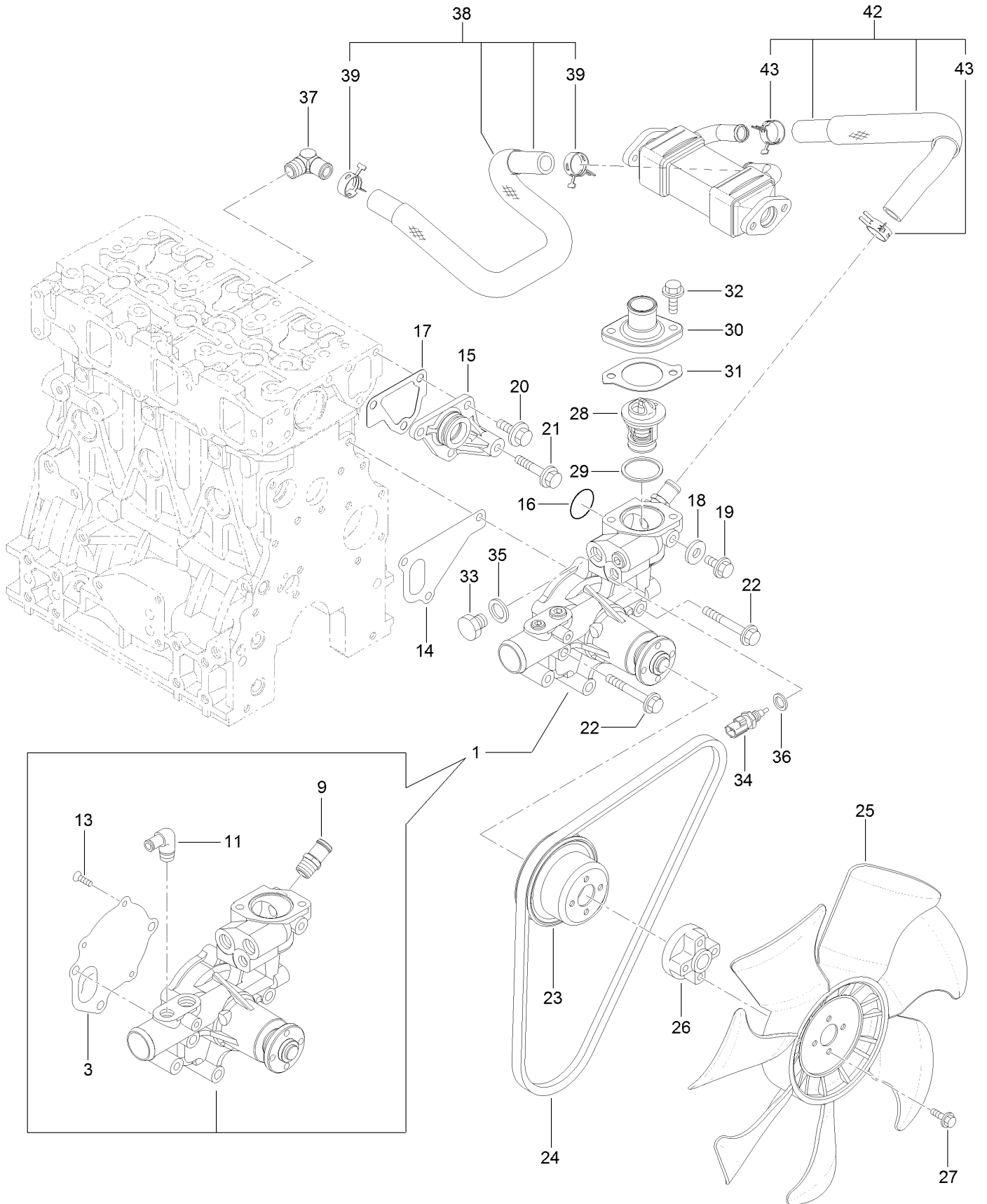
Lubrication and Oil System Assembly



Lubrication and Oil System Assembly (continued)

<i>Ref.</i>	<i>Part Number</i>	<i>Qty.</i>	<i>Description</i>	<i>Ref.</i>	<i>Part Number</i>	<i>Qty.</i>	<i>Description</i>
1	127-4753	1	Oil Pump ASM	16	125-7042	1	Stud
2	127-3004	1	Gasket	17	135-4022	1	Collar-Cooler, Oil
3	125-7232	4	Bolt	18	125-7024	1	Gasket
4	125-7171	1	Plug-Drain	20	125-6990	1	Joint
5	140-7168	1	Dipstick-Oil	21	125-7078	1	Pipe ASM
6	125-6954	1	Guide-Dipstick	22	125-7162	1	Clip
7	125-7022	1	Gasket	24	125-7191	1	Clamp-Hose
8	135-4017	1	Oil Inlet Pipe ASM	25	127-3804	1	Pipe ASM
9	125-7217	2	Bolt	26	125-7162	1	Clip
10	135-4018	1	Oil Cooler ASM	28	127-3805	1	Tube
11	135-4019	1	Packing-Oil Cooler	29	125-7191	1	Clamp-Hose
12	135-4020	1	Nut	30	125-7595	3	Bolt
13	135-4021	1	Lo Filter Bracket ASM	31	125-6918	1	Switch-Oil
14	140-7169	1	Filter Bracket ASM	32	125-7025	1	Filter-Engine, Oil

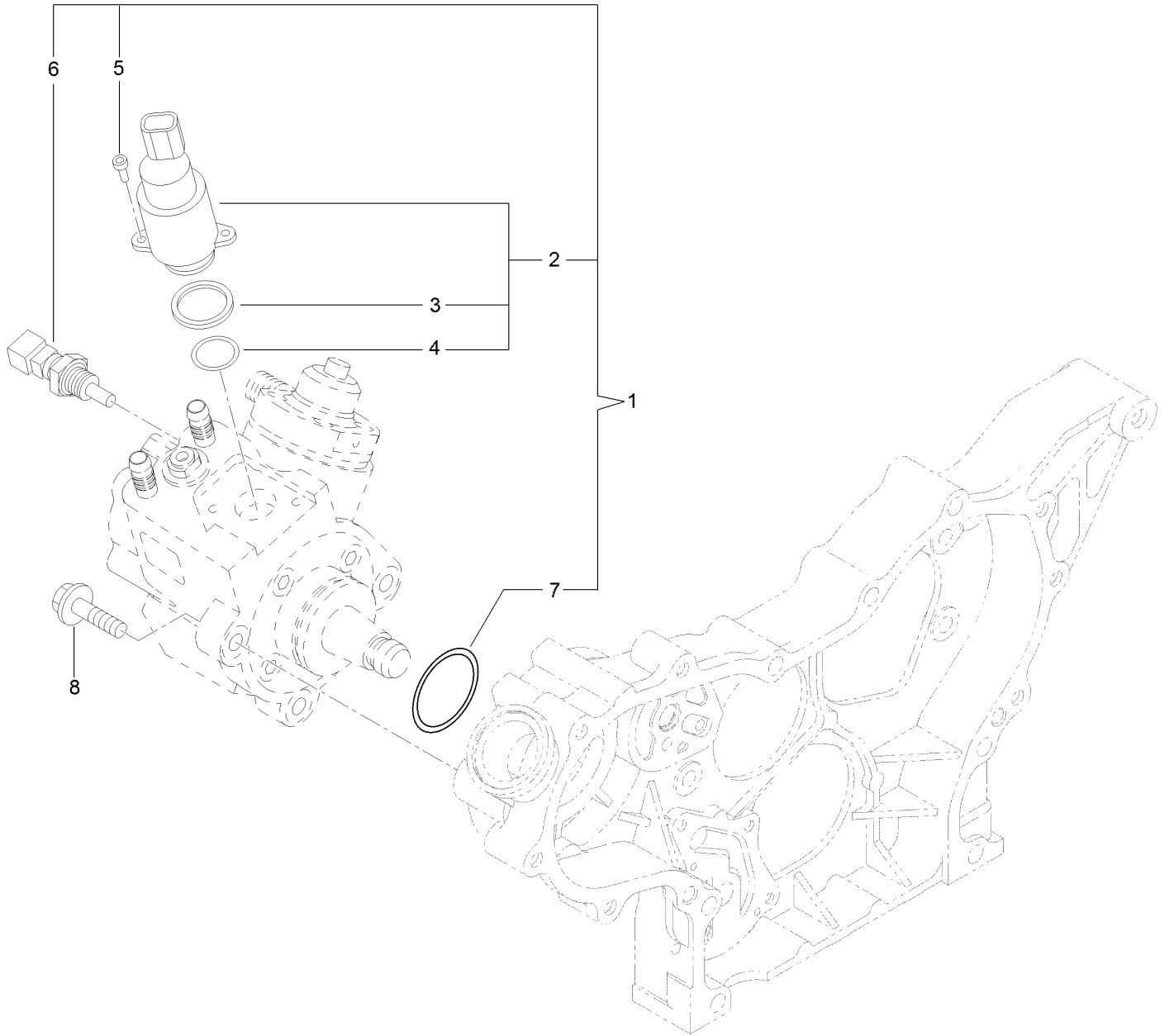
Cooling Water System Assembly



Cooling Water System Assembly (continued)

<i>Ref.</i>	<i>Part Number</i>	<i>Qty.</i>	<i>Description</i>	<i>Ref.</i>	<i>Part Number</i>	<i>Qty.</i>	<i>Description</i>
1	140-7176	1	CW Pump ASM	26	127-3810	1	Spacer
3	125-6998	1	Gasket	27	125-7209	4	Bolt
9	127-3017	1	Joint	28	125-7029	1	Thermostat
11	125-7001	1	Elbow	29	125-7026	1	Gasket
13	140-7170	3	Screw-Flat	30	140-7171	1	Cover-Thermostat
14	125-7047	1	Gasket	31	125-7110	1	Gasket
15	125-6986	1	Joint	32	125-7594	2	Bolt
16	125-7048	1	O-Ring	33	125-6953	1	Plug
17	125-6978	1	Gasket	34	125-7124	1	Sensor-Thermostat, CW
18	125-7192	1	Gasket	35	125-6979	1	Gasket
19	125-7212	1	Bolt	36	125-7176	1	Washer-Seal
20	125-7214	3	Bolt	37	127-4705	1	Elbow
21	125-7219	1	Bolt	38	127-4757	1	E G R-C Pipe ASM
22	125-7222	3	Bolt	39	127-3020	2	Clip-Hose
23	127-4712	1	V-Pulley	42	127-3811	1	CW Pipe ASM
24	127-4771	1	V-Belt	43	127-3020	2	Clip-Hose
25	127-4702	1	Fan				

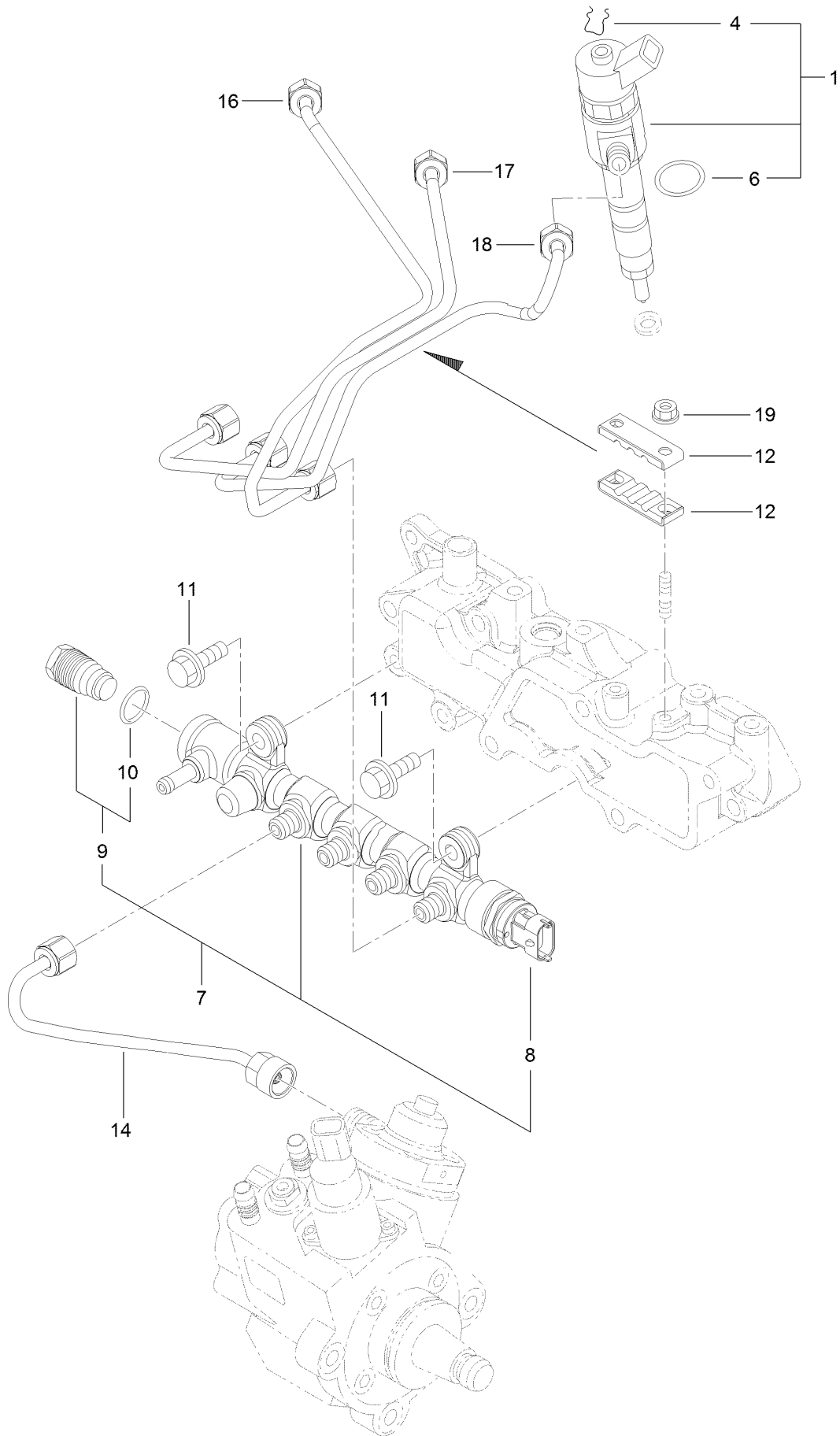
Fuel Supply Pump Assembly



Fuel Supply Pump Assembly (continued)

<i>Ref.</i>	<i>Part Number</i>	<i>Qty.</i>	<i>Description</i>	<i>Ref.</i>	<i>Part Number</i>	<i>Qty.</i>	<i>Description</i>
1	140-7178	1	Fuel Pump ASM	5	131-2107	2	Bolt
2	131-2103	1	Valve ASM	6	131-2108	1	Sensor-Temperature
3	131-2105	1	Ring-Sealing	7	127-3074	1	O-Ring
4	131-2106	1	O-Ring	8	125-7216	3	Bolt

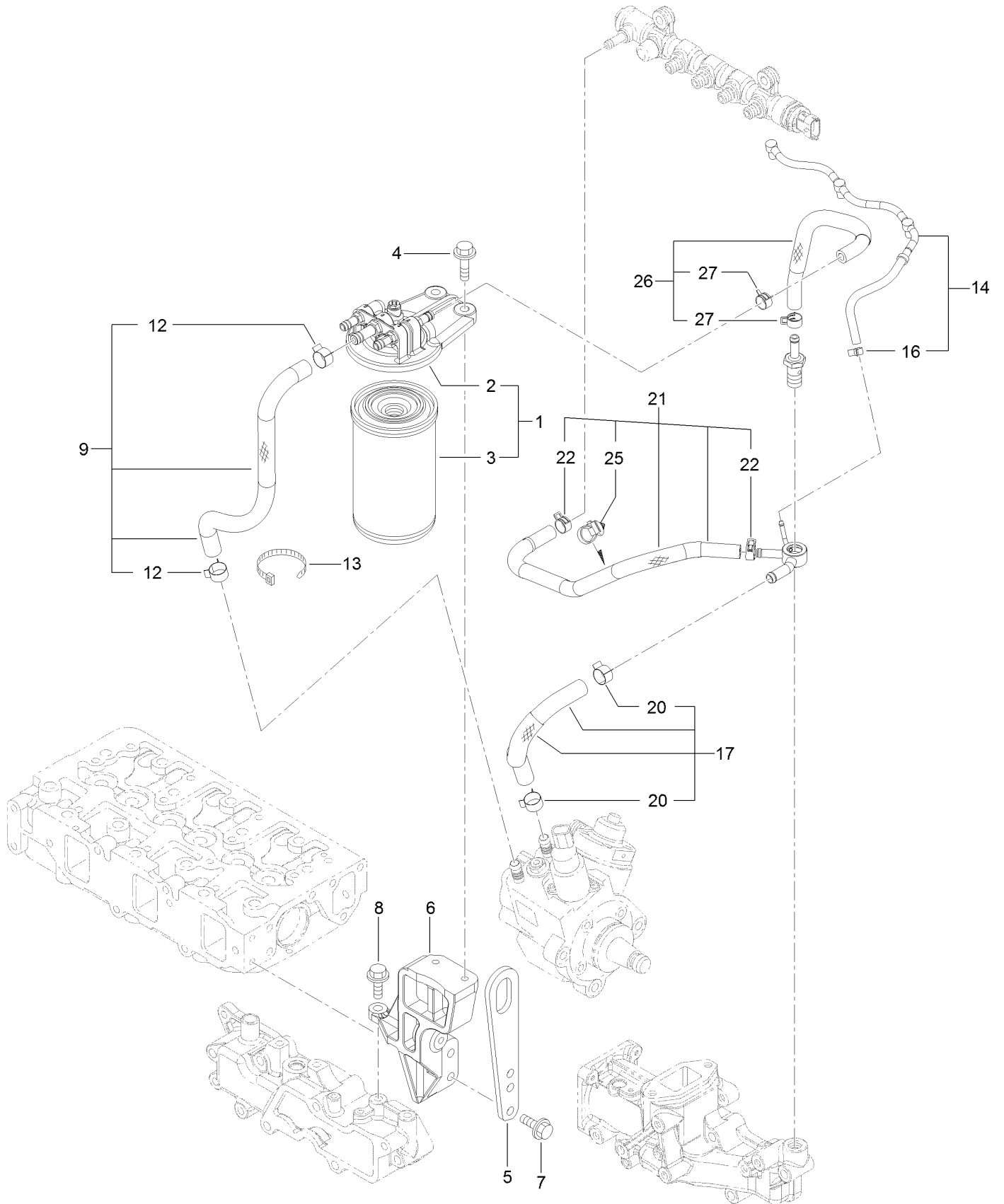
Fuel Injection Valve Assembly



Fuel Injection Valve Assembly (continued)

<i>Ref.</i>	<i>Part Number</i>	<i>Qty.</i>	<i>Description</i>	<i>Ref.</i>	<i>Part Number</i>	<i>Qty.</i>	<i>Description</i>
1	127-4754	3	Injector ASM	11	125-7215	2	Bolt
4	130-7430	3	Ring-Retaining	12	127-3813	2	Retainer
6	137-5173	3	O-Ring	14	127-3082	1	Rail In Pipe ASM
7	127-3812	1	Rail ASM	16	127-3814	1	Injection Pipe ASM
8	131-2709	1	Sensor-Pressure, Rail	17	127-3083	1	Injection Pipe ASM
9	131-2710	1	Valve ASM	18	127-3084	1	Injection Pipe ASM
10	130-7433	1	O-Ring	19	125-7231	2	Nut

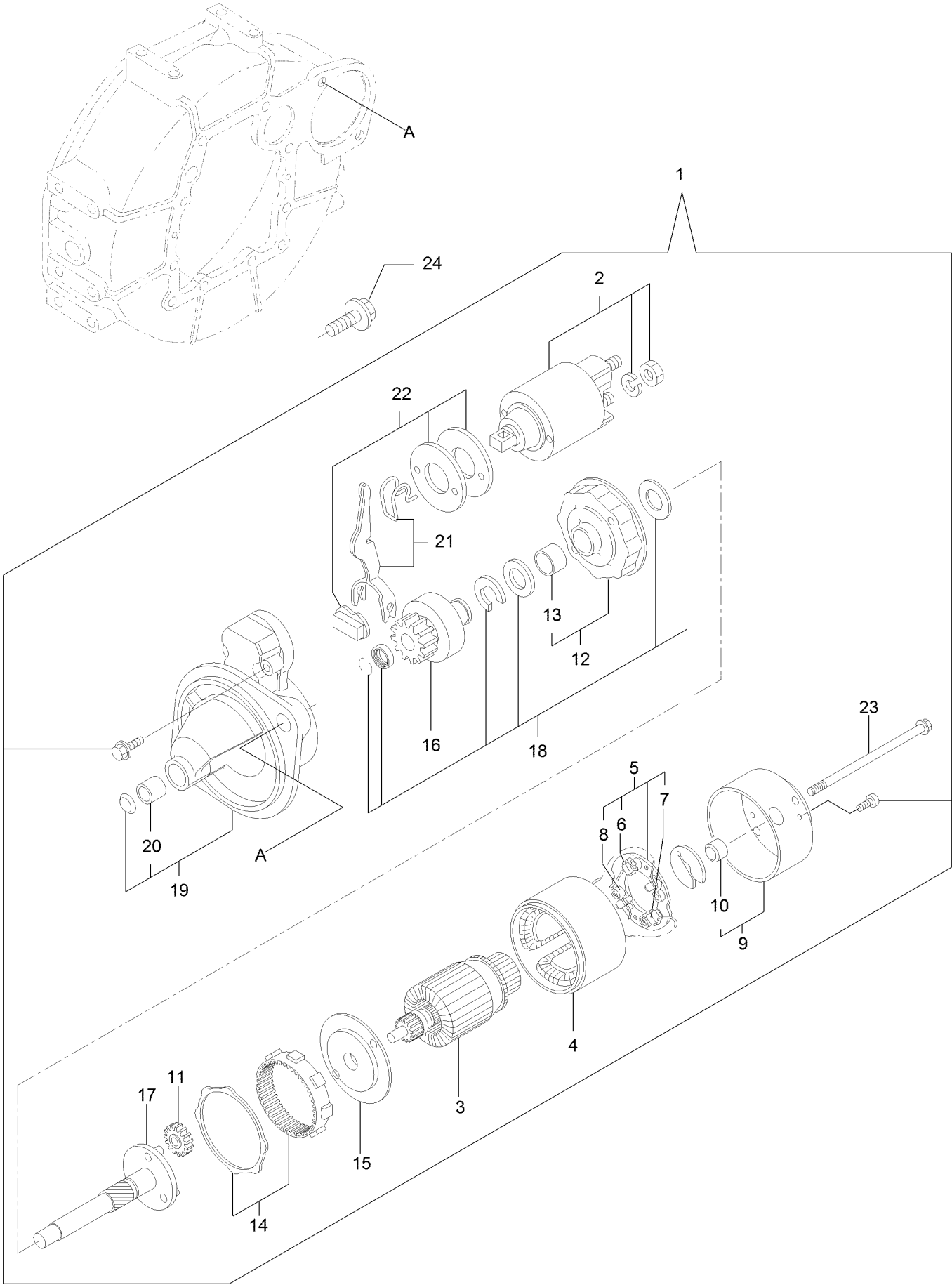
Fuel Filter Assembly



Fuel Filter Assembly (continued)

<i>Ref.</i>	<i>Part Number</i>	<i>Qty.</i>	<i>Description</i>	<i>Ref.</i>	<i>Part Number</i>	<i>Qty.</i>	<i>Description</i>
1	139-4535	1	Filter ASM	13	127-2981	1	Band
2	127-3076	1	Fuel/Oil Filter Bracket ASM	14	135-4023	1	Fuel/Oil Return Pipe ASM
3	139-6017	1	Filter-Fuel	16	127-3172	1	Clamp-Hose
4	125-7216	2	Bolt	17	127-3078	1	Fuel Pipe ASM
5	125-7111	1	Lifter	20	125-7191	2	Clamp-Hose
6	127-3815	1	Filter Bracket ASM	21	127-3817	1	Fuel Pipe ASM
7	125-7215	2	Bolt	22	127-2950	2	Clip-Hose
8	125-7215	1	Bolt	25	127-3087	1	Band-Clip
9	127-3077	1	Fuel Pipe ASM	26	127-3079	1	Fuel Pipe ASM
12	125-7191	2	Clamp-Hose	27	127-2950	2	Clip-Hose

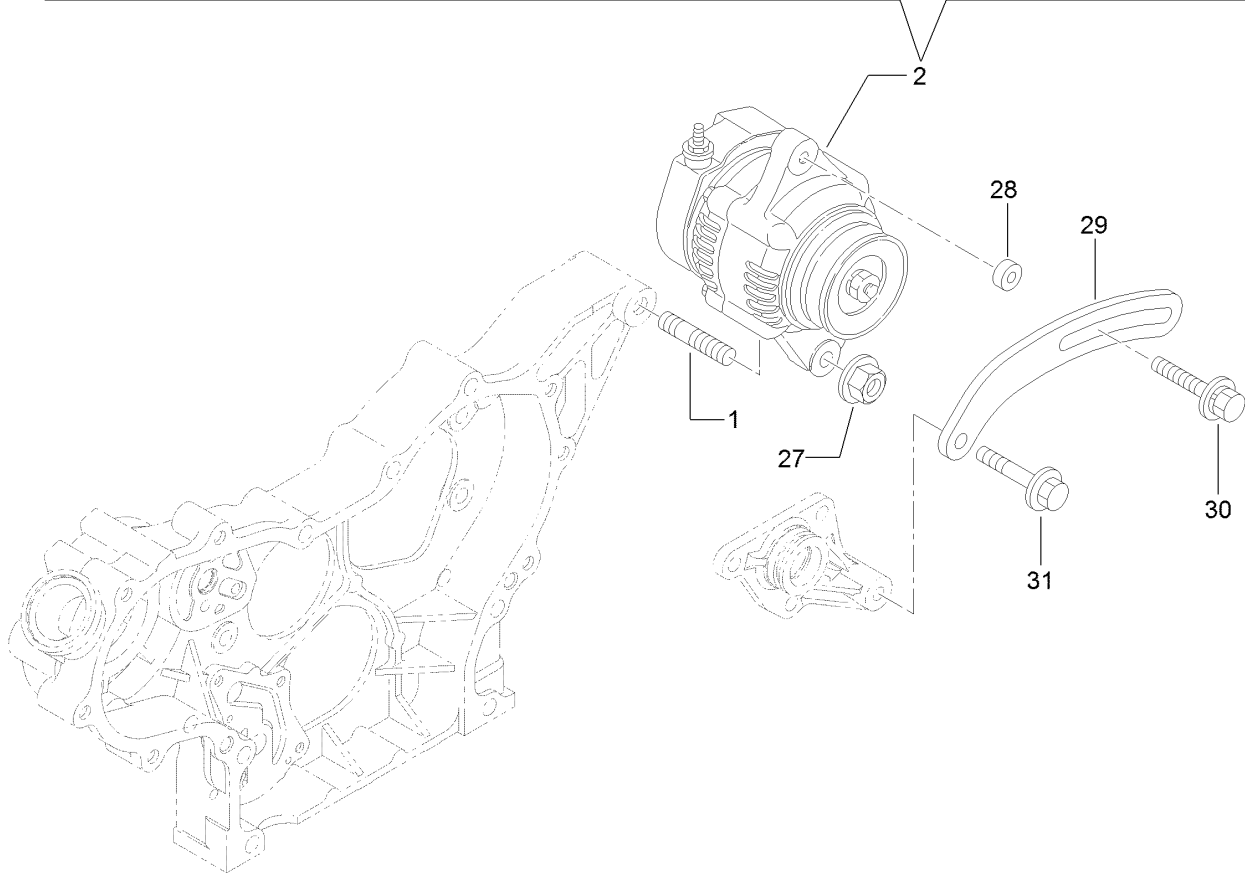
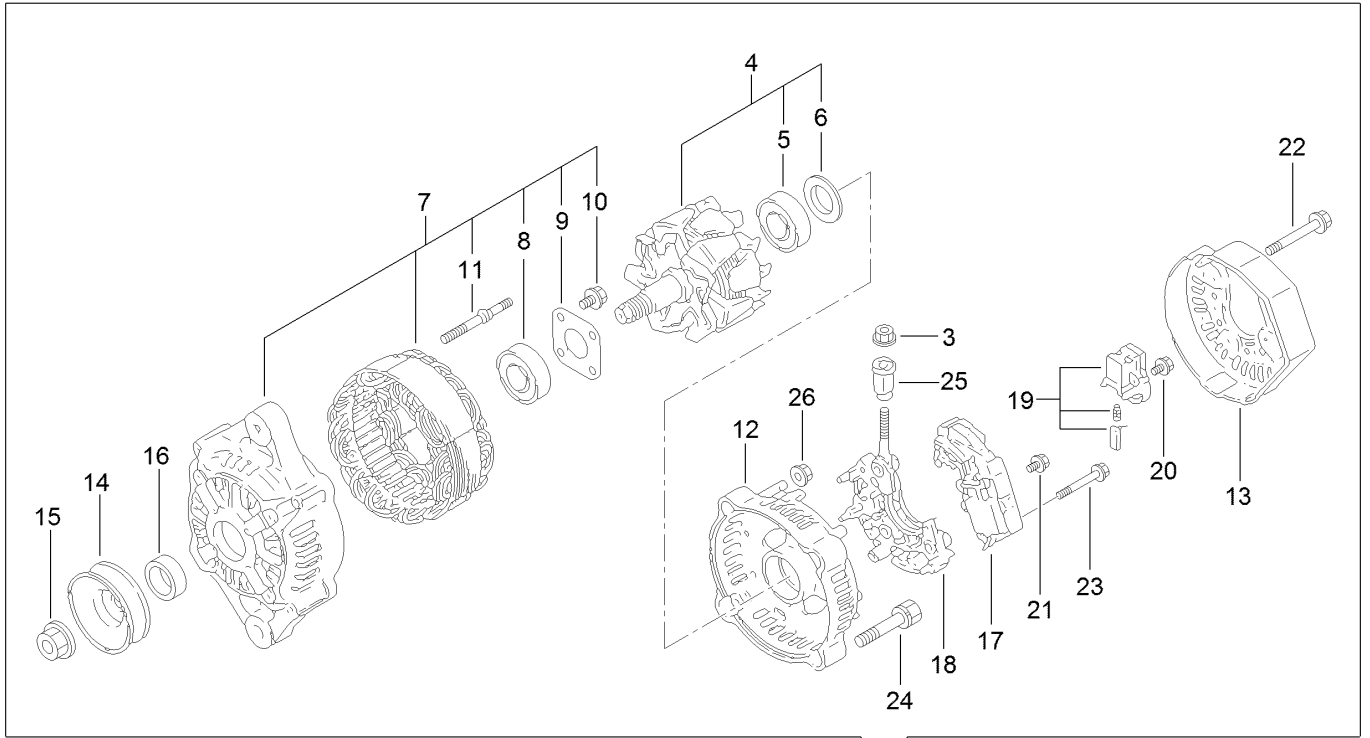
Starting Motor Assembly



Starting Motor Assembly (continued)

<i>Ref.</i>	<i>Part Number</i>	<i>Qty.</i>	<i>Description</i>	<i>Ref.</i>	<i>Part Number</i>	<i>Qty.</i>	<i>Description</i>
1	127-3818	1	Starter ASM	13	127-3830	1	Bracket
2	127-3819	1	Switch ASM	14	127-3831	1	Gear
3	127-3820	1	Armature ASM	15	127-3832	1	Bracket
4	127-3821	1	Yoke ASM	16	127-3833	1	Pinion ASM
5	127-3822	1	Brush Holder ASM	17	127-3834	1	Shaft
6	127-3823	2	Brush	18	127-3835	1	Washer Set
7	127-3824	1	Brush Set	19	127-3836	1	Case ASM
8	127-3825	4	Spring	20	127-3837	1	Metal-Starter
9	127-3826	1	Cover ASM	21	127-3838	1	Lever Set
10	127-3827	1	Metal	22	127-3839	1	Dust Cover ASM
11	127-3828	3	Gear	23	135-4024	2	Bolt-Through
12	127-3829	1	Bracket	24	125-7225	2	Bolt

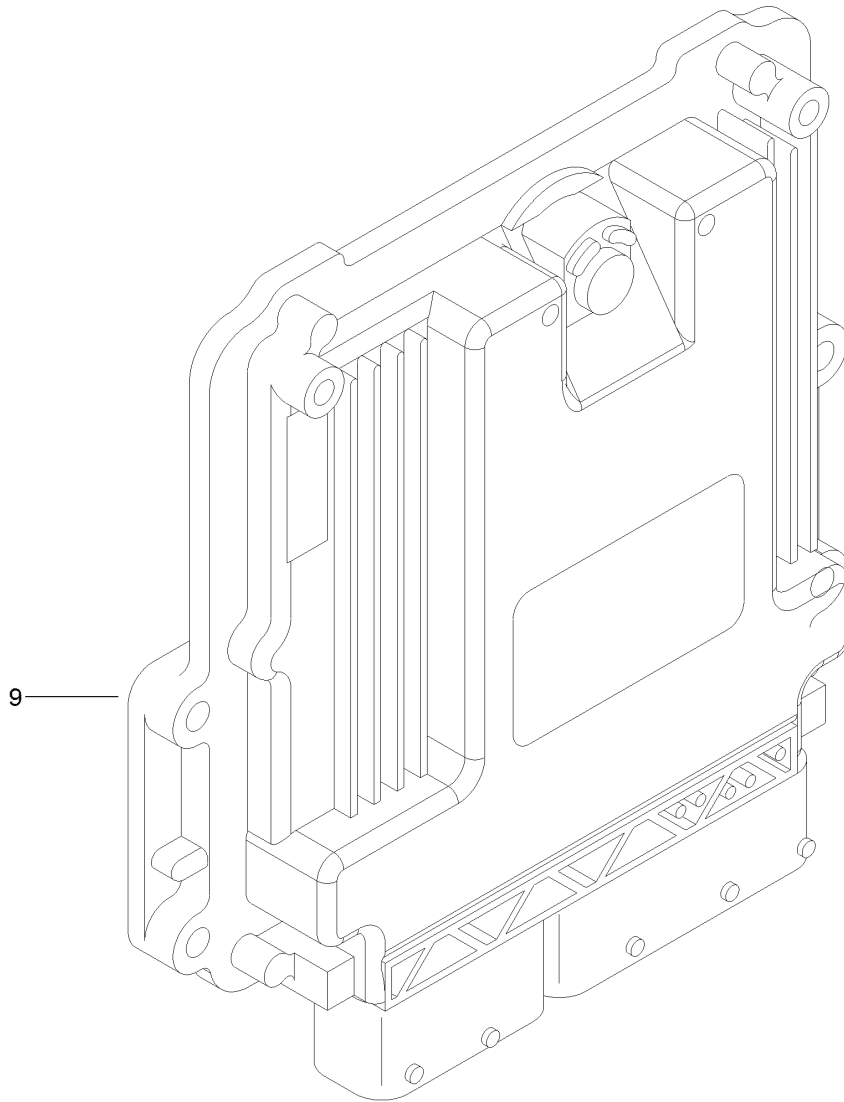
Generator Assembly



Generator Assembly (continued)

<i>Ref.</i>	<i>Part Number</i>	<i>Qty.</i>	<i>Description</i>	<i>Ref.</i>	<i>Part Number</i>	<i>Qty.</i>	<i>Description</i>
1	127-3011	1	Stud	17	135-4026	1	Regulator ASM
2	139-6018	1	Generator	18	127-3848	1	Holder
3	127-3190	1	Nut	19	127-2993	1	Holder
4	127-3843	1	Rotor ASM	20	127-2965	6	Screw
5	127-2983	1	Bearing-Ball	21	127-2966	1	Screw
6	127-2962	1	Cover	22	127-2967	3	Bolt
7	135-4025	1	Frame ASM	23	127-2968	2	Screw
8	127-2958	1	Bearing-Ball	24	127-2969	2	Bolt
9	127-2959	1	Plate-Retainer	25	127-2970	1	Bushing-Insulation
10	127-2960	4	Screw	26	127-2971	2	Nut
11	127-2961	2	Stud	27	125-7230	1	Nut
12	127-3845	1	Frame	28	125-6947	1	Spacer
13	127-3846	1	Cover	29	127-2977	1	Adjuster
14	127-2954	1	Pulley	30	135-4027	1	Bolt-Adjust
15	127-2955	1	Nut	31	125-7219	1	Bolt
16	127-2957	1	Collar				

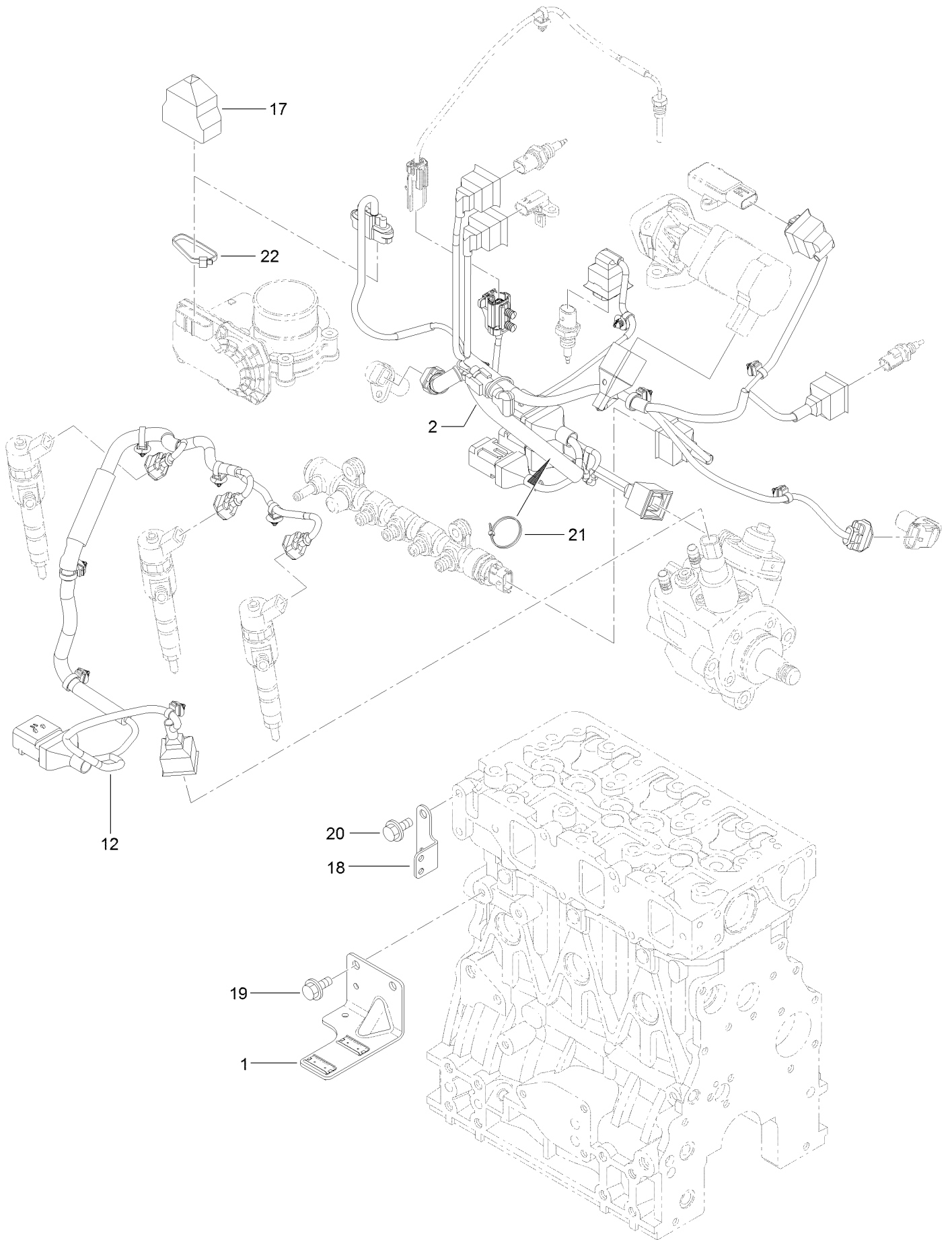
Electronic Control Unit Assembly



Electronic Control Unit Assembly (continued)

<i>Ref.</i>	<i>Part Number</i>	<i>Qty.</i>	<i>Description</i>
9	121-5592	1	Electronic Control Unit

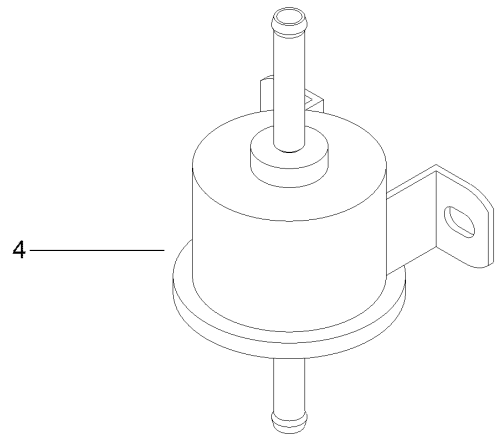
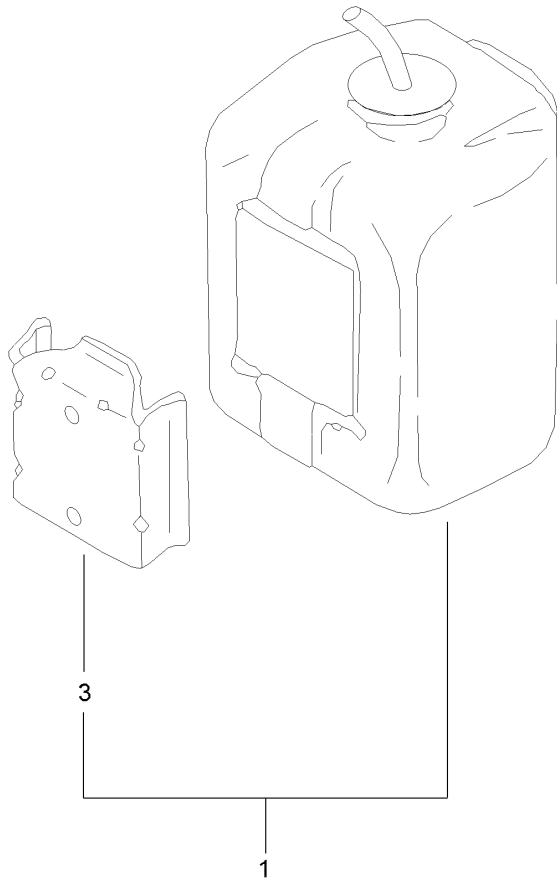
Electric Parts Assembly



Electric Parts Assembly (continued)

<i>Ref.</i>	<i>Part Number</i>	<i>Qty.</i>	<i>Description</i>	<i>Ref.</i>	<i>Part Number</i>	<i>Qty.</i>	<i>Description</i>
1	130-7436	1	Bracket-Connector	19	125-7213	2	Bolt
2	135-4029	1	Harness	20	125-7212	2	Bolt
12	130-7438	1	Harness	21	127-3187	1	Band
17	131-2713	1	Boot-Cap	22	127-3188	1	Band
18	127-3090	1	Bracket-Harness				

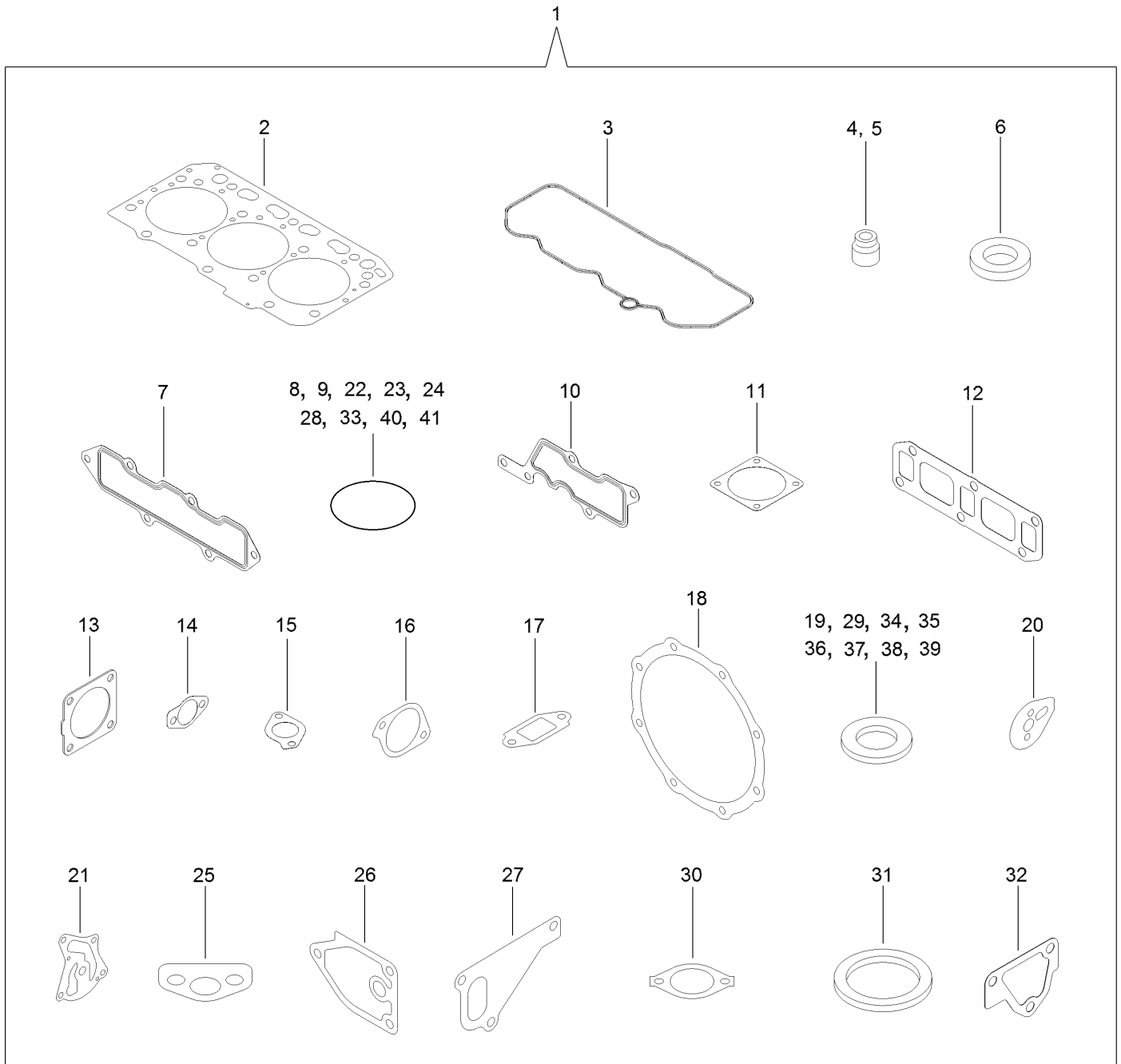
Accessory Assembly



Accessory Assembly (continued)

<i>Ref.</i>	<i>Part Number</i>	<i>Qty.</i>	<i>Description</i>
1	140-7185	1	Tank ASM
3	140-7165	1	Bracket-Tank
4	121-5613	1	Pump-Fuel, Electric

Gasket Set



Gasket Set (continued)

<i>Ref.</i>	<i>Part Number</i>	<i>Qty.</i>	<i>Description</i>	<i>Ref.</i>	<i>Part Number</i>	<i>Qty.</i>	<i>Description</i>
1	130-7440	1	Packing (Gasket Set)	21	127-3004	1	Gasket
2	127-4716	1	Head Gasket ASM	22	125-6909	2	O-Ring
3	127-3762	1	Gasket-Cover, Cylinder Head	23	127-2973	1	O-Ring
4	127-2986	3	Seal-Stem, Valve	24	125-7075	1	O-Ring
5	127-3027	3	Seal-Stem, Valve	25	125-7022	1	Gasket
6	127-3021	3	Gasket-Injector	26	125-7024	1	Gasket
7	127-3769	1	Gasket-Manifold, Intake	27	125-7047	1	Gasket
8	127-3032	2	O Ring-Sensor, Pressure	28	125-7048	1	O-Ring
9	127-3033	1	O-Ring	29	125-6979	1	Gasket
10	127-3034	1	Gasket-Collector	30	125-7110	1	Gasket
11	127-3037	2	Gasket-Throttle	31	125-7026	1	Gasket
12	127-3775	1	Gasket-Manifold, Exhaust	32	125-6978	1	Gasket
13	127-2987	1	Gasket-Silencer	33	127-3074	1	O-Ring
14	127-3043	2	Gasket-Cooler, E G R	34	125-7174	1	Washer-Seal
15	127-3016	1	Gasket	35	125-7176	1	Washer-Seal
16	127-3050	1	Gasket-Intake Valve, E G R	36	127-3166	2	Washer-Seal
17	127-3051	1	Gasket-Out Valve, E G R	37	125-7177	1	Washer-Seal
18	127-3787	2	Gasket-D P F	38	125-7192	1	Gasket
19	127-3056	4	Gasket-Sensor	39	127-3174	2	Gasket
20	127-3069	1	Gasket-Idle, Shaft B	40	138-7829	3	O-Ring
				41	125-7197	2	O-Ring

Attachments and Accessories

For 31903 Groundsmaster 3310 All-Wheel Drive Traction Unit

Product Name	Model/Part
Filter-Air	108-3810
Paint-Black Bottle	112-0176
Paint-Red Pen	112-0177
Paint-Red Bottle	112-0178
15-Pound Cast Weight.....	112-7059-01
42-Pound Weight.....	114-4096
Seat Cover (W/arm rest).....	117-0095
Premium Synthetic Bio-Degradable Hydraulic Fluid (5 Gallon Pail)	119-2157
Premium Synthetic Bio-Degradable Hydraulic Fluid (55 Gallon Drum).....	119-2158
Fuel/Water Separator Filter.....	125-2915
Engine Oil Filter	125-7025
Exterior Mirror Kit.....	130-5448
Interior Mirror Kit.....	130-5449
PX Hydraulic Fluid (5 Gal)	133-8086
PX Hydraulic Fluid (55 Gal).....	133-8087
Wrench-Caster Cap/Latch	138-6367
Storage Bag Kit.....	139-2020
SMV Kit.....	139-2339
Filter-Fuel	139-6017
Power Harness Kit.....	140-1559
Kit-Weight	144-0480
Plate-Weight, 25 LBS	144-0484
Universal Wireless Hourmeter Kit.....	144-2436
Kit-Blade, Std (24.5) 3pk.....	144-3911
Kit-Blade, Med Flow (20.5) 3pk.....	144-3912
Kit-Blade, High Flow (20.5) 3pk	144-3913
Kit-Blade, Atomic (20.5) 3pk	144-3914
Kit-Blade, Low Flow (24.5) 3pk	144-3915
Kit-Blade, Recycling (24.5) 3pk.....	144-3916
Kit-Blade, Low Flow (20.5) 3pk	144-3917
Kit-Blade, Recycling (20.5) 3pk.....	144-3918
Hose Replacement Kit, Groundsmaster 3200 or 3300 Series Traction Unit.....	144-3960
Kit-Blade-24.50 Low Flow 3pk	144-3962
Kit-Blade-24.50 Recycler 3pk	144-3963
Kit-Blade-20.50 Low Flow 3pk	144-3964
Kit-Blade-20.50 Recycler 3pk	144-3965
Kit-Blade-24.50 Atomic 3pk	144-3966
Kit-Blade-20.50 Atomic 3pk	144-3967
Shim Tensioner Kit, Groundsmaster 3200 or 3300 Series Traction Unit	144-4045
Tube Replacement Kit, Groundsmaster 3200 or 3300 Series Traction Unit.....	144-4047
Vibration Reduction Kit, Groundsmaster 3300 Series Traction Unit	144-4050
Turn Signal Kit, Cab.....	31671
Slope Sensor Kit.....	31952
CE Kit, Groundsmaster 3200 or 3300 Series Traction Unit.....	31953
CE Kit, Groundsmaster 3200 or 3300 Series 60in Side Discharge Rotary Mower.....	31957
CE Kit, Groundsmaster 3200 or 3300 Series 72in Side Discharge Rotary Mower.....	31958

Attachments and Accessories (continued)

CE Kit, Groundsmaster 3200 or 3300 Series 60in Rear Discharge Rotary Mower	31959
CE Kit, Groundsmaster 3200 or 3300 Series 72in Rear Discharge Rotary Mower	31960
Auxiliary HYD Kit	31966
60in SD Deck.....	31970
60in RD Deck.....	31971
72in SD Deck.....	31972
72in RD Deck.....	31973
60in RD Deck, T2	31974
72in RD Deck, T2	31975
Recycler Kit 60in/152cm SD	31976
Recycler Kit, 60In/152cm RD.....	31977
Recycler Kit, 72In/183cm SD	31978
Recycler Kit, 72In/183cm RD.....	31979
Seat Assembly - Standard	31980
Seat Assembly - Mechanical Suspension	31981
Seat Assembly - Air Ride Suspension.....	31982
Storage Box Kit.....	31983
USB Charging Kit.....	31984
Recycler Kit 60in/152cm Rd T2.....	31985
Recycler Kit 72in/183cm Rd T2.....	31986
Road Light Kit (North America)	31991
Road Light Kit (EU).....	31992
LED Work Light Kit.....	31993
Accessory Control Kit	31994
LED Beacon Kit	31996
Hydraulic Hose Kit	31999
Toro Red 12oz Aerosol Can	361-10
Semi-Gloss Black Spray Paint.....	361-9
Filter-Oil, Transmission.....	86-3010
Boss Plow, 5ft Straight Blade	MSC23345
Blade Crate (Snowplow), ATV Poly S	STB13567B



Count on it.