



Count on it.

Parts Catalog

**Groundsmaster® 3310 All-Wheel
Drive**

Traction Unit

Model No. 31903—Serial No. 40000000 and Up



Ordering Replacement Parts

To order replacement parts, please supply the part number, the quantity, and the description of each part desired.

Understanding Reference Numbers

Each identified part in an illustration has a reference number. The reference number for a part also appears in the parts list, along with other information about the part.

This catalog uses two special reference number formats, one to indicate parts in a service assembly and another to indicate the quantity of a given part in an illustration.

Service Assembly Reference Numbers

Parts in service assemblies have reference numbers in the form a:b. The a represents the reference number of the entire service assembly and the b represents a sequential number unique to each part within the service assembly.

For example, a wheel assembly might be identified by reference number 6, the tire by 6:1, the valve by 6:2, and the wheel by 6:3. When you order the assembly identified by reference number 6, you receive all parts identified by reference numbers 6:1, 6:2, and 6:3. However, you may also order any part individually. Reference numbers of this type appear in illustration and in parts lists.

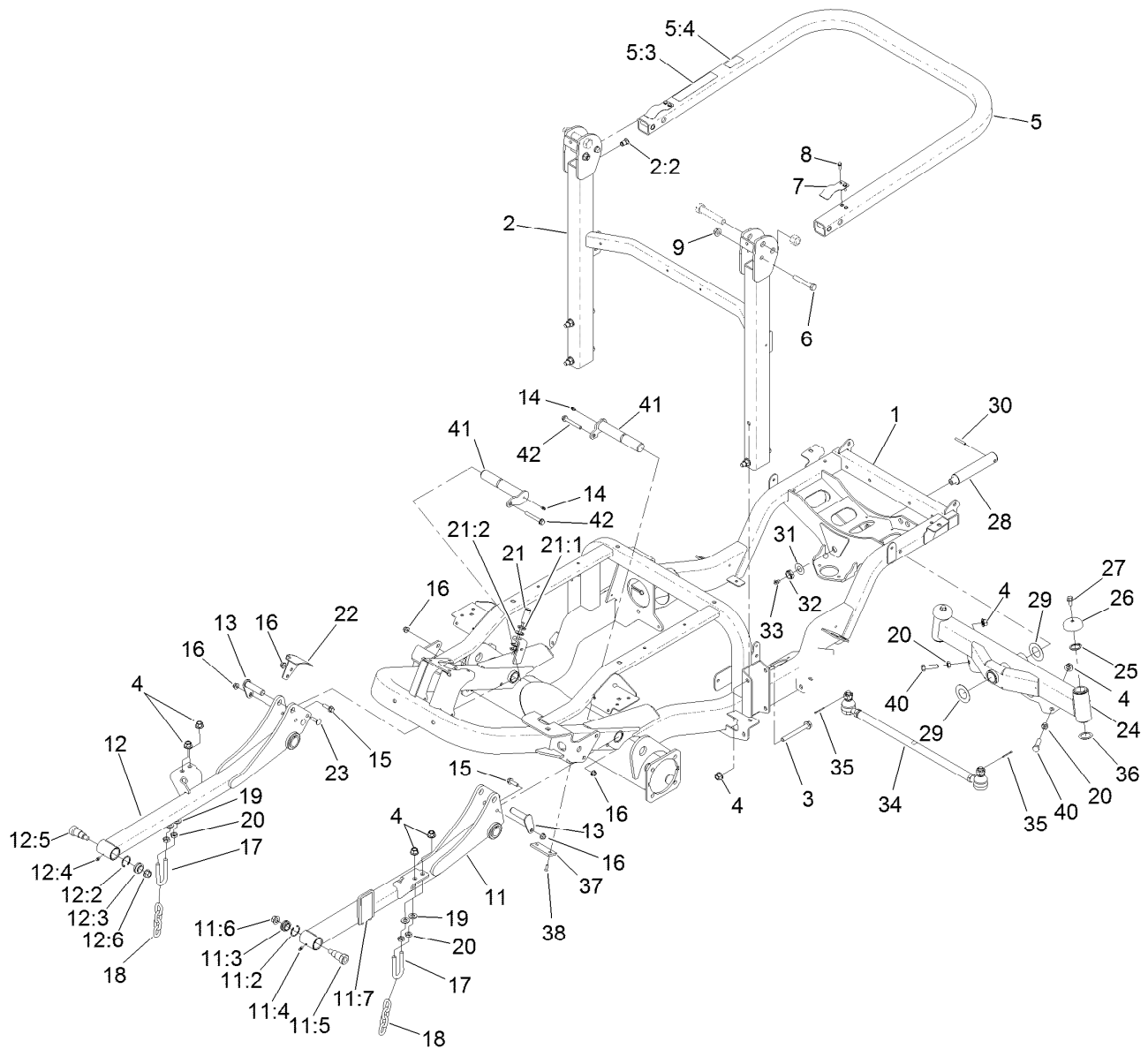
Reference Numbers Indicating Quantity

In an illustration, if a reference number indicates more than one part, the reference number has the form nX y. The n represents the quantity of the part, the X is the multiplication symbol, and the y represents the reference number.

For example, in an illustration, the reference number 2X 37 means that two of the parts identified by reference number 37 are indicated.

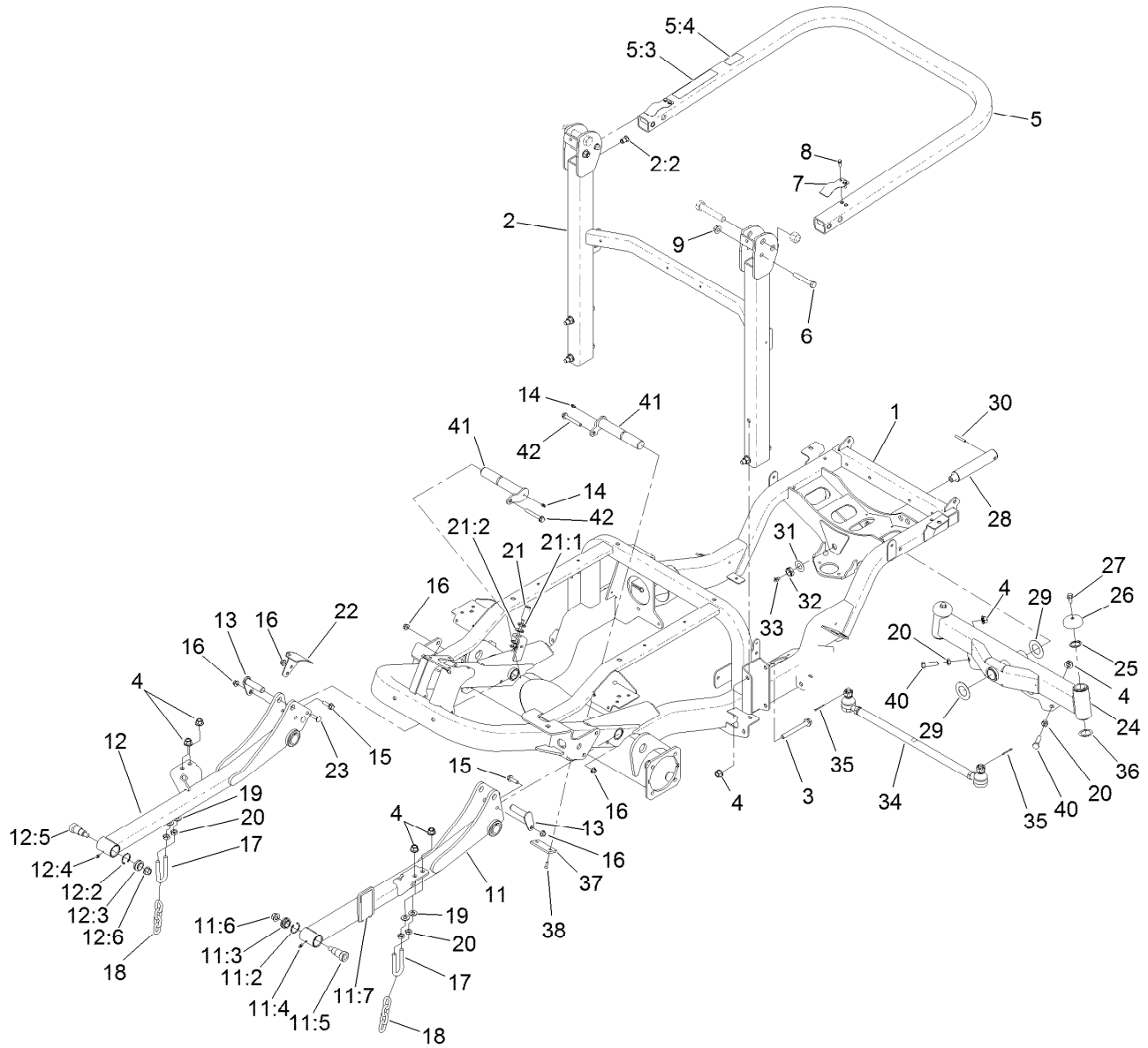
Contents

Frame and Roll-Over Protection System Assembly	4
Tie Rod Assembly No. 133-6462	6
Front Axle and Parking Brake Assembly	7
Left Hand Brake Assembly No. 120-0235	8
Right Hand Brake Assembly No. 120-0233	9
Hydraulic Drive Assembly	10
Hydraulic Motor Assembly No. 138-0304	11
Hydraulic Motor Assembly No. 138-0303	12
Hydraulic Motor Assembly No. 137-2458	13
Hydraulic Motor Assembly No. 137-2478	14
Steer/Lift Manifold Assembly No. 138-4489	15
Engine and Radiator Assembly	17
Air Cleaner and Exhaust Assembly	18
Air Cleaner Assembly No. 136-4481	19
Radiator and Cooler Assembly	20
Fuel and Hydraulic Tank Assembly	22
Fuel Tank Assembly No. 138-0291	23
Hydraulic Tank Assembly No. 138-4418	24
Platform, Steering and Console Assembly	25
Steering Column Assembly No. 139-0857	27
Traction Pedal Assembly	28
Control Console Assembly	29
Hood Assembly	30
Hydraulic PTO Assembly	31
Variable Piston Pump Assembly No. 138-0305	32
Hydraulic Assembly	34
Gear Pump Assembly No. 138-0321	37
Steering Valve Assembly No. 114-8119	38
Traction Hydraulic Assembly	39
Electrical Assembly	40
Seat, Firewall and Step Mount Assembly	42
Air Ride Suspension Seat Assembly	43
Compressor and Belt Assembly	44
Bumper and Weight Assembly	46
Loose Parts (Field Installation) Assembly	48
Step Mount Assembly	50
Rear Weights Assembly	52
Fuse Assembly	54
Frame, Mount and Seals Assembly	56
Interior Foam and Carpet Assembly	58
Cab Mirrors Assembly	60
Decal Assembly	62
Door Assembly	64
LH Door Assembly	66
RH Door Assembly	68
Front and Rear Glass Assembly	70
Window Wiper System Assembly	72
Window Wiper Assembly	74
Window Wiper Hose Assembly	76
Heater Assembly	78
Heater Control Panel Assembly	80
Roof, Air Filter and Condenser Assembly	82
Heat Hose Assembly	84
Electrical Component Assembly	86
Attachments and Accessories	88



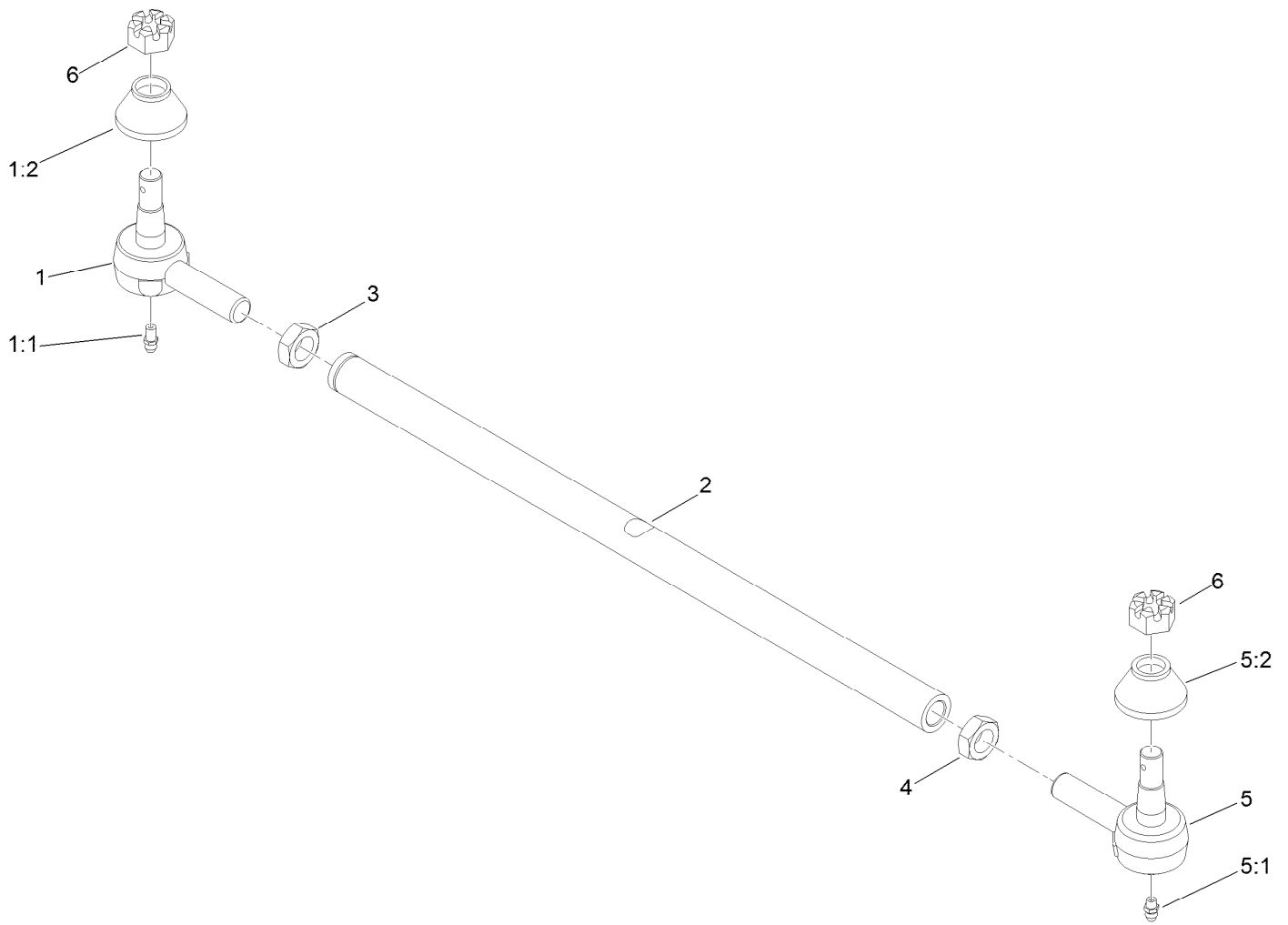
Frame and Roll-Over Protection System Assembly

Ref.	Part Number	Qty.	Description	Ref.	Part Number	Qty.	Description
1	133-6450-03	1	Frame	12:3	105-7441	1	Bearing-Spherical
2	139-6254	1	ROPS ASM, Lower	12:4	302-5	1	Fitting-Grease
2:2	138-2760	4	Nut-Clinch, Hex	12:5	139-0910	1	Bolt-Shoulder
3	117-3176	4	Screw-HHF	12:6	99-5107	1	Nut-Lock
4	99-5107	10	Nut-Lock	13	138-7489	2	Pin (Machined)
5	138-7470	1	ROPS ASM, Upper	14	302-5	2	Fitting-Grease
5:3	108-2073	1	Decal-Warning	15	119-4061	2	Screw-HHF
5:4	139-6244	1	Decal-ROPS Compliance	16	104-8301	6	Nut-HF, NI
6	325-13	2	Screw-HH	17	104-0108	2	U-Bolt
7	110-5696	2	Spring-Leaf	18	95-6231	2	Chain-HOC
8	32105-15	4	Screw-HWH	19	3256-26	4	Washer-Flat
9	32128-23	2	Nut-HF	20	3218-5	6	Nut-Jam
11	138-7419	1	LH Lift Arm ASM	21	115-5300	1	Proximity Switch ASM
11:2	32151-34	1	Ring-Retaining	21:1	117-3207	2	Nut-Hex
11:3	105-7441	1	Bearing-Spherical	21:2	117-3208	2	Washer-Lock, Internal Tooth
11:4	302-5	1	Fitting-Grease	22	139-6170-03	1	Bracket-Mount, Sensor
11:5	139-0910	1	Bolt-Shoulder	23	3231-2	2	Bolt-CARR
11:6	99-5107	1	Nut-Lock	24	138-4588	1	Axle ASM
11:7	139-0948	1	Pad-Ride, Pin	25	32151-77	2	Ring-Retaining, External
12	138-7429	1	RH Lift Arm ASM	26	69-8890	2	Cap-Spindle
12:2	32151-34	1	Ring-Retaining	27	3234-1	2	Screw-HHF



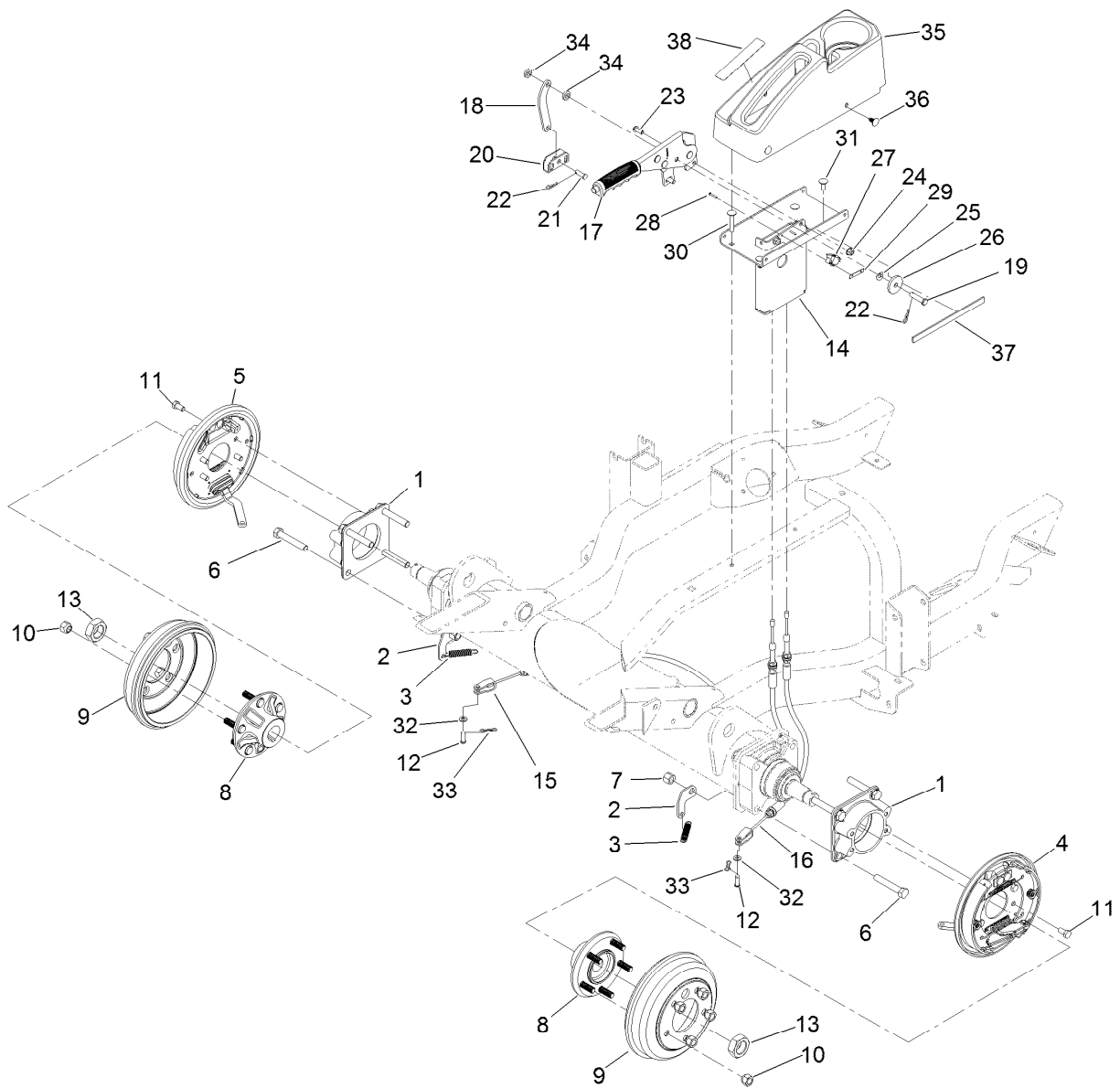
Frame and Roll-Over Protection System Assembly (continued)

<i>Ref.</i>	<i>Part Number</i>	<i>Qty.</i>	<i>Description</i>	<i>Ref.</i>	<i>Part Number</i>	<i>Qty.</i>	<i>Description</i>
28	98-8173	1	Pin-Pivot, Axle	35	3272-12	2	Pin-Cotter
29	99-8432	2	Washer-Thrust	36	76-2980	2	Washer-Thrust
30	32121-32	1	Pin-Roll	37	138-4452	2	Pad-Stop, Deck
31	71-4540	1	Washer-Thrust	38	3289-4	4	Screw-FH
32	3296-15	1	Nut-Lock, NI	40	325-7	2	Screw-HH
33	302-33	1	Fitting-Grease	41	138-4593	2	Pin
34	133-6462	1	Tie Rod ASM	42	133-9682	2	Screw-Hfh



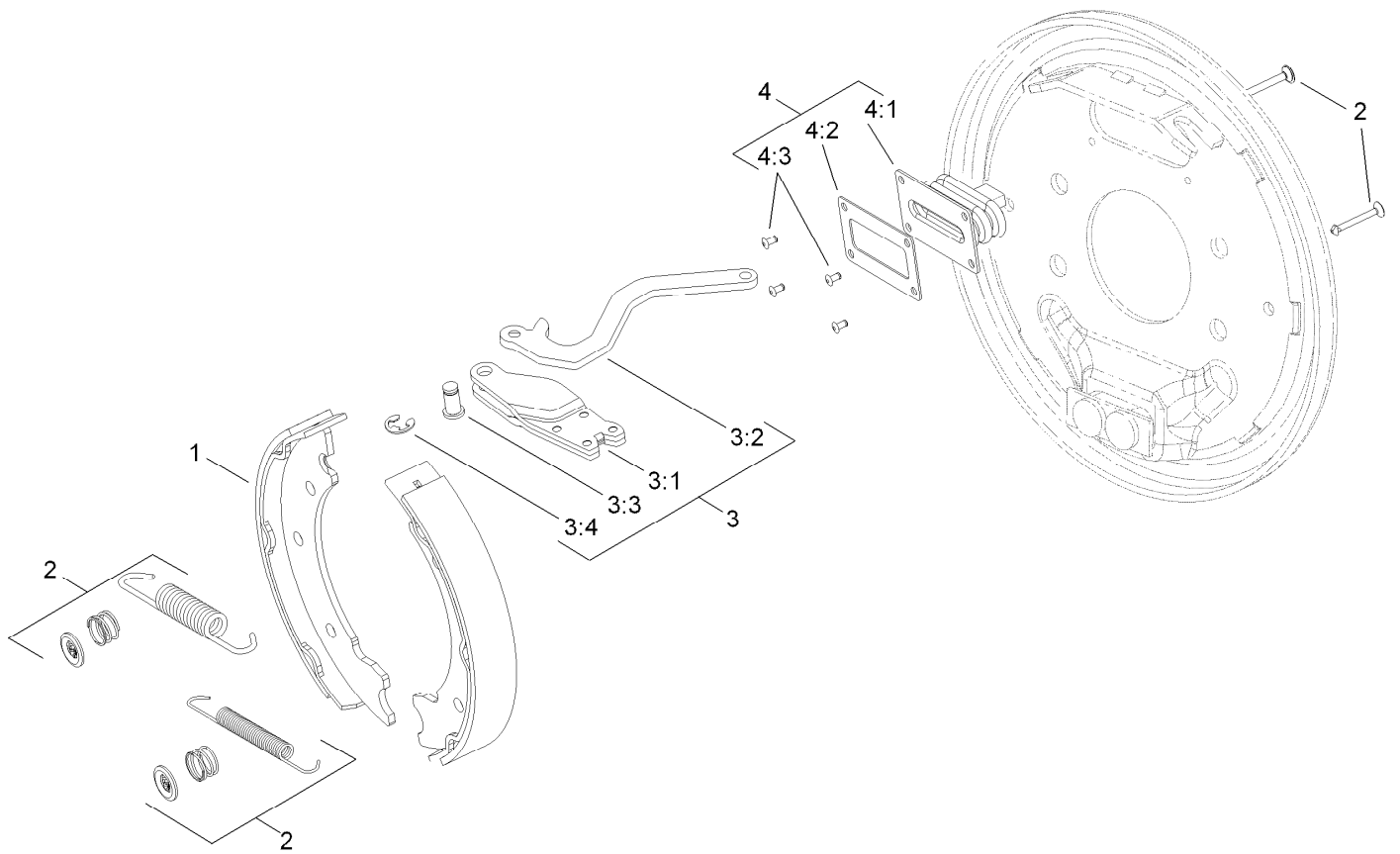
Tie Rod Assembly No. 133-6462

<i>Ref.</i>	<i>Part Number</i>	<i>Qty.</i>	<i>Description</i>
1	139-6199	1	Tie Rod End
1:1	302-5	1	Fitting-Grease
1:2	105-7835	1	Seal
2	133-6463	1	Tie-Rod
3	84-5300	1	Nut-Jam
4	110-5337	1	Nut-Jam
5	139-6200	1	Tie Rod End
5:1	302-5	1	Fitting-Grease
5:2	105-7835	1	Seal
6	140-6135	2	Nut-Hex, Slotted



Front Axle and Parking Brake Assembly

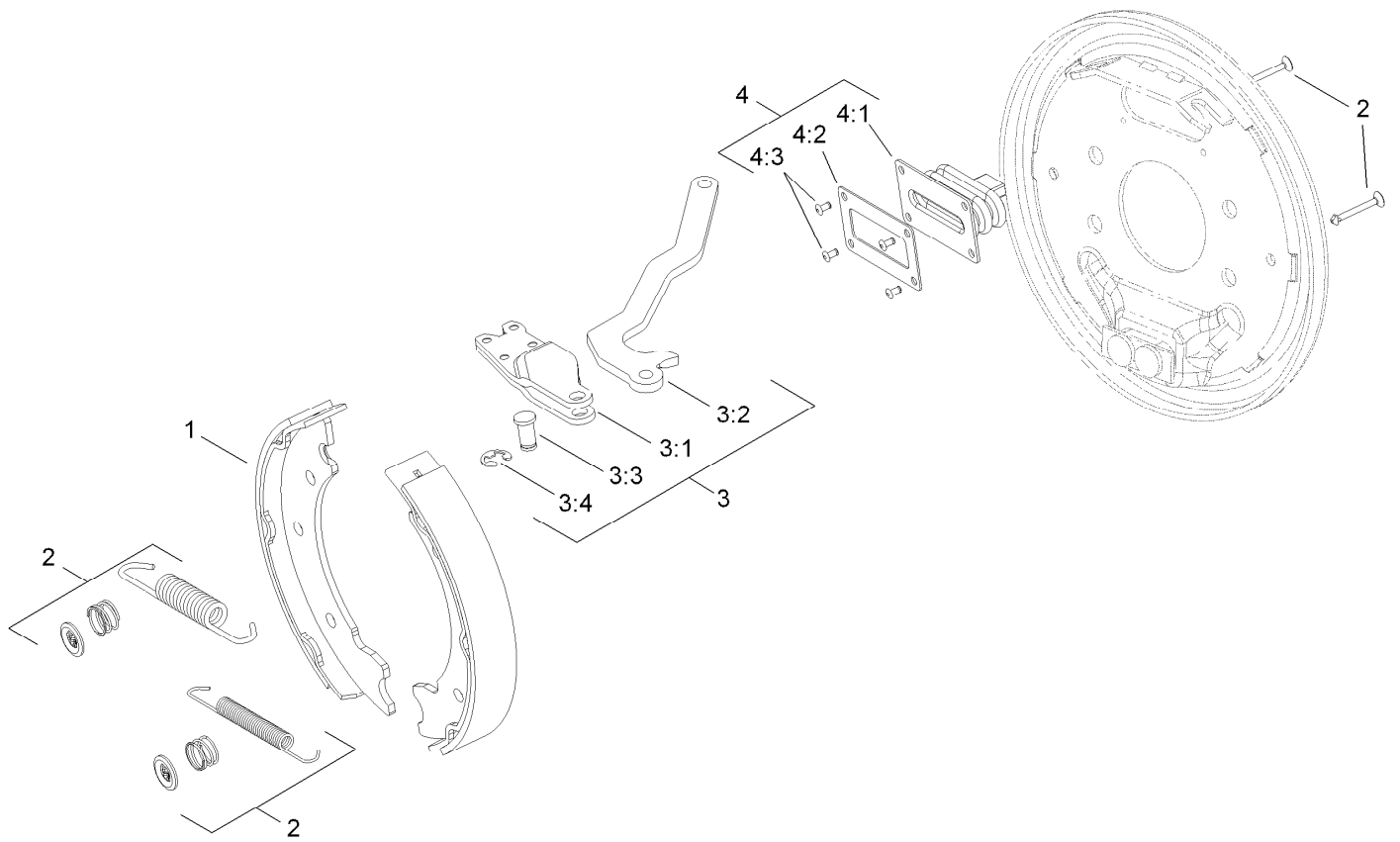
Ref.	Part Number	Qty.	Description	Ref.	Part Number	Qty.	Description
1	120-6253-03	2	Adapter-Brake	20	87-3480	1	Bracket-Equalizer, Cable
2	138-4499	2	Clip-Spring	21	1-808280	1	Pin-Clevis
3	137-2591	2	Spring-Extension	22	1-806003	2	Pin-Cotter
4	120-0235	1	LH Brake ASM	23	3274-55	2	Screw-HSBH
5	120-0233	1	RH Brake ASM	24	104-8300	6	Nut-HF, NI
6	325-12	8	Screw-HH	25	121-4605	1	Washer-Spring
7	3296-23	8	Nut-Lock, NI	26	131-8496	1	Washer-Plain
8	137-2470	2	Hub ASM	27	108-6496	1	Switch (W/Boot)
9	114-8864	2	Drum-Brake	28	3290-313	2	Screw-SPH
10	242-50	10	Nut-Lug	29	3290-354	1	Nut-Speed
11	323-4	8	Screw-HH	30	116-0629	2	Screw-CARR
12	283-58	2	Pin-Clevis	31	3230-23	2	Bolt-CARR
13	107-9319	2	Nut-Hex	32	3256-74	2	Washer-Flat
14	137-2644-03	1	Mount-Brake, Parking	33	119-1415	2	Pin-Cotter, Locking
15	137-2640	1	Cable-Brake, Adjustable RH	34	3-3287	2	Spacer
16	137-2641	1	Cable-Brake, Adjustable LH	35	138-7475	1	Cover-Brake, Parking
17	131-8320	1	Lever-Brake, Park	36	117-2382	4	Plug-Plastic
18	127-8836-03	1	Link-Brake, Park	37	132-7282	2	Strip-Foam
19	283-10	1	Pin-Clevis	38	139-6224	1	Decal-Brake, Parking



Left Hand Brake Assembly No. 120-0235

Ref.	Part Number	Qty.	Description
1	139-5950	1	Brake Shoe Kit
2	108-6983	1	Brake Hardware Kit
3	120-0236	1	LH Actuator Kit
3:1		1	Housing ●
3:2		1	Lever-LH ●
3:3		1	Pin-Pivot ●
3:4		1	E-Ring ●
4	110-8885	1	Dust Boot Kit
4:1		1	Boot ●
4:2		1	Plate-Back Up ●
4:3		2	Rivet ●

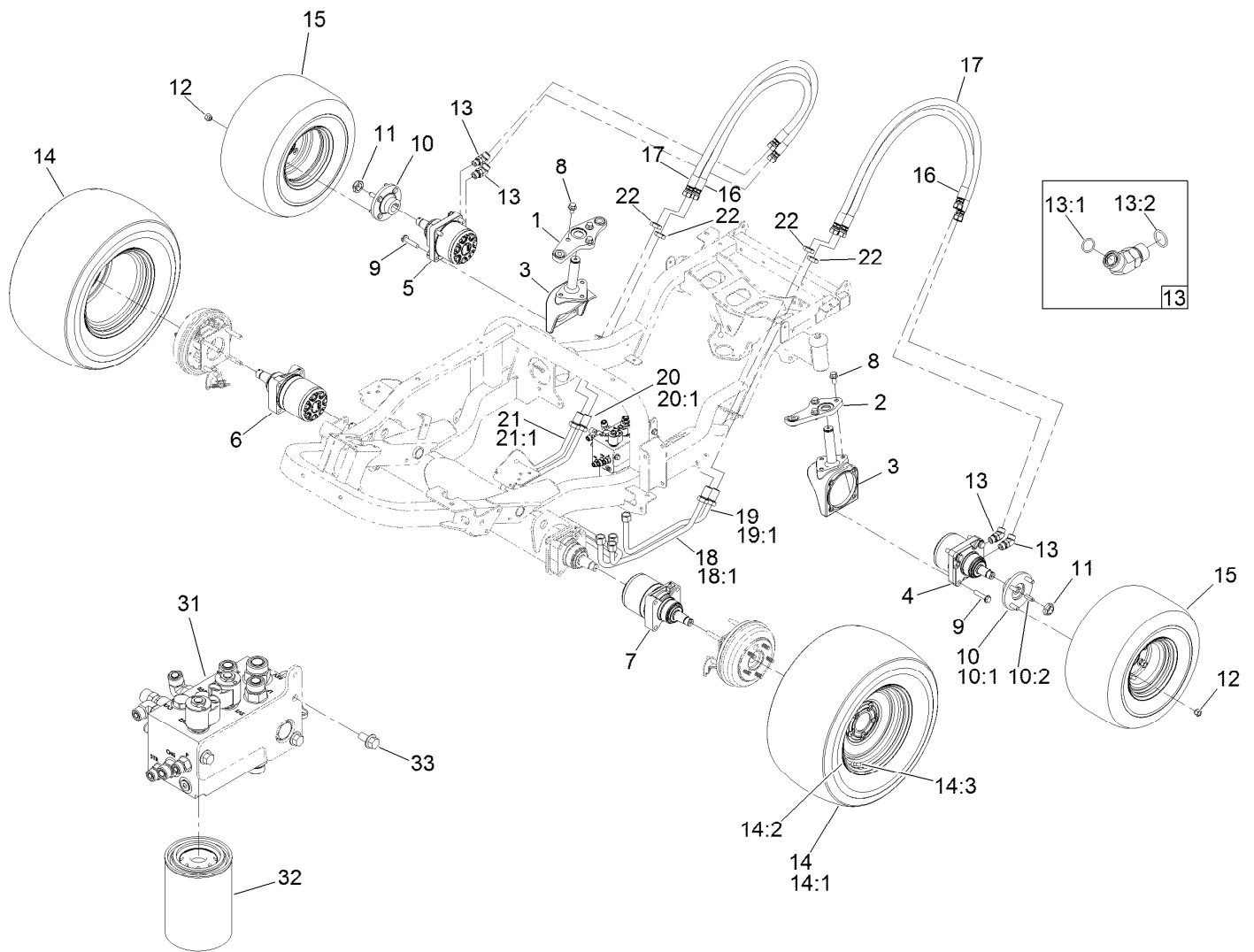
● Not serviced separately



Right Hand Brake Assembly No. 120-0233

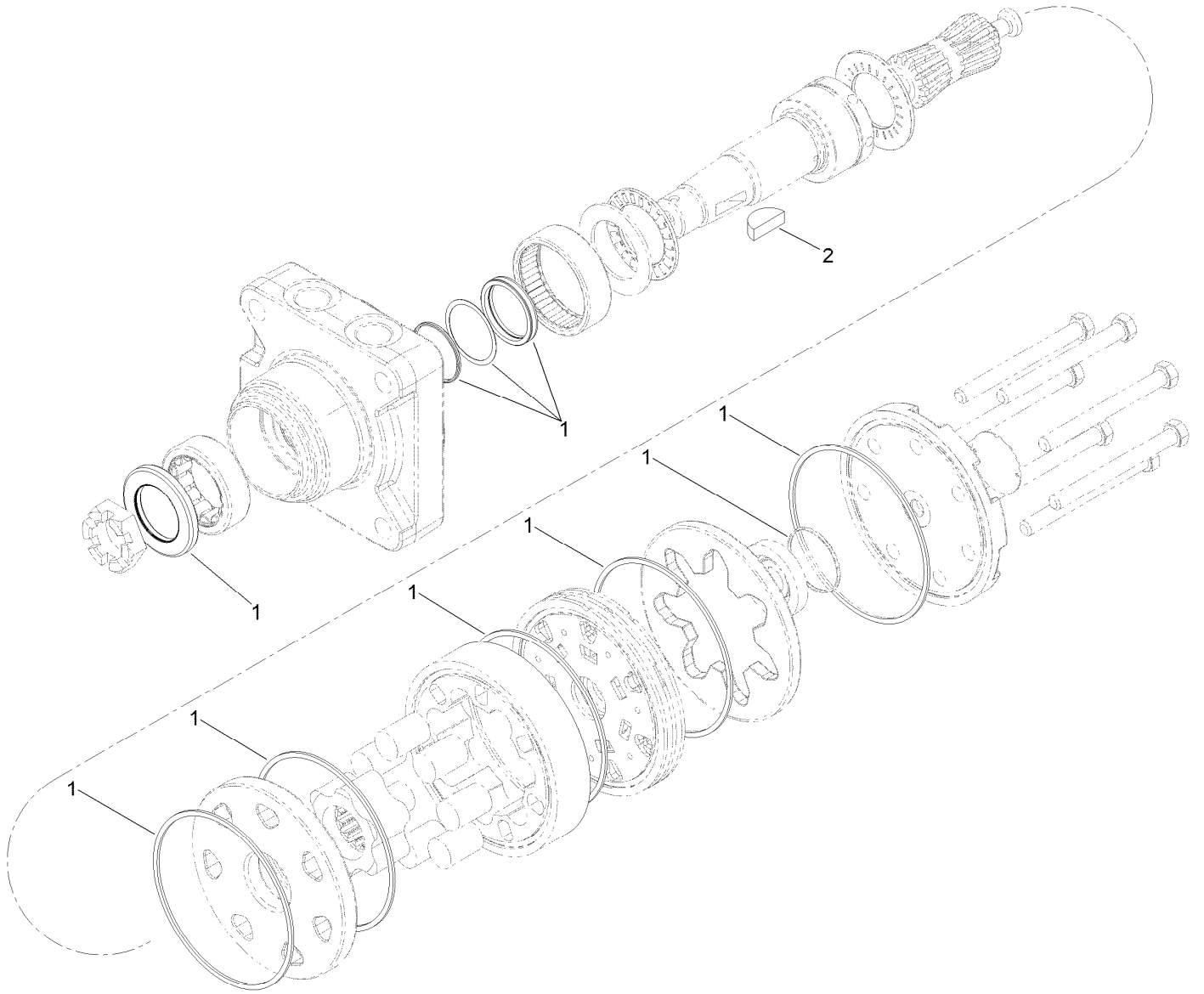
Ref.	Part Number	Qty.	Description
1	139-5950	1	Brake Shoe Kit
2	108-6983	1	Brake Hardware Kit
3	120-0234	1	RH Actuator Kit
3:1		1	Housing ●
3:2		1	Lever-RH ●
3:3		1	Pin-Pivot ●
3:4		1	E-Ring ●
4	110-8885	1	Dust Boot Kit
4:1		1	Boot ●
4:2		1	Plate-Back Up ●
4:3		2	Rivet ●

● Not serviced separately



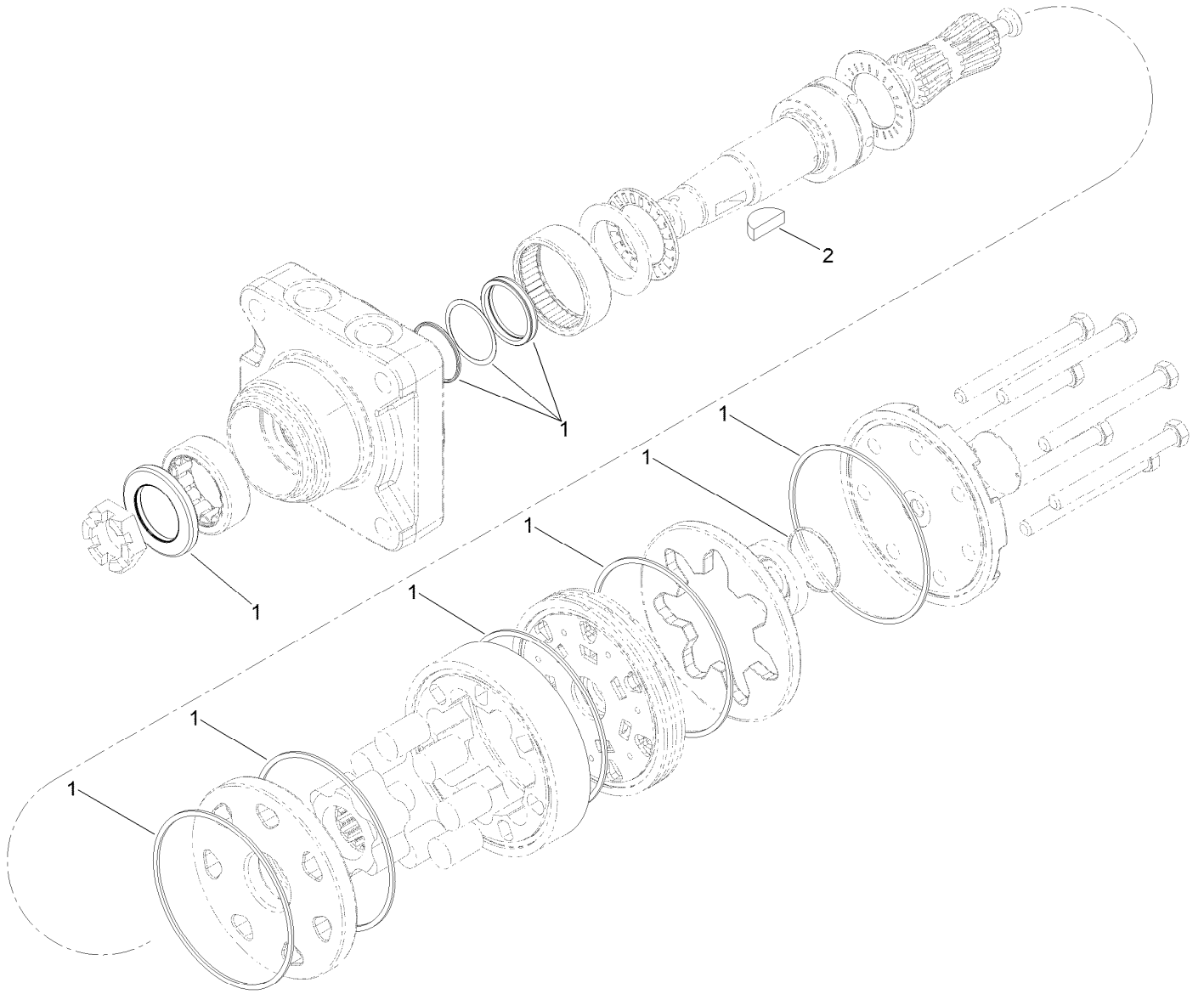
Hydraulic Drive Assembly

Ref.	Part Number	Qty.	Description	Ref.	Part Number	Qty.	Description
1	140-3133-03	1	RH Drag Link ASM	14:1	137-2594	1	Tire
2	140-3135-03	1	LH Drag Link ASM	14:2	137-2595	1	Rim
3	107-4517-03	2	Housing-Motor	14:3	232-27	1	Stem-Valve
4	138-0303	1	Motor-Hydraulic, CCW	15	137-2592	2	Wheel ASM
5	138-0304	1	Motor-Hydraulic, CW	16	137-5863	2	Hose ASM
6	137-2478	1	Motor-Hydraulic, CW	17	137-5864	2	Hose ASM
7	137-2458	1	Motor-Hydraulic, CCW	18	138-0334	1	Hydraulic Tube ASM
8	3234-6	6	Screw-HHF	18:1	237-65	1	O-Ring
9	3234-46	8	Screw-HHF	19	138-0335	1	Hydraulic Tube ASM
10	18-3209	2	Wheel Hub/Stud ASM	19:1	237-65	1	O-Ring
10:1	10-6870-03	1	Hub-Wheel	20	138-0337	1	Hydraulic Tube ASM
10:2	10-6830	4	Stud-Type, Drive	20:1	237-65	1	O-Ring
11	116-1399	2	Locknut	21	138-0338	1	Hydraulic Tube ASM
12	242-50	8	Nut-Lug	21:1	237-65	1	O-Ring
13	340-14	4	Fitting-HYD, 45 DEG	22	340-74	4	Nut-Lock, Bulkhead
13:1	237-65	1	O-Ring	31	138-4489	1	Manifold-Steering/Lift
13:2	237-80	1	O-Ring	32	86-3010	1	Filter-Oil
14	137-2590	2	Wheel ASM	33	3234-1	3	Screw-HHF



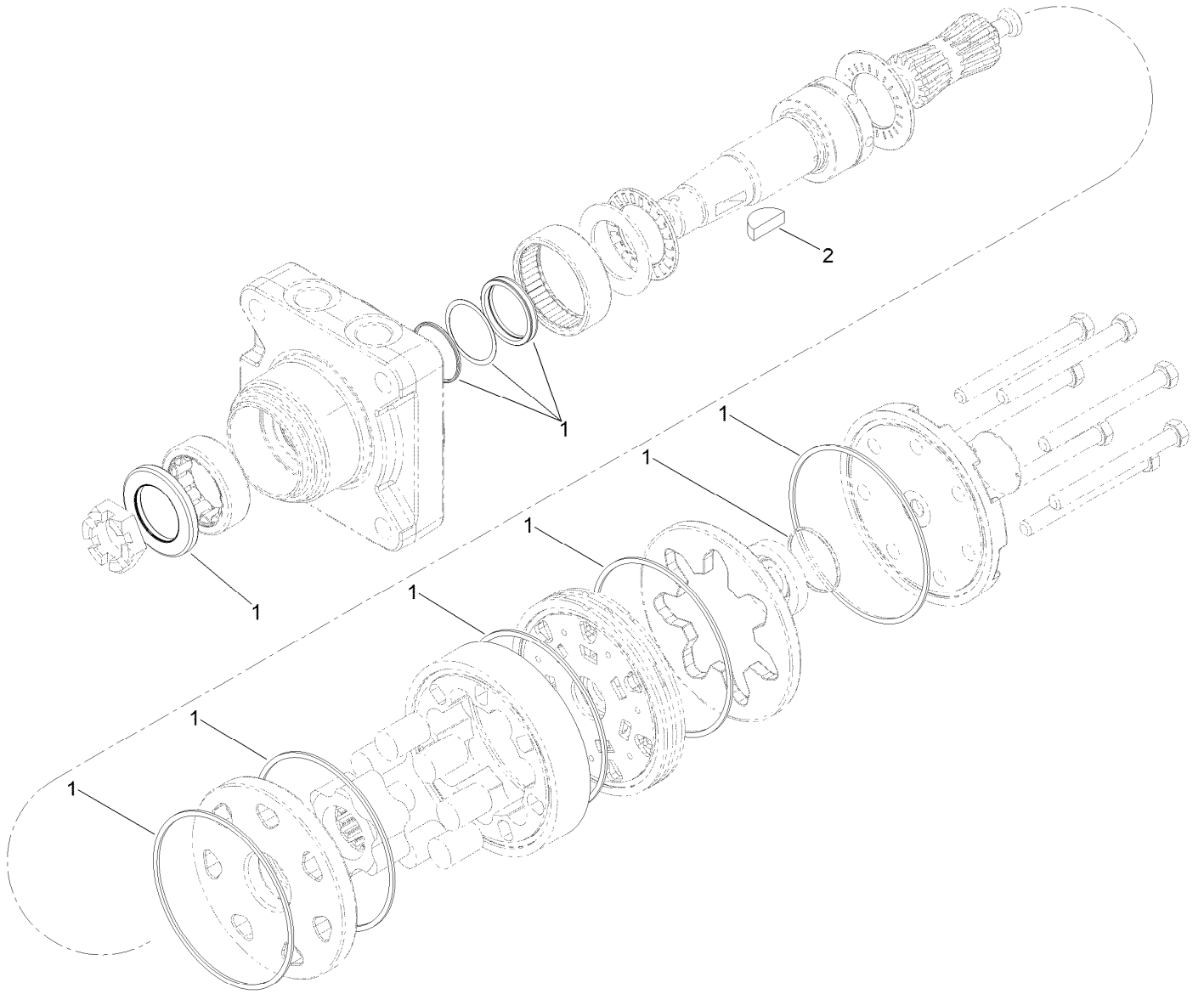
Hydraulic Motor Assembly No. 138-0304

<i>Ref.</i>	<i>Part Number</i>	<i>Qty.</i>	<i>Description</i>
1	110-8897	1	Seal Kit
2	3257-42	1	Key-Woodruff



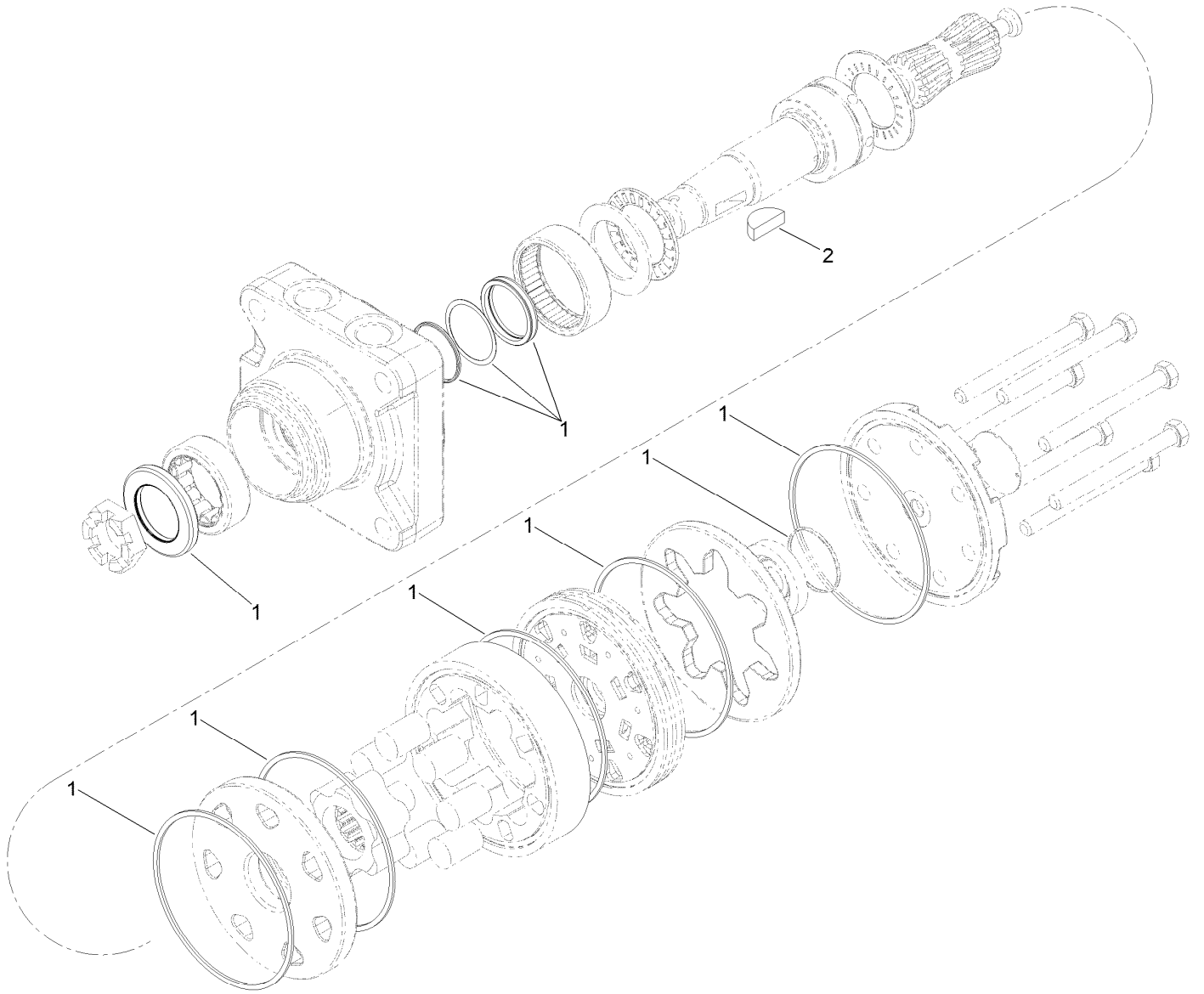
Hydraulic Motor Assembly No. 138-0303

<i>Ref.</i>	<i>Part Number</i>	<i>Qty.</i>	<i>Description</i>
1	110-8897	1	Seal Kit
2	3257-42	1	Key-Woodruff



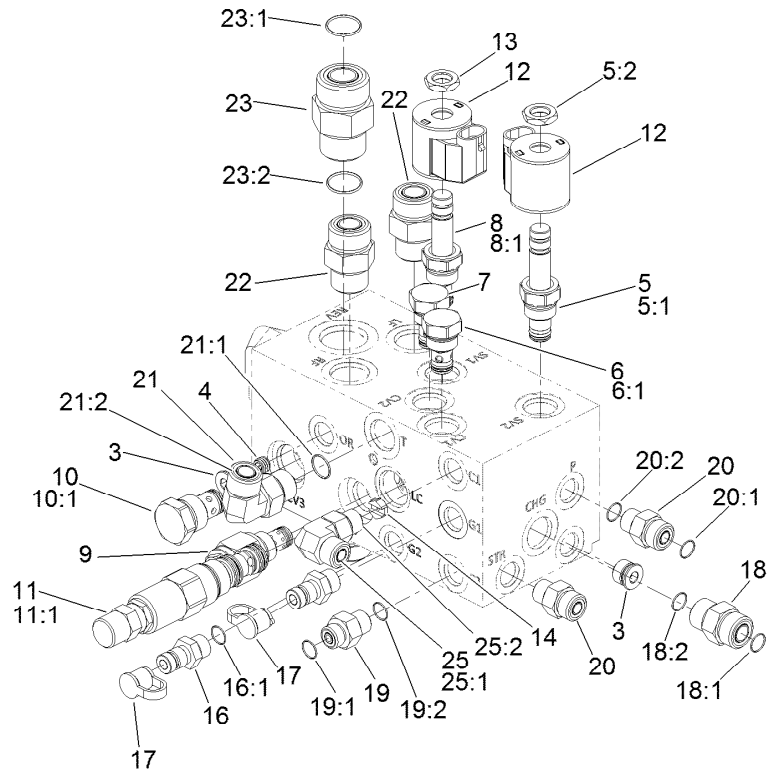
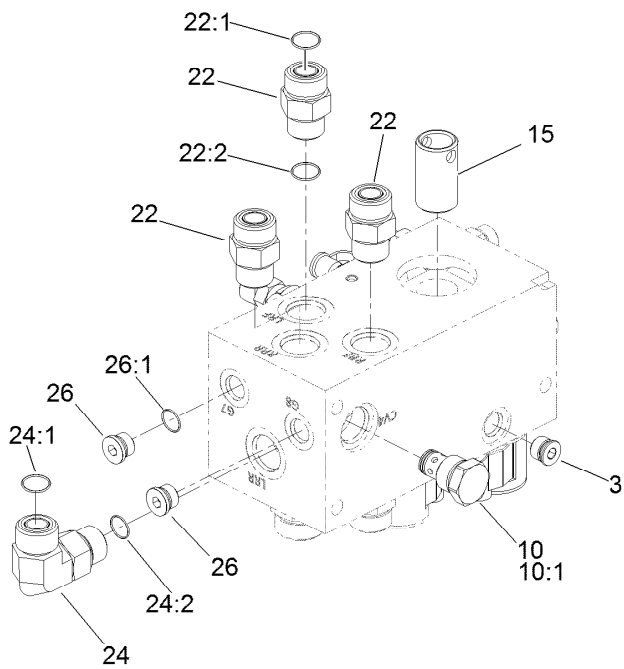
Hydraulic Motor Assembly No. 137-2458

<i>Ref.</i>	<i>Part Number</i>	<i>Qty.</i>	<i>Description</i>
1	110-8896	1	Seal Kit
2	3257-42	1	Key-Woodruff



Hydraulic Motor Assembly No. 137-2478

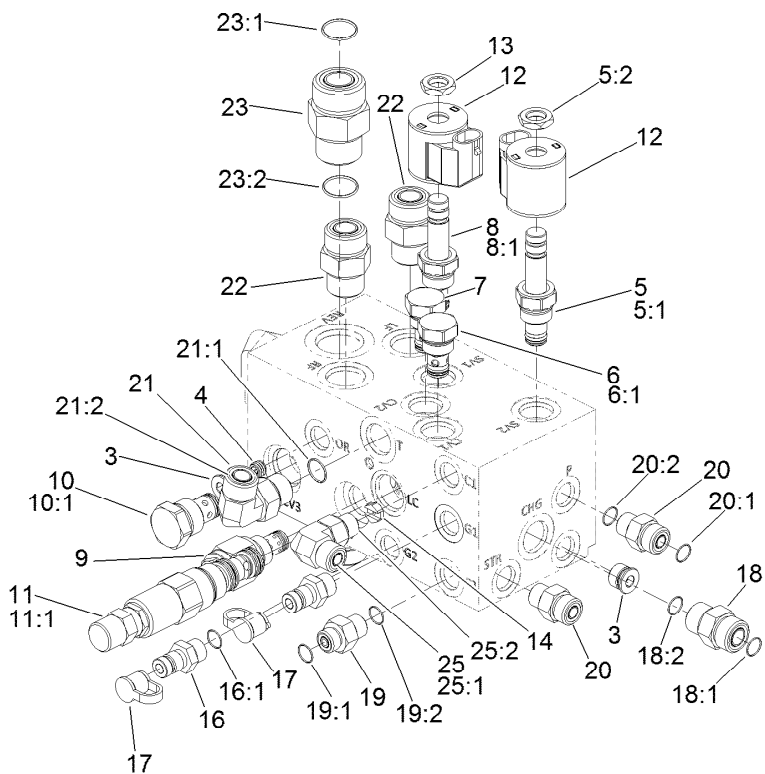
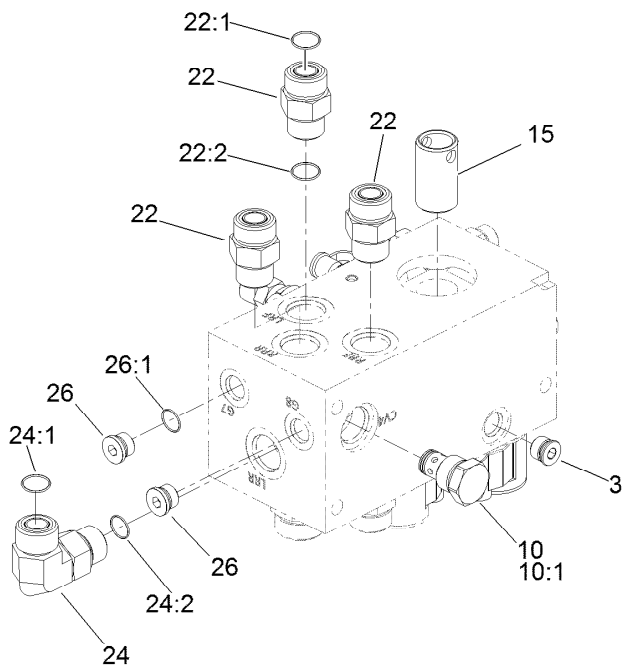
<i>Ref.</i>	<i>Part Number</i>	<i>Qty.</i>	<i>Description</i>
1	110-8896	1	Seal Kit
2	3257-42	1	Key-Woodruff



Steer/Lift Manifold Assembly No. 138-4489

Ref.	Part Number	Qty.	Description	Ref.	Part Number	Qty.	Description
3	112-9213	3	Plug	14	139-6296	1	Orifice-Check 0.100 DIA
4	110-8883	1	Plug-Orifice (0.040)	15	139-6297	1	Nipple-Filter
5	112-9206	1	Solenoid Valve ASM	16	59-7410	2	Fitting-Diagnostic
5:1	105-9156	1	Seal Kit	16:1	237-42	1	O-Ring
5:2	110-2634	1	Nut-Coil	17	354-79	2	Cap-Dust
6	114-2873	1	Check Valve ASM	18	340-4	1	Fitting-Straight
6:1	105-9156	1	Seal Kit	18:1	237-30	1	O-Ring
7	139-1213	1	Valve-Check	18:2	237-79	1	O-Ring
8	120-6562	1	Valve-Solenoid	19	340-1	1	Fitting-Straight
8:1	105-9156	1	Seal Kit	19:1	237-21	1	O-Ring
9	139-6298	1	Valve-Relief (Bi-Directional)	19:2	237-42	1	O-Ring
10	110-8881	2	Valve-Check	20	340-2	2	Fitting-Straight
10:1	105-9159	1	Seal Kit ●	20:1	237-22	1	O-Ring
11	144-0501	1	Valve-Logic, 220 PSI (Adjustable)	20:2	237-42	1	O-Ring
11:1	119-2159	1	Seal Kit	21	340-98	1	Fitting-Elbow, 90 DEG
12	110-0497	2	Coil-Solenoid	21:1	237-79	1	O-Ring
13	110-2634	2	Nut-Coil	21:2	237-30	1	O-Ring
				22	340-7	5	Fitting-Straight

● Not illustrated

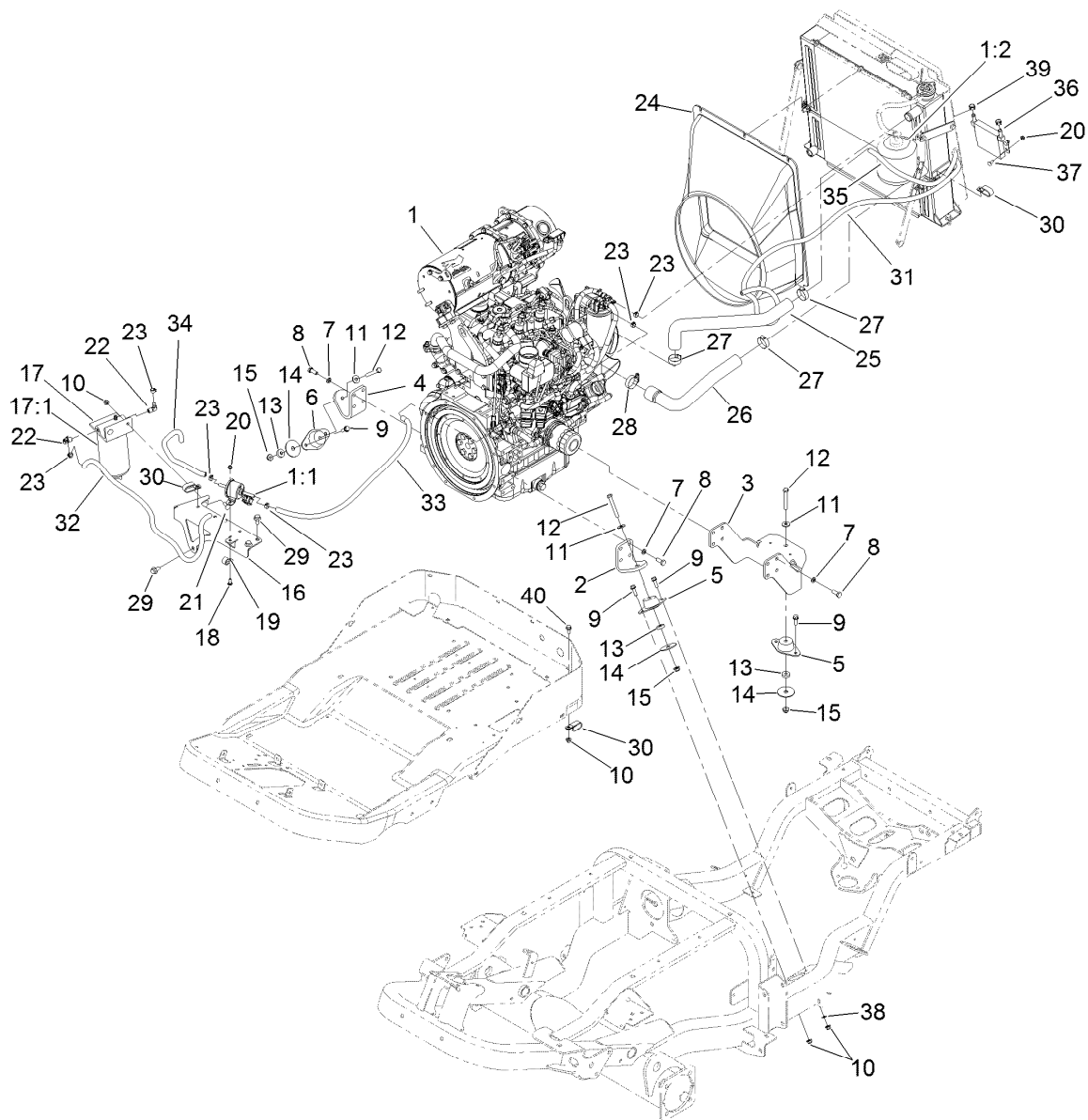


Steer/Lift Manifold Assembly No. 138-4489 (continued)

Ref.	Part Number	Qty.	Description
22:1	237-65	1	O-Ring
22:2	237-80	1	O-Ring
23	340-9	1	Fitting-STR
23:1	237-58	1	O-Ring
23:2	237-81	1	O-Ring
24	340-17	1	Fitting-Elbow, 90 DEG
24:1	237-65	1	O-Ring

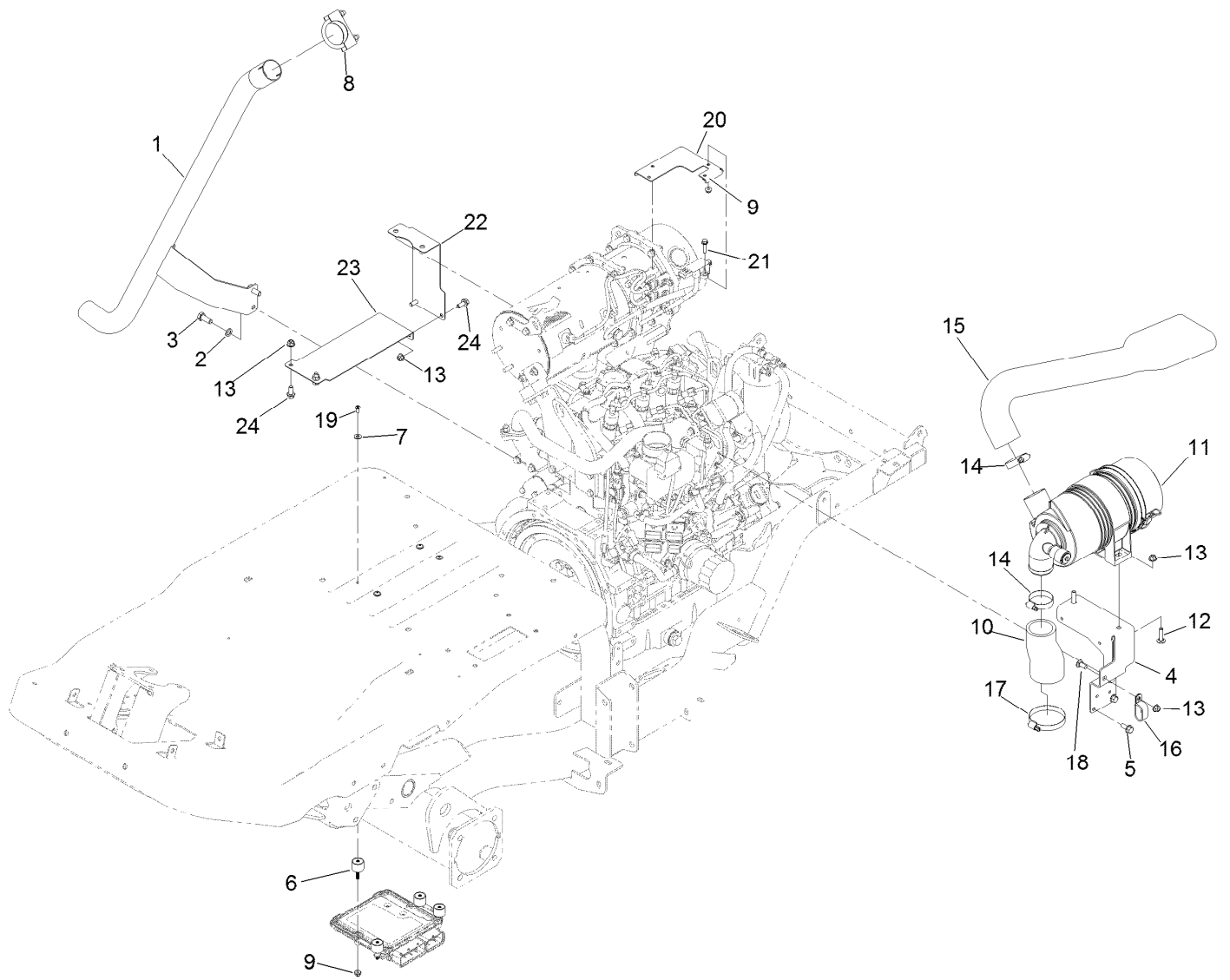
Ref.	Part Number	Qty.	Description
24:2	237-80	1	O-Ring
25	340-77	1	Fitting-Elbow, 90 DEG
25:1	237-22	1	O-Ring
25:2	237-42	1	O-Ring
26	353-989	2	Plug-Hex, Hollow
26:1	237-42	1	O-Ring

● Not illustrated



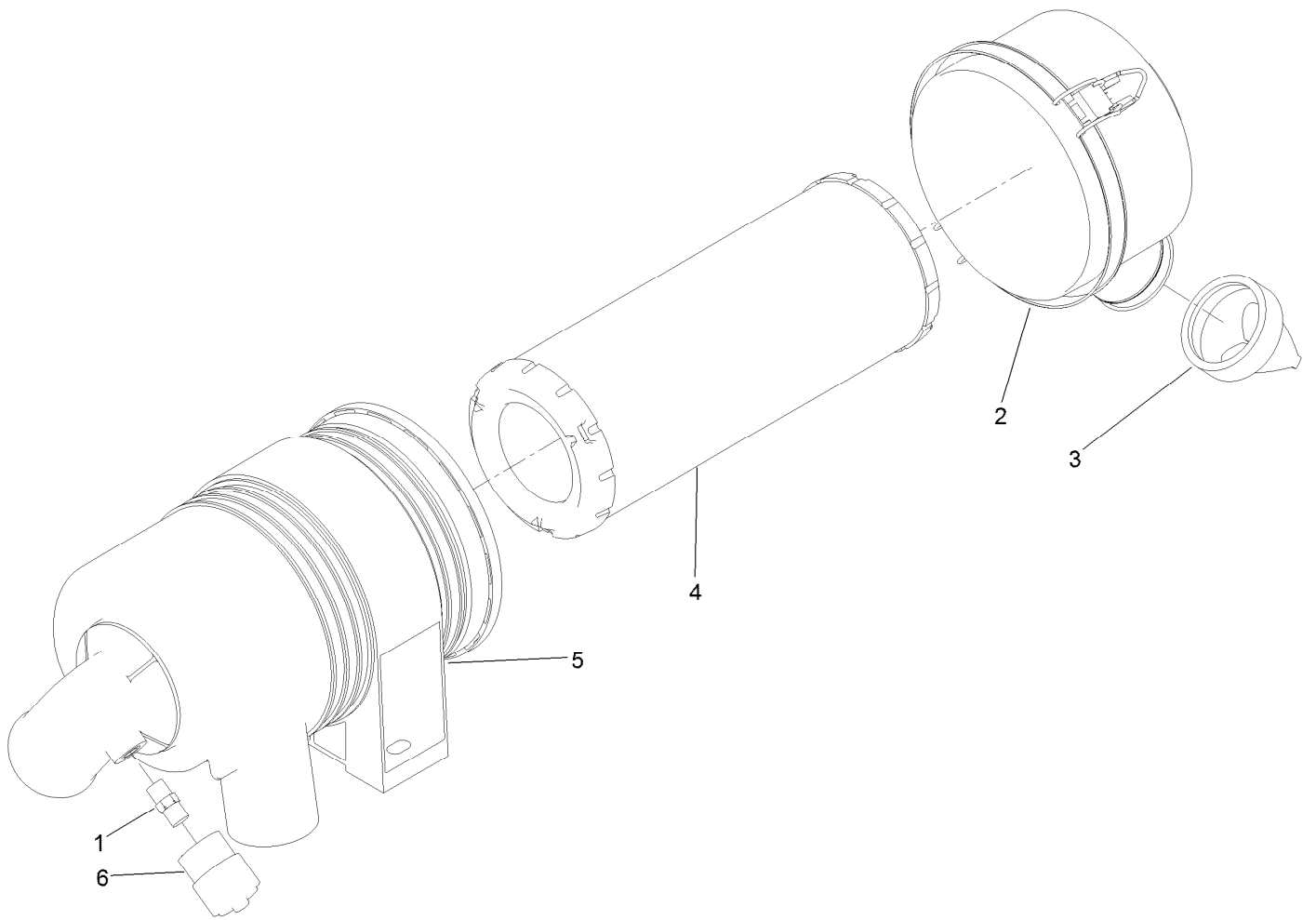
Engine and Radiator Assembly

Ref.	Part Number	Qty.	Description	Ref.	Part Number	Qty.	Description
1	133-6580	1	Engine-Yanmar	21	3230-10	2	Bolt-CARR
2	138-0409-03	1	Mount-Engine, LH Front	22	353-781	2	Fitting-HYD, 90
3	138-0410-03	1	Mount-Engine, Rear	23	92-2379	6	Clamp-Hose
4	138-0408-03	1	Mount-Engine, RH Front	24	138-0419	1	Shroud-Fan
5	120-6274	2	Mount-Engine	25	138-0429	1	Hose-Radiator, Upper
6	139-0856	1	Mount-Engine	26	138-0430	1	Hose-Radiator, Lower
7	48-9590	14	Washer-Lock	27	2412-34	3	Clamp-Hose
8	33115-025	14	Screw-HH	28	2412-3	1	Clamp-Hose
9	3234-29	6	Screw-HHF	29	33105-020	2	Screw-HHF
10	104-8300	9	Nut-HF, NI	30	120-1959	3	Clamp
11	80-6990	3	Washer-Hardened	31	139-6255	1	Hose-Fuel
12	323-13	3	Screw-HH	32	126-1805	1	Hose-Fuel
13	62-6660	3	Spacer	33	110-3257	1	Hose-Fuel
14	87-5100	3	Washer-Snubbing	34	110-4101	1	Hose-Fuel
15	104-8301	3	Nut-HF, NI	35	139-6276	1	Hose-Fuel
16	138-4532-03	1	Bracket-Mount, Filter	36	116-7205	1	Cooler
17	125-2914	1	Filter-Separator	37	127-2610	2	Screw-CARR
17:1	125-2915	1	Filter-Fuel/Water Separator	38	3255-8	1	Washer-Lock
18	1-807512	2	Bolt-CARR	39	103-1988	2	Clamp-Hose
19	2412-87	1	Clamp-Cable	40	3234-47	1	Screw-HHF
20	104-7201	4	Nut-HF, NI				



Air Cleaner and Exhaust Assembly

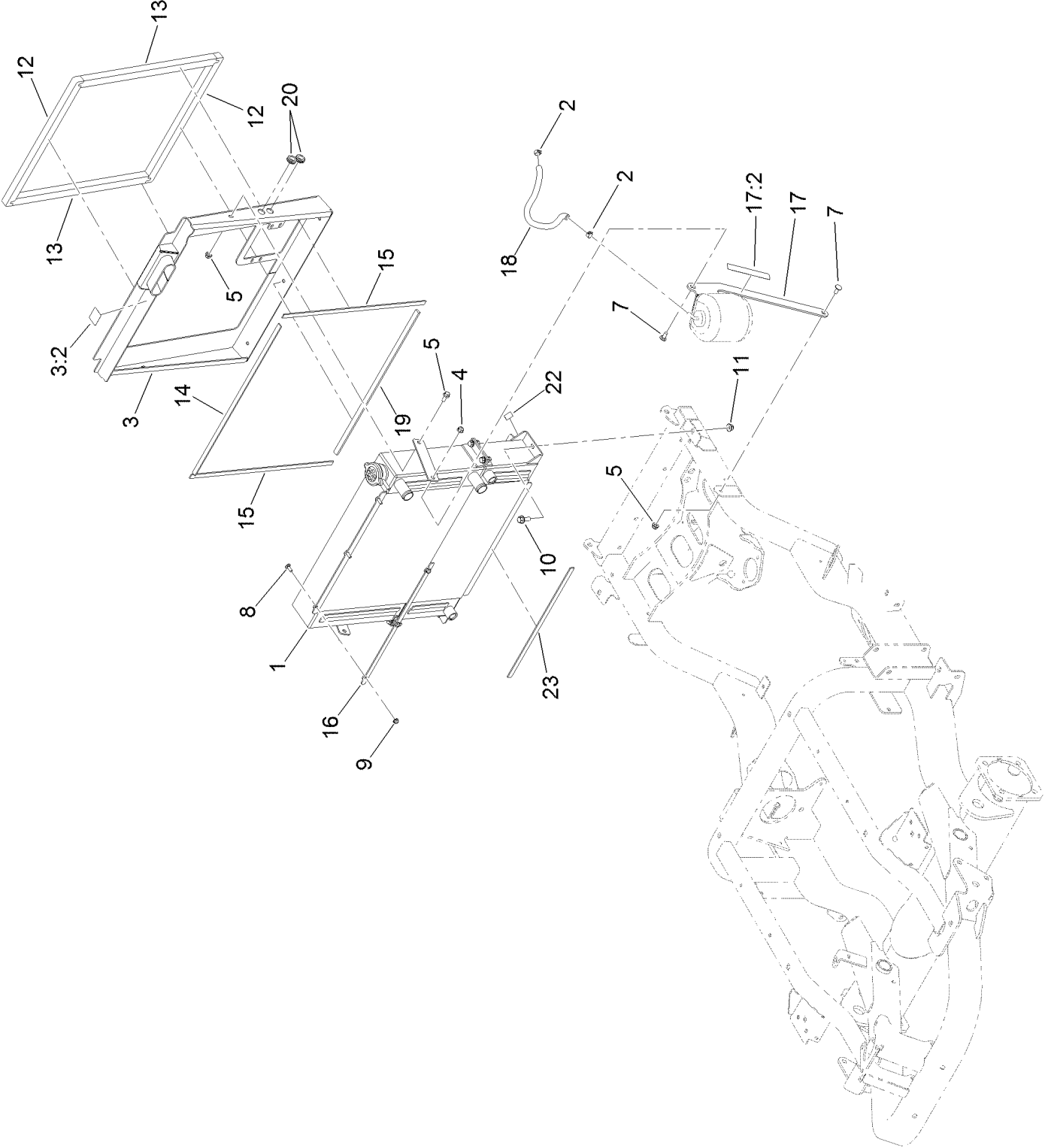
<i>Ref.</i>	<i>Part Number</i>	<i>Qty.</i>	<i>Description</i>	<i>Ref.</i>	<i>Part Number</i>	<i>Qty.</i>	<i>Description</i>
1	137-5888	1	Exhaust	13	104-8300	7	Nut-HF, NI
2	48-9590	2	Washer-Lock	14	2412-130	2	Clamp-Hose
3	33115-025	2	Screw-HH	15	138-4455	1	Hose-Intake
4	138-0432-03	1	Bracket-Filter, Air	16	120-1959	1	Clamp
5	33104-020	3	Screw-HHF	17	2412-53	1	Clamp-Drive, Worm
6	139-6176	4	Mount-ISO	18	3230-23	1	Bolt-CARR
7	3256-1	4	Washer-Flat	19	135-6367	4	Screw-HSBH
8	18-2130	1	Clamp	20	139-6181-03	1	Bracket-Sensor, Dpf
9	104-7201	6	Nut-HF, NI	21	120-4654	2	Screw-HHF
10	137-5809	1	Hose-Cleaner, Air	22	139-6185	1	Bracket-Heat Shield, Rear
11	136-4481	1	Air Cleaner ASM	23	139-6184	1	Bracket-Heat Shield, Lower
12	3230-29	2	Screw-CARR	24	3234-47	4	Screw-HHF



Air Cleaner Assembly No. 136-4481

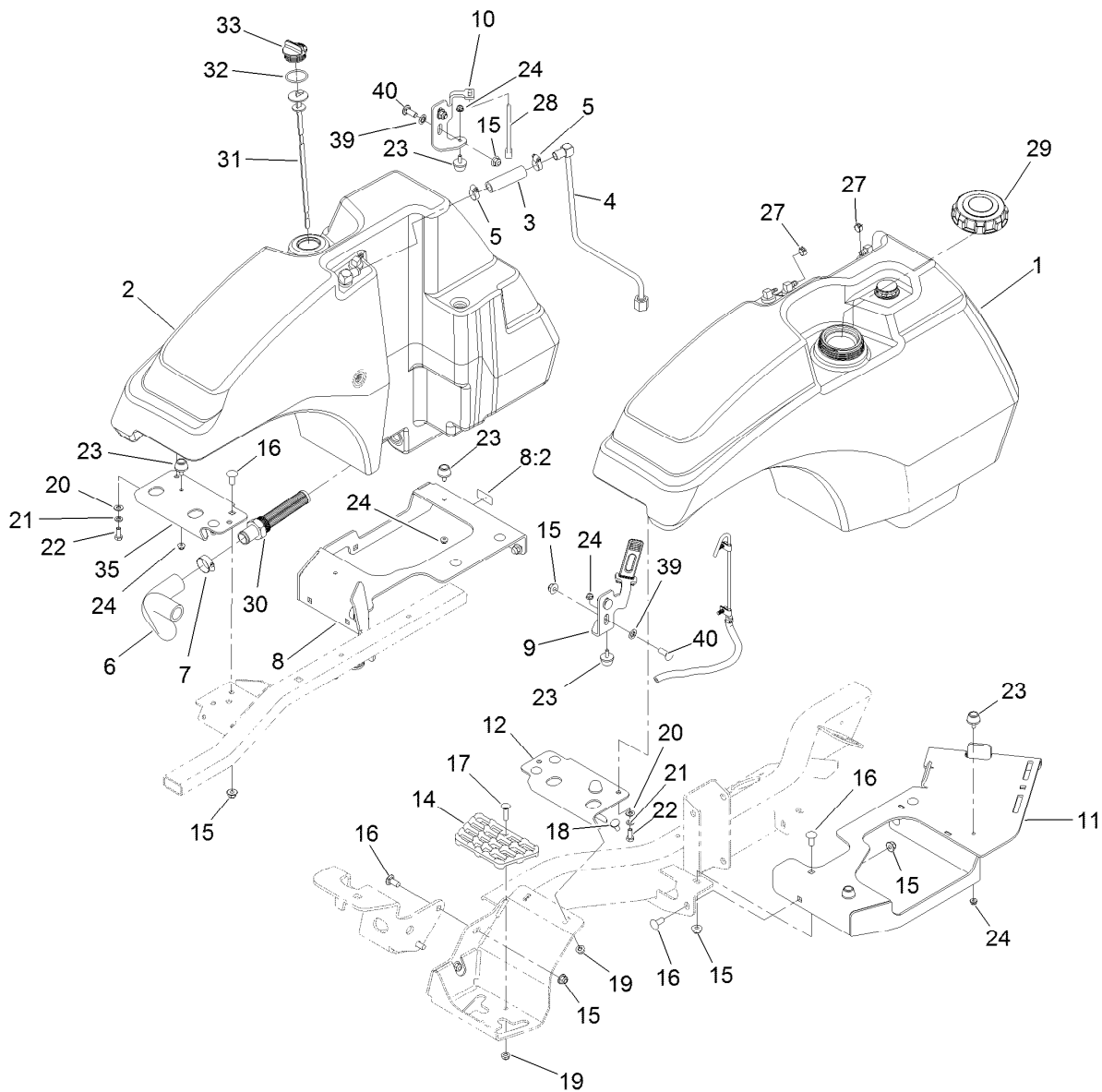
<i>Ref.</i>	<i>Part Number</i>	<i>Qty.</i>	<i>Description</i>
1	94-1416	1	Adapter-Indicator
2	98-9771	1	Cover ASM
3	94-1414	1	Valve-Vacuator
4	108-3810	1	Filter-Air
5	98-4525	1	Bracket-Cleaner, Air
6	93-9164	1	Indicator-Mini

Radiator and Cooler Assembly



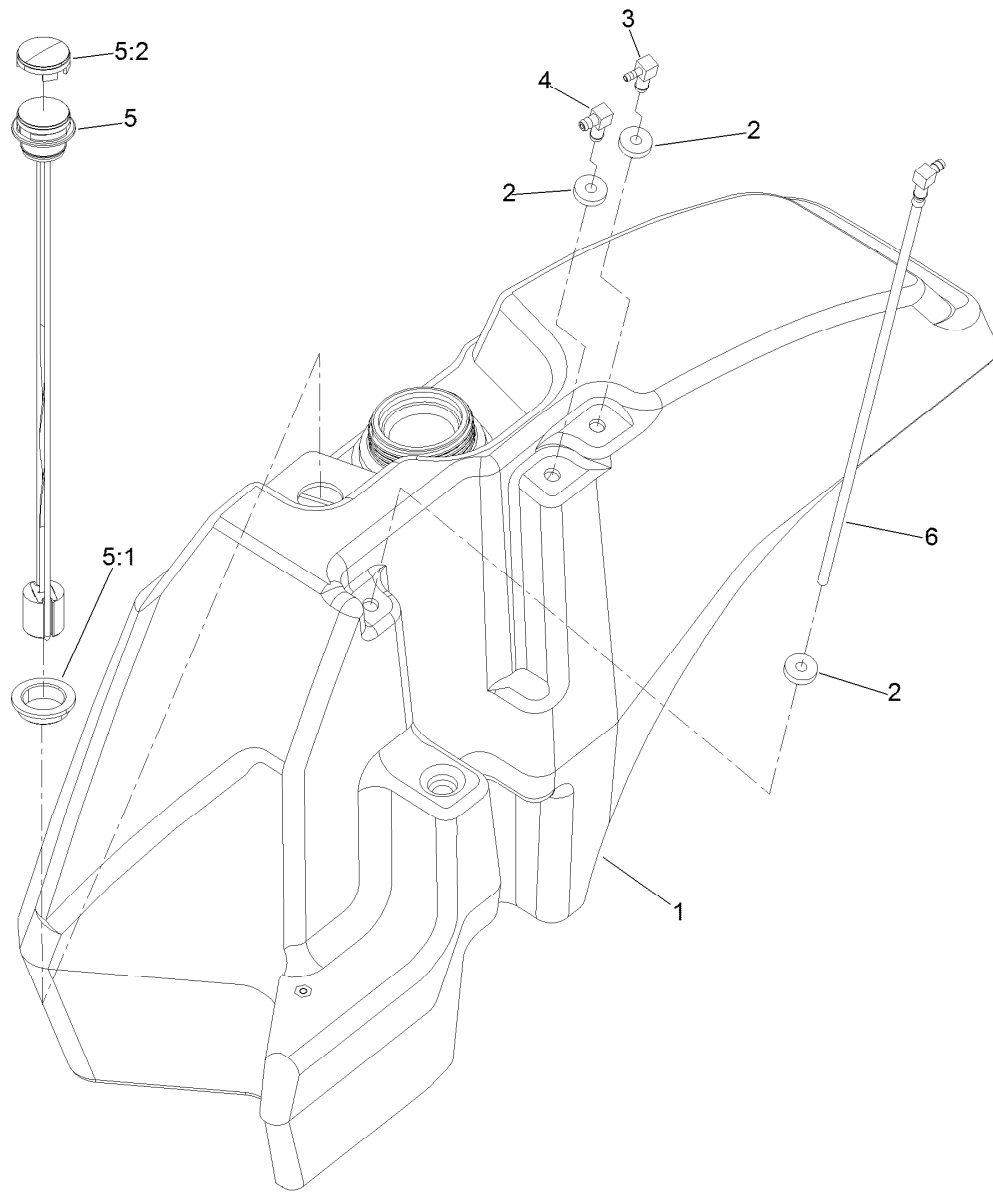
Radiator and Cooler Assembly (continued)

<i>Ref.</i>	<i>Part Number</i>	<i>Qty.</i>	<i>Description</i>	<i>Ref.</i>	<i>Part Number</i>	<i>Qty.</i>	<i>Description</i>
1	138-7420	1	Radiator/Oil Cooler ASM	13	138-4411	2	Seal-Foam
2	92-2379	2	Clamp-Hose	14	138-4453	1	Foam-Radiator
3	139-6232	1	Shroud-Cooler ASM	15	138-4454	2	Foam-Radiator, Side
3:2	115-8155	1	Decal-Warning	16	138-4461-03	1	Bracket-Retainer, Shroud
4	3234-47	2	Screw-HHF	17	139-6230	1	Bracket-Bottle Mount
5	104-8300	11	Nut-HF, NI	17:2	93-7272	1	Decal-Warning
7	3230-23	9	Bolt-CARR	18	106-1126	1	Hose-Fuel
8	1-807512	3	Bolt-CARR	19	108-1393	1	Strip-Foam
9	104-7201	3	Nut-HF, NI	20	MSC14544	2	Grommet
10	3234-42	2	Screw-HHF	22	140-5841	2	Trim-Cooler
11	104-8301	2	Nut-HF, NI	23	130-9182	1	Foam-Radiator, Short
12	138-4410	2	Seal-Foam				



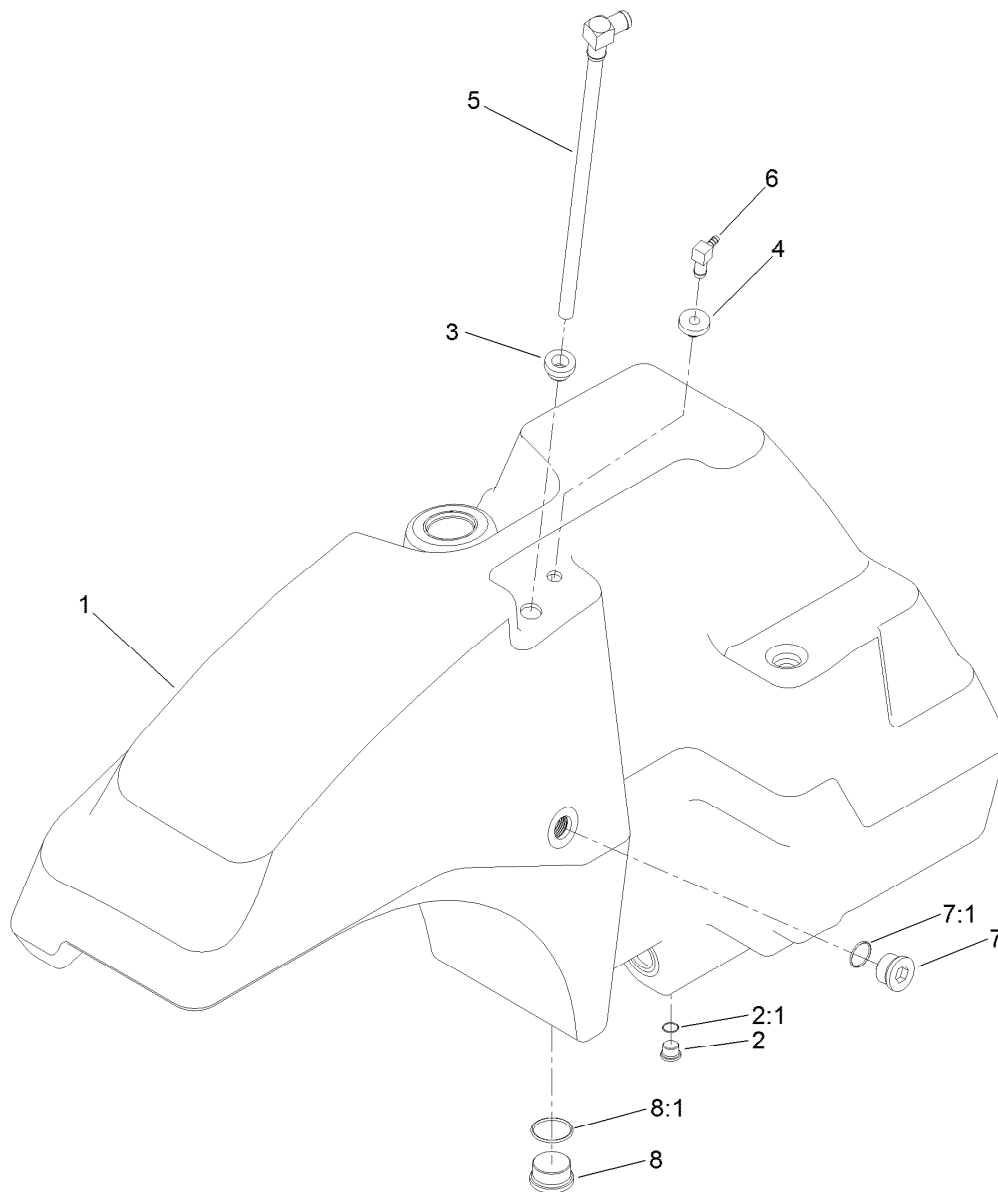
Fuel and Hydraulic Tank Assembly

Ref.	Part Number	Qty.	Description	Ref.	Part Number	Qty.	Description
1	138-0291	1	Fuel Tank	17	3230-3	1	Screw-CARR
2	138-4418	1	Hydraulics Tank ASM	18	3230-23	2	Bolt-CARR
3	114-4920	1	Hose	19	104-8300	3	Nut-HF, NI
4	138-7392	1	Hydraulic Tube ASM	20	3256-23	2	Washer-Plain
5	2412-119	2	Clamp-Hose	21	3253-4	2	Washer-Lock
6	138-7361	1	Hose-Suction	22	322-3	2	Screw-HH
7	2412-34	1	Clamp-Hose	23	109-2365	8	Bumper-Rubber
8	139-6228	1	Tank Support-Hydraulic	24	104-7201	8	Nut-HF, NI
8:2	127-0392	1	Decal-Hot Surface	27	92-2379	2	Clamp-Hose
9	138-0441-03	1	Bracket-Tank Hold Down, LH	28	131-8402	2	Strap-Down, Hold
10	138-7315-03	1	Bracket-Tank Hold Down, RH	29	125-9171	1	Cap-Fuel
11	138-4404-03	1	Tray-Tank/Battery	30	138-7499	1	Fitting-Strainer
12	138-7365-03	1	Bracket-Tank Mount, Front LH	31	138-7388	1	Dipstick
14	126-4781	1	Step-Deck	32	94-8166	1	O-Ring
15	104-8301	19	Nut-HF, NI	33	93-7498	1	Plug-Plastic
16	3231-27	15	Screw-CARR	35	139-0940-03	1	Bracket-Tank Mount, Front RH
				39	107-3154	6	Nut-Push
				40	3231-22	4	Screw-CARR



Fuel Tank Assembly No. 138-0291

<i>Ref.</i>	<i>Part Number</i>	<i>Qty.</i>	<i>Description</i>
1	138-7385	1	Fuel Tank W/Inserts ASM
2	46-6560	3	Bushing
3	104-5228	1	Fitting-Elbow, 90 DEG
4	46-6550	1	Fitting-Elbow, 90 DEG
5	139-0872	1	Gauge-Fuel
5:1	119-0508	1	Seal
5:2	117-8404	1	Dial-Gauge
6	138-7389	1	Pipe-Stand



Hydraulic Tank Assembly No. 138-4418

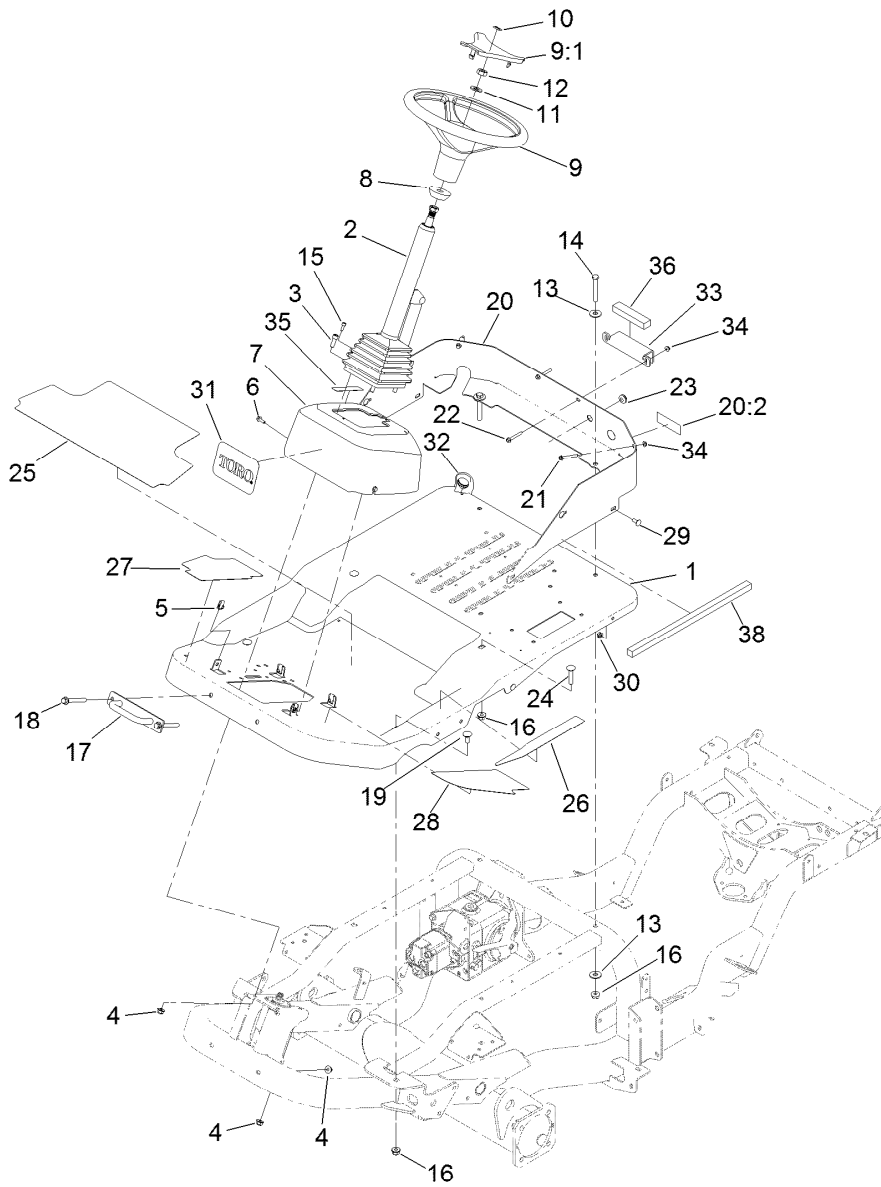
Ref.	Part Number	Qty.	Description
1	138-7386	1	Tank-Hydraulic W/Inserts
2	353-989	1	Plug-Hex, Hollow
2:1	237-42	1	O-Ring
3	104-0790	1	Bushing
4	46-6560	1	Bushing
5	138-7384	1	Tube-Drop
6	104-5228	1	Fitting-Elbow, 90 DEG
7	139-6333	1	Fitting-Plug
7:1	237-81	1	O-Ring
8	105-3921	1	Fitting-Plug
8:1	237-146	1	O-Ring



Platform, Steering and Console Assembly

Ref.	Part Number	Qty.	Description	Ref.	Part Number	Qty.	Description
1	138-0300SP	1	Platform-Stamped	18	3234-41	2	Screw-HHF
2	139-0857	1	Column-Steering, Tilt	19	3232-1	2	Screw-CARR
3	3274-7	4	Screw-HSH	20	139-6233	1	Plate-Firewall, Lower
4	104-8301	6	Nut-HF, NI	20:2	132-1316	2	Decal-Danger, Belt
5	107069	4	Clip	21	125-4287	2	Screw-HHF
6	99-6810	4	Screw-HHF	22	3234-34	2	Screw-HHF
7	138-7494	1	Cover-Steering	23	1-633630	1	Grommet
8	93-5429	1	Collar-Foam	24	3232-5	2	Screw-CARR
9	98-1471	1	Wheel-Steering	25	139-0858	1	Tread-Foot, Main
9:1	98-1468	1	Cover-Wheel, Steering ●	26	139-0859	1	Tread-Foot, Side
10	98-1459	1	Decal	27	139-0885	1	Tread-Foot, Front RH
11	3256-27	1	Washer-Flat	28	139-0886	1	Tread-Foot, Front LH
12	3296-33	1	Nut-Lock, NI	29	3230-23	4	Bolt-CARR
13	3256-40	4	Washer-Flat	30	104-8300	4	Nut-HF, NI
14	324-12	2	Screw-HH	31	105-1217	1	Decal
15	105-2409	4	Screw-HSH	32	139-1972	1	Plug-Harness, Firewall
16	114-8417	6	Nut-HF, NI	33	139-2166-03	1	Bracket-Hood Support
17	138-0288	1	Bracket-Down, Tie	34	104-7201	4	Nut-HF, NI

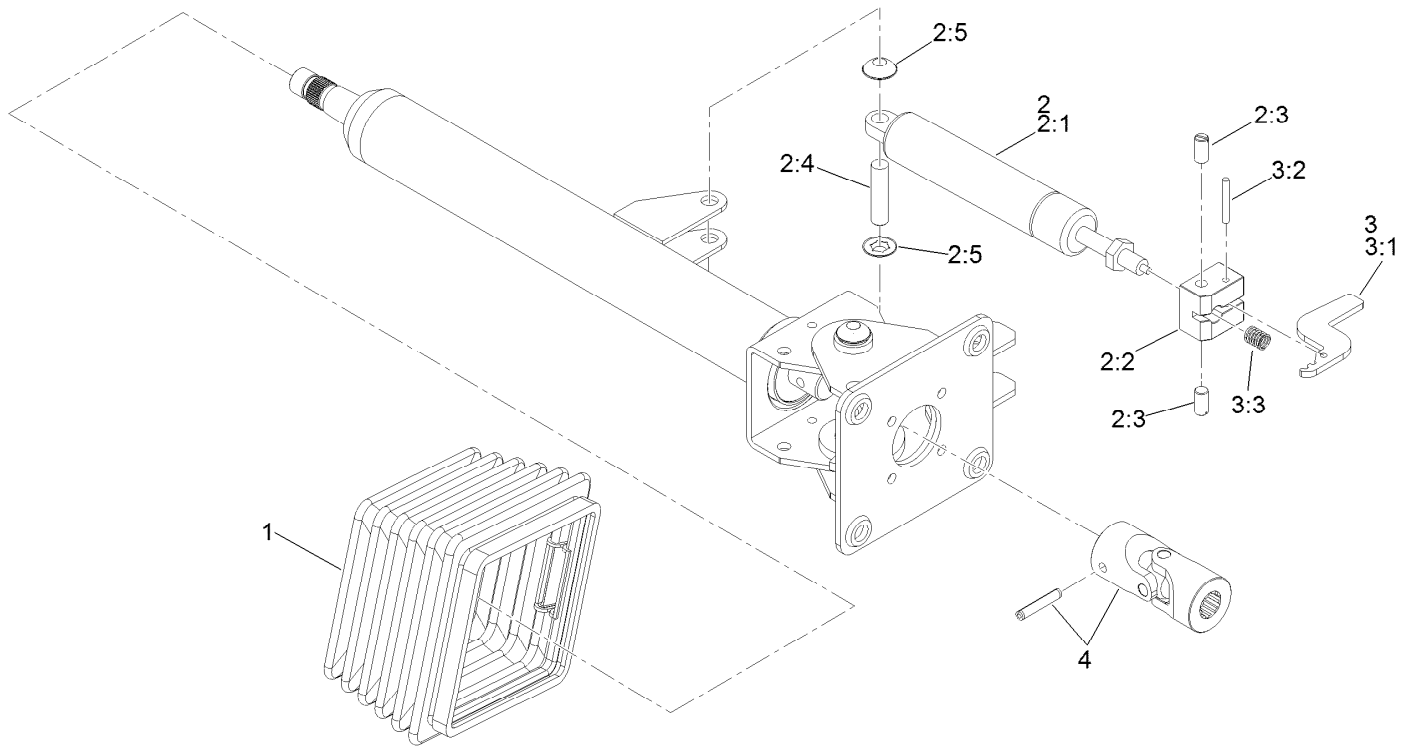
● Not illustrated



Platform, Steering and Console Assembly (continued)

<i>Ref.</i>	<i>Part Number</i>	<i>Qty.</i>	<i>Description</i>	<i>Ref.</i>	<i>Part Number</i>	<i>Qty.</i>	<i>Description</i>
35	140-1460	1	Decal-Traction Pedal	36	139-6202	1	Foam-Strip
				38	139-6207	1	Foam-Strip

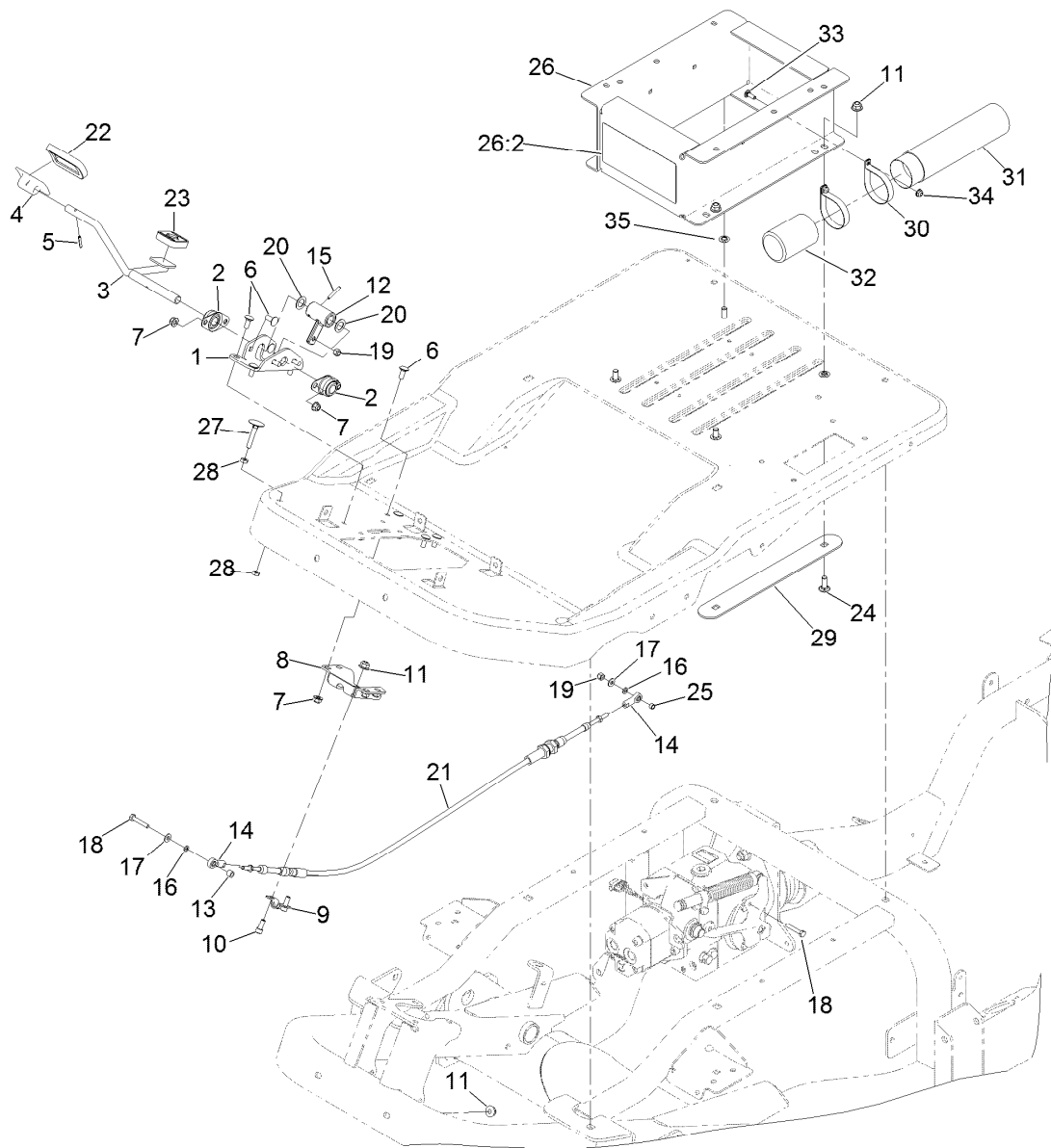
● Not illustrated



Steering Column Assembly No. 139-0857

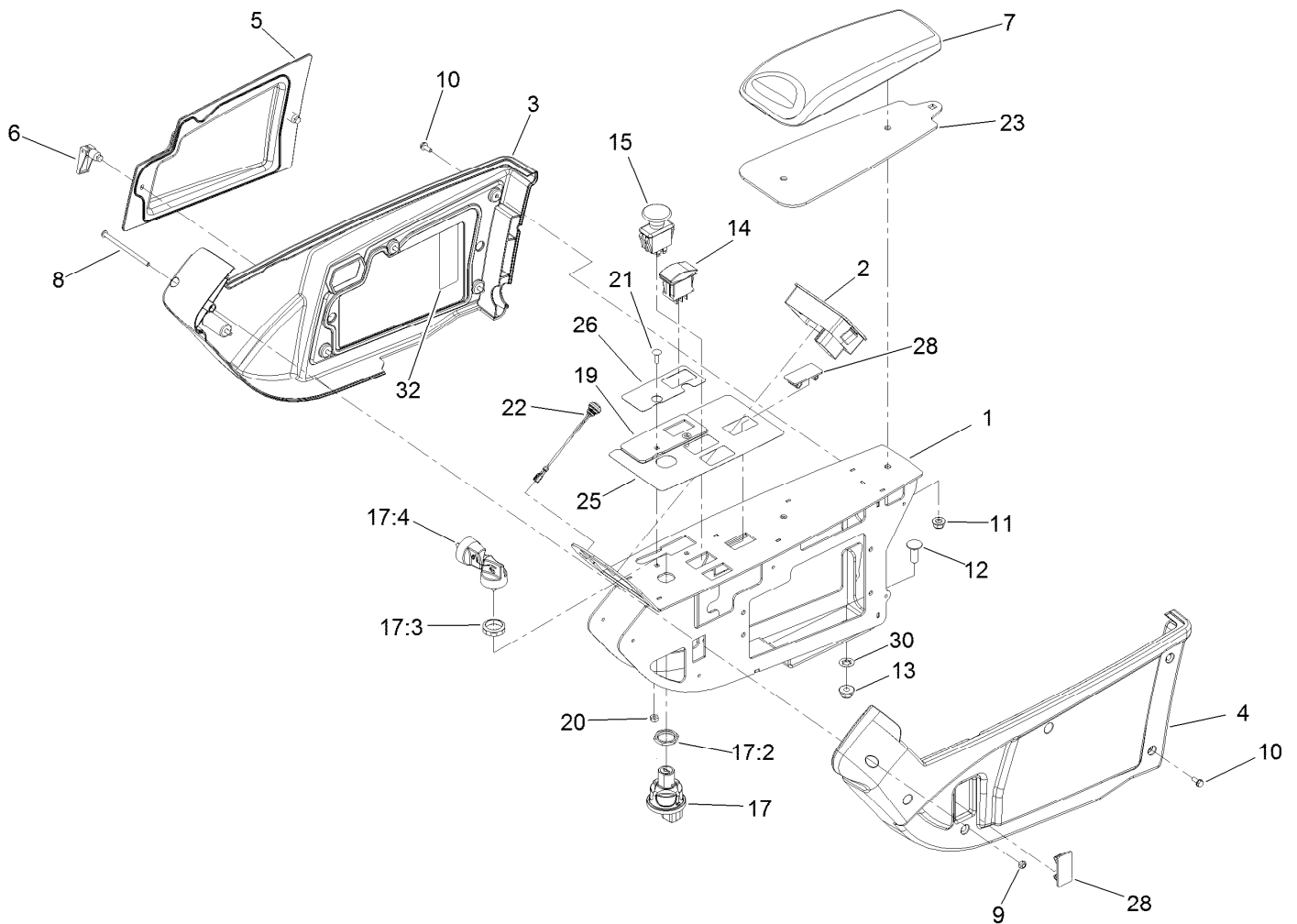
Ref.	Part Number	Qty.	Description
1	110-6462	1	Bellows-Rubber
2	110-6463	1	Cylinder Service Kit
2:1		1	Cylinder-Gas ●
2:2		1	Block-Pedal ●
2:3		2	Bolt ●
2:4		1	Pin ●
2:5		2	Washer-Lock ●
3	136-4385	1	Pedal Service Kit
3:1		1	Pedal ●
3:2		1	Pin ●
3:3		1	Spring ●
4	120-6256	1	Universal Joint Kit

● Not serviced separately



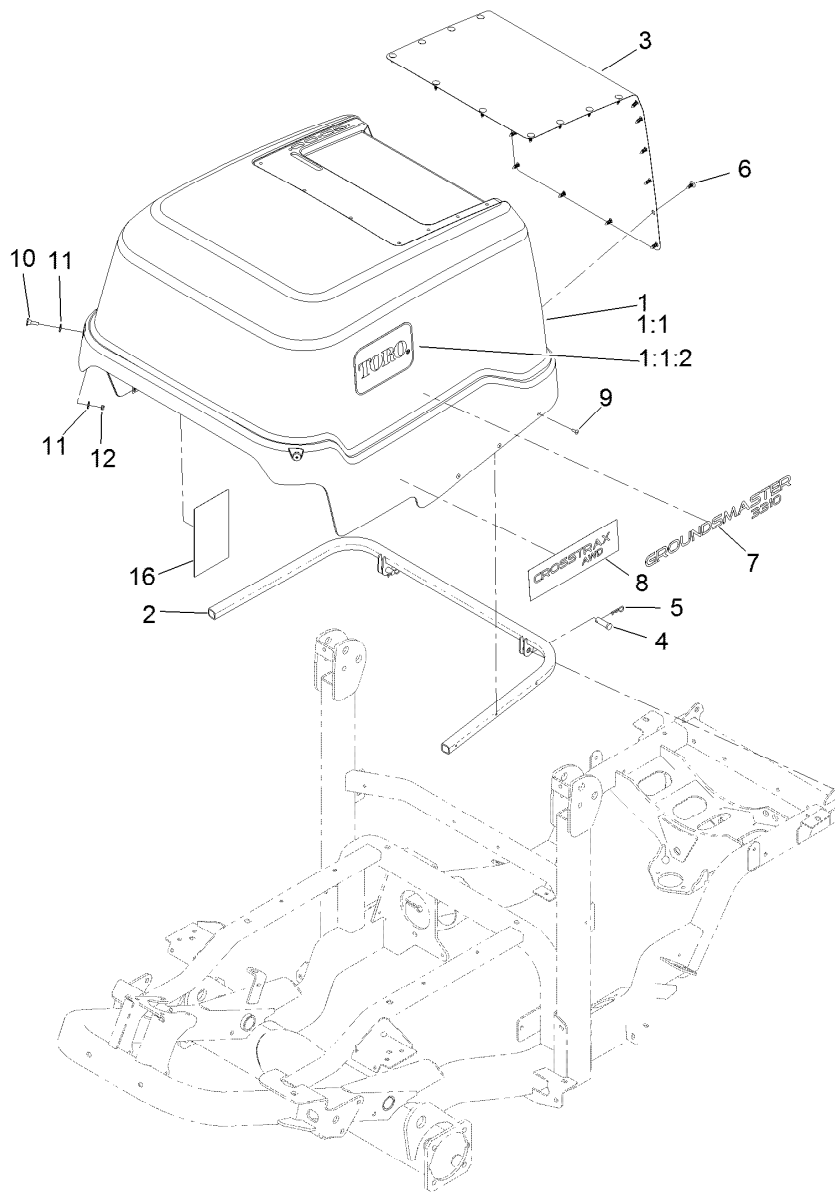
Traction Pedal Assembly

Ref.	Part Number	Qty.	Description	Ref.	Part Number	Qty.	Description
1	138-7477-01	1	Bracket-Pedal, Traction	19	3296-42	2	Nut-Lock, NI
2	256-236	2	Bearing-Mount, Flange	20	137-2601	2	Washer
3	138-4594	1	Pedal-Traction	21	137-2568	1	Traction-Cable
4	117-9507	1	Pedal-Accelerator	22	74-9100	1	Pad-Pedal, Forward
5	32121-45	1	Pin-Spring	23	74-9110	1	Pad-Pedal, Reverse
6	3230-23	12	Bolt-CARR	24	3231-22	4	Screw-CARR
7	104-8300	12	Nut-HF, NI	25	130-9691	1	Spacer
8	138-7446-01	1	Bracket-Cable, Traction	26	139-6221	1	Seat Box ASM
9	93-2092	1	Clamp-Cable	26:2	139-6215	1	Decal-Warning
10	3274-10	2	Screw-HSH	27	115-8240	1	Screw-Elevator
11	104-8301	8	Nut-HF, NI	28	3218-2	2	Nut-Hex Jam
12	117-5199	1	Hub-Pedal, Traction	29	138-7422-01	2	Strip-Mount, Seat
13	66-8010	1	Spacer	30	107-1865	2	R-Clamp
14	2411-41	2	Rod End-Ball Joint	31	104-7050	1	Tube-Manual
15	32121-6	1	Pin-Roll, Slotted	32	104-7048	1	Cap-Housing
16	33093-00	2	Washer-Flat	33	1-807512	2	Bolt-CARR
17	3256-22	2	Washer-Flat	34	104-7201	2	Nut-HF, NI
18	321-9	2	Screw-HH	35	107-3154	4	Nut-Push



Control Console Assembly

<i>Ref.</i>	<i>Part Number</i>	<i>Qty.</i>	<i>Description</i>	<i>Ref.</i>	<i>Part Number</i>	<i>Qty.</i>	<i>Description</i>
1	133-6406-03	1	Panel	15	93-9999	1	Switch-PTO
2	132-9751	1	Tdm 2001	17	121-5159	1	Switch-Ignition
3	108-7605	1	Cover-RH	17:2	121-5160	1	Nut-Hex
4	108-7604	1	Cover-LH	17:3	121-5161	1	Nut-Face
5	108-7616	1	Panel-Access	17:4	121-5162	1	Set-Key, Ignition
6	74-5950	2	Latch-Swell	19	137-2511	1	Cover-Throttle, Switch
7	131-9637	1	Armrest-Quick Find	20	3296-2	2	Nut-Lock, NI
8	3250-22	1	Screw-PPH	21	1-807533	2	Bolt-CARR
9	3296-12	1	Nut-Lock, NI	22	136-9678	1	Switch-Pushbutton
10	32144-112	10	Screw-HWH	23	138-4548-03	1	Plate-Spacer, Console Pad
11	104-8300	2	Nut-HF, NI	25	138-7471	1	Decal-Console
12	3231-22	2	Screw-CARR	26	138-7472	1	Decal-Throttle
13	104-8301	2	Nut-HF, NI	28	99-7420	2	Plug-Hole
14	100-1535	2	Switch-Rocker, (On)-Off-(On)	30	107-3154	2	Nut-Push
				32	139-6242	1	Decal-Fuse

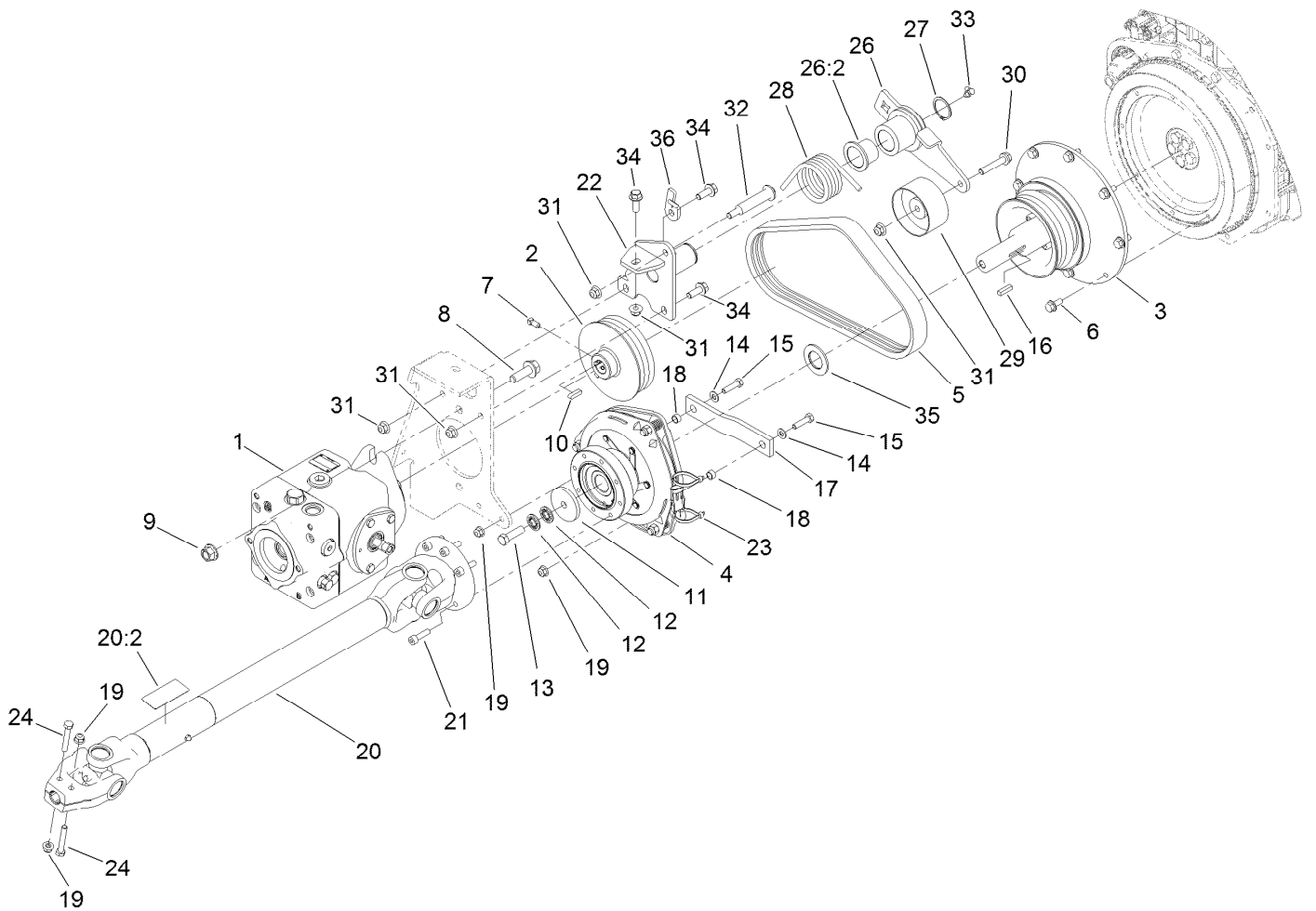


Hood Assembly

Ref.	Part Number	Qty.	Description	Ref.	Part Number	Qty.	Description
1	138-7330SP	1	Hood	5	3290-467	2	Pin-Hair
1:1		1	Hood ASM ■	6	117-2382	24	Plug-Plastic
1:1:2	62-7400	2	Decal-Toro Logo	7	139-6153	2	Decal-Identification
1:2	139-6225	1	Tape-Heat, Hood Front ●	8	110-8859	2	Decal
1:3	139-6226	1	Tape-Heat, Hood Rear ●	9	114439	10	Rivet-Blind
1:4	139-6227	1	Tape-Heat, Hood Side ●	10	139-0855	2	Screw-Countersunk, Oval
2	138-7331-03	1	Support-Hood	11	3256-2	4	Washer-Flat
3	138-7474-03	1	Screen-Cooler	12	3296-56	2	Nut-Lock, NI
4	283-68	2	Pin-Clevis	16	139-6218	1	Decal-Service, Gm3300

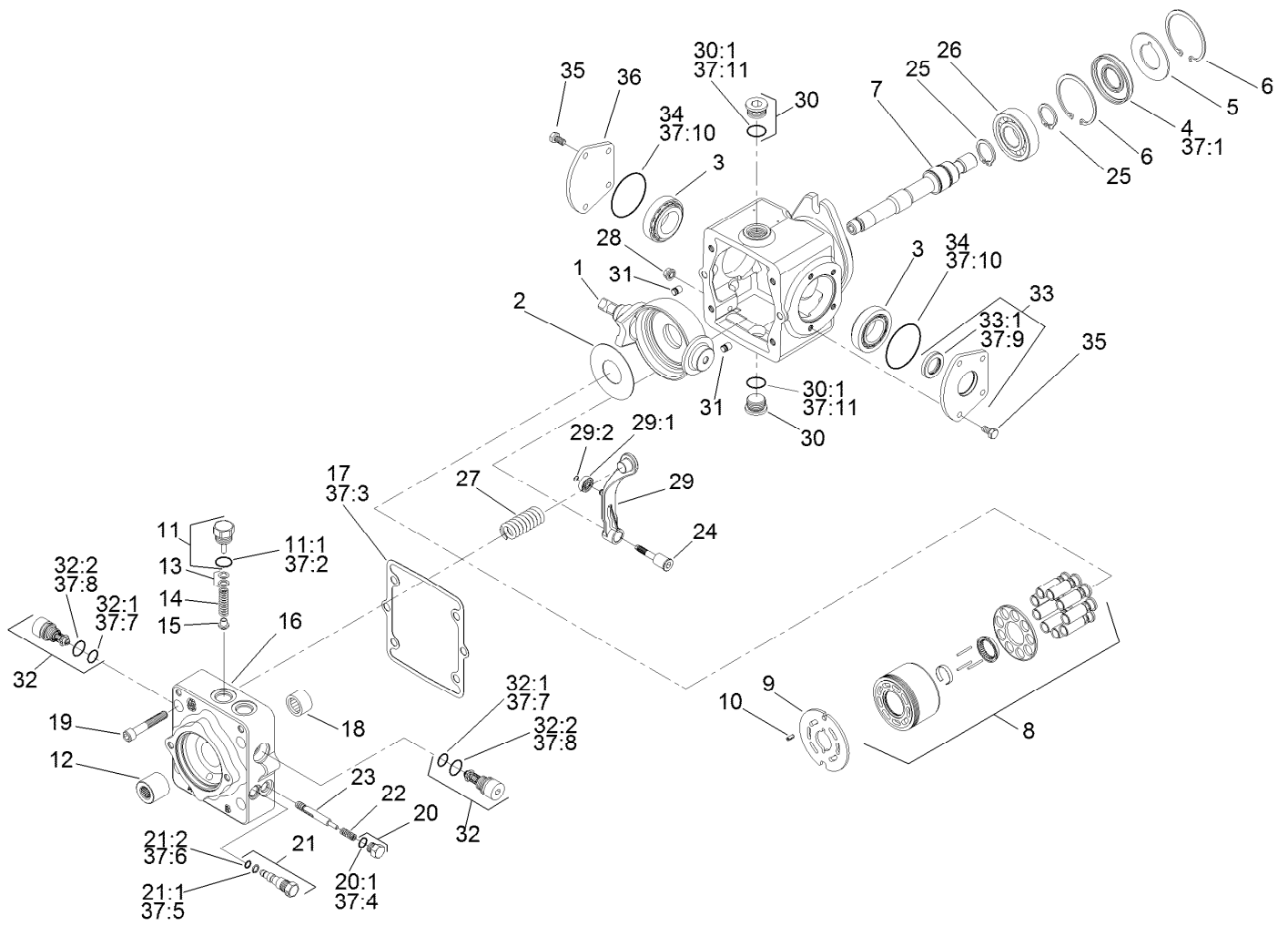
● Not illustrated

■ Not serviced separately



Hydraulic PTO Assembly

Ref.	Part Number	Qty.	Description	Ref.	Part Number	Qty.	Description
1	138-0305	1	Variable Piston Pump ASM	20	139-6292	1	Driveshaft ASM
2	139-6257	1	Pulley-3/3V	20:2	139-6304	1	Decal-Danger, Entanglement
3	139-6258	1	Stubshaft-3/3V	21	94-3559	6	Screw-HSH
4	139-6165	1	Clutch	22	140-3091	1	Idler Pivot ASM
5	139-6259	1	Belt-3/3V	23	3290-378	2	Tie-Cable
6	138-0690	8	Screw-HH	24	112-3305	2	Screw-HH
7	1-803022	2	Screw-Set	26	140-3100	1	Idler Arm ASM
8	100-6116	2	Screw-HHF	26:2	93-4510	2	Bushing-Caster
9	99-5107	2	Nut-Lock	27	32120-84	1	Ring-Snap, External
10	94-3645	1	Key	28	140-3102	1	Spring-Torsion
11	139-6238	1	Washer	29	140-3101	1	Pulley-Flat
12	1-603610	2	Washer-Spring	30	108-3742	1	Screw-HHF
13	109-9761	1	Screw-HH	31	104-8301	5	Nut-HF, NI
14	3256-23	2	Washer-Plain	32	112-3977	1	Bolt-Shoulder
15	322-6	2	Screw-HH	33	302-40	1	Fitting-Grease, 90 DEG
16	1-807259	1	Key	34	3234-42	3	Screw-HHF
17	139-6278	1	Strap-Clutch Stop	35	139-6239	1	Washer
18	65-9820	2	Spacer	36	144-0477	1	Tab-Spring Retainer
19	104-8300	4	Nut-HF, NI				

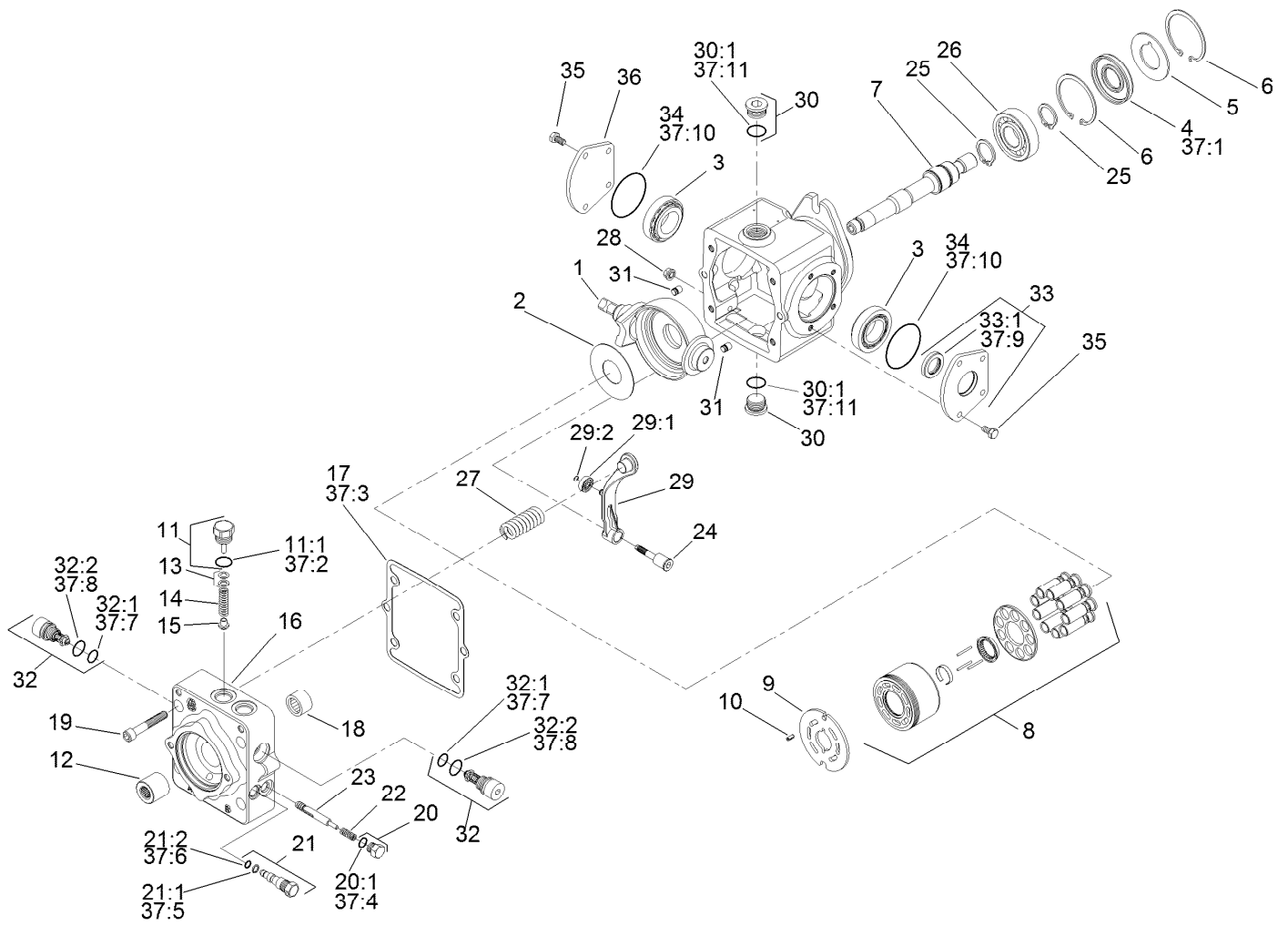


Variable Piston Pump Assembly No. 138-0305

Ref.	Part Number	Qty.	Description	Ref.	Part Number	Qty.	Description
1	140-3111	1	Plate-Swash	18	75-0500	1	Bearing-Needle
2	75-0400	1	Plate-Thrust	19	110-6489	4	Screw
3	110-6483	2	Bearing Kit	20	94-9415	2	Plug ASM
4	110-6471	1	Seal-Lip	20:1		1	O-Ring ■
5	95-4400	1	Washer-Backup	21	107-4364	1	Bypass Valve ASM
6	131-8616	2	Ring-Retaining	21:1	25-2630	1	Ring-Back Up
7	140-3113	1	Shaft	21:2	110-6498	1	O-Ring
8	110-6472	1	Cylinder Block Kit ASM	22	140-3116	2	Spring
9	140-3114	1	Plate-Valve, CW	23	110-6492	1	Spool-Loop, Flush
10	131-3800	1	Pin-Slotted	24	110-6493	1	Pivot-Return, Neutral
11	110-6486	1	Plug-Relief, Charge	25	125-5280	2	Ring-Retaining
11:1	28-3570	1	O-Ring	26	75-0460	1	Bearing-Ball
12	140-3122	1	Coupling	27	140-3117	1	Spring-Neutral Return
13	140-3115	1	Shim Kit	28	110-6496	1	Nut-Seal
14	110-6474	1	Spring	29	110-6497	1	Neutral Return Arm ASM
15	110-6475	1	Poppet	29:1	110-6494	1	Bearing-Cam
16	115-8087	1	Cap-End	29:2	110-3056	1	Ring-Retaining
17	110-6476	1	Gasket-Cap, End	30	69-3130	2	Plug

● Not illustrated

■ Not serviced separately

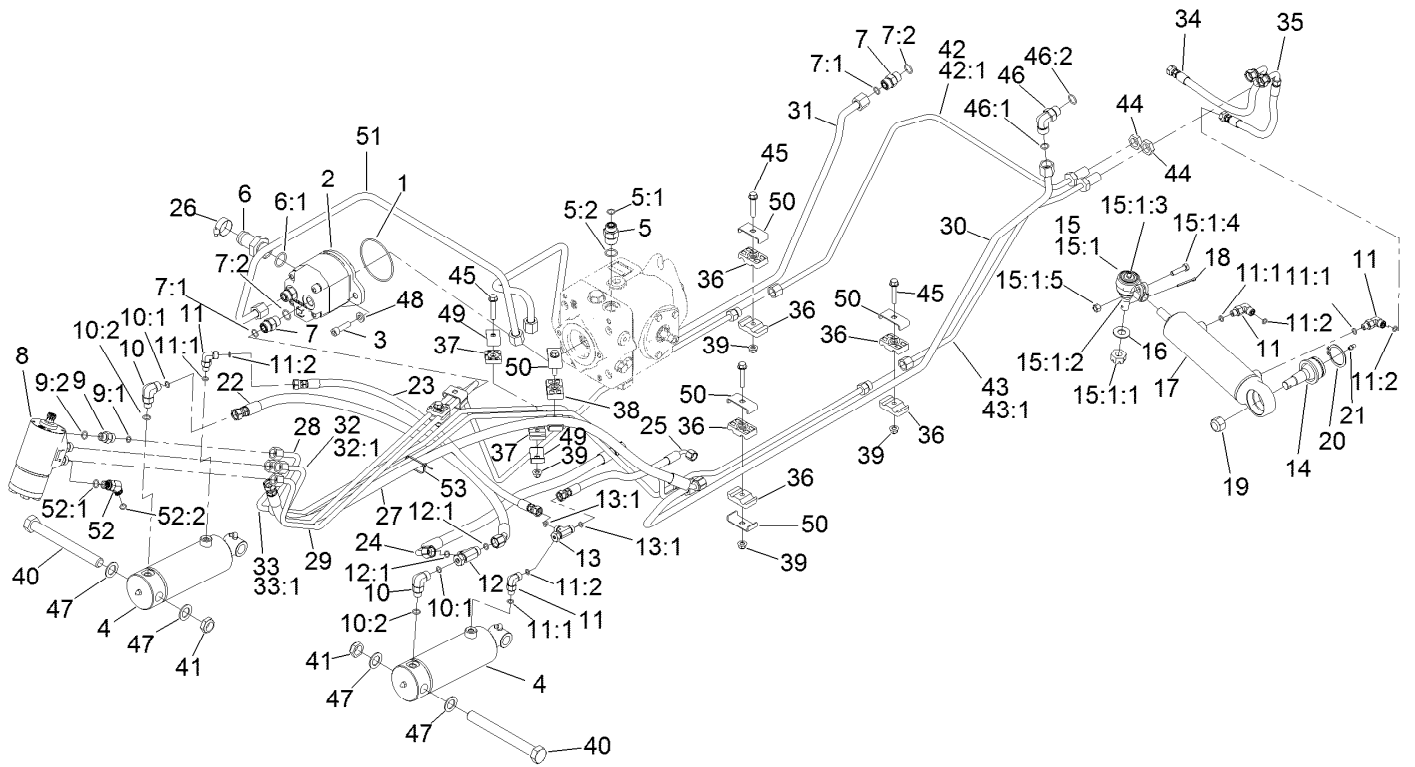


Variable Piston Pump Assembly No. 138-0305 (continued)

Ref.	Part Number	Qty.	Description	Ref.	Part Number	Qty.	Description
30:1		1	O-Ring ■	37:1	110-6471	1	Seal-Lip
31	112-0158	2	Pin	37:2	28-3570	1	O-Ring
32	110-6477	2	Valve-Relief	37:3	110-6476	1	Gasket-Cap, End
32:1	75-0240	1	O-Ring	37:4	131-8631	2	O-Ring
32:2	84-0560	1	O-Ring	37:5	25-2630	1	Ring-Back Up
33	110-6499	1	Trunnion Cover ASM	37:6	110-6498	1	O-Ring
33:1	110-6478	1	Seal-Lip	37:7	75-0240	2	O-Ring
34	84-0430	2	O-Ring	37:8	84-0560	2	O-Ring
35	112-0151	8	Screw	37:9	110-6478	1	Seal-Lip
36	84-0440	1	Cover-Trunnion	37:10	84-0430	2	O-Ring
37	110-6481	1	Seal Kit ●	37:11	131-8614	2	O-Ring

● Not illustrated

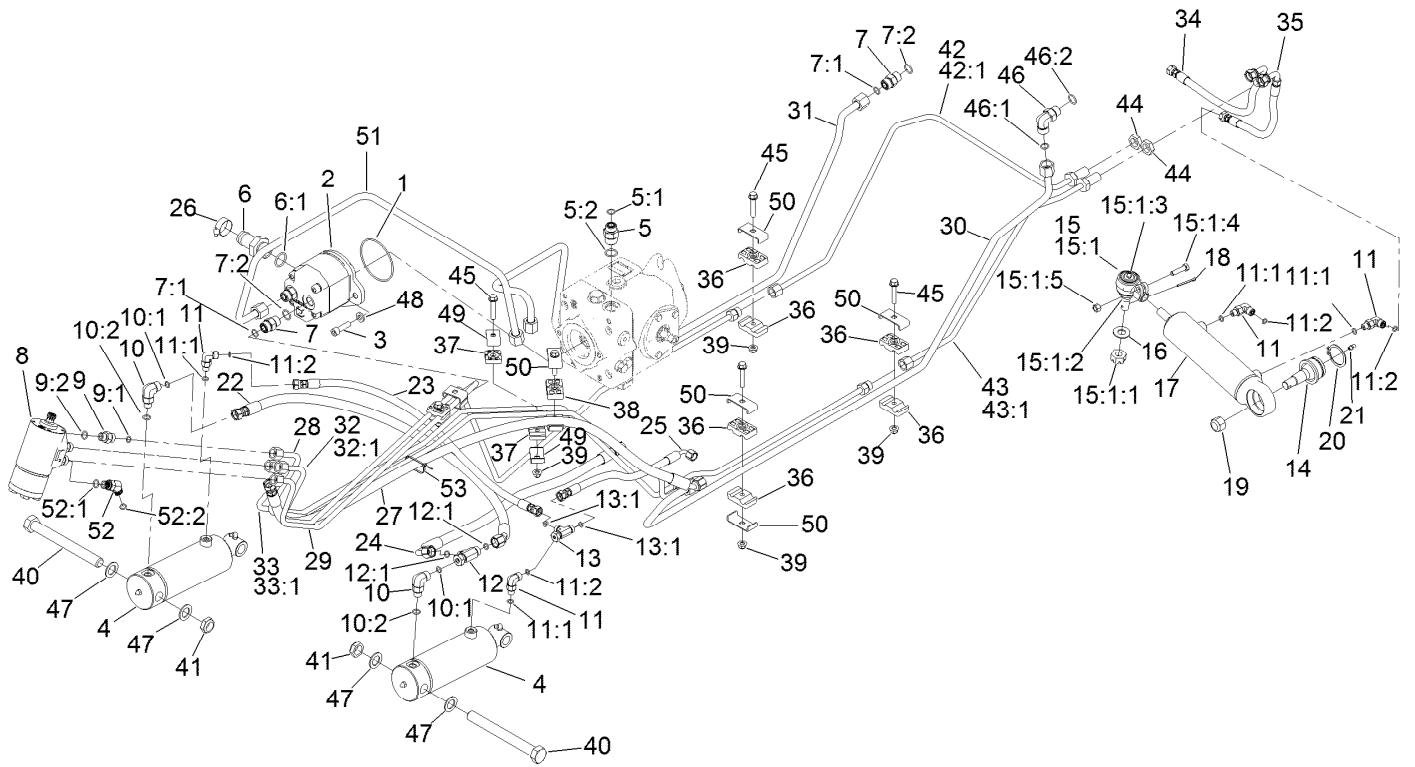
■ Not serviced separately



Hydraulic Assembly

Ref.	Part Number	Qty.	Description	Ref.	Part Number	Qty.	Description
1	237-161	1	O-Ring	10:2	237-42	1	O-Ring
2	138-0321	1	Pump-Gear	11	340-132	4	Fitting-Elbow, 90 DEG
3	3274-1	2	Screw-HSH	11:1	237-78	1	O-Ring
4	139-0854	2	Cylinder-Hydraulic	11:2	237-21	1	O-Ring
5	340-6	1	Fitting-Straight	12	340-115	1	Fitting-Tee
5:1	237-30	1	O-Ring	12:1	237-22	2	O-Ring
5:2	237-80	1	O-Ring	13	340-151	1	Fitting-Tee
6	99-3017	1	Fitting	13:1	237-75	2	O-Ring
6:1	237-81	1	O-Ring	14	106-6774	1	Joint-Ball
7	340-4	3	Fitting-Straight	15	106-6895-03	1	Ball Joint ASM
7:1	237-30	1	O-Ring	15:1		1	Joint-Ball ●
7:2	237-79	1	O-Ring	15:1:1	32136-13	1	Nut-SHH
8	114-8119	1	Steering Valve ASM	15:1:2	106-6896	1	Seal
9	340-2	4	Fitting-Straight	15:1:3	302-5	1	Fitting-Grease
9:1	237-22	1	O-Ring	15:1:4	3210-7	1	Screw-HH
9:2	237-42	1	O-Ring	15:1:5	32152-5	1	Nut-Hex
10	340-77	2	Fitting-Elbow, 90 DEG	16	69-8980	1	Washer
10:1	237-22	1	O-Ring	17	139-6277	1	Steering Cylinder

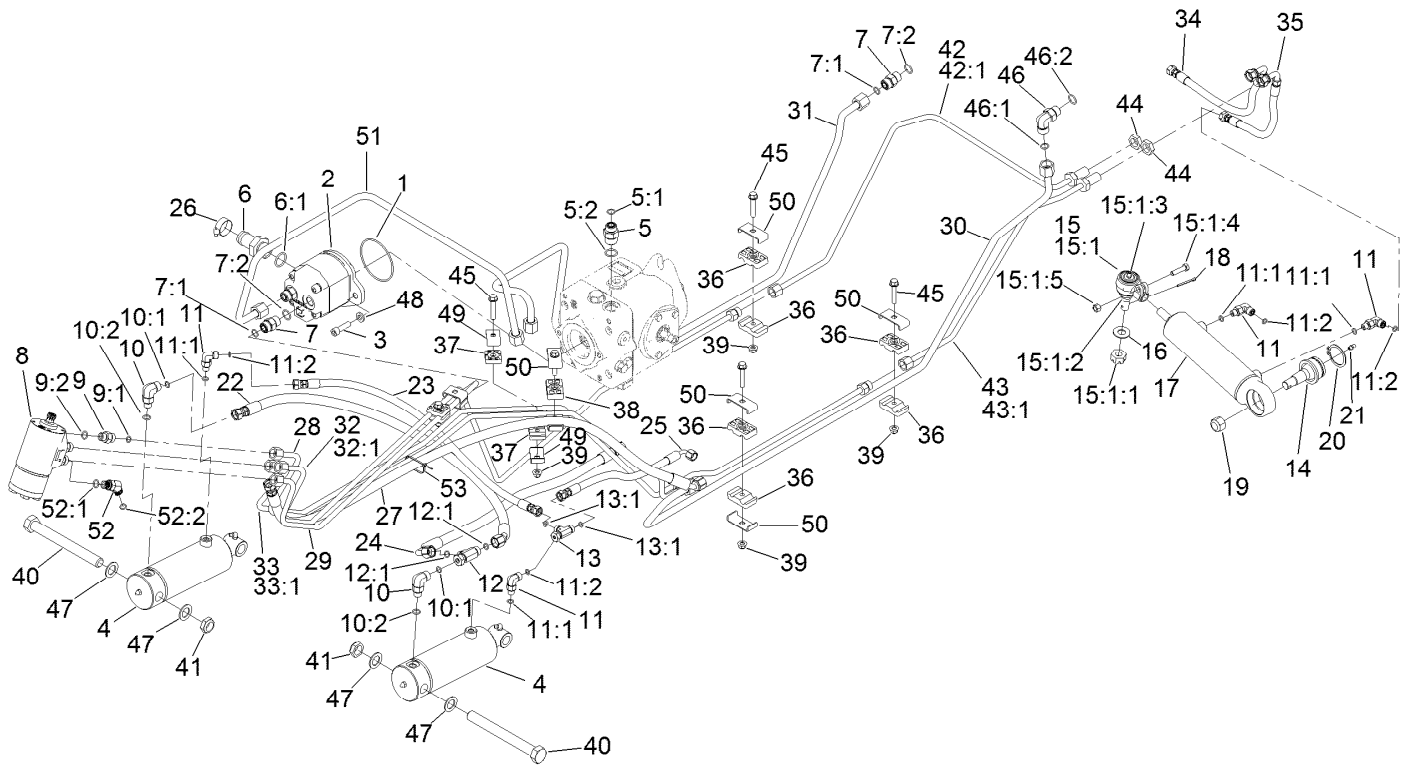
● Not serviced separately



Hydraulic Assembly (continued)

Ref.	Part Number	Qty.	Description	Ref.	Part Number	Qty.	Description
18	3272-12	1	Pin-Cotter	34	115-0383	1	Hose ASM
19	3220-6	2	Nut-Jam	35	137-2584	1	Hose ASM
20	32151-104	1	Ring-Retaining, External	36	56-7972	8	Clamp-Tube
21	302-5	1	Fitting-Grease	37	56-7973	4	Clamp-Tube
22	137-5844	1	Hose ASM	38	56-7970	2	Clamp-Tube
23	137-5845	1	Hose ASM	39	104-8300	7	Nut-HF, NI
24	137-5846	1	Hose ASM	40	328-23	2	Screw-HH
25	137-5847	1	Hose ASM	41	HDW02059	2	Nut-Hex
26	2412-34	1	Clamp-Hose	42	138-0343	1	Hydraulic Tube ASM
27	140-3097	1	Hose ASM	42:1	237-22	1	O-Ring
28	138-0331	1	Hydraulic Tube ASM	43	138-0344	1	Hydraulic Tube ASM
29	138-0332	1	Hydraulic Tube ASM	43:1	237-22	1	O-Ring
30	138-7448	1	Hydraulic Tube ASM	44	340-70	2	Nut-Lock
31	138-7447	1	Hydraulic Tube ASM	45	3230-5	7	Bolt-CARR
32	138-0333	1	Hydraulic Tube ASM	46	340-98	1	Fitting-Elbow, 90 DEG
32:1	237-22	1	O-Ring	46:1	237-79	1	O-Ring
33	138-0336	1	Hydraulic Tube ASM	46:2	237-30	1	O-Ring
33:1	237-22	1	O-Ring	47	126-7888	4	Washer-Nylon

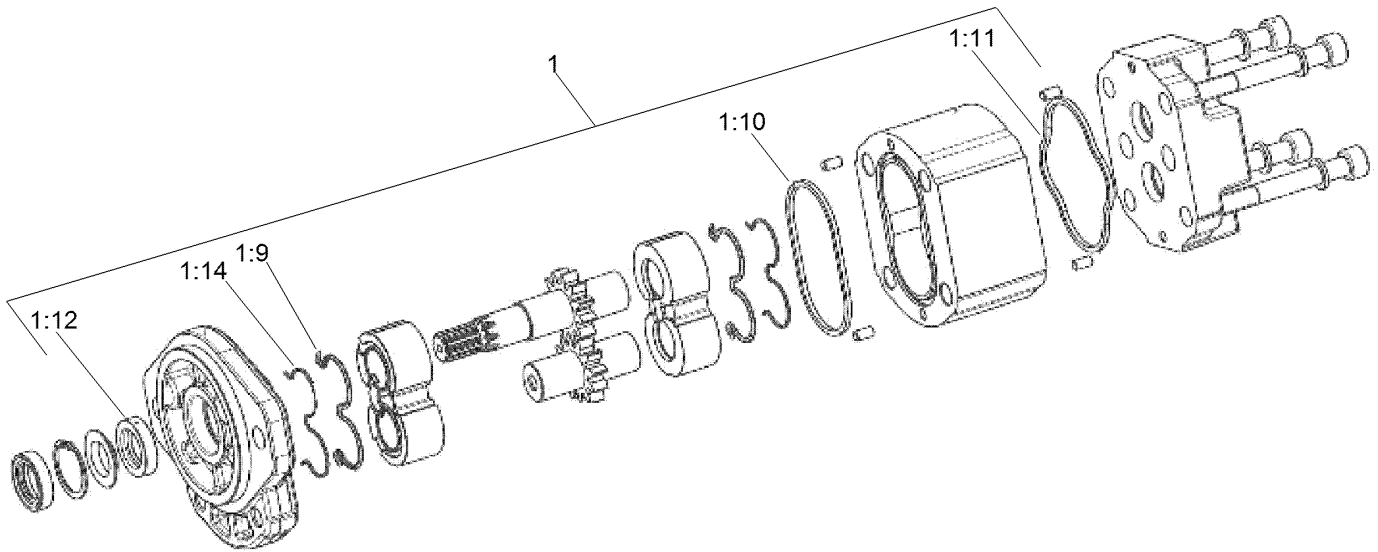
● Not serviced separately



Hydraulic Assembly (continued)

<i>Ref.</i>	<i>Part Number</i>	<i>Qty.</i>	<i>Description</i>	<i>Ref.</i>	<i>Part Number</i>	<i>Qty.</i>	<i>Description</i>
48	139-6293	2	Washer	52	340-87	1	Fitting-Elbow, 45 DEG
49	119-1418	4	Plate-Clamp, Short	52:1	237-22	1	O-Ring
50	119-1419	8	Plate-Clamp	52:2	237-42	1	O-Ring
51	138-0342	1	Hydraulic Tube ASM	53	3290-378	1	Tie-Cable

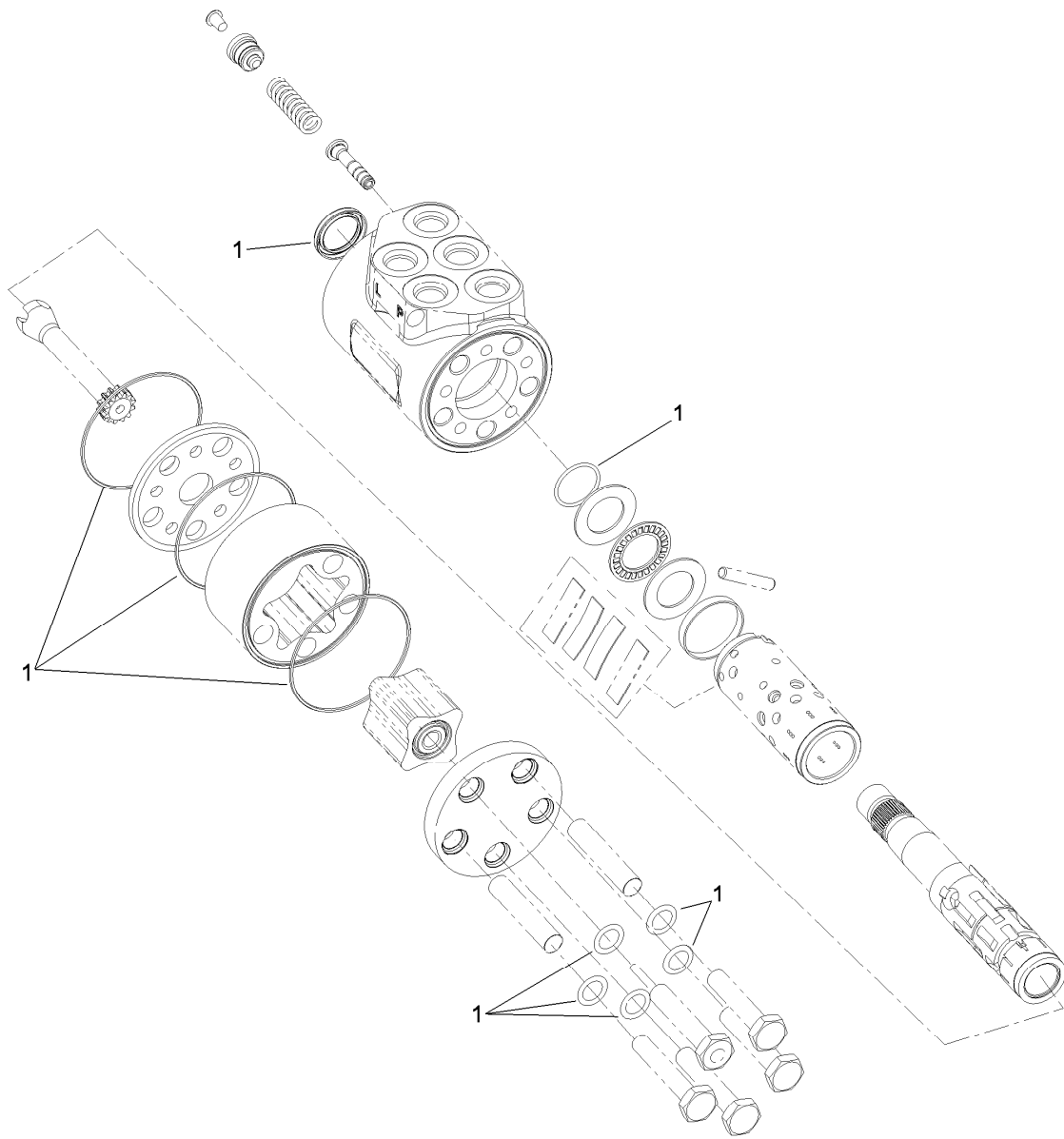
● Not serviced separately



Gear Pump Assembly No. 138-0321

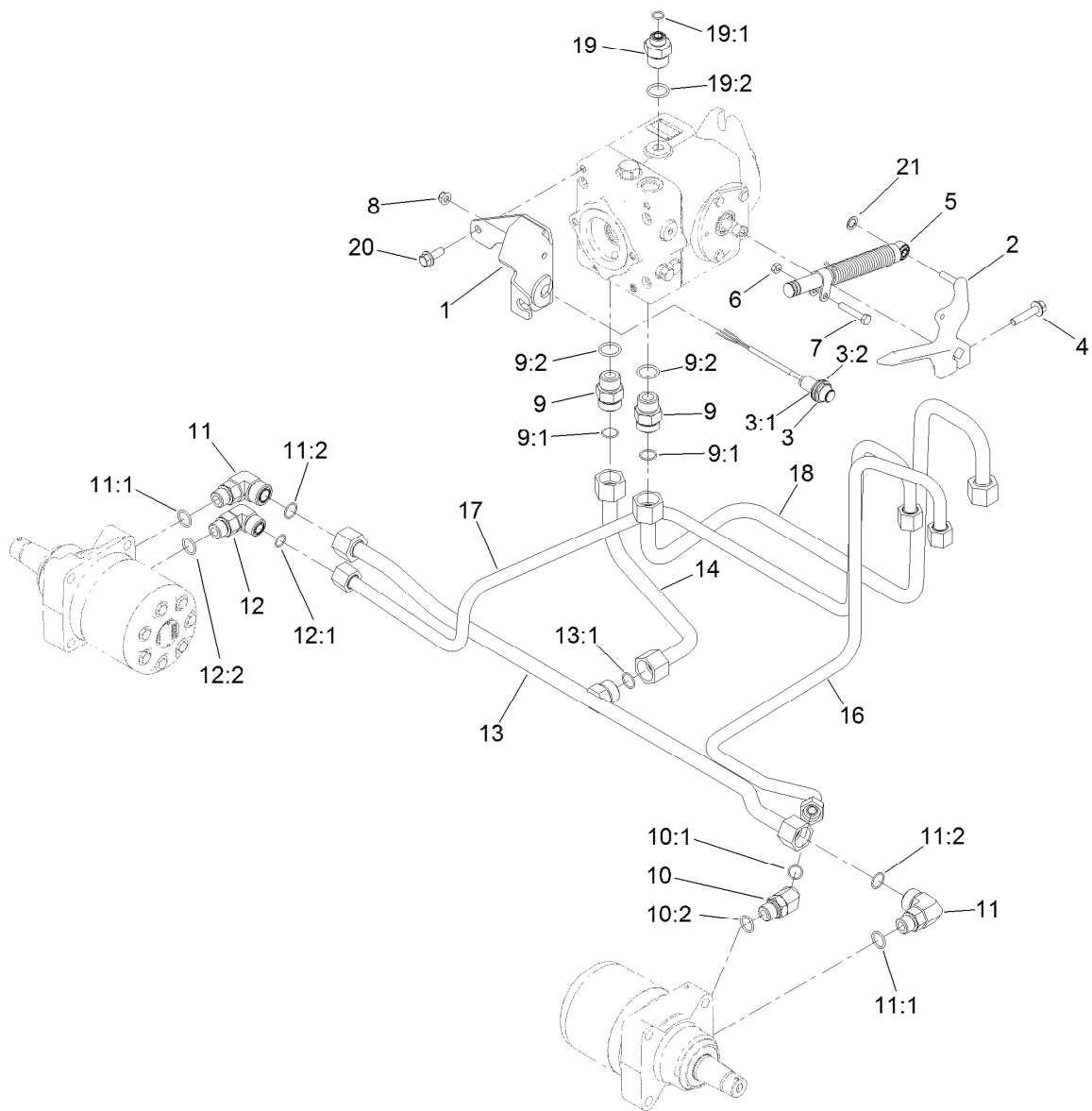
<i>Ref.</i>	<i>Part Number</i>	<i>Qty.</i>	<i>Description</i>
1	139-6299	1	Kit-Seal
1:9		1	Seal ●
1:10		1	Seal-Standard ●
1:11		1	Seal-Square ●
1:12		1	Seal-Shaft ●
1:14		1	Anti Extrusion ●

● Not serviced separately



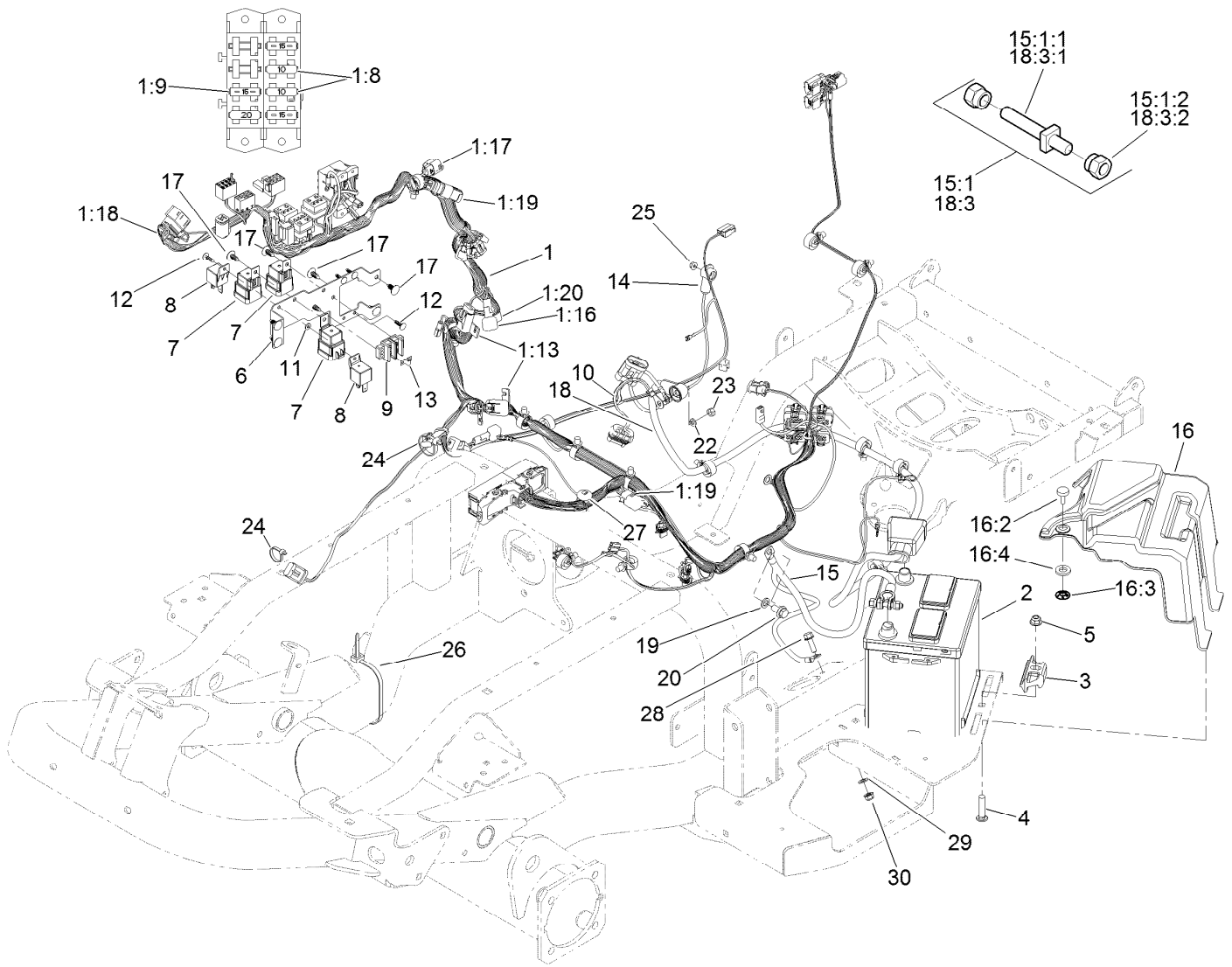
Steering Valve Assembly No. 114-8119

<i>Ref.</i>	<i>Part Number</i>	<i>Qty.</i>	<i>Description</i>
1	106-6716	1	Seal Kit



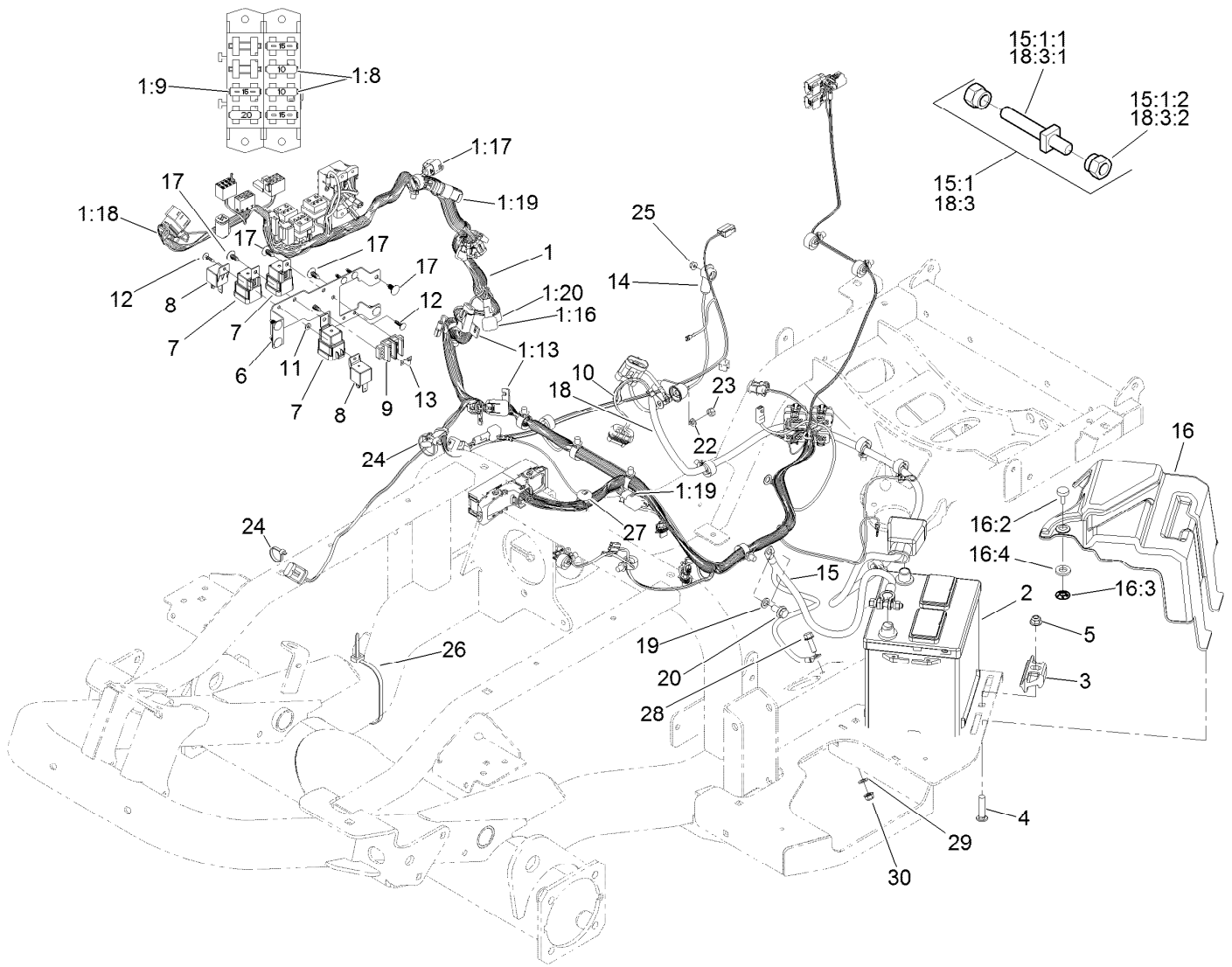
Traction Hydraulic Assembly

<i>Ref.</i>	<i>Part Number</i>	<i>Qty.</i>	<i>Description</i>	<i>Ref.</i>	<i>Part Number</i>	<i>Qty.</i>	<i>Description</i>
1	139-6195-03	1	Bracket-Support, Cable	11:1	237-80	1	O-Ring
2	138-6378	1	Lever-Pump	11:2	237-58	1	O-Ring
3	115-5300	1	Proximity Switch ASM	12	340-17	1	Fitting-Elbow, 90 DEG
3:1	117-3207	2	Nut-Hex	12:1	237-65	1	O-Ring
3:2	117-3208	2	Washer-Lock, Internal Tooth	12:2	237-80	1	O-Ring
4	3234-19	1	Screw-HHF	13	138-0340	1	Hydraulic Tube ASM
5	138-4467	1	Damper	13:1	237-58	1	O-Ring
6	3218-2	1	Nut-Hex Jam	14	138-0341	1	Hydraulic Tube ASM
7	322-9	1	Screw-HH	16	138-0345	1	Hydraulic Tube ASM
8	104-8300	1	Nut-HF, NI	17	138-0346	1	Hydraulic Tube ASM
9	340-9	2	Fitting-STR	18	138-0339	1	Hydraulic Tube ASM
9:1	237-58	1	O-Ring	19	100-4240	1	Fitting-STR
9:2	237-81	1	O-Ring	19:1	237-30	1	O-Ring
10	340-14	1	Fitting-HYD, 45 DEG	19:2	237-81	1	O-Ring
10:1	237-65	1	O-Ring	20	3234-42	2	Screw-HHF
10:2	237-80	1	O-Ring	21	32151-72	1	Ring-Retaining
11	340-16	2	Fitting-HYD, 90 DEG				



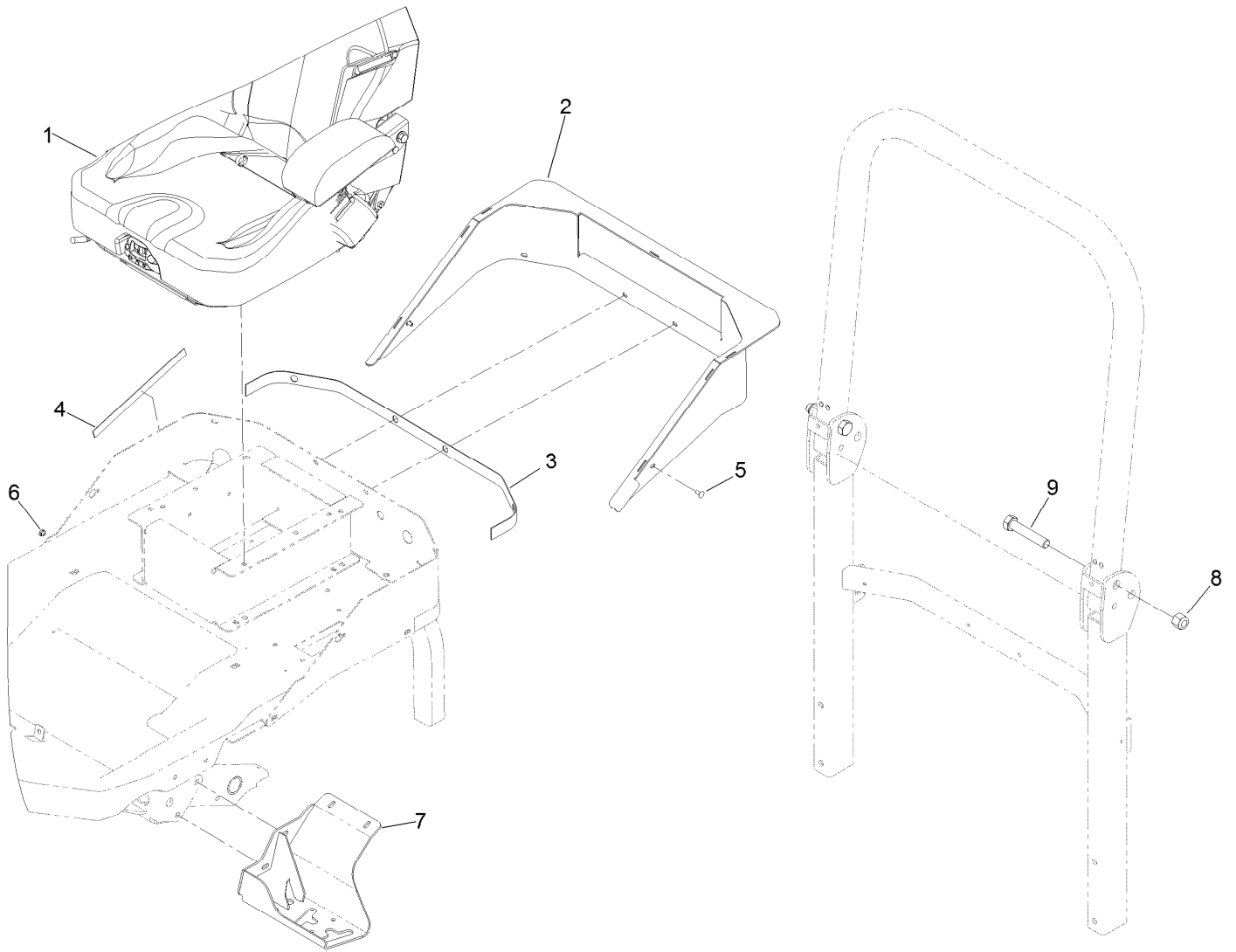
Electrical Assembly

Ref.	Part Number	Qty.	Description	Ref.	Part Number	Qty.	Description
1	122-1656	1	Harness-Wire, Main Gm33X0	13	42863	1	Strip-Jumper
1:8	218-578	4	Fuse-Blade, 10 Amp	14	100-5552	1	Harness-Wire
1:9	109355	3	Fuse-Blade, 15 Amp	15	122-1276	1	Cable-Battery, Negative ASM
1:13	32180-019	2	Cover-Fuse, Single	15:1	112-9921	1	Bolt ASM
1:16	108-9493	1	Diode-Tvs	15:1:1	32180-107	1	Bolt-Clamp, Battery
1:17	32180-089	1	Cap-Plug, 3 Way	15:1:2	32180-108	2	Nut-Hex Shoulder
1:18	32180-043	1	Resistor-120 Ohm	16	140-9010	1	Battery Cover ASM
1:19	32180-156	2	Cap-Plug, 6 Way	16:2	140-9033	1	Knob-Stud
1:20	104-4022	1	Resistor-75 Ohm	16:3	32115-15	1	Nut-Push
2	106-5187	1	Battery- Dry, 12V, 525 CCA	16:4	3256-22	1	Washer-Flat
3	138-6335	1	Retainer-Battery	17	117-2382	10	Plug-Plastic
4	3231-29	1	Screw-CARR	18	122-1275	1	Cable-Battery, Positive ASM
5	104-8301	1	Nut-HF, NI	18:3	112-9921	1	Bolt ASM
6	138-7467-0P	1	Bracket-Electrical	18:3:1	32180-107	1	Bolt-Clamp, Battery
7	99-7430	3	Relay-Mini	18:3:2	32180-108	2	Nut-Hex Shoulder
8	99-7435	2	Relay	19	48-9590	1	Washer-Lock
9	42862	1	Block-Terminal, Ground	20	33105-020	1	Screw-HHF
10	99-3441	1	Harness-Wire, Fusible Link	22	3253-4	1	Washer-Lock
11	3256-21	1	Washer-Flat	23	33014-00	1	Nut-Hex
12	125-8067	1	Plug-Plastic	24	3290-378	2	Tie-Cable



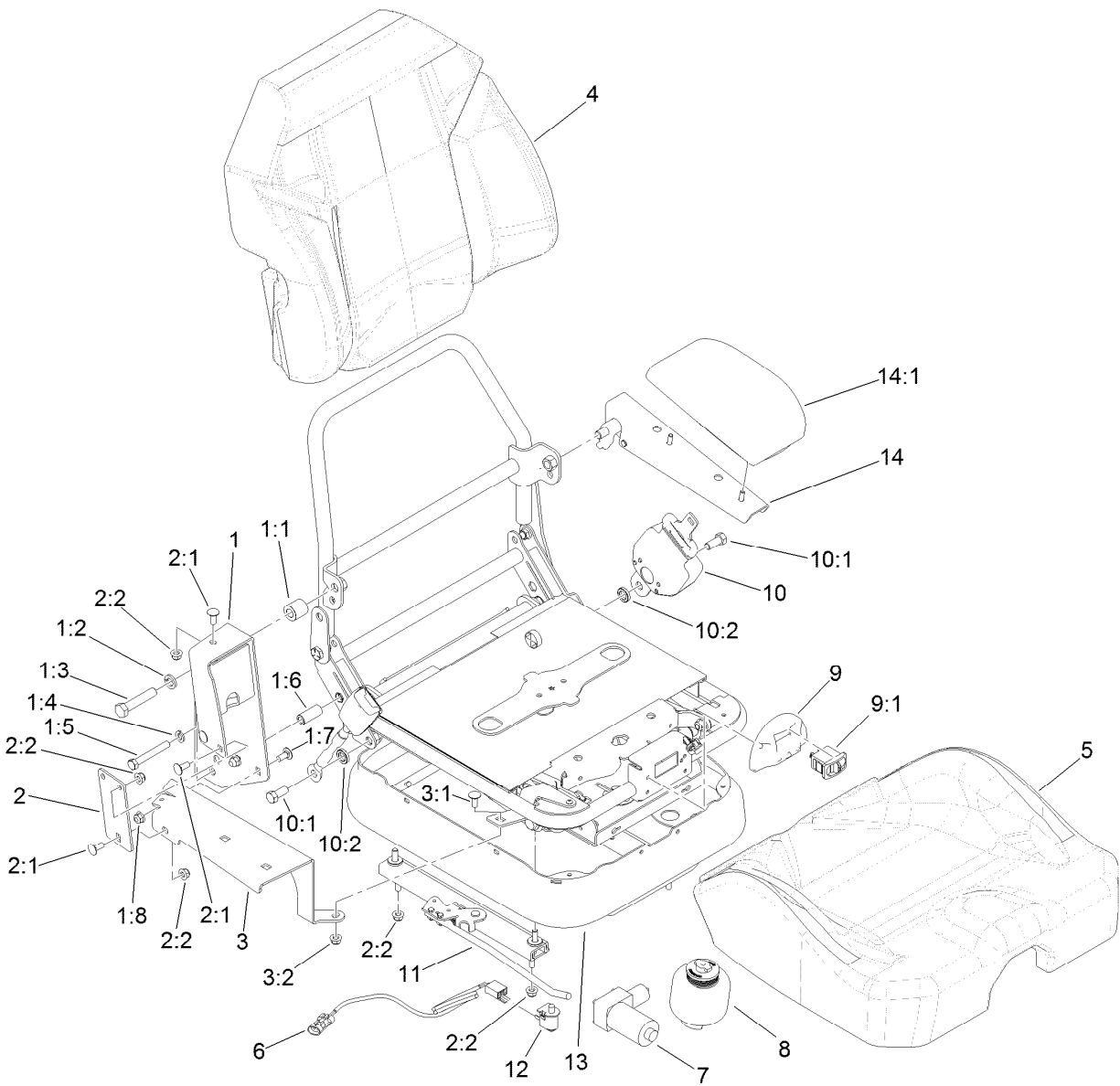
Electrical Assembly (continued)

<i>Ref.</i>	<i>Part Number</i>	<i>Qty.</i>	<i>Description</i>	<i>Ref.</i>	<i>Part Number</i>	<i>Qty.</i>	<i>Description</i>
25	33003-00	1	Nut-HF	28	3234-29	1	Screw-HHF
26	3290-379	1	Tie-Cable	29	120-9683	1	Washer-Plain
27	32180-149	1	Tie-Button Head	30	104-8300	1	Nut-HF, NI



Seat, Firewall and Step Mount Assembly

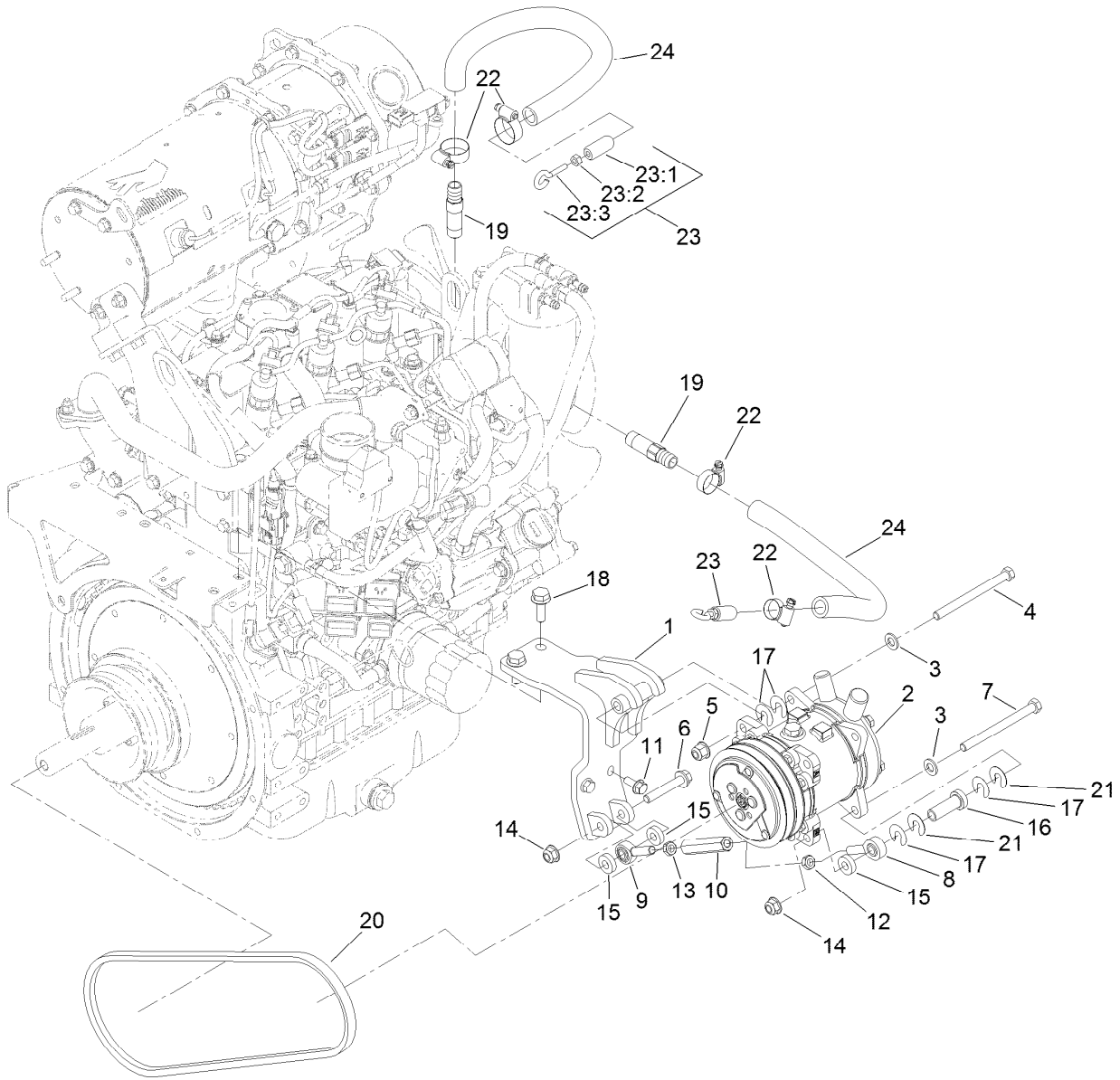
Ref.	Part Number	Qty.	Description
1	138-4535	1	Seat ASM, Air Ride
2	139-2035-03	1	Firewall-Upper
3	139-2039	1	Seal-Foam, Firewall
4	139-2040	2	Seal-Foam, Side
5	3229-11	2	Screw-CARR
6	104-7201	2	Nut-HF, NI
7	139-2030-03	1	Mount-Step
8	3296-51	2	Nut-Lock, NI
9	328-7	2	Screw-HH



Air Ride Suspension Seat Assembly

Ref.	Part Number	Qty.	Description	Ref.	Part Number	Qty.	Description
1	140-7112	1	Upper Console Mount Kit	5	125-3111	1	Cover-Cushion
1:1	140-7113	1	Spacer	6	106-7090	1	Harness-Wire, Seat Switch
1:2	3253-7	1	Washer-Lock	7	140-7120	1	Air Compressor Kit
1:3	325-10	1	Screw-HH	8	140-7121	1	Air Bag Kit
1:4	3253-21	1	Washer-Lock	9	140-7122	1	Air Valve Kit
1:5	323-13	1	Screw-HH	9:1	126-2747	1	Valve-Air Adjust
1:6	140-7114	1	Spacer	10	140-7116	1	Seat Belt Kit
1:7	3230-23	2	Bolt-CARR	10:1	3212-4	2	Screw-HH
1:8	104-8300	2	Nut-HF, NI	10:2	140-7108	2	Spacer
2	140-7103	1	Bracket Kit	11	140-7117	1	Kit-Track
2:1	3230-23	3	Bolt-CARR	12	82-2190	1	Switch-Bail
2:2	104-8300	3	Nut-HF, NI	13	126-8559	1	Bellows-Seat
3	140-7115	1	Lower Console Mount Kit	14	140-7110	1	Armrest-Deluxe, With Pad
3:1	3230-23	1	Bolt-CARR	14:1	140-7111	1	Pad-Armrest
3:2	104-8300	1	Nut-HF, NI	99	140-7119	1	Harness-Air Ride ●
4	125-3112	1	Cover-Back				

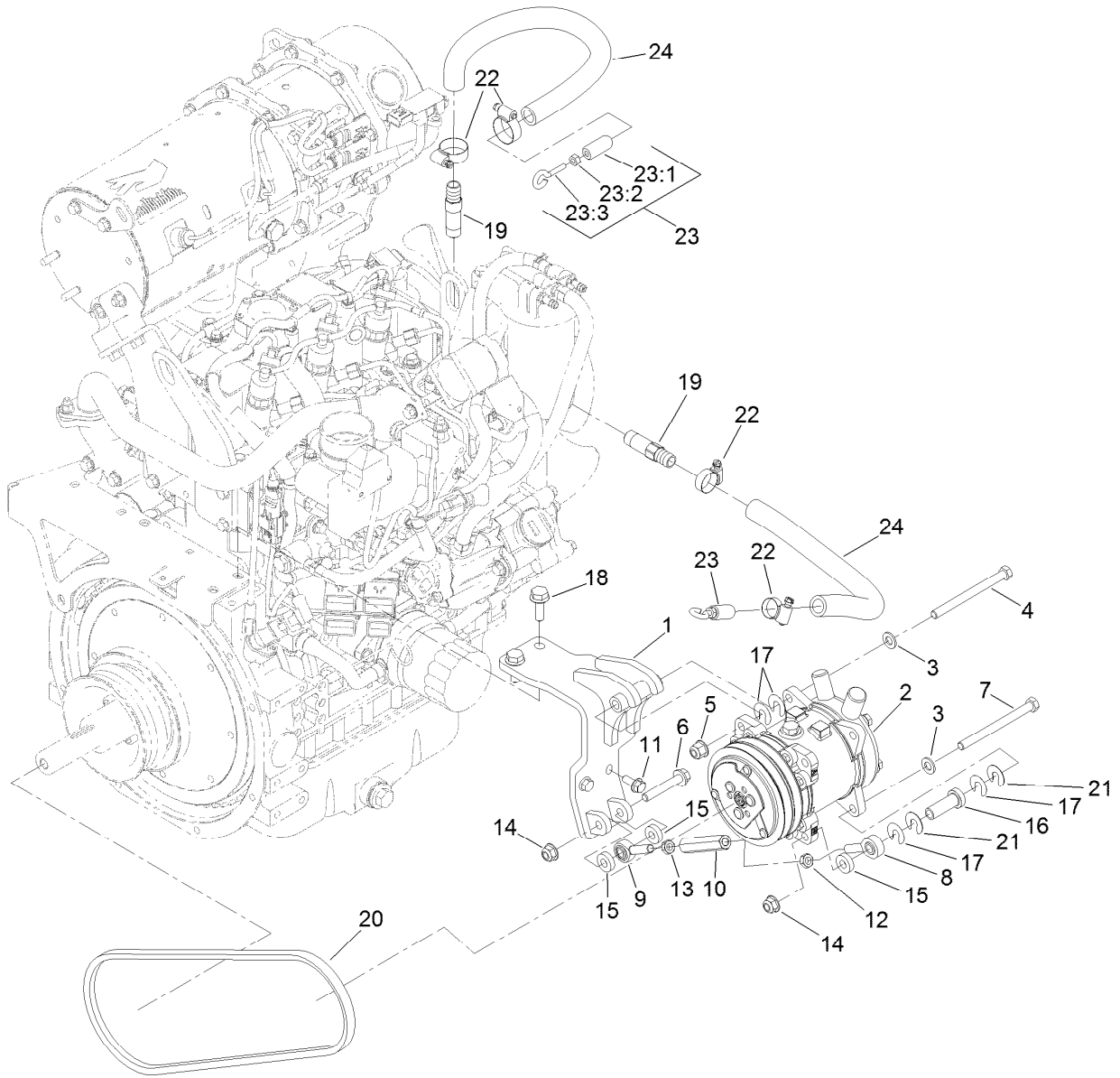
● Not illustrated



Compressor and Belt Assembly

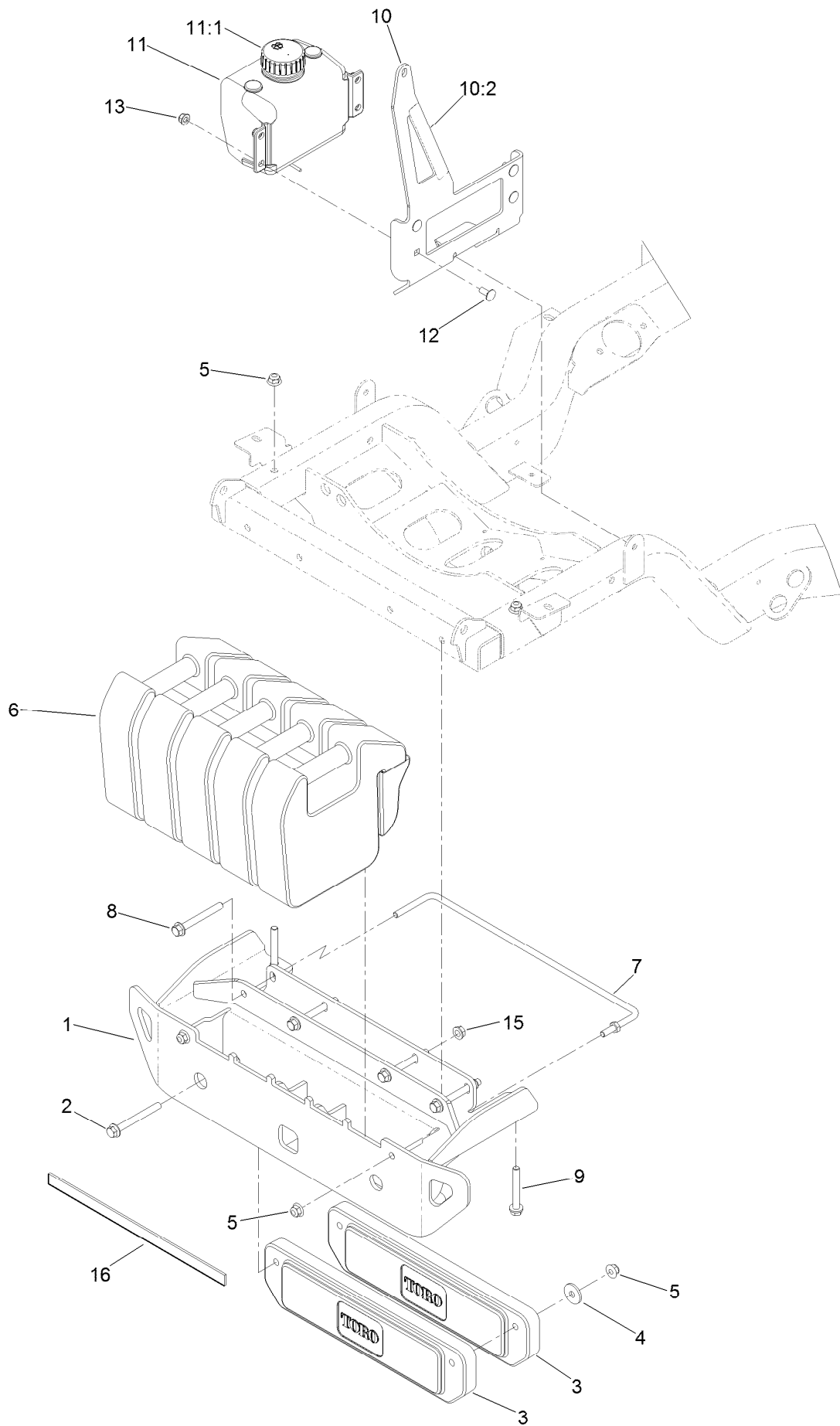
Ref.	Part Number	Qty.	Description
1	138-7435-03	1	Bracket-Compressor
2	119-0103	1	Compressor
3	33095-00	2	Washer-Flat
4	33115-110	1	Screw-HH
5	103-9511	1	Nut-Lock, NI
6	100-2592	1	Screw-HHF
7	119-0723	1	Screw-HH, Lock
8	1-613204	1	Balljoint
9	125-4389	1	Bearing-End, Rod
10	136-7390	1	Turnbuckle
11	33104-020	2	Screw-HHF
12	3220-3	1	Nut-HJ
13	3220-16	1	Nut-Hex Jam, LH
14	104-8301	2	Nut-HF, NI

Ref.	Part Number	Qty.	Description
15	5-0652	3	Spacer
16	139-0873	1	Spacer
17	119-7734	4	Shim
18	33105-030	2	Screw-HHF
19	139-2236	2	Fitting-STR Spcl
20	106-4498	1	Belt-V
21	139-6205	2	Shim
22	2412-129	4	Clamp-Hose
23	139-1905	1	Plug-Hose, ASM
23:1	139-1904	1	Plug-Hose
23:2	3217-5	1	Nut-Hex
23:3	71-2870	1	Bolt-Eye
24	140-6560	2	Hose-Heater, 5/8



Compressor and Belt Assembly (continued)

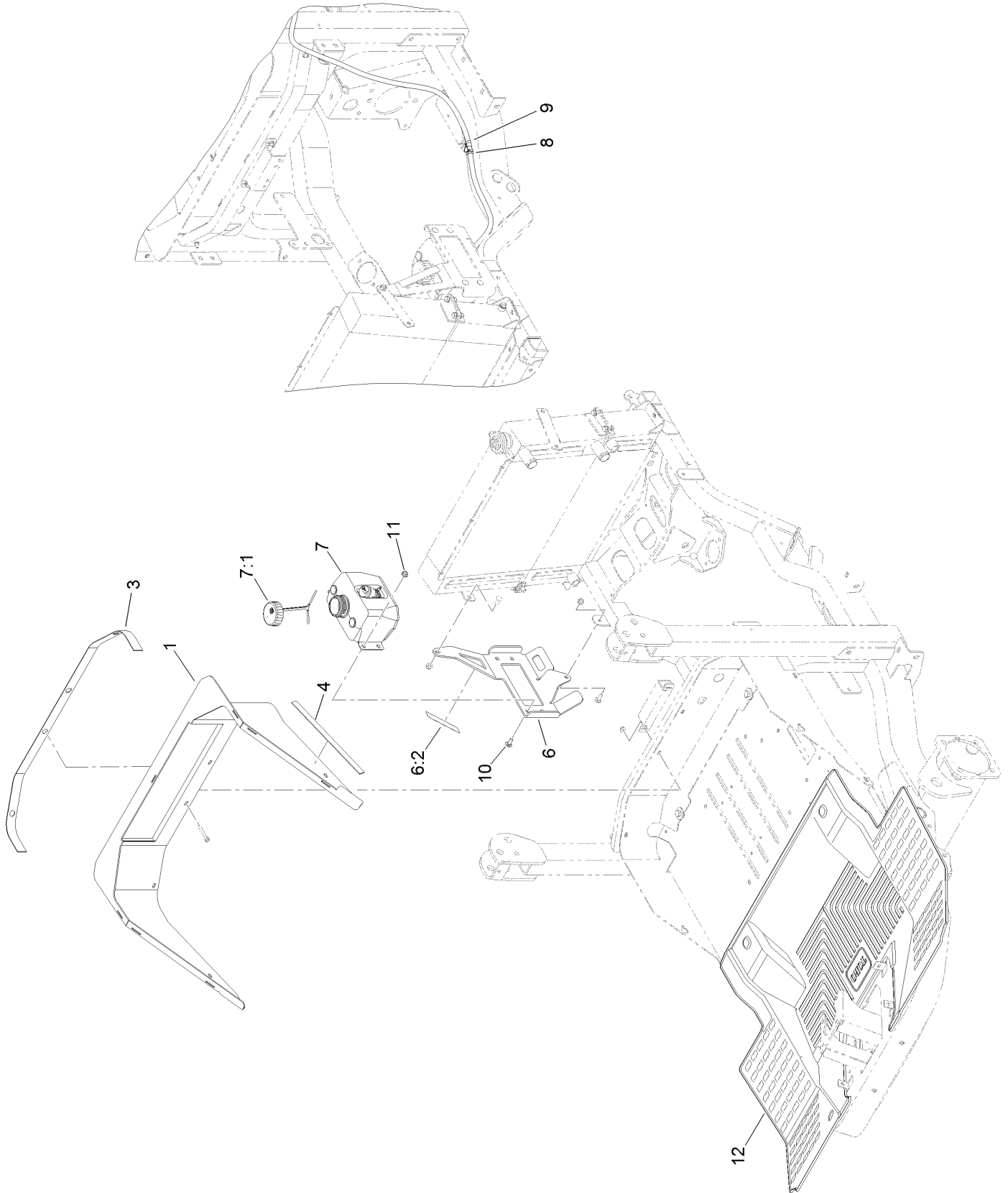
Bumper and Weight Assembly



Bumper and Weight Assembly (continued)

<i>Ref.</i>	<i>Part Number</i>	<i>Qty.</i>	<i>Description</i>	<i>Ref.</i>	<i>Part Number</i>	<i>Qty.</i>	<i>Description</i>
1	139-2328SP	1	Rear Bumper	10	140-4411	1	Bracket-Bottle, Washer
2	116-4701	2	Screw-HHF	10:2	93-7272	1	Decal-Warning
3	112-7059-01	2	Weight-Cast	11	138-2702	1	Tank-Fluid, Washer
4	125-9676	2	Washer-Backup	11:1	125-5258	1	Lid-Tank, Washer Fluid
5	104-8301	4	Nut-HF, NI	12	3230-23	4	Bolt-CARR
6	114-4096	5	Weight	13	104-8300	4	Nut-HF, NI
7	125-2667	1	Lock-Weight	15	32128-43	6	Nut-Flange
8	3234-41	4	Screw-HHF	16	144-0553	1	Strip-Rubber
9	133-9682	2	Screw-Hfh				

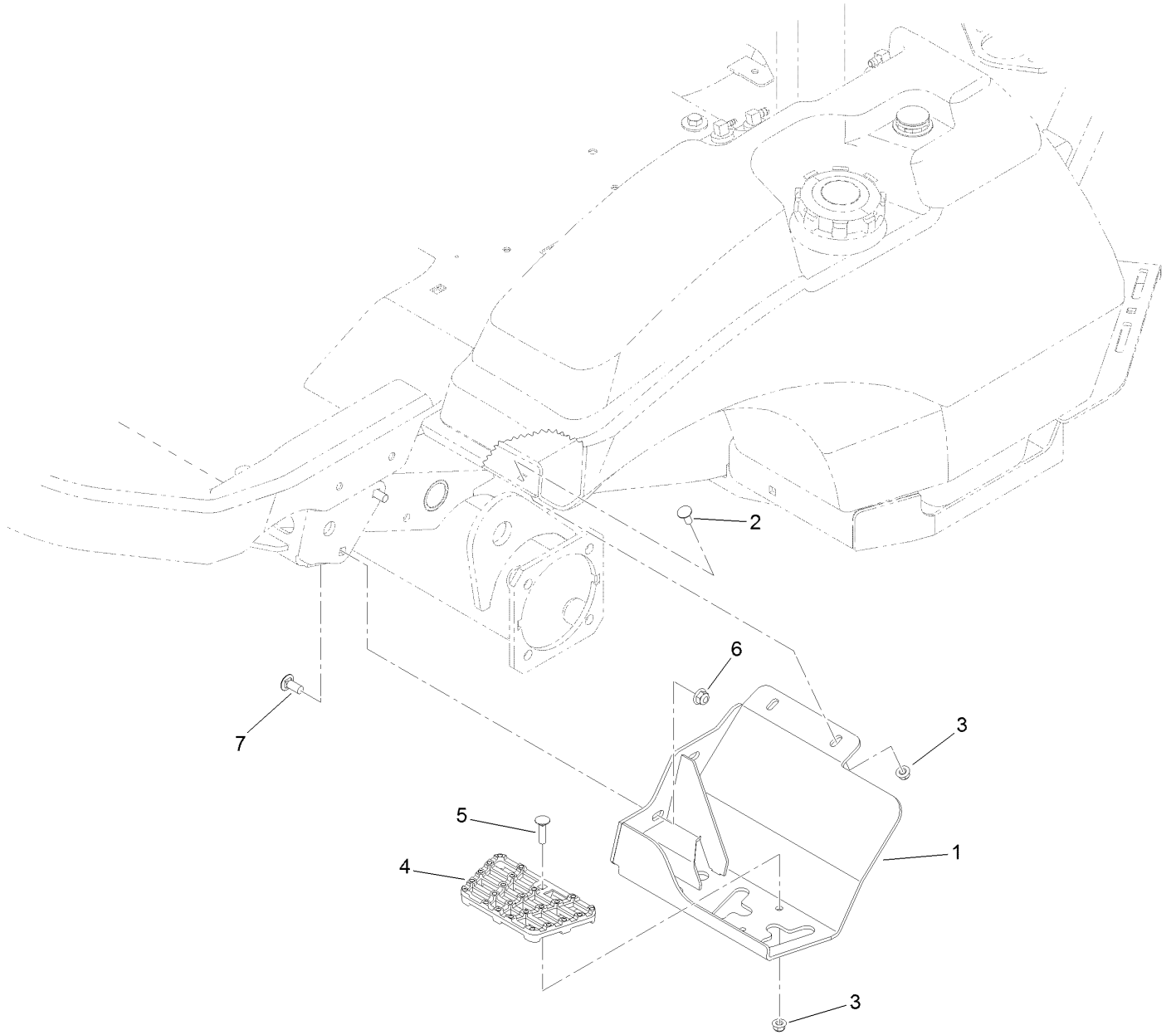
Loose Parts (Field Installation) Assembly



Loose Parts (Field Installation) Assembly (continued)

<i>Ref.</i>	<i>Part Number</i>	<i>Qty.</i>	<i>Description</i>	<i>Ref.</i>	<i>Part Number</i>	<i>Qty.</i>	<i>Description</i>
1	139-2035-03	1	Firewall-Upper	7:1	125-5258	1	Lid-Tank, Washer Fluid
3	139-2039	1	Seal-Foam, Firewall	8	130-5794	1	Fitting-Straight
4	139-2040	2	Seal-Foam, Side	9	130-5795	1	Fitting-Straight
6	140-4411	1	Bracket-Bottle, Washer	10	3230-23	4	Bolt-CARR
6:2	93-7272	1	Decal-Warning	11	104-8300	4	Nut-HF, NI
7	138-2702	1	Tank-Fluid, Washer	12	139-2026	1	Floormat-Platform

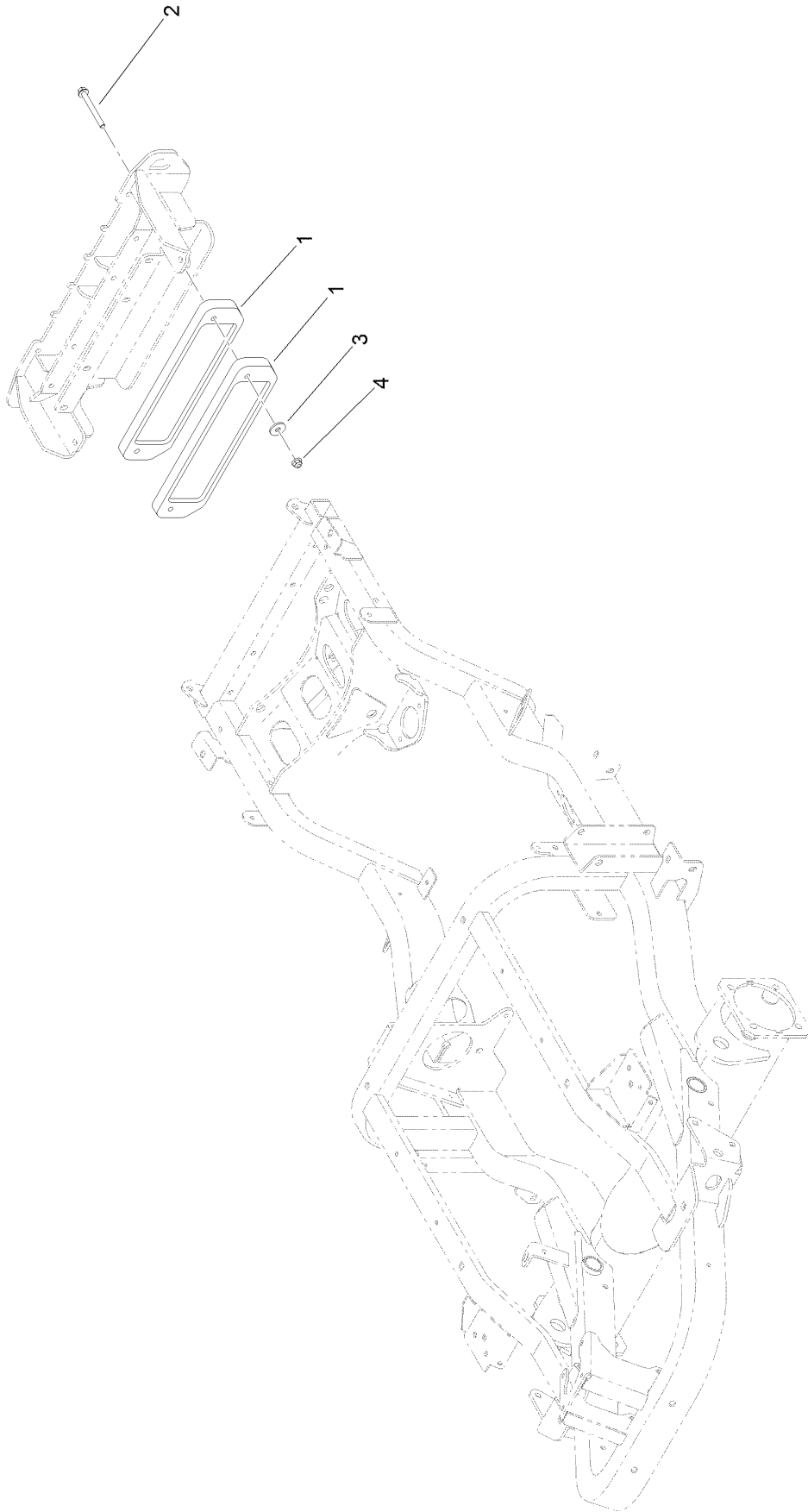
Step Mount Assembly



Step Mount Assembly (continued)

<i>Ref.</i>	<i>Part Number</i>	<i>Qty.</i>	<i>Description</i>	<i>Ref.</i>	<i>Part Number</i>	<i>Qty.</i>	<i>Description</i>
1	140-6577-03	1	Bracket-Mount, Step	5	3230-3	1	Screw-CARR
2	3230-23	2	Bolt-CARR	6	104-8301	2	Nut-HF, NI
3	104-8300	3	Nut-HF, NI	7	3231-27	2	Screw-CARR
4	126-4781	1	Step-Deck				

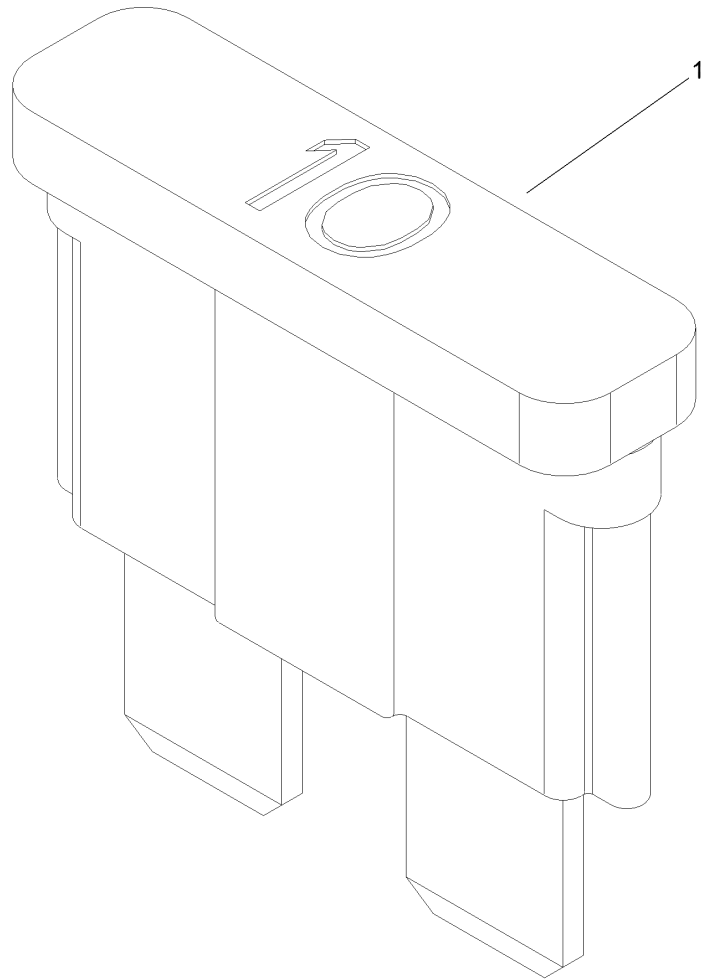
Rear Weights Assembly



Rear Weights Assembly (continued)

<i>Ref.</i>	<i>Part Number</i>	<i>Qty.</i>	<i>Description</i>	<i>Ref.</i>	<i>Part Number</i>	<i>Qty.</i>	<i>Description</i>
1	112-7059-01	2	Weight-Cast	3	125-9676	2	Washer-Backup
2	116-4701	2	Screw-HHF	4	104-8301	2	Nut-HF, NI

Fuse Assembly



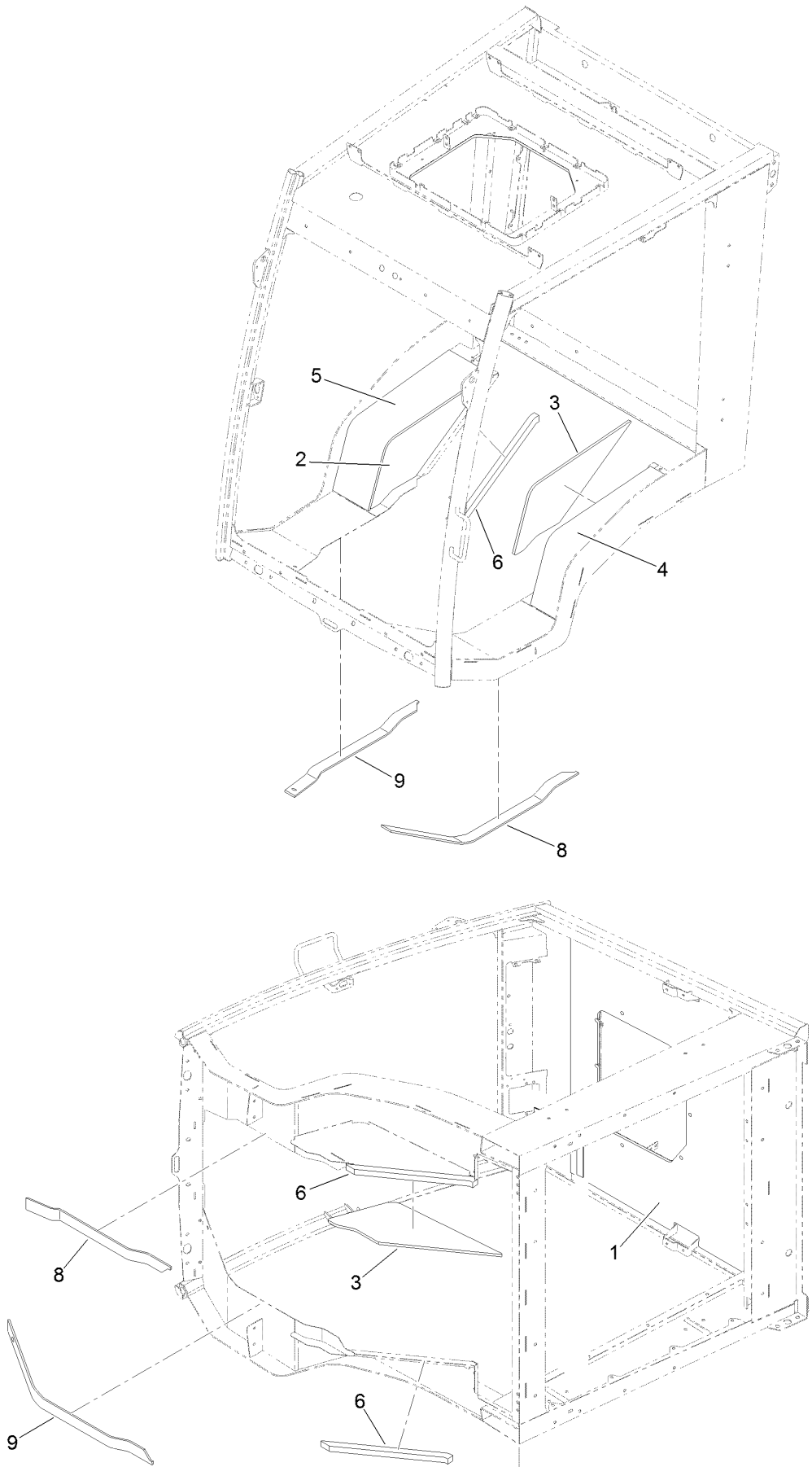
Fuse Assembly (continued)

<i>Ref.</i>	<i>Part Number</i>	<i>Qty.</i>	<i>Description</i>
1	218-578	1	Fuse-Blade, 10 Amp

Frame, Mount and Seals Assembly (continued)

<i>Ref.</i>	<i>Part Number</i>	<i>Qty.</i>	<i>Description</i>	<i>Ref.</i>	<i>Part Number</i>	<i>Qty.</i>	<i>Description</i>
3	86-5350	4	Bumper-Rubber	17	32105-15	16	Screw-HWH
5	138-2760	69	Nut-Clinch, Hex	19	137-1167-03	2	Cover-Post, Rear
6	137-1225	8	Nut-Clinch,Hex	21	139-2158-03	2	Bracket-Mount, Roof
9	107069	6	Clip	24	139-2180	2	Plug-Cap, Plastic
12	138-2899	4	Nut-Clinch	25	32105-15	16	Screw-HWH
16	104-7201	8	Nut-HF, NI				

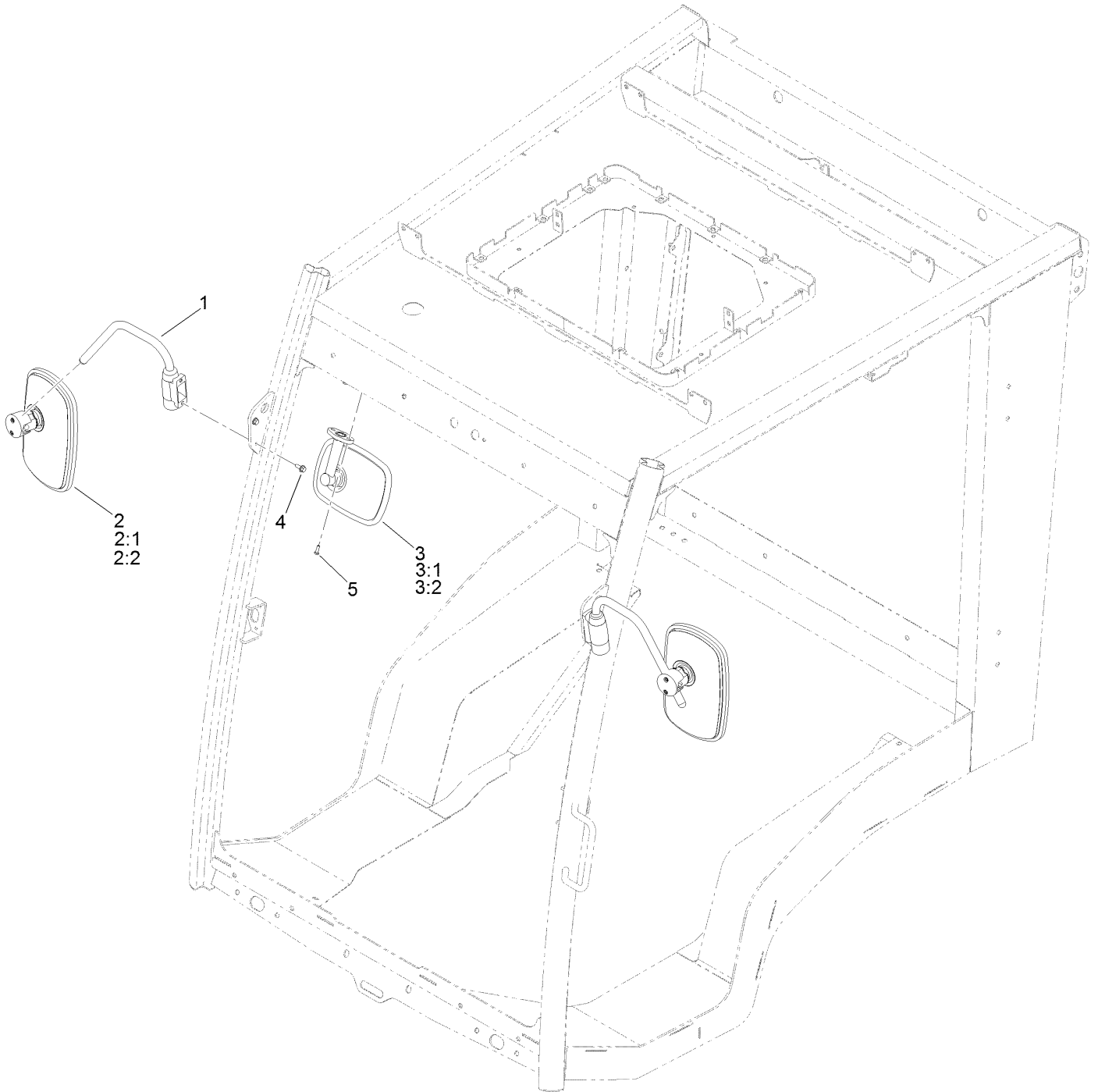
Interior Foam and Carpet Assembly



Interior Foam and Carpet Assembly (continued)

<i>Ref.</i>	<i>Part Number</i>	<i>Qty.</i>	<i>Description</i>	<i>Ref.</i>	<i>Part Number</i>	<i>Qty.</i>	<i>Description</i>
1	140-1499	1	Foam-Interior Roof	5	139-1968	1	Carpet-Interior, Tank RH
2	139-1966	1	Carpet-Interior, Side RH	6	139-2003	2	Seal-Foam, Side
3	139-1965	1	Carpet-Interior, Side LH	8	139-2004	1	Seal-Foam, LH
4	139-1967	1	Carpet-Interior, Tank LH	9	139-2005	1	Seal-Foam, RH

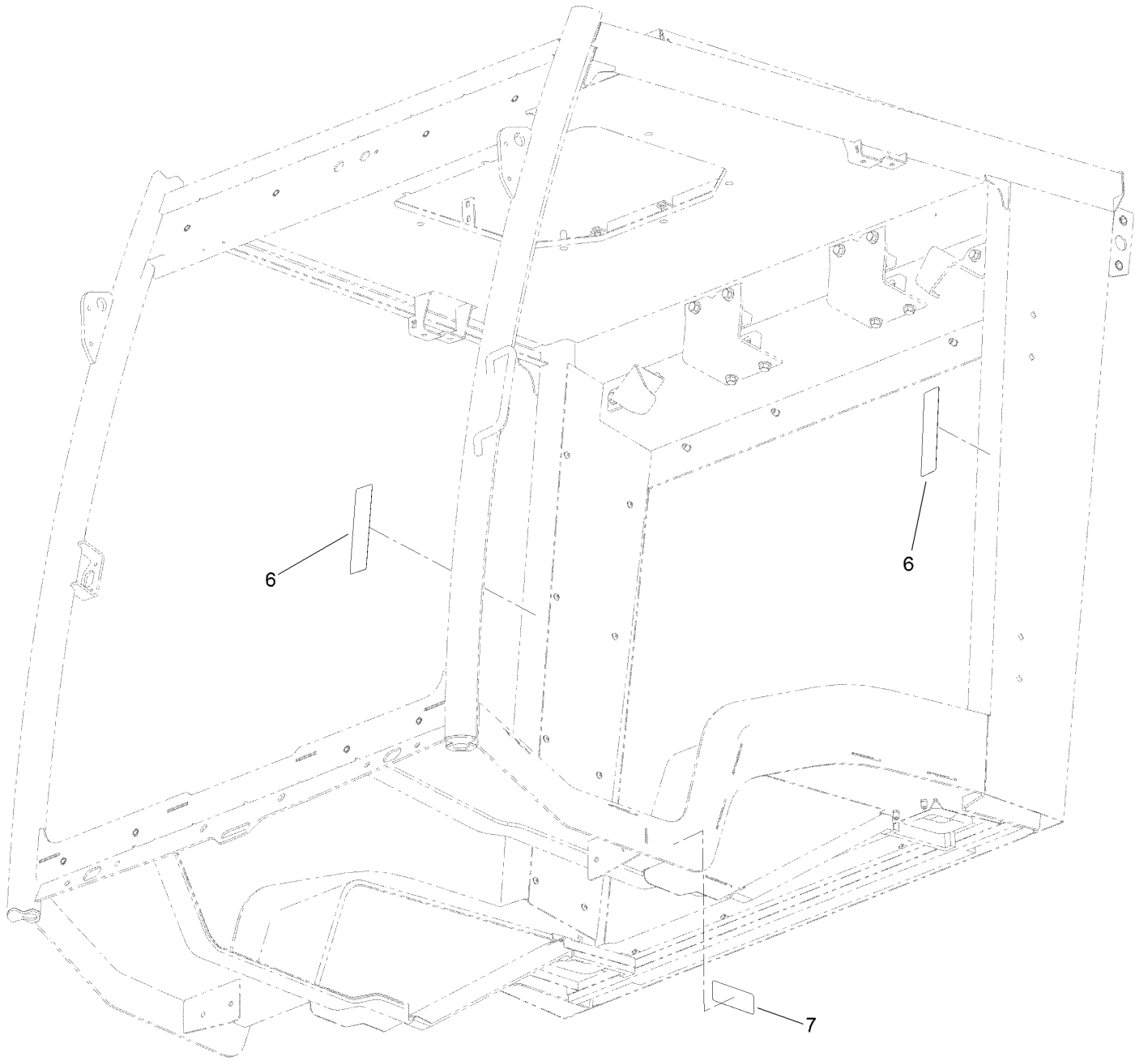
Cab Mirrors Assembly



Cab Mirrors Assembly (continued)

<i>Ref.</i>	<i>Part Number</i>	<i>Qty.</i>	<i>Description</i>	<i>Ref.</i>	<i>Part Number</i>	<i>Qty.</i>	<i>Description</i>
1	121-8275	2	Arm-Mirror, Side	3:1	121-8342	1	Mirror
2	121-8341	2	Side Mirror ASM	3:2	121-8389	1	Gasket
2:1	161-1779	1	Mirror-Glass	4	33103-016	4	Screw-HHF
2:2	121-8339	1	Gasket	5	32144-32	2	Screw
3	121-8343	1	Interior Mirror ASM				

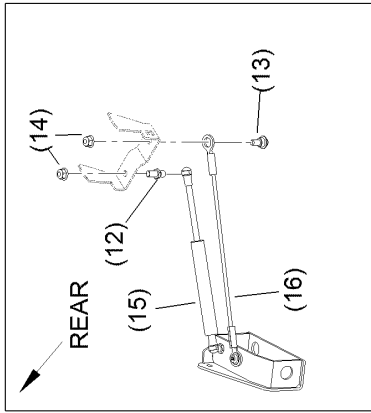
Decal Assembly



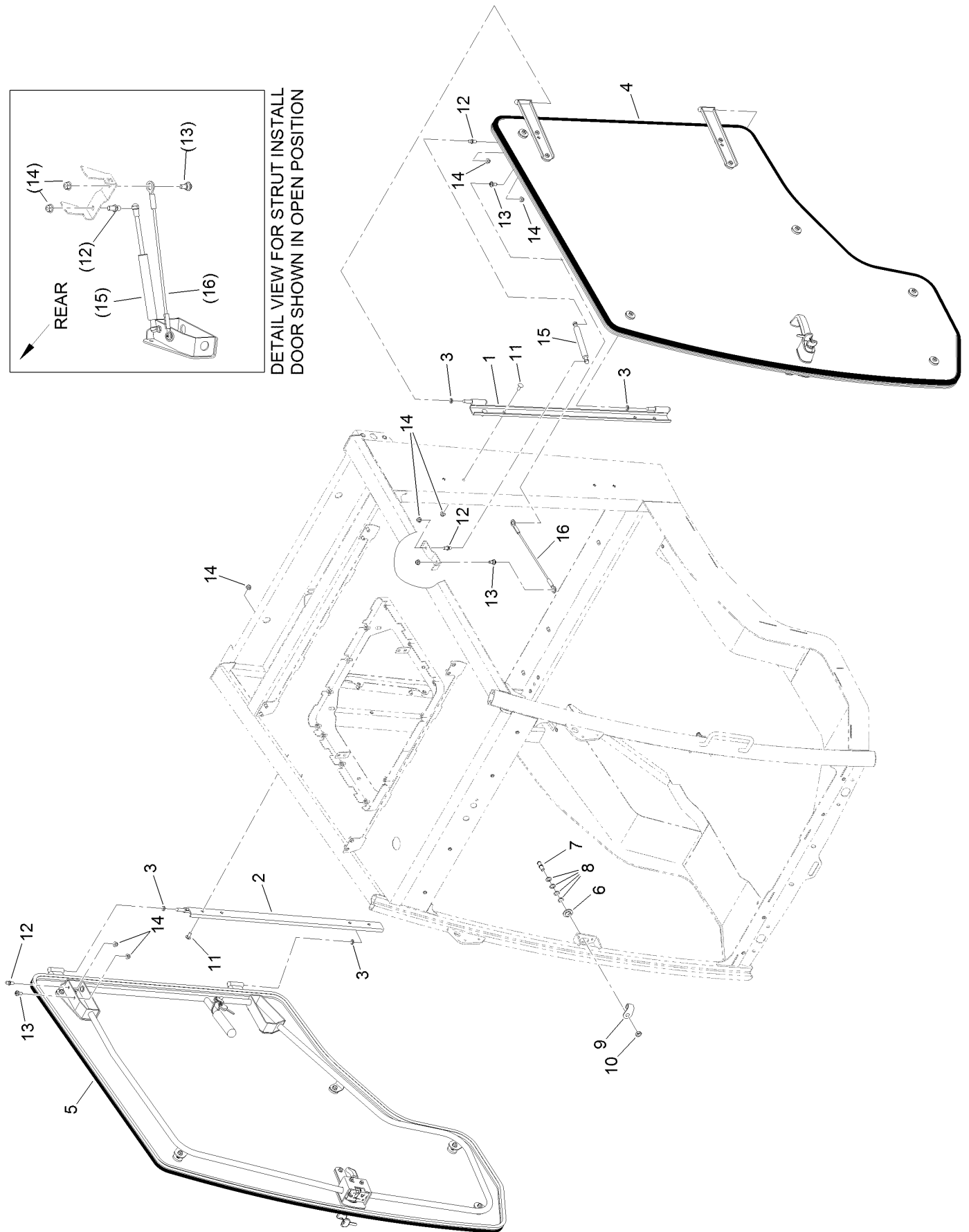
Decal Assembly (continued)

<i>Ref.</i>	<i>Part Number</i>	<i>Qty.</i>	<i>Description</i>
6	130-0594	2	Decal-Warning
7	106-9206	2	Decal-Torque, Wheel

Door Assembly



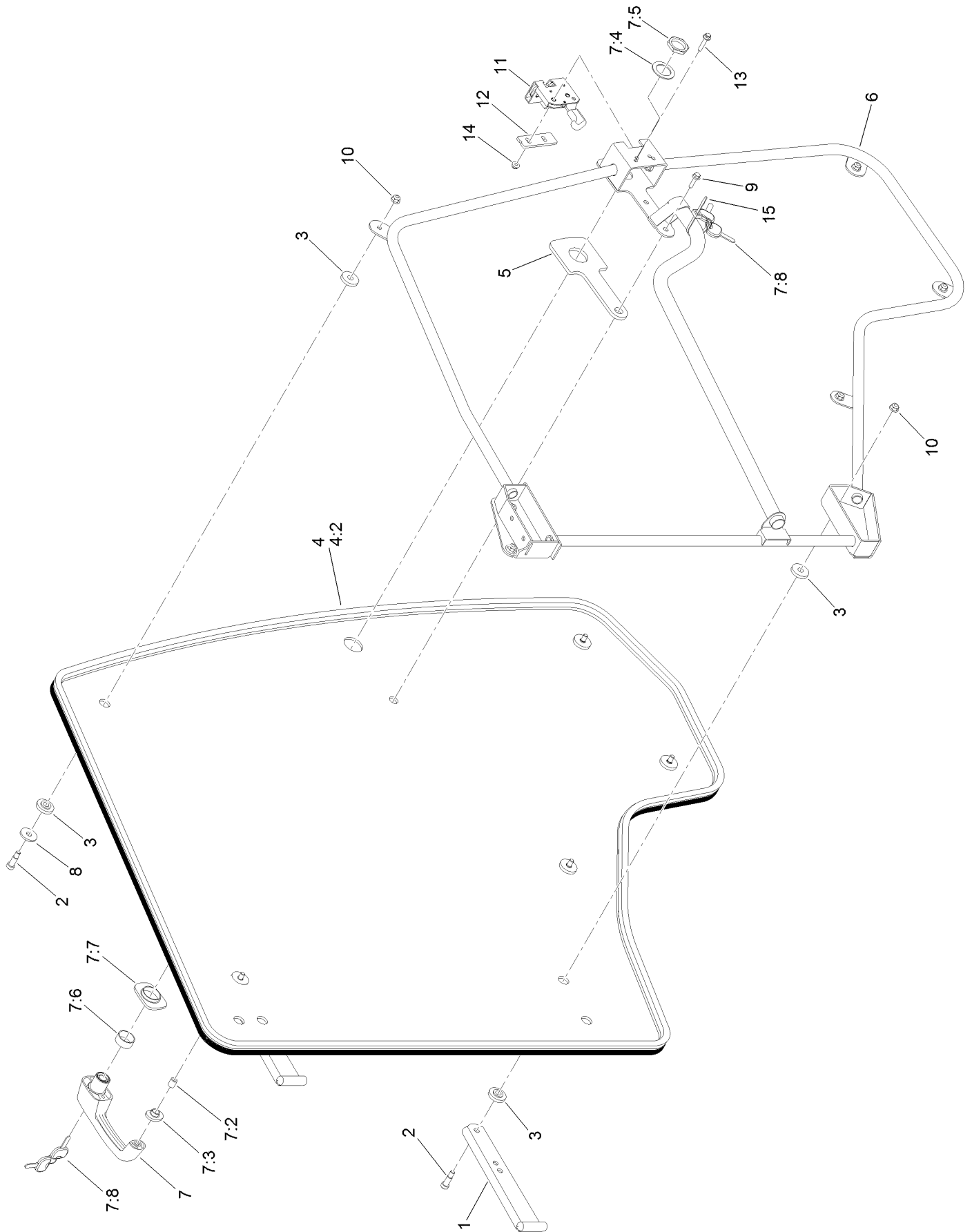
DETAIL VIEW FOR STRUT INSTALL
DOOR SHOWN IN OPEN POSITION



Door Assembly (continued)

<i>Ref.</i>	<i>Part Number</i>	<i>Qty.</i>	<i>Description</i>	<i>Ref.</i>	<i>Part Number</i>	<i>Qty.</i>	<i>Description</i>
1	138-2944-03	1	Mount-Door, LH	9	121-8393	2	Guard-Striker
2	138-2945-03	1	Mount-Door, RH	10	140-4431	2	Nut-Hex, Jam
3	121-8441	4	Washer-Spacer	11	3230-23	8	Bolt-CARR
4	140-6554	1	LH Door ASM	12	98-3104	4	Stud-Ball
5	140-6555	1	RH Door ASM	13	120-9471	4	Bolt-Shoulder
6	125-9992	2	Adjuster-Stud	14	104-8300	16	Nut-HF, NI
7	140-4422	2	Striker-Stud	15	136-1963	2	Spring-Gas, Door
8	73-0040	8	Washer-Thrust	16	140-1636	2	Lanyard-Coated

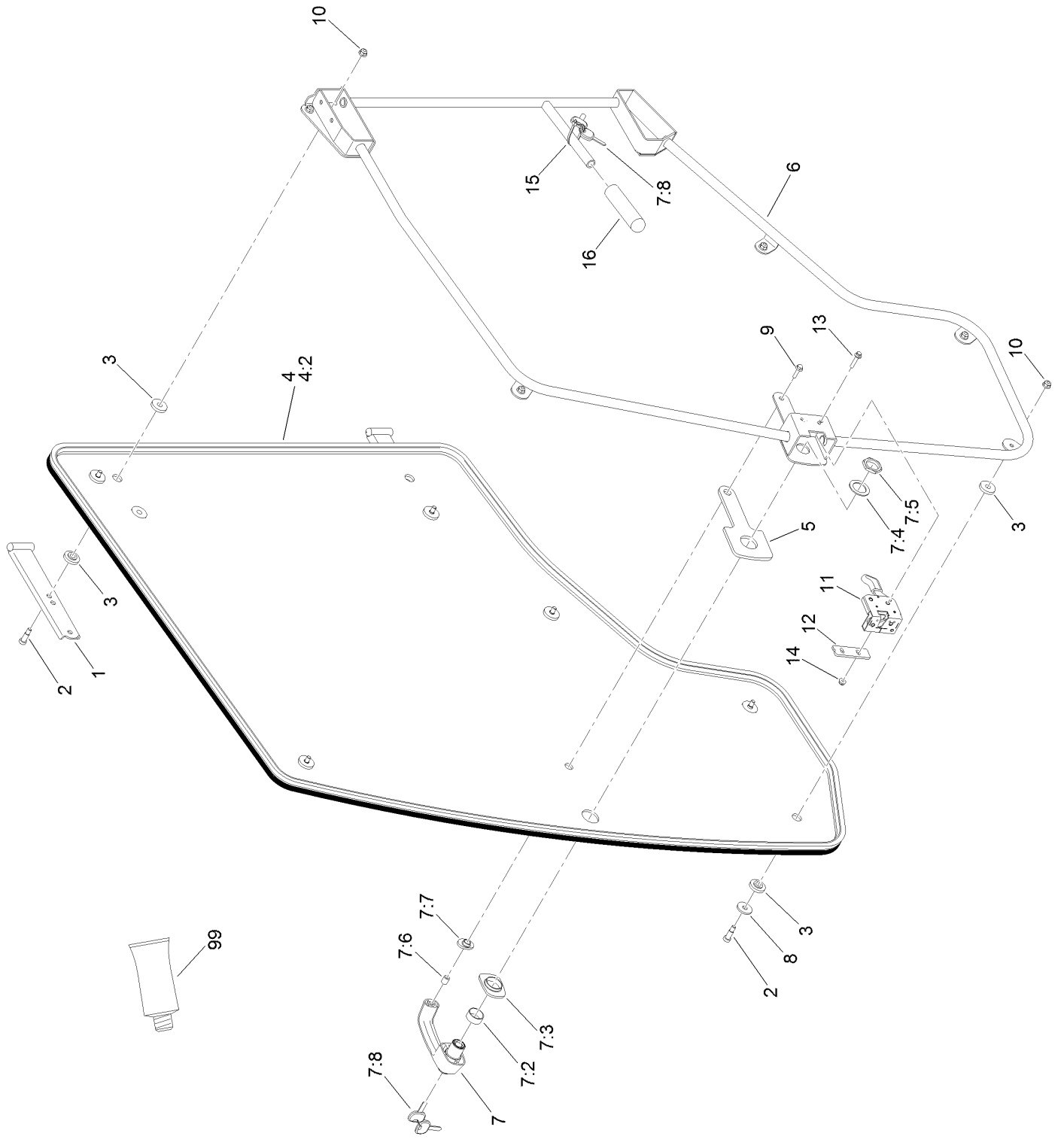
LH Door Assembly



LH Door Assembly (continued)

<i>Ref.</i>	<i>Part Number</i>	<i>Qty.</i>	<i>Description</i>	<i>Ref.</i>	<i>Part Number</i>	<i>Qty.</i>	<i>Description</i>
1	132-3622-03	2	Hinge-Door, LH	7:6	121-8627	1	Cylinder-Mounting, End
2	125-9520	9	Screw-Shoulder, HSH	7:7	121-8323	1	Grommet-Mounting, Small
3	125-9982	18	Bushing-Flange	7:8	125-9531	1	Key-Set
4	137-1207	1	LH Glass Door ASM	8	125-9676	5	Washer-Backup
4:2	137-1205	1	Trim-Seal, Door	9	33103-025	1	Screw-HHF
5	121-8331	1	Gasket-Handle	10	104-8300	9	Nut-HF, NI
6	140-6552-03	1	Frame-Door, LH	11	121-8391	1	Latch-LH
7	121-8630	1	Handle ASM	12	121-8395	1	Plate-Support, Latch
7:2	121-8628	1	Cylinder-Mounting, Key	13	3234-21	2	Screw-HHF
7:3	121-8322	1	Grommet-Mounting, Large	14	104-7201	2	Nut-HF, NI
7:4	121-8327	1	Washer	15	3290-378	1	Tie-Cable
7:5	121-8328	1	Nut				

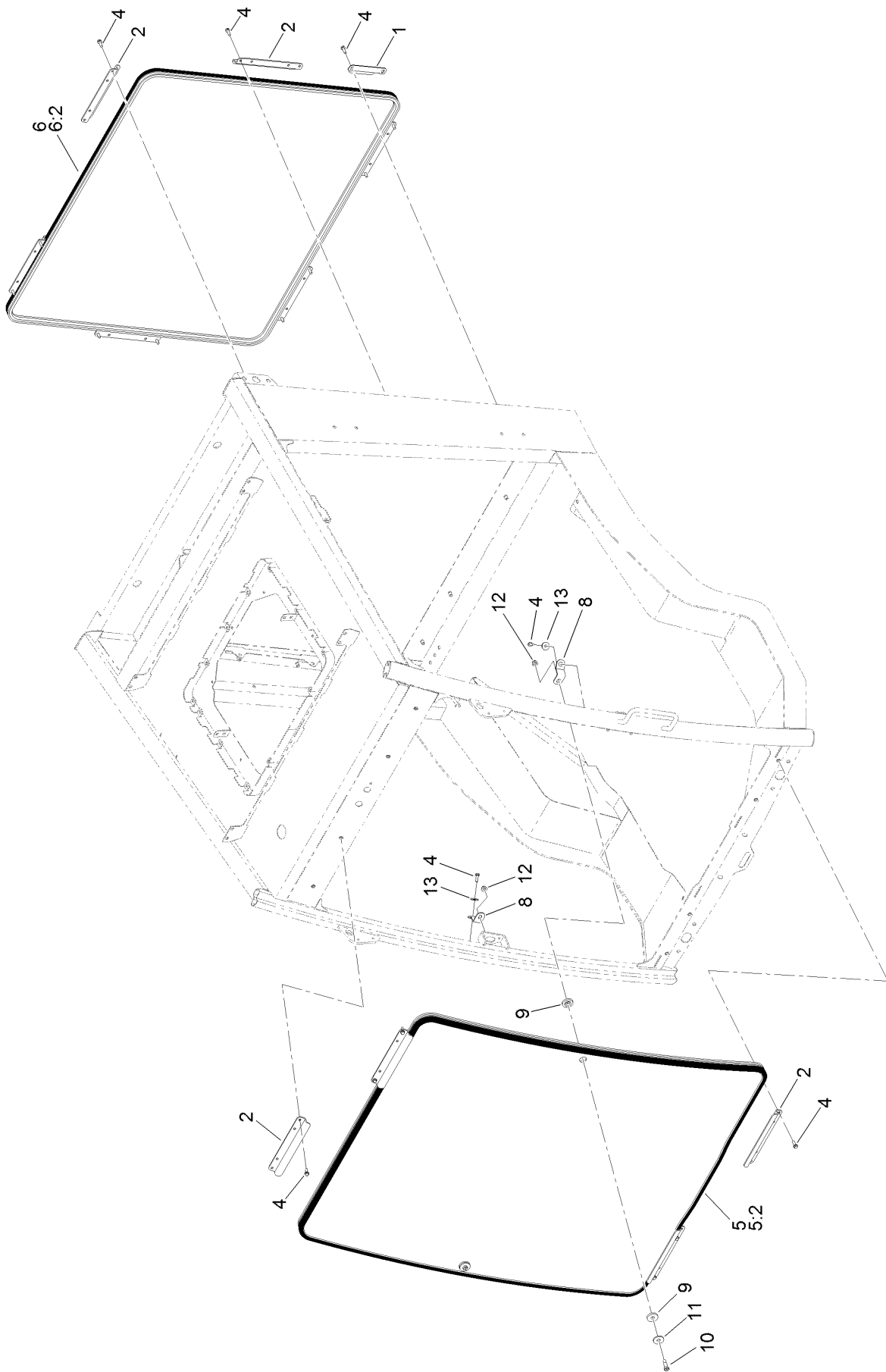
RH Door Assembly



RH Door Assembly (continued)

<i>Ref.</i>	<i>Part Number</i>	<i>Qty.</i>	<i>Description</i>	<i>Ref.</i>	<i>Part Number</i>	<i>Qty.</i>	<i>Description</i>
1	132-3636-03	2	Hinge-Door, RH	7:7	121-8323	1	Grommet-Mounting, Small
2	125-9520	9	Screw-Shoulder, HSH	7:8	125-9531	1	Key-Set
3	125-9982	18	Bushing-Flange	8	125-9676	5	Washer-Backup
4	137-1208	1	RH Glass Door ASM	9	33103-025	1	Screw-HHF
4:2	137-1205	1	Trim-Seal, Door	10	104-8300	9	Nut-HF, NI
5	121-8331	1	Gasket-Handle	11	121-8390	1	Latch-RH
6	140-6553-03	1	Frame-Door, RH	12	121-8395	1	Plate-Support, Latch
7	121-8630	1	Handle ASM	13	3234-21	2	Screw-HHF
7:2	121-8628	1	Cylinder-Mounting, Key	14	104-7201	2	Nut-HF, NI
7:3	121-8322	1	Grommet-Mounting, Large	15	3290-378	1	Tie-Cable
7:4	121-8327	1	Washer	16	110-1037	1	Grip-Handle
7:5	121-8328	1	Nut	99	505-42	1	Adhesive-Loctite
7:6	121-8627	1	Cylinder-Mounting, End				

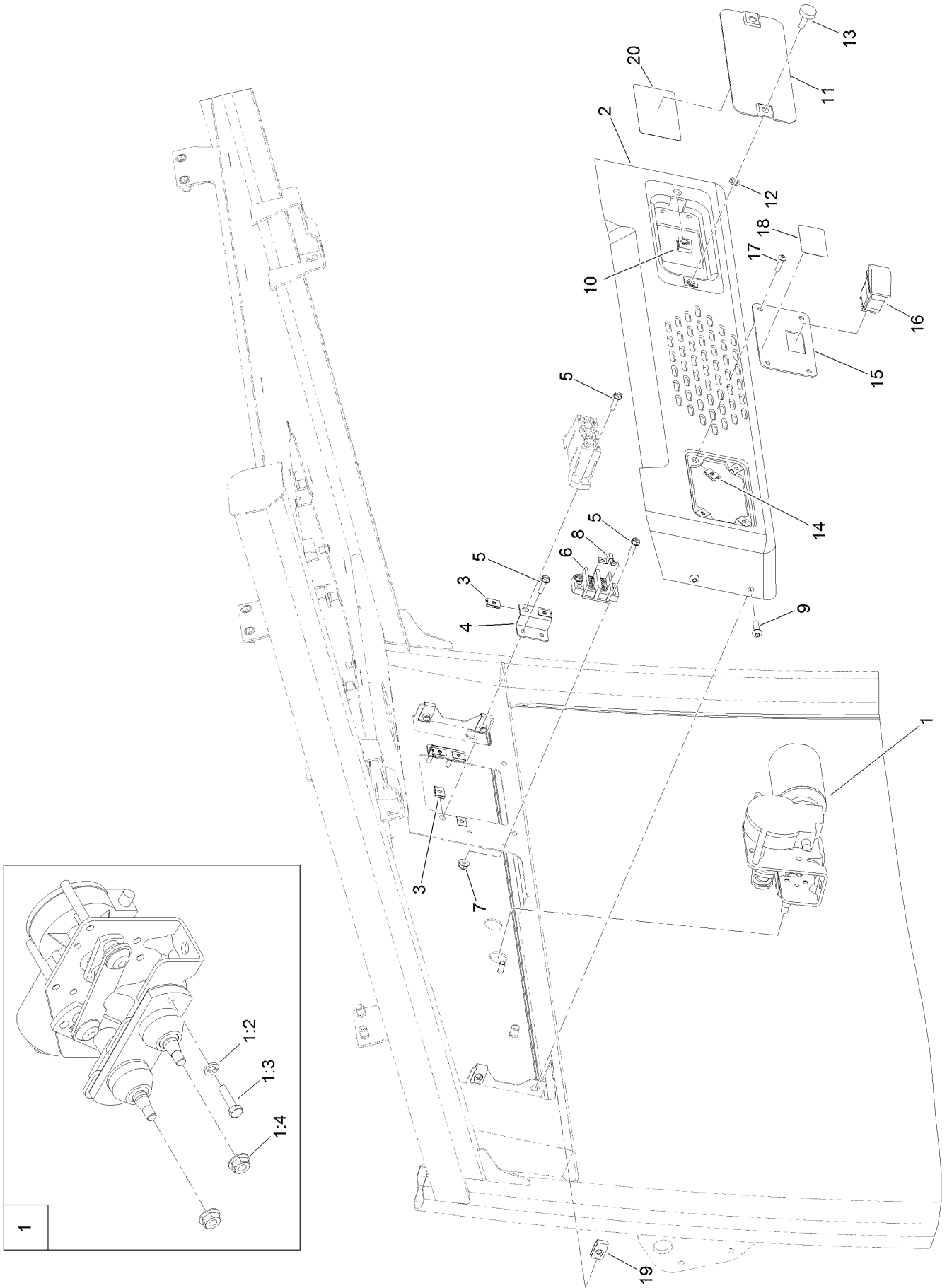
Front and Rear Glass Assembly



Front and Rear Glass Assembly (continued)

<i>Ref.</i>	<i>Part Number</i>	<i>Qty.</i>	<i>Description</i>	<i>Ref.</i>	<i>Part Number</i>	<i>Qty.</i>	<i>Description</i>
1	140-6575-03	2	Bracket-Cover	8	140-4432	2	Bracket-Mount, Window
2	139-2313-03	10	Bracket-Retainer	9	125-9982	4	Bushing-Flange
4	32105-15	26	Screw-HWH	10	125-9520	2	Screw-Shoulder, HSH
5	137-1209	1	Glass Windshield ASM	11	125-9676	2	Washer-Backup
5:2	139-2263	1	Trim-Seal, Windshield	12	104-8300	2	Nut-HF, NI
6	139-1971	1	Rear Window ASM	13	3256-67	2	Washer
6:2	138-2895	1	Trim-Glass.Rear				

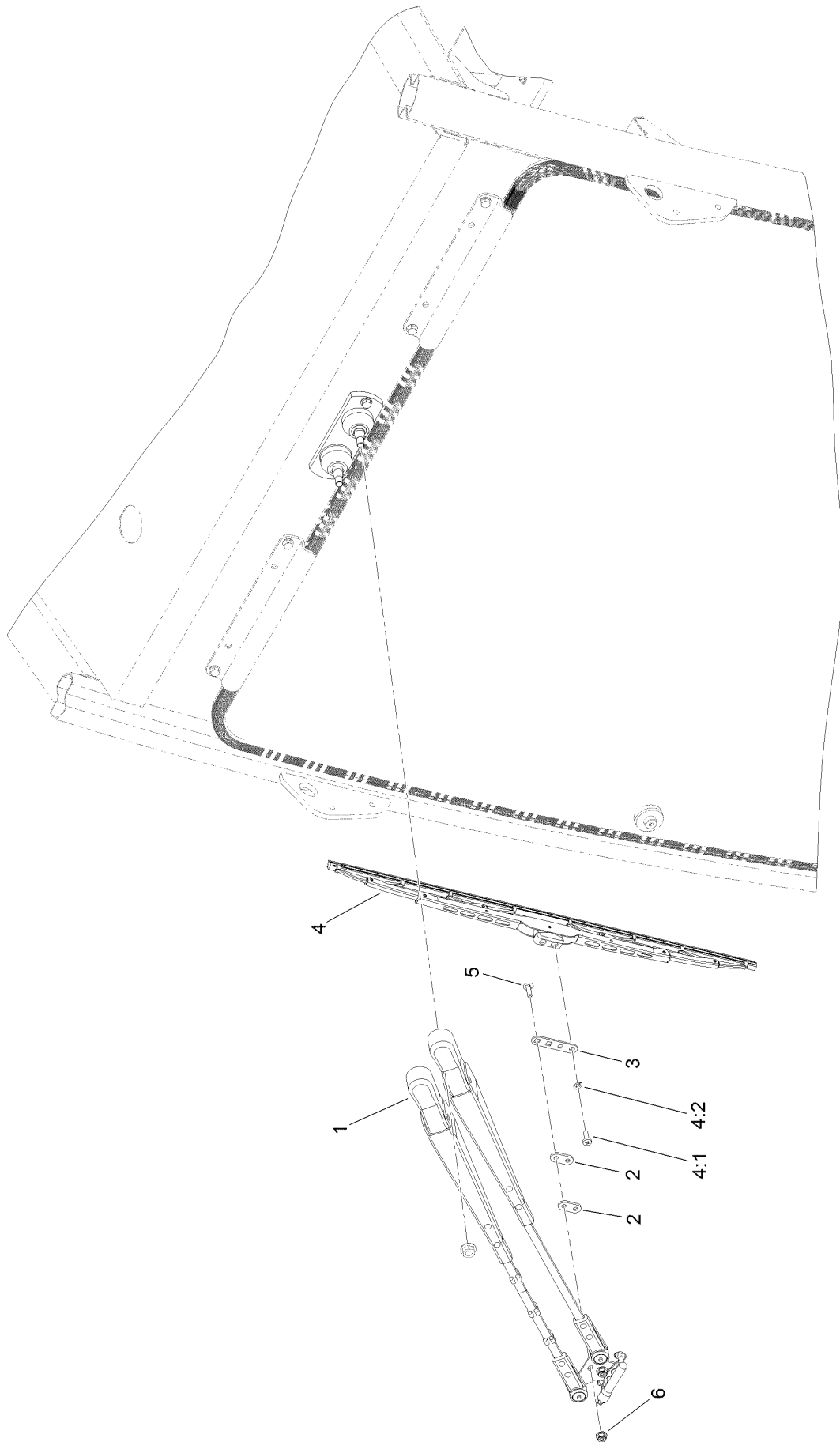
Window Wiper System Assembly



Window Wiper System Assembly (continued)

<i>Ref.</i>	<i>Part Number</i>	<i>Qty.</i>	<i>Description</i>	<i>Ref.</i>	<i>Part Number</i>	<i>Qty.</i>	<i>Description</i>
1	125-7452	1	Wiper Motor ASM	10	609900	2	Nut-Speed
1:2	3253-3	1	Washer-Lock	11	125-9603-03	1	Plate-Cover, Fuse
1:3	33113-025	1	Screw-HH	12	32115-15	4	Nut-Push
1:4	112-2844	2	Nut-HF	13	125-7438	2	Knob-Screw, Thumb
2	138-2764	1	Cover-Wiper	14	701493	4	Nut-Speed
3	107-1013	6	Nut-Speed	15	139-2048-03	1	Plate-Mount, Switch
4	138-2822	2	Bracket-Fuse Block	16	119-8355	1	Switch-Rocker
5	32105-13	8	Screw-HWH	17	104-2408	4	Screw-HSBH
6	42862	1	Block-Terminal, Ground	18	125-9688	1	Decal-Washer
7	120-4578	2	Nut-HF	19	107069	4	Clip
8	42863	1	Strip-Jumper	20	140-6632	1	Decal-Fuse Panel
9	3274-69	4	Screw-HSBH				

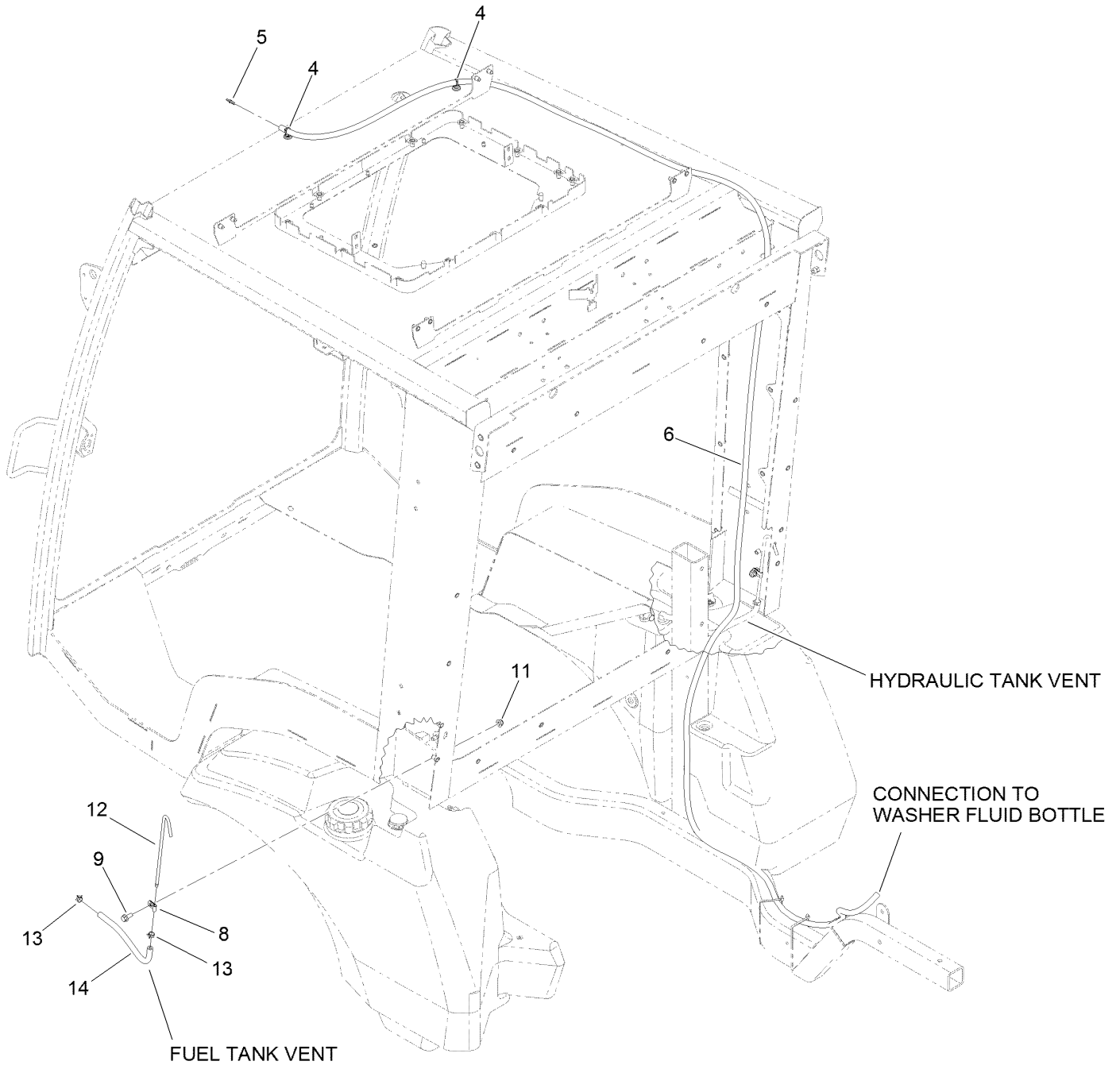
Window Wiper Assembly



Window Wiper Assembly (continued)

<i>Ref.</i>	<i>Part Number</i>	<i>Qty.</i>	<i>Description</i>	<i>Ref.</i>	<i>Part Number</i>	<i>Qty.</i>	<i>Description</i>
1	137-1114	1	Arm-Wiper	4:1	47-2830	2	Screw
2	139-2250	2	Mount-Wiper, Spacer	4:2	43-5920	2	Washer-Lock, Spring
3	140-6556	1	Mount-Wiper	5	3229-20	2	Screw-CARR
4	137-1127	1	Blade-Wiper	6	138-0719	2	Nut-HF

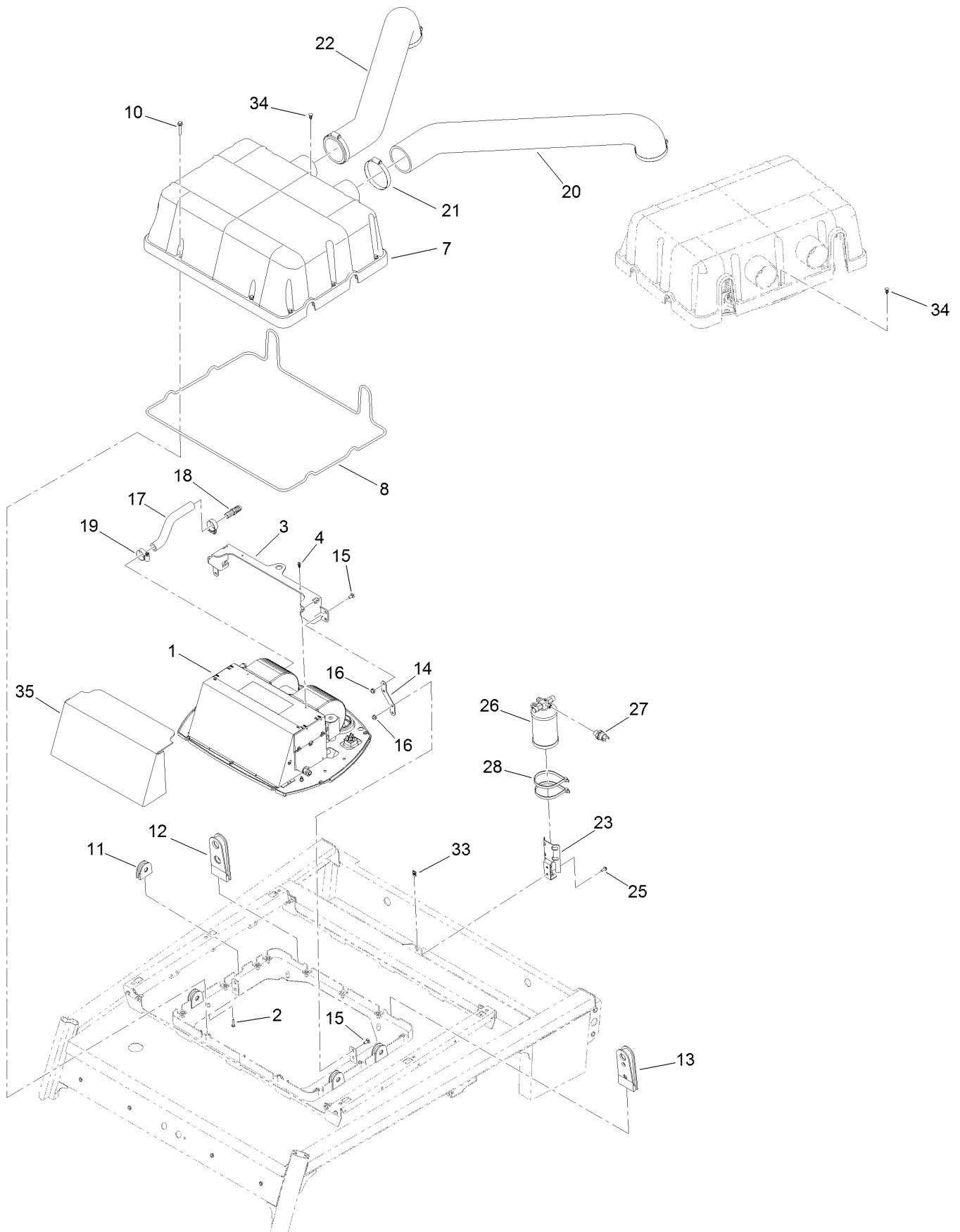
Window Wiper Hose Assembly



Window Wiper Hose Assembly (continued)

<i>Ref.</i>	<i>Part Number</i>	<i>Qty.</i>	<i>Description</i>	<i>Ref.</i>	<i>Part Number</i>	<i>Qty.</i>	<i>Description</i>
4	32180-139	2	Mount-Tie Wrap, Magnetic	11	104-8300	2	Nut-HF, NI
5	127-9905	1	Fitting-Hose, Barb	12	139-6252	2	Tube-Vent
6	139-2175	1	Hose-Washer Fluid	13	2412-98	2	Clamp-Hose
8	2412-103	2	Clamp	14	139-6253	2	Hose-Fuel
9	3234-47	2	Screw-HHF				

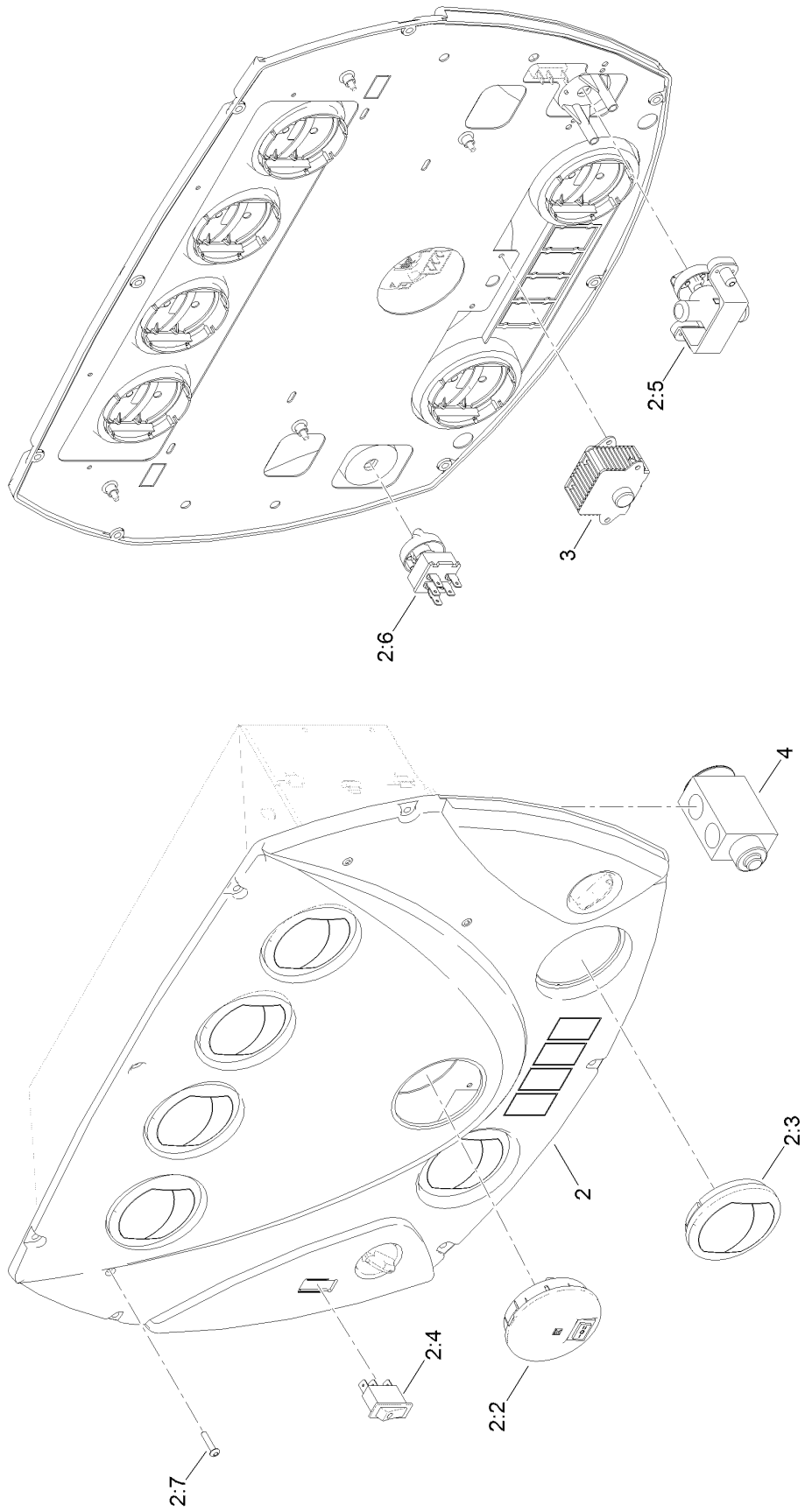
Heater Assembly



Heater Assembly (continued)

<i>Ref.</i>	<i>Part Number</i>	<i>Qty.</i>	<i>Description</i>	<i>Ref.</i>	<i>Part Number</i>	<i>Qty.</i>	<i>Description</i>
1	139-2308	1	AC/Heat ASM	18	131-3373	1	Fitting-STR
2	3250-27	8	Screw-PPH	19	2412-129	2	Clamp-Hose
3	139-2317-03	1	Mount-Install	20	139-1928	1	Hose-Intake, LH
4	137-9137	6	Screw-PPH	21	2412-110	4	Clamp-Band/Screw
7	138-2827	1	Cover-A/C	22	139-1929	1	Hose-Intake, RH
8	138-2831	1	Seal-Cord, Foam	23	138-2790	1	Bracket-Mount, Drier
10	131-5927	11	Screw-HHF	25	32105-23	2	Screw
11	140-6566	4	Plug - A/C Drain Line	26	130-5999	1	Drier-Receiver
12	138-2816	1	Plug-Lines, Heat	27	119-4501	1	Switch-Function, Dual
13	140-1624	1	Plug-A/C Lines	28	3334-945	2	Tie-Cable
14	139-2316-03	2	Support-AC	33	701493	2	Nut-Speed
15	3229-11	8	Screw-CARR	34	114-4899	1	Rivet-Push
16	104-7201	8	Nut-HF, NI	35	140-6646	1	Insulation-AC
17	139-2177	1	Hose-Heater, Formed				

Heater Control Panel Assembly

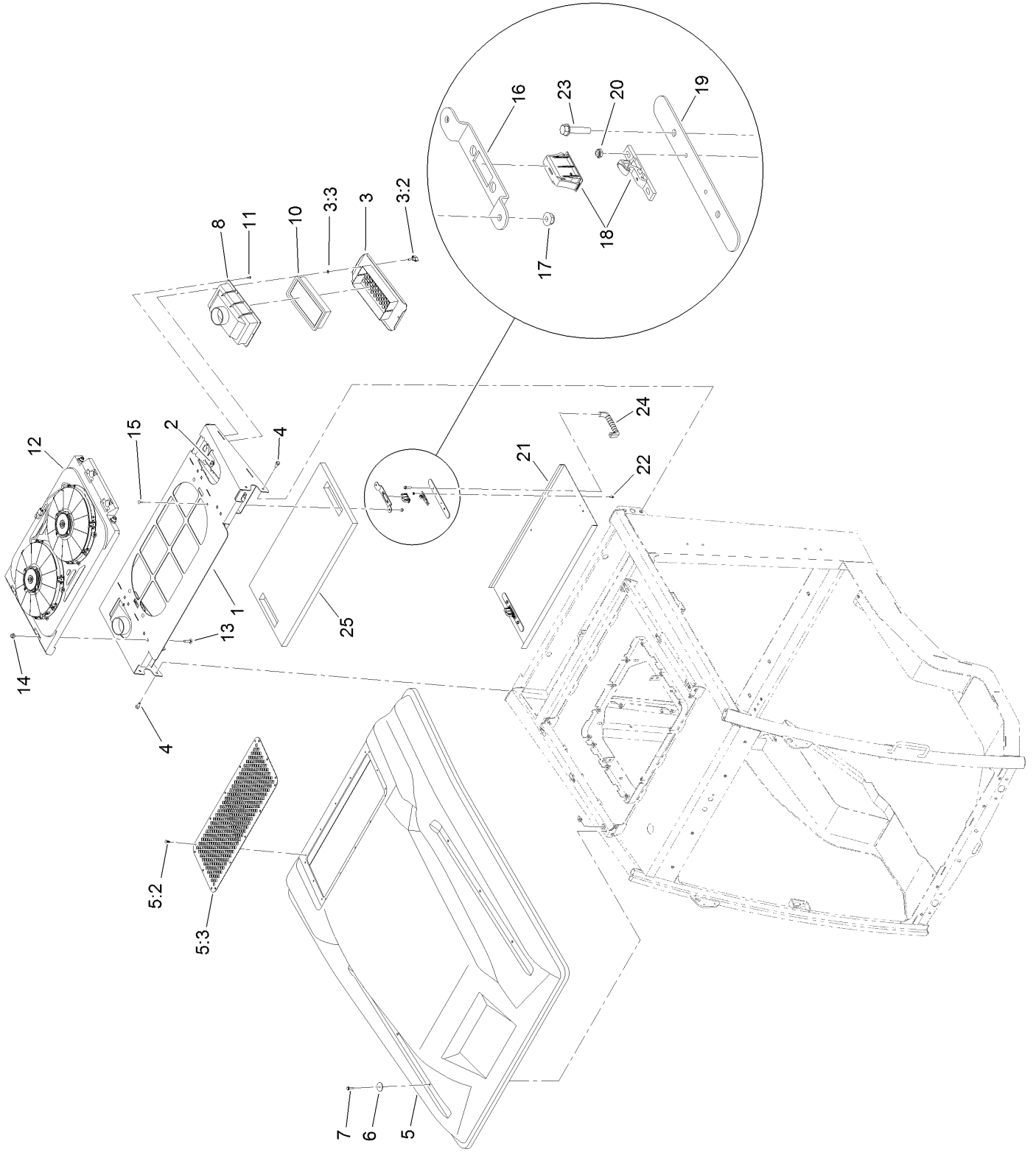


Heater Control Panel Assembly (continued)

<i>Ref.</i>	<i>Part Number</i>	<i>Qty.</i>	<i>Description</i>
2	137-1357	1	Heater Control Panel ASM
2:2	137-1378	1	Light-Cab, Interior
2:3	138-2959	6	Vent-Return
2:4	138-2958	1	Switch-A/C
2:5	138-2961	1	Valve-Heat

<i>Ref.</i>	<i>Part Number</i>	<i>Qty.</i>	<i>Description</i>
2:6	138-2956	1	Switch-Fan
2:7	119-7444	4	Screw-HSBH
3	138-2967	1	Thermostat-Resistor
4	138-2912	1	Expansion-Valve

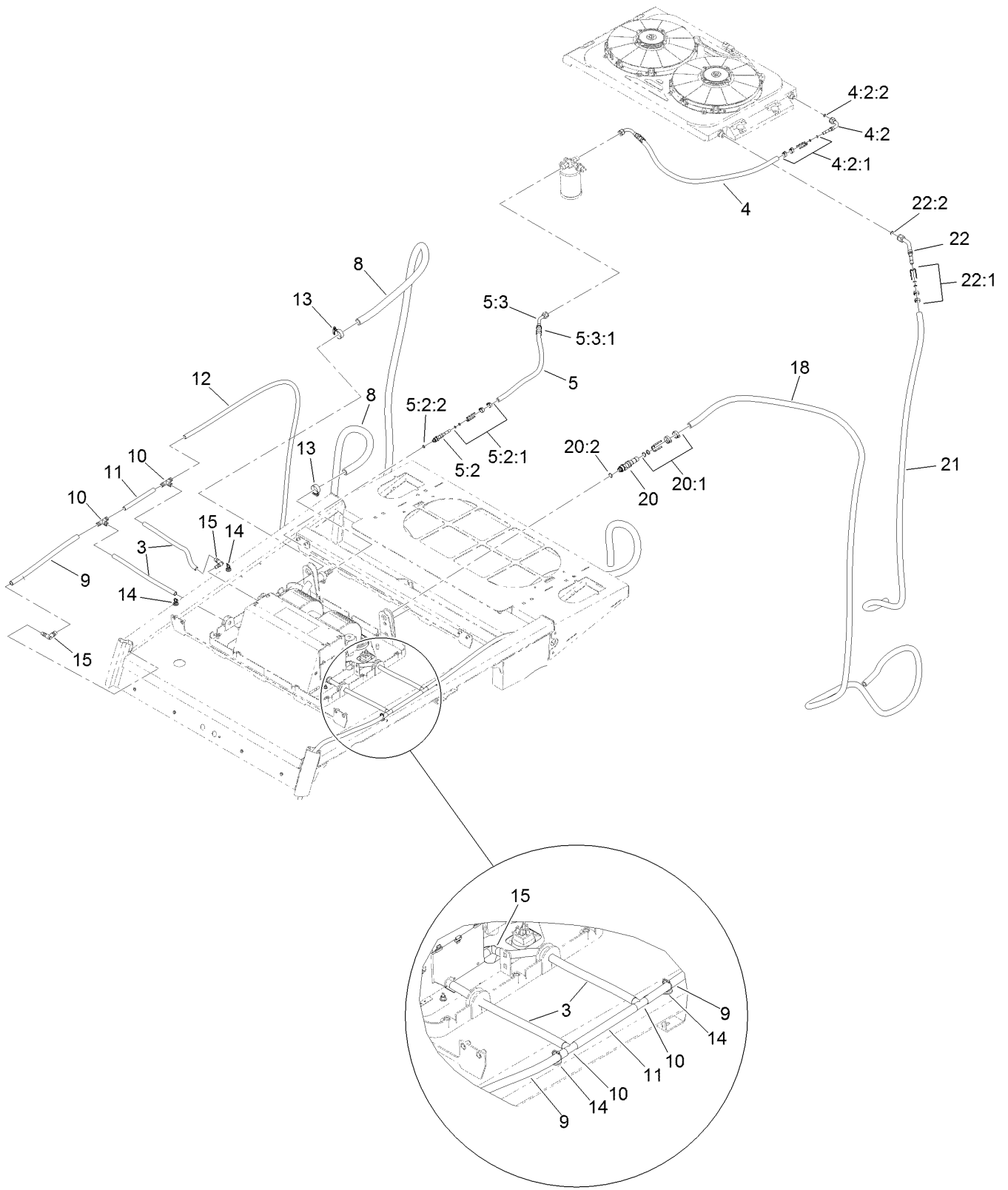
Roof, Air Filter and Condenser Assembly



Roof, Air Filter and Condenser Assembly (continued)

<i>Ref.</i>	<i>Part Number</i>	<i>Qty.</i>	<i>Description</i>	<i>Ref.</i>	<i>Part Number</i>	<i>Qty.</i>	<i>Description</i>
1	139-1958-03	1	Wing-Rear	12	138-2907	1	Condenser
2	107069	4	Clip	13	3231-28	4	Screw-CARR
3	137-1397	2	Filter Cover ASM	14	104-8301	4	Nut-HF, NI
3:2	126-5846	2	Knob-T	15	3229-11	4	Screw-CARR
3:3	32115-15	2	Nut-Push	16	138-2742	2	Mount-Latch
4	3234-47	4	Screw-HHF	17	104-7201	4	Nut-HF, NI
5	139-1898	1	Roof ASM	18	130-0643	2	Latch-Push To Close
5:2	138-2714-03	1	Screen-Roof	19	138-2744-03	2	Plate-Backing
5:3	114-4899	16	Rivet-Push	20	3296-54	4	Nut-Lock
6	136-7176	6	Washer-Fender	21	139-1923-03	1	Pre-Filter, Screen
7	120-4654	6	Screw-HHF	22	112-3169	4	Screw-HHF, Serrated
8	137-1281	2	Box-Intake, Air	23	46-8092	4	Screw-Plastite
10	121-8457	2	Filter-Air	24	65-5100	2	Handle-Door
11	3290-55	20	Rivet-Pop	25	139-1922	1	Filter-Pre-Scren

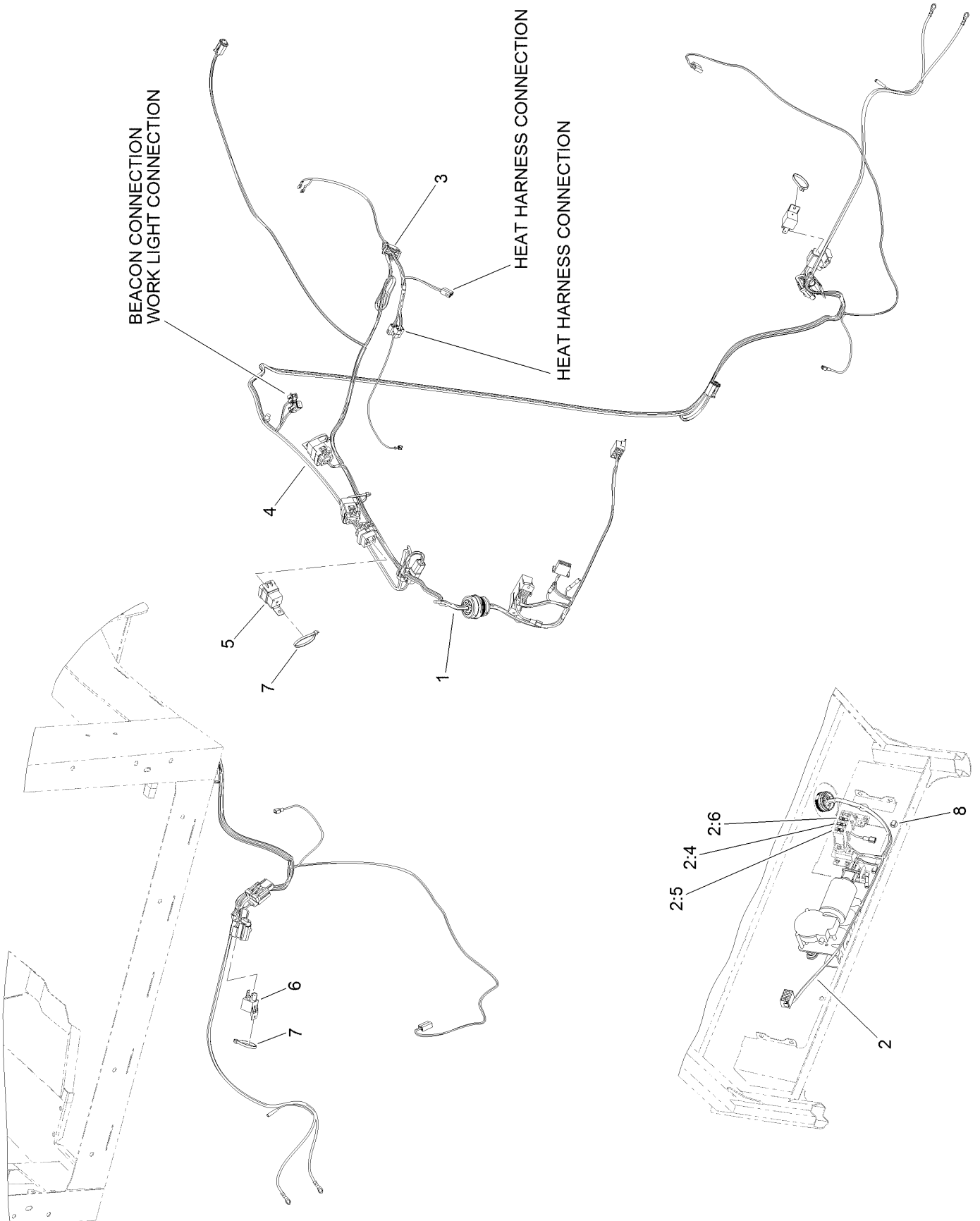
Heat Hose Assembly



Heat Hose Assembly (continued)

<i>Ref.</i>	<i>Part Number</i>	<i>Qty.</i>	<i>Description</i>	<i>Ref.</i>	<i>Part Number</i>	<i>Qty.</i>	<i>Description</i>
3	140-6573	4	Hose-Drain	11	139-1994	2	Hose-Drain
4	139-1983	1	Hose ASM-AC	12	139-1995	2	Hose-Drain
4:2	130-5751	2	Fitting-Female, 90 DEG	13	2412-119	2	Clamp-Hose
4:2:1	130-5772	1	Fitting Kit	14	32180-139	4	Mount-Tie Wrap, Magnetic
4:2:2	117-2778	1	O-Ring	15	139-2178	4	Fitting-Elbow 90
5	139-1984	1	Hose ASM-AC, Drier	18	139-1991	1	Hose-Refigerant
5:2	138-2963	1	Fitting-Straight, Male	20	130-5944	1	Fitting-Male, Straight
5:2:1	130-5772	1	Fitting Kit	20:1	130-5775	1	Fitting Kit
5:2:2	117-2778	1	O-Ring	20:2	117-2780	1	O-Ring
5:3	139-2251	1	Ftg-45 DEG, Female	21	139-1992	1	Hose-Refigerant
5:3:1	130-5772	1	Fitting Kit	22	139-2252	1	Ftg-45 DEG, Female
8	139-1987	2	Hose-Heater, 5/8	22:1	130-5773	1	Fitting Kit
9	139-1993	2	Hose-Drain	22:2	117-2779	1	O-Ring
10	138-2751	4	Fitting-Tee, Barb				

Electrical Component Assembly



Electrical Component Assembly (continued)

<i>Ref.</i>	<i>Part Number</i>	<i>Qty.</i>	<i>Description</i>	<i>Ref.</i>	<i>Part Number</i>	<i>Qty.</i>	<i>Description</i>
1	122-1245	1	Harness-Wire, A/C Roof	4	122-1435	1	Harness-Wire, Cab Power
2	122-1660	1	Harness-Wire, A/C Panel	5	99-7430	3	Relay-Mini
2:4	109101	1	Fuse-Blade, 20 Amp	6	99-7435	1	Relay
2:5	109102	1	Fuse-Blade, 25 Amp	7	3290-378	6	Tie-Cable
2:6	99-6124	1	Fuse-40 Amp	8	32180-030	2	Clip-Tie
3	122-1678	1	Harness-Wire, Adapter				

Attachments and Accessories

For 31903 Groundsmaster 3310 All-Wheel Drive Traction Unit

Product Name	Model/Part
Paint-Black Bottle	112-0176
Paint-Red Pen	112-0177
Paint-Red Bottle	112-0178
15-Pound Cast Weight.....	112-7059-01
42-Pound Weight.....	114-4096
Seat Cover (W/arm rest).....	117-0095
Exterior Mirror Kit.....	130-5448
Interior Mirror Kit.....	130-5449
PX Hydraulic Fluid (5 Gal)	133-8086
PX Hydraulic Fluid (55 Gal).....	133-8087
Storage Bag Kit.....	139-2020
SMV Kit.....	139-2339
Slope Sensor Kit.....	31952
CE Kit, Groundsmaster 3200 or 3300 Series Traction Unit.....	31953
CE Kit, Groundsmaster 3200 or 3300 Series 60in Side Discharge Rotary Mower.....	31957
CE Kit, Groundsmaster 3200 or 3300 Series 72in Side Discharge Rotary Mower.....	31958
CE Kit, Groundsmaster 3200 or 3300 Series 60in Rear Discharge Rotary Mower.....	31959
CE Kit, Groundsmaster 3200 or 3300 Series 72in Rear Discharge Rotary Mower.....	31960
60in SD Deck.....	31970
60in RD Deck.....	31971
72in SD Deck.....	31972
72in RD Deck.....	31973
60in RD Deck, T2	31974
72in RD Deck, T2	31975
Recycler Kit, 60In/152cm RD.....	31977
Recycler Kit, 72In/183cm RD.....	31979
Seat Assembly - Standard	31980
Seat Assembly - Mechanical Suspension.....	31981
Seat Assembly - Air Ride Suspension.....	31982
Storage Box Kit.....	31983
USB Charging Kit.....	31984
Recycler Kit 60in/152cm Rd T2.....	31985
Recycler Kit 72in/183cm Rd T2.....	31986
Road Light Kit (North America)	31991
Road Light Kit (EU).....	31992
LED Work Light Kit.....	31993
Accessory Control Kit	31994
LED Beacon Kit	31996
Toro Red 12oz Aerosol Can.....	361-10
Semi-Gloss Black Spray Paint.....	361-9

Notes:

Notes:

Notes:



Count on it.