



Count on it.

Parts Catalog

Front Tine Tiller

Model No. 58602—Serial No. 323000001 and Up



Ordering Replacement Parts

To order replacement parts, please supply the part number, the quantity, and the description of each part desired.

Understanding Reference Numbers

Each identified part in an illustration has a reference number. The reference number for a part also appears in the parts list, along with other information about the part.

This catalog uses two special reference number formats, one to indicate parts in a service assembly and another to indicate the quantity of a given part in an illustration.

Service Assembly Reference Numbers

Parts in service assemblies have reference numbers in the form a:b. The a represents the reference number of the entire service assembly and the b represents a sequential number unique to each part within the service assembly.

For example, a wheel assembly might be identified by reference number 6, the tire by 6:1, the valve by 6:2, and the wheel by 6:3. When you order the assembly identified by reference number 6, you receive all parts identified by reference numbers 6:1, 6:2, and 6:3. However, you may also order any part individually. Reference numbers of this type appear in illustration and in parts lists.

Reference Numbers Indicating Quantity

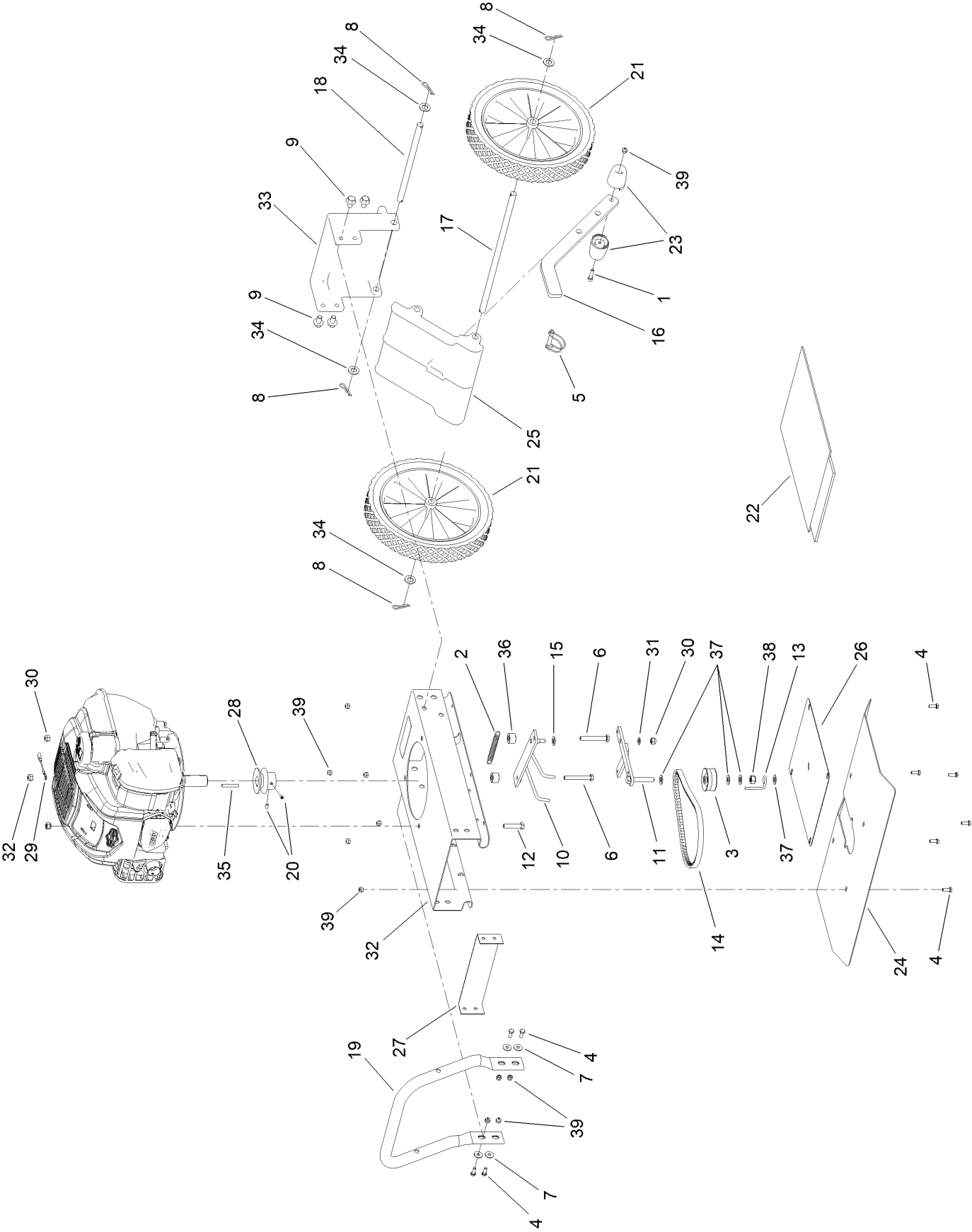
In an illustration, if a reference number indicates more than one part, the reference number has the form nX y. The n represents the quantity of the part, the X is the multiplication symbol, and the y represents the reference number.

For example, in an illustration, the reference number 2X 37 means that two of the parts identified by reference number 37 are indicated.

Contents

Chassis and Wheels Assembly 4
Tines and Transmission Assembly 6
Handles and Controls Assembly 8

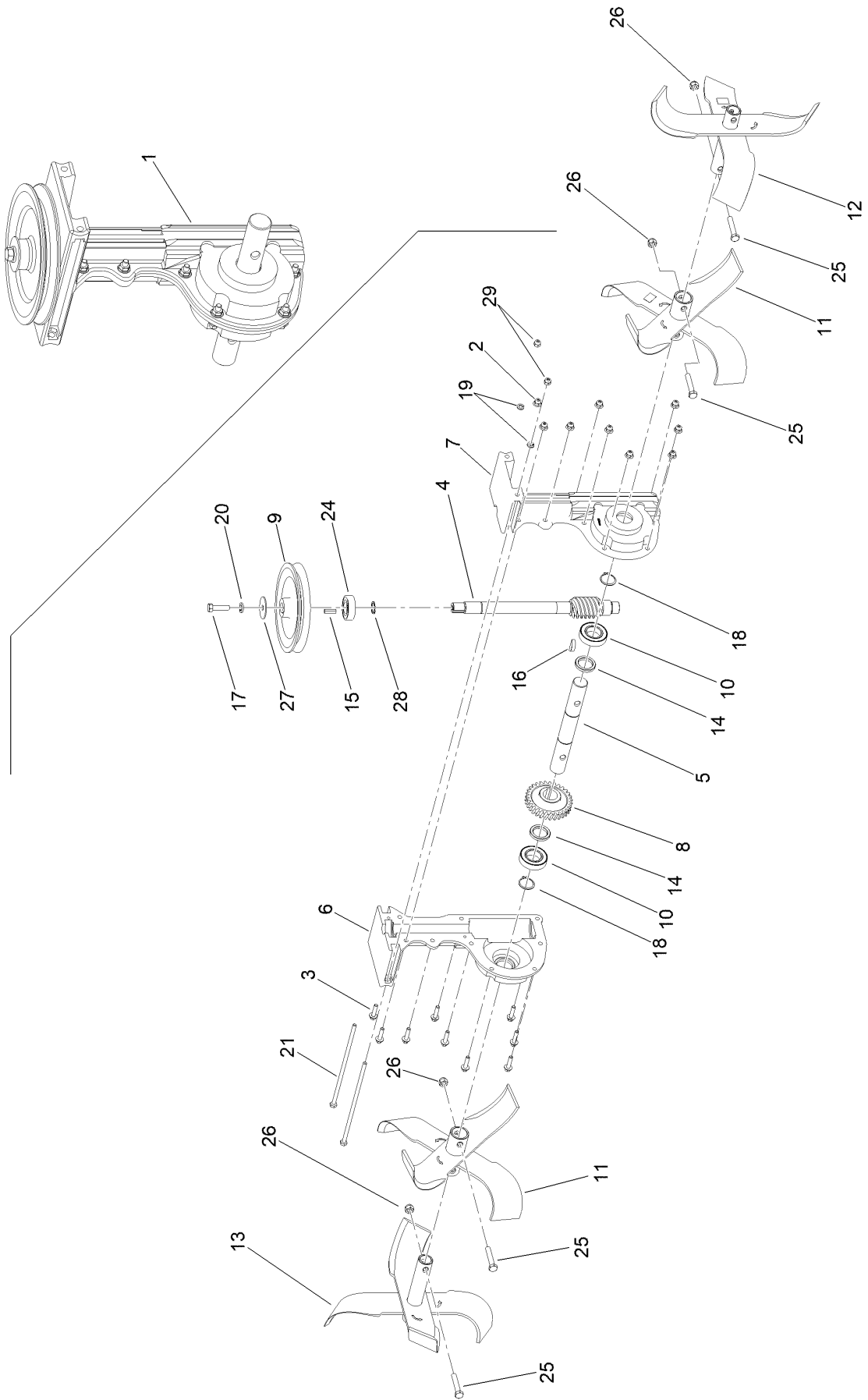
Chassis and Wheels Assembly



Chassis and Wheels Assembly (continued)

<i>Ref.</i>	<i>Part Number</i>	<i>Qty.</i>	<i>Description</i>	<i>Ref.</i>	<i>Part Number</i>	<i>Qty.</i>	<i>Description</i>
1	144-4878	1	Screw-SHCS	21	144-5005	2	Wheel-Grey
2	144-4977	1	Spring-Extension	22	144-5006	1	Bag-Manual
3	144-4978	1	Pulley-Idler	23	144-4946	2	Handle
4	144-4981	10	Screw-HHCS	24	144-5007	1	Shield-Tine
5	144-4685	1	Pin-Clevis, Locking	25	144-5008	1	Tail Mount-Lower
6	144-4988	2	Screw-HHCS	26	144-5009	1	Shield-Rear
7	144-4989	4	Washer-Flat	27	144-5010	1	Cover-Front
8	144-4990	4	Pin-Cotter	28	144-5011	1	Pulley-Engine
9	144-4992	4	Screw-HHSF	29	144-5013	1	Wire-Ground
10	144-4994	1	Guide-Belt	30	144-4738	4	Nut-Hex
11	144-4995	1	Arm-Forward	31	144-4958	1	Washer-Flat
12	144-4996	1	Screw-HH	32	144-5014	1	Frame-Red
13	144-4917	1	Belt Catch	33	144-5016	1	Tail Mount-Upper
14	144-4997	1	Belt	34	144-5017	4	Washer-Wheel
15	144-4688	1	Washer-Plain	35	144-5018	1	Key-Square
16	144-4999	1	Stake-Drag	36	144-5019	2	Spacer-Arm
17	144-5001	1	Shaft-Wheel	37	144-4835	4	Washer-Plain
18	144-5002	1	Shaft-Pivot	38	144-4964	1	Nut-Hex
19	144-5003	1	Handlebar-Front	39	144-4836	11	Nut-Hex
20	144-4794	2	Screw-Set				

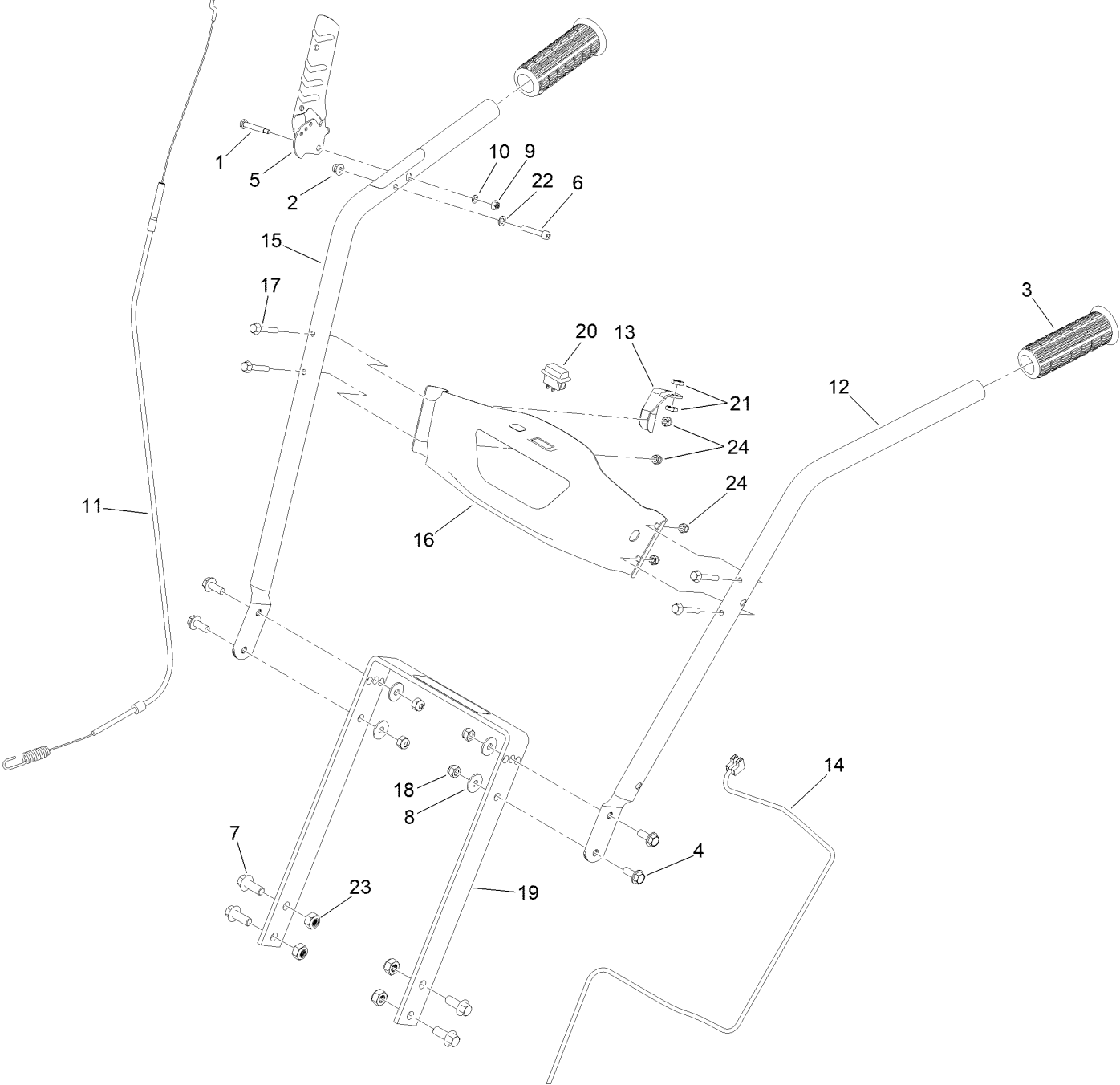
Tines and Transmission Assembly



Tines and Transmission Assembly (continued)

<i>Ref.</i>	<i>Part Number</i>	<i>Qty.</i>	<i>Description</i>	<i>Ref.</i>	<i>Part Number</i>	<i>Qty.</i>	<i>Description</i>
1	147-4295	1	Transmission ASM	15	144-4982	1	Key-Square
2	144-4879	9	Nut-Hex	16	144-4983	1	Key-Halfmoon
3	144-4967	9	Screw-RHF	17	144-4984	1	Screw-HHCS
4	144-4968	1	Driveshaft-Worm	18	144-4985	2	Snap Ring
5	144-4969	1	Driveshaft-Tine	19	144-4986	2	Washer-Lock
6	144-4970	1	Casting-Right	20	144-4987	1	Washer-Lock
7	144-4971	1	Casting-Left	21	144-4993	2	Screw-HHCS
8	144-4972	1	Gear-Transmission	24	144-4942	1	Bearing-Roller
9	144-4973	1	Pulley-Transmission	25	144-5000	4	Screw-HHCS
10	144-4974	2	Bearing-Output	26	144-4738	4	Nut-Hex
11	144-4975	2	Tine-Inner	27	144-5020	1	Washer-Flat
12	144-4882	1	Tine-Outside Left	28	144-5021	1	Ring-Retaining
13	144-4883	1	Tine-Outside Right	29	144-4836	2	Nut-Hex
14	144-4979	2	Spacer-Output				

Handles and Controls Assembly



Handles and Controls Assembly (continued)

<i>Ref.</i>	<i>Part Number</i>	<i>Qty.</i>	<i>Description</i>	<i>Ref.</i>	<i>Part Number</i>	<i>Qty.</i>	<i>Description</i>
1	144-4877	1	Screw-HH	13	144-4948	1	Bracket-Cable
2	144-4879	1	Nut-Hex	14	144-5012	1	Harness-Wiring
3	144-4881	2	Grip	15	144-4952	1	Handlebar-Right
4	144-4976	4	Screw-HSF	16	144-4953	1	Dash-Tiller
5	144-4980	1	Lever-Clutch	17	144-4956	4	Screw-HHF
6	144-4906	1	Screw-SHCS	18	144-4738	4	Nut-Hex
7	144-4991	4	Screw-Rhsf	19	144-5015	1	Mount-Handlebar
8	144-4936	4	Washer-Flat	20	144-4960	1	Switch
9	144-4938	1	Nut-Hex	21	144-4755	2	Nut
10	144-4941	1	Washer-Flat	22	144-4777	1	Washer
11	144-5004	1	Drive-Cable	23	144-4964	4	Nut-Hex
12	144-4947	1	Handlebar-Left	24	144-4836	4	Nut-Hex

Notes:

Notes:



Count on it.