



EN eTimeCutter® 42in or 54in Riding Mower

75841, 75851

ES Cortacésped de asiento eTimeCutter® de 107 o 137 cm (42" o 54")

75841, 75851

FR Tondeuse autoportée eTimeCutter® de 107 cm ou 137 cm (42 po ou 54 po)

75841, 75851





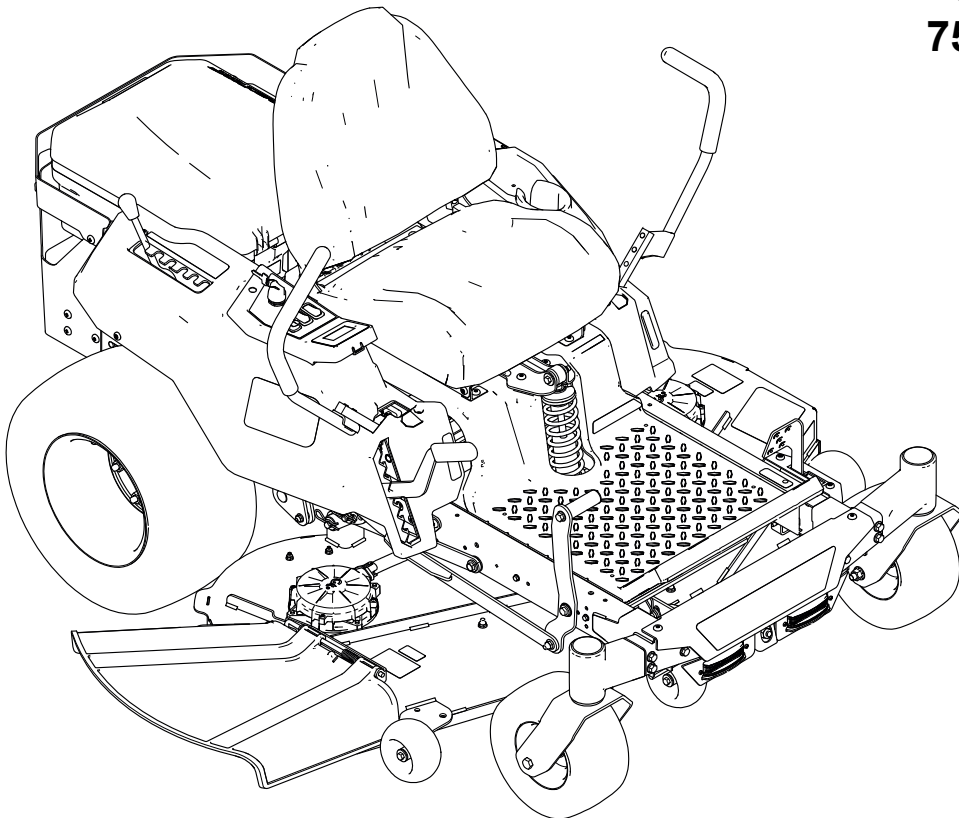
Operator's Manual

eTimeCutter® 42in or 54in Riding Mower

Model—Serial Range

75841—400000000 and Up

75851—400000000 and Up



Disclaimers and Regulatory Information

▲ WARNING

CALIFORNIA Proposition 65

The power cord on this product contains lead, a chemical known to the State of California to cause birth defects or other reproductive harm. Wash hands after handling.

Use of this product may cause exposure to chemicals known to the State of California to cause cancer, birth defects, or other reproductive harm.

Table of Contents

Chapter 1: Introduction.....	1-1
Intended Use	1-1
Getting Help	1-1
Chapter 2: Safety.....	2-1
General Machine Safety Warnings	2-1
Lawnmower Safety Warnings.....	2-3
Additional Safety Messages	2-5
Safety-Alert Symbol	2-5
General Safety	2-5
Slope Indicator	2-6
Safety and Instructional Decals	2-7
Chapter 3: Product Overview	3-1
Control Panel.....	3-2
Parking Brake.....	3-5
Motion-Control Levers.....	3-5
MyRide® Suspension Adjustment Lever	3-5
Specifications	3-6
Chapter 4: Operation	4-1
Before Operation	4-1
Before Operation Safety	4-1
Installing the Battery Packs.....	4-2
Performing Daily Maintenance	4-2
Safety-Interlock System.....	4-3
Positioning the Seat.....	4-4
Adjusting the Motion-Control Lever Height	4-5
Adjusting the Motion-Control Lever Tilt.....	4-6
During Operation	4-6
During Operation Safety	4-6
Starting the Machine	4-8
Shutting Off the Machine	4-8
Operating the Parking Brake	4-9
Driving the Machine	4-10
Operating the Mower Blade-Control Switch (PTO)	4-12
Side Discharge.....	4-13

Adjusting the Height of Cut.....	4-13
Adjusting the Anti-Scalp Rollers.....	4-14
Using the Tow Hitch	4-14
Operating Tips	4-14
After Operation.....	4-16
After Operation Safety.....	4-16
Charging the Battery Packs	4-16
Hauling the Machine	4-18
Chapter 5: Maintenance	5-1
Maintenance Safety	5-1
Recommended Maintenance Schedule.....	5-2
Pre-Maintenance Procedures	5-2
Moving a Non-Functioning Machine	5-2
Raising the Machine	5-3
Electrical System Maintenance.....	5-4
Preparing the Battery Pack for Recycling.....	5-4
Checking the Battery-Box Filter	5-4
Drive System Maintenance	5-5
Checking the Tire Pressure.....	5-5
Checking the Wheel Lug Nuts	5-5
Adjusting the Tracking.....	5-5
Mower-Deck Maintenance	5-7
Blade Service	5-7
Leveling the Mower Deck	5-10
Brake Maintenance	5-14
Testing the Parking Brake	5-14
Cleaning.....	5-15
Cleaning Under the Mower Deck.....	5-15
Chapter 6: Storage	6-1
Storing the Machine	6-1
Chapter 7: Troubleshooting	7-1
Machine Troubleshooting	7-1
Battery and Charger Troubleshooting	7-2
Display Error and Fault Code Troubleshooting	7-4
Chapter 8: Schematic: Electrical Diagram.....	8-1
California Proposition 65 Warning Information	



Intended Use

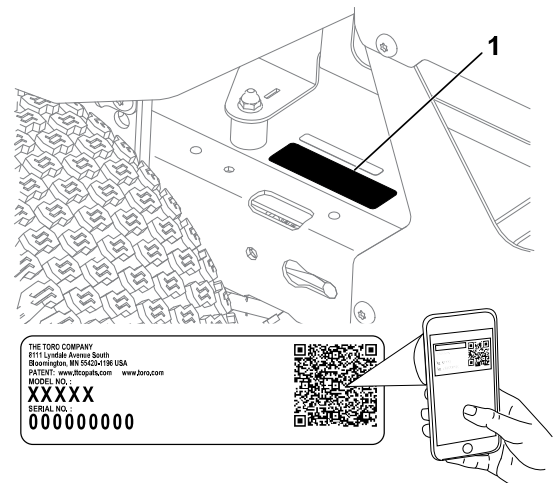
This rotary-blade, riding lawnmower is intended to be used by homeowners in residential applications. It is designed primarily for cutting grass on well-maintained lawns. Using this product for purposes other than its intended use could prove dangerous to you and bystanders.

Read this information carefully to learn how to operate and maintain your product properly and to avoid injury and product damage. You are responsible for operating the product properly and safely.

Getting Help

Visit www.Toro.com for product safety and operation training materials, accessory information, help finding a dealer, or to register your product.

Whenever you need service, genuine Toro parts, or additional information, contact an Authorized Service Dealer or Toro Customer Service and have the model and serial numbers of your product ready. These numbers are located on the serial plate on your product (1). Write the numbers in the space provided.



G444734

IMPORTANT

With your mobile device, you can scan the QR code on the serial number decal (if equipped) to access warranty, parts, and other product information.

Model Number:		Serial Number:	
---------------	--	----------------	--



General Machine Safety Warnings



WARNING—Read all safety warnings, instructions, illustrations and specifications provided with this machine.

Failure to follow the warnings and instructions may result in electric shock, fire and/or serious injury.

The term “machine” in all of the warnings listed below refers to your mains-operated (corded) machine or battery-operated (cordless) machine.

1. Work area safety

- A. **Keep work area clean and well lit.** *Cluttered or dark areas invite accidents.*
- B. **Do not operate the machine in explosive atmospheres, such as in the presence of flammable liquids, gasses, or dust.** *The machine creates sparks, which may ignite the dust or fumes.*
- C. **Keep children and bystanders away while operating the machine.** *Distractions can cause you to lose control.*

2. Electrical safety

- A. **Machine plugs must match the outlet. Never modify the plug in any way. Do not use any adapter plugs with an earthed (grounded) machine.** *Unmodified plugs and matching outlets will reduce risk of electric shock.*
- B. **Avoid body contact with earthed or grounded surfaces, such as pipes, radiators, ranges, and refrigerators.** *There is an increased risk of electric shock if your body is earthed or grounded.*
- C. **Do not expose the machine to rain or wet conditions.** *Water entering a machine will increase the risk of electric shock.*
- D. **Do not abuse the cord. Never use the cord for carrying, pulling or unplugging the machine. Keep cord away from heat, oil, sharp edges, or moving parts.** *Damaged or entangled cords increase the risk of electric shock.*
- E. **When operating the machine outdoors, use an extension cord suitable for outdoor use.** *Use of a cord suitable for outdoor use reduces the risk of electric shock.*
- F. **If operating the machine in a damp location is unavoidable, use a residual current device (RCD) protected supply.** *Use of an RCD reduces the risk of electric shock.*

3. Personal safety

- A. **Stay alert, watch what you are doing, and use common sense when operating the machine. Do not use the machine while you are tired or under the influence of drugs, alcohol, or medication.** *A moment of inattention while operating the machine may result in serious personal injury.*
- B. **Use personal protective equipment. Always wear eye protection.** *Protective equipment such as a dust mask, non-skid safety shoes, or hearing protection used for appropriate conditions will reduce personal injuries.*
- C. **Prevent unintentional starting. Ensure the switch is in the off-position before connecting to power source and/or battery pack.** *Energising a machine that has the switch on invites accidents.*
- D. **Remove any adjusting key or wrench before turning the machine on.** *A wrench or a key left attached to a rotating part of the machine may result in personal injury.*
- E. **Do not overreach. Keep proper footing and balance at all times.** *This enables better control of the machine in unexpected situations.*
- F. **Dress properly. Do not wear loose clothing or jewelry. Keep your hair and clothing away from moving parts.** *Loose clothes, jewelry or long hair can be caught in moving parts.*
- G. **If devices are provided for the connection of dust extraction and collection facilities, ensure these are connected and properly used.** *Use of dust collection can reduce dust-related hazards.*
- H. **Do not let familiarity gained from frequent use of the machine allow you to become complacent and ignore machine safety principles.** *A careless action can cause severe injury within a fraction of a second.*

4. Machine use and care

- A. **Do not force the machine. Use the correct machine for your application.** *The correct machine will do the job better and safer at the rate for which it was designed.*
- B. **Do not use the machine if the switch does not turn it on and off.** *Any machine that cannot be controlled with the switch is dangerous and must be repaired.*
- C. **Disconnect the plug from the power source and/or remove the battery pack, if detachable, from the machine before making any adjustments, changing accessories, or storing the machine.** *Such preventive safety measures reduce the risk of starting the machine accidentally.*
- D. **Store an idle machine out of the reach of children and do not allow persons unfamiliar with the machine or these instructions to operate the machine.** *A machine is dangerous in the hands of untrained users.*
- E. **Maintain the machine and accessories. Check for misalignment or binding of moving parts, breakage of parts and any other condition that may affect the operation of the machine. If damaged, have the machine repaired before use.** *Many accidents are caused by a poorly maintained machine.*
- F. **Keep cutting tools sharp and clean.** *Properly maintained cutting tools with sharp cutting edges are less likely to bind and are easier to control.*
- G. **Use the machine, accessories, and tool bits etc., in accordance with these instructions, taking into account the working conditions and the work to be**

performed. *Use of the machine for operations different from those intended could result in a hazardous situation.*

- H. **Keep handles and grasping surfaces dry, clean and free from oil and grease.** *Slippery handles and grasping surfaces do not allow for safe handling and control of the machine in unexpected situations.*

5. Battery machine use and care

- A. **Recharge only with the charger specified by a manufacturer.** *A charger that is suitable for one type of battery pack may create a risk of fire when used with another battery pack.*
- B. **Use the machine only with specifically designated batteries.** *Use of any other batteries may create a risk of injury and fire.*
- C. **When battery pack is not in use, keep it away from other metal objects, like paper clips, coins, keys, nails, screws or other small metal objects, that can make a connection from one terminal to another.** *Shorting the battery terminals together may cause burns or a fire.*
- D. **Under abusive conditions, liquid may be ejected from the battery; avoid contact. If contact accidentally occurs, flush with water. If liquid contacts eyes, additionally seek medical help.** *Liquid ejected from the battery may cause irritation or burns.*
- E. **Do not use a battery pack or machine that is damaged or modified.** *Damaged or modified batteries may exhibit unpredictable behavior resulting in fire, explosion or risk of injury.*
- F. **Do not expose a battery pack or machine to fire or excessive temperature.** *Exposure to fire temperature above 130°C (265°F) may cause an explosion.*
- G. **Follow all charging instructions and do not charge the battery pack or machine outside the temperature range specified in the instructions.** *Charging improperly or at temperatures outside the specified range may damage the battery and increase the risk of fire.*

6. Service

- A. **Have your machine serviced by a qualified repair person using only identical replacement parts.** *This will ensure that the safety of the machine is maintained.*
- B. **Never service damaged battery packs.** *Service of battery packs should be performed only by the manufacturer or authorized service providers.*

Lawnmower Safety Warnings

- A. **Do not use the lawnmower in bad weather conditions, especially when there is a risk of lightning.** *This decreases the risk of being struck by lightning.*
- B. **Thoroughly inspect the area for wildlife where the lawnmower is to be used.** *Wildlife may be injured by the lawnmower during operation.*
- C. **Thoroughly inspect the area where the lawnmower is to be used and remove all stones, sticks, wires, bones, and other foreign objects.** *Thrown objects can cause personal injury.*

- D. **Before using the lawnmower, always visually inspect to see that the blade and the blade assembly are not worn or damaged.** *Worn or damaged parts increase the risk of injury.*
- E. **Keep guards in place. Guards must be in working order and be properly mounted.** *A guard that is loose, damaged, or is not functioning correctly may result in personal injury.*
- F. **Keep all cooling air inlets clear of debris.** *Blocked air inlets and debris may result in overheating or risk of fire.*
- G. **While operating the lawnmower, always wear non-slip and protective footwear. Do not operate the lawnmower when barefoot or wearing open sandals.** *This reduces the chance of injury to the feet from contact with the moving blade.*
- H. **While operating the lawnmower, always wear long trousers.** *Exposed skin increases the likelihood of injury from thrown objects.*
- I. **Do not operate the lawnmower on slopes greater than 15°.** *This reduces the risk of loss of control, slipping, and rollover which may result in personal injury.*
- J. **Exercise extreme caution when working on slopes.** *This reduces the risk of loss of control, slipping, and rollover which may result in personal injury.*
- K. **Use extreme caution when reversing the lawnmower.** *Always be aware of your surroundings.*
- L. **Do not touch blades and other hazardous moving parts while they are still in motion.** *This reduces the risk of injury from moving parts.*
- M. **When clearing jammed material or cleaning the lawnmower, make sure all power switches are off, and remove the key.** *Unexpected operation of the lawnmower may result in serious personal injury.*

Save all warnings and instructions for future reference.

Additional Safety Messages

Safety-Alert Symbol

The safety-alert symbol shown in this manual and on the machine identifies important safety messages that you must follow to prevent accidents.



G405934

DANGER indicates an imminently hazardous situation which, if not avoided, **will** result in death or serious injury.

WARNING indicates a potentially hazardous situation which, if not avoided, **could** result in death or serious injury.

CAUTION indicates a potentially hazardous situation which, if not avoided, **may** result in minor or moderate injury.

This manual uses 2 other words to highlight information. **Important** calls attention to special mechanical information and **Note** emphasizes general information worthy of special attention.

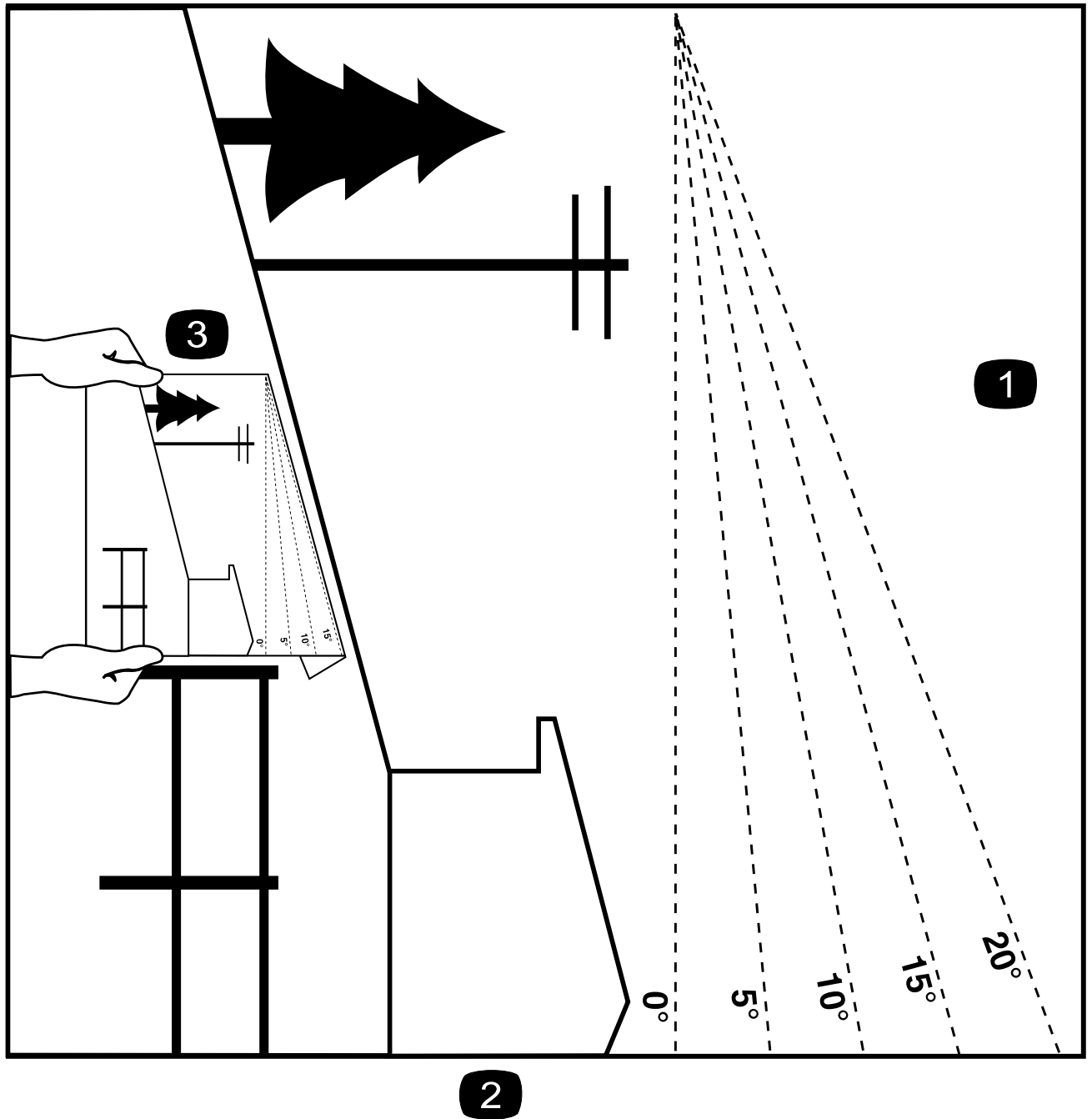
General Safety

This product is capable of amputating hands and feet and of throwing objects. Always follow all safety instructions to avoid serious personal injury or death.

- Keep clear of the discharge opening.
- Allow only responsible and physically capable people to operate the machine.
- Shut off the machine, remove the key, and wait for all moving parts to stop before leaving the operator's position. Allow the machine to cool before servicing, adjusting, or cleaning it.

Slope Indicator

You may copy this page for personal use.



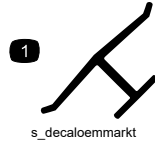
- 1 The maximum slope you can operate the machine on is 15 degrees. Use the slope chart to determine the degree of slope of hills before operating. **Do not operate this machine on a slope greater than 15 degrees.** Fold along the appropriate line to match the recommended slope.
- 2 Align this edge with a vertical surface, a tree, building, fence pole, etc.
- 3 Example of how to compare slope with folded edge

Safety and Instructional Decals



Safety decals and instructions are easily visible to the operator and are located near any area of potential danger. Replace any decal that is damaged or missing.

Decal Part: Manufacturer Mark



s_decaloemmark

① This mark indicates that the blade is identified as a part from the original machine manufacturer.

Decal Part: 130-0731



s_decad130-0731

① Warning—thrown object hazard; keep the deflector in place.

② Cutting hazard of hand or foot, mower blade—keep away from moving parts.

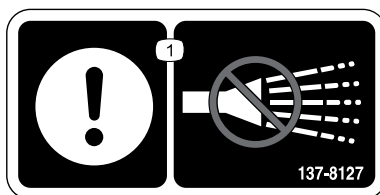
Decal Part: 133-8061

⚠ WARNING: Cancer and Reproductive Harm - www.P65Warnings.ca.gov.
For more information, please visit www.ttcoCAProp65.com

133-8061

s_decad133-8061

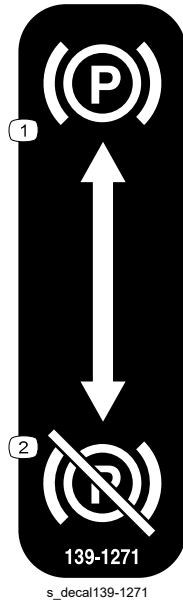
Decal Part: 137-8127



s_decad137-8127

① Attention—do not spray with high-pressure water.

Decal Part: 139-1271



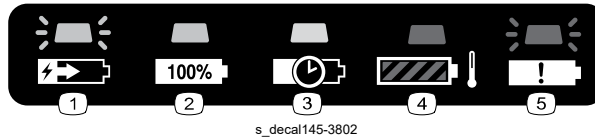
- ① Parking brake—Engage
- ② Parking brake—Disengage

Decal Part: 139-2397

MyRIDE models only



Decal Part: 145-3802



- ① The battery pack is charging.
- ② The battery pack is fully charged.
- ③ The battery pack charging is on standby while other batteries charge (charging mode dependent).
- ④ The battery pack is over or under the appropriate temperature range.
- ⑤ Battery pack charging fault.

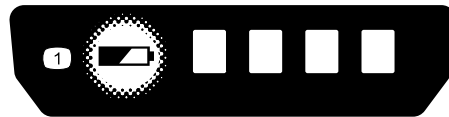
Decal Part: 145-8263



decal145-8263

- ① Read the *Operator's Manual*.
- ② Recycle the battery.
- ③ Do not dispose improperly.
- ④ Keep away from open fire or flames.
- ⑤ Do not expose to rain.

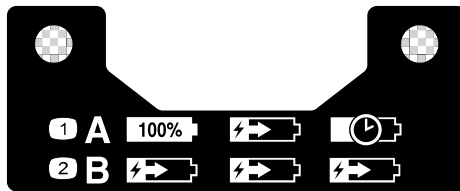
Decal Part: 145-8265



decal145-8265

- ① Battery charging status

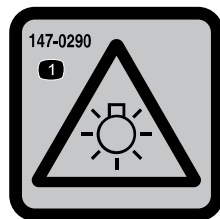
Decal Part: 145-8275



s_decal145-8275

- ① Sequential Rapid charging mode—one battery charges fully at a time (other batteries remain on standby).
- ② Parallel charging mode—all batteries are charged to the same level.

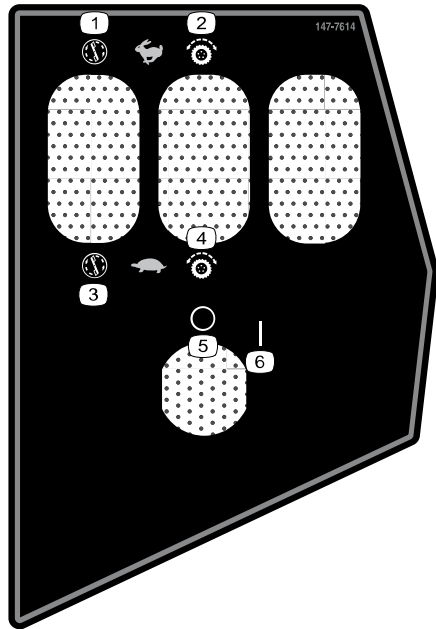
Decal Part: 147-0290



decal147-0290

- ① Warning—light is bright; do not look directly into the light.

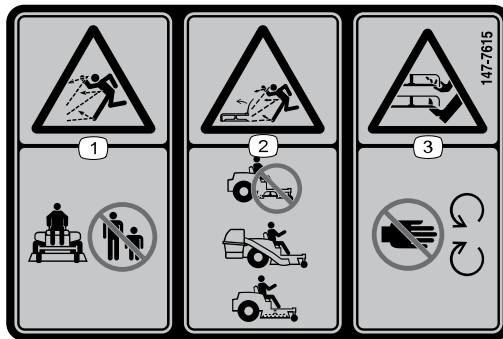
Decal Part: 147-7614



decal147-7614

- ① Blade control—fast
- ② Traction drive—fast
- ③ Blade control—slow
- ④ Traction drive—slow
- ⑤ Off
- ⑥ On

Decal Part: 147-7615

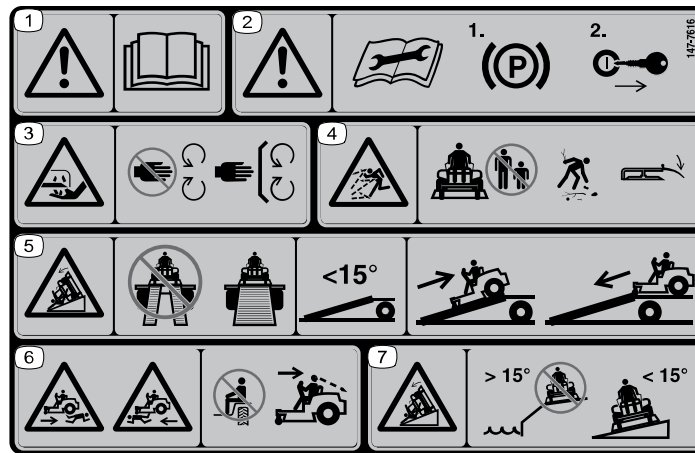


decal147-7615

- ① Thrown object hazard—keep bystanders away.
- ② Thrown object hazard, mower—do not operate without the deflector, discharge cover, or grass collection system in place.
- ③ Cutting/dismemberment hazard of hand or foot, mower blade—keep away from moving parts.

Decal Part: 147-7616

MyRIDE models only



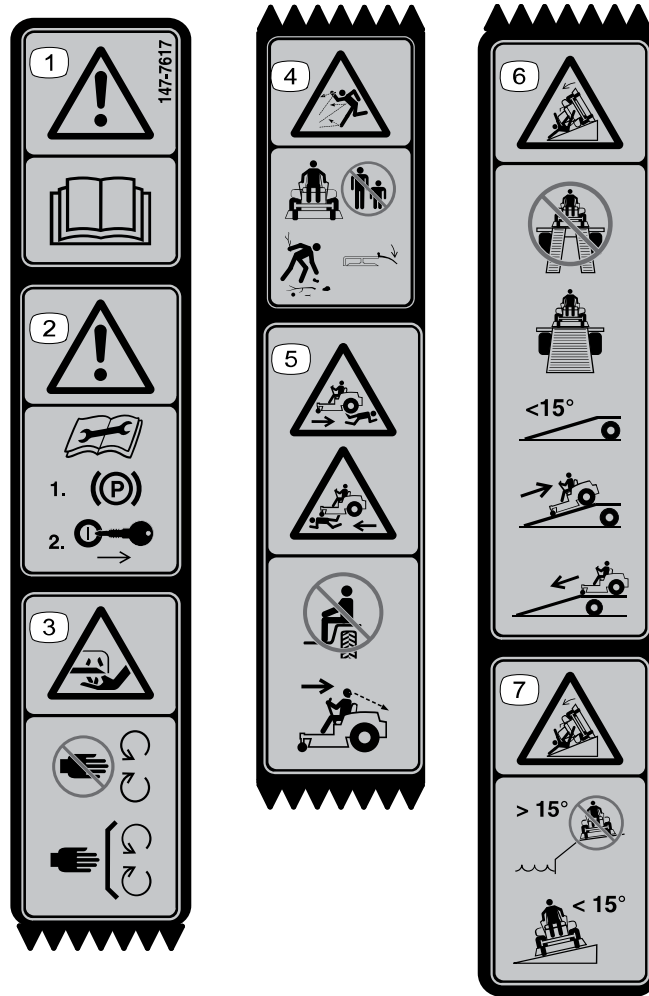
decal147-7616

Note: This machine complies with the industry standard stability test in the static lateral and longitudinal tests with the maximum recommended slope indicated on the decal. Review the instructions for operating the machine on slopes in the *Operator's Manual* as well as the conditions in which you would operate the machine to determine whether you can operate the machine in the conditions on that day and at that site. Changes in the terrain can result in a change in slope operation for the machine.

- ① Warning—read the *Operator's Manual*.
- ② Warning—before performing maintenance, engage the parking brake and remove the key.
- ③ Cutting/dismemberment hazard of hand—keep away from moving parts; keep all guards and shields in place.
- ④ Thrown object hazard—keep bystanders away; pick up debris; keep the deflector in place.
- ⑤ Tipping hazard—do not use dual ramps when loading onto a trailer; use 1 ramp wide enough for the machine; use a ramp with an incline less than 15° ; back up the ramp when loading the machine and drive forward off the ramp when unloading.
- ⑥ Runover hazard—do not carry passengers; look down and behind you when moving in reverse.
- ⑦ Tipping hazard—do not use the machine near drop-offs with slopes greater than 15° ; only operate across slopes less than 15° .

Decal Part: 147-7617

Non-MyRIDE models only

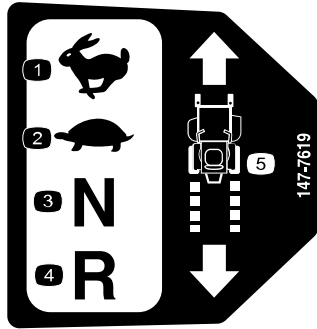


s_decals147-7617

Note: This machine complies with the industry standard stability test in the static lateral and longitudinal tests with the maximum recommended slope indicated on the decal. Review the instructions for operating the machine on slopes in the *Operator's Manual* as well as the conditions in which you would operate the machine to determine whether you can operate the machine in the conditions on that day and at that site. Changes in the terrain can result in a change in slope operation for the machine.

- ① Warning—read the *Operator's Manual*.
- ② Warning—before performing maintenance, engage the parking brake and remove the key.
- ③ Cutting/dismemberment hazard of hand—keep away from moving parts; keep all guards and shields in place.
- ④ Thrown object hazard—keep bystanders away; pick up debris; keep the deflector in place.
- ⑤ Runover hazard—do not carry passengers; look down and behind you when moving in reverse.
- ⑥ Tipping hazard—do not use dual ramps when loading onto a trailer; use 1 ramp wide enough for the machine; use a ramp with an incline less than 15°; back up the ramp when loading the machine and drive forward off the ramp when unloading.
- ⑦ Tipping hazard—do not use the machine near drop-offs with slopes greater than 15°; only operate across slopes less than 15°.

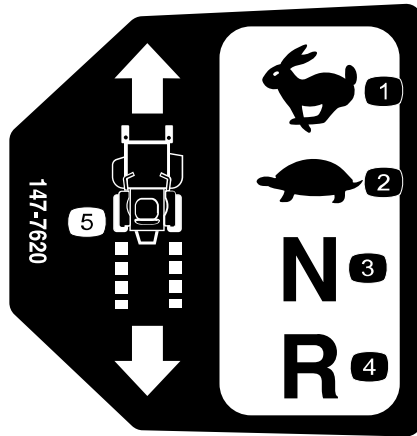
Decal Part: 147-7619



decal147-7619

- ① Fast
- ② Slow
- ③ Neutral
- ④ Reverse
- ⑤ Traction controls

Decal Part: 147-7620



decal147-7620

- ① Fast
- ② Slow
- ③ Neutral
- ④ Reverse
- ⑤ Traction controls

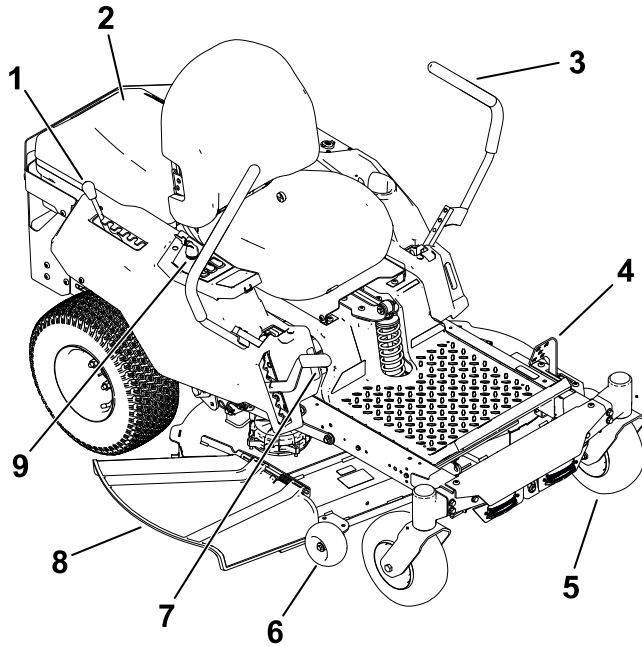
Decal Part: 147-7621



- ① Read the *Operator's Manual*.
- ② Full function
- ③ Limited function
- ④ No function/extremely limited function

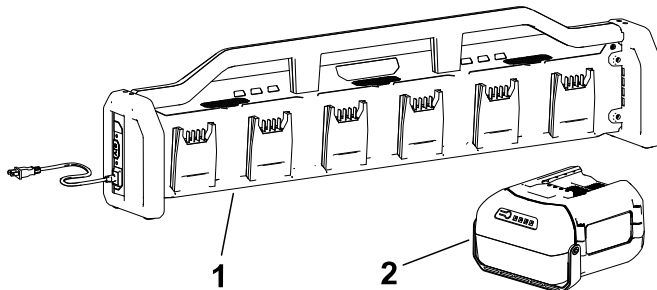


Product Overview



G427499

- ① MyRide® suspension adjustment lever
- ② Battery box
- ③ Motion-control lever
- ④ Parking brake
- ⑤ Caster wheel
- ⑥ Anti-scalp roller
- ⑦ Height-of-cut lever
- ⑧ Grass deflector
- ⑨ Control panel

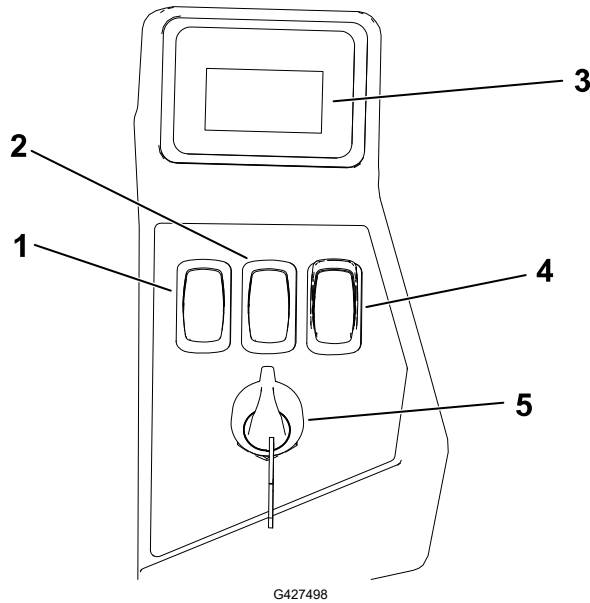


G448680

- ① Battery charger
- ② Battery pack (4 included)

Control Panel

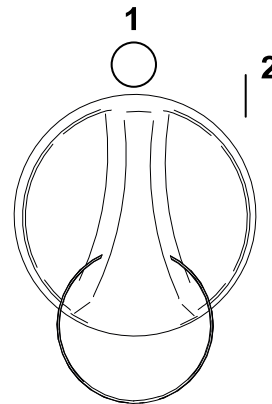
Become familiar with all the controls before you start and operate the machine.



- ① Blade-speed switch
- ② Traction-speed switch
- ③ Information display
- ④ Blade-control switch (power takeoff)
- ⑤ Key switch

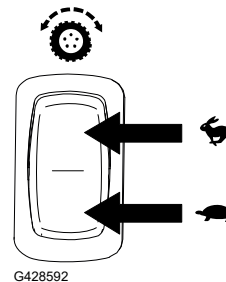
Key Switch

Use the key switch to power the machine ON ② or OFF ①. Turn the key past the ON position to start the machine.



Traction-Speed Switch

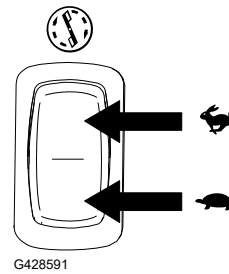
Use the traction-speed switch to select a faster or slower ground speed.



Blade-Speed Switch

Use the blade-speed switch to select a faster or slower blade speed.

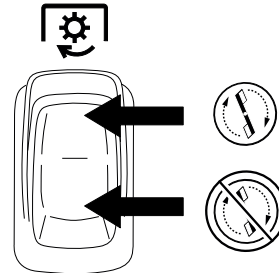
Note: Use the FAST position for best cutting performance; use the SLOW position for less energy consumption.



G428591

Blade-Control (PTO) Switch

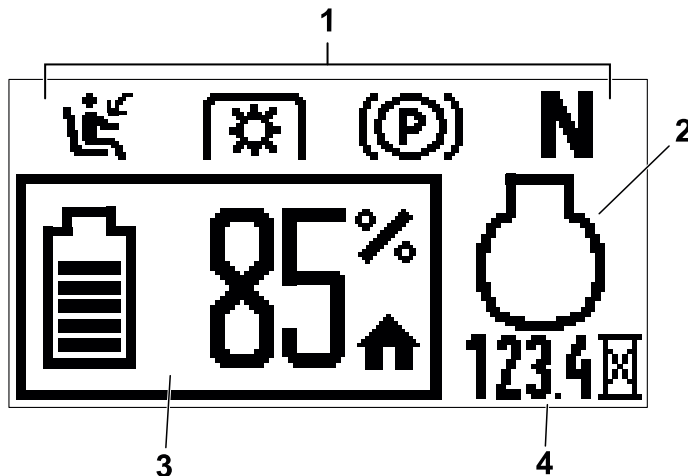
The blade-control switch, represented by a power-takeoff (PTO) symbol, engages and disengages power to the mower blades.



G428617

Information Display

The information display shows messages and the status of the machine (e.g., operating hours, battery charge, component positions).


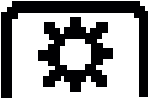

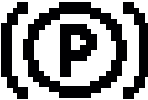

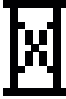









G427630

- ① Interlock indicators
- ② Motor status (displays only during active faults)
- ③ Battery status/charge
- ④ Operating hours

Information Display (continued)

Display Icon

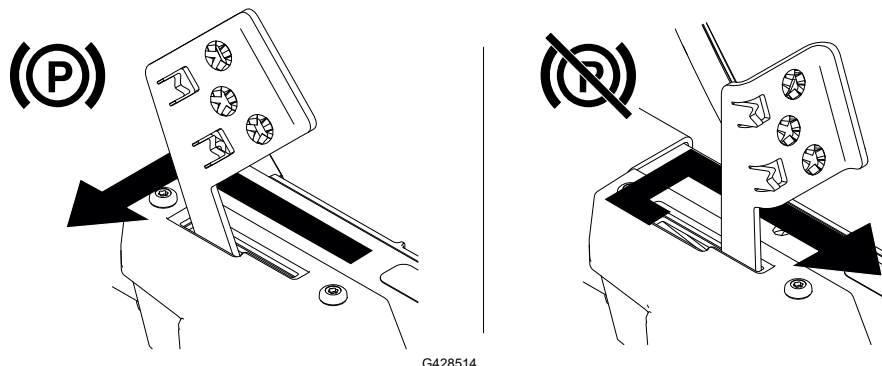
	The operator is not in the seat.
	The blade-control switch (PTO) is engaged.
	The blade-control switch (PTO) is engaged but the machine is preventing the blades from running. Check the interlocks or active machine faults.
	The parking brake is engaged. When this flashes, release the parking brake before driving the machine.
	The motion-control levers are in the NEUTRAL-LOCK position. When this flashes, move the levers inward before driving the machine.
	Hour meter
	Engage the parking brake.

	The battery temperature is too high.
	The battery load is too high.
	Limp mode is active.
	The motor temperature is too high.
	The motor load is too high.
	Fault code

Parking Brake

Whenever you shut off the machine, engage the parking brake to prevent accidental movement of the machine.

You can use the parking brake to stop the machine in emergency situations or when a machine fault disables the traction controls.



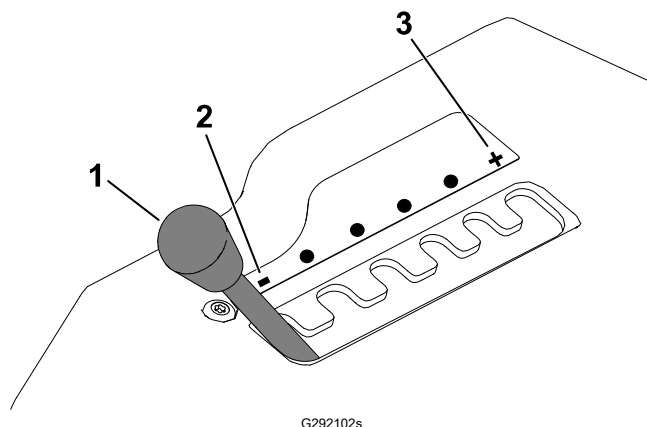
Motion-Control Levers

Use the motion-control levers to drive the machine forward, reverse, and turn either direction.

MyRide® Suspension Adjustment Lever

For Machines with the MyRide Suspension System

Use the adjustment lever to adjust the seat suspension for a smooth and comfortable ride.



- ① Adjustment lever
- ② Softer suspension
- ③ Firmer suspension

Specifications

Note: Specifications and design are subject to change without notice.

Machine

Model	75841	75851
Cutting width	107 cm (42 inches)	137 cm (54 inches)
Width with deflector down	136 cm (53-1/2 inches)	166 cm (65-1/2 inches)
Width with deflector up	116 cm (45-1/2 inches)	140 cm (55 inches)
Length	185 cm (73 inches)	185 cm (73 inches)
Height	104 cm (41 inches)	117 cm (46 inches)
Weight	224 kg (494 lb)	284 kg (626 lb)


Included Battery Packs

Model	66810	88640
Quantity included with machine:		
Machine model 75841	4	0
Machine model 75851	5	1
Battery pack capacity	10.0 Ah 600 Wh	4.0 Ah 216 Wh
Battery manufacturer rating = 60V maximum and 54V nominal. Actual voltage varies with load.		

Compatible Battery Packs

Model	88620	88625	88640	88650	88660	88675	66810
Battery pack capacity	2.0 Ah 108 Wh	2.5 Ah 135 Wh	4.0 Ah 216 Wh	5.0 Ah 270 Wh	6.0 Ah 324 Wh	7.5 Ah 405 Wh	10.0 Ah 540 Wh
Battery manufacturer rating = 60V maximum and 54V nominal. Actual voltage varies with load.							

Included Battery Charger

Model	66550
Type	Flex-Force Power System® 60V Pro 6-Pod Battery Charger
Input	220 to 240V AC ~5.0A, 50/60Hz
Output	60V DC  12.0A MAX

Compatible Battery Chargers

Model	88602	88605	88610
Type	60V MAX Lithium-Ion Battery Charger	60V MAX Lithium-Ion Battery Rapid Charger	Adapter 60V MAX Lithium-Ion Battery Charger
Input	120V AC ~2.0A, 60Hz	120V AC ~5.0A, 60Hz	120V AC ~2.0A, 60Hz
Output	60V DC ≡ 2.0A MAX	60V DC ≡ 5.5A MAX	60V DC ≡ 1.0A MAX

Appropriate Temperature Ranges

Battery charging/storage	5°C (41°F) to 40°C (104°F)*
Machine storage	-40°C (-40°F) to 50°C (122°F)*
Battery operation	-30°C (-22°F) to 49°C (120°F)
Machine operation	5°C (41°F) to 40°C (104°F)

*Charging time will increase if you do not charge the battery pack within this range.

Store the machine, battery pack, and battery charger in an enclosed clean, dry area.

Attachments/Accessories

A selection of Toro approved attachments and accessories is available for use with the machine to enhance and expand its capabilities. Contact your Authorized Service Dealer or authorized Toro distributor or go to www.Toro.com for a list of all approved attachments and accessories.

To ensure optimum performance and continued safety certification of the machine, use only genuine Toro replacement parts and accessories.



Before Operation

Before Operation Safety

- Do not operate the machine unless all safety switches and other devices are in place and working properly.
- Before leaving the operator's position for any reason, do the following:
 - Park the machine on a level surface.
 - Disengage the drives and the power take-off.
 - Engage the parking brake.
 - Shut off the machine and remove the key.
 - Wait for all moving parts to stop.
- Before mowing, always inspect the machine to ensure that the blades, blade bolts, and cutting assemblies are in good working condition.
- This product generates an electromagnetic field. If you wear an implantable electronic medical device, consult your health care professional before using this product.
- Use only accessories and attachments approved by Toro.
- Do not carry passengers on the machine and keep bystanders and pets away from the machine during operation.
- This machine may produce a sound power level that exceeds 85 dBA at the operator's ear when accessories are installed. This can cause hearing loss through extended periods of exposure. Wear hearing protection when operating this machine with accessories installed.
- Before operating the machine, ensure that the operator presence controls and either the discharge deflector or the entire grass collection system are in place and working properly. Otherwise, do not operate the machine.
- When you shut off the machine, the blades should stop. If not, stop using the machine immediately and contact an Authorized Service Dealer.
- Shut off the machine and attachment(s) if anyone enters the area.

Installing the Battery Packs

Any Flex-Force Power System® battery can be used with the machine.

Install at least 3 fully charged batteries, with 4 Ah or higher, for best mowing performance; 2 or fewer batteries, or batteries with lower amperage, may only provide enough power to drive the machine. Install more batteries and/or batteries with higher amperage to increase machine runtime.

IMPORTANT

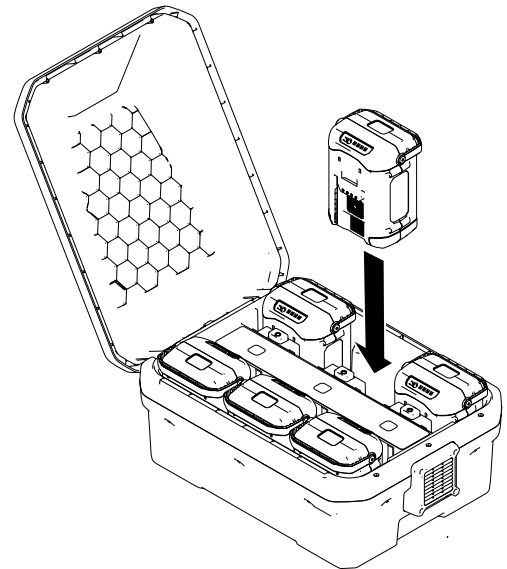
Use the battery packs only in temperatures that are within the appropriate range; refer to [Specifications, page 3–6](#).

1. Make sure that the vents on the batteries are clear of any dust and debris.
2. Lift up the battery-compartment lid.
3. Align the cavity in the battery pack with the tongue on the machine and slide the battery pack into the compartment until it locks into place with an audible click.
4. Turn the key switch to the ON position and ensure that the LED light next to each battery pack illuminates.

Note: If a light does not illuminate for a battery pack, refer to [7 Troubleshooting, page 7–1](#).

5. Close the battery-compartment lid.

Note: If the battery-compartment lid does not close completely, the batteries are not fully installed.



G445491

Performing Daily Maintenance

Before starting the machine each day, perform the Each Use/Daily procedures listed in the Maintenance Schedule.

Safety-Interlock System

The safety-interlock system is designed to prevent the machine from driving or engaging the blades unless the parking brake is disengaged:

It also is designed to shut off the blades whenever you rise from the seat.



WARNING



If the safety-interlock switches are disconnected or damaged, the machine could operate unexpectedly, causing personal injury.

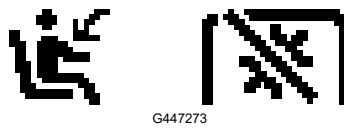
- Do not tamper with the interlock switches.
- Check the operation of the interlock switches daily and replace any damaged switches before operating the machine.

Testing the Safety-Interlock System

Test the safety-interlock system before you use the machine each time. If the safety system does not operate as described below, have an Authorized Service Dealer repair the safety system immediately.

1. Sit on the seat, start the machine, and disengage the parking brake.
2. Engage the blade-control switch (PTO), and rise slightly from the seat.

The mower blades should shut off, and the information display should show the following icons.



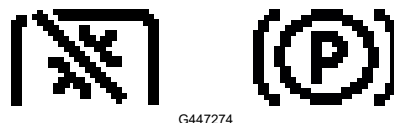
3. Sit on the seat and disengage the blade-control switch.
4. Slowly move the motion-control levers forward and rise slightly from the seat.

The machine should stop moving and display the following icon.



5. Sit on the seat, engage the parking brake and engage the blade-control switch.

The mower blades should not engage, and the information display should show the following icons.



Safety-Interlock System (continued)

6. Disengage the blade-control switch.
7. Ensure that the parking brake is engaged and slowly move the motion-control levers forward.

The machine should not move, and the information display should show the following icon.

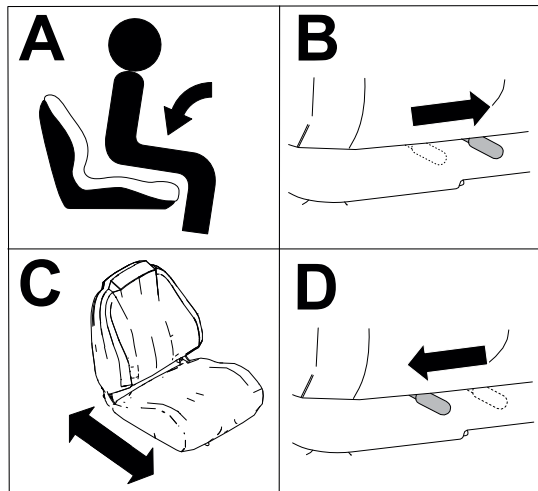


G427902

8. Shut off the machine and remove the key.

Positioning the Seat

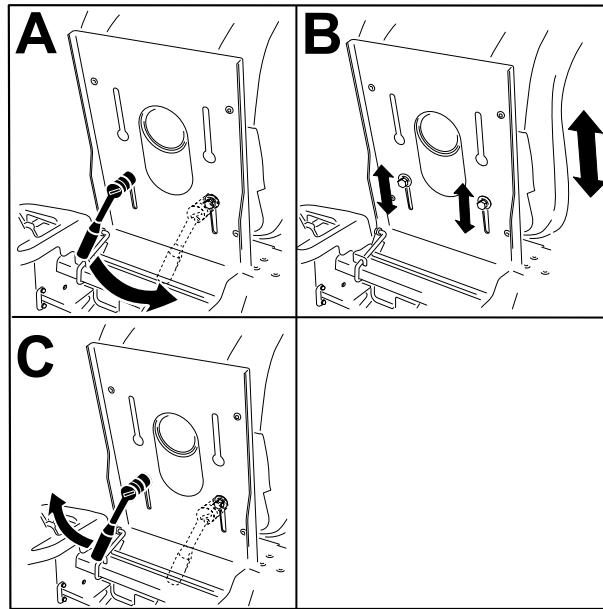
Machines with MyRide Suspension



G451798

Positioning the Seat (continued)

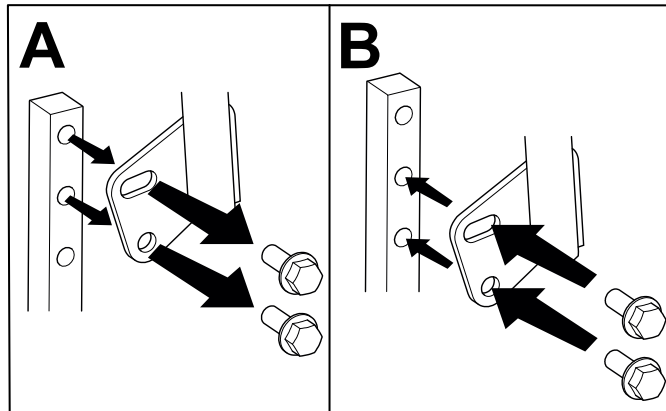
Machines without MyRide Suspension



G459819

Adjusting the Motion-Control Lever Height

Adjust the motion-control levers higher or lower for your comfort.

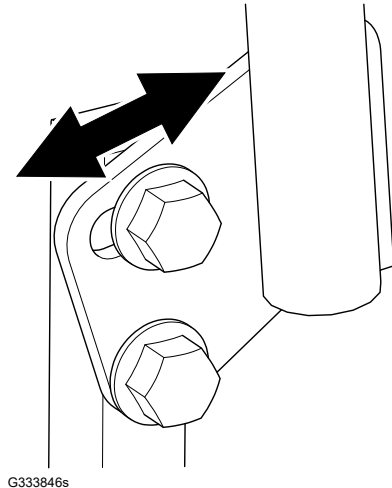


G441093

Adjusting the Motion-Control Lever Tilt

Adjust the motion-control levers forward or rearward for your comfort.

1. Loosen the upper bolt.
2. Loosen the lower bolt enough to pivot the control lever forward or rearward.
3. Tighten both bolts.
4. Repeat the adjustment for the other control lever.



During Operation

During Operation Safety

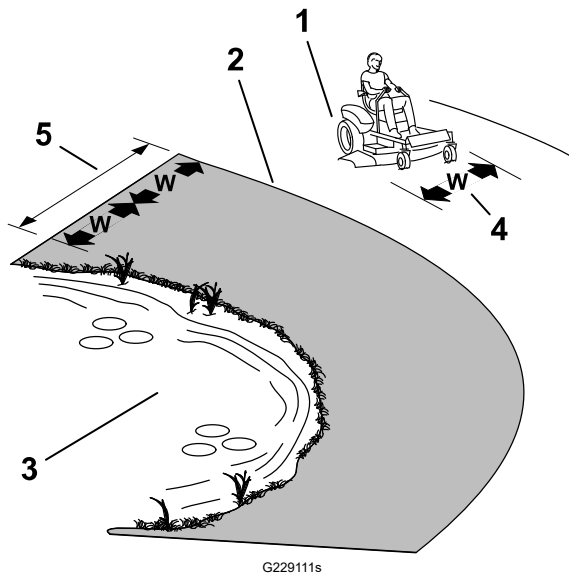
- Before you start the machine, ensure that all drives are in neutral.
- Keep away from holes, ruts, bumps, rocks, and other hidden hazards. Use care when approaching blind corners, shrubs, trees, tall grass or other objects that may hide obstacles or obscure vision. Uneven terrain could overturn the machine.
- Shut off the machine and disengage the drive to the cutting unit after striking a foreign object or if an abnormal vibration occurs. Inspect the cutting unit for damage and make repairs before starting and operating the machine.
- Be alert, slow down, and use caution when making turns and crossing roads and sidewalks with the machine. Always yield the right-of-way.
- Do not use the machine as a towing vehicle.
- Be aware of the mower discharge path and direct discharge away from others. Avoid discharging material against a wall or obstruction as the material may ricochet back toward the operator. Stop the blades, slow down, and use caution when crossing surfaces other than grass and when transporting the mower.
- Do not leave a running machine unattended.
- Be alert and shut off the machine if children enter the area.

Slope Safety

- Slopes are a major factor related to loss of control and rollover accidents, which can result in severe injury or death. The operator is responsible for safe slope operation. Operating the machine on any slope requires extra caution. Before using the machine on a slope, do the following:
 - Review and understand the slope instructions in the manual and on the machine.

During Operation Safety (continued)

- Use an angle indicator to determine the approximate slope angle of the area.
- Never operate on slopes greater than 15°.
- Evaluate the site conditions of the day to determine if the slope is safe for machine operation. Use common sense and good judgment when performing this evaluation. Changes in the terrain, such as moisture, can quickly affect the operation of the machine on a slope.
- Identify hazards at the base of the slope. Do not operate the machine near drop-offs, ditches, embankments, water, or other hazards. The machine could suddenly roll over if a wheel goes over the edge or the edge collapses. Keep a safe distance (twice the width of the machine) between the machine and any hazard. Use a walk-behind machine or a hand trimmer to mow the grass in these areas.



- ① Safe Zone—use the machine here on slopes less than 15° or flat areas.
- ② Danger Zone—use a walk-behind mower and/or a hand trimmer on slopes greater than 15° and near drop-offs or water.
- ③ Water
- ④ W = Width of the machine
- ⑤ Keep a safe distance (twice the width of the machine) between the machine and any hazard.

- Avoid starting, stopping, or turning the machine on slopes. Avoid making sudden changes in speed or direction; turn slowly and gradually.
- Do not operate a machine under any conditions where traction, steering, or stability is in question. Be aware that operating the machine on wet grass, across slopes, or downhill may cause the machine to lose traction. Loss of traction to the drive wheels may result in sliding and a loss of braking and steering. The machine can slide even if the drive wheels are stopped.
- Remove or mark obstacles such as ditches, holes, ruts, bumps, rocks, or other hidden hazards. Tall grass can hide obstacles. Uneven terrain could overturn the machine.
- Use extra care while operating with accessories or attachments, such as grass-collection systems. These can change the stability of the machine and cause a loss of control. Follow directions for counterweights.
- If possible, keep the deck lowered to the ground while operating on slopes. Raising the deck while operating on slopes can cause the machine to become unstable.

During Operation Safety (continued)

Towing Safety

- Do not attach towed equipment except at the hitch point.
- Do not use the machine as a towing vehicle unless it has a hitch installed.
- Do not exceed the maximum gross towing weight.
- Never allow children or others near the towed equipment.
- On slopes, the weight of the towed equipment may cause loss of traction, increased risk of rollover, and loss of control. Reduce the towed weight and slow down.
- The stopping distance may increase with the weight of a towed load. Travel slowly and allow extra distance to stop.
- Make wide turns to keep the attachment clear of the machine.

Starting the Machine

1. Sit on the seat.
2. Turn the key switch past the ON position and release it.
3. Wait for the splash screen to disappear from the information display before operating the machine (approximately 3 to 5 seconds).

Shutting Off the Machine



CAUTION



Children or bystanders may be injured if they move or attempt to operate the machine while it is unattended.

Always remove the key and engage the parking brake when leaving the machine unattended.

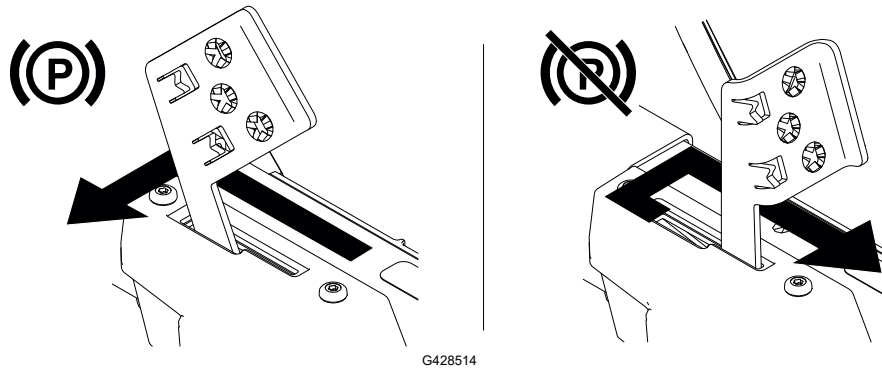
1. Park the machine on a level surface.
2. Disengage the blade-control switch (PTO).
3. Move the motion-control levers outward to the NEUTRAL-LOCK position.
4. Engage the parking brake.
5. Turn the key switch to the OFF position and remove the key.
6. Wait for all moving parts to stop before leaving the operating position.

Operating the Parking Brake

Whenever you shut off the machine, engage the parking brake to prevent accidental movement of the machine.

- To engage the parking brake, use your foot to push down the parking-brake pedal and move it left into the detent.
- To disengage the parking brake, use your foot to push down the pedal, move the parking-brake pedal to the right out of the detent, and slowly release it.

You can use the parking brake to stop the machine in emergency situations or when a machine fault disables the traction controls.



Driving the Machine



CAUTION

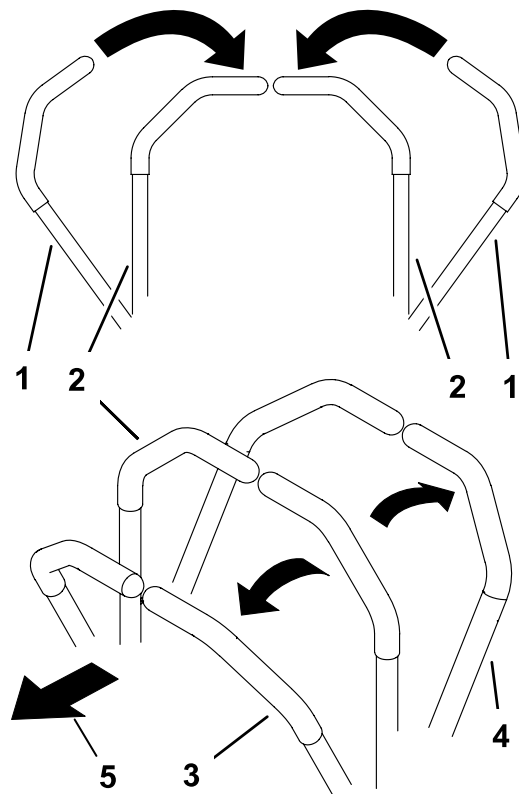


Positioning one lever too far in front of the other causes the machine to spin very rapidly. As a result, you may lose control of the machine, causing personal injury to you and damage to the machine.

Slow down the machine before making sharp turns.

The drive wheels turn independently, powered by motors on each axle. You can turn 1 side in reverse while you turn the other forward, causing the machine to spin rather than turn. This greatly improves the machine maneuverability but may require some time for you to adapt to how it moves.

1. Move the motion-control levers down to the center, unlocked position.



- ① Motion-control levers—NEUTRAL-LOCK position
- ② Center, unlocked position
- ③ Forward
- ④ Reverse
- ⑤ Front of the machine

G426843s

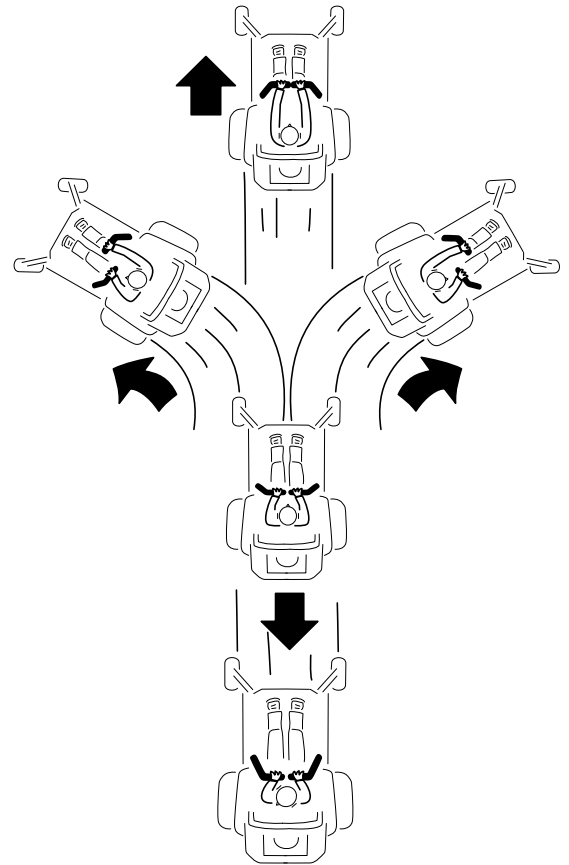
Driving the Machine (continued)

2. Slowly push the motion-control levers forward or rearward. Move 1 lever farther than the other lever to turn.

Note: The farther you move the motion-control levers, the faster the machine moves in that direction.

3. To stop, pull the motion-control levers back to the NEUTRAL position.

Note: You can use the parking brake to stop the machine in emergency situations or when a machine fault disables the traction controls.



G397314s

Operating the Mower Blade-Control Switch (PTO)



DANGER



The rotating blades under the mower deck are dangerous. Blade contact will cause serious injury or death.

Do not put your hands or feet under the mower or mower deck when the blades are engaged.



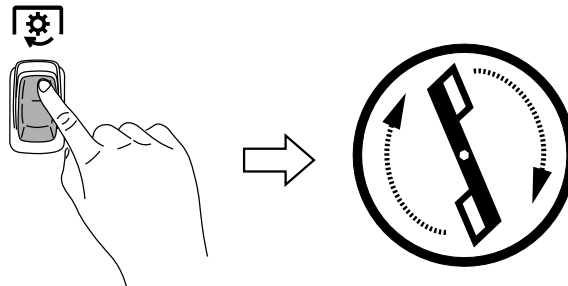
DANGER



An uncovered discharge opening allows objects to be thrown toward you or bystanders. Also, contact with the blade could occur. Thrown objects or blade contact will cause serious injury or death.

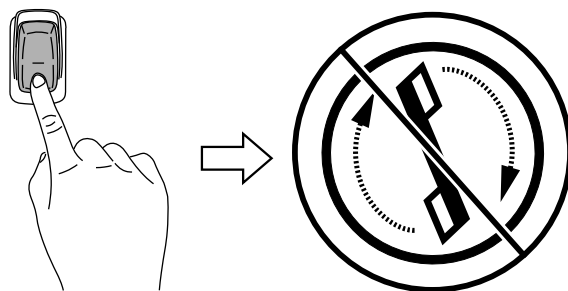
Do not operate the mower with the discharge deflector raised, removed, or altered unless a grass collection system or mulch kit is in place and working properly.

1. Engage the blade-control switch (PTO).



G428133

2. Mow as desired.
3. Disengage the blade-control switch.



G428132

Side Discharge

The hinged grass deflector disperses clippings to the side and down toward the turf.



DANGER



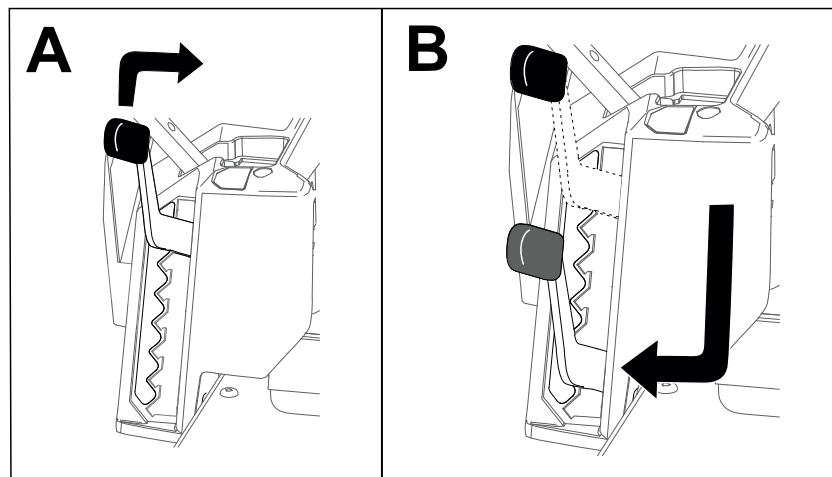
Without the grass deflector, discharge cover, or complete grass catcher assembly mounted in place, you and bystanders are exposed to blade contact and thrown debris. Contact with rotating mower blade(s) and thrown debris will cause injury or death.

- Do not remove the grass deflector from the machine, because the grass deflector routes material down toward the turf. If the grass deflector is ever damaged, replace it immediately.
- Never put your hands or feet under the mower.
- Never try to clear the discharge area or mower blades unless the power takeoff (PTO) is off. Rotate the key to the OFF position and remove the key.

Adjusting the Height of Cut

Use the height-of-cut lever to the right of the operating position to adjust the height of cut from 38 to 114 mm (1-1/2 to 4-1/2 inches) in 13 mm (1/2 inch) increments.

Note: The transport position is the highest height-of-cut position.



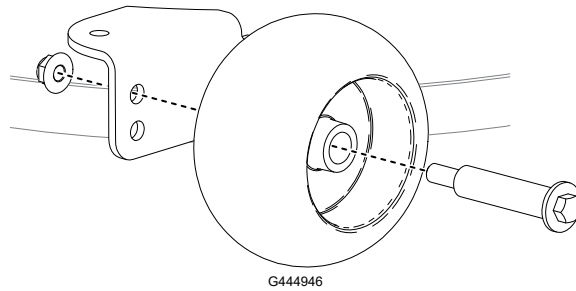
G441492

Adjusting the Anti-Scalp Rollers

Whenever you change the height of cut, adjust the height of the anti-scalp rollers.

1. Park the machine on a level surface, disengage the blade-control switch (PTO), and engage the parking brake.
2. Shut off the machine, remove the key, and wait for all moving parts to stop before leaving the operating position.
3. Adjust the anti-scalp rollers to match the closest height-of-cut position.

Note: Adjust the anti-scalp rollers so that the rollers do not touch the ground in normal, flat mowing areas.



Using the Tow Hitch

Your machine can tow loads with a maximum gross towing weight (GTW) of up to 113 kg (250 lb).

Do not exceed 45 kg (100 lb) of tongue weight on the tow hitch of the machine.

IMPORTANT

When using the tow hitch, do not overload the machine or trailer, and do not tow ground-engaging equipment. Overloading the machine or trailer, or towing ground-engaging equipment, can cause poor performance or damage to the traction motors, tires, and frame.

1. Park the machine on a level surface, disengage the blade-control switch (PTO), and engage the parking brake.
2. Shut off the machine, remove the key, and wait for all moving parts to stop before leaving the operating position.
3. Attach the equipment to the tow hitch using a hitch pin.

Operating Tips

Maximize Air Circulation

For best mowing and maximum air circulation, operate the machine with the blade-control switch (PTO) in the FAST position. Air circulation is required to thoroughly cut grass clippings, so do not set the height-of-cut so low as to totally surround the mower deck in uncut grass.

Operating Tips (continued)

Always try to have 1 side of the mower deck free from uncut grass, which allows air to be drawn into the mower deck.

Avoid Cutting Too Low

When mowing uneven ground, raise the cutting height to slightly higher than normal to avoid scalping the turf. However, the cutting height used in the past is generally the best one to use. When cutting grass longer than 15 cm (6 inches) tall, you may want to cut the lawn twice to ensure an acceptable quality of cut.

Cut a Third of the Grass Blade

It is best to cut only about a third of the grass blade. Cutting more than that is not recommended unless grass is sparse, or it is late fall when grass grows more slowly.

Alternate the Mowing Direction

Alternate the mowing direction to keep the grass standing straight. This also helps disperse clippings, which enhances decomposition and fertilization.

Mowing Frequency

Grass grows at different rates at different times of the year. To maintain the same cutting height, mow more often in early spring. As the grass growth rate slows in mid summer, mow less frequently. If you cannot mow for an extended period, first mow at a high cutting height, then mow again 2 days later at a lower height setting.

Mow at Slower Ground Speeds

In certain conditions, mowing at a slower ground speed can improve cut quality.

Avoid Grass Clumps

If you must stop driving forward while mowing, a clump of grass clippings may drop onto your lawn. To avoid this, move onto a previously cut area with the blades engaged or disengage the mower deck while moving forward.

Keep the Underside of the Mower Deck Clean

Clean clippings and dirt from the underside of the mower deck after each use. Grass and dirt build-up will eventually decrease the cutting quality.

Maintain the Blades

Maintain a sharp blade throughout the cutting season because a sharp blade cuts cleanly without tearing or shredding the grass blades. Tearing and shredding turns grass brown at the edges, which slows growth and increases the chance of disease. Check the mower blades after each use for sharpness, and for any wear or damage. File down any nicks and sharpen the blades as necessary. If a blade is damaged or worn, replace it.

After Operation

After Operation Safety

- Disengage the PTO whenever you are transporting or not using the machine.
- Use full-width ramps for loading the machine into a trailer or truck.
- Tie the machine down securely using straps, chains, cable, or ropes. Both front and rear straps should be directed down and outward from the machine.
- Replace all worn, damaged, or missing parts and decals. Keep all fasteners tight to ensure that the machine is working properly.

Charging the Battery Packs

IMPORTANT

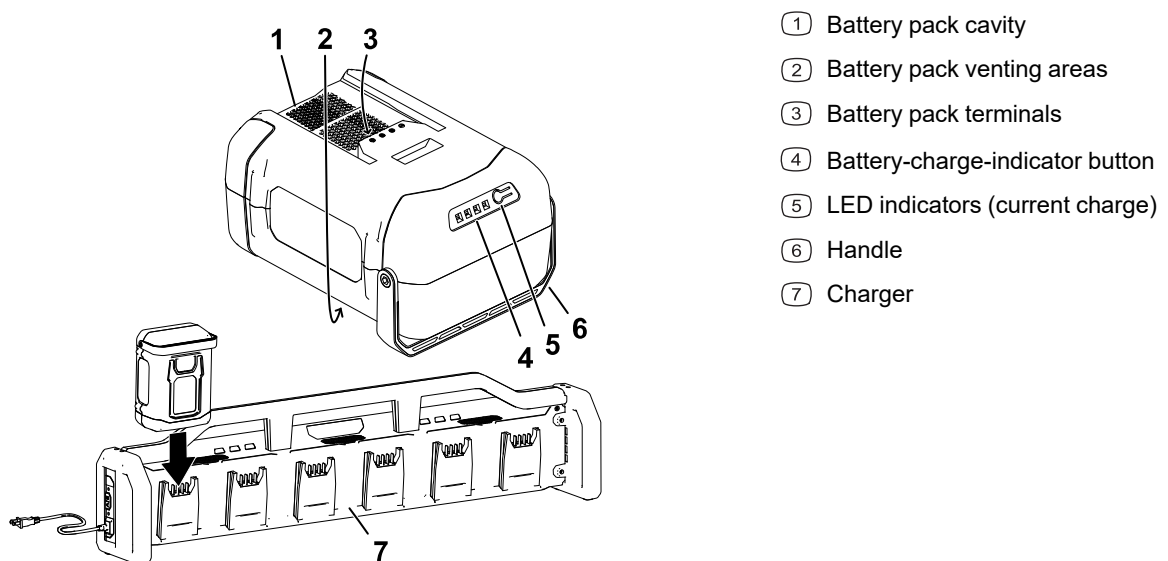
The battery pack is not fully charged when you purchase it. Before using the machine for the first time, place the battery pack in the charger and charge it until the LED display indicates the battery pack is fully charged. Read all safety precautions.

IMPORTANT

Charge the battery pack only in temperatures that are within the appropriate range; refer to [Specifications, page 3–6](#).

Note: At any time, press the battery-charge-indicator button on the battery pack to display the current charge (LED indicators).

1. Ensure that the vents on the battery pack and charger are clear of any dust and debris.



G505617s

Charging the Battery Packs (continued)

2. Line up the cavity in the battery pack with the tongue on the charger.
3. Slide the battery pack into the charger until it is fully seated
4. Wait for the battery pack(s) to charge. Refer to the following table to interpret the LED indicator light on the battery charger.

Indicator light	Indicates
Off	No battery pack inserted
Yellow	Battery pack is on standby while other battery pack(s) are charging
Green blinking	Battery pack is charging
Green	Battery pack is charged
Red	Battery pack and/or battery charger is over or under the appropriate temperature range
Red blinking	Battery pack charging fault; refer to Troubleshooting

If multiple battery packs are connected to the charger, you can switch between 2 charging modes by pressing the A/B button on the side of the charger.

- Sequential Rapid charging (Mode A): Fully charges 1 battery pack at a time; once fully charged, the next battery starts charging. This results in individual fully-charged batteries faster.
- Parallel charging (Mode B): All connected battery packs are charged in parallel, to the same level. This results in all connected batteries being evenly charged.

Note: During normal operation, a fan sound is audible from the charger while the battery packs is charging.

IMPORTANT

The battery can be left on the charger for short periods between uses.

If the battery will not be used for longer periods, remove the battery from the charger.

5. To remove the battery pack, slide the battery pack out of the charger.

Hauling the Machine

Use a heavy-duty trailer or truck to haul the machine. Use a full-width ramp. Ensure that the trailer or truck has all the necessary brakes, lighting, and marking as required by law. Please carefully read all the safety instructions. Knowing this information could help you or bystanders avoid injury. Refer to your local ordinances for trailer and tie-down requirements.



WARNING



Driving on the street or roadway without turn signals, lights, reflective markings, or a slow-moving-vehicle emblem is dangerous and can lead to accidents causing personal injury.

Do not drive the machine on a public street or roadway.

Trailer Requirements



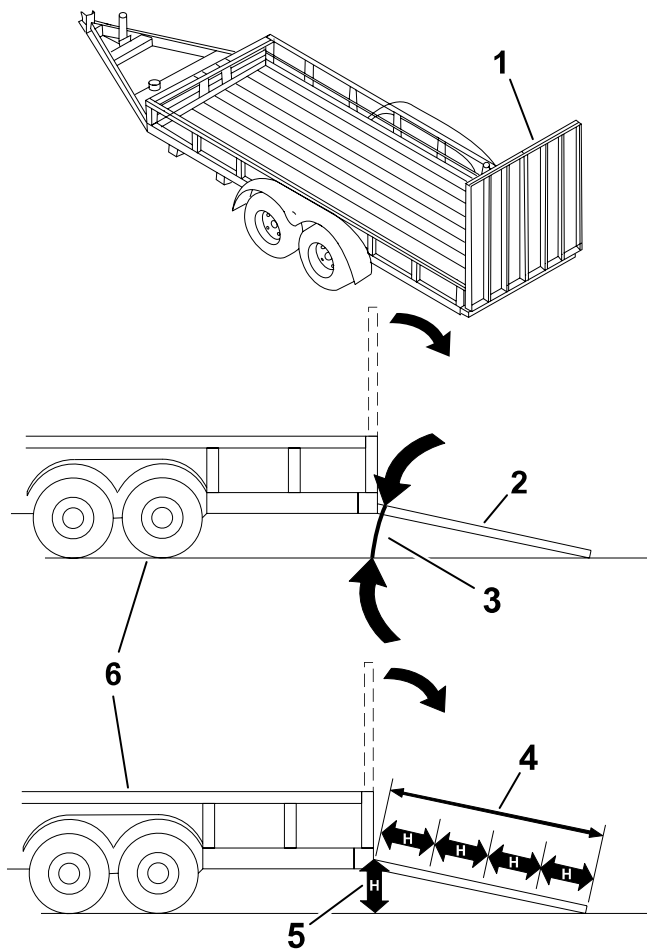
WARNING



Loading a machine onto a trailer or truck increases the possibility of tip-over and could cause serious injury or death.

- **Use only a full-width ramp; do not use individual ramps for each side of the machine.**
 - **Do not exceed a 15-degree angle between the ramp and the ground or between the ramp and the trailer or truck.**
 - **Ensure that the length of ramp is at least 4 times as long as the height of the trailer or truck bed to the ground.**
-

Hauling the Machine (continued)



G027996s

- ① Full-width ramp(s) in stowed position
- ② Side view of full-width ramp in loading position
- ③ Not greater than 15 degrees
- ④ Ramp is at least 4 times as long as the height of the trailer or truck bed to the ground
- ⑤ H = height of the trailer or truck bed to the ground
- ⑥ Trailer

Loading the Machine



WARNING



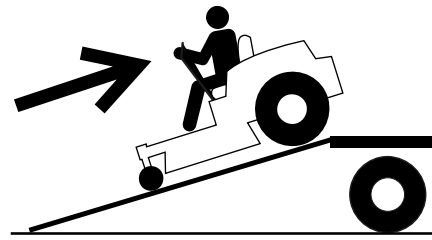
Loading a machine onto a trailer or truck increases the possibility of tip-over and could cause serious injury or death.

- Use extreme caution when operating a machine on a ramp.
- Back the machine up the ramp and drive it forward down the ramp.
- Avoid sudden acceleration or deceleration while driving the machine on a ramp as this could cause a loss of control or a tip-over situation.

1. If using a trailer, connect it to the towing vehicle and connect the safety chains.
2. If applicable, connect the trailer brakes.
3. Lower the ramp, ensuring that the angle between the ramp and the ground does not exceed 15 degrees.

Hauling the Machine (continued)

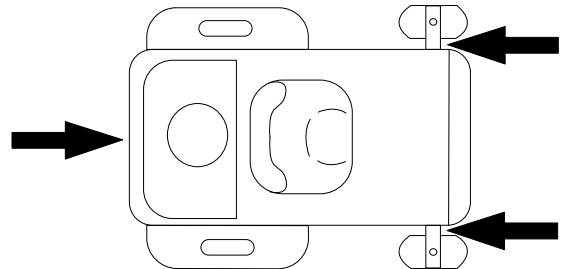
4. Back the machine up the ramp.
5. Shut off the machine, remove the key, and engage the parking brake.



G414592

6. Tie down the machine using straps, chains, cable, or ropes. Refer to local regulations for tie-down requirements.

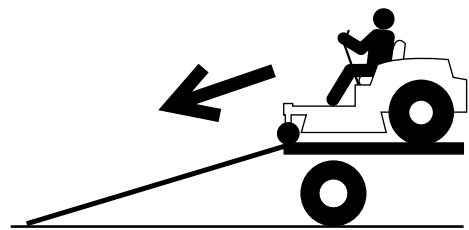
Note: Ensure to tie down the battery box so that it does not open during transport.



G027708s

Unloading the Machine

1. Lower the ramp, ensuring that the angle between the ramp and the ground does not exceed 15 degrees.
2. Drive the machine forward down the ramp.



G414593



Maintenance Safety



WARNING



Modifying the original machine, parts, and/or accessories may alter the warranty, controllability, and safety of the machine. Making unauthorized modifications to the original machine and/or not using genuine Toro parts could lead to serious injury or death.

- **Do not make unauthorized modifications to the machine, parts, and/or accessories.**
 - **Use only genuine Toro parts.**
-
- Before adjusting, cleaning, servicing, or leaving the machine, do the following:
 - Park the machine on a level surface.
 - Disengage the drives and the power take-off.
 - Engage the parking brake.
 - Shut off the machine and remove the key.
 - Wait for all moving parts to stop.
 - Allow machine components to cool.
 - Carefully release pressure from components with stored energy.
 - Check the parking brake operation frequently. Service the brake as needed.
 - Never tamper with safety devices. Check their proper operation regularly.
 - Do not rely solely on mechanical or hydraulic jacks to support the machine; support the machine with jack stands whenever you raise the machine.
 - Use care when checking the blades. Wrap the blades or wear gloves, and use caution when servicing the blades. Only replace or sharpen the blades; never straighten or weld them.
 - On multi-bladed machines, take care as rotating one blade can cause other blades to rotate.
 - Keep your hands and feet away from hot surfaces.
 - Keep all hardware tightened, especially the blade-attachment hardware.

Recommended Maintenance Schedule

Maintenance Service Interval	Maintenance Procedure
After the first 50 hours	Check the lug-nut torque.
Before each use or daily	Check the safety-interlock system.
	Inspect the blades.
	Inspect the grass deflector for damage.
After each use	Clean grass and debris from the machine.
Every 25 hours	Check the tire pressure.
	Check the battery box filter; replace as needed.
Yearly	Check the lug-nut torque.
Before storage	Perform all maintenance procedures listed above before storage.
	Paint any chipped surfaces.

Pre-Maintenance Procedures

Moving a Non-Functioning Machine

1. Park the machine on a level surface and disengage the blade-control switch (PTO).
2. Shut off the machine and remove the key.
3. Remove the battery packs from the machine.
4. Ensure that the parking brake is disengaged.



WARNING



The machine could unintentionally move while the parking brake is disengaged and injure you or bystanders.

Engage the parking brake after moving the machine.

5. Push the machine as required.

IMPORTANT

Always push the machine at a slow walking speed; do not tow. Moving the machine at a faster speed may damage it.

If the display powers on while you push the machine, move the machine at a slower speed.

6. Engage the parking brake.

Raising the Machine

Use jackstands to support the machine when you raise it.

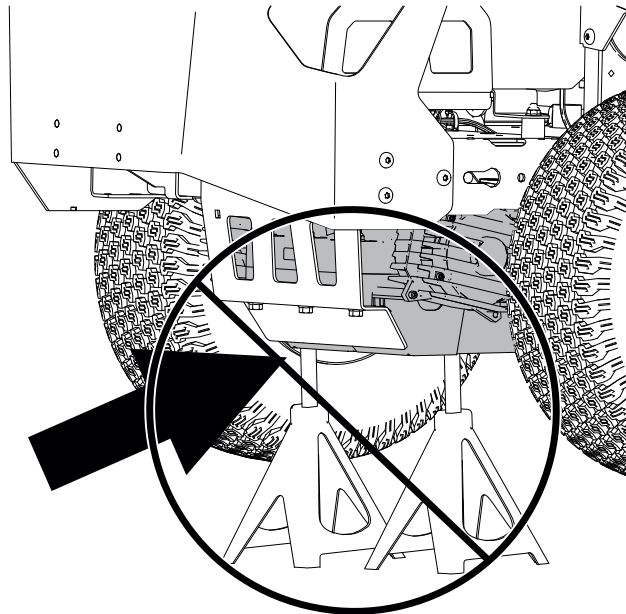


WARNING



Supporting the machine on the transaxle or motor may damage them and cause the machine to fall, injuring you or bystanders.

Do not use the transaxle or motor to lift or support the machine.



G454948

Electrical System Maintenance

Preparing the Battery Pack for Recycling

IMPORTANT

Upon removal, cover the terminals of the battery pack with heavy-duty adhesive tape. Do not attempt to destroy or disassemble the battery pack or remove any of its components.



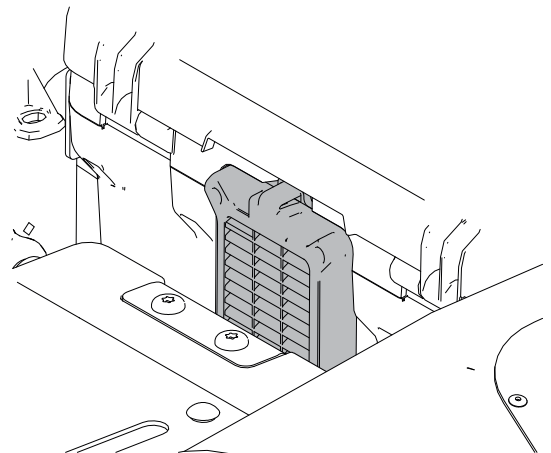
Lithium-ion battery packs labeled with the Call2Recycle seal can be recycled at any participating retailer or battery recycling facility in the Call2Recycle program (US and Canada only). To locate a participating retailer or facility closest to you, please call 1-800-822-8837 or visit www.call2recycle.org. If you cannot locate a participating retailer or facility nearby, or if your rechargeable battery is not labeled with the Call2Recycle seal, please contact your local municipality for more information on how to responsibly recycle the battery. If you are located outside of the US and Canada, please contact your Authorized Service Dealer.

Checking the Battery-Box Filter

1. Park the machine on a level surface, disengage the blade-control switch (PTO), and engage the parking brake.
2. Shut off the machine and remove the key.
3. Open the battery box filter cover behind the seat.
4. Clean the filter by tapping it gently to remove dust.

Note: If it is very dirty or damaged, replace the filter with a new one.

5. Install the filter.
6. Install the filter cover.

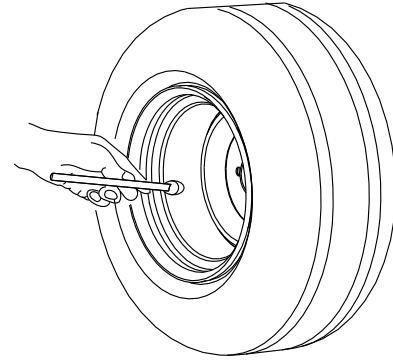


Drive System Maintenance

Checking the Tire Pressure

Maintain the air pressure in the front and rear tires as specified. Uneven tire pressure can cause an uneven cut. Check the pressure at the valve stem when the tires are cold to get the most accurate pressure reading.

1. Inflate the front caster wheel tires to 206 kPa (30 psi) or the pressure indicated on the sidewall, whichever is lower.
2. Inflate the rear drive-wheel tires to 90 kPa (13 psi).



G441539

Checking the Wheel Lug Nuts



Check and torque the wheel lug nuts to **108 N·m (80 ft-lb)**.

Adjusting the Tracking

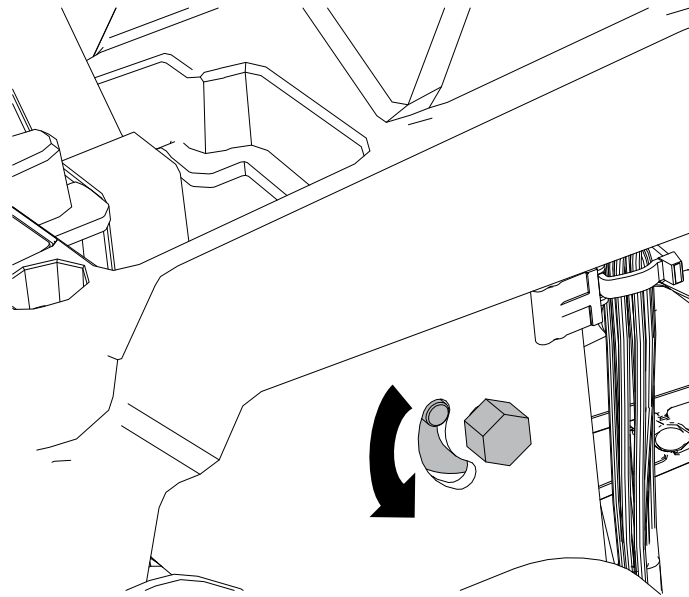
When driving the machine forward full speed across a flat, level surface, if the machine pulls to 1 side, adjust the tracking.

Note: You can adjust the tracking only for driving forward.

1. Park the machine on a level surface, disengage the blade-control switch (PTO), and engage the parking brake.
2. Shut off the machine, remove the key, and wait for all moving parts to stop before leaving the operating position.
3. Raise the seat.
4. Rotate the tracking-adjustment bolt near the lever that needs adjusting.

Note: This decreases the speed for that wheel. Rotate the bolt a small amount to make minor adjustments.

Adjusting the Tracking (continued)



5. Lower the seat.
6. Start the machine and drive it forward across a flat, level surface with both motion-control levers fully forward to verify that the machine tracks straight. Repeat the procedure as needed.

Mower-Deck Maintenance

Blade Service

To ensure a superior quality of cut, keep the blades sharp. For convenient sharpening and replacement, keep extra blades on hand.

Replace the blades if they hit a solid object, or if the blade is out of balance or bent.

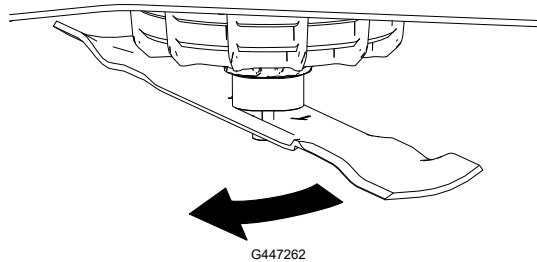
Before Inspecting or Servicing the Blades

1. Park the machine on a level surface, disengage the blade-control switch (PTO), and engage the parking brake.
2. Shut off the machine, remove the key, and wait for all moving parts to stop before leaving the operating position.
3. Remove the battery packs from the machine.

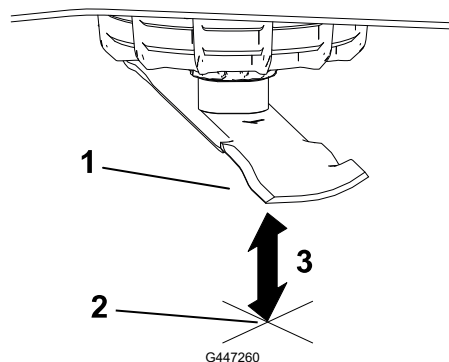
Checking for Bent Blades

The machine must be on a level surface for this procedure.

1. Raise the mower deck to the highest height-of-cut position.
2. While wearing thickly padded gloves, or other adequate hand protection, slowly rotate the blade into a position that allows you to measure the distance between the cutting edge and the level surface.



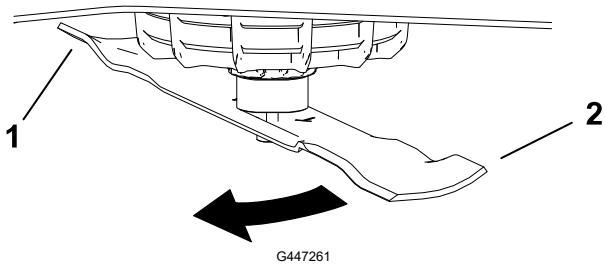
3. Measure from the tip of the blade to the level surface.



- ① Blade (in position for measuring)
- ② Level surface
- ③ Measured distance between blade and the surface (A)

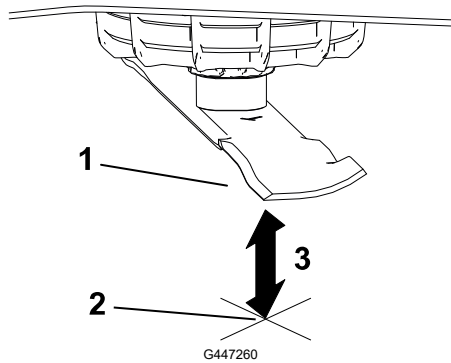
4. Rotate the same blade 180 degrees so that the opposite blade edge is now in the same position.

Blade Service (continued)



- ① Blade edge previous measured
- ② Opposite blade edge

5. Measure from the tip of the blade to the level surface.



- ① Blade (in position for measuring)
- ② Level surface
- ③ Measured distance between blade and the surface (B)

6. If the difference between A and B is greater than 3 mm (1/8 inch), replace the blade.

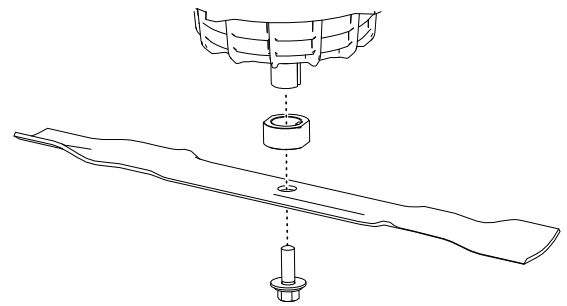
Note: If you replace the blade and the difference continues to exceed 3 mm (1/8 inch), the blade motor shaft could be bent. Contact an Authorized Service Dealer for service.

7. Repeat this procedure each blade.

Removing the Blades

Replace the blades if they hit a solid object, or if the blade is out of balance or bent.

1. Hold the blade end using a rag or thickly padded glove.
2. Remove the blade as shown.



Blade Service (continued)

Sharpening the Blades

1. Use a file to sharpen the cutting edge at both ends of the blade. Ensure to maintain the original angle ①.

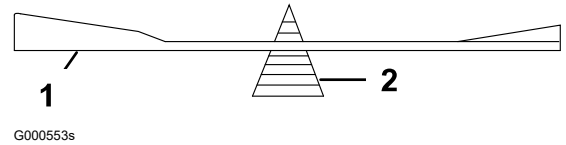
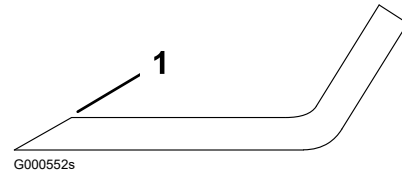
Note: Remove the same amount of material from both cutting edges so that the blade retains its balance.

2. Check the balance of the blade ① by putting it on a blade balancer ②.

Note: If the blade stays in a horizontal position, the blade is balanced and can be used.

If the blade is not balanced, file some metal off the end of the sail area only.

3. Repeat this procedure until the blade is balanced.



Installing the Blades



WARNING



Operating a machine after incorrectly installing the blade assembly and/or not using genuine Toro blade and blade hardware could allow a blade or blade component to be thrown out from under the deck, resulting in serious injury or death.

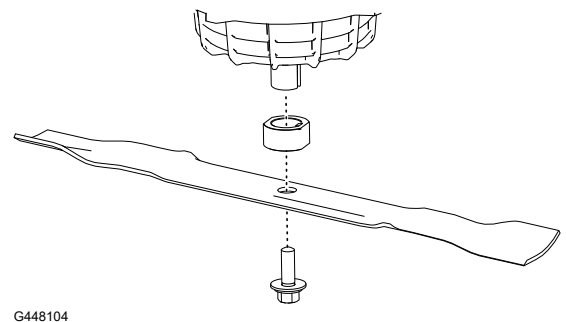
Always install genuine Toro blades and blade hardware according to the instructions.

1. Install the blade as shown.

Note: The curved part of the blade must be pointing upward toward the inside of the mower to ensure proper cutting.



2. Torque the blade bolt to **81 to 108 N·m (60 to 80 ft-lb)**.



Leveling the Mower Deck

Ensure that the mower deck is level any time you install the mower deck or when you see an uneven cut on your lawn.

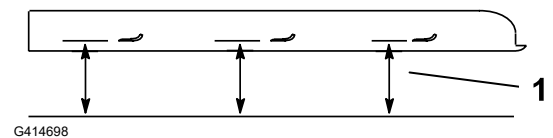
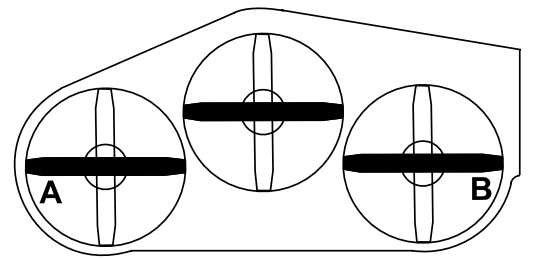
Preparing to Level the Mower Deck

1. Park the machine on a level surface, disengage the blade-control switch (PTO), and engage the parking brake.
2. Shut off the machine, remove the key, and wait for all moving parts to stop before leaving the operating position.
3. Remove the battery packs from the machine.
4. Ensure that the tires are inflated to the correct specifications and the caster wheels are facing straight forward.
5. Check the mower deck for bent blades; remove and replace any bent blades.
6. Raise the mower deck to the 76 mm (3 inch) height-of-cut setting.

Checking the Mower-Deck Level

1. Position the blades side-to-side.
2. Measure at locations (A) and (B) from a level surface to the cutting edge of the blade tips (1).

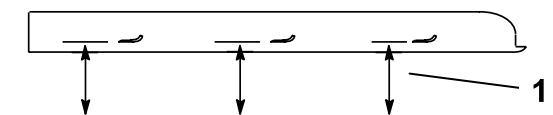
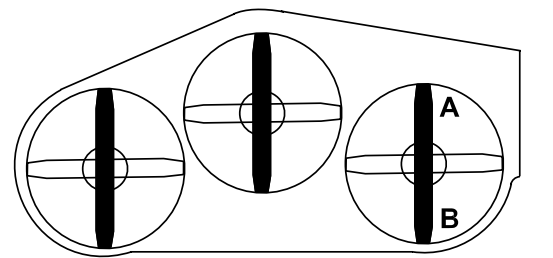
The difference between the measurements should be no more than 5 mm (3/16 inch). If the measurement is larger, adjust the side-to-side level.



G414698

3. Position 1 blade front-to-rear.
4. Measure at locations (A) and (B) from a level surface to the cutting edge of the blade tips (1).

The front blade tip should be 1.6 to 7.9 mm (1/16 to 5/16 inch) lower than the rear blade tip. If the measurement is not correct, adjust the front-to-rear level.



G414700

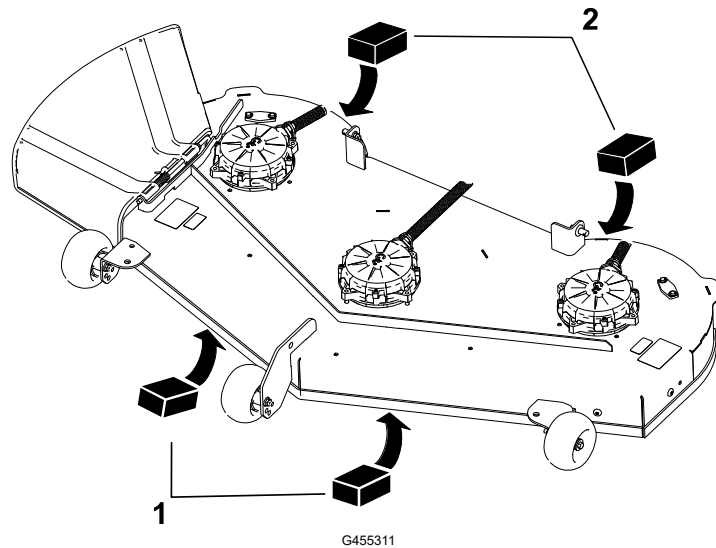
Leveling the Mower Deck (continued)

Leveling the Mower Deck

1. Set the anti-scalp rollers to the top holes or remove them completely for this procedure.
2. Set the height-of-cut lever to the 76 mm (3 inch) position.
3. Place 2 blocks, each having a thickness of 6.6 cm (2-5/8 inches), under each side of the front edge of the deck.

IMPORTANT

Do not place the blocks under the anti-scalp roller brackets.

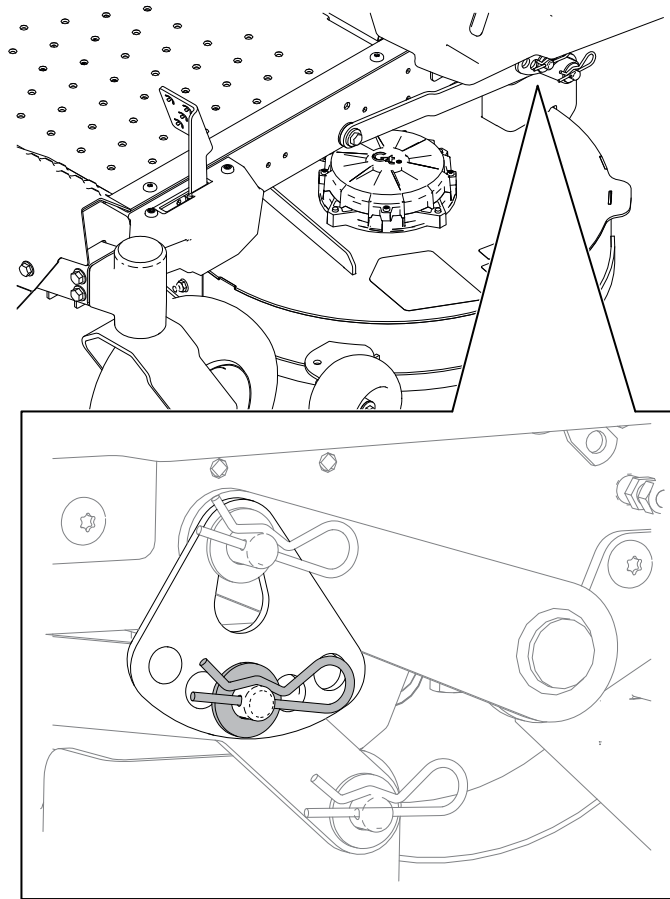


① Block—6.6 cm (2-5/8 inches)

② Block—7.3 cm (2-7/8 inches)

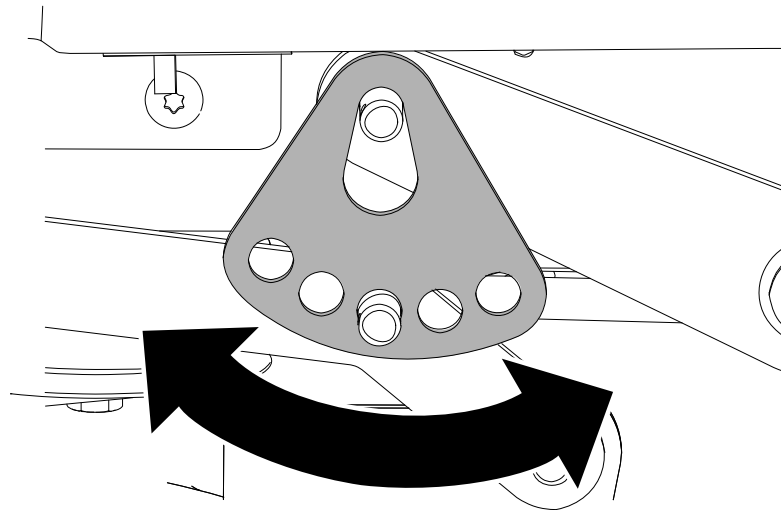
4. Place 2 blocks, each having a thickness of 7.3 cm (2-7/8 inches), under each side of the rear edge of the cutting deck skirt.
5. Adjust the side-to-side level as necessary:
 - A. Remove the hairpin cotter and washer from the left lower lift-arm pin.

Leveling the Mower Deck (continued)



G448684

- B. Rotate the height-of-cut plate to a different hole so that it supports the weight of the mower deck after you install the plate.



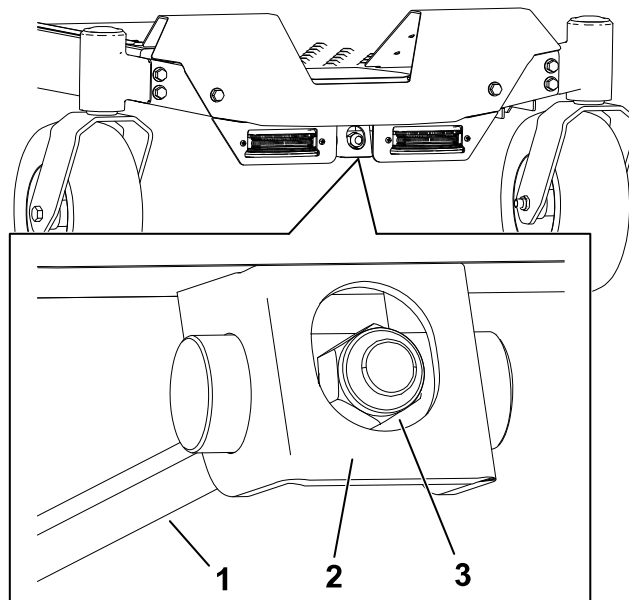
G448681

- C. Install the washer and hairpin cotter.
D. Repeat the adjustment for the other side of the machine.
E. Check the side-to-side level and adjust it again until the measurements are correct.
6. Adjust the front-to-rear level as necessary:

Leveling the Mower Deck (continued)

- A. Rotate the adjustment nut in the front of the mower deck.

To raise the front of the deck, tighten the adjustment nut; lower the front of the deck, loosen the adjustment nut.



G448683

- B. Check the front-to-rear level and adjust it again until the measurements are correct.
7. Verify that the deck is level and make further adjustments as needed.

Brake Maintenance

Testing the Parking Brake

1. Start the machine.
2. Slowly drive the machine forward on level ground and engage the parking brake while moving.
3. Verify that the machine stops moving and the parking brake icon appears on the information display, then move the levers to neutral.
4. Slowly attempt to drive the machine forward or rearward.
5. Verify that the parking brake icon remains on the information display and that the machine does not move.



If the icon does not display or the machine moves while the parking brake is engaged, contact an Authorized Service Dealer.

Cleaning

Cleaning Under the Mower Deck

Clean the underside of the mower deck after each use to prevent grass buildup for improved mulch action and clipping dispersal.

IMPORTANT

Do not use water to clean the mower deck, otherwise you could damage the electric motors.



WARNING



Using compressed air improperly to clean the machine could result in serious injury.

- **Wear appropriate personal protective equipment, such as eye protection, hearing protection, and a dust mask.**
 - **Do not aim compressed air at any part of your body or at anyone else.**
 - **Refer to the manufacturer's instructions for the air compressor for operating and safety information.**
-

1. Park the machine on a level surface, disengage the blade-control switch (PTO), and engage the parking brake.
2. Shut off the machine and remove the key.
3. Remove the battery packs from the machine.
4. Raise the front of the machine and use jack stands to support the mower.
5. Scrape debris from the machine or remove it using compressed air.



Storing the Machine

Store the machine, battery pack, and charger only in temperatures that are within the appropriate range; refer to [Specifications, page 3–6](#).

1. Park the machine on a level surface, disengage the blade-control switch (PTO), and engage the parking brake.
2. Shut off the machine, remove the key, and wait for all moving parts to stop before leaving the operating position.
3. Remove the battery packs from the machine.
4. Remove grass clippings, dirt, and grime from the external parts of the entire machine, especially the traction and blade motors, battery compartment, and underside of the machine.
5. Check the parking brake operation.
6. Check the tire pressure.
7. Charge the batteries.

IMPORTANT

If you are storing the battery packs for a year or longer, charge them until 1 or 2 LED indicators turn green on the batteries. Do not store a fully charged or fully depleted battery. When you are ready to use the machine again, charge the battery packs until the left indicator light turns green on the charger or all 4 LED indicators turn green on the batteries.

8. Scrape any heavy buildup of grass and dirt from the underside of the mower.
9. Check the condition of the blades.
10. Check and tighten all fasteners. Repair or replace any part that is damaged.
11. Paint all scratched or bare metal surfaces. Paint is available from your Authorized Service Dealer.
12. Store the machine in a clean, dry garage or storage area. Remove the key from the switch and keep it out of reach of children or other unauthorized users. Cover the machine to protect it and keep it clean.



Machine Troubleshooting

The machine vibrates abnormally

Possible Cause	Corrective Action
The cutting blade(s) is/are bent or unbalanced.	Install new cutting blade(s).
The blade mounting bolt is loose.	Tighten the blade mounting bolt.
The blade spindle is bent.	Contact an Authorized Service Dealer.
A motor mount is loose or worn.	Contact an Authorized Service Dealer.

The cutting height is uneven.

Possible Cause	Corrective Action
The blade(s) is not sharp.	Sharpen the blade(s).
A cutting blade(s) is/are bent.	Install a new cutting blade(s).
The mower is not level.	Level the mower from side-to-side and front-to-rear.
An anti-scalp roller (if applicable) is not set correctly.	Adjust the anti-scalp wheel height.
The underside of the mower deck is dirty.	Clean the underside of the mower deck.
The tire pressure is incorrect.	Adjust the tire pressure.
A blade spindle is bent.	Contact an Authorized Service Dealer.
A blade motor is not functioning properly.	Contact an Authorized Service Dealer.

The blades do not rotate.

Possible Cause	Corrective Action
The blade-control switch is faulty.	Contact an Authorized Service Dealer.

Battery and Charger Troubleshooting

The battery system loses charge quickly.

Possible Cause	Corrective Action
The battery system is over or under the appropriate temperature range.	Move the machine to a location where it is dry and the temperature is within the range indicated in Specifications.
The battery system is not using all installed battery packs.	When the machine is on, check the LED light next to each battery pack to ensure it is active. For any inactive battery packs, ensure they are seated properly and all batteries have the same charge level.

A battery LED light on the machine does not illuminate.

Possible Cause	Corrective Action
The battery pack is not seated correctly in the battery box.	Ensure the battery pack is seated properly.
The battery pack is at a lower charge level than the active battery packs.	Charge the battery pack to the same level as the active batteries. Note: The machine uses all battery packs simultaneously only if they have the same charge level; otherwise, it uses the battery packs with the highest charge until they reach the same charge level as other battery packs.

The battery charger is not working.

Possible Cause	Corrective Action
The battery charger is over or under the appropriate temperature range.	Unplug the battery charger and move it to a location where it is dry and the temperature is within the range indicated in Specifications.
The outlet that the battery charger is plugged into does not have power.	Contact your licensed electrician to repair the outlet.

The LED indicator light on the battery charger is red.

Possible Cause	Corrective Action
The battery charger and/or battery pack is over or under the appropriate temperature range.	Unplug the battery charger and move the battery charger and battery pack to a location where it is dry and the temperature is within the range indicated in Specifications.

The LED indicator light on the battery charger is blinking red.

Possible Cause	Corrective Action
There is an error in the communication between the battery pack and the charger.	<ol style="list-style-type: none">1. Remove the battery pack from the battery charger, unplug the battery charger from the outlet, and wait 10 seconds.2. Plug the battery charger into the outlet again and place the battery pack on the battery charger. If the LED indicator light on the battery charger is still blinking red, repeat this procedure again. If the LED indicator light on the battery charger is still blinking red after 2 attempts and the battery is within the warranty period, contact an Authorized Service Dealer. Otherwise, properly dispose of the battery pack at a battery recycling facility.
The battery pack is weak.	If the battery is within the warranty period, contact an Authorized Service Dealer. Otherwise, properly dispose of the battery pack at a battery recycling facility.






The tool does not run or does not run continuously.

Possible Cause	Corrective Action
There is moisture on the leads of the battery pack.	Allow the battery pack to dry or wipe it dry.
The battery is not fully installed into the tool.	Remove and then replace the battery into the tool making sure that it is fully installed and latched.

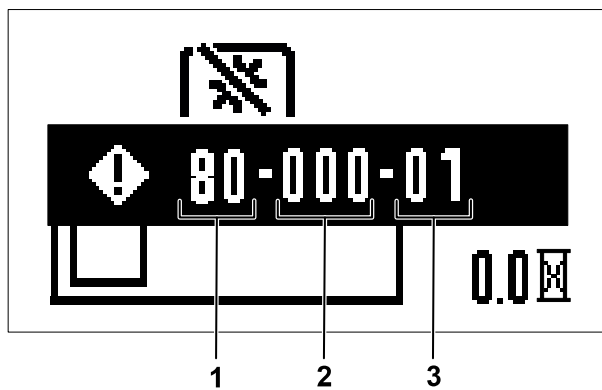
Display Error and Fault Code Troubleshooting

Before diagnosing an error, shut off the machine, remove the key, and remove the batteries.

Error Icons

Icon	Description	Corrective Action
	The battery temperature is too high.	<ol style="list-style-type: none"> 1. Shut off the machine, remove the battery, and wait for the battery to cool. 2. Operate the machine in the appropriate temperature range.
	The battery load is too high.	Reduce the load on the machine.
	The motor temperature is too high.	<ol style="list-style-type: none"> 1. Shut off the machine and allow it to cool before starting it again. 2. Operate the machine in the appropriate temperature range.
	The motor load is too high.	Reduce the load on the machine.
	Fault code	Refer to the following tables.

Fault codes appear on the information display as shown.



G460280

- ① System
- ② Last 3 digits of the controller serial number
- ③ Fault code

Identify the system of the fault using the first 2 digits of the code and the first table, then identify the fault using the last 2 digits of the code and the table of the appropriate system. The middle 3 digits correspond to the last 3 digits of the controller serial number, which may help determine which motor is sending the fault.

Note: The serial number does not display for PMU faults and shows 000 instead.

System for Fault

First 2 Digits of Code	System
60	Power management unit (PMU)—battery box
80	Primary controller
81	Left traction motor
82	Right traction motor
83, 84, or 85	Blade motor

Power Management Unit (PMU) Faults

Last 2 Digits of Code	Fault Description	Corrective Action
60-XXX-66	There is a PMU precharge failure.	Restart the machine; if issues persist, contact an Authorized Service Dealer.
60-XXX-69	There is a PMU failure.	Restart the machine; if issues persist, contact an Authorized Service Dealer.
60-XXX-71	Battery 1 has indicated a relay failure.	<ol style="list-style-type: none"> 1. Ensure that the battery is installed properly. 2. Remove and charge the battery. Install the battery. 3. If issues persist, replace the battery or contact an Authorized Service Dealer.
60-XXX-72	Battery 2 has indicated a relay failure.	<ol style="list-style-type: none"> 1. Ensure that the battery is installed properly. 2. Remove and charge the battery. Install the battery. 3. If issues persist, replace the battery or contact an Authorized Service Dealer.
60-XXX-73	Battery 3 has indicated a relay failure.	<ol style="list-style-type: none"> 1. Ensure that the battery is installed properly. 2. Remove and charge the battery. Install the battery. 3. If issues persist, replace the battery or contact an Authorized Service Dealer.
60-XXX-74	Battery 4 has indicated a relay failure.	<ol style="list-style-type: none"> 1. Ensure that the battery is installed properly. 2. Remove and charge the battery. Install the battery. 3. If issues persist, replace the battery or contact an Authorized Service Dealer.
60-XXX-75	Battery 5 has indicated a relay failure.	<ol style="list-style-type: none"> 1. Ensure that the battery is installed properly.

Power Management Unit (PMU) Faults (continued)

Last 2 Digits of Code	Fault Description	Corrective Action
		<ol style="list-style-type: none"> 2. Remove and charge the battery. Install the battery. 3. If issues persist, replace the battery or contact an Authorized Service Dealer.
60-XXX-76	Battery 6 has indicated a relay failure.	<ol style="list-style-type: none"> 1. Ensure that the battery is installed properly. 2. Remove and charge the battery. Install the battery. 3. If issues persist, replace the battery or contact an Authorized Service Dealer.
60-XXX-77	There is a positive metal-oxide-semiconductor (MOS) failure in the PMU.	Contact an Authorized Service Dealer.
60-XXX-79	A motor braking component is too hot	<ol style="list-style-type: none"> 1. Shut off the machine and allow it to cool before starting it again. 2. Operate the machine in the appropriate temperature range.
60-XXX-80	Battery 1 is too hot.	<ol style="list-style-type: none"> 1. Shut off the machine, remove the battery, and wait for the battery to cool. 2. Operate the machine in the appropriate temperature range.
60-XXX-81	Battery 2 is too hot.	<ol style="list-style-type: none"> 1. Shut off the machine, remove the battery, and wait for the battery to cool. 2. Operate the machine in the appropriate temperature range.
60-XXX-82	Battery 3 is too hot.	<ol style="list-style-type: none"> 1. Shut off the machine, remove the battery, and wait for the battery to cool. 2. Operate the machine in the appropriate temperature range.
60-XXX-83	Battery 4 is too hot.	<ol style="list-style-type: none"> 1. Shut off the machine, remove the battery, and wait for the battery to cool. 2. Operate the machine in the appropriate temperature range.
60-XXX-84	Battery 5 is too hot.	<ol style="list-style-type: none"> 1. Shut off the machine, remove the battery, and wait for the battery to cool. 2. Operate the machine in the appropriate temperature range.

Power Management Unit (PMU) Faults (continued)

Last 2 Digits of Code	Fault Description	Corrective Action
60-XXX-85	Battery 6 is too hot.	<ol style="list-style-type: none"> 1. Shut off the machine, remove the battery, and wait for the battery to cool. 2. Operate the machine in the appropriate temperature range.
60-XXX-86	There is a failure with battery 1 or the battery-charge level is too low.	<ol style="list-style-type: none"> 1. Ensure that the battery is installed properly. 2. Remove and charge the battery. Install the battery. 3. If issues persist, replace the battery or contact an Authorized Service Dealer.
60-XXX-87	There is a failure with battery 2 or the battery-charge level is too low.	<ol style="list-style-type: none"> 1. Ensure that the battery is installed properly. 2. Remove and charge the battery. Install the battery. 3. If issues persist, replace the battery or contact an Authorized Service Dealer.
60-XXX-88	There is a failure with battery 3 or the battery-charge level is too low.	<ol style="list-style-type: none"> 1. Ensure that the battery is installed properly. 2. Remove and charge the battery. Install the battery. 3. If issues persist, replace the battery or contact an Authorized Service Dealer.
60-XXX-89	There is a failure with battery 4 or the battery-charge level is too low.	<ol style="list-style-type: none"> 1. Ensure that the battery is installed properly. 2. Remove and charge the battery. Install the battery. 3. If issues persist, replace the battery or contact an Authorized Service Dealer.
60-XXX-90	There is a failure with battery 5 or the battery-charge level is too low.	<ol style="list-style-type: none"> 1. Ensure that the battery is installed properly. 2. Remove and charge the battery. Install the battery. 3. If issues persist, replace the battery or contact an Authorized Service Dealer.
60-XXX-91	There is a failure with battery 6 or the battery-charge level is too low.	<ol style="list-style-type: none"> 1. Ensure that the battery is installed properly. 2. Remove and charge the battery. Install the battery. 3. If issues persist, replace the battery or contact an Authorized Service Dealer.

Power Management Unit (PMU) Faults (continued)

Last 2 Digits of Code	Fault Description	Corrective Action
60-XXX-92	There is a PMU failure.	Ensure that the battery is fully seated in the slot; if issues persist, contact an Authorized Service Dealer.
60-XXX-93	There is a PMU failure.	Ensure that the battery is fully seated in the slot; if issues persist, contact an Authorized Service Dealer.
60-XXX-94	The PMU system is too hot.	<ol style="list-style-type: none"> 1. Shut off the machine and allow it to cool before starting it again. 2. Operate the machine in the appropriate temperature range.
60-XXX-95	The PMU communication timed out.	Ensure that the battery is fully seated in the slot; if issues persist, contact an Authorized Service Dealer.

Primary Controller Faults

Code	Fault Description	Corrective Action
80-XXX-01	There is no controller area network (CAN) signal for the left traction controller.	Check for loose connections; if issues persist, contact an Authorized Service Dealer.
80-XXX-02	There is no CAN signal for the right traction controller.	Check for loose connections; if issues persist, contact an Authorized Service Dealer.
80-XXX-07	A fault occurred in the left motion-control sensor.	Check for loose connections; if issues persist, contact an Authorized Service Dealer.
80-XXX-08	A fault occurred in the right motion-control sensor.	Check for loose connections; if issues persist, contact an Authorized Service Dealer.
80-XXX-10	There is no CAN signal for the blade controller (refer to the serial number to identify location).	Check for loose connections; if issues persist, contact an Authorized Service Dealer.
80-XXX-11	There is no CAN signal for the blade controller (refer to the serial number to identify location).	Check for loose connections; if issues persist, contact an Authorized Service Dealer.
80-XXX-12	There is an issue with the firmware version compatibility.	Contact an Authorized Service Dealer for a software update.
80-XXX-19	A fault occurred in the DC-DC power converter.	Contact an Authorized Service Dealer.
80-XXX-22	There is a microcontroller unit (MCU) memory error.	Contact an Authorized Service Dealer.
80-XXX-26	There is no CAN signal for the blade controller (refer to the serial number to identify location).	Check for loose connections; if issues persist, contact an Authorized Service Dealer.

Primary Controller Faults (continued)

Code	Fault Description	Corrective Action
80-XXX-27	There is an MCU hardware error.	Contact an Authorized Service Dealer.
80-XXX-28	There is an MCU flash data validation error.	Contact an Authorized Service Dealer.
80-XXX-29	There is an MCU non-maskable interrupt error.	Contact an Authorized Service Dealer.
80-XXX-30	There is an MCU error.	Contact an Authorized Service Dealer.
80-XXX-31	There is a voltage reference error.	Contact an Authorized Service Dealer.

Traction/Blade Motor Controller Faults

Code	Fault Description	Corrective Action
81-XXX-00 82-XXX-00 83-XXX-00 84-XXX-00 85-XXX-00	There is a hall signal error.	Contact an Authorized Service Dealer.
81-XXX-01 82-XXX-01 83-XXX-01 84-XXX-01 85-XXX-01	The hall signal sequence is abnormal.	Contact an Authorized Service Dealer.
81-XXX-02 82-XXX-02 83-XXX-02 84-XXX-02 85-XXX-02	The controller started abnormally.	Contact an Authorized Service Dealer.
81-XXX-07 82-XXX-07 83-XXX-07 84-XXX-07 85-XXX-07	The motor rotor is locked.	Clear any obstructions; if issues persist, contact an Authorized Service Dealer.
81-XXX-10 82-XXX-10 83-XXX-10 84-XXX-10	The motor rotor operates too fast.	Contact an Authorized Service Dealer.

Traction/Blade Motor Controller Faults (continued)

Code	Fault Description	Corrective Action
85-XXX-10		
81-XXX-11 82-XXX-11 83-XXX-11 84-XXX-11 85-XXX-11	There is an MCU signal error.	Contact an Authorized Service Dealer.
81-XXX-12 82-XXX-12 83-XXX-12 84-XXX-12 85-XXX-12	The motor current is too high.	Restart the machine and reduce the load; if issues persist, contact an Authorized Service Dealer.
81-XXX-17 82-XXX-17 83-XXX-17 84-XXX-17 85-XXX-17	There is a current overload.	Restart the machine and reduce the load; if issues persist, contact an Authorized Service Dealer.
81-XXX-19 82-XXX-19 83-XXX-19 84-XXX-19 85-XXX-19	There is a current short in the circuit.	Contact an Authorized Service Dealer.
81-XXX-20 82-XXX-20 83-XXX-20 84-XXX-20 85-XXX-20	There is a gate driver integrated circuit (IC) component error.	Contact an Authorized Service Dealer.
81-XXX-21 82-XXX-21 83-XXX-21 84-XXX-21 85-XXX-21	The connector on the motor phase is disconnected.	Check for loose connections; if issues persist, contact an Authorized Service Dealer.
81-XXX-22	There is an MCU memory error.	Contact an Authorized Service Dealer.

Traction/Blade Motor Controller Faults (continued)

Code	Fault Description	Corrective Action
82-XXX-22 83-XXX-22 84-XXX-22 85-XXX-22		
81-XXX-23 82-XXX-23 83-XXX-23 84-XXX-23 85-XXX-23	There is a gate driver IC initialize error.	Restart the machine; if issues persist, contact an Authorized Service Dealer.
81-XXX-25 82-XXX-25 83-XXX-25 84-XXX-25 85-XXX-25	The current ADC signal is abnormal.	Contact an Authorized Service Dealer.
81-XXX-26 82-XXX-26 83-XXX-26 84-XXX-26 85-XXX-26	The CAN signal is disconnected.	Check for loose connections; if issues persist, contact an Authorized Service Dealer.
81-XXX-27 82-XXX-27 83-XXX-27 84-XXX-27 85-XXX-27	There is an MCU hardware error.	Contact an Authorized Service Dealer.
81-XXX-28 82-XXX-28 83-XXX-28 84-XXX-28 85-XXX-28	There is a flash data validation error.	Contact an Authorized Service Dealer.
81-XXX-29 82-XXX-29 83-XXX-29	There is an MCU non-maskable interrupt error.	Contact an Authorized Service Dealer.

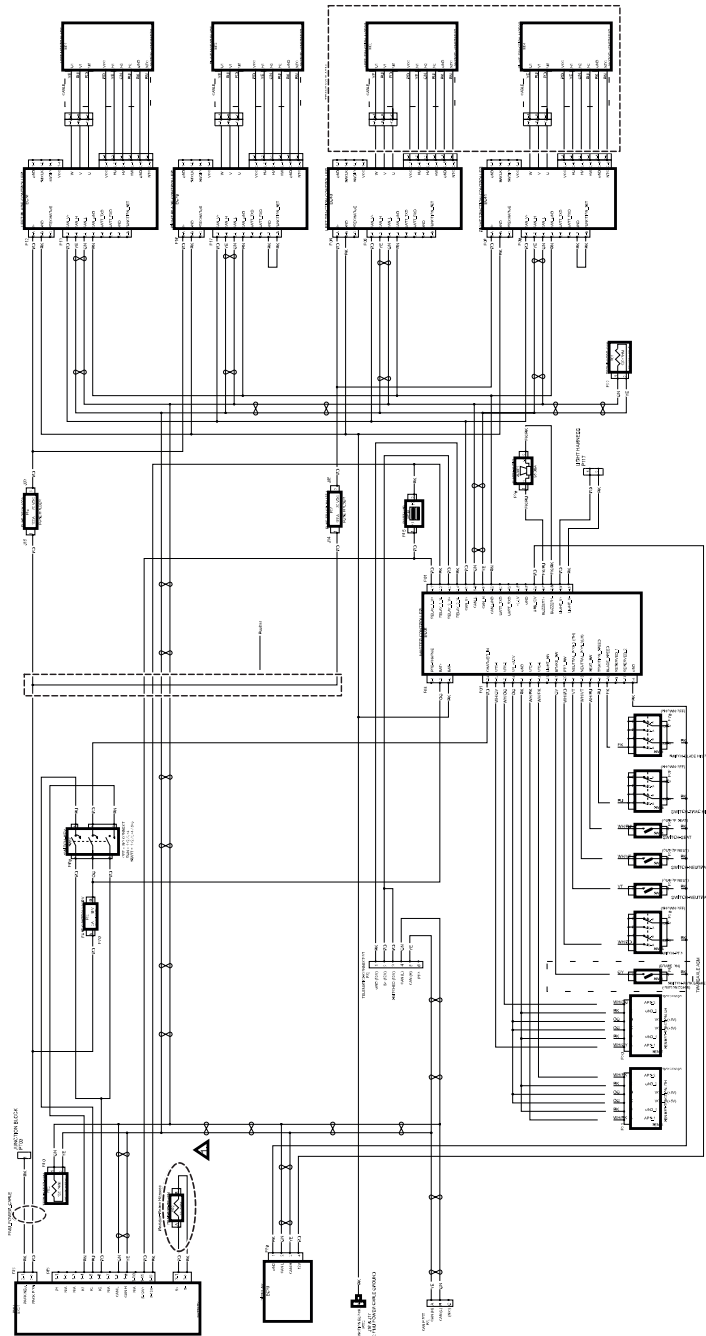
Traction/Blade Motor Controller Faults (continued)

Code	Fault Description	Corrective Action
84-XXX-29 85-XXX-29		
81-XXX-30 82-XXX-30 83-XXX-30 84-XXX-30 85-XXX-30	There is an MCU error.	Contact an Authorized Service Dealer.
81-XXX-31 82-XXX-31 83-XXX-31 84-XXX-31 85-XXX-31	There is a voltage reference error.	Contact an Authorized Service Dealer.



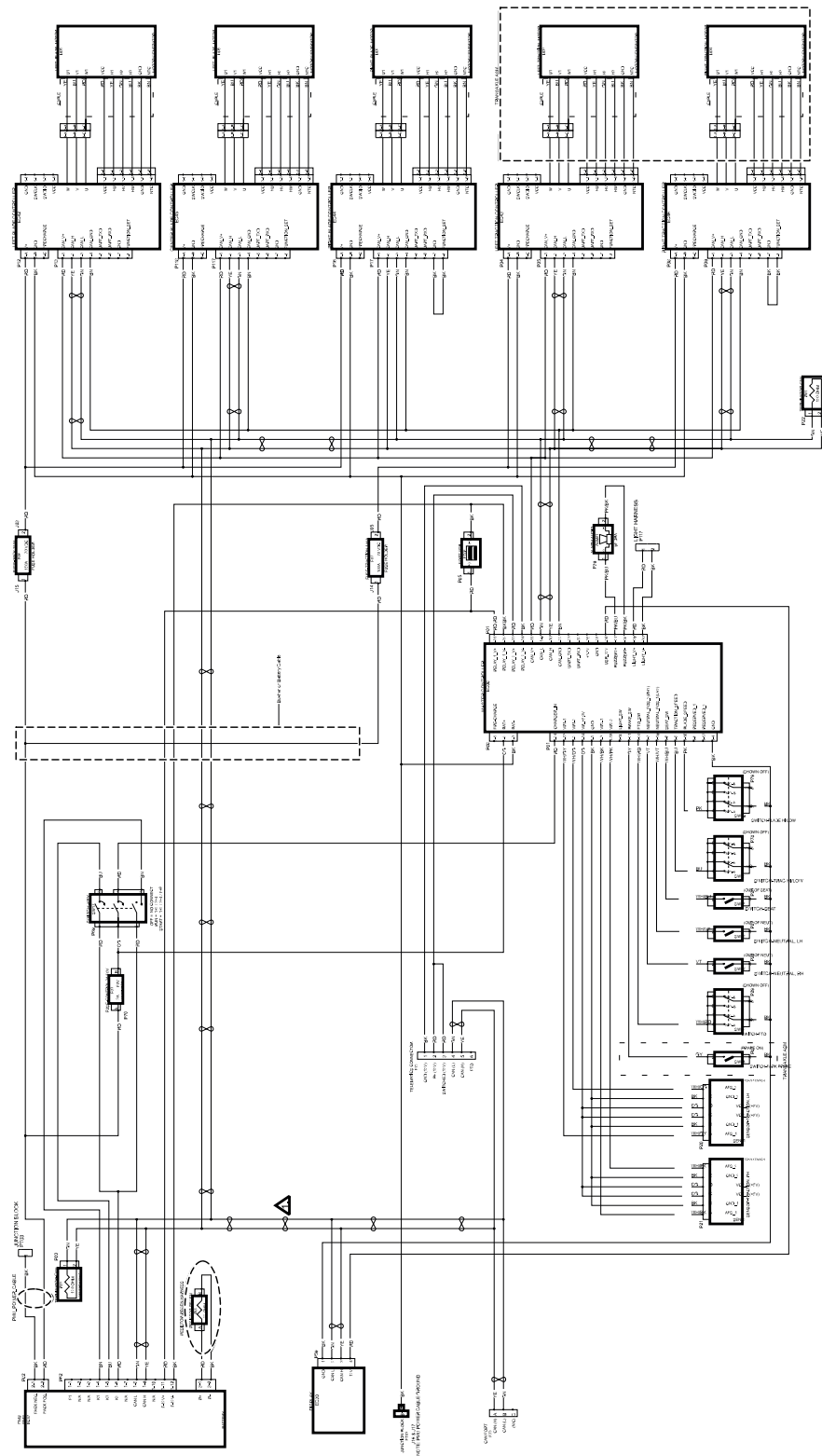
Schematic: Electrical Diagram

Machines with 2 Blades



G465696

Machines with 3 Blades



G465734

California Proposition 65 Warning Information

What is this warning?

You may see a product for sale that has a warning label like the following:



WARNING: Cancer and Reproductive Harm—www.p65Warnings.ca.gov.

What is Prop 65?

Prop 65 applies to any company operating in California, selling products in California, or manufacturing products that may be sold in or brought into California. It mandates that the Governor of California maintain and publish a list of chemicals known to cause cancer, birth defects, and/or other reproductive harm. The list, which is updated annually, includes hundreds of chemicals found in many everyday items. The purpose of Prop 65 is to inform the public about exposure to these chemicals.

Prop 65 does not ban the sale of products containing these chemicals but instead requires warnings on any product, product packaging, or literature with the product. Moreover, a Prop 65 warning does not mean that a product is in violation of any product safety standards or requirements. In fact, the California government has clarified that a Prop 65 warning “is not the same as a regulatory decision that a product is ‘safe’ or ‘unsafe.’” Many of these chemicals have been used in everyday products for years without documented harm. For more information, go to <https://oag.ca.gov/prop65/faqs-view-all>.

A Prop 65 warning means that a company has either (1) evaluated the exposure and has concluded that it exceeds the “no significant risk level”; or (2) has chosen to provide a warning based on its understanding about the presence of a listed chemical without attempting to evaluate the exposure.

Does this law apply everywhere?

Prop 65 warnings are required under California law only. These warnings are seen throughout California in a wide range of settings, including but not limited to restaurants, grocery stores, hotels, schools, and hospitals, and on a wide variety of products. Additionally, some online and mail order retailers provide Prop 65 warnings on their websites or in catalogs.

How do the California warnings compare to federal limits?

Prop 65 standards are often more stringent than federal and international standards. There are various substances that require a Prop 65 warning at levels that are far lower than federal action limits. For example, the Prop 65 standard for warnings for lead is 0.5 µg/day, which is well below the federal and international standards.

Why don't all similar products carry the warning?

- Products sold in California require Prop 65 labelling while similar products sold elsewhere do not.
- A company involved in a Prop 65 lawsuit reaching a settlement may be required to use Prop 65 warnings for its products, but other companies making similar products may have no such requirement.
- The enforcement of Prop 65 is inconsistent.
- Companies may elect not to provide warnings because they conclude that they are not required to do so under Prop 65; a lack of warnings for a product does not mean that the product is free of listed chemicals at similar levels.

Why does Toro include this warning?

Toro has chosen to provide consumers with as much information as possible so that they can make informed decisions about the products they buy and use. Toro provides warnings in certain cases based on its knowledge of the presence of one or more listed chemicals without evaluating the level of exposure, as not all the listed chemicals provide exposure limit requirements. While the exposure from Toro products may be negligible or well within the “no significant risk” range, out of an abundance of caution, Toro has elected to provide the Prop 65 warnings. Moreover, if Toro does not provide these warnings, it could be sued by the State of California or by private parties seeking to enforce Prop 65 and subject to substantial penalties.

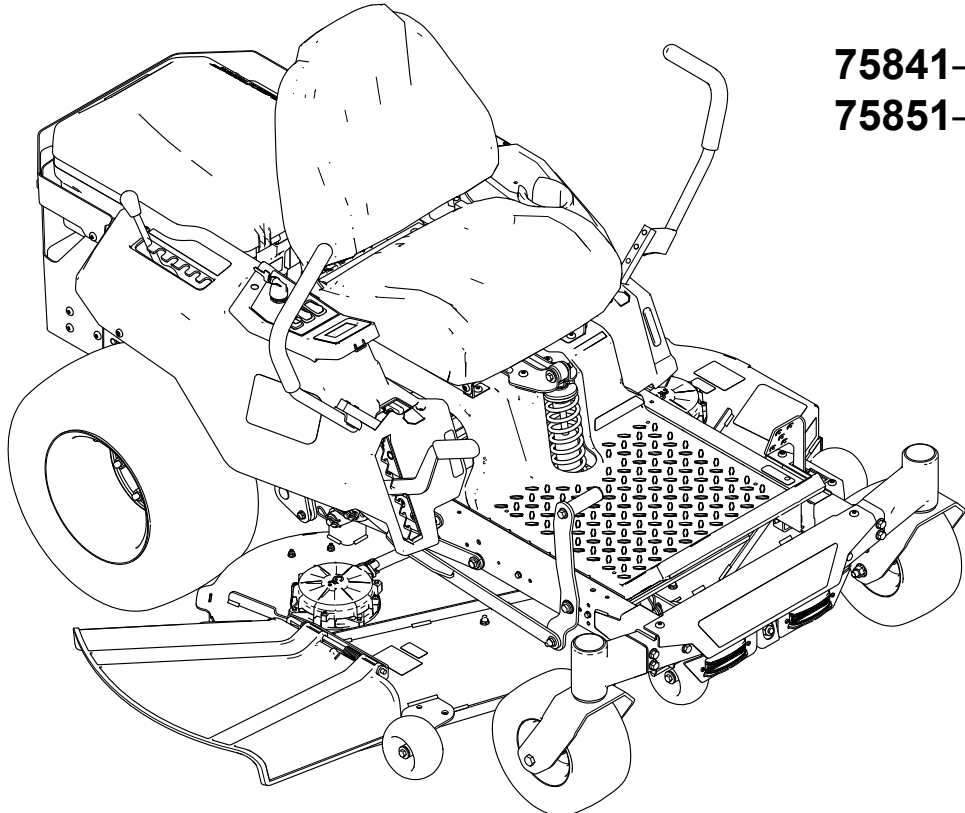


Manual del operador

Cortacésped de asiento eTimeCutter® de 107 o 137 cm (42" o 54")

Modelo—Intervalo de números de serie

- 75841—40000000 y superiores
- 75851—40000000 y superiores



Aviso legal e información reglamentaria

▲ ADVERTENCIA

CALIFORNIA Propuesta 65

El cable eléctrico de este producto contiene plomo, una sustancia química identificada por el Estado de California como causante de defectos de nacimiento u otros daños reproductivos.
Lavarse las manos después de su manipulación.

El uso de este producto puede causar la exposición a sustancias químicas identificadas por el Estado de California como causantes de cáncer, defectos de nacimiento u otros daños reproductivos.

Tabla de contenidos

Capítulo 1: Introducción	1-1
Uso previsto	1-1
Cómo obtener ayuda	1-1
Capítulo 2: Seguridad	2-1
Advertencias de seguridad general de la máquina	2-1
Advertencias de seguridad para segadoras	2-4
Mensajes de seguridad adicionales	2-6
Símbolo de alerta de seguridad	2-6
Seguridad en general	2-6
Indicador de pendientes	2-7
Calcomanías instructivas y de seguridad	2-8
Capítulo 3: Descripción general del producto	3-1
Panel de control	3-2
Freno de estacionamiento	3-5
Palancas de control de movimiento	3-5
Palanca de ajuste de la suspensión MyRide®	3-5
Especificaciones	3-6
Capítulo 4: Operación	4-1
Antes del uso	4-1
Seguridad antes del funcionamiento	4-1
Instalación de las baterías	4-2
Mantenimiento diario	4-2
Sistema de interruptores de seguridad	4-3
Colocación del asiento	4-4
Ajuste de la altura de las palancas de control de movimiento	4-5
Ajuste de la inclinación de la palanca de control de movimiento	4-6
Durante el uso	4-6
Seguridad durante el uso	4-6
Cómo arrancar la máquina	4-9
Apagado de la máquina	4-9
Operación del freno de estacionamiento	4-10
Conducción de la máquina	4-11

Uso del mando de control de las cuchillas (TDF)	4-13
Descarga lateral.....	4-14
Ajuste de la altura de corte.....	4-14
Ajuste de los rodillos protectores del césped	4-15
Uso del enganche de remolque	4-15
Consejos de uso	4-15
Después del uso	4-17
Seguridad tras el funcionamiento	4-17
Carga de las baterías	4-17
Acarreo de la máquina	4-20
Capítulo 5: Mantenimiento	5-1
Seguridad en el mantenimiento	5-1
Plan de mantenimiento recomendado	5-2
Procedimientos previos al mantenimiento	5-2
Cómo mover una máquina que no funciona	5-2
Elevación de la máquina.....	5-3
Mantenimiento del sistema eléctrico.....	5-4
Preparación de la batería para el reciclado	5-4
Comprobación del filtro de la caja de las baterías.....	5-4
Mantenimiento del sistema de transmisión	5-5
Comprobación de la presión de los neumáticos	5-5
Comprobación de las tuercas de las ruedas.....	5-5
Ajuste de la dirección	5-5
Mantenimiento de la carcasa de corte	5-7
Mantenimiento de las cuchillas	5-7
Nivelación de la carcasa de corte.....	5-10
Mantenimiento de los frenos.....	5-14
Prueba del freno de estacionamiento.....	5-14
Limpieza	5-15
Limpieza bajo la carcasa de corte	5-15
Capítulo 6: Almacenamiento	6-1
Almacenamiento de la máquina.....	6-1
Capítulo 7: Solución de Problemas.....	7-1
Solución de problemas de la máquina	7-1
Solución de problemas de la batería y el cargador	7-2
Solución de problemas: códigos de error en la pantalla	7-4
Capítulo 8: Esquema: Diagrama eléctrico.....	8-1
Información sobre las Advertencias de la Proposición 65 de California	



Uso previsto

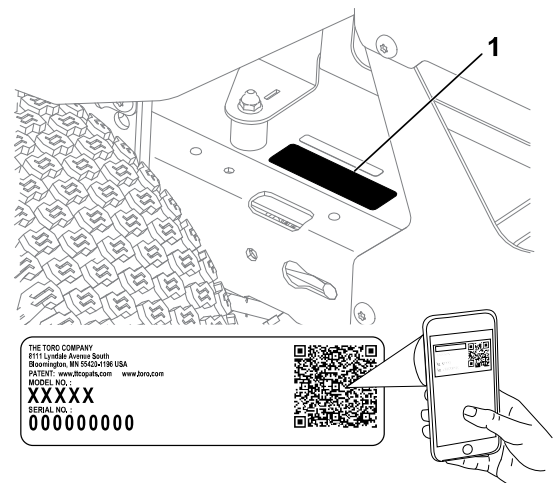
Esta segadora de asiento de cuchillas rotativas está diseñada para ser usada por usuarios particulares en aplicaciones residenciales. Está diseñado principalmente para segar césped bien mantenido. El uso de este producto para otros propósitos que los previstos podría ser peligroso para usted y para otras personas.

Lea este manual detenidamente para aprender a utilizar y mantener correctamente su producto, y para evitar lesiones y daños al producto. Usted es responsable de utilizar el producto de forma correcta y segura.

Cómo obtener ayuda

Visite www.Toro.com para buscar materiales de formación y seguridad o información sobre accesorios, para localizar un distribuidor o para registrar su producto.

Cuando necesite asistencia técnica, piezas genuinas Toro o información adicional, póngase en contacto con un Servicio Técnico Autorizado o con Asistencia al Cliente de Toro, y tenga a mano los números de modelo y serie de su producto. Estos números se encuentran en la placa del número de serie del producto ①. Escriba los números en el espacio provisto.



G444734

IMPORTANTE

Con su dispositivo móvil, puede escanear el código QR de la calcomanía del número de serie (en su caso) para acceder a información sobre la garantía, las piezas, y otra información sobre el producto.

Número de modelo:		Número de serie:	
-------------------	--	------------------	--

Advertencias de seguridad general de la máquina



ADVERTENCIA: Lea todas las advertencias, instrucciones, ilustraciones y especificaciones de seguridad proporcionadas con esta máquina.

Si no se siguen las advertencias e instrucciones se pueden sufrir descargas eléctricas, incendios y/o lesiones graves.

El término "máquina" que aparece en todas las advertencias siguientes se refiere a una máquina accionada por el suministro eléctrico de la red (con cable) o una máquina accionada por batería (sin cable).

1. Seguridad de la zona de trabajo

- A. **Mantenga la zona de trabajo limpia y bien iluminada.** *Las zonas desordenadas u oscuras son proclives a accidentes.*
- B. **No utilice la máquina en atmósferas explosivas, como por ejemplo en presencia de líquidos inflamables, gases o polvo.** *La máquina genera chispas que pueden inflamar el polvo o los vapores.*
- C. **Mantenga alejados a los niños y a otras personas mientras utiliza la máquina.** *Las distracciones pueden hacer que pierda el control.*

2. Seguridad eléctrica

- A. **La clavija de la máquina debe ser del tipo correcto para la toma de corriente. Nunca modifique la clavija en modo alguno. No utilice adaptadores de enchufe con una máquina con toma de tierra.** *El uso de clavijas sin modificar y enchufes apropiados reduce el riesgo de descarga eléctrica.*
- B. **Evite tocar superficies conectadas a tierra, tales como tuberías, radiadores, cocinas y frigoríficos.** *Hay un mayor riesgo de descarga eléctrica si su cuerpo hace tierra.*
- C. **No exponga la máquina a la lluvia o a condiciones húmedas.** *Si entra agua en una máquina se aumenta el riesgo de descarga eléctrica.*
- D. **No maltrate el cable. No utilice el cable nunca para transportar, arrastrar o desenchufar la máquina. Mantenga el cable alejado del calor, del aceite, de bordes cortantes y de piezas móviles.** *Los cables dañados o enredados aumentan el riesgo de descarga eléctrica.*
- E. **Si utiliza la máquina en el exterior, utilice un cable alargador adecuado para el uso en exteriores.** *El uso de un cable apropiado para el uso en exteriores reduce el riesgo de descarga eléctrica.*

- F. **Si no es posible evitar el uso de la máquina en un lugar húmedo, utilice un suministro eléctrico protegido por un dispositivo de corriente residual (interruptor diferencial).** *El uso de un interruptor diferencial reduce el riesgo de descarga eléctrica.*

3. Seguridad personal

- A. **Manténgase alerta, esté atento a lo que está haciendo y aplique el sentido común mientras utilice la máquina. No utilice la máquina si está cansado o bajo los efectos de drogas, alcohol o medicamentos.** *Una breve falta de atención durante el uso de la máquina podría provocar lesiones personales graves.*
- B. **Utilice equipos de protección personal. Lleve siempre protección ocular.** *El uso de equipos de protección personal como mascarillas, calzado de seguridad antideslizante o protección auditiva en condiciones apropiadas reducirá el riesgo de lesiones personales.*
- C. **Evite el encendido accidental. Asegúrese de que el interruptor está en la posición de apagado antes de efectuar la conexión a la toma de corriente y/o a la batería.** *Conectar a la corriente una máquina que tiene el interruptor encendido aumenta el riesgo de sufrir accidentes.*
- D. **Retire cualquier llave de ajuste antes de encender la máquina.** *Si se deja una llave insertada en una parte rotativa de la máquina puede dar lugar a lesiones personales.*
- E. **No intente alcanzar zonas demasiado alejadas. Pise firme y mantenga el equilibrio en todo momento.** *Esto permite tener un mayor control de la máquina en situaciones imprevistas.*
- F. **Utilice la ropa adecuada. No lleve prendas o joyas sueltas. Mantenga el pelo y la ropa alejados de las piezas móviles.** *Las prendas sueltas, las joyas y el pelo largo pueden quedar atrapados en las piezas móviles.*
- G. **Si existen dispositivos para la conexión de sistemas de extracción y recolección de polvo, asegúrese de conectarlos y usarlos correctamente.** *El uso de dispositivos de recolección de polvo puede reducir los riesgos asociados con el polvo.*
- H. **No deje que la familiaridad adquirida con el uso frecuente de la máquina le haga confiarse demasiado y pasar por alto los principios de seguridad de la máquina.** *Una acción descuidada puede causar lesiones graves en una fracción de segundo.*

4. Uso y cuidado de la máquina

- A. **No fuerce la máquina. Utilice la máquina adecuada para el trabajo que debe realizarse.** *La máquina correcta realizará el trabajo mejor y con mayor seguridad a la velocidad para la que fue diseñada.*
- B. **No utilice la máquina si con el interruptor no se enciende ni se apaga.** *Cualquier máquina que no pueda controlarse con el interruptor es peligrosa y debe repararse.*
- C. **Desconecte la clavija del suministro eléctrico y/o extraiga la batería de la máquina, si es extraíble, antes de realizar cualquier ajuste, cambiar de accesorio o guardar la máquina.** *Estas medidas de seguridad preventivas reducen el riesgo de un arranque accidental de la máquina.*

- D. **Si no la está usando, guarde la máquina fuera del alcance de los niños y no permita que la utilicen personas no familiarizadas con la máquina o con estas instrucciones de uso.** *Una máquina es peligrosa en manos de usuarios inexpertos.*
 - E. **Mantenga la máquina y los accesorios. Compruebe que las piezas móviles están correctamente alineadas y que se mueven libremente sin agarrotarse, que no hay piezas rotas, y que no haya otras circunstancias que podrían afectar al uso de la máquina. Si existen daños, haga reparar la máquina antes de usarla.** *Muchos accidentes ocurren debido a un mantenimiento defectuoso de la máquina.*
 - F. **Mantenga las herramientas de corte afiladas y limpias.** *Una herramienta de corte bien mantenida con filos bien afilados es más fácil de controlar y hay menos probabilidades de que se agarrote.*
 - G. **Utilice la máquina, los accesorios, las brocas, etc., según lo indicado en estas instrucciones, teniendo en cuenta las condiciones de trabajo y el trabajo a realizar.** *El uso de la máquina para operaciones diferentes de las previstas podría dar lugar a una situación de peligro.*
 - H. **Mantenga las asas, empuñaduras y otras superficies de agarre secas, limpias y libres de aceite y grasa.** *Una asa o una superficie de agarre resbaladiza no permite manejar y controlar la máquina con seguridad en situaciones imprevistas.*
5. **Uso y cuidado de una máquina con batería**
- A. **Cargar únicamente con el cargador especificado por el fabricante.** *Un cargador diseñado para un tipo de batería determinado puede crear un riesgo de incendio si se utiliza con otra batería.*
 - B. **Utilice la máquina únicamente con las baterías específicamente indicadas.** *El uso de otras baterías puede crear un riesgo de incendio y lesiones.*
 - C. **Si la batería no está en uso, manténgala alejada de otros objetos metálicos como clips, monedas, llaves, puntillas u otros objetos metálicos pequeños que podrían hacer una conexión entre los bornes.** *Un cortocircuito entre los terminales de la batería puede causar quemaduras o un incendio.*
 - D. **En condiciones de uso incorrecto, puede haber una fuga de líquido de la batería; evite el contacto con dicho líquido. En caso de un contacto accidental, lavar con abundante agua. Si el líquido entra en contacto con los ojos, busque también ayuda médica.** *El líquido expulsado de la batería puede causar irritación o quemaduras.*
 - E. **No utilice una batería o una máquina dañada o modificada.** *Las baterías dañadas o modificadas pueden mostrar un comportamiento impredecible con resultado de incendio, explosión o riesgo de lesiones.*
 - F. **No exponga una batería o una máquina al fuego o a temperaturas excesivas.** *La exposición al fuego o a temperaturas superiores a los 130 °C puede causar una explosión.*
 - G. **Siga todas las instrucciones de carga y no cargue la batería o la máquina si la temperatura está fuera del intervalo especificado en las instrucciones.** *Un procedimiento de carga incorrecto o a temperaturas que estén fuera del intervalo especificado puede dañar la batería y aumentar el riesgo de incendio.*

6. **Mantenimiento**

- A. **El mantenimiento de su máquina lo debe realizar un técnico de reparaciones debidamente cualificado, utilizando únicamente piezas de repuesto idénticas.** *Solo de esta manera se garantiza el mantenimiento de la seguridad de la máquina.*
- B. **No realice ningún tipo de mantenimiento en una batería dañada.** *El mantenimiento de las baterías solo debe realizarlo el fabricante o un servicio técnico autorizado.*

Advertencias de seguridad para segadoras

- A. **No utilice la segadora en condiciones meteorológicas adversas, especialmente si hay riesgo de rayos.** *Esto reduce el riesgo de ser alcanzado por un rayo.*
- B. **Inspeccione cuidadosamente la zona en la que se va a utilizar la segadora para comprobar que no haya animales salvajes en las proximidades.** *La segadora puede herir a animales salvajes durante el uso.*
- C. **Inspeccione detenidamente la zona en la que se va a utilizar la segadora, y retire cualquier piedra, palo, alambre, hueso u otro objeto extraño.** *Los objetos arrojados pueden causar lesiones personales.*
- D. **Antes de usar la segadora, realice siempre una inspección visual para asegurarse de que la cuchilla y el conjunto de la cuchilla no están desgastados o dañados.** *Las piezas desgastadas o dañadas aumentan el riesgo de lesiones.*
- E. **Mantenga colocado los protectores.** *Los protectores deben estar en buenas condiciones de funcionamiento y estar correctamente montados. Si un protector está suelto o dañado, o si no funciona correctamente, pueden producirse lesiones personales.*
- F. **Mantenga las entradas de aire de refrigeración libres de residuos.** *Las obstrucciones en las entradas de aire y los residuos pueden causar un sobrecalentamiento o un riesgo de incendio.*
- G. **Mientras utiliza la segadora, lleve siempre calzado de protección antideslizante. No haga funcionar la segadora estando descalzo o llevando sandalias.** *Esto reduce la posibilidad de sufrir lesiones en los pies por contacto con la cuchilla en movimiento.*
- H. **Mientras utiliza la segadora debe llevar siempre pantalón largo.** *La piel expuesta aumenta la posibilidad de sufrir lesiones debido a los objetos arrojados.*
- I. **No utilice la segadora en pendientes o cuestas de más de 15°.** *Esto reduce el riesgo de pérdida de control, deslizamiento y vuelco, que pueden causar lesiones personales.*
- J. **Extreme las precauciones al trabajar en pendientes.** *Esto reduce el riesgo de pérdida de control, deslizamiento y vuelco, que pueden causar lesiones personales.*
- K. **Extreme las precauciones al conducir la segadora hacia atrás.** *Siempre esté pendiente de su entorno.*
- L. **No toque las cuchillas ni otras piezas en movimiento peligrosas mientras estén aún en movimiento.** *Esto reduce el riesgo de lesiones causadas por las piezas en movimiento.*
- M. **Antes de eliminar material atascado o de limpiar la segadora, asegúrese de que todos los interruptores de corriente están desconectados y retire la llave.** *La puesta en marcha inesperada de la segadora puede dar lugar a lesiones personales graves.*

Guarde todas las advertencias e instrucciones para su referencia futura.

Mensajes de seguridad adicionales

Símbolo de alerta de seguridad

El símbolo de alerta de seguridad que aparece en este manual y en la máquina identifica mensajes de seguridad importantes que usted debe observar para evitar accidentes.



G405934

PELIGRO: Indica una situación peligrosa inminente, que si no se evita, **causará** la muerte o lesiones graves.

ADVERTENCIA indica una situación potencialmente peligrosa que si no se evita, **podría** causar la muerte o lesiones graves.

CUIDADO: Indica una situación potencialmente peligrosa que si no se evita, **podría** causar lesiones menores o moderadas.

Este manual utiliza 2 palabras más para resaltar información. **Importante** llama la atención sobre información mecánica especial, y **Nota** resalta información general que merece una atención especial.

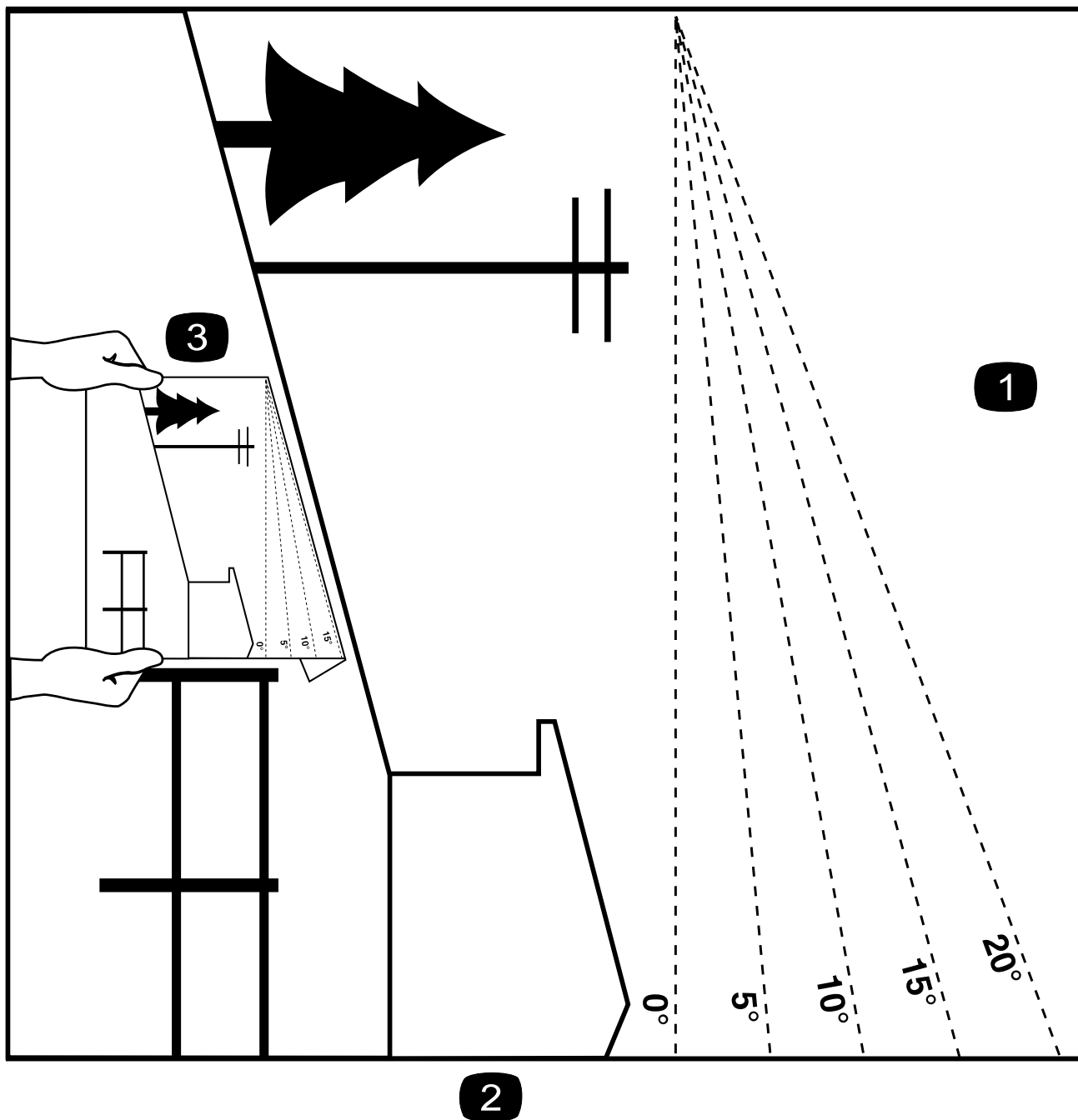
Seguridad en general

Este producto es capaz de amputar manos y pies y de lanzar objetos al aire. Siga siempre todas las instrucciones de seguridad con el fin de evitar lesiones personales graves o la muerte.

- Manténgase alejado del orificio de descarga.
- Sólo permita que utilicen la máquina personas responsables y con suficiente capacidad física.
- Apague la máquina, retire la llave y espere a que se detengan todas las piezas en movimiento antes de abandonar el puesto del operador. Deje que la máquina se enfríe antes de hacer trabajos de mantenimiento, ajuste, repostaje, o almacenamiento.

Indicador de pendientes

Puede copiar esta página para su uso personal.



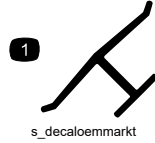
- ① La pendiente máxima en la que puede utilizar la máquina es de 15 grados. Utilice el Diagrama de pendientes para determinar el ángulo de una pendiente antes de proseguir. **No utilice esta máquina en pendientes de más de 15 grados.** Doble por la línea correspondiente a la pendiente recomendada.
- ② Alinee este borde con una superficie vertical (árbol, edificio, el poste de una valla, etc.).
- ③ Ejemplo de cómo comparar la pendiente con el borde doblado

Calcomanías instructivas y de seguridad



Las calcomanías e instrucciones de seguridad están a la vista del operador y están ubicadas cerca de cualquier zona de peligro potencial. Sustituya cualquier calcomanía que esté dañada o que falte.

Pegatina pieza: Marca del fabricante



① Esta marca indica que la cuchilla se ha identificado como pieza del fabricante original de la máquina.

Pegatina pieza: 130-0731



acerque a las piezas en movimiento.

① Advertencia – peligro de objetos arrojados; mantenga colocado el deflector.

② Peligro de corte de mano o pie, cuchilla del cortacésped – no se

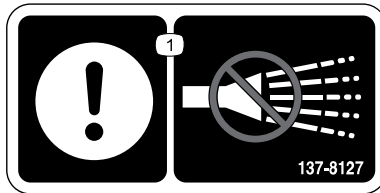
Pegatina pieza: 133-8061

⚠ WARNING: Cancer and Reproductive Harm - www.P65Warnings.ca.gov.
For more information, please visit www.ttcoCAProp65.com

133-8061

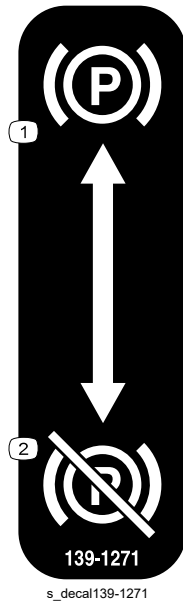
s_decal133-8061

Pegatina pieza: 137-8127



① Atención – no pulverizar con agua a alta presión.

Pegatina pieza: 139-1271



- ① Freno de estacionamiento – Activar
- ② Freno de estacionamiento – Desactivar

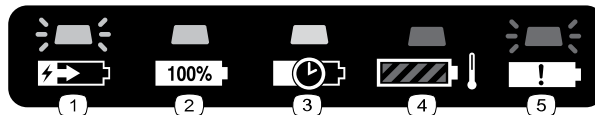
Pegatina pieza: 139-2397

Modelos MyRIDE solamente



s_decal139-2397

Pegatina pieza: 145-3802



s_decal145-3802

- ① La batería se está cargando.
- ② La batería está completamente cargada.
- ③ La carga de la batería está en modo de espera mientras que otras baterías se cargan (depende del modo de carga).
- ④ La batería está por encima o por debajo del intervalo de temperaturas adecuado.
- ⑤ Fallo de carga de la batería.

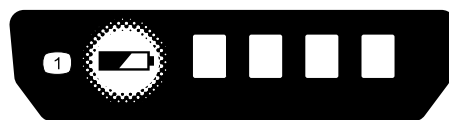
Pegatina pieza: 145-8263



decal145-8263

- ① Lea el *Manual del operador*.
- ② Recicle la batería.
- ③ No la deseche de forma incorrecta.
- ④ Mantener alejado de fuegos o llamas desnudas.
- ⑤ No exponer a la lluvia.

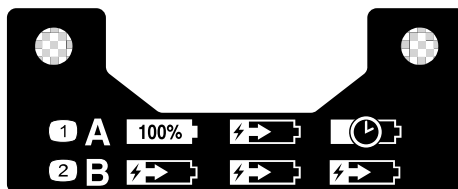
Pegatina pieza: 145-8265



decal145-8265

- ① Estado de carga de la batería

Pegatina pieza: 145-8275



s_decal145-8275

- ① Modo de carga rápida secuencial - se carga completamente una sola batería a la vez (las demás baterías permanecen en modo de espera).
- ② Modo de carga en paralelo — todas las baterías se cargan hasta el mismo nivel.

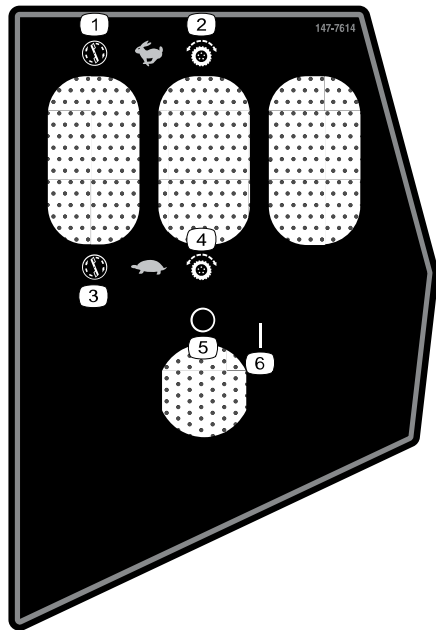
Pegatina pieza: 147-0290



decal147-0290

- ① Advertencia - la luz es fuerte; no mire directamente hacia la luz.

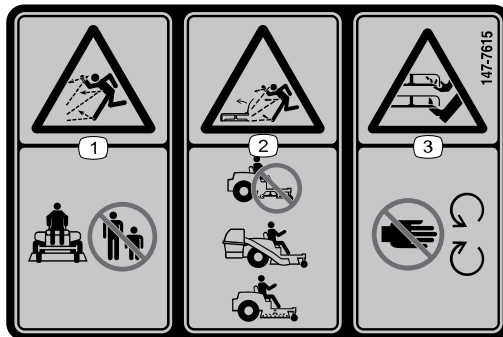
Pegatina pieza: 147-7614



decal147-7614

- ① Control de las cuchillas — rápido
- ② Tracción — rápido
- ③ Control de las cuchillas — lento
- ④ Transmisión de tracción — lento
- ⑤ Desconectado
- ⑥ Conectado

Pegatina pieza: 147-7615

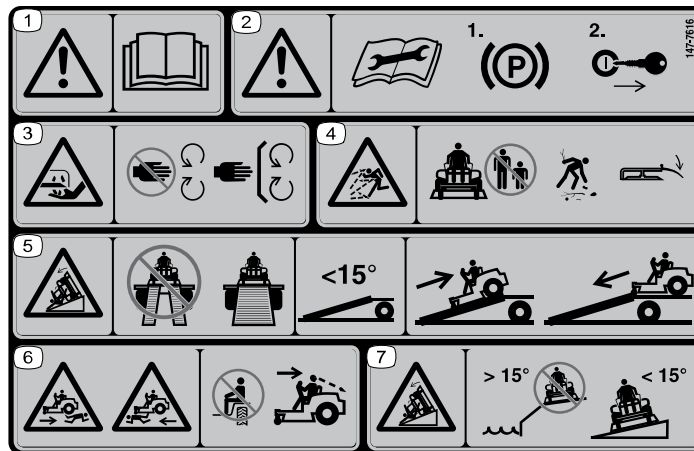


decal147-7615

- ① Peligro de objetos arrojados — mantenga alejadas a otras personas.
- ② Peligro de objetos arrojados, cortacésped — no haga funcionar el cortacésped sin que esté colocado el deflector, la tapa de descarga o el sistema de recogida de hierba.
- ③ Peligro de corte/desmembramiento de mano o pie por la cuchilla del cortacésped — no se acerque a las piezas en movimiento.

Pegatina pieza: 147-7616

Modelos MyRIDE solamente



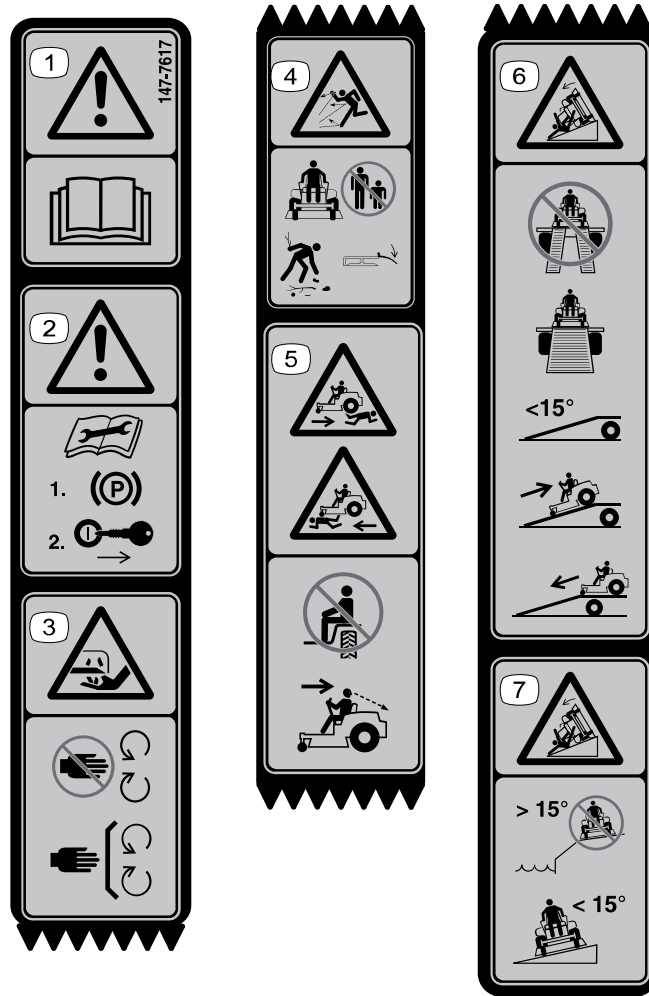
decal147-7616

Nota: Esta máquina cumple con la prueba estándar de estabilidad del sector en las pruebas longitudinales y laterales estáticas, con la pendiente máxima recomendada indicada en la pegatina. Revise las instrucciones del *Manual del operador* sobre la operación de la máquina en pendientes, y compruebe las condiciones en las que se va a utilizar la máquina para determinar si la máquina puede utilizarse en las condiciones reinantes en ese día y ese lugar en concreto. Los cambios en el terreno pueden producir un cambio en el funcionamiento de la máquina en pendientes.

- ① Advertencia – lea el *Manual del operador*.
- ② Advertencia — antes de realizar cualquier tarea de mantenimiento, ponga el freno de estacionamiento y retire la llave.
- ③ Peligro de corte/desmembramiento de la mano — no se acerque a las piezas en movimiento; mantenga colocados todos los protectores y defensas.
- ④ Peligro de objetos arrojados – mantenga alejadas a otras personas; recoja los residuos; mantenga colocado el deflector.
- ⑤ Peligro de vuelco — no use dos rampas al cargar la máquina en un remolque; utilice una sola rampa con suficiente anchura para la máquina; use una rampa con pendiente inferior a 15°; suba la rampa en marcha atrás para cargar la máquina, y baje la rampa conduciendo hacia adelante para descargarla.
- ⑥ Peligro de atropello – no transporte pasajeros; mire hacia abajo y hacia atrás mientras conduce en marcha atrás.
- ⑦ Peligro de vuelco — no utilice la máquina cerca de taludes con pendientes de más de 15°; en pendientes de menos de 15°, trabaje solo de través.

Pegatina pieza: 147-7617

Modelos sin MyRIDE solamente

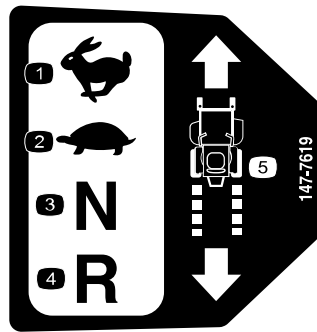


s_decal147-7617

Nota: Esta máquina cumple la prueba de estabilidad estándar de la industria en las pruebas estáticas laterales y longitudinales con la pendiente máxima recomendada indicada en la pegatina. Revise las instrucciones del *Manual del operador* sobre la operación de la máquina en pendientes, y compruebe las condiciones en las que se va a utilizar la máquina para determinar si la máquina puede utilizarse en las condiciones reinantes en ese día y ese lugar en concreto. Los cambios de terreno pueden necesitar un cambio en el modo de operación de la máquina en pendientes.

- ① Advertencia – lea el *Manual del operador*.
- ② Advertencia — antes de realizar cualquier tarea de mantenimiento, ponga el freno de estacionamiento y retire la llave.
- ③ Peligro de corte/desmembramiento de la mano — no se acerque a las piezas en movimiento; mantenga colocados todos los protectores y defensas.
- ④ Peligro de objetos arrojados – mantenga alejadas a otras personas; recoja los residuos; mantenga colocado el deflector.
- ⑤ Peligro de atropello – no transporte pasajeros; mire hacia abajo y hacia atrás mientras conduce en marcha atrás.
- ⑥ Peligro de vuelco – no use dos rampas al cargar la máquina en un remolque; utilice una sola rampa con suficiente anchura para la máquina; use una rampa con pendiente de menos de 15°; suba la rampa en marcha atrás para cargar la máquina, y baje la rampa conduciendo hacia adelante para descargarla.
- ⑦ Peligro de vuelco – no utilice la máquina cerca de taludes con pendientes de más de 15°; atravesese únicamente pendientes de menos de 15°.

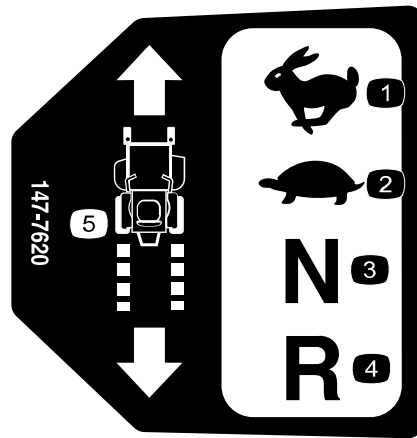
Pegatina pieza: 147-7619



decal147-7619

- ① Rápido
- ② Lento
- ③ Neutral (Punto muerto)
- ④ Marcha atrás
- ⑤ Controles de tracción

Pegatina pieza: 147-7620



decal147-7620

- ① Rápido
- ② Lento
- ③ Neutral (Punto muerto)
- ④ Marcha atrás
- ⑤ Controles de tracción

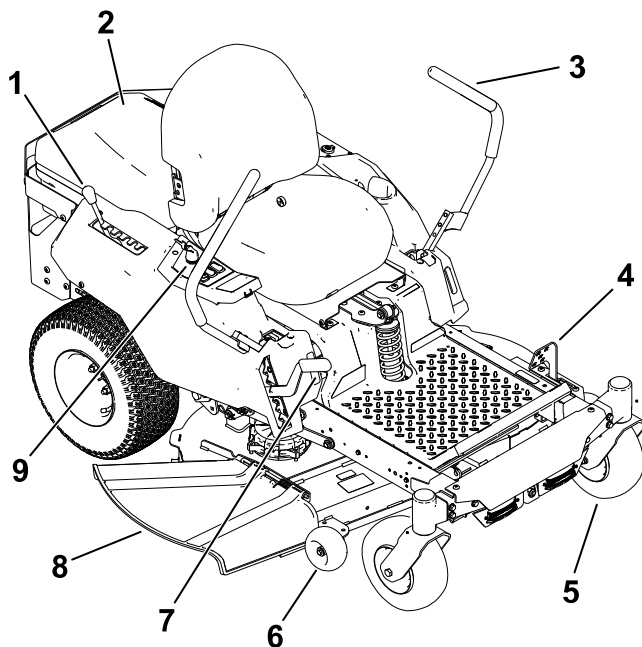
Pegatina pieza: 147-7621



- ① Lea el *Manual del operador*.
- ② Función completa
- ③ Función limitada
- ④ Sin función/función extremadamente limitada

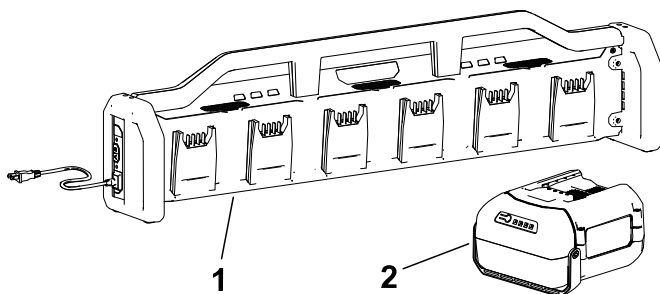


Descripción general del producto



G427499

- ① Palanca de ajuste de la suspensión MyRide®
- ② Caja de las baterías
- ③ Palanca de control de movimiento
- ④ Freno de estacionamiento
- ⑤ Rueda giratoria
- ⑥ Rodillo protector del césped
- ⑦ Palanca de altura de corte
- ⑧ Deflector de hierba
- ⑨ Panel de control

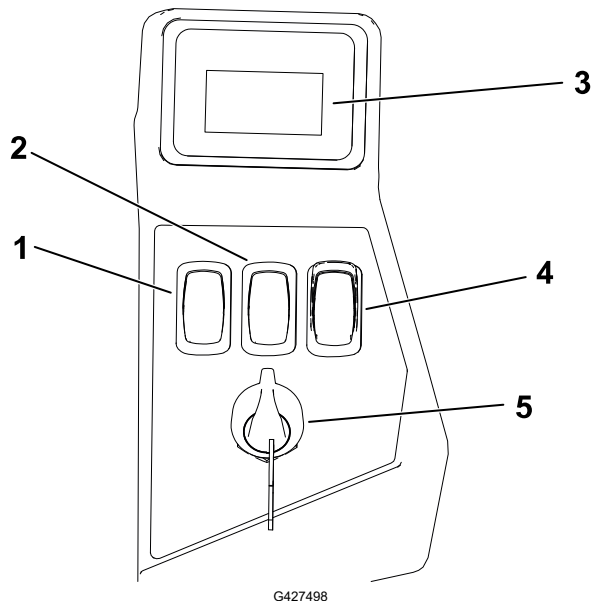


G448680

- ① Cargador de baterías
- ② Batería (4 incluidas)

Panel de control

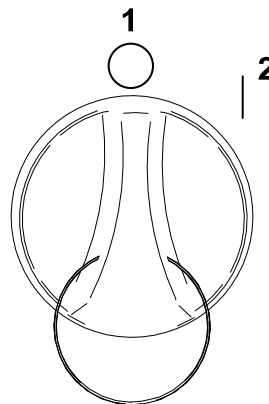
Familiarícese con todos los controles antes de poner en marcha y trabajar con la máquina.



- ① Mando de velocidad de las cuchillas
- ② Interruptor de la velocidad de tracción
- ③ Pantalla informativa
- ④ Mando de control de las cuchillas (toma de fuerza)
- ⑤ Interruptor de encendido

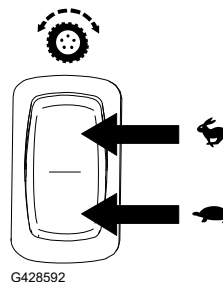
Interruptor de encendido

Utilice el interruptor de encendido para ENCENDER^② o APAGAR la máquina^①. Gire la llave más allá de la posición de CONECTADO para arrancar la máquina.



Interruptor de la velocidad de tracción

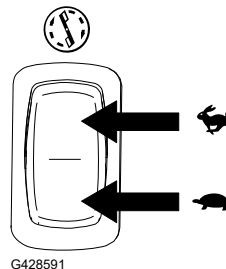
Utilice el interruptor de velocidad de tracción para seleccionar una velocidad de avance mayor o menor.



Mando de velocidad de las cuchillas

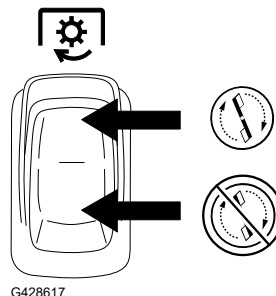
Utilice el mando de velocidad de las cuchillas para seleccionar una velocidad de cuchilla más rápida o más lenta.

Nota: Utilice la posición RÁPIDO para obtener el mejor rendimiento de corte; utilice la posición LENTO para reducir el consumo energético.



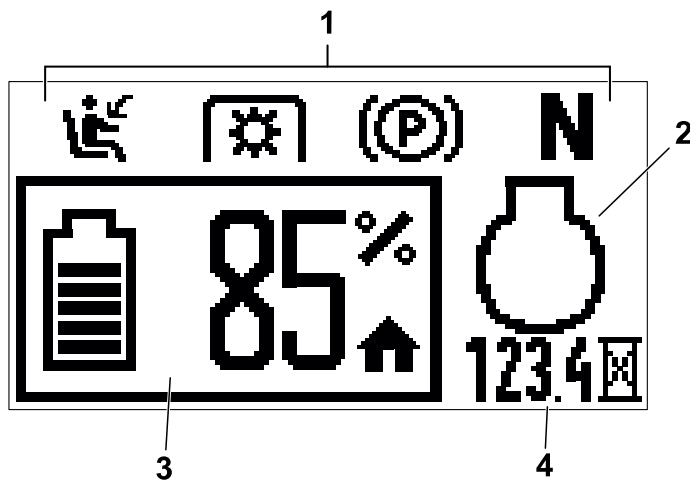
Mando de control de las cuchillas (TDF)

El mando de control de las cuchillas, representado por un símbolo de toma de fuerza (TDF), engrana y desengrana la transmisión de potencia a las cuchillas.



Pantalla informativa





La pantalla informativa muestra mensajes y el estado de la máquina (por ejemplo, horas de operación, carga de la batería, posición de los componentes).



- 1 Indicadores de los interruptores de seguridad
- 2 Estado del motor (se muestra únicamente durante los fallos activos)
- 3 Estado/carga de la batería
- 4 Horas de operación

Pantalla informativa (continuación)

Icono de la pantalla

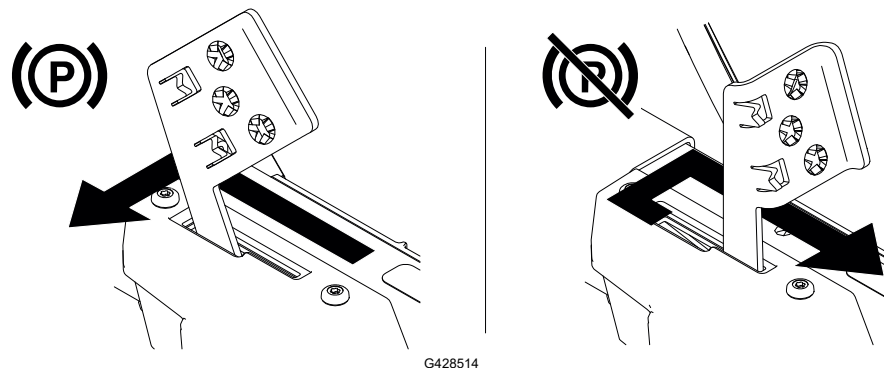
	El operador no está sentado en el asiento.
	El mando de control de las cuchillas (TDF) está engranado.
	El mando de control de las cuchillas (TDF) está engranado, pero la máquina impide que las cuchillas giren. Compruebe los fallos activos de la máquina o los interruptores de seguridad.
	El freno de estacionamiento está puesto. Si parpadea, quite el freno de estacionamiento antes de conducir la máquina.
	Las palancas de control de movimiento estén en la posición de BLOQUEO/ PUNTO MUERTO. Si parpadea, mueva las palancas hacia dentro antes de conducir la máquina.
	Horímetro
	Accione el freno de estacionamiento.

	La temperatura de la batería es demasiado alta.
	La carga de la batería es demasiado alta.
	El modo de Protección del motor está activado.
	La temperatura del motor es demasiado alta.
	La carga del motor es demasiado alta.
	Código de fallo

Freno de estacionamiento

Cada vez que apague el motor, ponga el freno de estacionamiento para evitar que la máquina se desplace accidentalmente.

Puede utilizar el freno de estacionamiento para detener la máquina en situaciones de emergencia o si un fallo en la máquina deshabilita los controles de tracción.



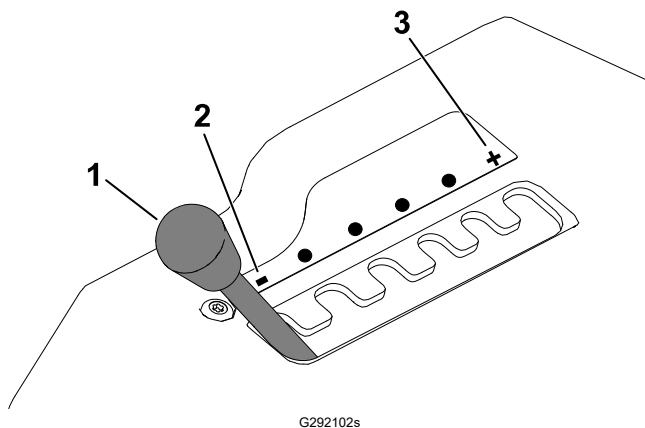
Palancas de control de movimiento

Las palancas de control de movimiento se utilizan para conducir la máquina hacia adelante, hacia atrás y girarla en ambos sentidos.

Palanca de ajuste de la suspensión MyRide®

Máquinas con el sistema de suspensión MyRide

Utilice la palanca de ajuste para ajustar la suspensión del asiento y obtener una conducción suave y cómoda.



- ① Palanca de ajuste
- ② Suspensión más suave
- ③ Suspensión más firme

Especificaciones

Nota: Las especificaciones y diseños están sujetos a modificación sin previo aviso.

Máquina

Modelo	75841	75851
Anchura de corte	107 cm (42")	137 cm (54")
Anchura con el deflector bajado	136 cm (53½")	166 cm (65½")
Anchura con el deflector elevado	116 cm (45½")	140 cm (55")
Longitud	185 cm (73")	185 cm (73")
Altura	104 cm (41")	117 cm (46")
Peso	224 kg (494 libras)	284 kg (626 libras)

Baterías incluidas

Modelo	66810	88640
Cantidad incluida con la máquina:		
Máquina Modelo 75841	4	0
Máquina Modelo 75851	5	1
Capacidad de la batería	10.0 Ah 600 Wh	4.0 Ah 216 Wh
Voltaje nominal según el fabricante de la batería = 60 V máximo y 54 V nominal. El voltaje real depende de la carga.		

Baterías compatibles

Modelo	88620	88625	88640	88650	88660	88675	68810
Capacidad de la batería	2.0 Ah 108 Wh	2.5 Ah 135 Wh	4.0 Ah 216 Wh	5.0 Ah 270 Wh	6.0 Ah 324 Wh	7.5 Ah 405 Wh	10.0 Ah 540 Wh
Voltaje nominal según el fabricante de la batería = 60 V máximo y 54 V nominal. El voltaje real depende de la carga.							

Cargador de baterías incluido

Modelo	66550
Tipo	Cargador de baterías de 6 bahías Flex-Force Power System® 60 V Pro
Entrada	220 a 240 VCA ~5.0 A, 50/60 Hz
Salida	60 V CC \equiv 12.0 A MÁX

Cargadores de baterías compatibles

Modelo	88602	88605	88610
Tipo	Cargador de baterías ion litio 60V MAX	Cargador rápido para baterías de iones de litio 60V MAX	Adaptador del cargador de baterías de ion litio 60V MAX
Entrada	120 VCA ~2.0 A, 60 Hz	120 V CA ~5.0 A, 60 Hz	120 VCA ~2.0 A, 60 Hz
Salida	60 V CC \approx 2.0 A MÁX	60 V CC \approx 5.5 A MÁX	60 V CC \approx 1.0 A MÁX

Intervalos de temperatura adecuados

Carga/almacenamiento de la batería	5 °C (41 °F) a 40 °C (104 °F)*
Almacenamiento de la máquina	-40 °C (-40 °F) a 50 °C (122 °F)*
Operación de la batería	-30°C (-22°F) a 49°C (120°F)
Operación de la máquina	5°C (41°F) a 40°C (104°F)

*El tiempo de carga será mayor si la temperatura no está dentro de este intervalo durante la carga.

Guarde la máquina, la batería y el cargador en un lugar cerrado, limpio y seco.

Aperos/accesorios

Se encuentra disponible una selección de aperos y accesorios homologados Toro para su uso con la máquina, con el fin de potenciar y aumentar sus prestaciones. Póngase en contacto con su Servicio Técnico Autorizado o con su distribuidor autorizado Toro, o visite www.Toro.com para obtener una lista de todos los aperos y accesorios homologados.

Para asegurar un rendimiento óptimo y mantener la certificación de seguridad de la máquina, utilice solamente piezas y accesorios genuinos Toro.



Antes del uso

Seguridad antes del funcionamiento

- No utilice la máquina a menos que todos los interruptores de seguridad y otros dispositivos estén colocados y en buenas condiciones de funcionamiento.
- Antes de abandonar la posición del operador por cualquier motivo, haga lo siguiente:
 - Aparque la máquina en una superficie nivelada.
 - Desengrane las transmisiones y la toma de fuerza.
 - Accione el freno de estacionamiento.
 - Apague la máquina y retire la llave.
 - Espere a que se detengan todas las piezas en movimiento.
- Antes de segar, inspeccione siempre la máquina para asegurarse de que las cuchillas, los pernos de las cuchillas y los conjuntos de corte están en buenas condiciones de funcionamiento.
- Este producto genera un campo electromagnético. Si usted lleva un dispositivo médico electrónico implantable, consulte a su profesional sanitario antes de utilizar este producto.
- Utilice solamente accesorios y aperos homologados por Toro.
- No lleve pasajeros en la máquina y mantenga a otras personas y animales domésticos alejados de la máquina durante el uso.
- Esta máquina puede producir un nivel de potencia sonora de más de 85 dBA en el oído del operador cuando hay accesorios instalados. Esto puede causar pérdidas auditivas en caso de periodos de exposición prolongados. Lleve protección auditiva mientras utiliza esta máquina con los accesorios instalados.
- Antes de utilizar la máquina, asegúrese de que los controles de presencia del operador, el deflector de descarga o el sistema completo de recogida de hierba están colocados y en buenas condiciones de funcionamiento. Si no es así, no utilice la máquina.
- Cuando usted apaga la máquina, las cuchillas deben detenerse. Si no es así, deje de usar la máquina inmediatamente y póngase en contacto con un Servicio Técnico Autorizado.
- Apague la máquina y los accesorios si alguien entra en la zona.

Instalación de las baterías

Cualquier batería Flex-Force Power System® puede utilizarse con la máquina.

Instale al menos 3 baterías totalmente cargadas, con 4 Ah o más, para obtener el mejor rendimiento de siega; el uso de 2 baterías o menos, o de baterías con un amperaje menor, puede proporcionar únicamente la potencia necesaria para conducir la máquina. Instale más baterías o baterías de mayor amperaje para aumentar la autonomía de la máquina.

IMPORTANTE

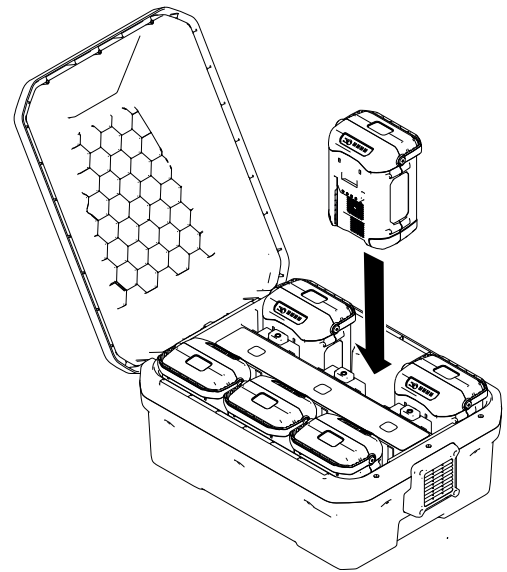
Utilice las baterías solo a temperaturas que estén dentro del intervalo apropiado; consulte [Especificaciones, página 3–6](#).

1. Compruebe que los orificios de ventilación de las baterías están libres de polvo y residuos.
2. Levante la tapa del compartimento de las baterías.
3. Alinee el hueco de la batería con la lengüeta de la máquina, e introduzca la batería en el compartimento hasta que se enganche en su sitio con un clic audible.
4. Gire la llave de encendido a la posición de CONECTADO y asegúrese de que se enciende el indicador LED situado junto a cada batería.

Nota: Si no se enciende el indicador de alguna batería, consulte [7 Solución de Problemas, página 7–1](#).

5. Cierre la tapa del compartimento de la batería.

Nota: Si la tapa del compartimento de la batería no se cierra por completo, las baterías no están correctamente instaladas.



G445491

Mantenimiento diario

Cada día, antes de arrancar la máquina, siga los procedimientos marcados como "Cada uso/A diario" en el Calendario de mantenimiento.

Sistema de interruptores de seguridad

El sistema de interruptores de seguridad ha sido diseñado para impedir que la máquina avance o que las cuchillas se engranen a menos que el freno de estacionamiento esté quitado:

También está diseñado para apagar las cuchillas si usted se levanta del asiento.



ADVERTENCIA



Si los interruptores de seguridad son desconectados o están dañados, la máquina podría ponerse en marcha inesperadamente, causando lesiones personales.

- **No manipule los interruptores de seguridad.**
- **Compruebe la operación de los interruptores de seguridad cada día, y sustituya cualquier interruptor dañado antes de operar la máquina.**

Comprobación del sistema de interruptores de seguridad

Compruebe el sistema de interruptores de seguridad cada vez que vaya a trabajar con la máquina. Si el sistema no funciona de la forma que se describe a continuación, póngase en contacto con un Servicio Técnico Autorizado para que lo reparen inmediatamente.

1. Siéntese en el asiento, arranque la máquina y quite el freno de estacionamiento.
2. Engrane el mando de control de las cuchillas (TDF) y levántese un poco del asiento.

Las cuchillas del cortacésped deben detenerse y la pantalla informativa debe mostrar los iconos siguientes.



G447273

3. Siéntese en el asiento y desengrane el mando de control de las cuchillas.
4. Mueva las palancas de control de movimiento lentamente hacia adelante y levántese un poco del asiento.

La máquina debe detenerse y mostrar el icono siguiente.



G427900

5. Siéntese en el asiento, ponga el freno de estacionamiento y engrane el mando de control de las cuchillas.

Las cuchillas del cortacésped no deben engranarse, y la pantalla informativa debe mostrar los iconos siguientes.

Sistema de interruptores de seguridad (continuación)



G447274

6. Desactive el mando de control de las cuchillas.
7. Asegúrese de que el freno de estacionamiento está puesto y mueva las palancas de control de movimiento lentamente hacia adelante.

La máquina no debe desplazarse, y la pantalla informativa debe mostrar el icono siguiente.

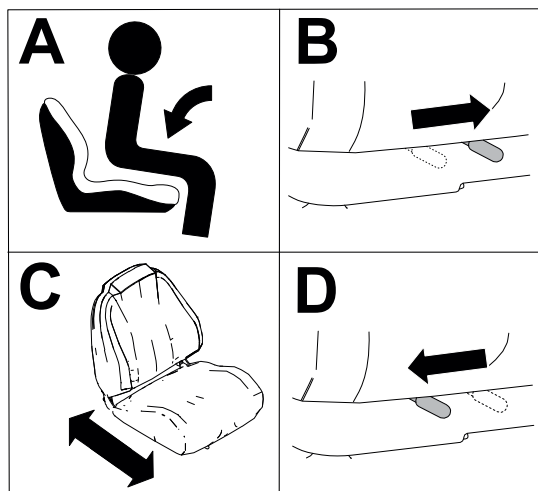


G427902

8. Apague la máquina y retire la llave.

Colocación del asiento

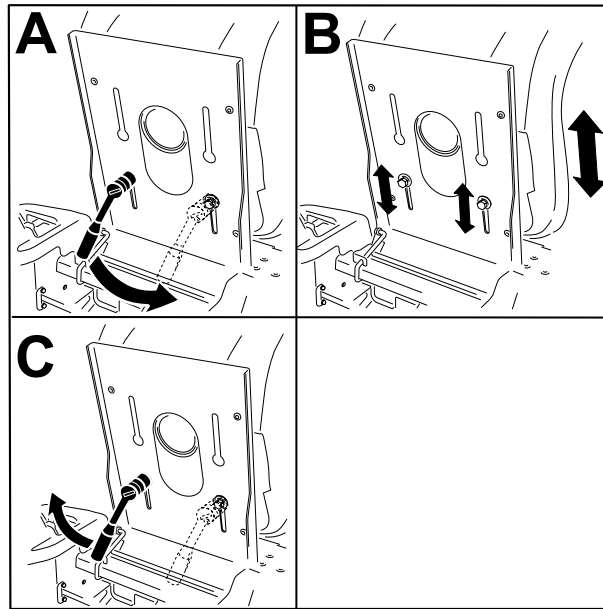
Máquinas con suspensión MyRide



G451798

Colocación del asiento (continuación)

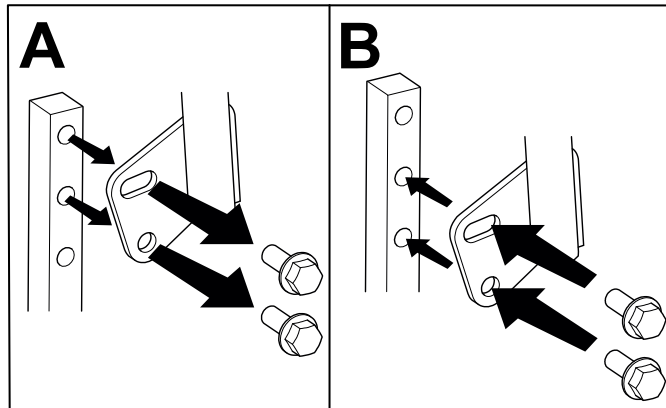
Máquinas sin suspensión MyRide



G459819

Ajuste de la altura de las palancas de control de movimiento

Ajuste las palancas de control de movimiento hacia arriba o hacia abajo para que su manejo sea más cómodo.

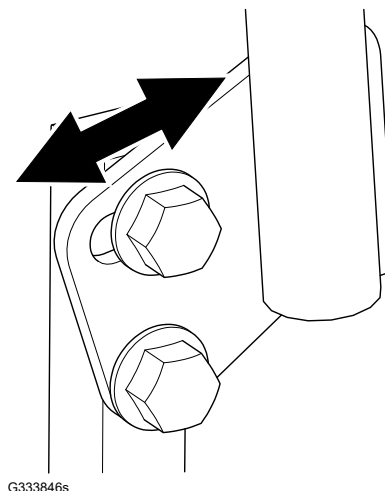


G441093

Ajuste de la inclinación de la palanca de control de movimiento

Ajuste las palancas de control de movimiento hacia delante o hacia atrás a la posición más cómoda.

1. Afloje el perno superior.
2. Afloje el perno inferior lo suficiente para poder desplazar la palanca de control hacia adelante o hacia atrás.
3. Apriete ambos pernos.
4. Repita el ajuste con la otra palanca de control.



Durante el uso

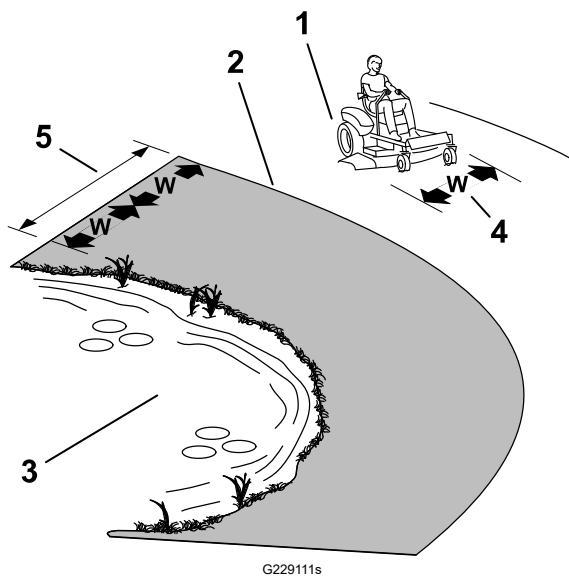
Seguridad durante el uso

- Antes de arrancar la máquina, compruebe que todas las transmisiones están en punto muerto.
- Manténgase alejado de baches, surcos, montículos, rocas u otros peligros ocultos. Tenga cuidado al acercarse a esquinas ciegas, arbustos, árboles, hierba alta u otros objetos que puedan ocultar obstáculos o dificultar la visión. Un terreno irregular podría hacer volcar la máquina.
- Apague la máquina y desengrane la transmisión de la unidad de corte después de golpear un objeto extraño o si se produce una vibración anormal. Inspeccione la unidad de corte y repare cualquier daño antes de arrancar y operar la máquina.
- Esté alerta, vaya más despacio y tenga cuidado al girar y al cruzar calles y aceras con la máquina. Ceda el paso siempre.
- No utilice la máquina como un vehículo de remolque.
- Esté atento al camino de descarga del cortacésped y mantenga la descarga alejada de otras personas. Evite la descarga de material contra una pared u obstrucción, ya que el material podría rebotar hacia el operador. Pare las cuchillas, vaya más despacio y tenga cuidado al cruzar superficies que no sean de hierba y al transportar el cortacésped.
- No deje la máquina desatendida mientras esté funcionando.
- Esté alerta y apague la máquina si entran niños en la zona.

Seguridad durante el uso (continuación)

Seguridad en pendientes

- Las pendientes son una de las principales causas de accidentes por pérdida de control y vuelcos, que pueden causar lesiones graves o la muerte. El operador es responsable de la seguridad cuando trabaja en pendientes. El uso de la máquina en cualquier pendiente exige un cuidado especial. Antes de usar la máquina en una pendiente, haga lo siguiente:
 - Lea y comprenda las instrucciones sobre pendientes del manual y las que están colocadas en la máquina.
 - Utilice un indicador de ángulo para determinar la inclinación aproximada de la zona.
 - No utilice la máquina nunca en pendientes de más de 15°.
 - Evalúe las condiciones del lugar de trabajo para determinar si es seguro trabajar en la pendiente con la máquina. Utilice el sentido común y el buen juicio al realizar esta evaluación. Cualquier cambio que se produzca en el terreno, como por ejemplo un cambio de humedad, puede afectar rápidamente al uso de la máquina en una pendiente.
- Identifique cualquier obstáculo situado en la base de la pendiente. No utilice la máquina cerca de terraplenes, fosas, taludes, agua, u otros peligros. La máquina podría volcar repentinamente si una rueda pasa por el borde de un terraplén o fosa, o si se socava un talud. Mantenga una distancia prudente (el doble de la anchura de la máquina) entre la máquina y cualquier obstáculo. Utilice una máquina dirigida o una desbrozadora manual para segar la hierba en estas zonas.



- ① Zona segura – utilice la máquina aquí en pendientes de menos de 15° o zonas planas.
- ② Zona de peligro – utilice un cortacésped manual y/o una desbrozadora manual en pendientes de más de 15°, y cerca de terraplenes o agua.
- ③ Agua
- ④ W = anchura de la máquina
- ⑤ Mantenga una distancia prudente (el doble de la anchura de la máquina) entre la máquina y cualquier obstáculo.

- Evite arrancar, parar o girar la máquina en cuestas o pendientes. Evite hacer cambios bruscos de velocidad o de dirección; gire poco a poco, y a baja velocidad.
- No utilice la máquina en condiciones que puedan comprometer la tracción, la dirección o la estabilidad de la máquina. Tenga en cuenta que conducir en hierba mojada, atravesar pendientes empinadas, o bajar cuestas puede hacer que la máquina pierda tracción. La transferencia de peso a las ruedas delanteras puede hacer que patine la máquina, con pérdida de frenado y de control de dirección. La máquina puede deslizarse incluso con las ruedas motrices inmovilizadas.

Seguridad durante el uso (continuación)

- Retire o señale cualquier obstáculo, como zanjas, baches, surcos, montículos, rocas u otros peligros ocultos. La hierba alta puede ocultar obstáculos. Un terreno irregular puede hacer que la máquina vuelque.
- Extreme las precauciones al trabajar con accesorios o aperos, como por ejemplo sistemas de recogida de hierba. Éstos pueden afectar a la estabilidad de la máquina y causar pérdidas de control. Siga las instrucciones sobre los contrapesos.
- Si es posible, mantenga la carcasa bajada al suelo mientras trabaje en pendientes. La elevación de la carcasa mientras se trabaja en pendientes puede hacer que la máquina pierda estabilidad.

Seguridad durante el uso (continuación)

Seguridad durante el remolcado

- Enganche el equipo a remolcar únicamente en el punto de enganche.
- No utilice la máquina como vehículo de remolque a menos que tenga un enganche instalado.
- No supere el peso bruto de remolque máximo.
- No deje que se acerquen niños u otras personas al equipo remolcado.
- En las pendientes, el peso del equipo remolcado puede causar una pérdida de tracción, aumentar el riesgo de vuelco o provocar una pérdida de control. Reduzca el peso remolcado y vaya más despacio.
- La distancia de parada puede aumentar con el peso de la carga remolcada. Conduzca lentamente y deje una distancia de parada mayor.
- Haga giros abiertos para mantener el accesorio alejado de la máquina.

Cómo arrancar la máquina

1. Siéntese en el asiento.
2. Gire el interruptor de encendido a la posición de CONECTADO y suéltelo.
3. Espere a que desaparezca la pantalla de presentación antes de utilizar la máquina (3 a 5 segundos aproximadamente).

Apagado de la máquina



PRECAUCIÓN



Los niños u otras personas podrían resultar lesionados si mueven o intentan operar la máquina mientras está desatendida.

Retire siempre la llave y ponga el freno de estacionamiento cuando deje la máquina sin supervisión.

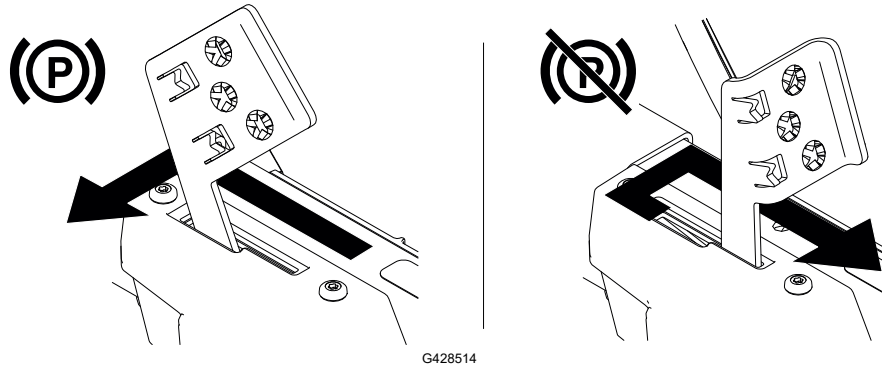
1. Aparque la máquina en una superficie nivelada.
2. Desengrane el mando de control de las cuchillas (TDF).
3. Mueva las palancas de control de movimiento hacia fuera a la posición de BLOQUEO/
PUNTO MUERTO.
4. Accione el freno de estacionamiento.
5. Gire el interruptor de encendido a la posición de DESCONECTADO y retire la llave.
6. Espere a que se detengan todas las piezas en movimiento antes de abandonar el puesto del operador.

Operación del freno de estacionamiento

Cada vez que apague el motor, ponga el freno de estacionamiento para evitar que la máquina se desplace accidentalmente.

- Para poner el freno de estacionamiento, presione hacia abajo el pedal del freno de estacionamiento y muévelo hacia la izquierda, a la muesca.
- Para quitar el freno de estacionamiento, utilice el pie para presionar el pedal, mueva el pedal del freno de estacionamiento a la derecha, fuera de la muesca, y suéltelo lentamente.

Puede utilizar el freno de estacionamiento para detener la máquina en situaciones de emergencia o si un fallo en la máquina deshabilita los controles de tracción.



Conducción de la máquina



PRECAUCIÓN

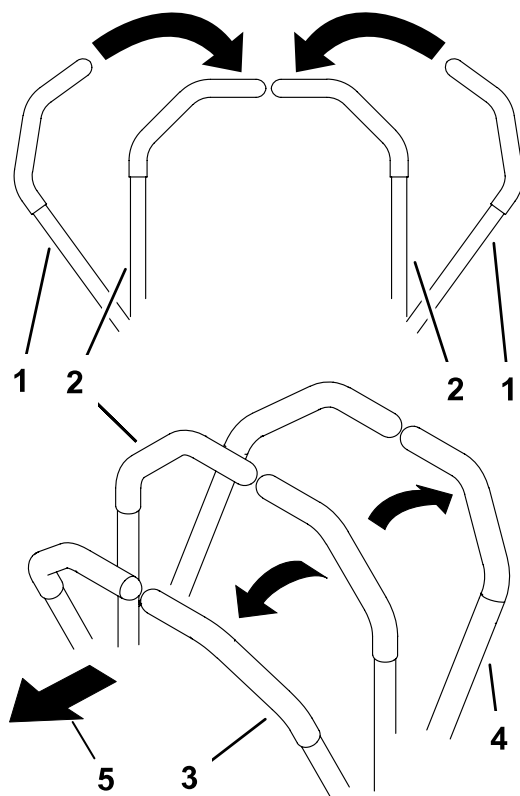


Si una de las palancas se avanza demasiado respecto a la otra, la máquina girará muy rápidamente. Como resultado, usted puede perder el control de la máquina, causando lesiones personales a usted y posibles daños en la máquina.

Reduzca la velocidad de la máquina antes de hacer giros cerrados.

Las ruedas motrices giran de manera independiente, impulsadas por motores en cada eje. Puede girar un lado de la máquina hacia atrás y al mismo tiempo girar el otro lado hacia adelante, haciendo que la máquina rote sobre su eje en lugar de trazar una curva. Esto mejora mucho la maniobrabilidad de la máquina, pero puede ser necesario un periodo de adaptación si no está familiarizado con este sistema.

1. Mueva las palancas de control de movimiento hacia abajo a la posición central desbloqueada.



- ① Palancas de control de movimiento – posición de BLOQUEO/PUNTO MUERTO
- ② Posición central de desbloqueo
- ③ Hacia adelante
- ④ Marcha atrás
- ⑤ Parte delantera de la máquina

G426843s

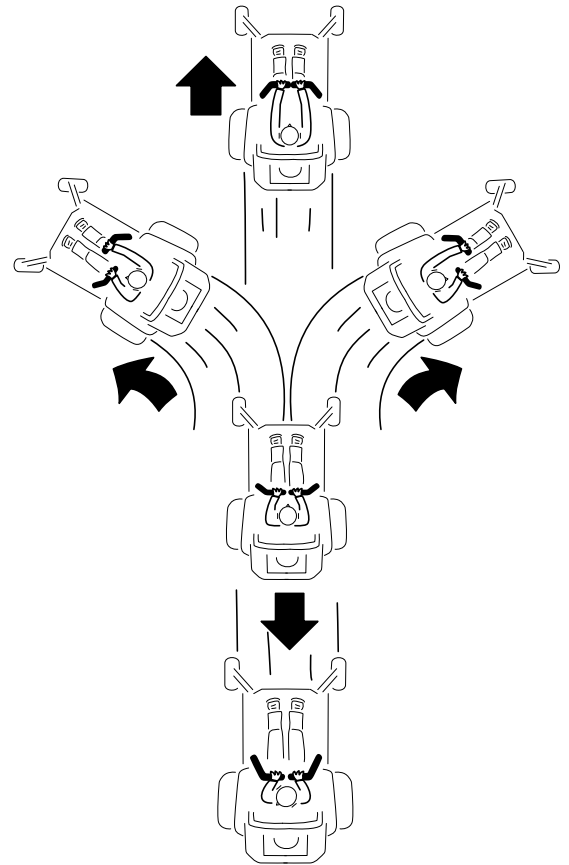
Conducción de la máquina (continuación)

- Empuje lentamente las palancas de control de movimiento hacia adelante o hacia atrás. Mueva una palanca más lejos que la otra para girar.

Nota: Cuanto más se mueven las palancas de control de movimiento, más rápidamente se desplaza la máquina en ese sentido.

- Para detenerse, tire de las palancas de control de movimiento hacia atrás, a la posición de PUNTO MUERTO.

Nota: Puede utilizar el freno de estacionamiento para detener la máquina en situaciones de emergencia o si un fallo en la máquina deshabilita los controles de tracción.



G397314s

Uso del mando de control de las cuchillas (TDF)



PELIGRO



Las cuchillas rotativas, situadas debajo de la carcasa de corte, son peligrosas. Cualquier contacto con las cuchillas causará lesiones graves o la muerte.

No ponga las manos o los pies debajo del cortacésped o de la carcasa de corte cuando las cuchillas están engranadas.



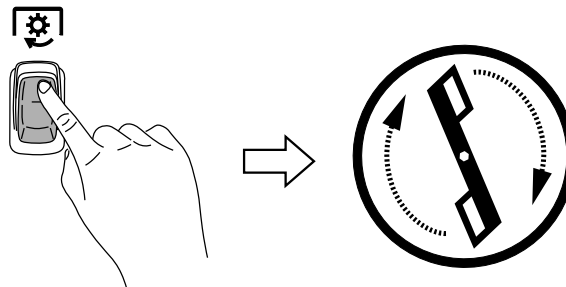
PELIGRO



Si se deja abierto el orificio de descarga, pueden salir despedidos objetos hacia usted u otras personas. También podría producirse un contacto con la cuchilla. Los objetos lanzados o cualquier contacto con las cuchillas causarán lesiones graves o la muerte.

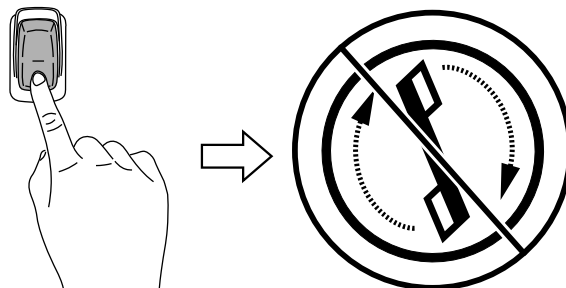
No utilice el cortacésped con el deflector de descarga elevado, retirado o modificado, a menos que tenga colocado y en buenas condiciones de funcionamiento un sistema de recogida de hierba o un kit de mulching.

1. Engrane el mando de control de las cuchillas (TDF).



G428133

2. Ya puede segar con la máquina.
3. Desactive el mando de control de las cuchillas.



G428132

Descarga lateral

El deflector de hierba abisagrado dispersa los recortes de hierba a un lado y hacia abajo al césped.



PELIGRO



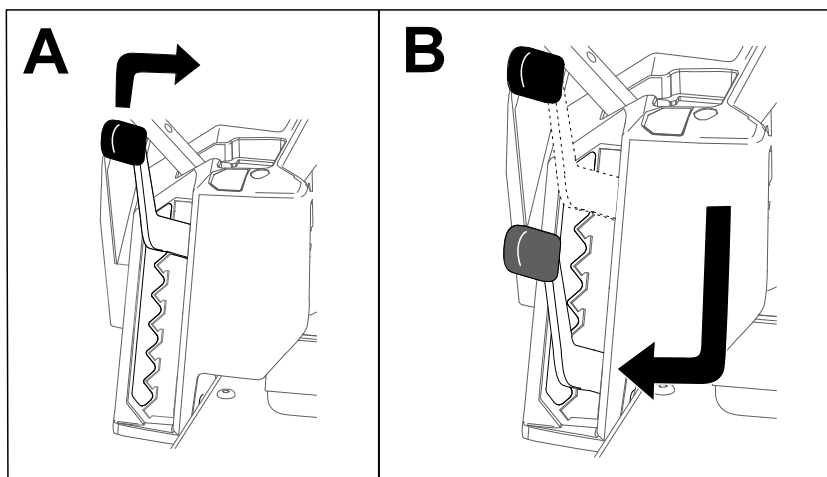
Sin el deflector de hierba, la tapa de descarga o el recogedor completo adecuadamente montado, usted y otras personas están expuestos a contacto con las cuchillas y a residuos lanzados al aire. El contacto con las cuchillas del cortacésped en rotación y con los residuos lanzados al aire causará lesiones o muerte.

- No retire el deflector de hierba de la máquina porque el deflector de hierba dirige el material hacia abajo, al césped. Si el deflector de hierba se deteriora alguna vez, sustitúyalo inmediatamente.
- No coloque nunca las manos o los pies debajo del cortacésped.
- No intente nunca despejar la zona de descarga o las cuchillas del cortacésped sin antes desengranar la toma de fuerza (TDF). Gire la llave a la posición de **DESCONECTADO** y retire la llave.

Ajuste de la altura de corte

Utilice la palanca de ajuste de la altura de corte situada a la derecha del puesto del operador para ajustar la altura de corte de 38 a 114 mm en incrementos de 13 mm.

Nota: La posición de transporte es la posición de altura de corte más alta.



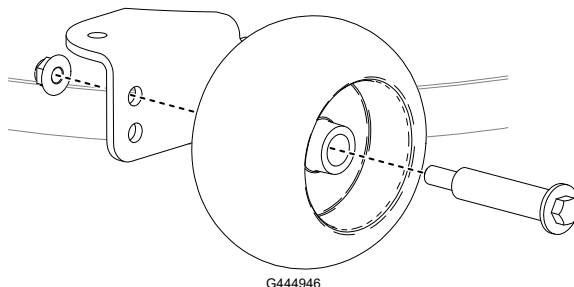
G441492

Ajuste de los rodillos protectores del césped

Cada vez que se cambia la altura de corte, debe ajustarse también la altura de los rodillos protectores del césped.

1. Aparque la máquina en una superficie nivelada, desengrane el mando de control de las cuchillas (TDF) y ponga el freno de estacionamiento.
2. Apague la máquina, retire la llave y espere a que se detengan todas las piezas en movimiento antes de abandonar el puesto del operador.
3. Ajuste los rodillos protectores del césped a la posición de altura de corte más próxima.

Nota: Ajuste los rodillos protectores del césped para que los rodillos no toquen el suelo en zonas de siega llanas normales.



G444946

Uso del enganche de remolque

La máquina puede arrastrar remolques con un peso bruto de remolque (PBR) máximo de 113 kg.

No supere los 45 kg de peso sobre el enganche de remolque de la máquina.

IMPORTANTE

Cuando utilice el enganche de remolque, no sobrecargue la máquina o el remolque, y no remolque equipos de movimiento de tierras. La sobrecarga de la máquina o del remolque, o el remolcado de equipos de movimiento de tierras, puede causar un bajo rendimiento o dañar los motores de tracción, los neumáticos y el bastidor.

1. Aparque la máquina en una superficie nivelada, desengrane el mando de control de las cuchillas (TDF) y ponga el freno de estacionamiento.
2. Apague la máquina, retire la llave y espere a que se detengan todas las piezas en movimiento antes de abandonar el puesto del operador.
3. Sujete el equipo al enganche de remolque con un pasador de enganche.

Consejos de uso

Maximice la circulación del aire

Para aumentar al máximo la calidad de corte y la circulación de aire, utilice la máquina con el mando de control de las cuchillas (TDF) en la posición de RÁPIDO. Se requiere una circulación de aire para picar correctamente los recortes; por este motivo, no ponga la altura

Consejos de uso (continuación)

de corte tan baja como para rodear toda la carcasa de hierba sin cortar. Trate siempre de tener un lado de la carcasa de corte libre de hierba sin cortar, para permitir la entrada de aire en la carcasa.

Evite cortar demasiado bajo

Al segar en terrenos irregulares, eleve la altura de corte un poco más de lo habitual para evitar dejar calvas en el césped. Sin embargo, la altura de corte utilizada habitualmente suele ser la mejor. Si la hierba tiene más de 15 cm (6") de alto, es preferible cortar el césped dos veces para asegurar una calidad de corte aceptable.

Corte un tercio de la hoja de hierba

Es mejor cortar solamente un tercio aproximadamente de la hoja de hierba. No se recomienda cortar más, a menos que la hierba sea escasa o al final del otoño, cuando la hierba crece más despacio.

Alterne la dirección de la siega

Alterne la dirección de corte para mantener la hierba erguida. De esta forma también se ayuda a dispersar mejor los recortes sobre el césped y se conseguirá una mejor descomposición y fertilización.

Frecuencia de siega

La hierba crece a velocidades diferentes en diferentes épocas del año. Para mantener la misma altura de corte, corte el césped con más frecuencia durante la primavera. A medida que avanza el verano, la velocidad de crecimiento de la hierba decrece, por ello debe cortarse con menor frecuencia. Si no puede segar durante un período de tiempo prolongado, siegue primero con una altura de corte alta y, después de dos días, vuelva a segar con un ajuste más bajo.

Siegue a velocidades de avance más bajas

En ciertas condiciones, segar a una velocidad de avance más baja puede mejorar la calidad de corte.

Evite depositar acumulaciones de recortes

Si es necesario detener el avance de la máquina durante la siega, pueden caer acumulaciones de recortes sobre el césped. Para evitar esto, al entrar en una zona del césped que ya haya sido segada mantenga engranadas las cuchillas, o desengrane la carcasa de corte al desplazarse hacia adelante.

Limpieza de la parte inferior de la carcasa de corte

Limpie los recortes y la suciedad de la parte inferior de la carcasa de corte después de cada uso. La acumulación de hierba y tierra irá reduciendo la calidad de corte.

Consejos de uso (continuación)

Mantenimiento de las cuchillas

Mantenga las cuchillas afiladas durante toda la temporada de corte, ya que una cuchilla afilada corta limpiamente y sin rasgar o deshilar las hojas de hierba. Si se rasgan o se deshilaran, los bordes de las hojas se secarán, lo cual retardará su crecimiento y favorecerá la aparición de enfermedades. Compruebe después de cada uso que las cuchillas están bien afiladas y que no están desgastadas o dañadas. Elimine cualquier mella con una lima, y afile las cuchillas si es necesario. Si una cuchilla está desgastada o dañada, cámbiela.

Después del uso

Seguridad tras el funcionamiento

- Desengrane la TDF siempre que esté transportando la máquina o no la esté utilizando.
- Utilice rampas de ancho completo para cargar la máquina en un remolque o un camión.
- Amarre la máquina firmemente con correas, cadenas, cables o cuerdas. Tanto la correa delantera como la trasera deben orientarse hacia abajo y hacia fuera respecto a la máquina.
- Sustituya todas las piezas y pegatinas desgastadas, deterioradas o que falten. Mantenga apretadas todas las fijaciones para asegurar que la máquina está en condiciones seguras de funcionamiento.

Carga de las baterías

IMPORTANTE

En el momento de la compra la batería no está totalmente cargada. Antes de usar la máquina por primera vez, coloque la batería en el cargador y cárguela hasta que el indicador LED indique que la batería está completamente cargada. Lea todas las precauciones de seguridad.

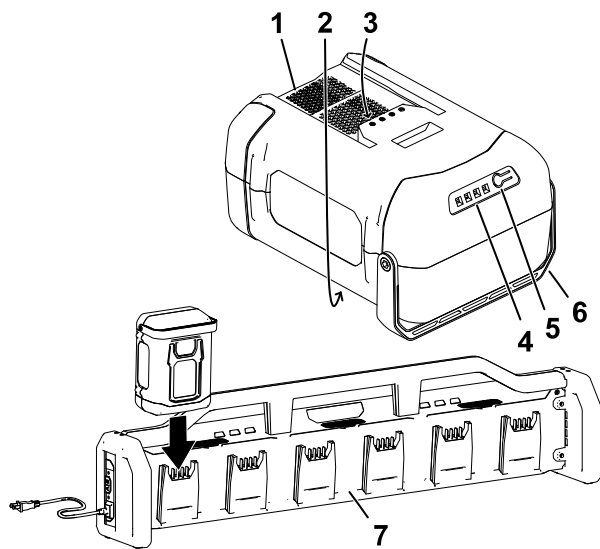
IMPORTANTE

Cargue la batería solo a temperaturas que estén dentro del intervalo apropiado; consulte [Especificaciones, página 3–6](#).

Nota: En cualquier momento puede presionar el botón del indicador de carga de la batería para mostrar la carga actual (indicadores LED).

1. Compruebe que los orificios de ventilación de la batería y del cargador están libres de polvo y residuos.

Carga de las baterías (continuación)



G505617s

- ① Hueco de la batería
- ② Zonas de ventilación de la batería
- ③ Terminales de la batería
- ④ Botón del indicador de carga de la batería
- ⑤ Indicadores LED (carga actual)
- ⑥ Asa
- ⑦ Cargador

2. Alinee el hueco de la batería con la lengüeta del cargador.
3. Introduzca la batería en el cargador hasta que esté completamente asentada
4. Espere a que se cargue(n) la(s) batería(s). Consulte la tabla siguiente para interpretar el indicador LED del cargador de baterías.

Indicador	Indica
Desconectado	No hay batería insertada
Amarillo	La batería está en espera mientras se cargan otras baterías
Verde intermitente	La batería se está cargando
Verde	La batería está cargada
Rojo	La batería y/o el cargador de baterías está(n) por encima o por debajo del intervalo de temperaturas apropiadas
Rojo intermitente	Fallo de carga de la batería; consulte Solución de problemas

Si hay múltiples baterías conectadas al cargador, puede cambiar entre los 2 modos de carga pulsando el botón A/B situado en el lateral del cargador.

- Carga rápida secuencial (Modo A): Se carga completamente una batería a la vez; una vez que esté completamente cargada, se inicia la carga de la batería siguiente. De esta manera se obtienen baterías individuales totalmente cargadas de manera más rápida.

Carga de las baterías (continuación)

- Carga en paralelo (Modo B): Todas las baterías conectadas se cargan en paralelo hasta el mismo nivel. Esto da como resultado una carga uniforme de todas las baterías conectadas.

Nota: Durante el uso normal, el sonido del ventilador del cargador es audible durante la carga de las baterías.

IMPORTANTE

La batería puede dejarse conectada al cargador durante periodos cortos entre usos. Si la batería no se va a utilizar durante periodos prolongados, retire la batería del cargador.

5. Para retirar la batería, deslice la batería fuera del cargador.

Acarreo de la máquina

Utilice un remolque o un camión para tareas pesadas para acarrear la máquina. Utilice una rampa de ancho completo. Asegúrese de que el remolque o el camión tenga todos los frenos, las luces y las señalizaciones necesarios requeridos por la ley. Lea detenidamente todas las instrucciones de seguridad. El conocer esta información puede ayudar a evitarles lesiones a usted o a otras personas. Consulte en la normativa local los requisitos aplicables al remolque y al sistema de amarre.



ADVERTENCIA



Conducir por la calle o la carretera sin intermitentes, luces, reflectores o señales de vehículo lento es peligroso y puede derivar en accidentes que pueden provocar lesiones personales.

No conduzca la máquina en una calle o carretera pública.

Requisitos del remolque



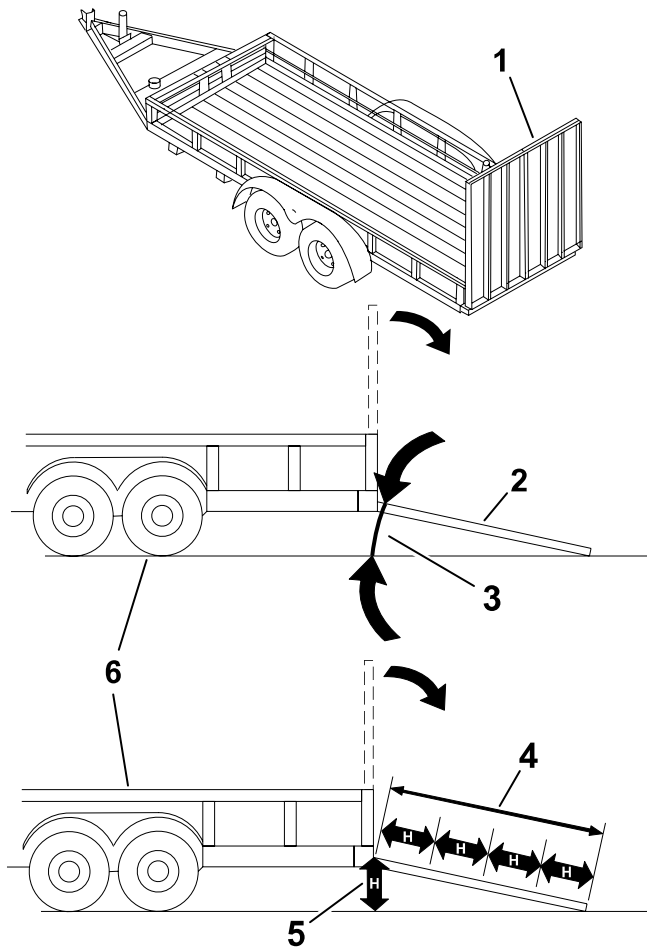
ADVERTENCIA



El cargar la máquina en un remolque o un camión aumenta la posibilidad de un vuelco y podría causar lesiones graves o la muerte.

- **Utilice únicamente una rampa de ancho completo; no utilice rampas individuales para cada lado de la máquina.**
 - **No supere un ángulo de 15 grados entre la rampa y el suelo, o entre la rampa y el remolque o camión.**
 - **Asegúrese de que la rampa tiene una longitud mínima igual a cuatro veces la altura entre la plataforma del remolque o del camión y el suelo.**
-

Acarreo de la máquina (continuación)



G027996s

- ① Rampa(s) de ancho completo en posición de almacenamiento
- ② Vista lateral de una rampa de ancho completo en la posición de la carga
- ③ No más de 15 grados
- ④ La longitud de la rampa es al menos 4 veces mayor que la altura de la plataforma del camión o del remolque sobre el suelo.
- ⑤ H = altura de la plataforma del remolque o del camión sobre el suelo.
- ⑥ Remolque

Cómo cargar la máquina



ADVERTENCIA



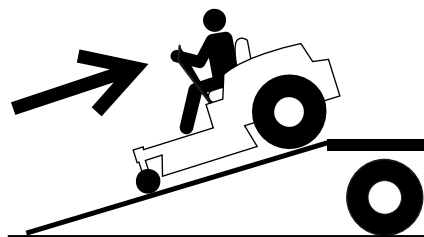
El cargar la máquina en un remolque o un camión aumenta la posibilidad de un vuelco y podría causar lesiones graves o la muerte.

- Extreme las precauciones al manejar la máquina en una rampa.
- Suba la máquina por la rampa en marcha atrás y bájela por la rampa conduciendo hacia delante.
- Evite acelerar o desacelerar bruscamente al conducir la máquina en una rampa, porque esto podría provocar un vuelco o una pérdida de control.

1. Si utiliza un remolque, conéctelo al vehículo que lo arrastra y conecte las cadenas de seguridad.
2. En su caso, conecte los frenos del remolque.

Acarreo de la máquina (continuación)

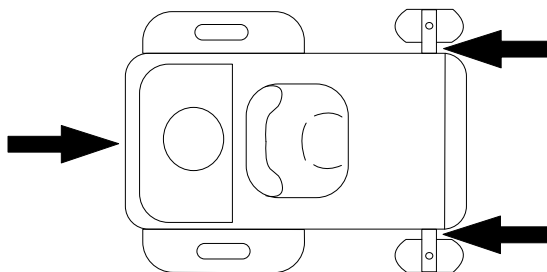
3. Baje la rampa, asegurándose de que el ángulo entre la rampa y el suelo no supera los 15 grados.
4. Suba la máquina por la rampa en marcha atrás.
5. Apague el motor, retire la llave y ponga el freno de estacionamiento.



G414592

6. Amarre la máquina usando correas, cadenas, cables o cuerdas. Consulte la normativa local respecto a los requisitos de amarre.

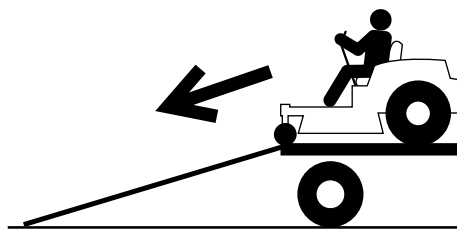
Nota: Asegúrese de amarrar la caja de la batería para que no se abra durante el transporte.



G027708s

Cómo descargar la máquina

1. Baje la rampa, asegurándose de que el ángulo entre la rampa y el suelo no supera los 15 grados.
2. Baje la máquina por la rampa conduciendo hacia adelante.



G414593



Seguridad en el mantenimiento



ADVERTENCIA



Cualquier modificación de la máquina, las piezas o los accesorios originales puede afectar a la garantía, la capacidad de control y la seguridad de la máquina. La realización de modificaciones no autorizadas en la máquina original o el uso de piezas que no sean piezas genuinas Toro podría causar lesiones graves o la muerte.

- **No haga modificaciones no autorizadas a la máquina, las piezas o a los accesorios.**
 - **Utilice solamente piezas genuinas de Toro.**
-
- Antes de ajustar, limpiar, reparar o dejar la máquina, siga estos pasos:
 - Aparque la máquina en una superficie nivelada.
 - Desengrane las transmisiones y la toma de fuerza.
 - Accione el freno de estacionamiento.
 - Apague la máquina y retire la llave.
 - Espere a que se detengan todas las piezas en movimiento.
 - Deje que se enfríen los componentes de la máquina.
 - Alivie con cuidado la tensión de aquellos componentes que tengan energía almacenada.
 - Compruebe frecuentemente el funcionamiento del freno de estacionamiento. Revise el freno según sea necesario.
 - No manipule nunca los dispositivos de seguridad. Compruebe regularmente que funcionan correctamente.
 - No confíe en gatos hidráulicos o mecánicos para apoyar la máquina; apoye la máquina sobre caballetes cada vez que eleve la máquina.
 - Tenga cuidado al comprobar las cuchillas. Envuelva las cuchillas o lleve guantes, y extreme las precauciones al manejar las cuchillas. Las cuchillas únicamente pueden ser cambiadas o afiladas; no las enderece ni las suelde nunca.
 - En máquinas con múltiples cuchillas, tenga cuidado puesto que girar una cuchilla puede hacer que giren otras cuchillas.
 - Mantenga las manos y los pies alejados de las superficies calientes.
 - Mantenga apretadas todas las fijaciones, sobre todo las fijaciones de las cuchillas.

Plan de mantenimiento recomendado

Intervalo de mantenimiento	Procedimiento de mantenimiento
Después de las 50 primeras horas	Comprobación del par de apriete de las tuercas de las ruedas.
Antes de cada uso o a diario	Comprobación del sistema de interruptores de seguridad.
	Inspección de las cuchillas.
	Compruebe que el deflector de hierba no está deteriorado.
Después de cada uso	Limpie la hierba y los residuos de la máquina.
Cada 25 horas	Comprobación de la presión de los neumáticos.
	Comprobación del filtro de la caja de las baterías; cambiar según necesidad.
Cada año	Comprobación del par de apriete de las tuercas de las ruedas.
Antes del almacenamiento	Realice todos los procedimientos de mantenimiento arriba citados antes del almacenamiento.
	Pinte cualquier superficie desconchada.

Procedimientos previos al mantenimiento

Cómo mover una máquina que no funciona

1. Aparque la máquina en una superficie nivelada y desengrane el mando de control de las cuchillas (TDF).
2. Apague la máquina y retire la llave.
3. Retire las baterías de la máquina.
4. Asegúrese de que el freno de estacionamiento está quitado.



ADVERTENCIA



La máquina podría desplazarse accidentalmente mientras el freno de estacionamiento está quitado, causando lesiones a usted o a otras personas.

Ponga el freno de estacionamiento después de mover la máquina.

5. Empuje la máquina al lugar deseado.

IMPORTANTE

Empuje la máquina siempre a una velocidad de paseo lento; no la remolque. Si se desplaza la máquina a una velocidad mayor puede dañarse.

Si la pantalla se enciende mientras se empuja la máquina, vaya más despacio.

Cómo mover una máquina que no funciona (continuación)

6. Accione el freno de estacionamiento.

Elevación de la máquina

Utilice caballetes para apoyar la máquina después de elevarla.

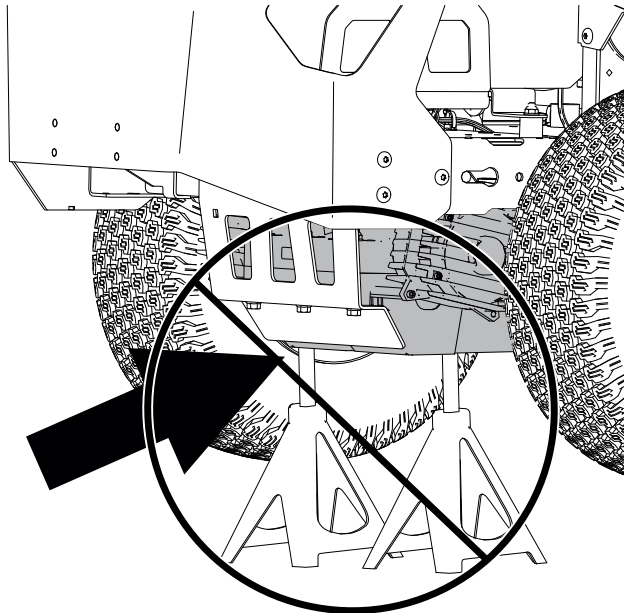


ADVERTENCIA



Si se apoya la máquina sobre el transeje o el motor, estos componentes pueden dañarse y hacer que la máquina caiga, causando lesiones a usted o a otras personas.

No utilice el transeje o el motor para elevar o apoyar la máquina.



G454948

Mantenimiento del sistema eléctrico

Preparación de la batería para el reciclado

IMPORTANTE

Después de retirarla, cubra los terminales de la batería con cinta adhesiva de servicio pesado. No intente destruir o desmontar la batería ni intente retirar ningún componente de la misma.



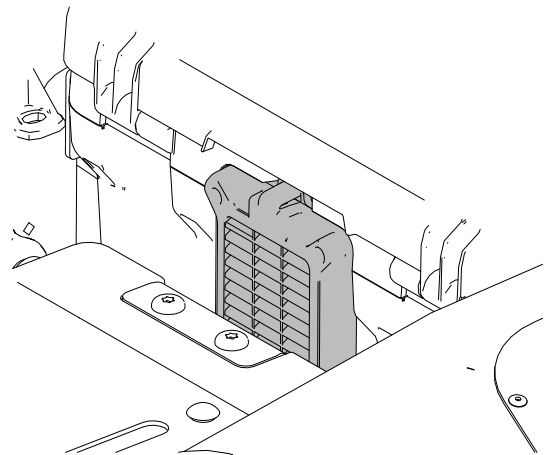
Las baterías de ion litio etiquetadas con el sello Call2Recycle pueden ser recicladas en cualquier comercio o instalación de reciclado de baterías adscrito al programa Call2Recycle (solo EE. UU. y Canadá). Para localizar un comercio o una instalación participante cercano, llame al 1-800-822-8837 o visite www.call2recycle.org. Si no puede localizar un comercio o instalación participante cercano, o si su batería recargable no lleva el sello Call2Recycle, póngase en contacto con su ayuntamiento para obtener más información sobre el reciclado responsable de la batería. Si se encuentra fuera de EE. UU. o Canadá, póngase en contacto con un Servicio Técnico Autorizado.

Comprobación del filtro de la caja de las baterías

1. Aparque la máquina en una superficie nivelada, desengrane el mando de control de las cuchillas (TDF) y ponga el freno de estacionamiento.
2. Apague la máquina y retire la llave.
3. Abra la tapa del filtro de la caja de las baterías, detrás del asiento.
4. Limpie el filtro golpeándolo suavemente para eliminar el polvo.

Nota: Si está muy sucio o dañado, cambie el filtro por uno nuevo.

5. Instale el filtro.
6. Instale la tapa del filtro.



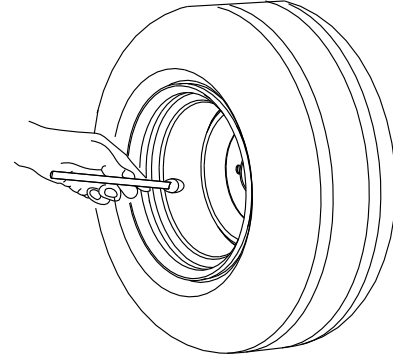
G455145

Mantenimiento del sistema de transmisión

Comprobación de la presión de los neumáticos

Mantenga la presión especificada de los neumáticos delanteros y traseros. Una presión desigual en los neumáticos puede hacer que el corte sea desigual. Compruebe la presión en la válvula con los neumáticos fríos para obtener una lectura de presión más exacta.

1. Infle las ruedas giratorias delanteras a 2.06 bar (30 psi) o a la presión que se indica en el flanco, la que sea inferior.
2. Infle los neumáticos de las ruedas motrices traseros a 0.9 bar (13 psi).



G441539

Comprobación de las tuercas de las ruedas



Compruebe la torsión de las tuercas de las ruedas y apriételas a **108 N·m (80 pies-libra)**.

Ajuste de la dirección

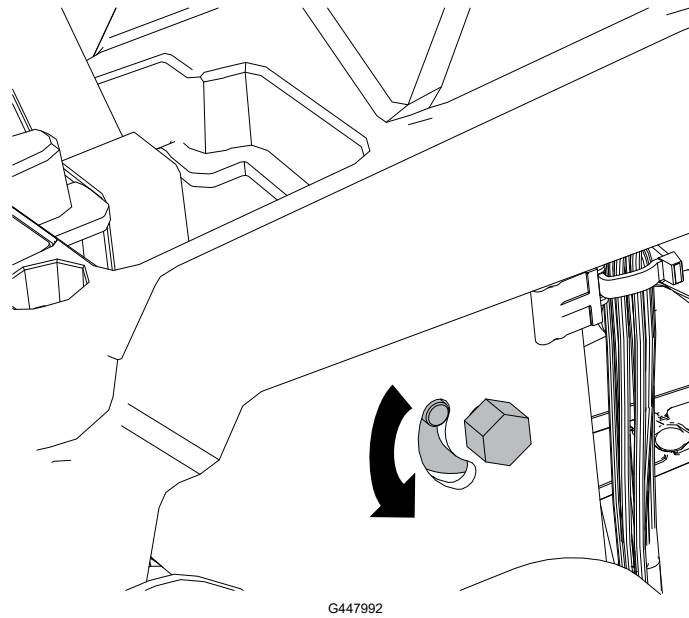
Si la máquina tira hacia un lado mientras la conduce hacia delante a velocidad máxima sobre una superficie plana y nivelada, ajuste la dirección.

Nota: Puede ajustar la dirección solo para conducir hacia delante.

1. Aparque la máquina en una superficie nivelada, desengrane el mando de control de las cuchillas (TDF) y ponga el freno de estacionamiento.
2. Apague la máquina, retire la llave y espere a que se detengan todas las piezas en movimiento antes de abandonar el puesto del operador.
3. Levante el asiento.
4. Gire el perno de ajuste de la dirección más próxima a la palanca que debe ajustarse.

Nota: Esto reduce la velocidad de esa rueda. Gire el perno un poco para realizar ajustes mínimos.

Ajuste de la dirección (continuación)



5. Baje el asiento.
6. Arranque la máquina y conduzca hacia delante por una superficie plana y nivelada con las dos palancas de control de movimiento totalmente hacia delante, para verificar que la máquina avanza en línea recta. Repita el proceso si es necesario.

Mantenimiento de la carcasa de corte

Mantenimiento de las cuchillas

Para garantizar una calidad de corte superior, mantenga afiladas las cuchillas. Para que el afilado y la sustitución sean más cómodos, conserve un stock de cuchillas de repuesto.

Cambie las cuchillas si han golpeado un objeto sólido o si una cuchilla está desequilibrada o doblada.

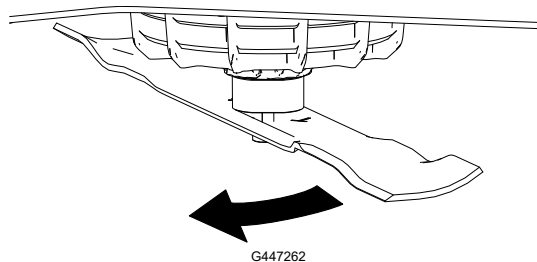
Antes de inspeccionar o realizar mantenimiento en las cuchillas

1. Aparque la máquina en una superficie nivelada, desengrane el mando de control de las cuchillas (TDF) y ponga el freno de estacionamiento.
2. Apague la máquina, retire la llave y espere a que se detengan todas las piezas en movimiento antes de abandonar el puesto del operador.
3. Retire las baterías de la máquina.

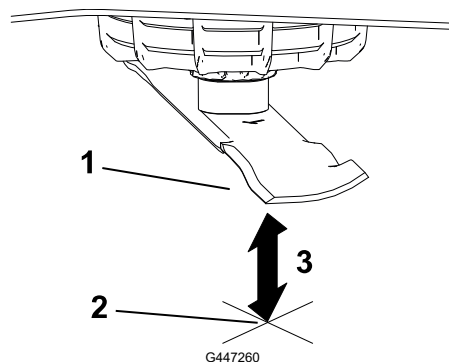
Verificación de la rectilineidad de las cuchillas

La máquina debe estar sobre una superficie nivelada para realizar este procedimiento.

1. Eleve la carcasa de corte a la posición más alta.
2. Llevando guantes fuertemente acolchados u otro tipo de protección apropiada para las manos, gire lentamente la cuchilla hasta una posición que permita medir la distancia entre el filo de corte y la superficie nivelada.



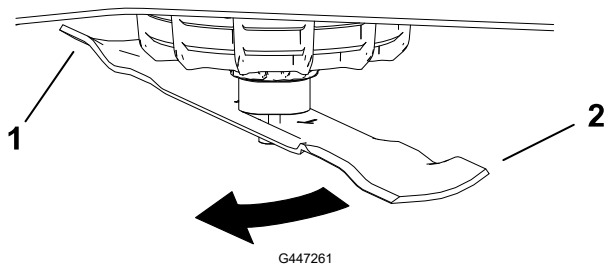
3. Mida entre la punta de la cuchilla y la superficie nivelada.



- ① Cuchilla (posicionada para la medición)
- ② Superficie nivelada
- ③ Distancia medida entre la cuchilla y la superficie (A)

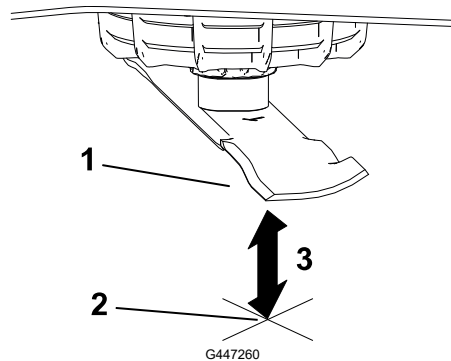
4. Gire la misma cuchilla 180 grados de manera que el otro extremo esté en la misma posición.

Mantenimiento de las cuchillas (continuación)



- ① Filo medido anteriormente
- ② Filo opuesto

5. Mida entre la punta de la cuchilla y la superficie nivelada.



- ① Cuchilla (posicionada para la medición)
- ② Superficie nivelada
- ③ Distancia medida entre la cuchilla y la superficie (B)

6. Si la diferencia entre A y B es de más de 3 mm, sustituya la cuchilla.

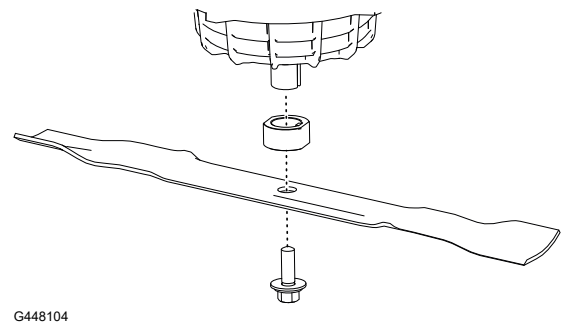
Nota: Si cambia la cuchilla y la diferencia sigue siendo de más de 3 mm, el eje del motor de la cuchilla podría estar doblado. Póngase en contacto con su Servicio Técnico Autorizado para que revise la máquina.

7. Repita este procedimiento con cada cuchilla.

Cómo retirar las cuchillas

Cambie las cuchillas si han golpeado un objeto sólido, o si la cuchilla está desequilibrada o doblada.

1. Sujete el extremo de la cuchilla usando un trapo o un guante grueso.
2. Retire la cuchilla como se indica.



Mantenimiento de las cuchillas (continuación)

Afilado de las cuchillas

1. Utilice una lima para afilar el filo de corte en ambos extremos de la cuchilla. Asegúrese de mantener el ángulo original ^①.

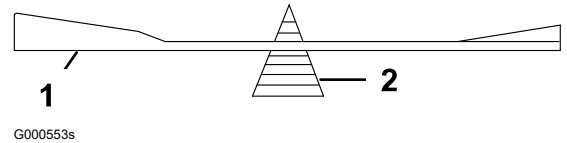
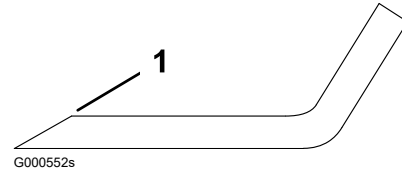
Nota: Retire la misma cantidad de material de ambos filos de corte para que la cuchilla mantenga su equilibrio.

2. Verifique el equilibrio de la cuchilla ^① colocándola sobre un equilibrador de cuchillas ^②.

Nota: Si la cuchilla se mantiene horizontal, está equilibrada y puede utilizarse.

Si la cuchilla no está equilibrada, rebaje algo el metal afilando únicamente el extremo de la zona de la vela.

3. Repita este procedimiento hasta que la cuchilla esté equilibrada.



Instalación de las cuchillas



ADVERTENCIA



Si se utiliza la máquina después de instalar de forma incorrecta el conjunto de la cuchilla, o si no se usan piezas y fijaciones genuinos de Toro, una cuchilla o uno de sus componentes podría salir despedido desde debajo de la carcasa y causar lesiones graves o la muerte.

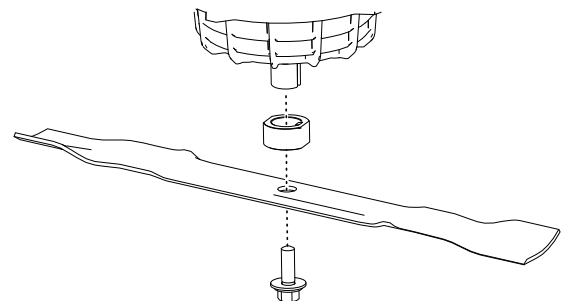
Instale siempre cuchillas y fijaciones genuinos de Toro siguiendo las instrucciones.

1. Instale la batería como se indica.

Nota: La parte curva de la cuchilla debe apuntar hacia arriba, hacia el interior del cortacésped, para asegurar un corte correcto.



2. Apriete el perno de la cuchilla a **81-108 N·m (60-80 pies-libra)**.



Nivelación de la carcasa de corte

Compruebe que la carcasa de corte está nivelada cada vez que instale la carcasa de corte o cuando observe un corte desigual en el césped.

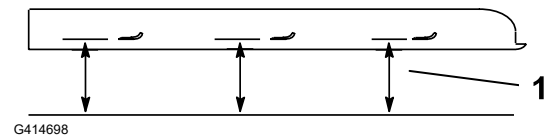
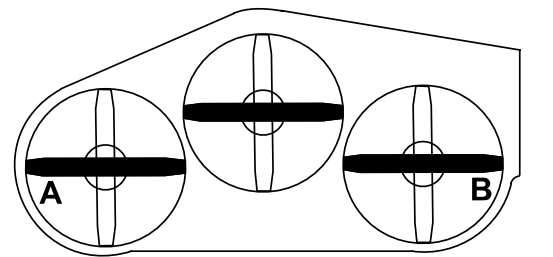
Preparación para nivelar la carcasa de corte

1. Aparque la máquina en una superficie nivelada, desengrane el mando de control de las cuchillas (TDF) y ponga el freno de estacionamiento.
2. Apague la máquina, retire la llave y espere a que se detengan todas las piezas en movimiento antes de abandonar el puesto del operador.
3. Retire las baterías de la máquina.
4. Asegúrese de que los neumáticos están inflados según las especificaciones, y que las ruedas giratorias están orientadas hacia adelante en línea recta.
5. Compruebe que las cuchillas de la carcasa de corte no están dobladas; retire y sustituya cualquier cuchilla que esté doblada.
6. Eleve la carcasa de corte a la altura de corte de 76 mm.

Comprobación de la nivelación de la carcasa de corte

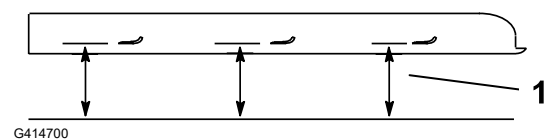
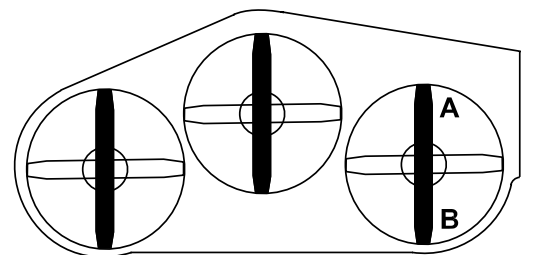
1. Coloque las cuchillas en posición lateral.
2. Mida en las posiciones (A) y (B) desde una superficie nivelada hasta el filo de corte en los extremos de la cuchilla (1).

La diferencia entre las medidas no debe ser superior a 5 mm (3/16"). Si la medida es superior, ajuste la nivelación lateral.



3. Coloque una cuchilla en posición longitudinal.
4. Mida en las posiciones (A) y (B) desde una superficie nivelada hasta el filo de corte en los extremos de la cuchilla (1).

La punta delantera de la cuchilla debe estar entre 1.6 y 7.9 mm (1/16" y 5/16") más baja que la punta trasera de la cuchilla. Si la medida no es correcta, ajuste el nivel longitudinal.



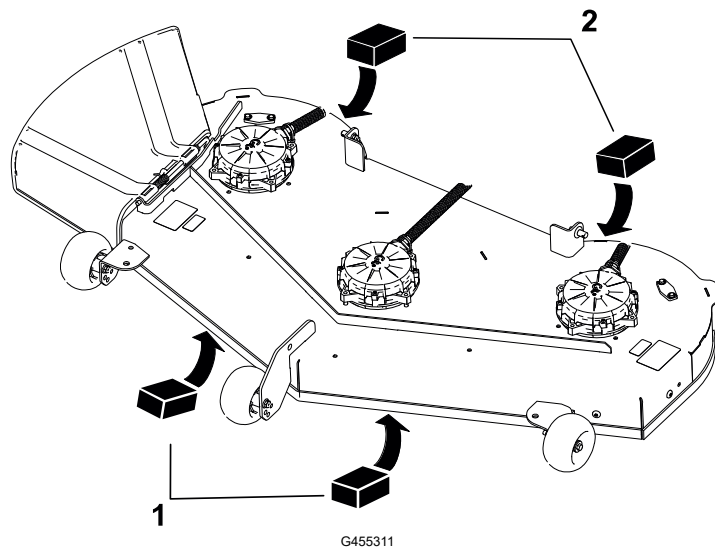
Nivelación de la carcasa de corte (continuación)

Nivelación de la carcasa de corte

1. Ajuste los rodillos protectores del césped en los taladros superiores o retírelos completamente para este procedimiento.
2. Ponga la palanca de ajuste de altura de corte en la posición de 76 mm.
3. Coloque 2 bloques de 6,6 cm de grosor debajo de cada lado del borde delantero de la carcasa.

IMPORTANTE

No coloque los bloques bajo los soportes de los rodillos protectores del césped.

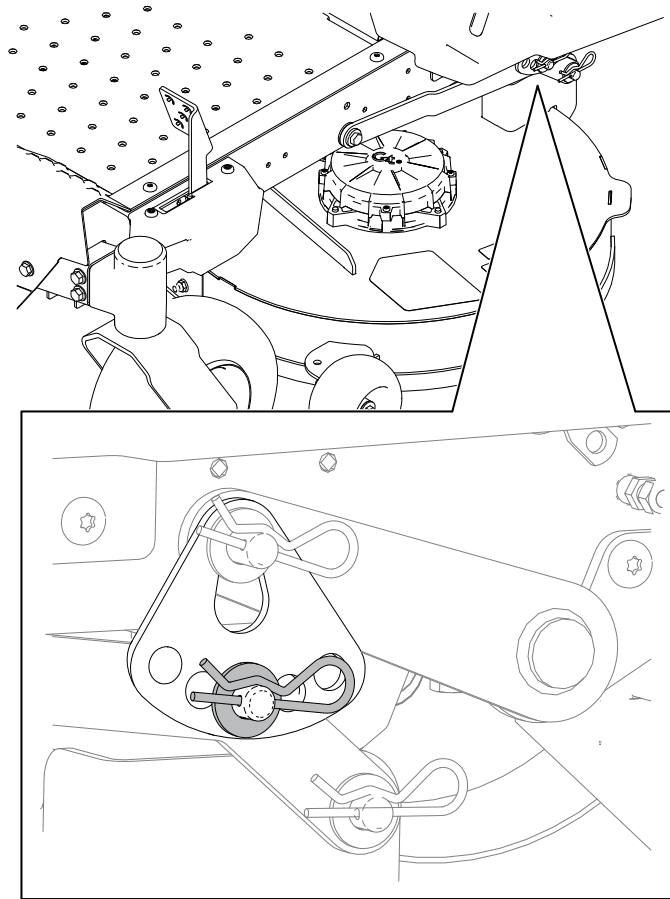


① Bloque — 6,6 cm

② Bloque — 7,3 cm

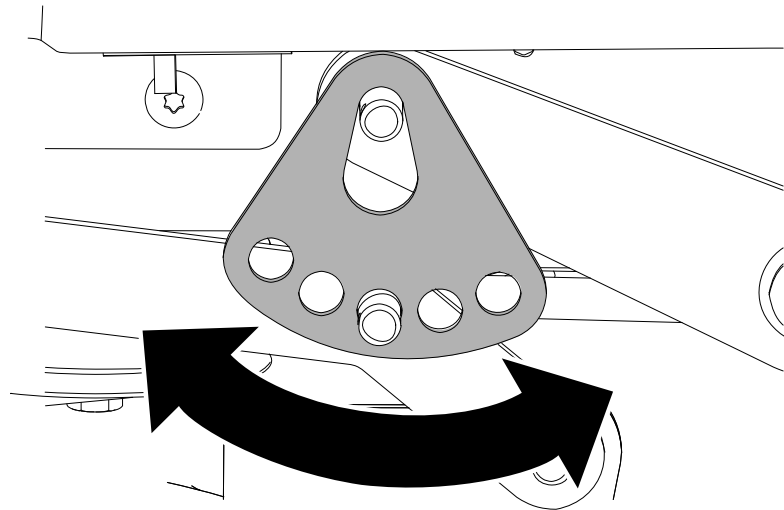
4. Coloque dos bloques de 7,3 cm de grosor debajo de cada lado del borde trasero del faldón de la carcasa de corte.
5. Ajuste la nivelación lateral si es necesario:
 - A. Retire la chaveta y la arandela del pasador del brazo de elevación inferior izquierdo.

Nivelación de la carcasa de corte (continuación)



G448684

- B. Gire la pletina de altura de corte hasta un orificio diferente, de modo que sostenga el peso de la carcasa de corte después de instalar la pletina.



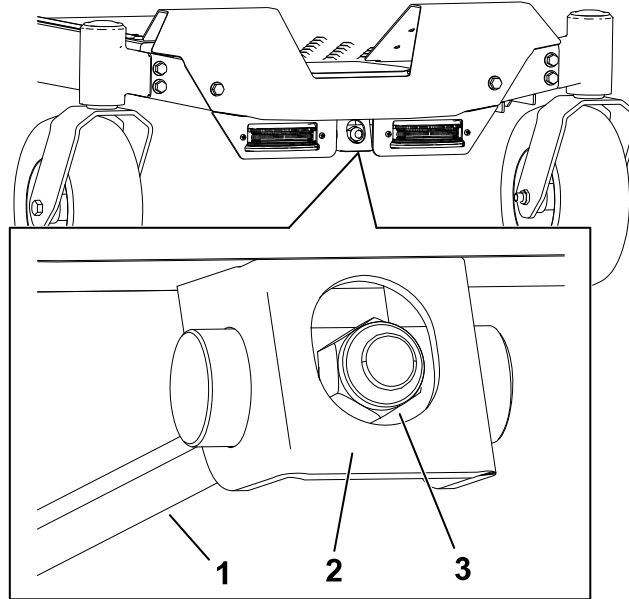
G448681

- C. Instale la arandela y la chaveta.
D. Repita el ajuste en el otro lado de la máquina.
E. Compruebe la nivelación lateral y ajústela de nuevo hasta que las medidas sean correctas.
6. Ajuste la nivelación lateral si es necesario:

Nivelación de la carcasa de corte (continuación)

A. Gire la tuerca de ajuste en la parte delantera de la carcasa de corte.

Para elevar la parte delantera de la carcasa, apriete la tuerca de ajuste; para bajar la parte delantera de la carcasa, afloje la tuerca de ajuste.



G448683

B. Compruebe la nivelación longitudinal y ajústela de nuevo hasta que las medidas sean correctas.

7. Compruebe que la carcasa está nivelada y haga más ajustes si es necesario.

Mantenimiento de los frenos

Prueba del freno de estacionamiento

1. Arranque la máquina.
2. Conduzca la máquina lentamente hacia adelante en terreno llano y ponga el freno de estacionamiento mientras se desplaza.
3. Compruebe que la máquina se detiene y que aparece el icono del freno de estacionamiento en la pantalla informativa; luego mueva las palancas a punto muerto.
4. Intente conducir la máquina lentamente hacia adelante o hacia atrás.
5. Compruebe que el icono del freno de estacionamiento permanece en la pantalla de información y que la máquina no se mueve.



Si el icono no aparece o la máquina se desplaza con el freno de estacionamiento puesto, póngase en contacto con un Servicio Técnico Autorizado.

Limpieza

Limpieza bajo la carcasa de corte

Limpié los bajos de la carcasa de corte después de cada uso para evitar la acumulación de hierba y así mejorar el picado de la hierba y la dispersión de los recortes.

IMPORTANTE

No utilice agua para limpiar la carcasa de corte; de lo contrario, podría dañar los motores eléctricos.



ADVERTENCIA



El uso incorrecto del aire comprimido para limpiar la máquina podría producir lesiones graves.

- **Lleve equipos de protección personal idóneos, como protección ocular, protección auditiva y una mascarilla para el polvo.**
 - **No dirija el aire comprimido a alguna parte del cuerpo o hacia otra persona.**
 - **Consulte las instrucciones del fabricante del compresor de aire para conocer la información sobre funcionamiento y seguridad.**
-

1. **Aparque la máquina en una superficie nivelada, desengrane el mando de control de las cuchillas (TDF) y ponga el freno de estacionamiento.**
2. **Apague la máquina y retire la llave.**
3. **Retire las baterías de la máquina.**
4. **Levante la parte delantera de la máquina y apóyela sobre caballetes.**
5. **Elimine los residuos rascándolos o usando aire comprimido.**



Almacenamiento de la máquina

Almacene la máquina, la batería y el cargador solo a temperaturas que estén dentro del intervalo apropiado; consulte [Especificaciones, página 3–6](#).

1. Aparque la máquina en una superficie nivelada, desengrane el mando de control de las cuchillas (TDF) y ponga el freno de estacionamiento.
2. Apague la máquina, retire la llave y espere a que se detengan todas las piezas en movimiento antes de abandonar el puesto del operador.
3. Retire las baterías de la máquina.
4. Limpie los recortes de hierba, la tierra y la suciedad de las piezas externas de toda la máquina, especialmente los motores de tracción y de las cuchillas, el compartimento de la batería y los bajos de la máquina.
5. Compruebe el funcionamiento del freno de estacionamiento.
6. Compruebe la presión de los neumáticos.
7. Cargue las baterías.

IMPORTANTE

Si va a almacenar las baterías durante un año o más, cárguelas hasta que 1 o 2 de los indicadores LED de las baterías cambien a verde. No almacene una batería completamente cargada ni completamente descargada. Antes de volver a usar la máquina, cargue las baterías hasta que se vuelva verde el indicador izquierdo del cargador, o hasta que los 4 indicadores LED de la batería se vuelvan verdes.

8. Rasque cualquier acumulación de hierba y suciedad de los bajos del cortacésped.
9. Compruebe la condición de las cuchillas.
10. Compruebe y apriete todas las fijaciones. Repare o sustituya cualquier pieza dañada.
11. Pinte las superficies que estén arañadas o donde esté visible el metal. Puede adquirir la pintura en su Servicio Técnico Autorizado.
12. Guarde la máquina en un garaje o almacén seco y limpio. Retire la llave del interruptor y guárdela fuera del alcance de niños u otros usuarios no autorizados. Cubra la máquina para protegerla y para conservarla limpia.



Solución de problemas de la máquina

La máquina vibra de manera anormal

Posible causa	Acción correctora
La(s) cuchilla(s) está(n) doblada(s) o desequilibrada(s).	Instale cuchilla(s) nueva(s).
El perno de montaje de la cuchilla está suelto.	Apriete el perno de montaje de la cuchilla.
El eje de la cuchilla está doblado.	Póngase en contacto con un Servicio Técnico Autorizado.
Un soporte del motor está suelto o desgastado.	Póngase en contacto con un Servicio Técnico Autorizado.

La altura de corte no es uniforme.

Posible causa	Acción correctora
La(s) cuchilla(s) no está(n) afilada(s).	Afile la(s) cuchilla(s).
Una de la(s) cuchilla(s) de corte está(n) doblada(s).	Instale cuchilla(s) nueva(s).
El cortacésped no está nivelado.	Nivele el cortacésped lateral y longitudinalmente.
Uno de los rodillos protectores del césped (en su caso) no está correctamente ajustado.	Ajuste la altura de la rueda protectora del césped.
Los bajos de la carcasa de corte están sucios.	Limpie los bajos de la carcasa de corte.
La presión de los neumáticos es incorrecta.	Ajuste la presión de los neumáticos.
El eje de una cuchilla está doblado.	Póngase en contacto con un Servicio Técnico Autorizado.
Un motor de cuchilla no funciona correctamente.	Póngase en contacto con un Servicio Técnico Autorizado.

Las cuchillas no giran.

Posible causa	Acción correctora
El mando de control de las cuchillas está defectuoso.	Póngase en contacto con un Servicio Técnico Autorizado.

Solución de problemas de la batería y el cargador

El sistema de baterías pierde carga rápidamente.

Posible causa	Acción correctora
La temperatura del sistema de baterías está por encima o por debajo del intervalo de temperaturas apropiadas.	Traslade la máquina a un lugar seco cuya temperatura esté dentro del intervalo indicado en las Especificaciones.
El sistema de baterías no utiliza todas las baterías instaladas.	Con la máquina encendida, compruebe el indicador LED situado junto a cada batería para asegurarse de que está activada. Si alguna batería no está activada, asegúrese de que está correctamente asentada y que todas las baterías tienen el mismo nivel de carga.

Una de las luces LED de las baterías de la máquina no se enciende.

Posible causa	Acción correctora
La batería no está correctamente asentada en la caja de las baterías.	Asegúrese de que la batería está correctamente asentada.
La batería está a un nivel de carga menor que las baterías activas.	Cargue la batería al mismo nivel que las baterías activas. Nota: La máquina utiliza todas las baterías simultáneamente si tienen el mismo nivel de carga; si no, utiliza las baterías con mayor carga hasta que lleguen al mismo nivel que las demás.

El cargador de baterías no funciona.

Posible causa	Acción correctora
La temperatura del cargador de baterías está por encima o por debajo del intervalo de temperaturas adecuado.	Desenchufe el cargador de baterías y trasládelo a un lugar seco cuya temperatura esté dentro del intervalo indicado en las Especificaciones.
La toma de corriente en la que está enchufado el cargador de baterías no tiene corriente.	Póngase en contacto con un electricista autorizado para que repare la toma de corriente.

El indicador LED del cargador de baterías está rojo.

Posible causa	Acción correctora
El cargador de baterías y/o la batería está por encima o por debajo del intervalo de temperaturas apropiadas.	Desenchufe el cargador de baterías y mueva el cargador de baterías y la batería a un lugar seco cuya temperatura esté dentro del intervalo indicado en las Especificaciones.

El indicador LED del cargador de baterías parpadea en rojo.

Posible causa	Acción correctora
Hay un error de comunicaciones entre la batería y el cargador.	<ol style="list-style-type: none">1. Retire la batería del cargador, desconecte el cargador de la toma de corriente y espere 10 segundos.2. Vuelva a enchufar el cargador en la toma de corriente y coloque la batería en el cargador. Si el indicador LED del cargador sigue parpadeando en rojo, repita este procedimiento. Si el indicador LED del cargador sigue parpadeando en rojo después de 2 intentos y la batería está dentro del periodo de garantía, póngase en contacto con un Servicio Técnico Autorizado. Si no, elimine correctamente la batería en una instalación de reciclado de baterías.
La batería tiene poca carga.	Si la batería está dentro del periodo de garantía, póngase en contacto con un Servicio Técnico Autorizado. Si no, elimine correctamente la batería en una instalación de reciclado de baterías.






La herramienta no funciona, o funciona de forma intermitente.

Posible causa	Acción correctora
Hay humedad en los cables de la batería.	Deje que la batería se seque o séquela con un paño.
La batería no está instalada por completo en la herramienta.	Retire la batería y vuelva a colocarla en la herramienta, asegurándose de que está completamente instalada y bloqueada.

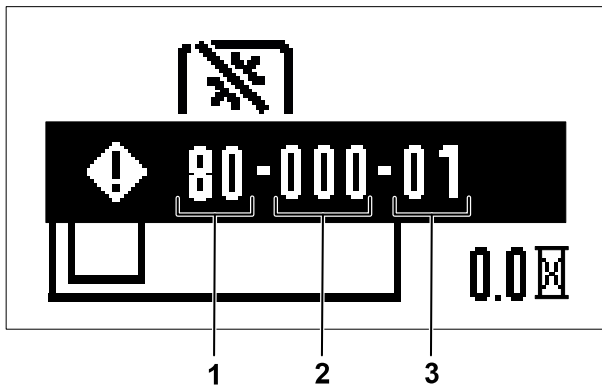
Solución de problemas: códigos de error en la pantalla

Antes de diagnosticar un error, apague la máquina, retire la llave y retire las baterías.

Iconos de error

Icono	Descripción	Acción correctora
	La temperatura de la batería es demasiado alta.	<ol style="list-style-type: none">1. Apague la máquina, retire la batería y espere a que la batería se enfríe.2. Utilice la máquina dentro del intervalo de temperaturas apropiado.
	La carga de la batería es demasiado alta.	Reduzca la carga sobre la máquina.
	La temperatura del motor es demasiado alta.	<ol style="list-style-type: none">1. Apague la máquina y deje que se enfríe antes de volver a arrancar.2. Utilice la máquina dentro del intervalo de temperaturas apropiado.
	La carga sobre el motor es demasiado alta.	Reduzca la carga sobre la máquina.
	Código de error	Consulte las tablas siguientes.

Los códigos de error aparecen en la pantalla informativa como se indica.



G460280

- ① Sistema
- ② Últimos 3 dígitos del número de serie del controlador
- ③ Código de error

Identifique el sistema que corresponde al fallo usando los dos primeros dígitos del código y la primera tabla; luego identifique el fallo usando los dos últimos dígitos del código y la tabla del sistema correspondiente. Los 3 dígitos centrales corresponden a los últimos 3 dígitos del número de serie del controlador, y pueden ayudar a determinar qué motor está enviando el fallo.

Nota: El número de serie no aparece para los fallos de la PMU y aparece 000 en su lugar.

Sistema del fallo

Primeros 2 dígitos del código	Sistema
60	Unidad de gestión de potencia (PMU) - caja de baterías
80	Controlador primario
81	Motor de tracción izquierdo
82	Motor de tracción derecho
83, 84, o 85	Motor de la cuchilla

Fallos en la unidad de gestión de potencia (PMU)

Últimos 2 dígitos del código	Descripción del fallo	Acción correctora
60-XXX-66	Hay un fallo de precarga de la PMU.	Vuelva a arrancar la máquina; si los problemas persisten, póngase en contacto con un Servicio Técnico Autorizado.
60-XXX-69	Hay un fallo en la PMU.	Vuelva a arrancar la máquina; si los problemas persisten, póngase en contacto con un Servicio Técnico Autorizado.
60-XXX-71	La batería 1 ha indicado un fallo de relé.	<ol style="list-style-type: none"> 1. Asegúrese de que la batería está correctamente instalada. 2. Retire y cargue la batería. Instale la batería.

Fallos en la unidad de gestión de potencia (PMU) (continuación)

Últimos 2 dígitos del código	Descripción del fallo	Acción correctora
		3. Si los problemas persisten, cambie la batería o póngase en contacto con un Servicio Técnico Autorizado.
60-XXX-72	La batería 2 ha indicado un fallo de relé.	<ol style="list-style-type: none"> 1. Asegúrese de que la batería está correctamente instalada. 2. Retire y cargue la batería. Instale la batería. 3. Si los problemas persisten, cambie la batería o póngase en contacto con un Servicio Técnico Autorizado.
60-XXX-73	La batería 3 ha indicado un fallo de relé.	<ol style="list-style-type: none"> 1. Asegúrese de que la batería está correctamente instalada. 2. Retire y cargue la batería. Instale la batería. 3. Si los problemas persisten, cambie la batería o póngase en contacto con un Servicio Técnico Autorizado.
60-XXX-74	La batería 4 ha indicado un fallo de relé.	<ol style="list-style-type: none"> 1. Asegúrese de que la batería está correctamente instalada. 2. Retire y cargue la batería. Instale la batería. 3. Si los problemas persisten, cambie la batería o póngase en contacto con un Servicio Técnico Autorizado.
60-XXX-75	La batería 5 ha indicado un fallo de relé.	<ol style="list-style-type: none"> 1. Asegúrese de que la batería está correctamente instalada. 2. Retire y cargue la batería. Instale la batería. 3. Si los problemas persisten, cambie la batería o póngase en contacto con un Servicio Técnico Autorizado.
60-XXX-76	La batería 6 ha indicado un fallo de relé.	<ol style="list-style-type: none"> 1. Asegúrese de que la batería está correctamente instalada. 2. Retire y cargue la batería. Instale la batería. 3. Si los problemas persisten, cambie la batería o póngase en contacto con un Servicio Técnico Autorizado.
60-XXX-77	Hay un fallo del semiconductor metal-óxido (MOS) positivo en la PMU.	Póngase en contacto con un Servicio Técnico Autorizado.

Fallos en la unidad de gestión de potencia (PMU) (continuación)

Últimos 2 dígitos del código	Descripción del fallo	Acción correctora
60-XXX-79	Uno de los componentes de frenado del motor está demasiado caliente	<ol style="list-style-type: none"> 1. Apague la máquina y deje que se enfríe antes de volver a arrancar. 2. Utilice la máquina dentro del intervalo de temperaturas apropiado.
60-XXX-80	La batería 1 está demasiado caliente.	<ol style="list-style-type: none"> 1. Apague la máquina, retire la batería y espere a que la batería se enfríe. 2. Utilice la máquina dentro del intervalo de temperaturas apropiado.
60-XXX-81	La batería 2 está demasiado caliente.	<ol style="list-style-type: none"> 1. Apague la máquina, retire la batería y espere a que la batería se enfríe. 2. Utilice la máquina dentro del intervalo de temperaturas apropiado.
60-XXX-82	La batería 3 está demasiado caliente.	<ol style="list-style-type: none"> 1. Apague la máquina, retire la batería y espere a que la batería se enfríe. 2. Utilice la máquina dentro del intervalo de temperaturas apropiado.
60-XXX-83	La batería 4 está demasiado caliente.	<ol style="list-style-type: none"> 1. Apague la máquina, retire la batería y espere a que la batería se enfríe. 2. Utilice la máquina dentro del intervalo de temperaturas apropiado.
60-XXX-84	La batería 5 está demasiado caliente.	<ol style="list-style-type: none"> 1. Apague la máquina, retire la batería y espere a que la batería se enfríe. 2. Utilice la máquina dentro del intervalo de temperaturas apropiado.
60-XXX-85	La batería 6 está demasiado caliente.	<ol style="list-style-type: none"> 1. Apague la máquina, retire la batería y espere a que la batería se enfríe. 2. Utilice la máquina dentro del intervalo de temperaturas apropiado.
60-XXX-86	La batería 1 tiene un fallo, o el nivel de carga de la batería es demasiado bajo.	<ol style="list-style-type: none"> 1. Asegúrese de que la batería está correctamente instalada. 2. Retire y cargue la batería. Instale la batería.

Fallos en la unidad de gestión de potencia (PMU) (continuación)

Últimos 2 dígitos del código	Descripción del fallo	Acción correctora
		3. Si los problemas persisten, cambie la batería o póngase en contacto con un Servicio Técnico Autorizado.
60-XXX-87	La batería 2 tiene un fallo, o el nivel de carga de la batería es demasiado bajo.	<ol style="list-style-type: none"> 1. Asegúrese de que la batería está correctamente instalada. 2. Retire y cargue la batería. Instale la batería. 3. Si los problemas persisten, cambie la batería o póngase en contacto con un Servicio Técnico Autorizado.
60-XXX-88	La batería 3 tiene un fallo, o el nivel de carga de la batería es demasiado bajo.	<ol style="list-style-type: none"> 1. Asegúrese de que la batería está correctamente instalada. 2. Retire y cargue la batería. Instale la batería. 3. Si los problemas persisten, cambie la batería o póngase en contacto con un Servicio Técnico Autorizado.
60-XXX-89	La batería 4 tiene un fallo, o el nivel de carga de la batería es demasiado bajo.	<ol style="list-style-type: none"> 1. Asegúrese de que la batería está correctamente instalada. 2. Retire y cargue la batería. Instale la batería. 3. Si los problemas persisten, cambie la batería o póngase en contacto con un Servicio Técnico Autorizado.
60-XXX-90	La batería 5 tiene un fallo, o el nivel de carga de la batería es demasiado bajo.	<ol style="list-style-type: none"> 1. Asegúrese de que la batería está correctamente instalada. 2. Retire y cargue la batería. Instale la batería. 3. Si los problemas persisten, cambie la batería o póngase en contacto con un Servicio Técnico Autorizado.
60-XXX-91	La batería 6 tiene un fallo, o el nivel de carga de la batería es demasiado bajo.	<ol style="list-style-type: none"> 1. Asegúrese de que la batería está correctamente instalada. 2. Retire y cargue la batería. Instale la batería. 3. Si los problemas persisten, cambie la batería o póngase en contacto con un Servicio Técnico Autorizado.
60-XXX-92	Hay un fallo en la PMU.	Asegúrese de que la batería está correctamente asentada en la ranura; si los problemas persisten, póngase

Fallos en la unidad de gestión de potencia (PMU) (continuación)

Últimos 2 dígitos del código	Descripción del fallo	Acción correctora
		en contacto con un Servicio Técnico Autorizado.
60-XXX-93	Hay un fallo en la PMU.	Asegúrese de que la batería está correctamente asentada en la ranura; si los problemas persisten, póngase en contacto con un Servicio Técnico Autorizado.
60-XXX-94	El sistema PMU está demasiado caliente.	<ol style="list-style-type: none"> 1. Apague la máquina y deje que se enfríe antes de volver a arrancar. 2. Utilice la máquina dentro del intervalo de temperaturas apropiado.
60-XXX-95	La comunicación con la PMU se desconectó por superar el tiempo de espera.	Asegúrese de que la batería está correctamente asentada en la ranura; si los problemas persisten, póngase en contacto con un Servicio Técnico Autorizado.

Fallos del controlador principal

Código	Descripción del fallo	Acción correctora
80-XXX-01	No hay señal de la red de área del controlador (CAN) para el controlador de tracción izquierdo.	Compruebe que no hay conexiones sueltas; si los problemas persisten, póngase en contacto con el Servicio Técnico Autorizado.
80-XXX-02	No hay señal CAN para el controlador de tracción derecho.	Compruebe que no hay conexiones sueltas; si los problemas persisten, póngase en contacto con el Servicio Técnico Autorizado.
80-XXX-07	Se produjo un fallo en el sensor de control de movimiento izquierdo.	Compruebe que no hay conexiones sueltas; si los problemas persisten, póngase en contacto con el Servicio Técnico Autorizado.
80-XXX-08	Se produjo un fallo en el sensor de control de movimiento derecho.	Compruebe que no hay conexiones sueltas; si los problemas persisten, póngase en contacto con el Servicio Técnico Autorizado.
80-XXX-10	No hay señal CAN para el controlador de las cuchillas (consulte el número de serie para identificar su ubicación).	Compruebe que no hay conexiones sueltas; si los problemas persisten, póngase en contacto con el Servicio Técnico Autorizado.
80-XXX-11	No hay señal CAN para el controlador de las cuchillas (consulte el número de serie para identificar su ubicación).	Compruebe que no hay conexiones sueltas; si los problemas persisten, póngase en contacto con el Servicio Técnico Autorizado.

Fallos del controlador principal (continuación)

Código	Descripción del fallo	Acción correctora
80-XXX-12	Hay un problema con la compatibilidad de la versión del firmware.	Póngase en contacto con un Servicio Técnico Autorizado para obtener una actualización del software.
80-XXX-19	Se produjo un fallo en el convertidor de energía DC-DC.	Póngase en contacto con un Servicio Técnico Autorizado.
80-XXX-22	Hay un error de memoria en el microcontrolador (MCU).	Póngase en contacto con un Servicio Técnico Autorizado.
80-XXX-26	No hay señal CAN para el controlador de las cuchillas (consulte el número de serie para identificar su ubicación).	Compruebe que no hay conexiones sueltas; si los problemas persisten, póngase en contacto con el Servicio Técnico Autorizado.
80-XXX-27	Hay un error de hardware de la MCU.	Póngase en contacto con un Servicio Técnico Autorizado.
80-XXX-28	Hay un error de validación de datos flash de la MCU.	Póngase en contacto con un Servicio Técnico Autorizado.
80-XXX-29	Hay un error de interrupción no enmascarable de la MCU.	Póngase en contacto con un Servicio Técnico Autorizado.
80-XXX-30	Hay un error de la MCU.	Póngase en contacto con un Servicio Técnico Autorizado.
80-XXX-31	Hay un error de referencia de voltaje.	Póngase en contacto con un Servicio Técnico Autorizado.

Fallos del controlador del motor de tracción/cuchillas

Código	Descripción del fallo	Acción correctora
81-XXX-00 82-XXX-00 83-XXX-00 84-XXX-00 85-XXX-00	Hay un error de señal Hall.	Póngase en contacto con un Servicio Técnico Autorizado.
81-XXX-01 82-XXX-01 83-XXX-01 84-XXX-01 85-XXX-01	La secuencia de señales Hall es anormal.	Póngase en contacto con un Servicio Técnico Autorizado.
81-XXX-02 82-XXX-02 83-XXX-02 84-XXX-02	El controlador se inició de manera anormal.	Póngase en contacto con un Servicio Técnico Autorizado.

Fallos del controlador del motor de tracción/cuchillas (continuación)

Código	Descripción del fallo	Acción correctora
85-XXX-02		
81-XXX-07 82-XXX-07 83-XXX-07 84-XXX-07 85-XXX-07	El rotor del motor está bloqueado.	Elimine cualquier obstrucción; si los problemas persisten, póngase en contacto con el Servicio Técnico Autorizado.
81-XXX-10 82-XXX-10 83-XXX-10 84-XXX-10 85-XXX-10	La velocidad del rotor del motor es demasiado alta.	Póngase en contacto con un Servicio Técnico Autorizado.
81-XXX-11 82-XXX-11 83-XXX-11 84-XXX-11 85-XXX-11	Hay un error de señal MCU.	Póngase en contacto con un Servicio Técnico Autorizado.
81-XXX-12 82-XXX-12 83-XXX-12 84-XXX-12 85-XXX-12	La corriente del motor es demasiado alta.	Vuelva a arrancar la máquina y reduzca la carga; si los problemas persisten, póngase en contacto con un Servicio Técnico Autorizado.
81-XXX-17 82-XXX-17 83-XXX-17 84-XXX-17 85-XXX-17	Hay una sobrecarga de corriente.	Vuelva a arrancar la máquina y reduzca la carga; si los problemas persisten, póngase en contacto con un Servicio Técnico Autorizado.
81-XXX-19 82-XXX-19 83-XXX-19 84-XXX-19 85-XXX-19	Hay un cortocircuito en el circuito.	Póngase en contacto con un Servicio Técnico Autorizado.

Fallos del controlador del motor de tracción/cuchillas (continuación)

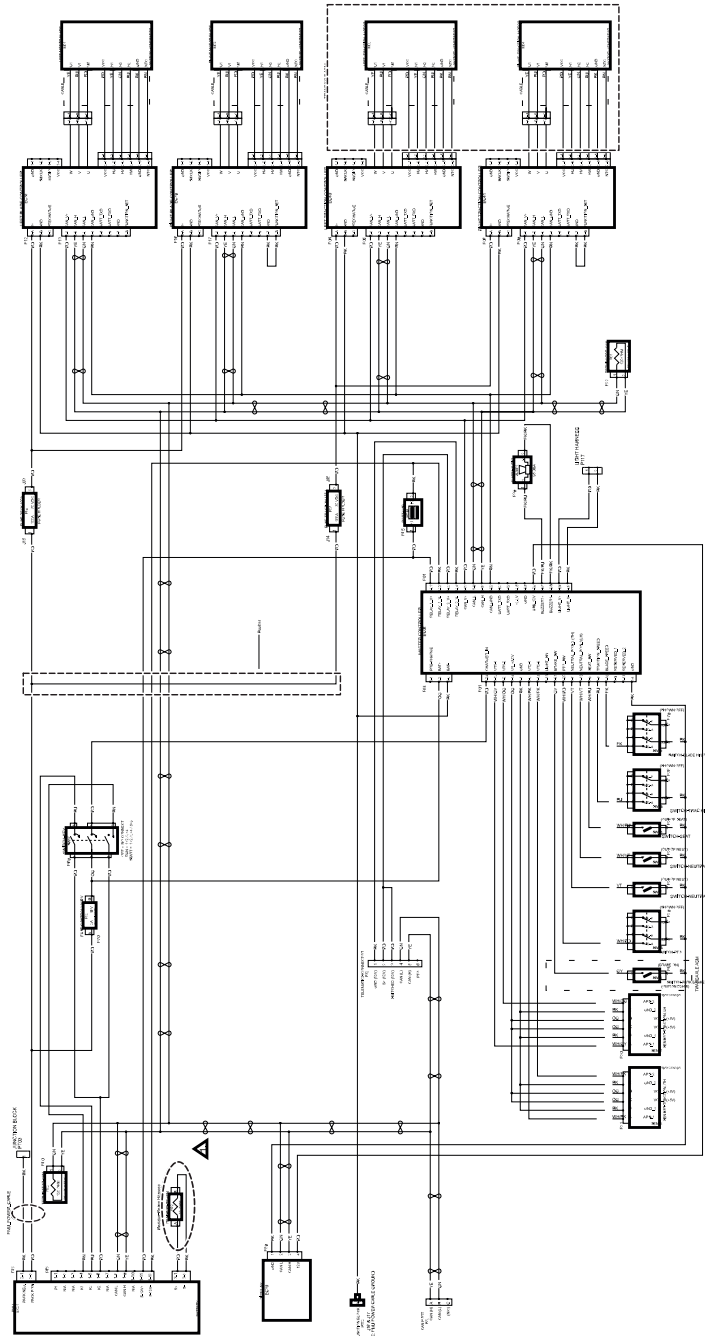
Código	Descripción del fallo	Acción correctora
81-XXX-20 82-XXX-20 83-XXX-20 84-XXX-20 85-XXX-20	Hay un error en un componente del circuito integrado (IC) del controlador de puerta.	Póngase en contacto con un Servicio Técnico Autorizado.
81-XXX-21 82-XXX-21 83-XXX-21 84-XXX-21 85-XXX-21	El conector de fase del motor está desconectado.	Compruebe que no hay conexiones sueltas; si los problemas persisten, póngase en contacto con el Servicio Técnico Autorizado.
81-XXX-22 82-XXX-22 83-XXX-22 84-XXX-22 85-XXX-22	Hay un error de memoria en el MCU.	Póngase en contacto con un Servicio Técnico Autorizado.
81-XXX-23 82-XXX-23 83-XXX-23 84-XXX-23 85-XXX-23	Hay un error de inicialización del controlador de puerta del CI.	Vuelva a arrancar la máquina; si los problemas persisten, póngase en contacto con un Servicio Técnico Autorizado.
81-XXX-25 82-XXX-25 83-XXX-25 84-XXX-25 85-XXX-25	La señal ADC actual es anormal.	Póngase en contacto con un Servicio Técnico Autorizado.
81-XXX-26 82-XXX-26 83-XXX-26 84-XXX-26 85-XXX-26	La señal CAN está desconectada.	Compruebe que no hay conexiones sueltas; si los problemas persisten, póngase en contacto con el Servicio Técnico Autorizado.
81-XXX-27 82-XXX-27	Hay un error de hardware de la MCU.	Póngase en contacto con un Servicio Técnico Autorizado.

Fallos del controlador del motor de tracción/cuchillas (continuación)

Código	Descripción del fallo	Acción correctora
83-XXX-27 84-XXX-27 85-XXX-27		
81-XXX-28 82-XXX-28 83-XXX-28 84-XXX-28 85-XXX-28	Hay un error de validación de datos flash.	Póngase en contacto con un Servicio Técnico Autorizado.
81-XXX-29 82-XXX-29 83-XXX-29 84-XXX-29 85-XXX-29	Hay un error de interrupción no enmascarable de la MCU.	Póngase en contacto con un Servicio Técnico Autorizado.
81-XXX-30 82-XXX-30 83-XXX-30 84-XXX-30 85-XXX-30	Hay un error de la MCU.	Póngase en contacto con un Servicio Técnico Autorizado.
81-XXX-31 82-XXX-31 83-XXX-31 84-XXX-31 85-XXX-31	Hay un error de referencia de voltaje.	Póngase en contacto con un Servicio Técnico Autorizado.

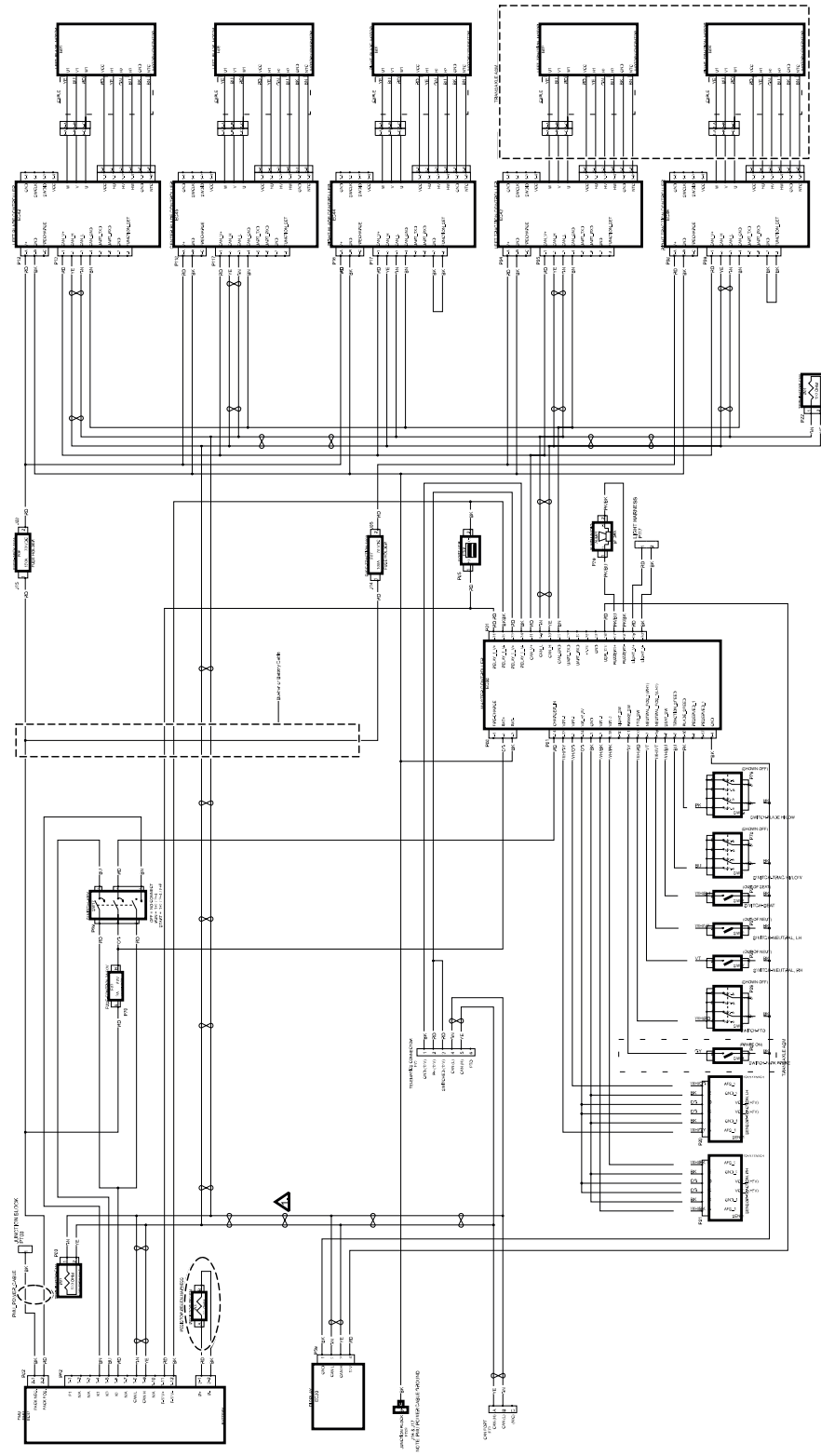
Esquema: Diagrama eléctrico

Máquinas con 2 cuchillas



G465696

Máquinas con 3 cuchillas



G465734

Información sobre las Advertencias de la Proposición 65 de California

¿Qué significa esta advertencia?

Puede ver un producto a la venta que lleva una etiqueta de advertencia como la siguiente:



ADVERTENCIA: Cáncer y daños reproductivos – www.p65Warnings.ca.gov.

¿Qué es la Proposición 65?

La Proposición 65 afecta a cualquier empresa que tenga presencia en California, que venda productos en California, o que fabrique productos que podrían ser introducidos o vendidos en California. Esta ley exige que el Gobernador de California mantenga y publique una lista de sustancias químicas identificadas como causantes de cáncer, defectos de nacimiento u otros daños reproductivos. La lista, que se actualiza anualmente, incluye cientos de productos químicos que se encuentran en muchos artículos de uso diario. El propósito de la Proposición 65 es informar al público sobre la exposición a estos productos químicos.

La Proposición 65 no prohíbe la venta de productos que contengan estos productos químicos, sino que requiere la presencia de advertencias en el producto, el envase y la documentación suministrada con el producto. Además, una advertencia de la Proposición 65 no significa que el producto contravenga ninguna norma o requisito de seguridad. De hecho, el gobierno de California ha aclarado que una advertencia bajo la Proposición 65 “no es lo mismo que una decisión legal sobre la “seguridad” o la “inseguridad” de un producto”. Muchos de estos productos químicos han sido utilizados durante años en productos de uso diario sin que se hayan producido daños documentados. Para obtener más información, visite <https://oag.ca.gov/prop65/faqs-view-all>.

Una advertencia de la Proposición 65 significa que una empresa (1) ha evaluado la exposición y ha concluido que supera el nivel de “sin riesgo significativo”; o (2) ha optado por proporcionar una advertencia basándose en sus conocimientos respecto a la presencia de un producto químico de los incluidos en la lista, sin intentar evaluar la exposición.

¿Esta ley es aplicable en todas partes?

Las advertencias de la Proposición 65 sólo son obligatorias bajo la legislación de California. Estas advertencias se ven por toda California en una gran variedad de entornos, incluyendo entre otros restaurantes, tiendas de alimentación, hoteles, escuelas y hospitales, y en una amplia variedad de productos. Además, algunos minoristas de Internet y de la venta por correo incluyen advertencias de la Proposición 65 en sus sitios web o en sus catálogos.

¿Qué diferencia hay entre las advertencias de California y los límites federales?

Las normas de la Proposición 65 son a menudo más exigentes que las normas federales o internacionales. Varias sustancias requieren una advertencia bajo la Proposición 65 a niveles muy inferiores a los límites federales. Por ejemplo, el nivel exigido por la Proposición 65 para las advertencias sobre el plomo es de 0.5 µg/día, que es muy inferior a lo que exigen las normas federales e internacionales.

¿Por qué no llevan la advertencia todos los productos similares?

- Los productos vendidos en California deben llevar etiquetas bajo la Proposición 65, mientras que otros productos similares que se venden en otros lugares no las necesitan.
- Una empresa puede estar obligada a incluir advertencias de Proposición 65 en sus productos como condición de un acuerdo tras un procedimiento legal relacionado con la Proposición 65, pero otras empresas que fabrican productos similares no tienen necesariamente la misma obligación.
- La aplicación de la Proposición 65 no es uniforme.
- Algunas empresas pueden optar por no proporcionar advertencias porque concluyen que no están obligadas a hacerlo bajo la Proposición 65; la falta de advertencias en un producto no significa que el producto esté libre de los productos químicos incluidos en la lista a niveles similares.

¿Por qué incluye Toro esta advertencia?

Toro ha optado por proporcionar a los consumidores la mayor cantidad posible de información para que pueda tomar decisiones informadas sobre los productos que compran y utilizan. Toro proporciona advertencias en ciertos casos basándose en sus conocimientos sobre la presencia de uno o más productos químicos de la lista, sin evaluar el nivel de exposición, puesto que la lista no incluye límites de exposición para todos los productos químicos que contiene. Aunque la exposición que provocan los productos Toro puede ser insignificante, o estar dentro de los límites de la categoría “sin riesgo significativo”, Toro ha optado por proporcionar las advertencias de la Proposición 65 por simple precaución. Además, si Toro no proporcionara estas advertencias, podría ser demandada por el Estado de California o por particulares bajo la Proposición 65, y estar sujeta a importantes sanciones.





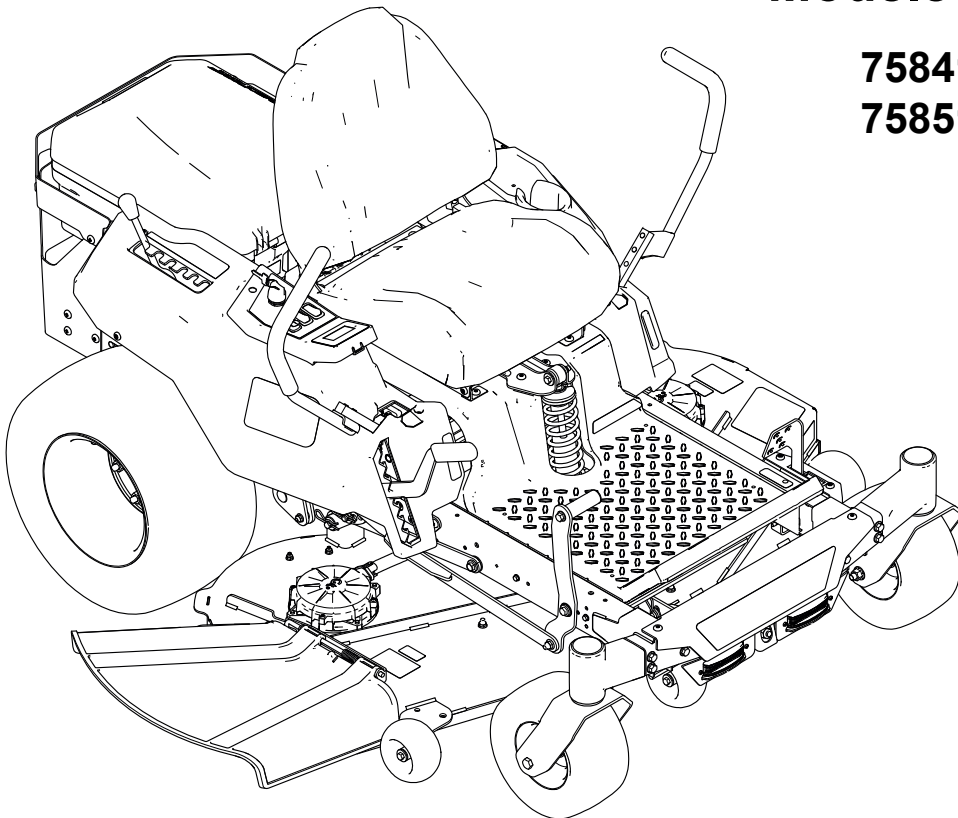
Manuel de l'utilisateur

Tondeuse autoportée eTimeCutter® de 107 cm ou 137 cm (42 po ou 54 po)

Modèle—Numéros de série

75841—400000000 et suivants

75851—400000000 et suivants



Avis de non responsabilité et information réglementaire

▲ ATTENTION

CALIFORNIE Proposition 65

Le cordon d'alimentation de ce produit contient du plomb, une substance chimique que l'état de Californie considère comme susceptible de provoquer des cancers, des malformations congénitales et des troubles de la reproduction. Se laver les mains après l'avoir manipulé.

L'utilisation de ce produit peut entraîner l'exposition à des substances chimiques considérées par l'état de Californie comme susceptibles de provoquer des cancers, des malformations congénitales et autres troubles de la reproduction.

Table des matières

Chapitre 1: Introduction.....	1-1
Utilisation prévue	1-1
Obtenir de l'aide	1-1
Chapitre 2: Sécurité	2-1
Consignes de sécurité générales de la machine	2-1
Consignes de sécurité pour la tondeuse	2-4
Messages de sécurité supplémentaires	2-5
Symbole de sécurité	2-5
Consignes de sécurité générales	2-5
Indicateur d'inclinaison.....	2-6
Autocollants de sécurité et d'instructions.....	2-7
Chapitre 3: Vue d'ensemble du produit	3-1
Panneau de commande.....	3-2
Frein de stationnement	3-5
Leviers de commande de déplacement.....	3-5
Lever de réglage de la suspension MyRide®	3-5
Spécifications	3-6
Chapitre 4: Utilisation	4-1
Avant l'utilisation	4-1
Contrôles de sécurité avant l'utilisation	4-1
Installation des batteries	4-2
Procédures d'entretien quotidien	4-2
Système de sécurité	4-3
Positionnement du siège	4-4
Réglage de la hauteur des leviers de commande de déplacement	4-5
Réglage de l'inclinaison des leviers de commande de déplacement	4-6
Pendant l'utilisation	4-6
Consignes de sécurité pendant l'utilisation	4-6
Démarrage de la machine	4-9
Arrêt de la machine	4-9
Utilisation du frein de stationnement.....	4-10
Conduire la machine	4-11

Utilisation de la commande des lames (PDF)	4-13
Éjection latérale	4-14
Réglage de la hauteur de coupe	4-14
Réglage des galets anti-scalp	4-15
Utilisation de l'attelage	4-15
Conseils d'utilisation	4-15
Après l'utilisation	4-17
Consignes de sécurité après l'utilisation	4-17
Charge des batteries	4-17
Transport de la machine	4-20
Chapitre 5: Entretien	5-1
Consignes de sécurité pendant l'entretien	5-1
Programme d'entretien recommandé	5-2
Procédures avant l'entretien	5-2
Déplacement d'une machine en panne	5-2
Levage de la machine	5-3
Entretien du système électrique	5-4
Préparation de la batterie pour le recyclage	5-4
Contrôle du filtre du compartiment des batteries	5-4
Entretien de la transmission	5-5
Contrôle de la pression des pneus	5-5
Contrôle des écrous de roues	5-5
Réglage du parallélisme des roues	5-5
Entretien du tablier de coupe	5-7
Entretien des lames	5-7
Mise à niveau du tablier de coupe	5-10
Entretien des freins	5-14
Essai du frein de stationnement	5-14
Nettoyage	5-15
Nettoyage du dessous du plateau de coupe	5-15
Chapitre 6: Remisage	6-1
Remisage de la machine	6-1
Chapitre 7: Dépannage	7-1
Dépannage de la machine	7-1
Dépannage de la batterie et du chargeur	7-2
Dépannage des erreurs et des codes d'anomalie affichés	7-4
Chapitre 8: Schéma : schéma électrique	8-1
Proposition 65 de Californie – Information concernant cet avertissement	



Utilisation prévue

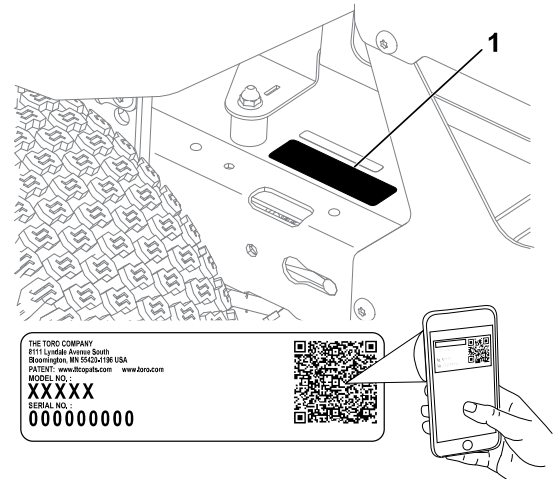
Cette tondeuse autoportée à lame rotative est destinée au grand public, pour des applications résidentielles. Elle est principalement conçue pour tondre les pelouses régulièrement entretenues. L'utilisation de ce produit à d'autres fins que celle prévue peut être dangereuse pour vous-même et toute personne à proximité.

Lisez attentivement cette notice pour apprendre comment utiliser et entretenir correctement votre produit, et éviter ainsi de l'endommager ou de vous blesser. Vous êtes responsable de l'utilisation sûre et correcte du produit.

Obtenir de l'aide

Rendez-vous sur www.Toro.com pour tout document de formation à la sécurité et à l'utilisation des produits, pour tout renseignement concernant un produit ou un accessoire, pour obtenir l'adresse des dépositaires ou pour enregistrer votre produit.

Pour obtenir des prestations de service, des pièces Toro d'origine ou des renseignements complémentaires, munissez-vous des numéros de modèle et de série du produit et contactez un dépositaire-réparateur agréé ou le service client Toro. Ces numéros se trouvent sur la plaque signalétique sur votre produit ^①. Inscrivez les numéros dans l'espace réservé à cet effet.



G444734

IMPORTANT

Avec votre appareil mobile, vous pouvez scanner le QR code sur l'autocollant du numéro de série (le cas échéant) afin d'accéder aux informations sur la garantie, les pièces détachées et autres renseignements concernant le produit.

Numéro de modèle :		Numéro de série :	
--------------------	--	-------------------	--

Consignes de sécurité générales de la machine



ATTENTION – Lisez toutes les consignes de sécurité, instructions, illustrations et spécifications qui accompagnent cette machine.

Le non respect des mises en garde et consignes peut entraîner des chocs électriques, un incendie et/ou des blessures graves.

Le terme « machine » utilisé dans toutes les mises en garde ci-après renvoie à toute machine branchée sur le secteur (câblée) ou alimentée par batterie (sans fil).

1. Sécurité dans la zone de travail

- A. **La zone de travail doit être propre et bien éclairée.** *Les endroits sombres et encombrés sont propices aux accidents.*
- B. **N'utilisez jamais la machine dans des atmosphères explosives, par exemple en présence de liquides, gaz ou poussières inflammables.** *La machine produit des étincelles qui peuvent enflammer la poussière ou les émanations.*
- C. **Tenez enfants et spectateurs à distance de la machine en marche.** *Les distractions peuvent entraîner la perte de contrôle de la machine.*

2. Consignes de sécurité électrique

- A. **Les fiches de la machine doivent correspondre au type de prise. Ne modifiez jamais la fiche électrique de quelque façon que ce soit. N'utilisez pas d'adaptateurs avec les machines reliées à la terre.** *Les fiches non modifiées et les prises correspondantes réduisent le risque de choc électrique.*
- B. **Évitez tout contact du corps avec des surfaces reliées à la terre, par exemple tuyaux, radiateurs, cuisinières et réfrigérateurs.** *Le risque de choc électrique est accru si votre corps est relié à la terre ou à la masse.*
- C. **N'exposez pas la machine à la pluie ou à l'humidité.** *L'infiltration d'eau dans une machine augmente le risque de choc électrique.*
- D. **Ne maltraitez pas le cordon d'alimentation. Ne vous servez jamais du cordon pour transporter, tirer ou débrancher la machine. Gardez le cordon à l'écart des surfaces chaudes, de la graisse, des arêtes vives ou des pièces mobiles.** *Les cordons endommagés ou emmêlés augmentent le risque de choc électrique.*
- E. **Si vous utilisez la machine à l'extérieur, utilisez toujours une rallonge adaptée à l'usage extérieur.** *L'utilisation d'une rallonge prévue pour l'usage extérieur réduit le risque de choc électrique.*

- F. **Si l'utilisation de la machine dans un endroit humide ne peut être évitée, utilisez une alimentation protégée par un disjoncteur différentiel (RCD).** *L'utilisation d'un disjoncteur différentiel réduit le risque de choc électrique.*

3. Sécurité personnelle

- A. **Restez alerte, concentrez-vous sur votre tâche et faites preuve de bon sens lorsque vous utilisez la machine. N'utilisez pas la machine si vous êtes fatigué (e) ou sous l'emprise de l'alcool, de drogues ou de médicaments.** *Un seul moment d'inattention pendant l'utilisation de la machine peut entraîner de graves blessures.*
- B. **Utilisez des équipements de protection individuelle. Portez toujours une protection oculaire.** *Les équipements de protection, tels masques antipoussière, chaussures de sécurité à semelle antidérapante, casques et protections antibruit, utilisés de manière pertinente réduisent les risques de blessures.*
- C. **Évitez les démarrages accidentels. Assurez-vous que l'interrupteur est en position d'arrêt avant de brancher la machine sur une source d'alimentation et/ou la batterie.** *Des accidents peuvent se produire si vous mettez la machine sous tension alors que l'interrupteur est à la position Marche.*
- D. **Retirez toute clé de réglage ou autre avant de mettre la machine en marche.** *Une clé oubliée sur une pièce rotative de la machine peut vous blesser.*
- E. **Ne vous penchez pas trop en avant en travaillant avec l'outil. Tenez-vous toujours bien d'aplomb et maintenez votre équilibre.** *Vous pourrez ainsi garder le contrôle de la machine si un événement inattendu se produit.*
- F. **Portez des vêtements adéquats. Ne portez pas de vêtements amples ni de bijoux pendants. N'approchez pas les cheveux ni les vêtements des pièces en mouvement.** *Les vêtements amples, les bijoux pendants ou les cheveux longs peuvent se prendre dans les pièces mobiles.*
- G. **Si des dispositifs sont fournis pour la connexion d'équipements de dépoussiérage et de récupération des poussières, assurez-vous qu'ils sont branchés et utilisés correctement.** *L'utilisation d'un dispositif de dépoussiérage peut réduire les risques associés aux poussières.*
- H. **Même si vous avez l'habitude d'utiliser la machine, ne relâchez pas votre attention et n'ignorez pas les principes de sécurité de la machine.** *Une imprudence peut causer des blessures graves en une fraction de seconde.*

4. Utilisation et entretien de la machine

- A. **Ne faites pas forcer la machine. Utilisez la machine qui convient pour la tâche à accomplir.** *La machine correcte donnera de meilleurs résultats et sera plus sûre si elle est utilisée dans les limites prévues.*
- B. **Ne vous servez pas de la machine si l'interrupteur d'alimentation ne permet pas de la mettre en marche et de l'arrêter correctement.** *Une machine qui ne peut pas être commandée par l'interrupteur d'alimentation est dangereuse et doit être réparée.*
- C. **Débranchez l'outil de la source d'alimentation et/ou enlevez la batterie, si elle est amovible, de la machine avant d'effectuer des réglages, de changer d'accessoire ou de ranger la machine.** *Ces mesures de sécurité préventives réduisent le risque de démarrage accidentel de la machine.*

- D. **Lorsque la machine ne sert pas, rangez-la hors de la portée des enfants, et ne confiez son utilisation qu'à des personnes en connaissant parfaitement le maniement et ayant lu ces instructions.** *La machine est dangereuse entre les mains d'utilisateurs novices.*
- E. **Faites l'entretien de la machine et des accessoires. Vérifiez qu'aucune pièce n'est mal alignée, grippée, cassée ou présente tout autre défaut susceptible d'affecter le bon fonctionnement de la machine. Si la machine est endommagée, faites-la réparer avant de l'utiliser.** *De nombreux accidents sont causés par une machine en mauvais état.*
- F. **Maintenez les outils de coupe propres et bien affûtés.** *Les outils de coupe entretenus correctement et bien affûtés sont moins susceptibles de coincer et sont plus faciles à contrôler.*
- G. **Utilisez la machine, les accessoires et les outils rapportés, etc., en conformité avec ces instructions, en tenant compte des conditions de travail et de la tâche à réaliser.** *L'utilisation de la machine pour des opérations autres que celles prévues peut engendrer une situation dangereuse.*
- H. **Gardez les poignées et les surfaces de préhension sèches, propres et exemptes d'huile et de graisse.** *Les poignées et les surfaces de préhension glissantes ne permettent pas de manipuler et de contrôler la machine en toute sécurité si une situation imprévue se présente.*

5. Utilisation et entretien des machines à batterie

- A. **Rechargez-les uniquement avec le chargeur spécifié par le fabricant.** *Un chargeur convenant à un type de batterie spécifique peut créer un risque d'incendie s'il est utilisé avec une autre batterie.*
- B. **Utilisez la machine uniquement avec les batteries spécifiquement prévues.** *L'utilisation d'autres batteries peut créer un risque de blessure et d'incendie.*
- C. **Lorsque la batterie ne sert pas, rangez-la à distance d'objets métalliques tels que trombones, pièces de monnaie, clés, clous, vis ou autre petit objet métallique qui pourrait relier les bornes entre elles.** *Un court-circuit aux bornes de la batterie peut causer des brûlures ou un incendie.*
- D. **Une utilisation abusive peut faire rejaillir du liquide hors de la batterie ; évitez tout contact. En cas de contact accidentel, rincez à l'eau. En cas de contact du liquide avec les yeux, consultez également un médecin.** *Le liquide éjecté de la batterie peut causer des irritations ou des brûlures.*
- E. **N'utilisez pas des batteries ou une machine endommagées ou modifiées.** *Les batteries endommagées ou modifiées peuvent se comporter de manière imprévisible et causer un incendie, une explosion ou des blessures.*
- F. **N'exposez pas la batterie ou la machine au feu ou à une température excessive.** *L'exposition au feu ou à une température supérieure à 130 °C peut entraîner une explosion.*
- G. **Suivez toutes les instructions de charge et ne chargez pas la batterie ou la machine en dehors de la plage de température spécifiée dans les instructions.** *Une charge incorrecte ou à une température en dehors de la plage spécifiée peut endommager la batterie et augmenter le risque d'incendie.*

6. Entretien

- A. **Confiez l'entretien de votre machine à un réparateur qualifié utilisant exclusivement des pièces de rechange identiques.** *La sécurité de la machine sera ainsi maintenue.*
- B. **Ne faites jamais l'entretien de batteries endommagées.** *L'entretien des batteries doit uniquement être effectué par le fabricant ou des prestataires de services autorisés.*

Consignes de sécurité pour la tondeuse

- A. **N'utilisez pas la tondeuse à gazon par mauvais temps, surtout si la foudre menace.** *Cela réduit le risque d'être frappé par la foudre.*
- B. **Vérifiez soigneusement si des animaux sont présents dans la zone où la tondeuse doit être utilisée.** *Les animaux peuvent être blessés par la tondeuse en marche.*
- C. **Inspectez soigneusement la zone de travail et enlevez tous les objets susceptibles d'être projetés par la tondeuse (pierres, branches, câbles, os, etc.).** *Les objets projetés peuvent causer de graves blessures.*
- D. **Avant d'utiliser la tondeuse, vérifiez toujours que les lames et l'ensemble de coupe ne sont pas usés ou endommagés.** *Les pièces usées ou endommagées augmentent le risque de blessure.*
- E. **Gardez les protections en place. Les protections doivent être en bon état et correctement montées.** *Une protection desserrée, endommagée ou qui ne fonctionne pas correctement peut donner lieu à des blessures.*
- F. **Gardez toutes les prises d'air dégagées.** *Les prises d'air bouchées et les débris peuvent faire surchauffer la machine ou causer un incendie.*
- G. **Portez toujours des chaussures de sécurité à semelle antidérapante quand vous utilisez la tondeuse. N'utilisez pas la tondeuse pieds nus ou en sandales.** *Cela réduit le risque de blessures au pied en cas de contact avec la lame en rotation.*
- H. **Portez toujours un pantalon quand vous utilisez la tondeuse.** *Vous avez plus de risques d'être blessé(e) par des objets projetés si votre peau est à nu.*
- I. **N'utilisez pas la tondeuse sur des pentes de plus de 15 degrés.** *Cela réduit le risque de perte de contrôle, de patinage ou de retournement de la machine, et donc de blessures.*
- J. **Faites preuve d'une extrême prudence sur les terrains en pente.** *Cela réduit le risque de perte de contrôle, de patinage ou de retournement de la machine, et donc de blessures.*
- K. **Redoublez de prudence lorsque vous faites marche arrière avec la machine.** *Tenez toujours compte de votre environnement.*
- L. **Ne touchez pas les lames ni aucune autres pièces mobiles dangereuses pendant qu'elles sont en mouvement.** *Cela réduit le risque de blessure par des pièces mobiles.*
- M. **Lorsque vous dégagez une obstruction ou nettoyez la tondeuse, mettez tous les interrupteurs en position hors tension et enlevez la clé.** *Le démarrage accidentel de la tondeuse peut causer de graves blessures.*

Conservez toutes les mises en garde et instructions à titre de référence.

Messages de sécurité supplémentaires

Symbole de sécurité

Le symbole de sécurité utilisé dans ce manuel et sur la machine identifie d'importants messages de sécurité dont vous devez tenir compte pour éviter des accidents.



DANGER signale un danger immédiat qui, s'il n'est pas évité, **entraînera obligatoirement** des blessures graves ou mortelles.

ATTENTION signale un danger potentiel qui, s'il n'est pas évité, **risque d'entraîner** des blessures graves ou mortelles.

PRUDENCE signale un danger potentiel qui, s'il n'est pas évité, **peut éventuellement entraîner** des blessures légères ou modérées.

Ce manuel utilise également deux autres termes pour faire passer des informations essentielles : **Important**, pour attirer l'attention sur des informations mécaniques spécifiques et **Remarque**, pour insister sur des informations d'ordre général méritant une attention particulière.

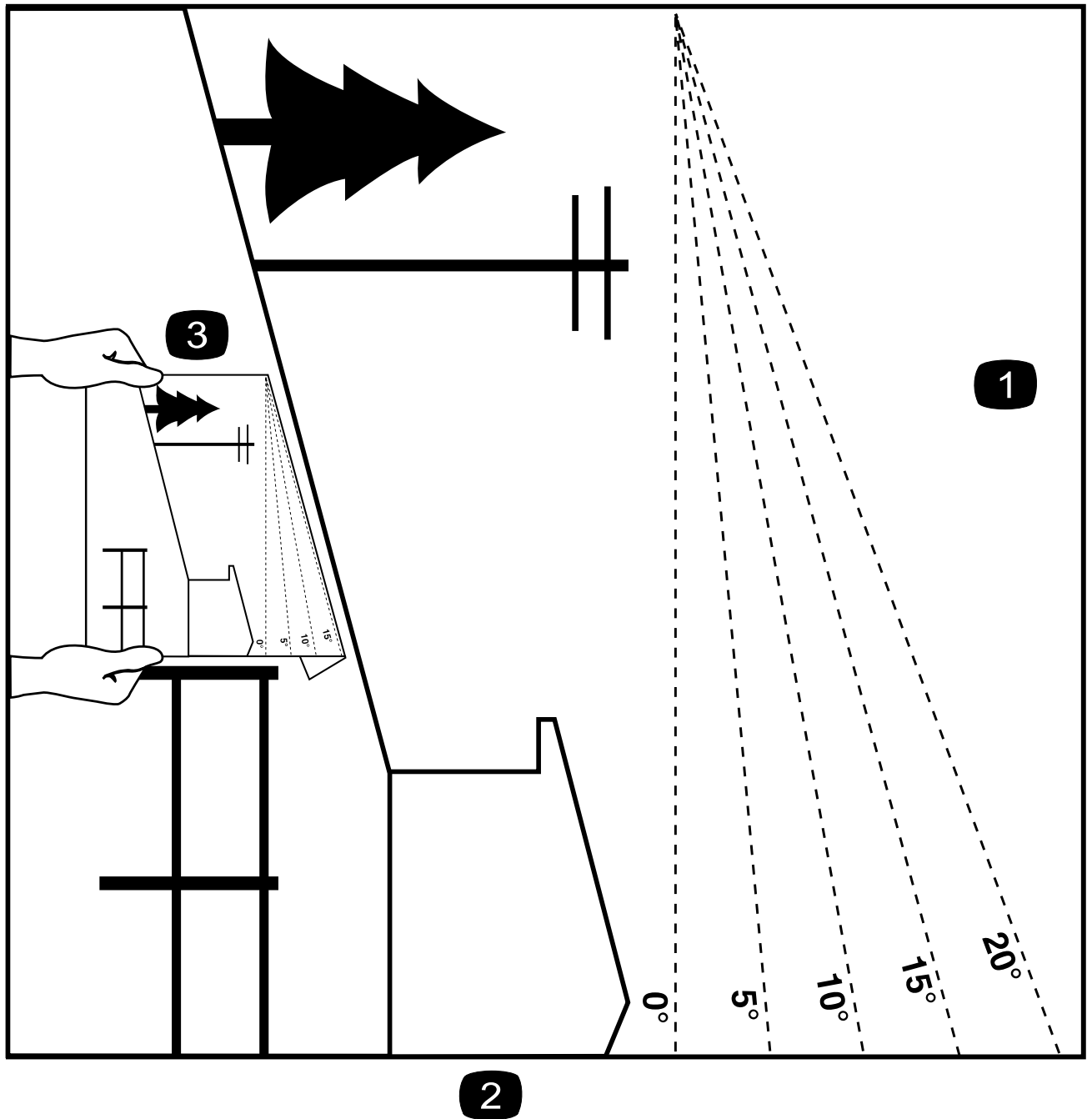
Consignes de sécurité générales

Ce produit peut sectionner les mains ou les pieds et projeter des objets. Respectez toujours toutes les consignes de sécurité pour éviter des blessures graves ou mortelles.

- Ne vous tenez pas devant l'ouverture d'éjection.
- Seules les personnes responsables et physiquement aptes sont autorisées à utiliser la machine.
- Avant de quitter la position d'utilisation, coupez le moteur de la machine, enlevez la clé et attendez l'arrêt complet de toutes les pièces mobiles. Laissez refroidir la machine avant de la régler, d'en faire l'entretien ou de la nettoyer.

Indicateur d'inclinaison

Vous pouvez faire une copie de cette page pour votre usage personnel.



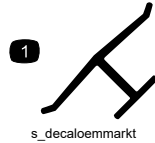
- G011841s
- ① Vous pouvez utiliser la machine sur une pente maximale de 15 degrés. Avant d'utiliser la machine sur une pente, utilisez le graphique de mesure pour déterminer le degré de la pente. **N'utilisez pas la machine sur des pentes de plus de 15 degrés.** Pliez le long de la ligne correspondant à la pente recommandée.
 - ② Alignez ce bord sur une surface verticale (arbre, bâtiment, piquet de clôture, poteau, etc.).
 - ③ Exemple de comparaison d'une pente avec le bord replié

Autocollants de sécurité et d'instructions



Des autocollants de sécurité et des instructions bien visibles par l'utilisateur sont placés près de tous les endroits potentiellement dangereux. Remplacez tout autocollant endommagé ou manquant.

Autocollant : Marque du fabricant



① Cette marque identifie la lame comme provenant du constructeur d'origine de la machine.

Autocollant : 130-0731



mobiles.

① Attention – risque de projection d'objets; gardez le déflecteur en place.

② Risque de coupure des mains ou des pieds par la lame de la tondeuse – ne vous approchez pas des pièces

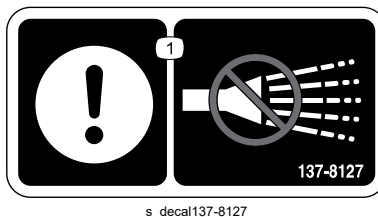
Autocollant : 133-8061

⚠ WARNING: Cancer and Reproductive Harm - www.P65Warnings.ca.gov.
For more information, please visit www.ttcoCAProp65.com

133-8061

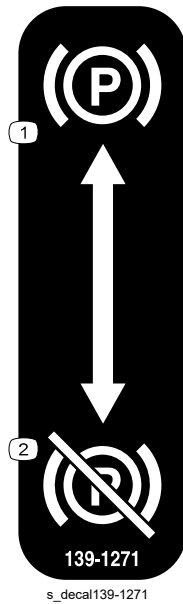
s_decad133-8061

Autocollant : 137-8127



① Attention – n'utilisez pas de jet d'eau haute pression.

Autocollant : 139-1271



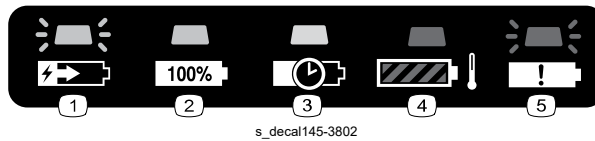
- ① Frein de stationnement serré
- ② Frein de stationnement desserré

Autocollant : 139-2397

Modles MyRIDE seulement



Autocollant : 145-3802



- ① La batterie est en charge.
- ② La batterie est chargée au maximum.
- ③ La batterie en charge est en veille pendant la charge des autres batteries (selon le mode de charge).
- ④ La température de la batterie est supérieure ou inférieure à la plage de température appropriée.
- ⑤ Anomalie de charge de la batterie.

Autocollant : 145-8263



decal145-8263

- ① Lisez le *Manuel de l'utilisateur*.
- ② Recycler la batterie.
- ③ Ne pas jeter n'importe où.
- ④ Tenir à l'écart du feu ou des flammes nues.
- ⑤ Ne pas exposer à la pluie.

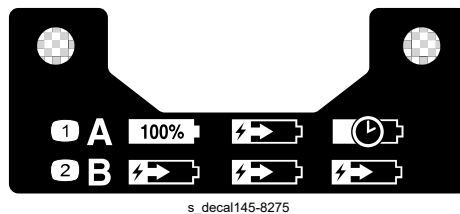
Autocollant : 145-8265



decal145-8265

- ① État de charge des batteries

Autocollant : 145-8275



s_decal145-8275

- ① Mode de charge rapide séquentiel – une seule batterie se charge au maximum à la fois (les autres batteries restent en veille).
- ② Mode de charge parallèle – toutes les batteries sont chargées au même niveau.

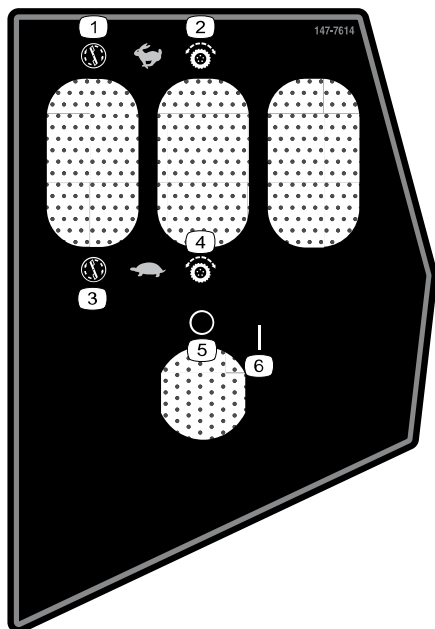
Autocollant : 147-0290



decal147-0290

- ① Attention – la lumière est forte ; ne la regardez pas directement.

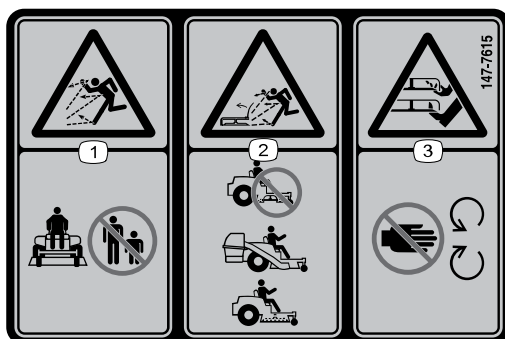
Autocollant : 147-7614



decal147-7614

- ① Commande des lames – haute vitesse
- ② Commande de déplacement – haute vitesse
- ③ Commande des lames – basse vitesse
- ④ Commande de déplacement – basse vitesse
- ⑤ Éteinte
- ⑥ Marche

Autocollant : 147-7615

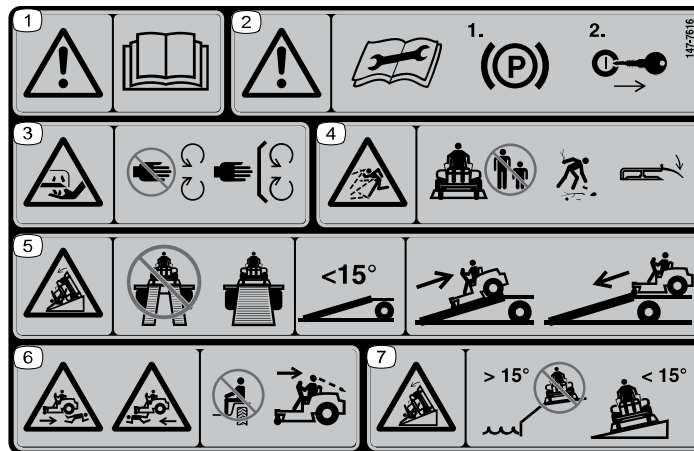


decal147-7615

- ① Risque de projection d'objets – n'autorisez personne à s'approcher.
- ② Risque de projections d'objets par la tondeuse – n'utilisez pas la machine sans le déflecteur, l'obturateur d'éjection ou le système de ramassage.
- ③ Risque de coupure/mutilation des mains ou des pieds par la lame de la tondeuse – ne vous approchez pas des pièces mobiles.

Autocollant : 147-7616

Modles MyRIDE seulement



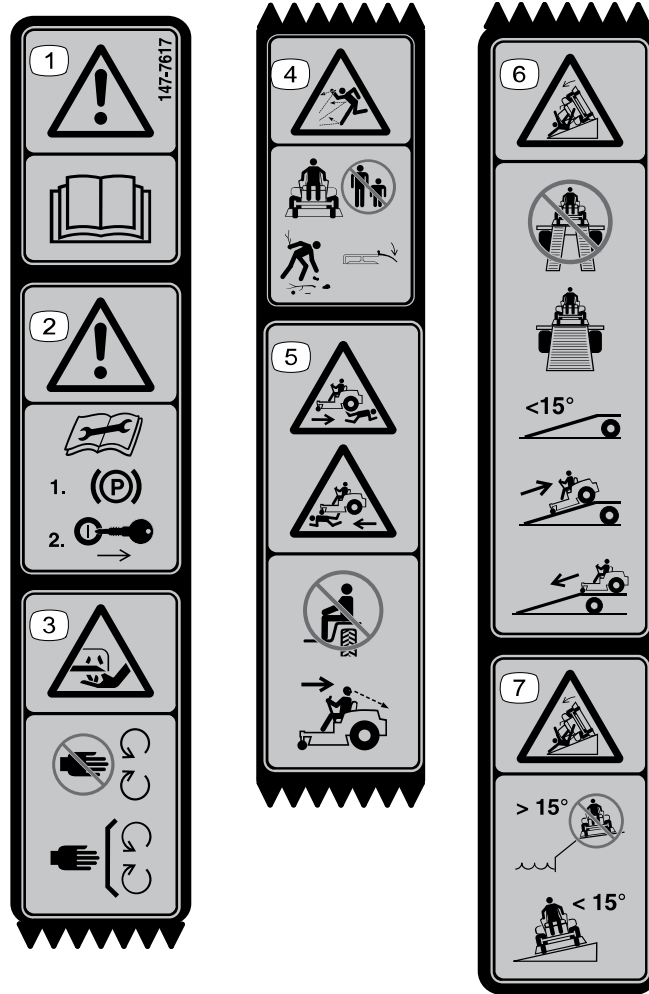
decal147-7616

Remarque : Cette machine est conforme au test de stabilité standard de l'industrie pour les essais de stabilité statique latérale et longitudinale par rapport à la pente maximale recommandée, indiquée sur l'autocollant. Lisez les instructions relatives à l'utilisation de la machine sur les pentes qui figurent dans le *Manuel de l'utilisateur* pour déterminer si les conditions d'utilisation et le site actuels se prêtent à l'utilisation de la machine. Les variations de terrain peuvent modifier le fonctionnement de la machine sur les pentes.

- ① Attention – lisez le *Manuel de l'utilisateur*.
- ② Attention – avant d'effectuer l'entretien, serrez le frein de stationnement et retirez la clé.
- ③ Risque de coupure/mutilation des mains – ne vous approchez pas des pièces mobiles ; gardez toutes les protections et tous les capots en place.
- ④ Risque de projection d'objets – n'autorisez personne à s'approcher de la machine ; débarrassez la zone de travail des débris avant de tondre ; gardez le déflecteur en place.
- ⑤ Risque de renversement – n'utilisez pas de rampes doubles lorsque vous chargez la machine sur une remorque ; utilisez 1 rampe suffisamment large pour la machine ; utilisez une rampe avec une pente de moins de 15° ; montez la rampe en marche arrière pour charger la machine et descendez-la en marche avant pour décharger la machine.
- ⑥ Risque d'écrasement – ne transportez jamais de passagers ; regardez derrière vous et vers le bas lorsque vous faites marche arrière.
- ⑦ Risque de renversement – n'utilisez pas la machine près de fortes dénivellations ou de pentes de plus de 15° ; travaillez transversalement et uniquement sur des pentes de moins de 15°.

Autocollant : 147-7617

Modles sans MyRIDE seulement

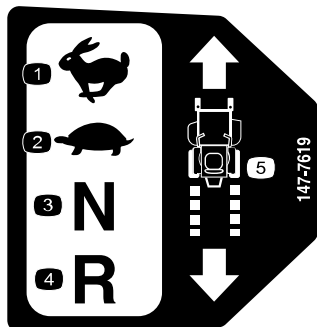


s_decals147-7617

Remarque : Cette machine est conforme au test de stabilité standard de l'industrie pour les essais de stabilité statique latérale et longitudinale par rapport à la pente maximale recommandée, indiquée sur l'autocollant. Consultez les instructions relatives à l'utilisation de la machine sur les pentes dans le *Manuel de l'utilisateur*, et vérifiez si les conditions d'utilisation et l'état du site actuels se prêtent à l'utilisation de la machine. Les variations de terrain peuvent modifier le fonctionnement de la machine sur les pentes.

- ① Attention – lisez le *Manuel de l'utilisateur*.
- ② Attention – avant d'effectuer l'entretien, serrez le frein de stationnement et retirez la clé.
- ③ Risque de coupe/mutilation des mains – ne vous approchez pas des pièces mobiles; gardez toutes les protections et tous les capots en place.
- ④ Risque de projection d'objets – n'autorisez personne à s'approcher de la machine; débarrassez la zone de travail des débris avant de tondre; gardez le déflecteur en place.
- ⑤ Risque d'écrasement – ne transportez jamais de passagers; regardez derrière vous et vers le bas lorsque vous faites marche arrière.
- ⑥ Risque de renversement – n'utilisez pas de rampes doubles pour charger la machine sur une remorque; utilisez une rampe d'une seule pièce suffisamment large pour la machine et offrant une pente de moins de 15°; montez la rampe en marche arrière et descendez-la en marche avant.
- ⑦ Risque de renversement – n'utilisez pas la machine près de fortes dénivellations ou de pentes de plus de 15°; travaillez transversalement et uniquement sur des pentes de moins de 15°.

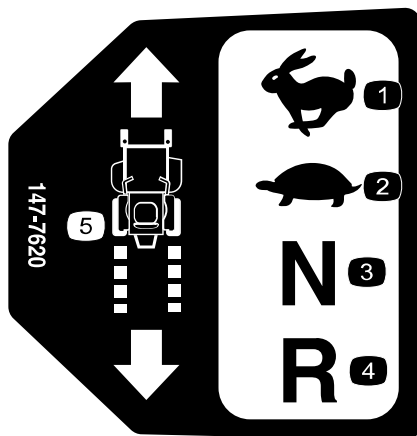
Autocollant : 147-7619



decal147-7619

- ① Haut régime
- ② Basse vitesse
- ③ Point mort
- ④ Marche arrière
- ⑤ Commandes de déplacement

Autocollant : 147-7620



decal147-7620

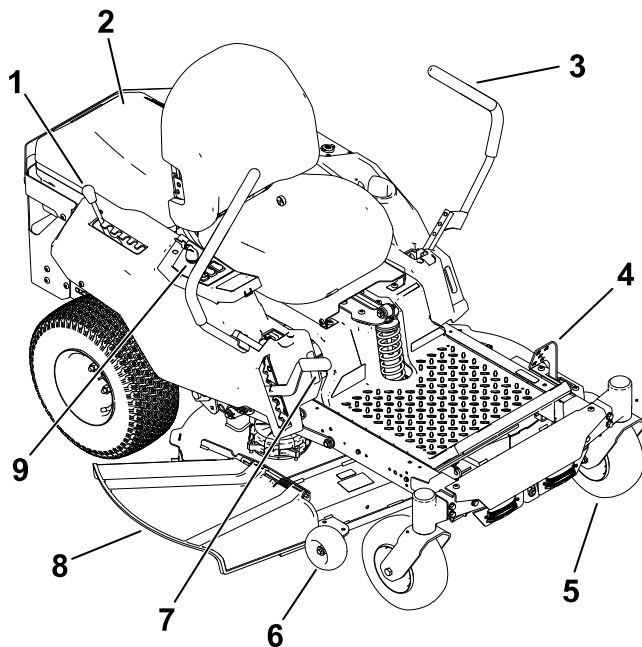
- ① Haut régime
- ② Basse vitesse
- ③ Point mort
- ④ Marche arrière
- ⑤ Commandes de déplacement

Autocollant : 147-7621



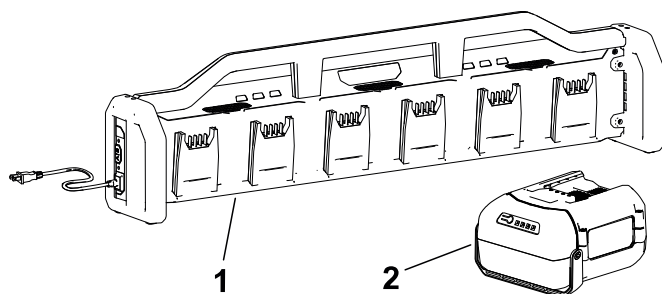
- ① Lisez le *manuel de l'utilisateur*.
- ② Fonctionnement intégral
- ③ Fonctionnement limité
- ④ Pas de fonctionnement/
fonctionnement extrêmement limité

Vue d'ensemble du produit



G427499

- ① Levier de réglage de la suspension MyRide®
- ② Compartiment de la batterie
- ③ Levier de commande de déplacement
- ④ Frein de stationnement
- ⑤ Roue pivotante
- ⑥ Galet anti-scalp
- ⑦ Levier de hauteur de coupe
- ⑧ Déflecteur d'herbe
- ⑨ Panneau de commande

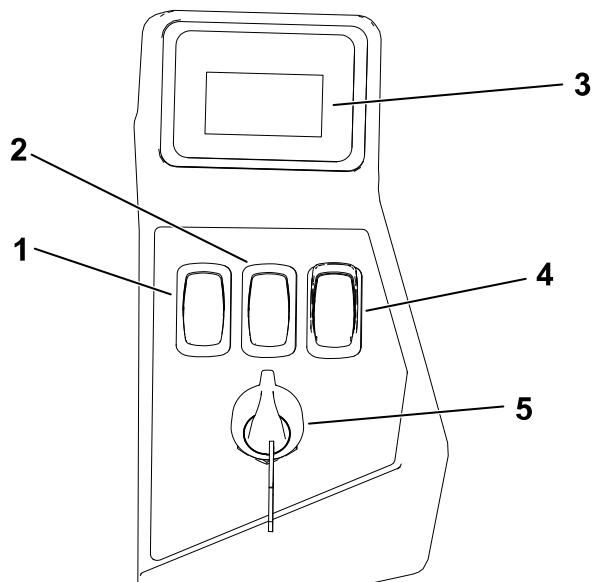


G448680

- ① Chargeur de batterie
- ② Batterie (4 incluses)

Panneau de commande

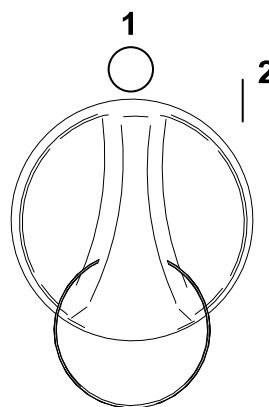
Avant de commencer et d'utiliser la machine, familiarisez-vous avec toutes les commandes.



- ① Commutateur de vitesse des lames
- ② Commutateur de vitesse de déplacement
- ③ Écran d'information
- ④ Commande des lames (prise de force)
- ⑤ Commutateur d'allumage

Commutateur d'allumage

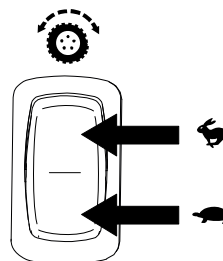
Le commutateur d'allumage permet de mettre la machine en MARCHÉ ② ou de l'ARRÊTER ①. Tournez la clé au-delà de la position CONTACT et démarrez le moteur.



G444702

Commutateur de vitesse de déplacement

Utilisez le commutateur de vitesse de déplacement pour augmenter ou réduire la vitesse de déplacement.

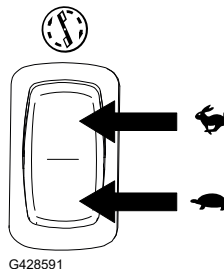


G428592

Commutateur de vitesse des lames

Utilisez le commutateur de vitesse des lames pour augmenter ou réduire la vitesse des lames.

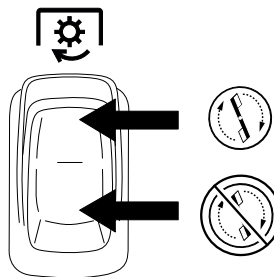
Remarque : Choisissez la position RAPIDE pour obtenir des performances de coupe optimales ; choisissez la position LENTE pour réduire la consommation d'énergie.



G428591

Commande des lames (PDF)

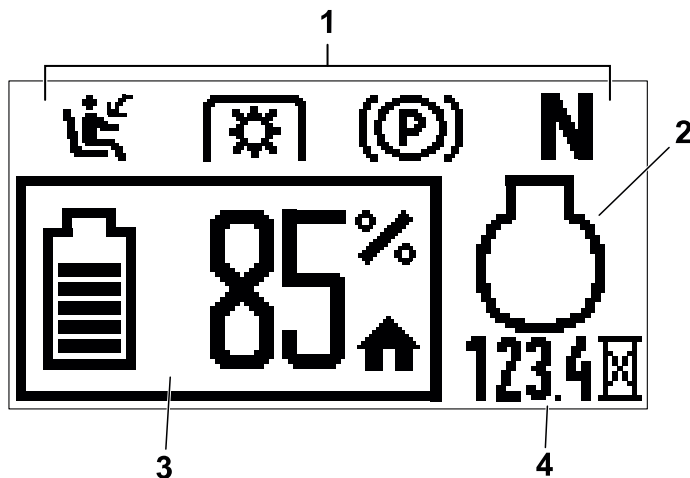
La commande des lames, représentée par le symbole de la prise de force (PDF), engage et désengage l'entraînement des lames.



G428617

Écran d'information

L'écran d'information affiche des messages et les données d'état de la machine (par ex., nombre d'heures de fonctionnement, charge de la batterie, positions des composants).


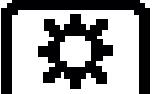



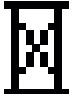



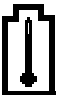





G427630

- ① Indicateurs de verrouillage
- ② État du moteur (seulement affiché pendant des anomalies actives)
- ③ État/charge de la batterie
- ④ Nombre d'heures de fonctionnement

Écran d'information (suite)

Icône affiché

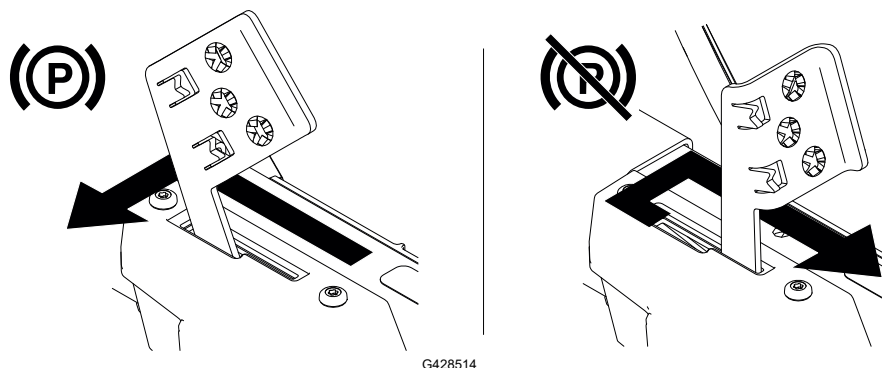
	Il n'y a personne sur le siège.
	La commande des lames (PDF) est engagée.
	La commande des lames (PDF) est en position engagée mais la machine empêche les lames de fonctionner. Contrôlez les contacteurs de sécurité ou vérifiez les anomalies actives de la machine.
	Le frein de stationnement est serré. Lorsque cette icône clignote, desserrez le frein de stationnement avant de conduire la machine.
	Les leviers de commande de déplacement sont en position de VERROUILLAGE AU POINT MORT. Lorsque cette icône clignote, amenez les leviers vers l'intérieur avant de conduire la machine.
	Compteur horaire
	Serrez le frein de stationnement.

	La température de la batterie est trop élevée.
	La charge de la batterie est trop haute.
	Le mode dépannage est actif.
	La température du moteur est trop élevée.
	La charge sur le moteur est trop élevée.
	Code d'anomalie

Frein de stationnement

Chaque fois que vous coupez le moteur, serrez le frein de stationnement pour éviter tout déplacement accidentel de la machine.

Vous pouvez utiliser le frein de stationnement pour arrêter la machine en cas d'urgence ou si une anomalie désactive les commandes de déplacement.



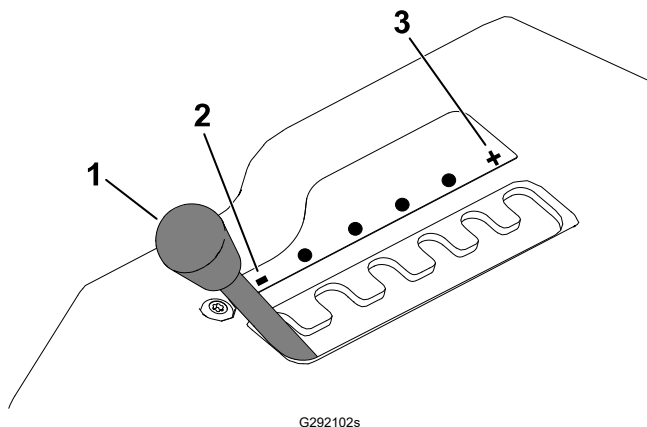
Leviers de commande de déplacement

Utilisez les leviers de commande de déplacement pour conduire la machine en marche avant, en marche arrière, pour tourner à droite et à gauche.

Levier de réglage de la suspension MyRide®

Modèles équipés de la suspension MyRIDE

Pour un confort optimal, réglez la suspension du siège avec le levier de réglage.



- ① Levier de réglage
- ② Suspension plus souple
- ③ Suspension plus ferme

Spécifications

Remarque : Les spécifications et la conception peuvent faire l'objet de modifications sans préavis.

Machine

Modèle	75841	75851
Largeur de coupe	107 cm (42 po)	137 cm (54 po)
Largeur avec déflecteur abaissé	136 cm (53½ po)	166 cm (65½ po)
Largeur avec déflecteur levé	116 cm (45½ po)	140 cm (55 po)
Longueur	185 cm (73 po)	185 cm (73 po)
Hauteur	104 cm (41 po)	117 cm (46 po)
Masse	224 kg (494 lb)	284 kg (626 lb)

Batteries comprises

Modèle	66810	88640
Quantité incluse avec la machine :		
Modèle 75841	4	0
Modèle 75851	5	1
Capacité de la batterie	10,0 Ah 600 Wh	4,0 Ah 216 Wh
Tension batterie selon le fabricant = 60 V max., 54 V nominale. La tension réelle varie en fonction de la charge.		

Batteries compatibles

Modèle	88620	88625	88640	88650	88660	88675	68810
Capacité de la batterie	2,0 Ah 108 Wh	2,5 Ah 135 Wh	4,0 Ah 216 Wh	5,0 Ah 270 Wh	6,0 Ah 324 Wh	7,5 Ah 405 Wh	10,0 Ah 540 Wh
Tension batterie selon le fabricant = 60 V max., 54 V nominale. La tension réelle varie en fonction de la charge.							

Chargeur de batteries compris

Modèle	66550
Type	Chargeur de batteries à 6 emplacements Flex-Force Power System® de 60 V Pro
Entrée	220 à 240V c.a. ~5 A, 50/60 Hz
Sortie	60 V c.c. ≡ 12 A MAX

Chargeurs de batteries compatibles

Modèle	88602	88605	88610
Type	Chargeur de batteries lithium-ion 60 V MAX	Chargeur rapide de batteries lithium-ion 60 V MAX	Adaptateur, chargeur de batteries lithium-ion 60 V MAX
Entrée	120 V c.a. ~2 A, 60 Hz	120 V c.a. ~5 A, 60 Hz	120 V c.a. ~2 A, 60 Hz
Sortie	60 V c.c. ≡ 2 A MAX	60 V c.c. ≡ 5,5 A MAX	60 V c.c. ≡ 1 A MAX

Plages de température adéquates

Charge/stockage des batteries	5 °C (41 °F) et 40 °C (104 °F)*
Remisage de la machine	-40 °C (-40 °F) et 50 °C (122 °F)*
Fonctionnement de la batterie	-30 °C (-22 °F) et 49 °C (120 °F)
Fonctionnement de la machine	5 °C (41 °F) et 40 °C (104 °F)

*Le temps de charge sera plus long en dehors de cette plage de température.

Rangez la machine, la batterie et le chargeur dans un local fermé, propre et sec.

Outils et accessoires

Une sélection d'outils et accessoires agréés par Toro est disponible pour augmenter et améliorer les capacités de la machine. Pour obtenir la liste de tous les accessoires et outils agréés, contactez votre dépositaire-réparateur ou votre distributeur Toro agréé, ou rendez-vous sur www.Toro.com.

Pour garantir un rendement optimal et conserver la certification de sécurité de la machine, utilisez uniquement des pièces de rechange et accessoires Toro d'origine.



Avant l'utilisation

Contrôles de sécurité avant l'utilisation

- N'utilisez pas la machine s'il manque des contacteurs de sécurité ou d'autres dispositifs de protection, ou s'ils sont défectueux.
- Avant de quitter la position d'utilisation pour quelque raison que ce soit :
 - Garez la machine sur une surface plane et horizontale.
 - Débrayez toutes les commandes et la prise de force.
 - Serrez le frein de stationnement.
 - Coupez le moteur et enlevez la clé de contact.
 - Attendez l'arrêt complet de toutes les pièces mobiles.
- Avant de tondre, vérifiez toujours que les lames, les boulons de lame et les ensembles de coupe sont en bon état de marche.
- Ce produit génère un champ électromagnétique. Si vous portez un dispositif médical électronique implantable, consultez votre professionnel de santé avant d'utiliser ce produit.
- Utilisez uniquement les outils et accessoires agréés par Toro.
- Ne transportez pas de passagers sur la machine et tenez tout le monde, y compris les animaux, à l'écart de la machine en marche.
- Cette machine peut produire un niveau sonore de plus de 85 dBA au niveau de l'oreille de l'utilisateur lorsque des accessoires sont installés. Cela peut entraîner des déficiences auditives en cas d'exposition prolongée. Portez des protecteurs d'oreilles quand vous utilisez cette machine avec des accessoires.
- Avant d'utiliser la machine, assurez-vous que les commandes de présence de l'utilisateur et le déflecteur d'éjection ou le système de ramassage complet sont en place et fonctionnent correctement. Dans le cas contraire, n'utilisez pas la machine.
- Les lames doivent s'arrêter lorsque vous coupez le moteur de la machine. Si ce n'est pas le cas, cessez immédiatement d'utiliser la machine et contactez un concessionnaire-réparateur agréé.
- Arrêtez la machine et le(s) accessoire(s) si quelqu'un entre dans la zone de travail.

Installation des batteries

N'importe quelle batterie Flex-Force Power System® peut être utilisée avec la machine.

Installez au moins 3 batteries chargées au maximum, de 4 Ah ou plus, pour obtenir des performances de tonte optimales ; 2 batteries ou moins, ou des batteries de plus faible intensité, risquent de ne fournir qu'une puissance suffisante pour conduire la machine. Installez plus de batteries et/ou des batteries plus puissantes pour accroître l'autonomie de la machine.

IMPORTANT

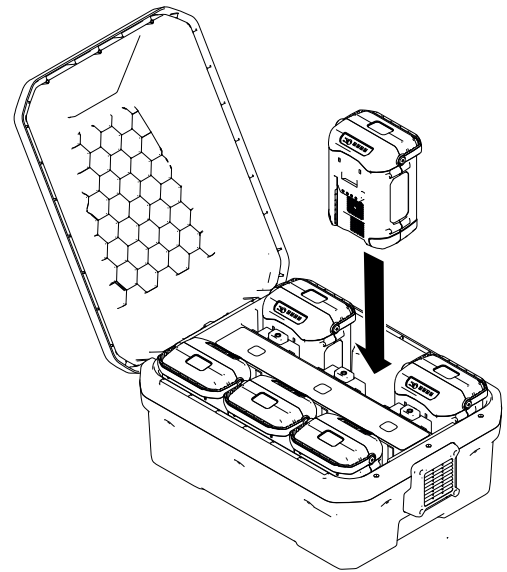
Utilisez les batteries uniquement à des températures comprises dans la plage adéquate ; voir [Spécifications, page 3–6](#).

1. Vérifiez que les événements des batteries sont exempts de poussière et de débris.
2. Soulevez le couvercle du compartiment de la batterie.
3. Placez le creux de la batterie en face de la languette sur la machine, et insérez la batterie dans le compartiment jusqu'à ce que vous l'entendiez s'enclencher en position.
4. Tournez le commutateur d'allumage à la position MARCHE et vérifiez que la LED s'allume près de chaque batterie.

Remarque : Si un voyant ne s'allume pas pour une batterie, voir [7 Dépannage, page 7–1](#).

5. Refermez le couvercle du compartiment des batteries.

Remarque : Si le couvercle du compartiment des batteries ne se ferme pas complètement, cela signifie que les batteries ne sont pas parfaitement enclenchées.



G445491

Procédures d'entretien quotidien

Avant de démarrer la machine chaque jour, effectuez les procédures énoncées dans le Calendrier d'entretien.

Système de sécurité

Le système de sécurité est conçu pour empêcher la machine de rouler ou les lames de s'engager, à moins que le frein de stationnement ne soit desserré.

Il est également conçu pour arrêter les lames chaque fois que vous vous soulevez du siège.



ATTENTION



Si les contacteurs de sécurité sont déconnectés ou endommagés, la machine peut se mettre en marche inopinément et causer des blessures.

- **Ne modifiez pas abusivement les contacteurs de sécurité.**
- **Vérifiez chaque jour le fonctionnement des contacteurs de sécurité et remplacez ceux qui sont endommagés avant d'utiliser la machine.**

Contrôle du système de sécurité

Contrôlez le système de sécurité avant chaque utilisation de la machine. Si le système de sécurité ne fonctionne pas comme spécifié ci-dessous, faites-le immédiatement réviser par un concessionnaire-réparateur agréé.

1. Asseyez-vous sur le siège, démarrez le moteur et desserrez le frein de stationnement.
2. Placez la commande des lames (PDF) en position engagée et soulevez-vous légèrement du siège.

Les lames de la tondeuse doivent s'arrêter et l'écran d'information doit afficher les icônes suivantes.



G447273

3. Asseyez-vous sur le siège et placez la commande des lames en position désengagée.
4. Avancez lentement les leviers de commande de déplacement et soulevez-vous légèrement du siège.

La machine doit s'immobiliser et afficher l'icône suivante.



G427900

5. Asseyez-vous sur le siège, serrez le frein de stationnement et placez la commande des lames en position engagée.

Les lames de la tondeuse ne doivent pas s'engager et l'écran d'information doit afficher les icônes suivantes.

Systeme de sécurité (suite)



G447274

6. Désengagez la commande des lames.
7. Vérifiez que le frein de stationnement est serré et avancez lentement les leviers de commande de déplacement.

La machine ne doit pas se déplacer et l'écran d'information doit afficher l'icône suivante.

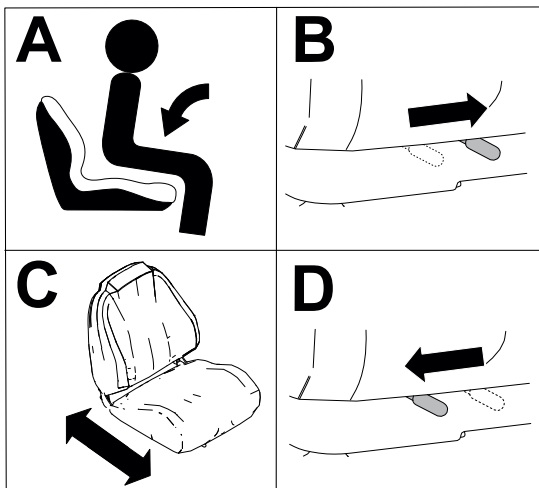


G427902

8. Coupez le moteur et enlevez la clé de contact.

Positionnement du siège

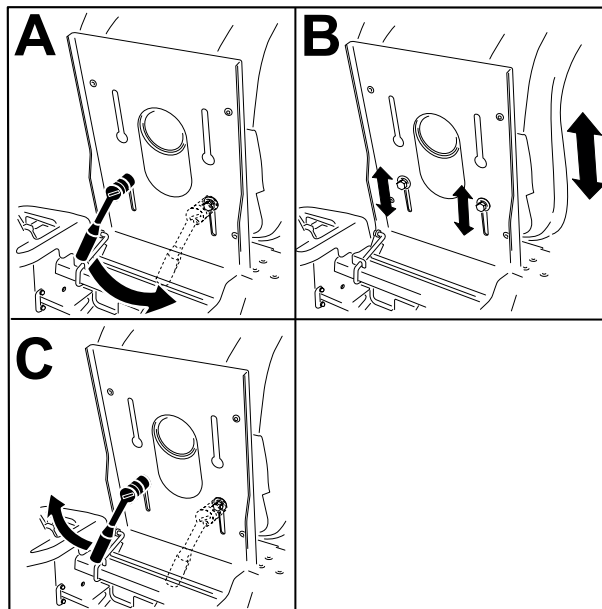
Modèles avec suspension MyRide



G451798

Positionnement du siège (suite)

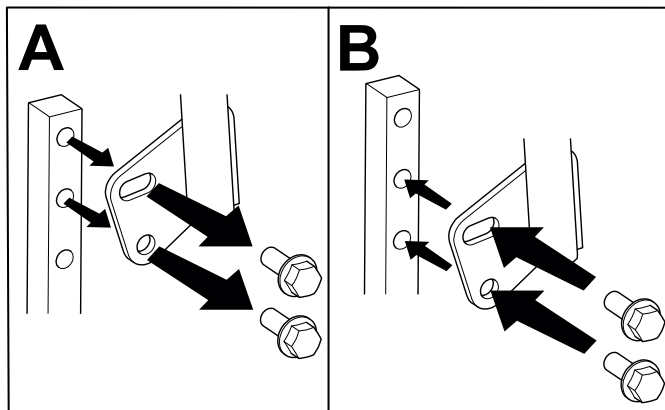
Modèles sans suspension MyRide



G459819

Réglage de la hauteur des leviers de commande de déplacement

Régalez la hauteur des leviers de commande de déplacement en fonction de votre taille.

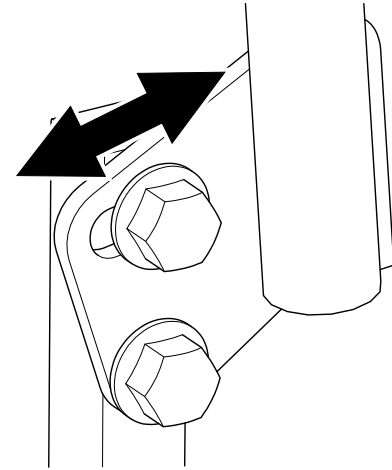


G441093

Réglage de l'inclinaison des leviers de commande de déplacement

Régalez la hauteur des leviers de commande de déplacement en fonction de votre taille.

1. Desserrez le boulon supérieur.
2. Desserrez le boulon inférieur jusqu'à ce qu'il soit possible de pivoter le levier de commande en avant ou en arrière.
3. Serrez les deux boulons.
4. Répétez la procédure pour l'autre levier de commande.



G333846s

Pendant l'utilisation

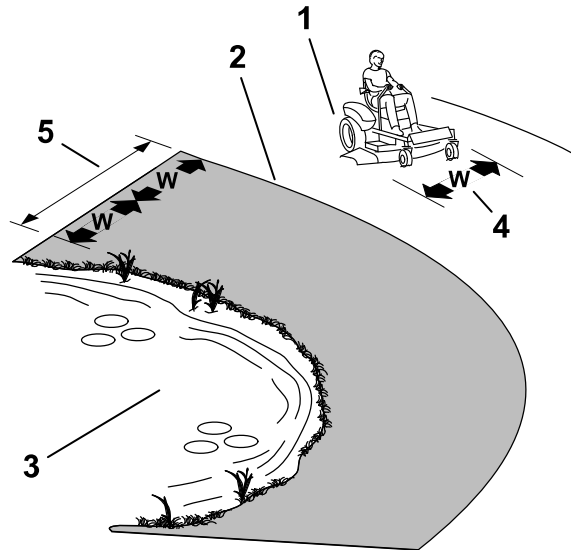
Consignes de sécurité pendant l'utilisation

- Avant de démarrer la machine, assurez-vous que toutes les commandes sont au point mort.
- Ne vous approchez pas des trous, ornières, bosses, rochers et autres dangers cachés. Faites preuve de prudence à l'approche de tournants sans visibilité, de buissons, d'arbres, d'herbe haute ou autres obstacles susceptibles de gêner la vue. Les irrégularités du terrain peuvent provoquer le retournement de la machine.
- Coupez le moteur de la machine et débrayez l'unité de coupe après avoir heurté un obstacle ou si des vibrations inhabituelles se produisent. Recherchez et réparez les dommages éventuels de l'unité de coupe avant de redémarrer et d'utiliser la machine.
- Restez sur vos gardes, ralentissez et faites preuve de prudence quand vous changez de direction, ainsi que pour traverser des routes et des trottoirs avec la machine. Cédez toujours le passage.
- N'utilisez pas la machine comme véhicule de remorquage.
- Sachez dans quel sens s'effectue l'éjection et faites en sorte qu'elle ne soit dirigée vers personne. N'éjectez pas l'herbe coupée contre un mur ou un obstacle, car elle pourrait ricocher dans votre direction. Arrêtez les lames, ralentissez et faites preuve de prudence lorsque vous traversez des surfaces autres qu'une pelouse et quand vous transportez la tondeuse.
- Ne laissez pas la machine en marche sans surveillance.
- Restez sur vos gardes et arrêtez la machine si des enfants entrent dans la zone de travail.

Consignes de sécurité pendant l'utilisation (suite)

Consignes de sécurité concernant l'utilisation sur les pentes

- Les pentes augmentent significativement les risques de perte de contrôle et de retournement de la machine pouvant entraîner des accidents graves, voire mortels. L'utilisateur est responsable de la sécurité d'utilisation de la machine sur les pentes. L'utilisation de la machine sur une pente, quelle qu'elle soit, demande une attention particulière. Avant d'utiliser la machine sur une pente, vous devez :
 - Lire et comprendre les instructions relatives à l'utilisation sur les pentes qui figurent dans le manuel et sur la machine.
 - Utiliser l'indicateur d'angle pour déterminer l'angle approximatif de la pente sur laquelle vous devez travailler.
 - Ne travaillez jamais sur des pentes de plus de 15°.
 - Évaluer chaque jour l'état du terrain pour déterminer si la pente permet d'utiliser la machine sans risque. Faites preuve de bon sens et de discernement lors de cette évaluation. Les conditions changeantes du terrain, telle l'humidité, peuvent rapidement modifier le fonctionnement de la machine sur les pentes.
- Repérez les dangers potentiels depuis le bas de la pente. N'utilisez pas la machine près de fortes dénivellations, fossés, berges, étendues d'eau ou autres dangers. La machine pourrait se retourner brusquement si une roue passe par-dessus une dénivellation quelconque et se retrouve dans le vide, ou si un bord s'effondre. Maintenez une distance de sécurité (deux fois la largeur de la machine) entre la machine et tout danger potentiel. Utilisez une tondeuse autotractée ou une débroussailleuse manuelle pour tondre sur ce type de terrain.



G229111s

- ① Zone de sécurité – utiliser la machine ici sur les pentes de moins de 15° ou sur les terrains plats
- ② Zone dangereuse – utiliser une tondeuse autotractée et/ou une débroussailleuse à main sur les pentes de plus de 15°, ainsi que près des dénivellations ou des étendues d'eau
- ③ Eau
- ④ L = largeur de la machine
- ⑤ Maintenir une distance de sécurité (deux fois la largeur de la machine) entre la machine et tout danger potentiel

- Évitez de démarrer, de vous arrêter ou de tourner sur les pentes. Ne changez pas soudainement de vitesse ou de direction; tournez lentement et graduellement.
- N'utilisez pas la machine si l'adhérence, la direction ou la stabilité peuvent être compromises. Tenez compte du fait qu'une perte de l'adhérence peut se produire sur l'herbe humide, en travers des pentes ou dans les descentes. La perte d'adhérence des

Consignes de sécurité pendant l'utilisation (suite)

roues motrices peut faire déraiper la machine et entraîner la perte du freinage et de la direction. La machine peut déraiper même si les roues motrices ne tournent plus.

- Enlevez ou balisez les obstacles tels que fossés, trous, ornières, bosses, rochers ou autres dangers cachés. L'herbe haute peut masquer les accidents du terrain. Les irrégularités du terrain peuvent provoquer le retournement de la machine.
- Redoublez de prudence lorsque vous utilisez la machine équipée d'outils ou d'accessoires, tels des systèmes de ramassage. Ceux-ci peuvent modifier la stabilité et entraîner la perte de contrôle de la machine. Suivez les instructions d'utilisation des contrepoids.
- Dans la mesure du possible, gardez le tablier de coupe abaissé au sol quand vous utilisez la machine sur des pentes. La machine peut devenir instable si vous levez le tablier de coupe pendant l'utilisation sur une pente.

Consignes de sécurité pendant l'utilisation (suite)

Sécurité de remorquage

- L'équipement remorqué ne doit être attaché qu'au point d'attelage.
- N'utilisez pas la machine pour tracter quoi que ce soit, à moins qu'elle ne soit équipée d'un dispositif d'attelage.
- Ne dépassez pas le poids brut maximum de remorquage.
- Ne laissez jamais approcher ni enfants ni adultes du matériel remorqué.
- Sur les pentes, le poids du matériel remorqué peut provoquer une perte de la motricité et du contrôle de la machine, et accroître le risque de retournement. Réduisez le poids remorqué et ralentissez.
- La distance d'arrêt peut augmenter avec le poids de la charge remorquée. Conduisez lentement et prévoyez une distance de freinage plus grande que la normale.
- Prenez des virages larges pour éviter que l'accessoire ne vienne toucher la machine.

Démarrage de la machine

1. Asseyez-vous sur le siège.
2. Tournez le commutateur d'allumage à la position **MARCHE** puis relâchez-la.
3. Attendez que l'écran de présentation disparaisse de l'écran d'information avant d'utiliser la machine (approximativement 3 à 5 secondes).

Arrêt de la machine



PRUDENCE



Les enfants ou les personnes à proximité risquent de se blesser s'ils déplacent ou essaient d'utiliser la machine, lorsque celle-ci est laissée sans surveillance.

Enlevez toujours la clé et serrez le frein de stationnement si vous laissez la machine sans surveillance.

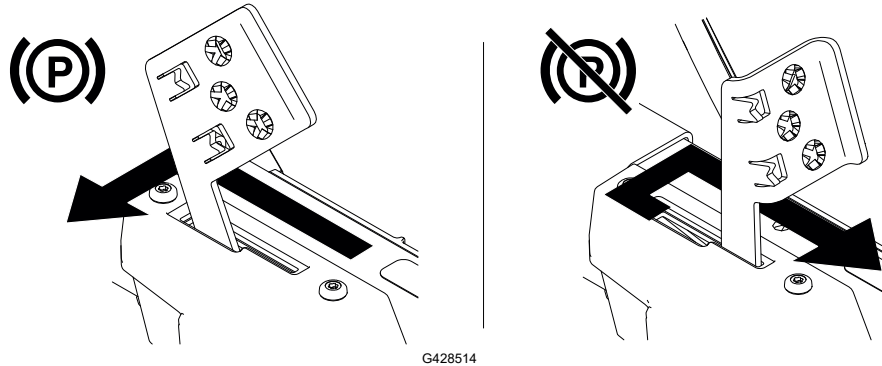
1. Garez la machine sur une surface plane et horizontale.
2. Désengagez la commande de la lame (PDF).
3. Poussez les leviers de commande de déplacement vers l'extérieur à la position de **VERROUILLAGE AU POINT MORT**.
4. Serrez le frein de stationnement.
5. Tournez la clé de contact à la position **ARRÊT**, puis enlevez-la.
6. Attendez l'arrêt de toutes les pièces mobiles avant de quitter la position d'utilisation.

Utilisation du frein de stationnement

Chaque fois que vous coupez le moteur, serrez le frein de stationnement pour éviter tout déplacement accidentel de la machine.

- Pour serrer le frein de stationnement, appuyez sur la pédale de frein de stationnement avec le pied et poussez-la vers la gauche dans le cran.
- Pour desserrer le frein de stationnement, appuyez sur la pédale avec le pied, poussez-la vers la droite, hors du cran et relâchez-la lentement.

Vous pouvez utiliser le frein de stationnement pour arrêter la machine en cas d'urgence ou si une anomalie désactive les commandes de déplacement.



Conduire la machine



PRUDENCE

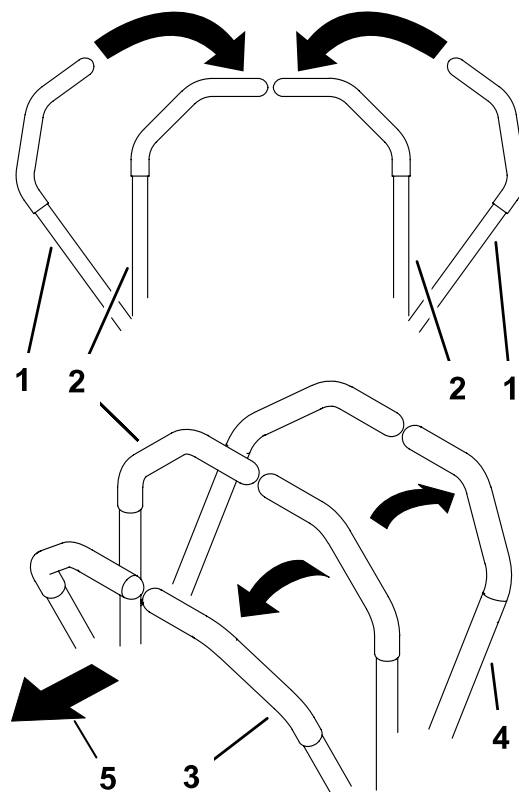


Si vous avancez un levier trop loin par rapport à l'autre, la machine va tourner très rapidement. Vous risquez alors d'en perdre le contrôle et de vous blesser ou de l'endommager.

Ralentissez avant de prendre des virages serrés.

Les roues motrices tournent indépendamment et sont entraînées par des moteurs sur chaque essieu. Vous pouvez faire tourner un côté en marche arrière et l'autre en marche avant, ce qui fait pivoter la machine au lieu de la faire changer de direction. La maniabilité de la machine en est grandement améliorée, mais il vous faudra peut-être un peu de temps pour vous adapter à cette manière de conduire.

1. Amenez les leviers de commande de déplacement au centre, en position déverrouillée.



- ① Leviers de commande de déplacement en position de VERROUILLAGE AU POINT MORT
- ② Position centrale de déverrouillage
- ③ Marche avant
- ④ Marche arrière
- ⑤ Avant de la machine

G426843s

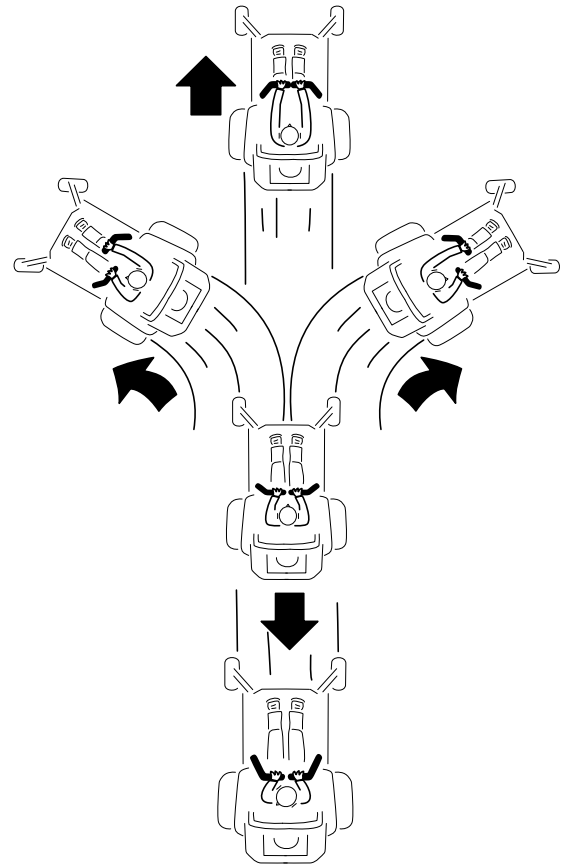
Conduire la machine (suite)

2. Poussez les leviers de commande de déplacement lentement en avant ou en arrière. Déplacez un levier plus loin que l'autre pour tourner.

Remarque : La vitesse de déplacement de la machine dans une direction est proportionnelle au déplacement des leviers de commande.

3. Pour arrêter la machine, ramenez les leviers de commande de déplacement en position POINT MORT.

Remarque : Vous pouvez utiliser le frein de stationnement pour arrêter la machine en cas d'urgence ou si une anomalie désactive les commandes de déplacement.



G397314s

Utilisation de la commande des lames (PDF)



DANGER



Les lames en rotation sous le plateau de coupe sont dangereuses. Tout contact avec les lames causera des blessures graves ou mortelles.

Ne passez pas les mains ni les pieds sous la tondeuse ou le plateau de coupe lorsque les lames tournent.



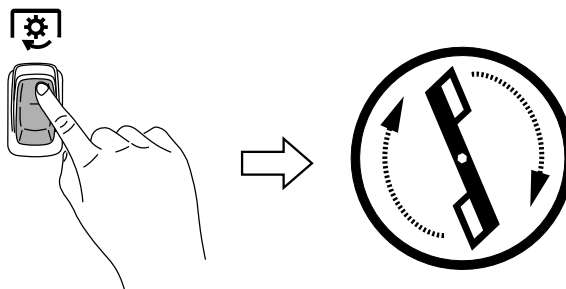
DANGER



Si l'ouverture d'éjection n'est pas fermée, des objets peuvent être projetés dans votre direction ou celle d'autres personnes. Un contact avec la lame est également possible. La projection d'objets ou le contact avec une lame causera des blessures graves ou mortelles.

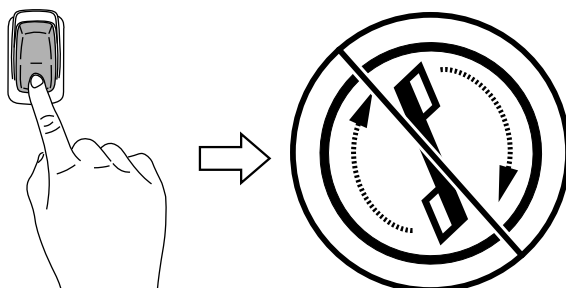
N'utilisez pas la tondeuse avec le déflecteur d'éjection relevé, déposé ou modifié à moins qu'un système de ramassage ou un kit de mulching soit en place et fonctionne correctement.

1. Placez la commande des lames (PDF) en position désengagée.



G428133

2. Tondez comme vous le souhaitez.
3. Désengagez la commande des lames.



G428132

Éjection latérale

Le déflecteur d'herbe pivotant permet de disperser les déchets de tonte sur le côté et à la surface de la pelouse.



DANGER



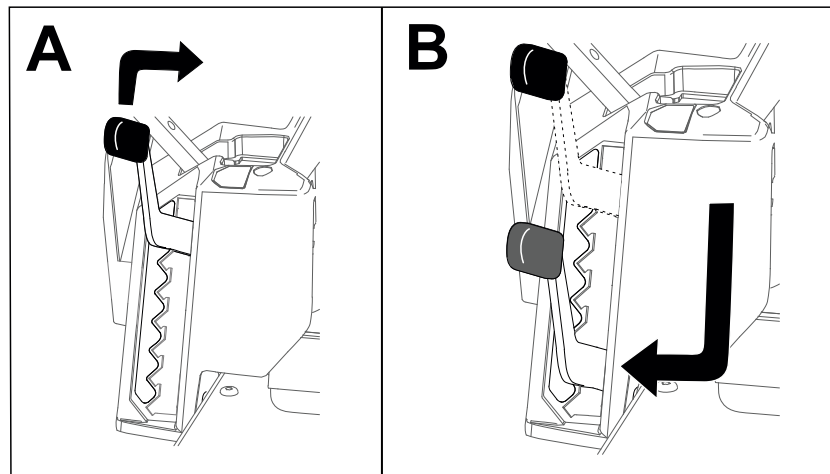
Si le déflecteur d'herbe, l'obturateur d'éjection ou le système de ramassage complet ne sont pas en place sur la machine, vous-même ou d'autres personnes peuvent être touchés par une lame ou des débris projetés. Les lames en rotation et les débris projetés peuvent occasionner des blessures graves ou mortelles.

- N'enlevez pas le déflecteur d'herbe de la machine, sa présence est nécessaire pour diriger l'herbe tondue sur la pelouse. Si le déflecteur d'herbe est endommagé, remplacez-le immédiatement.
- Ne mettez jamais les mains ou les pieds sous la tondeuse.
- N'essayez jamais de dégager l'ouverture d'éjection ou les lames du tablier de coupe sans avoir au préalable désengagé la PDF. Tournez la clé à la position ARRÊT, puis enlevez-la.

Réglage de la hauteur de coupe

Utilisez le levier de sélection de hauteur de coupe à droite du poste de conduite pour régler la hauteur de coupe de 38 à 114 mm par paliers de 13 mm.

Remarque : La position de transport est la position de hauteur de coupe la plus élevée.



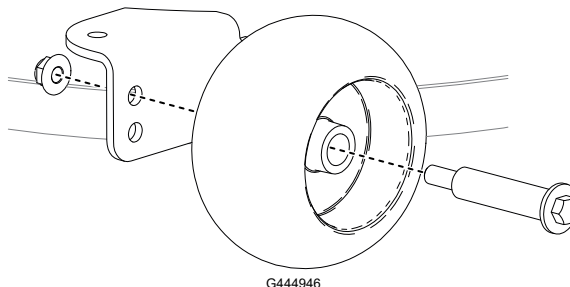
G441492

Réglage des galets anti-scalp

Ajustez la hauteur des galets anti-scalp chaque fois que vous modifiez la hauteur de coupe.

1. Garez la machine sur une surface plane et horizontale, désengagez la commande des lames (PDF) et serrez le frein de stationnement.
2. Avant de quitter la position d'utilisation, coupez le moteur de la machine, retirez la clé de contact et attendez l'arrêt complet de toutes les pièces mobiles.
3. Réglez les galets anti-scalp à la position correspondant le mieux à position de hauteur de coupe.

Remarque : Réglez les galets anti-scalp de sorte qu'ils ne touchent pas le sol sur les surfaces de tonte planes normales.



Utilisation de l'attelage

Votre machine peut tracter des charges ayant un poids brut maximum de 113 kg.

Le poids à la flèche d'attelage de la machine ne doit pas dépasser 45 kg.

IMPORTANT

Lors de l'utilisation de l'attelage, ne surchargez pas la machine ou la remorque, et ne tractez pas d'équipement de travail du sol. Surcharger la machine ou la remorque, ou tracter un équipement de travail du sol, peut engendrer de mauvaises performances ou endommager les moteur de traction, les pneus ou le cadre.

1. Garez la machine sur une surface plane et horizontale, désengagez la commande des lames (PDF) et serrez le frein de stationnement.
2. Avant de quitter la position d'utilisation, coupez le moteur de la machine, retirez la clé de contact et attendez l'arrêt complet de toutes les pièces mobiles.
3. Fixez l'équipement à l'attelage avec un goupille d'attelage.

Conseils d'utilisation

Maximiser la circulation d'air

Pour obtenir une circulation d'air maximale et des résultats optimaux, utilisez la machine en plaçant la commande des lames (PDF) en position HAUTE VITESSE. L'air doit pouvoir circuler pour bien couper l'herbe. Pour cette raison, ne sélectionnez pas une hauteur de coupe trop basse car le plateau de coupe serait alors complètement entouré d'herbe haute. Placez-

Conseils d'utilisation (suite)

vous toujours de sorte qu'un côté de la tondeuse se trouve à l'extérieur de la zone non-coupée. L'air pourra ainsi circuler librement dans le plateau de coupe.

Évitez de sélectionner une hauteur de coupe trop basse

Si le sol est irrégulier, utilisez une hauteur de coupe légèrement plus élevée que la normale pour éviter de scalper l'herbe. La hauteur de coupe habituelle est cependant celle qui convient le mieux en général. Si la hauteur de l'herbe dépasse 15 cm (6 po), vous devrez peut-être vous y reprendre à deux fois pour obtenir un résultat acceptable.

Tonte du tiers de la hauteur de l'herbe

L'idéal est de ne raccourcir l'herbe que du tiers de sa hauteur. Une coupe plus courte est déconseillée, à moins que l'herbe ne soit clairsemée, ou en automne lorsque la pousse commence à ralentir.

Alterner la direction de la tonte

Alternez le sens des passages pour ne pas coucher l'herbe. L'alternance permet aussi de mieux disperser l'herbe coupée, ce qui améliore la décomposition et la fertilisation.

Fréquence de tonte

L'herbe pousse plus ou moins vite selon la saison. Pour conserver une hauteur de coupe régulière, tondez plus souvent au début du printemps. Réduisez la fréquence de tonte au milieu de l'été, lorsque l'herbe pousse moins vite. Si le gazon n'a pas été tondu depuis un certain temps, tondez une première fois assez haut, puis un peu plus bas 2 jours plus tard.

Tondre à petites vitesses

Dans certaines conditions, la tonte à vitesse réduite peut améliorer la qualité de coupe.

Éviter les paquets d'herbe

Si vous immobilisez la machine pendant la tonte en marche avant, un paquet d'herbe coupée peut tomber sur la pelouse. Pour éviter cela, rendez-vous sur une zone déjà tondue en laissant les lames engagées ou désengagez le tablier de coupe pendant la tonte en marche avant de la machine.

Propreté du dessous du tablier de coupe

Nettoyez le dessous du tablier de coupe après chaque utilisation. L'accumulation de déchets d'herbe et de saleté finira par réduire la qualité de la tonte.

Entretien des lames

Utilisez une lame bien aiguisée durant toute la saison de tonte, pour obtenir une coupe nette sans arracher ni déchiqueter les brins d'herbe. L'herbe arrachée ou déchiquetée brunit sur les bords, sa croissance ralentit et elle devient plus sensible aux maladies. Après chaque

Conseils d'utilisation (suite)

utilisation, vérifiez l'état, l'usure et l'affûtage des lames. Limez les entailles éventuelles et aiguissez les lames au besoin. Remplacez les lames usées ou endommagées.

Après l'utilisation

Consignes de sécurité après l'utilisation

- Désengagez la PDF chaque fois que vous transportez la machine ou qu'elle ne sert pas.
- Utilisez des rampes pleine largeur pour charger la machine sur une remorque ou un camion.
- Arrimez solidement la machine au moyen de sangles, chaînes, câbles ou cordes. Les sangles avant et arrière doivent être dirigées vers le bas et l'extérieur de la machine.
- Remplacez toutes les pièces et tous les autocollants usés, endommagés ou manquants. Gardez toutes les fixations bien serrées pour garantir le bon fonctionnement de la machine.

Charge des batteries

IMPORTANT

La batterie n'est pas complètement chargée à l'achat. Avant d'utiliser la machine pour la première fois, placez la batterie dans le chargeur et chargez-la jusqu'à ce que les LED indiquent que la batterie est complètement chargée. Lisez toutes les consignes de sécurité.

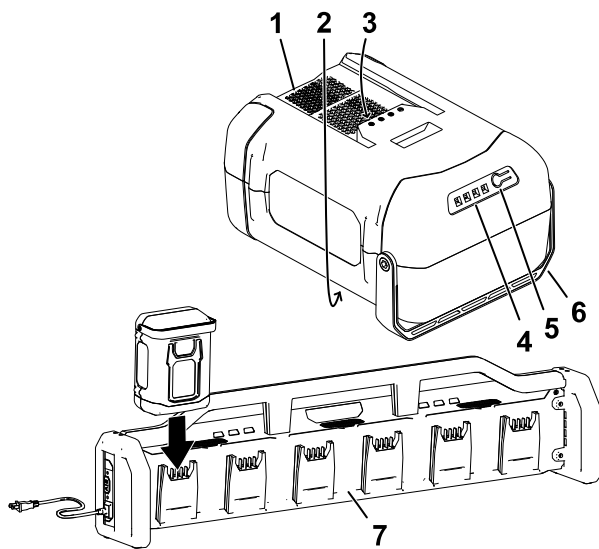
IMPORTANT

Chargez la batterie uniquement à des températures comprises dans la plage adéquate ; voir [Spécifications, page 3–6](#).

Remarque : À tout moment, appuyez sur le bouton indicateur de charge de la batterie pour afficher la charge actuelle (LED).

1. Vérifiez que les événements de la batterie et du chargeur sont exempts de poussière et de débris.

Charge des batteries (suite)



G505617s

- ① Creux de la batterie
- ② Évents de la batterie
- ③ Bornes de la batterie
- ④ Bouton indicateur de charge de la batterie
- ⑤ LED (charge actuelle)
- ⑥ Poignée
- ⑦ Chargeur

2. Aligned le creux de la batterie sur la languette du chargeur.
3. Glissez la batterie dans le chargeur jusqu'à ce qu'elle soit complètement enclenchée.
4. Attendez que la ou les batteries soient chargées. Reportez-vous au tableau ci-dessous pour interpréter les indications de la LED sur le chargeur de batteries.

Témoin lumineux	Indication
Éteinte	Pas de batterie insérée
Jaune	Batterie en veille pendant que les autres batteries se chargent
Verte clignotante	Batterie en charge
Verte	Batterie chargée
Rouge	La température du chargeur et/ou de la batterie est supérieure ou inférieure à la plage appropriée.
Rouge clignotante	Anomalie de charge de la batterie ; voir Dépannage

Si plusieurs batteries sont connectées au chargeur, vous pouvez alterner entre 2 modes de charge en appuyant sur le bouton A/B sur le côté du chargeur.

- Charge rapide séquentielle (mode A) : 1 seule batterie à la fois est chargée au maximum ; lorsque la charge est terminée, la batterie suivante commence à se charger. Ainsi, la charge complète des batteries individuelles s'effectue plus rapidement.

Charge des batteries (suite)

- Charge parallèle (mode B) : toutes les batteries connectées sont chargées en parallèle au même niveau. Ainsi, toutes les batteries connectées sont chargées au même niveau.

Remarque : Pendant l'utilisation normale, le chargeur produit un bruit de ventilateur pendant la charge des batteries.

IMPORTANT

Vous pouvez laisser la batterie dans le chargeur pendant une courte période entre deux utilisations.

Si la batterie ne doit pas servir pendant une période prolongée, retirez-la du chargeur.

5. Tirez la batterie hors du chargeur pour la retirer.

Transport de la machine

Transportez la machine sur une remorque de poids-lourd ou un camion. Utilisez une rampe d'une seule pièce. Le camion ou la remorque doit être équipé(e) des freins, des éclairages et de la signalisation exigés par la loi. Lisez attentivement toutes les consignes de sécurité. Tenez-en compte pour éviter de vous blesser ou de blesser des personnes à proximité. Reportez-vous aux ordonnances locales concernant les exigences d'arrimage et de remorquage.



ATTENTION



Il est dangereux de conduire sur la voie publique sans clignotants, éclairages, réflecteurs ou panneau « véhicule lent ». Vous risquez de provoquer un accident et de vous blesser.

Ne conduisez pas la machine sur la voie publique.

Exigences concernant les remorques



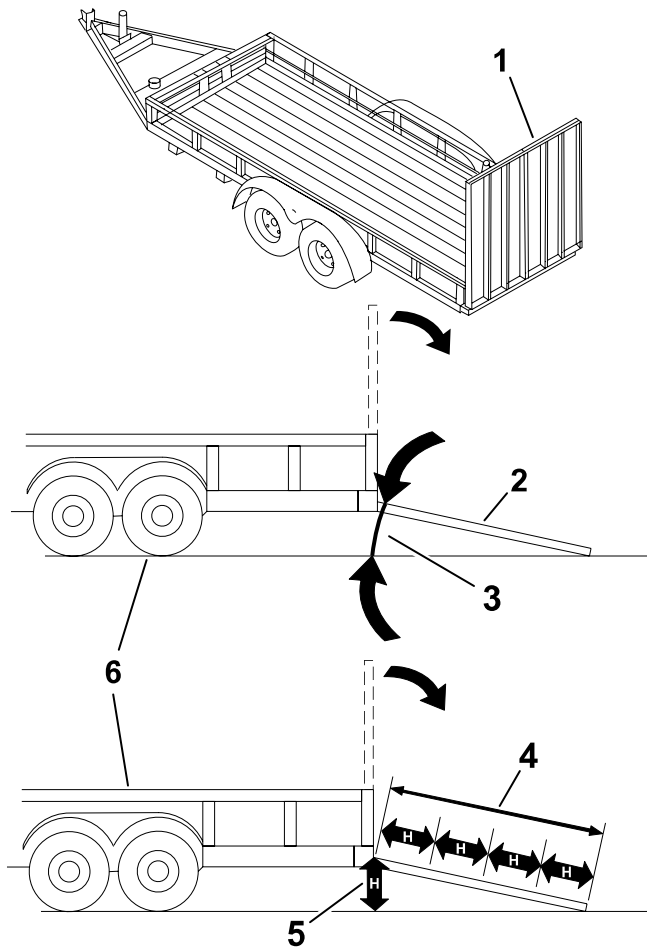
ATTENTION



Le chargement de la machine sur une remorque ou un camion augmente le risque de basculement et donc de blessures graves ou mortelles.

- **Utilisez uniquement une rampe pleine largeur; n'utilisez pas de rampes séparées de chaque côté de la machine.**
 - **L'angle entre la rampe et le sol, ou entre la rampe et la remorque ou le camion, ne doit pas dépasser 15 degrés.**
 - **La rampe doit être au moins quatre fois plus longue que la hauteur de la remorque ou du plateau de chargement par rapport au sol.**
-

Transport de la machine (suite)



- ① Rampes d'une seule pièce en position rangée
- ② Vue latérale de la rampe d'une seule pièce en position de chargement
- ③ 15 degrés maximum
- ④ La rampe doit être au moins quatre fois plus longue que la hauteur de la remorque ou du plateau de chargement par rapport au sol.
- ⑤ H = hauteur de la remorque ou du plateau du camion par rapport au sol
- ⑥ Remorque

Chargement de la machine



ATTENTION



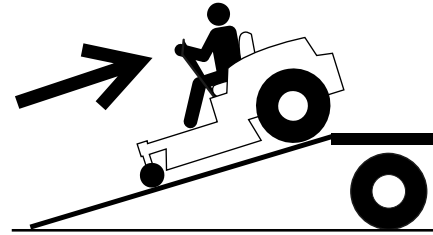
Le chargement de la machine sur une remorque ou un camion augmente le risque de basculement, et donc de blessures graves ou mortelles.

- Procédez avec la plus grande prudence lorsque vous manœuvrez la machine sur une rampe.
- Faites monter la machine sur la rampe en marche arrière et descendez en marche avant.
- Évitez d'accélérer ou de décélérer brutalement lorsque vous conduisez la machine sur une rampe car vous pourriez en perdre le contrôle ou la renverser.

1. Si vous utilisez une remorque, attelez-la au véhicule tracteur et attachez les chaînes de sécurité.
2. Le cas échéant, raccordez les freins de la remorque.

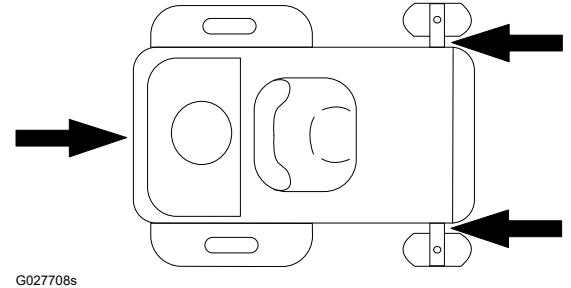
Transport de la machine (suite)

3. Abaissez la rampe de telle sorte que l'angle avec le sol ne dépasse pas 15 degrés.
4. Montez la rampe en marche arrière.
5. Coupez le moteur de la machine, enlevez la clé et serrez le frein de stationnement.



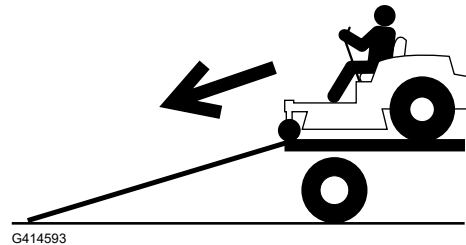
6. Arrimez la machine au moyen de sangles, chaînes, câbles ou cordes. Voir la réglementation locale concernant les exigences en matière d'arrimage.

Remarque : Veillez à bien attacher le compartiment de la batterie pour éviter qu'il ne s'ouvre pendant le transport.



Déchargement de la machine

1. Abaissez la rampe pour que l'angle avec le sol ne dépasse pas 15 degrés.
2. Descendez la rampe en marche avant.



Consignes de sécurité pendant l'entretien



ATTENTION



La modification de la machine, de pièces et/ou d'accessoires d'origine peut affecter la garantie, la maniabilité et la sécurité de la machine. Les modifications non autorisées de la machine d'origine et/ou l'utilisation de pièces autres que des pièces Toro d'origine peuvent entraîner des blessures graves ou mortelles.

- **N'effectuez aucune modification non autorisée sur la machine, les pièces et/ou des accessoires.**
 - **Utilisez exclusivement des pièces Toro d'origine.**
-
- Avant de régler, nettoyer, réviser ou quitter la machine, effectuez la procédure suivante :
 - Garez la machine sur une surface plane et horizontale.
 - Débrayez toutes les commandes et la prise de force.
 - Serrez le frein de stationnement.
 - Coupez le moteur et enlevez la clé de contact.
 - Attendez l'arrêt complet de toutes les pièces mobiles.
 - Laissez refroidir les composants de la machine.
 - Libérez la pression emmagasinée dans les composants avec précaution.
 - Vérifiez fréquemment le fonctionnement du frein de stationnement. Faites l'entretien des freins selon les besoins.
 - N'enlevez pas et ne modifiez pas les dispositifs de sécurité. Vérifiez régulièrement qu'ils fonctionnent correctement.
 - Ne vous fiez pas uniquement aux crics hydrauliques ou mécaniques pour soutenir la machine ; soutenez-la avec des chandelles quand vous la soulevez.
 - Examinez toujours les lames avec prudence. Manipulez les lames avec des gants ou en les enveloppant dans un chiffon, et toujours avec prudence. Limitez-vous à remplacer ou aiguiser les lames ; n'essayez jamais de les redresser ou de les souder.
 - Attention, sur les machines à plusieurs lames, la rotation d'une lame peut entraîner celle des autres.
 - N'approchez pas les mains ou les pieds des surfaces chaudes.
 - Maintenez toutes les fixations serrées, en particulier les fixations des lames.

Programme d'entretien recommandé

Périodicité des entretiens	Procédure
Après les 50 premières heures	Contrôlez le couple de serrage des écrous de roue.
Avant chaque utilisation ou chaque jour	Contrôlez le système de sécurité.
	Contrôlez les lames.
	Vérifiez l'état du déflecteur d'herbe.
Après chaque utilisation	Nettoyez l'herbe et autres débris présents sur la machine.
Toutes les 25 heures	Contrôlez la pression des pneus.
	Contrôlez le filtre du compartiment de la batterie et remplacez-le au besoin.
Tous les ans	Contrôlez le couple de serrage des écrous de roue.
Avant le remisage	Effectuez tous les contrôles et entretiens mentionnés ci-dessus avant de remiser la machine.
	Peignez les surfaces écaillées.

Procédures avant l'entretien

Déplacement d'une machine en panne

1. Garez la machine sur une surface plane et désengagez les lames (PDF).
2. Coupez le moteur et enlevez la clé de contact.
3. Retirez les batteries de la machine.
4. Vérifiez que le frein de stationnement est desserré.



ATTENTION



La machine peut se déplacer inopinément lorsque le frein de stationnement est desserré et vous blesser ou blesser toute personne à proximité.

Serrez le frein de stationnement après avoir déplacé la machine.

5. Poussez la machine selon les besoins.

IMPORTANT

Poussez toujours la machine en marchant lentement; ne la remorquez pas. Vous endommagerez la machine si vous la déplacez plus rapidement.

Si l'écran s'allume pendant que vous poussez la machine, déplacez la machine plus lentement.

6. Serrez le frein de stationnement.

Levage de la machine

Utilisez des chandelles pour soutenir la machine après l'avoir levée.

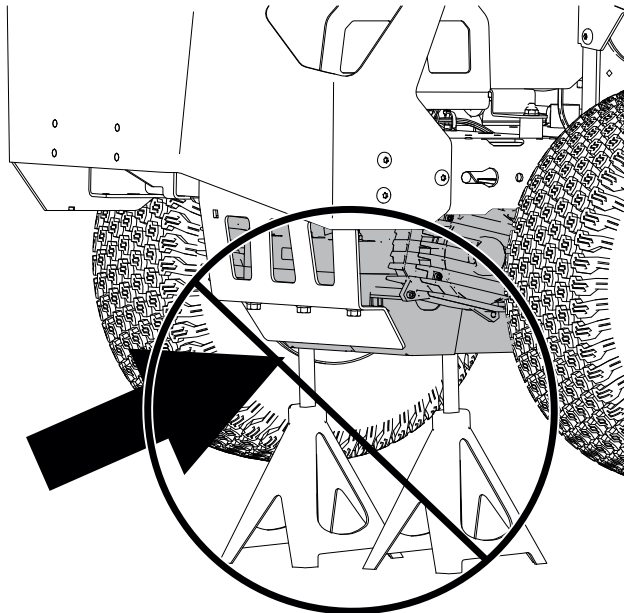


ATTENTION



Si vous soutenez la machine en l'appuyant sur la boîte-pont ou le moteur, vous risquez d'endommager ces composants et la machine peut tomber et vous blesser ou blesser d'autres personnes.

Ne vous servez pas de la boîte-pont ou du moteur pour soulever ou soutenir la machine.



G454948

Entretien du système électrique

Préparation de la batterie pour le recyclage

IMPORTANT

Après avoir retiré la batterie de la machine, recouvrez les bornes de ruban adhésif épais. N'essayez pas de détruire ou de démonter la batterie ni de déposer aucun de ses composants.



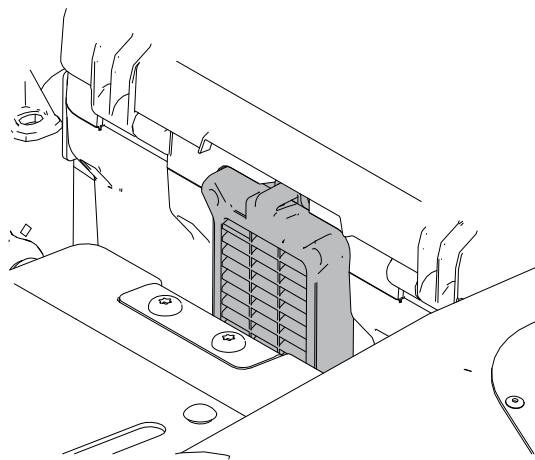
Les batteries lithium-ion qui portent le label Call2Recycle peuvent être recyclées auprès de n'importe quel revendeur ou centre de recyclage de batteries participant au programme Call2Recycle (États-Unis et Canada uniquement). Pour trouver un revendeur ou le centre de recyclage participant le plus proche, appelez le +1-800-822-8837 ou rendez-vous sur www.call2recycle.org. Si vous ne trouvez pas de revendeur ou de centre à proximité, ou si votre batterie rechargeable ne porte pas le label Call2Recycle, contactez votre municipalité pour vous renseigner sur le recyclage responsable de la batterie. Hors des États-Unis et du Canada, veuillez contacter votre concessionnaire-réparateur agréé.

Contrôle du filtre du compartiment des batteries

1. Garez la machine sur une surface plane et horizontale, désengagez la commande des lames (PDF) et serrez le frein de stationnement.
2. Coupez le moteur et enlevez la clé de contact.
3. Ouvrez le couvercle du filtre du compartiment des batteries derrière le siège.
4. Nettoyez le filtre en le tapotant pour faire tomber la poussière.

Remarque : Remplacez le filtre par un neuf s'il est très encrassé.

5. Posez le filtre.
6. Reposez le couvercle du filtre.



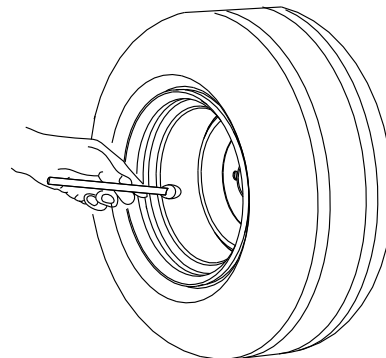
G455145

Entretien de la transmission

Contrôle de la pression des pneus

Maintenez les pneus avant et arrière gonflés à la pression spécifiée. Les pneus mal gonflés peuvent compromettre la qualité et l'uniformité de la coupe. Pour obtenir un résultat plus précis, contrôlez la pression au niveau de la valve lorsque les pneus sont froids.

1. Gonflez les pneus des roues pivotantes à 2,06 bar (30 psi) ou à la pression indiquée sur le flanc, selon la valeur la plus basse.
2. Gonflez les pneus des roues motrices arrière à 0,9 bar (13 psi).



G441539

Contrôle des écrous de roues



Contrôlez et serrez les écrous de roues à **108 Nm (80 pi-lb)**.

Réglage du parallélisme des roues

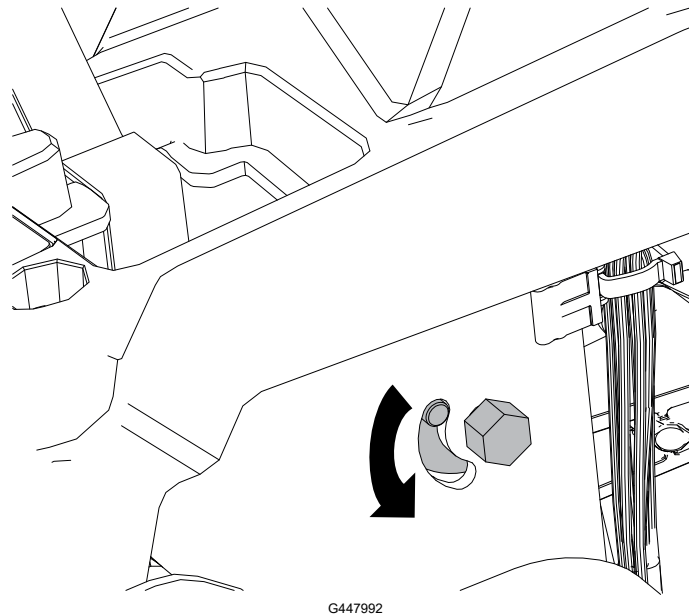
Lorsque vous conduisez la machine en marche avant à la vitesse maximale sur une surface plane et qu'elle tire d'un côté, corrigez la dérive.

Remarque : Vous ne pouvez régler le parallélisme des roues que pour la marche avant.

1. Garez la machine sur une surface plane et horizontale, désengagez la commande des lames (PDF) et serrez le frein de stationnement.
2. Avant de quitter la position d'utilisation, coupez le moteur de la machine, retirez la clé de contact et attendez l'arrêt complet de toutes les pièces mobiles.
3. Soulevez le siège.
4. Tournez le boulon de réglage du parallélisme des roues près du levier qui doit être réglé.

Remarque : Cela permet de réduire la vitesse de cette roue. Tournez légèrement le boulon pour effectuer de petits réglages.

Réglage du parallélisme des roues (suite)



5. Abaissez le siège.
6. Démarrez la machine et conduisez-la en marche avant sur une surface plane et horizontale, en poussant les deux leviers de commande complètement en avant pour vérifier que la machine avance en ligne droite. Répétez la procédure si nécessaire.

Entretien du tablier de coupe

Entretien des lames

Pour un bon résultat, les lames doivent toujours être bien aiguisées. Il est utile de prévoir des lames de rechange pour le remplacement et le réaffûtage.

Remplacez les lames si elles heurtent un obstacle, ou si elles sont déséquilibrées ou faussées.

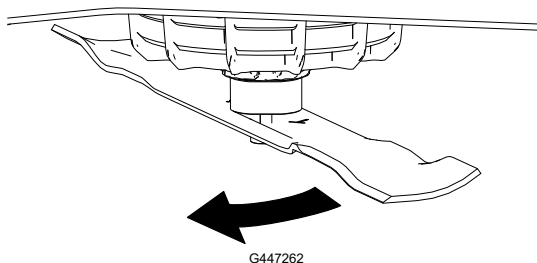
Avant le contrôle ou l'entretien des lames

1. Garez la machine sur une surface plane et horizontale, désengagez la commande des lames (PDF) et serrez le frein de stationnement.
2. Avant de quitter la position d'utilisation, coupez le moteur de la machine, retirez la clé de contact et attendez l'arrêt complet de toutes les pièces mobiles.
3. Retirez les batteries de la machine.

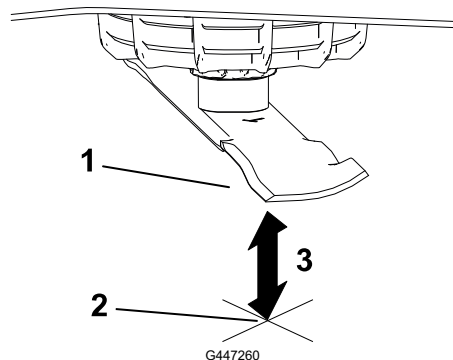
Détection des lames faussées

Placez la machine sur une surface plane horizontale pour effectuer cette procédure.

1. Élevez le plateau à la hauteur de coupe maximale.
2. Enfilez des gants épais ou utilisez une autre protection adéquate pour les mains, et faites tourner la lame lentement jusqu'à une position permettant de mesurer correctement la distance entre le tranchant et la surface plane.



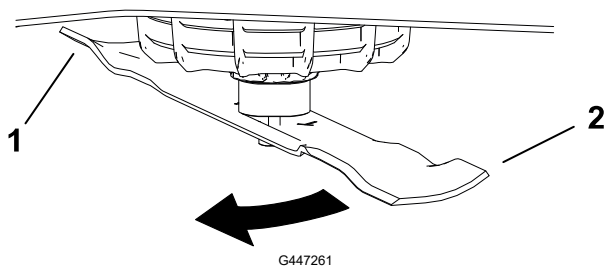
3. Mesurez la distance entre la pointe de la lame et la surface plane.



- ① Lame (positionnée pour la mesure)
- ② Surface plane et horizontale
- ③ Distance mesurée entre la lame et la surface (A)

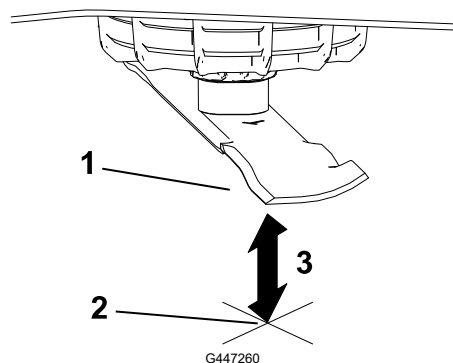
4. Tournez la même lame de 180 degrés pour amener le bord opposé à la même position.

Entretien des lames (suite)



- ① Bord de la lame déjà mesuré
- ② Bord opposé de la lame

5. Mesurez la distance entre la pointe de la lame et la surface plane.



- ① Lame (positionnée pour la mesure)
- ② Surface plane et horizontale
- ③ Distance mesurée entre la lame et la surface (B)

6. Si la différence entre A et B est supérieure à 3 mm, remplacez la lame.

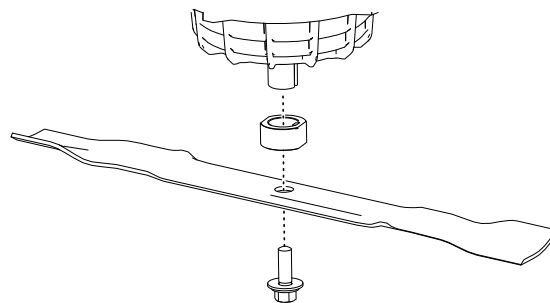
Remarque : Si, après avoir remplacé la lame la différence reste supérieure à 3 mm, l'arbre du moteur de la lame est peut-être faussé. Contactez un concessionnaire-réparateur Toro agréé pour faire réviser la machine.

7. Répétez cette procédure pour chaque lame.

Dépose des lames

Remplacez les lames si elles heurtent un obstacle, ou si elles sont déséquilibrées ou faussées.

1. Tenez la lame par son extrémité avec un chiffon ou un gant épais.
2. Déposez la lame comme montré.



Entretien des lames (suite)

Aiguïsage des lames

1. Au moyen d'une lime, aiguïsez les tranchants aux deux extrémités de la lame. Veillez à conserver l'angle d'origine ①.

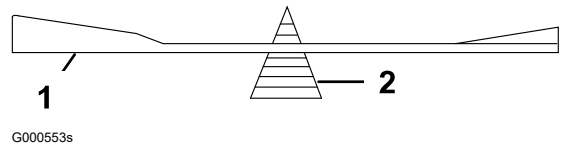
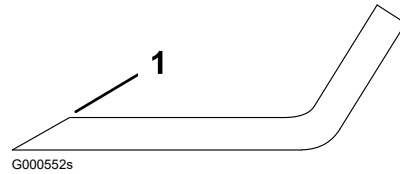
Remarque : Limez la même quantité de métal sur les deux tranchants pour ne pas déséquilibrer la lame.

2. Vérifiez l'équilibre de la lame ① en la plaçant sur un équilibreur ②.

Remarque : Si la lame reste horizontale, elle est équilibrée et peut être utilisée.

Si la lame est déséquilibrée, limez un peu l'extrémité de l'ailette seulement.

3. Répétez cette procédure jusqu'à ce que la lame soit équilibrée.



Pose des lames



ATTENTION



L'utilisation d'une machine après l'installation incorrecte de la lame et/ou l'utilisation d'une lame et de fixations de lame qui ne sont pas Toro d'origine peuvent entraîner la projection d'une lame ou d'un composant de lame de sous le tablier et provoquer des blessures graves ou mortelles.

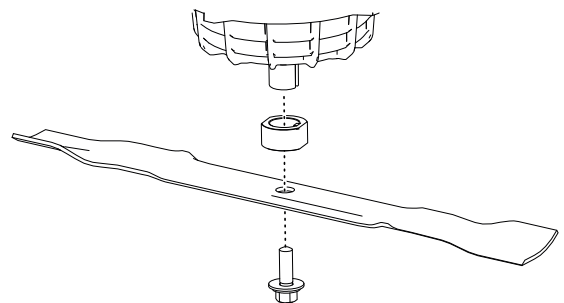
Installez toujours des lames et des fixations Toro d'origine conformément aux instructions.

1. Installez la lame comme montré.

Remarque : Pour une coupe correcte, l'ailette de la lame doit être tournée vers le haut et dirigée vers l'intérieur du tablier de coupe.



2. Serrez le boulon de la lame à un couple de **81 à 108 N·m (60 à 80 pi-lb)**.



Mise à niveau du tablier de coupe

Vérifiez que le tablier de coupe est de niveau chaque fois que vous l'installez ou si la tonte de la pelouse semble irrégulière.

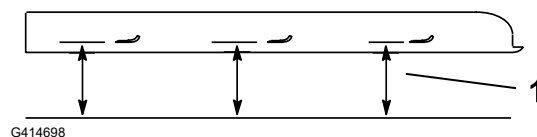
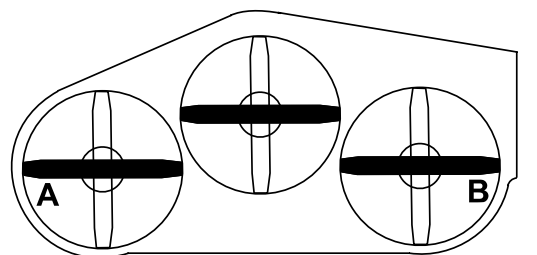
Préparatifs de mise à niveau du plateau de coupe

1. Garez la machine sur une surface plane et horizontale, désengagez la commande des lames (PDF) et serrez le frein de stationnement.
2. Avant de quitter la position d'utilisation, coupez le moteur de la machine, retirez la clé de contact et attendez l'arrêt complet de toutes les pièces mobiles.
3. Retirez les batteries de la machine.
4. Vérifiez que les pneus sont gonflés à la pression correcte et que les roues pivotantes sont en direction droit devant.
5. Vérifiez si des lames du plateau de coupe sont faussées ; déposez et remplacez les lames faussées.
6. Élevez le plateau de coupe à la hauteur de 76 mm.

Contrôle du niveau du tablier de coupe

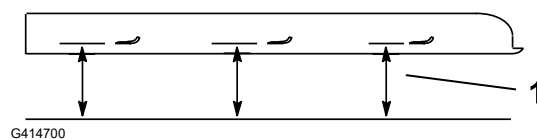
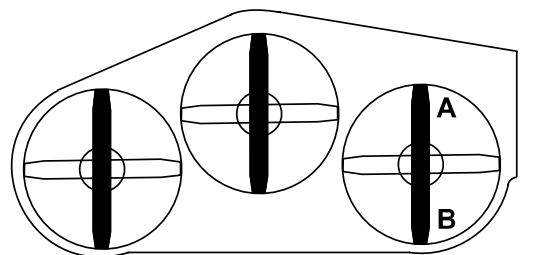
1. Tournez les lames pour les mettre parallèles dans le sens transversal.
2. Mesurez aux points (A) et (B) l'écart entre la surface plane et le tranchant à la pointe des lames (1).

Les deux mesures ne doivent pas différer de plus de 5 mm (3/16 po). Si la mesure est plus importante, réglez le niveau transversal.



3. Tournez 1 lame dans le sens longitudinal.
4. Mesurez aux points (A) et (B) l'écart entre la surface plane et le tranchant à la pointe des lames (1).

La pointe avant de la lame avant doit être de 1,5 à 8 mm (1/16 à 5/16 po) plus basse que la pointe arrière. Si la mesure n'est pas correcte, réglez le niveau longitudinal.



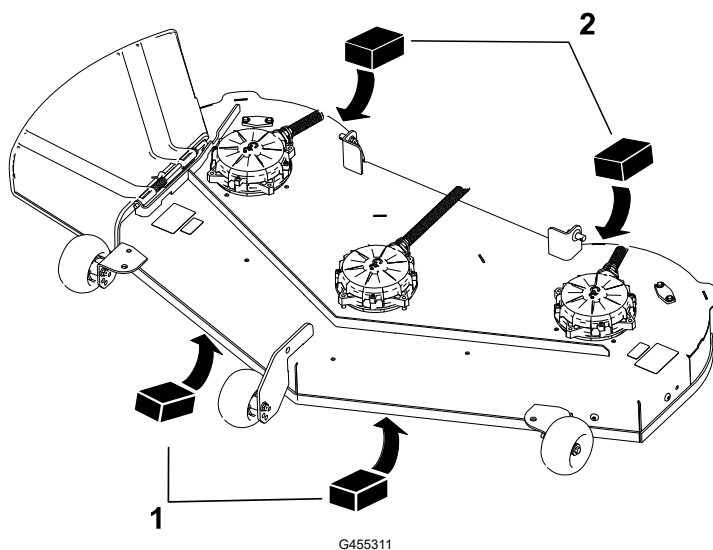
Mise à niveau du tablier de coupe (suite)

Mise à niveau du plateau de coupe

1. Placez les galets anti-scalp dans les trous supérieurs ou enlevez-les complètement pour effectuer cette procédure.
2. Réglez le levier de hauteur de coupe à la position 76 mm.
3. Placez 2 cales, de 6,6 cm d'épaisseur chacune, sous chaque côté du bord avant du plateau de coupe.

IMPORTANT

Ne placez pas de cales sous les supports des galets anti-scalp.

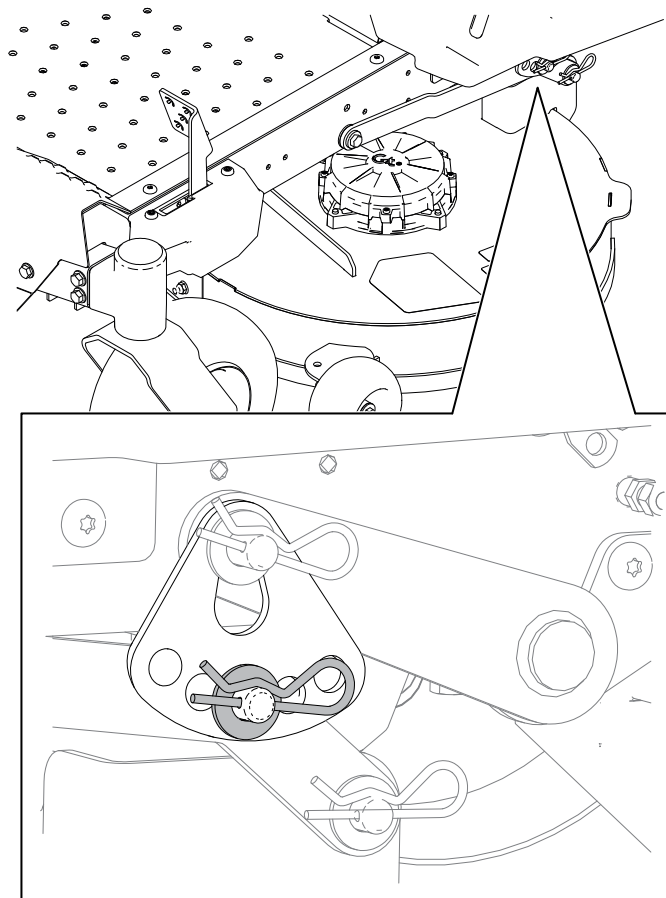


① Cale de 6,6 cm

② Cale de 7,3 cm

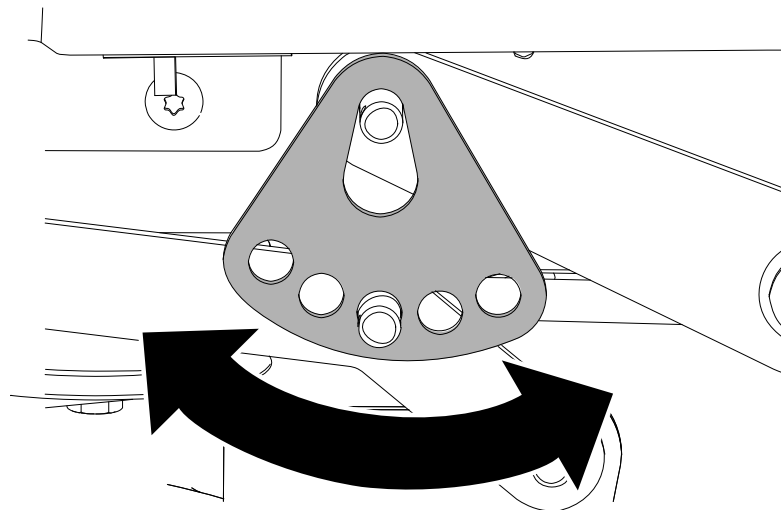
4. Placez 2 cales, de 7,3 cm d'épaisseur chacune, sous chaque côté du bord arrière de la jupe du plateau de coupe.
5. Réglez le niveau transversal selon les besoins :
 - A. Retirez la goupille fendue et la rondelle de l'axe inférieur gauche du bras de levage.

Mise à niveau du tablier de coupe (suite)



G448684

- B. Tournez la plaque de hauteur de coupe à un trou différent pour que le poids du plateau de coupe soit soutenu après l'installation de la plaque.



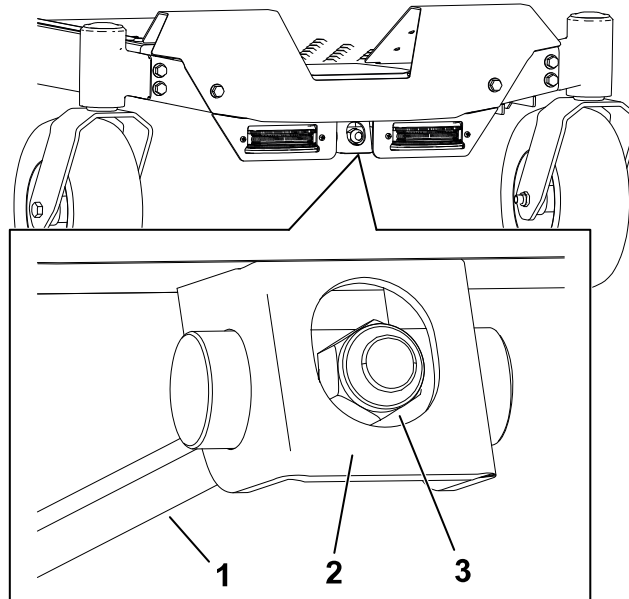
G448681

- C. Remettez en place la rondelle et la goupille fendue.
D. Répétez le réglage de l'autre côté de la machine.
E. Vérifiez de nouveau le réglage transversal et répétez la procédure jusqu'à ce que les mesures soient correctes.
6. Réglez le niveau avant/arrière selon les besoins :

Mise à niveau du tablier de coupe (suite)

A. Tournez l'écrou de réglage à l'avant du plateau de coupe.

Pour élever l'avant du plateau de coupe, serrez l'écrou de réglage ; pour abaisser l'avant du plateau, desserrez l'écrou de réglage.




G448683

B. Contrôlez de nouveau le réglage avant/arrière et répétez la procédure jusqu'à ce que les mesures soient correctes.

7. Vérifiez que le plateau est de niveau et effectuez de nouveaux réglages au besoin.

Entretien des freins

Essai du frein de stationnement

1. Démarrez la machine.
2. Conduisez lentement la machine en marche avant sur une surface plane et serrez le frein de stationnement pendant que la machine roule.
3. Vérifiez que la machine s'immobilise et que l'icône du frein de stationnement apparaît sur l'écran d'information, puis placez les leviers en position point mort. 
4. Essayez lentement de conduire la machine en marche avant ou marche arrière.
5. Vérifiez que l'icône du frein de stationnement reste affichée sur l'écran d'information et que machine ne bouge pas.

Si l'icône ne s'affiche pas ou que la machine se déplace pendant que le frein de stationnement est serré, contactez un concessionnaire-réparateur agréé.

Nettoyage

Nettoyage du dessous du plateau de coupe

Nettoyez le dessous du plateau de coupe après chaque utilisation pour éviter l'accumulation d'herbe et améliorer ainsi le mulching et la dispersion des déchets de tonte.

IMPORTANT

Ne nettoyez pas le plateau de coupe à l'eau au risque d'endommager les moteurs électriques.



ATTENTION



L'air comprimé mal utilisé pour nettoyer la machine peut causer de graves blessures.

- **Portez un équipement de protection individuelle adapté, notamment une protection oculaire, des protecteurs d'oreilles et un masque antipoussière.**
 - **Ne dirigez pas l'air comprimé vers vous ou vers toute autre personne.**
 - **Voir les instructions du fabricant du compresseur pour tout renseignement sur l'utilisation et la sécurité.**
-

1. **Garez la machine sur une surface plane et horizontale, désengagez la commande des lames (PDF) et serrez le frein de stationnement.**
2. **Coupez le moteur et enlevez la clé de contact.**
3. **Retirez les batteries de la machine.**
4. **Soulevez l'avant de la machine sur des chandelles.**
5. **Grattez les débris sur la machine ou enlevez-les à l'air comprimé.**



Remisage de la machine

Remisez la machine, la batterie et le chargeur uniquement à des températures comprises dans la plage adéquate; voir [Spécifications, page 3–6](#).

1. Garez la machine sur une surface plane et horizontale, placez la commande des lames (PDF) en position désengagée et serrez le frein de stationnement.
2. Avant de quitter la position d'utilisation, coupez le moteur de la machine, retirez la clé de contact et attendez l'arrêt complet de toutes les pièces mobiles.
3. Retirez les batteries de la machine.
4. Débarrassez tout l'extérieur de la machine des déchets d'herbe, des saletés et de la crasse, plus particulièrement les moteurs de déplacement et des lames, le compartiment des batteries et le dessous de la machine.
5. Contrôlez le fonctionnement du frein de stationnement.
6. Contrôlez la pression des pneus.
7. Charge des batteries.

IMPORTANT

Si vous remisez les batteries pour un an ou plus, chargez-les jusqu'à ce que 1 ou 2 des DEL soient vertes. Ne remisez pas une batterie complètement chargée ou complètement déchargée. Avant de remettre la machine en service, chargez les batteries jusqu'à ce que la DEL gauche du chargeur devienne verte ou que les 4 DEL des batteries deviennent vertes.

8. Grattez l'herbe et les saletés éventuellement accumulées sur le dessous de la tondeuse.
9. Vérifiez l'état des lames
10. Contrôlez et resserrez toutes les fixations. Réparez ou remplacez toute pièce endommagée.
11. Peignez toutes les surfaces métalliques éraflées ou mises à nu. Une peinture pour retouches est disponible chez les dépositaires-réparateurs agréés.
12. Rangez la machine dans un endroit propre et sec, comme un garage ou une remise. Retirez la clé du commutateur d'allumage et rangez-la hors de la portée des enfants ou des personnes non autorisées. Couvrez la machine pour la protéger et la garder propre.



Dépannage de la machine

La machine vibre de manière anormale

Cause possible	Solution
Lame(s) faussée(s) ou déséquilibrée(s).	Remplacez la ou les lames.
Le boulon de fixation de la lame est desserré.	Serrez le boulon de fixation de la lame.
L'axe de lame est faussé.	Contactez un concessionnaire-réparateur agréé.
Un support moteur est desserré ou usé.	Contactez un concessionnaire-réparateur agréé.

La hauteur de coupe est inégale.

Cause possible	Solution
Lame(s) émoussée(s).	Affûtez la ou les lames.
Lame(s) faussée(s).	Remplacez la (les) lame(s).
Le plateau de coupe n'est pas de niveau.	Mettez le plateau de coupe de niveau, transversalement et longitudinalement.
Un galet anti-scalp (le cas échéant) est mal réglé.	Réglez la hauteur du galet anti-scalp.
Le dessous du plateau de coupe est encrassé.	Nettoyez le dessous du plateau de coupe.
Pression des pneus incorrecte.	Corrigez la pression des pneus.
L'axe d'une lame est faussé.	Contactez un concessionnaire-réparateur agréé.
Un moteur de lame ne fonctionne pas correctement.	Contactez un concessionnaire-réparateur agréé.

Les lames ne tournent pas.

Cause possible	Solution
La commande des lames est défectueuse.	Contactez un concessionnaire-réparateur agréé.

Dépannage de la batterie et du chargeur

Le système de batteries se décharge trop rapidement.

Cause possible	Solution
La température du système de batteries est supérieure ou inférieure à la plage de température adéquate.	Déplacez la machine à un endroit sec où la température se situe dans la plage indiquée à la section Spécifications.
Le système de batteries n'utilise pas toutes batteries installées.	Lorsque la machine est en marche, contrôlez la LED à côté de chaque batterie pour vérifier qu'elle est active. Si des batteries sont inactives, vérifiez qu'elles sont correctement installées et que toutes batteries sont chargées au même niveau.

Une LED de la batterie sur la machine ne s'allume pas.

Cause possible	Solution
La batterie n'est pas correctement engagée dans le compartiment des batteries.	La batterie n'est pas engagée correctement.
Le niveau de charge de la batterie est inférieur à celui des batteries actives.	Chargez la batterie au même niveau que les batteries actives. Remarque : La machine utilise toutes les batteries simultanément uniquement si elles sont toutes chargées au même niveau ; sinon, elle utilise les batteries les plus chargées jusqu'à ce qu'elles atteignent le même niveau de charge que les autres batteries.

Le chargeur de batteries ne fonctionne pas.

Cause possible	Solution
La température du chargeur est supérieure ou inférieure à la plage de température adéquate.	Débranchez le chargeur de batteries et transférez-le à un endroit sec où la température se situe dans la plage indiquée à la section Spécifications.
La prise sur laquelle le chargeur est branché n'est pas sous tension.	Demandez à un électricien qualifié de réparer la prise.

La LED du chargeur de batteries est rouge.

Cause possible	Solution
La température du chargeur et/ou de la batterie est supérieure ou inférieure à la plage de température adéquate.	Débranchez le chargeur de batteries et transférez-le ainsi que la batterie à un endroit sec où la température se situe dans la plage indiquée à la section Spécifications.

La LED du chargeur de batteries clignote en rouge.

Cause possible	Solution
Une erreur de communication s'est produite entre la batterie et le chargeur.	<ol style="list-style-type: none">1. Retirez la batterie du chargeur, débranchez le chargeur du secteur et patientez 10 secondes.2. Rebranchez le chargeur sur le secteur et insérez la batterie dans le chargeur. Si le voyant du chargeur clignote encore en rouge, répétez cette procédure. Si la LED du chargeur de batteries continue de clignoter après 2 tentatives et que la batterie est encore sous garantie, contactez un concessionnaire-réparateur agréé. Sinon, mettez la batterie au rebut correctement dans un centre de recyclage de batteries.
La batterie est faible.	Si la batterie est encore sous garantie, contactez un concessionnaire-réparateur agréé. Sinon, mettez la batterie au rebut correctement dans un centre de recyclage de batteries.






L'outil ne fonctionne pas ou fonctionne par intermittence.

Cause possible	Solution
Les fils de la batterie sont couverts d'humidité.	Laissez sécher ou essuyez la batterie.
La batterie n'est pas complètement installée dans l'outil.	Retirez et remettez la batterie en place dans l'outil, en vérifiant qu'elle est complètement insérée et enclenchée.

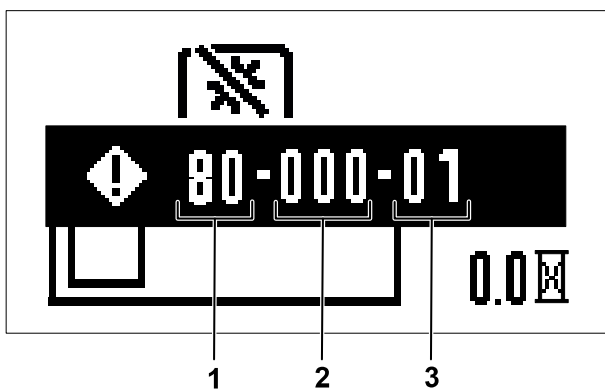
Dépannage des erreurs et des codes d'anomalie affichés

Avant de diagnostiquer une erreur, coupez le moteur de la machine, retirez la clé et retirez les batteries.

Icônes d'erreur

Icône	Description	Solution
	La température de la batterie est trop élevée.	<ol style="list-style-type: none">1. Coupez le moteur de la machine, retirez la batterie et attendez qu'elle refroidisse.2. Utilisez la machine dans la plage de température adéquate.
	La charge de la batterie est trop haute.	Réduisez la charge sur la machine.
	La température du moteur est trop élevée.	<ol style="list-style-type: none">1. Coupez le moteur de la machine et attendez qu'elle refroidisse avant de remettre le moteur en marche.2. Utilisez la machine dans la plage de température adéquate.
	La charge sur le moteur est trop élevée.	Réduisez la charge sur la machine.
	Code d'anomalie	Voir les tableaux suivants.

Les codes d'anomalie s'affichent sur l'écran d'information comme montré.



- ① Système
- ② Les 3 derniers chiffres du numéro de série du contrôleur
- ③ Code d'anomalie

G460280

Identifiez le système ou l'anomalie au moyen des 2 premiers chiffres du code et du premier tableau, puis identifiez l'anomalie au moyen des 2 derniers chiffres et du tableau du système approprié. Les 3 chiffres du centre correspondent aux 3 derniers chiffres du numéro de série du contrôleur, ce qui peut aider à déterminer le moteur à l'origine de l'anomalie.

Remarque : Le numéro de série ne s'affiche pas dans le cas des anomalies de PMU ; il est remplacé par 000 .

Anomalie de système

2 premiers chiffres du code	Système
60	Unités de gestion de puissance (PMU) – boîtier de la batterie
80	Contrôleur primaire
81	Moteur de déplacement gauche
82	Moteur de déplacement droit
83, 84 ou 85	Moteur de lame

Anomalies de l'unité de gestion de puissance (PMU)

2 derniers chiffres du code	Description de l'anomalie	Solution
60-XXX-66	Défaut de précharge de la PMU	Redémarrez le moteur ; si les problèmes persistent, contactez un concessionnaire-réparateur agréé.
60-XXX-69	Défaut de la PMU.	Redémarrez le moteur ; si les problèmes persistent, contactez un concessionnaire-réparateur agréé.
60-XXX-71	La batterie 1 a signalé un défaut de relais.	<ol style="list-style-type: none"> 1. Vérifiez que la batterie est installée correctement. 2. Déposez et chargez la batterie. Mise en place de la batterie. 3. Si les problèmes persistent, remplacez la batterie ou contactez

Anomalies de l'unité de gestion de puissance (PMU) (suite)

2 derniers chiffres du code	Description de l'anomalie	Solution
		un concessionnaire-réparateur agréé.
60-XXX-72	La batterie 2 a indiqué un défaut de relais.	<ol style="list-style-type: none"> 1. Vérifiez que la batterie est installée correctement. 2. Déposez et chargez la batterie. Mise en place de la batterie. 3. Si les problèmes persistent, remplacez la batterie ou contactez un concessionnaire-réparateur agréé.
60-XXX-73	La batterie 3 a signalé un défaut de relais.	<ol style="list-style-type: none"> 1. Vérifiez que la batterie est installée correctement. 2. Déposez et chargez la batterie. Mise en place de la batterie. 3. Si les problèmes persistent, remplacez la batterie ou contactez un concessionnaire-réparateur agréé.
60-XXX-74	La batterie 4 a signalé un défaut de relais.	<ol style="list-style-type: none"> 1. Vérifiez que la batterie est installée correctement. 2. Déposez et chargez la batterie. Mise en place de la batterie. 3. Si les problèmes persistent, remplacez la batterie ou contactez un concessionnaire-réparateur agréé.
60-XXX-75	La batterie 5 a signalé un défaut de relais.	<ol style="list-style-type: none"> 1. Vérifiez que la batterie est installée correctement. 2. Déposez et chargez la batterie. Mise en place de la batterie. 3. Si les problèmes persistent, remplacez la batterie ou contactez un concessionnaire-réparateur agréé.
60-XXX-76	La batterie 6 a signalé un défaut de relais.	<ol style="list-style-type: none"> 1. Vérifiez que la batterie est installée correctement. 2. Déposez et chargez la batterie. Mise en place de la batterie. 3. Si les problèmes persistent, remplacez la batterie ou contactez un concessionnaire-réparateur agréé.
60-XXX-77	Défaillance de semi-conducteur à l'oxyde métallique (MOS) dans la PMU.	Contactez un concessionnaire-réparateur agréé.

Anomalies de l'unité de gestion de puissance (PMU) (suite)

2 derniers chiffres du code	Description de l'anomalie	Solution
60-XXX-79	Un composant de freinage du moteur est trop chaud.	<ol style="list-style-type: none"> 1. Coupez le moteur de la machine et attendez qu'elle refroidisse avant de remettre le moteur en marche. 2. Utilisez la machine dans la plage de température adéquate.
60-XXX-80	La batterie 1 est trop chaude.	<ol style="list-style-type: none"> 1. Coupez le moteur de la machine, retirez la batterie et attendez qu'elle refroidisse. 2. Utilisez la machine dans la plage de température adéquate.
60-XXX-81	La batterie 2 est trop chaude.	<ol style="list-style-type: none"> 1. Coupez le moteur de la machine, retirez la batterie et attendez qu'elle refroidisse. 2. Utilisez la machine dans la plage de température adéquate.
60-XXX-82	La batterie 3 est trop chaude.	<ol style="list-style-type: none"> 1. Coupez le moteur de la machine, retirez la batterie et attendez qu'elle refroidisse. 2. Utilisez la machine dans la plage de température adéquate.
60-XXX-83	La batterie 4 est trop chaude.	<ol style="list-style-type: none"> 1. Coupez le moteur de la machine, retirez la batterie et attendez qu'elle refroidisse. 2. Utilisez la machine dans la plage de température adéquate.
60-XXX-84	La batterie 5 est trop chaude.	<ol style="list-style-type: none"> 1. Coupez le moteur de la machine, retirez la batterie et attendez qu'elle refroidisse. 2. Utilisez la machine dans la plage de température adéquate.
60-XXX-85	La batterie 6 est trop chaude.	<ol style="list-style-type: none"> 1. Coupez le moteur de la machine, retirez la batterie et attendez qu'elle refroidisse. 2. Utilisez la machine dans la plage de température adéquate.
60-XXX-86	La batterie 1 est défectueuse ou la batterie n'est pas assez chargée.	<ol style="list-style-type: none"> 1. Vérifiez que la batterie est installée correctement. 2. Déposez et chargez la batterie. Mise en place de la batterie. 3. Si les problèmes persistent, remplacez la batterie ou contactez un concessionnaire-réparateur agréé.

Anomalies de l'unité de gestion de puissance (PMU) (suite)

2 derniers chiffres du code	Description de l'anomalie	Solution
60-XXX-87	La batterie 2 est défectueuse ou la batterie n'est pas assez chargée.	<ol style="list-style-type: none"> 1. Vérifiez que la batterie est installée correctement. 2. Déposez et chargez la batterie. Mise en place de la batterie. 3. Si les problèmes persistent, remplacez la batterie ou contactez un concessionnaire-réparateur agréé.
60-XXX-88	La batterie 3 est défectueuse ou la batterie n'est pas assez chargée.	<ol style="list-style-type: none"> 1. Vérifiez que la batterie est installée correctement. 2. Déposez et chargez la batterie. Mise en place de la batterie. 3. Si les problèmes persistent, remplacez la batterie ou contactez un concessionnaire-réparateur agréé.
60-XXX-89	La batterie 4 est défectueuse ou la batterie n'est pas assez chargée.	<ol style="list-style-type: none"> 1. Vérifiez que la batterie est installée correctement. 2. Déposez et chargez la batterie. Mise en place de la batterie. 3. Si les problèmes persistent, remplacez la batterie ou contactez un concessionnaire-réparateur agréé.
60-XXX-90	La batterie 5 est défectueuse ou la batterie n'est pas assez chargée.	<ol style="list-style-type: none"> 1. Vérifiez que la batterie est installée correctement. 2. Déposez et chargez la batterie. Mise en place de la batterie. 3. Si les problèmes persistent, remplacez la batterie ou contactez un concessionnaire-réparateur agréé.
60-XXX-91	La batterie 6 est défectueuse ou la batterie n'est pas assez chargée.	<ol style="list-style-type: none"> 1. Vérifiez que la batterie est installée correctement. 2. Déposez et chargez la batterie. Mise en place de la batterie. 3. Si les problèmes persistent, remplacez la batterie ou contactez un concessionnaire-réparateur agréé.
60-XXX-92	Défaut de la PMU.	Vérifiez que la batterie est complètement engagée dans la fente ; si le problème persiste, contactez un concessionnaire-réparateur agréé.
60-XXX-93	Défaut de la PMU.	Vérifiez que la batterie est complètement engagée dans la fente ;

Anomalies de l'unité de gestion de puissance (PMU) (suite)

2 derniers chiffres du code	Description de l'anomalie	Solution
		si le problème persiste, contactez un concessionnaire-réparateur agréé.
60-XXX-94	Le système PMU est trop chaud.	<ol style="list-style-type: none"> 1. Coupez le moteur de la machine et attendez qu'elle refroidisse avant de remettre le moteur en marche. 2. Utilisez la machine dans la plage de température adéquate.
60-XXX-95	La communication PMU a été interrompue.	Vérifiez que la batterie est complètement engagée dans la fente ; si le problème persiste, contactez un concessionnaire-réparateur agréé.

Anomalies du contrôleur primaire

Code	Description de l'anomalie	Solution
80-XXX-01	Il n'y a pas de signal du réseau CAN (Controller Area Network) pour le contrôleur de déplacement gauche.	Vérifiez si des connexions sont desserrées ; si les problèmes persistent, contactez un concessionnaire-réparateur agréé.
80-XXX-02	Pas de signal du CAN (Controller Area Network) pour le contrôleur de déplacement droit.	Vérifiez si des connexions sont desserrées ; si les problèmes persistent, contactez un concessionnaire-réparateur agréé.
80-XXX-07	Une anomalie s'est produite dans le capteur de commande de déplacement gauche.	Vérifiez si des connexions sont desserrées ; si les problèmes persistent, contactez un concessionnaire-réparateur agréé.
80-XXX-08	Une anomalie s'est produite dans le capteur de commande de déplacement droit.	Vérifiez si des connexions sont desserrées ; si les problèmes persistent, contactez un concessionnaire-réparateur agréé.
80-XXX-10	Pas de signal CAN pour le contrôleur des lames (voir le numéros de série pour identifier l'emplacement).	Vérifiez si des connexions sont desserrées ; si les problèmes persistent, contactez un concessionnaire-réparateur agréé.
80-XXX-11	Pas de signal CAN pour le contrôleur des lames (voir le numéros de série pour identifier l'emplacement).	Vérifiez si des connexions sont desserrées ; si les problèmes persistent, contactez un concessionnaire-réparateur agréé.
80-XXX-12	Problème de compatibilité de la version du micrologiciel.	Pour une mise à jour du logiciel, contactez un concessionnaire-réparateur agréé.

Anomalies du contrôleur primaire (suite)

Code	Description de l'anomalie	Solution
80-XXX-19	Une anomalie s'est produite dans le convertisseur CC-CC.	Contactez un concessionnaire-réparateur agréé.
80-XXX-22	Erreur de mémoire du microcontrôleur (MCU).	Contactez un concessionnaire-réparateur agréé.
80-XXX-26	Pas de signal CAN pour le contrôleur des lames (voir le numéros de série pour identifier l'emplacement).	Vérifiez si des connexions sont desserrées ; si les problèmes persistent, contactez un concessionnaire-réparateur agréé.
80-XXX-27	Erreur matérielle du MCU.	Contactez un concessionnaire-réparateur agréé.
80-XXX-28	Erreur de validation des données de la mémoire flash du MCU.	Contactez un concessionnaire-réparateur agréé.
80-XXX-29	Erreur d'interruption non-masquable du MCU.	Contactez un concessionnaire-réparateur agréé.
80-XXX-30	Erreur de MCU.	Contactez un concessionnaire-réparateur agréé.
80-XXX-31	Erreur de référence de tension.	Contactez un concessionnaire-réparateur agréé.

Anomalies du contrôleur du moteur de déplacement/des lames

Code	Description de l'anomalie	Solution
81-XXX-00 82-XXX-00 83-XXX-00 84-XXX-00 85-XXX-00	Erreur de signal Hall.	Contactez un concessionnaire-réparateur agréé.
81-XXX-01 82-XXX-01 83-XXX-01 84-XXX-01 85-XXX-01	La séquence de signal Hall est anormale.	Contactez un concessionnaire-réparateur agréé.
81-XXX-02 82-XXX-02 83-XXX-02 84-XXX-02 85-XXX-02	Le contrôleur n'a pas démarré normalement.	Contactez un concessionnaire-réparateur agréé.

Anomalies du contrôleur du moteur de déplacement/des lames (suite)

Code	Description de l'anomalie	Solution
81-XXX-07 82-XXX-07 83-XXX-07 84-XXX-07 85-XXX-07	Le rotor du moteur est bloqué.	Enlevez les obstructions ; si les problèmes persistent, contactez un concessionnaire-réparateur agréé.
81-XXX-10 82-XXX-10 83-XXX-10 84-XXX-10 85-XXX-10	Le rotor du moteur fonctionne trop rapidement.	Contactez un concessionnaire-réparateur agréé.
81-XXX-11 82-XXX-11 83-XXX-11 84-XXX-11 85-XXX-11	Erreur de signal du MCU.	Contactez un concessionnaire-réparateur agréé.
81-XXX-12 82-XXX-12 83-XXX-12 84-XXX-12 85-XXX-12	Le courant du moteur est trop élevé.	Redémarrez la machine et réduisez la charge ; si les problèmes persistent, contactez un concessionnaire-réparateur agréé.
81-XXX-17 82-XXX-17 83-XXX-17 84-XXX-17 85-XXX-17	Surcharge de courant.	Redémarrez la machine et réduisez la charge ; si les problèmes persistent, contactez un concessionnaire-réparateur agréé.
81-XXX-19 82-XXX-19 83-XXX-19 84-XXX-19 85-XXX-19	Court-circuit dans le circuit.	Contactez un concessionnaire-réparateur agréé.
81-XXX-20 82-XXX-20	Erreur de composants du circuit intégré (CI) de commande de grille.	Contactez un concessionnaire-réparateur agréé.

Anomalies du contrôleur du moteur de déplacement/des lames (suite)

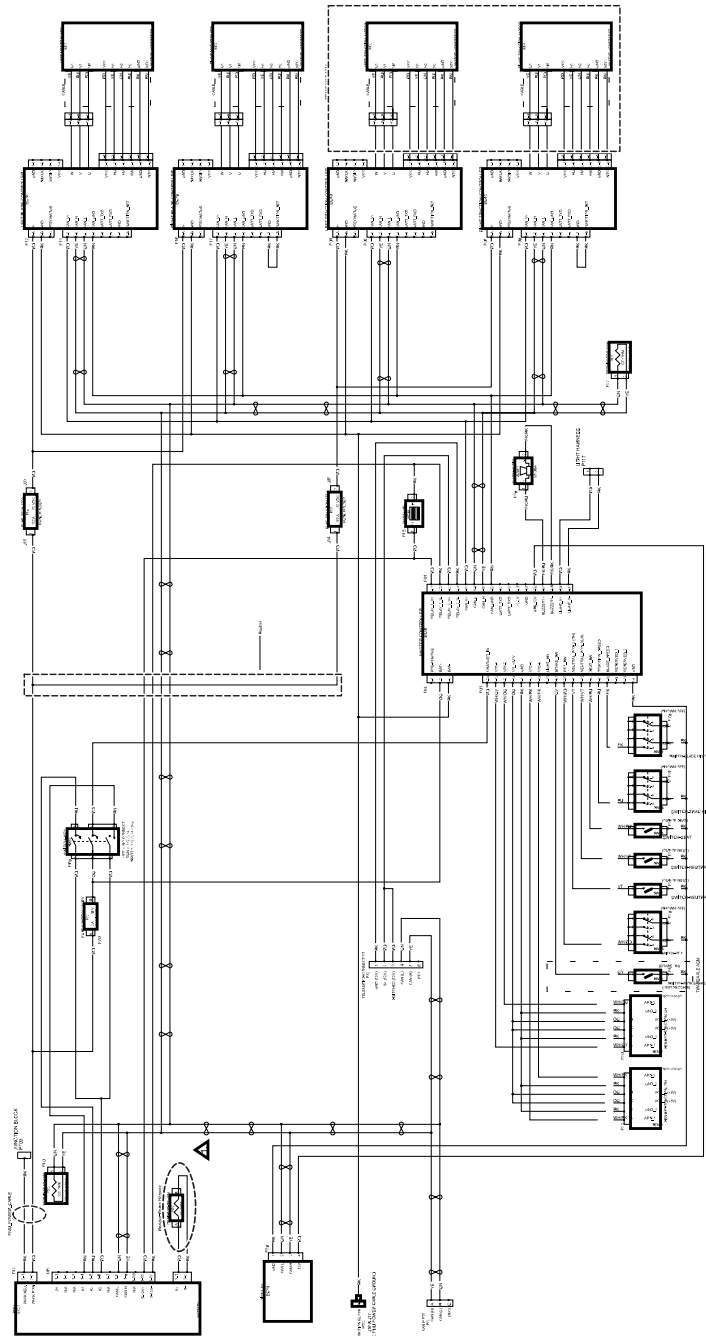
Code	Description de l'anomalie	Solution
83-XXX-20 84-XXX-20 85-XXX-20		
81-XXX-21 82-XXX-21 83-XXX-21 84-XXX-21 85-XXX-21	Le connecteur sur la phase du moteur est débranché.	Vérifiez si des connexions sont desserrées ; si les problèmes persistent, contactez un concessionnaire-réparateur agréé.
81-XXX-22 82-XXX-22 83-XXX-22 84-XXX-22 85-XXX-22	Erreur de mémoire du MCU.	Contactez un concessionnaire-réparateur agréé.
81-XXX-23 82-XXX-23 83-XXX-23 84-XXX-23 85-XXX-23	Erreur d'initialisation du CI de commande de grille.	Redémarrez le moteur ; si les problèmes persistent, contactez un concessionnaire-réparateur agréé.
81-XXX-25 82-XXX-25 83-XXX-25 84-XXX-25 85-XXX-25	Le signal actuel de l'ADC est anormal.	Contactez un concessionnaire-réparateur agréé.
81-XXX-26 82-XXX-26 83-XXX-26 84-XXX-26 85-XXX-26	Le signal CAN est déconnecté.	Vérifiez si des connexions sont desserrées ; si les problèmes persistent, contactez un concessionnaire-réparateur agréé.
81-XXX-27 82-XXX-27 83-XXX-27 84-XXX-27	Erreur matérielle du MCU.	Contactez un concessionnaire-réparateur agréé.

Anomalies du contrôleur du moteur de déplacement/des lames (suite)

Code	Description de l'anomalie	Solution
85-XXX-27		
81-XXX-28 82-XXX-28 83-XXX-28 84-XXX-28 85-XXX-28	Erreur de validation des données de la mémoire flash.	Contactez un concessionnaire-réparateur agréé.
81-XXX-29 82-XXX-29 83-XXX-29 84-XXX-29 85-XXX-29	Erreur d'interruption non-masquable du MCU.	Contactez un concessionnaire-réparateur agréé.
81-XXX-30 82-XXX-30 83-XXX-30 84-XXX-30 85-XXX-30	Erreur de MCU.	Contactez un concessionnaire-réparateur agréé.
81-XXX-31 82-XXX-31 83-XXX-31 84-XXX-31 85-XXX-31	Erreur de référence de tension.	Contactez un concessionnaire-réparateur agréé.

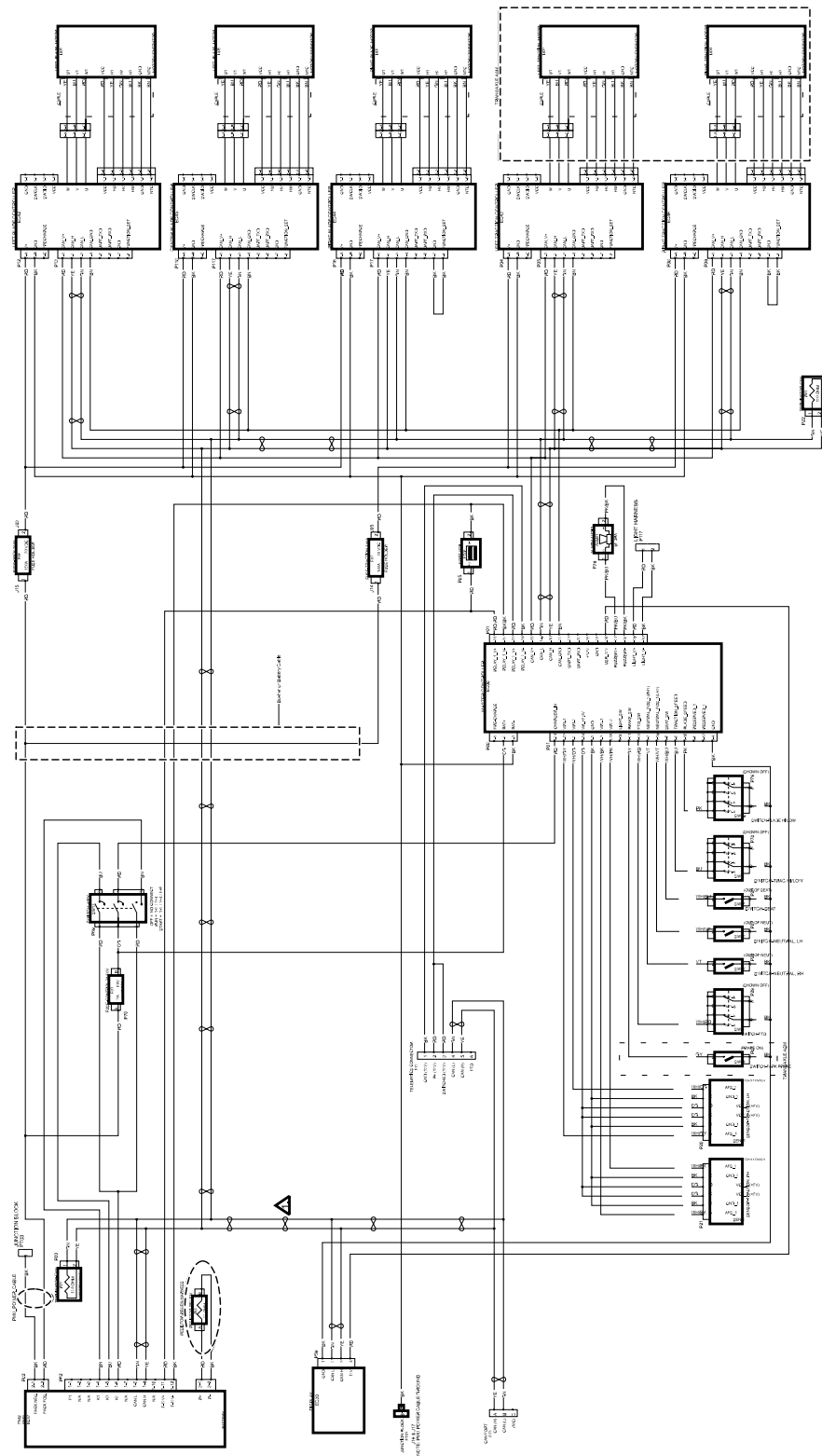
Schéma : schéma électrique

Machines à 2 lames



G465696

Machines à 3 lames



G465734

Proposition 65 de Californie – Information concernant cet avertissement

En quoi consiste cet avertissement?

Certains produits commercialisés présentent une étiquette d'avertissement semblable à ce qui suit :



AVERTISSEMENT : Cancer et troubles de la reproduction – www.p65Warnings.ca.gov.

Qu'est-ce que la Proposition 65?

La Proposition 65 s'applique à toute société exerçant son activité en Californie, qui vend des produits en Californie ou qui fabrique des produits susceptibles d'être vendus ou importés en Californie. Elle stipule que le Gouverneur de Californie doit tenir et publier une liste des substances chimiques connues comme causant des cancers, malformations congénitales et/ou autres troubles de la reproduction. Cette liste, qui est mise à jour chaque année, comprend des centaines de substances chimiques présentes dans de nombreux objets du quotidien. La Proposition 65 a pour objet d'informer le public quant à l'exposition à ces substances chimiques.

La Proposition 65 n'interdit pas la vente de produits contenant ces substances chimiques, mais impose la présence d'avertissements sur tout produit concerné, sur son emballage ou sur la documentation fournie avec le produit. D'autre part, un avertissement de la Proposition 65 ne signifie pas qu'un produit est en infraction avec les normes ou exigences de sécurité du produit. D'ailleurs, le gouvernement californien a clairement indiqué qu'un avertissement de la Proposition 65 « n'est pas une décision réglementaire quant au caractère « sûr » ou « dangereux » d'un produit ». Bon nombre de ces substances chimiques sont utilisées dans des produits du quotidien depuis des années, sans aucun effet nocif documenté. Pour plus de renseignements, rendez-vous sur <https://oag.ca.gov/prop65/faqs-view-all>.

Un avertissement de la Proposition 65 signifie qu'une société a soit (1) évalué l'exposition et conclu qu'elle dépassait le « niveau ne posant aucun risque significatif »; soit (2) choisi d'émettre un avertissement simplement sur la base de sa compréhension quant à la présence d'une substance chimique de la liste, sans tenter d'en évaluer l'exposition.

Cette loi s'applique-t-elle partout?

Les avertissements de la Proposition 65 sont exigés uniquement en vertu de la loi californienne. Ces avertissements sont présents dans tout l'état de Californie, dans des environnements très variés, notamment mais pas uniquement les restaurants, magasins d'alimentations, hôtels, écoles et hôpitaux, et sur un vaste éventail de produits. En outre, certains détaillants en ligne et par correspondance fournissent des avertissements de la Proposition 65 sur leurs sites internet ou dans leurs catalogues.

Quelles différences entre les avertissements de Californie et les limites fédérales?

Les normes de la Proposition 65 sont souvent plus strictes que les normes fédérales et internationales. Diverses substances exigent un avertissement de la Proposition 65 à des niveaux bien inférieurs aux limites d'intervention fédérales. Par exemple, la norme de la Proposition 65 en matière d'avertissements pour le plomb se situe à 0,5 µg/jour, soit bien moins que les normes fédérales et internationales.

Pourquoi l'avertissement ne figure-t-il pas sur tous les produits semblables?

- Pour les produits commercialisés en Californie, l'étiquetage Proposition 65 est exigé, tandis qu'il ne l'est pas sur des produits similaires commercialisés ailleurs.
- Il se peut qu'une société impliquée dans un procès lié à la Proposition 65 et parvenant à un accord soit obligée d'utiliser les avertissements de la Proposition 65 pour ses produits, tandis que d'autres sociétés fabriquant des produits semblables peuvent ne pas être soumises à cette obligation.
- L'application de la Proposition 65 n'est pas uniforme.
- Certaines sociétés peuvent choisir de ne pas indiquer d'avertissements car elles considèrent qu'elles n'y sont pas obligées au titre de la Proposition 65; l'absence d'avertissements sur un produit ne signifie pas que le produit ne contient pas de substances de la liste à des niveaux semblables.

Pourquoi cet avertissement apparaît-il sur les produits Toro?

Toro a choisi de fournir aux consommateurs le plus d'information possible afin qu'ils puissent prendre des décisions éclairées quant aux produits qu'ils achètent et utilisent. Toro fournit des avertissements dans certains cas d'après ses connaissances quant à la présence de l'une ou plusieurs des substances chimiques de la liste, sans en évaluer le niveau d'exposition, car des exigences de limites ne sont pas fournies pour tous les produits chimiques de la liste. Bien que l'exposition avec les produits Toro puisse être négligeable ou parfaitement dans les limites « sans aucun risque significatif », par mesure de précaution, Toro a décidé de fournir les avertissements de la Proposition 65. De plus, en l'absence de ces avertissements, la société Toro pourrait être poursuivie en justice par l'État de Californie ou par des particuliers cherchant à faire appliquer la Proposition 65, et donc assujettie à d'importantes pénalités.