



Count on it.

Parts Catalog

**Groundsmaster® 4700-D
Rotary Mower**

Model No. 30887—Serial No. 416500000 and Up



Ordering Replacement Parts

To order replacement parts, please supply the part number, the quantity, and the description of each part desired.

Understanding Reference Numbers

Each identified part in an illustration has a reference number. The reference number for a part also appears in the parts list, along with other information about the part.

This catalog uses two special reference number formats, one to indicate parts in a service assembly and another to indicate the quantity of a given part in an illustration.

Service Assembly Reference Numbers

Parts in service assemblies have reference numbers in the form a:b. The a represents the reference number of the entire service assembly and the b represents a sequential number unique to each part within the service assembly.

For example, a wheel assembly might be identified by reference number 6, the tire by 6:1, the valve by 6:2, and the wheel by 6:3. When you order the assembly identified by reference number 6, you receive all parts identified by reference numbers 6:1, 6:2, and 6:3. However, you may also order any part individually. Reference numbers of this type appear in illustration and in parts lists.

Reference Numbers Indicating Quantity

In an illustration, if a reference number indicates more than one part, the reference number has the form nX y. The n represents the quantity of the part, the X is the multiplication symbol, and the y represents the reference number.

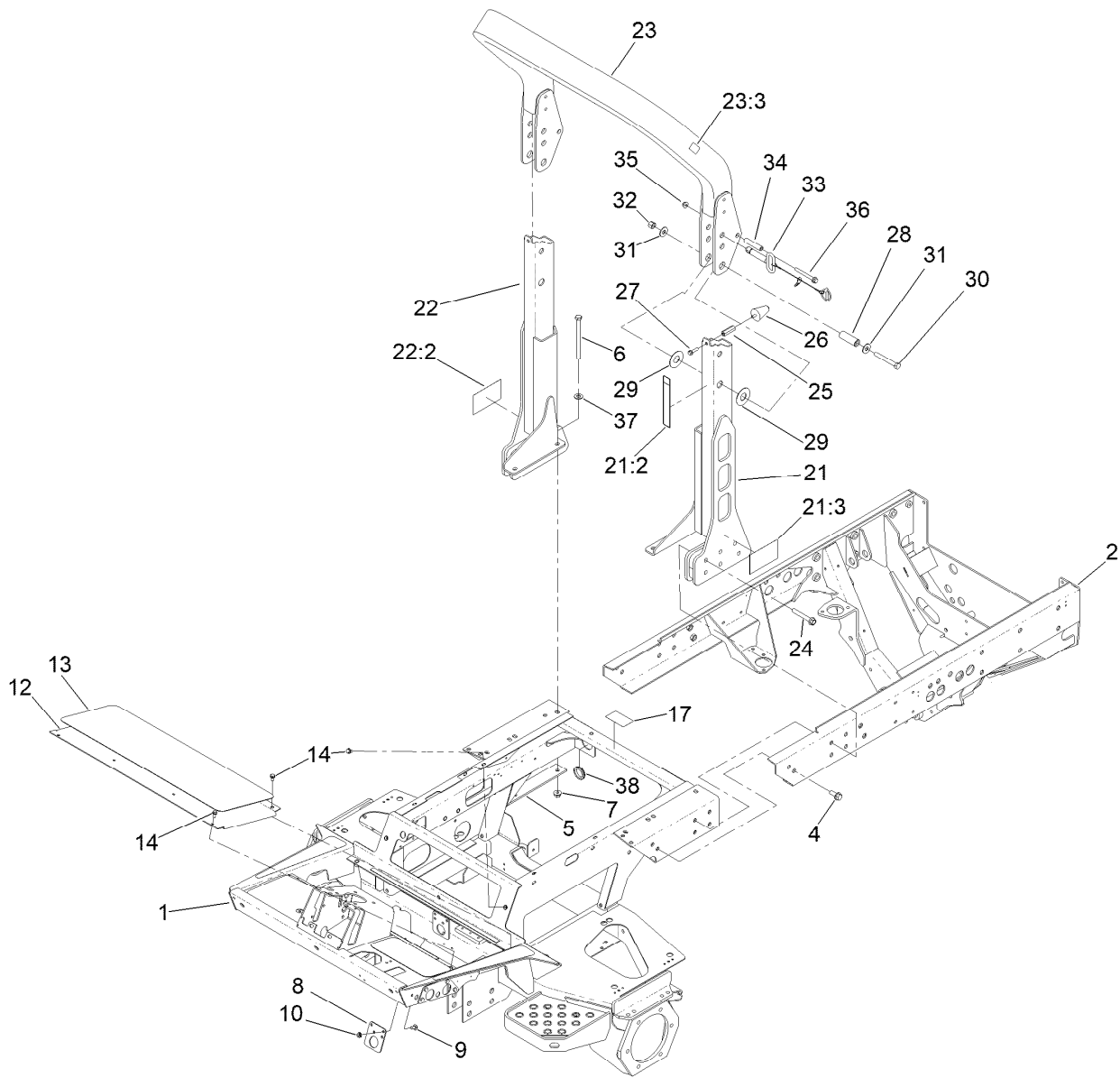
For example, in an illustration, the reference number 2X 37 means that two of the parts identified by reference number 37 are indicated.

Contents

| | |
|---|----|
| Frame and Roll-Over Protection System Assembly | 5 |
| Front Frame Assembly No. 120-8086..... | 6 |
| Front Shroud Assembly..... | 7 |
| Engine Mount Assembly..... | 8 |
| Flywheel Assembly | 9 |
| Engine, Air Cleaner and Controller Assembly | 10 |
| Air Cleaner Assembly No. 99-5410..... | 11 |
| Radiator Assembly..... | 12 |
| Fan Mounting Assembly | 14 |
| Hydraulic Motor Assembly No. 137-5571..... | 15 |
| No. 1, No. 4 and No. 5 Lift Arm and Deck Assembly | 16 |
| Lift Cylinder Assembly No. 127-6429 | 18 |
| Lift Cylinder Assembly No. 127-6427 | 19 |
| No. 2 and 3 Lift Arm and Deck Assembly..... | 20 |
| Lift Cylinder Assembly No. 127-6428 | 22 |
| No. 6 and 7 Lift Arm and Deck Assembly..... | 23 |
| Lift Cylinder Assembly No. 127-6430 | 25 |
| Roller and Carrier Frame Assembly | 26 |
| Rear Roller Assembly No. 137-6141..... | 28 |
| Height-of-Cut Bracket Assembly | 30 |
| Chamber, Blade and Spindle Assembly | 32 |
| Spindle Assembly No. 121-3666..... | 34 |
| Hydraulic Tank Assembly | 36 |
| Fuel System Assembly | 37 |
| Battery Mount Assembly..... | 38 |
| Battery Storage Box Assembly No. 115-9100..... | 39 |
| Storage Box Assembly No. 115-9101..... | 40 |
| Seat Mounting Assembly | 41 |
| Air Ride Seat Suspension Assembly No. 130-2702 | 42 |
| Vinyl Premium Seat Assembly No. 117-5676 | 44 |
| Console Assembly..... | 46 |
| Control Arm Switch Assembly | 47 |
| Steering and Brake Assembly | 48 |
| Steering Tilt Column Assembly No. 106-3622..... | 50 |
| Steering Valve Assembly No. 114-8119 | 51 |
| Pedal Assembly | 52 |
| Hood Assembly..... | 53 |
| Front Wheel Drive Assembly | 55 |
| Planetary Assembly No. 136-2913 | 56 |
| LH Brake Assembly No. 100-3070 | 57 |
| Piston Motor Assembly No. 136-2939 | 58 |
| RH Brake Assembly No. 100-3069 | 59 |
| Rear Axle Assembly..... | 60 |
| Hydraulic Steer Cylinder Assembly No. 127-6431 | 62 |
| Rear Piston Motor No. 136-2938..... | 63 |
| Bevel Pinion Shaft Assembly Rear Axle Assembly No. 110-4750 | 64 |
| Differential Assembly Rear Axle Assembly No. 110-4750 | 65 |
| Axle Support Assembly Rear Axle Assembly No. 110-4750 | 66 |
| Bevel Gear Case Assembly Rear Axle Assembly No. 110-4750..... | 67 |
| Bevel Gear Shaft Assembly Rear Axle Assembly No. 110-4750..... | 68 |
| Axle Case Assembly Rear Axle Assembly No. 110-4750 | 69 |
| Axle Assembly Rear Axle Assembly No. 110-4750..... | 70 |
| Hydraulic System Assembly | 71 |
| Four Section Pump Assembly No. 114-4189..... | 73 |

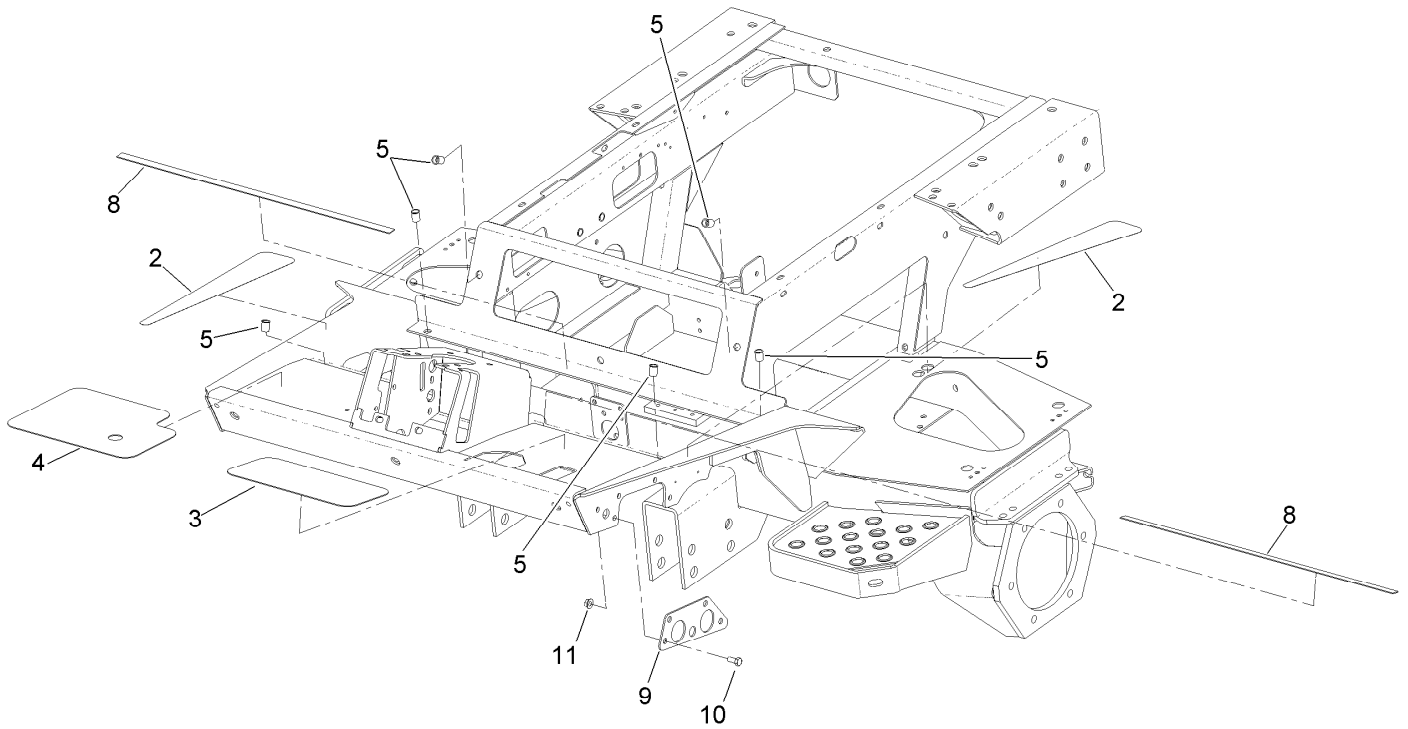
Contents (continued)

| | |
|--|-----|
| Hydraulic Pump Assembly No. 136-2940 | 74 |
| Hydraulic Valve Mounting Assembly | 76 |
| Mow Manifold Assembly No. 136-2916 | 78 |
| Lift Manifold Assembly No. 117-2389 | 79 |
| Lift Manifold Assembly | 80 |
| Junction Manifold Assembly No. 117-2394 | 81 |
| Junction Manifold Assembly | 82 |
| Fan Drive Manifold Assembly No. 117-2395 | 83 |
| Traction Manifold Assembly No. 136-3341 | 84 |
| 3-Way Valve Manifold Assembly No. 138-6946 | 85 |
| Hydraulic Traction Circuit Assembly | 86 |
| Steering Hydraulic Assembly | 88 |
| Hydraulic Traction Circuit Assembly | 89 |
| Deck Lift Hydraulic Circuit Assembly | 90 |
| Hydraulic Mow Circuit Assembly | 91 |
| Deck No. 1, 4 and 5 Hydraulic Assembly | 93 |
| Gear Motor Assembly No. 117-5141 | 94 |
| Deck No. 2 and 3 Hydraulic Assembly | 95 |
| Deck No. 6 and 7 Hydraulic Assembly | 96 |
| Electrical Assembly | 97 |
| Engine Wire Harness Assembly | 98 |
| Access Panel and Controller Assembly | 99 |
| Cylinder Block Assembly | 100 |
| Gear Housing Assembly | 102 |
| Flywheel Housing and Oil Sump Assembly | 104 |
| Cylinder Head and Cover Assembly | 106 |
| Suction Manifold Assembly | 108 |
| Exhaust Manifold Assembly | 109 |
| Diesel Particulate Filter Assembly | 110 |
| Camshaft and Driving Gear Assembly | 112 |
| Crankshaft and Piston Assembly | 114 |
| Turbine Assembly | 116 |
| Lubrication and Oil System Assembly | 117 |
| Lubrication Oil Line Assembly | 118 |
| Cooling Water System Assembly | 119 |
| Fuel System Assembly | 120 |
| Fuel Injection Valve Assembly | 122 |
| Fuel Line Assembly | 123 |
| Starting Motor Assembly | 124 |
| Generator Assembly | 125 |
| Gasket Set | 126 |
| Electric Parts Assembly | 128 |
| Attachments and Accessories | 129 |



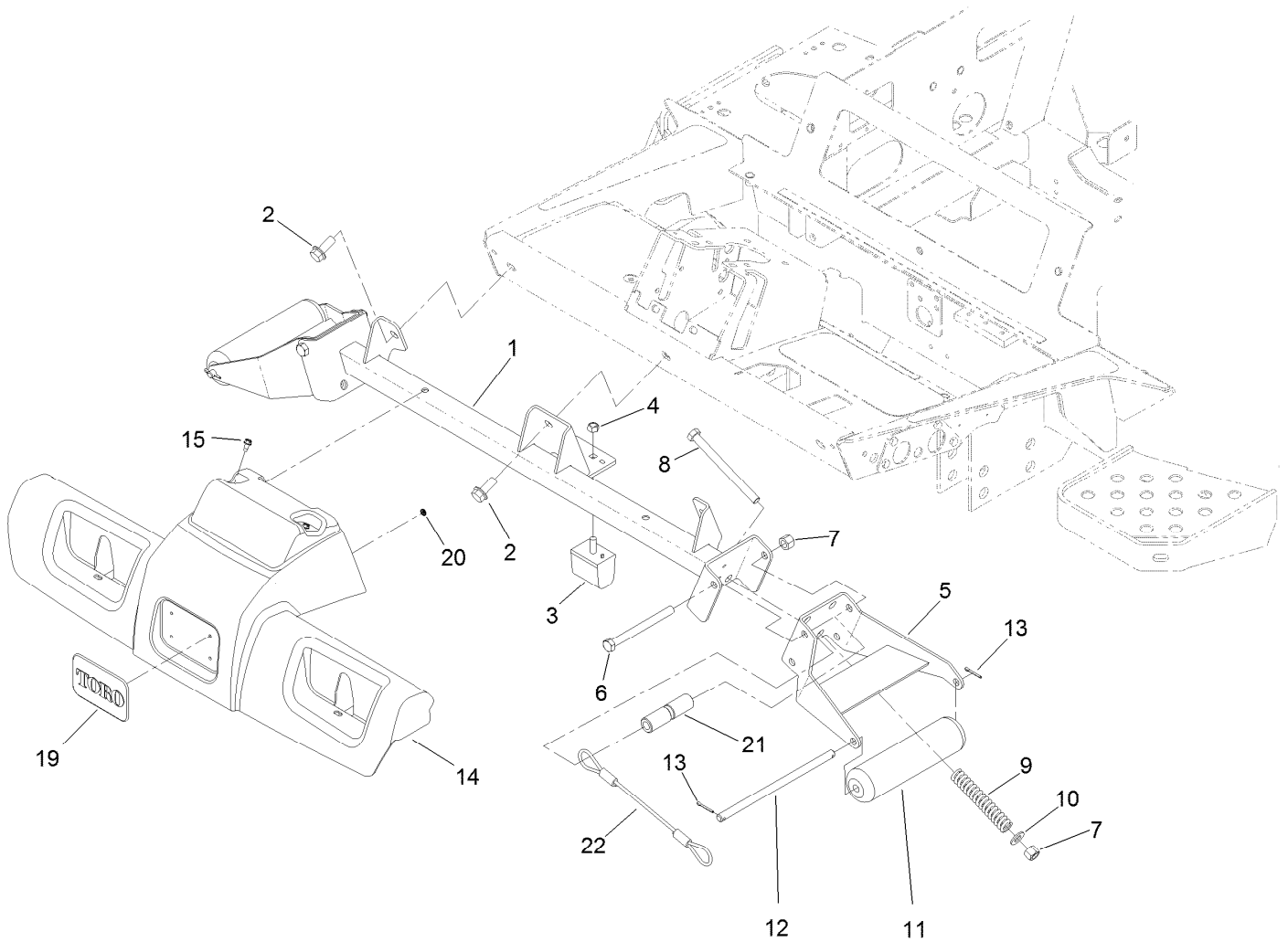
Frame and Roll-Over Protection System Assembly

| Ref. | Part Number | Qty. | Description | Ref. | Part Number | Qty. | Description |
|------|-------------|------|--------------------------|------|-------------|------|-----------------------|
| 1 | 120-8086 | 1 | Front Frame ASM | 23 | 136-2885 | 1 | Top Tube ASM |
| 2 | 120-8007-03 | 1 | Frame-Rear | 23:3 | 98-4387 | 1 | Decal-Protection, Ear |
| 4 | 3234-38 | 4 | Screw-HHF | 24 | 114-8419 | 12 | Screw-HHF |
| 5 | 104-5584-0P | 2 | Plate-Reinforcement,ROPS | 25 | 136-2899 | 2 | Standoff-Hex |
| 6 | 325-33 | 4 | Screw-HH | 26 | 114-1925 | 2 | Bumper-Rubber |
| 7 | 32128-49 | 4 | Nut-HHF | 27 | 3234-36 | 2 | Screw-HHF |
| 8 | 104-5516-0P | 1 | Support-Tube | 28 | 136-2890 | 2 | Spacer |
| 9 | 3230-23 | 2 | Bolt-CARR | 29 | 136-2893 | 4 | Washer-Plastic |
| 10 | 32128-20 | 2 | Nut-HF | 30 | 325-17 | 2 | Screw-HH |
| 12 | 75-1410-01 | 1 | Plate-Access, Floor | 31 | 3256-6 | 4 | Washer-Flat |
| 13 | 125-4614 | 1 | Tread-Foot, Center | 32 | 3296-23 | 2 | Nut-Lock, NI |
| 14 | 3234-7 | 4 | Screw-HHF | 33 | 136-2892 | 2 | Pin ASM |
| 17 | 106-6754 | 1 | Decal-Danger | 34 | 80-1890 | 2 | Spacer |
| 21 | 136-2900 | 1 | LH ROPS ASM | 35 | 104-8301 | 2 | Nut-HF, NI |
| 21:2 | 120-8947 | 1 | Decal-Danger, ROPS | 36 | 116-4701 | 2 | Screw-HHF |
| 21:3 | 94-8099 | 1 | Decal | 37 | 87-7270 | 4 | Washer-Thrust |
| 22 | 136-2901 | 1 | RH ROPS ASM | 38 | 240-2 | 1 | Grommet-Rubber |
| 22:2 | 94-8099 | 1 | Decal | | | | |



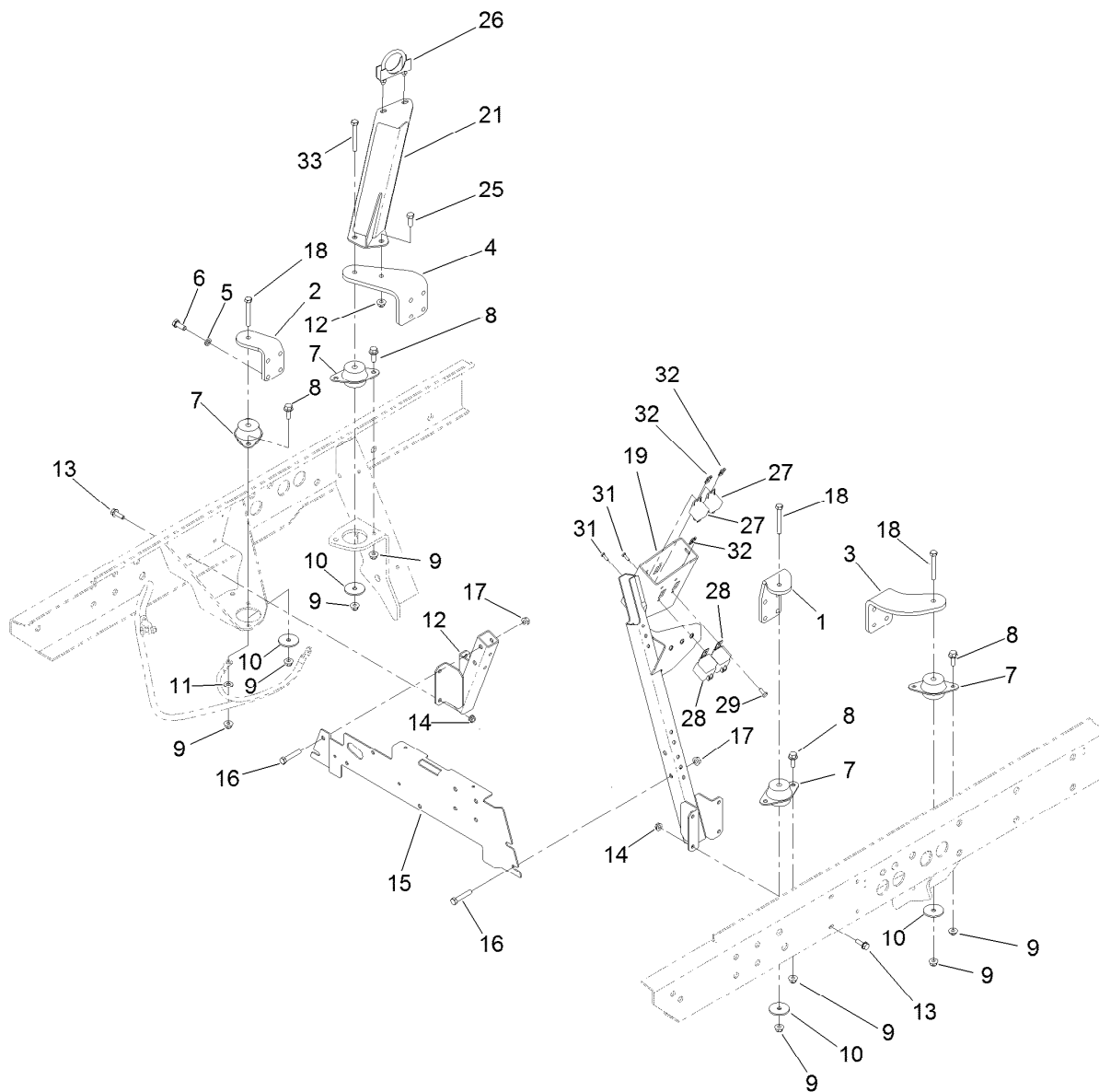
Front Frame Assembly No. 120-8086

| <i>Ref.</i> | <i>Part Number</i> | <i>Qty.</i> | <i>Description</i> |
|-------------|--------------------|-------------|--------------------------|
| 2 | 93-7592 | 2 | Tread-Rest, Foot |
| 3 | 75-0620 | 1 | Tread-Foot, LH |
| 4 | 104-5223 | 1 | Tread-Foot, RH |
| 5 | 32148-7 | 10 | Nut-Clinch |
| 8 | 105-9860 | 2 | Seal-Foam |
| 9 | 106-7794-01 | 2 | Plate-Mount, HYD Fitting |
| 10 | 322-3 | 8 | Screw-HH |
| 11 | 32128-20 | 8 | Nut-HF |



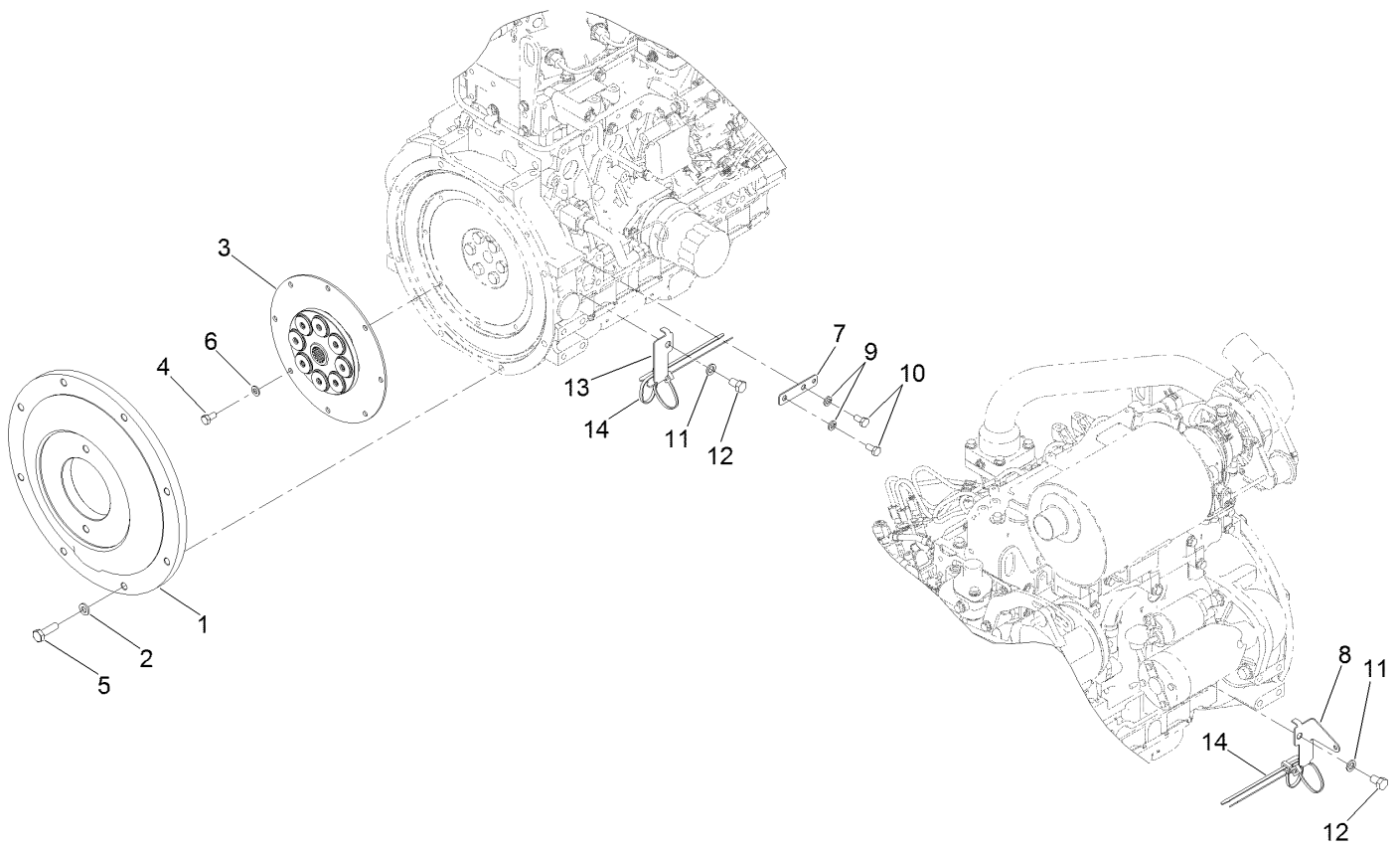
Front Shroud Assembly

| <i>Ref.</i> | <i>Part Number</i> | <i>Qty.</i> | <i>Description</i> | <i>Ref.</i> | <i>Part Number</i> | <i>Qty.</i> | <i>Description</i> |
|-------------|--------------------|-------------|--------------------|-------------|--------------------|-------------|--------------------|
| 1 | 117-4760-01 | 1 | Support-Roller | 11 | 105-9816 | 2 | Roller-Plastic |
| 2 | 3234-38 | 3 | Screw-HHF | 12 | 104-5545 | 2 | Shaft-Roller |
| 3 | 87-3470 | 1 | Bumper | 13 | 3272-11 | 4 | Pin-Cotter |
| 4 | 33025-00 | 1 | Nut-Lock, NI | 14 | 115-9137 | 1 | Shroud-Platform |
| 5 | 105-3996-01 | 2 | Support-Roller | 15 | 32104-17 | 2 | Screw-HWH |
| 6 | 325-22 | 2 | Screw-HH | 19 | 93-6028 | 1 | Plate-Logo |
| 7 | 3296-23 | 4 | Nut-Lock, NI | 20 | 138-6996 | 4 | Nut-Push |
| 8 | 325-20 | 2 | Screw-HH | 21 | 136-2923 | 2 | Spacer-Centering |
| 9 | 105-3970 | 2 | Spring-Compression | 22 | 136-7992 | 2 | Lanyard |
| 10 | 3256-26 | 2 | Washer-Flat | | | | |



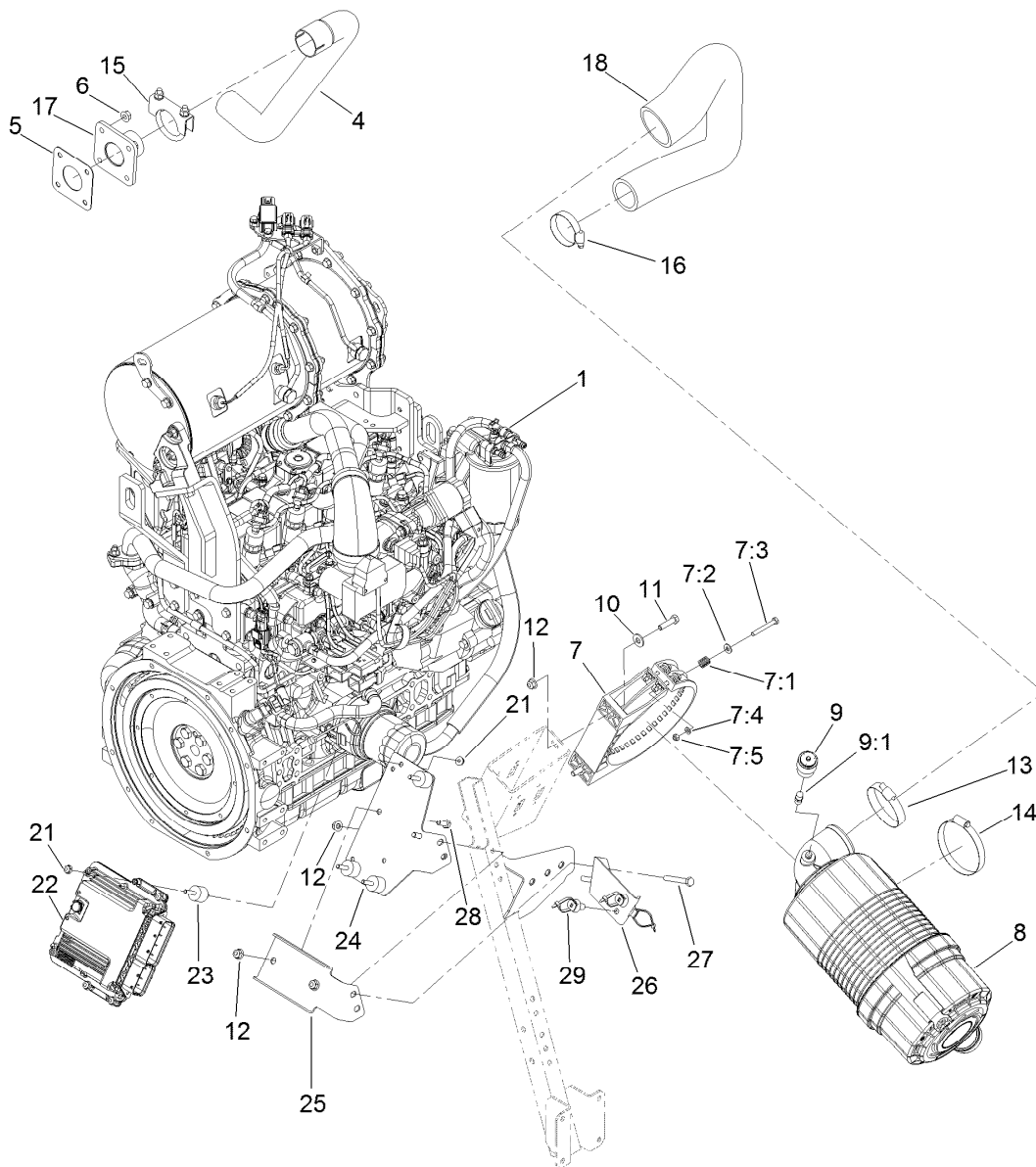
Engine Mount Assembly

| <i>Ref.</i> | <i>Part Number</i> | <i>Qty.</i> | <i>Description</i> | <i>Ref.</i> | <i>Part Number</i> | <i>Qty.</i> | <i>Description</i> |
|-------------|--------------------|-------------|------------------------------|-------------|--------------------|-------------|-------------------------------|
| 1 | 120-8001-0P | 1 | Mount-Engine,LH,Front | 15 | 114-8134-0P | 1 | Bracket-Manifold, Mow |
| 2 | 120-8002-0P | 1 | Mount-Engine, RH Front | 16 | 323-10 | 4 | Screw-HH |
| 3 | 120-8003-0P | 1 | Mount-Engine, LH Rear | 17 | 32128-21 | 4 | Nut-HF Lock |
| 4 | 120-8004-0P | 1 | Mount-Engine, RH Rear | 18 | 323-13 | 3 | Screw-HH |
| 5 | 48-9590 | 16 | Washer-Lock | 19 | 136-3615-0P | 1 | A/C Mount ASM [primed] |
| 6 | 33115-025 | 16 | Screw-HH | 21 | 121-3098-0P | 1 | Tailpipe Support ASM [primed] |
| 7 | 53-9682 | 4 | Mount-Engine | 25 | 323-6 | 1 | Screw-HH |
| 8 | 3234-11 | 8 | Screw-HHF | 26 | 18-2130 | 1 | Clamp |
| 9 | 104-8301 | 13 | Nut-HF, NI | 27 | 99-7435 | 2 | Relay |
| 10 | 63-7400 | 4 | Washer-Rebound | 28 | 99-7430 | 2 | Relay-Mini |
| 11 | 3256-24 | 1 | Washer-Plain | 29 | 321-3 | 2 | Screw-HH |
| 12 | 104-5420-0P | 1 | Battery Support ASM [primed] | 31 | 3290-134 | 2 | Screw |
| 13 | 3234-29 | 8 | Screw-HHF | 32 | 3290-277 | 4 | Nut-Speed |
| 14 | 32128-20 | 8 | Nut-HF | 33 | 323-14 | 1 | Screw-HH |



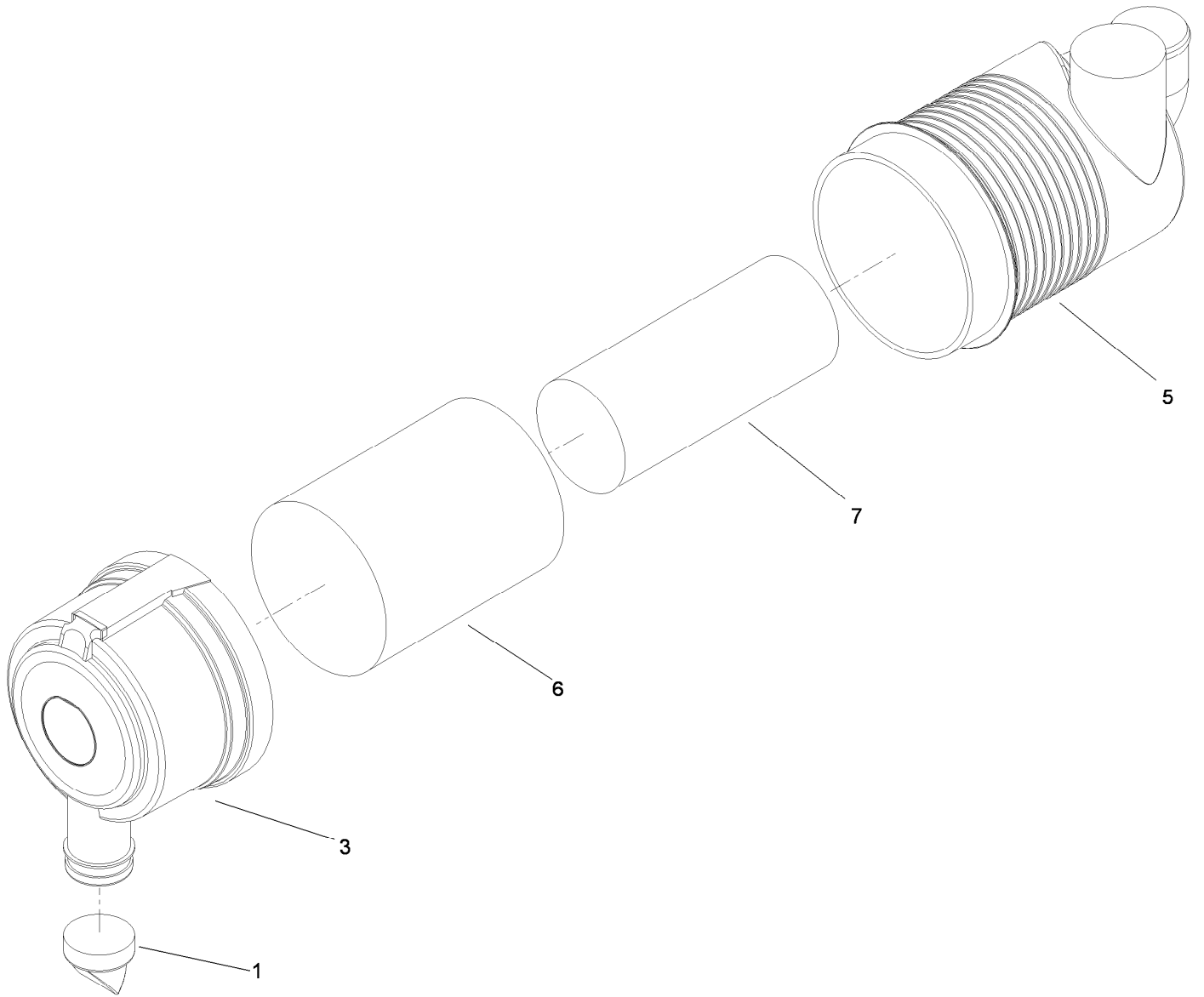
Flywheel Assembly

| <i>Ref.</i> | <i>Part Number</i> | <i>Qty.</i> | <i>Description</i> |
|-------------|--------------------|-------------|---------------------|
| 1 | 132-6120-0P | 1 | Plate-Flywheel |
| 2 | 107-1413 | 8 | Washer-Hardened |
| 3 | 132-6121 | 1 | Coupling-Flywheel |
| 4 | 139-9940 | 8 | Screw-HH |
| 5 | 117-5663 | 8 | Screw-HH |
| 6 | 87-7510 | 8 | Washer-Flat |
| 7 | 121-5636 | 1 | Tab-Harness |
| 8 | 127-2774 | 1 | Bracket-Harness, RH |
| 9 | 3253-4 | 2 | Washer-Lock |
| 10 | 33114-016 | 2 | Screw-HH |
| 11 | 48-9590 | 2 | Washer-Lock |
| 12 | 33115-016 | 2 | Screw-HH |
| 13 | 127-2773 | 1 | Bracket-Harness, LH |
| 14 | 3290-378 | 4 | Tie-Cable |



Engine, Air Cleaner and Controller Assembly

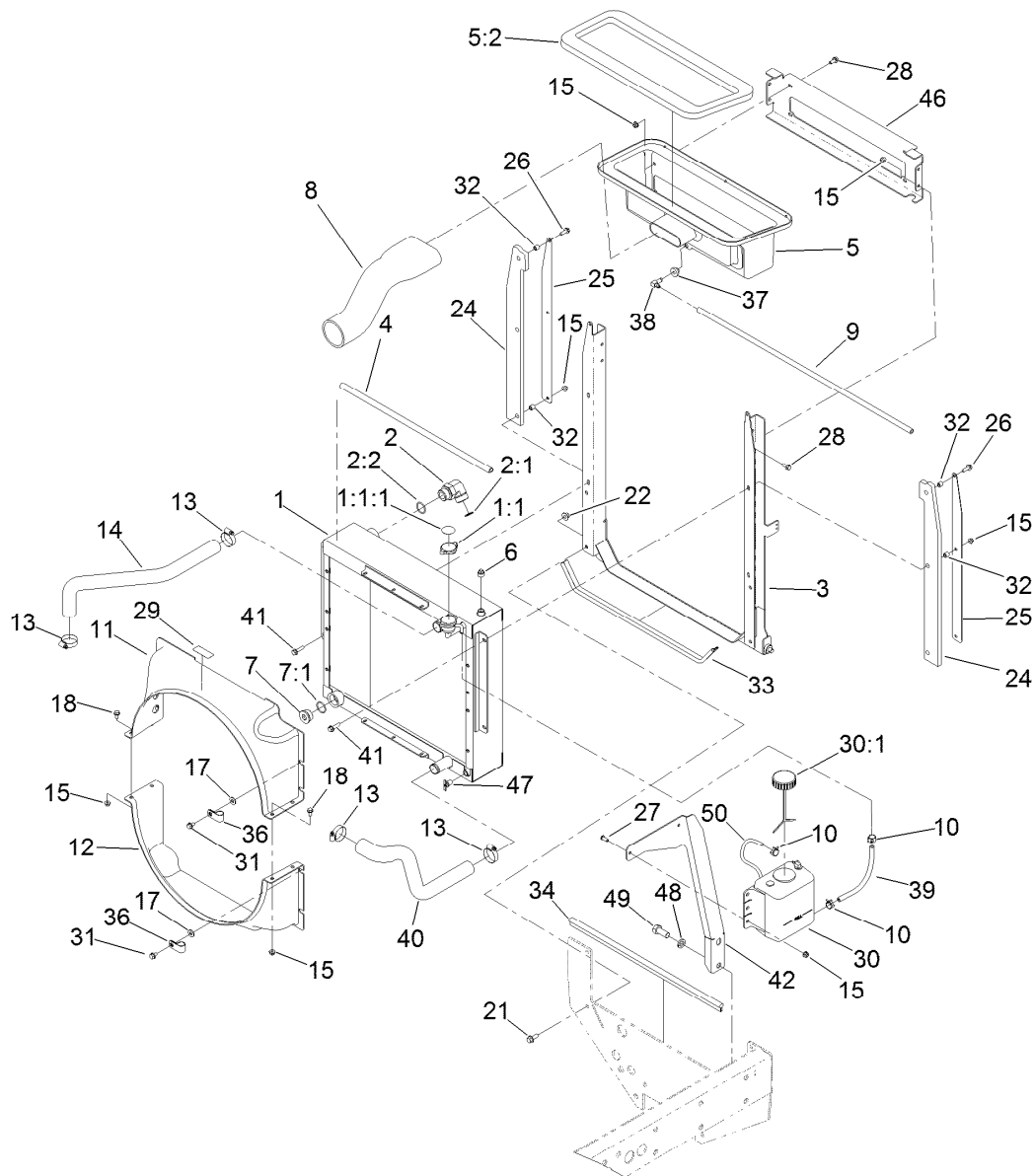
| Ref. | Part Number | Qty. | Description | Ref. | Part Number | Qty. | Description |
|------|-------------|------|--------------------|------|-------------|------|--------------------------|
| 1 | 138-6917 | 1 | Engine-Yanmar | 13 | 2412-125 | 1 | Clamp-Hose |
| 4 | 121-3061 | 1 | Pipe-Exhaust | 14 | 2412-110 | 1 | Clamp-Band/Screw |
| 5 | 121-3058 | 1 | Gasket-Exhaust | 15 | 18-2130 | 1 | Clamp |
| 6 | 33004-00 | 4 | Nut-HF | 16 | 2412-130 | 1 | Clamp-Hose |
| 7 | 99-5414 | 1 | Strap-Cleaner, Air | 17 | 121-3060 | 1 | Flange-Exhaust |
| 7:1 | 108-1512 | 2 | Spring | 18 | 121-3142 | 1 | Hose-Air Cleaner, Outlet |
| 7:2 | 3256-22 | 2 | Washer-Flat | 21 | 104-7201 | 8 | Nut-HF, NI |
| 7:3 | 33113-050 | 2 | Screw-HH | 22 | 121-5592 | 1 | Electronic Control Unit |
| 7:4 | 33093-00 | 2 | Washer-Flat | 23 | 132-1356 | 4 | Mount-Isolator |
| 7:5 | 33023-00 | 2 | Nut-Lock | 24 | 136-3405-0P | 1 | Bracket-Ecu Mount |
| 8 | 99-5410 | 1 | Air Cleaner ASM | 25 | 136-3406-0P | 1 | Support-Ecu Mount |
| 9 | 104-3563 | 1 | Indicator | 26 | 136-3587-0P | 1 | Bracket-Strain Relief |
| 9:1 | 94-1416 | 1 | Adapter-Indicator | 27 | 322-11 | 2 | Screw-HH |
| 10 | 3256-3 | 2 | Washer-Flat | 28 | 322-3 | 2 | Screw-HH |
| 11 | 322-6 | 2 | Screw-HH | 29 | 32180-031 | 3 | Clip-Tree (W/Tie) |
| 12 | 104-8300 | 6 | Nut-HF, NI | | | | |



Air Cleaner Assembly No. 99-5410

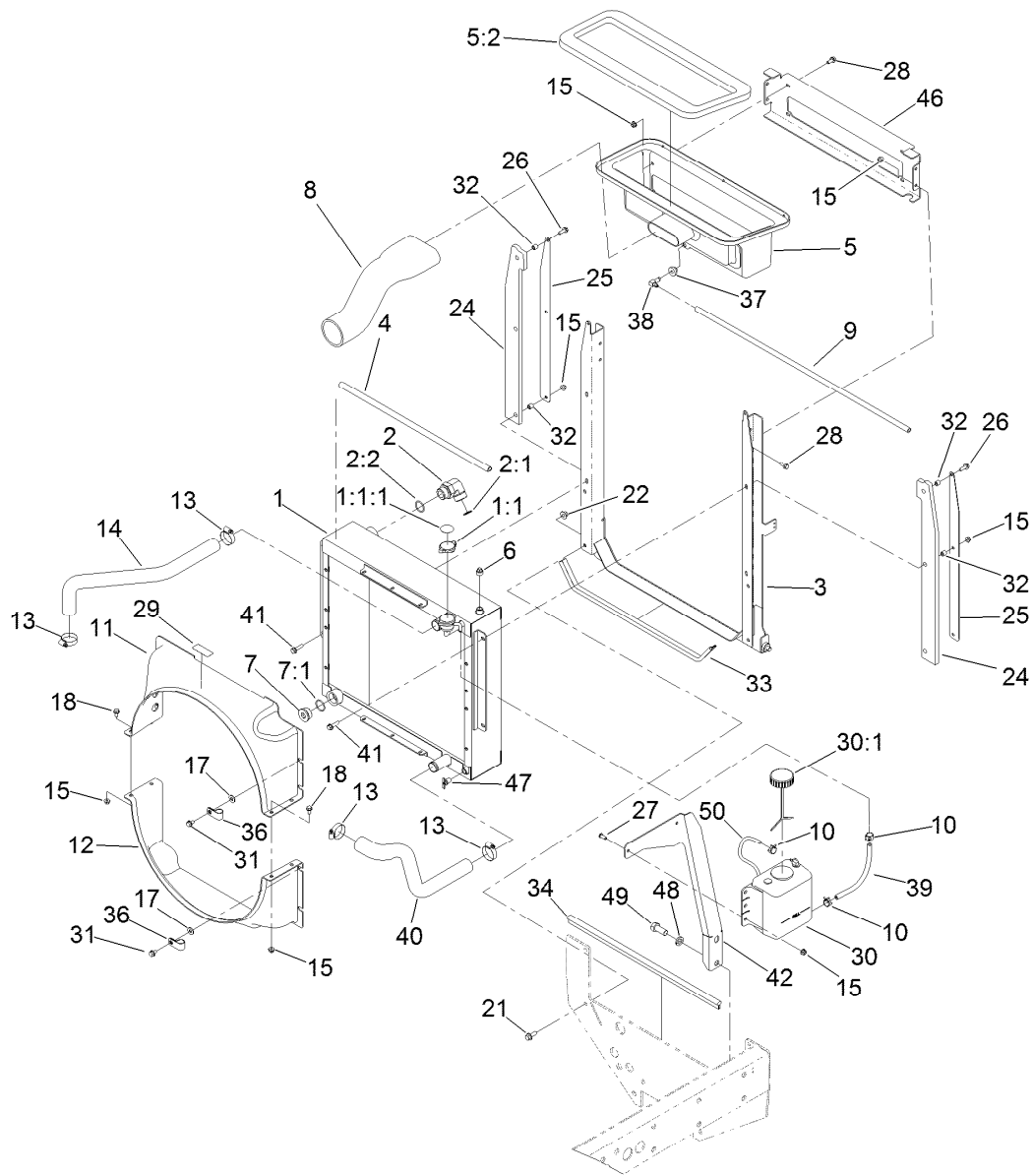
| <i>Ref.</i> | <i>Part Number</i> | <i>Qty.</i> | <i>Description</i> |
|-------------|--------------------|-------------|--------------------|
| 1 | 104-4258 | 1 | Valve-Vacuator |
| 3 | 104-4259 | 1 | Cover |
| 5 | | 1 | Body ASM ● |
| 6 | 108-3814 | 1 | Filter-Air |
| 7 | 108-3816 | 1 | Filter-Air |

● Not serviced separately



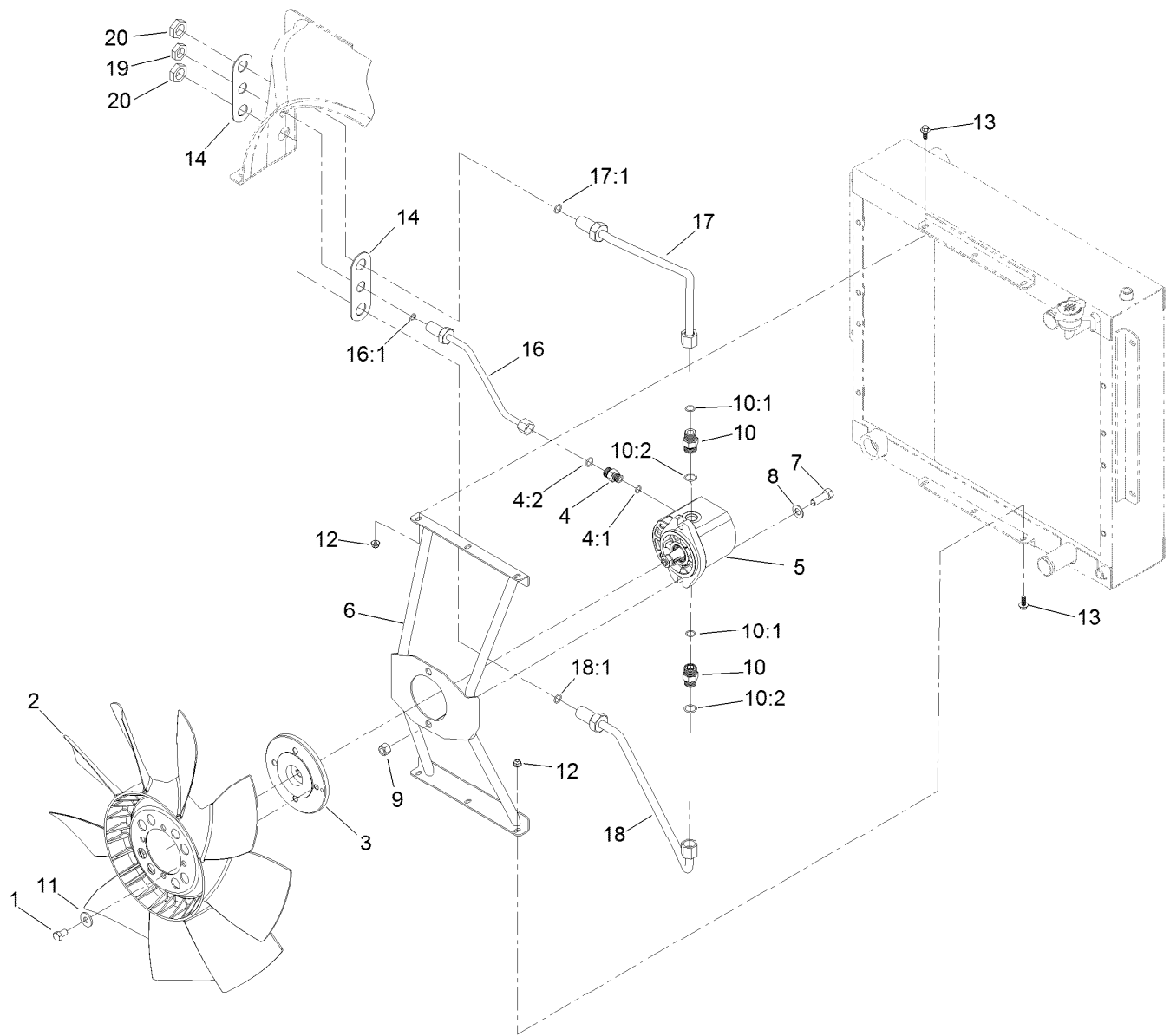
Radiator Assembly

| Ref. | Part Number | Qty. | Description | Ref. | Part Number | Qty. | Description |
|-------|-------------|------|-------------------------|------|-------------|------|-----------------------|
| 1 | 132-6161 | 1 | Radiator/Oil Cooler | 17 | 3256-3 | 8 | Washer-Flat |
| 1:1 | 115-7766 | 1 | Cap-Radiator | 18 | 3234-7 | 4 | Screw-HHF |
| 1:1:1 | 106-6755 | 1 | Decal-Cap, Radiator | 21 | 3234-11 | 4 | Screw-HHF |
| 2 | 340-129 | 2 | Fitting-Elbow, 90 DEG | 22 | 32128-43 | 4 | Nut-Flange |
| 2:1 | 237-146 | 1 | O-Ring | 24 | 121-3087 | 2 | Seal-Foam, Hood |
| 2:2 | 340-65 | 1 | O-Ring | 25 | 121-3086-0P | 2 | Bracket-Seal Hood |
| 3 | 121-3084-03 | 1 | Mount-Radiator | 26 | 32144-41 | 2 | Screw-Taptite |
| 4 | 114-3828 | 1 | Seal-Bulb | 27 | 3274-55 | 2 | Screw-HSBH |
| 5 | 115-4363 | 1 | Plenum ASM | 28 | 3234-47 | 8 | Screw-HHF |
| 5:2 | 115-4393 | 1 | Seal-Plenum | 29 | 117-4766 | 1 | Decal-Warning, Fan |
| 6 | 281-13 | 1 | Plug-Pipe | 30 | 144-6219 | 1 | Reservoir-Coolant ASM |
| 7 | 105-3921 | 1 | Fitting-Plug | 30:1 | 87-7050 | 1 | Cap-Reservoir |
| 7:1 | 237-146 | 1 | O-Ring | 31 | 3234-30 | 8 | Screw-HHF |
| 8 | 121-3143 | 1 | Hose-Air Cleaner, Inlet | 32 | 1-603903 | 6 | Spacer |
| 9 | 110-3258 | 1 | Hose-Fuel | 33 | 117-4782 | 1 | Seal-Bulb |
| 10 | 92-2379 | 4 | Clamp-Hose | 34 | 105-9858 | 1 | Seal-Bulb |
| 11 | 125-4615 | 1 | Shroud-Radiator, Upper | 36 | 2412-81 | 2 | Clamp-R |
| 12 | 121-3106 | 1 | Shroud-Radiator, Lower | 37 | 46-6560 | 1 | Bushing |
| 13 | 2412-3 | 4 | Clamp-Hose | 38 | 46-6550 | 1 | Fitting-Elbow, 90 DEG |
| 14 | 121-1476 | 1 | Hose-Radiator, Upper | 39 | 109-0282 | 1 | Hose-Fuel |
| 15 | 104-8300 | 18 | Nut-HF, NI | 40 | 121-1477 | 1 | Hose-Radiator, Lower |



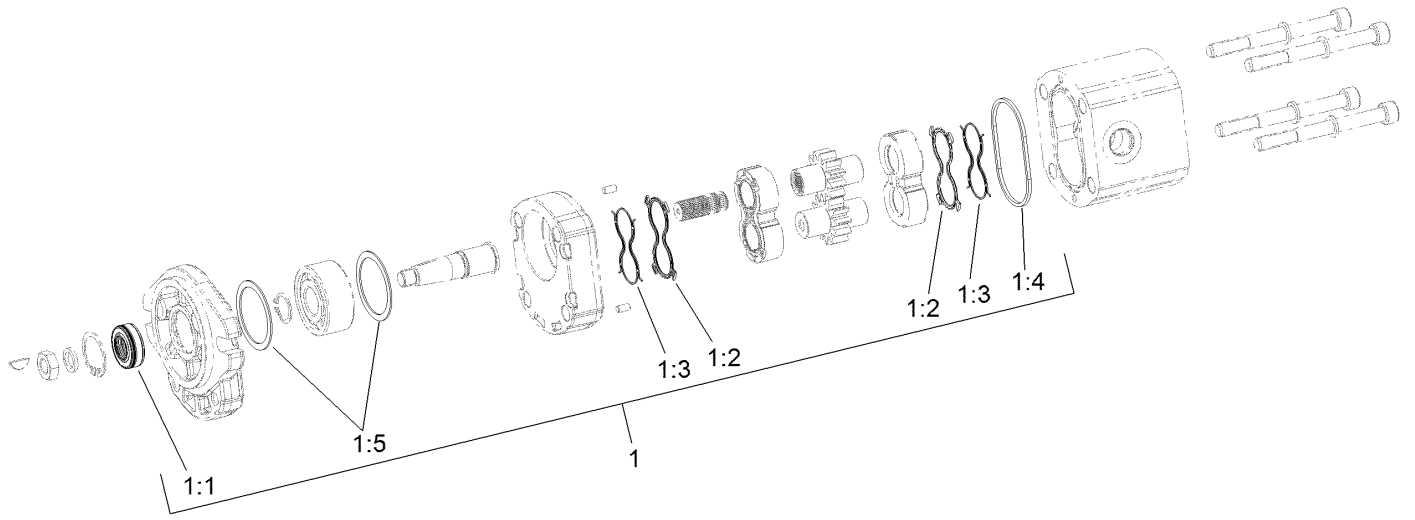
Radiator Assembly (continued)

| <i>Ref.</i> | <i>Part Number</i> | <i>Qty.</i> | <i>Description</i> | <i>Ref.</i> | <i>Part Number</i> | <i>Qty.</i> | <i>Description</i> |
|-------------|--------------------|-------------|---------------------|-------------|--------------------|-------------|--------------------|
| 41 | 3234-36 | 4 | Screw-HHF | 48 | 3253-8 | 2 | Washer-Lock |
| 42 | 136-3693-0P | 1 | Bracket-Mount, Tank | 49 | 3218-6 | 2 | Nut-Jam |
| 46 | 121-3085-0P | 1 | Plate-Crossover | 50 | 109-0273 | 1 | Hose-Fuel |
| 47 | 304-46 | 1 | Draincock | | | | |



Fan Mounting Assembly

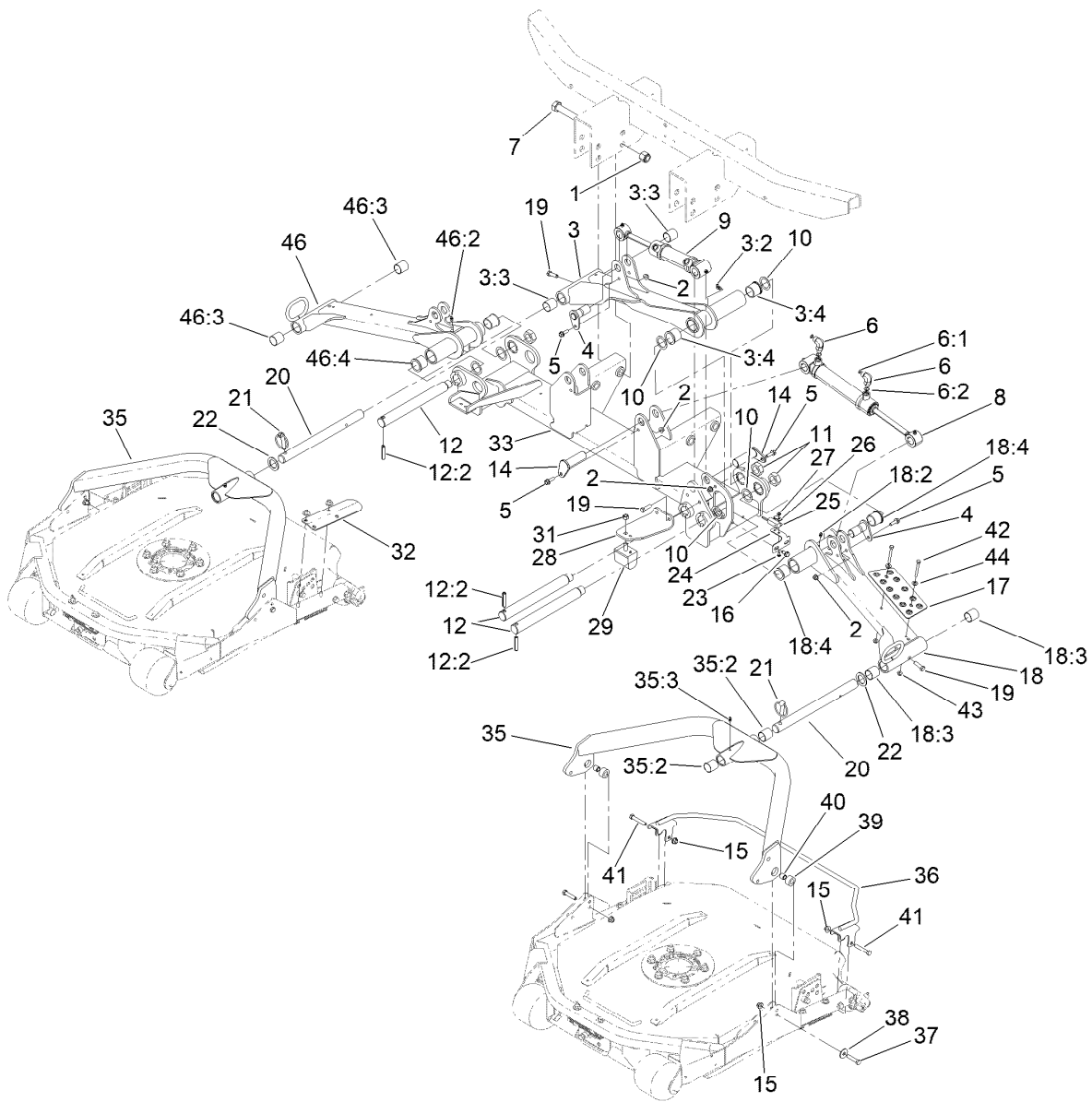
| Ref. | Part Number | Qty. | Description | Ref. | Part Number | Qty. | Description |
|------|-------------|------|---------------------|------|-------------|------|-----------------|
| 1 | 115-8486 | 4 | Screw-HH | 10:2 | 237-79 | 1 | O-Ring |
| 2 | 114-3825 | 1 | Fan | 11 | 80-6990 | 4 | Washer-Hardened |
| 3 | 140-6482 | 1 | Hub-Fan | 12 | 104-7201 | 6 | Nut-HF, NI |
| 4 | 340-2 | 1 | Fitting-Straight | 13 | 99-6810 | 6 | Screw-HHF |
| 4:1 | 237-22 | 1 | O-Ring | 14 | 125-4610 | 2 | Shim-Support |
| 4:2 | 237-42 | 1 | O-Ring | 16 | 138-6945 | 1 | Tube ASM |
| 5 | 137-5571 | 1 | Hydraulic Motor ASM | 16:1 | 237-22 | 1 | O-Ring |
| 6 | 137-5594 | 1 | Mount-Fan | 17 | 138-6943 | 1 | Tube ASM |
| 7 | 324-5 | 2 | Screw-HH | 17:1 | 237-30 | 1 | O-Ring |
| 8 | 3256-25 | 2 | Washer-Flat | 18 | 138-6944 | 1 | Tube ASM |
| 9 | 3296-48 | 2 | Nut-Hex | 18:1 | 237-30 | 1 | O-Ring |
| 10 | 340-4 | 2 | Fitting-Straight | 19 | 340-70 | 1 | Nut-Lock |
| 10:1 | 237-30 | 1 | O-Ring | 20 | 340-127 | 2 | Nut-Bulkhead |



Hydraulic Motor Assembly No. 137-5571

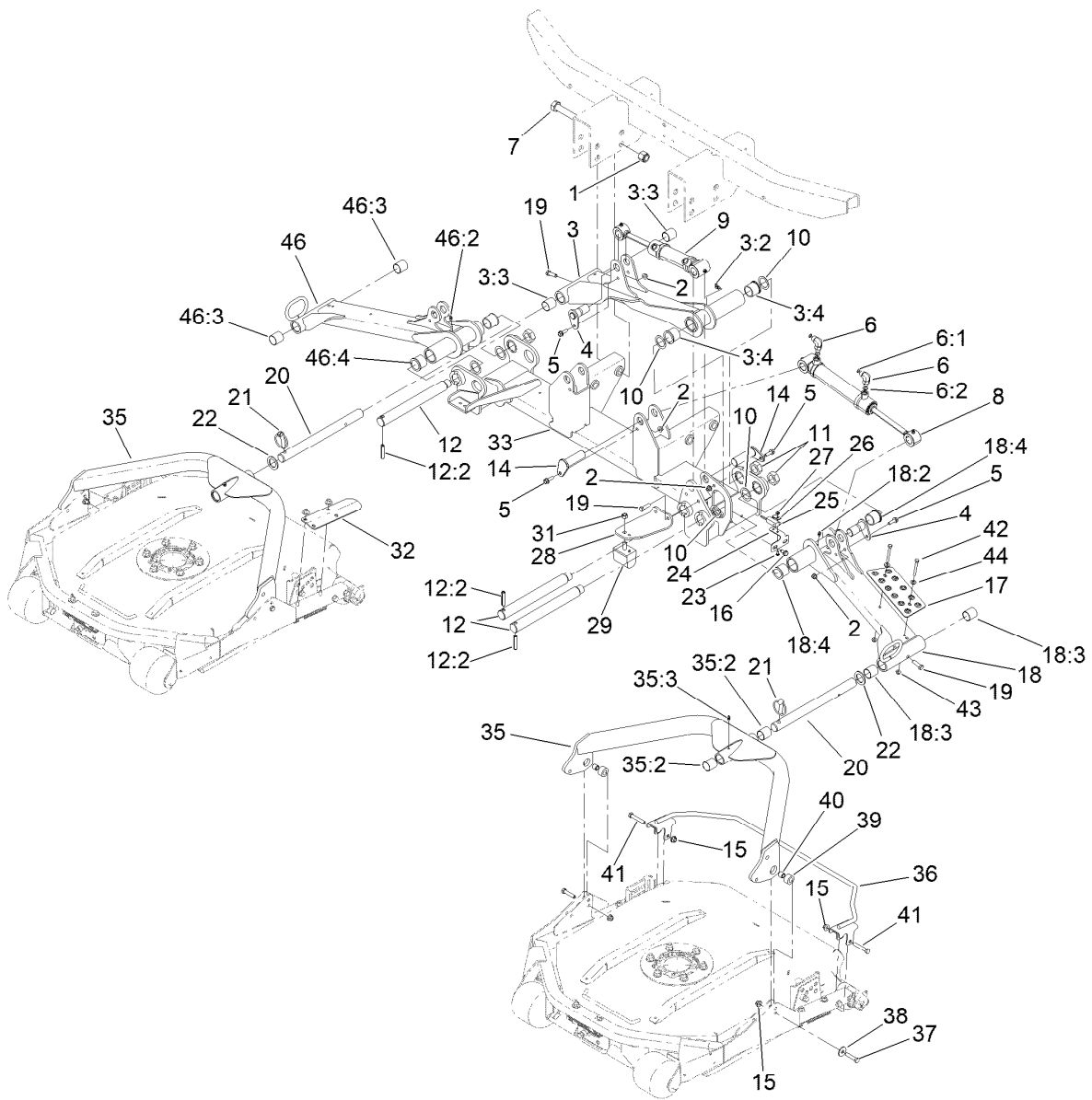
| <i>Ref.</i> | <i>Part Number</i> | <i>Qty.</i> | <i>Description</i> |
|-------------|--------------------|-------------|-------------------------|
| 1 | 139-1019 | 1 | Seal Kit |
| 1:1 | | 1 | Seal-Shaft ● |
| 1:2 | | 2 | Seal-Plate, Balancing ● |
| 1:3 | | 2 | Seal-Anti Extrusion ● |
| 1:4 | | 1 | O-Ring (Housing) ● |
| 1:5 | | 2 | Seal-Square ● |

● Not serviced separately



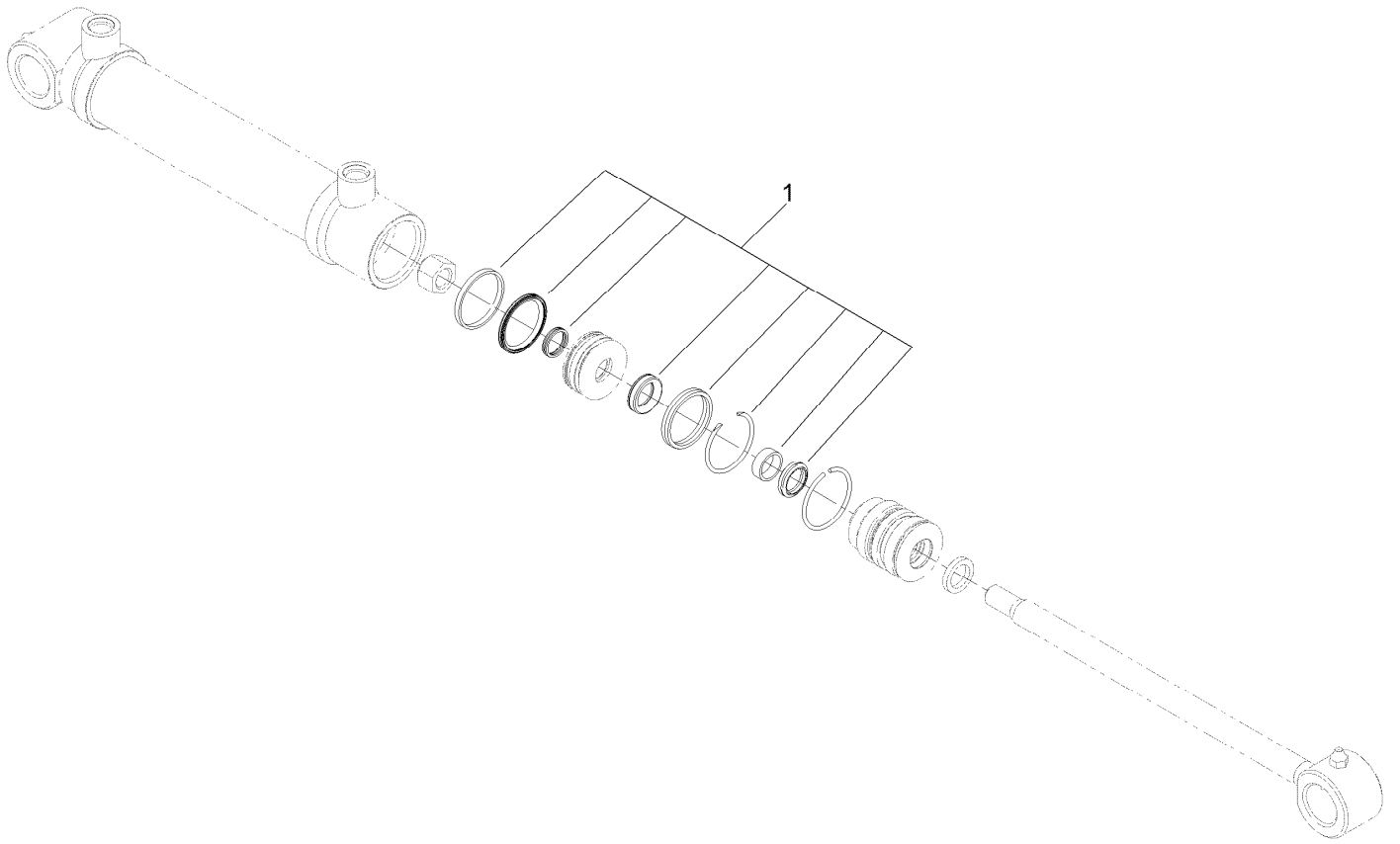
No. 1, No. 4 and No. 5 Lift Arm and Deck Assembly

| Ref. | Part Number | Qty. | Description | Ref. | Part Number | Qty. | Description |
|------|-------------|------|-----------------------|------|-------------|------|---------------------------|
| 1 | 3296-51 | 4 | Nut-Lock, NI | 17 | 105-3987-03 | 1 | Plate-Skid |
| 2 | 104-8300 | 6 | Nut-HF, NI | 18 | 136-3377 | 1 | No.4 Liftarm ASM |
| 3 | 136-3375 | 1 | No.1 Liftarm ASM | 18:2 | 302-5 | 1 | Fitting-Grease |
| 3:2 | 302-60 | 1 | Fitting-Grease | 18:3 | 108-4000 | 2 | Bushing |
| 3:3 | 108-4000 | 2 | Bushing | 18:4 | 104-0015 | 2 | Bushing-Flange |
| 3:4 | 104-0015 | 2 | Bushing-Flange | 19 | 323-7 | 5 | Screw-HH |
| 4 | 131-4201 | 3 | Pin-Pivot | 20 | 136-2922 | 3 | Shaft-Carrier, Pivot |
| 5 | 3234-17 | 6 | Screw-HHF | 21 | 3290-384 | 3 | Pin-Lynch |
| 6 | 340-77 | 6 | Fitting-Elbow, 90 DEG | 22 | 3-6781 | 3 | Washer-Flat |
| 6:1 | 237-22 | 1 | O-Ring | 23 | 104-1450 | 2 | Bolt-CARR |
| 6:2 | 237-42 | 1 | O-Ring | 24 | 104-5585 | 2 | Bracket-Switch |
| 7 | 328-7 | 4 | Screw-HH | 25 | 106-9288 | 2 | Sensor-Proximity, Ferrous |
| 8 | 127-6429 | 2 | Lift Cylinder ASM | 26 | 100-4872 | 2 | Plate-Switch, Neutral |
| 9 | 127-6427 | 1 | Lift Cylinder ASM | 27 | 32149-7 | 2 | Nut-Keps |
| 10 | 76-2980 | 6 | Washer-Thrust | 28 | 104-5689-03 | 1 | Bracket-Support, Bumper |
| 11 | 3296-49 | 3 | Nut-Lock, NI | 29 | 87-3470 | 2 | Bumper |
| 12 | 140-6431 | 3 | Pivot Pin ASM | 31 | 33025-00 | 2 | Nut-Lock, NI |
| 12:2 | 32121-110 | 1 | Pin-Roll, Slotted | 32 | 105-9831-03 | 2 | Bracket-Bumper, No. 1 |
| 14 | 125-1906 | 3 | Pin-Cylinder | 33 | 104-5680-03 | 1 | Frame-Carrier, Front |
| 15 | 104-8301 | 12 | Nut-HF, NI | 35 | 136-3510 | 3 | Carrier Frame ASM |
| 16 | 32104-32 | 4 | Screw-HWH | 35:2 | 108-4000 | 2 | Bushing |



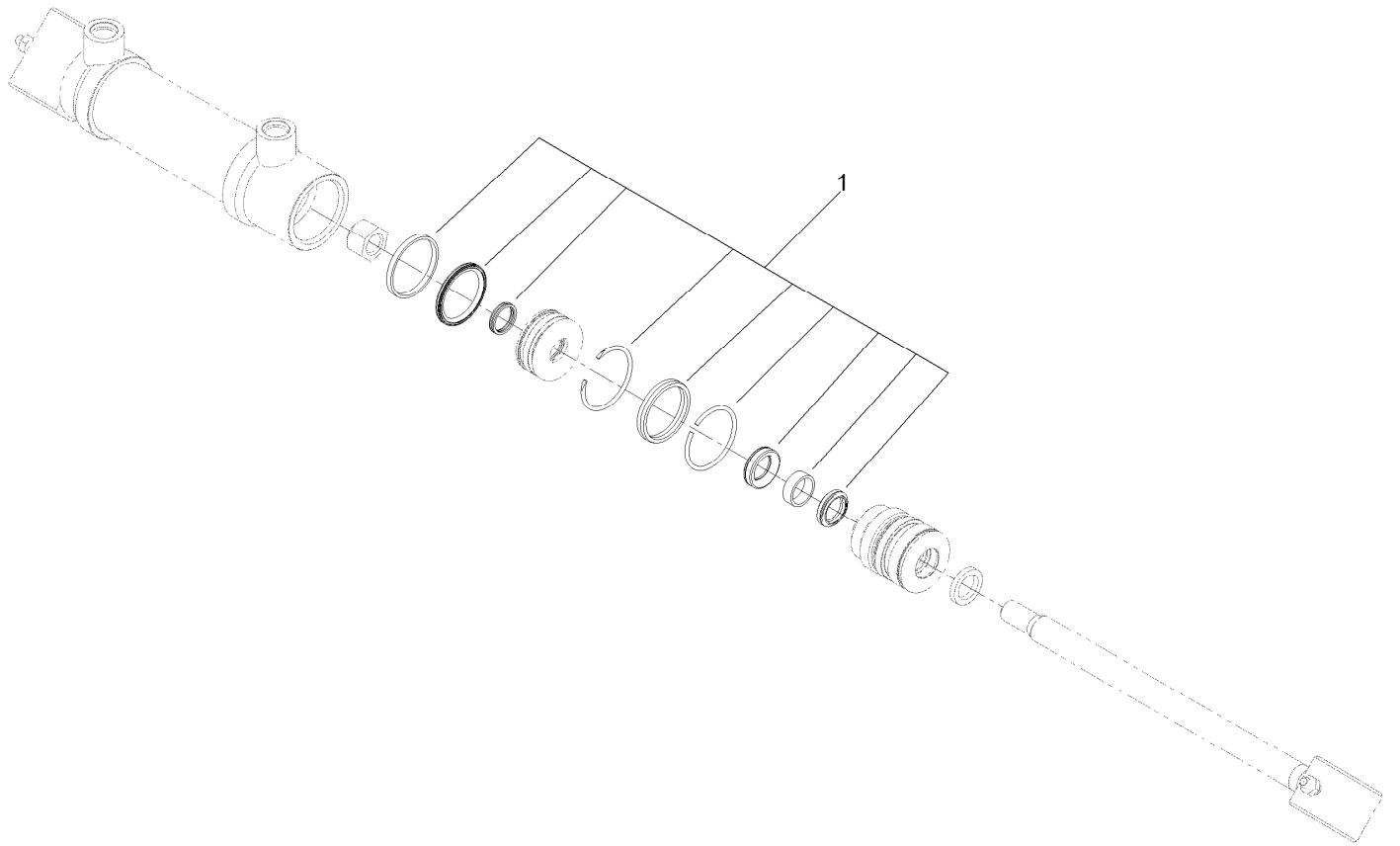
No. 1, No. 4 and No. 5 Lift Arm and Deck Assembly (continued)

| <i>Ref.</i> | <i>Part Number</i> | <i>Qty.</i> | <i>Description</i> | <i>Ref.</i> | <i>Part Number</i> | <i>Qty.</i> | <i>Description</i> |
|-------------|--------------------|-------------|--------------------|-------------|--------------------|-------------|--------------------|
| 35:3 | 302-5 | 1 | Fitting-Grease | 42 | 321-15 | 2 | Screw-HH |
| 36 | 112-9900-03 | 2 | Guard-Foot | 43 | 32128-33 | 2 | Nut-HF |
| 37 | 323-52 | 6 | Screw-HH | 44 | 3256-23 | 2 | Washer-Plain |
| 38 | 93-8806 | 6 | Washer-Hardened | 46 | 136-3379 | 1 | No.5 Liftarm ASM |
| 39 | 105-9823 | 6 | Bushing-Carrier | 46:2 | 302-5 | 1 | Fitting-Grease |
| 40 | 105-9822 | 6 | Spacer | 46:3 | 108-4000 | 2 | Bushing |
| 41 | 323-11 | 4 | Screw-HH | 46:4 | 104-0015 | 2 | Bushing-Flange |



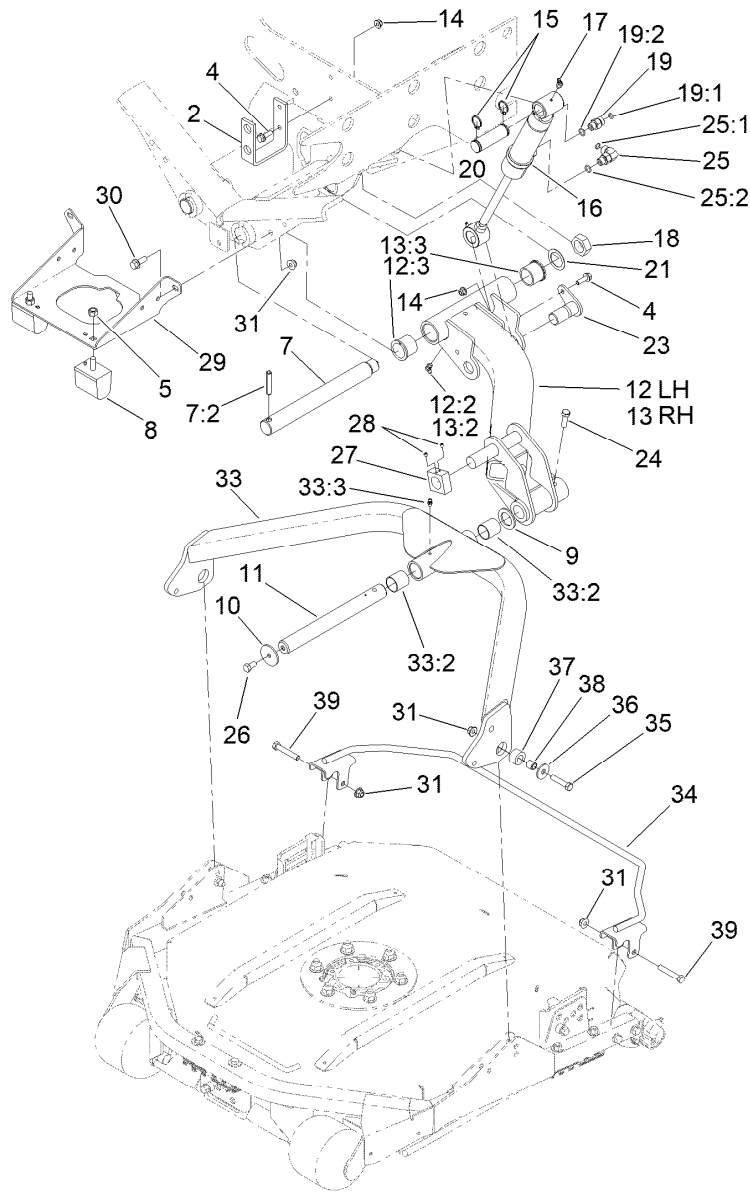
Lift Cylinder Assembly No. 127-6429

| <i>Ref.</i> | <i>Part Number</i> | <i>Qty.</i> | <i>Description</i> |
|-------------|--------------------|-------------|--------------------|
| 1 | 131-7755 | 1 | Cylinder Seal Kit |



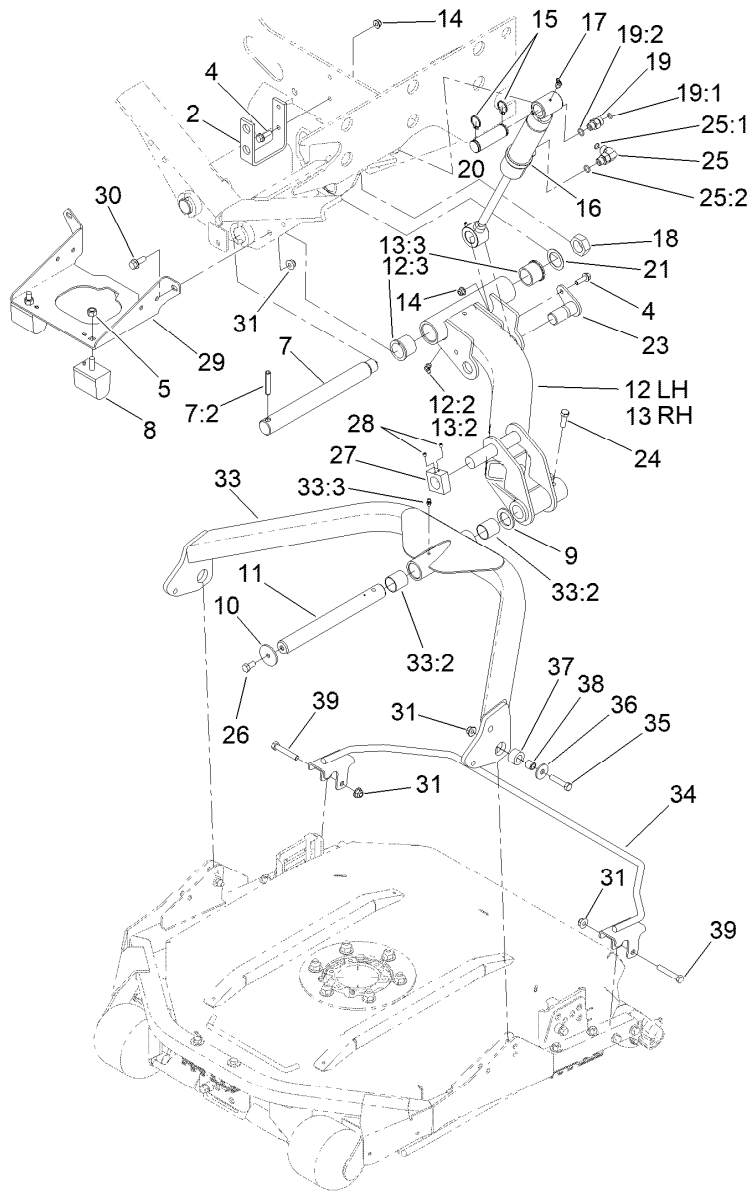
Lift Cylinder Assembly No. 127-6427

| <i>Ref.</i> | <i>Part Number</i> | <i>Qty.</i> | <i>Description</i> |
|-------------|--------------------|-------------|--------------------|
| 1 | 131-7755 | 1 | Cylinder Seal Kit |



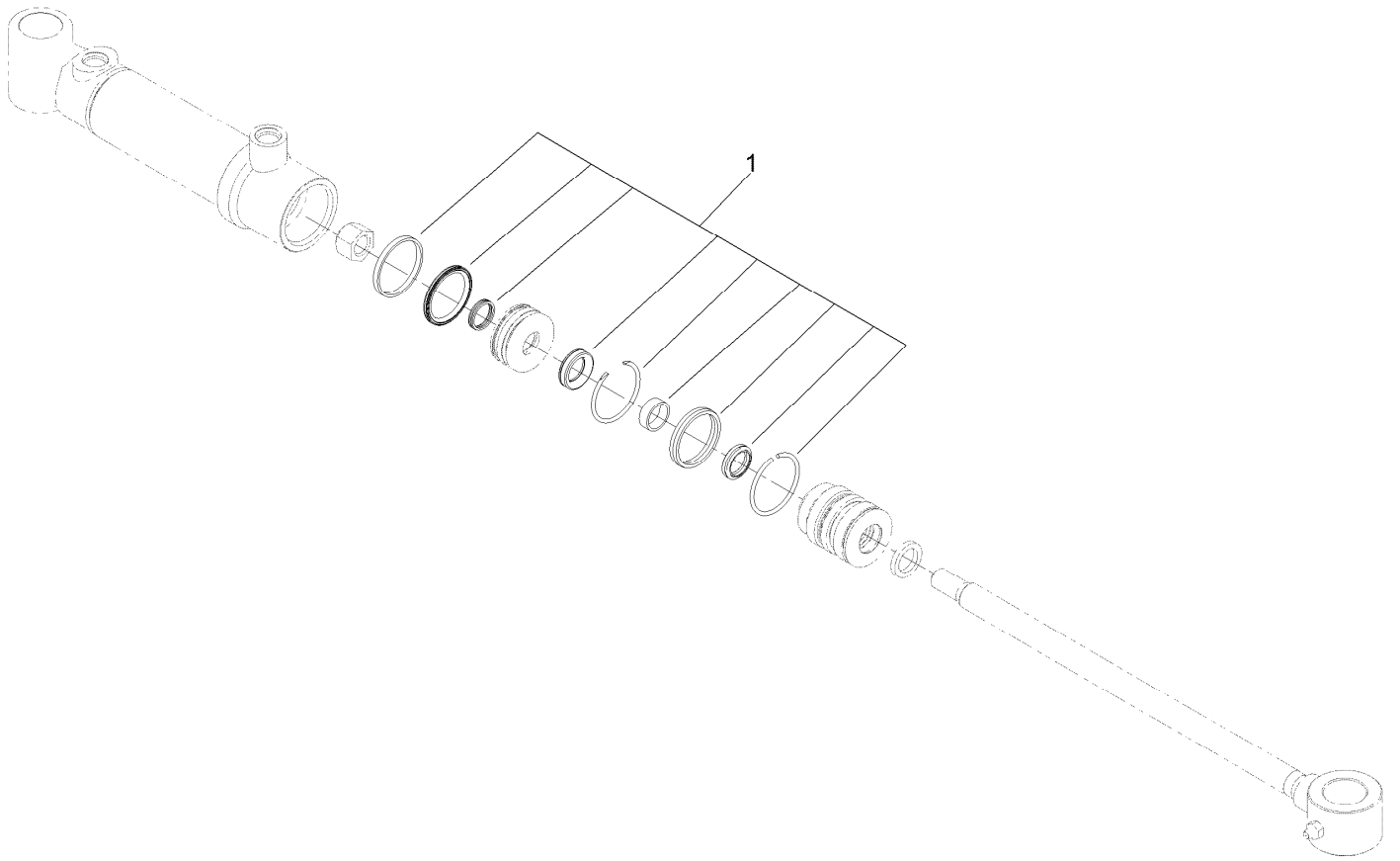
No. 2 and 3 Lift Arm and Deck Assembly

| Ref. | Part Number | Qty. | Description | Ref. | Part Number | Qty. | Description |
|------|-------------|------|----------------------|------|-------------|------|----------------------------|
| 2 | 105-3992-0P | 1 | Bracket-Bulkhead | 19:1 | 237-22 | 1 | O-Ring |
| 4 | 3234-17 | 4 | Screw-HHF | 19:2 | 237-42 | 1 | O-Ring |
| 5 | 33025-00 | 2 | Nut-Lock, NI | 20 | 92-7548 | 2 | Pin-Cylinder |
| 7 | 140-6431 | 2 | Pivot Pin ASM | 21 | 76-2980 | 2 | Washer-Thrust |
| 7:2 | 32121-110 | 1 | Pin-Roll, Slotted | 23 | 131-4201 | 2 | Pin-Pivot |
| 8 | 87-3470 | 2 | Bumper | 24 | 323-7 | 2 | Screw-HH |
| 9 | 3-6781 | 2 | Washer-Flat | 25 | 340-77 | 2 | Fitting-Elbow, 90 DEG |
| 10 | 63-7400 | 2 | Washer-Rebound | 25:1 | 237-22 | 1 | O-Ring |
| 11 | 105-9827 | 2 | Shaft | 25:2 | 237-42 | 1 | O-Ring |
| 12 | 136-3385 | 1 | No.2 Liftarm ASM | 26 | 323-4 | 2 | Screw-HH |
| 12:2 | 302-11 | 1 | Fitting-Lube, 45 DEG | 27 | 105-9839 | 2 | Stop-Rotation, No. 2 And 3 |
| 12:3 | 104-0015 | 2 | Bushing-Flange | 28 | 3245-1 | 4 | Screw-Set, HSH |
| 13 | 136-3387 | 1 | No. 3 Liftarm ASM | 29 | 131-7765-0P | 1 | Support-Bumper, Rear |
| 13:2 | 302-11 | 1 | Fitting-Lube, 45 DEG | 30 | 3234-11 | 3 | Screw-HHF |
| 13:3 | 104-0015 | 2 | Bushing-Flange | 31 | 104-8301 | 11 | Nut-HF, NI |
| 14 | 104-8300 | 4 | Nut-HF, NI | 33 | 136-3510 | 2 | Carrier Frame ASM |
| 15 | 32151-36 | 4 | Ring-Retaining | 33:2 | 108-4000 | 2 | Bushing |
| 16 | 127-6428 | 2 | Lift Cylinder ASM | 33:3 | 302-5 | 1 | Fitting-Grease |
| 17 | 302-11 | 2 | Fitting-Lube, 45 DEG | 34 | 112-9900-03 | 2 | Guard-Foot |
| 18 | 3296-49 | 2 | Nut-Lock, NI | 35 | 323-52 | 4 | Screw-HH |
| 19 | 340-2 | 2 | Fitting-Straight | 36 | 93-8806 | 4 | Washer-Hardened |



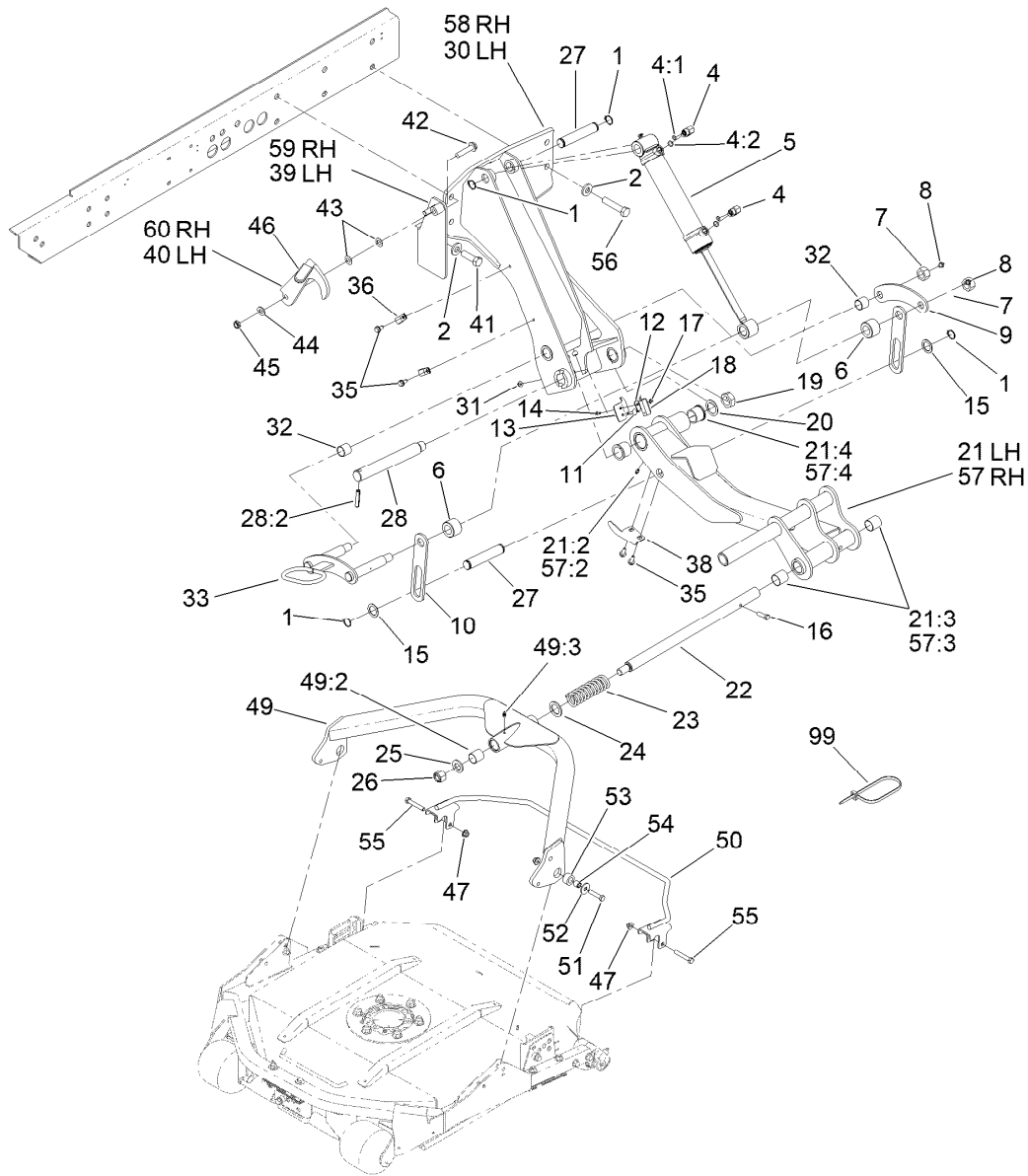
No. 2 and 3 Lift Arm and Deck Assembly (continued)

| <i>Ref.</i> | <i>Part Number</i> | <i>Qty.</i> | <i>Description</i> | <i>Ref.</i> | <i>Part Number</i> | <i>Qty.</i> | <i>Description</i> |
|-------------|--------------------|-------------|--------------------|-------------|--------------------|-------------|--------------------|
| 37 | 105-9823 | 4 | Bushing-Carrier | 38 | 105-9822 | 4 | Spacer |
| | | | | 39 | 323-11 | 4 | Screw-HH |



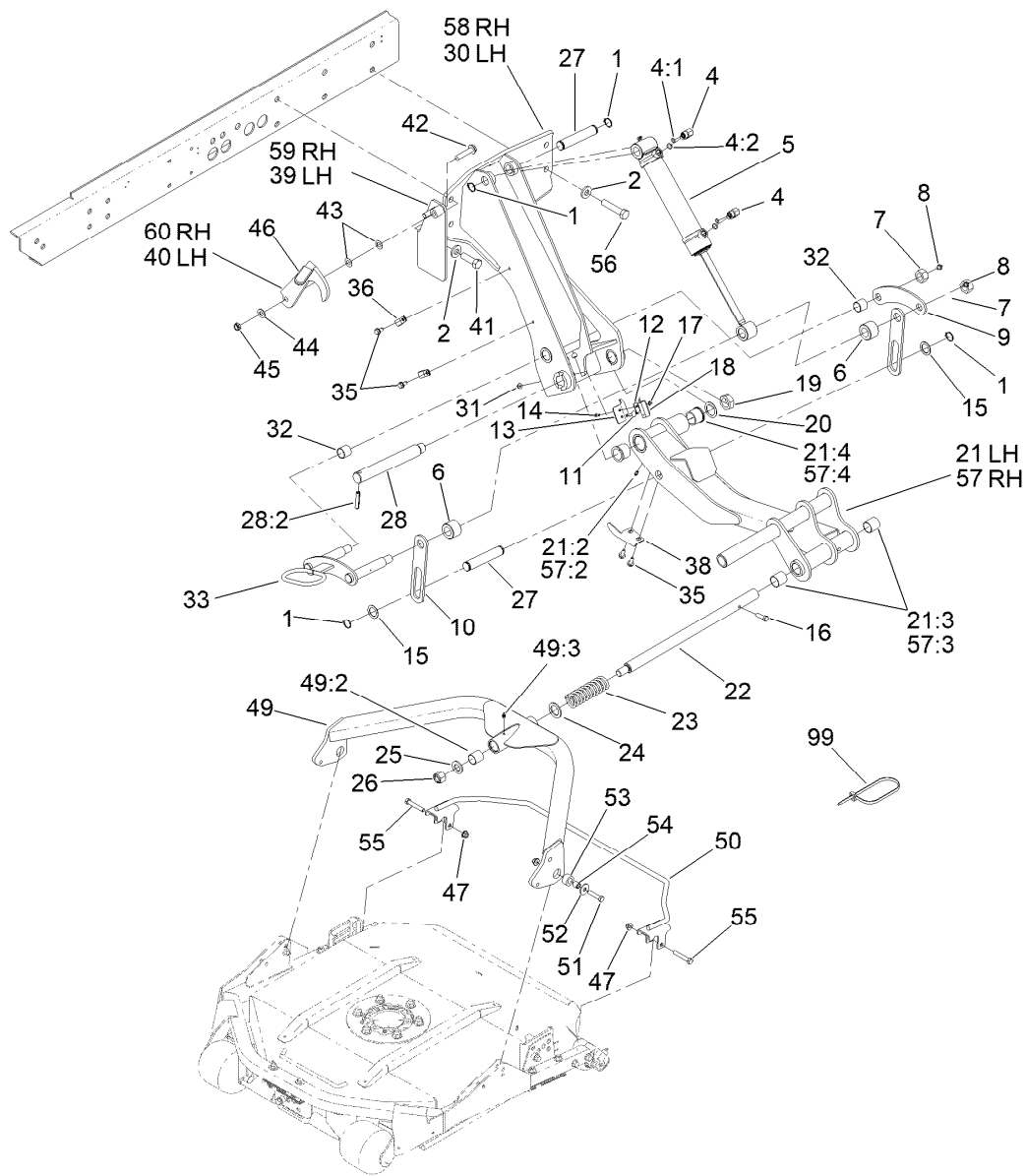
Lift Cylinder Assembly No. 127-6428

| <i>Ref.</i> | <i>Part Number</i> | <i>Qty.</i> | <i>Description</i> |
|-------------|--------------------|-------------|--------------------|
| 1 | 131-7755 | 1 | Cylinder Seal Kit |



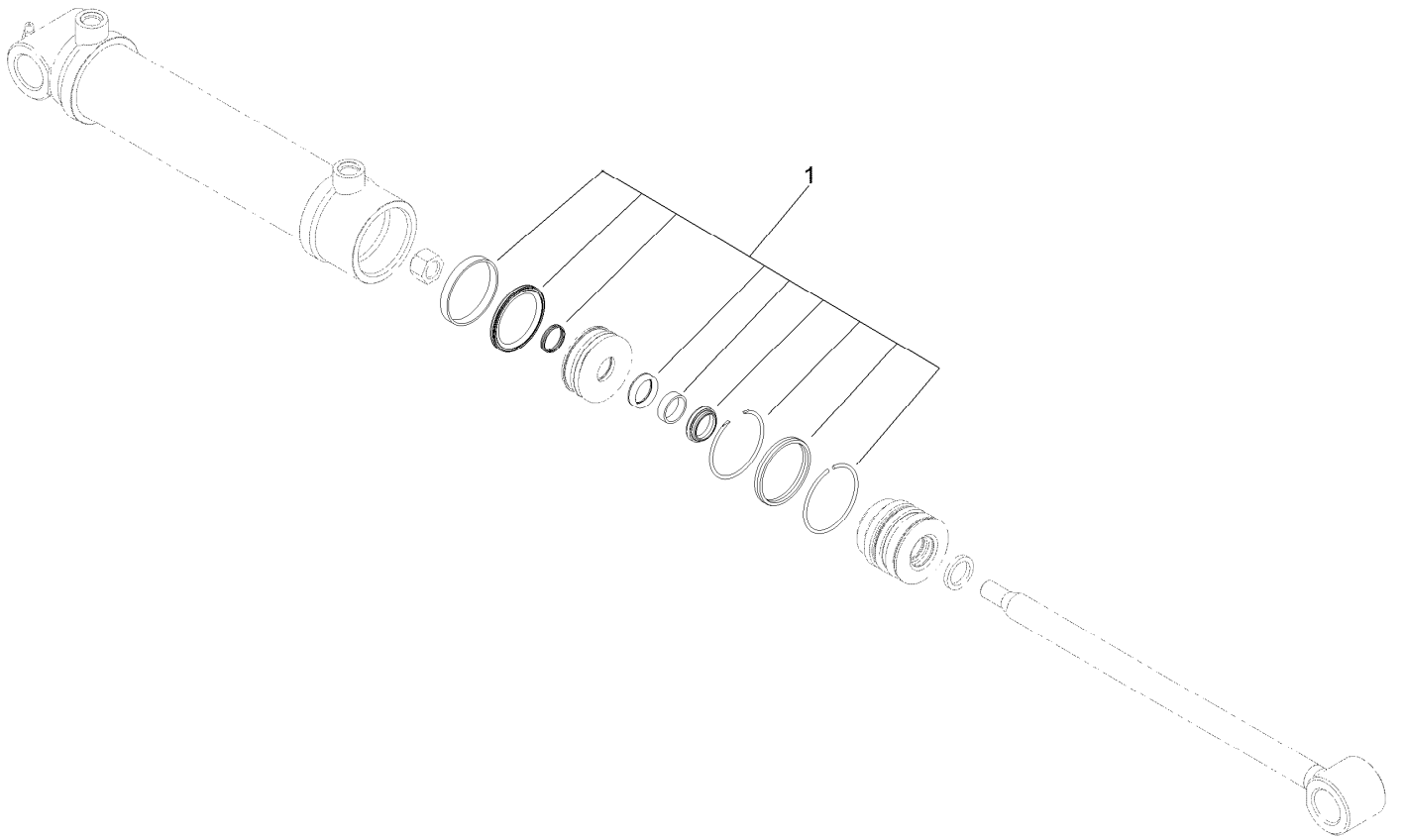
No. 6 and 7 Lift Arm and Deck Assembly

| Ref. | Part Number | Qty. | Description | Ref. | Part Number | Qty. | Description |
|------|-------------|------|---------------------------|------|-------------|------|-----------------------|
| 1 | 32151-36 | 8 | Ring-Retaining | 21 | 136-3381 | 1 | No.6 Liftarm ASM |
| 2 | 99-7667 | 12 | Washer-Flat | 21:2 | 302-5 | 1 | Fitting-Grease |
| 4 | 340-77 | 4 | Fitting-Elbow, 90 DEG | 21:3 | 108-4000 | 2 | Bushing |
| 4:1 | 237-22 | 1 | O-Ring | 21:4 | 104-0015 | 2 | Bushing-Flange |
| 4:2 | 237-42 | 1 | O-Ring | 22 | 108-4022 | 2 | Shaft-Carrier, Pivot |
| 5 | 127-6430 | 2 | Lift Cylinder ASM | 23 | 105-3999 | 2 | Spring-Compression |
| 6 | 93-2700 | 4 | Roller-Plastic | 24 | 3-6781 | 2 | Washer-Flat |
| 7 | 33029-00 | 4 | Nut-Lock, NI | 25 | 3256-28 | 2 | Washer-Flat |
| 8 | 302-2 | 4 | Fitting-Grease | 26 | 3296-50 | 2 | Nut-Lock, NI |
| 9 | 98-8821 | 2 | Link-Rear | 27 | 93-2699 | 4 | Pin |
| 10 | 93-2704-03 | 4 | Link-Left | 28 | 147-6067 | 2 | Pivot Pin ASM |
| 11 | 3229-28 | 2 | Screw-CARR | 28:2 | 32121-110 | 1 | Pin-Roll, Slotted |
| 12 | 100-4872 | 2 | Plate-Switch, Neutral | 30 | 104-5657-03 | 1 | No. 6 Support Arm ASM |
| 13 | 105-3858 | 2 | Bracket-Switch | 31 | 32128-33 | 2 | Nut-HF |
| 14 | 104-1450 | 2 | Bolt-CARR | 32 | 161-8354 | 4 | Bushing-CYL |
| 15 | 10-8110 | 4 | Washer-Thrust | 33 | 115-1577-03 | 2 | Link ASM |
| 16 | 323-7 | 2 | Screw-HH | 35 | 32104-32 | 8 | Screw-HWH |
| 17 | 32149-7 | 2 | Nut-Keps | 36 | 2412-93 | 4 | Clamp-R |
| 18 | 106-9288 | 2 | Sensor-Proximity, Ferrous | 38 | 105-9828 | 2 | Actuator-Switch |
| 19 | 3296-49 | 2 | Nut-Lock, NI | 39 | 108-4045-03 | 1 | Latch-Arm, LH |
| 20 | 76-2980 | 2 | Washer-Thrust | 40 | 119-8637-03 | 1 | Latch-Deck, RH |



No. 6 and 7 Lift Arm and Deck Assembly (continued)

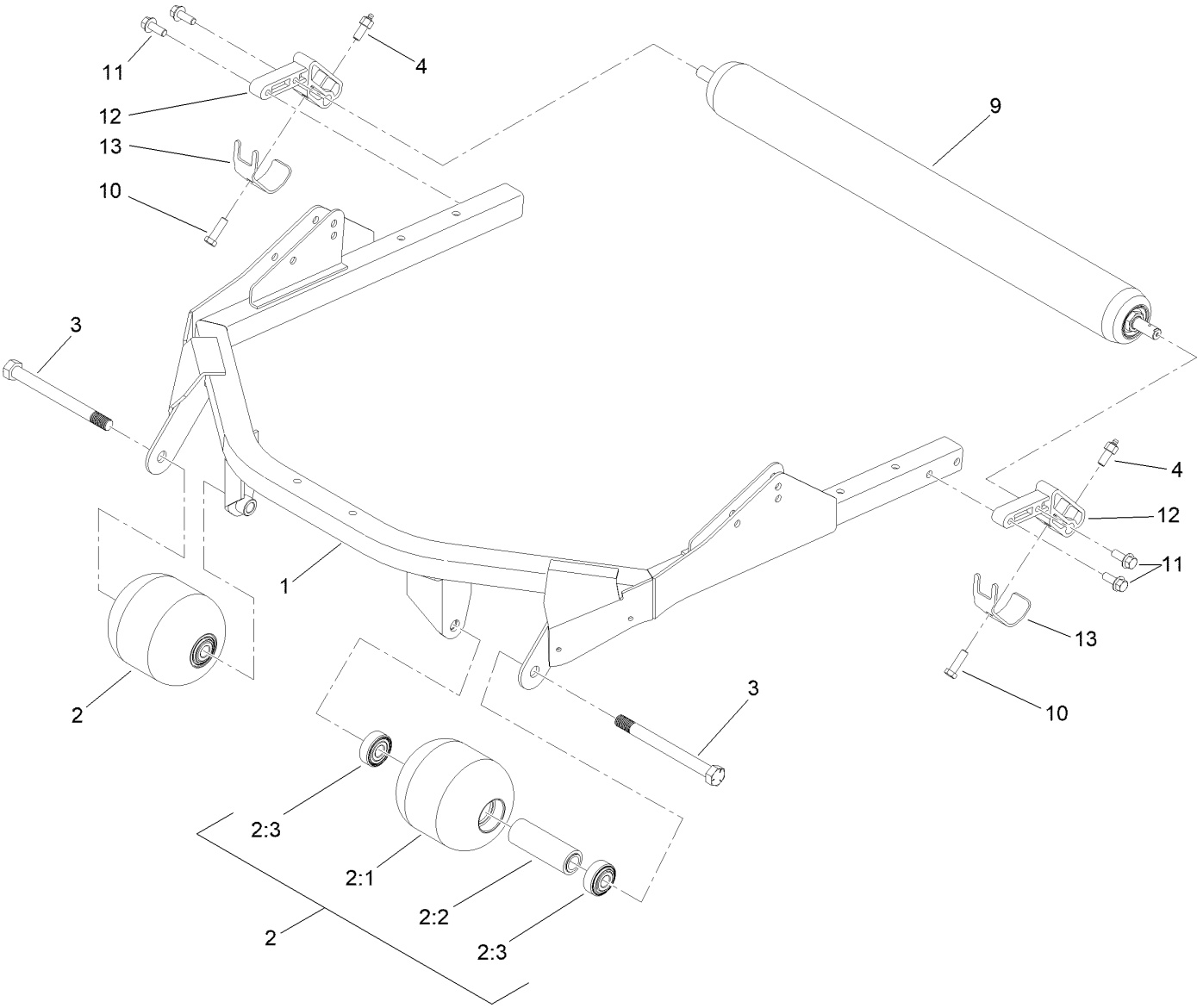
| Ref. | Part Number | Qty. | Description | Ref. | Part Number | Qty. | Description |
|------|-------------|------|-------------------|------|-------------|------|-----------------------|
| 41 | 327-6 | 10 | Screw-HH | 53 | 105-9823 | 4 | Bushing-Carrier |
| 42 | 3234-46 | 2 | Screw-HHF | 54 | 105-9822 | 4 | Spacer |
| 43 | 104-3577 | 4 | Washer | 55 | 323-11 | 4 | Screw-HH |
| 44 | 3256-26 | 2 | Washer-Flat | 56 | 115-4841 | 2 | Screw-HH |
| 45 | 3296-45 | 2 | Nut-Hex | 57 | 136-3383 | 1 | No.7 Lift Arm ASM |
| 46 | 48-7081 | 2 | Grip-Plastic | 57:2 | 302-5 | 1 | Fitting-Grease |
| 47 | 104-8301 | 8 | Nut-HF, NI | 57:3 | 108-4000 | 2 | Bushing |
| 49 | 136-3510 | 2 | Carrier Frame ASM | 57:4 | 104-0015 | 2 | Bushing-Flange |
| 49:2 | 108-4000 | 2 | Bushing | 58 | 104-5658-03 | 1 | No. 7 Support Arm ASM |
| 49:3 | 302-5 | 1 | Fitting-Grease | 59 | 108-4046-03 | 1 | Latch-Arm, RH |
| 50 | 112-9900-03 | 2 | Guard-Foot | 60 | 119-8636-03 | 1 | Latch-Deck, LH |
| 51 | 323-52 | 4 | Screw-HH | 99 | 3290-378 | 2 | Tie-Cable |
| 52 | 93-8806 | 4 | Washer-Hardened | | | | |



Lift Cylinder Assembly No. 127-6430

| <i>Ref.</i> | <i>Part Number</i> | <i>Qty.</i> | <i>Description</i> |
|-------------|--------------------|-------------|--------------------|
| 1 | 131-7757 | 1 | Cylinder Seal Kit |

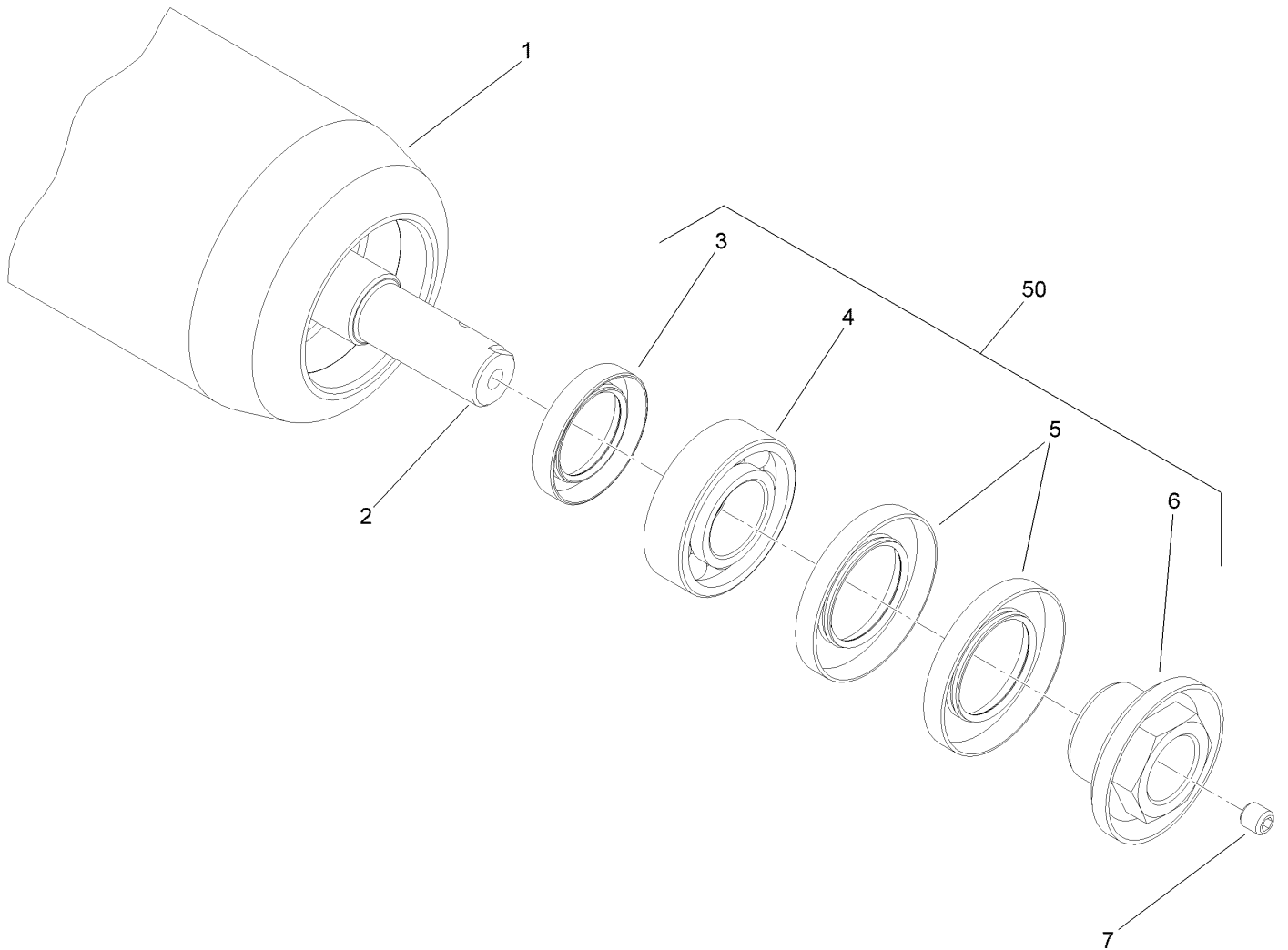
Roller and Carrier Frame Assembly



Roller and Carrier Frame Assembly (continued)

| <i>Ref.</i> | <i>Part Number</i> | <i>Qty.</i> | <i>Description</i> | <i>Ref.</i> | <i>Part Number</i> | <i>Qty.</i> | <i>Description</i> |
|-------------|--------------------|-------------|--------------------|-------------|--------------------|-------------|----------------------|
| 1 | 100-5780-03 | 1 | Frame-Deck | 4 | 127-6422 | 2 | Screw-Grease, Roller |
| 2 | 136-2908 | 2 | Roller ASM | 9 | 137-6141 | 1 | Rear Roller ASM |
| 2:1 | 104-1093 | 1 | Roller | 10 | 323-7 | 2 | Screw-HH |
| 2:2 | 100-5762 | 1 | Spacer-Bearing | 11 | 3234-11 | 4 | Screw-HHF |
| 2:3 | 120-3366 | 2 | Bearing | 12 | 112-5268 | 2 | Mount-Roller |
| 3 | 136-2924 | 2 | Screw-HH | 13 | 107-7816 | 2 | Bracket-Skid |

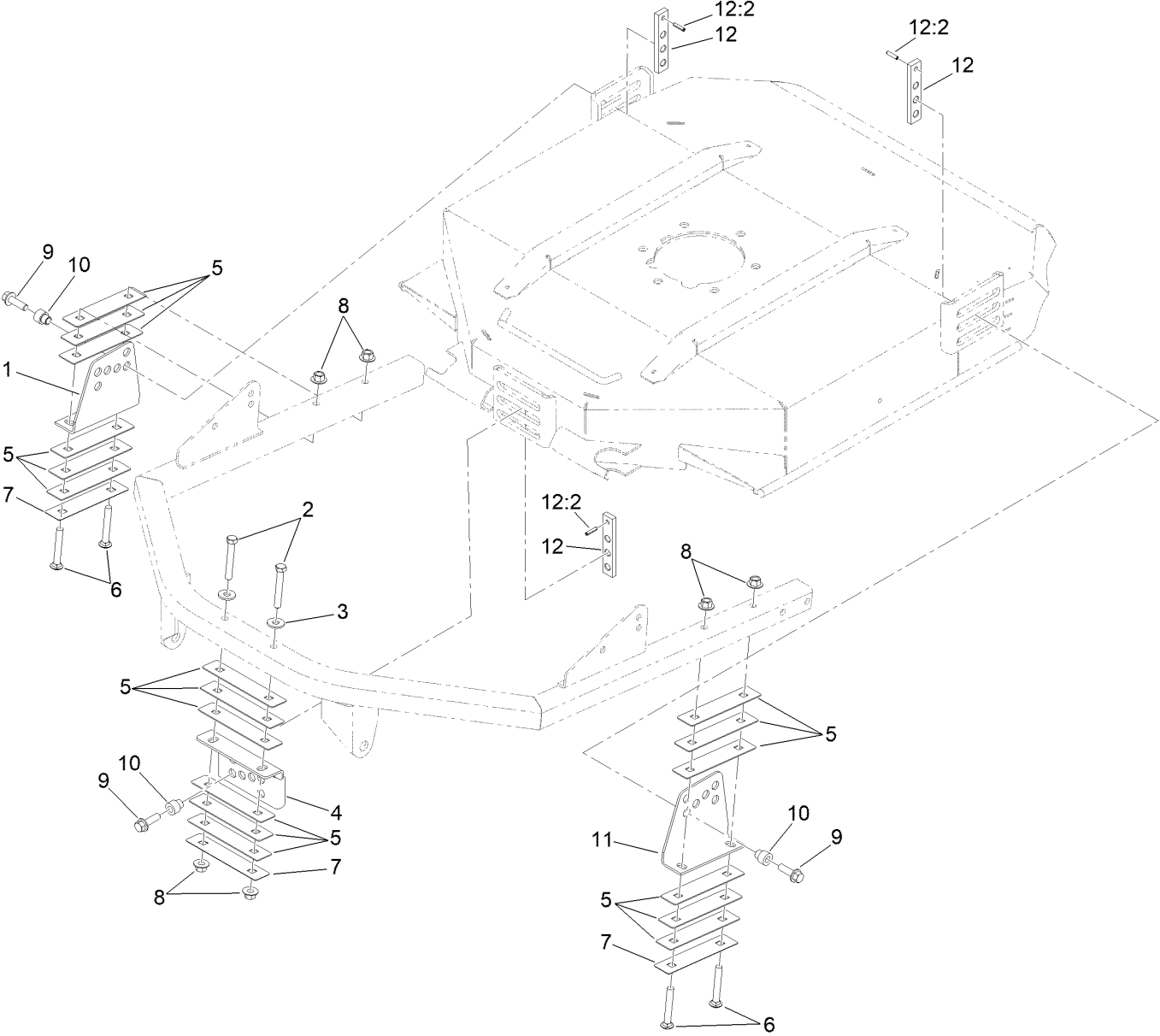
Rear Roller Assembly No. 137-6141



Rear Roller Assembly No. 137-6141 (continued)

| <i>Ref.</i> | <i>Part Number</i> | <i>Qty.</i> | <i>Description</i> | <i>Ref.</i> | <i>Part Number</i> | <i>Qty.</i> | <i>Description</i> |
|-------------|--------------------|-------------|--------------------------|-------------|--------------------|-------------|--------------------|
| 1 | 137-6140 | 1 | Tube-Roller | 5 | 112-7494 | 4 | Seal |
| 2 | 117-5100 | 1 | Shaft-Roller, Rear | 6 | 114-5411 | 2 | Nut-Lock, Bearing |
| 3 | 114-3717 | 2 | Seal-Oil | 7 | 108-0989 | 2 | Screw-Set |
| 4 | 112-5290 | 2 | Bearing-Steel, Stainless | 50 | 114-5430 | 1 | Roller Rebuild Kit |

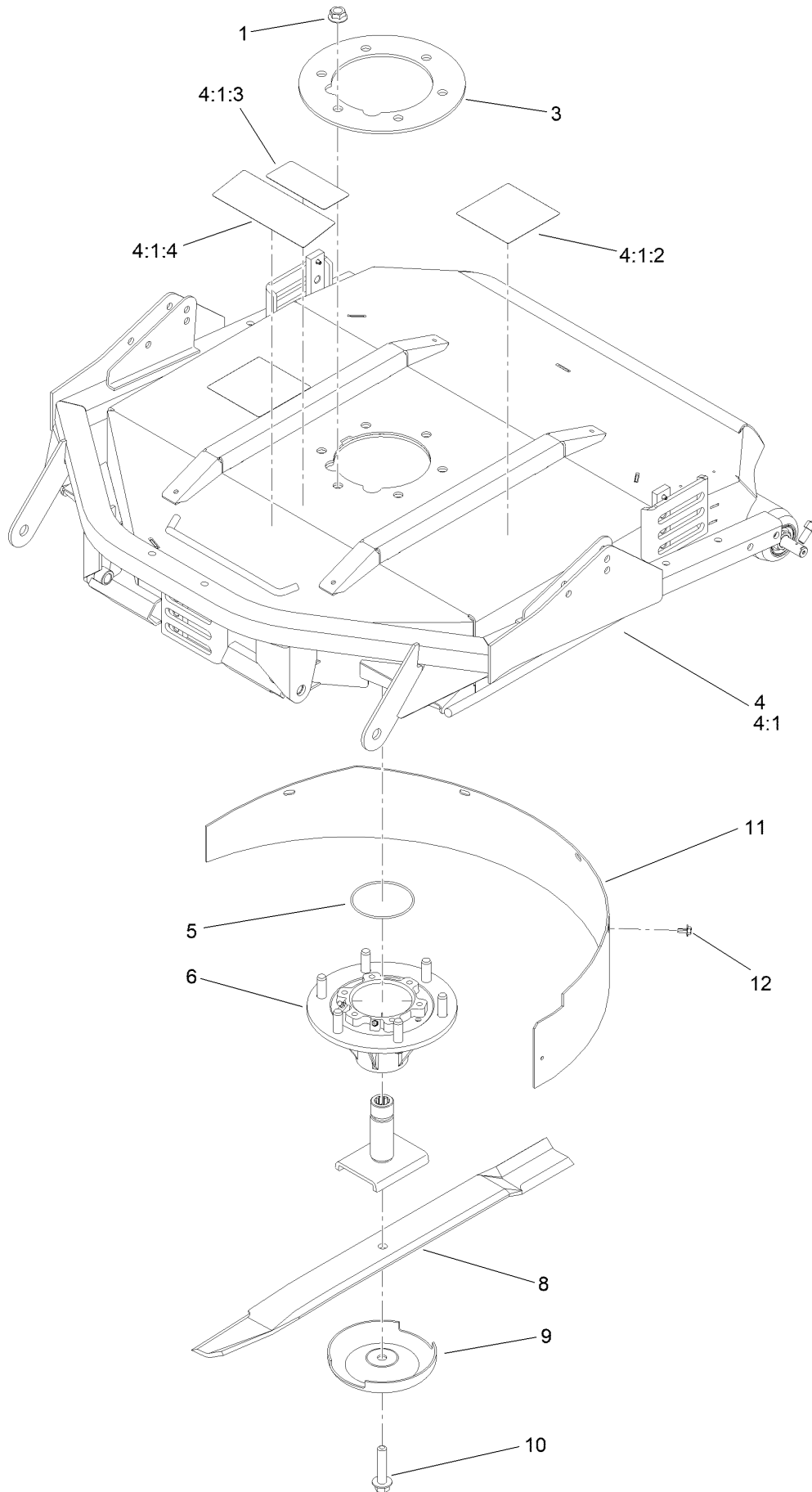
Height-of-Cut Bracket Assembly



Height-of-Cut Bracket Assembly (continued)

| <i>Ref.</i> | <i>Part Number</i> | <i>Qty.</i> | <i>Description</i> | <i>Ref.</i> | <i>Part Number</i> | <i>Qty.</i> | <i>Description</i> |
|-------------|--------------------|-------------|---------------------|-------------|--------------------|-------------|--------------------|
| 1 | 100-5797-03 | 1 | Bracket-HOC, RH | 8 | 32128-43 | 6 | Nut-Flange |
| 2 | 323-12 | 2 | Screw-HH | 9 | 3234-24 | 3 | Screw-HHF |
| 3 | 80-6990 | 2 | Washer-Hardened | 10 | 121-3575 | 3 | Spacer-HOC |
| 4 | 104-1052-03 | 1 | Bracket-HOC, Front | 11 | 104-4624-03 | 1 | Bracket-HOC, LH |
| 5 | 100-5799 | 18 | Shim-HOC, .060 Inch | 12 | 136-2921 | 3 | HOC Plate ASM |
| 6 | 3231-9 | 4 | Screw-CARR | 12:2 | 32121-2 | 1 | Pin-Roll, Slotted |
| 7 | 104-4641 | 3 | Shim-HOC, .030 Inch | | | | |

Chamber, Blade and Spindle Assembly

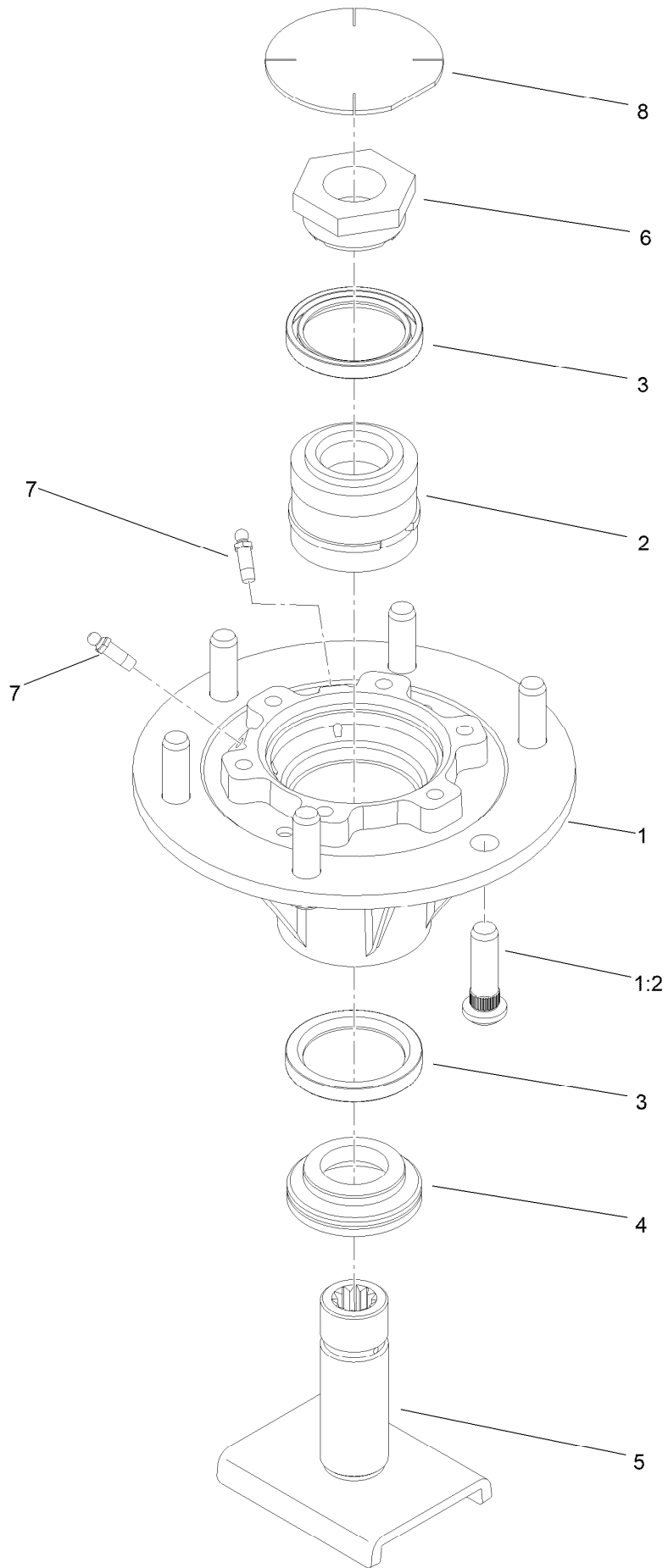


Chamber, Blade and Spindle Assembly (continued)

| <i>Ref.</i> | <i>Part Number</i> | <i>Qty.</i> | <i>Description</i> | <i>Ref.</i> | <i>Part Number</i> | <i>Qty.</i> | <i>Description</i> |
|-------------|--------------------|-------------|--------------------------|-------------|--------------------|-------------|--------------------|
| 1 | 32128-39 | 6 | Nut-HF | 6 | 121-3666 | 1 | Spindle ASM |
| 3 | 104-1051-03 | 1 | Plate-Spindle | 8 | 107-0235-03 | 1 | Blade-Atomic |
| 4 | 127-6389 | 1 | Deck Chamber Service ASM | 8 | 108-9026 | 1 | Blade-27", Combo |
| 4:1 | | 1 | Chamber ASM ● | 9 | 72-9361 | 1 | Cup-Scalp, Anti |
| 4:1:2 | 117-4764 | 2 | Decal-Danger | 10 | 92-5816 | 1 | Bolt-Blade |
| 4:1:3 | 93-7818 | 1 | Decal-Torque, Blade Bolt | 11 | 108-9025-01 | 1 | Baffle-Mulching |
| 4:1:4 | 121-3627 | 1 | Decal-Height Of Cut | 12 | 46-8560 | 5 | Screw-HHFTF |
| 5 | 237-161 | 1 | O-Ring | | | | |

● Not serviced separately

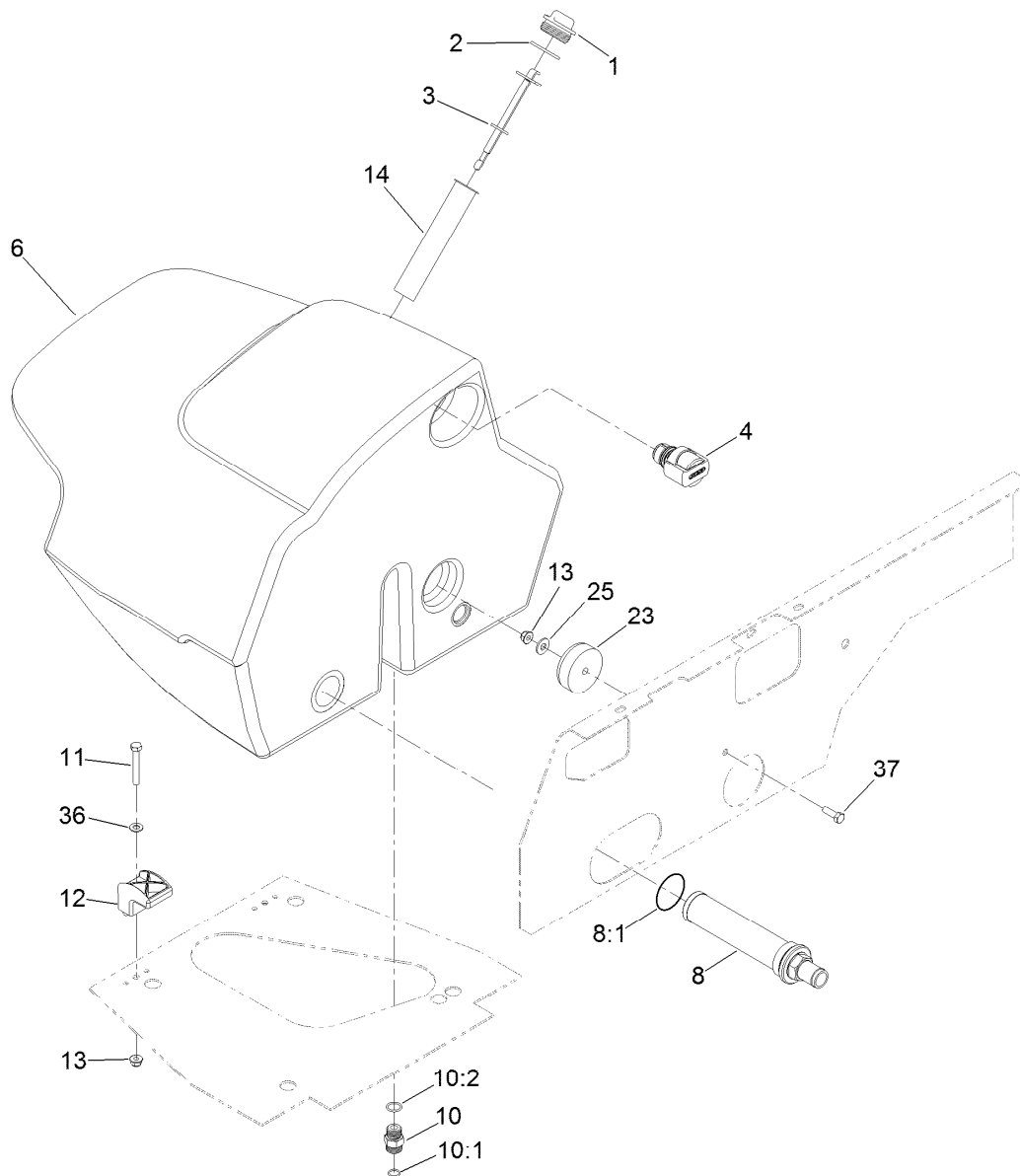
Spindle Assembly No. 121-3666



Spindle Assembly No. 121-3666 (continued)

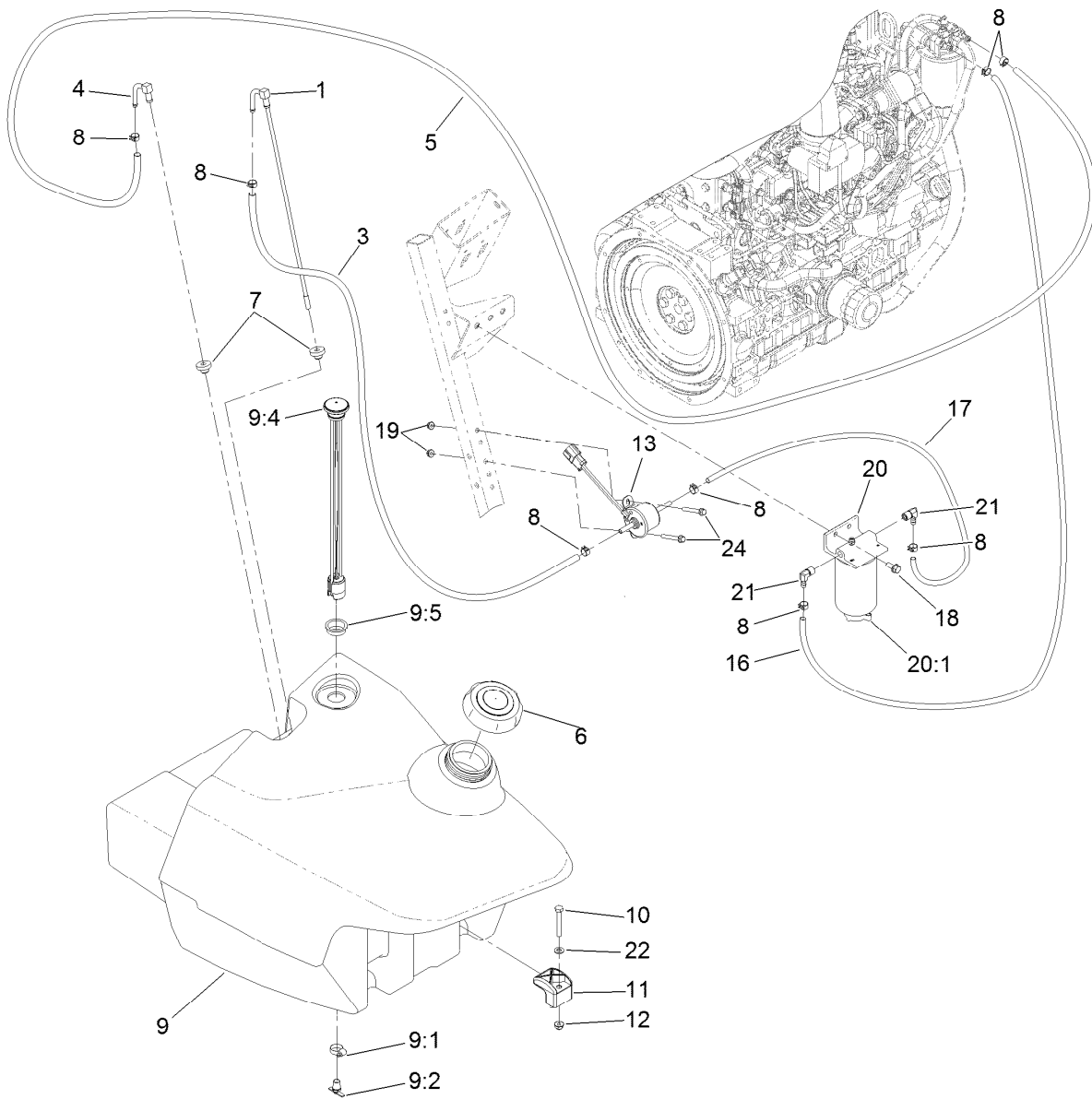
| <i>Ref.</i> | <i>Part Number</i> | <i>Qty.</i> | <i>Description</i> |
|-------------|--------------------|-------------|------------------------|
| 1 | 115-3434 | 1 | Spindle |
| 1:2 | 10-6830 | 6 | Stud-Type, Drive |
| 2 | 100-5703 | 1 | Spacer And Bearing ASM |
| 3 | 253-154 | 2 | Seal-Oil |
| 4 | 138-6416 | 1 | Spacer-Spindle, Shaft |

| <i>Ref.</i> | <i>Part Number</i> | <i>Qty.</i> | <i>Description</i> |
|-------------|--------------------|-------------|--------------------|
| 5 | 121-3664 | 1 | Spindle Shaft ASM |
| 6 | 100-5709 | 1 | Nut-Spindle, Spcl |
| 7 | 302-62 | 2 | Fitting-Grease |
| 8 | 94-2703 | 1 | Plug |



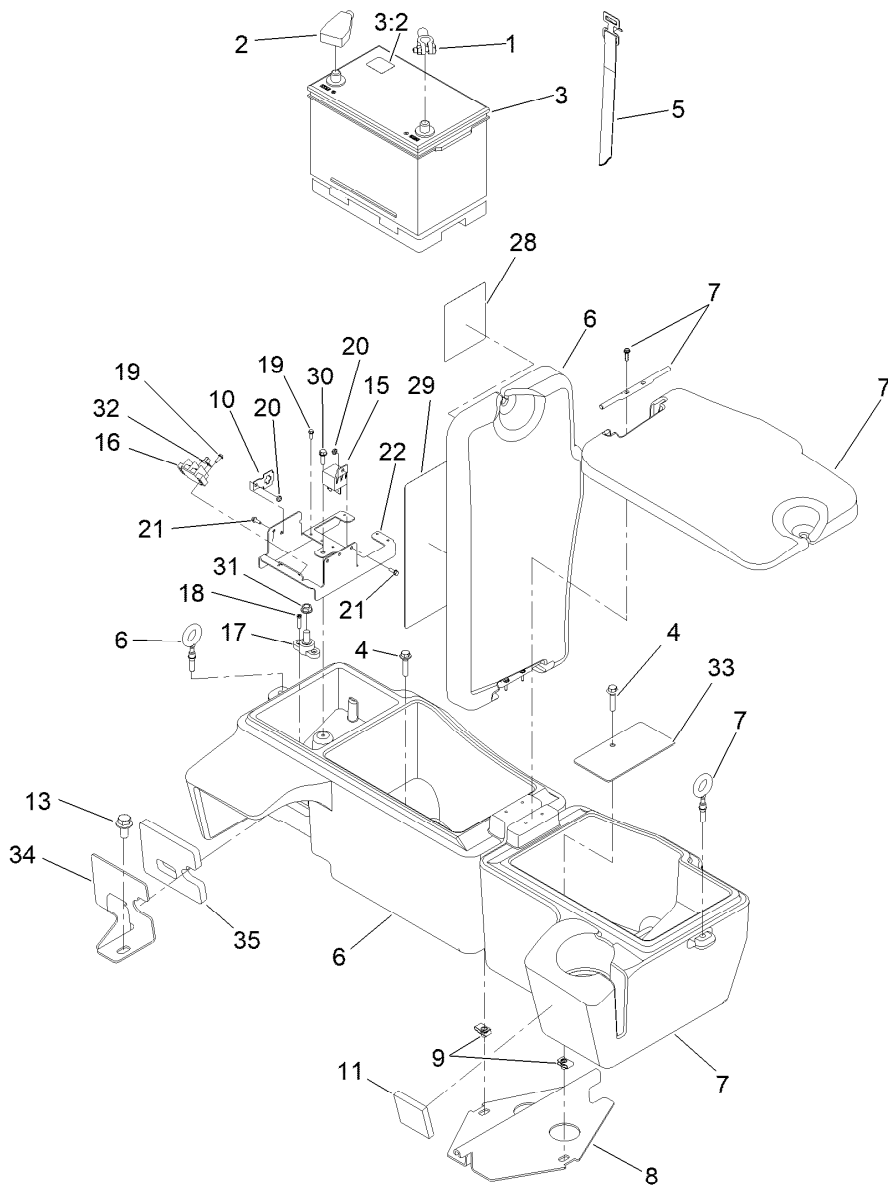
Hydraulic Tank Assembly

| <i>Ref.</i> | <i>Part Number</i> | <i>Qty.</i> | <i>Description</i> | <i>Ref.</i> | <i>Part Number</i> | <i>Qty.</i> | <i>Description</i> |
|-------------|--------------------|-------------|--------------------|-------------|--------------------|-------------|--------------------|
| 1 | 93-7498 | 1 | Plug-Plastic | 10:2 | 237-79 | 1 | O-Ring |
| 2 | 237-101 | 1 | O-Ring | 11 | 322-11 | 2 | Screw-HH |
| 3 | 119-6968 | 1 | Dipstick-Oil | 12 | 107-4543 | 2 | Clamp |
| 4 | 115-9793 | 1 | Breather | 13 | 104-8300 | 3 | Nut-HF, NI |
| 6 | 119-0017 | 1 | Tank-HYD | 14 | 61-2790 | 1 | Filter-Screen |
| 8 | 104-7546 | 1 | Tank Strainer ASM | 23 | 108-1605 | 1 | Bumper-Recess |
| 8:1 | 340-136 | 1 | O-Ring | 25 | 3256-3 | 1 | Washer-Flat |
| 10 | 340-4 | 1 | Fitting-Straight | 36 | 3256-23 | 2 | Washer-Plain |
| 10:1 | 237-30 | 1 | O-Ring | 37 | 322-5 | 1 | Screw-HH |



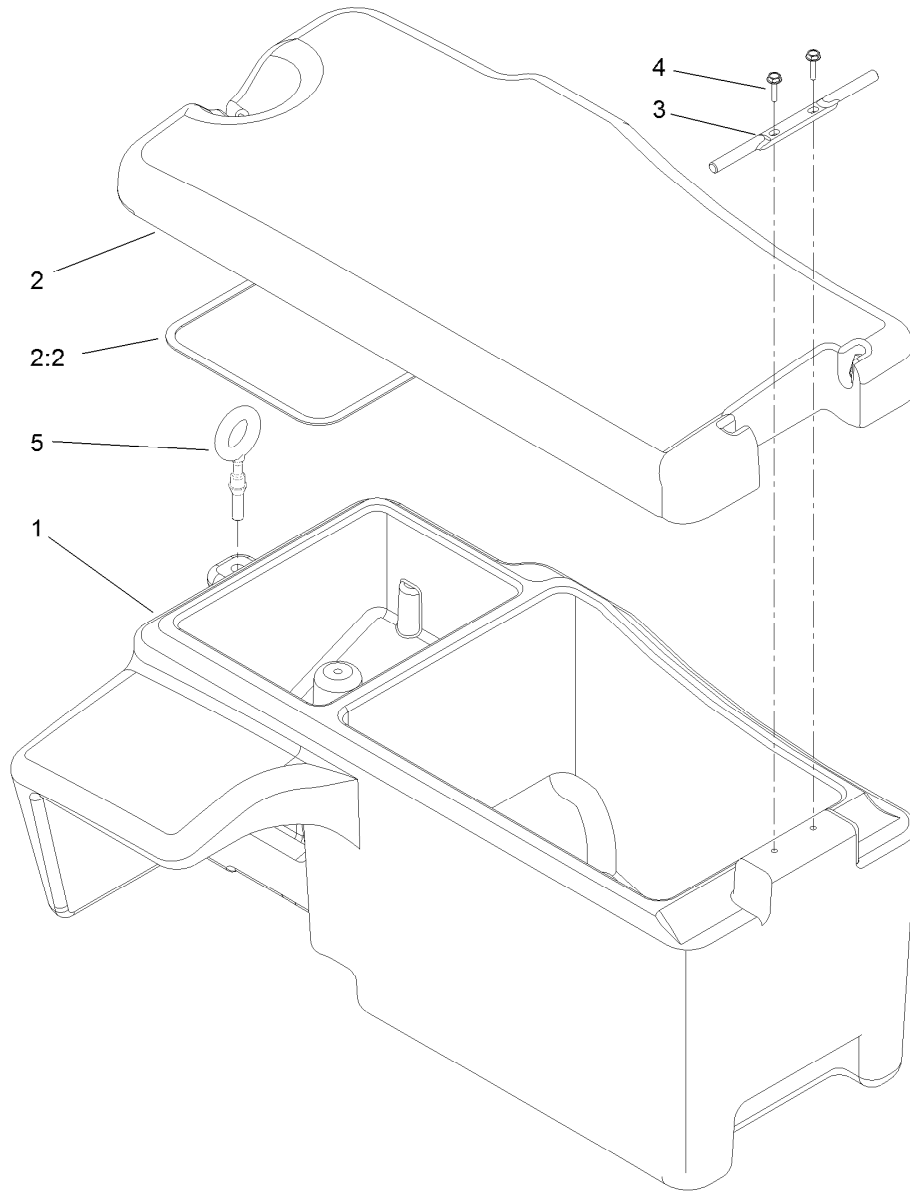
Fuel System Assembly

| Ref. | Part Number | Qty. | Description | Ref. | Part Number | Qty. | Description |
|------|-------------|------|------------------------------------|------|-------------|------|-----------------------------|
| 1 | 115-4354 | 1 | Tube-Suction, Fuel | 10 | 322-11 | 2 | Screw-HH |
| 3 | 110-8802 | 1 | Hose-Fuel | 11 | 107-4543 | 2 | Clamp |
| 4 | 121-3127 | 1 | Fitting-Return | 12 | 104-8300 | 2 | Nut-HF, NI |
| 5 | 119-0577 | 1 | Hose-Fuel | 13 | 121-5613 | 1 | Pump-Fuel, Electric |
| 6 | 125-9172 | 1 | Cap-Fuel, Diesel, Ultra Low Sulfur | 16 | 110-6186 | 1 | Hose-Fuel |
| 7 | 46-6560 | 2 | Bushing | 17 | 110-4113 | 1 | Hose-Fuel |
| 8 | 92-2379 | 8 | Clamp-Hose | 18 | 3234-5 | 2 | Screw-HHF |
| 9 | 115-4353 | 1 | Fuel Tank ASM | 19 | 104-7201 | 2 | Nut-HF, NI |
| 9:1 | 2412-36 | 1 | Clamp-Hose | 20 | 125-2914 | 1 | Filter-Separator |
| 9:2 | 304-46 | 1 | Draincock | 20:1 | 125-2915 | 1 | Filter-Fuel/Water Separator |
| 9:4 | 117-4790 | 1 | Guage-Fuel | 21 | 353-781 | 2 | Fitting-HYD, 90 |
| 9:5 | 95-8972 | 1 | Grommet | 22 | 3256-23 | 2 | Washer-Plain |
| | | | | 24 | 3234-34 | 2 | Screw-HHF |



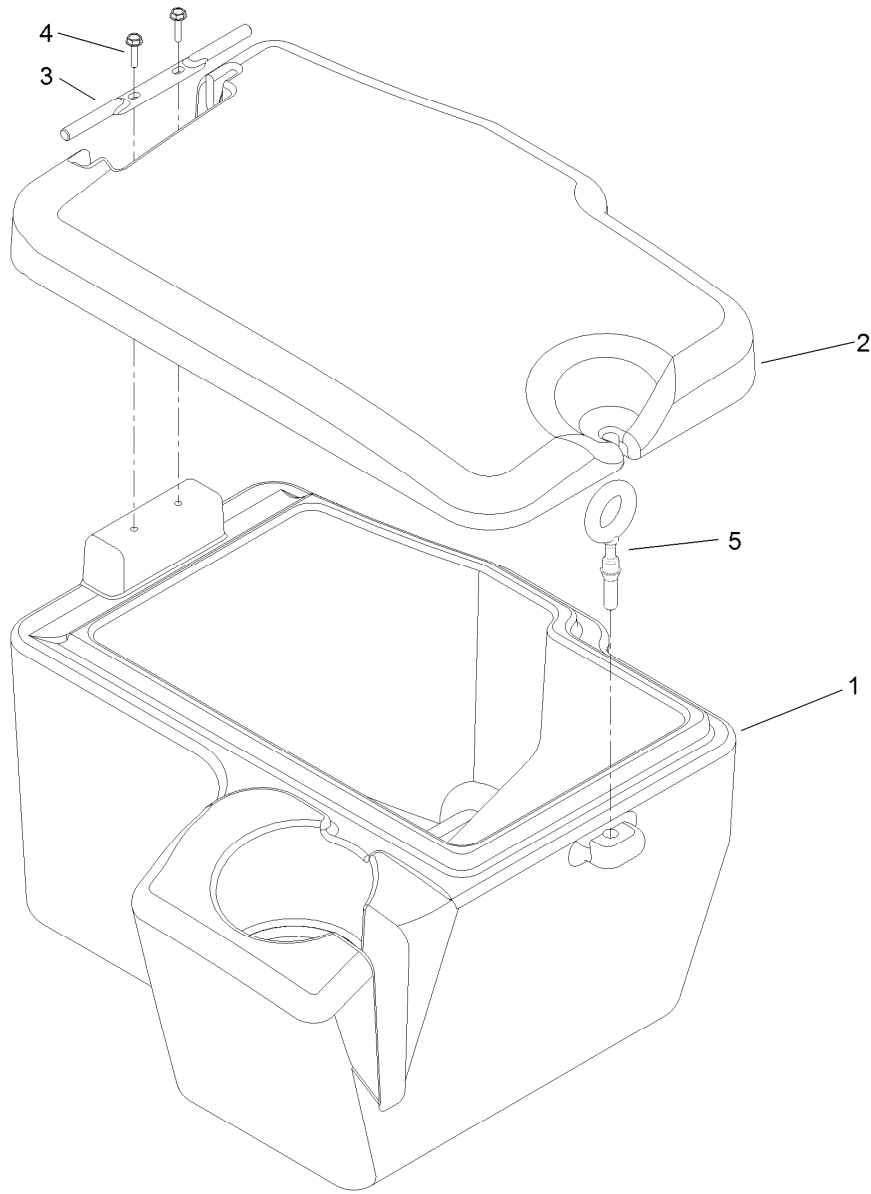
Battery Mount Assembly

| <i>Ref.</i> | <i>Part Number</i> | <i>Qty.</i> | <i>Description</i> | <i>Ref.</i> | <i>Part Number</i> | <i>Qty.</i> | <i>Description</i> |
|-------------|--------------------|-------------|-------------------------|-------------|--------------------|-------------|-----------------------|
| 1 | 117-2377 | 1 | Cable-Battery, Negative | 17 | 110-8822 | 1 | Block-Junction |
| 2 | 121-6589 | 1 | Cable-Battery, Positive | 18 | 93-0231 | 2 | Screw-PPH |
| 3 | 139-1005 | 1 | Battery Kit | 19 | 32144-87 | 6 | Screw-HWHTF |
| 3:2 | 139-1006 | 1 | Decal | 20 | 3296-54 | 4 | Nut-Lock |
| 4 | 115-1794 | 2 | Screw-HHF | 21 | 112-3169 | 4 | Screw-HHF, Serrated |
| 5 | 3339-175 | 1 | Strapping-Web | 22 | 115-4356-0P | 1 | Mount-Fuse Blocks |
| 6 | 115-9100 | 1 | Box-Storage, Battery | 28 | 145-5257 | 1 | Decal-Fuse, Gm45/4700 |
| 7 | 115-9101 | 1 | Box-Storage | 29 | 136-3711 | 1 | Decal-Service |
| 8 | 115-4387-0P | 1 | Support-Box, Storage | 30 | 46-8091 | 1 | Screw-HWH |
| 9 | 112-3306 | 2 | Nut | 31 | 3290-357 | 1 | Nut-HSF |
| 10 | 114-5502 | 1 | Clip-Fuse | 32 | 42863 | 1 | Strip-Jumper |
| 11 | 117-4783 | 2 | Seal-Foam | 33 | 117-4768-0P | 1 | Plate-Storage Box |
| 13 | 3234-6 | 1 | Screw-HHF | 34 | 117-4774-0P | 1 | Clamp [primed] |
| 15 | 99-7435 | 3 | Relay | 35 | 117-4775 | 1 | Seal-Battery Box |
| 16 | 42862 | 1 | Block-Terminal, Ground | | | | |



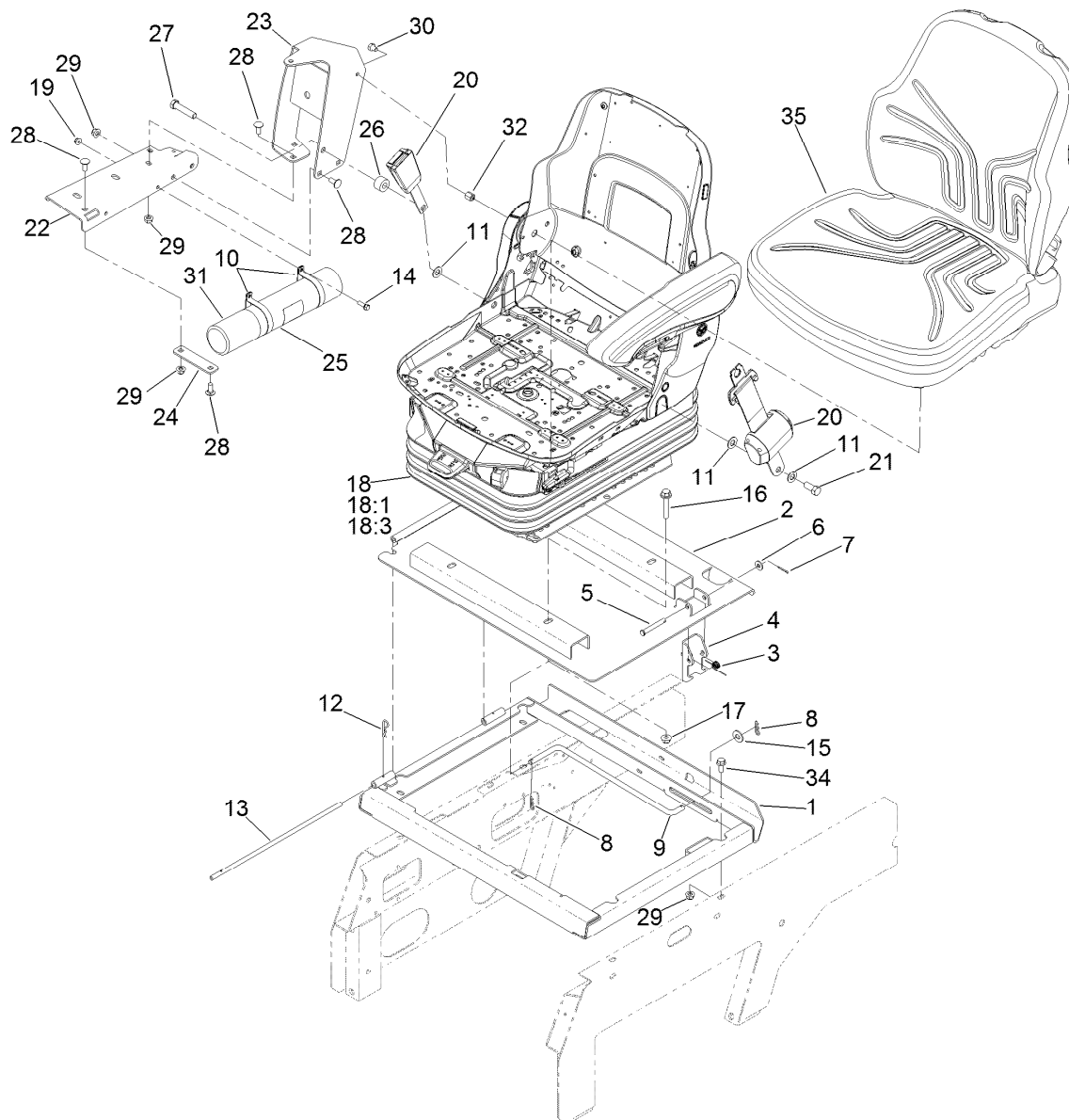
Battery Storage Box Assembly No. 115-9100

| <i>Ref.</i> | <i>Part Number</i> | <i>Qty.</i> | <i>Description</i> |
|-------------|--------------------|-------------|--------------------|
| 1 | 114-8124 | 1 | Box-Storage, RH |
| 2 | 115-4368 | 1 | Cover ASM |
| 2:2 | 115-4367 | 1 | Seal-Cover |
| 3 | 147-2062 | 1 | Hinge |
| 4 | 98-1375 | 2 | Screw-HWH |
| 5 | 115-4366 | 1 | Latch-Rubber |



Storage Box Assembly No. 115-9101

| <i>Ref.</i> | <i>Part Number</i> | <i>Qty.</i> | <i>Description</i> |
|-------------|--------------------|-------------|-----------------------|
| 1 | 114-8123 | 1 | Box-Storage, LH |
| 2 | 114-8125 | 1 | Cover-Storage Box, LH |
| 3 | 147-2062 | 1 | Hinge |
| 4 | 98-1375 | 2 | Screw-HWH |
| 5 | 115-4366 | 1 | Latch-Rubber |

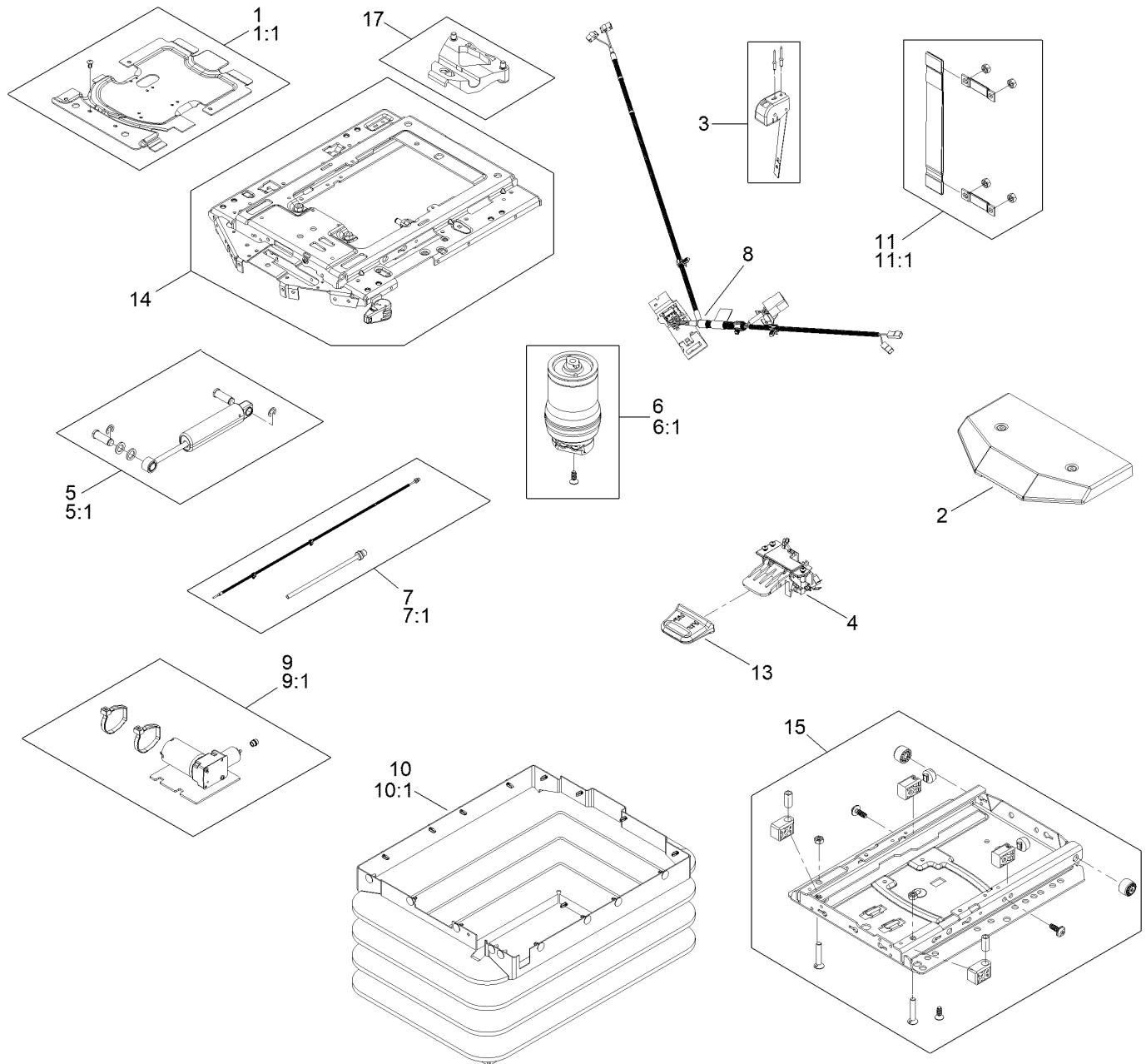


Seat Mounting Assembly

| Ref. | Part Number | Qty. | Description | Ref. | Part Number | Qty. | Description |
|------|-------------|------|--------------------------|------|-------------|------|-------------------------|
| 1 | 115-4400-03 | 1 | Frame-Seat | 18:3 | 132-1304 | 1 | Backrest Adjustment Kit |
| 2 | 115-4411-03 | 1 | Plate-Seat | 19 | 104-7201 | 2 | Nut-HF, NI |
| 3 | 104-4821 | 1 | Spring-Torsion | 20 | 110-0413 | 1 | Seatbelt-Retractable |
| 4 | 115-4423-03 | 1 | Latch-Seat Plate | 21 | 3212-4 | 1 | Screw-HH |
| 5 | 110-0618 | 1 | Pin-Clevis | 22 | 119-0000-03 | 1 | Channel-Support |
| 6 | 3256-2 | 1 | Washer-Flat | 23 | 117-4798-03 | 1 | Arm-Support |
| 7 | 3272-6 | 1 | Pin-Cotter | 24 | 112-7449 | 1 | Strap-Support |
| 8 | 3290-307 | 4 | Pin-Cotter | 25 | 104-7050 | 1 | Tube-Manual |
| 9 | 117-4797 | 2 | Rod-Seat Frame | 26 | 17-7190 | 1 | Spacer-Finger |
| 10 | 107-1865 | 2 | R-Clamp | 27 | 3212-8 | 1 | Screw-HH |
| 11 | 3256-25 | 3 | Washer-Flat | 28 | 3230-23 | 6 | Bolt-CARR |
| 12 | 3290-467 | 1 | Pin-Hair | 29 | 104-8300 | 9 | Nut-HF, NI |
| 13 | 75-3400 | 1 | Shaft-Pivot, Seat | 30 | 108-8646 | 1 | Screw-HH, Lock |
| 14 | 32105-15 | 2 | Screw-HWH | 31 | 104-7048 | 1 | Cap-Housing |
| 15 | 3256-4 | 2 | Washer-Flat | 32 | 112-7405 | 1 | Nut-Hex, Coupling |
| 16 | 66-9302 | 4 | Screw-HHF Lock | 34 | 3234-47 | 4 | Screw-HHF |
| 17 | 104-8301 | 4 | Nut-HF, NI | 35 | 117-5676 | 1 | Premium Seat ASM |
| 18 | 132-1302 | 1 | Seat And Suspension ASM | 99 | 108-8024 | 1 | Switch Kit ● |
| 18:1 | 130-2702 | 1 | Air Ride Seat Suspension | | | | |

● Not illustrated

Air Ride Seat Suspension Assembly No. 130-2702



12
WEAR PARTS KIT

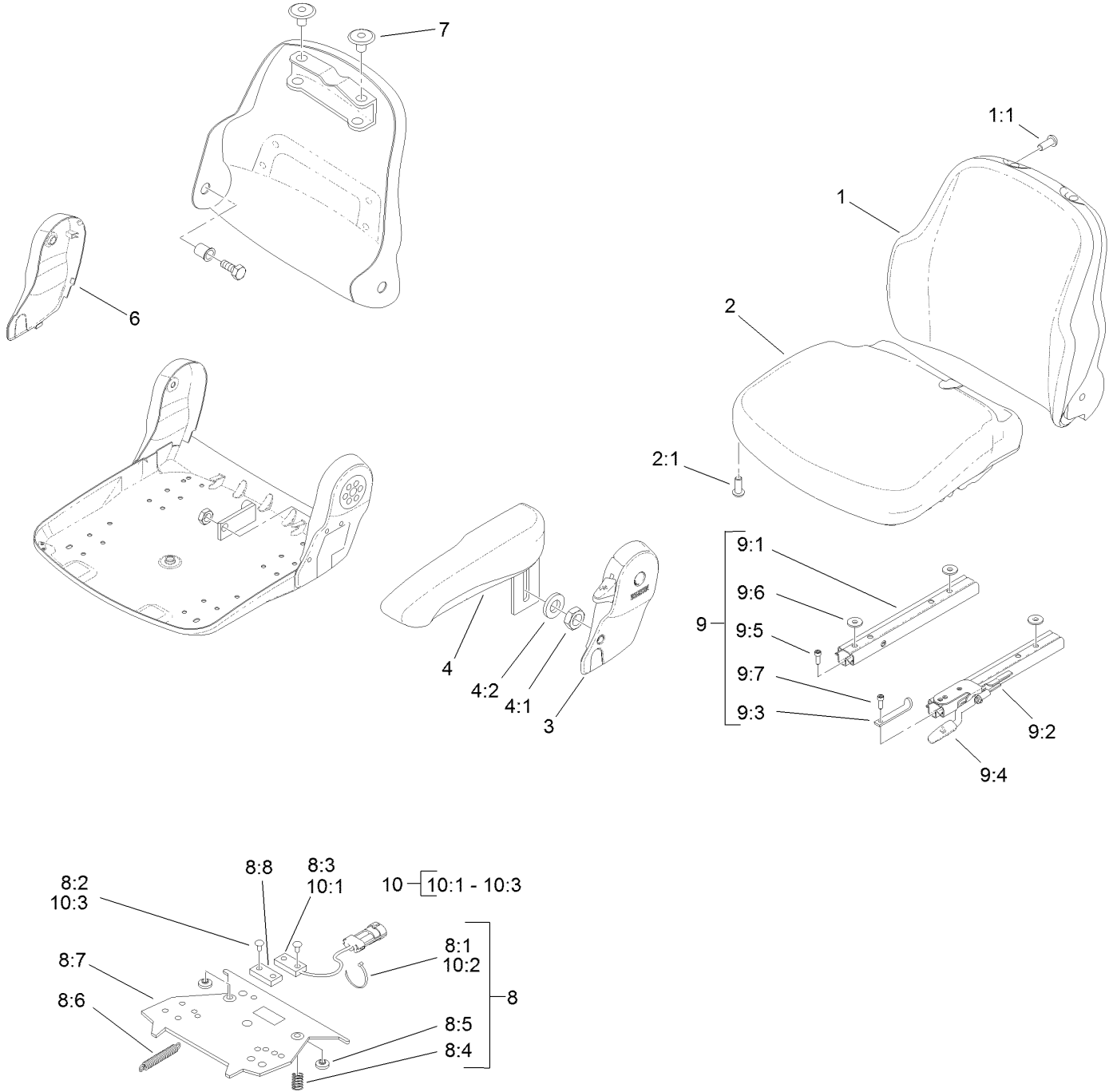
16
ADJUSTER MOUNTING KIT

Air Ride Seat Suspension Assembly No. 130-2702 (continued)

| <i>Ref.</i> | <i>Part Number</i> | <i>Qty.</i> | <i>Description</i> | <i>Ref.</i> | <i>Part Number</i> | <i>Qty.</i> | <i>Description</i> |
|-------------|--------------------|-------------|--------------------|-------------|--------------------|-------------|-------------------------|
| 1 | 130-2709 | 1 | Cover ASM | 9 | 130-2719 | 1 | Compressor |
| 1:1 | 130-2710 | 1 | Cover Kit | 9:1 | 130-2720 | 1 | Compressor Kit |
| 2 | 108-8027 | 1 | Cover | 10 | 130-2721 | 1 | Bellows ASM |
| 3 | 130-2711 | 1 | Control-Level | 10:1 | 130-2722 | 1 | Bellows Kit |
| 4 | 108-8029 | 1 | Valve-Control, Air | 11 | 130-2723 | 1 | Tether |
| 5 | 130-2712 | 1 | Shock Absorber ASM | 11:1 | 130-2724 | 1 | Tether Kit |
| 5:1 | 130-2713 | 1 | Shock Absorber Kit | 12 | 130-2725 | 1 | Wear Parts Kit ● |
| 6 | 130-2714 | 1 | Air Spring ASM | 13 | 130-2726 | 1 | Handle |
| 6:1 | 130-2715 | 1 | Air Spring Kit | 14 | 130-2727 | 1 | Upper Suspension Kit |
| 7 | 130-2716 | 1 | Air Tube ASM | 15 | 130-2728 | 1 | Lower Suspension Kit |
| 7:1 | 130-2717 | 1 | Air Tube Kit | 16 | 130-2729 | 1 | Adjuster Mounting Kit ● |
| 8 | 130-2718 | 1 | Harness-Wire | 17 | 130-2730 | 1 | Limiters-Thrust |

● Not illustrated

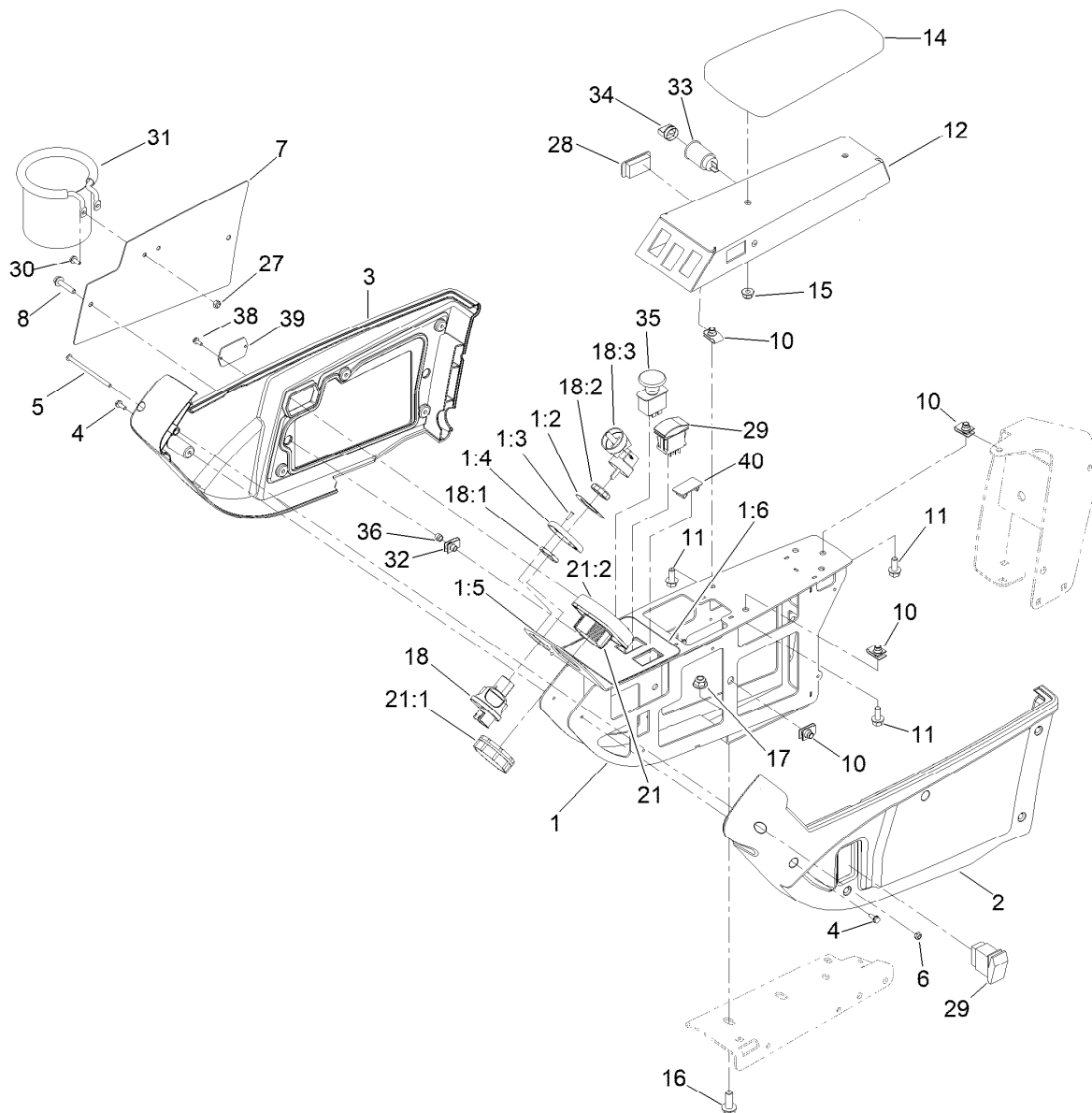
Vinyl Premium Seat Assembly No. 117-5676



Vinyl Premium Seat Assembly No. 117-5676 (continued)

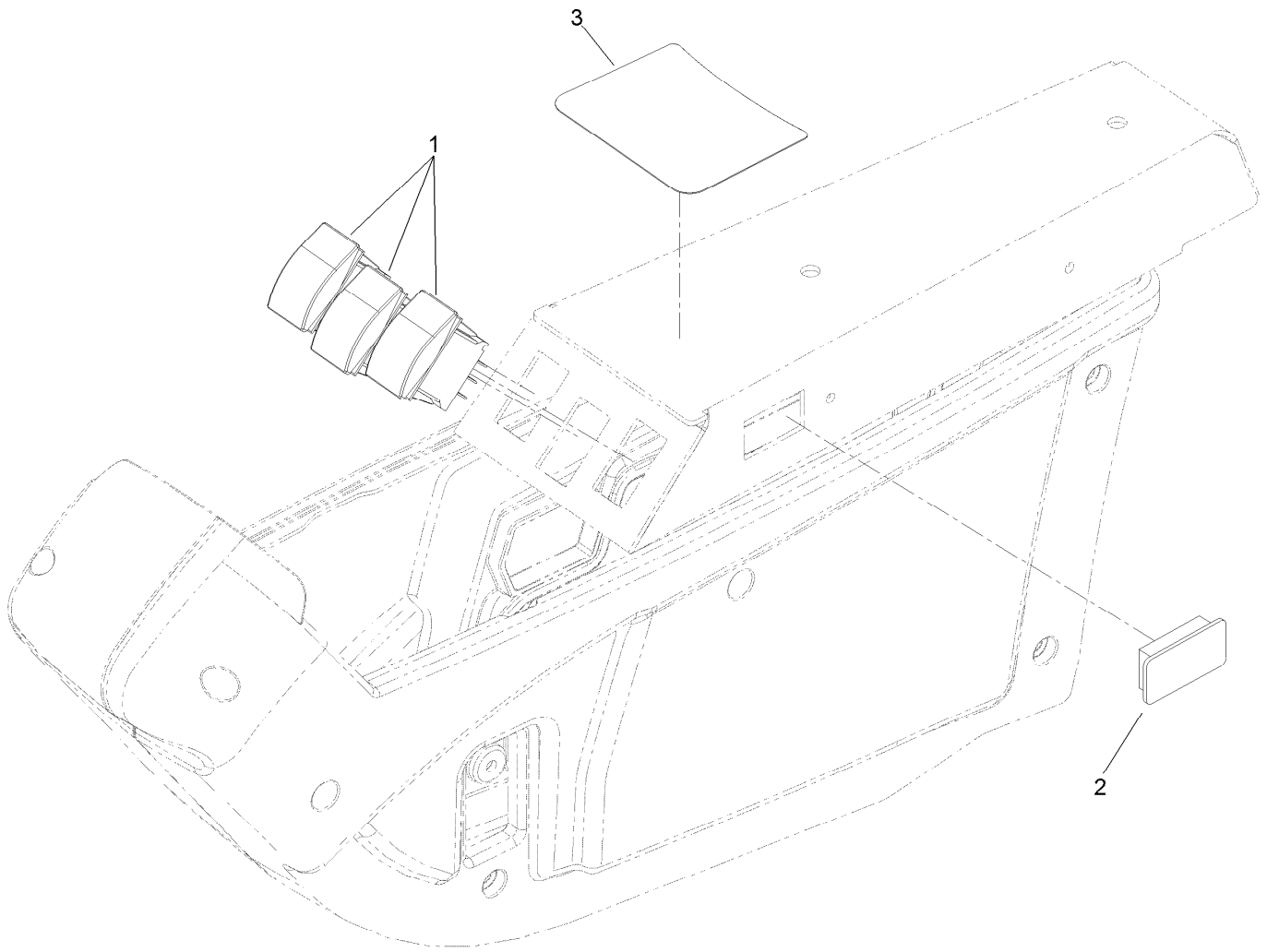
| <i>Ref.</i> | <i>Part Number</i> | <i>Qty.</i> | <i>Description</i> | <i>Ref.</i> | <i>Part Number</i> | <i>Qty.</i> | <i>Description</i> |
|-------------|--------------------|-------------|-------------------------|-------------|--------------------|-------------|-----------------------|
| 1 | 108-8016 | 1 | Backrest Cushion ASM | 8:6 | | 1 | Spring-Extension ● |
| 1:1 | 119-7742 | 4 | Screw-Cushion | 8:7 | | 1 | Plate-Mounting ● |
| 2 | 108-8017 | 1 | Seat Cushion ASM | 8:8 | | 1 | Magnet ● |
| 2:1 | 119-7742 | 3 | Screw-Cushion | 9 | 108-8025 | 1 | Adjustment Rail Set |
| 3 | 108-8018 | 1 | Cover-Armrest | 9:1 | | 1 | Rail-Adjustment, RH ● |
| 4 | 108-8019 | 1 | LH Armrest ASM | 9:2 | | 1 | Rail-Adjustment, LH ● |
| 4:1 | 82-9650 | 1 | Nut | 9:3 | | 1 | Stop-Rail ● |
| 4:2 | 107-1198 | 1 | Washer | 9:4 | | 1 | Handle ● |
| 6 | 108-8021 | 1 | Cover-Armrest | 9:5 | | 3 | Screw ● |
| 7 | 108-8022 | 2 | Cover-Black | 9:6 | | 3 | Washer ● |
| 8 | 108-8024 | 1 | Switch Kit | 9:7 | | 1 | Screw ● |
| 8:1 | | 3 | Wire Tie ● | 10 | 110-6189 | 1 | Switch Kit |
| 8:2 | | 4 | Rivet ● | 10:1 | | 1 | Switch ● |
| 8:3 | | 1 | Sensor-Seat Switch ● | 10:2 | | 3 | Wire Tie ● |
| 8:4 | | 2 | Spring-Compression ● | 10:3 | | 2 | Rivet ● |
| 8:5 | | 2 | Bumper-Pressure Plate ● | | | | |

● Not serviced separately



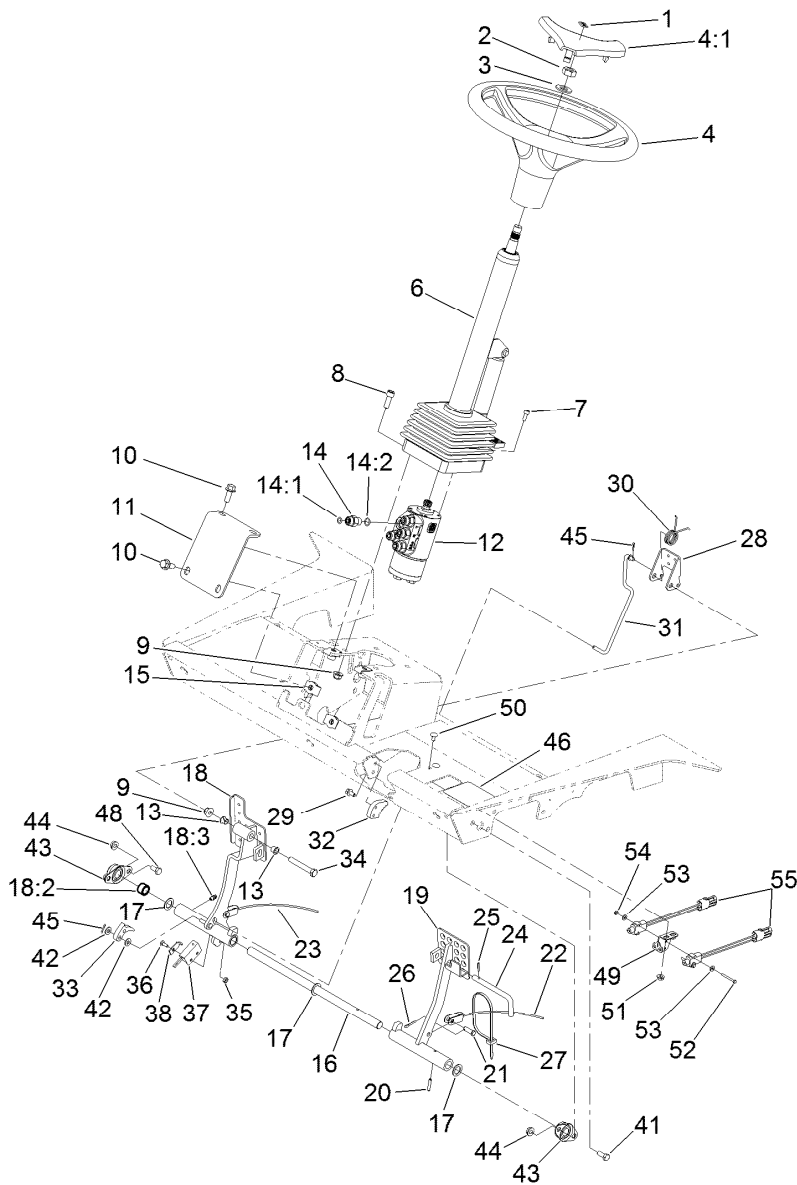
Console Assembly

| Ref. | Part Number | Qty. | Description | Ref. | Part Number | Qty. | Description |
|------|-------------|------|------------------------|------|-------------|------|------------------------------|
| 1 | 136-3325 | 1 | ASM-Panel | 18:1 | 121-5160 | 1 | Nut-Hex |
| 1:2 | 136-3185 | 1 | Decal-Console, Lower | 18:2 | 122-2704 | 1 | Nut-Face, M22 (Plastic) |
| 1:3 | 121-3887 | 1 | Decal-Console, Display | 18:3 | 121-5162 | 1 | Set-Key, Ignition |
| 1:4 | 121-3889 | 1 | Step-Elevated, Switch | 21 | 120-6310 | 1 | LCD Display ASM Kantrak 1700 |
| 1:5 | 3269-17 | 2 | Rivet-Pop | 21:1 | 120-4630 | 1 | Nut-Display |
| 1:6 | 121-3884 | 1 | Decal-Console, Upper | 21:2 | 120-6311 | 1 | Decal-Display |
| 2 | 108-7604 | 1 | Cover-LH | 27 | 3296-2 | 2 | Nut-Lock, NI |
| 3 | 108-7605 | 1 | Cover-RH | 28 | 114-3329 | 1 | Switch-Rocker |
| 4 | 32144-112 | 10 | Screw-HWH | 29 | 95-8999 | 2 | Switch-Rocker, On-None-On |
| 5 | 3250-22 | 1 | Screw-PPH | 30 | 3290-321 | 2 | Screw-HWH |
| 6 | 3296-12 | 1 | Nut-Lock, NI | 31 | 117-2378 | 1 | Holder-Bag |
| 7 | 115-8849-03 | 1 | Plate-Cover | 32 | 107069 | 2 | Clip |
| 8 | 3234-21 | 2 | Screw-HHF | 33 | 99-7411 | 1 | Point-Power |
| 10 | 94-2413 | 5 | Nut-U | 34 | 99-7416 | 1 | Cap |
| 11 | 3234-5 | 5 | Screw-HHF | 35 | 93-9999 | 1 | Switch-PTO |
| 12 | 125-4646-03 | 1 | Panel-Control | 36 | 110-0542 | 2 | Spacer-Flange |
| 14 | 108-7602 | 1 | Rest-Arm | 38 | 32144-18 | 2 | Screw-HWH |
| 15 | 104-8300 | 2 | Nut-HF, NI | 39 | 121-1630 | 1 | Plate-Cover |
| 16 | 3234-42 | 2 | Screw-HHF | 40 | 99-7420 | 1 | Plug-Hole |
| 17 | 104-8301 | 2 | Nut-HF, NI | | | | |
| 18 | 121-5159 | 1 | Switch-Ignition | | | | |



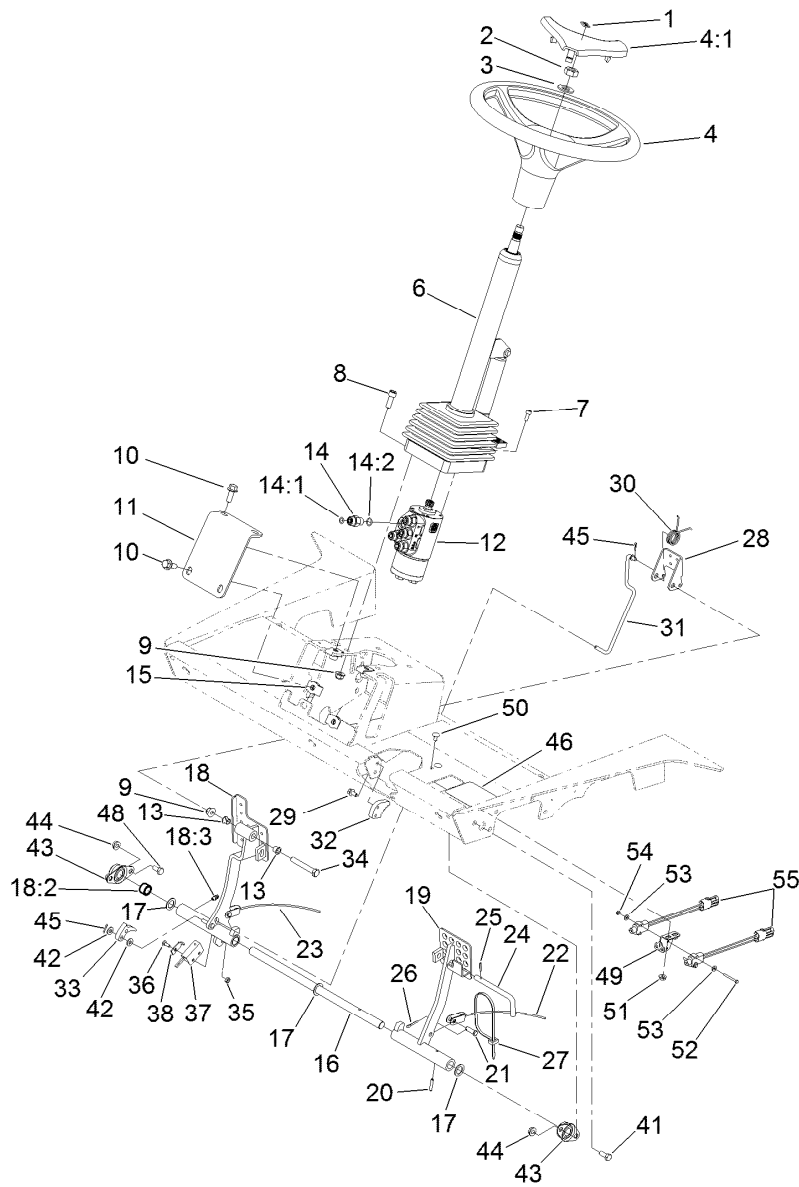
Control Arm Switch Assembly

| <i>Ref.</i> | <i>Part Number</i> | <i>Qty.</i> | <i>Description</i> |
|-------------|--------------------|-------------|------------------------------|
| 1 | 100-1535 | 3 | Switch-Rocker, (On)-Off-(On) |
| 2 | 99-7420 | 1 | Plug-Hole |
| 3 | 127-3700 | 1 | Decal-Lift |



Steering and Brake Assembly

| Ref. | Part Number | Qty. | Description | Ref. | Part Number | Qty. | Description |
|------|-------------|------|--------------------------|------|-------------|------|-----------------------|
| 1 | 98-1459 | 1 | Decal | 18:3 | 302-5 | 1 | Fitting-Grease |
| 2 | 3296-33 | 1 | Nut-Lock, NI | 19 | 136-2887-03 | 1 | Pedal-Brake, LH |
| 3 | 3256-27 | 1 | Washer-Flat | 20 | 32121-16 | 1 | Pin-Spring |
| 4 | 98-1471 | 1 | Wheel-Steering | 21 | 283-58 | 2 | Pin-Clevis |
| 4:1 | 98-1468 | 1 | Cover-Wheel, Steering | 22 | 92-7530 | 1 | Cable-Brake, LH |
| 6 | 106-3622 | 1 | Steering Tilt Column ASM | 23 | 92-7529 | 1 | Cable-Brake, RH |
| 7 | 105-2409 | 4 | Screw-HSH | 24 | 63-7880 | 1 | Pin-Latch, Brake |
| 8 | 3274-7 | 4 | Screw-HSH | 25 | 32121-50 | 1 | Pin-Spring |
| 9 | 104-8301 | 5 | Nut-HF, NI | 26 | 3272-10 | 2 | Pin-Cotter |
| 10 | 3234-11 | 4 | Screw-HHF | 27 | 3290-378 | 1 | Tie-Cable |
| 11 | 115-4379-0P | 1 | Brace-Column | 28 | 99-7963-03 | 1 | Pedal-Park |
| 12 | 114-8119 | 1 | Steering Valve ASM | 29 | 3234-13 | 2 | Screw-HHF |
| 13 | 52-2891 | 2 | Bushing-Flanged, Nylon | 30 | 99-7140 | 1 | Spring-Torsion |
| 14 | 340-2 | 5 | Fitting-Straight | 31 | 115-4417 | 1 | Rod-Brake Pawl |
| 14:1 | 237-22 | 1 | O-Ring | 32 | 119-0002 | 1 | Pawl-Brake |
| 14:2 | 237-42 | 1 | O-Ring | 33 | 120-1691 | 1 | Detent-Brake |
| 15 | 105-4886 | 4 | Nut-Tinnerman | 34 | 323-12 | 1 | Screw-HH |
| 16 | 75-1470 | 1 | Pin-Pivot, Brake | 35 | 3296-2 | 1 | Nut-Lock, NI |
| 17 | 3256-69 | 3 | Washer-Flat | 36 | 3229-34 | 1 | Screw-CARR |
| 18 | 136-2889 | 1 | Pedal-Brake, RH | 37 | 100-1270 | 1 | Switch-Proximity |
| 18:2 | 256-42 | 2 | Bushing | 38 | 100-4872 | 1 | Plate-Switch, Neutral |



Steering and Brake Assembly (continued)

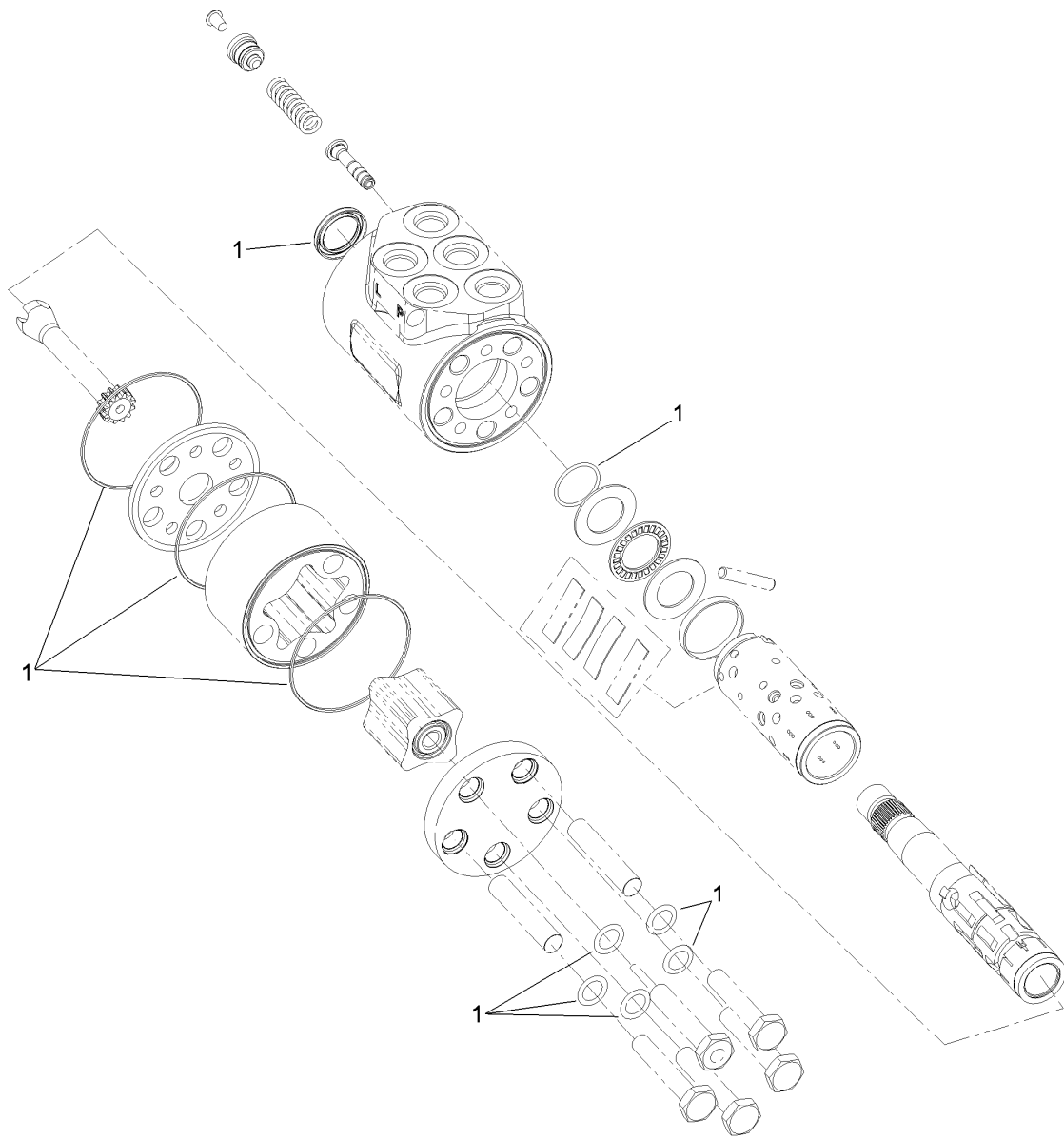
| <i>Ref.</i> | <i>Part Number</i> | <i>Qty.</i> | <i>Description</i> | <i>Ref.</i> | <i>Part Number</i> | <i>Qty.</i> | <i>Description</i> |
|-------------|--------------------|-------------|-----------------------|-------------|--------------------|-------------|---------------------------------------|
| 41 | 322-3 | 1 | Screw-HH | 50 | 116-5611 | 2 | Bolt-Carriage 1/4-20 X 1/2 Short Neck |
| 42 | 3256-22 | 3 | Washer-Flat | 51 | 32128-33 | 2 | Nut-HF |
| 43 | 256-236 | 2 | Bearing-Mount, Flange | 52 | 32105-21 | 2 | Screw-HH |
| 44 | 32128-20 | 3 | Nut-HF | 53 | 3256-21 | 4 | Washer-Flat |
| 45 | 3272-5 | 3 | Pin-Cotter | 54 | 3296-9 | 2 | Nut-Hex |
| 46 | 117-4763 | 1 | Decal-Brake | 55 | 99-3410 | 2 | Switch |
| 48 | 322-2 | 2 | Screw-HH | | | | |
| 49 | 131-7842 | 1 | Plate-Bent, Bracket | | | | |



Steering Tilt Column Assembly No. 106-3622

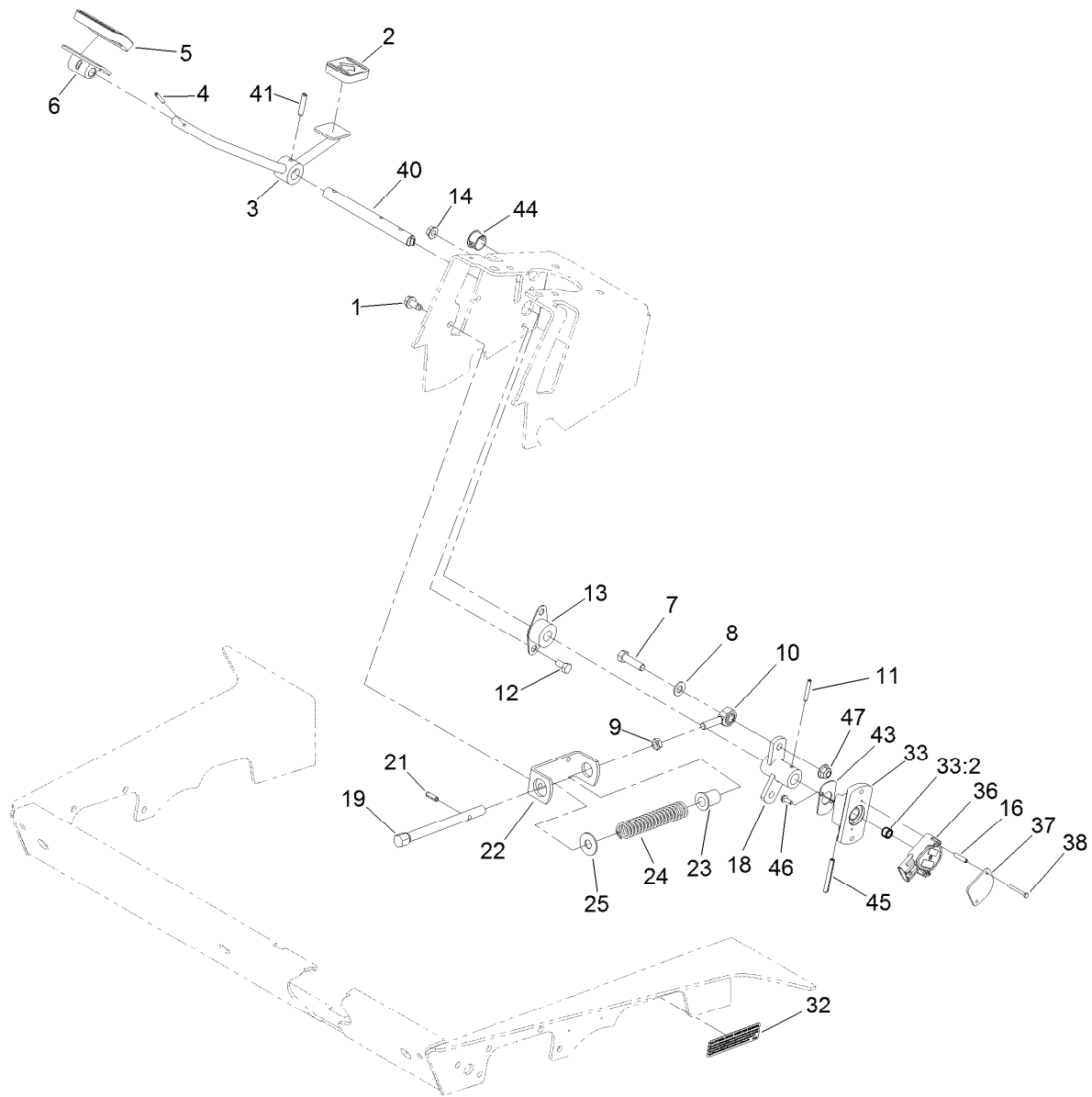
| Ref. | Part Number | Qty. | Description |
|------|-------------|------|----------------------|
| 1 | 110-6462 | 1 | Bellows-Rubber |
| 2 | 110-6463 | 1 | Cylinder Service Kit |
| 2:1 | | 1 | Cylinder-Gas ● |
| 2:2 | | 1 | Block-Pedal ● |
| 2:3 | | 2 | Bolt ● |
| 2:4 | | 1 | Pin ● |
| 2:5 | | 2 | Washer-Lock ● |
| 3 | 110-6464 | 1 | Pedal Service Kit |
| 3:1 | | 1 | Pedal ● |
| 3:2 | | 1 | Pin ● |
| 3:3 | | 1 | Spring ● |
| 4 | 110-6465 | 1 | Cover-Pedal |
| 5 | 120-6256 | 1 | Universal Joint Kit |

● Not serviced separately



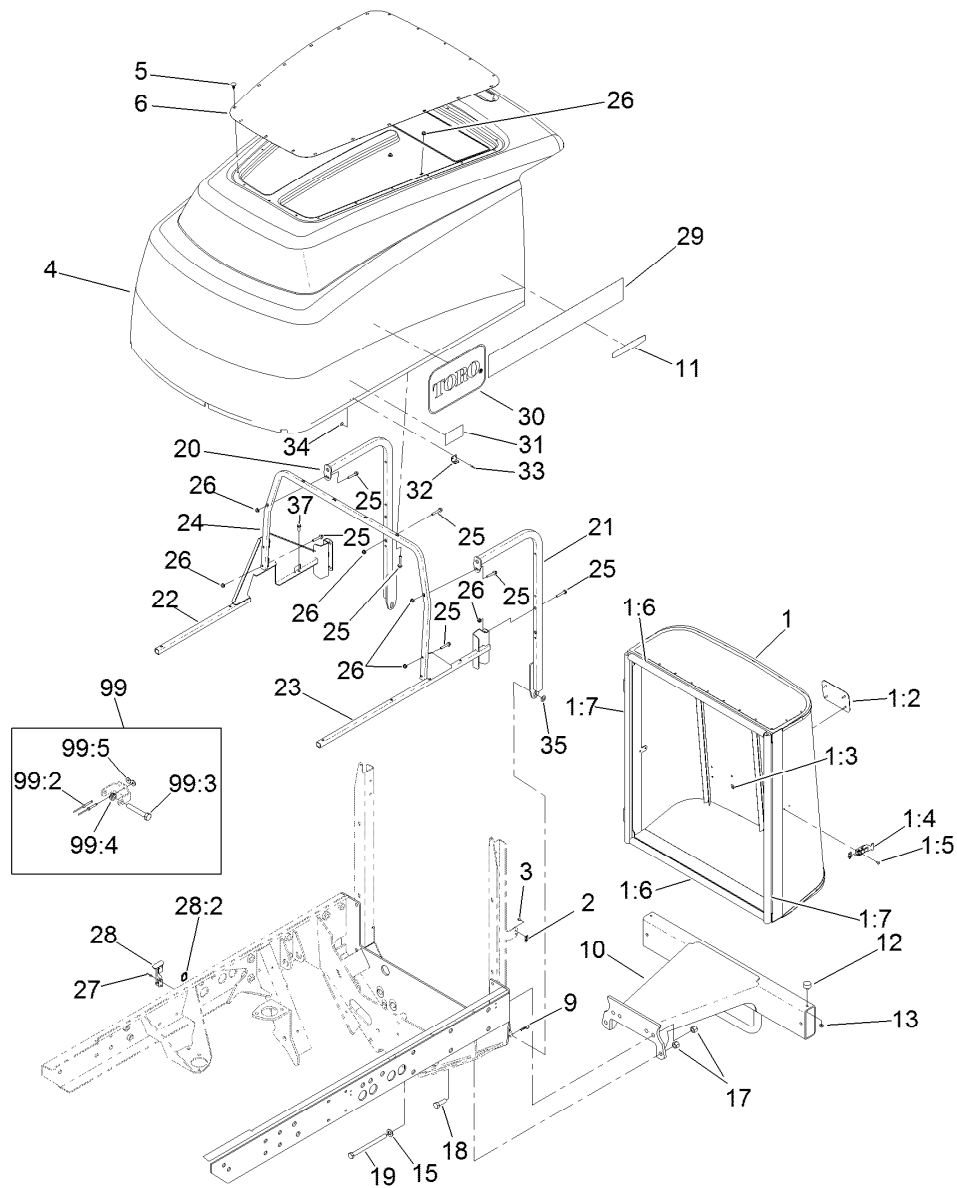
Steering Valve Assembly No. 114-8119

| <i>Ref.</i> | <i>Part Number</i> | <i>Qty.</i> | <i>Description</i> |
|-------------|--------------------|-------------|--------------------|
| 1 | 106-6716 | 1 | Seal Kit |



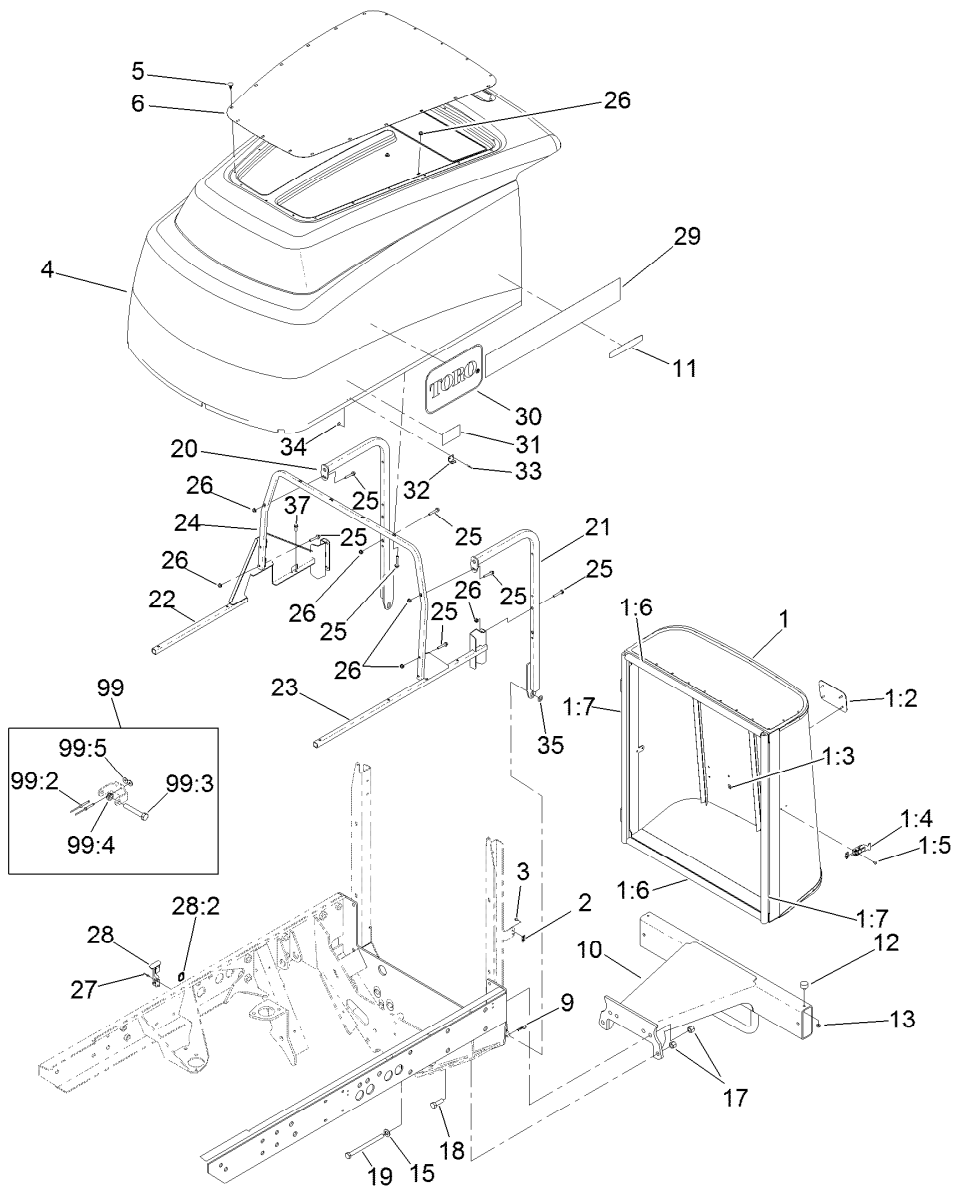
Pedal Assembly

| <i>Ref.</i> | <i>Part Number</i> | <i>Qty.</i> | <i>Description</i> | <i>Ref.</i> | <i>Part Number</i> | <i>Qty.</i> | <i>Description</i> |
|-------------|--------------------|-------------|--------------------------|-------------|--------------------|-------------|-----------------------|
| 1 | 32104-32 | 2 | Screw-HWH | 22 | 92-7608-03 | 1 | Bracket-Spring |
| 2 | 74-9110 | 1 | Pad-Pedal, Reverse | 23 | 92-7610 | 1 | Retainer-Spring |
| 3 | 120-8095 | 1 | Pedal | 24 | 84-9100 | 1 | Spring |
| 4 | 32121-45 | 1 | Pin-Spring | 25 | 3256-5 | 1 | Washer-Flat |
| 5 | 74-9100 | 1 | Pad-Pedal, Forward | 32 | 133-8062 | 1 | Decal-Spark Arrestor |
| 6 | 117-9507 | 1 | Pedal-Accelerator | 33 | 120-8038 | 1 | Hub ASM |
| 7 | 323-29 | 1 | Screw-HH | 33:2 | 95-7497 | 1 | Bushing-Wheel |
| 8 | 3256-24 | 1 | Washer-Plain | 36 | 114-5609 | 1 | Sensor-Position |
| 9 | 3220-3 | 1 | Nut-HJ | 37 | 114-5595 | 1 | Plate-Capture |
| 10 | 2411-36 | 1 | Bearing-End, Rod | 38 | 32105-21 | 2 | Screw-HH |
| 11 | 32121-6 | 1 | Pin-Roll, Slotted | 40 | 120-8091 | 1 | Shaft-Pivot, Traction |
| 12 | 322-2 | 4 | Screw-HH | 41 | 32121-69 | 1 | Pin-Roll |
| 13 | 256-236 | 1 | Bearing-Mount, Flange | 43 | 120-8089 | 1 | Plate-Cover, Sensor |
| 14 | 32128-20 | 2 | Nut-HF | 44 | 121-3099 | 1 | Plug-Panel, Plastic |
| 16 | 114-5608 | 2 | Spacer-Standoff | 45 | 32121-78 | 1 | Pin-Roll |
| 18 | 120-8088-0P | 1 | Hub-Traction Pedal Pivot | 46 | 3290-321 | 2 | Screw-HWH |
| 19 | 115-4383 | 1 | Shaft-Spring | 47 | 104-8301 | 1 | Nut-HF, NI |
| 21 | 32121-11 | 1 | Pin-Roll | | | | |



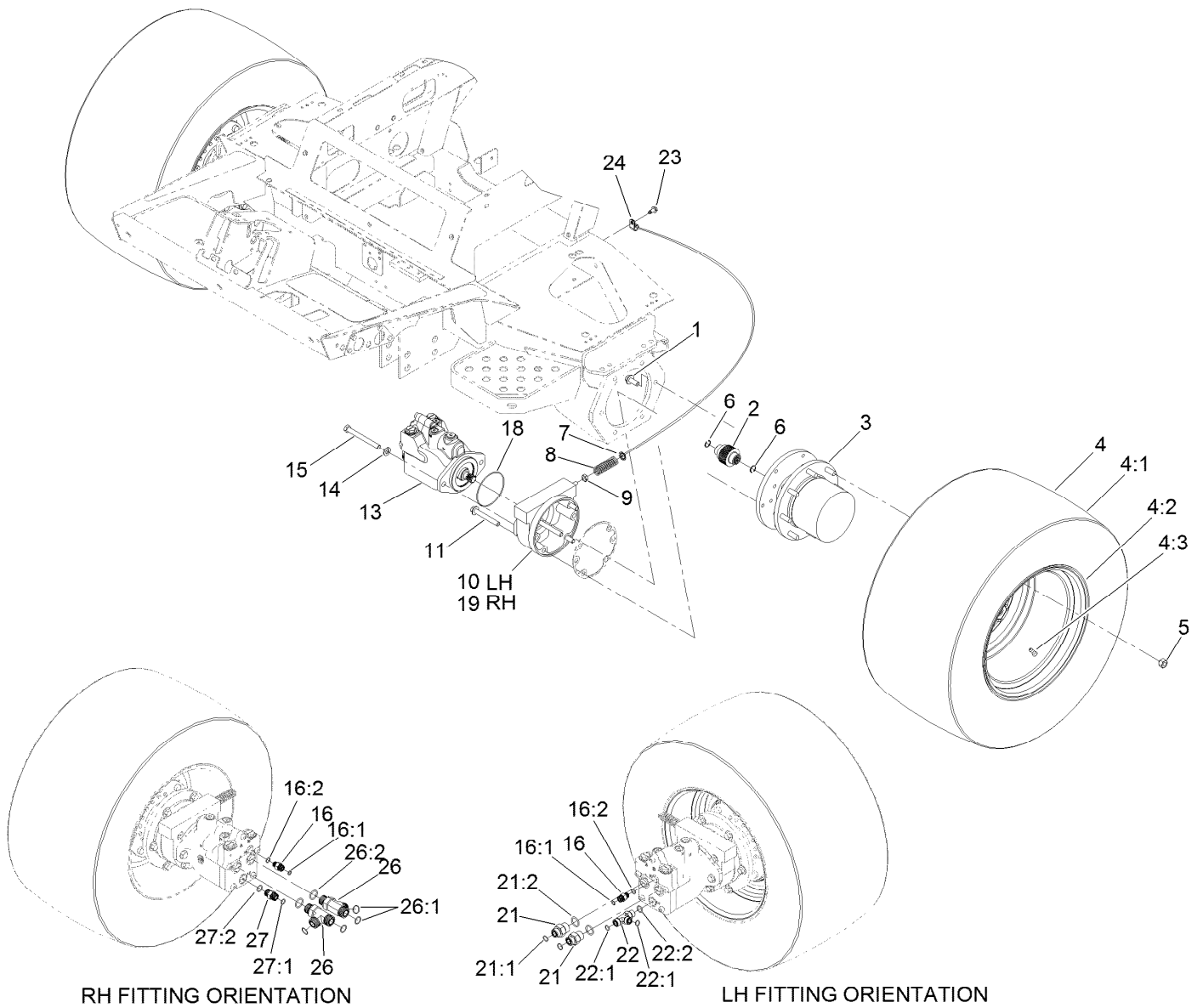
Hood Assembly

| Ref. | Part Number | Qty. | Description | Ref. | Part Number | Qty. | Description |
|------|-------------|------|-------------------|------|-------------|------|------------------------|
| 1 | 115-4362 | 1 | Screen ASM | 20 | 114-8108-03 | 1 | Tube-RH |
| 1:2 | 93-6028 | 1 | Plate-Logo | 21 | 114-8109-03 | 1 | Tube-LH |
| 1:3 | 138-6996 | 4 | Nut-Push | 22 | 121-3136-0P | 1 | Tube ASM R.H. [primed] |
| 1:4 | 114-8117 | 1 | Latch-Adjustable | 23 | 114-8102-0P | 1 | Tube ASM |
| 1:5 | 3269-3 | 2 | Rivet-Pop | 24 | 121-3133-0P | 1 | Tube-Hood Frame |
| 1:6 | 115-4358 | 2 | Seal-Bulb | 25 | 94-5781 | 25 | Screw-HHF |
| 1:7 | 115-4359 | 2 | Seal-Bulb | 26 | 104-7201 | 26 | Nut-HF, NI |
| 2 | 115-4357 | 1 | Latch-Keeper | 27 | 3290-55 | 4 | Rivet-Pop |
| 3 | 3269-3 | 2 | Rivet-Pop | 28 | 59-9740 | 2 | Flex Draw Latch ASM |
| 4 | 121-3137 | 1 | Hood ASM | 28:2 | 249-40 | 1 | Keeper |
| 5 | 117-2382 | 20 | Plug-Plastic | 29 | 105-9876 | 2 | Decal |
| 6 | 114-4192-03 | 1 | Screen-Hood | 30 | 139-6028 | 2 | Decal-Logo, Toro |
| 9 | 3290-467 | 2 | Pin-Hair | 31 | 106-6754 | 2 | Decal-Danger |
| 10 | 120-8020-03 | 1 | Bumper-Rear | 32 | 249-40 | 2 | Keeper |
| 11 | 121-1594 | 2 | Decal-Smart Power | 33 | 3269-17 | 4 | Rivet-Pop |
| 12 | 240-14 | 2 | Bumper-Rubber | 34 | 3269-10 | 4 | Washer-Back |
| 13 | 32128-33 | 2 | Nut-HF | 35 | 98-1629 | 2 | Washer |
| 15 | 3256-26 | 2 | Washer-Flat | 37 | 115-5103 | 1 | Screw-HHF |
| 17 | 3296-23 | 4 | Nut-Lock, NI | 99 | 119-2004 | 1 | CE Latch Kit |
| 18 | 325-6 | 2 | Screw-HH | 99:2 | 107-0333 | 2 | Rivet-Pop |
| 19 | 325-23 | 2 | Screw-HH | 99:3 | 322-10 | 1 | Screw-HH |



Hood Assembly (continued)

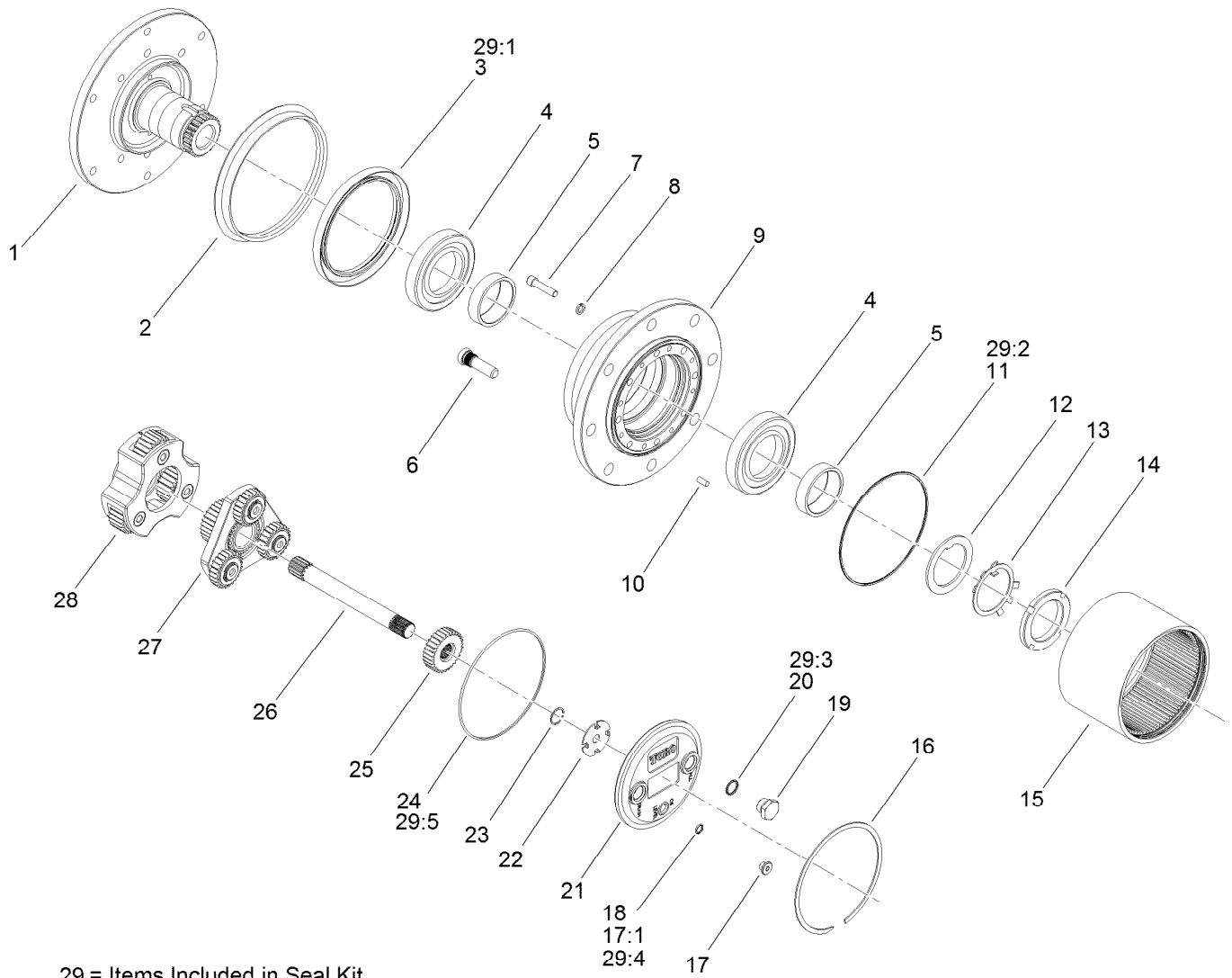
| <i>Ref.</i> | <i>Part Number</i> | <i>Qty.</i> | <i>Description</i> |
|-------------|--------------------|-------------|--------------------|
| 99:4 | 3296-47 | 1 | Nut-Lock,NI |
| 99:5 | 3269-10 | 2 | Washer-Back |



Front Wheel Drive Assembly

| Ref. | Part Number | Qty. | Description | Ref. | Part Number | Qty. | Description |
|------|-------------|------|--------------------------|------|-------------|------|------------------|
| 1 | 33106-030 | 12 | Screw-HHF | 16:1 | 237-22 | 1 | O-Ring |
| 2 | 100-3046 | 2 | Shaft-Brake, Splined | 16:2 | 237-42 | 1 | O-Ring |
| 3 | 136-2913 | 2 | Planetary ASM | 18 | 237-166 | 2 | O-Ring |
| 4 | | 2 | Tire And Wheel ASM ● | 19 | 100-3069 | 1 | RH Brake ASM |
| 4:1 | 119-0023 | 1 | Tire | 21 | 340-8 | 2 | Fitting-Straight |
| 4:2 | 119-0024 | 1 | Wheel | 21:1 | 237-65 | 1 | O-Ring |
| 4:3 | 232-24 | 1 | Stem-Valve | 21:2 | 237-81 | 1 | O-Ring |
| 5 | 92-7483 | 16 | Nut-Lug | 22 | 340-109 | 1 | Fitting-Tee |
| 6 | 93-7972 | 4 | Ring-Retaining, Internal | 22:1 | 237-79 | 1 | O-Ring |
| 7 | 94-3050 | 2 | Plate-Spring | 22:2 | 237-30 | 2 | O-Ring |
| 8 | 94-3088 | 2 | Spring-Compression | 23 | 32104-32 | 2 | Screw-HWH |
| 9 | 3218-4 | 2 | Nut-Jam | 24 | 2412-93 | 2 | Clamp-R |
| 10 | 100-3070 | 1 | LH Brake ASM | 26 | 340-148 | 2 | Fitting-Tee |
| 11 | 33106-080 | 8 | Screw-HHF | 26:1 | 237-81 | 1 | O-Ring |
| 13 | 136-2939 | 2 | Motor-Piston, Front | 26:2 | 237-58 | 2 | O-Ring |
| 14 | 106-9888 | 4 | Washer-Flat | 27 | 340-4 | 1 | Fitting-Straight |
| 15 | 33116-110 | 4 | Screw-HH | 27:1 | 237-30 | 1 | O-Ring |
| 16 | 340-2 | 2 | Fitting-Straight | 27:2 | 237-79 | 1 | O-Ring |

● Not serviced separately

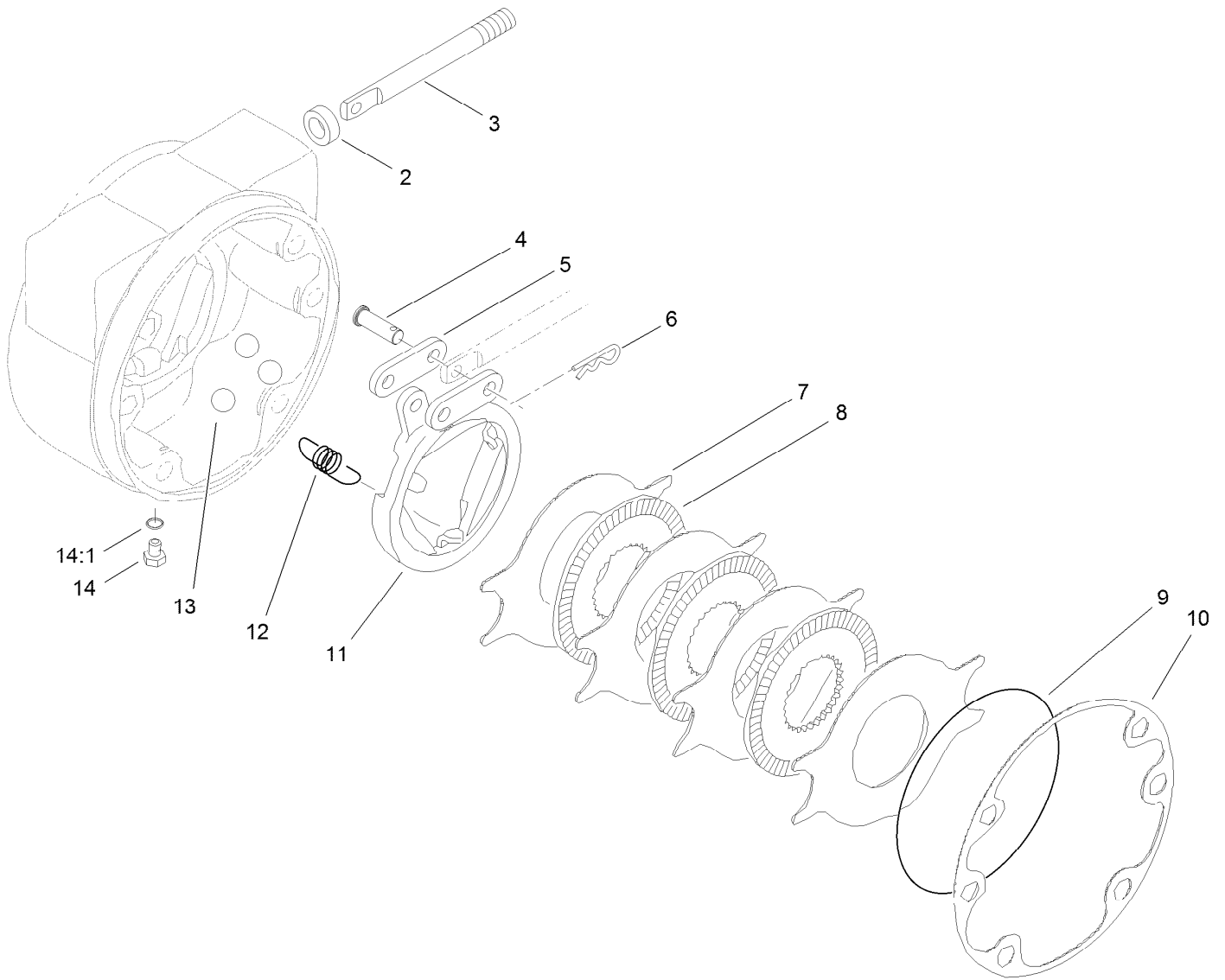


29 = Items Included in Seal Kit

Planetary Assembly No. 136-2913

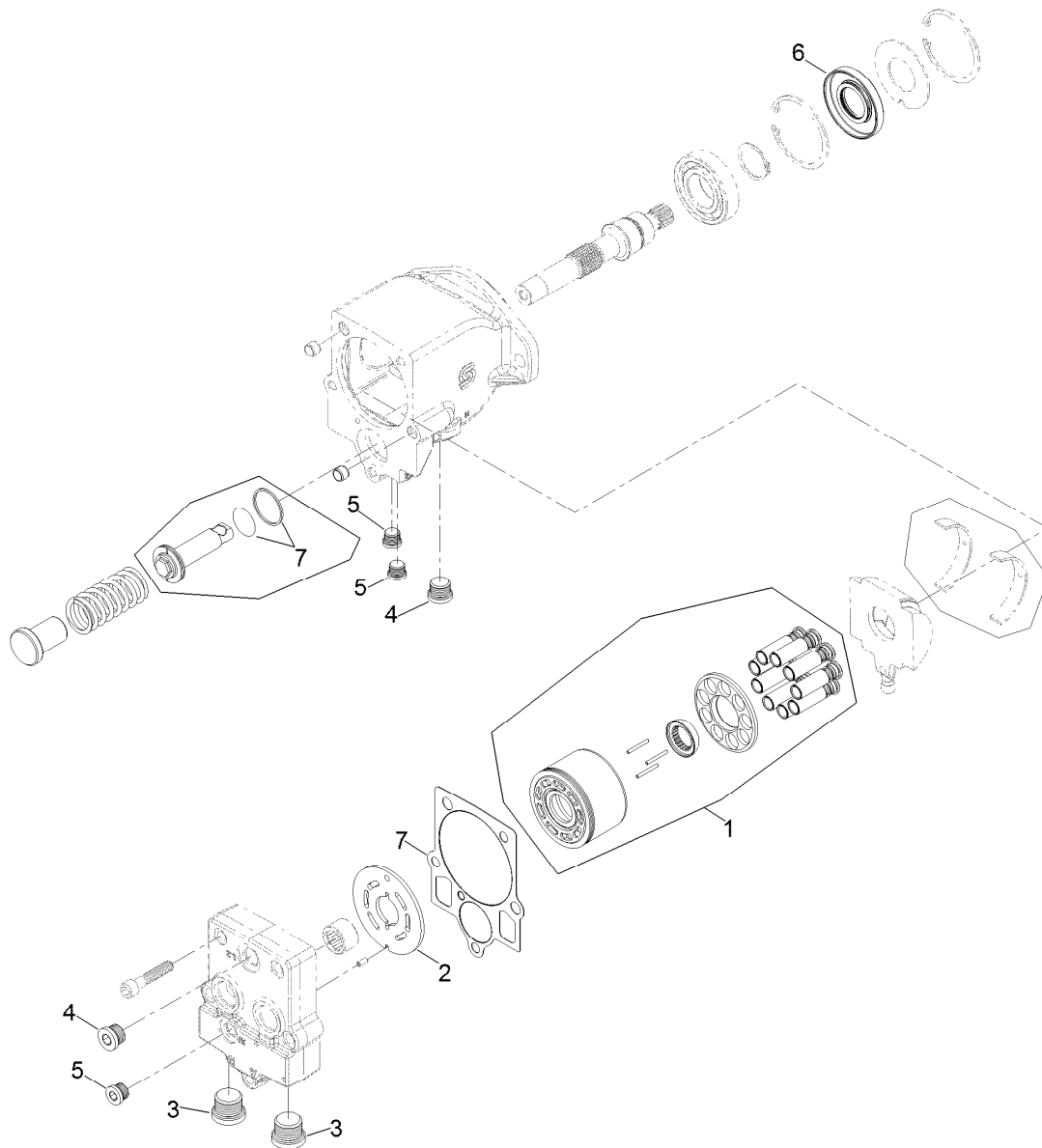
| Ref. | Part Number | Qty. | Description | Ref. | Part Number | Qty. | Description |
|------|-------------|------|-------------------|------|-------------|------|-----------------------|
| 1 | | 1 | Spindle ● | 18 | 237-78 | 1 | O-Ring |
| 2 | 138-1204 | 1 | Seal-Boot | 19 | 138-1211 | 2 | Plug-Flange, Magnetic |
| 3 | | 1 | Seal-Lip ● | 20 | 138-1212 | 2 | O-Ring |
| 4 | 138-1205 | 2 | Bearing-Cup | 21 | 138-1213 | 1 | Cap-End |
| 5 | 138-1206 | 2 | Bearing-Cone | 22 | 138-1214 | 1 | Washer-Thrust, Sun |
| 6 | 105-8124 | 8 | Stud-Wheel | 23 | 105-8131 | 2 | Ring-Retaining |
| 7 | 138-1207 | 8 | Screw-Socket Head | 24 | | 1 | O-Ring ● |
| 8 | 138-1208 | 8 | Washer-Lock | 25 | 138-1215 | 1 | Gear-Primary, Sun |
| 9 | | 1 | Housing ● | 26 | 138-1216 | 1 | Shaft-Drive |
| 10 | 105-8121 | 4 | Pin-Dowel | 27 | 138-1217 | 1 | Primary Carrier ASM |
| 11 | | 1 | O-Ring ● | 28 | 138-1218 | 1 | Secondary Carrier ASM |
| 12 | 138-6928 | 1 | Spacer | 29 | 138-1219 | 1 | Seal Kit |
| 13 | 138-6929 | 1 | Washer | 29:1 | | 1 | Seal-Lip ● |
| 14 | 138-6930 | 1 | Nut-Lock | 29:2 | | 1 | O-Ring ● |
| 15 | 138-1209 | 1 | Gear-Ring | 29:3 | | 1 | O-Ring ● |
| 16 | 138-1210 | 1 | Ring-Snap | 29:4 | | 1 | O-Ring ● |
| 17 | 353-990 | 1 | Plug ASM | 29:5 | | 1 | O-Ring ● |
| 17:1 | 237-78 | 1 | O-Ring | | | | |

● Not serviced separately



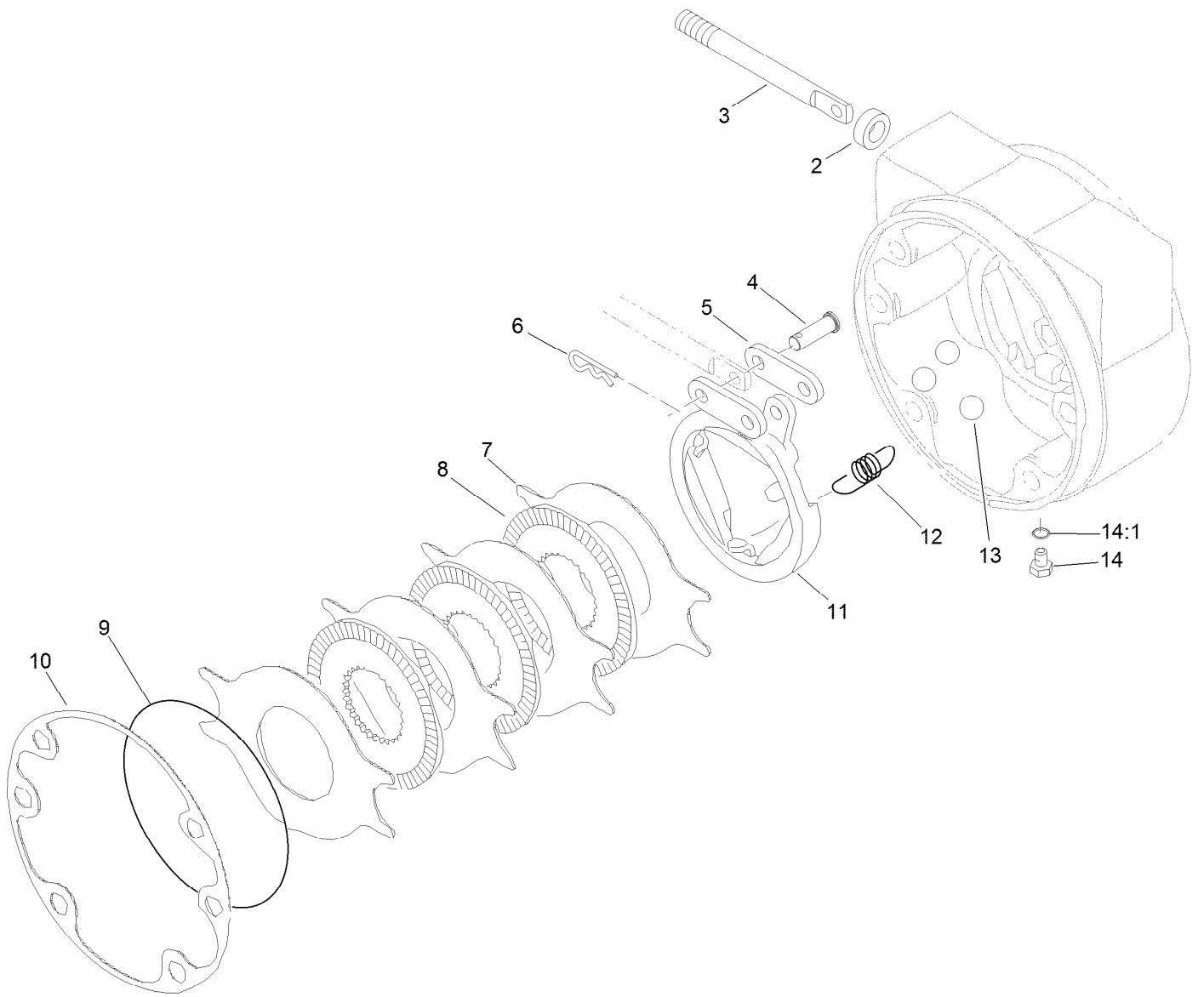
LH Brake Assembly No. 100-3070

| <i>Ref.</i> | <i>Part Number</i> | <i>Qty.</i> | <i>Description</i> |
|-------------|--------------------|-------------|--------------------|
| 2 | 93-7977 | 1 | Seal |
| 3 | 93-7978 | 1 | Rod-Pull |
| 4 | 93-7983 | 2 | Pin-Clevis |
| 5 | 93-7980 | 2 | Link |
| 6 | 93-7979 | 2 | Pin-Hitch |
| 7 | 93-7986 | 4 | Disc-Stationary |
| 8 | 104-4278 | 3 | Disc-Rotating |
| 9 | 93-7976 | 1 | Ring-Retaining |
| 10 | 93-7984 | 1 | Gasket |
| 11 | 104-4279 | 1 | Actuator-Rotating |
| 12 | 93-7987 | 3 | Spring-Extension |
| 13 | 93-7985 | 3 | Ball |
| 14 | 353-990 | 2 | Plug ASM |
| 14:1 | 237-78 | 1 | O-Ring |



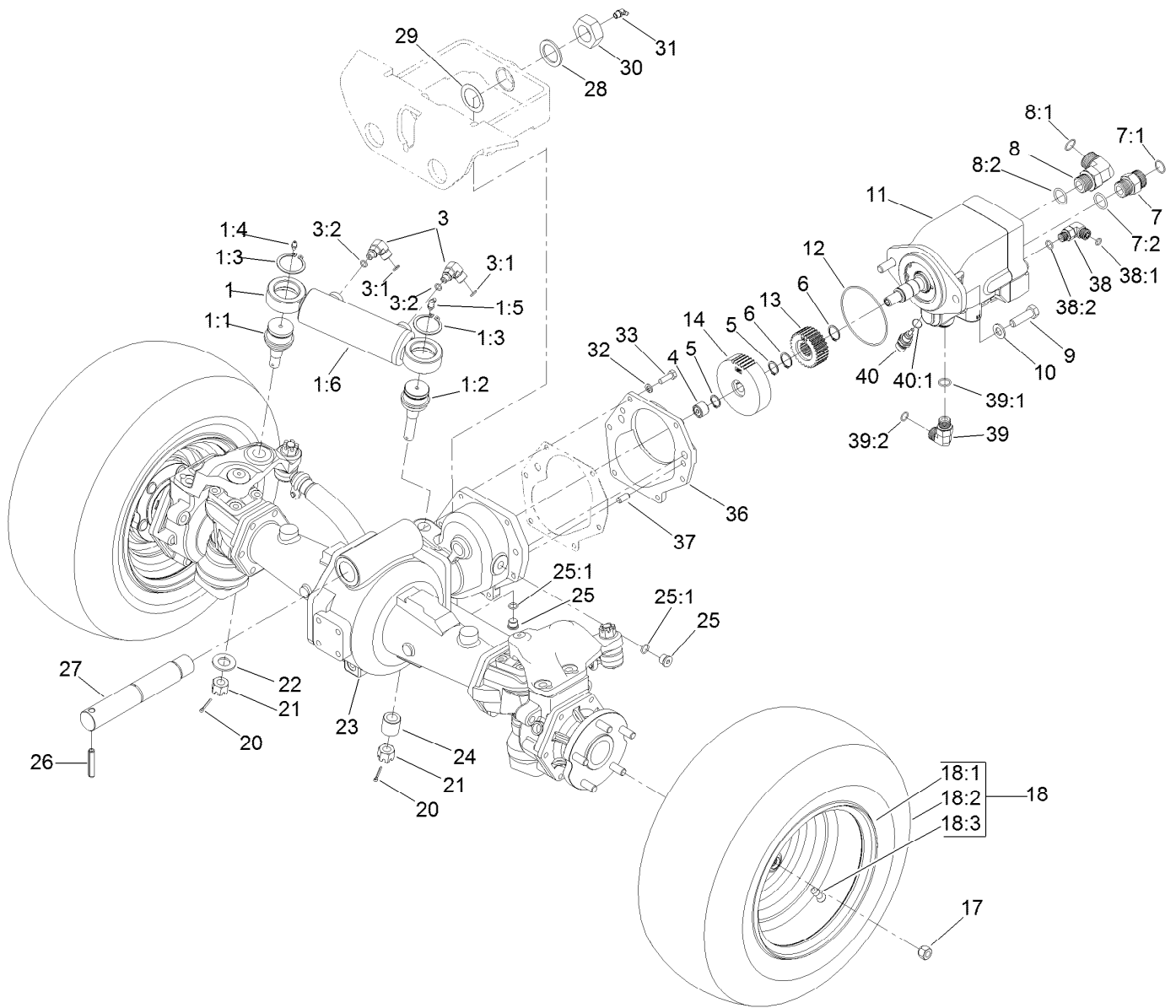
Piston Motor Assembly No. 136-2939

| <i>Ref.</i> | <i>Part Number</i> | <i>Qty.</i> | <i>Description</i> |
|-------------|--------------------|-------------|--------------------|
| 1 | 121-1735 | 1 | Cylinder Block Kit |
| 2 | 121-1734 | 1 | Plate-Valve |
| 3 | 69-3130 | 2 | Plug |
| 4 | 67-9090 | 2 | Plug |
| 5 | 69-3080 | 3 | Plug |
| 6 | 127-6214 | 1 | Seal-Lip |
| 7 | 138-7823 | 1 | Overhaul Seal Kit |



RH Brake Assembly No. 100-3069

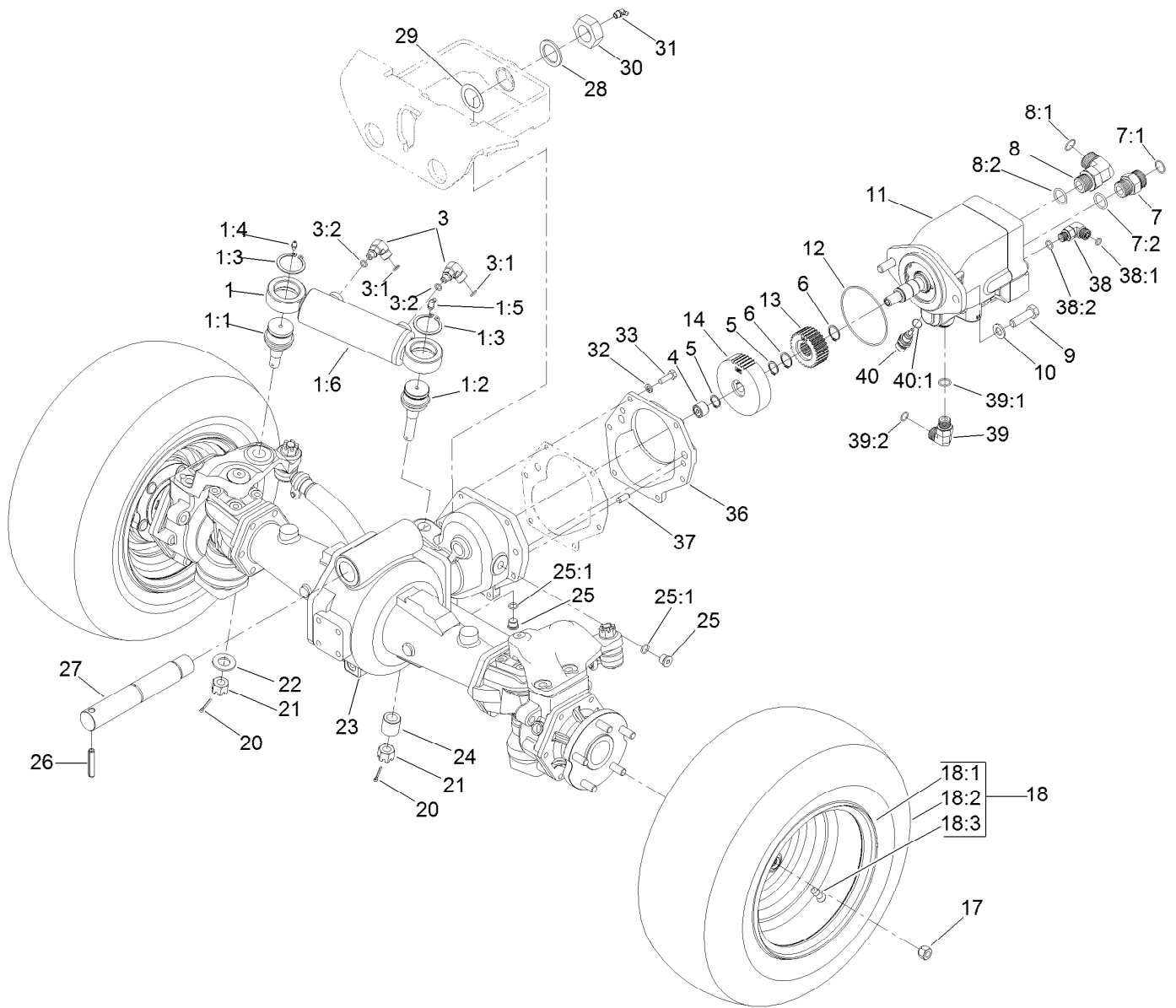
| <i>Ref.</i> | <i>Part Number</i> | <i>Qty.</i> | <i>Description</i> |
|-------------|--------------------|-------------|--------------------|
| 2 | 93-7977 | 1 | Seal |
| 3 | 93-7978 | 1 | Rod-Pull |
| 4 | 93-7983 | 2 | Pin-Clevis |
| 5 | 93-7980 | 2 | Link |
| 6 | 93-7979 | 2 | Pin-Hitch |
| 7 | 93-7986 | 4 | Disc-Stationary |
| 8 | 104-4278 | 3 | Disc-Rotating |
| 9 | 93-7976 | 1 | Ring-Retaining |
| 10 | 93-7984 | 1 | Gasket |
| 11 | 104-4280 | 1 | Actuator-Rotating |
| 12 | 93-7987 | 3 | Spring-Extension |
| 13 | 93-7985 | 3 | Ball |
| 14 | 353-990 | 2 | Plug ASM |
| 14:1 | 237-78 | 1 | O-Ring |



Rear Axle Assembly

| Ref. | Part Number | Qty. | Description | Ref. | Part Number | Qty. | Description |
|------|-------------|------|------------------------------|------|-------------|------|--------------------|
| 1 | 105-9861 | 1 | Steering Cylinder ASM | 8:1 | 237-58 | 1 | O-Ring |
| 1:1 | 106-6774 | 1 | Joint-Ball | 8:2 | 237-81 | 1 | O-Ring |
| 1:2 | 100-3795 | 1 | Joint-Ball | 9 | 325-7 | 2 | Screw-HH |
| 1:3 | 32151-104 | 2 | Ring-Retaining, External | 10 | 106-9888 | 2 | Washer-Flat |
| 1:4 | 302-5 | 1 | Fitting-Grease | 11 | 136-2938 | 1 | Motor-Piston, Rear |
| 1:5 | 302-60 | 1 | Fitting-Grease | 12 | 237-166 | 1 | O-Ring |
| 1:6 | 127-6431 | 1 | Hydraulic Steer Cylinder ASM | 13 | 104-0755 | 1 | Pinion-27 Tooth |
| 3 | 340-97 | 2 | Fitting-Elbow, 90 DEG | 14 | 100-3053 | 1 | Gear-45 Tooth |
| 3:1 | 237-22 | 1 | O-Ring | 17 | 93-5268 | 10 | Nut-Lug |
| 3:2 | 237-78 | 1 | O-Ring | 18 | | 2 | Rim And Tire ASM ● |
| 4 | 74-5700 | 1 | Bearing-Needle, Roller | 18:1 | 115-1573 | 1 | Rim |
| 5 | 32120-15 | 2 | Ring-Snap, EXT | 18:2 | 115-1572 | 1 | Tire |
| 6 | 32120-76 | 2 | Ring-Snap, EXT | 18:3 | 232-27 | 1 | Stem-Valve |
| 7 | 340-9 | 1 | Fitting-STR | 20 | 3272-12 | 2 | Pin-Cotter |
| 7:1 | 237-58 | 1 | O-Ring | 21 | 32136-14 | 2 | Nut-Hst |
| 7:2 | 237-81 | 1 | O-Ring | 22 | 92-5836 | 1 | Washer |
| 8 | 340-142 | 1 | Fitting-Elbow, 90 DEG | 23 | 110-4750 | 1 | Drive Axle ASM |
| | | | | 24 | 100-3796 | 1 | Spacer-Joint, Ball |

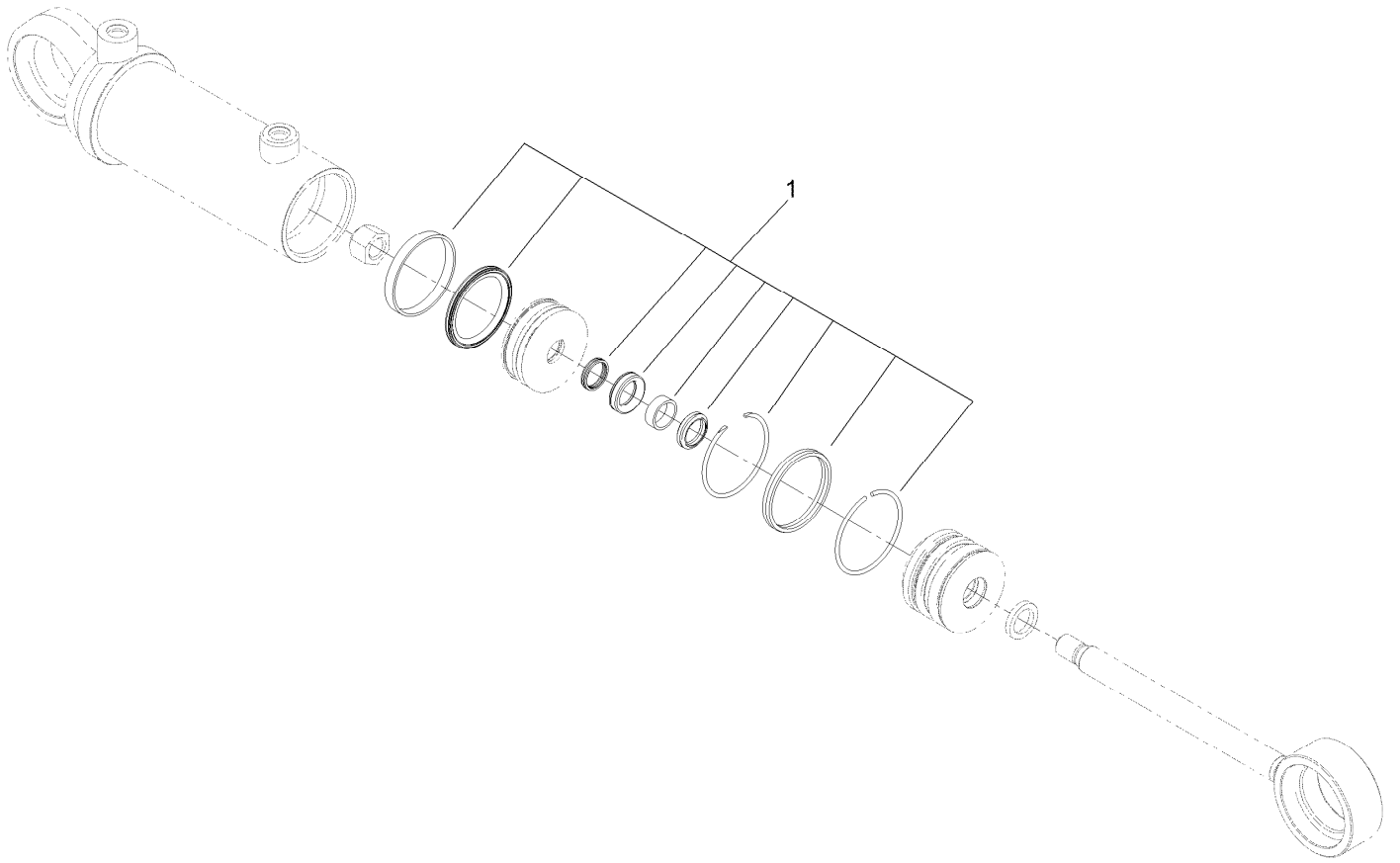
● Not serviced separately



Rear Axle Assembly (continued)

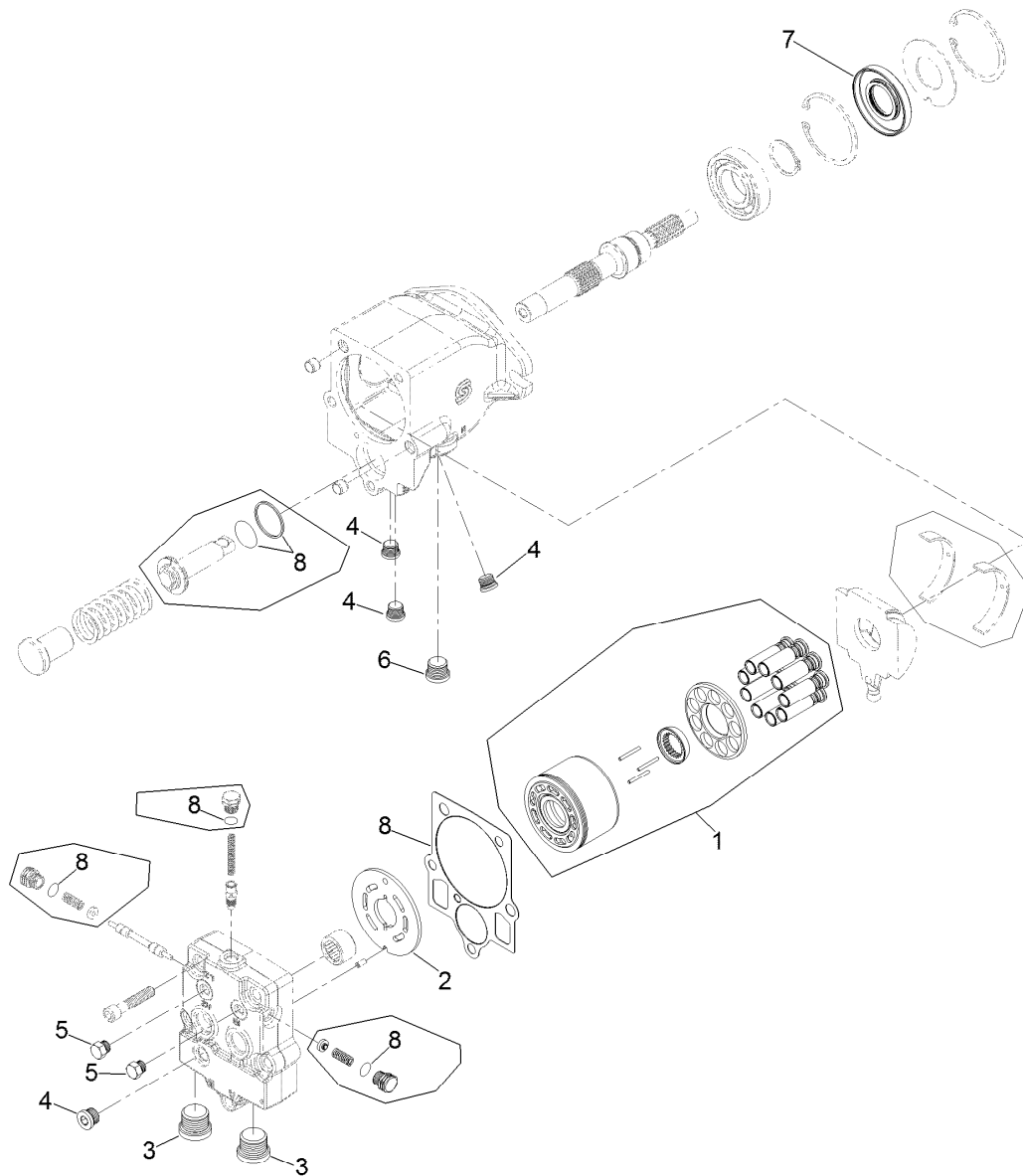
| Ref. | Part Number | Qty. | Description | Ref. | Part Number | Qty. | Description |
|------|-------------|------|-------------------|------|-------------|------|-----------------------|
| 25 | 353-989 | 2 | Plug-Hex, Hollow | 36 | 95-7541 | 1 | Plate-Cover |
| 25:1 | 237-42 | 1 | O-Ring | 37 | 104-2353 | 2 | Pin-Dowel |
| 26 | 32121-110 | 1 | Pin-Roll, Slotted | 38 | 340-77 | 1 | Fitting-Elbow, 90 DEG |
| 27 | 115-9142 | 1 | Pin-Rear Axle | 38:1 | 237-22 | 1 | O-Ring |
| 28 | 92-1765 | 1 | Washer-Thrust | 38:2 | 237-42 | 1 | O-Ring |
| 29 | 98-3867 | 2 | Washer-Thrust | 39 | 340-98 | 1 | Fitting-Elbow, 90 DEG |
| 30 | 3296-68 | 1 | Nut-Lock, NI | 39:1 | 237-79 | 1 | O-Ring |
| 31 | 302-33 | 1 | Fitting-Grease | 39:2 | 237-30 | 1 | O-Ring |
| 32 | 3253-4 | 6 | Washer-Lock | 40 | 110-8829 | 1 | Sender-Temperature |
| 33 | 33114-025 | 6 | Screw-HH | 40:1 | 237-42 | 1 | O-Ring |

● Not serviced separately



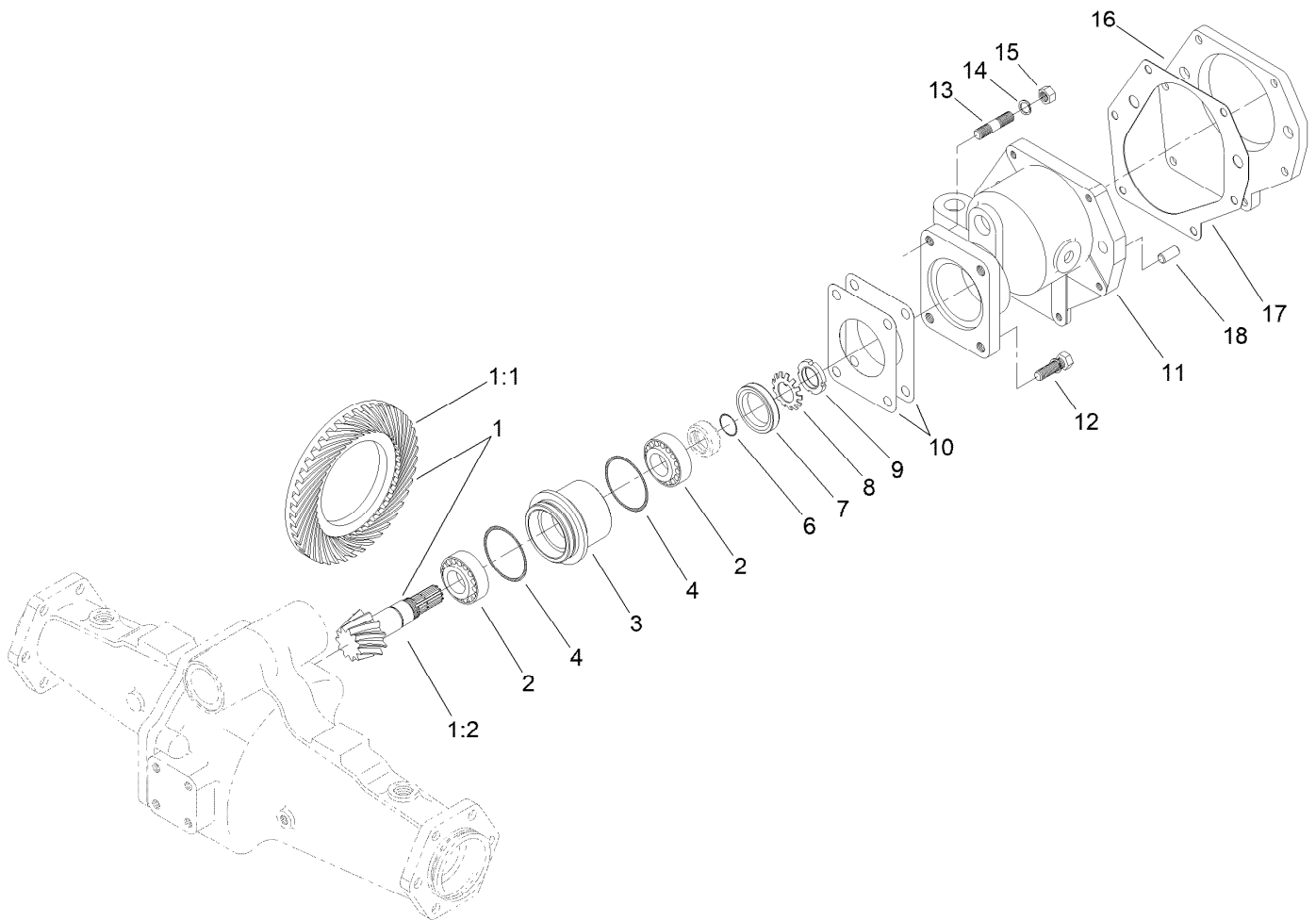
Hydraulic Steer Cylinder Assembly No. 127-6431

| <i>Ref.</i> | <i>Part Number</i> | <i>Qty.</i> | <i>Description</i> |
|-------------|--------------------|-------------|--------------------|
| 1 | 131-7756 | 1 | Cylinder Seal Kit |



Rear Piston Motor No. 136-2938

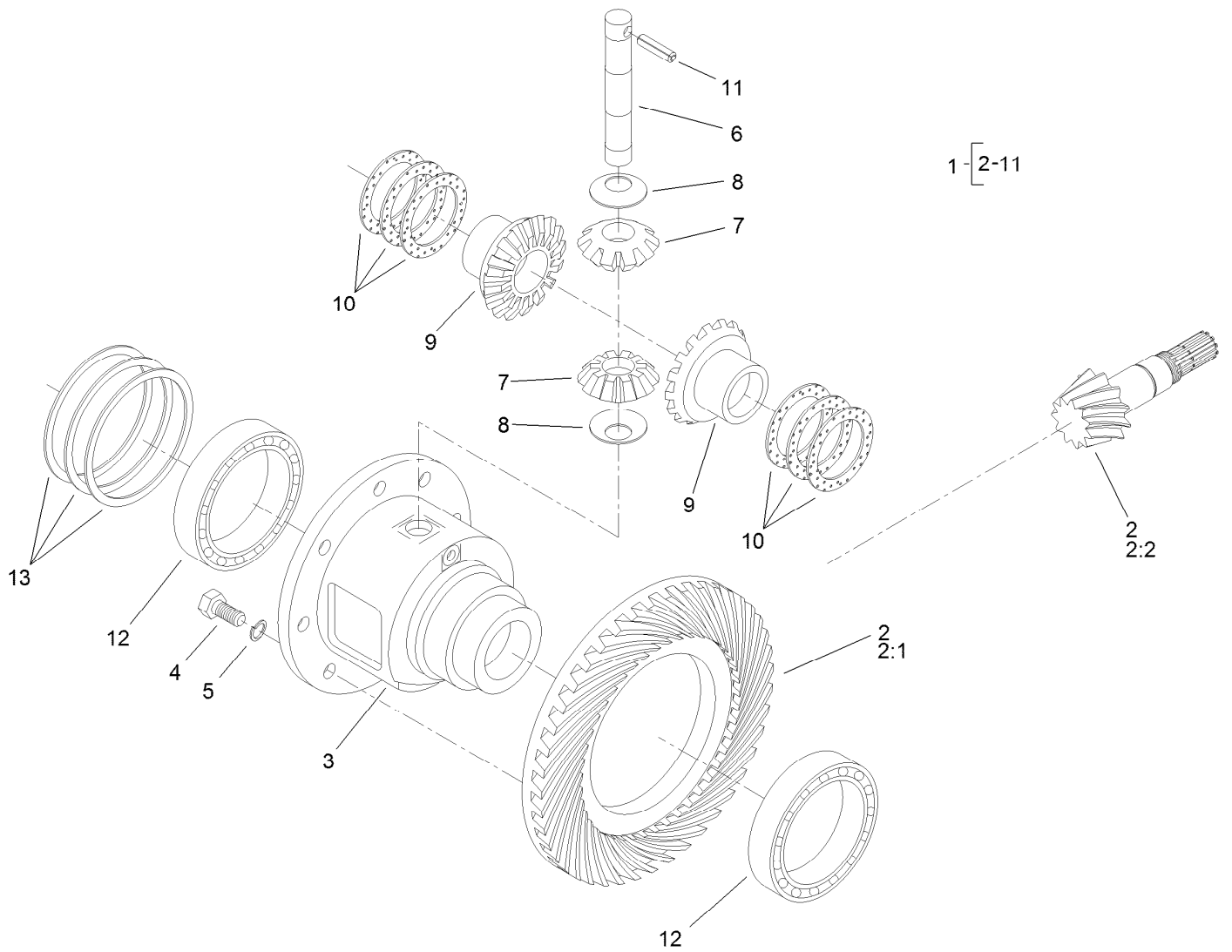
| <i>Ref.</i> | <i>Part Number</i> | <i>Qty.</i> | <i>Description</i> |
|-------------|--------------------|-------------|--------------------|
| 1 | 125-4639 | 1 | Cylinder Block Kit |
| 2 | 136-3314 | 1 | Plate-Valve |
| 3 | 69-3130 | 2 | Plug |
| 4 | 69-3080 | 4 | Plug |
| 5 | 92-1352 | 2 | Plug |
| 6 | 67-9090 | 1 | Plug |
| 7 | 127-6214 | 1 | Seal-Lip |
| 8 | 138-7823 | 1 | Overhaul Seal Kit |



Bevel Pinion Shaft Assembly Rear Axle Assembly No. 110-4750

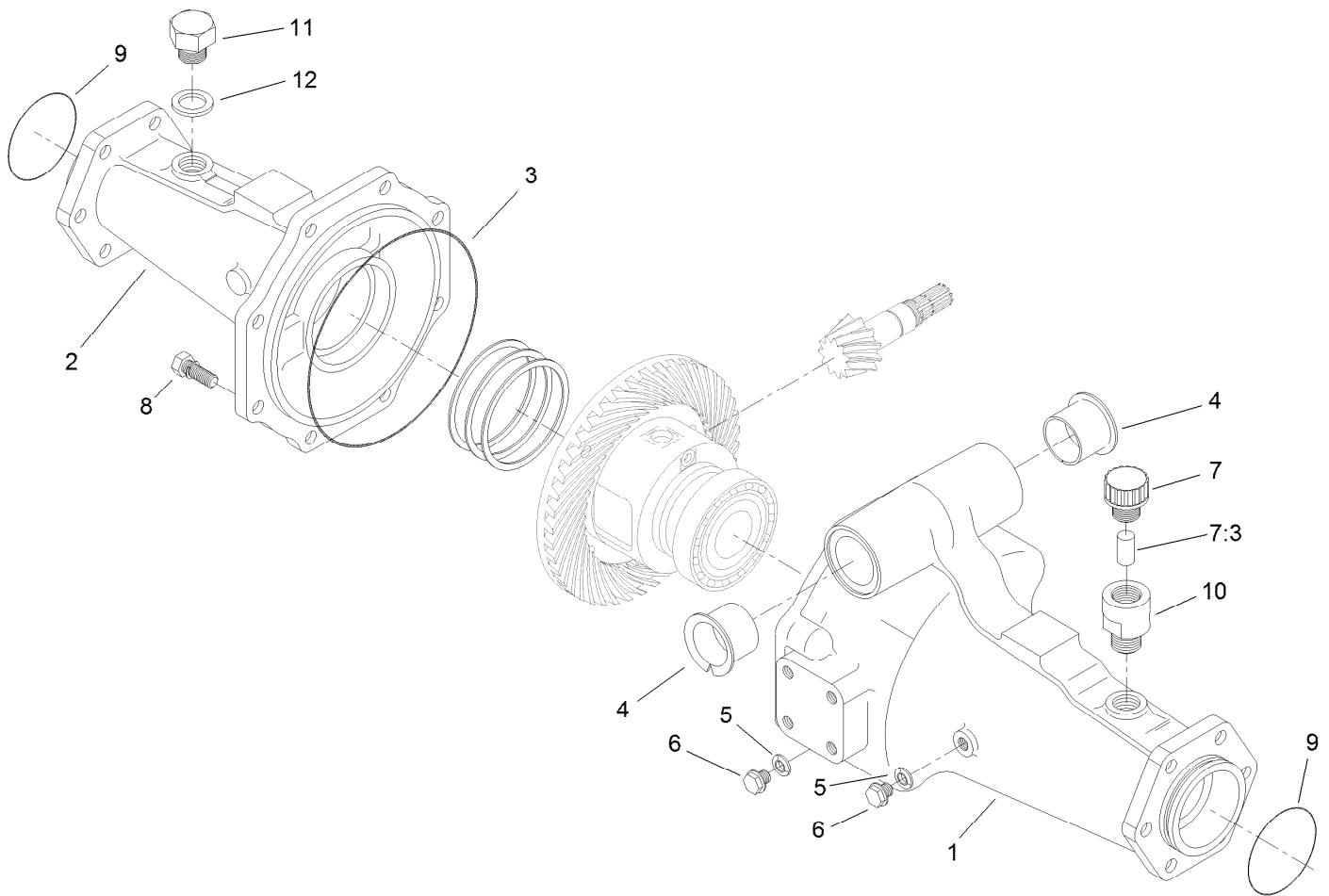
| <i>Ref.</i> | <i>Part Number</i> | <i>Qty.</i> | <i>Description</i> |
|-------------|--------------------|-------------|-----------------------------|
| 1 | 106-1093 | 1 | Ring And Pinion Set |
| 1:1 | 95-7504 | 1 | Gear-43 Tooth, Bevel Spiral |
| 1:2 | 106-1092 | 1 | Pinion-Spiral, Bevel |
| 2 | 99-7570 | 2 | Bearing-Roller, Taper |
| 3 | 95-7534 | 1 | Case-Bearing |
| 4 | 106-1065 | 2 | O-Ring |
| 6 | 106-1066 | 1 | O-Ring |
| 7 | 99-7574 | 1 | Seal-Oil |
| 8 | 99-7559 | 1 | Washer-Lock |
| 9 | 99-7560 | 1 | Nut-Lock |

| <i>Ref.</i> | <i>Part Number</i> | <i>Qty.</i> | <i>Description</i> |
|-------------|--------------------|-------------|--------------------|
| 10 | 99-7550 | 2 | Shim 0.1 |
| 10 | 99-7551 | 2 | Shim 0.2 |
| 11 | 95-7533 | 1 | Case-Gear |
| 12 | 99-7575 | 2 | Bolt |
| 13 | 98-7735 | 2 | Stud |
| 14 | 99-7527 | 2 | Washer-Spring |
| 15 | 99-7526 | 2 | Nut |
| 16 | 95-7541 | 1 | Plate-Cover |
| 17 | 106-1140 | 1 | Gasket |
| 18 | 104-2353 | 2 | Pin-Dowel |



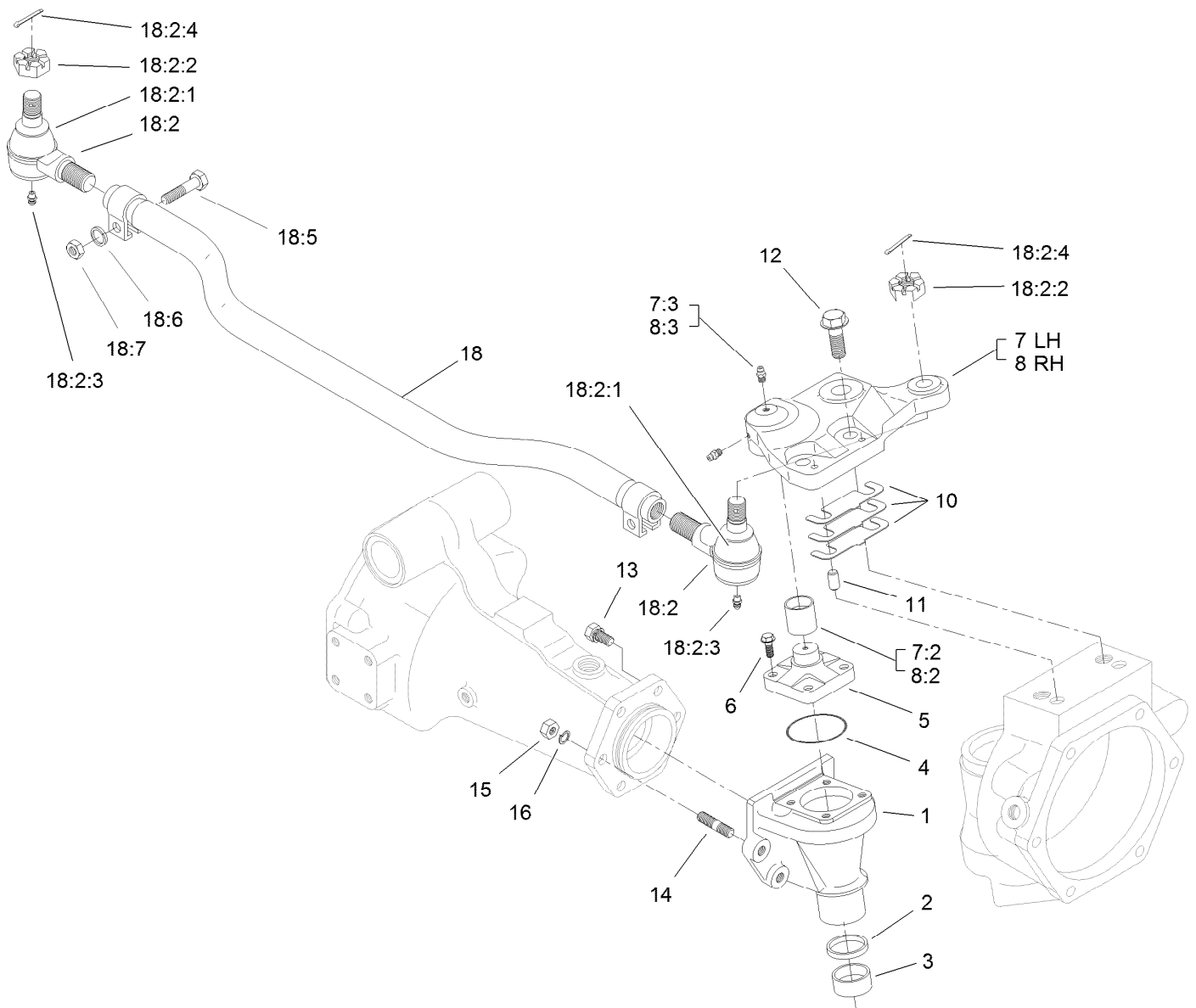
Differential Assembly Rear Axle Assembly No. 110-4750

| <i>Ref.</i> | <i>Part Number</i> | <i>Qty.</i> | <i>Description</i> | <i>Ref.</i> | <i>Part Number</i> | <i>Qty.</i> | <i>Description</i> |
|-------------|--------------------|-------------|-----------------------------|-------------|--------------------|-------------|---------------------|
| 1 | 95-7503 | 1 | Differential ASM | 9 | 99-7581 | 2 | Gear-Differential |
| 2 | 106-1093 | 1 | Ring And Pinion Set | 10 | 99-7582 | 2 | Washer-Differential |
| 2:1 | 95-7504 | 1 | Gear-43 Tooth, Bevel Spiral | 10 | 99-7583 | 2 | Washer-Differential |
| 2:2 | 106-1092 | 1 | Pinion-Spiral, Bevel | 10 | 99-7584 | 2 | Washer-Differential |
| 3 | 95-7502 | 1 | Case-Differential | 11 | 99-7588 | 1 | Pin-Spring |
| 4 | 99-7576 | 8 | Bolt | 12 | 99-7562 | 2 | Bearing-Ball |
| 5 | 3253-4 | 8 | Washer-Lock | 13 | 99-7585 | 2 | Shim 0.1 |
| 6 | 99-7578 | 1 | Shaft-Differential | 13 | 99-7586 | 2 | Shim 0.2 |
| 7 | 99-7579 | 2 | Pinion-Differential | 13 | 99-7587 | 2 | Shim 0.4 |
| 8 | 145-5288 | 2 | Washer-Pinion, Differential | | | | |



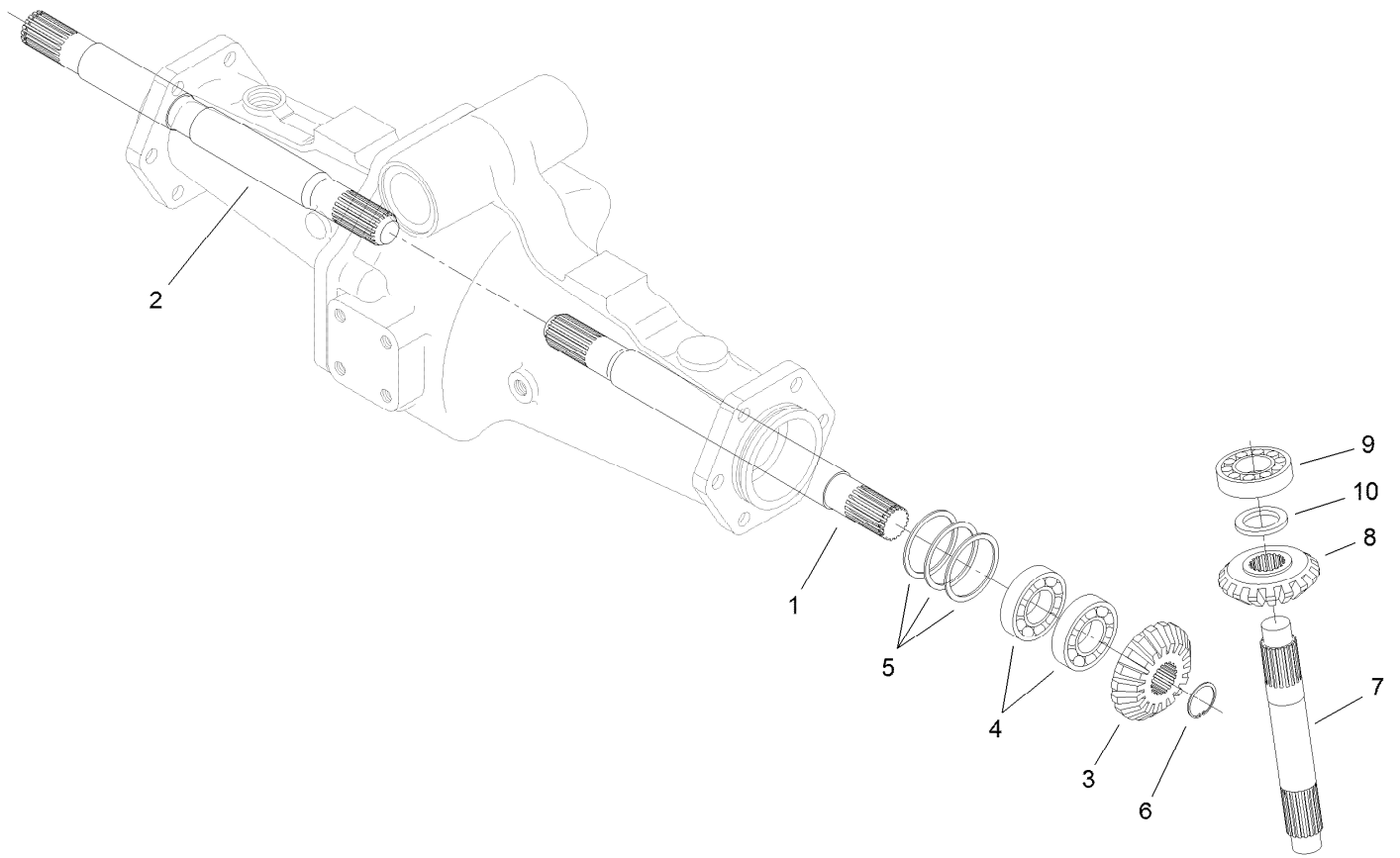
Axle Support Assembly Rear Axle Assembly No. 110-4750

| <i>Ref.</i> | <i>Part Number</i> | <i>Qty.</i> | <i>Description</i> |
|-------------|--------------------|-------------|---------------------|
| 1 | 95-7508 | 1 | Support-Axle |
| 2 | 95-7506 | 1 | Support-Axle |
| 3 | 106-1067 | 1 | O-Ring |
| 4 | 95-7537 | 2 | Bushing-Flanged |
| 5 | 99-7590 | 2 | Washer-Seal |
| 6 | 99-7589 | 2 | Plug |
| 7 | 110-4812 | 1 | Axle Vent ASM |
| 7:3 | 110-4815 | 1 | Insert-Filter, Foam |
| 8 | 99-7592 | 8 | Bolt |
| 9 | 106-1068 | 2 | O-Ring |
| 10 | 104-2377 | 1 | Extension-Vent |
| 11 | 104-8643 | 1 | Plug |
| 12 | 104-8644 | 1 | O-Ring |



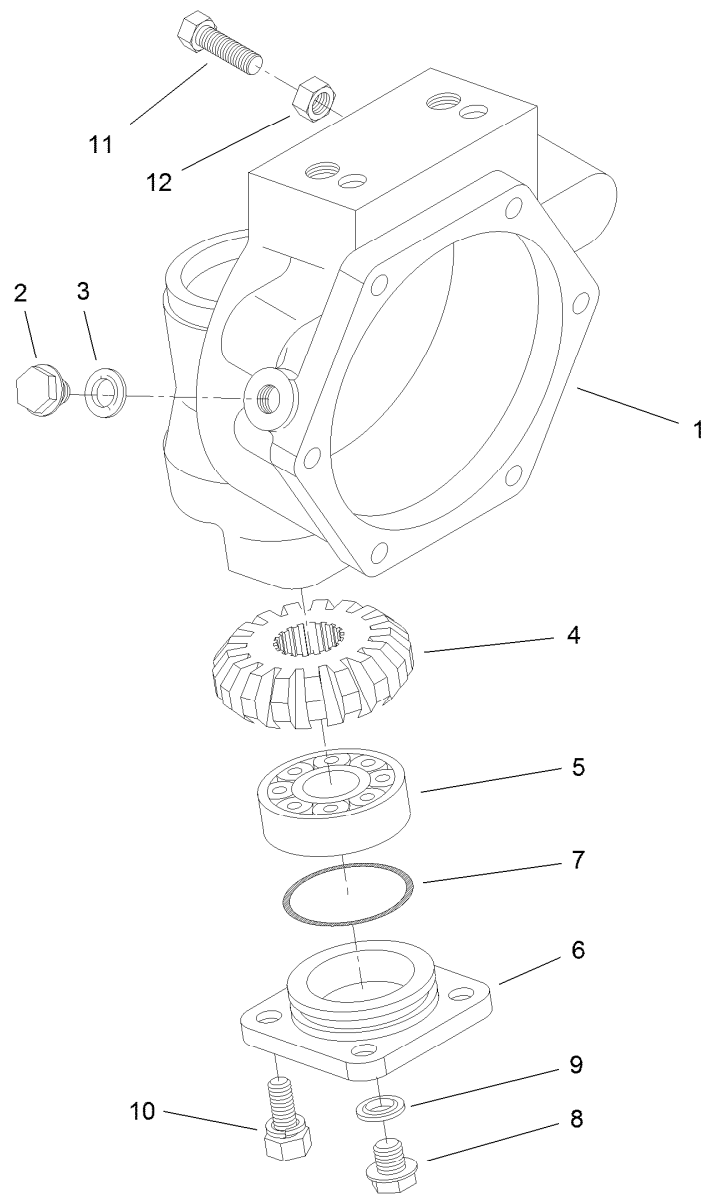
Bevel Gear Case Assembly Rear Axle Assembly No. 110-4750

| Ref. | Part Number | Qty. | Description | Ref. | Part Number | Qty. | Description |
|------|-------------|------|---------------------|--------|-------------|------|--------------------------------|
| 1 | 110-4752 | 2 | Case-Gear, Bevel | 12 | 104-2375 | 4 | Bolt |
| 2 | 110-4754 | 2 | Seal-Oil | 13 | 99-7599 | 8 | Bolt |
| 3 | 104-2378 | 2 | Bushing | 14 | 99-7525 | 4 | Stud |
| 4 | 106-1069 | 2 | O-Ring | 15 | 99-7526 | 4 | Nut |
| 5 | 104-2373 | 2 | Knuckle | 16 | 99-7527 | 4 | Washer-Spring |
| 6 | 104-2374 | 8 | Bolt | 18 | 106-1141 | 1 | Steering Tie Rod ASM |
| 7 | 100-3768 | 1 | LH Steering Arm ASM | 18:2 | 106-1113 | 2 | Tie Rod End ASM - RH Thread |
| 7:2 | 104-8634 | 1 | Bushing | 18:2:1 | 100-3853 | 1 | Cover-Dust |
| 7:3 | 106-1104 | 2 | Fitting-Grease | 18:2:2 | 100-3854 | 1 | Nut-Castle |
| 8 | 100-3766 | 1 | RH Steering Arm ASM | 18:2:3 | 110-4755 | 1 | Fitting-Grease |
| 8:2 | 104-8634 | 1 | Bushing | 18:2:4 | 3272-11 | 1 | Pin-Cotter |
| 8:3 | 106-1104 | 2 | Fitting-Grease | 18:5 | 100-3855 | 2 | Bolt |
| 10 | 95-7547 | 2 | Shim 0.1 | 18:6 | 99-7527 | 2 | Washer-Spring |
| 10 | 95-7548 | 2 | Shim 0.2 | 18:7 | 99-7526 | 2 | Nut |
| 10 | 95-7549 | 2 | Shim 0.3 | | | | |
| 11 | 99-7597 | 4 | Pin-Dowel | | | | |



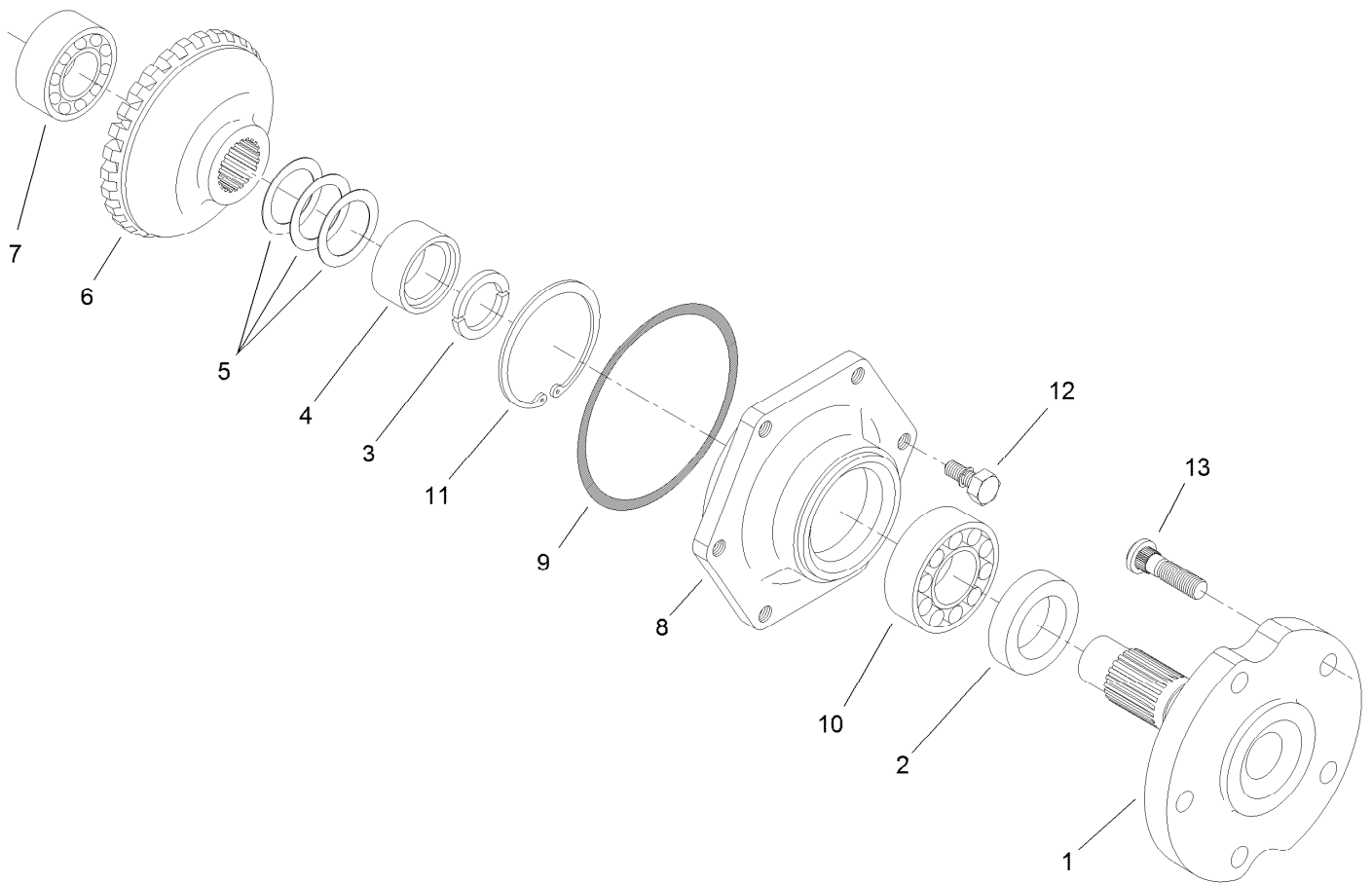
Bevel Gear Shaft Assembly Rear Axle Assembly No. 110-4750

| <i>Ref.</i> | <i>Part Number</i> | <i>Qty.</i> | <i>Description</i> |
|-------------|--------------------|-------------|--------------------------|
| 1 | 95-7509 | 1 | Shaft-Gear, Differential |
| 2 | 95-7512 | 1 | Shaft-Gear, Differential |
| 3 | 95-7517 | 2 | Gear-Bevel, 15 Tooth |
| 4 | 99-7530 | 4 | Bearing-Ball |
| 5 | 99-7552 | 2 | Shim 0.1 |
| 5 | 99-7553 | 2 | Shim 0.2 |
| 5 | 99-7554 | 2 | Shim 0.5 |
| 6 | 99-7531 | 2 | Clip |
| 7 | 110-4753 | 2 | Shaft-Gear, Bevel |
| 8 | 95-7519 | 2 | Gear-Bevel, 17 Tooth |
| 9 | 99-7532 | 2 | Bearing-Roller, Taper |
| 10 | 99-7558 | 2 | Collar |



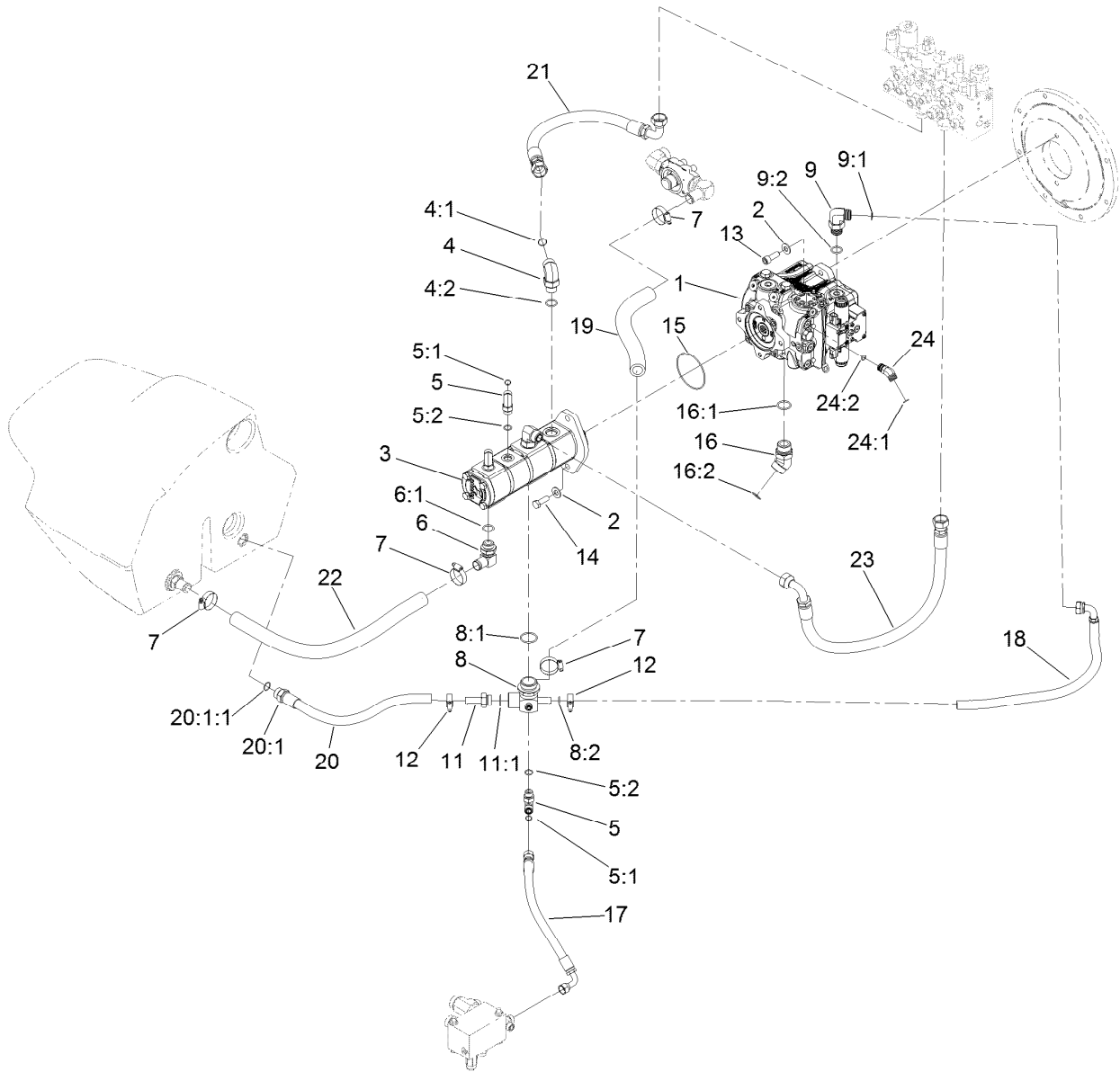
Axle Case Assembly Rear Axle Assembly No. 110-4750

| <i>Ref.</i> | <i>Part Number</i> | <i>Qty.</i> | <i>Description</i> |
|-------------|--------------------|-------------|-----------------------|
| 1 | 110-4751 | 2 | Case-Axle |
| 2 | 99-7535 | 2 | Plug |
| 3 | 99-7536 | 2 | Washer-Seal |
| 4 | 95-7527 | 2 | Gear-Bevel, 17 Tooth |
| 5 | 99-7532 | 2 | Bearing-Roller, Taper |
| 6 | 100-2560 | 2 | Cover |
| 7 | 106-1070 | 2 | O-Ring |
| 8 | 99-7589 | 2 | Plug |
| 9 | 99-7590 | 2 | Washer-Seal |
| 10 | 100-2562 | 8 | Bolt |
| 11 | 106-1102 | 2 | Bolt-Stop |
| 12 | 106-1103 | 2 | Nut |



Axle Assembly Rear Axle Assembly No. 110-4750

| <i>Ref.</i> | <i>Part Number</i> | <i>Qty.</i> | <i>Description</i> |
|-------------|--------------------|-------------|----------------------|
| 1 | 95-7522 | 2 | Axle |
| 2 | 99-7564 | 2 | Seal-Oil |
| 3 | 95-7544 | 4 | Clip |
| 4 | 95-7523 | 2 | Spacer |
| 5 | 99-7555 | 2 | Shim 0.3 |
| 5 | 99-7556 | 2 | Shim 0.2 |
| 5 | 99-7557 | 2 | Shim 0.5 |
| 6 | 95-7524 | 2 | Gear-Bevel, 29 Tooth |
| 7 | 99-7534 | 2 | Bearing-Ball |
| 8 | 95-7521 | 2 | Cover-Axle |
| 9 | 106-1071 | 2 | O-Ring |
| 10 | 99-7561 | 2 | Bearing-Ball |
| 11 | 99-7539 | 2 | Clip |
| 12 | 99-7596 | 12 | Bolt |
| 13 | 99-7563 | 10 | Stud |

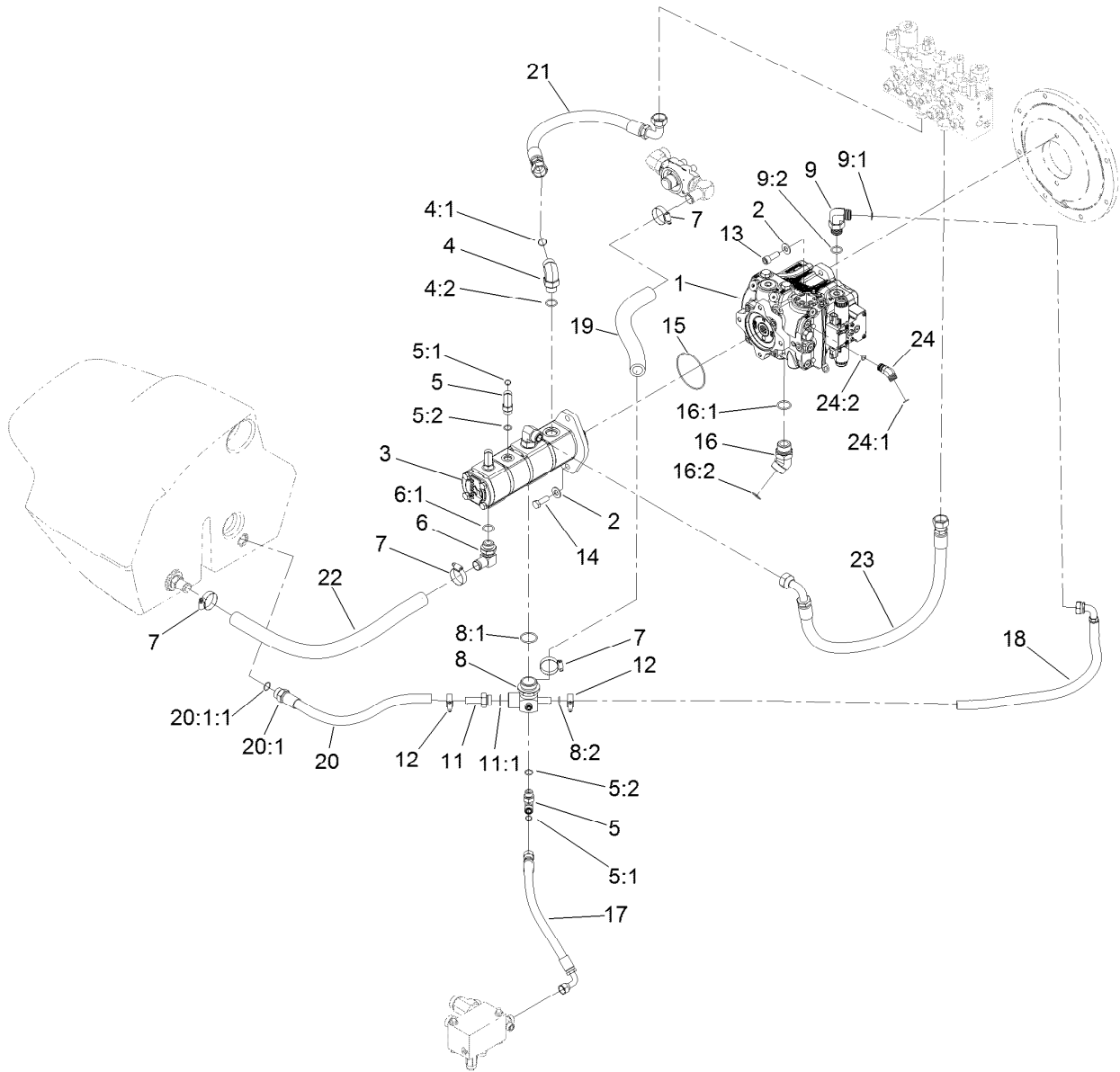


Hydraulic System Assembly

| Ref. | Part Number | Qty. | Description |
|------|-------------|------|-----------------------|
| 1 | 136-2940 | 1 | Pump-Piston, 45Cc |
| 2 | 137-5550 | 4 | Washer-Thrust |
| 3 | 114-4189 | 1 | 4-Section Pump ASM |
| 4 | 340-142 | 2 | Fitting-Elbow, 90 DEG |
| 4:1 | 237-58 | 1 | O-Ring |
| 4:2 | 237-81 | 1 | O-Ring |
| 5 | 340-98 | 3 | Fitting-Elbow, 90 DEG |
| 5:1 | 237-79 | 1 | O-Ring |
| 5:2 | 237-30 | 1 | O-Ring |
| 6 | 100-4202 | 1 | Fitting-90 |
| 6:1 | 237-81 | 1 | O-Ring |
| 7 | 2412-111 | 4 | Clamp-Hose, W/Liner |
| 8 | 120-8016 | 1 | Fitting-Tee |
| 8:1 | 237-101 | 1 | O-Ring |
| 8:2 | 237-22 | 1 | O-Ring |
| 9 | 340-139 | 1 | Fitting-Elbow 90 |
| 9:1 | 237-81 | 1 | O-Ring |
| 9:2 | 237-65 | 1 | O-Ring |

| Ref. | Part Number | Qty. | Description |
|--------|-------------|------|---------------------|
| 11 | 121-1526 | 1 | Fitting-STR |
| 11:1 | 237-81 | 1 | O-Ring |
| 12 | 2412-129 | 2 | Clamp-Hose |
| 13 | 131-0661 | 2 | Screw-HSH |
| 14 | 121-1525 | 2 | Screw-HH |
| 15 | 107-9447 | 1 | O-Ring |
| 16 | 104-3509 | 2 | Fitting-HYD, 45 DEG |
| 16:1 | 237-146 | 1 | O-Ring |
| 16:2 | 340-65 | 1 | O-Ring |
| 17 | 125-4616 | 1 | Hose ASM |
| 18 | 136-2926 | 1 | Hose ASM |
| 19 | 163-3536 | 1 | Hose-Suction |
| 20 | 121-3079 | 1 | Hose ASM |
| 20:1 | | 1 | Fitting-Straight ● |
| 20:1:1 | 237-81 | 1 | O-Ring |
| 21 | 105-3874 | 1 | Hose ASM |
| 22 | 147-6054 | 1 | Hose-Strainer |
| 23 | 115-4384 | 1 | Hose-HYD |

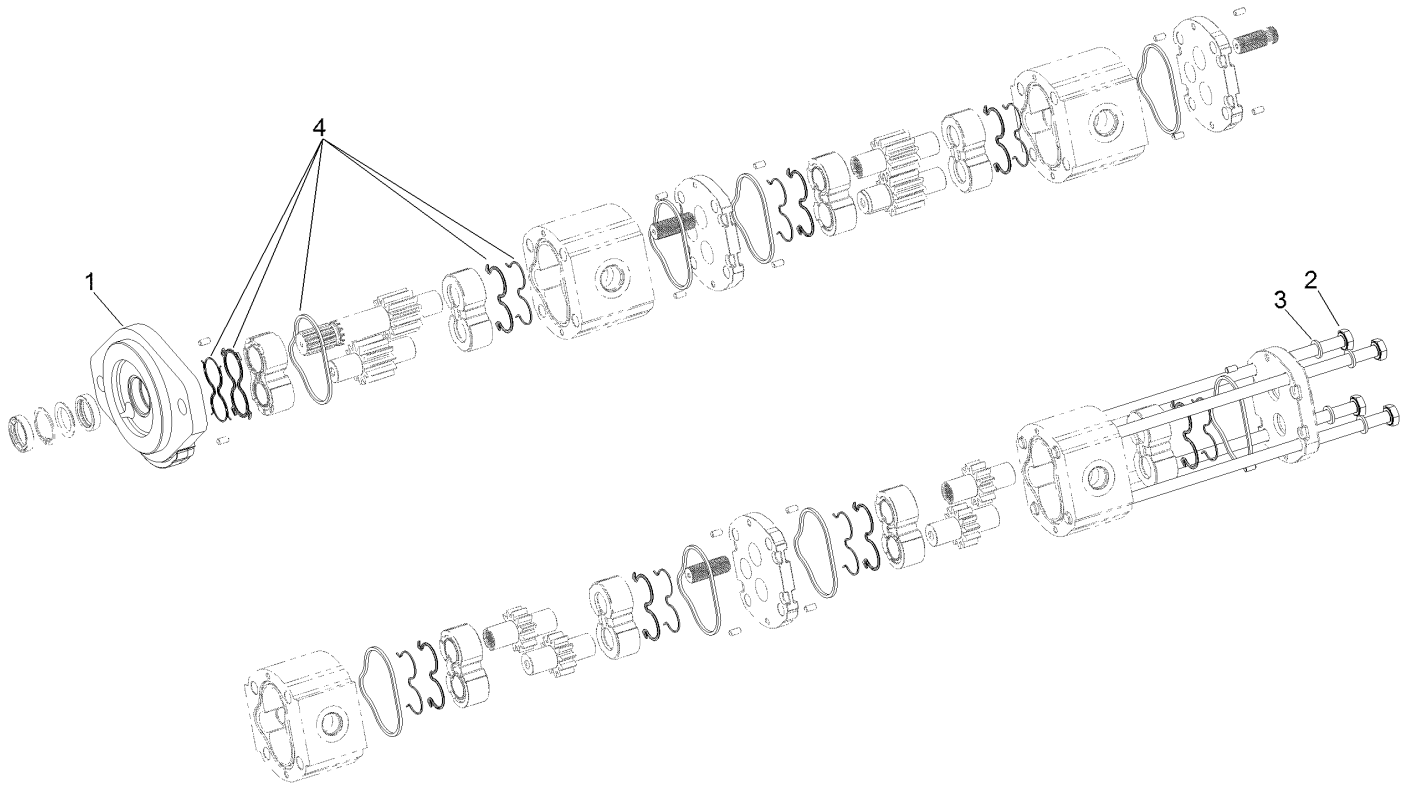
● Not serviced separately



Hydraulic System Assembly (continued)

| <i>Ref.</i> | <i>Part Number</i> | <i>Qty.</i> | <i>Description</i> | <i>Ref.</i> | <i>Part Number</i> | <i>Qty.</i> | <i>Description</i> |
|-------------|--------------------|-------------|--------------------|-------------|--------------------|-------------|--------------------|
| 24 | 340-96 | 1 | Adapter | 24:1 | 237-30 | 1 | O-Ring |
| | | | | 24:2 | 237-42 | 1 | O-Ring |

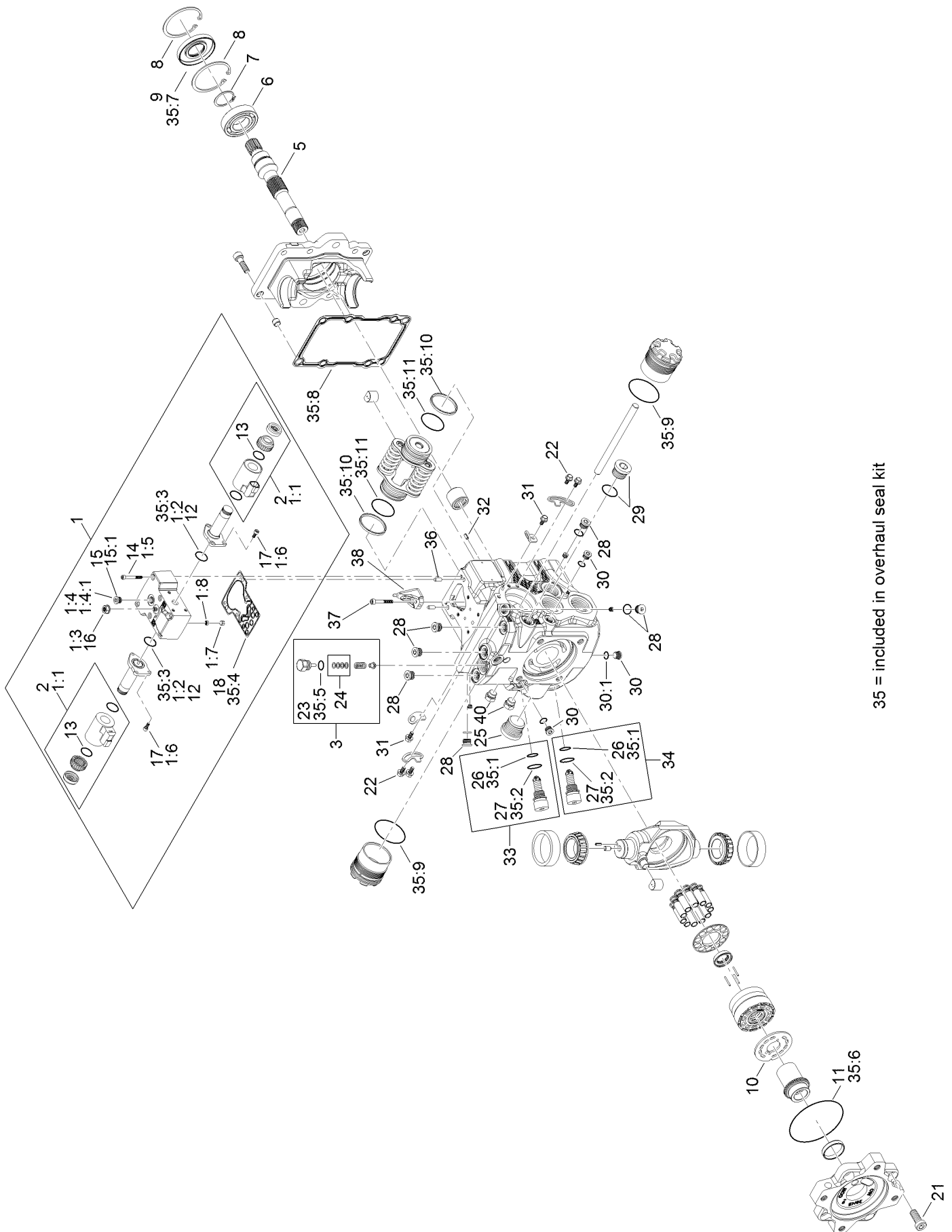
● Not serviced separately



Four Section Pump Assembly No. 114-4189

| <i>Ref.</i> | <i>Part Number</i> | <i>Qty.</i> | <i>Description</i> |
|-------------|--------------------|-------------|--------------------|
| 1 | 115-3774 | 1 | Cover-Front |
| 2 | 115-4444 | 4 | Bolt |
| 3 | 115-9138 | 4 | Washer |
| 4 | 115-3776 | 1 | Seal Kit |

Hydraulic Pump Assembly No. 136-2940



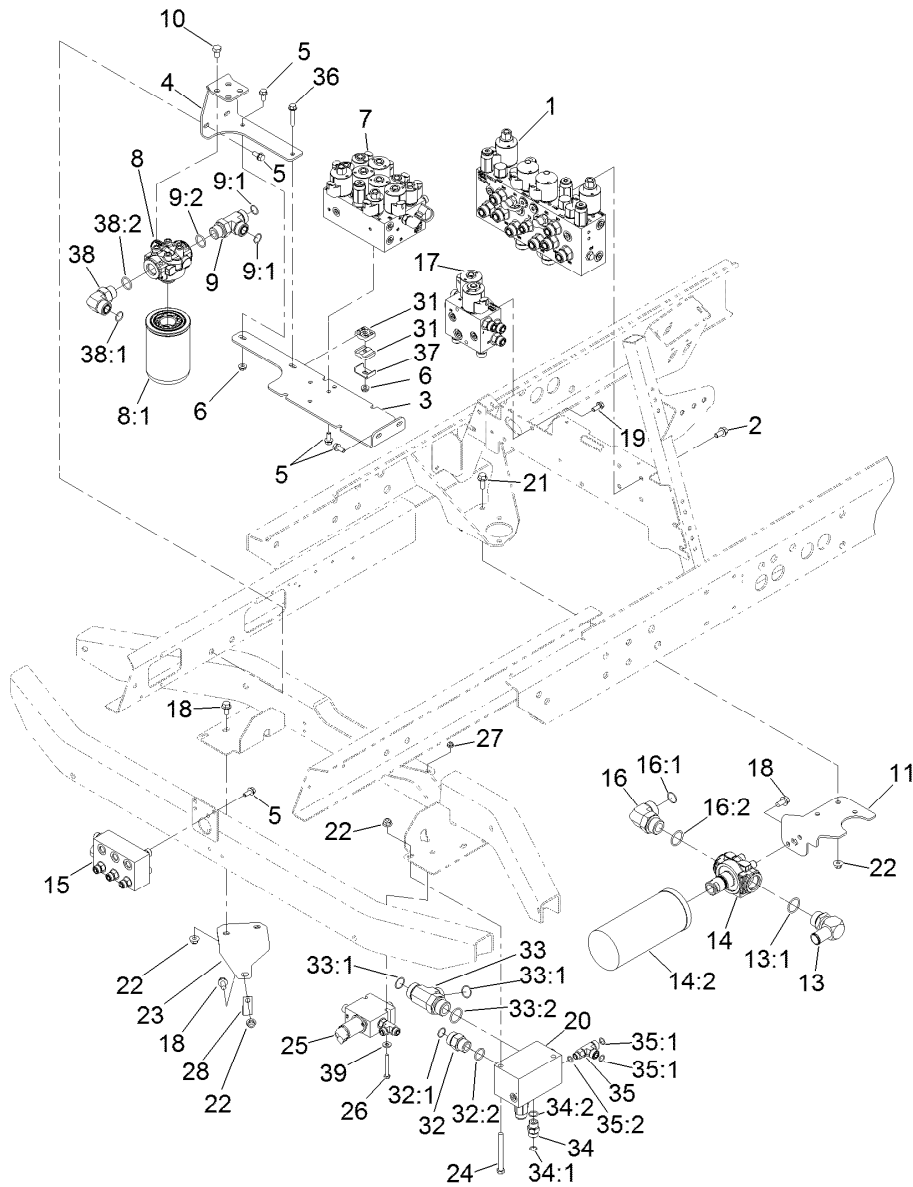
35 = included in overhaul seal kit

Hydraulic Pump Assembly No. 136-2940 (continued)

| <i>Ref.</i> | <i>Part Number</i> | <i>Qty.</i> | <i>Description</i> | <i>Ref.</i> | <i>Part Number</i> | <i>Qty.</i> | <i>Description</i> |
|-------------|--------------------|-------------|-----------------------|-------------|--------------------|-------------|---------------------------------------|
| 1 | 136-3209 | 1 | Control Kit (12 Volt) | 24 | 92-1353 | 1 | Shim Kit |
| 1:1 | 132-6204 | 2 | Coil Kit | 25 | 125-5301 | 1 | Plug |
| 1:2 | 125-5288 | 2 | O-Ring | 26 | 75-0240 | 2 | O-Ring |
| 1:3 | 125-5273 | 1 | Nut-Seal | 27 | 84-0560 | 2 | O-Ring |
| 1:4 | 75-0170 | 1 | Plug-Thread, Straight | 28 | 69-3080 | 6 | Plug |
| 1:4:1 | 92-8777 | 1 | O-Ring | 29 | 69-3130 | 1 | Plug |
| 1:5 | 125-5274 | 6 | Screw | 30 | 75-0170 | 3 | Plug-Thread, Straight |
| 1:6 | 125-5272 | 6 | Screw | 30:1 | 92-8777 | 1 | O-Ring |
| 1:7 | 136-3213 | 1 | Gasket-Control | 31 | 125-5270 | 2 | Screw |
| 1:8 | 136-3218 | 1 | Sensor Kit | 32 | 110-6485 | 1 | Pin-Slotted |
| 2 | 125-5294 | 2 | Coil Kit | 33 | 136-4393 | 1 | Valve-Relief, High Pressure |
| 3 | 136-4397 | 1 | Charge Relief Kit | 34 | 136-3214 | 1 | Valve-Relief, High Pressure (360 Bar) |
| 5 | 136-4399 | 1 | Shaft | 35 | 132-6205 | 1 | Overhaul Seal Kit |
| 6 | 136-3211 | 1 | Bearing-Ball | 35:1 | 75-0240 | 2 | O-Ring |
| 7 | 125-5280 | 1 | Ring-Retaining | 35:2 | 84-0560 | 2 | O-Ring |
| 8 | 131-8616 | 2 | Ring-Retaining | 35:3 | 125-5288 | 2 | O-Ring |
| 9 | 127-6214 | 1 | Seal-Lip | 35:4 | 125-5283 | 1 | Gasket-Control |
| 10 | 136-4398 | 1 | Valve Plate | 35:5 | 125-5298 | 1 | O-Ring |
| 11 | 132-6206 | 1 | O-Ring | 35:6 | 132-6206 | 1 | O-Ring |
| 12 | 125-5288 | 2 | O-Ring | 35:7 | 127-6214 | 1 | Seal-Lip |
| 13 | 131-7388 | 2 | O-Ring | 35:8 | | 1 | Gasket ■ |
| 14 | 125-5274 | 6 | Screw | 35:9 | | 2 | O-Ring ■ |
| 15 | 75-0170 | 1 | Plug-Thread, Straight | 35:10 | | 2 | Piston Ring ■ |
| 15:1 | 92-8777 | 1 | O-Ring | 35:11 | | 2 | O-Ring ■ |
| 16 | 125-5273 | 1 | Nut-Seal | 36 | 136-3215 | 1 | Pin |
| 17 | 125-5272 | 6 | Screw | 37 | 136-3216 | 1 | Screw, M6 X 35 |
| 18 | 136-3213 | 1 | Gasket-Control | 38 | 136-3217 | 1 | Link - Swashplate Feedback |
| 21 | 125-5282 | 4 | Screw | 39 | 136-3218 | 1 | Sensor Kit ● |
| 22 | 125-5270 | 4 | Screw | 40 | 136-3219 | 2 | Plug ASM |
| 23 | 125-5298 | 1 | O-Ring | | | | |

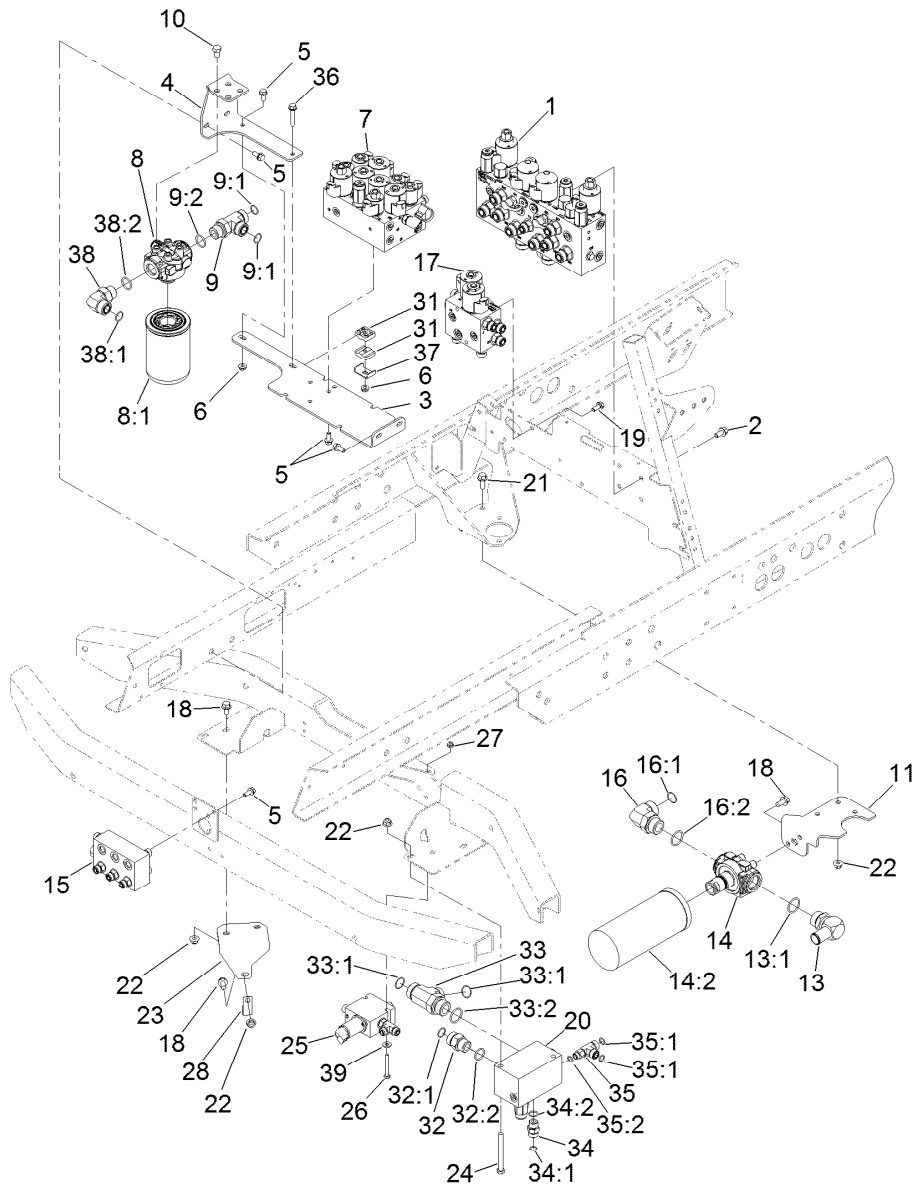
● Not illustrated

■ Not serviced separately



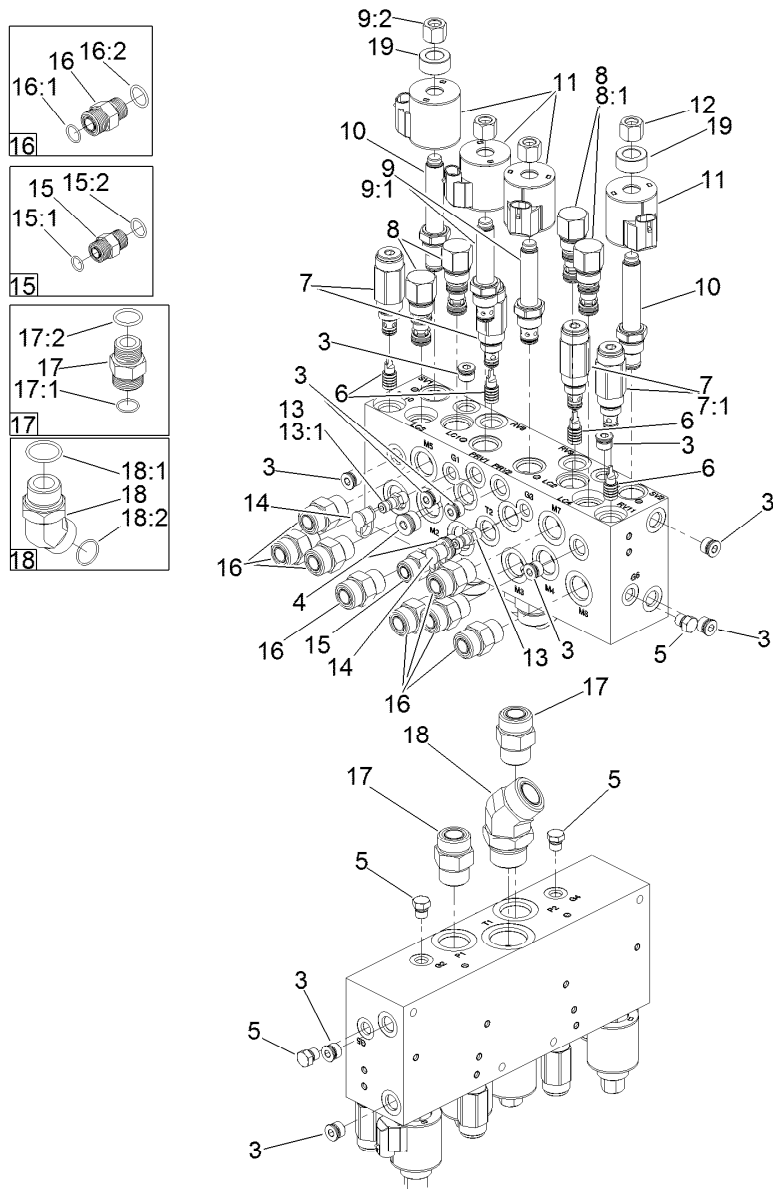
Hydraulic Valve Mounting Assembly

| Ref. | Part Number | Qty. | Description | Ref. | Part Number | Qty. | Description |
|------|-------------|------|-----------------------|------|-------------|------|----------------------------|
| 1 | 136-2916 | 1 | Mow Manifold ASM | 16:2 | 340-65 | 1 | O-Ring |
| 2 | 110-1718 | 4 | Screw-HHF | 17 | 117-2395 | 1 | Fan Drive Manifold ASM |
| 3 | 139-5957-0P | 1 | Bracket-Valve Mount | 18 | 3234-1 | 5 | Screw-HHF |
| 4 | 104-5492-0P | 1 | Bracket-Filter Head | 19 | 100-1668 | 2 | Screw-HHF |
| 5 | 3234-5 | 9 | Screw-HHF | 20 | 136-3341 | 1 | Rear Traction Manifold ASM |
| 6 | 32128-20 | 2 | Nut-HF | 21 | 3234-11 | 2 | Screw-HHF |
| 7 | 117-2389 | 1 | Lift Manifold ASM | 22 | 104-8301 | 7 | Nut-HF, NI |
| 8 | 93-2242 | 1 | Oil Filter ASM | 23 | 121-3089-0P | 1 | Plate-Mount,Tube |
| 8:1 | 75-1310 | 1 | Filter-HYD | 24 | 323-42 | 2 | Screw-HH |
| 9 | 340-148 | 1 | Fitting-Tee | 25 | 138-6946 | 1 | 3-Way Valve Manifold ASM |
| 9:1 | 237-81 | 1 | O-Ring | 26 | 321-18 | 2 | Screw-HH |
| 9:2 | 237-58 | 2 | O-Ring | 27 | 104-7201 | 2 | Nut-HF, NI |
| 10 | 33115-016 | 4 | Screw-HH | 28 | 2412-150 | 1 | Clip-J |
| 11 | 120-8022-0P | 1 | Plate-Mount,Filter | 31 | 56-7973 | 2 | Clamp-Tube |
| 13 | 23-8910 | 1 | Stem-Barb-90 | 32 | 340-9 | 1 | Fitting-STR |
| 13:1 | 237-146 | 1 | O-Ring | 32:1 | 237-58 | 1 | O-Ring |
| 14 | 139-1010 | 1 | Filter Head ASM | 32:2 | 237-81 | 1 | O-Ring |
| 14:2 | 94-2621 | 1 | Element-Filter | 33 | 104-3795 | 1 | Fitting-Tee |
| 15 | 117-2394 | 1 | Junction Manifold ASM | 33:1 | 340-65 | 2 | O-Ring |
| 16 | 340-129 | 1 | Fitting-Elbow, 90 DEG | 33:2 | 237-146 | 1 | O-Ring |
| 16:1 | 237-146 | 1 | O-Ring | 34 | 340-4 | 1 | Fitting-Straight |



Hydraulic Valve Mounting Assembly (continued)

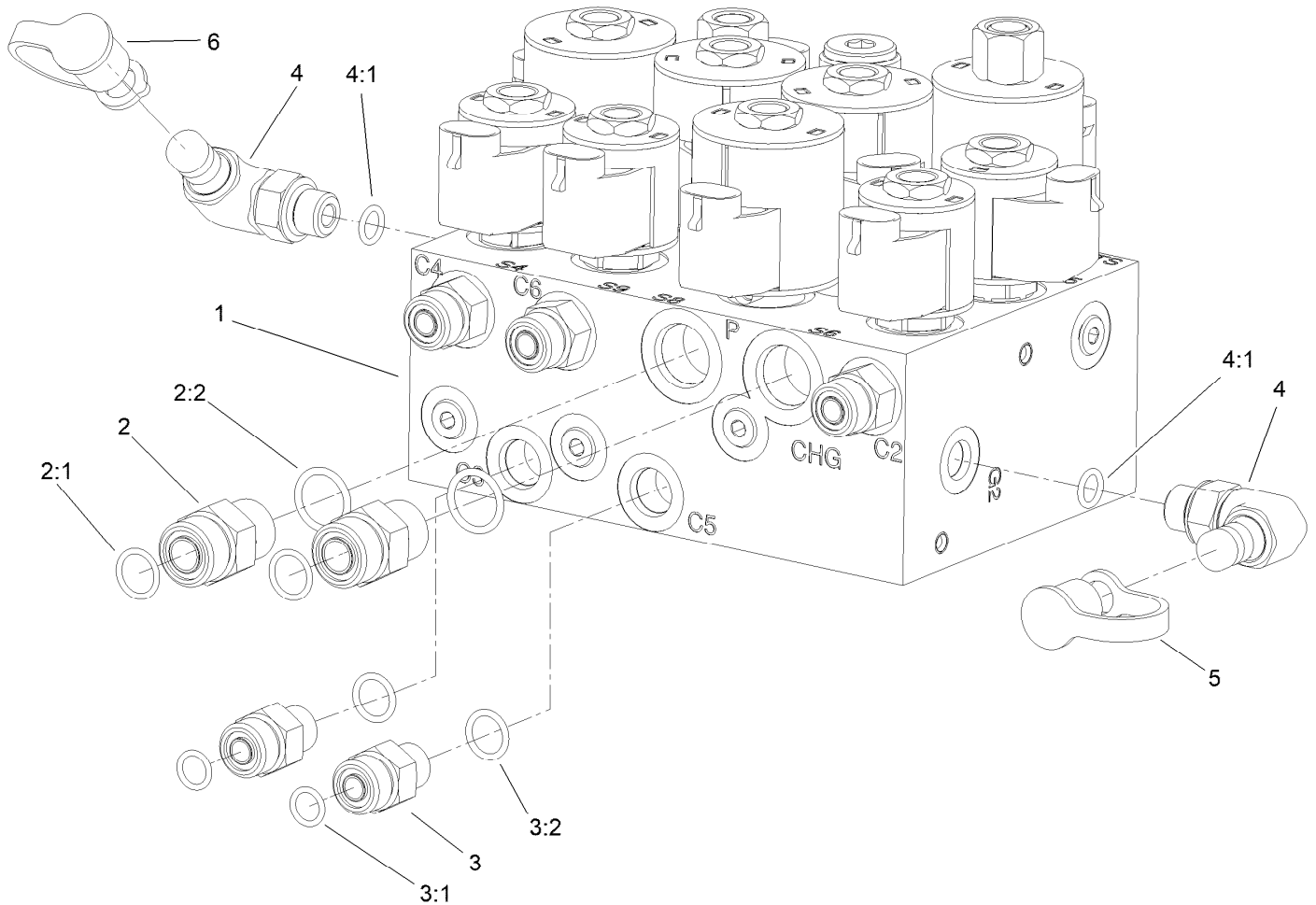
| <i>Ref.</i> | <i>Part Number</i> | <i>Qty.</i> | <i>Description</i> | <i>Ref.</i> | <i>Part Number</i> | <i>Qty.</i> | <i>Description</i> |
|-------------|--------------------|-------------|--------------------|-------------|--------------------|-------------|-----------------------|
| 34:1 | 237-30 | 1 | O-Ring | 37 | 119-1418 | 1 | Plate-Clamp, Short |
| 34:2 | 237-79 | 1 | O-Ring | 38 | 340-142 | 1 | Fitting-Elbow, 90 DEG |
| 35 | 110-0064 | 1 | Fitting-Tee | 38:1 | 237-58 | 1 | O-Ring |
| 35:1 | 237-30 | 2 | O-Ring | 38:2 | 237-81 | 1 | O-Ring |
| 35:2 | 237-42 | 1 | O-Ring | 39 | 3256-2 | 2 | Washer-Flat |
| 36 | 94-5780 | 1 | Screw-HWH | | | | |



Mow Manifold Assembly No. 136-2916

| Ref. | Part Number | Qty. | Description | Ref. | Part Number | Qty. | Description |
|------|-------------|------|----------------------------|------|-------------|------|---------------------|
| 3 | 112-9213 | 10 | Plug | 14 | 354-79 | 2 | Cap-Dust |
| 4 | 106-1027 | 2 | Plug | 15 | 340-4 | 1 | Fitting-Straight |
| 5 | 117-0115 | 4 | Plug | 15:1 | 237-30 | 1 | O-Ring |
| 6 | 105-9157 | 4 | Piston-Pilot | 15:2 | 237-79 | 1 | O-Ring |
| 7 | 112-5259 | 4 | Valve-Relief | 16 | 340-7 | 8 | Fitting-Straight |
| 7:1 | 105-9156 | 1 | Seal Kit | 16:1 | 237-65 | 1 | O-Ring |
| 8 | 105-9153 | 4 | Element-Logic, Vented | 16:2 | 237-80 | 1 | O-Ring |
| 8:1 | 119-2159 | 1 | Seal Kit | 17 | 340-9 | 2 | Fitting-STR |
| 9 | 110-8799 | 2 | Valve-Relief, Proportional | 17:1 | 237-58 | 1 | O-Ring |
| 9:1 | 110-6316 | 1 | Seal Kit | 17:2 | 237-81 | 1 | O-Ring |
| 9:2 | 130-8180 | 1 | Nut-Coil (9/16-24 Unef-2B) | 18 | 104-3509 | 1 | Fitting-HYD, 45 DEG |
| 10 | 136-3279 | 2 | Valve-Proportional | 18:1 | 237-146 | 1 | O-Ring |
| 11 | 110-6344 | 4 | Coil-12V, DC | 18:2 | 340-65 | 1 | O-Ring |
| 12 | | 4 | Coil Nut ● | 19 | | 2 | Coil Spacer ● |
| 13 | 354-77 | 2 | Fitting-Quick | | | | |
| 13:1 | 237-78 | 1 | O-Ring | | | | |

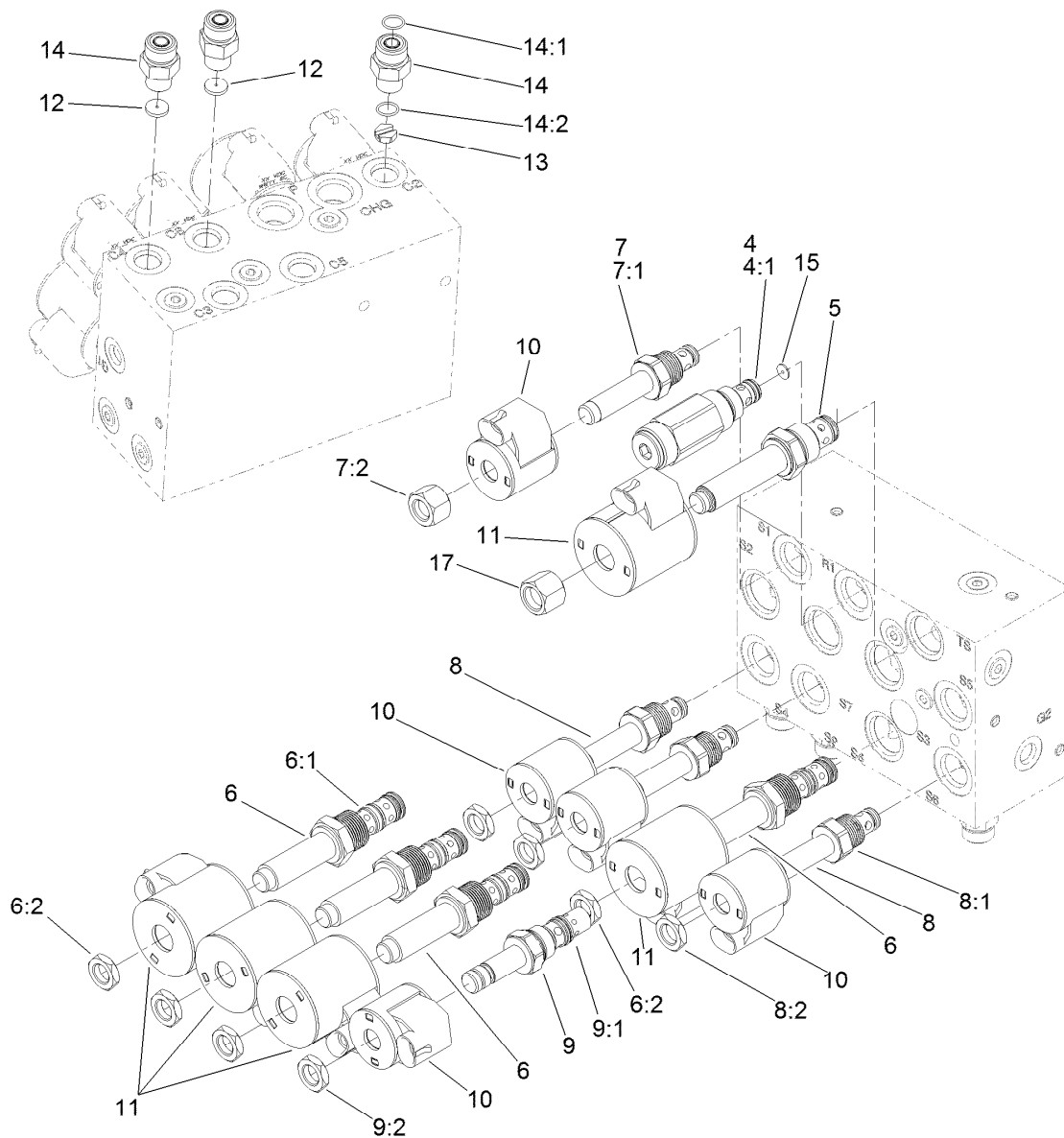
● Not serviced separately



Lift Manifold Assembly No. 117-2389

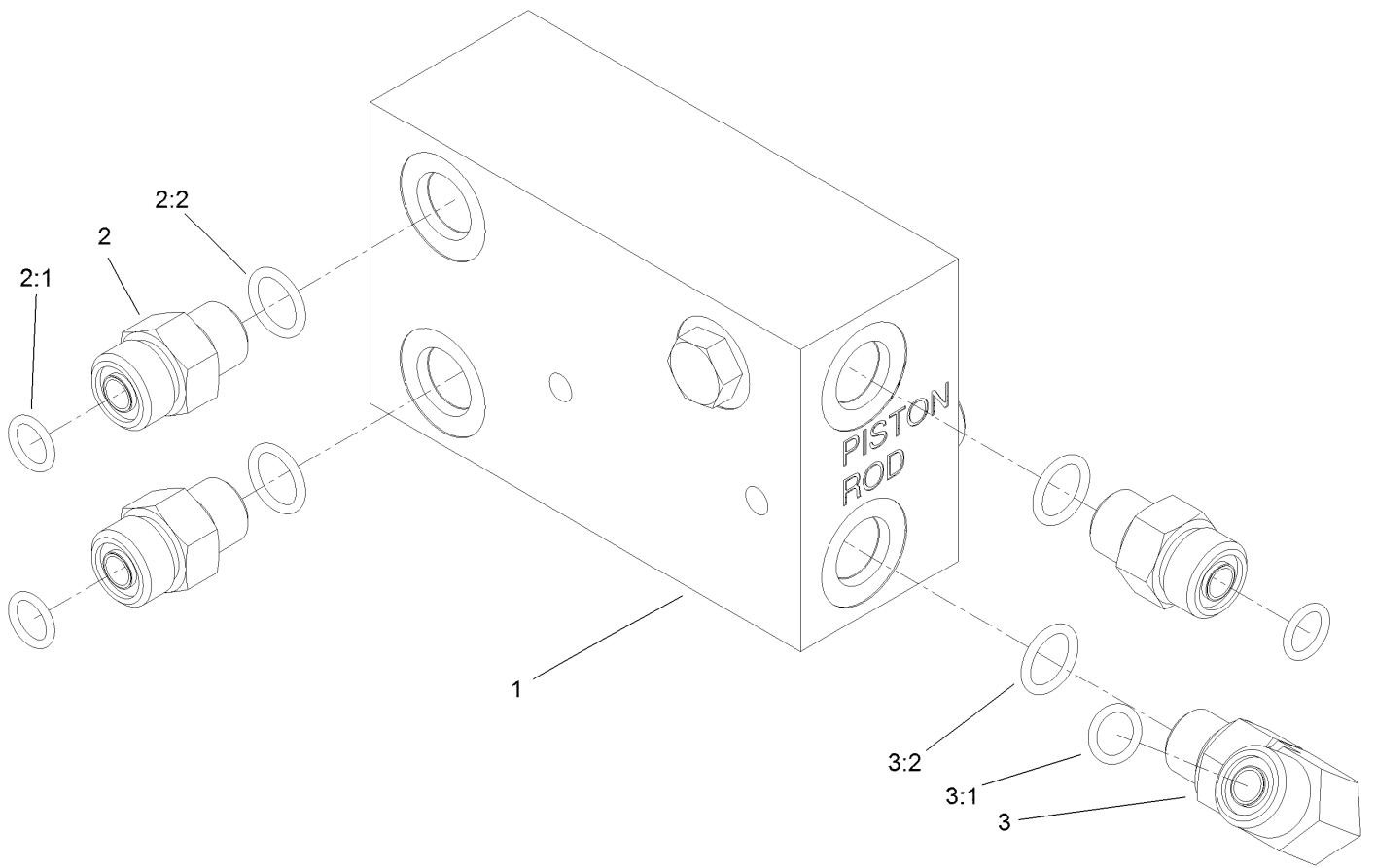
| Ref. | Part Number | Qty. | Description |
|------|-------------|------|-----------------------|
| 1 | | 1 | Manifold-Lift ● |
| 2 | 340-4 | 2 | Fitting-Straight |
| 2:1 | 237-30 | 1 | O-Ring |
| 2:2 | 237-79 | 1 | O-Ring |
| 3 | 340-2 | 2 | Fitting-Straight |
| 3:1 | 237-22 | 1 | O-Ring |
| 3:2 | 237-42 | 1 | O-Ring |
| 4 | 115-9147 | 2 | Fitting-Elbow, 90 DEG |
| 4:1 | 237-78 | 1 | O-Ring |
| 5 | 354-79 | 1 | Cap-Dust |
| 6 | 353-947 | 1 | Cap-Dust, Black |

● Not serviced separately



Lift Manifold Assembly

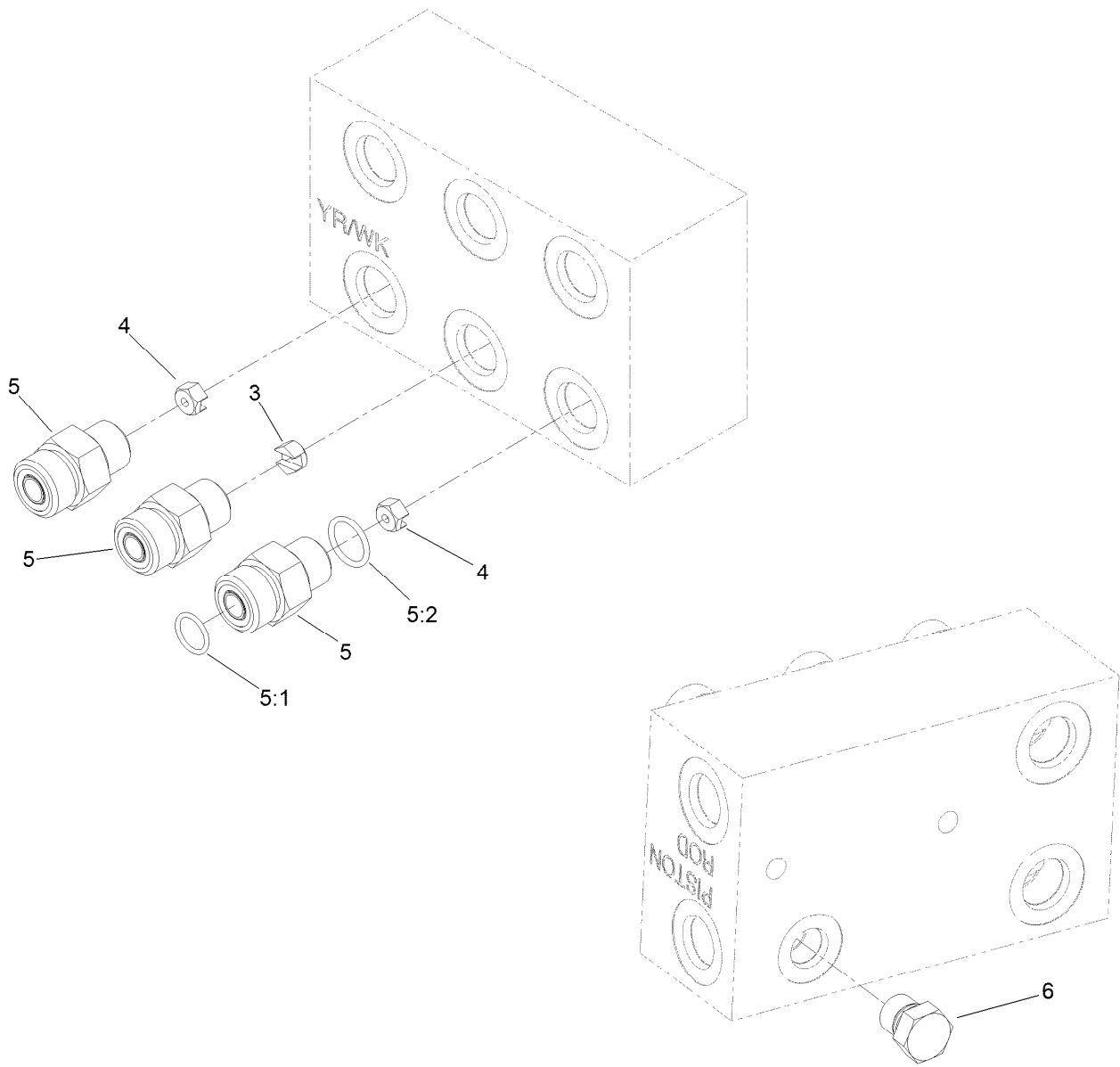
| <i>Ref.</i> | <i>Part Number</i> | <i>Qty.</i> | <i>Description</i> | <i>Ref.</i> | <i>Part Number</i> | <i>Qty.</i> | <i>Description</i> |
|-------------|--------------------|-------------|---------------------------|-------------|--------------------|-------------|----------------------------|
| 4 | 127-6371 | 1 | Valve-Relief | 9 | 115-5405 | 1 | Solenoid Valve ASM |
| 4:1 | 105-9156 | 1 | Seal Kit | 9:1 | 115-5413 | 1 | Seal Kit |
| 5 | 117-2399 | 1 | Relief Valve-Proportional | 9:2 | 110-2634 | 1 | Nut-Coil |
| 6 | 115-5400 | 4 | Solenoid Valve ASM | 10 | 110-0497 | 5 | Coil-Solenoid |
| 6:1 | 107-7813 | 1 | Seal Kit | 11 | 110-6344 | 5 | Coil-12V, DC |
| 6:2 | 110-2634 | 1 | Nut-Coil | 12 | 117-4757 | 2 | Orifice-Disk, .063 |
| 7 | 107-7517 | 1 | Valve-Solenoid | 13 | 117-4756 | 1 | Orifice-Flow Control, .080 |
| 7:1 | 105-9156 | 1 | Seal Kit | 14 | 340-2 | 3 | Fitting-Straight |
| 7:2 | 107-7812 | 1 | Nut-Solenoid | 14:1 | 237-22 | 1 | O-Ring |
| 8 | 112-9206 | 3 | Solenoid Valve ASM | 14:2 | 237-42 | 1 | O-Ring |
| 8:1 | 105-9156 | 1 | Seal Kit | 15 | 127-6372 | 1 | Orifice Disc,.081 |
| 8:2 | 110-2634 | 1 | Nut-Coil | 17 | 130-8181 | 1 | Nut-Coil (1/2-20 Unf-2B) |



Junction Manifold Assembly No. 117-2394

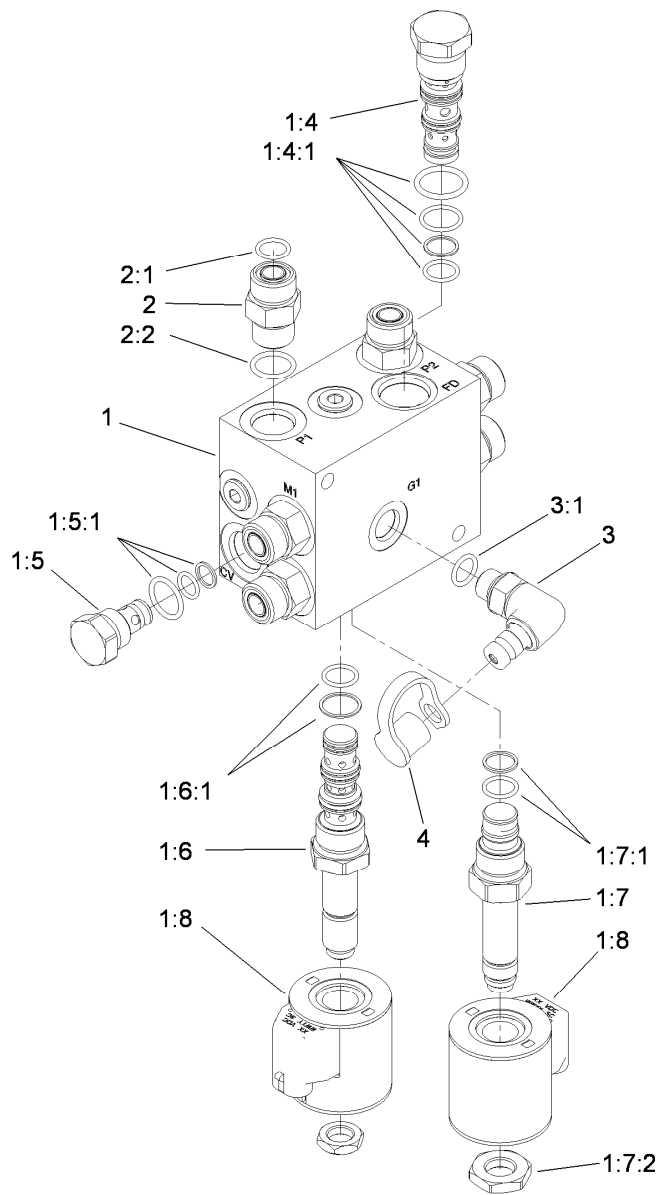
| <i>Ref.</i> | <i>Part Number</i> | <i>Qty.</i> | <i>Description</i> |
|-------------|--------------------|-------------|-----------------------|
| 1 | | 1 | Manifold-Junction ● |
| 2 | 340-2 | 3 | Fitting-Straight |
| 2:1 | 237-22 | 1 | O-Ring |
| 2:2 | 237-42 | 1 | O-Ring |
| 3 | 340-77 | 1 | Fitting-Elbow, 90 DEG |
| 3:1 | 237-22 | 1 | O-Ring |
| 3:2 | 237-42 | 1 | O-Ring |

● Not serviced separately



Junction Manifold Assembly

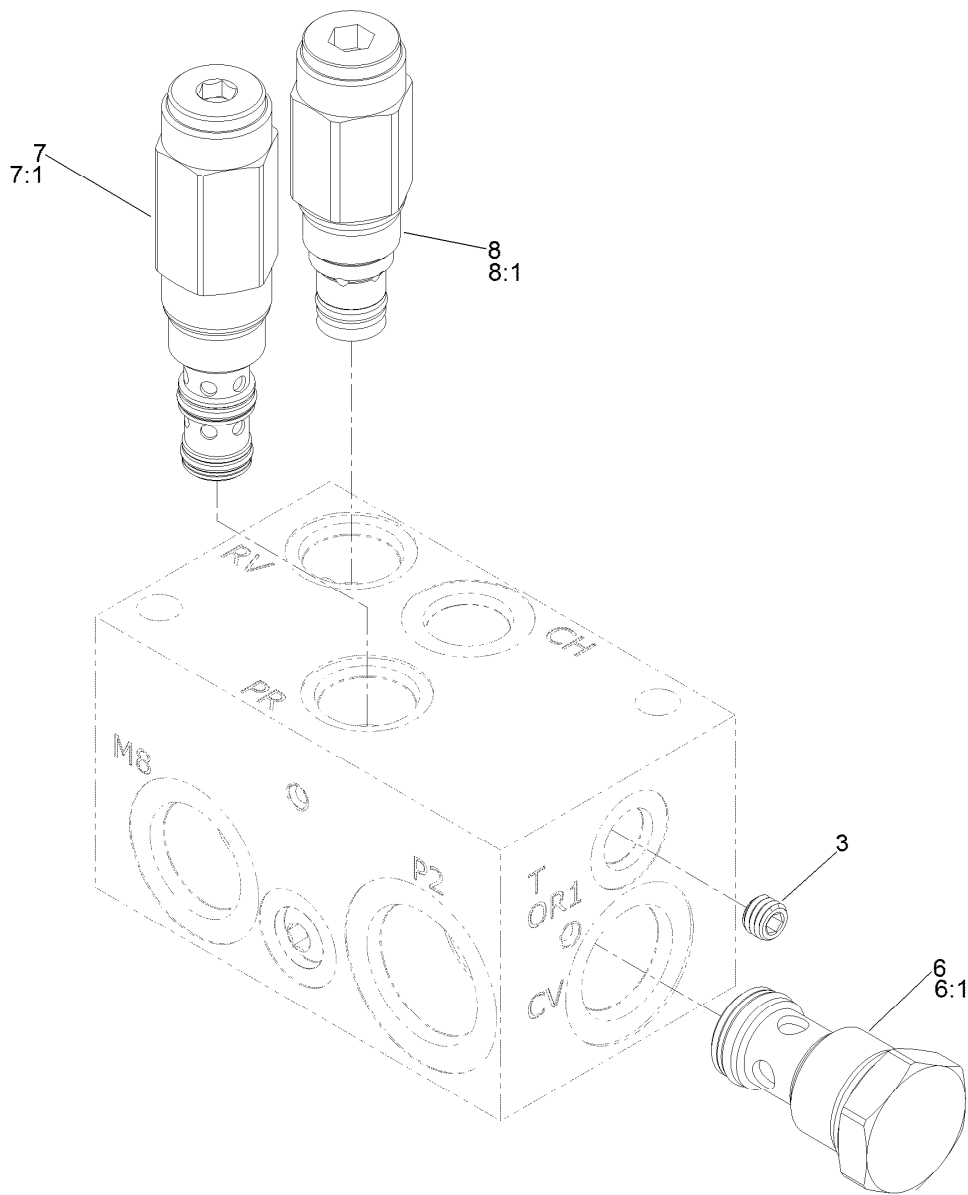
| <i>Ref.</i> | <i>Part Number</i> | <i>Qty.</i> | <i>Description</i> |
|-------------|--------------------|-------------|-------------------------------|
| 3 | 119-2010 | 1 | Orifice-Control, Flow (0.055) |
| 4 | 119-2009 | 2 | Orifice-Flow Control (0.030) |
| 5 | 340-2 | 3 | Fitting-Straight |
| 5:1 | 237-22 | 1 | O-Ring |
| 5:2 | 237-42 | 1 | O-Ring |
| 6 | 117-0115 | 1 | Plug |



Fan Drive Manifold Assembly No. 117-2395

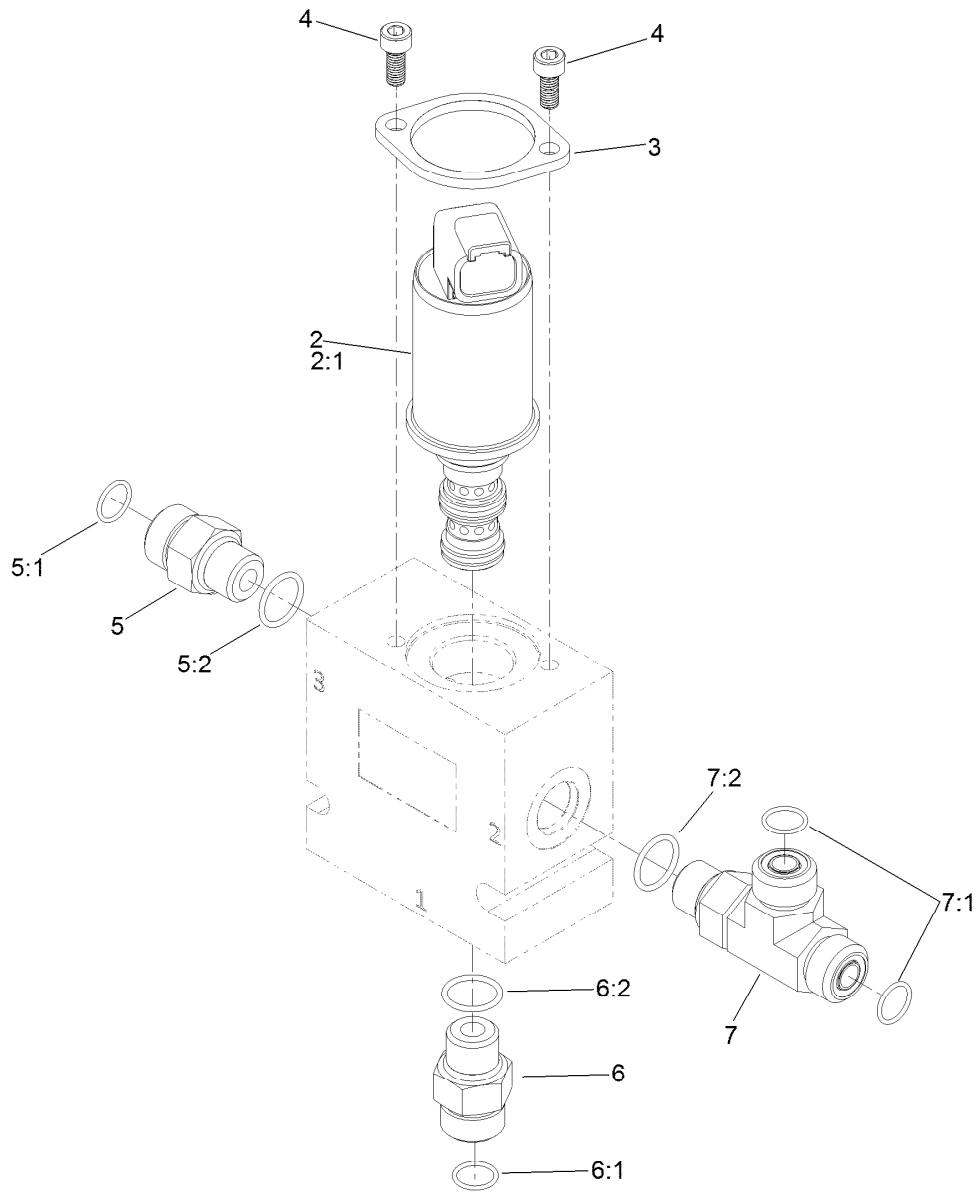
| Ref. | Part Number | Qty. | Description | Ref. | Part Number | Qty. | Description |
|-------|-------------|------|--------------------------------|-------|-------------|------|------------------|
| 1 | | 1 | Fan Drive Manifold ASM ● | 1:7:1 | 110-6316 | 1 | Seal Kit |
| 1:4 | 115-3024 | 1 | Valve-Flow Divider/Combiner | 1:7:2 | 119-7715 | 1 | Nut-Coil |
| 1:4:1 | 115-3025 | 1 | Seal Kit | 1:8 | 110-6344 | 2 | Coil-12V, DC |
| 1:5 | 105-9321 | 1 | Check Valve ASM | 2 | 340-4 | 7 | Fitting-Straight |
| 1:5:1 | 105-9156 | 1 | Seal Kit | 2:1 | 237-30 | 1 | O-Ring |
| 1:6 | 115-3023 | 1 | Solenoid Valve ASM | 2:2 | 237-79 | 1 | O-Ring |
| 1:6:1 | 110-8908 | 1 | Spool Valve Seal Kit | 3 | 115-9148 | 1 | Fitting-Elbow-90 |
| 1:7 | 115-3022 | 1 | Relief-Proportional | 3:1 | 237-42 | 1 | O-Ring |
| | | | | 4 | 354-79 | 1 | Cap-Dust |

● Not serviced separately



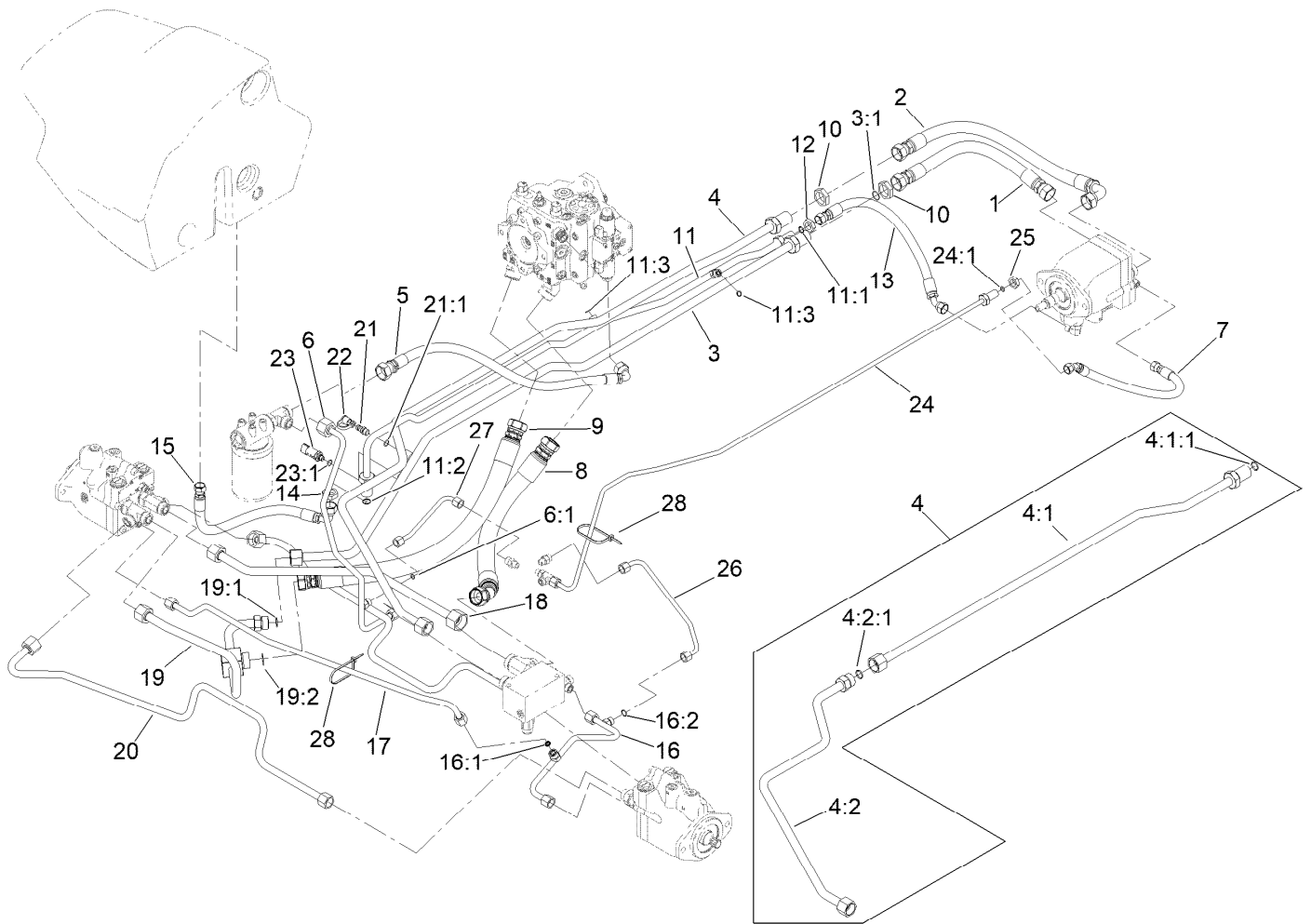
Traction Manifold Assembly No. 136-3341

| Ref. | Part Number | Qty. | Description |
|------|-------------|------|---------------------------|
| 3 | 110-0495 | 1 | Plug-Orifice (0.050 Inch) |
| 6 | 125-4328 | 1 | Valve-Check |
| 6:1 | 125-4336 | 1 | Seal Kit |
| 7 | 125-7567 | 1 | Valve-Pressure Reducing |
| 7:1 | 125-4334 | 1 | Seal Kit |
| 8 | 136-3342 | 1 | Valve-Relief |
| 8:1 | 110-6316 | 1 | Seal Kit |



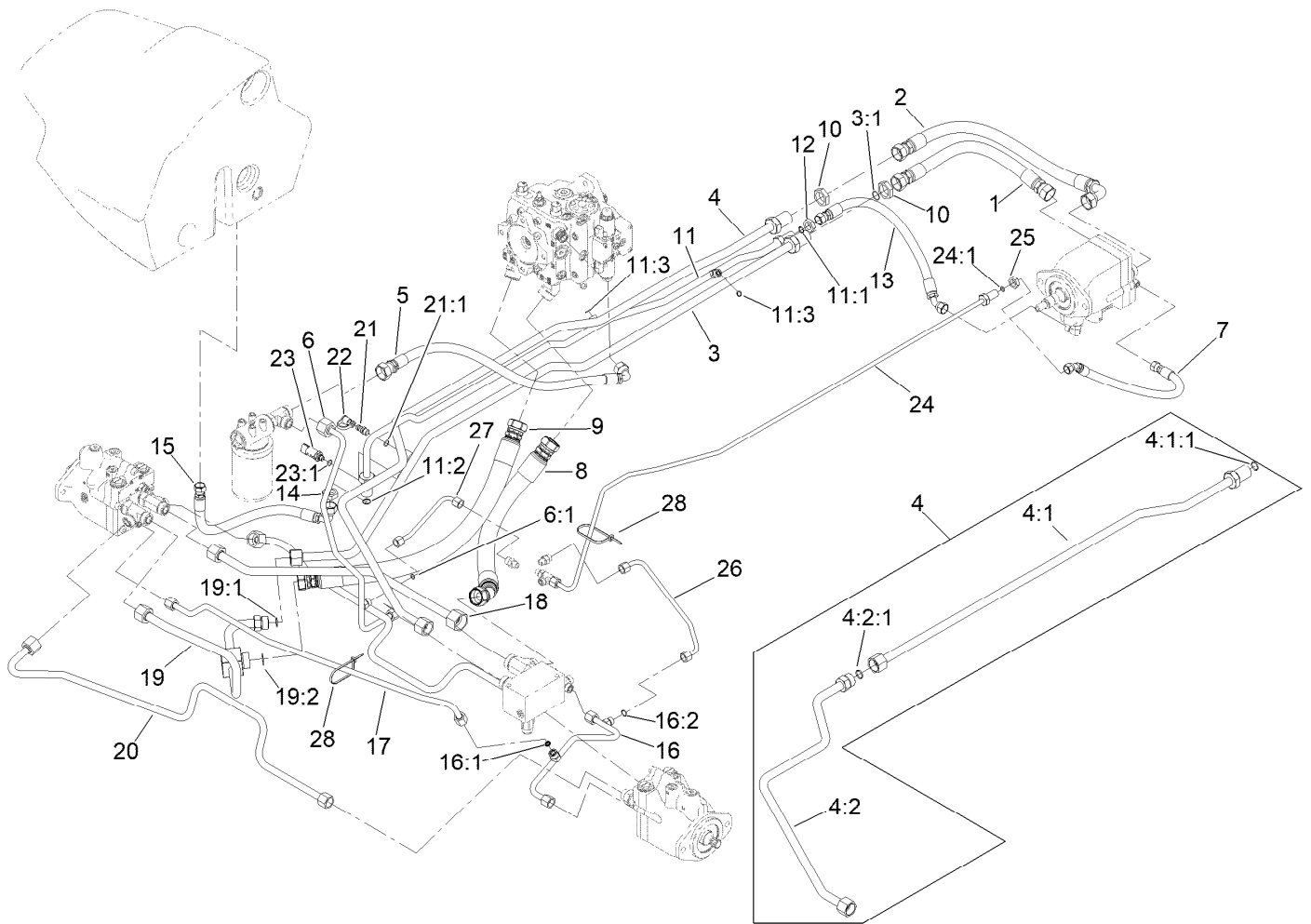
3-Way Valve Manifold Assembly No. 138-6946

| <i>Ref.</i> | <i>Part Number</i> | <i>Qty.</i> | <i>Description</i> |
|-------------|--------------------|-------------|----------------------------------|
| 2 | 138-3828 | 1 | Valve-Solenoid, 3 Way 2 Position |
| 2:1 | 138-3831 | 1 | Seal Kit |
| 3 | 138-3825 | 2 | Plate-Mounting, Standard |
| 4 | 138-3827 | 1 | Screw |
| 5 | 92-9258 | 1 | Adapter-Check |
| 5:1 | 237-22 | 1 | O-Ring |
| 5:2 | 237-42 | 1 | O-Ring |
| 6 | 340-2 | 1 | Fitting-Straight |
| 6:1 | 237-22 | 1 | O-Ring |
| 6:2 | 237-42 | 1 | O-Ring |
| 7 | 340-86 | 1 | Fitting-Tee |
| 7:1 | 237-22 | 2 | O-Ring |
| 7:2 | 237-42 | 1 | O-Ring |



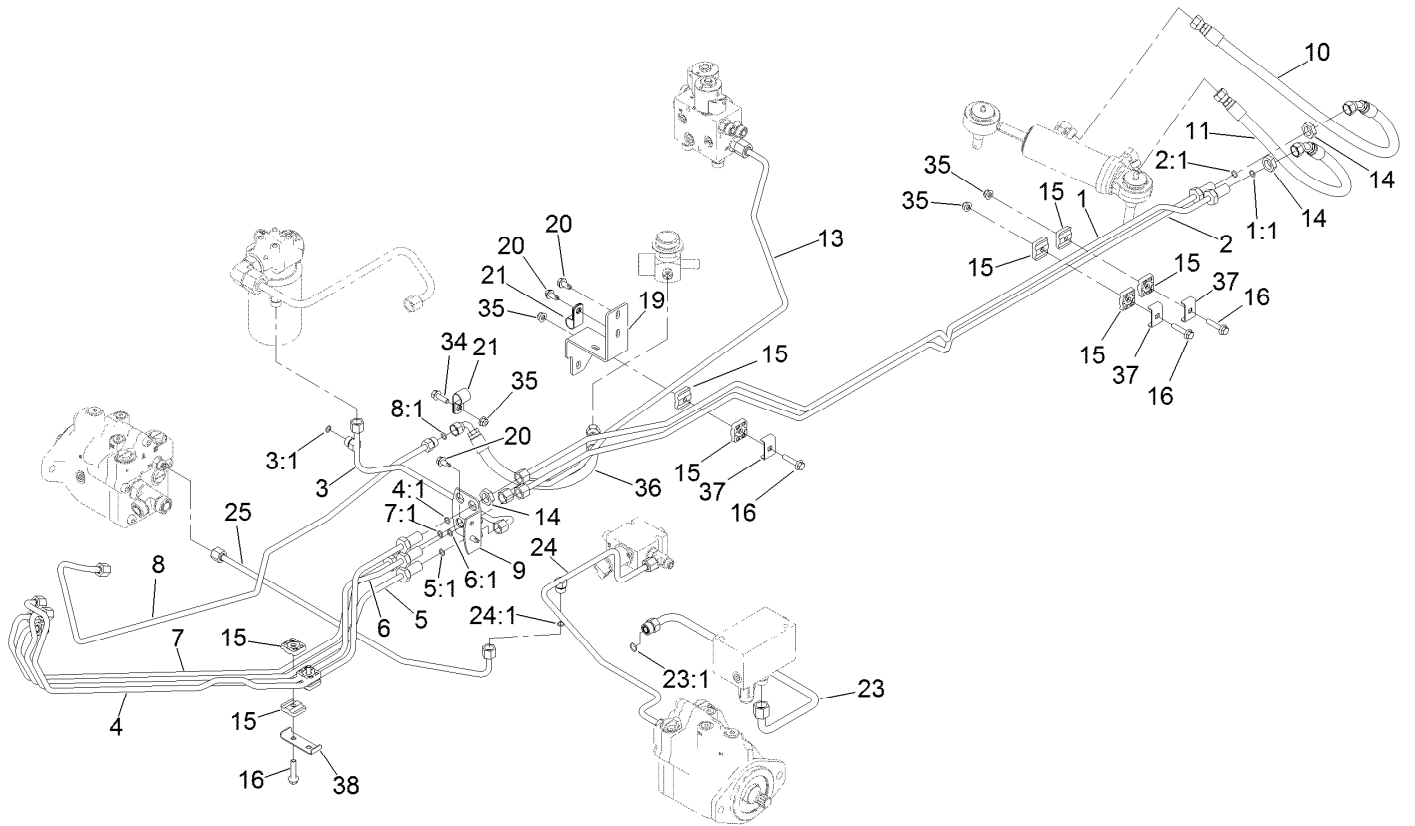
Hydraulic Traction Circuit Assembly

| Ref. | Part Number | Qty. | Description | Ref. | Part Number | Qty. | Description |
|-------|-------------|------|-----------------|------|-------------|------|-------------------------|
| 1 | 120-8053 | 1 | Hose ASM | 13 | 92-2406 | 1 | Hose-HYD |
| 2 | 104-3789 | 1 | Filter Hose ASM | 14 | 340-74 | 1 | Nut-Lock, Bulkhead |
| 3 | 120-8079 | 1 | Tube ASM | 15 | 136-2911 | 1 | Hose ASM |
| 3:1 | 237-58 | 1 | O-Ring | 16 | 121-3055 | 1 | Tube ASM |
| 4 | 136-2945 | 1 | HYD Tube Kit | 16:1 | 237-30 | 1 | O-Ring |
| 4:1 | 138-1246 | 1 | Tube ASM | 16:2 | 237-22 | 1 | O-Ring |
| 4:1:1 | 237-58 | 1 | O-Ring | 17 | 121-3056 | 1 | Tube ASM |
| 4:2 | 138-1247 | 1 | Tube ASM | 18 | 121-3123 | 1 | Tube ASM |
| 4:2:1 | 237-58 | 1 | O-Ring | 19 | 125-4569 | 1 | Tube ASM |
| 5 | 136-2925 | 1 | Hose ASM | 19:1 | 237-58 | 1 | O-Ring |
| 6 | 120-8047 | 1 | Tube ASM | 19:2 | 340-65 | 1 | O-Ring |
| 6:1 | 237-22 | 1 | O-Ring | 20 | 147-6092 | 2 | Hose ASM-HYD |
| 7 | 92-7595 | 1 | Hose-HYD | 21 | 59-7410 | 1 | Fitting-Diagnostic |
| 8 | 136-2927 | 1 | Hose ASM | 21:1 | 237-42 | 1 | O-Ring |
| 9 | 136-2928 | 1 | Hose ASM | 22 | 354-79 | 1 | Cap-Dust |
| 10 | 340-126 | 2 | Nut-Bulkhead | 23 | 119-0011 | 1 | Pressure Transducer ASM |
| 11 | 136-2882 | 1 | HYD Tube ASM | 23:1 | 237-78 | 1 | O-Ring |
| 11:1 | 237-30 | 1 | O-Ring | 24 | 120-8052 | 1 | Tube ASM |
| 11:2 | 237-65 | 1 | O-Ring | 24:1 | 237-22 | 1 | O-Ring |
| 11:3 | 237-22 | 2 | O-Ring | 25 | 340-70 | 1 | Nut-Lock |
| 12 | 340-127 | 1 | Nut-Bulkhead | 26 | 147-6093 | 1 | Hose ASM-HYD |



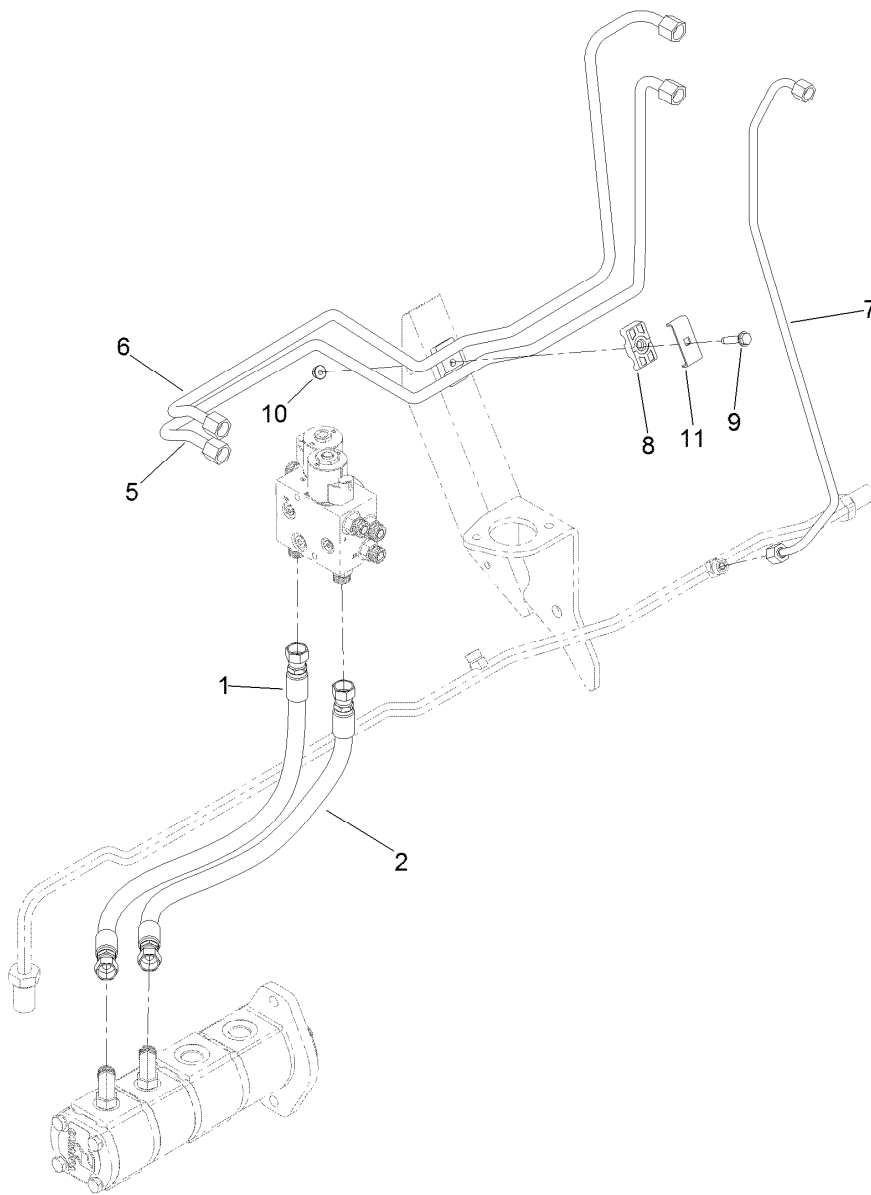
Hydraulic Traction Circuit Assembly (continued)

| <i>Ref.</i> | <i>Part Number</i> | <i>Qty.</i> | <i>Description</i> |
|-------------|--------------------|-------------|--------------------|
| 27 | 125-4566 | 1 | Tube ASM |
| 28 | 3290-378 | 2 | Tie-Cable |



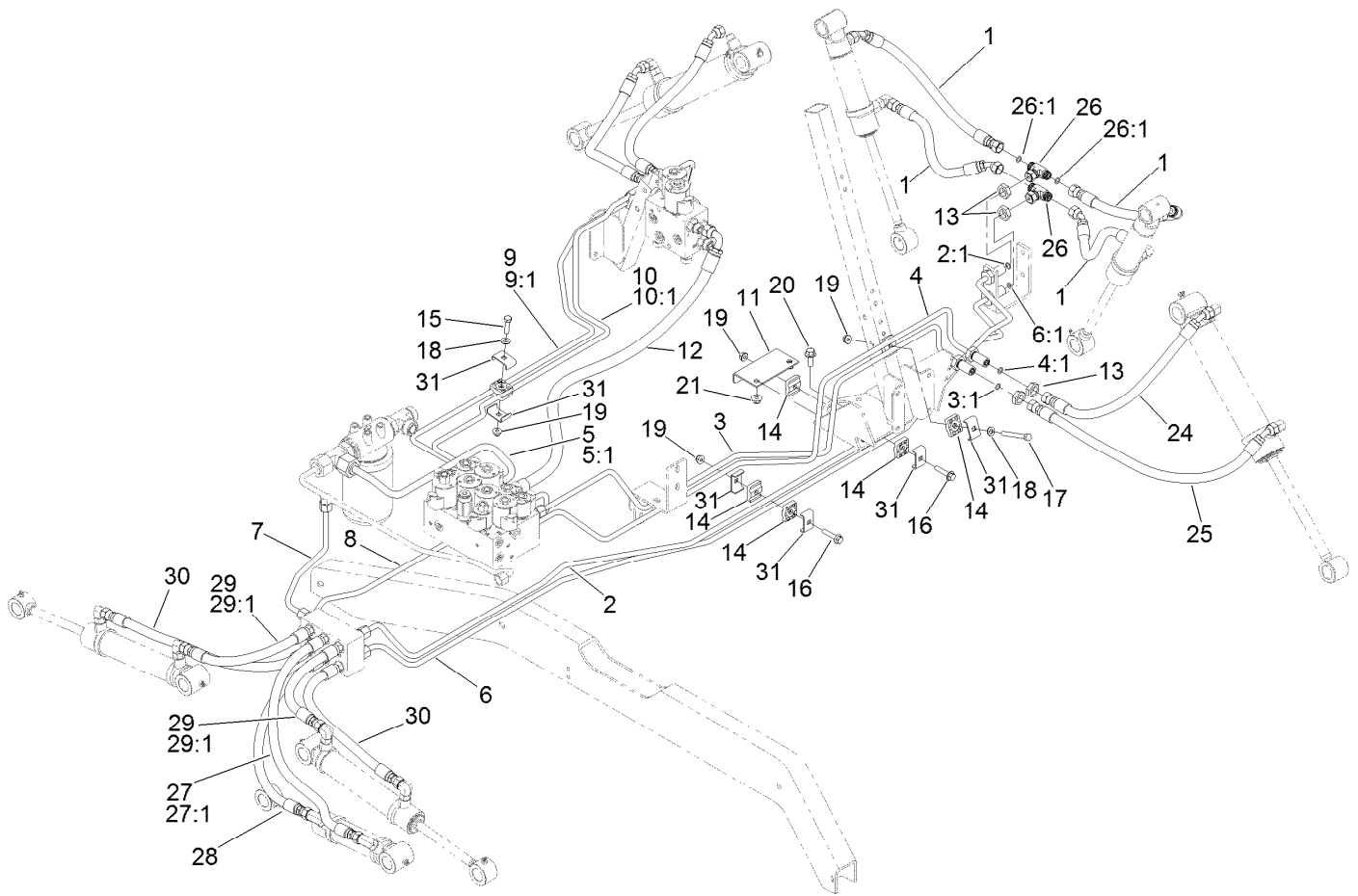
Steering Hydraulic Assembly

| Ref. | Part Number | Qty. | Description | Ref. | Part Number | Qty. | Description |
|------|-------------|------|-----------------------|------|-------------|------|----------------------|
| 1 | 120-8056 | 1 | Tube ASM | 11 | 92-7539 | 1 | Hose-HYD |
| 1:1 | 237-22 | 1 | O-Ring | 13 | 120-8057 | 1 | Tube ASM |
| 2 | 120-8055 | 1 | Tube ASM | 14 | 340-70 | 6 | Nut-Lock |
| 2:1 | 237-22 | 1 | O-Ring | 15 | 56-7973 | 10 | Clamp-Tube |
| 3 | 136-3311 | 1 | Hydraulic Tube ASM | 16 | 115-1794 | 5 | Screw-HHF |
| 3:1 | 237-22 | 1 | O-Ring | 19 | 105-3993-0P | 1 | Bracket-Tube Support |
| 4 | 115-4408 | 1 | Tube ASM | 20 | 32104-32 | 4 | Screw-HWH |
| 4:1 | 237-22 | 1 | O-Ring | 21 | 2412-81 | 2 | Clamp-R |
| 5 | 115-4406 | 1 | Tube ASM | 23 | 125-4570 | 1 | Tube ASM |
| 5:1 | 237-22 | 1 | O-Ring | 23:1 | 237-30 | 1 | O-Ring |
| 6 | 115-4409 | 1 | Tube ASM | 24 | 121-3064 | 1 | Tube ASM |
| 6:1 | 237-22 | 1 | O-Ring | 24:1 | 237-22 | 1 | O-Ring |
| 7 | 115-4405 | 1 | Tube ASM | 25 | 121-3063 | 1 | Tube ASM |
| 7:1 | 237-22 | 1 | O-Ring | 34 | 3234-29 | 1 | Screw-HHF |
| 8 | 136-3414 | 1 | Hydraulic Tube ASM | 35 | 104-8300 | 4 | Nut-HF, NI |
| 8:1 | 237-22 | 1 | O-Ring | 36 | 92-5694 | 1 | Hose-Hydraulic |
| 9 | 92-7606-0P | 1 | Bracket - Bulkhead *b | 37 | 119-1418 | 3 | Plate-Clamp, Short |
| 10 | 125-4560 | 1 | Hose ASM | 38 | 131-7789 | 1 | Plate-Bent, Clamp |



Hydraulic Traction Circuit Assembly

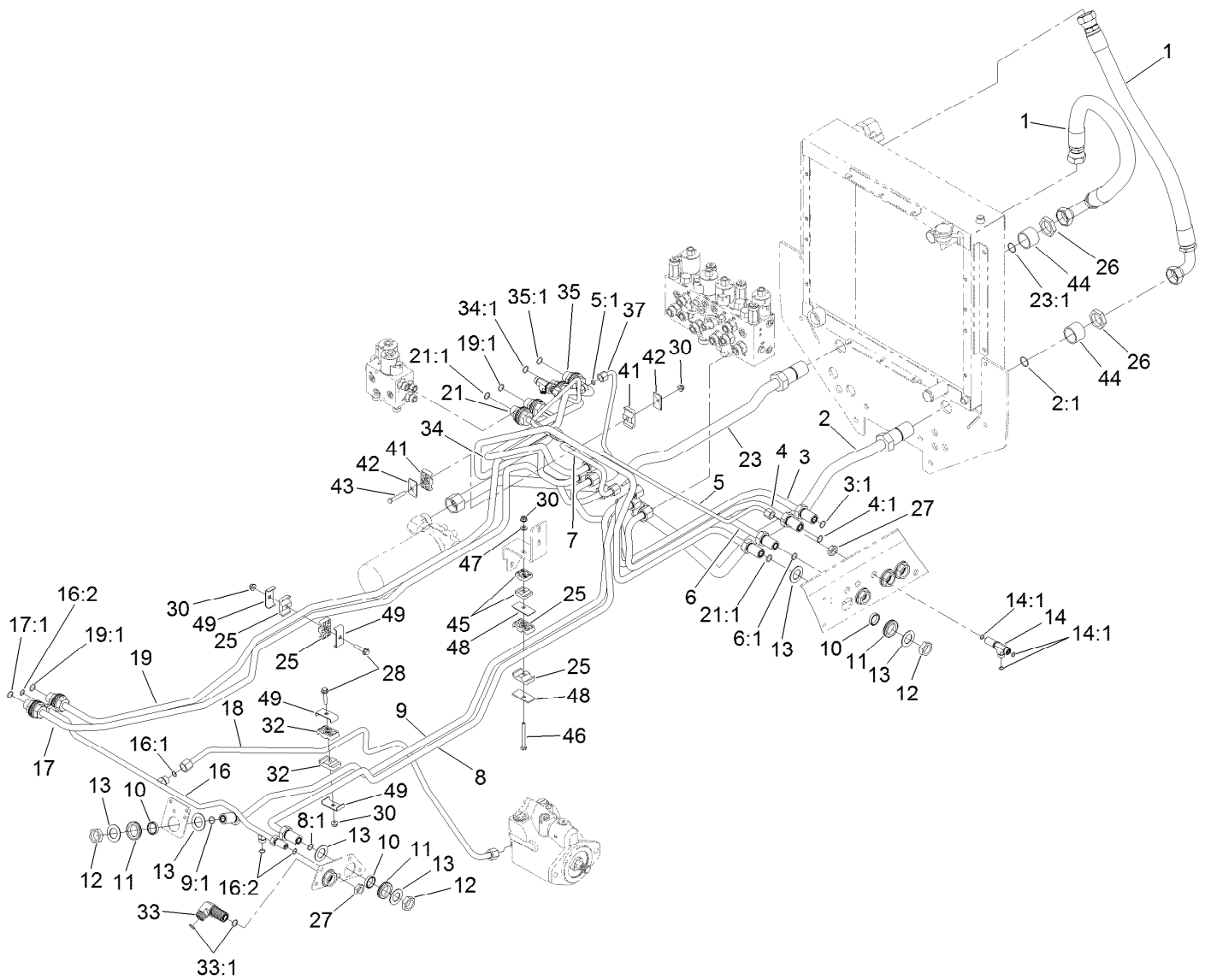
| <i>Ref.</i> | <i>Part Number</i> | <i>Qty.</i> | <i>Description</i> |
|-------------|--------------------|-------------|--------------------|
| 1 | 125-4558 | 1 | Hose ASM |
| 2 | 95-8829 | 1 | Hose ASM |
| 5 | 125-4601 | 1 | Tube ASM |
| 6 | 125-4599 | 1 | Tube ASM |
| 7 | 125-4602 | 1 | Tube ASM |
| 8 | 56-7976 | 2 | Clamp-Tube |
| 9 | 32144-57 | 1 | Screw |
| 10 | 104-8300 | 1 | Nut-HF, NI |
| 11 | 119-1419 | 1 | Plate-Clamp |



Deck Lift Hydraulic Circuit Assembly

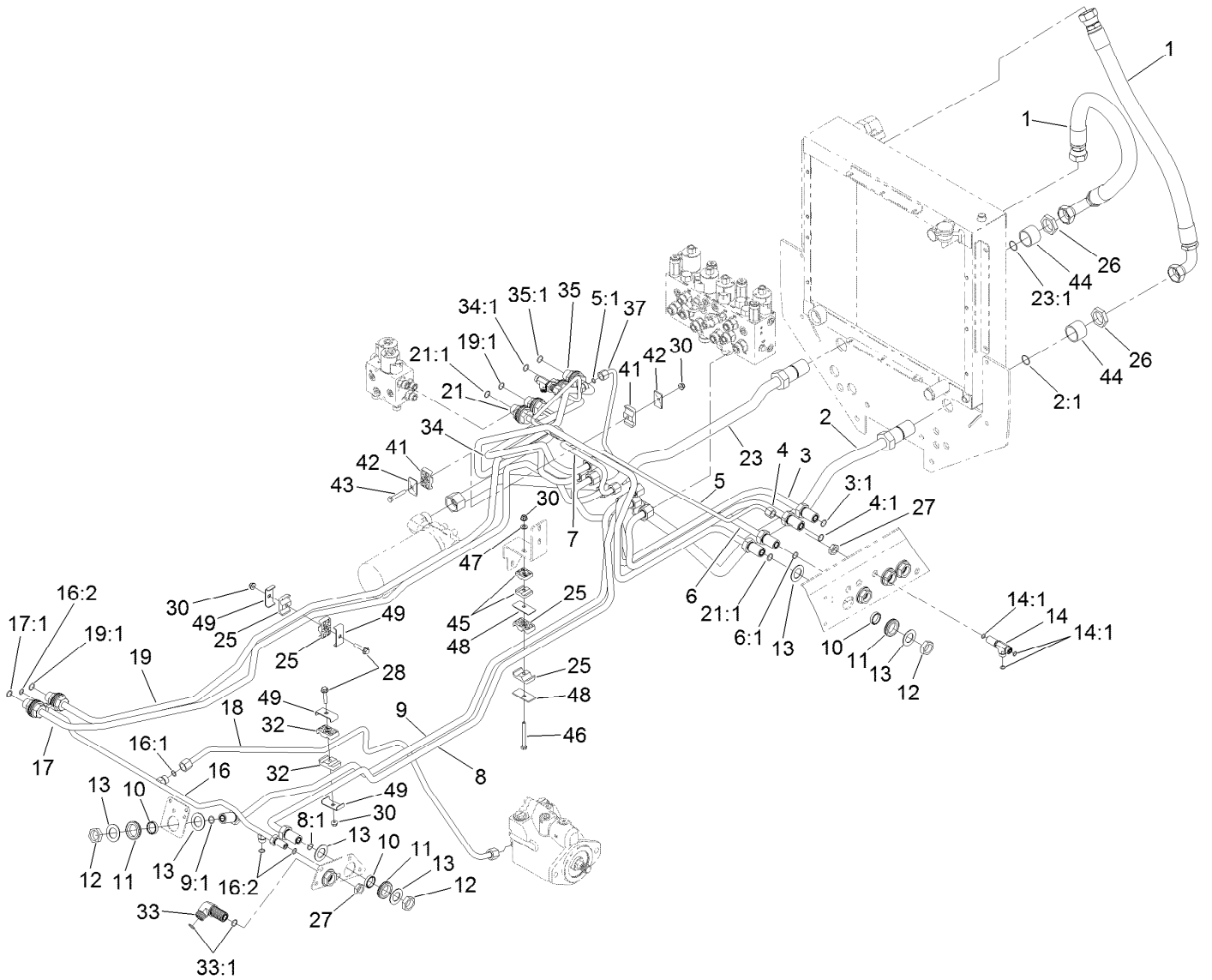
| Ref. | Part Number | Qty. | Description |
|------|-------------|------|----------------------|
| 1 | 105-9238 | 4 | Hose-HYD |
| 2 | 121-3103 | 1 | Tube ASM |
| 2:1 | 237-22 | 1 | O-Ring |
| 3 | 114-8140 | 1 | Tube ASM |
| 3:1 | 237-22 | 1 | O-Ring |
| 4 | 114-8141 | 1 | Tube ASM |
| 4:1 | 237-22 | 1 | O-Ring |
| 5 | 136-3310 | 1 | Hydraulic Tube ASM |
| 5:1 | 237-22 | 1 | O-Ring |
| 6 | 121-3104 | 1 | Tube ASM |
| 6:1 | 237-22 | 1 | O-Ring |
| 7 | 136-3309 | 1 | Hydraulic Tube |
| 8 | 136-3308 | 1 | Hydraulic Tube ASM |
| 9 | 114-8138 | 1 | Tube ASM |
| 9:1 | 237-22 | 1 | O-Ring |
| 10 | 114-8139 | 1 | Tube ASM |
| 10:1 | 237-22 | 1 | O-Ring |
| 11 | 105-3990-0P | 1 | Bracket-Tube Support |
| 12 | 131-7758 | 1 | Hose ASM |
| 13 | 340-70 | 6 | Nut-Lock |

| Ref. | Part Number | Qty. | Description |
|------|-------------|------|--------------------|
| 14 | 56-7973 | 10 | Clamp-Tube |
| 15 | 322-6 | 1 | Screw-HH |
| 16 | 115-1794 | 2 | Screw-HHF |
| 17 | 322-14 | 2 | Screw-HH |
| 18 | 3256-23 | 3 | Washer-Plain |
| 19 | 104-8300 | 5 | Nut-HF, NI |
| 20 | 3234-11 | 2 | Screw-HHF |
| 21 | 104-8301 | 2 | Nut-HF, NI |
| 24 | 105-3918 | 2 | Hose-HYD |
| 25 | 105-3919 | 2 | Hose-HYD |
| 26 | 340-166 | 2 | Fitting-Tee |
| 26:1 | 237-22 | 2 | O-Ring |
| 27 | 104-5511 | 1 | Hose -HYD |
| 27:1 | 237-42 | 1 | O-Ring |
| 28 | 100-5629 | 1 | Hose ASM |
| 29 | 104-5512 | 2 | Hose-HYD |
| 29:1 | 237-42 | 1 | O-Ring |
| 30 | 99-3579 | 2 | Hose-HYD |
| 31 | 119-1418 | 7 | Plate-Clamp, Short |



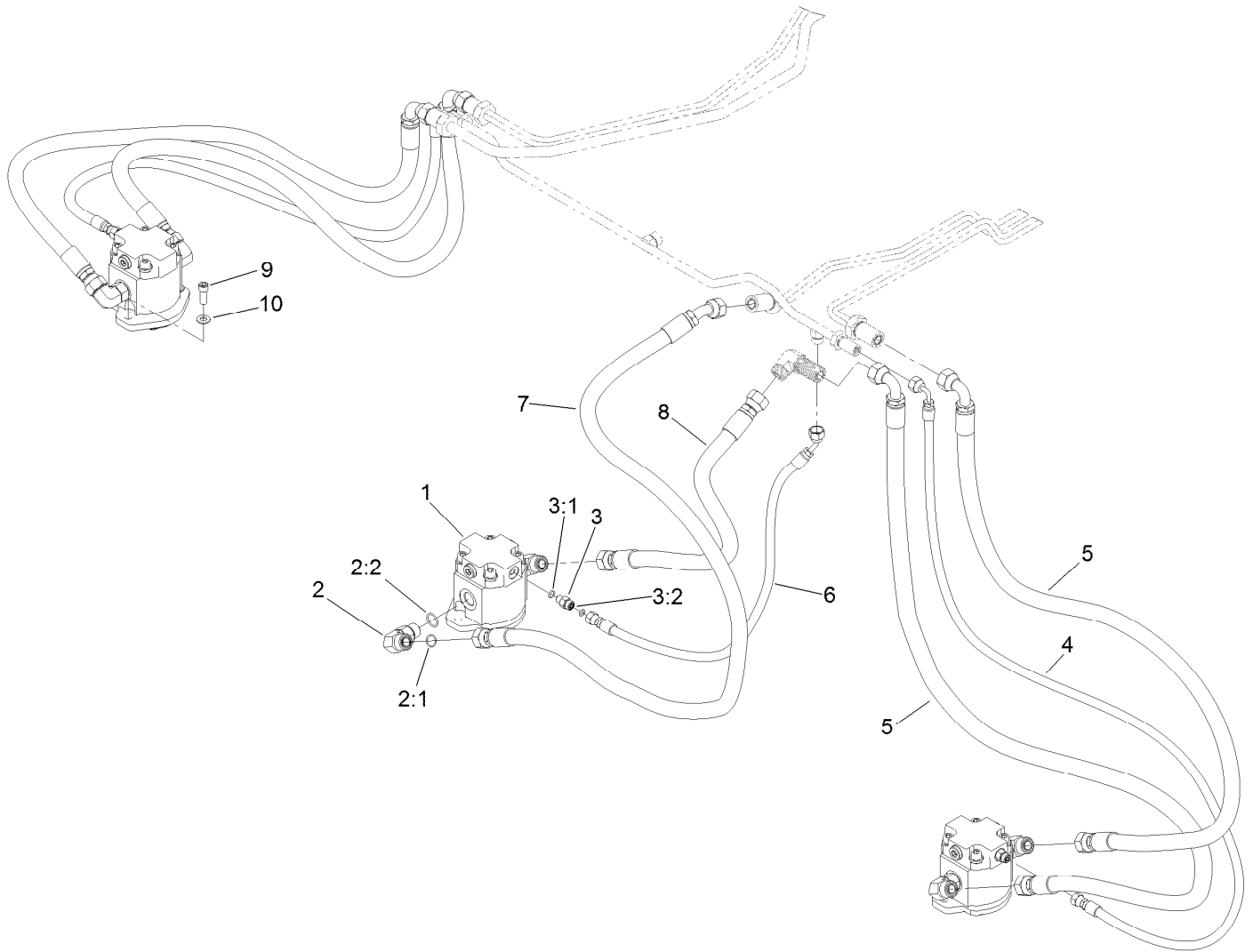
Hydraulic Mow Circuit Assembly

| Ref. | Part Number | Qty. | Description | Ref. | Part Number | Qty. | Description |
|------|-------------|------|-----------------------|------|-------------|------|--------------------------|
| 1 | 108-1689 | 2 | Hose-HYD | 14:1 | 237-22 | 3 | O-Ring |
| 2 | 125-4574 | 1 | Tube ASM | 16 | 120-8081 | 1 | Tube ASM |
| 2:1 | 340-65 | 1 | O-Ring | 16:1 | 237-30 | 1 | O-Ring |
| 3 | 115-4372 | 1 | Tube-HYD | 16:2 | 237-22 | 3 | O-Ring |
| 3:1 | 237-65 | 1 | O-Ring | 17 | 125-4556 | 1 | Tube ASM |
| 4 | 115-4373 | 1 | Tube-HYD | 17:1 | 237-65 | 1 | O-Ring |
| 4:1 | 237-65 | 1 | O-Ring | 18 | 120-8082 | 1 | Tube ASM |
| 5 | 121-3114 | 1 | Tube ASM | 19 | 105-3901 | 1 | Tube ASM |
| 5:1 | 237-22 | 1 | O-Ring | 19:1 | 237-65 | 2 | O-Ring |
| 6 | 125-4557 | 1 | Tube ASM | 21 | 121-3113 | 1 | Tube ASM |
| 6:1 | 237-65 | 1 | O-Ring | 21:1 | 237-65 | 2 | O-Ring |
| 7 | 115-4398 | 1 | Tube-HYD | 23 | 125-4573 | 1 | Tube ASM |
| 8 | 115-4371 | 1 | Tube-HYD | 23:1 | 340-65 | 1 | O-Ring |
| 8:1 | 237-65 | 1 | O-Ring | 25 | 56-7971 | 4 | Clamp-Tube |
| 9 | 115-4370 | 1 | Tube-HYD | 26 | 340-128 | 2 | Nut-Bulkhead |
| 9:1 | 237-65 | 1 | O-Ring | 27 | 340-70 | 4 | Nut-Lock |
| 10 | 125-1984 | 13 | Spacer | 28 | 94-5780 | 2 | Screw-HWH |
| 11 | 240-3 | 13 | Grommet-Rubber | 30 | 104-8300 | 4 | Nut-HF, NI |
| 12 | 340-74 | 13 | Nut-Lock, Bulkhead | 32 | 56-7972 | 2 | Clamp-Tube |
| 13 | 69-9010 | 26 | Washer | 33 | 340-72 | 1 | Fitting-Bulkhead, 90 DEG |
| 14 | 340-68 | 2 | Fitting-Tee, Bulkhead | 33:1 | 237-65 | 2 | O-Ring |



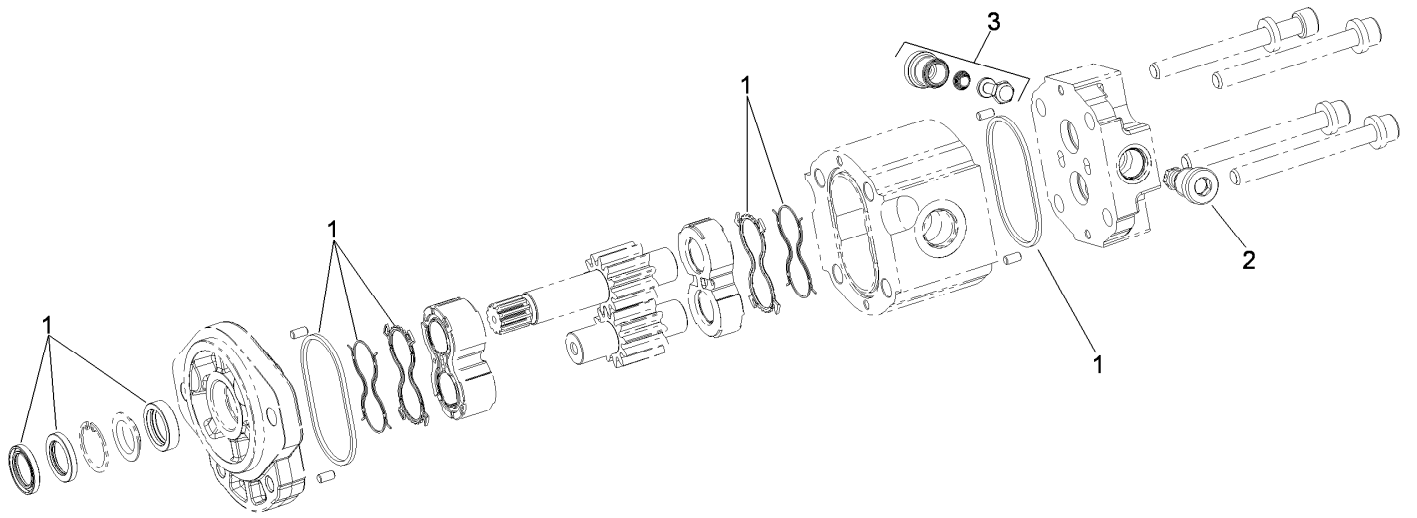
Hydraulic Mow Circuit Assembly (continued)

| <i>Ref.</i> | <i>Part Number</i> | <i>Qty.</i> | <i>Description</i> | <i>Ref.</i> | <i>Part Number</i> | <i>Qty.</i> | <i>Description</i> |
|-------------|--------------------|-------------|--------------------|-------------|--------------------|-------------|--------------------|
| 34 | 121-3112 | 1 | Tube ASM | 43 | 322-10 | 1 | Screw-HH |
| 34:1 | 237-65 | 1 | O-Ring | 44 | 125-4577 | 2 | Spacer |
| 35 | 125-4555 | 1 | Tube ASM | 45 | 56-7973 | 2 | Clamp-Tube |
| 35:1 | 237-65 | 1 | O-Ring | 46 | 322-14 | 1 | Screw-HH |
| 37 | 121-3115 | 1 | Tube ASM | 47 | 3256-23 | 1 | Washer-Plain |
| 41 | 56-7977 | 2 | Clamp-Tube | 48 | 69-9761 | 2 | Plate-Cover |
| 42 | 69-9760 | 2 | Plate-Cover | 49 | 119-1419 | 4 | Plate-Clamp |



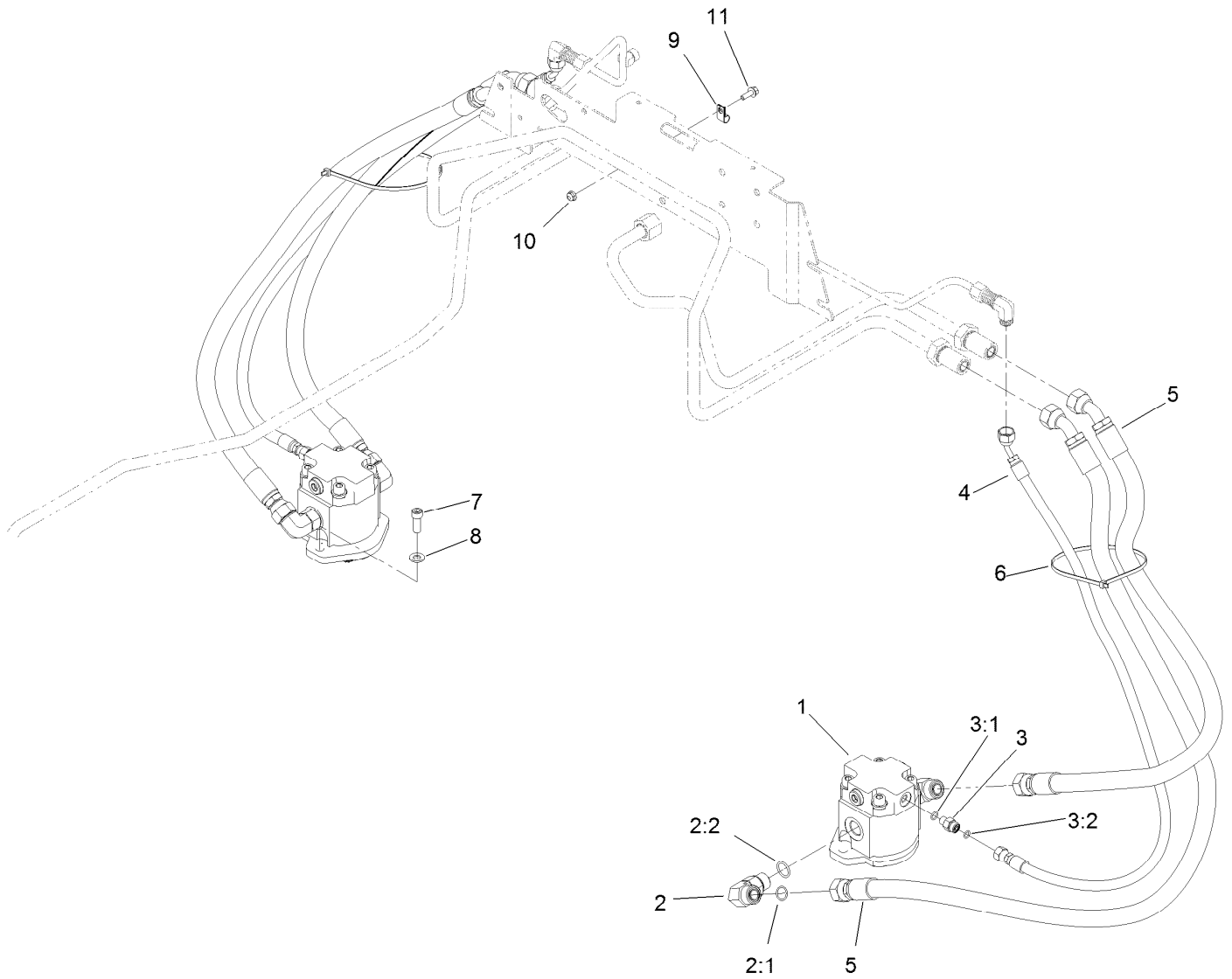
Deck No. 1, 4 and 5 Hydraulic Assembly

| Ref. | Part Number | Qty. | Description |
|------|-------------|------|-----------------------|
| 1 | 117-5141 | 3 | HYD Motor ASM |
| 2 | 340-17 | 6 | Fitting-Elbow, 90 DEG |
| 2:1 | 237-65 | 1 | O-Ring |
| 2:2 | 237-80 | 1 | O-Ring |
| 3 | 340-92 | 3 | Fitting-Straight |
| 3:1 | 237-78 | 1 | O-Ring |
| 3:2 | 237-21 | 1 | O-Ring |
| 4 | 104-5500 | 2 | Hose-HYD |
| 5 | 104-5501 | 4 | Hose-HYD |
| 6 | 104-5502 | 1 | Hose-HYD |
| 7 | 104-5504 | 1 | Hose-HYD |
| 8 | 104-5505 | 1 | Hose-HYD |
| 9 | 3274-7 | 6 | Screw-HSH |
| 10 | 3256-24 | 6 | Washer-Plain |



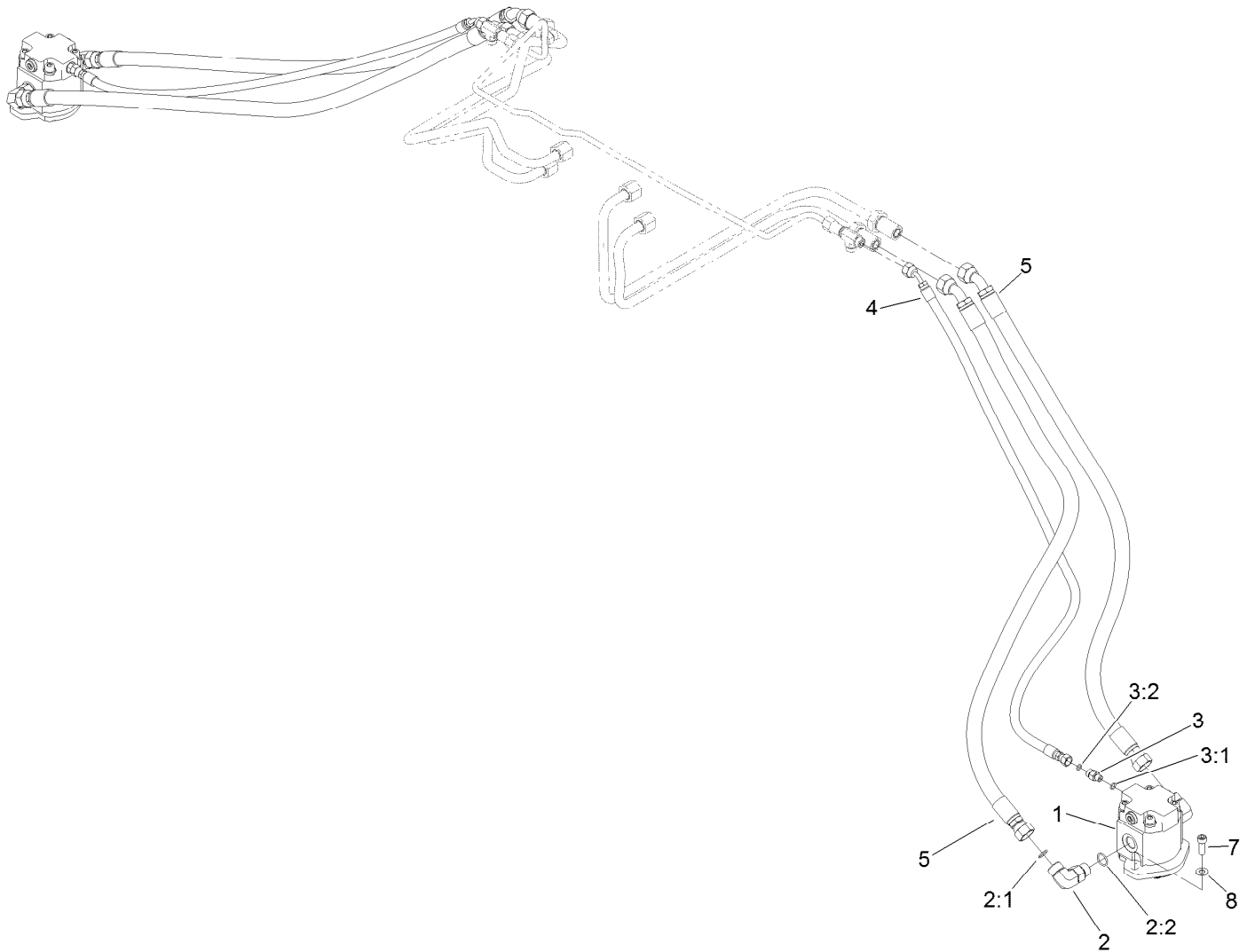
Gear Motor Assembly No. 117-5141

| <i>Ref.</i> | <i>Part Number</i> | <i>Qty.</i> | <i>Description</i> |
|-------------|--------------------|-------------|----------------------|
| 1 | 117-0235 | 1 | Seal Kit |
| 2 | 107-7820 | 1 | Valve-Relief |
| 3 | 107-7821 | 1 | Valve-Anticavitation |



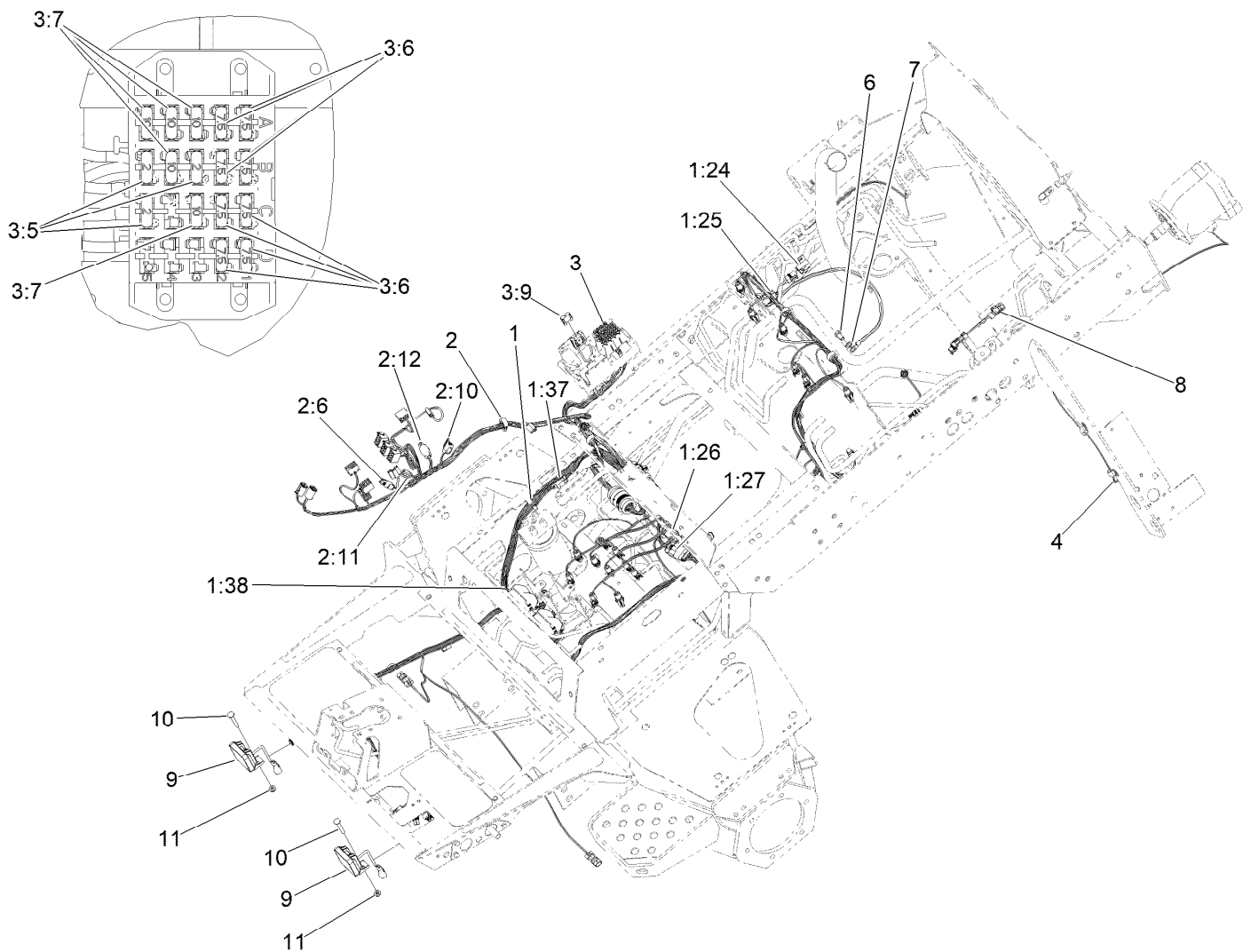
Deck No. 2 and 3 Hydraulic Assembly

| Ref. | Part Number | Qty. | Description |
|------|-------------|------|-----------------------|
| 1 | 117-5141 | 2 | HYD Motor ASM |
| 2 | 340-17 | 4 | Fitting-Elbow, 90 DEG |
| 2:1 | 237-65 | 1 | O-Ring |
| 2:2 | 237-80 | 1 | O-Ring |
| 3 | 340-92 | 2 | Fitting-Straight |
| 3:1 | 237-78 | 1 | O-Ring |
| 3:2 | 237-21 | 1 | O-Ring |
| 4 | 104-5502 | 2 | Hose-HYD |
| 5 | 104-5505 | 4 | Hose-HYD |
| 6 | 3290-379 | 2 | Tie-Cable |
| 7 | 3274-7 | 4 | Screw-HSH |
| 8 | 3256-24 | 4 | Washer-Plain |
| 9 | 2412-89 | 1 | Clamp-R |
| 10 | 104-7201 | 1 | Nut-HF, NI |
| 11 | 3234-4 | 1 | Screw-HHF |



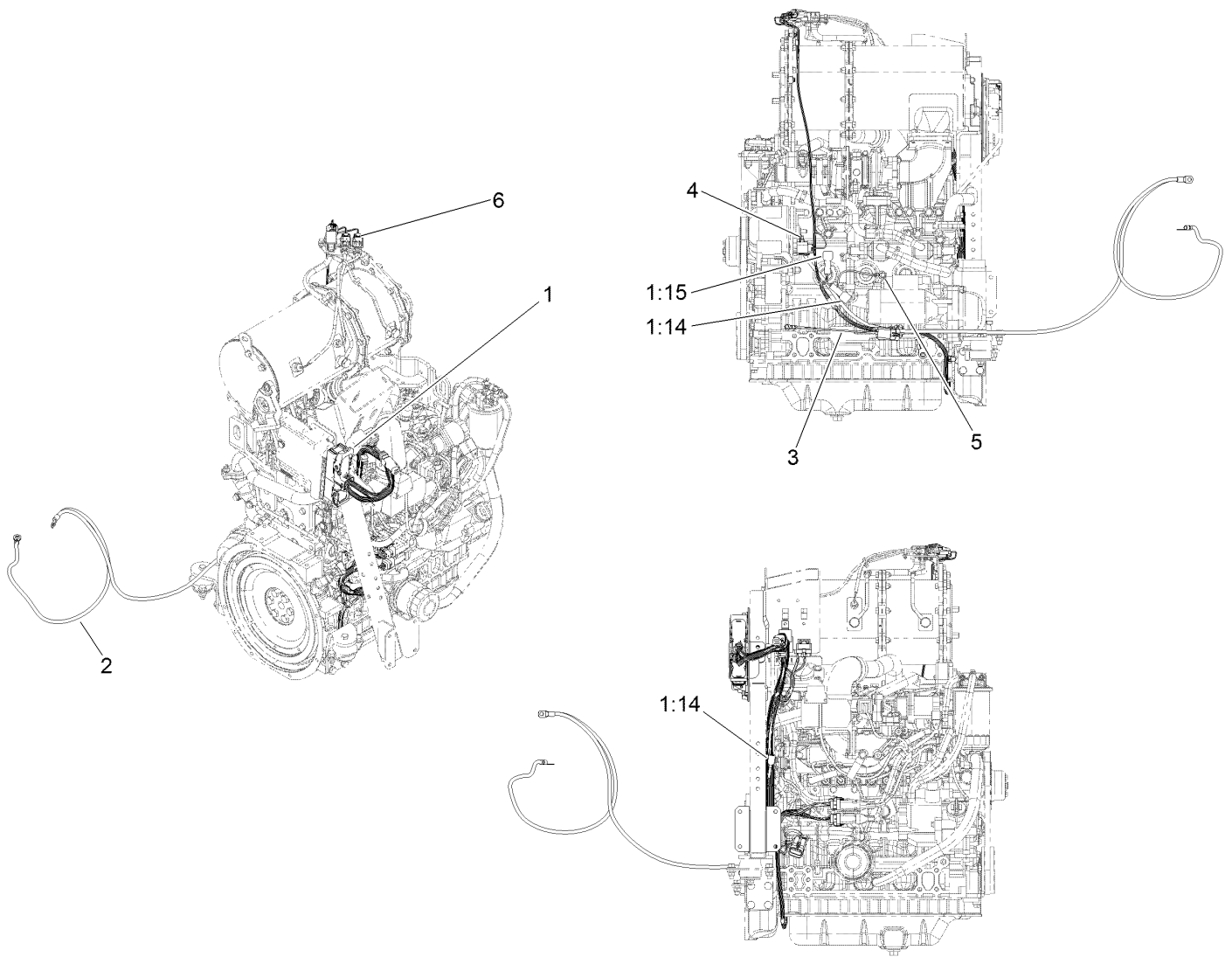
Deck No. 6 and 7 Hydraulic Assembly

| Ref. | Part Number | Qty. | Description |
|------|-------------|------|-----------------------|
| 1 | 117-5141 | 2 | HYD Motor ASM |
| 2 | 340-17 | 4 | Fitting-Elbow, 90 DEG |
| 2:1 | 237-65 | 1 | O-Ring |
| 2:2 | 237-80 | 1 | O-Ring |
| 3 | 340-92 | 2 | Fitting-Straight |
| 3:1 | 237-78 | 1 | O-Ring |
| 3:2 | 237-21 | 1 | O-Ring |
| 4 | 104-5499 | 2 | Hose-HYD |
| 5 | 104-5498 | 4 | Hose-HYD |
| 7 | 3274-7 | 4 | Screw-HSH |
| 8 | 3256-24 | 4 | Washer-Plain |



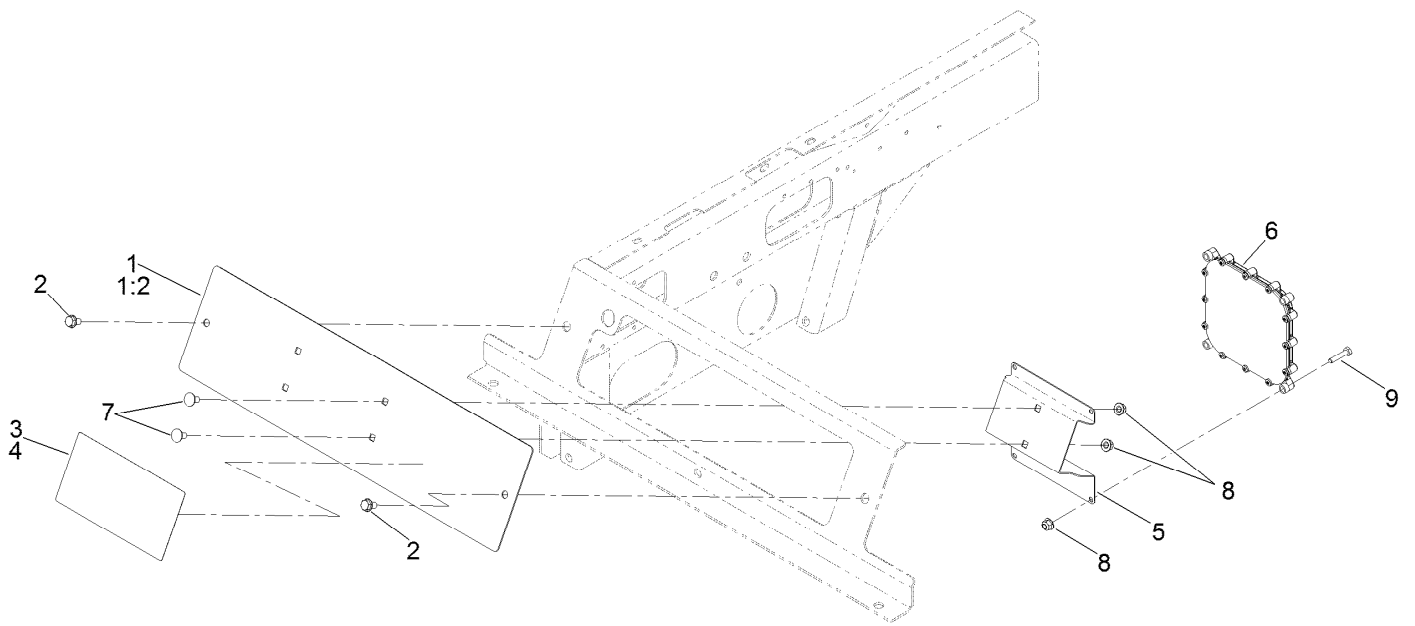
Electrical Assembly

| <i>Ref.</i> | <i>Part Number</i> | <i>Qty.</i> | <i>Description</i> | <i>Ref.</i> | <i>Part Number</i> | <i>Qty.</i> | <i>Description</i> |
|-------------|--------------------|-------------|-------------------------------|-------------|--------------------|-------------|------------------------------------|
| 1 | 122-1263 | 1 | Harness-Wire, Main | 3:5 | 121-8861 | 3 | Fuse-Mini Blade, 2 Amp |
| 1:24 | 32180-019 | 1 | Cover-Fuse, Single | 3:6 | 121-8865 | 8 | Fuse-Mini Blade, 7.5 Amp |
| 1:25 | 32180-156 | 1 | Cap-Plug, 6 Way | 3:7 | 121-8866 | 5 | Fuse-Mini Blade, 10 Amp |
| 1:26 | 32160-218 | 1 | Connector-Mp630, 2M | 3:9 | 114-3342 | 1 | Fuse-Maxi, 60 Amp |
| 1:27 | 32160-150 | 1 | Connector-Molex, 16M | 4 | 122-1273 | 1 | Harness-Wire, Gm4700 Main |
| 1:37 | 32180-091 | 1 | Cap-Dust, 2 Way | 6 | 33115-020 | 1 | Screw-HH |
| 1:38 | 122-1131 | 1 | Capacitor-Sealed | 7 | 33095-00 | 1 | Washer-Flat |
| 2 | 122-1264 | 1 | Harness-Wire, Seat/Console | 8 | 115-1931 | 1 | Harness-Wire, Fuel Pump Adapter |
| 2:6 | 32180-282 | 1 | Resistor-120 Ohm | 9 | 145-2598 | 2 | Light-Work, LED |
| 2:10 | 32180-089 | 1 | Cap-Plug, 3 Way | 10 | 3230-7 | 2 | Bolt-CARR |
| 2:11 | 32180-091 | 1 | Cap-Dust, 2 Way | 11 | 104-8300 | 2 | Nut-HF, NI |
| 2:12 | 32180-156 | 1 | Cap-Plug, 6 Way | | | | |
| 3 | 122-1262 | 1 | Harness-Wire, Pwr Ctr T4 | | | | |



Engine Wire Harness Assembly

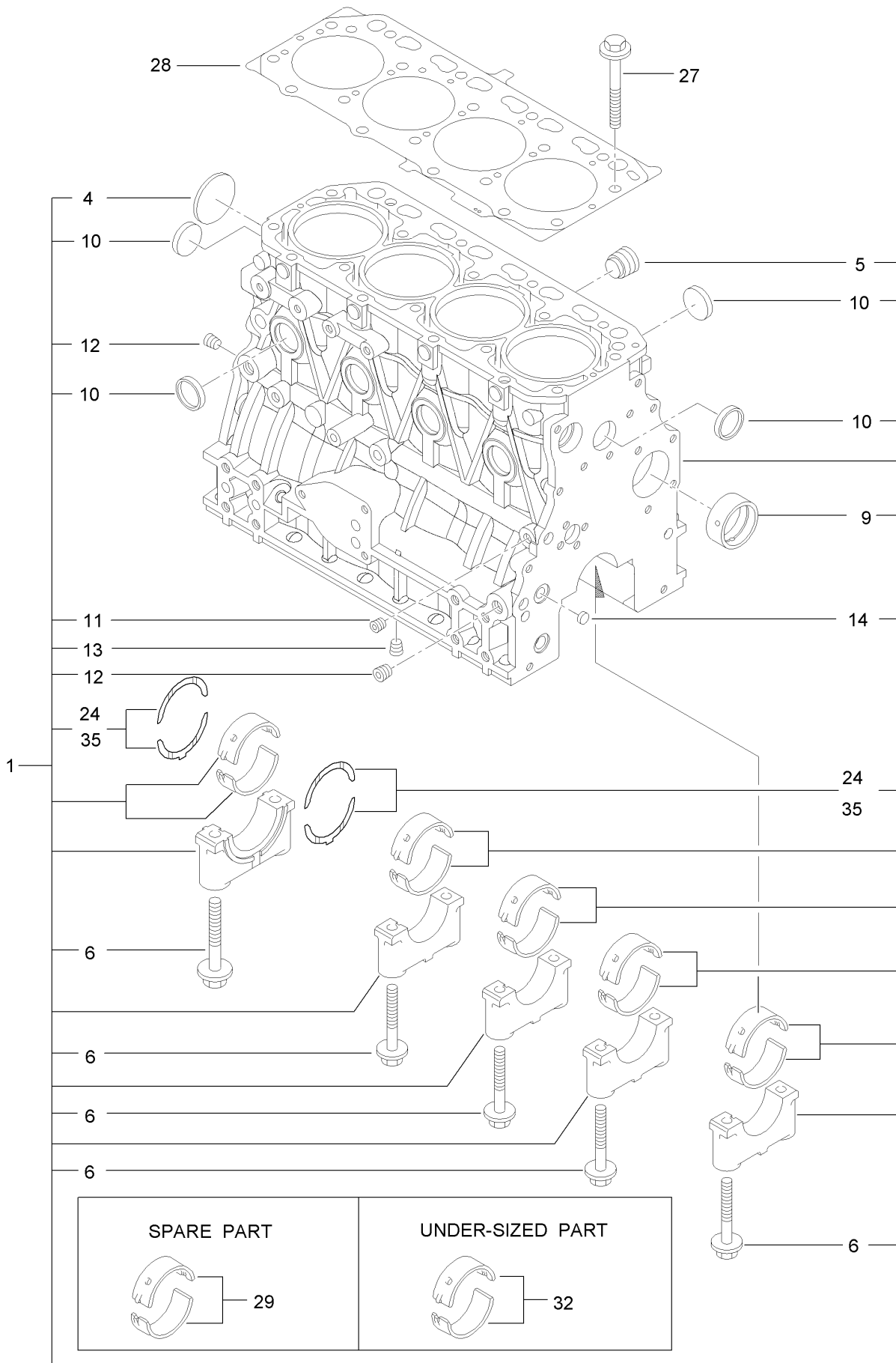
| <i>Ref.</i> | <i>Part Number</i> | <i>Qty.</i> | <i>Description</i> |
|-------------|--------------------|-------------|-----------------------------------|
| 1 | 122-2132 | 1 | Harness-Wire, Gm45/4700 Engine T4 |
| 1:14 | 100-4918 | 2 | Diode |
| 1:15 | 121-8891 | 1 | Resistor (1.6K Ohm) |
| 2 | 115-1930 | 1 | Cable-Battery, Positive |
| 3 | 108-9470 | 1 | Harness-Wire, Fusible Link |
| 4 | 33003-00 | 1 | Nut-HF |
| 5 | 33004-00 | 1 | Nut-HF |
| 6 | 122-2133 | 1 | Harness-Wire, Dpf Sub-Harness |



Access Panel and Controller Assembly

| <i>Ref.</i> | <i>Part Number</i> | <i>Qty.</i> | <i>Description</i> |
|-------------|--------------------|-------------|---------------------------|
| 1 | 136-3322 | 1 | Access Panel ASM |
| 1:2 | 105-9860 | 2 | Seal-Foam |
| 2 | 3234-7 | 2 | Screw-HHF |
| 3 | 127-6448 | 1 | Decal-Danger, CE (21 DEG) |
| 4 | 112-5297 | 1 | Decal-Danger |
| 5 | 139-5992 | 2 | Bracket-Controller |
| 6 | 127-2770 | 2 | Controller |
| 7 | 3230-18 | 4 | Screw-CARR |
| 8 | 104-8300 | 12 | Nut-HF, NI |
| 9 | 321-8 | 8 | Screw-HH |

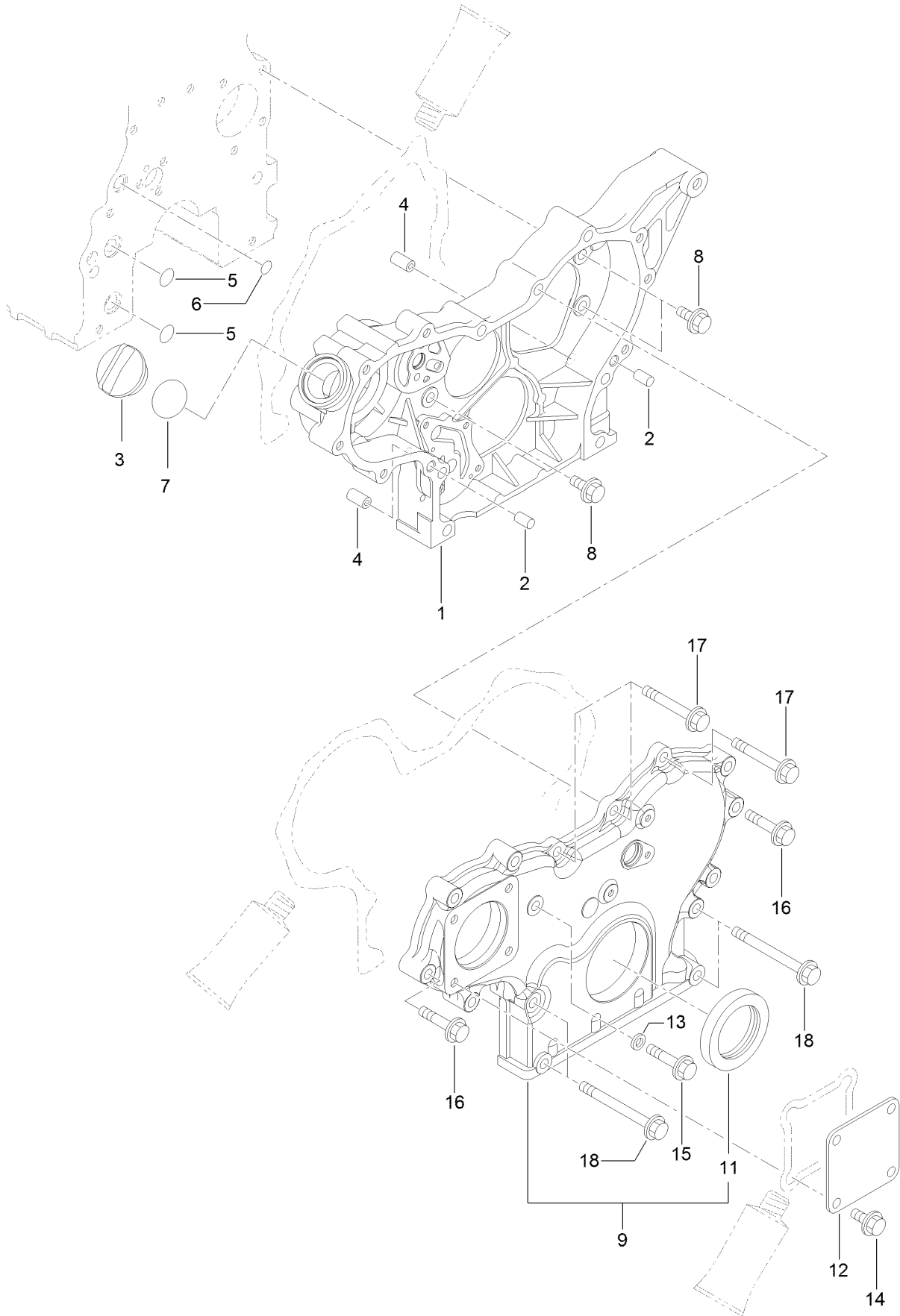
Cylinder Block Assembly



Cylinder Block Assembly (continued)

| <i>Ref.</i> | <i>Part Number</i> | <i>Qty.</i> | <i>Description</i> | <i>Ref.</i> | <i>Part Number</i> | <i>Qty.</i> | <i>Description</i> |
|-------------|--------------------|-------------|--------------------|-------------|--------------------|-------------|-----------------------|
| 1 | 127-3127 | 1 | Cylinder Block ASM | 13 | 125-6973 | 1 | Plug |
| 4 | 125-6980 | 1 | Plug | 14 | 125-7237 | 1 | Plug |
| 5 | 125-7170 | 1 | Plug | 24 | 125-7010 | 2 | Metal-Thrust |
| 6 | 125-7007 | 10 | Bolt | 27 | 125-7006 | 18 | Bolt |
| 9 | 125-7108 | 1 | Bushing | 28 | 127-3126 | 1 | Gasket-Head, Cylinder |
| 10 | 125-7239 | 8 | Plug | 29 | 125-6981 | 5 | Metal-Main |
| 11 | 125-6969 | 1 | Plug | 32 | 125-7009 | 5 | Metal-Main (0.25) |
| 12 | 125-6973 | 2 | Plug | 35 | 125-7011 | 1 | Metal-Thrust (0.25) |

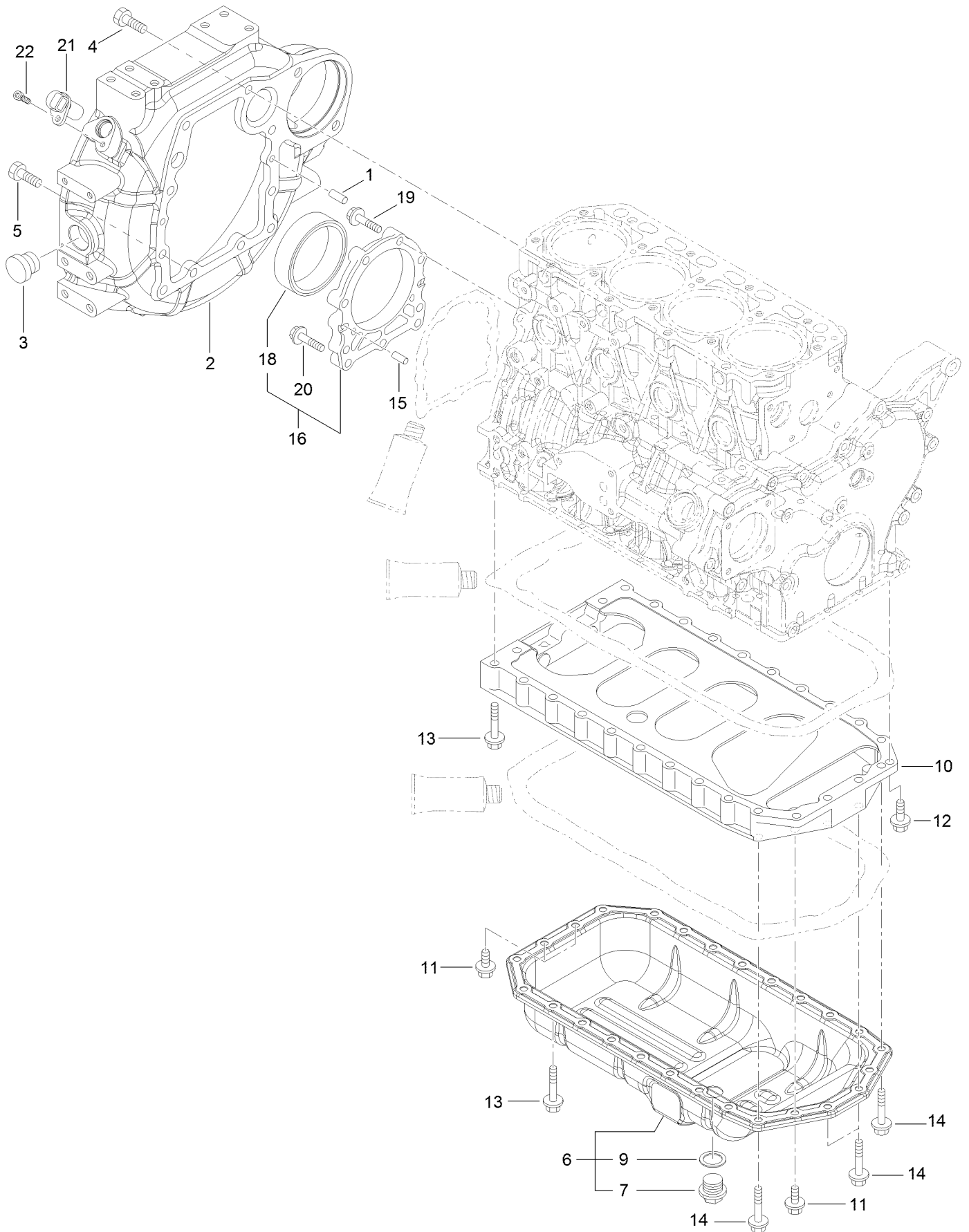
Gear Housing Assembly



Gear Housing Assembly (continued)

| <i>Ref.</i> | <i>Part Number</i> | <i>Qty.</i> | <i>Description</i> | <i>Ref.</i> | <i>Part Number</i> | <i>Qty.</i> | <i>Description</i> |
|-------------|--------------------|-------------|--------------------|-------------|--------------------|-------------|--------------------|
| 1 | 127-3023 | 1 | Case-Gear | 11 | 125-6944 | 1 | Seal-Oil |
| 2 | 125-6995 | 2 | Pin | 12 | 125-6977 | 1 | Cover |
| 3 | 125-6972 | 1 | Cover-Filler | 13 | 125-7174 | 1 | Washer-Seal |
| 4 | 125-7107 | 2 | Pipe | 14 | 125-7214 | 4 | Bolt |
| 5 | 125-6909 | 2 | O-Ring | 15 | 125-7217 | 1 | Bolt |
| 6 | 127-2973 | 1 | O-Ring | 16 | 125-7218 | 7 | Bolt |
| 7 | 125-7197 | 1 | O-Ring | 17 | 125-7222 | 3 | Bolt |
| 8 | 125-7214 | 3 | Bolt | 18 | 125-7224 | 4 | Bolt |
| 9 | 127-3024 | 1 | Gearcase Cover ASM | | | | |

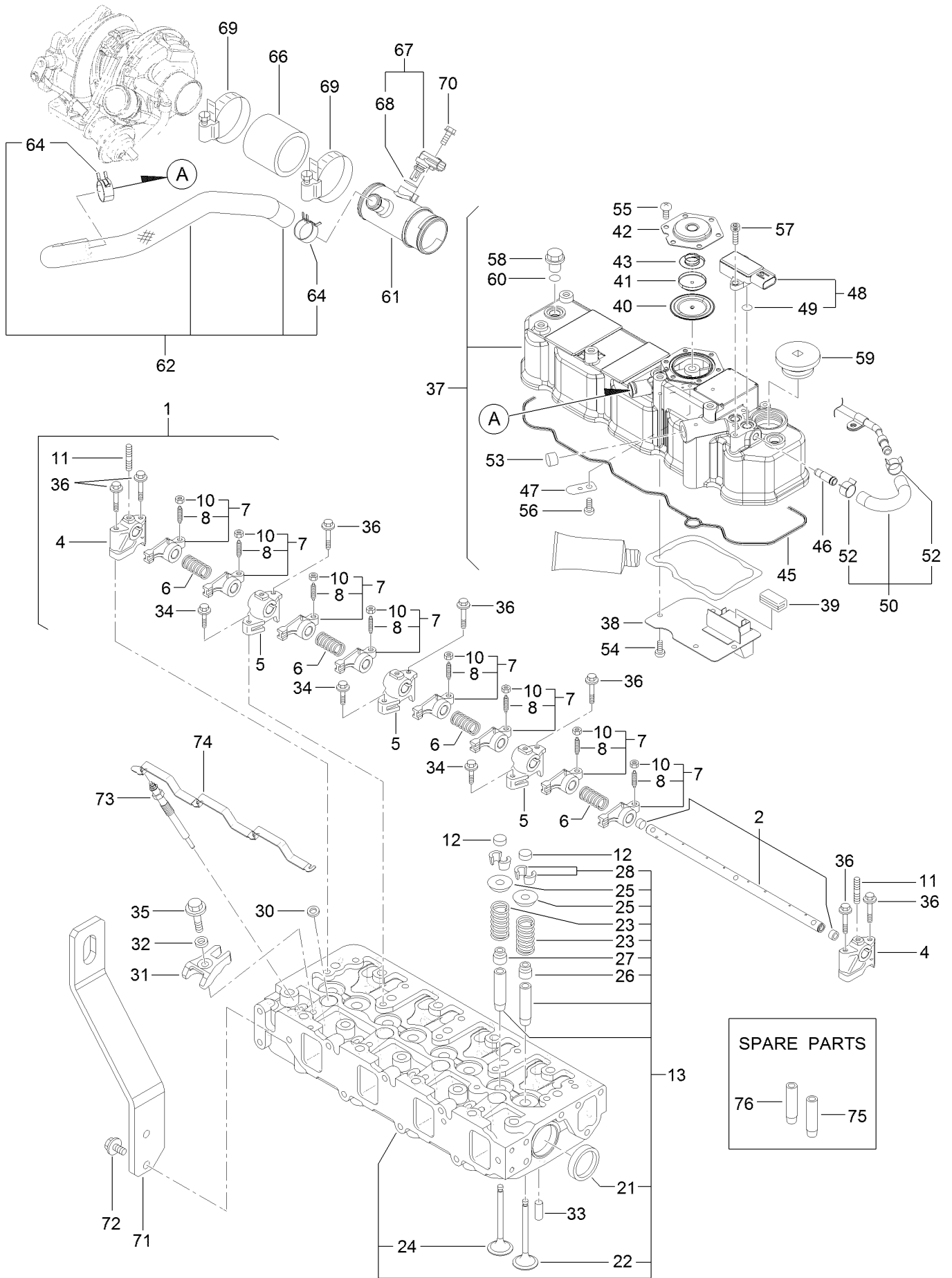
Flywheel Housing and Oil Sump Assembly



Flywheel Housing and Oil Sump Assembly (continued)

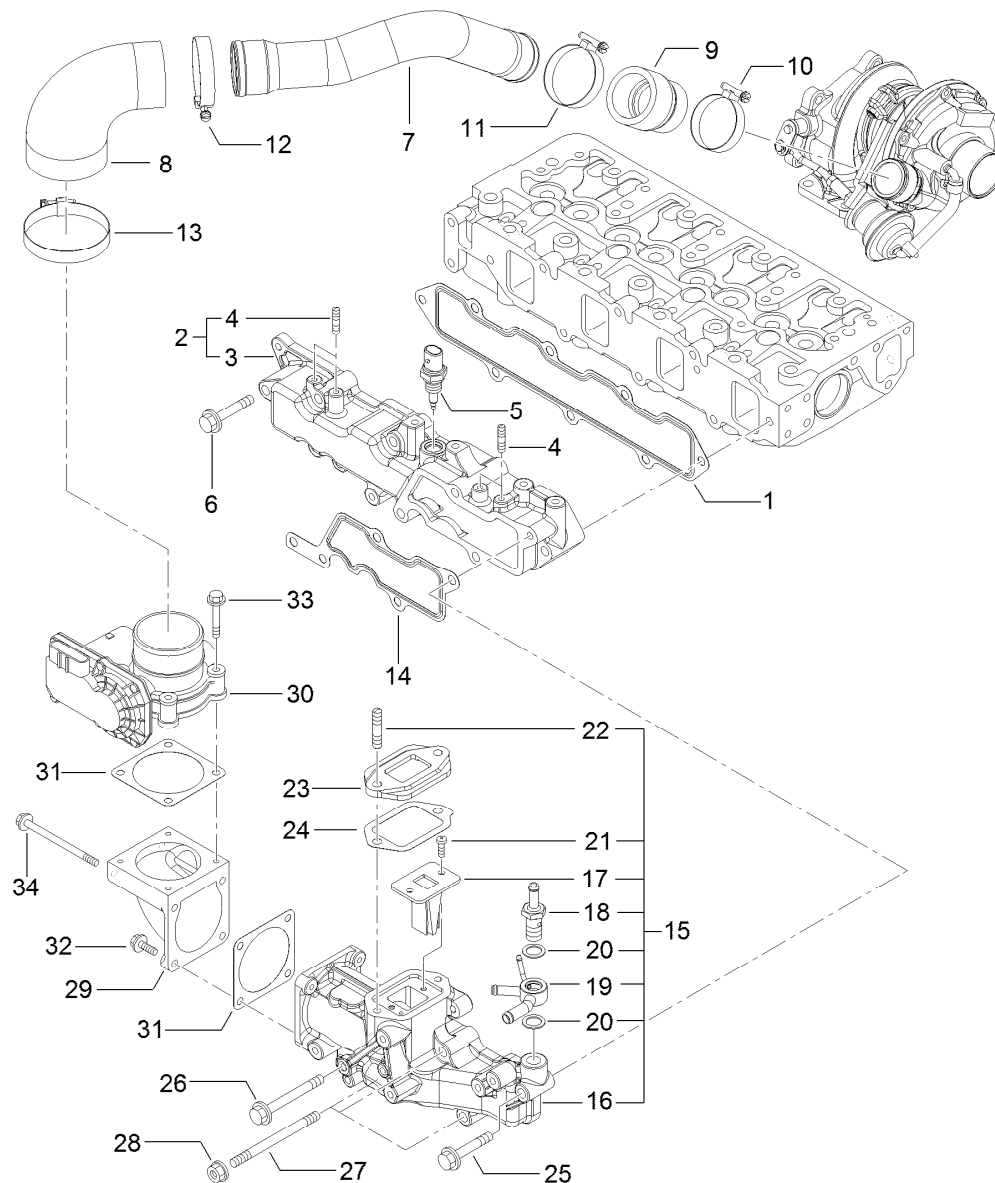
| <i>Ref.</i> | <i>Part Number</i> | <i>Qty.</i> | <i>Description</i> | <i>Ref.</i> | <i>Part Number</i> | <i>Qty.</i> | <i>Description</i> |
|-------------|--------------------|-------------|--------------------|-------------|--------------------|-------------|----------------------|
| 1 | 125-6995 | 2 | Pin | 12 | 125-7215 | 2 | Bolt |
| 2 | 127-3025 | 1 | Housing-Flywheel | 13 | 125-7219 | 20 | Bolt |
| 3 | 125-6910 | 1 | Cap | 14 | 125-7220 | 4 | Bolt |
| 4 | 125-7226 | 6 | Bolt | 15 | 125-6995 | 2 | Pin |
| 5 | 125-7227 | 4 | Bolt | 16 | 125-6996 | 1 | Case ASM |
| 6 | 138-7826 | 1 | Oil Pan ASM | 18 | 125-7106 | 1 | Seal-Oil |
| 7 | 125-6912 | 1 | Plug-Drain | 19 | 125-7045 | 6 | Bolt |
| 9 | 125-7177 | 1 | Washer-Seal | 20 | 125-7217 | 3 | Bolt |
| 10 | 125-7035 | 1 | Spacer | 21 | 127-3062 | 1 | Sensor-Rev, Flywheel |
| 11 | 125-7214 | 4 | Bolt | 22 | 127-3184 | 1 | Bolt |

Cylinder Head and Cover Assembly



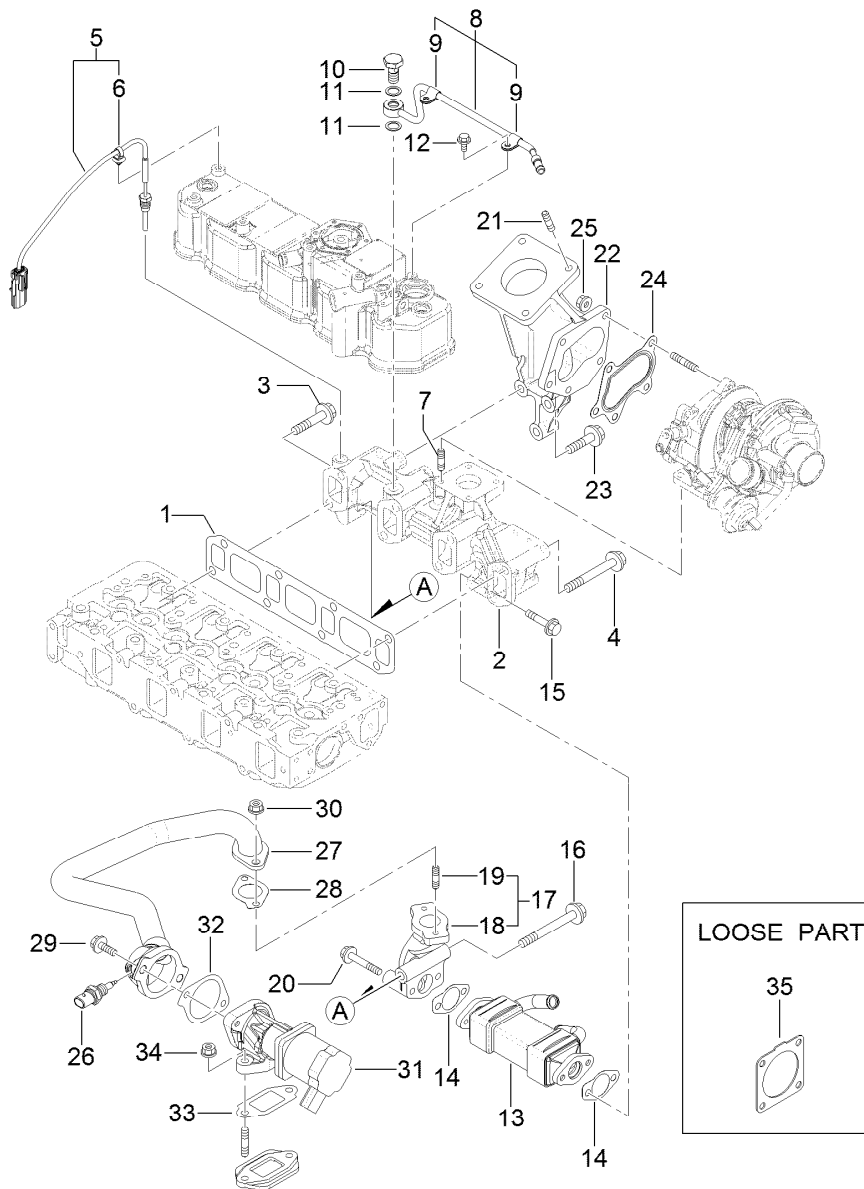
Cylinder Head and Cover Assembly (continued)

| <i>Ref.</i> | <i>Part Number</i> | <i>Qty.</i> | <i>Description</i> | <i>Ref.</i> | <i>Part Number</i> | <i>Qty.</i> | <i>Description</i> |
|-------------|--------------------|-------------|-------------------------|-------------|--------------------|-------------|-------------------------|
| 1 | 127-3005 | 1 | Shaft ASM | 42 | 125-6961 | 1 | Plate-Breather |
| 2 | 127-3006 | 1 | Shaft | 43 | 125-6962 | 1 | Spring-Diaphragm |
| 4 | 127-2974 | 2 | Support | 45 | 127-3106 | 1 | Gasket-Cover |
| 5 | 127-2975 | 3 | Support | 46 | 127-3026 | 1 | Joint |
| 6 | 127-2995 | 4 | Spring | 47 | 125-6994 | 1 | Spring |
| 7 | 127-2989 | 8 | Arm-Rocker | 48 | 127-3029 | 1 | Sensor-Pressure |
| 8 | 125-7013 | 8 | Screw-Adjust, Valve | 49 | 127-3032 | 2 | O Ring-Sensor, Pressure |
| 10 | 125-7014 | 8 | Nut | 50 | 127-3040 | 1 | Hose ASM |
| 11 | 127-3183 | 3 | Stud | 52 | 127-3041 | 2 | Clip-Hose |
| 12 | 127-2996 | 8 | Cap-Valve | 53 | 125-6913 | 1 | Plug |
| 13 | 127-3132 | 1 | Cylinder Head ASM | 54 | 125-7186 | 4 | Screw |
| 21 | 125-7240 | 2 | Plug | 55 | 125-7186 | 6 | Screw |
| 22 | 127-2990 | 4 | Valve | 56 | 125-7186 | 1 | Screw |
| 23 | 127-3012 | 8 | Spring | 57 | 127-3184 | 2 | Bolt |
| 24 | 127-2994 | 4 | Valve | 58 | 125-6974 | 3 | Knob |
| 25 | 127-3013 | 8 | Retainer-Spring | 59 | 127-2978 | 1 | Plug |
| 26 | 127-2986 | 4 | Seal-Stem, Valve | 60 | 93-0418 | 3 | O-Ring |
| 27 | 127-3027 | 4 | Seal-Stem, Valve | 61 | 127-3128 | 1 | Joint-Breather |
| 28 | 127-3186 | 8 | Pin-Cotter | 62 | 127-3129 | 1 | Breather Hose ASM |
| 30 | 127-3021 | 4 | Gasket-Injector | 64 | 125-7040 | 2 | Clip-Hose |
| 31 | 127-3028 | 4 | Retainer-Injector | 66 | 127-3133 | 1 | Hose-Intake |
| 32 | 127-2980 | 4 | Washer-Injector | 67 | 127-3030 | 1 | Sensor-Temp, Air |
| 33 | 125-7184 | 2 | Pin-Spring | 68 | 127-3033 | 1 | O-Ring |
| 34 | 125-7215 | 3 | Bolt | 69 | 125-7190 | 2 | Clamp-Hose |
| 35 | 125-7217 | 4 | Bolt | 70 | 125-7208 | 1 | Bolt |
| 36 | 125-7220 | 7 | Bolt | 71 | 127-3130 | 1 | Lifter-Engine |
| 37 | 127-3131 | 1 | Cylinder Head Cover ASM | 72 | 125-7214 | 2 | Bolt |
| 38 | 127-2988 | 1 | Plate | 73 | 127-2991 | 4 | Plug-Glow |
| 39 | 125-7012 | 1 | Baffle | 74 | 127-3123 | 1 | Connector-Glow Plug |
| 40 | 125-6959 | 1 | Diaphragm | 75 | 127-2979 | 4 | Guide |
| 41 | 125-6960 | 1 | Plate | 76 | 127-2997 | 4 | Guide-Valve |



Suction Manifold Assembly

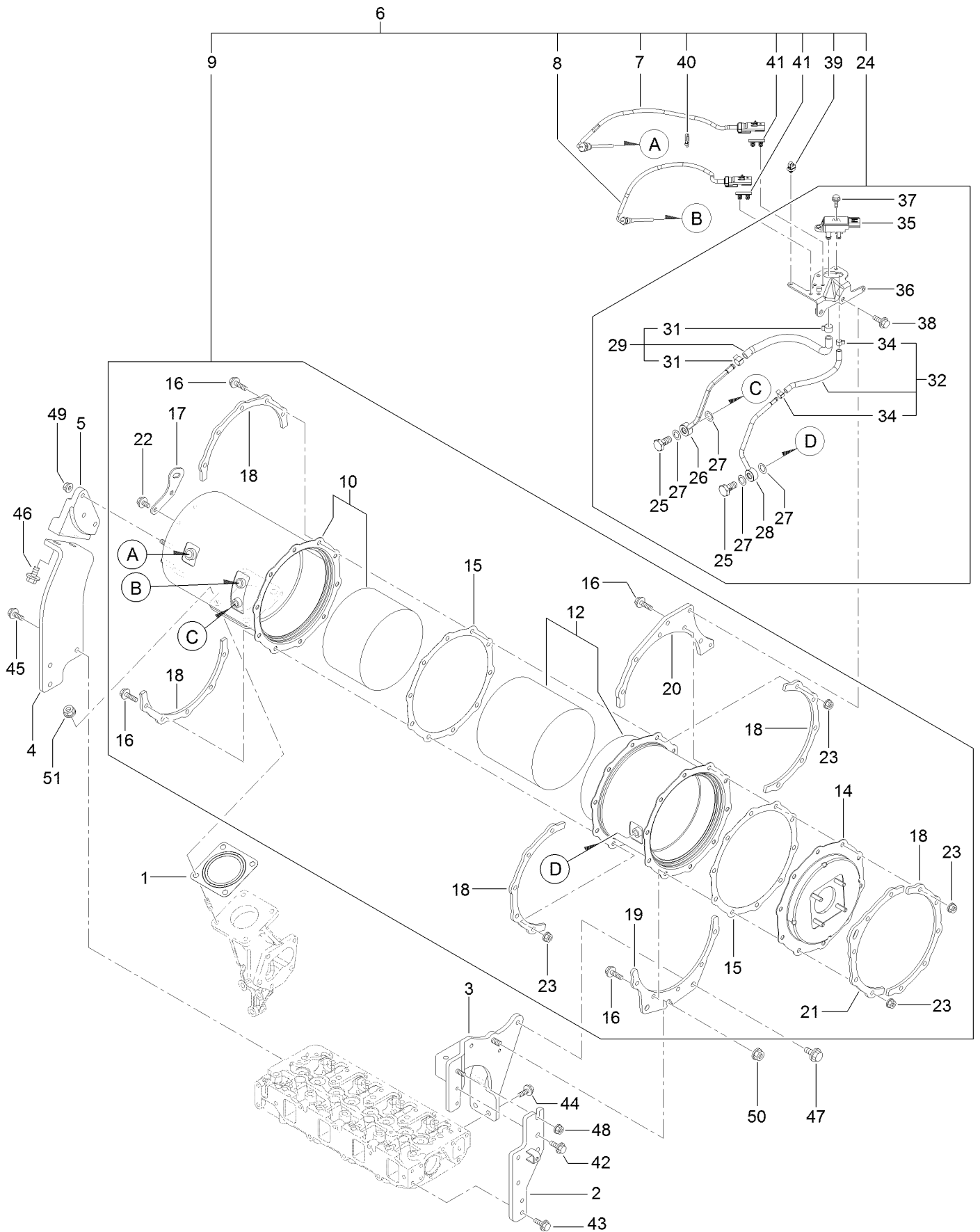
| Ref. | Part Number | Qty. | Description | Ref. | Part Number | Qty. | Description |
|------|-------------|------|-------------------------|------|-------------|------|---------------------|
| 1 | 127-3107 | 1 | Gasket-Manifold, Intake | 18 | 127-3080 | 1 | Joint-Hose |
| 2 | 127-3135 | 1 | Intake Manifold ASM | 19 | 127-3081 | 1 | Joint-Hose |
| 3 | 127-3134 | 1 | Manifold-Intake | 20 | 127-3166 | 2 | Washer-Seal |
| 4 | 127-3180 | 4 | Stud | 21 | 127-3168 | 2 | Screw |
| 5 | 127-3031 | 1 | Sensor-Temp, Air | 22 | 127-3181 | 2 | Stud |
| 6 | 125-7220 | 5 | Bolt | 23 | 127-3045 | 1 | Spacer-Valve, E G R |
| 7 | 127-3152 | 1 | Duct-Suction | 24 | 127-3046 | 1 | Gasket-E G R |
| 8 | 127-3096 | 1 | Joint-Rubber | 25 | 125-7220 | 1 | Bolt |
| 9 | 127-3153 | 1 | Joint-Rubber | 26 | 127-3178 | 1 | Bolt |
| 10 | 125-7189 | 1 | Clamp-Hose | 27 | 127-3182 | 3 | Stud |
| 11 | 127-3170 | 1 | Clamp-Hose | 28 | 125-7229 | 3 | Nut |
| 12 | 125-7190 | 1 | Clamp-Hose | 29 | 127-3035 | 1 | Bend-Inlet |
| 13 | 127-3171 | 1 | Clamp-Hose | 30 | 127-3036 | 1 | Body-Throttle |
| 14 | 127-3034 | 1 | Gasket-Collector | 31 | 127-3037 | 2 | Gasket-Throttle |
| 15 | 127-3093 | 1 | Intake Collector ASM | 32 | 125-7209 | 2 | Gasket |
| 16 | 127-3092 | 1 | Collector-Intake | 33 | 125-7211 | 4 | Bolt |
| 17 | 127-3139 | 1 | Valve-Reed | 34 | 127-3177 | 2 | Bolt |



Exhaust Manifold Assembly

| Ref. | Part Number | Qty. | Description | Ref. | Part Number | Qty. | Description |
|------|-------------|------|--------------------------|------|-------------|------|----------------------------|
| 1 | 127-3108 | 1 | Gasket-Manifold, Exhaust | 19 | 125-7043 | 2 | Stud |
| 2 | 127-3136 | 1 | Manifold-Exhaust | 20 | 125-7220 | 2 | Bolt |
| 3 | 127-3094 | 1 | Bolt | 21 | 127-2984 | 4 | Stud |
| 4 | 127-3044 | 7 | Bolt-M10 | 22 | 127-3137 | 1 | Pipe-Exhaust |
| 5 | 127-3140 | 1 | Sensor-Temp, Exhaust | 23 | 127-3138 | 3 | Bolt-Flange |
| 6 | 127-3087 | 1 | Band-Clip | 24 | 125-7071 | 1 | Gasket |
| 7 | 125-7043 | 4 | Stud | 25 | 125-7229 | 5 | Nut |
| 8 | 127-3038 | 1 | Exhaust Pipe ASM | 26 | 127-3047 | 1 | Sensor-Gas Temp, E G R |
| 9 | 127-3173 | 2 | Clamp | 27 | 127-3109 | 1 | E G R Pipe ASM |
| 10 | 127-3039 | 1 | Bolt-Joint, Pipe | 28 | 127-3016 | 1 | Gasket |
| 11 | 127-3174 | 2 | Gasket | 29 | 125-7215 | 2 | Bolt |
| 12 | 125-7206 | 2 | Bolt | 30 | 125-7229 | 2 | Nut |
| 13 | 127-3042 | 1 | Cooler-E G R | 31 | 127-3110 | 1 | Valve-E G R |
| 14 | 127-3043 | 2 | Gasket-Cooler, E G R | 32 | 127-3050 | 1 | Gasket-Intake Valve, E G R |
| 15 | 127-2976 | 2 | Bolt | 33 | 127-3051 | 1 | Gasket-Out Valve, E G R |
| 16 | 127-3022 | 1 | Bolt-Flange | 34 | 125-7229 | 2 | Nut |
| 17 | 127-3048 | 1 | E G R Pipe ASM | 35 | 127-3019 | 1 | Gasket |
| 18 | 127-3049 | 1 | Pipe-Out, E G R | | | | |

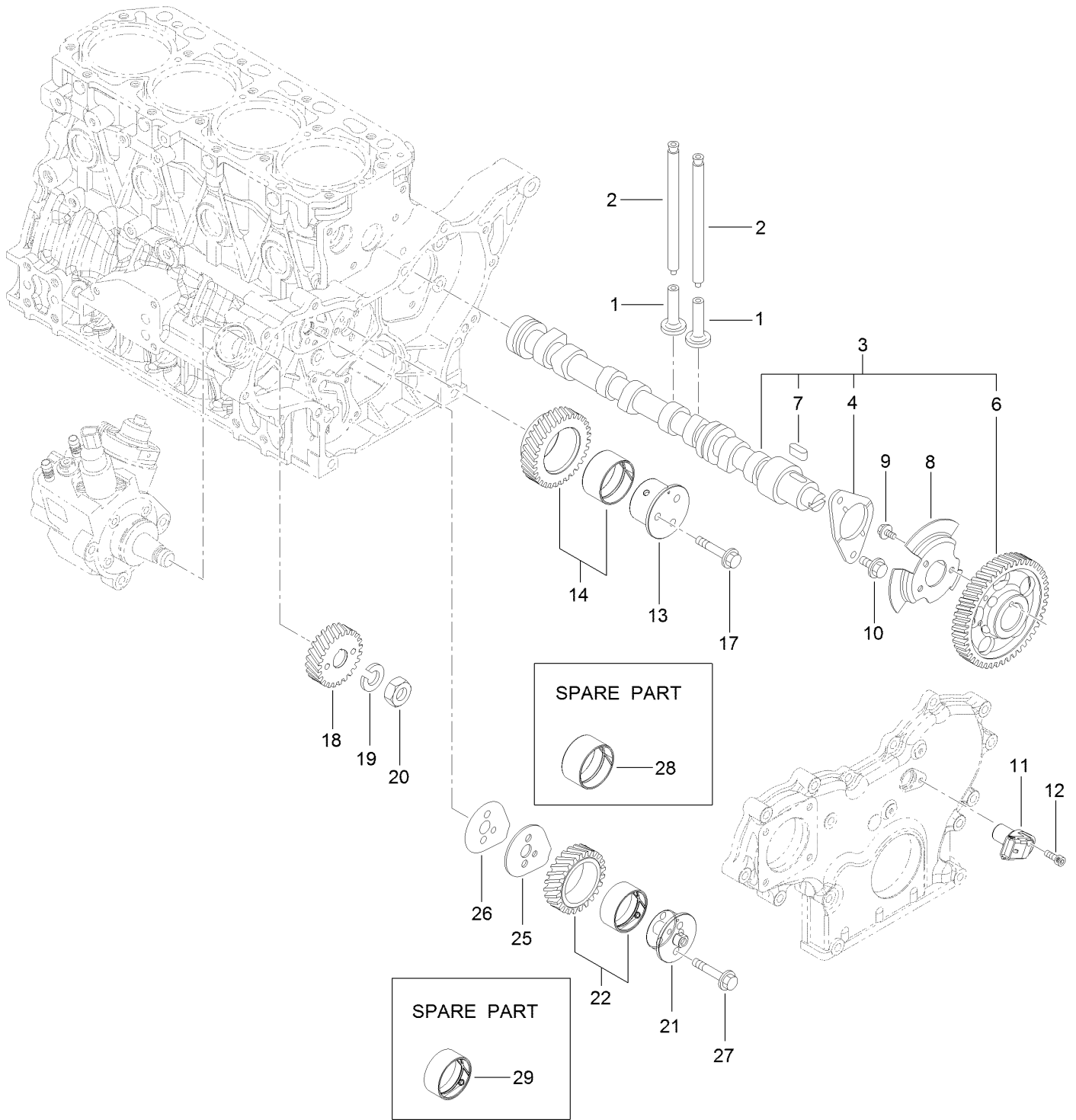
Diesel Particulate Filter Assembly



Diesel Particulate Filter Assembly (continued)

| <i>Ref.</i> | <i>Part Number</i> | <i>Qty.</i> | <i>Description</i> | <i>Ref.</i> | <i>Part Number</i> | <i>Qty.</i> | <i>Description</i> |
|-------------|--------------------|-------------|---------------------------|-------------|--------------------|-------------|------------------------------|
| 1 | 127-2987 | 1 | Gasket-Silencer | 27 | 127-3056 | 4 | Gasket-Sensor |
| 2 | 127-3095 | 1 | Stay-D P F | 28 | 127-3165 | 1 | Exhaust Pressure Pipe ASM |
| 3 | 127-3148 | 1 | Stay- D P F | 29 | 127-3114 | 1 | Exhaust Hose ASM |
| 4 | 127-3149 | 1 | Stay-D P F | 31 | 127-3057 | 2 | Clip-Hose |
| 5 | 127-3150 | 1 | Stay-D P F | 32 | 127-3059 | 1 | Exhaust Pressure Hose ASM |
| 6 | 127-3159 | 1 | D P F Unit | 34 | 127-3058 | 2 | Clip-Hose |
| 7 | 127-4764 | 1 | Sensor-Temp, Exhaust | 35 | 127-3060 | 1 | Sensor-Pressure |
| 8 | 127-3112 | 1 | Sensor-Temp, Exhaust | 36 | 127-3061 | 1 | Bracket-Sensor, Pressure |
| 9 | 127-3157 | 1 | D P F ASM | 37 | 125-7208 | 2 | Bolt |
| 10 | 127-3141 | 1 | Case-Doc | 38 | 125-7595 | 2 | Bolt |
| 12 | 127-3142R | 1 | Case-Filter, Soot-Recon | 39 | 127-3087 | 1 | Band-Clip |
| 12 | 127-3142 | 1 | Case-Filter, Soot | 40 | 127-3124 | 1 | Band |
| 14 | 127-3143 | 1 | Flange-Outlet | 41 | 127-3088 | 2 | Clip-Connector |
| 15 | 127-3162 | 2 | Gasket-D P F | 42 | 125-7595 | 2 | Bolt |
| 16 | 127-3055 | 20 | Bolt | 43 | 125-7595 | 2 | Bolt |
| 17 | 127-3144 | 1 | Lifter-D P F | 44 | 125-7595 | 2 | Bolt |
| 18 | 127-3145 | 5 | Stiffener-D P F, A | 45 | 125-7595 | 3 | Bolt |
| 19 | 127-3146 | 1 | Stiffener-D P F, B | 46 | 127-3179 | 2 | Bolt |
| 20 | 127-3158 | 1 | Stiffener-D P F, D | 47 | 127-3179 | 2 | Bolt |
| 21 | 127-3147 | 1 | Stiffener-D P F, C | 48 | 125-7229 | 1 | Nut |
| 22 | 125-7213 | 2 | Bolt | 49 | 125-7229 | 3 | Nut |
| 23 | 125-7229 | 20 | Nut | 50 | 125-7230 | 1 | Nut |
| 24 | 127-3163 | 1 | Pressure Sensor Unit | 51 | 125-7230 | 4 | Nut |
| 25 | 127-3039 | 2 | Bolt-Joint, Pipe | | | | |
| 26 | 127-3164 | 1 | Exhaust Pressure Pipe ASM | | | | |

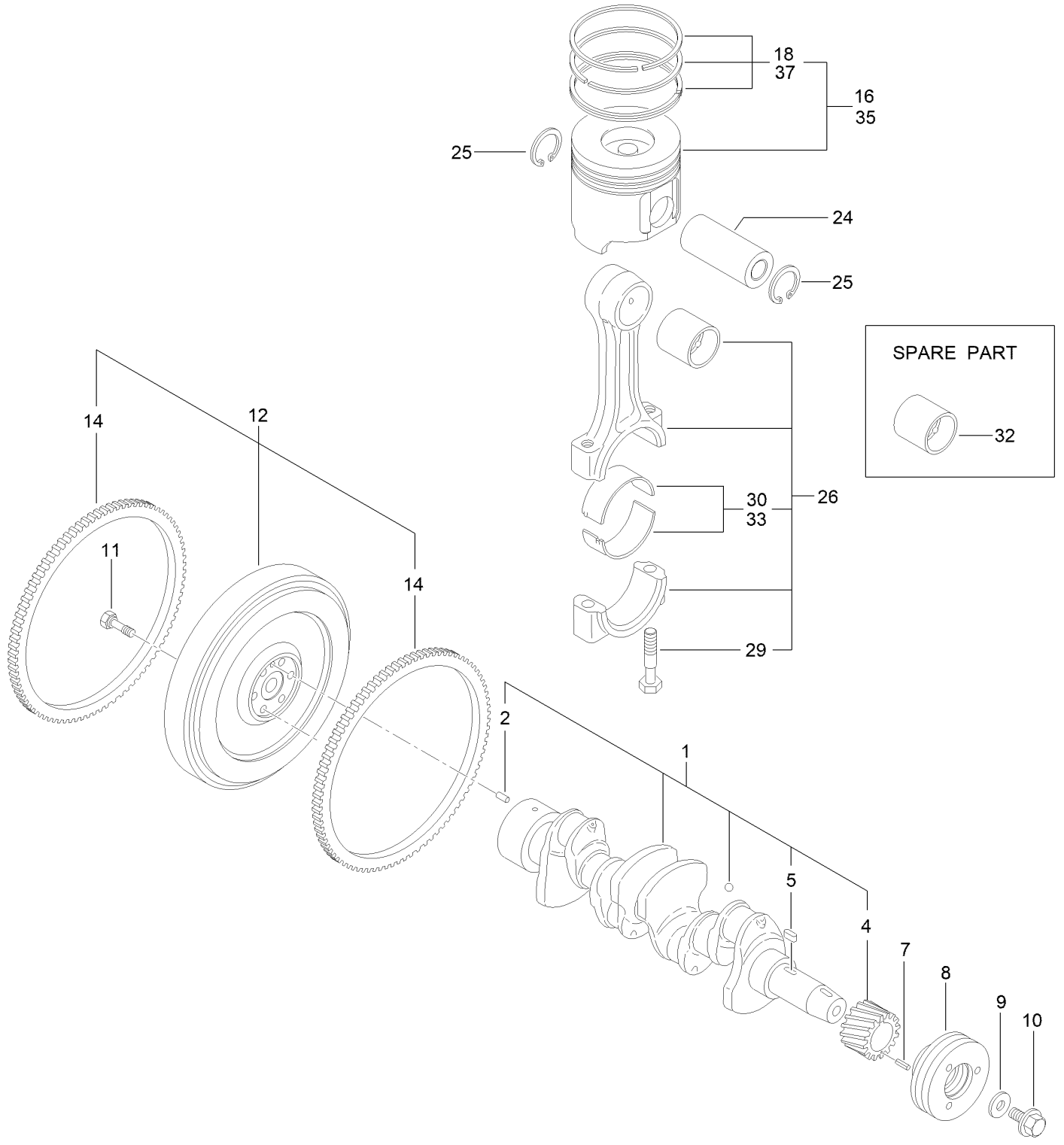
Camshaft and Driving Gear Assembly



Camshaft and Driving Gear Assembly (continued)

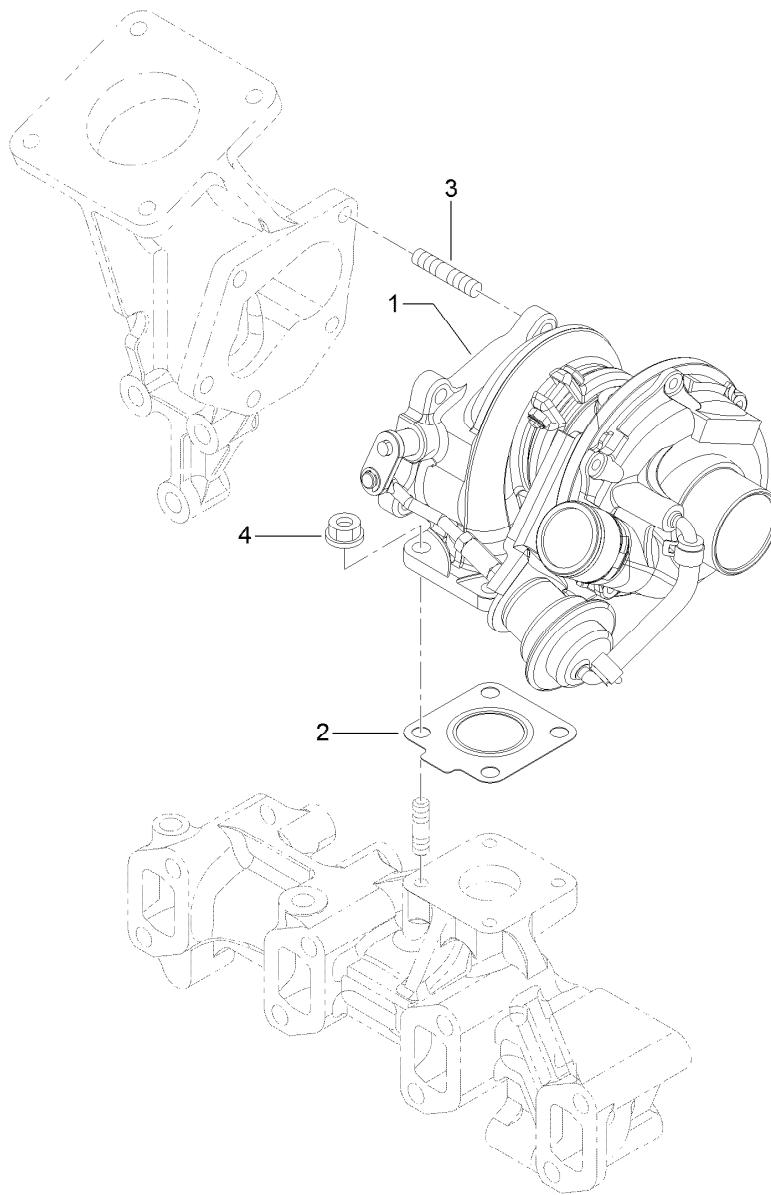
| <i>Ref.</i> | <i>Part Number</i> | <i>Qty.</i> | <i>Description</i> | <i>Ref.</i> | <i>Part Number</i> | <i>Qty.</i> | <i>Description</i> |
|-------------|--------------------|-------------|--------------------|-------------|--------------------|-------------|----------------------|
| 1 | 125-7016 | 8 | Tappet | 14 | 127-3066 | 1 | Idle Gear A ASM |
| 2 | 125-7017 | 8 | Rod-Push | 17 | 125-7219 | 3 | Bolt |
| 3 | 127-3113 | 1 | Camshaft ASM | 18 | 127-3070 | 1 | Gear-Pump, Supply |
| 4 | 125-7008 | 1 | Metal-Thrust | 19 | 127-3167 | 1 | Washer-Spring |
| 6 | 127-3052 | 1 | Gear-Camshaft | 20 | 127-3185 | 1 | Nut-Lock |
| 7 | 125-7185 | 1 | Key | 21 | 127-3064 | 1 | Shaft-Idle, Gear B |
| 8 | 127-3053 | 1 | Pulser-Camshaft | 22 | 127-3067 | 1 | Idle Gear B ASM |
| 9 | 125-7205 | 3 | Bolt | 25 | 127-3068 | 1 | Plate-Idle, Shaft |
| 10 | 125-7213 | 2 | Bolt | 26 | 127-3069 | 1 | Gasket-Idle, Shaft B |
| 11 | 127-3054 | 1 | Sensor-Rev, Gear | 27 | 125-7218 | 2 | Bolt |
| 12 | 127-3184 | 1 | Bolt | 28 | 125-6927 | 1 | Bushing |
| 13 | 127-3063 | 1 | Shaft-Idle, Gear A | 29 | 127-3065 | 1 | Bushing |

Crankshaft and Piston Assembly



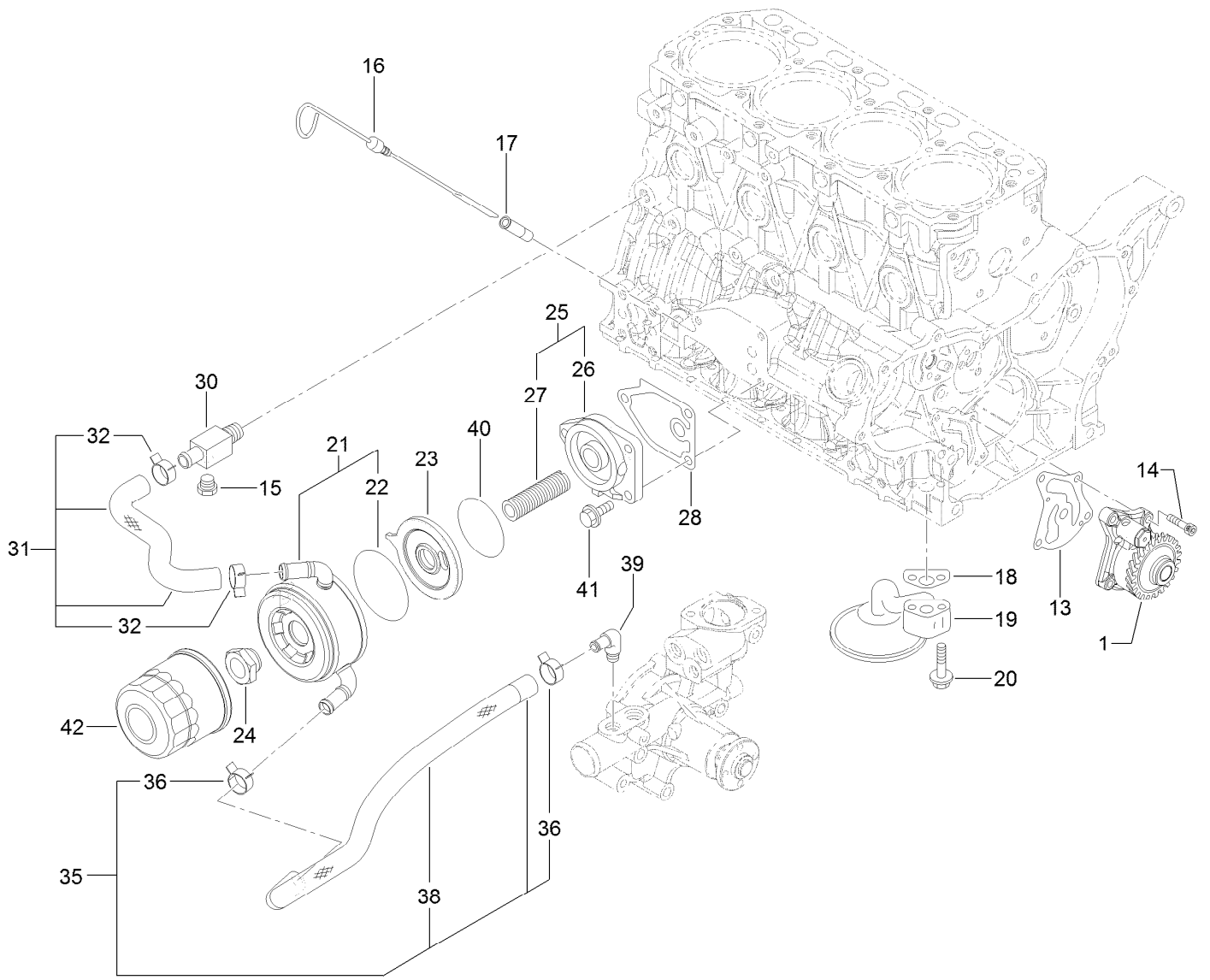
Crankshaft and Piston Assembly (continued)

| <i>Ref.</i> | <i>Part Number</i> | <i>Qty.</i> | <i>Description</i> | <i>Ref.</i> | <i>Part Number</i> | <i>Qty.</i> | <i>Description</i> |
|-------------|--------------------|-------------|--------------------|-------------|--------------------|-------------|-----------------------------|
| 1 | 125-7091 | 1 | Crankshaft ASM | 16 | 127-3097 | 4 | Piston ASM |
| 2 | 125-6995 | 1 | Pin | 18 | 127-3098 | 4 | Piston Ring ASM |
| 4 | 125-6937 | 1 | Gear | 24 | 125-7030 | 4 | Pin |
| 5 | 125-7185 | 1 | Key | 25 | 125-7180 | 8 | Ring |
| 7 | 125-7182 | 1 | Pin-Spring | 26 | 125-7242 | 4 | Connecting Rod ASM |
| 8 | 125-6925 | 1 | V-Pulley | 29 | 125-6955 | 8 | Bolt |
| 9 | 125-7109 | 1 | Washer | 30 | 125-7018 | 4 | Pin-Crank |
| 10 | 125-6956 | 1 | Bolt | 32 | 125-6997 | 4 | Pin-Piston |
| 11 | 125-6951 | 6 | Bolt | 33 | 125-7019 | 4 | Pin-Crank (.25) |
| 12 | 127-3160 | 1 | Flywheel ASM | 35 | 127-3099 | 4 | Piston ASM (0.25 O.S.) |
| 14 | 125-6943 | 1 | Gear | 37 | 127-3100 | 4 | Piston Ring ASM (0.25 O.S.) |



Turbine Assembly

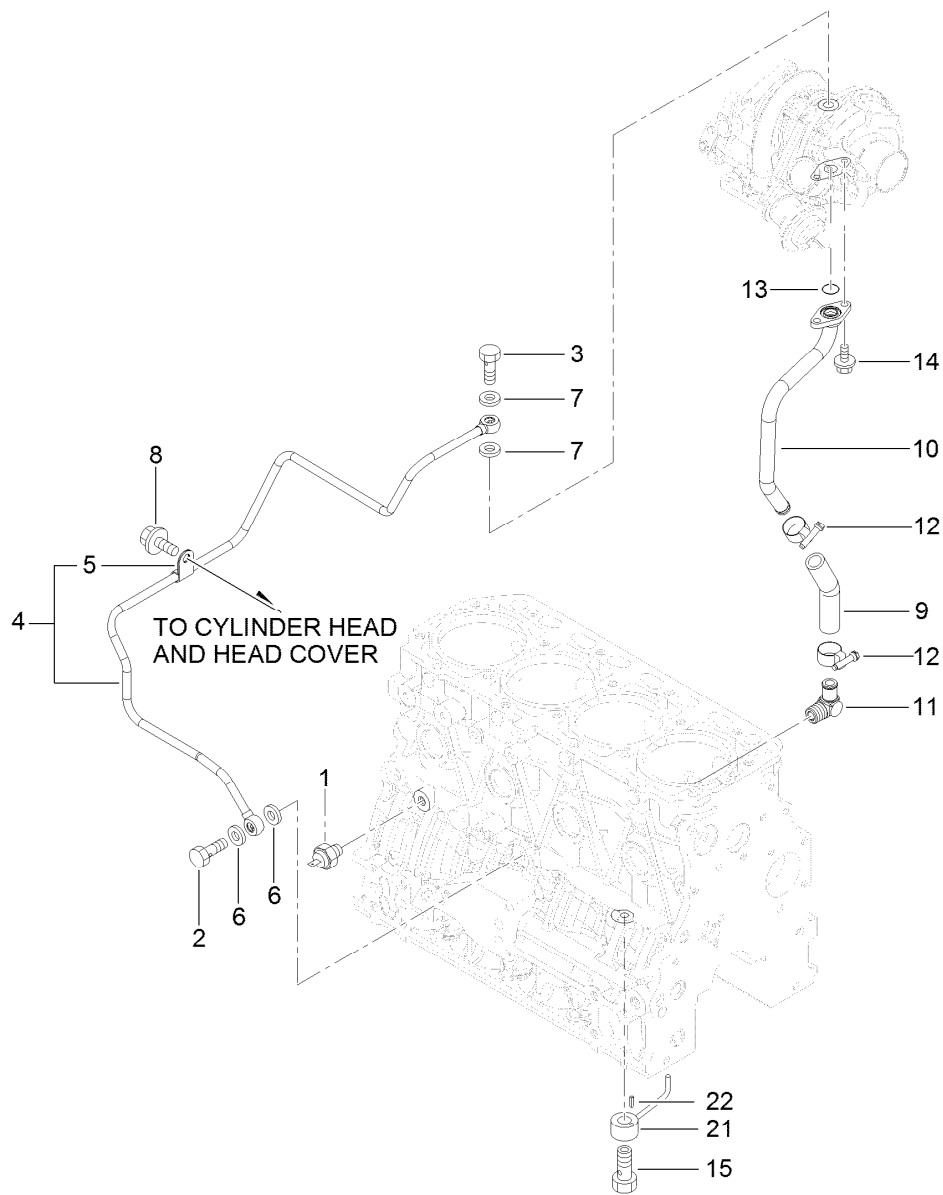
| <i>Ref.</i> | <i>Part Number</i> | <i>Qty.</i> | <i>Description</i> |
|-------------|--------------------|-------------|--------------------|
| 1 | 127-3151 | 1 | Turbine ASM |
| 2 | 125-7070 | 1 | Gasket |
| 3 | 125-6906 | 5 | Stud |
| 4 | 125-7229 | 4 | Nut |



Lubrication and Oil System Assembly

| Ref. | Part Number | Qty. | Description |
|------|-------------|------|-------------------|
| 1 | 127-3101 | 1 | Oil Lube Pump ASM |
| 13 | 127-3004 | 1 | Gasket |
| 14 | 125-7232 | 4 | Bolt |
| 15 | 125-7171 | 1 | Plug-Drain |
| 16 | 125-6987 | 1 | Dipstick |
| 17 | 125-6954 | 1 | Guide-Dipstick |
| 18 | 125-7022 | 1 | Gasket |
| 19 | 125-7023 | 1 | Pipe ASM |
| 20 | 125-7217 | 2 | Bolt |
| 21 | 127-3014 | 1 | Cooler ASM |
| 22 | 127-2985 | 1 | O-Ring |
| 23 | 127-3015 | 1 | Bracket-Cooler |
| 24 | 125-7041 | 1 | Nut-Cooler, Oil |
| 25 | 127-3009 | 1 | Bracket ASM |

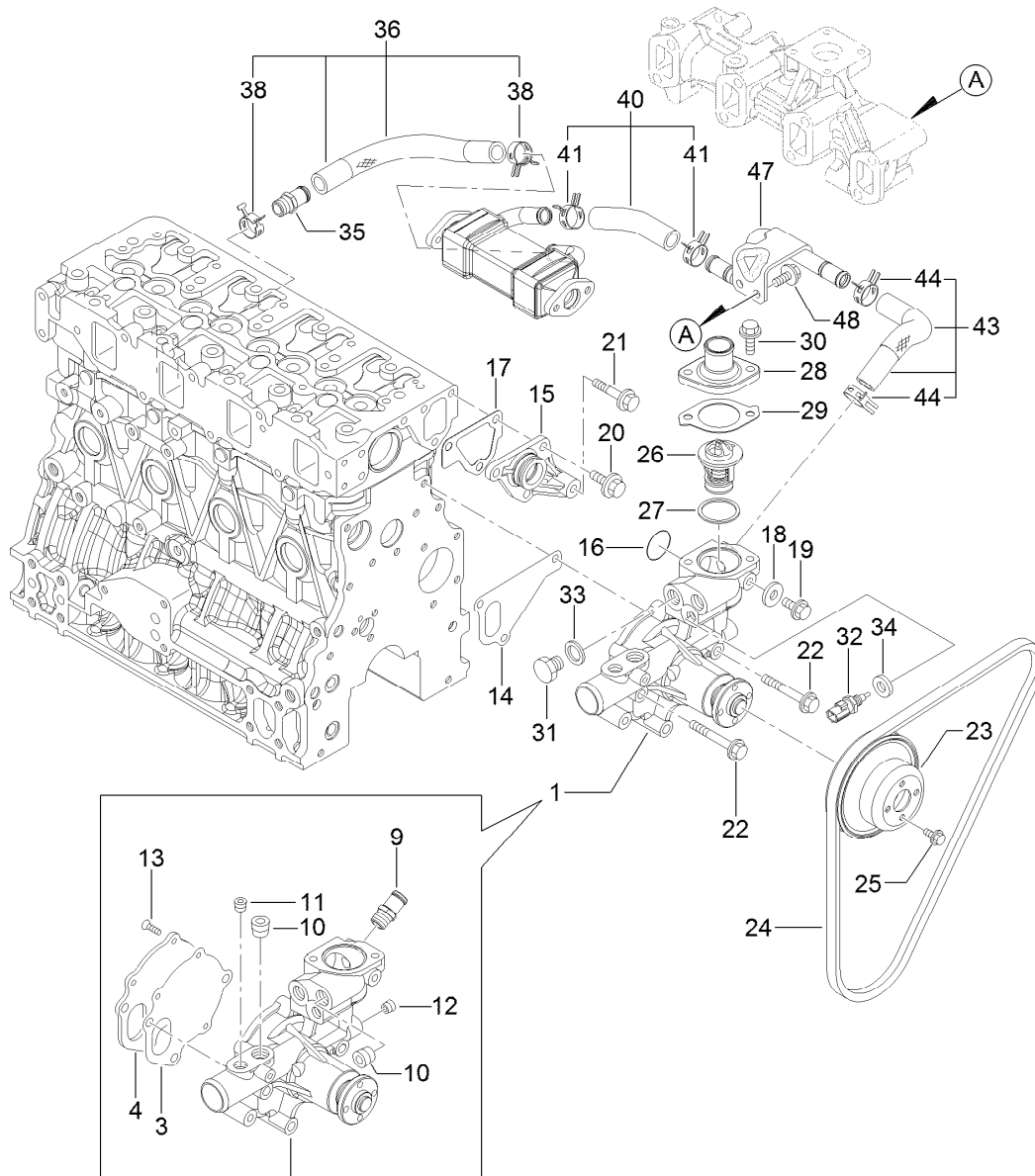
| Ref. | Part Number | Qty. | Description |
|------|-------------|------|---------------------|
| 26 | 125-6930 | 1 | Bracket |
| 27 | 127-3010 | 1 | Stud |
| 28 | 125-7024 | 1 | Gasket |
| 30 | 125-6990 | 1 | Joint |
| 31 | 127-3102 | 1 | Pipe-Cooling, Water |
| 32 | 125-7162 | 2 | Clip |
| 35 | 127-3103 | 1 | Hose-Cooling, Water |
| 36 | 125-7162 | 2 | Clip |
| 38 | 127-3007 | 1 | Tube |
| 39 | 125-7001 | 1 | Elbow |
| 40 | 127-3176 | 1 | O-Ring |
| 41 | 125-7595 | 3 | Bolt |
| 42 | 125-7025 | 1 | Filter-Engine, Oil |



Lubrication Oil Line Assembly

| Ref. | Part Number | Qty. | Description |
|------|-------------|------|-------------------|
| 1 | 125-6918 | 1 | Switch-Oil |
| 2 | 125-6975 | 1 | Bolt-Joint, Pipe |
| 3 | 125-6952 | 1 | Bolt-Joint, Pipe |
| 4 | 127-3154 | 1 | Lube Oil Pipe ASM |
| 5 | 125-6976 | 1 | Retainer |
| 6 | 125-7175 | 2 | Washer-Seal |
| 7 | 125-7193 | 2 | Gasket |
| 8 | 93-0362 | 1 | Bolt |
| 9 | 127-2992 | 1 | Joint |

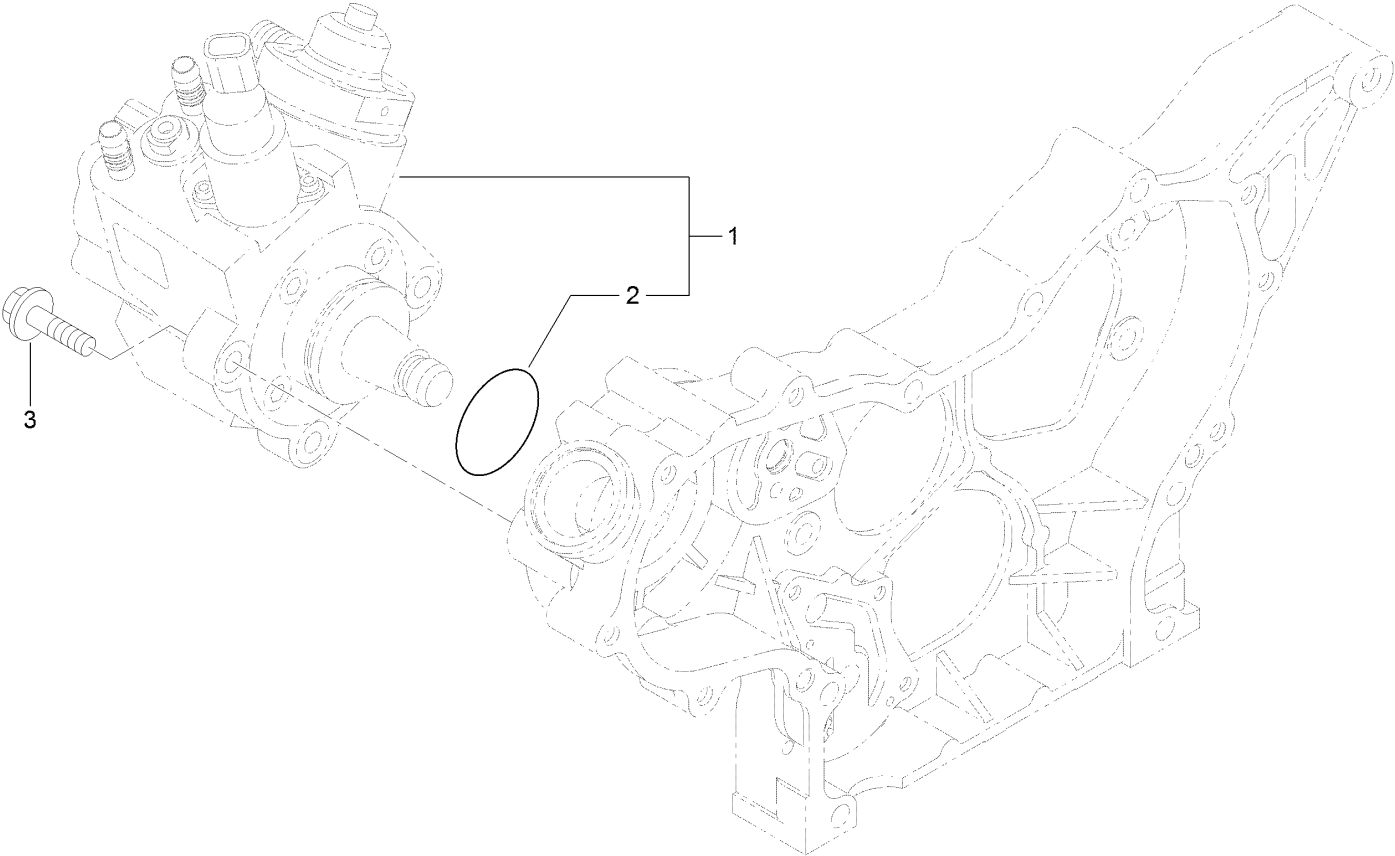
| Ref. | Part Number | Qty. | Description |
|------|-------------|------|-----------------|
| 10 | 127-3155 | 1 | Pipe-Lube, Oil |
| 11 | 127-3003 | 1 | Elbow |
| 12 | 127-3169 | 2 | Clamp-Hose |
| 13 | 125-7198 | 1 | O-Ring |
| 14 | 125-7208 | 2 | Bolt |
| 15 | 125-7105 | 4 | Check Valve ASM |
| 21 | 125-7098 | 4 | Nozzle |
| 22 | 125-7182 | 4 | Pin-Spring |



Cooling Water System Assembly

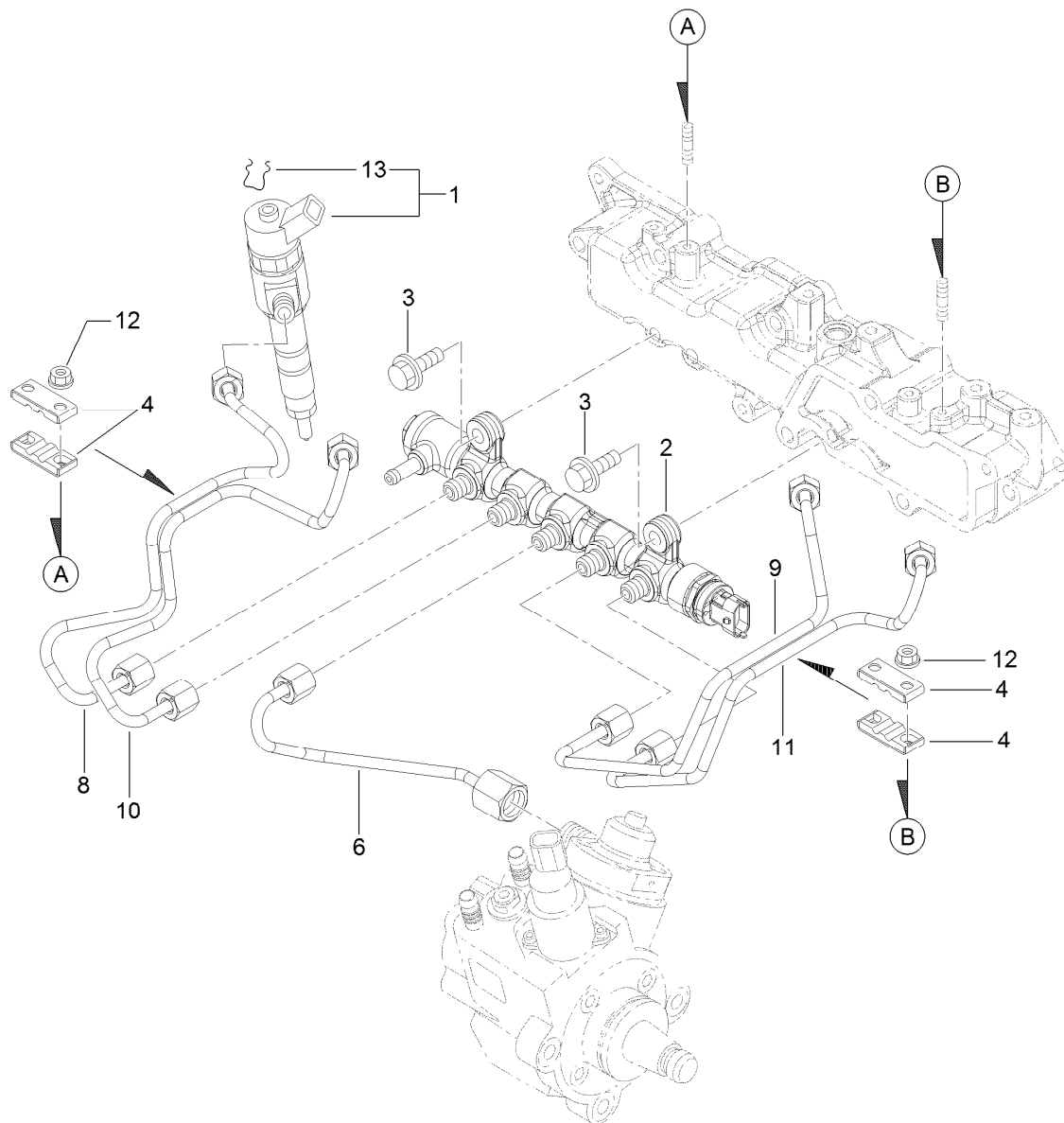
| Ref. | Part Number | Qty. | Description | Ref. | Part Number | Qty. | Description |
|------|-------------|------|----------------|------|-------------|------|-----------------------|
| 1 | 127-3071 | 1 | Water Pump ASM | 25 | 125-7206 | 4 | Bolt |
| 3 | 125-6998 | 1 | Gasket | 26 | 125-7029 | 1 | Thermostat |
| 4 | 125-6999 | 1 | Plate | 27 | 125-7026 | 1 | Gasket |
| 9 | 127-3017 | 1 | Joint | 28 | 125-7034 | 1 | Cover |
| 10 | 125-7123 | 2 | Plug | 29 | 125-7110 | 1 | Gasket |
| 11 | 127-3175 | 1 | Plug | 30 | 125-7594 | 2 | Bolt |
| 12 | 125-7195 | 1 | Plug | 31 | 125-6953 | 1 | Plug |
| 13 | 125-7234 | 3 | Screw | 32 | 125-7124 | 1 | Sensor-Thermostat, CW |
| 14 | 125-7047 | 1 | Gasket | 33 | 125-6979 | 1 | Gasket |
| 15 | 125-6986 | 1 | Joint | 34 | 125-7176 | 1 | Washer-Seal |
| 16 | 125-7048 | 1 | O-Ring | 35 | 127-3017 | 1 | Joint |
| 17 | 125-6978 | 1 | Gasket | 36 | 127-3072 | 1 | Water In Pipe ASM |
| 18 | 125-7192 | 1 | Gasket | 38 | 127-3020 | 2 | Clip-Hose |
| 19 | 93-0362 | 1 | Bolt | 40 | 127-3115 | 1 | Water Out Pipe ASM |
| 20 | 125-7214 | 3 | Bolt | 41 | 127-3020 | 2 | Clip-Hose |
| 21 | 125-7219 | 1 | Bolt | 43 | 127-3116 | 1 | Water Out Pipe ASM |
| 22 | 125-7222 | 3 | Bolt | 44 | 127-3020 | 2 | Clip-Hose |
| 23 | 125-7039 | 1 | V-Pulley | 47 | 127-3117 | 1 | Pipe-Out, CW |
| 24 | 127-2998 | 1 | V-Belt | 48 | 125-7214 | 2 | Bolt |

Fuel System Assembly



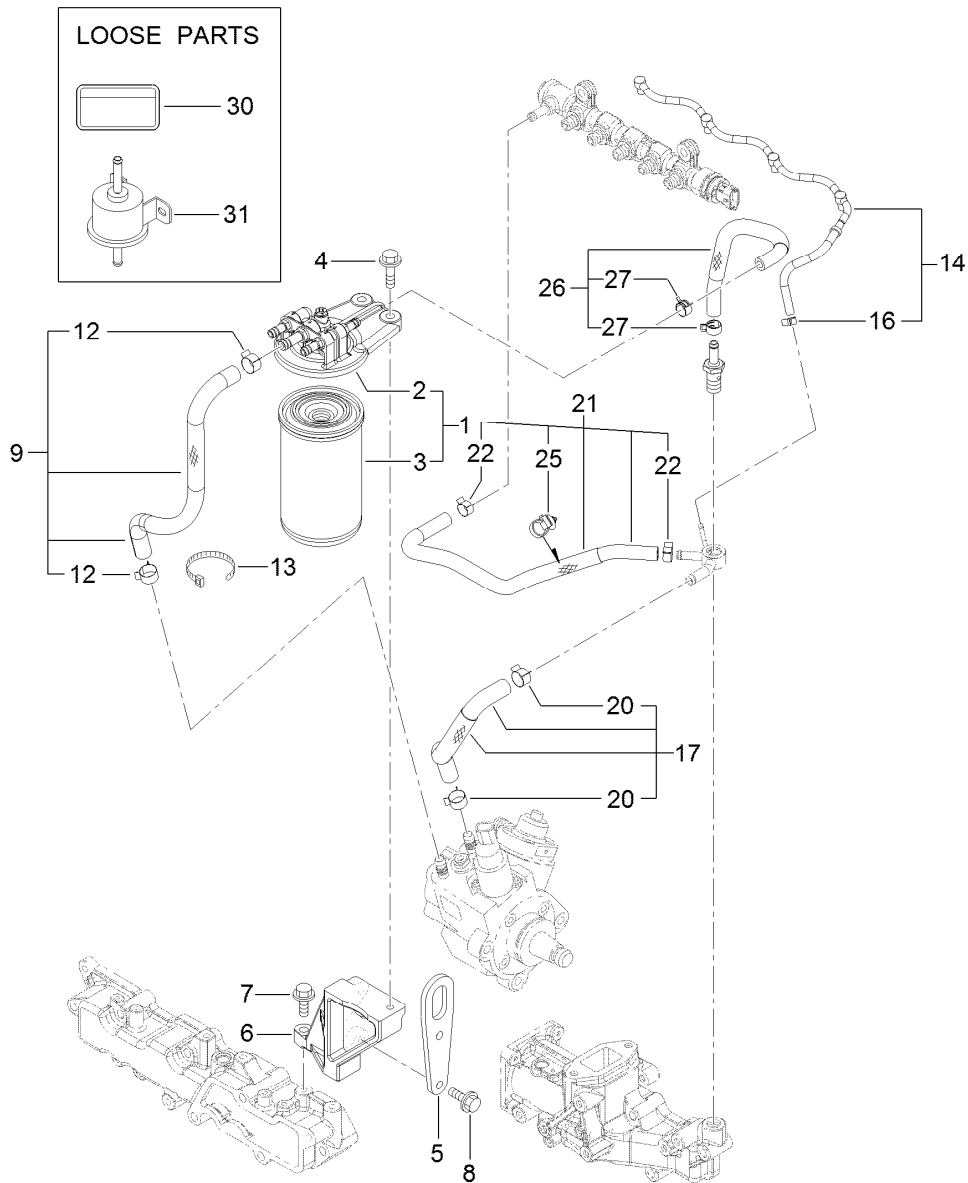
Fuel System Assembly (continued)

| <i>Ref.</i> | <i>Part Number</i> | <i>Qty.</i> | <i>Description</i> |
|-------------|--------------------|-------------|--------------------|
| 1 | 127-3073 | 1 | Fuel Pump ASM |
| 2 | 127-3074 | 1 | O-Ring |
| 3 | 125-7216 | 3 | Bolt |



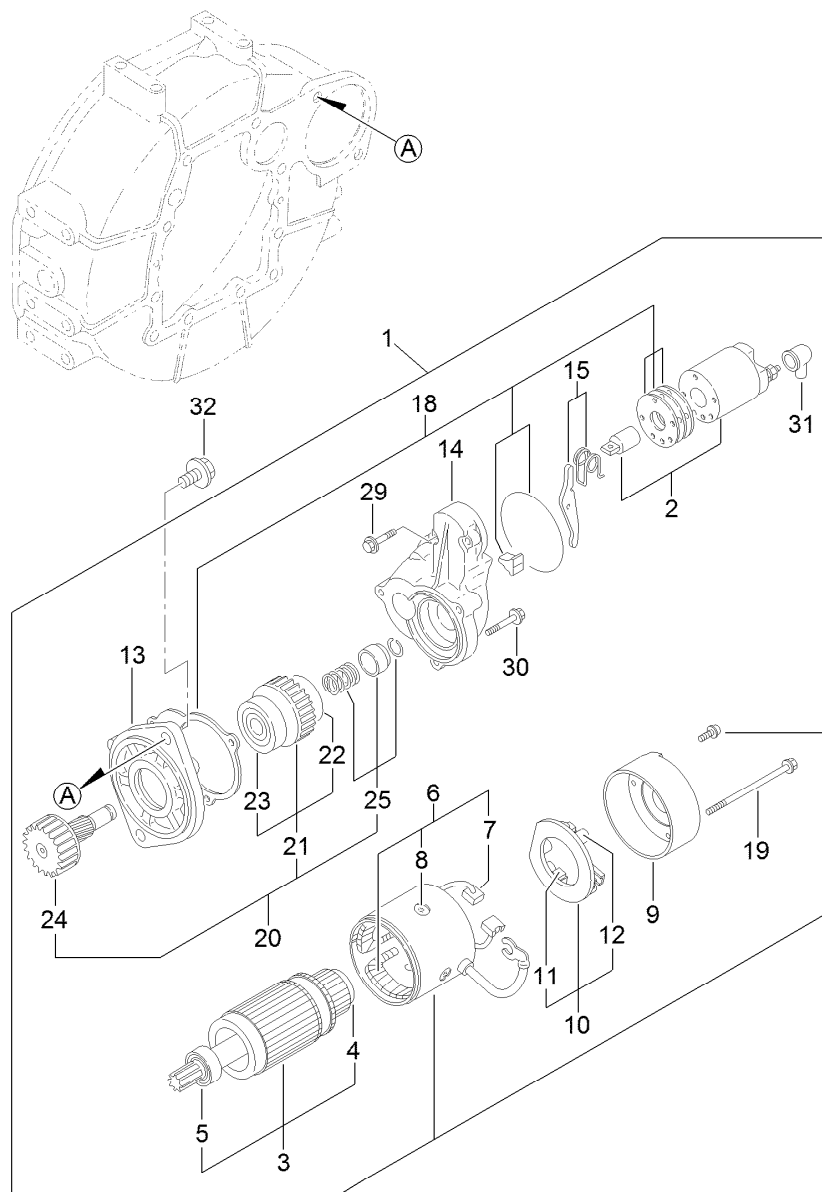
Fuel Injection Valve Assembly

| <i>Ref.</i> | <i>Part Number</i> | <i>Qty.</i> | <i>Description</i> |
|-------------|--------------------|-------------|--------------------|
| 1 | 127-3104 | 4 | Injector ASM |
| 2 | 127-3118 | 1 | Rail ASM |
| 3 | 125-7215 | 2 | Bolt |
| 4 | 127-2982 | 4 | Retainer |
| 6 | 127-3082 | 1 | Rail In Pipe ASM |
| 8 | 127-3121 | 1 | Injection Pipe ASM |
| 9 | 127-3083 | 1 | Injection Pipe ASM |
| 10 | 127-3122 | 1 | Injection Pipe ASM |
| 11 | 127-3084 | 1 | Injection Pipe ASM |
| 12 | 125-7231 | 4 | Nut |
| 13 | 130-7430 | 4 | Ring-Retaining |



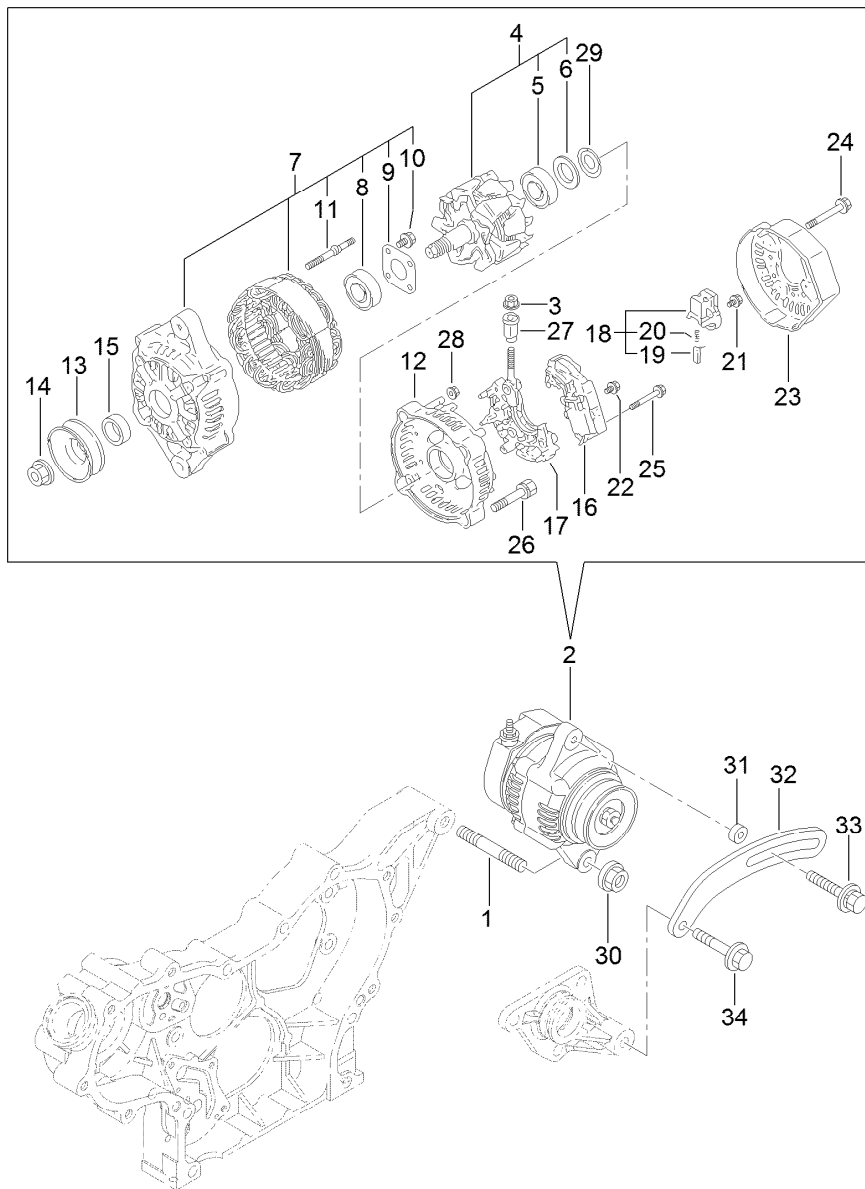
Fuel Line Assembly

| <i>Ref.</i> | <i>Part Number</i> | <i>Qty.</i> | <i>Description</i> | <i>Ref.</i> | <i>Part Number</i> | <i>Qty.</i> | <i>Description</i> |
|-------------|--------------------|-------------|-----------------------------|-------------|--------------------|-------------|-------------------------|
| 1 | 127-3075 | 1 | Fuel/Oil Filter ASM | 14 | 138-7845 | 1 | Return Pipe ASM |
| 2 | 127-3076 | 1 | Fuel/Oil Filter Bracket ASM | 16 | 127-3172 | 1 | Clamp-Hose |
| 3 | 125-8752 | 1 | Filter-Fuel/Oil | 17 | 127-3078 | 1 | Fuel Pipe ASM |
| 4 | 125-7216 | 2 | Bolt | 20 | 125-7191 | 2 | Clamp-Hose |
| 5 | 127-3091 | 1 | Lifter-Engine | 21 | 127-3119 | 1 | Fuel Pipe ASM |
| 6 | 127-3105 | 1 | Stay-Bracket, Filter | 22 | 127-2950 | 2 | Clip-Hose |
| 7 | 125-7215 | 1 | Bolt | 25 | 127-3087 | 1 | Band-Clip |
| 8 | 125-7216 | 2 | Bolt | 26 | 127-3079 | 1 | Fuel Pipe ASM |
| 9 | 127-3077 | 1 | Fuel Pipe ASM | 27 | 127-2950 | 2 | Clip-Hose |
| 12 | 125-7191 | 2 | Clamp-Hose | 30 | 125-6900 | 1 | Label-Caution, Fuel Oil |
| 13 | 127-2981 | 1 | Band | 31 | 127-3008 | 1 | Fuel Feed Pump ASM |



Starting Motor Assembly

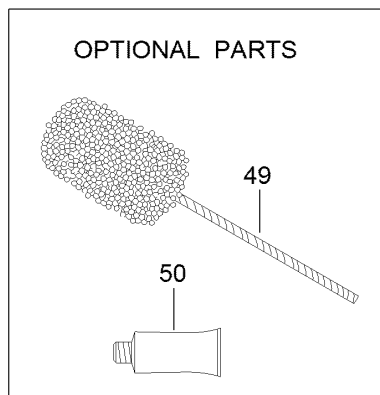
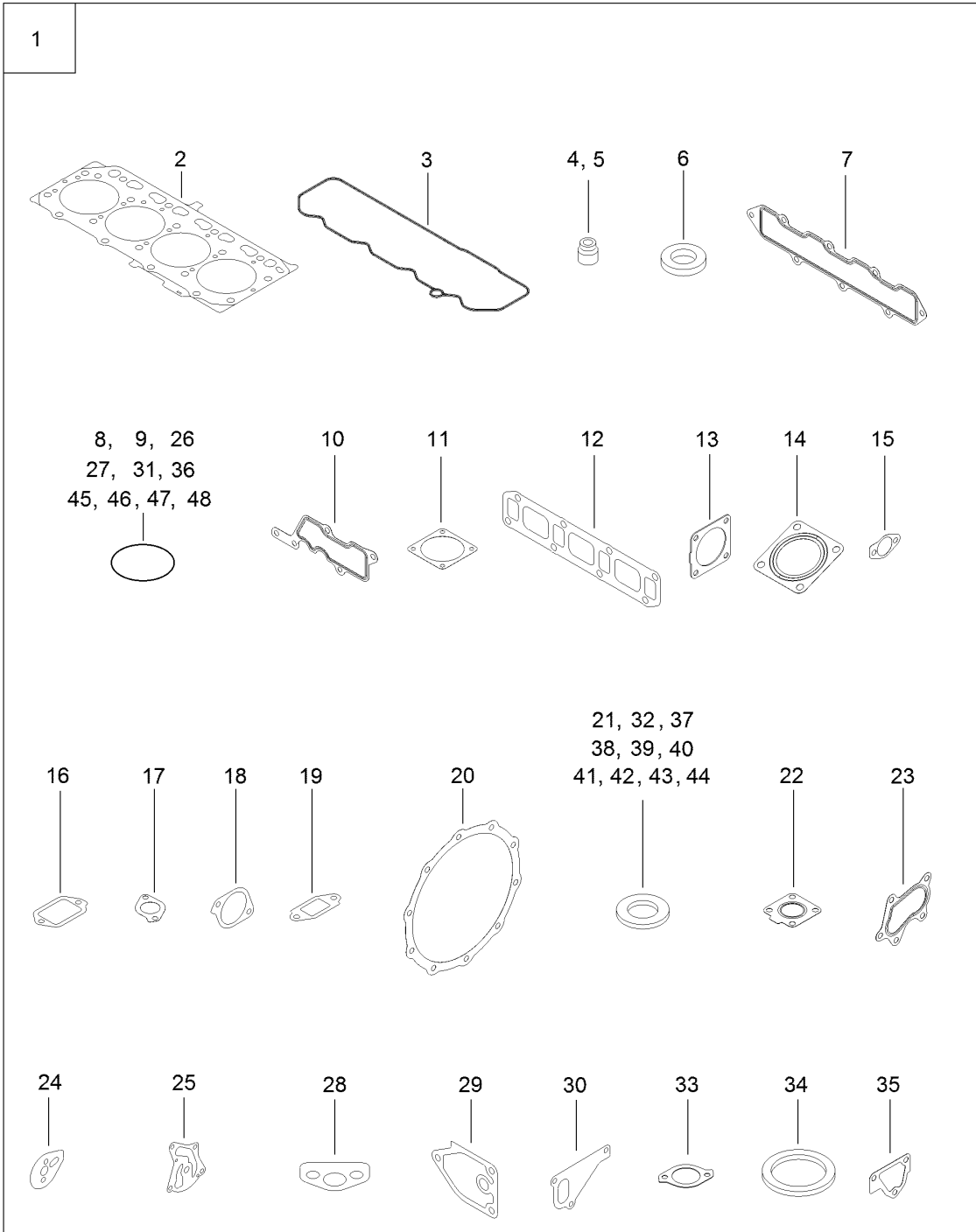
| <i>Ref.</i> | <i>Part Number</i> | <i>Qty.</i> | <i>Description</i> | <i>Ref.</i> | <i>Part Number</i> | <i>Qty.</i> | <i>Description</i> |
|-------------|--------------------|-------------|--------------------|-------------|--------------------|-------------|--------------------|
| 1 | 125-7003 | 1 | Starter | 15 | 125-7165 | 1 | Lever Set |
| 2 | 125-7004 | 1 | Switch ASM | 18 | 125-7037 | 1 | Dust Cover ASM |
| 3 | 125-7112 | 1 | Armature ASM | 19 | 125-7117 | 2 | Bolt-Through |
| 4 | 125-7252 | 1 | Bearing-Ball | 20 | 125-7166 | 1 | Pinion ASM |
| 5 | 125-7249 | 1 | Bearing, Ball | 21 | 125-7250 | 1 | Clutch ASM |
| 6 | 125-7113 | 1 | Field Coil ASM | 22 | 125-7251 | 1 | Bearing-Ball |
| 7 | 125-7114 | 2 | Brush | 23 | 125-7253 | 1 | Bearing-Ball |
| 8 | 125-7163 | 4 | Screw | 24 | 125-7167 | 1 | Shaft |
| 9 | 125-7115 | 1 | Cover | 25 | 125-7168 | 1 | Stopper Set |
| 10 | 125-7116 | 1 | Brush Holder ASM | 29 | 125-7210 | 2 | Bolt |
| 11 | 125-7114 | 2 | Brush | 30 | 125-7211 | 3 | Bolt |
| 12 | 125-7036 | 4 | Spring | 31 | 125-7169 | 1 | Cover |
| 13 | 125-7164 | 1 | Case-Gear | 32 | 125-7225 | 2 | Bolt |
| 14 | 125-7005 | 1 | Housing | | | | |



Generator Assembly

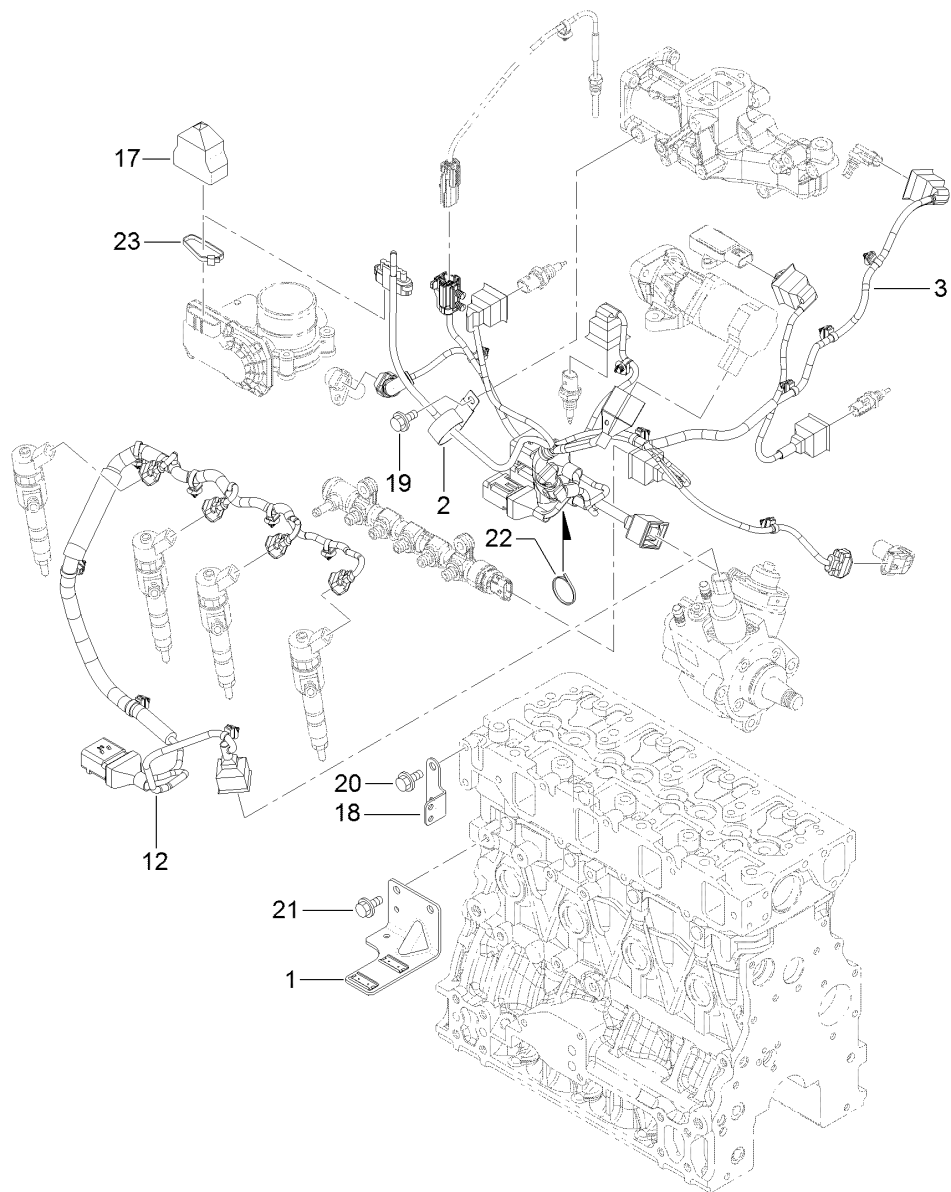
| Ref. | Part Number | Qty. | Description | Ref. | Part Number | Qty. | Description |
|------|-------------|------|----------------|------|-------------|------|--------------------|
| 1 | 127-3011 | 1 | Stud | 18 | 127-2993 | 1 | Holder |
| 2 | 125-7120 | 1 | Alternator-12V | 19 | 127-2956 | 2 | Brush ASM |
| 3 | 127-3190 | 1 | Nut | 20 | 127-2964 | 2 | Spring |
| 4 | 127-2951 | 1 | Rotor ASM | 21 | 127-2965 | 6 | Screw |
| 5 | 127-2983 | 1 | Bearing-Ball | 22 | 127-2966 | 1 | Screw |
| 6 | 127-2962 | 1 | Cover | 23 | 127-2999 | 1 | Cover |
| 7 | 127-2952 | 1 | Frame ASM | 24 | 127-2967 | 3 | Bolt |
| 8 | 127-2958 | 1 | Bearing-Ball | 25 | 127-2968 | 2 | Screw |
| 9 | 127-2959 | 1 | Plate-Retainer | 26 | 127-2969 | 2 | Bolt |
| 10 | 127-2960 | 4 | Screw | 27 | 127-2970 | 1 | Bushing-Insulation |
| 11 | 127-2961 | 2 | Stud | 28 | 127-2971 | 2 | Nut |
| 12 | 127-2953 | 1 | Frame ASM | 29 | 127-2972 | 1 | Washer |
| 13 | 127-2954 | 1 | Pulley | 30 | 125-7230 | 1 | Nut |
| 14 | 127-2955 | 1 | Nut | 31 | 125-6947 | 1 | Spacer |
| 15 | 127-2957 | 1 | Collar | 32 | 127-2977 | 1 | Adjuster |
| 16 | 127-3002 | 1 | Regulator ASM | 33 | 125-7134 | 1 | Bolt |
| 17 | 127-2963 | 1 | Holder | 34 | 125-7219 | 1 | Bolt |

Gasket Set



Gasket Set (continued)

| <i>Ref.</i> | <i>Part Number</i> | <i>Qty.</i> | <i>Description</i> | <i>Ref.</i> | <i>Part Number</i> | <i>Qty.</i> | <i>Description</i> |
|-------------|--------------------|-------------|----------------------------|-------------|--------------------|-------------|--------------------|
| 1 | 127-3189 | 1 | Gasket Kit | 26 | 125-6909 | 2 | O-Ring |
| 2 | 127-3126 | 1 | Gasket-Head, Cylinder | 27 | 127-2973 | 1 | O-Ring |
| 3 | 127-3106 | 1 | Gasket-Cover | 28 | 125-7022 | 1 | Gasket |
| 4 | 127-2986 | 4 | Seal-Stem, Valve | 29 | 125-7024 | 1 | Gasket |
| 5 | 127-3027 | 4 | Seal-Stem, Valve | 30 | 125-7047 | 1 | Gasket |
| 6 | 127-3021 | 4 | Gasket-Injector | 31 | 125-7048 | 1 | O-Ring |
| 7 | 127-3107 | 1 | Gasket-Manifold, Intake | 32 | 125-6979 | 1 | Gasket |
| 8 | 127-3032 | 2 | O Ring-Sensor, Pressure | 33 | 125-7110 | 1 | Gasket |
| 9 | 127-3033 | 1 | O-Ring | 34 | 125-7026 | 1 | Gasket |
| 10 | 127-3034 | 1 | Gasket-Collector | 35 | 125-6978 | 1 | Gasket |
| 11 | 127-3037 | 2 | Gasket-Throttle | 36 | 127-3074 | 1 | O-Ring |
| 12 | 127-3108 | 1 | Gasket-Manifold, Exhaust | 37 | 125-7174 | 1 | Washer-Seal |
| 13 | 127-3019 | 1 | Gasket | 38 | 125-7175 | 2 | Washer-Seal |
| 14 | 127-2987 | 1 | Gasket-Silencer | 39 | 125-7176 | 1 | Washer-Seal |
| 15 | 127-3043 | 2 | Gasket-Cooler, E G R | 40 | 127-3166 | 2 | Washer-Seal |
| 16 | 127-3046 | 1 | Gasket-E G R | 41 | 125-7177 | 1 | Washer-Seal |
| 17 | 127-3016 | 1 | Gasket | 42 | 125-7192 | 1 | Gasket |
| 18 | 127-3050 | 1 | Gasket-Intake Valve, E G R | 43 | 125-7193 | 2 | Gasket |
| 19 | 127-3051 | 1 | Gasket-Out Valve, E G R | 44 | 127-3174 | 2 | Gasket |
| 20 | 127-3162 | 2 | Gasket-D P F | 45 | 93-0418 | 3 | O-Ring |
| 21 | 127-3056 | 4 | Gasket-Sensor | 46 | 125-7197 | 1 | O-Ring |
| 22 | 125-7070 | 1 | Gasket | 47 | 125-7198 | 1 | O-Ring |
| 23 | 125-7071 | 1 | Gasket | 48 | 127-3176 | 1 | O-Ring |
| 24 | 127-3069 | 1 | Gasket-Idle, Shaft B | 49 | 127-3000 | 1 | Hone |
| 25 | 127-3004 | 1 | Gasket | 50 | 125-7248 | 1 | Gasket-Liquid |



Electric Parts Assembly

| Ref. | Part Number | Qty. | Description |
|-------------|--------------------|-------------|-------------------------|
| 1 | 127-3086 | 1 | Bracket-Connector |
| 2 | 127-3018 | 1 | Clip |
| 3 | 127-3156 | 1 | Harness B-E C O, Engine |
| 12 | 127-3125 | 1 | Harness C |
| 17 | 127-3089 | 1 | Boot-Type, Cap |
| 18 | 127-3090 | 1 | Bracket-Harness |
| 19 | 93-0362 | 1 | Bolt |
| 20 | 93-0362 | 2 | Bolt |
| 21 | 93-0362 | 2 | Bolt |
| 22 | 127-3187 | 1 | Band |
| 23 | 127-3188 | 1 | Band |

Attachments and Accessories

For 30887 Groundsmaster 4700-D Rotary Mower

| Product Name | Model/Part |
|---|-------------------|
| TÜV Kit - German Vehicle Serial Plate | 02983 |
| Operator Cooling Fan | 03247 |
| Switch Panel-Universal Sunshade..... | 03248 |
| Operator Golf Ball Guard, Reelmaster 3100/3500/5010 or Groundsmaster 3500/4300 Series Traction Unit | 03614 |
| Roller Scraper Kit..... | 104-5168 |
| Blade-High Lift | 104-5183 |
| Blade-Angle Sail | 105-9810-03 |
| Blade-Atomic | 107-0235-03 |
| Premium All Purpose Grease (Tube) | 108-1190 |
| 27in Blade Service Pack (qty 7) | 108-1464 |
| Blade-27in Combo | 108-9026 |
| Deck Cover | 111-4525 |
| Premium Synthetic Bio-Degradable Hydraulic Fluid (5 Gallon Pail) | 119-2157 |
| Premium Synthetic Bio-Degradable Hydraulic Fluid (55 Gallon Drum)..... | 119-2158 |
| Deck Lock Kit, Groundsmaster 4500-D/4700-D Traction Unit | 119-8641 |
| Large Seat Cover..... | 131-6691 |
| Roller Asm (UHMW) | 131-7800 |
| PX Hydraulic Fluid (5 Gal) | 133-8086 |
| PX Hydraulic Fluid (55 Gal)..... | 133-8087 |
| Ballast Kit (27in C/U) | 136-2881 |
| Reverse Tow Kit..... | 136-3620 |
| Adapter-ball Guard | 137-1392 |
| 3in Dia, 27in Sectional Roller Assembly..... | 137-6145 |
| Beacon Kit | 138-2699 |
| Power Harness Kit (GM45XX/GM47XX/GM7XXX)..... | 138-2995 |
| Work Lights Kit, Groundsmaster and Reelmaster Traction Units with Universal Sunshade..... | 140-1554 |
| White Universal Sunshade | 30669 |
| Road Light Kit, Groundsmaster 4500-D or 4700-D Traction Unit..... | 30670 |
| Red Universal Sunshade | 30671 |
| 27in Rotary Cutting Unit..... | 30834 |
| Leaf Mulching Kit | 30836 |
| Cab Kit..... | 30901 |
| 4wd Flow Divider Kit, Gm45/4700-f20 U | 31529 |
| New Red Paint - Gallon | 361-11 |
| Dark Metallic Gray Aerosol Paint | 361-12 |
| Semi-Gloss Black Spray Paint..... | 361-9 |
| 1000 Hour Mvp Kit-Tier IV..... | 44967 |
| Air Dry Red Paint - Qt | 5340 |

Notes:

Notes:



Count on it.