



**Count on it.**

**Parts Catalog**

**96in Air Cool Z Master®  
Professional**

**Riding Mower**

**Model No. 74090—Serial No. 416263257 and Up**



# Ordering Replacement Parts

To order replacement parts, please supply the part number, the quantity, and the description of each part desired.

## Understanding Reference Numbers

Each identified part in an illustration has a reference number. The reference number for a part also appears in the parts list, along with other information about the part.

This catalog uses two special reference number formats, one to indicate parts in a service assembly and another to indicate the quantity of a given part in an illustration.

## Service Assembly Reference Numbers

Parts in service assemblies have reference numbers in the form a:b. The a represents the reference number of the entire service assembly and the b represents a sequential number unique to each part within the service assembly.

For example, a wheel assembly might be identified by reference number 6, the tire by 6:1, the valve by 6:2, and the wheel by 6:3. When you order the assembly identified by reference number 6, you receive all parts identified by reference numbers 6:1, 6:2, and 6:3. However, you may also order any part individually. Reference numbers of this type appear in illustration and in parts lists.

## Reference Numbers Indicating Quantity

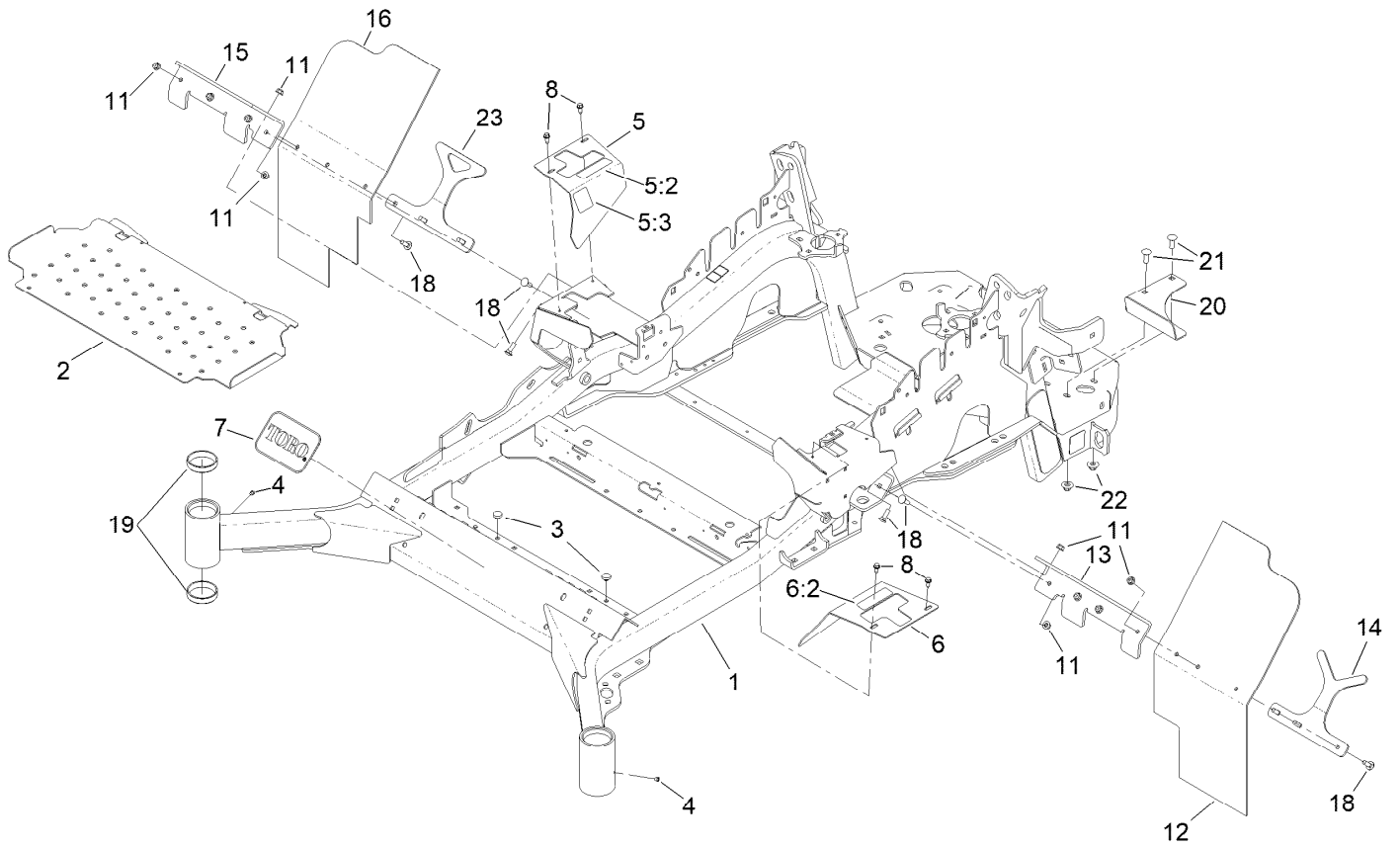
In an illustration, if a reference number indicates more than one part, the reference number has the form nX y. The n represents the quantity of the part, the X is the multiplication symbol, and the y represents the reference number.

For example, in an illustration, the reference number 2X 37 means that two of the parts identified by reference number 37 are indicated.

# Contents

Frame Assembly	4
Mainframe Assembly No. 142-2671	6
ROPS Assembly	8
Roll-Over Protection System Assembly No. 116-0231	10
Caster Fork and Wheel Assembly	12
Hydraulic Drive Assembly	14
RH Hydro Assembly No. 135-7910	16
LH Hydro Assembly No. 135-7909	18
Pump Idler Assembly No. 116-1255	20
Rear Wheel Assembly	22
Park Brake Assembly	24
Fuel System Assembly	26
Fuel Tank Assembly No. 135-0643	28
Seat Mounting Assembly	30
Seat Assembly No. 147-4984	32
Motion Control Assembly	34
Fender, Console and Control Assembly	36
RH Console Assembly No. 115-7400	38
LH Console Assembly No. 115-7401	40
Electrical Assembly	42
Electrical Harness Assembly No. 142-8168	44
Deck Lift Assembly	46
Power Unit Assembly No. 135-1582	48
Engine Assembly	50
Hood and Oil Cooler Assembly	52
Frame Decal Assembly	54
Discharge Tunnel Assembly	56
LH Deck Assembly	58
LH Wing Deck Decal Assembly No. 146-3903	60
Rear Caster Wheel Assembly	62
Caster Fork and Wheel Assembly	64
RH Deck Assembly	66
RH Wing Deck Decal Assembly No. 146-3904	68
Center Deck Belt Drive Assembly	70
Idler Assembly No. 126-9435	72
Idler Assembly No. 126-9438	74
Deck Idler Assembly No. 126-1720	76
Center Deck Hydraulic and Electrical Assembly	78
Center Deck Fold Assembly	80
Center Deck Cutting Assembly	82
Attachments and Accessories	84

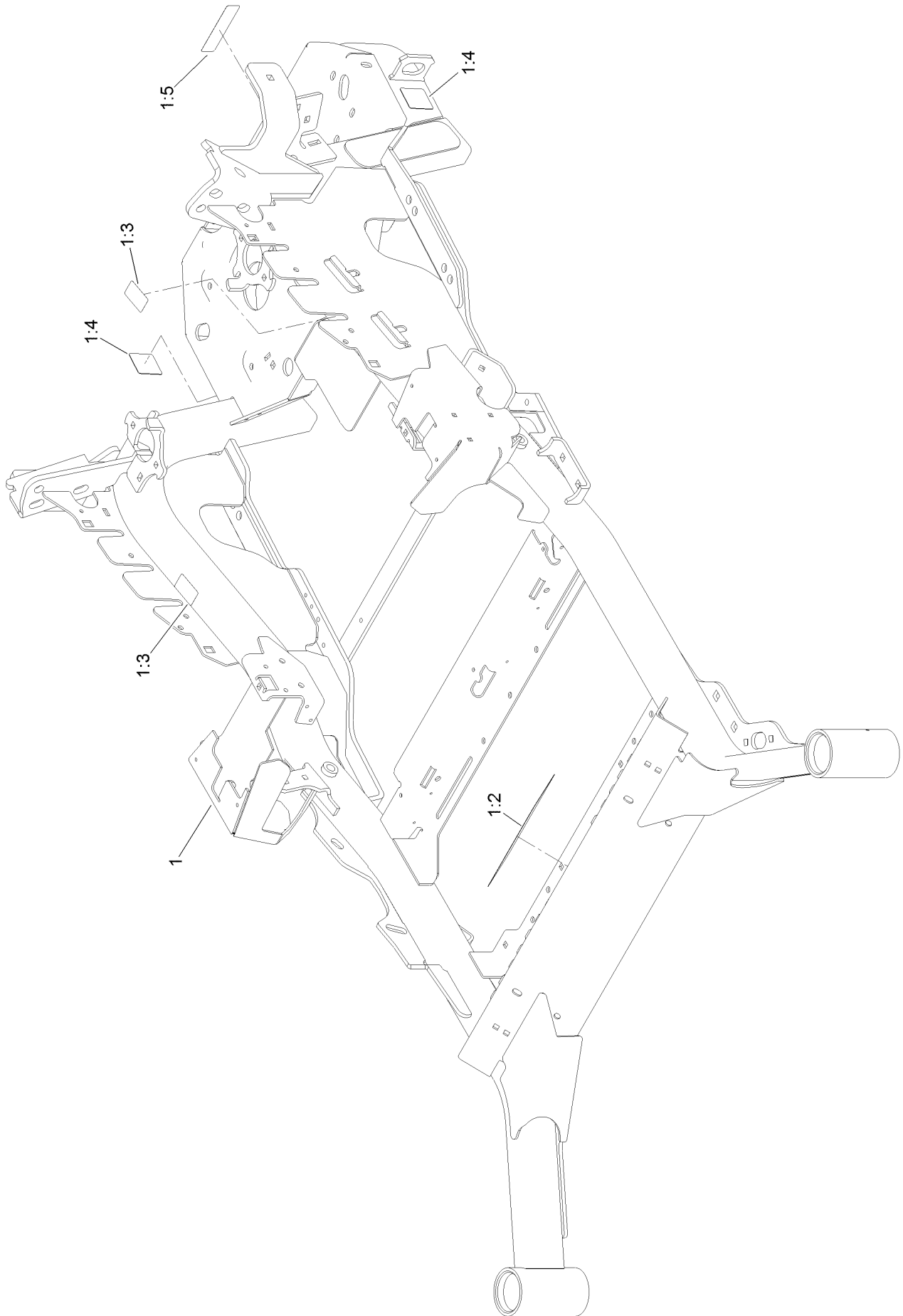
# Frame Assembly



## Frame Assembly (continued)

<i>Ref.</i>	<i>Part Number</i>	<i>Qty.</i>	<i>Description</i>	<i>Ref.</i>	<i>Part Number</i>	<i>Qty.</i>	<i>Description</i>
1	142-2671	1	Mainframe ASM	11	104-8300	10	Nut-HF, NI
2	142-2872-01	1	Floor Pan	12	135-4947	1	Mud Flap
3	1-513658	2	Bumper	13	135-4950-03	1	Bracket-Mud Flap, LH
4	1-811010	2	Plug	14	135-4952-03	1	Support-Mud Flap, Rear
5	116-5899	1	RH Motion Control Cover ASM	15	135-4955-03	1	Bracket-Mud Flap, RH
5:2	99-8936	1	Decal-Control, Motion	16	135-4957	1	Mud Flap
5:3	116-5988	1	Decal-Park Brake, CE	18	3230-2	10	Bolt-CARR
6	116-0580	1	LH Motion Control Cover ASM	19	1-543508	4	Cup-Bearing
6:2	99-8936	1	Decal-Control, Motion	20	142-2927-01	1	Shield-Heat
7	68-3640	1	Decal	21	3231-22	2	Screw-CARR
8	32144-10	4	Screw-HWH	22	109-6658	2	Nut-Flange, NI
				23	142-3344-03	1	Support-Mud Flap RH

# Mainframe Assembly No. 142-2671

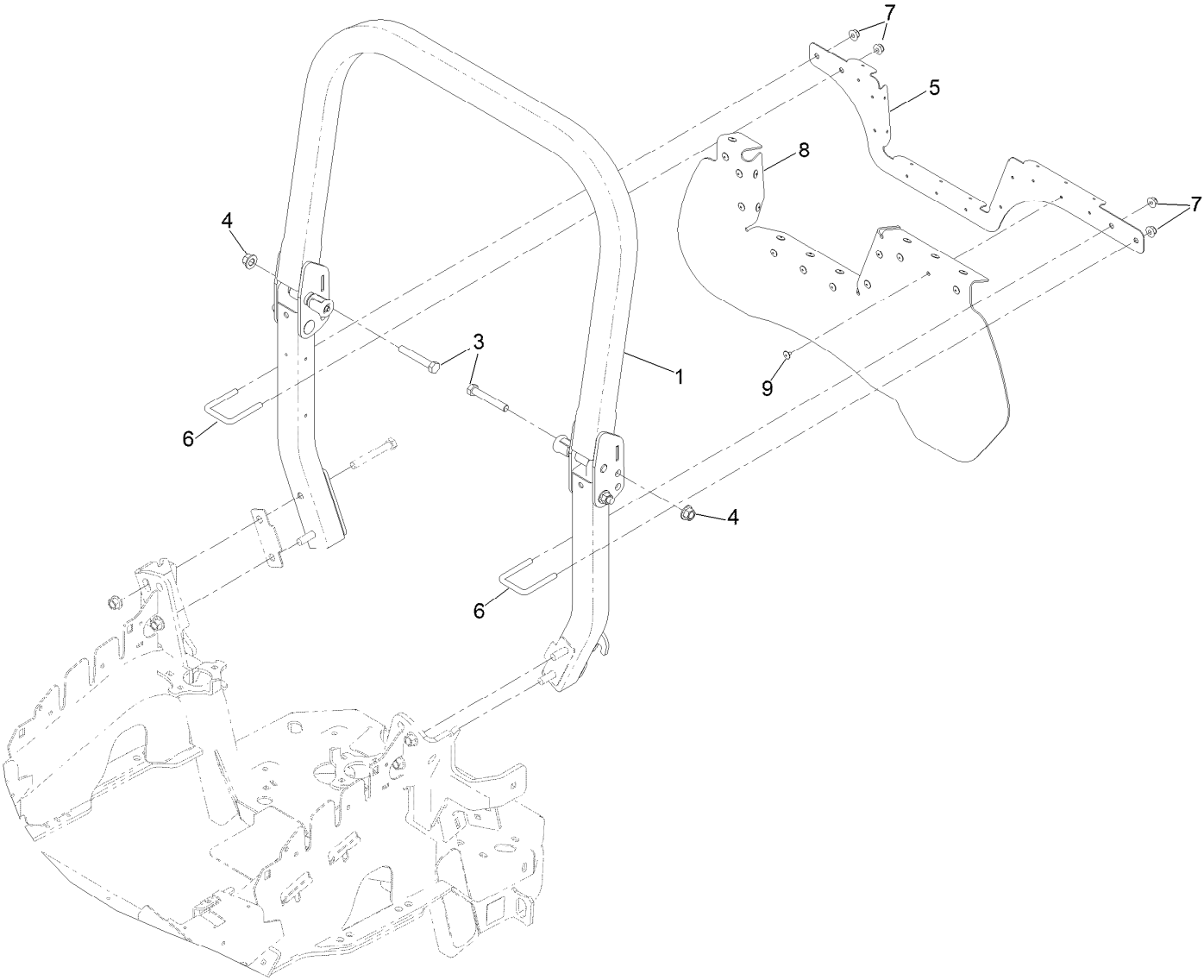


# Mainframe Assembly No. 142-2671 (continued)

<i>Ref.</i>	<i>Part Number</i>	<i>Qty.</i>	<i>Description</i>	<i>Ref.</i>	<i>Part Number</i>	<i>Qty.</i>	<i>Description</i>
1		1	Mainframe ASM ●	1:4	106-2655	2	Decal-Hazard, Pinched Finger
1:2	132-0871	1	Decal-Danger	1:5	133-8062	1	Decal-Spark Arrestor
1:3	106-5517	2	Decal-Warning				

● Not serviced separately

# ROPS Assembly

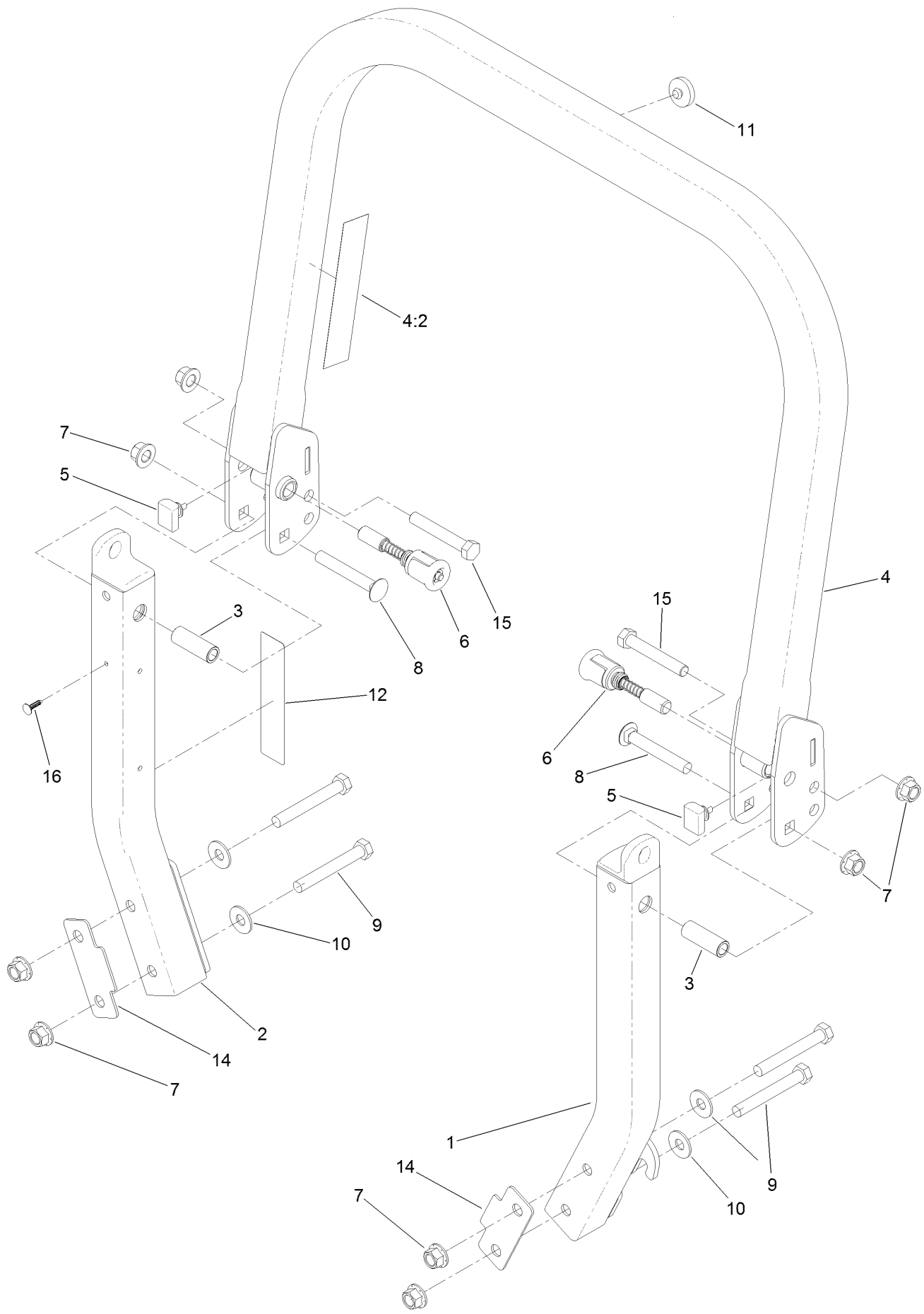




## ROPS Assembly (continued)

<i>Ref.</i>	<i>Part Number</i>	<i>Qty.</i>	<i>Description</i>	<i>Ref.</i>	<i>Part Number</i>	<i>Qty.</i>	<i>Description</i>
1	116-0231	1	ROPS ASM	6	104-9082	2	U-Bolt
3	325-13	2	Screw-HH	7	104-8301	4	Nut-HF, NI
4	99-5107	2	Nut-Lock	8	142-3626	1	Air Dam, Hood
5	142-3625-03	1	Bracket, Air Dam	9	132-5064	22	Rivet-Pop

# Roll-Over Protection System Assembly No. 116-0231

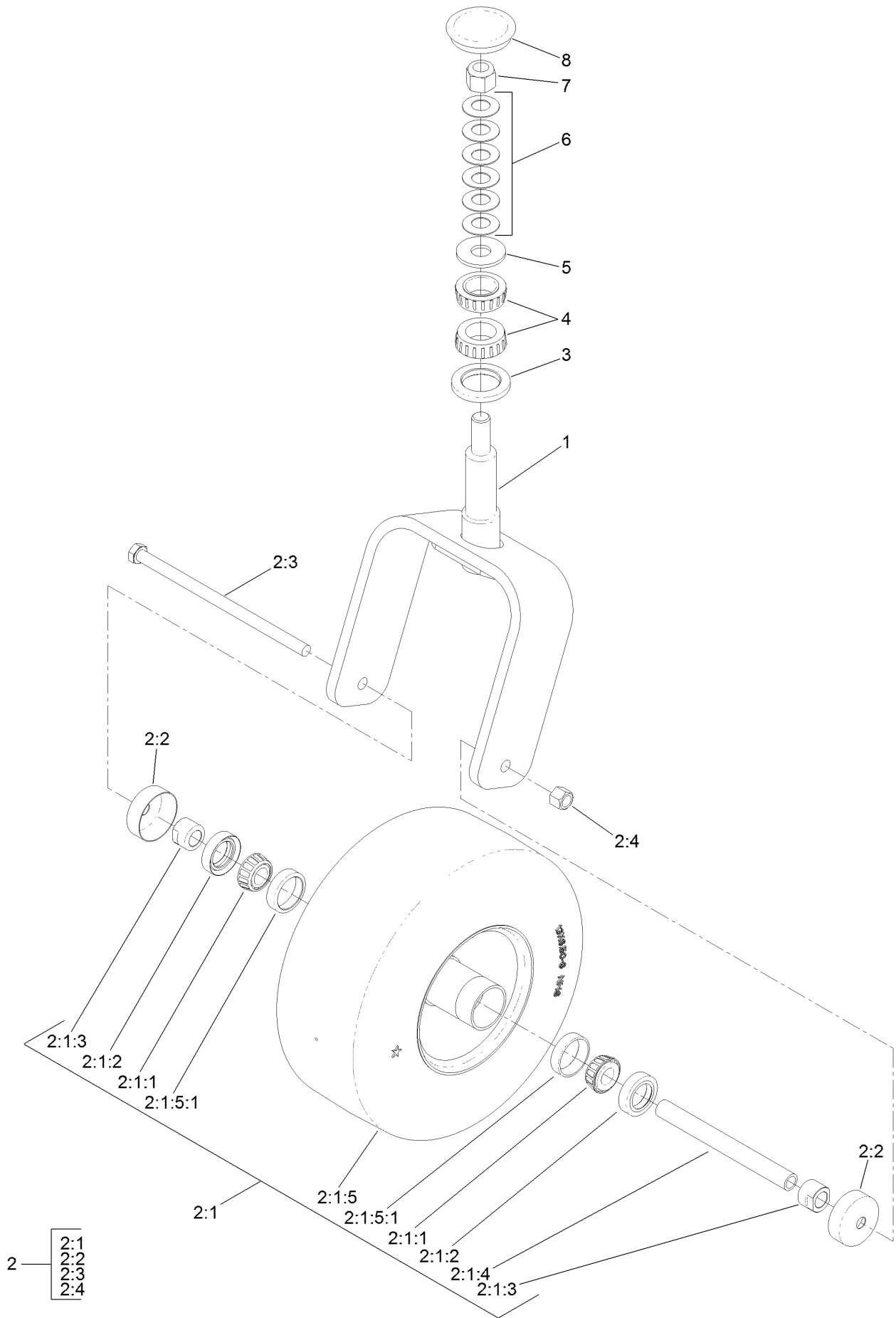


# Roll-Over Protection System Assembly No. 116-0231 (continued)

<i>Ref.</i>	<i>Part Number</i>	<i>Qty.</i>	<i>Description</i>	<i>Ref.</i>	<i>Part Number</i>	<i>Qty.</i>	<i>Description</i>
1		1	Leg-ROPS, LH ●	8	3233-10	2	Screw-CARR
2		1	Leg-ROPS, RH ●	9	325-35	4	Screw-HH
3	109-6653	2	Spacer	10	109-9505	4	Washer-Spring
4		1	Upper ROPS ASM ●	11	109-9233	1	Bumper-Push-In, Rubber
4:2	107-3069	1	Decal-Warning	12	117-0346	1	Decal-Caution, Fuel Vent
5	109-5337	2	Bumper-ROPS	14	116-0960	2	Spacer
6	116-0104	2	Pin-Spring	15	325-13	2	Screw-HH
7	99-5107	8	Nut-Lock	16	125-8067	1	Plug-Plastic

● Not serviced separately

# Caster Fork and Wheel Assembly



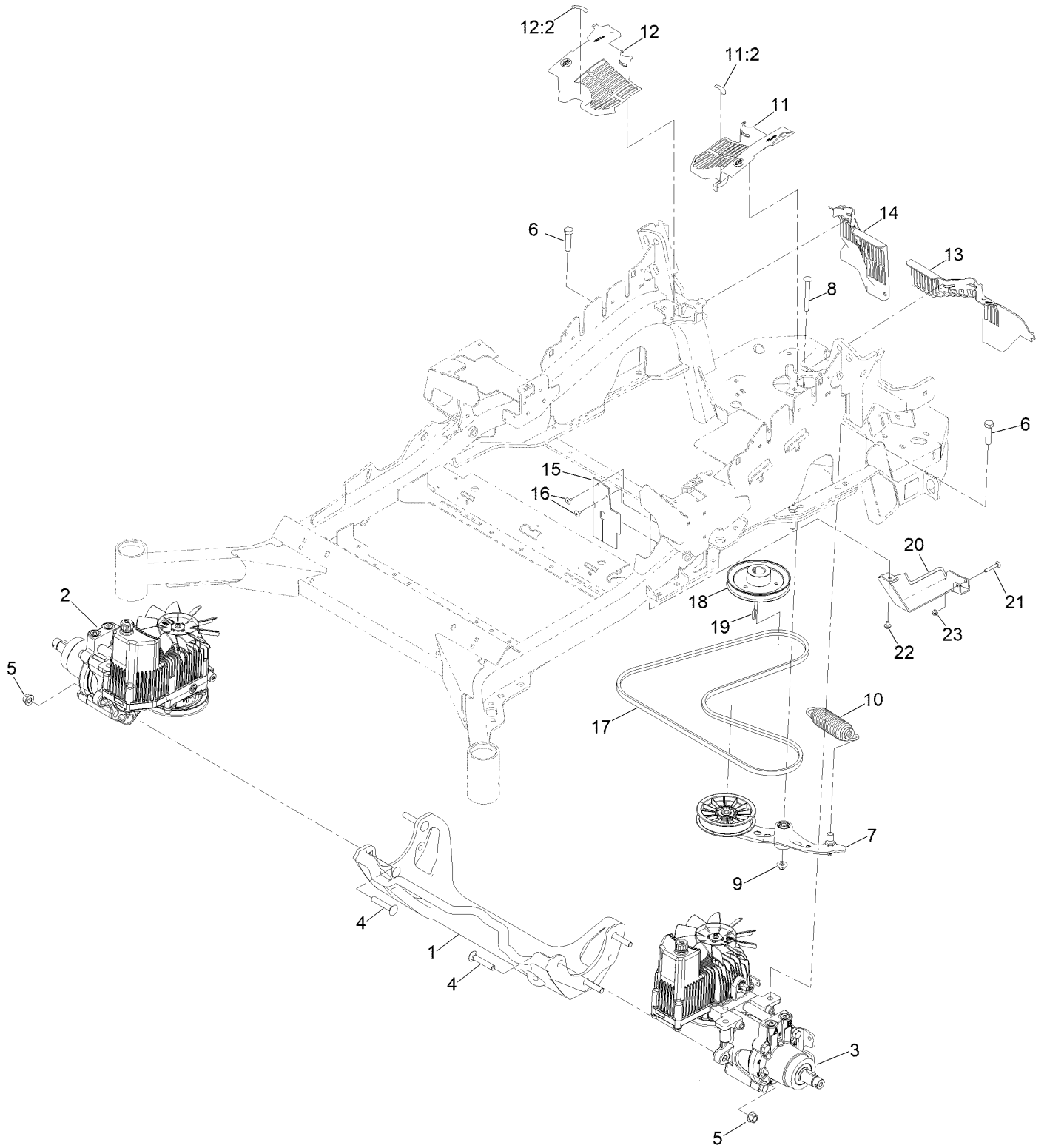
## Caster Fork and Wheel Assembly (continued)

<i>Ref.</i>	<i>Part Number</i>	<i>Qty.</i>	<i>Description</i>	<i>Ref.</i>	<i>Part Number</i>	<i>Qty.</i>	<i>Description</i>
1	135-0750-01	1	Fork-Caster	2:2	103-2768	2	Guard-Seal
2		1	Wheel And Axle ASM ●	2:3	325-39	1	Screw-HH
2:1	127-9526	1	Wheel And Bearing ASM	2:4	3296-23	1	Nut-Lock, NI
2:1:1	1-633585	2	Bearing-Cone, Taper	3	135-0355	1	Seal-Grease
2:1:2	103-0063	2	Seal-Caster	4	103-9028	2	Bearing-Roller, Cone Taper
2:1:3	103-3051	1	Spacer-Nut ■	5	3256-8	1	Washer-Flat
2:1:4	126-5361	1	Axle Caster ASM	6	1-633508	6	Washer-Bellville
2:1:5	127-9527	1	Wheel And Tire ASM	7	3296-51	1	Nut-Lock, NI
2:1:5:1	1-633584	2	Bearing-Cup	8	126-9369	1	Cap-Grease

● Not serviced separately

■ Use Pro-Lock, Nut Type (P/N 1-840022, .5ml tube) on threads.

# Hydraulic Drive Assembly

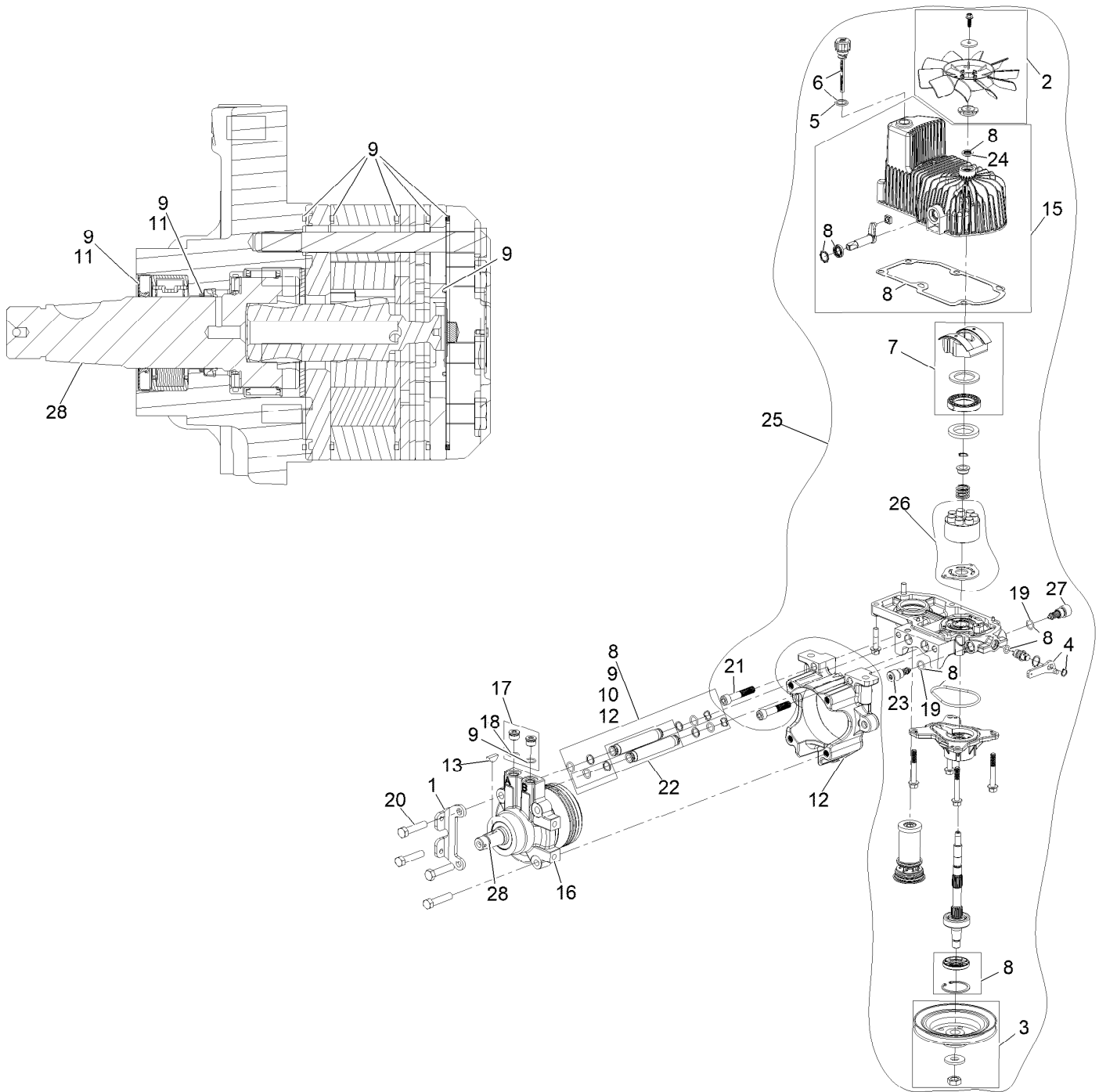


## Hydraulic Drive Assembly (continued)

<i>Ref.</i>	<i>Part Number</i>	<i>Qty.</i>	<i>Description</i>	<i>Ref.</i>	<i>Part Number</i>	<i>Qty.</i>	<i>Description</i>
1	116-7558	1	Cradle-Hydro	14	109-9058	1	Guard-Hydro, Rear (RH)
2	135-7910	1	Hydro-RH	15	116-2362	1	Deflector-Air Flow
3	135-7909	1	Hydro-LH	16	1-803035	2	Rivet-Pop
4	126-0095	6	Screw-CARR	17	126-9835	1	Belt-V
5	99-5107	6	Nut-Lock	18	142-9445	1	Sheave, W/Hub
6	325-8	4	Screw-HH	19	1-807259	1	Key
7	116-1255	1	Pump Idler ASM	20	142-3469	1	Tank Guard Wldmnt
8	116-1502	1	Bolt-Shoulder, Carriage	21	3229-5	1	Screw-CARR
9	109-6658	1	Nut-Flange, NI	22	46-6810	1	Screw And Washer ASM
10	116-6317	1	Spring-Extension	23	104-7201	1	Nut-HF, NI
11	116-0170	1	LH Hydro Guard ASM	99	114-4713	1	Hypr-Oil 500 (Quart) ●
11:2	116-8726	1	Decal-Oil, Hydro	99	114-4714	1	Hypr-Oil 500 (Gallon) ●
12	116-0171	1	RH Hydro Guard ASM	99	114-4715	1	Hypr-Oil 500-5 (5 Gallon) ●
12:2	116-8726	1	Decal-Oil, Hydro	99	117-0390	1	Filter-Hydro ●
13	109-9709	1	Guard-Hydro, Rear Trim (LH)				

● Not illustrated

# RH Hydro Assembly No. 135-7910



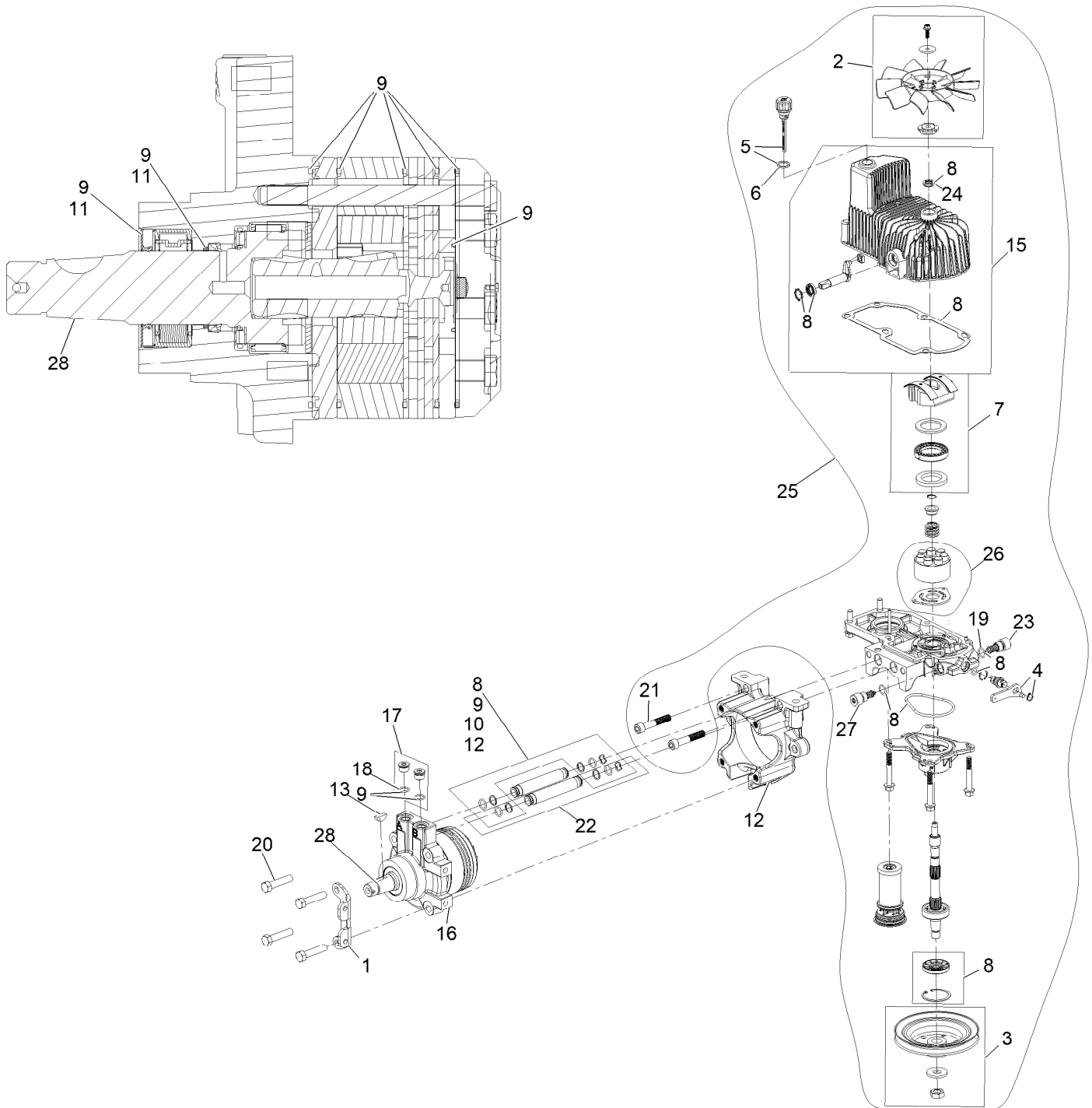


## RH Hydro Assembly No. 135-7910 (continued)

<i>Ref.</i>	<i>Part Number</i>	<i>Qty.</i>	<i>Description</i>	<i>Ref.</i>	<i>Part Number</i>	<i>Qty.</i>	<i>Description</i>
1	135-7827	1	Plate, Horse Shoe Mount	17	116-7901	1	Magnetic Plugs Service Kit
2	142-3603	1	Kit, 7.8 In Fan	18	76-1900	2	O-Ring
3	116-0234	1	Pulley Kit	19	116-8662	2	O-Ring-Valve, Check
4	116-0235	1	Handle	20	116-8974	4	Screw-HH 1/2-20 X 2 1/4
5	116-0236	1	Dipstick	21	116-8975	2	Screw-HSH 1/2-20 X 2 3/4
6	116-0237	1	Gasket	22	116-9922	2	Hydraulic Tube Kit
7	116-1367	1	Swash Block Kit	23	126-7466	1	Valve-Shock
8	142-3604	1	Kit, Pump Seal	24	126-7711	1	Seal-Drive, Fan
9	116-1369	1	Motor Seal Kit	25	142-3606	1	Kit, Pump Section 16Cc RH
10	116-1370	1	Tube Seal Kit	26	142-4501	1	Kit - 16Cc Port Plate, Rotate Grp
11	116-1371	1	Output Shaft Seal Kit				
12	116-5469	1	Cup-Nose	27	142-4459	1	Shock Valve Orificed 3800
13	3257-42	1	Key-Woodruff 5/16 X 1	28	99-3090	1	Shaft-Coupling
15	142-4461	1	Kit, Housing-Hydro RH	99	116-1373	1	Flow Test Kit ●
16	142-3617	1	Kit, Motor Tg310Cc RH	99	116-4245	1	Puller-Pulley ●

● Not illustrated

# LH Hydro Assembly No. 135-7909



## LH Hydro Assembly No. 135-7909 (continued)

<i>Ref.</i>	<i>Part Number</i>	<i>Qty.</i>	<i>Description</i>	<i>Ref.</i>	<i>Part Number</i>	<i>Qty.</i>	<i>Description</i>
1	135-7827	1	Plate, Horse Shoe Mount	17	116-7901	1	Magnetic Plugs Service Kit
2	142-3603	1	Kit, 7.8 In Fan	18	76-1900	2	O-Ring
3	116-0234	1	Pulley Kit	19	116-8662	2	O-Ring-Valve, Check
4	116-0235	1	Handle	20	116-8974	4	Screw-HH 1/2-20 X 2 1/4
5	116-0236	1	Dipstick	21	116-8975	2	Screw-HSH 1/2-20 X 2 3/4
6	116-0237	1	Gasket	22	116-9922	2	Hydraulic Tube Kit
7	116-1367	1	Swash Block Kit	23	126-7466	1	Valve-Shock
8	142-3604	1	Kit, Pump Seal	24	126-7711	1	Seal-Drive, Fan
9	116-1369	1	Motor Seal Kit	25	142-3607	1	Kit, Pump Section 16Cc LH
10	116-1370	1	Tube Seal Kit	26	142-4501	1	Kit - 16Cc Port Plate, Rotate Grp
11	116-1371	1	Output Shaft Seal Kit				
12	116-5469	1	Cup-Nose	27	142-4459	1	Shock Valve Orificed 3800
13	3257-42	1	Key-Woodruff 5/16 X 1	28	99-3090	1	Shaft-Coupling
15	142-4460	1	Kit, Housing-Hydro LH	99	116-4245	1	Puller-Pulley ●
16	142-3616	1	Kit, Motor Tg310Cc LH	99	116-1373	1	Flow Test Kit ●

● Not illustrated

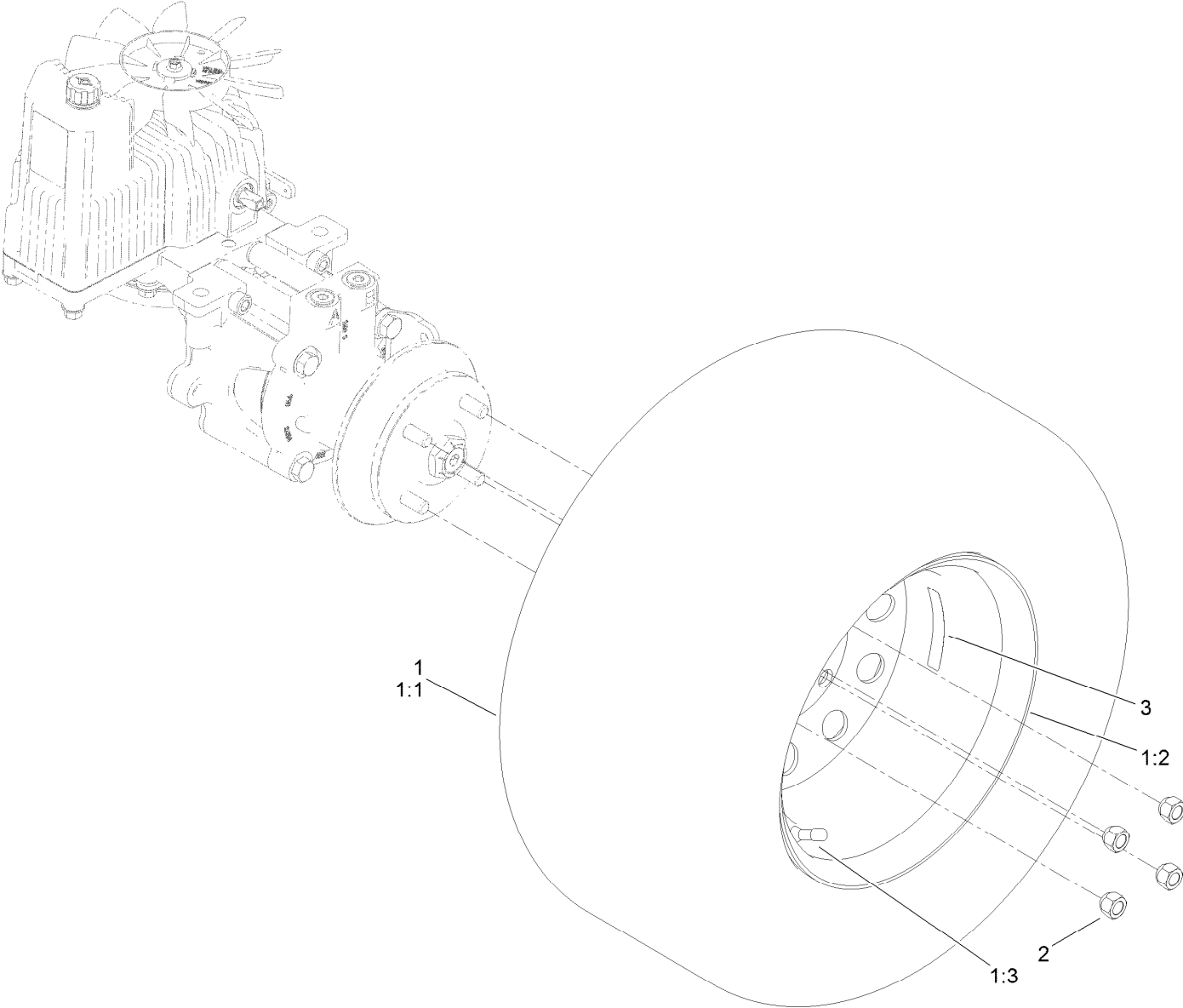
# Pump Idler Assembly No. 116-1255



## Pump Idler Assembly No. 116-1255 (continued)

<i>Ref.</i>	<i>Part Number</i>	<i>Qty.</i>	<i>Description</i>	<i>Ref.</i>	<i>Part Number</i>	<i>Qty.</i>	<i>Description</i>
2	43-0940	1	Spacer	8	323-8	1	Screw-HH
3	103-3504	2	Bearing-Spherical	9	32120-10	2	Ring-Snap
4	103-3505	1	Seal-Lip, Double	10	302-19	1	Fitting-Grease
5	103-3506	1	Seal-Lip, Single	11	109-8076	1	Pulley-Idler
6	109-6658	1	Nut-Flange, NI	12	132-4724	1	Pin-Anchor, Spring
7	106-7159	2	O-Ring				

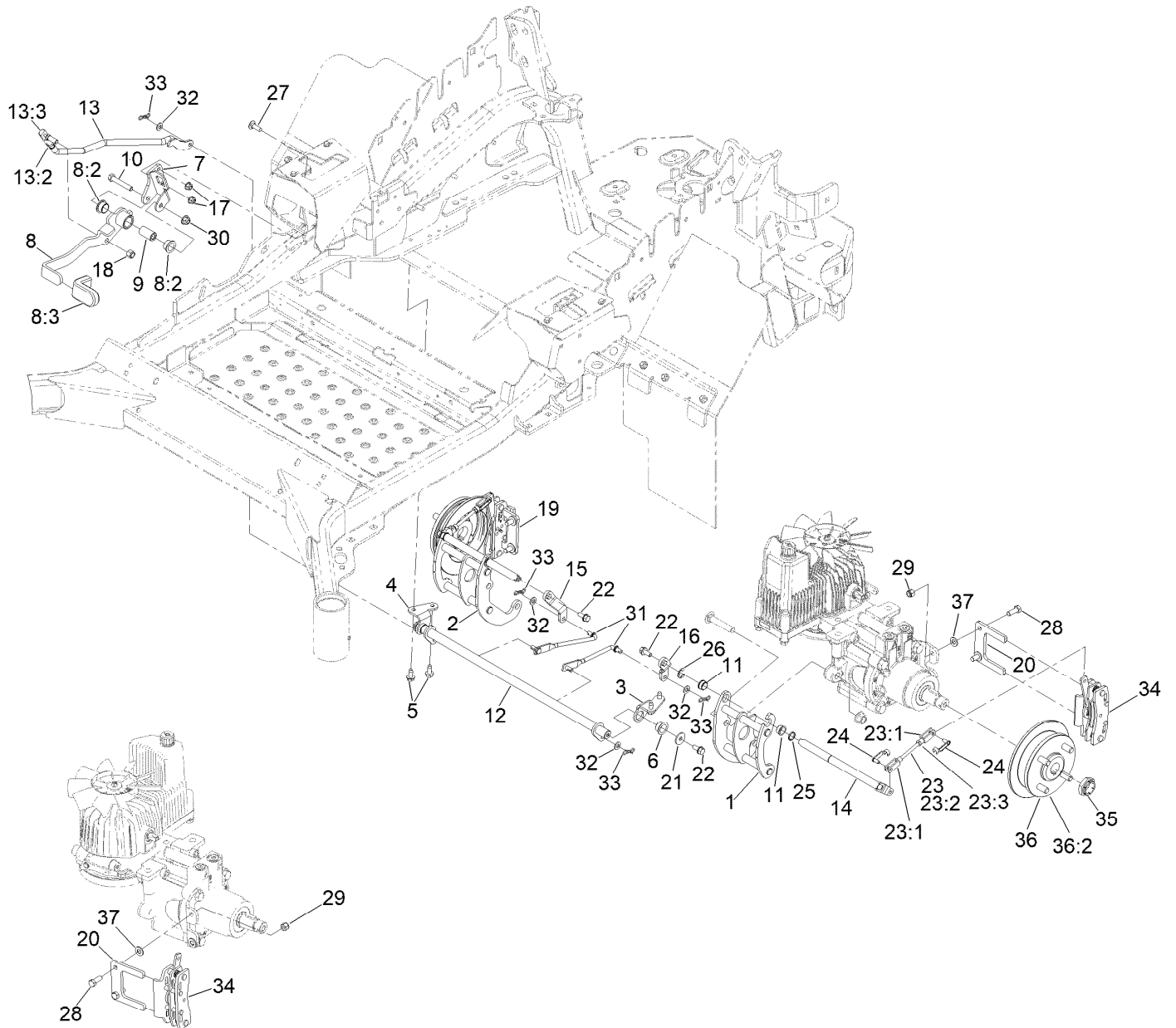
# Rear Wheel Assembly



## Rear Wheel Assembly (continued)

<i>Ref.</i>	<i>Part Number</i>	<i>Qty.</i>	<i>Description</i>	<i>Ref.</i>	<i>Part Number</i>	<i>Qty.</i>	<i>Description</i>
1	127-9521	2	Wheel And Tire ASM	1:3	232-27	1	Stem-Valve
1:1	1-633993	1	Tire	2	139-2564	8	Nut-Lug
1:2	127-9522	1	Wheel	3	135-7898	2	Decal-Wheel Hub

# Park Brake Assembly



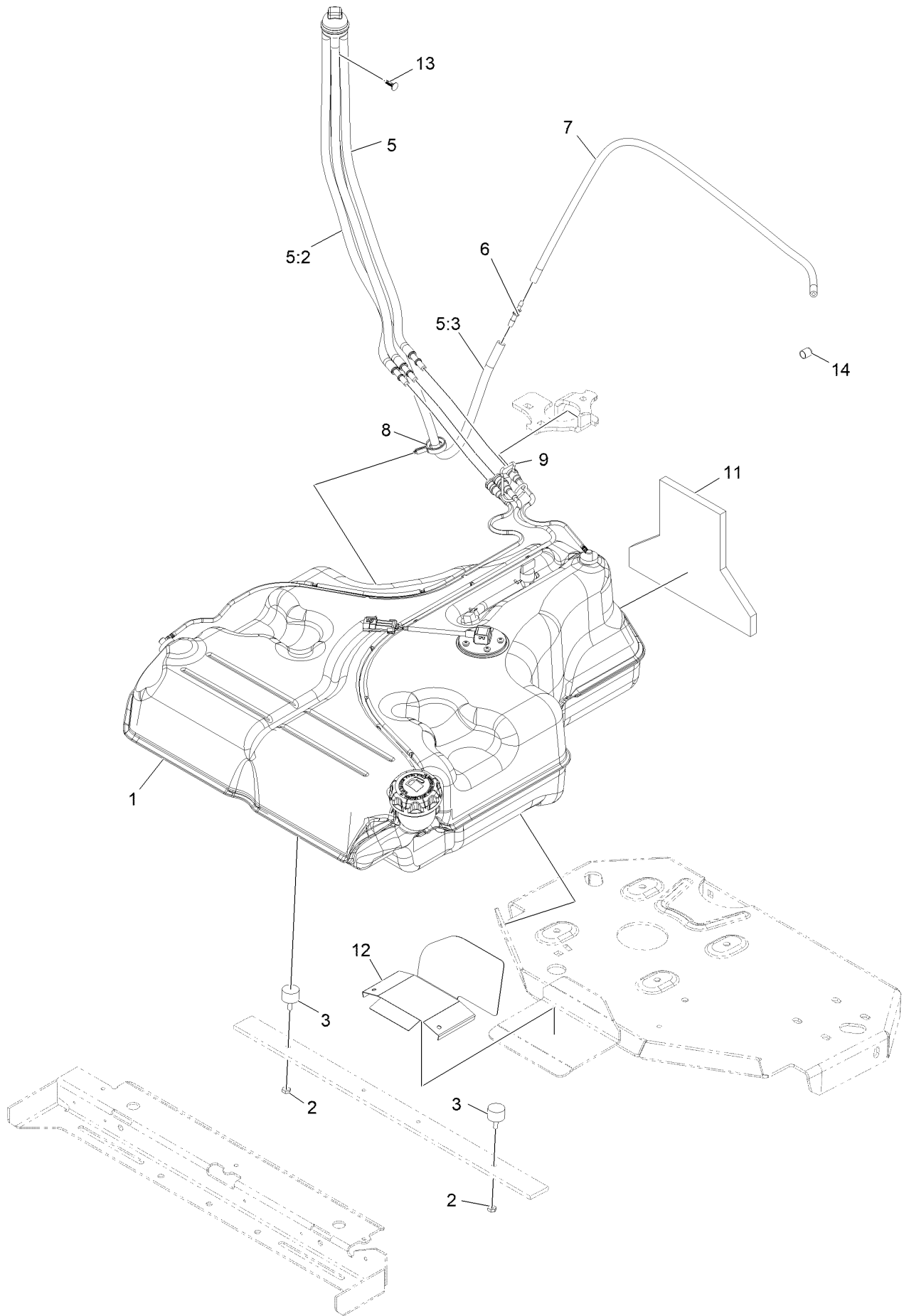
REAR VIEW OF  
RIGHT HAND HYDRO



## Park Brake Assembly (continued)

<i>Ref.</i>	<i>Part Number</i>	<i>Qty.</i>	<i>Description</i>	<i>Ref.</i>	<i>Part Number</i>	<i>Qty.</i>	<i>Description</i>
1	135-4893	1	Mount-Bellcrank, LH	19	135-7440	1	Caliper-Brake, RH
2	135-4895	1	Mount-Bellcrank, RH	20	135-7828	2	Plate-Mount, Brake
3	116-9681	1	Mount-Pivot, LH	21	115-7109	2	Washer-Flat
4	116-9682	1	Mount-Pivot, RH	22	98-9940	4	Screw-HHF
5	32144-70	4	Screw-HWH 5/16-18 X 3/4 Tf	23	126-7587	2	Rear Linkage ASM
6	109-8054	2	Bushing-Flanged	23:1	126-7588	2	Yoke
7	116-9096-01	1	Bracket-Mount	23:2	116-9069	1	Linkage, Rear
8	135-7565	1	Brake Lever ASM	23:3	3220-1	1	Nut-Jam 1/4-28
8:2	109-8054	2	Bushing-Flanged	24	126-6395	4	Pin-Clevis, Spring
8:3	132-4749	1	Grip-Lever	25	142-3422	2	Spacer
9	116-9117	1	Pivot-Handle, Brake	26	32120-19	2	E-Ring
10	323-11	1	Screw-HH 3/8-16 X 2 1/4	27	3230-2	2	Bolt-Carriage 5/16-18 X 1
11	126-6199	4	Bushing	28	135-7915	4	Screw-HH,
12	135-7800	1	Shaft-Cross	29	112-0236	4	Nut-Lock
13	135-4859	1	Front Linkage ASM	30	104-8301	1	Nut-Nyloc 3/8-16 Flg
13:2	94-7572	1	End-Tie Rod, RH	31	142-6328	2	Mid-Link, Short
13:3	3220-3	1	Nut-Jam 3/8-24	32	3256-23	4	Washer-5/16 SAE
14	135-4896	2	Bellcrank,	33	119-1415	4	Pin-Cotter, Locking
15	126-3716	1	Arm-Inner, RH	34	135-7441	1	Caliper-Brake, LH
16	126-3715	1	Arm-Inner, LH	35	116-1399	2	Locknut
17	104-8300	2	Nut-Nyloc 5/16-18 Flg	36	142-2701	2	Wheel Hub ASM
18	3296-6	1	Nut-Nyloc 3/8-24	36:2	116-1696	4	Stud-Wheel
				37	3256-24	4	Washer-Plain

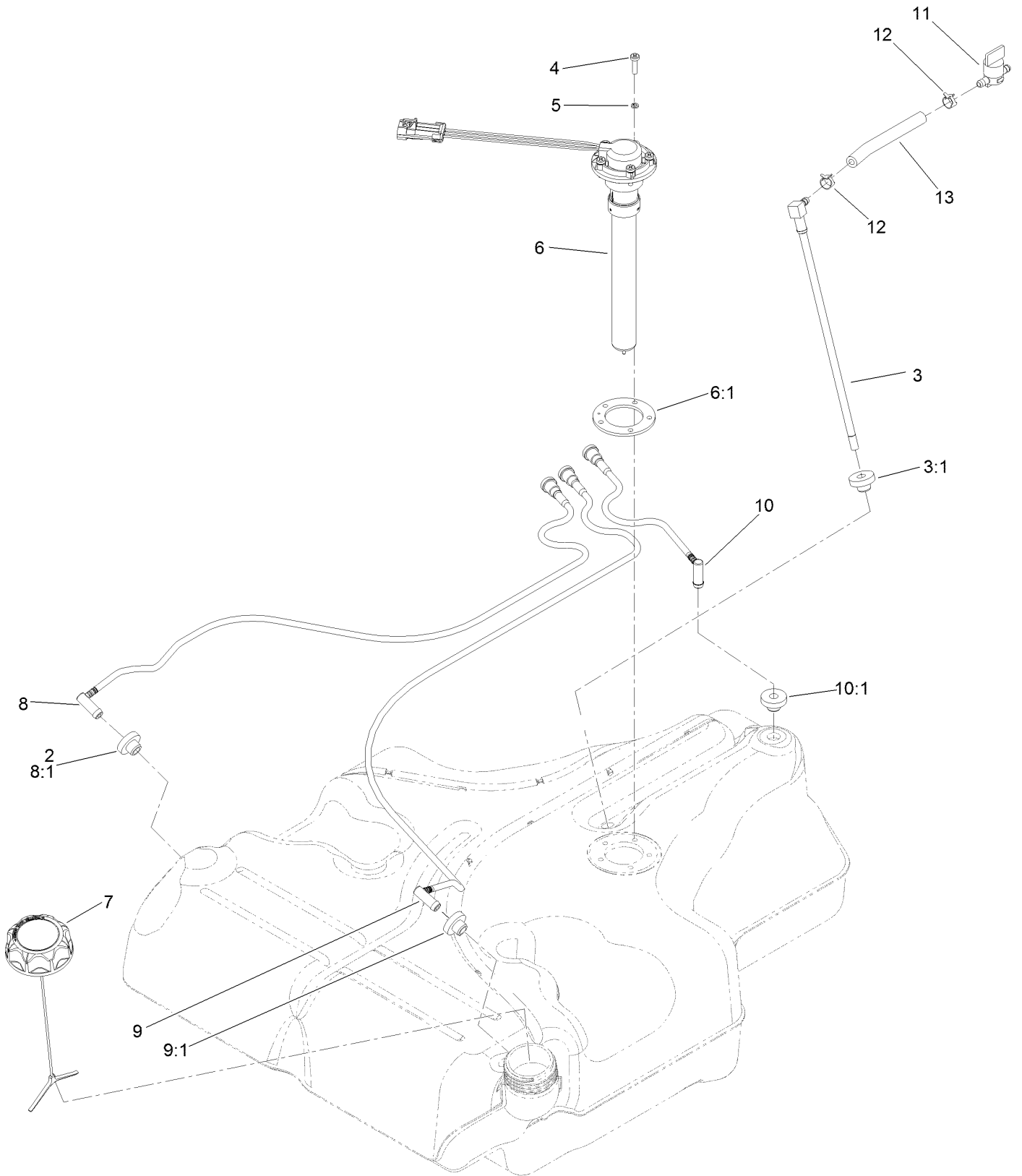
# Fuel System Assembly



## Fuel System Assembly (continued)

<i>Ref.</i>	<i>Part Number</i>	<i>Qty.</i>	<i>Description</i>	<i>Ref.</i>	<i>Part Number</i>	<i>Qty.</i>	<i>Description</i>
1	135-0643	1	Fuel Tank ASM	7	119-6074	1	Hose-Fuel
2	3218-1	2	Nut-Jam 1/4-20	8	105-1853	1	Clamp-Hose
3	1-523420	2	Bumper	9	116-6005	1	Retainer-Line, Vapor
5	127-0583	1	Fuel Manifold Vent ASM	11	126-0224	1	Insulation-Foam, Fuel Tank
5:2	109-0302	3	Hose-Fuel Line 24"	12	126-0032-01	1	Guard-Exhaust
5:3	108-5376	1	Hose-Fuel	13	125-8067	1	Plug-Plastic
6	135-5678	1	Barb-Fuel	14	116-4464	1	Plug-Port

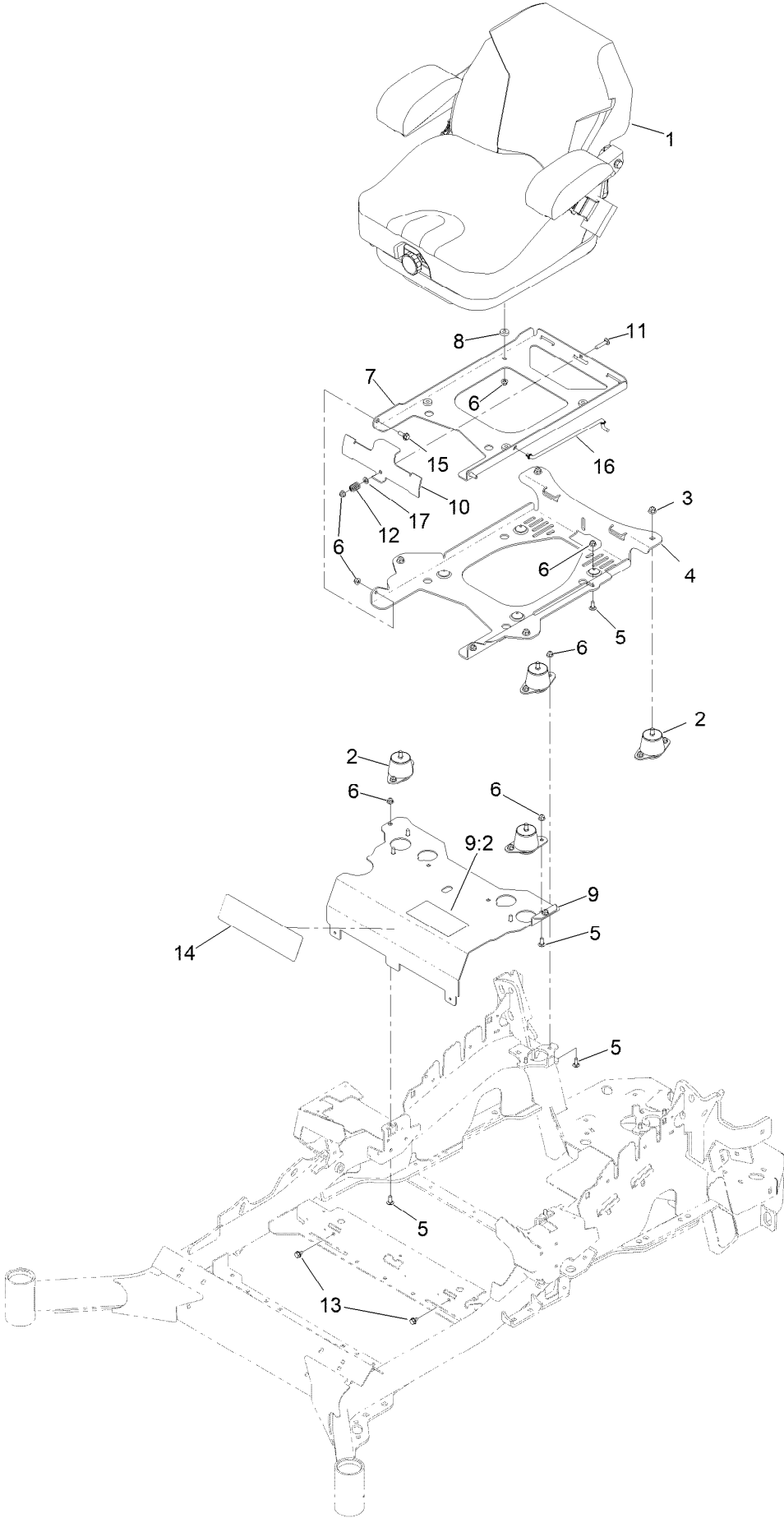
# Fuel Tank Assembly No. 135-0643



## Fuel Tank Assembly No. 135-0643 (continued)

<i>Ref.</i>	<i>Part Number</i>	<i>Qty.</i>	<i>Description</i>	<i>Ref.</i>	<i>Part Number</i>	<i>Qty.</i>	<i>Description</i>
2	46-6560	4	Bushing	8:1	46-6560	1	Bushing
3	116-2459	1	Fuel Line Kit (With Grommet)	9	116-2461	1	LH Vent Line Kit (With Grommet)
3:1	46-6560	1	Bushing	9:1	46-6560	1	Bushing
4	3290-500	5	Screw-PPH	10	116-2462	1	Rear Vent Line Kit (With Grommet)
5	3253-17	5	Washer-Lock	10:1	46-6560	1	Bushing
6	126-3913	1	Float-Sender, Fuel	11	1-603770	1	Valve-Fuel
6:1	126-3950	1	Gasket-Sender	12	2412-98	2	Clamp-Hose
7	126-1789	1	Cap-Fuel, Ratcheting	13	109-0650	1	Hose-Fuel
8	116-2460	1	RH Vent Line Kit (With Grommet)				

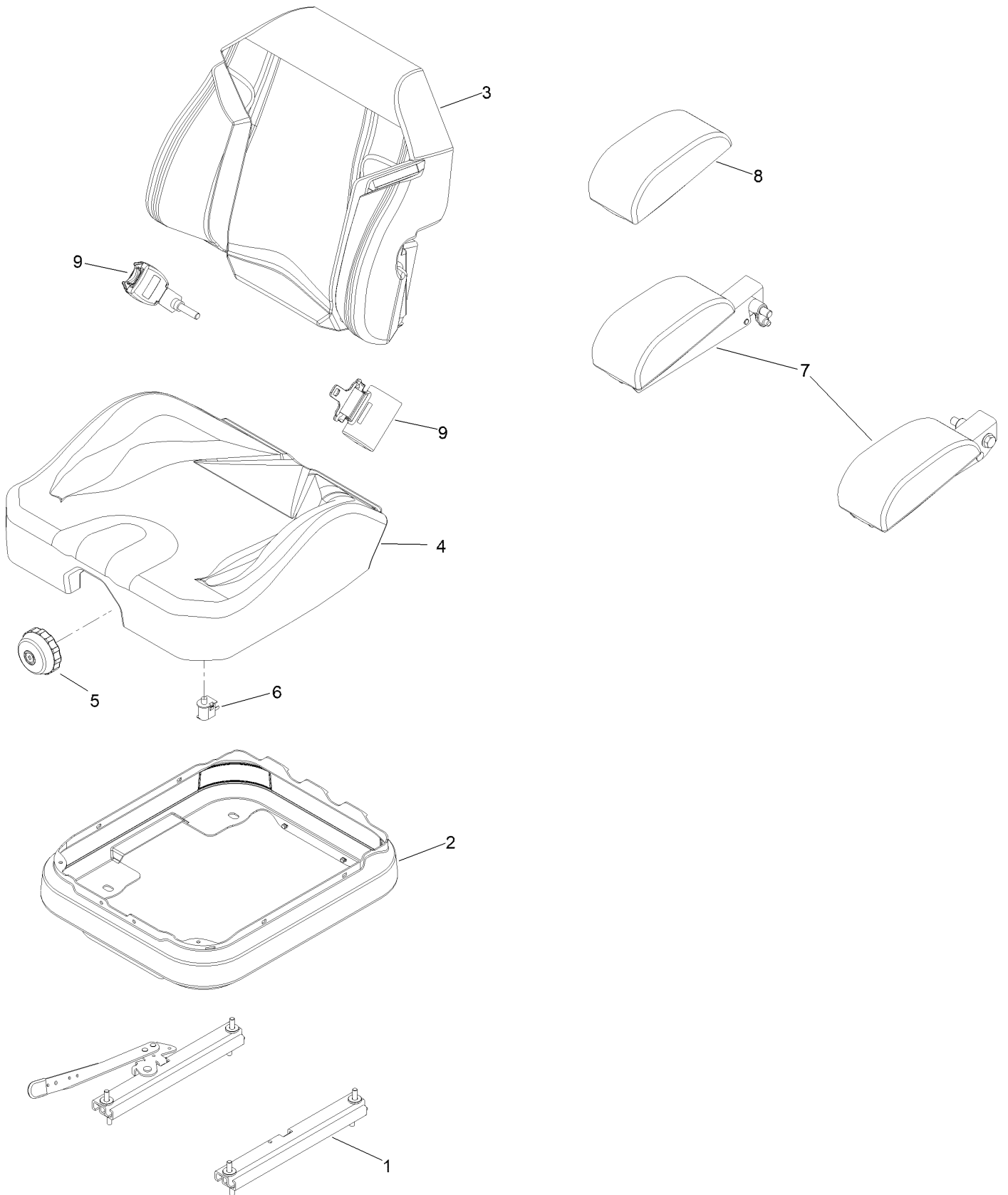
# Seat Mounting Assembly



## Seat Mounting Assembly (continued)

<i>Ref.</i>	<i>Part Number</i>	<i>Qty.</i>	<i>Description</i>	<i>Ref.</i>	<i>Part Number</i>	<i>Qty.</i>	<i>Description</i>
1	147-4984	1	Seat-Suspension	9:2	142-2935	1	Decal-Lazer 96 Service Aid
2	109-9034	4	Isolator-Seat	10	109-9881-03	1	Plate-Latch, Seat
3	104-8301	4	Nut-HF, NI	11	3230-4	1	Bolt-CARR
4	116-3860-03	1	Plate-Tilt, Seat Support	12	107-3017	1	Spring-Compression
5	3230-23	11	Bolt-CARR	13	9266934	2	Screw
6	104-8300	18	Nut-HF, NI	14	140-1215	1	Decal-Console
7	116-3859-03	1	Plate-Frame, Seat	15	116-1297	2	Screw-Shoulder
8	26-4840	4	Spacer-Pin, Mounting	16	116-0070	1	Rod-Prop
9	142-3315	1	Mount-Seat W/Decals	17	3256-23	1	Washer-Plain

# Seat Assembly No. 147-4984



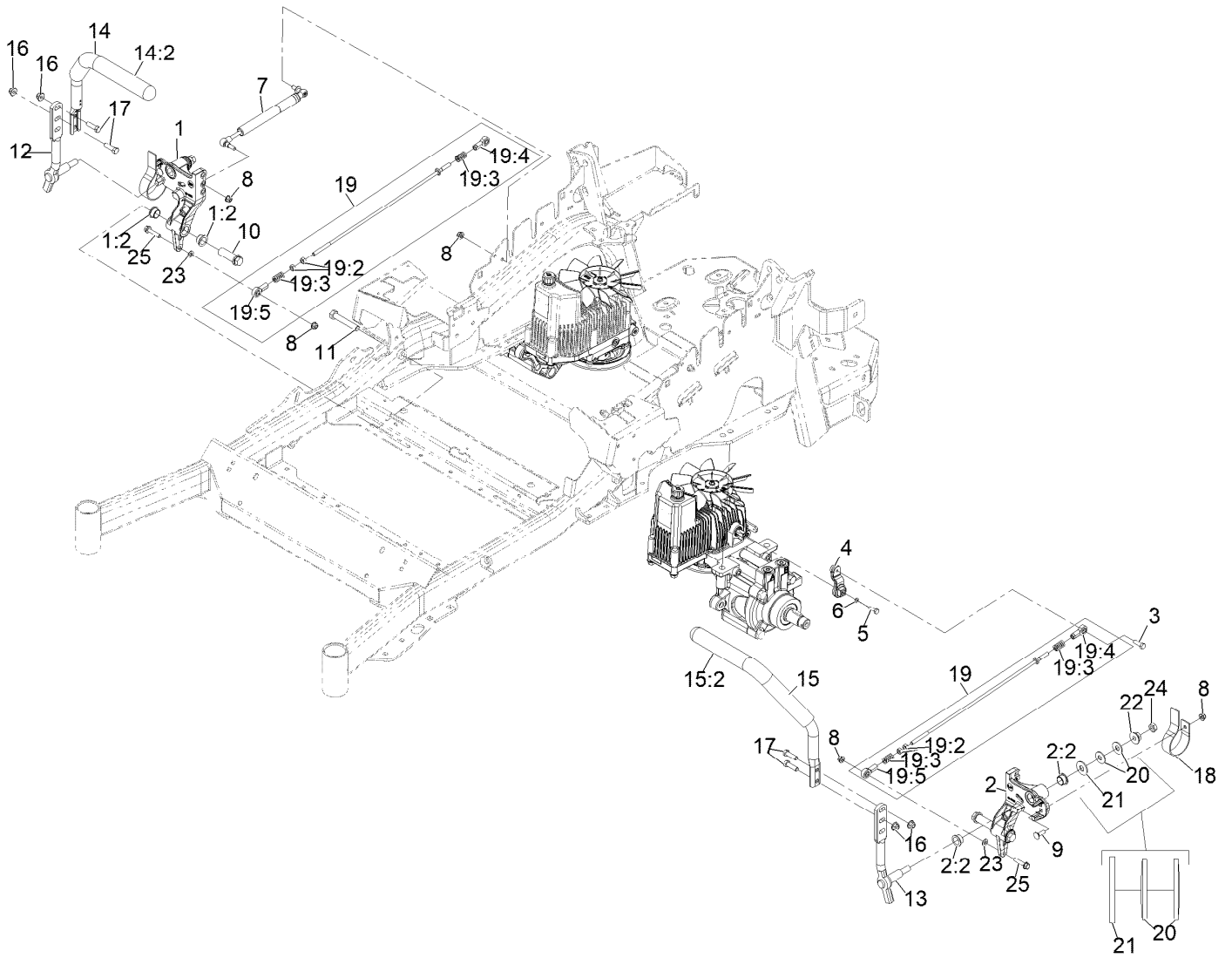


## Seat Assembly No. 147-4984 (continued)

<i>Ref.</i>	<i>Part Number</i>	<i>Qty.</i>	<i>Description</i>
1	140-8012	1	Seat Track Set
2	116-5659	1	Cover-Suspension Bellows
3	140-8004	1	Cover-Back
4	140-8005	1	Cover-Cushion
5	116-8911	1	Knob-Adjuster

<i>Ref.</i>	<i>Part Number</i>	<i>Qty.</i>	<i>Description</i>
6	82-2190	1	Switch-Bail
7	147-4985	1	Armrest Kit
8	109-9802	1	Arm Rest Pad Set
9	126-2061	1	Seat Belt Service Kit

# Motion Control Assembly

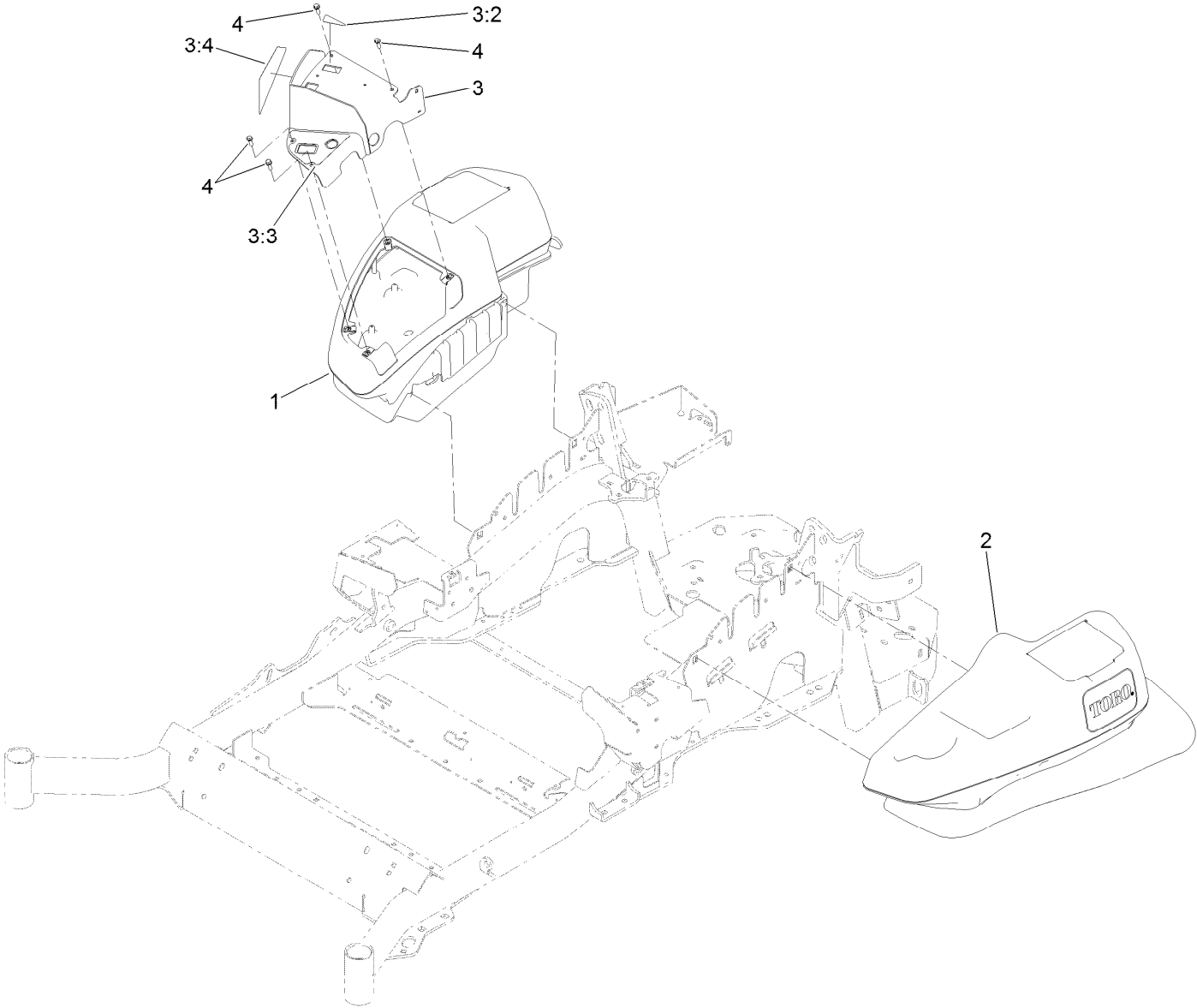


## Motion Control Assembly (continued)

<i>Ref.</i>	<i>Part Number</i>	<i>Qty.</i>	<i>Description</i>	<i>Ref.</i>	<i>Part Number</i>	<i>Qty.</i>	<i>Description</i>
1	116-0880	1	RH Motion Control And Bushing ASM	14:2	109-5668	1	Grip-Lever, Control
1:2	109-8054	4	Bushing-Flanged	15	135-4373	1	LH Handle ASM
2	116-0881	1	LH Motion Control And Bushing ASM	15:2	109-5668	1	Grip-Lever, Control
2:2	109-8054	4	Bushing-Flanged	16	104-8301	4	Nut-Nyloc 3/8-16 Flg
3	116-0648	2	Screw-HH 5/16-18 X 1 W/Patch ●	17	323-7	4	Screw-HH 3/8-16 X 1 1/4
4	109-4581	2	Arm-Control, Pump	18	109-5575	2	Spring-Leaf
5	9080046	2	Screw-HH 1/4-20 X 7/8 ●	19	109-8106	2	Front Pump Linkage ASM
6	1-303435	2	Washer-Spring Disc 1/4	19:2	3219-2	2	Nut-Hex 5/16-24
7	146-0859	2	Damper, Motion Control	19:3	1-323245	2	Spring-Compression
8	104-8300	8	Nut-Nyloc 5/16-18 Flg	19:4	1-633152	1	Balljoint
9	3230-2	2	Bolt-Carriage 5/16-18 X 1	19:5	1-543017	1	Balljoint
10	109-5891	2	Hub-Threaded	20	109-9505	4	Washer, Spring Disc 1/2
11	325-12	2	Screw-HH 1/2-13 X 3	21	3256-6	2	Washer
12	116-0039	1	Lever-Control Motion, RH	22	32128-56	2	Nut-Hex 1/2-13 Flange
13	116-0040	1	Lever-Control Motion, LH	23	3256-23	2	Washer-5/16 SAE
14	135-4371	1	RH Handle ASM	24	3218-5	2	Nut-Jam 1/2-13
				25	115-1794	2	Screw-Hex Flange 5/16-18 X 1 1/2

● Use Pro-Lock, Nut Type (P/N 1-840022, .5ml tube) on threads.

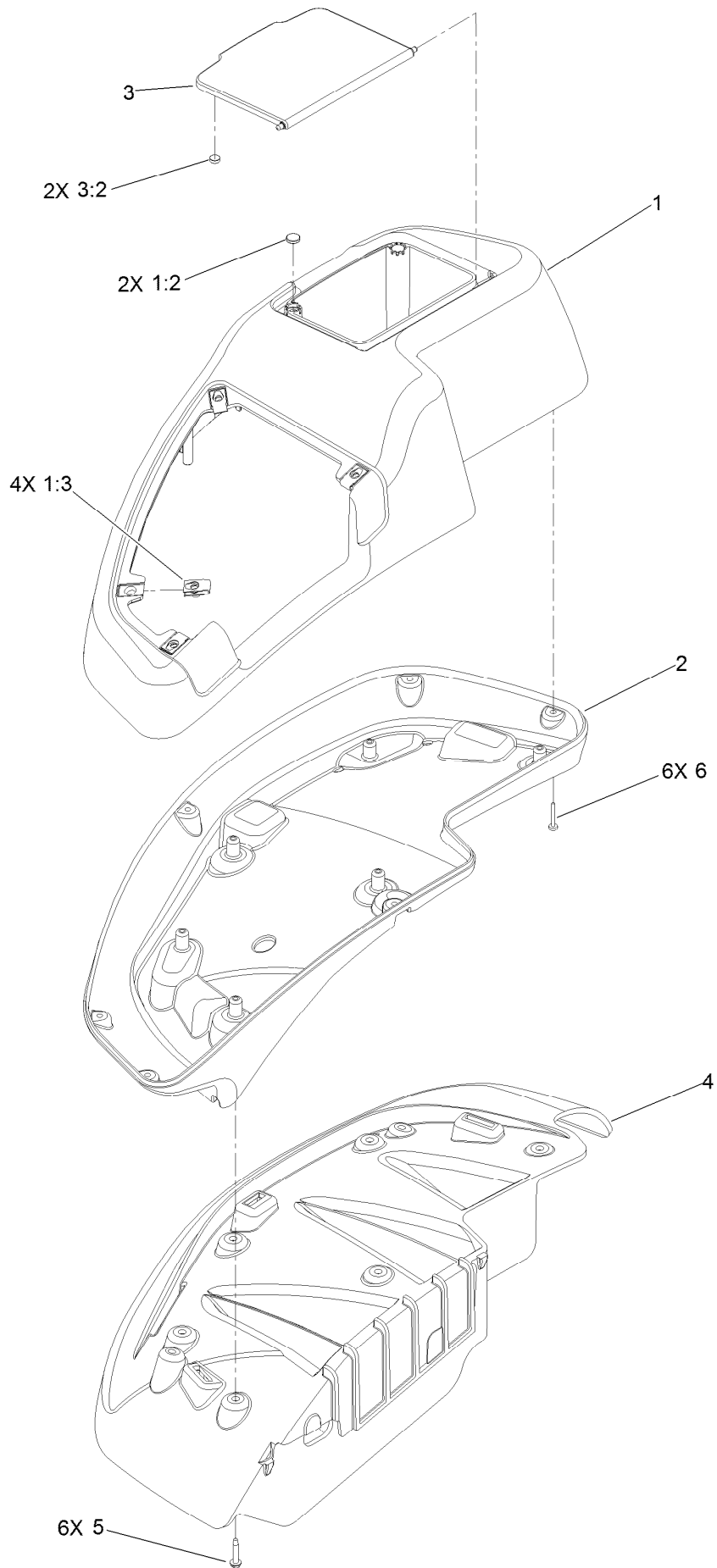
# Fender, Console and Control Assembly



## Fender, Console and Control Assembly (continued)

<i>Ref.</i>	<i>Part Number</i>	<i>Qty.</i>	<i>Description</i>	<i>Ref.</i>	<i>Part Number</i>	<i>Qty.</i>	<i>Description</i>
1	115-7400	1	RH Console ASM	3:3	136-5530	1	Decal-Control Panel
2	115-7401	1	LH Console ASM	3:4	136-5531	1	Decal-Horizon
3	135-7079	1	Control Panel ASM	4	32105-15	4	Screw-HWH
3:2	135-7057	1	Decal-Console				

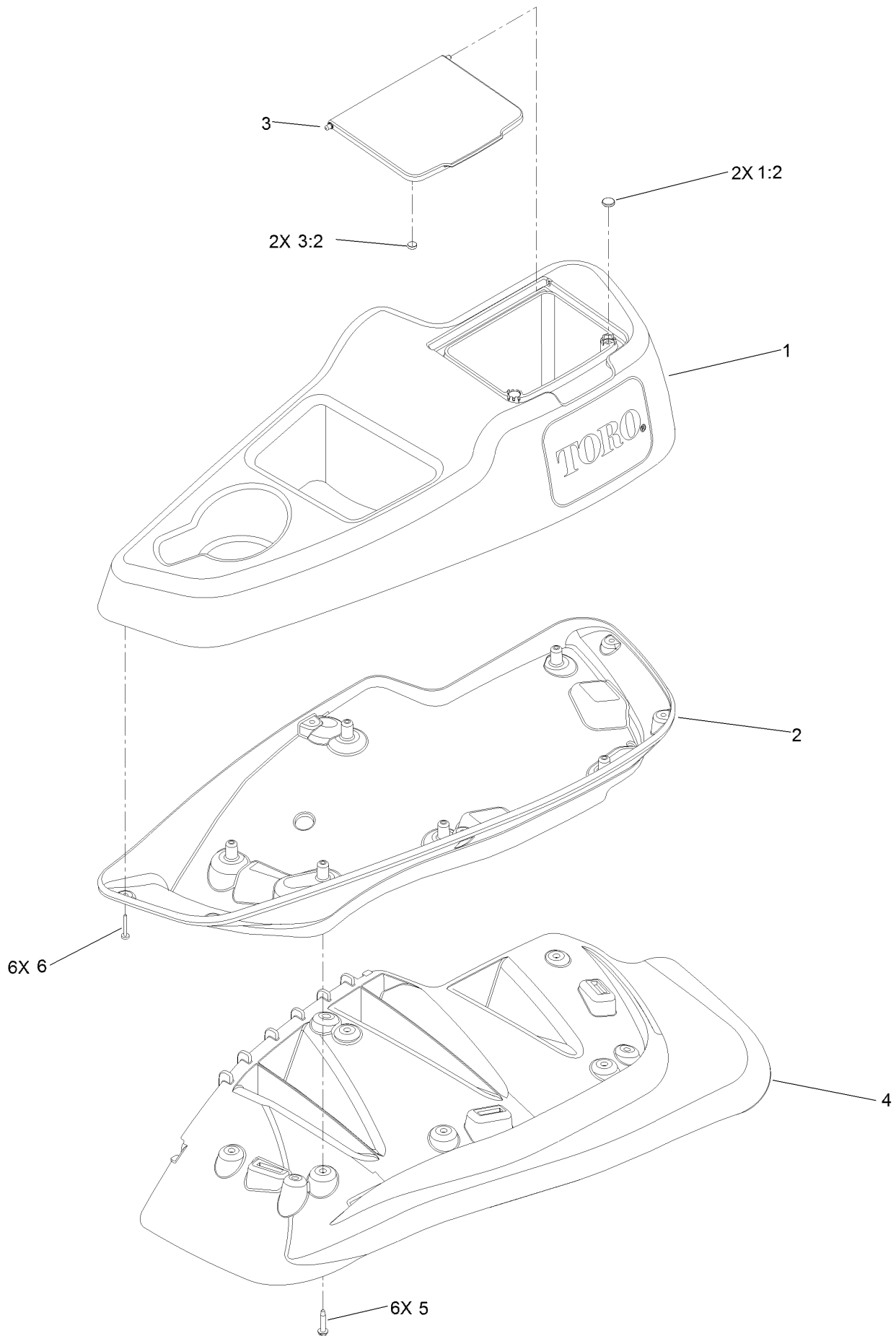
# RH Console Assembly No. 115-7400



## RH Console Assembly No. 115-7400 (continued)

<i>Ref.</i>	<i>Part Number</i>	<i>Qty.</i>	<i>Description</i>	<i>Ref.</i>	<i>Part Number</i>	<i>Qty.</i>	<i>Description</i>
1	114-1538	1	RH Wide Top Console ASM	3:2	114-5896	2	Magnet
1:2	117-0883	2	Puck	4	109-9083	1	Fender-Wide, RH
1:3	107069	4	Clip	5	32144-89	6	Screw-Thread Forming
2	115-3643	1	Console-Lower, RH Wide	6	117-0347	6	Screw-PPH
3	114-1537	1	Wide Lid ASM				

# LH Console Assembly No. 115-7401

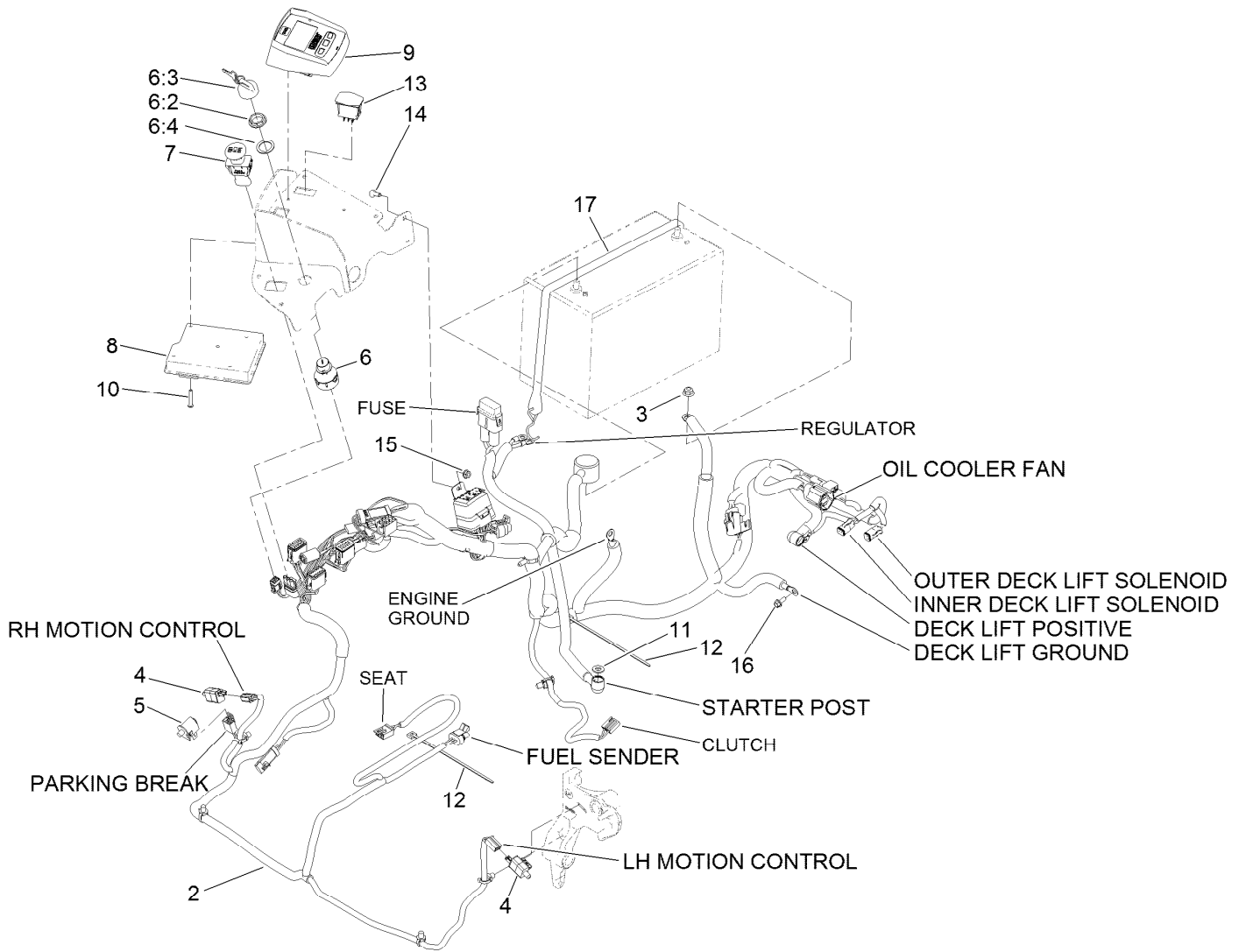




## LH Console Assembly No. 115-7401 (continued)

<i>Ref.</i>	<i>Part Number</i>	<i>Qty.</i>	<i>Description</i>	<i>Ref.</i>	<i>Part Number</i>	<i>Qty.</i>	<i>Description</i>
1	114-1539	1	LH Wide Console Top ASM	3:2	114-5896	2	Magnet
1:2	117-0883	2	Puck	4	109-9085	1	Fender-Wide, LH
2	115-3641	1	Console-Lower, LH Wide	5	32144-89	6	Screw-Thread Forming
3	114-1537	1	Wide Lid ASM	6	117-0347	6	Screw-PPH

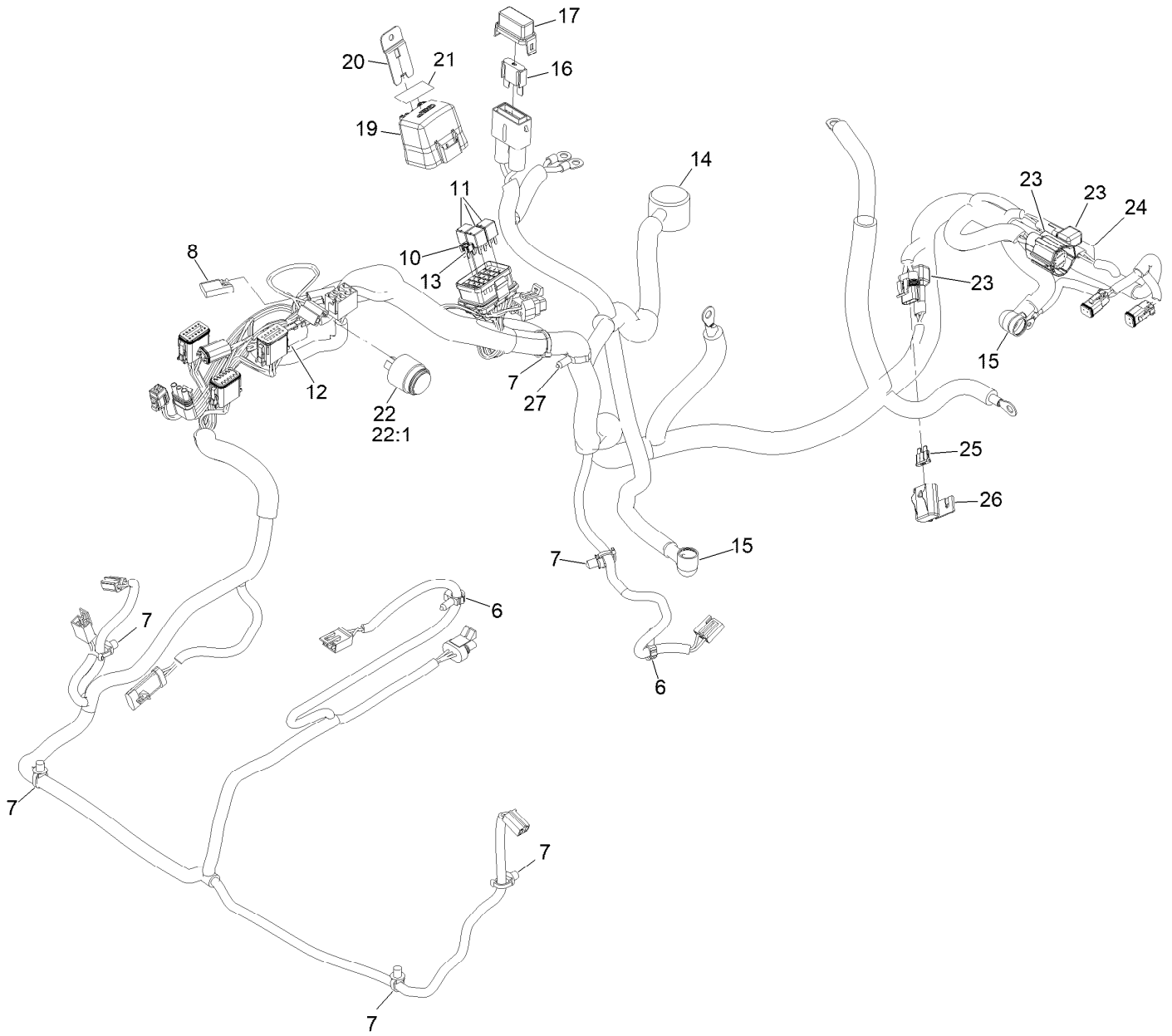
# Electrical Assembly



## Electrical Assembly (continued)

<i>Ref.</i>	<i>Part Number</i>	<i>Qty.</i>	<i>Description</i>	<i>Ref.</i>	<i>Part Number</i>	<i>Qty.</i>	<i>Description</i>
2	142-8168	1	Harness-Wire	9	126-9976	1	Module-Horizon
3	104-8301	2	Nut-HF, NI	10	126-5092	4	Screw-PPH
4	110-6765	2	Switch	11	3256-24	1	Washer-Plain
5	82-2190	1	Switch-Bail	12	3290-378	2	Tie-Cable
6	126-6285	1	Ignition Switch ASM	13	100-1535	1	Switch-Rocker, (On)-Off-(On)
6:2	108-8660	1	Nut-Mounting	14	1-807512	1	Bolt-CARR
6:3	106-5270	1	Ignition Key Set	15	32128-33	1	Nut-HF
6:4	108-8659	1	Washer-Backup	16	99-6810	1	Screw-HHF
7	126-6187	1	Switch-PTO, Sealed	17	135-4440	1	Strap
8	135-3427	1	Module-Mcu				

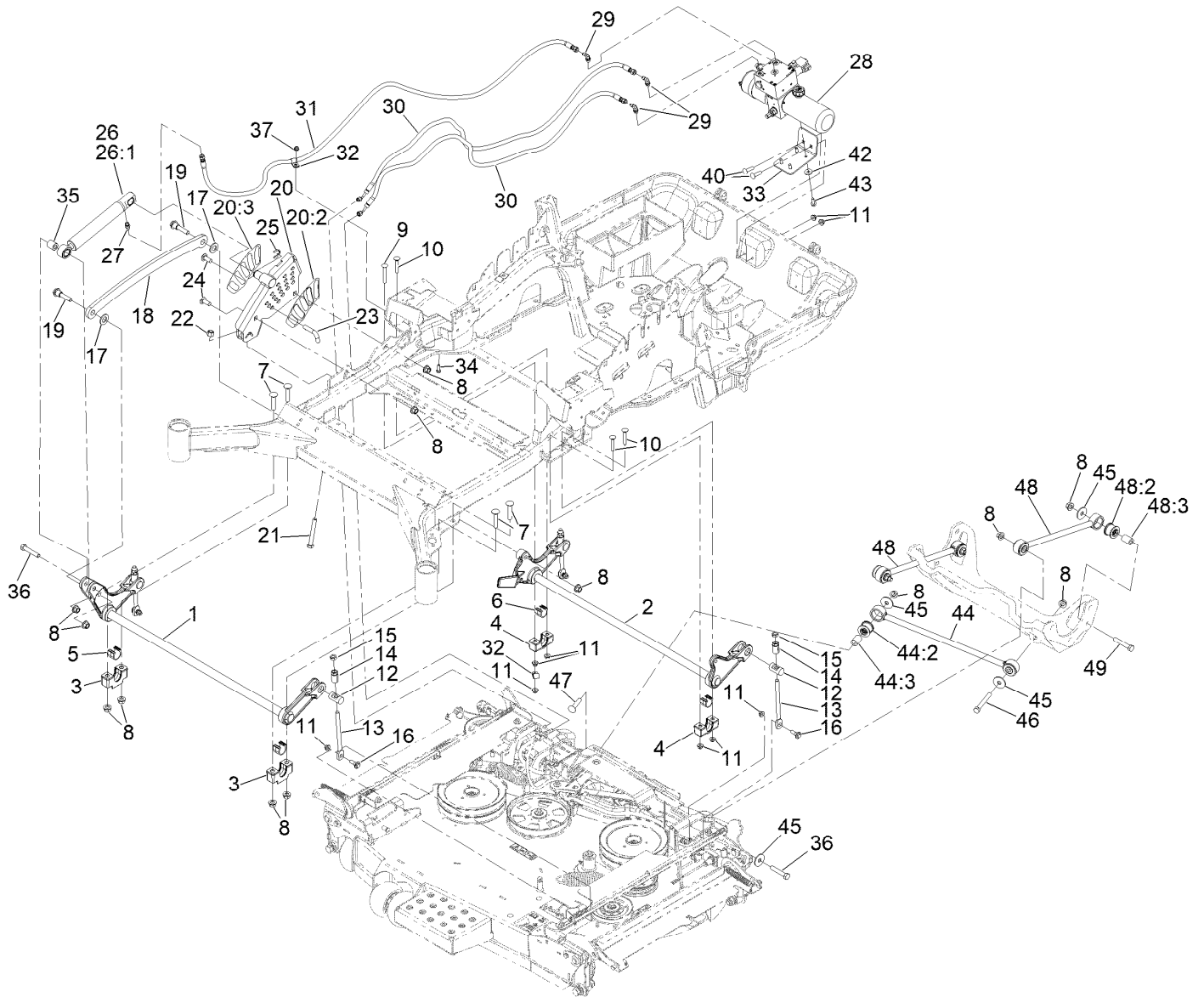
# Electrical Harness Assembly No. 142-8168



## Electrical Harness Assembly No. 142-8168 (continued)

<i>Ref.</i>	<i>Part Number</i>	<i>Qty.</i>	<i>Description</i>	<i>Ref.</i>	<i>Part Number</i>	<i>Qty.</i>	<i>Description</i>
6	32180-037	2	Clip-Harness	20	32180-177	1	Clip-Mounting
7	32180-030	6	Clip-Tie	21	135-7226	1	Decal-Fuse
8	32180-197	1	Cap-Plug	22	80-9330	1	Audio Alarm ASM
10	121-8868	1	Fuse-Mini Blade, 20 Amp	22:1	104-5107	1	Nut-Plastic, Knurled
11	126-3991	3	Relay-Micro	23	100-4918	3	Diode
12	32180-156	1	Cap-Plug, 6 Way	24	135-1366	1	Resistor - 30K Ohms 2W 5% Overmolded
13	121-8867	1	Fuse-Mini Blade, 15 Amp	25	99-6124	1	Fuse-40 Amp
14	109-2407	1	Insulator-Battery	26	32180-019	1	Cover-Fuse, Single
15	1-543393	2	Insulator-Solenoid	27	32180-067	1	Clip-Harness, Tubing (16MM)
16	94-8002	1	Fuse-Blade, 50 Amp				
17	32181-014	1	Cover-Fuse Holder, Maxi				
19	32181-013	1	Cover-Fuseblock, 24F, Gep				

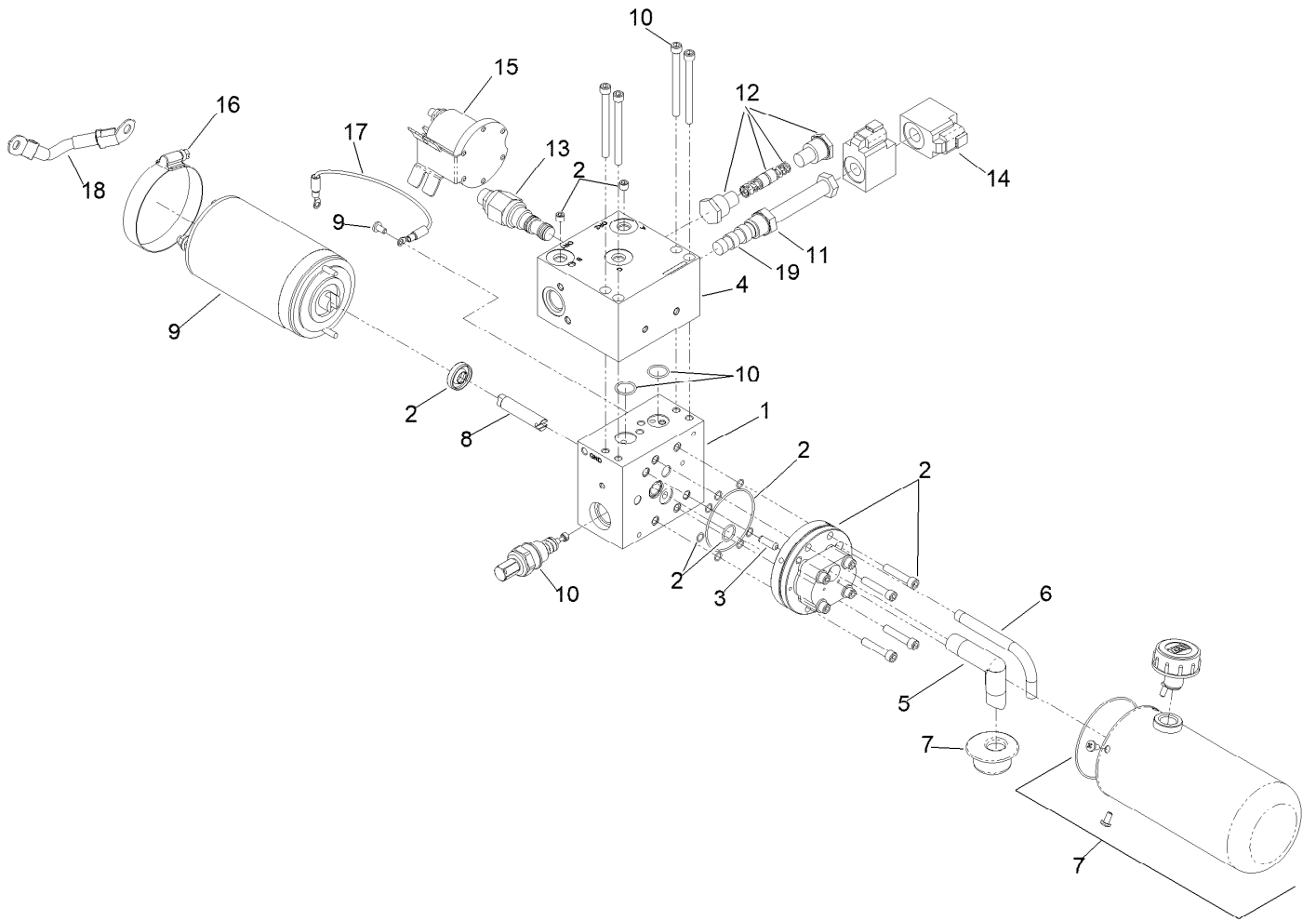
# Deck Lift Assembly



## Deck Lift Assembly (continued)

<i>Ref.</i>	<i>Part Number</i>	<i>Qty.</i>	<i>Description</i>	<i>Ref.</i>	<i>Part Number</i>	<i>Qty.</i>	<i>Description</i>
1	135-1216-03	1	Lift-Deck, Front	25	32151-91	1	Ring-Retaining
2	116-2645-03	1	Lift-Deck, Rear	26	126-7841	1	Lift Cylinder ASM
3	109-9409	2	Support-Bearing, Cross Shaft (Front)	26:1	142-2767	1	Kit, CYL Repair
4	127-0553	2	Support-Bearing, Cross Shaft (Rear)	27	109-2017	1	Adapter, Straight
5	109-9410	2	Bearing-Cross Shaft, Front	28	135-1582	1	Power Unit
6	109-7173	2	Bearing-Cross Shaft, Rear	29	109-0760	3	Adapter, 90°
7	116-1700	4	Bolt-CARR	30	135-3330	2	Hose-HYD, HP
8	99-5107	15	Nut-Lock	31	135-3331	1	Hose-HYD, HP
9	3231-9	1	Screw-CARR	32	2412-138	2	R-Clamp
10	3231-7	3	Screw-CARR	33	142-2158-03	1	Mount-Power Unit
11	104-8301	11	Nut-HF, NI	34	322-4	1	Screw-HH
12	109-8353	4	Trunnion	35	135-1215	1	Spacer-Pivot
13	109-8007	4	Link-Adjuster, Deck Lift	36	325-11	3	Screw-HH
14	109-7840	4	Adjuster-Lift, Deck	37	104-8300	1	Nut-HF, NI
15	3218-5	4	Nut-Jam	40	3231-26	2	Screw-CARR
16	109-9840	4	Screw-Shoulder, HHF	42	3290-461	4	Washer-Spring
17	3256-28	2	Washer-Flat	43	3234-29	4	Screw-HHF
18	116-0797-03	1	Link-Lift, Deck	44	109-5013	1	Panhard Rod ASM
19	116-2022	2	Screw-HHF, Shoulder	44:2	109-5009	2	Bushing-Suspension, Rubber
20	126-7866	1	HOC ASM	44:3	109-5010	2	Spacer
20:2	126-9275	1	Decal-HOC	45	86-1990	6	Washer
20:3	135-1432	1	Decal-HOC, Outer	46	325-17	1	Screw-HH
21	116-0559	1	Bolt-TAP	47	3233-34	1	Screw-CARR
22	3296-23	1	Nut-Lock, NI	48	142-3269	2	ASM, Deck Strut
23	116-5584	1	Pin-HOC	48:2	135-2466	2	Bushing-Rubber
24	3233-26	2	Screw-CARR,Shortneck	48:3	109-5010	2	Spacer
				49	325-12	2	Screw-HH

# Power Unit Assembly No. 135-1582



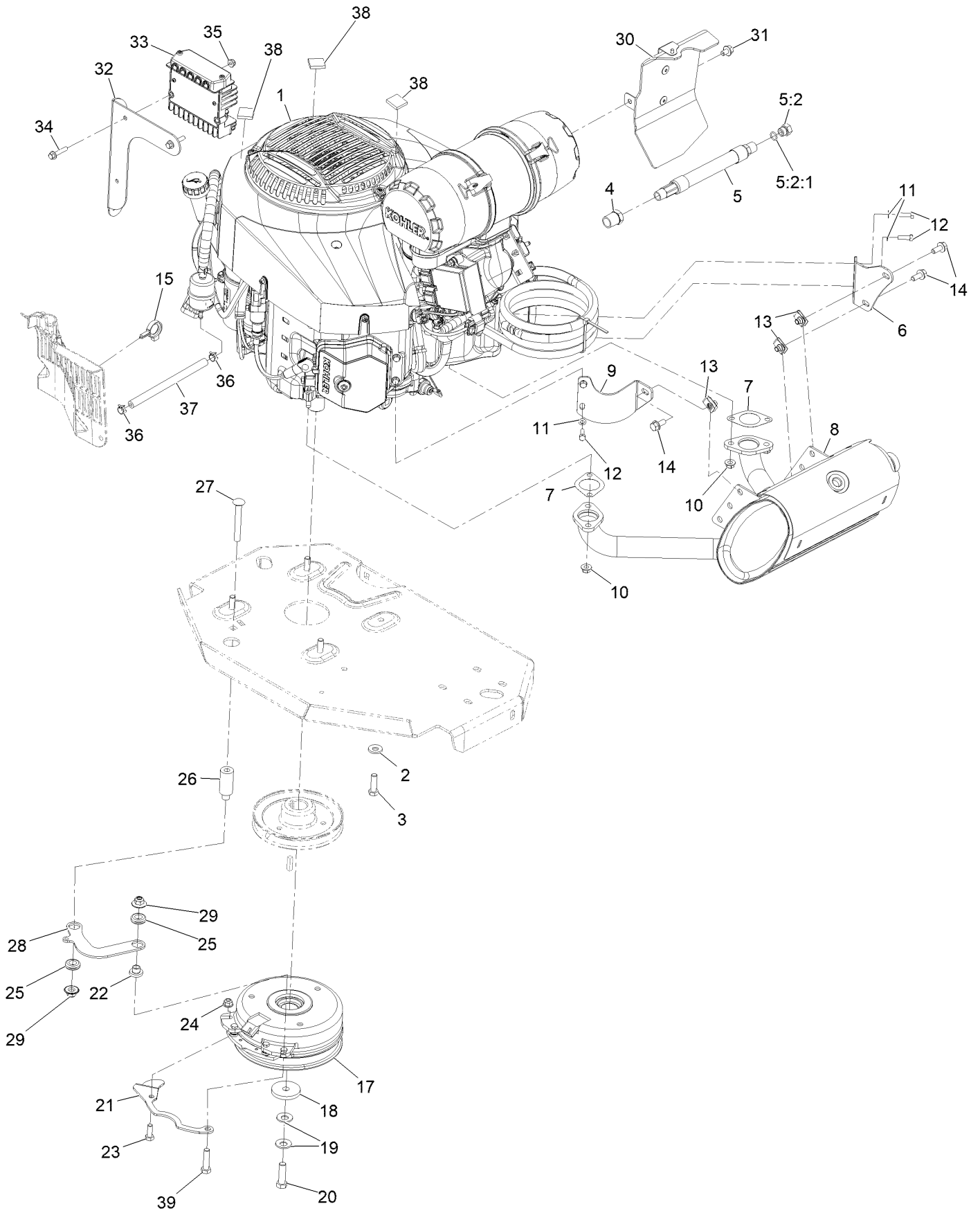


## Power Unit Assembly No. 135-1582 (continued)

<i>Ref.</i>	<i>Part Number</i>	<i>Qty.</i>	<i>Description</i>	<i>Ref.</i>	<i>Part Number</i>	<i>Qty.</i>	<i>Description</i>
1	135-7603	1	Base Assy, M3298, 3.0 Mtr	12	135-7614	1	Parts Kit, Dbl Po Ck Vlv, 4Inman
2	135-7604	1	P Assy, Kit, I, M3298, -100	13	135-7615	1	Counterbalance, 08, 5000-PSI
3	135-7605	2	Pin, Dowel, 1/4 X 3/4	14	135-7616	2	Coil, 12Vdc, 16W, Rect, Deutsch
4	135-7606	1	Valve, Relief, Vm01, 210-320 Bar	15	HYD13624	1	Power Unit Solenoid Kit, ATV/Ms-UTV
5	HYD09361	1	Inlet Tube, Bu	16	HYD13634	1	Clamp, Hose, Worm GR, 2.3-3.25
6	135-7608	1	Tube, Return, 90DEG, 1/8NPTF	17	135-7619	1	Wire Assy, Cntrl, 16Awg, Hs, Ring
7	135-7609	1	Parts Kit, Resv, Stl, 3.375 X 7.0	18	135-7620	1	Cable, Insulated, W/Lugs, 5In, 6GA
8	135-7610	1	Shaft, Intermediate, Micro, DC	19	135-7880	1	Parts Kit, Seal, 4W/3P Valve
9	135-7611	1	Motor, DC, 12V, 3In, 1 Term	99	142-4398	1	Cap-Powerunit
10	135-7612	1	Parts Kit, Manifold Assy, M3200	99	135-2834	1	Ruby Tran-1 Gal ●
11	135-7613	1	Cartridge, 4W/3P, 3000PSI, Mc, #8				

● Not illustrated

# Engine Assembly



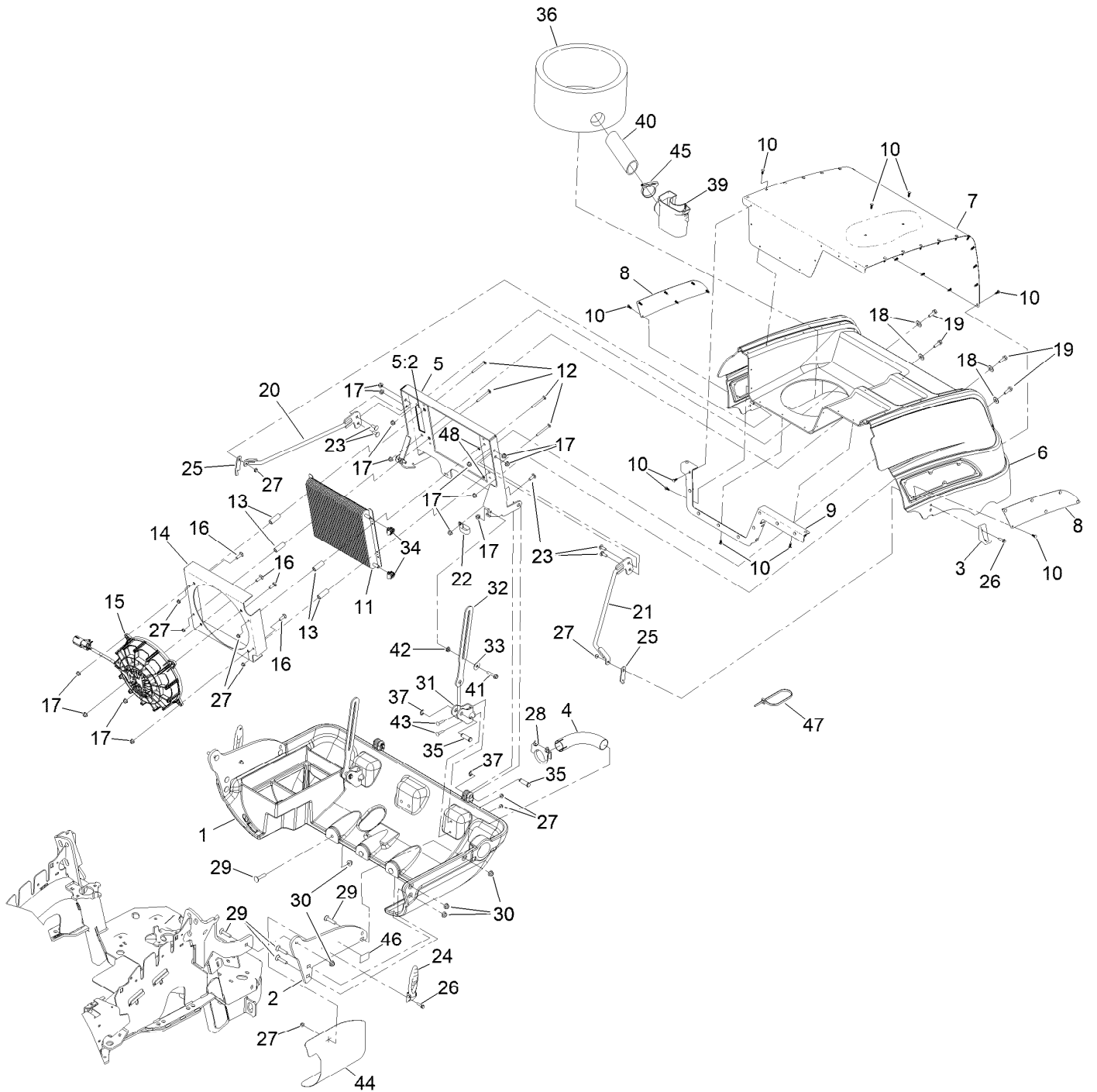
## Engine Assembly (continued)

<i>Ref.</i>	<i>Part Number</i>	<i>Qty.</i>	<i>Description</i>	<i>Ref.</i>	<i>Part Number</i>	<i>Qty.</i>	<i>Description</i>
1		1	Engine-Kohler Ecv980 - 3022 ●■	20	109-9761	1	Screw-HH 7/16-20 X 1 1/2 W/Loctite
2	98-5975	4	Washer-Spring Disc 3/8	21	116-3331-01	1	Belt-Guide
3	323-7	4	Screw-HH 3/8-16 X 1 1/4	22	116-3318	1	Spacer
4	103-1390	1	Bushing	23	322-4	2	Screw-HH 5/16-18 X 7/8
5	135-7298	1	Oil Drain Hose ASM	24	104-8300	2	Nut-Nyloc 5/16-18 Flg
5:2	353-508	1	Plug-W/O-Ring	25	93-5108	2	Grommet-Rubber
5:2:1	237-42	1	O-Ring	26	116-3319	1	Spacer
6	116-9048	1	Bracket-Muffler	27	3231-42	1	Bolt-Carriage 3/8-16 X 3
7	126-0359	2	Gasket-Exhaust	28	116-3317-01	1	Link-Anchor, Clutch
8	126-4645	1	Muffler	29	109-6658	2	Nut-Nyloc 3/8-16 Flg
9	126-5620	1	Bracket-Muffler, Front	30	135-7326	1	Baffle ASM
10	116-9626	4	Nut-Flange, Lock	31	68-9410	1	Screw-HH M8-1.25 X 12Mm
11	1-303435	4	Washer-Spring Disc 1/4	32	135-7731-03	1	Mount-Regulator
12	116-4295	4	Screw-HH M6-1 X 20Mm W/Patch	33	135-4434	1	Regulator And Rectifier ASM
13	94-2413	3	Nut-U 5/16-18	34	127-8639	2	Screw-HHF
14	3234-5	3	Screw-HH Flg 5/16-18 X 3/4	35	104-7201	2	Nut-Nyloc 1/4-20 Flg
15	105-1853	1	Clamp-Hose	36	2412-98	2	Clamp-Hose
17	126-4185	1	Clutch Kit	37	109-0303	1	Hose-Fuel Line 7"
18	109-6919	1	Washer-Plain	38	93-9155	3	Velcro
19	1-603610	2	Washer-Spring Disc 7/16	39	323-8	1	Screw-HH 3/8-16 X 1 1/2

● Not serviced separately

■ Obtain parts from [www.kohlerplus.com](http://www.kohlerplus.com)

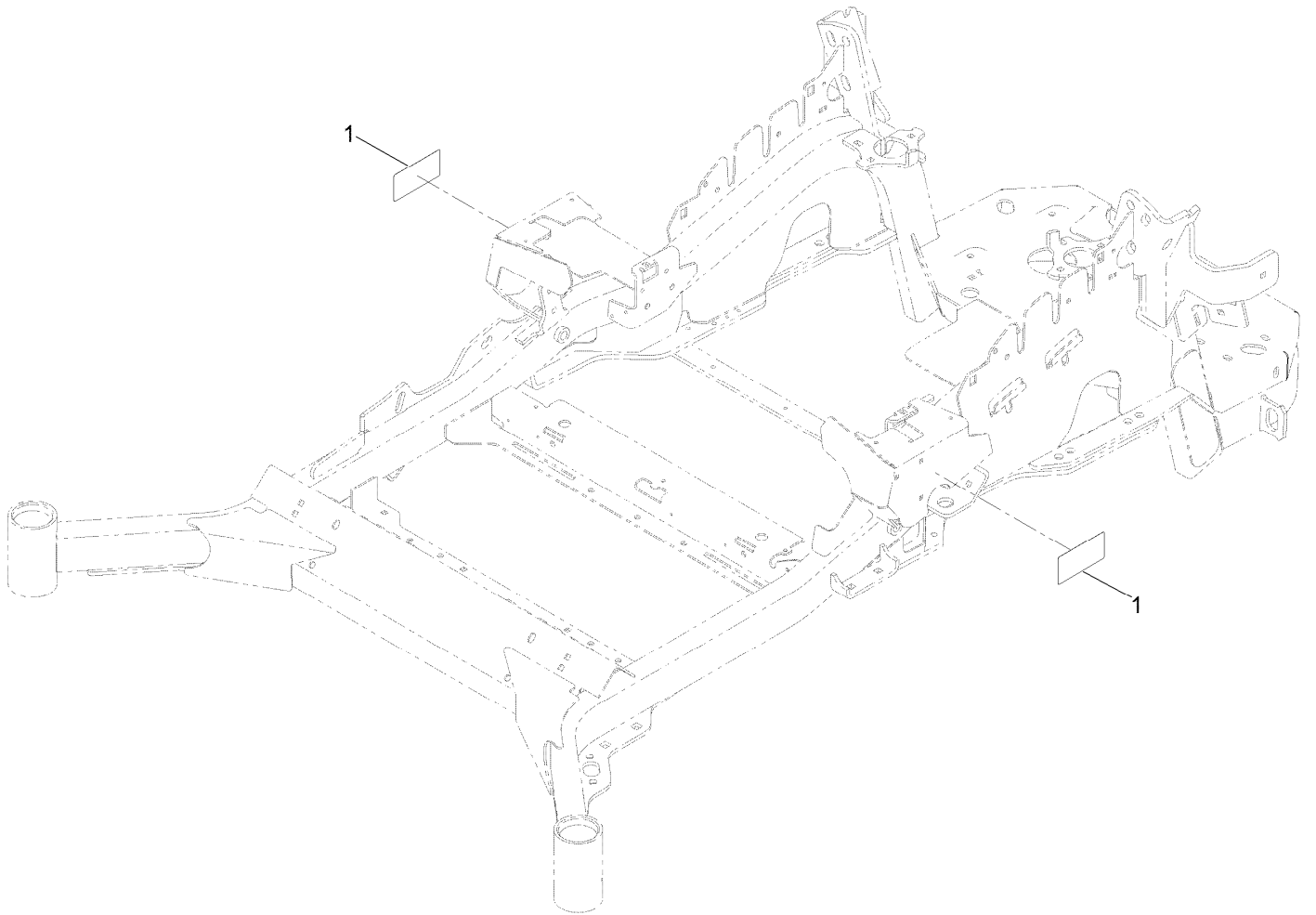
# Hood and Oil Cooler Assembly



## Hood and Oil Cooler Assembly (continued)

<i>Ref.</i>	<i>Part Number</i>	<i>Qty.</i>	<i>Description</i>	<i>Ref.</i>	<i>Part Number</i>	<i>Qty.</i>	<i>Description</i>
1	135-3340-03	1	Casting-Lower, Rear	24	103-2898	2	Latch-Rubber
2	135-3344-03	2	Plate-Mount	25	135-3353	2	Stop-Hood
3	126-8672	2	Latch-Catch	26	120-4654	4	Screw-HHF
4	135-1459	1	Tube-Exhaust	27	104-7201	12	Nut-HF, NI
5	146-5050	1	Mount-Cooler	28	18-2130	1	Clamp
5:2	93-7272	2	Decal-Warning	29	3231-5	11	Screw-CARR
6	135-3345	1	Hood	30	104-8301	11	Nut-HF, NI
7	135-3324-03	1	Screen-Intake	31	135-4438-03	2	Bracket-Mount, Slide
8	135-3332-03	2	Screen-Intake	32	135-3321-03	2	Slide-Hood
9	135-4437-03	1	Cap-Perforation, Hood	33	52-2900	2	Washer-Plastic
10	120-6737	57	Plug-Plastic	34	135-7984	2	Clamp-Hose
11	135-1223	1	Cooler-Oil	35	135-3347	4	Pin
12	3229-8	4	Screw-CARR	36	135-3319	1	Foam-Inlet, Air
13	95-6448	4	Spacer	37	32120-47	4	Ring-Retaining, External
14	135-2391-03	1	Mount-Fan	39	135-7203	1	Mount-Hose
15	135-0877	1	Fan	40	135-7442	1	Hose-Air Intake
16	3230-22	4	Screw-CARR	41	115-1794	2	Screw-HHF
17	104-8300	15	Nut-HF, NI	42	32128-20	2	Nut-HF
18	3256-4	4	Washer-Flat	43	3229-3	4	Screw-CARR
19	3234-29	4	Screw-HHF	44	135-7312	1	Barrier-Heat
20	135-4892	1	Support-Hood, RH	45	135-7836	1	Clamp
21	135-4874	1	Support-Hood, LH	46	106-5517	1	Decal-Warning
22	120-1959	1	Clamp	47	3290-378	2	Tie-Cable
23	3230-10	5	Bolt-CARR	48	32115-15	4	Nut-Push

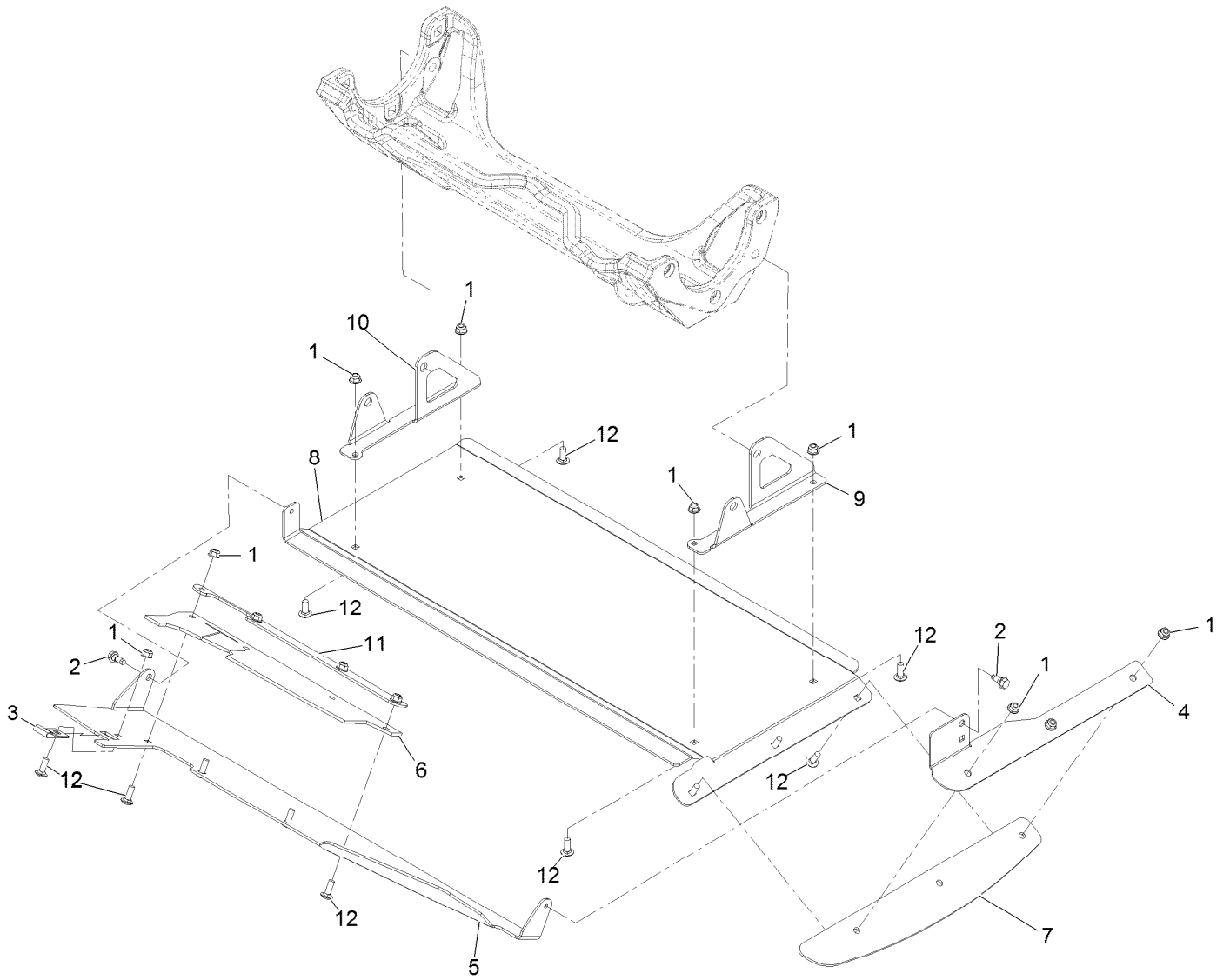
# Frame Decal Assembly



## Frame Decal Assembly (continued)

<i>Ref.</i>	<i>Part Number</i>	<i>Qty.</i>	<i>Description</i>
1	140-4909	2	Decal-7500 Series

# Discharge Tunnel Assembly

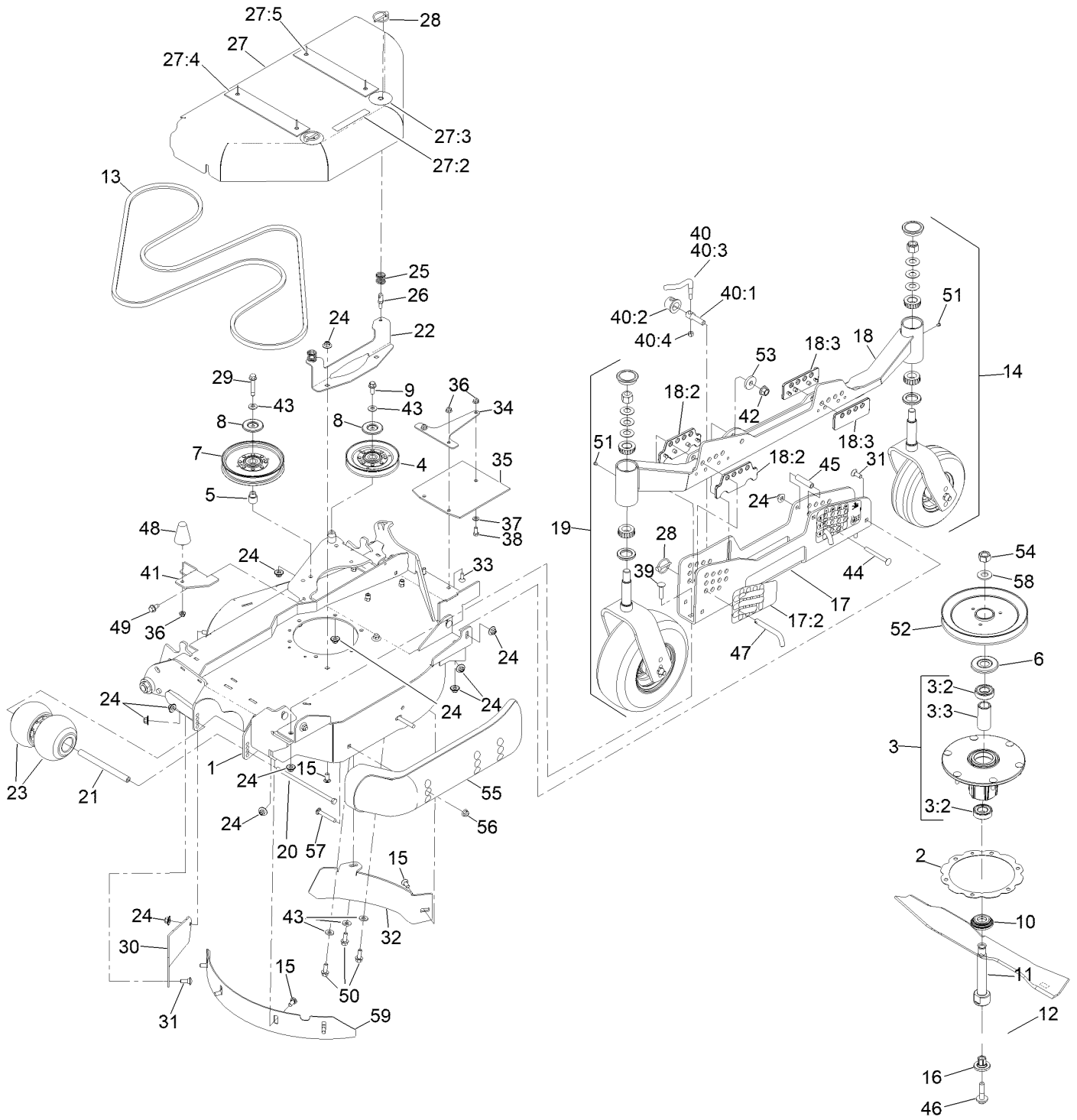




## Discharge Tunnel Assembly (continued)

<i>Ref.</i>	<i>Part Number</i>	<i>Qty.</i>	<i>Description</i>	<i>Ref.</i>	<i>Part Number</i>	<i>Qty.</i>	<i>Description</i>
1	104-8300	12	Nut-Nyloc 5/16-18 Flg	7	135-3789	1	Flap-Rubber
2	126-4424	2	Screw-Shoulder	8	135-5932-03	1	Panel-Discharge
3	135-0608	1	Bearing-Strap, Nylon	9	135-7041-03	1	Bracket-Tunnel Hanger LH
4	135-2090-03	1	Bracket-Flap, LH	10	135-7042-03	1	Bracket-Tunnel Hanger RH
5	135-2657-03	1	Panel-Discharge	11	135-7046-03	1	Support-LH Flap Rd96
6	135-3769	1	Flap-Discharge	12	3230-10	12	Bolt-Carriage 5/16-18 X 7/8

# LH Deck Assembly

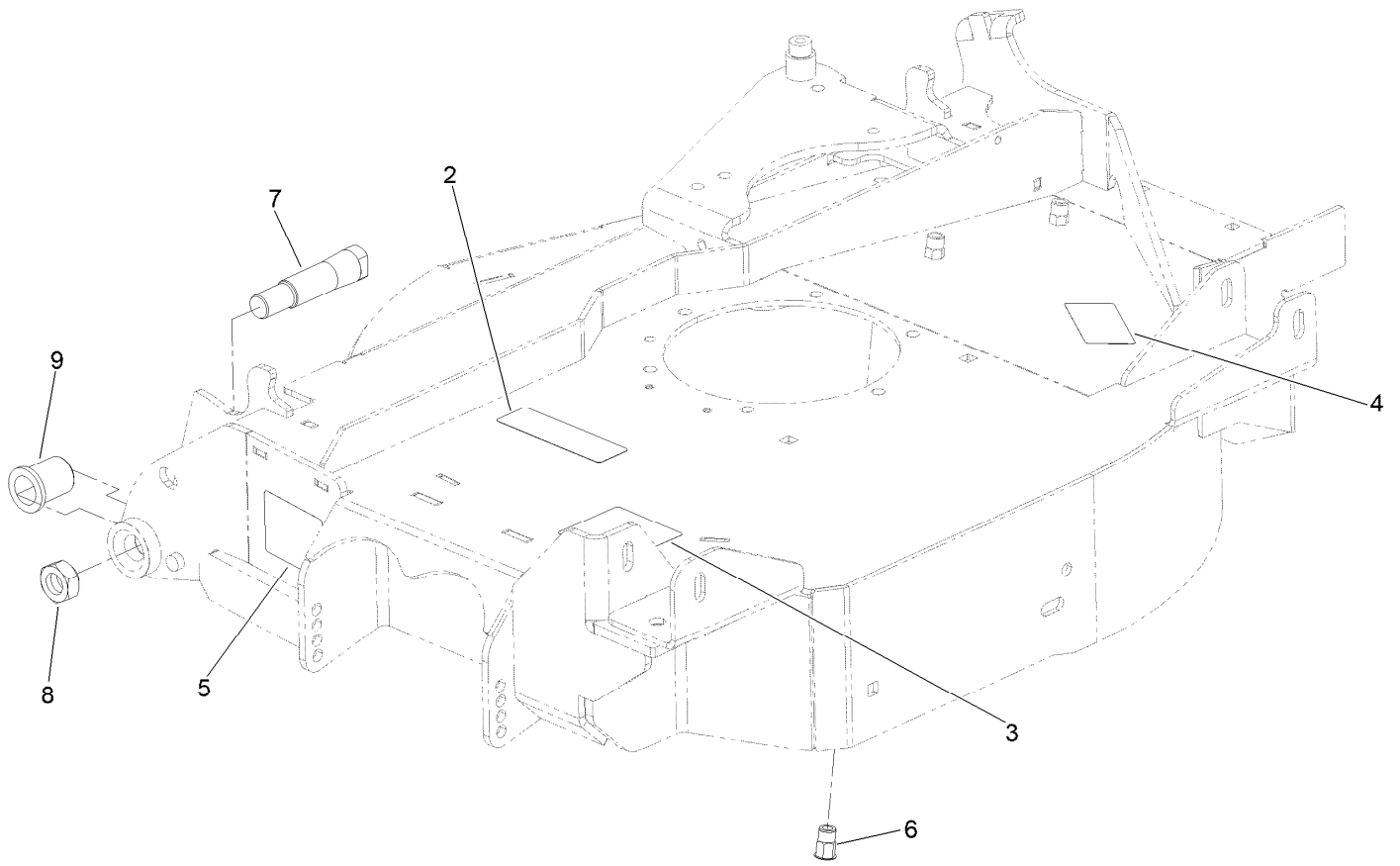


## LH Deck Assembly (continued)

<i>Ref.</i>	<i>Part Number</i>	<i>Qty.</i>	<i>Description</i>	<i>Ref.</i>	<i>Part Number</i>	<i>Qty.</i>	<i>Description</i>
1	146-3903	1	ASM-Deck, LH Wing [w/Decals]	28	92-1298	4	Pin-Lynch
2	140-0986	1	Ring-Spacer, Housing	29	126-2956	1	Screw-HHF
3	137-9780	1	Spindle ASM	30	126-9757-01	1	Plate-Fill
3:2	116-0720	2	Bearing-Ball	31	3231-2	6	Bolt-CARR
3:3	138-6042	1	Spacer-Bearing	32	135-3461-01	1	Baffle-Block
4	126-2960	1	Idler-V	33	3230-16	2	Screw-CARR
5	1-633456	1	Bushing, Idler	34	135-0618-03	1	Support-Flap, LH
6	103-1330	1	Guard-Bearing, Top	35	135-1849	1	Guard-Tire, LH
7	126-7685	1	Idler-Pulley	36	104-8300	4	Nut-HF, NI
8	126-8043	2	Shield-Dust	37	3256-23	1	Washer-Plain
9	3234-42	1	Screw-HHF	38	322-3	1	Screw-HH
10	137-9784	1	Guard-Bottom	39	3231-5	2	Screw-CARR
11	138-6045	1	Shaft-Spindle	40	107-1664	1	Lever ASM
12	140-1246	1	Blade-24.50 Mulch	40:1	106-3239	1	Screw-Lock
13	126-6442	1	Belt-V	40:2	107-1644	1	Cap-Lock
14		1	Rear Caster Wheel ASM ●	40:3	106-3241	1	Lever-Lock
15	3231-12	7	Bolt-CARR	40:4	3296-29	1	Nut-Lock, NI
16	137-9787	1	Bushing-Hex	41	135-2611-01	1	Bracket-Retainer, Cover
17	142-4241	1	ASM-Channel, HOC LH	42	99-5107	1	Nut-Lock
17:2	126-8597	2	Decal-HOC, LH	43	98-5975	5	Washer-Belleville
18	146-3831	1	ASM-LH Gauge Wheel Arm	44	3231-11	1	Screw-CARR
18:2	142-3501	2	Plate-Guide, Rear	45	135-2424	1	Spacer
18:3	142-3592	2	Plate-Guide, Front	46	109-9220	1	Screw-Sems
19		1	Caster Wheel ASM ●	47	135-2073	2	Pin-HOC
20	99-7203	1	Screw-HH	48	114-1925	1	Bumper-Rubber
21	126-6115	1	Spacer-Wheel	49	110-9380	1	Screw-HWH
22	135-2653-03	1	Bracket-Shield Mount, Outer	50	3234-11	3	Screw-HHF
23	103-8415	2	Roller-Anti-Scalp	51	1-811010	2	Plug
24	109-6658	24	Nut-Flange, NI	52	140-1185	1	Sheave-Drive, Blade
25	126-1503	2	Spring	53	30-8770	1	Washer
26	135-7455	2	Pin, Spring	54	116-7306	1	Nut-Hex
27	135-6170	1	LH Wing Shield ASM	55	112-1479	1	Skid-Bumper, Deck
27:2	93-6687	1	Decal-No Step	56	104-8301	2	Nut-HF, NI
27:3	135-3165	2	Decal-Cover, Scratch	57	3231-31	2	Screw-CARR
27:4	135-6706	2	Plate	58	103-2802	1	Washer
27:5	133-7130	4	Rivet-Pop	59	135-2459-01	1	Baffle-Depth, LH

● Not serviced separately

# LH Wing Deck Decal Assembly No. 146-3903

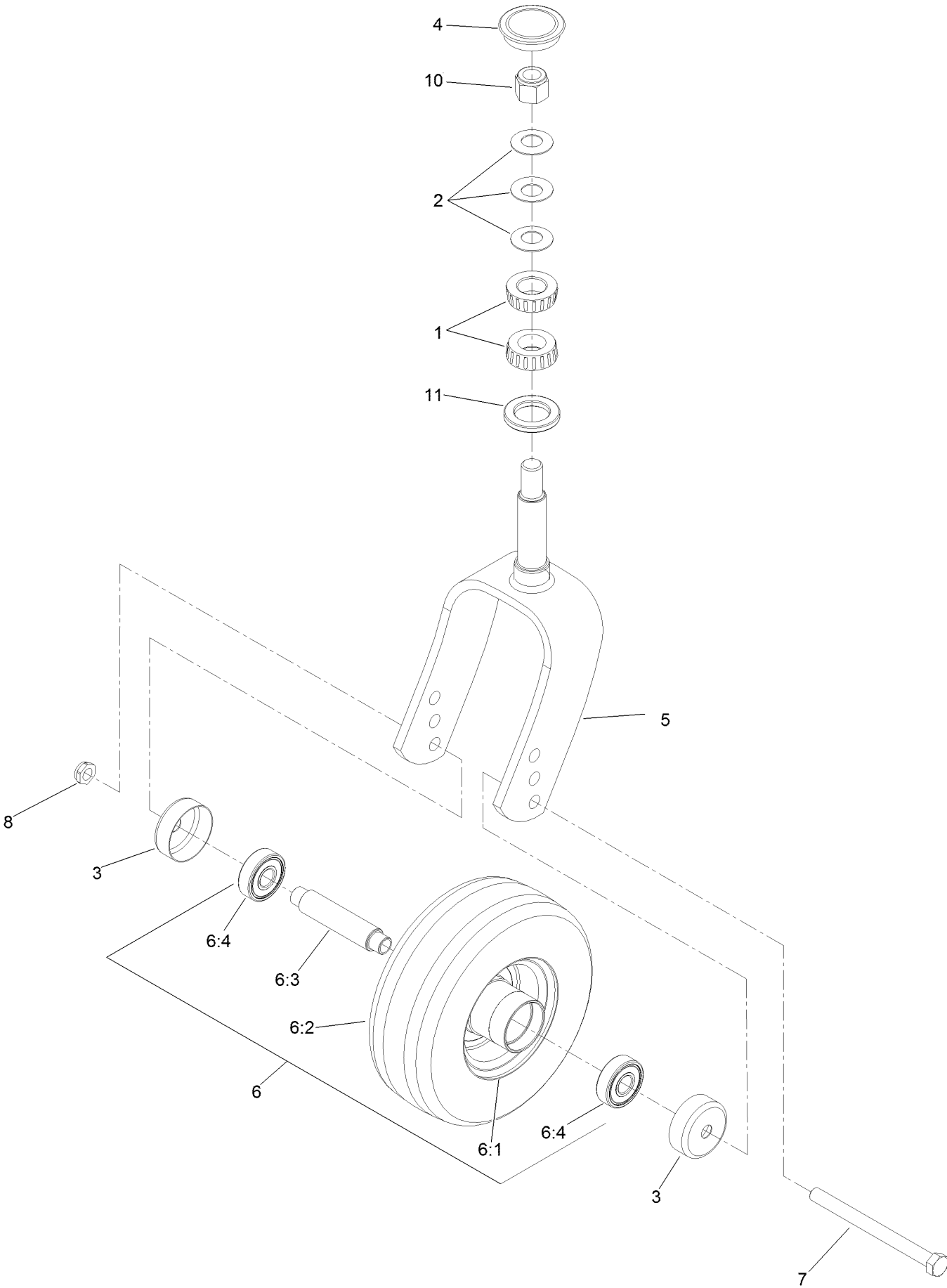


## LH Wing Deck Decal Assembly No. 146-3903 (continued)

<i>Ref.</i>	<i>Part Number</i>	<i>Qty.</i>	<i>Description</i>
2	112-9028	1	Decal-Cover, Missing
3	135-0664	1	Decal-Danger, Thrown Object
4	116-8283	1	Decal-Torque, Bolt
5	135-0670	1	Decal-Warning, Pinch Point

<i>Ref.</i>	<i>Part Number</i>	<i>Qty.</i>	<i>Description</i>
6	135-7200	3	Nut-Clinch,Hex
7	146-2893	2	Bolt-Pivot Pin
8	146-3191	2	Nut-Lug
9	142-4794	2	Bushing-Flanged

# Rear Caster Wheel Assembly

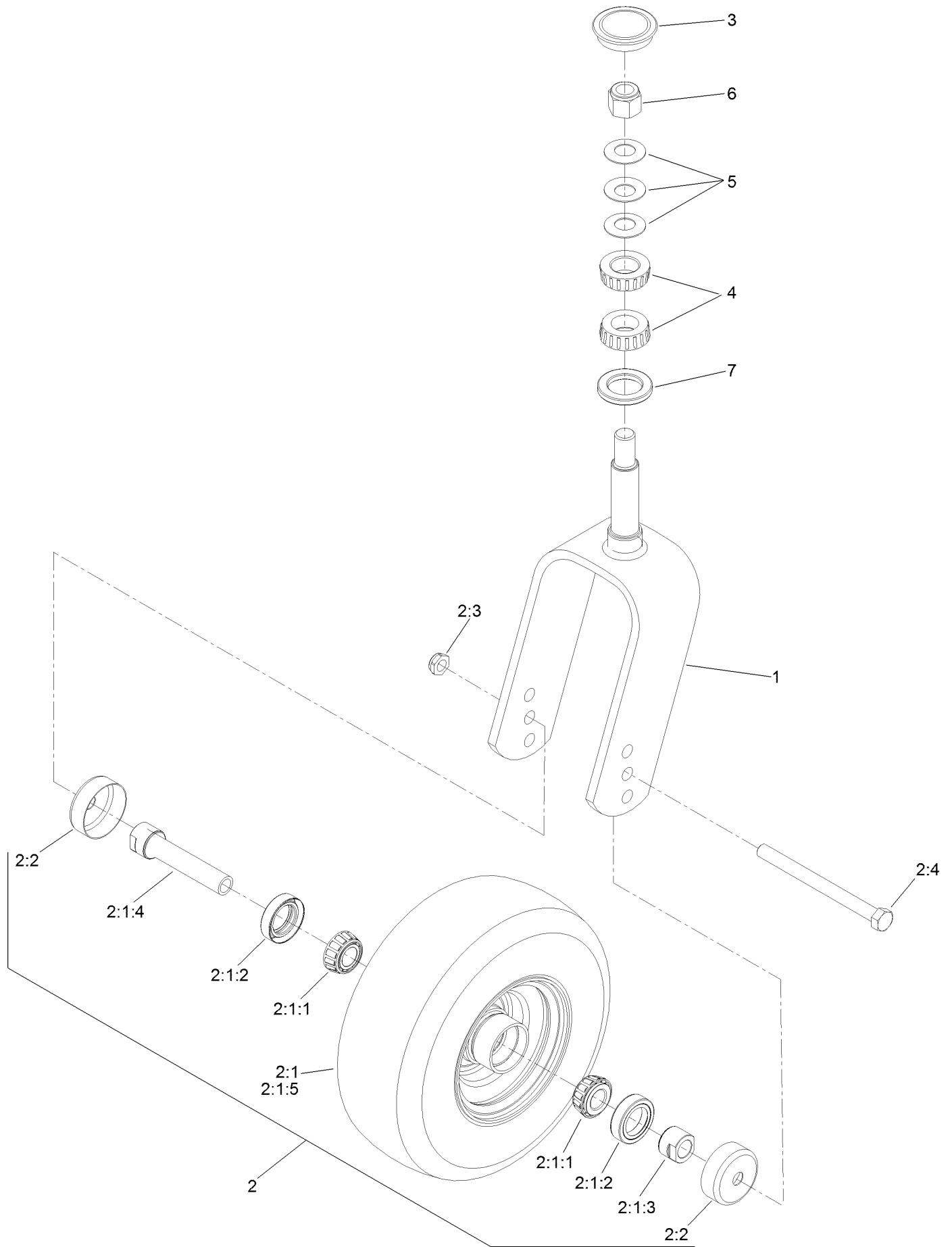


## Rear Caster Wheel Assembly (continued)

<i>Ref.</i>	<i>Part Number</i>	<i>Qty.</i>	<i>Description</i>	<i>Ref.</i>	<i>Part Number</i>	<i>Qty.</i>	<i>Description</i>
1	1-543509	2	Bearing-Roller, Tapered	6:2	112-7065	1	Tire
2	1-633508	3	Washer-Bellville	6:3	126-7904	1	Axle-Caster
3	135-3218	2	Guard, Seal	6:4	116-4004	2	Bearing
4	103-4882	1	Cap-Grease	7	325-20	1	Screw-HH
5	135-3793-01	1	Fork-Caster	8	3296-45	1	Nut-Hex
6		1	Wheel And Tire ASM ●	10	3296-51	1	Nut-Lock, NI
6:1	135-2646	1	Wheel	11	1-543511	1	Seal-Grease

● Not serviced separately

# Caster Fork and Wheel Assembly





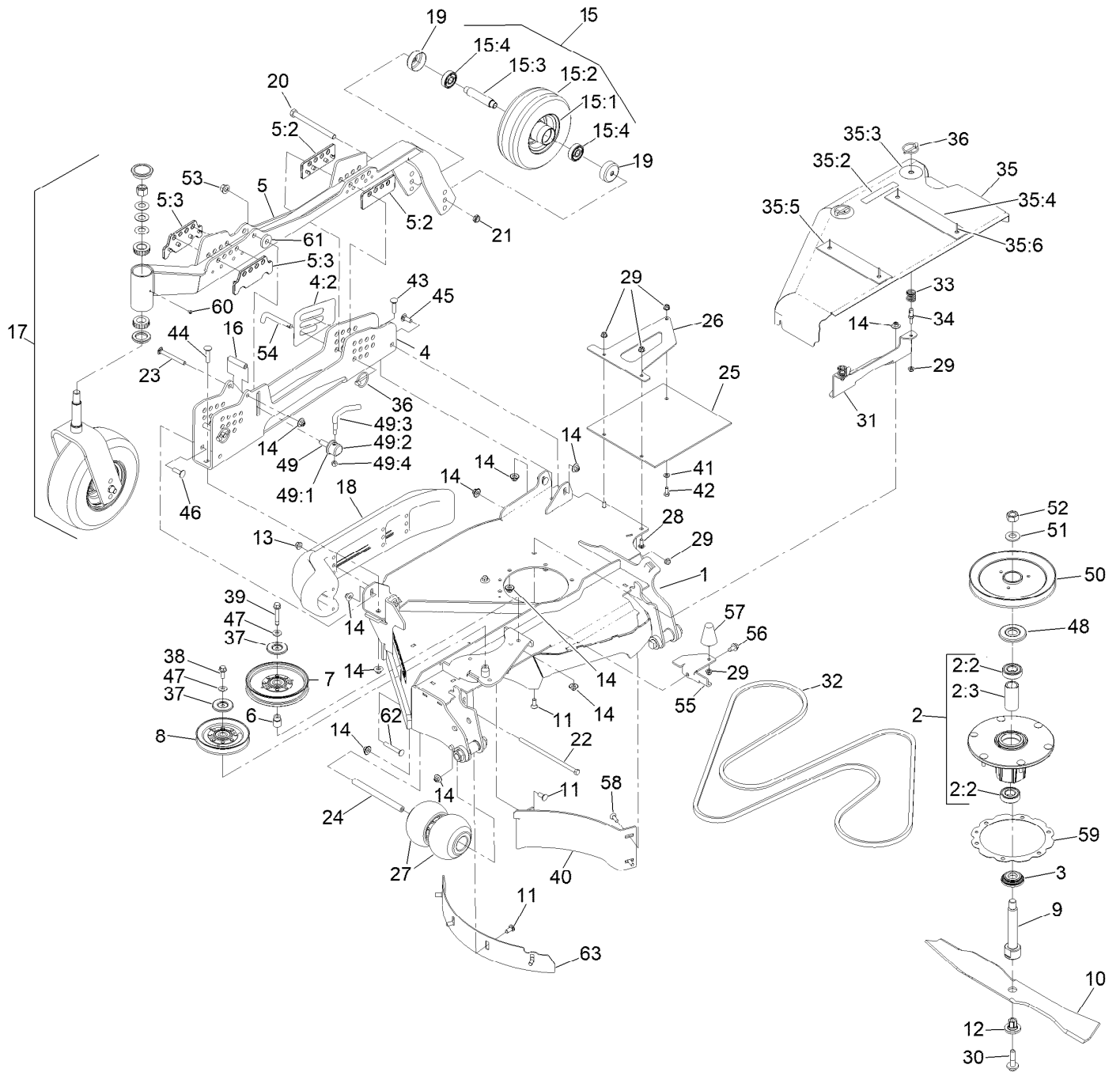
## Caster Fork and Wheel Assembly (continued)

<i>Ref.</i>	<i>Part Number</i>	<i>Qty.</i>	<i>Description</i>	<i>Ref.</i>	<i>Part Number</i>	<i>Qty.</i>	<i>Description</i>
1	135-3794-01	1	Fork-Caster	2:2	103-2768	2	Guard-Seal
2	130-4558	1	Wheel/Tire And Bearing ASM	2:3	3296-45	1	Nut-Hex
2:1		1	Wheel And Bearing ASM ●	2:4	325-20	1	Screw-HH
2:1:1	1-633585	2	Bearing-Cone, Taper	3	103-4882	1	Cap-Grease
2:1:2	103-0063	2	Seal-Caster	4	1-543509	2	Bearing-Roller, Tapered
2:1:3	103-3051	1	Spacer-Nut ■	5	1-633508	3	Washer-Bellville
2:1:4	126-5359	1	Caster Axle ASM	6	3296-51	1	Nut-Lock, NI
2:1:5	130-4563	1	Wheel And Tire ASM	7	1-543511	1	Seal-Grease

● Not serviced separately

■ Use Pro-Lock, Nut Type (P/N 1-840022, .5ml tube) on spacer nut

# RH Deck Assembly



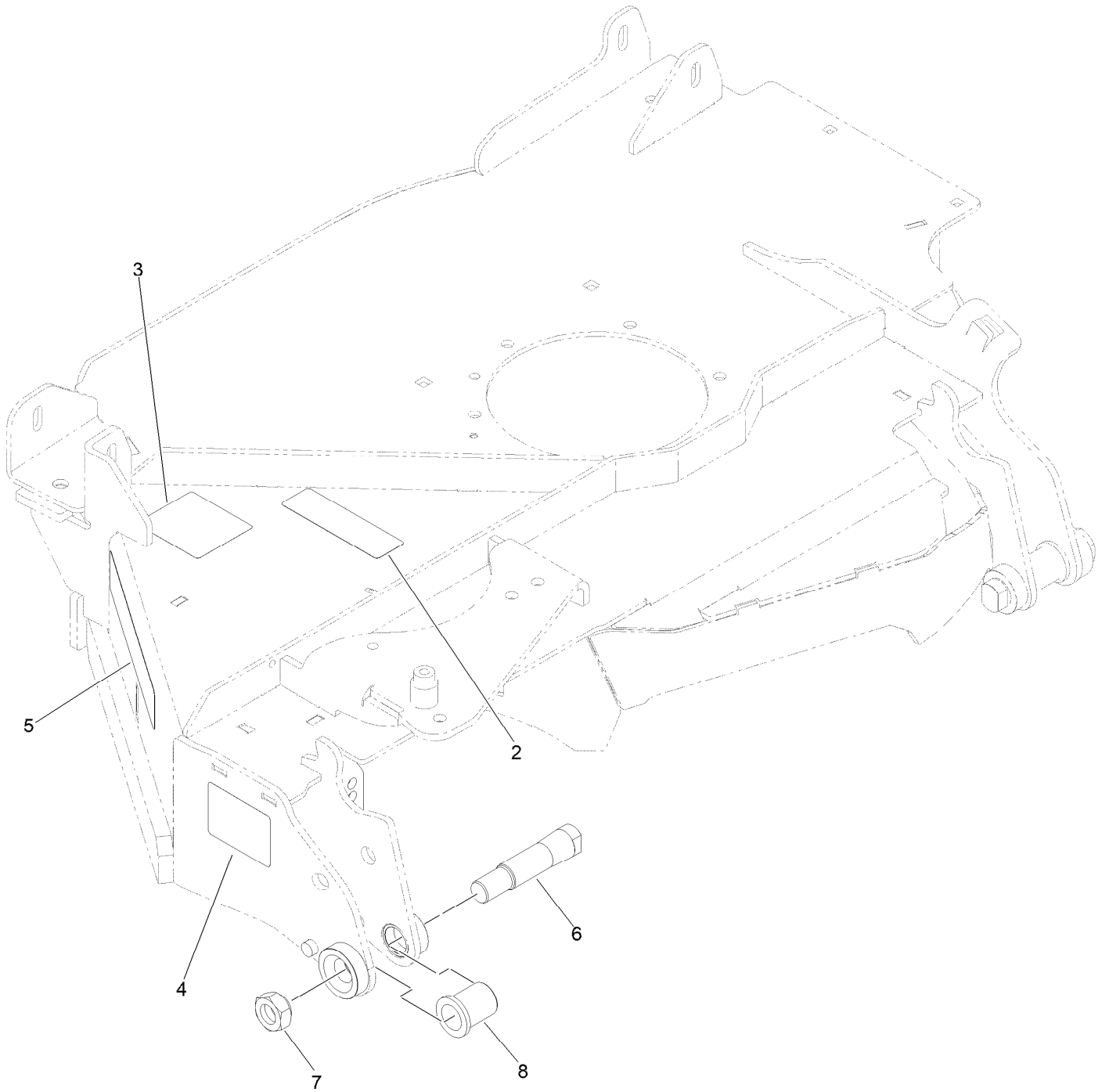
## RH Deck Assembly (continued)

<i>Ref.</i>	<i>Part Number</i>	<i>Qty.</i>	<i>Description</i>	<i>Ref.</i>	<i>Part Number</i>	<i>Qty.</i>	<i>Description</i>
1	146-3904	1	ASM-Deck, RH Wing [w/Decals]	32	126-6447	1	Belt-V
2	137-9780	1	Spindle ASM	33	126-1503	2	Spring
2:2	116-0720	2	Bearing-Ball	34	135-7455	2	Pin, Spring
2:3	138-6042	1	Spacer-Bearing	35	135-6171	1	RH Wing Shield ASM
3	137-9784	1	Guard-Bottom	35:2	93-6687	1	Decal-No Step
4	142-4470	1	ASM-Channel, HOC RH W/Decals	35:3	135-3165	2	Decal-Cover, Scratch
4:2	126-8760	2	Decal-HOC, RH	35:4	135-6706	1	Plate
5	146-3832	1	ASM-RH Gauge Wheel Arm	35:5	135-6707	1	Plate-Front
5:2	142-3501	2	Plate-Guide, Rear	35:6	133-7130	4	Rivet-Pop
5:3	142-3592	2	Plate-Guide, Front	36	92-1298	4	Pin-Lynch
6	1-633456	1	Bushing, Idler	37	126-8043	2	Shield-Dust
7	126-7685	1	Idler-Pulley	38	3234-42	1	Screw-HHF
8	126-2960	1	Idler-V	39	126-2956	1	Screw-HHF
9	138-6045	1	Shaft-Spindle	40	135-3540-01	1	Baffle-Block, RH Wing
10	140-1246	1	Blade-24.50 Mulch	41	3256-23	1	Washer-Plain
11	3231-12	7	Bolt-CARR	42	322-3	1	Screw-HH
12	137-9787	1	Bushing-Hex	43	3231-4	1	Screw-CARR
13	104-8301	2	Nut-HF, NI	44	3231-5	1	Screw-CARR
14	109-6658	22	Nut-Flange, NI	45	3231-2	3	Bolt-CARR
15		1	Wheel And Tire ASM ●	46	3231-25	1	Bolt-CARR
15:1	135-2646	1	Wheel	47	98-5975	2	Washer-Belleville
15:2	112-7065	1	Tire	48	103-1330	1	Guard-Bearing, Top
15:3	126-7904	1	Axle-Caster	49	107-1664	1	Lever ASM
15:4	116-4004	2	Bearing	49:1	106-3239	1	Screw-Lock
16	135-2424	1	Spacer	49:2	107-1644	1	Cap-Lock
17		1	Caster Wheel ASM ■	49:3	106-3241	1	Lever-Lock
18	112-1479	1	Skid-Bumper, Deck	49:4	3296-29	1	Nut-Lock, NI
19	135-3218	2	Guard, Seal	50	140-1185	1	Sheave-Drive, Blade
20	325-20	1	Screw-HH	51	103-2802	1	Washer
21	3296-45	1	Nut-Hex	52	116-7306	1	Nut-Hex
22	99-7203	1	Screw-HH	53	99-5107	1	Nut-Lock
23	3231-11	1	Screw-CARR	54	135-2073	2	Pin-HOC
24	126-6115	1	Spacer-Wheel	55	135-2611-01	1	Bracket-Retainer, Cover
25	135-2068	1	Guard-Tire	56	110-9380	1	Screw-HWH
26	135-2067-03	1	Support-Flap, RH	57	114-1925	1	Bumper-Rubber
27	103-8415	2	Roller-Anti-Scalp	58	3230-22	2	Screw-CARR
28	3230-16	2	Screw-CARR	59	140-0986	1	Ring-Spacer, Housing
29	104-8300	8	Nut-HF, NI	60	1-811010	1	Plug
30	109-9220	1	Screw-Sems	61	30-8770	1	Washer
31	135-2653-03	1	Bracket-Shield Mount, Outer	62	3231-31	2	Screw-CARR
				63	135-2460-01	1	Baffle-Depth, RH

● Not illustrated

■ Not serviced separately

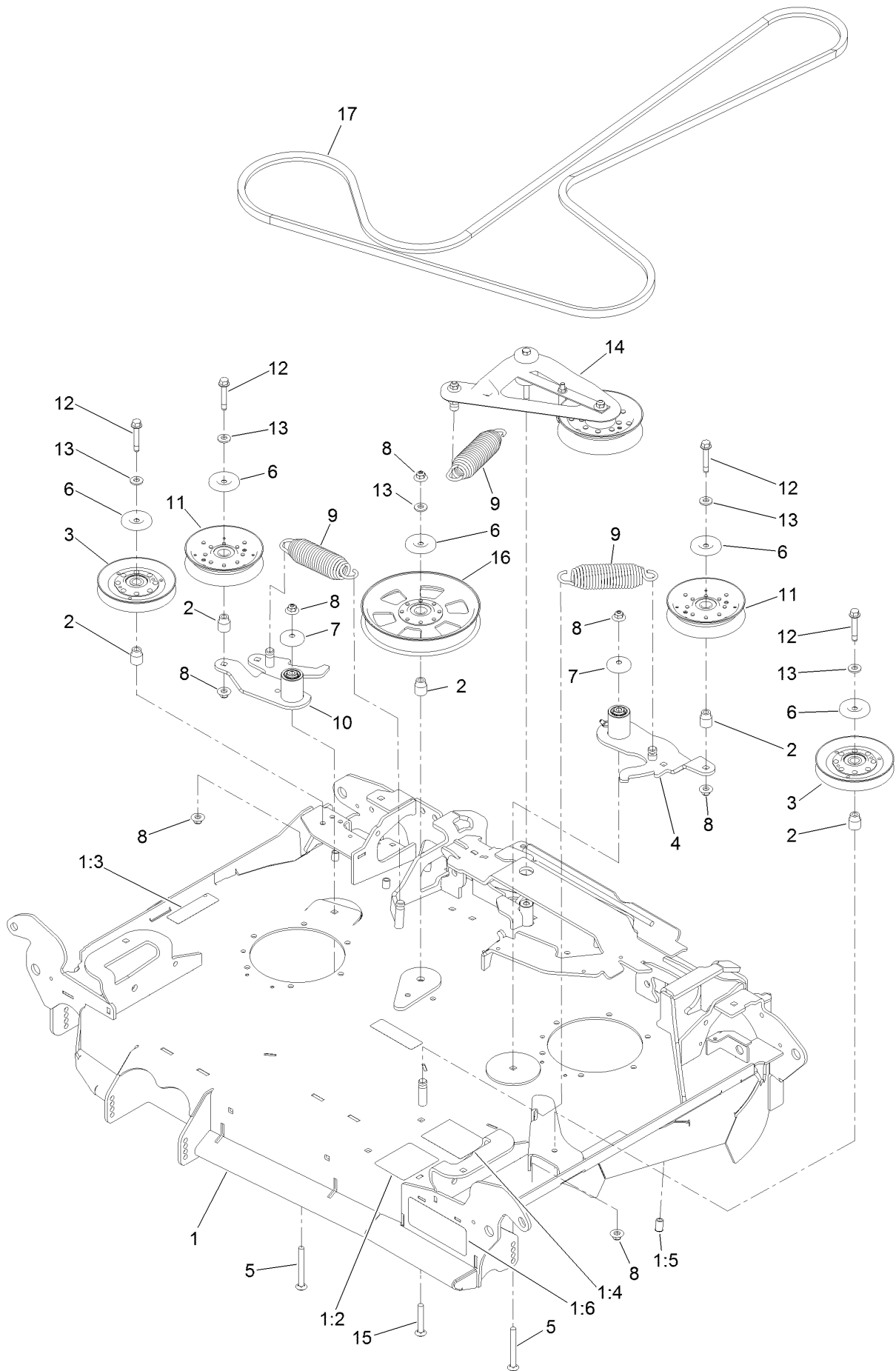
# RH Wing Deck Decal Assembly No. 146-3904



# RH Wing Deck Decal Assembly No. 146-3904 (continued)

<i>Ref.</i>	<i>Part Number</i>	<i>Qty.</i>	<i>Description</i>	<i>Ref.</i>	<i>Part Number</i>	<i>Qty.</i>	<i>Description</i>
2	112-9028	1	Decal-Cover, Missing	5	136-9042	1	Decal
3	135-0664	1	Decal-Danger, Thrown Object	6	146-2893	2	Bolt-Pivot Pin
4	135-0670	1	Decal-Warning, Pinch Point	7	146-3191	2	Nut-Lug
				8	142-4794	2	Bushing-Flanged

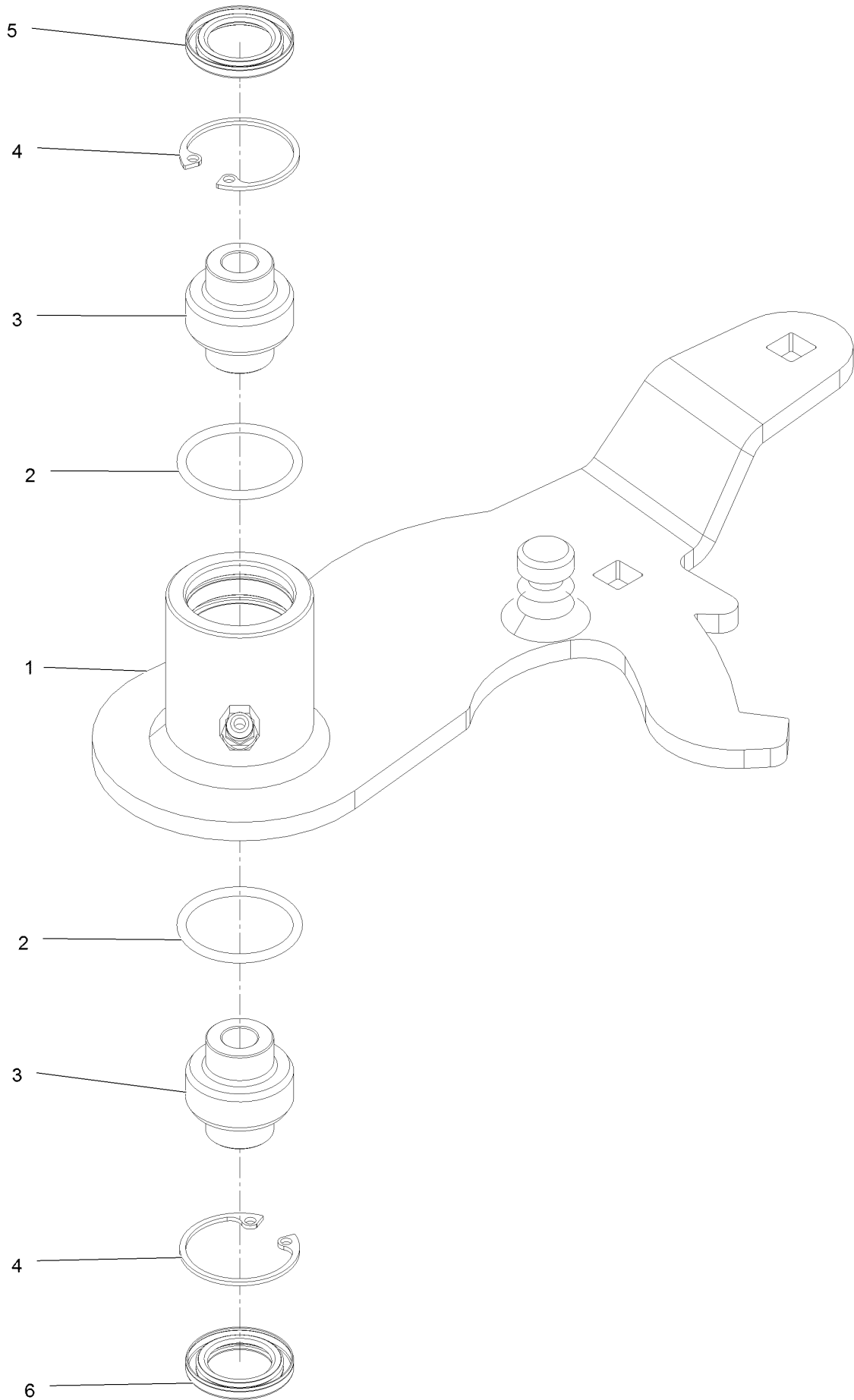
# Center Deck Belt Drive Assembly



## Center Deck Belt Drive Assembly (continued)

<i>Ref.</i>	<i>Part Number</i>	<i>Qty.</i>	<i>Description</i>	<i>Ref.</i>	<i>Part Number</i>	<i>Qty.</i>	<i>Description</i>
1	135-3764	1	Deck ASM	7	103-2916	2	Guard-Top
1:2	109-6036	1	Decal-Roller, Anti-Scalp	8	109-6658	7	Nut-Flange, NI
1:3	112-9028	4	Decal-Cover, Missing	9	116-6317	3	Spring-Extension
1:4	135-1097	1	Decal-Belt Routing	10	126-9438	1	Idler ASM
1:5	32148-10	6	Nut-Clinch	11	126-9187	2	Pulley-Idler, Flat
1:6	136-9041	1	Decal	12	126-2956	4	Screw-HHF
2	1-633456	5	Bushing, Idler	13	98-5975	5	Washer-Belleville
3	126-2960	2	Idler-V	14	126-1720	1	Deck Idler ASM
4	126-9435	1	Idler ASM	15	3231-44	1	Screw-CARR
5	116-1502	2	Bolt-Shoulder, Carriage	16	116-9639	1	Pulley-Idler, Flat
6	126-8043	5	Shield-Dust	17	126-6440	1	V-Belt

# Idler Assembly No. 126-9435





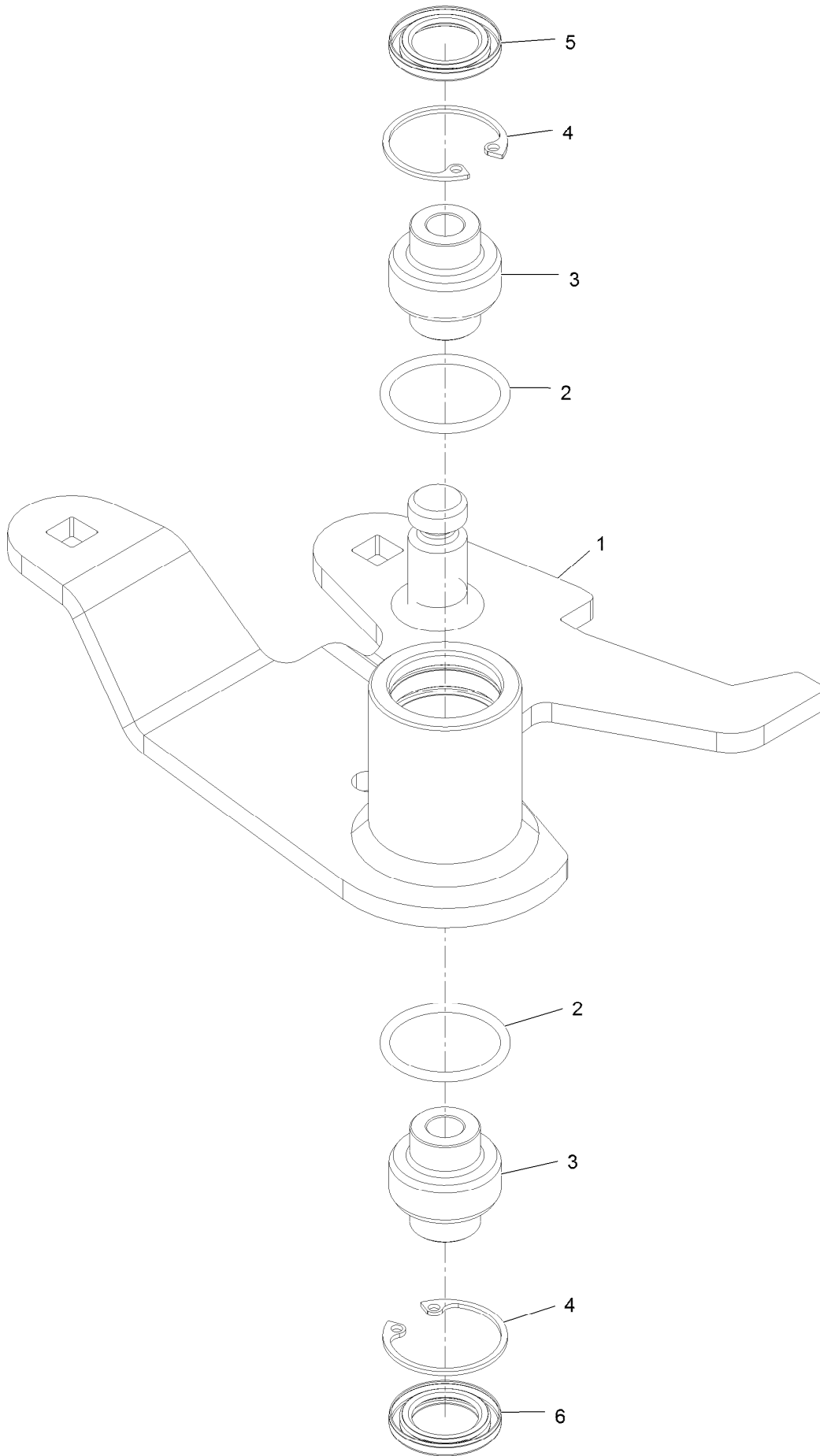
## Idler Assembly No. 126-9435 (continued)

<i>Ref.</i>	<i>Part Number</i>	<i>Qty.</i>	<i>Description</i>
1		1	ASM-Idler Arm 96Rd LH [red] ●
2	106-7159	2	O-Ring
3	103-3504	2	Bearing-Spherical

<i>Ref.</i>	<i>Part Number</i>	<i>Qty.</i>	<i>Description</i>
4	32120-10	2	Ring-Snap
5	103-3506	1	Seal-Lip, Single
6	103-3505	1	Seal-Lip, Double

● Not serviced separately

# Idler Assembly No. 126-9438



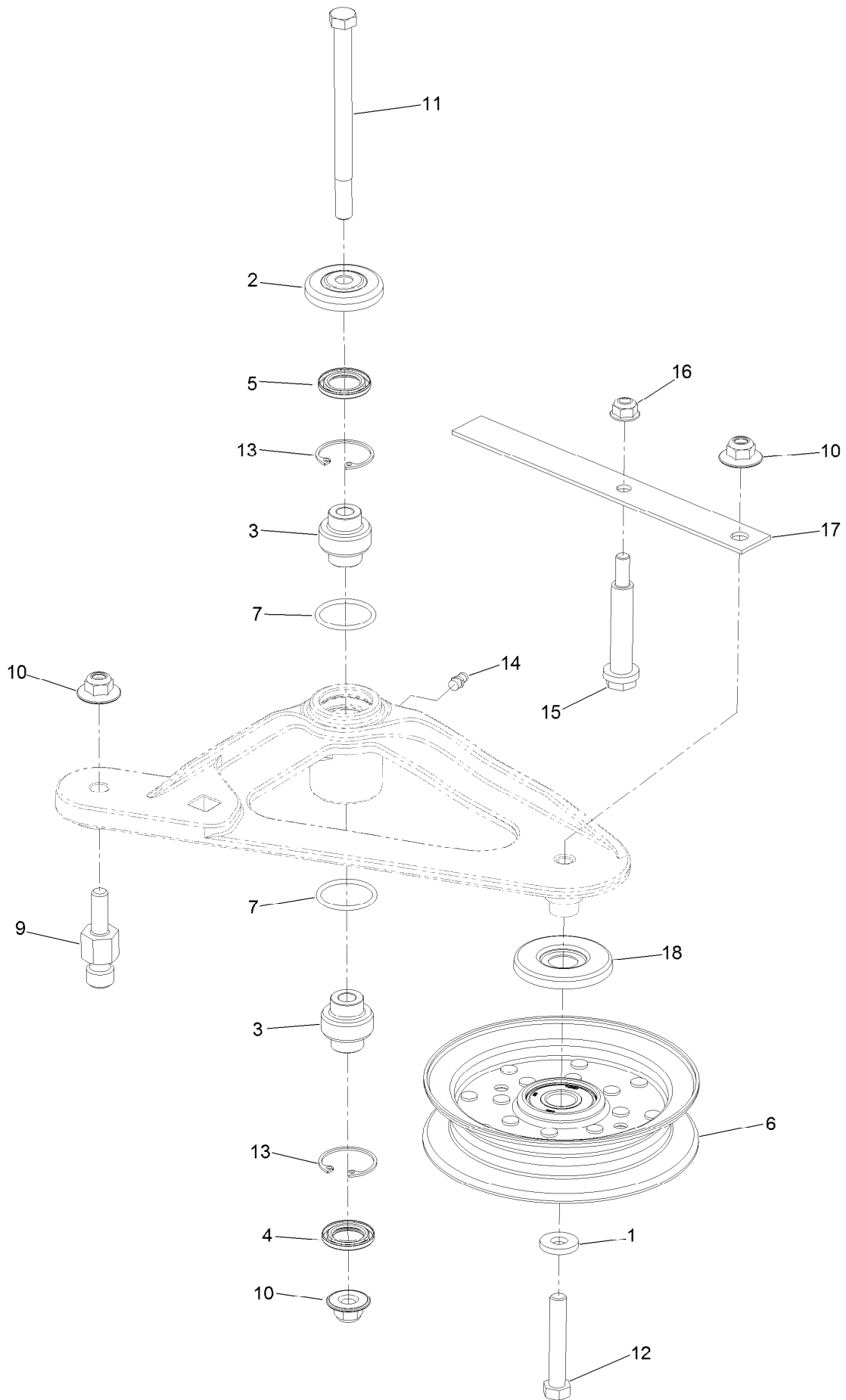
## Idler Assembly No. 126-9438 (continued)

<i>Ref.</i>	<i>Part Number</i>	<i>Qty.</i>	<i>Description</i>
1		1	ASM-Idler Arm, 96Rd [red] ●
2	106-7159	2	O-Ring
3	103-3504	2	Bearing-Spherical

<i>Ref.</i>	<i>Part Number</i>	<i>Qty.</i>	<i>Description</i>
4	32120-10	2	Ring-Snap
5	103-3506	1	Seal-Lip, Single
6	103-3505	1	Seal-Lip, Double

● Not serviced separately

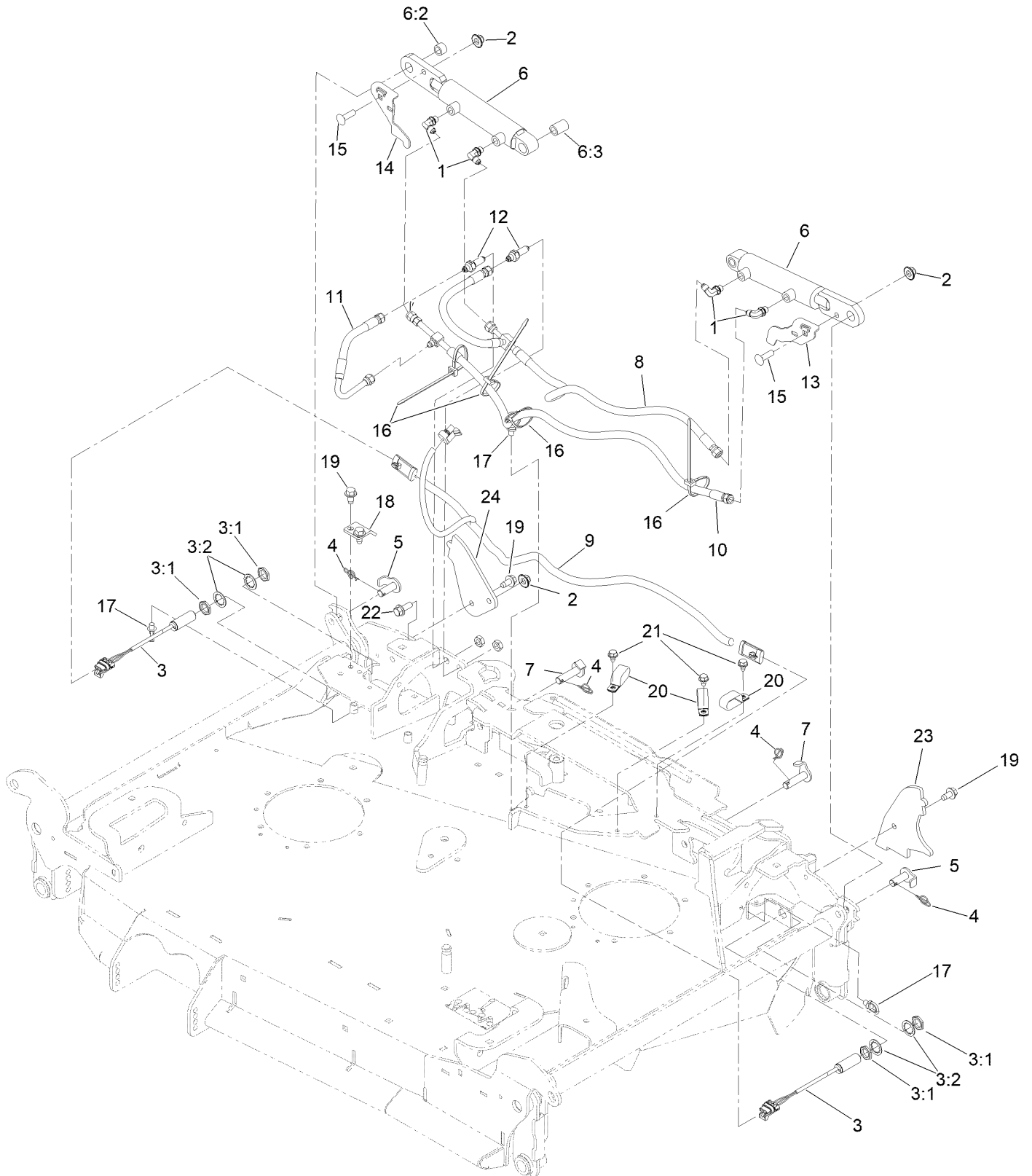
# Deck Idler Assembly No. 126-1720



## Deck Idler Assembly No. 126-1720 (continued)

<i>Ref.</i>	<i>Part Number</i>	<i>Qty.</i>	<i>Description</i>	<i>Ref.</i>	<i>Part Number</i>	<i>Qty.</i>	<i>Description</i>
1	43-0940	1	Spacer	11	109-7409	1	Screw-Shoulder, HH
2	103-2916	1	Guard-Top	12	104-3396	1	Screw-HH
3	103-3504	2	Bearing-Spherical	13	32120-10	2	Ring-Snap
4	103-3505	1	Seal-Lip, Double	14	302-19	1	Fitting-Grease
5	103-3506	1	Seal-Lip, Single	15	88-4590	1	Bolt-Shoulder
6	126-9196	1	Idler-Pulley, Flat	16	104-8300	1	Nut-HF, NI
7	106-7159	2	O-Ring	17	126-1704	1	Spring-Belt
9	126-0423	1	Pin-Spring, Anchor	18	126-9195	1	Shield-Guard, Dust
10	109-6658	3	Nut-Flange, NI				

# Center Deck Hydraulic and Electrical Assembly

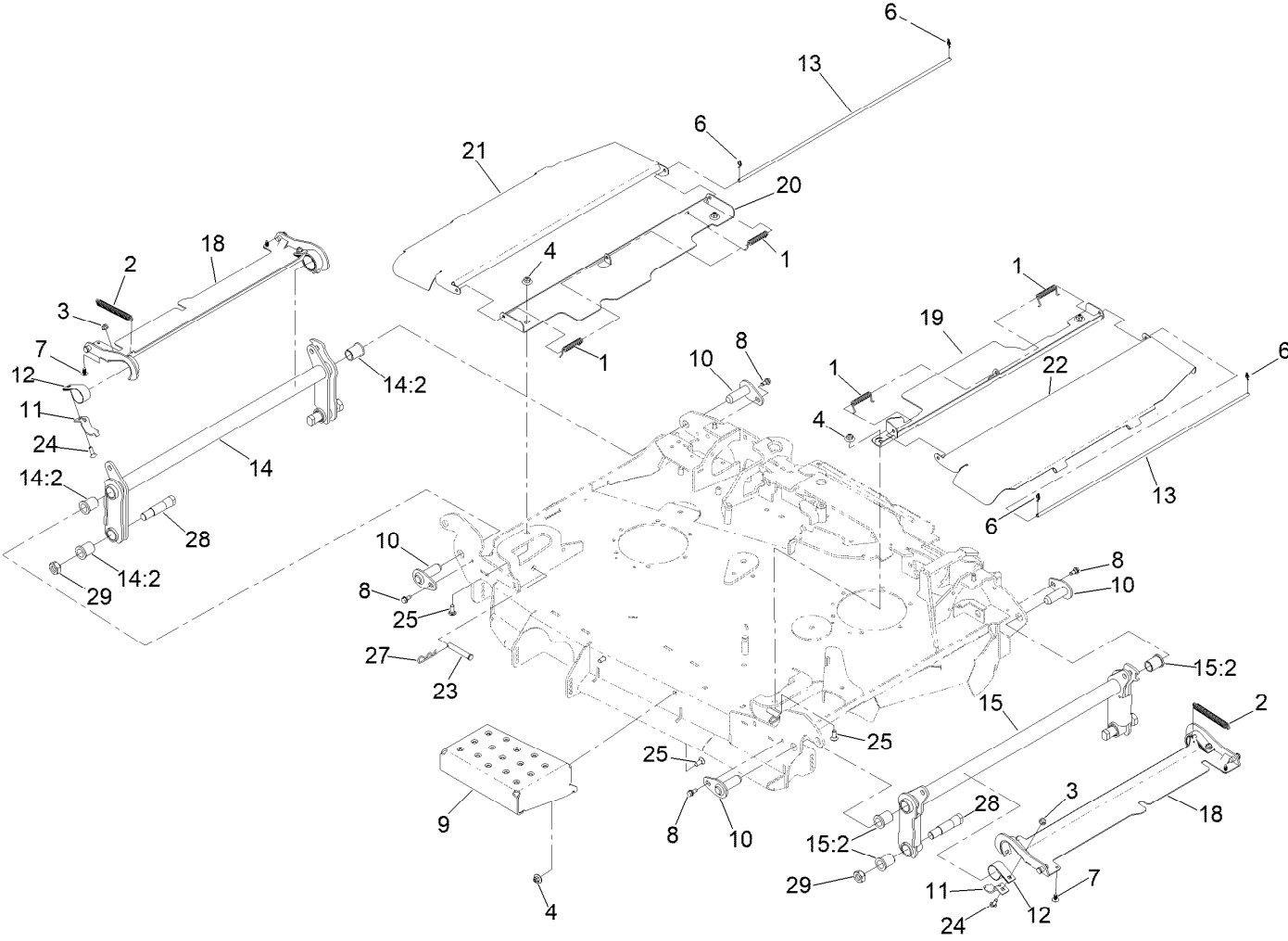


## Center Deck Hydraulic and Electrical Assembly (continued)

<i>Ref.</i>	<i>Part Number</i>	<i>Qty.</i>	<i>Description</i>	<i>Ref.</i>	<i>Part Number</i>	<i>Qty.</i>	<i>Description</i>
1	109-0760	4	Adapter, 90°	11	135-4526	1	Hose ASM
2	109-6658	3	Nut-Flange, NI	12	135-5077	2	Fitting-Straight
3	115-5300	2	Proximity Switch ASM	13	135-5922	1	Plate-Proximity, LH
3:1	117-3207	2	Nut-Hex	14	135-5923	1	Plate-Proximity, RH
3:2	117-3208	2	Washer-Lock, Internal Tooth	15	3231-28	2	Screw-CARR
4	126-8417	4	Pin-Cotter, Locking	16	3290-378	4	Tie-Cable
5	126-8448	2	Pin-Cylinder	17	32180-030	3	Clip-Tie
6	126-9000	2	Deck Fold Cylinder ASM	18	135-6586	1	Bracket-Guard, Switch (RH)
6:1:1	142-2768	1	Kit, CYL Repair ●	19	110-9380	4	Screw-HWH
6:2	126-8439	1	Bushing	20	120-1959	3	Clamp
6:3	126-8440	1	Bushing	21	9266934	3	Screw
7	142-3762	2	Pin-Cylinder	22	3234-42	1	Screw-HHF
8	142-6790	1	Hose ASM	23	135-2628-01	1	Bracket-Deck Stop, LH
9	135-1552	1	Harness-Wire	24	135-2629-01	1	Bracket-Deck Stop, RH
10	142-6789	1	Hose ASM				

● Not illustrated

# Center Deck Fold Assembly

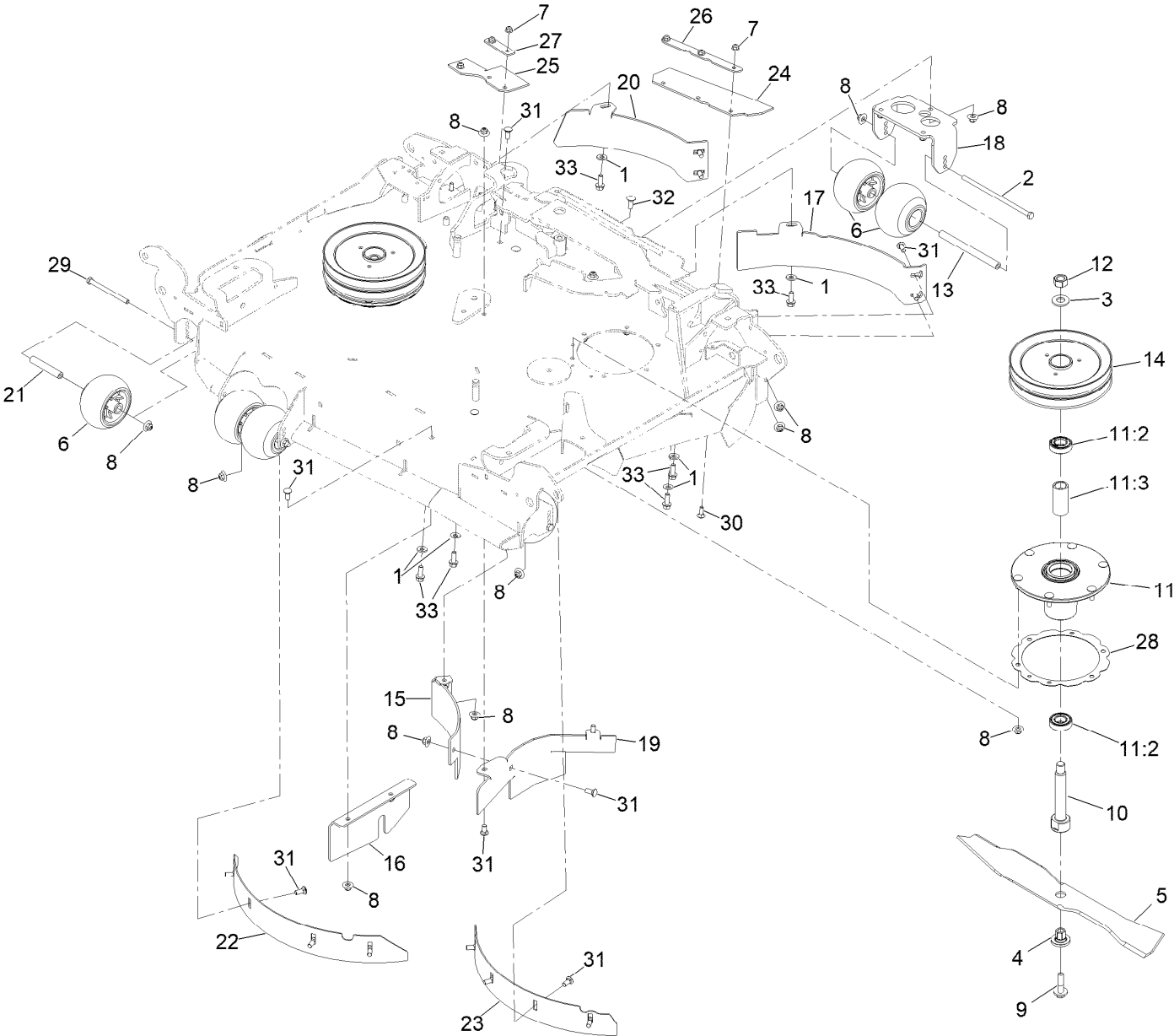




## Center Deck Fold Assembly (continued)

<i>Ref.</i>	<i>Part Number</i>	<i>Qty.</i>	<i>Description</i>	<i>Ref.</i>	<i>Part Number</i>	<i>Qty.</i>	<i>Description</i>
1	99-5293	4	Spring-Torsion	15	142-5424	1	ASM-Fold Arm, LH
2	103-4813	2	Spring	15:2	142-4794	4	Bushing-Flanged
3	104-8300	4	Nut-HF, NI	18	135-2630-01	2	Cover-Wing
4	109-6658	6	Nut-Flange, NI	19	135-2651-01	1	Shield-Center, LH
6	116-6639	4	Pin-Cotter, Locking	20	135-2652-01	1	Shield-Center, RH
7	117-2382	4	Plug-Plastic	21	135-6174-03	1	Panel-Shield Hinge, RH
8	126-4424	4	Screw-Shoulder	22	135-6178-03	1	Panel-Shield Hinge, LH
9	135-6903-01	1	Panel-Step	23	283-55	2	Pin-Clevis
10	142-4813	4	ASM-Deck Pin	24	3230-16	4	Screw-CARR
11	126-9764	4	Plate-Retainer, Bearing	25	3231-12	6	Bolt-CARR
12	135-0584	4	Strap-Bearing, Nylon	27	3290-355	2	Pin-Hair
13	135-1023	2	Cover-Rod, Pivot	28	146-2893	4	Bolt-Pivot Pin
14	142-5423	1	ASM-Fols Arm, RH	29	146-3191	4	Nut-Lug
14:2	142-4794	4	Bushing-Flanged				

# Center Deck Cutting Assembly



## Center Deck Cutting Assembly (continued)

<i>Ref.</i>	<i>Part Number</i>	<i>Qty.</i>	<i>Description</i>	<i>Ref.</i>	<i>Part Number</i>	<i>Qty.</i>	<i>Description</i>
1	98-5975	6	Washer-Belleville	17	135-3462-01	1	Baffle-Block, LH Ctr
2	99-7203	4	Screw-HH	18	135-1036-01	1	Bracket-Antiscalp, Rear
3	103-2802	2	Washer	19	135-1827-01	1	Baffle-Center
4	137-9787	2	Bushing-Hex	20	135-3463-01	1	Baffle-Block, RH Ctr
5	140-1246	2	Blade-24.50 Mulch	21	126-7140	1	Spacer-Wheel, Short
6	103-8415	9	Roller-Anti-Scalp	22	135-2459-01	1	Baffle-Depth, LH
7	104-8300	6	Nut-HF, NI	23	135-2460-01	1	Baffle-Depth, RH
8	109-6658	39	Nut-Flange, NI	24	135-2658	1	Flap-Discharge
9	109-9220	2	Screw-Sems	25	135-2659	1	Flap-Discharge
10	138-6045	2	Shaft-Spindle	26	135-3760-03	1	Support-Flap
11	137-9780	2	Spindle ASM	27	135-3761-03	1	Support-Flap, RH
11:2	116-0720	2	Bearing-Ball	28	140-0986	2	Ring-Spacer, Housing
11:3	138-6042	1	Spacer-Bearing	29	323-38	1	Screw-HH
12	116-7306	2	Nut-Hex	30	3230-16	6	Screw-CARR
13	126-6115	4	Spacer-Wheel	31	3231-12	18	Bolt-CARR
14	140-1186	2	Sheave-Double Blade Drive	32	3231-2	3	Bolt-CARR
15	135-0601-01	1	Baffle-Center, Rear (RH)	33	3234-11	6	Screw-HHF
16	135-0603-01	1	Plate-Block, Front				

# Attachments and Accessories

## For 74090 96in Air Cool Z Master Professional Riding Mower

<b>Product Name</b>	<b>Model/Part</b>
Hypr-Oil 500 (quart) .....	114-4713
Hypr-Oil 500 (gallon).....	114-4714
Hypr-Oil 500-5 (5 gallon).....	114-4715
Bimini Folding Shade Assembly .....	115-4510
Light Kit.....	116-1154
Seat Cover (W/arm rest).....	117-0095
Seat Tilt Frame and ISO Mount Kit.....	121-7596
Toro Rops Lock Kit.....	126-4064
Jack Kit.....	127-6666
Jack Mount Kit .....	135-1768
Light Flasher Kit.....	135-2892
Worklight Kit .....	135-7320
Blade-24.50 Mulch.....	140-1246
Weight Kit, Under Toe Board.....	140-4958
Kit-96 Rear Discharge Baffle .....	142-3000
Slope Sensor-Lazer/Z-Master 3000/5000/6000.....	142-4910
Sunshade Kit .....	142-8775
Toro Rider Over Seat Bag.....	490-7317
Toro Deluxe Rider Cover.....	490-7319
Toro Rider Arm Rest Bag .....	490-7320
Filter Minder Gauge.....	99-4664

**Notes:**

**Notes:**

**Notes:**



**Count on it.**