



Count on it.

Parts Catalog

**Groundsmaster® 5900/5910
Rotary Mower**

Model No. 31698—Serial No. 316000001 and Up

Model No. 31699—Serial No. 316000001 and Up



Ordering Replacement Parts

To order replacement parts, please supply the part number, the quantity, and the description of each part desired.

Understanding Reference Numbers

Each identified part in an illustration has a reference number. The reference number for a part also appears in the parts list, along with other information about the part.

This catalog uses two special reference number formats, one to indicate parts in a service assembly and another to indicate the quantity of a given part in an illustration.

Service Assembly Reference Numbers

Parts in service assemblies have reference numbers in the form a:b. The a represents the reference number of the entire service assembly and the b represents a sequential number unique to each part within the service assembly.

For example, a wheel assembly might be identified by reference number 6, the tire by 6:1, the valve by 6:2, and the wheel by 6:3. When you order the assembly identified by reference number 6, you receive all parts identified by reference numbers 6:1, 6:2, and 6:3. However, you may also order any part individually. Reference numbers of this type appear in illustration and in parts lists.

Reference Numbers Indicating Quantity

In an illustration, if a reference number indicates more than one part, the reference number has the form nX y. The n represents the quantity of the part, the X is the multiplication symbol, and the y represents the reference number.

For example, in an illustration, the reference number 2X 37 means that two of the parts identified by reference number 37 are indicated.

Contents

Frame Assembly	6
Rear Axle Assembly	8
Axle Assembly No. 114-5982-01	10
Tie Rod Assembly No. 110-6049-03	11
Engine and Mount Assembly	12
Alternator Assembly	13
Hydraulic Cooling Assembly	14
Radiator and Cooling Fan Assembly	16
Air Cleaner Assembly	18
Fuel System Assembly	19
Traction Hydraulic Assembly	20
Piston Pump Assembly No. 130-9150	22
Hydraulic Gear Pump Assembly No. 130-2520	24
Traction Valve Assembly	26
Hydraulic Traction Valve Manifold Assembly No. 132-1397	28
Hydraulic Traction Motors Assembly	30
Hydraulic Motor Assembly No. 125-5434	32
Hydraulic Motor Assembly No. 125-5391	34
Hydraulic Traction Assembly	36
Hydraulic Motor Assembly No. 132-1425	38
Hydraulic Tank Assembly	40
Hydraulic Cutting Circuit Assembly	42
Center Cutting Deck Drive Valve Assembly	44
Hydraulic Manifold Assembly No. 132-1394	45
LH Cutting Deck Drive Valve Assembly	46
Hydraulic Manifold Assembly No. 132-1395	47
RH Cutting Deck Drive Valve Assembly	48
Hydraulic Manifold Assembly No. 132-1396	49
Hydraulic Motor Assembly No. 125-5392	50
Hydraulic Steering/Lift Circuit Assembly	52
Steering/Lift Valve Assembly	54
Hydraulic Steering/Lift Manifold Assembly No. 132-1398	56
Hydraulic Cylinder Assembly No. 114-4830	58
Hydraulic Cylinder Assembly No. 114-4831	59
Hydraulic Cylinder Assembly No. 114-5685	60
Manual Parking Brake Release Valve Assembly	61
Hydraulic Parking Brake Manifold Assembly No. 132-1399	62
Hydraulic Steering Assembly	63
Steering Valve Assembly No. 130-7949	64
Hydraulic Cylinder Assembly No. 132-1308	65
Hydraulic Filter Manifold Assembly	66
Side Panel and Bumper Assembly	67
Hood Assembly	68
Center Front Deck Assembly	70
Center Front and Winglet Deck Assembly	72
Center Front Deck and Decal Assembly No. 130-9201	73
Right Front Deck and Decal Assembly No. 130-9218	74
Left Front Deck and Decal Assembly No. 130-9210	75
Center Deck Belt and Spindle Assembly	76
Driving Spindle Assembly No. 131-0768	78
Double Spindle Assembly No. 117-9234	80
High Spindle Assembly No. 117-9233	82
Center Deck Roller, Skid and Caster Wheel Assembly	84
10 Inch Wheel Assembly No. 93-4240	85

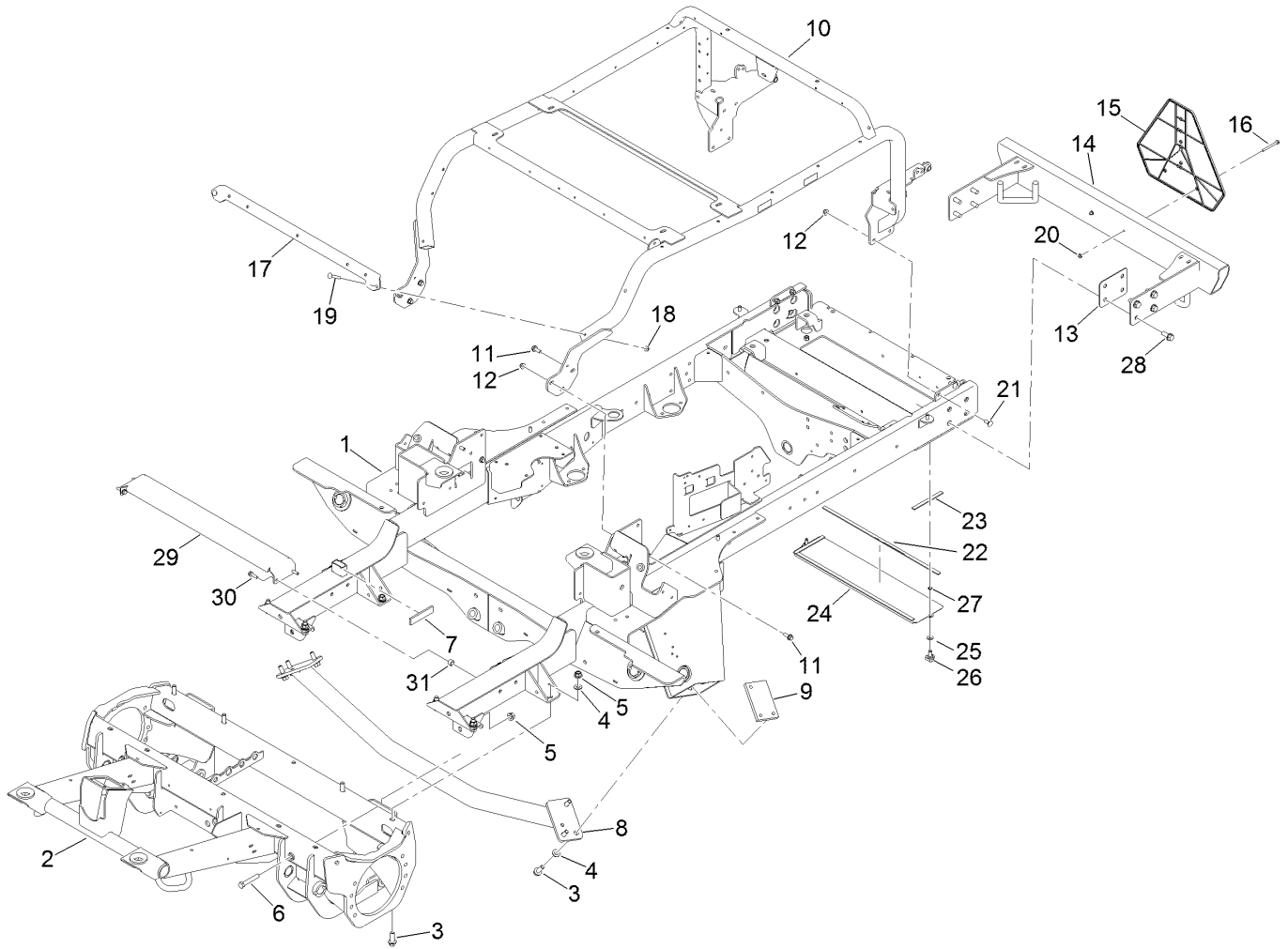
Contents (continued)

Center Front Deck Spindle and Blade Assembly	86
Center Front Deck Belt Cover Assembly	87
Center Front Deck Chamber and Discharge Assembly	88
Center Front Deck Transport Damper Assembly	89
Left Hand Deck Connection Assembly	90
Left Hand Deck Belt and Spindle Assembly	92
Left Hand Deck Decal Assembly No. 130-9271	94
Left Hand Deck Roller, Skid and Caster Wheel Assembly	95
Left Hand Deck Spindle and Blade Assembly	96
Left Hand Deck Belt Cover Assembly	97
Left Hand Deck Chamber Assembly	98
Left Hand Deck Stop Assembly	99
Left Hand Deck Impact Arm and Limit Switch Assembly	100
Left Hand Deck Transport Lock Assembly	101
Right Hand Deck Assembly	102
Right Hand Deck Belt and Spindle Assembly	104
Right Hand Deck Decal Assembly No. 130-9241	105
Right Hand Deck Roller, Skid and Caster Wheel Assembly	106
Right Hand Deck Spindle and Blade Assembly	107
Right Hand Deck Belt Cover Assembly	108
Right Hand Deck Chamber Assembly	109
Right Hand Deck Stop Assembly	110
Right Hand Deck Impact Arm and Limit Switch Assembly	111
Right Hand Deck Transport Lock Assembly	112
Platform Assembly	114
Seat Mount Assembly	115
Air Ride Seat Suspension Assembly No. 130-2702	116
Control Console Assembly	118
Traction Pedal Assembly	120
Steering Column Assembly	121
Steering Column Assembly No. 132-1307	122
Front Electrical Component Assembly	123
Mid Electrical Component Assembly	124
Rear Electrical Component Assembly	125
Battery Cable Routing Assembly	126
Wire Harness Assembly	128
Roll-Over Protection System Assembly For ROPS Model Only	130
Right Hand Tail Light Assembly No. 108-8007	131
Left Hand Tail Light Assembly No. 108-8008	132
Vinyl Premium Seat Assembly No. 117-5676	133
Head Light Assembly No. 92-6565	134
Cab Mounting Assembly For Cab Model Only	135
Cloth Premium Seat Assembly No. 117-9429	136
AC Compressor Mount and Cab Fluids Assembly For Cab Model Only	137
Cab Frame, Mirror and Decal Assembly For Cab Model Only	138
Windshield Wiper, Filter and Air Conditioning Assembly For Cab Model Only	140
Air Conditioning Duct Assembly No. 132-3468 For Cab Model Only	142
Window and Door Assembly For Cab Model Only	144
Left Hand Door Assembly For Cab Model Only	146
Right Hand Door Assembly For Cab Model Only	148
Left Side Hose Assembly For Cab Model Only	150
Right Side Hose Assembly For Cab Model Only	152
Mixing Box and Vent Hose Assembly For Cab Model Only	154
Headliner Wire Harness and Control Assembly For Cab Model Only	156

Contents (continued)

Mixing Box Mounting Bracket and Water Tray Assembly For Cab Model Only	158
Blower Fan and Evaporator Core Assembly For Cab Model Only	160
Heat / Air Conditioner Housing Assembly For Cab Model Only	162
Air Diverter and Expansion Valve Assembly For Cab Model Only	164
Air Diverter Assembly No. 121-8369 For Cab Model Only	166
Cylinder Block Assembly	168
Gear Housing Assembly	169
Cylinder Head and Cover Assembly	170
Flywheel Housing and Oil Sump Assembly	172
Suction Manifold Assembly	173
Exhaust Manifold Assembly	174
Camshaft and Driving Gear Assembly	175
Diesel Particulate Filter Assembly	176
Turbine Assembly	178
Crankshaft and Piston Assembly	179
Lubrication and Oil System Assembly	180
Lubrication Oil Pipe Assembly	181
Cooling Water System Assembly	182
Fuel Supply Pump Assembly	183
Fuel Injection Valve Assembly	184
Fuel Pipe Assembly	185
Starter Motor Assembly	186
Generator Assembly	187
Electronic Control Unit Assembly	188
Electric Parts Assembly	189
Gasket Set	190
Attachments and Accessories	192

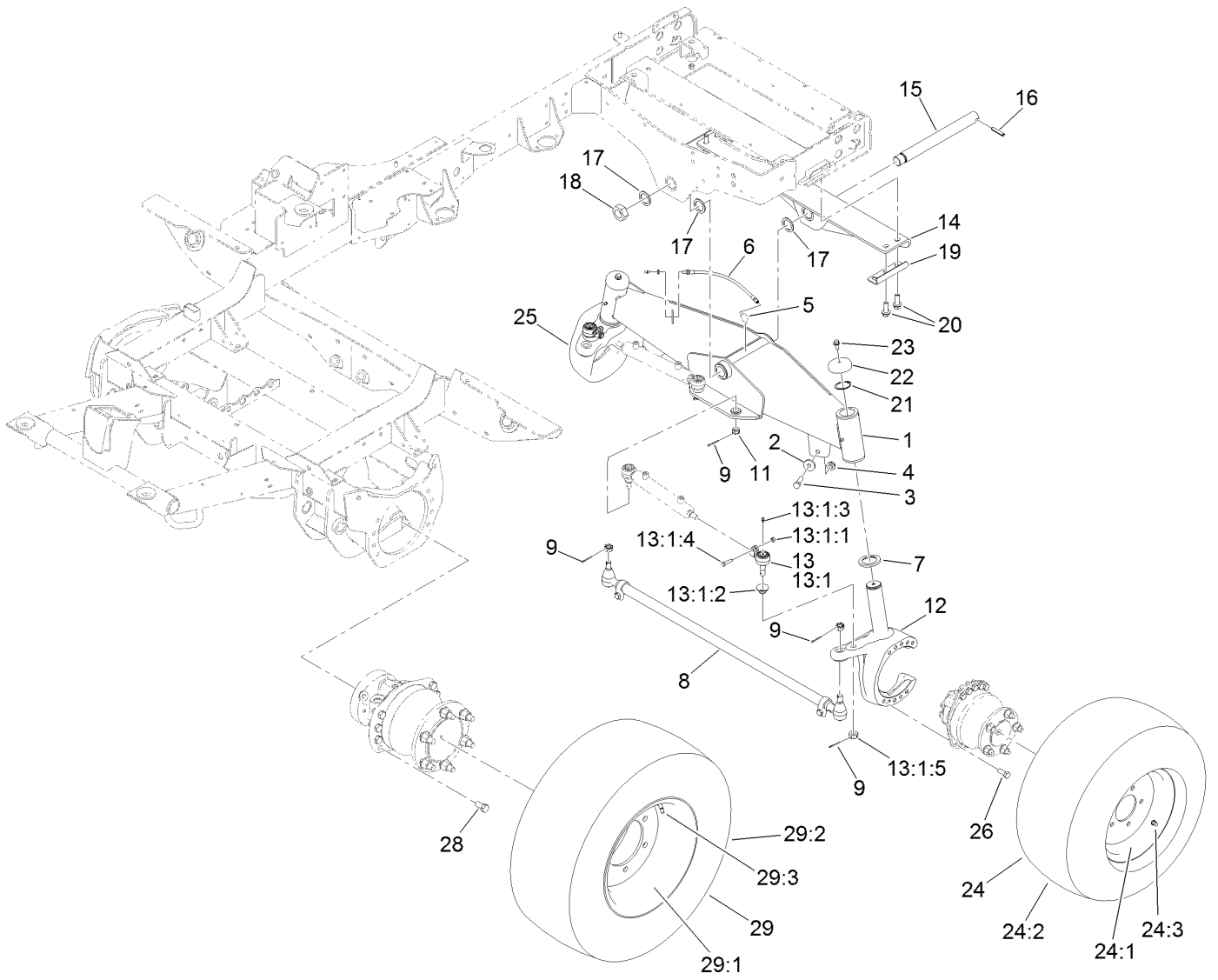
Frame Assembly



Frame Assembly (continued)

<i>Ref.</i>	<i>Part Number</i>	<i>Qty.</i>	<i>Description</i>	<i>Ref.</i>	<i>Part Number</i>	<i>Qty.</i>	<i>Description</i>
1	130-2450-01	1	Frame	16	114-8410	2	Screw-HHF
2	125-5401-01	1	Frame-Front	17	130-2570-03	1	Bracket-Mount, Fuse
3	100-6116	14	Screw-HHF	18	104-8300	2	Nut-HF, NI
4	3256-26	14	Washer-Flat	19	3230-7	2	Bolt-CARR
5	99-5107	10	Nut-Lock	20	104-7201	2	Nut-HF, NI
6	325-12	2	Screw-HH	21	3231-2	4	Bolt-CARR
7	115-5465	1	Seal-Trim	22	131-2221	2	Strip-Foam
8	114-5969-01	1	Crossmember	23	131-2222	2	Strip-Foam
9	114-5990	2	Plate-Tapped	24	131-2218-01	1	Cover-Frame
10	132-1387	1	Cooler Mount ASM	25	3256-3	2	Washer-Flat
11	3234-42	8	Screw-HHF	26	95-9648	2	Knob
12	104-8301	6	Nut-HF, NI	27	32151-72	2	Ring-Retaining
13	115-5458-03	1	Shim-Bumper	28	3234-38	8	Screw-HHF
14	131-2310-03	1	Bumper	29	132-1401-01	1	Strap-Support, Tank
15	92-7760	1	Emblem-Vehicle, Slow Moving	30	3234-36	4	Screw-HHF
				31	107-3677	2	Spacer-Tube

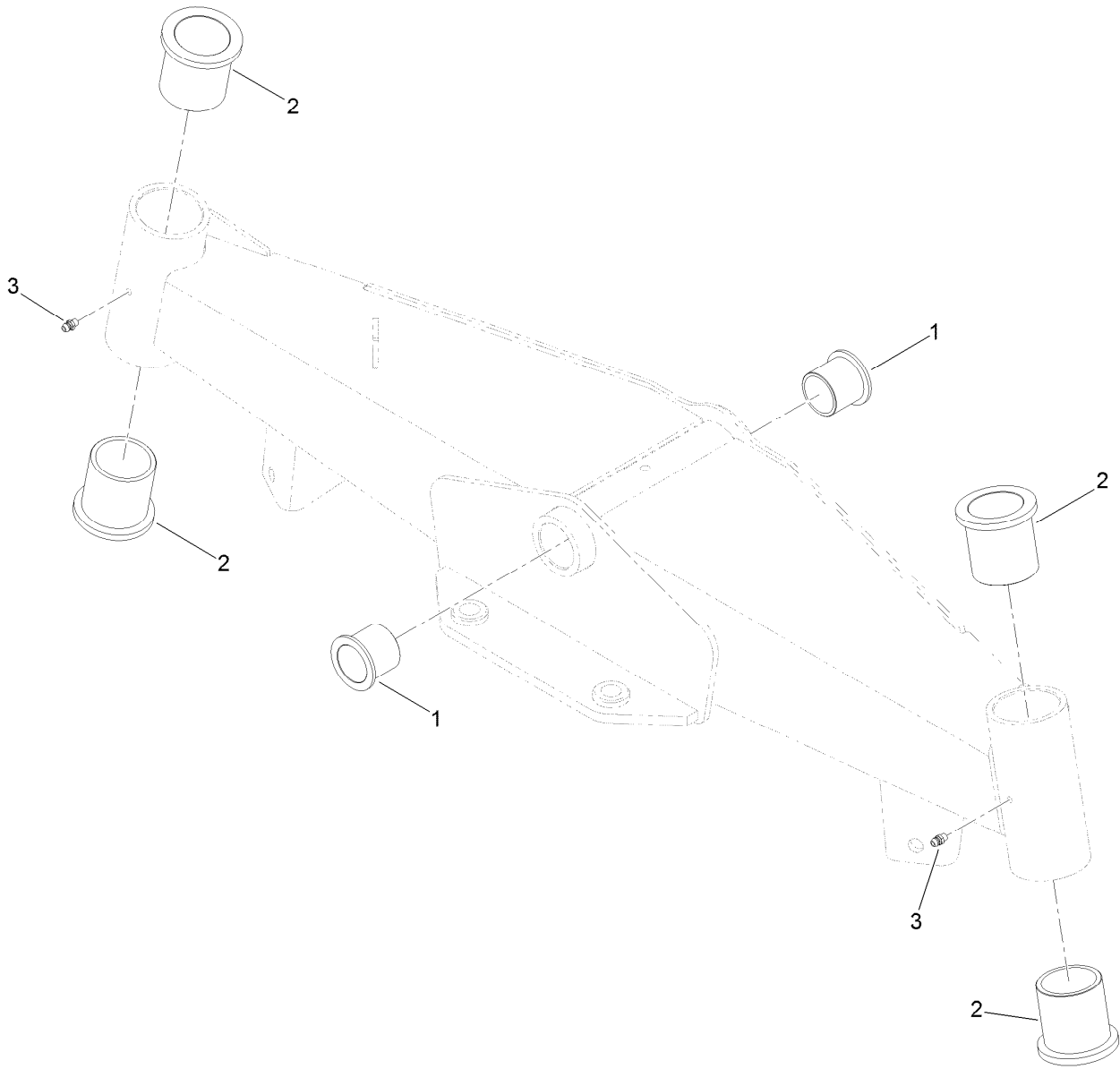
Rear Axle Assembly



Rear Axle Assembly (continued)

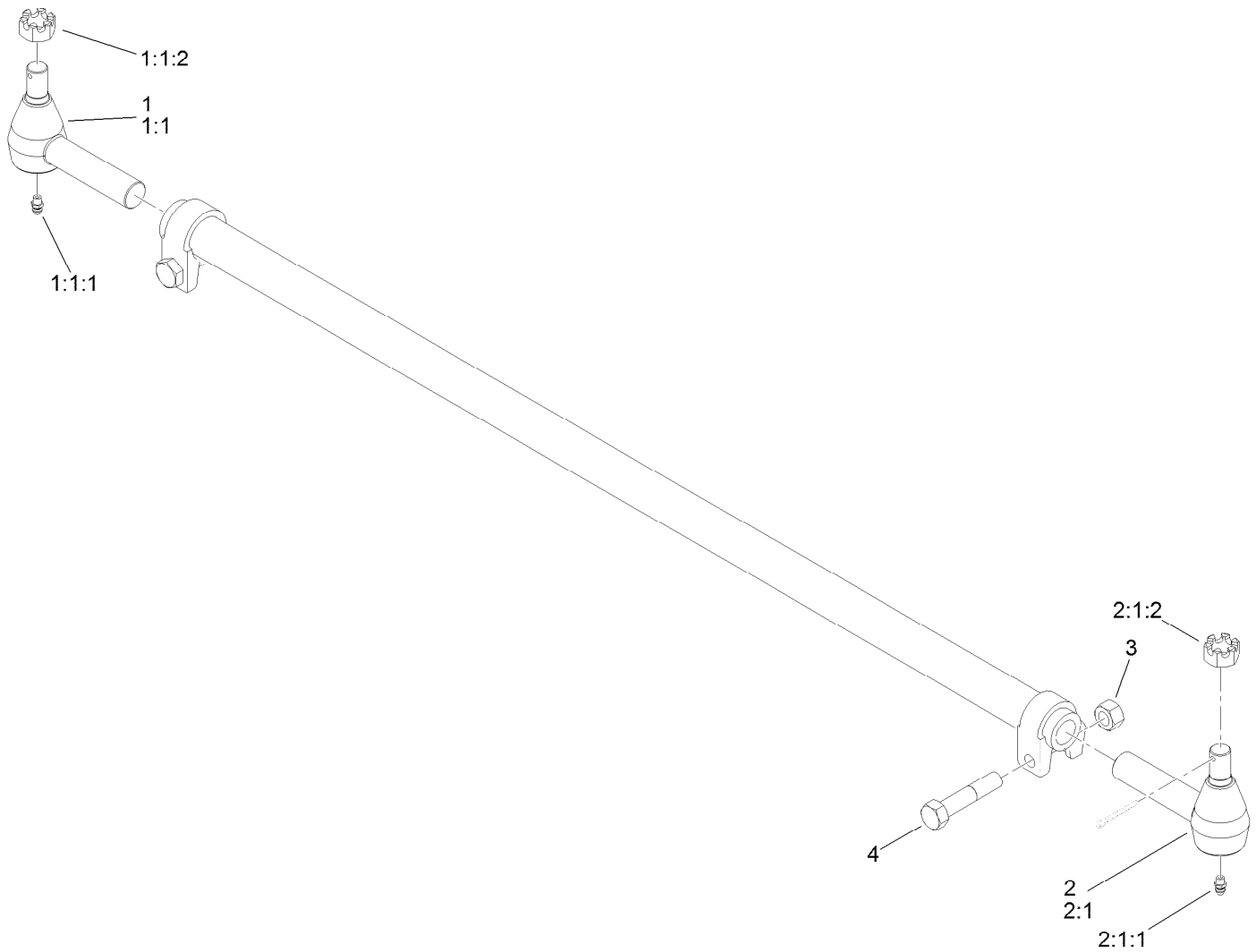
<i>Ref.</i>	<i>Part Number</i>	<i>Qty.</i>	<i>Description</i>	<i>Ref.</i>	<i>Part Number</i>	<i>Qty.</i>	<i>Description</i>
1	114-5982-01	1	Axle ASM	16	32121-110	1	Pin-Roll, Slotted
2	30-8770	2	Washer	17	98-1452	3	Washer-Thrust
3	325-6	2	Screw-HH	18	3296-68	1	Nut-Lock, NI
4	99-5107	2	Nut-Lock	19	130-9033-01	2	Guard-Hose
5	2811-7	1	Elbow	20	100-6116	4	Screw-HHF
6	114-5586	1	Hose ASM (With Fitting)	21	100-4196	2	Ring-Retaining
7	100-2508	2	Washer-Thrust	22	100-3362	2	Cap-Spindle
8	110-6049-03	1	Tie Rod ASM	23	3234-12	2	Screw-HHF
9	3272-12	6	Pin-Cotter	24	127-3509	2	Wheel And Tire ASM
11	32136-13	2	Nut-SHH	24:1	125-5379	1	Wheel
12	130-9043-01	1	Spindle-Steer, LH	24:2	117-2901	1	Tire
13	106-6895-03	2	Ball Joint ASM	24:3	5108	1	Valve
13:1		1	Joint-Ball ●	25	130-9041-01	1	Spindle-Steer, RH
13:1:1	32136-13	1	Nut-SHH	26	325-5	20	Screw-HH
13:1:2	106-6896	1	Seal	28	327-3	16	Screw-HH
13:1:3	302-5	1	Fitting-Grease	29	131-2380	2	Wheel And Tire ASM
13:1:4	3210-7	1	Screw-HH	29:1	131-2381	1	Wheel
13:1:5	32152-5	1	Nut-Hex	29:2	131-2382	1	Tire
14	110-6033-01	1	Support-Axle	29:3	232-24	1	Stem-Valve
15	114-5970	1	Shaft-Pivot				

● Not serviced separately



Axle Assembly No. 114-5982-01

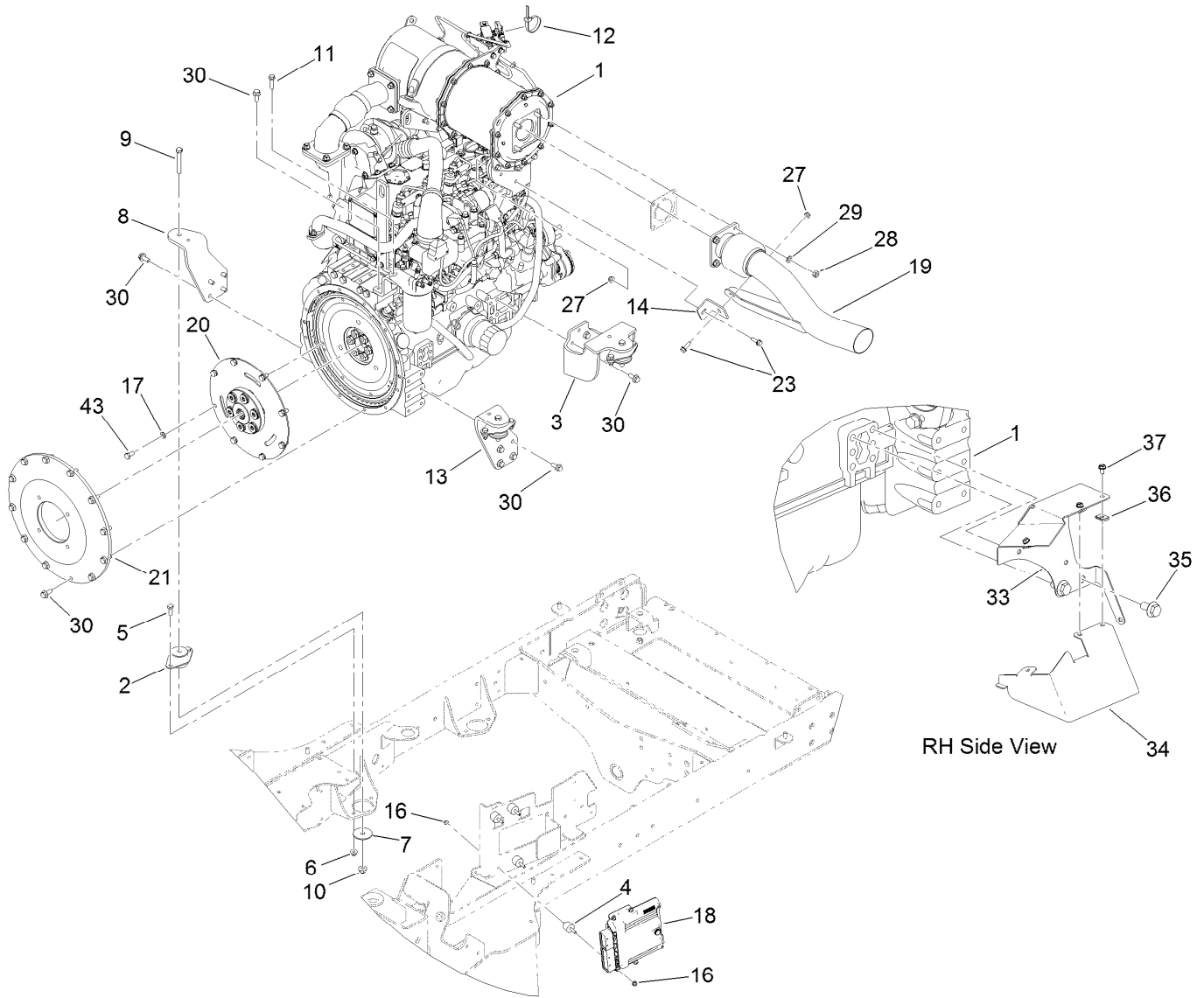
<i>Ref.</i>	<i>Part Number</i>	<i>Qty.</i>	<i>Description</i>
1	69-6470	2	Bushing-Caster
2	100-2506	4	Bushing-Castor
3	302-5	2	Fitting-Grease



Tie Rod Assembly No. 110-6049-03

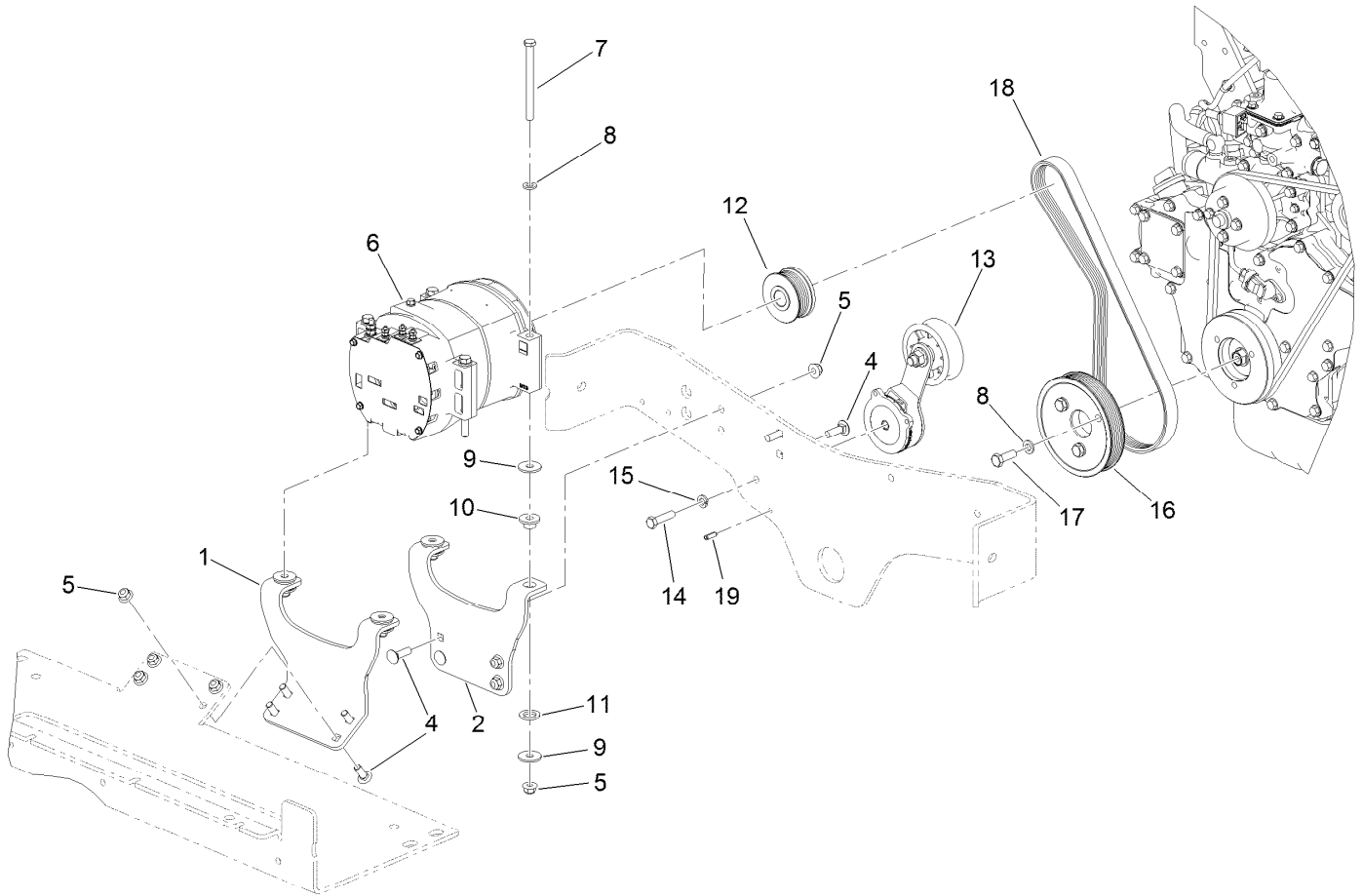
Ref.	Part Number	Qty.	Description
1	110-6141-03	1	RH Tie Rod End ASM
1:1		1	Rod End-Tie, RH ●
1:1:1	302-5	1	Fitting-Grease
1:1:2	32136-2	1	Nut-SHH
2	110-6142-03	1	LH Tie Rod End ASM
2:1		1	Rod End-Tie, LH ●
2:1:1	302-5	1	Fitting-Grease
2:1:2	32136-2	1	Nut-SHH
3	44-2200	1	Screw-Blade
4	32153-7	1	Nut-Lock

● Not serviced separately



Engine and Mount Assembly

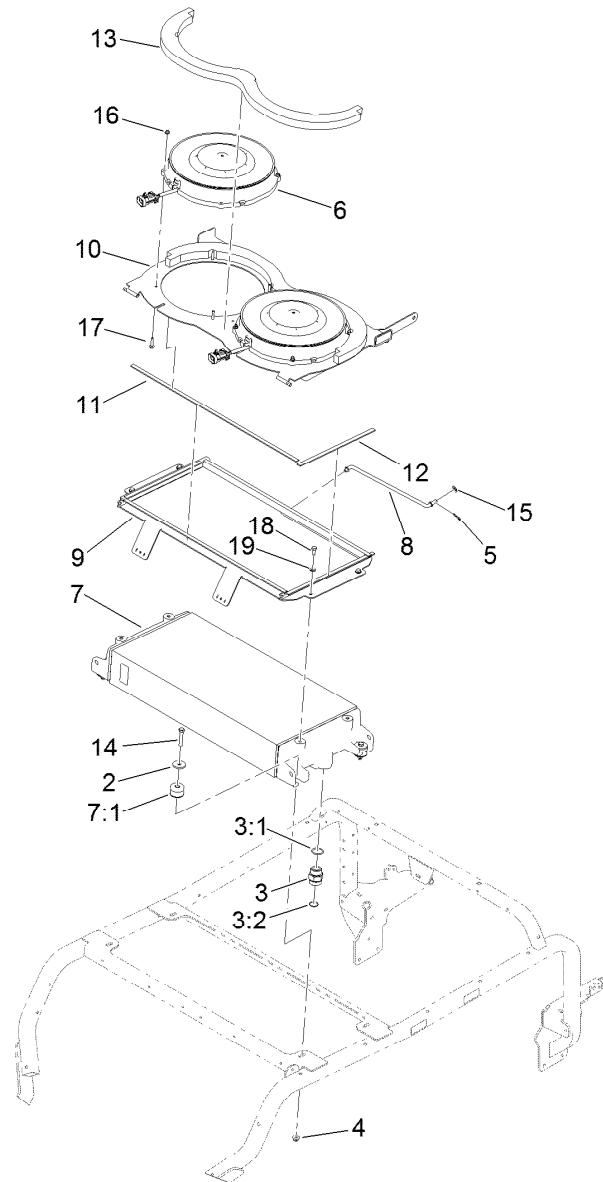
Ref.	Part Number	Qty.	Description	Ref.	Part Number	Qty.	Description
1	130-2500	1	Engine-Yanmar	18	121-5592	1	Electronic Control Unit
2	136-4885	4	Mount-Engine	19	132-1628	1	Pipe-Exhaust
3	130-2409-03	2	Mount-Motor, Rear	20	130-2585	1	Coupler-Flywheel
4	132-1356	4	Mount-Isolator	21	130-9095	1	Cover-Flywheel
5	323-6	8	Screw-HH	23	3234-29	2	Screw-HHF
6	104-8301	8	Nut-HF, NI	27	104-8300	2	Nut-HF, NI
7	87-5100	4	Washer-Snubbing	28	33015-00	4	Nut-Hex
8	130-2415-03	1	Mount-Motor, RH Front	29	33095-00	4	Washer-Flat
9	324-12	4	Screw-HH	30	33105-025	30	Screw-HHF
10	114-8417	4	Nut-HF, NI	33	132-1309	1	Shield-Heat
11	33104-030	2	Screw-HHF	34	132-1310	1	Shield-Heat
12	3290-378	1	Tie-Cable	35	33105-020	2	Screw-HHF
13	130-2414-03	1	Mount-Motor, LH Front	36	107-1013	3	Nut-Speed
14	130-2424	1	Bracket-Exhaust	37	3290-144	3	Screw-SHWH
16	104-7201	8	Nut-HF, NI	43	33115-020	8	Screw-HH
17	107-1413	8	Washer-Hardened				



Alternator Assembly

<i>Ref.</i>	<i>Part Number</i>	<i>Qty.</i>	<i>Description</i>	<i>Ref.</i>	<i>Part Number</i>	<i>Qty.</i>	<i>Description</i>
1	131-2314-03	1	Bracket-Alternator	11	131-2315	4	Washer-Delrin
2	130-9164-03	1	Mount-Alternator, Vertical	12	130-9162	1	Pulley
4	3231-25	8	Bolt-CARR	13	130-2454	1	Tensioner
5	104-8301	12	Nut-HF, NI	14	323-8	1	Screw-HH
6	130-2491	1	Alternator-24V	15	3253-5	1	Washer-Lock
7	323-23	4	Screw-HH	16	130-2403	1	Pulley
8	107-1413	7	Washer-Hardened	17	33115-030	3	Screw-HH
9	93-8806	8	Washer-Hardened	18	130-9165	1	Belt
10	131-2313	4	Bushing-Alternator	19	32121-11	1	Pin-Roll

Hydraulic Cooling Assembly

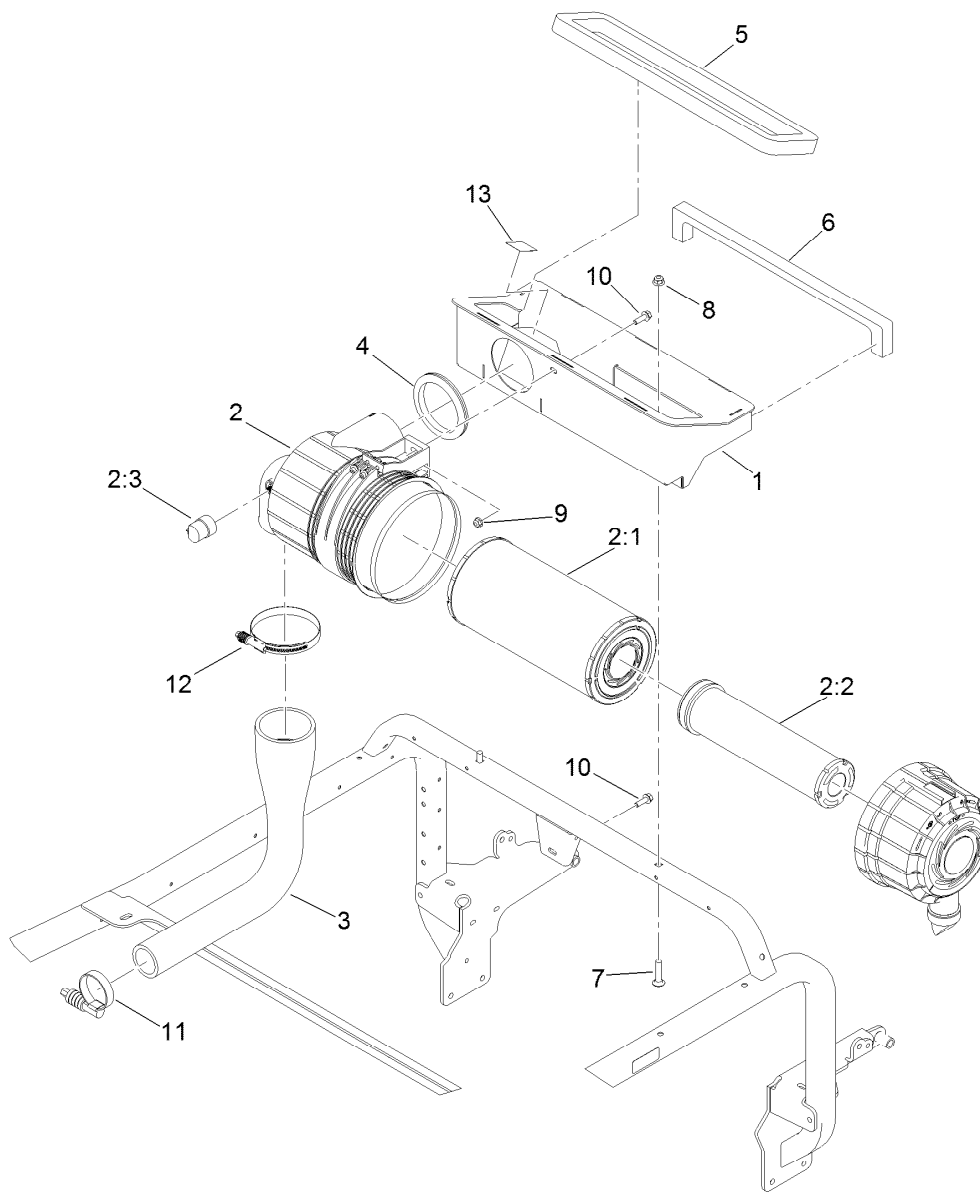


Hydraulic Cooling Assembly (continued)

<i>Ref.</i>	<i>Part Number</i>	<i>Qty.</i>	<i>Description</i>	<i>Ref.</i>	<i>Part Number</i>	<i>Qty.</i>	<i>Description</i>
2	114-2120	4	Washer	10	132-1385	1	Cooler Top ASM
3	104-3797	2	Fitting-Straight	11	130-9173	2	Foam-Cooler, Long
3:1	237-146	1	O-Ring	12	130-9174	2	Foam-Cooler, Short
3:2	340-65	1	O-Ring	13	130-9175	2	Foam-Cooler, Top
4	104-8301	4	Nut-HF, NI	14	323-10	4	Screw-HH
5	119-1415	1	Pin-Cotter, Locking	15	3256-24	1	Washer-Plain
6	130-2531	2	Fan	16	33003-00	8	Nut-HF
7	130-2573	1	Oil Cooler ASM	17	33103-030	8	Screw-HHF
7:1	132-1361	4	Mount-Isolator	18	3210-2	4	Screw-HH
8	130-9170	1	Rod-Prop, Cooler	19	3256-23	4	Washer-Plain
9	130-9171-03	1	Plate-Seal, Cooler				

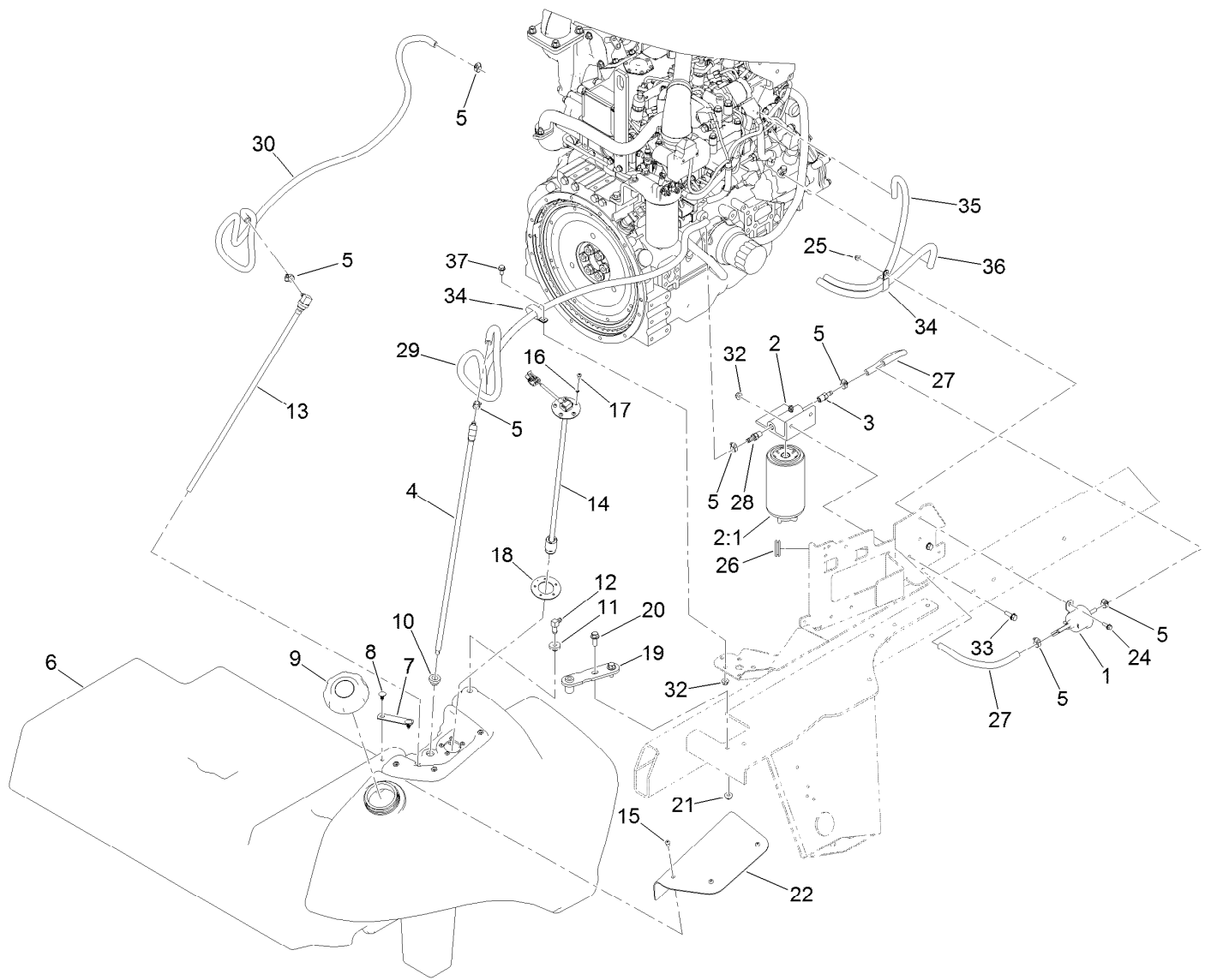
Radiator and Cooling Fan Assembly (continued)

<i>Ref.</i>	<i>Part Number</i>	<i>Qty.</i>	<i>Description</i>	<i>Ref.</i>	<i>Part Number</i>	<i>Qty.</i>	<i>Description</i>
1	130-2572	1	Radiator ASM	20	130-9182	2	Foam-Radiator, Short
1:1	132-1361	4	Mount-Isolator	21	132-1386	1	Fan Shroud ASM
1:2	94-7220	1	Fitting-Barb, Hose	21:2	117-4766	2	Decal-Warning, Fan
2	127-3638-03	1	Bracket-Mount, Radiator	22	130-2531	2	Fan
3	127-3631-03	1	Bracket-Mount, Radiator	23	131-2321	1	Foam-Shroud, Upper
4	3231-6	2	Screw-CARR	24	33103-030	8	Screw-HHF
5	114-2120	4	Washer	25	33003-00	8	Nut-HF
6	323-10	2	Screw-HH	26	130-9183	1	Foam-Radiator, Top
7	3234-19	2	Screw-HHF	27	121-7536	4	Clamp-Torque, Constant
8	104-8301	7	Nut-HF, NI	28	130-9020	2	Plate-Cover
9	130-2592-03	1	Bracket-Bottle, Radiator	29	323-6	1	Screw-HH
10	120-5571	1	Coolant Reservoir ASM	30	130-9021-03	1	Rod-Prop, Radiator
10:1	87-7050	1	Cap-Reservoir	31	66-2920	2	Washer-Friction
11	104-8300	8	Nut-HF, NI	33	110-4109	1	Hose-Fuel
12	3230-1	6	Bolt-CARR	34	2412-108	5	Clamp-Worm
13	3230-7	2	Bolt-CARR	35	116-5087	1	Hose-Fuel
14	130-9159	1	Hose-Radiator, Lower	36	354-94	1	Fitting-Female, Barbed
15	127-3616	1	Hose-Radiator, Upper	37	93-5528	1	Fitting-Cock, Drain
16	131-2356	1	Radiator Cap ASM	38	115-2370	1	Hose-Fuel
16:2	117-3276	1	Decal-Danger	39	131-2289	2	Foam-Radiator
17	130-9185-03	1	Plate-Seal, Radiator	40	131-2322	1	Foam-Shroud, Lower
18	3210-3	4	Screw-HH	41	3256-23	4	Washer-Plain
19	130-9181	4	Foam-Radiator, Long	42	108-0342	1	Fitting-Straight



Air Cleaner Assembly

<i>Ref.</i>	<i>Part Number</i>	<i>Qty.</i>	<i>Description</i>	<i>Ref.</i>	<i>Part Number</i>	<i>Qty.</i>	<i>Description</i>
1	130-9176-03	1	Air Box ASM	6	130-9180	1	Foam-Airbox, Rear
2	130-9160	1	Air Filter ASM	7	3231-5	2	Screw-CARR
2:1	108-3815	1	Filter-Air	8	104-8301	2	Nut-HF, NI
2:2	130-9070	1	Element-Filter, Safety	9	104-8300	2	Nut-HF, NI
2:3	69-1940	1	Indicator-Electrical	10	3234-29	2	Screw-HHF
3	130-2512	1	Hose-Intake, Air	11	AU110569	1	Clamp-Torque, Constant
4	130-2579	1	Grommet	12	131-2229	1	Clamp-Hose
5	130-9179	1	Foam-Airbox	13	93-7275	1	Decal-Fluid, Starting



Fuel System Assembly

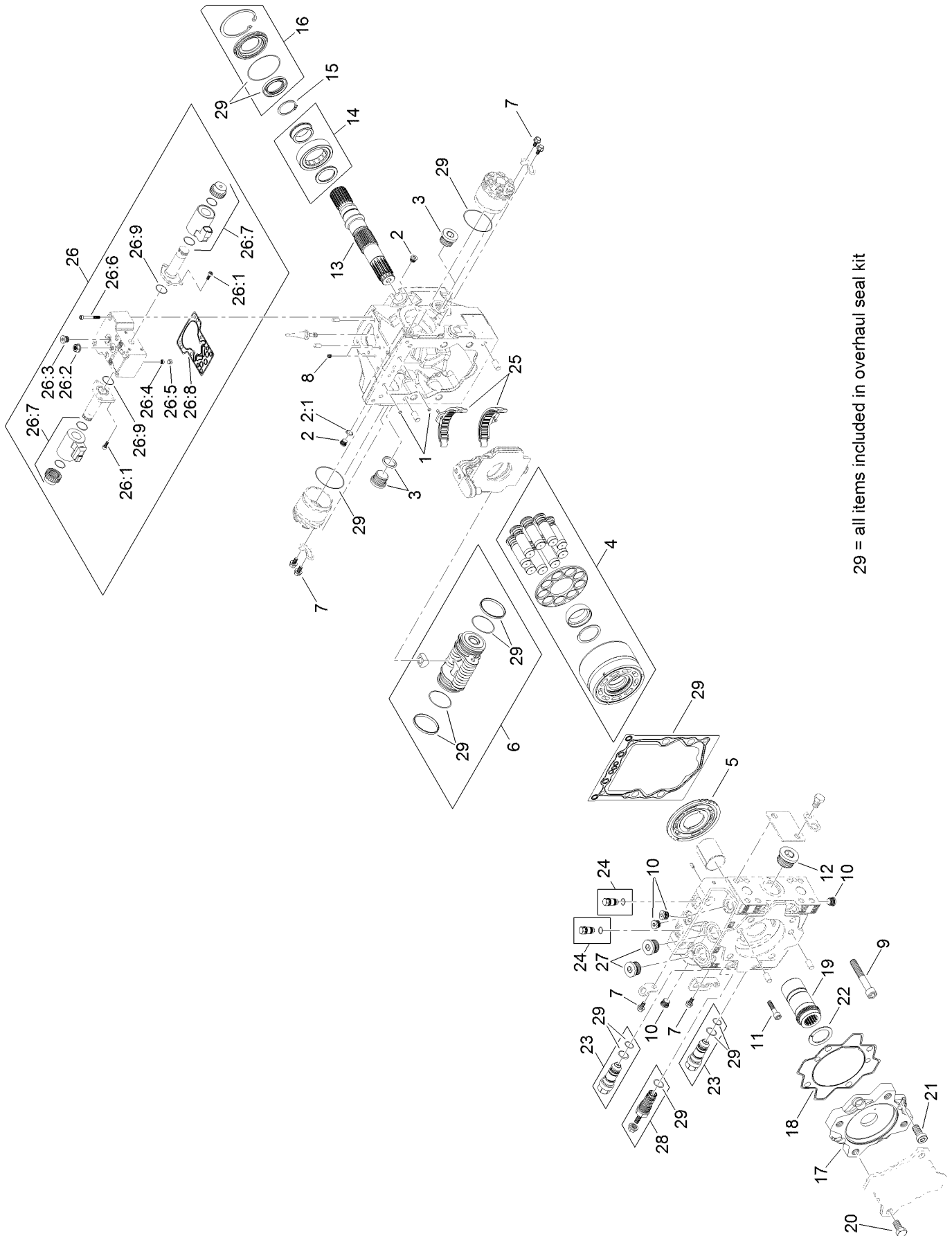
Ref.	Part Number	Qty.	Description	Ref.	Part Number	Qty.	Description
1	121-5613	1	Pump-Fuel, Electric	18	121-1707	1	Gasket-Fuel, Viton
2	125-2914	1	Filter-Separator	19	114-0094	1	Hold Down-Tank
2:1	125-2915	1	Filter-Fuel/Water Separator	20	3234-42	2	Screw-HHF
3	353-783	1	Fitting-STR	21	104-8301	2	Nut-HF, NI
4	119-7748	1	Pipe-Stand, Fuel	22	114-4939-03	1	Cover-Fitting, Fuel
5	2412-108	12	Clamp-Worm	24	3234-4	2	Screw-HHF
6	131-2284	1	Fuel Tank ASM	25	104-7201	2	Nut-HF, NI
7	94-6821	2	Clamp-Wire	26	1-543286	1	Grommet
8	117-2382	4	Plug-Plastic	27	130-9191	2	Hose-Fuel
9	125-9171	1	Cap-Fuel	28	108-0342	1	Fitting-Straight
10	104-0790	2	Bushing	29	130-9143	1	Hose-Fuel
11	46-6560	1	Bushing	30	132-1330	1	Hose-Fuel
12	46-6550	1	Fitting-Elbow, 90 DEG	32	104-8300	3	Nut-HF, NI
13	130-9149	1	Pipe-Stand, Return	33	3234-29	2	Screw-HHF
14	121-1688	1	Gauge-Fuel	34	120-1959	2	Clamp
15	3274-31	3	Screw-HSBH	35	109-0308	1	Hose-Fuel
16	3253-15	5	Washer-Lock	36	114-0832	1	Hose-Fuel
17	32122-24	5	Screw-PTH	37	3234-7	1	Screw-HHF

Traction Hydraulic Assembly (continued)

<i>Ref.</i>	<i>Part Number</i>	<i>Qty.</i>	<i>Description</i>	<i>Ref.</i>	<i>Part Number</i>	<i>Qty.</i>	<i>Description</i>
1	130-9150	1	Hydraulic Piston Pump ASM	14	107-9447	1	O-Ring
2	130-2520	1	Hydraulic Triple Gear Pump ASM	15	110-8829	1	Sender-Temperature
3		1	Traction Valve ASM ●	15:1	237-42	1	O-Ring
4	99-3017	1	Fitting	16	115-5523	1	Guard-Hose
4:1	237-81	1	O-Ring	17	121-1525	2	Screw-HH
5	59-7410	2	Fitting-Diagnostic	18	121-3903	2	Flange Kit
5:1	237-42	1	O-Ring	18:1	121-3904	1	O-Ring
6	354-79	2	Cap-Dust	18:2	33116-045	4	Screw-HH
7	340-2	1	Fitting-Straight	18:3	48-8070	4	Washer-Lock
7:1	237-22	1	O-Ring	19	130-2550	1	Hose-Suction
7:2	237-42	1	O-Ring	20	130-2571	1	Tab-Mount, Manifold
9	127-3450	1	Hydraulic Hose ASM	21	131-2220	6	Screw-HHF
10	127-3451	1	Hydraulic Hose ASM	22	AU426-824	4	Screw-HH
11	127-3521	1	Hydraulic Hose ASM	23	2412-111	2	Clamp-Hose, W/Liner
12	104-8301	1	Nut-HF, NI	24	3290-379	2	Tie-Cable
				25	87-7270	6	Washer-Thrust

● Not serviced separately

Piston Pump Assembly No. 130-9150

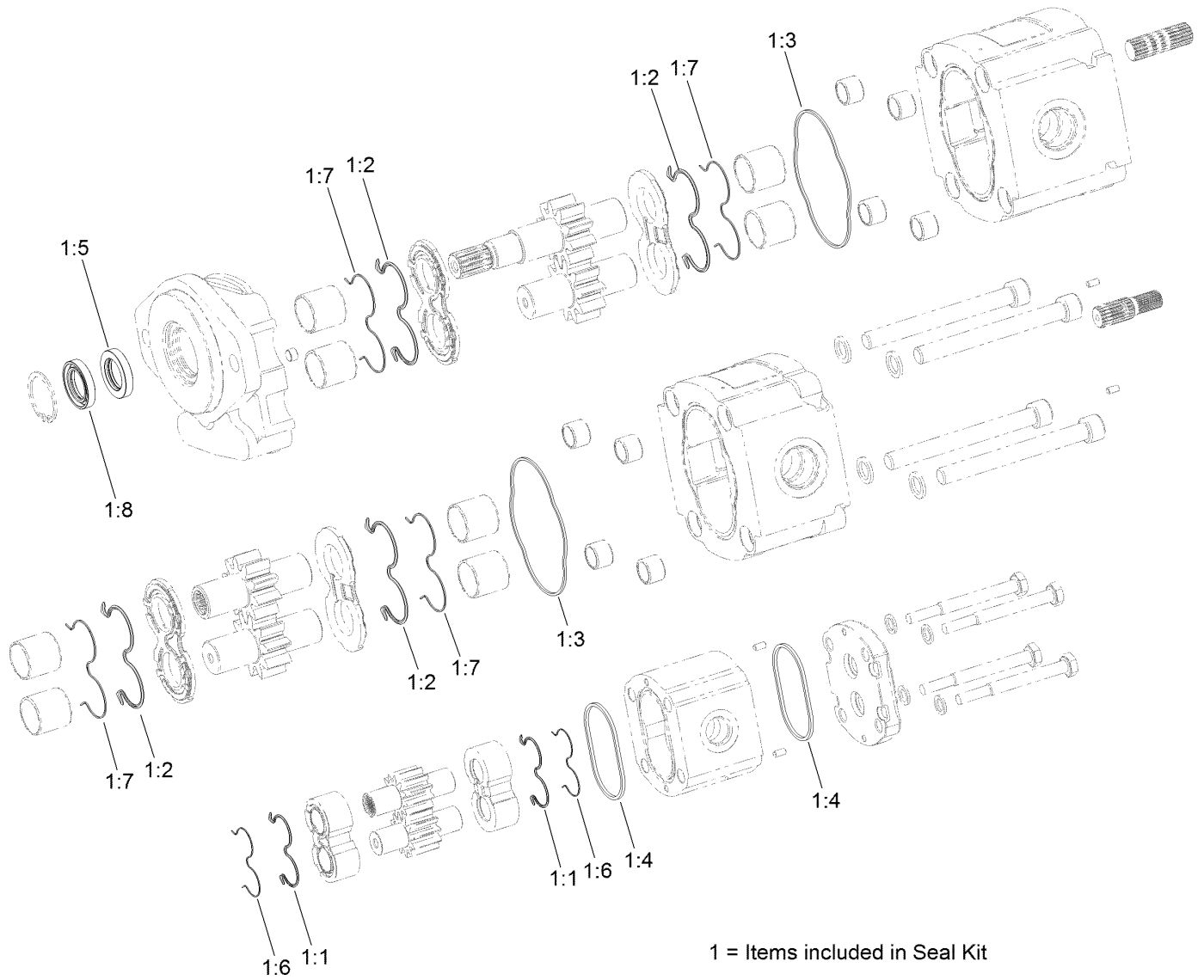


29 = all items included in overhaul seal kit

Piston Pump Assembly No. 130-9150 (continued)

<i>Ref.</i>	<i>Part Number</i>	<i>Qty.</i>	<i>Description</i>	<i>Ref.</i>	<i>Part Number</i>	<i>Qty.</i>	<i>Description</i>
1	125-5266	2	Screen	20	125-5281	4	Screw
2	75-0170	2	Plug-Thread, Straight	21	125-5282	4	Screw
2:1	92-8777	1	O-Ring	22	125-5287	1	Plate-Thrust
3	69-3130	2	Plug	23	125-5291	2	Valve-Relief, High Pressure
4	125-5267	1	Cylinder Block Kit	24	125-5292	2	Pressure Limiter Plug ASM
5	125-5268	1	Valve Plate, CW	25	125-5293	1	Swashplate Bearing Kit
6	125-5271	1	Servo Piston ASM	26	125-5295	1	Control Kit (12 Volt)
7	125-5270	8	Screw	26:1	125-5272	6	Screw
8	125-5276	2	Orifice (0.8)	26:2	125-5273	1	Nut-Seal
9	125-5277	4	Screw	26:3	125-5302	1	Plug
10	125-5300	4	Plug ASM	26:4	125-5266	1	Screen
11	125-5275	2	Screw	26:5	125-5269	1	Ring-Locking
12	125-5301	1	Plug	26:6	125-5274	6	Screw
13	125-5278	1	Shaft	26:7	125-5294	2	Coil Kit
14	125-5279	1	Bearing-Roller	26:8	125-5283	1	Gasket-Control
15	125-5280	1	Ring-Retaining	26:9	125-5288	2	O-Ring
16	125-5296	1	Shaft Seal Kit	27	125-5303	2	Plug ASM
17	125-5284	1	Adapter	28	125-5297	1	Charge Relief Kit
18	125-5285	1	Seal-Adapter	29	125-5299	1	Overhaul Seal Kit
19	125-5286	1	Coupling				

Hydraulic Gear Pump Assembly No. 130-2520

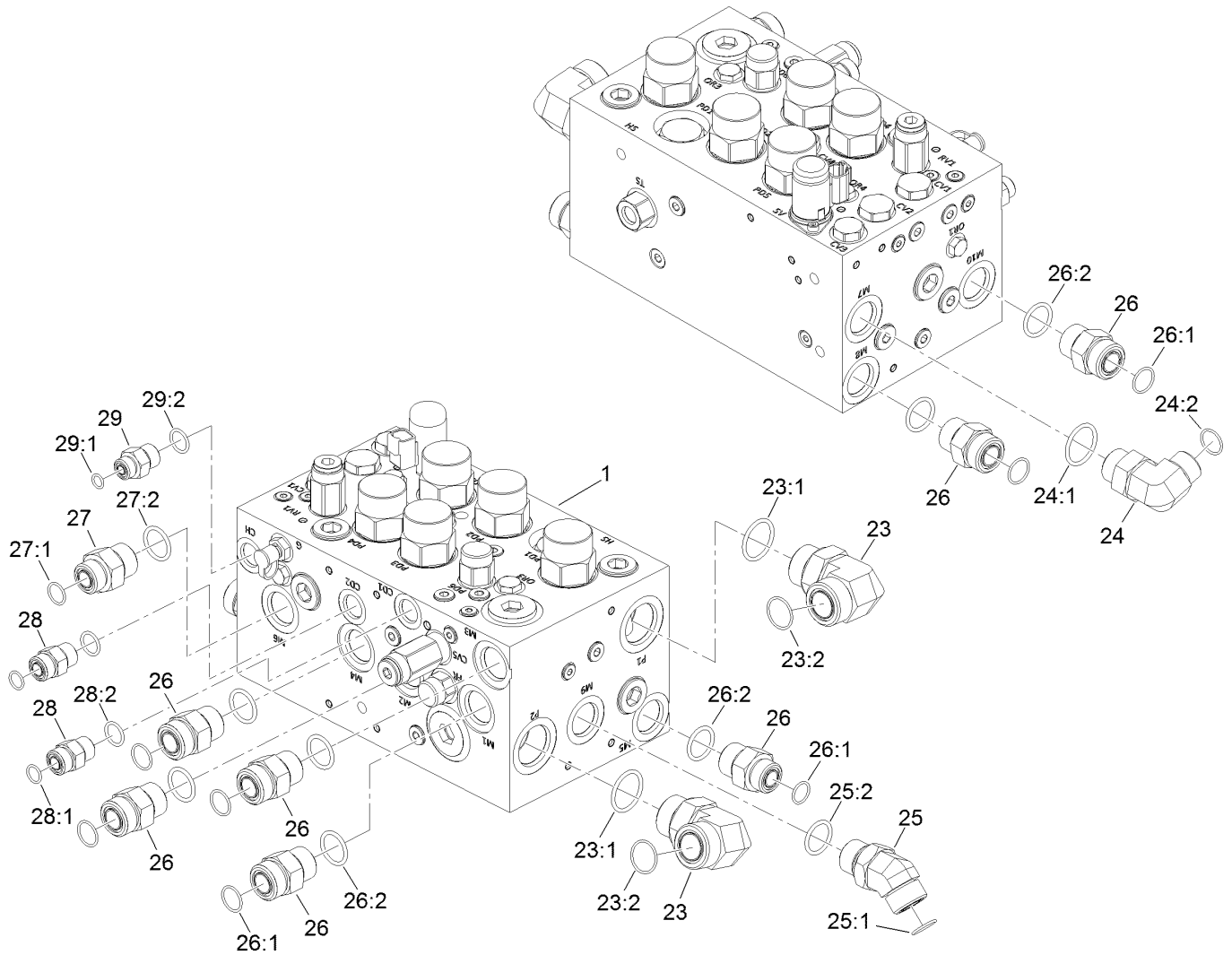


Hydraulic Gear Pump Assembly No. 130-2520 (continued)

<i>Ref.</i>	<i>Part Number</i>	<i>Qty.</i>	<i>Description</i>	<i>Ref.</i>	<i>Part Number</i>	<i>Qty.</i>	<i>Description</i>
1	133-2484	1	Seal Kit	1:5		1	Seal-Shaft ●
1:1		2	Seal ●	1:6		2	Antiextrusion ●
1:2		4	Seal ●	1:7		4	Ring-Antiextrusion ●
1:3		2	Seal-Standard ●	1:8		1	Seal-Shaft ●
1:4		2	Seal-Standard ●				

● Not serviced separately

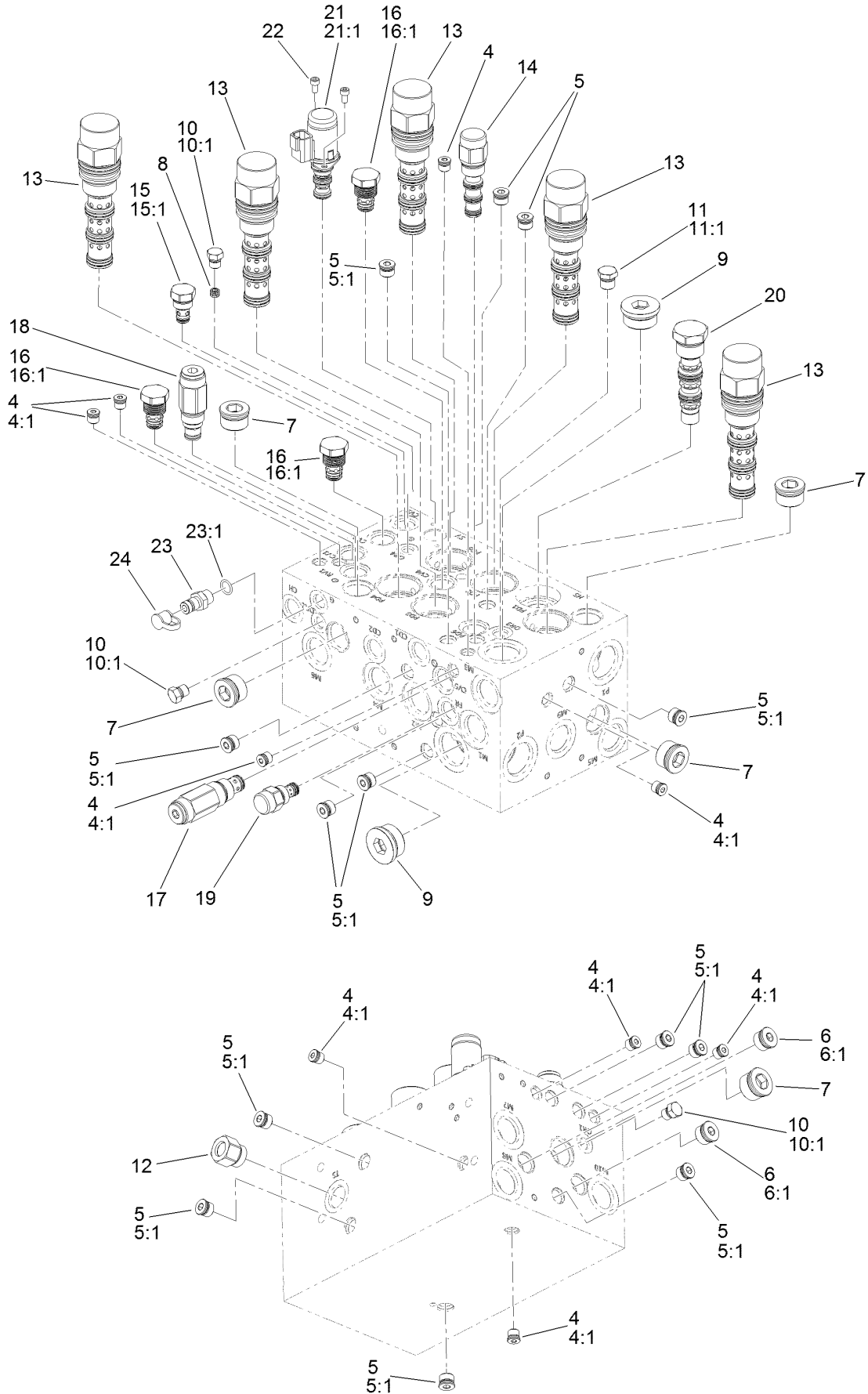
Traction Valve Assembly



Traction Valve Assembly (continued)

<i>Ref.</i>	<i>Part Number</i>	<i>Qty.</i>	<i>Description</i>	<i>Ref.</i>	<i>Part Number</i>	<i>Qty.</i>	<i>Description</i>
1	132-1397	1	Traction Valve Manifold ASM	26:1	237-58	1	O-Ring
23	340-129	2	Fitting-Elbow, 90 DEG	26:2	237-81	1	O-Ring
23:1	237-146	1	O-Ring	27	340-8	1	Fitting-Straight
23:2	340-65	1	O-Ring	27:1	237-65	1	O-Ring
24	340-139	1	Fitting-Elbow 90	27:2	237-81	1	O-Ring
24:1	237-81	1	O-Ring	28	340-4	2	Fitting-Straight
24:2	237-65	1	O-Ring	28:1	237-30	1	O-Ring
25	100-5530	1	Fitting-45 DEG	28:2	237-79	1	O-Ring
25:1	237-58	1	O-Ring	29	340-3	1	Fitting-Straight
25:2	237-81	1	O-Ring	29:1	237-22	1	O-Ring
26	340-9	7	Fitting-STR	29:2	237-79	1	O-Ring

Hydraulic Traction Valve Manifold Assembly No. 132-1397

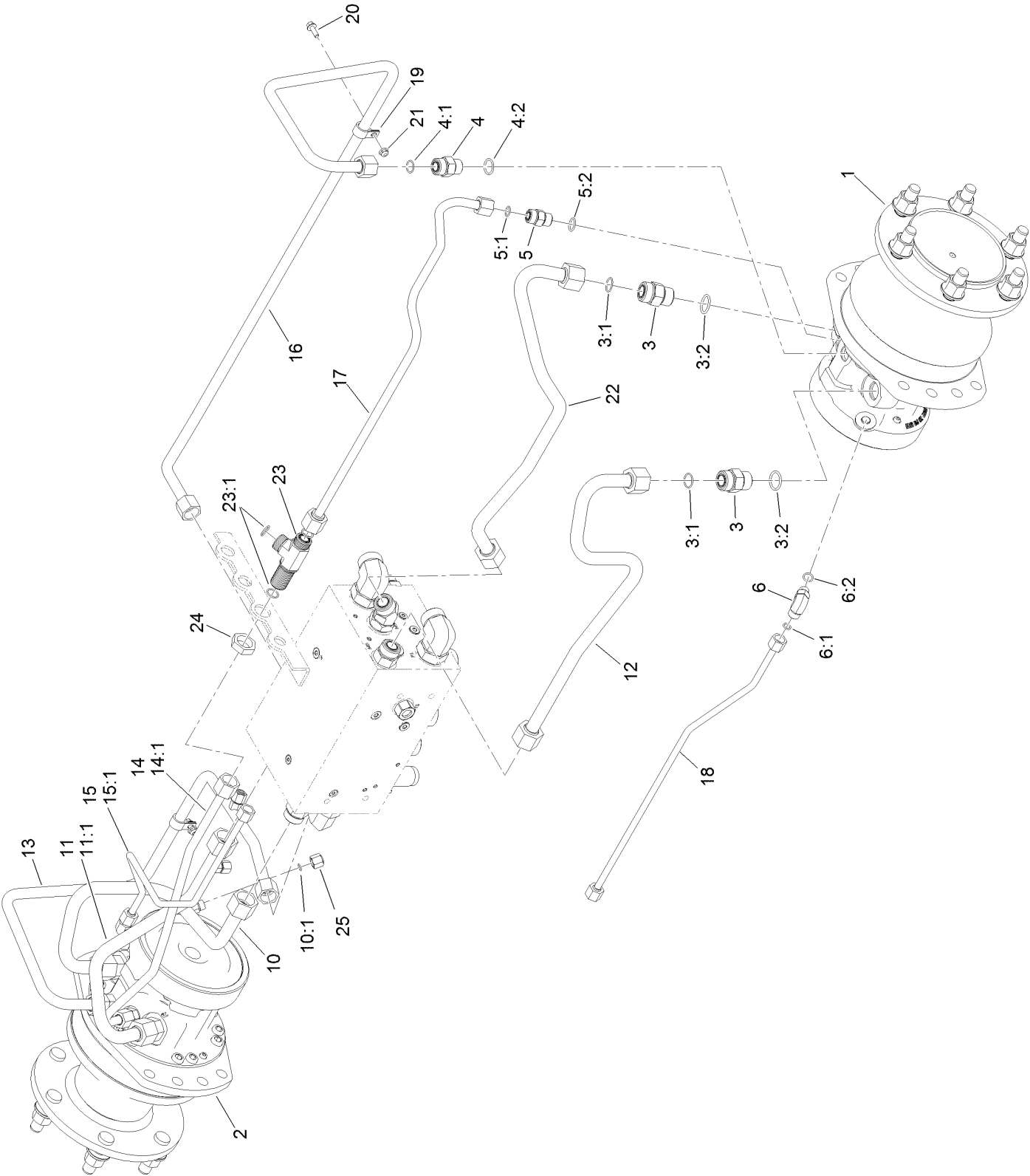


Hydraulic Traction Valve Manifold Assembly No. 132-1397 (continued)

<i>Ref.</i>	<i>Part Number</i>	<i>Qty.</i>	<i>Description</i>	<i>Ref.</i>	<i>Part Number</i>	<i>Qty.</i>	<i>Description</i>
4	353-990	9	Plug ASM	14	132-4913	1	Vent-External, Piloted
4:1	237-78	1	O-Ring	15	105-9321	1	Check Valve ASM
5	353-989	13	Plug-Hex, Hollow	15:1	105-9156	1	Seal Kit
5:1	237-42	1	O-Ring	16	110-8881	3	Valve-Check
6	353-988	2	Plug-Hex	16:1	105-9159	1	Seal Kit ●
6:1	237-79	1	O-Ring	17	132-4912	1	Valve-Check
7	133-2444	5	Zero-Leak Plug, SAE-12	18	132-4911	1	Valve-Relief, Poppet Type
8	110-5973	1	Orifice-0.030	19	132-4910	1	Regulator-Flow, Pressure Comp
9	133-2445	2	Plug-Socket, Hex	20	132-4909	1	Valve-Shuttle, Hot Oil
10	353-512	3	Plug	21	125-7554	1	Valve-Solenoid
10:1	237-78	1	O-Ring	21:1	125-7561	1	Seal Kit
11	353-508	1	Plug-HH	22	132-4908	2	Screw-Cap, Soc HD
11:1	237-42	1	O-Ring	23	59-7410	1	Fitting-Diagnostic
12	132-4915	1	Fitting-Adapter, Temp Sensor	23:1	237-42	1	O-Ring
13	132-4914	5	Valve-Piloted Directional, Vented	24	354-79	1	Cap-Dust

● Not illustrated

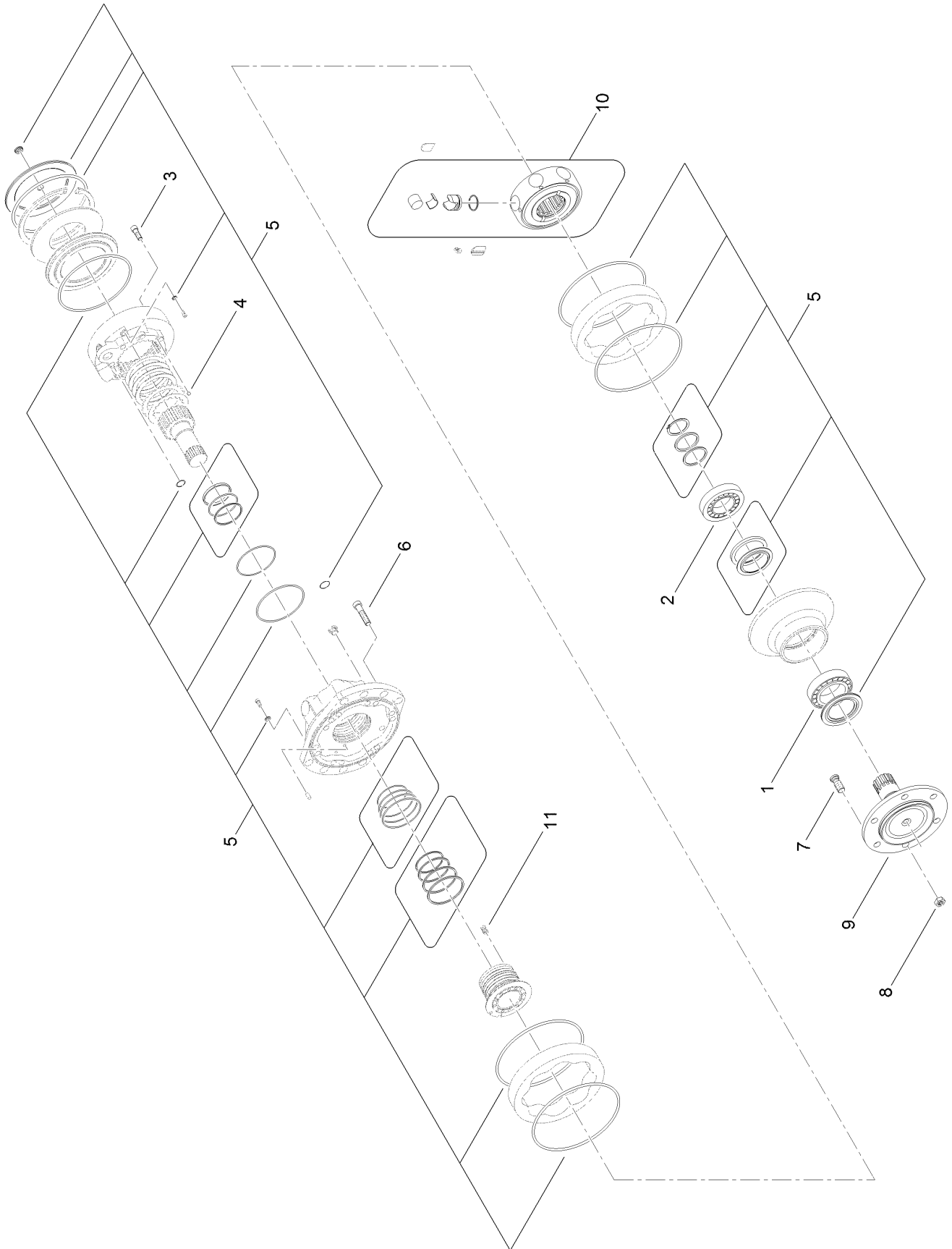
Hydraulic Traction Motors Assembly



Hydraulic Traction Motors Assembly (continued)

<i>Ref.</i>	<i>Part Number</i>	<i>Qty.</i>	<i>Description</i>	<i>Ref.</i>	<i>Part Number</i>	<i>Qty.</i>	<i>Description</i>
1	125-5391	1	LH Hydraulic Motor ASM	12	130-2537	1	Hydraulic Tube ASM
2	125-5434	1	RH Hydraulic Motor ASM	13	130-9074	1	Hydraulic Tube ASM
3	340-9	4	Fitting-STR	14	130-2540	1	Hydraulic Tube ASM
3:1	237-58	1	O-Ring	14:1	237-30	1	O-Ring
3:2	237-81	1	O-Ring	15	130-2541	1	Hydraulic Tube ASM
4	340-7	2	Fitting-Straight	15:1	237-22	1	O-Ring
4:1	237-65	1	O-Ring	16	130-9075	1	Hydraulic Tube ASM
4:2	237-80	1	O-Ring	17	130-2554	1	Hydraulic Tube ASM
5	340-4	2	Fitting-Straight	18	130-2555	1	Hydraulic Tube ASM
5:1	237-30	1	O-Ring	19	2412-87	2	Clamp-Cable
5:2	237-79	1	O-Ring	20	3234-4	2	Screw-HHF
6	340-77	2	Fitting-Elbow, 90 DEG	21	104-7201	2	Nut-HF, NI
6:1	237-22	1	O-Ring	22	130-2556	1	Hydraulic Tube ASM
6:2	237-42	1	O-Ring	23	94-5350	1	Fitting-Tee
10	130-2533	1	Hydraulic Tube ASM	23:1	237-65	3	O-Ring
10:1	237-21	1	O-Ring	24	340-74	1	Nut-Lock, Bulkhead
11	130-2534	1	Hydraulic Tube ASM	25	117-3297	3	Fitting-Cap
11:1	237-21	1	O-Ring				

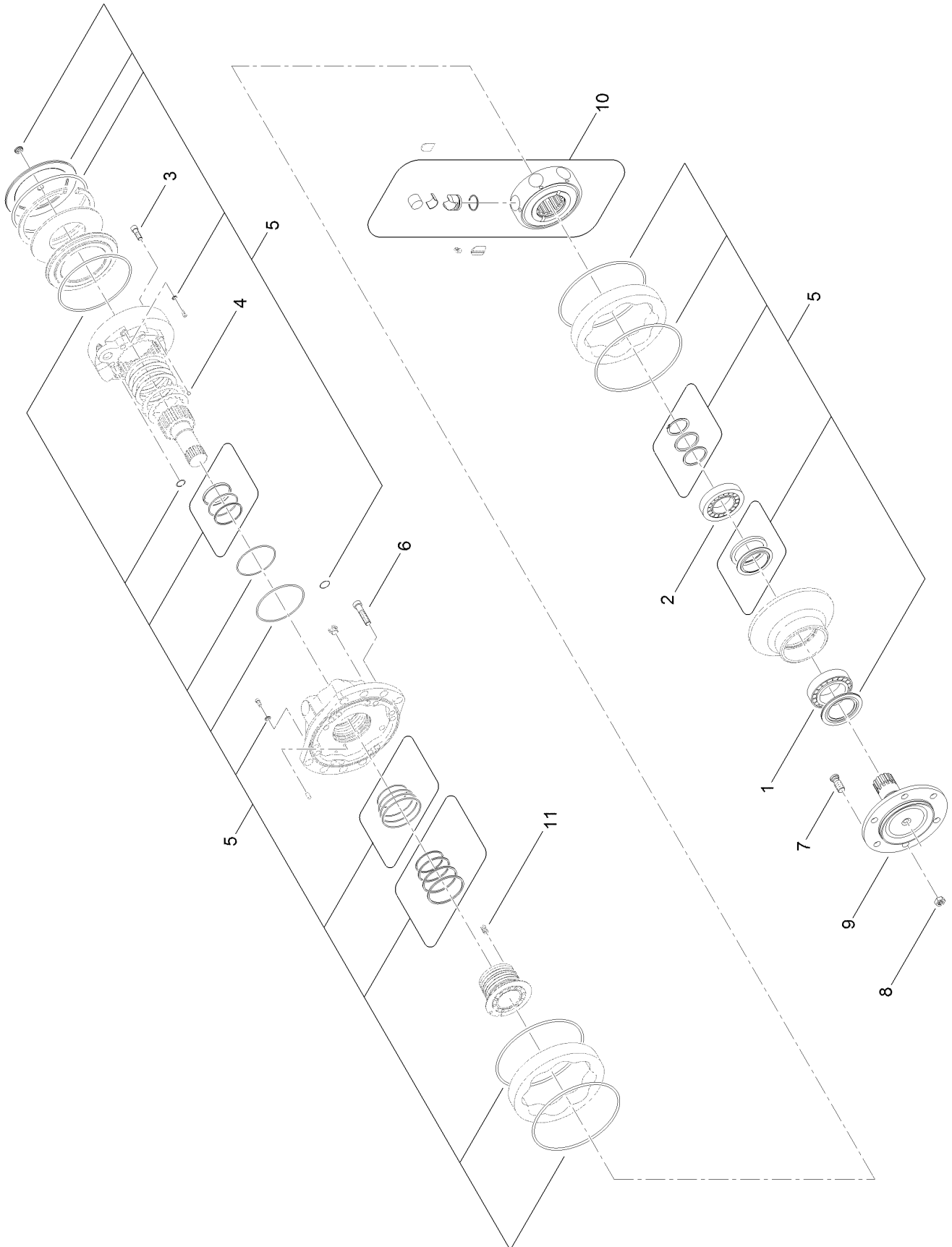
Hydraulic Motor Assembly No. 125-5434



Hydraulic Motor Assembly No. 125-5434 (continued)

<i>Ref.</i>	<i>Part Number</i>	<i>Qty.</i>	<i>Description</i>	<i>Ref.</i>	<i>Part Number</i>	<i>Qty.</i>	<i>Description</i>
1	137-5627	1	Bearing	7	137-5632	1	Stud
2	137-5628	1	Bearing	8	137-5633	1	Lug Nut
3	137-5649	1	Screw	9	137-5634	1	Shaft
4	137-5629	1	Shear Ball	10	137-5578	1	Rotating Group ASM
5	137-5630	1	Master Seal Kit	11	137-5583	1	Spring
6	137-5631	1	Screw				

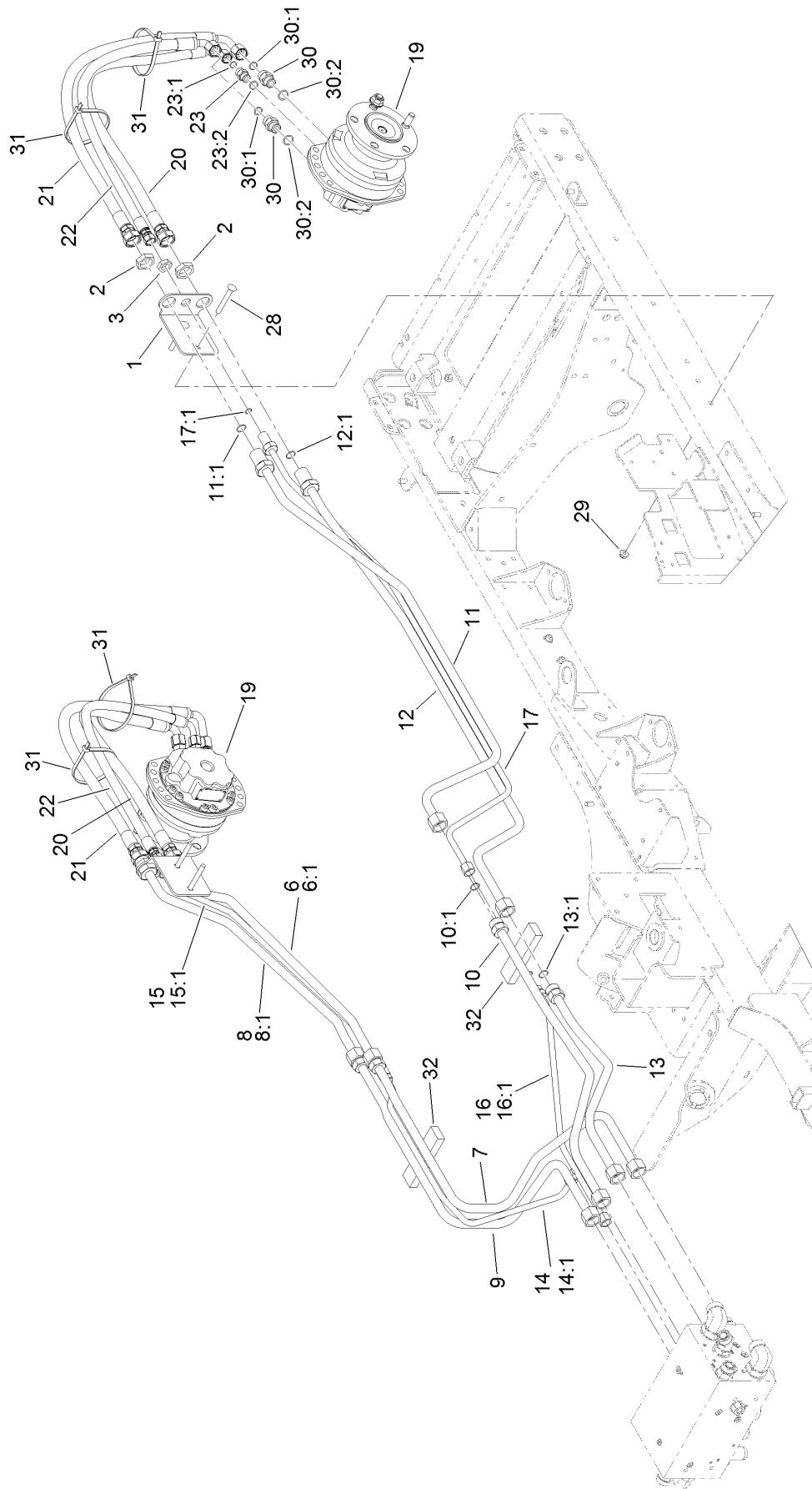
Hydraulic Motor Assembly No. 125-5391



Hydraulic Motor Assembly No. 125-5391 (continued)

<i>Ref.</i>	<i>Part Number</i>	<i>Qty.</i>	<i>Description</i>	<i>Ref.</i>	<i>Part Number</i>	<i>Qty.</i>	<i>Description</i>
1	137-5627	1	Bearing	7	137-5632	1	Stud
2	137-5628	1	Bearing	8	137-5633	1	Lug Nut
3	137-5649	1	Screw	9	137-5634	1	Shaft
4	137-5629	1	Shear Ball	10	137-5578	1	Rotating Group ASM
5	137-5630	1	Master Seal Kit	11	137-5583	1	Spring
6	137-5631	1	Screw				

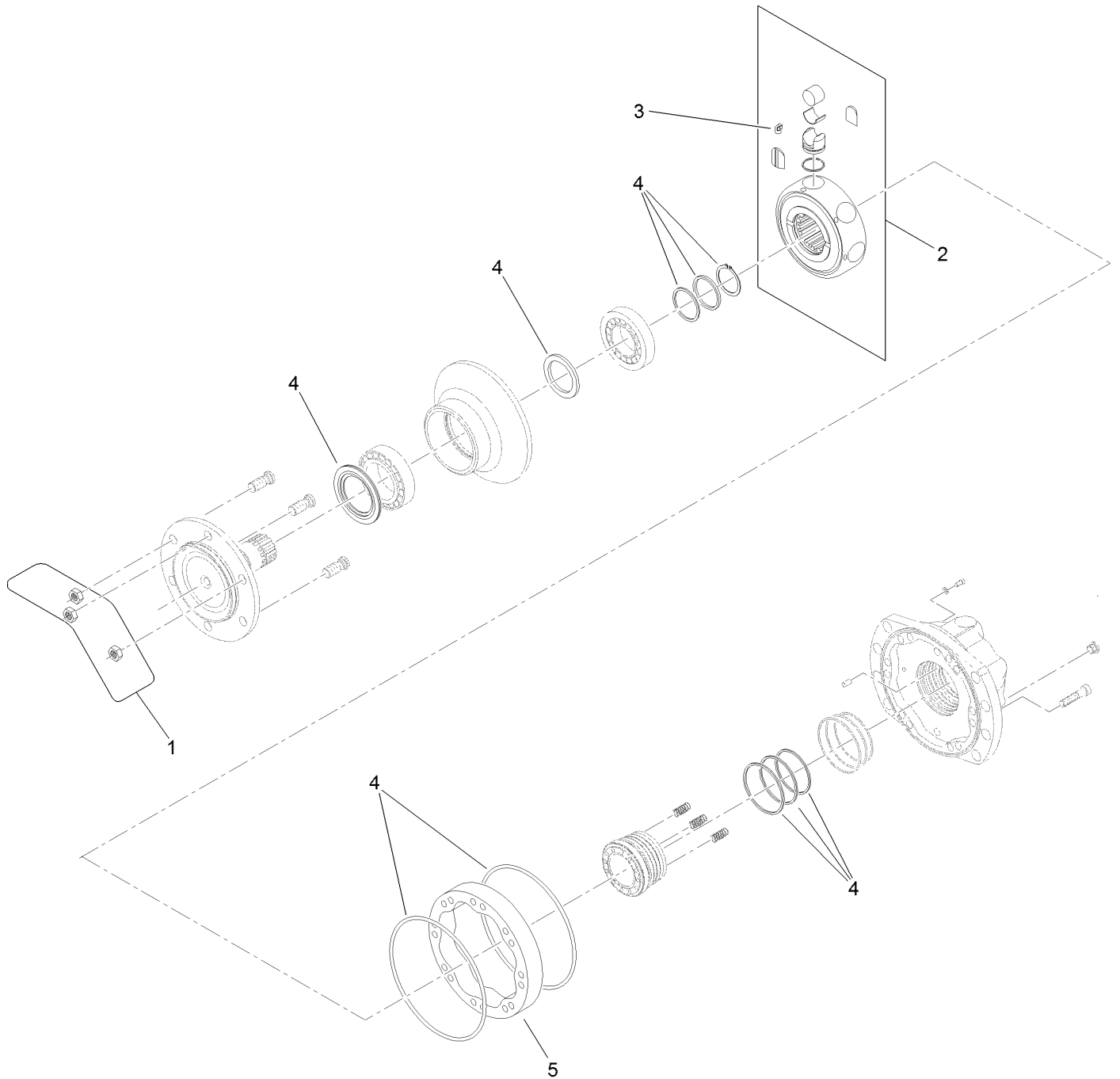
Hydraulic Traction Assembly



Hydraulic Traction Assembly (continued)

<i>Ref.</i>	<i>Part Number</i>	<i>Qty.</i>	<i>Description</i>	<i>Ref.</i>	<i>Part Number</i>	<i>Qty.</i>	<i>Description</i>
1	131-2377-01	2	Support-Bulkhead	15:1	237-30	1	O-Ring
2	340-126	4	Nut-Bulkhead	16	131-2386	1	Hydraulic Tube ASM
3	340-127	2	Nut-Bulkhead	16:1	237-30	2	O-Ring
6	131-2378	1	Hydraulic Tube ASM	17	131-2387	1	Hydraulic Tube ASM
6:1	237-58	1	O-Ring	17:1	237-30	1	O-Ring
7	131-2397	1	Hydraulic Tube ASM	19	132-1425	2	Hydraulic Motor ASM
8	131-2379	1	Hydraulic Tube ASM	20	127-3568	2	Hydraulic Hose ASM
8:1	237-58	1	O-Ring	21	127-3569	2	Hydraulic Hose ASM
9	131-2398	1	Hydraulic Tube ASM	22	131-2383	2	Hydraulic Hose ASM
10	130-2464	1	Hydraulic Tube ASM	23	340-4	2	Fitting-Straight
10:1	237-58	1	O-Ring	23:1	237-30	1	O-Ring
11	131-2388	1	Hydraulic Tube ASM	23:2	237-79	1	O-Ring
11:1	237-58	1	O-Ring	28	3231-42	4	Screw-CARR
12	131-2389	1	Hydraulic Tube ASM	29	104-8301	4	Nut-HF, NI
12:1	237-58	1	O-Ring	30	340-7	4	Fitting-Straight
13	130-2467	1	Hydraulic Tube ASM	30:1	237-65	1	O-Ring
13:1	237-58	1	O-Ring	30:2	237-80	1	O-Ring
14	131-2384	1	Hydraulic Tube ASM	31	3334-945	4	Tie-Cable
14:1	237-30	1	O-Ring	32	132-1393	2	Foam-Support, Tube
15	131-2385	1	Hydraulic Tube ASM				

Hydraulic Motor Assembly No. 132-1425

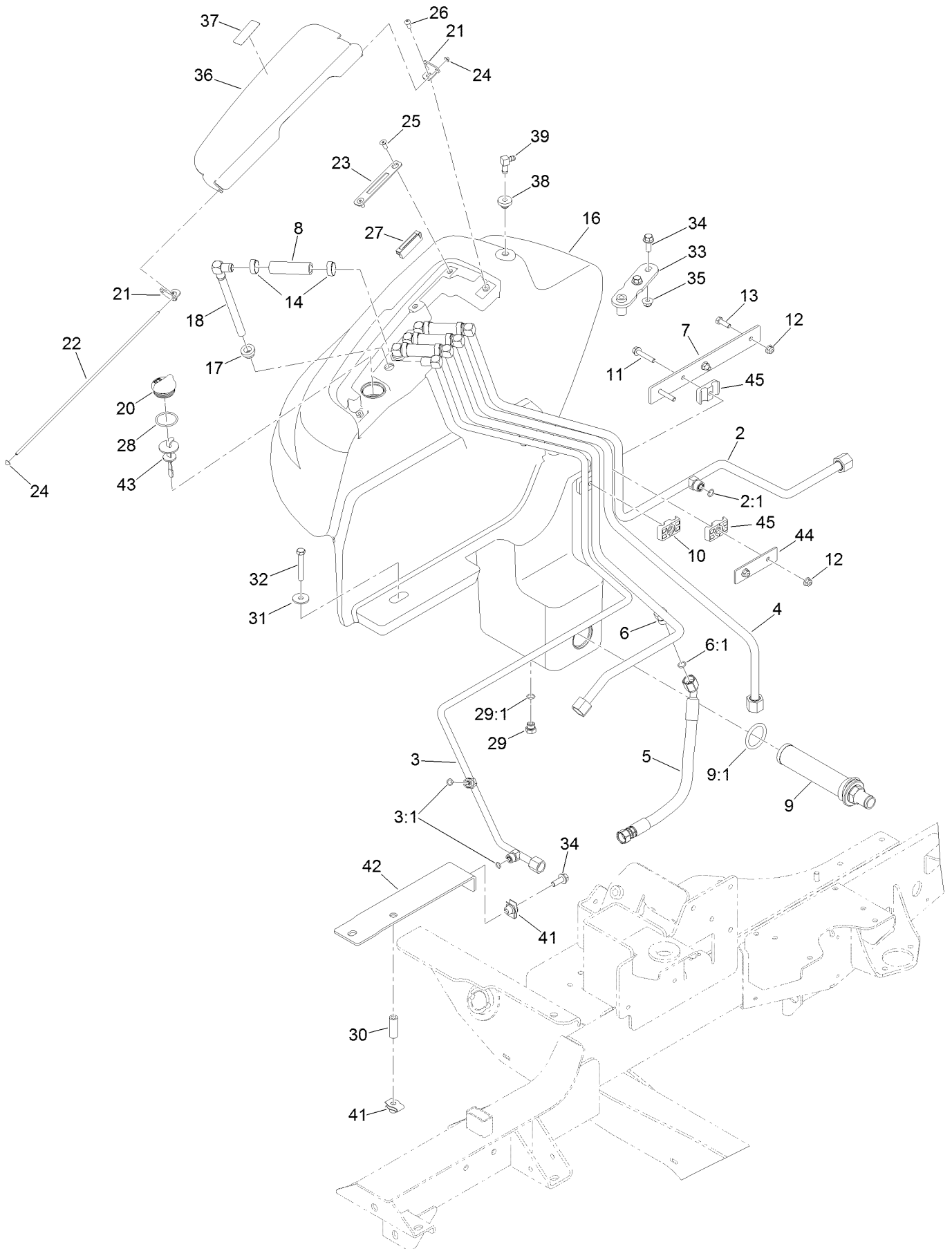


Hydraulic Motor Assembly No. 132-1425 (continued)

<i>Ref.</i>	<i>Part Number</i>	<i>Qty.</i>	<i>Description</i>
1	133-2517	1	Nut-Flange
2	133-2518	1	Rotating Group ASM
3	133-2519	1	Clip-Retaining

<i>Ref.</i>	<i>Part Number</i>	<i>Qty.</i>	<i>Description</i>
4	133-2520	1	Seal Kit
5	133-2521	1	Cam-Z

Hydraulic Tank Assembly



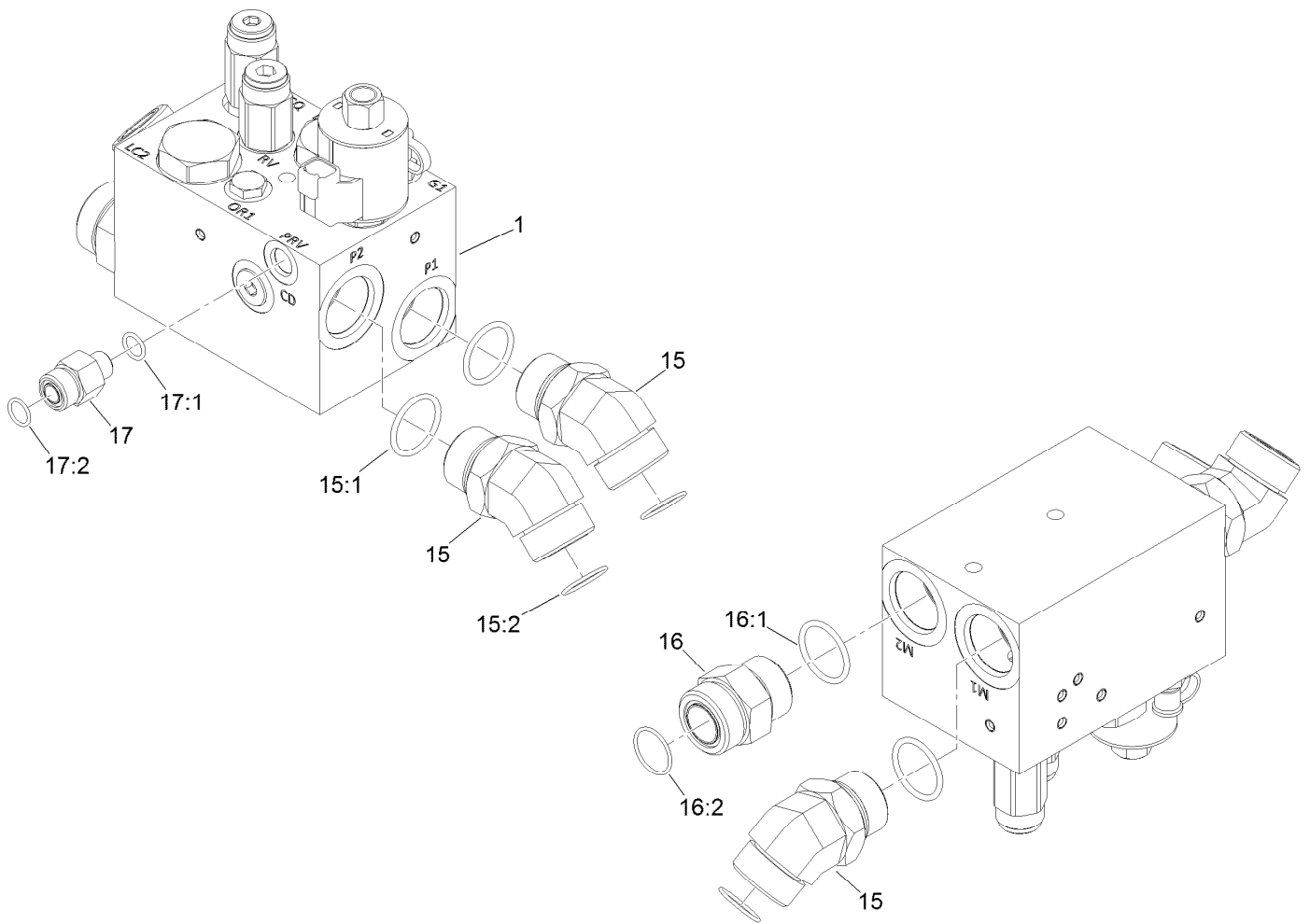
Hydraulic Tank Assembly (continued)

<i>Ref.</i>	<i>Part Number</i>	<i>Qty.</i>	<i>Description</i>	<i>Ref.</i>	<i>Part Number</i>	<i>Qty.</i>	<i>Description</i>
2	125-5357	1	Hydraulic Tube ASM	23	114-0941	1	Plate-Latch
2:1	237-30	1	O-Ring	24	108-3629	2	Nut-Push
3	130-2553	1	Hydraulic Tube ASM	25	3274-47	2	Screw-HSFH
3:1	237-22	2	O-Ring	26	3274-31	2	Screw-HSBH
4	130-2511	1	Hydraulic Tube ASM	27	58-4250	1	Catch-Magnetic
5	130-2543	1	Hydraulic Hose ASM	28	94-8166	1	O-Ring
6	130-9036	1	Hydraulic Tube ASM	29	353-508	1	Plug-HH
6:1	237-30	1	O-Ring	29:1	237-42	1	O-Ring
7	114-4919-03	1	Plate-Mount, Tube	30	95-6448	1	Spacer
8	114-4920	4	Hose	31	63-8410	1	Washer
9	104-7546	1	Tank Strainer ASM	32	323-12	1	Screw-HH
9:1	340-136	1	O-Ring	33	114-0094	1	Hold Down-Tank
10	56-7977	2	Clamp-Tube	34	3234-42	3	Screw-HFH
11	94-5780	2	Screw-HWH	35	104-8301	2	Nut-HF, NI
12	104-8300	4	Nut-HF, NI	36	114-0939-03	1	Cover-Tank, HYD
13	322-5	2	Screw-HH	37	93-6686	1	Decal-Oil, HYD
14	2412-36	8	Clamp-Hose	38	46-6560	1	Bushing
16	119-7726	1	Hydraulic Tank ASM	39	46-6550	1	Fitting-Elbow, 90 DEG
17	104-0790	4	Bushing	41	105-4886	2	Nut-Tinnerman
18	132-1384	4	Tube-Drop	42	130-2583-01	1	Support-Tank, Hydraulic
20	93-7498	1	Plug-Plastic	43	105-2812	1	Dipstick
21	114-0940	2	Bracket-Hinge	44	131-2213-03	1	Plate-Drain, Case
22	114-0904	1	Rod	45	56-7971	2	Clamp-Tube

Hydraulic Cutting Circuit Assembly (continued)

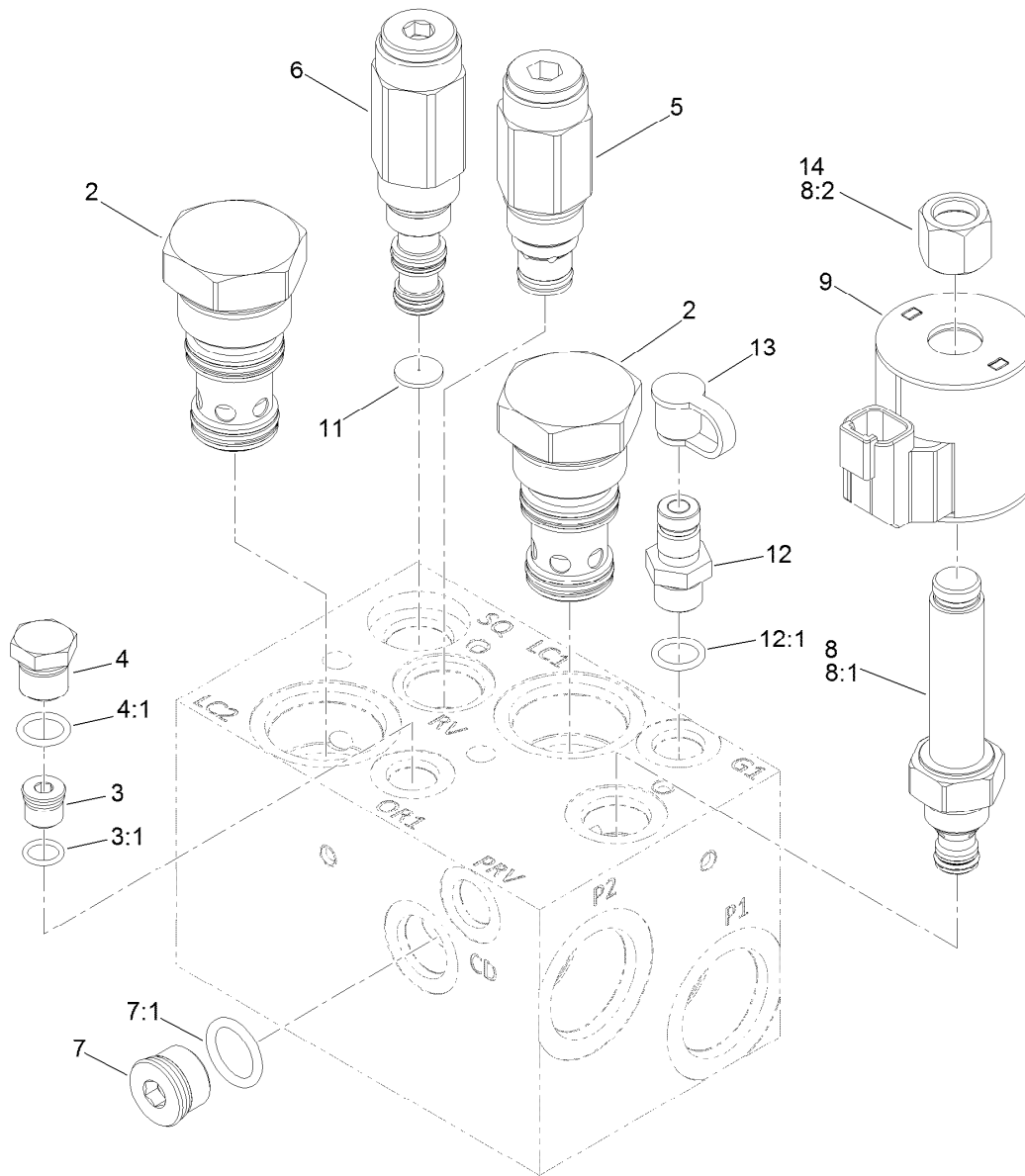
<i>Ref.</i>	<i>Part Number</i>	<i>Qty.</i>	<i>Description</i>	<i>Ref.</i>	<i>Part Number</i>	<i>Qty.</i>	<i>Description</i>
1		1	Center Front Deck Valve ASM ●	20	132-1377-01	1	Bracket-Hydraulic
2	104-3509	2	Fitting-HYD, 45 DEG	21	125-5392	3	Hydraulic Motor ASM
2:1	237-146	1	O-Ring	22	56-7974	2	Clamp-Tube
2:2	340-65	1	O-Ring	23	69-9761	1	Plate-Cover
3		1	LH Deck HYD Valve ASM ●	24	104-3797	1	Fitting-Straight
4	130-2549	1	Hydraulic Tube ASM	24:1	237-146	1	O-Ring
4:1	340-65	1	O-Ring	24:2	340-65	1	O-Ring
5	125-5346	1	Hydraulic Hose ASM	25	125-5326	2	Hydraulic Tube ASM
6		1	RH Deck HYD Valve ASM ●	25:1	237-22	1	O-Ring
7	121-7536	4	Clamp-Torque, Constant	26	125-5356	1	Hydraulic Tube ASM
8	340-129	5	Fitting-Elbow, 90 DEG	26:1	237-65	3	O-Ring
8:1	237-146	1	O-Ring	27	340-2	2	Fitting-Straight
8:2	340-65	1	O-Ring	27:1	237-22	1	O-Ring
9	125-5325	1	Hydraulic Tube ASM	27:2	237-42	1	O-Ring
10	132-1383	2	Clamp-Belville Sprg	28	130-9152	2	Hydraulic Hose ASM
11	125-5328	1	Hydraulic Hose ASM	29	130-9153	2	Hydraulic Hose ASM
12	127-3466	1	Hose-Hydraulic	30	130-9154	2	Hydraulic Hose ASM
13	127-3467	1	Hose-Hydraulic	31	132-1389	1	Hydraulic Hose ASM
14	127-3468	1	Hose-Hydraulic	32	130-9156	2	Hydraulic Hose ASM
15	92-7526	2	Fitting-HYD 90 Spcl	34	3256-56	6	Washer-Flat
15:1	237-101	1	O-Ring	35	340-74	2	Nut-Lock, Bulkhead
16	353-987	1	Fitting-Elbow, 90	37	322-12	1	Screw-HH
16:1	237-81	1	O-Ring	38	340-77	1	Fitting-Elbow, 90 DEG
17	130-9133	6	Screw-HH	38:1	237-22	1	O-Ring
18	104-8300	7	Nut-HF, NI	38:2	237-42	1	O-Ring
19	132-1374	1	Hydraulic Tube ASM	39	3334-945	2	Tie-Cable

● Not serviced separately



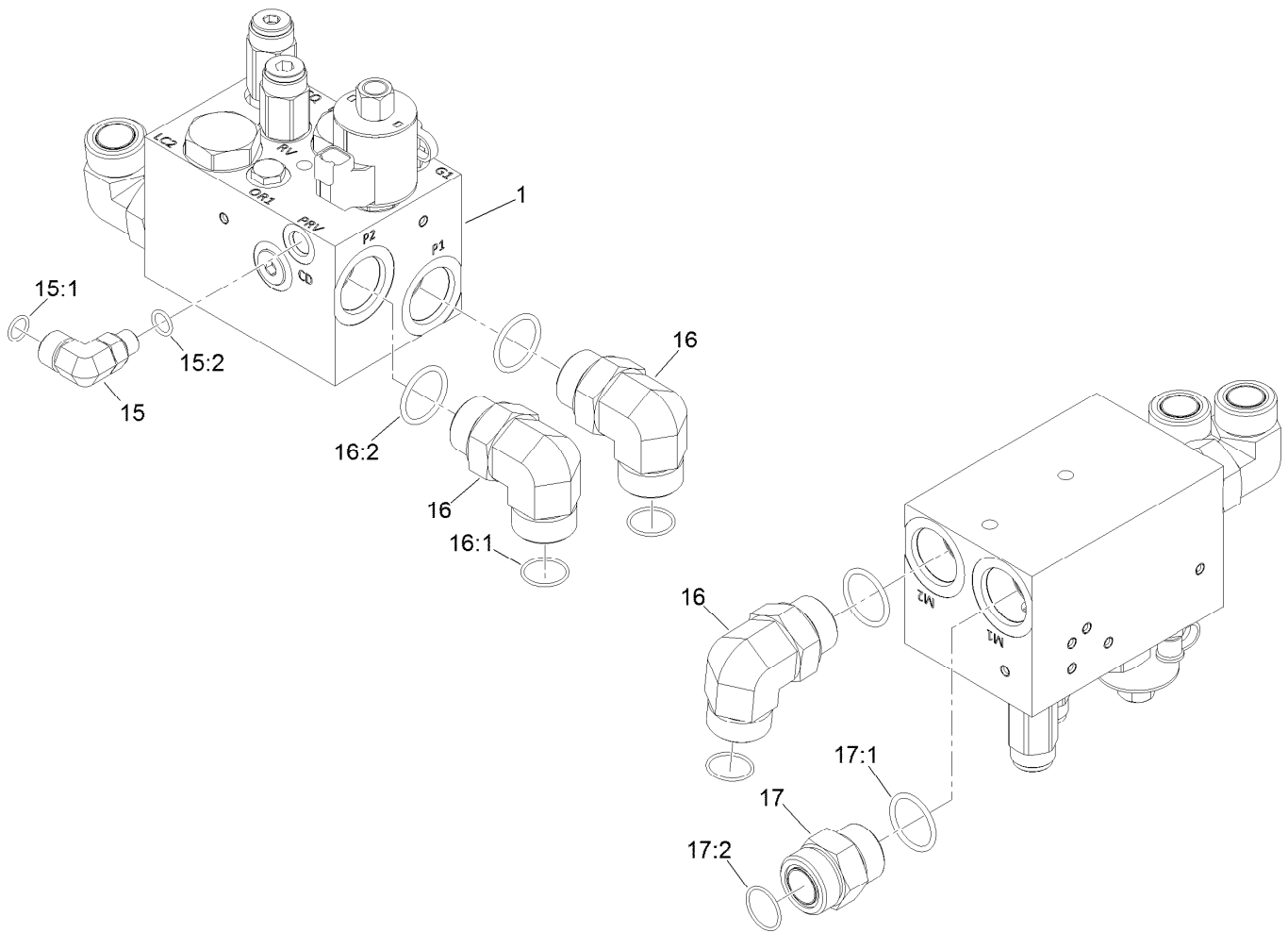
Center Cutting Deck Drive Valve Assembly

Ref.	Part Number	Qty.	Description
1	132-1394	1	Center Deck Manifold ASM
15	104-3509	4	Fitting-HYD, 45 DEG
15:1	237-146	1	O-Ring
15:2	340-65	1	O-Ring
16	104-3797	1	Fitting-Straight
16:1	237-146	1	O-Ring
16:2	340-65	1	O-Ring
17	340-5	1	Fitting-Straight
17:1	237-42	1	O-Ring
17:2	237-30	1	O-Ring



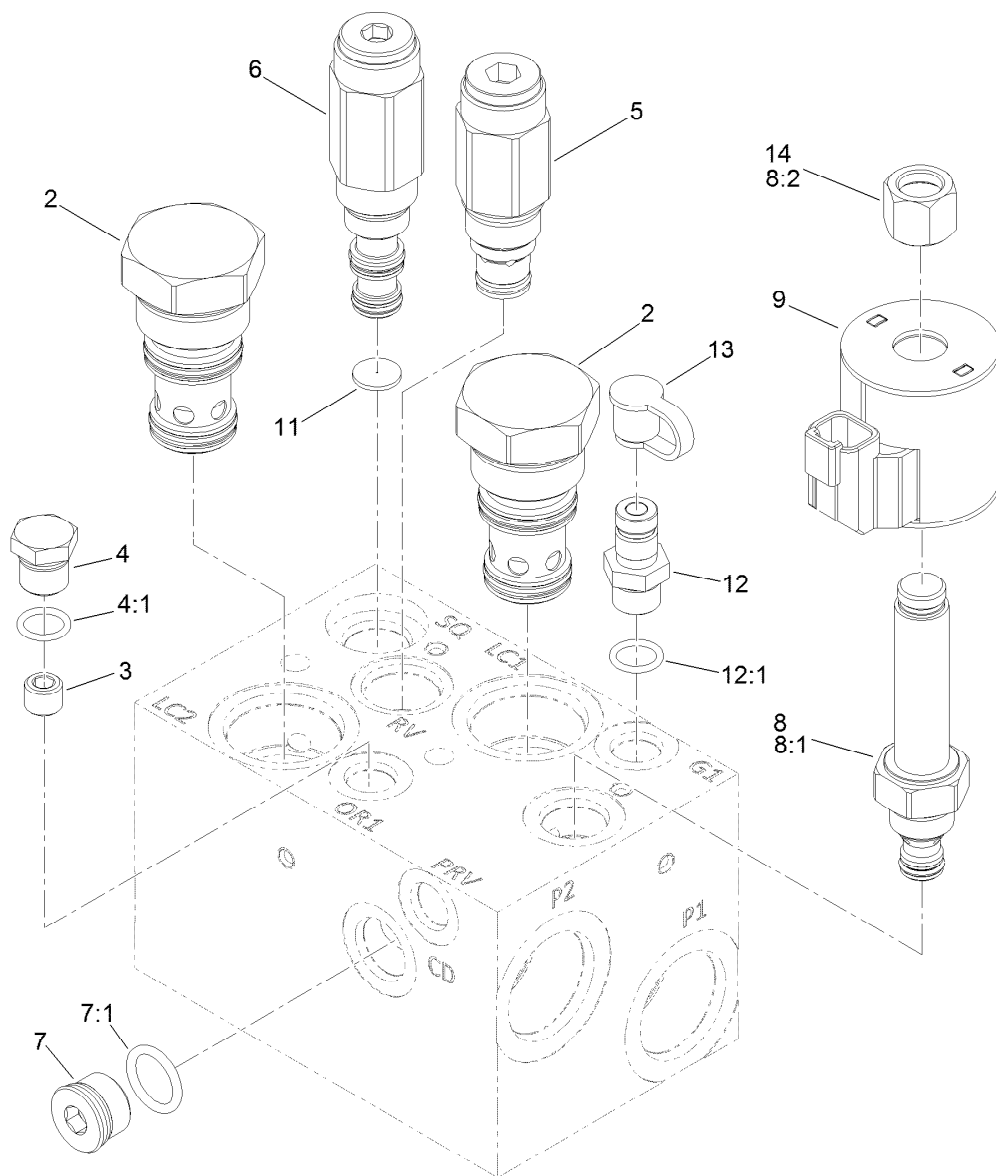
Hydraulic Manifold Assembly No. 132-1394

<i>Ref.</i>	<i>Part Number</i>	<i>Qty.</i>	<i>Description</i>	<i>Ref.</i>	<i>Part Number</i>	<i>Qty.</i>	<i>Description</i>
2	132-4896	2	Element-Logic	8	117-0227	1	Valve-Relief, Proportional
3	353-990	1	Plug ASM	8:1	105-9156	1	Seal Kit
3:1	237-78	1	O-Ring	8:2	119-2160	1	Nut-Coil
4	353-508	1	Plug-HH	9	119-4619	1	Coil-Solenoid
4:1	237-42	1	O-Ring	11	132-4891	1	Disc-Orifice
5	132-4894	1	Valve-Relief, Poppet	12	59-7410	1	Fitting-Diagnostic
6	132-4893	1	Valve-Sequence, 110 PSI	12:1	237-42	1	O-Ring
7	353-988	1	Plug-Hex	13	354-79	1	Cap-Dust
7:1	237-79	1	O-Ring	14	119-2160	1	Nut-Coil



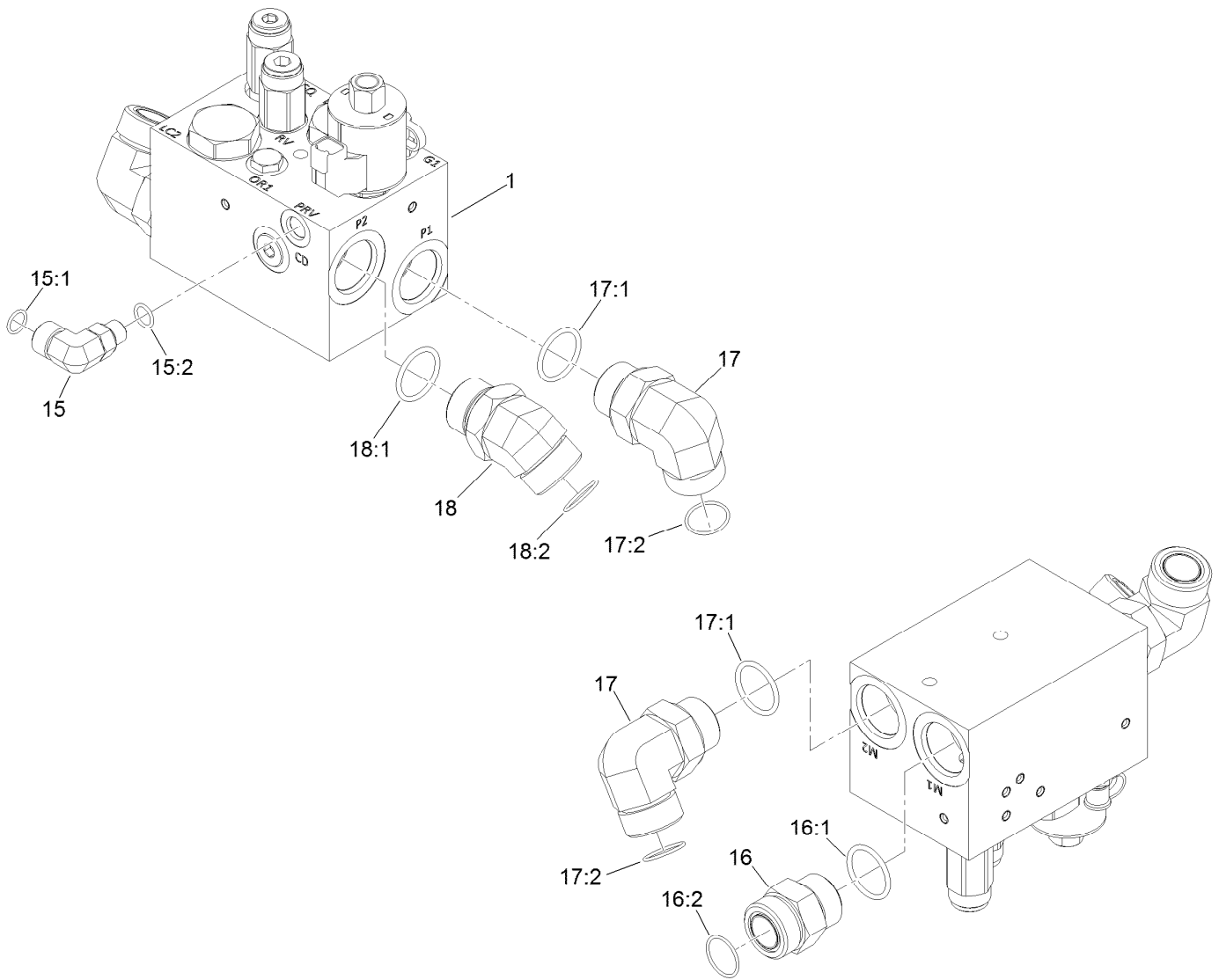
LH Cutting Deck Drive Valve Assembly

<i>Ref.</i>	<i>Part Number</i>	<i>Qty.</i>	<i>Description</i>
1	132-1395	1	LH Deck Manifold ASM
15	340-99	1	Fitting-HYD, 90 DEG
15:1	237-30	1	O-Ring
15:2	237-42	1	O-Ring
16	340-129	3	Fitting-Elbow, 90 DEG
16:1	237-146	1	O-Ring
16:2	340-65	1	O-Ring
17	104-3797	1	Fitting-Straight
17:1	237-146	1	O-Ring
17:2	340-65	1	O-Ring



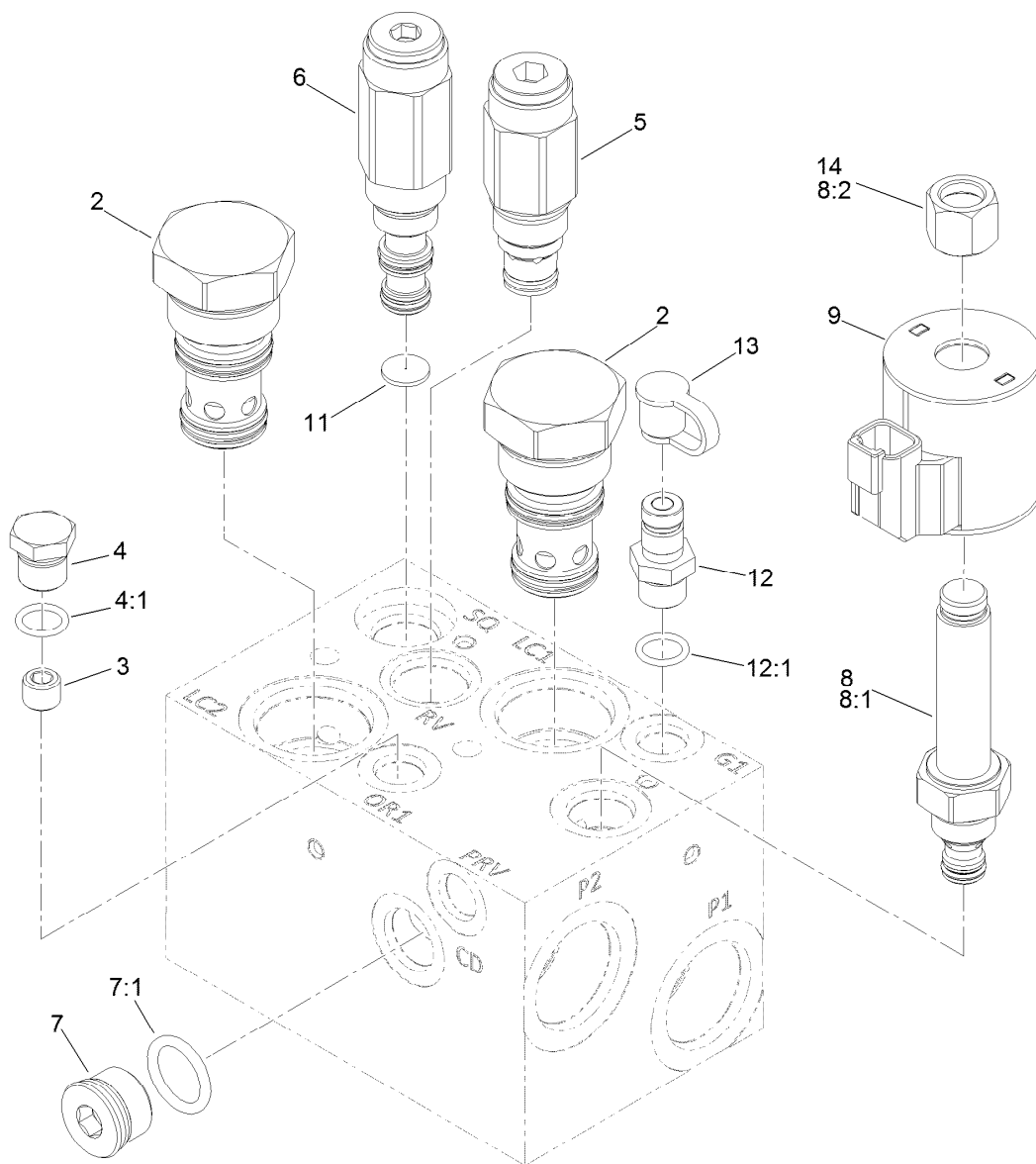
Hydraulic Manifold Assembly No. 132-1395

<i>Ref.</i>	<i>Part Number</i>	<i>Qty.</i>	<i>Description</i>	<i>Ref.</i>	<i>Part Number</i>	<i>Qty.</i>	<i>Description</i>
2	132-4896	2	Element-Logic	8:1	105-9156	1	Seal Kit
3	132-4895	1	Orifice	8:2	119-2160	1	Nut-Coil
4	353-508	1	Plug-HH	9	119-4619	1	Coil-Solenoid
4:1	237-42	1	O-Ring	11	132-4891	1	Disc-Orifice
5	132-4894	1	Valve-Relief, Poppet	12	59-7410	1	Fitting-Diagnostic
6	132-4893	1	Valve-Sequence, 110 PSI	12:1	237-42	1	O-Ring
7	353-988	1	Plug-Hex	13	354-79	1	Cap-Dust
7:1	237-79	1	O-Ring	14	119-2160	1	Nut-Coil
8	117-0227	1	Valve-Relief, Proportional				



RH Cutting Deck Drive Valve Assembly

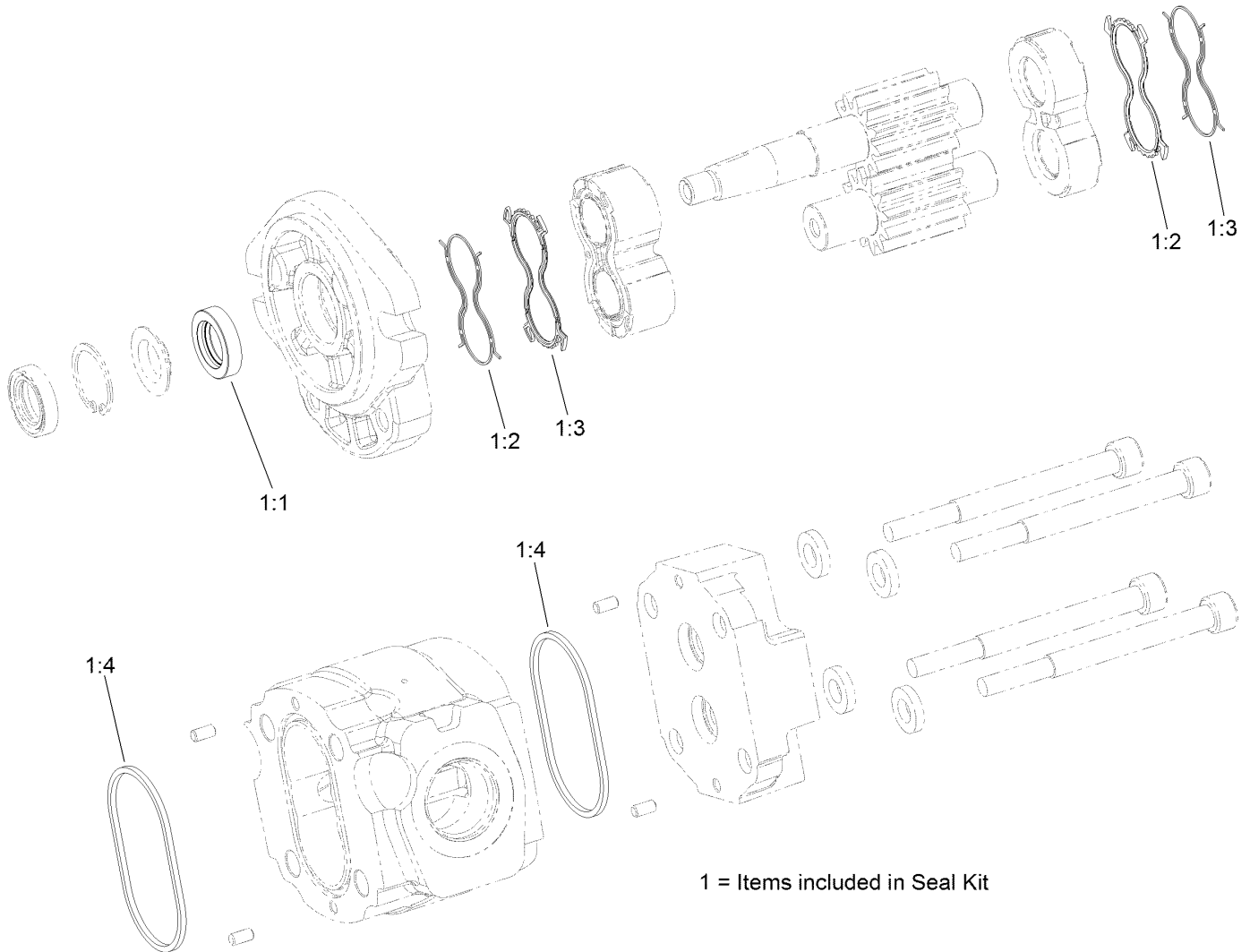
Ref.	Part Number	Qty.	Description
1	132-1396	1	RH Deck Manifold ASM
15	340-99	1	Fitting-HYD, 90 DEG
15:1	237-30	1	O-Ring
15:2	237-42	1	O-Ring
16	104-3797	1	Fitting-Straight
16:1	237-146	1	O-Ring
16:2	340-65	1	O-Ring
17	340-129	2	Fitting-Elbow, 90 DEG
17:1	237-146	1	O-Ring
17:2	340-65	1	O-Ring
18	104-3509	1	Fitting-HYD, 45 DEG
18:1	237-146	1	O-Ring
18:2	340-65	1	O-Ring



Hydraulic Manifold Assembly No. 132-1396

<i>Ref.</i>	<i>Part Number</i>	<i>Qty.</i>	<i>Description</i>	<i>Ref.</i>	<i>Part Number</i>	<i>Qty.</i>	<i>Description</i>
2	132-4896	2	Element-Logic	8:1	105-9156	1	Seal Kit
3	132-4895	1	Orifice	8:2	119-2160	1	Nut-Coil
4	353-508	1	Plug-HH	9	119-4619	1	Coil-Solenoid
4:1	237-42	1	O-Ring	11	132-4891	1	Disc-Orifice
5	132-4894	1	Valve-Relief, Poppet	12	59-7410	1	Fitting-Diagnostic
6	132-4893	1	Valve-Sequence, 110 PSI	12:1	237-42	1	O-Ring
7	353-988	1	Plug-Hex	13	354-79	1	Cap-Dust
7:1	237-79	1	O-Ring	14	119-2160	1	Nut-Coil
8	117-0227	1	Valve-Relief, Proportional				

Hydraulic Motor Assembly No. 125-5392

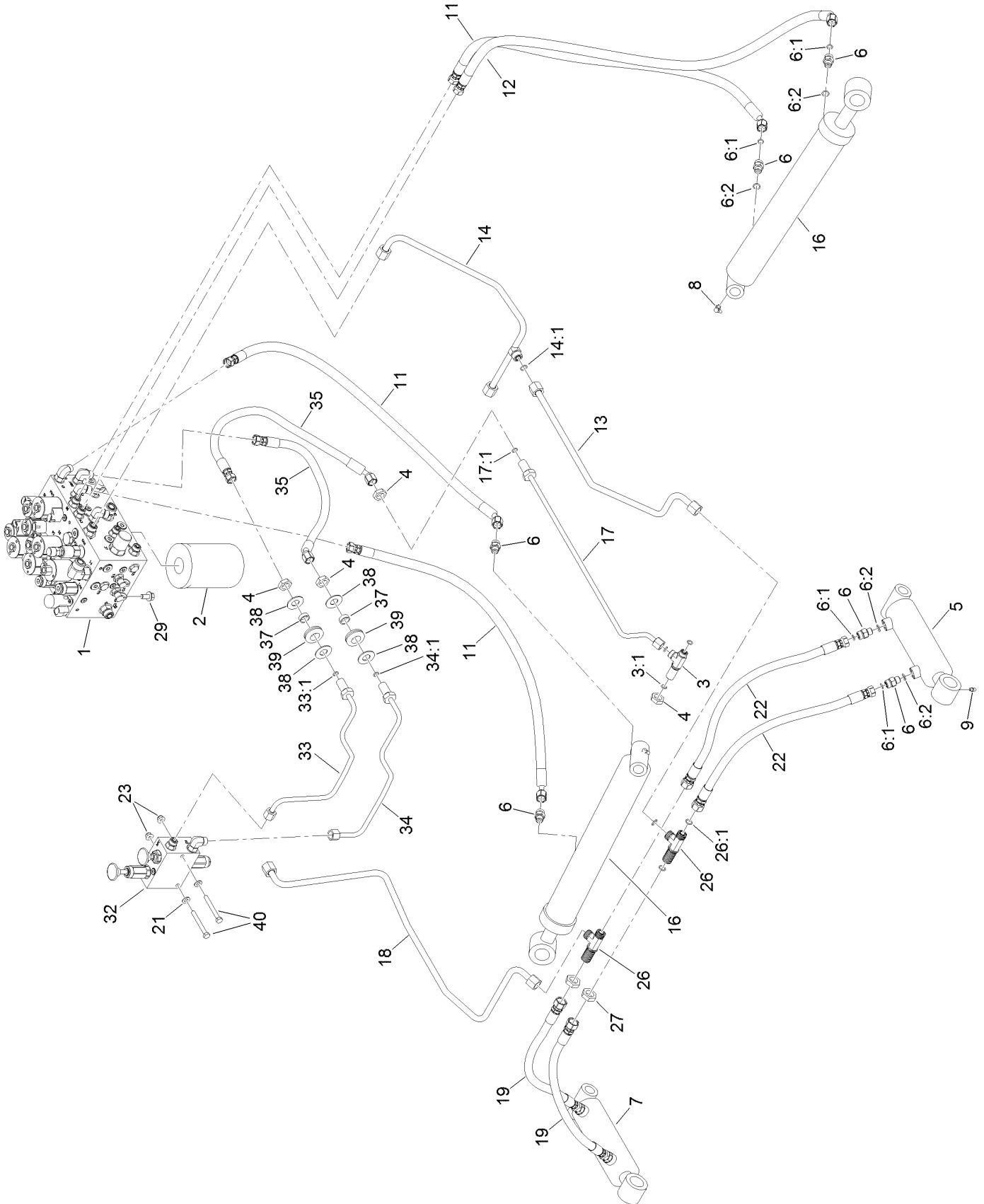


Hydraulic Motor Assembly No. 125-5392 (continued)

<i>Ref.</i>	<i>Part Number</i>	<i>Qty.</i>	<i>Description</i>	<i>Ref.</i>	<i>Part Number</i>	<i>Qty.</i>	<i>Description</i>
1	133-2490	1	Seal Kit	1:3		2	Seal-Plate, Balancing ●
1:1		2	Seal-Shaft ●	1:4		2	O Ring-Housing ●
1:2		2	Seal-Anti Extrusion ●				

● Not serviced separately

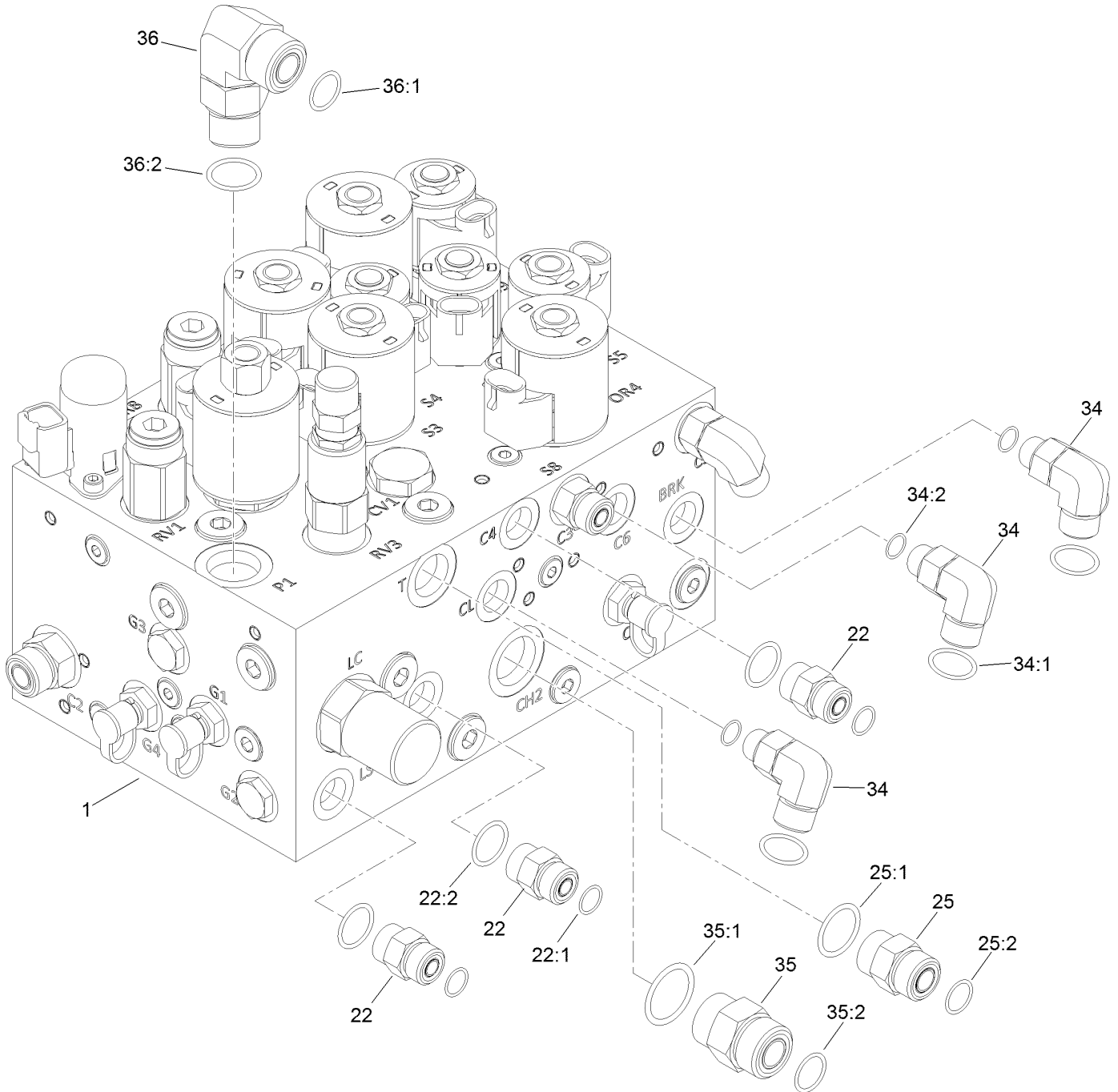
Hydraulic Steering/Lift Circuit Assembly



Hydraulic Steering/Lift Circuit Assembly (continued)

<i>Ref.</i>	<i>Part Number</i>	<i>Qty.</i>	<i>Description</i>	<i>Ref.</i>	<i>Part Number</i>	<i>Qty.</i>	<i>Description</i>
1	130-2433	1	Steering/Lift Valve ASM	18	130-9038	1	Hydraulic Tube ASM
2	75-1310	1	Filter-HYD	19	131-2298	2	Hydraulic Hose ASM
3	340-68	1	Fitting-Tee, Bulkhead	21	3256-23	2	Washer-Plain
3:1	237-22	3	O-Ring	22	131-2299	2	Hydraulic Hose ASM
4	340-70	4	Nut-Lock	23	104-8300	2	Nut-HF, NI
5	114-4831	1	LH Lift Cylinder ASM	26	340-121	2	Fitting-Tee
6	340-2	8	Fitting-Straight	26:1	237-30	3	O-Ring
6:1	237-22	1	O-Ring	27	340-127	2	Nut-Bulkhead
6:2	237-42	1	O-Ring	29	3234-12	4	Screw-HHF
7	114-4830	1	RH Lift Cylinder ASM	32	132-1378	1	Manual Park Brake Manifold ASM
8	302-60	2	Fitting-Grease	33	132-1380	1	Hydraulic Tube ASM
9	302-5	4	Fitting-Grease	33:1	237-22	1	O-Ring
11	131-2216	3	Hydraulic Hose ASM	34	132-1381	1	Hydraulic Tube ASM
12	131-2217	1	Hydraulic Hose ASM	34:1	237-22	1	O-Ring
13	130-9035	1	Hydraulic Tube ASM	35	132-1382	2	Hydraulic Hose ASM
14	131-2374	1	Hydraulic Tube ASM	37	69-8970	2	Spacer
14:1	237-30	1	O-Ring	38	69-8940	4	Washer
16	114-5685	2	HYD Cylinder ASM	39	240-4	2	Grommet-Rubber
17	131-2371	1	Hydraulic Tube ASM	40	322-13	2	Screw-HH
17:1	237-22	1	O-Ring				

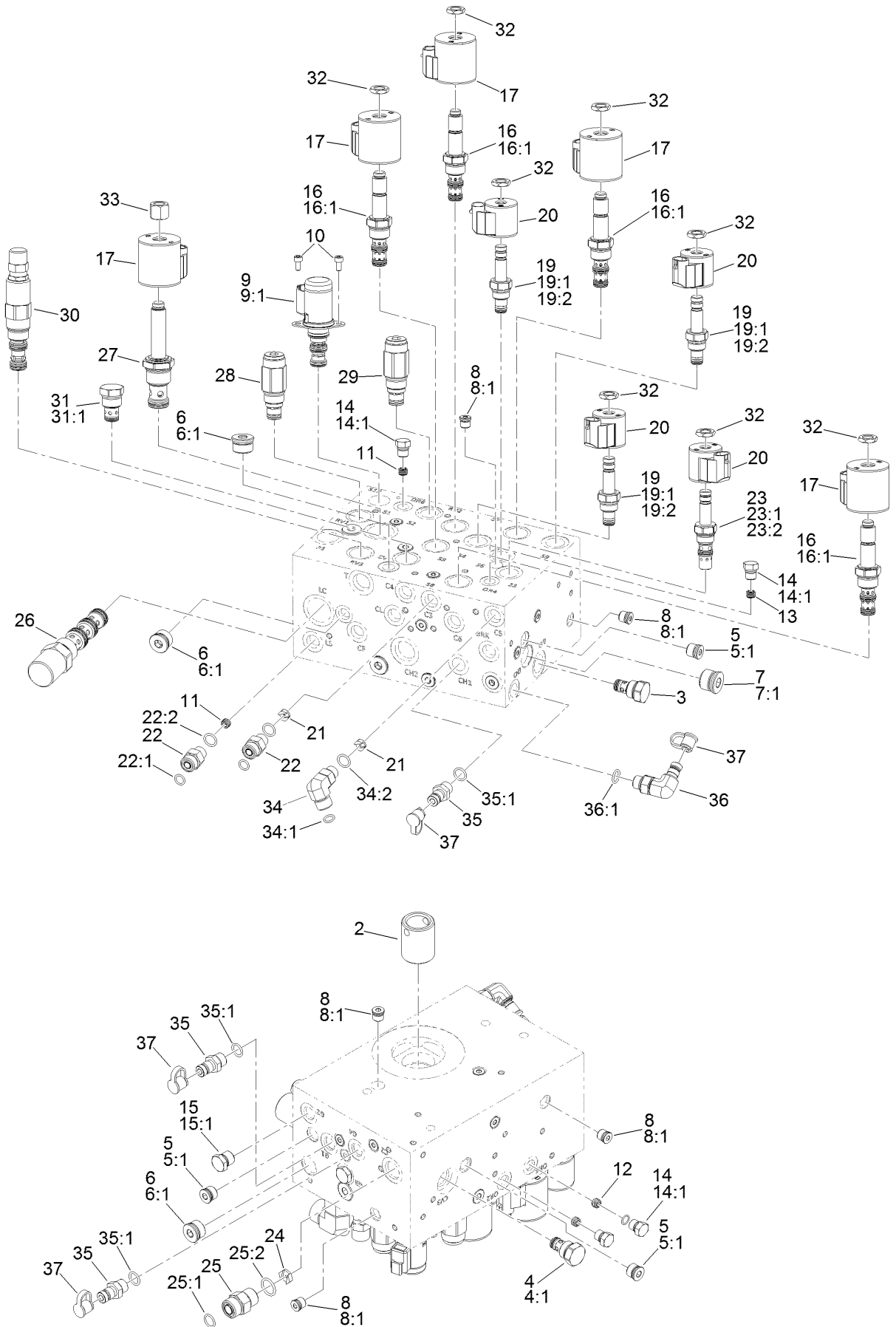
Steering/Lift Valve Assembly



Steering/Lift Valve Assembly (continued)

<i>Ref.</i>	<i>Part Number</i>	<i>Qty.</i>	<i>Description</i>	<i>Ref.</i>	<i>Part Number</i>	<i>Qty.</i>	<i>Description</i>
1	132-1398	1	Steering/Lift Manifold ASM	34:1	237-22	1	O-Ring
22	340-2	3	Fitting-Straight	34:2	237-42	1	O-Ring
22:1	237-22	1	O-Ring	35	340-7	1	Fitting-Straight
22:2	237-42	1	O-Ring	35:1	237-65	1	O-Ring
25	340-4	1	Fitting-Straight	35:2	237-80	1	O-Ring
25:1	237-30	1	O-Ring	36	340-17	1	Fitting-Elbow, 90 DEG
25:2	237-79	1	O-Ring	36:1	237-65	1	O-Ring
34	340-77	3	Fitting-Elbow, 90 DEG	36:2	237-80	1	O-Ring

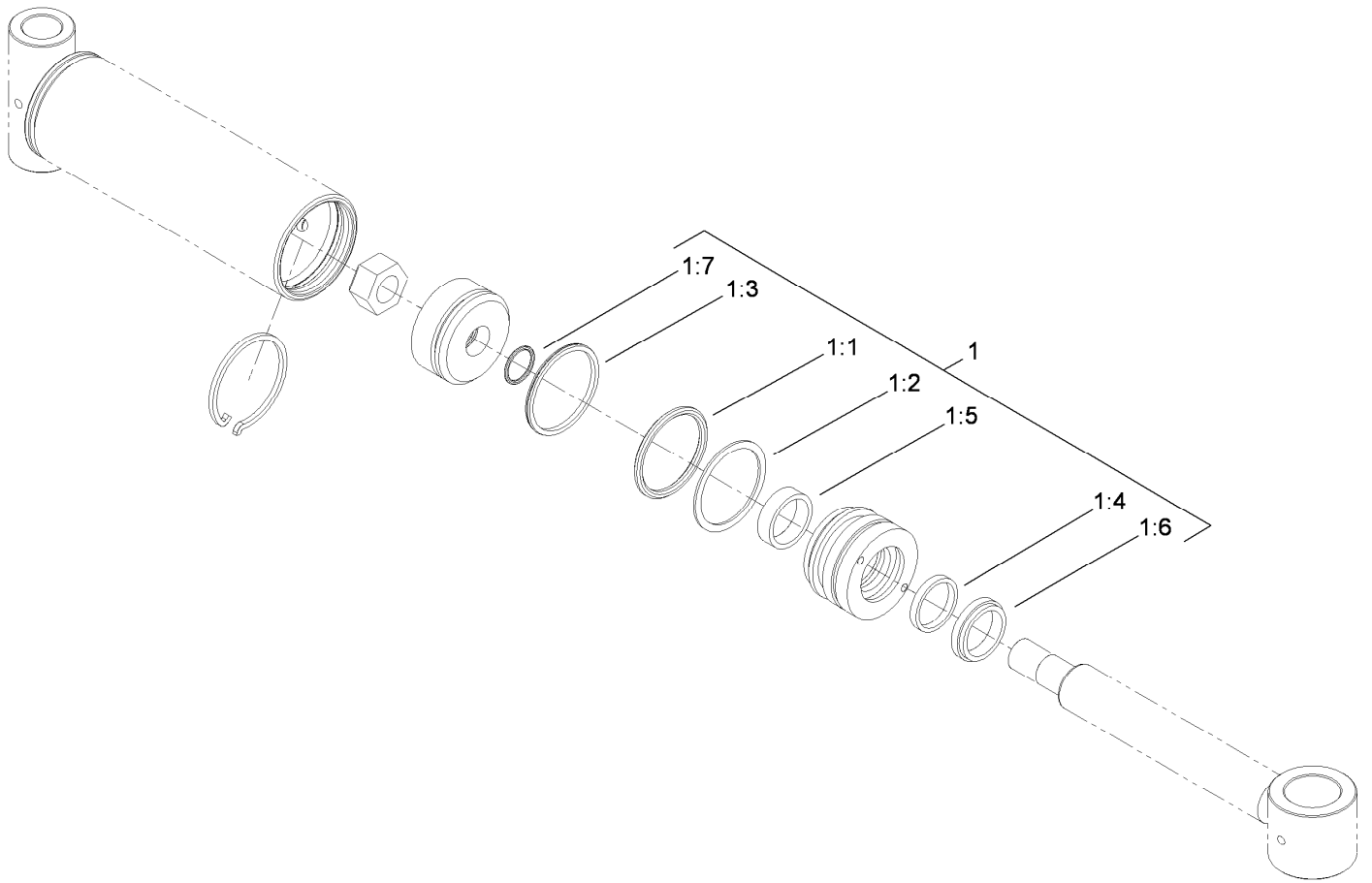
Hydraulic Steering/Lift Manifold Assembly No. 132-1398



Hydraulic Steering/Lift Manifold Assembly No. 132-1398 (continued)

<i>Ref.</i>	<i>Part Number</i>	<i>Qty.</i>	<i>Description</i>	<i>Ref.</i>	<i>Part Number</i>	<i>Qty.</i>	<i>Description</i>
2	125-7551	1	Nipple-Filter	21	132-4917	2	Orifice-Check, 0.088 DIA
3	132-4916	1	Valve-Check	22	340-2	1	Fitting-Straight
4	105-9321	1	Check Valve ASM	22:1	237-22	1	O-Ring
4:1	105-9156	1	Seal Kit	22:2	237-42	1	O-Ring
5	353-989	7	Plug-Hex, Hollow	23	115-5405	1	Solenoid Valve ASM
5:1	237-42	1	O-Ring	23:1	115-5413	1	Seal Kit
6	353-988	6	Plug-Hex	23:2	110-2634	1	Nut-Coil
6:1	237-79	1	O-Ring	24	132-4918	1	Orifice-Control, Flow
7	354-70	1	Plug-Hex, Hollow	25	340-4	1	Fitting-Straight
7:1	237-80	1	O-Ring	25:1	237-30	1	O-Ring
8	353-990	15	Plug ASM	25:2	237-79	1	O-Ring
8:1	237-78	1	O-Ring	26	132-4919	1	Compensator-Pressure, 80 PSI
9	125-7554	1	Valve-Solenoid	27	132-4920	1	Valve-Solenoid
9:1	125-7561	1	Seal Kit	28	132-4921	1	Valve-Relief, Poppet Type
10	132-4908	2	Screw-Cap, Soc HD	29	132-4922	1	Valve-Relief, Poppet Type
11	110-5973	2	Orifice-0.030	30	132-4923	1	Vented Logic Element
12	110-8887	2	Plug-Orifice (0.055)	31	110-8881	1	Valve-Check
13	130-1674	1	Orifice-Control, Flow	31:1	105-9159	1	Seal Kit ●
14	353-512	4	Plug	32	110-2634	8	Nut-Coil
14:1	237-78	1	O-Ring	33	110-2635	1	Nut-Coil
15	353-508	2	Plug-HH	34	340-77	1	Fitting-Elbow, 90 DEG
15:1	237-42	1	O-Ring	34:1	237-22	1	O-Ring
16	125-7556	4	Solenoid Valve ASM	34:2	237-42	1	O-Ring
16:1	107-7813	1	Seal Kit	35	59-7410	3	Fitting-Diagnostic
17	110-6344	5	Coil-12V, DC	35:1	237-42	1	O-Ring
19	112-9206	3	Solenoid Valve ASM	36	115-9148	1	Fitting-Elbow-90
19:1	105-9156	1	Seal Kit	36:1	237-42	1	O-Ring
19:2	110-2634	1	Nut-Coil	37	354-79	4	Cap-Dust
20	110-0497	4	Coil-Solenoid				

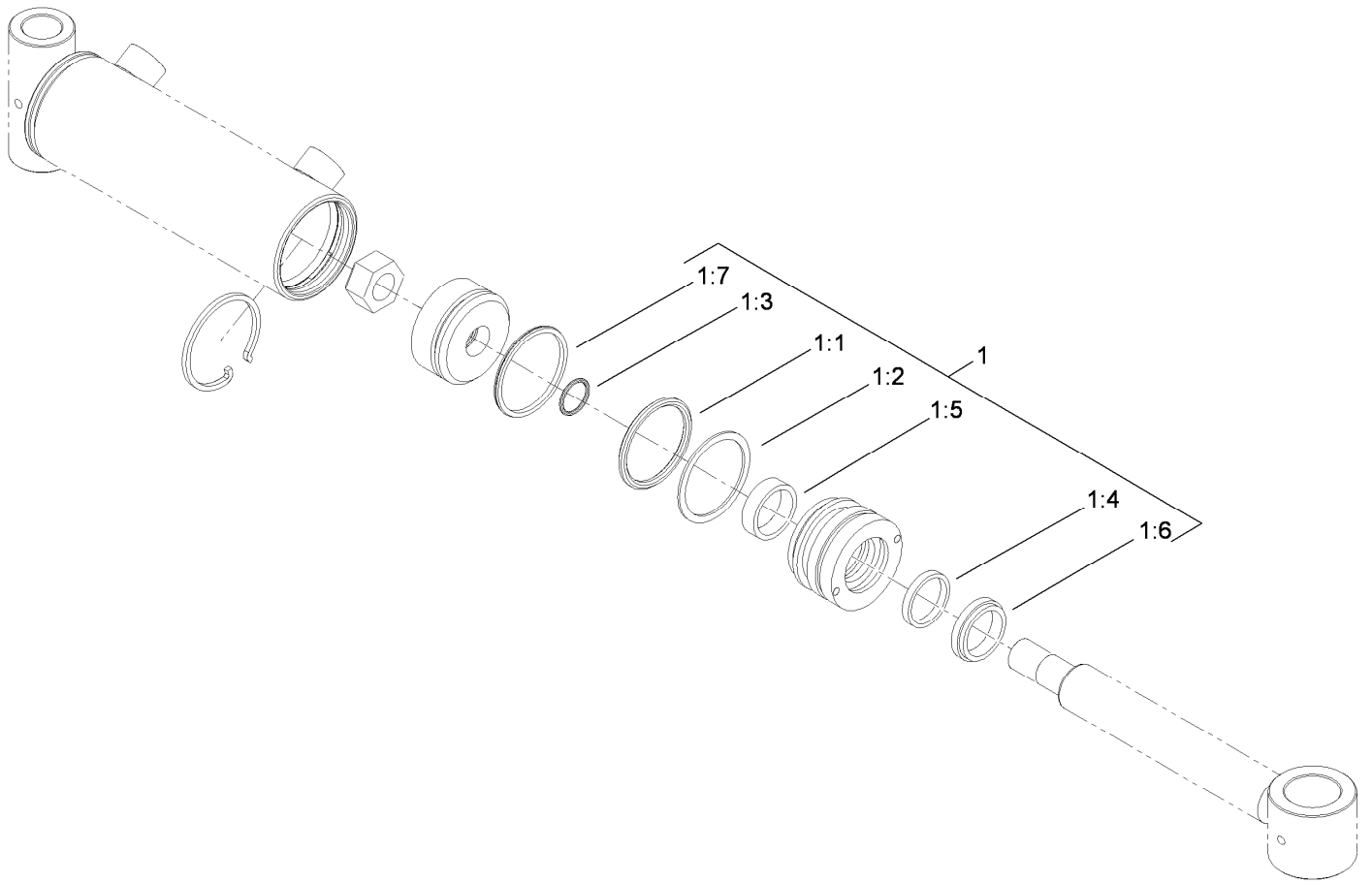
● Not illustrated



Hydraulic Cylinder Assembly No. 114-4830

<i>Ref.</i>	<i>Part Number</i>	<i>Qty.</i>	<i>Description</i>
1	114-5611	1	Seal Kit
1:1		1	O-Ring ●
1:2		1	Backup ●
1:3		1	Seal-Bp ●
1:4		1	Seal-Bs ●
1:5		1	Ring-Wear ●
1:6		1	Seal-Dust ●
1:7		1	O-Ring ●

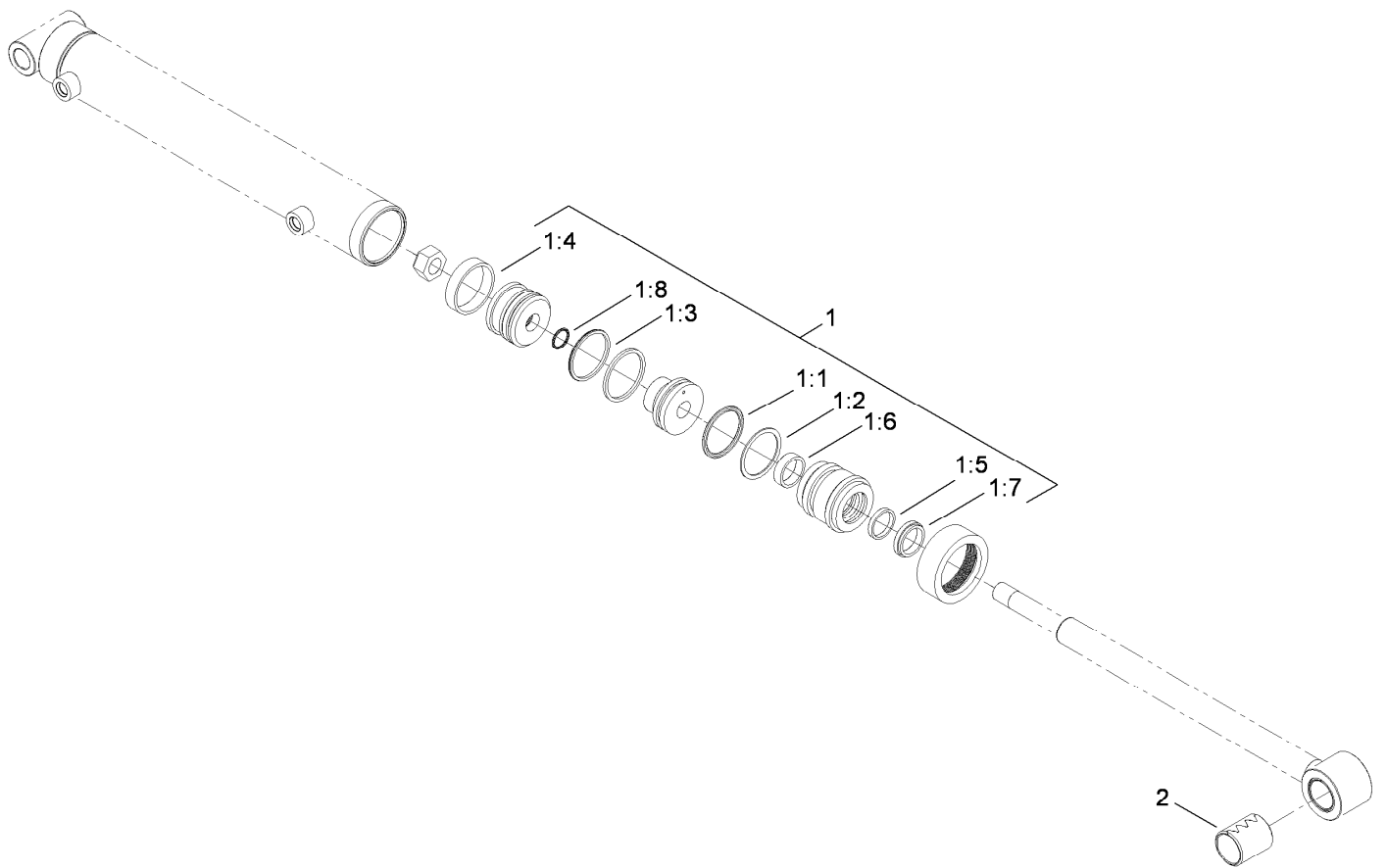
● Not serviced separately



Hydraulic Cylinder Assembly No. 114-4831

<i>Ref.</i>	<i>Part Number</i>	<i>Qty.</i>	<i>Description</i>
1	114-5611	1	Seal Kit
1:1		1	O-Ring ●
1:2		1	Backup ●
1:3		1	Seal-Bp ●
1:4		1	Seal-Bs ●
1:5		1	Ring-Wear ●
1:6		1	Seal-Dust ●
1:7		1	O-Ring ●

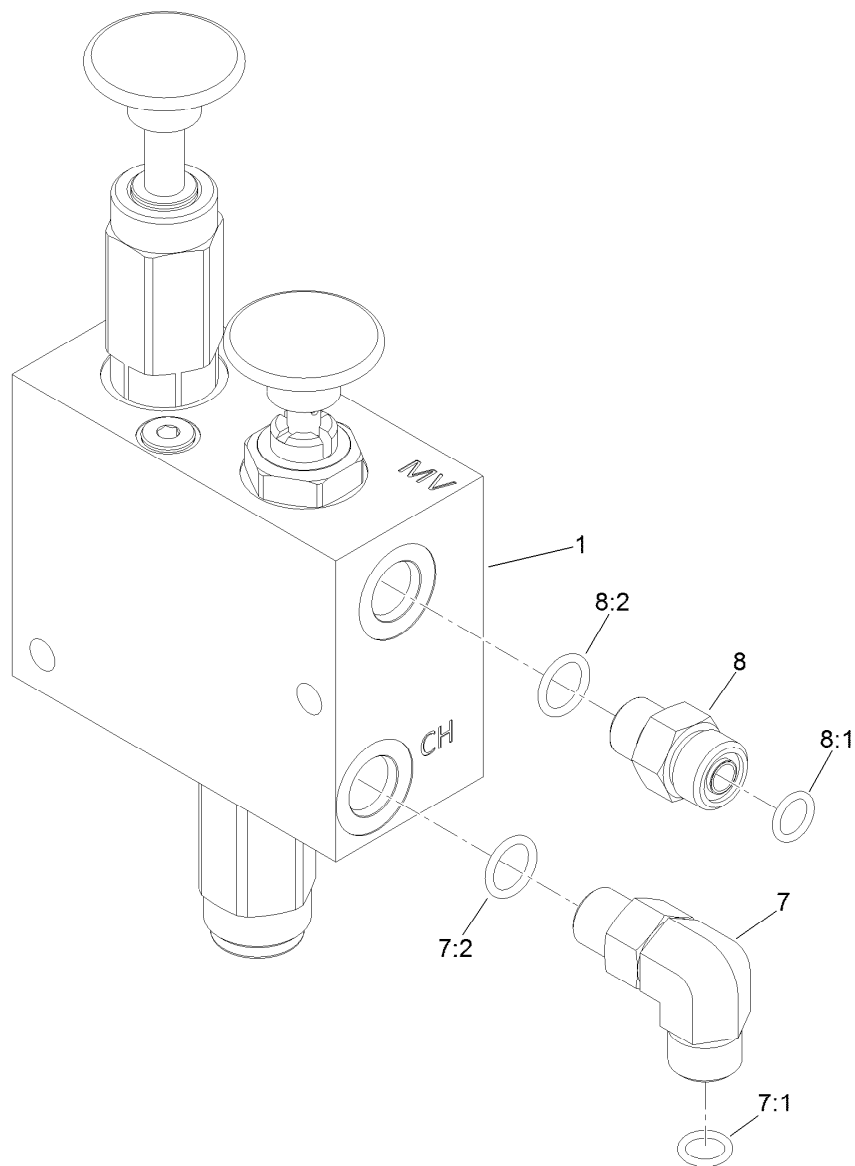
● Not serviced separately



Hydraulic Cylinder Assembly No. 114-5685

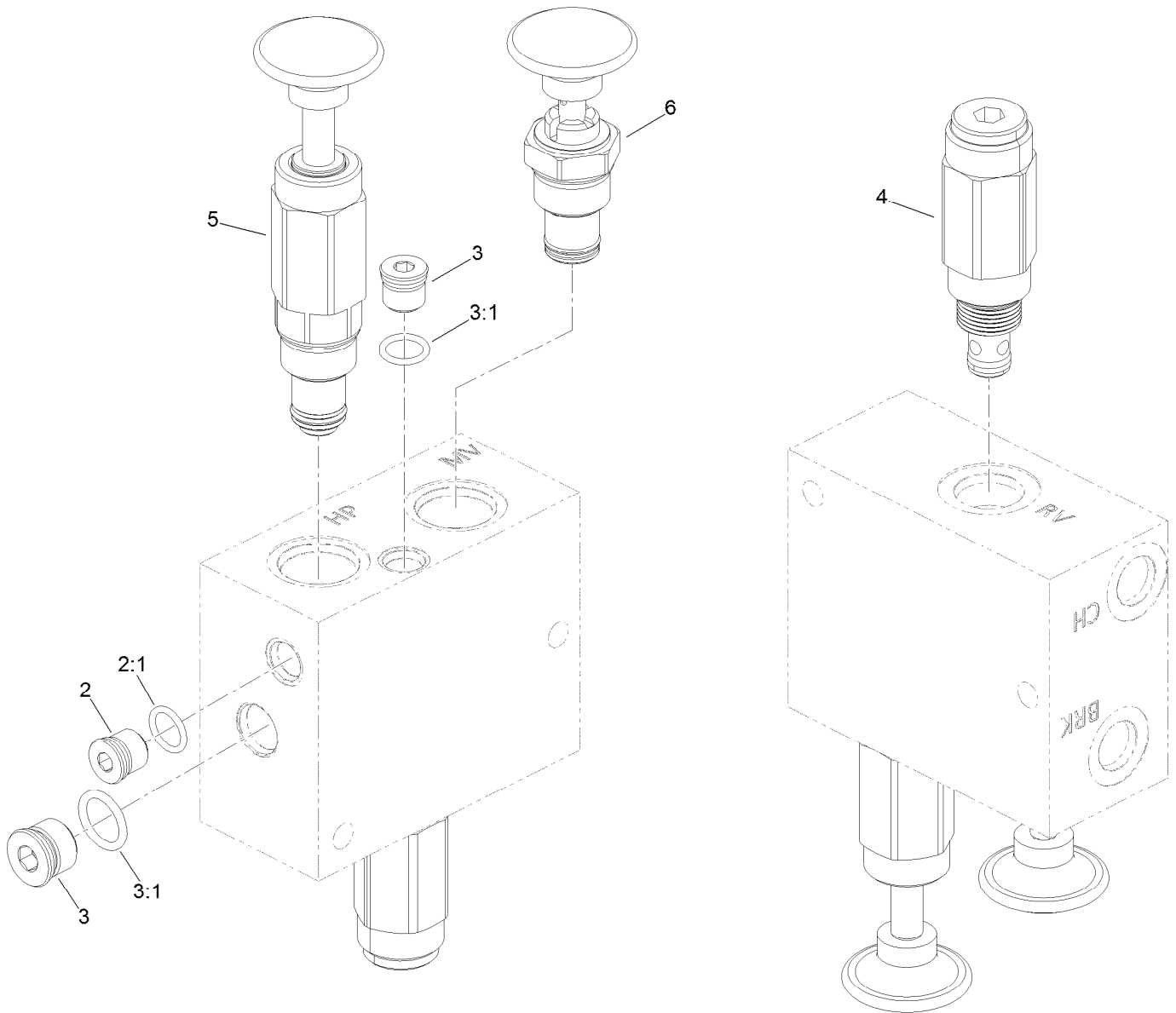
<i>Ref.</i>	<i>Part Number</i>	<i>Qty.</i>	<i>Description</i>
1	114-5612	1	Seal Kit
1:1		1	O-Ring ●
1:2		1	Backup ●
1:3		1	Seal-Bp ●
1:4		1	Ring-Wear ●
1:5		1	Seal-Bs ●
1:6		1	Ring-Wear ●
1:7		1	Seal-Dust ●
1:8		1	O-Ring ●
2	117-9407	1	Bushing-Connex

● Not serviced separately



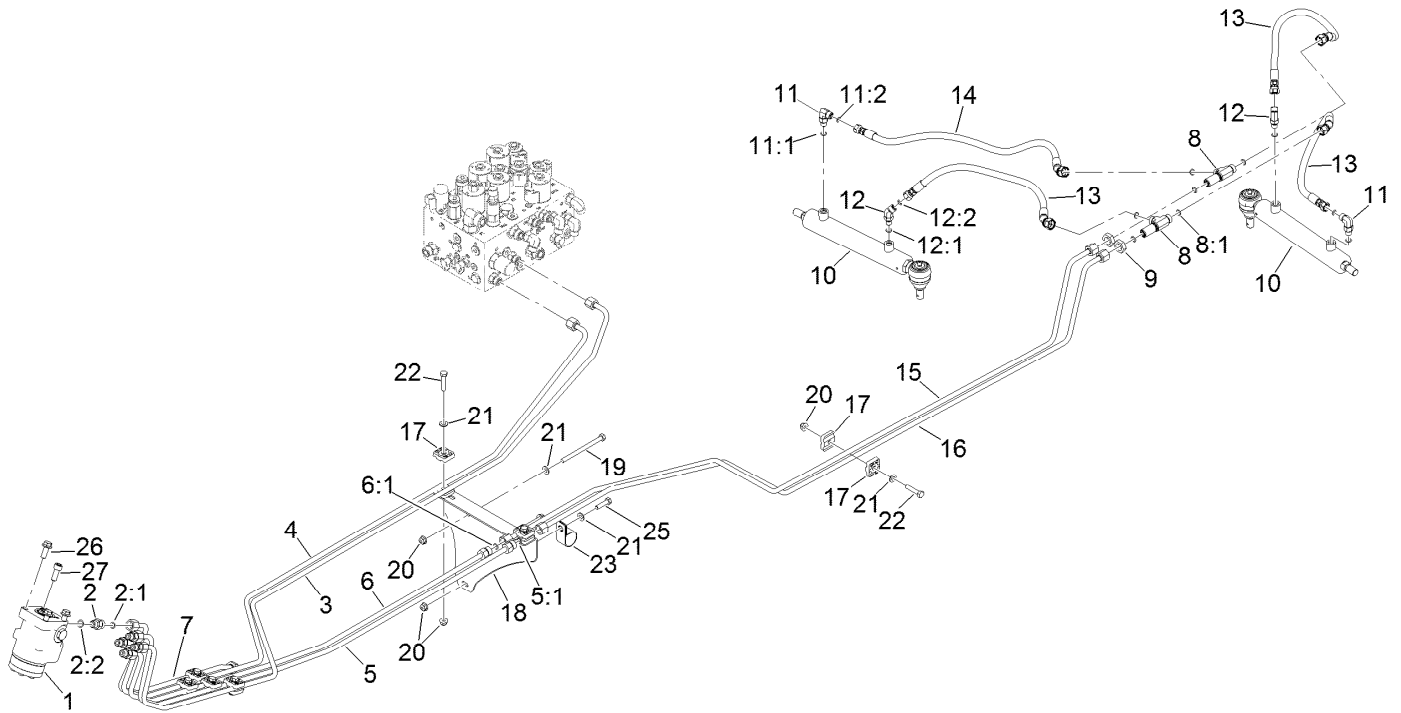
Manual Parking Brake Release Valve Assembly

<i>Ref.</i>	<i>Part Number</i>	<i>Qty.</i>	<i>Description</i>
1	132-1399	1	Manual Park Brake Manifold ASM
7	340-77	1	Fitting-Elbow, 90 DEG
7:1	237-22	1	O-Ring
7:2	237-42	1	O-Ring
8	340-2	1	Fitting-Straight
8:1	237-22	1	O-Ring
8:2	237-42	1	O-Ring



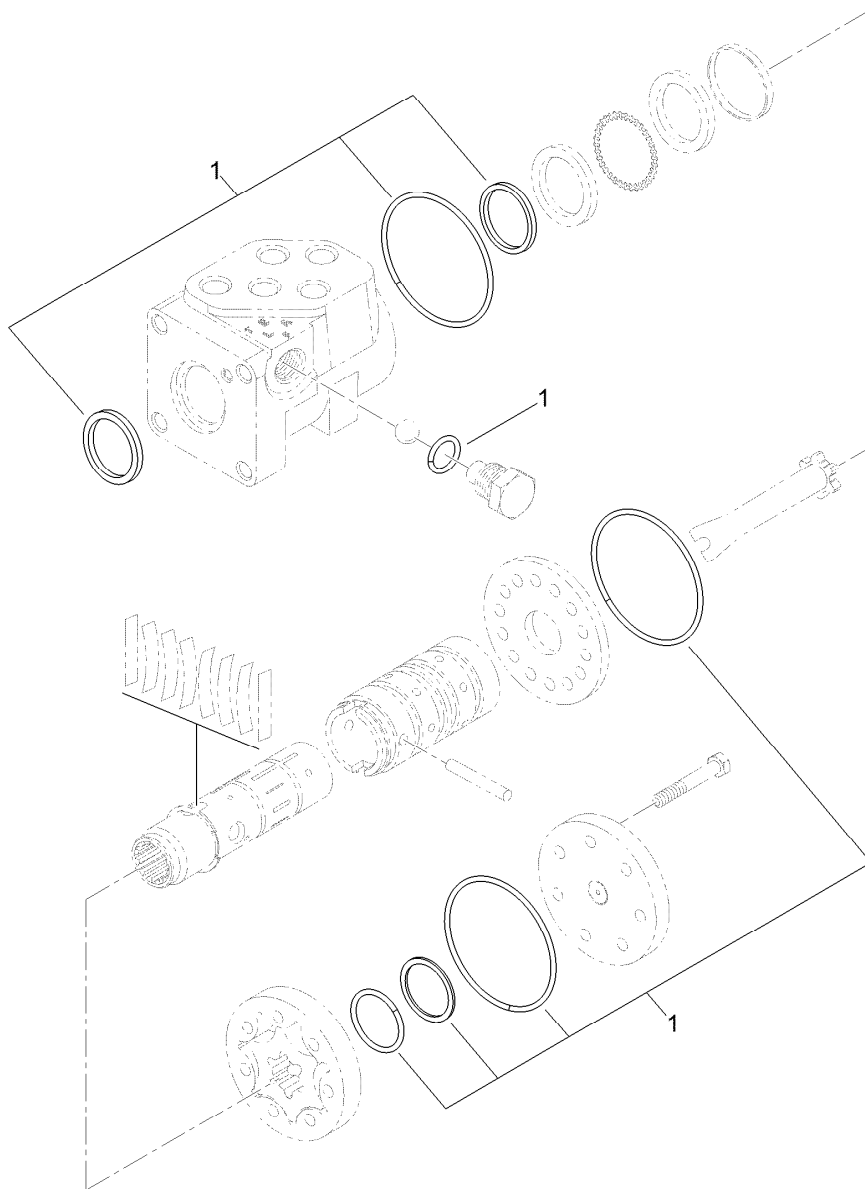
Hydraulic Parking Brake Manifold Assembly No. 132-1399

<i>Ref.</i>	<i>Part Number</i>	<i>Qty.</i>	<i>Description</i>
2	353-989	1	Plug-Hex, Hollow
2:1	237-42	1	O-Ring
3	353-990	2	Plug ASM
3:1	237-78	1	O-Ring
4	132-4905	1	Valve-Relief
5	132-4904	1	Pump-Hand
6	132-4903	1	Valve-2 Way, Manual



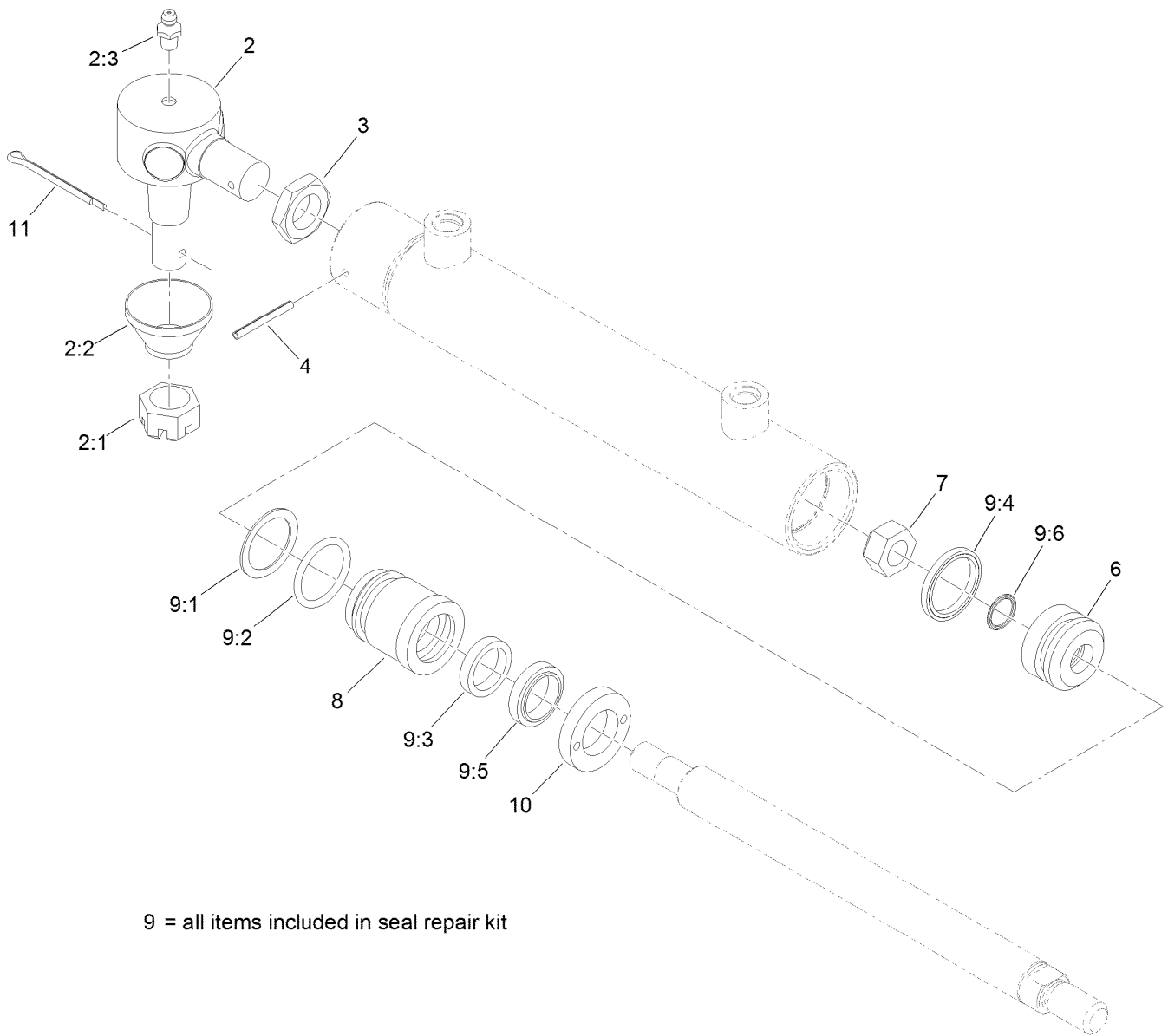
Hydraulic Steering Assembly

Ref.	Part Number	Qty.	Description	Ref.	Part Number	Qty.	Description
1	130-7949	1	Steering Control Valve ASM	12	340-103	2	Fitting-HYD, 45 DEG
2	340-2	5	Fitting-Straight	12:1	237-78	1	O-Ring
2:1	237-22	1	O-Ring	12:2	237-21	1	O-Ring
2:2	237-42	1	O-Ring	13	114-4922	3	HYD Hose ASM
3	131-2372	1	Hydraulic Tube ASM	14	114-4934	1	HYD Hose ASM
4	131-2373	1	Hydraulic Tube ASM	15	125-5352	1	Hydraulic Tube ASM
5	125-5349	1	Hydraulic Tube ASM	16	125-5353	1	Hydraulic Tube ASM
5:1	237-22	1	O-Ring	17	56-7973	14	Clamp-Tube
6	125-5351	1	Hydraulic Tube ASM	18	127-3492-01	1	Support-Hardlines
6:1	237-22	1	O-Ring	19	322-38	2	Screw-HH
7	125-5337	1	Hydraulic Tube ASM	20	104-8300	10	Nut-HF, NI
8	340-68	2	Fitting-Tee, Bulkhead	21	3256-23	10	Washer-Plain
8:1	237-22	3	O-Ring	22	322-7	3	Screw-HH
9	340-70	2	Nut-Lock	23	2412-82	1	Clamp-R
10	132-1308	2	HYD Cylinder ASM	25	322-6	5	Screw-HH
11	340-132	2	Fitting-Elbow, 90 DEG	26	108-1531	3	Screw-HHF
11:1	237-78	1	O-Ring	27	3273-41	1	Screw-HSH
11:2	237-21	1	O-Ring				



Steering Valve Assembly No. 130-7949

<i>Ref.</i>	<i>Part Number</i>	<i>Qty.</i>	<i>Description</i>
1	130-8358	1	Seal Kit



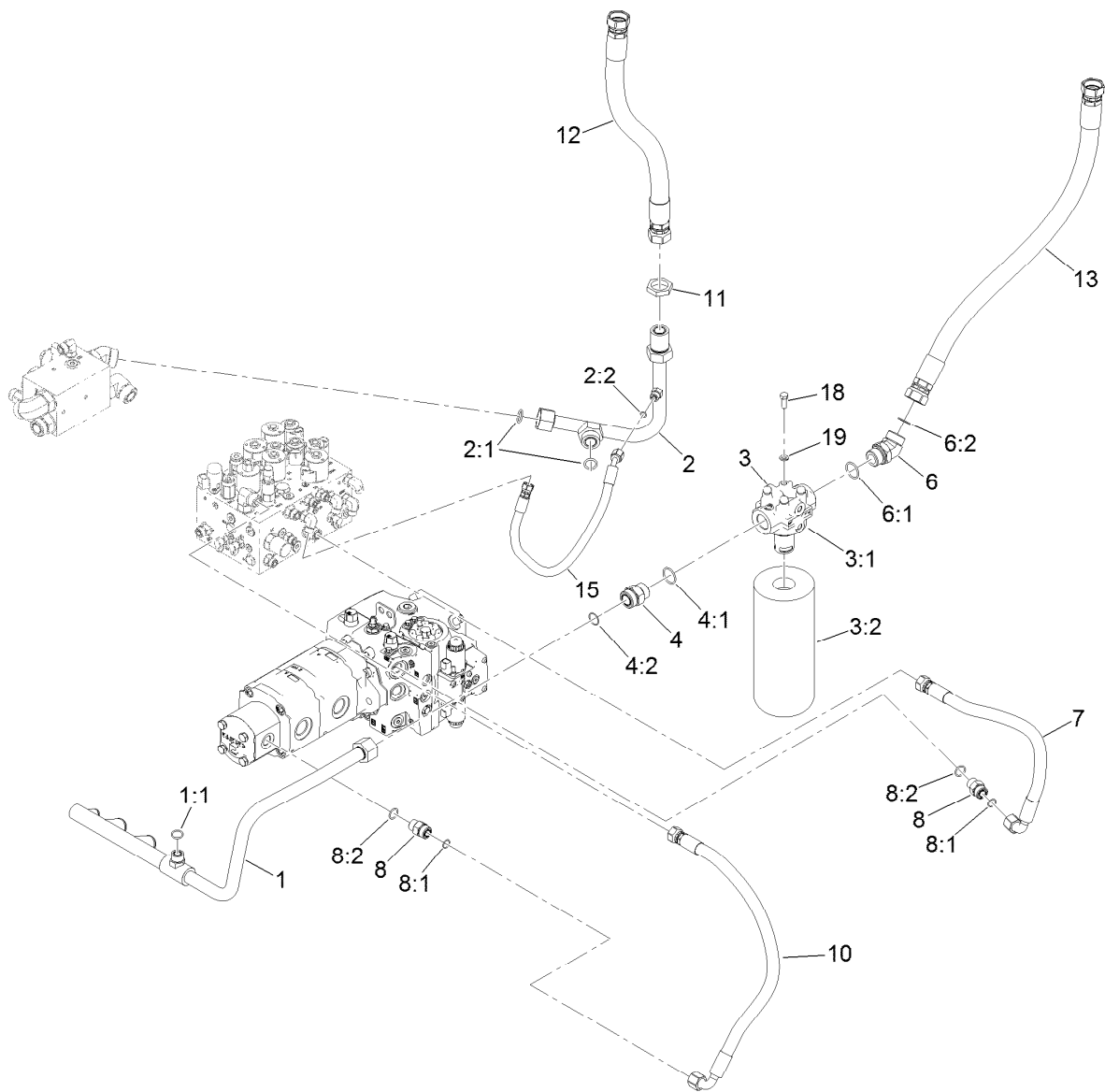
9 = all items included in seal repair kit

Hydraulic Cylinder Assembly No. 132-1308

Ref.	Part Number	Qty.	Description
2	82-5730	1	Tie Rod End ASM
2:1	105-7941	1	Nut-Hex, Slotted
2:2	105-7835	1	Seal
2:3	302-5	1	Fitting-Grease
3	69-1980	1	Nut-Jam
4	32121-34	1	Pin-Roll
6	133-2476	1	Piston
7	133-2477	1	Nut-Lock
8	133-2478	1	Head

Ref.	Part Number	Qty.	Description
9	133-2479	1	Seal Repair Kit
9:1		1	O-Ring ●
9:2		1	Ring-Backup ●
9:3		1	Seal-Bt ●
9:4		1	Seal-Psp ●
9:5		1	Seal-Psp ●
9:6		1	O-Ring ●
10	133-2482	1	Collar-Internal
11	3272-12	1	Pin-Cotter

● Not serviced separately

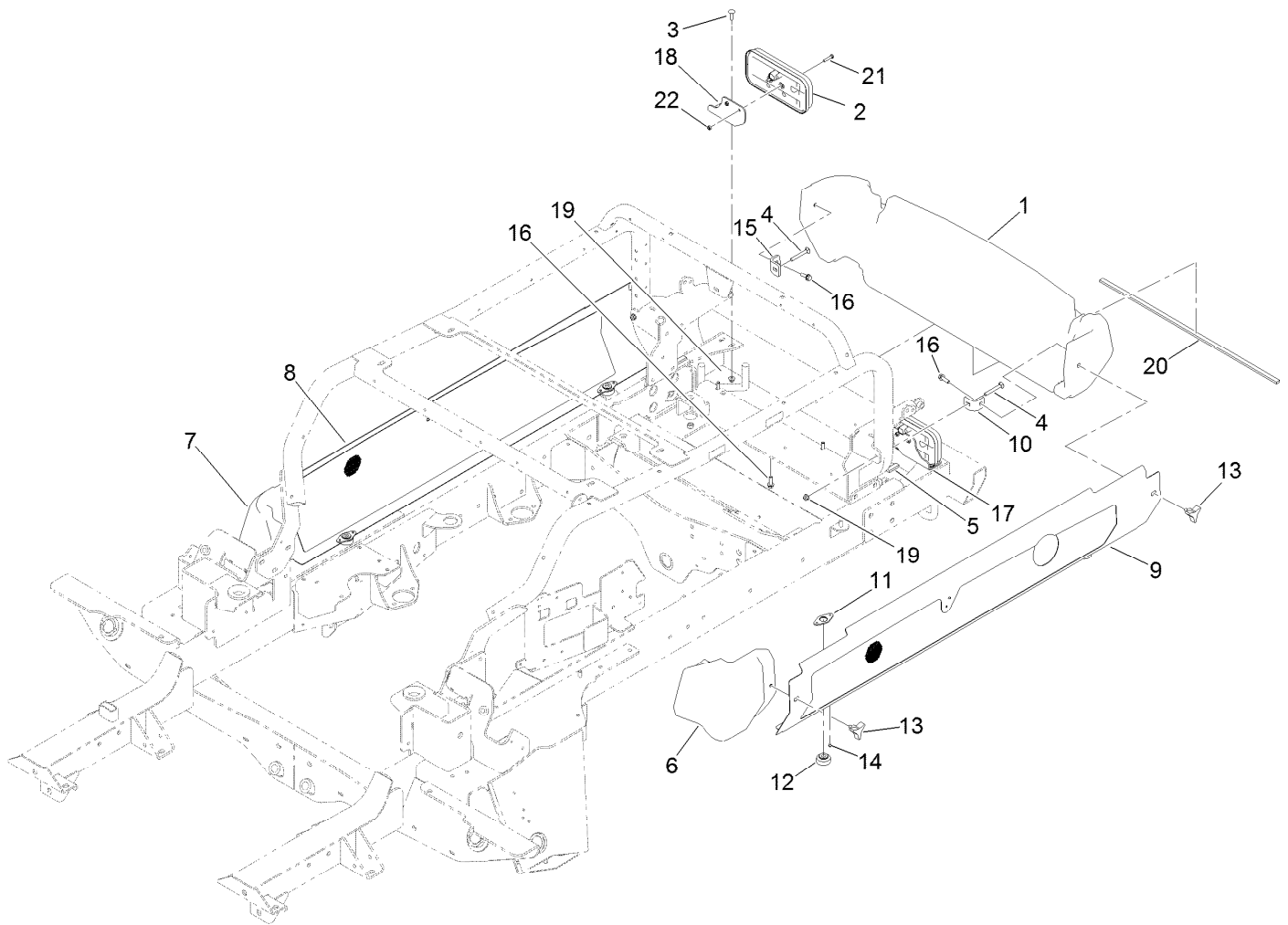


Hydraulic Filter Manifold Assembly

Ref.	Part Number	Qty.	Description
1	130-2510	1	Manifold-Suction
1:1	237-65	1	O-Ring
2	130-2548	1	Hydraulic Tube ASM
2:1	340-65	2	O-Ring
2:2	237-22	1	O-Ring
3	132-1404	1	Filter Head ASM
3:1		1	Filter Head ●
3:2	86-6110	1	Filter-Hydraulic
4	104-3797	1	Fitting-Straight
4:1	237-146	1	O-Ring
4:2	340-65	1	O-Ring
6	104-3509	1	Fitting-HYD, 45 DEG
6:1	237-146	1	O-Ring

Ref.	Part Number	Qty.	Description
6:2	340-65	1	O-Ring
7	127-3519	1	Hydraulic Hose ASM
8	340-7	2	Fitting-Straight
8:1	237-65	1	O-Ring
8:2	237-80	1	O-Ring
10	130-2544	1	Hydraulic Hose ASM
11	340-128	1	Nut-Bulkhead
12	130-2514	1	Hydraulic Hose ASM
13	125-5366	1	Hydraulic Hose ASM
15	131-2216	1	Hydraulic Hose ASM
18	323-6	4	Screw-HH
19	3253-21	4	Washer-Lock

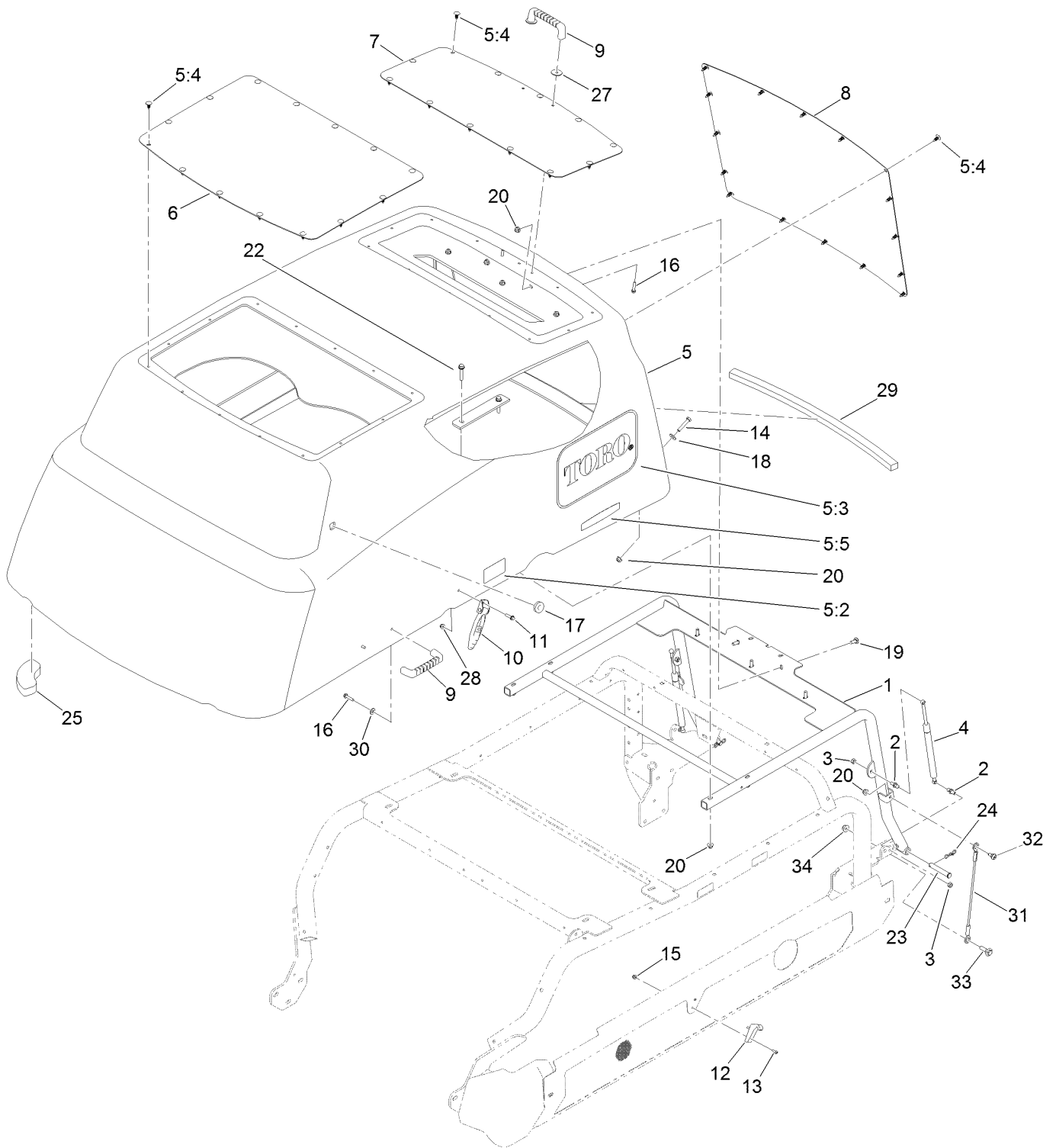
● Not serviced separately



Side Panel and Bumper Assembly

<i>Ref.</i>	<i>Part Number</i>	<i>Qty.</i>	<i>Description</i>	<i>Ref.</i>	<i>Part Number</i>	<i>Qty.</i>	<i>Description</i>
1	130-9028	1	Shroud-Rear, Lower	12	114-4869	4	Grommet
2	130-9137	2	Taillight	13	92-9674	4	Knob
3	3230-22	4	Screw-CARR	14	1-803035	8	Rivet-Pop
4	3230-8	2	Screw-CARR	15	130-9047	1	Bracket-Rear Shroud, RH
5	130-9168	2	Seal-Foam	16	3234-17	6	Screw-HHF
6	117-5456	1	Shroud-Front, LH	17	130-9051-03	1	Bracket-Light, LH
7	117-5457	1	Shroud-Front, RH	18	130-9031-03	1	Bracket-Light, RH
8	131-2390-03	1	Panel-Side, RH	19	104-8300	6	Nut-HF, NI
9	131-2393-03	1	Panel-Side, LH	20	131-2219	1	Seal-Foam
10	130-9046	1	Bracket-Rear Shroud, LH	21	33113-030	4	Screw-HH
11	114-5619	4	Plate-Grommet	22	33023-00	4	Nut-Lock

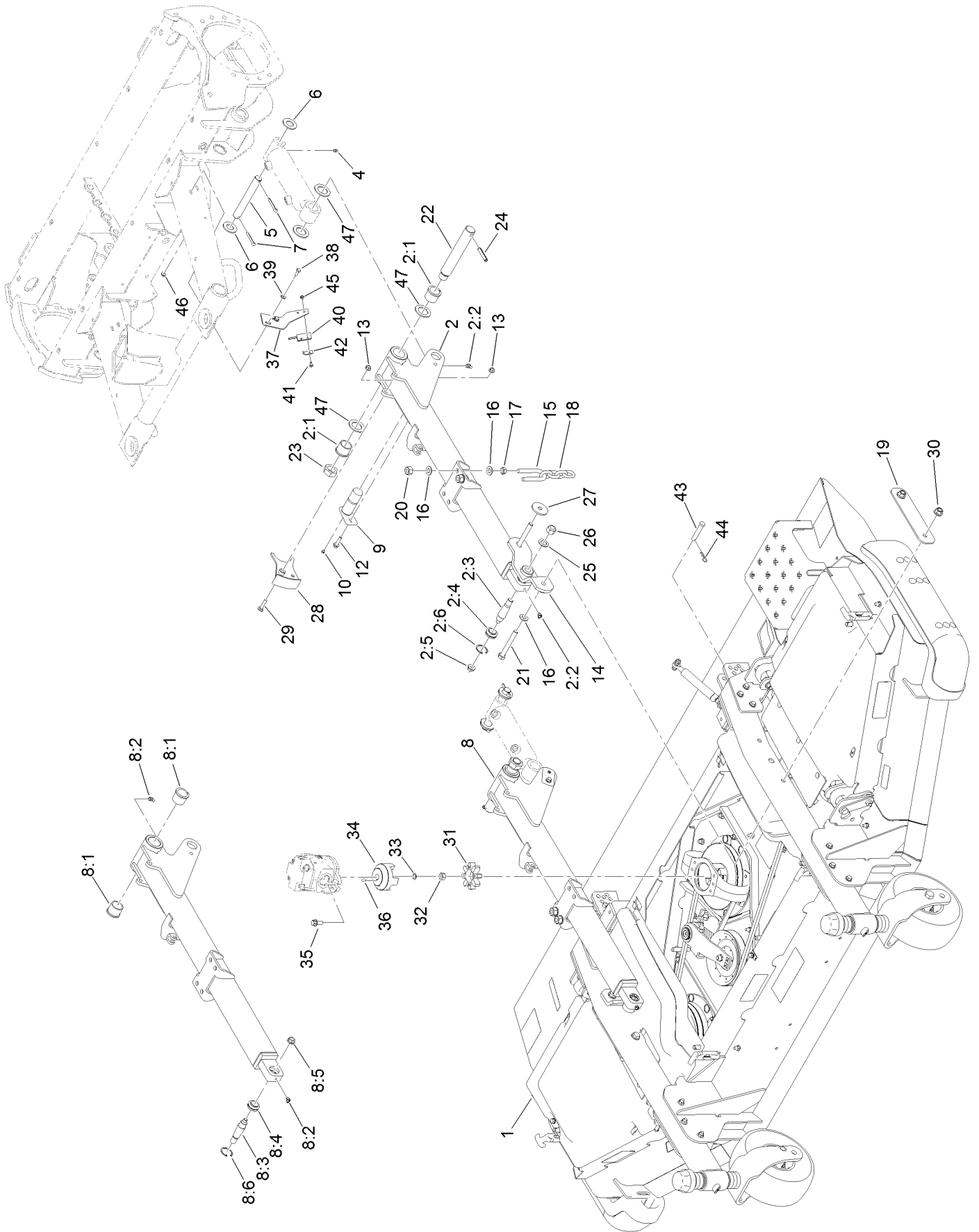
Hood Assembly



Hood Assembly (continued)

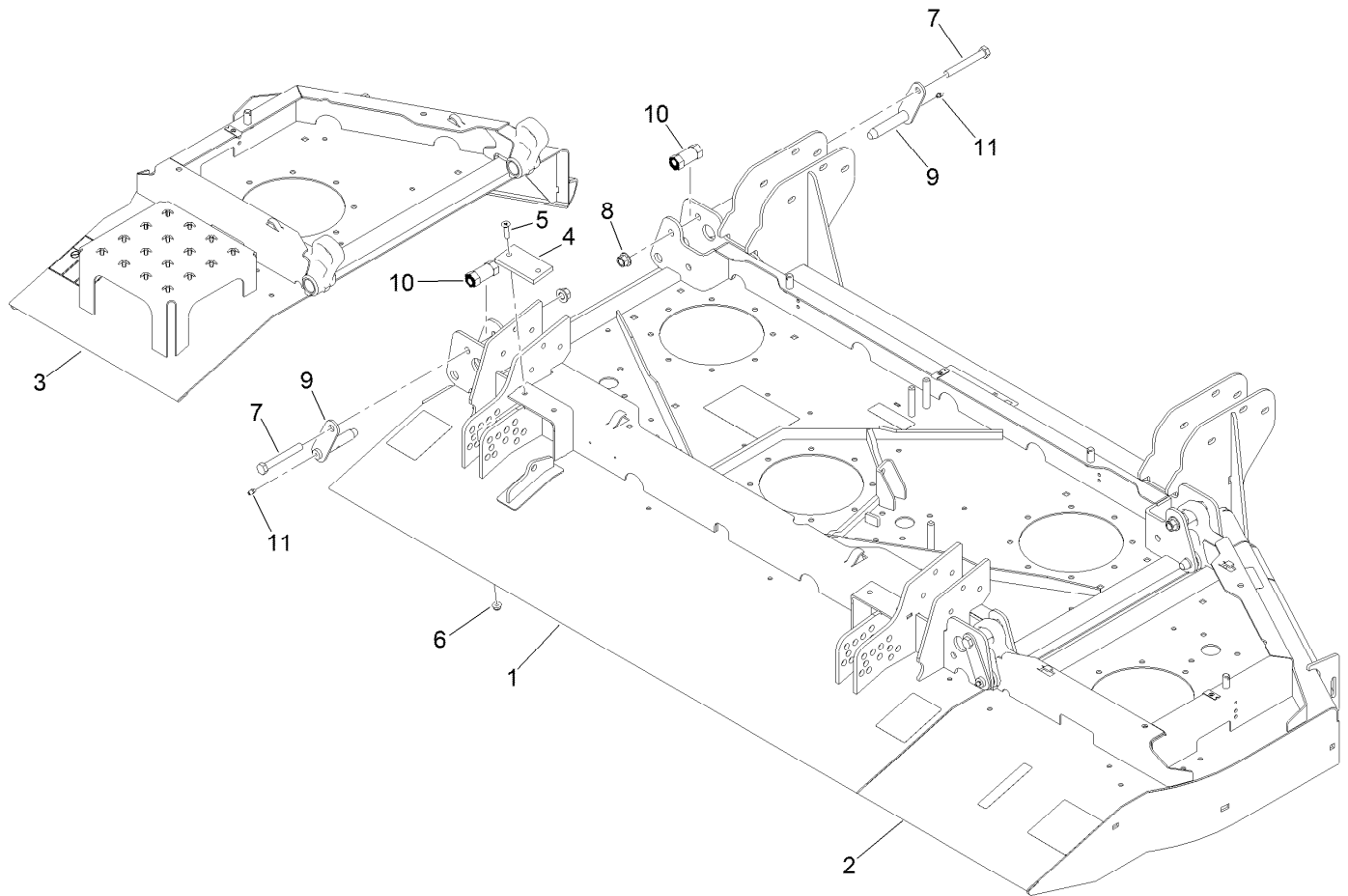
<i>Ref.</i>	<i>Part Number</i>	<i>Qty.</i>	<i>Description</i>	<i>Ref.</i>	<i>Part Number</i>	<i>Qty.</i>	<i>Description</i>
1	130-9011-03	1	Frame-Hood	15	120-4578	4	Nut-HF
2	103-5752	4	Stud-Ball	16	46-8092	6	Screw-Plastite
3	32153-3	4	Nut-Hex, Side Deform	17	104-1453	1	Grommet
4	114-5532	2	Cylinder-Gas	18	3256-3	2	Washer-Flat
5	132-1405	1	Hood ASM	19	3230-10	5	Bolt-CARR
5:2	106-6754	2	Decal-Danger	20	104-8300	13	Nut-HF, NI
5:3	114-0990	2	Decal	22	94-5780	6	Screw-HWH
5:4	117-2382	42	Plug-Plastic	23	283-55	2	Pin-Clevis
5:5	121-1594	2	Decal-Smart Power	24	119-1416	2	Pin-Cotter, Locking
6	130-9008-03	1	Screen-Cooler, Hood	25	130-9019	2	Foam-Hood, Corner
7	130-9009-03	1	Screen-Air Intake, Hood	27	3256-57	2	Washer-Flat
8	130-9010-03	1	Screen-Radiator, Hood	28	104-7201	2	Nut-HF, NI
9	65-5100	3	Handle-Door	29	131-2359	1	Foam-Hood
10	103-2898	2	Latch-Rubber	30	3256-2	4	Washer-Flat
11	120-4654	2	Screw-HHF	31	130-5726	2	Lanyard
12	103-2897	2	Latch-Catch	32	120-9471	2	Bolt-Shoulder
13	3274-39	4	Screw-HSBH	33	614672	2	Screw-Shoulder, HWH
14	322-9	2	Screw-HH	34	104-8301	2	Nut-HF, NI

Center Front Deck Assembly



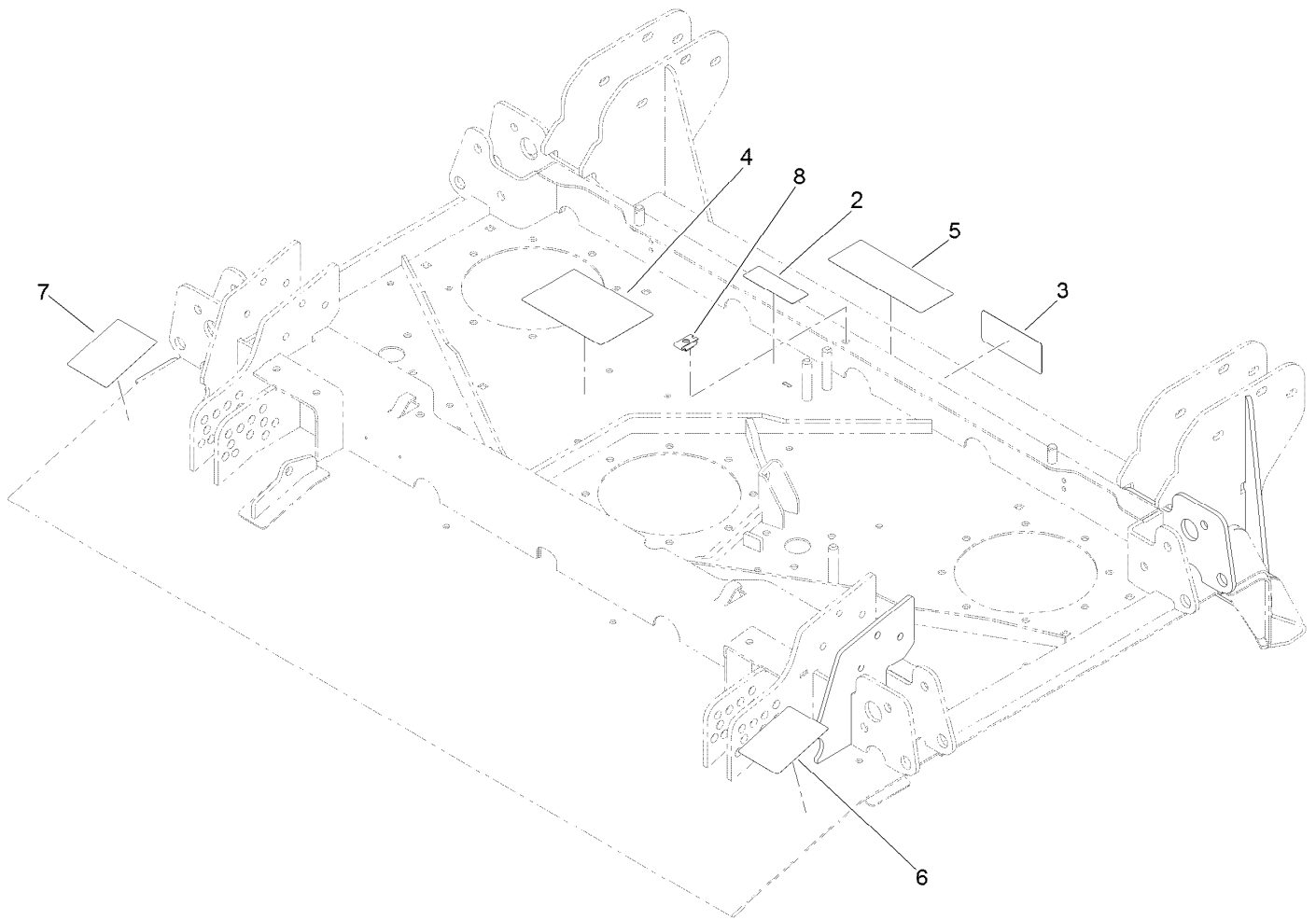
Center Front Deck Assembly (continued)

<i>Ref.</i>	<i>Part Number</i>	<i>Qty.</i>	<i>Description</i>	<i>Ref.</i>	<i>Part Number</i>	<i>Qty.</i>	<i>Description</i>
1	130-9200	1	Front Center Deck ASM	20	3296-25	4	Nut-Lock, NI
2	110-5962	1	LH Front Lift Arm ASM	21	325-17	4	Screw-HH
2:1	104-0015	2	Bushing-Flange	22	100-3017	2	*obs Pin-Lift Arm
2:2	302-11	2	Fitting-Lube, 45 DEG	23	3296-49	2	Nut-Lock, NI
2:3	105-7468	1	Stud-Tapered	24	32121-110	2	Pin-Roll, Slotted
2:4	105-7441	1	Bearing-Spherical	25	86-1440	2	Washer-Flat
2:5	32128-42	1	Nut-HF	26	3296-41	2	Nut-Lock NI
2:6	32151-34	1	Ring-Retaining	27	75-7730	2	Washer-Thrust
4	302-5	4	Fitting-Grease	28	114-0738-01	1	Sensor Trigger ASM
5	110-6006	2	Pin-Clevis	29	3230-4	1	Bolt-CARR
6	3256-29	4	Washer-Flat	30	99-5107	4	Nut-Lock
7	3272-30	4	Pin-Cotter	31	104-3542	1	Spider
8	110-5966	1	RH Front Lift Arm ASM	32	110-8815	1	Nut-Hex
8:1	104-0015	2	Bushing-Flange	33	112-6957	1	Washer-Hardened
8:2	302-11	2	Fitting-Lube, 45 DEG	34	104-3541	1	Hub-Spider
8:3	105-7468	1	Stud-Tapered	35	3234-42	2	Screw-HHF
8:4	105-7441	1	Bearing-Spherical	36	3257-3	1	Key-Woodruff
8:5	32128-42	1	Nut-HF	37	114-5671	1	Bracket-Sensor
8:6	32151-34	1	Ring-Retaining	38	321-4	2	Screw-HH
9	125-1912	2	Pin-Pivot	39	3256-22	2	Washer-Flat
10	1-811010	2	Plug	40	106-9288	1	Sensor-Proximity, Ferrous
12	119-4036	2	Screw-HHF	41	3229-34	1	Screw-CARR
13	104-8300	3	Nut-HF, NI	42	100-4872	1	Plate-Switch, Neutral
14	115-5442-01	2	Support-Hub	43	92-2743	2	Pin-Clevis
15	104-0108	2	U-Bolt	44	3290-467	2	Pin-Hair
16	3256-26	12	Washer-Flat	45	3296-2	1	Nut-Lock, NI
17	3218-5	4	Nut-Jam	46	104-7201	2	Nut-HF, NI
18	95-6231	2	Chain-HOC	47	AU495-81203	4	Washer
19	130-9233-01	2	Plate-Reinforcing				



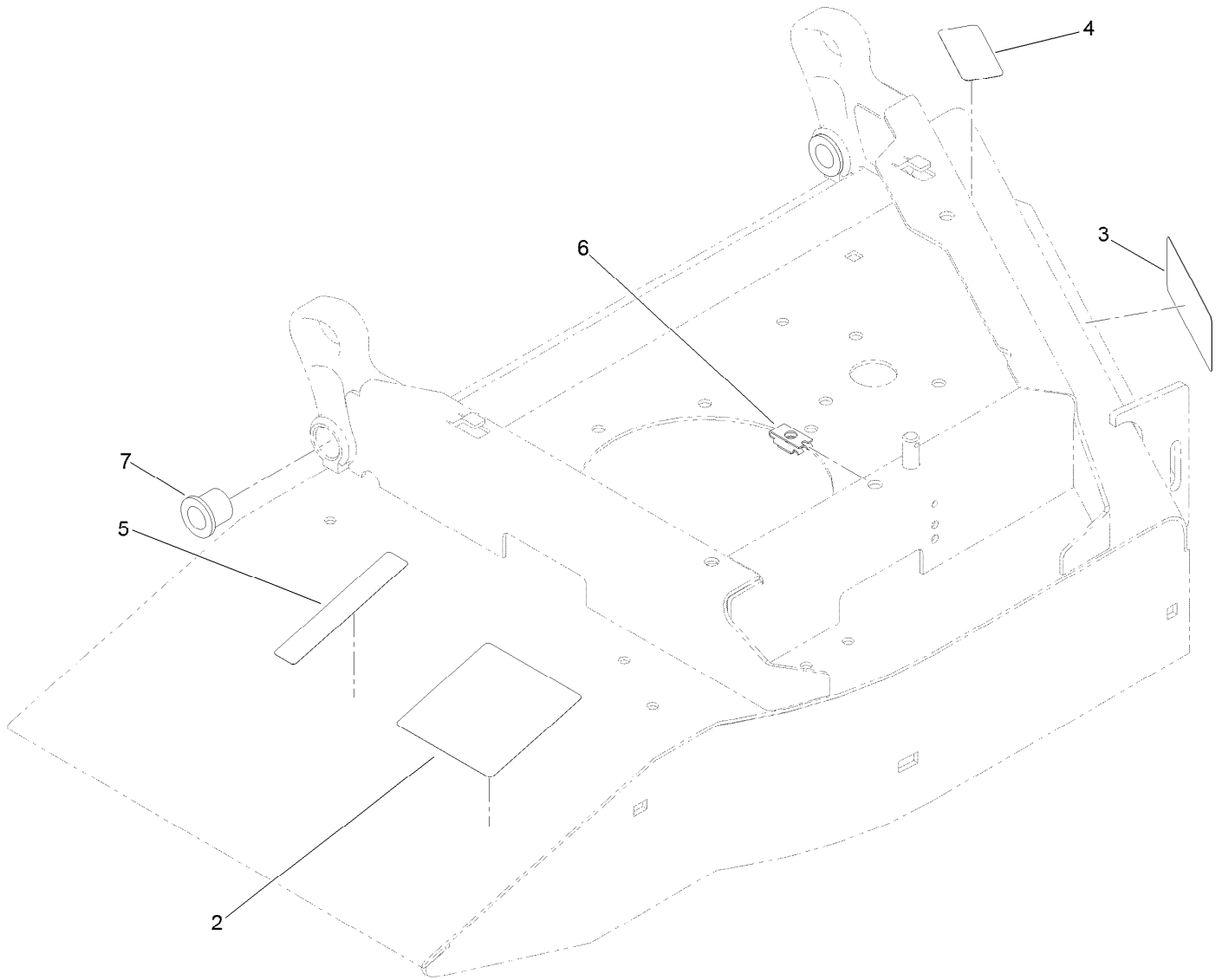
Center Front and Winglet Deck Assembly

<i>Ref.</i>	<i>Part Number</i>	<i>Qty.</i>	<i>Description</i>
1	130-9201	1	Center Front Deck ASM
2	130-9218	1	Right Front Deck ASM
3	130-9210	1	Left Front Deck ASM
4	69-9300	2	Pad-Bumper
5	32108-103	4	Screw-FH
6	104-8300	4	Nut-HF, NI
7	325-35	4	Screw-HH
8	99-5107	4	Nut-Lock
9	114-0714	4	Hinge Pin ASM
10	115-3367	4	Eccentric
11	302-5	4	Fitting-Grease



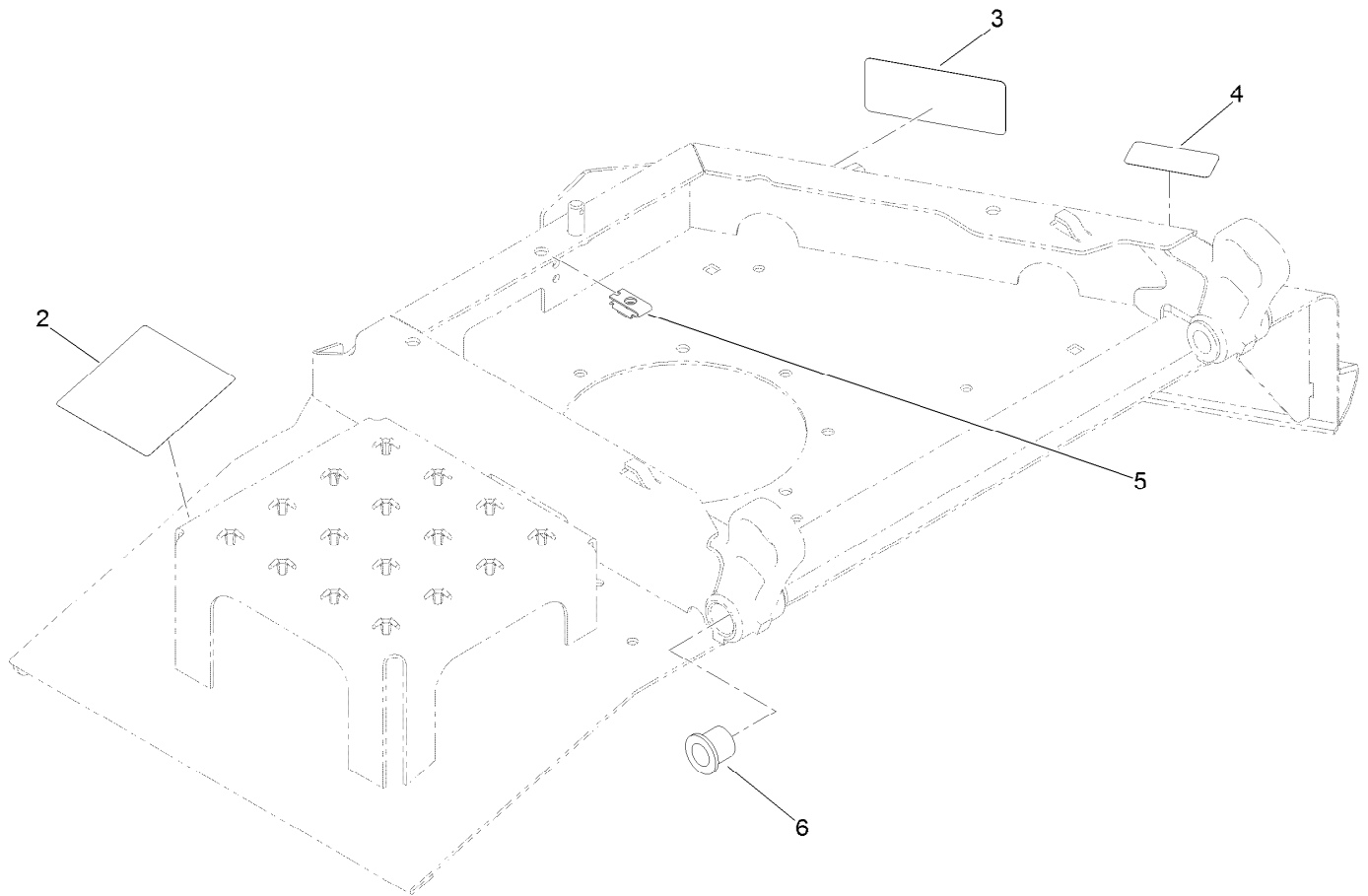
Center Front Deck and Decal Assembly No. 130-9201

<i>Ref.</i>	<i>Part Number</i>	<i>Qty.</i>	<i>Description</i>
2	117-4979	1	Decal-Warning
3	93-7818	1	Decal-Torque, Blade Bolt
4	114-0922	1	Decal-Belt Routing
5	131-6027	1	Decal-HOC
6	131-6026	1	Decal-Rear HOC, RH
7	131-6025	1	Decal-Rear HOC, LH
8	110-3510	1	Nut-Retainer



Right Front Deck and Decal Assembly No. 130-9218

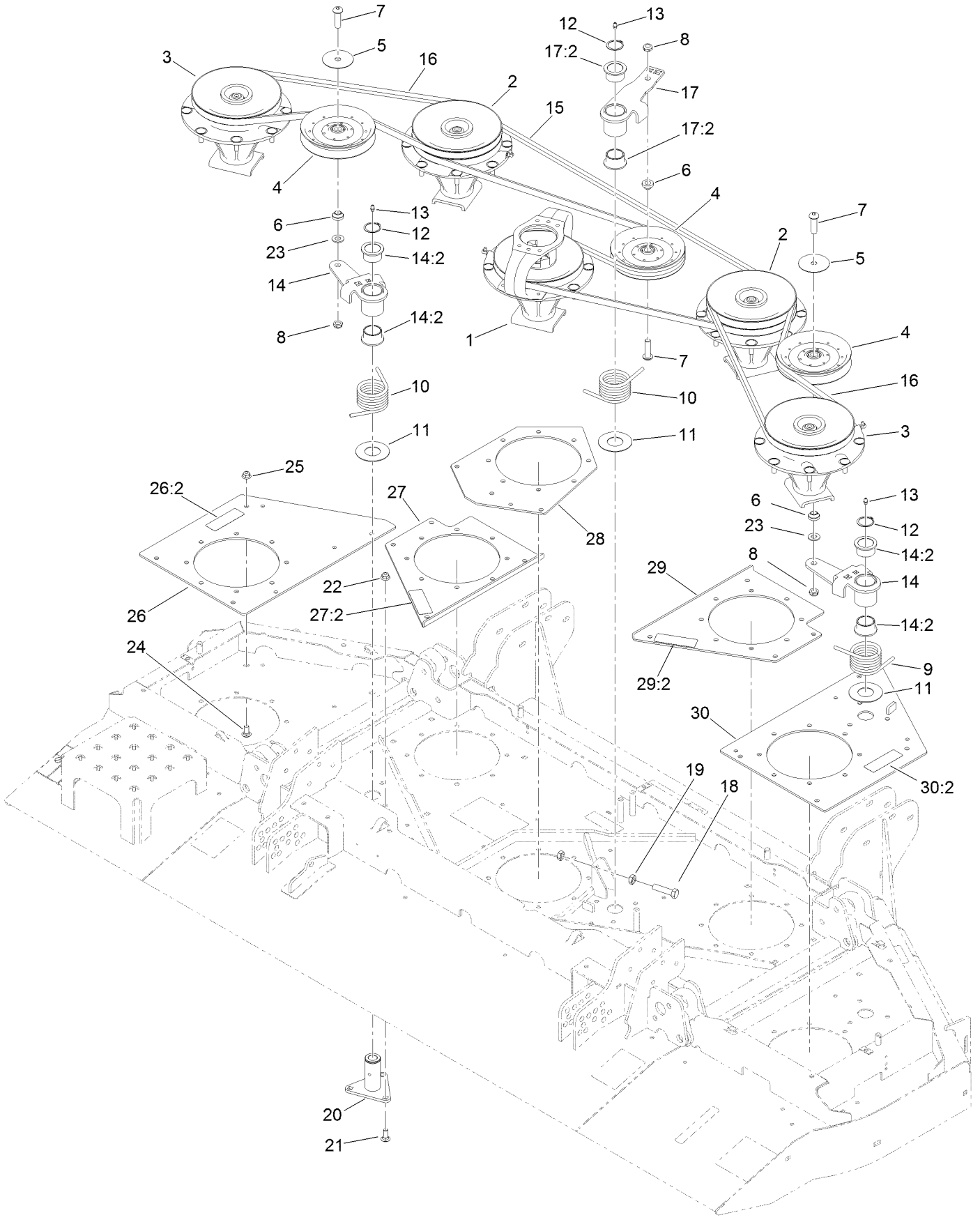
<i>Ref.</i>	<i>Part Number</i>	<i>Qty.</i>	<i>Description</i>
2	120-6604	1	Decal-Danger
3	93-7818	1	Decal-Torque, Blade Bolt
4	93-6674	1	Decal-Warning
5	93-6687	1	Decal-No Step
6	110-3510	1	Nut-Retainer
7	92-3162	4	Bushing



Left Front Deck and Decal Assembly No. 130-9210

<i>Ref.</i>	<i>Part Number</i>	<i>Qty.</i>	<i>Description</i>
2	120-6604	1	Decal-Danger
3	93-7818	1	Decal-Torque, Blade Bolt
4	93-6674	1	Decal-Warning
5	110-3510	1	Nut-Retainer
6	92-3162	4	Bushing

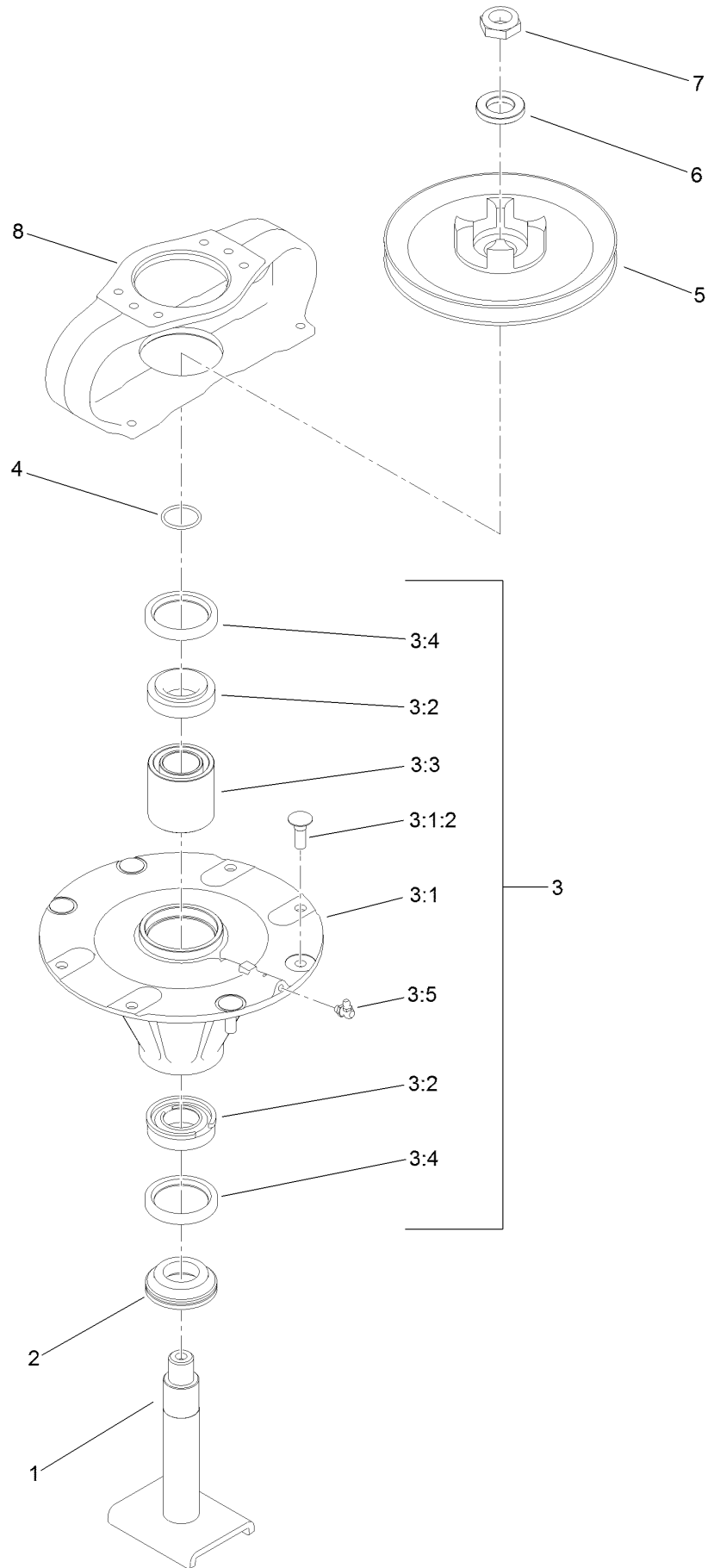
Center Deck Belt and Spindle Assembly



Center Deck Belt and Spindle Assembly (continued)

<i>Ref.</i>	<i>Part Number</i>	<i>Qty.</i>	<i>Description</i>	<i>Ref.</i>	<i>Part Number</i>	<i>Qty.</i>	<i>Description</i>
1	131-0768	1	Driving Spindle ASM	17:2	93-4510	2	Bushing-Caster
2	117-9234	2	Double Spindle ASM	18	01-182-0816	1	Bolt-HH
3	117-9233	2	High Spindle ASM	19	3218-5	2	Nut-Jam
4	110-9596	3	Pulley-Idler	20	114-0997	3	Pivot-Idler
5	100-3102	2	Washer-Flat	21	3231-2	9	Bolt-CARR
6	108-1924	3	Spacer-Idler	22	104-8301	9	Nut-HF, NI
7	108-1993	3	Screw-HSBH	23	3256-26	2	Washer-Flat
8	3296-45	3	Nut-Hex	24	3231-27	19	Screw-CARR
9	108-1921	1	Spring-Torsion	25	104-8301	19	Nut-HF, NI
10	112-7395	2	Spring-Torsion	26	132-1611	1	LH Spindle Plate ASM
11	108-1926	3	Washer	26:2	117-4979	1	Decal-Warning
12	32120-84	3	Ring-Snap, External	27	132-1608	1	Left Spindle Plate ASM
13	302-5	3	Fitting-Grease	27:2	117-4979	1	Decal-Warning
14	117-9176	2	Idler Arm ASM	28	132-1602-01	1	Plate-Spindle, Center
14:2	93-4510	2	Bushing-Caster	29	132-1607	1	Right Spindle Plate ASM
15	112-7376	1	Belt-V, B	29:2	117-4979	1	Decal-Warning
16	112-7377	2	Belt-V, B	30	132-1609	1	RH Spindle Plate ASM
17	114-0100	1	High Idler Arm ASM	30:2	117-4979	1	Decal-Warning

Driving Spindle Assembly No. 131-0768

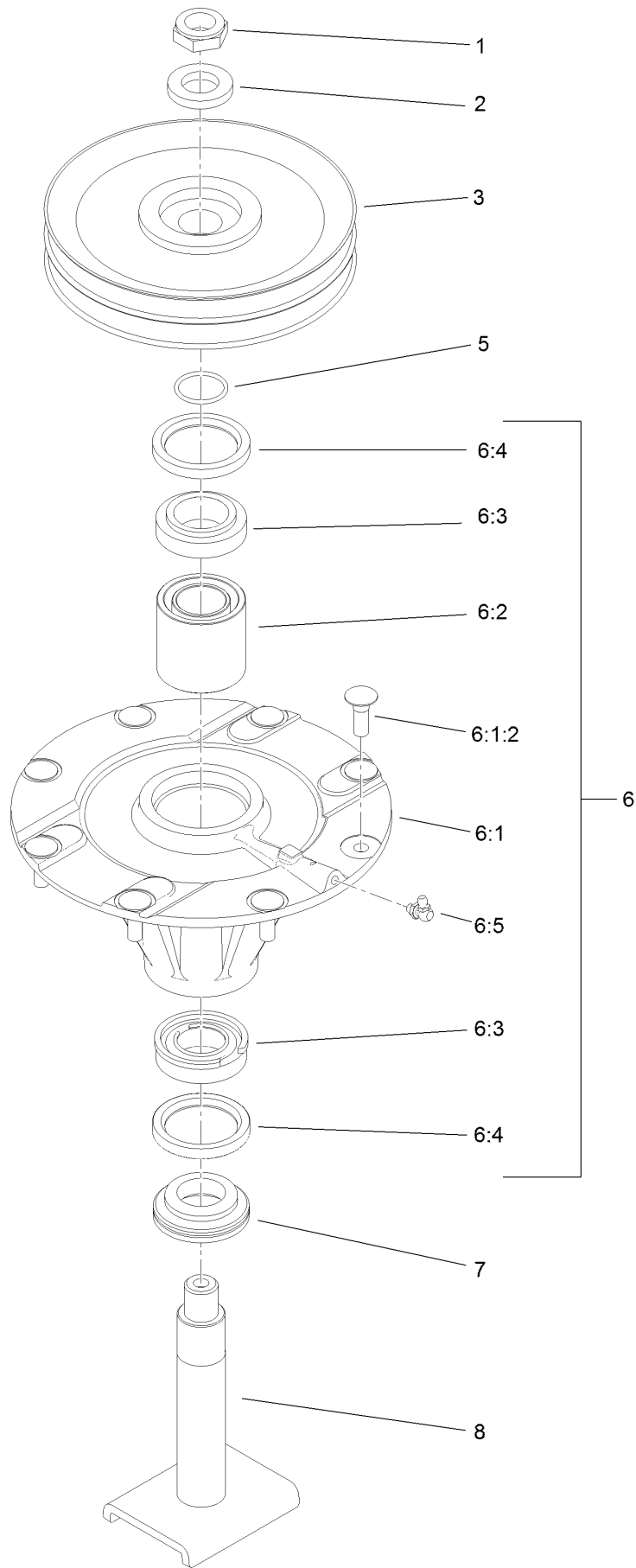


Driving Spindle Assembly No. 131-0768 (continued)

<i>Ref.</i>	<i>Part Number</i>	<i>Qty.</i>	<i>Description</i>	<i>Ref.</i>	<i>Part Number</i>	<i>Qty.</i>	<i>Description</i>
1	108-1956	1	Shaft-Spindle	3:4	253-154	2	Seal-Oil
2	69-6950	1	Spacer-Shaft, Spindle	3:5	302-60	1	Fitting-Grease
3	131-0767	1	Spindle Housing ASM	4	106-7159	1	O-Ring
3:1		1	Spindle ASM ●	5	104-3545	1	Pulley-Driving
3:1:2	114-8195	4	Bolt-Neck, Ribbed	6	120-5576	1	Washer-Hardened
3:2	110-8297	1	Bearing ASM	7	3296-60	1	Nut-Lock, NI
3:3	108-1954	1	Bearing Spacer Set	8	104-3544	1	Mount-Motor, Drive

● Not serviced separately

Double Spindle Assembly No. 117-9234

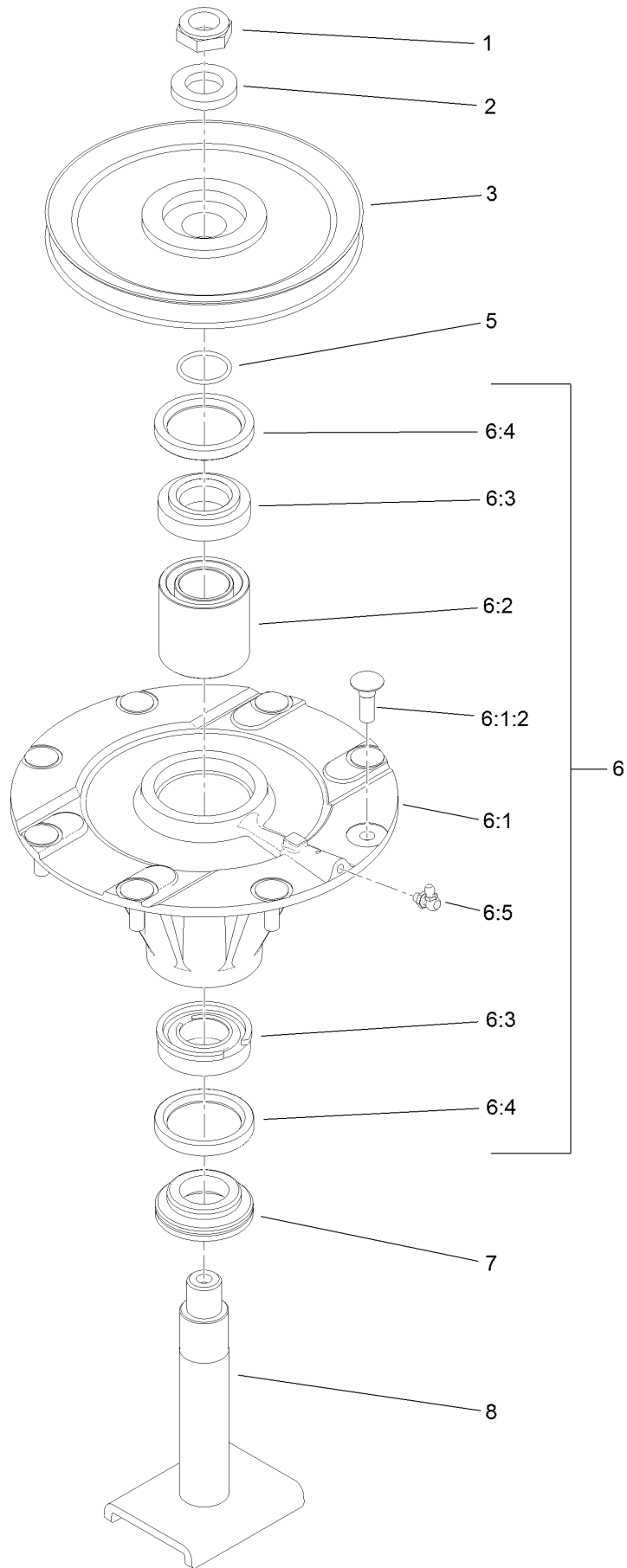


Double Spindle Assembly No. 117-9234 (continued)

<i>Ref.</i>	<i>Part Number</i>	<i>Qty.</i>	<i>Description</i>	<i>Ref.</i>	<i>Part Number</i>	<i>Qty.</i>	<i>Description</i>
1	3296-60	1	Nut-Lock, NI	6:2	108-1954	1	Bearing Spacer Set
2	120-5576	1	Washer-Hardened	6:3	110-8297	1	Bearing ASM
3	104-3548	1	Pulley-Driven, High	6:4	253-154	2	Seal-Oil
5	106-7159	1	O-Ring	6:5	302-60	1	Fitting-Grease
6	119-4777	1	Spindle ASM	7	69-6950	1	Spacer-Shaft, Spindle
6:1		1	Spindle ASM ●	8	108-1956	1	Shaft-Spindle
6:1:2	114-8195	8	Bolt-Neck, Ribbed				

● Not serviced separately

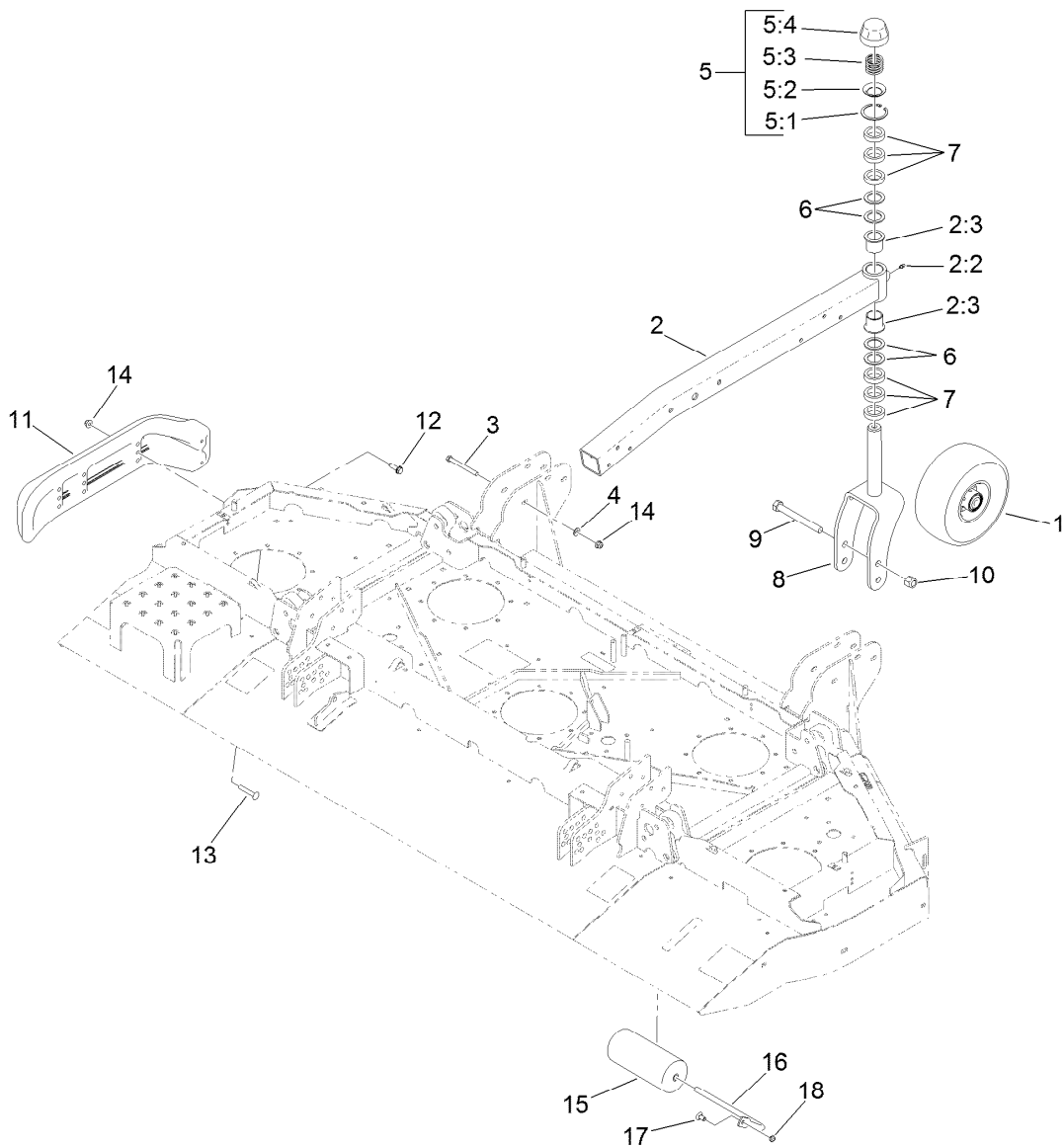
High Spindle Assembly No. 117-9233



High Spindle Assembly No. 117-9233 (continued)

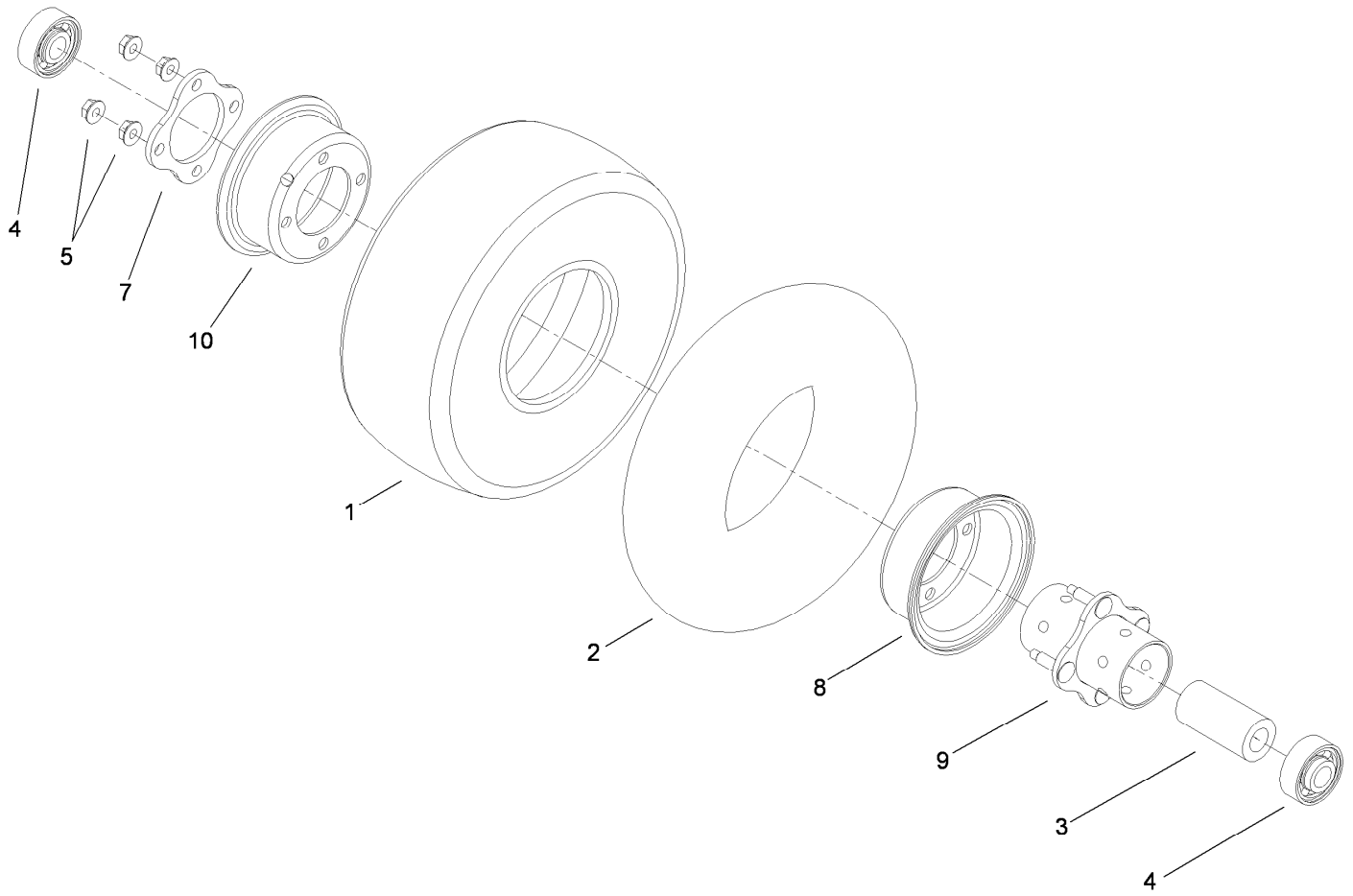
<i>Ref.</i>	<i>Part Number</i>	<i>Qty.</i>	<i>Description</i>	<i>Ref.</i>	<i>Part Number</i>	<i>Qty.</i>	<i>Description</i>
1	3296-60	1	Nut-Lock, NI	6:2	108-1954	1	Bearing Spacer Set
2	120-5576	1	Washer-Hardened	6:3	110-8297	1	Bearing ASM
3	104-3547	1	Pulley-Driven, Double	6:4	253-154	2	Seal-Oil
5	106-7159	1	O-Ring	6:5	302-60	1	Fitting-Grease
6	119-4777	1	Spindle ASM	7	69-6950	1	Spacer-Shaft, Spindle
6:1		1	Spindle ASM ●	8	108-1956	1	Shaft-Spindle
6:1:2	114-8195	8	Bolt-Neck, Ribbed				

● Not serviced separately



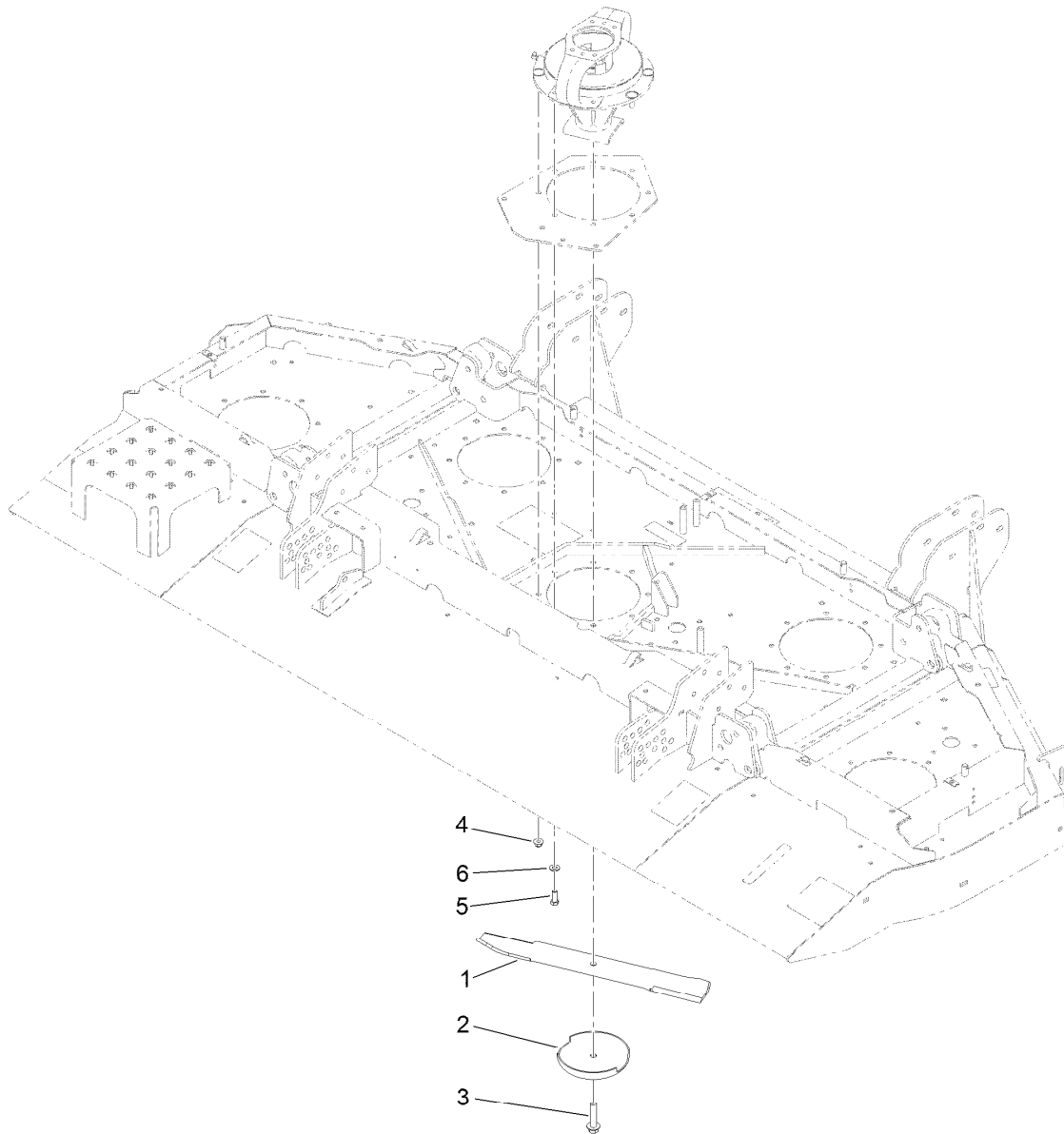
Center Deck Roller, Skid and Caster Wheel Assembly

Ref.	Part Number	Qty.	Description	Ref.	Part Number	Qty.	Description
1	93-4240	2	10 Inch Wheel ASM	7	69-1510	12	Spacer
2	130-7787	2	Caster Arm ASM	8	130-7784-01	2	Fork-Caster
2:2	302-5	1	Fitting-Grease	9	327-24	2	Screw-HH
2:3	69-6470	2	Bushing-Caster	10	3296-53	2	Nut-Lock, NI
3	323-42	12	Screw-HH	11	112-1479	2	Skid-Bumper, Deck
4	3256-24	12	Washer-Plain	12	9136144	2	Screw-HWHTF
5	92-9727	2	HOC Cap ASM	13	3231-33	4	Screw-CARR
5:1	92-5581	1	Ring-Rtng, Snap, Int, Flat	14	104-8301	16	Nut-HF, NI
5:2	92-5583	1	Washer-Cap	15	68-6710	1	Roller
5:3	92-9726	1	Spring-Compression	16	68-6840	1	Shaft-Roller
5:4	92-8861	1	Cap-HOC	17	3231-21	1	Screw-CARR
6	69-6860	8	Washer-Thrust	18	3296-59	1	Nut-Lock, NI



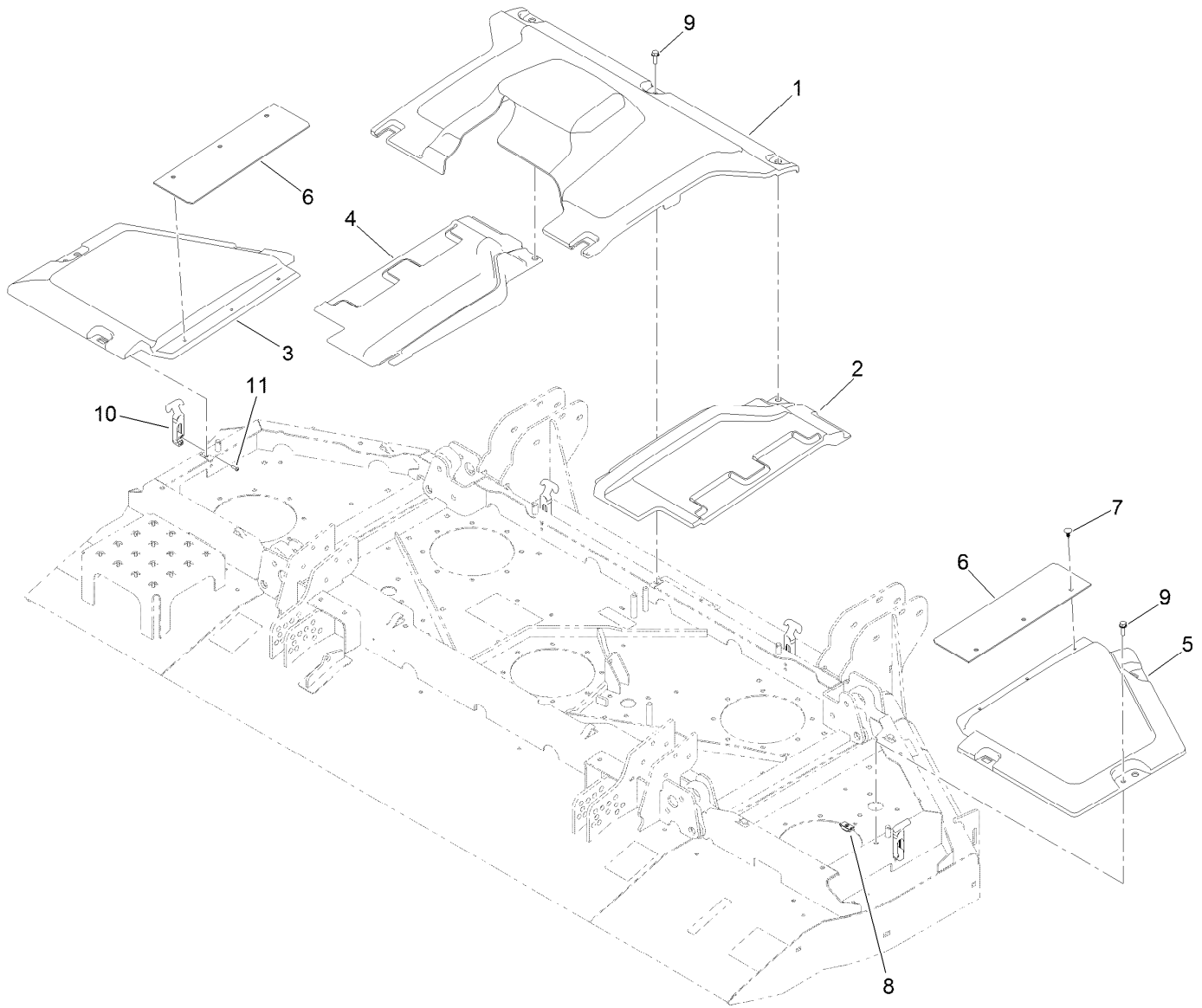
10 Inch Wheel Assembly No. 93-4240

<i>Ref.</i>	<i>Part Number</i>	<i>Qty.</i>	<i>Description</i>
1	93-4243	1	Tire
2	93-4244	1	Tube-Inner (W/Valve)
3	93-4241	1	Spacer-Bearing, Inner
4	120-3366	2	Bearing
5	32128-16	4	Nut-HHF
7	93-4242	1	Plate
8	93-4239	1	Rim-Wheel, Half
9	93-5980	1	Hub
10	95-2741	1	Rim-Wheel, Half



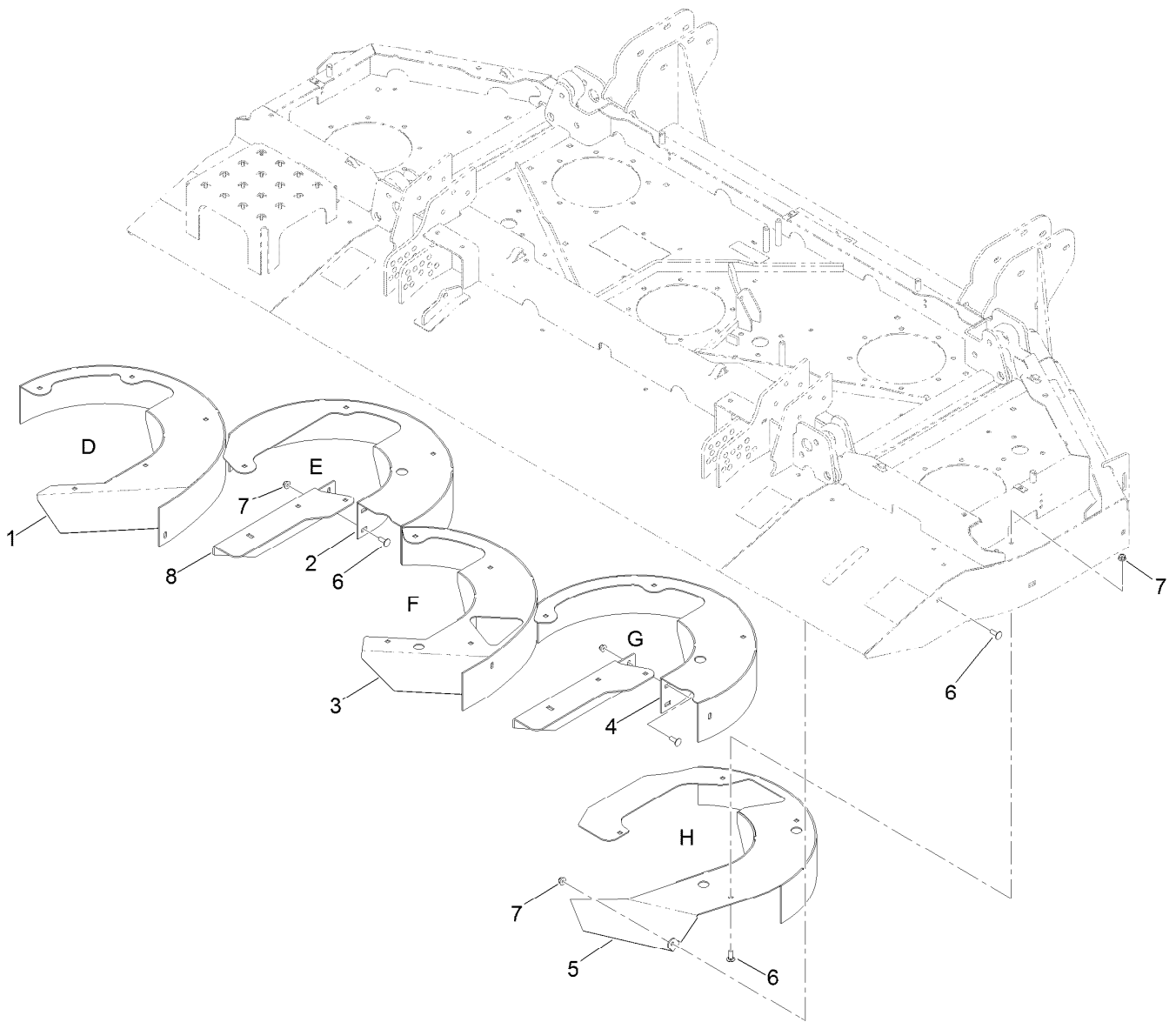
Center Front Deck Spindle and Blade Assembly

<i>Ref.</i>	<i>Part Number</i>	<i>Qty.</i>	<i>Description</i>
1	130-9151	5	Blade-20 In
2	72-9361	5	Cup-Scalp, Anti
3	92-5816	5	Bolt-Blade
4	104-8301	36	Nut-HF, NI
5	323-6	4	Screw-HH
6	3256-24	4	Washer-Plain



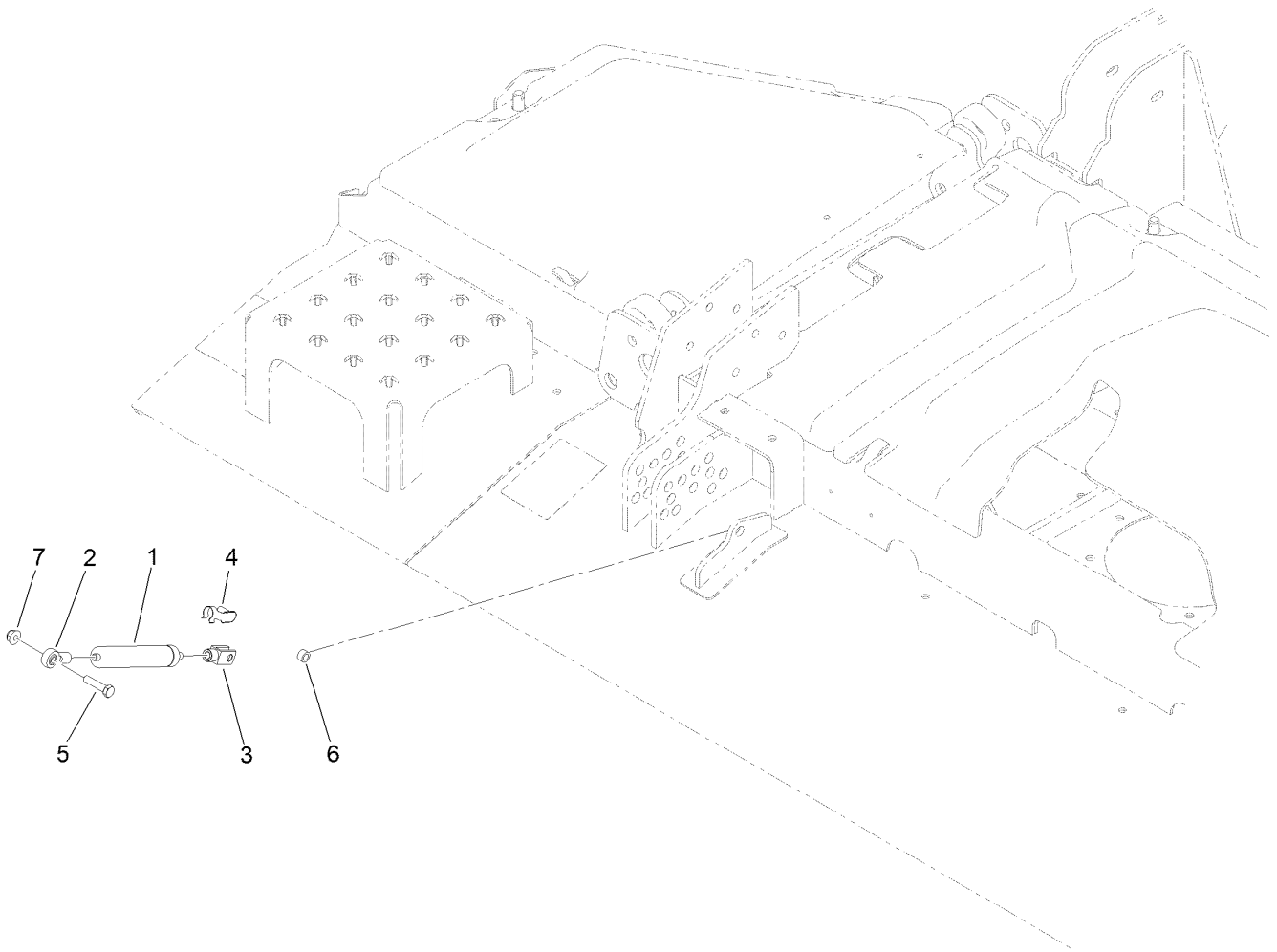
Center Front Deck Belt Cover Assembly

<i>Ref.</i>	<i>Part Number</i>	<i>Qty.</i>	<i>Description</i>
1	131-2223	1	Cover-Front Deck, Center
2	114-5632	1	Cover-Front Deck, RH Transition
3	114-5629	1	Cover-Front Deck, LH
4	114-5631	1	Cover-Front Deck, LH Transition
5	114-5628	1	Cover-Front Deck, RH
6	115-5424	2	Shield-Deck, Flexible
7	117-2382	6	Plug-Plastic
8	110-3510	3	Nut-Retainer
9	3234-29	3	Screw-HHF
10	103-4080	4	Latch-Rubber
11	3274-39	8	Screw-HSBH



Center Front Deck Chamber and Discharge Assembly

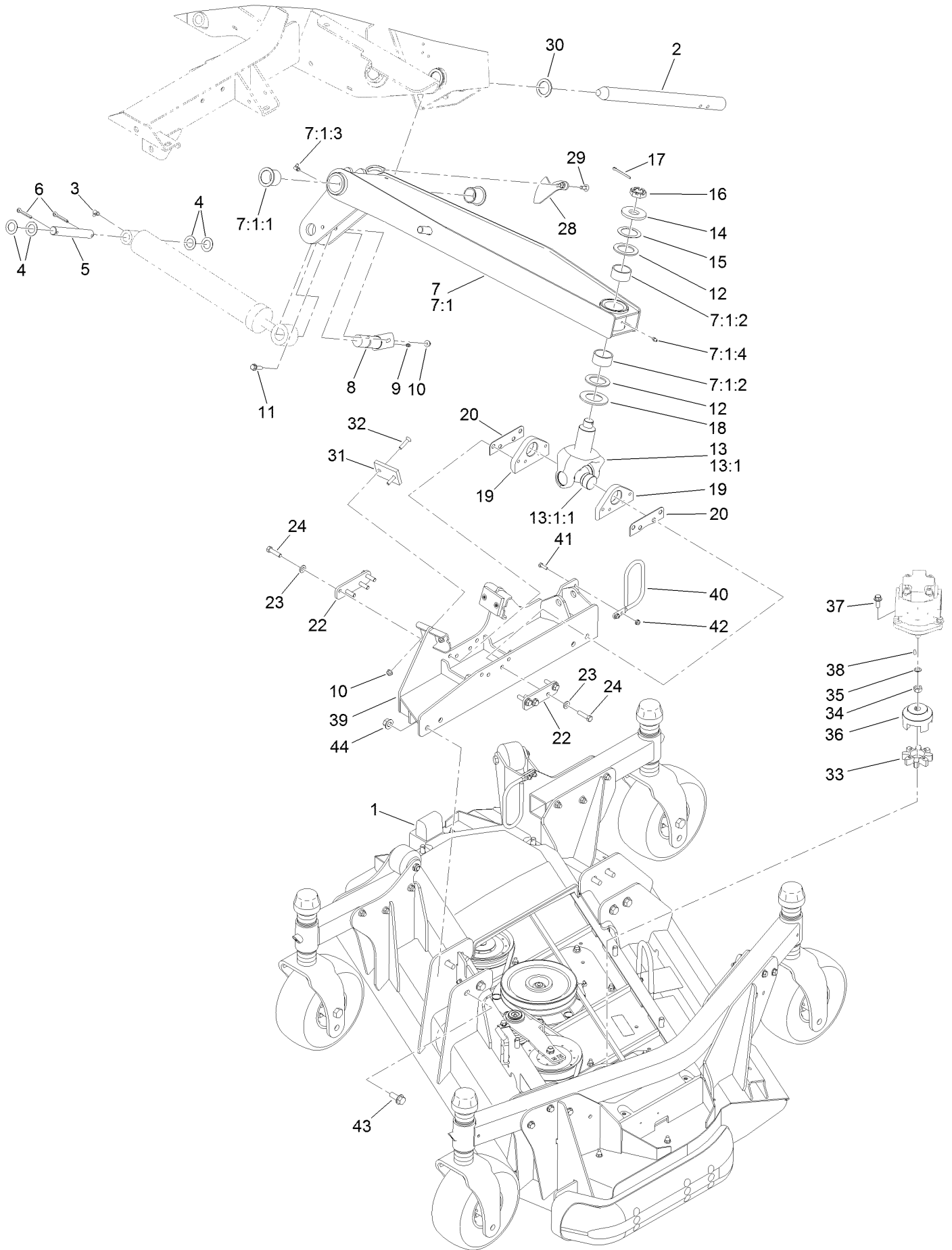
<i>Ref.</i>	<i>Part Number</i>	<i>Qty.</i>	<i>Description</i>
1	132-1640-01	1	Chamber-Front, Left
2	133-2244-01	1	Chamber-Front, Left Center
3	132-1644-01	1	Chamber-Front, Center
4	133-2240-01	1	Chamber-Front, Right Center
5	132-1647-01	1	Chamber-Front, Right
6	3230-1	28	Bolt-CARR
7	104-8300	28	Nut-HF, NI
8	133-2208-01	2	Angle-Deflector



Center Front Deck Transport Damper Assembly

<i>Ref.</i>	<i>Part Number</i>	<i>Qty.</i>	<i>Description</i>
1	105-3249	1	Damper
2	104-8331	1	End-Rod, Spherical
3	115-5455	1	End-Rod, Clevis
4	115-5454	1	Pin-Spring
5	322-17	1	Screw-HH
6	115-2142	1	Spacer
7	104-8300	1	Nut-HF, NI

Left Hand Deck Connection Assembly

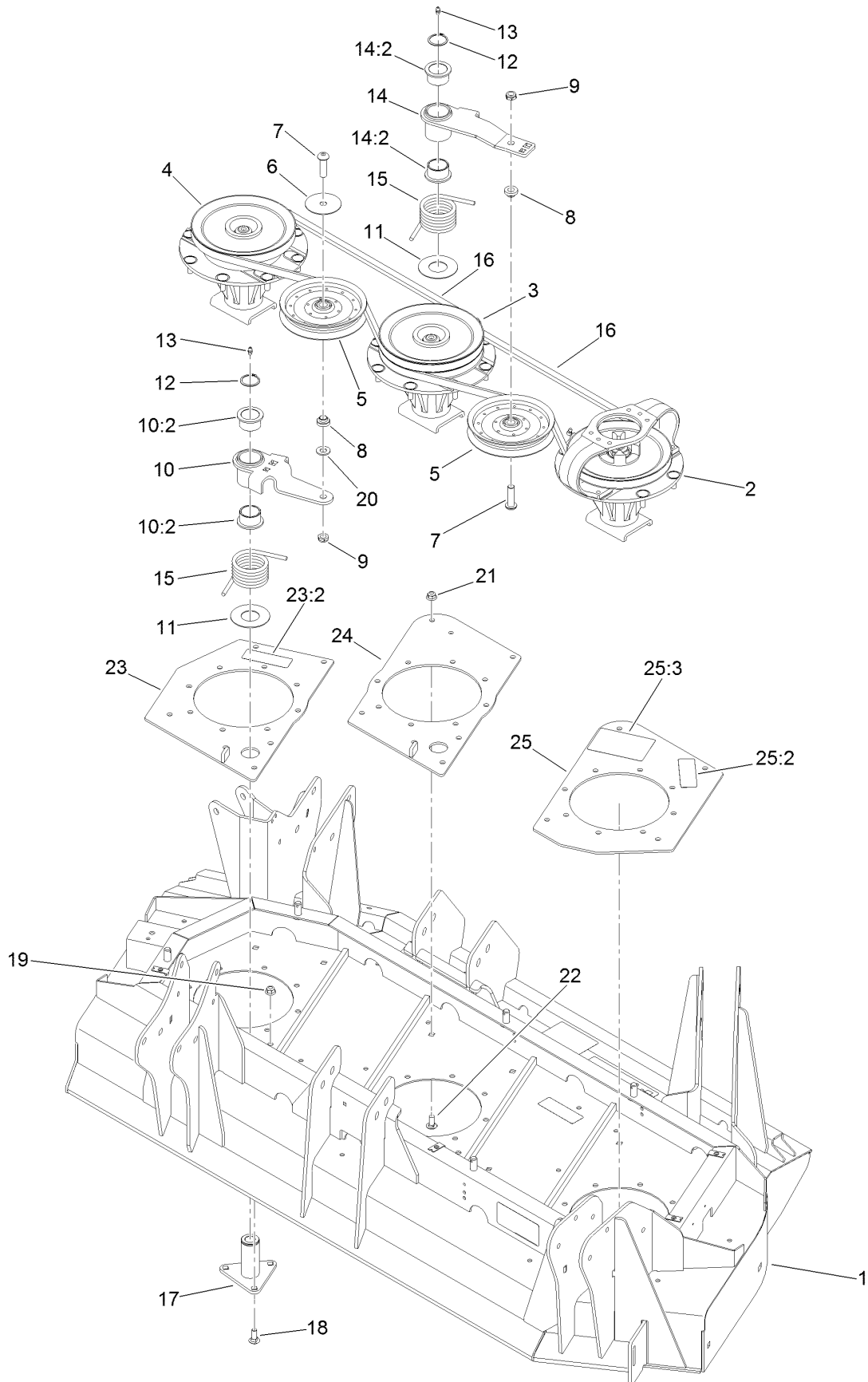


Left Hand Deck Connection Assembly (continued)

<i>Ref.</i>	<i>Part Number</i>	<i>Qty.</i>	<i>Description</i>	<i>Ref.</i>	<i>Part Number</i>	<i>Qty.</i>	<i>Description</i>
1	130-9270	1	Left Deck ASM	18	104-0720	1	Spacer
2	121-3882	1	Shaft-Pivot, Lift Arm	19	115-8870-03	2	Mount-Base
3	302-60	1	Fitting-Grease	20	104-0731	2	Shim
4	110-6767	4	Washer-Thrust	22	117-9419	2	Plate-Spacer
5	110-6006	1	Pin-Clevis	23	100-4852	8	Washer-Hardened
6	3272-30	2	Pin-Cotter	24	323-43	8	Screw-HH
7	114-5660-01	1	LH Lift Arm ASM	28	112-7339	1	Plate-Sensing
7:1		1	Arm-Lift, LH ●	29	3230-16	2	Screw-CARR
7:1:1	69-6470	2	Bushing-Caster	30	98-1452	2	Washer-Thrust
7:1:2	114-5596	2	Bushing-Straight	31	69-9290	2	Pad-Bumper
7:1:3	302-60	1	Fitting-Grease	32	32108-107	4	Screw-FH
7:1:4	302-5	1	Fitting-Grease	33	104-3542	1	Spider
8	125-1912	1	Pin-Pivot	34	110-8815	1	Nut-Hex
9	302-5	1	Fitting-Grease	35	112-6957	1	Washer-Hardened
10	104-8300	7	Nut-HF, NI	36	104-3541	1	Hub-Spider
11	119-4036	1	Screw-HHF	37	3234-42	2	Screw-HHF
12	104-0721	2	Washer-Thrust	38	3257-3	1	Key-Woodruff
13	114-5640-03	1	Joint Yoke ASM	39	131-6013-01	1	Connection-Deck, LH
13:1		1	Yoke-Joint ●	40	130-9161	1	Support-Hose
13:1:1	104-4299	1	Cross And Bearing Kit	41	321-5	2	Screw-HH
14	104-0719	1	Washer-Hardened	42	104-7201	2	Nut-HF, NI
15	114-5641	1	Washer-Thrust	43	3234-38	8	Screw-HHF
16	99-3139	1	Nut-Slotted	44	99-5107	8	Nut-Lock
17	3272-25	1	Pin-Cotter				

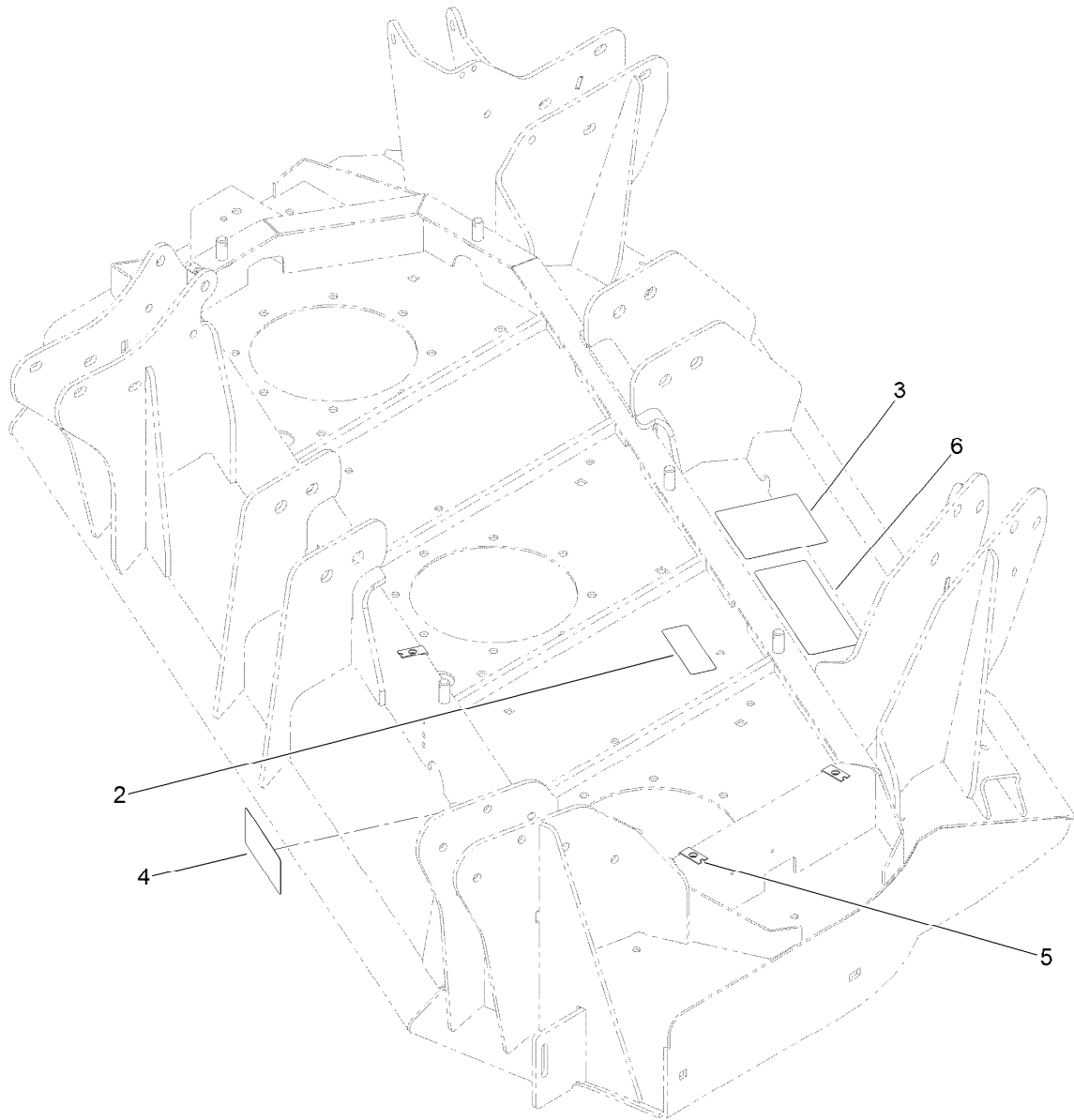
● Not serviced separately

Left Hand Deck Belt and Spindle Assembly



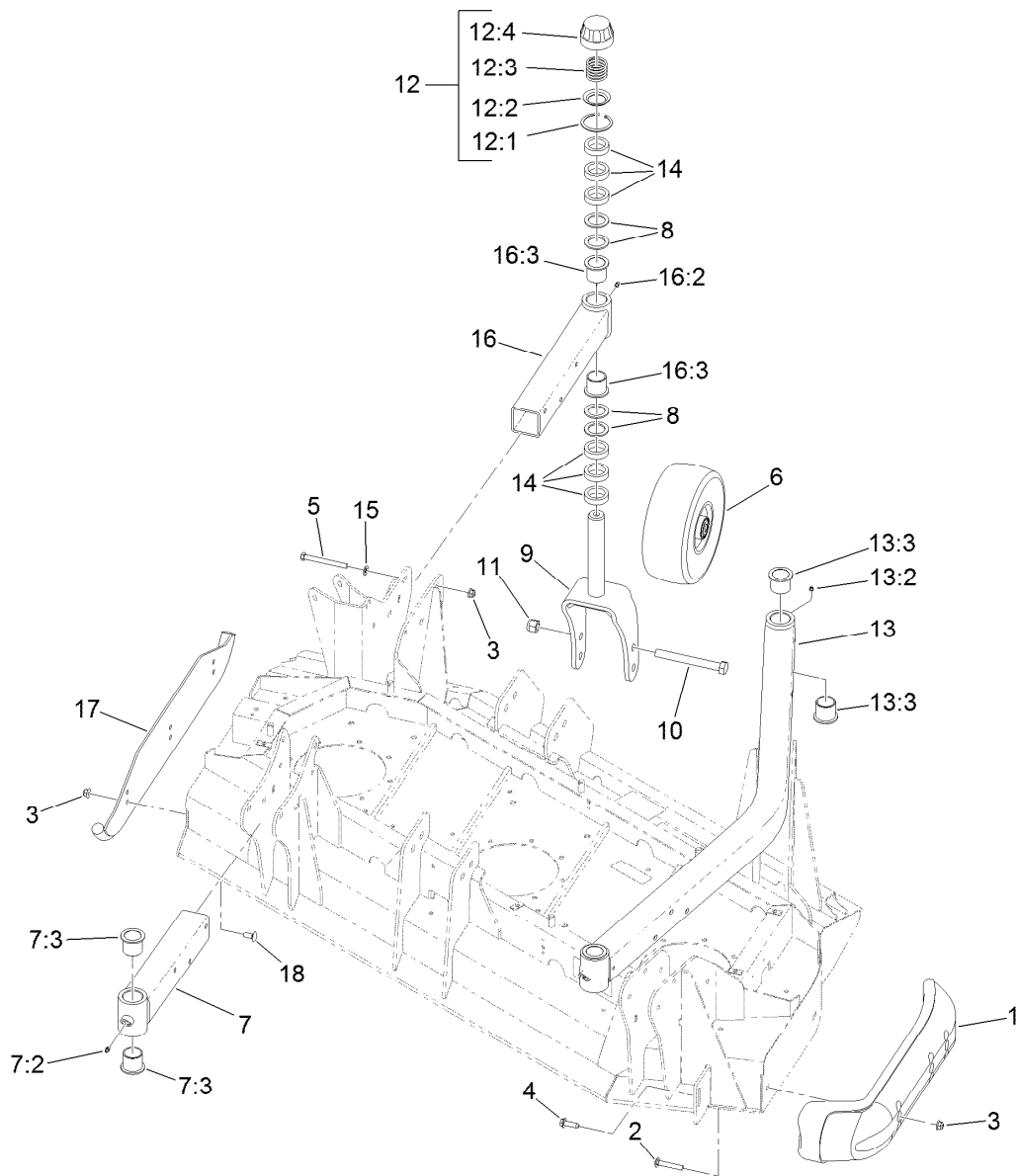
Left Hand Deck Belt and Spindle Assembly (continued)

<i>Ref.</i>	<i>Part Number</i>	<i>Qty.</i>	<i>Description</i>	<i>Ref.</i>	<i>Part Number</i>	<i>Qty.</i>	<i>Description</i>
1	130-9271	1	Left Deck ASM	15	108-1921	2	Spring-Torsion
2	131-0768	1	Driving Spindle ASM	16	112-7377	2	Belt-V, B
3	117-9234	1	Double Spindle ASM	17	114-0997	2	Pivot-Idler
4	117-9233	1	High Spindle ASM	18	3231-2	6	Bolt-CARR
5	110-9596	2	Pulley-Idler	19	104-8301	6	Nut-HF, NI
6	100-3102	1	Washer-Flat	20	3256-26	1	Washer-Flat
7	108-1993	2	Screw-HSBH	21	104-8301	10	Nut-HF, NI
8	108-1924	2	Spacer-Idler	22	3231-27	10	Screw-CARR
9	3296-45	2	Nut-Hex	23	132-1621	1	Inner Spindle Plate ASM
10	117-9176	1	Idler Arm ASM	23:2	117-4979	1	Decal-Warning
10:2	93-4510	2	Bushing-Caster	24	132-1622-01	1	Plate-Spindle, Center
11	108-1926	2	Washer	25	132-1620	1	Outer Spindle Plate ASM
12	32120-84	2	Ring-Snap, External	25:2	117-4979	1	Decal-Warning
13	302-5	2	Fitting-Grease	25:3	114-4883	1	Decal-Belt Routing, Deck (LH)
14	108-1930	1	Idler Arm ASM				
14:2	93-4510	2	Bushing-Caster				



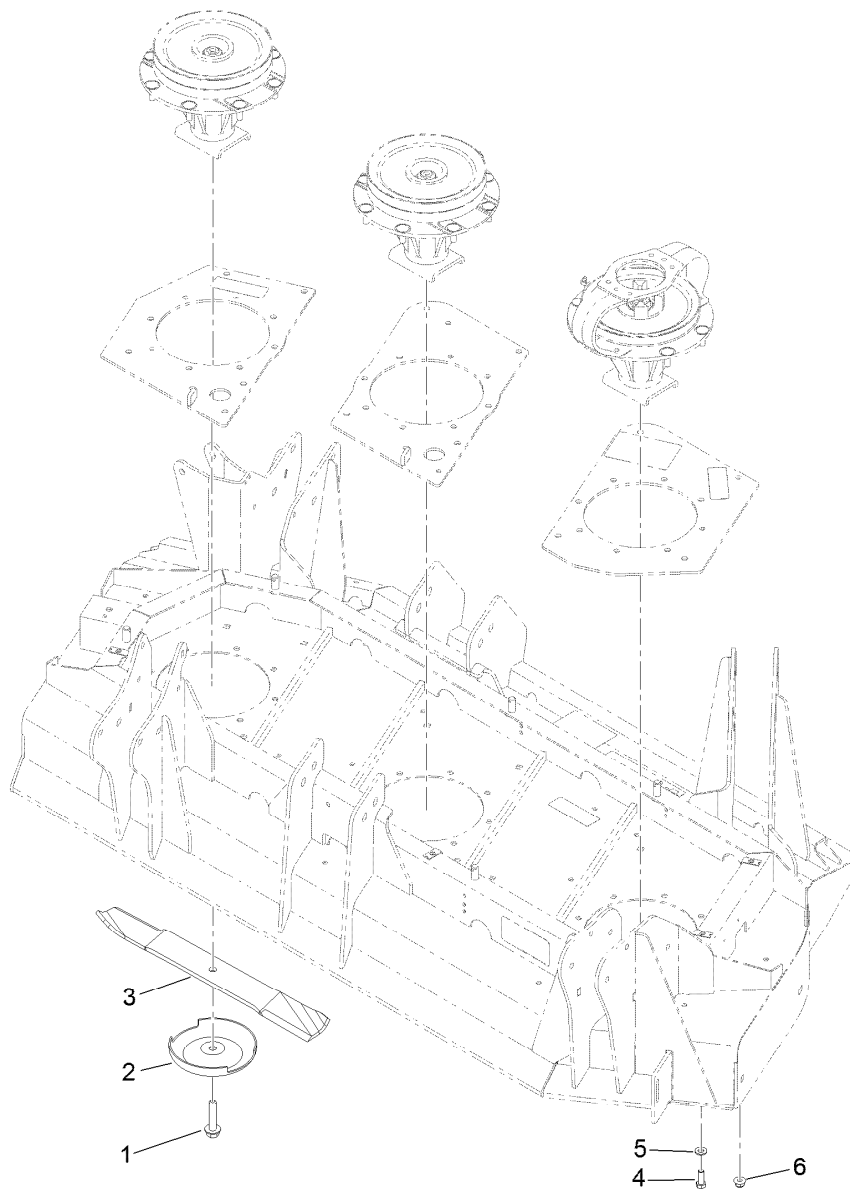
Left Hand Deck Decal Assembly No. 130-9271

<i>Ref.</i>	<i>Part Number</i>	<i>Qty.</i>	<i>Description</i>
2	117-4979	1	Decal-Warning
3	120-6604	1	Decal-Danger
4	93-7818	1	Decal-Torque, Blade Bolt
5	110-3510	4	Nut-Retainer
6	131-6027	1	Decal-HOC



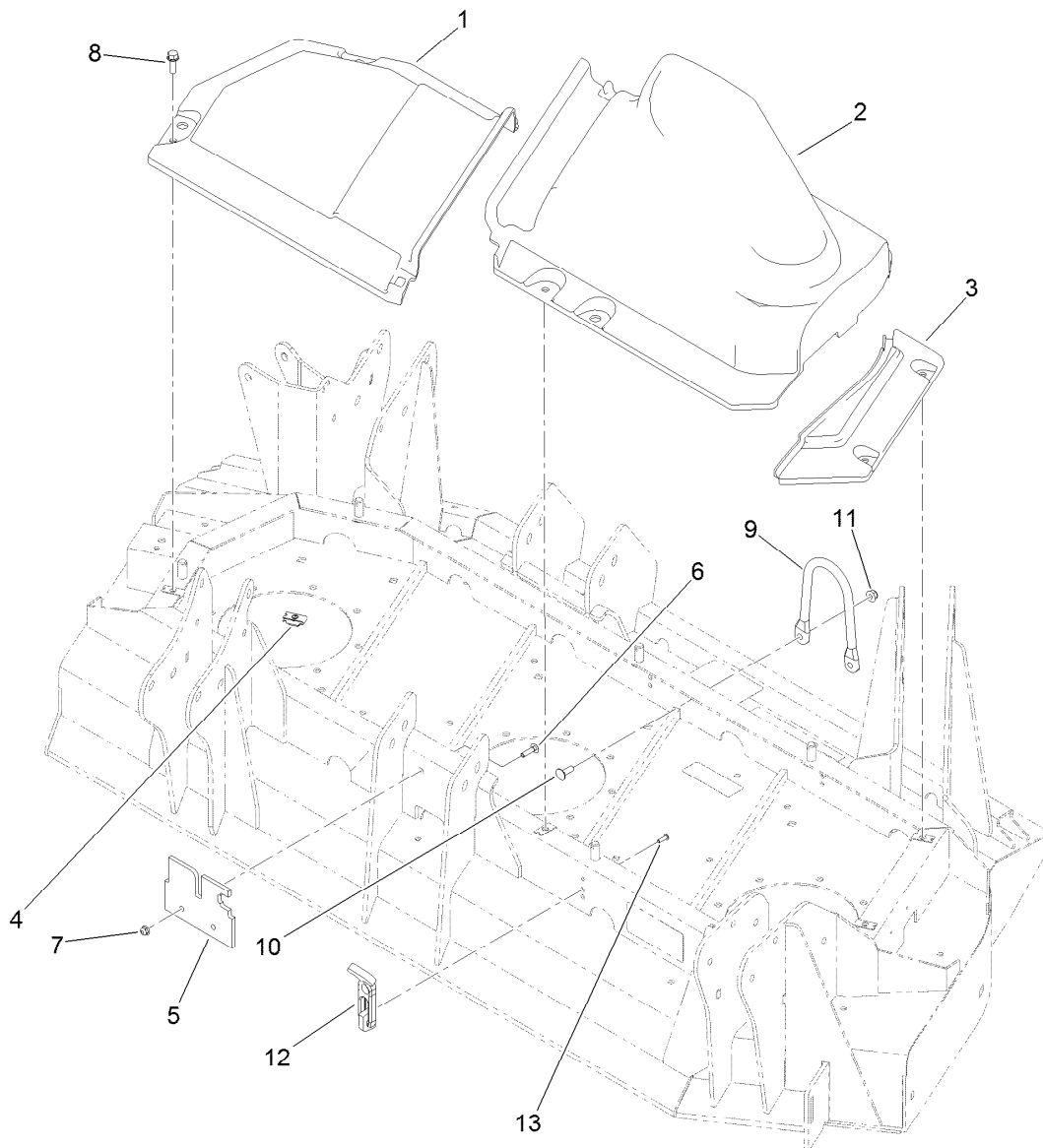
Left Hand Deck Roller, Skid and Caster Wheel Assembly

Ref.	Part Number	Qty.	Description	Ref.	Part Number	Qty.	Description
1	112-1479	1	Skid-Bumper, Deck	12:1	92-5581	1	Ring-Rtng, Snap, Int, Flat
2	3231-33	2	Screw-CARR	12:2	92-5583	1	Washer-Cap
3	104-8301	17	Nut-HF, NI	12:3	92-9726	1	Spring-Compression
4	9136144	1	Screw-HWHTF	12:4	92-8861	1	Cap-HOC
5	323-42	12	Screw-HH	13	114-0953	1	HOC Castor Arm ASM
6	93-4240	4	10 Inch Wheel ASM	13:2	302-5	2	Fitting-Grease
7	131-6042	1	Caster Arm ASM	13:3	69-6470	4	Bushing-Caster
7:2	302-5	1	Fitting-Grease	14	69-1510	24	Spacer
7:3	69-6470	2	Bushing-Caster	15	3256-24	12	Washer-Plain
8	69-6860	16	Washer-Thrust	16	131-6047	1	Caster Arm ASM
9	130-7784-01	4	Fork-Caster	16:2	302-5	1	Fitting-Grease
10	327-24	4	Screw-HH	16:3	69-6470	2	Bushing-Caster
11	3296-53	4	Nut-Lock, NI	17	131-6034-01	1	Skid-Deck
12	92-9727	4	HOC Cap ASM	18	3231-27	3	Screw-CARR



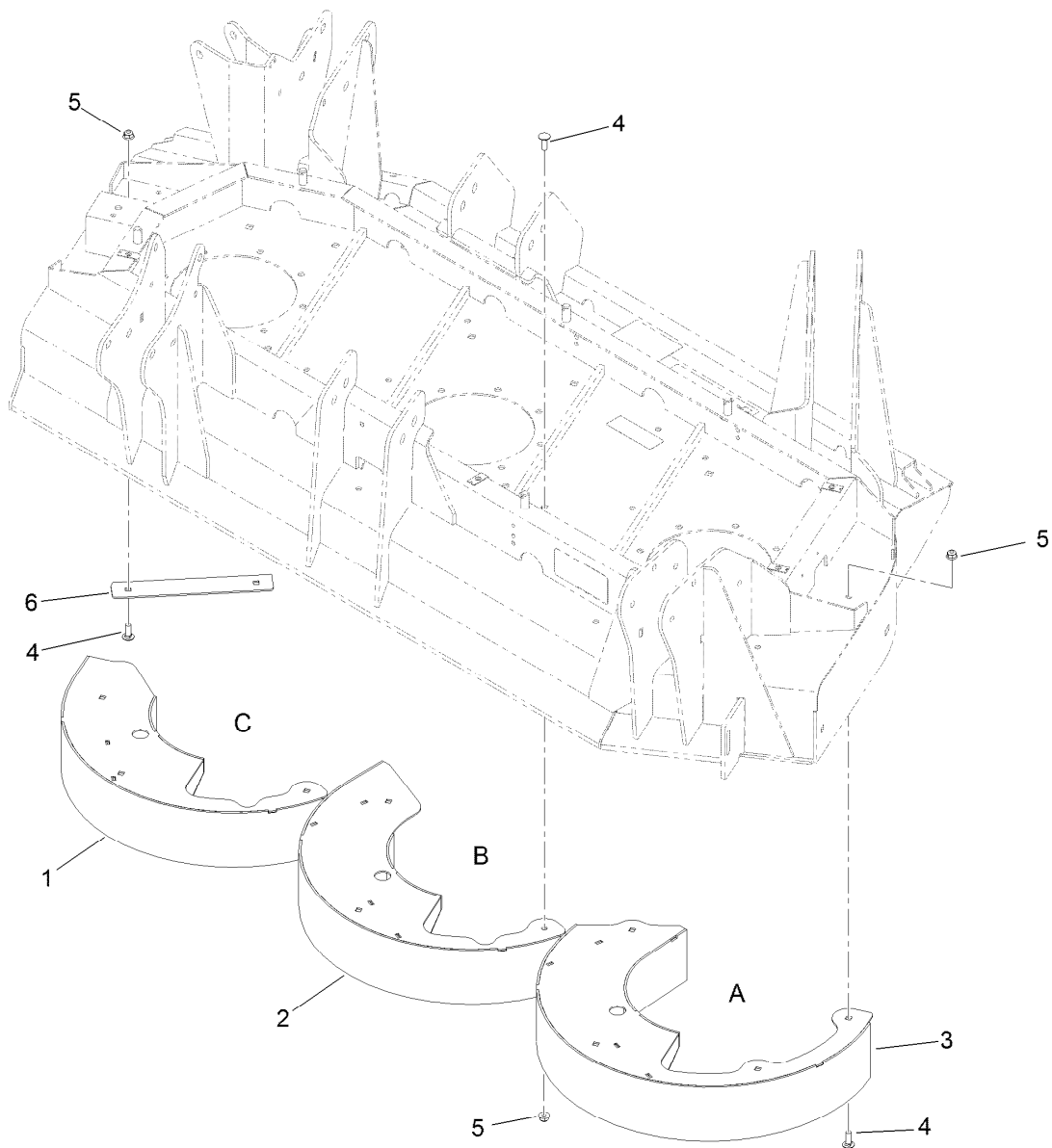
Left Hand Deck Spindle and Blade Assembly

<i>Ref.</i>	<i>Part Number</i>	<i>Qty.</i>	<i>Description</i>
1	92-5816	3	Bolt-Blade
2	72-9361	3	Cup-Scalp, Anti
3	130-9151	3	Blade-20 In
4	323-6	4	Screw-HH
5	3256-24	4	Washer-Plain
6	104-8301	20	Nut-HF, NI



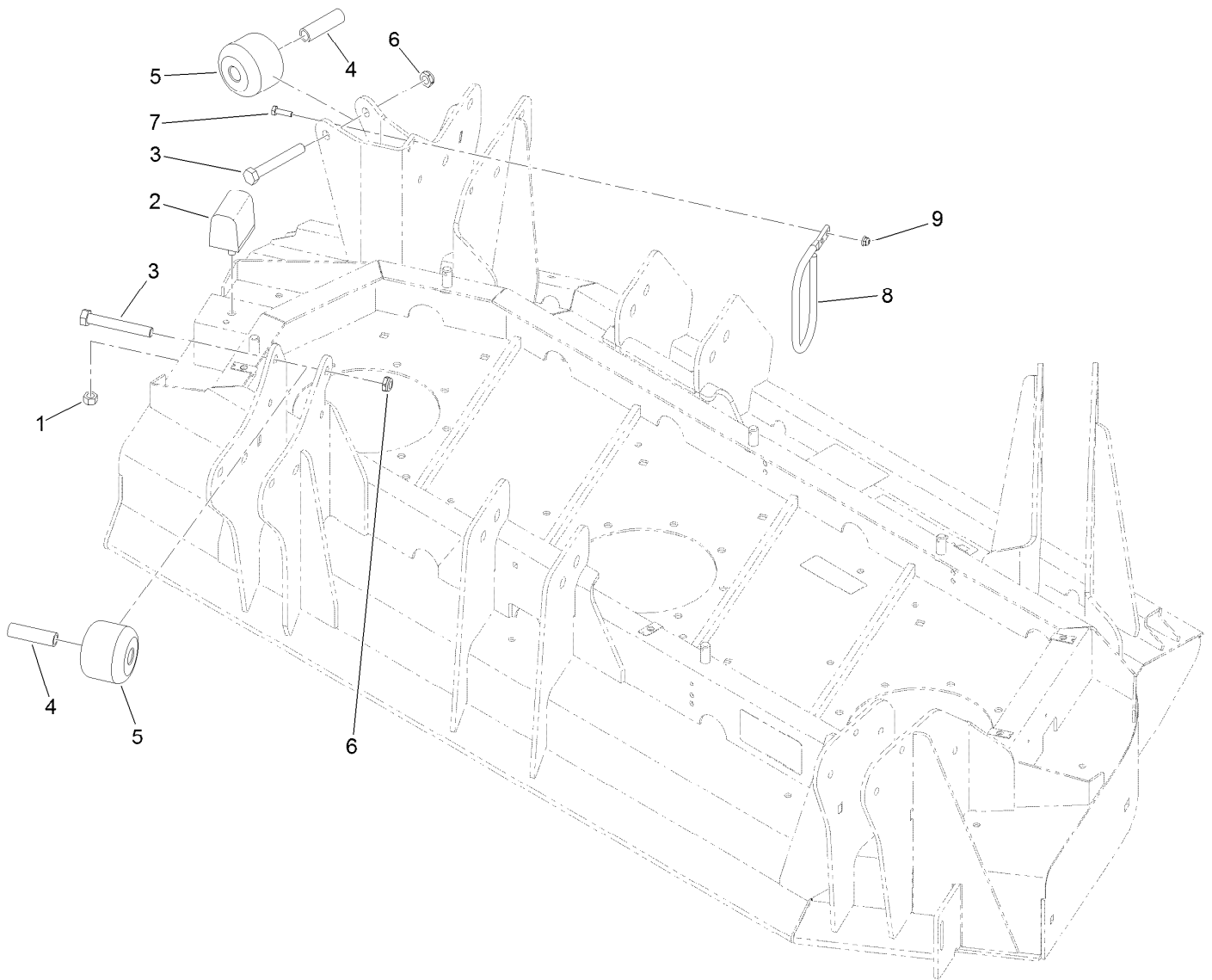
Left Hand Deck Belt Cover Assembly

Ref.	Part Number	Qty.	Description
1	114-5633	1	Cover-Deck, LH Wing (Inside)
2	114-5634	1	Cover-Deck, LH Wing (Outside)
3	114-5637	1	Cover-Deck, LH Wing (Fixed)
4	110-3510	4	Nut-Retainer
5	115-3363	1	Deflector-Debris, Side Deck
6	3229-2	2	Screw-CARR
7	104-7201	2	Nut-HF, NI
8	3234-29	4	Screw-HHF
9	115-3362	1	Guide-Hose
10	3230-10	2	Bolt-CARR
11	104-8300	2	Nut-HF, NI
12	103-4080	4	Latch-Rubber
13	3274-39	8	Screw-HSBH



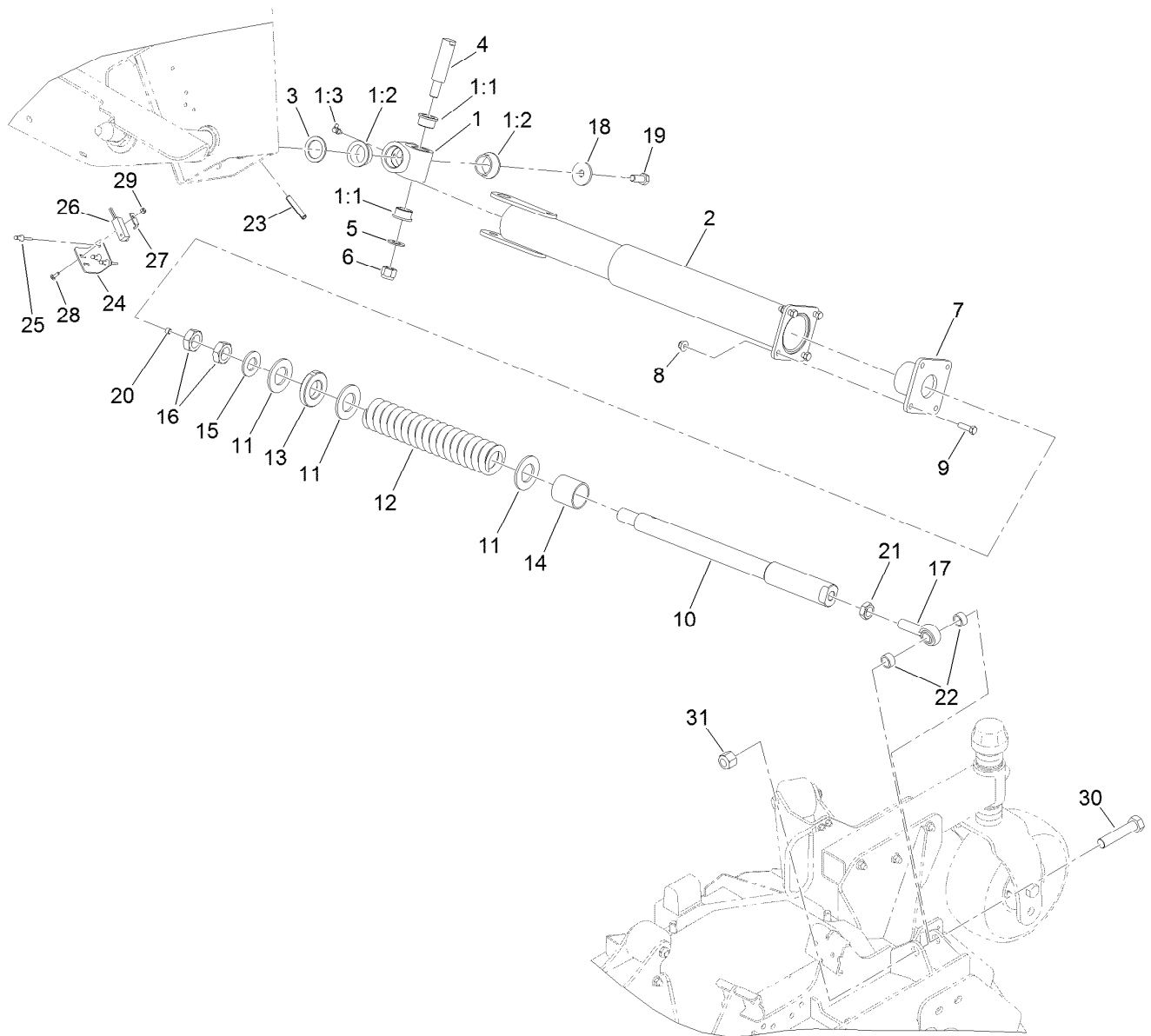
Left Hand Deck Chamber Assembly

<i>Ref.</i>	<i>Part Number</i>	<i>Qty.</i>	<i>Description</i>
1	132-1600-01	1	Chamber-Inner, Left
2	131-6005-01	1	Chamber-Center, Left
3	131-6001-01	1	Chamber-Outer, Left
4	3230-1	12	Bolt-CARR
5	104-8300	12	Nut-HF, NI
6	133-2248-01	1	Deflector-LH



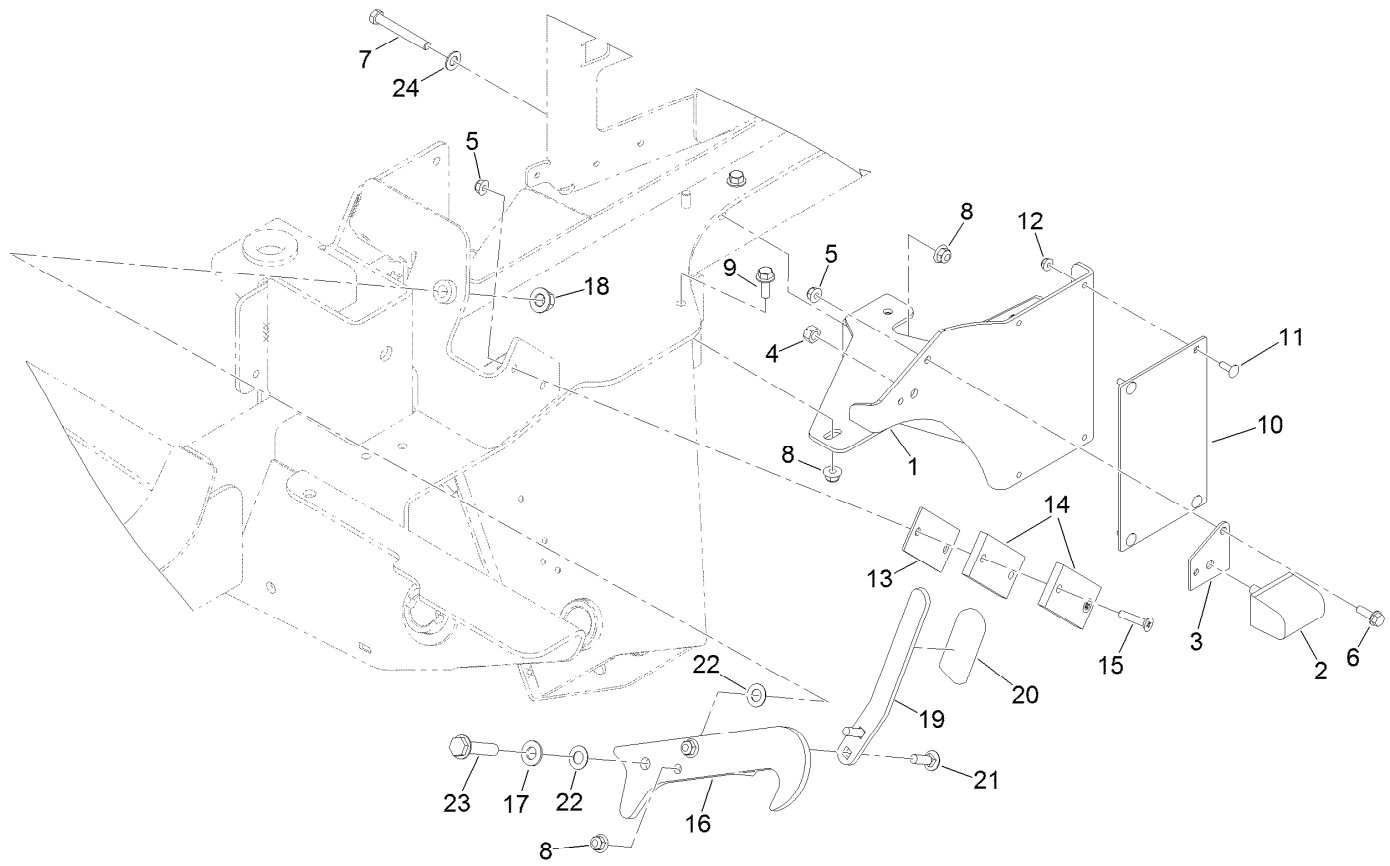
Left Hand Deck Stop Assembly

Ref.	Part Number	Qty.	Description
1	33025-00	1	Nut-Lock, NI
2	87-3470	1	Bumper
3	325-14	2	Screw-HH
4	115-2144	2	Tube-Spacer
5	115-3366	2	Roller
6	3296-45	2	Nut-Hex
7	321-5	2	Screw-HH
8	130-9161	1	Support-Hose
9	104-7201	2	Nut-HF, NI



Left Hand Deck Impact Arm and Limit Switch Assembly

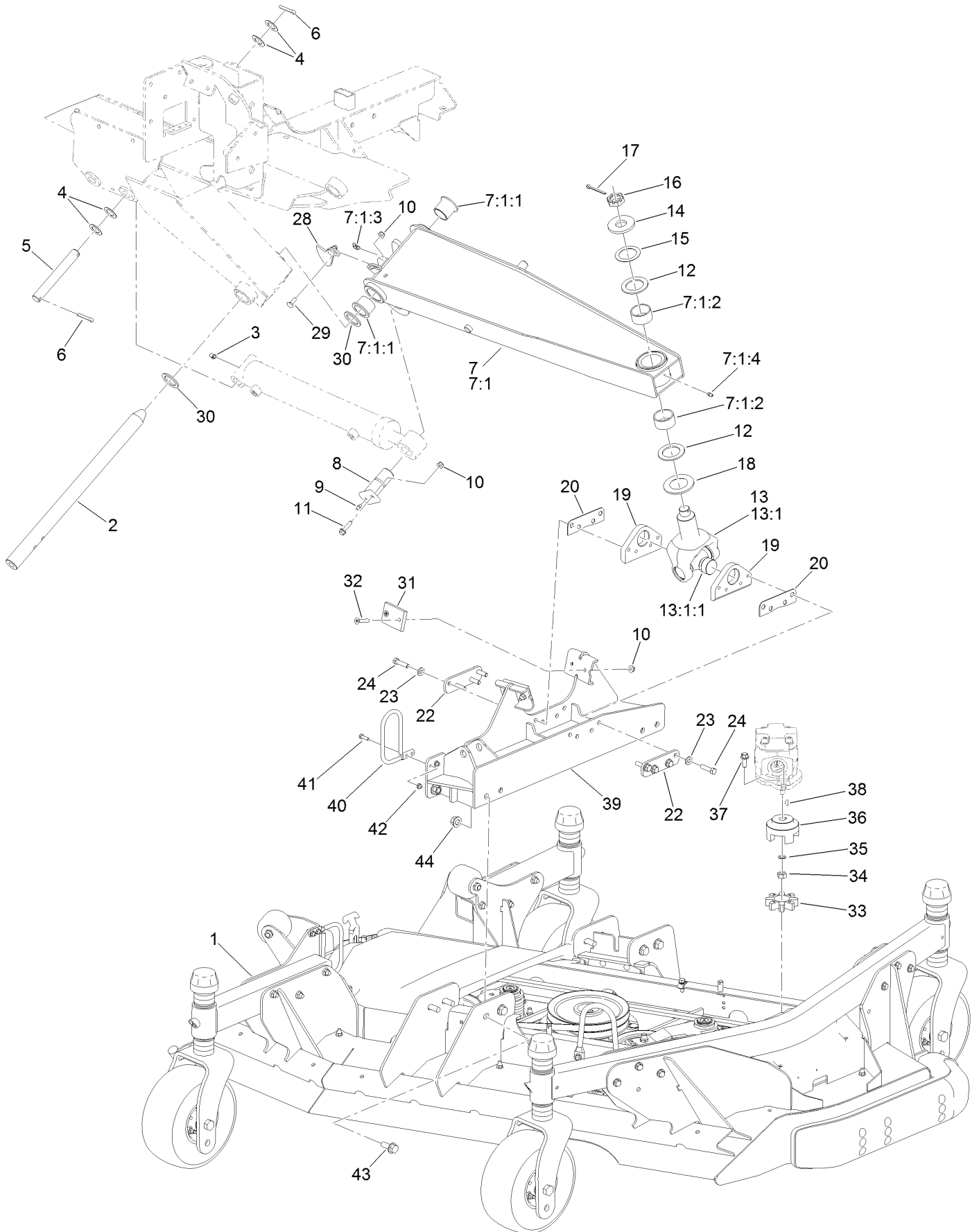
Ref.	Part Number	Qty.	Description	Ref.	Part Number	Qty.	Description
1	115-5468	1	Pivot Hub ASM	15	3256-62	1	Washer-Flat
1:1	115-5469	2	Bushing-Flange	16	3220-9	2	Nut-Jam
1:2	114-5680	2	Bushing-Flange	17	105-2806	1	End-Rod
1:3	302-60	1	Fitting-Grease	18	106-2008	1	Washer-Thrust
2	112-7330-03	1	Arm-Impact, Rear	19	325-5	1	Screw-HH
3	98-1452	1	Washer-Thrust	20	285-17	1	Plug-Pipe
4	104-2281	1	Shaft-Pivot	21	3220-7	1	Nut-Jam
5	3256-27	1	Washer-Flat	22	74-3730	2	Spacer-Spindle, Rear
6	3296-53	1	Nut-Lock, NI	23	117-5479	2	Pin-Spring
7	114-5677-03	1	Housing	24	112-7338	1	Plate-Aluminum
8	104-8301	4	Nut-HF, NI	25	3290-412	3	Rivet-Blind
9	323-7	4	Screw-HH	26	106-9288	1	Sensor-Proximity, Ferrous
10	117-9404	1	Shaft-Spring	27	100-4872	1	Plate-Switch, Neutral
11	114-5986	3	Washer-Plain	28	3229-34	1	Screw-CARR
12	114-5993	1	Spring-Compression	29	3296-2	1	Nut-Lock, NI
13	114-5992	1	Bearing-Plastic	30	328-5	1	Screw-HH
14	114-5989	1	Bushing-Plain	31	3296-51	1	Nut-Lock, NI



Left Hand Deck Transport Lock Assembly

<i>Ref.</i>	<i>Part Number</i>	<i>Qty.</i>	<i>Description</i>	<i>Ref.</i>	<i>Part Number</i>	<i>Qty.</i>	<i>Description</i>
1	119-8275-01	1	Pad-Transport, LH	13	114-5675	1	Shim-Pad
2	87-3470	1	Bumper	14	69-9300	2	Pad-Bumper
3	115-8826	1	Shim-Bumper	15	32108-107	2	Screw-FH
4	33025-00	1	Nut-Lock, NI	16	119-7723-03	1	Latch-Wing
5	104-8300	3	Nut-HF, NI	17	3256-26	1	Washer-Flat
6	3234-17	1	Screw-HHF	18	99-5107	1	Nut-Lock
7	323-14	1	Screw-HH	19	114-5659-03	1	Handle-Latch
8	104-8301	5	Nut-HF, NI	20	119-1846	1	Grip
9	3234-42	2	Screw-HHF	21	3231-25	2	Bolt-CARR
10	117-5476	1	Pad-Roller	22	104-3577	2	Washer
11	1-807512	4	Bolt-CARR	23	3234-46	1	Screw-HHF
12	104-7201	4	Nut-HF, NI	24	52-2861	1	Washer

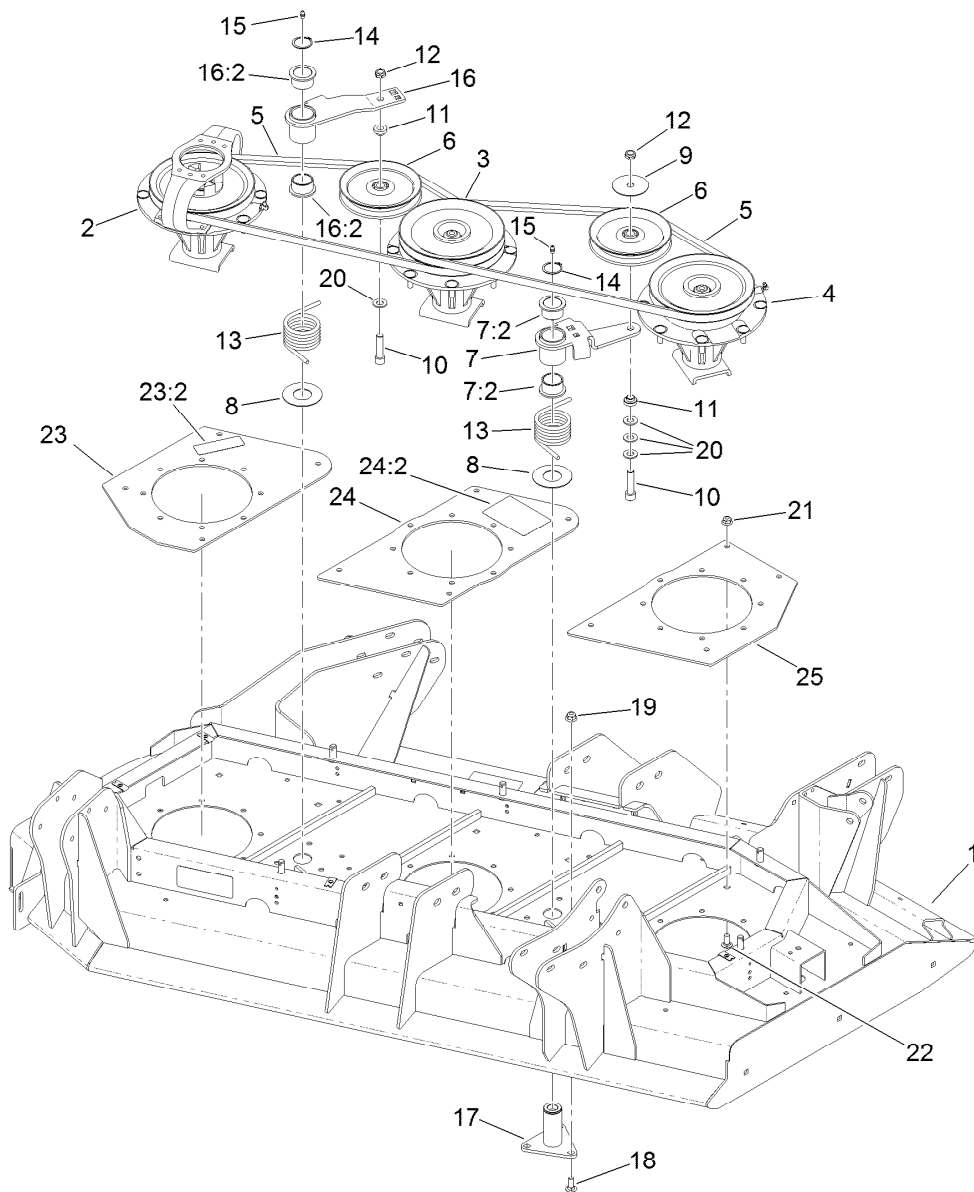
Right Hand Deck Assembly



Right Hand Deck Assembly (continued)

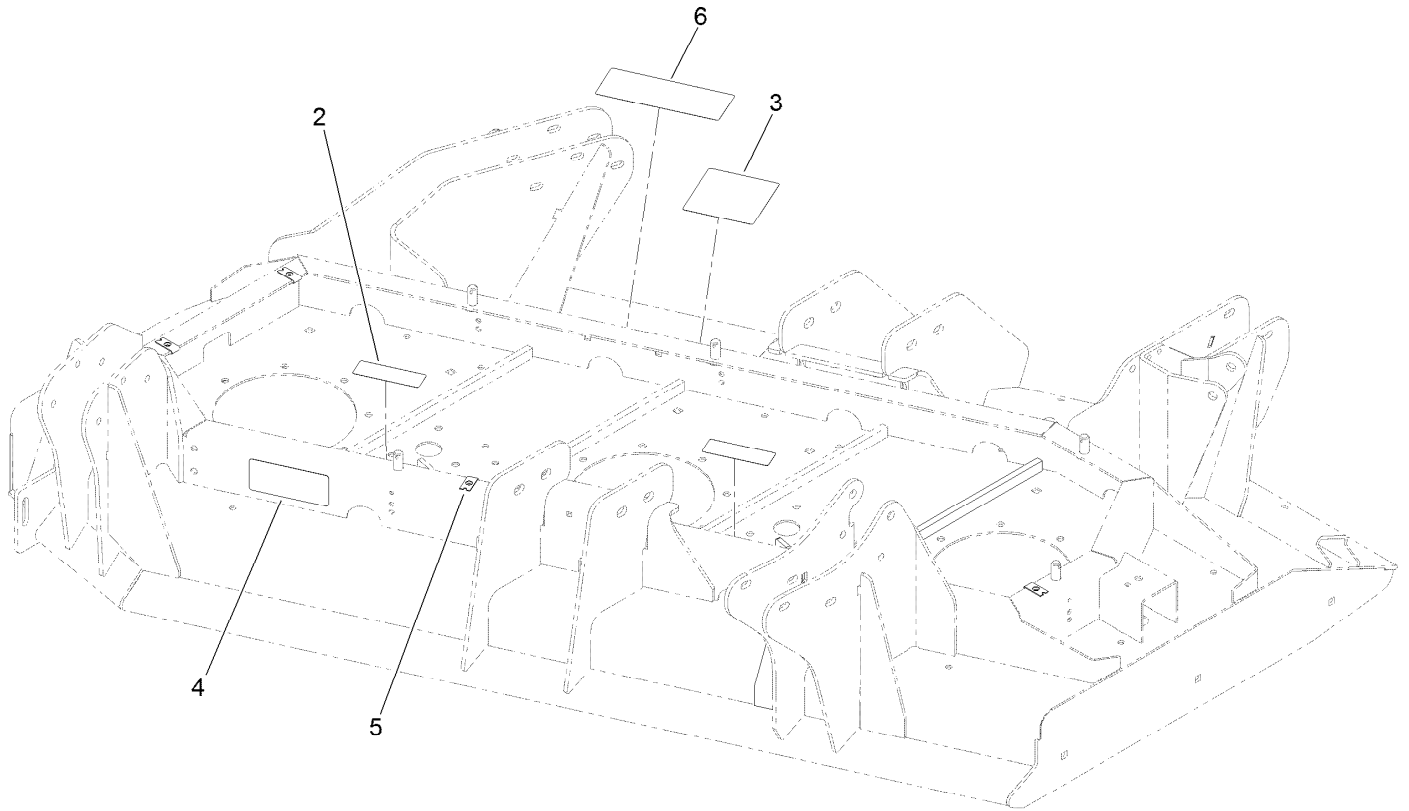
<i>Ref.</i>	<i>Part Number</i>	<i>Qty.</i>	<i>Description</i>	<i>Ref.</i>	<i>Part Number</i>	<i>Qty.</i>	<i>Description</i>
1	130-9240	1	Right Deck ASM	18	104-0720	1	Spacer
2	121-3882	1	Shaft-Pivot, Lift Arm	19	115-8870-03	2	Mount-Base
3	302-60	1	Fitting-Grease	20	104-0731	2	Shim
4	110-6767	4	Washer-Thrust	22	117-9419	2	Plate-Spacer
5	110-6006	1	Pin-Clevis	23	100-4852	8	Washer-Hardened
6	3272-30	2	Pin-Cotter	24	323-43	8	Screw-HH
7	114-5650-01	1	RH Lift Arm ASM	28	112-7339	1	Plate-Sensing
7:1		1	Arm-Lift, RH ●	29	3230-16	2	Screw-CARR
7:1:1	69-6470	2	Bushing-Caster	30	98-1452	2	Washer-Thrust
7:1:2	114-5596	2	Bushing-Straight	31	69-9290	2	Pad-Bumper
7:1:3	302-60	1	Fitting-Grease	32	32108-107	4	Screw-FH
7:1:4	302-5	1	Fitting-Grease	33	104-3542	1	Spider
8	125-1912	1	Pin-Pivot	34	110-8815	1	Nut-Hex
9	302-5	1	Fitting-Grease	35	112-6957	1	Washer-Hardened
10	104-8300	7	Nut-HF, NI	36	104-3541	1	Hub-Spider
11	119-4036	1	Screw-HHF	37	3234-42	2	Screw-HHF
12	104-0721	2	Washer-Thrust	38	3257-3	1	Key-Woodruff
13	114-5640-03	1	Joint Yoke ASM	39	131-6012-01	1	Connection-Deck, RH
13:1		1	Yoke-Joint ●	40	130-9161	1	Support-Hose
13:1:1	104-4299	1	Cross And Bearing Kit	41	321-5	2	Screw-HH
14	104-0719	1	Washer-Hardened	42	104-7201	2	Nut-HF, NI
15	114-5641	1	Washer-Thrust	43	3234-38	8	Screw-HHF
16	99-3139	1	Nut-Slotted	44	99-5107	8	Nut-Lock
17	3272-25	1	Pin-Cotter				

● Not serviced separately



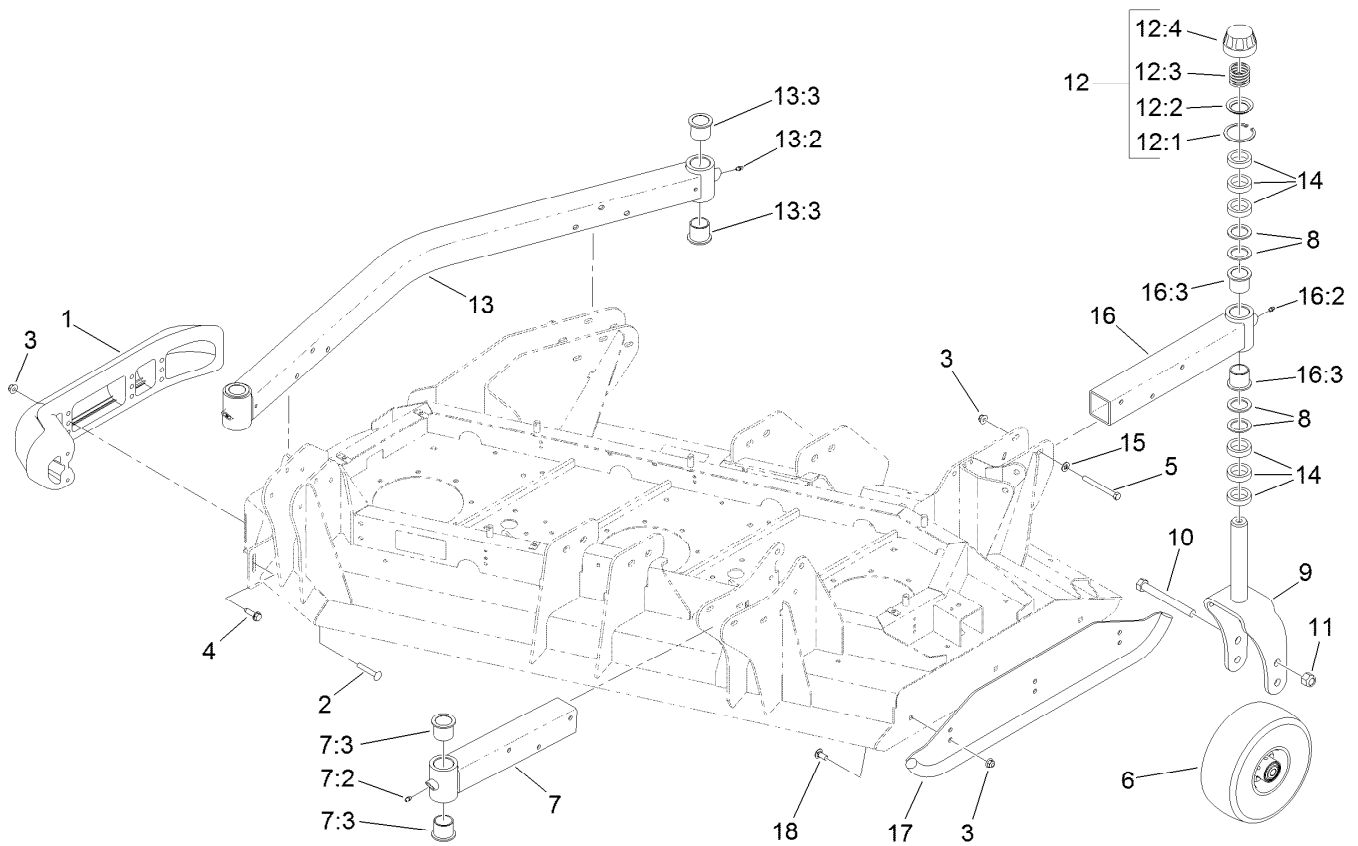
Right Hand Deck Belt and Spindle Assembly

Ref.	Part Number	Qty.	Description	Ref.	Part Number	Qty.	Description
1	130-9241	1	Right Deck ASM	15	302-5	2	Fitting-Grease
2	131-0768	1	Driving Spindle ASM	16	108-1930	1	Idler Arm ASM
3	117-9234	1	Double Spindle ASM	16:2	93-4510	2	Bushing-Caster
4	117-9233	1	High Spindle ASM	17	114-0997	2	Pivot-Idler
5	112-7377	2	Belt-V, B	18	3231-27	3	Screw-CARR
6	01-268-0160	2	Pulley-Idler	18	3231-2	6	Bolt-CARR
7	117-9176	1	Idler Arm ASM	19	104-8301	6	Nut-HF, NI
7:2	93-4510	2	Bushing-Caster	20	3256-26	4	Washer-Flat
8	108-1926	2	Washer	21	104-8301	12	Nut-HF, NI
9	100-3102	1	Washer-Flat	22	3231-27	12	Screw-CARR
10	3274-5	2	Screw-HSH	23	132-1617	1	Outer Spindle Plate ASM
11	108-1924	2	Spacer-Idler	23:2	117-4979	1	Decal-Warning
12	3296-45	2	Nut-Hex	24	132-1618	1	Center Spindle Plate ASM
12	103-4080	4	Latch-Rubber	24:2	114-0974	1	Decal-Belt Routing, Deck (RH)
13	108-1921	2	Spring-Torsion	25	132-1615-01	1	Plate-Spindle, Inner
14	69-1510	24	Spacer				
14	32120-84	2	Ring-Snap, External				



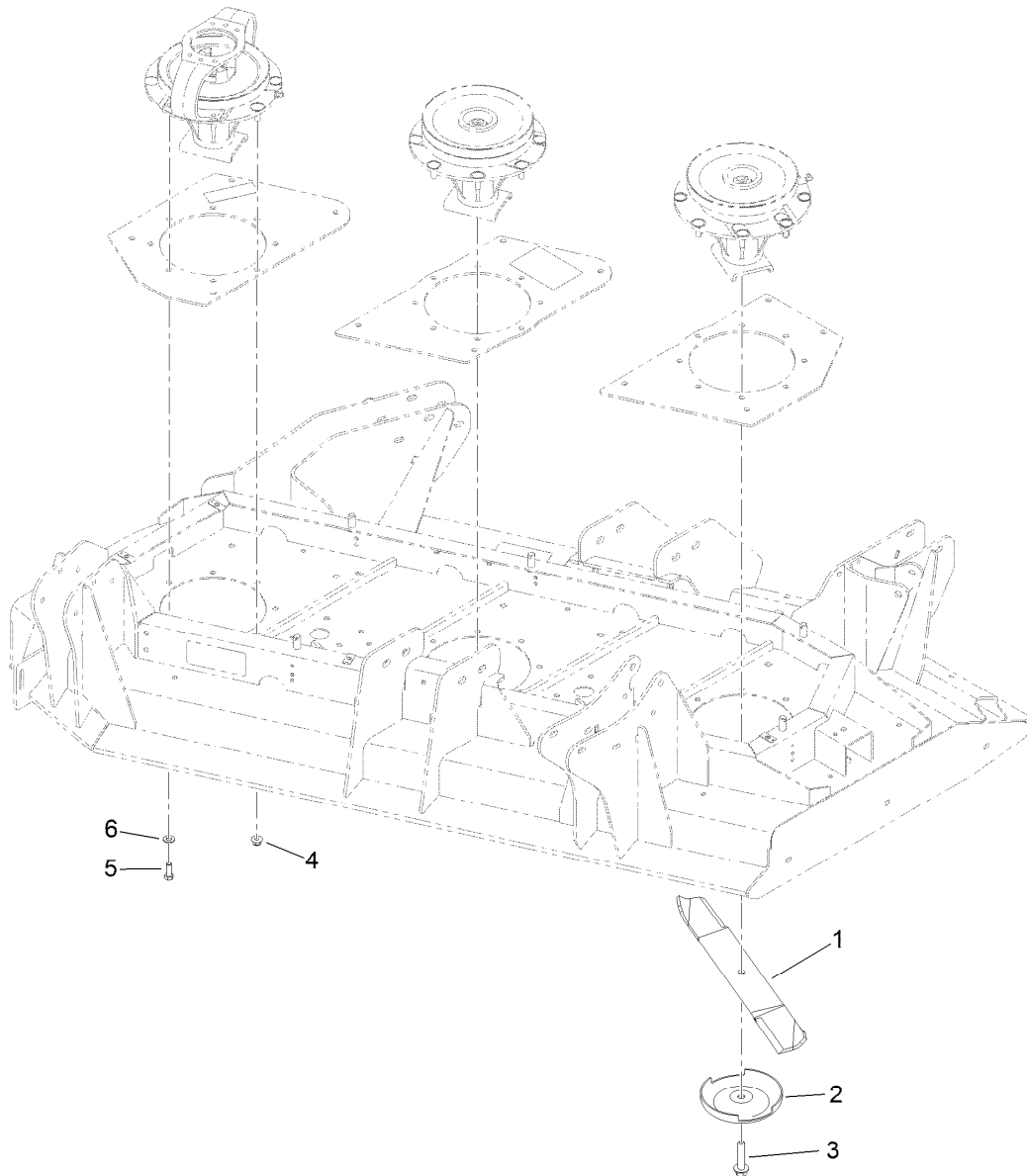
Right Hand Deck Decal Assembly No. 130-9241

<i>Ref.</i>	<i>Part Number</i>	<i>Qty.</i>	<i>Description</i>
2	117-4979	2	Decal-Warning
3	120-6604	1	Decal-Danger
4	93-7818	1	Decal-Torque, Blade Bolt
5	110-3510	4	Nut-Retainer
6	131-6027	1	Decal-HOC



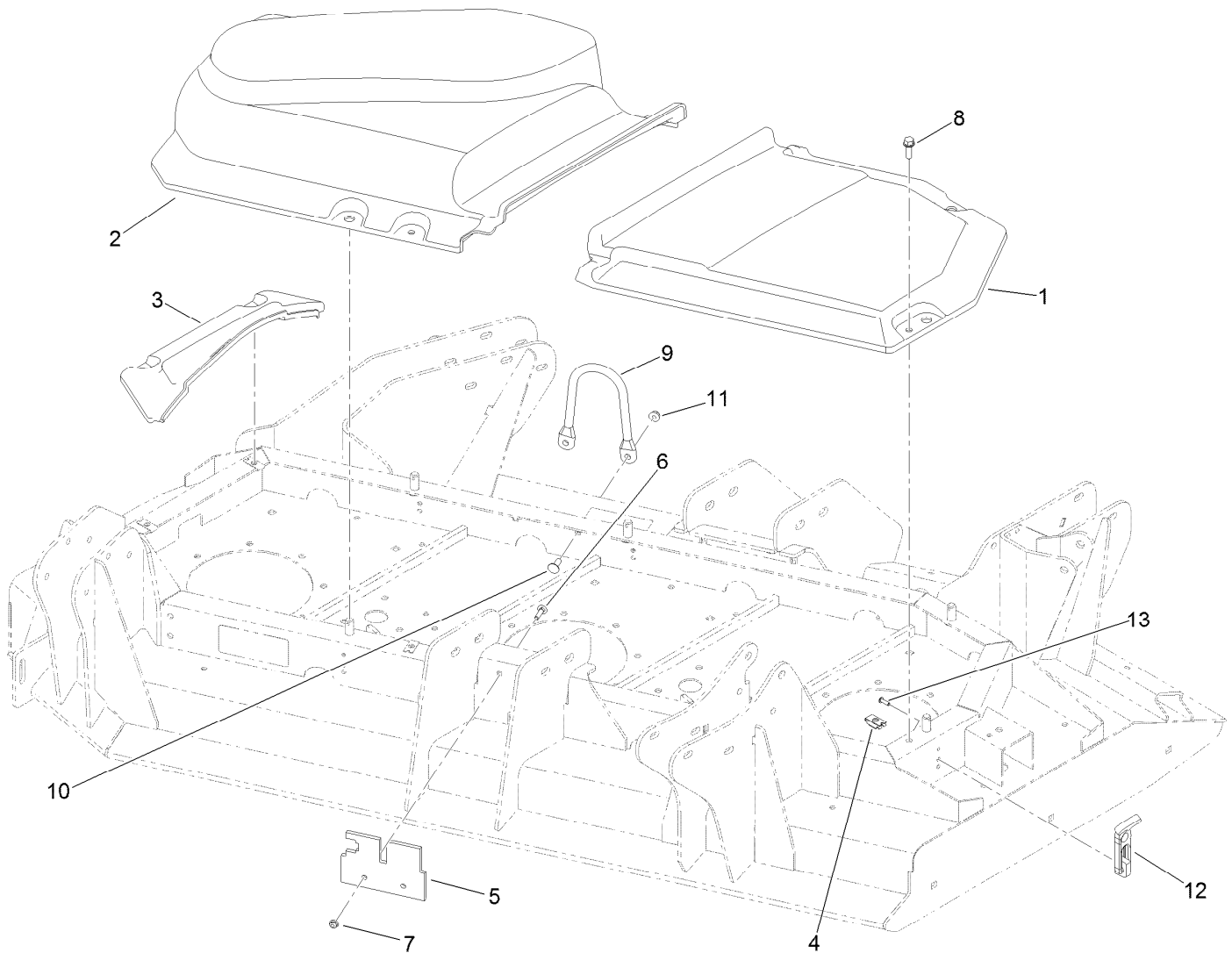
Right Hand Deck Roller, Skid and Caster Wheel Assembly

Ref.	Part Number	Qty.	Description	Ref.	Part Number	Qty.	Description
1	112-1479	1	Skid-Bumper, Deck	12:1	92-5581	1	Ring-Rtng, Snap, Int, Flat
2	3231-33	2	Screw-CARR	12:2	92-5583	1	Washer-Cap
3	104-8301	17	Nut-HF, NI	12:3	92-9726	1	Spring-Compression
4	9136144	1	Screw-HWHTF	12:4	92-8861	1	Cap-HOC
5	323-42	12	Screw-HH	13	114-0953	1	HOC Castor Arm ASM
6	93-4240	4	10 Inch Wheel ASM	13:2	302-5	2	Fitting-Grease
7	131-6042	1	Caster Arm ASM	13:3	69-6470	4	Bushing-Caster
7:2	302-5	1	Fitting-Grease	14	69-1510	24	Spacer
7:3	69-6470	2	Bushing-Caster	15	3256-24	12	Washer-Plain
8	69-6860	16	Washer-Thrust	16	131-6047	1	Caster Arm ASM
9	130-7784-01	4	Fork-Caster	16:2	302-5	1	Fitting-Grease
10	327-24	4	Screw-HH	16:3	69-6470	2	Bushing-Caster
11	3296-53	4	Nut-Lock, NI	17	131-6034-01	1	Skid-Deck
12	92-9727	4	HOC Cap ASM	18	3231-27	3	Screw-CARR



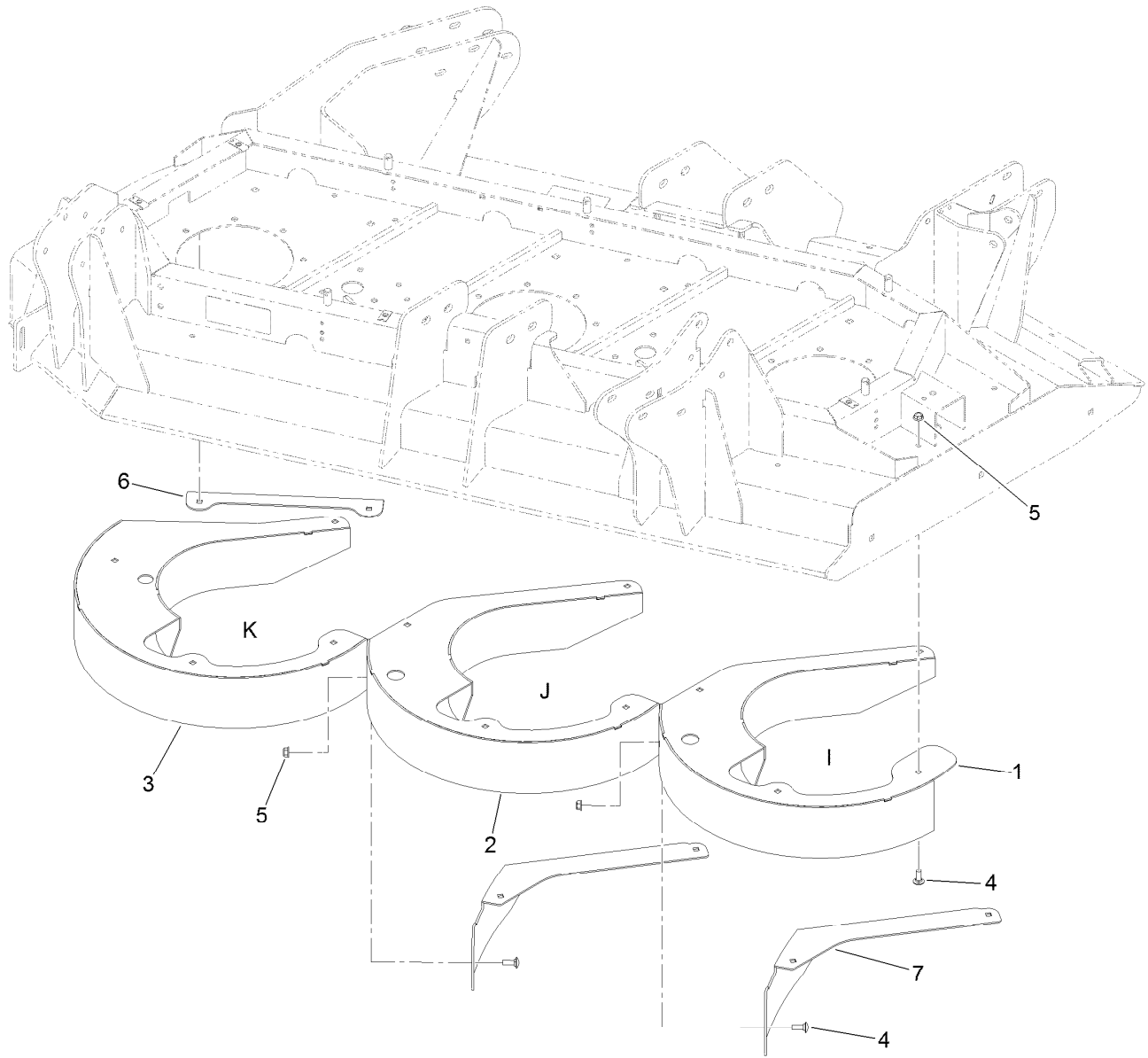
Right Hand Deck Spindle and Blade Assembly

<i>Ref.</i>	<i>Part Number</i>	<i>Qty.</i>	<i>Description</i>
1	130-9151	3	Blade-20 In
2	72-9361	3	Cup-Scalp, Anti
3	92-5816	3	Bolt-Blade
4	104-8301	20	Nut-HF, NI
5	323-6	4	Screw-HH
6	3256-24	4	Washer-Plain



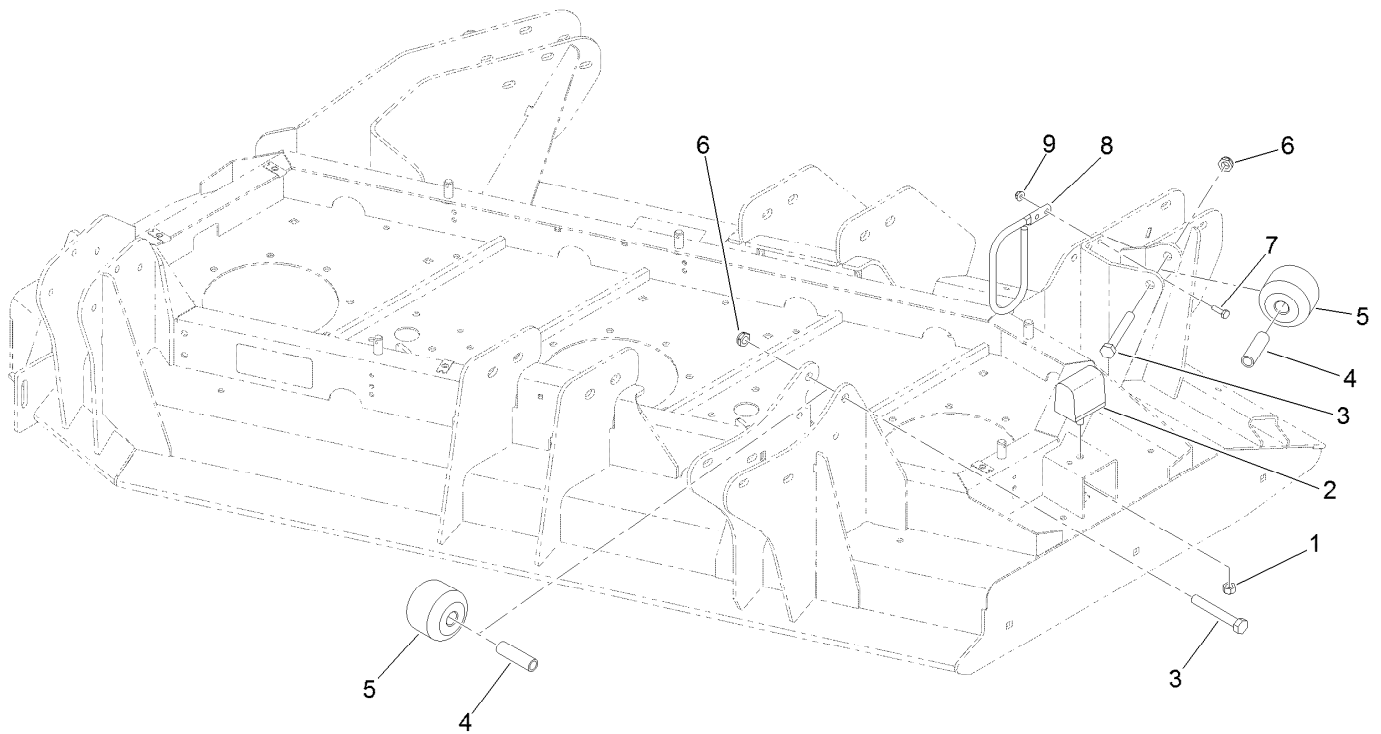
Right Hand Deck Belt Cover Assembly

<i>Ref.</i>	<i>Part Number</i>	<i>Qty.</i>	<i>Description</i>
1	114-5635	1	Cover-Deck, RH Wing (Inside)
2	114-5636	1	Cover-Deck, RH Wing (Outside)
3	114-5638	1	Cover-Deck, RH Wing (Fixed)
4	110-3510	4	Nut-Retainer
5	115-3363	1	Deflector-Debris, Side Deck
6	3229-2	2	Screw-CARR
7	104-7201	2	Nut-HF, NI
8	3234-29	4	Screw-HHF
9	115-3362	1	Guide-Hose
10	3230-10	2	Bolt-CARR
11	104-8300	2	Nut-HF, NI
12	103-4080	4	Latch-Rubber
13	3274-39	8	Screw-HSBH



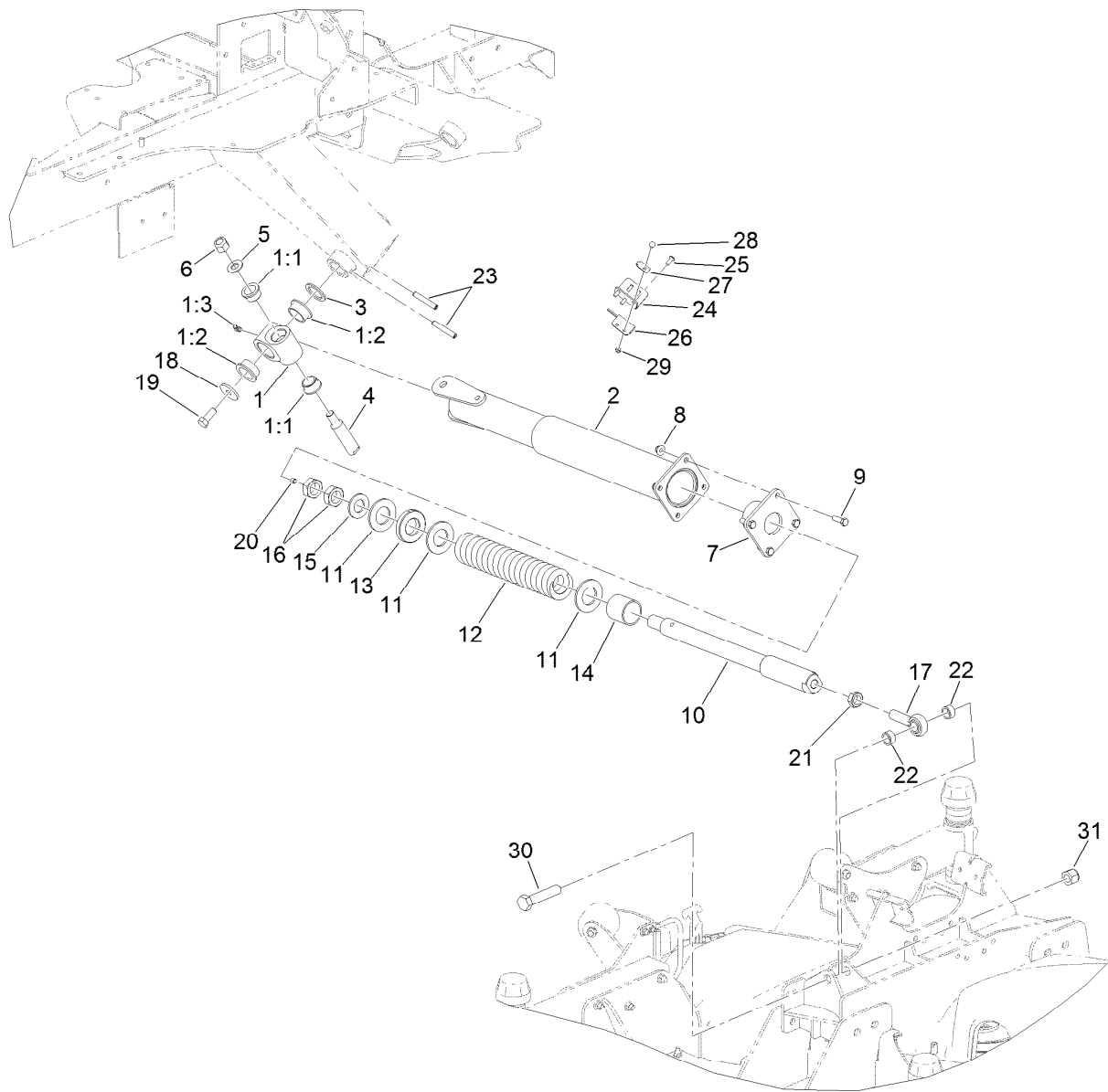
Right Hand Deck Chamber Assembly

<i>Ref.</i>	<i>Part Number</i>	<i>Qty.</i>	<i>Description</i>
1	132-1637-01	1	Chamber-Inner, Right
2	132-1634-01	1	Chamber-Center, Right
3	132-1630-01	1	Chamber-Outer, Right
4	3230-1	20	Bolt-CARR
5	104-8300	20	Nut-HF, NI
6	133-2249-01	1	Deflector-RH
7	133-2205-01	2	Deflector



Right Hand Deck Stop Assembly

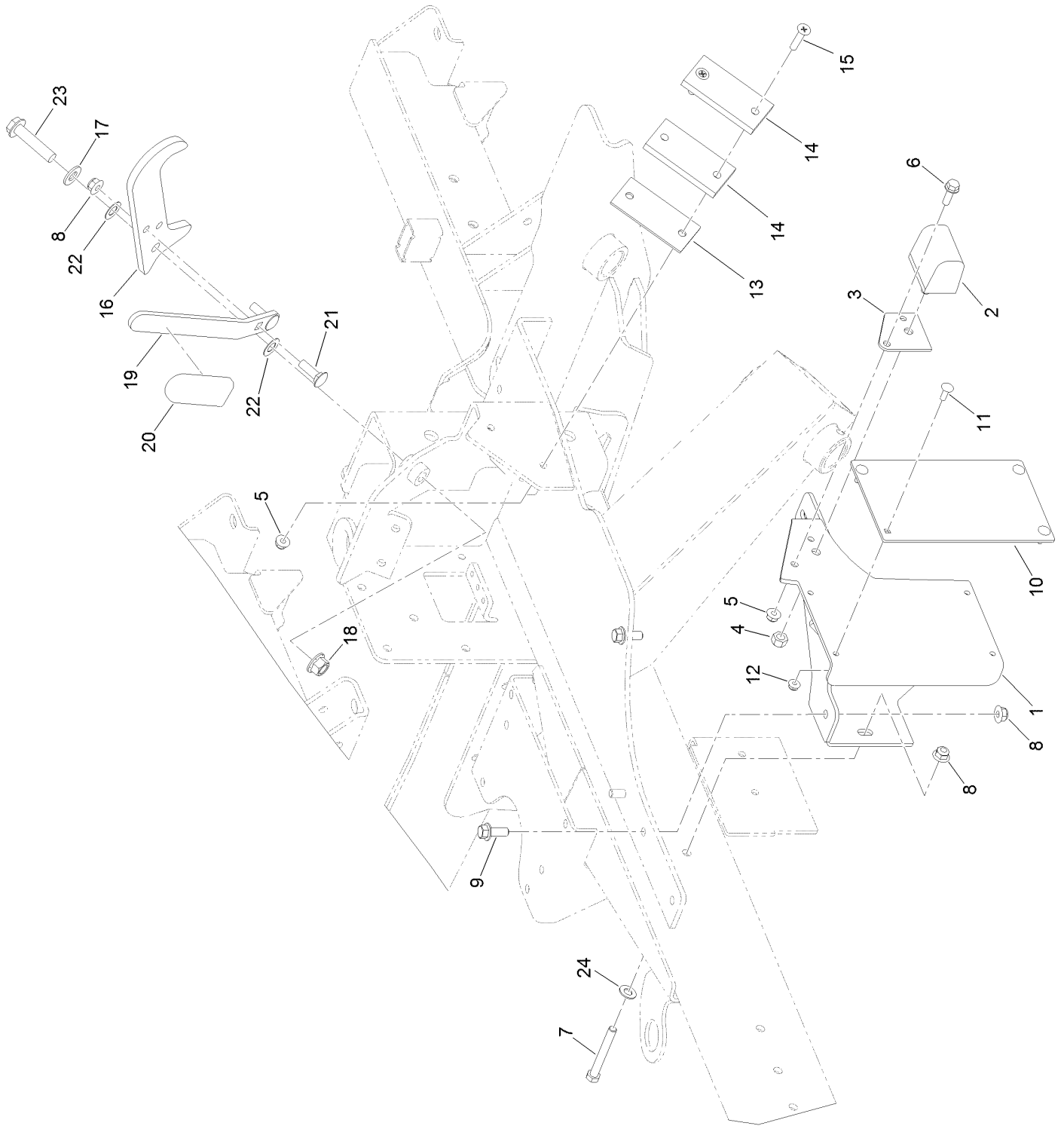
Ref.	Part Number	Qty.	Description
1	33025-00	1	Nut-Lock, NI
2	87-3470	1	Bumper
3	325-14	2	Screw-HH
4	115-2144	2	Tube-Spacer
5	115-3366	2	Roller
6	3296-45	2	Nut-Hex
7	321-5	2	Screw-HH
8	130-9161	1	Support-Hose
9	104-7201	2	Nut-HF, NI



Right Hand Deck Impact Arm and Limit Switch Assembly

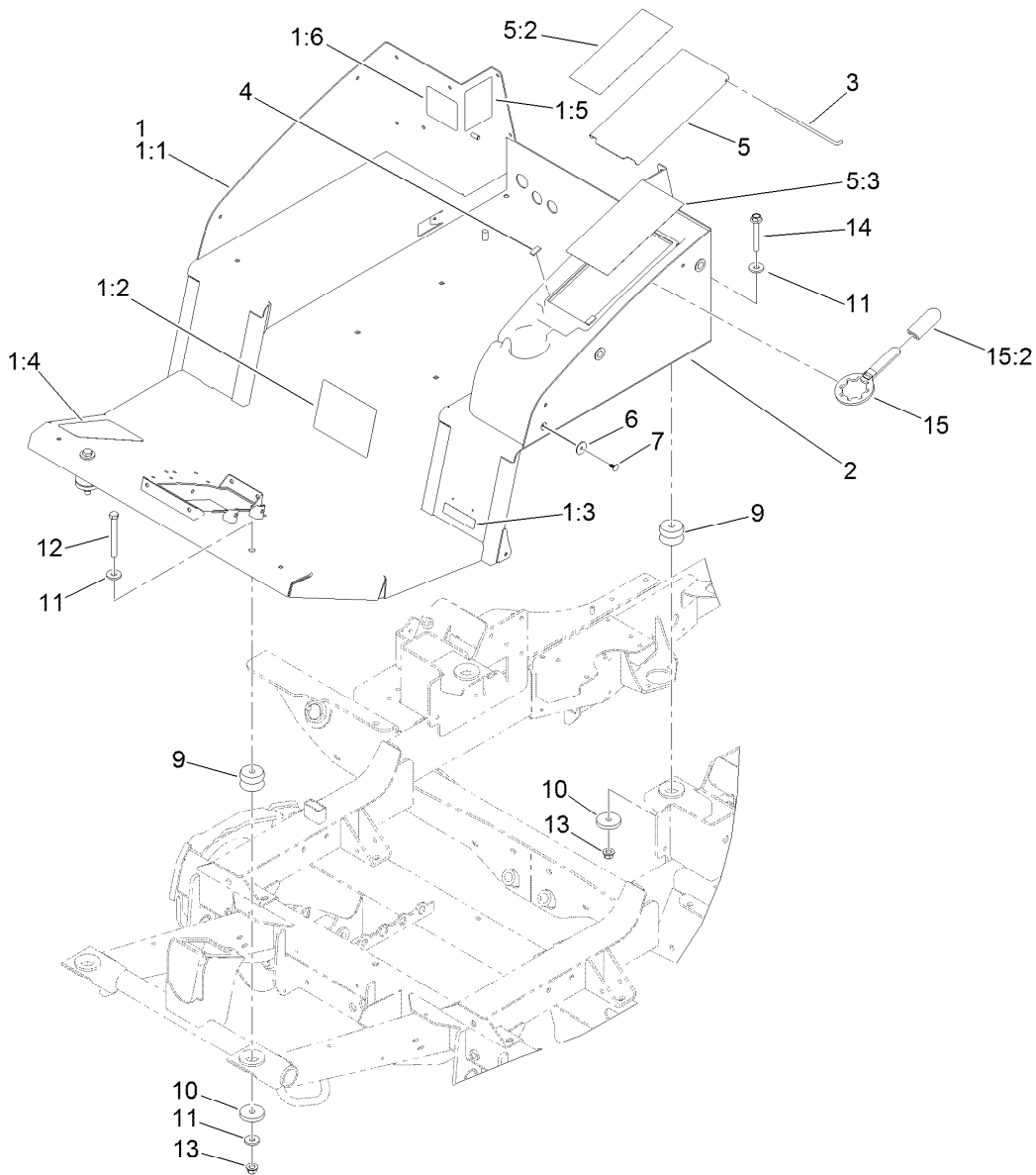
Ref.	Part Number	Qty.	Description	Ref.	Part Number	Qty.	Description
1	115-5468	1	Pivot Hub ASM	15	3256-62	1	Washer-Flat
1:1	115-5469	2	Bushing-Flange	16	3220-9	2	Nut-Jam
1:2	114-5680	2	Bushing-Flange	17	105-2806	1	End-Rod
1:3	302-60	1	Fitting-Grease	18	106-2008	1	Washer-Thrust
2	112-7330-03	1	Arm-Impact, Rear	19	325-5	1	Screw-HH
3	98-1452	1	Washer-Thrust	20	285-17	1	Plug-Pipe
4	104-2281	1	Shaft-Pivot	21	3220-7	1	Nut-Jam
5	3256-27	1	Washer-Flat	22	74-3730	2	Spacer-Spindle, Rear
6	3296-53	1	Nut-Lock, NI	23	117-5479	2	Pin-Spring
7	114-5677-03	1	Housing	24	112-7338	1	Plate-Aluminum
8	104-8301	4	Nut-HF, NI	25	3290-412	3	Rivet-Blind
9	323-7	4	Screw-HH	26	106-9288	1	Sensor-Proximity, Ferrous
10	117-9404	1	Shaft-Spring	27	100-4872	1	Plate-Switch, Neutral
11	114-5986	3	Washer-Plain	28	3229-34	1	Screw-CARR
12	114-5993	1	Spring-Compression	29	3296-2	1	Nut-Lock, NI
13	114-5992	1	Bearing-Plastic	30	328-5	1	Screw-HH
14	114-5989	1	Bushing-Plain	31	3296-51	1	Nut-Lock, NI

Right Hand Deck Transport Lock Assembly



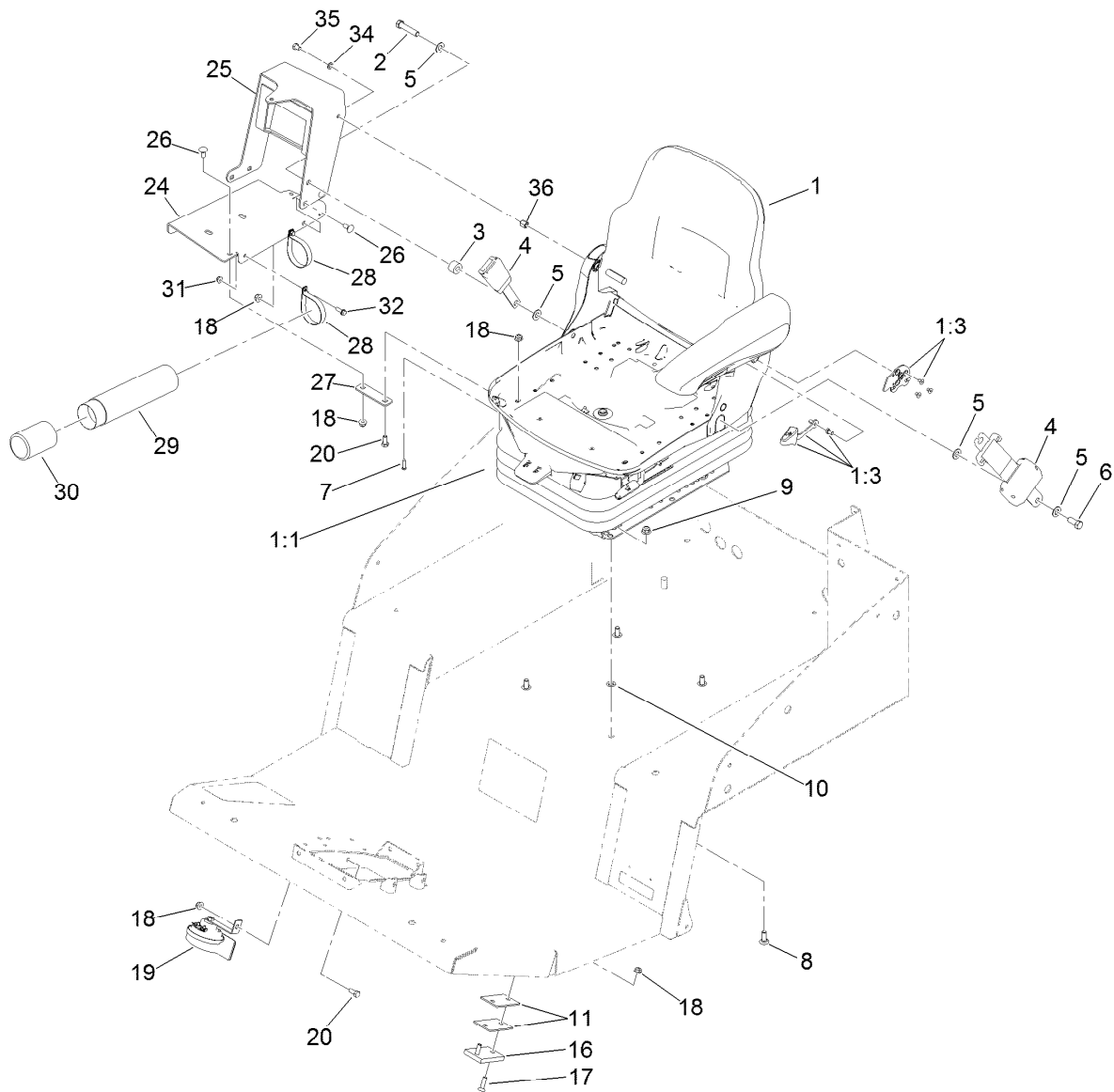
Right Hand Deck Transport Lock Assembly (continued)

<i>Ref.</i>	<i>Part Number</i>	<i>Qty.</i>	<i>Description</i>	<i>Ref.</i>	<i>Part Number</i>	<i>Qty.</i>	<i>Description</i>
1	119-8270-01	1	Pad-Transport, RH	13	114-5675	1	Shim-Pad
2	87-3470	1	Bumper	14	69-9300	2	Pad-Bumper
3	115-8826	1	Shim-Bumper	15	32108-107	2	Screw-FH
4	33025-00	1	Nut-Lock, NI	16	119-7723-03	1	Latch-Wing
5	104-8300	3	Nut-HF, NI	17	3256-26	1	Washer-Flat
6	3234-17	1	Screw-HHF	18	99-5107	1	Nut-Lock
7	323-14	1	Screw-HH	19	114-5659-03	1	Handle-Latch
8	104-8301	5	Nut-HF, NI	20	119-1846	1	Grip
9	3234-42	2	Screw-HHF	21	3231-25	2	Bolt-CARR
10	117-5476	1	Pad-Roller	22	104-3577	2	Washer
11	1-807512	4	Bolt-CARR	23	3234-46	1	Screw-HHF
12	104-7201	4	Nut-HF, NI	24	52-2861	1	Washer



Platform Assembly

<i>Ref.</i>	<i>Part Number</i>	<i>Qty.</i>	<i>Description</i>	<i>Ref.</i>	<i>Part Number</i>	<i>Qty.</i>	<i>Description</i>
1	130-9100	1	Platform ASM	5:2	117-2754	1	Decal-Warning
1:1	130-9101-01	1	Platform	5:3	132-1407	1	Decal-Service
1:2	132-1321	1	Decal-Instructions, Operating	6	3256-55	8	Washer-Flat
1:3	117-2718	1	Decal-Arrester, Spark	7	117-2382	9	Plug-Plastic
1:4	114-0849	1	Decal-Pedal, Traction	9	110-5954	4	Mount-Center, Bonded
1:5	132-1314	1	Decal-Fuse	10	115-5519	4	Washer-Plain
1:6	132-1406	1	Decal-Release, Parking Brake	11	92-2651	6	Washer
2	112-7316	1	Cover-Storage, Center	12	702093	2	Screw-HH
3	114-5508	1	Rod-Hinge	13	99-5107	4	Nut-Lock
4	115-5417	2	Strip-Foam	14	126-3900	2	Screw-HHF
5	132-1419	1	Lid-Center, Storage	15	121-3874	1	Wrench ASM
				15:2	119-1846	1	Grip

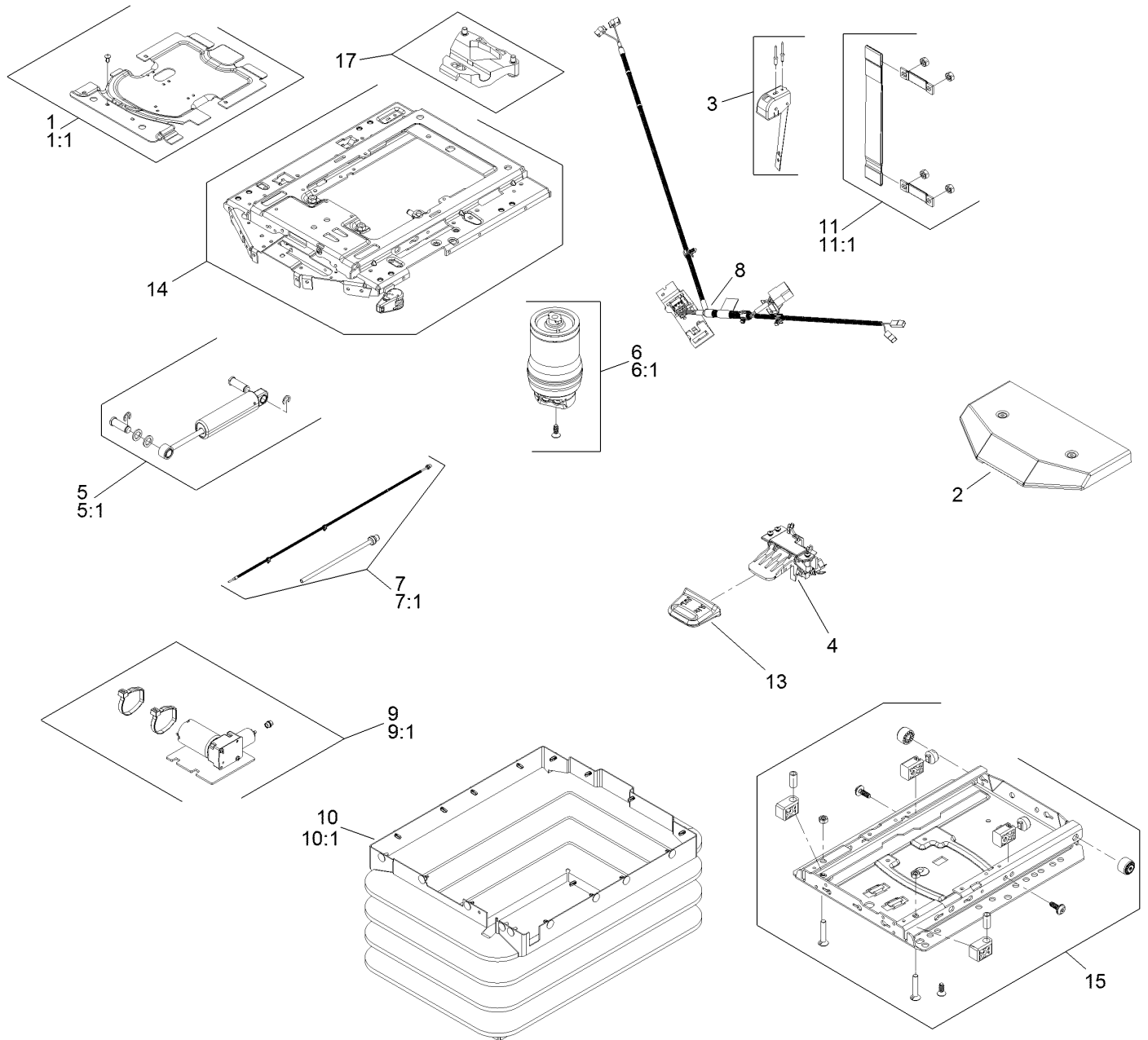


Seat Mount Assembly

Ref.	Part Number	Qty.	Description	Ref.	Part Number	Qty.	Description
1		1	Seat And Suspension ASM	18	104-8300	11	Nut-HF, NI
1:1	130-2702	1	Air Ride Seat Suspension	19	116749	1	Horn
1:3	132-1304	1	Backrest Adjustment Kit	20	322-3	2	Screw-HH
2	3212-8	1	Screw-HH	24	131-2355-03	1	Support-Arm
3	17-7190	1	Spacer-Finger	25	131-2352-03	1	Channel-Support
4	110-0413	1	Seatbelt-Retractable	26	3230-1	5	Bolt-CARR
5	3256-25	4	Washer-Flat	27	131-2351-03	1	Strap-Support
6	3212-4	1	Screw-HH	28	107-1865	2	R-Clamp
7	119-7742	1	Screw-Cushion	29	104-7050	1	Tube-Manual
8	3231-22	4	Screw-CARR	30	104-7048	1	Cap-Housing
9	104-8301	6	Nut-HF, NI	31	104-7201	2	Nut-HF, NI
10	107-3154	4	Nut-Push	32	32105-15	2	Screw-HWH
11	114-5553	4	Shim-Pad	34	3253-4	1	Washer-Lock
16	69-9290	2	Pad-Bumper	35	33114-010	1	Screw-HH
17	32108-103	4	Screw-FH	36	112-7405	1	Nut-Hex, Coupling

● Not serviced separately

Air Ride Seat Suspension Assembly No. 130-2702

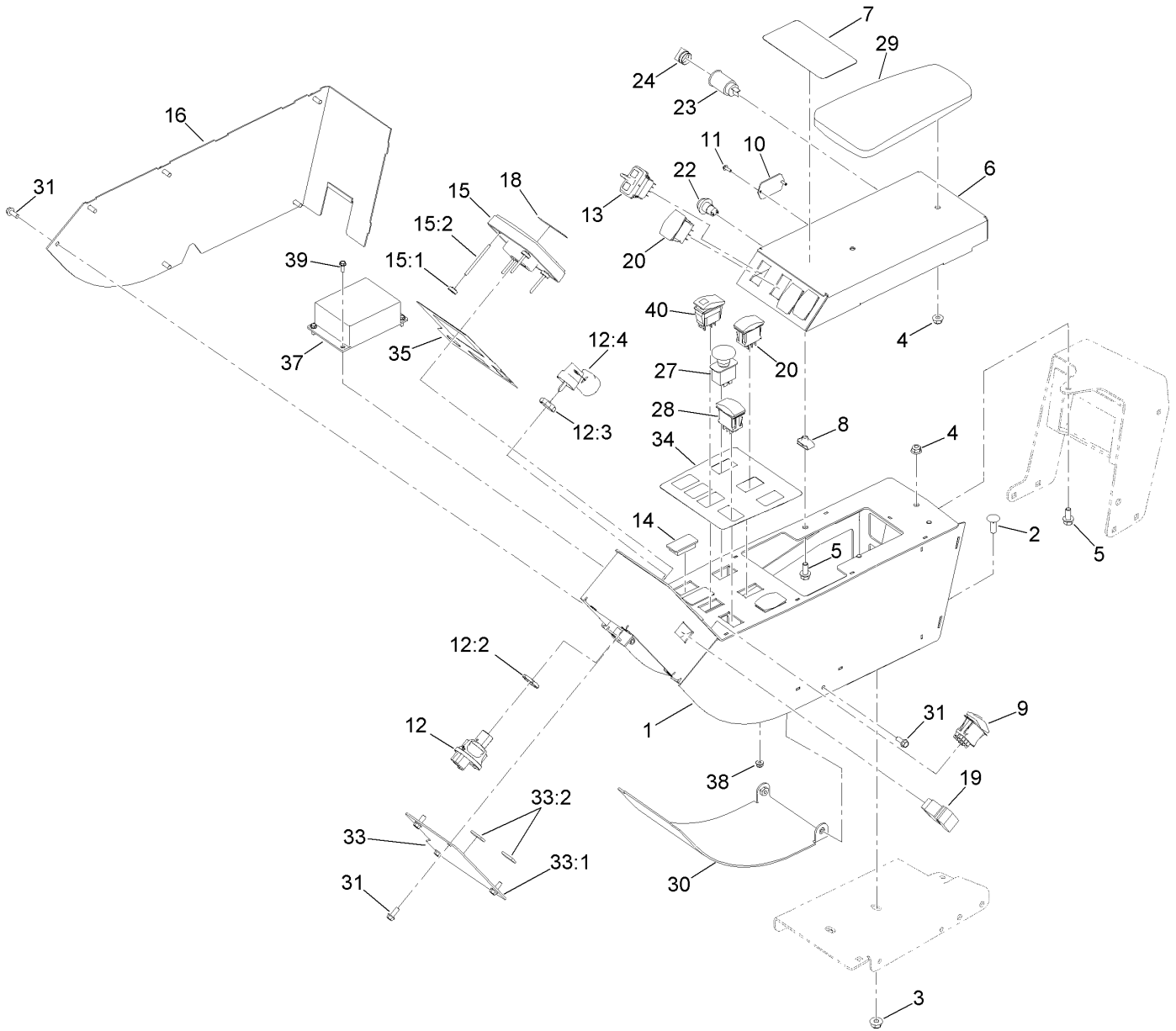


Air Ride Seat Suspension Assembly No. 130-2702 (continued)

<i>Ref.</i>	<i>Part Number</i>	<i>Qty.</i>	<i>Description</i>	<i>Ref.</i>	<i>Part Number</i>	<i>Qty.</i>	<i>Description</i>
1	130-2709	1	Cover ASM	9	130-2719	1	Compressor
1:1	130-2710	1	Cover Kit	9:1	130-2720	1	Compressor Kit
2	108-8027	1	Cover	10	130-2721	1	Bellows ASM
3	130-2711	1	Control-Level	10:1	130-2722	1	Bellows Kit
4	108-8029	1	Valve-Control, Air	11	130-2723	1	Tether
5	130-2712	1	Shock Absorber ASM	11:1	130-2724	1	Tether Kit
5:1	130-2713	1	Shock Absorber Kit	12	130-2725	1	Wear Parts Kit ●
6	130-2714	1	Air Spring ASM	13	130-2726	1	Handle
6:1	130-2715	1	Air Spring Kit	14	130-2727	1	Upper Suspension Kit
7	130-2716	1	Air Tube ASM	15	130-2728	1	Lower Suspension Kit
7:1	130-2717	1	Air Tube Kit	16	130-2729	1	Adjuster Mounting Kit ●
8	130-2718	1	Harness-Wire	17	130-2730	1	Limiters-Thrust

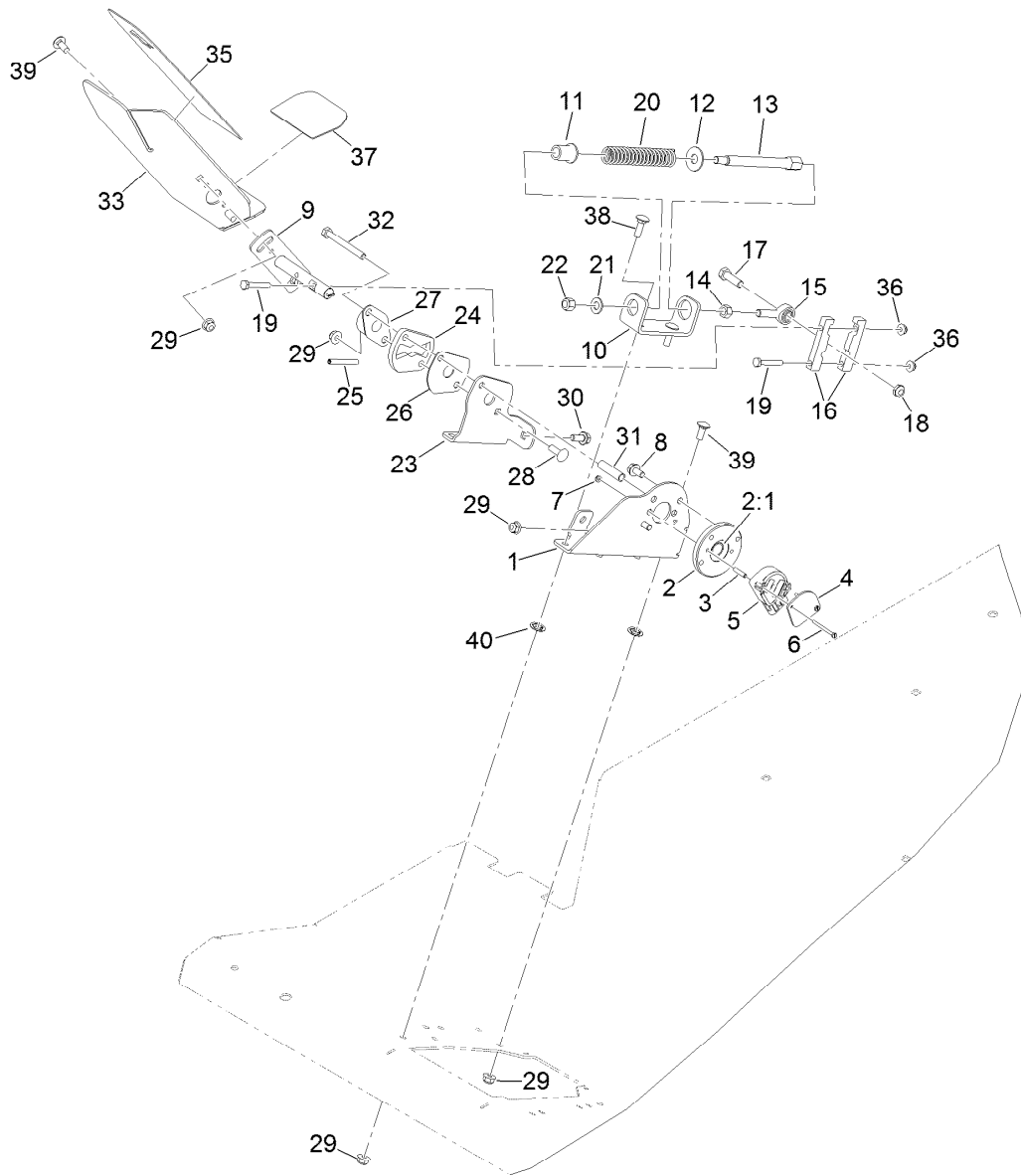
● Not illustrated

Control Console Assembly



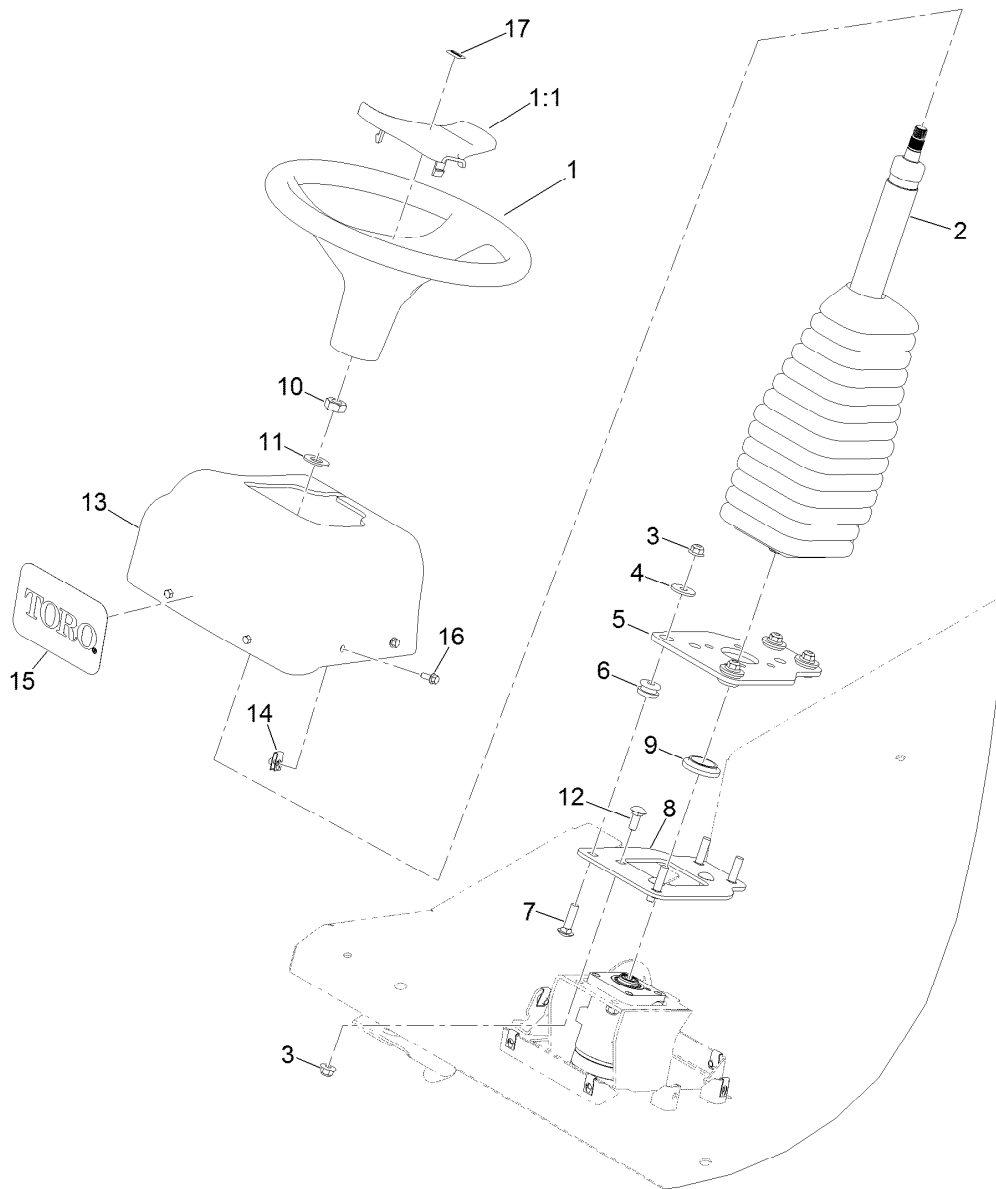
Control Console Assembly (continued)

<i>Ref.</i>	<i>Part Number</i>	<i>Qty.</i>	<i>Description</i>	<i>Ref.</i>	<i>Part Number</i>	<i>Qty.</i>	<i>Description</i>
1	131-2329	1	Control Arm ASM	18	114-5554	1	Decal-Center, Info
2	3231-22	2	Screw-CARR	19	95-8999	1	Switch-Rocker, On-None-On
3	104-8301	2	Nut-HF, NI	20	100-1535	5	Switch-Rocker, (On)-Off-(On)
4	104-8300	3	Nut-HF, NI	22	125-7996	1	Switch-Pb, Momentary
5	3234-5	5	Screw-HHF	23	99-7411	1	Point-Power
6	131-2346-03	1	Panel-Control	24	99-7416	1	Cap
7	131-2349	1	Decal-Console, Lift	27	93-9999	1	Switch-PTO
8	94-2413	4	Nut-U	28	107-8034	1	Switch-Rocker, On-Off-On
9	111-2254	1	Switch-Rocker, On-None-On	29	108-7602	1	Rest-Arm
10	121-1630	1	Plate-Cover	30	131-2340-03	1	Cover-Gate
11	32144-18	2	Screw-HWH	31	32144-85	12	Screw-HWH Thd Form
12	121-5159	1	Switch-Ignition	33	131-2338	1	Top Front Cover ASM
12:2	121-5160	1	Nut-Hex	33:1	131-2339-03	1	Cover-Front, Top
12:3	121-5161	1	Nut-Face	33:2	115-5417	2	Strip-Foam
12:4	121-5162	1	Set-Key, Ignition	34	131-2347	1	Decal-Console, Main
13	122-0702	1	Switch-Paddle, Off-On-On	35	131-2348	1	Decal-Console, Display
14	99-7420	3	Plug-Hole	37	105-4515	1	Flasher-Rate, Dual
15	125-5320	1	Infocenter Kantrak 2700	38	120-4578	4	Nut-HF
15:1	115-8884	4	Nut-Thumb	39	32105-23	4	Screw
15:2	115-8885	4	Stud	40	119-7769	1	Switch-Rocker, On/None/On
16	131-2342-03	1	Cover-Right				



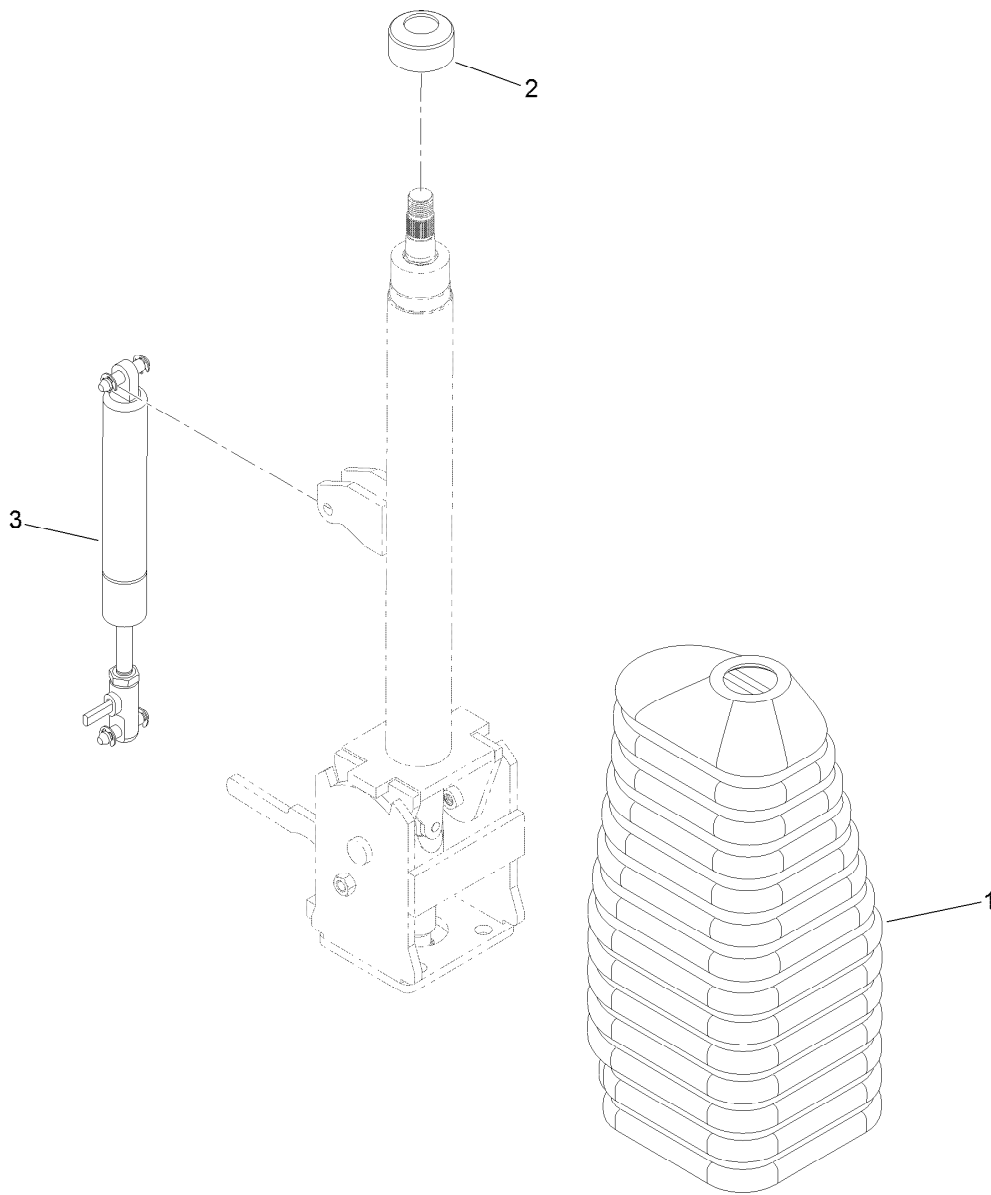
Traction Pedal Assembly

Ref.	Part Number	Qty.	Description	Ref.	Part Number	Qty.	Description
1	131-2249-01	1	Bracket-Sendor	20	84-9100	1	Spring
2	117-5445	1	Bushing Hub ASM	21	3256-24	1	Washer-Plain
2:1	95-7497	1	Bushing-Wheel	22	3296-6	1	Nut-Lock
3	114-5608	2	Spacer-Standoff	23	131-2250-01	1	Bracket-Butterfly
4	114-5595	1	Plate-Capture	24	117-5454	1	Plate-Butterfly
5	114-5609	1	Sensor-Position	25	32121-78	1	Pin-Roll
6	32105-25	2	Screw-SHH	26	117-5455	1	Plate-Cover
7	3296-9	2	Nut-Hex	27	256-236	1	Bearing-Mount, Flange
8	114-7728	2	Screw-HF	28	3230-22	1	Screw-CARR
9	131-2245	1	Shaft-Pedal, Traction	29	104-8300	7	Nut-HF, NI
10	131-2252-01	1	Bracket-Spring	30	3234-47	1	Screw-HHF
11	92-7610	1	Retainer-Spring	31	93-7960	1	Spacer
12	3256-5	1	Washer-Flat	32	322-14	1	Screw-HH
13	117-5446	1	Shaft-Spring	33	110-5986-01	1	Pedal-Traction
14	3219-3	1	Nut-Hex	35	93-5347	1	Abrasive-Pedal
15	2411-36	1	Bearing-End, Rod	36	104-7201	2	Nut-HF, NI
16	117-5459	2	Block-Clamp	37	93-5368	1	Abrasive-Pedal
17	323-7	1	Screw-HH	38	3230-2	2	Bolt-CARR
18	3296-59	1	Nut-Lock, NI	39	3230-23	5	Bolt-CARR
19	321-37	2	Screw-HH	40	117-2749	2	Nut-Push



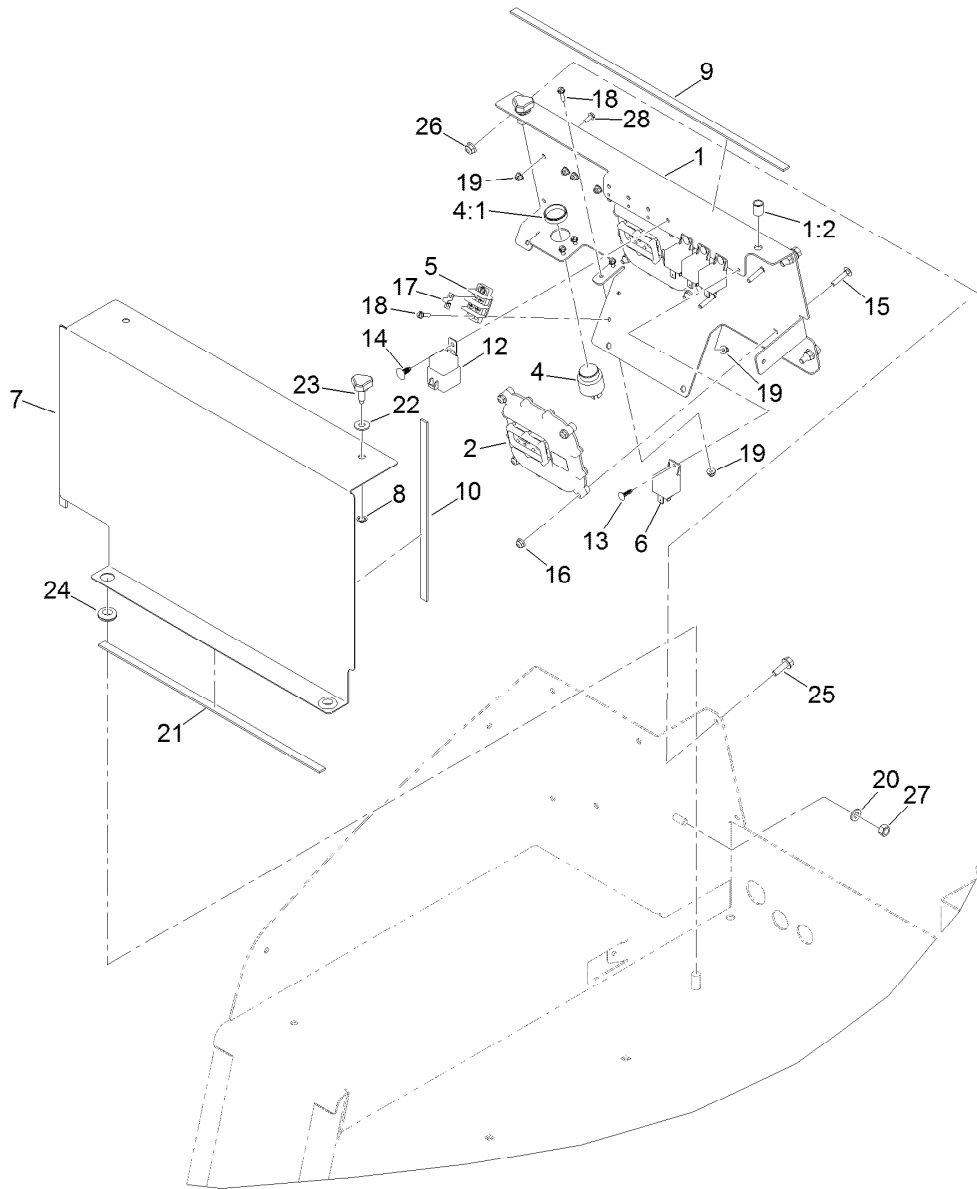
Steering Column Assembly

<i>Ref.</i>	<i>Part Number</i>	<i>Qty.</i>	<i>Description</i>	<i>Ref.</i>	<i>Part Number</i>	<i>Qty.</i>	<i>Description</i>
1	98-1471	1	Wheel-Steering	9	117-3373	1	Bushing-Alignment
1:1	98-1468	1	Cover-Wheel, Steering	10	3296-33	1	Nut-Lock, NI
2	132-1307	1	Column-Steering	11	3256-27	1	Washer-Flat
3	104-8301	7	Nut-HF, NI	12	3231-2	3	Bolt-CARR
4	63-8410	4	Washer	13	131-2269	1	Cover-Steering
5	131-2248-01	1	Plate-Steering Mount	14	107069	7	Clip
6	63-9750	4	Mount	15	105-1217	1	Decal
7	3231-26	4	Screw-CARR	16	3234-33	7	Screw-HHF
8	131-2246-01	1	Plate-Mounting, Valve	17	98-1459	1	Decal



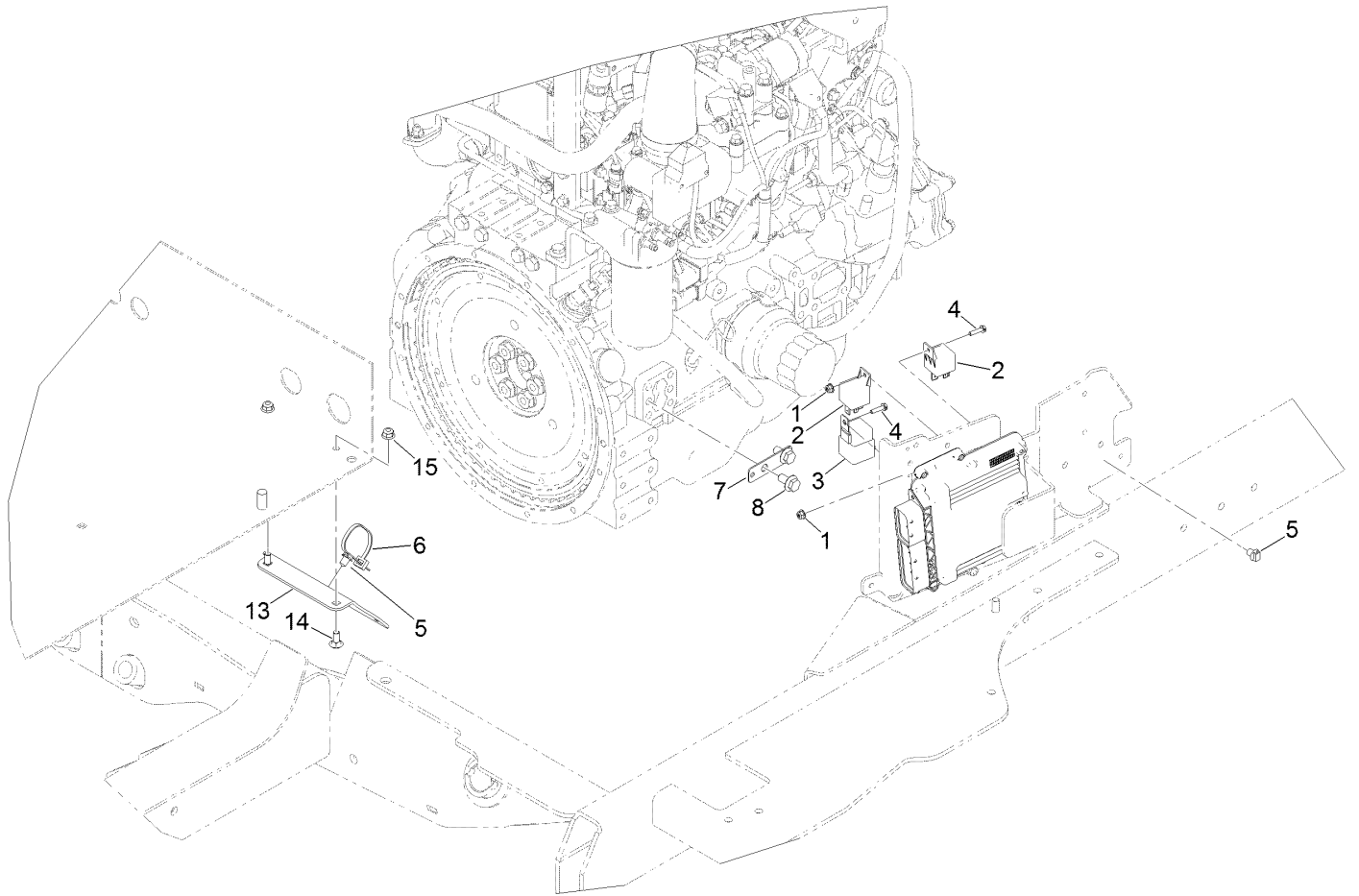
Steering Column Assembly No. 132-1307

<i>Ref.</i>	<i>Part Number</i>	<i>Qty.</i>	<i>Description</i>
1	120-2592	1	Boot-Rubber, Column
2	120-2593	1	Boot-Rubber, Bearing
3	120-2594	1	Gas Spring ASM



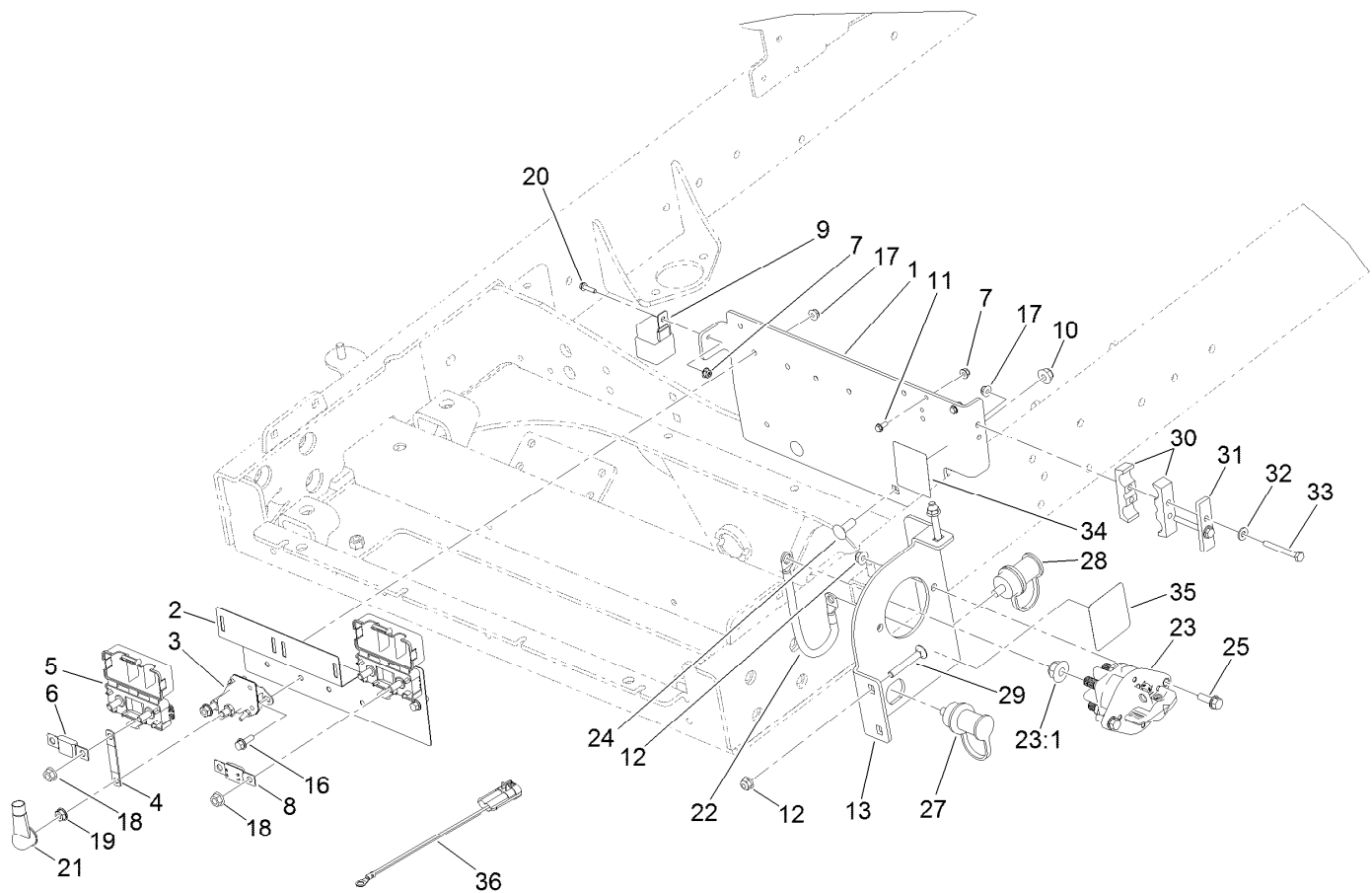
Front Electrical Component Assembly

<i>Ref.</i>	<i>Part Number</i>	<i>Qty.</i>	<i>Description</i>	<i>Ref.</i>	<i>Part Number</i>	<i>Qty.</i>	<i>Description</i>
1	132-1332	1	Electrical Plate ASM	15	3229-3	8	Screw-CARR
1:2	32148-9	2	Nut-Clinch	16	104-7201	8	Nut-HF, NI
2	114-3321	2	Controller-Tec	17	42863	1	Strip-Jumper
4	80-9330	1	Audio Alarm ASM	18	32105-13	6	Screw-HWH
4:1	104-5107	1	Nut-Plastic, Knurled	19	120-4578	10	Nut-HF
5	42862	1	Block-Terminal, Ground	20	3256-38	1	Washer-Flat
6	99-7435	4	Relay	21	131-2289	1	Foam-Radiator
7	130-9034-01	1	Plate-Cover, Electrical	22	3256-3	2	Washer-Flat
8	32151-72	2	Ring-Retaining	23	95-9648	2	Knob
9	131-2221	1	Strip-Foam	24	99-3481	2	Grommet
10	130-9174	2	Foam-Cooler, Short	25	3234-29	4	Screw-HHF
12	99-7430	1	Relay-Mini	26	104-8300	4	Nut-HF, NI
13	125-8067	4	Plug-Plastic	27	32146-2	1	Nut-Hex
14	104-0395	1	Plug-Plastic	28	3290-321	4	Screw-HWH



Mid Electrical Component Assembly

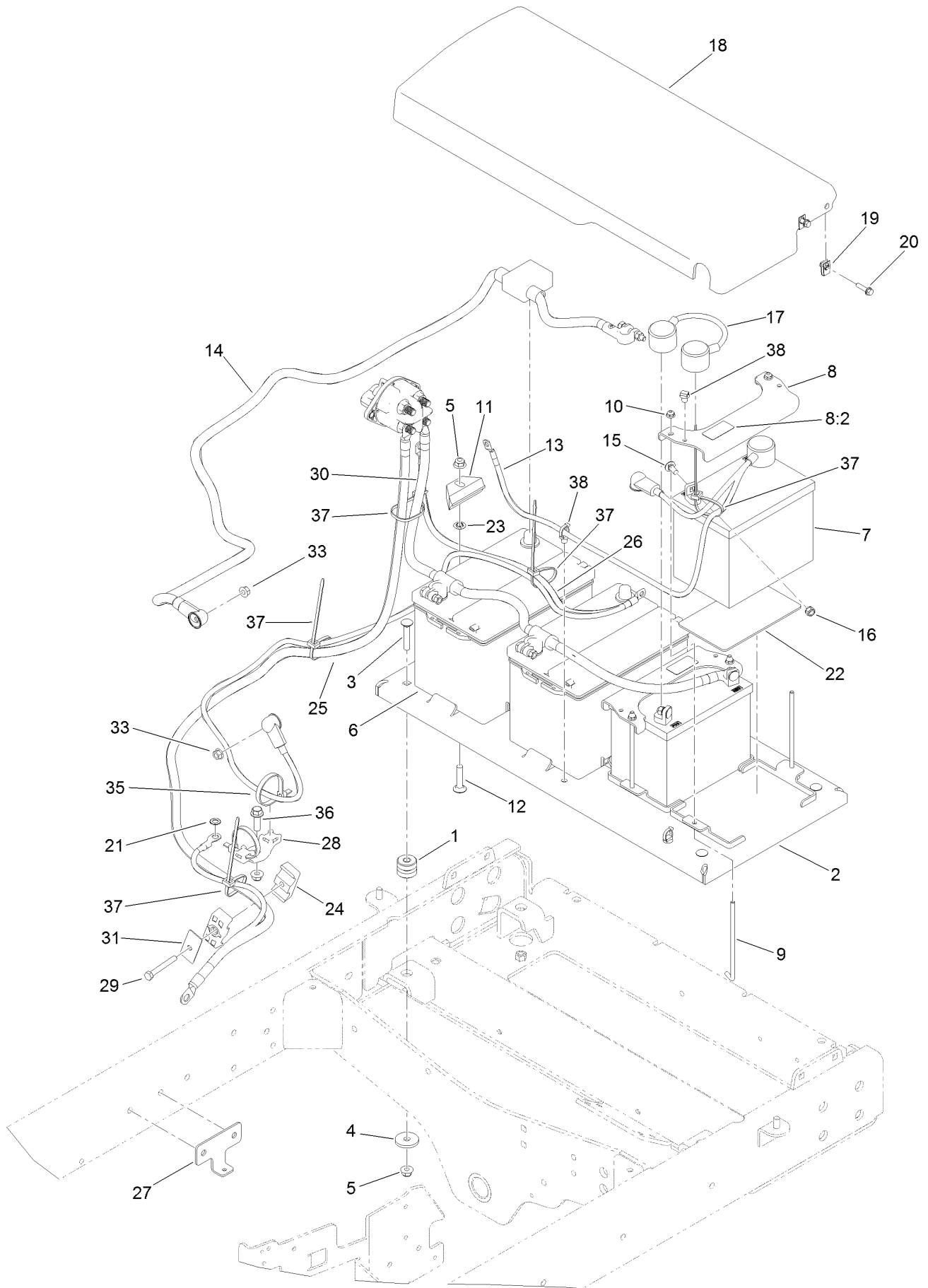
<i>Ref.</i>	<i>Part Number</i>	<i>Qty.</i>	<i>Description</i>
1	120-4578	2	Nut-HF
2	99-7435	2	Relay
3	99-7430	1	Relay-Mini
4	32105-13	2	Screw-HWH
5	32180-030	2	Clip-Tie
6	3290-378	2	Tie-Cable
7	132-9627	1	Bracket-Harness
8	33105-020	1	Screw-HHF
13	132-1357-01	1	Bracket-Bulkhead, Electrical
14	3230-1	2	Bolt-CARR
15	104-8300	2	Nut-HF, NI



Rear Electrical Component Assembly

<i>Ref.</i>	<i>Part Number</i>	<i>Qty.</i>	<i>Description</i>	<i>Ref.</i>	<i>Part Number</i>	<i>Qty.</i>	<i>Description</i>
1	122-0518-03	1	Bracket-Electrical	20	32105-13	1	Screw-HWH
2	122-0624-03	1	Bracket-Fuse	21	32180-008	1	Insulator-Lug, Red
3	131-8342	1	Solenoid	22	122-0701	1	Ground Jumper
4	114-5682	1	Strap-Jumper	23	122-0603	1	Switch-Disconnect
5	114-3318	2	Holder-Fuse, Mega	23:1	33006-00	1	Nut-HF
6	AU126232	1	Fuse-100A	24	3231-22	2	Screw-CARR
7	120-4578	3	Nut-HF	25	3234-29	2	Screw-HHF
8	122-0628	1	Fuse-Mega	27	132-1364	1	Stud-Jumper, Positive
9	99-7430	1	Relay-Mini	28	132-1365	1	Stud-Jumper, Negative
10	104-8301	2	Nut-HF, NI	29	3230-7	3	Bolt-CARR
11	3290-321	2	Screw-HWH	30	99-3641	2	Clamp-Tube
12	104-8300	6	Nut-HF, NI	31	114-0989	1	Plate-Cover
13	132-1362-03	1	Bracket-Disconnect	32	3256-22	2	Washer-Flat
16	3234-4	4	Screw-HHF	33	321-18	2	Screw-HH
17	104-7201	6	Nut-HF, NI	34	132-1315	1	Decal-Fuse
18	127-2371	4	Nut-HF	35	132-1313	1	Decal-Disconnect
19	107-0380	2	Nut-HF	36	108-9470	1	Harness-Wire, Fusible Link

Battery Cable Routing Assembly



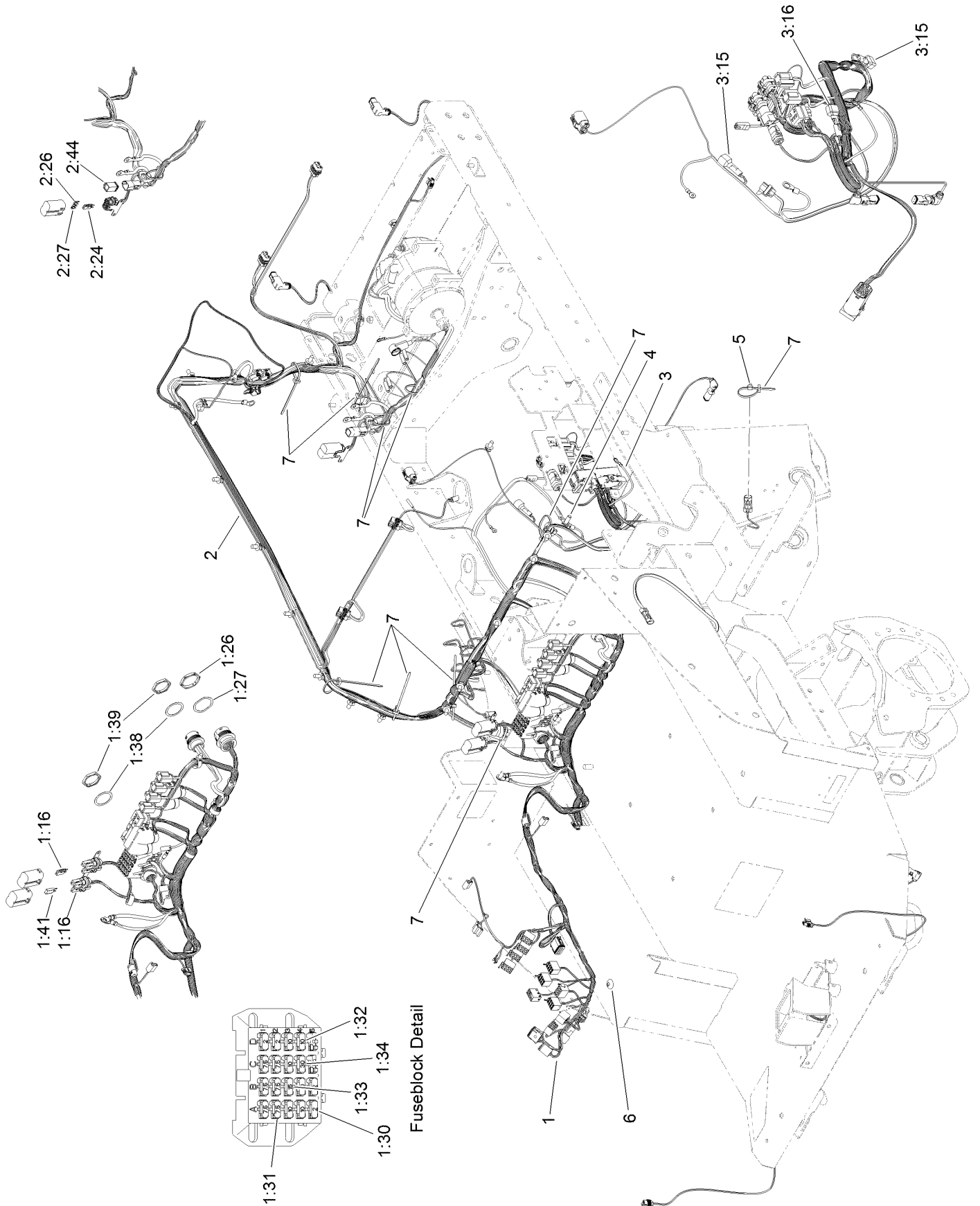
Battery Cable Routing Assembly (continued)

<i>Ref.</i>	<i>Part Number</i>	<i>Qty.</i>	<i>Description</i>	<i>Ref.</i>	<i>Part Number</i>	<i>Qty.</i>	<i>Description</i>
1	130-9077	4	Mount-ISO	19	107069	4	Clip
2	130-9084-03	1	Tray-Battery	20	120-4654	4	Screw-HHF
3	3231-6	4	Screw-CARR	21	3255-9	1	Washer-Lock
4	114-2120	4	Washer	22	62-4300	2	Pad-Skid, Anti
5	104-8301	7	Nut-HF, NI	23	107-3154	2	Nut-Push
6		2	Battery-12 Volt, Wet ●■	24	94-8105	2	Clamp-Tube
7		2	Battery (340 CCA, Wet) ●■	25	122-0404	1	Cable-Battery, Negative
8	132-1388	2	Bracket-Battery	26	122-0615	1	Cable-Battery, Positive
8:2	132-1318	1	Decal-24 Volt	27	122-0604-03	1	Bracket-Battery Cable
9	104-8567	4	Holdown-Battery	28	32180-187	1	Clip-Double Tie Mount
10	104-7201	4	Nut-HF, NI	29	322-12	1	Screw-HH
11	66-2490	2	Retainer-Battery	30	122-0617	1	Cable-Battery, Negative
12	3231-5	2	Screw-CARR	31	69-9761	1	Plate-Cover
13	122-0401	1	Cable-Battery, Positive	33	33004-00	2	Nut-HF
14	122-0398	1	Cable-Battery, Positive	35	3334-945	2	Tie-Cable
15	3230-23	4	Bolt-CARR	36	119-4061	1	Screw-HHF
16	32149-1	4	Nut-Keps	37	3290-378	5	Tie-Cable
17	122-0402	1	Cable-Battery, Jumper (24V)	38	32180-030	3	Clip-Tie
18	130-9032	1	Cover-Battery				

● Obtain locally.

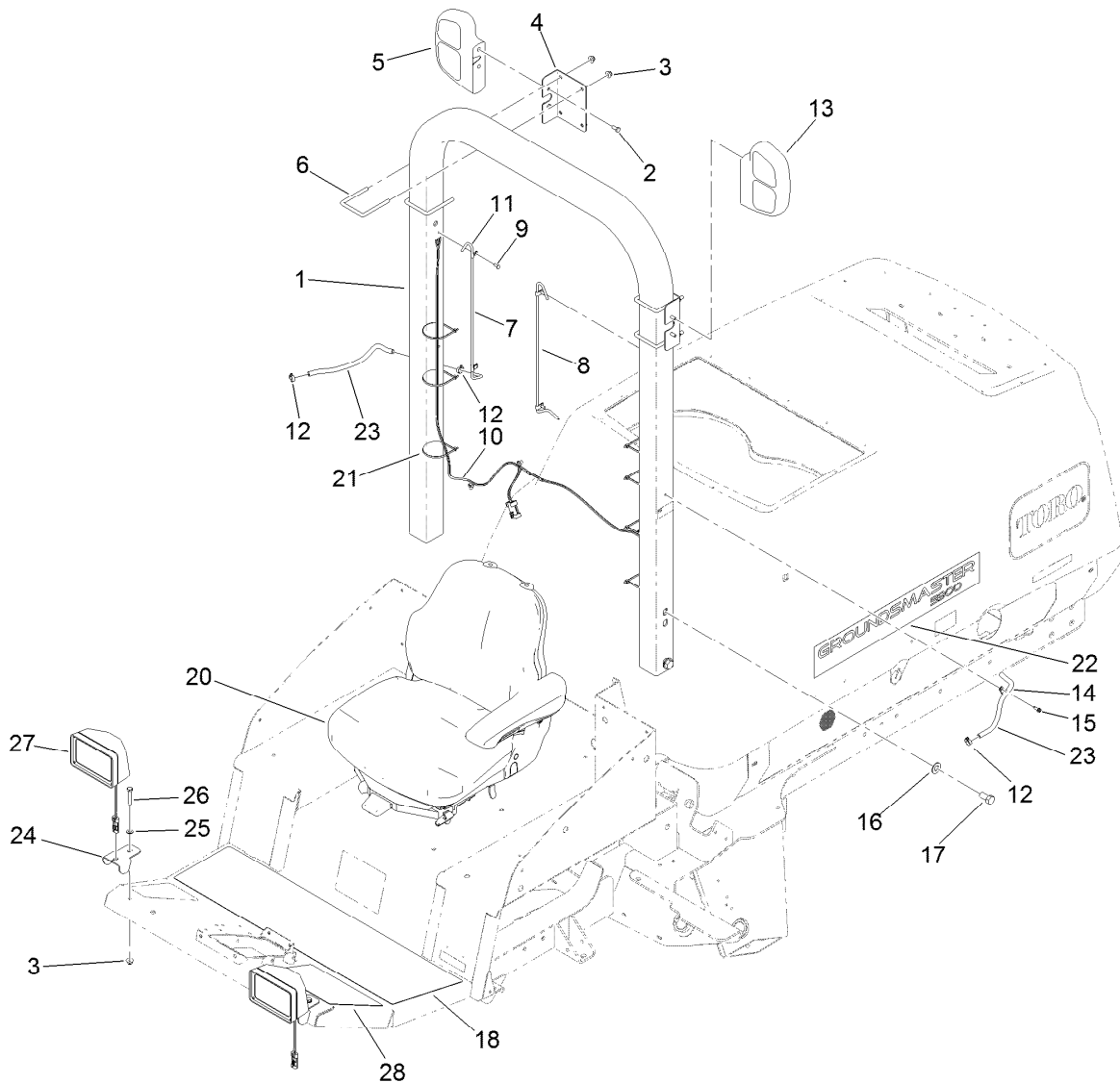
■ Not serviced separately

Wire Harness Assembly



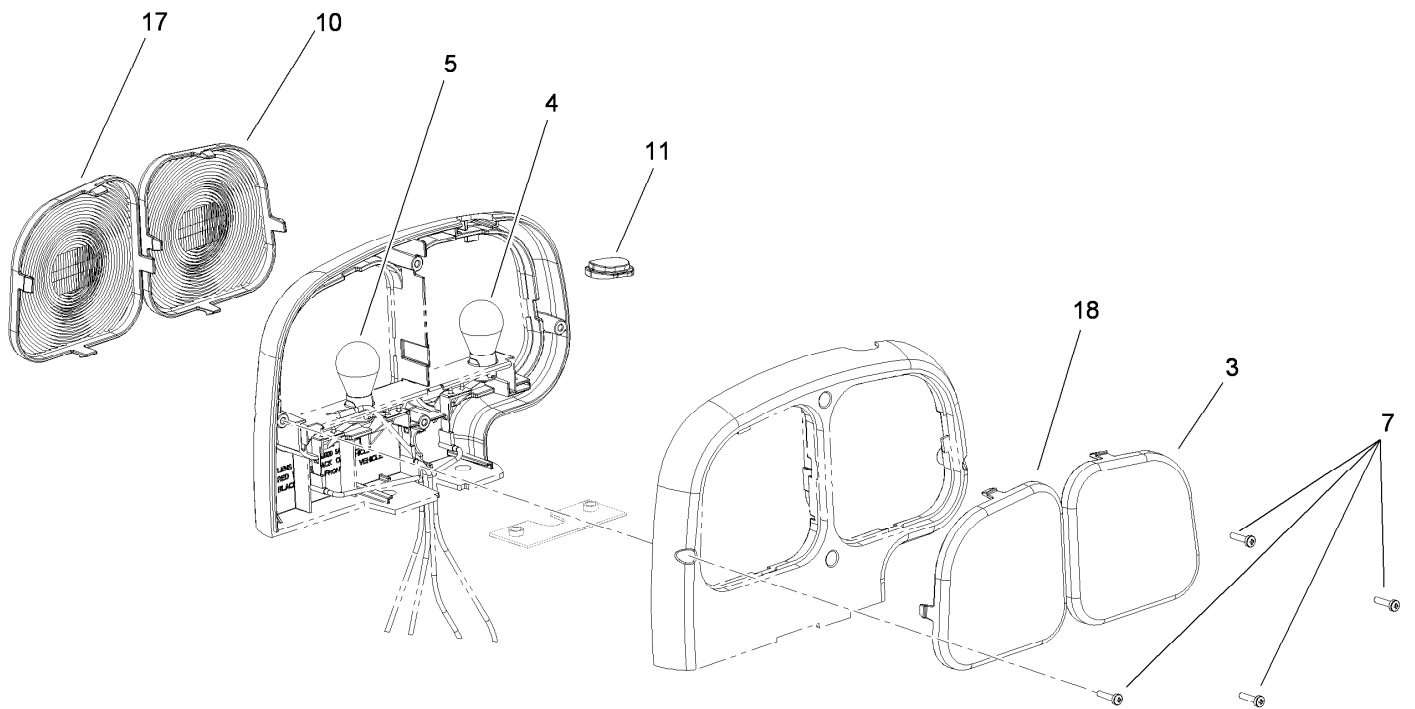
Wire Harness Assembly (continued)

<i>Ref.</i>	<i>Part Number</i>	<i>Qty.</i>	<i>Description</i>	<i>Ref.</i>	<i>Part Number</i>	<i>Qty.</i>	<i>Description</i>
1	122-0201	1	Harness-Wire	2	122-0441	1	Harness-Wire
1:16	32180-167	7	Diode-Mini Fuse, 6A	2:24	32180-167	1	Diode-Mini Fuse, 6A
1:26	32180-135	1	Nut-Connector	2:26	121-8864	1	Fuse-Mini Blade, 5 Amp
1:27	32180-143	1	Washer-Lock	2:27	121-8869	1	Fuse-Mini Blade, 25 Amp
1:30	121-8861	4	Fuse-Mini Blade, 2 Amp	2:44	122-0392	1	Voltage Divider-Sealed
1:31	121-8865	6	Fuse-Mini Blade, 7.5 Amp	3	122-0337	1	Harness-Wire, Engine
1:32	121-8866	6	Fuse-Mini Blade, 10 Amp	3:15	100-4918	2	Diode
1:33	121-8867	1	Fuse-Mini Blade, 15 Amp	3:16	121-8891	1	Resistor (1.6K Ohm)
1:34	121-8870	1	Fuse-Mini Blade, 30 Amp	4	33105-025	1	Screw-HHF
1:38	32180-174	2	Washer-Lock	5	32180-030	2	Clip-Tie
1:39	32180-175	2	Nut-Connector	6	32180-149	1	Tie-Button Head
1:41	32180-190	1	Resistor-2K Ohm	7	3290-378	11	Tie-Cable



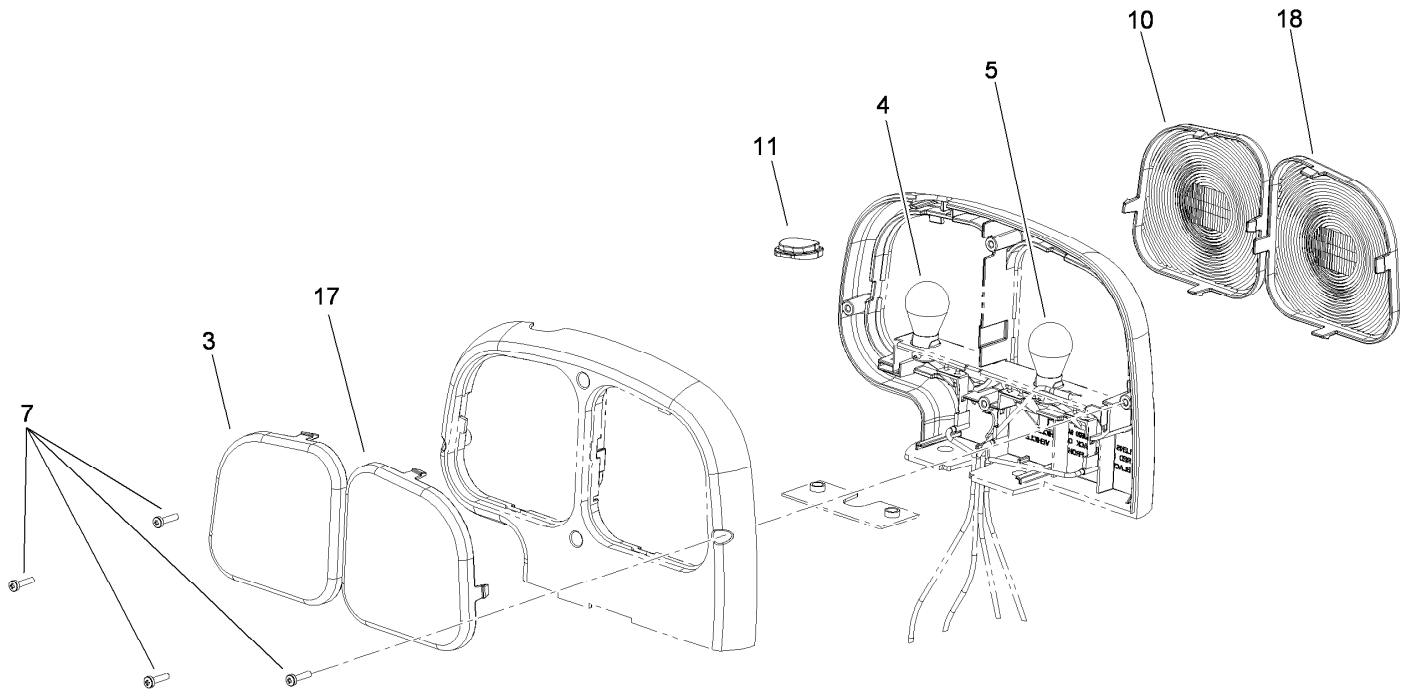
Roll-Over Protection System Assembly For ROPS Model Only

<i>Ref.</i>	<i>Part Number</i>	<i>Qty.</i>	<i>Description</i>	<i>Ref.</i>	<i>Part Number</i>	<i>Qty.</i>	<i>Description</i>
1	132-1416	1	ROPS ASM	15	49-2040	2	Screw-HWHTF
2	33114-020	4	Screw-HH	16	3256-27	4	Washer-Flat
3	104-8301	10	Nut-HF, NI	17	327-3	4	Screw-HH
4	114-5601-03	2	Bracket-Flasher	18	132-1333	1	Tread-Foot, Abrasive
5	108-8007	1	Tail Light Flasher ASM	20	117-5676	1	Premium Seat ASM
6	100-7067	4	U-Bolt (4 Inch)	21	3290-379	7	Tie-Cable
7	114-0938	1	Tube-Vent	22	110-6008	2	Decal-Hood
8	114-0937	1	Tube-Vent	23	110-4110	2	Hose-Fuel
9	3290-412	4	Rivet-Blind	24	125-5305-01	2	Bracket-Headlight
10	122-0786	1	Harness-Wire, Flashers	25	3256-45	2	Washer-Flat
11	2412-72	4	Clip-Closed, Insulated	26	323-10	2	Screw-HH
12	2412-108	4	Clamp-Worm	27	114-5928	2	Headlight ASM
13	108-8008	1	Tail Light Flasher ASM	28	132-1334	1	Tread-Foot, Abrasive
14	2412-134	2	Clamp-R				



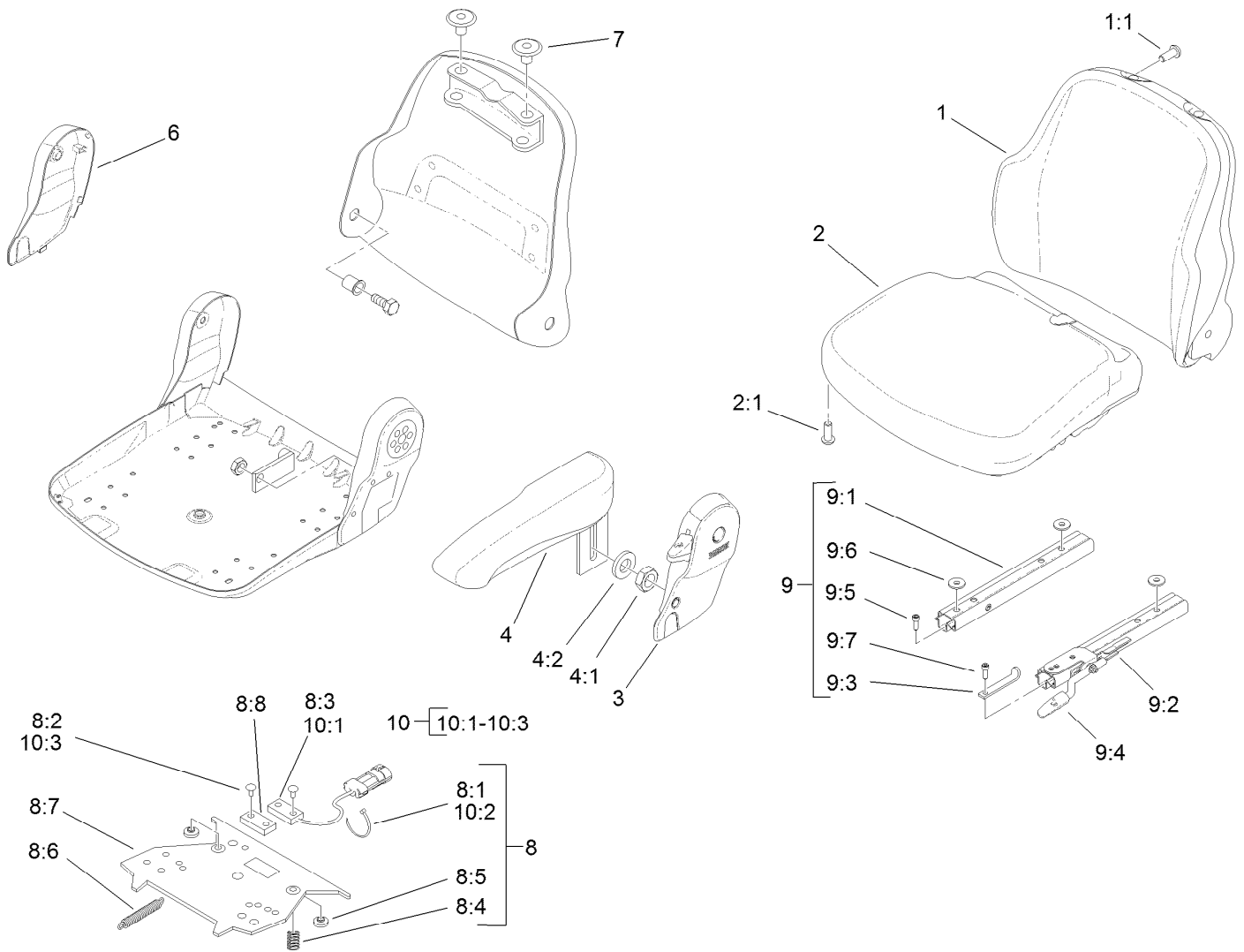
Right Hand Tail Light Assembly No. 108-8007

Ref.	Part Number	Qty.	Description
3	108-8056	1	Lens-Amber, Base
4	7228	1	Bulb-1156
5	108-8054	1	Bulb-1157
7	108-8053	4	Screw
10	108-8057	1	Lens-Amber, Cover
11	108-8055	1	Lens-Amber, Window
17	108-8060	1	Lens-Red, Base
18	108-8059	1	Lens-Black, Cover



Left Hand Tail Light Assembly No. 108-8008

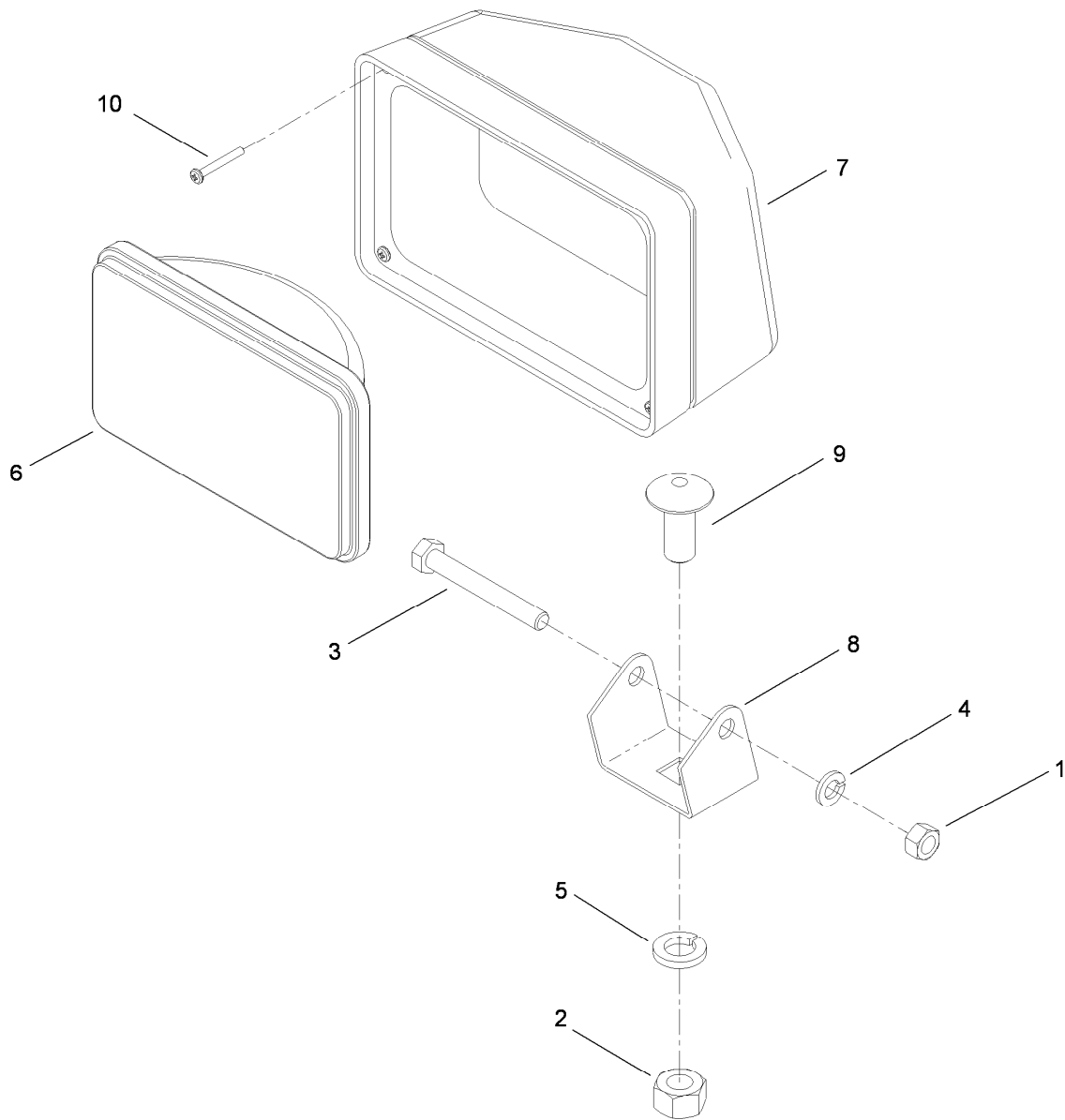
<i>Ref.</i>	<i>Part Number</i>	<i>Qty.</i>	<i>Description</i>
3	108-8056	1	Lens-Amber, Base
4	7228	1	Bulb-1156
5	108-8054	1	Bulb-1157
7	108-8053	4	Screw
10	108-8057	1	Lens-Amber, Cover
11	108-8055	1	Lens-Amber, Window
17	108-8061	1	Lens-Red, Cover
18	108-8058	1	Lens-Black, Base



Vinyl Premium Seat Assembly No. 117-5676

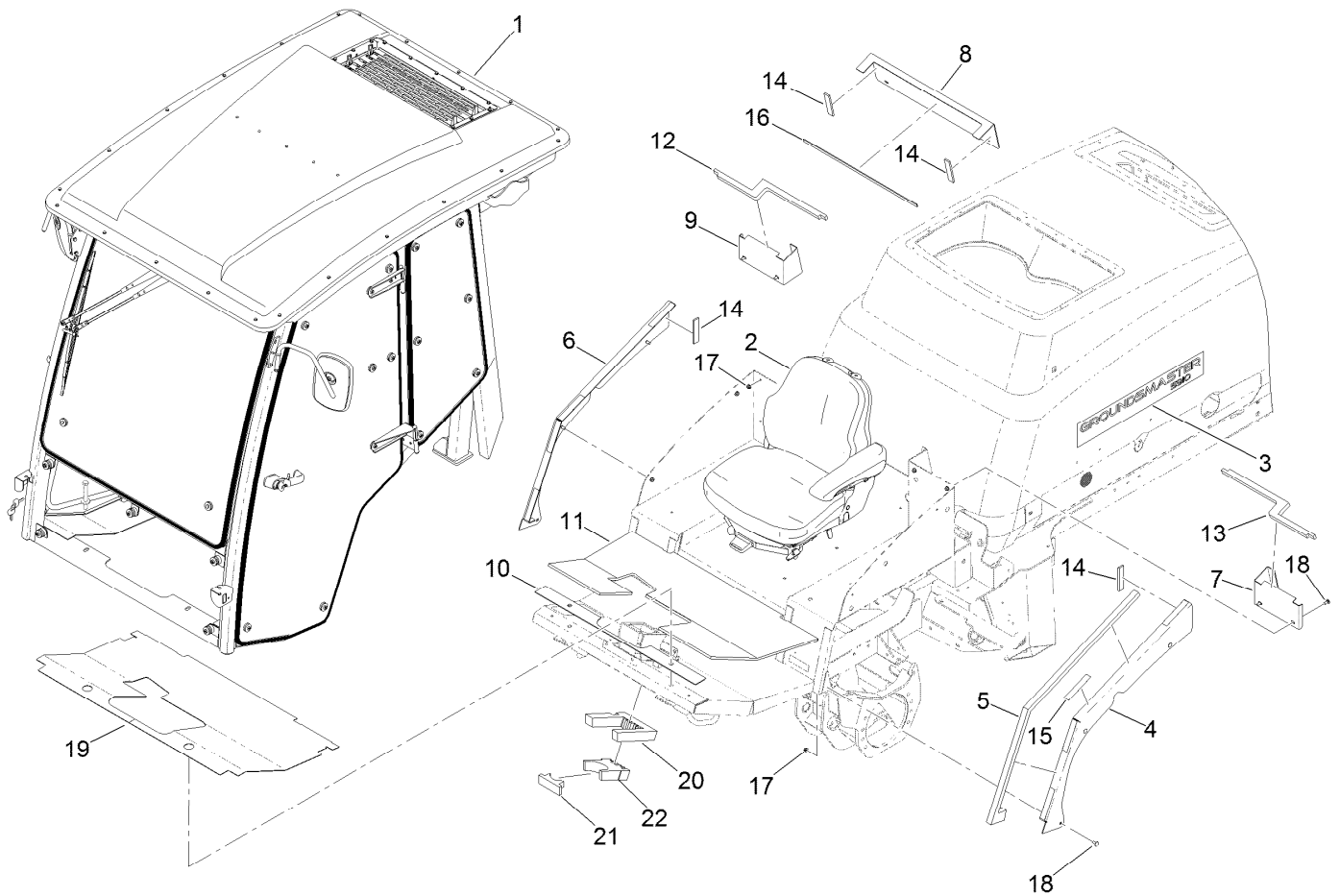
Ref.	Part Number	Qty.	Description	Ref.	Part Number	Qty.	Description
1	108-8016	1	Backrest Cushion ASM	8:6		1	Spring-Extension ●
1:1	119-7742	4	Screw-Cushion	8:7		1	Plate-Mounting ●
2	108-8017	1	Seat Cushion ASM	8:8		1	Magnet ●
2:1	119-7742	3	Screw-Cushion	9	108-8025	1	Adjustment Rail Set
3	108-8018	1	Cover-Armrest	9:1		1	Rail-Adjustment, RH ●
4	108-8019	1	LH Armrest ASM	9:2		1	Rail-Adjustment, LH ●
4:1	82-9650	1	Nut	9:3		1	Stop-Rail ●
4:2	107-1198	1	Washer	9:4		1	Handle ●
6	108-8021	1	Cover-Armrest	9:5		3	Screw ●
7	108-8022	2	Cover-Black	9:6		3	Washer ●
8	108-8024	1	Switch Kit	9:7		1	Screw ●
8:1		3	Wire Tie ●	10	110-6189	1	Switch Kit
8:2		4	Rivet ●	10:1		1	Switch ●
8:3		1	Sensor-Seat Switch ●	10:2		3	Wire Tie ●
8:4		2	Spring-Compression ●	10:3		2	Rivet ●
8:5		2	Bumper-Pressure Plate ●				

● Not serviced separately



Head Light Assembly No. 92-6565

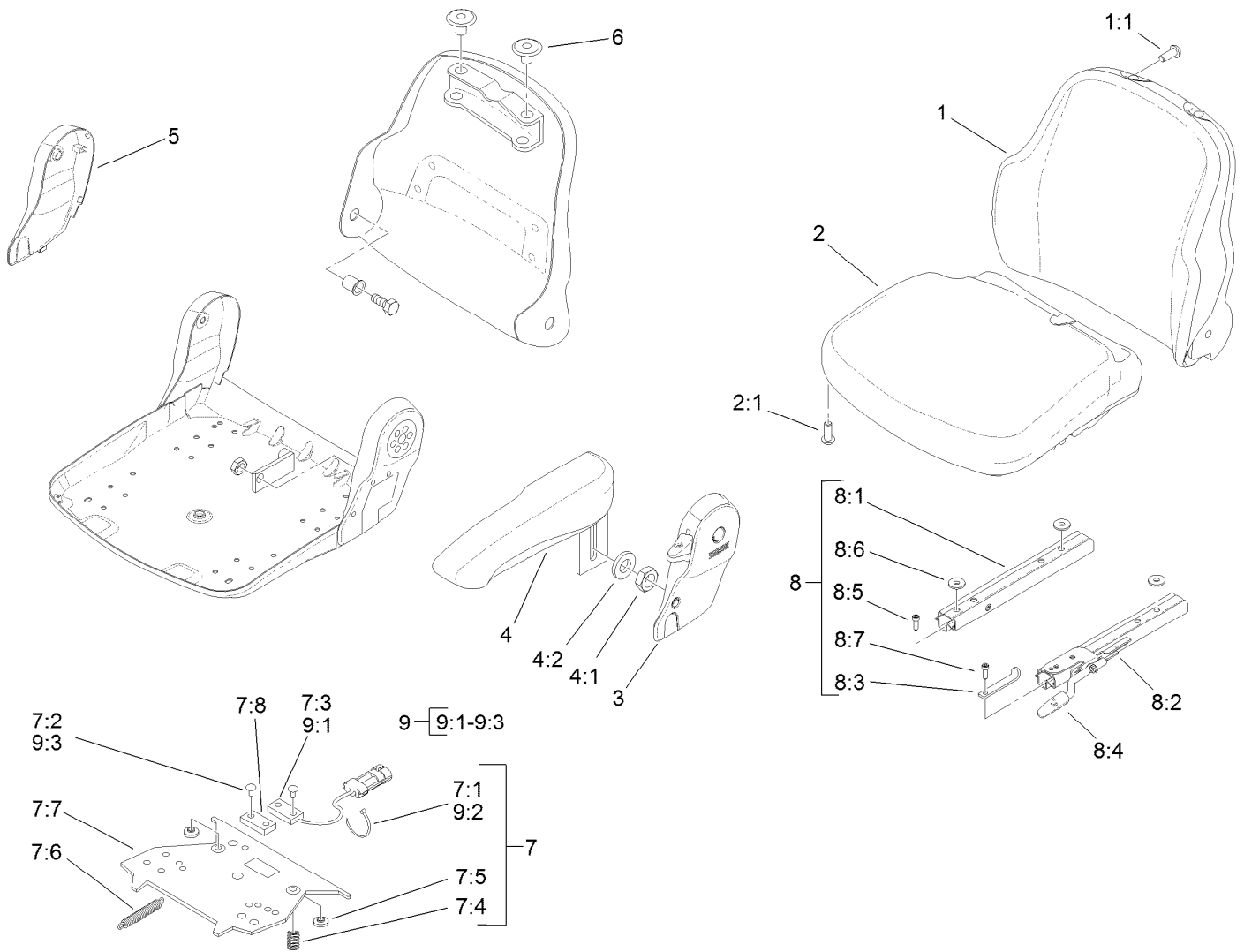
Ref.	Part Number	Qty.	Description
1	3217-6	1	Nut-Hex
2	3217-9	1	Nut-HH
3	322-12	1	Screw-HH
4	3253-4	1	Washer-Lock
5	3253-7	1	Washer-Lock
6	92-6595	1	Lamp-Beam, Sealed
7	92-6596	1	Bezel
8	92-6597	1	Bracket-Mounting
9	92-6598	1	Bolt-Carriage, Drilled
10	92-6599	4	Screw



Cab Mounting Assembly For Cab Model Only

<i>Ref.</i>	<i>Part Number</i>	<i>Qty.</i>	<i>Description</i>	<i>Ref.</i>	<i>Part Number</i>	<i>Qty.</i>	<i>Description</i>
1		1	Cab ASM ●	12	130-0534	1	Foam-Seal, Rear RH
2	117-9429	1	Matrix Cloth Seat ASM	13	130-0535	1	Foam-Seal, Rear LH
3	115-5448	2	Decal-Hood	14	115-5465	4	Seal-Trim
4	132-3297-03	1	Panel-Transition, LH	15	130-6112	8	Tape-Double Stick
5	132-3293	2	Foam-Seal, Side Panel	16	130-5724	1	Seal-Trim
6	132-3296-03	1	Panel-Transition, RH	17	104-8300	10	Nut-HF, NI
7	132-3299-03	1	Panel-Rear, LH	18	3230-23	10	Bolt-CARR
8	132-3294-03	1	Panel-Rear, Center	19	130-5984	1	Tread-Floor
9	132-3298-03	1	Panel-Rear, RH	20	130-6115	1	Foam-Steering, Rear
10	130-5605	1	Gasket-Front	21	130-6116	1	Foam-Steering, Plug
11	130-5983	1	Foam-Floor	22	130-6117	1	Foam-Steering, Front

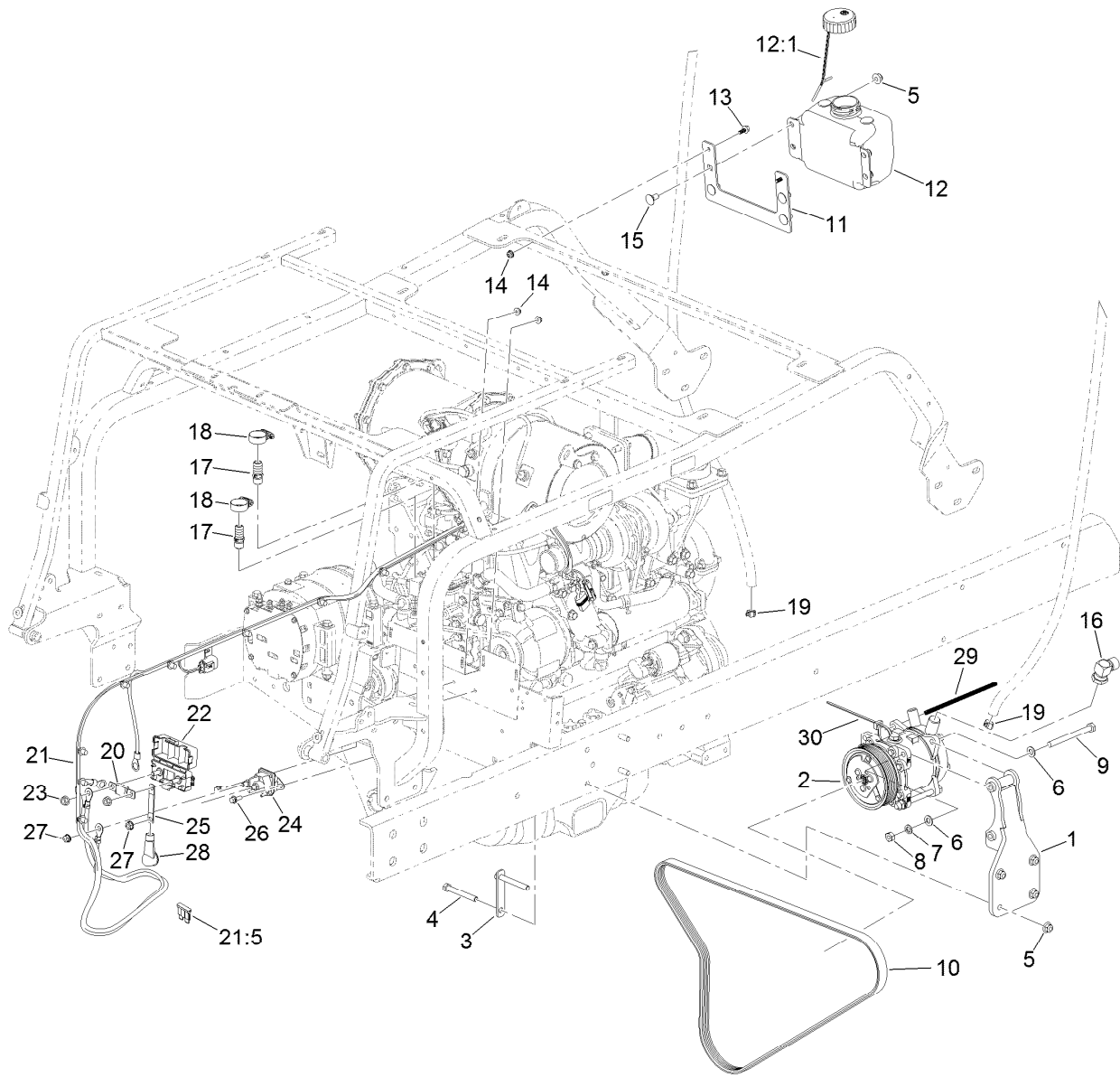
● Not serviced separately



Cloth Premium Seat Assembly No. 117-9429

Ref.	Part Number	Qty.	Description	Ref.	Part Number	Qty.	Description
1	117-9415	1	Backrest Cushion ASM Matrix Cloth	7:5	2	Bumper-Pressure Plate ●	
1:1	119-7742	4	Screw-Cushion	7:6	1	Spring-Extension ●	
2	117-9416	1	Seat Cushion ASM Matrix Cloth	7:7	1	Plate-Mounting ●	
2:1	119-7742	3	Screw-Cushion	7:8	1	Magnet ●	
3	108-8018	1	Cover-Armrest	8	108-8025	1	Adjustment Rail Set
4	108-8019	1	LH Armrest ASM	8:1	1	Rail-Adjustment, RH ●	
4:1	82-9650	1	Nut	8:2	1	Rail-Adjustment, LH ●	
4:2	107-1198	1	Washer	8:3	1	Stop-Rail ●	
5	108-8021	1	Cover-Armrest	8:4	1	Handle ●	
6	108-8022	2	Cover-Black	8:5	3	Screw ●	
7	108-8024	1	Switch Kit	8:6	3	Washer ●	
7:1	3	Wire Tie ●	8:7	1	Screw ●		
7:2	4	Rivet ●	9	110-6189	1	Switch Kit	
7:3	1	Sensor-Seat Switch ●	9:1	1	Switch ●		
7:4	2	Spring-Compression ●	9:2	3	Wire Tie ●		
			9:3	2	Rivet ●		

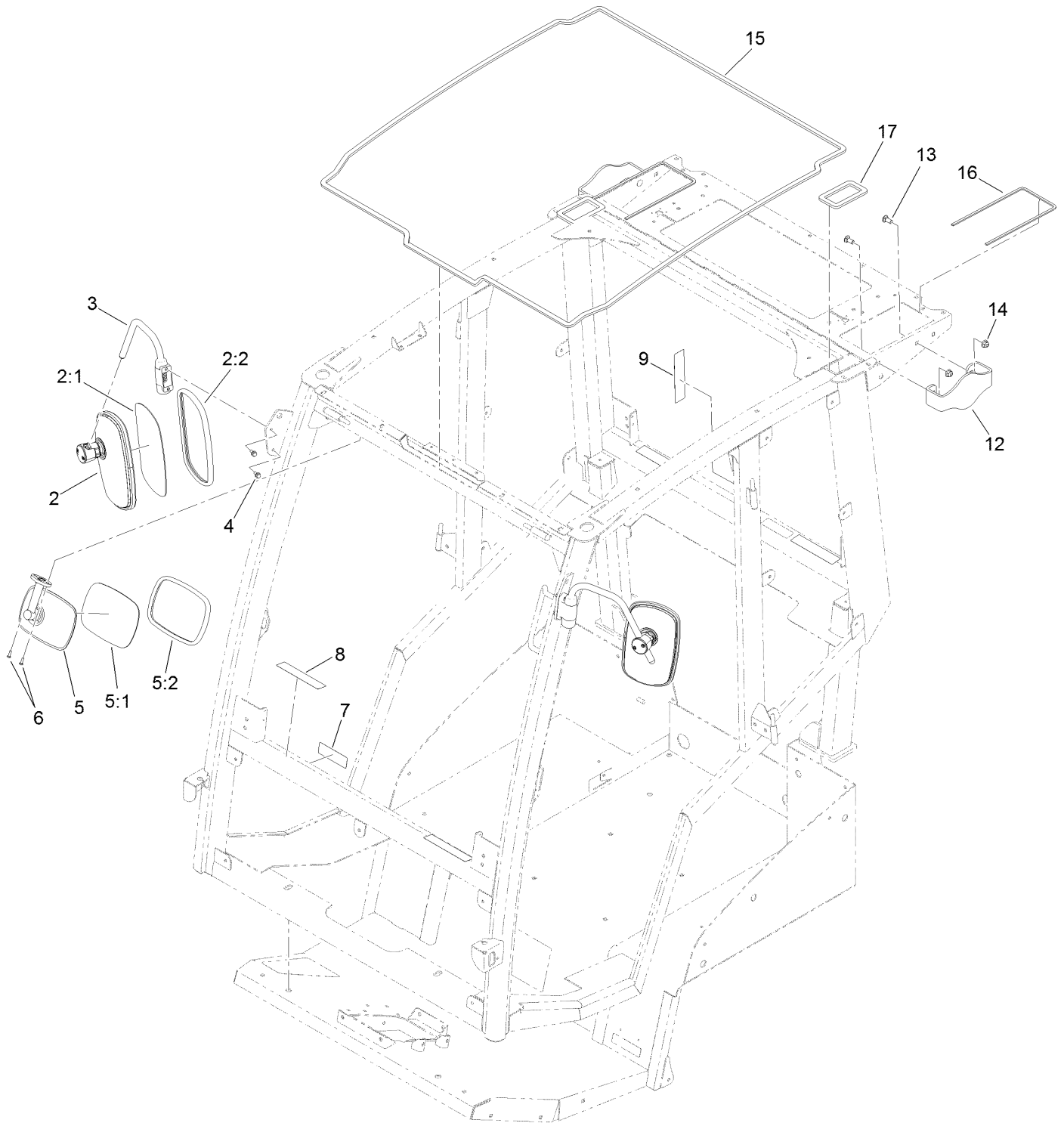
● Not serviced separately



AC Compressor Mount and Cab Fluids Assembly For Cab Model Only

Ref.	Part Number	Qty.	Description	Ref.	Part Number	Qty.	Description
1	130-2482-03	1	Mount-Compressor	16	119-0128	1	Fitting-Elbow, 90 DEG
2	130-2487	1	Compressor	17	117-9410	2	Fitting-Straight
3	130-2483-03	2	Compressor-Mount, Strap	18	2412-129	2	Clamp-Hose
4	323-14	4	Screw-HH	19	2412-108	2	Clamp-Worm
5	104-8301	8	Nut-HF, NI	20	AU126232	1	Fuse-100A
6	33095-00	4	Washer-Flat	21	122-0640	1	Harness-Power, Cab
7	48-9590	2	Washer-Lock	21:5	218-578	1	Fuse-Blade, 10 Amp
8	33015-00	2	Nut-Hex	22	114-3318	1	Holder-Fuse, Mega
9	33115-110	2	Screw-HH	23	127-2371	2	Nut-HF
10	130-9166	1	Belt-Poly V	24	131-8342	1	Solenoid
11	130-5625-03	1	Bracket-Tank, Wiper Fluid	25	114-5682	1	Strap-Jumper
12	125-5257	1	Tank-Fluid, Washer	26	3234-4	2	Screw-HHF
12:1	125-5258	1	Lid-Tank, Washer Fluid	27	107-0380	2	Nut-HF
13	99-6810	2	Screw-HHF	28	32180-008	1	Insulator-Lug, Red
14	104-7201	4	Nut-HF, NI	29	115-8882	1	Conduit-Convolutd
15	3231-1	4	Screw-CARR	30	3290-378	1	Tie-Cable

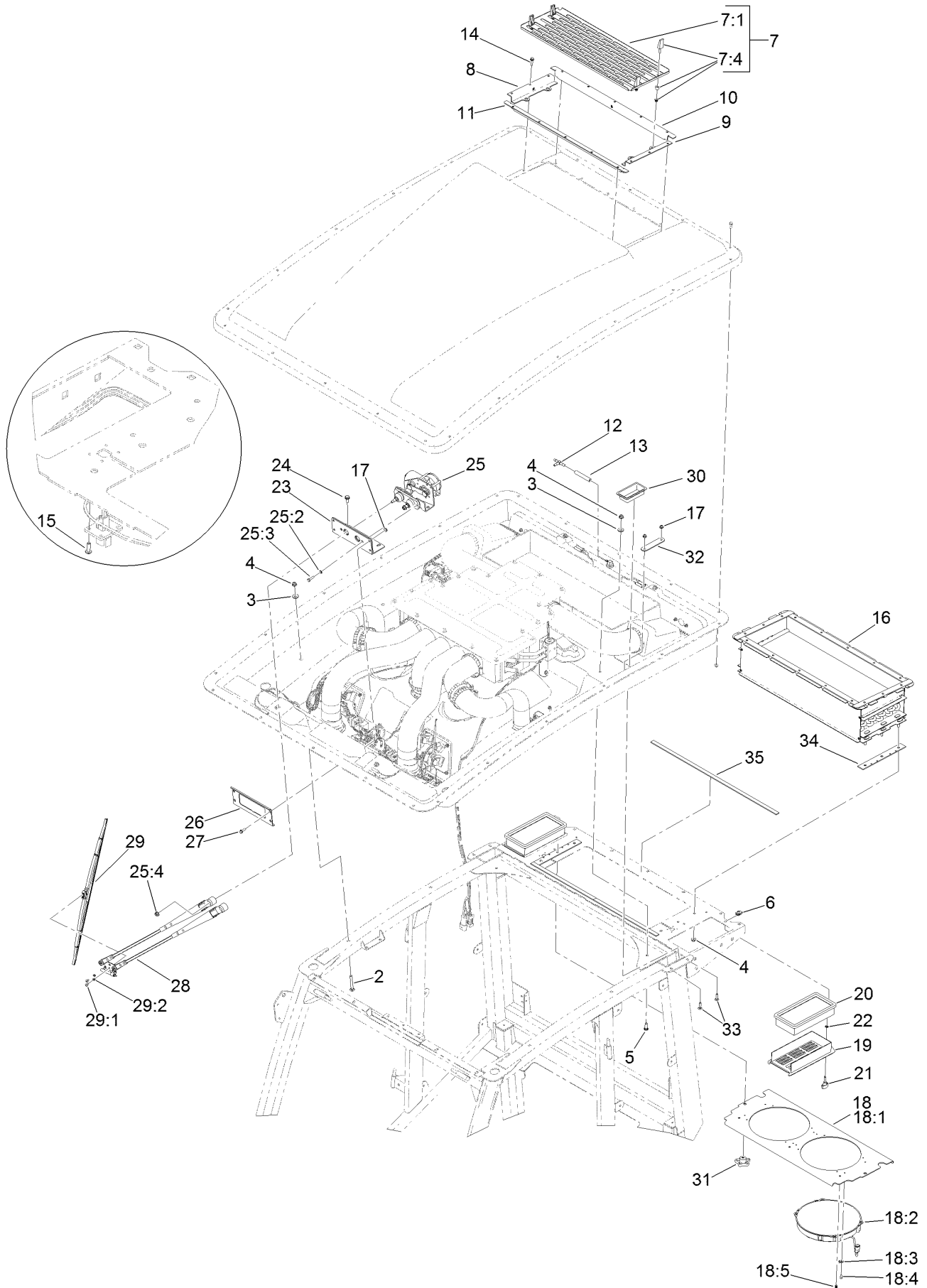
Cab Frame, Mirror and Decal Assembly For Cab Model Only



Cab Frame, Mirror and Decal Assembly For Cab Model Only (continued)

<i>Ref.</i>	<i>Part Number</i>	<i>Qty.</i>	<i>Description</i>	<i>Ref.</i>	<i>Part Number</i>	<i>Qty.</i>	<i>Description</i>
2	121-8341	2	Side Mirror ASM	7	130-5356	1	Decal-Traction Pedal
2:1	161-1779	1	Mirror-Glass	8	130-0611	4	Decal-Window, Pin
2:2	121-8339	1	Gasket	9	130-0594	1	Decal-Warning
3	121-8275	2	Arm-Mirror, Side	12	130-5791-03	2	Deck-Stop
4	33103-016	4	Screw-HHF	13	3231-12	4	Bolt-CARR
5	121-8343	1	Interior Mirror ASM	14	104-8301	4	Nut-HF, NI
5:1	121-8342	1	Mirror	15	130-0586	1	Seal-Foam, Frame Roof
5:2	121-8389	1	Gasket	16	130-0587	2	Seal-Foam, Roof Air Filter
6	32144-32	2	Screw	17	130-5855	2	Seal-Tube, Rear

Windshield Wiper, Filter and Air Conditioning Assembly For Cab Model Only

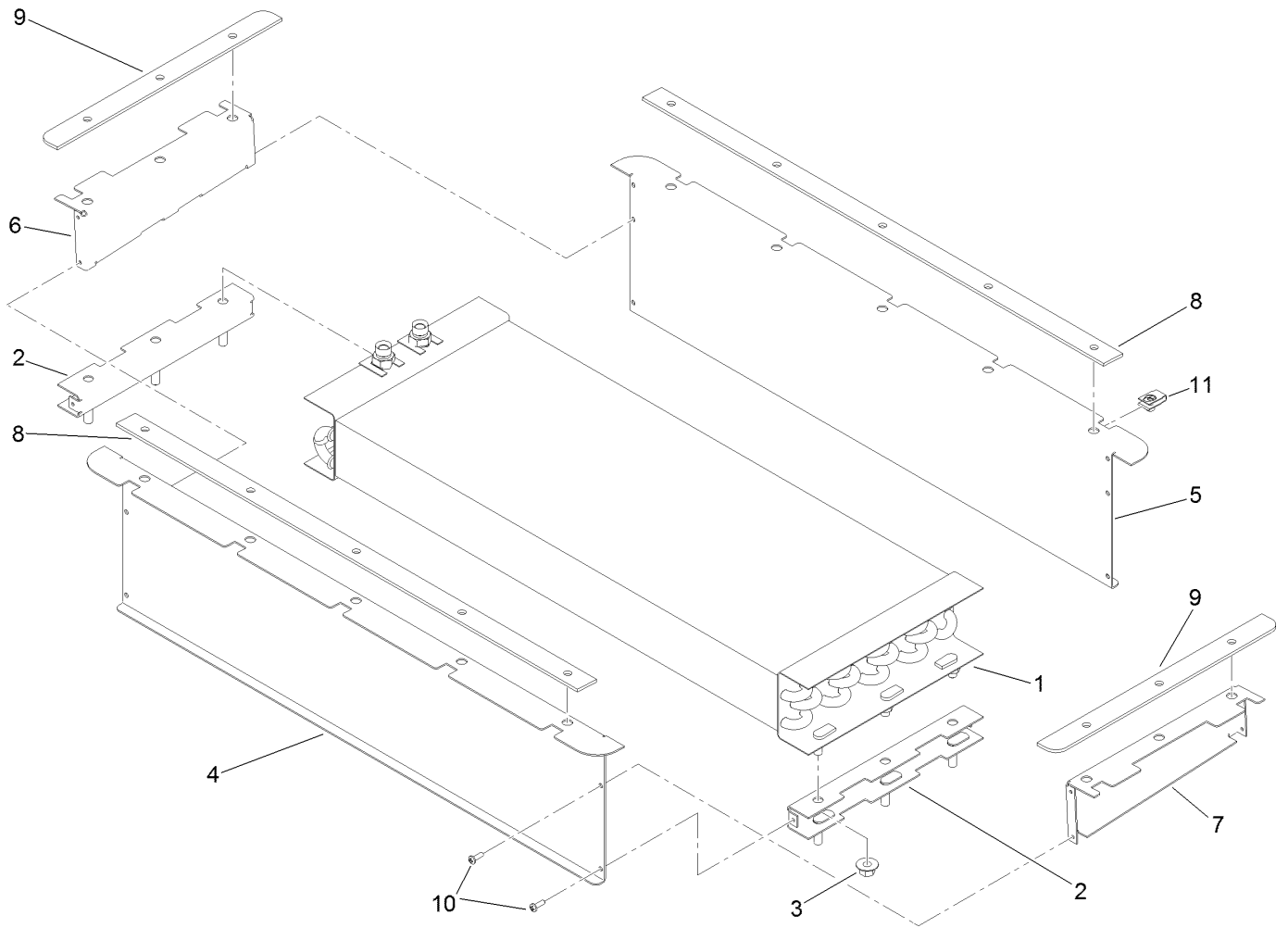


Windshield Wiper, Filter and Air Conditioning Assembly For Cab Model Only (continued)

<i>Ref.</i>	<i>Part Number</i>	<i>Qty.</i>	<i>Description</i>	<i>Ref.</i>	<i>Part Number</i>	<i>Qty.</i>	<i>Description</i>
2	3230-9	4	Screw-CARR	18:5	114-4899	3	Rivet-Push
3	3256-3	17	Washer-Flat	19	125-9825-03	2	Cover-Air, Fresh
4	104-8300	21	Nut-HF, NI	20	121-8457	2	Filter-Air
5	3230-22	13	Screw-CARR	21	126-5846	2	Knob-T
6	107069	2	Clip	22	106-8737	2	Nut-Retainer
7		1	Screen ASM ●	23	130-5871	1	Bracket-Wiper
7:1	132-3530-03	1	Screen	24	32144-11	3	Screw-HWH
7:4	74-5950	4	Latch-Swell	25	125-7452	1	Wiper Motor ASM
8	132-3534-03	1	Seal-Side, Right	25:2	3253-3	1	Washer-Lock
9	132-3533-03	1	Seal-Side, Left	25:3	33113-025	1	Screw-HH
10	132-3532-03	1	Seal-Rear	25:4	112-2844	2	Nut-HF
11	132-3531-03	1	Seal-Front	26	130-6068-03	1	Plate-Washer, Wiper Motor
12	99-5005	1	Fitting-Tee, Barbed	27	32105-15	4	Screw-HWH
13	114-3765	1	Hose-Fuel	28	125-7453	1	Arm-Wiper
14	120-4654	16	Screw-HHF	29	125-7454	1	Blade-Wiper
15	363-8245	8	Screw-TAP	29:1	47-2830	2	Screw
16	132-3468	1	A/C Duct ASM	29:2	43-5920	2	Washer-Lock, Spring
17	104-7201	8	Nut-HF, NI	30	130-5661	2	Tube-Sleeve
18	132-3488	1	Panel-Fan	31	117-5976	2	Knob-Handle
18:1	132-3486-03	1	Plate-Mount, Fan	32	130-5854	2	Brace-Seal
18:2	132-3607	2	Fan-Condenser	33	3229-30	4	Screw-CARR
18:3	132-3606	8	Tab-Fan	34	132-3608	2	Seal-Edge
18:4	105-6849	8	Screw-Forming, Thread	35	132-3609	2	Seal-Strip

● Not serviced separately

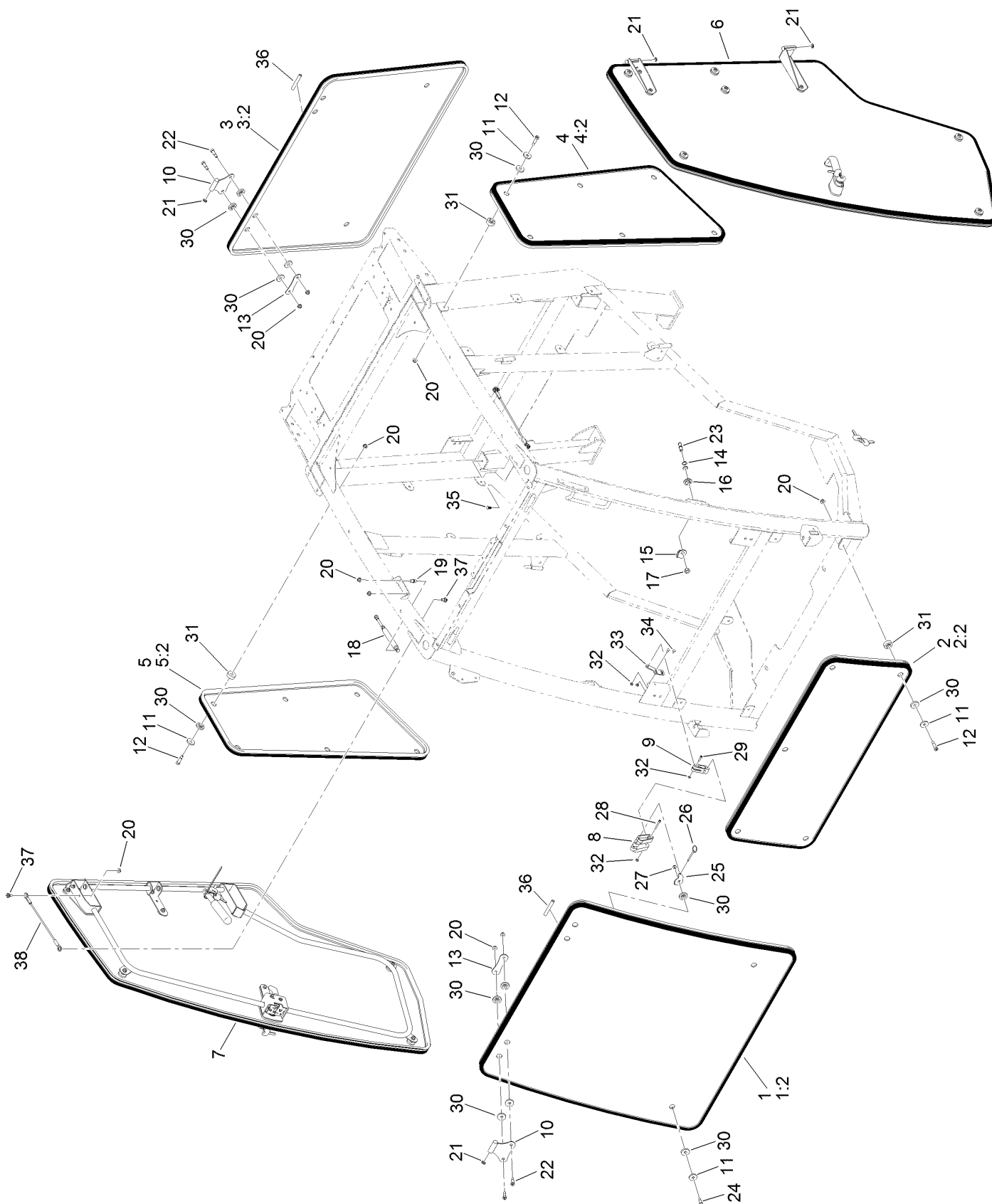
Air Conditioning Duct Assembly No. 132-3468 For Cab Model Only



Air Conditioning Duct Assembly No. 132-3468 For Cab Model Only (continued)

<i>Ref.</i>	<i>Part Number</i>	<i>Qty.</i>	<i>Description</i>	<i>Ref.</i>	<i>Part Number</i>	<i>Qty.</i>	<i>Description</i>
1	121-8447	1	Core-Condenser	7	132-3465-03	1	Wall-Side, Left
2	132-3469-03	2	Leg-Lower	8	132-3466	2	Seal-Strip
3	32128-44	6	Nut	9	132-3467	2	Seal-Edge
4	132-3462-03	1	Wall-Front	10	363-8245	12	Screw-TAP
5	132-3463-03	1	Wall-Back	11	107069	16	Clip
6	132-3464-03	1	Wall-Side, Right				

Window and Door Assembly For Cab Model Only

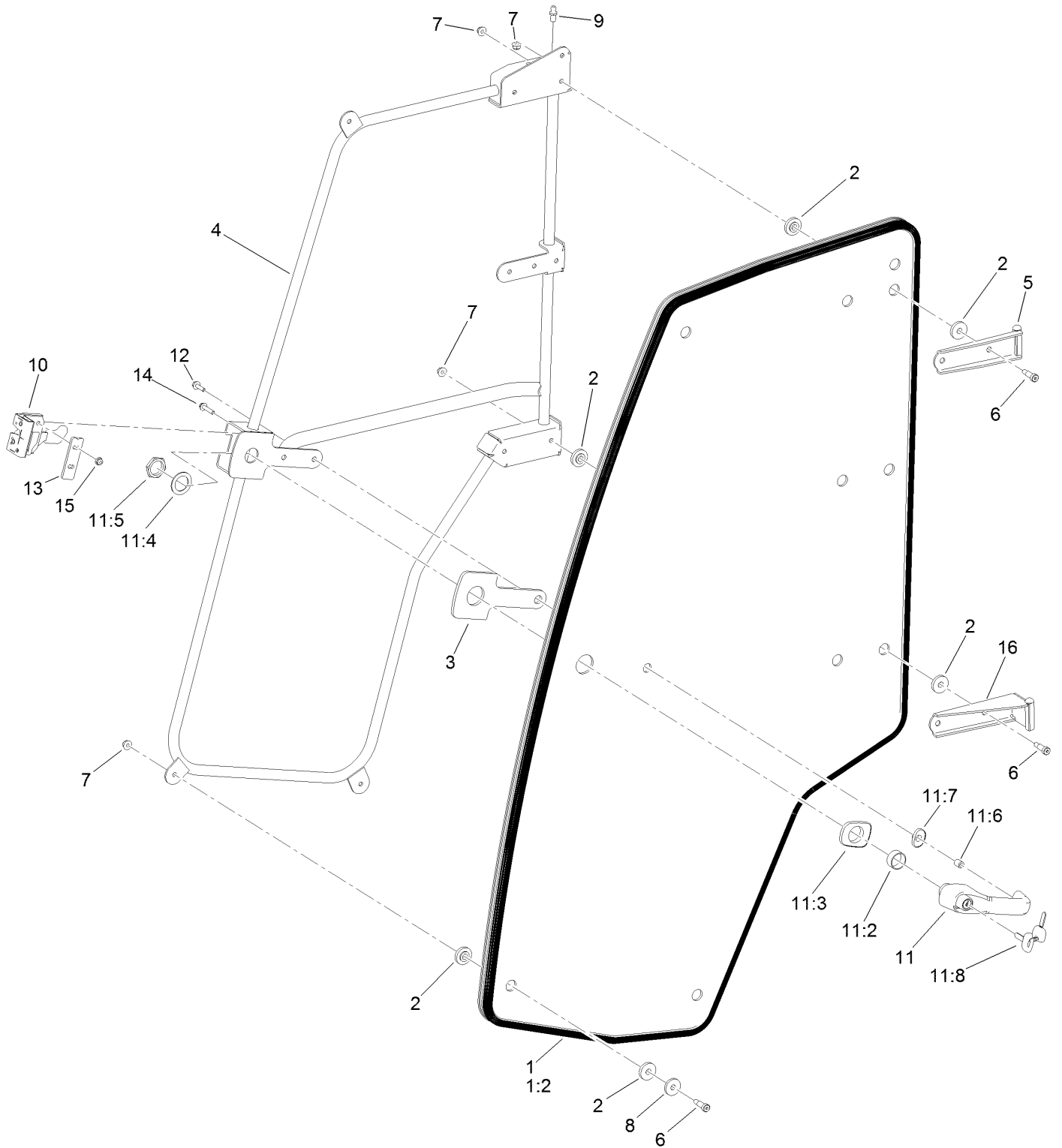


Window and Door Assembly For Cab Model Only (continued)

<i>Ref.</i>	<i>Part Number</i>	<i>Qty.</i>	<i>Description</i>	<i>Ref.</i>	<i>Part Number</i>	<i>Qty.</i>	<i>Description</i>
1	130-5680	1	Upper Front Window ASM	18	130-6083	2	Spring-Gas, Door
1:2	121-8212	1	Seal-Trim	19	98-3104	2	Stud-Ball
2	130-5681	1	Lower Front Window ASM	20	104-8300	31	Nut-HF, NI
2:2	121-8211	1	Trim-Window, Front	21	121-8441	8	Washer-Spacer
3	130-5690	1	Rear Window ASM	22	125-9520	8	Screw-Shoulder, HSH
3:2	121-8213	1	Trim-Window, Rear	23	125-9993	2	Striker-Stud
4	130-6187	1	LH Side Window ASM	24	119-9812	4	Bolt-Shoulder
4:2	130-0502	1	Trim-Window, Stationary	25	125-9987	4	Mount-Latch
5	130-6186	1	RH Side Window ASM	26	127-9850	4	Pin-Release, Quick
5:2	130-0502	1	Trim-Window, Stationary	27	104-7201	4	Nut-HF, NI
6		1	LH Door ASM ●	28	3274-59	4	Screw-HSH
7		1	RH Door ASM ●	29	3274-14	4	Screw-HSH
8	125-9792	4	Handle-Window	30	125-9982	41	Bushing-Flange
9	125-9793	4	Link-Window	31	125-9537	17	Bushing-Flange
10	121-8535-03	4	Hinge-Window	32	120-9681	16	Nut-Lock, NI
11	130-5815	21	Washer-Backup	33	130-0590	4	Mount-Tab
12	125-9521	17	Screw-Shldr HSH	34	1-807513	8	Bolt-CARR
13	127-9933	4	Plate-Backer, Windshield	35	114-4899	2	Rivet-Push
14	73-0040	4	Washer-Thrust	36	130-5578	2	Tubing-Seal, Rubber
15	121-8393	2	Guard-Striker	37	120-9471	4	Bolt-Shoulder
16	125-9992	2	Adjuster-Stud	38	130-5726	2	Lanyard
17	106-0327	2	Nut-Hex				

● Not serviced separately

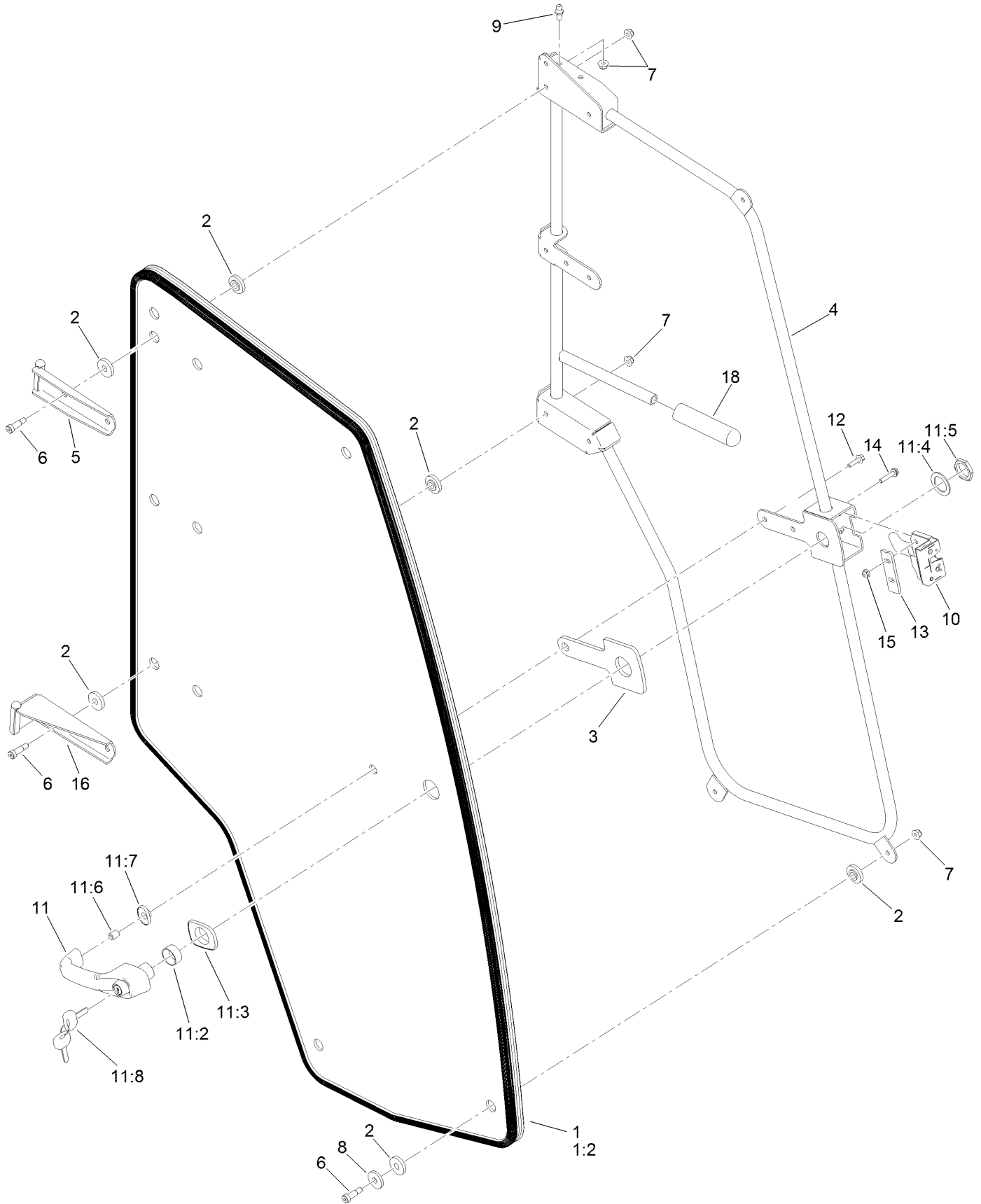
Left Hand Door Assembly For Cab Model Only



Left Hand Door Assembly For Cab Model Only (continued)

<i>Ref.</i>	<i>Part Number</i>	<i>Qty.</i>	<i>Description</i>	<i>Ref.</i>	<i>Part Number</i>	<i>Qty.</i>	<i>Description</i>
1	130-6185	1	LH Door ASM	11:2	121-8628	1	Cylinder-Mounting, Key
1:2	121-8317	1	Trim-Window, Door	11:3	121-8322	1	Grommet-Mounting, Large
2	125-9982	20	Bushing-Flange	11:4	121-8327	1	Washer
3	121-8331	1	Gasket-Handle	11:5	121-8328	1	Nut
4	125-7358-03	1	Frame-Door, LH	11:6	121-8627	1	Cylinder-Mounting, End
5	130-0525-03	1	Hinge-Door, Top (LH)	11:7	121-8323	1	Grommet-Mounting, Small
6	125-9520	10	Screw-Shoulder, HSH	11:8	125-9531	1	Key-Set
7	104-8300	11	Nut-HF, NI	12	33103-025	1	Screw-HHF
8	130-5815	6	Washer-Backup	13	121-8395	1	Plate-Support, Latch
9	98-3104	1	Stud-Ball	14	3234-21	2	Screw-HHF
10	121-8391	1	Latch-LH	15	104-7201	2	Nut-HF, NI
11	121-8630	1	Handle ASM	16	130-0526-03	1	Hinge-Door, Bottom (LH)

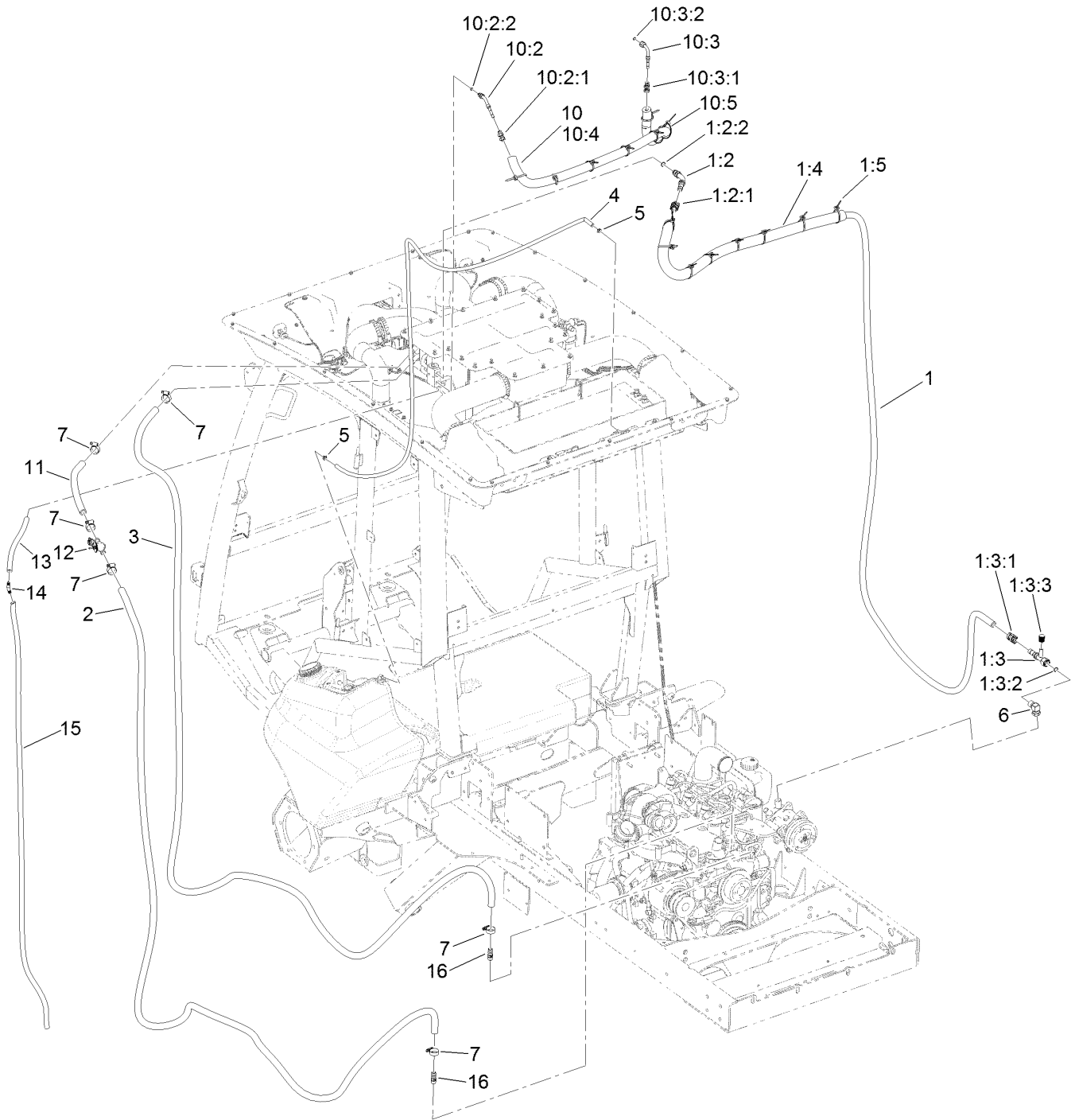
Right Hand Door Assembly For Cab Model Only



Right Hand Door Assembly For Cab Model Only (continued)

<i>Ref.</i>	<i>Part Number</i>	<i>Qty.</i>	<i>Description</i>	<i>Ref.</i>	<i>Part Number</i>	<i>Qty.</i>	<i>Description</i>
1	130-6184	1	RH Door ASM	11:3	121-8322	1	Grommet-Mounting, Large
1:2	121-8317	1	Trim-Window, Door	11:4	121-8327	1	Washer
2	125-9982	20	Bushing-Flange	11:5	121-8328	1	Nut
3	121-8331	1	Gasket-Handle	11:6	121-8627	1	Cylinder-Mounting, End
4	125-7359-03	1	Frame-Door, RH	11:7	121-8323	1	Grommet-Mounting, Small
5	130-0529-03	1	Hinge-Door, Top (RH)	11:8	125-9531	1	Key-Set
6	125-9520	10	Screw-Shoulder, HSH	12	33103-025	1	Screw-HHF
7	104-8300	11	Nut-HF, NI	13	121-8395	1	Plate-Support, Latch
8	130-5815	6	Washer-Backup	14	3234-21	2	Screw-HHF
9	98-3104	1	Stud-Ball	15	104-7201	2	Nut-HF, NI
10	121-8390	1	Latch-RH	16	130-0530-03	1	Hinge-Door, Bottom (RH)
11	121-8630	1	Handle ASM	18	110-1037	1	Grip-Handle
11:2	121-8628	1	Cylinder-Mounting, Key				

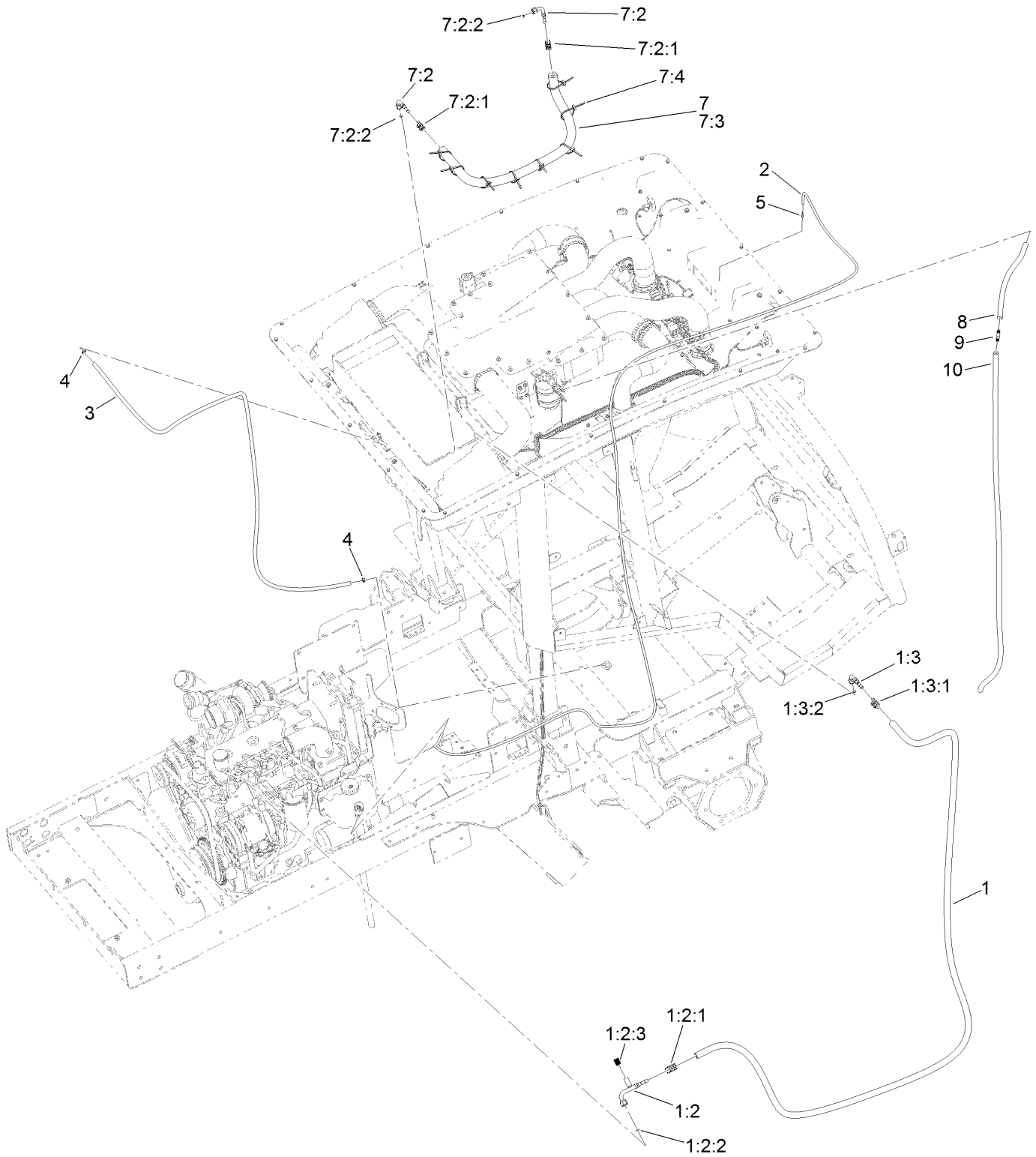
Left Side Hose Assembly For Cab Model Only



Left Side Hose Assembly For Cab Model Only (continued)

<i>Ref.</i>	<i>Part Number</i>	<i>Qty.</i>	<i>Description</i>	<i>Ref.</i>	<i>Part Number</i>	<i>Qty.</i>	<i>Description</i>
1	130-5620	1	A/C Hose ASM	10	125-9702	1	Hose ASM
1:2	130-5754	1	Fitting-Male, 45 DEG	10:2	130-5753	1	Fitting-45 DEG
1:2:1	130-5775	1	Fitting Kit	10:2:1	130-5772	1	Fitting Kit
1:2:2	117-2780	1	O-Ring	10:2:2	117-2778	1	O-Ring
1:3	130-5755	1	Fitting-Female, Straight	10:3	130-5751	1	Fitting-Female, 90 DEG
1:3:1	130-5775	1	Fitting Kit	10:3:1	130-5772	1	Fitting Kit
1:3:2	117-2780	1	O-Ring	10:3:2	117-2778	1	O-Ring
1:3:3	117-2784	1	Cap-Side, Low	10:4	130-5958	1	Cover-Foam
1:4	130-5959	1	Cover-Foam	10:5	3290-378	8	Tie-Cable
1:5	3290-378	8	Tie-Cable	11	125-9706	1	Hose-Heater
2	130-5622	1	Hose-Heater	12	120-4947	1	Valve-Heater
3	130-5946	1	Hose-Heater	13	125-9865	1	Hose-Drain
4	130-5813	1	Hose-Fuel	14	130-0578	1	Fitting-Barb, 90 DEG
5	2412-98	2	Clamp-Hose	15	125-9866	1	Hose-Drain
6	119-0128	1	Fitting-Elbow, 90 DEG	16	117-9410	2	Fitting-Straight
7	2412-129	6	Clamp-Hose				

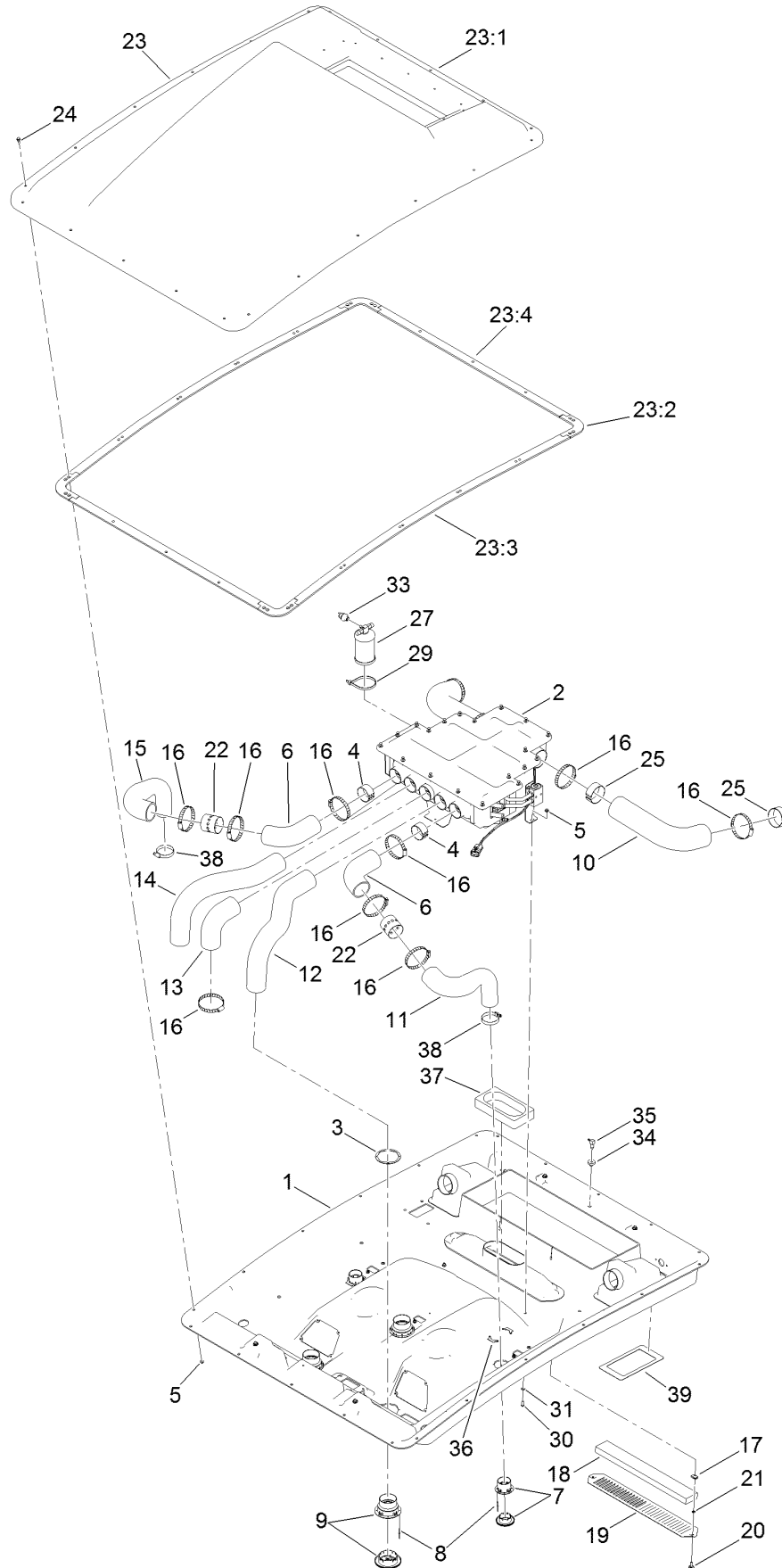
Right Side Hose Assembly For Cab Model Only



Right Side Hose Assembly For Cab Model Only (continued)

<i>Ref.</i>	<i>Part Number</i>	<i>Qty.</i>	<i>Description</i>	<i>Ref.</i>	<i>Part Number</i>	<i>Qty.</i>	<i>Description</i>
1	130-5621	1	A/C Hose ASM	5	127-9905	1	Fitting-Hose, Barb
1:2	130-5758	1	Fitting-Female, 90 DEG	7	125-9703	1	Hose ASM
1:2:1	130-5773	1	Fitting Kit	7:2	130-5751	2	Fitting-Female, 90 DEG
1:2:2	117-2779	1	O-Ring	7:2:1	130-5772	1	Fitting Kit
1:2:3	117-2783	1	Cap-Side, High	7:2:2	117-2778	1	O-Ring
1:3	130-5752	1	Fitting-Female, 90 DEG	7:3	130-5958	1	Cover-Foam
1:3:1	130-5773	1	Fitting Kit	7:4	3290-378	8	Tie-Cable
1:3:2	117-2778	1	O-Ring	8	125-9865	1	Hose-Drain
2	130-5624	1	Hose-Fluid, Wiper	9	130-0578	1	Fitting-Barb, 90 DEG
3	130-5813	1	Hose-Fuel	10	125-9866	1	Hose-Drain
4	2412-98	2	Clamp-Hose				

Mixing Box and Vent Hose Assembly For Cab Model Only

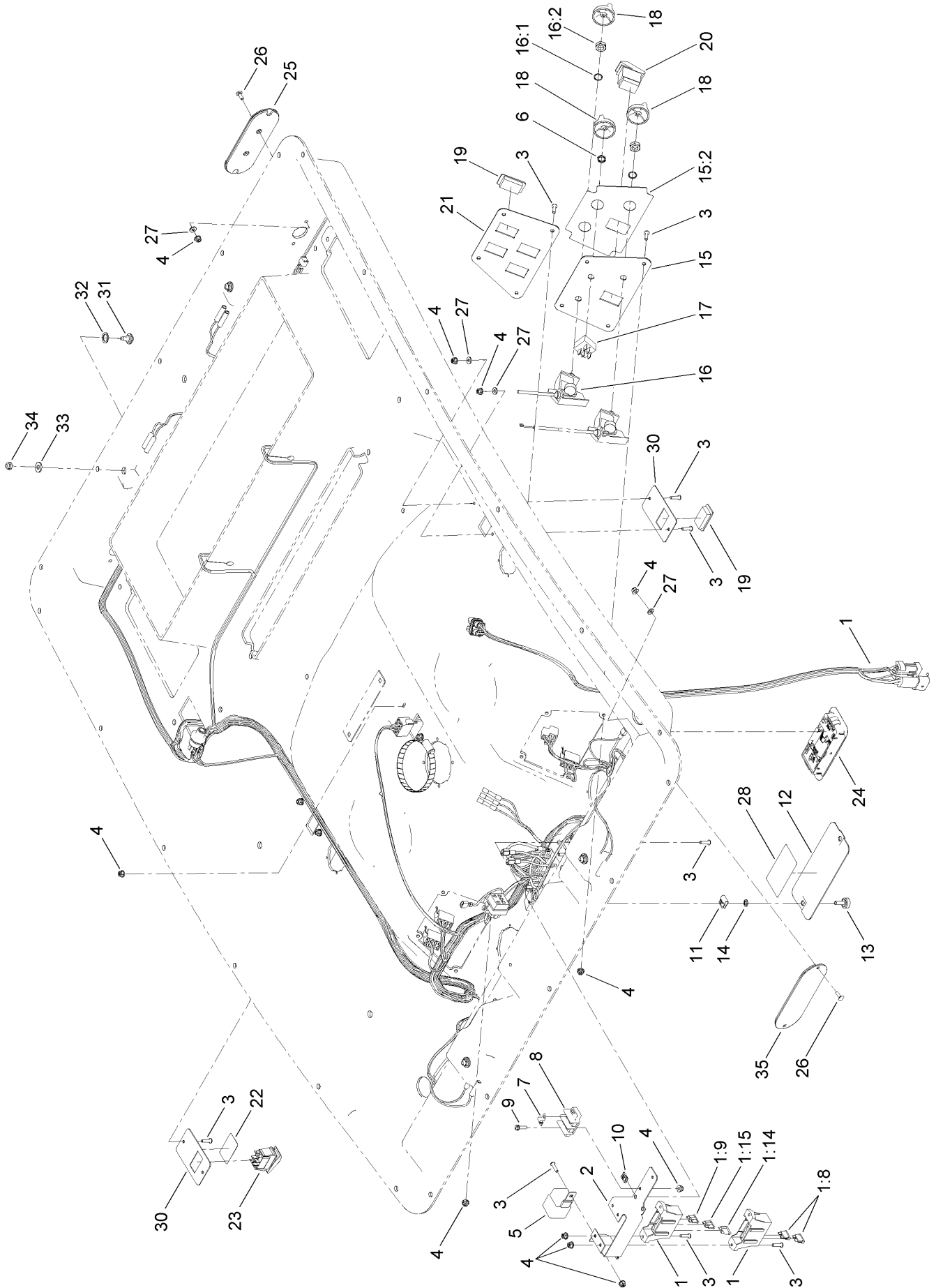


Mixing Box and Vent Hose Assembly For Cab Model Only (continued)

<i>Ref.</i>	<i>Part Number</i>	<i>Qty.</i>	<i>Description</i>	<i>Ref.</i>	<i>Part Number</i>	<i>Qty.</i>	<i>Description</i>
1	121-8470	1	Headliner	21	106-8737	2	Nut-Retainer
2	121-8495	1	Box-Mixing, Heater A/C	22	130-5927	2	Adapter-Bleed
3	130-0558	3	Backplate-Rivet	23		1	Roof ASM ●
4	130-5938	2	Tube-Support	23:1	132-3602	1	Roof
5	104-7201	24	Nut-HF, NI	23:2	130-5961	4	Seal-Corner
6	130-5860	2	Hose-Vent	23:3	130-5960	2	Seal-Side
7	130-0455	2	Louver-Round, Snap-In	23:4	130-5962	2	Seal-Front, Rear
8	125-7503	20	Rivet-Pop	24	119-4161	22	Bolt-Shoulder
9	130-0465	3	Louver-Round, Snap-In (4 Inch)	25	130-5939	4	Tube-Support
10	121-8473	2	Hose-Intake, Fresh Air	27	130-5999	1	Drier-Receiver
11	130-5861	1	Hose-Vent, Outer (LH)	29	3334-945	2	Tie-Cable
12	121-8477	1	Hose-Vent, Defrost (LH)	30	3274-69	2	Screw-HSBH
13	130-0437	1	Hose-Vent, Center	31	3256-1	2	Washer-Flat
14	121-8478	1	Hose-Vent, Defrost (RH)	33	119-4501	1	Switch-Function, Dual
15	130-5862	1	Hose-Vent, Outer (RH)	34	46-6560	1	Bushing
16	2412-110	11	Clamp-Band/Screw	35	104-5228	1	Fitting-Elbow, 90 DEG
17	107069	2	Clip	36	130-0445	4	Backplate-Rivet
18	125-9532	1	Filter-Cab, Inside	37	130-0444	1	Foam-Inlet, Airbox
19	125-9604-03	1	Plate-Cover, Recirculation	38	2412-130	2	Clamp-Hose
20	125-7438	2	Knob-Screw, Thumb	39	132-3474	2	Insert-Seal, Filter

● Not serviced separately

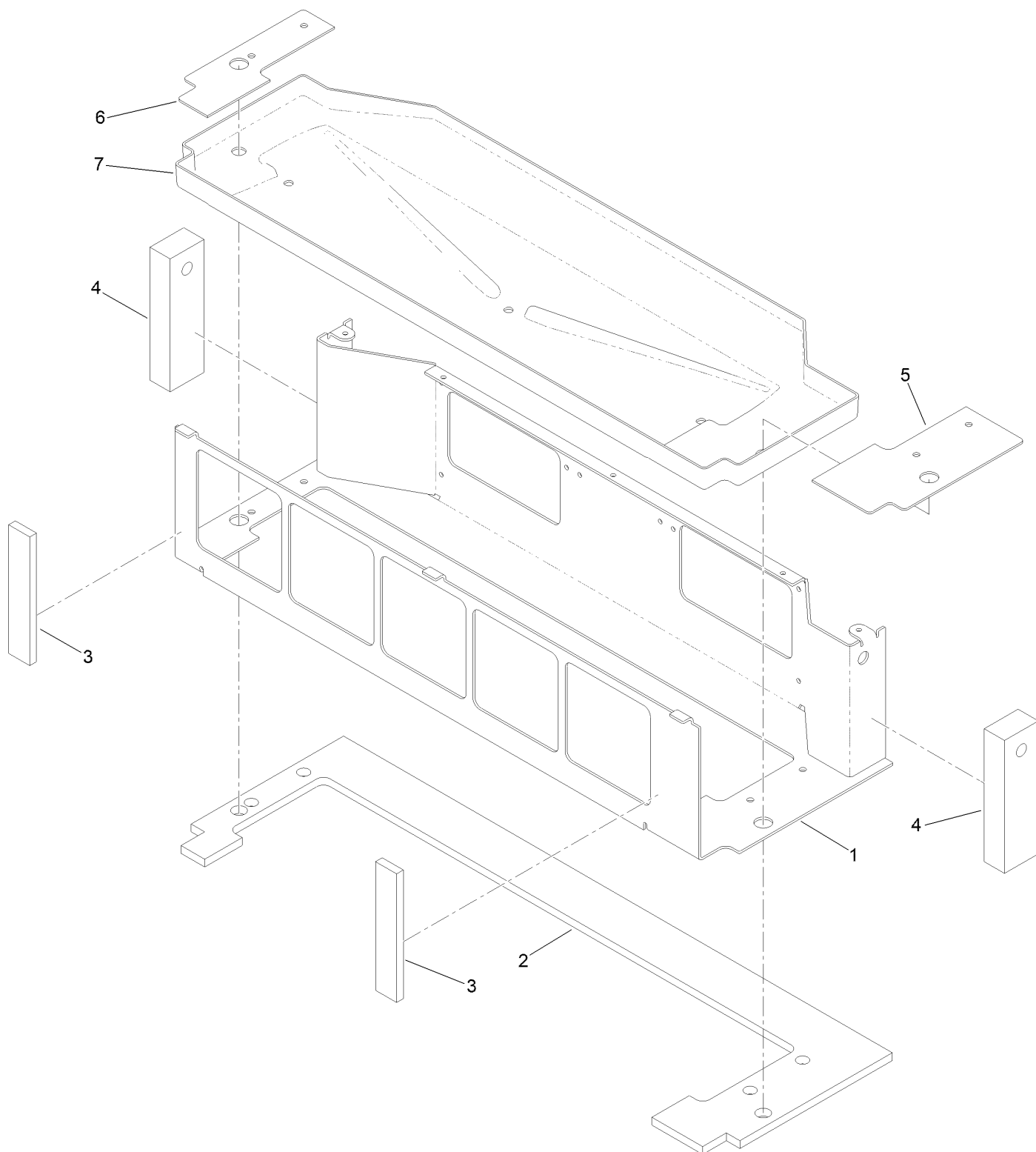
Headliner Wire Harness and Control Assembly For Cab Model Only



Headliner Wire Harness and Control Assembly For Cab Model Only (continued)

<i>Ref.</i>	<i>Part Number</i>	<i>Qty.</i>	<i>Description</i>	<i>Ref.</i>	<i>Part Number</i>	<i>Qty.</i>	<i>Description</i>
1	122-0723	1	Harness-Wire, Headliner	16:1	3254-20	1	Washer-Lock, Int
1:8	109355	2	Fuse-Blade, 15 Amp	16:2	3220-4	1	Nut-Jam
1:9	109103	1	Fuse-Blade, 30 Amp	17	122-0150	1	Switch, Rotary
1:14	109101	1	Fuse-Blade, 20 Amp	18	125-9510	3	Knob-Control
1:15	109102	1	Fuse-Blade, 25 Amp	19	99-7420	6	Plug-Hole
2	125-9606-03	1	Bracket-Fuse Block	20	95-8999	1	Switch-Rocker, On-None-On
3	104-2408	23	Screw-HSBH	21	125-9691-03	1	Panel-Switch, Lights
4	120-4578	29	Nut-HF	22	125-9688	1	Decal-Washer
5	99-7430	1	Relay-Mini	23	119-8355	1	Switch-Rocker
6	130-0588	1	Nut-Switch	24	125-7437	1	Light-Dome
7	42863	1	Strip-Jumper	25	130-5867	2	Cover-Light, Rear
8	42862	1	Block-Terminal, Ground	26	3229-34	8	Screw-CARR
9	32105-13	2	Screw-HWH	27	3256-14	14	Washer-Flat
10	107-1013	4	Nut-Speed	28	132-3600	1	Decal-Panel, Fuse
11	609900	2	Nut-Speed	30	130-0436	3	Panel-Switch
12	125-9603-03	1	Plate-Cover, Fuse	31	92-9698	4	Screw-Shoulder
13	125-7438	2	Knob-Screw, Thumb	32	94-8196	4	Washer-Nylon
14	106-8737	2	Nut-Retainer	33	3256-2	4	Washer-Flat
15	121-8481	1	Panel-Air/Heat	34	104-7201	4	Nut-HF, NI
15:2	121-8378	1	Decal, Air/Heat	35	130-5868	2	Cover-Light, Front
16	125-9677	1	Control-Rotary, Linear				

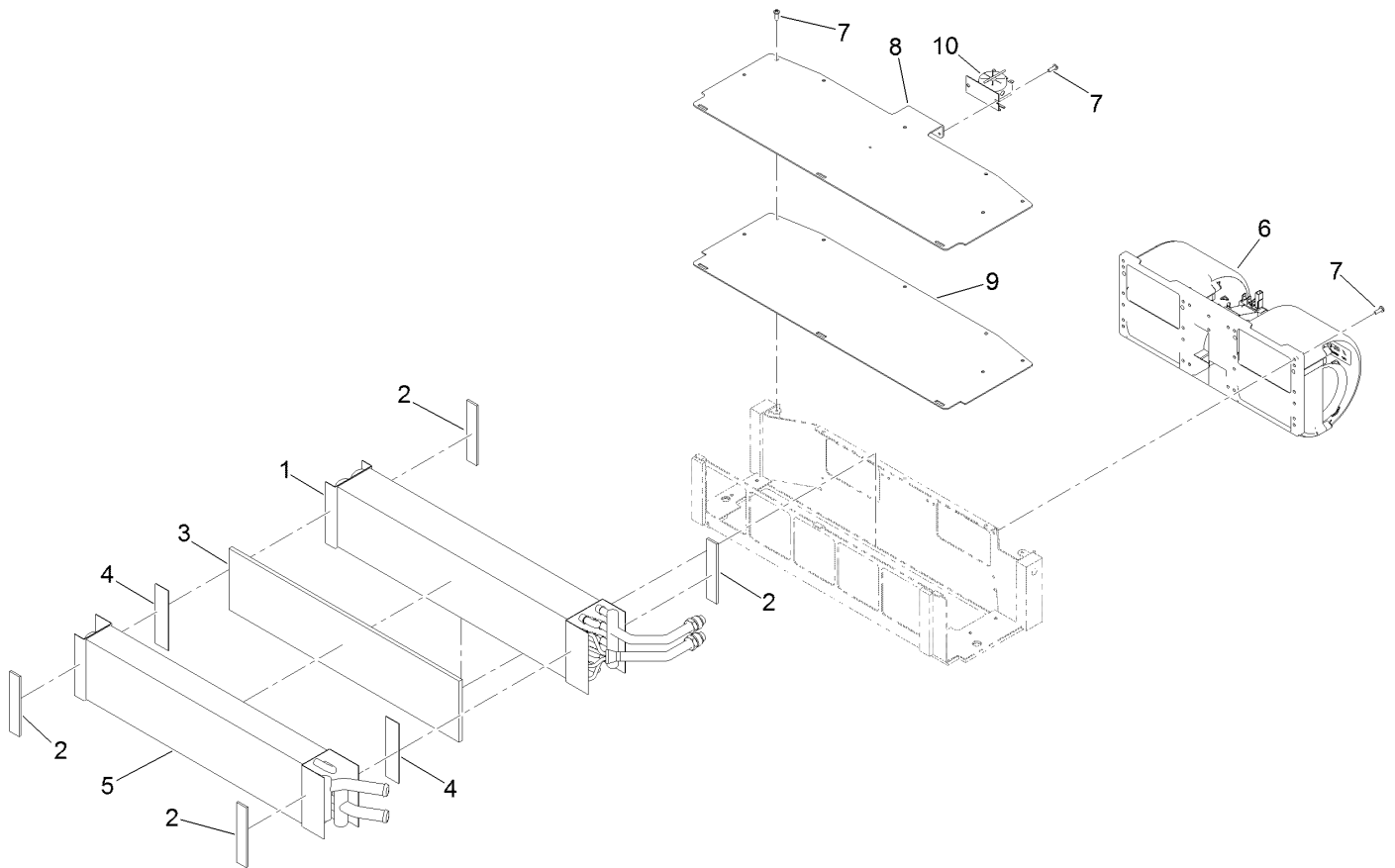
Mixing Box Mounting Bracket and Water Tray Assembly For Cab Model Only



Mixing Box Mounting Bracket and Water Tray Assembly For Cab Model Only (continued)

<i>Ref.</i>	<i>Part Number</i>	<i>Qty.</i>	<i>Description</i>	<i>Ref.</i>	<i>Part Number</i>	<i>Qty.</i>	<i>Description</i>
1	130-5655-03	1	Bracket-Mount	5	130-5653	1	Gasket-Mount, LH Bracket
2	130-5659	1	Seal-Foam	6	130-5654	1	Gasket-Mount, RH Bracket
3	130-5808	2	Seal-Foam, Front	7	130-5660	1	Tray-Water
4	130-0602	2	Seal-End				

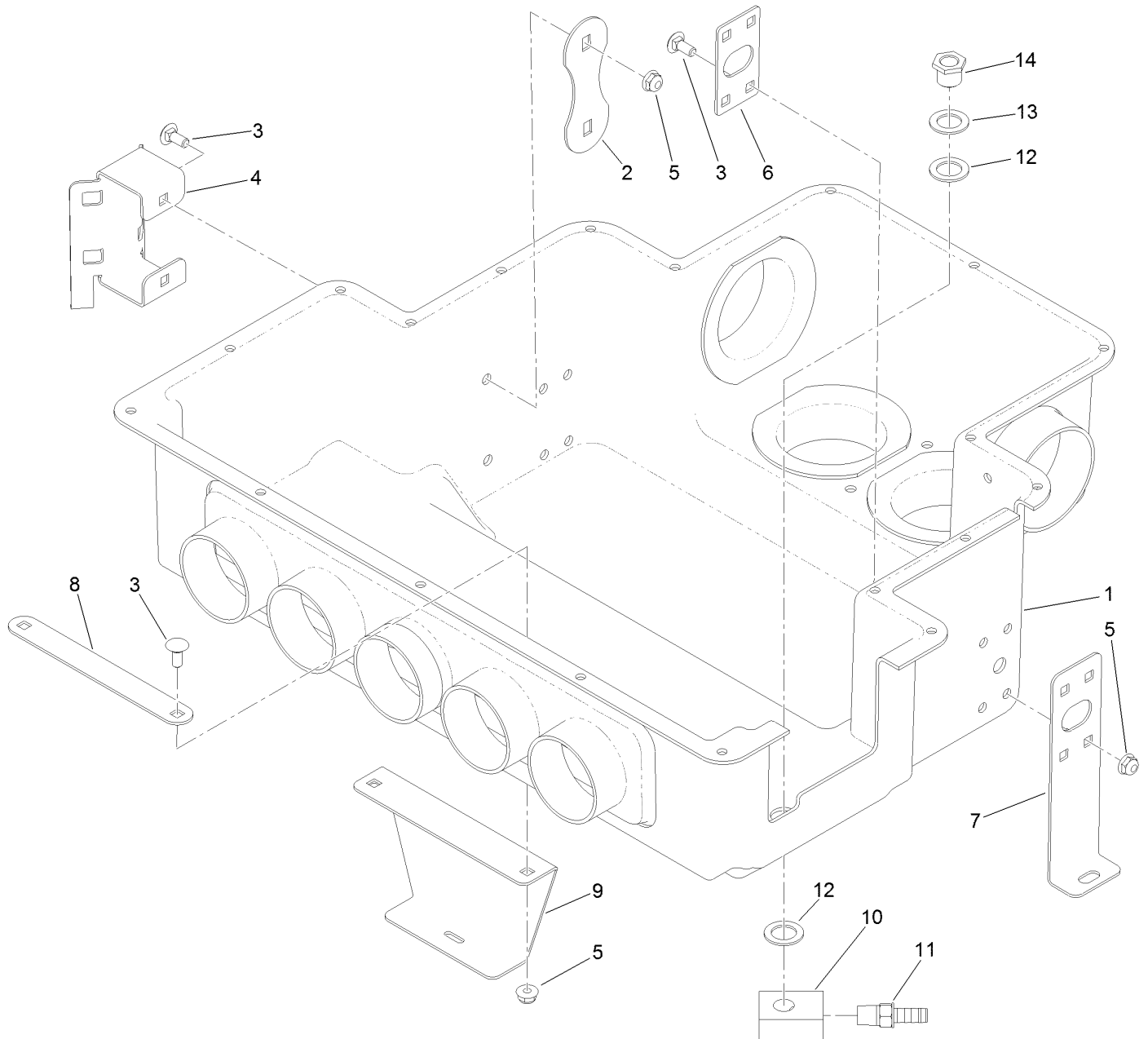
Blower Fan and Evaporator Core Assembly For Cab Model Only



Blower Fan and Evaporator Core Assembly For Cab Model Only (continued)

<i>Ref.</i>	<i>Part Number</i>	<i>Qty.</i>	<i>Description</i>	<i>Ref.</i>	<i>Part Number</i>	<i>Qty.</i>	<i>Description</i>
1	130-5392	1	Core-Evaporator	7	363-8245	13	Screw-TAP
2	130-5658	4	Gasket-Coil	8	130-5656-03	1	Cover, Bracket-Mount
3	130-5807	1	Foam	9	130-5652	1	Gasket-Mount, Cover Bracket
4	130-5806	2	Tape, Double-Sided	10	121-8385	1	Thermostat-Switch, Freeze
5	127-9915	1	Core-Heater				
6	121-8451	1	Fan-Blower				

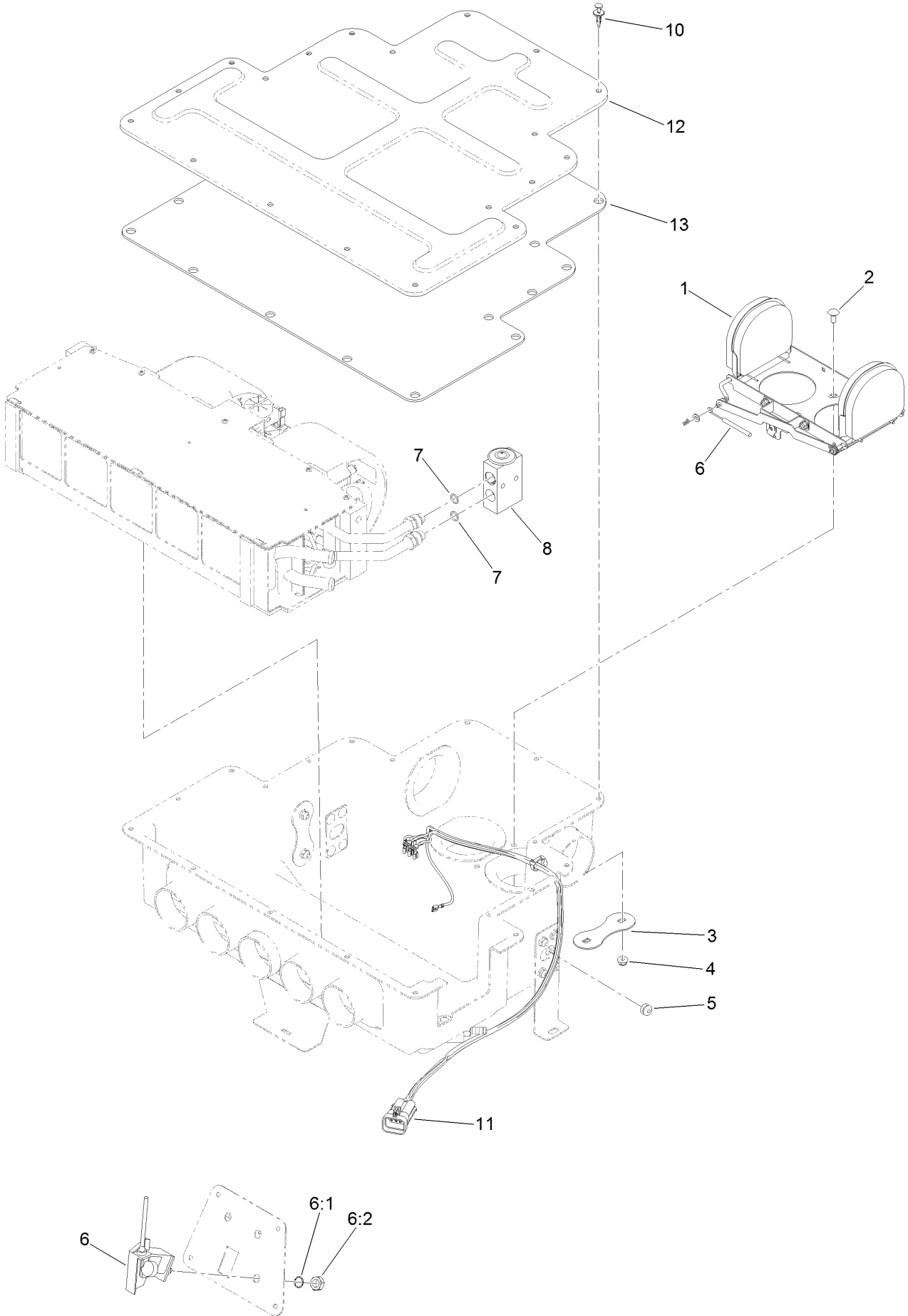
Heat / Air Conditioner Housing Assembly For Cab Model Only



Heat / Air Conditioner Housing Assembly For Cab Model Only (continued)

<i>Ref.</i>	<i>Part Number</i>	<i>Qty.</i>	<i>Description</i>	<i>Ref.</i>	<i>Part Number</i>	<i>Qty.</i>	<i>Description</i>
1	130-5830	1	Housing-Heat/AC	8	125-7504	1	Plate-Backer, Center
2	121-8491	1	Plate-Support	9	130-0554	1	Bracket-Airbox, Center
3	3229-11	12	Screw-CARR	10	130-5601	2	Drain-Lower
4	121-8490	1	Bracket-Mount, Drier	11	108-0342	2	Fitting-Straight
5	104-7201	12	Nut-HF, NI	12	121-6840	4	Washer-Rubber
6	130-5834	2	Bracket-Support	13	107-3041	2	Washer-Flat
7	130-5821	2	Bracket-Airbox, Side	14	130-0293	2	Drain-Upper

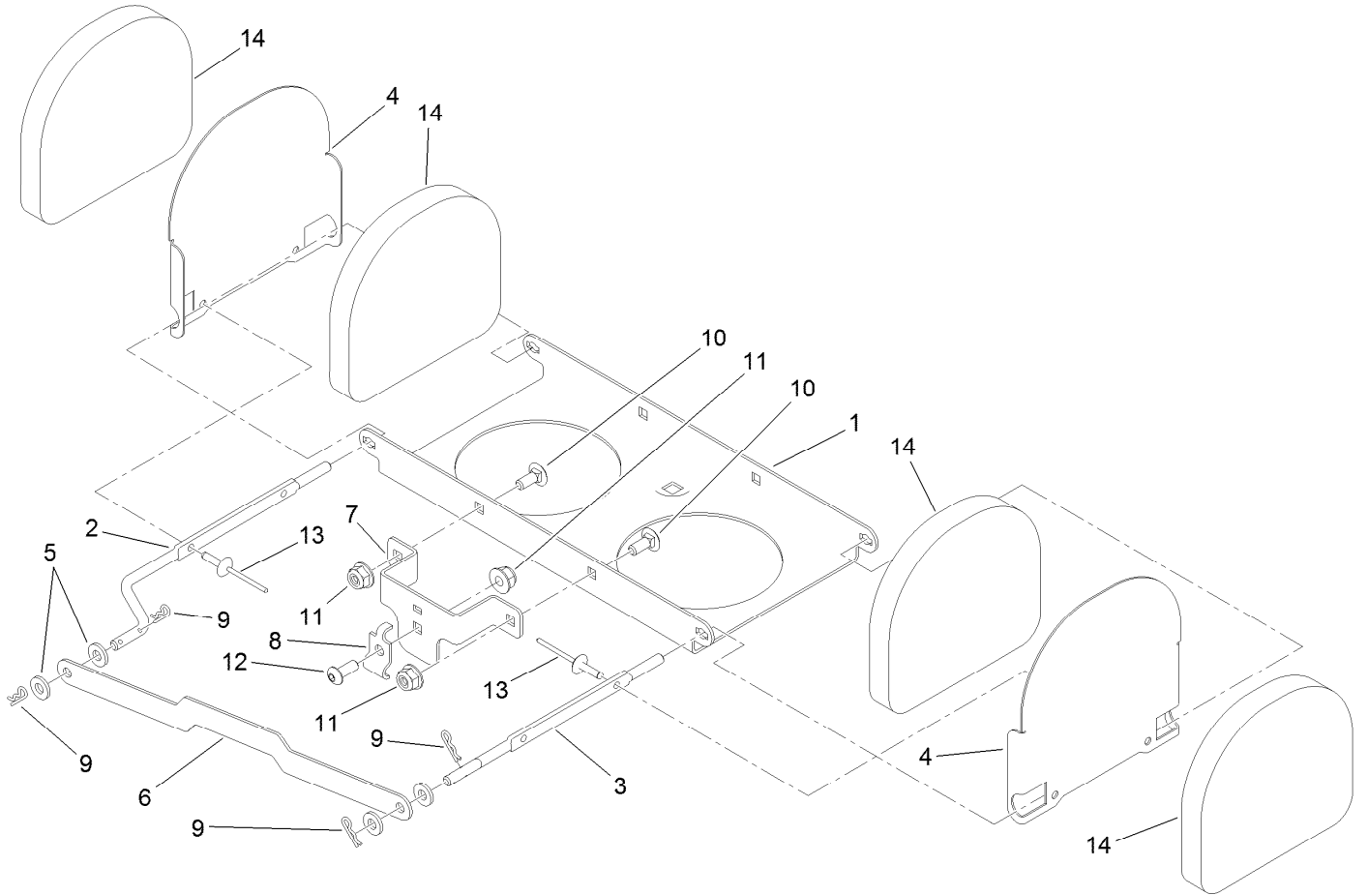
Air Diverter and Expansion Valve Assembly For Cab Model Only



Air Diverter and Expansion Valve Assembly For Cab Model Only (continued)

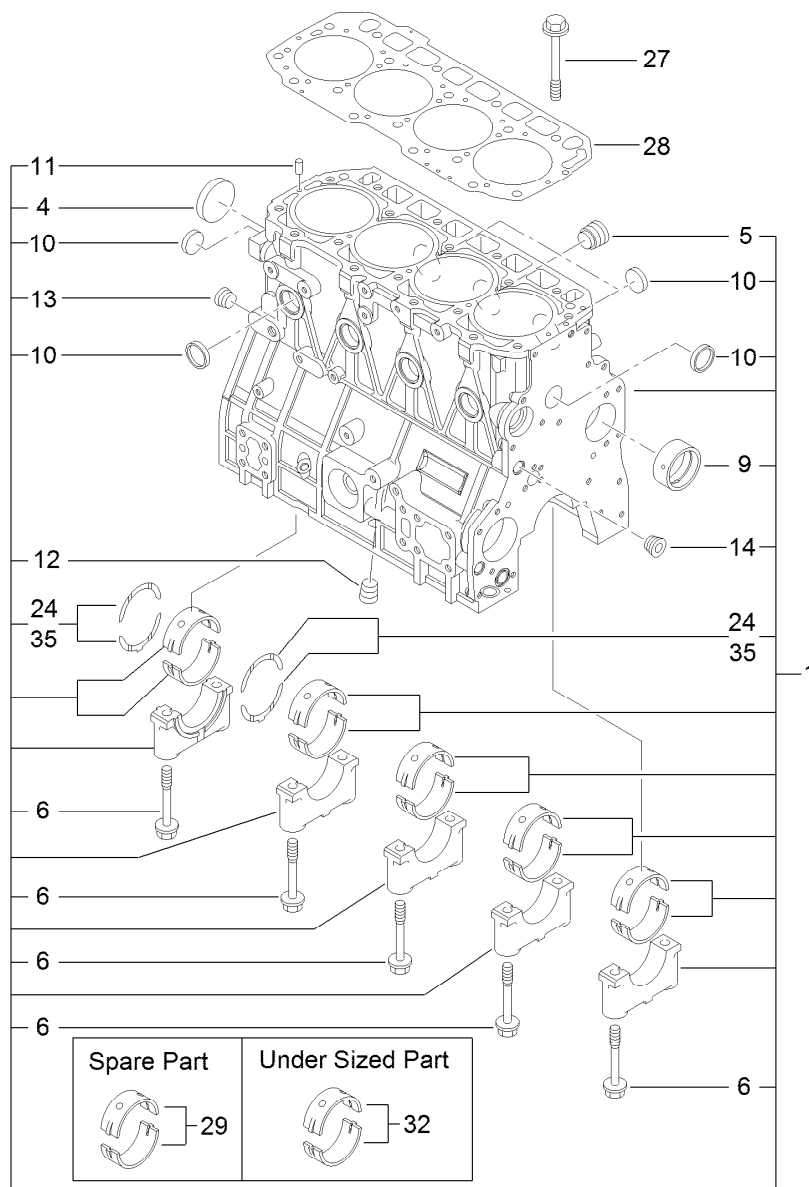
<i>Ref.</i>	<i>Part Number</i>	<i>Qty.</i>	<i>Description</i>	<i>Ref.</i>	<i>Part Number</i>	<i>Qty.</i>	<i>Description</i>
1	121-8369	1	Air Diverter ASM	7	125-9524	2	O-Ring
2	3229-11	2	Screw-CARR	8	121-8384	1	Valve-Expansion
3	121-8491	1	Plate-Support	10	125-9622	19	Rivet-Blind
4	104-7201	2	Nut-HF, NI	11	122-0153	1	Harness-Wire, Heat/AC Blower
5	125-7528	1	Grommet-Cable	12	121-8449	1	Housing-Ventilation, Upper
6	125-9678	1	Control-Rotary, Linear	13	130-5614	1	Insulation-Cover
6:1	3254-20	1	Washer-Lock, Int				
6:2	3220-4	1	Nut-Jam				

Air Diverter Assembly No. 121-8369 For Cab Model Only



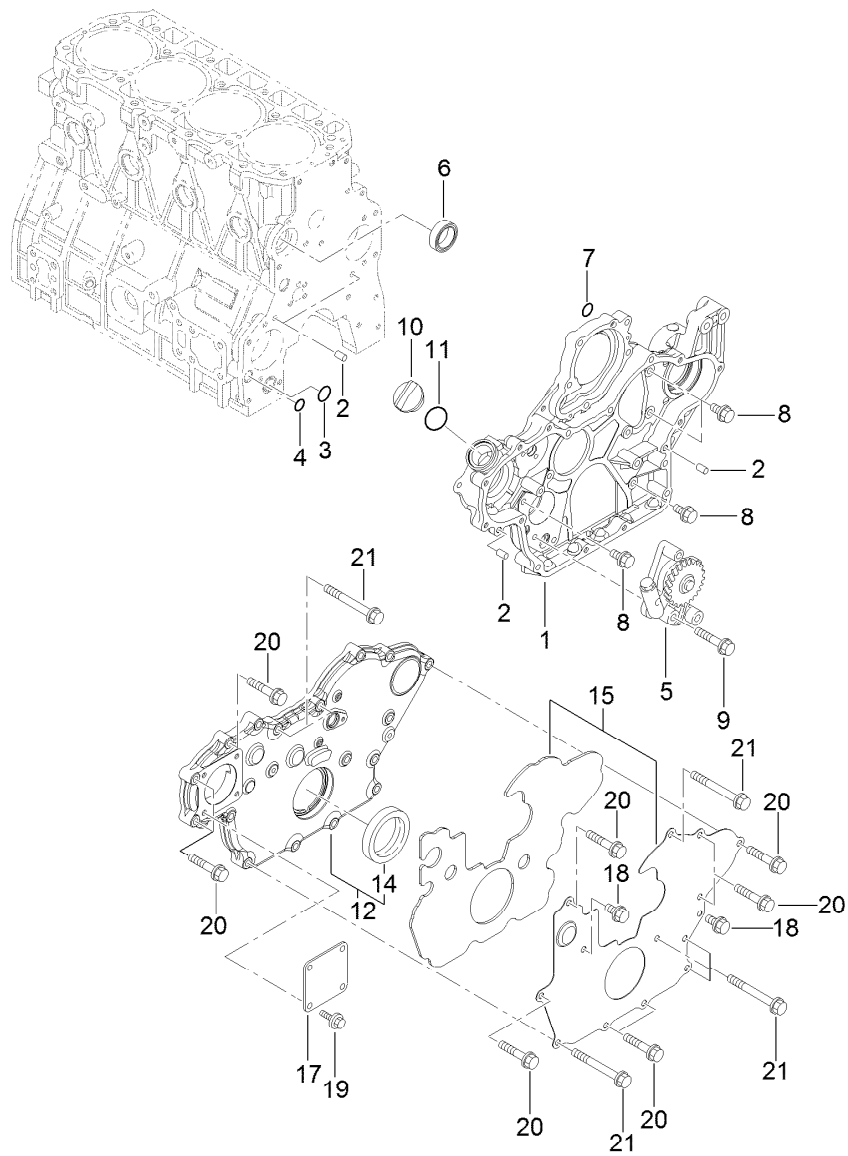
Air Diverter Assembly No. 121-8369 For Cab Model Only (continued)

<i>Ref.</i>	<i>Part Number</i>	<i>Qty.</i>	<i>Description</i>	<i>Ref.</i>	<i>Part Number</i>	<i>Qty.</i>	<i>Description</i>
1	125-9697	1	Base-Mount	8	121-8256	1	Clamp-Conduit
2	121-8381	1	Shaft-Baffle, RH	9	108-2992	4	Pin-Hair
3	121-8382	1	Shaft-Baffle, LH	10	1-807513	2	Bolt-CARR
4	125-9698	2	Baffle-Air	11	120-4578	3	Nut-HF
5	3256-51	4	Washer-Flat	12	115-9830	1	Screw-HSBH
6	125-9696	1	Link-Baffle	13	3290-271	4	Rivet-Pop
7	121-8374	1	Mount-Cable	14	125-9699	4	Damper-Foam



Cylinder Block Assembly

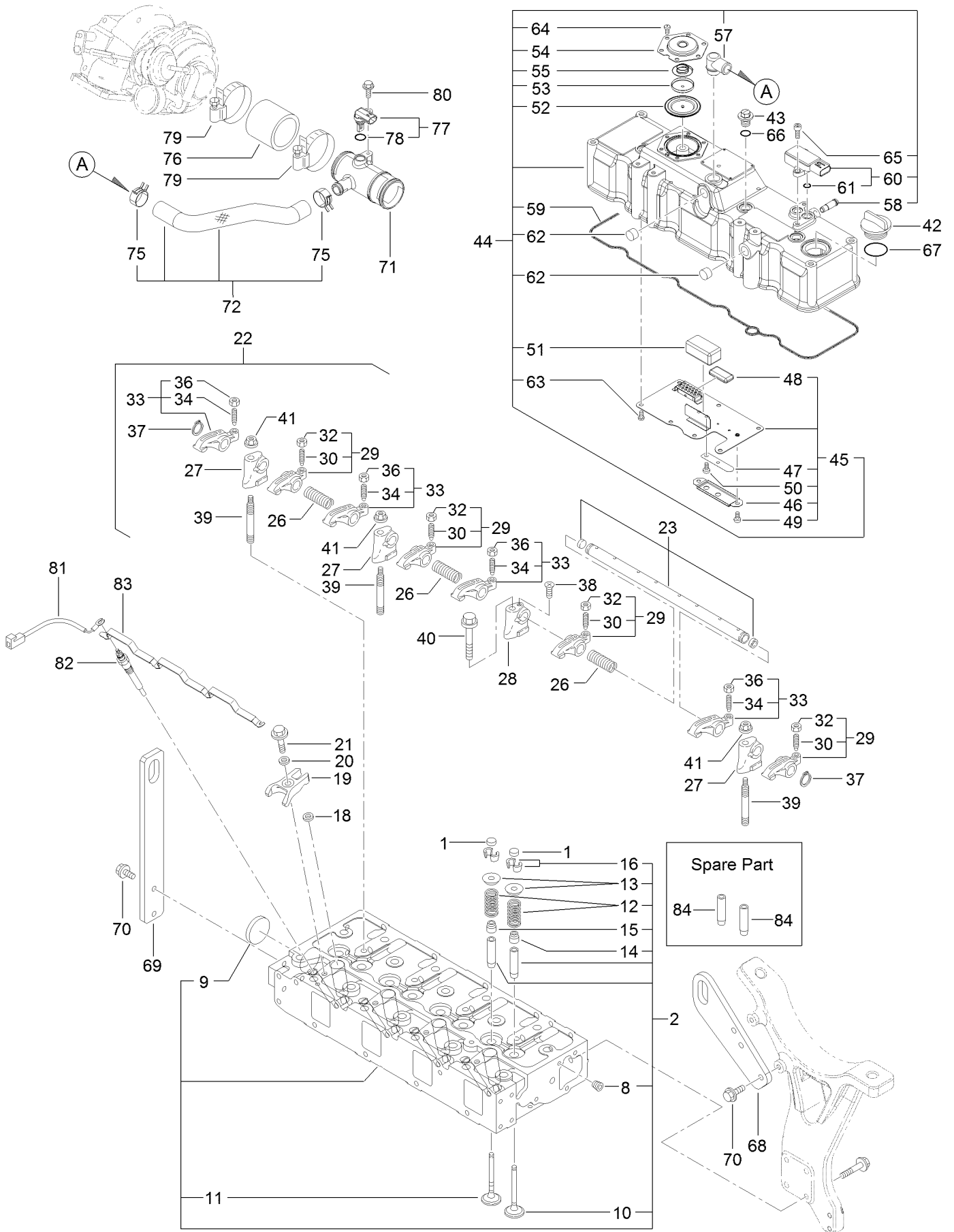
<i>Ref.</i>	<i>Part Number</i>	<i>Qty.</i>	<i>Description</i>	<i>Ref.</i>	<i>Part Number</i>	<i>Qty.</i>	<i>Description</i>
1	133-6785	1	Cylinder Block ASM	13	133-6798	1	Plug
4	133-6627	1	Plug	14	133-6798	1	Plug
5	125-7170	1	Plug	24	133-6631	2	Bearing-Thrust
6	133-6628	10	Bolt	27	133-6626	18	Bolt-Head
9	133-6630	1	Bushing-Camshaft	28	133-6700	1	Gasket-Head, Cylinder
10	133-2507	8	Plug	29	133-2508	5	Bearing-Main
11	125-7184	2	Pin-Spring	32	133-6629	5	Bearing
12	133-6798	1	Plug	35	133-6632	2	Bearing-Thrust



Gear Housing Assembly

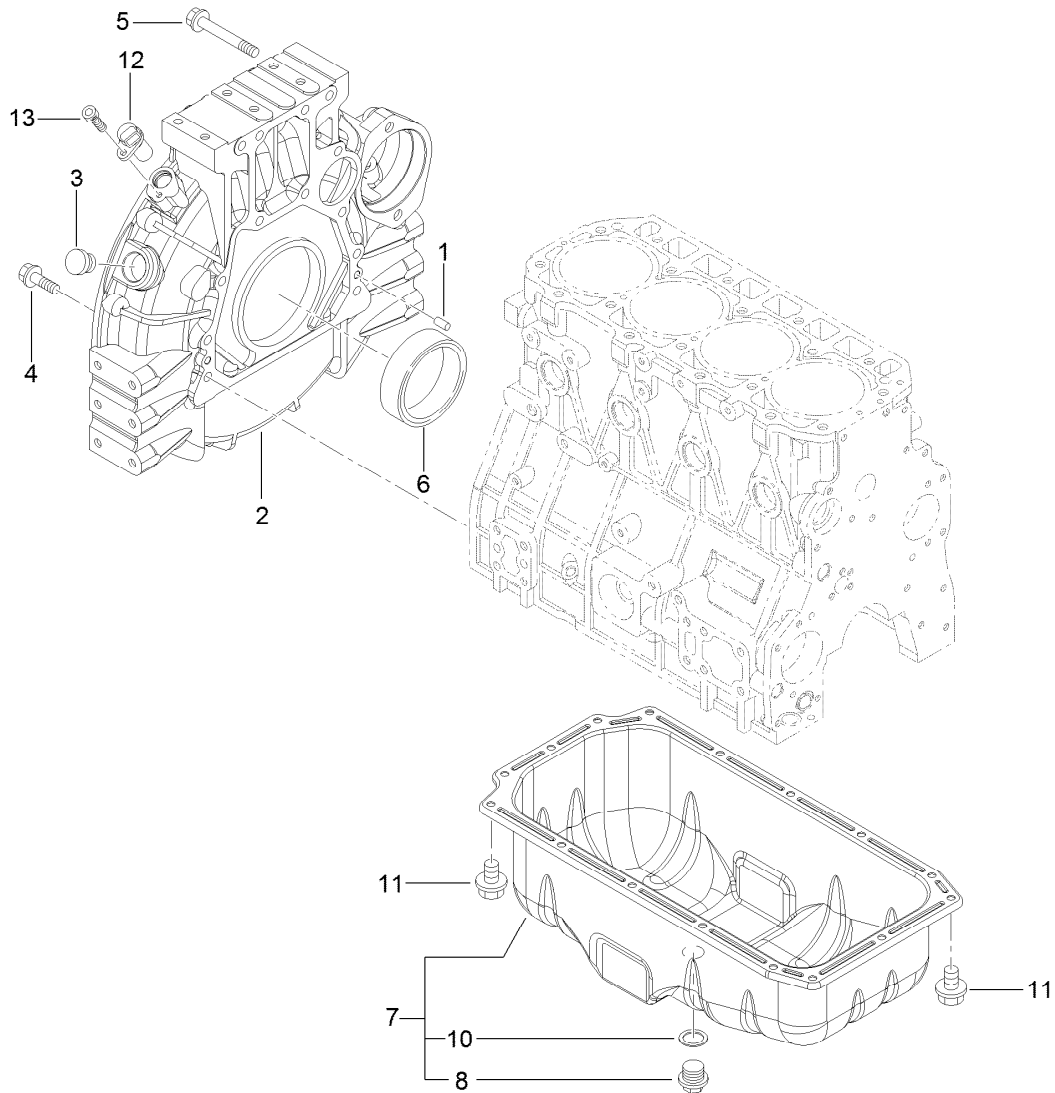
<i>Ref.</i>	<i>Part Number</i>	<i>Qty.</i>	<i>Description</i>	<i>Ref.</i>	<i>Part Number</i>	<i>Qty.</i>	<i>Description</i>
1	133-6754	1	Case-Gear	11	125-7197	1	O-Ring
2	125-6995	4	Pin	12	133-6701	1	Gearcase Cover ASM
3	133-6653	1	O-Ring	14	133-6669	1	Seal-Oil
4	133-6654	1	O-Ring	15	133-6703	1	Gearcase Cover ASM
5	133-6664	1	Oil Pump ASM	17	125-6977	1	Cover
6	133-6672	1	Gasket-CW P, Out	18	125-7214	2	Bolt
7	93-0400	1	O-Ring	19	125-7214	4	Bolt
8	125-7214	4	Bolt	20	125-7218	10	Bolt
9	125-7219	3	Bolt	21	133-2492	7	Bolt
10	125-6972	1	Cover-Filler				

Cylinder Head and Cover Assembly



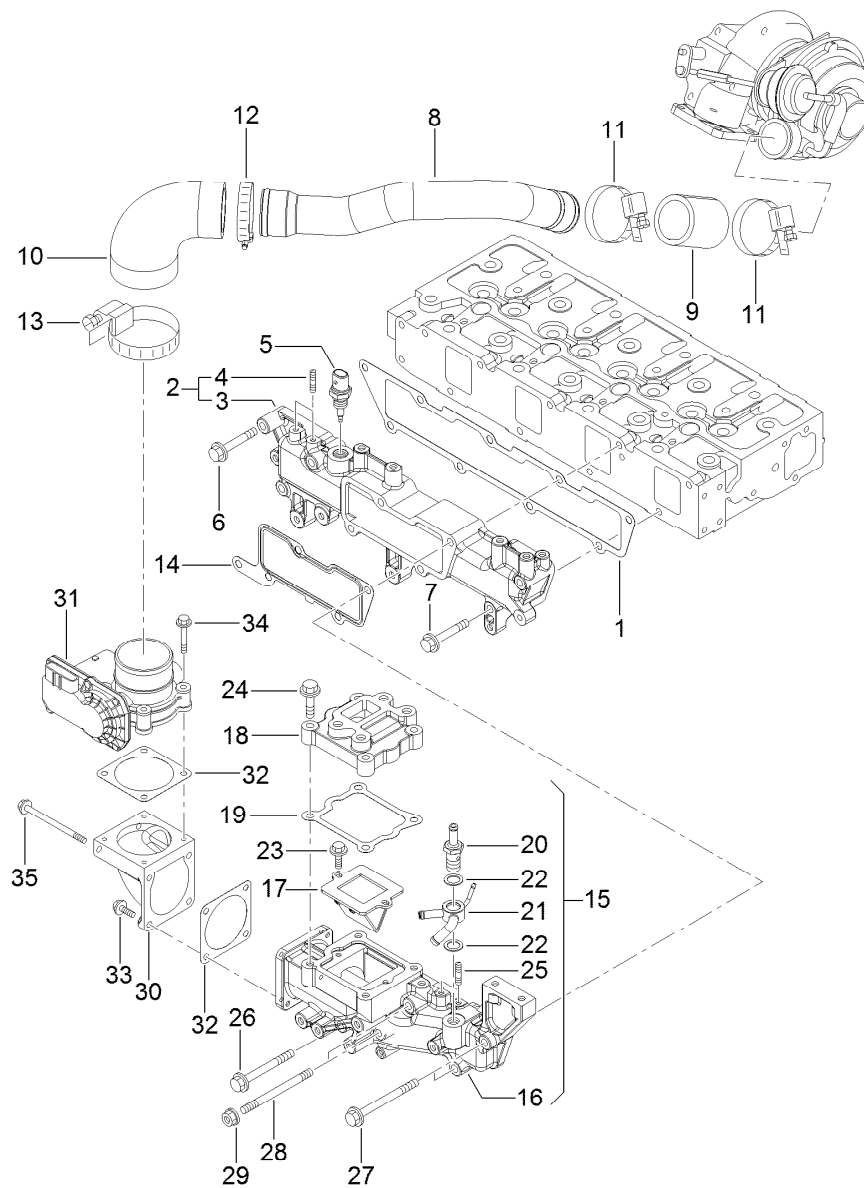
Cylinder Head and Cover Assembly (continued)

<i>Ref.</i>	<i>Part Number</i>	<i>Qty.</i>	<i>Description</i>	<i>Ref.</i>	<i>Part Number</i>	<i>Qty.</i>	<i>Description</i>
1	127-2996	8	Cap-Valve	47	133-6696	1	Spring-Plate
2	133-6756	1	Cylinder Head ASM	48	133-6661	1	Baffle-Breather
8	133-6797	1	Plug	49	133-2502	2	Screw
9	125-7240	1	Plug	50	133-2505	1	Screw
10	133-6633	4	Valve-Intake	51	125-7118	1	Baffle-Breather
11	133-6634	4	Valve-Exhaust	52	125-6959	1	Diaphragm
12	133-6635	8	Spring-Valve	53	125-6960	1	Plate
13	127-3013	8	Retainer-Spring	54	125-6961	1	Plate-Breather
14	127-2986	4	Seal-Stem, Valve	55	125-6962	1	Spring-Diaphragm
15	127-3027	4	Seal-Stem, Valve	57	133-6603	1	Elbow
16	127-3186	8	Pin-Cotter	58	127-3026	1	Joint
18	127-3021	4	Gasket-Injector	59	132-4907	1	Gasket-Cover, Head
19	133-6707	4	Retainer-Injector	60	127-3029	1	Sensor-Pressure
20	127-2980	4	Washer-Injector	61	127-3032	2	O Ring-Sensor, Pressure
21	125-7217	4	Bolt	62	125-6913	2	Plug
22	133-6636	1	Arm Support ASM	63	125-7186	7	Screw
23	133-6637	1	Rocker Shaft ASM	64	125-7186	6	Screw
26	133-6638	3	Spring-Arm, Rocker	65	127-3184	2	Bolt
27	133-6639	3	Support-Arm, Rocker	66	93-0418	3	O-Ring
28	133-6640	1	Support-Arm, Rocker	67	125-7197	1	O-Ring
29	133-6642	4	Arm-Rocker	68	133-6779	1	Lifter-Engine
30	125-7013	4	Screw-Adjust, Valve	69	133-6695	1	Lifter
32	125-7014	4	Nut	70	125-7595	4	Bolt
33	133-6643	4	Arm-Rocker	71	127-3128	1	Joint-Breather
34	125-7013	4	Screw-Adjust, Valve	72	133-6787	1	Breather Hose ASM
36	125-7014	4	Nut	75	125-7040	2	Clip-Hose
37	133-6794	2	Ring	76	127-3133	1	Hose-Intake
38	133-2503	1	Screw	77	127-3030	1	Sensor-Temp, Air
39	133-6641	3	Stud	78	127-3033	1	O-Ring
40	133-2498	1	Bolt	79	125-7190	2	Clamp-Hose
41	125-7230	3	Nut	80	125-7207	1	Bolt
42	125-6972	1	Cover-Filler	81	131-2704	1	Harness-Wire
43	125-6974	3	Knob	82	127-2991	4	Plug-Glow
44	133-6755	1	Cylinder Head Cover ASM	83	133-6750	1	Connector-Plug, Glow
45	133-6704	1	Plate-Baffle	84	127-2997	8	Guide-Valve
46	133-6705	1	Cover-Plate, Spring				



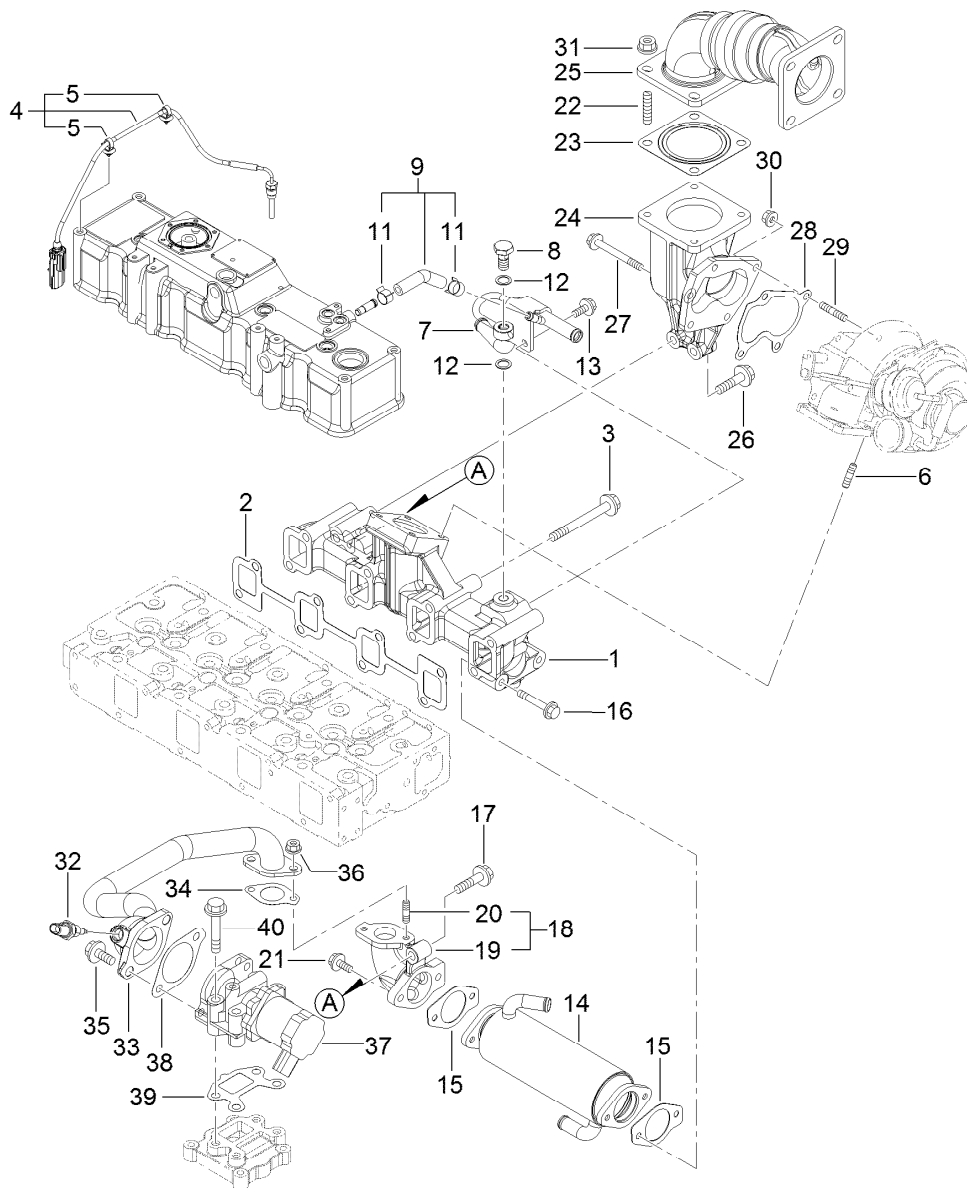
Flywheel Housing and Oil Sump Assembly

Ref.	Part Number	Qty.	Description
1	125-6995	2	Pin
2	133-6702	1	Housing-Flywheel
3	125-6910	1	Cap
4	133-2499	9	Bolt
5	133-2500	4	Bolt
6	133-6668	1	Seal
7	133-6691	1	Oil Sump ASM
8	125-6912	1	Plug-Drain
10	125-7177	1	Washer-Seal
11	125-7212	16	Bolt
12	127-3062	1	Sensor-Rev, Flywheel
13	127-3184	1	Bolt



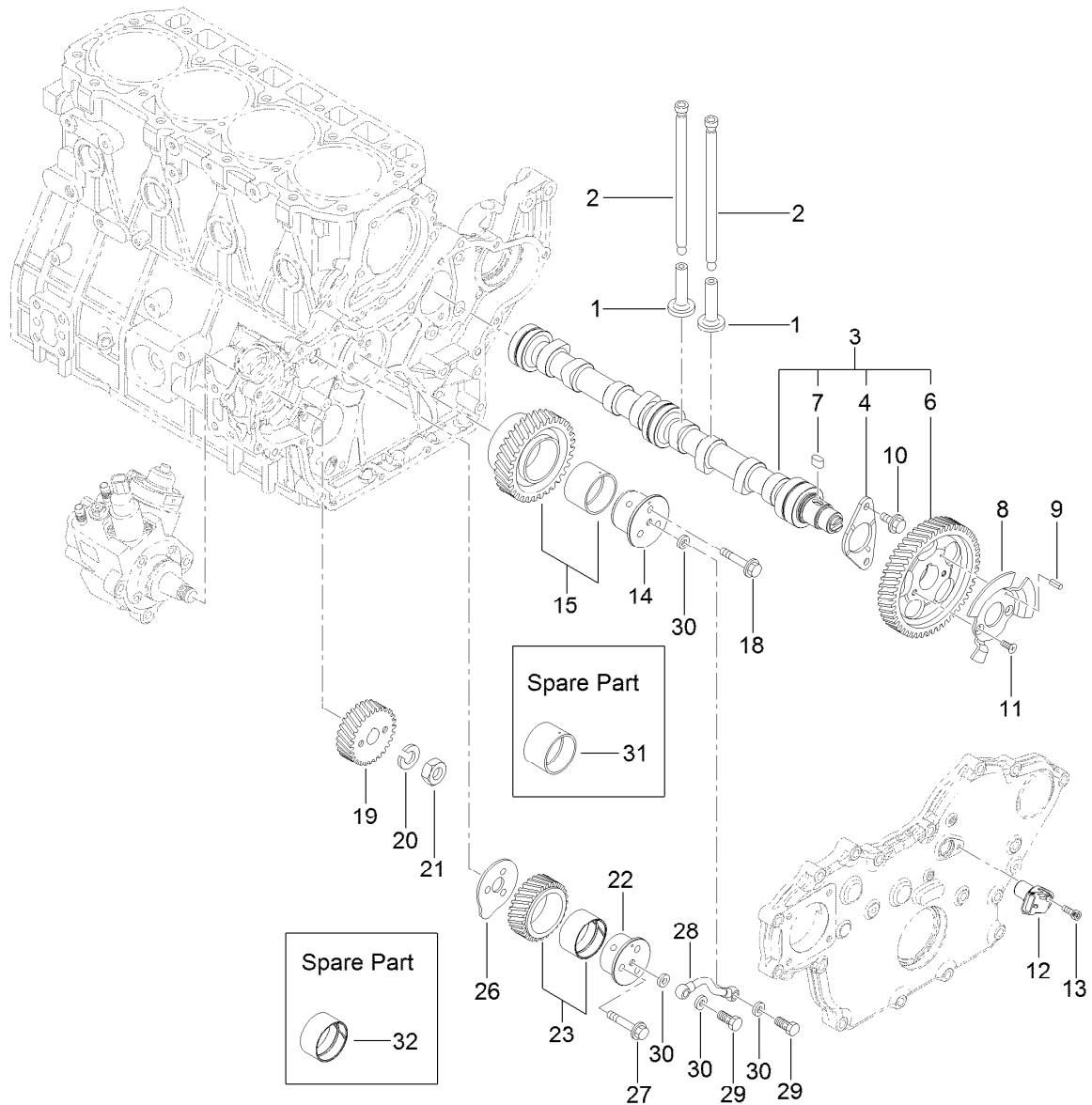
Suction Manifold Assembly

Ref.	Part Number	Qty.	Description	Ref.	Part Number	Qty.	Description
1	133-6708	1	Gasket-Manifold	19	133-6717	1	Gasket-V Spacer, E G R
2	133-6758	1	Intake Manifold ASM	20	127-3080	1	Joint-Hose
3	133-6757	1	Manifold-Intake, Air	21	133-6743	1	Joint-Hose
4	127-3180	2	Stud	22	127-3166	2	Washer-Seal
5	127-3031	1	Sensor-Temp, Air	23	125-7207	2	Bolt
6	125-7219	1	Bolt	24	125-7217	4	Bolt
7	125-7221	4	Bolt	25	127-3180	2	Stud
8	133-6764	1	Duct-Intake	26	127-3178	1	Bolt
9	127-3096	1	Joint-Rubber	27	133-2493	2	Bolt
10	133-6765	1	Joint-Hose	28	133-2501	2	Stud
11	127-3170	2	Clamp-Hose	29	125-7229	2	Nut
12	125-7190	1	Clamp-Hose	30	127-3035	1	Bend-Inlet
13	127-3171	1	Clamp-Hose	31	127-3036	1	Body-Throttle
14	133-6709	1	Gasket-Collector	32	127-3037	2	Gasket-Throttle
15	133-6760	1	Collector ASM	33	125-7209	2	Bolt
16	133-6759	1	Collector	34	125-7211	4	Bolt
17	133-6762	1	Valve-Reed	35	127-3177	2	Bolt
18	133-6716	1	Spacer-Valve, E G R				



Exhaust Manifold Assembly

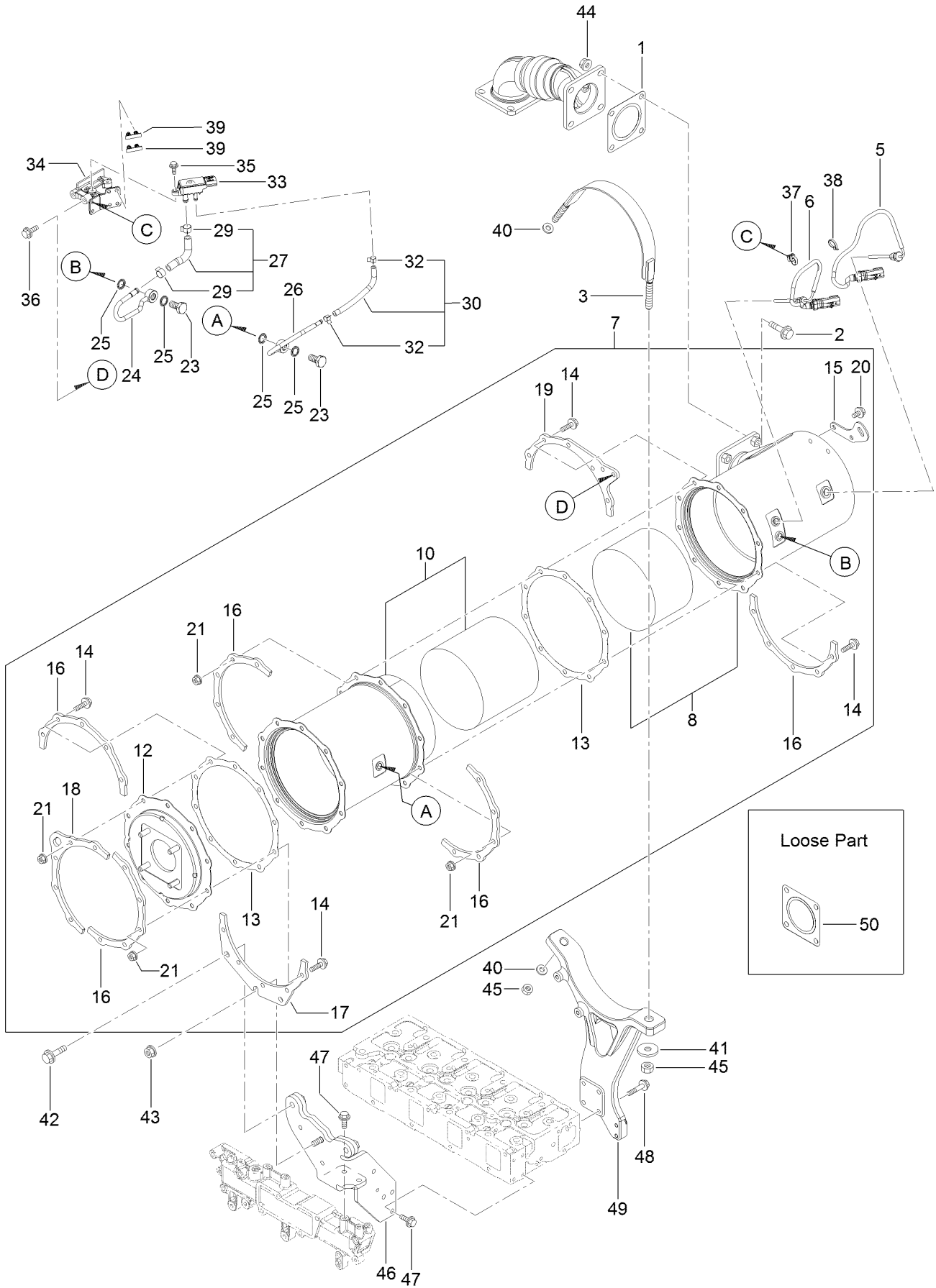
Ref.	Part Number	Qty.	Description	Ref.	Part Number	Qty.	Description
1	133-6761	1	Manifold-Exhaust	21	125-7595	2	Bolt
2	133-6710	1	Gasket-Manifold	22	127-2984	4	Stud
3	133-6791	8	Bolt	23	127-2987	1	Gasket-Silencer
4	133-6718	1	Sensor-Temp, Exhaust	24	133-6697	1	Pipe-Exhaust
5	127-3087	2	Band-Clip	25	133-6788	1	Pipe-Exhaust
6	125-7043	4	Stud	26	133-6792	2	Bolt
7	133-6711	1	Pipe-Pressure, Exhaust	27	133-6606	1	Bolt
8	127-3039	1	Bolt-Joint, Pipe	28	133-6619	1	Gasket
9	133-6712	1	Exhaust Pressure Hose ASM	29	125-6906	3	Stud
11	127-3041	2	Clip-Hose	30	125-7229	3	Nut
12	127-3174	2	Gasket	31	125-7230	4	Nut
13	125-7214	2	Bolt	32	127-3047	1	Sensor-Gas Temp, E G R
14	133-6713	1	Cooler-E G R	33	133-6719	1	E G R Pipe ASM
15	133-6698	2	Gasket-Cooler, E G R	34	127-3016	1	Gasket
16	133-6714	2	Bolt	35	133-2496	2	Bolt
17	133-6792	1	Bolt	36	125-7229	2	Nut
18	133-6720	1	E G R-C Out Bend ASM	37	133-6722	1	Valve-E G R
19	133-6721	1	Bend-Out, E G R-C	38	133-6723	1	Gasket-In, E G R-V
20	125-7043	2	Stud	39	133-6724	1	Gasket-Out, E G R-V
				40	93-0479	4	Bolt



Camshaft and Driving Gear Assembly

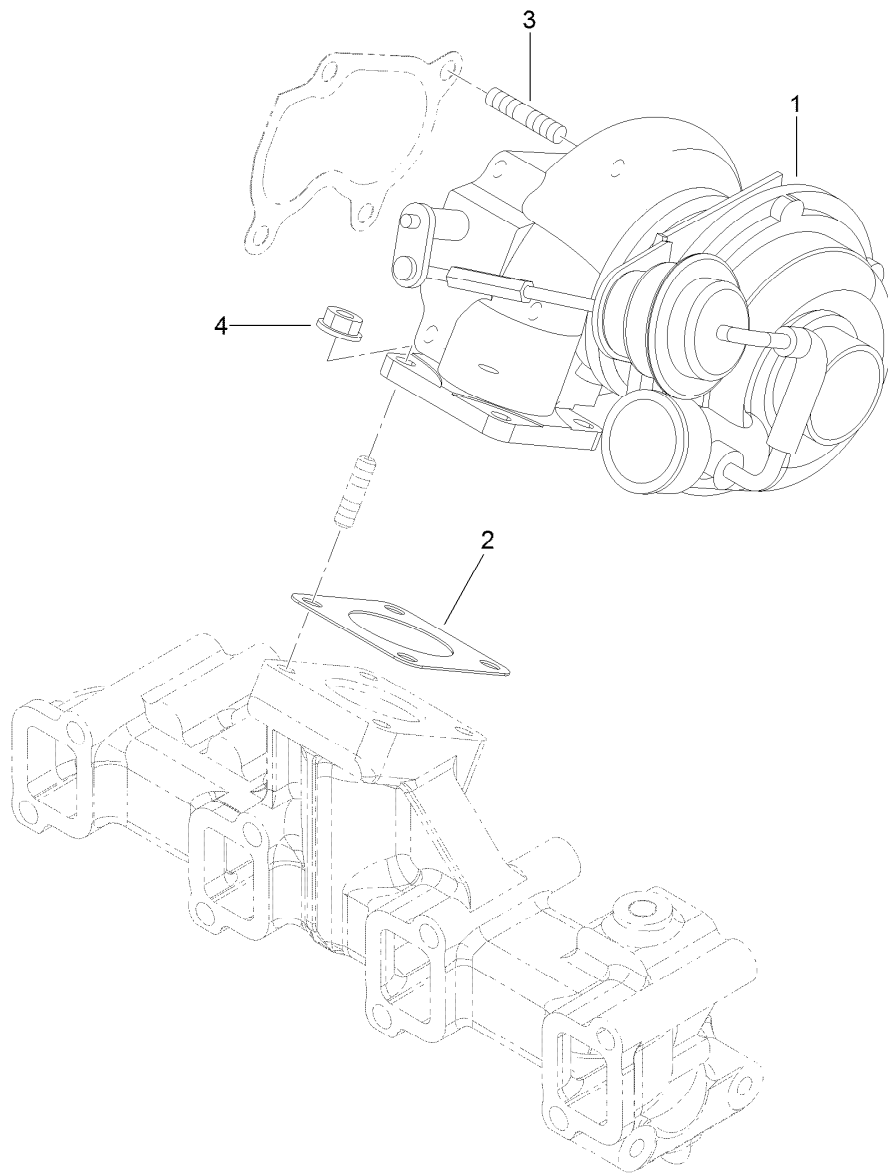
Ref.	Part Number	Qty.	Description	Ref.	Part Number	Qty.	Description
1	125-7016	8	Tappet	18	125-7220	3	Bolt
2	133-6644	8	Rod-Push	19	133-6737	1	Gear-Pump, Supply
3	133-6726	1	Cam Shaft ASM	20	127-3167	1	Washer-Spring
4	125-7008	1	Metal-Thrust	21	127-3185	1	Nut-Lock
6	133-6725	1	Gear-Camshaft	22	133-6732	1	Shaft-Gear B, Idle
7	125-7185	1	Key	23	133-6734	1	Idle Gear B ASM
8	133-6727	1	Pulser-Gear, Cam	26	133-6735	1	Plate-Shaft B, Idle
9	125-7182	1	Pin-Spring	27	125-7219	3	Bolt
10	125-7213	2	Bolt	28	133-6736	1	L O Pipe ASM
11	133-2504	2	Screw	29	133-6600	2	Bolt-Joint, Pipe
12	127-3054	1	Sensor-Rev, Gear	30	125-7174	4	Washer-Seal
13	127-3184	1	Bolt	31	133-6624	1	Bushing-Gear, Idle
14	133-6731	1	Shaft-Gear A, Idle	32	133-6733	1	Bushing
15	133-6652	1	Idle Gear ASM				

Diesel Particulate Filter Assembly



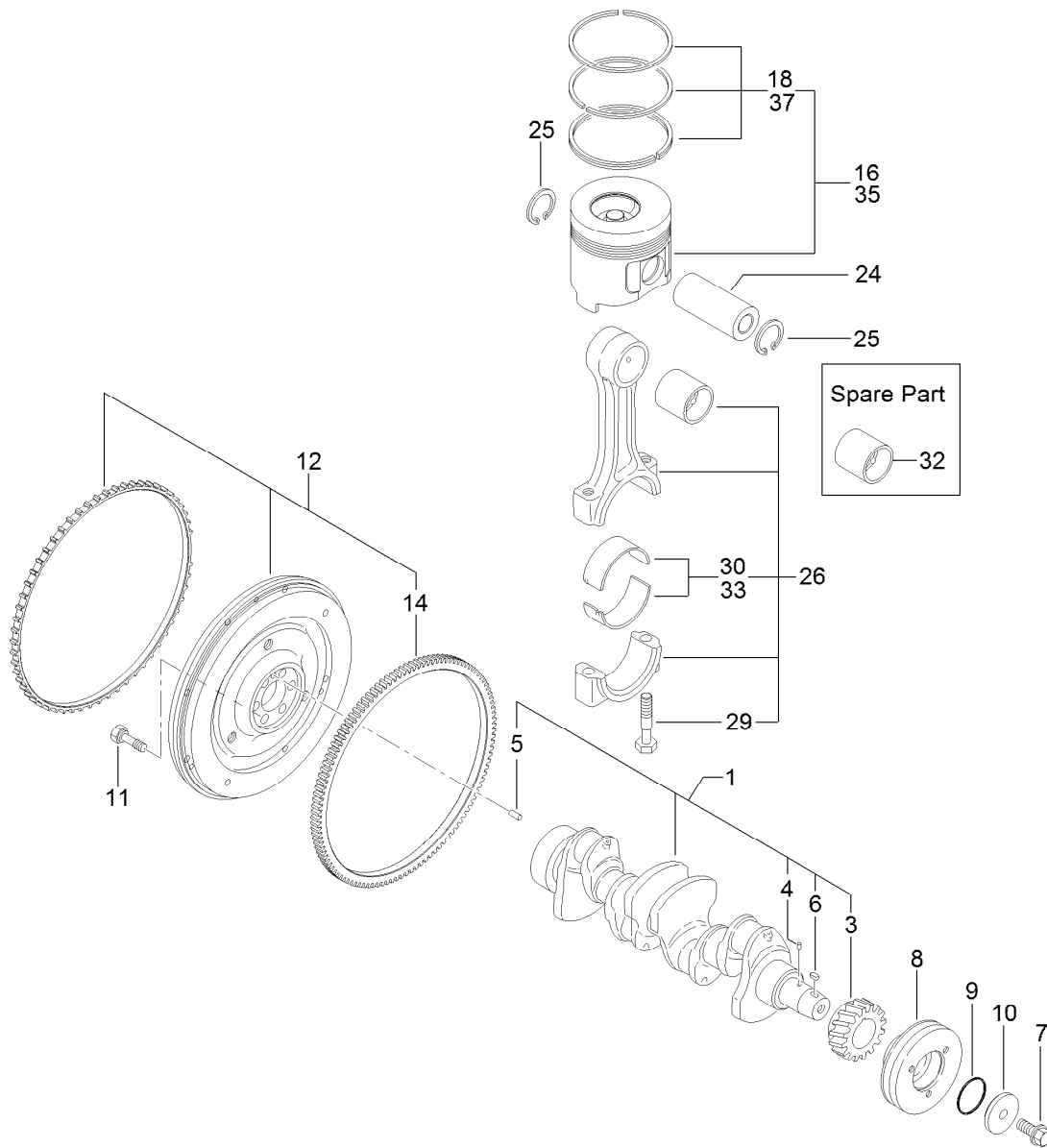
Diesel Particulate Filter Assembly (continued)

<i>Ref.</i>	<i>Part Number</i>	<i>Qty.</i>	<i>Description</i>	<i>Ref.</i>	<i>Part Number</i>	<i>Qty.</i>	<i>Description</i>
1	127-2987	1	Gasket-Silencer	29	127-3057	2	Clip-Hose
2	133-6793	4	Bolt	30	127-3059	1	Exhaust Pressure Hose ASM
3	133-6783	1	Band-D P F	32	127-3058	2	Clip-Hose
5	127-4764	1	Sensor-Temp, Exhaust	33	127-3060	1	Sensor-Pressure
6	127-4765	1	Sensor-Temp, Exhaust	34	133-6773	1	Bracket-Sensor
7	133-6786	1	D P F ASM	35	125-7208	2	Bolt
8	133-6789	1	Case-D O C	36	125-7215	2	Bolt
10	133-6780	1	Case-Filter, Soot	37	127-3087	1	Band-Clip
12	133-6781	1	Flange-Outlet	38	127-3124	1	Band
13	127-3162	2	Gasket-D P F	39	127-3088	2	Clip-Connector
14	127-3055	20	Bolt	40	93-0417	2	Washer
15	127-3144	1	Lifter-D P F	41	93-0417	1	Washer
16	127-3145	5	Stiffener-D P F, A	42	133-2497	2	Bolt
17	133-6728	1	Stiffener-D P F, B	43	125-7230	1	Nut
18	127-3147	1	Stiffener-D P F, C	44	125-7230	4	Nut
19	133-6699	1	Stiffener-D P F, C	45	133-2506	2	Nut
20	125-7213	2	Bolt	46	133-6774	1	Stay-D P F
21	125-7229	20	Nut	47	125-7595	5	Bolt
23	127-3039	2	Bolt-Joint, Pipe	48	133-6715	4	Bolt
24	133-6775	1	Exhaust Pressure Pipe ASM	49	133-6782	1	Stay-D P F
25	127-3056	4	Gasket-Sensor	50	127-2987	1	Gasket-Silencer
26	133-6776	1	Exhaust Pressure Pipe ASM				
27	133-6777	1	Exhaust Pressure Hose ASM				



Turbocharger-R H F5

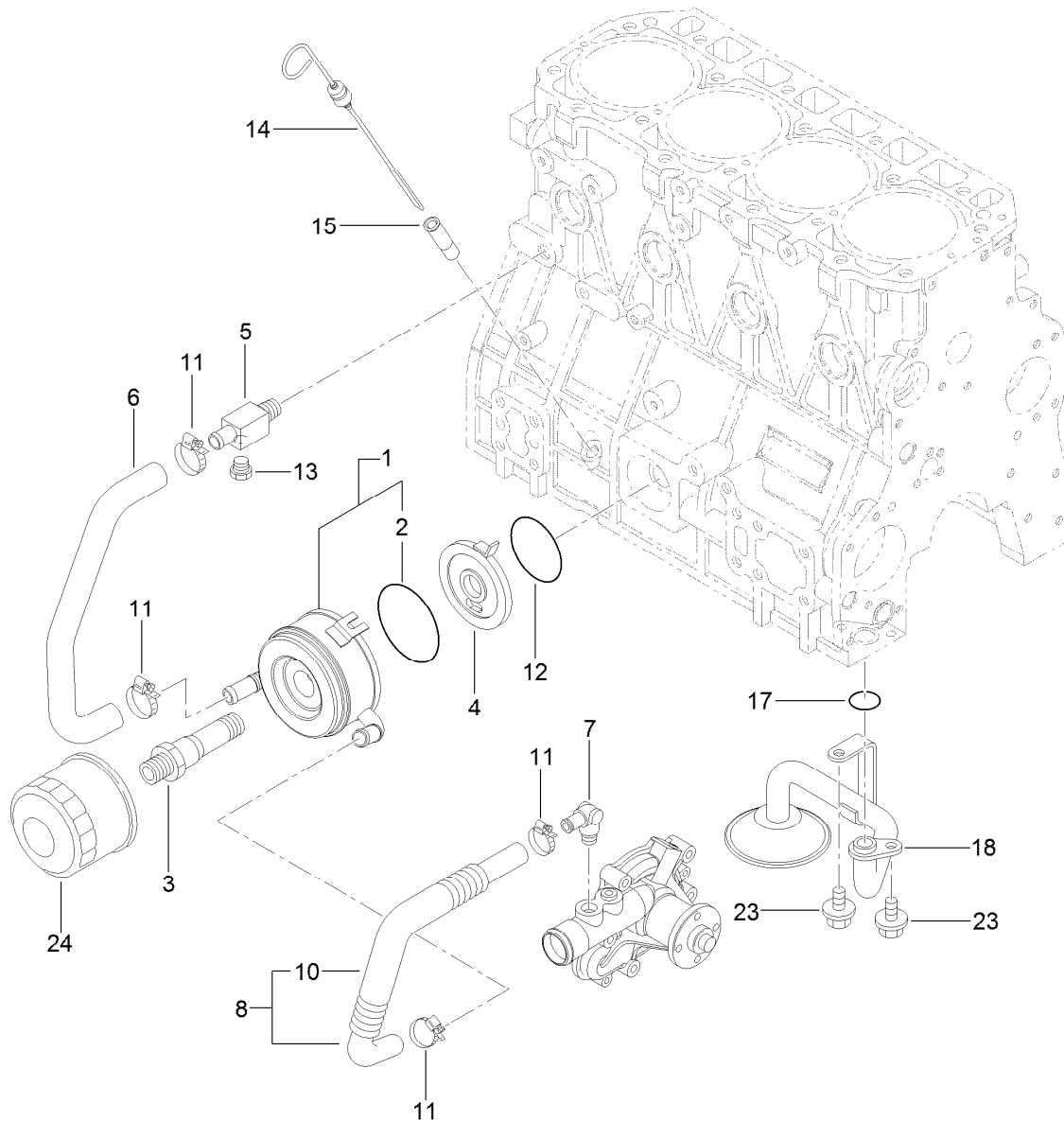
<i>Ref.</i>	<i>Part Number</i>	<i>Qty.</i>	<i>Description</i>
1	133-6763	1	Turbocharger-R H F5
2	133-6625	1	Gasket
3	125-6906	4	Stud
4	125-7229	4	Nut



Crankshaft and Piston Assembly

<i>Ref.</i>	<i>Part Number</i>	<i>Qty.</i>	<i>Description</i>
1	133-6663	1	Crankshaft ASM
3	133-6645	1	Gear-Crankshaft
4	133-6611	1	Pin
5	133-6612	1	Pin-Parallel
6	125-7185	1	Key
7	133-6670	1	Bolt
8	133-6662	1	Pulley-V
9	133-6693	1	Packing-Washer
10	133-6694	1	Washer-Pulley, V
11	133-6610	6	Bolt-Flywheel
12	133-6778	1	Flywheel ASM
14	133-6646	1	Gear-Ring

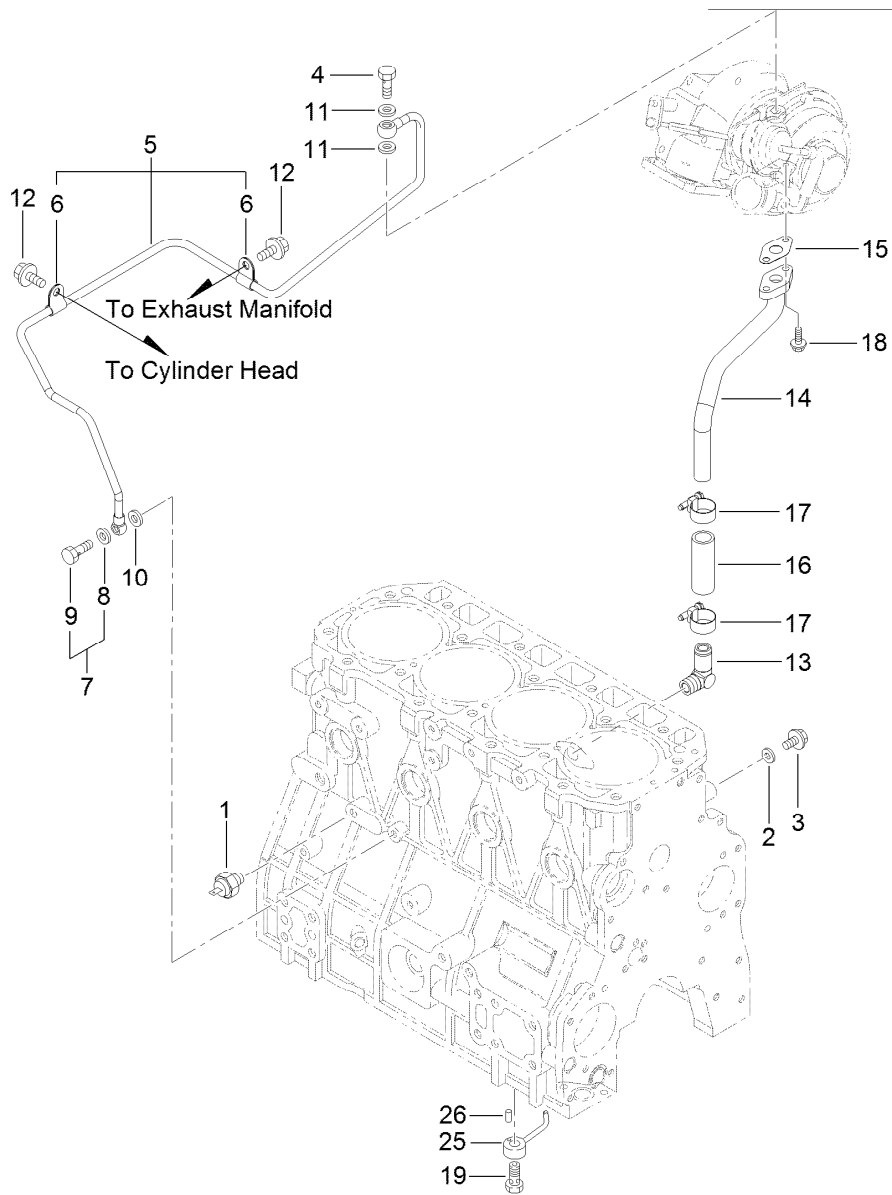
<i>Ref.</i>	<i>Part Number</i>	<i>Qty.</i>	<i>Description</i>
16	133-6766	4	Piston ASM
18	133-6729	4	Ring ASM
24	133-6607	4	Pin-Piston
25	133-6795	8	Ring
26	133-6647	4	Connecting Rod ASM
29	133-6648	8	Bolt-Rod, Connecting
30	133-6649	4	Bearing-Pin, Crank
32	133-6651	4	Bearing-Pin, Piston
33	133-6650	4	Bearing
35	133-6767	4	Piston ASM
37	133-6730	4	Ring ASM



Lubrication and Oil System Assembly

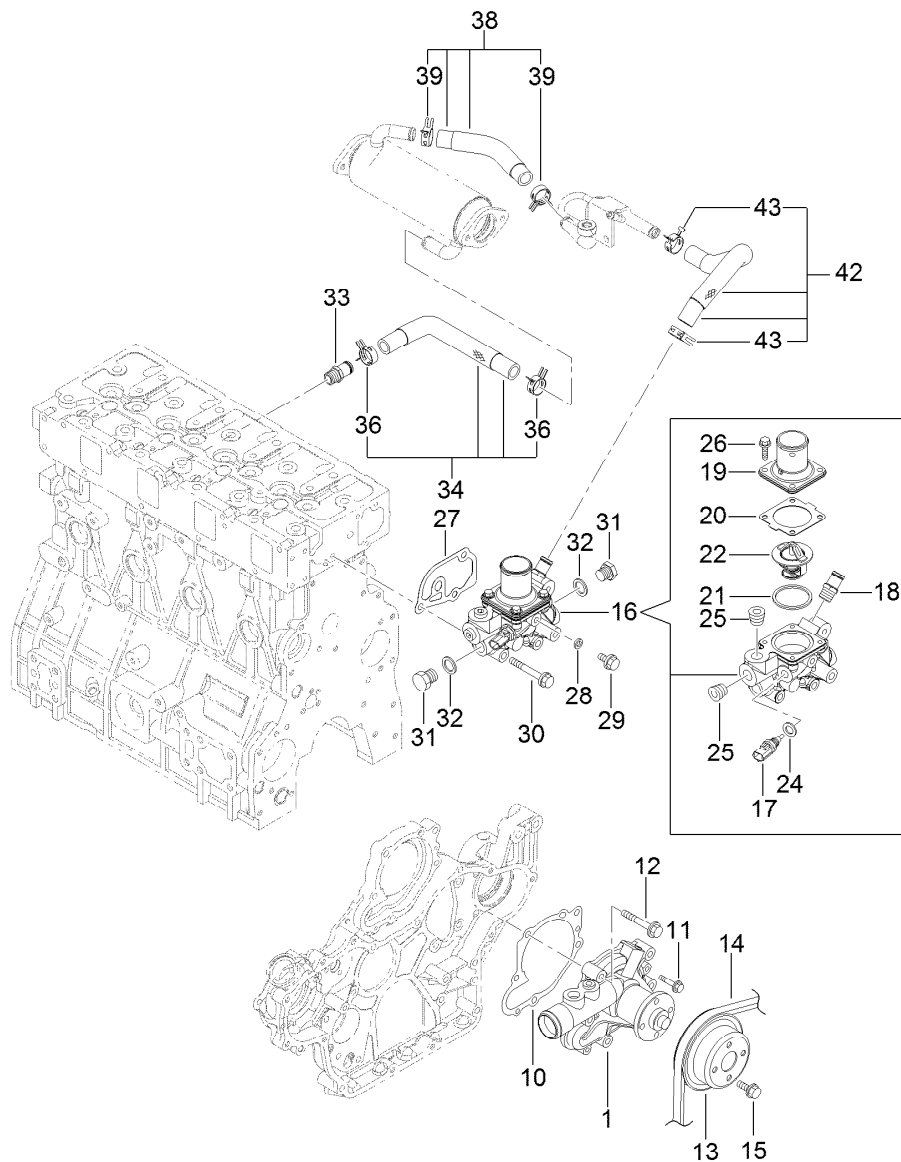
Ref.	Part Number	Qty.	Description
1	127-3014	1	Cooler ASM
2	127-2985	1	O-Ring
3	133-6622	1	Bolt-Cooler
4	127-3015	1	Bracket-Cooler
5	125-6990	1	Joint
6	133-6667	1	Pipe-Water
7	127-3003	1	Elbow
8	133-6620	1	Pipe-Water
10	133-6621	1	Tube-Corrugated

Ref.	Part Number	Qty.	Description
11	125-7188	4	Clamp-Hose
12	127-3176	1	O-Ring
13	125-7171	1	Plug-Drain
14	133-6655	1	Dipstick-Oil
15	125-6954	1	Guide-Dipstick
17	133-6653	1	O-Ring
18	133-6656	1	Oil Inlet Pipe ASM
23	125-7212	2	Bolt
24	125-7025	1	Filter-Engine, Oil



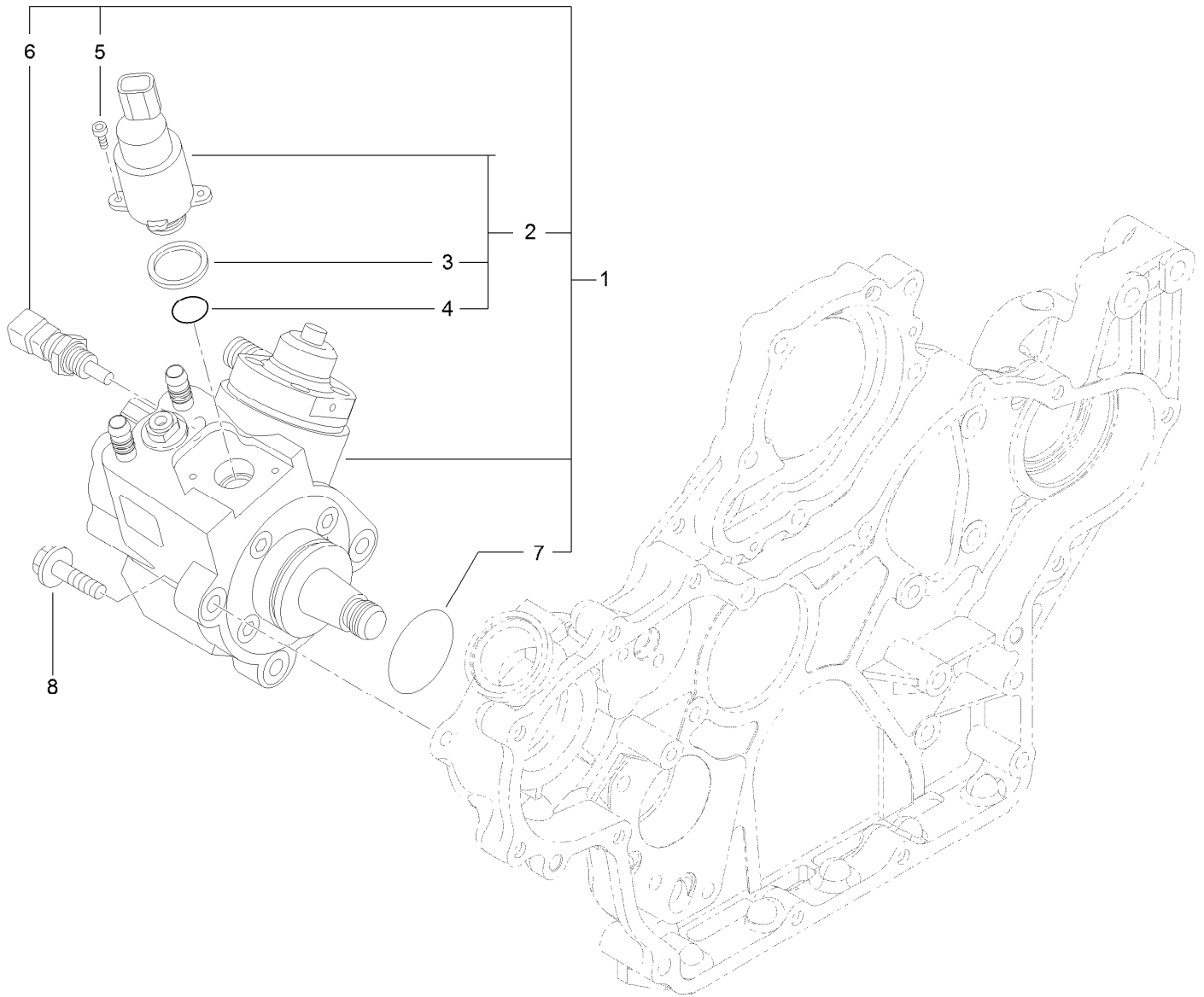
Lubrication Oil Pipe Assembly

<i>Ref.</i>	<i>Part Number</i>	<i>Qty.</i>	<i>Description</i>	<i>Ref.</i>	<i>Part Number</i>	<i>Qty.</i>	<i>Description</i>
1	125-6918	1	Switch-Oil	12	125-7212	2	Bolt
2	125-7174	1	Washer-Seal	13	125-6971	1	Elbow
3	125-7212	1	Bolt	14	133-6769	1	Pipe-L O Return T/C
4	125-6952	1	Bolt-Joint, Pipe	15	133-6666	1	Gasket
5	133-6768	1	L O Pipe ASM	16	125-6958	1	Hose
6	133-6623	2	Retainer	17	125-7188	2	Clamp-Hose
7	125-6988	1	Joint Bolt ASM	18	125-7208	2	Bolt
8	125-7174	1	Washer-Seal	19	133-6665	4	Check Valve ASM
9	125-7194	1	Bolt-Joint	25	133-6602	4	Nozzle
10	125-7174	2	Washer-Seal	26	125-7182	4	Pin-Spring
11	125-7193	2	Gasket				



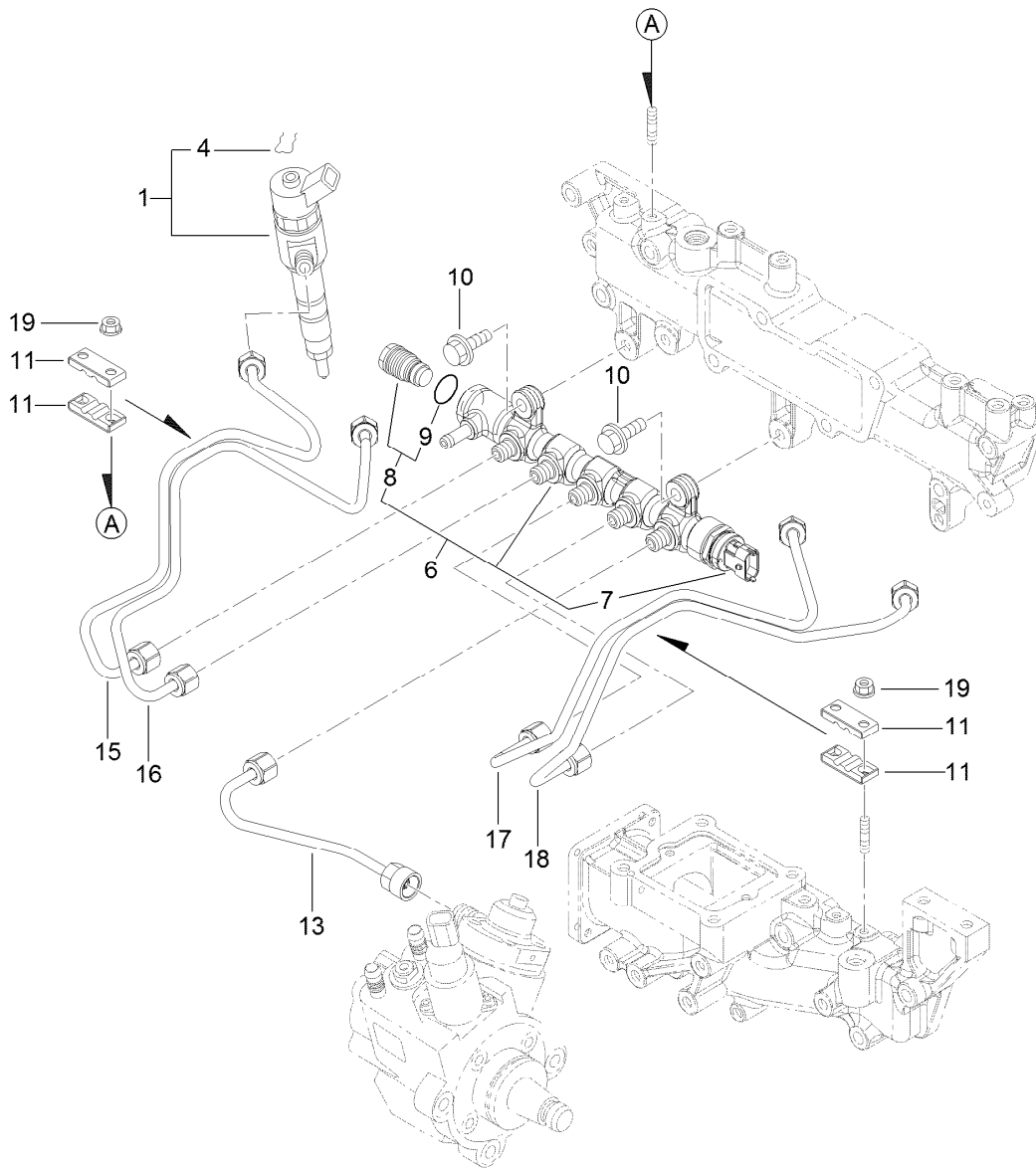
Cooling Water System Assembly

<i>Ref.</i>	<i>Part Number</i>	<i>Qty.</i>	<i>Description</i>	<i>Ref.</i>	<i>Part Number</i>	<i>Qty.</i>	<i>Description</i>
1	133-6657	1	Water Pump ASM	25	133-6796	2	Plug
10	133-6658	1	Gasket-Pump, Water	26	125-7209	4	Bolt
11	131-2739	2	Bolt	27	133-6660	1	Gasket
12	125-7221	5	Bolt	28	125-7192	1	Gasket
13	133-6659	1	V Pulley-Pump, CW	29	125-7212	1	Bolt
14	133-6799	1	V-Belt	30	125-7222	3	Bolt
15	133-2495	4	Bolt	31	125-6953	2	Plug
16	133-6740	1	Thermostat Case ASM	32	125-6979	2	Gasket
17	125-7124	1	Sensor-Thermostat, CW	33	127-3017	1	Joint
18	127-3017	1	Joint	34	133-6738	1	E G R-C In Hose ASM
19	133-6671	1	Cover-Thermostat	36	127-3020	2	Clip-Hose
20	133-6613	1	Gasket-Thermostat	38	133-6739	1	E G R-C Out A Hose ASM
21	133-6614	1	Gasket-Thermostat	39	127-3020	2	Clip-Hose
22	133-6615	1	Thermostat	42	133-6784	1	E G R-C Out B Hose ASM
24	125-7176	1	Washer-Seal	43	127-3020	2	Clip-Hose



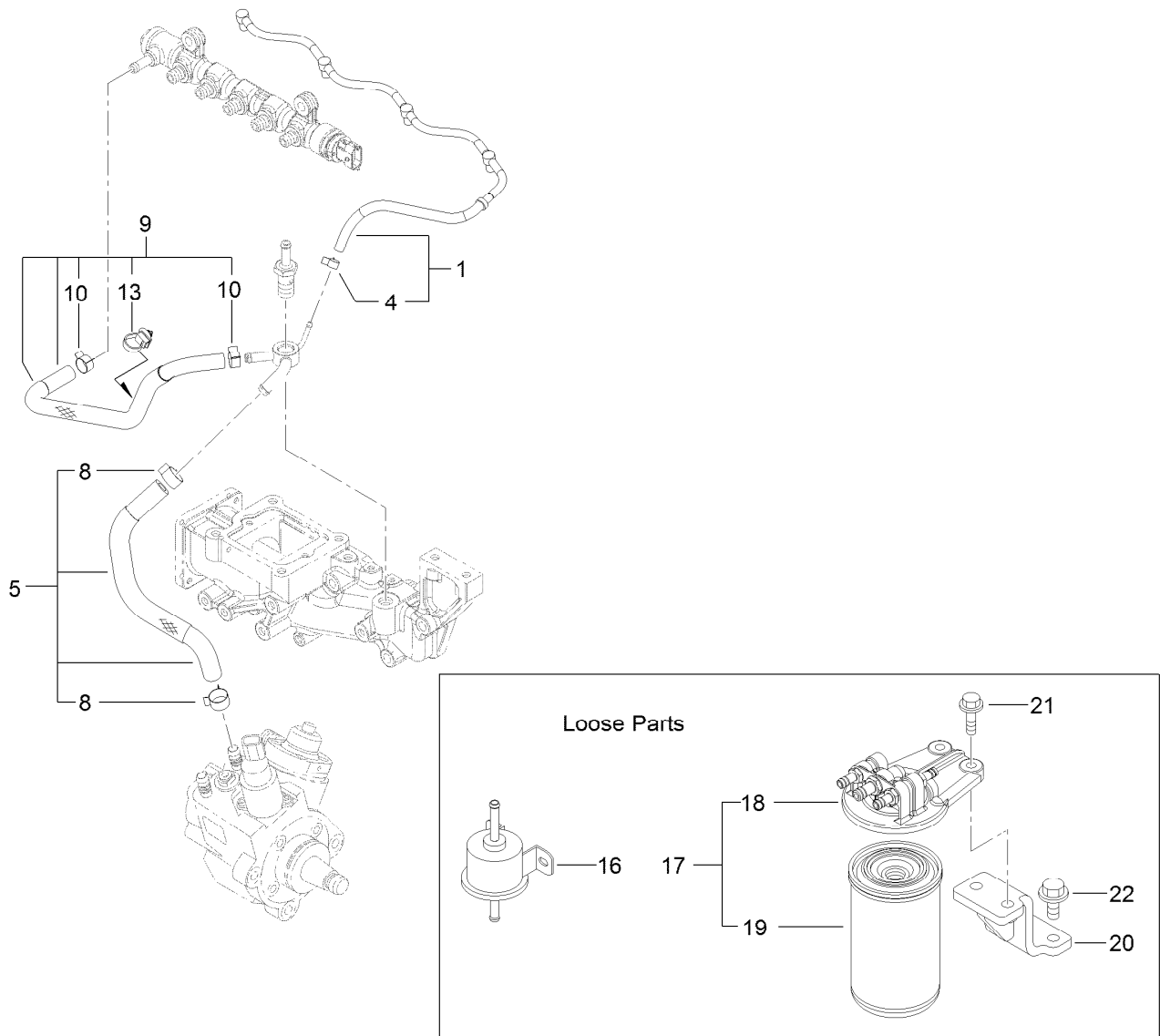
Fuel Supply Pump Assembly

<i>Ref.</i>	<i>Part Number</i>	<i>Qty.</i>	<i>Description</i>
1	127-3073	1	Fuel Pump ASM
2	131-2103	1	Valve ASM
3	131-2105	1	Ring-Sealing
4	131-2106	1	O-Ring
5	131-2107	2	Bolt
6	131-2108	1	Sensor-Temperature
7	127-3074	1	O-Ring
8	125-7216	3	Bolt



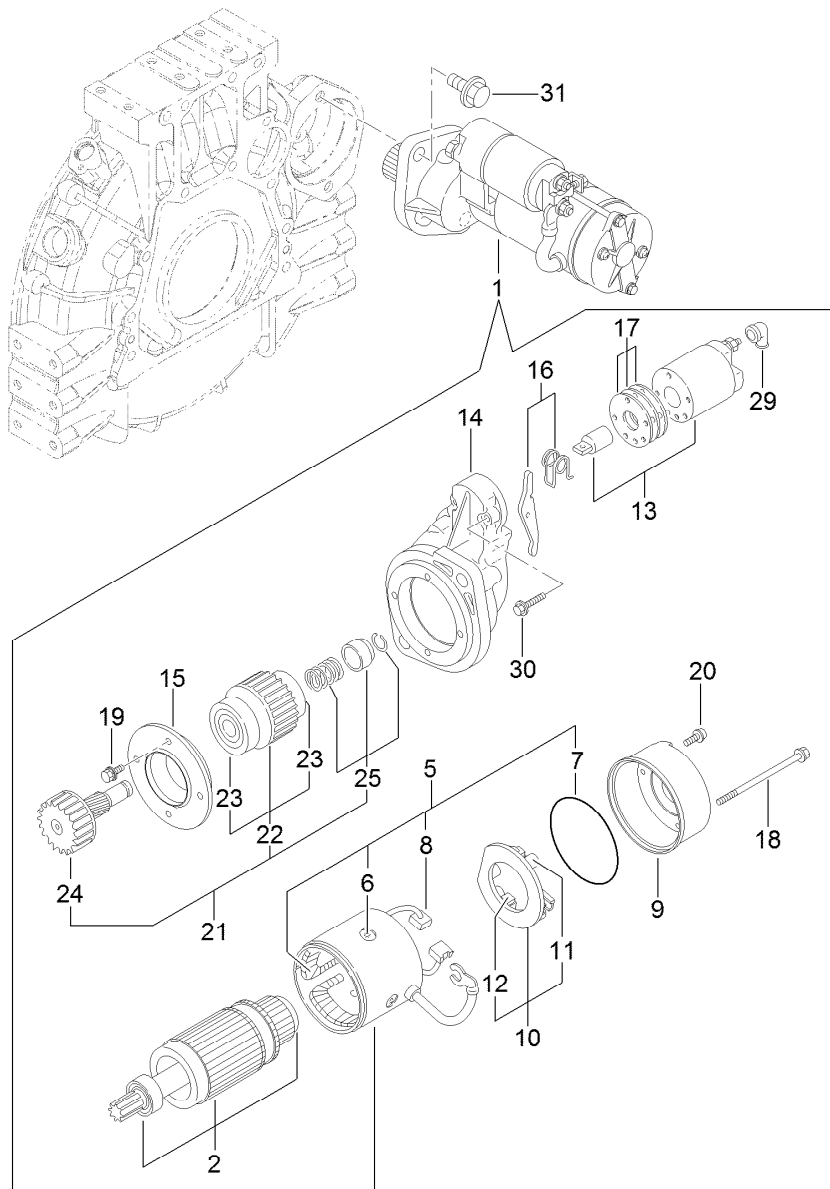
Fuel Injection Valve Assembly

Ref.	Part Number	Qty.	Description
1	133-6770	4	Injector-C R
4	130-7430	4	Ring-Retaining
6	127-3118	1	Rail ASM
7	130-7431	1	Sensor-Pressure, Rail
8	130-7432	1	Valve ASM
9	130-7433	1	O-Ring
10	125-7215	2	Bolt
11	127-2982	4	Retainer
13	133-6745	1	Rail Injector Pipe ASM
15	133-6746	1	Injector No 1 Pipe ASM
16	133-6747	1	Injector No 2 Pipe ASM
17	133-6748	1	Injector No 3 Pipe ASM
18	133-6749	1	Injector No 4 Pipe ASM
19	125-7231	4	Nut



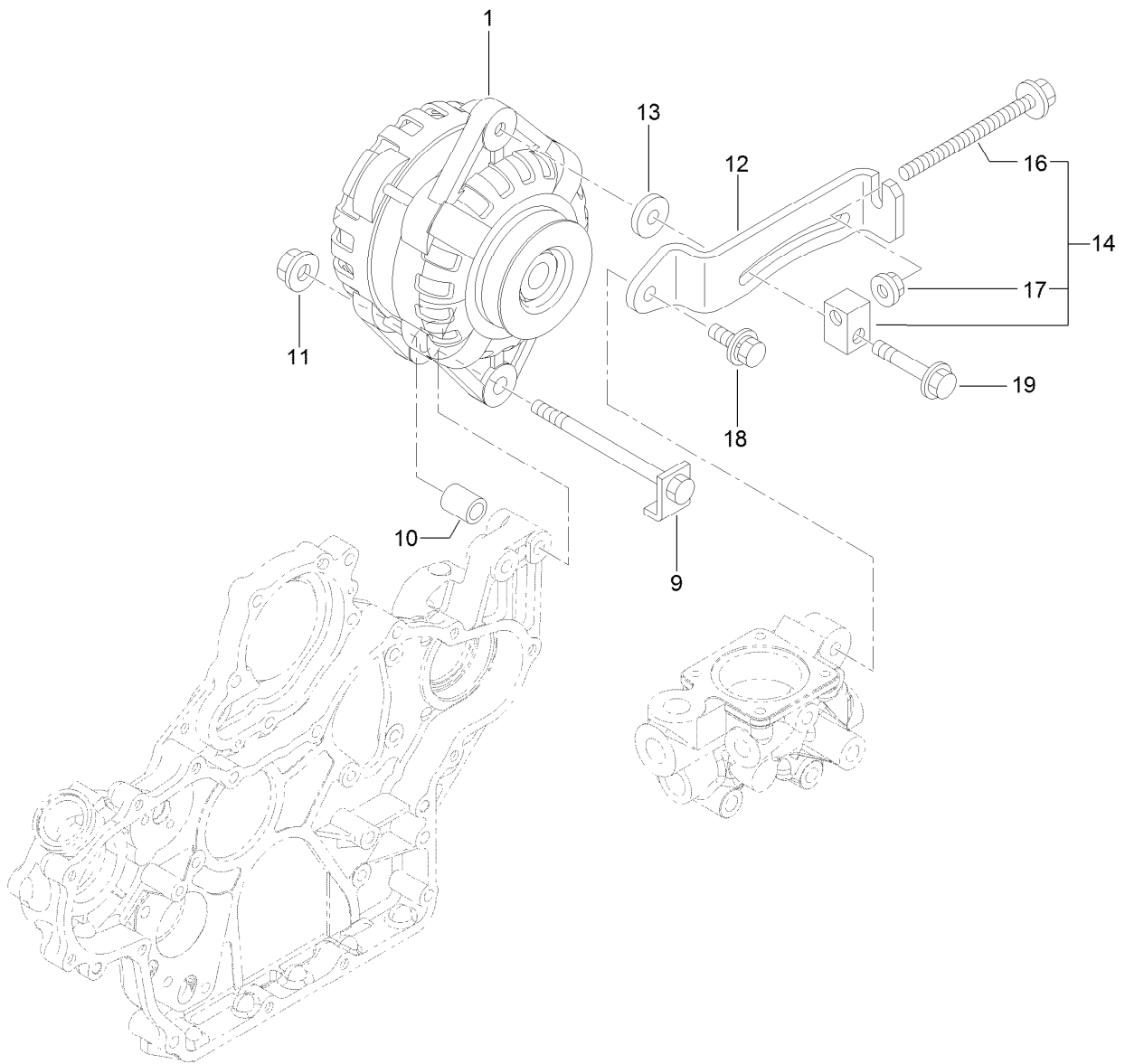
Fuel Pipe Assembly

Ref.	Part Number	Qty.	Description
1	133-6744	1	Fuel/Oil Return Pipe ASM
4	127-3172	1	Clamp-Hose
5	133-6741	1	Fuel/Oil Return Hose ASM
8	125-7191	2	Clamp-Hose
9	133-6742	1	Fuel/Oil Return Hose ASM
10	127-2950	2	Clip-Hose
13	127-3087	1	Band-Clip
16	127-3008	1	Fuel Feed Pump ASM
17	127-3075	1	Fuel/Oil Filter ASM
18	127-3076	1	Fuel/Oil Filter Bracket ASM
19	125-8752	1	Filter-Fuel/Oil
20	131-2731	1	Bracket-Filter, Fuel
21	125-7216	2	Bolt
22	133-2496	2	Bolt



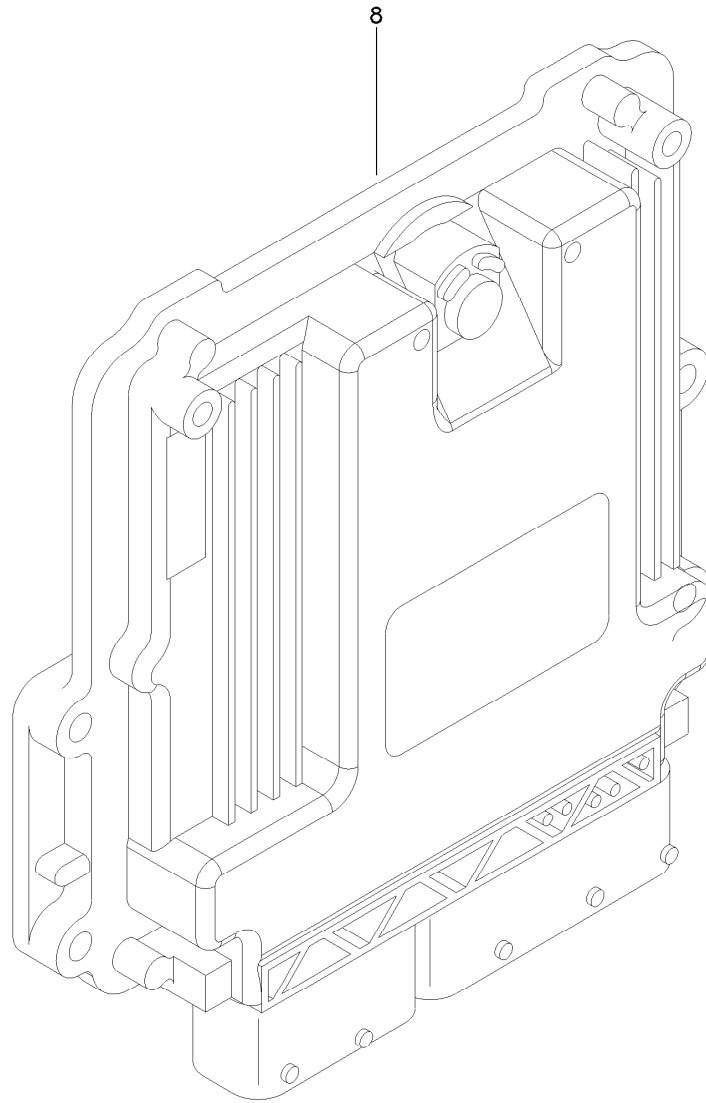
Starter Motor Assembly

<i>Ref.</i>	<i>Part Number</i>	<i>Qty.</i>	<i>Description</i>	<i>Ref.</i>	<i>Part Number</i>	<i>Qty.</i>	<i>Description</i>
1	133-6673	1	Starter	16	133-6686	1	Lever Set
2	133-6674	1	Armature ASM	17	133-6687	1	Dust Cover ASM
5	133-6675	1	Field Coil ASM	18	133-6688	2	Bolt-Through
6	133-6676	4	Screw	19	133-6689	4	Bolt
7	133-6677	1	O-Ring	20	133-6690	2	Screw
8	133-6678	2	Brush	21	133-6616	1	Pinion ASM
9	133-6679	1	Cover	22	133-6617	1	Clutch ASM
10	133-6680	1	Brush Holder ASM	23	133-2510	2	Bearing-Ball
11	133-6681	1	Spring	24	133-6618	1	Shaft
12	133-6682	2	Brush	25	133-6604	1	Stopper Kit
13	133-6683	1	Switch ASM	29	133-6609	1	Cover-Terminal
14	133-6684	1	Case-Gear	30	133-6601	2	Bolt
15	133-6685	1	Retainer	31	125-7225	2	Bolt



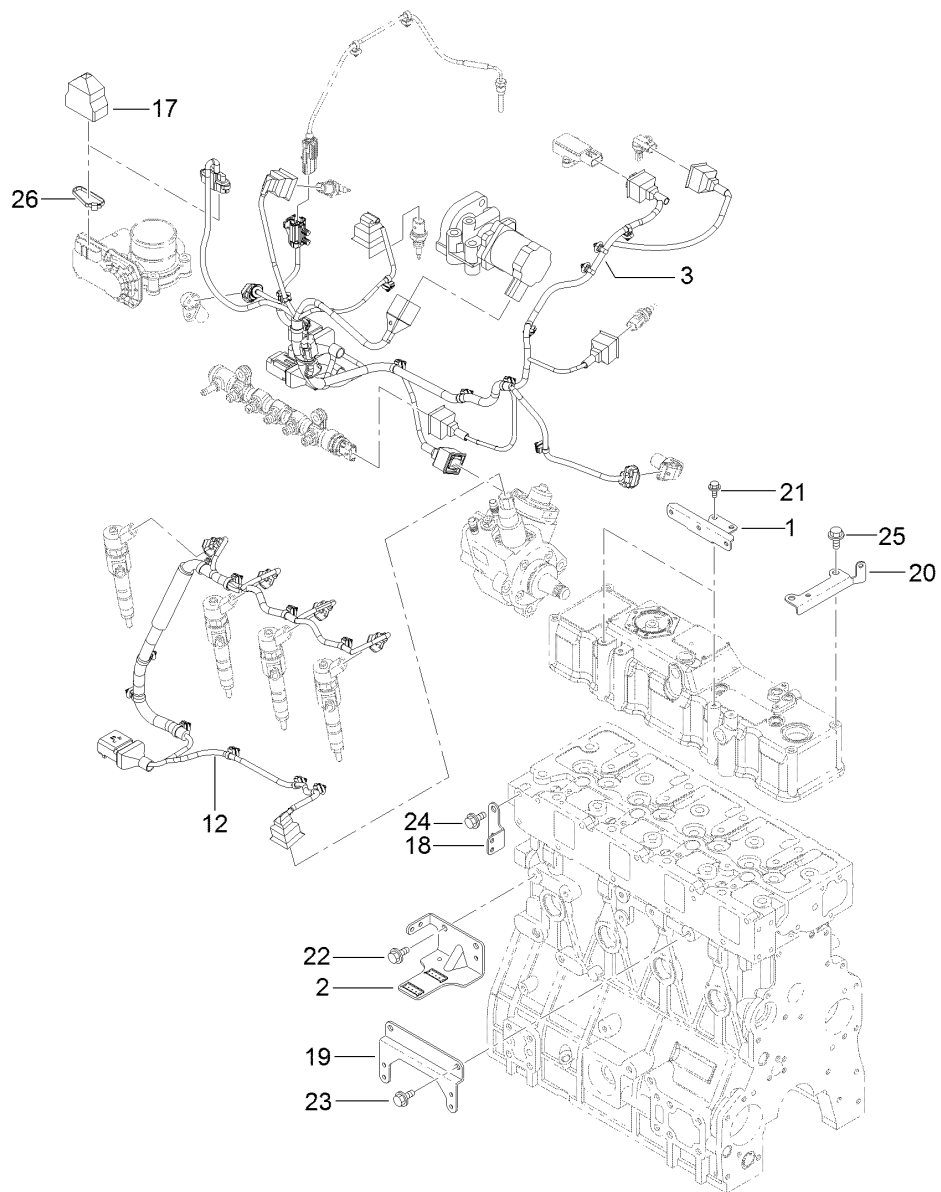
Generator Assembly

<i>Ref.</i>	<i>Part Number</i>	<i>Qty.</i>	<i>Description</i>
1	125-7120	1	Alternator-12V
9	125-7121	1	Bolt-Stopper
10	125-7122	1	Piece-Distance
11	125-7230	1	Nut
12	133-6692	1	Adjuster
13	133-6608	1	Spacer
14	133-6605	1	Adjuster Block ASM
16	133-2494	1	Bolt
17	125-7229	1	Nut
18	133-2491	1	Bolt
19	125-7219	1	Bolt



Electronic Control Unit Assembly

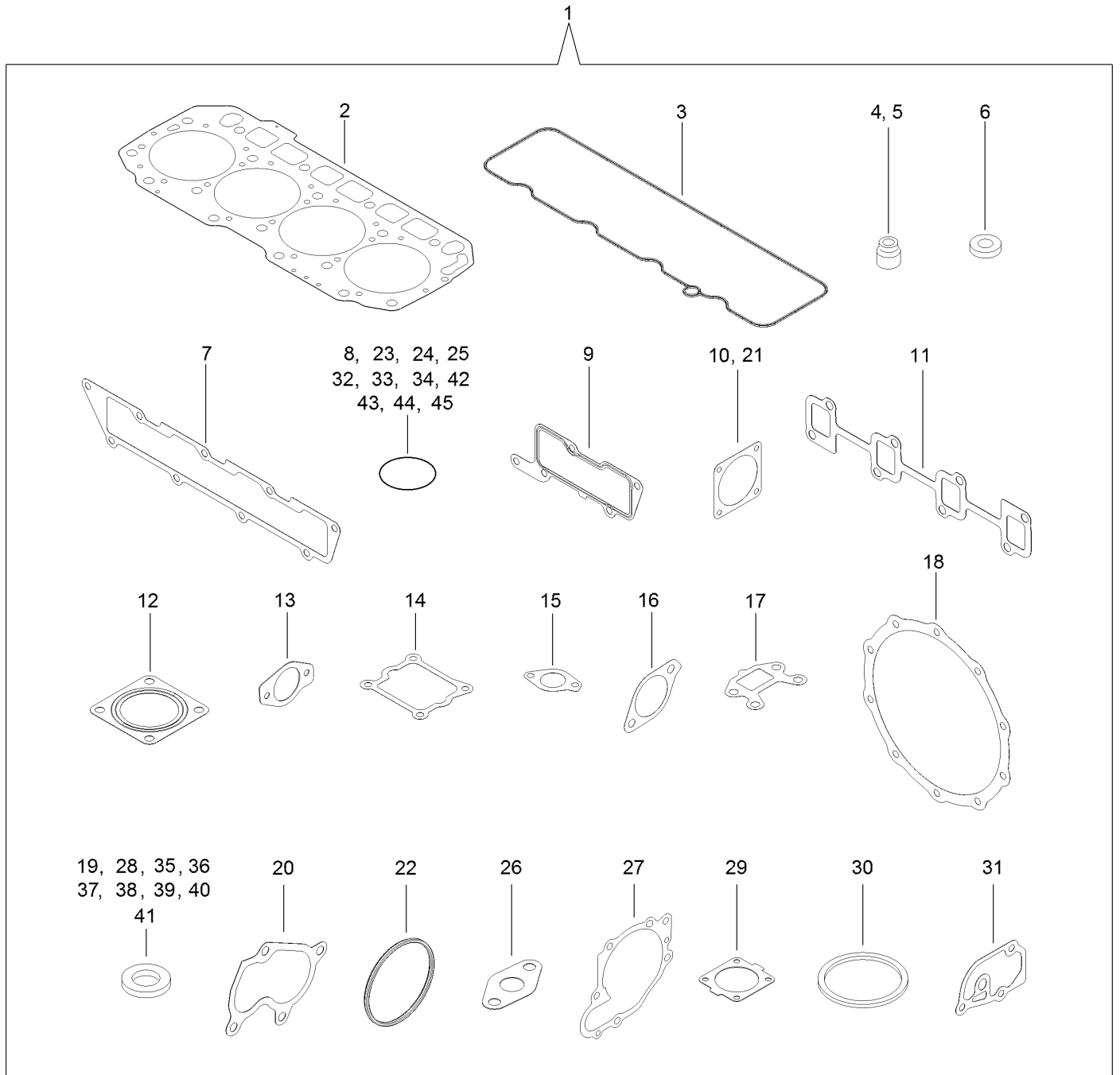
<i>Ref.</i>	<i>Part Number</i>	<i>Qty.</i>	<i>Description</i>
8	121-5592	1	Electronic Control Unit



Electric Parts Assembly

<i>Ref.</i>	<i>Part Number</i>	<i>Qty.</i>	<i>Description</i>
1	133-6706	2	Bracket-Harness
2	133-6751	1	Bracket-Connector
3	133-6771	1	Harness-B, E C O
12	133-6752	1	Harness-C, E C O Engine
17	131-2713	1	Boot-Cap
18	127-3090	1	Bracket-Harness
19	133-6753	1	Bracket-Harness
20	133-6772	1	Bracket-Harness
21	125-7206	4	Bolt
22	125-7212	2	Bolt
23	125-7212	2	Bolt
24	125-7212	2	Bolt
25	125-7212	2	Bolt
26	127-3188	1	Band

Gasket Set



Gasket Set (continued)

<i>Ref.</i>	<i>Part Number</i>	<i>Qty.</i>	<i>Description</i>	<i>Ref.</i>	<i>Part Number</i>	<i>Qty.</i>	<i>Description</i>
1	133-2509	1	Gasket Kit	24	133-6654	1	O-Ring
2	133-6700	1	Gasket-Head, Cylinder	25	127-2985	1	O-Ring
3	132-4907	1	Gasket-Cover, Head	26	133-6666	1	Gasket
4	127-2986	4	Seal-Stem, Valve	27	133-6658	1	Gasket-Pump, Water
5	127-3027	4	Seal-Stem, Valve	28	125-6979	2	Gasket
6	127-3021	4	Gasket-Injector	29	133-6613	1	Gasket-Thermostat
7	133-6708	1	Gasket-Manifold	30	133-6614	1	Gasket-Thermostat
8	127-3033	1	O-Ring	31	133-6660	1	Gasket
9	133-6709	1	Gasket-Collector	32	131-2106	1	O-Ring
10	127-3037	2	Gasket-Throttle	33	127-3074	1	O-Ring
11	133-6710	1	Gasket-Manifold	34	130-7433	1	O-Ring
12	127-2987	3	Gasket-Silencer	35	125-7174	7	Washer-Seal
13	133-6698	2	Gasket-Cooler, E G R	36	125-7176	1	Washer-Seal
14	133-6717	1	Gasket-V Spacer, E G R	37	127-3166	2	Washer-Seal
15	127-3016	1	Gasket	38	125-7177	1	Washer-Seal
16	133-6723	1	Gasket-In, E G R-V	39	125-7192	1	Gasket
17	133-6724	1	Gasket-Out, E G R-V	40	125-7193	2	Gasket
18	127-3162	2	Gasket-D P F	41	127-3174	2	Gasket
19	127-3056	4	Gasket-Sensor	42	93-0400	1	O-Ring
20	133-6619	1	Gasket	43	93-0418	3	O-Ring
21	133-6625	1	Gasket	44	125-7197	1	O-Ring
22	133-6693	2	Packing-Washer	45	127-3176	1	O-Ring
23	133-6653	2	O-Ring				

Attachments and Accessories

For 31698 Groundsmaster 5900/5910 Rotary Mower

Product Name	Model/Part
Dry Battery.....	104-8162
12 Volt Battery	106-5190
Premium All Season Hydraulic Fluid (55 Gallon Drum)	108-1177
Premium All Season Hydraulic Fluid (5 Gallon Pail).....	108-1178
Premium All Purpose Grease (Tube)	108-1190
Primary Engine Air Filter	108-3815
Vinyl Backrest Extension Kit	119-7718
Beacon Kit	119-8256
Registration Plate and Light Kit.....	120-7570
Premium Engine Oil 15w40 (55 Gallon Drum)	121-6394
Premium Engine Oil 15w40 (5 Gallon Pail)	121-6395
Fuel/Water Separator Filter.....	125-2915
Engine Oil Filter	125-7025
Fuel Filter.....	125-8752
Exterior Mirror Kit.....	130-5448
Safety Air Filter Element	130-9070
CE Kit, 2016 and After Groundsmaster 5900 Tier 4 Series Traction Unit	132-1340
Atomic Blade Service Pack (20in).....	132-1391
Standard Blade Service Pack (20in)	132-1392
Blade/Belt Kit	132-1440
Polycarbonate Window Kit.....	132-3420
Universal Sunshade	30349
Red Universal Sunshade	30552
EU Light Kit, 2015 and After Groundsmaster 5910 Series Rotary Mower with Cab.....	30639
2 Post ROPS Extension Kit.....	31353
Backup Alarm Kit	31512
Center Deck.....	31601
Right Wing Deck	31602
Left Wing Deck	31603
Leaf Mulching Kit	31604
Fluid/Filter MVP Kit.....	31609
Hydraulic Filter.....	75-1310
Hydraulic Filter.....	86-6110
10in Foam Filled Castor Wheel.....	93-5973

For 31699 Groundsmaster 5900/5910 Rotary Mower

Product Name	Model/Part
Dry Battery.....	104-8162
12 Volt Battery	106-5190
Premium All Season Hydraulic Fluid (55 Gallon Drum)	108-1177
Premium All Season Hydraulic Fluid (5 Gallon Pail).....	108-1178
Premium All Purpose Grease (Tube)	108-1190
Primary Engine Air Filter	108-3815
Backrest Extension Kit.....	119-7719

Attachments and Accessories (continued)

Registration Plate and Light Kit.....	120-7570
Premium Engine Oil 15w40 (55 Gallon Drum)	121-6394
Premium Engine Oil 15w40 (5 Gallon Pail)	121-6395
Air Filter	121-8457
Fuel/Water Separator Filter.....	125-2915
Engine Oil Filter	125-7025
Fuel Filter.....	125-8752
Safety Air Filter Element	130-9070
CE Kit, 2016 and After Groundsmaster 5900 Tier 4 Series Traction Unit	132-1340
Atomic Blade Service Pack (20in).....	132-1391
Standard Blade Service Pack (20in)	132-1392
Blade/Belt Kit	132-1440
EU Light Kit, 2015 and After Groundsmaster 5910 Series Rotary Mower with Cab.....	30639
Pre-Filter Screen Kit, 2015 and After Groundsmaster Series Cab.....	30647
North American Cab Light Kit, 2015 and After Groundsmaster 5910/4010/4110 Series Traction Unit	30706
Beacon Kit, 2015 and After Groundsmaster Series Traction Unit	31509
Backup Alarm Kit	31512
Center Deck.....	31601
Right Wing Deck	31602
Left Wing Deck	31603
Leaf Mulching Kit	31604
Fluid/Filter MVP Kit	31609
Hydraulic Filter.....	75-1310
Hydraulic Filter.....	86-6110
10in Foam Filled Castor Wheel.....	93-5973

Notes:

Notes:



Count on it.