



**Count on it.**

**Parts Catalog**

**Groundsmaster® 5900/5910  
Rotary Mower**

Model No. 31698—Serial No. 316000201 and Up

Model No. 31699—Serial No. 316000201 and Up



# Ordering Replacement Parts

To order replacement parts, please supply the part number, the quantity, and the description of each part desired.

## **Understanding Reference Numbers**

Each identified part in an illustration has a reference number. The reference number for a part also appears in the parts list, along with other information about the part.

This catalog uses two special reference number formats, one to indicate parts in a service assembly and another to indicate the quantity of a given part in an illustration.

## **Service Assembly Reference Numbers**

Parts in service assemblies have reference numbers in the form a:b. The a represents the reference number of the entire service assembly and the b represents a sequential number unique to each part within the service assembly.

For example, a wheel assembly might be identified by reference number 6, the tire by 6:1, the valve by 6:2, and the wheel by 6:3. When you order the assembly identified by reference number 6, you receive all parts identified by reference numbers 6:1, 6:2, and 6:3. However, you may also order any part individually. Reference numbers of this type appear in illustration and in parts lists.

## **Reference Numbers Indicating Quantity**

In an illustration, if a reference number indicates more than one part, the reference number has the form nX y. The n represents the quantity of the part, the X is the multiplication symbol, and the y represents the reference number.

For example, in an illustration, the reference number 2X 37 means that two of the parts identified by reference number 37 are indicated.

# Contents

Frame Assembly . . . . .	6
Rear Axle Assembly . . . . .	8
Axle Assembly No. 114-5982-01 . . . . .	10
Tie Rod Assembly No. 110-6049-03 . . . . .	11
Engine and Mount Assembly . . . . .	12
Alternator Assembly . . . . .	13
Hydraulic Cooling Assembly . . . . .	14
Radiator and Cooling Fan Assembly . . . . .	16
Air Cleaner Assembly . . . . .	18
Fuel System Assembly . . . . .	19
Traction Hydraulic Assembly . . . . .	20
Piston Pump Assembly No. 130-9150 . . . . .	22
Hydraulic Gear Pump Assembly No. 130-2520 . . . . .	24
Traction Valve Assembly . . . . .	26
Hydraulic Traction Valve Manifold Assembly No. 132-1397 . . . . .	28
Hydraulic Traction Motors Assembly . . . . .	30
Hydraulic Motor Assembly No. 125-5434 . . . . .	32
Hydraulic Motor Assembly No. 125-5391 . . . . .	34
Hydraulic Traction Assembly . . . . .	36
Hydraulic Motor Assembly No. 132-1425 . . . . .	38
Hydraulic Tank Assembly . . . . .	40
Hydraulic Cutting Circuit Assembly . . . . .	42
Center Cutting Deck Drive Valve Assembly . . . . .	44
Hydraulic Manifold Assembly No. 132-1394 . . . . .	45
LH Cutting Deck Drive Valve Assembly . . . . .	46
Hydraulic Manifold Assembly No. 132-1395 . . . . .	47
RH Cutting Deck Drive Valve Assembly . . . . .	48
Hydraulic Manifold Assembly No. 132-1396 . . . . .	49
Hydraulic Motor Assembly No. 125-5392 . . . . .	50
Hydraulic Steering/Lift Circuit Assembly . . . . .	52
Steering/Lift Valve Assembly No. 130-2433 . . . . .	54
Hydraulic Steering/Lift Manifold Assembly No. 132-1398 . . . . .	56
Hydraulic Cylinder Assembly No. 114-4831 . . . . .	58
Hydraulic Cylinder Assembly No. 114-4830 . . . . .	59
Hydraulic Cylinder Assembly No. 114-5685 . . . . .	60
Manual Parking Brake Manifold Assembly No. 132-1378 . . . . .	61
Hydraulic Parking Brake Manifold Assembly No. 132-1399 . . . . .	62
Hydraulic Steering Assembly . . . . .	63
Steering Valve Assembly No. 130-7949 . . . . .	64
Hydraulic Cylinder Assembly No. 132-1308 . . . . .	65
Hydraulic Filter Manifold Assembly . . . . .	66
Side Panel and Bumper Assembly . . . . .	67
Hood Assembly . . . . .	68
Center Front Deck Assembly . . . . .	70
Center Front and Winglet Deck Assembly . . . . .	72
Center Front Deck and Decal Assembly No. 130-9201 . . . . .	73
Right Front Deck and Decal Assembly No. 130-9218 . . . . .	74
Left Front Deck and Decal Assembly No. 130-9210 . . . . .	75
Center Deck Belt and Spindle Assembly . . . . .	76
Driving Spindle Assembly No. 131-0768 . . . . .	78
Double Spindle Assembly No. 117-9234 . . . . .	80
High Spindle Assembly No. 117-9233 . . . . .	82
Center Deck Roller, Skid and Caster Wheel Assembly . . . . .	84
10 Inch Wheel Assembly No. 93-4240 . . . . .	85

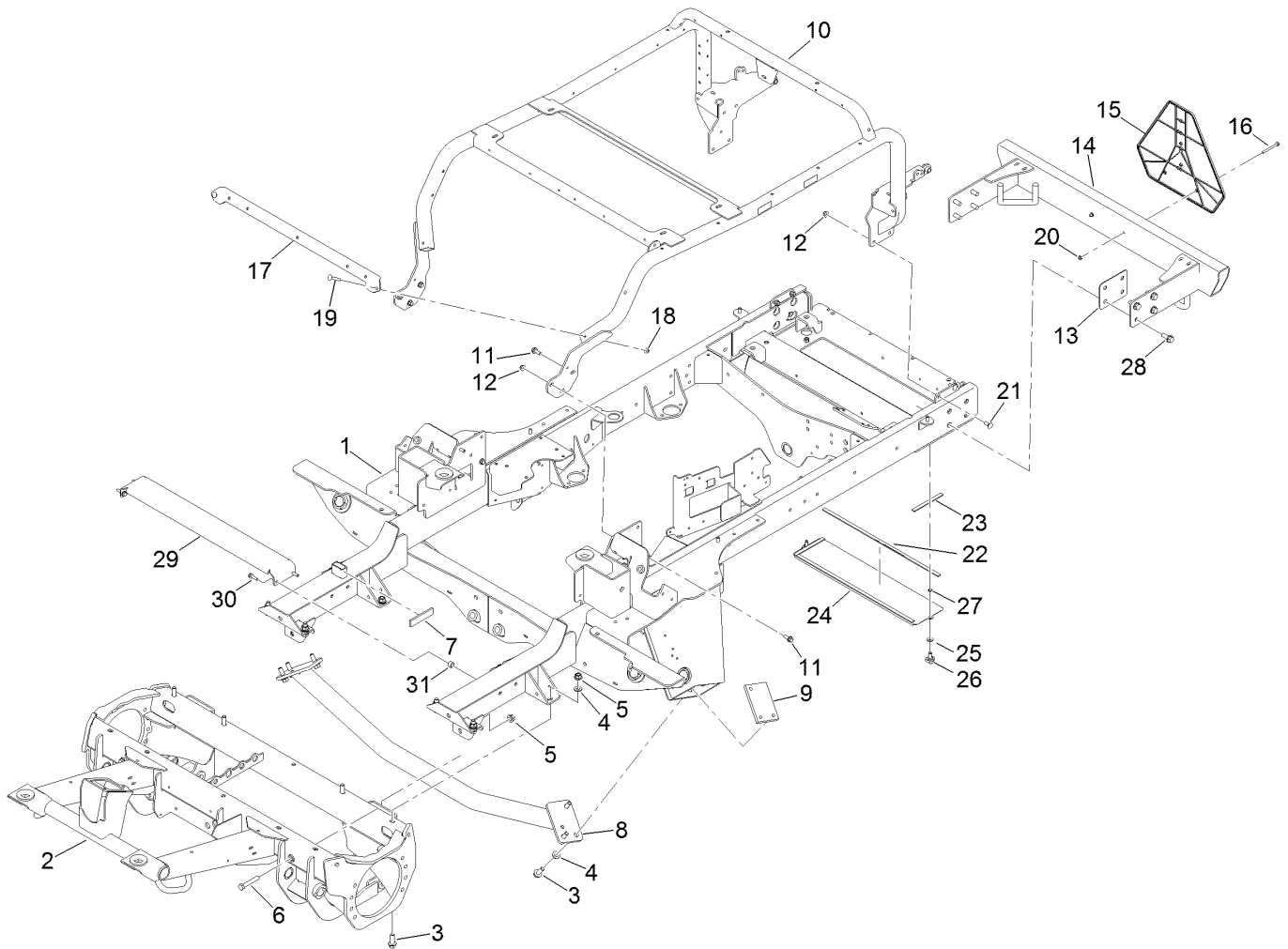
# Contents (continued)

Center Front Deck Spindle and Blade Assembly . . . . .	86
Center Front Deck Belt Cover Assembly . . . . .	87
Center Front Deck Chamber and Discharge Assembly . . . . .	88
Center Front Deck Transport Damper Assembly . . . . .	89
Left Hand Deck Connection Assembly . . . . .	90
Left Hand Deck Belt and Spindle Assembly . . . . .	92
Left Hand Deck Decal Assembly No. 130-9271 . . . . .	94
Left Hand Deck Roller, Skid and Caster Wheel Assembly . . . . .	95
Left Hand Deck Spindle and Blade Assembly . . . . .	96
Left Hand Deck Belt Cover Assembly . . . . .	97
Left Hand Deck Chamber Assembly . . . . .	98
Left Hand Deck Stop Assembly . . . . .	99
Left Hand Deck Impact Arm and Limit Switch Assembly . . . . .	100
Left Hand Deck Transport Lock Assembly . . . . .	101
Right Hand Deck Assembly . . . . .	102
Right Hand Deck Belt and Spindle Assembly . . . . .	104
Right Hand Deck Decal Assembly No. 130-9241 . . . . .	105
Right Hand Deck Roller, Skid and Caster Wheel Assembly . . . . .	106
Right Hand Deck Spindle and Blade Assembly . . . . .	107
Right Hand Deck Belt Cover Assembly . . . . .	108
Right Hand Deck Chamber Assembly . . . . .	109
Right Hand Deck Stop Assembly . . . . .	110
Right Hand Deck Impact Arm and Limit Switch Assembly . . . . .	111
Right Hand Deck Transport Lock Assembly . . . . .	112
Platform Assembly . . . . .	114
Seat Mount Assembly . . . . .	115
Air Ride Seat Suspension Assembly No. 130-2702 . . . . .	116
Control Console Assembly . . . . .	118
Traction Pedal Assembly . . . . .	120
Steering Column Assembly . . . . .	121
Steering Column Assembly No. 132-1307 . . . . .	122
Front Electrical Component Assembly . . . . .	123
Mid Electrical Component Assembly . . . . .	124
Rear Electrical Component Assembly . . . . .	125
Battery Cable Routing Assembly . . . . .	126
Wire Harness Assembly . . . . .	128
Roll-Over Protection System Assembly For ROPS Model Only . . . . .	130
Right Hand Tail Light Assembly No. 108-8007 . . . . .	131
Left Hand Tail Light Assembly No. 108-8008 . . . . .	132
Vinyl Premium Seat Assembly No. 117-5676 . . . . .	133
Head Light Assembly No. 92-6565 . . . . .	134
Cab Mounting Assembly For Cab Model Only . . . . .	135
Cloth Premium Seat Assembly No. 117-9429 . . . . .	136
AC Compressor Mount and Cab Fluids Assembly For Cab Model Only . . . . .	137
Cab Frame, Mirror and Decal Assembly For Cab Model Only . . . . .	138
Windshield Wiper, Filter and Air Conditioning Assembly For Cab Model Only . . . . .	140
Air Conditioning Duct Assembly No. 132-3468 For Cab Model Only . . . . .	142
Window and Door Assembly For Cab Model Only . . . . .	144
Left Hand Door Assembly For Cab Model Only . . . . .	146
Right Hand Door Assembly For Cab Model Only . . . . .	148
Left Side Hose Assembly For Cab Model Only . . . . .	150
Right Side Hose Assembly For Cab Model Only . . . . .	152
Mixing Box and Vent Hose Assembly . . . . .	154
Headliner Wire Harness and Control Assembly For Cab Model Only . . . . .	156

# Contents (continued)

Mixing Box Mounting Bracket and Water Tray Assembly For Cab Model Only .....	158
Blower Fan and Evaporator Core Assembly For Cab Model Only.....	160
Heat / Air Conditioner Housing Assembly For Cab Model Only .....	162
Air Diverter and Expansion Valve Assembly For Cab Model Only.....	164
Air Diverter Assembly No. 121-8369 For Cab Model Only.....	166
Cylinder Block Assembly.....	168
Gear Housing Assembly .....	169
Cylinder Head and Cover Assembly .....	170
Flywheel Housing and Oil Sump Assembly .....	172
Suction Manifold Assembly.....	173
Exhaust Manifold Assembly .....	174
Camshaft and Driving Gear Assembly .....	175
Diesel Particulate Filter Assembly .....	176
Turbine Assembly.....	178
Crankshaft and Piston Assembly.....	179
Lubrication and Oil System Assembly.....	180
Lubrication Oil Pipe Assembly .....	181
Cooling Water System Assembly.....	182
Fuel Supply Pump Assembly .....	183
Fuel Injection Valve Assembly .....	184
Fuel Pipe Assembly .....	185
Starter Motor Assembly.....	186
Generator Assembly .....	187
Electronic Control Unit Assembly.....	188
Electric Parts Assembly.....	189
Gasket Set.....	190
Attachments and Accessories .....	192

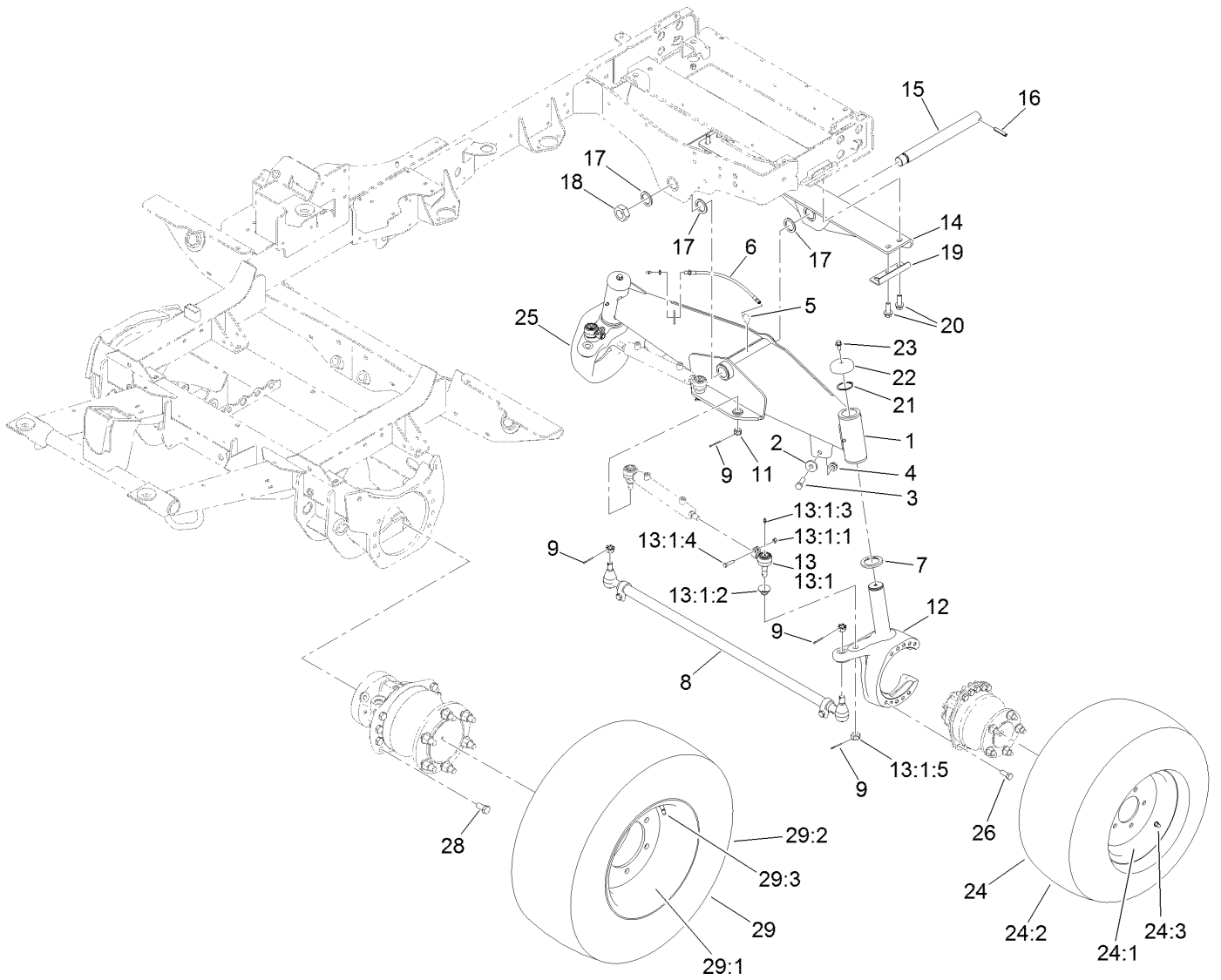
# Frame Assembly



## Frame Assembly (continued)

<i>Ref.</i>	<i>Part Number</i>	<i>Qty.</i>	<i>Description</i>	<i>Ref.</i>	<i>Part Number</i>	<i>Qty.</i>	<i>Description</i>
1	130-2450-01	1	Frame	16	114-8410	2	Screw-HHF
2	125-5401-01	1	Frame-Front	17	130-2570-03	1	Bracket-Mount, Fuse
3	100-6116	14	Screw-HHF	18	104-8300	2	Nut-HF, NI
4	3256-26	14	Washer-Flat	19	3230-7	2	Bolt-CARR
5	99-5107	10	Nut-Lock	20	104-7201	2	Nut-HF, NI
6	325-12	2	Screw-HH	21	3231-2	4	Bolt-CARR
7	115-5465	1	Seal-Trim	22	131-2221	2	Strip-Foam
8	114-5969-01	1	Crossmember	23	131-2222	2	Strip-Foam
9	114-5990	2	Plate-Tapped	24	131-2218-01	1	Cover-Frame
10	132-1387	1	Cooler Mount ASM	25	3256-3	2	Washer-Flat
11	3234-42	8	Screw-HHF	26	95-9648	2	Knob
12	104-8301	6	Nut-HF, NI	27	32151-72	2	Ring-Retaining
13	115-5458-03	1	Shim-Bumper	28	3234-38	8	Screw-HHF
14	131-2310-03	1	Bumper	29	132-1401-01	1	Strap-Support, Tank
15	92-7760	1	Emblem-Vehicle, Slow Moving	30	3234-36	4	Screw-HHF
				31	107-3677	2	Spacer-Tube

# Rear Axle Assembly

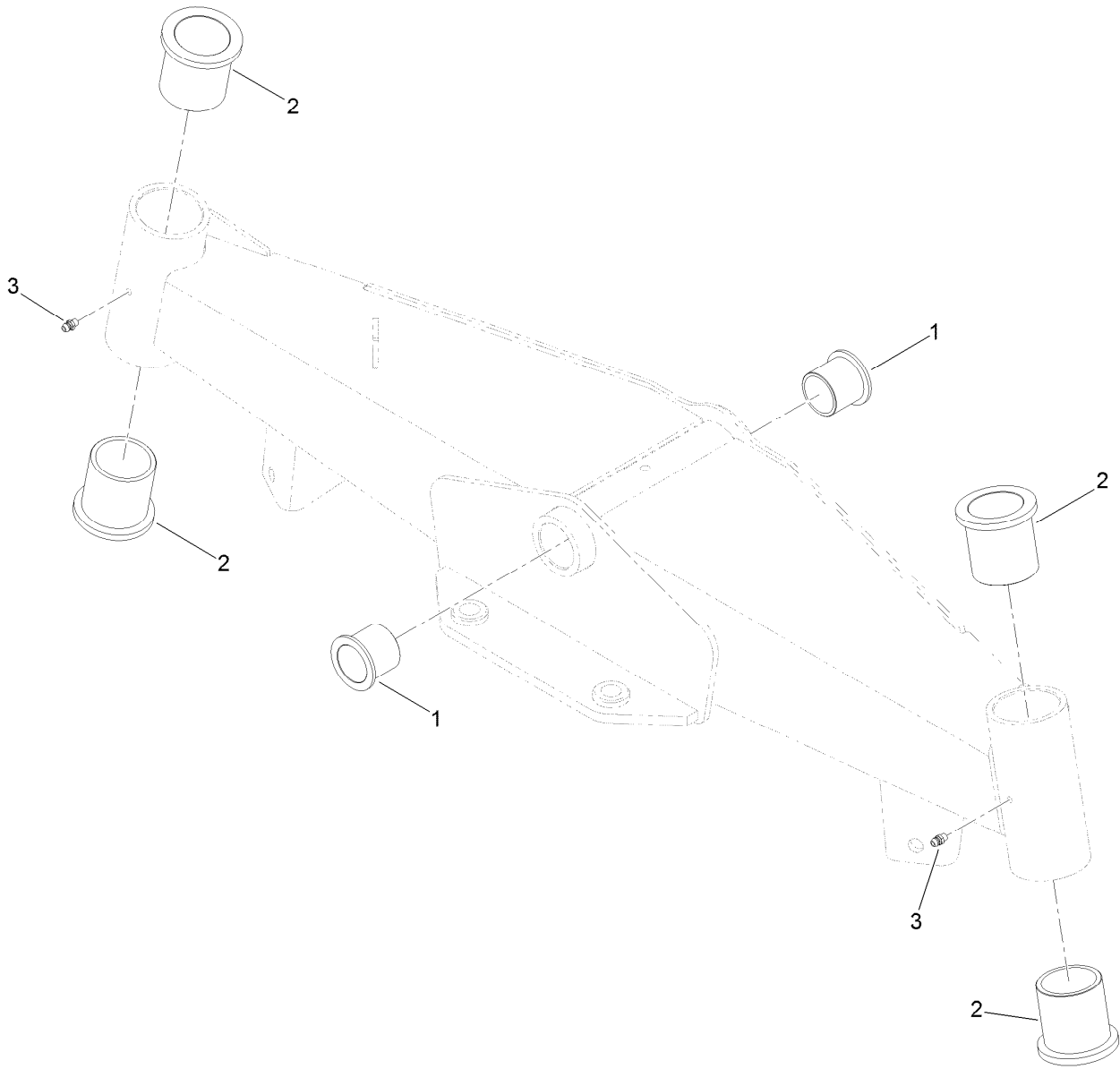




## Rear Axle Assembly (continued)

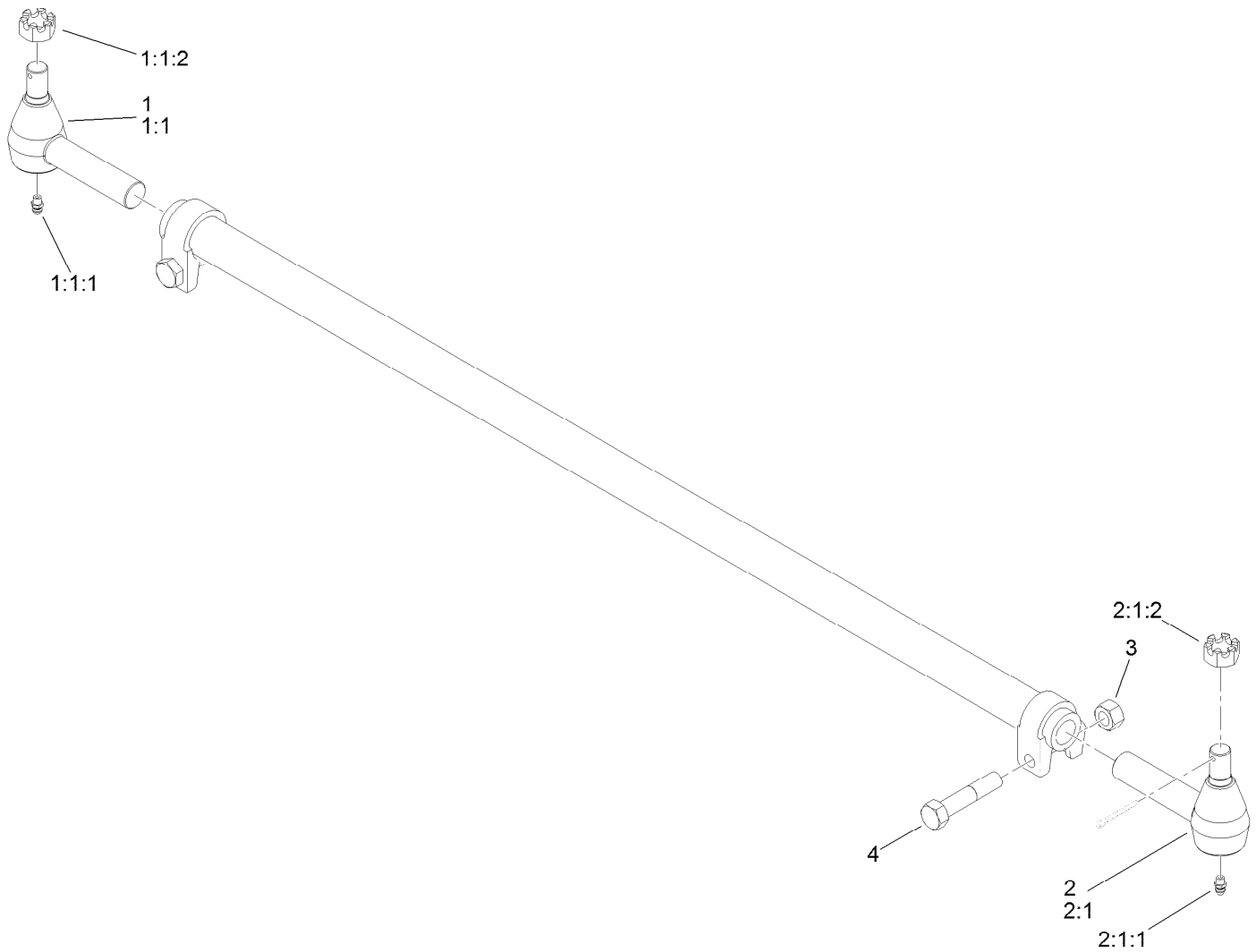
<i>Ref.</i>	<i>Part Number</i>	<i>Qty.</i>	<i>Description</i>	<i>Ref.</i>	<i>Part Number</i>	<i>Qty.</i>	<i>Description</i>
1	114-5982-01	1	Axle ASM	16	32121-110	1	Pin-Roll, Slotted
2	30-8770	2	Washer	17	98-1452	3	Washer-Thrust
3	325-6	2	Screw-HH	18	3296-68	1	Nut-Lock, NI
4	99-5107	2	Nut-Lock	19	130-9033-01	2	Guard-Hose
5	2811-7	1	Elbow	20	100-6116	4	Screw-HHF
6	114-5586	1	Hose ASM (With Fitting)	21	100-4196	2	Ring-Retaining
7	100-2508	2	Washer-Thrust	22	100-3362	2	Cap-Spindle
8	110-6049-03	1	Tie Rod ASM	23	3234-12	2	Screw-HHF
9	3272-12	6	Pin-Cotter	24	127-3509	2	Wheel And Tire ASM
11	32136-13	2	Nut-SHH	24:1	125-5379	1	Wheel
12	130-9043-01	1	Spindle-Steer, LH	24:2	117-2901	1	Tire
13	106-6895-03	2	Ball Joint ASM	24:3	5108	1	Valve
13:1		1	Joint-Ball ●	25	130-9041-01	1	Spindle-Steer, RH
13:1:1	32136-13	1	Nut-SHH	26	325-5	20	Screw-HH
13:1:2	106-6896	1	Seal	28	327-3	16	Screw-HH
13:1:3	302-5	1	Fitting-Grease	29	131-2380	2	Wheel And Tire ASM
13:1:4	3210-7	1	Screw-HH	29:1	131-2381	1	Wheel
13:1:5	32152-5	1	Nut-Hex	29:2	131-2382	1	Tire
14	110-6033-01	1	Support-Axle	29:3	232-24	1	Stem-Valve
15	114-5970	1	Shaft-Pivot				

● Not serviced separately



## Axle Assembly No. 114-5982-01

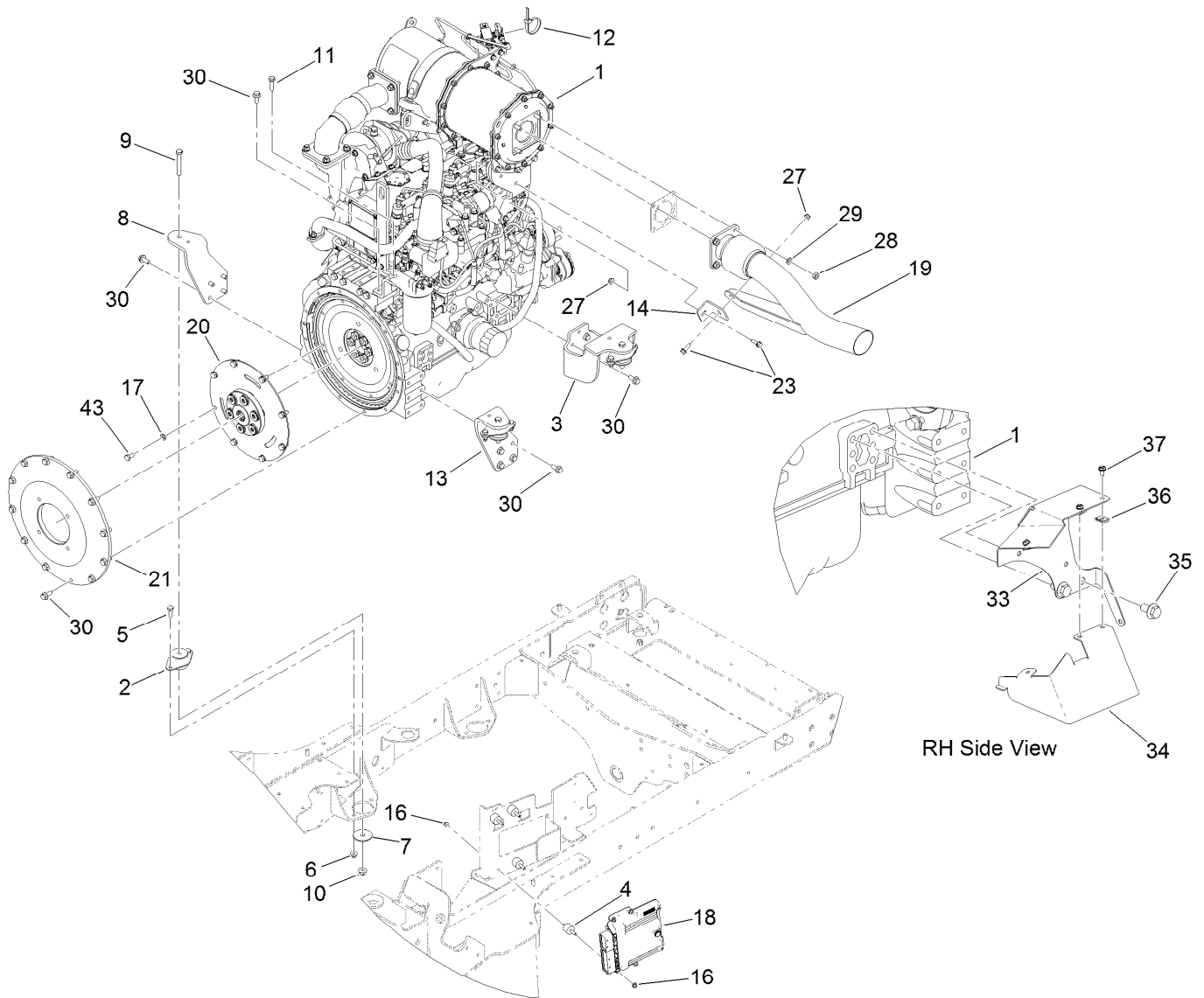
Ref.	Part Number	Qty.	Description
1	69-6470	2	Bushing-Caster
2	100-2506	4	Bushing-Castor
3	302-5	2	Fitting-Grease



## Tie Rod Assembly No. 110-6049-03

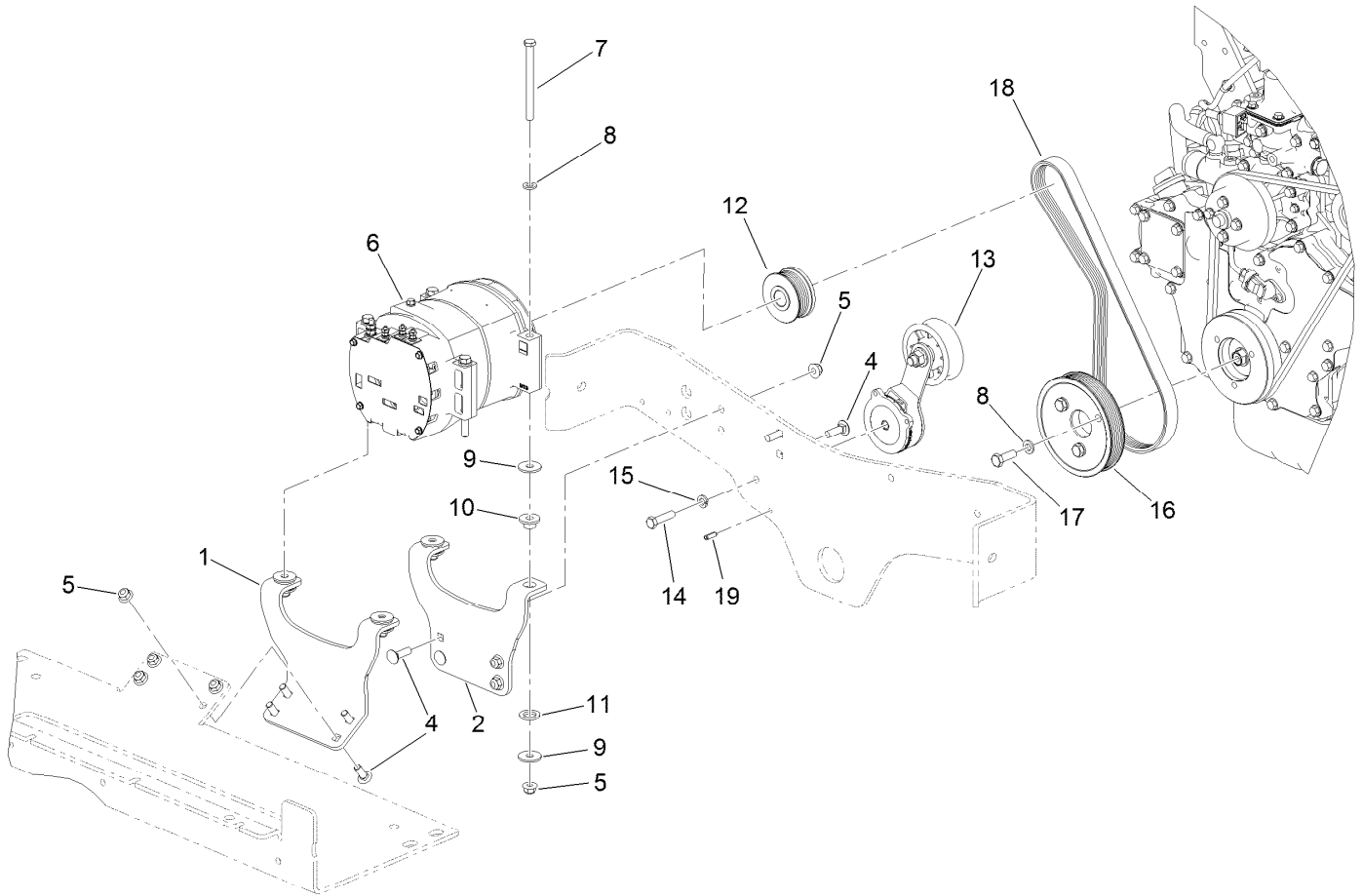
Ref.	Part Number	Qty.	Description
1	110-6141-03	1	RH Tie Rod End ASM
1:1		1	Rod End-Tie, RH ●
1:1:1	302-5	1	Fitting-Grease
1:1:2	32136-2	1	Nut-SHH
2	110-6142-03	1	LH Tie Rod End ASM
2:1		1	Rod End-Tie, LH ●
2:1:1	302-5	1	Fitting-Grease
2:1:2	32136-2	1	Nut-SHH
3	44-2200	1	Screw-Blade
4	32153-7	1	Nut-Lock

● Not serviced separately



## Engine and Mount Assembly

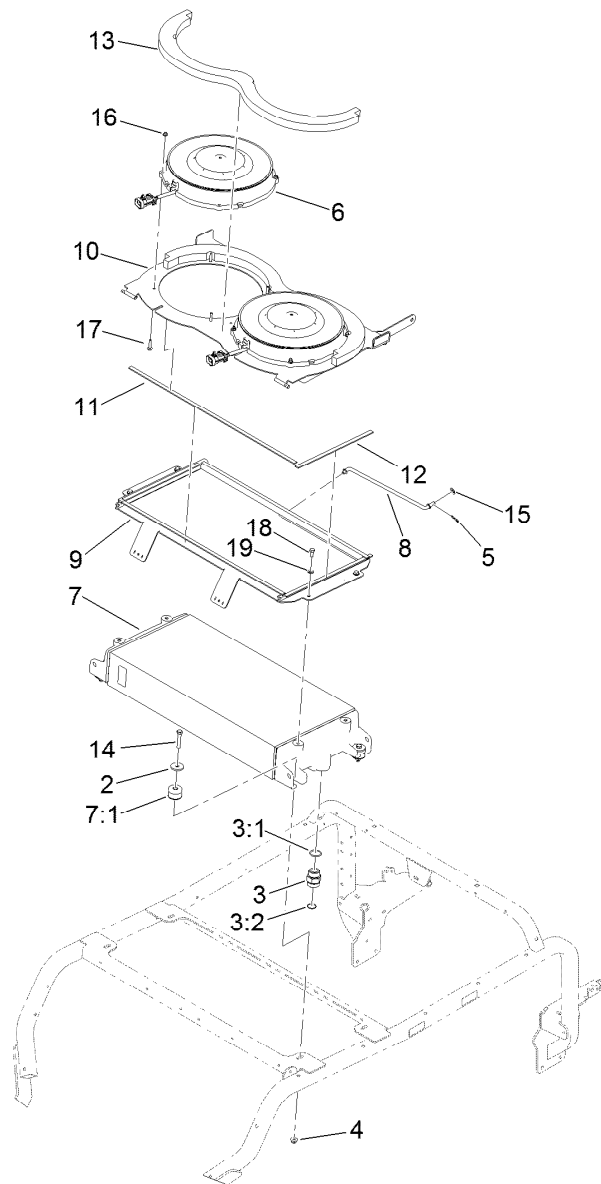
Ref.	Part Number	Qty.	Description	Ref.	Part Number	Qty.	Description
1	130-2500	1	Engine-Yanmar	18	121-5592	1	Electronic Control Unit
2	136-4885	4	Mount-Engine	19	132-1628	1	Pipe-Exhaust
3	130-2409-03	2	Mount-Motor, Rear	20	130-2585	1	Coupler-Flywheel
4	132-1356	4	Mount-Isolator	21	130-9095	1	Cover-Flywheel
5	323-6	8	Screw-HH	23	3234-29	2	Screw-HHF
6	104-8301	8	Nut-HF, NI	27	104-8300	2	Nut-HF, NI
7	87-5100	4	Washer-Snubbing	28	33015-00	4	Nut-Hex
8	130-2415-03	1	Mount-Motor, RH Front	29	33095-00	4	Washer-Flat
9	324-12	4	Screw-HH	30	33105-025	30	Screw-HHF
10	114-8417	4	Nut-HF, NI	33	132-1309	1	Shield-Heat
11	33104-030	2	Screw-HHF	34	132-1310	1	Shield-Heat
12	3290-378	1	Tie-Cable	35	33105-020	2	Screw-HHF
13	130-2414-03	1	Mount-Motor, LH Front	36	107-1013	3	Nut-Speed
14	130-2424	1	Bracket-Exhaust	37	3290-144	3	Screw-SHWH
16	104-7201	8	Nut-HF, NI	43	33115-020	8	Screw-HH
17	107-1413	8	Washer-Hardened				



## Alternator Assembly

Ref.	Part Number	Qty.	Description	Ref.	Part Number	Qty.	Description
1	131-2314-03	1	Bracket-Alternator	11	131-2315	4	Washer-Delrin
2	130-9164-03	1	Mount-Alternator, Vertical	12	130-9162	1	Pulley
4	3231-25	8	Bolt-CARR	13	130-2454	1	Tensioner
5	104-8301	12	Nut-HF, NI	14	323-8	1	Screw-HH
6	130-2491	1	Alternator-24V	15	3253-5	1	Washer-Lock
7	323-23	4	Screw-HH	16	130-2403	1	Pulley
8	107-1413	7	Washer-Hardened	17	33115-030	3	Screw-HH
9	93-8806	8	Washer-Hardened	18	130-9165	1	Belt
10	131-2313	4	Bushing-Alternator	19	32121-11	1	Pin-Roll

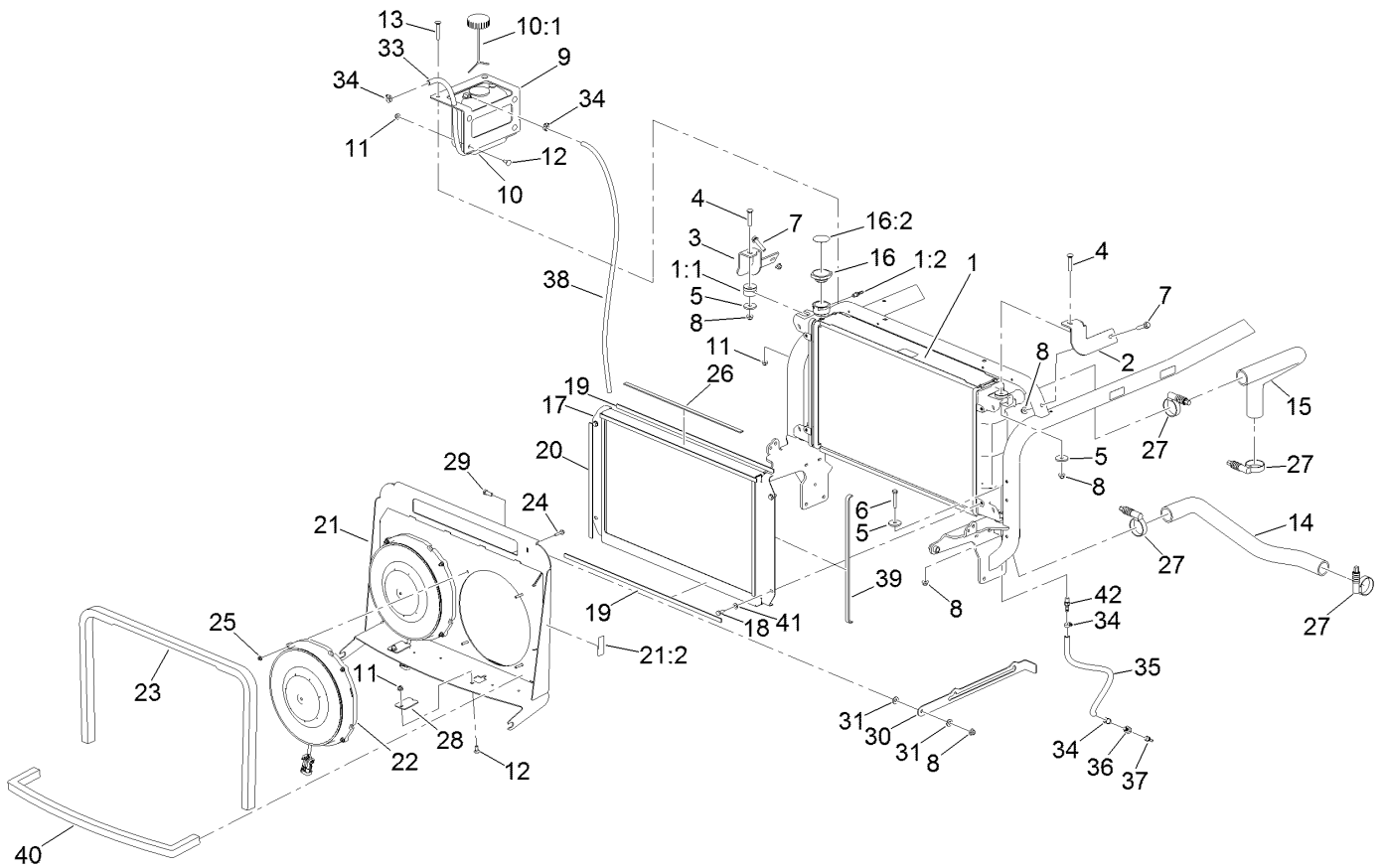
# Hydraulic Cooling Assembly



## Hydraulic Cooling Assembly (continued)

<i>Ref.</i>	<i>Part Number</i>	<i>Qty.</i>	<i>Description</i>	<i>Ref.</i>	<i>Part Number</i>	<i>Qty.</i>	<i>Description</i>
2	114-2120	4	Washer	10	132-1385	1	Cooler Top ASM
3	104-3797	2	Fitting-Straight	11	130-9173	2	Foam-Cooler, Long
3:1	237-146	1	O-Ring	12	130-9174	2	Foam-Cooler, Short
3:2	340-65	1	O-Ring	13	130-9175	2	Foam-Cooler, Top
4	104-8301	4	Nut-HF, NI	14	323-10	4	Screw-HH
5	119-1415	1	Pin-Cotter, Locking	15	3256-24	1	Washer-Plain
6	130-2531	2	Fan	16	33003-00	8	Nut-HF
7	130-2573	1	Oil Cooler ASM	17	33103-030	8	Screw-HHF
7:1	132-1361	4	Mount-Isolator	18	3210-2	4	Screw-HH
8	130-9170	1	Rod-Prop, Cooler	19	3256-23	4	Washer-Plain
9	130-9171-03	1	Plate-Seal, Cooler				

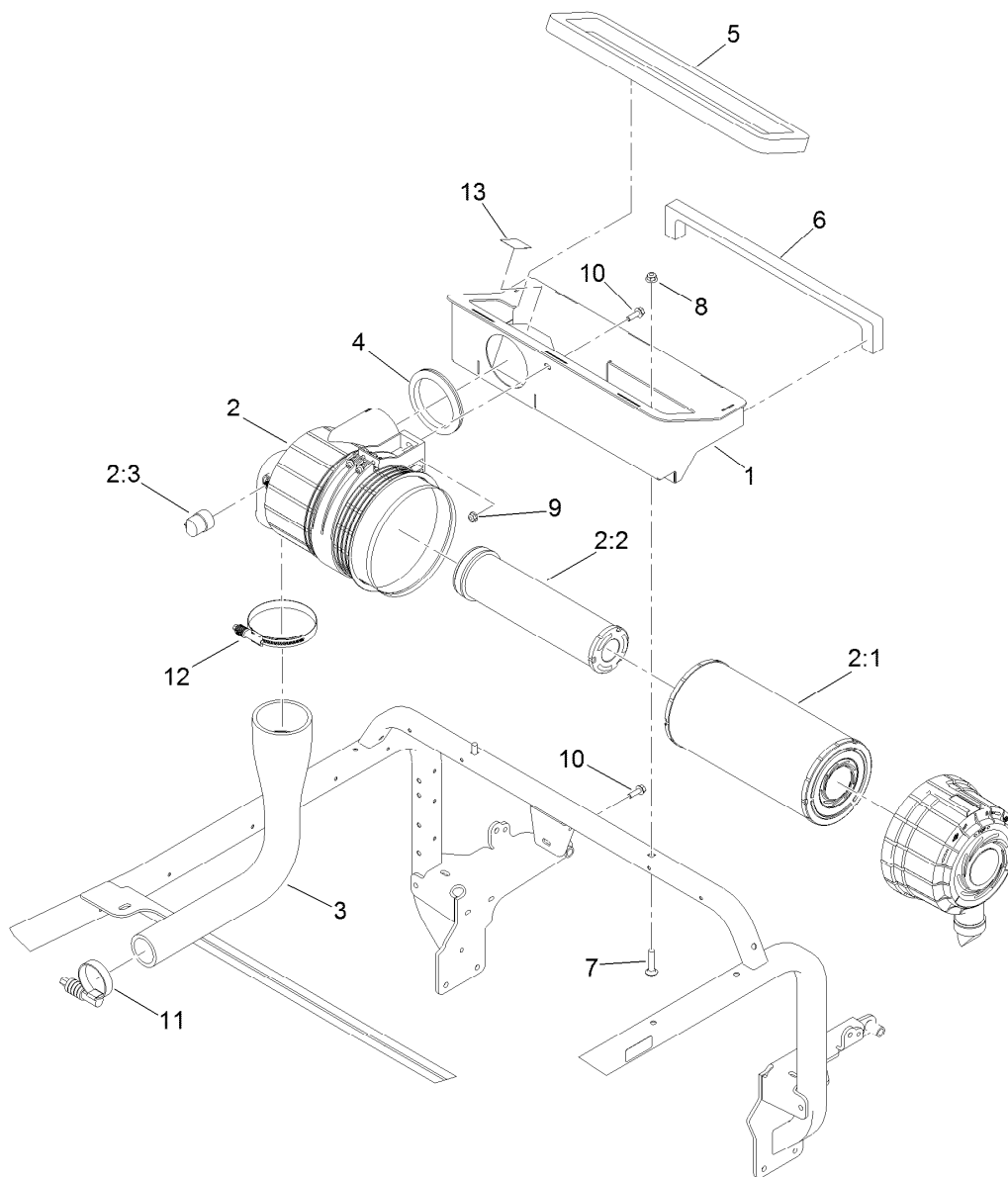
# Radiator and Cooling Fan Assembly





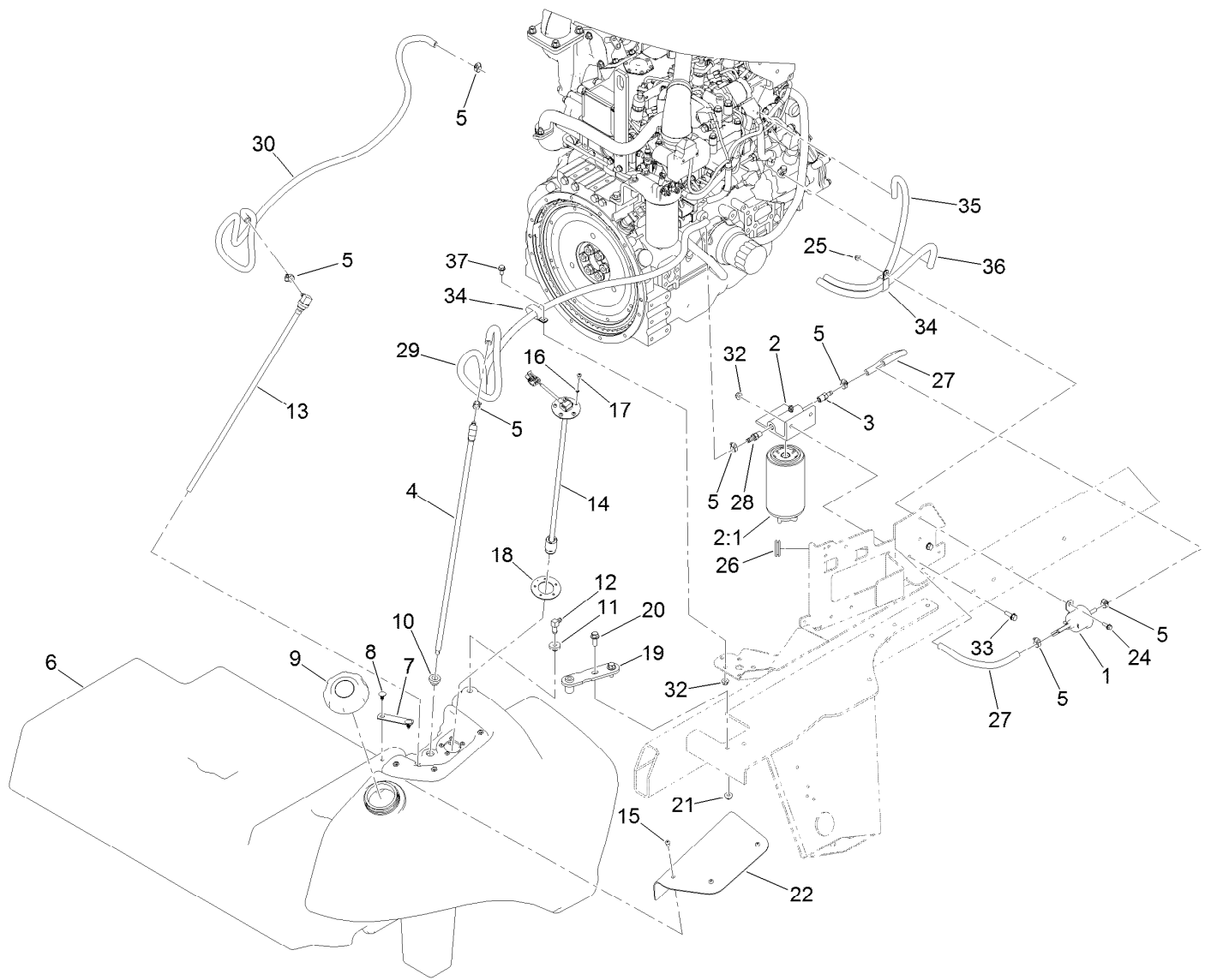
## Radiator and Cooling Fan Assembly (continued)

<i>Ref.</i>	<i>Part Number</i>	<i>Qty.</i>	<i>Description</i>	<i>Ref.</i>	<i>Part Number</i>	<i>Qty.</i>	<i>Description</i>
1	130-2572	1	Radiator ASM	20	130-9182	2	Foam-Radiator, Short
1:1	132-1361	4	Mount-Isolator	21	132-1386	1	Fan Shroud ASM
1:2	94-7220	1	Fitting-Barb, Hose	21:2	117-4766	2	Decal-Warning, Fan
2	127-3638-03	1	Bracket-Mount, Radiator	22	130-2531	2	Fan
3	127-3631-03	1	Bracket-Mount, Radiator	23	131-2321	1	Foam-Shroud, Upper
4	3231-6	2	Screw-CARR	24	33103-030	8	Screw-HHF
5	114-2120	4	Washer	25	33003-00	8	Nut-HF
6	323-10	2	Screw-HH	26	130-9183	1	Foam-Radiator, Top
7	3234-19	2	Screw-HHF	27	121-7536	4	Clamp-Torque, Constant
8	104-8301	7	Nut-HF, NI	28	130-9020	2	Plate-Cover
9	130-2592-03	1	Bracket-Bottle, Radiator	29	323-6	1	Screw-HH
10	120-5571	1	Coolant Reservoir ASM	30	130-9021-03	1	Rod-Prop, Radiator
10:1	87-7050	1	Cap-Reservoir	31	66-2920	2	Washer-Friction
11	104-8300	8	Nut-HF, NI	33	110-4109	1	Hose-Fuel
12	3230-1	6	Bolt-CARR	34	2412-108	5	Clamp-Worm
13	3230-7	2	Bolt-CARR	35	116-5087	1	Hose-Fuel
14	130-9159	1	Hose-Radiator, Lower	36	354-94	1	Fitting-Female, Barbed
15	127-3616	1	Hose-Radiator, Upper	37	93-5528	1	Fitting-Cock, Drain
16	131-2356	1	Radiator Cap ASM	38	115-2370	1	Hose-Fuel
16:2	117-3276	1	Decal-Danger	39	131-2289	2	Foam-Radiator
17	130-9185-03	1	Plate-Seal, Radiator	40	131-2322	1	Foam-Shroud, Lower
18	3210-3	4	Screw-HH	41	3256-23	4	Washer-Plain
19	130-9181	4	Foam-Radiator, Long	42	108-0342	1	Fitting-Straight



## Air Cleaner Assembly

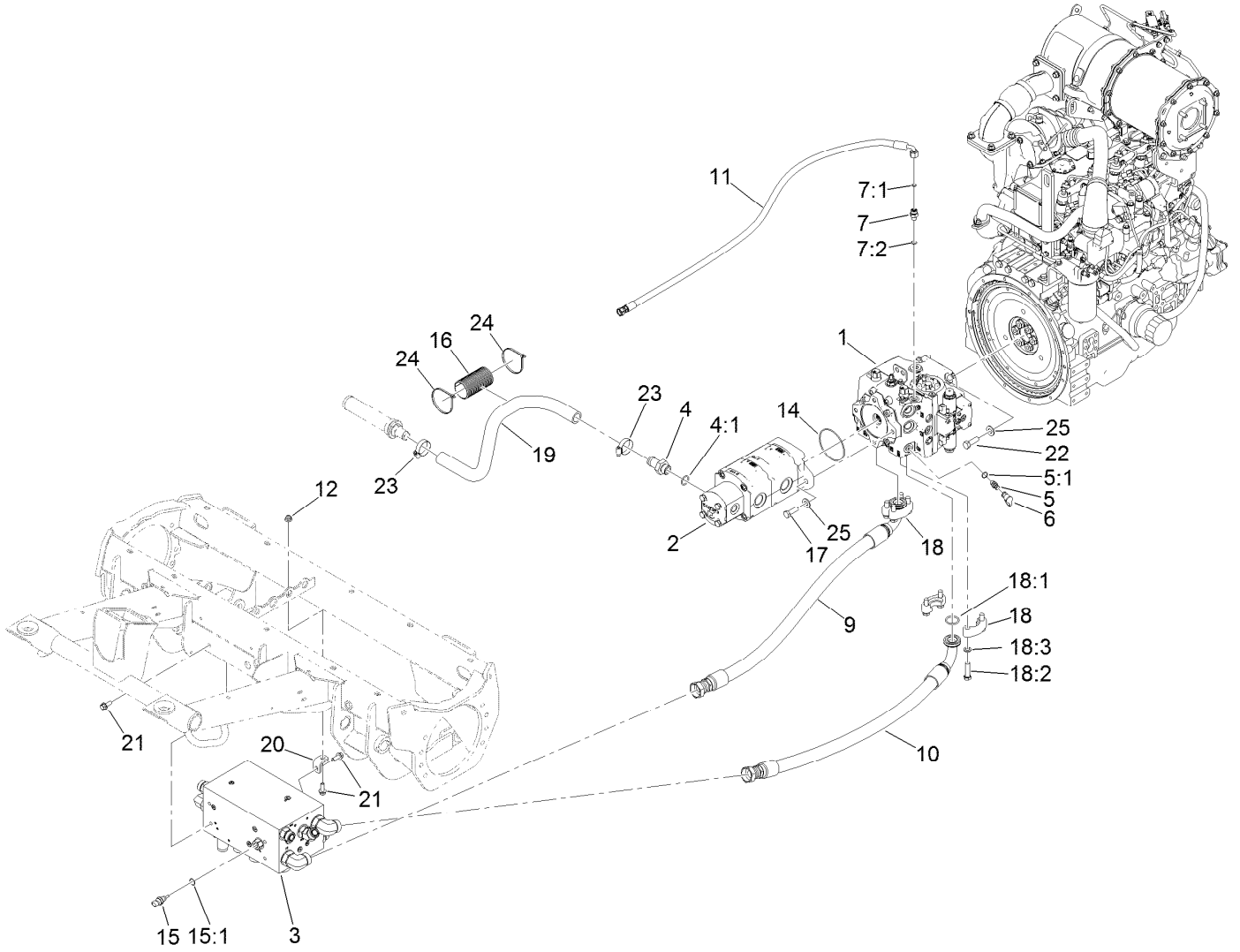
<i>Ref.</i>	<i>Part Number</i>	<i>Qty.</i>	<i>Description</i>	<i>Ref.</i>	<i>Part Number</i>	<i>Qty.</i>	<i>Description</i>
1	130-9176-03	1	Air Box ASM	6	130-9180	1	Foam-Airbox, Rear
2	130-9160	1	Air Filter ASM	7	3231-5	2	Screw-CARR
2:1	108-3815	1	Filter-Air	8	104-8301	2	Nut-HF, NI
2:2	130-9070	1	Element-Filter, Safety	9	104-8300	2	Nut-HF, NI
2:3	69-1940	1	Indicator-Electrical	10	3234-29	2	Screw-HHF
3	130-2512	1	Hose-Intake, Air	11	AU110569	1	Clamp-Torque, Constant
4	130-2579	1	Grommet	12	131-2229	1	Clamp-Hose
5	130-9179	1	Foam-Airbox	13	93-7275	1	Decal-Fluid, Starting



## Fuel System Assembly

Ref.	Part Number	Qty.	Description	Ref.	Part Number	Qty.	Description
1	121-5613	1	Pump-Fuel, Electric	18	121-1707	1	Gasket-Fuel, Viton
2	125-2914	1	Filter-Separator	19	114-0094	1	Hold Down-Tank
2:1	125-2915	1	Filter-Fuel/Water Separator	20	3234-42	2	Screw-HHF
3	353-783	1	Fitting-STR	21	104-8301	2	Nut-HF, NI
4	119-7748	1	Pipe-Stand, Fuel	22	114-4939-03	1	Cover-Fitting, Fuel
5	2412-108	12	Clamp-Worm	24	3234-4	2	Screw-HHF
6	131-2284	1	Fuel Tank ASM	25	104-7201	2	Nut-HF, NI
7	94-6821	2	Clamp-Wire	26	1-543286	1	Grommet
8	117-2382	4	Plug-Plastic	27	130-9191	2	Hose-Fuel
9	125-9171	1	Cap-Fuel	28	108-0342	1	Fitting-Straight
10	104-0790	2	Bushing	29	130-9143	1	Hose-Fuel
11	46-6560	1	Bushing	30	132-1330	1	Hose-Fuel
12	46-6550	1	Fitting-Elbow, 90 DEG	32	104-8300	3	Nut-HF, NI
13	130-9149	1	Pipe-Stand, Return	33	3234-29	2	Screw-HHF
14	121-1688	1	Gauge-Fuel	34	120-1959	2	Clamp
15	3274-31	3	Screw-HSBH	35	109-0308	1	Hose-Fuel
16	3253-15	5	Washer-Lock	36	114-0832	1	Hose-Fuel
17	32122-24	5	Screw-PTH	37	3234-7	1	Screw-HHF

# Traction Hydraulic Assembly

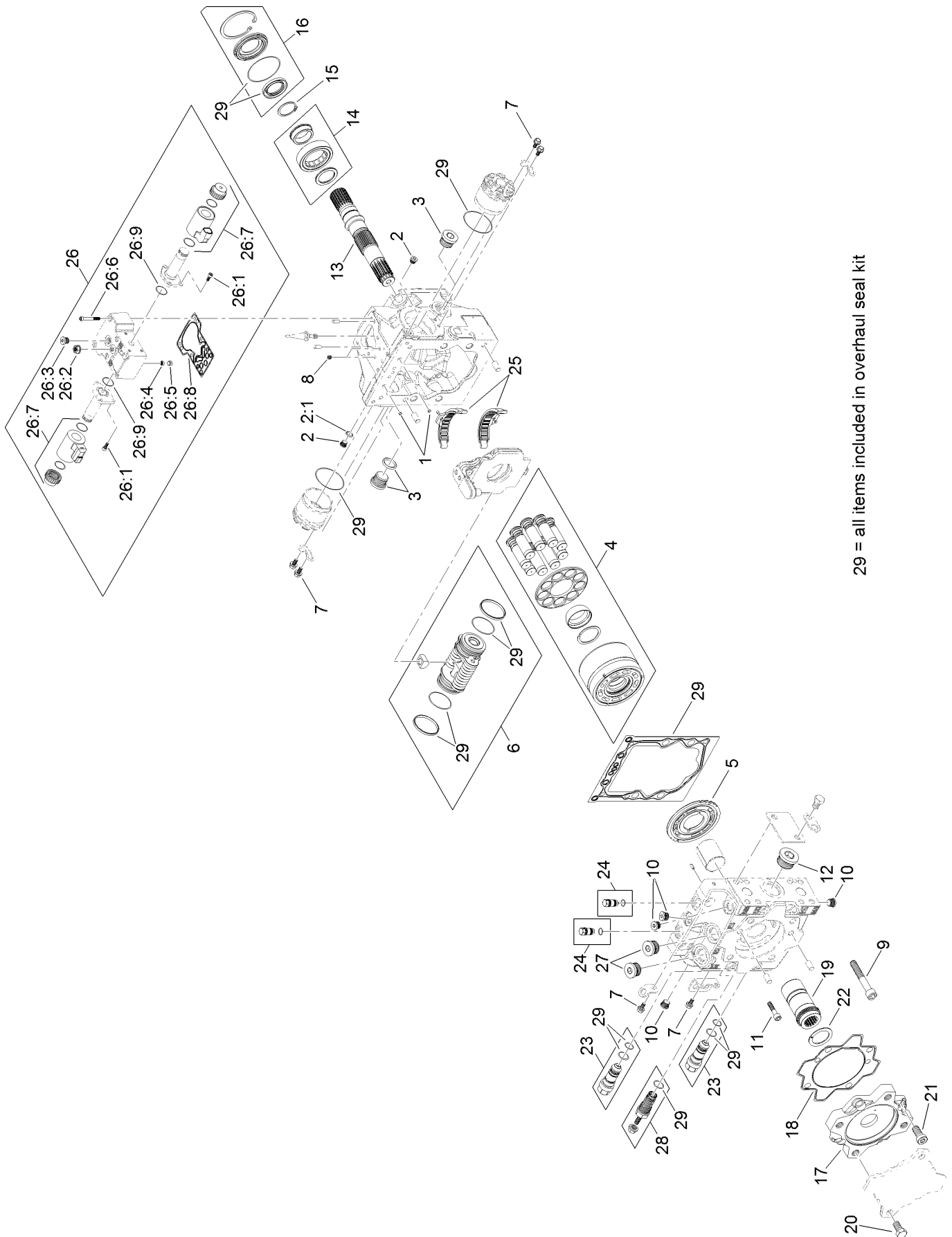


## Traction Hydraulic Assembly (continued)

<i>Ref.</i>	<i>Part Number</i>	<i>Qty.</i>	<i>Description</i>	<i>Ref.</i>	<i>Part Number</i>	<i>Qty.</i>	<i>Description</i>
1	130-9150	1	Hydraulic Piston Pump ASM	14	107-9447	1	O-Ring
2	130-2520	1	Hydraulic Triple Gear Pump ASM	15	110-8829	1	Sender-Temperature
3		1	Traction Valve ASM ●	15:1	237-42	1	O-Ring
4	99-3017	1	Fitting	16	115-5523	1	Guard-Hose
4:1	237-81	1	O-Ring	17	121-1525	2	Screw-HH
5	59-7410	2	Fitting-Diagnostic	18	121-3903	2	Flange Kit
5:1	237-42	1	O-Ring	18:1	121-3904	1	O-Ring
6	354-79	2	Cap-Dust	18:2	33116-045	4	Screw-HH
7	340-2	1	Fitting-Straight	18:3	48-8070	4	Washer-Lock
7:1	237-22	1	O-Ring	19	130-2550	1	Hose-Suction
7:2	237-42	1	O-Ring	20	130-2571	1	Tab-Mount, Manifold
9	127-3450	1	Hydraulic Hose ASM	21	131-2220	6	Screw-HHF
10	127-3451	1	Hydraulic Hose ASM	22	AU426-824	4	Screw-HH
11	127-3521	1	Hydraulic Hose ASM	23	2412-111	2	Clamp-Hose, W/Liner
12	104-8301	1	Nut-HF, NI	24	3290-379	2	Tie-Cable
				25	87-7270	6	Washer-Thrust

● Not serviced separately

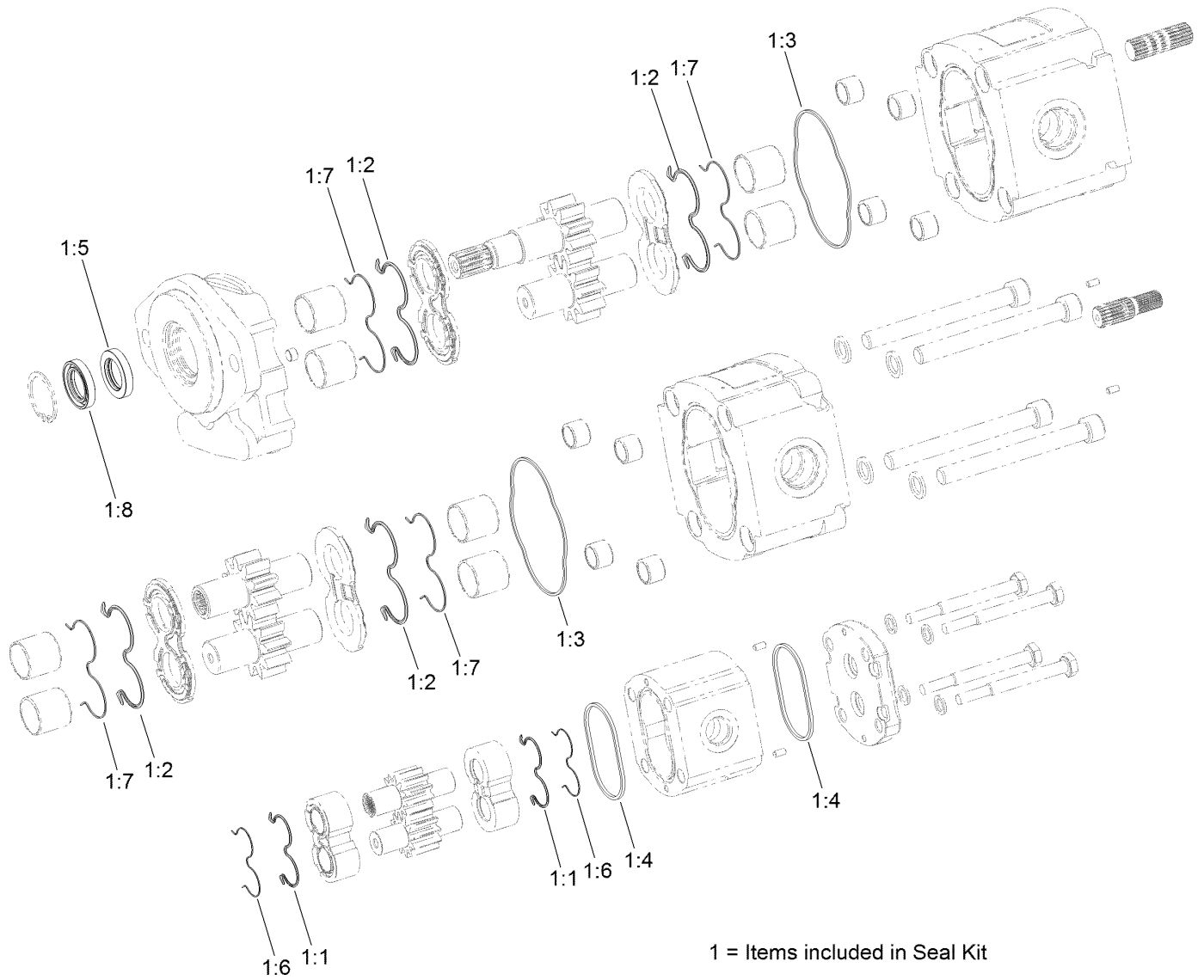
# Piston Pump Assembly No. 130-9150



## Piston Pump Assembly No. 130-9150 (continued)

<i>Ref.</i>	<i>Part Number</i>	<i>Qty.</i>	<i>Description</i>	<i>Ref.</i>	<i>Part Number</i>	<i>Qty.</i>	<i>Description</i>
1	125-5266	2	Screen	20	125-5281	4	Screw
2	75-0170	2	Plug-Thread, Straight	21	125-5282	4	Screw
2:1	92-8777	1	O-Ring	22	125-5287	1	Plate-Thrust
3	69-3130	2	Plug	23	125-5291	2	Valve-Relief, High Pressure
4	125-5267	1	Cylinder Block Kit	24	125-5292	2	Pressure Limiter Plug ASM
5	125-5268	1	Valve Plate, CW	25	125-5293	1	Swashplate Bearing Kit
6	125-5271	1	Servo Piston ASM	26	125-5295	1	Control Kit (12 Volt)
7	125-5270	8	Screw	26:1	125-5272	6	Screw
8	125-5276	2	Orifice (0.8)	26:2	125-5273	1	Nut-Seal
9	125-5277	4	Screw	26:3	125-5302	1	Plug
10	125-5300	4	Plug ASM	26:4	125-5266	1	Screen
11	125-5275	2	Screw	26:5	125-5269	1	Ring-Locking
12	125-5301	1	Plug	26:6	125-5274	6	Screw
13	125-5278	1	Shaft	26:7	125-5294	2	Coil Kit
14	125-5279	1	Bearing-Roller	26:8	125-5283	1	Gasket-Control
15	125-5280	1	Ring-Retaining	26:9	125-5288	2	O-Ring
16	125-5296	1	Shaft Seal Kit	27	125-5303	2	Plug ASM
17	125-5284	1	Adapter	28	125-5297	1	Charge Relief Kit
18	125-5285	1	Seal-Adapter	29	125-5299	1	Overhaul Seal Kit
19	125-5286	1	Coupling				

# Hydraulic Gear Pump Assembly No. 130-2520



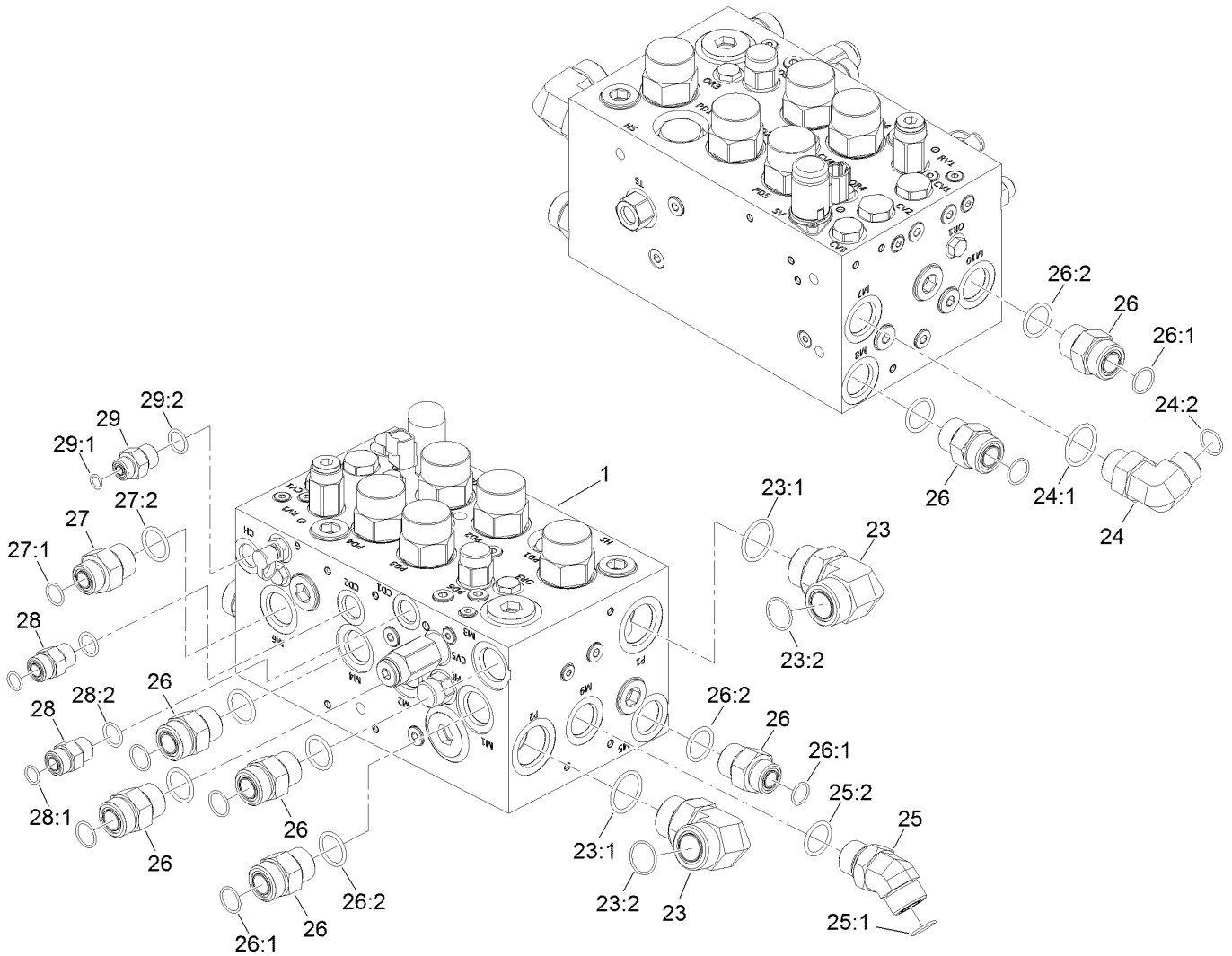


# Hydraulic Gear Pump Assembly No. 130-2520 (continued)

<i>Ref.</i>	<i>Part Number</i>	<i>Qty.</i>	<i>Description</i>	<i>Ref.</i>	<i>Part Number</i>	<i>Qty.</i>	<i>Description</i>
1	133-2484	1	Seal Kit	1:5		1	Seal-Shaft ●
1:1		2	Seal ●	1:6		2	Antiextrusion ●
1:2		4	Seal ●	1:7		4	Ring-Antiextrusion ●
1:3		2	Seal-Standard ●	1:8		1	Seal-Shaft ●
1:4		2	Seal-Standard ●				

● Not serviced separately

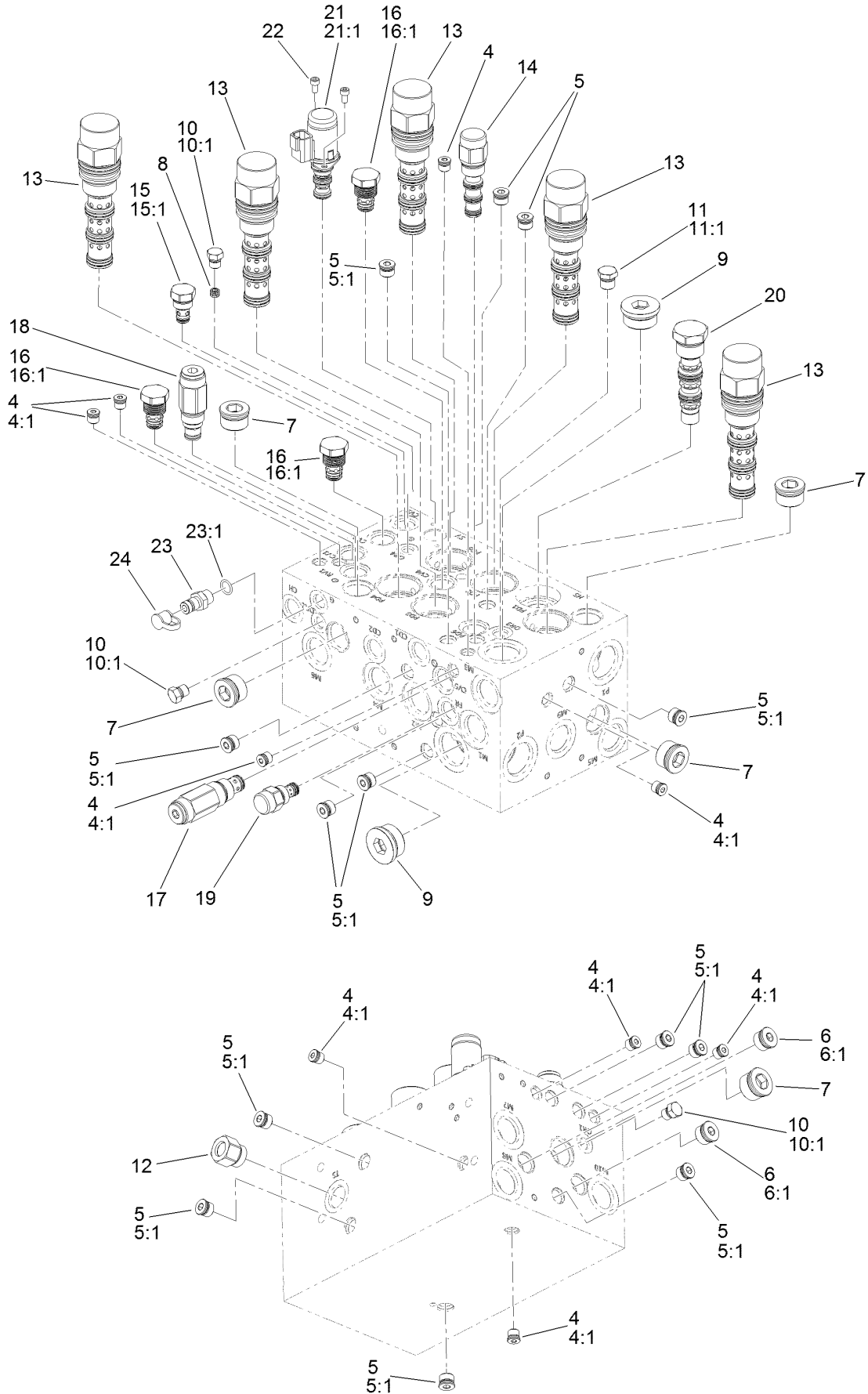
# Traction Valve Assembly



## Traction Valve Assembly (continued)

<i>Ref.</i>	<i>Part Number</i>	<i>Qty.</i>	<i>Description</i>	<i>Ref.</i>	<i>Part Number</i>	<i>Qty.</i>	<i>Description</i>
1	132-1397	1	Traction Valve Manifold ASM	26:1	237-58	1	O-Ring
23	340-129	2	Fitting-Elbow, 90 DEG	26:2	237-81	1	O-Ring
23:1	237-146	1	O-Ring	27	340-8	1	Fitting-Straight
23:2	340-65	1	O-Ring	27:1	237-65	1	O-Ring
24	340-139	1	Fitting-Elbow 90	27:2	237-81	1	O-Ring
24:1	237-81	1	O-Ring	28	340-4	2	Fitting-Straight
24:2	237-65	1	O-Ring	28:1	237-30	1	O-Ring
25	100-5530	1	Fitting-45 DEG	28:2	237-79	1	O-Ring
25:1	237-58	1	O-Ring	29	340-3	1	Fitting-Straight
25:2	237-81	1	O-Ring	29:1	237-22	1	O-Ring
26	340-9	7	Fitting-STR	29:2	237-79	1	O-Ring

# Hydraulic Traction Valve Manifold Assembly No. 132-1397

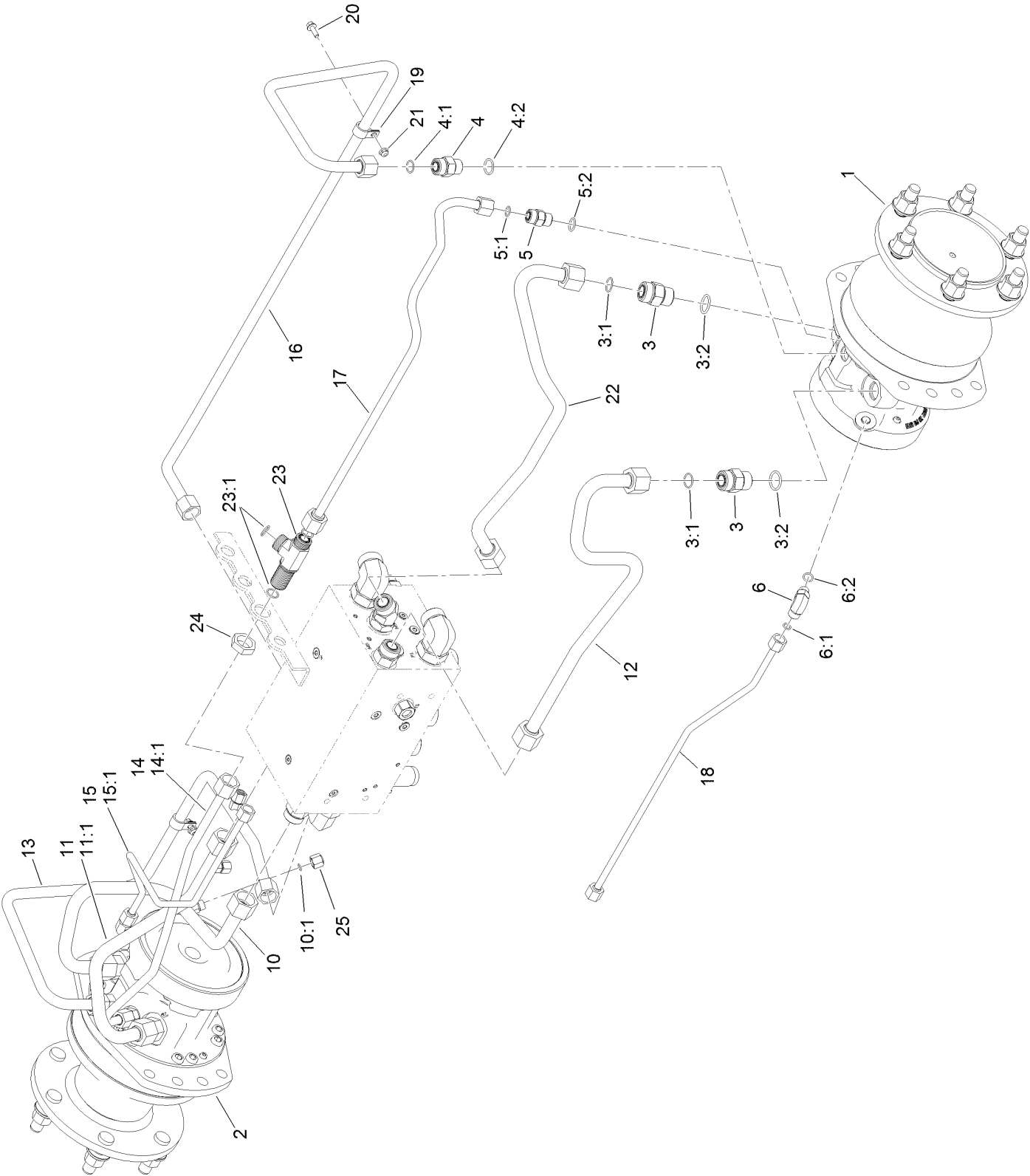


# Hydraulic Traction Valve Manifold Assembly No. 132-1397 (continued)

<i>Ref.</i>	<i>Part Number</i>	<i>Qty.</i>	<i>Description</i>	<i>Ref.</i>	<i>Part Number</i>	<i>Qty.</i>	<i>Description</i>
4	353-990	9	Plug ASM	14	132-4913	1	Vent-External, Piloted
4:1	237-78	1	O-Ring	15	105-9321	1	Check Valve ASM
5	353-989	13	Plug-Hex, Hollow	15:1	105-9156	1	Seal Kit
5:1	237-42	1	O-Ring	16	110-8881	3	Valve-Check
6	353-988	2	Plug-Hex	16:1	105-9159	1	Seal Kit ●
6:1	237-79	1	O-Ring	17	132-4912	1	Valve-Check
7	133-2444	5	Zero-Leak Plug, SAE-12	18	132-4911	1	Valve-Relief, Poppet Type
8	110-5973	1	Orifice-0.030	19	132-4910	1	Regulator-Flow, Pressure Comp
9	133-2445	2	Plug-Socket, Hex	20	132-4909	1	Valve-Shuttle, Hot Oil
10	353-512	3	Plug	21	125-7554	1	Valve-Solenoid
10:1	237-78	1	O-Ring	21:1	125-7561	1	Seal Kit
11	353-508	1	Plug-HH	22	132-4908	2	Screw-Cap, Soc HD
11:1	237-42	1	O-Ring	23	59-7410	1	Fitting-Diagnostic
12	132-4915	1	Fitting-Adapter, Temp Sensor	23:1	237-42	1	O-Ring
13	132-4914	5	Valve-Piloted Directional, Vented	24	354-79	1	Cap-Dust

● Not illustrated

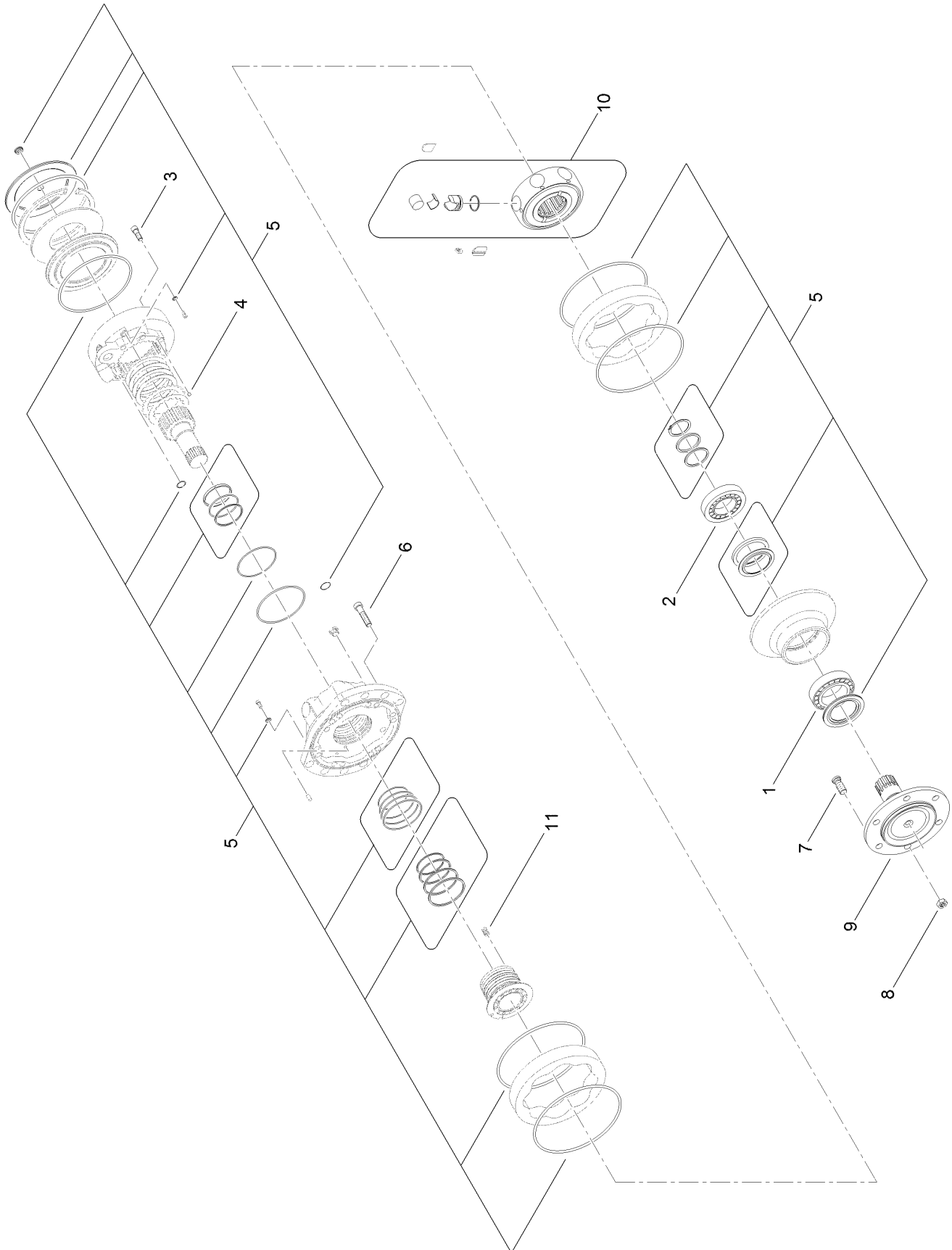
# Hydraulic Traction Motors Assembly



## Hydraulic Traction Motors Assembly (continued)

<i>Ref.</i>	<i>Part Number</i>	<i>Qty.</i>	<i>Description</i>	<i>Ref.</i>	<i>Part Number</i>	<i>Qty.</i>	<i>Description</i>
1	125-5391	1	LH Hydraulic Motor ASM	12	130-2537	1	Hydraulic Tube ASM
2	125-5434	1	RH Hydraulic Motor ASM	13	130-9074	1	Hydraulic Tube ASM
3	340-9	4	Fitting-STR	14	130-2540	1	Hydraulic Tube ASM
3:1	237-58	1	O-Ring	14:1	237-30	1	O-Ring
3:2	237-81	1	O-Ring	15	130-2541	1	Hydraulic Tube ASM
4	340-7	2	Fitting-Straight	15:1	237-22	1	O-Ring
4:1	237-65	1	O-Ring	16	130-9075	1	Hydraulic Tube ASM
4:2	237-80	1	O-Ring	17	130-2554	1	Hydraulic Tube ASM
5	340-4	2	Fitting-Straight	18	130-2555	1	Hydraulic Tube ASM
5:1	237-30	1	O-Ring	19	2412-87	2	Clamp-Cable
5:2	237-79	1	O-Ring	20	3234-4	2	Screw-HHF
6	340-77	2	Fitting-Elbow, 90 DEG	21	104-7201	2	Nut-HF, NI
6:1	237-22	1	O-Ring	22	130-2556	1	Hydraulic Tube ASM
6:2	237-42	1	O-Ring	23	94-5350	1	Fitting-Tee
10	130-2533	1	Hydraulic Tube ASM	23:1	237-65	3	O-Ring
10:1	237-21	1	O-Ring	24	340-74	1	Nut-Lock, Bulkhead
11	130-2534	1	Hydraulic Tube ASM	25	117-3297	3	Fitting-Cap
11:1	237-21	1	O-Ring				

# Hydraulic Motor Assembly No. 125-5434

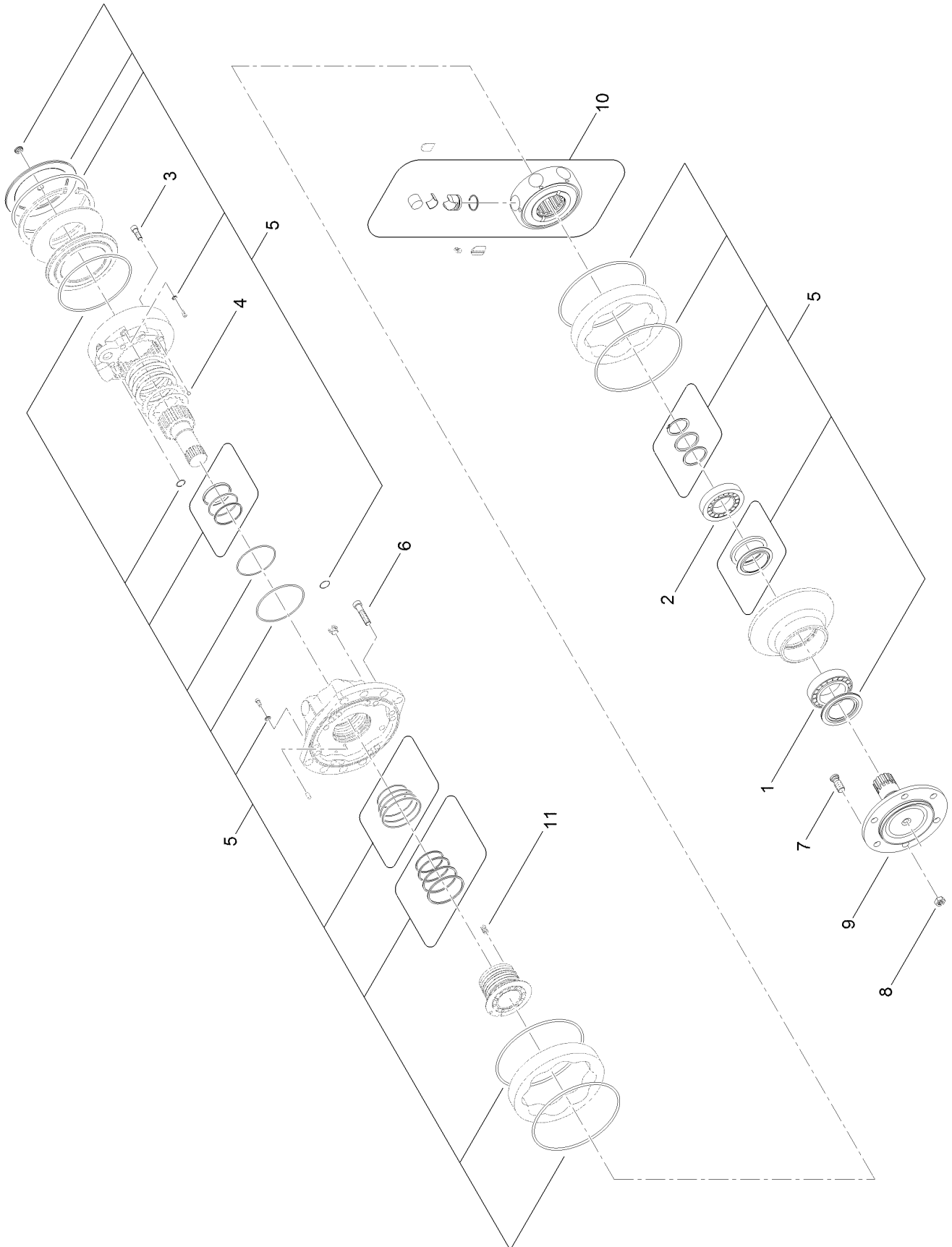




# Hydraulic Motor Assembly No. 125-5434 (continued)

<i>Ref.</i>	<i>Part Number</i>	<i>Qty.</i>	<i>Description</i>	<i>Ref.</i>	<i>Part Number</i>	<i>Qty.</i>	<i>Description</i>
1	137-5627	1	Bearing	7	137-5632	1	Stud
2	137-5628	1	Bearing	8	137-5633	1	Lug Nut
3	137-5649	1	Screw	9	137-5634	1	Shaft
4	137-5629	1	Shear Ball	10	137-5578	1	Rotating Group ASM
5	137-5630	1	Master Seal Kit	11	137-5583	1	Spring
6	137-5631	1	Screw				

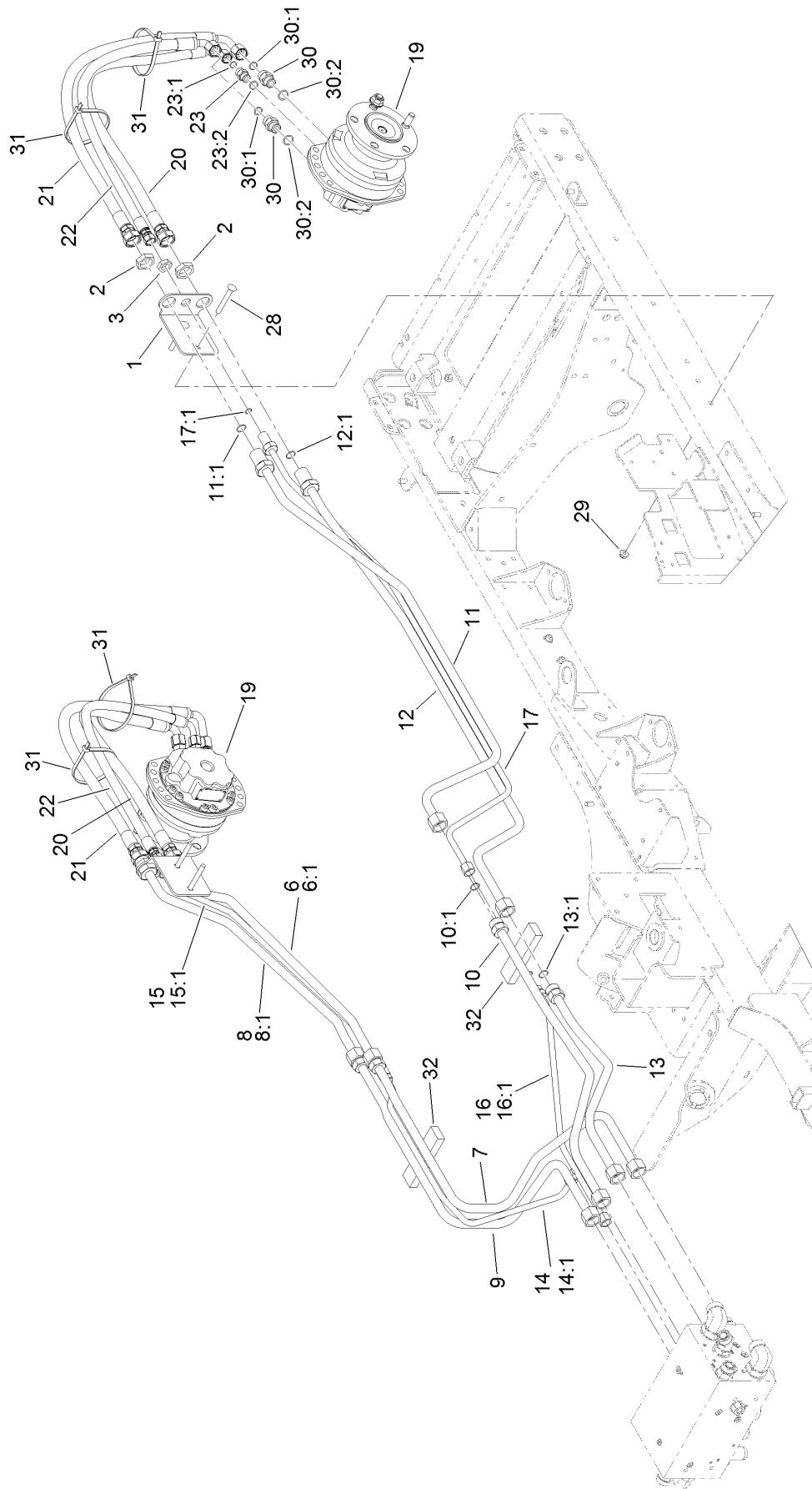
# Hydraulic Motor Assembly No. 125-5391



# Hydraulic Motor Assembly No. 125-5391 (continued)

<i>Ref.</i>	<i>Part Number</i>	<i>Qty.</i>	<i>Description</i>	<i>Ref.</i>	<i>Part Number</i>	<i>Qty.</i>	<i>Description</i>
1	137-5627	1	Bearing	7	137-5632	1	Stud
2	137-5628	1	Bearing	8	137-5633	1	Lug Nut
3	137-5649	1	Screw	9	137-5634	1	Shaft
4	137-5629	1	Shear Ball	10	137-5578	1	Rotating Group ASM
5	137-5630	1	Master Seal Kit	11	137-5583	1	Spring
6	137-5631	1	Screw				

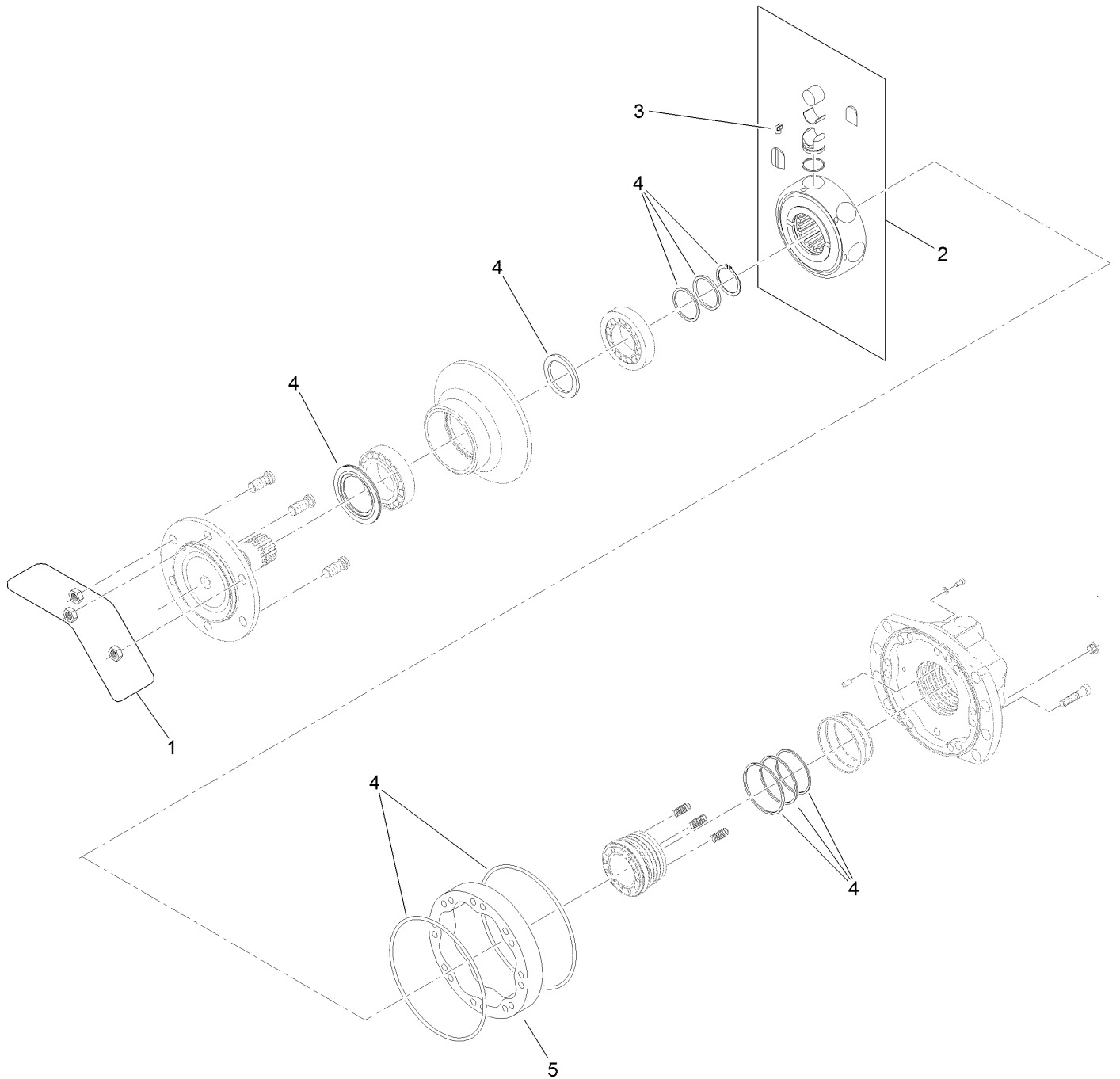
# Hydraulic Traction Assembly



## Hydraulic Traction Assembly (continued)

<i>Ref.</i>	<i>Part Number</i>	<i>Qty.</i>	<i>Description</i>	<i>Ref.</i>	<i>Part Number</i>	<i>Qty.</i>	<i>Description</i>
1	131-2377-01	2	Support-Bulkhead	15:1	237-30	1	O-Ring
2	340-126	4	Nut-Bulkhead	16	131-2386	1	Hydraulic Tube ASM
3	340-127	2	Nut-Bulkhead	16:1	237-30	2	O-Ring
6	131-2378	1	Hydraulic Tube ASM	17	131-2387	1	Hydraulic Tube ASM
6:1	237-58	1	O-Ring	17:1	237-30	1	O-Ring
7	131-2397	1	Hydraulic Tube ASM	19	132-1425	2	Hydraulic Motor ASM
8	131-2379	1	Hydraulic Tube ASM	20	127-3568	2	Hydraulic Hose ASM
8:1	237-58	1	O-Ring	21	127-3569	2	Hydraulic Hose ASM
9	131-2398	1	Hydraulic Tube ASM	22	131-2383	2	Hydraulic Hose ASM
10	130-2464	1	Hydraulic Tube ASM	23	340-4	2	Fitting-Straight
10:1	237-58	1	O-Ring	23:1	237-30	1	O-Ring
11	131-2388	1	Hydraulic Tube ASM	23:2	237-79	1	O-Ring
11:1	237-58	1	O-Ring	28	3231-42	4	Screw-CARR
12	131-2389	1	Hydraulic Tube ASM	29	104-8301	4	Nut-HF, NI
12:1	237-58	1	O-Ring	30	340-7	4	Fitting-Straight
13	130-2467	1	Hydraulic Tube ASM	30:1	237-65	1	O-Ring
13:1	237-58	1	O-Ring	30:2	237-80	1	O-Ring
14	131-2384	1	Hydraulic Tube ASM	31	3334-945	4	Tie-Cable
14:1	237-30	1	O-Ring	32	132-1393	2	Foam-Support, Tube
15	131-2385	1	Hydraulic Tube ASM				

# Hydraulic Motor Assembly No. 132-1425

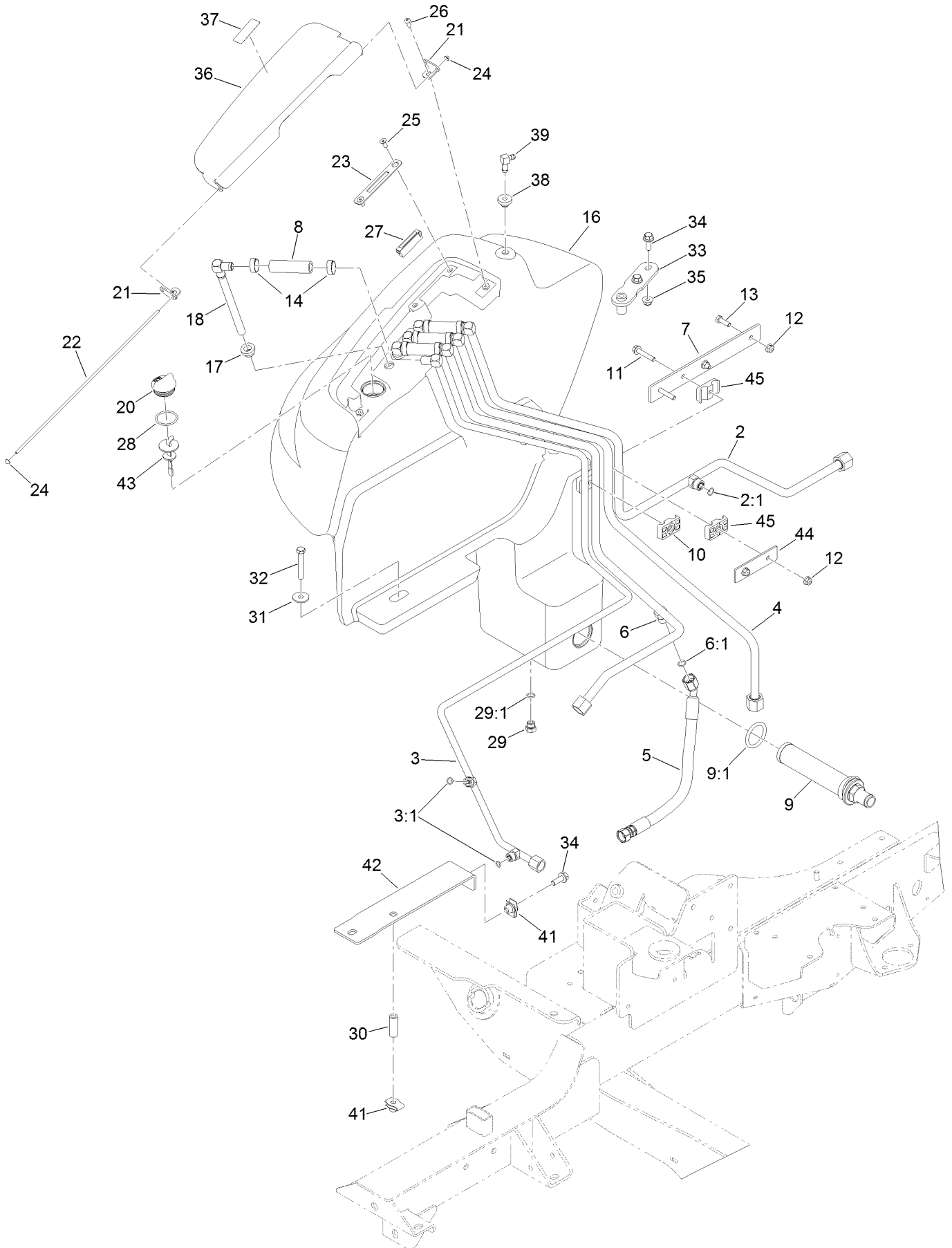


# Hydraulic Motor Assembly No. 132-1425 (continued)

<i>Ref.</i>	<i>Part Number</i>	<i>Qty.</i>	<i>Description</i>
1	133-2517	1	Nut-Flange
2	133-2518	1	Rotating Group ASM
3	133-2519	1	Clip-Retaining

<i>Ref.</i>	<i>Part Number</i>	<i>Qty.</i>	<i>Description</i>
4	133-2520	1	Seal Kit
5	133-2521	1	Cam-Z

# Hydraulic Tank Assembly

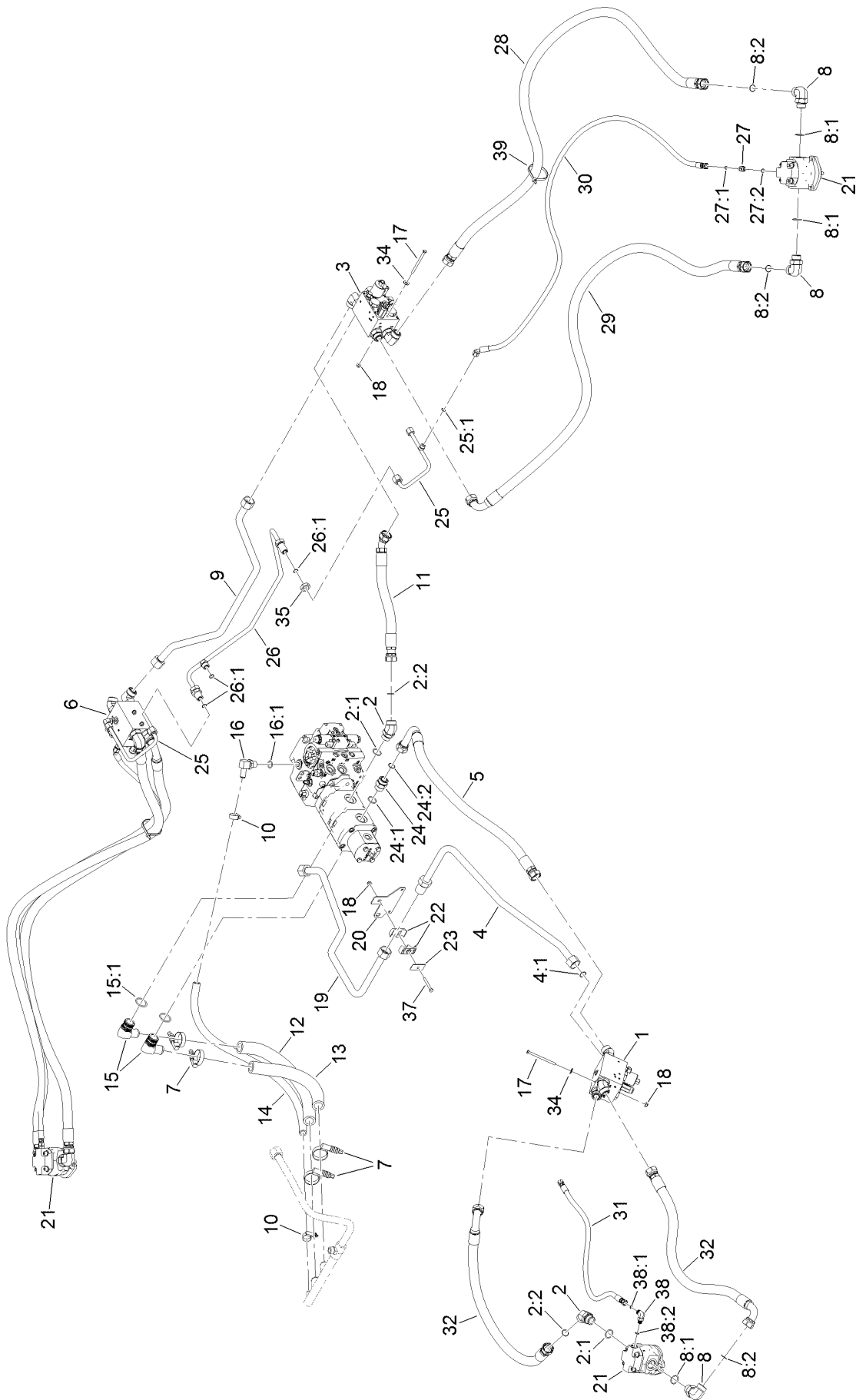




## Hydraulic Tank Assembly (continued)

<i>Ref.</i>	<i>Part Number</i>	<i>Qty.</i>	<i>Description</i>	<i>Ref.</i>	<i>Part Number</i>	<i>Qty.</i>	<i>Description</i>
2	125-5357	1	Hydraulic Tube ASM	23	114-0941	1	Plate-Latch
2:1	237-30	1	O-Ring	24	108-3629	2	Nut-Push
3	130-2553	1	Hydraulic Tube ASM	25	3274-47	2	Screw-HSFH
3:1	237-22	2	O-Ring	26	3274-31	2	Screw-HSBH
4	130-2511	1	Hydraulic Tube ASM	27	58-4250	1	Catch-Magnetic
5	130-2543	1	Hydraulic Hose ASM	28	94-8166	1	O-Ring
6	130-9036	1	Hydraulic Tube ASM	29	353-508	1	Plug-HH
6:1	237-30	1	O-Ring	29:1	237-42	1	O-Ring
7	114-4919-03	1	Plate-Mount, Tube	30	95-6448	1	Spacer
8	114-4920	4	Hose	31	63-8410	1	Washer
9	104-7546	1	Tank Strainer ASM	32	323-12	1	Screw-HH
9:1	340-136	1	O-Ring	33	114-0094	1	Hold Down-Tank
10	56-7977	2	Clamp-Tube	34	3234-42	3	Screw-HFH
11	94-5780	2	Screw-HWH	35	104-8301	2	Nut-HF, NI
12	104-8300	4	Nut-HF, NI	36	114-0939-03	1	Cover-Tank, HYD
13	322-5	2	Screw-HH	37	93-6686	1	Decal-Oil, HYD
14	2412-36	8	Clamp-Hose	38	46-6560	1	Bushing
16	119-7726	1	Hydraulic Tank ASM	39	46-6550	1	Fitting-Elbow, 90 DEG
17	104-0790	4	Bushing	41	105-4886	2	Nut-Tinnerman
18	132-1384	4	Tube-Drop	42	130-2583-01	1	Support-Tank, Hydraulic
20	93-7498	1	Plug-Plastic	43	105-2812	1	Dipstick
21	114-0940	2	Bracket-Hinge	44	131-2213-03	1	Plate-Drain, Case
22	114-0904	1	Rod	45	56-7971	2	Clamp-Tube

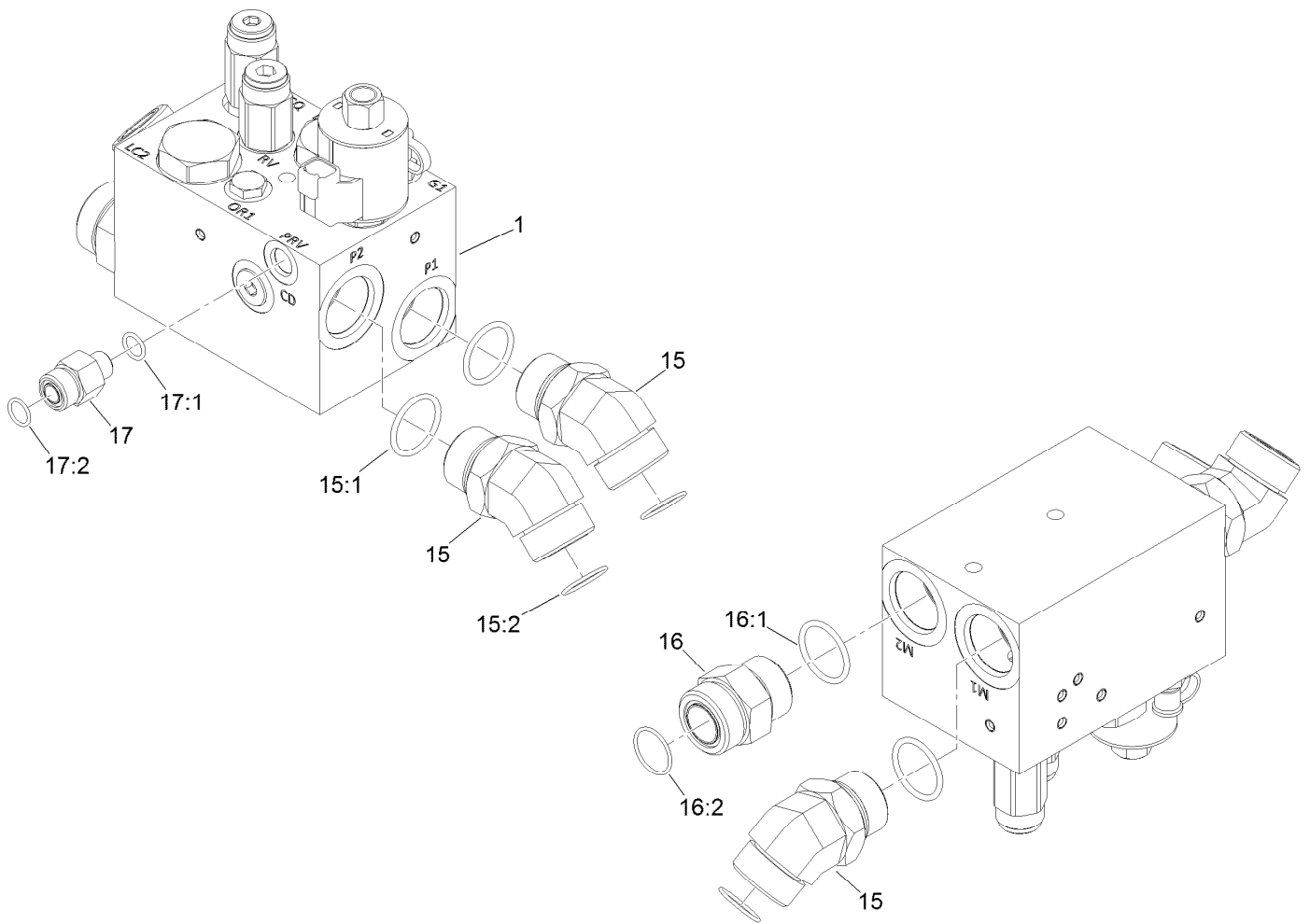
# Hydraulic Cutting Circuit Assembly



## Hydraulic Cutting Circuit Assembly (continued)

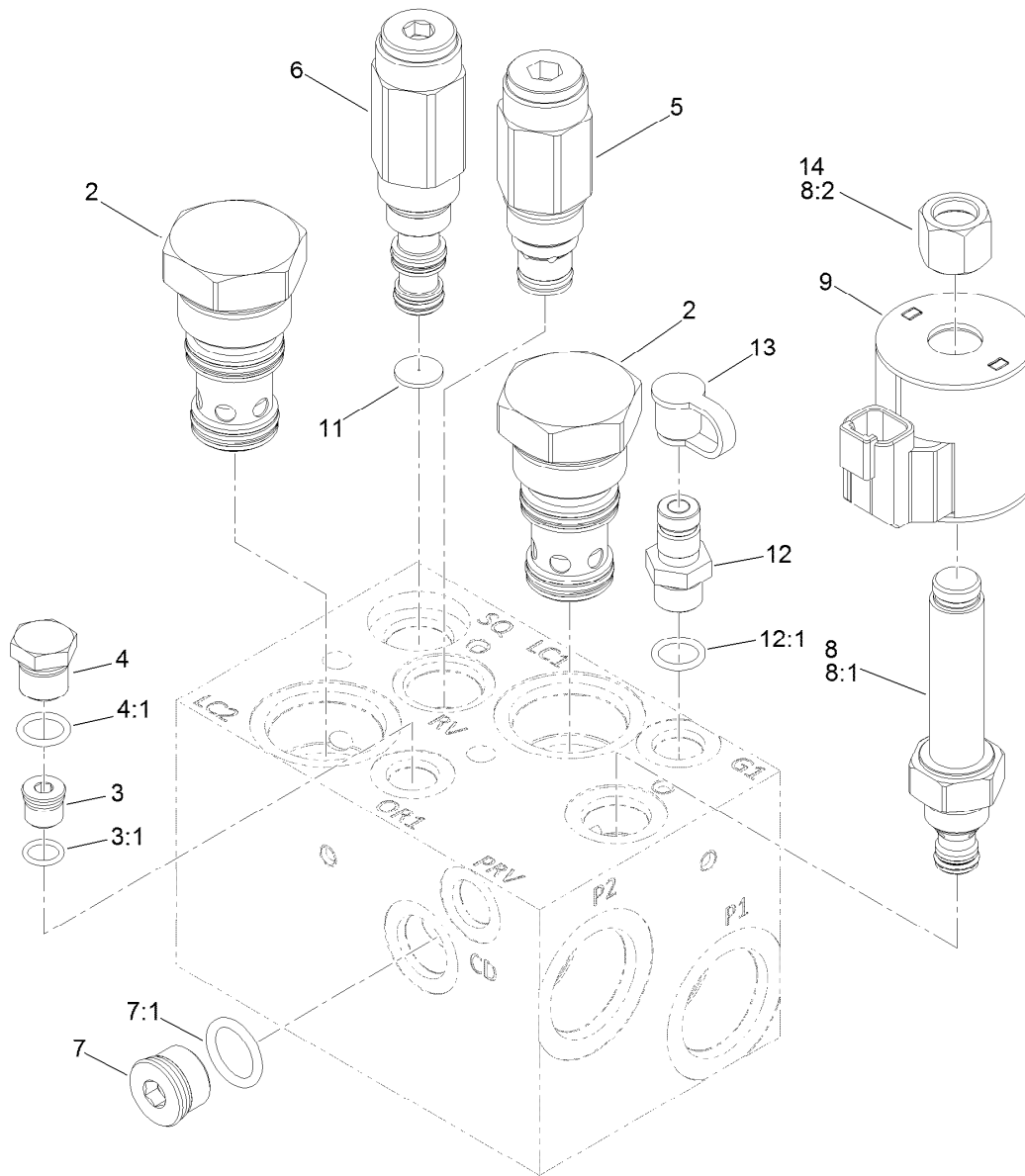
<i>Ref.</i>	<i>Part Number</i>	<i>Qty.</i>	<i>Description</i>	<i>Ref.</i>	<i>Part Number</i>	<i>Qty.</i>	<i>Description</i>
1		1	Center Front Deck Valve ASM ●	20	132-1377-01	1	Bracket-Hydraulic
2	104-3509	2	Fitting-HYD, 45 DEG	21	125-5392	3	Hydraulic Motor ASM
2:1	237-146	1	O-Ring	22	56-7974	2	Clamp-Tube
2:2	340-65	1	O-Ring	23	69-9761	1	Plate-Cover
3		1	LH Deck HYD Valve ASM ●	24	104-3797	1	Fitting-Straight
4	130-2549	1	Hydraulic Tube ASM	24:1	237-146	1	O-Ring
4:1	340-65	1	O-Ring	24:2	340-65	1	O-Ring
5	125-5346	1	Hydraulic Hose ASM	25	125-5326	2	Hydraulic Tube ASM
6		1	RH Deck HYD Valve ASM ●	25:1	237-22	1	O-Ring
7	121-7536	4	Clamp-Torque, Constant	26	125-5356	1	Hydraulic Tube ASM
8	340-129	5	Fitting-Elbow, 90 DEG	26:1	237-65	3	O-Ring
8:1	237-146	1	O-Ring	27	340-2	2	Fitting-Straight
8:2	340-65	1	O-Ring	27:1	237-22	1	O-Ring
9	125-5325	1	Hydraulic Tube ASM	27:2	237-42	1	O-Ring
10	132-1383	2	Clamp-Belville Sprg	28	130-9152	2	Hydraulic Hose ASM
11	125-5328	1	Hydraulic Hose ASM	29	130-9153	2	Hydraulic Hose ASM
12	127-3466	1	Hose-Hydraulic	30	130-9154	2	Hydraulic Hose ASM
13	127-3467	1	Hose-Hydraulic	31	132-1389	1	Hydraulic Hose ASM
14	127-3468	1	Hose-Hydraulic	32	130-9156	2	Hydraulic Hose ASM
15	92-7526	2	Fitting-HYD 90 Spcl	34	3256-56	6	Washer-Flat
15:1	237-101	1	O-Ring	35	340-74	2	Nut-Lock, Bulkhead
16	353-987	1	Fitting-Elbow, 90	37	322-12	1	Screw-HH
16:1	237-81	1	O-Ring	38	340-77	1	Fitting-Elbow, 90 DEG
17	130-9133	6	Screw-HH	38:1	237-22	1	O-Ring
18	104-8300	7	Nut-HF, NI	38:2	237-42	1	O-Ring
19	132-1374	1	Hydraulic Tube ASM	39	3334-945	2	Tie-Cable

● Not serviced separately



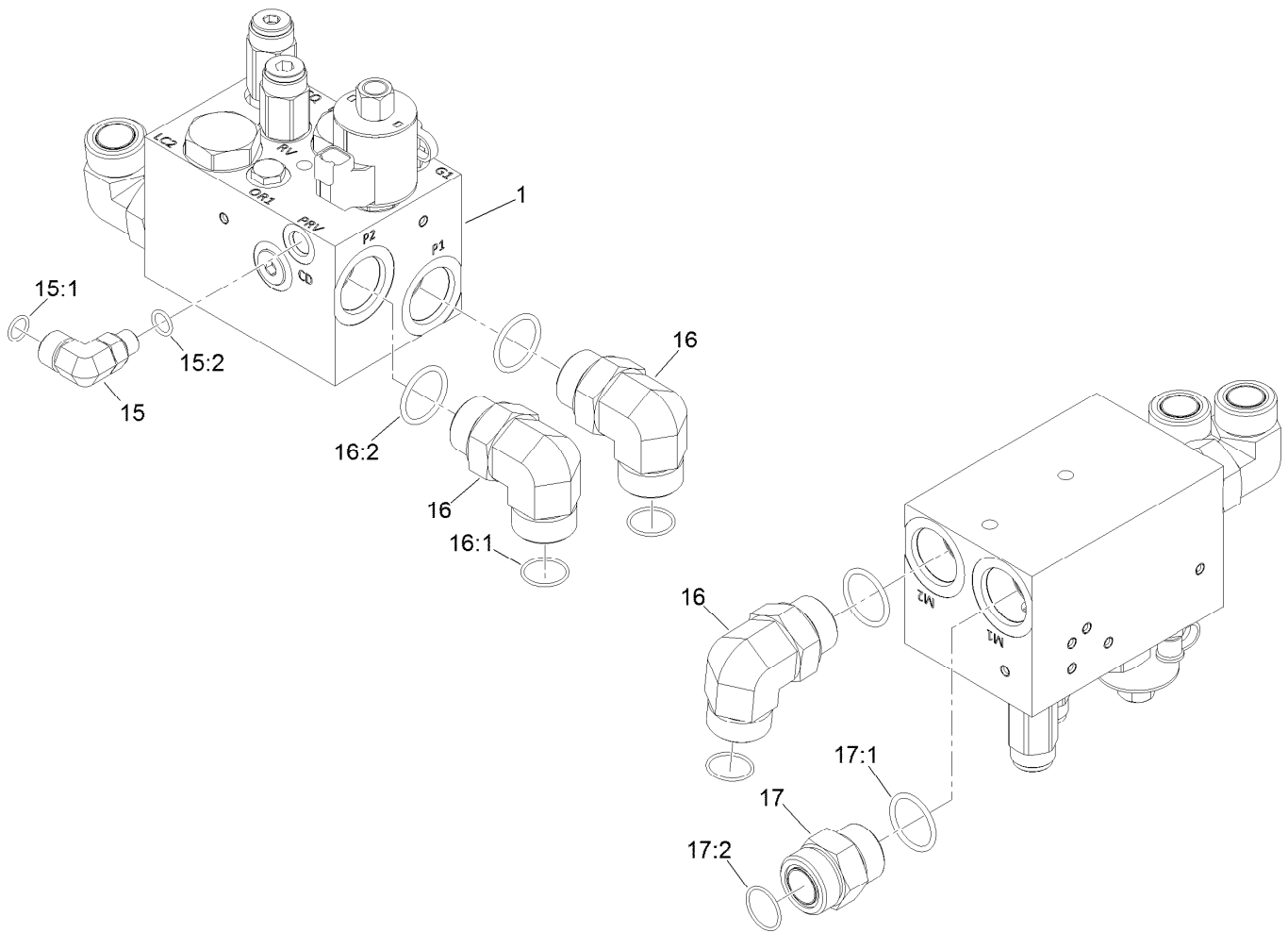
## Center Cutting Deck Drive Valve Assembly

Ref.	Part Number	Qty.	Description
1	132-1394	1	Center Deck Manifold ASM
15	104-3509	4	Fitting-HYD, 45 DEG
15:1	237-146	1	O-Ring
15:2	340-65	1	O-Ring
16	104-3797	1	Fitting-Straight
16:1	237-146	1	O-Ring
16:2	340-65	1	O-Ring
17	340-5	1	Fitting-Straight
17:1	237-42	1	O-Ring
17:2	237-30	1	O-Ring



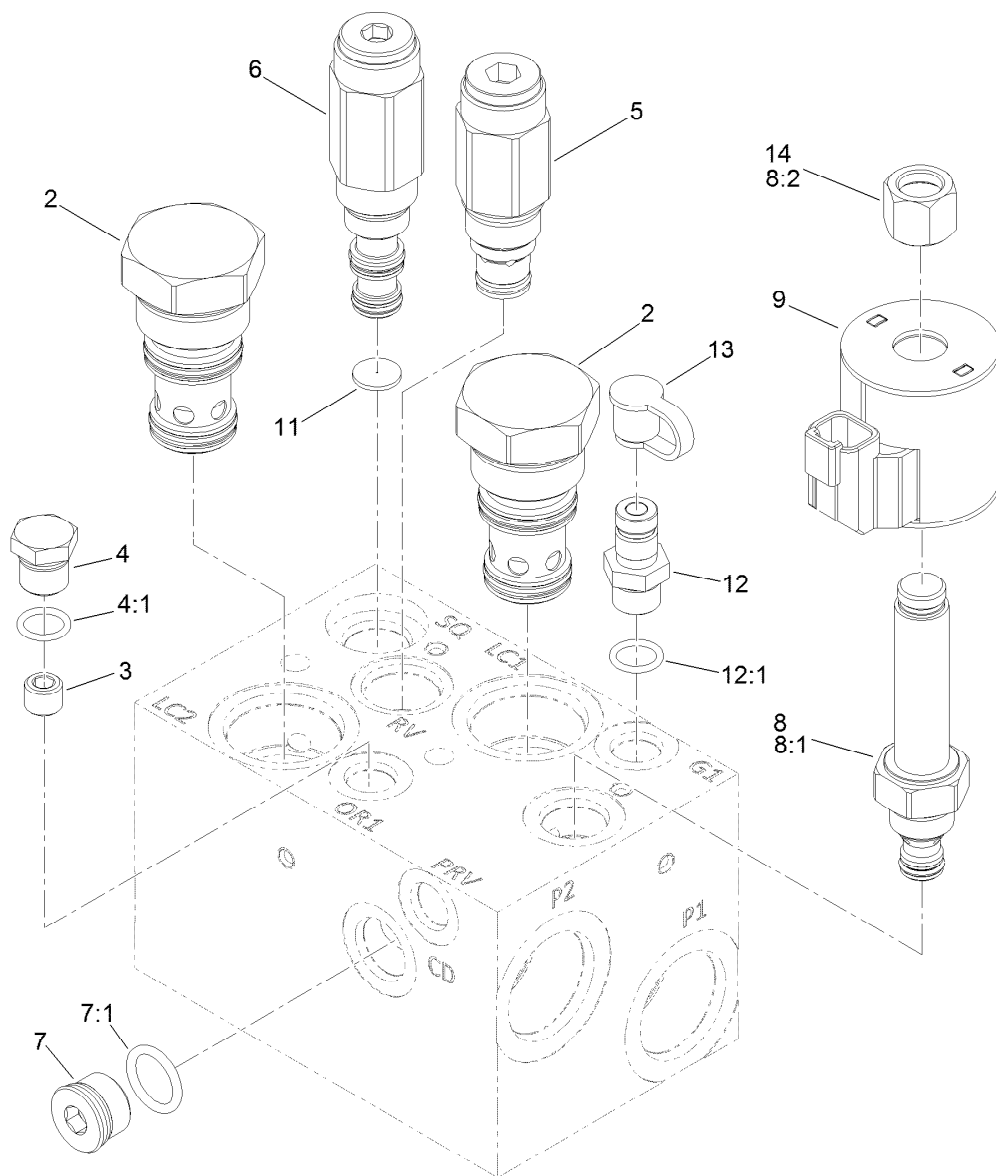
## Hydraulic Manifold Assembly No. 132-1394

<i>Ref.</i>	<i>Part Number</i>	<i>Qty.</i>	<i>Description</i>	<i>Ref.</i>	<i>Part Number</i>	<i>Qty.</i>	<i>Description</i>
2	132-4896	2	Element-Logic	8	117-0227	1	Valve-Relief, Proportional
3	353-990	1	Plug ASM	8:1	105-9156	1	Seal Kit
3:1	237-78	1	O-Ring	8:2	119-2160	1	Nut-Coil
4	353-508	1	Plug-HH	9	119-4619	1	Coil-Solenoid
4:1	237-42	1	O-Ring	11	132-4891	1	Disc-Orifice
5	132-4894	1	Valve-Relief, Poppet	12	59-7410	1	Fitting-Diagnostic
6	132-4893	1	Valve-Sequence, 110 PSI	12:1	237-42	1	O-Ring
7	353-988	1	Plug-Hex	13	354-79	1	Cap-Dust
7:1	237-79	1	O-Ring	14	119-2160	1	Nut-Coil



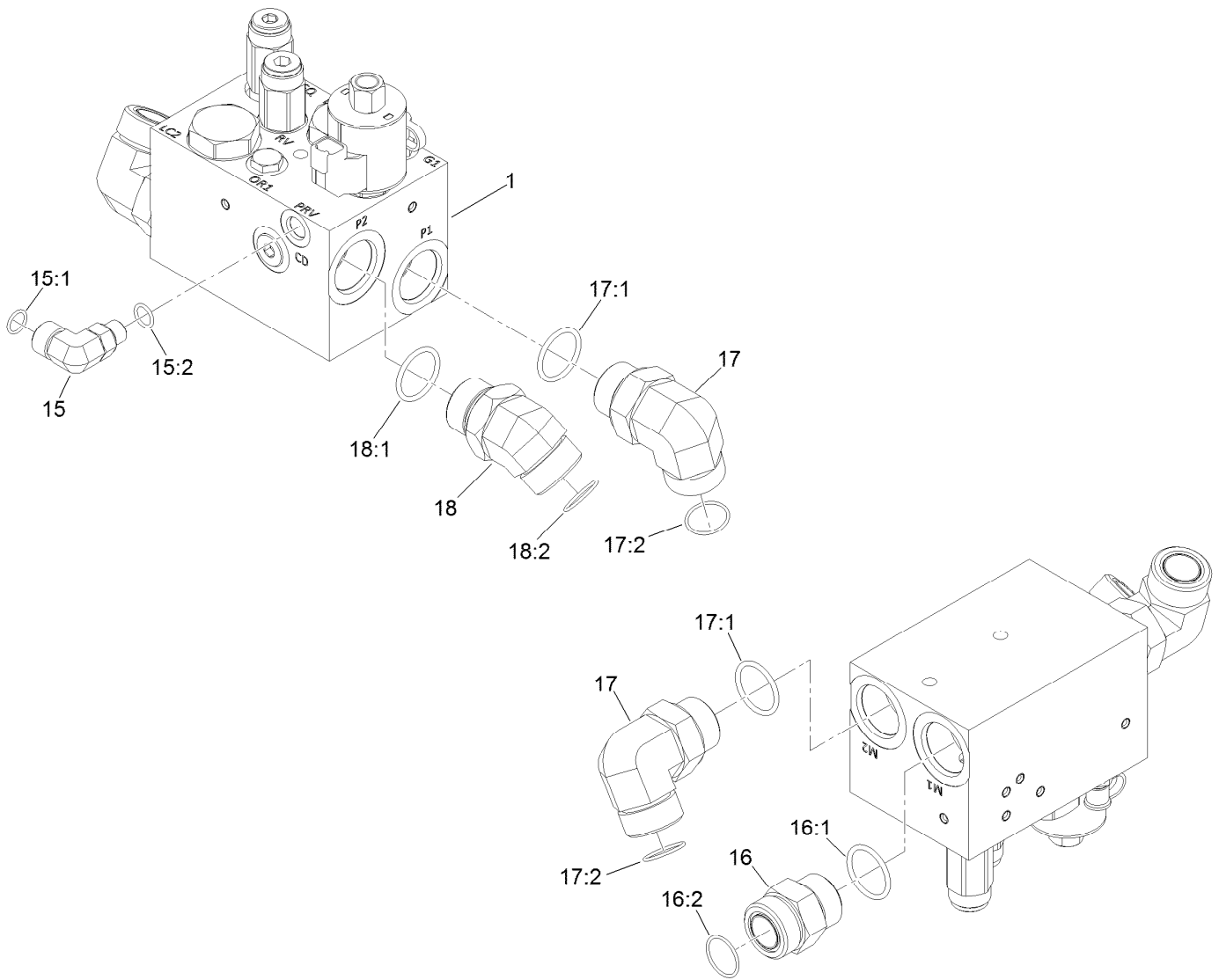
## LH Cutting Deck Drive Valve Assembly

Ref.	Part Number	Qty.	Description
1	132-1395	1	LH Deck Manifold ASM
15	340-99	1	Fitting-HYD, 90 DEG
15:1	237-30	1	O-Ring
15:2	237-42	1	O-Ring
16	340-129	3	Fitting-Elbow, 90 DEG
16:1	237-146	1	O-Ring
16:2	340-65	1	O-Ring
17	104-3797	1	Fitting-Straight
17:1	237-146	1	O-Ring
17:2	340-65	1	O-Ring



## Hydraulic Manifold Assembly No. 132-1395

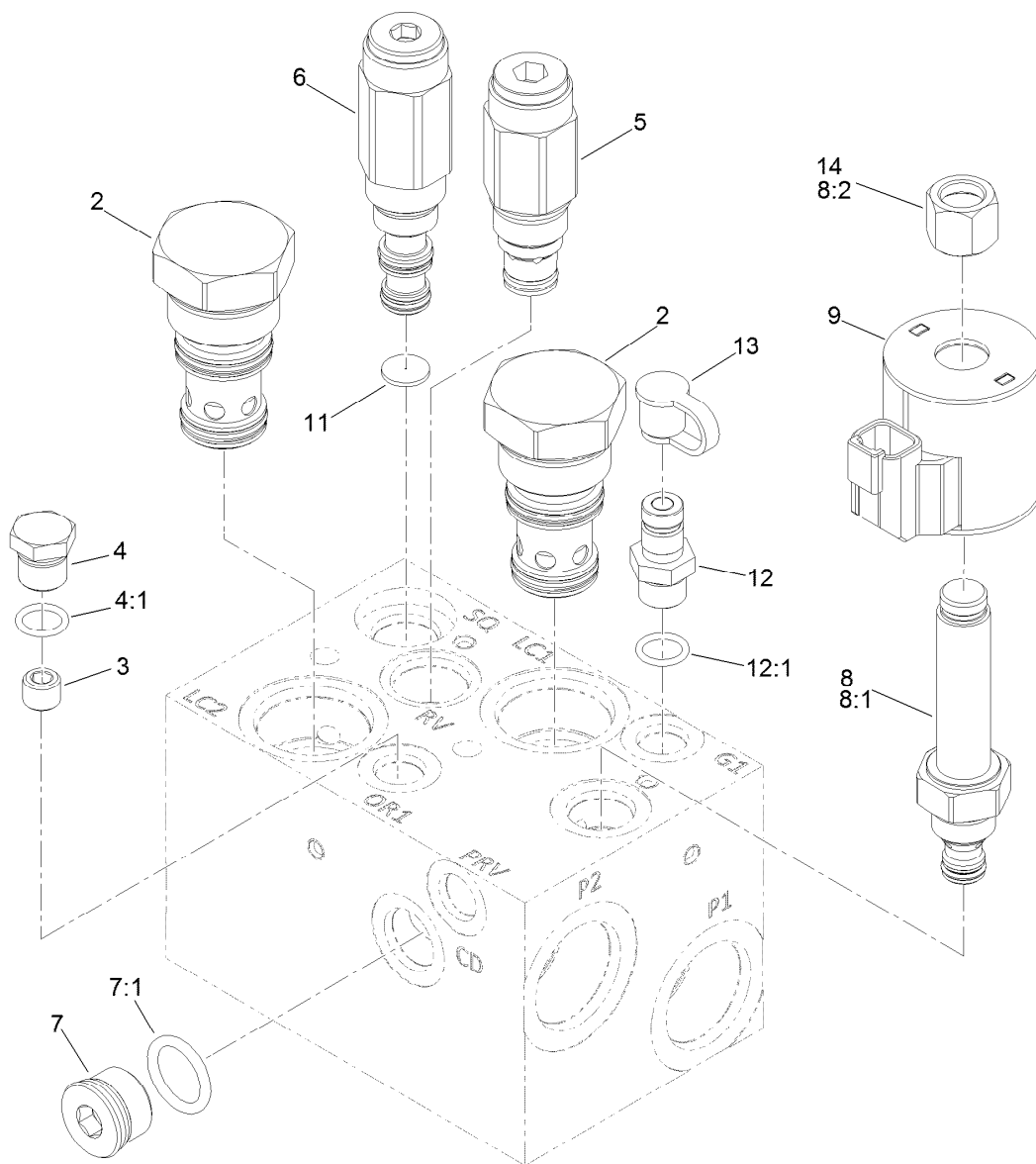
<i>Ref.</i>	<i>Part Number</i>	<i>Qty.</i>	<i>Description</i>	<i>Ref.</i>	<i>Part Number</i>	<i>Qty.</i>	<i>Description</i>
2	132-4896	2	Element-Logic	8:1	105-9156	1	Seal Kit
3	132-4895	1	Orifice	8:2	119-2160	1	Nut-Coil
4	353-508	1	Plug-HH	9	119-4619	1	Coil-Solenoid
4:1	237-42	1	O-Ring	11	132-4891	1	Disc-Orifice
5	132-4894	1	Valve-Relief, Poppet	12	59-7410	1	Fitting-Diagnostic
6	132-4893	1	Valve-Sequence, 110 PSI	12:1	237-42	1	O-Ring
7	353-988	1	Plug-Hex	13	354-79	1	Cap-Dust
7:1	237-79	1	O-Ring	14	119-2160	1	Nut-Coil
8	117-0227	1	Valve-Relief, Proportional				



## RH Cutting Deck Drive Valve Assembly

Ref.	Part Number	Qty.	Description
1	132-1396	1	RH Deck Manifold ASM
15	340-99	1	Fitting-HYD, 90 DEG
15:1	237-30	1	O-Ring
15:2	237-42	1	O-Ring
16	104-3797	1	Fitting-Straight
16:1	237-146	1	O-Ring
16:2	340-65	1	O-Ring
17	340-129	2	Fitting-Elbow, 90 DEG
17:1	237-146	1	O-Ring
17:2	340-65	1	O-Ring
18	104-3509	1	Fitting-HYD, 45 DEG
18:1	237-146	1	O-Ring
18:2	340-65	1	O-Ring

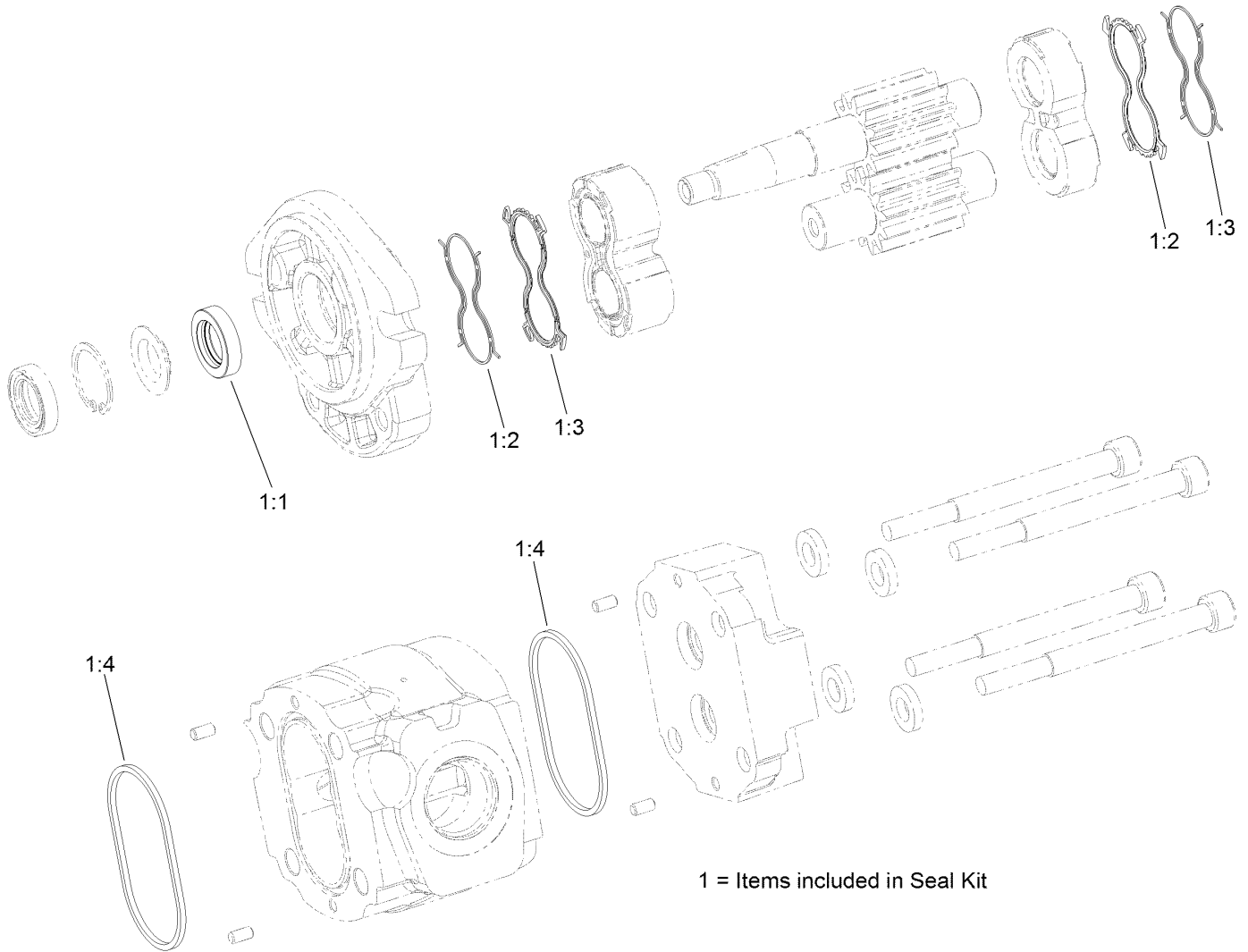




## Hydraulic Manifold Assembly No. 132-1396

<i>Ref.</i>	<i>Part Number</i>	<i>Qty.</i>	<i>Description</i>	<i>Ref.</i>	<i>Part Number</i>	<i>Qty.</i>	<i>Description</i>
2	132-4896	2	Element-Logic	8:1	105-9156	1	Seal Kit
3	132-4895	1	Orifice	8:2	119-2160	1	Nut-Coil
4	353-508	1	Plug-HH	9	119-4619	1	Coil-Solenoid
4:1	237-42	1	O-Ring	11	132-4891	1	Disc-Orifice
5	132-4894	1	Valve-Relief, Poppet	12	59-7410	1	Fitting-Diagnostic
6	132-4893	1	Valve-Sequence, 110 PSI	12:1	237-42	1	O-Ring
7	353-988	1	Plug-Hex	13	354-79	1	Cap-Dust
7:1	237-79	1	O-Ring	14	119-2160	1	Nut-Coil
8	117-0227	1	Valve-Relief, Proportional				

# Hydraulic Motor Assembly No. 125-5392

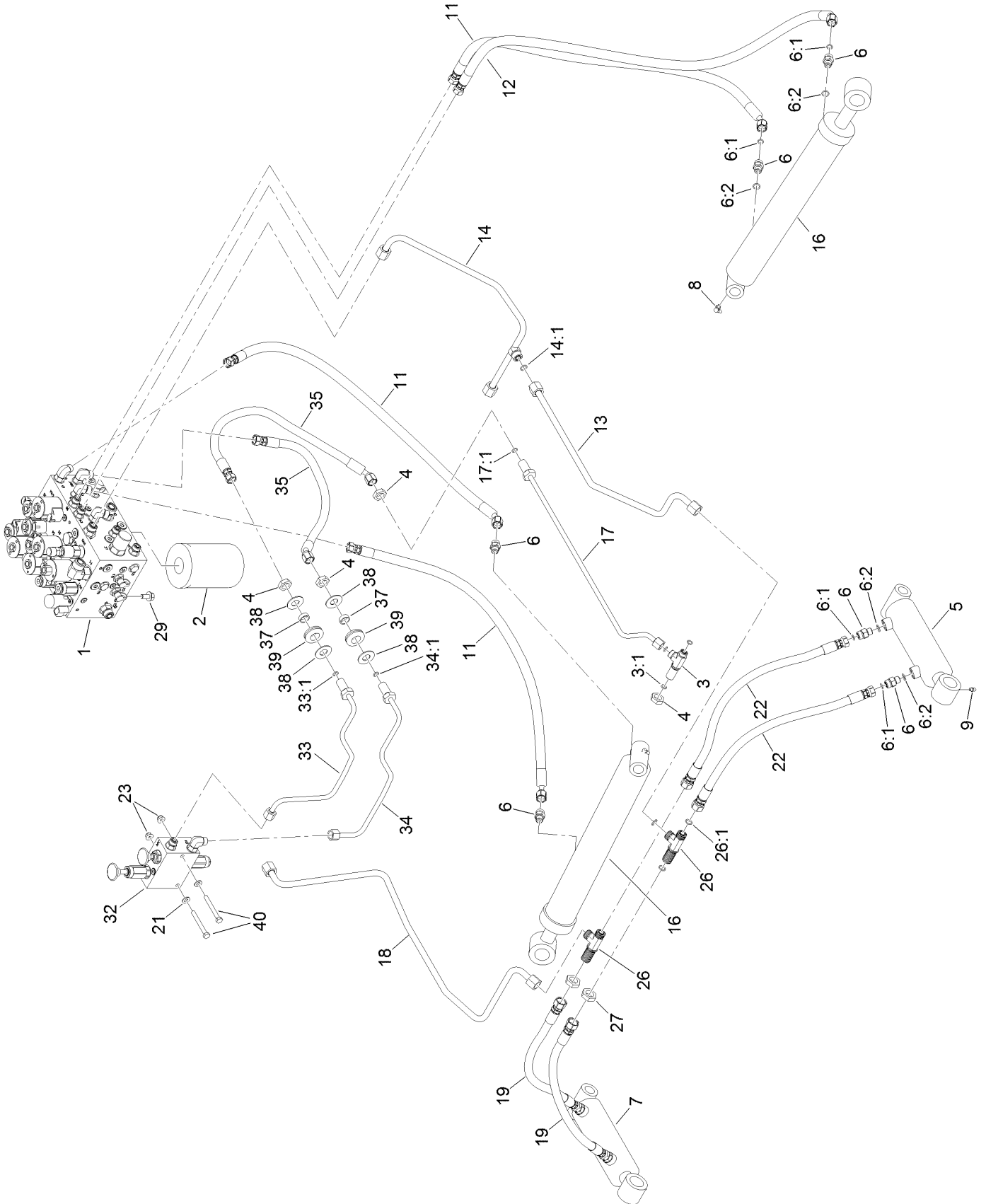


# Hydraulic Motor Assembly No. 125-5392 (continued)

<i>Ref.</i>	<i>Part Number</i>	<i>Qty.</i>	<i>Description</i>	<i>Ref.</i>	<i>Part Number</i>	<i>Qty.</i>	<i>Description</i>
1	133-2490	1	Seal Kit	1:3		2	Seal-Plate, Balancing ●
1:1		2	Seal-Shaft ●	1:4		2	O Ring-Housing ●
1:2		2	Seal-Anti Extrusion ●				

● Not serviced separately

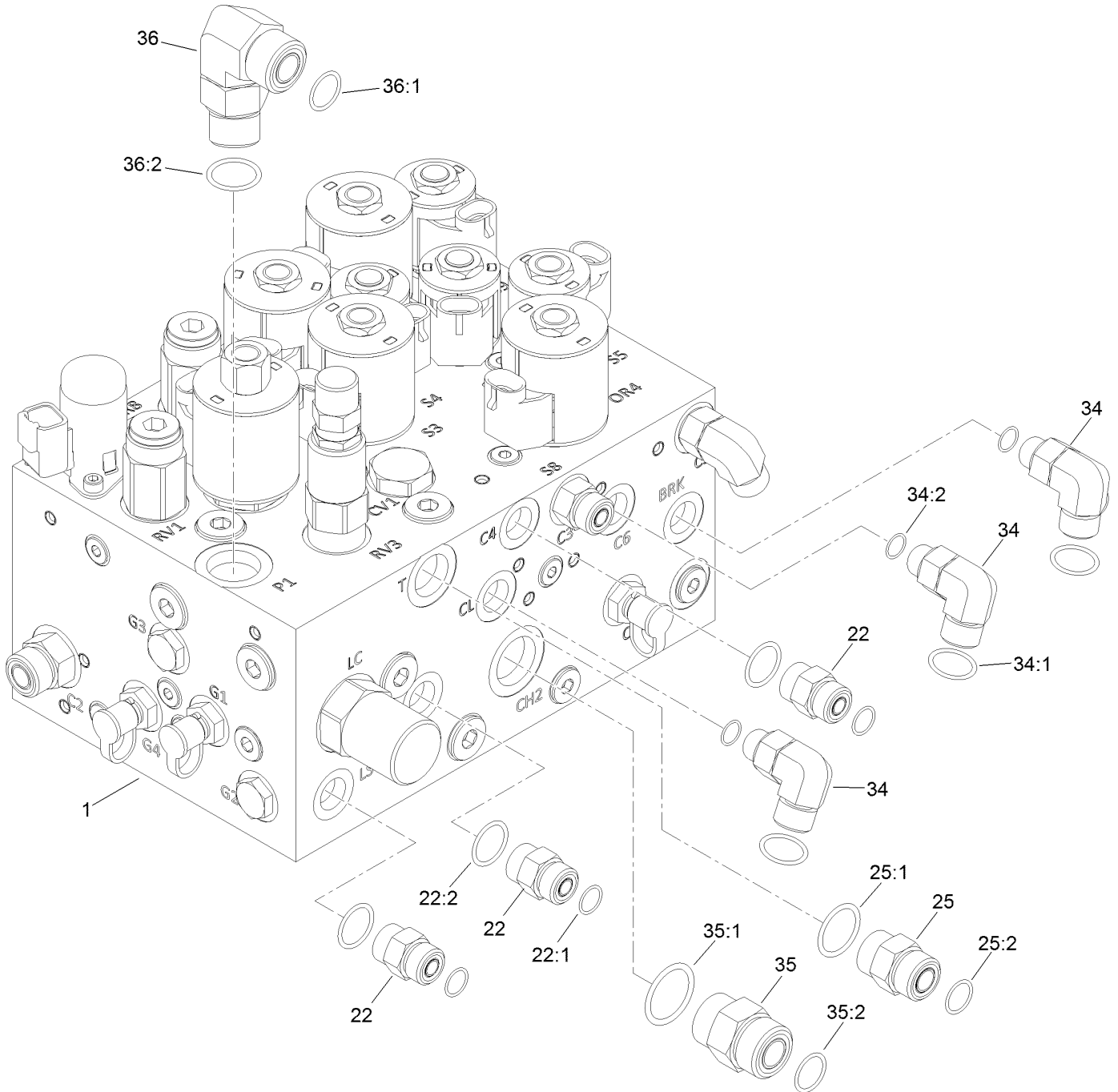
# Hydraulic Steering/Lift Circuit Assembly



## Hydraulic Steering/Lift Circuit Assembly (continued)

<i>Ref.</i>	<i>Part Number</i>	<i>Qty.</i>	<i>Description</i>	<i>Ref.</i>	<i>Part Number</i>	<i>Qty.</i>	<i>Description</i>
1	130-2433	1	Steering/Lift Valve ASM	18	130-9038	1	Hydraulic Tube ASM
2	75-1310	1	Filter-HYD	19	131-2298	2	Hydraulic Hose ASM
3	340-68	1	Fitting-Tee, Bulkhead	21	3256-23	2	Washer-Plain
3:1	237-22	3	O-Ring	22	131-2299	2	Hydraulic Hose ASM
4	340-70	4	Nut-Lock	23	104-8300	2	Nut-HF, NI
5	114-4831	1	LH Lift Cylinder ASM	26	340-121	2	Fitting-Tee
6	340-2	8	Fitting-Straight	26:1	237-30	3	O-Ring
6:1	237-22	1	O-Ring	27	340-127	2	Nut-Bulkhead
6:2	237-42	1	O-Ring	29	3234-12	4	Screw-HHF
7	114-4830	1	RH Lift Cylinder ASM	32	132-1378	1	Manual Park Brake Manifold ASM
8	302-60	2	Fitting-Grease	33	132-1380	1	Hydraulic Tube ASM
9	302-5	4	Fitting-Grease	33:1	237-22	1	O-Ring
11	131-2216	3	Hydraulic Hose ASM	34	132-1381	1	Hydraulic Tube ASM
12	131-2217	1	Hydraulic Hose ASM	34:1	237-22	1	O-Ring
13	130-9035	1	Hydraulic Tube ASM	35	132-1382	2	Hydraulic Hose ASM
14	131-2374	1	Hydraulic Tube ASM	37	69-8970	2	Spacer
14:1	237-30	1	O-Ring	38	69-8940	4	Washer
16	114-5685	2	HYD Cylinder ASM	39	240-4	2	Grommet-Rubber
17	131-2371	1	Hydraulic Tube ASM	40	322-13	2	Screw-HH
17:1	237-22	1	O-Ring				

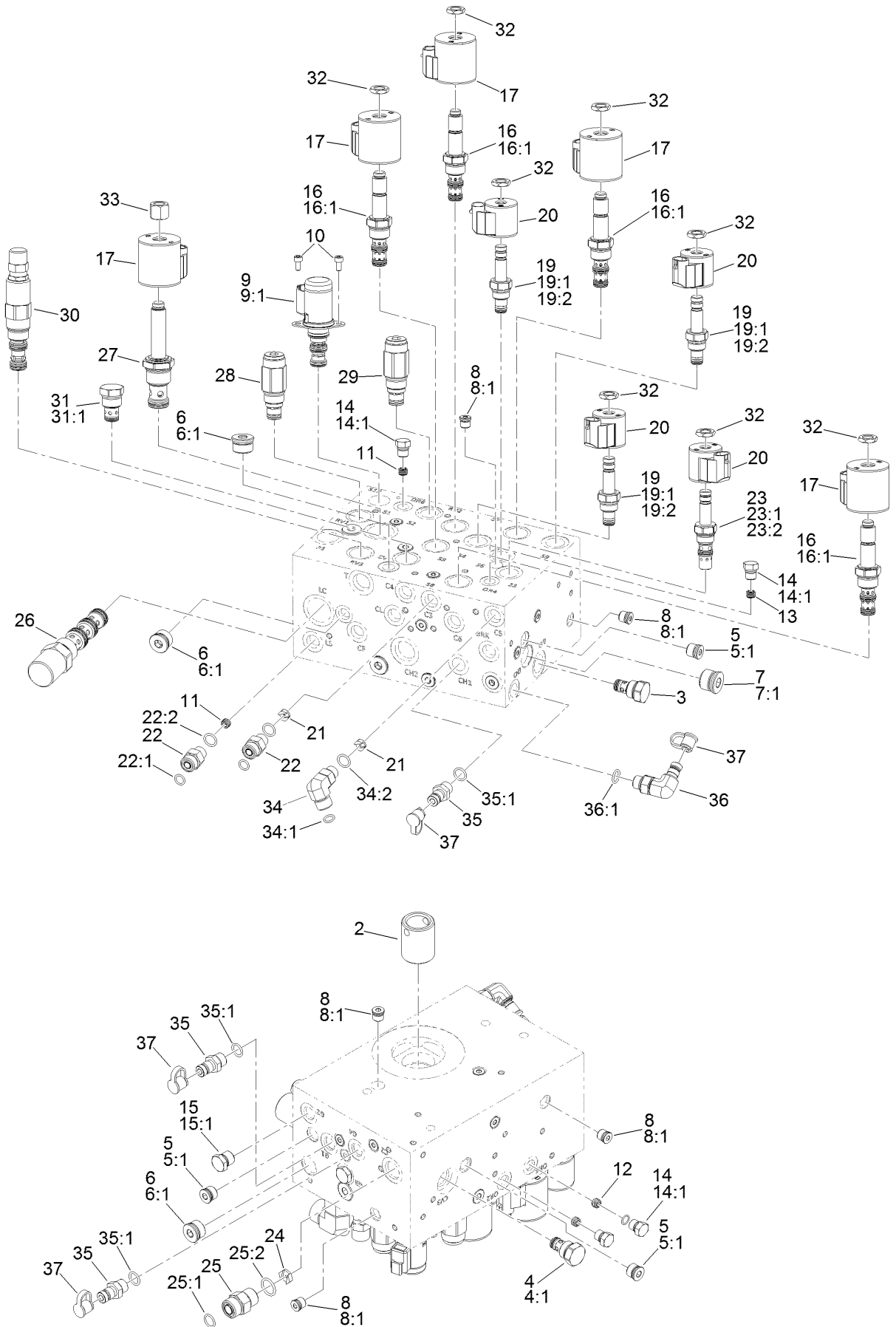
# Steering/Lift Valve Assembly No. 130-2433



## Steering/Lift Valve Assembly No. 130-2433 (continued)

<i>Ref.</i>	<i>Part Number</i>	<i>Qty.</i>	<i>Description</i>	<i>Ref.</i>	<i>Part Number</i>	<i>Qty.</i>	<i>Description</i>
1	132-1398	1	Steering/Lift Manifold ASM	34:1	237-22	1	O-Ring
22	340-2	3	Fitting-Straight	34:2	237-42	1	O-Ring
22:1	237-22	1	O-Ring	35	340-7	1	Fitting-Straight
22:2	237-42	1	O-Ring	35:1	237-65	1	O-Ring
25	340-4	1	Fitting-Straight	35:2	237-80	1	O-Ring
25:1	237-30	1	O-Ring	36	340-17	1	Fitting-Elbow, 90 DEG
25:2	237-79	1	O-Ring	36:1	237-65	1	O-Ring
34	340-77	3	Fitting-Elbow, 90 DEG	36:2	237-80	1	O-Ring

# Hydraulic Steering/Lift Manifold Assembly No. 132-1398

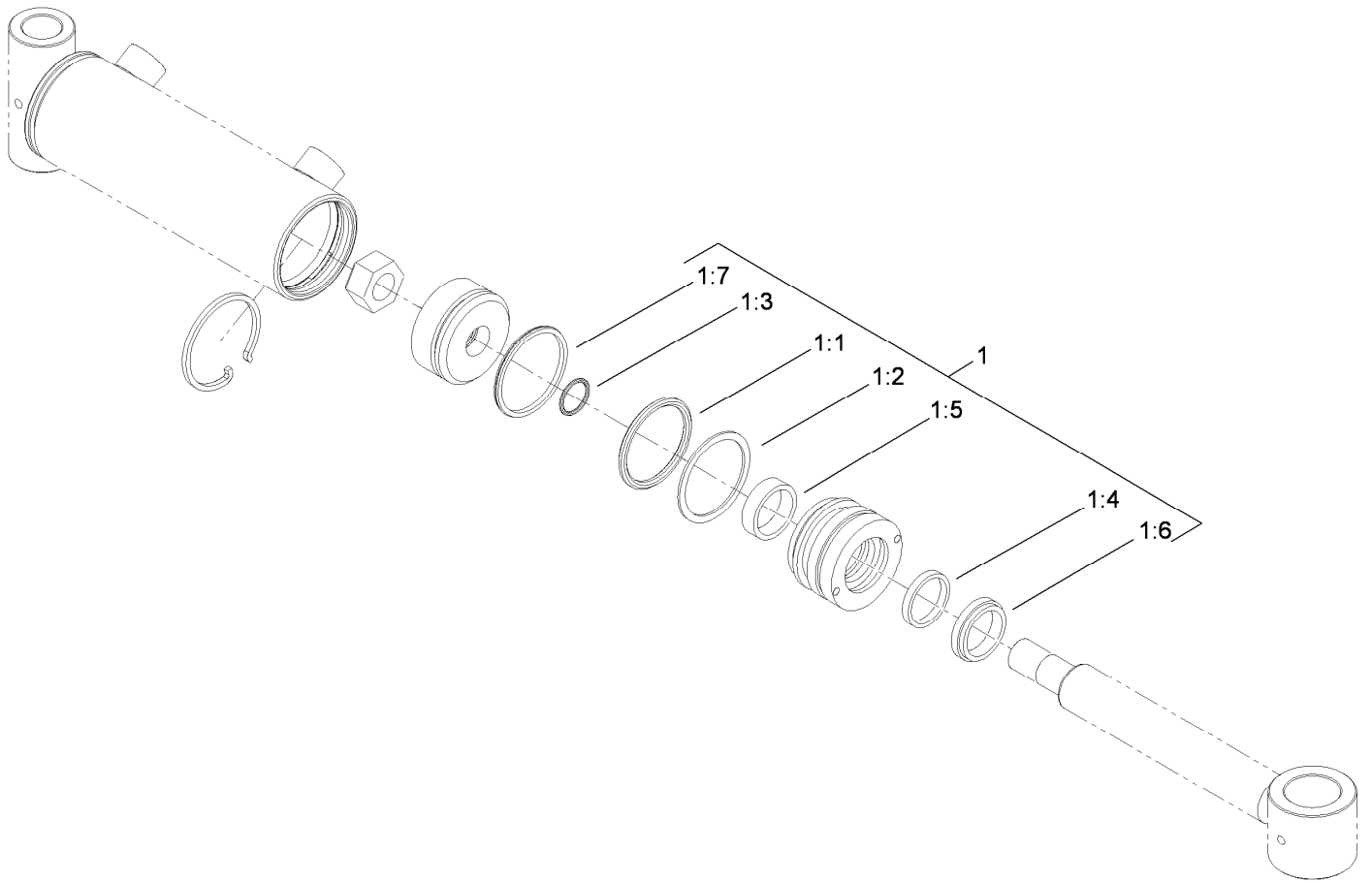




## Hydraulic Steering/Lift Manifold Assembly No. 132-1398 (continued)

<i>Ref.</i>	<i>Part Number</i>	<i>Qty.</i>	<i>Description</i>	<i>Ref.</i>	<i>Part Number</i>	<i>Qty.</i>	<i>Description</i>
2	125-7551	1	Nipple-Filter	21	132-4917	2	Orifice-Check, 0.088 DIA
3	132-4916	1	Valve-Check	22	340-2	1	Fitting-Straight
4	105-9321	1	Check Valve ASM	22:1	237-22	1	O-Ring
4:1	105-9156	1	Seal Kit	22:2	237-42	1	O-Ring
5	353-989	7	Plug-Hex, Hollow	23	115-5405	1	Solenoid Valve ASM
5:1	237-42	1	O-Ring	23:1	115-5413	1	Seal Kit
6	353-988	6	Plug-Hex	23:2	110-2634	1	Nut-Coil
6:1	237-79	1	O-Ring	24	132-4918	1	Orifice-Control, Flow
7	354-70	1	Plug-Hex, Hollow	25	340-4	1	Fitting-Straight
7:1	237-80	1	O-Ring	25:1	237-30	1	O-Ring
8	353-990	15	Plug ASM	25:2	237-79	1	O-Ring
8:1	237-78	1	O-Ring	26	132-4919	1	Compensator-Pressure, 80 PSI
9	125-7554	1	Valve-Solenoid	27	132-4920	1	Valve-Solenoid
9:1	125-7561	1	Seal Kit	28	132-4921	1	Valve-Relief, Poppet Type
10	132-4908	2	Screw-Cap, Soc HD	29	132-4922	1	Valve-Relief, Poppet Type
11	110-5973	2	Orifice-0.030	30	132-4923	1	Vented Logic Element
12	110-8887	2	Plug-Orifice (0.055)	31	110-8881	1	Valve-Check
13	130-1674	1	Orifice-Control, Flow	31:1	105-9159	1	Seal Kit ●
14	353-512	4	Plug	32	110-2634	8	Nut-Coil
14:1	237-78	1	O-Ring	33	110-2635	1	Nut-Coil
15	353-508	2	Plug-HH	34	340-77	1	Fitting-Elbow, 90 DEG
15:1	237-42	1	O-Ring	34:1	237-22	1	O-Ring
16	125-7556	4	Solenoid Valve ASM	34:2	237-42	1	O-Ring
16:1	107-7813	1	Seal Kit	35	59-7410	3	Fitting-Diagnostic
17	110-6344	5	Coil-12V, DC	35:1	237-42	1	O-Ring
19	112-9206	3	Solenoid Valve ASM	36	115-9148	1	Fitting-Elbow-90
19:1	105-9156	1	Seal Kit	36:1	237-42	1	O-Ring
19:2	110-2634	1	Nut-Coil	37	354-79	4	Cap-Dust
20	110-0497	4	Coil-Solenoid				

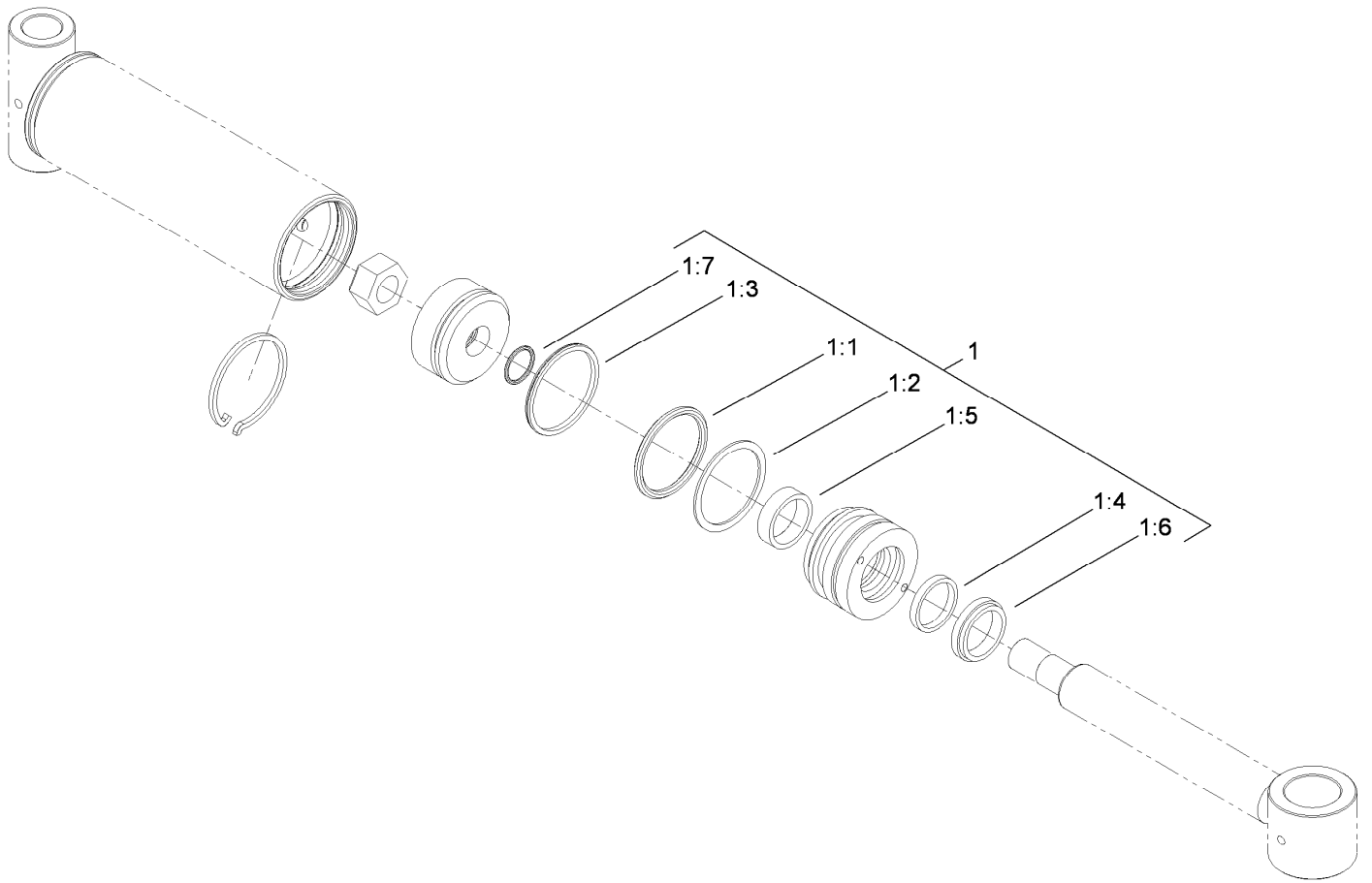
● Not illustrated



## Hydraulic Cylinder Assembly No. 114-4831

<i>Ref.</i>	<i>Part Number</i>	<i>Qty.</i>	<i>Description</i>
1	114-5611	1	Seal Kit
1:1		1	O-Ring ●
1:2		1	Backup ●
1:3		1	Seal-Bp ●
1:4		1	Seal-Bs ●
1:5		1	Ring-Wear ●
1:6		1	Seal-Dust ●
1:7		1	O-Ring ●

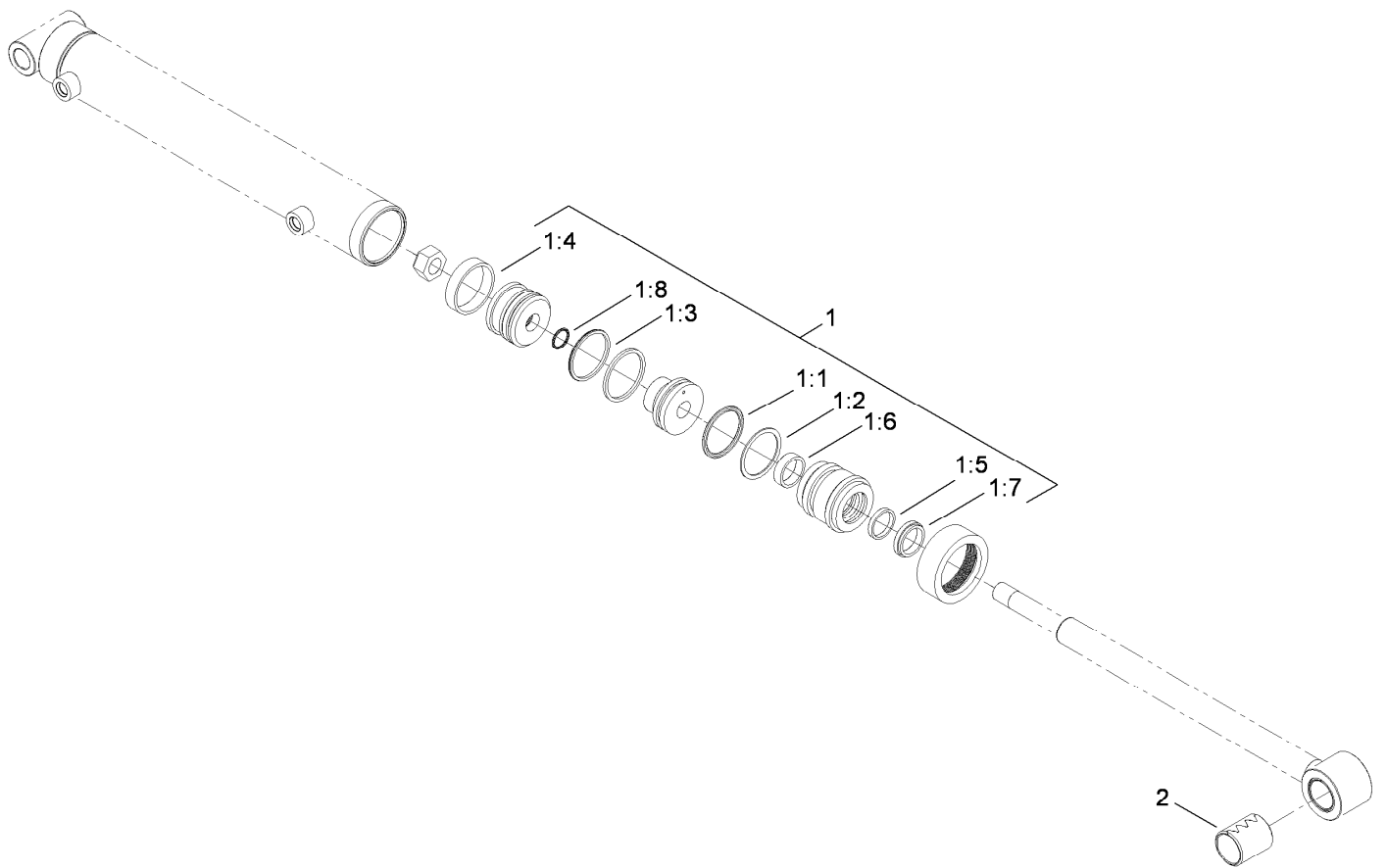
● Not serviced separately



## Hydraulic Cylinder Assembly No. 114-4830

<i>Ref.</i>	<i>Part Number</i>	<i>Qty.</i>	<i>Description</i>
1	114-5611	1	Seal Kit
1:1		1	O-Ring ●
1:2		1	Backup ●
1:3		1	Seal-Bp ●
1:4		1	Seal-Bs ●
1:5		1	Ring-Wear ●
1:6		1	Seal-Dust ●
1:7		1	O-Ring ●

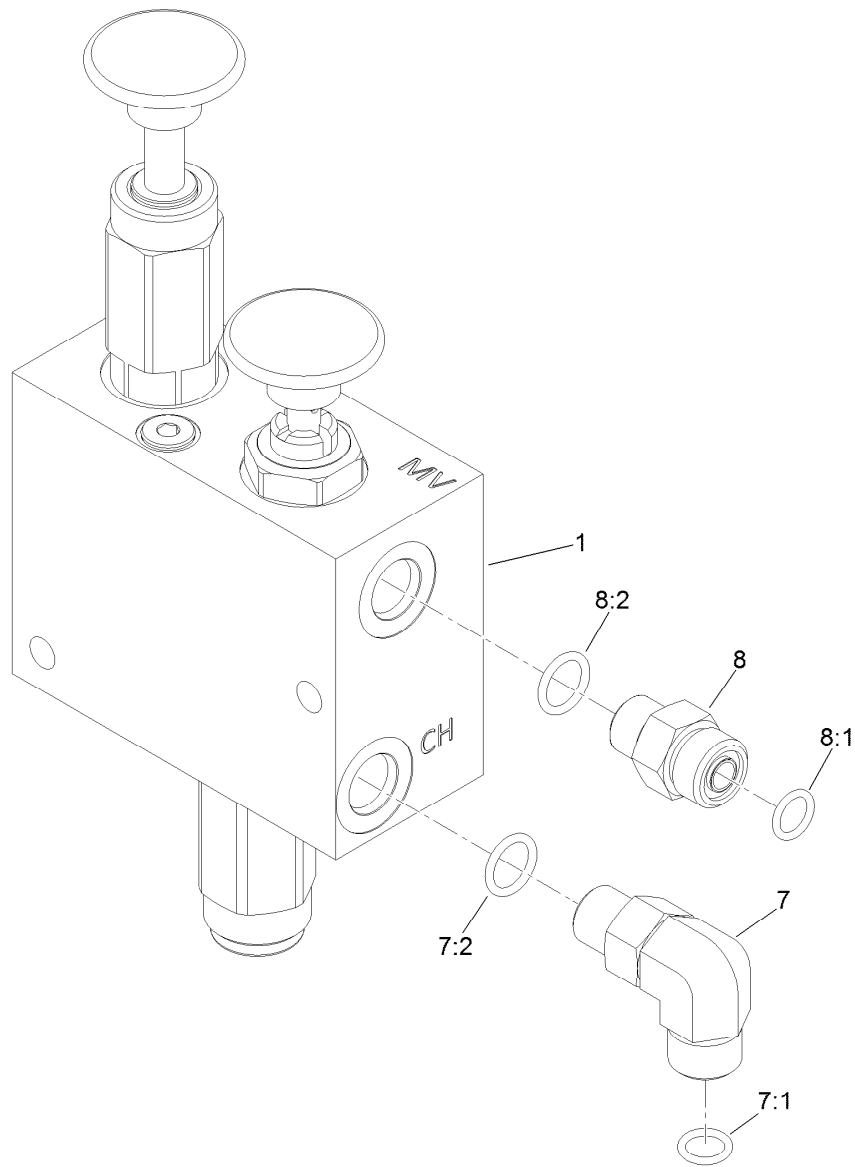
● Not serviced separately



## Hydraulic Cylinder Assembly No. 114-5685

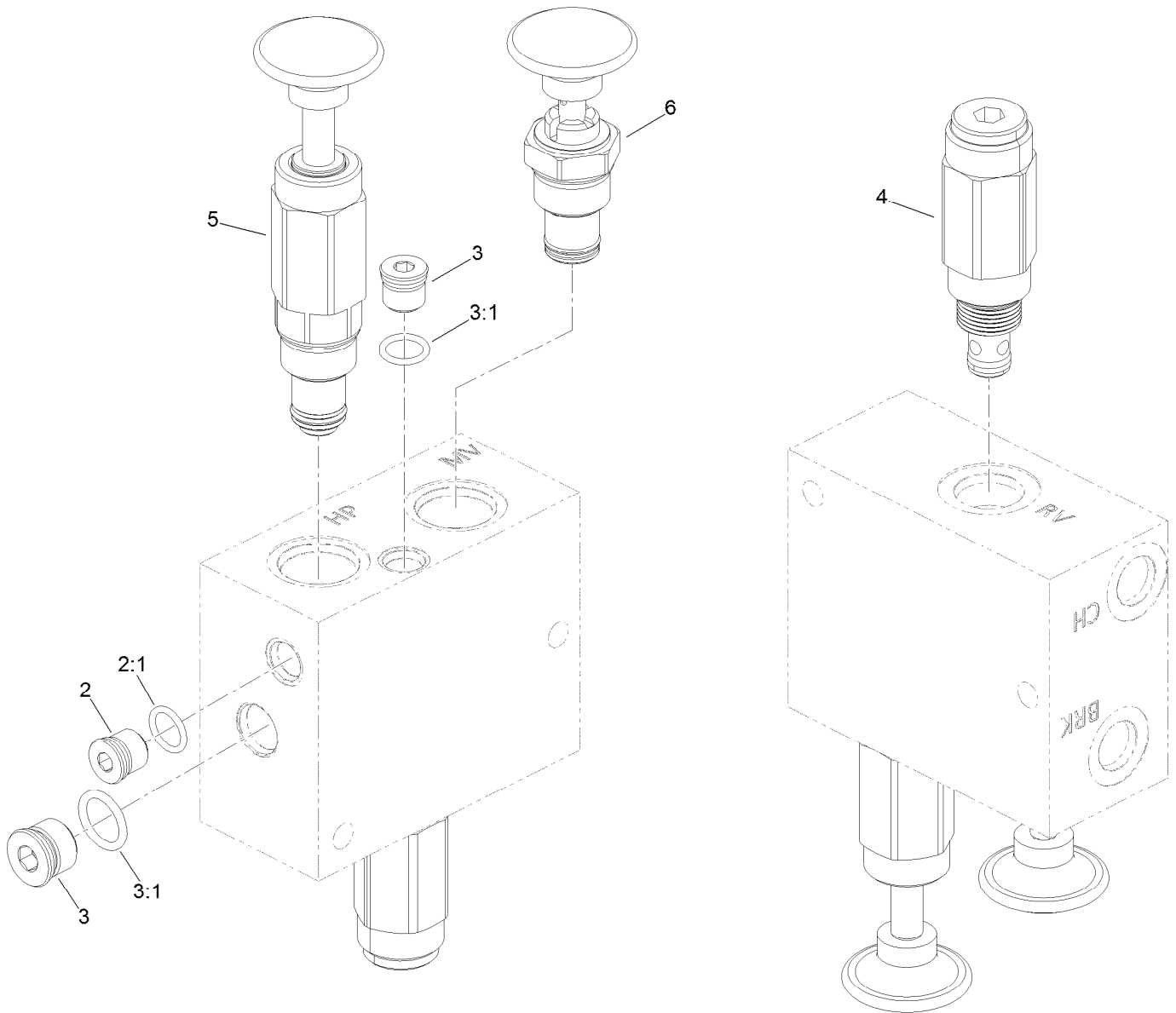
<i>Ref.</i>	<i>Part Number</i>	<i>Qty.</i>	<i>Description</i>
1	114-5612	1	Seal Kit
1:1		1	O-Ring ●
1:2		1	Backup ●
1:3		1	Seal-Bp ●
1:4		1	Ring-Wear ●
1:5		1	Seal-Bs ●
1:6		1	Ring-Wear ●
1:7		1	Seal-Dust ●
1:8		1	O-Ring ●
2	117-9407	1	Bushing-Connex

● Not serviced separately



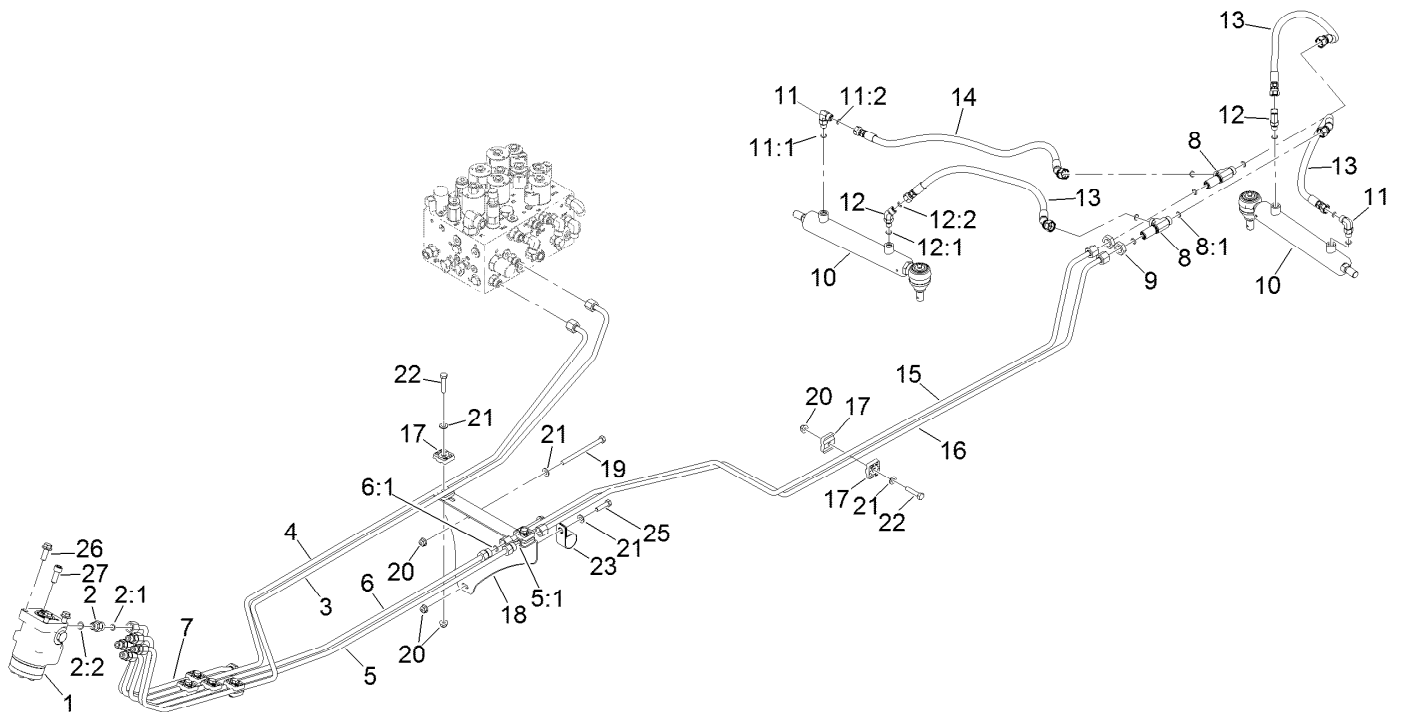
## Manual Parking Brake Manifold Assembly No. 132-1378

<i>Ref.</i>	<i>Part Number</i>	<i>Qty.</i>	<i>Description</i>
1	132-1399	1	Manual Park Brake Manifold ASM
7	340-77	1	Fitting-Elbow, 90 DEG
7:1	237-22	1	O-Ring
7:2	237-42	1	O-Ring
8	340-2	1	Fitting-Straight
8:1	237-22	1	O-Ring
8:2	237-42	1	O-Ring



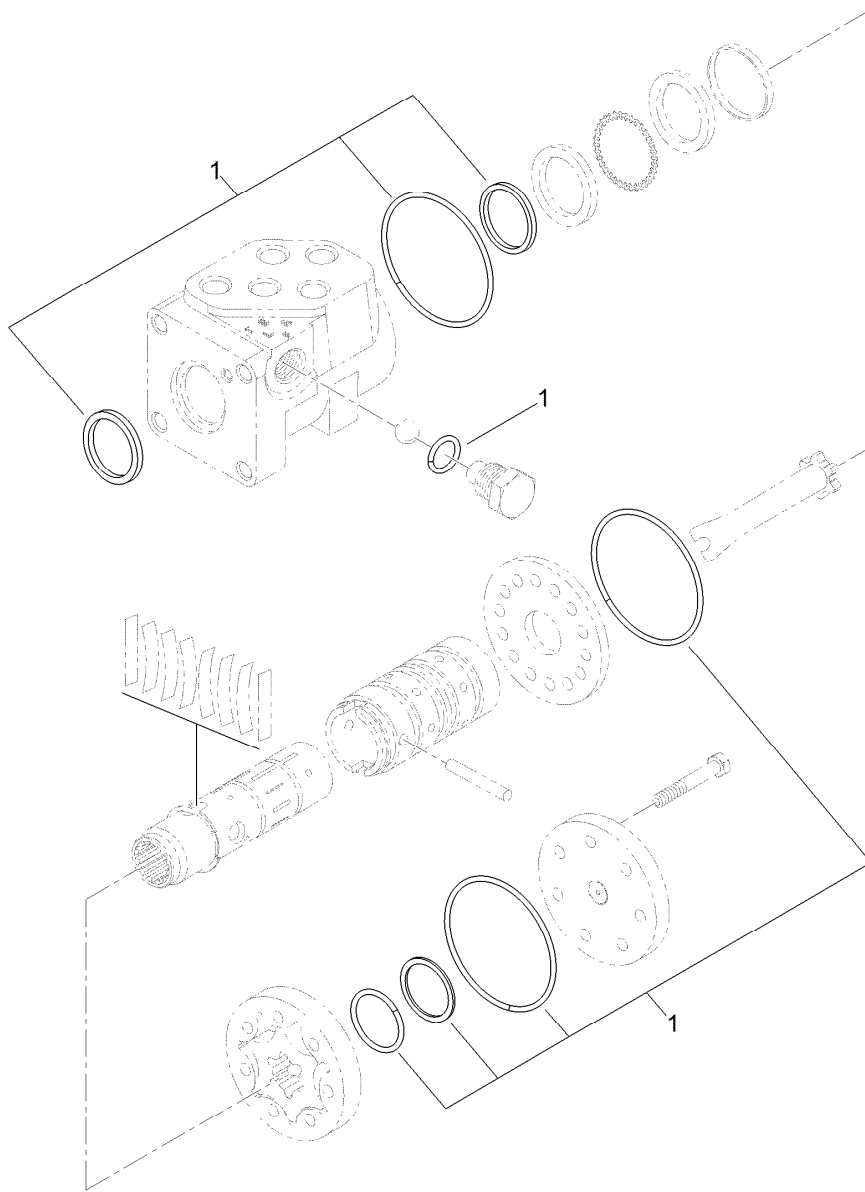
## Hydraulic Parking Brake Manifold Assembly No. 132-1399

<i>Ref.</i>	<i>Part Number</i>	<i>Qty.</i>	<i>Description</i>
2	353-989	1	Plug-Hex, Hollow
2:1	237-42	1	O-Ring
3	353-990	2	Plug ASM
3:1	237-78	1	O-Ring
4	132-4905	1	Valve-Relief
5	132-4904	1	Pump-Hand
6	132-4903	1	Valve-2 Way, Manual



## Hydraulic Steering Assembly

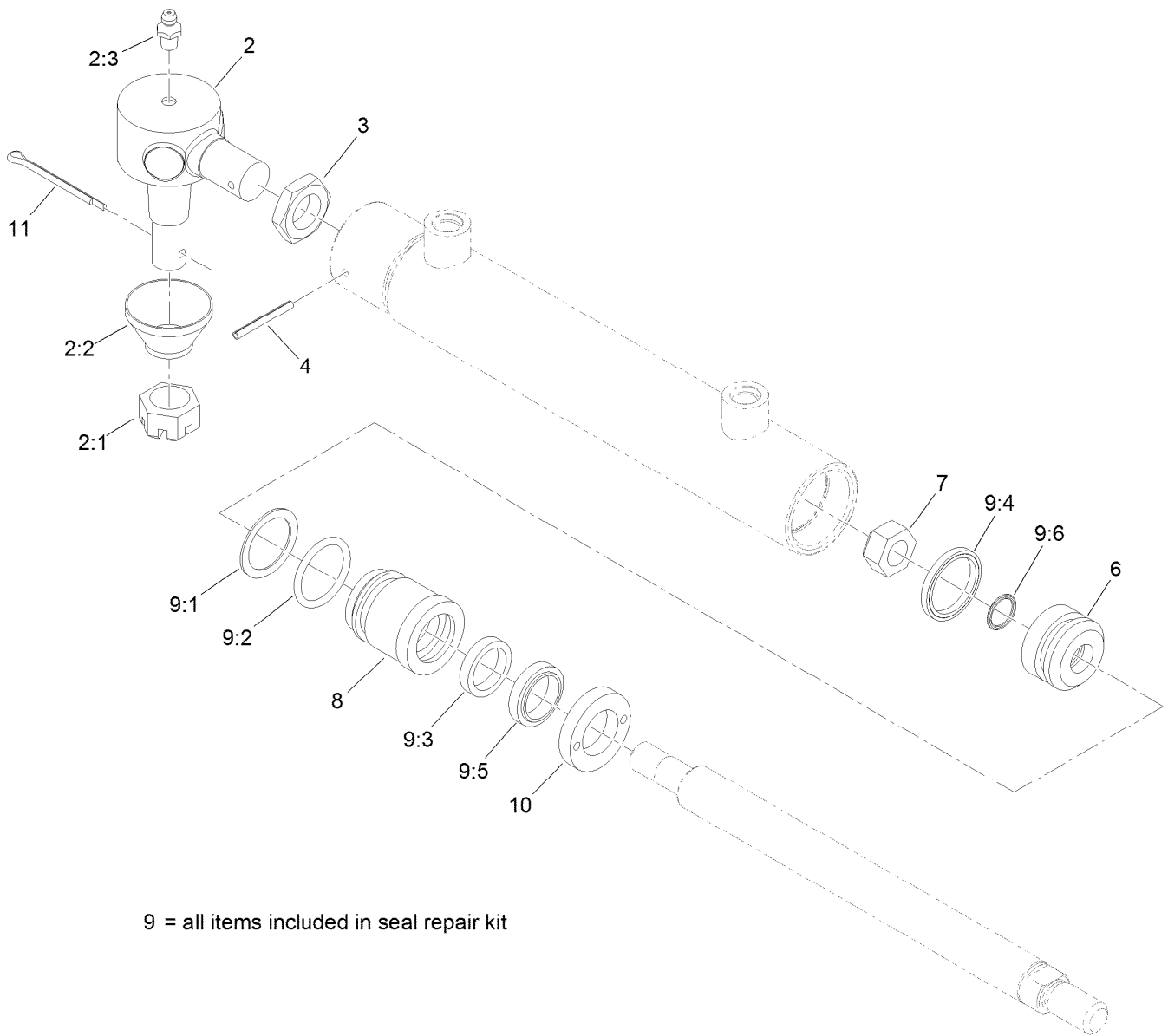
Ref.	Part Number	Qty.	Description	Ref.	Part Number	Qty.	Description
1	130-7949	1	Steering Control Valve ASM	12	340-103	2	Fitting-HYD, 45 DEG
2	340-2	5	Fitting-Straight	12:1	237-78	1	O-Ring
2:1	237-22	1	O-Ring	12:2	237-21	1	O-Ring
2:2	237-42	1	O-Ring	13	114-4922	3	HYD Hose ASM
3	131-2372	1	Hydraulic Tube ASM	14	114-4934	1	HYD Hose ASM
4	131-2373	1	Hydraulic Tube ASM	15	125-5352	1	Hydraulic Tube ASM
5	125-5349	1	Hydraulic Tube ASM	16	125-5353	1	Hydraulic Tube ASM
5:1	237-22	1	O-Ring	17	56-7973	14	Clamp-Tube
6	125-5351	1	Hydraulic Tube ASM	18	127-3492-01	1	Support-Hardlines
6:1	237-22	1	O-Ring	19	322-38	2	Screw-HH
7	125-5337	1	Hydraulic Tube ASM	20	104-8300	10	Nut-HF, NI
8	340-68	2	Fitting-Tee, Bulkhead	21	3256-23	10	Washer-Plain
8:1	237-22	3	O-Ring	22	322-7	3	Screw-HH
9	340-70	2	Nut-Lock	23	2412-82	1	Clamp-R
10	132-1308	2	HYD Cylinder ASM	25	322-6	5	Screw-HH
11	340-132	2	Fitting-Elbow, 90 DEG	26	108-1531	3	Screw-HHF
11:1	237-78	1	O-Ring	27	3273-41	1	Screw-HSH
11:2	237-21	1	O-Ring				



## Steering Valve Assembly No. 130-7949

<i>Ref.</i>	<i>Part Number</i>	<i>Qty.</i>	<i>Description</i>
1	130-8358	1	Seal Kit





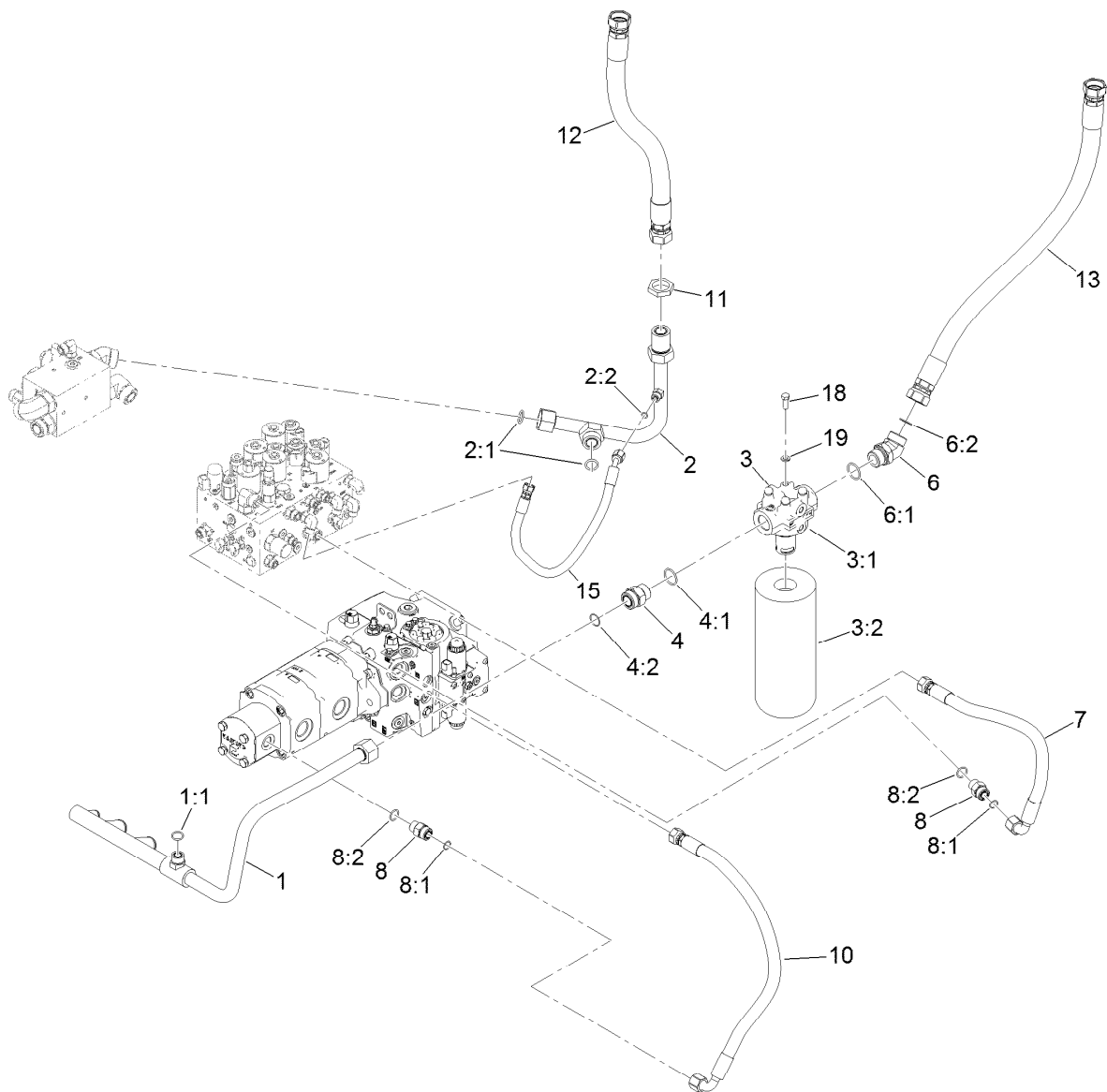
9 = all items included in seal repair kit

## Hydraulic Cylinder Assembly No. 132-1308

Ref.	Part Number	Qty.	Description
2	82-5730	1	Tie Rod End ASM
2:1	105-7941	1	Nut-Hex, Slotted
2:2	105-7835	1	Seal
2:3	302-5	1	Fitting-Grease
3	69-1980	1	Nut-Jam
4	32121-34	1	Pin-Roll
6	133-2476	1	Piston
7	133-2477	1	Nut-Lock
8	133-2478	1	Head

Ref.	Part Number	Qty.	Description
9	133-2479	1	Seal Repair Kit
9:1		1	O-Ring ●
9:2		1	Ring-Backup ●
9:3		1	Seal-Bt ●
9:4		1	Seal-Psp ●
9:5		1	Seal-Psp ●
9:6		1	O-Ring ●
10	133-2482	1	Collar-Internal
11	3272-12	1	Pin-Cotter

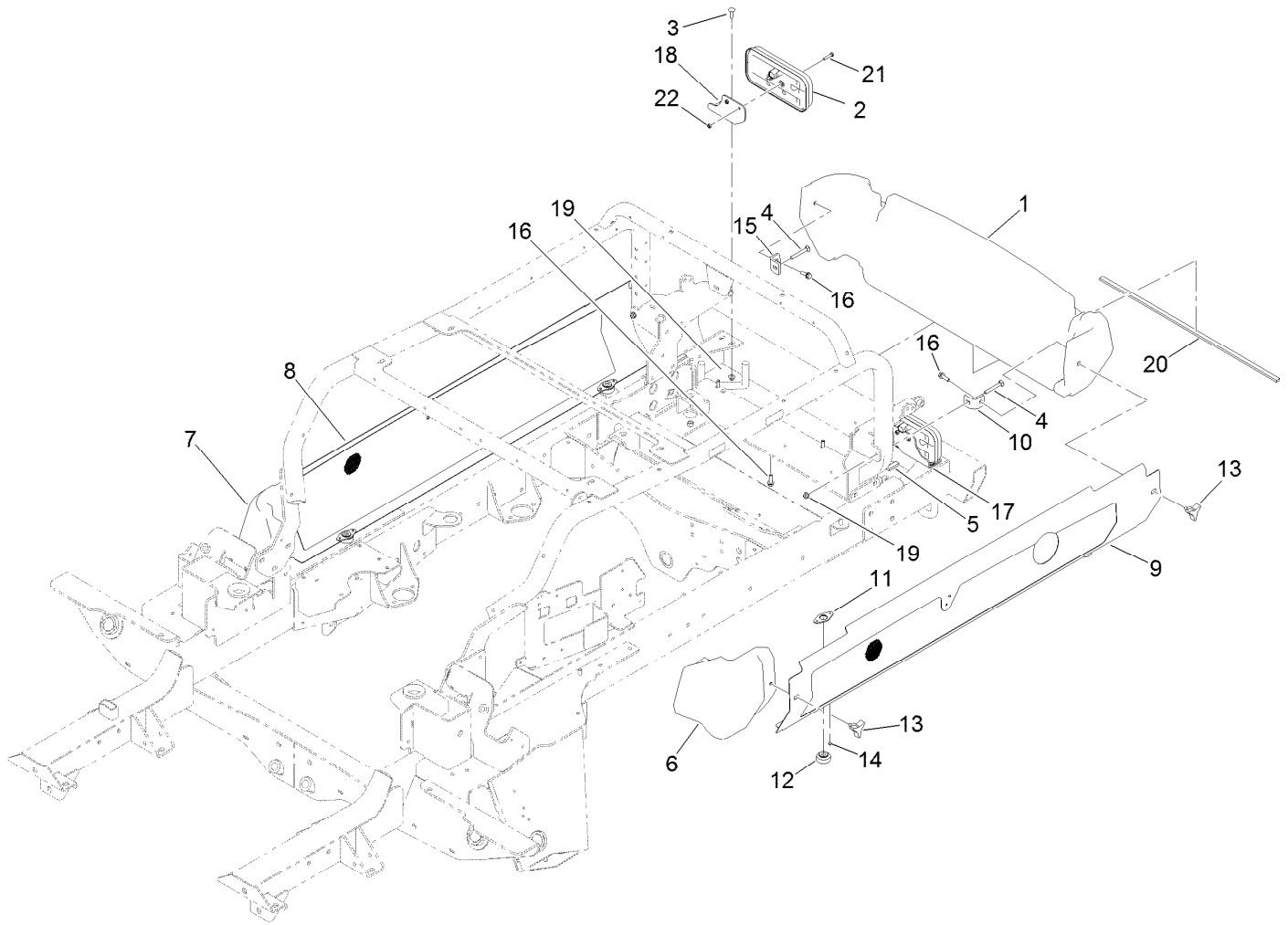
● Not serviced separately



## Hydraulic Filter Manifold Assembly

Ref.	Part Number	Qty.	Description	Ref.	Part Number	Qty.	Description
1	130-2510	1	Manifold-Suction	6:2	340-65	1	O-Ring
1:1	237-65	1	O-Ring	7	127-3519	1	Hydraulic Hose ASM
2	130-2548	1	Hydraulic Tube ASM	8	340-7	2	Fitting-Straight
2:1	340-65	2	O-Ring	8:1	237-65	1	O-Ring
2:2	237-22	1	O-Ring	8:2	237-80	1	O-Ring
3	132-1404	1	Filter Head ASM	10	130-2544	1	Hydraulic Hose ASM
3:1		1	Head-Filter ●	11	340-128	1	Nut-Bulkhead
3:2	86-6110	1	Filter-Hydraulic	12	130-2514	1	Hydraulic Hose ASM
4	104-3797	1	Fitting-Straight	13	125-5366	1	Hydraulic Hose ASM
4:1	237-146	1	O-Ring	15	131-2216	1	Hydraulic Hose ASM
4:2	340-65	1	O-Ring	18	323-6	4	Screw-HH
6	104-3509	1	Fitting-HYD, 45 DEG	19	3253-21	4	Washer-Lock
6:1	237-146	1	O-Ring				

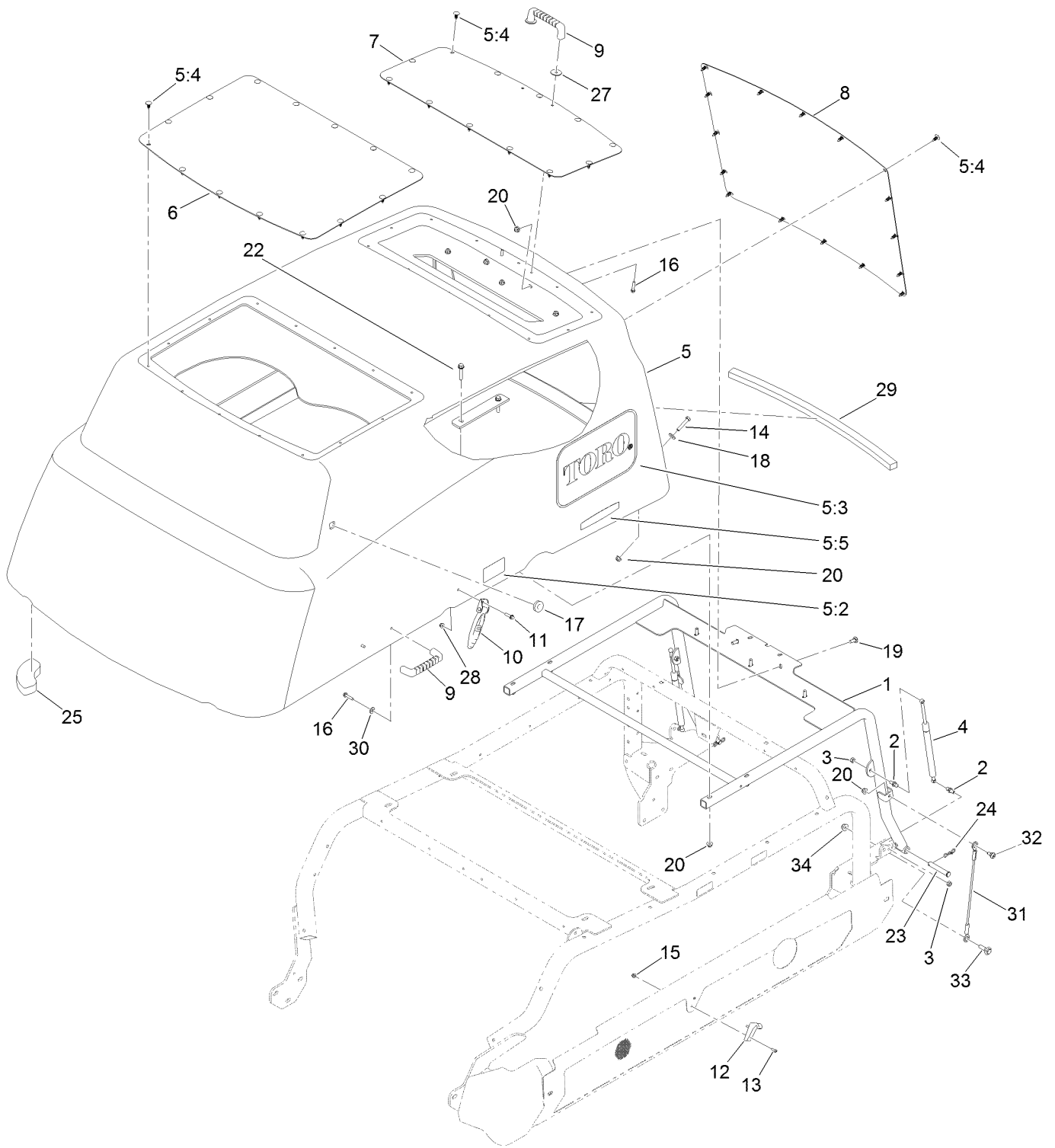
● Not serviced separately



## Side Panel and Bumper Assembly

<i>Ref.</i>	<i>Part Number</i>	<i>Qty.</i>	<i>Description</i>	<i>Ref.</i>	<i>Part Number</i>	<i>Qty.</i>	<i>Description</i>
1	130-9028	1	Shroud-Rear, Lower	12	114-4869	4	Grommet
2	130-9137	2	Taillight	13	92-9674	4	Knob
3	3230-22	4	Screw-CARR	14	1-803035	8	Rivet-Pop
4	3230-8	2	Screw-CARR	15	130-9047	1	Bracket-Rear Shroud, RH
5	130-9168	2	Seal-Foam	16	3234-17	6	Screw-HHF
6	117-5456	1	Shroud-Front, LH	17	130-9051-03	1	Bracket-Light, LH
7	117-5457	1	Shroud-Front, RH	18	130-9031-03	1	Bracket-Light, RH
8	131-2390-03	1	Panel-Side, RH	19	104-8300	6	Nut-HF, NI
9	131-2393-03	1	Panel-Side, LH	20	131-2219	1	Seal-Foam
10	130-9046	1	Bracket-Rear Shroud, LH	21	33113-030	4	Screw-HH
11	114-5619	4	Plate-Grommet	22	33023-00	4	Nut-Lock

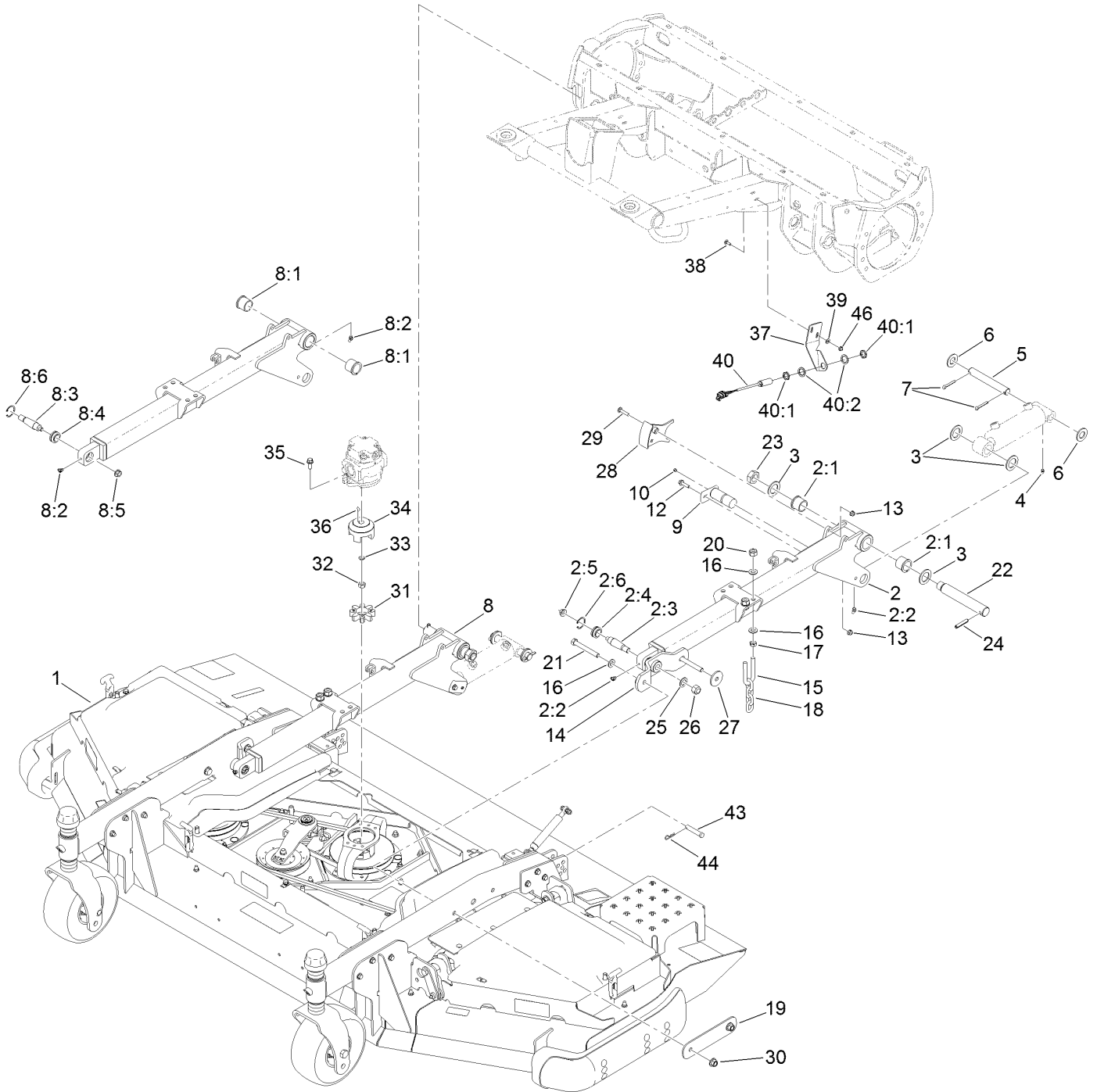
# Hood Assembly



## Hood Assembly (continued)

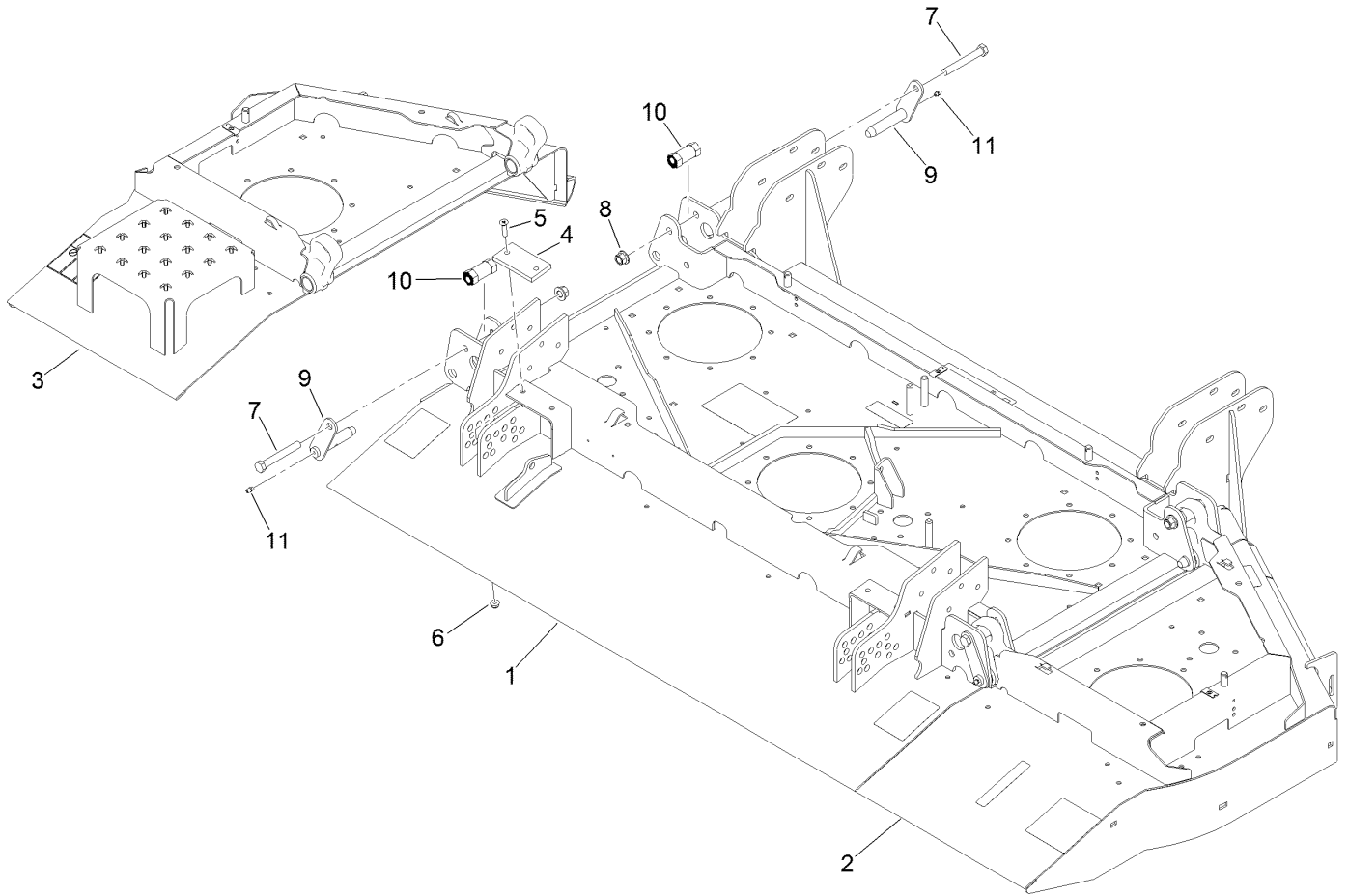
<i>Ref.</i>	<i>Part Number</i>	<i>Qty.</i>	<i>Description</i>	<i>Ref.</i>	<i>Part Number</i>	<i>Qty.</i>	<i>Description</i>
1	130-9011-03	1	Frame-Hood	15	120-4578	4	Nut-HF
2	103-5752	4	Stud-Ball	16	46-8092	6	Screw-Plastite
3	32153-3	4	Nut-Hex, Side Deform	17	104-1453	1	Grommet
4	114-5532	2	Cylinder-Gas	18	3256-3	2	Washer-Flat
5	132-1405	1	Hood ASM	19	3230-10	5	Bolt-CARR
5:2	106-6754	2	Decal-Danger	20	104-8300	13	Nut-HF, NI
5:3	114-0990	2	Decal	22	94-5780	6	Screw-HWH
5:4	117-2382	42	Plug-Plastic	23	283-55	2	Pin-Clevis
5:5	121-1594	2	Decal-Smart Power	24	119-1416	2	Pin-Cotter, Locking
6	130-9008-03	1	Screen-Cooler, Hood	25	130-9019	2	Foam-Hood, Corner
7	130-9009-03	1	Screen-Air Intake, Hood	27	3256-57	2	Washer-Flat
8	130-9010-03	1	Screen-Radiator, Hood	28	104-7201	2	Nut-HF, NI
9	65-5100	3	Handle-Door	29	131-2359	1	Foam-Hood
10	103-2898	2	Latch-Rubber	30	3256-2	4	Washer-Flat
11	120-4654	2	Screw-HHF	31	130-5726	2	Lanyard
12	103-2897	2	Latch-Catch	32	120-9471	2	Bolt-Shoulder
13	3274-39	4	Screw-HSBH	33	614672	2	Screw-Shoulder, HWH
14	322-9	2	Screw-HH	34	104-8301	2	Nut-HF, NI

# Center Front Deck Assembly



## Center Front Deck Assembly (continued)

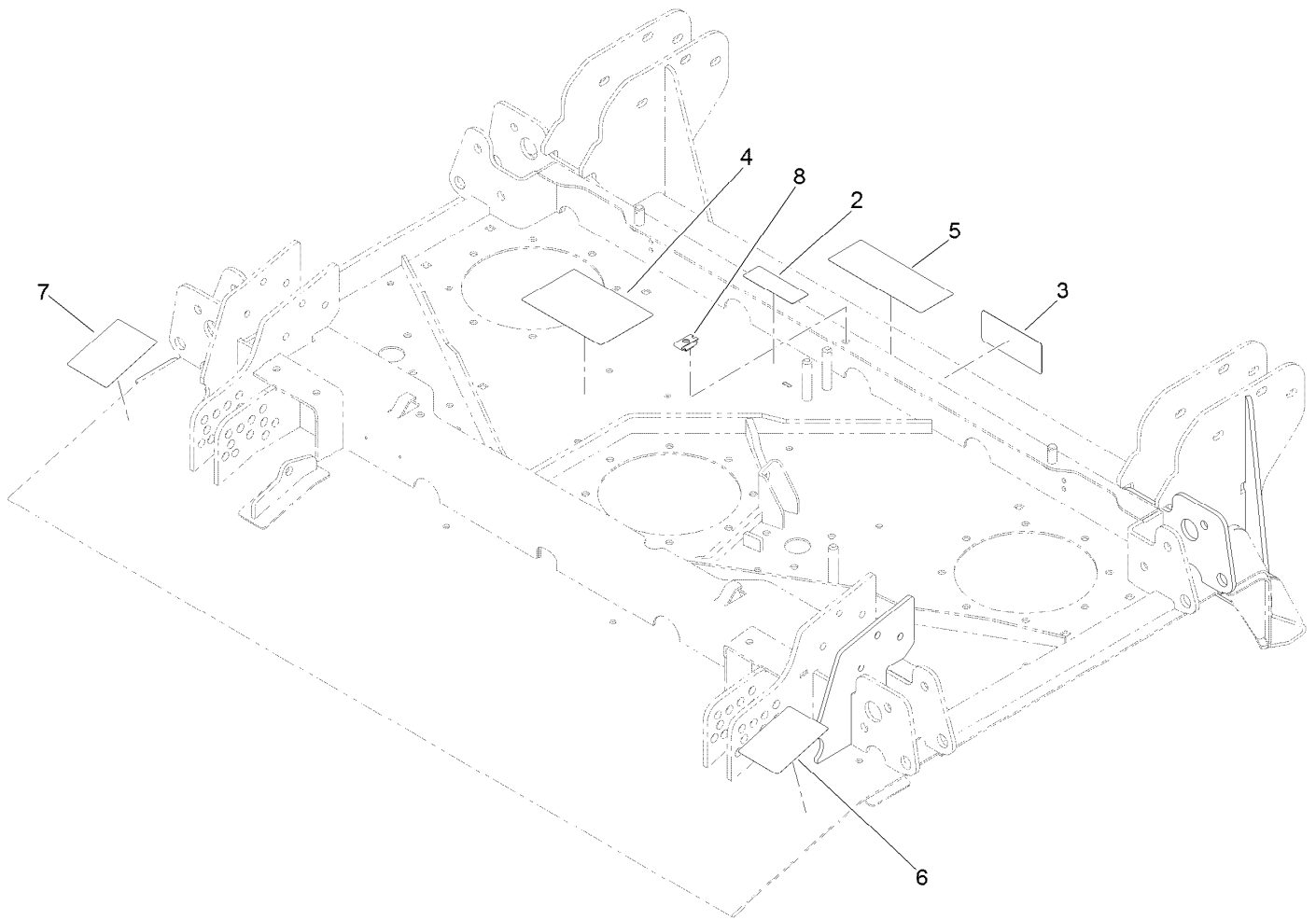
<i>Ref.</i>	<i>Part Number</i>	<i>Qty.</i>	<i>Description</i>	<i>Ref.</i>	<i>Part Number</i>	<i>Qty.</i>	<i>Description</i>
1	130-9200	1	Front Center Deck ASM	18	95-6231	2	Chain-HOC
2	110-5962	1	LH Front Lift Arm ASM	19	130-9233-01	2	Plate-Reinforcing
2:1	104-0015	2	Bushing-Flange	20	3296-25	4	Nut-Lock, NI
2:2	302-11	2	Fitting-Lube, 45 DEG	21	325-17	4	Screw-HH
2:3	105-7468	1	Stud-Tapered	22	100-3017	2	*obs Pin-Lift Arm
2:4	105-7441	1	Bearing-Spherical	23	3296-49	2	Nut-Lock, NI
2:5	32128-42	1	Nut-HF	24	32121-110	2	Pin-Roll, Slotted
2:6	32151-34	1	Ring-Retaining	25	86-1440	2	Washer-Flat
3	AU495-81203	8	Washer	26	3296-41	2	Nut-Lock NI
4	302-5	4	Fitting-Grease	27	75-7730	2	Washer-Thrust
5	110-6006	2	Pin-Clevis	28	114-0738-01	1	Sensor Trigger ASM
6	3256-29	4	Washer-Flat	29	3230-4	1	Bolt-CARR
7	3272-30	4	Pin-Cotter	30	99-5107	4	Nut-Lock
8	110-5966	1	RH Front Lift Arm ASM	31	104-3542	1	Spider
8:1	104-0015	2	Bushing-Flange	32	110-8815	1	Nut-Hex
8:2	302-11	2	Fitting-Lube, 45 DEG	33	112-6957	1	Washer-Hardened
8:3	105-7468	1	Stud-Tapered	34	104-3541	1	Hub-Spider
8:4	105-7441	1	Bearing-Spherical	35	3234-42	2	Screw-HHF
8:5	32128-42	1	Nut-HF	36	3257-3	1	Key-Woodruff
8:6	32151-34	1	Ring-Retaining	37	133-2234-01	1	Bracket-Sensor, Front
9	125-1912	2	Pin-Pivot	38	3229-1	2	Screw-CARR
10	1-811010	2	Plug	39	3256-22	2	Washer-Flat
12	119-4036	2	Screw-HHF	40	115-5300	1	Proximity Switch ASM
13	104-8300	3	Nut-HF, NI	40:1	117-3207	2	Nut-Hex
14	115-5442-01	2	Support-Hub	40:2	117-3208	2	Washer-Lock, Internal Tooth
15	104-0108	2	U-Bolt	43	92-2743	2	Pin-Clevis
16	3256-26	12	Washer-Flat	44	3290-467	2	Pin-Hair
17	3218-5	4	Nut-Jam	46	104-7201	2	Nut-HF, NI



## Center Front and Winglet Deck Assembly

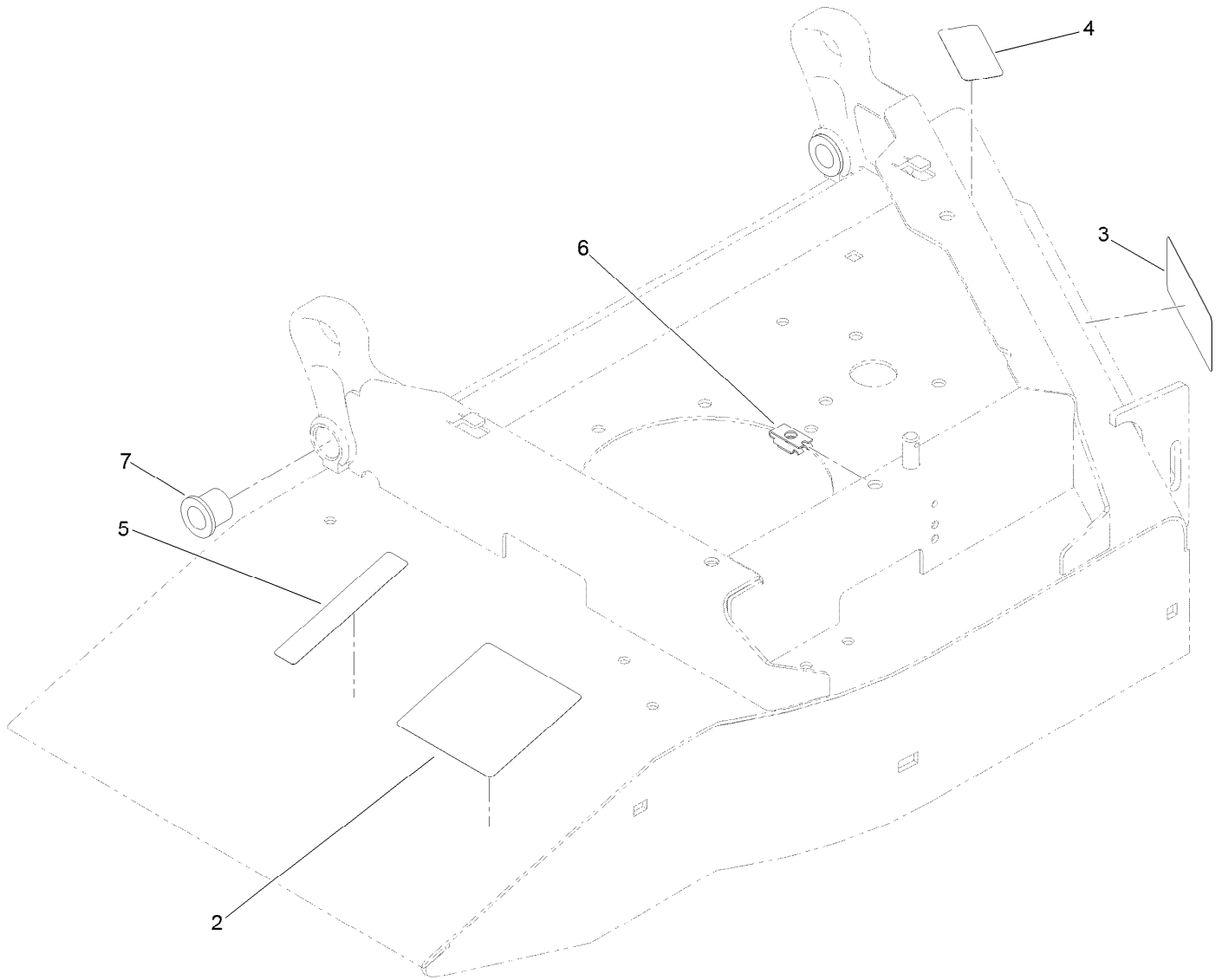
<i>Ref.</i>	<i>Part Number</i>	<i>Qty.</i>	<i>Description</i>
1	130-9201	1	Center Front Deck ASM
2	130-9218	1	Right Front Deck ASM
3	130-9210	1	Left Front Deck ASM
4	69-9300	2	Pad-Bumper
5	32108-103	4	Screw-FH
6	104-8300	4	Nut-HF, NI
7	325-35	4	Screw-HH
8	99-5107	4	Nut-Lock
9	114-0714	4	Hinge Pin ASM
10	115-3367	4	Eccentric
11	302-5	4	Fitting-Grease





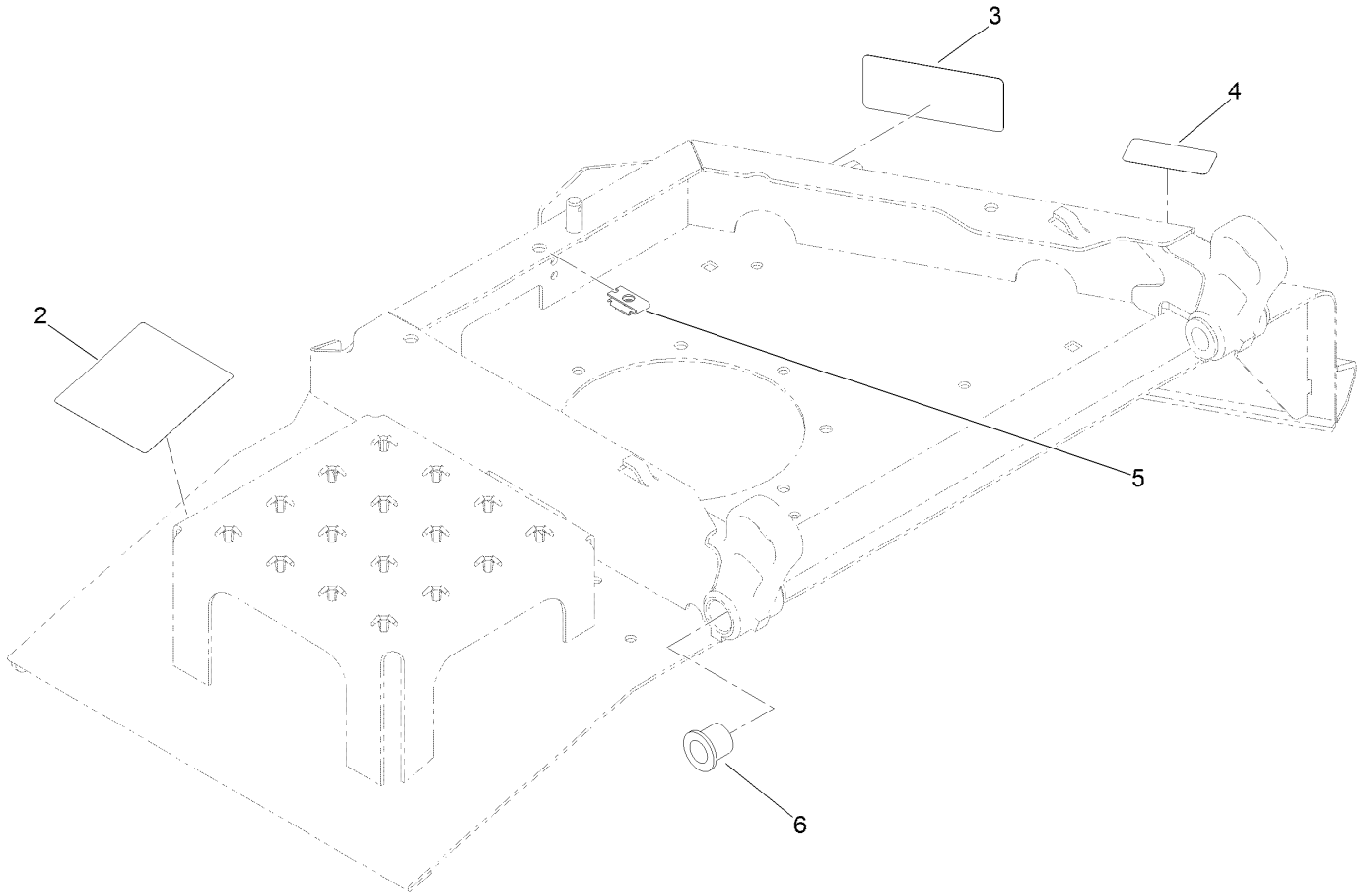
## Center Front Deck and Decal Assembly No. 130-9201

<i>Ref.</i>	<i>Part Number</i>	<i>Qty.</i>	<i>Description</i>
2	117-4979	1	Decal-Warning
3	93-7818	1	Decal-Torque, Blade Bolt
4	114-0922	1	Decal-Belt Routing
5	131-6027	1	Decal-HOC
6	131-6026	1	Decal-Rear HOC, RH
7	131-6025	1	Decal-Rear HOC, LH
8	110-3510	1	Nut-Retainer



## Right Front Deck and Decal Assembly No. 130-9218

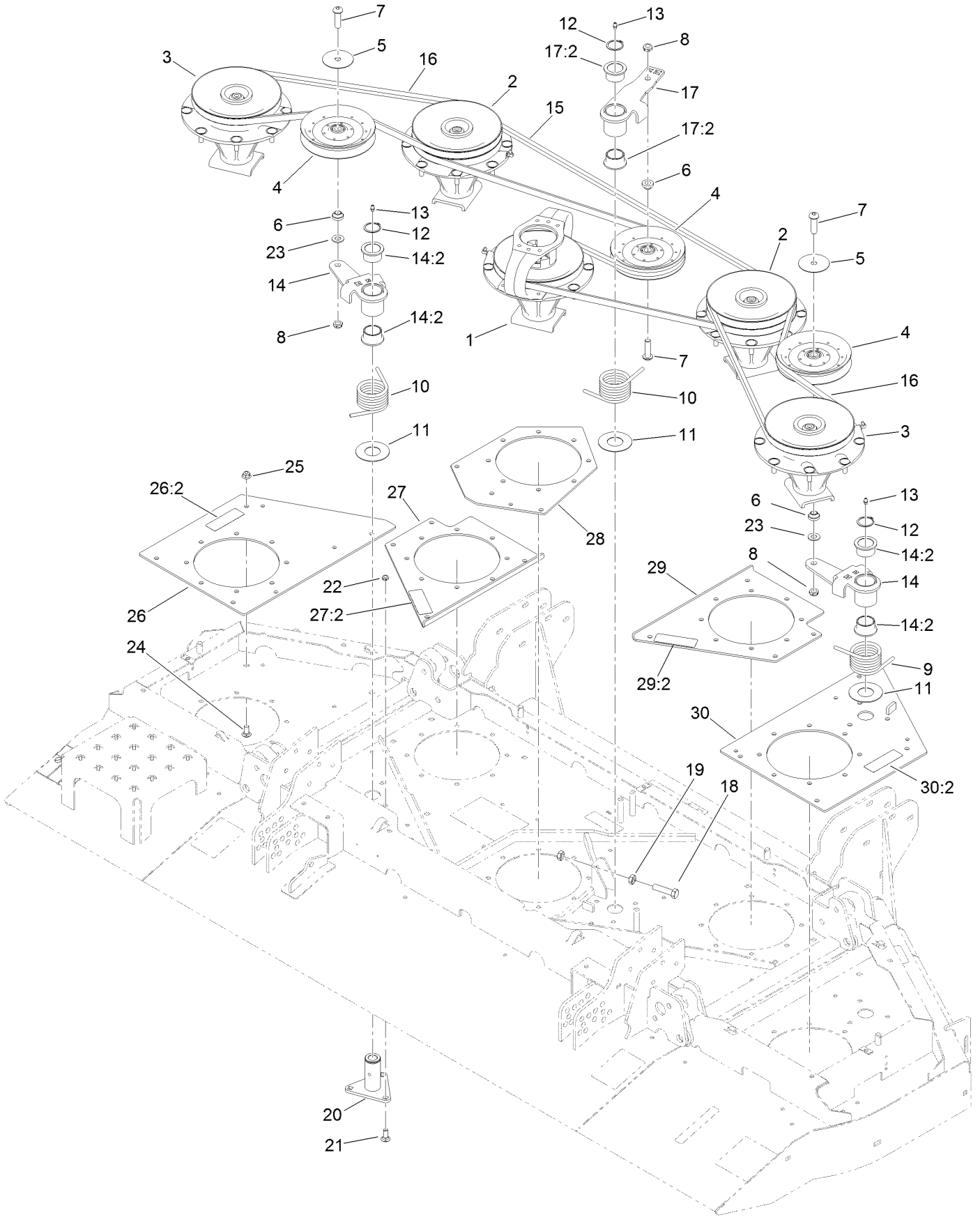
<i>Ref.</i>	<i>Part Number</i>	<i>Qty.</i>	<i>Description</i>
2	120-6604	1	Decal-Danger
3	93-7818	1	Decal-Torque, Blade Bolt
4	93-6674	1	Decal-Warning
5	93-6687	1	Decal-No Step
6	110-3510	1	Nut-Retainer
7	92-3162	4	Bushing



## Left Front Deck and Decal Assembly No. 130-9210

<i>Ref.</i>	<i>Part Number</i>	<i>Qty.</i>	<i>Description</i>
2	120-6604	1	Decal-Danger
3	93-7818	1	Decal-Torque, Blade Bolt
4	93-6674	1	Decal-Warning
5	110-3510	1	Nut-Retainer
6	92-3162	4	Bushing

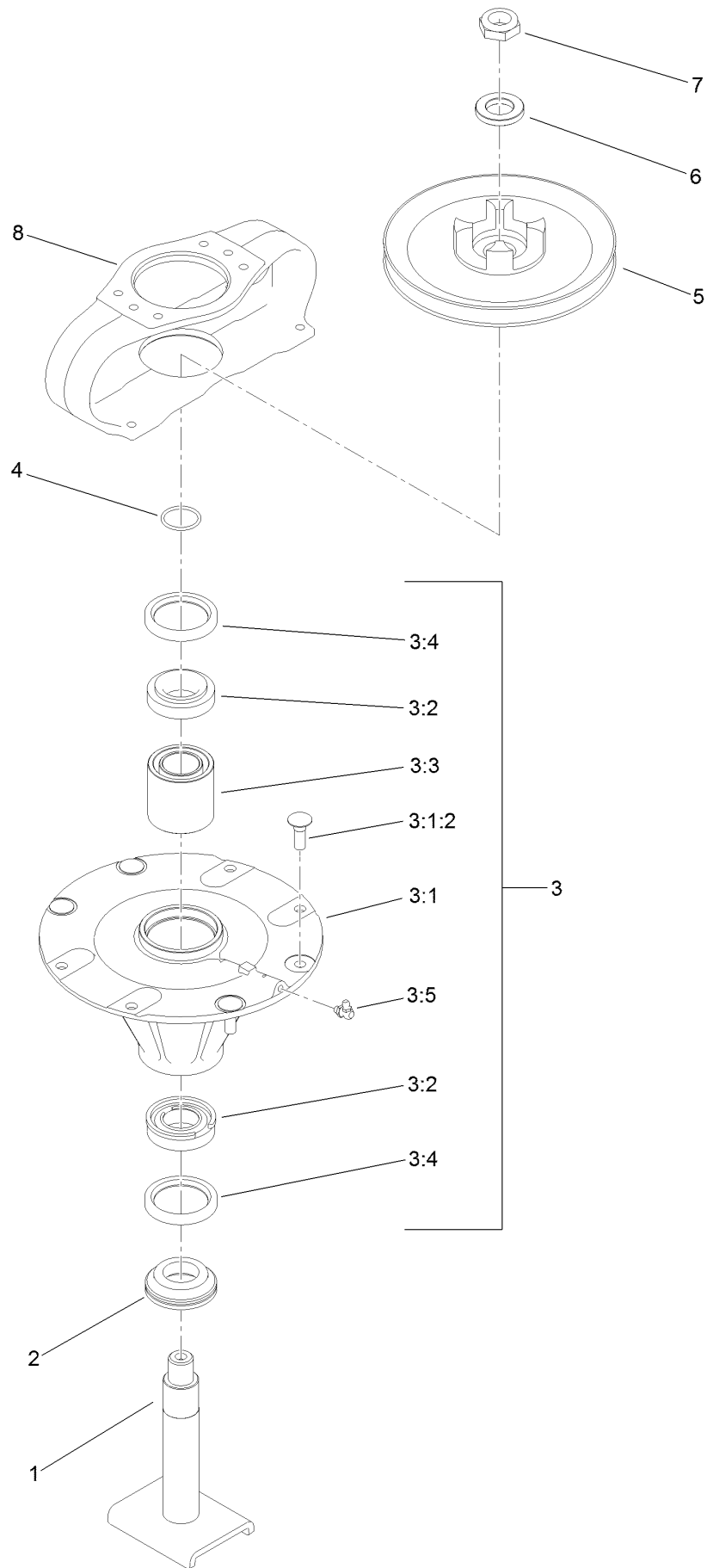
# Center Deck Belt and Spindle Assembly



## Center Deck Belt and Spindle Assembly (continued)

<i>Ref.</i>	<i>Part Number</i>	<i>Qty.</i>	<i>Description</i>	<i>Ref.</i>	<i>Part Number</i>	<i>Qty.</i>	<i>Description</i>
1	131-0768	1	Driving Spindle ASM	17:2	93-4510	2	Bushing-Caster
2	117-9234	2	Double Spindle ASM	18	01-182-0816	1	Bolt-HH
3	117-9233	2	High Spindle ASM	19	3218-5	2	Nut-Jam
4	110-9596	3	Pulley-Idler	20	114-0997	3	Pivot-Idler
5	100-3102	2	Washer-Flat	21	3231-2	9	Bolt-CARR
6	108-1924	3	Spacer-Idler	22	3296-59	9	Nut-Lock, NI
7	108-1993	3	Screw-HSBH	23	3256-26	2	Washer-Flat
8	3296-45	3	Nut-Hex	24	3231-27	19	Screw-CARR
9	108-1921	1	Spring-Torsion	25	104-8301	19	Nut-HF, NI
10	112-7395	2	Spring-Torsion	26	132-1611	1	LH Spindle Plate ASM
11	108-1926	3	Washer	26:2	117-4979	1	Decal-Warning
12	32120-84	3	Ring-Snap, External	27	132-1608	1	Left Spindle Plate ASM
13	302-5	3	Fitting-Grease	27:2	117-4979	1	Decal-Warning
14	117-9176	2	Idler Arm ASM	28	132-1602-01	1	Plate-Spindle, Center
14:2	93-4510	2	Bushing-Caster	29	132-1607	1	Right Spindle Plate ASM
15	112-7376	1	Belt-V, B	29:2	117-4979	1	Decal-Warning
16	112-7377	2	Belt-V, B	30	132-1609	1	RH Spindle Plate ASM
17	114-0100	1	High Idler Arm ASM	30:2	117-4979	1	Decal-Warning

# Driving Spindle Assembly No. 131-0768

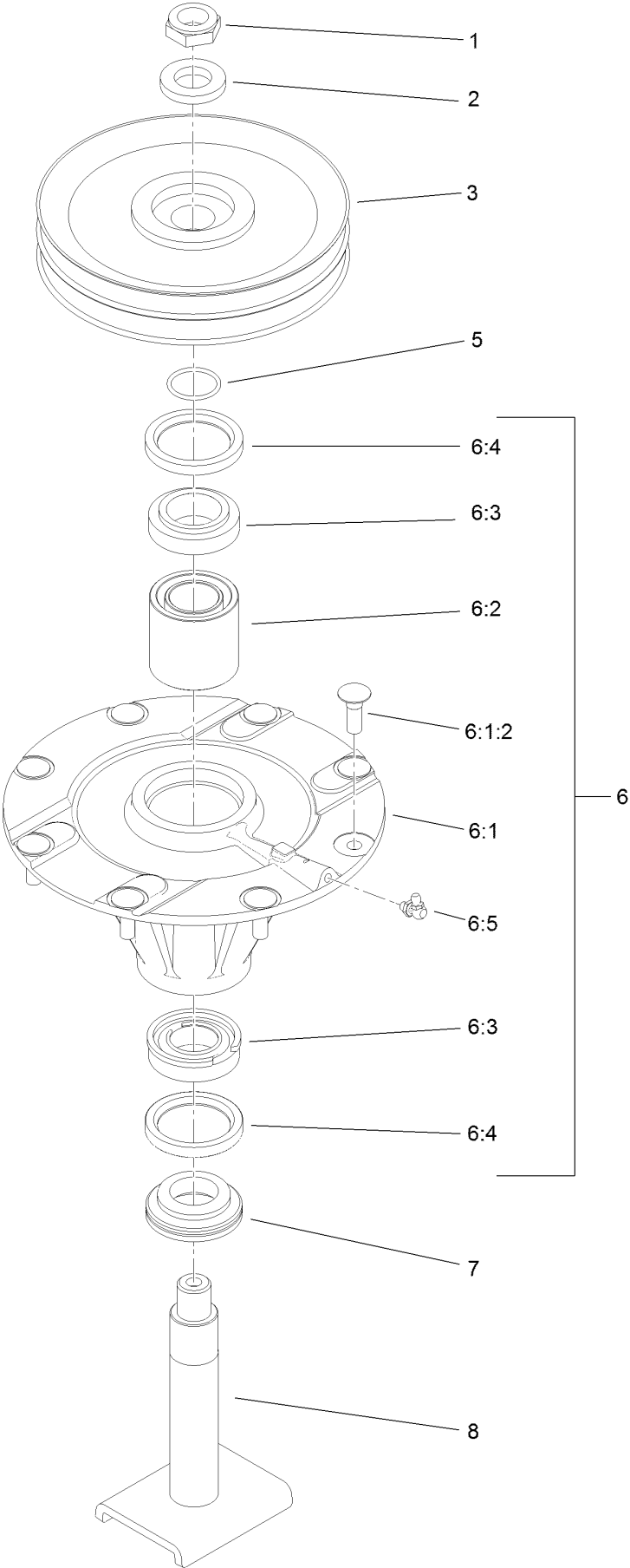


## Driving Spindle Assembly No. 131-0768 (continued)

<i>Ref.</i>	<i>Part Number</i>	<i>Qty.</i>	<i>Description</i>	<i>Ref.</i>	<i>Part Number</i>	<i>Qty.</i>	<i>Description</i>
1	108-1956	1	Shaft-Spindle	3:4	253-154	2	Seal-Oil
2	69-6950	1	Spacer-Shaft, Spindle	3:5	302-60	1	Fitting-Grease
3	131-0767	1	Spindle Housing ASM	4	106-7159	1	O-Ring
3:1		1	Spindle ASM ●	5	104-3545	1	Pulley-Driving
3:1:2	114-8195	4	Bolt-Neck, Ribbed	6	120-5576	1	Washer-Hardened
3:2	110-8297	1	Bearing ASM	7	3296-60	1	Nut-Lock, NI
3:3	108-1954	1	Bearing Spacer Set	8	104-3544	1	Mount-Motor, Drive

● Not serviced separately

# Double Spindle Assembly No. 117-9234



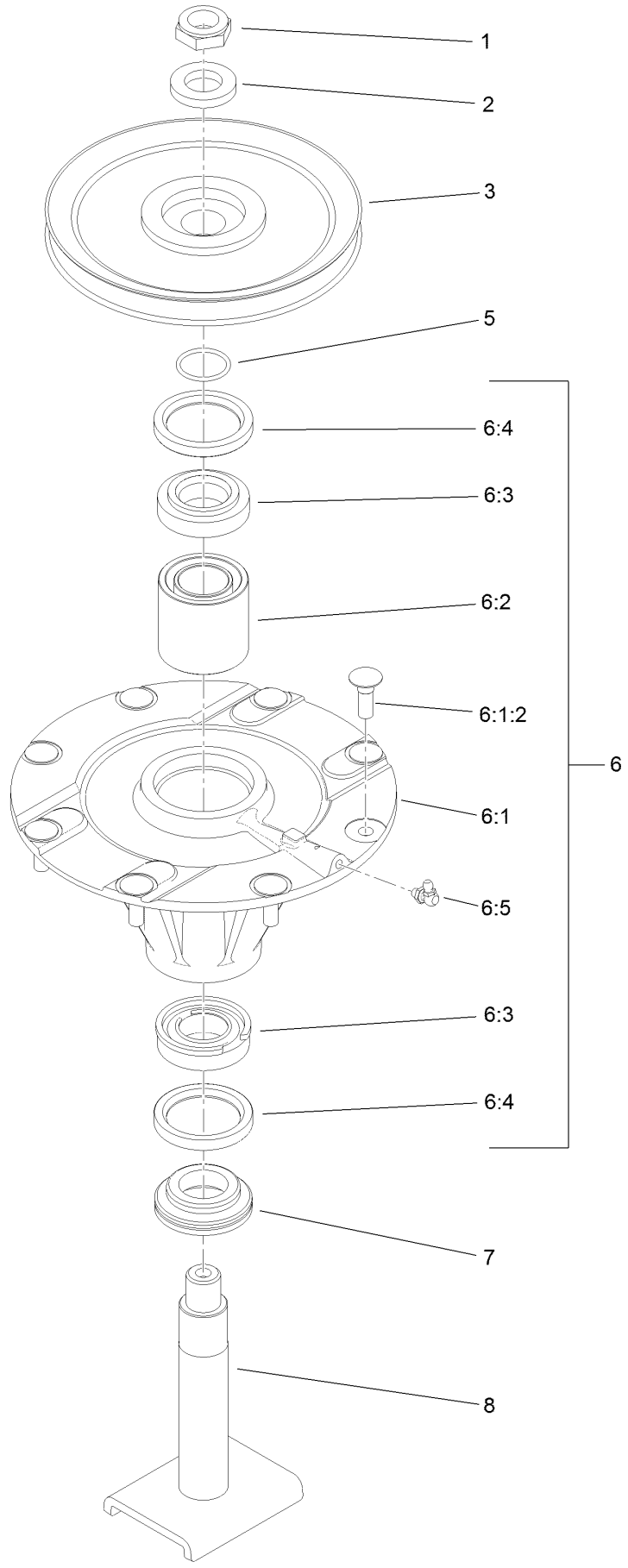


## Double Spindle Assembly No. 117-9234 (continued)

<i>Ref.</i>	<i>Part Number</i>	<i>Qty.</i>	<i>Description</i>	<i>Ref.</i>	<i>Part Number</i>	<i>Qty.</i>	<i>Description</i>
1	3296-60	1	Nut-Lock, NI	6:2	108-1954	1	Bearing Spacer Set
2	120-5576	1	Washer-Hardened	6:3	110-8297	1	Bearing ASM
3	104-3548	1	Pulley-Driven, High	6:4	253-154	2	Seal-Oil
5	106-7159	1	O-Ring	6:5	302-60	1	Fitting-Grease
6	119-4777	1	Spindle ASM	7	69-6950	1	Spacer-Shaft, Spindle
6:1		1	Spindle ASM ●	8	108-1956	1	Shaft-Spindle
6:1:2	114-8195	8	Bolt-Neck, Ribbed				

● Not serviced separately

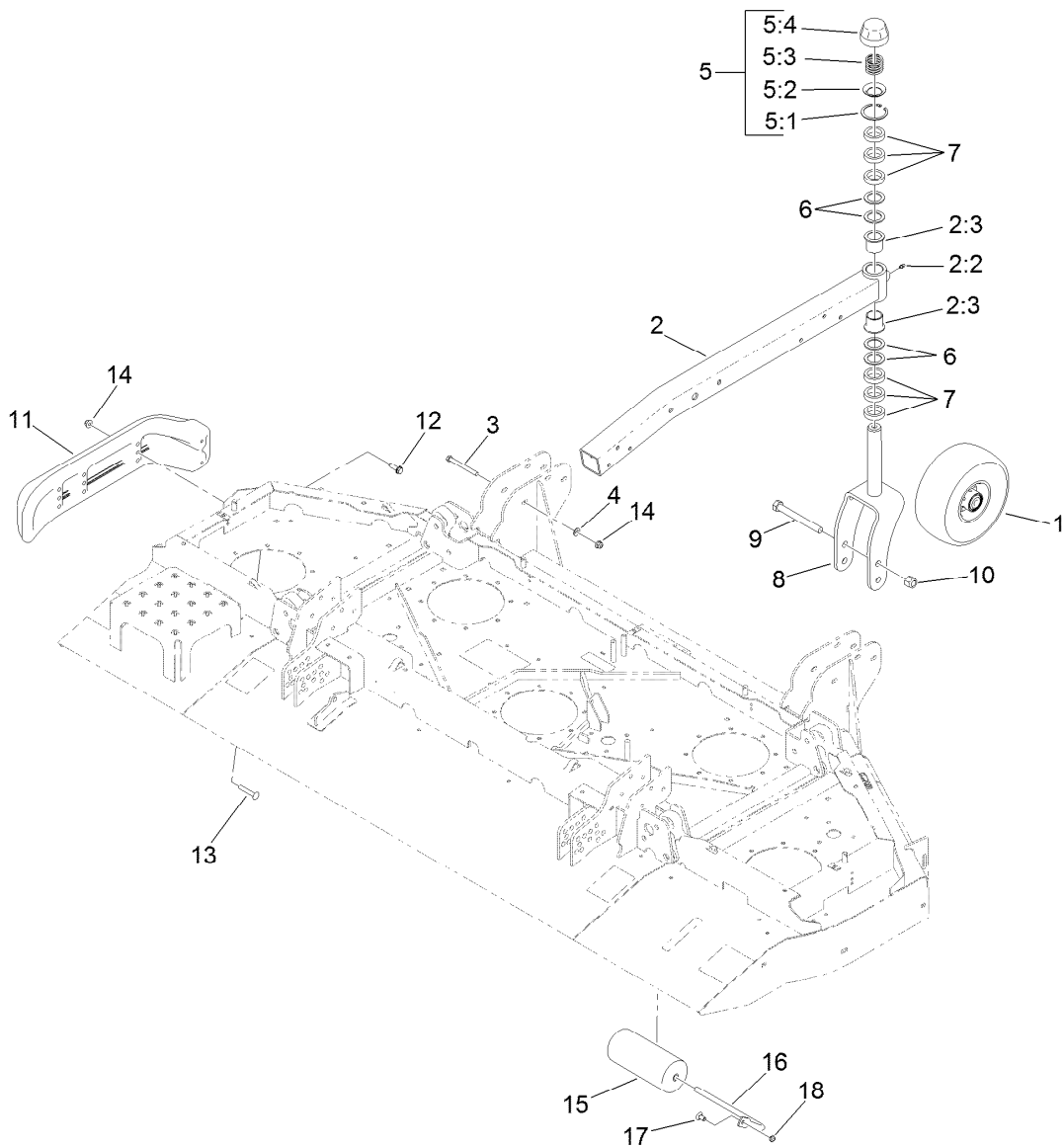
# High Spindle Assembly No. 117-9233



## High Spindle Assembly No. 117-9233 (continued)

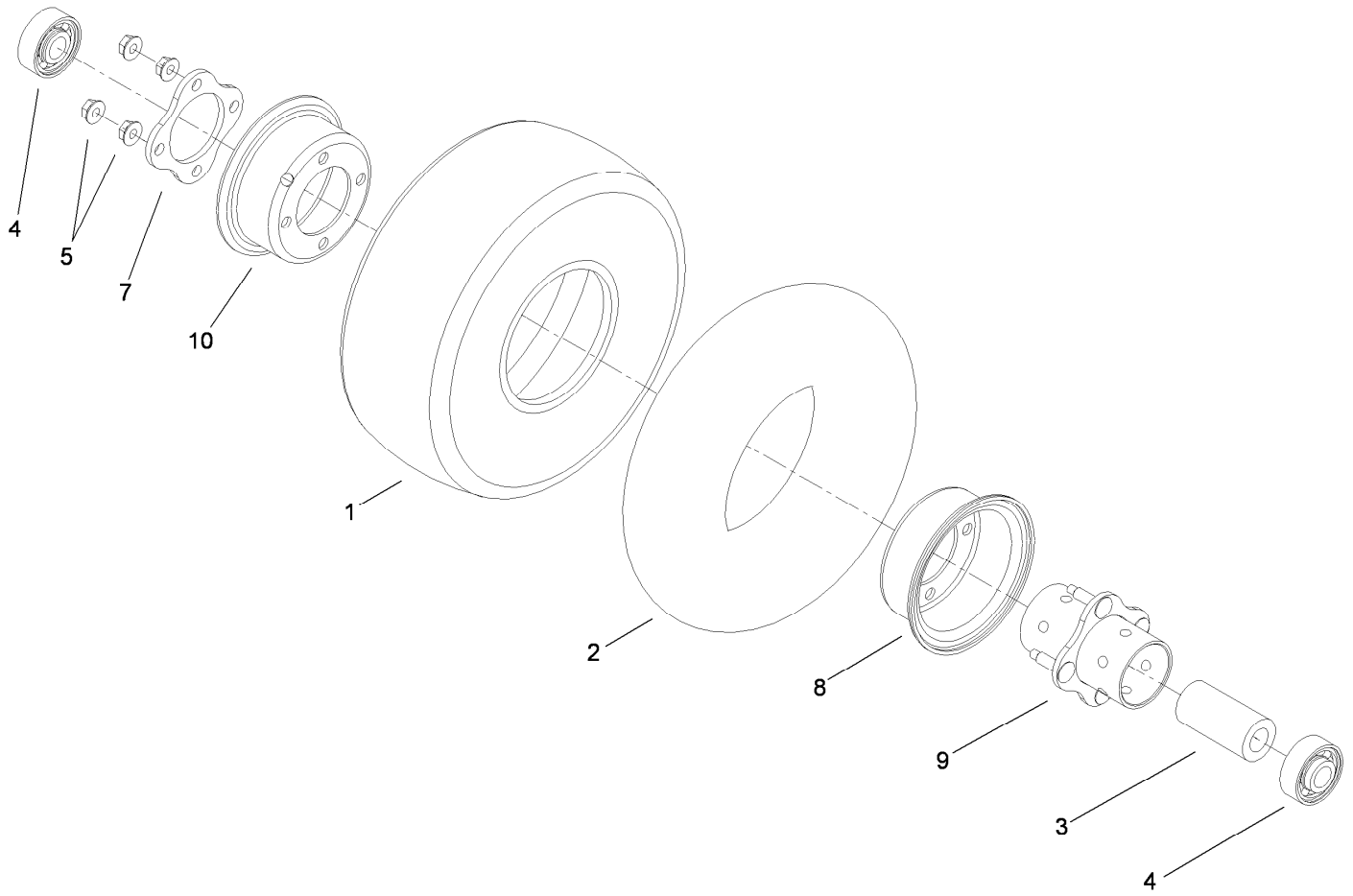
<i>Ref.</i>	<i>Part Number</i>	<i>Qty.</i>	<i>Description</i>	<i>Ref.</i>	<i>Part Number</i>	<i>Qty.</i>	<i>Description</i>
1	3296-60	1	Nut-Lock, NI	6:2	108-1954	1	Bearing Spacer Set
2	120-5576	1	Washer-Hardened	6:3	110-8297	1	Bearing ASM
3	104-3547	1	Pulley-Driven, Double	6:4	253-154	2	Seal-Oil
5	106-7159	1	O-Ring	6:5	302-60	1	Fitting-Grease
6	119-4777	1	Spindle ASM	7	69-6950	1	Spacer-Shaft, Spindle
6:1		1	Spindle ASM ●	8	108-1956	1	Shaft-Spindle
6:1:2	114-8195	8	Bolt-Neck, Ribbed				

● Not serviced separately



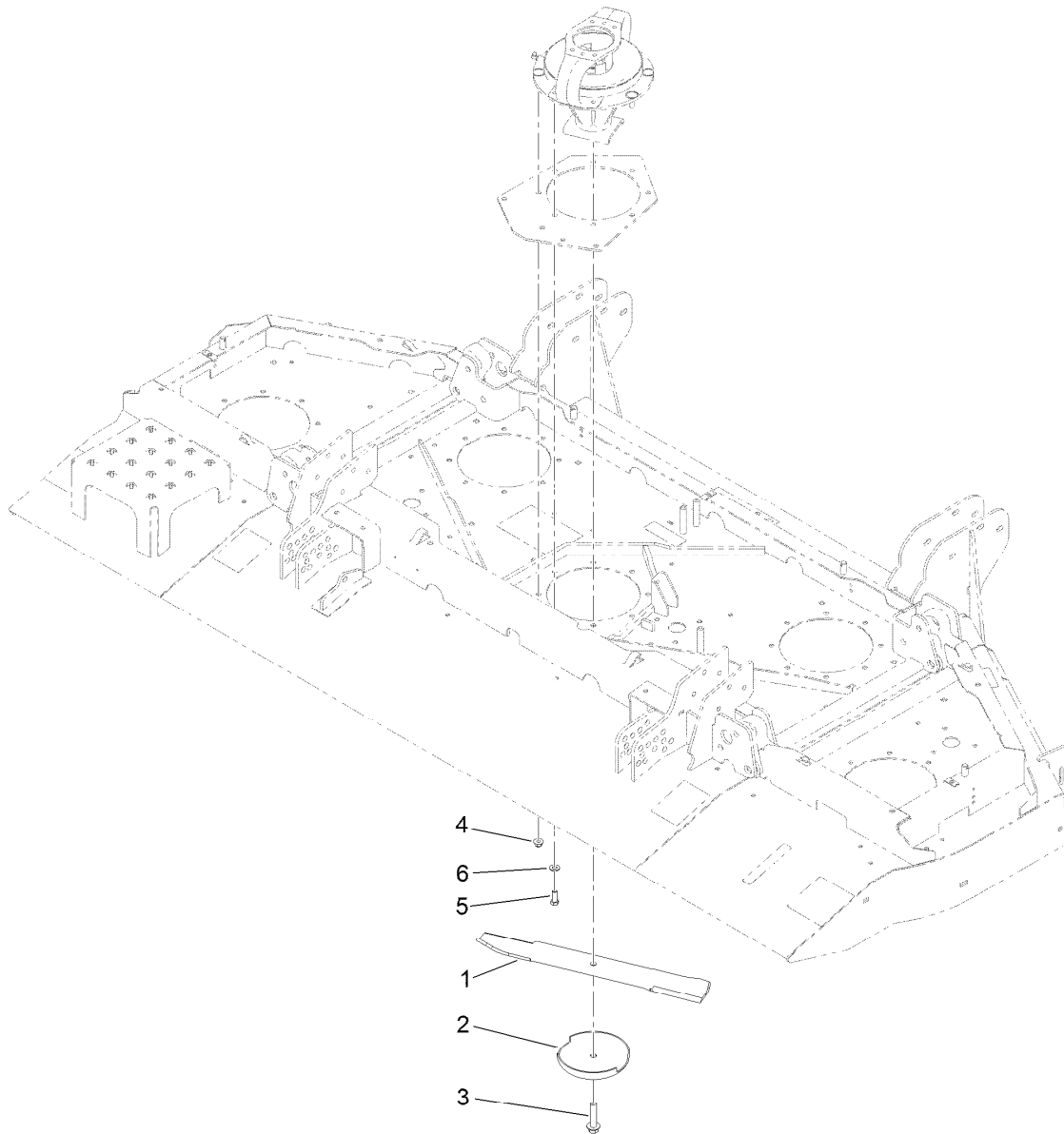
## Center Deck Roller, Skid and Caster Wheel Assembly

Ref.	Part Number	Qty.	Description	Ref.	Part Number	Qty.	Description
1	93-4240	2	10 Inch Wheel ASM	7	69-1510	12	Spacer
2	130-7787	2	Caster Arm ASM	8	130-7784-01	2	Fork-Caster
2:2	302-5	1	Fitting-Grease	9	327-24	2	Screw-HH
2:3	69-6470	2	Bushing-Caster	10	3296-53	2	Nut-Lock, NI
3	323-42	12	Screw-HH	11	112-1479	2	Skid-Bumper, Deck
4	3256-24	12	Washer-Plain	12	9136144	2	Screw-HWHTF
5	92-9727	2	HOC Cap ASM	13	3231-33	4	Screw-CARR
5:1	92-5581	1	Ring-Rtng, Snap, Int, Flat	14	104-8301	16	Nut-HF, NI
5:2	92-5583	1	Washer-Cap	15	68-6710	1	Roller
5:3	92-9726	1	Spring-Compression	16	68-6840	1	Shaft-Roller
5:4	92-8861	1	Cap-HOC	17	3231-21	1	Screw-CARR
6	69-6860	8	Washer-Thrust	18	3296-59	1	Nut-Lock, NI



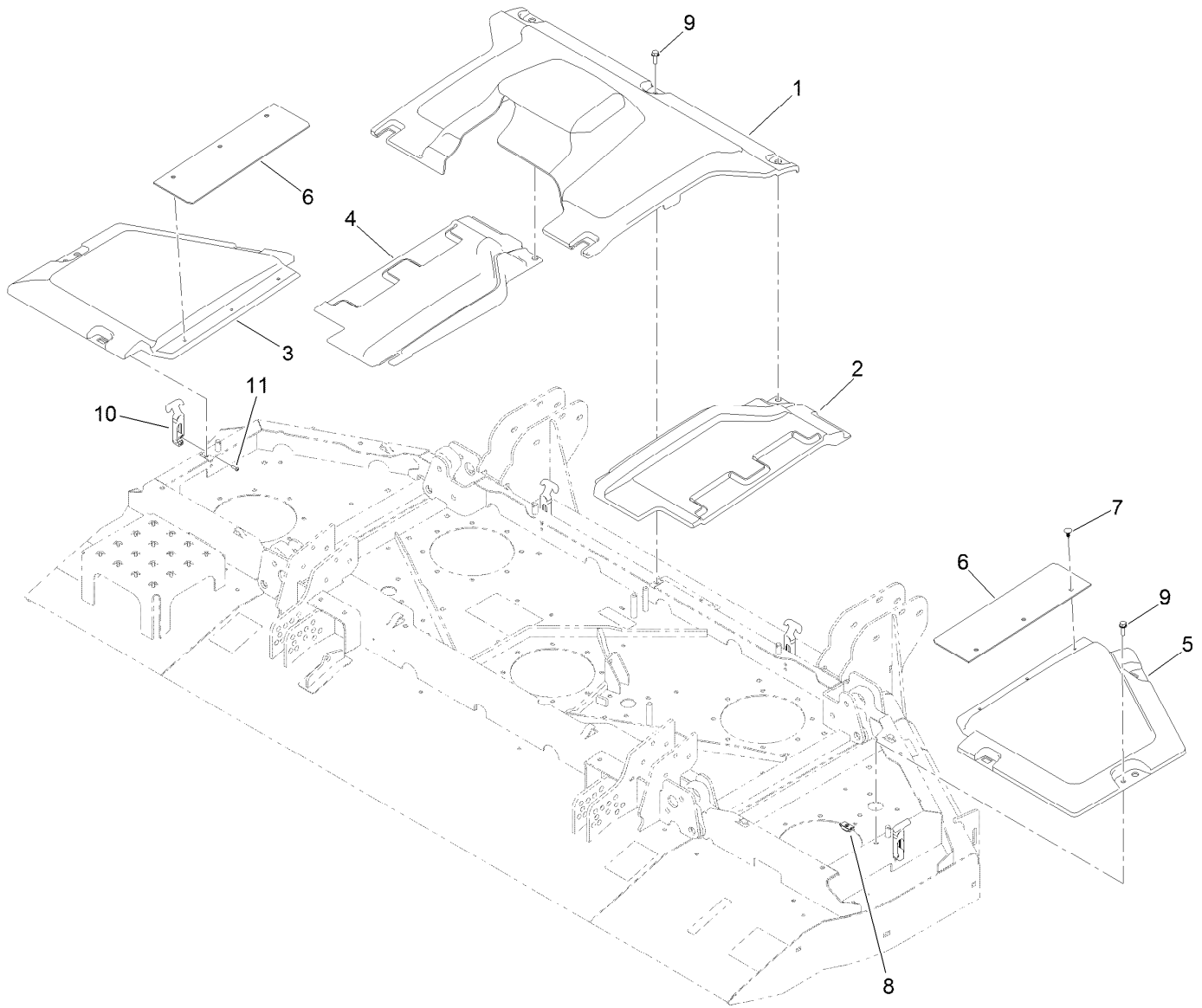
## 10 Inch Wheel Assembly No. 93-4240

<i>Ref.</i>	<i>Part Number</i>	<i>Qty.</i>	<i>Description</i>
1	93-4243	1	Tire
2	93-4244	1	Tube-Inner (W/Valve)
3	93-4241	1	Spacer-Bearing, Inner
4	120-3366	2	Bearing
5	32128-16	4	Nut-HHF
7	93-4242	1	Plate
8	93-4239	1	Rim-Wheel, Half
9	93-5980	1	Hub
10	95-2741	1	Rim-Wheel, Half



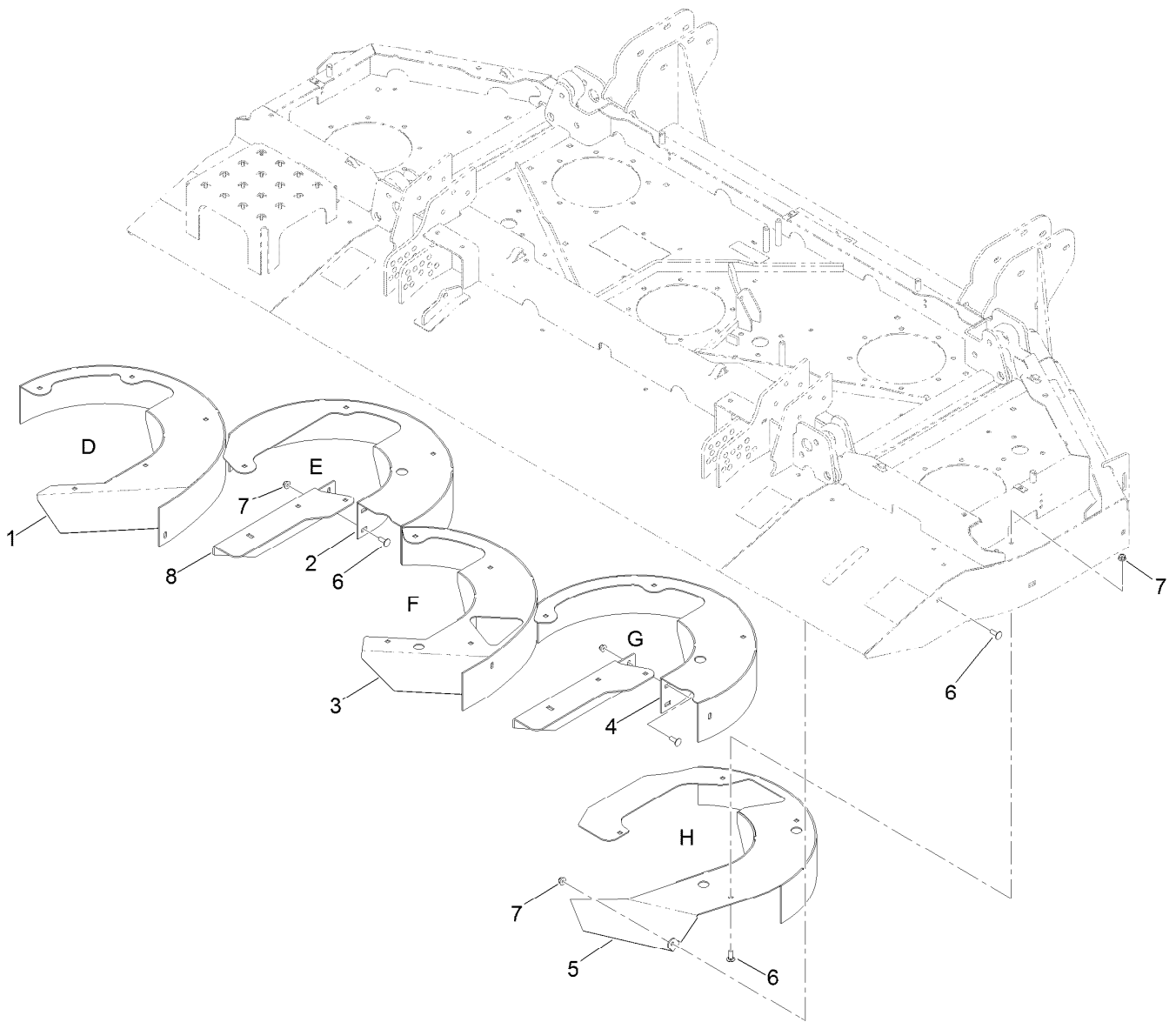
## Center Front Deck Spindle and Blade Assembly

<i>Ref.</i>	<i>Part Number</i>	<i>Qty.</i>	<i>Description</i>
1	130-9151	5	Blade-20 In
2	72-9361	5	Cup-Scalp, Anti
3	92-5816	5	Bolt-Blade
4	104-8301	36	Nut-HF, NI
5	323-6	4	Screw-HH
6	3256-24	4	Washer-Plain



## Center Front Deck Belt Cover Assembly

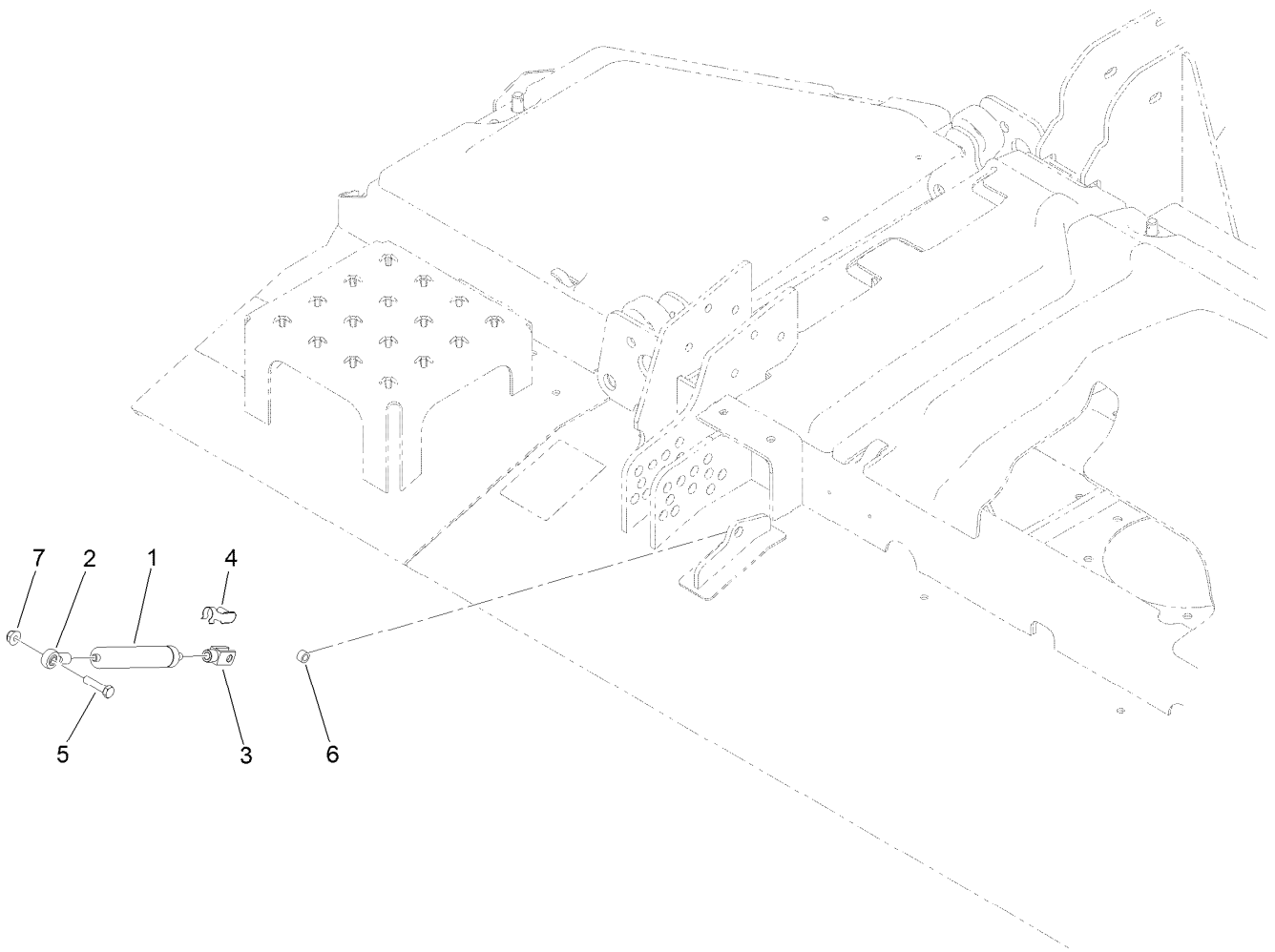
<i>Ref.</i>	<i>Part Number</i>	<i>Qty.</i>	<i>Description</i>
1	131-2223	1	Cover-Front Deck, Center
2	114-5632	1	Cover-Front Deck, RH Transition
3	114-5629	1	Cover-Front Deck, LH
4	114-5631	1	Cover-Front Deck, LH Transition
5	114-5628	1	Cover-Front Deck, RH
6	115-5424	2	Shield-Deck, Flexible
7	117-2382	6	Plug-Plastic
8	110-3510	3	Nut-Retainer
9	3234-29	3	Screw-HHF
10	103-4080	4	Latch-Rubber
11	3274-39	8	Screw-HSBH



## Center Front Deck Chamber and Discharge Assembly

<i>Ref.</i>	<i>Part Number</i>	<i>Qty.</i>	<i>Description</i>
1	132-1640-01	1	Chamber-Front, Left
2	133-2244-01	1	Chamber-Front, Left Center
3	132-1644-01	1	Chamber-Front, Center
4	133-2240-01	1	Chamber-Front, Right Center
5	132-1647-01	1	Chamber-Front, Right
6	3230-10	28	Bolt-CARR
7	104-8300	28	Nut-HF, NI
8	133-2208-01	2	Angle-Deflector

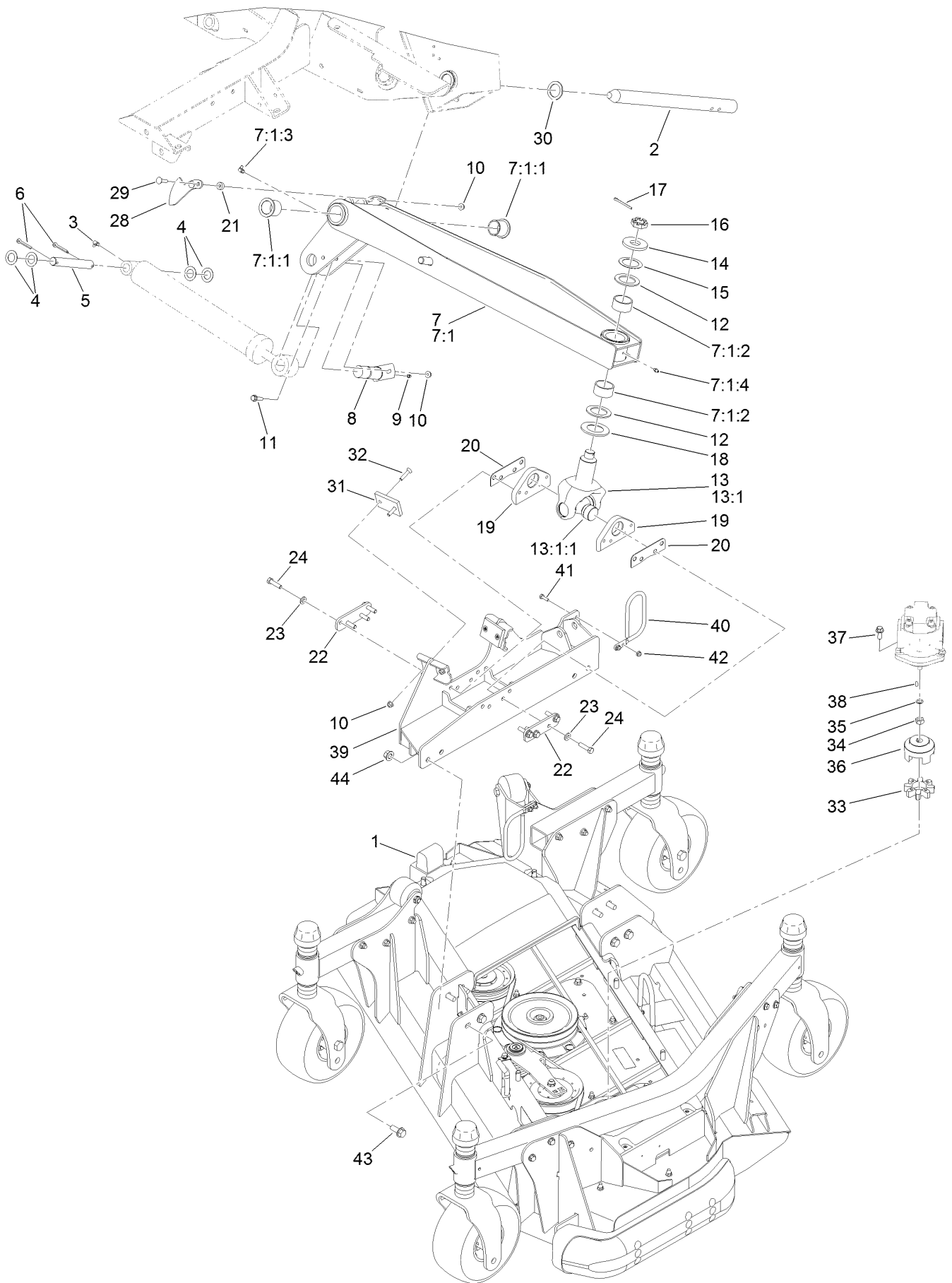




## Center Front Deck Transport Damper Assembly

<i>Ref.</i>	<i>Part Number</i>	<i>Qty.</i>	<i>Description</i>
1	105-3249	1	Damper
2	104-8331	1	End-Rod, Spherical
3	115-5455	1	End-Rod, Clevis
4	115-5454	1	Pin-Spring
5	322-17	1	Screw-HH
6	115-2142	1	Spacer
7	104-8300	1	Nut-HF, NI

# Left Hand Deck Connection Assembly

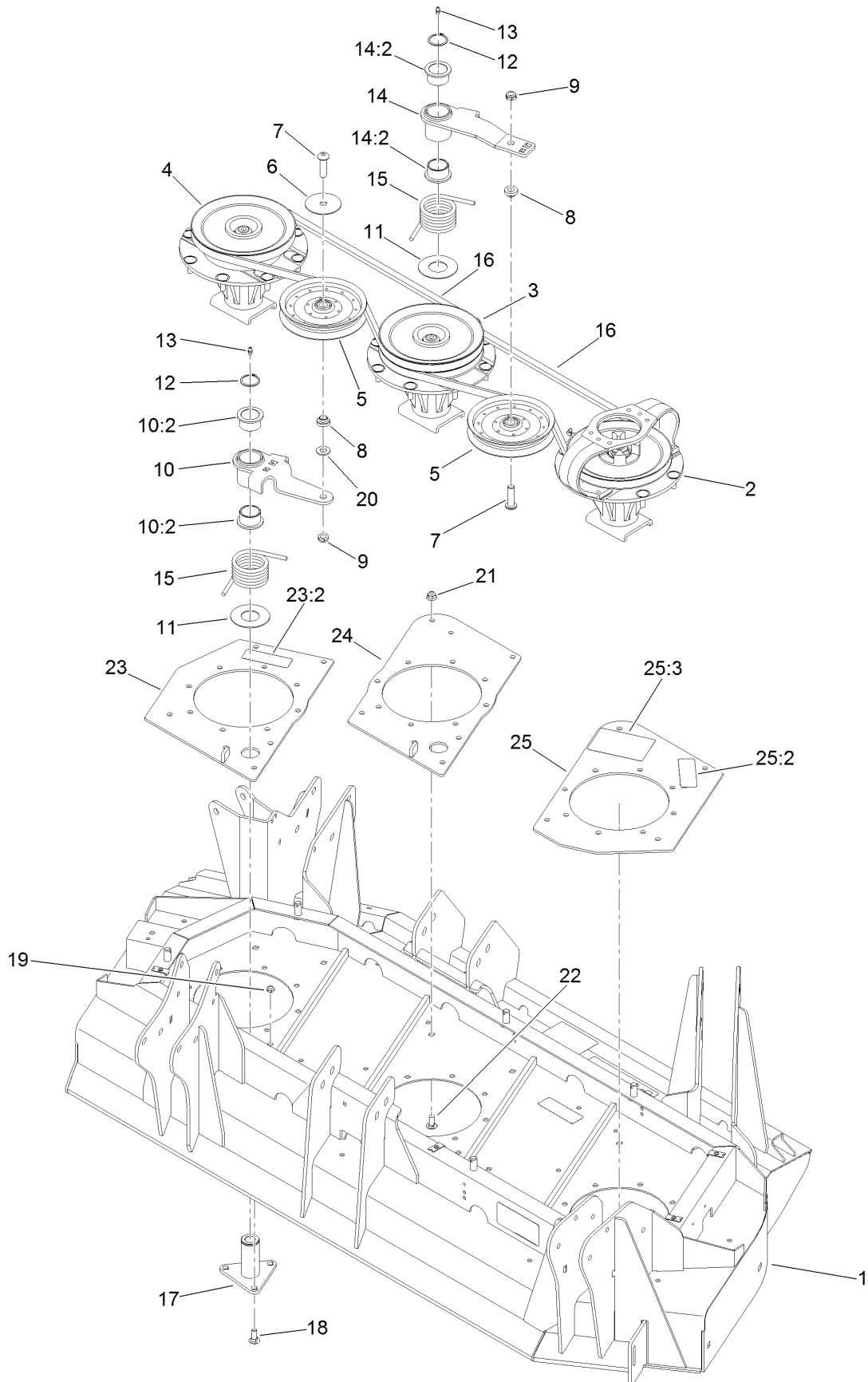


## Left Hand Deck Connection Assembly (continued)

<i>Ref.</i>	<i>Part Number</i>	<i>Qty.</i>	<i>Description</i>	<i>Ref.</i>	<i>Part Number</i>	<i>Qty.</i>	<i>Description</i>
1	130-9270	1	Left Deck ASM	18	104-0720	1	Spacer
2	121-3882	1	Shaft-Pivot, Lift Arm	19	115-8870-03	2	Mount-Base
3	302-60	1	Fitting-Grease	20	104-0731	2	Shim
4	110-6767	4	Washer-Thrust	21	121-1759	2	Spacer
5	110-6006	1	Pin-Clevis	22	117-9419	2	Plate-Spacer
6	3272-30	2	Pin-Cotter	23	100-4852	8	Washer-Hardened
7	114-5660-01	1	LH Lift Arm ASM	24	323-43	8	Screw-HH
7:1		1	Arm-Lift, LH ●	28	112-7339	1	Plate-Sensing
7:1:1	69-6470	2	Bushing-Caster	29	3230-3	2	Screw-CARR
7:1:2	114-5596	2	Bushing-Straight	30	98-1452	2	Washer-Thrust
7:1:3	302-60	1	Fitting-Grease	31	69-9290	2	Pad-Bumper
7:1:4	302-5	1	Fitting-Grease	32	32108-107	4	Screw-FH
8	125-1912	1	Pin-Pivot	33	104-3542	1	Spider
9	302-5	1	Fitting-Grease	34	110-8815	1	Nut-Hex
10	104-8300	7	Nut-HF, NI	35	112-6957	1	Washer-Hardened
11	119-4036	1	Screw-HHF	36	104-3541	1	Hub-Spider
12	104-0721	2	Washer-Thrust	37	3234-42	2	Screw-HHF
13	114-5640-03	1	Joint Yoke ASM	38	3257-3	1	Key-Woodruff
13:1		1	Yoke-Joint ●	39	131-6013-01	1	Connection-Deck, LH
13:1:1	104-4299	1	Cross And Bearing Kit	40	130-9161	1	Support-Hose
14	104-0719	1	Washer-Hardened	41	321-5	2	Screw-HH
15	114-5641	1	Washer-Thrust	42	104-7201	2	Nut-HF, NI
16	99-3139	1	Nut-Slotted	43	3234-38	8	Screw-HHF
17	3272-25	1	Pin-Cotter	44	99-5107	8	Nut-Lock

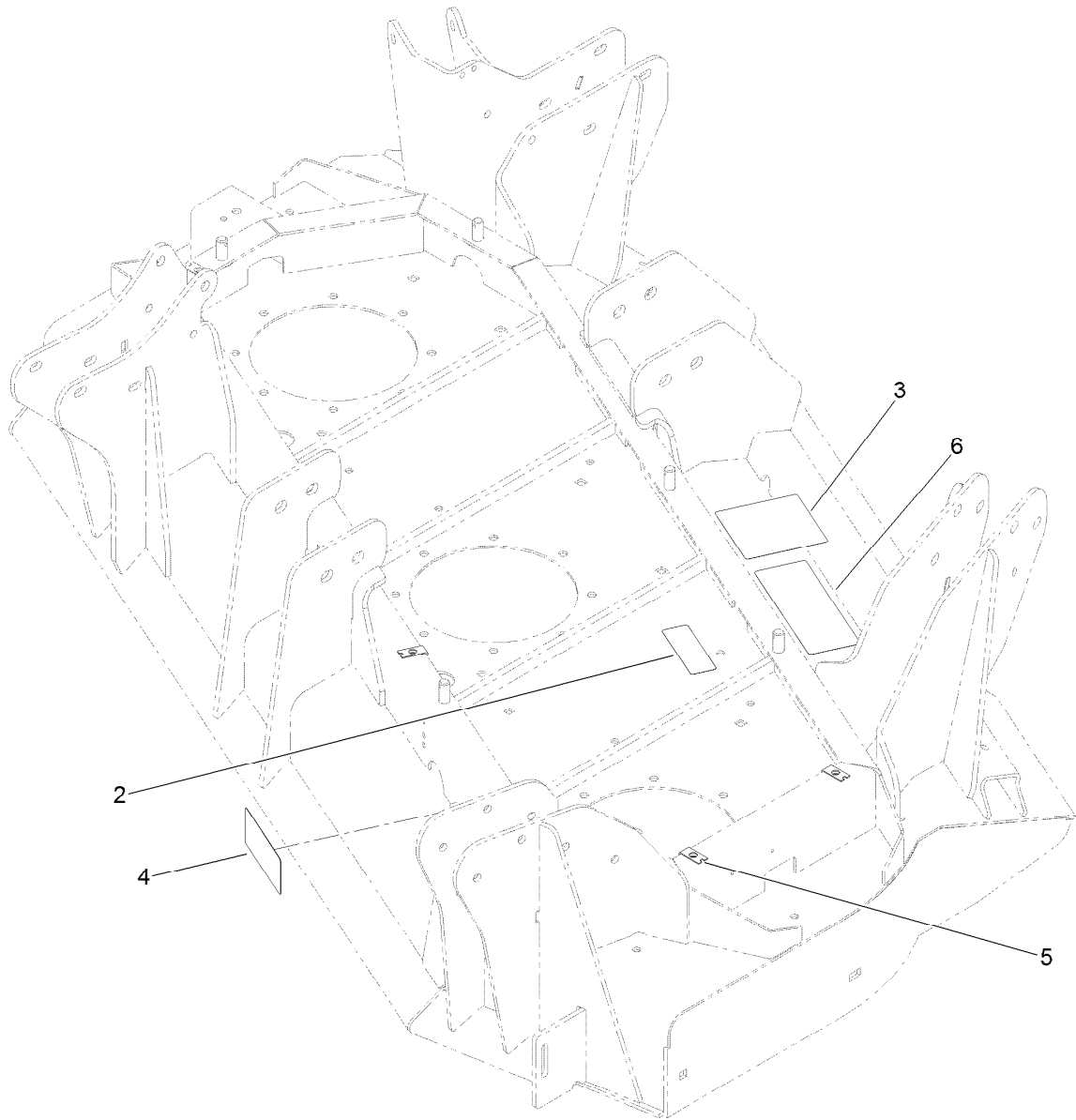
● Not serviced separately

# Left Hand Deck Belt and Spindle Assembly



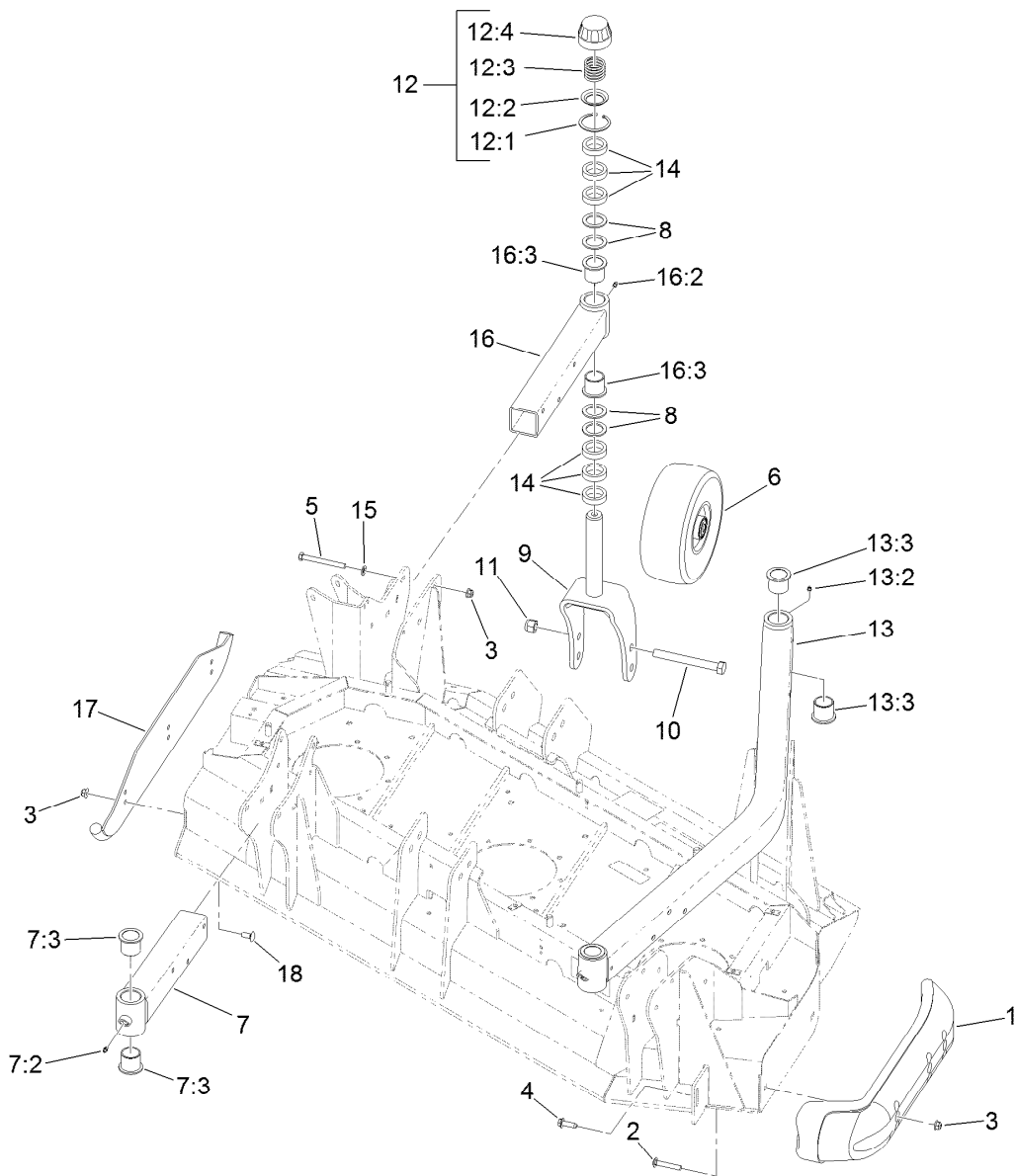
## Left Hand Deck Belt and Spindle Assembly (continued)

<i>Ref.</i>	<i>Part Number</i>	<i>Qty.</i>	<i>Description</i>	<i>Ref.</i>	<i>Part Number</i>	<i>Qty.</i>	<i>Description</i>
1	130-9271	1	Left Deck ASM	15	108-1921	2	Spring-Torsion
2	131-0768	1	Driving Spindle ASM	16	112-7377	2	Belt-V, B
3	117-9234	1	Double Spindle ASM	17	114-0997	2	Pivot-Idler
4	117-9233	1	High Spindle ASM	18	3231-2	6	Bolt-CARR
5	110-9596	2	Pulley-Idler	19	3296-59	6	Nut-Lock, NI
6	100-3102	1	Washer-Flat	20	3256-26	1	Washer-Flat
7	108-1993	2	Screw-HSBH	21	104-8301	10	Nut-HF, NI
8	108-1924	2	Spacer-Idler	22	3231-27	10	Screw-CARR
9	3296-45	2	Nut-Hex	23	132-1621	1	Inner Spindle Plate ASM
10	117-9176	1	Idler Arm ASM	23:2	117-4979	1	Decal-Warning
10:2	93-4510	2	Bushing-Caster	24	132-1622-01	1	Plate-Spindle, Center
11	108-1926	2	Washer	25	132-1620	1	Outer Spindle Plate ASM
12	32120-84	2	Ring-Snap, External	25:2	117-4979	1	Decal-Warning
13	302-5	2	Fitting-Grease	25:3	114-4883	1	Decal-Belt Routing, Deck (LH)
14	108-1930	1	Idler Arm ASM				
14:2	93-4510	2	Bushing-Caster				



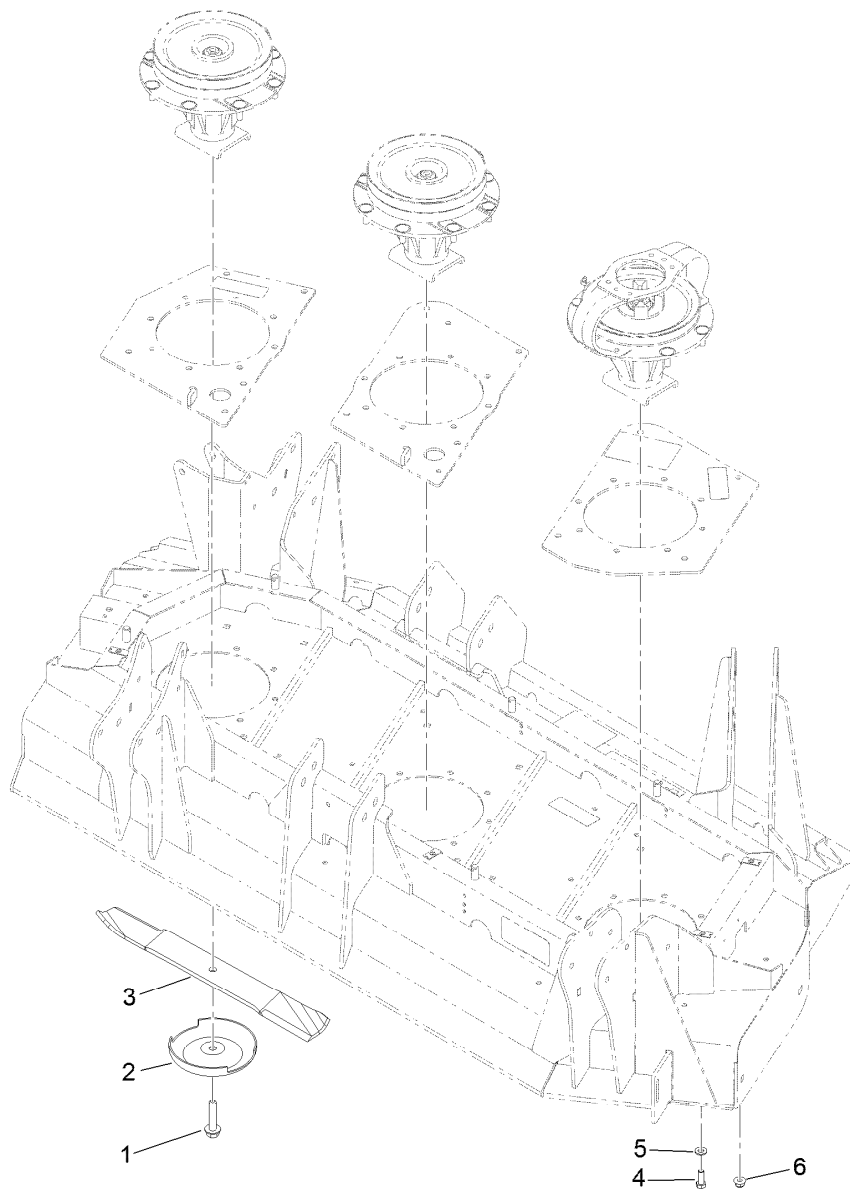
## Left Hand Deck Decal Assembly No. 130-9271

<i>Ref.</i>	<i>Part Number</i>	<i>Qty.</i>	<i>Description</i>
2	117-4979	1	Decal-Warning
3	120-6604	1	Decal-Danger
4	93-7818	1	Decal-Torque, Blade Bolt
5	110-3510	4	Nut-Retainer
6	131-6027	1	Decal-HOC



## Left Hand Deck Roller, Skid and Caster Wheel Assembly

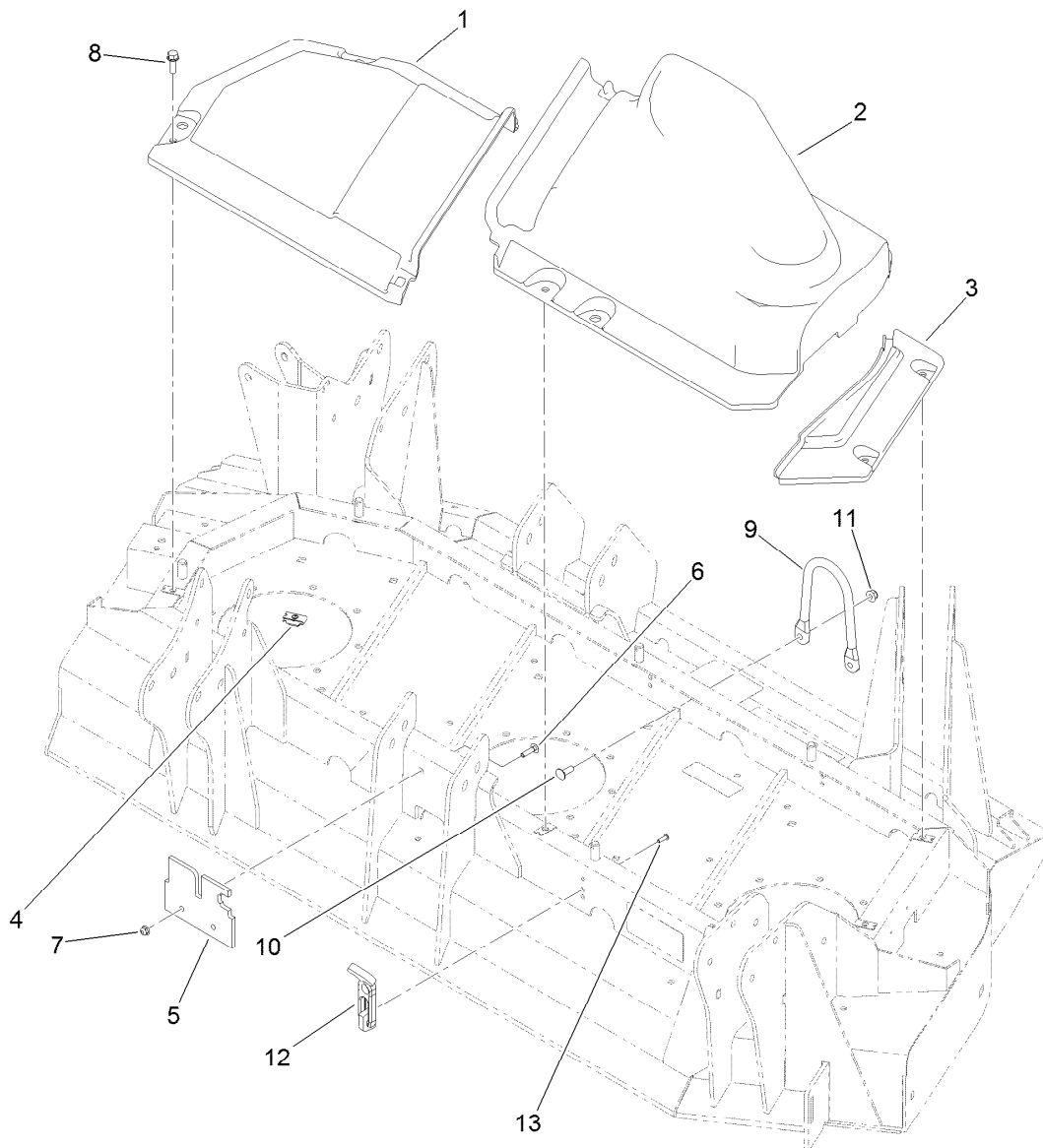
Ref.	Part Number	Qty.	Description	Ref.	Part Number	Qty.	Description
1	112-1479	1	Skid-Bumper, Deck	12:1	92-5581	1	Ring-Rtng, Snap, Int, Flat
2	3231-33	2	Screw-CARR	12:2	92-5583	1	Washer-Cap
3	104-8301	17	Nut-HF, NI	12:3	92-9726	1	Spring-Compression
4	9136144	1	Screw-HWHTF	12:4	92-8861	1	Cap-HOC
5	323-42	12	Screw-HH	13	114-0953	1	HOC Castor Arm ASM
6	93-4240	4	10 Inch Wheel ASM	13:2	302-5	2	Fitting-Grease
7	131-6042	1	Caster Arm ASM	13:3	69-6470	4	Bushing-Caster
7:2	302-5	1	Fitting-Grease	14	69-1510	24	Spacer
7:3	69-6470	2	Bushing-Caster	15	3256-24	12	Washer-Plain
8	69-6860	16	Washer-Thrust	16	131-6047	1	Caster Arm ASM
9	130-7784-01	4	Fork-Caster	16:2	302-5	1	Fitting-Grease
10	327-24	4	Screw-HH	16:3	69-6470	2	Bushing-Caster
11	3296-53	4	Nut-Lock, NI	17	131-6034-01	1	Skid-Deck
12	92-9727	4	HOC Cap ASM	18	3231-27	3	Screw-CARR



## Left Hand Deck Spindle and Blade Assembly

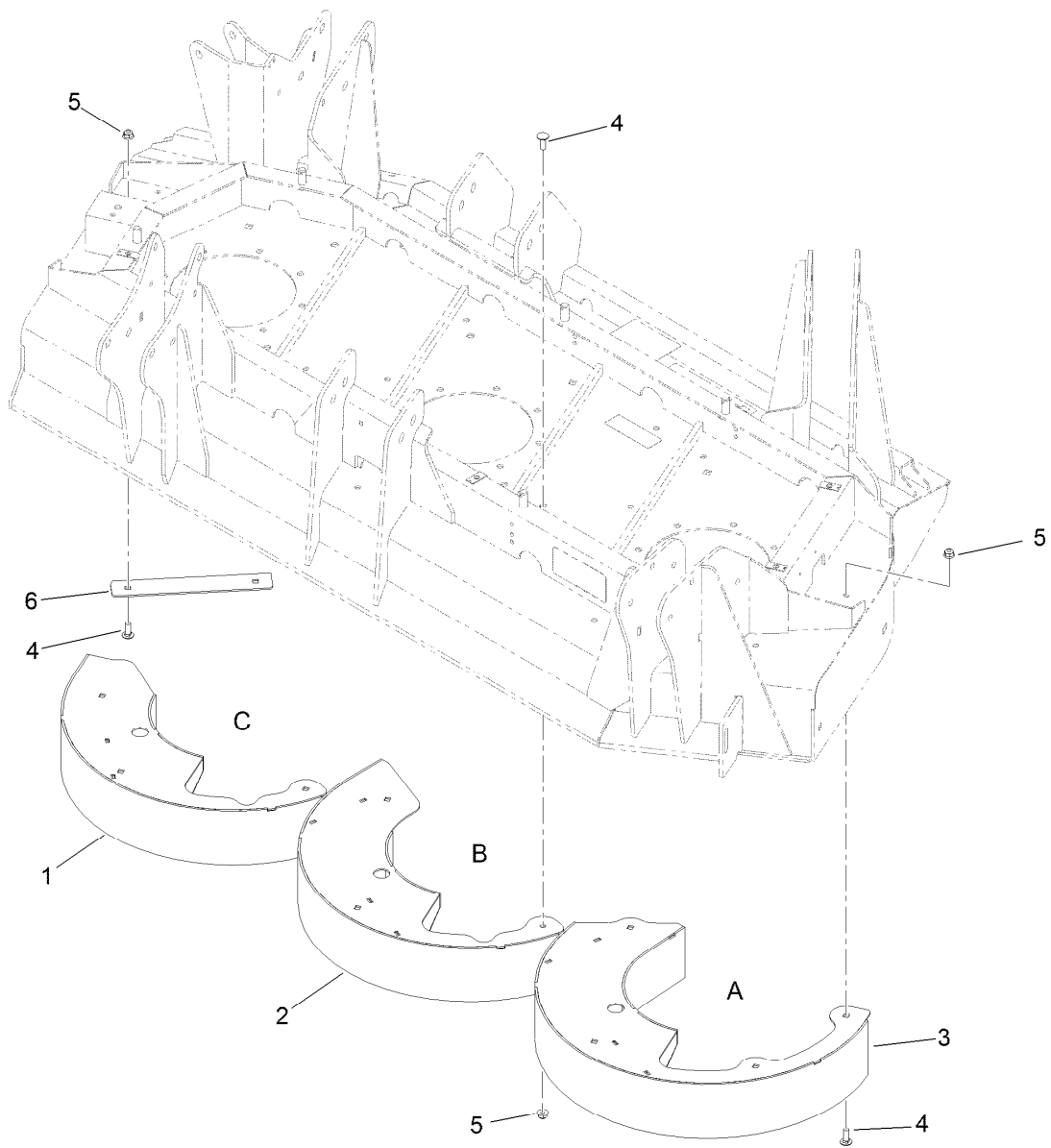
<i>Ref.</i>	<i>Part Number</i>	<i>Qty.</i>	<i>Description</i>
1	92-5816	3	Bolt-Blade
2	72-9361	3	Cup-Scalp, Anti
3	130-9151	3	Blade-20 In
4	323-6	4	Screw-HH
5	3256-24	4	Washer-Plain
6	104-8301	20	Nut-HF, NI





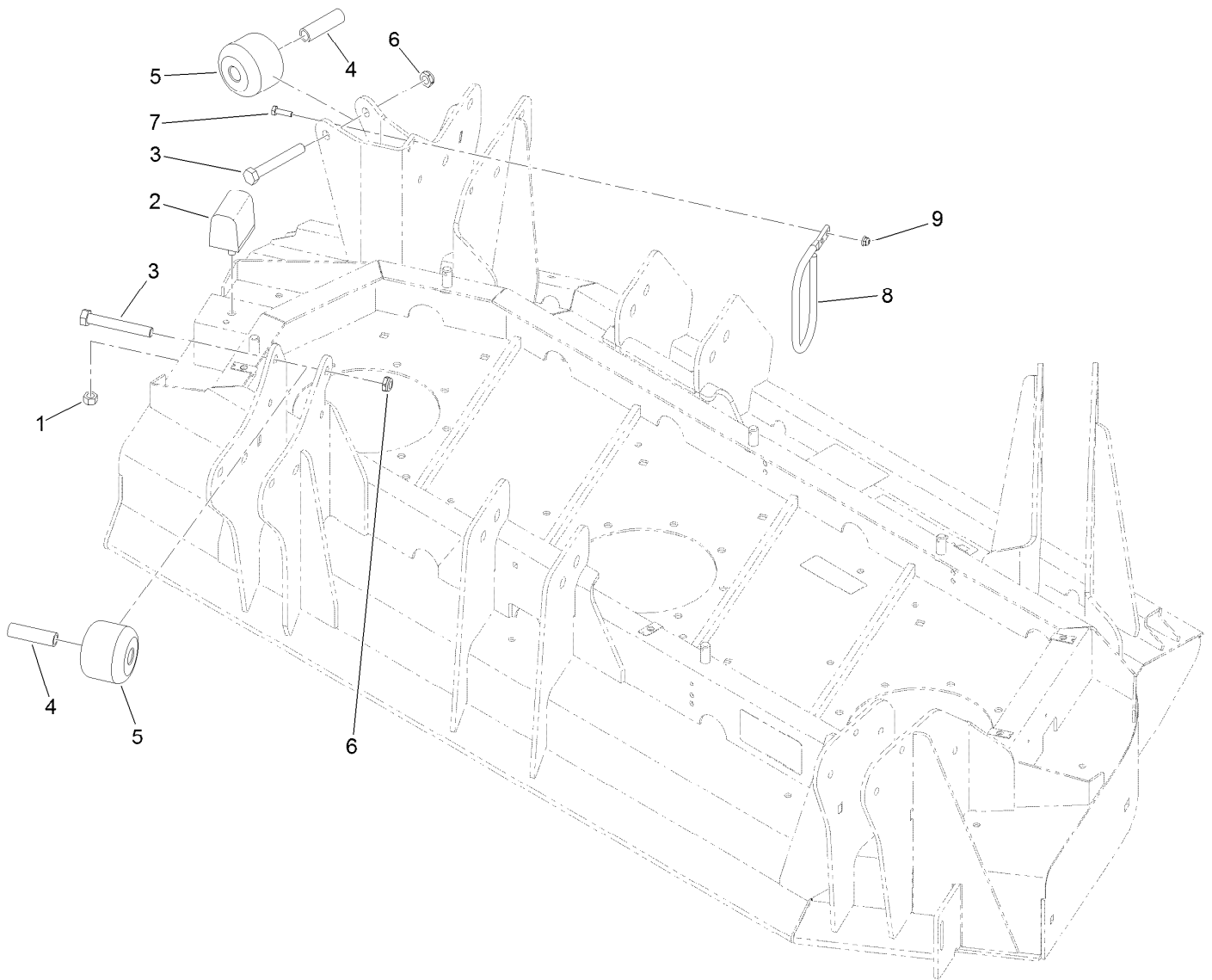
## Left Hand Deck Belt Cover Assembly

<i>Ref.</i>	<i>Part Number</i>	<i>Qty.</i>	<i>Description</i>
1	114-5633	1	Cover-Deck, LH Wing (Inside)
2	114-5634	1	Cover-Deck, LH Wing (Outside)
3	114-5637	1	Cover-Deck, LH Wing (Fixed)
4	110-3510	4	Nut-Retainer
5	115-3363	1	Deflector-Debris, Side Deck
6	3229-2	2	Screw-CARR
7	104-7201	2	Nut-HF, NI
8	3234-29	4	Screw-HHF
9	115-3362	1	Guide-Hose
10	3230-10	2	Bolt-CARR
11	104-8300	2	Nut-HF, NI
12	103-4080	4	Latch-Rubber
13	3274-39	8	Screw-HSBH



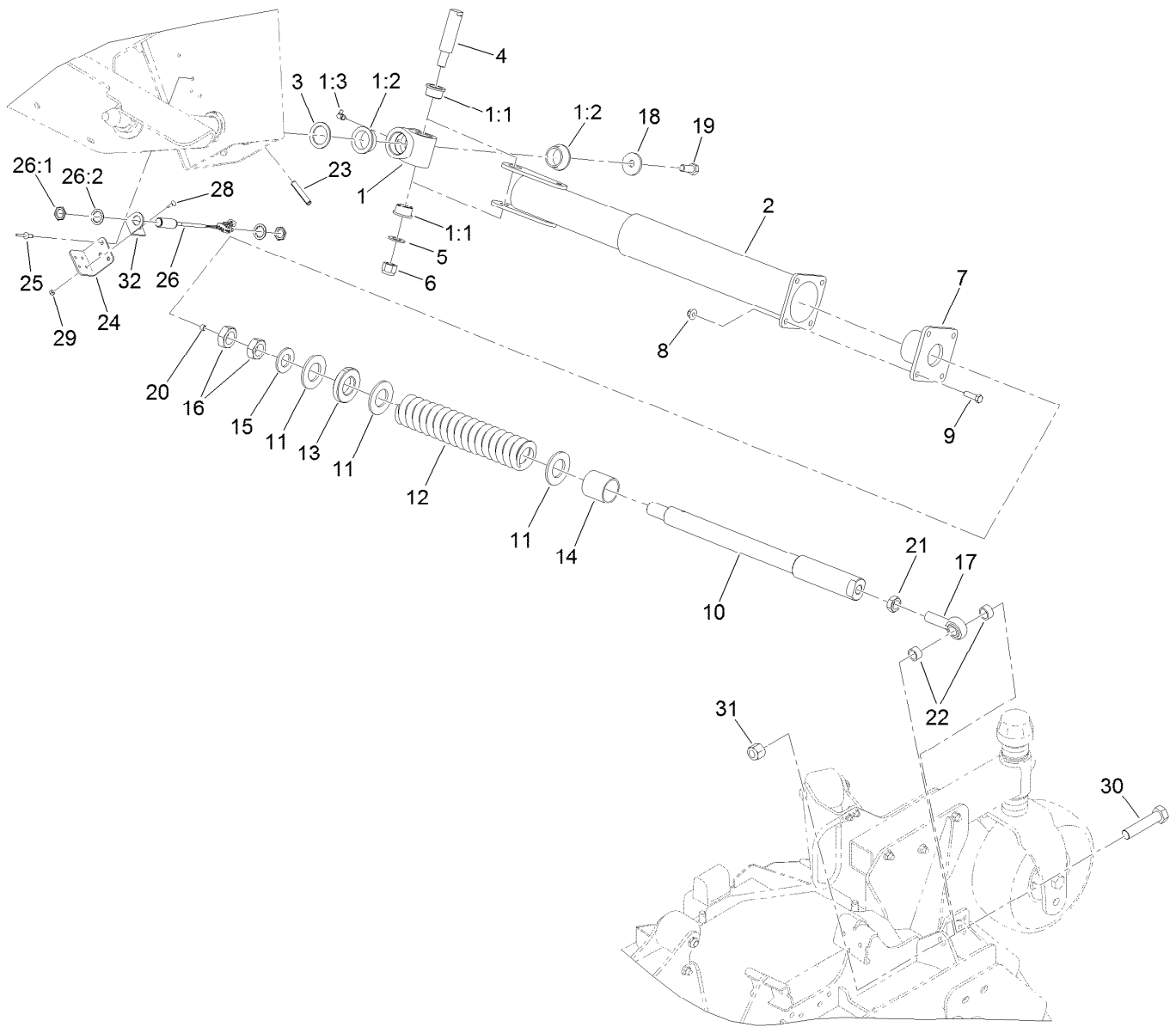
## Left Hand Deck Chamber Assembly

<i>Ref.</i>	<i>Part Number</i>	<i>Qty.</i>	<i>Description</i>
1	132-1600-01	1	Chamber-Inner, Left
2	131-6005-01	1	Chamber-Center, Left
3	131-6001-01	1	Chamber-Outer, Left
4	3230-10	12	Bolt-CARR
5	104-8300	12	Nut-HF, NI
6	133-2248-01	1	Deflector-LH



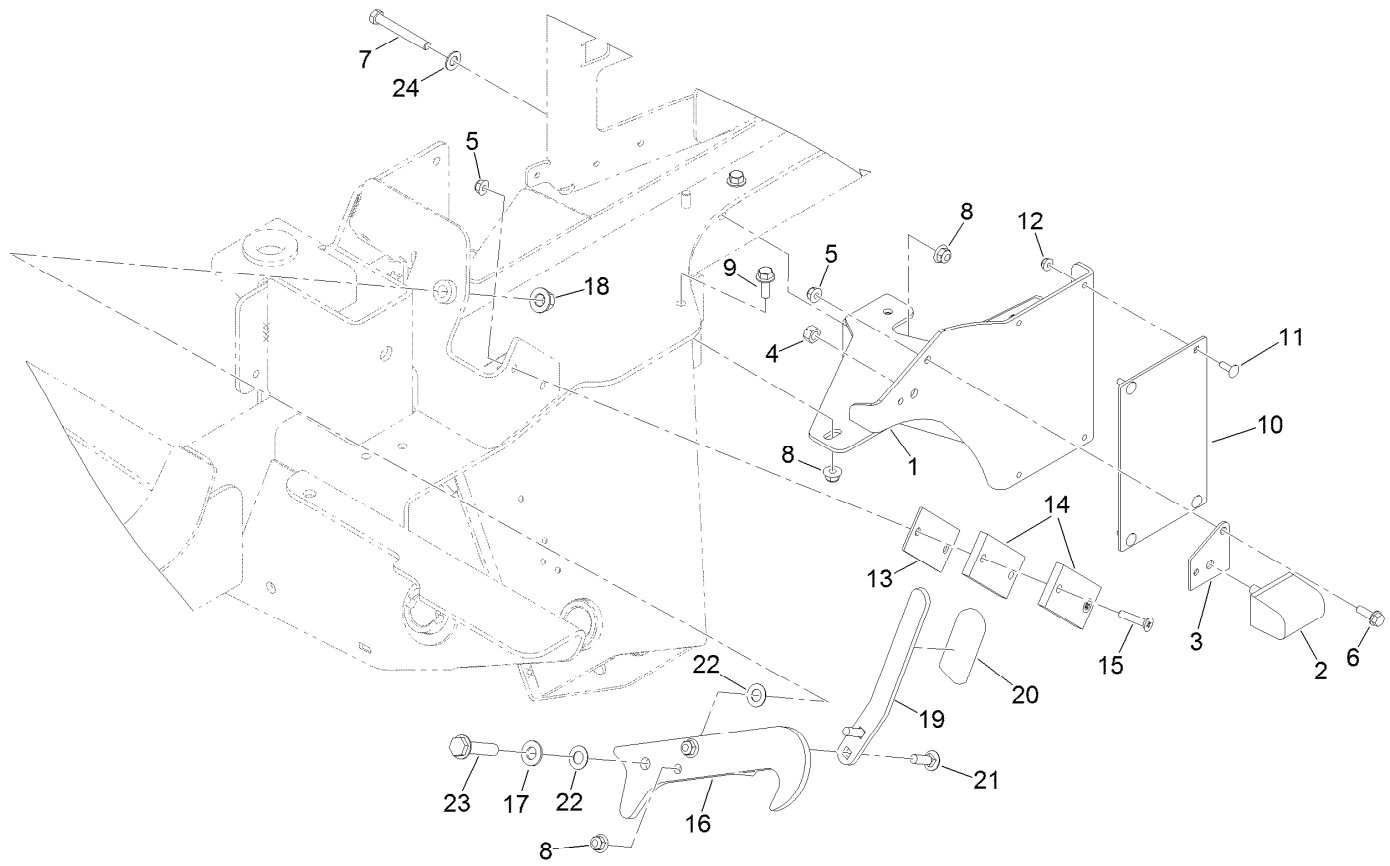
## Left Hand Deck Stop Assembly

Ref.	Part Number	Qty.	Description
1	33025-00	1	Nut-Lock, NI
2	87-3470	1	Bumper
3	325-14	2	Screw-HH
4	115-2144	2	Tube-Spacer
5	115-3366	2	Roller
6	3296-45	2	Nut-Hex
7	321-5	2	Screw-HH
8	130-9161	1	Support-Hose
9	104-7201	2	Nut-HF, NI



## Left Hand Deck Impact Arm and Limit Switch Assembly

Ref.	Part Number	Qty.	Description	Ref.	Part Number	Qty.	Description
1	115-5468	1	Pivot Hub ASM	16	3220-9	2	Nut-Jam
1:1	115-5469	2	Bushing-Flange	17	105-2806	1	End-Rod
1:2	114-5680	2	Bushing-Flange	18	106-2008	1	Washer-Thrust
1:3	302-60	1	Fitting-Grease	19	325-5	1	Screw-HH
2	112-7330-03	1	Arm-Impact, Rear	20	285-17	1	Plug-Pipe
3	98-1452	1	Washer-Thrust	21	3220-7	1	Nut-Jam
4	104-2281	1	Shaft-Pivot	22	74-3730	2	Spacer-Spindle, Rear
5	3256-27	1	Washer-Flat	23	117-5479	2	Pin-Spring
6	3296-53	1	Nut-Lock, NI	24	133-2236	1	Bracket-Support
7	114-5677-03	1	Housing	25	3290-412	3	Rivet-Blind
8	104-8301	4	Nut-HF, NI	26	115-5300	1	Proximity Switch ASM
9	323-7	4	Screw-HH	26:1	117-3207	2	Nut-Hex
10	117-9404	1	Shaft-Spring	26:2	117-3208	2	Washer-Lock, Internal Tooth
11	114-5986	3	Washer-Plain	28	3229-34	2	Screw-CARR
12	114-5993	1	Spring-Compression	29	3296-2	2	Nut-Lock, NI
13	114-5992	1	Bearing-Plastic	30	328-5	1	Screw-HH
14	114-5989	1	Bushing-Plain	31	3296-51	1	Nut-Lock, NI
15	3256-62	1	Washer-Flat	32	133-2235	1	Bracket-Sensor, Side

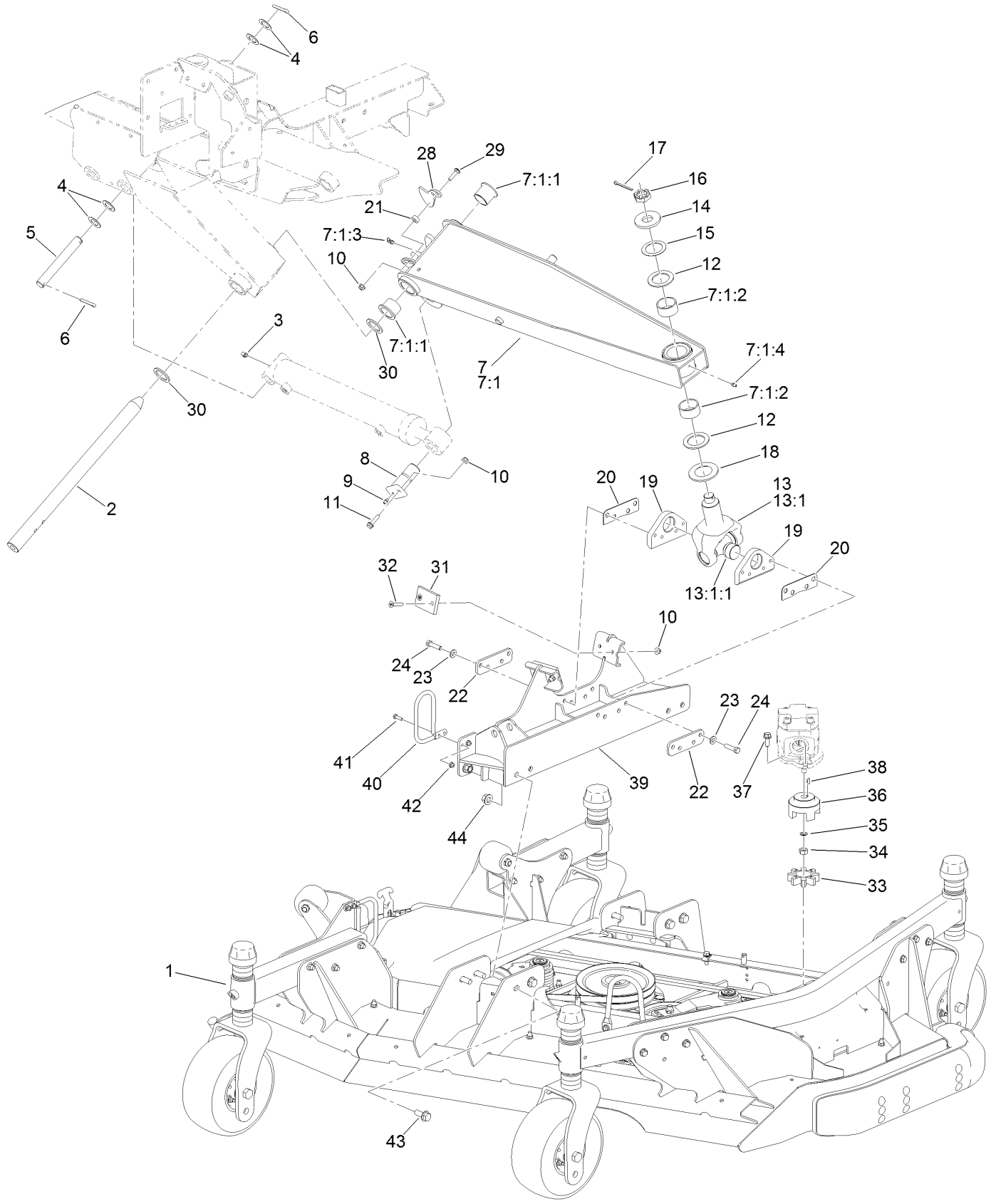


## Left Hand Deck Transport Lock Assembly

<i>Ref.</i>	<i>Part Number</i>	<i>Qty.</i>	<i>Description</i>
1	119-8275-01	1	Pad-Transport, LH
2	87-3470	1	Bumper
3	115-8826	1	Shim-Bumper
4	33025-00	1	Nut-Lock, NI
5	104-8300	3	Nut-HF, NI
6	3234-17	1	Screw-HHF
7	323-14	1	Screw-HH
8	104-8301	5	Nut-HF, NI
9	3234-42	2	Screw-HHF
10	117-5476	1	Pad-Roller
11	1-807512	4	Bolt-CARR
12	104-7201	4	Nut-HF, NI

<i>Ref.</i>	<i>Part Number</i>	<i>Qty.</i>	<i>Description</i>
13	114-5675	1	Shim-Pad
14	69-9300	2	Pad-Bumper
15	32108-107	2	Screw-FH
16	119-7723-03	1	Latch-Wing
17	3256-26	1	Washer-Flat
18	99-5107	1	Nut-Lock
19	114-5659-03	1	Handle-Latch
20	119-1846	1	Grip
21	3231-25	2	Bolt-CARR
22	104-3577	2	Washer
23	3234-46	1	Screw-HHF
24	52-2861	1	Washer

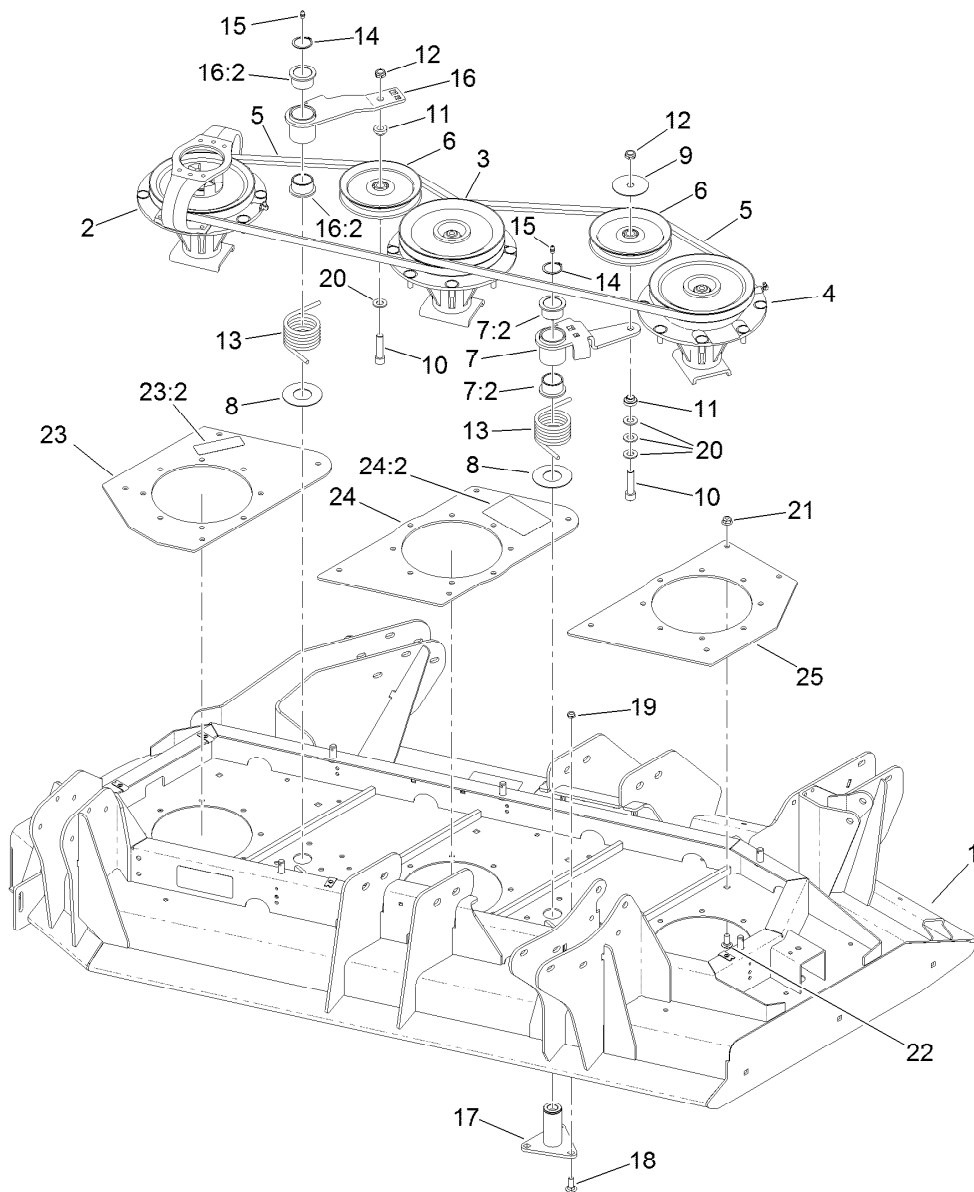
# Right Hand Deck Assembly



## Right Hand Deck Assembly (continued)

<i>Ref.</i>	<i>Part Number</i>	<i>Qty.</i>	<i>Description</i>	<i>Ref.</i>	<i>Part Number</i>	<i>Qty.</i>	<i>Description</i>
1	130-9240	1	Right Deck ASM	18	104-0720	1	Spacer
2	121-3882	1	Shaft-Pivot, Lift Arm	19	115-8870-03	2	Mount-Base
3	302-60	1	Fitting-Grease	20	104-0731	2	Shim
4	110-6767	4	Washer-Thrust	21	121-1759	2	Spacer
5	110-6006	1	Pin-Clevis	22	117-9419	2	Plate-Spacer
6	3272-30	2	Pin-Cotter	23	100-4852	8	Washer-Hardened
7	114-5650-01	1	RH Lift Arm ASM	24	323-43	8	Screw-HH
7:1		1	Arm-Lift, RH ●	28	112-7339	1	Plate-Sensing
7:1:1	69-6470	2	Bushing-Caster	29	3230-3	2	Screw-CARR
7:1:2	114-5596	2	Bushing-Straight	30	98-1452	2	Washer-Thrust
7:1:3	302-60	1	Fitting-Grease	31	69-9290	2	Pad-Bumper
7:1:4	302-5	1	Fitting-Grease	32	32108-107	4	Screw-FH
8	125-1912	1	Pin-Pivot	33	104-3542	1	Spider
9	302-5	1	Fitting-Grease	34	110-8815	1	Nut-Hex
10	104-8300	7	Nut-HF, NI	35	112-6957	1	Washer-Hardened
11	119-4036	1	Screw-HHF	36	104-3541	1	Hub-Spider
12	104-0721	2	Washer-Thrust	37	3234-42	2	Screw-HHF
13	114-5640-03	1	Joint Yoke ASM	38	3257-3	1	Key-Woodruff
13:1		1	Yoke-Joint ●	39	131-6012-01	1	Connection-Deck, RH
13:1:1	104-4299	1	Cross And Bearing Kit	40	130-9161	1	Support-Hose
14	104-0719	1	Washer-Hardened	41	321-5	2	Screw-HH
15	114-5641	1	Washer-Thrust	42	104-7201	2	Nut-HF, NI
16	99-3139	1	Nut-Slotted	43	3234-38	8	Screw-HHF
17	3272-25	1	Pin-Cotter	44	99-5107	8	Nut-Lock

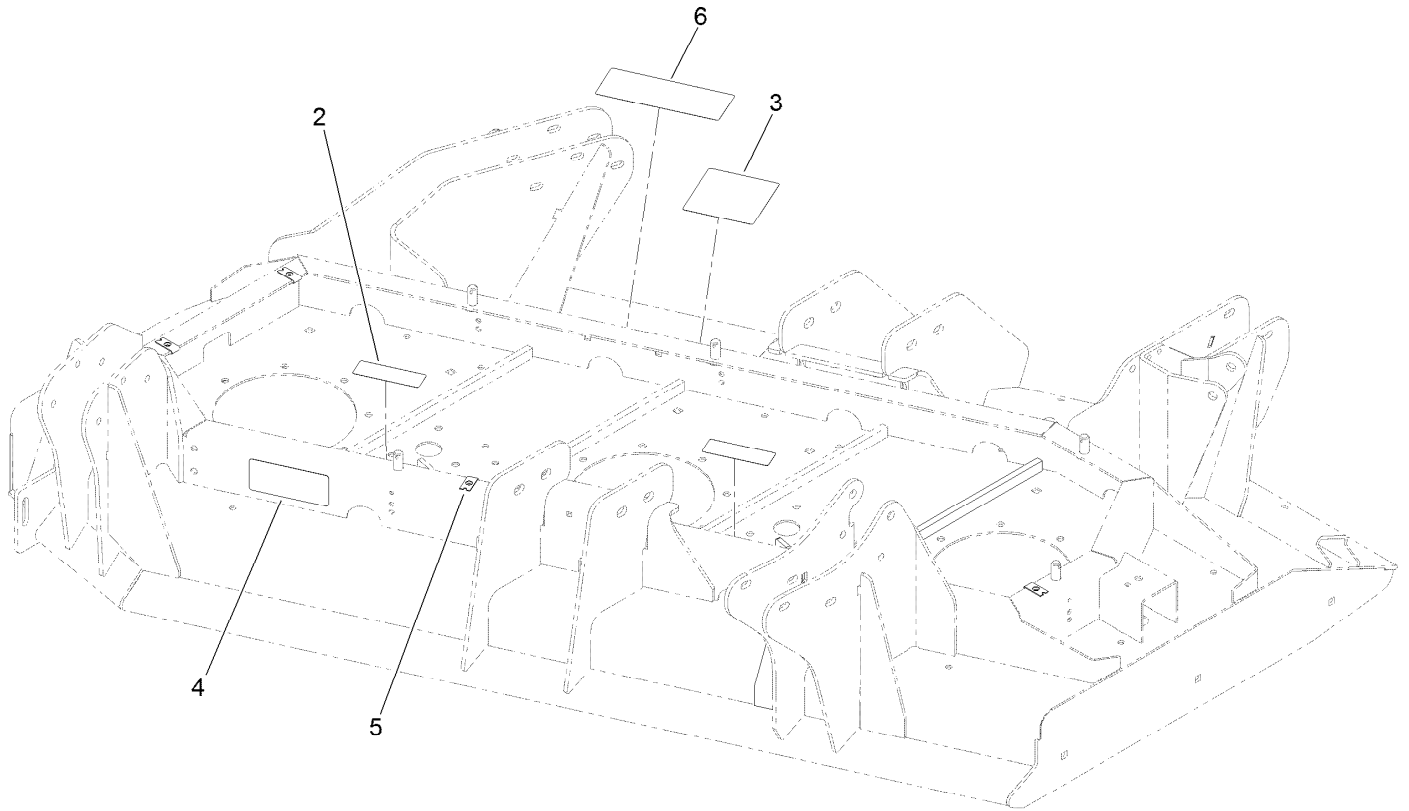
● Not serviced separately



## Right Hand Deck Belt and Spindle Assembly

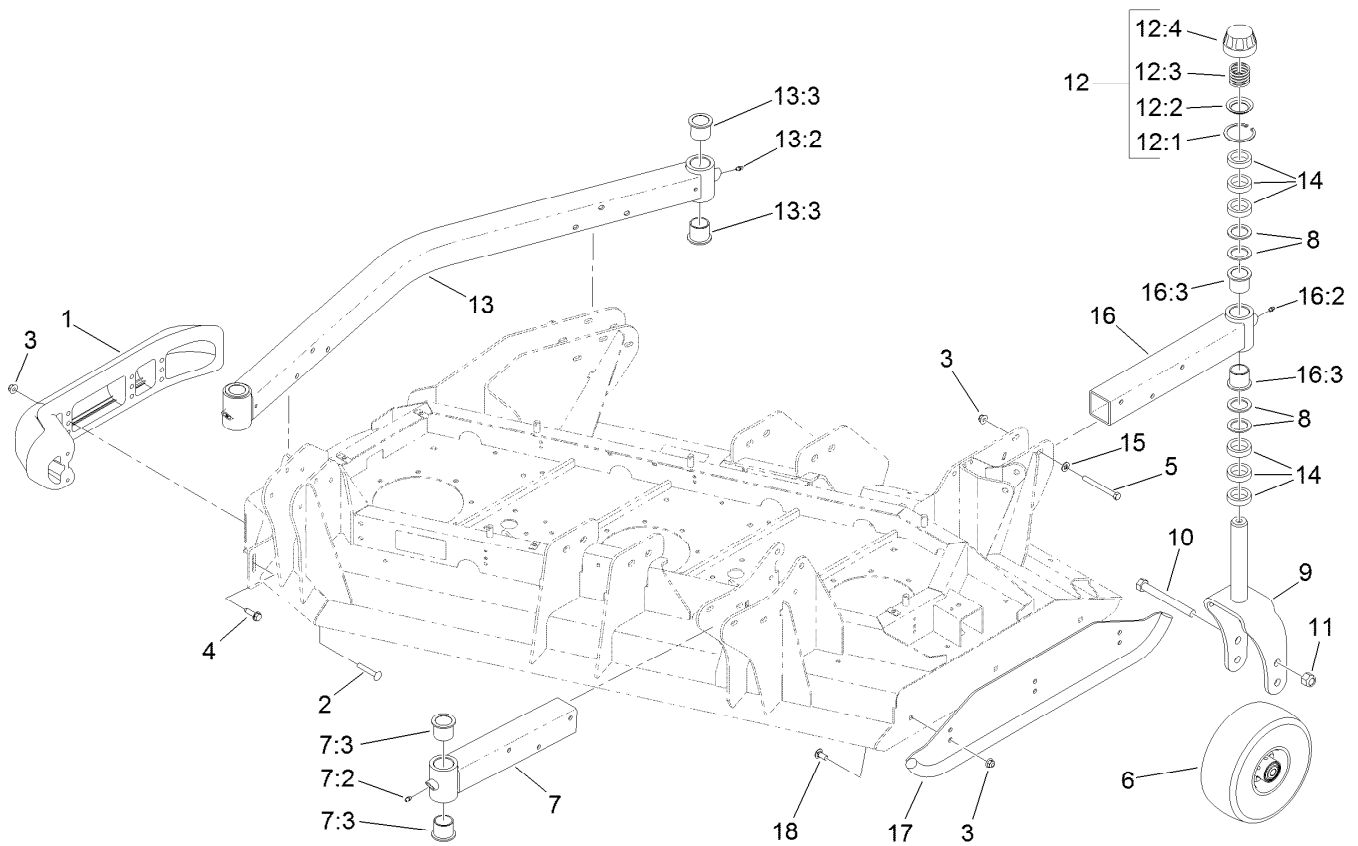
Ref.	Part Number	Qty.	Description	Ref.	Part Number	Qty.	Description
1	130-9241	1	Right Deck ASM	15	302-5	2	Fitting-Grease
2	131-0768	1	Driving Spindle ASM	16	108-1930	1	Idler Arm ASM
3	117-9234	1	Double Spindle ASM	16:2	93-4510	2	Bushing-Caster
4	117-9233	1	High Spindle ASM	17	114-0997	2	Pivot-Idler
5	112-7377	2	Belt-V, B	18	3231-2	6	Bolt-CARR
6	01-268-0160	2	Pulley-Idler	19	3296-59	6	Nut-Lock, NI
7	117-9176	1	Idler Arm ASM	20	3256-26	4	Washer-Flat
7:2	93-4510	2	Bushing-Caster	21	104-8301	12	Nut-HF, NI
8	108-1926	2	Washer	22	3231-27	12	Screw-CARR
9	100-3102	1	Washer-Flat	23	132-1617	1	Outer Spindle Plate ASM
10	3274-5	2	Screw-HSH	23:2	117-4979	1	Decal-Warning
11	108-1924	2	Spacer-Idler	24	132-1618	1	Center Spindle Plate ASM
12	3296-45	2	Nut-Hex	24:2	114-0974	1	Decal-Belt Routing, Deck (RH)
13	108-1921	2	Spring-Torsion	25	132-1615-01	1	Plate-Spindle, Inner
14	32120-84	2	Ring-Snap, External				





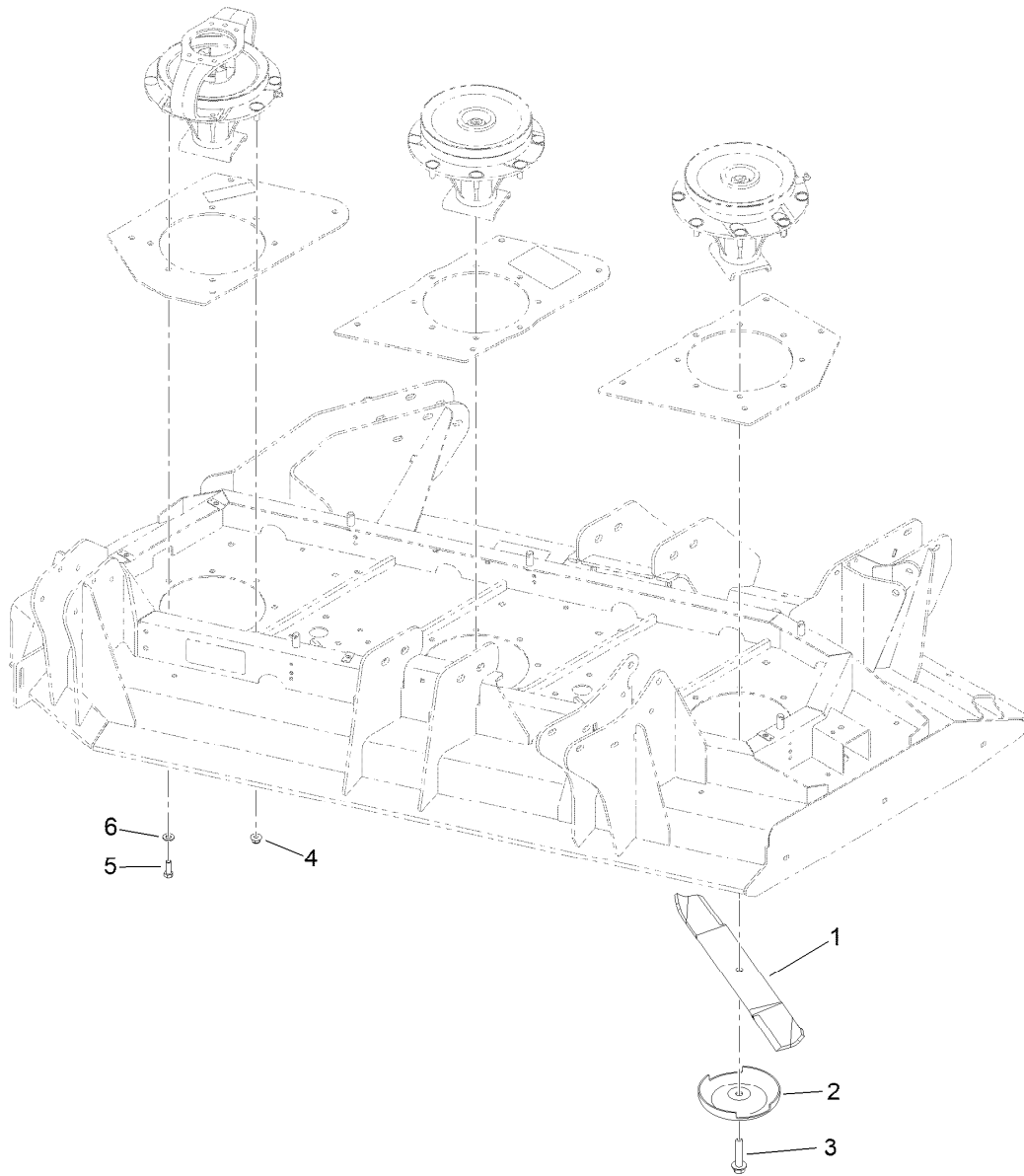
## Right Hand Deck Decal Assembly No. 130-9241

<i>Ref.</i>	<i>Part Number</i>	<i>Qty.</i>	<i>Description</i>
2	117-4979	2	Decal-Warning
3	120-6604	1	Decal-Danger
4	93-7818	1	Decal-Torque, Blade Bolt
5	110-3510	4	Nut-Retainer
6	131-6027	1	Decal-HOC



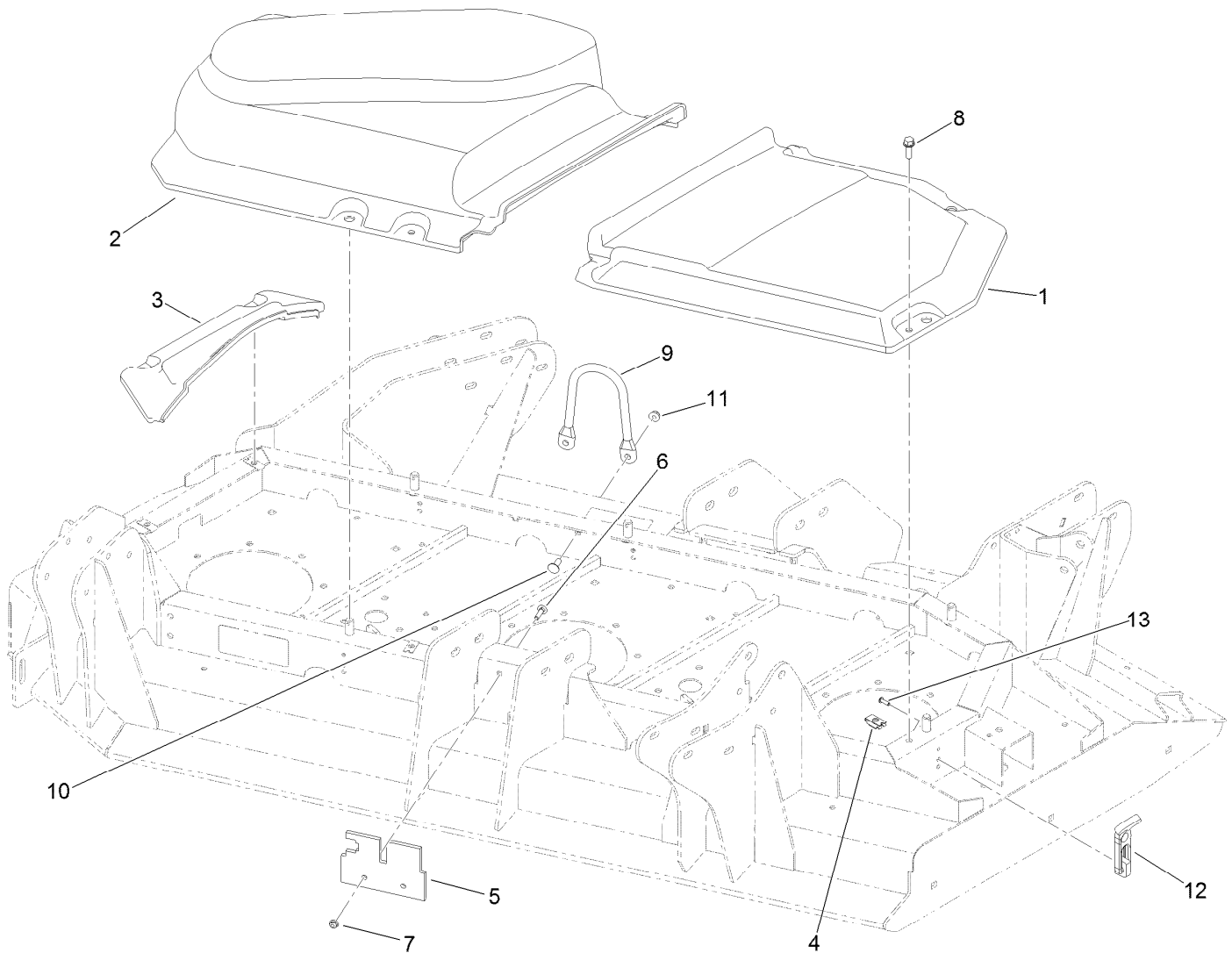
## Right Hand Deck Roller, Skid and Caster Wheel Assembly

Ref.	Part Number	Qty.	Description	Ref.	Part Number	Qty.	Description
1	112-1479	1	Skid-Bumper, Deck	12:1	92-5581	1	Ring-Rtng, Snap, Int, Flat
2	3231-33	2	Screw-CARR	12:2	92-5583	1	Washer-Cap
3	104-8301	17	Nut-HF, NI	12:3	92-9726	1	Spring-Compression
4	9136144	1	Screw-HWHTF	12:4	92-8861	1	Cap-HOC
5	323-42	12	Screw-HH	13	114-0953	1	HOC Castor Arm ASM
6	93-4240	4	10 Inch Wheel ASM	13:2	302-5	2	Fitting-Grease
7	131-6042	1	Caster Arm ASM	13:3	69-6470	4	Bushing-Caster
7:2	302-5	1	Fitting-Grease	14	69-1510	24	Spacer
7:3	69-6470	2	Bushing-Caster	15	3256-24	12	Washer-Plain
8	69-6860	16	Washer-Thrust	16	131-6047	1	Caster Arm ASM
9	130-7784-01	4	Fork-Caster	16:2	302-5	1	Fitting-Grease
10	327-24	4	Screw-HH	16:3	69-6470	2	Bushing-Caster
11	3296-53	4	Nut-Lock, NI	17	131-6034-01	1	Skid-Deck
12	92-9727	4	HOC Cap ASM	18	3231-27	3	Screw-CARR



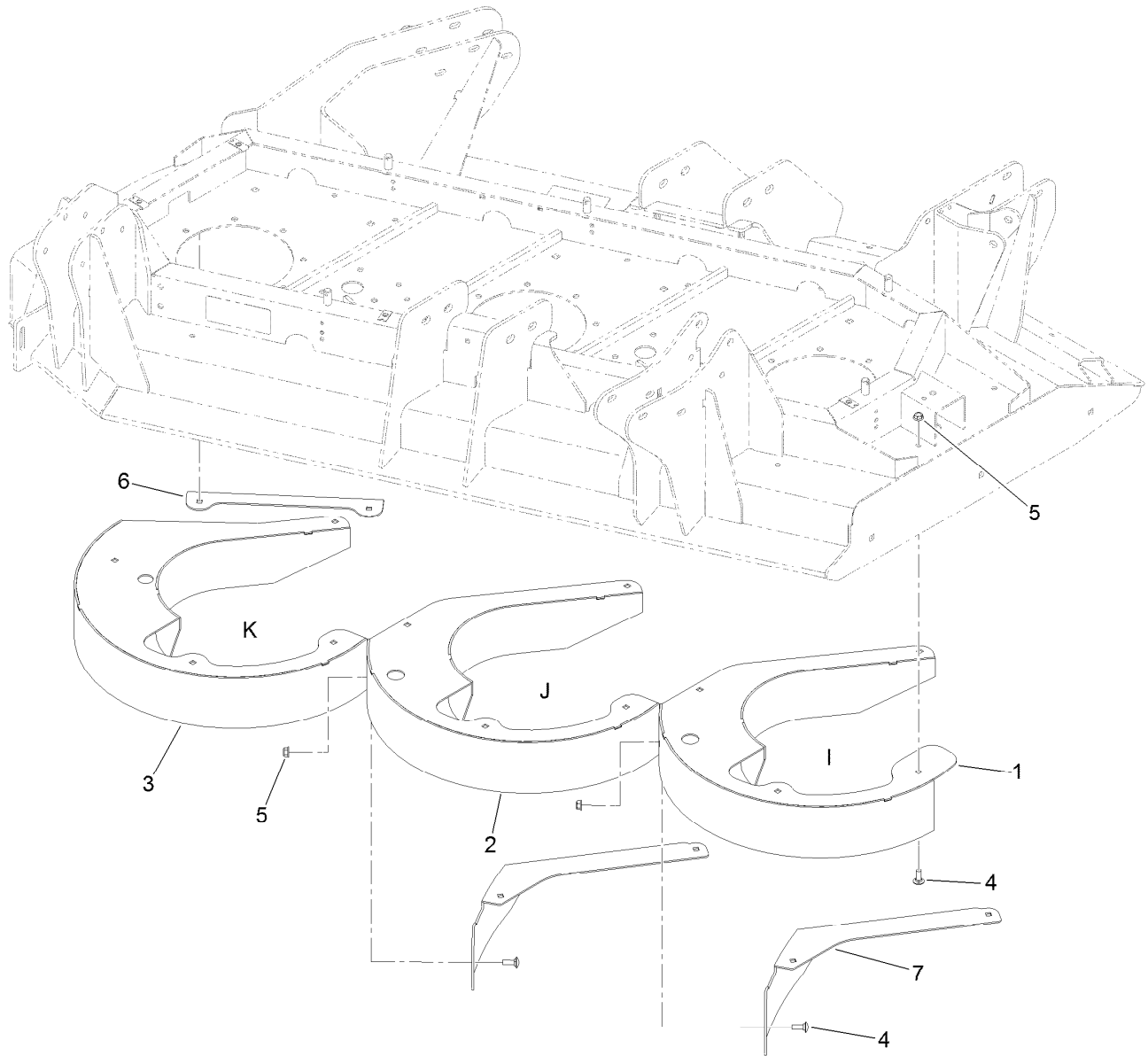
## Right Hand Deck Spindle and Blade Assembly

<i>Ref.</i>	<i>Part Number</i>	<i>Qty.</i>	<i>Description</i>
1	130-9151	3	Blade-20 In
2	72-9361	3	Cup-Scalp, Anti
3	92-5816	3	Bolt-Blade
4	104-8301	20	Nut-HF, NI
5	323-6	4	Screw-HH
6	3256-24	4	Washer-Plain



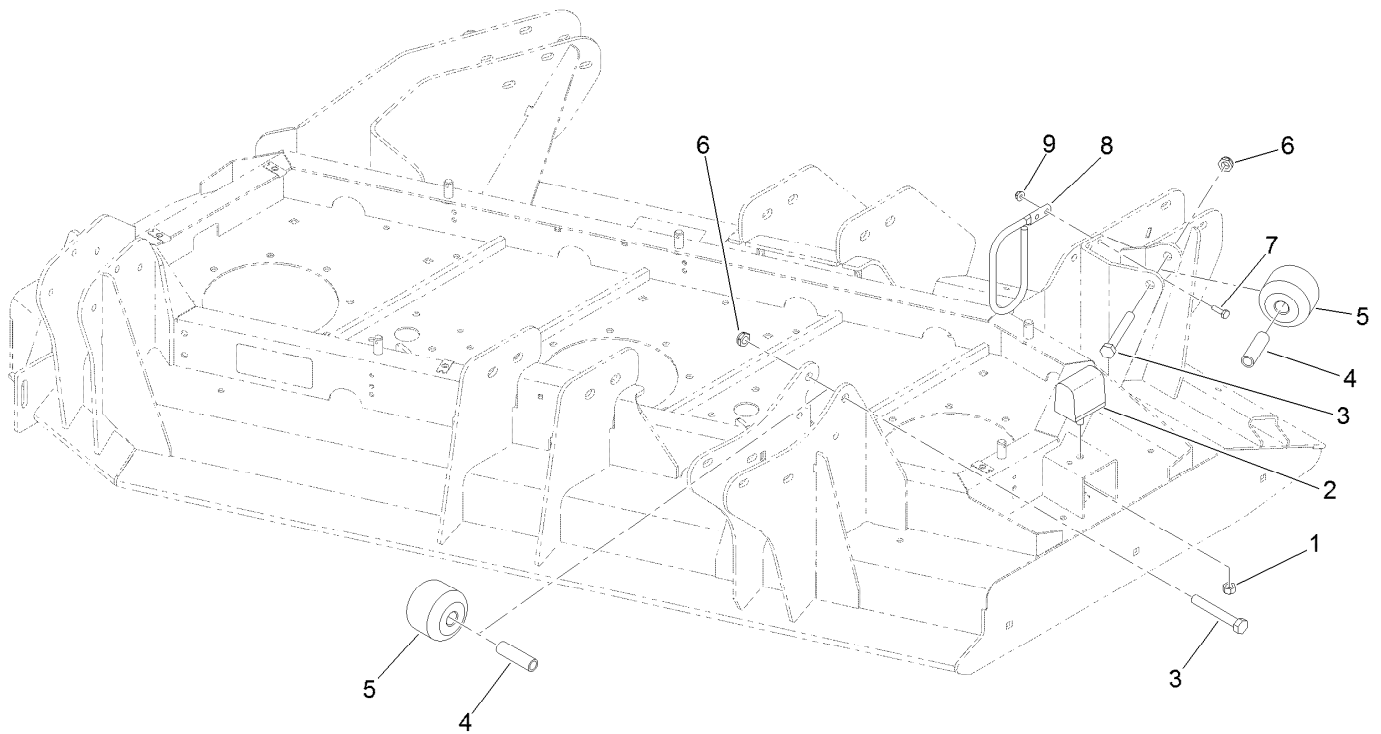
## Right Hand Deck Belt Cover Assembly

<i>Ref.</i>	<i>Part Number</i>	<i>Qty.</i>	<i>Description</i>
1	114-5635	1	Cover-Deck, RH Wing (Inside)
2	114-5636	1	Cover-Deck, RH Wing (Outside)
3	114-5638	1	Cover-Deck, RH Wing (Fixed)
4	110-3510	4	Nut-Retainer
5	115-3363	1	Deflector-Debris, Side Deck
6	3229-2	2	Screw-CARR
7	104-7201	2	Nut-HF, NI
8	3234-29	4	Screw-HHF
9	115-3362	1	Guide-Hose
10	3230-10	2	Bolt-CARR
11	104-8300	2	Nut-HF, NI
12	103-4080	4	Latch-Rubber
13	3274-39	8	Screw-HSBH



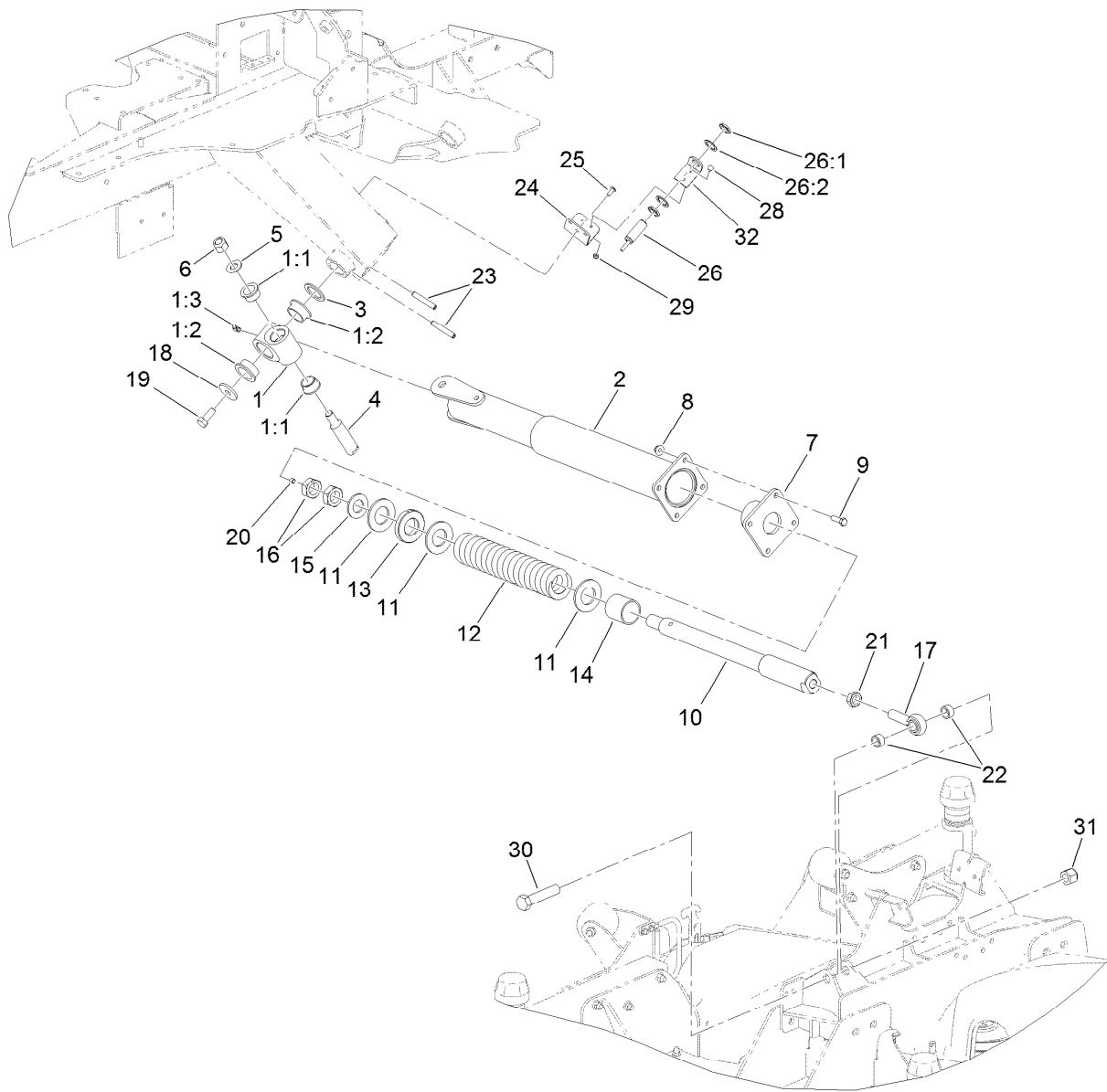
## Right Hand Deck Chamber Assembly

<i>Ref.</i>	<i>Part Number</i>	<i>Qty.</i>	<i>Description</i>
1	132-1637-01	1	Chamber-Inner, Right
2	132-1634-01	1	Chamber-Center, Right
3	132-1630-01	1	Chamber-Outer, Right
4	3230-10	20	Bolt-CARR
5	104-8300	20	Nut-HF, NI
6	133-2249-01	1	Deflector-RH
7	133-2205-01	2	Deflector



## Right Hand Deck Stop Assembly

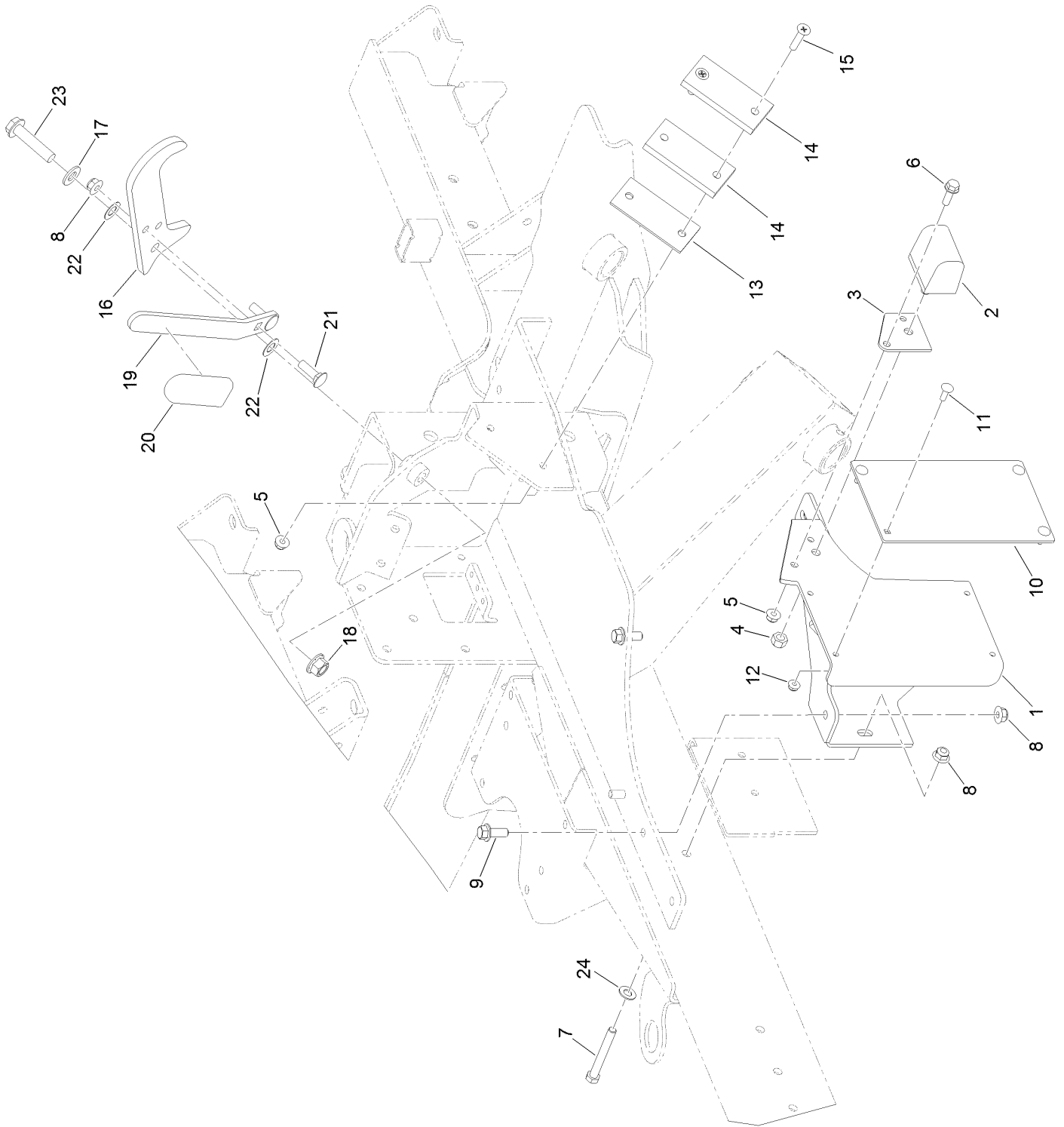
Ref.	Part Number	Qty.	Description
1	33025-00	1	Nut-Lock, NI
2	87-3470	1	Bumper
3	325-14	2	Screw-HH
4	115-2144	2	Tube-Spacer
5	115-3366	2	Roller
6	3296-45	2	Nut-Hex
7	321-5	2	Screw-HH
8	130-9161	1	Support-Hose
9	104-7201	2	Nut-HF, NI



## Right Hand Deck Impact Arm and Limit Switch Assembly

Ref.	Part Number	Qty.	Description	Ref.	Part Number	Qty.	Description
1	115-5468	1	Pivot Hub ASM	16	3220-9	2	Nut-Jam
1:1	115-5469	2	Bushing-Flange	17	105-2806	1	End-Rod
1:2	114-5680	2	Bushing-Flange	18	106-2008	1	Washer-Thrust
1:3	302-60	1	Fitting-Grease	19	325-5	1	Screw-HH
2	112-7330-03	1	Arm-Impact, Rear	20	285-17	1	Plug-Pipe
3	98-1452	1	Washer-Thrust	21	3220-7	1	Nut-Jam
4	104-2281	1	Shaft-Pivot	22	74-3730	2	Spacer-Spindle, Rear
5	3256-27	1	Washer-Flat	23	117-5479	2	Pin-Spring
6	3296-53	1	Nut-Lock, NI	24	133-2236	1	Bracket-Support
7	114-5677-03	1	Housing	25	3290-412	3	Rivet-Blind
8	104-8301	4	Nut-HF, NI	26	115-5300	1	Proximity Switch ASM
9	323-7	4	Screw-HH	26:1	117-3207	2	Nut-Hex
10	117-9404	1	Shaft-Spring	26:2	117-3208	2	Washer-Lock, Internal Tooth
11	114-5986	3	Washer-Plain	28	3229-34	2	Screw-CARR
12	114-5993	1	Spring-Compression	29	3296-2	2	Nut-Lock, NI
13	114-5992	1	Bearing-Plastic	30	328-5	1	Screw-HH
14	114-5989	1	Bushing-Plain	31	3296-51	1	Nut-Lock, NI
15	3256-62	1	Washer-Flat	32	133-2235	1	Bracket-Sensor, Side

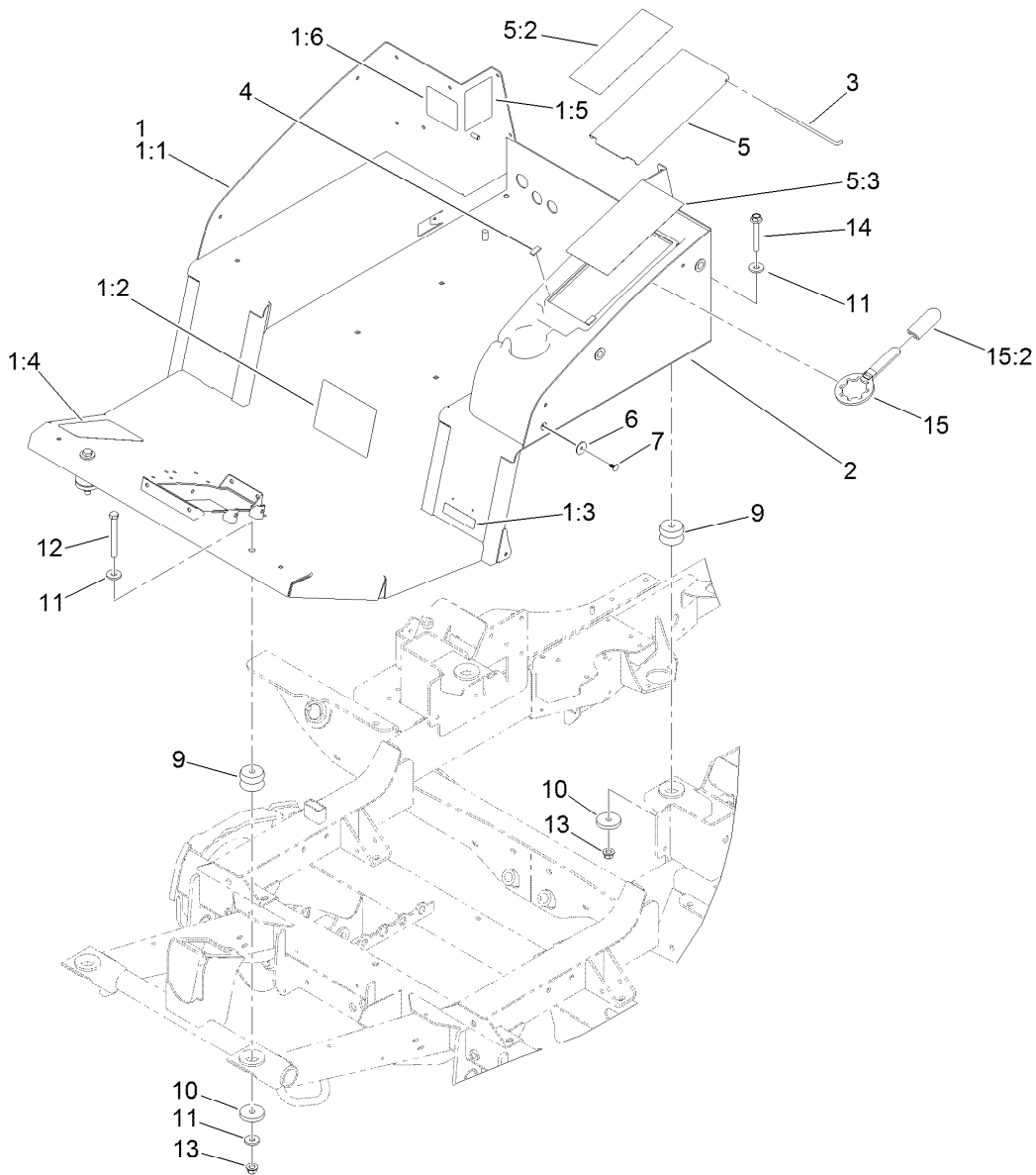
# Right Hand Deck Transport Lock Assembly





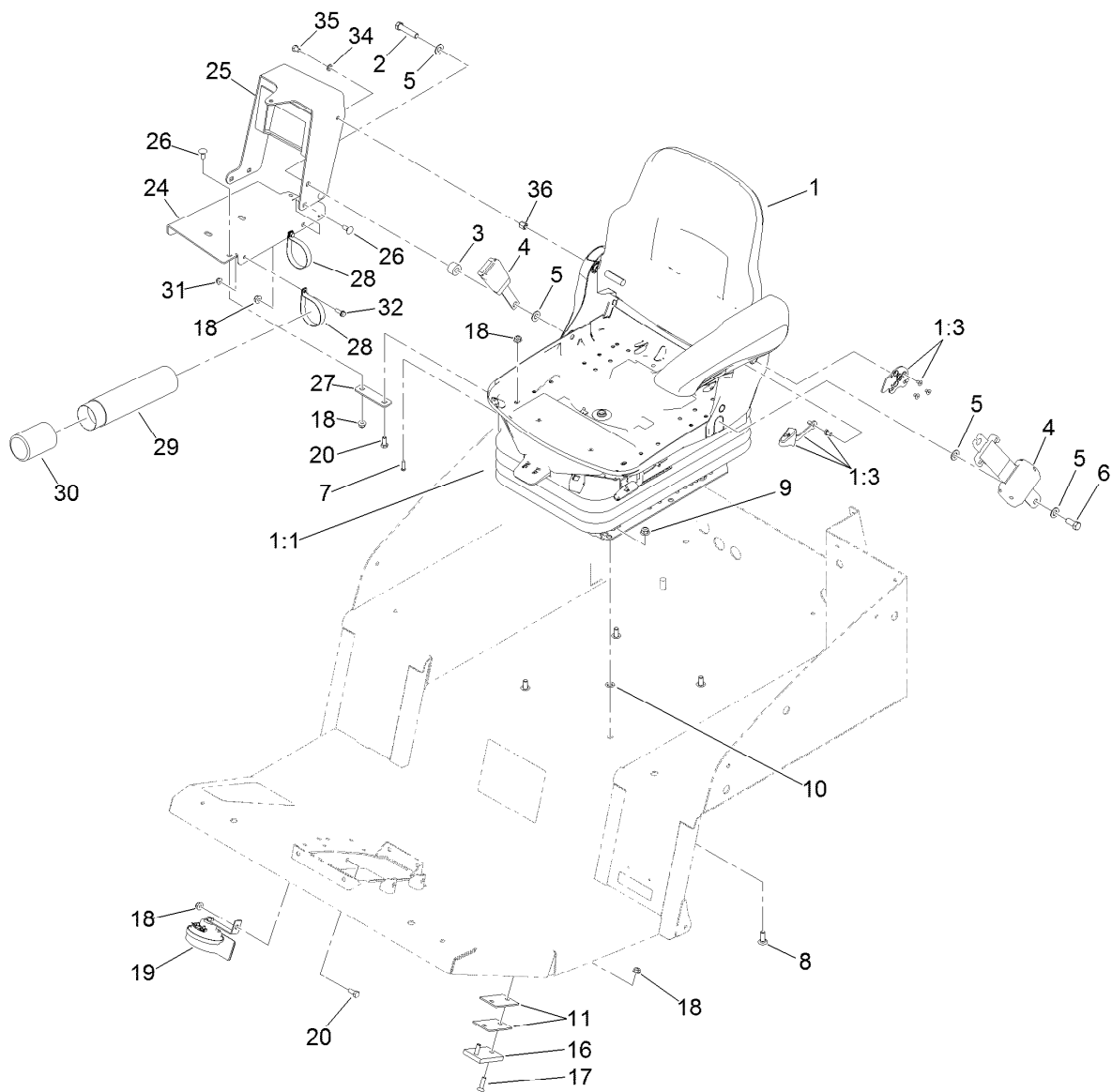
## Right Hand Deck Transport Lock Assembly (continued)

<i>Ref.</i>	<i>Part Number</i>	<i>Qty.</i>	<i>Description</i>	<i>Ref.</i>	<i>Part Number</i>	<i>Qty.</i>	<i>Description</i>
1	119-8270-01	1	Pad-Transport, RH	13	114-5675	1	Shim-Pad
2	87-3470	1	Bumper	14	69-9300	2	Pad-Bumper
3	115-8826	1	Shim-Bumper	15	32108-107	2	Screw-FH
4	33025-00	1	Nut-Lock, NI	16	119-7723-03	1	Latch-Wing
5	104-8300	3	Nut-HF, NI	17	3256-26	1	Washer-Flat
6	3234-17	1	Screw-HHF	18	99-5107	1	Nut-Lock
7	323-14	1	Screw-HH	19	114-5659-03	1	Handle-Latch
8	104-8301	5	Nut-HF, NI	20	119-1846	1	Grip
9	3234-42	2	Screw-HHF	21	3231-25	2	Bolt-CARR
10	117-5476	1	Pad-Roller	22	104-3577	2	Washer
11	1-807512	4	Bolt-CARR	23	3234-46	1	Screw-HHF
12	104-7201	4	Nut-HF, NI	24	52-2861	1	Washer



## Platform Assembly

<i>Ref.</i>	<i>Part Number</i>	<i>Qty.</i>	<i>Description</i>	<i>Ref.</i>	<i>Part Number</i>	<i>Qty.</i>	<i>Description</i>
1	130-9100	1	Platform ASM	5:2	117-2754	1	Decal-Warning
1:1	130-9101-01	1	Platform	5:3	132-1407	1	Decal-Service
1:2	132-1321	1	Decal-Instructions, Operating	6	3256-55	8	Washer-Flat
1:3	117-2718	1	Decal-Arrester, Spark	7	117-2382	9	Plug-Plastic
1:4	114-0849	1	Decal-Pedal, Traction	9	110-5954	4	Mount-Center, Bonded
1:5	132-1314	1	Decal-Fuse	10	115-5519	4	Washer-Plain
1:6	132-1406	1	Decal-Release, Parking Brake	11	92-2651	6	Washer
2	112-7316	1	Cover-Storage, Center	12	702093	2	Screw-HH
3	114-5508	1	Rod-Hinge	13	99-5107	4	Nut-Lock
4	115-5417	2	Strip-Foam	14	126-3900	2	Screw-HHF
5	132-1419	1	Lid-Center, Storage	15	121-3874	1	Wrench ASM
				15:2	119-1846	1	Grip

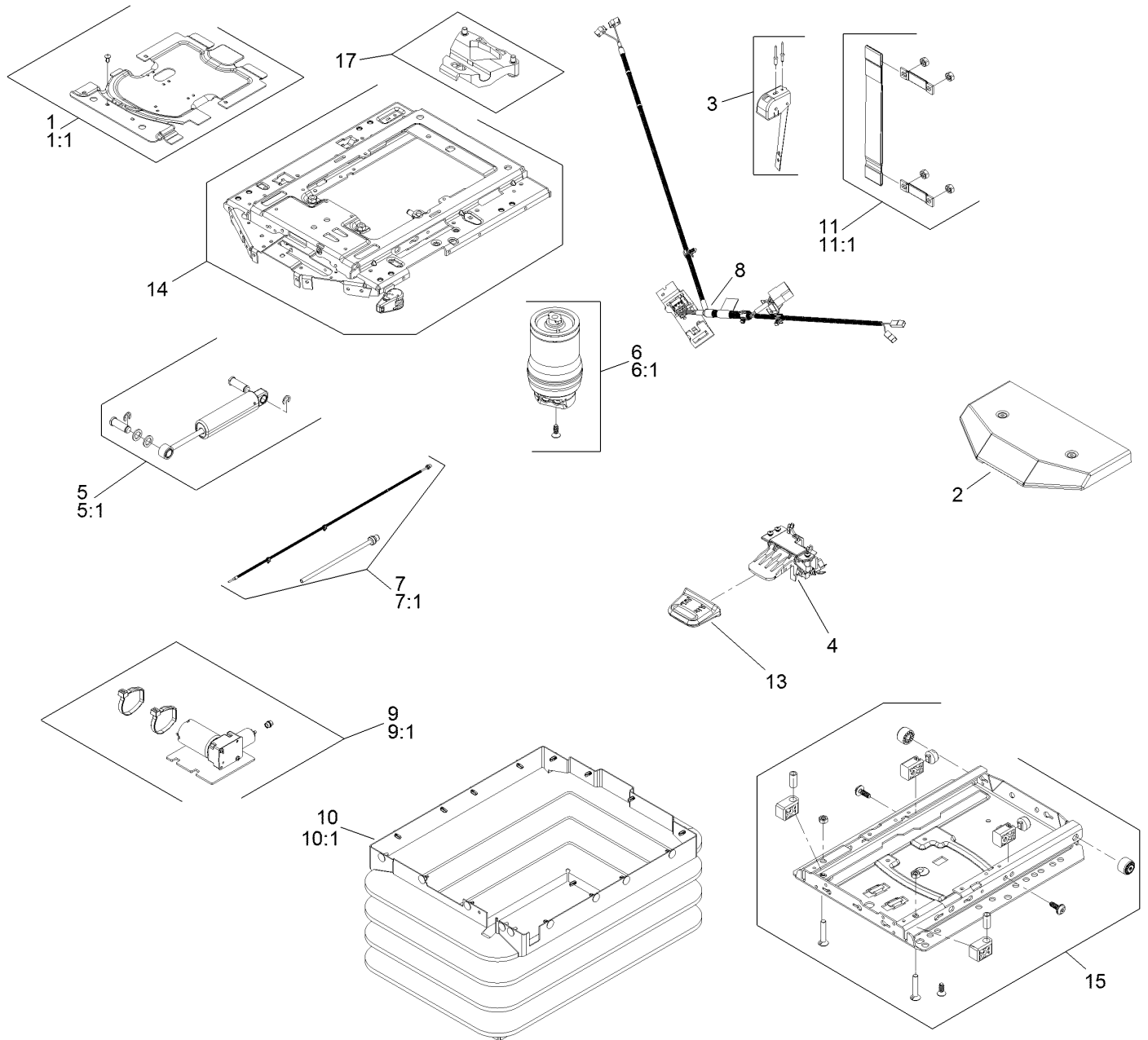


## Seat Mount Assembly

Ref.	Part Number	Qty.	Description	Ref.	Part Number	Qty.	Description
1		1	Seat And Suspension ASM	18	104-8300	11	Nut-HF, NI
1:1	130-2702	1	Air Ride Seat Suspension	19	116749	1	Horn
1:3	132-1304	1	Backrest Adjustment Kit	20	322-3	2	Screw-HH
2	3212-8	1	Screw-HH	24	131-2355-03	1	Support-Arm
3	17-7190	1	Spacer-Finger	25	131-2352-03	1	Channel-Support
4	110-0413	1	Seatbelt-Retractable	26	3230-1	5	Bolt-CARR
5	3256-25	4	Washer-Flat	27	131-2351-03	1	Strap-Support
6	3212-4	1	Screw-HH	28	107-1865	2	R-Clamp
7	119-7742	1	Screw-Cushion	29	104-7050	1	Tube-Manual
8	3231-22	4	Screw-CARR	30	104-7048	1	Cap-Housing
9	104-8301	6	Nut-HF, NI	31	104-7201	2	Nut-HF, NI
10	107-3154	4	Nut-Push	32	32105-15	2	Screw-HWH
11	114-5553	4	Shim-Pad	34	3253-4	1	Washer-Lock
16	69-9290	2	Pad-Bumper	35	33114-010	1	Screw-HH
17	32108-103	4	Screw-FH	36	112-7405	1	Nut-Hex, Coupling

● Not serviced separately

# Air Ride Seat Suspension Assembly No. 130-2702

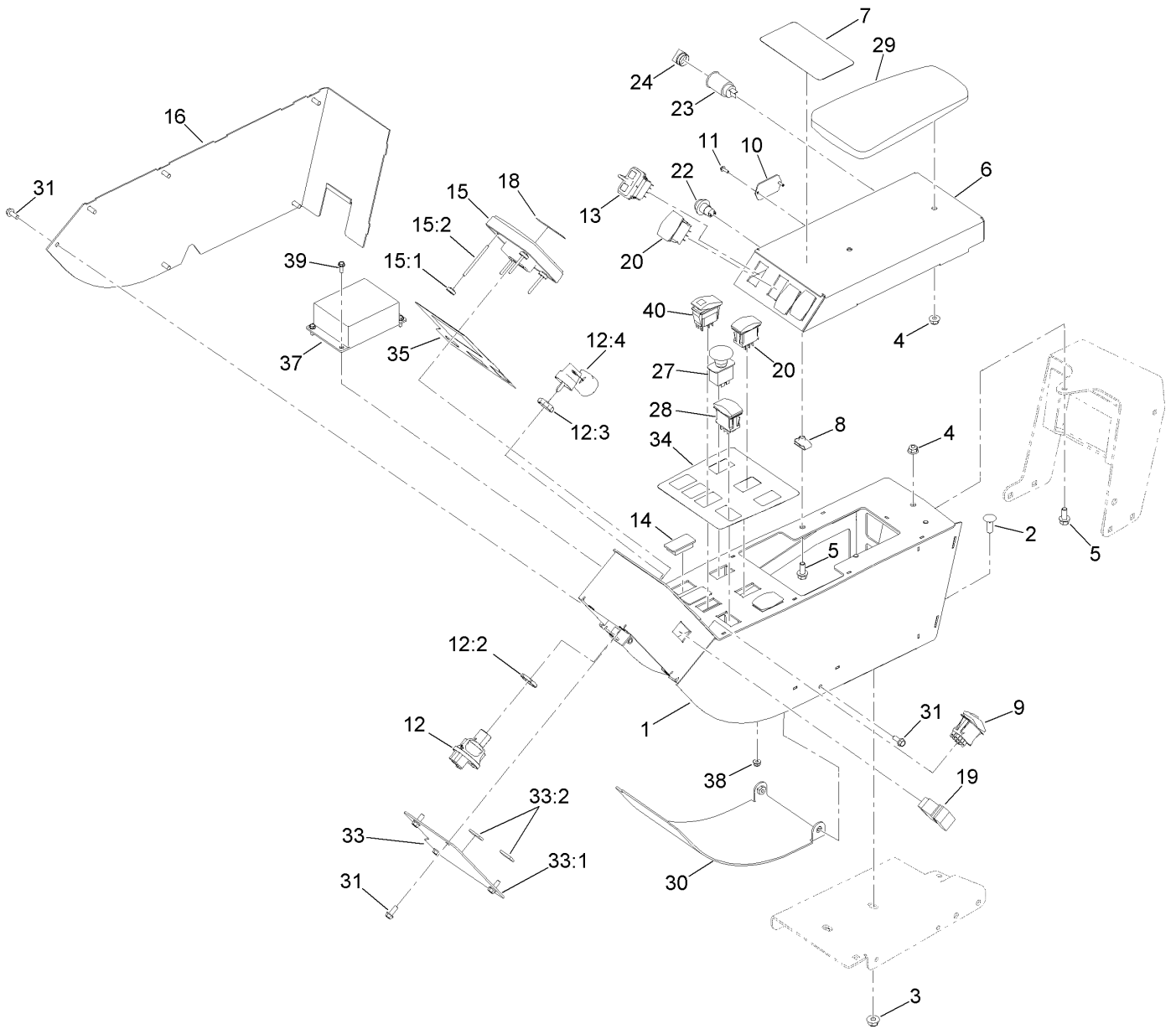


# Air Ride Seat Suspension Assembly No. 130-2702 (continued)

<i>Ref.</i>	<i>Part Number</i>	<i>Qty.</i>	<i>Description</i>	<i>Ref.</i>	<i>Part Number</i>	<i>Qty.</i>	<i>Description</i>
1	130-2709	1	Cover ASM	9	130-2719	1	Compressor
1:1	130-2710	1	Cover Kit	9:1	130-2720	1	Compressor Kit
2	108-8027	1	Cover	10	130-2721	1	Bellows ASM
3	130-2711	1	Control-Level	10:1	130-2722	1	Bellows Kit
4	108-8029	1	Valve-Control, Air	11	130-2723	1	Tether
5	130-2712	1	Shock Absorber ASM	11:1	130-2724	1	Tether Kit
5:1	130-2713	1	Shock Absorber Kit	12	130-2725	1	Wear Parts Kit ●
6	130-2714	1	Air Spring ASM	13	130-2726	1	Handle
6:1	130-2715	1	Air Spring Kit	14	130-2727	1	Upper Suspension Kit
7	130-2716	1	Air Tube ASM	15	130-2728	1	Lower Suspension Kit
7:1	130-2717	1	Air Tube Kit	16	130-2729	1	Adjuster Mounting Kit ●
8	130-2718	1	Harness-Wire	17	130-2730	1	Limiters-Thrust

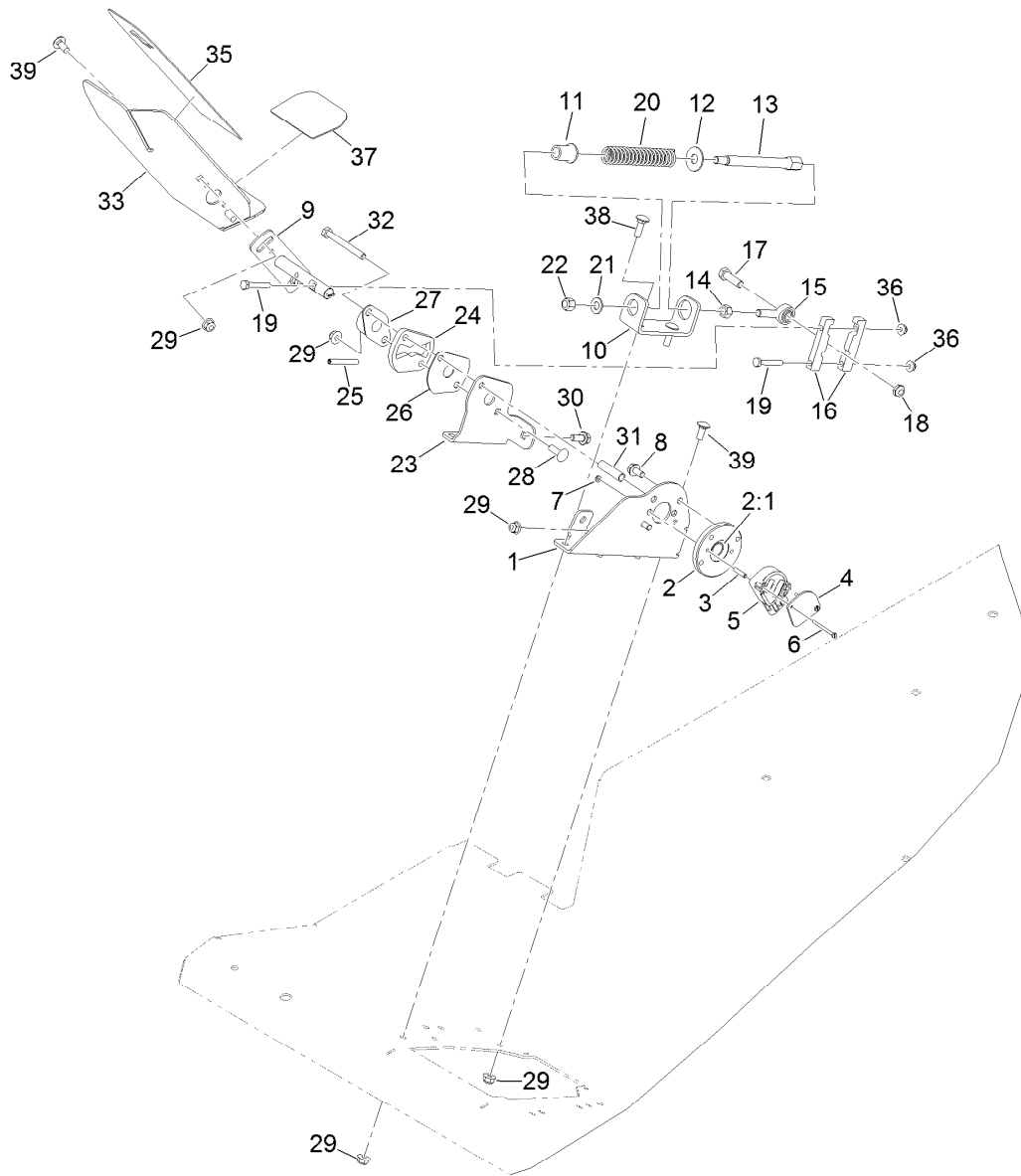
● Not illustrated

# Control Console Assembly



## Control Console Assembly (continued)

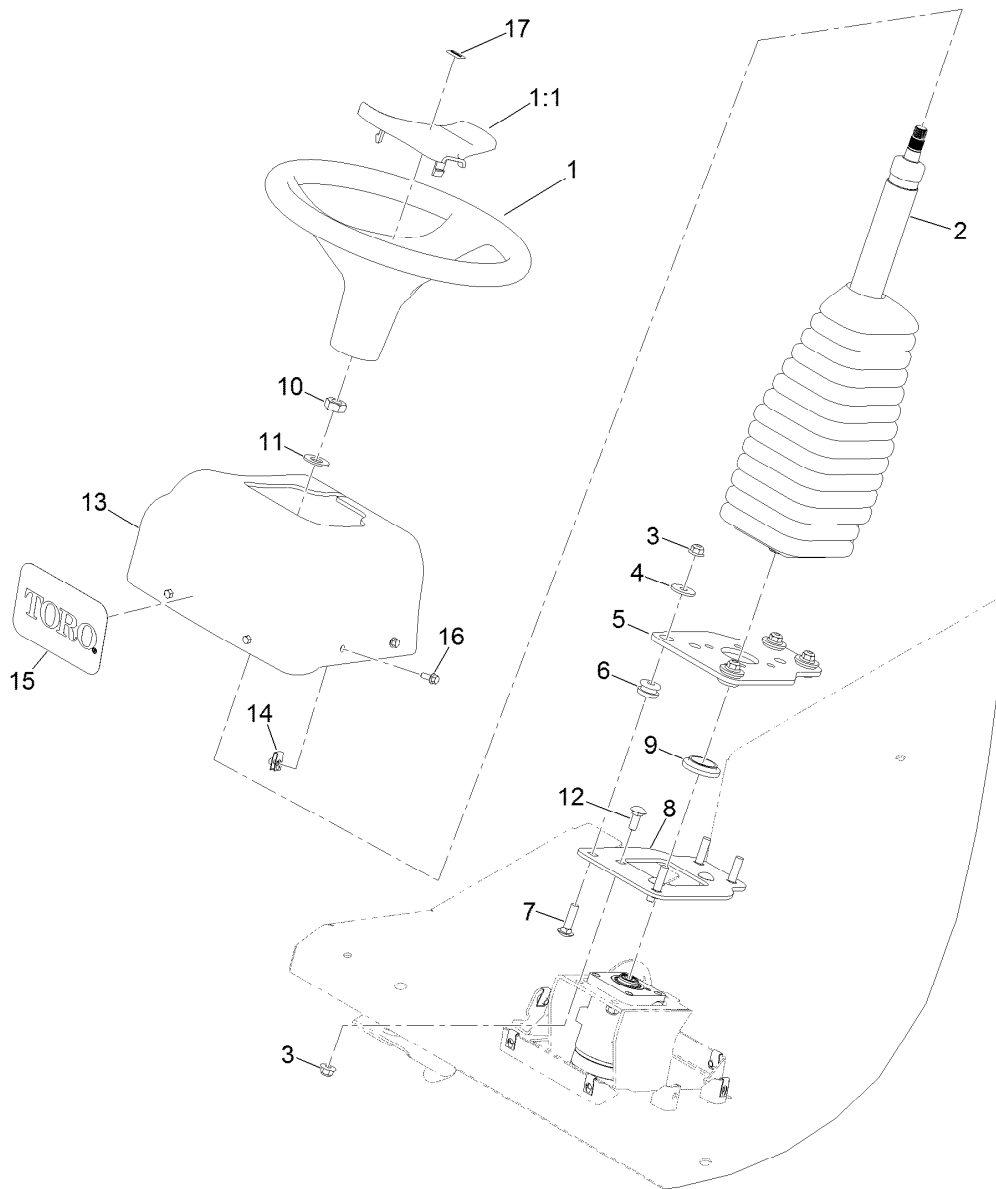
<i>Ref.</i>	<i>Part Number</i>	<i>Qty.</i>	<i>Description</i>	<i>Ref.</i>	<i>Part Number</i>	<i>Qty.</i>	<i>Description</i>
1	131-2329	1	Control Arm ASM	18	114-5554	1	Decal-Center, Info
2	3231-22	2	Screw-CARR	19	95-8999	1	Switch-Rocker, On-None-On
3	104-8301	2	Nut-HF, NI	20	100-1535	5	Switch-Rocker, (On)-Off-(On)
4	104-8300	3	Nut-HF, NI	22	125-7996	1	Switch-Pb, Momentary
5	3234-5	5	Screw-HHF	23	99-7411	1	Point-Power
6	131-2346-03	1	Panel-Control	24	99-7416	1	Cap
7	131-2349	1	Decal-Console, Lift	27	93-9999	1	Switch-PTO
8	94-2413	4	Nut-U	28	107-8034	1	Switch-Rocker, On-Off-On
9	111-2254	1	Switch-Rocker, On-None-On	29	108-7602	1	Rest-Arm
10	121-1630	1	Plate-Cover	30	131-2340-03	1	Cover-Gate
11	32144-18	2	Screw-HWH	31	32144-85	12	Screw-HWH Thd Form
12	121-5159	1	Switch-Ignition	33	131-2338	1	Top Front Cover ASM
12:2	121-5160	1	Nut-Hex	33:1	131-2339-03	1	Cover-Front, Top
12:3	121-5161	1	Nut-Face	33:2	115-5417	2	Strip-Foam
12:4	121-5162	1	Set-Key, Ignition	34	131-2347	1	Decal-Console, Main
13	122-0702	1	Switch-Paddle, Off-On-On	35	131-2348	1	Decal-Console, Display
14	99-7420	3	Plug-Hole	37	105-4515	1	Flasher-Rate, Dual
15	125-5320	1	Infocenter Kantrak 2700	38	120-4578	4	Nut-HF
15:1	115-8884	4	Nut-Thumb	39	32105-23	4	Screw
15:2	115-8885	4	Stud	40	119-7769	1	Switch-Rocker, On/None/On
16	131-2342-03	1	Cover-Right				



## Traction Pedal Assembly

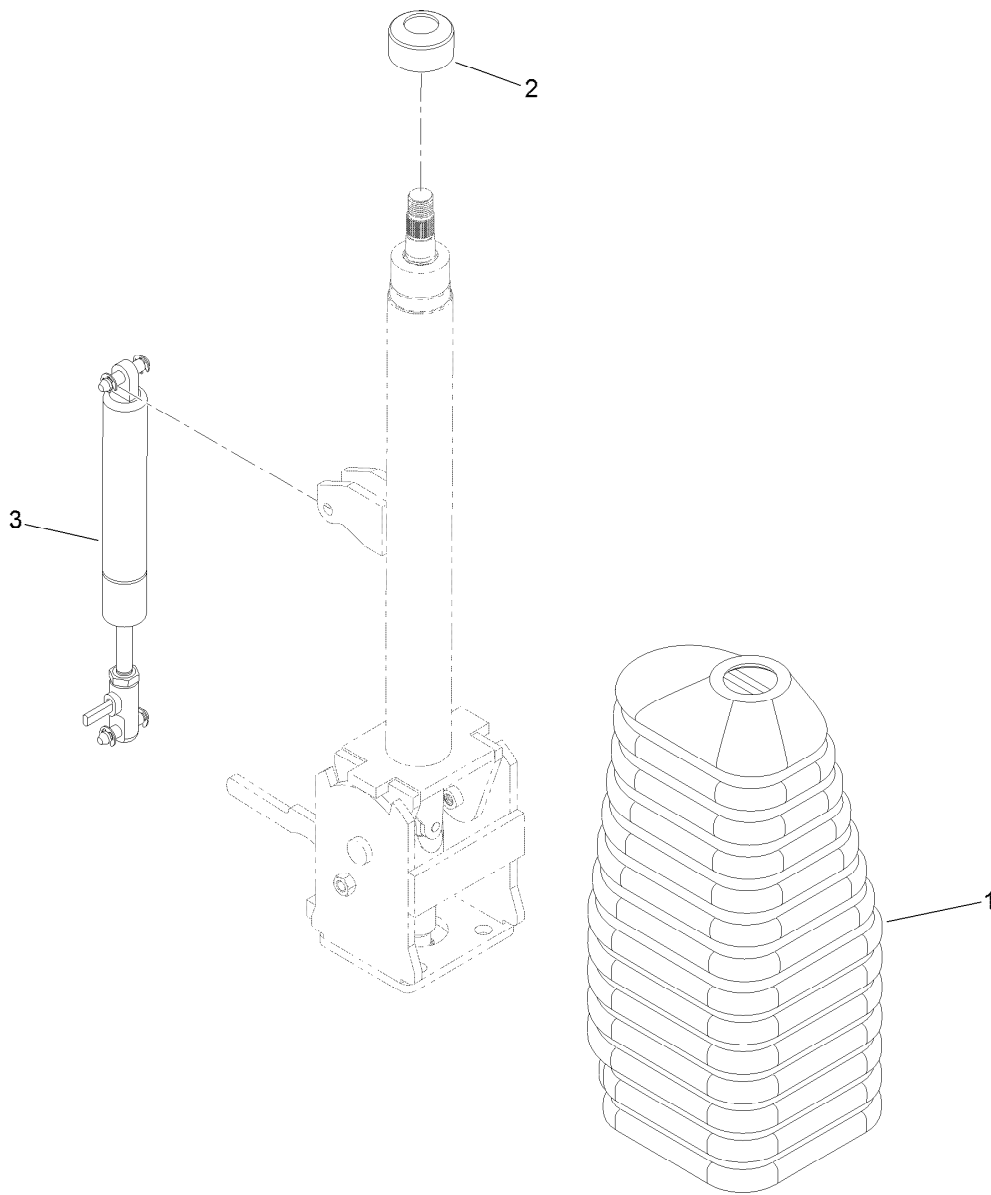
Ref.	Part Number	Qty.	Description	Ref.	Part Number	Qty.	Description
1	131-2249-01	1	Bracket-Sendor	20	84-9100	1	Spring
2	117-5445	1	Bushing Hub ASM	21	3256-24	1	Washer-Plain
2:1	95-7497	1	Bushing-Wheel	22	3296-6	1	Nut-Lock
3	114-5608	2	Spacer-Standoff	23	131-2250-01	1	Bracket-Butterfly
4	114-5595	1	Plate-Capture	24	117-5454	1	Plate-Butterfly
5	114-5609	1	Sensor-Position	25	32121-78	1	Pin-Roll
6	32105-25	2	Screw-SHH	26	117-5455	1	Plate-Cover
7	3296-9	2	Nut-Hex	27	256-236	1	Bearing-Mount, Flange
8	114-7728	2	Screw-HF	28	3230-22	1	Screw-CARR
9	131-2245	1	Shaft-Pedal, Traction	29	104-8300	7	Nut-HF, NI
10	131-2252-01	1	Bracket-Spring	30	3234-47	1	Screw-HHF
11	92-7610	1	Retainer-Spring	31	93-7960	1	Spacer
12	3256-5	1	Washer-Flat	32	322-14	1	Screw-HH
13	117-5446	1	Shaft-Spring	33	110-5986-01	1	Pedal-Traction
14	3219-3	1	Nut-Hex	35	93-5347	1	Abrasive-Pedal
15	2411-36	1	Bearing-End, Rod	36	104-7201	2	Nut-HF, NI
16	117-5459	2	Block-Clamp	37	93-5368	1	Abrasive-Pedal
17	323-7	1	Screw-HH	38	3230-2	2	Bolt-CARR
18	3296-59	1	Nut-Lock, NI	39	3230-23	5	Bolt-CARR
19	321-37	2	Screw-HH				





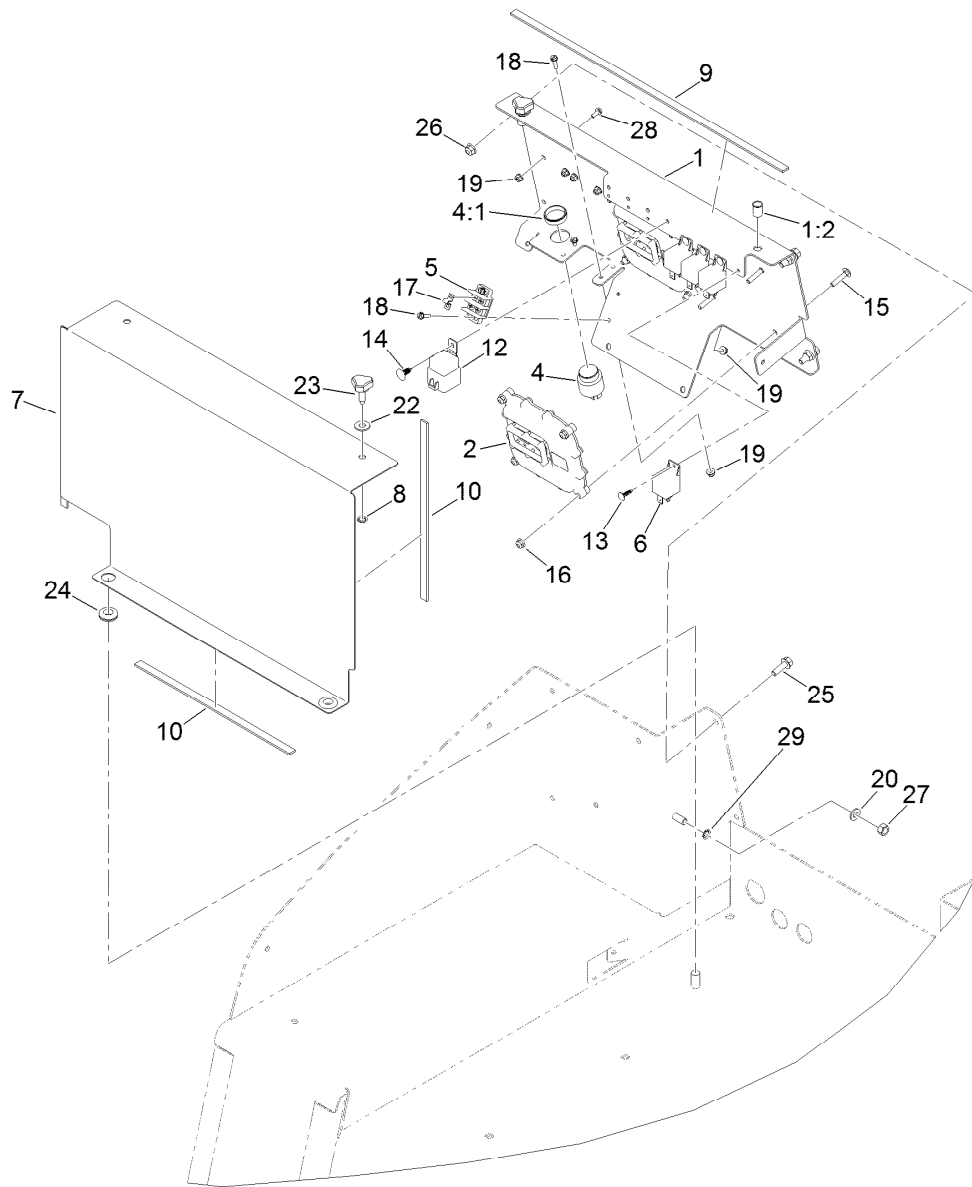
## Steering Column Assembly

<i>Ref.</i>	<i>Part Number</i>	<i>Qty.</i>	<i>Description</i>	<i>Ref.</i>	<i>Part Number</i>	<i>Qty.</i>	<i>Description</i>
1	98-1471	1	Wheel-Steering	9	117-3373	1	Bushing-Alignment
1:1	98-1468	1	Cover-Wheel, Steering	10	3296-33	1	Nut-Lock, NI
2	132-1307	1	Column-Steering	11	3256-27	1	Washer-Flat
3	104-8301	7	Nut-HF, NI	12	3231-2	3	Bolt-CARR
4	63-8410	4	Washer	13	131-2269	1	Cover-Steering
5	131-2248-01	1	Plate-Steering Mount	14	107069	7	Clip
6	63-9750	4	Mount	15	105-1217	1	Decal
7	3231-26	4	Screw-CARR	16	3234-33	7	Screw-HHF
8	131-2246-01	1	Plate-Mounting, Valve	17	98-1459	1	Decal



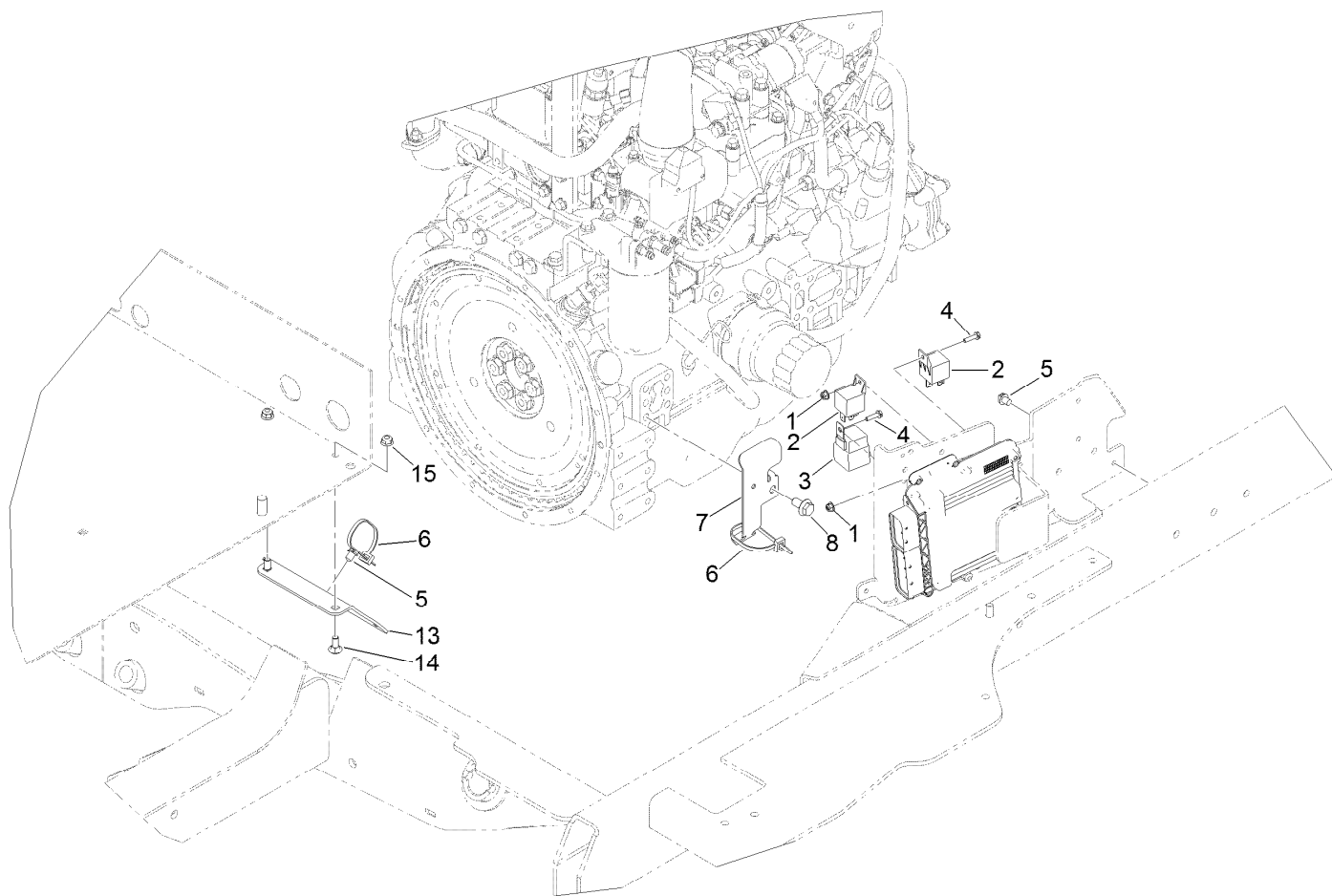
## Steering Column Assembly No. 132-1307

<i>Ref.</i>	<i>Part Number</i>	<i>Qty.</i>	<i>Description</i>
1	120-2592	1	Boot-Rubber, Column
2	120-2593	1	Boot-Rubber, Bearing
3	120-2594	1	Gas Spring ASM



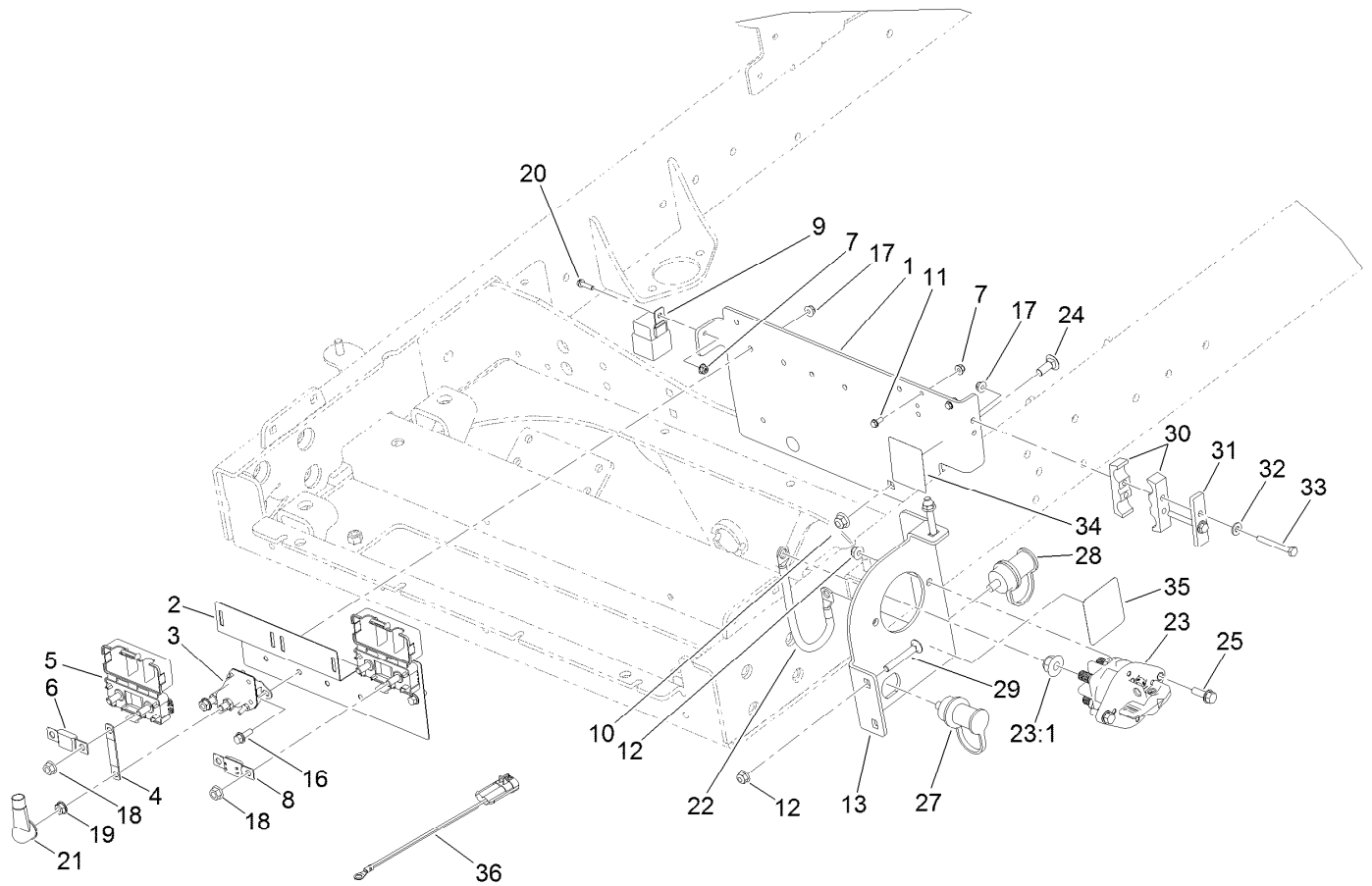
## Front Electrical Component Assembly

<i>Ref.</i>	<i>Part Number</i>	<i>Qty.</i>	<i>Description</i>	<i>Ref.</i>	<i>Part Number</i>	<i>Qty.</i>	<i>Description</i>
1	132-1332	1	Electrical Plate ASM	15	3229-3	8	Screw-CARR
1:2	32148-9	2	Nut-Clinch	16	104-7201	8	Nut-HF, NI
2	114-3321	2	Controller-Tec	17	42863	1	Strip-Jumper
4	80-9330	1	Audio Alarm ASM	18	32105-13	6	Screw-HWH
4:1	104-5107	1	Nut-Plastic, Knurled	19	120-4578	10	Nut-HF
5	42862	1	Block-Terminal, Ground	20	3256-38	1	Washer-Flat
6	99-7435	4	Relay	22	3256-3	2	Washer-Flat
7	130-9034-01	1	Plate-Cover, Electrical	23	95-9648	2	Knob
8	32151-72	2	Ring-Retaining	24	99-3481	2	Grommet
9	131-2221	1	Strip-Foam	25	3234-29	4	Screw-HHF
10	130-9174	3	Foam-Cooler, Short	26	104-8300	4	Nut-HF, NI
12	99-7430	1	Relay-Mini	27	32146-2	1	Nut-Hex
13	125-8067	4	Plug-Plastic	28	3290-321	4	Screw-HWH
14	104-0395	1	Plug-Plastic	29	3254-6	1	Washer-Lock, Internal



## Mid Electrical Component Assembly

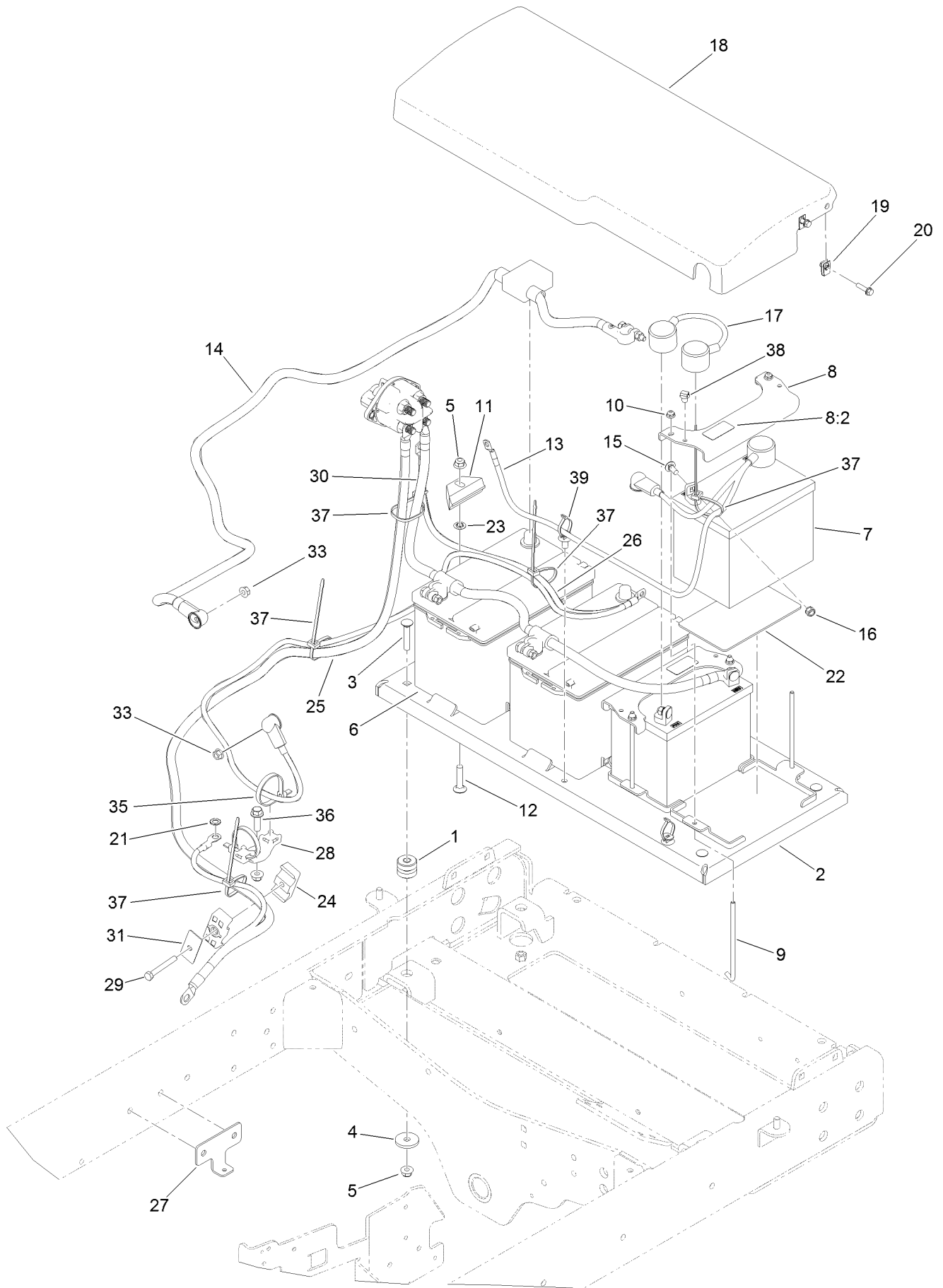
<i>Ref.</i>	<i>Part Number</i>	<i>Qty.</i>	<i>Description</i>
1	120-4578	2	Nut-HF
2	99-7435	2	Relay
3	99-7430	1	Relay-Mini
4	32105-13	2	Screw-HWH
5	32180-030	2	Clip-Tie
6	3290-378	2	Tie-Cable
7	132-9627	1	Bracket-Harness
8	33105-020	1	Screw-HHF
13	132-1357-01	1	Bracket-Bulkhead, Electrical
14	3230-1	2	Bolt-CARR
15	104-8300	2	Nut-HF, NI



## Rear Electrical Component Assembly

<i>Ref.</i>	<i>Part Number</i>	<i>Qty.</i>	<i>Description</i>	<i>Ref.</i>	<i>Part Number</i>	<i>Qty.</i>	<i>Description</i>
1	122-0518-03	1	Bracket-Electrical	20	32105-13	1	Screw-HWH
2	122-0624-03	1	Bracket-Fuse	21	32180-008	1	Insulator-Lug, Red
3	131-8342	1	Solenoid	22	122-0701	1	Ground Jumper
4	114-5682	1	Strap-Jumper	23	122-0603	1	Switch-Disconnect
5	114-3318	2	Holder-Fuse, Mega	23:1	33006-00	1	Nut-HF
6	AU126232	1	Fuse-100A	24	3231-2	2	Bolt-CARR
7	120-4578	3	Nut-HF	25	3234-29	2	Screw-HHF
8	122-0628	1	Fuse-Mega	27	132-1364	1	Stud-Jumper, Positive
9	99-7430	1	Relay-Mini	28	132-1365	1	Stud-Jumper, Negative
10	104-8301	2	Nut-HF, NI	29	3230-7	3	Bolt-CARR
11	3290-321	2	Screw-HWH	30	99-3641	2	Clamp-Tube
12	104-8300	6	Nut-HF, NI	31	114-0989	1	Plate-Cover
13	132-1362-03	1	Bracket-Disconnect	32	3256-22	2	Washer-Flat
16	3234-4	4	Screw-HHF	33	321-18	2	Screw-HH
17	104-7201	6	Nut-HF, NI	34	132-1315	1	Decal-Fuse
18	127-2371	4	Nut-HF	35	132-1313	1	Decal-Disconnect
19	107-0380	2	Nut-HF	36	108-9470	1	Harness-Wire, Fusible Link

# Battery Cable Routing Assembly



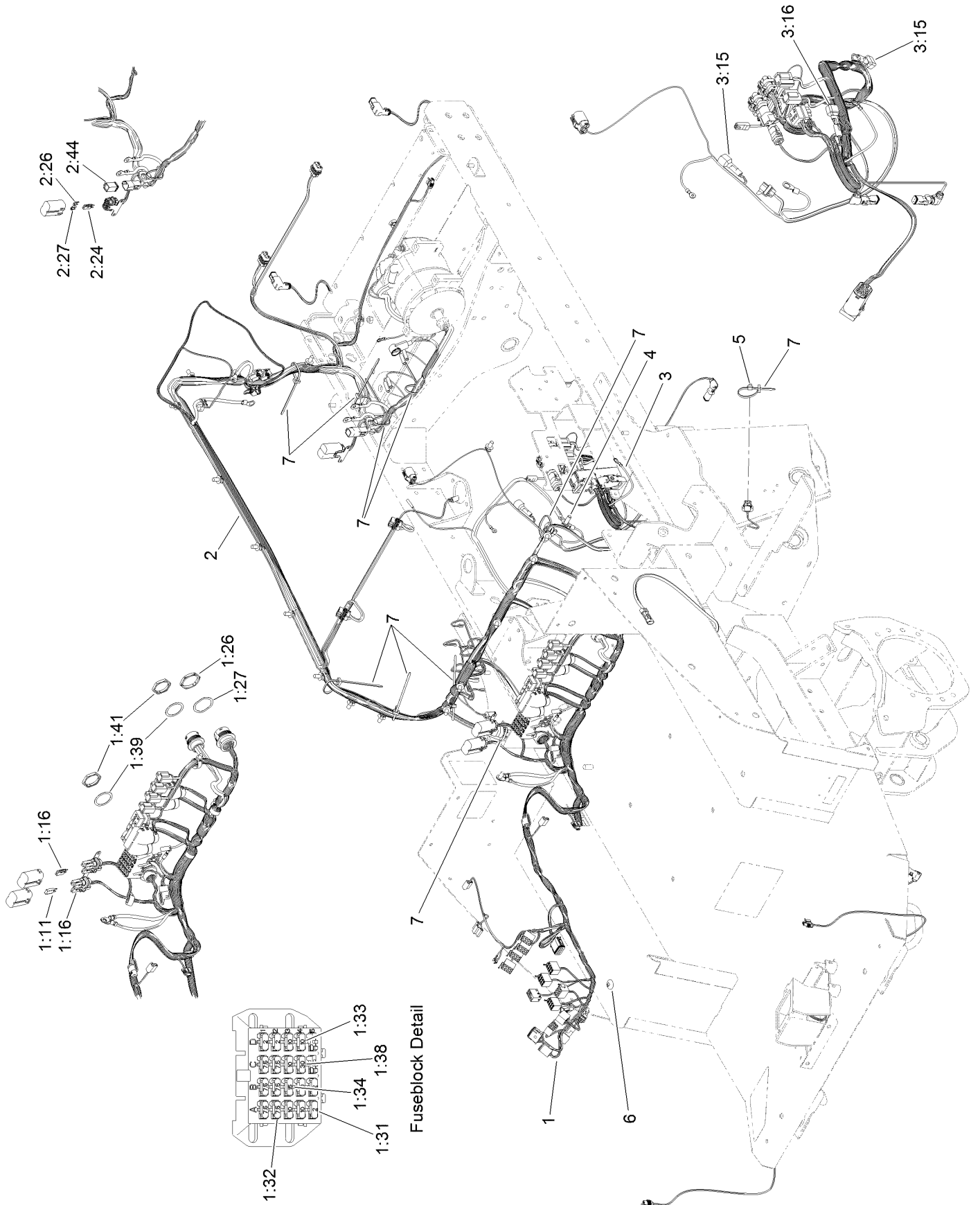
## Battery Cable Routing Assembly (continued)

<i>Ref.</i>	<i>Part Number</i>	<i>Qty.</i>	<i>Description</i>	<i>Ref.</i>	<i>Part Number</i>	<i>Qty.</i>	<i>Description</i>
1	130-9077	4	Mount-ISO	19	107069	4	Clip
2	130-9084-03	1	Tray-Battery	20	120-4654	4	Screw-HHF
3	3231-6	4	Screw-CARR	21	3255-9	1	Washer-Lock
4	114-2120	4	Washer	22	62-4300	2	Pad-Skid, Anti
5	104-8301	7	Nut-HF, NI	23	107-3154	2	Nut-Push
6		2	Battery-12 Volt, Wet ●■	24	94-8105	2	Clamp-Tube
7		2	Battery (340 CCA, Wet) ●■	25	122-0404	1	Cable-Battery, Negative
8	132-1388	2	Bracket-Battery	26	122-0615	1	Cable-Battery, Positive
8:2	132-1318	1	Decal-24 Volt	27	122-0604-03	1	Bracket-Battery Cable
9	104-8567	4	Holdown-Battery	28	32180-187	1	Clip-Double Tie Mount
10	104-7201	4	Nut-HF, NI	29	322-12	1	Screw-HH
11	66-2490	2	Retainer-Battery	30	122-0617	1	Cable-Battery, Negative
12	3231-5	2	Screw-CARR	31	69-9761	1	Plate-Cover
13	122-0401	1	Cable-Battery, Positive	33	33004-00	2	Nut-HF
14	122-0398	1	Cable-Battery, Positive	35	3334-945	2	Tie-Cable
15	3230-23	4	Bolt-CARR	36	119-4061	1	Screw-HHF
16	32149-1	4	Nut-Keps	37	3290-378	5	Tie-Cable
17	122-0402	1	Cable-Battery, Jumper (24V)	38	32180-030	1	Clip-Tie
18	130-9032	1	Cover-Battery	39	32180-031	2	Clip-Tree (W/Tie)

● Obtain locally.

■ Not serviced separately

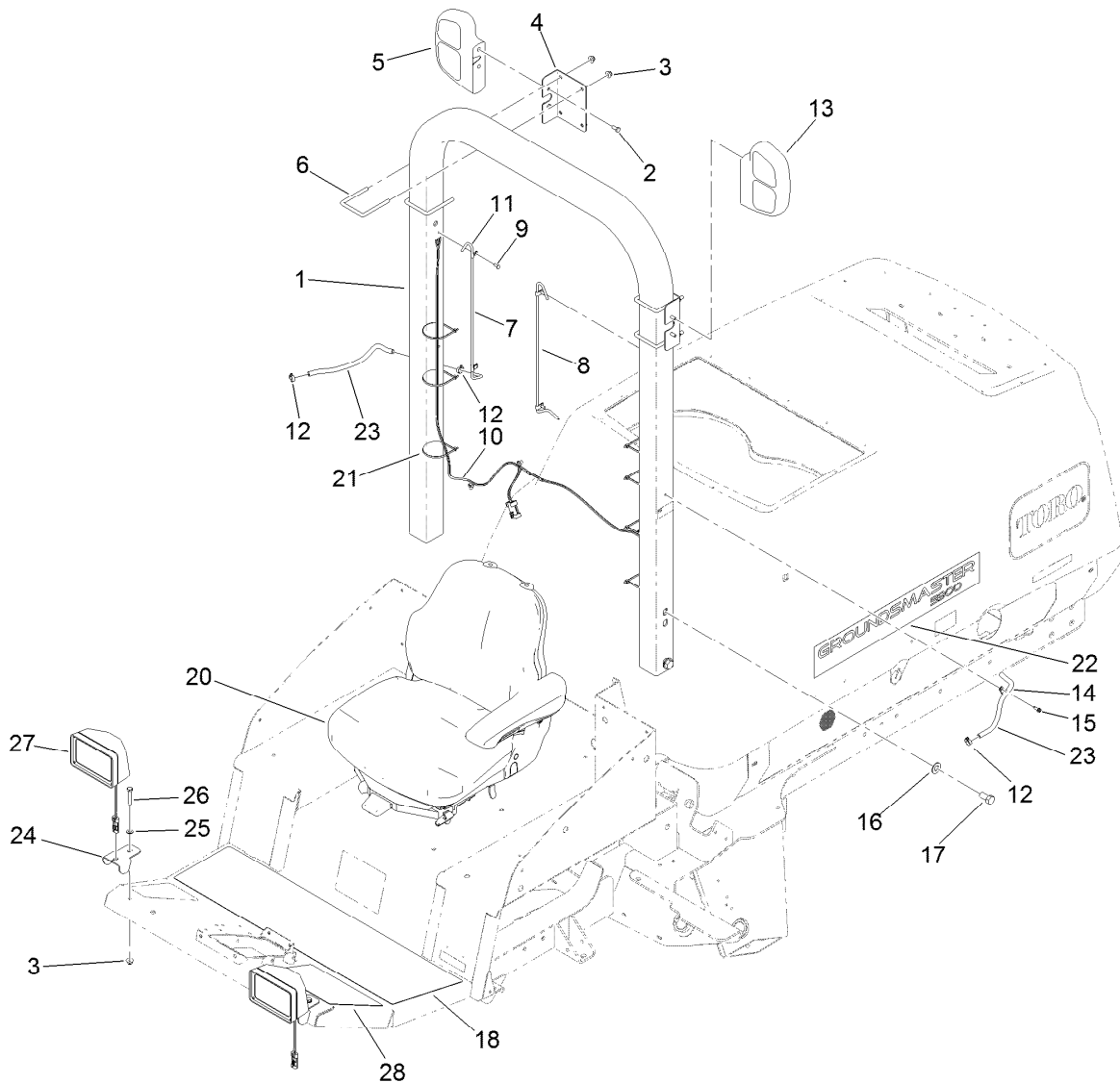
# Wire Harness Assembly





## Wire Harness Assembly (continued)

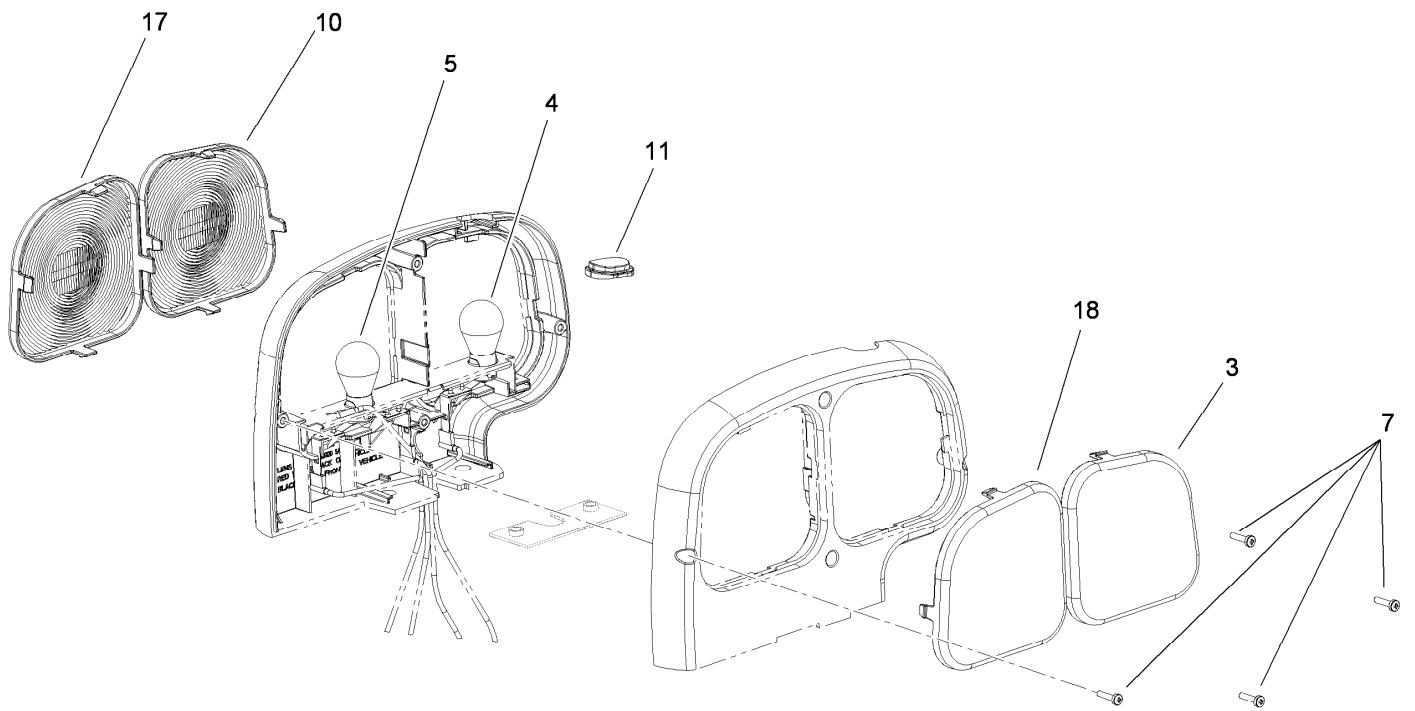
<i>Ref.</i>	<i>Part Number</i>	<i>Qty.</i>	<i>Description</i>	<i>Ref.</i>	<i>Part Number</i>	<i>Qty.</i>	<i>Description</i>
1	122-0806	1	Harness-Wire	2	122-0807	1	Harness-Wire
1:11	32180-190	1	Resistor-2K Ohm	2:24	32180-167	1	Diode-Mini Fuse, 6A
1:16	32180-167	7	Diode-Mini Fuse, 6A	2:26	121-8864	1	Fuse-Mini Blade, 5 Amp
1:26	32180-135	1	Nut-Connector	2:27	121-8869	1	Fuse-Mini Blade, 25 Amp
1:27	32180-143	1	Washer-Lock	2:44	122-0392	1	Voltage Divider-Sealed
1:31	121-8861	4	Fuse-Mini Blade, 2 Amp	3	122-0337	1	Harness-Wire, Engine
1:32	121-8865	6	Fuse-Mini Blade, 7.5 Amp	3:15	100-4918	2	Diode
1:33	121-8866	6	Fuse-Mini Blade, 10 Amp	3:16	121-8891	1	Resistor (1.6K Ohm)
1:34	121-8867	1	Fuse-Mini Blade, 15 Amp	4	33105-025	1	Screw-HHF
1:38	121-8870	1	Fuse-Mini Blade, 30 Amp	5	32180-030	2	Clip-Tie
1:39	32180-174	2	Washer-Lock	6	32180-149	1	Tie-Button Head
1:41	32180-175	2	Nut-Connector	7	3290-378	11	Tie-Cable



## Roll-Over Protection System Assembly For ROPS Model Only

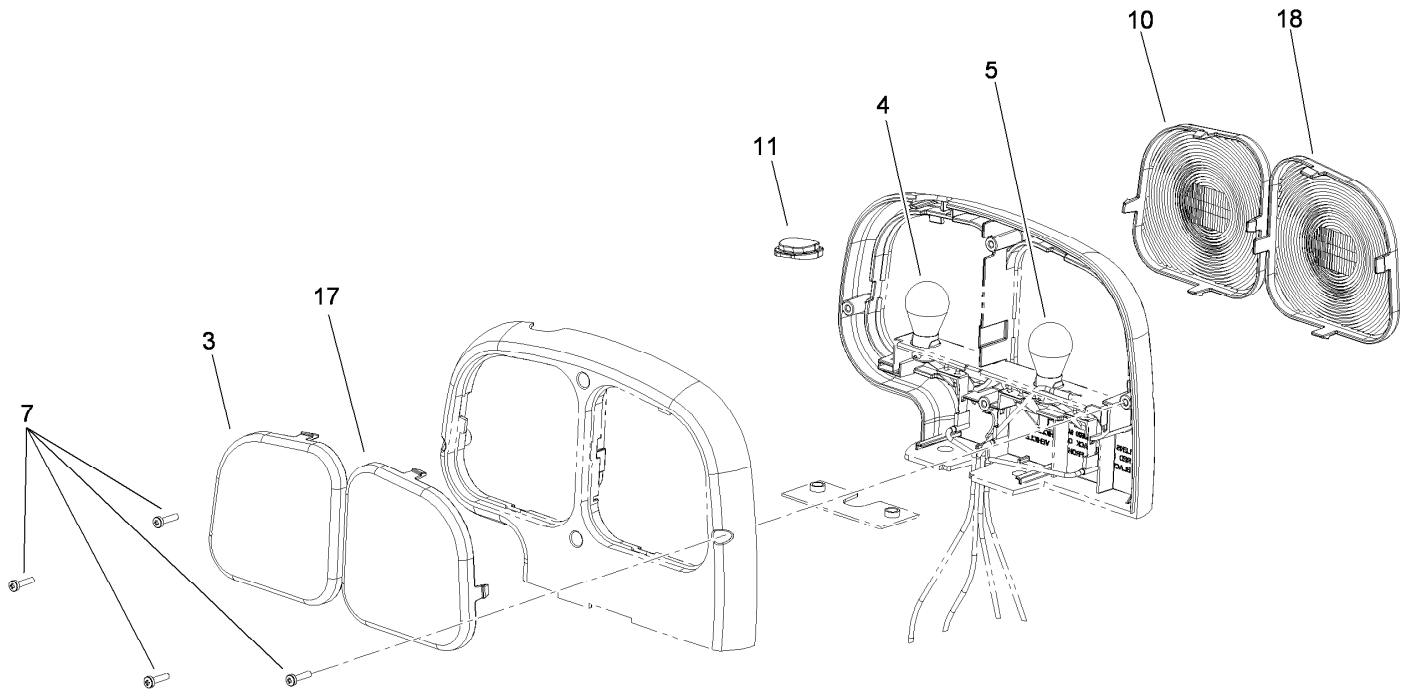
<i>Ref.</i>	<i>Part Number</i>	<i>Qty.</i>	<i>Description</i>
1	132-1416	1	ROPS ASM
2	33114-020	4	Screw-HH
3	104-8301	10	Nut-HF, NI
4	114-5601-03	2	Bracket-Flasher
5	108-8007	1	Tail Light Flasher ASM
6	100-7067	4	U-Bolt (4 Inch)
7	114-0938	1	Tube-Vent
8	114-0937	1	Tube-Vent
9	3290-412	4	Rivet-Blind
10	122-0786	1	Harness-Wire, Flashers
11	2412-72	4	Clip-Closed, Insulated
12	2412-108	4	Clamp-Worm
13	108-8008	1	Tail Light Flasher ASM
14	2412-134	2	Clamp-R

<i>Ref.</i>	<i>Part Number</i>	<i>Qty.</i>	<i>Description</i>
15	49-2040	2	Screw-HWHTF
16	3256-27	4	Washer-Flat
17	327-3	4	Screw-HH
18	132-1333	1	Tread-Foot, Abrasive
20	117-5676	1	Premium Seat ASM
21	3290-379	7	Tie-Cable
22	110-6008	2	Decal-Hood
23	110-4110	2	Hose-Fuel
24	125-5305-01	2	Bracket-Headlight
25	3256-45	2	Washer-Flat
26	323-10	2	Screw-HH
27	114-5928	2	Headlight ASM
28	132-1334	1	Tread-Foot, Abrasive



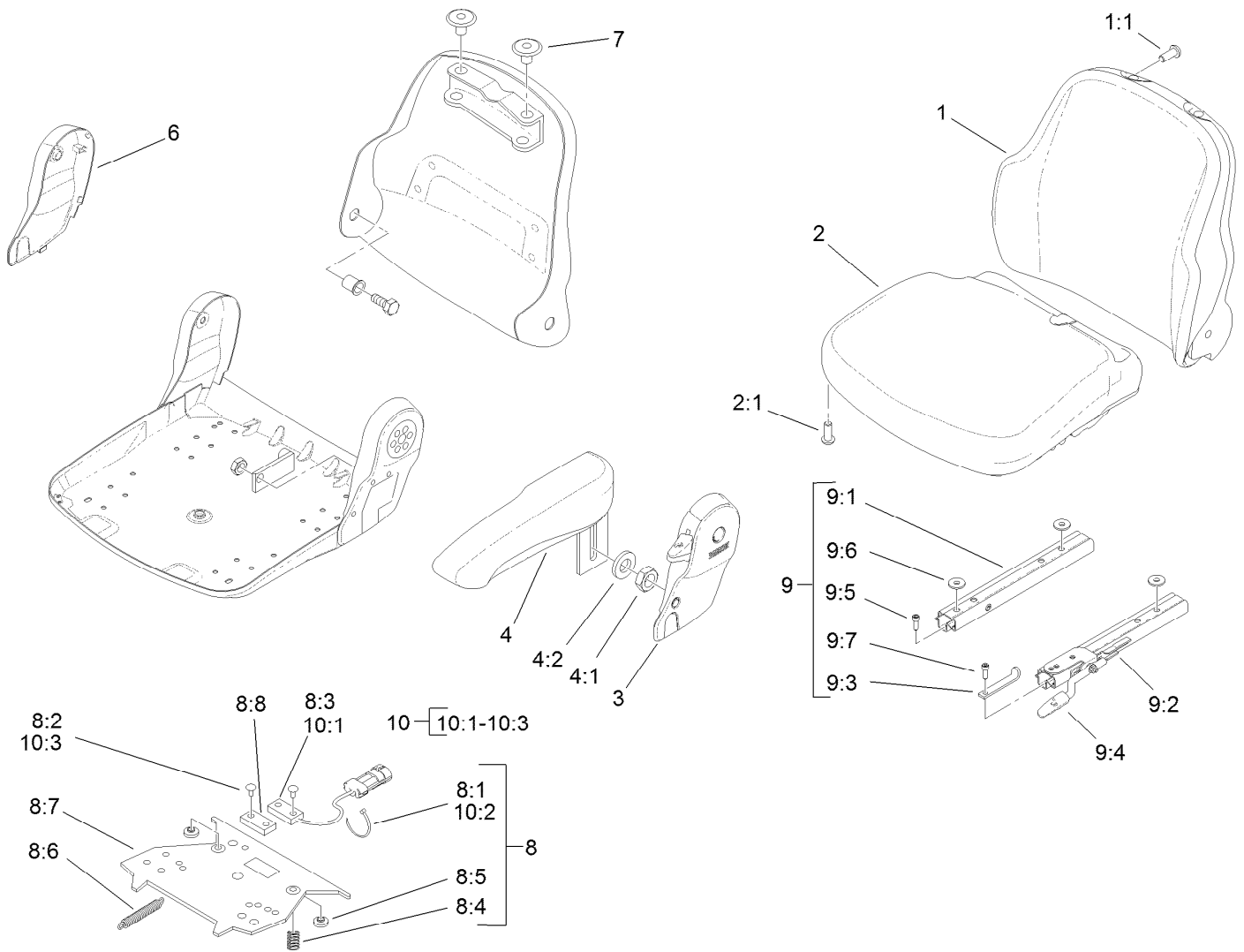
## Right Hand Tail Light Assembly No. 108-8007

Ref.	Part Number	Qty.	Description
3	108-8056	1	Lens-Amber, Base
4	7228	1	Bulb-1156
5	108-8054	1	Bulb-1157
7	108-8053	4	Screw
10	108-8057	1	Lens-Amber, Cover
11	108-8055	1	Lens-Amber, Window
17	108-8060	1	Lens-Red, Base
18	108-8059	1	Lens-Black, Cover



## Left Hand Tail Light Assembly No. 108-8008

<i>Ref.</i>	<i>Part Number</i>	<i>Qty.</i>	<i>Description</i>
3	108-8056	1	Lens-Amber, Base
4	7228	1	Bulb-1156
5	108-8054	1	Bulb-1157
7	108-8053	4	Screw
10	108-8057	1	Lens-Amber, Cover
11	108-8055	1	Lens-Amber, Window
17	108-8061	1	Lens-Red, Cover
18	108-8058	1	Lens-Black, Base

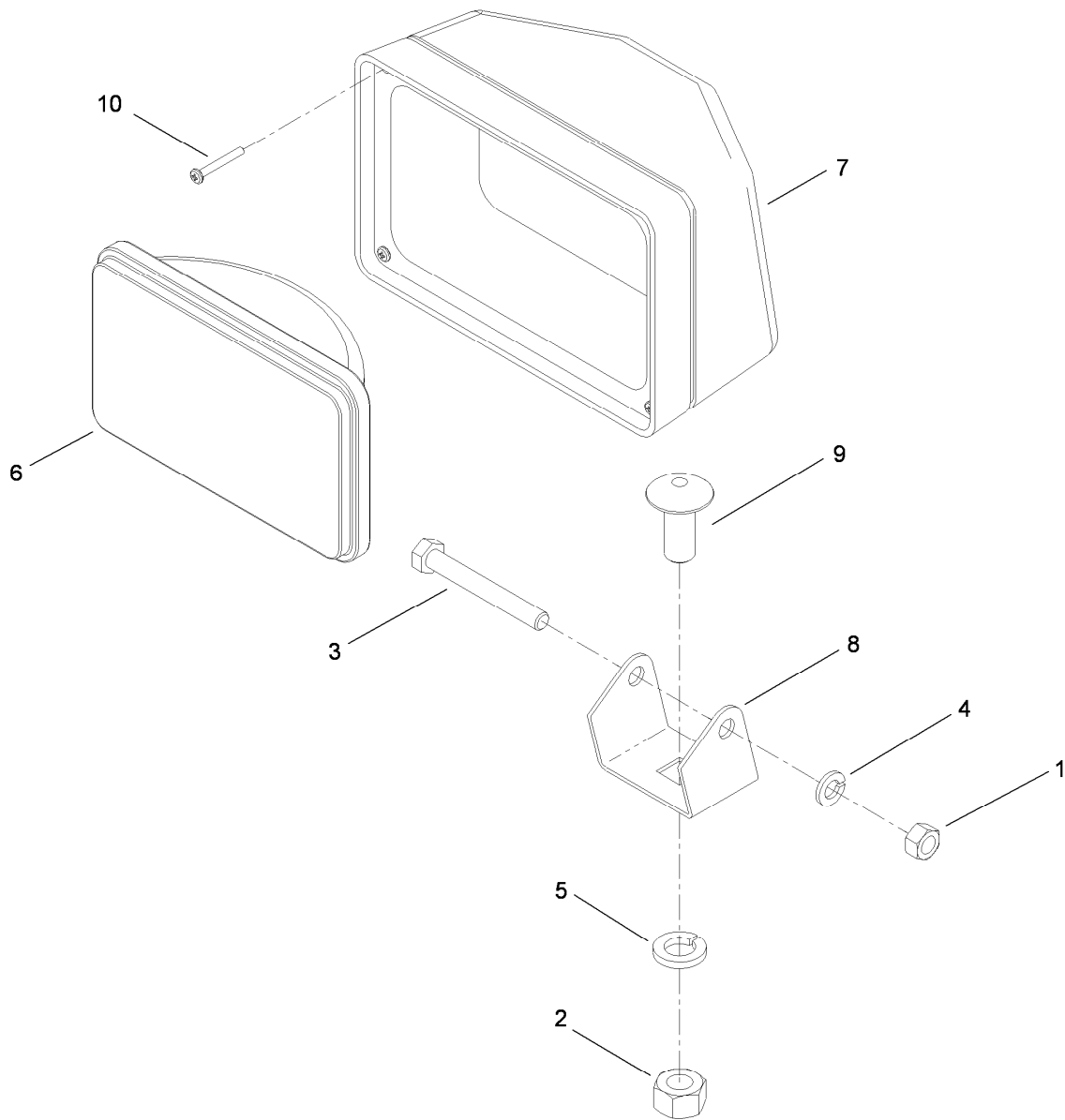


## Vinyl Premium Seat Assembly No. 117-5676

Ref.	Part Number	Qty.	Description
1	108-8016	1	Backrest Cushion ASM
1:1	119-7742	4	Screw-Cushion
2	108-8017	1	Seat Cushion ASM
2:1	119-7742	3	Screw-Cushion
3	108-8018	1	Cover-Armrest
4	108-8019	1	LH Armrest ASM
4:1	82-9650	1	Nut
4:2	107-1198	1	Washer
6	108-8021	1	Cover-Armrest
7	108-8022	2	Cover-Black
8	108-8024	1	Switch Kit
8:1		3	Wire Tie ●
8:2		4	Rivet ●
8:3		1	Sensor-Seat Switch ●
8:4		2	Spring-Compression ●
8:5		2	Bumper-Pressure Plate ●

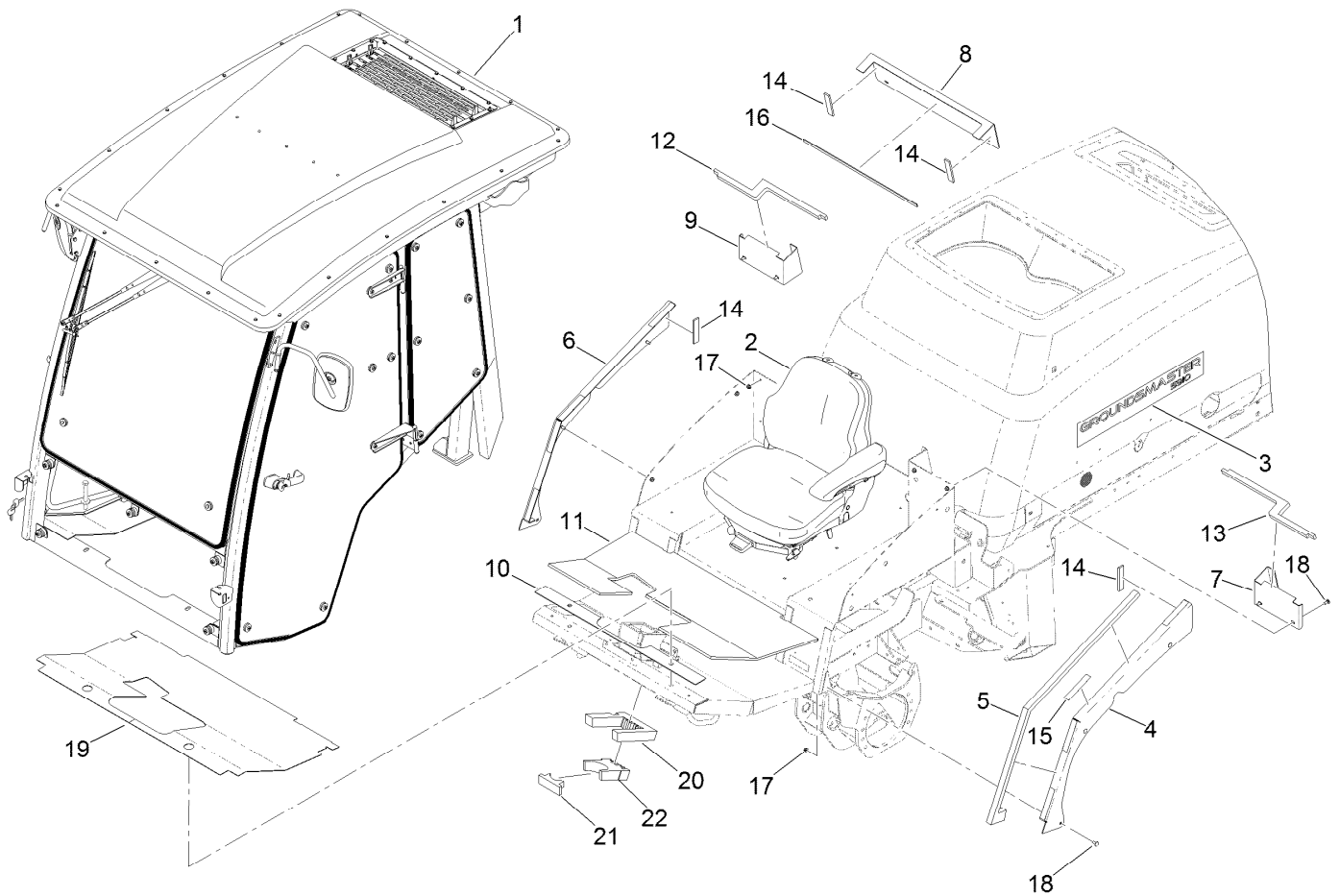
Ref.	Part Number	Qty.	Description
8:6		1	Spring-Extension ●
8:7		1	Plate-Mounting ●
8:8		1	Magnet ●
9	108-8025	1	Adjustment Rail Set
9:1		1	Rail-Adjustment, RH ●
9:2		1	Rail-Adjustment, LH ●
9:3		1	Stop-Rail ●
9:4		1	Handle ●
9:5		3	Screw ●
9:6		3	Washer ●
9:7		1	Screw ●
10	110-6189	1	Switch Kit
10:1		1	Switch ●
10:2		3	Wire Tie ●
10:3		2	Rivet ●

● Not serviced separately



## Head Light Assembly No. 92-6565

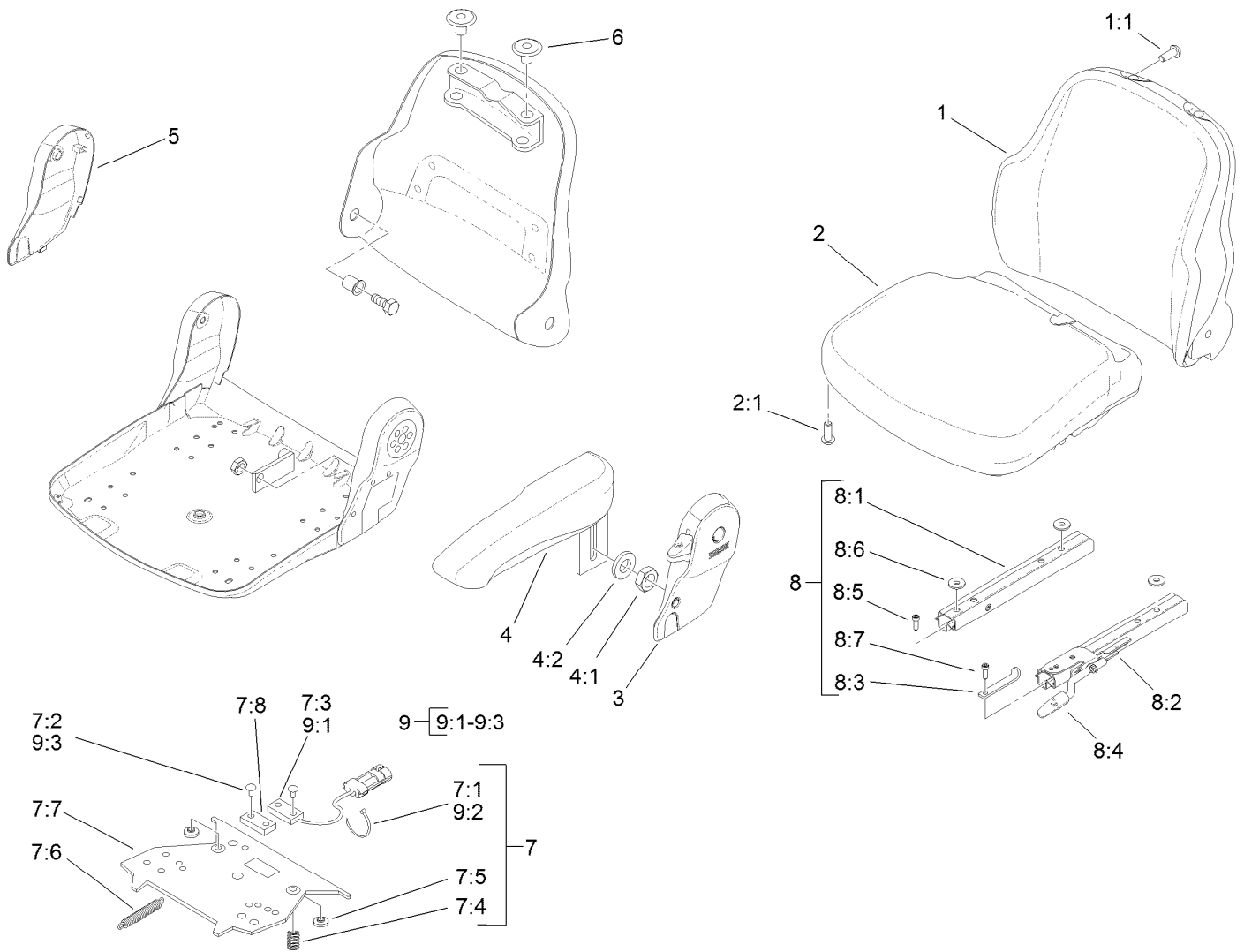
<i>Ref.</i>	<i>Part Number</i>	<i>Qty.</i>	<i>Description</i>
1	3217-6	1	Nut-Hex
2	3217-9	1	Nut-HH
3	322-12	1	Screw-HH
4	3253-4	1	Washer-Lock
5	3253-7	1	Washer-Lock
6	92-6595	1	Lamp-Beam, Sealed
7	92-6596	1	Bezel
8	92-6597	1	Bracket-Mounting
9	92-6598	1	Bolt-Carriage, Drilled
10	92-6599	4	Screw



## Cab Mounting Assembly For Cab Model Only

<i>Ref.</i>	<i>Part Number</i>	<i>Qty.</i>	<i>Description</i>	<i>Ref.</i>	<i>Part Number</i>	<i>Qty.</i>	<i>Description</i>
1		1	Cab ASM ●	12	130-0534	1	Foam-Seal, Rear RH
2	117-9429	1	Matrix Cloth Seat ASM	13	130-0535	1	Foam-Seal, Rear LH
3	115-5448	2	Decal-Hood	14	115-5465	4	Seal-Trim
4	132-3297-03	1	Panel-Transition, LH	15	130-6112	8	Tape-Double Stick
5	132-3293	2	Foam-Seal, Side Panel	16	130-5724	1	Seal-Trim
6	132-3296-03	1	Panel-Transition, RH	17	104-8300	10	Nut-HF, NI
7	132-3299-03	1	Panel-Rear, LH	18	3230-23	10	Bolt-CARR
8	132-3294-03	1	Panel-Rear, Center	19	130-5984	1	Tread-Floor
9	132-3298-03	1	Panel-Rear, RH	20	130-6115	1	Foam-Steering, Rear
10	130-5605	1	Gasket-Front	21	130-6116	1	Foam-Steering, Plug
11	130-5983	1	Foam-Floor	22	130-6117	1	Foam-Steering, Front

● Not serviced separately

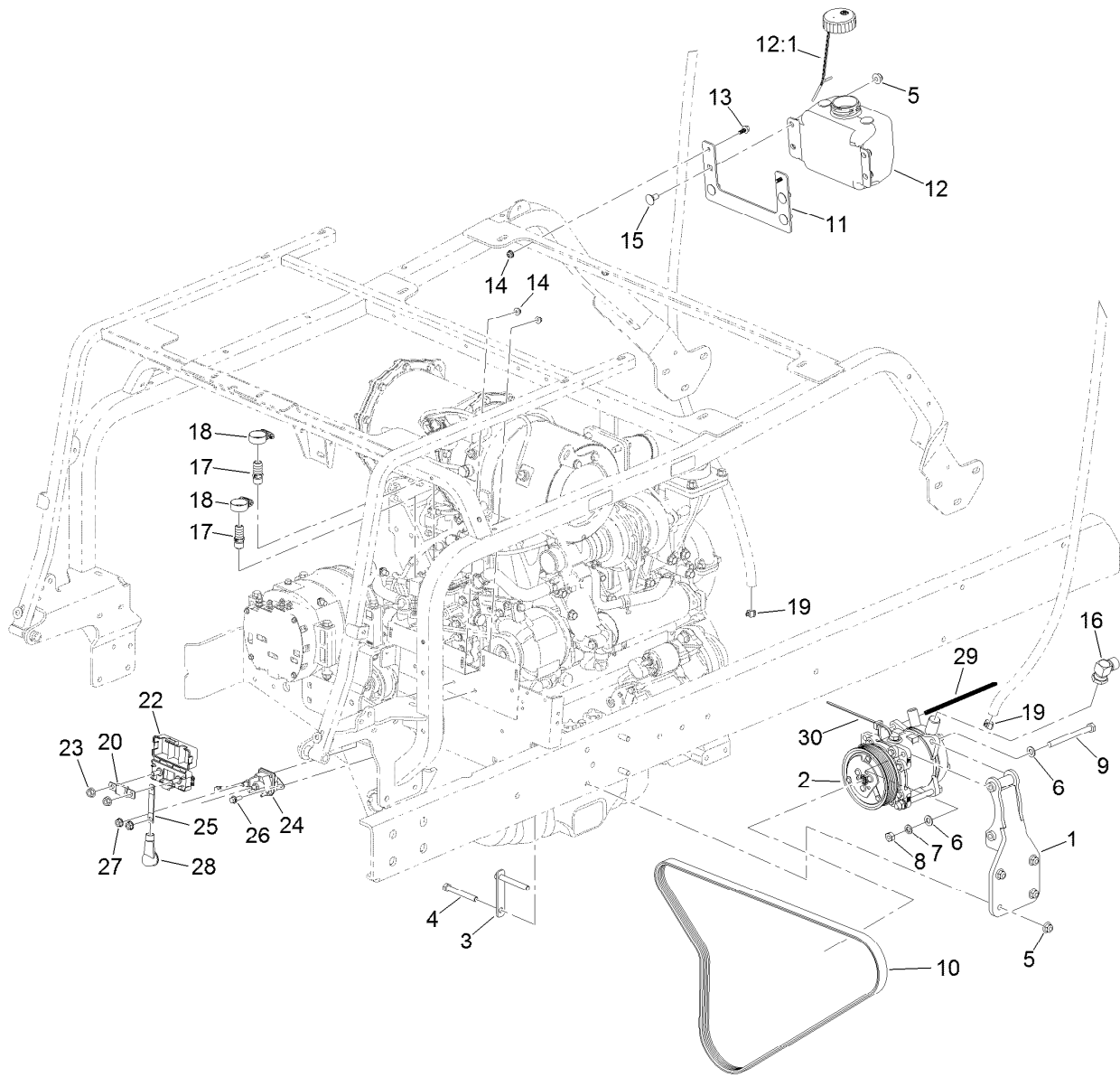


## Cloth Premium Seat Assembly No. 117-9429

Ref.	Part Number	Qty.	Description	Ref.	Part Number	Qty.	Description
1	117-9415	1	Backrest Cushion ASM Matrix Cloth	7:5		2	Bumper-Pressure Plate ●
1:1	119-7742	4	Screw-Cushion	7:6		1	Spring-Extension ●
2	117-9416	1	Seat Cushion ASM Matrix Cloth	7:7		1	Plate-Mounting ●
2:1	119-7742	3	Screw-Cushion	7:8		1	Magnet ●
3	108-8018	1	Cover-Armrest	8	108-8025	1	Adjustment Rail Set
4	108-8019	1	LH Armrest ASM	8:1		1	Rail-Adjustment, RH ●
4:1	82-9650	1	Nut	8:2		1	Rail-Adjustment, LH ●
4:2	107-1198	1	Washer	8:3		1	Stop-Rail ●
5	108-8021	1	Cover-Armrest	8:4		1	Handle ●
6	108-8022	2	Cover-Black	8:5		3	Screw ●
7	108-8024	1	Switch Kit	8:6		3	Washer ●
7:1		3	Wire Tie ●	8:7		1	Screw ●
7:2		4	Rivet ●	9	110-6189	1	Switch Kit
7:3		1	Sensor-Seat Switch ●	9:1		1	Switch ●
7:4		2	Spring-Compression ●	9:2		3	Wire Tie ●
				9:3		2	Rivet ●

● Not serviced separately

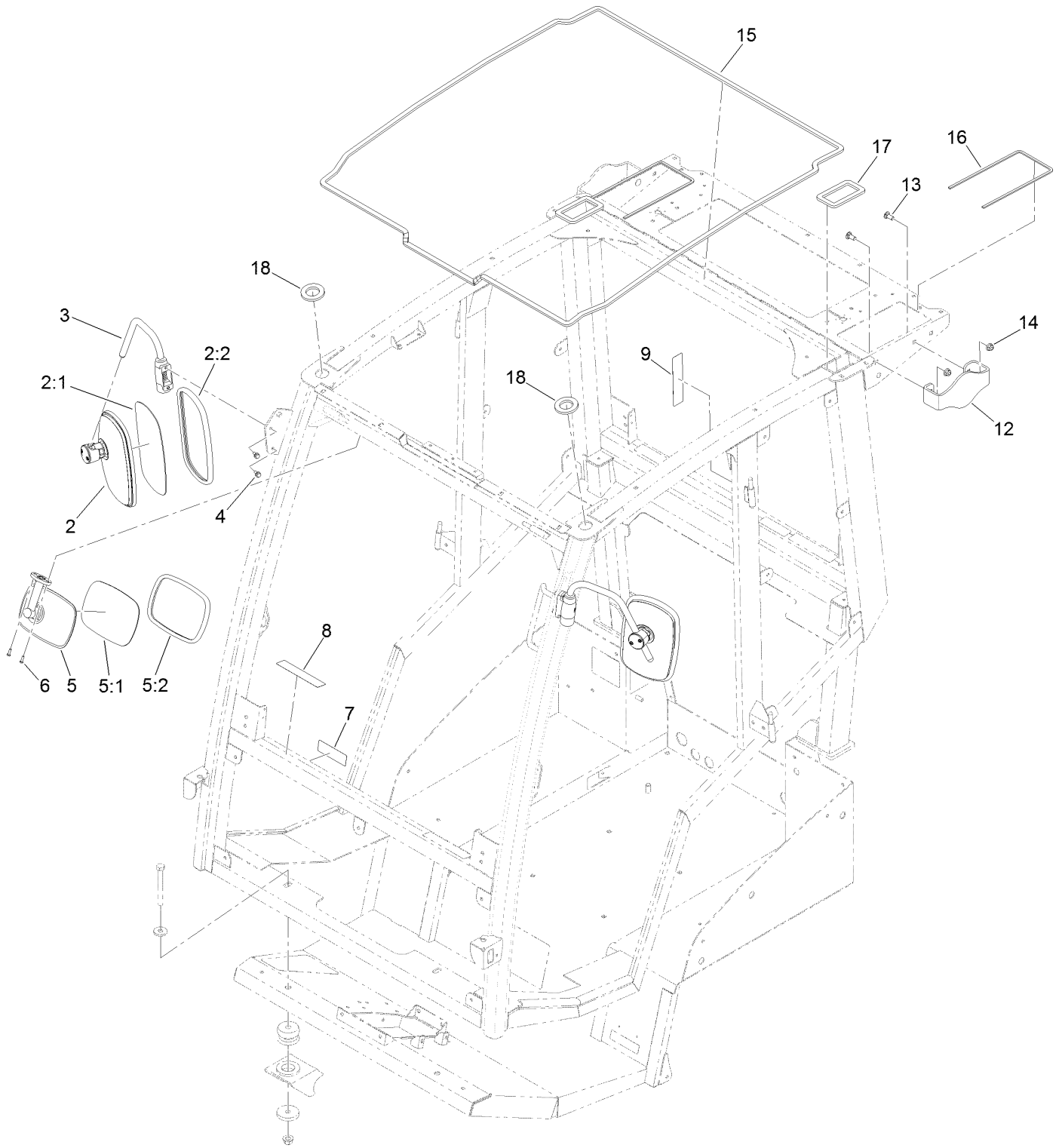




## AC Compressor Mount and Cab Fluids Assembly For Cab Model Only

<i>Ref.</i>	<i>Part Number</i>	<i>Qty.</i>	<i>Description</i>	<i>Ref.</i>	<i>Part Number</i>	<i>Qty.</i>	<i>Description</i>
1	130-2482-03	1	Mount-Compressor	15	3231-1	4	Screw-CARR
2	130-2487	1	Compressor	16	119-0128	1	Fitting-Elbow, 90 DEG
3	130-2483-03	2	Compressor-Mount, Strap	17	117-9410	2	Fitting-Straight
4	323-14	4	Screw-HH	18	2412-129	2	Clamp-Hose
5	104-8301	8	Nut-HF, NI	19	2412-108	2	Clamp-Worm
6	33095-00	4	Washer-Flat	20	AU126232	1	Fuse-100A
7	48-9590	2	Washer-Lock	22	114-3318	1	Holder-Fuse, Mega
8	33015-00	2	Nut-Hex	23	127-2371	2	Nut-HF
9	33115-110	2	Screw-HH	24	131-8342	1	Solenoid
10	130-9166	1	Belt-Poly V	25	114-5682	1	Strap-Jumper
11	130-5625-03	1	Bracket-Tank, Wiper Fluid	26	3234-4	2	Screw-HHF
12	125-5257	1	Tank-Fluid, Washer	27	107-0380	2	Nut-HF
12:1	125-5258	1	Lid-Tank, Washer Fluid	28	32180-008	1	Insulator-Lug, Red
13	99-6810	2	Screw-HHF	29	115-8882	1	Conduit-Convolved
14	104-7201	4	Nut-HF, NI	30	3290-378	1	Tie-Cable

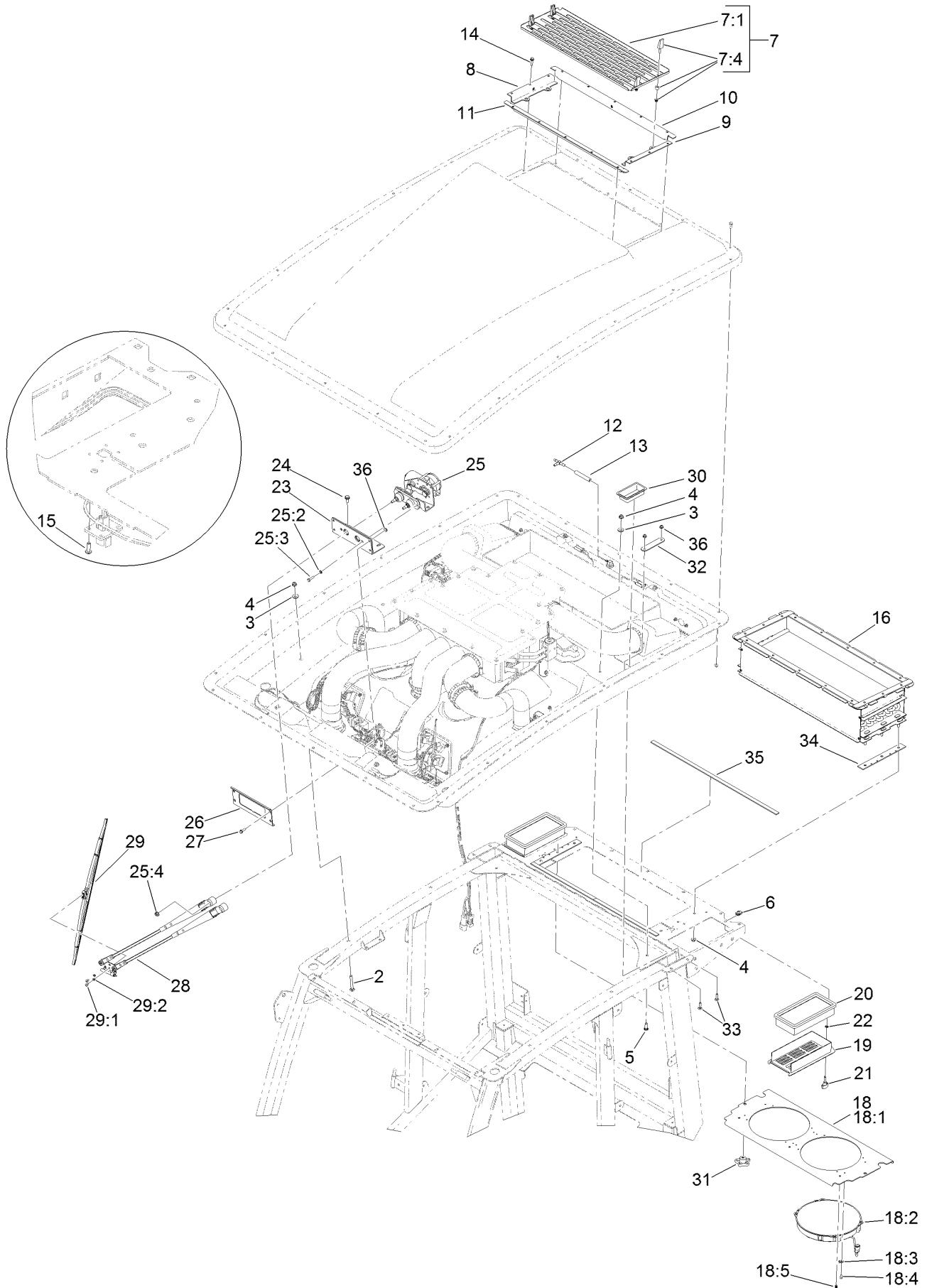
# Cab Frame, Mirror and Decal Assembly For Cab Model Only



## Cab Frame, Mirror and Decal Assembly For Cab Model Only (continued)

<i>Ref.</i>	<i>Part Number</i>	<i>Qty.</i>	<i>Description</i>	<i>Ref.</i>	<i>Part Number</i>	<i>Qty.</i>	<i>Description</i>
2	121-8341	2	Side Mirror ASM	8	130-0611	4	Decal-Window, Pin
2:1	161-1779	1	Mirror-Glass,	9	130-0594	1	Decal-Warning
2:2	121-8339	1	Gasket	12	130-5791-03	2	Deck-Stop
3	121-8275	2	Arm-Mirror, Side	13	3231-12	4	Bolt-CARR
4	33103-016	4	Screw-HHF	14	104-8301	4	Nut-HF, NI
5	121-8343	1	Interior Mirror ASM	15	130-0586	1	Seal-Foam, Frame Roof
5:1	121-8342	1	Mirror	16	130-0587	2	Seal-Foam, Roof Air Filter
5:2	121-8389	1	Gasket	17	130-5855	2	Seal-Tube, Rear
6	32144-32	2	Screw	18	133-0982	2	Tube-Seal, Front
7	130-5356	1	Decal-Traction Pedal				

# Windshield Wiper, Filter and Air Conditioning Assembly For Cab Model Only

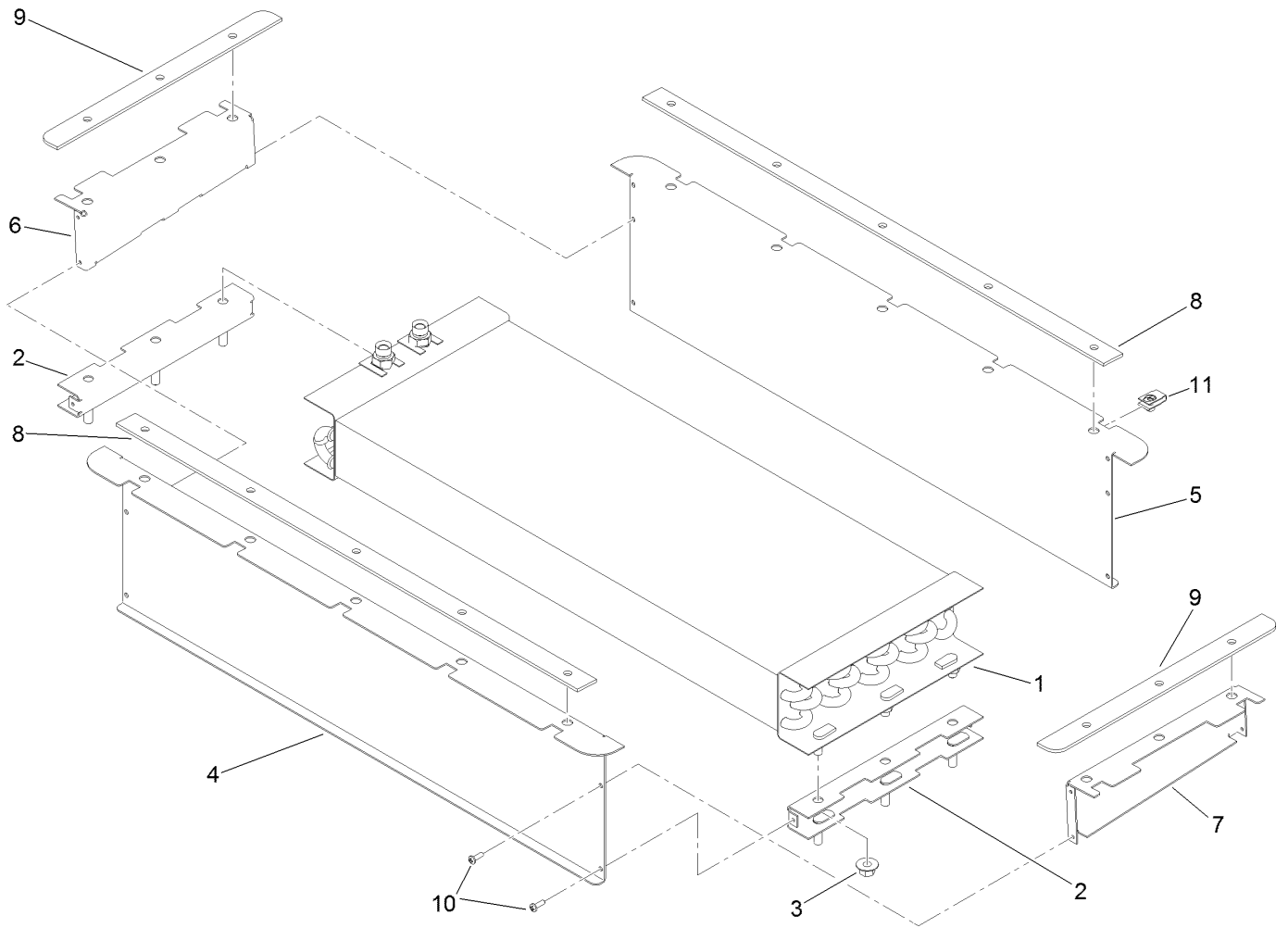


# Windshield Wiper, Filter and Air Conditioning Assembly For Cab Model Only (continued)

<i>Ref.</i>	<i>Part Number</i>	<i>Qty.</i>	<i>Description</i>	<i>Ref.</i>	<i>Part Number</i>	<i>Qty.</i>	<i>Description</i>
2	3230-9	4	Screw-CARR	19	125-9825-03	2	Cover-Air, Fresh
3	3256-3	17	Washer-Flat	20	121-8457	2	Filter-Air
4	104-8300	21	Nut-HF, NI	21	126-5846	2	Knob-T
5	3230-22	13	Screw-CARR	22	106-8737	2	Nut-Retainer
6	107069	2	Clip	23	130-5871	1	Bracket-Wiper
7		1	Screen ASM ●	24	32144-11	3	Screw-HWH
7:1	132-3530-03	1	Screen	25	125-7452	1	Wiper Motor ASM
7:4	74-5950	4	Latch-Swell	25:2	3253-3	1	Washer-Lock
8	132-3534-03	1	Seal-Side, Right	25:3	33113-025	1	Screw-HH
9	132-3533-03	1	Seal-Side, Left	25:4	112-2844	2	Nut-HF
10	132-3532-03	1	Seal-Rear	26	130-6068-03	1	Plate-Washer, Wiper Motor
11	132-3531-03	1	Seal-Front	27	32105-15	4	Screw-HWH
12	99-5005	1	Fitting-Tee, Barbed	28	125-7453	1	Arm-Wiper
13	114-3765	1	Hose-Fuel	29	125-7454	1	Blade-Wiper
14	120-4654	16	Screw-HHF	29:1	47-2830	2	Screw
15	363-8245	8	Screw-TAP	29:2	43-5920	2	Washer-Lock, Spring
16	132-3468	1	A/C Duct ASM	30	130-5661	2	Tube-Sleeve
18	132-3488	1	Panel-Fan	31	117-5976	2	Knob-Handle
18:1	132-3486-03	1	Plate-Mount, Fan	32	130-5854	2	Brace-Seal
18:2	132-3607	2	Fan-Condenser	33	3229-30	4	Screw-CARR
18:3	132-3606	8	Tab-Fan	34	132-3608	2	Seal-Edge
18:4	105-6849	8	Screw-Forming, Thread	35	132-3609	2	Seal-Strip
18:5	114-4899	3	Rivet-Push	36	104-7201	8	Nut-HF, NI

● Not serviced separately

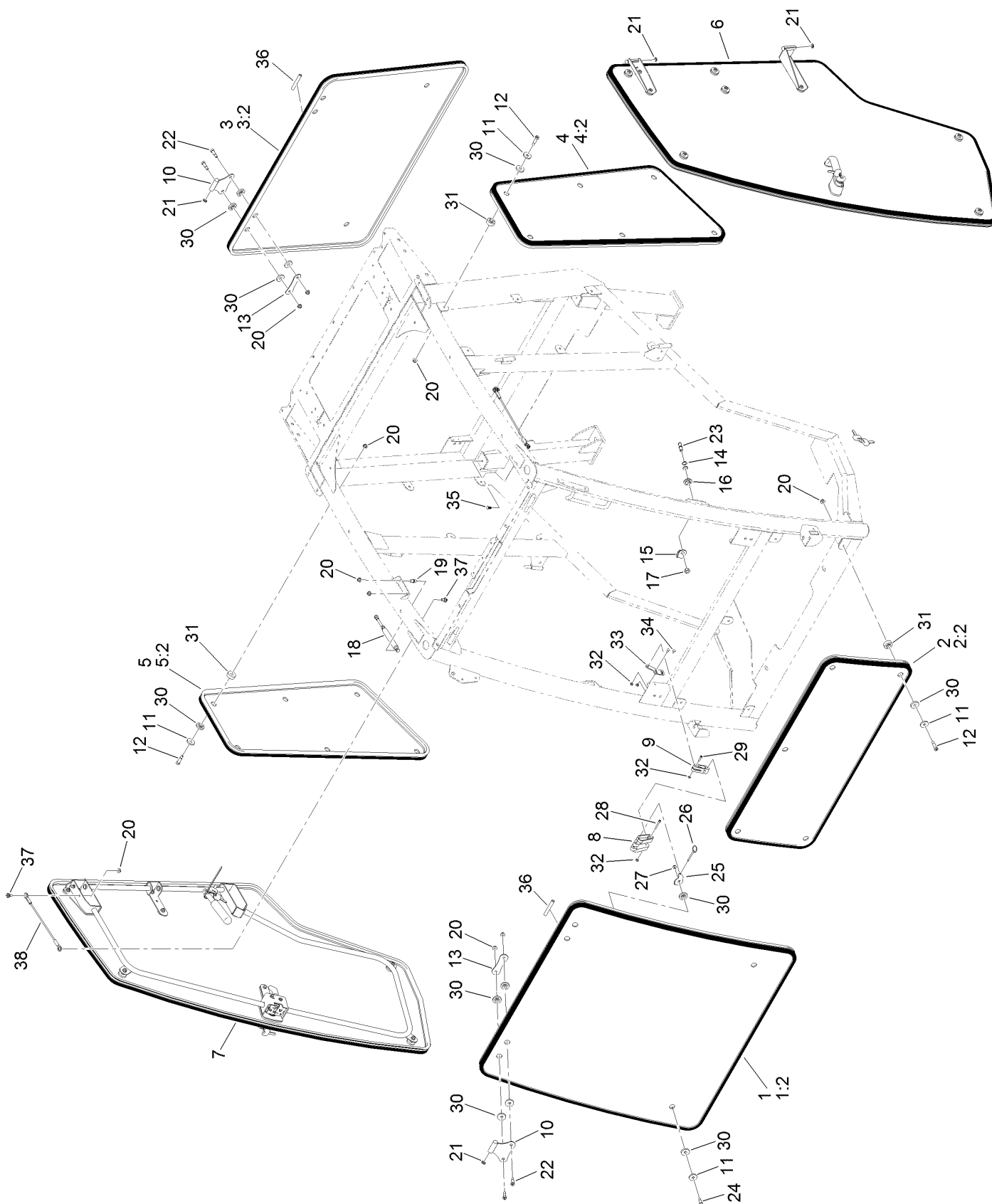
# Air Conditioning Duct Assembly No. 132-3468 For Cab Model Only



# Air Conditioning Duct Assembly No. 132-3468 For Cab Model Only (continued)

<i>Ref.</i>	<i>Part Number</i>	<i>Qty.</i>	<i>Description</i>	<i>Ref.</i>	<i>Part Number</i>	<i>Qty.</i>	<i>Description</i>
1	121-8447	1	Core-Condenser	7	132-3465-03	1	Wall-Side, Left
2	132-3469-03	2	Leg-Lower	8	132-3466	2	Seal-Strip
3	32128-44	6	Nut	9	132-3467	2	Seal-Edge
4	132-3462-03	1	Wall-Front	10	363-8245	12	Screw-TAP
5	132-3463-03	1	Wall-Back	11	107069	16	Clip
6	132-3464-03	1	Wall-Side, Right				

# Window and Door Assembly For Cab Model Only



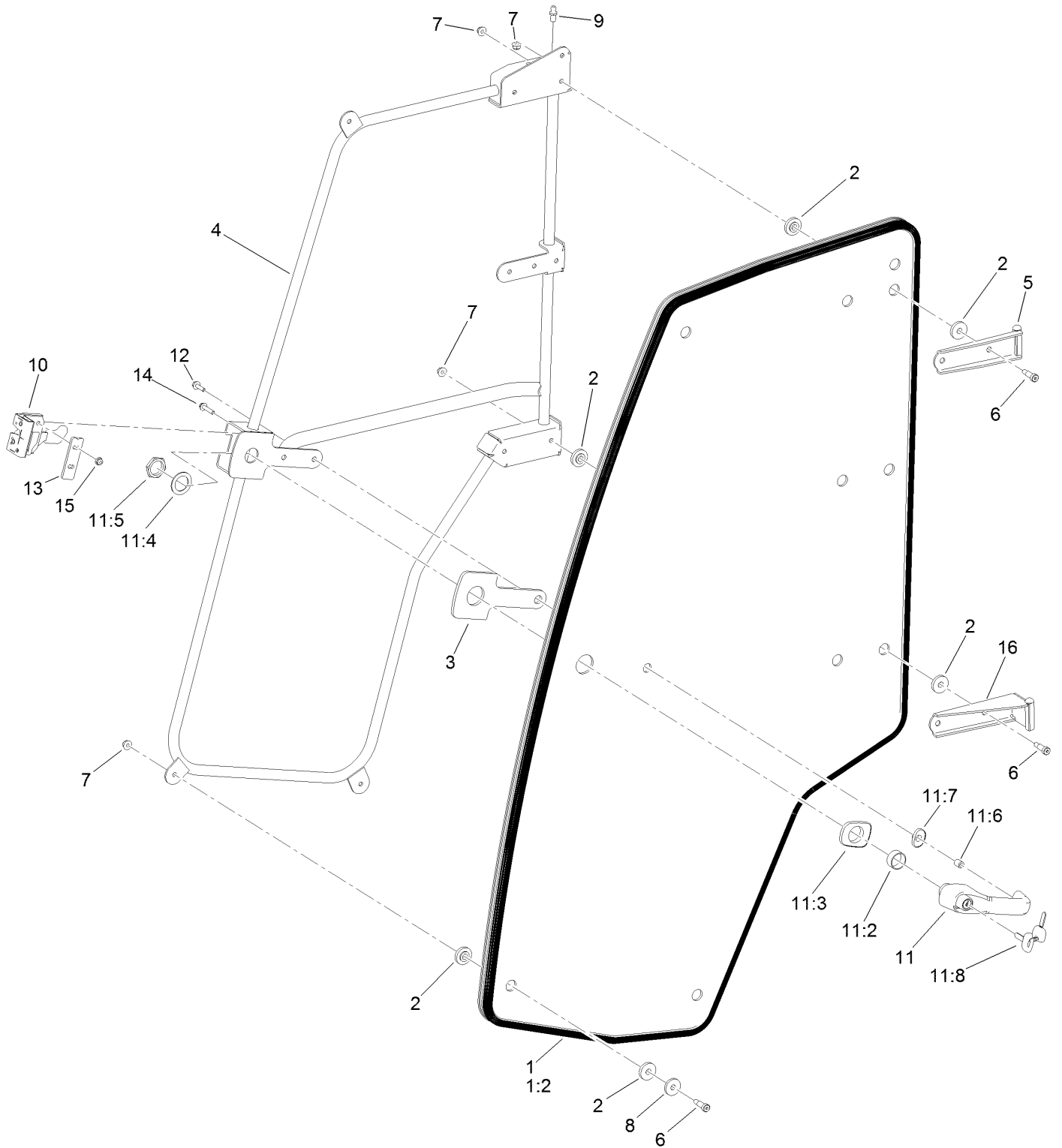


## Window and Door Assembly For Cab Model Only (continued)

<i>Ref.</i>	<i>Part Number</i>	<i>Qty.</i>	<i>Description</i>	<i>Ref.</i>	<i>Part Number</i>	<i>Qty.</i>	<i>Description</i>
1	130-5680	1	Upper Front Window ASM	18	130-6083	2	Spring-Gas, Door
1:2	121-8212	1	Seal-Trim	19	98-3104	2	Stud-Ball
2	130-5681	1	Lower Front Window ASM	20	104-8300	31	Nut-HF, NI
2:2	121-8211	1	Trim-Window, Front	21	121-8441	8	Washer-Spacer
3	130-5690	1	Rear Window ASM	22	125-9520	8	Screw-Shoulder, HSH
3:2	121-8213	1	Trim-Window, Rear	23	125-9993	2	Striker-Stud
4	130-6187	1	LH Side Window ASM	24	119-9812	4	Bolt-Shoulder
4:2	130-0502	1	Trim-Window, Stationary	25	125-9987	4	Mount-Latch
5	130-6186	1	RH Side Window ASM	26	127-9850	4	Pin-Release, Quick
5:2	130-0502	1	Trim-Window, Stationary	27	104-7201	4	Nut-HF, NI
6		1	LH Door ASM ●	28	3274-59	4	Screw-HSH
7		1	RH Door ASM ●	29	3274-14	4	Screw-HSH
8	125-9792	4	Handle-Window	30	125-9982	41	Bushing-Flange
9	125-9793	4	Link-Window	31	125-9537	17	Bushing-Flange
10	121-8535-03	4	Hinge-Window	32	120-9681	16	Nut-Lock, NI
11	130-5815	21	Washer-Backup	33	130-0590	4	Mount-Tab
12	125-9521	17	Screw-Shldr HSH	34	1-807513	8	Bolt-CARR
13	127-9933	4	Plate-Backer, Windshield	35	114-4899	2	Rivet-Push
14	73-0040	4	Washer-Thrust	36	130-5578	2	Tubing-Seal, Rubber
15	121-8393	2	Guard-Striker	37	120-9471	4	Bolt-Shoulder
16	125-9992	2	Adjuster-Stud	38	130-5726	2	Lanyard
17	106-0327	2	Nut-Hex				

● Not serviced separately

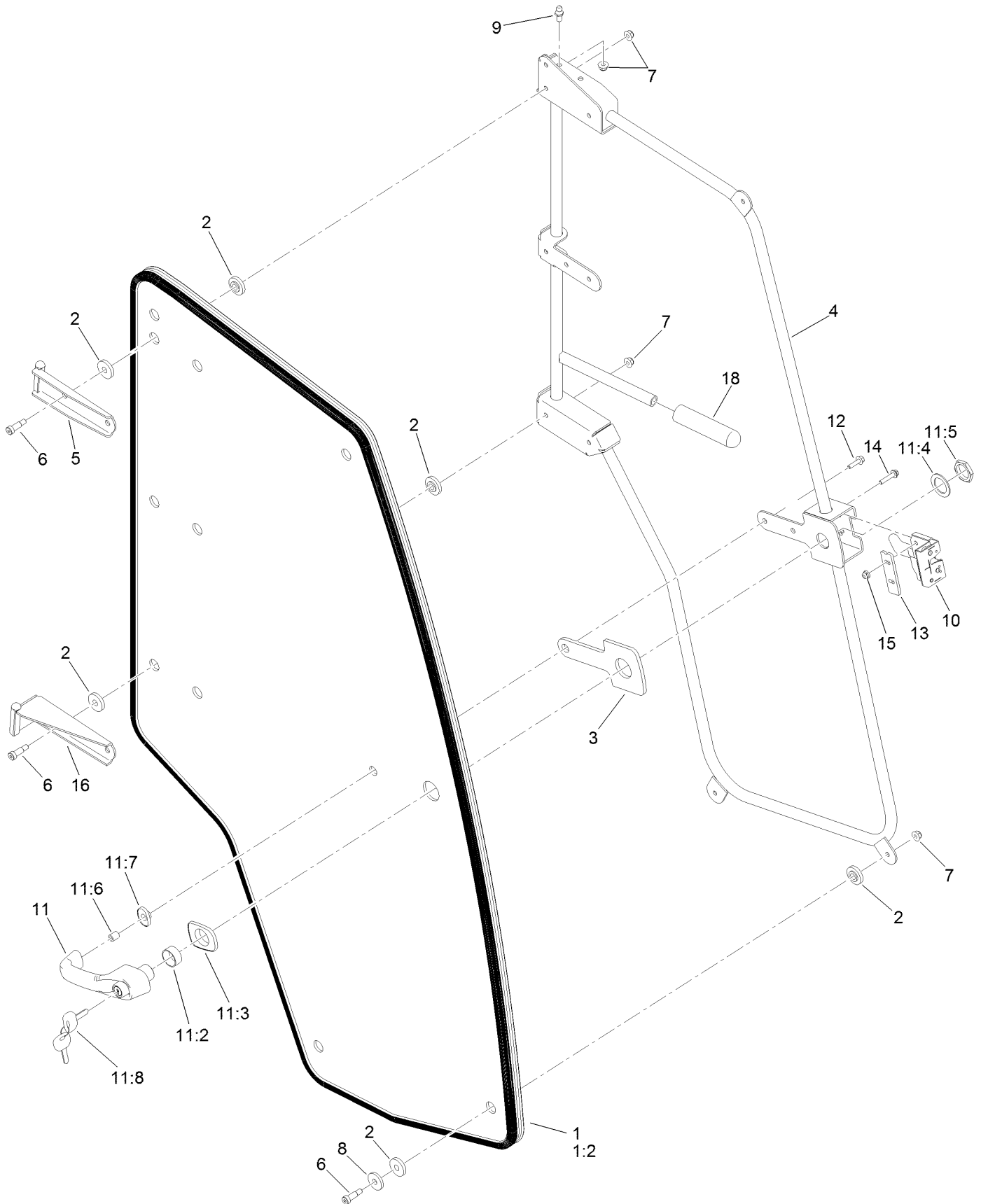
# Left Hand Door Assembly For Cab Model Only



## Left Hand Door Assembly For Cab Model Only (continued)

<i>Ref.</i>	<i>Part Number</i>	<i>Qty.</i>	<i>Description</i>	<i>Ref.</i>	<i>Part Number</i>	<i>Qty.</i>	<i>Description</i>
1	130-6185	1	LH Door ASM	11:2	121-8628	1	Cylinder-Mounting, Key
1:2	121-8317	1	Trim-Window, Door	11:3	121-8322	1	Grommet-Mounting, Large
2	125-9982	20	Bushing-Flange	11:4	121-8327	1	Washer
3	121-8331	1	Gasket-Handle	11:5	121-8328	1	Nut
4	125-7358-03	1	Frame-Door, LH	11:6	121-8627	1	Cylinder-Mounting, End
5	130-0525-03	1	Hinge-Door, Top (LH)	11:7	121-8323	1	Grommet-Mounting, Small
6	125-9520	10	Screw-Shoulder, HSH	11:8	125-9531	1	Key-Set
7	104-8300	11	Nut-HF, NI	12	33103-025	1	Screw-HHF
8	130-5815	6	Washer-Backup	13	121-8395	1	Plate-Support, Latch
9	98-3104	1	Stud-Ball	14	3234-21	2	Screw-HHF
10	121-8391	1	Latch-LH	15	104-7201	2	Nut-HF, NI
11	121-8630	1	Handle ASM	16	130-0526-03	1	Hinge-Door, Bottom (LH)

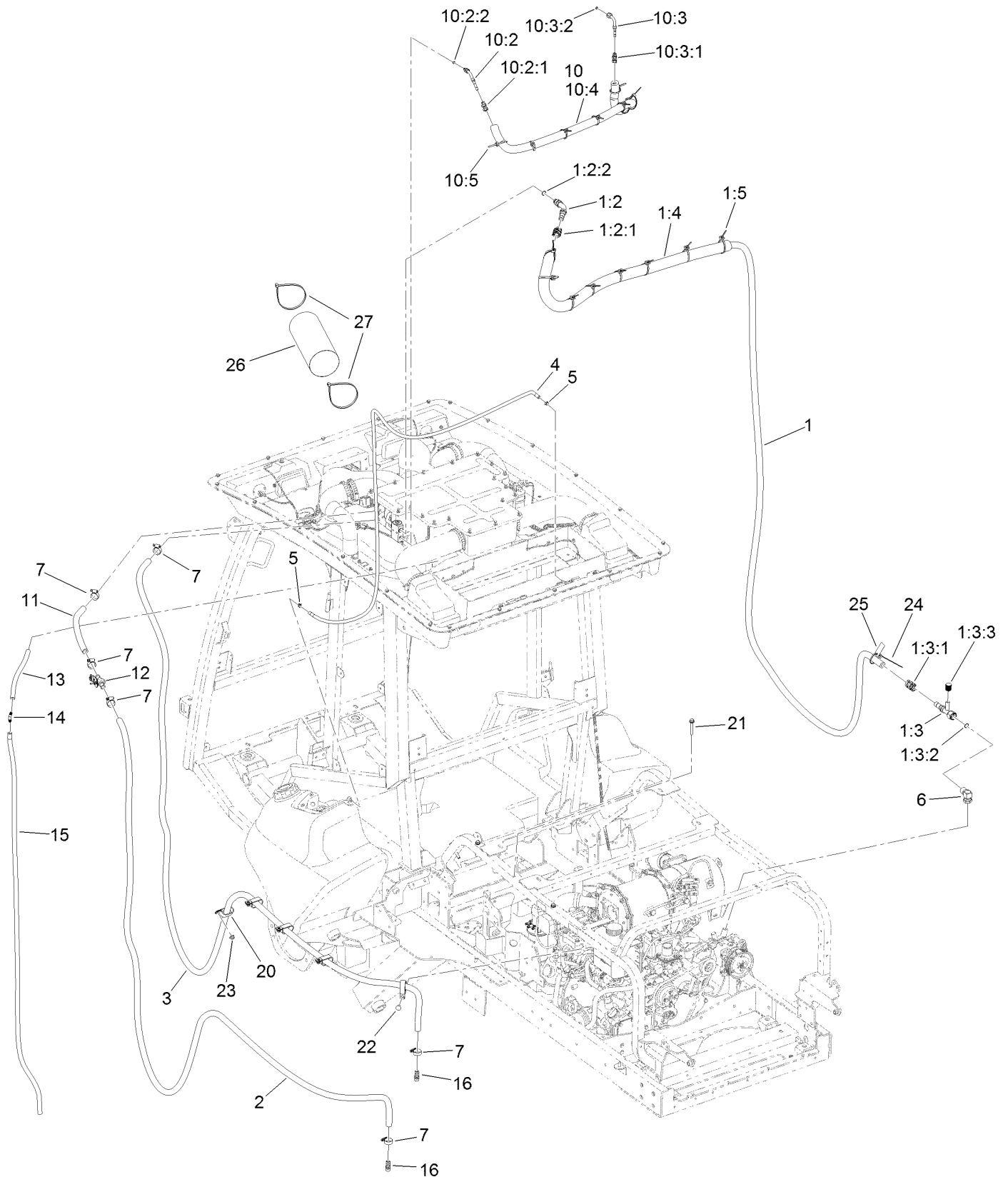
# Right Hand Door Assembly For Cab Model Only



## Right Hand Door Assembly For Cab Model Only (continued)

<i>Ref.</i>	<i>Part Number</i>	<i>Qty.</i>	<i>Description</i>	<i>Ref.</i>	<i>Part Number</i>	<i>Qty.</i>	<i>Description</i>
1	130-6184	1	RH Door ASM	11:3	121-8322	1	Grommet-Mounting, Large
1:2	121-8317	1	Trim-Window, Door	11:4	121-8327	1	Washer
2	125-9982	20	Bushing-Flange	11:5	121-8328	1	Nut
3	121-8331	1	Gasket-Handle	11:6	121-8627	1	Cylinder-Mounting, End
4	125-7359-03	1	Frame-Door, RH	11:7	121-8323	1	Grommet-Mounting, Small
5	130-0529-03	1	Hinge-Door, Top (RH)	11:8	125-9531	1	Key-Set
6	125-9520	10	Screw-Shoulder, HSH	12	33103-025	1	Screw-HHF
7	104-8300	11	Nut-HF, NI	13	121-8395	1	Plate-Support, Latch
8	130-5815	6	Washer-Backup	14	3234-21	2	Screw-HHF
9	98-3104	1	Stud-Ball	15	104-7201	2	Nut-HF, NI
10	121-8390	1	Latch-RH	16	130-0530-03	1	Hinge-Door, Bottom (RH)
11	121-8630	1	Handle ASM	18	110-1037	1	Grip-Handle
11:2	121-8628	1	Cylinder-Mounting, Key				

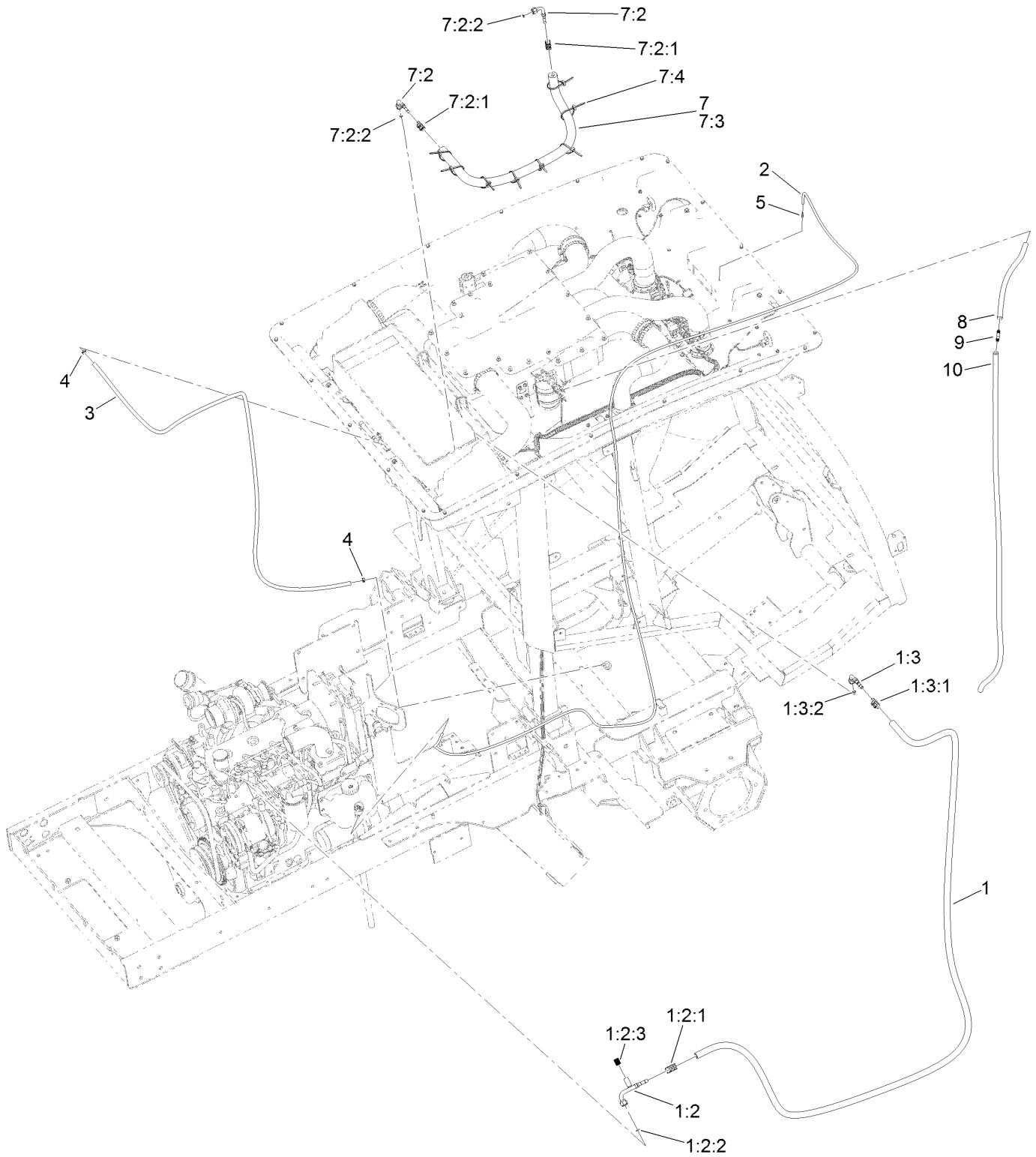
# Left Side Hose Assembly For Cab Model Only



## Left Side Hose Assembly For Cab Model Only (continued)

<i>Ref.</i>	<i>Part Number</i>	<i>Qty.</i>	<i>Description</i>	<i>Ref.</i>	<i>Part Number</i>	<i>Qty.</i>	<i>Description</i>
1	130-5620	1	A/C Hose ASM	10:3	130-5751	1	Fitting-Female, 90 DEG
1:2	130-5754	1	Fitting-Male, 45 DEG	10:3:1	130-5772	1	Fitting Kit
1:2:1	130-5775	1	Fitting Kit	10:3:2	117-2778	1	O-Ring
1:2:2	117-2780	1	O-Ring	10:4	130-5958	1	Cover-Foam
1:3	130-5755	1	Fitting-Female, Straight	10:5	3290-378	8	Tie-Cable
1:3:1	130-5775	1	Fitting Kit	11	125-9706	1	Hose-Heater
1:3:2	117-2780	1	O-Ring	12	120-4947	1	Valve-Heater
1:3:3	117-2784	1	Cap-Side, Low	13	125-9865	1	Hose-Drain
1:4	130-5959	1	Cover-Foam	14	130-0578	1	Fitting-Barb, 90 DEG
1:5	3290-378	8	Tie-Cable	15	125-9866	1	Hose-Drain
2	130-5622	1	Hose-Heater	16	117-9410	2	Fitting-Straight
3	130-5946	1	Hose-Heater	20	2412-137	5	Clamp-R, Double
4	130-5813	1	Hose-Fuel	21	3234-39	4	Screw-HHF
5	2412-98	2	Clamp-Hose	22	3231-21	1	Screw-CARR
6	119-0128	1	Fitting-Elbow, 90 DEG	23	104-8301	5	Nut-HF, NI
7	2412-129	6	Clamp-Hose	24	3290-378	1	Tie-Cable
10	125-9702	1	Hose ASM	25	133-0779	1	Tag-Hang, Oil Refrigerant
10:2	130-5753	1	Fitting-45 DEG	26	133-1025	1	Wrap-Abrasion
10:2:1	130-5772	1	Fitting Kit	27	94-3890	2	Tie-Cable
10:2:2	117-2778	1	O-Ring				

# Right Side Hose Assembly For Cab Model Only

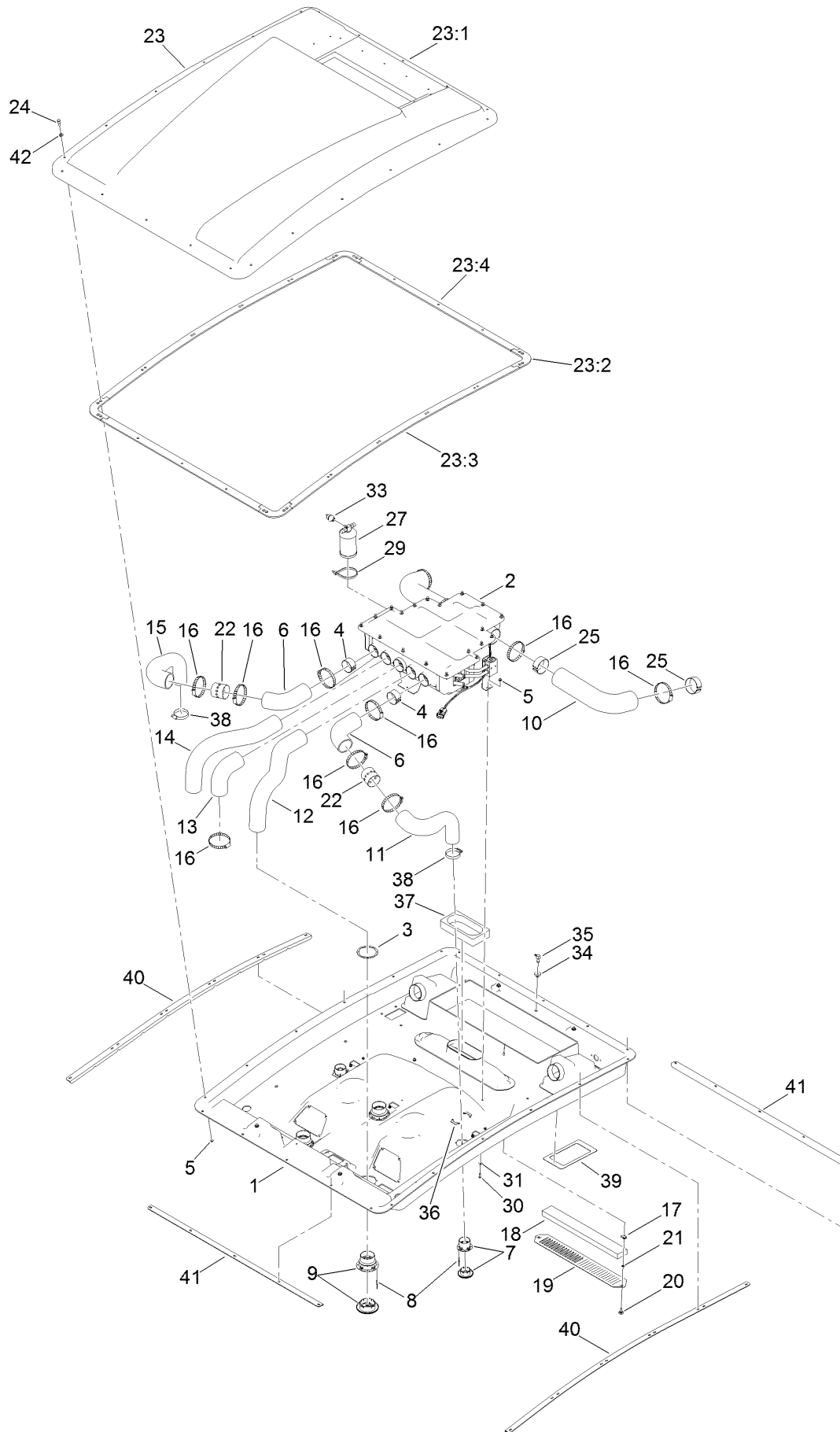




## Right Side Hose Assembly For Cab Model Only (continued)

<i>Ref.</i>	<i>Part Number</i>	<i>Qty.</i>	<i>Description</i>	<i>Ref.</i>	<i>Part Number</i>	<i>Qty.</i>	<i>Description</i>
1	130-5621	1	A/C Hose ASM	5	127-9905	1	Fitting-Hose, Barb
1:2	130-5758	1	Fitting-Female, 90 DEG	7	125-9703	1	Hose ASM
1:2:1	130-5773	1	Fitting Kit	7:2	130-5751	2	Fitting-Female, 90 DEG
1:2:2	117-2779	1	O-Ring	7:2:1	130-5772	1	Fitting Kit
1:2:3	117-2783	1	Cap-Side, High	7:2:2	117-2778	1	O-Ring
1:3	130-5752	1	Fitting-Female, 90 DEG	7:3	130-5958	1	Cover-Foam
1:3:1	130-5773	1	Fitting Kit	7:4	3290-378	8	Tie-Cable
1:3:2	117-2778	1	O-Ring	8	125-9865	1	Hose-Drain
2	130-5624	1	Hose-Fluid, Wiper	9	130-0578	1	Fitting-Barb, 90 DEG
3	130-5813	1	Hose-Fuel	10	125-9866	1	Hose-Drain
4	2412-98	2	Clamp-Hose				

# Mixing Box and Vent Hose Assembly

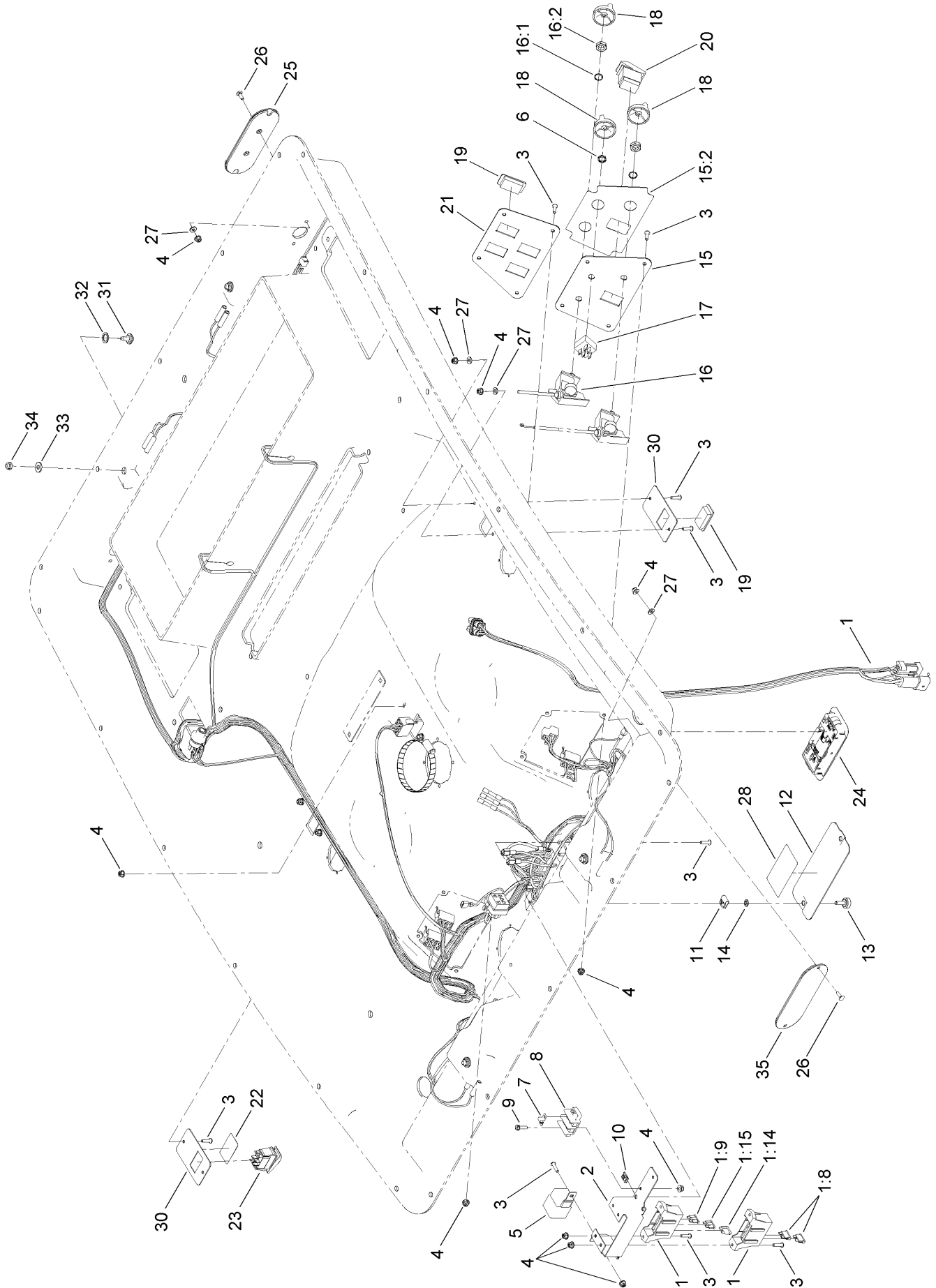


## Mixing Box and Vent Hose Assembly (continued)

<i>Ref.</i>	<i>Part Number</i>	<i>Qty.</i>	<i>Description</i>	<i>Ref.</i>	<i>Part Number</i>	<i>Qty.</i>	<i>Description</i>
1	121-8470	1	Headliner	22	130-5927	2	Adapter-Bleed
2	121-8495	1	Box-Mixing, Heater A/C	23		1	Roof ASM ●
3	130-0558	3	Backplate-Rivet	23:1	132-3602	1	Roof
4	130-5938	2	Tube-Support	23:2	130-5961	4	Seal-Corner
5	104-7201	24	Nut-HF, NI	23:3	130-5960	2	Seal-Side
6	130-5860	2	Hose-Vent	23:4	130-5962	2	Seal-Front, Rear
7	130-0455	2	Louver-Round, Snap-In	24	119-3301	22	Bolt-Pivot, Eccentric
8	125-7503	20	Rivet-Pop	25	130-5939	4	Tube-Support
9	130-0465	3	Louver-Round, Snap-In (4 Inch)	27	130-5999	1	Drier-Receiver
10	121-8473	2	Hose-Intake, Fresh Air	29	3334-945	2	Tie-Cable
11	130-5861	1	Hose-Vent, Outer (LH)	30	3274-69	2	Screw-HSBH
12	121-8477	1	Hose-Vent, Defrost (LH)	31	3256-1	2	Washer-Flat
13	130-0437	1	Hose-Vent, Center	33	119-4501	1	Switch-Function, Dual
14	121-8478	1	Hose-Vent, Defrost (RH)	34	46-6560	1	Bushing
15	130-5862	1	Hose-Vent, Outer (RH)	35	104-5228	1	Fitting-Elbow, 90 DEG
16	2412-110	11	Clamp-Band/Screw	36	130-0445	4	Backplate-Rivet
17	107069	2	Clip	37	130-0444	1	Foam-Inlet, Airbox
18	125-9532	1	Filter-Cab, Inside	38	2412-130	2	Clamp-Hose
19	125-9604-03	1	Plate-Cover, Recirculation	39	132-3474	2	Insert-Seal, Filter
20	125-7438	2	Knob-Screw, Thumb	40	132-1461-03	2	Strap-Cab, Side
21	106-8737	2	Nut-Retainer	41	132-1462-03	2	Strap-Cab
				42	3256-74	22	Washer-Flat

● Not serviced separately

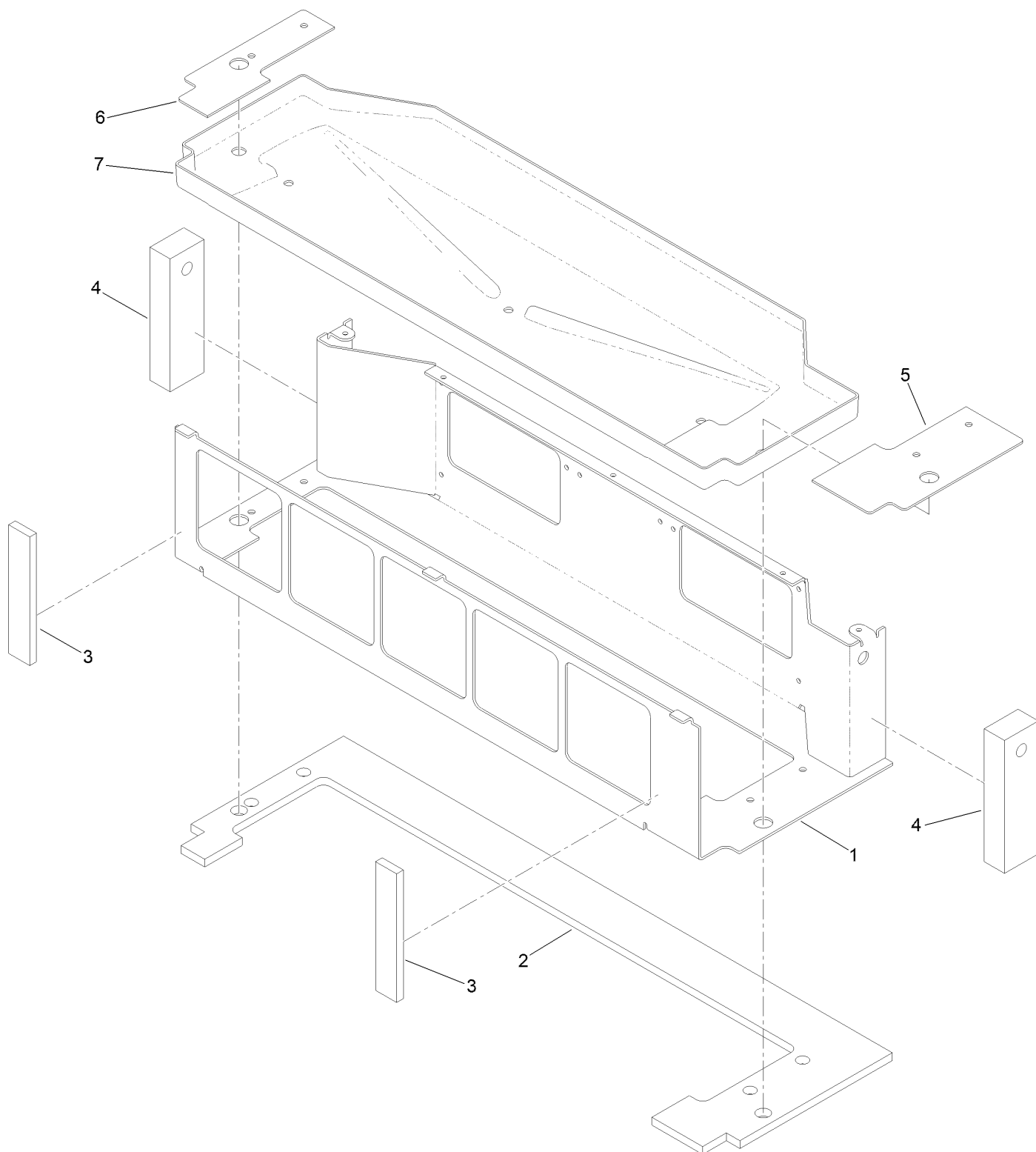
# Headliner Wire Harness and Control Assembly For Cab Model Only



## Headliner Wire Harness and Control Assembly For Cab Model Only (continued)

<i>Ref.</i>	<i>Part Number</i>	<i>Qty.</i>	<i>Description</i>	<i>Ref.</i>	<i>Part Number</i>	<i>Qty.</i>	<i>Description</i>
1	122-0723	1	Harness-Wire, Headliner	16:1	3254-20	1	Washer-Lock, Int
1:8	109355	2	Fuse-Blade, 15 Amp	16:2	3220-4	1	Nut-Jam
1:9	109103	1	Fuse-Blade, 30 Amp	17	122-0150	1	Switch, Rotary
1:14	109101	1	Fuse-Blade, 20 Amp	18	125-9510	3	Knob-Control
1:15	109102	1	Fuse-Blade, 25 Amp	19	99-7420	6	Plug-Hole
2	125-9606-03	1	Bracket-Fuse Block	20	95-8999	1	Switch-Rocker, On-None-On
3	104-2408	23	Screw-HSBH	21	125-9691-03	1	Panel-Switch, Lights
4	120-4578	29	Nut-HF	22	125-9688	1	Decal-Washer
5	99-7430	1	Relay-Mini	23	119-8355	1	Switch-Rocker
6	130-0588	1	Nut-Switch	24	125-7437	1	Light-Dome
7	42863	1	Strip-Jumper	25	130-5867	2	Cover-Light, Rear
8	42862	1	Block-Terminal, Ground	26	3229-34	8	Screw-CARR
9	32105-13	2	Screw-HWH	27	3256-14	14	Washer-Flat
10	107-1013	4	Nut-Speed	28	132-3600	1	Decal-Panel, Fuse
11	609900	2	Nut-Speed	30	130-0436	3	Panel-Switch
12	125-9603-03	1	Plate-Cover, Fuse	31	92-9698	4	Screw-Shoulder
13	125-7438	2	Knob-Screw, Thumb	32	94-8196	4	Washer-Nylon
14	106-8737	2	Nut-Retainer	33	3256-2	4	Washer-Flat
15	121-8481	1	Panel-Air/Heat	34	104-7201	4	Nut-HF, NI
15:2	121-8378	1	Decal, Air/Heat	35	130-5868	2	Cover-Light, Front
16	125-9677	1	Control-Rotary, Linear				

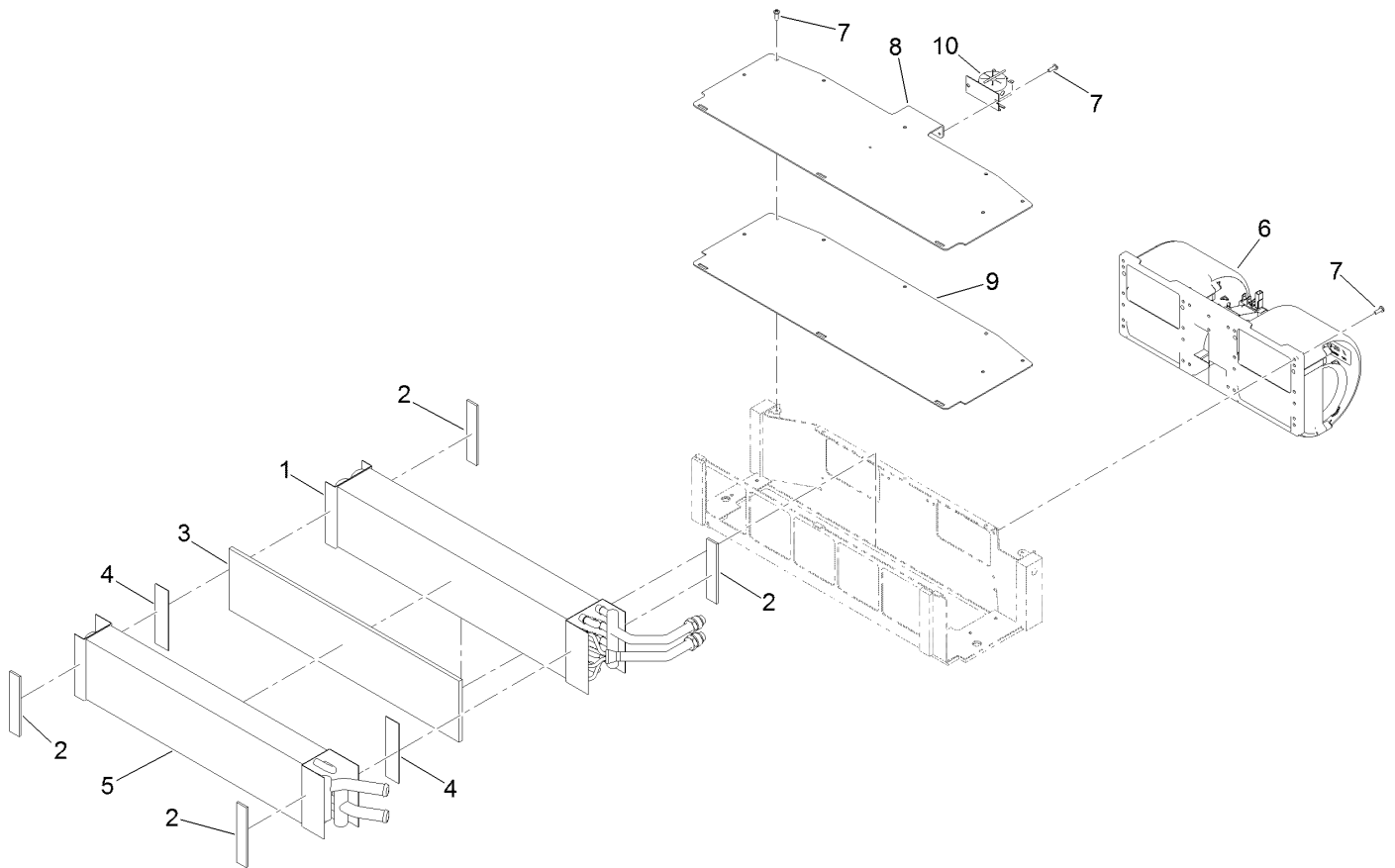
# Mixing Box Mounting Bracket and Water Tray Assembly For Cab Model Only



# Mixing Box Mounting Bracket and Water Tray Assembly For Cab Model Only (continued)

<i>Ref.</i>	<i>Part Number</i>	<i>Qty.</i>	<i>Description</i>	<i>Ref.</i>	<i>Part Number</i>	<i>Qty.</i>	<i>Description</i>
1	130-5655-03	1	Bracket-Mount	5	130-5653	1	Gasket-Mount, LH Bracket
2	130-5659	1	Seal-Foam	6	130-5654	1	Gasket-Mount, RH Bracket
3	130-5808	2	Seal-Foam, Front	7	130-5660	1	Tray-Water
4	130-0602	2	Seal-End				

# Blower Fan and Evaporator Core Assembly For Cab Model Only

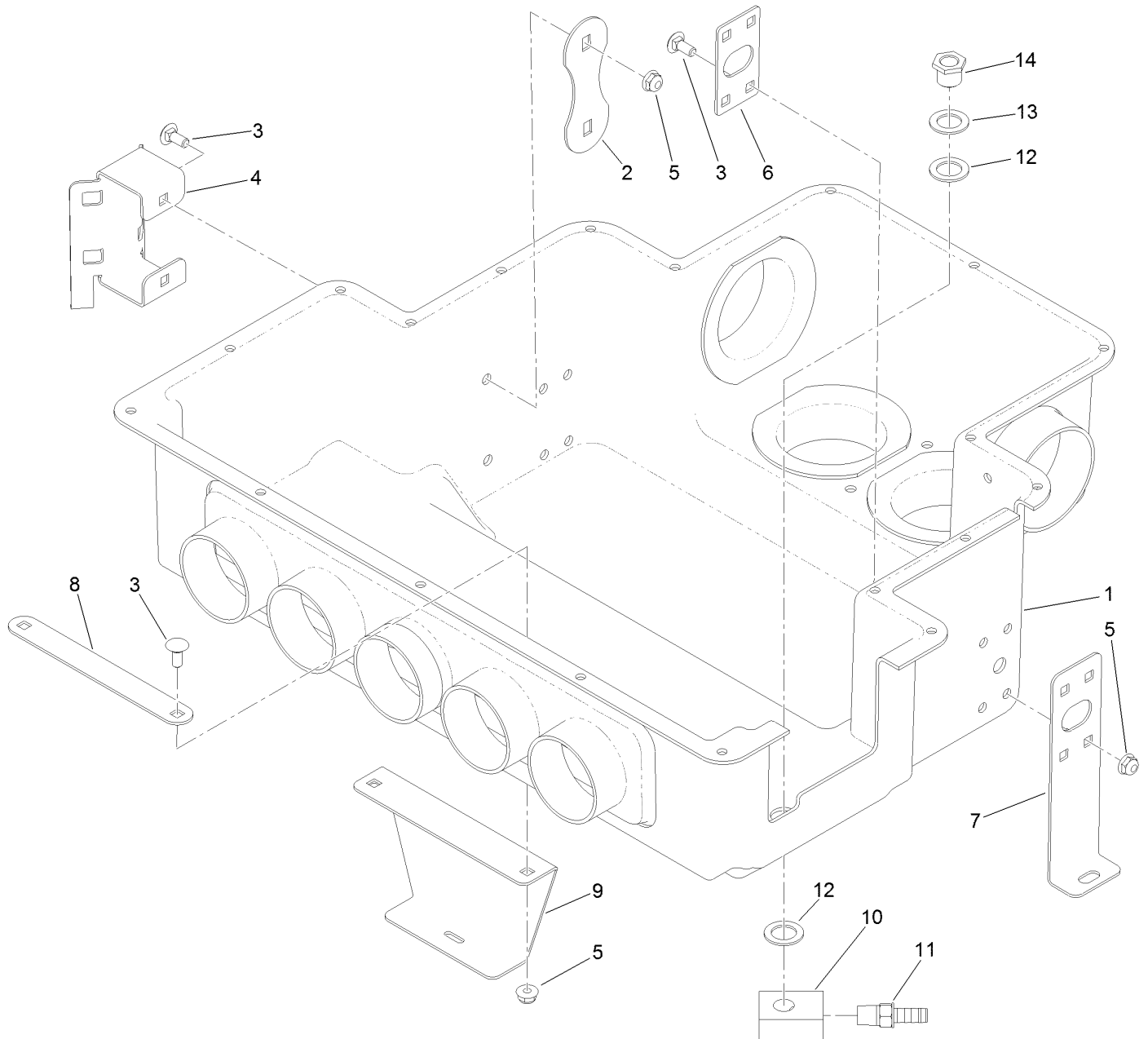




## Blower Fan and Evaporator Core Assembly For Cab Model Only (continued)

<i>Ref.</i>	<i>Part Number</i>	<i>Qty.</i>	<i>Description</i>	<i>Ref.</i>	<i>Part Number</i>	<i>Qty.</i>	<i>Description</i>
1	130-5392	1	Core-Evaporator	7	363-8245	13	Screw-TAP
2	130-5658	4	Gasket-Coil	8	130-5656-03	1	Cover, Bracket-Mount
3	130-5807	1	Foam	9	130-5652	1	Gasket-Mount, Cover Bracket
4	130-5806	2	Tape, Double-Sided	10	121-8385	1	Thermostat-Switch, Freeze
5	127-9915	1	Core-Heater				
6	121-8451	1	Fan-Blower				

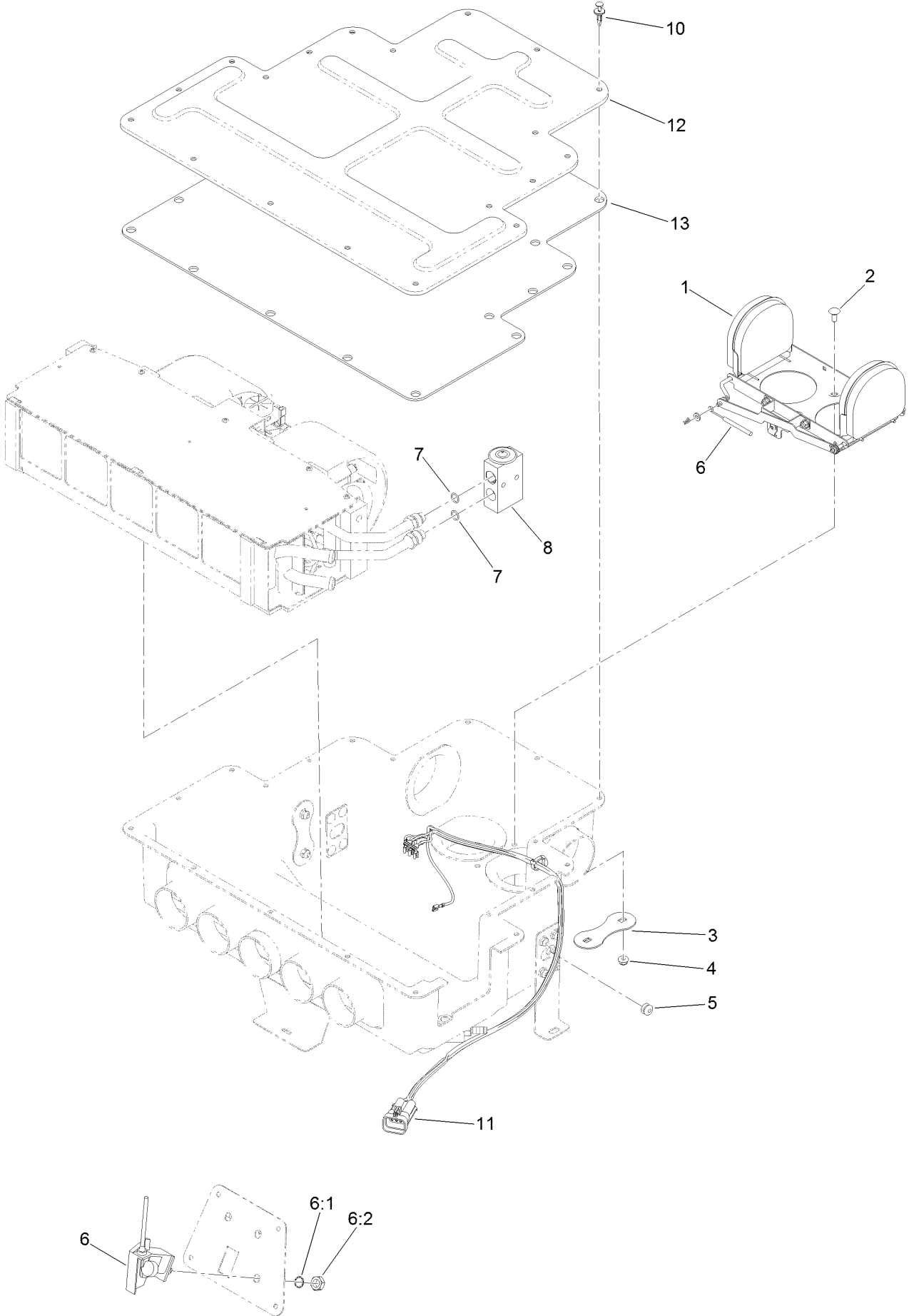
# Heat / Air Conditioner Housing Assembly For Cab Model Only



## Heat / Air Conditioner Housing Assembly For Cab Model Only (continued)

<i>Ref.</i>	<i>Part Number</i>	<i>Qty.</i>	<i>Description</i>	<i>Ref.</i>	<i>Part Number</i>	<i>Qty.</i>	<i>Description</i>
1	130-5830	1	Housing-Heat/AC	8	125-7504	1	Plate-Backer, Center
2	121-8491	1	Plate-Support	9	130-0554	1	Bracket-Airbox, Center
3	3229-11	12	Screw-CARR	10	130-5601	2	Drain-Lower
4	121-8490	1	Bracket-Mount, Drier	11	108-0342	2	Fitting-Straight
5	104-7201	12	Nut-HF, NI	12	121-6840	4	Washer-Rubber
6	130-5834	2	Bracket-Support	13	107-3041	2	Washer-Flat
7	130-5821	2	Bracket-Airbox, Side	14	130-0293	2	Drain-Upper

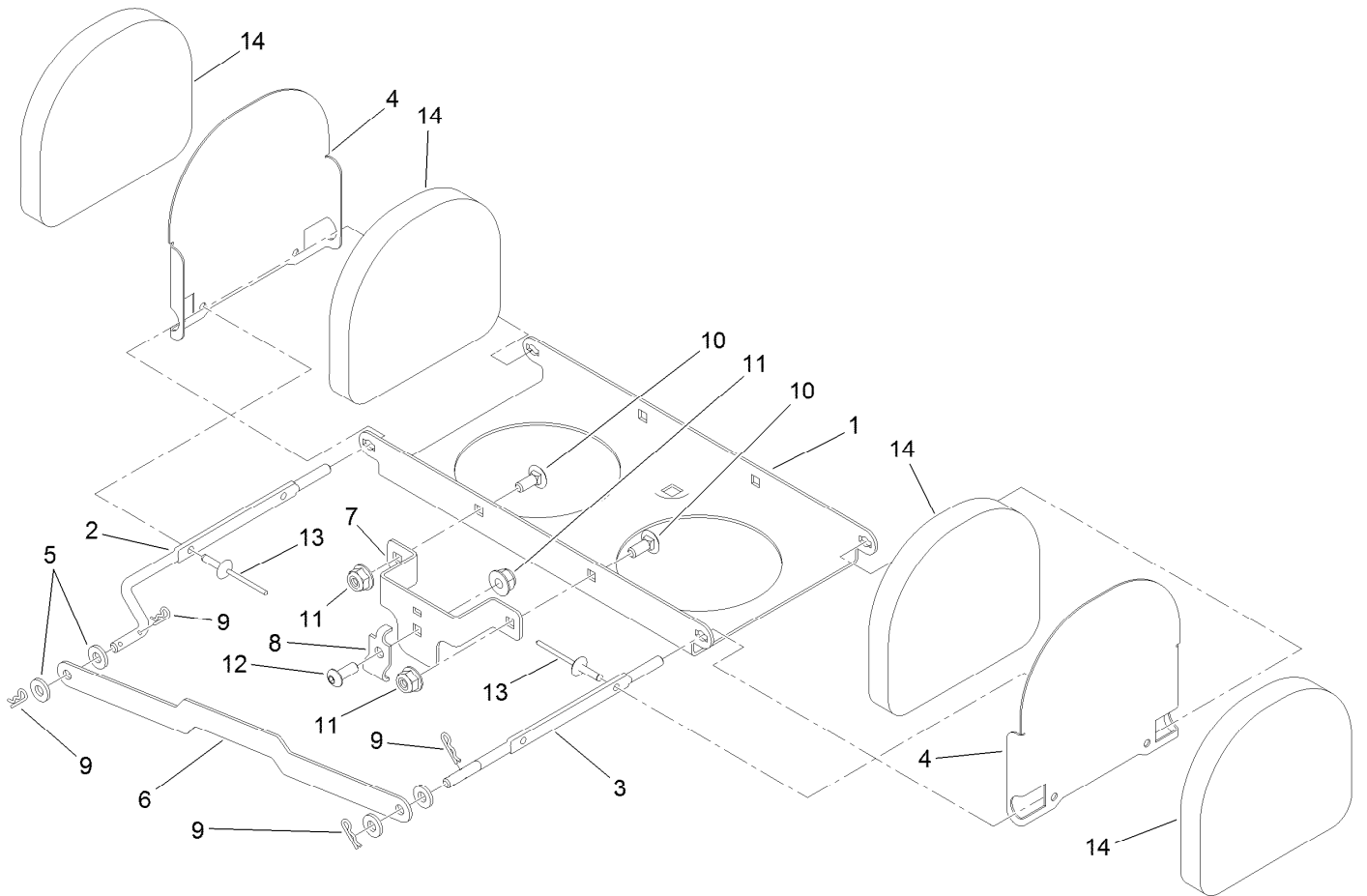
# Air Diverter and Expansion Valve Assembly For Cab Model Only



## Air Diverter and Expansion Valve Assembly For Cab Model Only (continued)

<i>Ref.</i>	<i>Part Number</i>	<i>Qty.</i>	<i>Description</i>	<i>Ref.</i>	<i>Part Number</i>	<i>Qty.</i>	<i>Description</i>
1	121-8369	1	Air Diverter ASM	7	125-9524	2	O-Ring
2	3229-11	2	Screw-CARR	8	121-8384	1	Valve-Expansion
3	121-8491	1	Plate-Support	10	125-9622	19	Rivet-Blind
4	104-7201	2	Nut-HF, NI	11	122-0153	1	Harness-Wire, Heat/AC Blower
5	125-7528	1	Grommet-Cable	12	121-8449	1	Housing-Ventilation, Upper
6	125-9678	1	Control-Rotary, Linear	13	130-5614	1	Insulation-Cover
6:1	3254-20	1	Washer-Lock, Int				
6:2	3220-4	1	Nut-Jam				

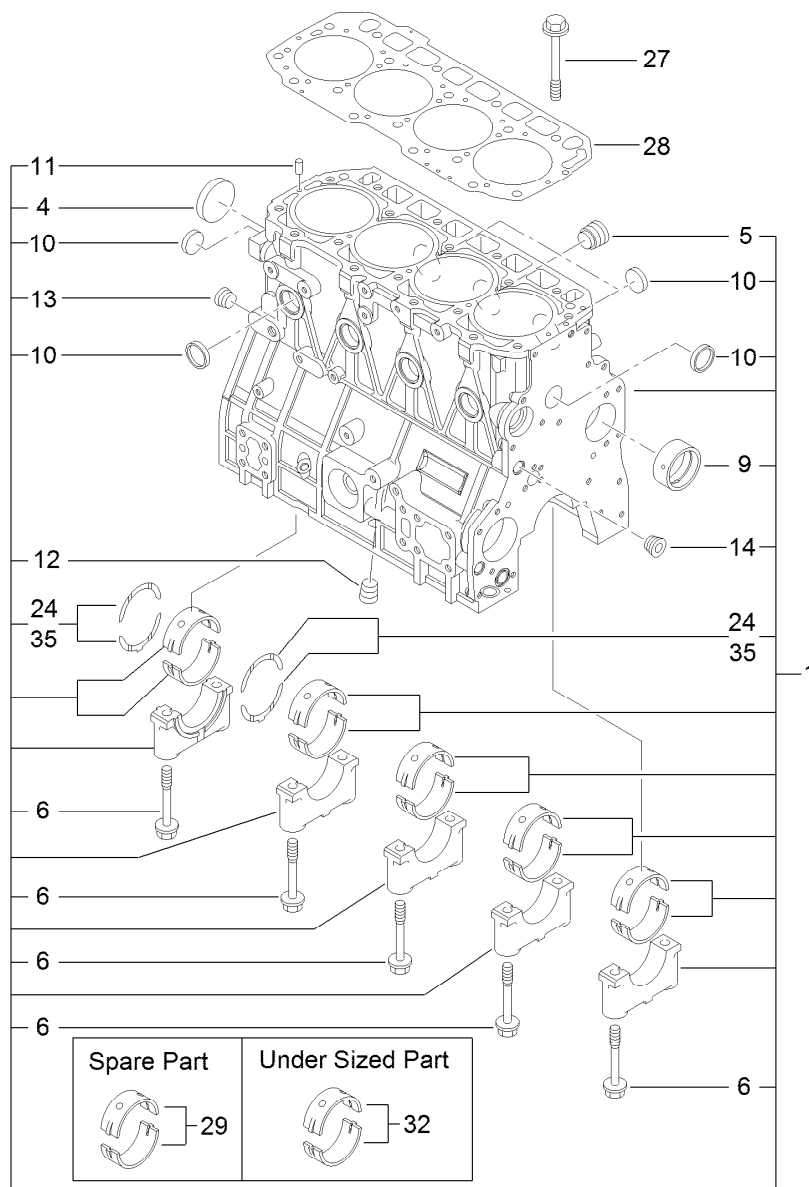
# Air Diverter Assembly No. 121-8369 For Cab Model Only



# Air Diverter Assembly No. 121-8369

## For Cab Model Only (continued)

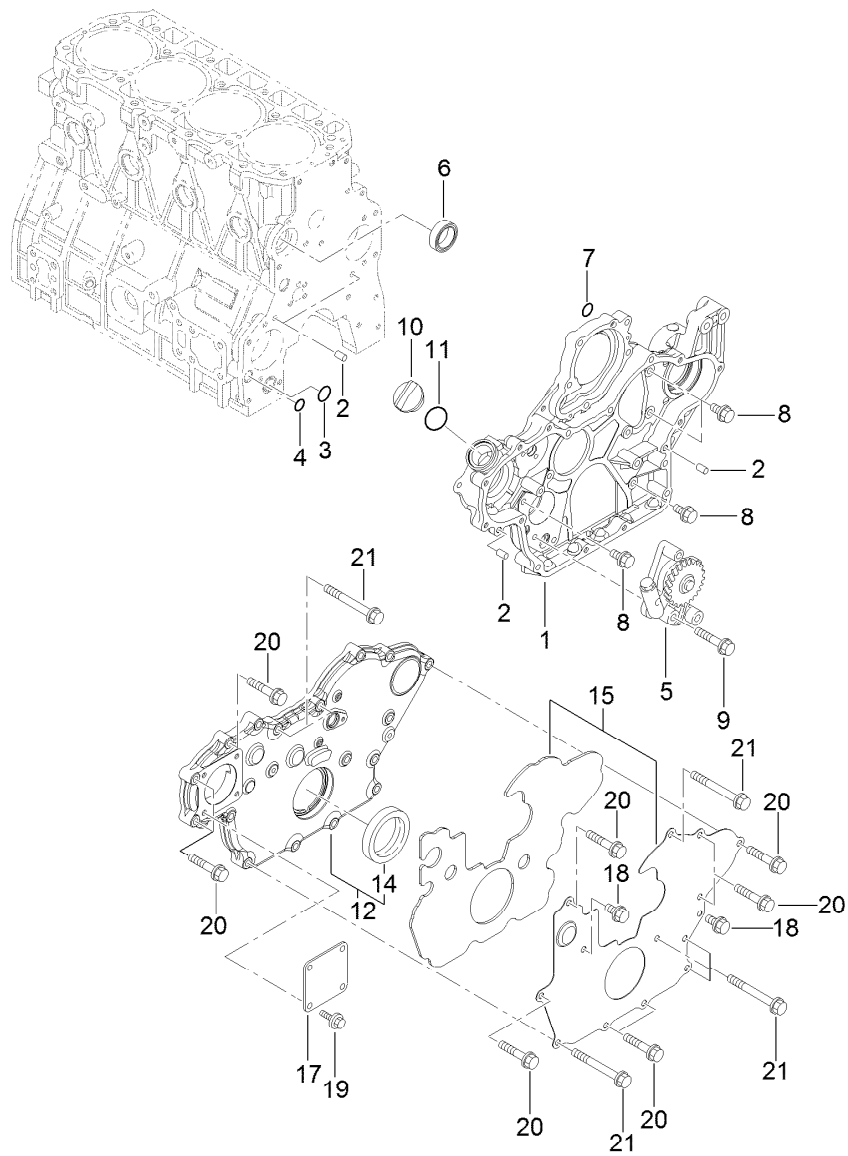
<i>Ref.</i>	<i>Part Number</i>	<i>Qty.</i>	<i>Description</i>	<i>Ref.</i>	<i>Part Number</i>	<i>Qty.</i>	<i>Description</i>
1	125-9697	1	Base-Mount	8	121-8256	1	Clamp-Conduit
2	121-8381	1	Shaft-Baffle, RH	9	108-2992	4	Pin-Hair
3	121-8382	1	Shaft-Baffle, LH	10	1-807513	2	Bolt-CARR
4	125-9698	2	Baffle-Air	11	120-4578	3	Nut-HF
5	3256-51	4	Washer-Flat	12	115-9830	1	Screw-HSBH
6	125-9696	1	Link-Baffle	13	3290-271	4	Rivet-Pop
7	121-8374	1	Mount-Cable	14	125-9699	4	Damper-Foam



## Cylinder Block Assembly

<i>Ref.</i>	<i>Part Number</i>	<i>Qty.</i>	<i>Description</i>	<i>Ref.</i>	<i>Part Number</i>	<i>Qty.</i>	<i>Description</i>
1	133-6785	1	Cylinder Block ASM	13	133-6798	1	Plug
4	133-6627	1	Plug	14	133-6798	1	Plug
5	125-7170	1	Plug	24	133-6631	2	Bearing-Thrust
6	133-6628	10	Bolt	27	133-6626	18	Bolt-Head
9	133-6630	1	Bushing-Camshaft	28	133-6700	1	Gasket-Head, Cylinder
10	133-2507	8	Plug	29	133-2508	5	Bearing-Main
11	125-7184	2	Pin-Spring	32	133-6629	5	Bearing
12	133-6798	1	Plug	35	133-6632	2	Bearing-Thrust

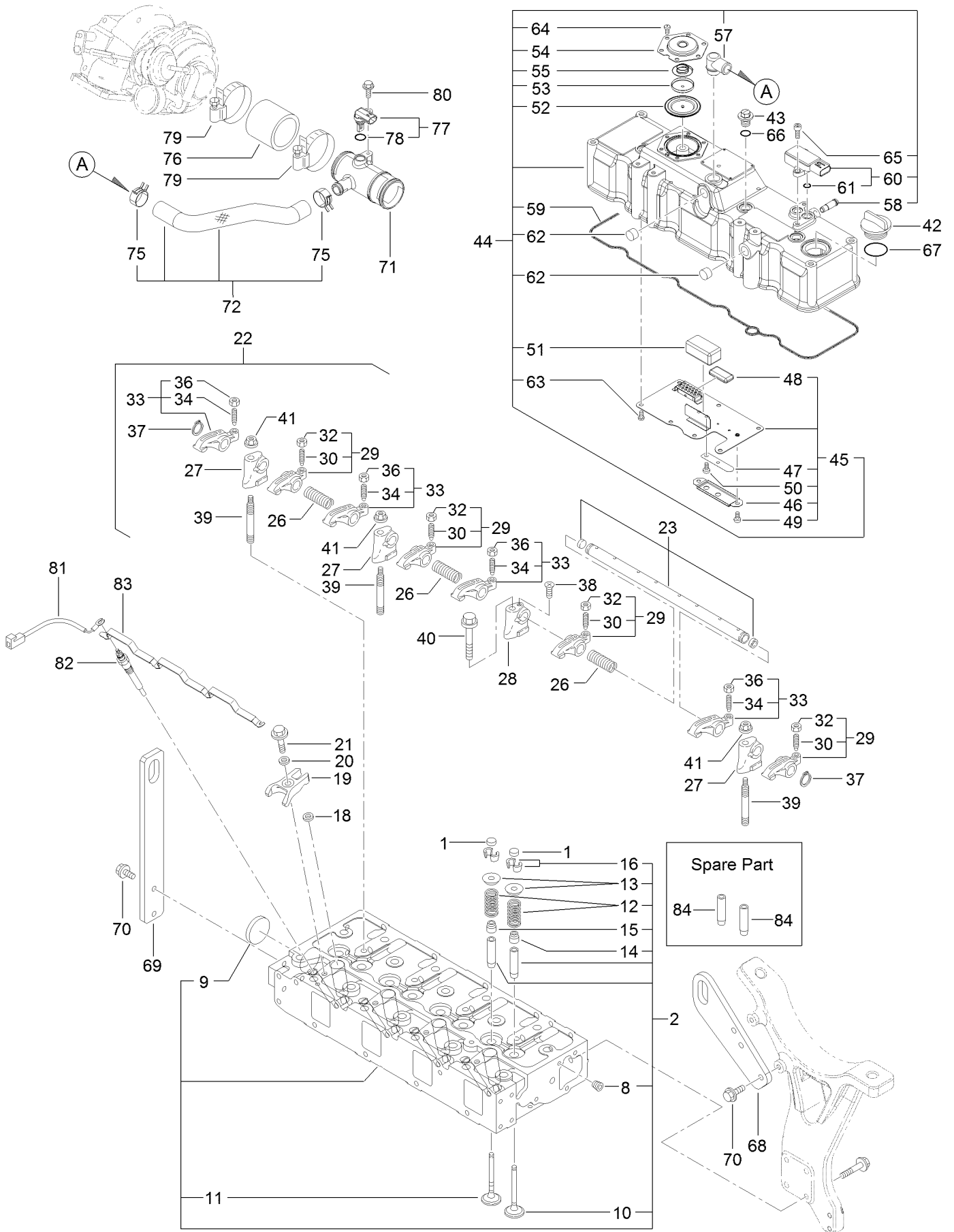




## Gear Housing Assembly

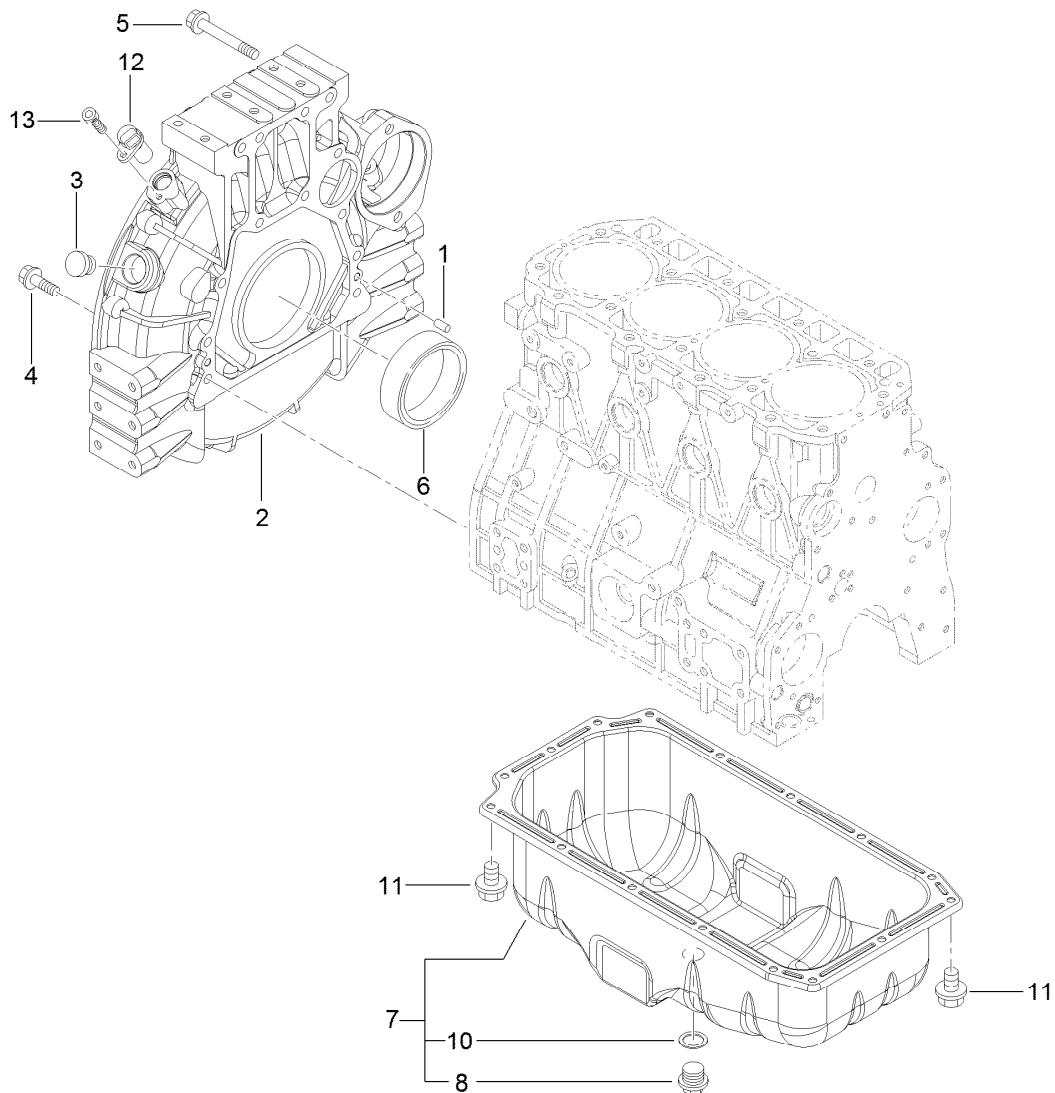
<i>Ref.</i>	<i>Part Number</i>	<i>Qty.</i>	<i>Description</i>	<i>Ref.</i>	<i>Part Number</i>	<i>Qty.</i>	<i>Description</i>
1	133-6754	1	Case-Gear	11	125-7197	1	O-Ring
2	125-6995	4	Pin	12	133-6701	1	Gearcase Cover ASM
3	133-6653	1	O-Ring	14	133-6669	1	Seal-Oil
4	133-6654	1	O-Ring	15	133-6703	1	Gearcase Cover ASM
5	133-6664	1	Oil Pump ASM	17	125-6977	1	Cover
6	133-6672	1	Gasket-CW P, Out	18	125-7214	2	Bolt
7	93-0400	1	O-Ring	19	125-7214	4	Bolt
8	125-7214	4	Bolt	20	125-7218	10	Bolt
9	125-7219	3	Bolt	21	133-2492	7	Bolt
10	125-6972	1	Cover-Filler				

# Cylinder Head and Cover Assembly



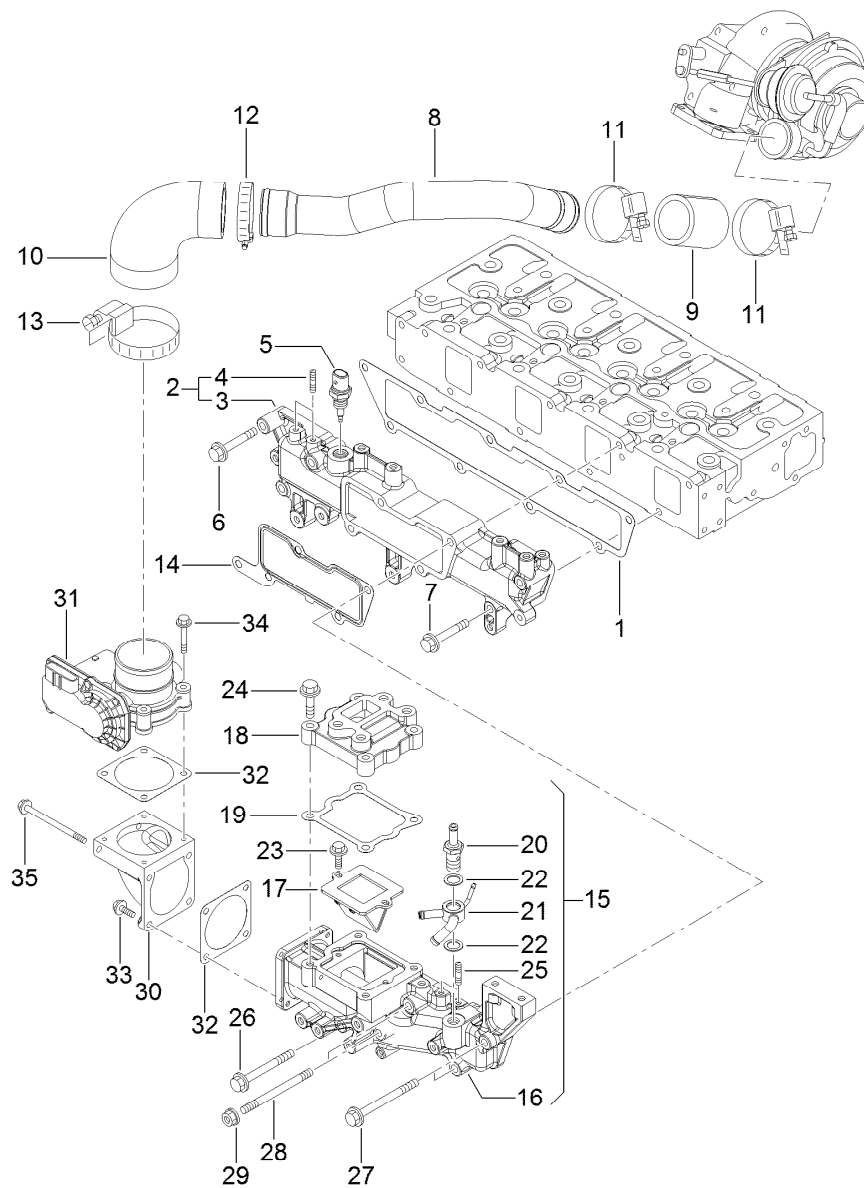
## Cylinder Head and Cover Assembly (continued)

<i>Ref.</i>	<i>Part Number</i>	<i>Qty.</i>	<i>Description</i>	<i>Ref.</i>	<i>Part Number</i>	<i>Qty.</i>	<i>Description</i>
1	127-2996	8	Cap-Valve	47	133-6696	1	Spring-Plate
2	133-6756	1	Cylinder Head ASM	48	133-6661	1	Baffle-Breather
8	133-6797	1	Plug	49	133-2502	2	Screw
9	125-7240	1	Plug	50	133-2505	1	Screw
10	133-6633	4	Valve-Intake	51	125-7118	1	Baffle-Breather
11	133-6634	4	Valve-Exhaust	52	125-6959	1	Diaphragm
12	133-6635	8	Spring-Valve	53	125-6960	1	Plate
13	127-3013	8	Retainer-Spring	54	125-6961	1	Plate-Breather
14	127-2986	4	Seal-Stem, Valve	55	125-6962	1	Spring-Diaphragm
15	127-3027	4	Seal-Stem, Valve	57	133-6603	1	Elbow
16	127-3186	8	Pin-Cotter	58	127-3026	1	Joint
18	127-3021	4	Gasket-Injector	59	132-4907	1	Gasket-Cover, Head
19	133-6707	4	Retainer-Injector	60	127-3029	1	Sensor-Pressure
20	127-2980	4	Washer-Injector	61	127-3032	2	O Ring-Sensor, Pressure
21	125-7217	4	Bolt	62	125-6913	2	Plug
22	133-6636	1	Arm Support ASM	63	125-7186	7	Screw
23	133-6637	1	Rocker Shaft ASM	64	125-7186	6	Screw
26	133-6638	3	Spring-Arm, Rocker	65	127-3184	2	Bolt
27	133-6639	3	Support-Arm, Rocker	66	93-0418	3	O-Ring
28	133-6640	1	Support-Arm, Rocker	67	125-7197	1	O-Ring
29	133-6642	4	Arm-Rocker	68	133-6779	1	Lifter-Engine
30	125-7013	4	Screw-Adjust, Valve	69	133-6695	1	Lifter
32	125-7014	4	Nut	70	125-7595	4	Bolt
33	133-6643	4	Arm-Rocker	71	127-3128	1	Joint-Breather
34	125-7013	4	Screw-Adjust, Valve	72	133-6787	1	Breather Hose ASM
36	125-7014	4	Nut	75	125-7040	2	Clip-Hose
37	133-6794	2	Ring	76	127-3133	1	Hose-Intake
38	133-2503	1	Screw	77	127-3030	1	Sensor-Temp, Air
39	133-6641	3	Stud	78	127-3033	1	O-Ring
40	133-2498	1	Bolt	79	125-7190	2	Clamp-Hose
41	125-7230	3	Nut	80	125-7207	1	Bolt
42	125-6972	1	Cover-Filler	81	131-2704	1	Harness-Wire
43	125-6974	3	Knob	82	127-2991	4	Plug-Glow
44	133-6755	1	Cylinder Head Cover ASM	83	133-6750	1	Connector-Plug, Glow
45	133-6704	1	Plate-Baffle	84	127-2997	8	Guide-Valve
46	133-6705	1	Cover-Plate, Spring				



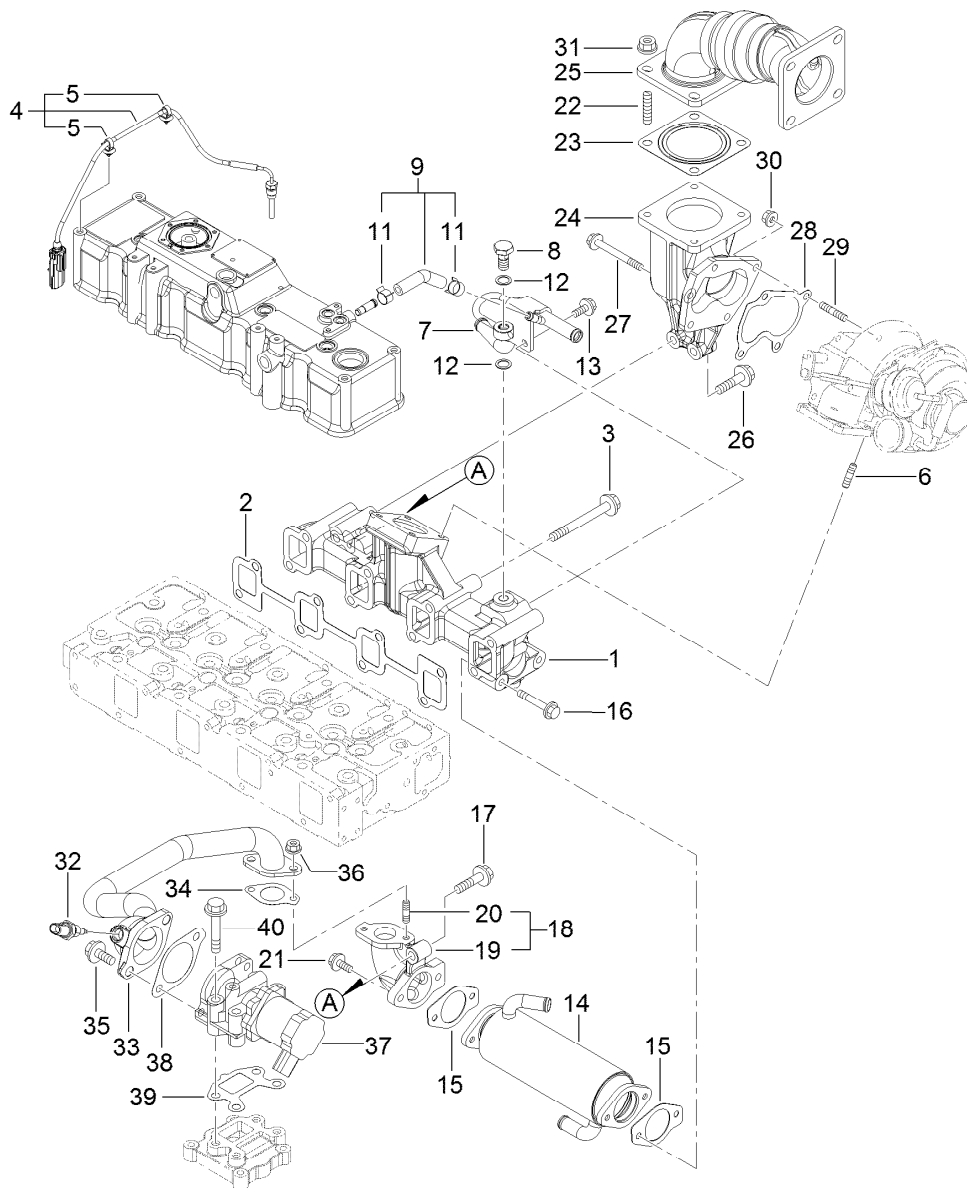
## Flywheel Housing and Oil Sump Assembly

Ref.	Part Number	Qty.	Description
1	125-6995	2	Pin
2	133-6702	1	Housing-Flywheel
3	125-6910	1	Cap
4	133-2499	9	Bolt
5	133-2500	4	Bolt
6	133-6668	1	Seal
7	133-6691	1	Oil Sump ASM
8	125-6912	1	Plug-Drain
10	125-7177	1	Washer-Seal
11	125-7212	16	Bolt
12	127-3062	1	Sensor-Rev, Flywheel
13	127-3184	1	Bolt



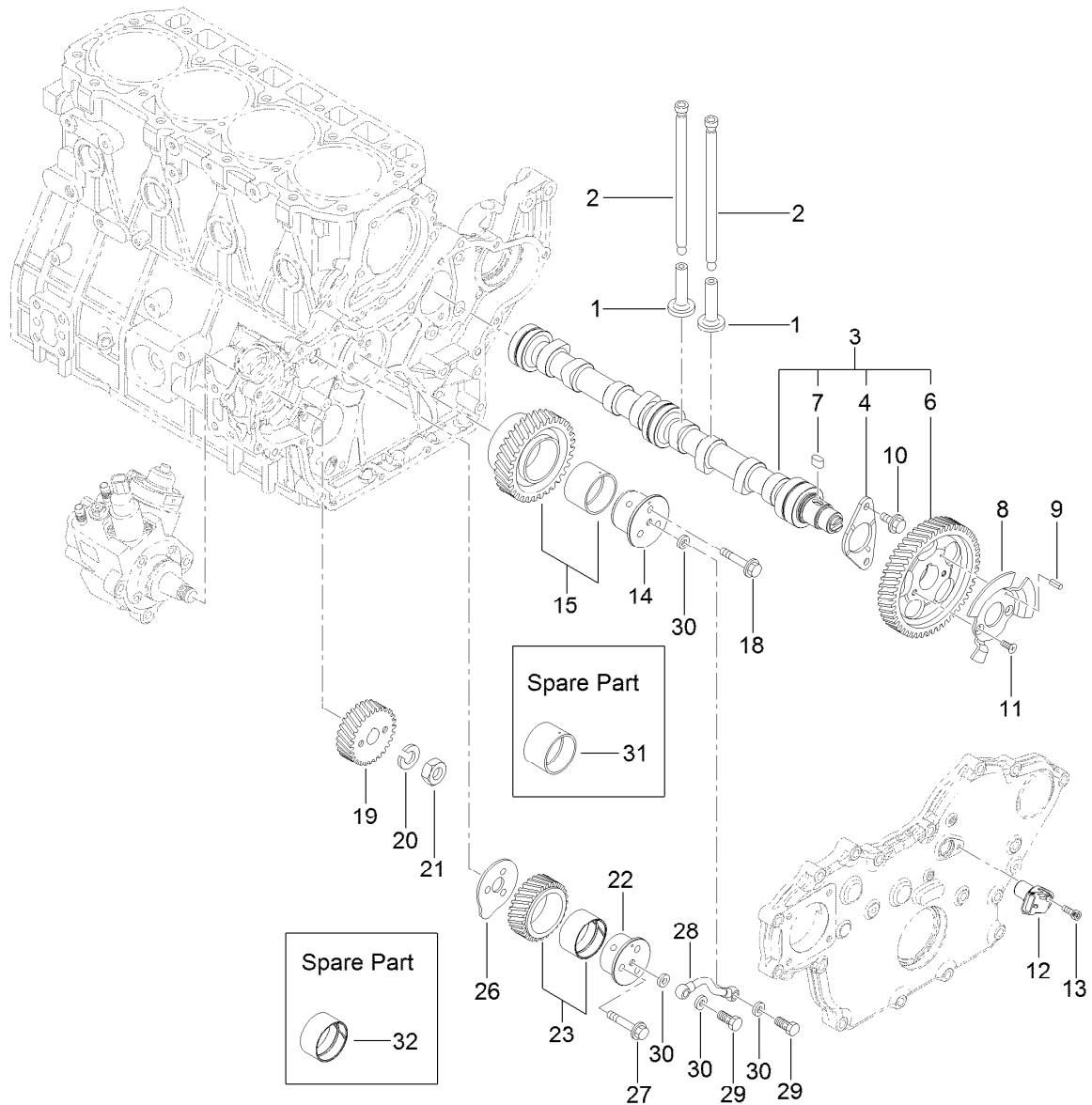
## Suction Manifold Assembly

Ref.	Part Number	Qty.	Description	Ref.	Part Number	Qty.	Description
1	133-6708	1	Gasket-Manifold	19	133-6717	1	Gasket-V Spacer, E G R
2	133-6758	1	Intake Manifold ASM	20	127-3080	1	Joint-Hose
3	133-6757	1	Manifold-Intake, Air	21	133-6743	1	Joint-Hose
4	127-3180	2	Stud	22	127-3166	2	Washer-Seal
5	127-3031	1	Sensor-Temp, Air	23	125-7207	2	Bolt
6	125-7219	1	Bolt	24	125-7217	4	Bolt
7	125-7221	4	Bolt	25	127-3180	2	Stud
8	133-6764	1	Duct-Intake	26	127-3178	1	Bolt
9	127-3096	1	Joint-Rubber	27	133-2493	2	Bolt
10	133-6765	1	Joint-Hose	28	133-2501	2	Stud
11	127-3170	2	Clamp-Hose	29	125-7229	2	Nut
12	125-7190	1	Clamp-Hose	30	127-3035	1	Bend-Inlet
13	127-3171	1	Clamp-Hose	31	127-3036	1	Body-Throttle
14	133-6709	1	Gasket-Collector	32	127-3037	2	Gasket-Throttle
15	133-6760	1	Collector ASM	33	125-7209	2	Bolt
16	133-6759	1	Collector	34	125-7211	4	Bolt
17	133-6762	1	Valve-Reed	35	127-3177	2	Bolt
18	133-6716	1	Spacer-Valve, E G R				



## Exhaust Manifold Assembly

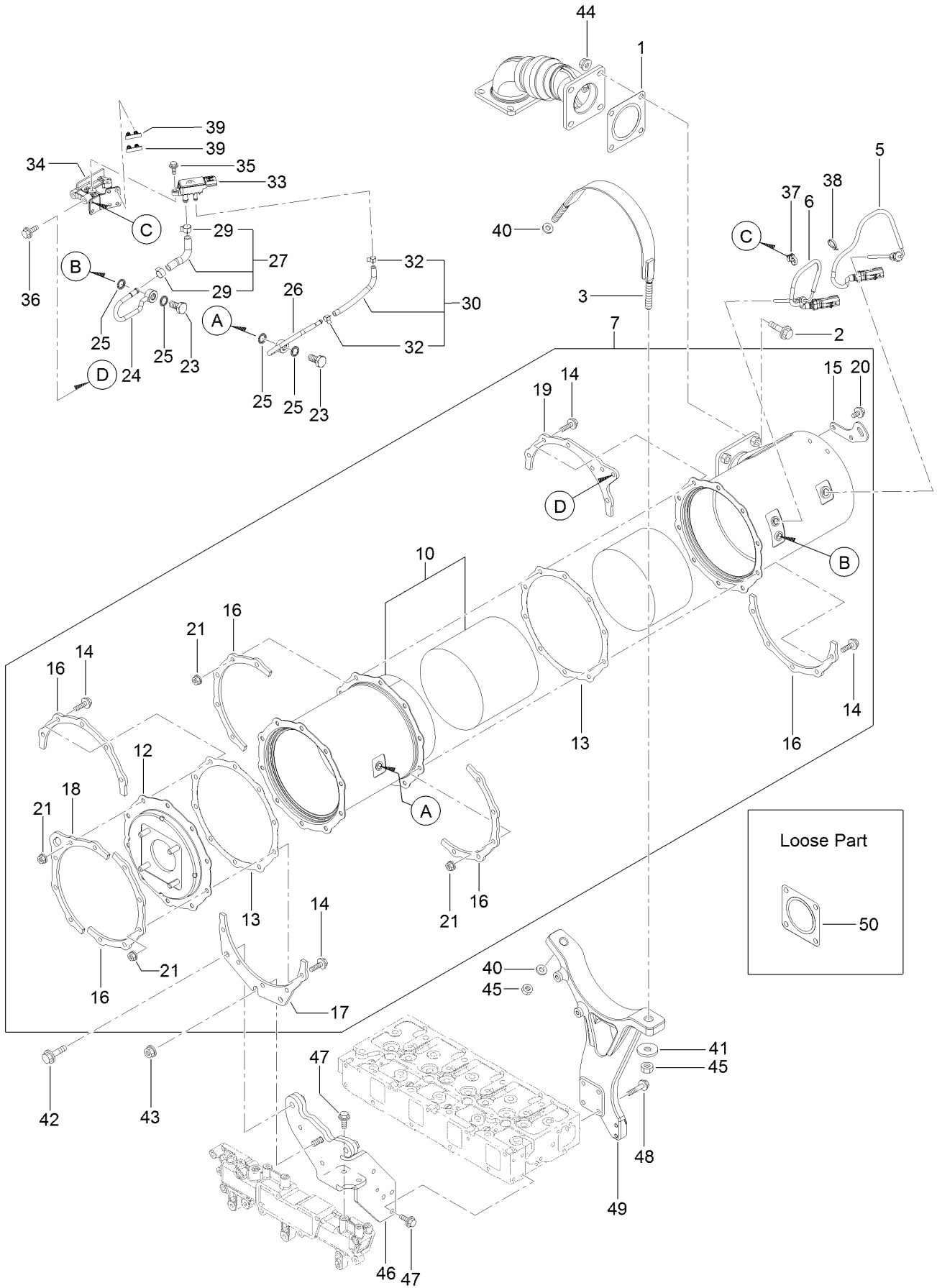
Ref.	Part Number	Qty.	Description	Ref.	Part Number	Qty.	Description
1	133-6761	1	Manifold-Exhaust	21	125-7595	2	Bolt
2	133-6710	1	Gasket-Manifold	22	127-2984	4	Stud
3	133-6791	8	Bolt	23	127-2987	1	Gasket-Silencer
4	133-6718	1	Sensor-Temp, Exhaust	24	133-6697	1	Pipe-Exhaust
5	127-3087	2	Band-Clip	25	133-6788	1	Pipe-Exhaust
6	125-7043	4	Stud	26	133-6792	2	Bolt
7	133-6711	1	Pipe-Pressure, Exhaust	27	133-6606	1	Bolt
8	127-3039	1	Bolt-Joint, Pipe	28	133-6619	1	Gasket
9	133-6712	1	Exhaust Pressure Hose ASM	29	125-6906	3	Stud
11	127-3041	2	Clip-Hose	30	125-7229	3	Nut
12	127-3174	2	Gasket	31	125-7230	4	Nut
13	125-7214	2	Bolt	32	127-3047	1	Sensor-Gas Temp, E G R
14	133-6713	1	Cooler-E G R	33	133-6719	1	E G R Pipe ASM
15	133-6698	2	Gasket-Cooler, E G R	34	127-3016	1	Gasket
16	133-6714	2	Bolt	35	133-2496	2	Bolt
17	133-6792	1	Bolt	36	125-7229	2	Nut
18	133-6720	1	E G R-C Out Bend ASM	37	133-6722	1	Valve-E G R
19	133-6721	1	Bend-Out, E G R-C	38	133-6723	1	Gasket-In, E G R-V
20	125-7043	2	Stud	39	133-6724	1	Gasket-Out, E G R-V
				40	93-0479	4	Bolt



## Camshaft and Driving Gear Assembly

Ref.	Part Number	Qty.	Description	Ref.	Part Number	Qty.	Description
1	125-7016	8	Tappet	18	125-7220	3	Bolt
2	133-6644	8	Rod-Push	19	133-6737	1	Gear-Pump, Supply
3	133-6726	1	Cam Shaft ASM	20	127-3167	1	Washer-Spring
4	125-7008	1	Metal-Thrust	21	127-3185	1	Nut-Lock
6	133-6725	1	Gear-Camshaft	22	133-6732	1	Shaft-Gear B, Idle
7	125-7185	1	Key	23	133-6734	1	Idle Gear B ASM
8	133-6727	1	Pulser-Gear, Cam	26	133-6735	1	Plate-Shaft B, Idle
9	125-7182	1	Pin-Spring	27	125-7219	3	Bolt
10	125-7213	2	Bolt	28	133-6736	1	L O Pipe ASM
11	133-2504	2	Screw	29	133-6600	2	Bolt-Joint, Pipe
12	127-3054	1	Sensor-Rev, Gear	30	125-7174	4	Washer-Seal
13	127-3184	1	Bolt	31	133-6624	1	Bushing-Gear, Idle
14	133-6731	1	Shaft-Gear A, Idle	32	133-6733	1	Bushing
15	133-6652	1	Idle Gear ASM				

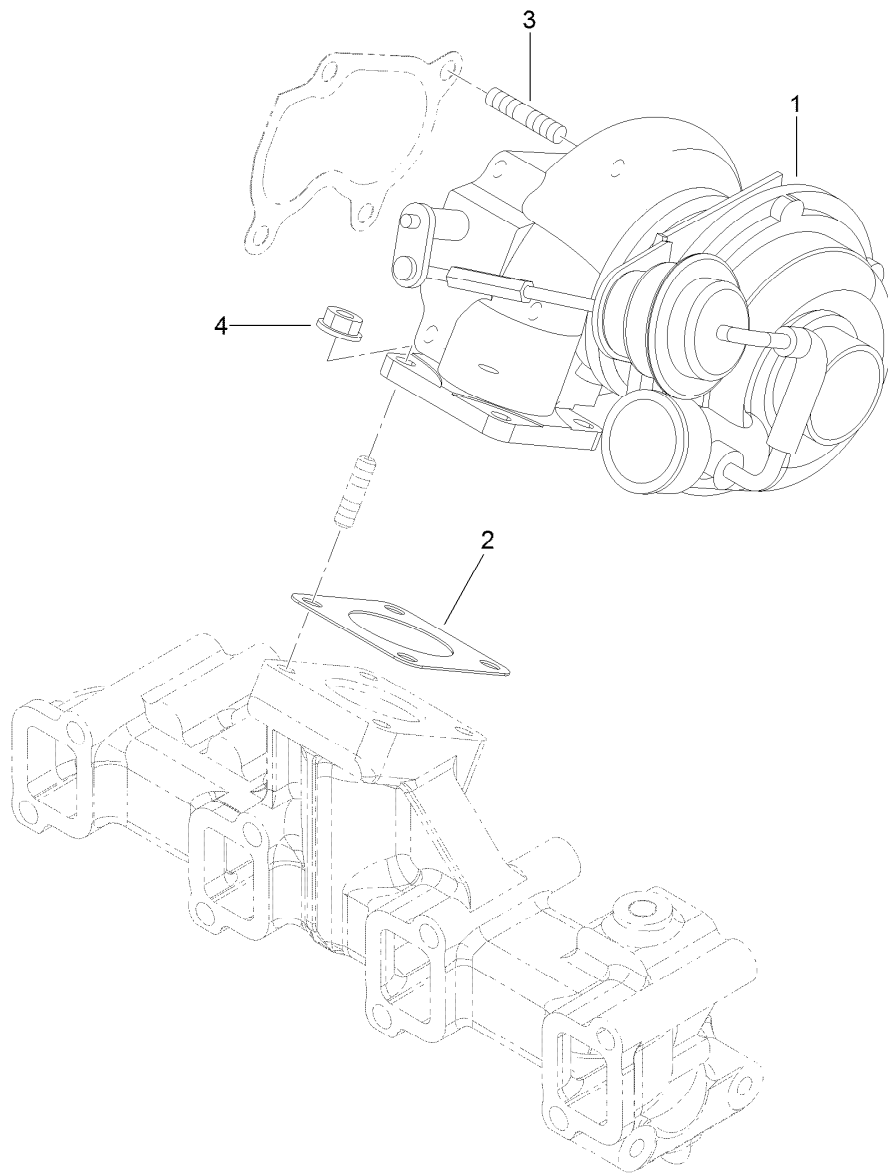
# Diesel Particulate Filter Assembly





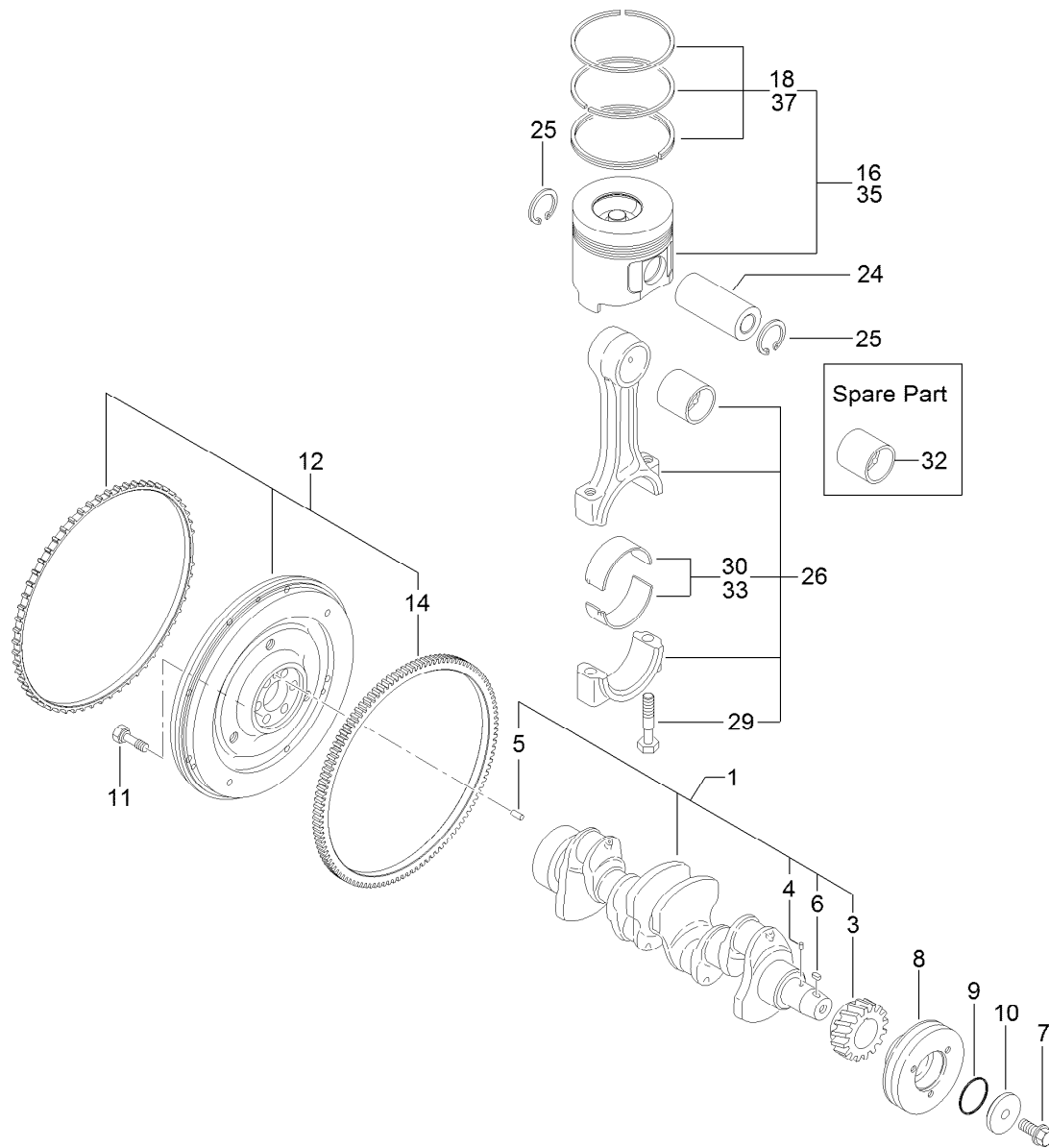
## Diesel Particulate Filter Assembly (continued)

<i>Ref.</i>	<i>Part Number</i>	<i>Qty.</i>	<i>Description</i>	<i>Ref.</i>	<i>Part Number</i>	<i>Qty.</i>	<i>Description</i>
1	127-2987	1	Gasket-Silencer	29	127-3057	2	Clip-Hose
2	133-6793	4	Bolt	30	127-3059	1	Exhaust Pressure Hose ASM
3	133-6783	1	Band-D P F	32	127-3058	2	Clip-Hose
5	127-4764	1	Sensor-Temp, Exhaust	33	127-3060	1	Sensor-Pressure
6	127-4765	1	Sensor-Temp, Exhaust	34	133-6773	1	Bracket-Sensor
7	133-6786	1	D P F ASM	35	125-7208	2	Bolt
10	130-8348R	1	Case-Soot Filter, Recon	36	125-7215	2	Bolt
10	130-8348	1	Case-Soot Filter	37	127-3087	1	Band-Clip
12	133-6781	1	Flange-Outlet	38	127-3124	1	Band
13	127-3162	2	Gasket-D P F	39	127-3088	2	Clip-Connector
14	127-3055	20	Bolt	40	93-0417	2	Washer
15	127-3144	1	Lifter-D P F	41	93-0417	1	Washer
16	127-3145	5	Stiffener-D P F, A	42	133-2497	2	Bolt
17	133-6728	1	Stiffener-D P F, B	43	125-7230	1	Nut
18	127-3147	1	Stiffener-D P F, C	44	125-7230	4	Nut
19	133-6699	1	Stiffener-D P F, C	45	133-2506	2	Nut
20	125-7213	2	Bolt	46	133-6774	1	Stay-D P F
21	125-7229	20	Nut	47	125-7595	5	Bolt
23	127-3039	2	Bolt-Joint, Pipe	48	133-6715	4	Bolt
24	133-6775	1	Exhaust Pressure Pipe ASM	49	133-6782	1	Stay-D P F
25	127-3056	4	Gasket-Sensor	50	127-2987	1	Gasket-Silencer
26	133-6776	1	Exhaust Pressure Pipe ASM				
27	133-6777	1	Exhaust Pressure Hose ASM				



## Turbine Assembly

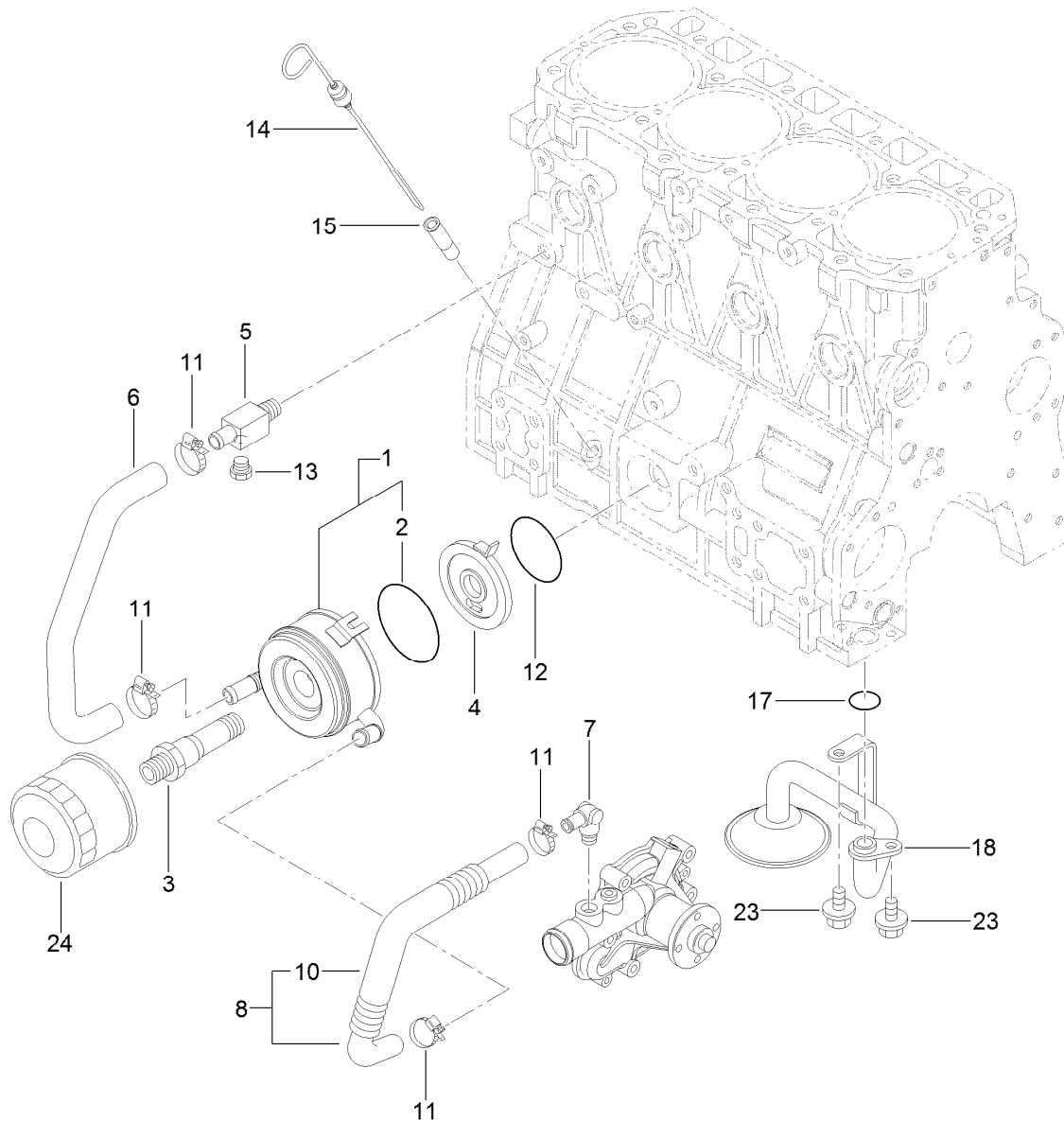
<i>Ref.</i>	<i>Part Number</i>	<i>Qty.</i>	<i>Description</i>
1	133-6763	1	Turbocharger-R H F5
2	133-6625	1	Gasket
3	125-6906	4	Stud
4	125-7229	4	Nut



## Crankshaft and Piston Assembly

<i>Ref.</i>	<i>Part Number</i>	<i>Qty.</i>	<i>Description</i>
1	133-6663	1	Crankshaft ASM
3	133-6645	1	Gear-Crankshaft
4	133-6611	1	Pin
5	133-6612	1	Pin-Parallel
6	125-7185	1	Key
7	133-6670	1	Bolt
8	133-6662	1	Pulley-V
9	133-6693	1	Packing-Washer
10	133-6694	1	Washer-Pulley, V
11	133-6610	6	Bolt-Flywheel
12	133-6778	1	Flywheel ASM
14	133-6646	1	Gear-Ring

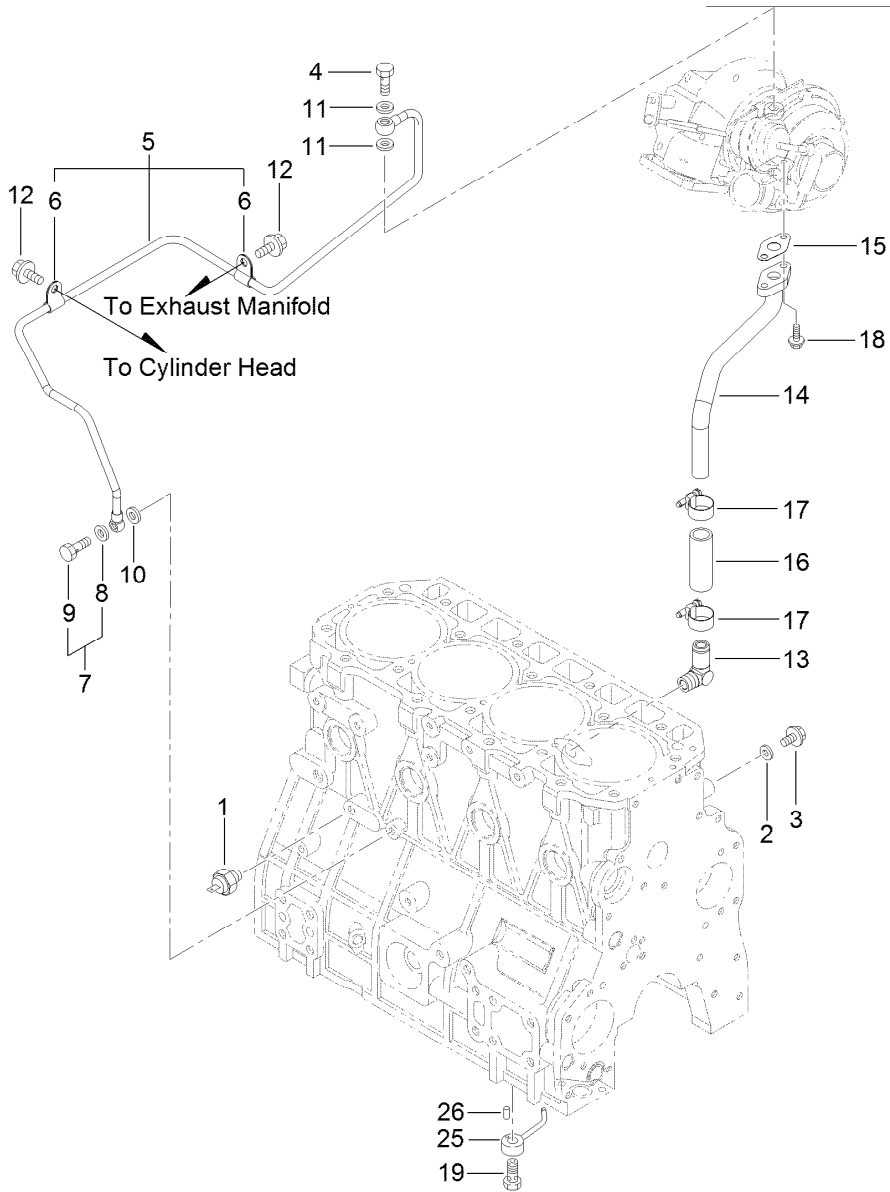
<i>Ref.</i>	<i>Part Number</i>	<i>Qty.</i>	<i>Description</i>
16	133-6766	4	Piston ASM
18	133-6729	4	Ring ASM
24	133-6607	4	Pin-Piston
25	133-6795	8	Ring
26	133-6647	4	Connecting Rod ASM
29	133-6648	8	Bolt-Rod, Connecting
30	133-6649	4	Bearing-Pin, Crank
32	133-6651	4	Bearing-Pin, Piston
33	133-6650	4	Bearing
35	133-6767	4	Piston ASM
37	133-6730	4	Ring ASM



## Lubrication and Oil System Assembly

Ref.	Part Number	Qty.	Description
1	127-3014	1	Cooler ASM
2	127-2985	1	O-Ring
3	133-6622	1	Bolt-Cooler
4	127-3015	1	Bracket-Cooler
5	125-6990	1	Joint
6	133-6667	1	Pipe-Water
7	127-3003	1	Elbow
8	133-6620	1	Pipe-Water
10	133-6621	1	Tube-Corrugated

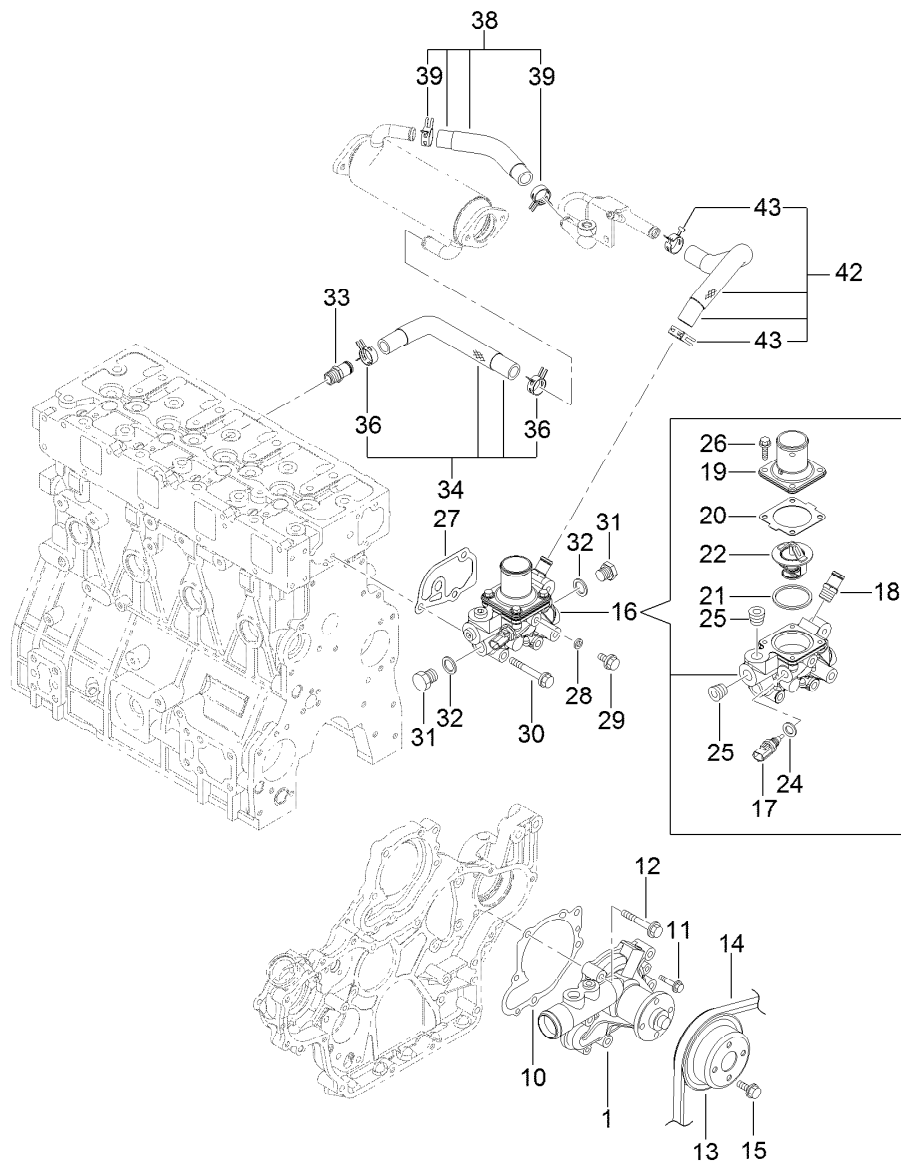
Ref.	Part Number	Qty.	Description
11	125-7188	4	Clamp-Hose
12	127-3176	1	O-Ring
13	125-7171	1	Plug-Drain
14	133-6655	1	Dipstick-Oil
15	125-6954	1	Guide-Dipstick
17	133-6653	1	O-Ring
18	133-6656	1	Oil Inlet Pipe ASM
23	125-7212	2	Bolt
24	125-7025	1	Filter-Engine, Oil



## Lubrication Oil Pipe Assembly

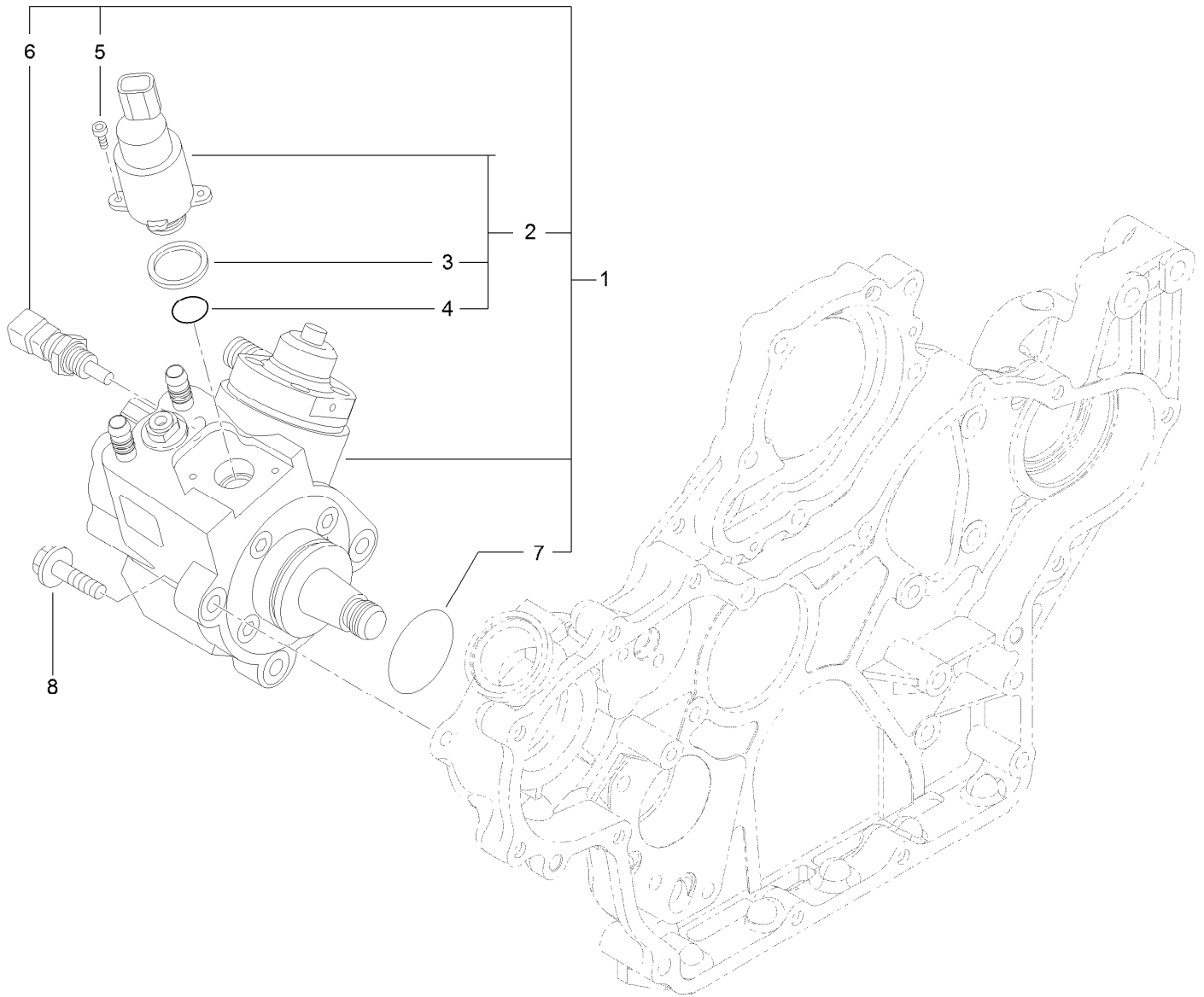
Ref.	Part Number	Qty.	Description
1	125-6918	1	Switch-Oil
2	125-7174	1	Washer-Seal
3	125-7212	1	Bolt
4	125-6952	1	Bolt-Joint, Pipe
5	133-6768	1	L O Pipe ASM
6	133-6623	2	Retainer
7	125-6988	1	Joint Bolt ASM
8	125-7174	1	Washer-Seal
9	125-7194	1	Bolt-Joint
10	125-7174	2	Washer-Seal
11	125-7193	2	Gasket

Ref.	Part Number	Qty.	Description
12	125-7212	2	Bolt
13	125-6971	1	Elbow
14	133-6769	1	Pipe-L O Return T/C
15	133-6666	1	Gasket
16	125-6958	1	Hose
17	125-7188	2	Clamp-Hose
18	125-7208	2	Bolt
19	133-6665	4	Check Valve ASM
25	133-6602	4	Nozzle
26	125-7182	4	Pin-Spring



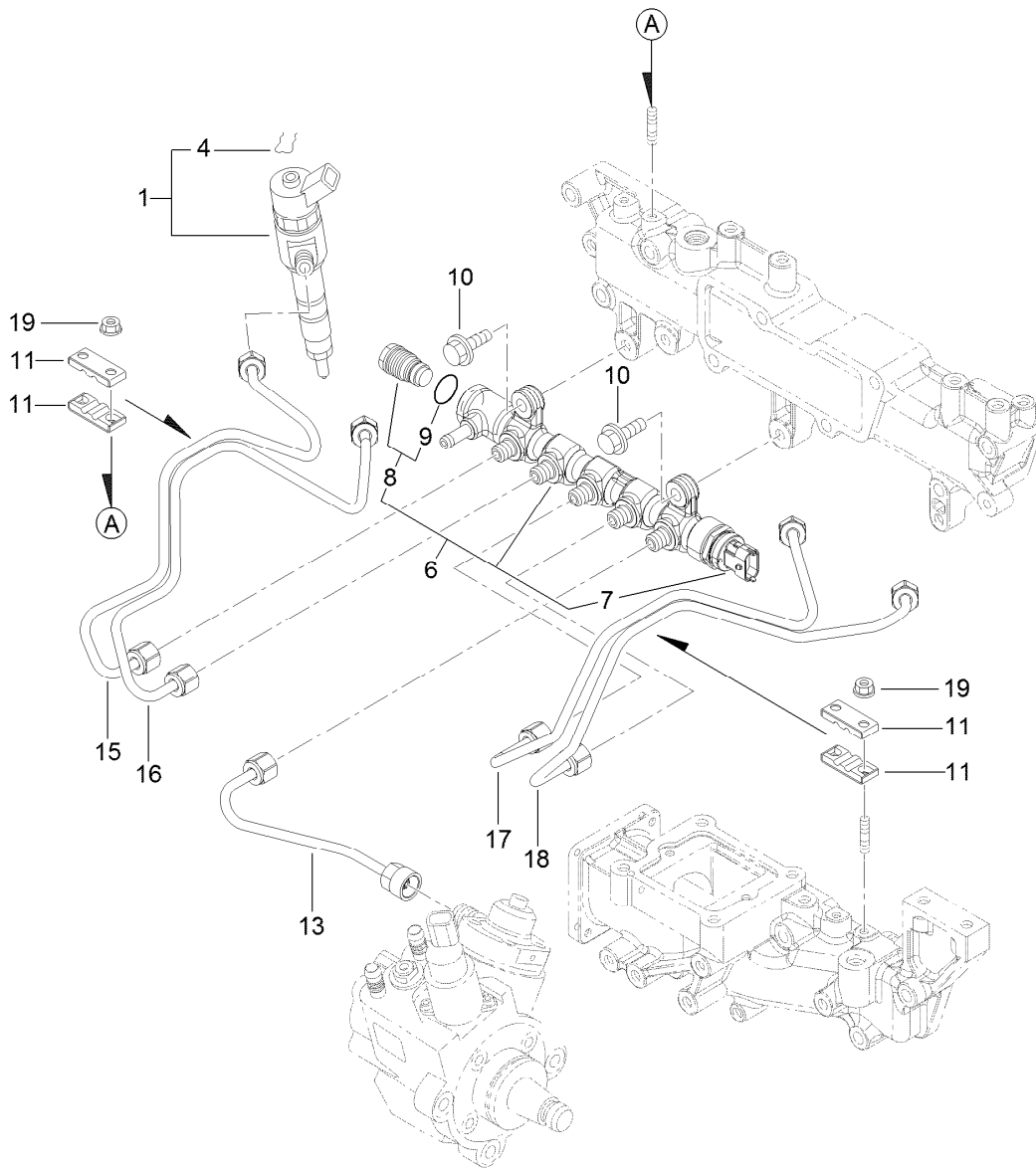
## Cooling Water System Assembly

Ref.	Part Number	Qty.	Description	Ref.	Part Number	Qty.	Description
1	133-6657	1	Water Pump ASM	25	133-6796	2	Plug
10	133-6658	1	Gasket-Pump, Water	26	125-7209	4	Bolt
11	131-2739	2	Bolt	27	133-6660	1	Gasket
12	125-7221	5	Bolt	28	125-7192	1	Gasket
13	133-6659	1	V Pulley-Pump, CW	29	125-7212	1	Bolt
14	133-6799	1	V-Belt	30	125-7222	3	Bolt
15	133-2495	4	Bolt	31	125-6953	2	Plug
16	133-6740	1	Thermostat Case ASM	32	125-6979	2	Gasket
17	125-7124	1	Sensor-Thermostat, CW	33	127-3017	1	Joint
18	127-3017	1	Joint	34	133-6738	1	E G R-C In Hose ASM
19	133-6671	1	Cover-Thermostat	36	127-3020	2	Clip-Hose
20	133-6613	1	Gasket-Thermostat	38	133-6739	1	E G R-C Out A Hose ASM
21	133-6614	1	Gasket-Thermostat	39	127-3020	2	Clip-Hose
22	133-6615	1	Thermostat	42	133-6784	1	E G R-C Out B Hose ASM
24	125-7176	1	Washer-Seal	43	127-3020	2	Clip-Hose



## Fuel Supply Pump Assembly

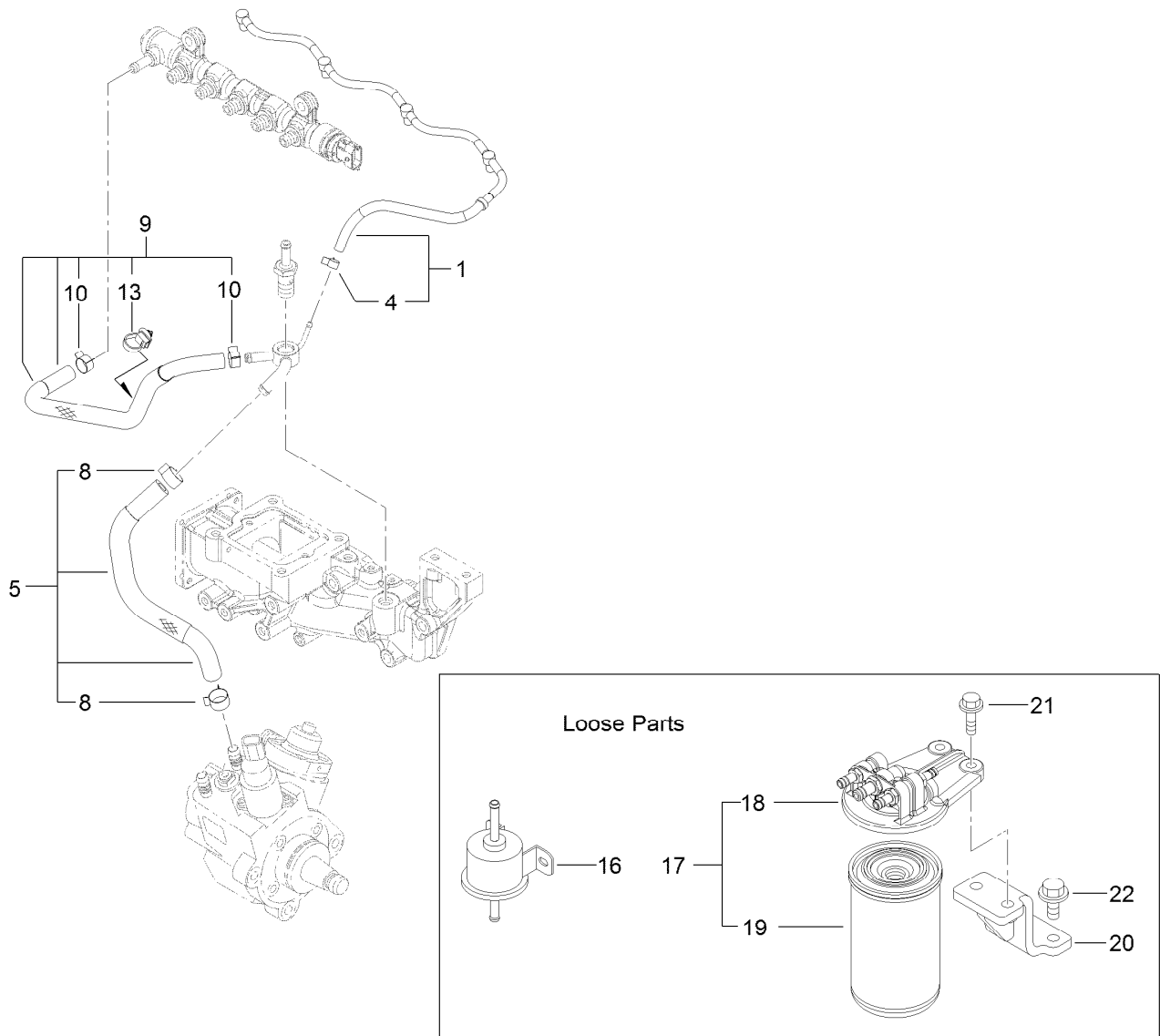
<i>Ref.</i>	<i>Part Number</i>	<i>Qty.</i>	<i>Description</i>
1	127-3073	1	Fuel Pump ASM
2	131-2103	1	Valve ASM
3	131-2105	1	Ring-Sealing
4	131-2106	1	O-Ring
5	131-2107	2	Bolt
6	131-2108	1	Sensor-Temperature
7	127-3074	1	O-Ring
8	125-7216	3	Bolt



## Fuel Injection Valve Assembly

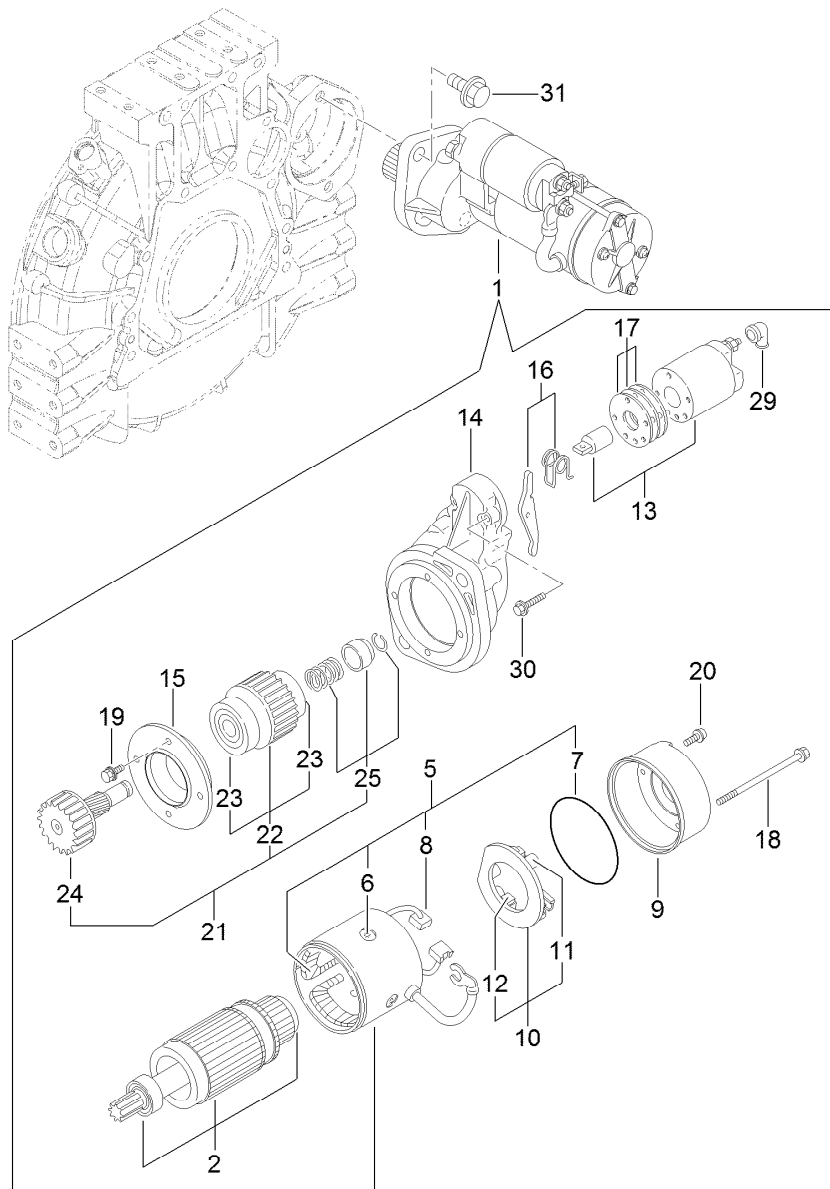
Ref.	Part Number	Qty.	Description
1	133-6770	4	Injector-C R
4	130-7430	4	Ring-Retaining
6	127-3118	1	Rail ASM
7	130-7431	1	Sensor-Pressure, Rail
8	130-7432	1	Valve ASM
9	130-7433	1	O-Ring
10	125-7215	2	Bolt
11	127-2982	4	Retainer
13	133-6745	1	Rail Injector Pipe ASM
15	133-6746	1	Injector No 1 Pipe ASM
16	133-6747	1	Injector No 2 Pipe ASM
17	133-6748	1	Injector No 3 Pipe ASM
18	133-6749	1	Injector No 4 Pipe ASM
19	125-7231	4	Nut





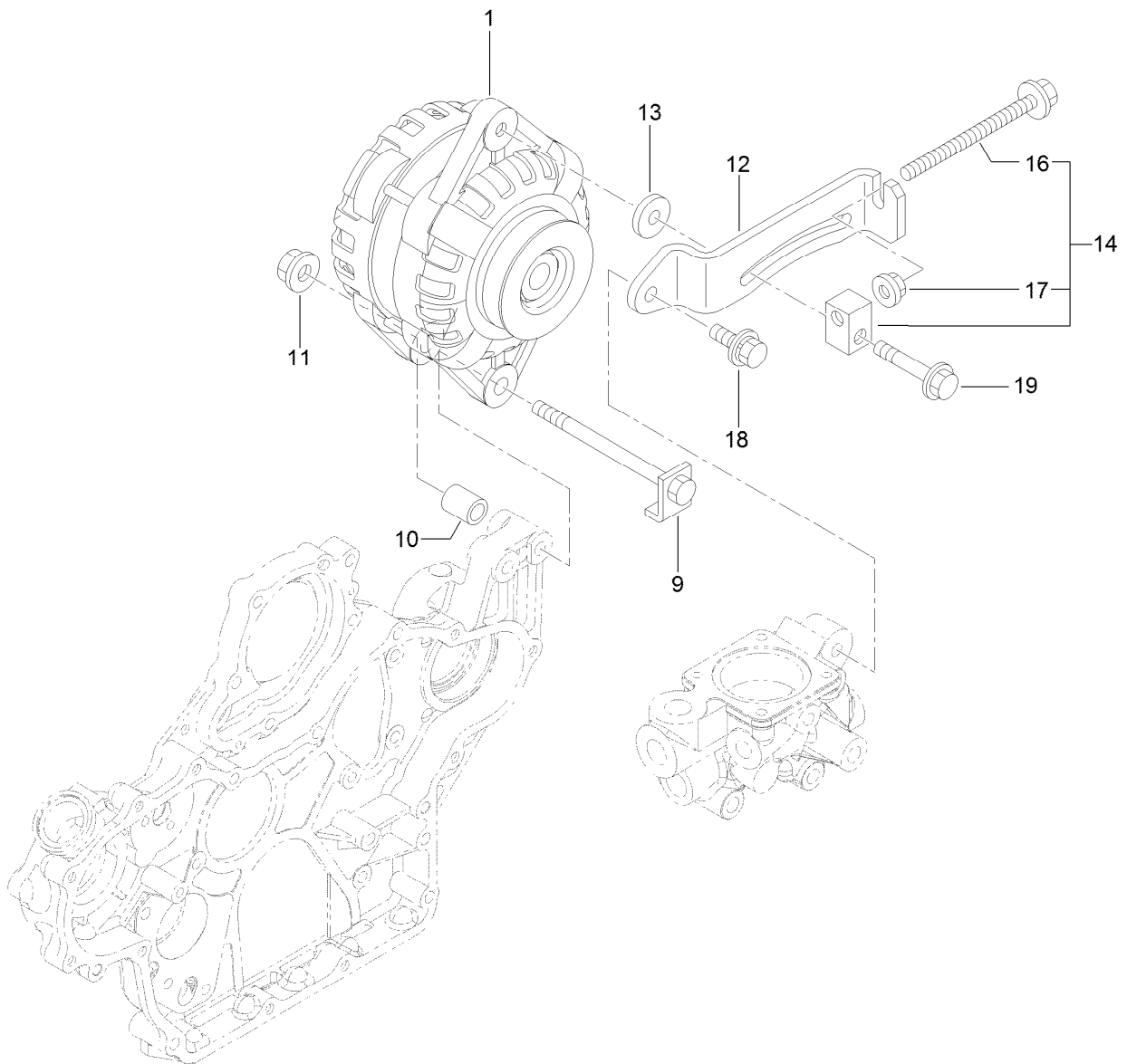
## Fuel Pipe Assembly

Ref.	Part Number	Qty.	Description
1	133-6744	1	Fuel/Oil Return Pipe ASM
4	127-3172	1	Clamp-Hose
5	133-6741	1	Fuel/Oil Return Hose ASM
8	125-7191	2	Clamp-Hose
9	133-6742	1	Fuel/Oil Return Hose ASM
10	127-2950	2	Clip-Hose
13	127-3087	1	Band-Clip
16	121-5613	1	Pump-Fuel, Electric
17	127-3075	1	Fuel/Oil Filter ASM
18	127-3076	1	Fuel/Oil Filter Bracket ASM
19	125-8752	1	Filter-Fuel/Oil
20	131-2731	1	Bracket-Filter, Fuel
21	125-7216	2	Bolt
22	133-2496	2	Bolt



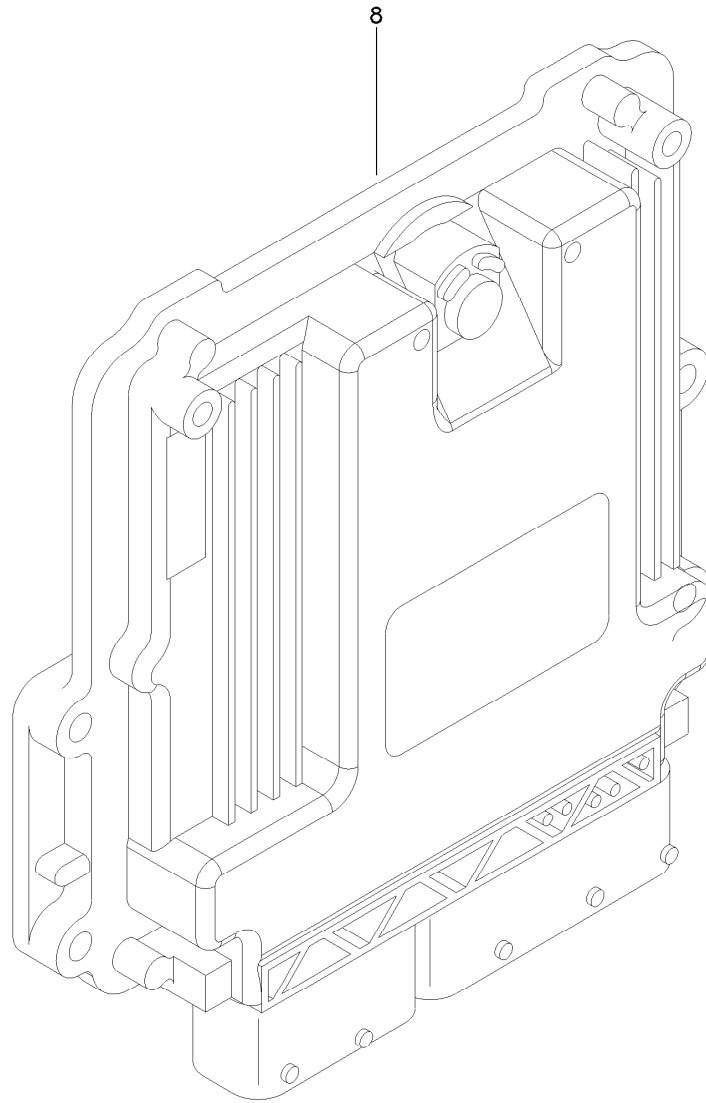
## Starter Motor Assembly

<i>Ref.</i>	<i>Part Number</i>	<i>Qty.</i>	<i>Description</i>	<i>Ref.</i>	<i>Part Number</i>	<i>Qty.</i>	<i>Description</i>
1	133-6673	1	Starter	16	133-6686	1	Lever Set
2	133-6674	1	Armature ASM	17	133-6687	1	Dust Cover ASM
5	133-6675	1	Field Coil ASM	18	133-6688	2	Bolt-Through
6	133-6676	4	Screw	19	133-6689	4	Bolt
7	133-6677	1	O-Ring	20	133-6690	2	Screw
8	133-6678	2	Brush	21	133-6616	1	Pinion ASM
9	133-6679	1	Cover	22	133-6617	1	Clutch ASM
10	133-6680	1	Brush Holder ASM	23	133-2510	2	Bearing-Ball
11	133-6681	1	Spring	24	133-6618	1	Shaft
12	133-6682	2	Brush	25	133-6604	1	Stopper Kit
13	133-6683	1	Switch ASM	29	133-6609	1	Cover-Terminal
14	133-6684	1	Case-Gear	30	133-6601	2	Bolt
15	133-6685	1	Retainer	31	125-7225	2	Bolt



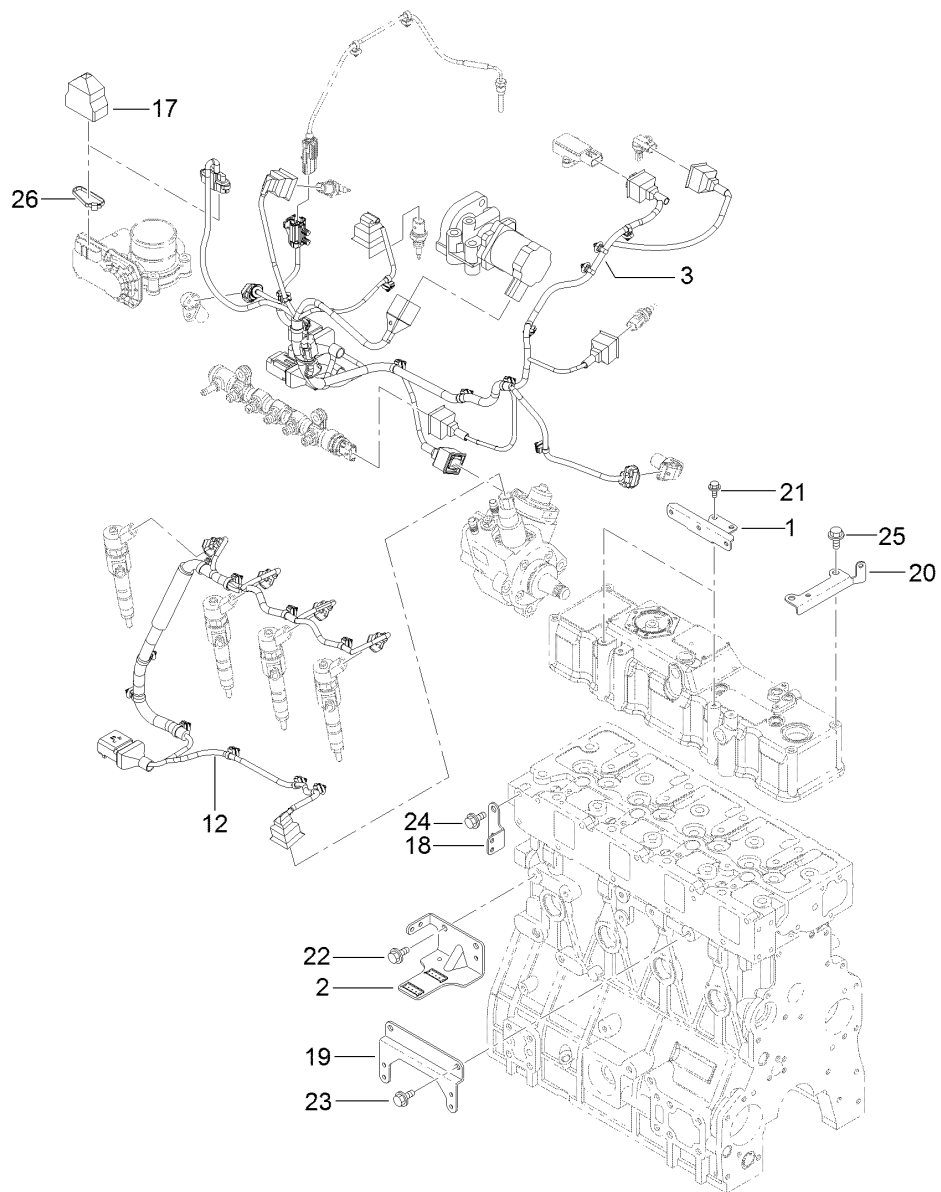
## Generator Assembly

<i>Ref.</i>	<i>Part Number</i>	<i>Qty.</i>	<i>Description</i>
1	125-7120	1	Alternator-12V
9	125-7121	1	Bolt-Stopper
10	125-7122	1	Piece-Distance
11	125-7230	1	Nut
12	133-6692	1	Adjuster
13	133-6608	1	Spacer
14	133-6605	1	Adjuster Block ASM
16	133-2494	1	Bolt
17	125-7229	1	Nut
18	133-2491	1	Bolt
19	125-7219	1	Bolt



## Electronic Control Unit Assembly

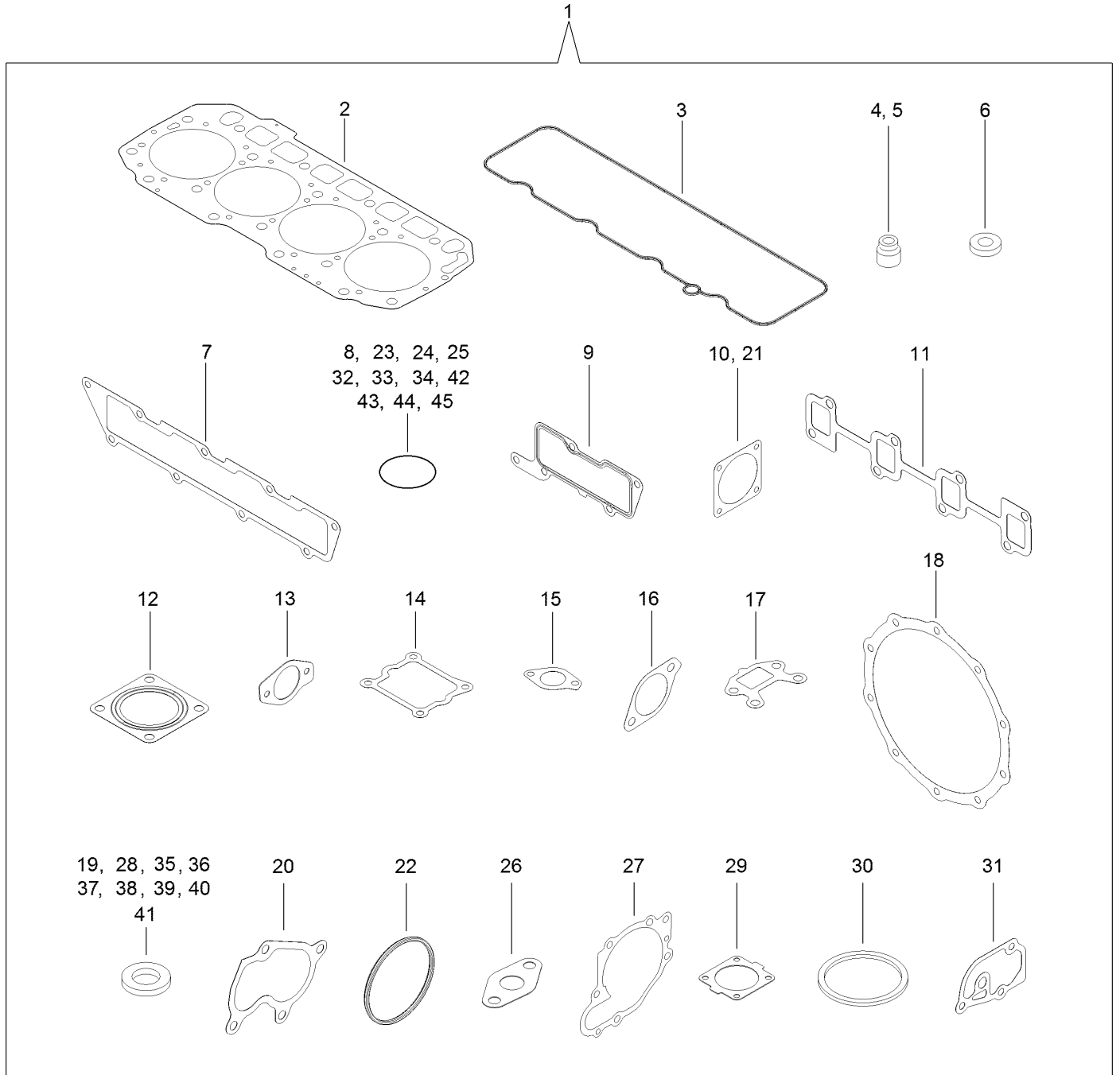
<i>Ref.</i>	<i>Part Number</i>	<i>Qty.</i>	<i>Description</i>
8	121-5592	1	Electronic Control Unit



## Electric Parts Assembly

<i>Ref.</i>	<i>Part Number</i>	<i>Qty.</i>	<i>Description</i>
1	133-6706	2	Bracket-Harness
2	133-6751	1	Bracket-Connector
3	133-6771	1	Harness-B, E C O
12	133-6752	1	Harness-C, E C O Engine
17	131-2713	1	Boot-Cap
18	127-3090	1	Bracket-Harness
19	133-6753	1	Bracket-Harness
20	133-6772	1	Bracket-Harness
21	125-7206	4	Bolt
22	125-7212	2	Bolt
23	125-7212	2	Bolt
24	125-7212	2	Bolt
25	125-7212	2	Bolt
26	127-3188	1	Band

# Gasket Set



## Gasket Set (continued)

<i>Ref.</i>	<i>Part Number</i>	<i>Qty.</i>	<i>Description</i>	<i>Ref.</i>	<i>Part Number</i>	<i>Qty.</i>	<i>Description</i>
1	133-2509	1	Gasket Kit	24	133-6654	1	O-Ring
2	133-6700	1	Gasket-Head, Cylinder	25	127-2985	1	O-Ring
3	132-4907	1	Gasket-Cover, Head	26	133-6666	1	Gasket
4	127-2986	4	Seal-Stem, Valve	27	133-6658	1	Gasket-Pump, Water
5	127-3027	4	Seal-Stem, Valve	28	125-6979	2	Gasket
6	127-3021	4	Gasket-Injector	29	133-6613	1	Gasket-Thermostat
7	133-6708	1	Gasket-Manifold	30	133-6614	1	Gasket-Thermostat
8	127-3033	1	O-Ring	31	133-6660	1	Gasket
9	133-6709	1	Gasket-Collector	32	131-2106	1	O-Ring
10	127-3037	2	Gasket-Throttle	33	127-3074	1	O-Ring
11	133-6710	1	Gasket-Manifold	34	130-7433	1	O-Ring
12	127-2987	3	Gasket-Silencer	35	125-7174	7	Washer-Seal
13	133-6698	2	Gasket-Cooler, E G R	36	125-7176	1	Washer-Seal
14	133-6717	1	Gasket-V Spacer, E G R	37	127-3166	2	Washer-Seal
15	127-3016	1	Gasket	38	125-7177	1	Washer-Seal
16	133-6723	1	Gasket-In, E G R-V	39	125-7192	1	Gasket
17	133-6724	1	Gasket-Out, E G R-V	40	125-7193	2	Gasket
18	127-3162	2	Gasket-D P F	41	127-3174	2	Gasket
19	127-3056	4	Gasket-Sensor	42	93-0400	1	O-Ring
20	133-6619	1	Gasket	43	93-0418	3	O-Ring
21	133-6625	1	Gasket	44	125-7197	1	O-Ring
22	133-6693	2	Packing-Washer	45	127-3176	1	O-Ring
23	133-6653	2	O-Ring				

# Attachments and Accessories

## For 31698 Groundsmaster 5900/5910 Rotary Mower

<b>Product Name</b>	<b>Model/Part</b>
Dry Battery.....	104-8162
12 Volt Battery .....	106-5190
Premium All Season Hydraulic Fluid (55 Gallon Drum) .....	108-1177
Premium All Season Hydraulic Fluid (5 Gallon Pail).....	108-1178
Premium All Purpose Grease (Tube) .....	108-1190
Primary Engine Air Filter .....	108-3815
Vinyl Backrest Extension Kit .....	119-7718
Beacon Kit .....	119-8256
Registration Plate and Light Kit.....	120-7570
Premium Engine Oil 15w40 (55 Gallon Drum) .....	121-6394
Premium Engine Oil 15w40 (5 Gallon Pail) .....	121-6395
Fuel/Water Separator Filter.....	125-2915
Engine Oil Filter .....	125-7025
Fuel Filter.....	125-8752
Exterior Mirror Kit.....	130-5448
Safety Air Filter Element .....	130-9070
CE Kit, 2016 and After Groundsmaster 5900 Tier 4 Series Traction Unit .....	132-1340
Atomic Blade Service Pack (20in).....	132-1391
Standard Blade Service Pack (20in) .....	132-1392
Blade/Belt Kit .....	132-1440
Polycarbonate Window Kit.....	132-3420
Universal Sunshade .....	30349
Red Universal Sunshade .....	30552
EU Light Kit, 2015 and After Groundsmaster 5910 Series Rotary Mower with Cab.....	30639
2 Post ROPS Extension Kit.....	31353
Backup Alarm Kit .....	31512
Center Deck.....	31601
Right Wing Deck .....	31602
Left Wing Deck .....	31603
Leaf Mulching Kit .....	31604
Fluid/Filter MVP Kit.....	31609
Hydraulic Filter.....	75-1310
Hydraulic Filter.....	86-6110
10in Foam Filled Castor Wheel.....	93-5973

## For 31699 Groundsmaster 5900/5910 Rotary Mower

<b>Product Name</b>	<b>Model/Part</b>
Dry Battery.....	104-8162
12 Volt Battery .....	106-5190
Premium All Season Hydraulic Fluid (55 Gallon Drum) .....	108-1177
Premium All Season Hydraulic Fluid (5 Gallon Pail).....	108-1178
Premium All Purpose Grease (Tube) .....	108-1190
Primary Engine Air Filter .....	108-3815
Backrest Extension Kit.....	119-7719



## Attachments and Accessories (continued)

Registration Plate and Light Kit.....	120-7570
Premium Engine Oil 15w40 (55 Gallon Drum) .....	121-6394
Premium Engine Oil 15w40 (5 Gallon Pail) .....	121-6395
Air Filter .....	121-8457
Fuel/Water Separator Filter.....	125-2915
Engine Oil Filter .....	125-7025
Fuel Filter.....	125-8752
Safety Air Filter Element .....	130-9070
CE Kit, 2016 and After Groundsmaster 5900 Tier 4 Series Traction Unit .....	132-1340
Atomic Blade Service Pack (20in).....	132-1391
Standard Blade Service Pack (20in) .....	132-1392
Blade/Belt Kit .....	132-1440
EU Light Kit, 2015 and After Groundsmaster 5910 Series Rotary Mower with Cab.....	30639
Pre-Filter Screen Kit, 2015 and After Groundsmaster Series Cab.....	30647
North American Cab Light Kit, 2015 and After Groundsmaster 5910/4010/4110 Series Traction Unit .....	30706
Beacon Kit, 2015 and After Groundsmaster Series Traction Unit .....	31509
Backup Alarm Kit .....	31512
Center Deck.....	31601
Right Wing Deck .....	31602
Left Wing Deck .....	31603
Leaf Mulching Kit .....	31604
Fluid/Filter MVP Kit .....	31609
Hydraulic Filter.....	75-1310
Hydraulic Filter.....	86-6110
10in Foam Filled Castor Wheel.....	93-5973

**Notes:**

**Notes:**



**Count on it.**