



Count on it.

Parts Catalog

46cm

Lawn Mower

Model No. 20944—Serial No. 322000001 and Up



Ordering Replacement Parts

To order replacement parts, please supply the part number, the quantity, and the description of each part desired.

Understanding Reference Numbers

Each identified part in an illustration has a reference number. The reference number for a part also appears in the parts list, along with other information about the part.

This catalog uses two special reference number formats, one to indicate parts in a service assembly and another to indicate the quantity of a given part in an illustration.

Service Assembly Reference Numbers

Parts in service assemblies have reference numbers in the form a:b. The a represents the reference number of the entire service assembly and the b represents a sequential number unique to each part within the service assembly.

For example, a wheel assembly might be identified by reference number 6, the tire by 6:1, the valve by 6:2, and the wheel by 6:3. When you order the assembly identified by reference number 6, you receive all parts identified by reference numbers 6:1, 6:2, and 6:3. However, you may also order any part individually. Reference numbers of this type appear in illustration and in parts lists.

Reference Numbers Indicating Quantity

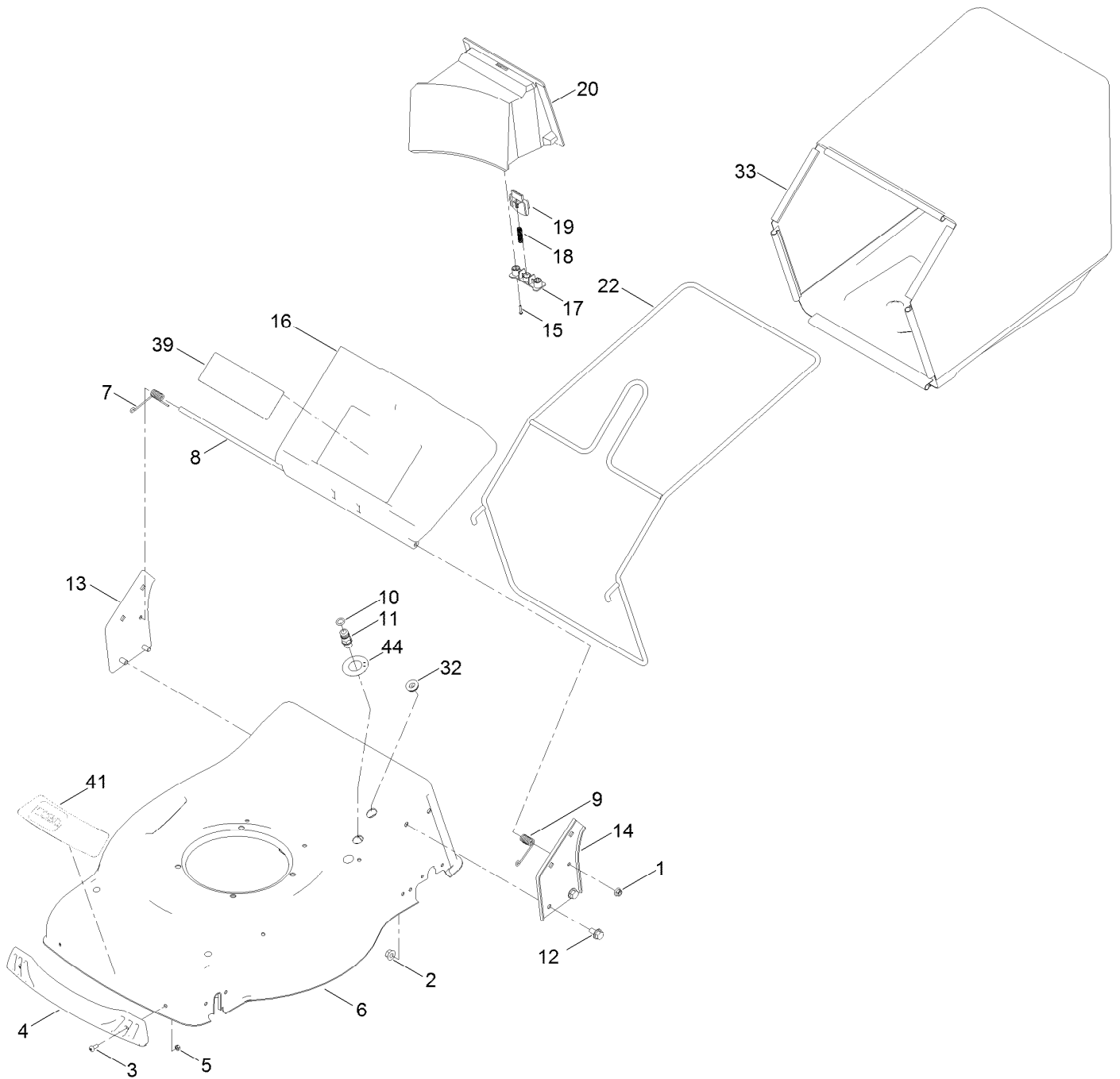
In an illustration, if a reference number indicates more than one part, the reference number has the form nX y. The n represents the quantity of the part, the X is the multiplication symbol, and the y represents the reference number.

For example, in an illustration, the reference number 2X 37 means that two of the parts identified by reference number 37 are indicated.

Contents

Deck and Bag Assembly	4
Engine and Blade Assembly	6
Suspension and Wheel Assembly	8
Handle Assembly	10

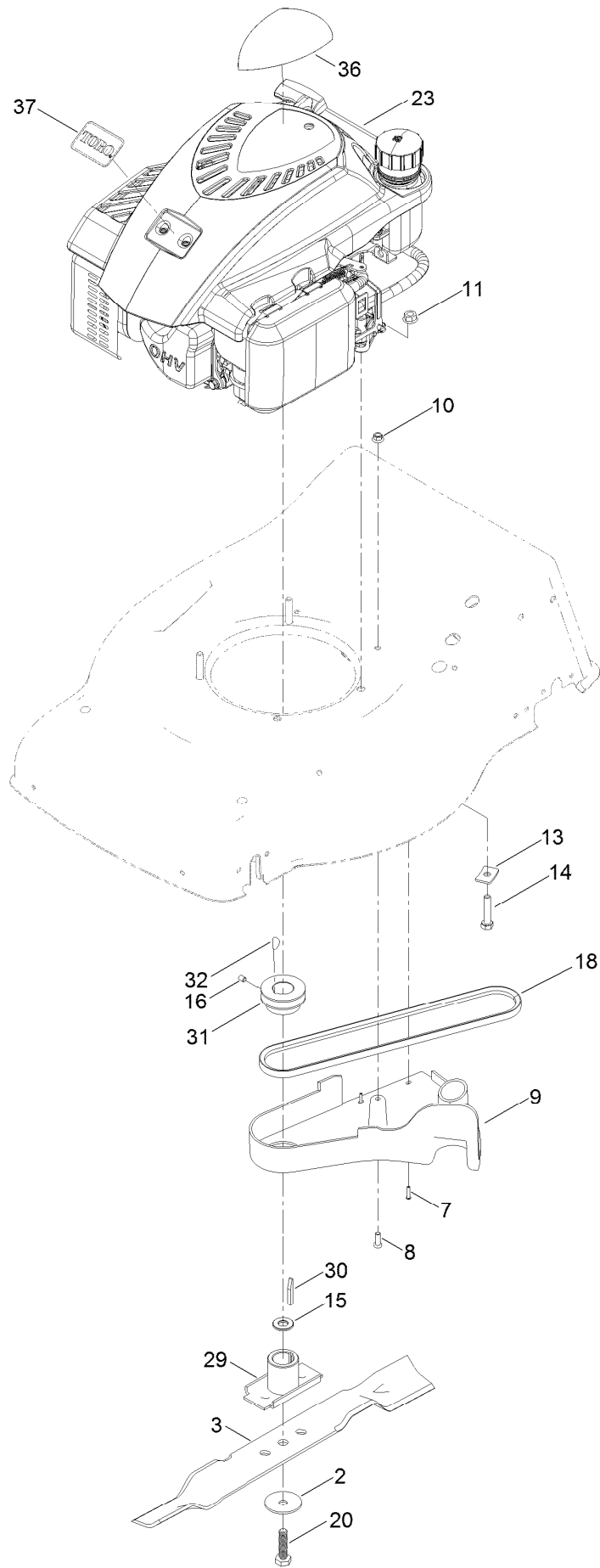
Deck and Bag Assembly



Deck and Bag Assembly (continued)

<i>Ref.</i>	<i>Part Number</i>	<i>Qty.</i>	<i>Description</i>	<i>Ref.</i>	<i>Part Number</i>	<i>Qty.</i>	<i>Description</i>
1	134-0117	2	Nut-Lock, Flange	15	134-0131	2	Screw-Self Driving
2	134-0118	4	Nut-Lock, Flange	16	134-0132	1	Deflector-Rear
3	134-0119	2	Screw-Tooth	17	134-0133	1	Pressing Board-Lock Button, Mulch
4	134-0120	1	Bumper-Front	18	134-0134	1	Spring-Button, Mulch
5	134-0121	2	Nut-Lock	19	134-0135	1	Lock-Button, Mulch
6	134-0122	1	Deck	20	134-0136	1	Plug-Mulch
7	134-0123	1	Spring-Twist, RH	22	134-0138	1	Frame-Bag, Grass
8	134-0124	1	Rod-Spring, Rear Deflector	32	134-0148	1	Sheath-Cable, Protective
9	134-0125	1	Spring-Twist, LH	33	134-0149	1	Bag-Grass
10	134-0126	1	O-Ring	39	134-0084	1	Decal-Safety
11	134-0127	1	Port-Wash	41	134-0060	1	Decal-Shroud
12	134-0128	4	Bolt-HH, Flange	44	134-3615	1	Decal-Port, Washout
13	134-0129	1	Bracket-Handle, RH				
14	134-0130	1	Bracket-Handle, LH				

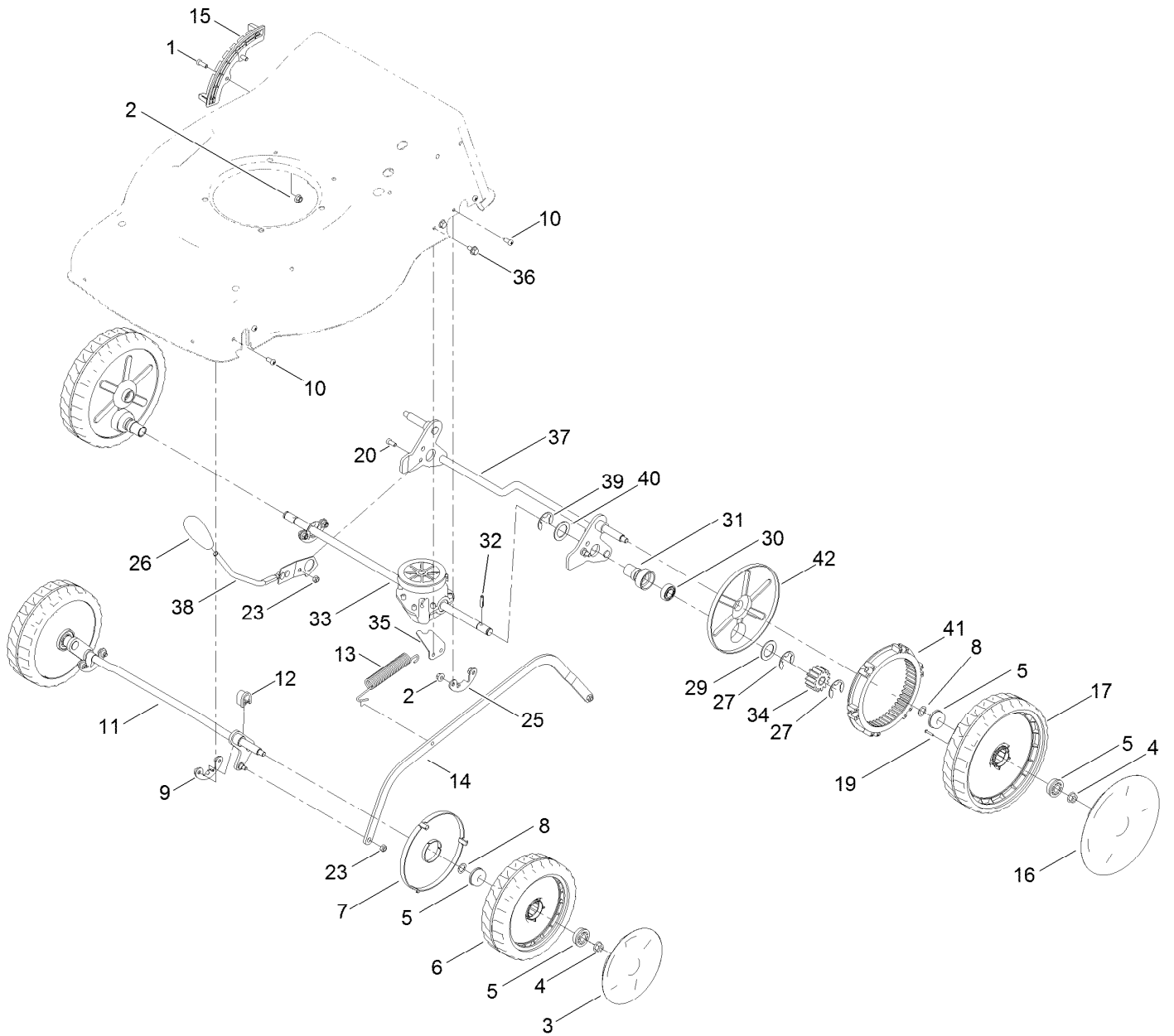
Engine and Blade Assembly



Engine and Blade Assembly (continued)

<i>Ref.</i>	<i>Part Number</i>	<i>Qty.</i>	<i>Description</i>	<i>Ref.</i>	<i>Part Number</i>	<i>Qty.</i>	<i>Description</i>
2	134-2016	1	Washer-Dished	16	134-0161	1	Screw-Grub
3	134-0073	1	Blade-Mulch	18	134-0163	1	Belt-Triangle
7	134-0155	2	Screw-Self Driving	20	134-0164	1	Bolt-Blade
8	134-0156	1	Screw-Tooth	23	139-0607	1	Engine-1P65Fc
9	134-0157	1	Cover-Pulley, Belt	29	134-0171	1	Support-Blade
10	134-0117	1	Nut-Lock, Flange	30	134-0172	1	Key-Flat
11	134-0118	3	Nut-Lock, Flange	31	134-0173	1	Pulley-Drive
13	134-0158	3	Washer-Square	32	134-0174	1	Key-Woodruff
14	134-2011	3	Bolt-Blade	36	120-1938	1	Decal-Shroud
15	134-0160	1	Sheath-Blade	37	134-0420	1	Logo -Toro (3-In-1 Models)

Suspension and Wheel Assembly

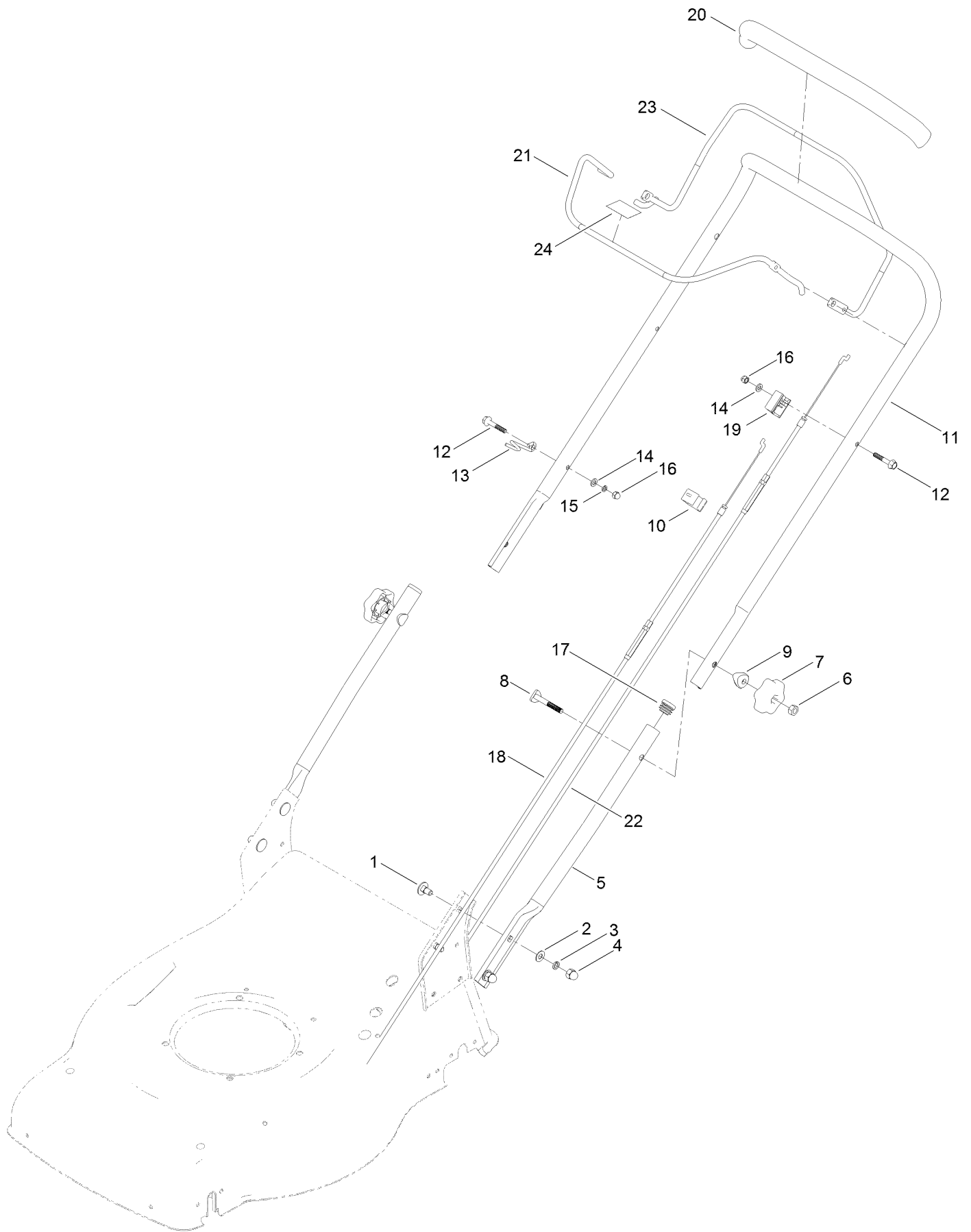


Suspension and Wheel Assembly (continued)

<i>Ref.</i>	<i>Part Number</i>	<i>Qty.</i>	<i>Description</i>	<i>Ref.</i>	<i>Part Number</i>	<i>Qty.</i>	<i>Description</i>
1	134-0156	2	Screw-Tooth	23	134-0190	3	Nut-Lock
2	134-0117	6	Nut-Lock, Flange	25	134-0191	2	Ring-Fixed
3	134-0175	2	Cap-Hub (7)	26	134-0192	1	Handle-Lever, HOC
4	134-0118	4	Nut-Lock, Flange	27	134-0197	4	Washer-Spring
5	134-0176	8	Bearing	28	134-0198	1	Gear Output ASM-RH ●
6	134-0177	2	Wheel ASM (7)	29	134-0199	2	Washer-Flat
7	134-0178	2	Cover-Wheel, Dustproof	30	134-0200	2	Bearing
8	134-0179	4	Washer-Wave	31	134-0201	2	Sheath-Bearing
9	134-0180	2	Clamp-Axle, Fixed	32	134-0202	2	Pin-Cylindrical
10	134-0181	8	Screw-Tooth	33	134-0203	1	Gearbox
11	134-0182	1	Front Wheel Axis ASM	34	134-0204	1	Gear Output ASM-LH
12	134-0183	2	Ring-Fixed	35	134-0205	1	Bracket-Location
13	134-0184	1	Spring-Tension	36	134-0206	2	Bolt-HH, Flange
14	134-0185	1	Bracket-Connecting, HOC	37	134-0207	1	Rear Axle Shaft ASM
15	134-0186	1	Board-Adjuster, HOC	38	134-0208	1	Handle ASM
16	134-0187	2	Cap-Hub (8)	39	134-0209	2	Washer-Spring
17	134-0188	2	Wheel ASM (8)	40	134-0210	1	Washer
19	134-0131	6	Screw-Self Driving	41	134-0211	2	Gear Ring
20	134-0189	1	Screw-Pan, Cross	42	134-0212	2	Cover-Wheel, Dustproof

● Not illustrated

Handle Assembly



Handle Assembly (continued)

<i>Ref.</i>	<i>Part Number</i>	<i>Qty.</i>	<i>Description</i>	<i>Ref.</i>	<i>Part Number</i>	<i>Qty.</i>	<i>Description</i>
1	134-0219	4	Bolt	13	134-0231	1	Hook-Cable
2	09475	4	Washer	14	09472	2	Washer-Plain
3	03469	4	Washer-Spring	15	09474	1	Washer-Spring
4	134-0222	4	Nut-Lid	16	134-0234	2	Nut-Lid
5	134-0223	2	Handlebar-Lower	17	134-0235	2	Plug-Tube
6	134-0224	2	Nut-Hex	18	134-0236	1	Cable-Brake, Engine
7	134-0225	2	Knob-Rotary	19	134-0237	1	Cable-Block, Fixed
8	134-0226	2	Bolt-Flat Head	20	134-0238	1	Grip-Handle
9	134-0227	2	Washer-Curve	21	134-0239	1	Lever-Engine
10	134-0228	1	Cable Clamp	22	134-0240	1	Cable-Clutch
11	134-0229	1	Handlebar-Upper	23	134-0241	1	Lever-Clutch, Gearbox
12	134-0230	2	Bolt-HH, Flange	24	H295159	1	Decal-Stop



Count on it.