



Count on it.

Parts Catalog

Groundsmaster® e3200
2-Wheel Drive Traction Unit

Model No. 31800—Serial No. 416500000 and Up



Ordering Replacement Parts

To order replacement parts, please supply the part number, the quantity, and the description of each part desired.

Understanding Reference Numbers

Each identified part in an illustration has a reference number. The reference number for a part also appears in the parts list, along with other information about the part.

This catalog uses two special reference number formats, one to indicate parts in a service assembly and another to indicate the quantity of a given part in an illustration.

Service Assembly Reference Numbers

Parts in service assemblies have reference numbers in the form a:b. The a represents the reference number of the entire service assembly and the b represents a sequential number unique to each part within the service assembly.

For example, a wheel assembly might be identified by reference number 6, the tire by 6:1, the valve by 6:2, and the wheel by 6:3. When you order the assembly identified by reference number 6, you receive all parts identified by reference numbers 6:1, 6:2, and 6:3. However, you may also order any part individually. Reference numbers of this type appear in illustration and in parts lists.

Reference Numbers Indicating Quantity

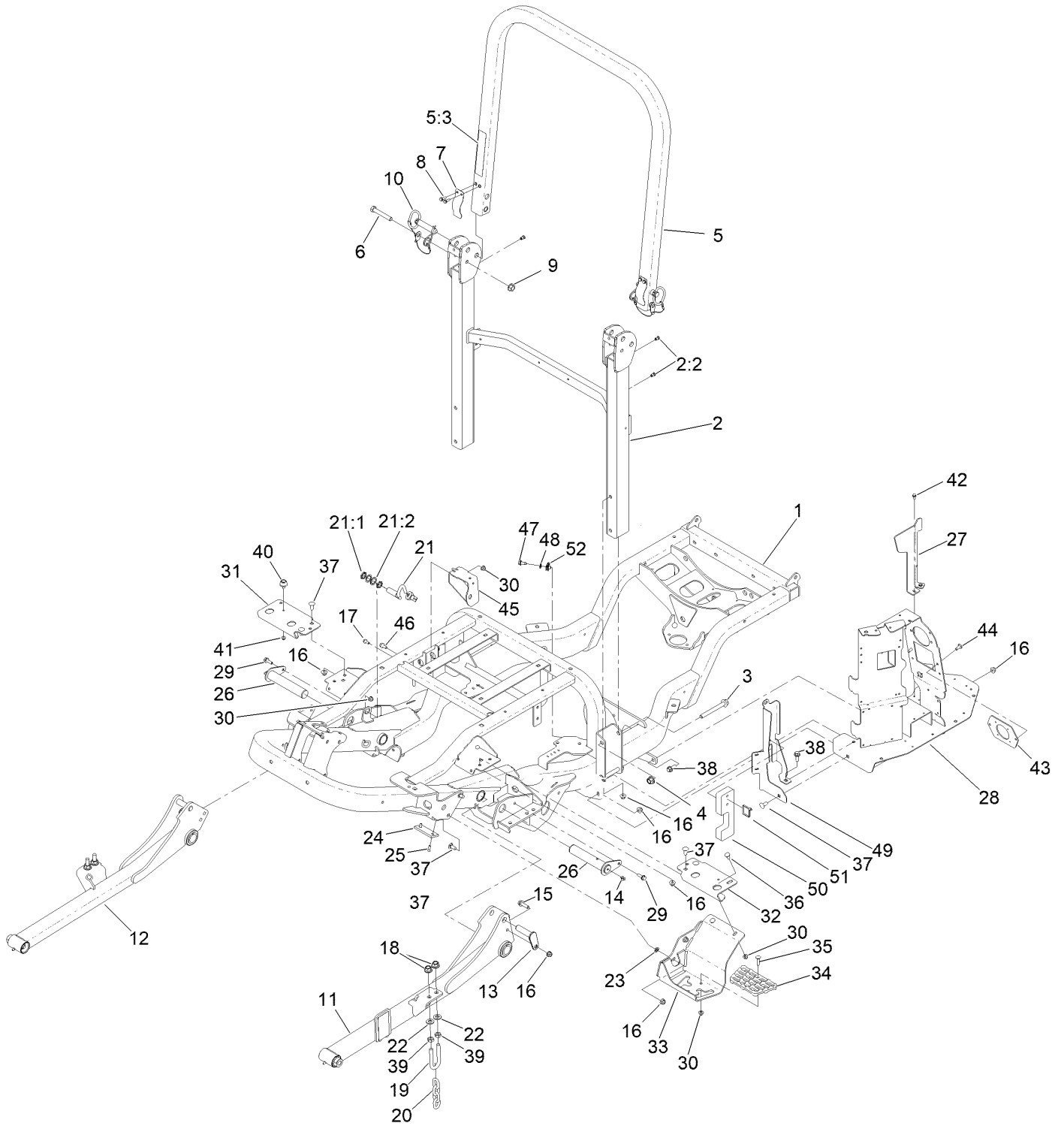
In an illustration, if a reference number indicates more than one part, the reference number has the form nX y. The n represents the quantity of the part, the X is the multiplication symbol, and the y represents the reference number.

For example, in an illustration, the reference number 2X 37 means that two of the parts identified by reference number 37 are indicated.

Contents

| | |
|--|----|
| Frame and Roll-Over Protection System Assembly | 4 |
| LH Lift Arm Assembly No. 144-3943 | 6 |
| RH Lift Arm Assembly No. 144-3942 | 8 |
| Axle, Wheel and Motor/Generator Assembly | 10 |
| Rear Axle and Wheel Assembly | 12 |
| Tie Rod Assembly No. 144-3900 | 14 |
| Hydraulic Assembly | 16 |
| Gear Pump Assembly No. 147-5115 | 18 |
| Steering/Lift Manifold Assembly No. 145-0939 | 20 |
| Hydraulic Tank Assembly NO. 145-1053 | 22 |
| Steering Assembly | 24 |
| Steering Column Assembly No. 139-0857 | 26 |
| Steering Valve Assembly No. 114-8119 | 28 |
| Battery Assembly | 30 |
| Pedal Assembly | 32 |
| Platform Assembly | 34 |
| Control Console Assembly | 36 |
| Electrical Assembly | 38 |
| Main Wire Harness Assembly No. 122-2328 | 40 |
| Hood Assembly | 42 |
| Miscellaneous Parts Assembly | 44 |
| Air Ride Suspension Seat Assembly No. 161-0807 | 46 |
| Attachments and Accessories | 48 |

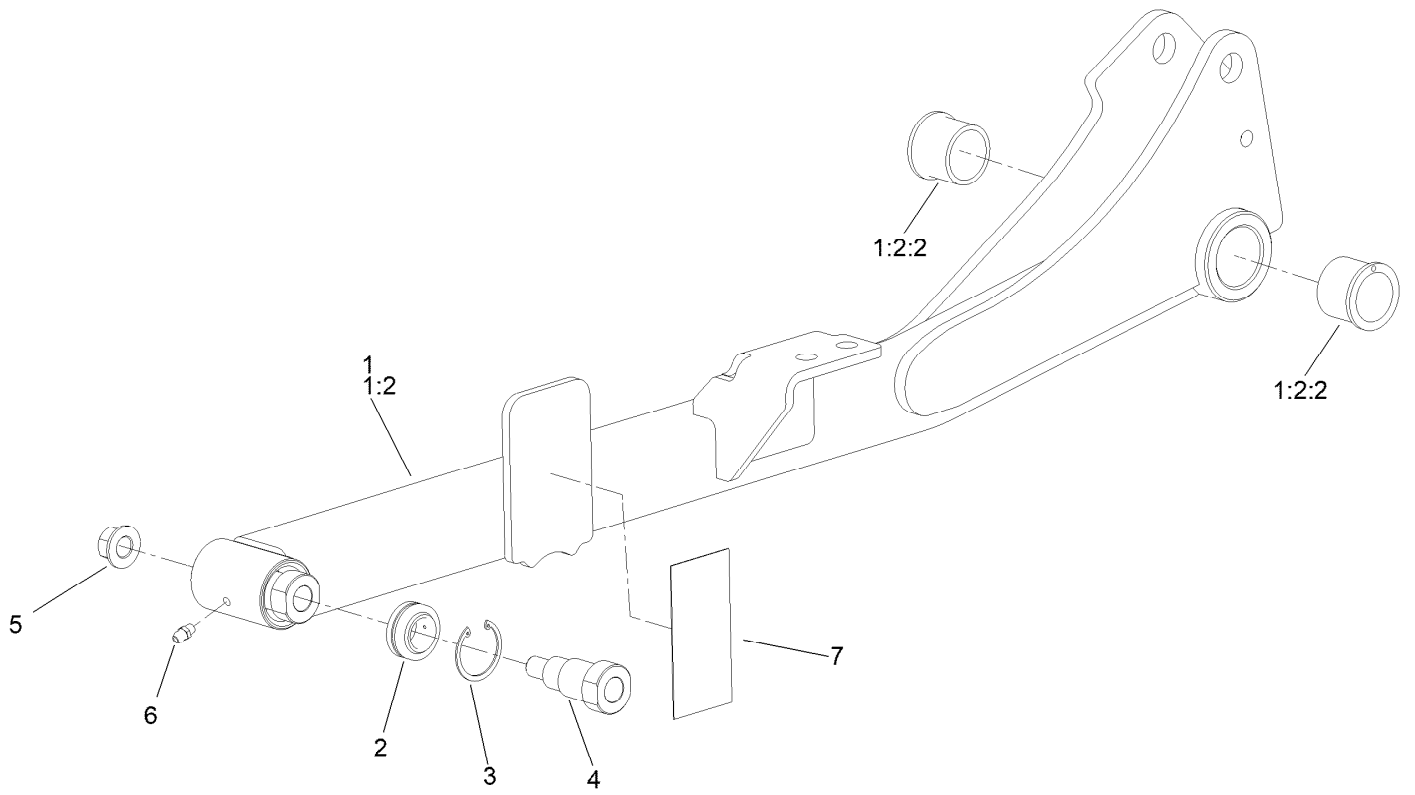
Frame and Roll-Over Protection System Assembly



Frame and Roll-Over Protection System Assembly (continued)

| <i>Ref.</i> | <i>Part Number</i> | <i>Qty.</i> | <i>Description</i> | <i>Ref.</i> | <i>Part Number</i> | <i>Qty.</i> | <i>Description</i> |
|-------------|--------------------|-------------|-----------------------------|-------------|--------------------|-------------|---------------------------------|
| 1 | 145-0980-03 | 1 | Frame ASM, Welded | 26 | 145-1130 | 2 | Pin ASM, Welded |
| 2 | 139-6254 | 1 | ROPS ASM, Lower | 27 | 161-0822-0P | 1 | Bracket-Deflector |
| 2:2 | 138-2758 | 4 | Nut-Clinch,Hex | 28 | 145-1032-03 | 1 | Charge Panel, Welded |
| 3 | 117-3176 | 4 | Screw-HHF | 29 | 3234-29 | 2 | Screw-HHF |
| 4 | 99-5107 | 4 | Nut-Lock | 30 | 104-8300 | 6 | Nut-HF, NI |
| 5 | 138-7470 | 1 | ROPS ASM, Upper | 31 | 139-0940-03 | 1 | Bracket-Tank Mount, Front RH |
| 5:3 | 108-2073 | 1 | Decal-Warning | 32 | 138-7365-03 | 1 | Bracket-Tank Mount, Front LH |
| 6 | 325-13 | 2 | Screw-HH | 33 | 139-0927-01 | 1 | Bracket-Mount, Step |
| 7 | 110-5696 | 2 | Spring-Leaf | 34 | 126-4781 | 1 | Step-Deck |
| 8 | 32105-15 | 4 | Screw-HWH | 35 | 3230-3 | 1 | Screw-CARR |
| 9 | 32128-23 | 2 | Nut-HF | 36 | 3230-23 | 2 | Bolt-CARR |
| 10 | 161-4477 | 2 | Pin-ROPS, ASM | 37 | 3231-27 | 7 | Screw-CARR |
| 11 | 144-3943 | 1 | Lift Arm ASM. LH | 38 | 3234-42 | 2 | Screw-HHF |
| 12 | 144-3942 | 1 | Lift Arm ASM. RH | 39 | 3218-5 | 4 | Nut-Jam |
| 13 | 138-7489 | 2 | Pin (Machined) | 40 | 109-2365 | 1 | Bumper-Rubber |
| 14 | 302-40 | 2 | Fitting-Grease, 90 DEG | 41 | 104-7201 | 2 | Nut-HF, NI |
| 15 | 119-4061 | 2 | Screw-HHF | 42 | 32144-4 | 2 | Screw-HWH |
| 16 | 104-8301 | 11 | Nut-HF, NI | 43 | 161-0851-03 | 1 | Adapter-Charger |
| 17 | 99-6810 | 1 | Screw-HHF | 44 | 138-9753 | 2 | Screw |
| 18 | 99-5107 | 4 | Nut-Lock | 45 | 161-7639-0P | 1 | Bracket-Cable |
| 19 | 104-0108 | 2 | U-Bolt | 46 | 139-2598 | 1 | Screw-HHF |
| 20 | 95-6231 | 2 | Chain-HOC | 47 | 145-5783 | 1 | Screw-Sems |
| 21 | 115-5300 | 1 | Proximity Switch ASM | 48 | 3256-1 | 1 | Washer-Flat |
| 21:1 | 117-3207 | 2 | Nut-Hex | 49 | 161-7629-03 | 1 | Shield-Pdu |
| 21:2 | 117-3208 | 2 | Washer-Lock, Internal Tooth | 50 | 161-7628 | 1 | Foam-Seal, Cable |
| 22 | 3256-26 | 4 | Washer-Flat | 51 | 3290-379 | 1 | Tie-Cable |
| 23 | 107-3154 | 2 | Nut-Push | 52 | 126-3739 | 1 | Nut-Retainer |
| 24 | 138-4452 | 2 | Pad-Stop, Deck | | | | |
| 25 | 3289-4 | 4 | Screw-FH | | | | |

LH Lift Arm Assembly No. 144-3943

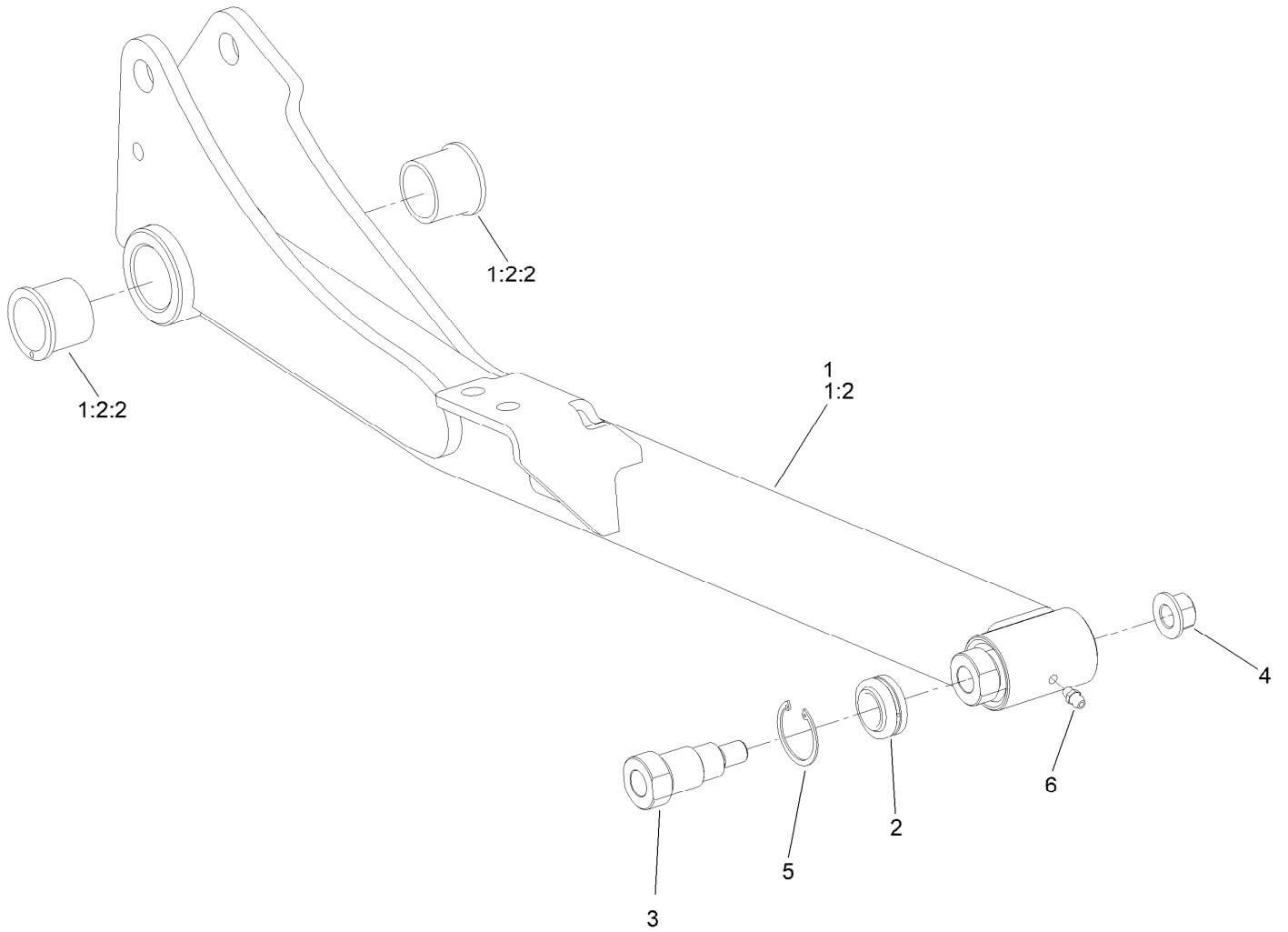


LH Lift Arm Assembly No. 144-3943 (continued)

| <i>Ref.</i> | <i>Part Number</i> | <i>Qty.</i> | <i>Description</i> | <i>Ref.</i> | <i>Part Number</i> | <i>Qty.</i> | <i>Description</i> |
|-------------|--------------------|-------------|--------------------|-------------|--------------------|-------------|--------------------|
| 1 | | 1 | Lift Arm ASM, LH ● | 4 | 139-0910 | 1 | Bolt-Shoulder |
| 1:2 | | 1 | Hub-ASM ● | 5 | 99-5107 | 1 | Nut-Lock |
| 1:2:2 | 104-0015 | 2 | Bushing-Flange | 6 | 302-5 | 1 | Fitting-Grease |
| 2 | 105-7441 | 1 | Bearing-Spherical | 7 | 139-0948 | 1 | Pad-Ride, Pin |
| 3 | 32151-34 | 1 | Ring-Retaining | | | | |

● Not serviced separately

RH Lift Arm Assembly No. 144-3942

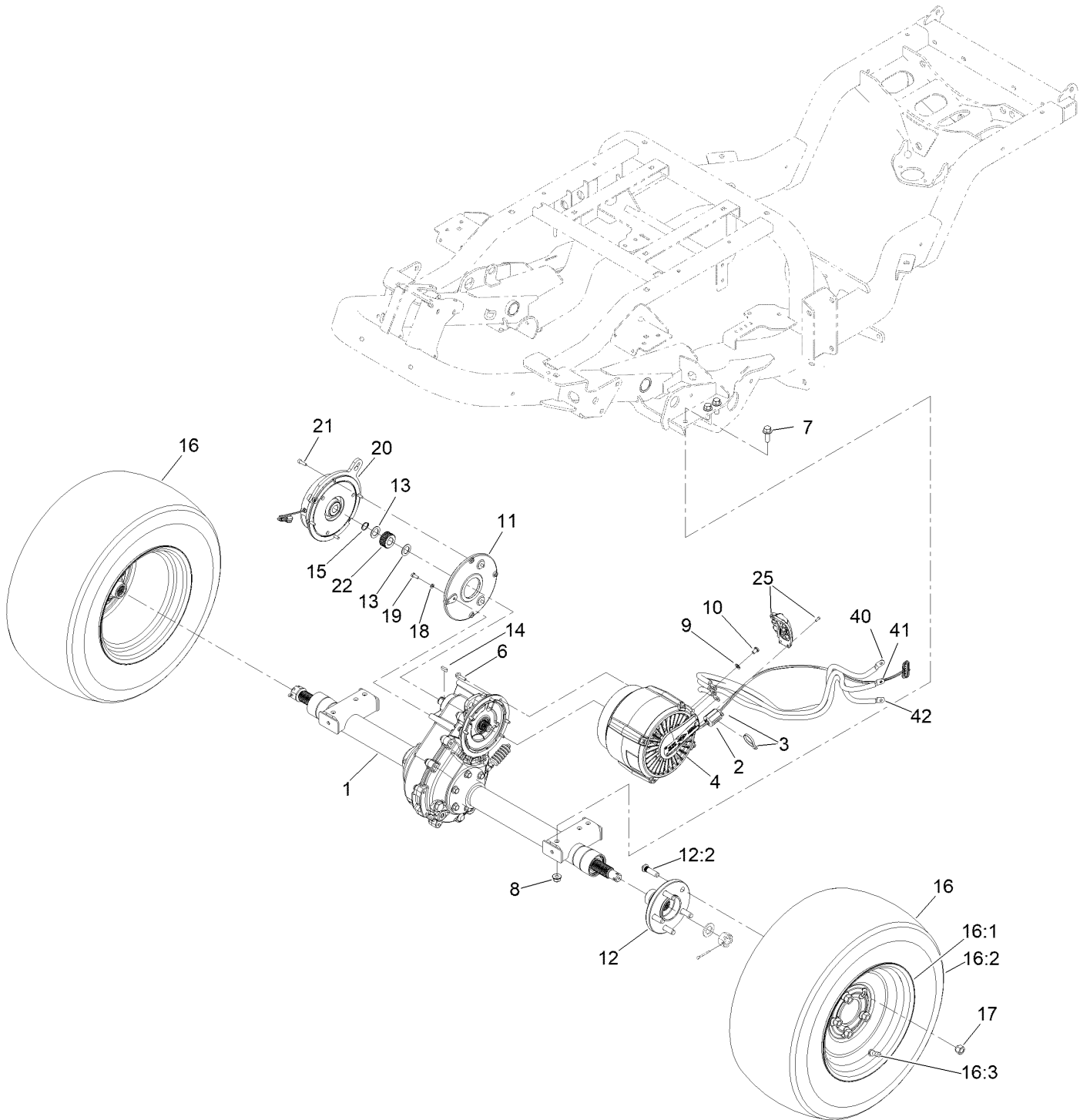


RH Lift Arm Assembly No. 144-3942 (continued)

| <i>Ref.</i> | <i>Part Number</i> | <i>Qty.</i> | <i>Description</i> | <i>Ref.</i> | <i>Part Number</i> | <i>Qty.</i> | <i>Description</i> |
|-------------|--------------------|-------------|--------------------|-------------|--------------------|-------------|--------------------|
| 1 | | 1 | Lift Arm ASM, RH ● | 3 | 139-0910 | 1 | Bolt-Shoulder |
| 1:2 | | 1 | Hub-ASM ● | 4 | 99-5107 | 1 | Nut-Lock |
| 1:2:2 | 104-0015 | 2 | Bushing-Flange | 5 | 32151-34 | 1 | Ring-Retaining |
| 2 | 105-7441 | 1 | Bearing-Spherical | 6 | 302-5 | 1 | Fitting-Grease |

● Not serviced separately

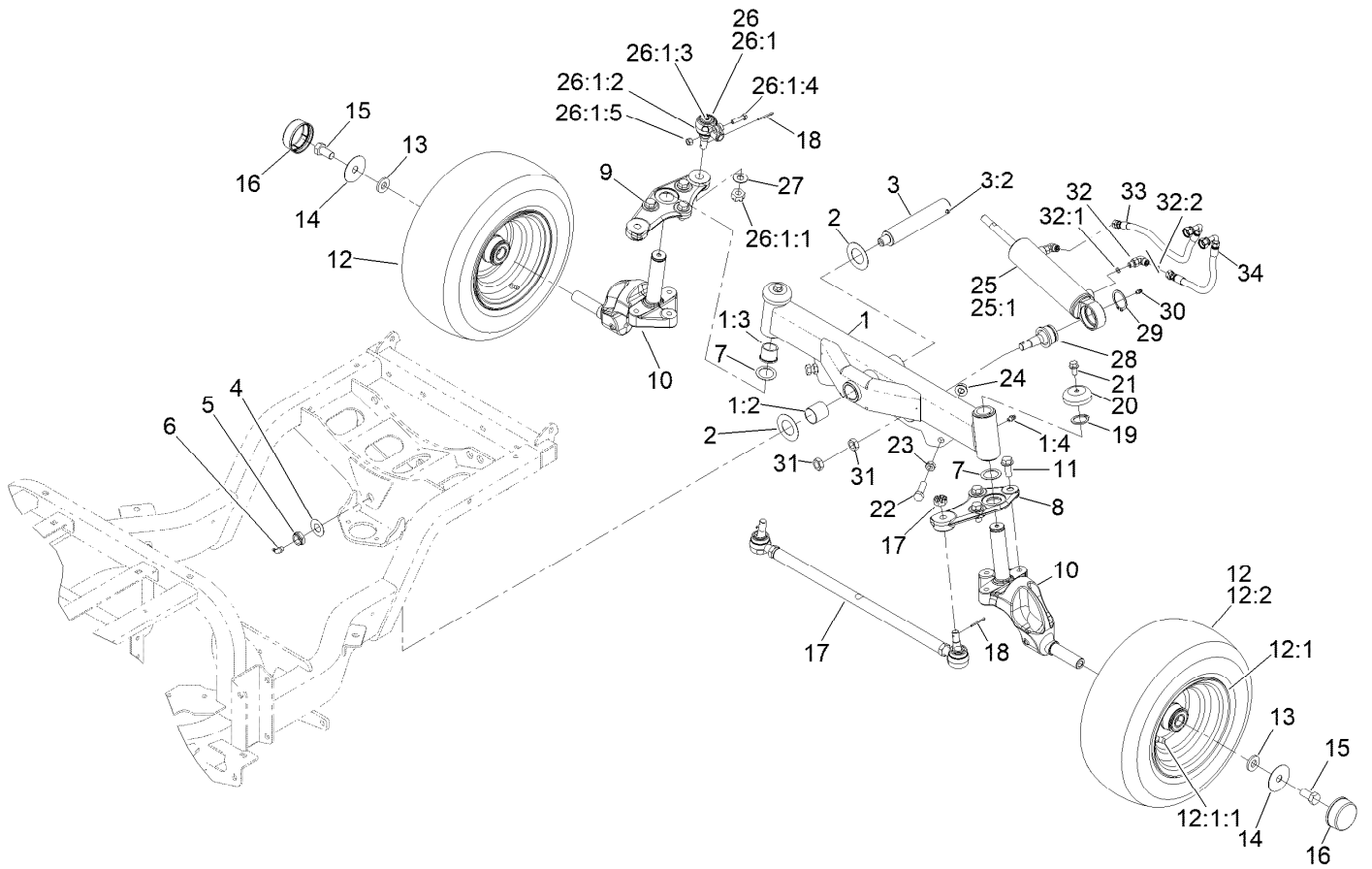
Axle, Wheel and Motor/Generator Assembly



Axle, Wheel and Motor/Generator Assembly (continued)

| <i>Ref.</i> | <i>Part Number</i> | <i>Qty.</i> | <i>Description</i> | <i>Ref.</i> | <i>Part Number</i> | <i>Qty.</i> | <i>Description</i> |
|-------------|--------------------|-------------|---------------------------------------|-------------|--------------------|-------------|-----------------------|
| 1 | 145-0905 | 1 | Schafer Axle ASM, 24E | 15 | 87-9370 | 1 | Ring-Retaining |
| 2 | 147-8183 | 1 | Ferrite, Snap-On | 16 | 137-2593 | 2 | Wheel ASM |
| 3 | 3290-378 | 2 | Tie-Cable | 16:1 | 137-2595 | 1 | Rim |
| 4 | 147-5116SP | 1 | Motor/Gen-48V, 9Kw | 16:2 | 137-2581 | 1 | Tire |
| 6 | 33103-025 | 6 | Screw-HHF | 16:3 | 232-27 | 1 | Stem-Valve |
| 7 | 117-9035 | 6 | Screw-HHF | 17 | 242-50 | 10 | Nut-Lug |
| 8 | 144-2269 | 6 | Nut-HF, NI | 18 | 33093-00 | 3 | Washer-Flat |
| 9 | 147-5054 | 3 | Washer-Belleville | 19 | 33113-016 | 3 | Screw-HH |
| 10 | 147-5055 | 3 | Screw-HSBH | 20 | 145-1099 | 1 | Brake ASM, Electric |
| 11 | 145-1132-0P | 1 | Adapter-Brake [primed] | 21 | 52-6290 | 4 | Screw-HSH |
| 12 | 145-0938 | 2 | Wheel Hub ASM | 22 | 145-1134 | 1 | Hub-Splined |
| 12:2 | 10-6830 | 5 | Stud-Type, Drive | 25 | 147-2120 | 1 | Kit-Terminal Cover |
| 13 | 145-1139 | 2 | Washer-Poly | 40 | 122-2709 | 1 | Cable-Battery, Rd ASM |
| 14 | MSC15592 | 1 | Key-Square,6 MM X 20MM, Din 6885-A | 41 | 122-2710 | 1 | Cable-Battery, Rd ASM |
| | | | | 42 | 122-2711 | 1 | Cable-Battery, Rd ASM |

Rear Axle and Wheel Assembly



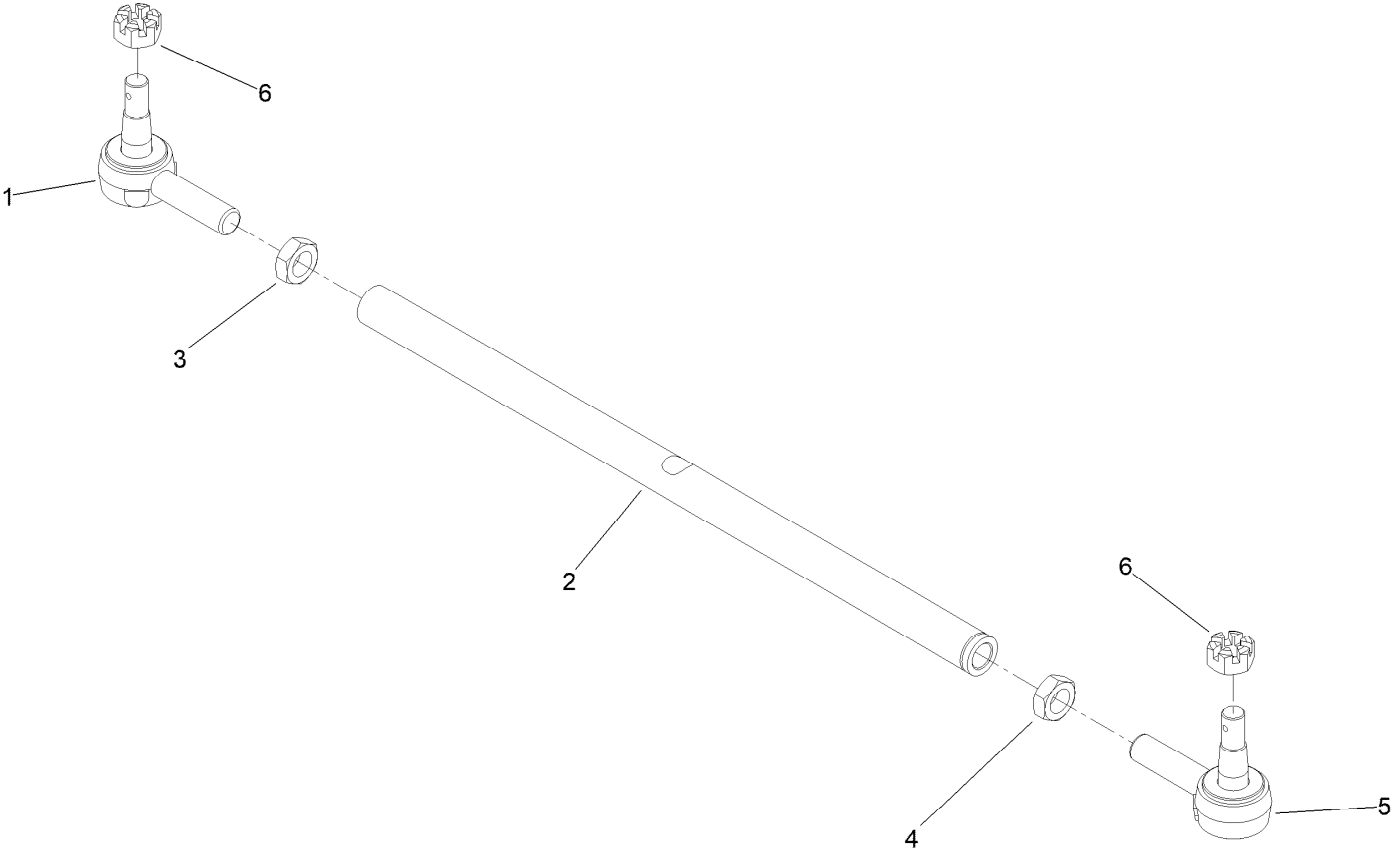
Rear Axle and Wheel Assembly (continued)

| <i>Ref.</i> | <i>Part Number</i> | <i>Qty.</i> | <i>Description</i> | <i>Ref.</i> | <i>Part Number</i> | <i>Qty.</i> | <i>Description</i> |
|-------------|--------------------|-------------|--------------------|-------------|--------------------|-------------|--------------------------|
| 1 | 138-4588 | 1 | Axle ASM | 19 | 32151-77 | 2 | Ring-Retaining, External |
| 1:2 | 99-6964 | 2 | Bushing-Axle | 20 | 69-8890 | 2 | Cap-Spindle |
| 1:3 | 104-0015 | 4 | Bushing-Flange | 21 | 3234-1 | 2 | Screw-HHF |
| 1:4 | 302-5 | 2 | Fitting-Grease | 22 | 325-7 | 2 | Screw-HH |
| 2 | 99-8432 | 2 | Washer-Thrust | 23 | 3218-5 | 2 | Nut-Jam |
| 3 | 140-6101 | 1 | Pin ASM-Axle Pivot | 24 | 99-5107 | 2 | Nut-Lock |
| 3:2 | 32121-32 | 1 | Pin-Roll | 25 | 139-6277 | 1 | Steering Cylinder |
| 4 | 71-4540 | 1 | Washer-Thrust | 25:1 | 140-3120 | 1 | Kit-Seal ● |
| 5 | 3296-15 | 1 | Nut-Lock, NI | 26 | 106-6895-03 | 1 | Ball Joint ASM |
| 6 | 302-33 | 1 | Fitting-Grease | 26:1 | | 1 | Joint-Ball ■ |
| 7 | 76-2980 | 2 | Washer-Thrust | 26:1:1 | 32136-13 | 1 | Nut-SHH |
| 8 | 140-3144 | 1 | Link-Drag, LH | 26:1:2 | 106-6896 | 1 | Seal |
| 9 | 140-3142 | 1 | Link-Drag, RH | 26:1:3 | 302-5 | 1 | Fitting-Grease |
| 10 | 137-1647 | 2 | Spindle-Steer | 26:1:4 | 3210-7 | 1 | Screw-HH |
| 11 | 3234-38 | 6 | Screw-HHF | 26:1:5 | 32152-5 | 1 | Nut-Hex |
| 12 | 138-0310 | 2 | Wheel ASM | 27 | 69-8980 | 1 | Washer |
| 12:1 | 138-0311 | 1 | Rim-8" X 5.38" | 28 | 106-6774 | 1 | Joint-Ball |
| 12:1:1 | 232-27 | 1 | Stem-Valve | 29 | 32151-104 | 1 | Ring-Retaining, External |
| 12:2 | 1-413474 | 1 | Tire-Turfmaster | 30 | 302-5 | 1 | Fitting-Grease |
| 13 | 99-7667 | 2 | Washer-Flat | 31 | 3220-6 | 2 | Nut-Jam |
| 14 | 99-7719 | 2 | Washer | 32 | 340-132 | 2 | Fitting-Elbow, 90 DEG |
| 15 | 327-3 | 2 | Screw-HH | 32:1 | 237-78 | 1 | O-Ring |
| 16 | 94-7871 | 2 | Cap-Dust | 32:2 | 237-21 | 1 | O-Ring |
| 17 | 144-3900 | 1 | Tie Rod ASM | 33 | 115-0383 | 1 | Hose ASM |
| 18 | 3272-12 | 3 | Pin-Cotter | 34 | 137-2584 | 1 | Hose ASM |

● Not illustrated

■ Not serviced separately

Tie Rod Assembly No. 144-3900

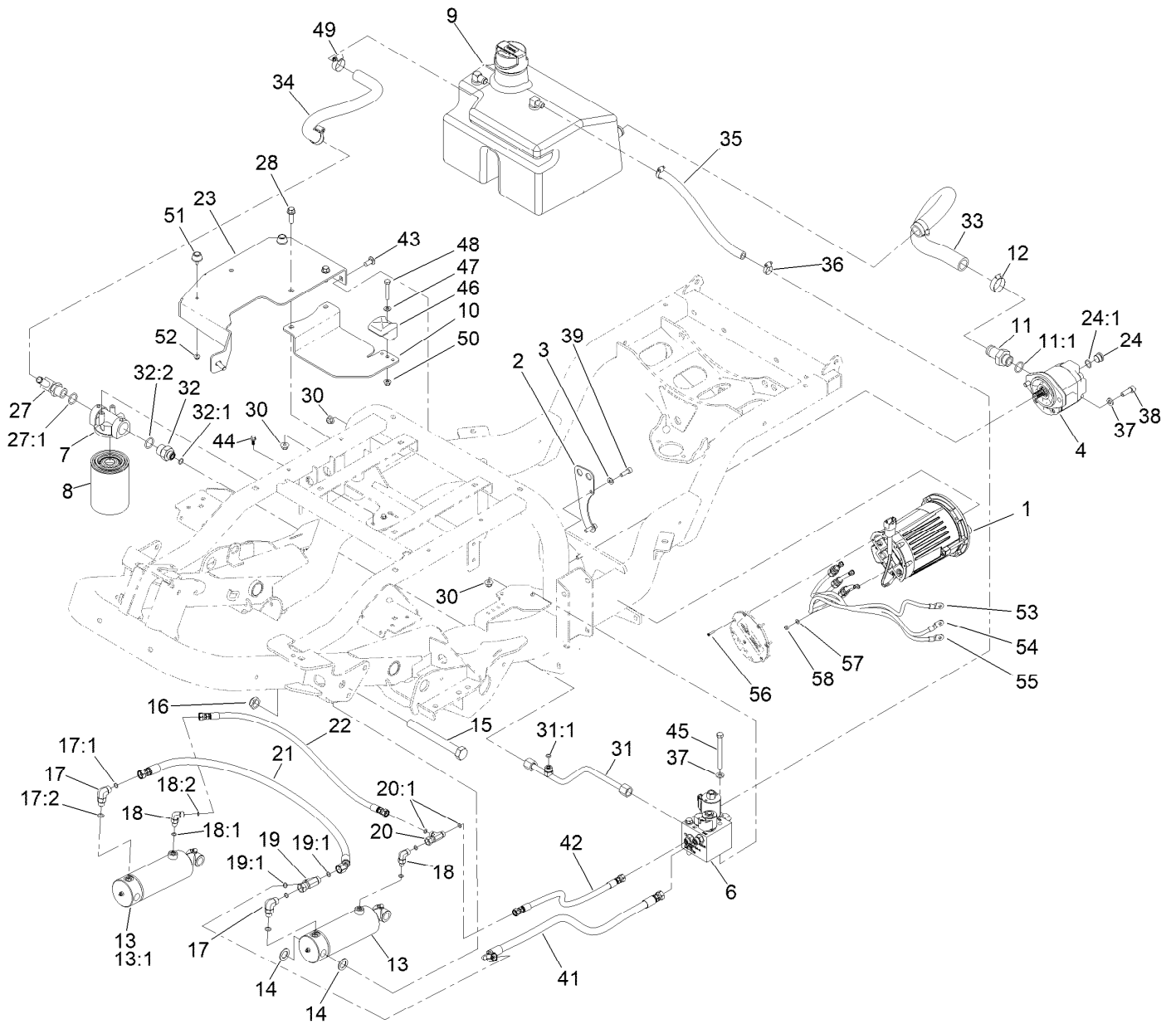


Tie Rod Assembly No. 144-3900 (continued)

| <i>Ref.</i> | <i>Part Number</i> | <i>Qty.</i> | <i>Description</i> |
|-------------|--------------------|-------------|--------------------|
| 1 | 144-3901 | 1 | Tie Rod End |
| 2 | 133-6463 | 1 | Tie-Rod |
| 3 | 84-5300 | 1 | Nut-Jam |

| <i>Ref.</i> | <i>Part Number</i> | <i>Qty.</i> | <i>Description</i> |
|-------------|--------------------|-------------|--------------------|
| 4 | 110-5337 | 1 | Nut-Jam |
| 5 | 144-3902 | 1 | Tie Rod End |
| 6 | 140-6135 | 2 | Nut-Hex, Slotted |

Hydraulic Assembly

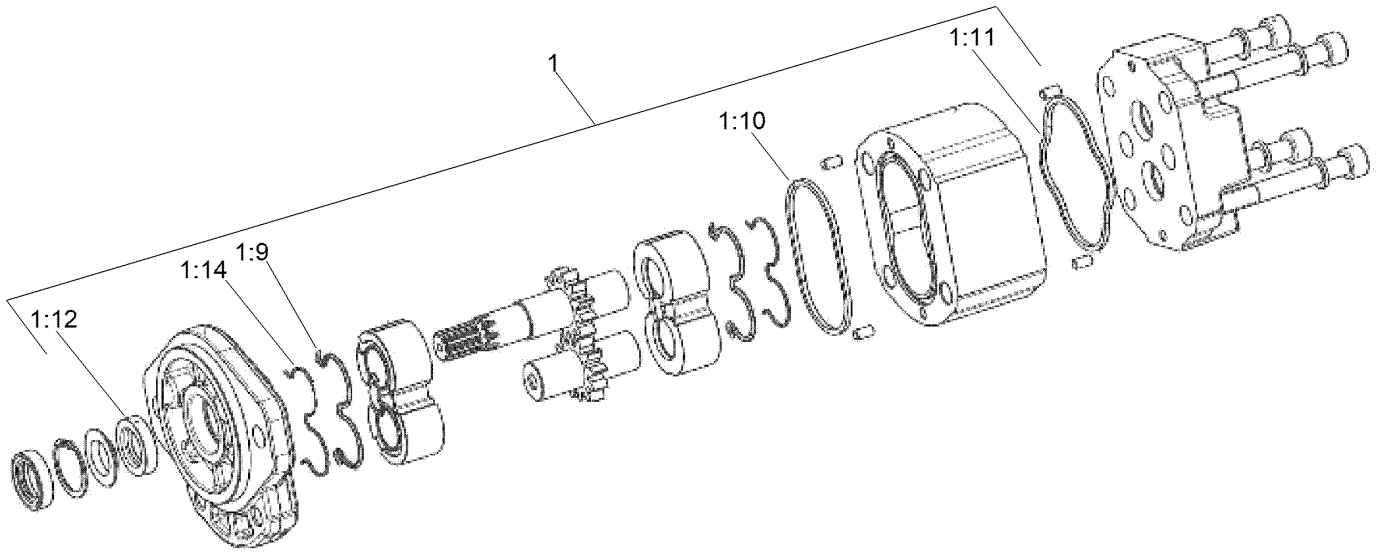


Hydraulic Assembly (continued)

| <i>Ref.</i> | <i>Part Number</i> | <i>Qty.</i> | <i>Description</i> | <i>Ref.</i> | <i>Part Number</i> | <i>Qty.</i> | <i>Description</i> |
|-------------|--------------------|-------------|--------------------------|-------------|--------------------|-------------|-----------------------|
| 1 | 145-0995SP | 1 | Electric Motor, Ashwoods | 27:1 | 237-81 | 1 | O-Ring |
| 2 | 147-2054-0P | 1 | Plate-Bulkhead | 28 | 119-4061 | 1 | Screw-HHF |
| 3 | 33094-00 | 4 | Washer-Plain | 30 | 104-8301 | 6 | Nut-HF, NI |
| 4 | 147-5115 | 1 | Pump-Gear | 31 | 145-1088 | 1 | Hydraulic Tube ASM |
| 6 | 145-0939 | 1 | Manifold-Steering/Lift | 31:1 | 237-42 | 1 | O-Ring |
| 7 | 92-5821 | 1 | Head-Filter | 32 | 100-4240 | 1 | Fitting-STR |
| 8 | 86-3010 | 1 | Filter-Oil | 32:1 | 237-30 | 1 | O-Ring |
| 9 | 145-1053 | 1 | Tank ASM | 32:2 | 237-81 | 1 | O-Ring |
| 10 | 145-0934-03 | 1 | Bracket-Tank, Hydraulic | 33 | 145-1051 | 1 | Hose-Suction |
| 11 | 99-3017 | 1 | Fitting | 34 | 145-1052 | 1 | Hose-Return |
| 11:1 | 237-81 | 1 | O-Ring | 35 | 114-8438 | 1 | Hose-HYD |
| 12 | 2412-34 | 2 | Clamp-Hose | 36 | 2412-36 | 2 | Clamp-Hose |
| 13 | 139-0854 | 2 | Cylinder-Hydraulic | 37 | 139-6293 | 4 | Washer |
| 13:1 | 140-3110 | 1 | Kit-Seal ● | 38 | AU862-10030 | 2 | Screw-HSH |
| 14 | 126-7888 | 4 | Washer-Nylon | 39 | 98-5828 | 4 | Screw-HSH |
| 15 | 328-23 | 2 | Screw-HH | 41 | 145-1136 | 1 | Hose ASM |
| 16 | HDW02059 | 2 | Nut-Hex | 42 | 145-1135 | 1 | Hose ASM |
| 17 | 340-77 | 2 | Fitting-Elbow, 90 DEG | 43 | 3231-22 | 3 | Screw-CARR |
| 17:1 | 237-22 | 1 | O-Ring | 44 | 99-6810 | 2 | Screw-HHF |
| 17:2 | 237-42 | 1 | O-Ring | 45 | 323-42 | 2 | Screw-HH |
| 18 | 340-132 | 2 | Fitting-Elbow, 90 DEG | 46 | 107-4543 | 1 | Clamp |
| 18:1 | 237-78 | 1 | O-Ring | 47 | 3256-23 | 1 | Washer-Plain |
| 18:2 | 237-21 | 1 | O-Ring | 48 | 322-10 | 1 | Screw-HH |
| 19 | 340-115 | 1 | Fitting-Tee | 49 | 2412-129 | 2 | Clamp-Hose |
| 19:1 | 237-22 | 2 | O-Ring | 50 | 104-8300 | 1 | Nut-HF, NI |
| 20 | 340-151 | 1 | Fitting-Tee | 51 | 109-2365 | 2 | Bumper-Rubber |
| 20:1 | 237-21 | 2 | O-Ring | 52 | 104-7201 | 2 | Nut-HF, NI |
| 21 | 137-5844 | 1 | Hose ASM | 53 | 122-2712 | 1 | Cable-Battery, Rd ASM |
| 22 | 137-5845 | 1 | Hose ASM | 54 | 122-2713 | 1 | Cable-Battery, Rd ASM |
| 23 | 145-1105-03 | 1 | Brkt-Storage Bin | 55 | 122-2714 | 1 | Cable-Battery, Rd ASM |
| 24 | 353-988 | 1 | Plug-Hex | 56 | 147-6042 | 6 | Screw-Tfh |
| 24:1 | 237-79 | 1 | O-Ring | 57 | 1-303435 | 3 | Washer-Spring |
| 27 | 117-3681 | 1 | Fitting-Elb 90 | 58 | HDW21408 | 3 | Nut-Hex |

● Not illustrated

Gear Pump Assembly No. 147-5115

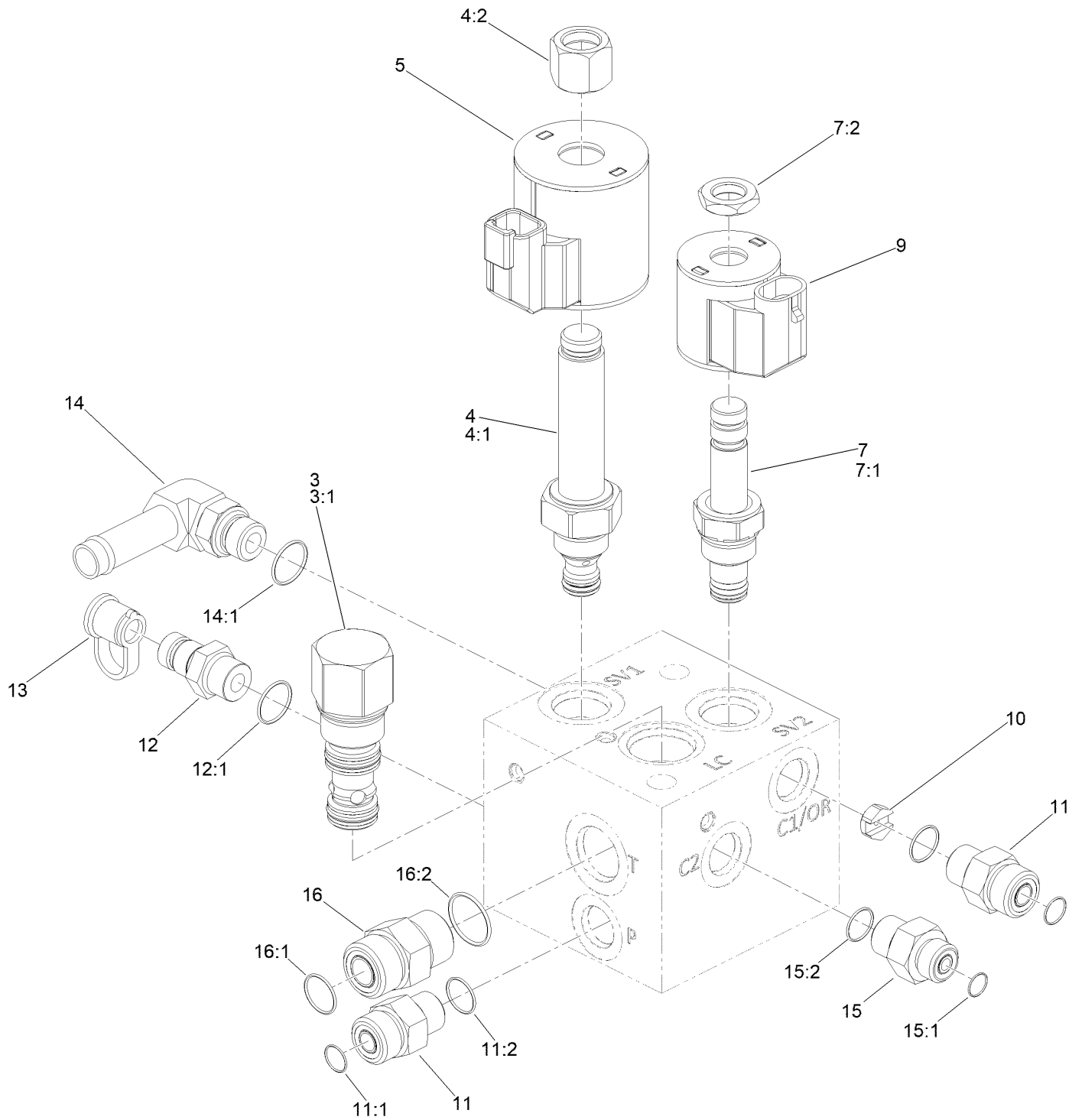


Gear Pump Assembly No. 147-5115 (continued)

| <i>Ref.</i> | <i>Part Number</i> | <i>Qty.</i> | <i>Description</i> | <i>Ref.</i> | <i>Part Number</i> | <i>Qty.</i> | <i>Description</i> |
|-------------|--------------------|-------------|--------------------|-------------|--------------------|-------------|--------------------|
| 1 | 139-6299 | 1 | Kit-Seal | 1:11 | | 1 | Seal-Square ● |
| 1:9 | | 1 | Seal ● | 1:12 | | 1 | Seal-Shaft ● |
| 1:10 | | 1 | Seal-Standard ● | 1:14 | | 1 | Anti Extrusion ● |

● Not serviced separately

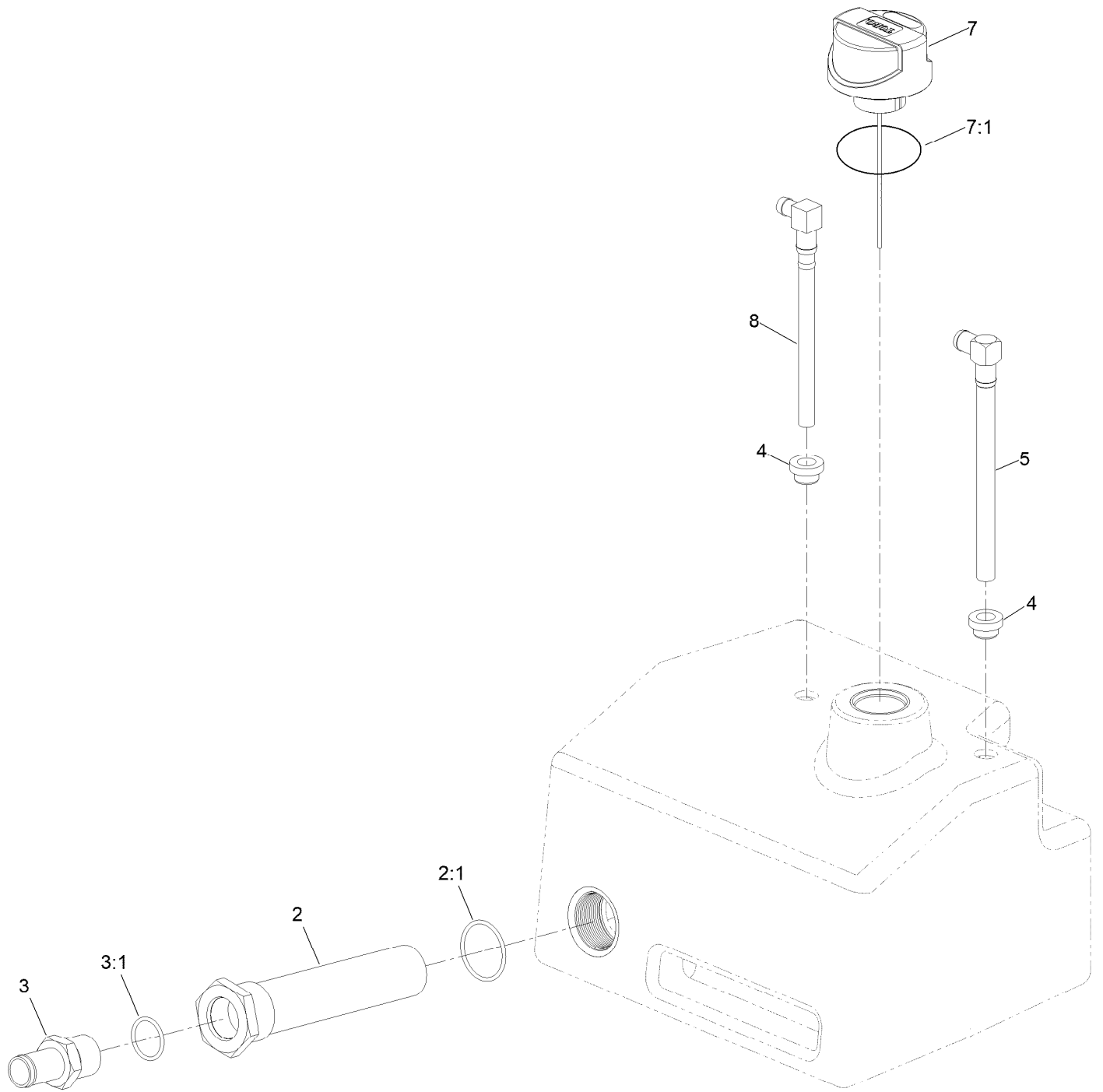
Steering/Lift Manifold Assembly No. 145-0939



Steering/Lift Manifold Assembly No. 145-0939 (continued)

| <i>Ref.</i> | <i>Part Number</i> | <i>Qty.</i> | <i>Description</i> | <i>Ref.</i> | <i>Part Number</i> | <i>Qty.</i> | <i>Description</i> |
|-------------|--------------------|-------------|----------------------------|-------------|--------------------|-------------|--------------------|
| 3 | 105-9153 | 1 | Element-Logic, Vented | 11:2 | 237-42 | 1 | O-Ring |
| 3:1 | 119-2159 | 1 | Seal Kit | 12 | 59-7410 | 1 | Fitting-Diagnostic |
| 4 | 147-2117 | 1 | Valve-Relief, Proportional | 12:1 | 237-42 | 1 | O-Ring |
| 4:1 | 126-9388 | 1 | Seal Kit | 13 | 354-79 | 1 | Cap-Dust |
| 4:2 | 130-8180 | 1 | Nut-Coil (9/16-24 Unef-2B) | 14 | 109-6449 | 1 | Fitting-Elbow, 90 |
| 5 | 119-4619 | 1 | Coil-Solenoid | 14:1 | 237-42 | 1 | O-Ring |
| 7 | 112-9206 | 1 | Solenoid Valve ASM | 15 | 340-1 | 1 | Fitting-Straight |
| 7:1 | 105-9156 | 1 | Seal Kit | 15:1 | 237-21 | 1 | O-Ring |
| 7:2 | 110-2634 | 1 | Nut-Coil | 15:2 | 237-42 | 1 | O-Ring |
| 9 | 110-0497 | 1 | Coil-Solenoid | 16 | 340-4 | 1 | Fitting-Straight |
| 10 | 139-6296 | 1 | Orifice-Check 0.100 DIA | 16:1 | 237-30 | 1 | O-Ring |
| 11 | 340-2 | 2 | Fitting-Straight | 16:2 | 237-79 | 1 | O-Ring |
| 11:1 | 237-22 | 1 | O-Ring | | | | |

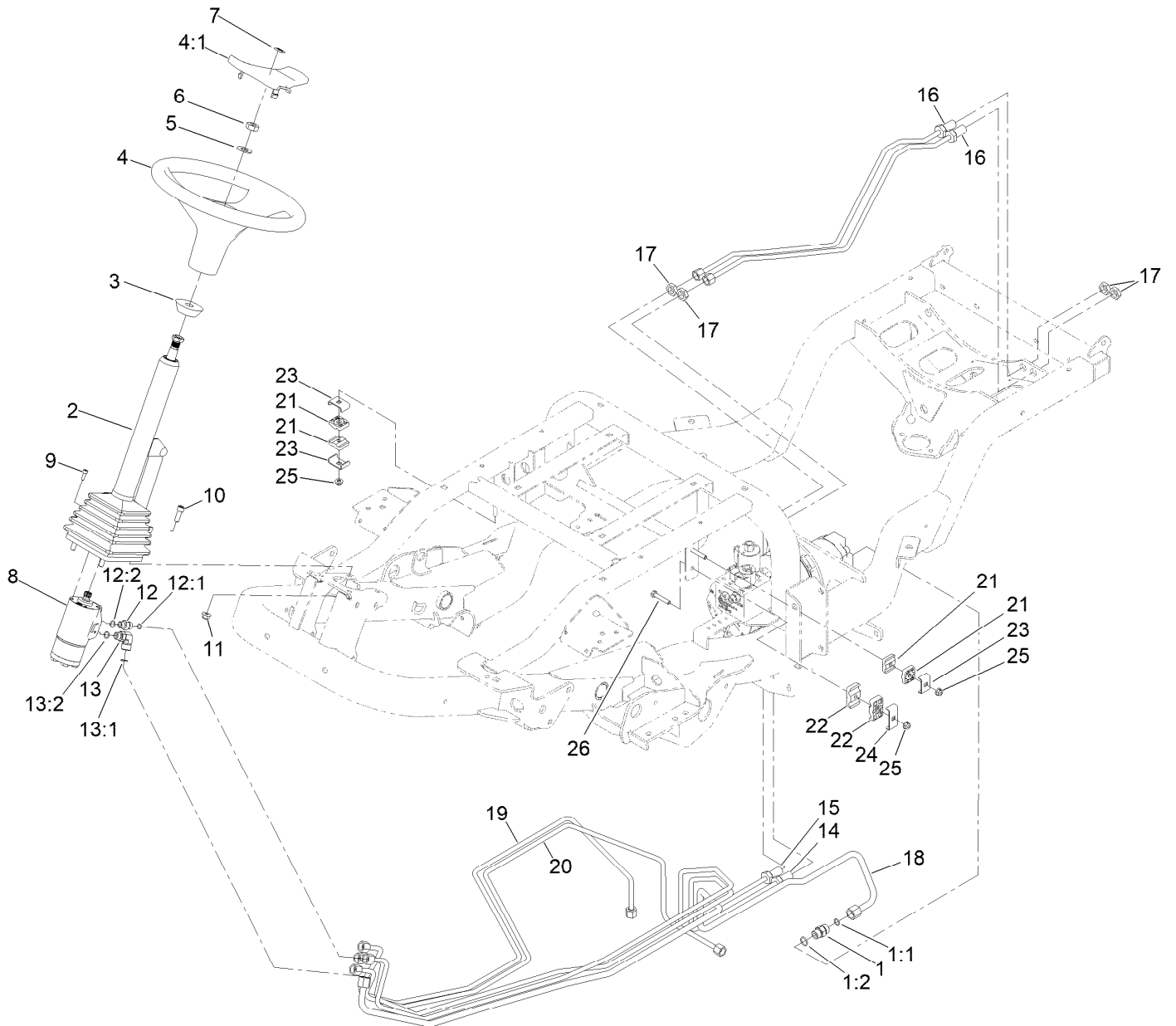
Hydraulic Tank Assembly N0. 145-1053



Hydraulic Tank Assembly NO. 145-1053 (continued)

| <i>Ref.</i> | <i>Part Number</i> | <i>Qty.</i> | <i>Description</i> | <i>Ref.</i> | <i>Part Number</i> | <i>Qty.</i> | <i>Description</i> |
|-------------|--------------------|-------------|--------------------|-------------|--------------------|-------------|----------------------|
| 2 | 115-2230 | 1 | Strainer-In Tank | 5 | 132-1384 | 1 | Tube-Drop |
| 2:1 | 340-136 | 1 | O-Ring | 7 | 147-5070 | 1 | Cap-Filler, Breather |
| 3 | 354-78 | 1 | Fitting-STR | 7:1 | 237-101 | 1 | O-Ring |
| 3:1 | 237-146 | 1 | O-Ring | 8 | 104-0791 | 1 | Pipe-Stand |
| 4 | 104-0790 | 2 | Bushing | | | | |

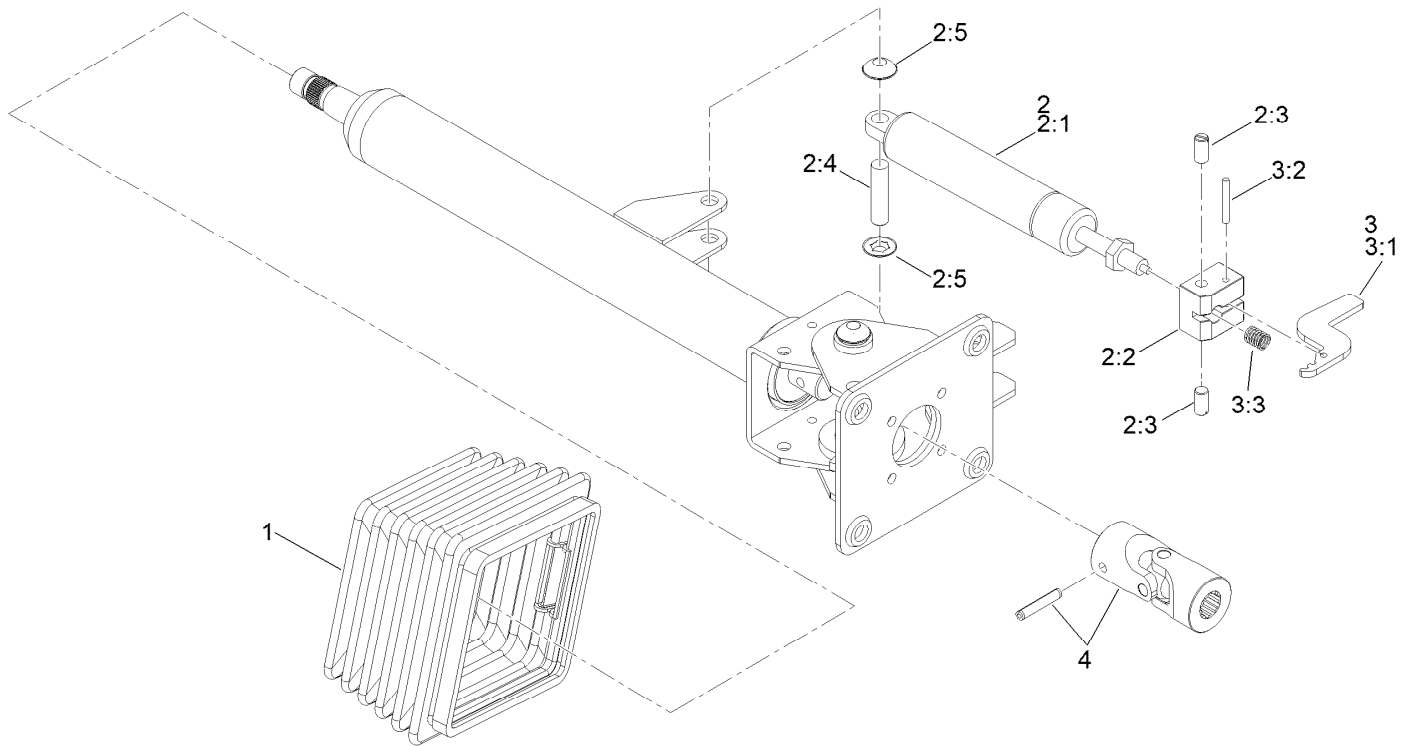
Steering Assembly



Steering Assembly (continued)

| <i>Ref.</i> | <i>Part Number</i> | <i>Qty.</i> | <i>Description</i> | <i>Ref.</i> | <i>Part Number</i> | <i>Qty.</i> | <i>Description</i> |
|-------------|--------------------|-------------|-----------------------|-------------|--------------------|-------------|---------------------|
| 1 | 340-4 | 1 | Fitting-Straight | 13 | 340-99 | 1 | Fitting-HYD, 90 DEG |
| 1:1 | 237-30 | 1 | O-Ring | 13:1 | 237-30 | 1 | O-Ring |
| 1:2 | 237-79 | 1 | O-Ring | 13:2 | 237-42 | 1 | O-Ring |
| 2 | 139-0857 | 1 | Column-Steering, Tilt | 14 | 147-2050 | 1 | Hydraulic Line ASM |
| 3 | 93-5429 | 1 | Collar-Foam | 15 | 147-2052 | 1 | Hydraulic Line ASM |
| 4 | 98-1471 | 1 | Wheel-Steering | 16 | 147-2051 | 2 | Hydraulic Line ASM |
| 4:1 | 98-1468 | 1 | Cover-Wheel, Steering | 17 | 340-70 | 4 | Nut-Lock |
| 5 | 3256-27 | 1 | Washer-Flat | 18 | 147-2055 | 1 | Hydraulic Line ASM |
| 6 | 3296-33 | 1 | Nut-Lock, NI | 19 | 147-2057 | 1 | Hydraulic Line ASM |
| 7 | 98-1459 | 1 | Decal | 20 | 147-2058 | 1 | Hydraulic Line ASM |
| 8 | 114-8119 | 1 | Steering Valve ASM | 21 | 56-7973 | 4 | Clamp-Tube |
| 9 | 105-2409 | 4 | Screw-HSH | 22 | 56-7976 | 2 | Clamp-Tube |
| 10 | 3274-7 | 4 | Screw-HSH | 23 | 119-1418 | 3 | Plate-Clamp, Short |
| 11 | 104-8301 | 4 | Nut-HF, NI | 24 | 119-1419 | 1 | Plate-Clamp |
| 12 | 340-2 | 4 | Fitting-Straight | 25 | 104-8300 | 3 | Nut-HF, NI |
| 12:1 | 237-22 | 1 | O-Ring | 26 | 322-9 | 2 | Screw-HH |
| 12:2 | 237-42 | 1 | O-Ring | | | | |

Steering Column Assembly No. 139-0857

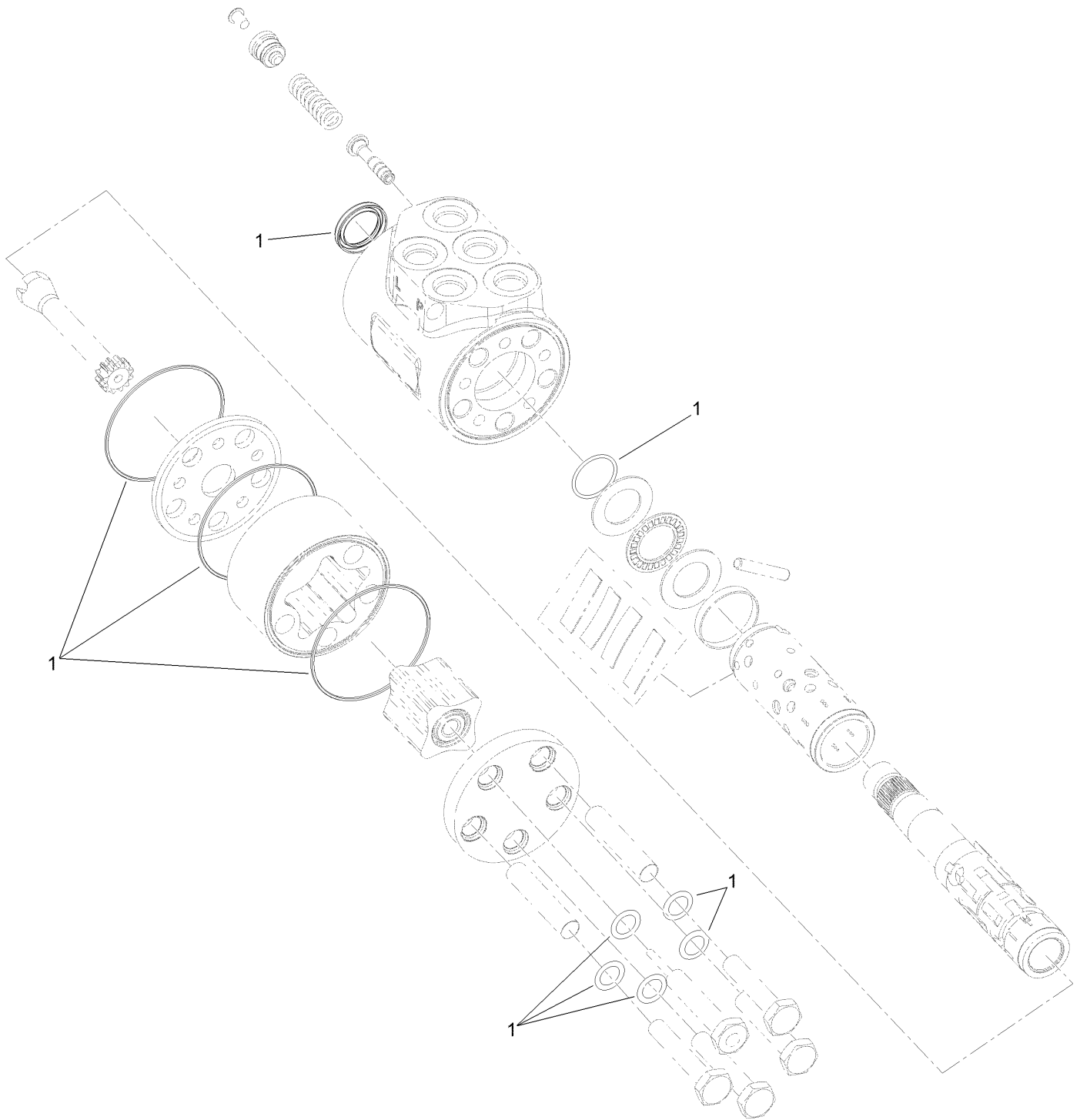


Steering Column Assembly No. 139-0857 (continued)

| <i>Ref.</i> | <i>Part Number</i> | <i>Qty.</i> | <i>Description</i> | <i>Ref.</i> | <i>Part Number</i> | <i>Qty.</i> | <i>Description</i> |
|-------------|--------------------|-------------|----------------------|-------------|--------------------|-------------|---------------------|
| 1 | 110-6462 | 1 | Bellows-Rubber | 2:5 | | 2 | Washer-Lock ● |
| 2 | 110-6463 | 1 | Cylinder Service Kit | 3 | 136-4385 | 1 | Pedal Service Kit |
| 2:1 | | 1 | Cylinder-Gas ● | 3:1 | | 1 | Pedal ● |
| 2:2 | | 1 | Block-Pedal ● | 3:2 | | 1 | Pin ● |
| 2:3 | | 2 | Bolt ● | 3:3 | | 1 | Spring ● |
| 2:4 | | 1 | Pin ● | 4 | 120-6256 | 1 | Universal Joint Kit |

● Not serviced separately

Steering Valve Assembly No. 114-8119



Steering Valve Assembly No. 114-8119 (continued)

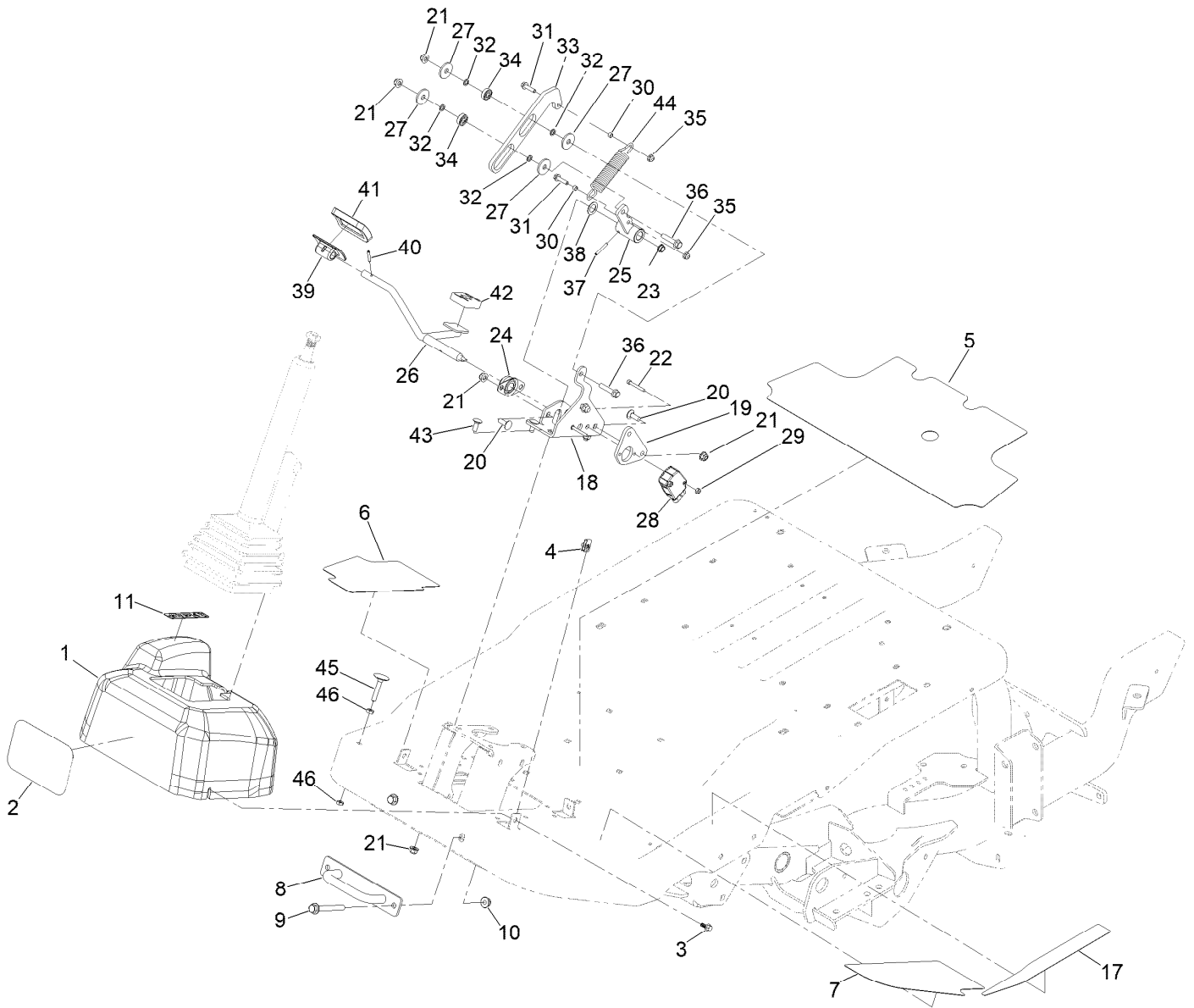
| <i>Ref.</i> | <i>Part Number</i> | <i>Qty.</i> | <i>Description</i> |
|-------------|--------------------|-------------|--------------------|
| 1 | 106-6716 | 1 | Seal Kit |

Battery Assembly (continued)

| <i>Ref.</i> | <i>Part Number</i> | <i>Qty.</i> | <i>Description</i> | <i>Ref.</i> | <i>Part Number</i> | <i>Qty.</i> | <i>Description</i> |
|-------------|--------------------|-------------|-------------------------------|-------------|--------------------|-------------|-------------------------------------|
| 1 | 145-0931-03 | 1 | Battery Tray, Welded | 23 | 140-9565 | 8 | Harness-Wire, Data Interface |
| 2 | 139-2429 | 2 | Screw-HHF | 24 | 122-2412 | 2 | Harness-Wire,Data Interface,34.5 In |
| 3 | 3256-24 | 2 | Washer-Plain | 25 | 122-2323 | 1 | Harness-Wire, Can Terminator |
| 4 | 104-8301 | 10 | Nut-HF, NI | 27 | 147-5051 | 1 | Pad-Foam, Short |
| 5 | 3234-42 | 2 | Screw-HHF | 28 | 147-2131 | 1 | Busbar-8, Bk |
| 6 | 147-2149-03 | 1 | Channel-Support, Short | 29 | 147-2132 | 1 | Busbar-8, Rd |
| 7 | 147-5053 | 8 | Cap-Vinyl | 30 | 147-2133 | 1 | Busbar-7, Bk |
| 8 | 115-5142 | 2 | Screw-HHF | 31 | 147-2134 | 1 | Busbar-7, Rd |
| 9 | 104-8300 | 10 | Nut-HF, NI | 32 | 1-807512 | 6 | Bolt-CARR |
| 10 | 147-2148-03 | 1 | Channel-Support, Long | 33 | 104-7201 | 6 | Nut-HF, NI |
| 11 | 147-5050 | 1 | Pad-Foam, Long | 34 | 122-2905 | 1 | Cable-Battery, Bk ASM |
| 14 | 145-5783 | 22 | Screw-Sems | 35 | 122-2906 | 1 | Cable-Battery, Rd ASM |
| 16 | 145-0977-03 | 1 | Bracket-Support | 36 | 147-5052-0P | 2 | Case-Battery Spacer |
| 17 | 145-5981-03 | 1 | Bumper-Rear Wa | 37 | 32144-4 | 8 | Screw-HWH |
| 18 | 114-4096 | 2 | Weight | 38 | 133-0875 | 2 | Rivet-Push |
| 19 | 3234-41 | 4 | Screw-HHF | 39 | 32180-030 | 2 | Clip-Tie |
| 20 | 125-2667 | 1 | Lock-Weight | 40 | 3269-11 | 4 | Rivet-Pop |
| 21 | 144-4014 | 1 | Bumper-Rubber | 41 | 3256-2 | 6 | Washer-Flat |
| 22 | 145-5320 | 11 | Battery ASM | 42 | 3290-378 | 2 | Tie-Cable |
| 22:1 | | 1 | Battery ASM ● | | | | |
| 22:1:2 | 145-5338 | 1 | Decal-Warning, Battery | | | | |
| 22:1:14 | 32180-466 | 1 | Nut-Mounting, Jwpf Panel Lock | | | | |

● Not serviced separately

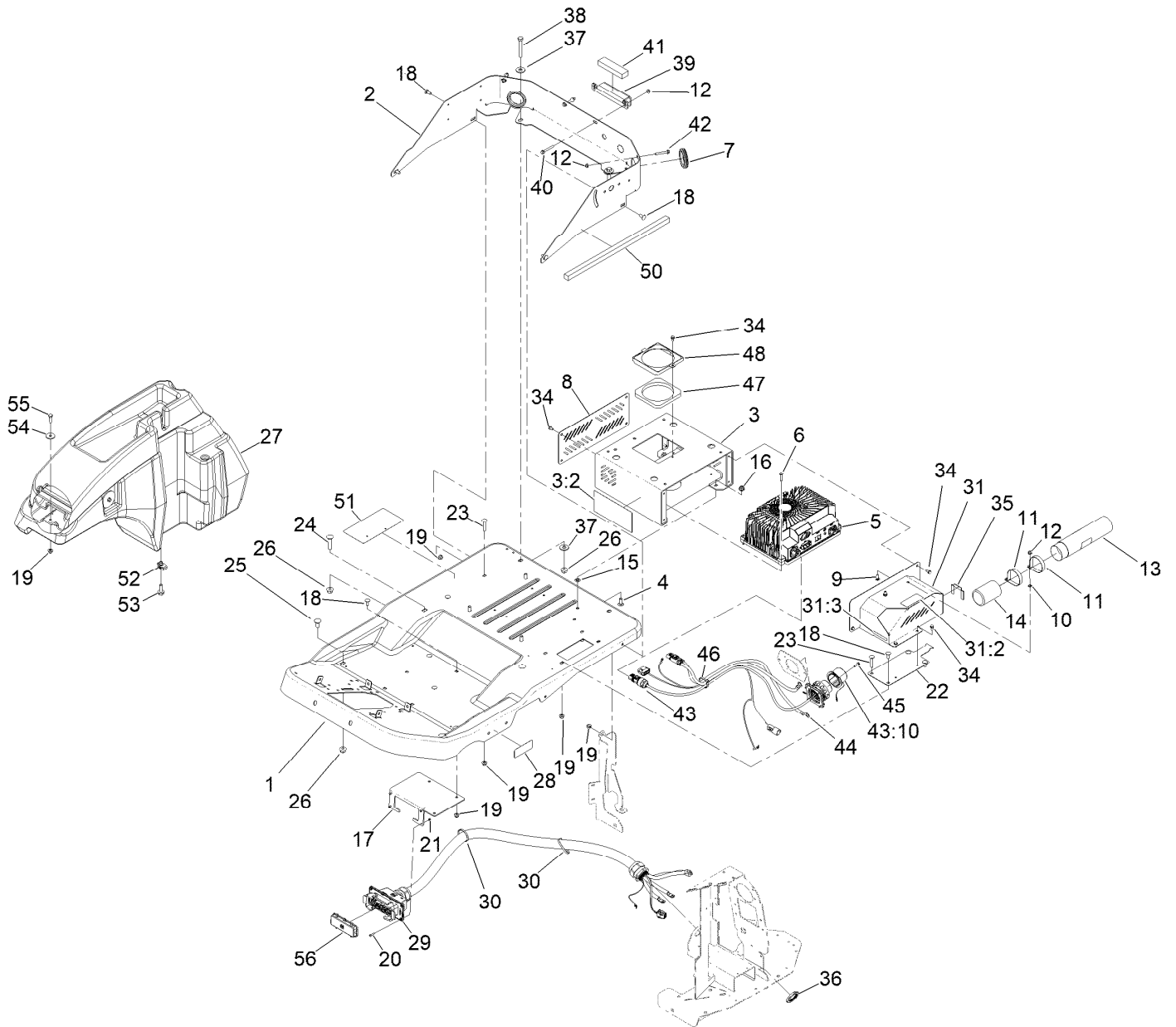
Pedal Assembly



Pedal Assembly (continued)

| <i>Ref.</i> | <i>Part Number</i> | <i>Qty.</i> | <i>Description</i> | <i>Ref.</i> | <i>Part Number</i> | <i>Qty.</i> | <i>Description</i> |
|-------------|--------------------|-------------|----------------------------|-------------|--------------------|-------------|--------------------|
| 1 | 145-1079 | 1 | Cover-Steering | 27 | 107675 | 4 | Washer |
| 2 | 105-1217 | 1 | Decal | 28 | 122-0917 | 1 | Sensor-Position |
| 3 | 99-6810 | 4 | Screw-HHF | 29 | 3296-2 | 2 | Nut-Lock, NI |
| 4 | 107069 | 4 | Clip | 30 | 121-2015 | 2 | Spacer |
| 5 | 147-5071 | 1 | Tread-Foot, Main | 31 | 120-4654 | 2 | Screw-HHF |
| 6 | 139-0885 | 1 | Tread-Foot, Front RH | 32 | 75-5470 | 4 | Spacer-Bearing |
| 7 | 139-0886 | 1 | Tread-Foot, Front LH | 33 | 145-1063 | 1 | Link-Connecting |
| 8 | 138-0288 | 1 | Bracket-Down, Tie | 34 | 251-259 | 2 | Bearing-Ball |
| 9 | 3234-41 | 2 | Screw-HHF | 35 | 104-7201 | 2 | Nut-HF, NI |
| 10 | 104-8301 | 2 | Nut-HF, NI | 36 | 115-1794 | 2 | Screw-HHF |
| 11 | 140-1460 | 1 | Decal-Traction Pedal | 37 | 32121-6 | 1 | Pin-Roll, Slotted |
| 17 | 139-0859 | 1 | Tread-Foot, Side | 38 | 137-2601 | 1 | Washer |
| 18 | 145-0958-01 | 1 | Bracket-Traction Pedal | 39 | 117-9507 | 1 | Pedal-Accelerator |
| 19 | 145-0959-03 | 1 | Shim | 40 | 32121-45 | 1 | Pin-Spring |
| 20 | 3230-10 | 4 | Bolt-CARR | 41 | 74-9100 | 1 | Pad-Pedal, Forward |
| 21 | 104-8300 | 10 | Nut-HF, NI | 42 | 74-9110 | 1 | Pad-Pedal, Reverse |
| 22 | 3274-59 | 2 | Screw-HSH | 43 | 3230-23 | 4 | Bolt-CARR |
| 23 | 139-1525 | 1 | Bushing-Flanged Nylon | 44 | 137-7944 | 1 | Spring-Extension |
| 24 | 256-236 | 1 | Bearing-Mount, Flange | 45 | 115-8240 | 1 | Screw-Elevator |
| 25 | 145-0957-03 | 1 | Hub-Traction Pedal [black] | 46 | 3218-2 | 2 | Nut-Hex Jam |
| 26 | 145-0953 | 1 | Traction Pedal | | | | |

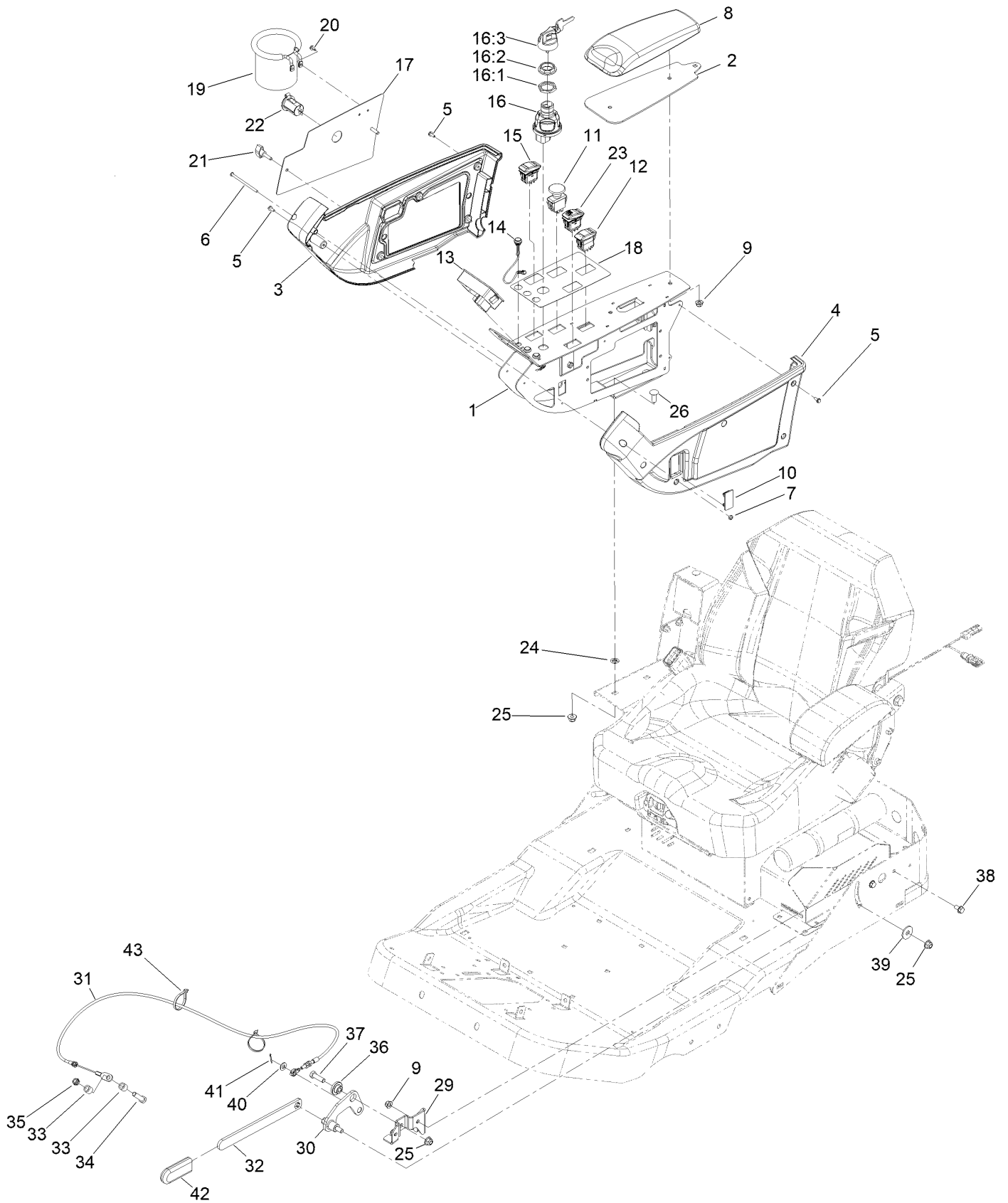
Platform Assembly



Platform Assembly (continued)

| <i>Ref.</i> | <i>Part Number</i> | <i>Qty.</i> | <i>Description</i> | <i>Ref.</i> | <i>Part Number</i> | <i>Qty.</i> | <i>Description</i> |
|-------------|--------------------|-------------|------------------------|-------------|--------------------|-------------|------------------------------------|
| 1 | 144-4030-01 | 1 | Platform-Stamped | 30 | 3290-379 | 2 | Tie-Cable |
| 2 | 161-7626-03 | 1 | Shield-Platform, Rear | 31 | 161-7642 | 1 | Cover ASM |
| 3 | 147-5144 | 1 | Seat Base ASM | 31:2 | 161-2468 | 1 | Decal-Release, Brake |
| 3:2 | 139-6215 | 1 | Decal-Warning | 31:3 | 133-8061 | 1 | Decal-Warning |
| 4 | 3231-22 | 4 | Screw-CARR | 34 | 32144-4 | 9 | Screw-HWH |
| 5 | 147-5148 | 1 | Charger-Onboard, 3.3Kw | 35 | 147-5147 | 3 | Trim |
| 6 | 132-6777 | 4 | Screw-Twh Thd Roll | 36 | 32180-563 | 1 | Nut - Locknut, M40X1.5 |
| 7 | 240-12 | 2 | Grommet-Rubber | 37 | 3256-40 | 4 | Washer-Flat |
| 8 | 147-5139-01 | 1 | Plate-Cover, RH | 38 | 324-12 | 2 | Screw-HH |
| 9 | 1-807512 | 2 | Bolt-CARR | 39 | 139-2166-0P | 1 | Bracket-Hood Support |
| 10 | 104-8310 | 2 | Ring-Retaining | 40 | 3234-34 | 2 | Screw-HHF |
| 11 | 107-1865 | 2 | R-Clamp | 41 | 139-6202 | 1 | Foam-Strip |
| 12 | 104-7201 | 6 | Nut-HF, NI | 42 | 125-4287 | 2 | Screw-HHF |
| 13 | 104-7050 | 1 | Tube-Manual | 43 | 122-3367 | 1 | Harness-Wire, AC Charger |
| 14 | 104-7048 | 1 | Cap-Housing | 43:10 | 32180-579 | 1 | Cover-Scame, Tethered, White |
| 15 | 107-3154 | 4 | Nut-Push | 44 | 122-3390 | 1 | Harness-Wire, DC Charger |
| 16 | 104-8301 | 4 | Nut-HF, NI | 45 | 100-4351 | 4 | Screw-HWH |
| 17 | 147-2073-0P | 1 | Brkt-Connector | 46 | 3290-378 | 1 | Tie-Cable |
| 18 | 3230-23 | 9 | Bolt-CARR | 47 | 161-2462 | 1 | Foam-Baffle |
| 19 | 104-8300 | 14 | Nut-HF, NI | 48 | 161-2460-0P | 1 | Baffle ASM, Welded |
| 20 | 119-7444 | 4 | Screw-HSBH | 50 | 139-6207 | 1 | Foam-Strip |
| 21 | 140-3749 | 4 | Nut-Lock Rohs | 51 | 161-2469 | 1 | Decal-Service, Gm E3200 |
| 22 | 147-2096-01 | 1 | Plate-Cover | 52 | 140-1146 | 1 | Nut-Clip, U |
| 23 | 116-0629 | 4 | Screw-CARR | 53 | 33105-030 | 1 | Screw-HHF |
| 24 | 3232-5 | 2 | Screw-CARR | 54 | 105-3048 | 1 | Washer-Flat |
| 25 | 3232-1 | 2 | Screw-CARR | 55 | 322-5 | 1 | Screw-HH |
| 26 | 114-8417 | 6 | Nut-HF, NI | 56 | 32180-608 | 1 | Cover-Harting, Han 24B, Plastic |
| 27 | 147-2093 | 1 | Storage Bin ASM | | | | |
| 28 | 106-9206 | 2 | Decal-Torque, Wheel | | | | |
| 29 | 122-2784 | 1 | Harness-Wire, Machine | | | | |

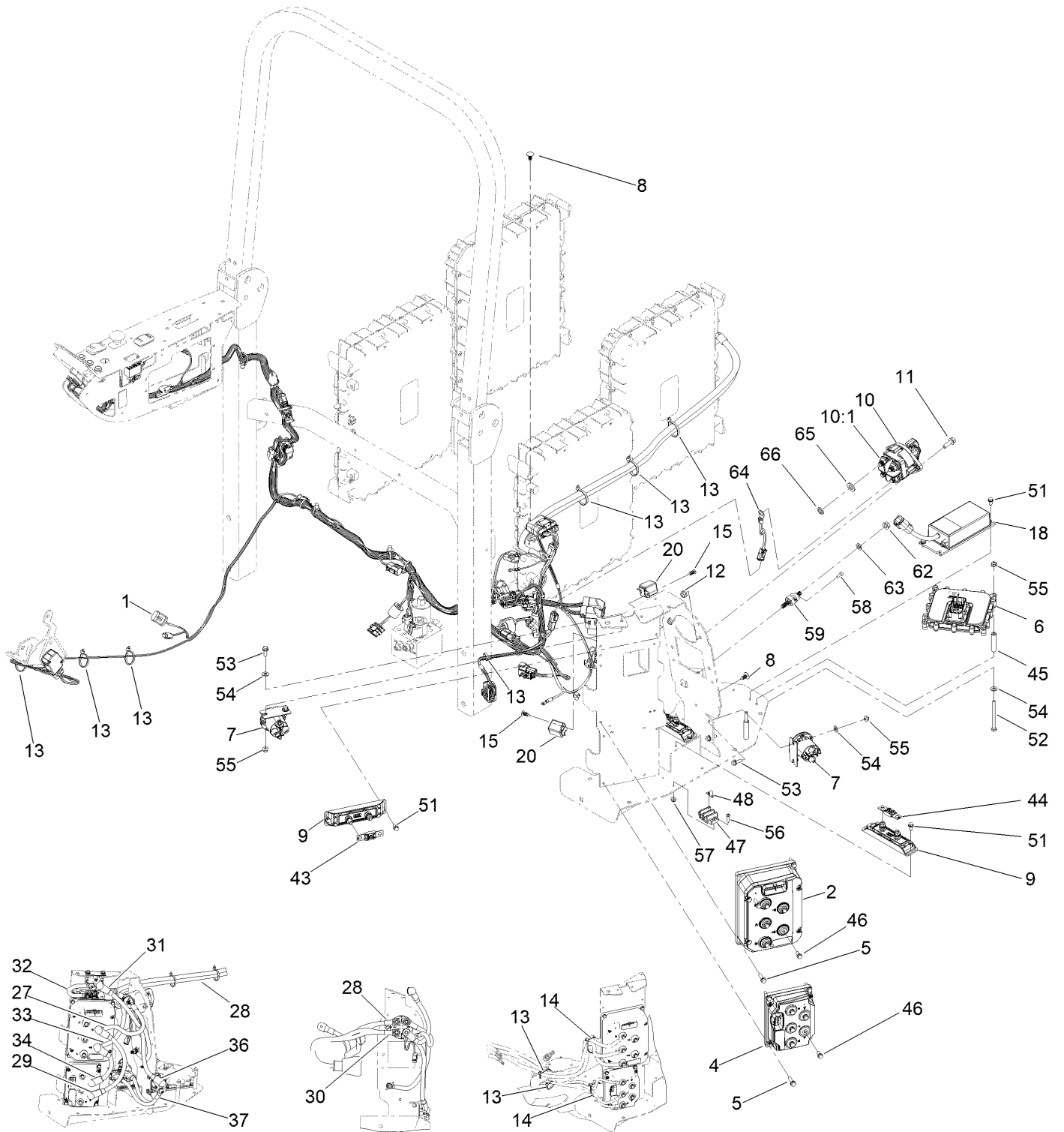
Control Console Assembly



Control Console Assembly (continued)

| <i>Ref.</i> | <i>Part Number</i> | <i>Qty.</i> | <i>Description</i> | <i>Ref.</i> | <i>Part Number</i> | <i>Qty.</i> | <i>Description</i> |
|-------------|--------------------|-------------|---------------------------------|-------------|--------------------|-------------|------------------------------|
| 1 | 145-1040-03 | 1 | Panel ASM, Welded | 20 | 104-2065 | 2 | Screw-HWH |
| 2 | 138-4548-03 | 1 | Plate-Spacer, Console Pad | 21 | 126-5846 | 2 | Knob-T |
| 3 | 108-7605 | 1 | Cover-RH | 22 | 140-7955 | 1 | Port-Power, USB |
| 4 | 108-7604 | 1 | Cover-LH | 23 | 122-3518 | 1 | Switch-Rocker, On-None-On |
| 5 | 32144-112 | 10 | Screw-HWH | 24 | 107-3154 | 2 | Nut-Push |
| 6 | 3250-22 | 1 | Screw-PPH | 25 | 104-8301 | 4 | Nut-HF, NI |
| 7 | 3296-12 | 1 | Nut-Lock, NI | 26 | 3231-22 | 2 | Screw-CARR |
| 8 | 131-9637 | 1 | Armrest-Quick Find | 29 | 161-7620-03 | 1 | Bracket-Cable, Release |
| 9 | 104-8300 | 4 | Nut-HF, NI | 30 | 161-7621-03 | 1 | Lever ASM, Release |
| 10 | 99-7420 | 1 | Plug-Hole | 31 | 161-2467 | 1 | Cable-Release, Brake |
| 11 | 93-9999 | 1 | Switch-PTO | 32 | 161-7627-0P | 1 | Lever-Extension, Release |
| 12 | 122-0304 | 1 | Switch-Rocker, (On)-Off-(On) | 33 | 93-9847 | 2 | Spacer |
| 13 | 122-1201 | 1 | Module-Display | 34 | 323-8 | 1 | Screw-HH |
| 14 | 136-9678 | 3 | Switch-Pushbutton | 35 | 121-4600 | 1 | Nut-Hex |
| 15 | 122-2854 | 1 | Switch-Rocker, On-On-(On) | 36 | 126-5989 | 1 | Pivot-Flange |
| 16 | 122-2513 | 1 | Switch-Ignition, Suns | 37 | 323-7 | 1 | Screw-HH |
| 16:1 | 121-5160 | 1 | Nut-Hex | 38 | 3234-7 | 2 | Screw-HHF |
| 16:2 | 122-2704 | 1 | Nut-Face, M22 (Plastic) | 39 | 93-8806 | 1 | Washer-Hardened |
| 16:3 | 121-5162 | 1 | Set-Key, Ignition | 40 | 107-0279 | 1 | Washer |
| 17 | 147-2144-03 | 1 | Cover ASM, Welded | 41 | 3272-4 | 1 | Pin-Cotter |
| 18 | 147-2074 | 1 | Decal-Console | 42 | 119-1846 | 1 | Grip |
| 19 | 117-2378 | 1 | Holder-Bag | 43 | 3290-378 | 2 | Tie-Cable |

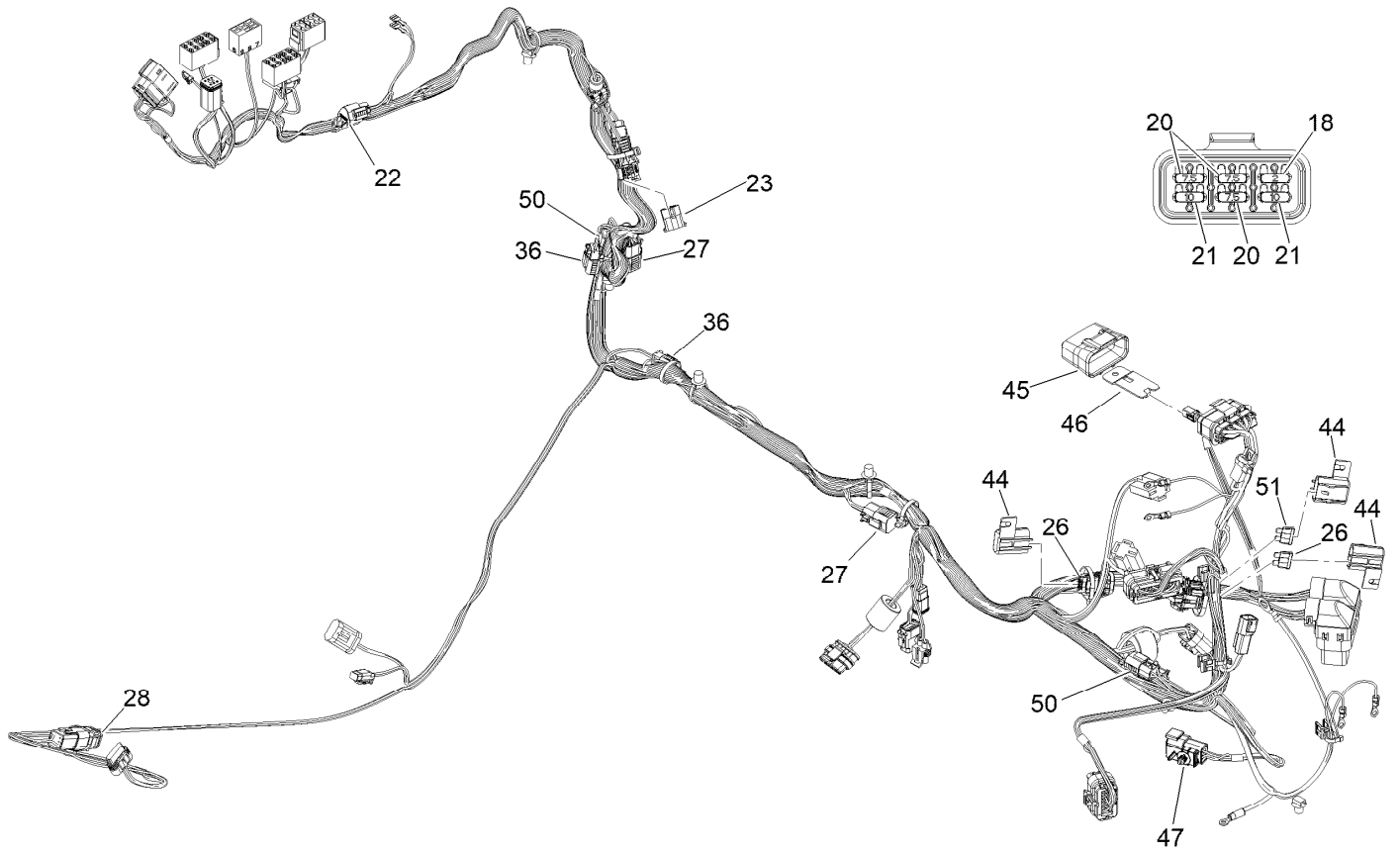
Electrical Assembly



Electrical Assembly (continued)

| <i>Ref.</i> | <i>Part Number</i> | <i>Qty.</i> | <i>Description</i> | <i>Ref.</i> | <i>Part Number</i> | <i>Qty.</i> | <i>Description</i> |
|-------------|--------------------|-------------|-----------------------------|-------------|--------------------|-------------|-------------------------------------|
| 1 | 122-2328 | 1 | Harness-Wire, Main | 36 | 122-2697 | 1 | Cable-Battery, Rd ASM |
| 2 | 147-5068 | 1 | Inv/Ctrlr-48V | 37 | 122-2699 | 1 | Cable-Battery, Rd ASM |
| 4 | 145-7270 | 1 | Inv/Ctrlr-48V | 43 | 122-2561 | 1 | Fuse-200A |
| 5 | 32144-86 | 8 | Screw-HWHTF | 44 | 122-2559 | 2 | Fuse-100 Amp |
| 6 | 122-2498 | 1 | Controller | 45 | 145-1145 | 4 | Spacer |
| 7 | 145-3542 | 2 | Contacto-DC, 12V | 46 | 145-5782 | 10 | Screw-Sems |
| 8 | 117-2382 | 2 | Plug-Plastic | 47 | 42862 | 1 | Block-Terminal, Ground |
| 9 | 145-4958 | 3 | Holder-Fuse | 48 | 42863 | 1 | Strip-Jumper |
| 10 | 122-0603 | 1 | Switch-Disconnect | 51 | 32144-4 | 9 | Screw-HWH |
| 10:1 | 33006-00 | 1 | Nut-HF | 52 | 321-20 | 4 | Screw-HH |
| 11 | 3234-29 | 2 | Screw-HHF | 53 | 120-9678 | 4 | Screw-HHF |
| 12 | 104-8300 | 2 | Nut-HF, NI | 54 | 3256-22 | 8 | Washer-Flat |
| 13 | 3290-378 | 9 | Tie-Cable | 55 | 119-4040 | 8 | Nut-HF, NI |
| 14 | 3290-379 | 2 | Tie-Cable | 56 | 104-2408 | 2 | Screw-HSBH |
| 15 | 120-6737 | 2 | Plug-Plastic | 57 | 138-0719 | 2 | Nut-HF |
| 18 | 144-6975 | 1 | Converter DC-DC | 58 | 105-6849 | 2 | Screw-Forming, Thread |
| 20 | 122-2400 | 2 | Relay, 12V Coil, 50A At 48V | 59 | 122-2411 | 1 | Block-Junction, Black |
| 27 | 122-2903 | 1 | Cable-Battery, Bk ASM | 62 | 3290-357 | 2 | Nut-HSF |
| 28 | 122-2904 | 1 | Cable-Battery, Bk ASM | 63 | 3253-21 | 2 | Washer-Lock |
| 29 | 122-2690 | 1 | Cable-Battery, Bk ASM | 64 | 122-3326 | 1 | Harness-Wire, Battery Disconnect |
| 30 | 122-2956 | 1 | Cable-Battery, Rd ASM | 65 | 147-3238 | 4 | Washer-Flat |
| 31 | 122-2692 | 1 | Cable-Battery, Rd ASM | 66 | HDW14457 | 4 | Split Lock Washer,1/2,ST/ST,18-8 |
| 32 | 122-2693 | 1 | Cable-Battery, Rd ASM | | | | |
| 33 | 122-2694 | 1 | Cable-Battery, Rd ASM | | | | |
| 34 | 122-2695 | 1 | Cable-Battery, Rd ASM | | | | |

Main Wire Harness Assembly No. 122-2328



Main Wire Harness Assembly No. 122-2328 (continued)

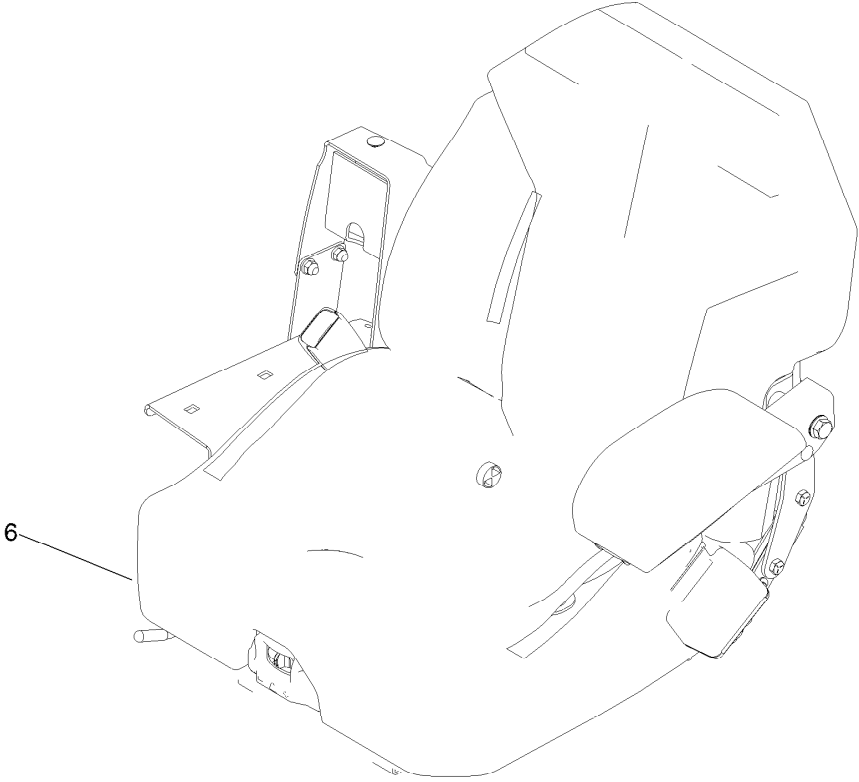
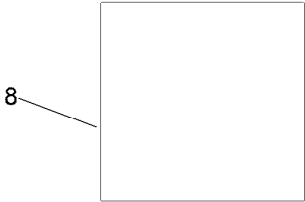
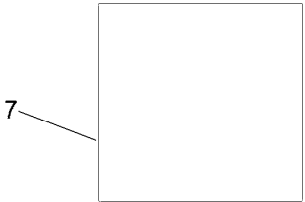
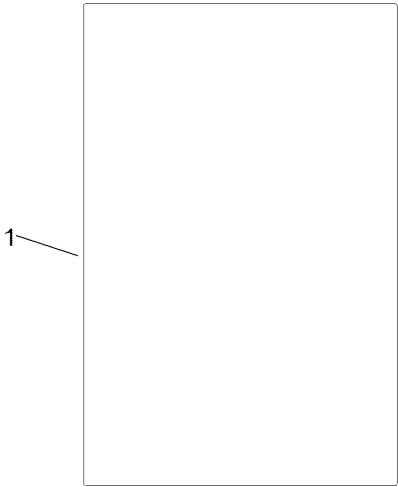
| <i>Ref.</i> | <i>Part Number</i> | <i>Qty.</i> | <i>Description</i> | <i>Ref.</i> | <i>Part Number</i> | <i>Qty.</i> | <i>Description</i> |
|-------------|--------------------|-------------|--------------------------|-------------|--------------------|-------------|--------------------------|
| 18 | 121-8861 | 1 | Fuse-Mini Blade, 2 Amp | 36 | 32180-091 | 2 | Cap-Dust, 2 Way |
| 20 | 121-8865 | 3 | Fuse-Mini Blade, 7.5 Amp | 44 | 32180-567 | 3 | Cover-Aptiv, Modified |
| 21 | 121-8866 | 2 | Fuse-Mini Blade, 10 Amp | 45 | 32180-176 | 1 | Cover-Block, Fuse |
| 22 | 32180-089 | 1 | Cap-Plug, 3 Way | 46 | 32180-177 | 1 | Clip-Mounting |
| 23 | 32180-056 | 1 | Cap | 47 | 32180-103 | 1 | Clip-Connector |
| 26 | 117-4724 | 2 | Fuse-Blade, 10A | 50 | 32180-260 | 1 | Cap-Deutsch, Dust, 4 Way |
| 27 | 32180-156 | 2 | Cap-Plug, 6 Way | 51 | 117-4723 | 1 | Fuse-Blade, 7.5A |
| 28 | 122-1131 | 1 | Capacitor-Sealed | | | | |

Hood Assembly (continued)

| <i>Ref.</i> | <i>Part Number</i> | <i>Qty.</i> | <i>Description</i> | <i>Ref.</i> | <i>Part Number</i> | <i>Qty.</i> | <i>Description</i> |
|-------------|--------------------|-------------|-------------------------|-------------|--------------------|-------------|---------------------|
| 1 | 147-5081SP | 1 | Hood ASM W/Decals | 14 | 3231-22 | 4 | Screw-CARR |
| 1:1 | | 1 | Hood ASM W/Decals ● | 15 | 107-3154 | 4 | Nut-Push |
| 1:1:1 | | 1 | Hood ASM ● | 16 | 104-8301 | 4 | Nut-HF, NI |
| 1:1:1:2 | 62-7400 | 2 | Decal-Toro Logo | 23 | 147-2060 | 1 | Cover, LH |
| 1:1:2 | 161-2443 | 1 | Decal-Charging | 24 | 138-9753 | 4 | Screw |
| 1:1:3 | 144-7008 | 1 | Decal-Service, Shut-Off | 25 | 140-1146 | 4 | Nut-Clip, U |
| 2 | 138-7331-03 | 1 | Support-Hood | 26 | 109-2365 | 1 | Bumper-Rubber |
| 3 | 161-0814-03 | 1 | Cover-Hood | 27 | 104-7201 | 1 | Nut-HF, NI |
| 4 | 117-2382 | 24 | Plug-Plastic | 28 | 33105-030 | 4 | Screw-HHF |
| 5 | 283-68 | 2 | Pin-Clevis | 29 | 147-5114 | 2 | Shield-Strap, Hood |
| 6 | 3290-467 | 2 | Pin-Hair | 30 | 32128-56 | 2 | Nut-HF |
| 7 | 114439 | 10 | Rivet-Blind | 31 | 161-0811-03 | 1 | Plate-Cover |
| 8 | 147-5113 | 2 | Hub-Strap, Hood | 32 | 32144-4 | 4 | Screw-HWH |
| 9 | 3256-78 | 2 | Washer-Flat | 33 | 161-2433-03 | 1 | Shield-Hood, LH |
| 10 | 137-3014 | 2 | Screw-HH Lock | 34 | 161-2434-03 | 1 | Shield-Hood, RH |
| 11 | 147-5111-03 | 1 | Bracket-Hood, LH | 35 | 147-2105 | 2 | Decal-Hood, E3200 |
| 12 | 147-5112-03 | 1 | Bracket-Hood, RH | 36 | 119-7580 | 2 | Decal-Smart, Energy |
| 13 | 131-8402 | 2 | Strap-Down, Hold | 37 | 99-4693 | 1 | Decal |

● Not serviced separately

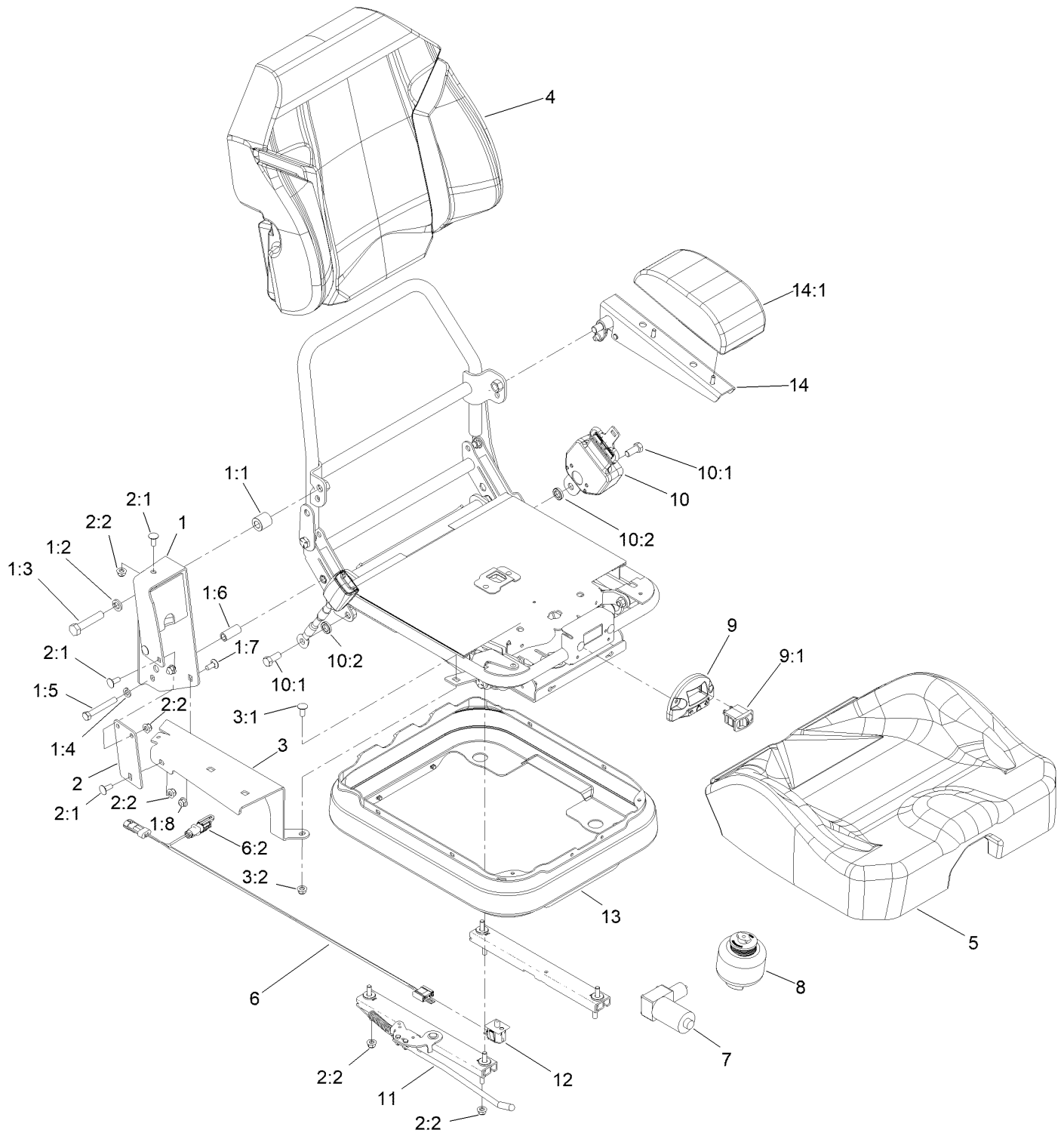
Miscellaneous Parts Assembly



Miscellaneous Parts Assembly (continued)

| <i>Ref.</i> | <i>Part Number</i> | <i>Qty.</i> | <i>Description</i> | <i>Ref.</i> | <i>Part Number</i> | <i>Qty.</i> | <i>Description</i> |
|-------------|--------------------|-------------|--------------------|-------------|--------------------|-------------|---------------------|
| 1 | 144-3952 | 1 | Decal-Slope | 7 | 161-7660 | 1 | Decal-Sound, 97 Db |
| 6 | 161-0807 | 1 | Seat ASM-Air Ride | 8 | 161-7661 | 1 | Decal-Sound, 102 Db |

Air Ride Suspension Seat Assembly No. 161-0807



Air Ride Suspension Seat Assembly No. 161-0807 (continued)

| <i>Ref.</i> | <i>Part Number</i> | <i>Qty.</i> | <i>Description</i> | <i>Ref.</i> | <i>Part Number</i> | <i>Qty.</i> | <i>Description</i> |
|-------------|--------------------|-------------|-------------------------|-------------|--------------------|-------------|--------------------------|
| 1 | 140-7112 | 1 | Upper Console Mount Kit | 5 | 125-3111 | 1 | Cover-Cushion |
| 1:1 | 140-7113 | 1 | Spacer | 6 | 122-2735 | 1 | Harness-Wire, Seat |
| 1:2 | 3253-7 | 1 | Washer-Lock | 6:2 | 32180-091 | 1 | Cap-Dust, 2 Way |
| 1:3 | 325-10 | 1 | Screw-HH | 7 | 140-7120 | 1 | Air Compressor Kit |
| 1:4 | 3253-21 | 1 | Washer-Lock | 8 | 140-7121 | 1 | Air Bag Kit |
| 1:5 | 323-13 | 1 | Screw-HH | 9 | 140-7122 | 1 | Air Valve Kit |
| 1:6 | 140-7114 | 1 | Spacer | 9:1 | 126-2747 | 1 | Valve-Air Adjust |
| 1:7 | 3230-23 | 2 | Bolt-CARR | 10 | 140-7116 | 1 | Seat Belt Kit |
| 1:8 | 104-8300 | 2 | Nut-HF, NI | 10:1 | 3212-4 | 2 | Screw-HH |
| 2 | 140-7103 | 1 | Bracket Kit | 10:2 | 140-7108 | 2 | Spacer |
| 2:1 | 3230-23 | 4 | Bolt-CARR | 11 | 144-0458 | 1 | Track Kit |
| 2:2 | 104-8300 | 8 | Nut-HF, NI | 12 | 145-3520 | 1 | Switch-Plunger, On-(On) |
| 3 | 140-7115 | 1 | Lower Console Mount Kit | 13 | 126-8559 | 1 | Bellows-Seat |
| 3:1 | 3230-23 | 1 | Bolt-CARR | 14 | 140-7110 | 1 | Armrest-Deluxe, With Pad |
| 3:2 | 104-8300 | 1 | Nut-HF, NI | 14:1 | 140-7111 | 1 | Pad-Armrest |
| 4 | 125-3112 | 1 | Cover-Back | 99 | 140-7119 | 1 | Harness-Air Ride ● |

● Not illustrated

Attachments and Accessories

For 31800 Groundsmaster e3200 2-Wheel Drive Traction Unit

| Product Name | Model/Part |
|--|------------|
| Premium Transmission/Hydraulic Tractor Fluid (5 Gallon Pail) | 108-1184 |
| Paint-Black Bottle | 112-0176 |
| Paint-Red Pen | 112-0177 |
| Paint-Red Bottle | 112-0178 |
| 42-Pound Weight | 114-4096 |
| Seat Cover (W/arm rest) | 117-0095 |
| Premium Synthetic Bio-Degradable Hydraulic Fluid (5 Gallon Pail) | 119-2157 |
| Premium Synthetic Bio-Degradable Hydraulic Fluid (55 Gallon Drum) | 119-2158 |
| Cable-Assembly, Charger | 122-3489 |
| Cable-Assembly, Charger | 122-3490 |
| Cable-Assembly, Charger | 122-3491 |
| PX Hydraulic Fluid (5 Gal) | 133-8086 |
| PX Hydraulic Fluid (55 Gal) | 133-8087 |
| Wrench-Caster Cap/Latch | 138-6367 |
| SMV Kit | 139-2339 |
| Work Lights Kit, Groundsmaster and Reelmaster Traction Units with Universal Sunshade | 140-1554 |
| Universal Wireless Hourmeter Kit | 144-2436 |
| Blade-20.50 Low Flow | 145-1114 |
| Blade-20.50 Med Flow | 145-1115 |
| Blade-20.50 Recycler | 145-1116 |
| Battery ASM | 145-5320 |
| Blade-20.50 Atomic | 147-2082 |
| Energy Expansion Kit, Groundsmaster e3200 Traction Unit | 161-0859 |
| White Universal Sunshade | 30669 |
| Red Universal Sunshade | 30671 |
| 60in Sd Deck, GM E3200 | 31890 |
| 60in Rd Deck, GM E3200 | 31891 |
| Seat Asm - Standard | 32301 |
| Seat Asm - Mech Susp | 32302 |
| Air Ride Suspension Seat Kit, Groudsmaster e3200, 3200, 3300, e3300 Series Traction Unit | 32303 |
| Recycler Kit (60in/152cm Rd), E3200 | 32306 |
| Led Work-light Kit, E3200 (rops) | 32307 |
| Road Light Kit, E3200 (eu) | 32308 |
| North American Road Light Kit, Groundsmaster e3200 Series Traction Unit | 32309 |
| Back-up Alarm, E3200 | 32310 |
| Beacon Kit | 32313 |
| Switch Panel, Groundsmaster e3200 2-Wheel Drive Traction Unit with Universal Sunshade | 32314 |
| Energy Expansion Mounting Kit, Groundsmaster e3200 Traction Unit | 32317 |
| Recycler Kit, Groundsmaster e3200 Traction Unit with 60in Side Discharge Rotary Mower | 32319 |
| Toro Red 12oz Aerosol Can | 361-10 |
| Semi-Gloss Black Spray Paint | 361-9 |
| Filter-Oil, Transmission | 86-3010 |

Notes:

Notes:

Notes:



Count on it.