



Count on it.

Parts Catalog

Titan® ZX5400

Riding Mower

Model No. 75305—Serial No. 411456238 and Up



Ordering Replacement Parts

To order replacement parts, please supply the part number, the quantity, and the description of each part desired.

Understanding Reference Numbers

Each identified part in an illustration has a reference number. The reference number for a part also appears in the parts list, along with other information about the part.

This catalog uses two special reference number formats, one to indicate parts in a service assembly and another to indicate the quantity of a given part in an illustration.

Service Assembly Reference Numbers

Parts in service assemblies have reference numbers in the form a:b. The a represents the reference number of the entire service assembly and the b represents a sequential number unique to each part within the service assembly.

For example, a wheel assembly might be identified by reference number 6, the tire by 6:1, the valve by 6:2, and the wheel by 6:3. When you order the assembly identified by reference number 6, you receive all parts identified by reference numbers 6:1, 6:2, and 6:3. However, you may also order any part individually. Reference numbers of this type appear in illustration and in parts lists.

Reference Numbers Indicating Quantity

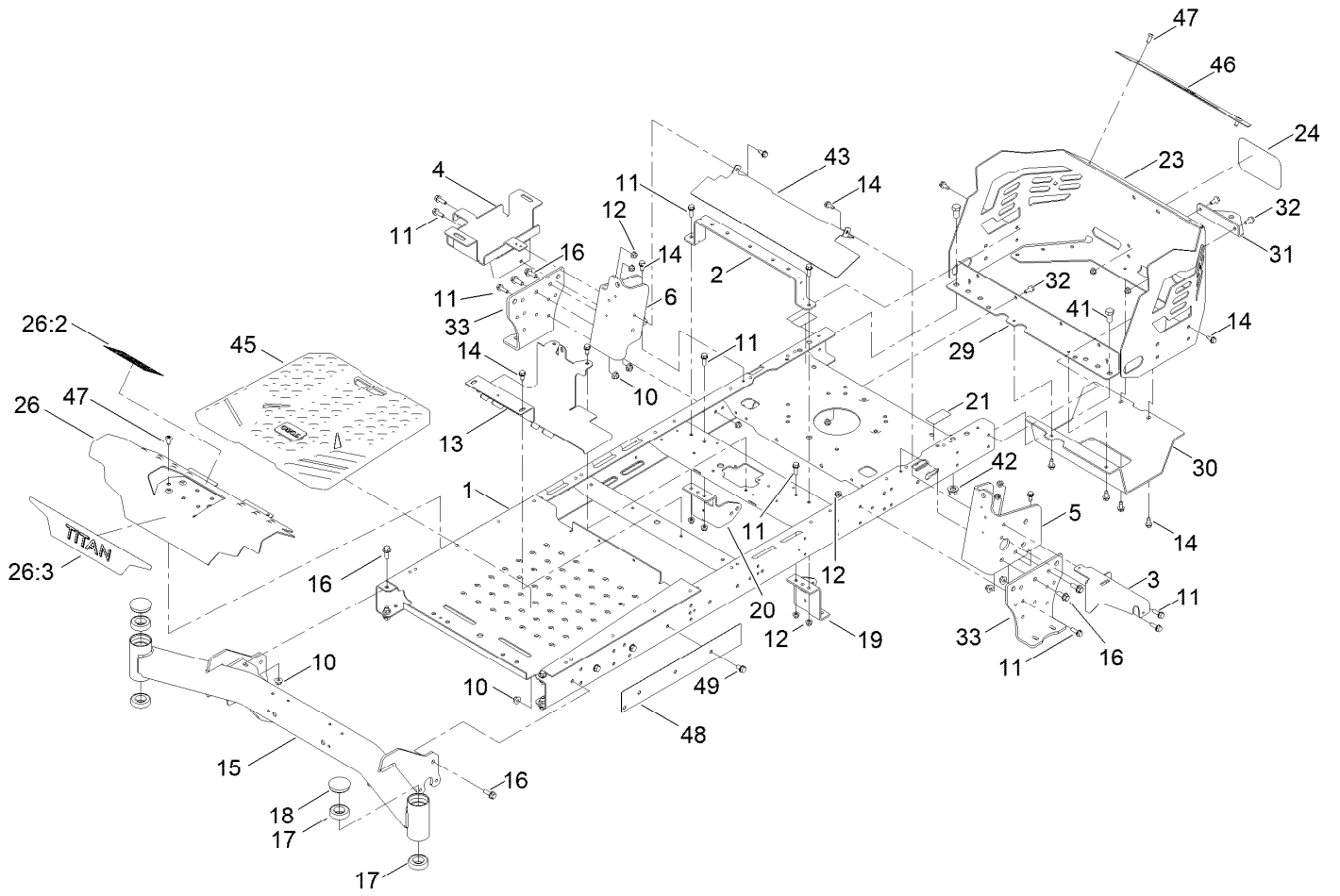
In an illustration, if a reference number indicates more than one part, the reference number has the form nX y. The n represents the quantity of the part, the X is the multiplication symbol, and the y represents the reference number.

For example, in an illustration, the reference number 2X 37 means that two of the parts identified by reference number 37 are indicated.

Contents

| | |
|---|----|
| Frame Assembly | 4 |
| Deck Lift Assembly | 6 |
| Fork and Caster Wheel Assembly | 8 |
| Traction Drive Assembly | 10 |
| RH Hydro Transmission Assembly No. 140-8310 | 12 |
| LH Hydro Transmission Assembly No. 140-8311 | 14 |
| Brake Assembly | 16 |
| Tire Assembly | 18 |
| Seat Pan Assembly | 20 |
| Seat Assembly No. 140-2714 | 22 |
| Motion Control Assembly | 24 |
| Engine and Muffler Assembly | 26 |
| Body Styling and Fuel Pod Assembly | 28 |
| Fuel Tank Assembly No. 144-5303 | 30 |
| Electrical Assembly | 32 |
| 54 Inch Deck Assembly | 34 |
| Frame Decal Assembly | 36 |
| Maintenance and HOC Decal Assembly | 38 |
| Clutch Assembly | 40 |
| Attachments and Accessories | 42 |

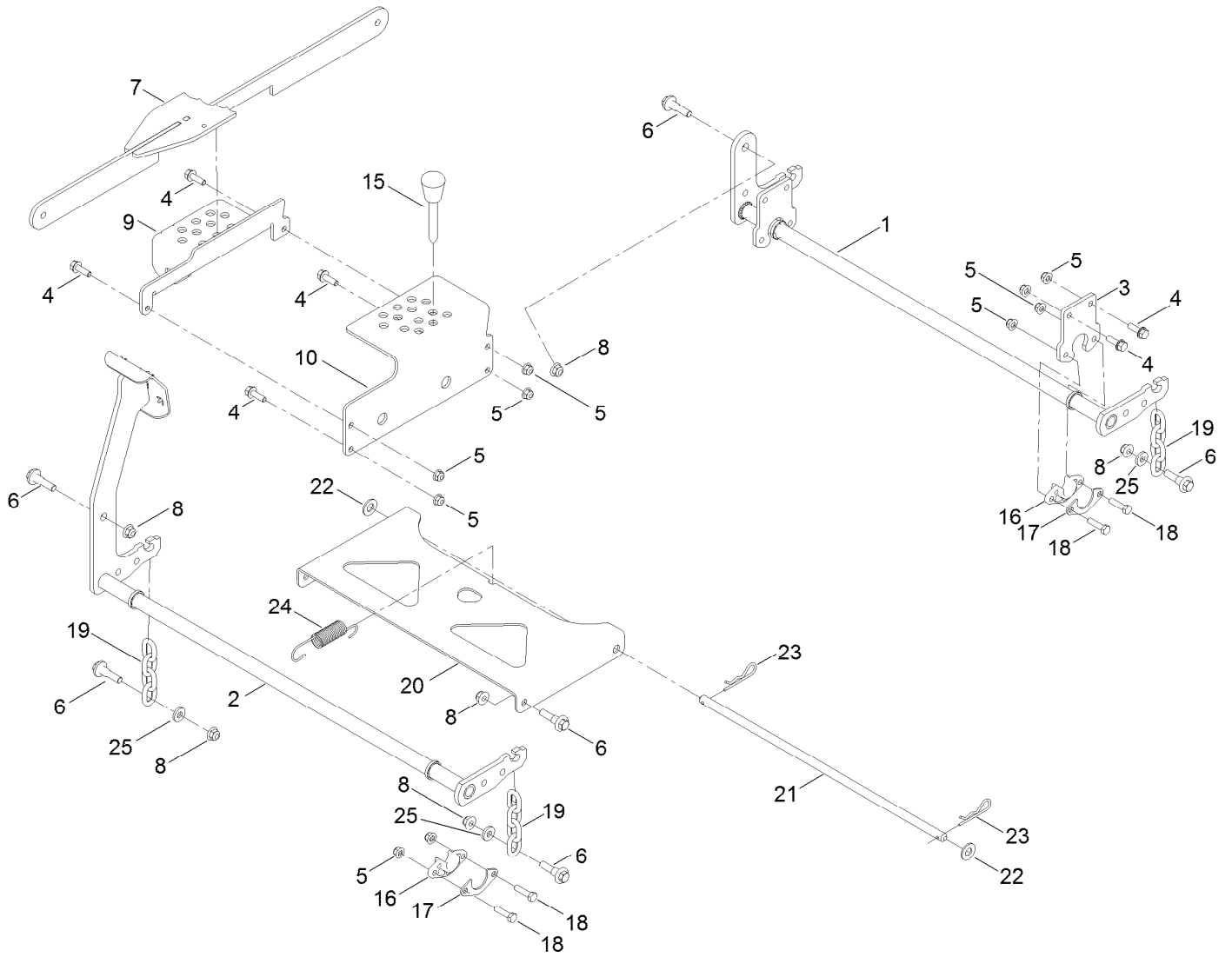
Frame Assembly



Frame Assembly (continued)

| <i>Ref.</i> | <i>Part Number</i> | <i>Qty.</i> | <i>Description</i> | <i>Ref.</i> | <i>Part Number</i> | <i>Qty.</i> | <i>Description</i> |
|-------------|--------------------|-------------|----------------------------|-------------|--------------------|-------------|------------------------|
| 1 | 133-1191-01 | 1 | Frame ASM | 23 | 140-1031-03 | 1 | Guard-Engine |
| 2 | 135-0687-03 | 1 | Brace-Seat, Rear (Wide) | 24 | 99-4693 | 1 | Decal |
| 3 | 133-7051-03 | 1 | Bracket-Support, Pod (LH) | 26 | 140-3485 | 1 | Footrest-Titan |
| 4 | 139-3570 | 1 | Tray-Battery | 26:2 | 140-3451 | 1 | Decal-Danger |
| 5 | 137-5068-01 | 1 | Bracket-Mounting, LH | 26:3 | 139-7469 | 1 | Decal-Titan |
| 6 | 137-5069-01 | 1 | Bracket-Mounting, RH | 29 | 137-7016-01 | 1 | Crossmember-Rear, Wide |
| 10 | 104-8301 | 10 | Nut-HF, NI | 30 | 133-4429-03 | 1 | Guard-Muffler |
| 11 | 3234-29 | 16 | Screw-HHF | 31 | 117-1232-03 | 1 | Bracket-Hitch |
| 12 | 104-8300 | 22 | Nut-HF, NI | 32 | 3234-47 | 6 | Screw-HHF |
| 13 | 133-4485-03 | 1 | Bracket-Mount | 33 | 133-1201-03 | 2 | Mount-Hydro |
| 14 | 32144-70 | 22 | Screw-HWHTF | 41 | 325-4 | 2 | Screw-HH |
| 15 | 139-5839-01 | 1 | Front Axle ASM | 42 | 99-5107 | 2 | Nut-Lock |
| 16 | 3234-42 | 10 | Screw-HHF | 43 | 136-9183-03 | 1 | Shield |
| 17 | 109-3678 | 4 | Bearing-Ball | 45 | 139-7487 | 1 | Floor Mat |
| 18 | 138-7200 | 2 | Cap-Grease | 46 | 140-1032-01 | 1 | Trim-Guard, Engine |
| 19 | 139-3211-01 | 1 | Mount-Hydro, Front (Left) | 47 | 138-9753 | 4 | Screw |
| 20 | 137-7020-01 | 1 | Mount-Hydro, Front (Right) | 48 | 140-0366-01 | 1 | Plate-Frame |
| 21 | 121-2989 | 2 | Decal-Bypass | 49 | 32144-69 | 3 | Screw-HWHTF |

Deck Lift Assembly



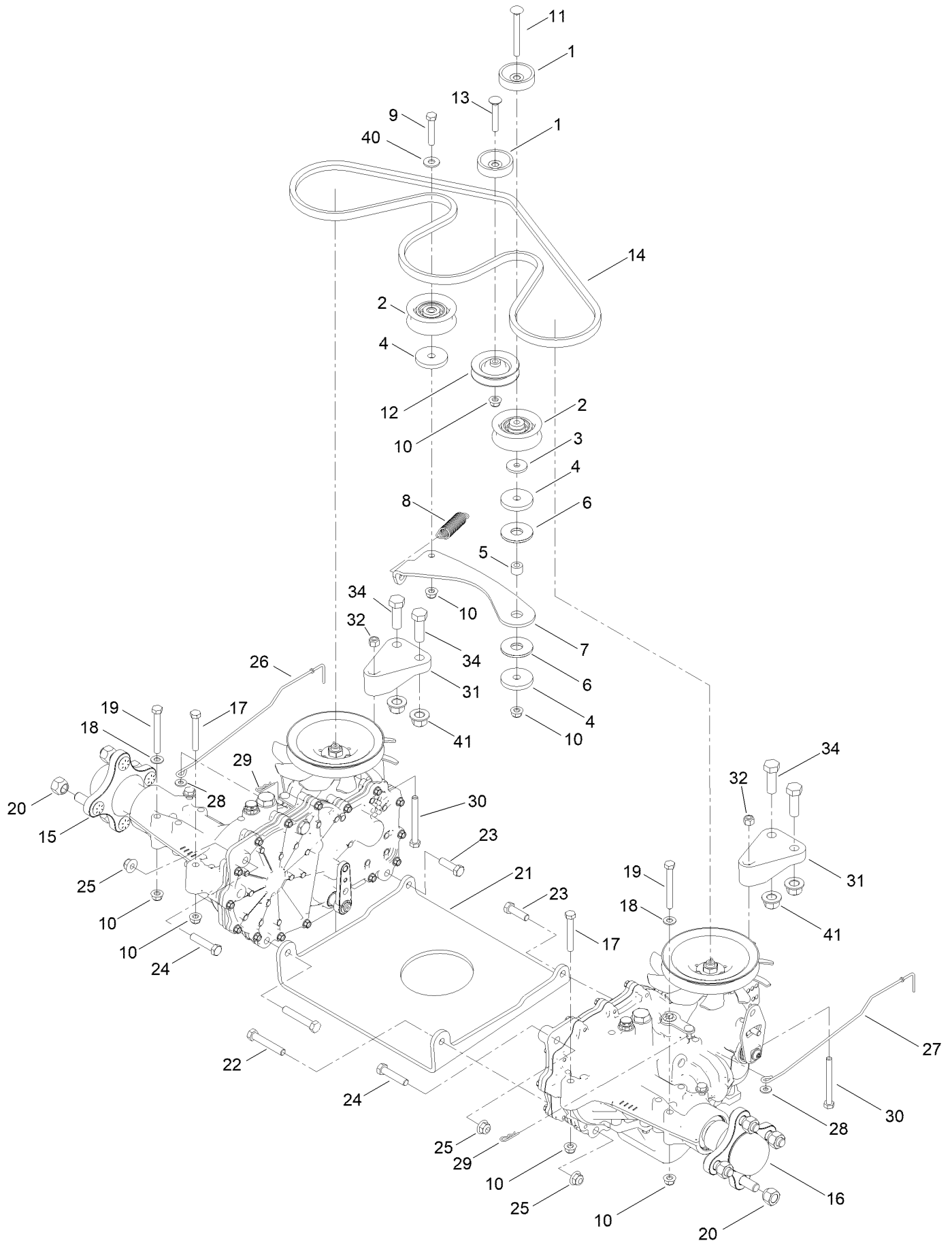
Deck Lift Assembly (continued)

| <i>Ref.</i> | <i>Part Number</i> | <i>Qty.</i> | <i>Description</i> | <i>Ref.</i> | <i>Part Number</i> | <i>Qty.</i> | <i>Description</i> |
|-------------|--------------------|-------------|--------------------|-------------|--------------------|-------------|------------------------|
| 1 | 137-2020-03 | 1 | Pivot-Rear | 16 | 139-5872 | 4 | Bearing-Flange |
| 2 | 133-4430-03 | 1 | Pivot-Front | 17 | 138-7204 | 4 | Gusset-Deck Lift |
| 3 | 137-2021-03 | 2 | Plate | 18 | 322-6 | 8 | Screw-HH |
| 4 | 3234-29 | 8 | Screw-HHF | 19 | 138-7205 | 4 | Chain-Decklift, 4-Link |
| 5 | 104-8300 | 16 | Nut-HF, NI | 20 | 133-4311-01 | 1 | Pan-Pivot, Deck |
| 6 | 130-0742 | 8 | Bolt-Shoulder | 21 | 133-7071 | 1 | Rod-Pivot, Deck |
| 7 | 139-3553-03 | 1 | Lift Link ASM | 22 | 3256-26 | 2 | Washer-Flat |
| 8 | 104-8301 | 8 | Nut-HF, NI | 23 | 1-806005 | 2 | Pin-Cotter |
| 9 | 139-3557-03 | 1 | Plate-HOC, Lower | 24 | 138-7206 | 1 | Spring-Extension |
| 10 | 139-3556-03 | 1 | Plate-HOC, Upper | 25 | 138-7207 | 4 | Spacer-Hub, Blower |
| 15 | 140-2146 | 1 | HOC Pin ASM | | | | |

Fork and Caster Wheel Assembly (continued)

| <i>Ref.</i> | <i>Part Number</i> | <i>Qty.</i> | <i>Description</i> | <i>Ref.</i> | <i>Part Number</i> | <i>Qty.</i> | <i>Description</i> |
|-------------|--------------------|-------------|--------------------|-------------|--------------------|-------------|--------------------|
| 1 | 139-7537-01 | 2 | Fork-Caster | 4 | 126-5389 | 2 | Screw-HHF |
| 2 | 139-7532 | 2 | Tire And Wheel ASM | 5 | 99-5107 | 2 | Nut-Lock |
| 2:2 | 126-5959 | 1 | Tire | 6 | 138-7208 | 4 | Guard-Seal |
| 2:3 | 232-27 | 1 | Stem-Valve | 7 | 3256-68 | 2 | Washer-Flat |
| 2:4 | 136-4190 | 2 | Bearing | 8 | 3234-47 | 2 | Screw-HHF |
| 3 | 133-4487 | 2 | Spanner-Wheel | 9 | 136-5590 | 4 | Washer |

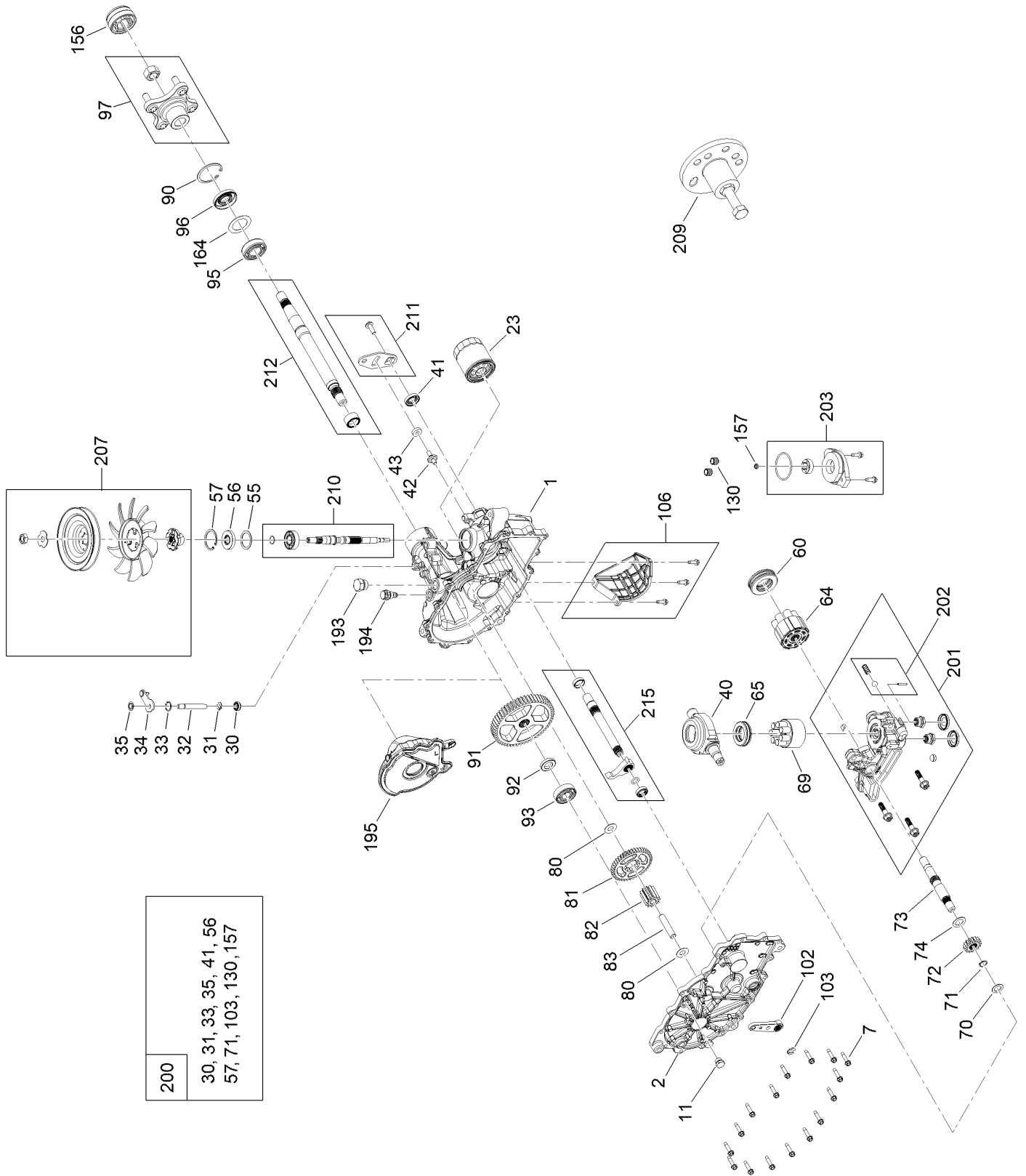
Traction Drive Assembly



Traction Drive Assembly (continued)

| <i>Ref.</i> | <i>Part Number</i> | <i>Qty.</i> | <i>Description</i> | <i>Ref.</i> | <i>Part Number</i> | <i>Qty.</i> | <i>Description</i> |
|-------------|--------------------|-------------|------------------------------|-------------|--------------------|-------------|---------------------|
| 1 | 119-3353 | 2 | Spacer | 18 | 3256-23 | 6 | Washer-Plain |
| 2 | 138-7597 | 2 | Pulley-Idler, Flat | 19 | 322-13 | 4 | Screw-HH |
| 3 | 1-613235 | 1 | Washer | 20 | 242-50 | 8 | Nut-Lug |
| 4 | 110-9981 | 3 | Washer-Plain | 21 | 130-0718-01 | 1 | Plate-Cross, Hydro |
| 5 | 138-7209 | 1 | Bushing | 22 | 323-11 | 2 | Screw-HH |
| 6 | 114-0463 | 2 | Washer-Friction, Composite | 23 | 323-7 | 2 | Screw-HH |
| 7 | 133-4423 | 1 | Arm-Idler | 24 | 323-9 | 2 | Screw-HH |
| 8 | 137-7040 | 1 | Spring-Return, Pedal | 25 | 104-8301 | 6 | Nut-HF, NI |
| 9 | 322-9 | 1 | Screw-HH | 26 | 139-5855 | 1 | Rod-Bypass, RH |
| 10 | 104-8300 | 9 | Nut-HF, NI | 27 | 139-5854 | 1 | Rod-Bypass, LH |
| 11 | 119-9784 | 1 | Screw-CARR | 28 | 3256-22 | 2 | Washer-Flat |
| 12 | 119-8822 | 1 | Pulley-Idler | 29 | 3290-307 | 2 | Pin-Cotter |
| 13 | 3230-6 | 1 | Bolt-CARR | 30 | 322-14 | 2 | Screw-HH |
| 14 | 133-4371 | 1 | V-Belt | 31 | 133-1247 | 2 | Support-Hydro, Rear |
| 15 | 140-8310 | 1 | RH Hydro Transmission ASM | 32 | 3296-29 | 2 | Nut-Lock, NI |
| 16 | 140-8311 | 1 | LH Hydro Transmission ASM | 34 | 325-6 | 4 | Screw-HH |
| 17 | 322-11 | 2 | Screw-HH | 40 | 3256-3 | 1 | Washer-Flat |
| | | | | 41 | 99-5107 | 4 | Nut-Lock |

RH Hydro Transmission Assembly No. 140-8310

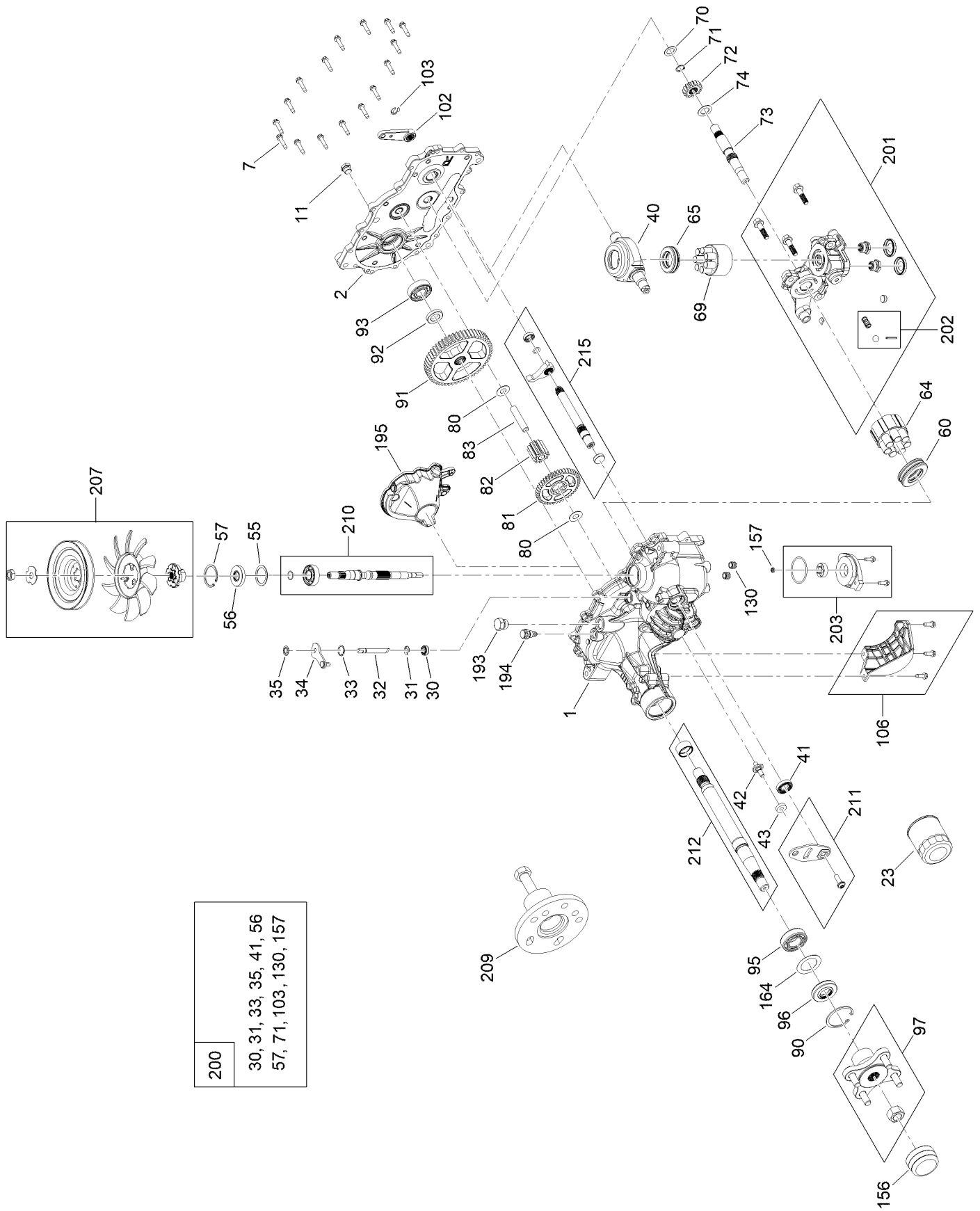


- | | |
|-----|---|
| 200 | 30, 31, 33, 35, 41, 56 57, 71, 103, 130, 157 |
|-----|---|

RH Hydro Transmission Assembly No. 140-8310 (continued)

| <i>Ref.</i> | <i>Part Number</i> | <i>Qty.</i> | <i>Description</i> | <i>Ref.</i> | <i>Part Number</i> | <i>Qty.</i> | <i>Description</i> |
|-------------|--------------------|-------------|--------------------------|-------------|--------------------|-------------|-----------------------------------|
| 1 | 140-8347 | 1 | LH Main Housing Kit | 83 | 104-5329 | 1 | Pin-Jackshaft |
| 2 | 140-8350 | 1 | LH Side Cover Kit | 90 | 104-2169 | 1 | Ring-Retaining |
| 7 | 117-5359 | 16 | Screw-HHF | 91 | 114-1694 | 1 | Gear-54T |
| 11 | 135-1140 | 1 | Plug-Straight | 92 | 120-7975 | 1 | Spacer |
| 23 | 109-3321 | 1 | Element-Oil Filter, HYD | 93 | 137-2004 | 1 | Bearing Kit |
| 30 | 139-7497 | 1 | Seal-Lip | 95 | 130-8477 | 1 | Bearing-Ball |
| 31 | 106-8677 | 1 | Ring-Retaining, External | 96 | 104-2144 | 1 | Seal |
| 32 | 114-1685 | 1 | Rod-Bypass | 97 | 109-5939 | 1 | Hub Kit |
| 33 | 106-8679 | 1 | Ring-Retaining, Internal | 102 | 125-0021 | 1 | Handle-Brake |
| 34 | 107-2490 | 1 | Arm-Bypass | 103 | 131-0906 | 1 | Ring-Retaining, EXT |
| 35 | 106-8681 | 1 | Ring-Retaining, External | 106 | 139-7498 | 1 | Filter Guard Kit |
| 40 | 104-5304 | 1 | Swashplate-Trunnion | 130 | 126-3251 | 2 | Tube-Charge |
| 41 | 104-5313 | 1 | Seal-Lip | 156 | 115-5057 | 1 | Cover-Nut, Axle |
| 42 | 104-2116 | 1 | Stud | 157 | 126-1930 | 1 | Gerotor Seal Kit |
| 43 | 112-9853 | 1 | Puck-Friction | 164 | 121-5745 | 1 | Spacer |
| 55 | 104-5308 | 1 | Spacer | 193 | 140-8343 | 1 | Plug |
| 56 | 104-5310 | 1 | Seal-Lip | 194 | 140-8356 | 1 | Breather Fitting ASM |
| 57 | 104-5309 | 1 | Ring-Retaining | 195 | 140-8358 | 1 | LH Internal Expansion Tank ASM |
| 60 | 112-4154 | 1 | Bearing-Thrust | 200 | 140-8351 | 1 | Seal Kit |
| 64 | 139-4074 | 1 | Cylinder Block ASM Kit | 201 | 137-2012 | 1 | LH Charge Center Section Kit |
| 65 | 94-6922 | 1 | Bearing-Thrust | 202 | 114-8464 | 1 | Charge Relief Kit |
| 69 | 110-8561 | 1 | Pump Block ASM | 203 | 114-8465 | 1 | Charge Kit |
| 70 | 104-5339 | 1 | Washer-Flat | 207 | 135-7343 | 1 | Fan And Pulley Kit |
| 71 | 104-5340 | 1 | Ring-Retaining | 209 | 114-8467 | 1 | Puller-Hub, 4 Bolt |
| 72 | 114-1690 | 1 | Gear-14T | 210 | 139-7502 | 1 | Input Shaft Kit |
| 73 | 114-1691 | 1 | Shaft-Motor | 211 | 117-5362 | 1 | Control Arm Kit |
| 74 | 104-5360 | 1 | Washer | 212 | 114-8470 | 1 | Axle Shaft Kit |
| 80 | 94-1933 | 2 | Washer | 215 | 140-8353 | 1 | Inboard Kit |
| 81 | 114-1692 | 1 | Gear-45T | | | | |
| 82 | 114-1693 | 1 | Gear-11T | | | | |

LH Hydro Transmission Assembly No. 140-8311

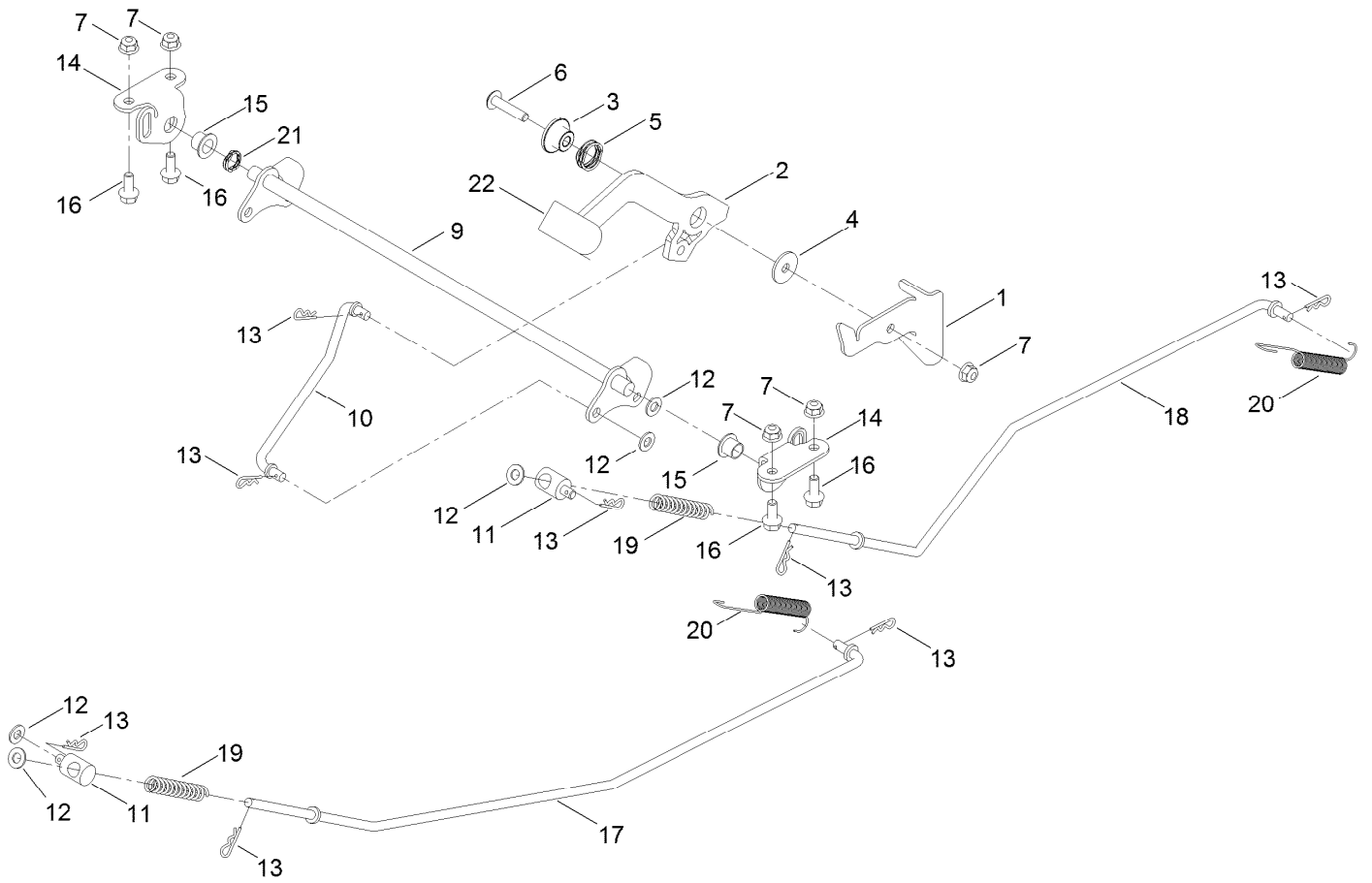


| |
|---|
| 200 |
| 30, 31, 33, 35, 41, 56 57, 71, 103, 130, 157 |

LH Hydro Transmission Assembly No. 140-8311 (continued)

| <i>Ref.</i> | <i>Part Number</i> | <i>Qty.</i> | <i>Description</i> | <i>Ref.</i> | <i>Part Number</i> | <i>Qty.</i> | <i>Description</i> |
|-------------|--------------------|-------------|--------------------------|-------------|--------------------|-------------|-----------------------------------|
| 1 | 140-8345 | 1 | RH Main Housing Kit | 83 | 104-5329 | 1 | Pin-Jackshaft |
| 2 | 140-8349 | 1 | RH Side Cover Kit | 90 | 104-2169 | 1 | Ring-Retaining |
| 7 | 117-5359 | 16 | Screw-HHF | 91 | 114-1694 | 1 | Gear-54T |
| 11 | 135-1140 | 1 | Plug-Straight | 92 | 120-7975 | 1 | Spacer |
| 23 | 109-3321 | 1 | Element-Oil Filter, HYD | 93 | 137-2004 | 1 | Bearing Kit |
| 30 | 139-7497 | 1 | Seal-Lip | 95 | 130-8477 | 1 | Bearing-Ball |
| 31 | 106-8677 | 1 | Ring-Retaining, External | 96 | 104-2144 | 1 | Seal |
| 32 | 114-1685 | 1 | Rod-Bypass | 97 | 109-5939 | 1 | Hub Kit |
| 33 | 106-8679 | 1 | Ring-Retaining, Internal | 102 | 125-0021 | 1 | Handle-Brake |
| 34 | 112-9852 | 1 | Arm-Bypass | 103 | 131-0906 | 1 | Ring-Retaining, EXT |
| 35 | 106-8681 | 1 | Ring-Retaining, External | 106 | 139-7499 | 1 | Filter Guard Kit |
| 40 | 104-5304 | 1 | Swashplate-Trunnion | 130 | 126-3251 | 2 | Tube-Charge |
| 41 | 104-5313 | 1 | Seal-Lip | 156 | 115-5057 | 1 | Cover-Nut, Axle |
| 42 | 104-2116 | 1 | Stud | 157 | 126-1930 | 1 | Gerotor Seal Kit |
| 43 | 112-9853 | 1 | Puck-Friction | 164 | 121-5745 | 1 | Spacer |
| 55 | 104-5308 | 1 | Spacer | 193 | 140-8343 | 1 | Plug |
| 56 | 104-5310 | 1 | Seal-Lip | 194 | 140-8356 | 1 | Breather Fitting ASM |
| 57 | 104-5309 | 1 | Ring-Retaining | 195 | 140-8357 | 1 | RH Internal Expansion Tank ASM |
| 60 | 112-4154 | 1 | Bearing-Thrust | 200 | 140-8351 | 1 | Seal Kit |
| 64 | 139-4074 | 1 | Cylinder Block ASM Kit | 201 | 137-2005 | 1 | RH Charge Center Section Kit |
| 65 | 94-6922 | 1 | Bearing-Thrust | 202 | 114-8464 | 1 | Charge Relief Kit |
| 69 | 110-8561 | 1 | Pump Block ASM | 203 | 114-8465 | 1 | Charge Kit |
| 70 | 104-5339 | 1 | Washer-Flat | 207 | 135-7343 | 1 | Fan And Pulley Kit |
| 71 | 104-5340 | 1 | Ring-Retaining | 209 | 114-8467 | 1 | Puller-Hub, 4 Bolt |
| 72 | 114-1690 | 1 | Gear-14T | 210 | 139-7502 | 1 | Input Shaft Kit |
| 73 | 114-1691 | 1 | Shaft-Motor | 211 | 117-5362 | 1 | Control Arm Kit |
| 74 | 104-5360 | 1 | Washer | 212 | 114-8470 | 1 | Axle Shaft Kit |
| 80 | 94-1933 | 2 | Washer | 215 | 140-8352 | 1 | Inboard Kit |
| 81 | 114-1692 | 1 | Gear-45T | | | | |
| 82 | 114-1693 | 1 | Gear-11T | | | | |

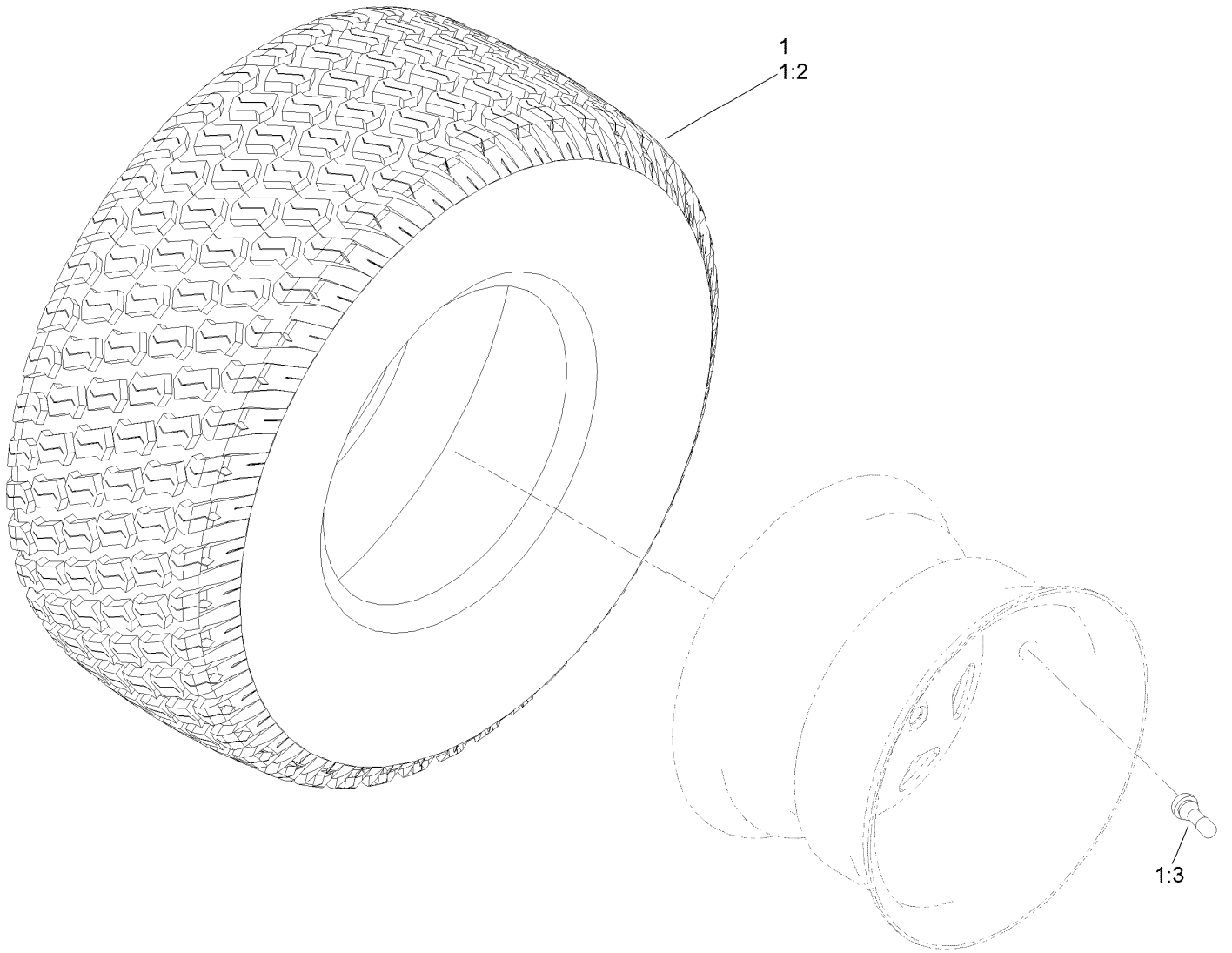
Brake Assembly



Brake Assembly (continued)

| <i>Ref.</i> | <i>Part Number</i> | <i>Qty.</i> | <i>Description</i> | <i>Ref.</i> | <i>Part Number</i> | <i>Qty.</i> | <i>Description</i> |
|-------------|--------------------|-------------|-------------------------|-------------|--------------------|-------------|--------------------------|
| 1 | 136-5554 | 1 | Detent-Brake | 13 | 3290-307 | 8 | Pin-Cotter |
| 2 | 140-0412 | 1 | Handle-Brake, Parking | 14 | 139-5878-03 | 2 | Plate-Support, Bellcrank |
| 3 | 139-3572 | 1 | Bushing-Flange | 15 | 125-5239 | 2 | Bushing-Flange |
| 4 | 5-4460 | 1 | Washer-Pivot | 16 | 3234-47 | 4 | Screw-HHF |
| 5 | 120-5116 | 1 | Washer-Wave | 17 | 133-9343 | 1 | Rod-Brake, RH |
| 6 | 126-7439 | 1 | Screw-Torx | 18 | 133-9344 | 1 | Rod-Brake, LH |
| 7 | 104-8300 | 5 | Nut-HF, NI | 19 | 1-603807 | 2 | Spring-Return, Neutral |
| 9 | 133-9338 | 1 | Bellcrank-Brake | 20 | 110769 | 2 | Spring-Extension |
| 10 | 133-9342 | 1 | Rod-Brake, Intermediate | 21 | 137-5011 | 1 | Spring-Wave |
| 11 | 138-7212 | 2 | Fitting-Rod | 22 | 140-0413 | 1 | Grip-Handle |
| 12 | 3256-23 | 5 | Washer-Plain | | | | |

Tire Assembly



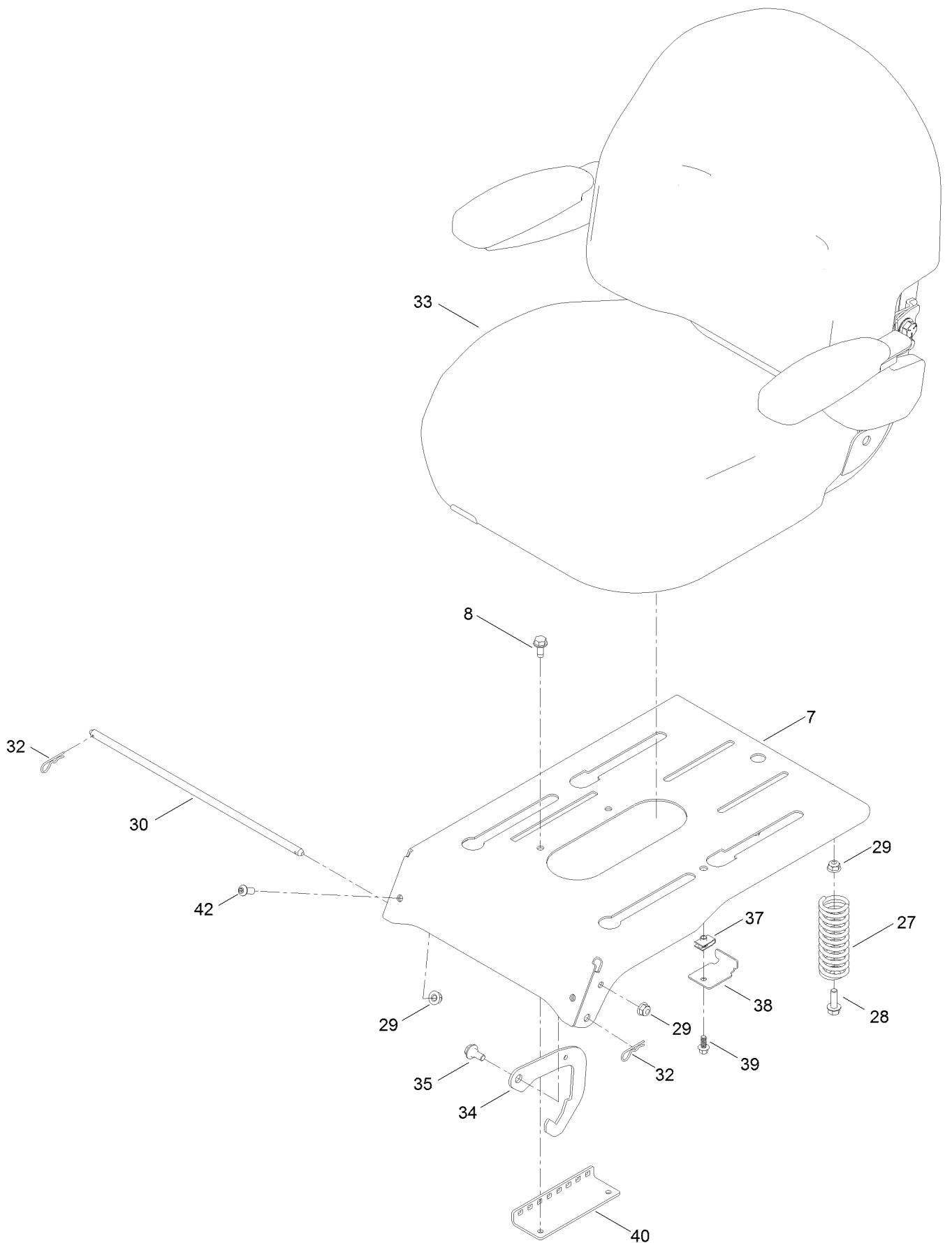
Tire Assembly (continued)

| <i>Ref.</i> | <i>Part Number</i> | <i>Qty.</i> | <i>Description</i> | <i>Ref.</i> | <i>Part Number</i> | <i>Qty.</i> | <i>Description</i> |
|-------------|--------------------|-------------|--------------------|-------------|--------------------|-------------|--------------------|
| 1 | 145-0495 | 2 | Tire ASM | 1:3 | 232-27 | 1 | Stem-Valve |
| 1:2 | 145-0494 | 1 | Tire | 1:99 | 105-4070 | 1 | Tube-Inner ■● |

● Not illustrated

■ Optional Equipment

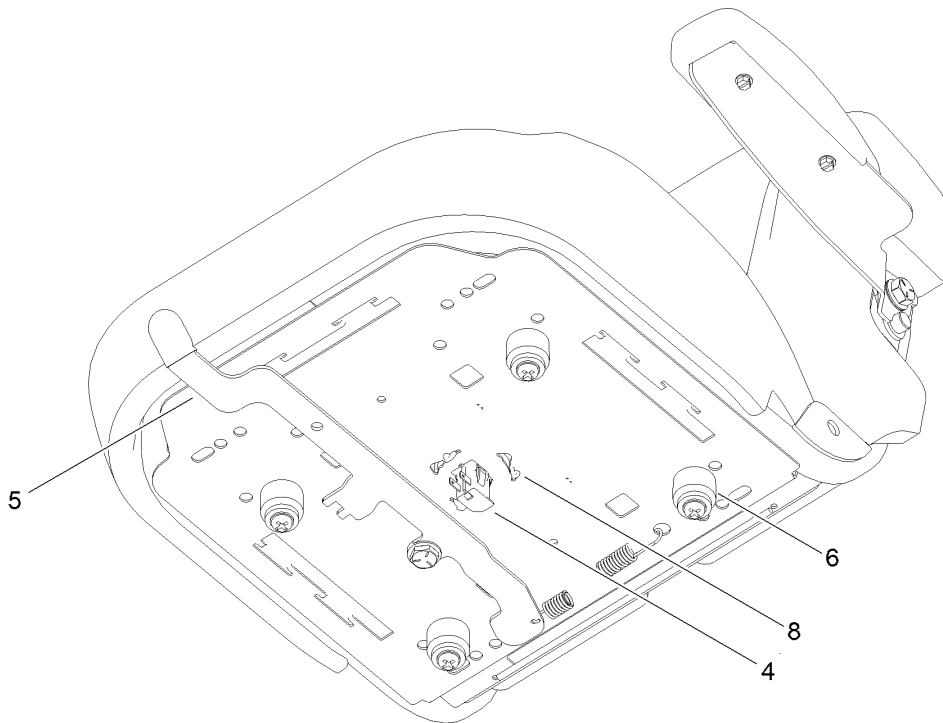
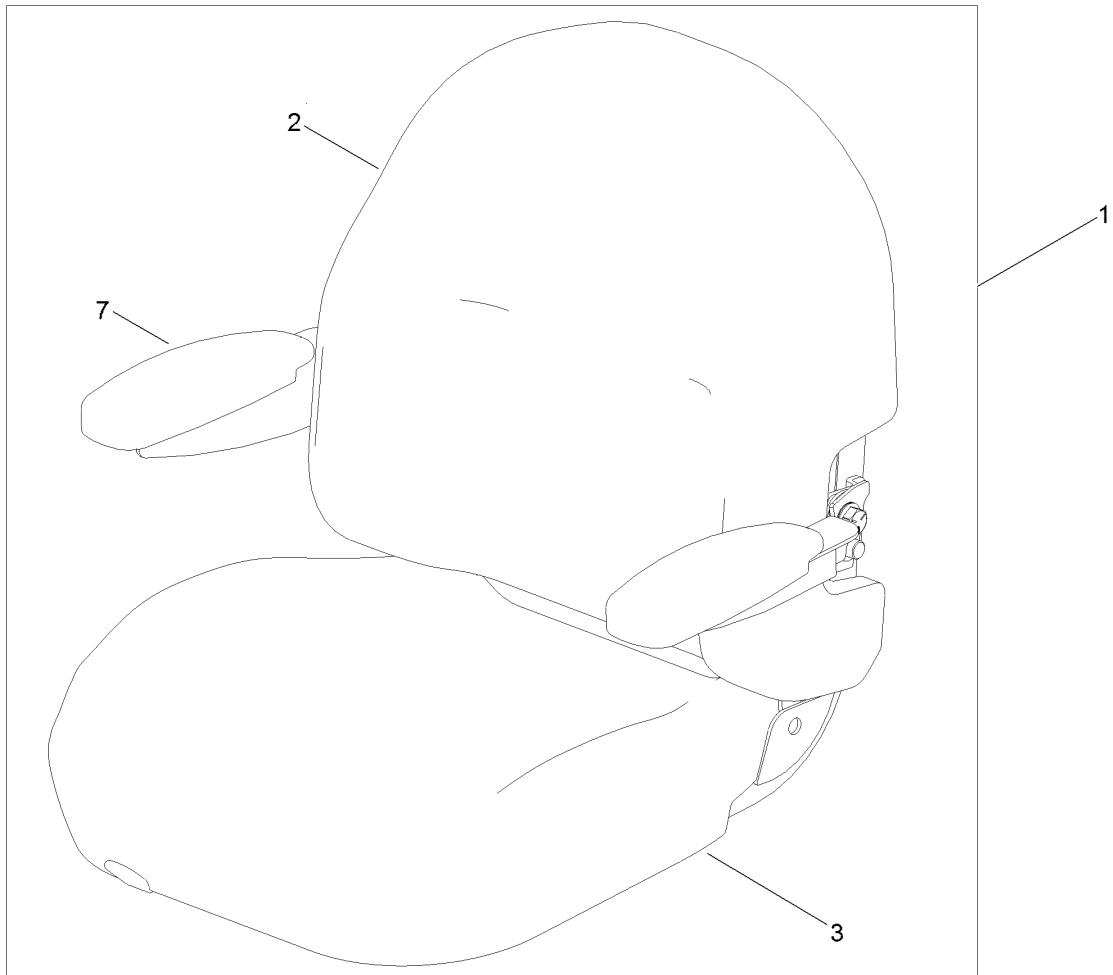
Seat Pan Assembly



Seat Pan Assembly (continued)

| <i>Ref.</i> | <i>Part Number</i> | <i>Qty.</i> | <i>Description</i> | <i>Ref.</i> | <i>Part Number</i> | <i>Qty.</i> | <i>Description</i> |
|-------------|--------------------|-------------|--------------------|-------------|--------------------|-------------|---------------------|
| 7 | 136-5571-03 | 1 | Pan-Seat, Deluxe | 34 | 138-7250 | 2 | Seat Latch |
| 8 | 32144-70 | 2 | Screw-HWHTF | 35 | 19-1470 | 2 | Screw-Shoulder |
| 27 | 92-7054 | 3 | Spring-Compression | 37 | 107069 | 1 | Clip |
| 28 | 3234-29 | 3 | Screw-HHF | 38 | 138-7214 | 1 | Bracket-Stop, Seat |
| 29 | 104-8300 | 7 | Nut-HF, NI | 39 | 99-6810 | 1 | Screw-HHF |
| 30 | 138-7213 | 1 | Rod-Pivot, Narrow | 40 | 131-4008-03 | 1 | Bracket-Latch, Seat |
| 32 | 3290-250 | 2 | Pin-Cotter | 42 | 3274-55 | 2 | Screw-HSBH |
| 33 | 140-2714 | 1 | Seat ASM | | | | |

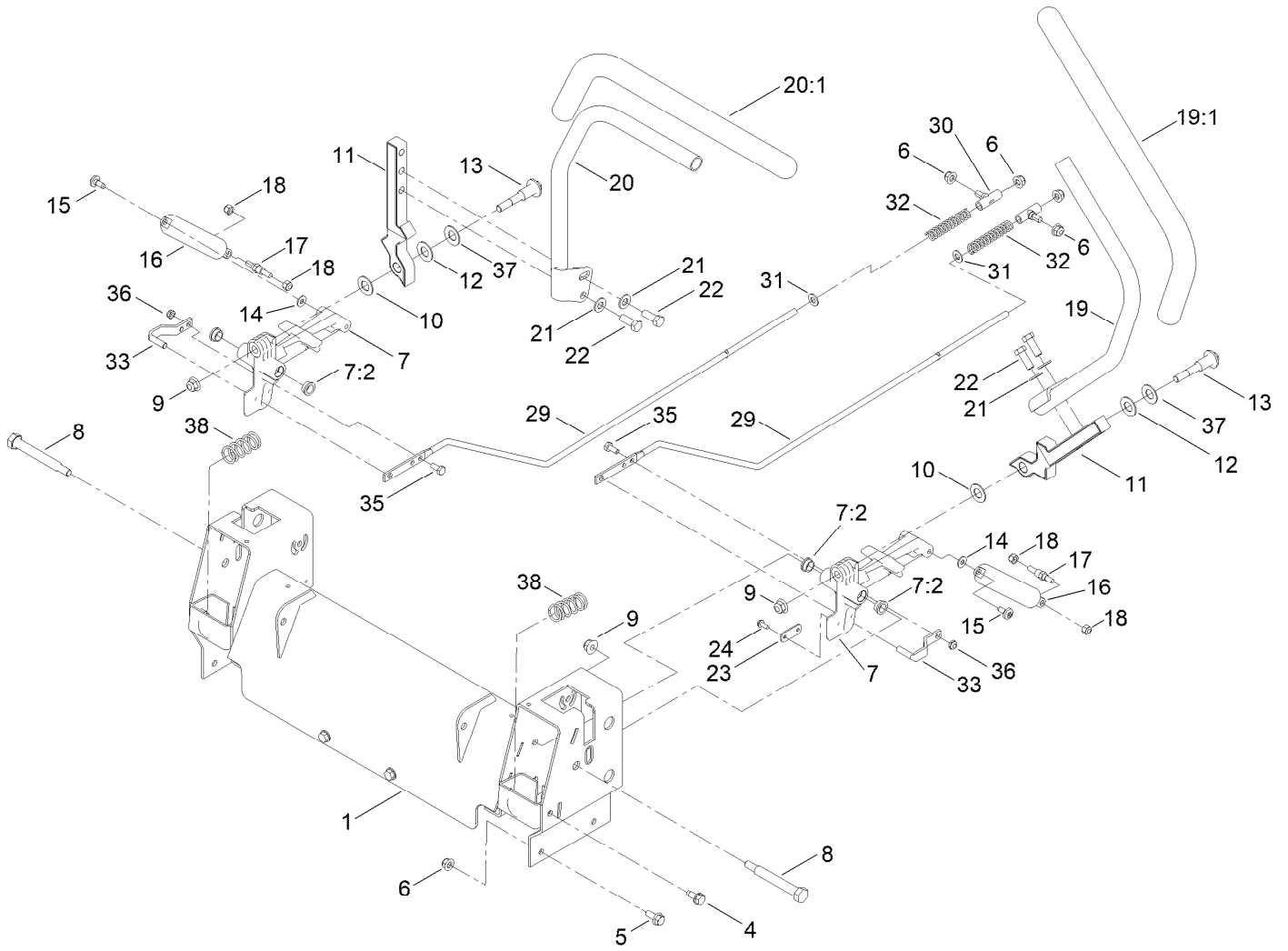
Seat Assembly No. 140-2714



Seat Assembly No. 140-2714 (continued)

| <i>Ref.</i> | <i>Part Number</i> | <i>Qty.</i> | <i>Description</i> | <i>Ref.</i> | <i>Part Number</i> | <i>Qty.</i> | <i>Description</i> |
|-------------|--------------------|-------------|--------------------|-------------|--------------------|-------------|----------------------|
| 1 | 139-7548 | 1 | Seat ASM | 5 | 131-4153 | 1 | Track ASM |
| 2 | 140-2077 | 1 | Cover-Seat Back | 6 | 131-4154 | 1 | Bushing ASM |
| 3 | 140-2078 | 1 | Cover-Seat Base | 7 | 139-5823 | 1 | Arm Rest Kit |
| 4 | 82-2190 | 1 | Switch-Bail | 8 | 140-3468 | 1 | Cap-Switch, Actuator |

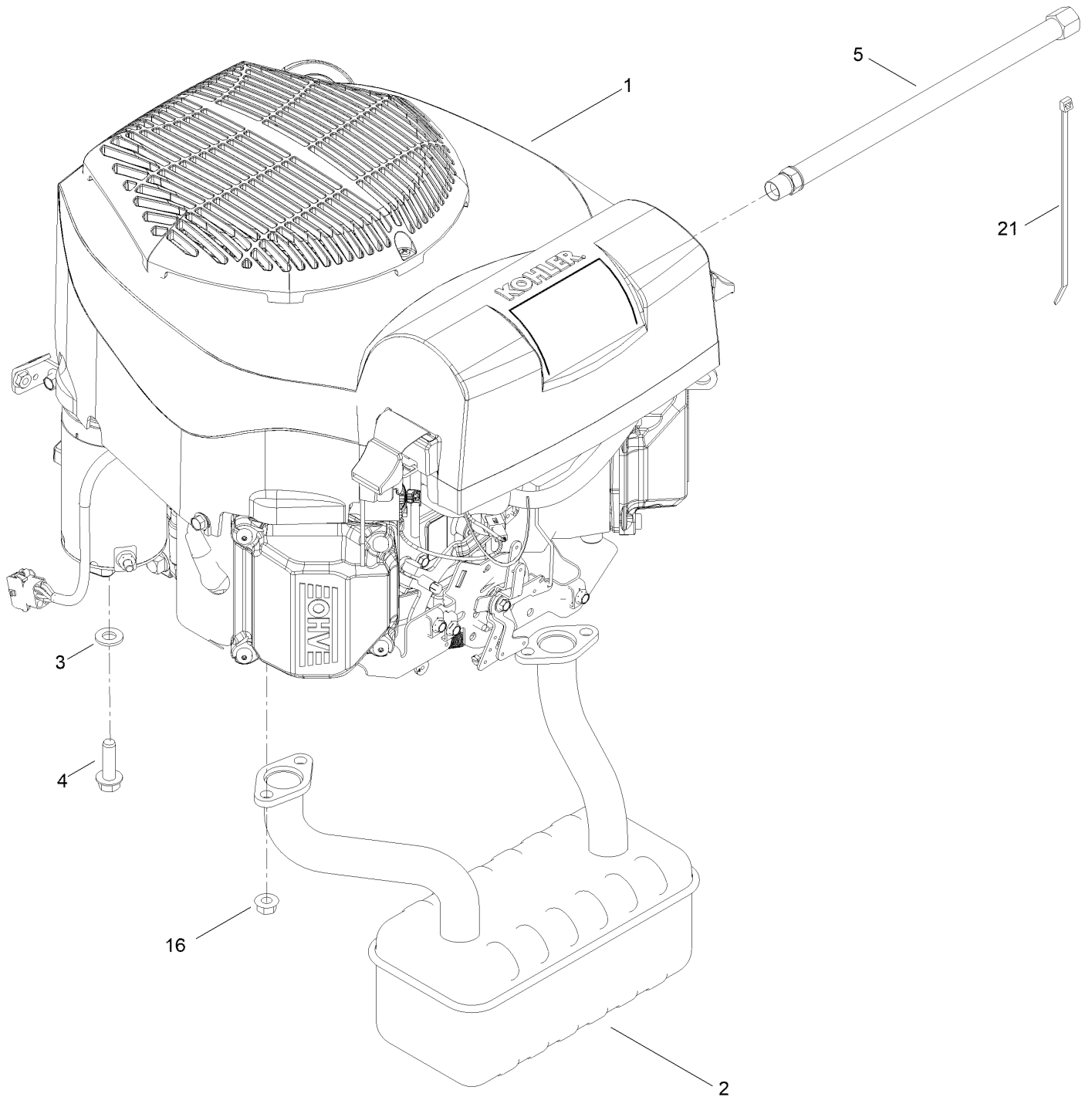
Motion Control Assembly



Motion Control Assembly (continued)

| <i>Ref.</i> | <i>Part Number</i> | <i>Qty.</i> | <i>Description</i> | <i>Ref.</i> | <i>Part Number</i> | <i>Qty.</i> | <i>Description</i> |
|-------------|--------------------|-------------|-----------------------|-------------|--------------------|-------------|--------------------|
| 1 | 139-7531-03 | 1 | Control Box ASM | 19 | 133-7055 | 1 | Handle-Control, LH |
| 4 | 32144-70 | 4 | Screw-HWHTF | 19:1 | 121-0726 | 1 | Grip |
| 5 | 3234-47 | 6 | Screw-HHF | 20 | 133-7057 | 1 | Handle-Control, RH |
| 6 | 104-8300 | 10 | Nut-HF, NI | 20:1 | 121-0726 | 1 | Grip |
| 7 | 119-3470 | 2 | Actuator Arm ASM | 21 | 3256-24 | 4 | Washer-Plain |
| 7:2 | 256-156 | 2 | Bushing-Flange | 22 | 323-6 | 4 | Screw-HH |
| 8 | 115-5099 | 2 | Bolt-Pivot | 23 | 119-8948 | 2 | Plate-Stop, Hydro |
| 9 | 104-8301 | 4 | Nut-HF, NI | 24 | 32144-1 | 4 | Screw-Taptite |
| 10 | 120-2273 | 2 | Washer-Nylon | 29 | 138-7217 | 2 | Rod-Hydro |
| 11 | 136-5570-05 | 2 | Arm-Control | 30 | 138-7218 | 2 | Mount-Rod, Hydro |
| 12 | 117-1240 | 2 | Washer | 31 | 3256-23 | 2 | Washer-Plain |
| 13 | 139-2556 | 2 | Bolt-Pivot | 32 | 138-7252 | 2 | Spring-Compression |
| 14 | 119-8952 | 2 | Washer-Spcl | 33 | 121-1753 | 2 | Pin-Rod, Hydro |
| 15 | 120-7950 | 2 | Screw-Torx | 35 | 321-3 | 2 | Screw-HH |
| 16 | 132-6853 | 2 | Damper-Non Cavitating | 36 | 3296-56 | 2 | Nut-Lock, NI |
| 17 | 138-7215 | 2 | Stud-Damper | 37 | 119-8925 | 2 | Washer-Belleville |
| 18 | 3296-42 | 4 | Nut-Lock, NI | 38 | 138-7219 | 2 | Spring-Return |

Engine and Muffler Assembly



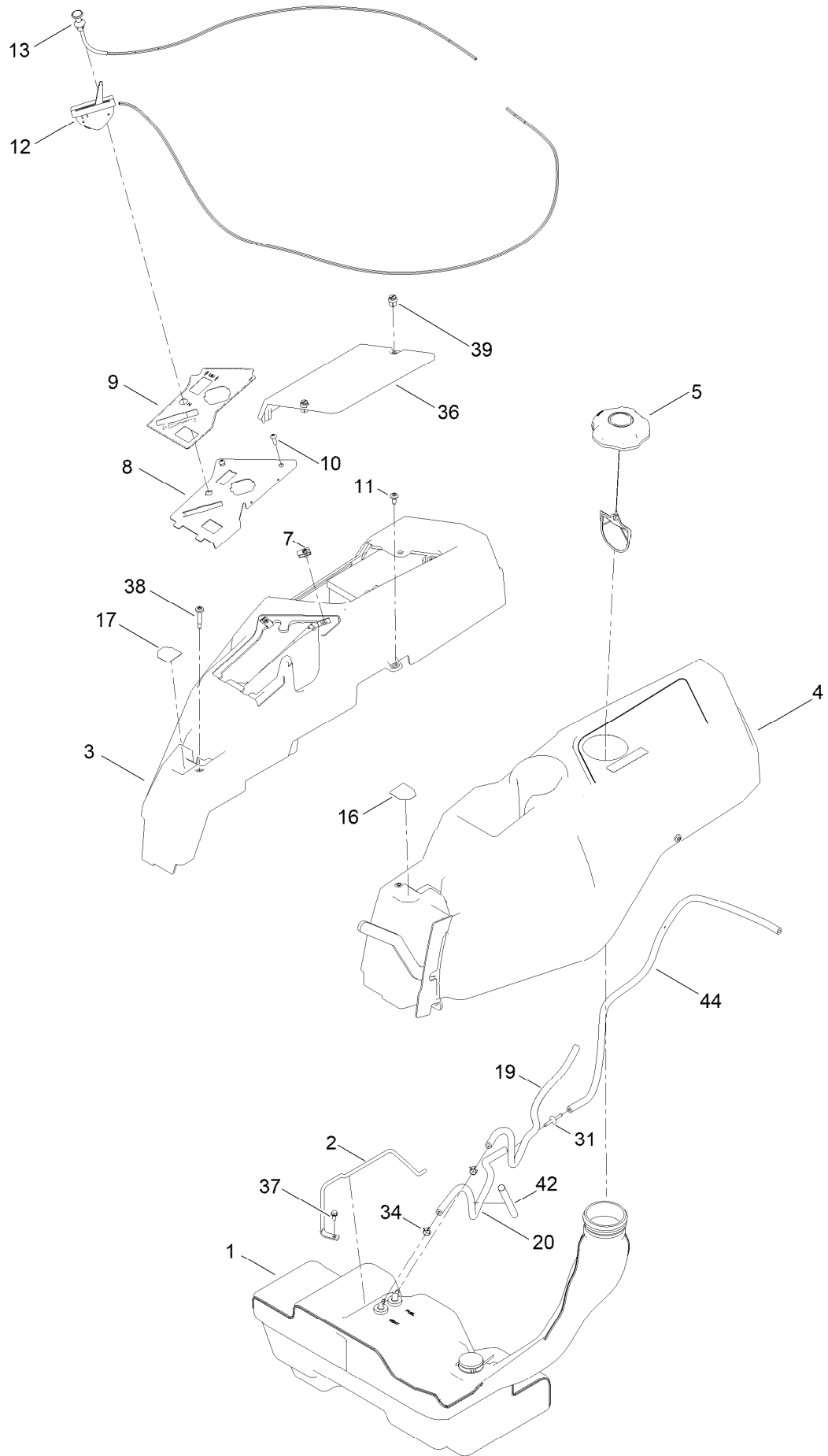
Engine and Muffler Assembly (continued)

| <i>Ref.</i> | <i>Part Number</i> | <i>Qty.</i> | <i>Description</i> | <i>Ref.</i> | <i>Part Number</i> | <i>Qty.</i> | <i>Description</i> |
|-------------|--------------------|-------------|------------------------|-------------|--------------------|-------------|--------------------|
| 1 | | 1 | Engine-Kohler Kt745 ■▲ | 5 | 117-1261 | 1 | Hose-Drain, Oil |
| 1:4 | 281-1 | 1 | Plug-Pipe, SQH ● | 16 | 33004-00 | 4 | Nut-HF |
| 2 | 139-5868 | 1 | Muffler | 21 | 614249 | 1 | Tie-Cable |
| 3 | 3256-24 | 4 | Washer-Plain | 99 | 110-6697 | 1 | Gasket-Exhaust ● |
| 4 | 32144-109 | 4 | Screw-Thd | | | | |

● Not illustrated
 ▲ Obtain parts from www.kohlerplus.com

■ Not serviced separately

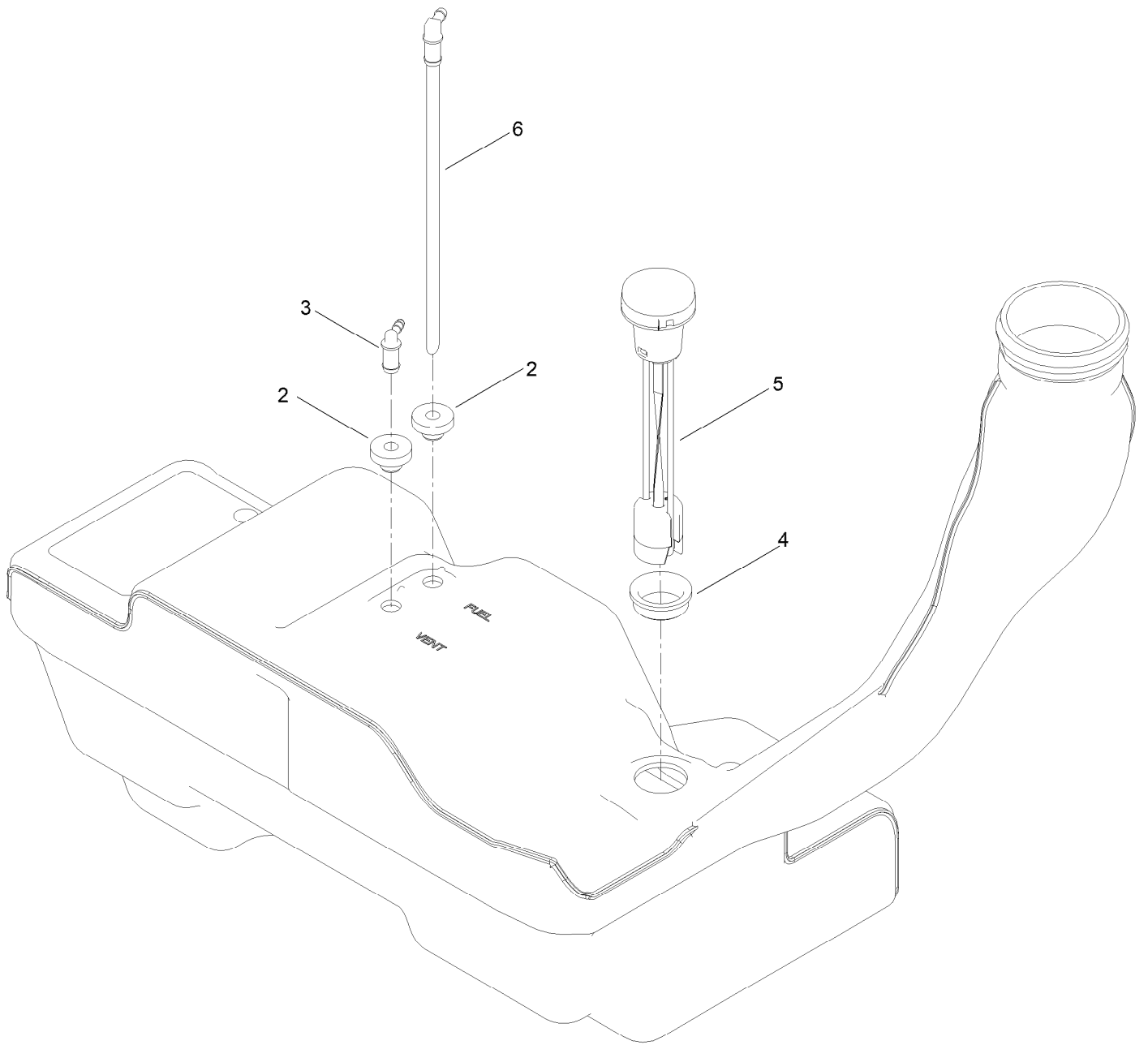
Body Styling and Fuel Pod Assembly



Body Styling and Fuel Pod Assembly (continued)

| <i>Ref.</i> | <i>Part Number</i> | <i>Qty.</i> | <i>Description</i> | <i>Ref.</i> | <i>Part Number</i> | <i>Qty.</i> | <i>Description</i> |
|-------------|--------------------|-------------|----------------------|-------------|--------------------|-------------|----------------------------|
| 1 | 144-5303 | 1 | Tank-Fuel ASM | 16 | 136-4243 | 1 | Decal-Lever, Control (LH) |
| 2 | 136-4180 | 1 | Rod-Hold Down | 17 | 136-4244 | 1 | Decal-Lever, Control (RH) |
| 3 | 133-9307 | 1 | Pod-RH | 19 | 110-5701 | 1 | Hose-Fuel |
| 4 | 133-9315 | 1 | Pod-LH | 20 | 138-3151 | 1 | Hose-Fuel |
| 5 | 137-4119 | 1 | Cap-Fuel, Ratcheting | 31 | 144-1983 | 1 | Adapter Orifice |
| 7 | 107069 | 2 | Clip | 34 | 2412-98 | 3 | Clamp-Hose |
| 8 | 139-7486-03 | 1 | Panel-Control | 36 | 133-9308 | 1 | Cover-Battery |
| 9 | 139-7473 | 1 | Decal-Panel, Control | 37 | 32144-4 | 1 | Screw-HWH |
| 10 | 3258-166 | 2 | Screw-PRH | 38 | 136-4195 | 2 | Screw-Shoulder |
| 11 | 120-7950 | 4 | Screw-Torx | 39 | 121-5840 | 2 | Fastener |
| 12 | 139-3267 | 1 | Cable-Throttle | 42 | 138-2522 | 1 | Sleeve-Fuel Line Protector |
| 13 | 139-2402 | 1 | Cable-Choke | 44 | 119-6074 | 1 | Hose-Fuel |

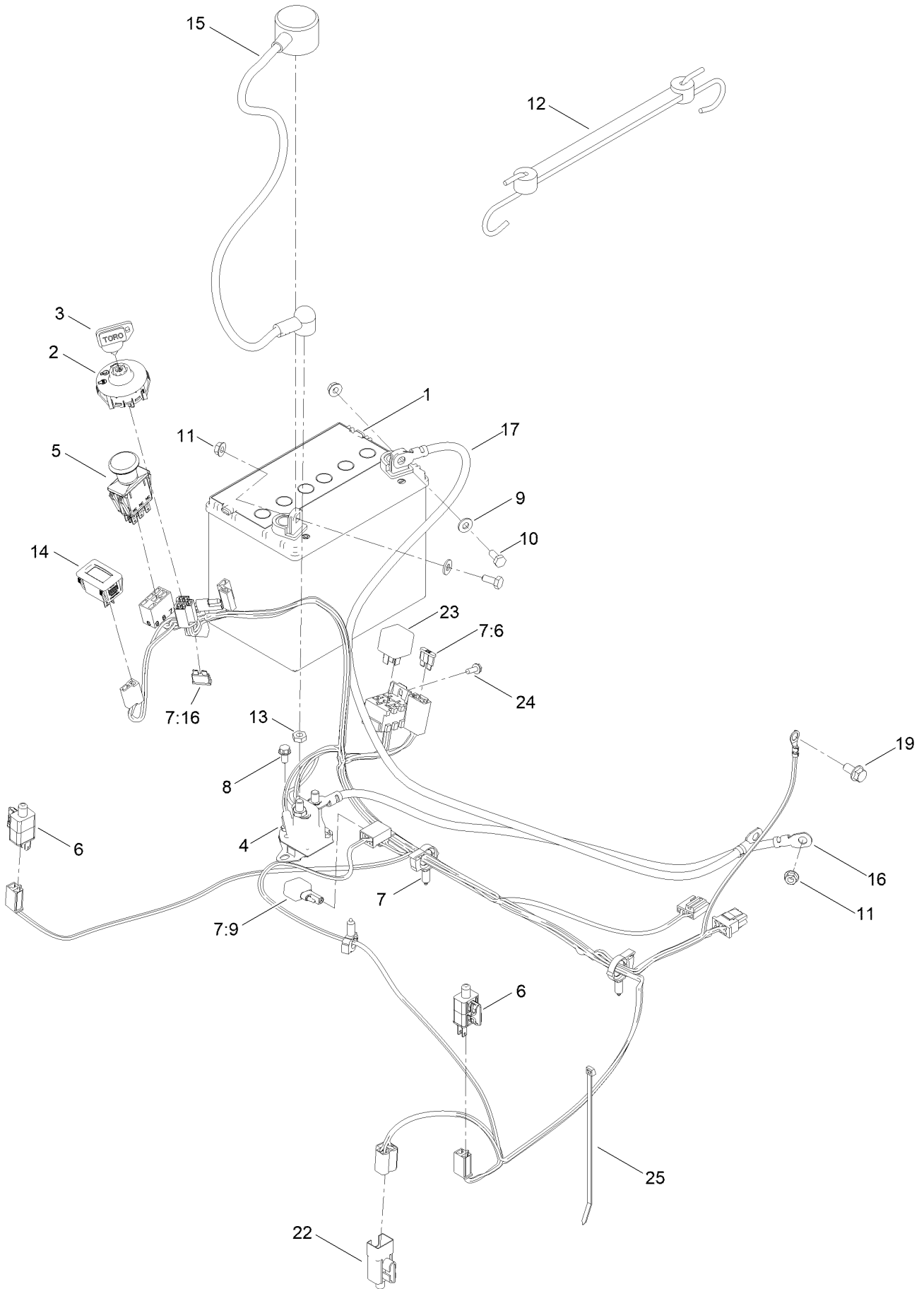
Fuel Tank Assembly No. 144-5303



Fuel Tank Assembly No. 144-5303 (continued)

| <i>Ref.</i> | <i>Part Number</i> | <i>Qty.</i> | <i>Description</i> | <i>Ref.</i> | <i>Part Number</i> | <i>Qty.</i> | <i>Description</i> |
|-------------|--------------------|-------------|--------------------|-------------|--------------------|-------------|-------------------------|
| 2 | 46-6560 | 2 | Bushing | 5 | 133-9270 | 1 | Gauge-Fuel |
| 3 | 144-5302 | 1 | Fitting-Elbow 90 | 6 | 121-0793 | 1 | Connector-Elbow, 90 DEG |
| 4 | 133-9269 | 1 | Grommet-Fuel | | | | |

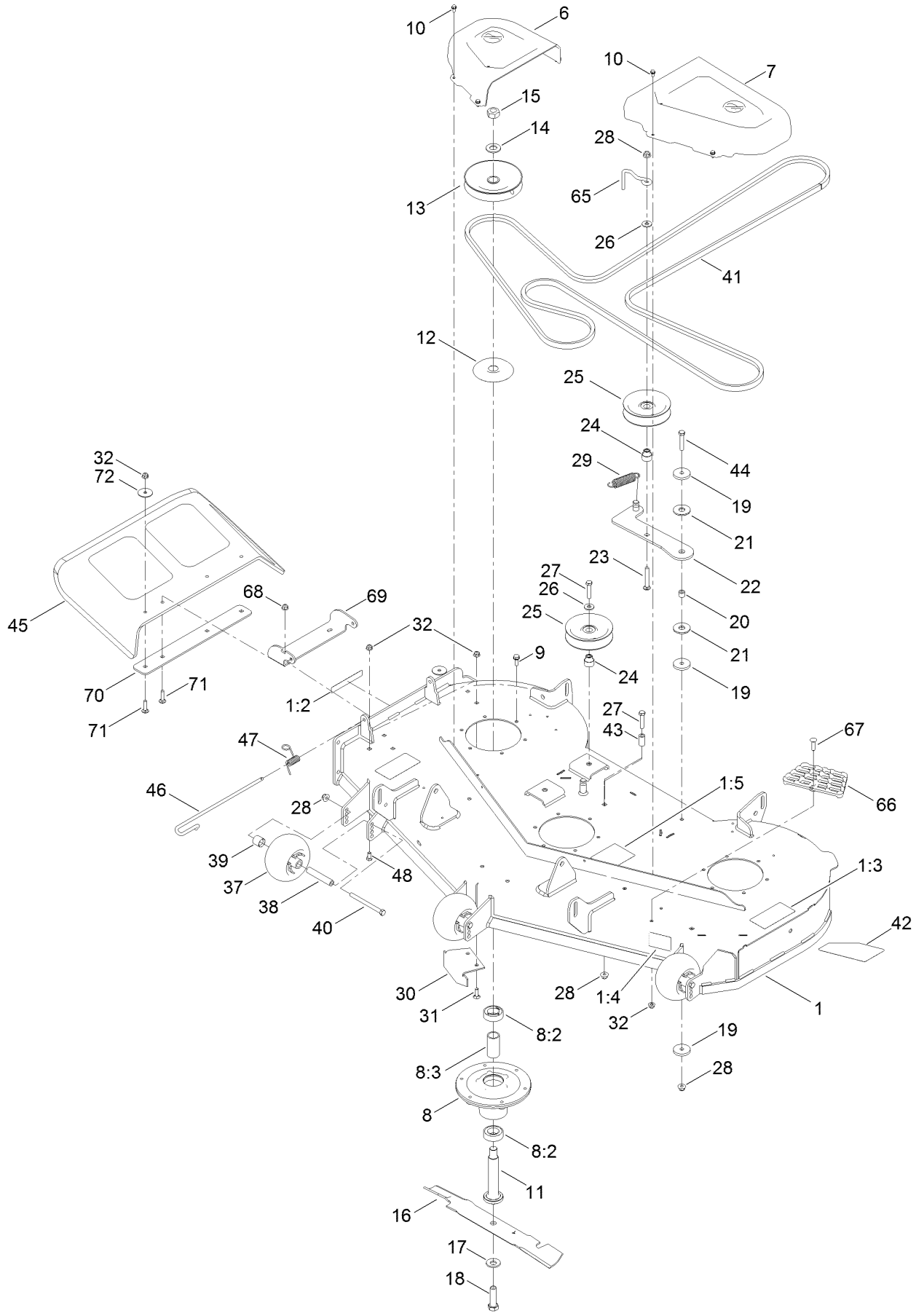
Electrical Assembly



Electrical Assembly (continued)

| <i>Ref.</i> | <i>Part Number</i> | <i>Qty.</i> | <i>Description</i> | <i>Ref.</i> | <i>Part Number</i> | <i>Qty.</i> | <i>Description</i> |
|-------------|--------------------|-------------|--------------------|-------------|--------------------|-------------|-------------------------|
| 1 | 104-8162 | 1 | Battery | 11 | 32128-33 | 3 | Nut-HF |
| 2 | 137-4100 | 1 | Switch-Ignition | 12 | 104-2466 | 1 | Holddown-Battery |
| 3 | 63-8360 | 1 | Key-Ignition | 13 | 3220-2 | 2 | Nut-Jam |
| 4 | 117-1197 | 1 | Solenoid | 14 | 120-2244 | 1 | Hourmeter |
| 5 | 103-5221 | 1 | Switch-PTO | 15 | 115-3864 | 1 | Cable-Battery, Positive |
| 6 | 110-6765 | 2 | Switch | 16 | 144-5276 | 1 | Cable-Battery, Rd ASM |
| 7 | 137-7002 | 1 | Harness-Wire | 17 | 117-7240 | 1 | Cable-Battery, Negative |
| 7:6 | 109102 | 1 | Fuse-Blade, 25 Amp | 19 | 3234-14 | 1 | Screw-HHF |
| 7:9 | 100-4918 | 1 | Diode | 22 | 99-7408 | 1 | Switch-Reverse |
| 7:16 | 109355 | 1 | Fuse-Blade, 15 Amp | 23 | 98-7249 | 1 | Relay |
| 8 | 32144-4 | 2 | Screw-HWH | 24 | 32144-1 | 1 | Screw-Taptite |
| 9 | 3256-22 | 2 | Washer-Flat | 25 | 614249 | 1 | Tie-Cable |
| 10 | 321-3 | 2 | Screw-HH | | | | |

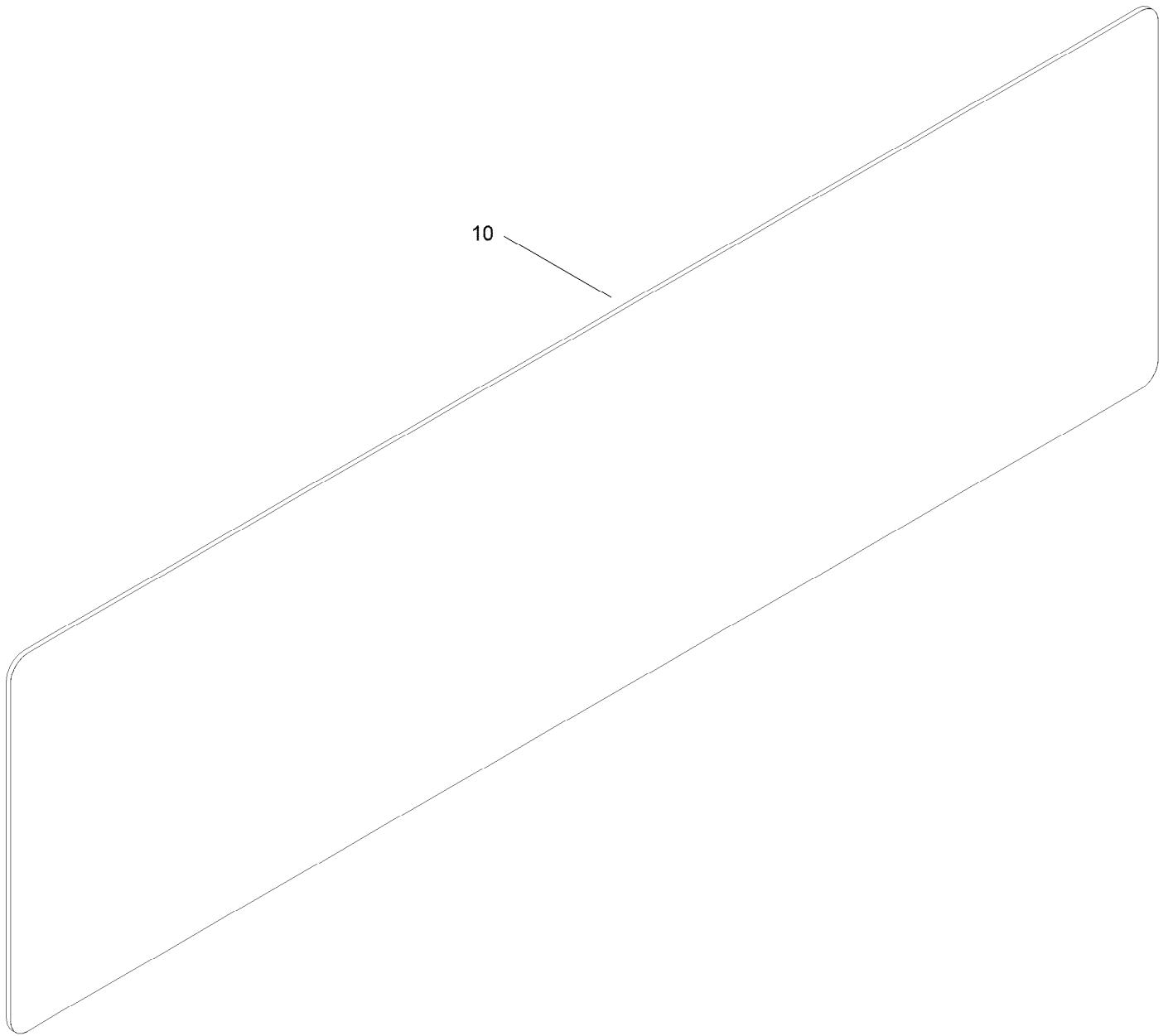
54 Inch Deck Assembly



54 Inch Deck Assembly (continued)

| <i>Ref.</i> | <i>Part Number</i> | <i>Qty.</i> | <i>Description</i> | <i>Ref.</i> | <i>Part Number</i> | <i>Qty.</i> | <i>Description</i> |
|-------------|--------------------|-------------|----------------------------|-------------|--------------------|-------------|--------------------------|
| 1 | 140-0353 | 1 | 54In Deck ASM | 26 | 80-6990 | 3 | Washer-Hardened |
| 1:2 | 130-0731 | 1 | Decal-Danger | 27 | 323-9 | 3 | Screw-HH |
| 1:3 | 132-0872 | 2 | Decal-Danger, Deck | 28 | 104-8301 | 6 | Nut-HF, NI |
| 1:4 | 130-0765 | 1 | Decal-Scalp, Anti | 29 | 138-7228 | 1 | Spring-Extension |
| 1:5 | 117-1194 | 1 | Decal-Routing, Belt | 30 | 115-9653-03 | 1 | Baffle-Cutoff |
| 6 | 133-9283 | 1 | Cover-Belt, RH | 31 | 3230-22 | 2 | Screw-CARR |
| 7 | 133-9282 | 1 | Cover-Belt, LH | 32 | 104-8300 | 2 | Nut-HF, NI |
| 8 | 139-2357 | 3 | Spindle ASM | 37 | 1-603299 | 3 | Roller-Scalp, Anti |
| 8:2 | 116-0720 | 2 | Bearing-Ball | 38 | 138-7229 | 3 | Tube-Spanner |
| 8:3 | 138-7220 | 1 | Spacer-Bearing | 39 | 104-0892 | 3 | Spacer-Axle, Rear |
| 9 | 32144-41 | 18 | Screw-Taptite | 40 | 323-23 | 3 | Screw-HH |
| 10 | 32144-4 | 8 | Screw-HWH | 41 | 133-7076 | 1 | V-Belt |
| 11 | 115-2642 | 3 | Shaft-Spindle | 42 | 139-3255 | 1 | Decal-Deck |
| 12 | 138-7221 | 3 | Shield-Bearing | 43 | 138-7230 | 1 | Spacer-Fender |
| 13 | 139-7455 | 3 | Pulley | 44 | 323-10 | 1 | Screw-HH |
| 14 | 7-4150 | 3 | Washer | 45 | 117-1270 | 1 | Deflector |
| 15 | 3219-7 | 3 | Nut-Hex | 46 | 138-7231 | 1 | Pin-Chute |
| 16 | 115-9650-03 | 3 | Blade-Hi Flo | 47 | 138-7232 | 1 | Spring-Torsion |
| 17 | 125-1736 | 3 | Washer-Belleville | 48 | 322-2 | 5 | Screw-HH |
| 18 | 51-4060 | 3 | Screw-Blade | 65 | 136-5615 | 1 | Guide-Belt, Idler |
| 19 | 110-9981 | 3 | Washer-Plain | 66 | 126-4781-03 | 1 | Step-Deck |
| 20 | 138-7225 | 1 | Spacer | 67 | 139-1702 | 1 | Bolt-Carriage |
| 21 | 114-0463 | 2 | Washer-Friction, Composite | 68 | 104-8300 | 5 | Nut-HF, NI |
| 22 | 138-7226 | 1 | Idler Arm ASM | 69 | 114-1648-03 | 1 | Bracket-Deflector, Upper |
| 23 | 3231-31 | 1 | Screw-CARR | 70 | 115-5048-03 | 1 | Plate-Deflector |
| 24 | 138-7227 | 3 | Bushing-Idler | 71 | 3230-3 | 4 | Screw-CARR |
| 25 | 132-4718 | 3 | Pulley-Idler, Flat | 72 | 3256-68 | 2 | Washer-Flat |

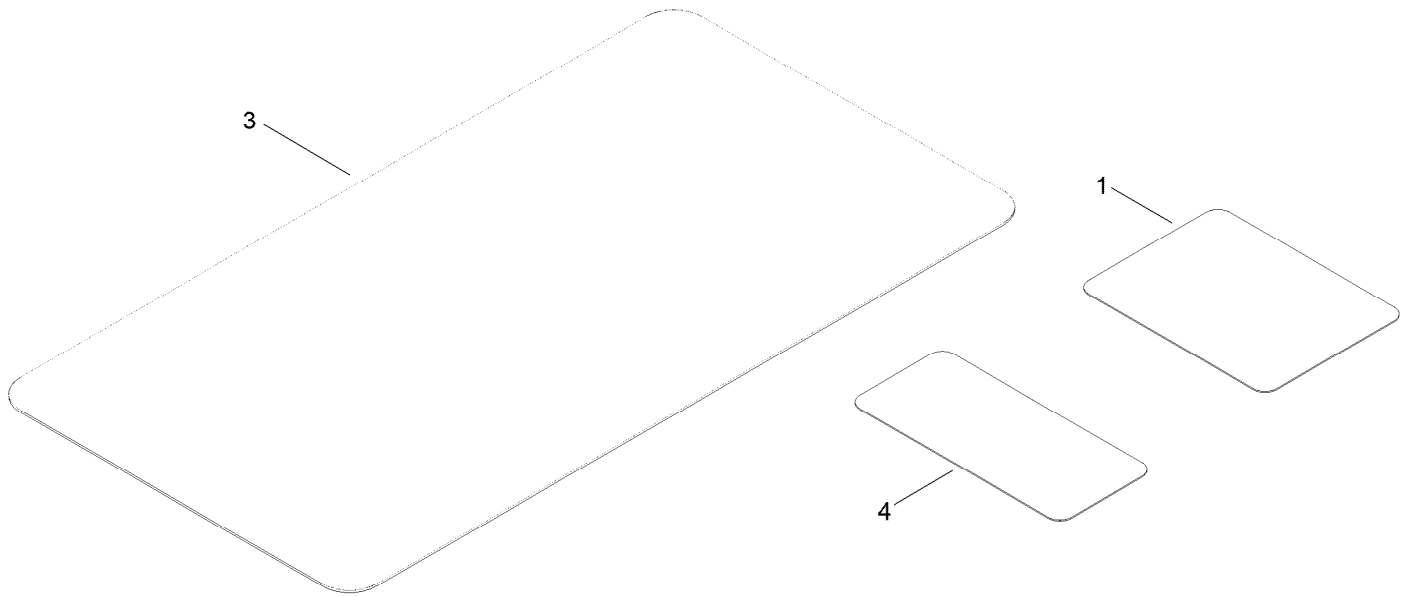
Frame Decal Assembly



Frame Decal Assembly (continued)

| <i>Ref.</i> | <i>Part Number</i> | <i>Qty.</i> | <i>Description</i> |
|-------------|--------------------|-------------|--------------------|
| 10 | 140-2099 | 1 | Decal |

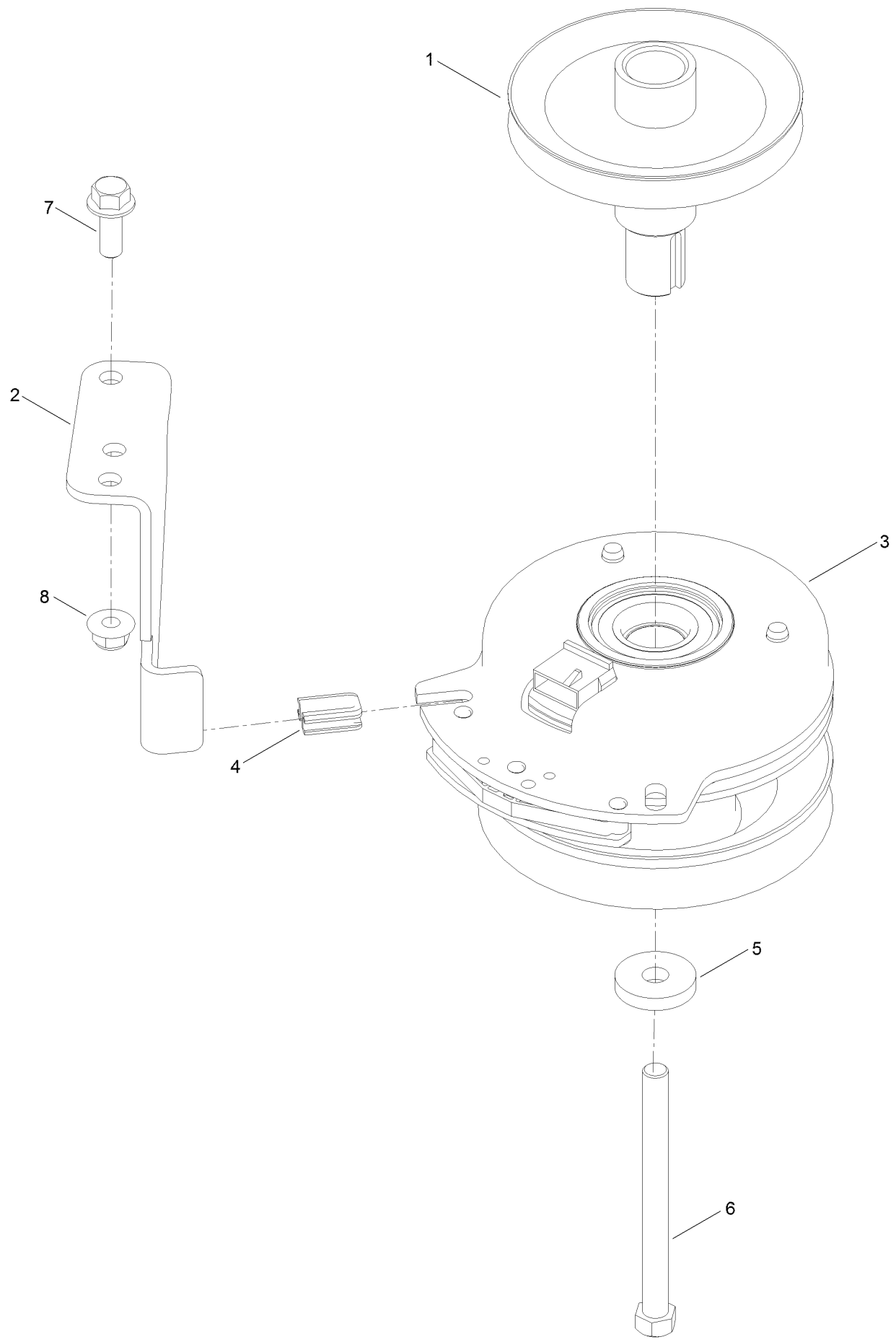
Maintenance and HOC Decal Assembly



Maintenance and HOC Decal Assembly (continued)

| <i>Ref.</i> | <i>Part Number</i> | <i>Qty.</i> | <i>Description</i> |
|-------------|--------------------|-------------|-----------------------------------|
| 1 | 136-5596 | 1 | Decal-Maintenance |
| 3 | 139-3550 | 1 | Decal-HOC |
| 4 | 121-5684 | 1 | Decal-Location, Service Dealer |

Clutch Assembly



Clutch Assembly (continued)

| <i>Ref.</i> | <i>Part Number</i> | <i>Qty.</i> | <i>Description</i> | <i>Ref.</i> | <i>Part Number</i> | <i>Qty.</i> | <i>Description</i> |
|-------------|--------------------|-------------|--------------------|-------------|--------------------|-------------|--------------------|
| 1 | 138-9831 | 1 | Pulley-Engine | 5 | 112843 | 1 | Washer |
| 2 | 137-7000 | 1 | Stop-Clutch (Wide) | 6 | 3212-19 | 1 | Screw-HH |
| 3 | 127-3410 | 1 | Clutch-PTO | 7 | 3234-42 | 1 | Screw-HHF |
| 4 | 120-2217 | 1 | Isolator-Clutch | 8 | 104-8301 | 1 | Nut-HF, NI |

Attachments and Accessories

For 75305 Titan ZX5400 Riding Mower

| Product Name | Model/Part |
|---|-------------------|
| Jack Kit | 127-6666 |
| Fuel Stabilizer .05 oz | 130-2393 |
| 4-Cycle Fuel, Snow And Lawn 32oz Can | 131-3823 |
| Toro Premium Fuel Treatment 12oz Bottle | 131-6572 |
| 5 Gallon Bucket | 133-2533 |
| 54in Recycler Kit..... | 136-7489 |
| Light Kit..... | 136-7493 |
| Sunshade | 137-7011 |
| Product Cover..... | 137-7012 |
| Oil-30/10W-30 Synthetic (Quart)..... | 138-6053 |
| ROPS Kit | 139-2638 |
| Bucket Mount Kit..... | 140-2066 |
| Jack Mount Kit | 140-2067 |
| HD Bagger Cover Kit | 140-5036 |
| Weight Kit | 140-5084 |
| Striping Kit 54/60in..... | 140-5120 |
| Leaf Bagging Enhancement Kit | 140-5122 |
| Deck Lift Assist Kit | 140-5123 |
| Bagger Mount Kit..... | 140-5125 |
| Hydro Service Kit..... | 144-5347 |
| Flat Free Caster Wheel Kit..... | 145-0489 |
| 10W30 4-Cycle Engine Oil (32oz Bottle)..... | 38280 |
| Toro 4-Cycle SAE 30 Oil (32oz Bottle) | 38903 |
| Powered Bagger..... | 79346 |
| Residential Z Slope Sensor Kit | 79400 |

Notes:



Count on it.