



Count on it.

Parts Catalog

Titan® ZX5400

Riding Mower

Model No. 75305—Serial No. 409440000 and Up



Ordering Replacement Parts

To order replacement parts, please supply the part number, the quantity, and the description of each part desired.

Understanding Reference Numbers

Each identified part in an illustration has a reference number. The reference number for a part also appears in the parts list, along with other information about the part.

This catalog uses two special reference number formats, one to indicate parts in a service assembly and another to indicate the quantity of a given part in an illustration.

Service Assembly Reference Numbers

Parts in service assemblies have reference numbers in the form a:b. The a represents the reference number of the entire service assembly and the b represents a sequential number unique to each part within the service assembly.

For example, a wheel assembly might be identified by reference number 6, the tire by 6:1, the valve by 6:2, and the wheel by 6:3. When you order the assembly identified by reference number 6, you receive all parts identified by reference numbers 6:1, 6:2, and 6:3. However, you may also order any part individually. Reference numbers of this type appear in illustration and in parts lists.

Reference Numbers Indicating Quantity

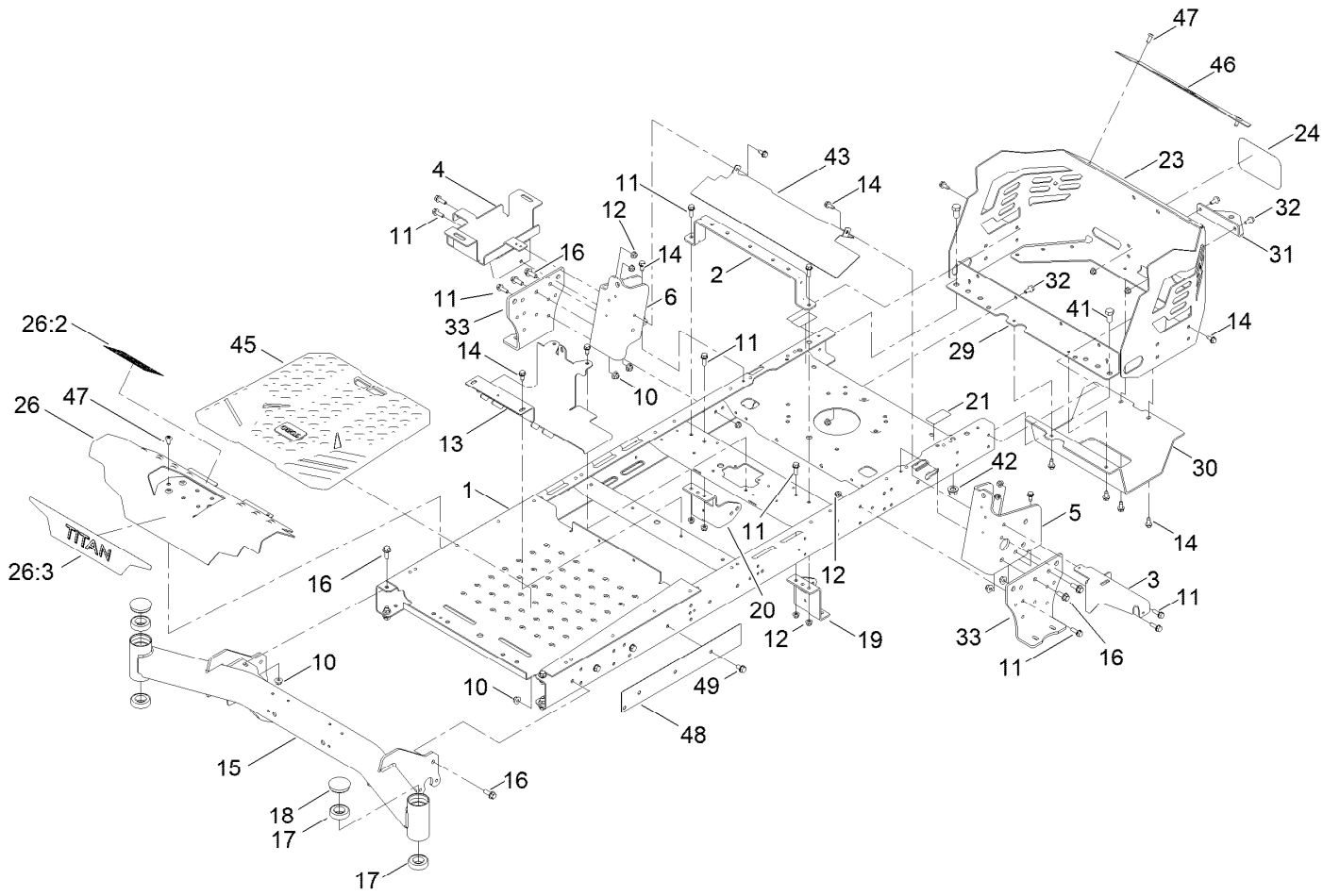
In an illustration, if a reference number indicates more than one part, the reference number has the form nX y. The n represents the quantity of the part, the X is the multiplication symbol, and the y represents the reference number.

For example, in an illustration, the reference number 2X 37 means that two of the parts identified by reference number 37 are indicated.

Contents

Frame Assembly	4
Deck Lift Assembly	6
Fork and Caster Wheel Assembly	8
Traction Drive Assembly	10
RH Hydro Transmission Assembly No. 140-8310	12
LH Hydro Transmission Assembly No. 140-8311	14
Brake Assembly	16
Tire Assembly	18
Seat Pan Assembly	20
Seat Assembly No. 140-2714	22
Motion Control Assembly	24
Engine and Muffler Assembly	26
Body Styling and Fuel Pod Assembly	28
Fuel Tank Assembly No. 133-4484	30
Electrical Assembly	32
54 Inch Deck Assembly	34
Frame Decal Assembly	36
Maintenance and HOC Decal Assembly	38
Clutch Assembly	40
Attachments and Accessories	42

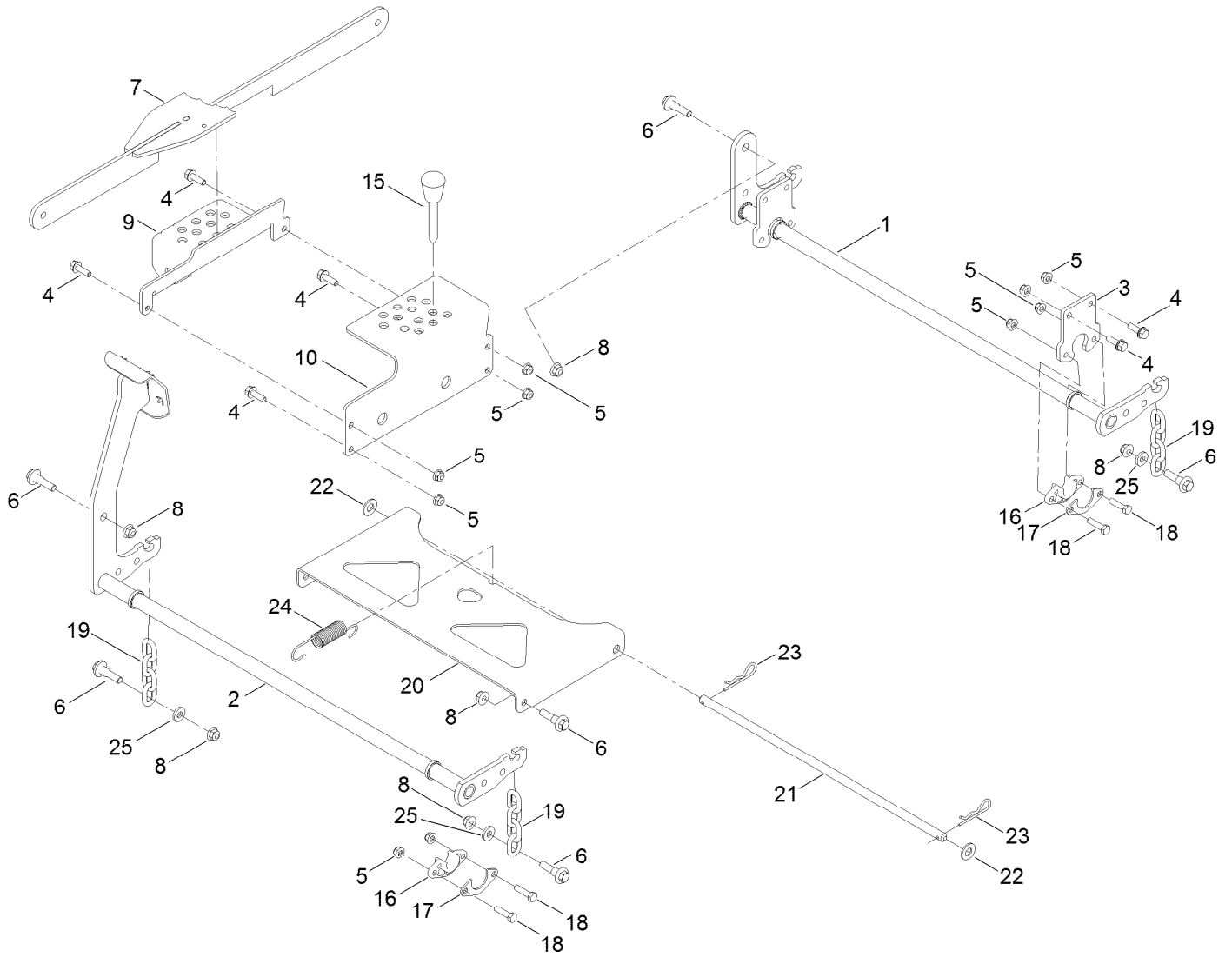
Frame Assembly



Frame Assembly (continued)

<i>Ref.</i>	<i>Part Number</i>	<i>Qty.</i>	<i>Description</i>	<i>Ref.</i>	<i>Part Number</i>	<i>Qty.</i>	<i>Description</i>
1	133-1191-01	1	Frame ASM	23	140-1031-03	1	Guard-Engine
2	135-0687-03	1	Brace-Seat, Rear (Wide)	24	99-4693	1	Decal
3	133-7051-03	1	Bracket-Support, Pod (LH)	26	140-3485	1	Footrest-Titan
4	139-3570	1	Tray-Battery	26:2	140-3451	1	Decal-Danger
5	137-5068-01	1	Bracket-Mounting, LH	26:3	139-7469	1	Decal-Titan
6	137-5069-01	1	Bracket-Mounting, RH	29	137-7016-01	1	Crossmember-Rear, Wide
10	104-8301	10	Nut-HF, NI	30	133-4429-03	1	Guard-Muffler
11	3234-29	16	Screw-HHF	31	117-1232-03	1	Bracket-Hitch
12	104-8300	22	Nut-HF, NI	32	3234-47	6	Screw-HHF
13	133-4485-03	1	Bracket-Mount	33	133-1201-03	2	Mount-Hydro
14	32144-70	22	Screw-HWHTF	41	325-4	2	Screw-HH
15	139-5839-01	1	Front Axle ASM	42	99-5107	2	Nut-Lock
16	3234-42	10	Screw-HHF	43	136-9183-03	1	Shield
17	109-3678	4	Bearing-Ball	45	139-7487	1	Floor Mat
18	138-7200	2	Cap-Grease	46	140-1032-01	1	Trim-Guard, Engine
19	139-3211-01	1	Mount-Hydro, Front (Left)	47	138-9753	4	Screw
20	137-7020-01	1	Mount-Hydro, Front (Right)	48	140-0366-01	1	Plate-Frame
21	121-2989	2	Decal-Bypass	49	32144-69	3	Screw-HWHTF

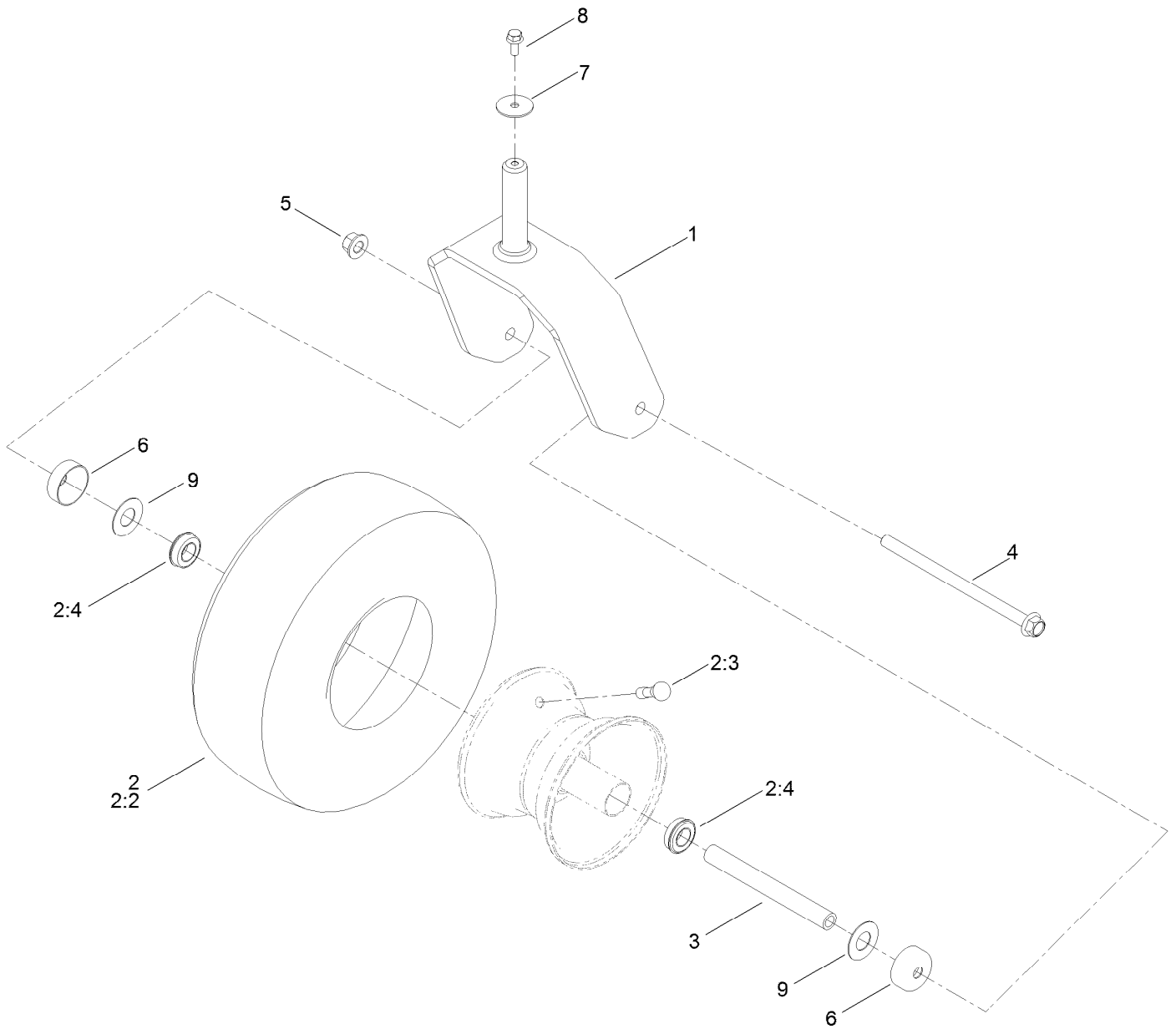
Deck Lift Assembly



Deck Lift Assembly (continued)

<i>Ref.</i>	<i>Part Number</i>	<i>Qty.</i>	<i>Description</i>	<i>Ref.</i>	<i>Part Number</i>	<i>Qty.</i>	<i>Description</i>
1	137-2020-03	1	Pivot-Rear	16	139-5872	4	Bearing-Flange
2	133-4430-03	1	Pivot-Front	17	138-7204	4	Gusset-Deck Lift
3	137-2021-03	2	Plate	18	322-6	8	Screw-HH
4	3234-29	8	Screw-HHF	19	138-7205	4	Chain-Decklift, 4-Link
5	104-8300	16	Nut-HF, NI	20	133-4311-01	1	Pan-Pivot, Deck
6	130-0742	8	Bolt-Shoulder	21	133-7071	1	Rod-Pivot, Deck
7	139-3553-03	1	Lift Link ASM	22	3256-26	2	Washer-Flat
8	104-8301	8	Nut-HF, NI	23	1-806005	2	Pin-Cotter
9	139-3557-03	1	Plate-HOC, Lower	24	138-7206	1	Spring-Extension
10	139-3556-03	1	Plate-HOC, Upper	25	138-7207	4	Spacer-Hub, Blower
15	140-2146	1	HOC Pin ASM				

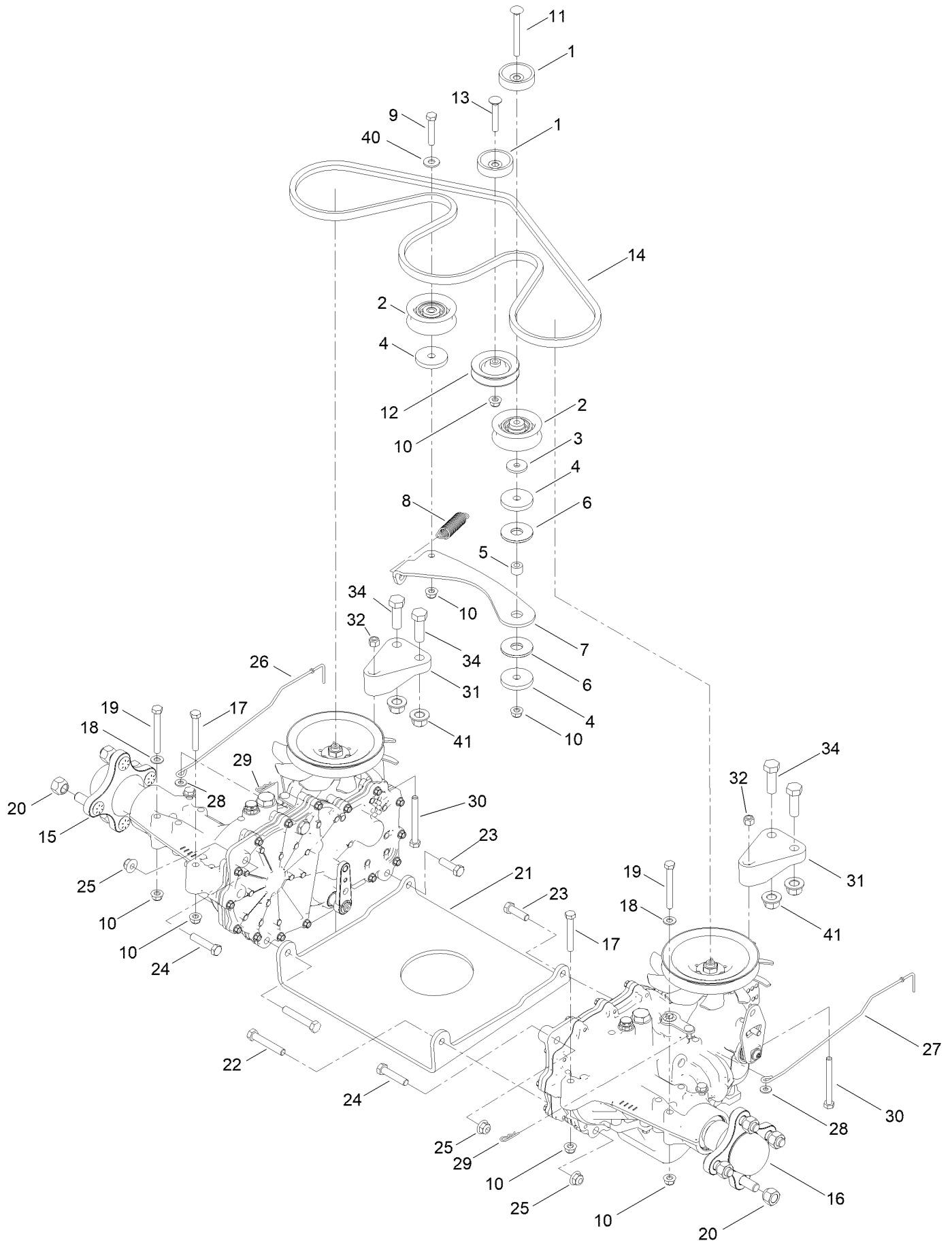
Fork and Caster Wheel Assembly



Fork and Caster Wheel Assembly (continued)

<i>Ref.</i>	<i>Part Number</i>	<i>Qty.</i>	<i>Description</i>	<i>Ref.</i>	<i>Part Number</i>	<i>Qty.</i>	<i>Description</i>
1	139-7537-01	2	Fork-Caster	4	126-5389	2	Screw-HHF
2	139-7532	2	Tire And Wheel ASM	5	99-5107	2	Nut-Lock
2:2	126-5959	1	Tire	6	138-7208	4	Guard-Seal
2:3	232-27	1	Stem-Valve	7	3256-68	2	Washer-Flat
2:4	136-4190	2	Bearing	8	3234-47	2	Screw-HHF
3	133-4487	2	Spanner-Wheel	9	136-5590	4	Washer

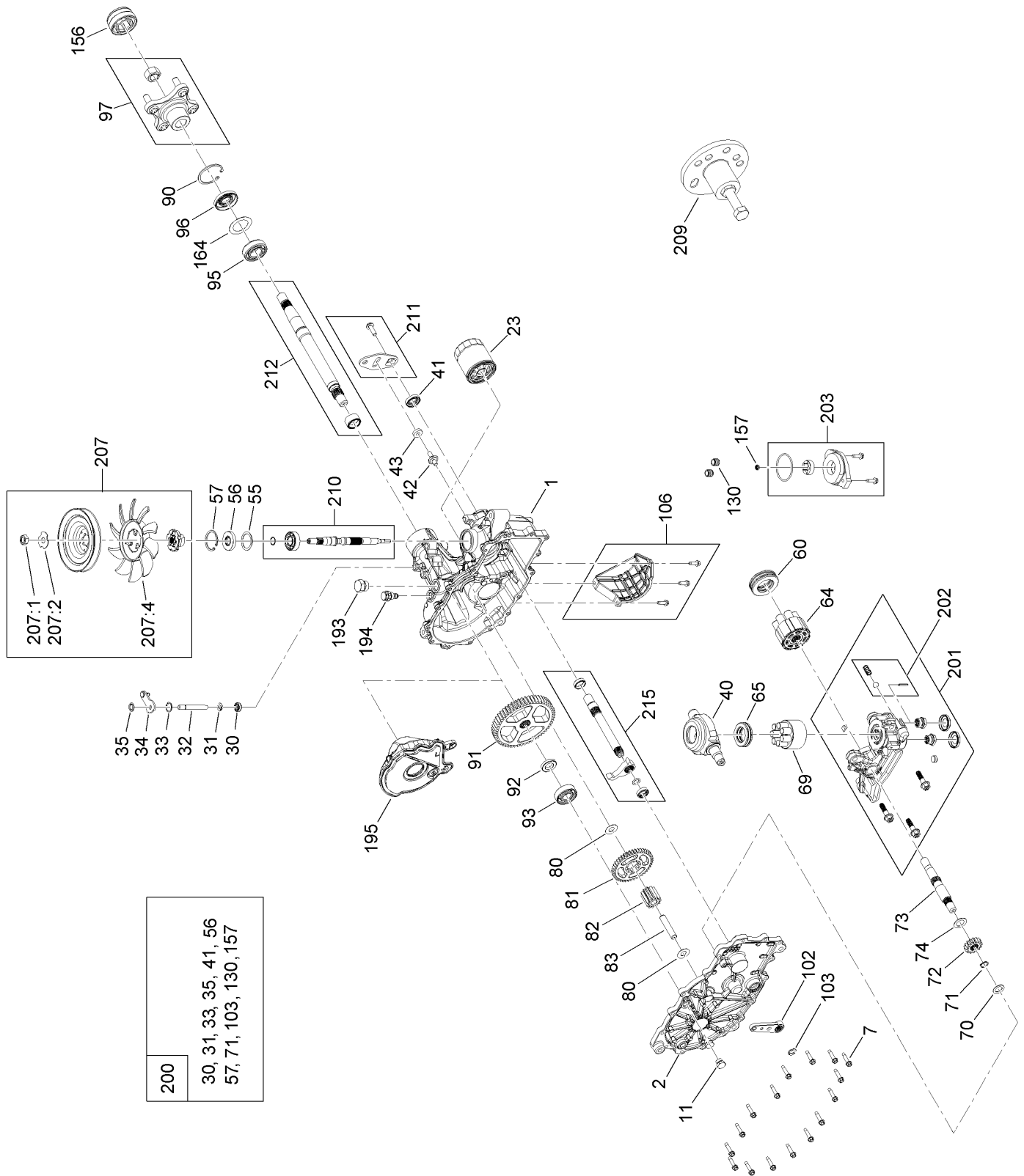
Traction Drive Assembly



Traction Drive Assembly (continued)

<i>Ref.</i>	<i>Part Number</i>	<i>Qty.</i>	<i>Description</i>	<i>Ref.</i>	<i>Part Number</i>	<i>Qty.</i>	<i>Description</i>
1	119-3353	2	Spacer	18	3256-23	6	Washer-Plain
2	138-7597	2	Pulley-Idler, Flat	19	322-13	4	Screw-HH
3	1-613235	1	Washer	20	242-50	8	Nut-Lug
4	110-9981	3	Washer-Plain	21	130-0718-01	1	Plate-Cross, Hydro
5	138-7209	1	Bushing	22	323-11	2	Screw-HH
6	114-0463	2	Washer-Friction, Composite	23	323-7	2	Screw-HH
7	133-4423	1	Arm-Idler	24	323-9	2	Screw-HH
8	137-7040	1	Spring-Return, Pedal	25	104-8301	6	Nut-HF, NI
9	322-9	1	Screw-HH	26	139-5855	1	Rod-Bypass, RH
10	104-8300	9	Nut-HF, NI	27	139-5854	1	Rod-Bypass, LH
11	119-9784	1	Screw-CARR	28	3256-22	2	Washer-Flat
12	119-8822	1	Pulley-Idler	29	3290-307	2	Pin-Cotter
13	3230-6	1	Bolt-CARR	30	322-14	2	Screw-HH
14	133-4371	1	V-Belt	31	133-1247	2	Support-Hydro, Rear
15	140-8310	1	RH Hydro Transmission ASM	32	3296-29	2	Nut-Lock, NI
16	140-8311	1	LH Hydro Transmission ASM	34	325-6	4	Screw-HH
17	322-11	2	Screw-HH	40	3256-3	1	Washer-Flat
				41	99-5107	4	Nut-Lock

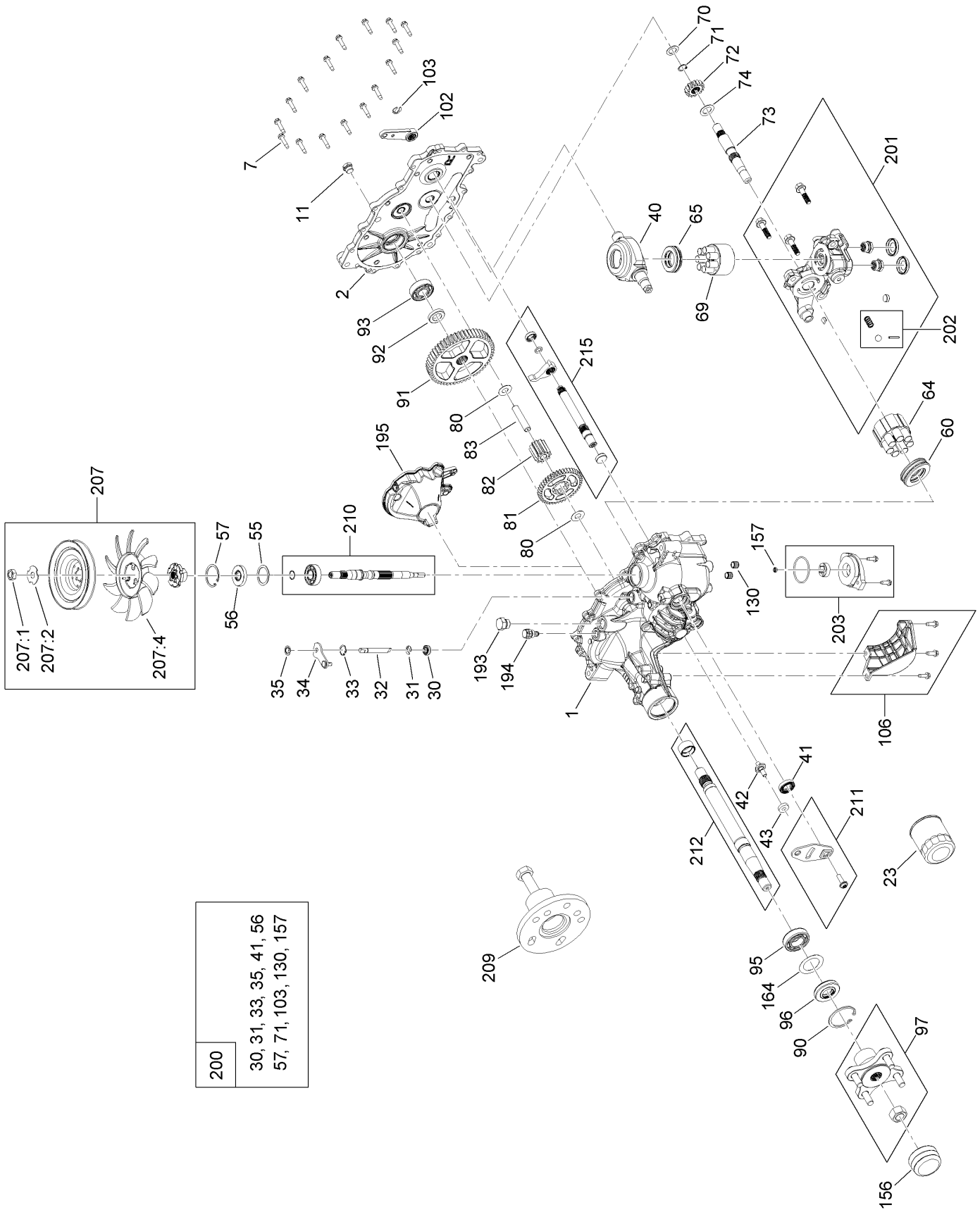
RH Hydro Transmission Assembly No. 140-8310



RH Hydro Transmission Assembly No. 140-8310 (continued)

<i>Ref.</i>	<i>Part Number</i>	<i>Qty.</i>	<i>Description</i>	<i>Ref.</i>	<i>Part Number</i>	<i>Qty.</i>	<i>Description</i>
1	140-8347	1	LH Main Housing Kit	91	114-1694	1	Gear-54T
2	140-8350	1	LH Side Cover Kit	92	120-7975	1	Spacer
7	117-5359	16	Screw-HHF	93	137-2004	1	Bearing Kit
11	135-1140	1	Plug-Straight	95	120-7976	1	Bearing-Ball
23	109-3321	1	Element-Oil Filter, HYD	96	104-2144	1	Seal
30	139-7497	1	Seal-Lip	97	109-5939	1	Hub Kit
31	106-8677	1	Ring-Retaining, External	102	125-0021	1	Handle-Brake
32	114-1685	1	Rod-Bypass	103	131-0906	1	Ring-Retaining, EXT
33	106-8679	1	Ring-Retaining, Internal	106	139-7498	1	Filter Guard Kit
34	107-2490	1	Arm-Bypass	130	126-3251	2	Tube-Charge
35	106-8681	1	Ring-Retaining, External	156	115-5057	1	Cover-Nut, Axle
40	104-5304	1	Swashplate-Trunnion	157	126-1930	1	Gerotor Seal Kit
41	104-5313	1	Seal-Lip	164	121-5745	1	Spacer
42	104-2116	1	Stud	193	140-8343	1	Plug
43	112-9853	1	Puck-Friction	194	140-8356	1	Breather Fitting ASM
55	104-5308	1	Spacer	195	140-8358	1	LH Internal Expansion Tank ASM
56	104-5310	1	Seal-Lip	200	140-8351	1	Seal Kit
57	104-5309	1	Ring-Retaining	201	137-2012	1	LH Charge Center Section Kit
60	112-4154	1	Bearing-Thrust	202	114-8464	1	Charge Relief Kit
64	139-4074	1	Cylinder Block ASM Kit	203	114-8465	1	Charge Kit
65	94-6922	1	Bearing-Thrust	207	135-7343	1	Fan And Pulley Kit
69	110-8561	1	Pump Block ASM	207:1	116-9714	1	Nut-HJ
70	104-5339	1	Washer-Flat	207:2	116-9708	1	Washer-Slotted
71	104-5340	1	Ring-Retaining	207:4	135-7364	1	Fan 7.0 X 10 Blade
72	114-1690	1	Gear-14T	209	114-8467	1	Puller-Hub, 4 Bolt
73	114-1691	1	Shaft-Motor	210	139-7502	1	Input Shaft Kit
74	104-5360	1	Washer	211	117-5362	1	Control Arm Kit
80	94-1933	2	Washer	212	114-8470	1	Axle Shaft Kit
81	114-1692	1	Gear-45T	215	140-8353	1	Inboard Kit
82	114-1693	1	Gear-11T				
83	104-5329	1	Pin-Jackshaft				
90	104-2169	1	Ring-Retaining				

LH Hydro Transmission Assembly No. 140-8311



- | |
|---|
| 200 |
| 30, 31, 33, 35, 41, 56
57, 71, 103, 130, 157 |

LH Hydro Transmission Assembly No. 140-8311 (continued)

<i>Ref.</i>	<i>Part Number</i>	<i>Qty.</i>	<i>Description</i>	<i>Ref.</i>	<i>Part Number</i>	<i>Qty.</i>	<i>Description</i>
1	140-8345	1	RH Main Housing Kit	91	114-1694	1	Gear-54T
2	140-8349	1	RH Side Cover Kit	92	120-7975	1	Spacer
7	117-5359	16	Screw-HHF	93	137-2004	1	Bearing Kit
11	135-1140	1	Plug-Straight	95	120-7976	1	Bearing-Ball
23	109-3321	1	Element-Oil Filter, HYD	96	104-2144	1	Seal
30	139-7497	1	Seal-Lip	97	109-5939	1	Hub Kit
31	106-8677	1	Ring-Retaining, External	102	125-0021	1	Handle-Brake
32	114-1685	1	Rod-Bypass	103	131-0906	1	Ring-Retaining, EXT
33	106-8679	1	Ring-Retaining, Internal	106	139-7499	1	Filter Guard Kit
34	112-9852	1	Arm-Bypass	130	126-3251	2	Tube-Charge
35	106-8681	1	Ring-Retaining, External	156	115-5057	1	Cover-Nut, Axle
40	104-5304	1	Swashplate-Trunnion	157	126-1930	1	Gerotor Seal Kit
41	104-5313	1	Seal-Lip	164	121-5745	1	Spacer
42	104-2116	1	Stud	193	140-8343	1	Plug
43	112-9853	1	Puck-Friction	194	140-8356	1	Breather Fitting ASM
55	104-5308	1	Spacer	195	140-8357	1	RH Internal Expansion Tank ASM
56	104-5310	1	Seal-Lip	200	140-8351	1	Seal Kit
57	104-5309	1	Ring-Retaining	201	137-2005	1	RH Charge Center Section Kit
60	112-4154	1	Bearing-Thrust	202	114-8464	1	Charge Relief Kit
64	139-4074	1	Cylinder Block ASM Kit	203	114-8465	1	Charge Kit
65	94-6922	1	Bearing-Thrust	207	135-7343	1	Fan And Pulley Kit
69	110-8561	1	Pump Block ASM	207:1	116-9714	1	Nut-HJ
70	104-5339	1	Washer-Flat	207:2	116-9708	1	Washer-Slotted
71	104-5340	1	Ring-Retaining	207:4	135-7364	1	Fan 7.0 X 10 Blade
72	114-1690	1	Gear-14T	209	114-8467	1	Puller-Hub, 4 Bolt
73	114-1691	1	Shaft-Motor	210	139-7502	1	Input Shaft Kit
74	104-5360	1	Washer	211	117-5362	1	Control Arm Kit
80	94-1933	2	Washer	212	114-8470	1	Axle Shaft Kit
81	114-1692	1	Gear-45T	215	140-8352	1	Inboard Kit
82	114-1693	1	Gear-11T				
83	104-5329	1	Pin-Jackshaft				
90	104-2169	1	Ring-Retaining				

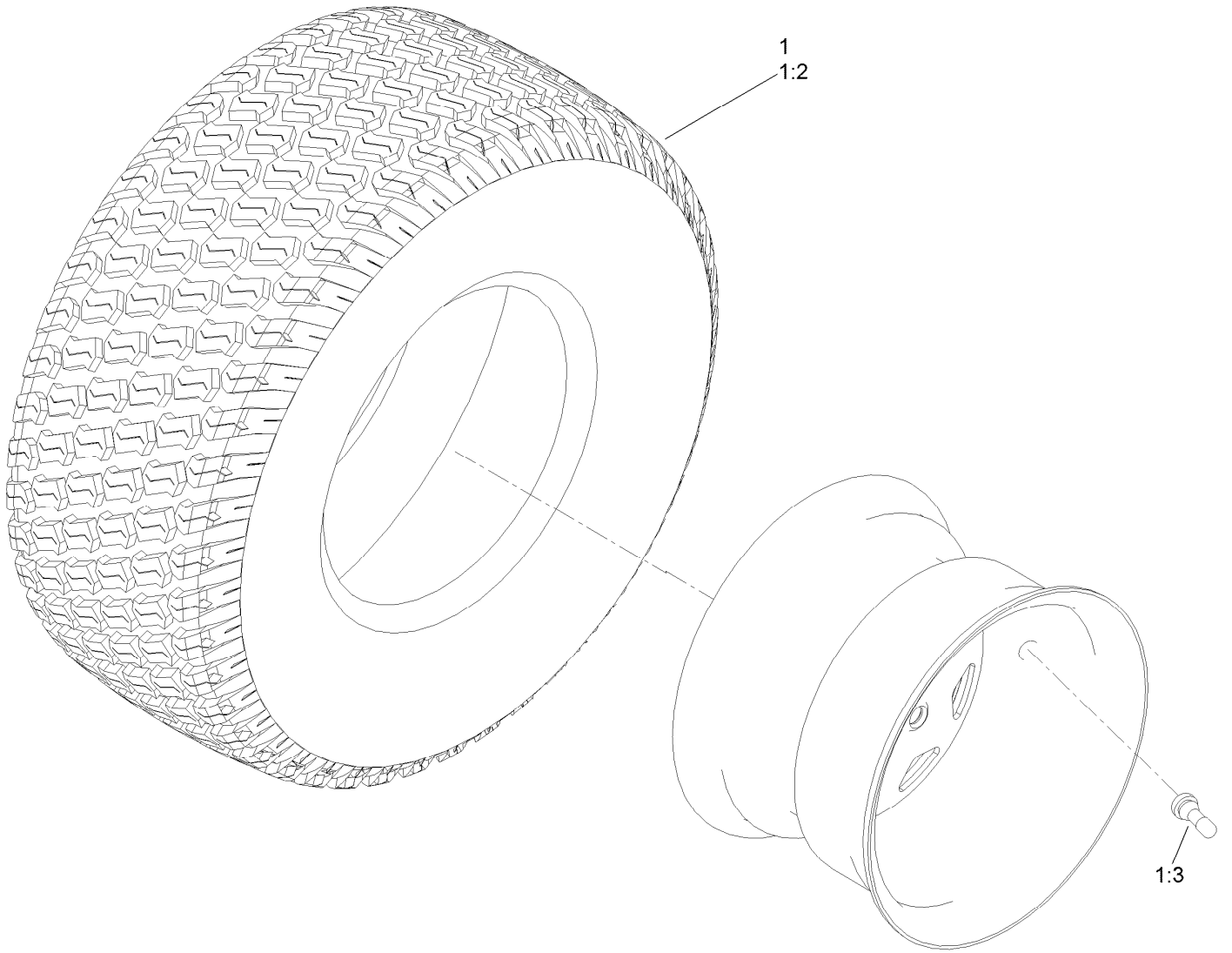
Brake Assembly



Brake Assembly (continued)

<i>Ref.</i>	<i>Part Number</i>	<i>Qty.</i>	<i>Description</i>	<i>Ref.</i>	<i>Part Number</i>	<i>Qty.</i>	<i>Description</i>
1	136-5554	1	Detent-Brake	13	3290-307	8	Pin-Cotter
2	140-0412	1	Handle-Brake, Parking	14	139-5878-03	2	Plate-Support, Bellcrank
3	139-3572	1	Bushing-Flange	15	125-5239	2	Bushing-Flange
4	5-4460	1	Washer-Pivot	16	3234-47	4	Screw-HHF
5	120-5116	1	Washer-Wave	17	133-9343	1	Rod-Brake, RH
6	126-7439	1	Screw-Torx	18	133-9344	1	Rod-Brake, LH
7	104-8300	5	Nut-HF, NI	19	1-603807	2	Spring-Return, Neutral
9	133-9338	1	Bellcrank-Brake	20	110769	2	Spring-Extension
10	133-9342	1	Rod-Brake, Intermediate	21	137-5011	1	Spring-Wave
11	138-7212	2	Fitting-Rod	22	140-0413	1	Grip-Handle
12	3256-23	5	Washer-Plain				

Tire Assembly



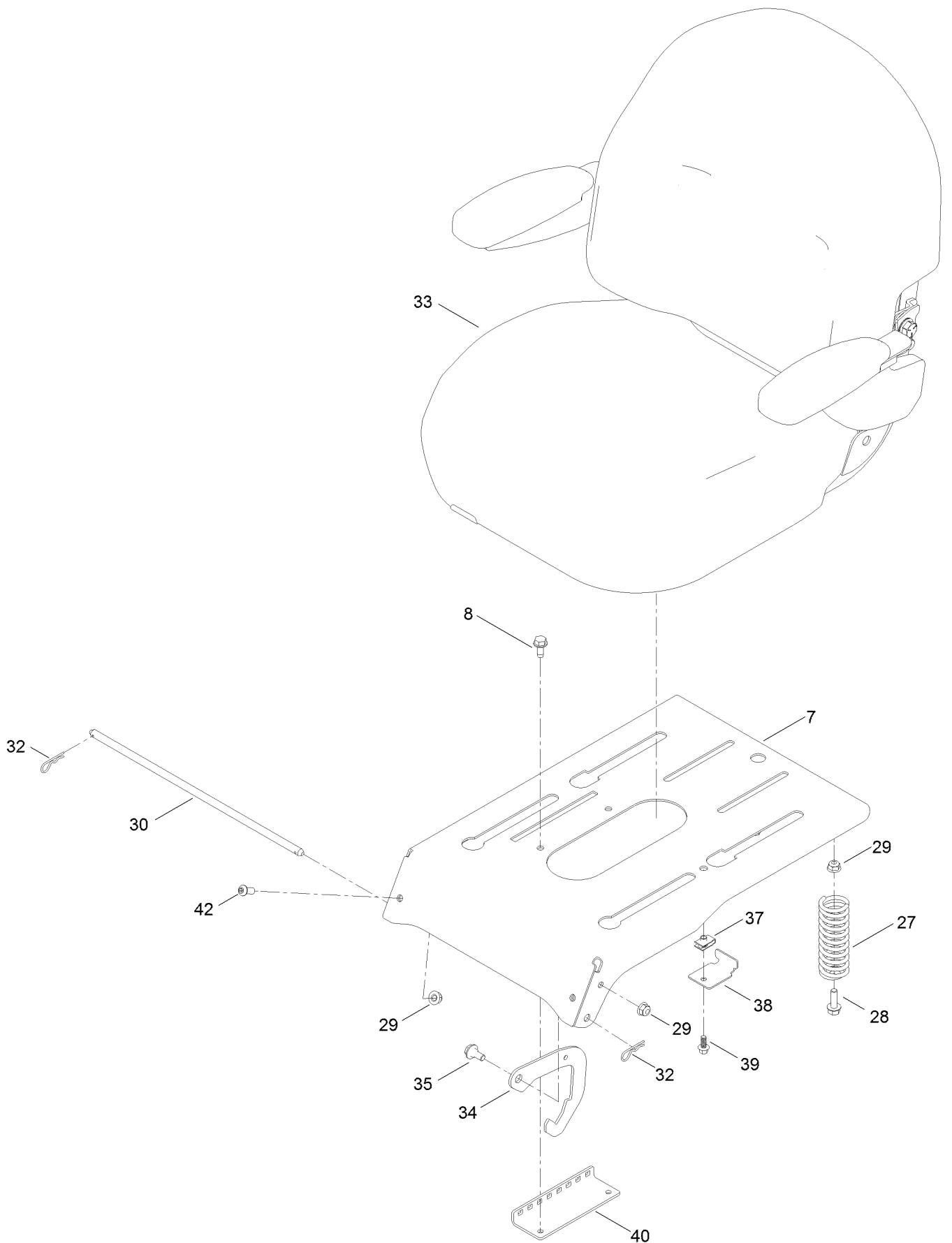
Tire Assembly (continued)

<i>Ref.</i>	<i>Part Number</i>	<i>Qty.</i>	<i>Description</i>	<i>Ref.</i>	<i>Part Number</i>	<i>Qty.</i>	<i>Description</i>
1	139-7534	2	Tire And Wheel ASM	1:3	232-27	1	Stem-Valve
1:2	139-7536	1	Tire	1:99	105-4070	1	Tube-Inner ■●

● Not illustrated

■ Optional Equipment

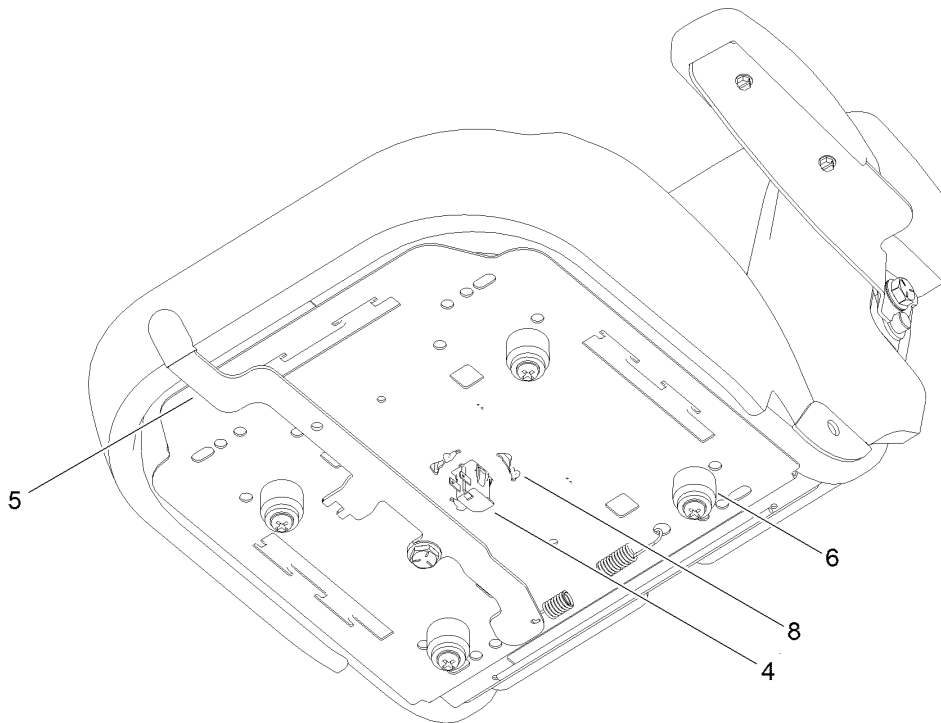
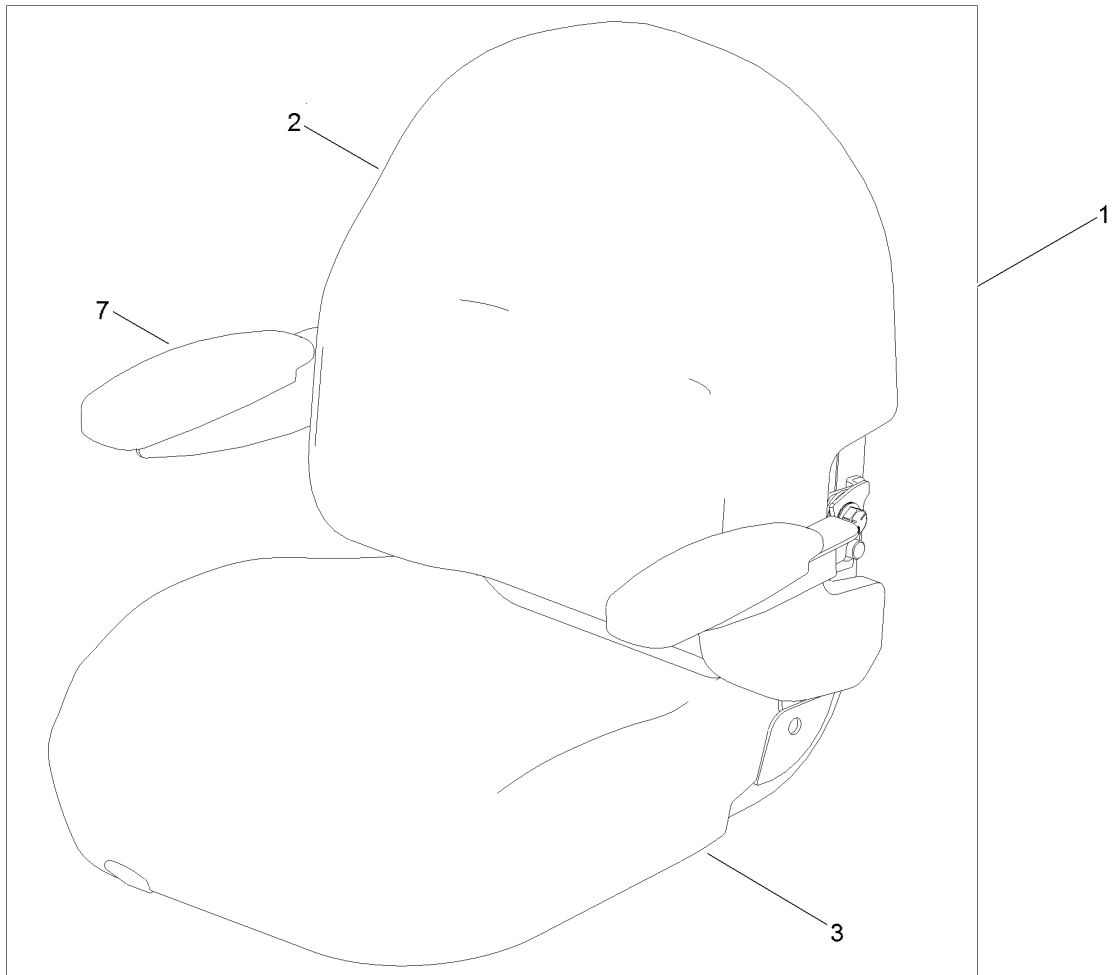
Seat Pan Assembly



Seat Pan Assembly (continued)

<i>Ref.</i>	<i>Part Number</i>	<i>Qty.</i>	<i>Description</i>	<i>Ref.</i>	<i>Part Number</i>	<i>Qty.</i>	<i>Description</i>
7	136-5571-03	1	Pan-Seat, Deluxe	34	138-7250	2	Seat Latch
8	32144-70	2	Screw-HWHTF	35	19-1470	2	Screw-Shoulder
27	92-7054	3	Spring-Compression	37	107069	1	Clip
28	3234-29	3	Screw-HHF	38	138-7214	1	Bracket-Stop, Seat
29	104-8300	7	Nut-HF, NI	39	99-6810	1	Screw-HHF
30	138-7213	1	Rod-Pivot, Narrow	40	131-4008-03	1	Bracket-Latch, Seat
32	3290-250	2	Pin-Cotter	42	3274-55	2	Screw-HSBH
33	140-2714	1	Seat ASM				

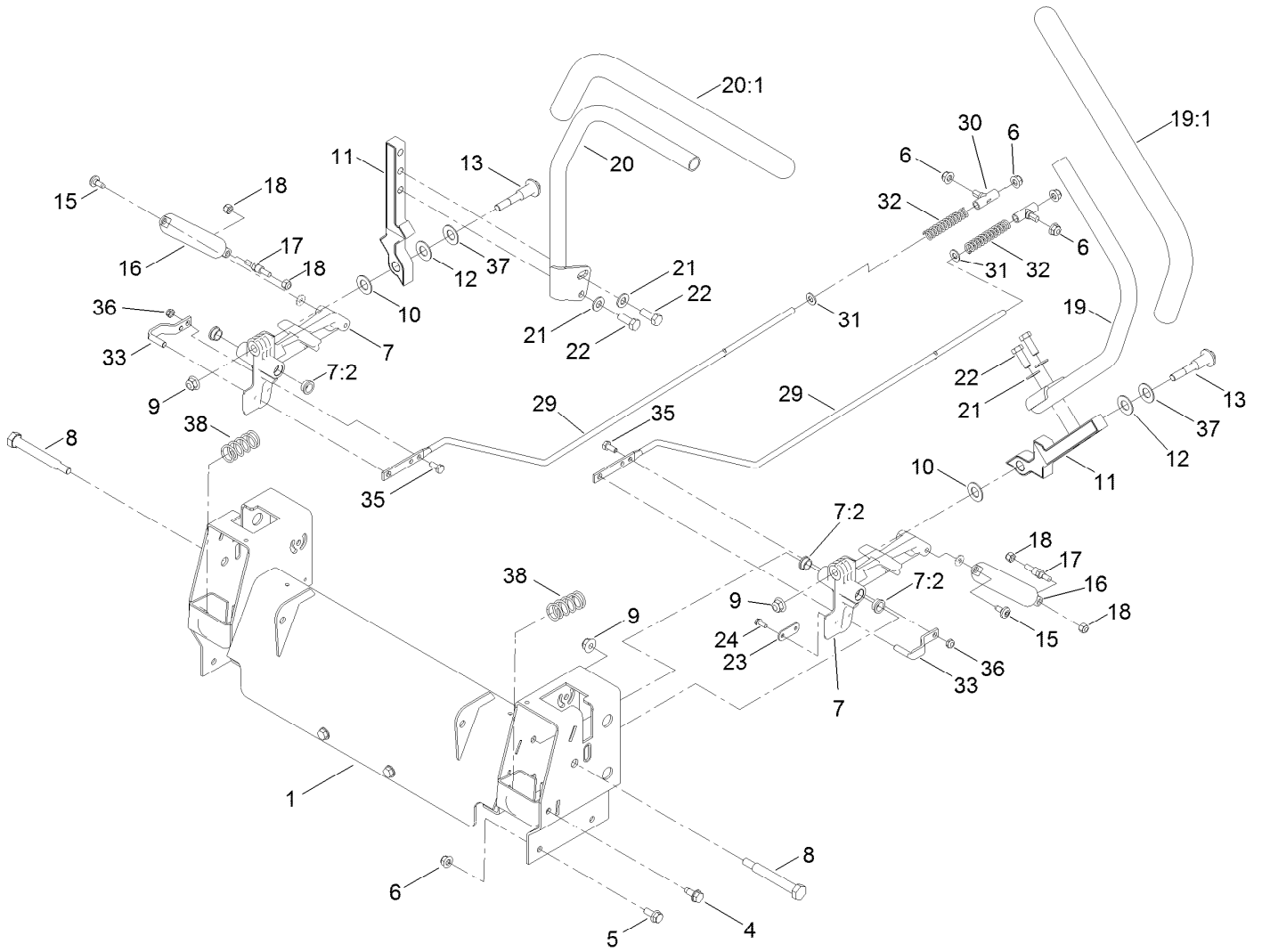
Seat Assembly No. 140-2714



Seat Assembly No. 140-2714 (continued)

<i>Ref.</i>	<i>Part Number</i>	<i>Qty.</i>	<i>Description</i>	<i>Ref.</i>	<i>Part Number</i>	<i>Qty.</i>	<i>Description</i>
1	139-7548	1	Seat ASM	5	131-4153	1	Track ASM
2	140-2077	1	Cover-Seat Back	6	131-4154	1	Bushing ASM
3	140-2078	1	Cover-Seat Base	7	139-5823	1	Arm Rest Kit
4	82-2190	1	Switch-Bail	8	140-3468	1	Cap-Switch, Actuator

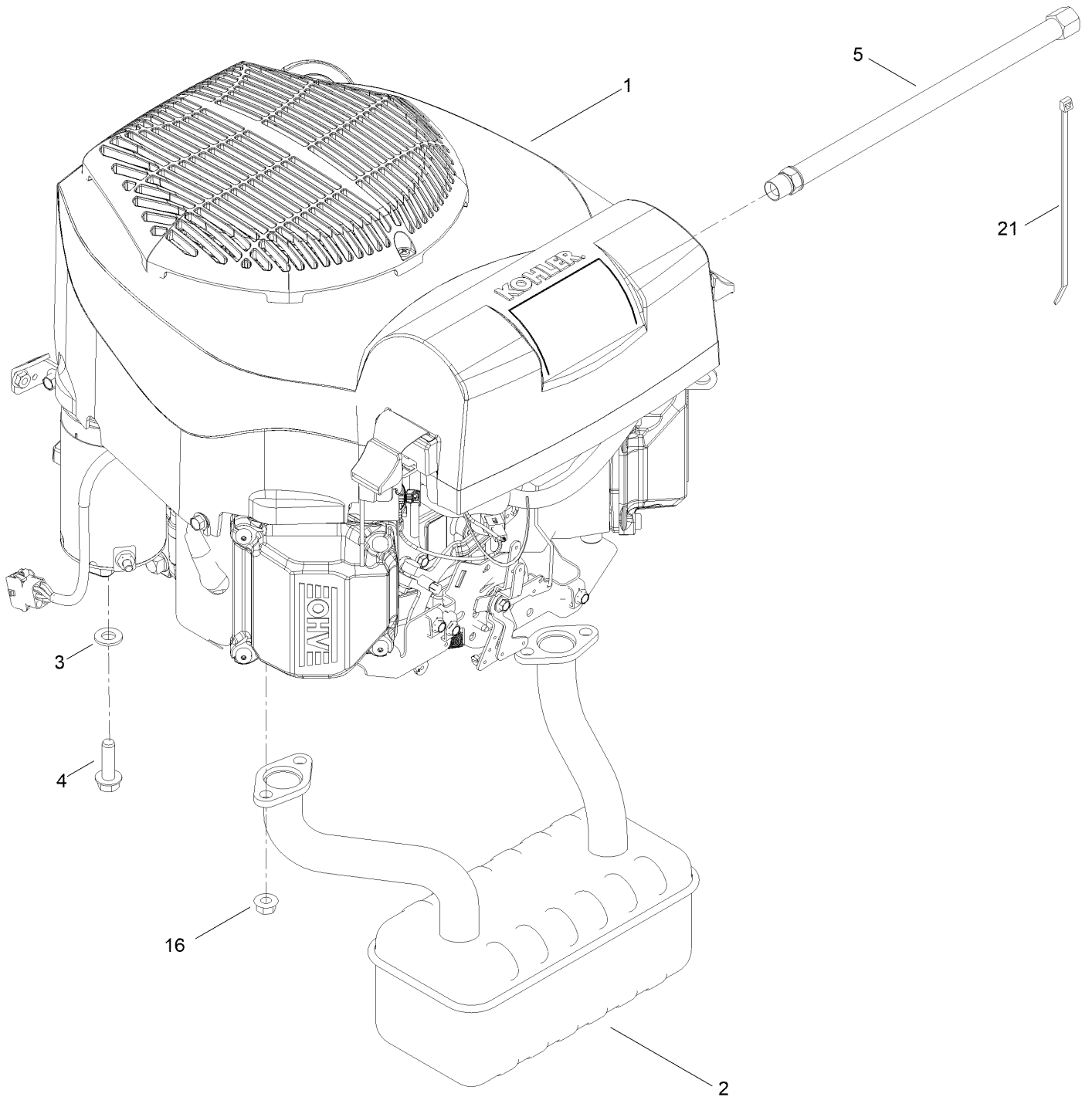
Motion Control Assembly



Motion Control Assembly (continued)

<i>Ref.</i>	<i>Part Number</i>	<i>Qty.</i>	<i>Description</i>	<i>Ref.</i>	<i>Part Number</i>	<i>Qty.</i>	<i>Description</i>
1	139-7531-03	1	Control Box ASM	19:1	121-0726	1	Grip
4	32144-70	4	Screw-HWHTF	20	133-7057	1	Handle-Control, RH
5	3234-47	6	Screw-HHF	20:1	121-0726	1	Grip
6	104-8300	10	Nut-HF, NI	21	3256-24	4	Washer-Plain
7	119-3470	2	Actuator Arm ASM	22	323-6	4	Screw-HH
7:2	256-156	2	Bushing-Flange	23	119-8948	2	Plate-Stop, Hydro
8	115-5099	2	Bolt-Pivot	24	32144-1	4	Screw-Taptite
9	104-8301	4	Nut-HF, NI	29	138-7217	2	Rod-Hydro
10	120-2273	2	Washer-Nylon	30	138-7218	2	Mount-Rod, Hydro
11	136-5570-05	2	Arm-Control	31	3256-23	2	Washer-Plain
12	117-1240	2	Washer	32	138-7252	2	Spring-Compression
13	139-2556	2	Bolt-Pivot	33	121-1753	2	Pin-Rod, Hydro
15	120-7950	2	Screw-Torx	35	321-3	2	Screw-HH
16	132-6853	2	Damper-Non Cavitating	36	3296-56	2	Nut-Lock, NI
17	138-7215	2	Stud-Damper	37	119-8925	2	Washer-Belleville
18	3296-42	4	Nut-Lock, NI	38	138-7219	2	Spring-Return
19	133-7055	1	Handle-Control, LH				

Engine and Muffler Assembly



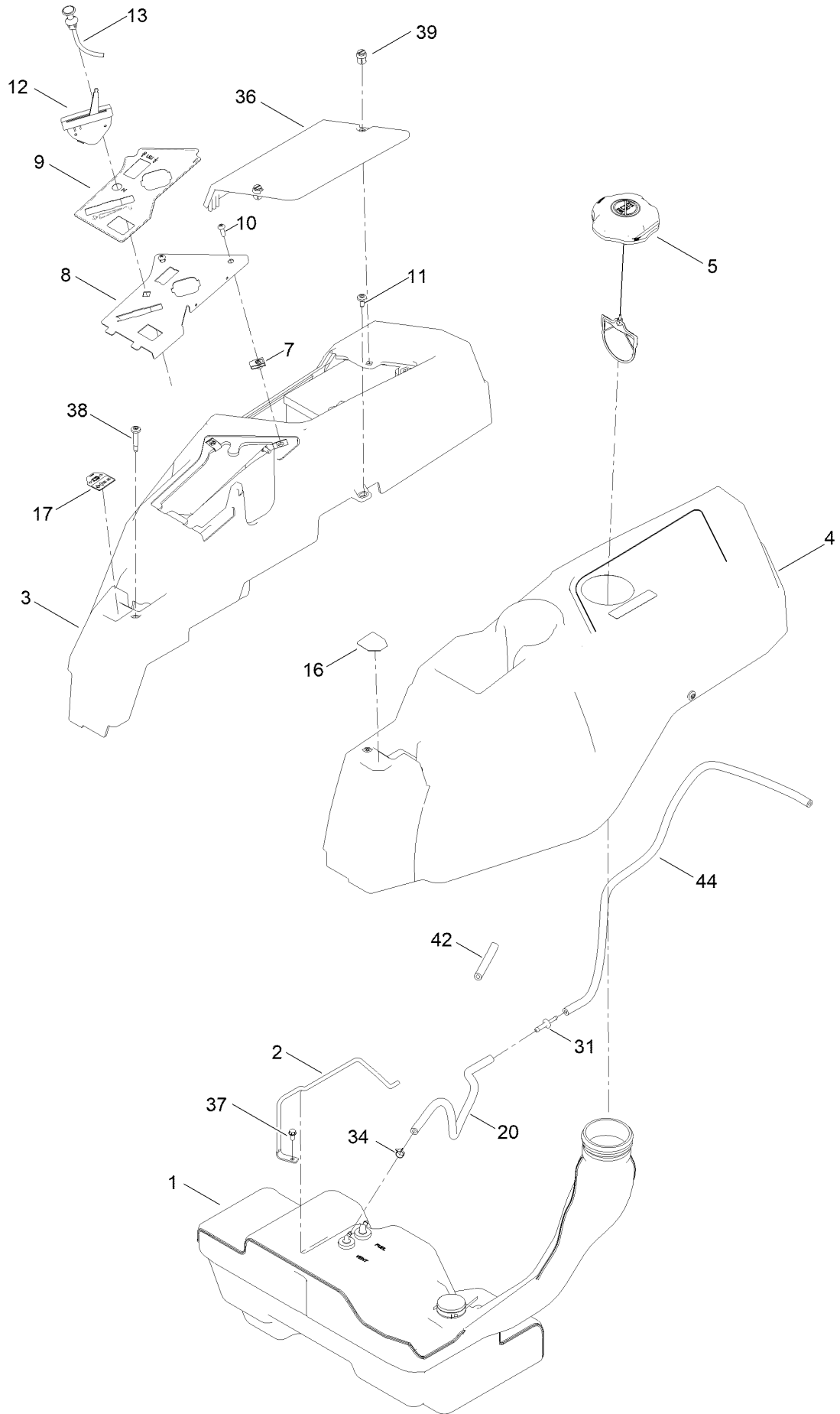
Engine and Muffler Assembly (continued)

<i>Ref.</i>	<i>Part Number</i>	<i>Qty.</i>	<i>Description</i>	<i>Ref.</i>	<i>Part Number</i>	<i>Qty.</i>	<i>Description</i>
1		1	Engine-Kohler Kt745 ■▲	5	117-1261	1	Hose-Drain, Oil
2	139-5868	1	Muffler	16	33004-00	4	Nut-HF
3	3256-24	4	Washer-Plain	21	614249	1	Tie-Cable
4	32144-109	4	Screw-Thd	99	110-6697	1	Gasket-Exhaust ●

● Not illustrated
▲ Obtain parts from www.kohlerplus.com

■ Not serviced separately

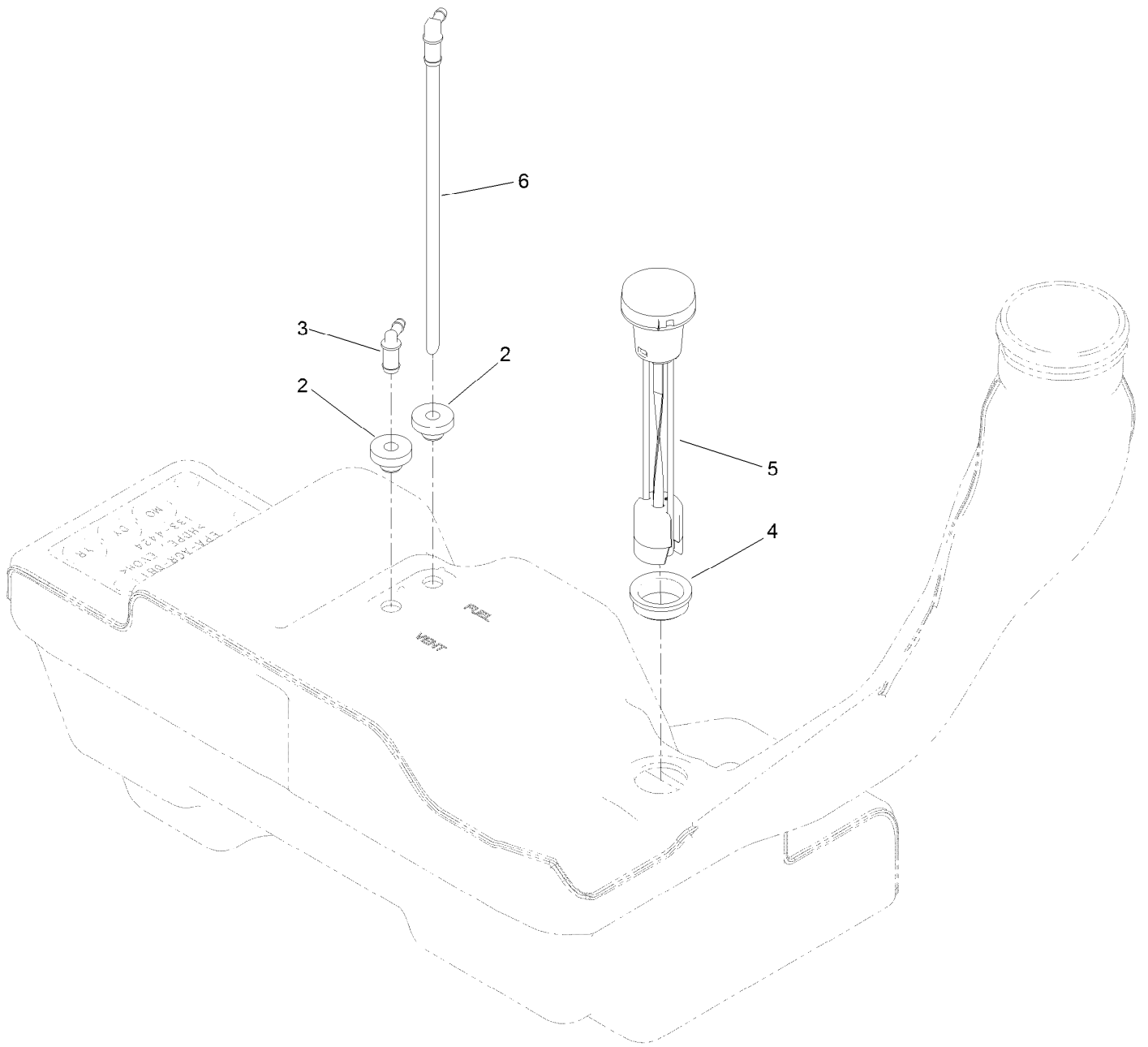
Body Styling and Fuel Pod Assembly



Body Styling and Fuel Pod Assembly (continued)

<i>Ref.</i>	<i>Part Number</i>	<i>Qty.</i>	<i>Description</i>	<i>Ref.</i>	<i>Part Number</i>	<i>Qty.</i>	<i>Description</i>
1	133-4484	1	Fuel Tank ASM	16	136-4243	1	Decal-Lever, Control (LH)
2	136-4180	1	Rod-Hold Down	17	136-4244	1	Decal-Lever, Control (RH)
3	133-9307	1	Pod-RH	20	110-5701	2	Hose-Fuel
4	133-9315	1	Pod-LH	31	117-5399	1	Adaptor-Orifice
5	137-4119	1	Cap-Fuel, Ratcheting	34	2412-98	3	Clamp-Hose
7	107069	2	Clip	36	133-9308	1	Cover-Battery
8	139-7486-03	1	Panel-Control	37	32144-4	1	Screw-HWH
9	139-7473	1	Decal-Panel, Control	38	136-4195	2	Screw-Shoulder
10	3258-166	2	Screw-PRH	39	121-5840	2	Fastener
11	120-7950	4	Screw-Torx	42	138-2522	1	Sleeve-Fuel Line Protector
12	139-3267	1	Cable-Throttle	44	119-6074	1	Hose-Fuel
13	139-2402	1	Cable-Choke				

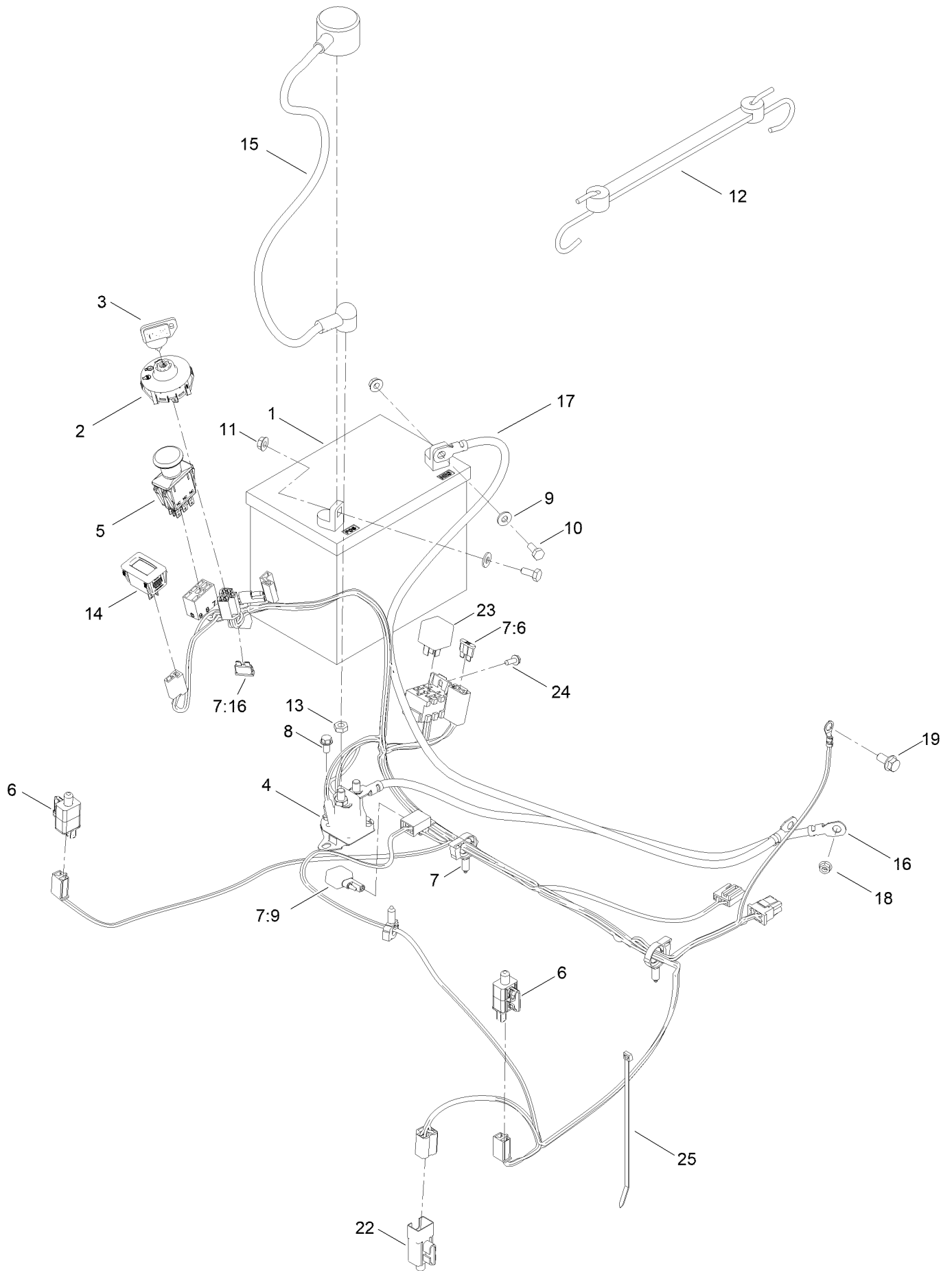
Fuel Tank Assembly No. 133-4484



Fuel Tank Assembly No. 133-4484 (continued)

<i>Ref.</i>	<i>Part Number</i>	<i>Qty.</i>	<i>Description</i>	<i>Ref.</i>	<i>Part Number</i>	<i>Qty.</i>	<i>Description</i>
2	46-6560	2	Bushing	5	133-9270	1	Gauge-Fuel
3	117-7400	1	Fitting-Plastic	6	121-0793	1	Connector-Elbow, 90 DEG
4	133-9269	1	Grommet-Fuel				

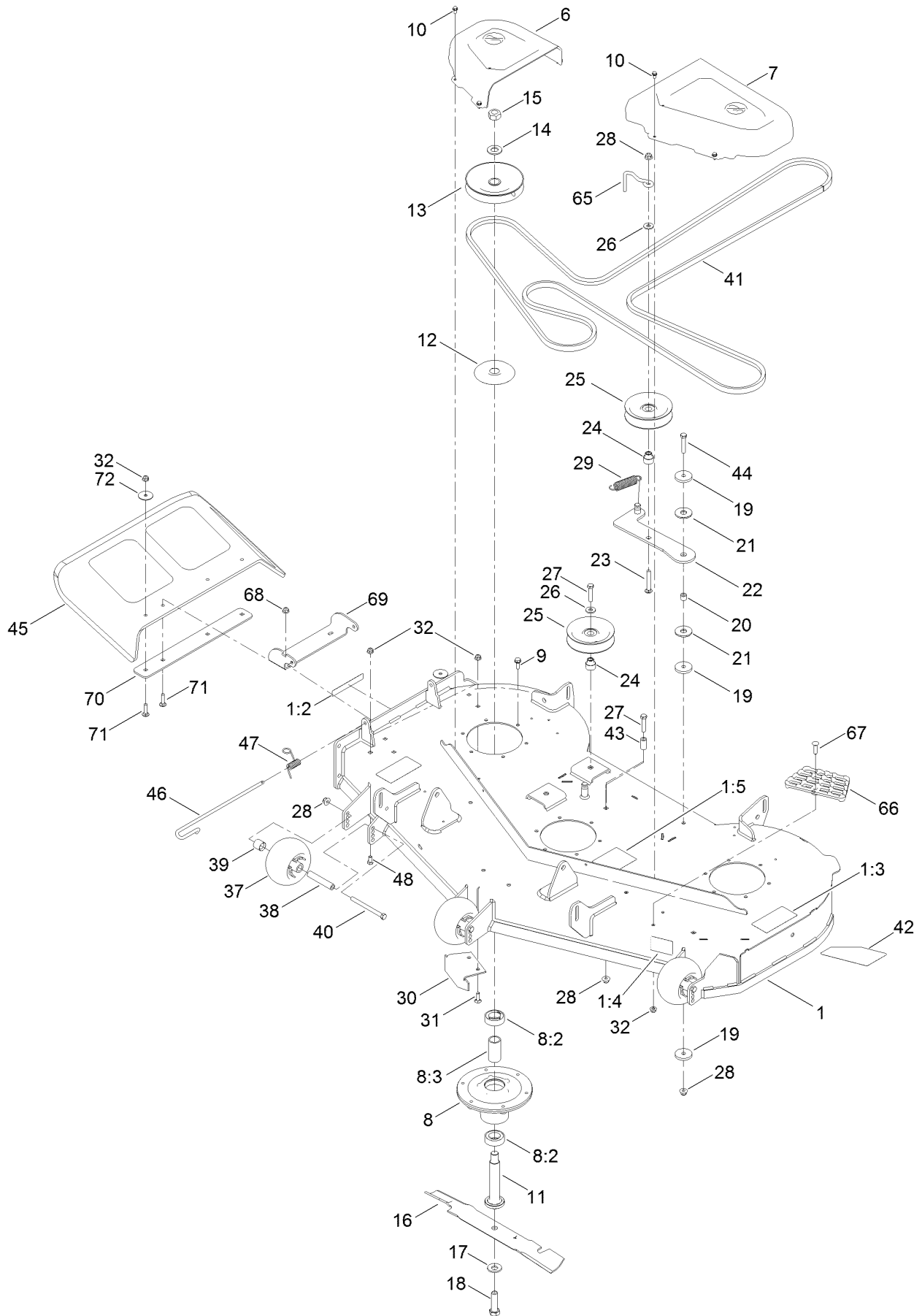
Electrical Assembly



Electrical Assembly (continued)

<i>Ref.</i>	<i>Part Number</i>	<i>Qty.</i>	<i>Description</i>	<i>Ref.</i>	<i>Part Number</i>	<i>Qty.</i>	<i>Description</i>
1	104-8162	1	Battery	11	32128-33	1	Nut-HF
2	137-4100	1	Switch-Ignition	12	104-2466	1	Holddown-Battery
3	63-8360	1	Key-Ignition	13	3220-2	2	Nut-Jam
4	117-1197	1	Solenoid	14	120-2244	1	Hourmeter
5	103-5221	1	Switch-PTO	15	115-3864	1	Cable-Battery, Positive
6	110-6765	2	Switch	16	144-5276	1	Cable-Battery, Rd ASM
7	137-7002	1	Harness-Wire	17	117-7240	1	Cable-Battery, Negative
7:6	109102	1	Fuse-Blade, 25 Amp	18	33003-00	1	Nut-HF
7:9	100-4918	1	Diode	19	3234-14	1	Screw-HHF
7:16	109355	1	Fuse-Blade, 15 Amp	22	99-7408	1	Switch-Reverse
8	32144-4	2	Screw-HWH	23	98-7249	1	Relay
9	3256-22	2	Washer-Flat	24	32144-1	1	Screw-Taptite
10	321-3	2	Screw-HH	25	614249	1	Tie-Cable

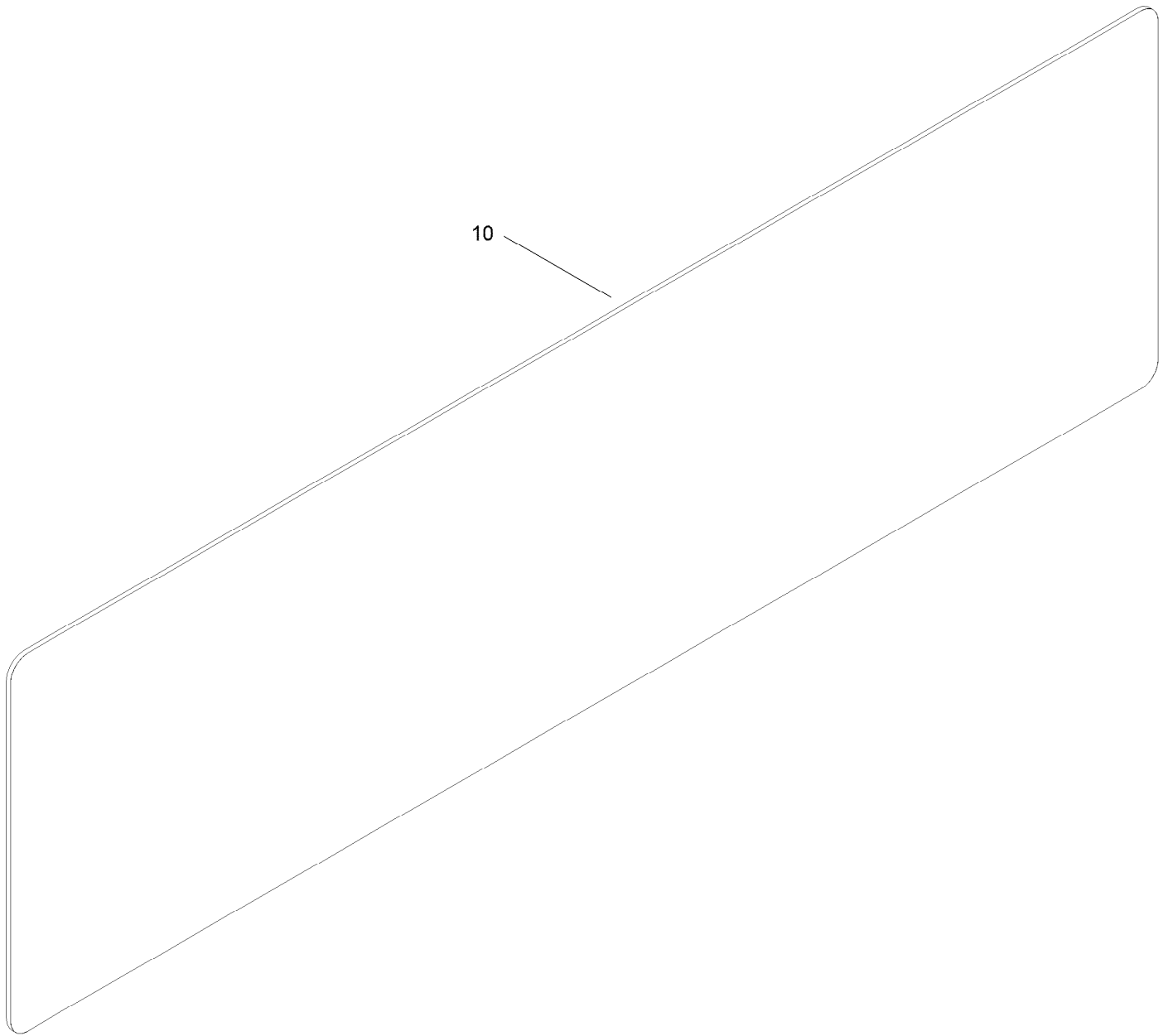
54 Inch Deck Assembly



54 Inch Deck Assembly (continued)

<i>Ref.</i>	<i>Part Number</i>	<i>Qty.</i>	<i>Description</i>	<i>Ref.</i>	<i>Part Number</i>	<i>Qty.</i>	<i>Description</i>
1	140-0353	1	54In Deck ASM	26	80-6990	3	Washer-Hardened
1:2	130-0731	1	Decal-Danger	27	323-9	3	Screw-HH
1:3	132-0872	2	Decal-Danger, Deck	28	104-8301	6	Nut-HF, NI
1:4	130-0765	1	Decal-Scalp, Anti	29	138-7228	1	Spring-Extension
1:5	117-1194	1	Decal-Routing, Belt	30	115-9653-03	1	Baffle-Cutoff
6	133-9283	1	Cover-Belt, RH	31	3230-22	2	Screw-CARR
7	133-9282	1	Cover-Belt, LH	32	104-8300	2	Nut-HF, NI
8	139-2357	3	Spindle ASM	37	1-603299	3	Roller-Scalp, Anti
8:2	116-0720	2	Bearing-Ball	38	138-7229	3	Tube-Spanner
8:3	138-7220	1	Spacer-Bearing	39	104-0892	3	Spacer-Axle, Rear
9	32144-41	18	Screw-Taptite	40	323-23	3	Screw-HH
10	32144-4	8	Screw-HWH	41	133-7076	1	V-Belt
11	115-2642	3	Shaft-Spindle	42	139-3255	1	Decal-Deck
12	138-7221	3	Shield-Bearing	43	138-7230	1	Spacer-Fender
13	139-7455	3	Pulley	44	323-10	1	Screw-HH
14	7-4150	3	Washer	45	117-1270	1	Deflector
15	3219-7	3	Nut-Hex	46	138-7231	1	Pin-Chute
16	115-9650-03	3	Blade-Hi Flo	47	138-7232	1	Spring-Torsion
17	125-1736	3	Washer-Belleville	48	322-2	5	Screw-HH
18	51-4060	3	Screw-Blade	65	136-5615	1	Guide-Belt, Idler
19	110-9981	3	Washer-Plain	66	126-4781-03	1	Step-Deck
20	138-7225	1	Spacer	67	139-1702	1	Bolt-Carriage
21	114-0463	2	Washer-Friction, Composite	68	104-8300	5	Nut-HF, NI
22	138-7226	1	Idler Arm ASM	69	114-1648-03	1	Bracket-Deflector, Upper
23	3231-31	1	Screw-CARR	70	115-5048-03	1	Plate-Deflector
24	138-7227	3	Bushing-Idler	71	3230-3	4	Screw-CARR
25	132-4718	3	Pulley-Idler, Flat	72	3256-68	2	Washer-Flat

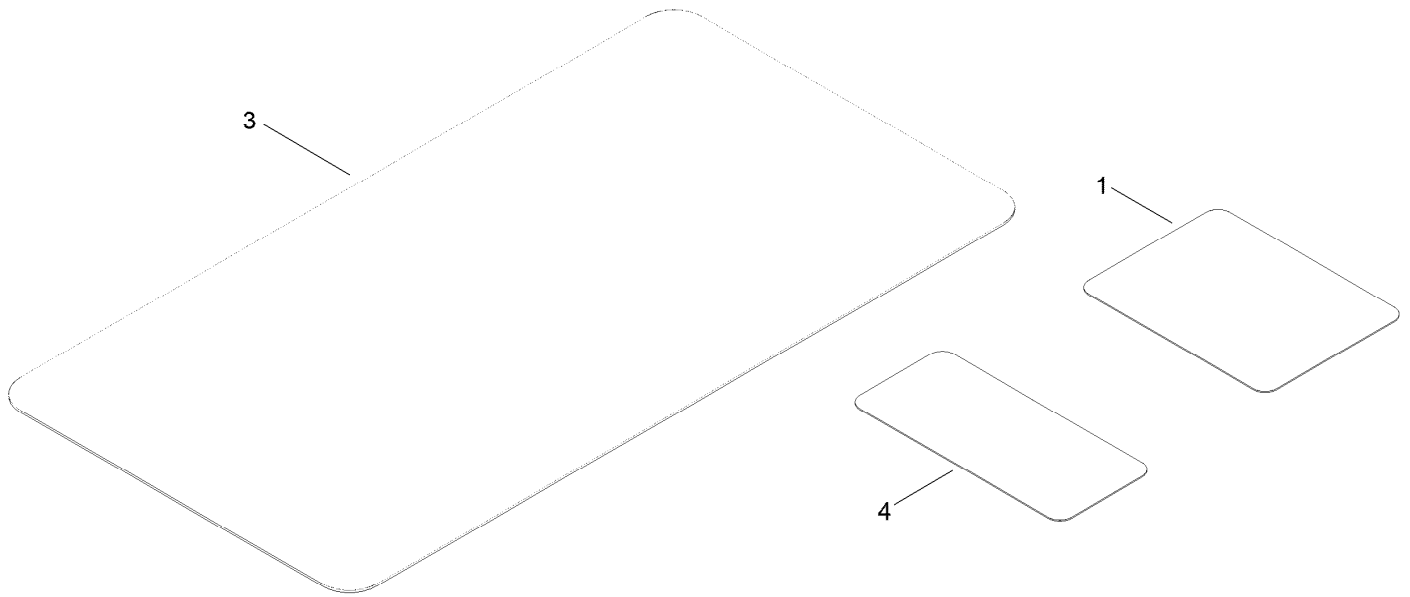
Frame Decal Assembly



Frame Decal Assembly (continued)

<i>Ref.</i>	<i>Part Number</i>	<i>Qty.</i>	<i>Description</i>
10	140-2099	1	Decal

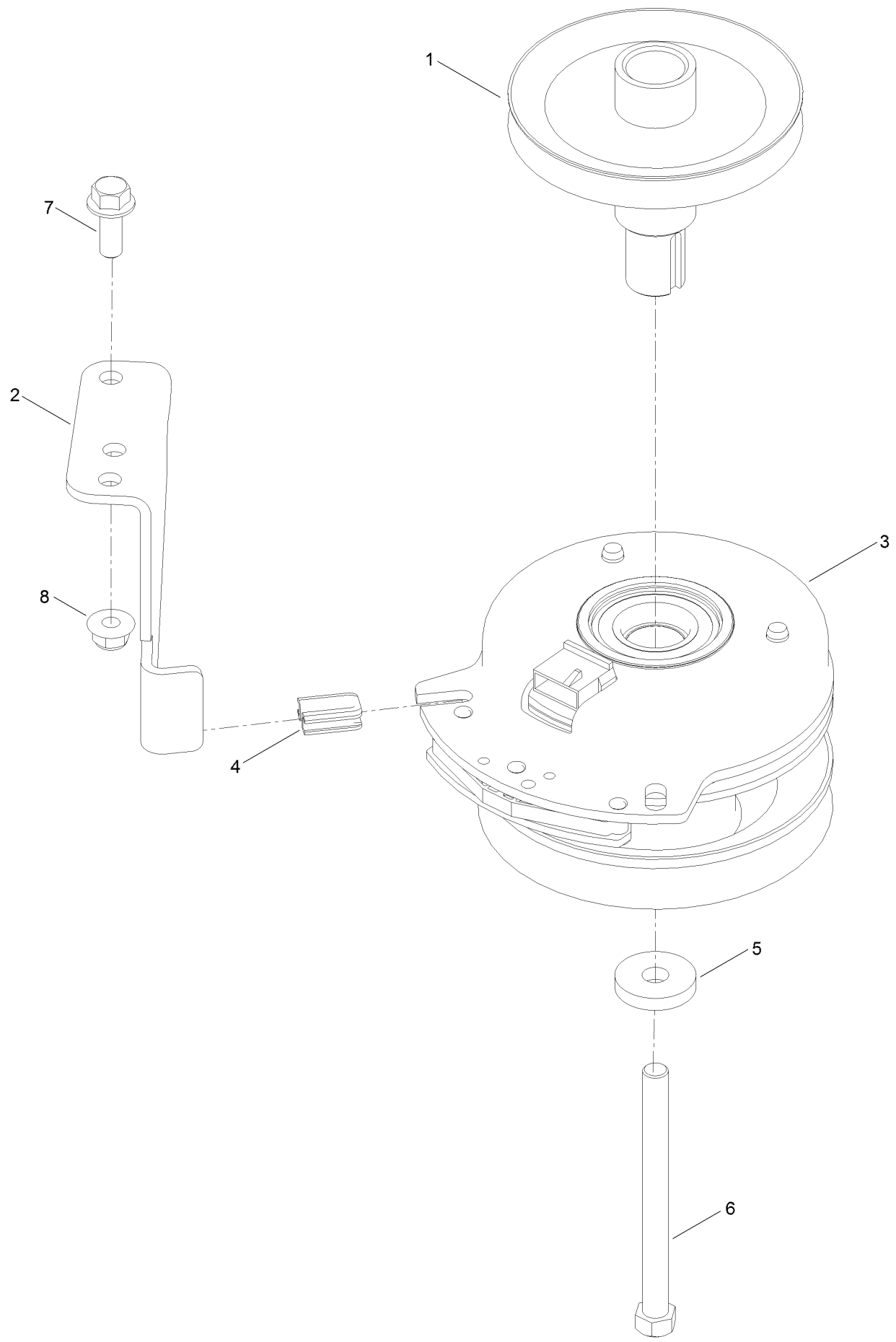
Maintenance and HOC Decal Assembly



Maintenance and HOC Decal Assembly (continued)

<i>Ref.</i>	<i>Part Number</i>	<i>Qty.</i>	<i>Description</i>
1	136-5596	1	Decal-Maintenance
3	139-3550	1	Decal-HOC
4	121-5684	1	Decal-Location, Service Dealer

Clutch Assembly



Clutch Assembly (continued)

<i>Ref.</i>	<i>Part Number</i>	<i>Qty.</i>	<i>Description</i>	<i>Ref.</i>	<i>Part Number</i>	<i>Qty.</i>	<i>Description</i>
1	138-9831	1	Pulley-Engine	5	112843	1	Washer
2	137-7000	1	Stop-Clutch (Wide)	6	3212-19	1	Screw-HH
3	127-3410	1	Clutch-PTO	7	3234-42	1	Screw-HHF
4	120-2217	1	Isolator-Clutch	8	104-8301	1	Nut-HF, NI

Attachments and Accessories

For 75305 Titan ZX5400 Riding Mower

Product Name	Model/Part
Jack Kit	127-6666
Fuel Stabilizer .05 oz	130-2393
4-Cycle Fuel, Snow And Lawn 32oz Can	131-3823
Toro Premium Fuel Treatment 12oz Bottle	131-6572
5 Gallon Bucket	133-2533
54in Recycler Kit.....	136-7489
Light Kit.....	136-7493
Sunshade	137-7011
Product Cover.....	137-7012
Oil-30/10W-30 Synthetic (Quart).....	138-6053
ROPS Kit	139-2638
Bucket Mount Kit.....	140-2066
Jack Mount Kit	140-2067
HD Bagger Cover Kit	140-5036
Weight Kit	140-5084
Striping Kit 54/60in.....	140-5120
Leaf Bagging Enhancement Kit	140-5122
Deck Lift Assist Kit	140-5123
Bagger Mount Kit.....	140-5125
Hydro Service Kit.....	144-5347
10W30 4-Cycle Engine Oil (32oz Bottle).....	38280
Toro 4-Cycle SAE 30 Oil (32oz Bottle)	38903
Powered Bagger	79346
Residential Z Slope Sensor Kit	79400

Notes:



Count on it.