



**Count on it.**

**Parts Catalog**

**Titan® ZX5400**

**Riding Mower**

Model No. 75305—Serial No. 40000000 and Up



# Ordering Replacement Parts

To order replacement parts, please supply the part number, the quantity, and the description of each part desired.

## Understanding Reference Numbers

Each identified part in an illustration has a reference number. The reference number for a part also appears in the parts list, along with other information about the part.

This catalog uses two special reference number formats, one to indicate parts in a service assembly and another to indicate the quantity of a given part in an illustration.

## Service Assembly Reference Numbers

Parts in service assemblies have reference numbers in the form a:b. The a represents the reference number of the entire service assembly and the b represents a sequential number unique to each part within the service assembly.

For example, a wheel assembly might be identified by reference number 6, the tire by 6:1, the valve by 6:2, and the wheel by 6:3. When you order the assembly identified by reference number 6, you receive all parts identified by reference numbers 6:1, 6:2, and 6:3. However, you may also order any part individually. Reference numbers of this type appear in illustration and in parts lists.

## Reference Numbers Indicating Quantity

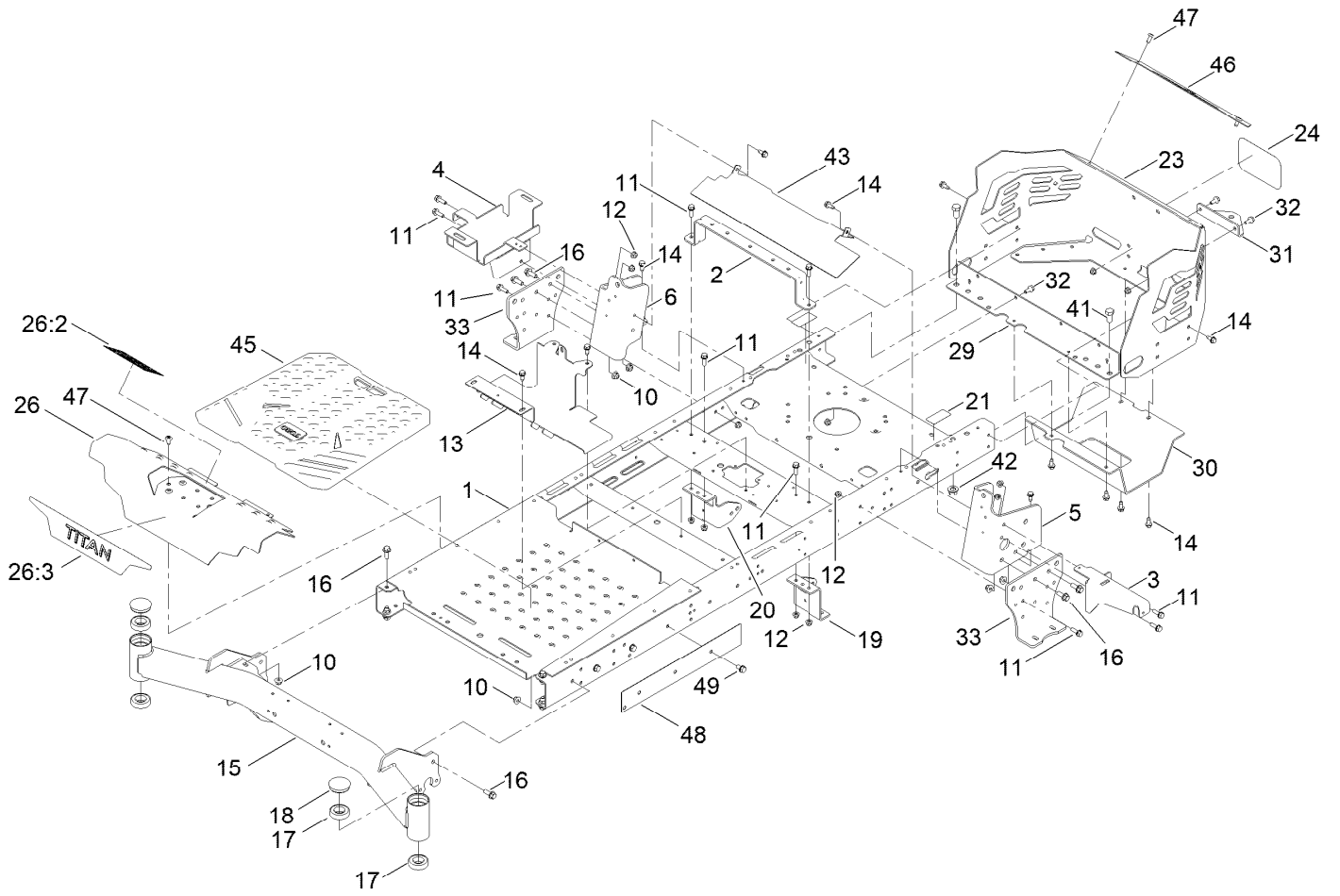
In an illustration, if a reference number indicates more than one part, the reference number has the form nX y. The n represents the quantity of the part, the X is the multiplication symbol, and the y represents the reference number.

For example, in an illustration, the reference number 2X 37 means that two of the parts identified by reference number 37 are indicated.

# Contents

Frame Assembly	4
Deck Lift Assembly	6
Fork and Caster Wheel Assembly	8
Traction Drive Assembly	10
RH Hydro Transmission Assembly No. 140-8310	12
LH Hydro Transmission Assembly No. 140-8311	14
Brake Assembly	16
Tire Assembly	18
Seat Pan Assembly	20
Seat Assembly No. 140-2714	22
Motion Control Assembly	24
Engine and Muffler Assembly	26
Fuel Pod Assembly	28
Fuel Tank Assembly No. 133-4484	30
Electrical Assembly	32
54 Inch Deck Assembly	34
Frame Decal Assembly	36
Maintenance and HOC Decal Assembly	38
Clutch Assembly	40
Attachments and Accessories	42

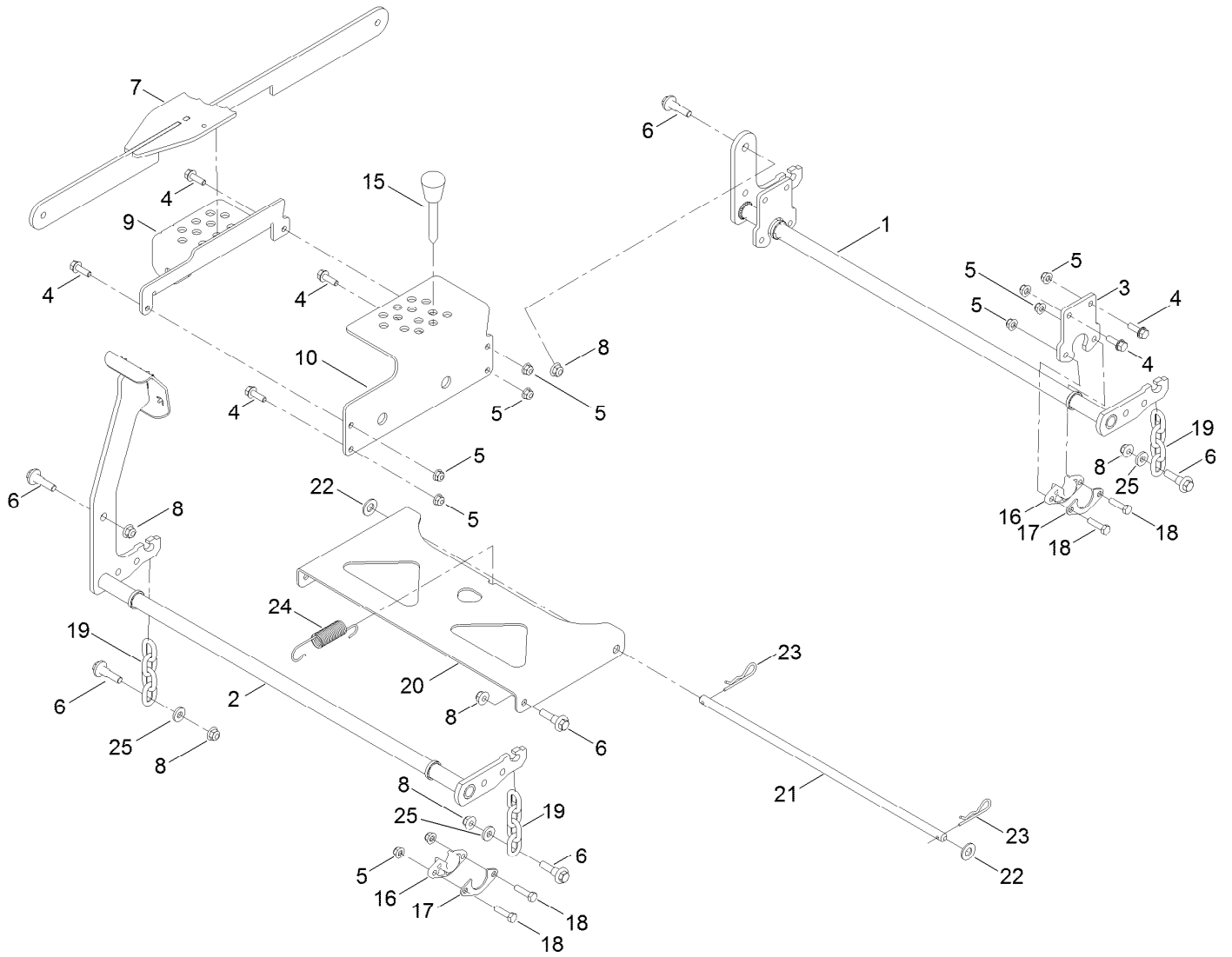
# Frame Assembly



## Frame Assembly (continued)

<i>Ref.</i>	<i>Part Number</i>	<i>Qty.</i>	<i>Description</i>	<i>Ref.</i>	<i>Part Number</i>	<i>Qty.</i>	<i>Description</i>
1	133-1191-01	1	Frame ASM	23	140-1031-03	1	Guard-Engine
2	135-0687-03	1	Brace-Seat, Rear (Wide)	24	99-4693	1	Decal
3	133-7051-03	1	Bracket-Support, Pod (LH)	26	140-3485	1	Footrest-Titan
4	139-3570	1	Tray-Battery	26:2	140-3451	1	Decal-Danger
5	137-5068-01	1	Bracket-Mounting, LH	26:3	139-7469	1	Decal-Titan
6	137-5069-01	1	Bracket-Mounting, RH	29	137-7016-01	1	Crossmember-Rear, Wide
10	104-8301	10	Nut-HF, NI	30	133-4429-03	1	Guard-Muffler
11	3234-29	16	Screw-HHF	31	117-1232-03	1	Bracket-Hitch
12	104-8300	22	Nut-HF, NI	32	3234-47	6	Screw-HHF
13	133-4485-03	1	Bracket-Mount	33	133-1201-03	2	Mount-Hydro
14	32144-70	22	Screw-HWHTF	41	325-4	2	Screw-HH
15	139-5839-01	1	Front Axle ASM	42	99-5107	2	Nut-Lock
16	3234-42	10	Screw-HHF	43	136-9183-03	1	Shield
17	109-3678	4	Bearing-Ball	45	139-7487	1	Floor Mat
18	138-7200	2	Cap-Grease	46	140-1032-01	1	Trim-Guard, Engine
19	139-3211-01	1	Mount-Hydro, Front (Left)	47	138-9753	4	Screw
20	137-7020-01	1	Mount-Hydro, Front (Right)	48	140-0366-01	1	Plate-Frame
21	121-2989	2	Decal-Bypass	49	32144-69	3	Screw-HWHTF

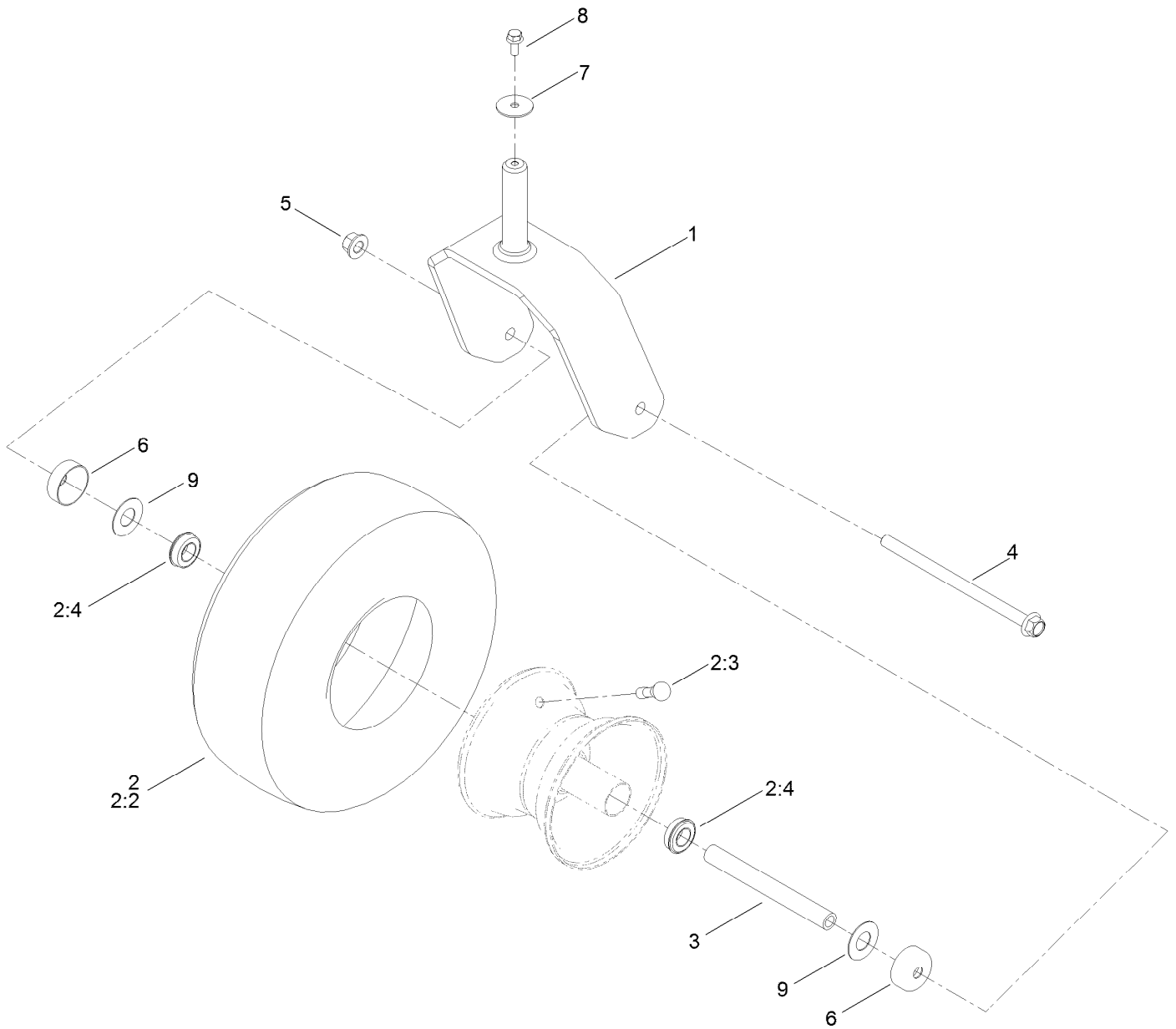
# Deck Lift Assembly



## Deck Lift Assembly (continued)

<i>Ref.</i>	<i>Part Number</i>	<i>Qty.</i>	<i>Description</i>	<i>Ref.</i>	<i>Part Number</i>	<i>Qty.</i>	<i>Description</i>
1	137-2020-03	1	Pivot-Rear	16	139-5872	4	Bearing-Flange
2	133-4430-03	1	Pivot-Front	17	138-7204	4	Gusset-Deck Lift
3	137-2021-03	2	Plate	18	322-6	8	Screw-HH
4	3234-29	8	Screw-HHF	19	138-7205	4	Chain-Decklift, 4-Link
5	104-8300	16	Nut-HF, NI	20	133-4311-01	1	Pan-Pivot, Deck
6	130-0742	8	Bolt-Shoulder	21	133-7071	1	Rod-Pivot, Deck
7	139-3553-03	1	Lift Link ASM	22	3256-26	2	Washer-Flat
8	104-8301	8	Nut-HF, NI	23	1-806005	2	Pin-Cotter
9	139-3557-03	1	Plate-HOC, Lower	24	138-7206	1	Spring-Extension
10	139-3556-03	1	Plate-HOC, Upper	25	138-7207	4	Spacer-Hub, Blower
15	140-2146	1	HOC Pin ASM				

# Fork and Caster Wheel Assembly

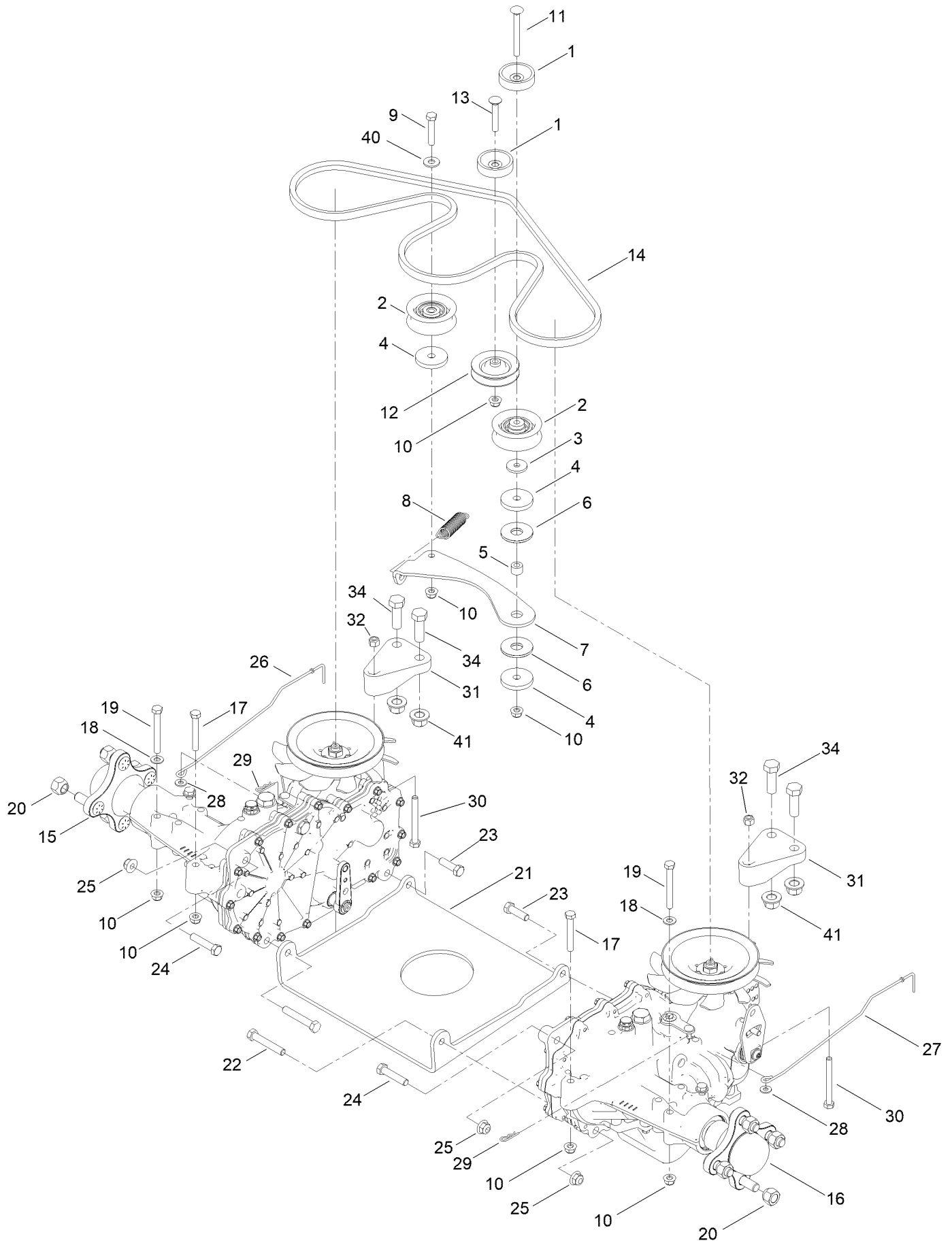




## Fork and Caster Wheel Assembly (continued)

<i>Ref.</i>	<i>Part Number</i>	<i>Qty.</i>	<i>Description</i>	<i>Ref.</i>	<i>Part Number</i>	<i>Qty.</i>	<i>Description</i>
1	139-7537-01	2	Fork-Caster	4	126-5389	2	Screw-HHF
2	139-7532	2	Tire And Wheel ASM	5	99-5107	2	Nut-Lock
2:2	126-5959	1	Tire	6	138-7208	4	Guard-Seal
2:3	232-27	1	Stem-Valve	7	3256-68	2	Washer-Flat
2:4	136-4190	2	Bearing	8	3234-47	2	Screw-HHF
3	133-4487	2	Spanner-Wheel	9	136-5590	4	Washer

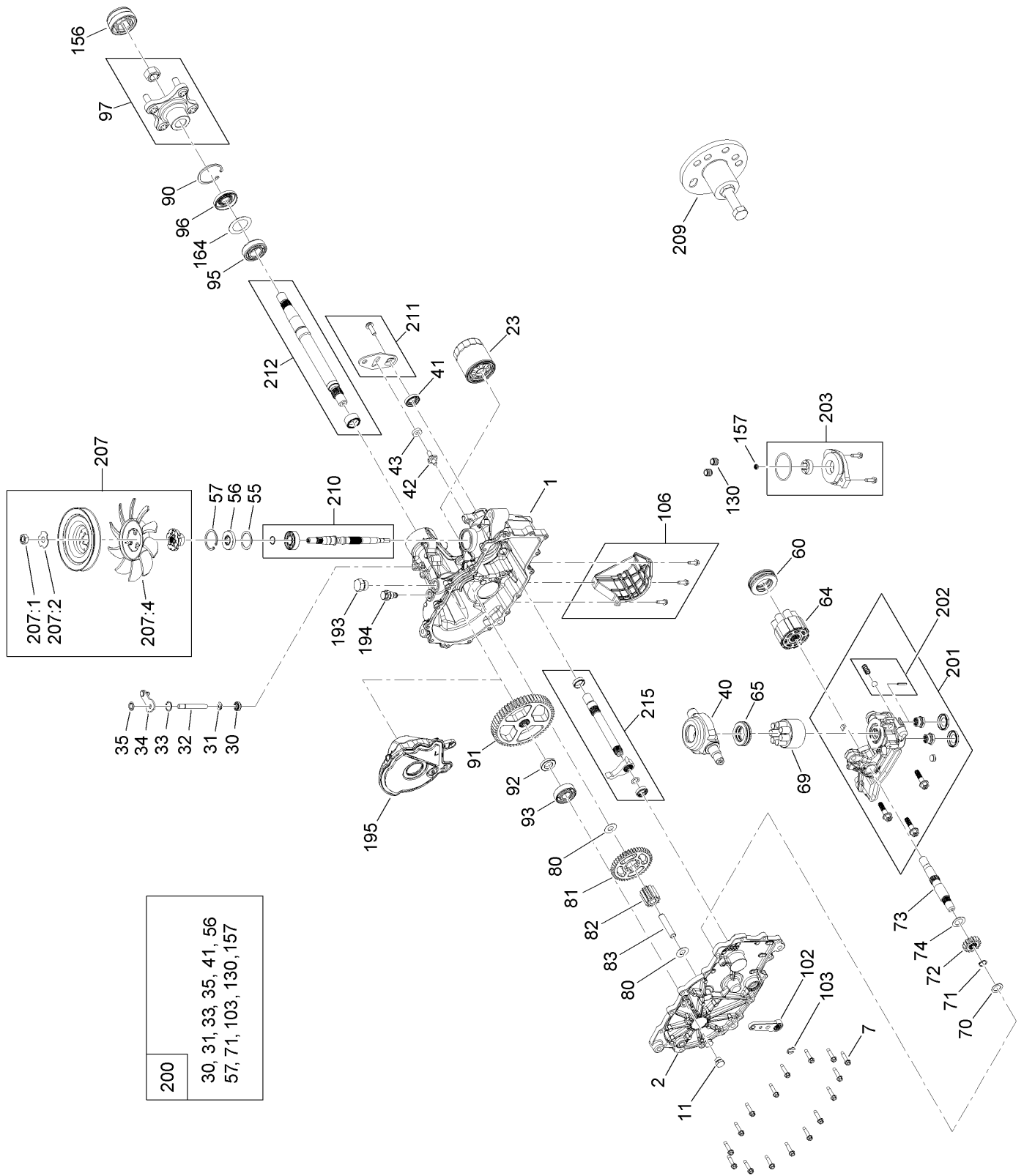
# Traction Drive Assembly



## Traction Drive Assembly (continued)

<i>Ref.</i>	<i>Part Number</i>	<i>Qty.</i>	<i>Description</i>	<i>Ref.</i>	<i>Part Number</i>	<i>Qty.</i>	<i>Description</i>
1	119-3353	2	Spacer	18	3256-23	6	Washer-Plain
2	138-7597	2	Pulley-Idler, Flat	19	322-13	4	Screw-HH
3	1-613235	1	Washer	20	242-50	8	Nut-Lug
4	110-9981	3	Washer-Plain	21	130-0718-01	1	Plate-Cross, Hydro
5	138-7209	1	Bushing	22	323-11	2	Screw-HH
6	114-0463	2	Washer-Friction, Composite	23	323-7	2	Screw-HH
7	133-4423	1	Arm-Idler	24	323-9	2	Screw-HH
8	137-7040	1	Spring-Return, Pedal	25	104-8301	6	Nut-HF, NI
9	322-9	1	Screw-HH	26	139-5855	1	Rod-Bypass, RH
10	104-8300	9	Nut-HF, NI	27	139-5854	1	Rod-Bypass, LH
11	119-9784	1	Screw-CARR	28	3256-22	2	Washer-Flat
12	119-8822	1	Pulley-Idler	29	3290-307	2	Pin-Cotter
13	3230-6	1	Bolt-CARR	30	322-14	2	Screw-HH
14	133-4371	1	V-Belt	31	133-1247	2	Support-Hydro, Rear
15	140-8310	1	RH Hydro Transmission ASM	32	3296-29	2	Nut-Lock, NI
16	140-8311	1	LH Hydro Transmission ASM	34	325-6	4	Screw-HH
17	322-11	2	Screw-HH	40	3256-3	1	Washer-Flat
				41	99-5107	4	Nut-Lock

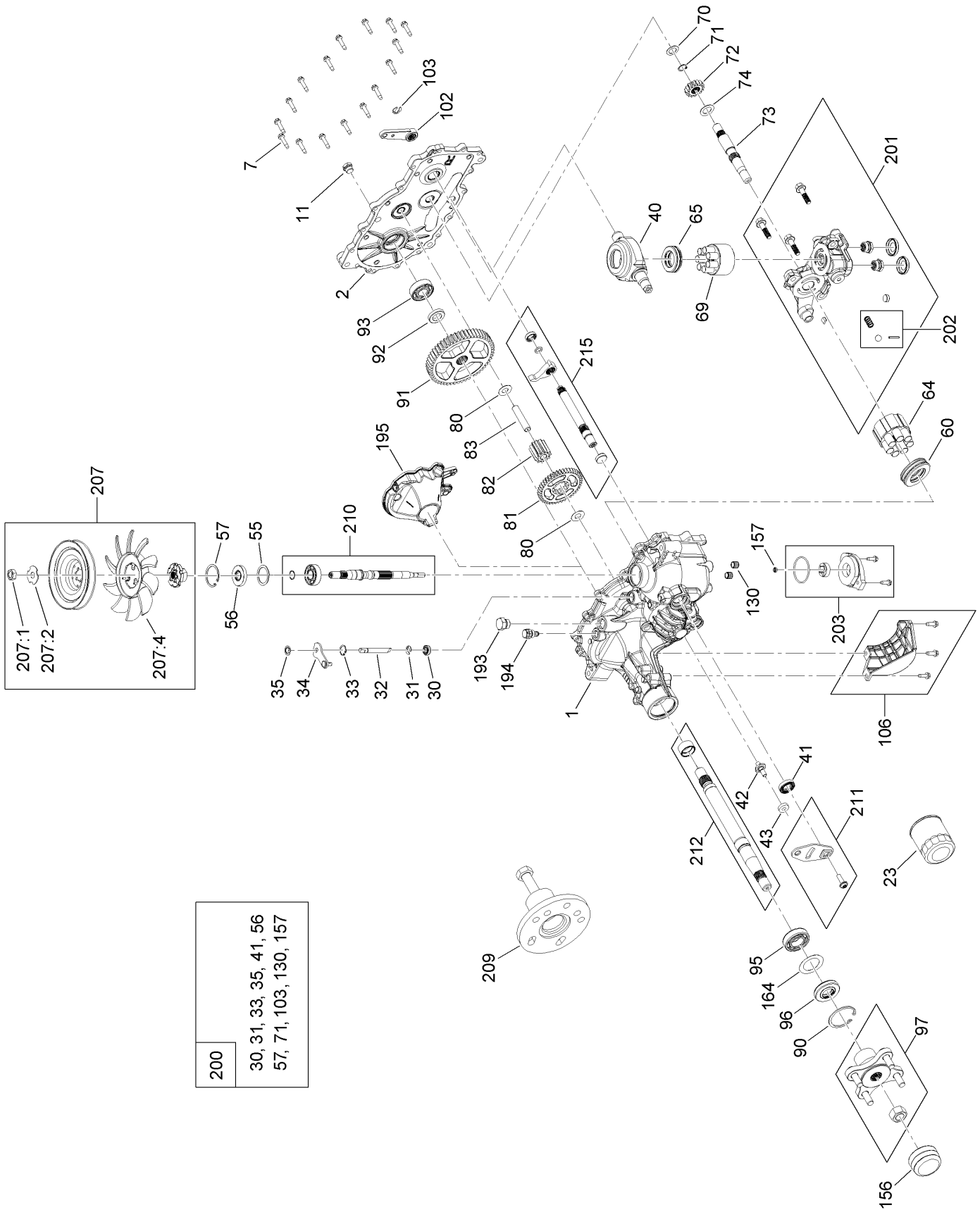
# RH Hydro Transmission Assembly No. 140-8310



# RH Hydro Transmission Assembly No. 140-8310 (continued)

<i>Ref.</i>	<i>Part Number</i>	<i>Qty.</i>	<i>Description</i>	<i>Ref.</i>	<i>Part Number</i>	<i>Qty.</i>	<i>Description</i>
1	140-8347	1	LH Main Housing Kit	91	114-1694	1	Gear-54T
2	140-8350	1	LH Side Cover Kit	92	120-7975	1	Spacer
7	117-5359	16	Screw-HHF	93	137-2004	1	Bearing Kit
11	135-1140	1	Plug-Straight	95	120-7976	1	Bearing-Ball
23	109-3321	1	Element-Oil Filter, HYD	96	104-2144	1	Seal
30	139-7497	1	Seal-Lip	97	109-5939	1	Hub Kit
31	106-8677	1	Ring-Retaining, External	102	125-0021	1	Handle-Brake
32	114-1685	1	Rod-Bypass	103	131-0906	1	Ring-Retaining, EXT
33	106-8679	1	Ring-Retaining, Internal	106	139-7498	1	Filter Guard Kit
34	107-2490	1	Arm-Bypass	130	126-3251	2	Tube-Charge
35	106-8681	1	Ring-Retaining, External	156	115-5057	1	Cover-Nut, Axle
40	104-5304	1	Swashplate-Trunnion	157	126-1930	1	Gerotor Seal Kit
41	104-5313	1	Seal-Lip	164	121-5745	1	Spacer
42	104-2116	1	Stud	193	140-8343	1	Plug
43	112-9853	1	Puck-Friction	194	140-8356	1	Breather Fitting ASM
55	104-5308	1	Spacer	195	140-8358	1	LH Internal Expansion Tank ASM
56	104-5310	1	Seal-Lip	200	140-8351	1	Seal Kit
57	104-5309	1	Ring-Retaining	201	137-2012	1	LH Charge Center Section Kit
60	112-4154	1	Bearing-Thrust	202	114-8464	1	Charge Relief Kit
64	139-4074	1	Cylinder Block ASM Kit	203	114-8465	1	Charge Kit
65	94-6922	1	Bearing-Thrust	207	135-7343	1	Fan And Pulley Kit
69	110-8561	1	Pump Block ASM	207:1	116-9714	1	Nut-HJ
70	104-5339	1	Washer-Flat	207:2	116-9708	1	Washer-Slotted
71	104-5340	1	Ring-Retaining	207:4	135-7364	1	Fan 7.0 X 10 Blade
72	114-1690	1	Gear-14T	209	114-8467	1	Puller-Hub, 4 Bolt
73	114-1691	1	Shaft-Motor	210	139-7502	1	Input Shaft Kit
74	104-5360	1	Washer	211	117-5362	1	Control Arm Kit
80	94-1933	2	Washer	212	114-8470	1	Axle Shaft Kit
81	114-1692	1	Gear-45T	215	140-8353	1	Inboard Kit
82	114-1693	1	Gear-11T				
83	104-5329	1	Pin-Jackshaft				
90	104-2169	1	Ring-Retaining				

# LH Hydro Transmission Assembly No. 140-8311

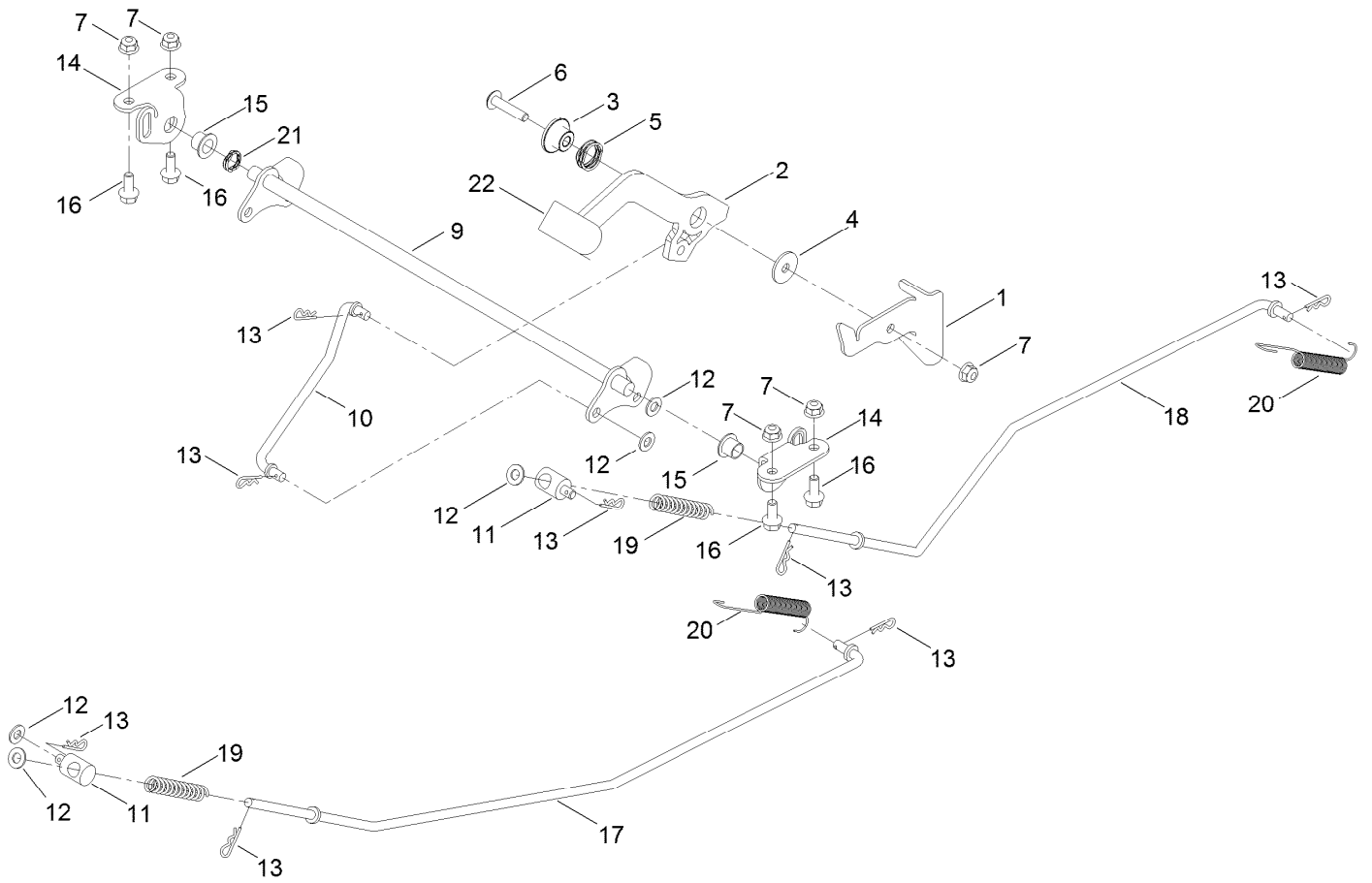


- |   |
|---|
| 200   |
| 30, 31, 33, 35, 41, 56<br>57, 71, 103, 130, 157 |

# LH Hydro Transmission Assembly No. 140-8311 (continued)

<i>Ref.</i>	<i>Part Number</i>	<i>Qty.</i>	<i>Description</i>	<i>Ref.</i>	<i>Part Number</i>	<i>Qty.</i>	<i>Description</i>
1	140-8345	1	RH Main Housing Kit	91	114-1694	1	Gear-54T
2	140-8349	1	RH Side Cover Kit	92	120-7975	1	Spacer
7	117-5359	16	Screw-HHF	93	137-2004	1	Bearing Kit
11	135-1140	1	Plug-Straight	95	120-7976	1	Bearing-Ball
23	109-3321	1	Element-Oil Filter, HYD	96	104-2144	1	Seal
30	139-7497	1	Seal-Lip	97	109-5939	1	Hub Kit
31	106-8677	1	Ring-Retaining, External	102	125-0021	1	Handle-Brake
32	114-1685	1	Rod-Bypass	103	131-0906	1	Ring-Retaining, EXT
33	106-8679	1	Ring-Retaining, Internal	106	139-7499	1	Filter Guard Kit
34	112-9852	1	Arm-Bypass	130	126-3251	2	Tube-Charge
35	106-8681	1	Ring-Retaining, External	156	115-5057	1	Cover-Nut, Axle
40	104-5304	1	Swashplate-Trunnion	157	126-1930	1	Gerotor Seal Kit
41	104-5313	1	Seal-Lip	164	121-5745	1	Spacer
42	104-2116	1	Stud	193	140-8343	1	Plug
43	112-9853	1	Puck-Friction	194	140-8356	1	Breather Fitting ASM
55	104-5308	1	Spacer	195	140-8357	1	RH Internal Expansion Tank ASM
56	104-5310	1	Seal-Lip	200	140-8351	1	Seal Kit
57	104-5309	1	Ring-Retaining	201	137-2005	1	RH Charge Center Section Kit
60	112-4154	1	Bearing-Thrust	202	114-8464	1	Charge Relief Kit
64	139-4074	1	Cylinder Block ASM Kit	203	114-8465	1	Charge Kit
65	94-6922	1	Bearing-Thrust	207	135-7343	1	Fan And Pulley Kit
69	110-8561	1	Pump Block ASM	207:1	116-9714	1	Nut-HJ
70	104-5339	1	Washer-Flat	207:2	116-9708	1	Washer-Slotted
71	104-5340	1	Ring-Retaining	207:4	135-7364	1	Fan 7.0 X 10 Blade
72	114-1690	1	Gear-14T	209	114-8467	1	Puller-Hub, 4 Bolt
73	114-1691	1	Shaft-Motor	210	139-7502	1	Input Shaft Kit
74	104-5360	1	Washer	211	117-5362	1	Control Arm Kit
80	94-1933	2	Washer	212	114-8470	1	Axle Shaft Kit
81	114-1692	1	Gear-45T	215	140-8352	1	Inboard Kit
82	114-1693	1	Gear-11T				
83	104-5329	1	Pin-Jackshaft				
90	104-2169	1	Ring-Retaining				

# Brake Assembly

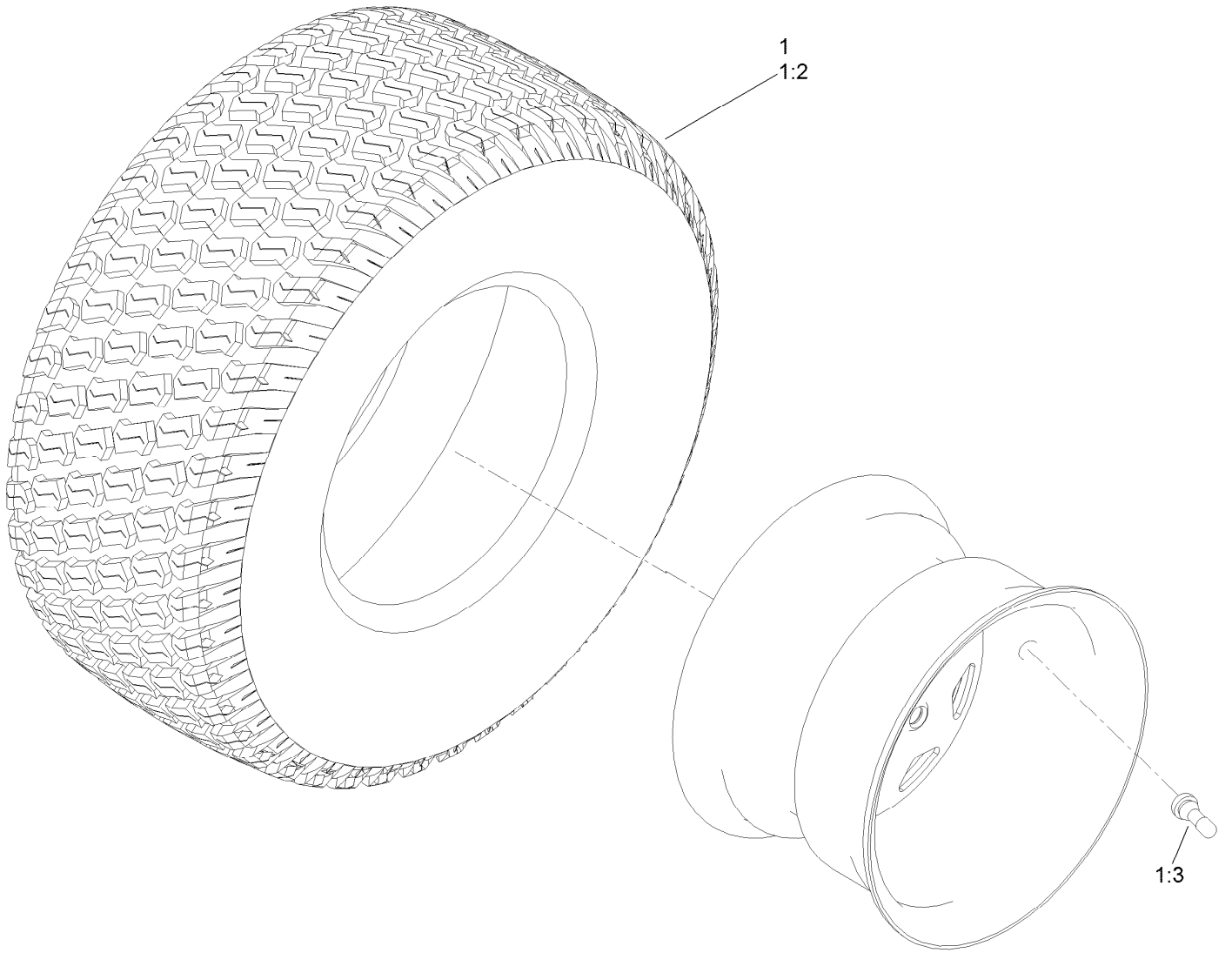




## Brake Assembly (continued)

<i>Ref.</i>	<i>Part Number</i>	<i>Qty.</i>	<i>Description</i>	<i>Ref.</i>	<i>Part Number</i>	<i>Qty.</i>	<i>Description</i>
1	136-5554	1	Detent-Brake	13	3290-307	8	Pin-Cotter
2	140-0412	1	Handle-Brake, Parking	14	139-5878-03	2	Plate-Support, Bellcrank
3	139-3572	1	Bushing-Flange	15	125-5239	2	Bushing-Flange
4	5-4460	1	Washer-Pivot	16	3234-47	4	Screw-HHF
5	120-5116	1	Washer-Wave	17	133-9343	1	Rod-Brake, RH
6	126-7439	1	Screw-Torx	18	133-9344	1	Rod-Brake, LH
7	104-8300	5	Nut-HF, NI	19	1-603807	2	Spring-Return, Neutral
9	133-9338	1	Bellcrank-Brake	20	110769	2	Spring-Extension
10	133-9342	1	Rod-Brake, Intermediate	21	137-5011	1	Spring-Wave
11	138-7212	2	Fitting-Rod	22	140-0413	1	Grip-Handle
12	3256-23	5	Washer-Plain				

# Tire Assembly



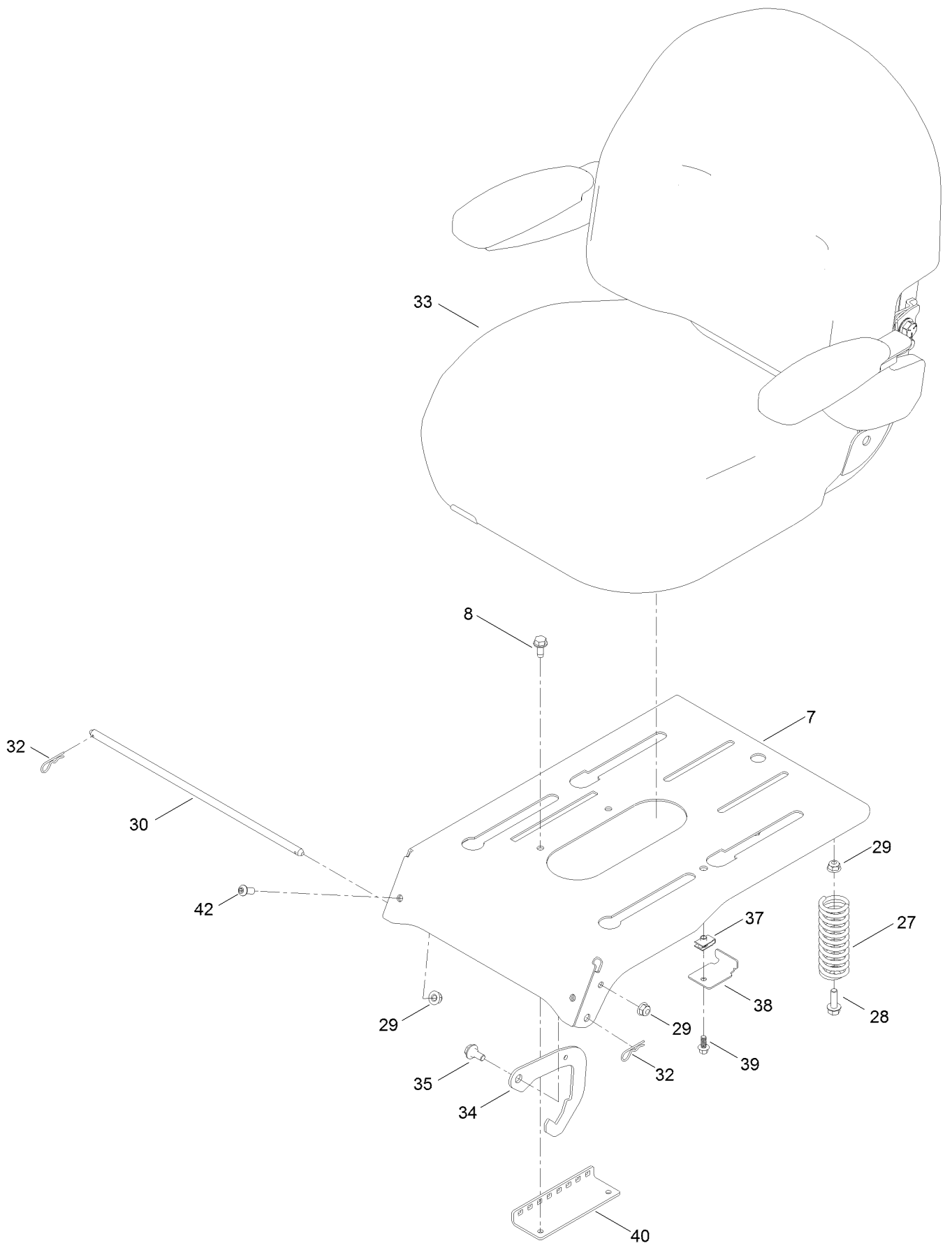
## Tire Assembly (continued)

<i>Ref.</i>	<i>Part Number</i>	<i>Qty.</i>	<i>Description</i>	<i>Ref.</i>	<i>Part Number</i>	<i>Qty.</i>	<i>Description</i>
1	139-7534	2	Tire And Wheel ASM	1:3	232-27	1	Stem-Valve
1:2	139-7536	1	Tire	1:99	105-4070	1	Tube-Inner ■●

● Not illustrated

■ Optional Equipment

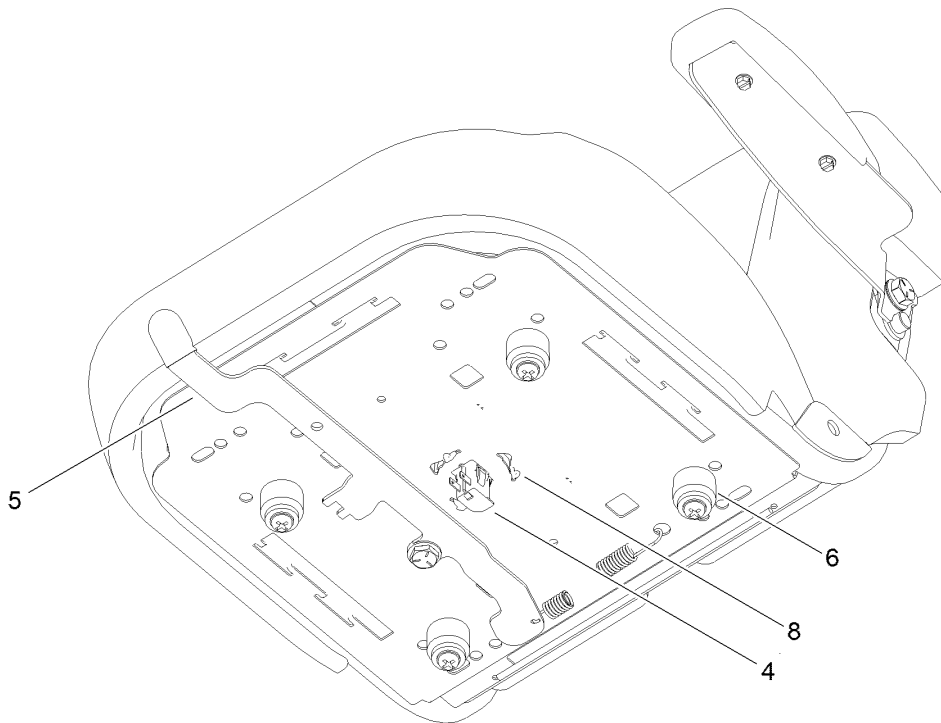
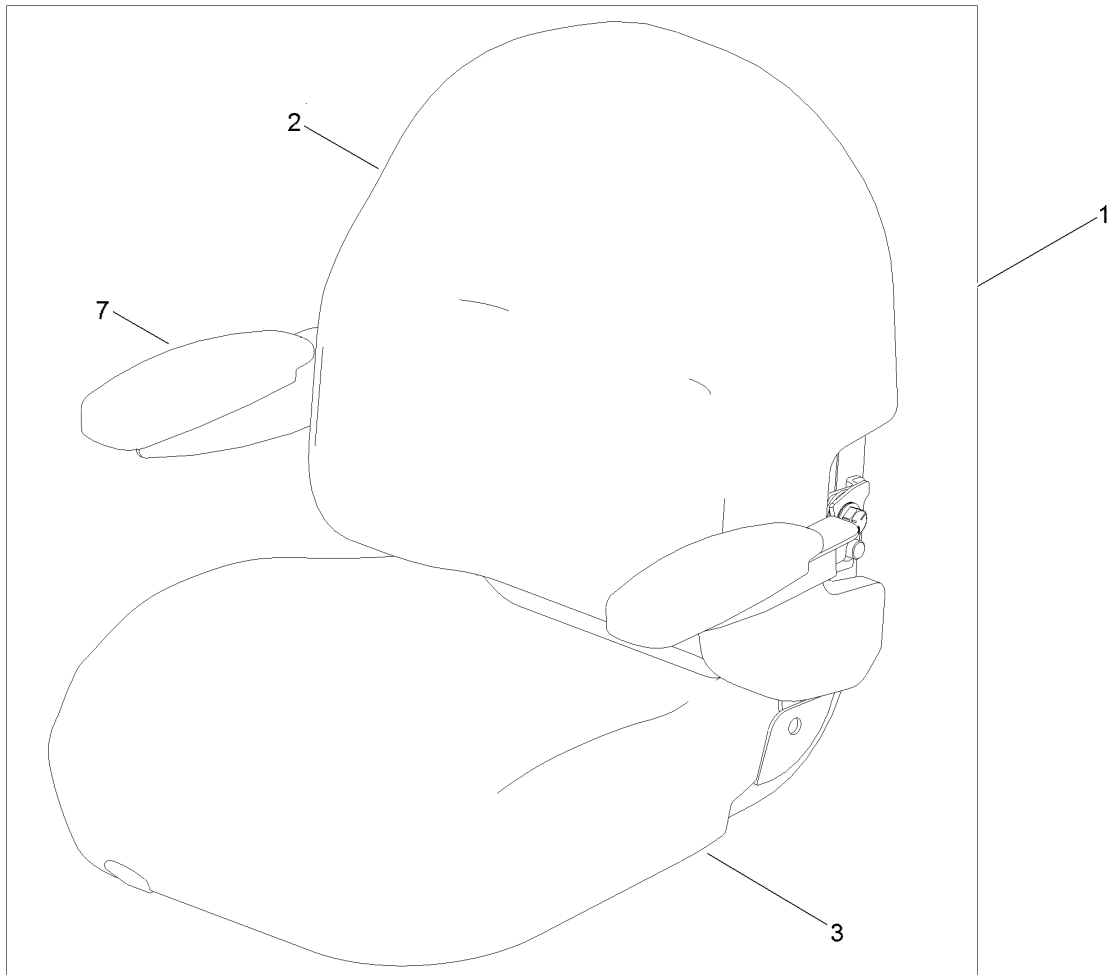
# Seat Pan Assembly



## Seat Pan Assembly (continued)

<i>Ref.</i>	<i>Part Number</i>	<i>Qty.</i>	<i>Description</i>	<i>Ref.</i>	<i>Part Number</i>	<i>Qty.</i>	<i>Description</i>
7	136-5571-03	1	Pan-Seat, Deluxe	34	138-7250	2	Seat Latch
8	32144-70	2	Screw-HWHTF	35	19-1470	2	Screw-Shoulder
27	92-7054	3	Spring-Compression	37	107069	1	Clip
28	3234-29	3	Screw-HHF	38	138-7214	1	Bracket-Stop, Seat
29	104-8300	7	Nut-HF, NI	39	99-6810	1	Screw-HHF
30	138-7213	1	Rod-Pivot, Narrow	40	131-4008-03	1	Bracket-Latch, Seat
32	3290-250	2	Pin-Cotter	42	3274-55	2	Screw-HSBH
33	140-2714	1	Seat ASM				

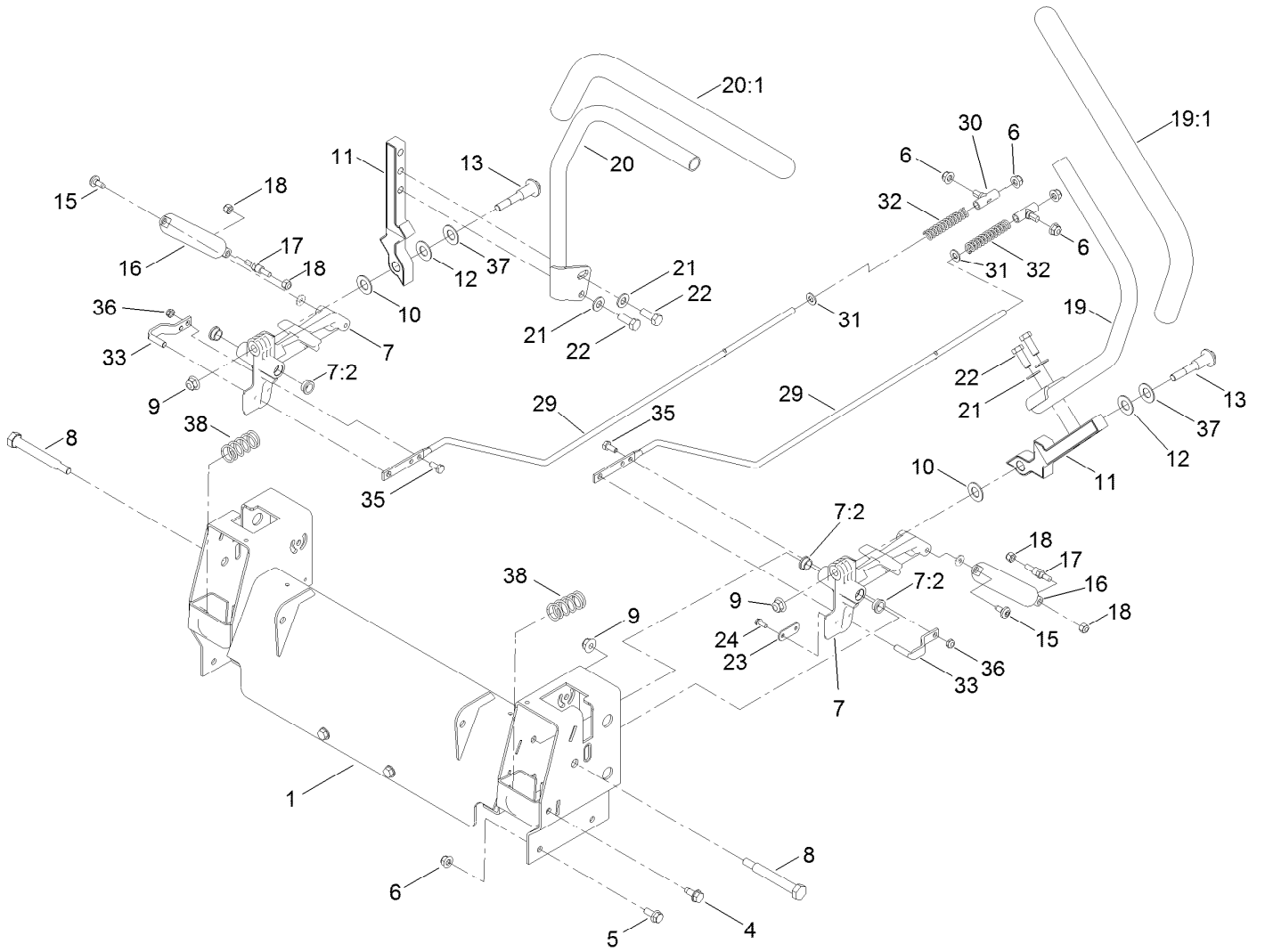
# Seat Assembly No. 140-2714



## Seat Assembly No. 140-2714 (continued)

<i>Ref.</i>	<i>Part Number</i>	<i>Qty.</i>	<i>Description</i>	<i>Ref.</i>	<i>Part Number</i>	<i>Qty.</i>	<i>Description</i>
1	139-7548	1	Seat ASM	5	131-4153	1	Track ASM
2	140-2077	1	Cover-Seat Back	6	131-4154	1	Bushing ASM
3	140-2078	1	Cover-Seat Base	7	139-5823	1	Arm Rest Kit
4	82-2190	1	Switch-Bail	8	140-3468	1	Cap-Switch, Actuator

# Motion Control Assembly

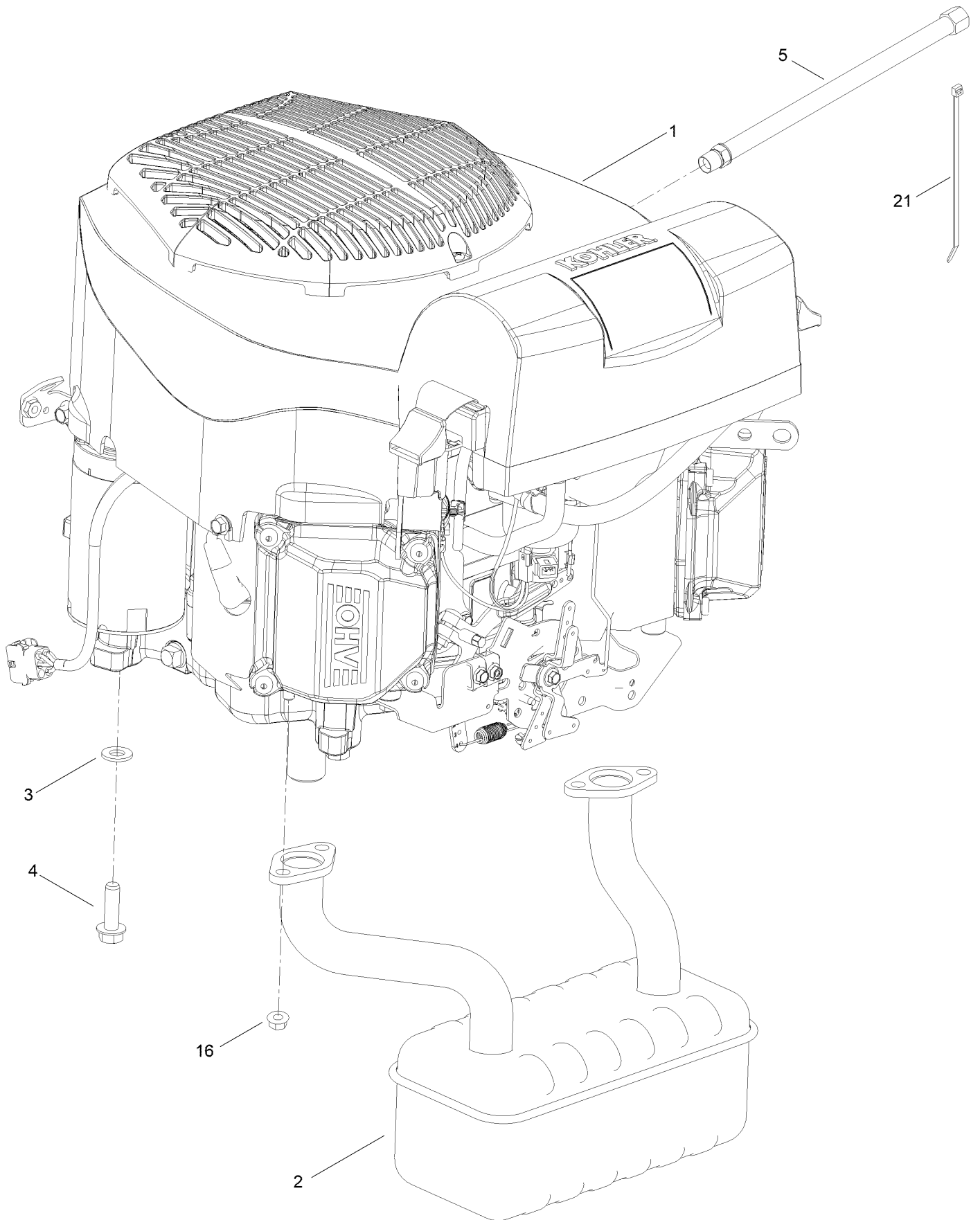




## Motion Control Assembly (continued)

<i>Ref.</i>	<i>Part Number</i>	<i>Qty.</i>	<i>Description</i>	<i>Ref.</i>	<i>Part Number</i>	<i>Qty.</i>	<i>Description</i>
1	139-7531-03	1	Control Box ASM	19:1	121-0726	1	Grip
4	32144-70	4	Screw-HWHTF	20	133-7057	1	Handle-Control, RH
5	3234-47	6	Screw-HHF	20:1	121-0726	1	Grip
6	104-8300	10	Nut-HF, NI	21	3256-24	4	Washer-Plain
7	119-3470	2	Actuator Arm ASM	22	323-6	4	Screw-HH
7:2	256-156	2	Bushing-Flange	23	119-8948	2	Plate-Stop, Hydro
8	115-5099	2	Bolt-Pivot	24	32144-1	4	Screw-Taptite
9	104-8301	4	Nut-HF, NI	29	138-7217	2	Rod-Hydro
10	120-2273	2	Washer-Nylon	30	138-7218	2	Mount-Rod, Hydro
11	136-5570-05	2	Arm-Control	31	3256-23	2	Washer-Plain
12	117-1240	2	Washer	32	138-7252	2	Spring-Compression
13	139-2556	2	Bolt-Pivot	33	121-1753	2	Pin-Rod, Hydro
15	120-7950	2	Screw-Torx	35	321-3	2	Screw-HH
16	132-6853	2	Damper-Non Cavitating	36	3296-56	2	Nut-Lock, NI
17	138-7215	2	Stud-Damper	37	119-8925	2	Washer-Belleville
18	3296-42	4	Nut-Lock, NI	38	138-7219	2	Spring-Return
19	133-7055	1	Handle-Control, LH				

# Engine and Muffler Assembly



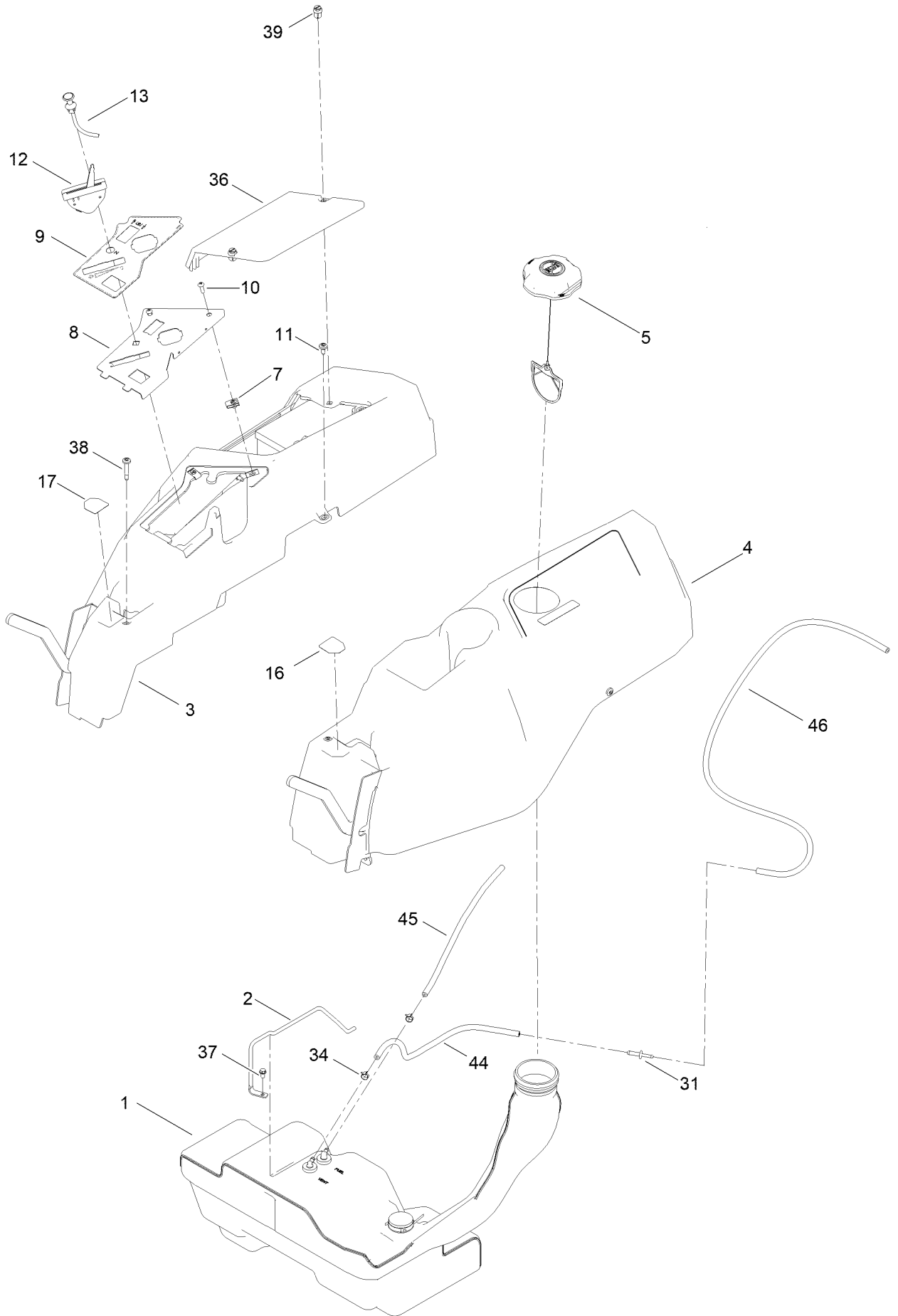
## Engine and Muffler Assembly (continued)

<i>Ref.</i>	<i>Part Number</i>	<i>Qty.</i>	<i>Description</i>	<i>Ref.</i>	<i>Part Number</i>	<i>Qty.</i>	<i>Description</i>
1		1	Engine-Kohler Kt745 ■▲	5	117-1261	1	Hose-Drain, Oil
2	139-5868	1	Muffler	16	33004-00	4	Nut-HF
3	3256-24	4	Washer-Plain	21	614249	1	Tie-Cable
4	32144-109	4	Screw-Thd	99	110-6697	1	Gasket-Exhaust ●

● Not illustrated  
▲ Obtain parts from [www.kohlerplus.com](http://www.kohlerplus.com)

■ Not serviced separately

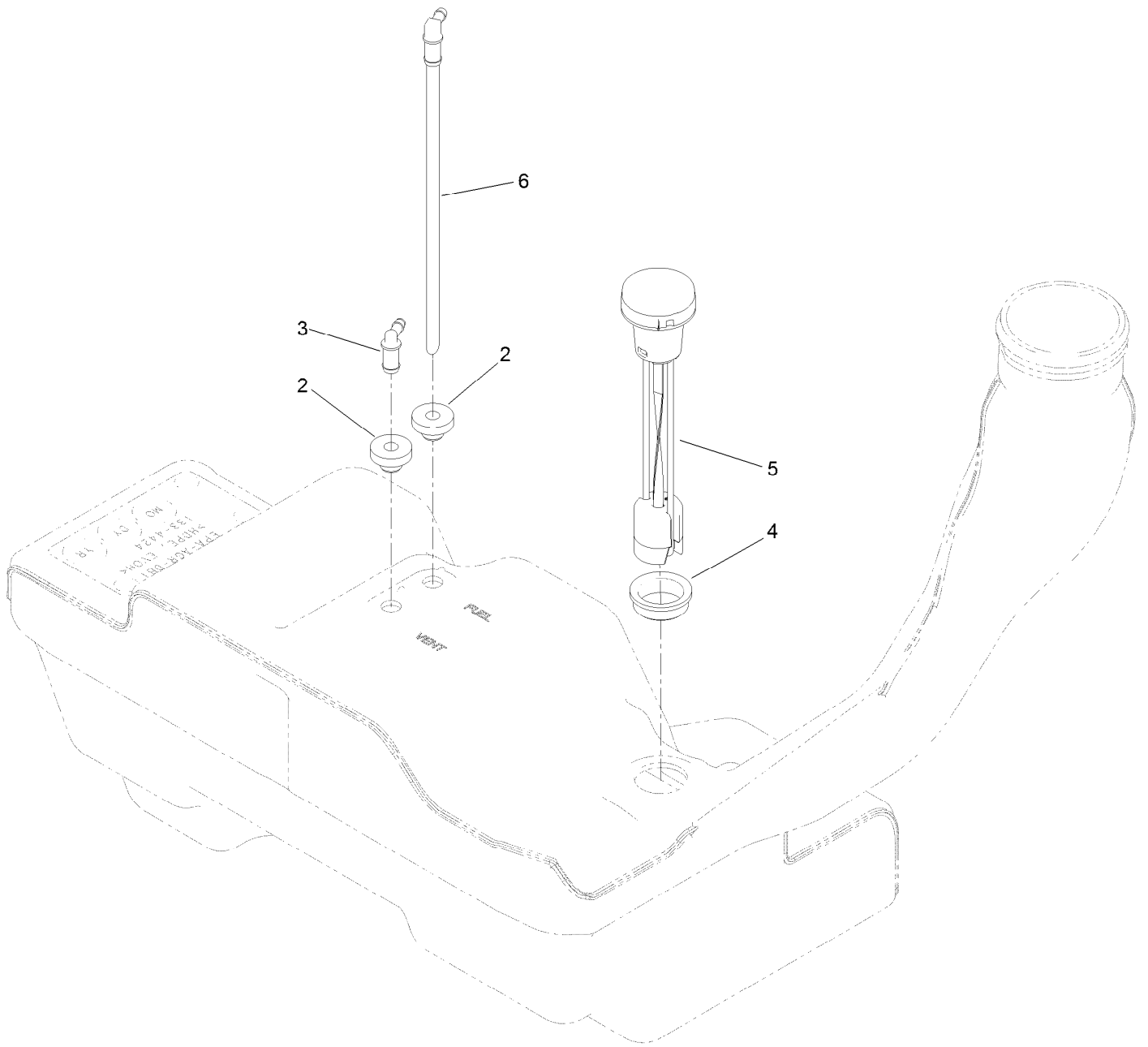
# Fuel Pod Assembly



## Fuel Pod Assembly (continued)

<i>Ref.</i>	<i>Part Number</i>	<i>Qty.</i>	<i>Description</i>	<i>Ref.</i>	<i>Part Number</i>	<i>Qty.</i>	<i>Description</i>
1	133-4484	1	Fuel Tank ASM	16	136-4243	1	Decal-Lever, Control (LH)
2	136-4180	1	Rod-Hold Down	17	136-4244	1	Decal-Lever, Control (RH)
3	133-9307	1	Pod-RH	31	117-5399	1	Adaptor-Orifice
4	133-9315	1	Pod-LH	34	2412-98	3	Clamp-Hose
5	137-4119	1	Cap-Fuel, Ratcheting	36	133-9308	1	Cover-Battery
7	107069	2	Clip	37	32144-4	1	Screw-HWH
8	139-7486-03	1	Panel-Control	38	136-4195	2	Screw-Shoulder
9	139-7473	1	Decal-Panel, Control	39	121-5840	2	Fastener
10	3258-166	2	Screw-PRH	44	110-5701	1	Hose-Fuel
11	120-7950	4	Screw-Torx	45	132-9046	1	Hose-Fuel
12	139-3267	1	Cable-Throttle	46	130-7714	1	Hose-Fuel
13	139-2402	1	Cable-Choke				

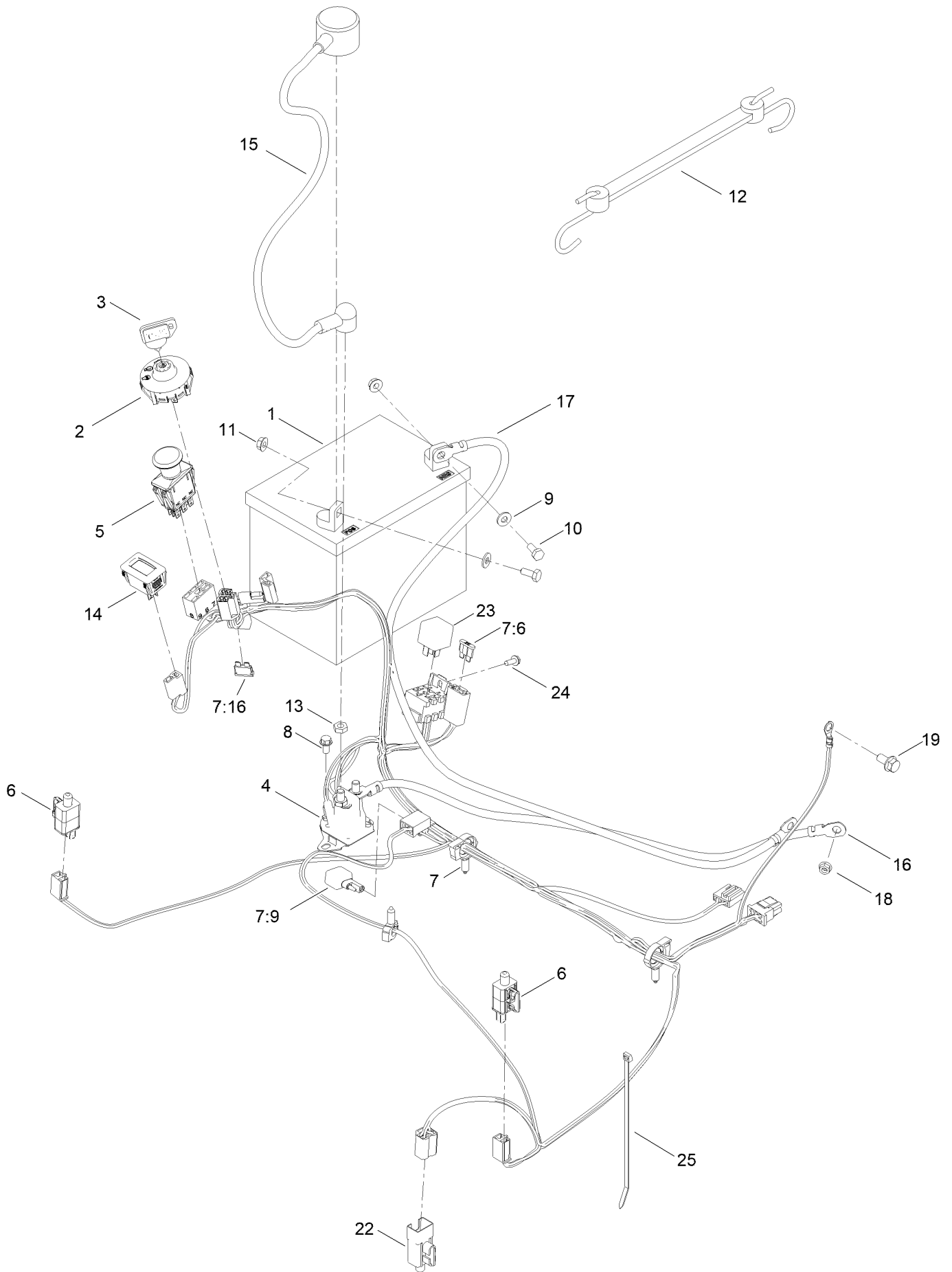
# Fuel Tank Assembly No. 133-4484



## Fuel Tank Assembly No. 133-4484 (continued)

<i>Ref.</i>	<i>Part Number</i>	<i>Qty.</i>	<i>Description</i>	<i>Ref.</i>	<i>Part Number</i>	<i>Qty.</i>	<i>Description</i>
2	46-6560	2	Bushing	5	133-9270	1	Gauge-Fuel
3	117-7400	1	Fitting-Plastic	6	121-0793	1	Connector-Elbow, 90 DEG
4	133-9269	1	Grommet-Fuel				

# Electrical Assembly

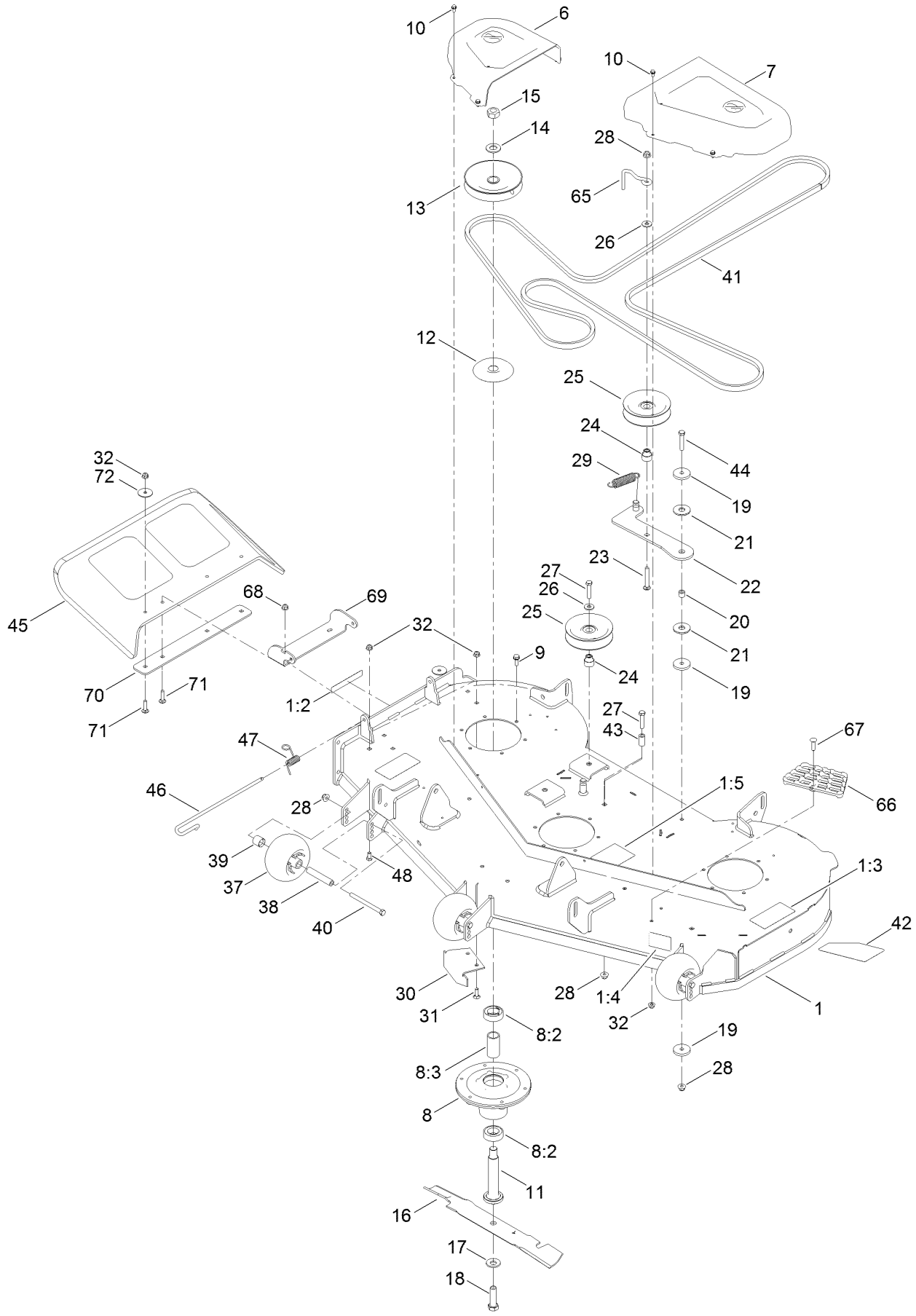




## Electrical Assembly (continued)

<i>Ref.</i>	<i>Part Number</i>	<i>Qty.</i>	<i>Description</i>	<i>Ref.</i>	<i>Part Number</i>	<i>Qty.</i>	<i>Description</i>
1	104-8162	1	Battery	11	32128-33	1	Nut-HF
2	137-4100	1	Switch-Ignition	12	104-2466	1	Holddown-Battery
3	63-8360	1	Key-Ignition	13	3220-2	2	Nut-Jam
4	117-1197	1	Solenoid	14	120-2244	1	Hourmeter
5	103-5221	1	Switch-PTO	15	115-3864	1	Cable-Battery, Positive
6	110-6765	2	Switch	16	144-5276	1	Cable-Battery, Rd ASM
7	137-7002	1	Harness-Wire	17	117-7240	1	Cable-Battery, Negative
7:6	109102	1	Fuse-Blade, 25 Amp	18	33003-00	1	Nut-HF
7:9	100-4918	1	Diode	19	3234-14	1	Screw-HHF
7:16	109355	1	Fuse-Blade, 15 Amp	22	99-7408	1	Switch-Reverse
8	32144-4	2	Screw-HWH	23	98-7249	1	Relay
9	3256-22	2	Washer-Flat	24	32144-1	1	Screw-Taptite
10	321-3	2	Screw-HH	25	614249	1	Tie-Cable

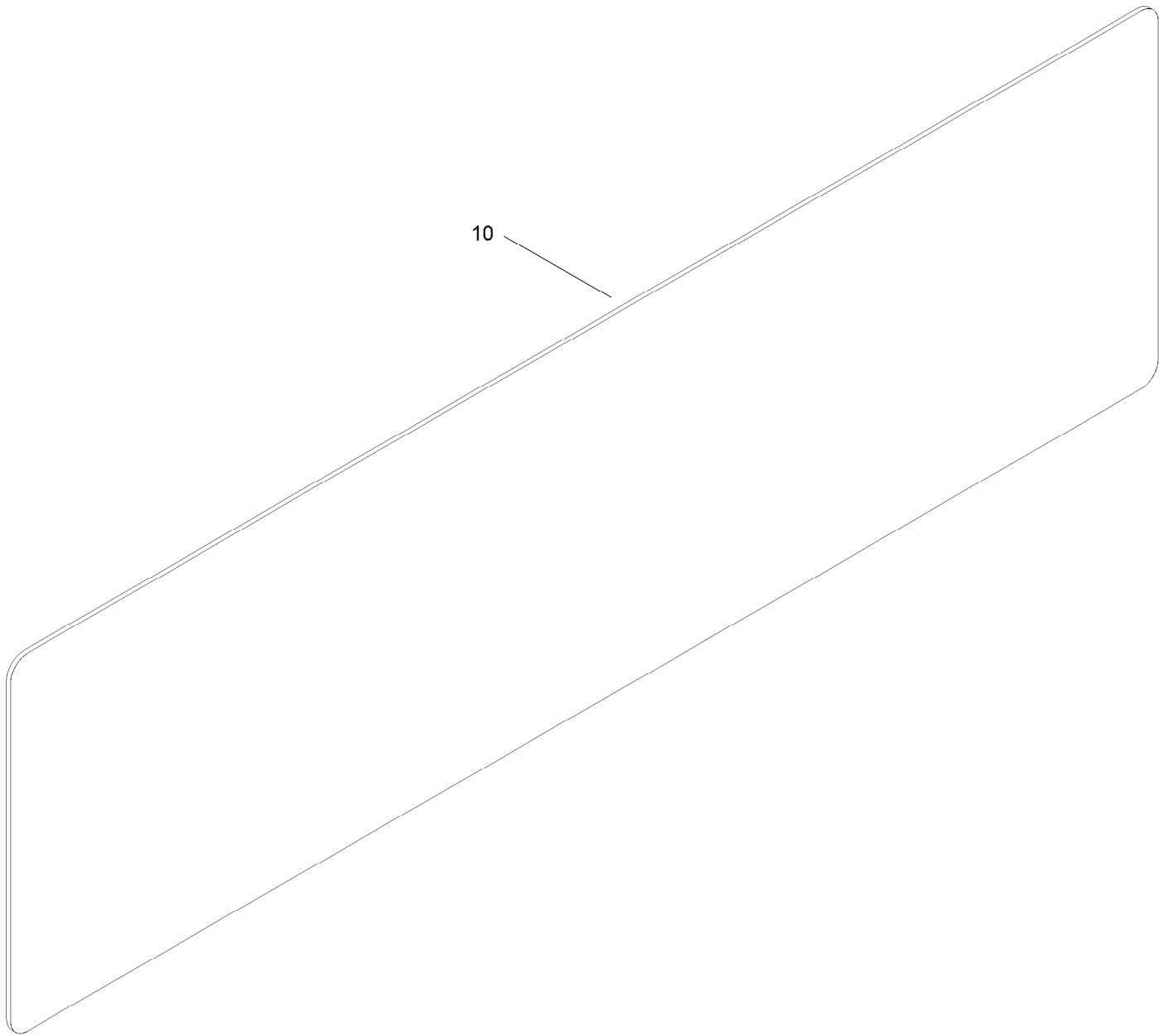
# 54 Inch Deck Assembly



## 54 Inch Deck Assembly (continued)

<i>Ref.</i>	<i>Part Number</i>	<i>Qty.</i>	<i>Description</i>	<i>Ref.</i>	<i>Part Number</i>	<i>Qty.</i>	<i>Description</i>
1	140-0353	1	54In Deck ASM	26	80-6990	3	Washer-Hardened
1:2	130-0731	1	Decal-Danger	27	323-9	3	Screw-HH
1:3	132-0872	2	Decal-Danger, Deck	28	104-8301	6	Nut-HF, NI
1:4	130-0765	1	Decal-Scalp, Anti	29	138-7228	1	Spring-Extension
1:5	117-1194	1	Decal-Routing, Belt	30	115-9653-03	1	Baffle-Cutoff
6	133-9283	1	Cover-Belt, RH	31	3230-22	2	Screw-CARR
7	133-9282	1	Cover-Belt, LH	32	104-8300	2	Nut-HF, NI
8	139-2357	3	Spindle ASM	37	1-603299	3	Roller-Scalp, Anti
8:2	116-0720	2	Bearing-Ball	38	138-7229	3	Tube-Spanner
8:3	138-7220	1	Spacer-Bearing	39	104-0892	3	Spacer-Axle, Rear
9	32144-41	18	Screw-Taptite	40	323-23	3	Screw-HH
10	32144-4	8	Screw-HWH	41	133-7076	1	V-Belt
11	115-2642	3	Shaft-Spindle	42	139-3255	1	Decal-Deck
12	138-7221	3	Shield-Bearing	43	138-7230	1	Spacer-Fender
13	139-7455	3	Pulley	44	323-10	1	Screw-HH
14	7-4150	3	Washer	45	117-1270	1	Deflector
15	3219-7	3	Nut-Hex	46	138-7231	1	Pin-Chute
16	115-9650-03	3	Blade-Hi Flo	47	138-7232	1	Spring-Torsion
17	125-1736	3	Washer-Belleville	48	322-2	5	Screw-HH
18	51-4060	3	Screw-Blade	65	136-5615	1	Guide-Belt, Idler
19	110-9981	3	Washer-Plain	66	126-4781-03	1	Step-Deck
20	138-7225	1	Spacer	67	139-1702	1	Bolt-Carriage
21	114-0463	2	Washer-Friction, Composite	68	104-8300	5	Nut-HF, NI
22	138-7226	1	Idler Arm ASM	69	114-1648-03	1	Bracket-Deflector, Upper
23	3231-31	1	Screw-CARR	70	115-5048-03	1	Plate-Deflector
24	138-7227	3	Bushing-Idler	71	3230-3	4	Screw-CARR
25	132-4718	3	Pulley-Idler, Flat	72	3256-68	2	Washer-Flat

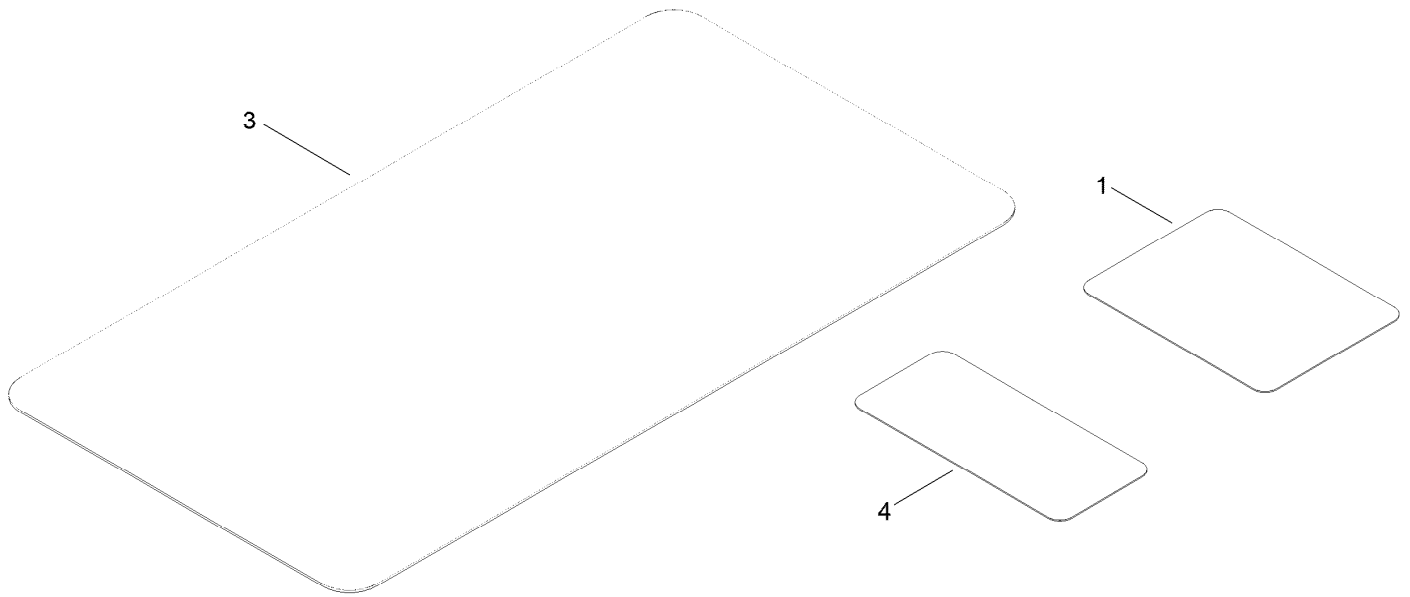
# Frame Decal Assembly



## Frame Decal Assembly (continued)

<i>Ref.</i>	<i>Part Number</i>	<i>Qty.</i>	<i>Description</i>
10	140-2099	1	Decal

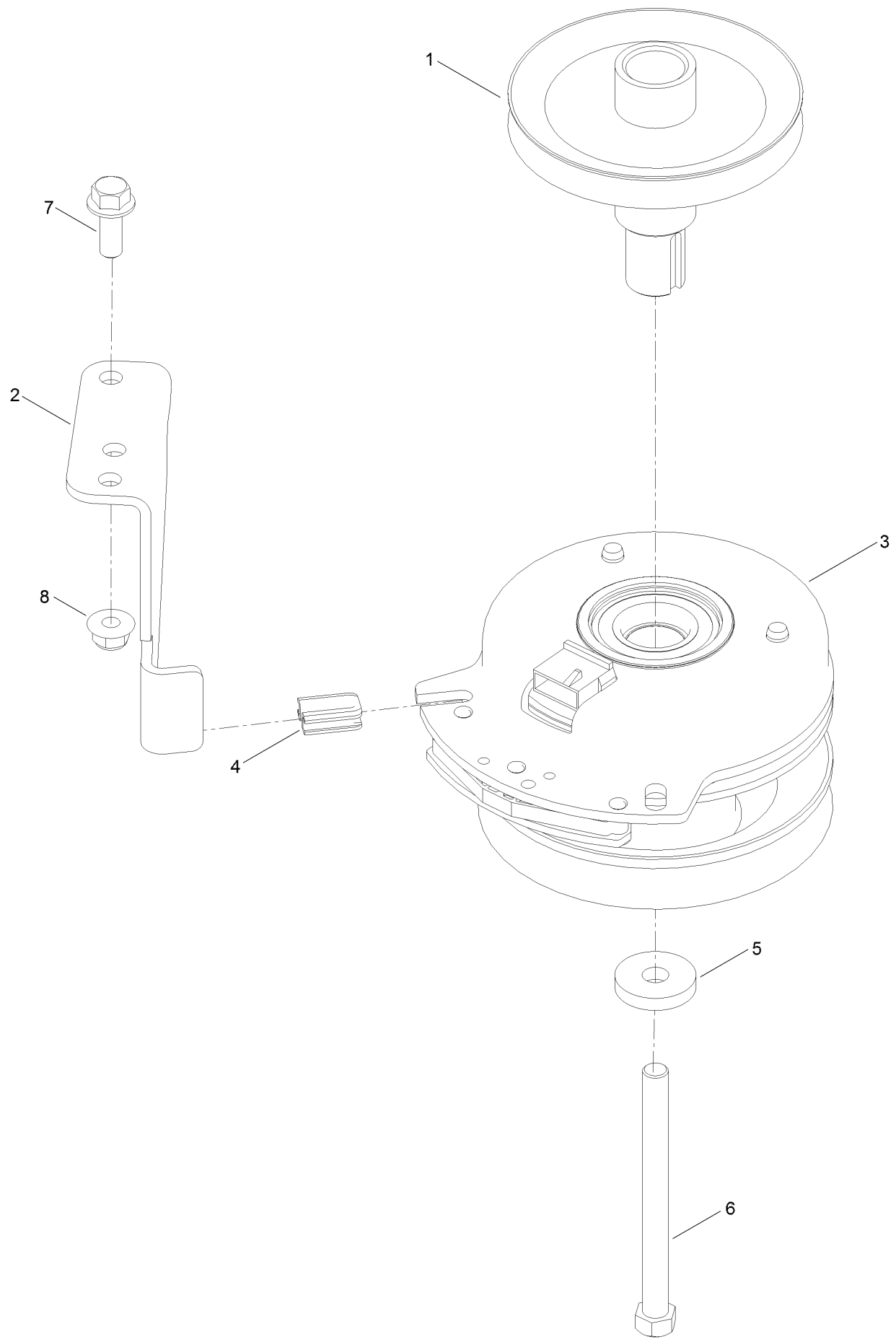
# Maintenance and HOC Decal Assembly



## Maintenance and HOC Decal Assembly (continued)

<i>Ref.</i>	<i>Part Number</i>	<i>Qty.</i>	<i>Description</i>
1	136-5596	1	Decal-Maintenance
3	139-3550	1	Decal-HOC
4	121-5684	1	Decal-Location, Service Dealer

# Clutch Assembly





## Clutch Assembly (continued)

<i>Ref.</i>	<i>Part Number</i>	<i>Qty.</i>	<i>Description</i>	<i>Ref.</i>	<i>Part Number</i>	<i>Qty.</i>	<i>Description</i>
1	138-9831	1	Pulley-Engine	5	112843	1	Washer
2	137-7000	1	Stop-Clutch (Wide)	6	3212-19	1	Screw-HH
3	127-3410	1	Clutch-PTO	7	3234-42	1	Screw-HHF
4	120-2217	1	Isolator-Clutch	8	104-8301	1	Nut-HF, NI

# Attachments and Accessories

## For 75305 Titan ZX5400 Riding Mower

<b>Product Name</b>	<b>Model/Part</b>
Jack Kit.....	127-6666
Fuel Stabilizer .05 oz .....	130-2393
4-Cycle Fuel, Snow And Lawn 32oz Can .....	131-3823
Toro Premium Fuel Treatment 12oz Bottle.....	131-6572
5 Gallon Bucket .....	133-2533
54in Recycler Kit.....	136-7489
Light Kit.....	136-7493
Sunshade .....	137-7011
Product Cover.....	137-7012
Oil-30/10W-30 Synthetic (Quart).....	138-6053
ROPS Kit .....	139-2638
Bucket Mount Kit.....	140-2066
Jack Mount Kit .....	140-2067
HD Bagger Cover Kit .....	140-5036
Weight Kit .....	140-5084
Striping Kit 54/60in.....	140-5120
Leaf Bagging Enhancement Kit .....	140-5122
Deck Lift Assist Kit .....	140-5123
Bagger Mount Kit.....	140-5125
10W30 4-Cycle Engine Oil (32oz Bottle).....	38280
Toro 4-Cycle SAE 30 Oil (32oz Bottle) .....	38903
Powered Bagger.....	79346
Residential Z Slope Sensor Kit .....	79400

**Notes:**



**Count on it.**