



**Count on it.**

**Parts Catalog**

**TimeMaster® 30in**

**Lawn Mower**

Model No. 21219—Serial No. 417353312 and Up



# Ordering Replacement Parts

To order replacement parts, please supply the part number, the quantity, and the description of each part desired.

## Understanding Reference Numbers

Each identified part in an illustration has a reference number. The reference number for a part also appears in the parts list, along with other information about the part.

This catalog uses two special reference number formats, one to indicate parts in a service assembly and another to indicate the quantity of a given part in an illustration.

## Service Assembly Reference Numbers

Parts in service assemblies have reference numbers in the form a:b. The a represents the reference number of the entire service assembly and the b represents a sequential number unique to each part within the service assembly.

For example, a wheel assembly might be identified by reference number 6, the tire by 6:1, the valve by 6:2, and the wheel by 6:3. When you order the assembly identified by reference number 6, you receive all parts identified by reference numbers 6:1, 6:2, and 6:3. However, you may also order any part individually. Reference numbers of this type appear in illustration and in parts lists.

## Reference Numbers Indicating Quantity

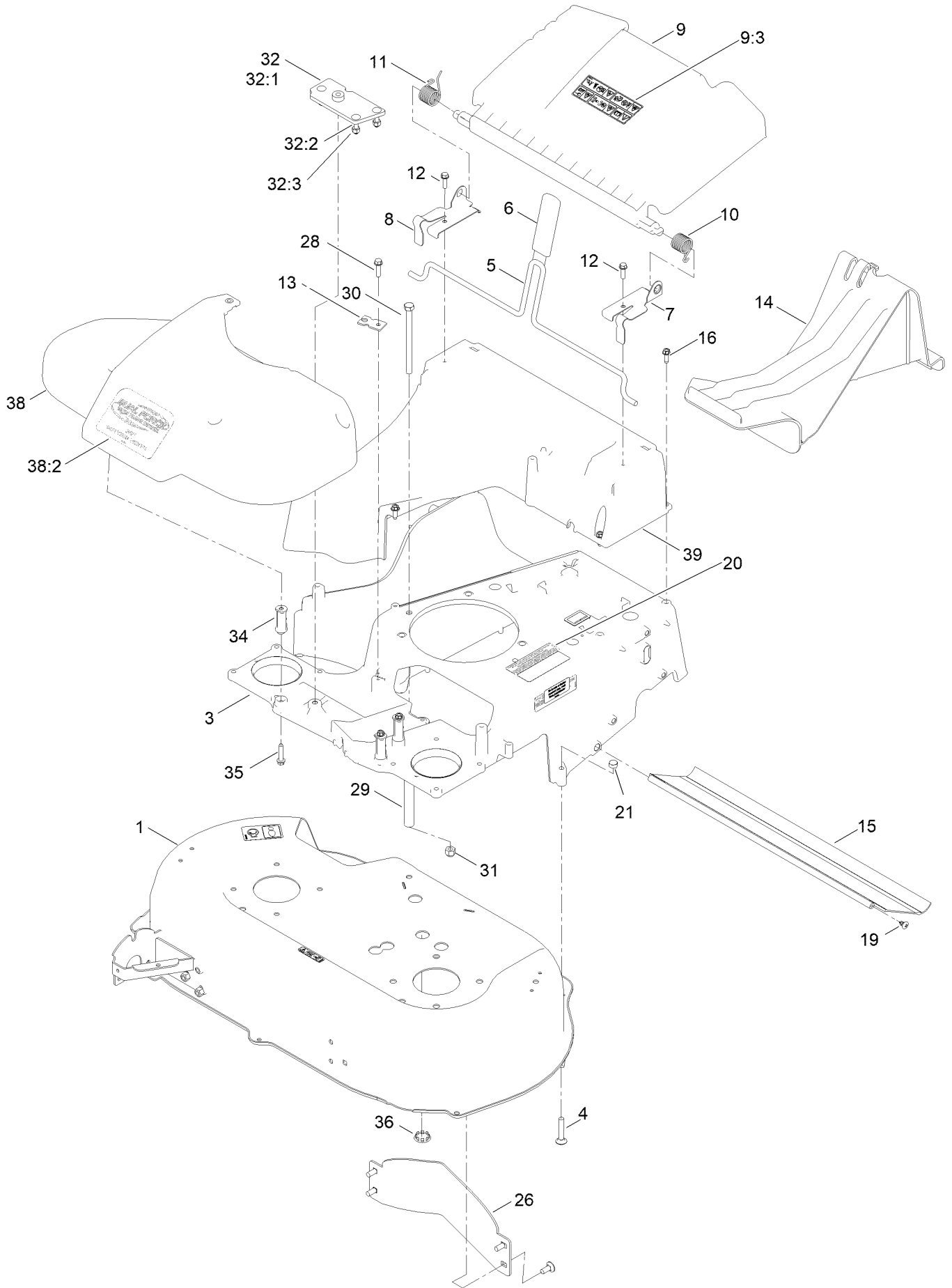
In an illustration, if a reference number indicates more than one part, the reference number has the form nX y. The n represents the quantity of the part, the X is the multiplication symbol, and the y represents the reference number.

For example, in an illustration, the reference number 2X 37 means that two of the parts identified by reference number 37 are indicated.

# Contents

Housing Assembly .....	4
Spindle and Belt Assembly .....	6
Side Discharge Chute Assembly .....	8
Bag Assembly .....	10
Engine and Belt Assembly .....	12
Front Wheel and Height-of-Cut Assembly .....	14
Rear Wheel and Height-of-Cut Assembly .....	16
Handle Assembly .....	18
Attachments and Accessories .....	20

# Housing Assembly



## Housing Assembly (continued)

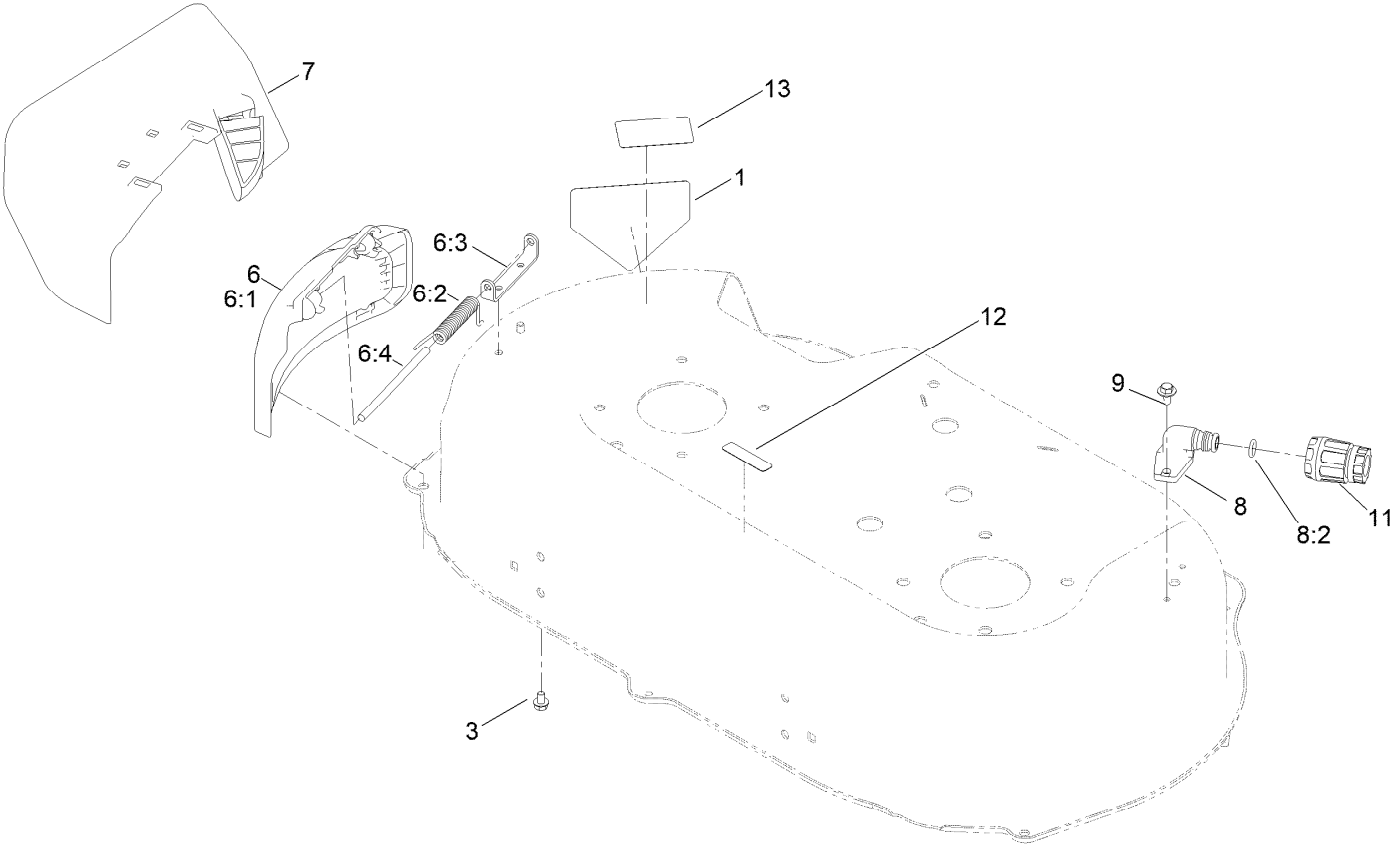
<i>Ref.</i>	<i>Part Number</i>	<i>Qty.</i>	<i>Description</i>	<i>Ref.</i>	<i>Part Number</i>	<i>Qty.</i>	<i>Description</i>
1	136-5873	1	Housing ASM	20	133-8062	1	Decal-Spark Arrestor
3	140-3977-01	1	Frame-30"	21	3296-29	2	Nut-Lock, NI
4	3230-5	2	Bolt-CARR	26	130-2352-01	1	Baffle-Control
5	139-5415	1	Rod-Release, Handle	28	32144-86	1	Screw-HWHTF
6	120-7018	1	Grip-Lever	29	1-323283	1	Spacer-Shield
7	121-9114	1	Bracket-Door, LH	30	139-5409	1	Screw-HH
8	121-9115	1	Bracket-Door, RH	31	137-3087	1	Nut-Hex
9	120-7048	1	Rear Deflector ASM	32	125-5072	1	Frame Plate Kit
9:3	131-4514	1	Decal-Warning	32:1	125-2542	1	Plate-Frame
10	115-2859	1	Spring-Torsion	32:2	3229-3	3	Screw-CARR
11	114-7924	1	Spring-Torsion	32:3	3296-42	3	Nut-Lock, NI
12	46-8091	3	Screw-HWH	34	140-3901	3	Spacer-Frame, 30 In.
13	138-3224	2	Bracket-Cable, Traction	35	108-4862	3	Screw-HWH Thd Roll
14	120-5225	1	Plug-Mulch	36	147-0471	1	Plug-Button
15	120-6241	1	Shield-Trailing	38	139-5408	1	Belt Cover ASM
16	49-2040	8	Screw-HWHTF	38:2	121-2391	1	Decal-Cover, Belt
19	139-1692	2	Screw-PTH	39	133-8177	1	Chute



## Spindle and Belt Assembly (continued)

<i>Ref.</i>	<i>Part Number</i>	<i>Qty.</i>	<i>Description</i>	<i>Ref.</i>	<i>Part Number</i>	<i>Qty.</i>	<i>Description</i>
1	121-9107	2	Spindle ASM	17:2	131-4504	1	Adapter-Bore
1:2	120-7935	2	Spacer	17:3	125-2533	1	Plug-Cap
1:3	138-9770	2	Bearing-Ball	18	145-4016	1	Bracket-Idler
2	139-1731	9	Screw-Thd Roll, HWH	19	120-7024	2	Screw-Shoulder, HWH
3	139-6612	1	Shaft-Spindle	20	120-3335	1	Belt-Synchronous
4	139-6613	1	Shaft-Spindle	21	120-5245-03	1	Guide-Belt, Spindle
5	121-9100	2	Sprocket	22	120-5236	2	Adapter-Blade
6	130-6664	1	Pulley-Brake, Spindle	23	121-5808	1	Spring-Extension, Brake
7	109-9505	2	Washer-Spring	24	125-2466	2	Bolt-Blade
8	3296-19	2	Nut-Hex	25	49-2040	2	Screw-HWHTF
9	63-7400	1	Washer-Rebound	26	120-7082	1	Pulley-Idler
10	133-8102	1	Brake Arm ASM	27	322-6	1	Screw-HH
11	121-2305	2	Washer-Friction, Composite	28	3296-47	1	Nut-Lock,NI
12	138-3244	1	Spacer	29	116-6358-03	2	Blade-Rotary
13	9114524	1	Bolt-TAP, HH	30	121-2336	1	Spring-Flat
14	139-1723	4	Washer-Flat	33	322-9	1	Screw-HH
16	3296-29	3	Nut-Lock, NI	35	133-1964	1	Spacer
17	131-4529	2	Pulley Kit				

# Side Discharge Chute Assembly

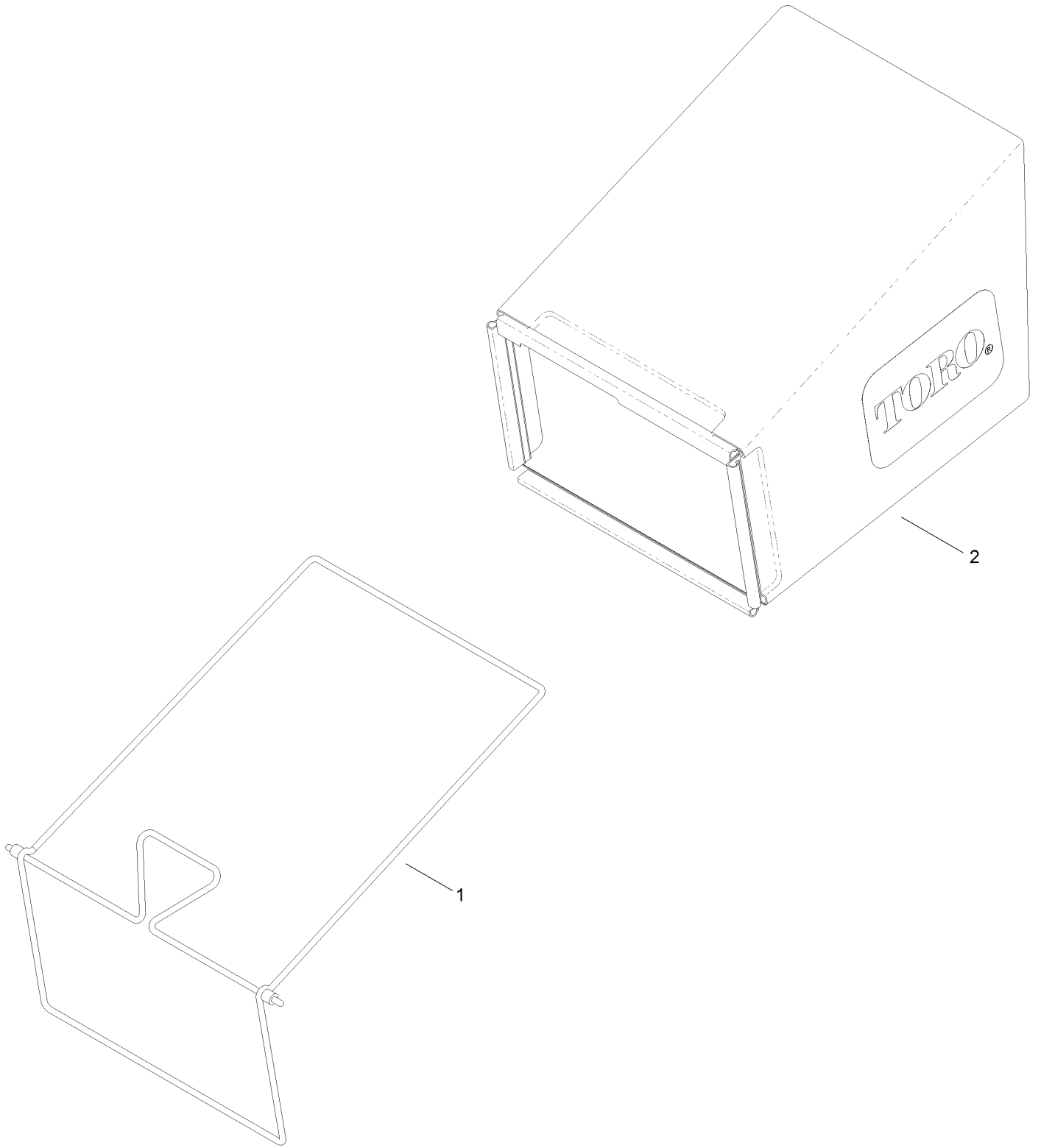




## Side Discharge Chute Assembly (continued)

<i>Ref.</i>	<i>Part Number</i>	<i>Qty.</i>	<i>Description</i>	<i>Ref.</i>	<i>Part Number</i>	<i>Qty.</i>	<i>Description</i>
1	94-8072	1	Decal-Danger	7	121-2319	1	Chute-Discharge, Side
3	137-4795	2	Screw	8	133-9289	1	Fitting-Washout
6	133-2630	1	Side Deflector Service ASM	8:2	133-9290	1	O-Ring
6:1	125-5091	1	Deflector-Side	9	139-1700	2	Screw-HWH, Thd Roll
6:2	127-0721	1	Spring-Torsion, Cover	11	95-3270	1	Connector-Hose
6:3	112-6416	1	Bracket-Cover	12	120-9570	1	Decal-Warning
6:4	99-5291	1	Rod-Cover	13	125-5092	1	Decal-Placement, Foot

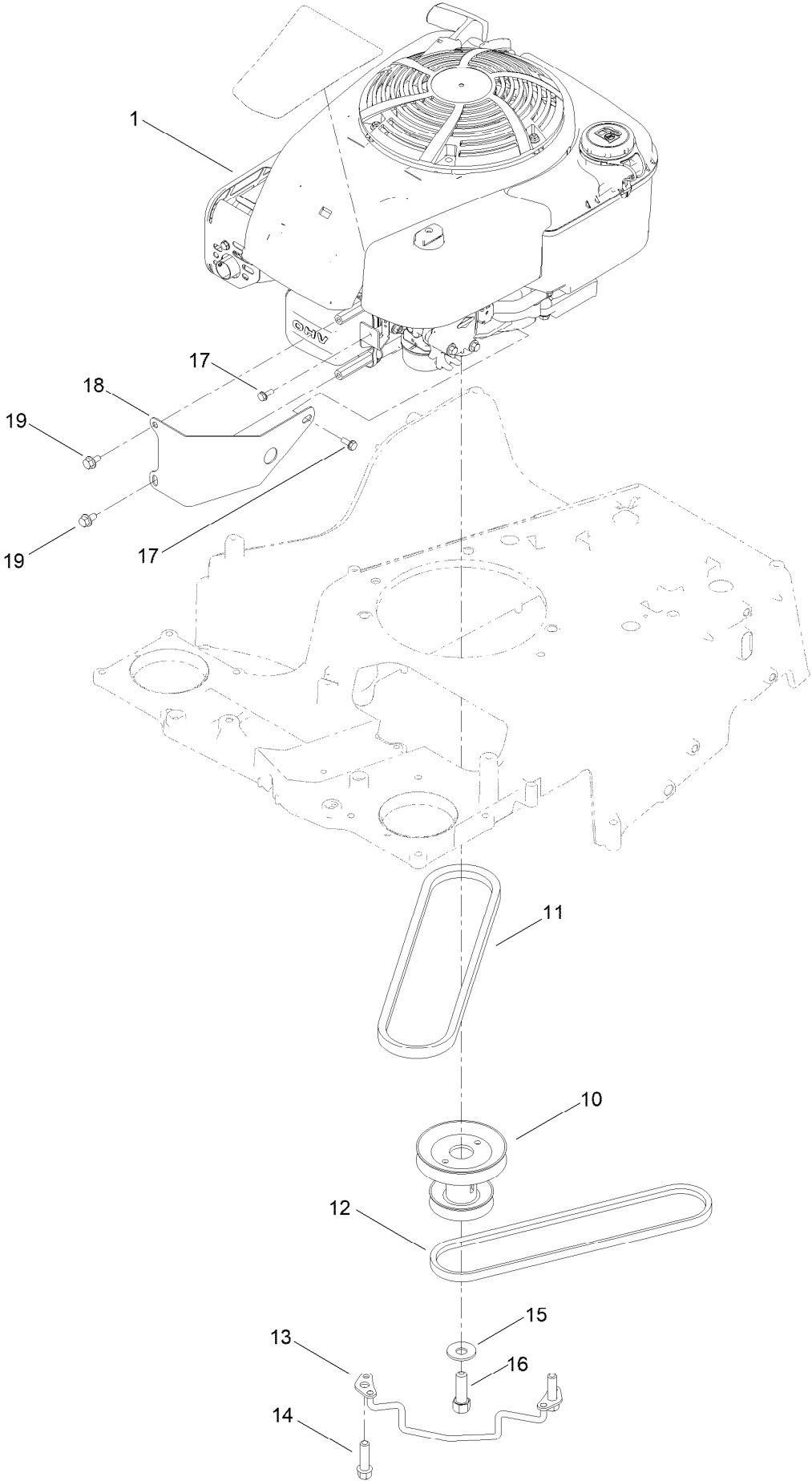
# Bag Assembly



## Bag Assembly (continued)

<i>Ref.</i>	<i>Part Number</i>	<i>Qty.</i>	<i>Description</i>
1	121-5766-03	1	Frame-Bag
2	121-5770	1	Bag-Grass

# Engine and Belt Assembly



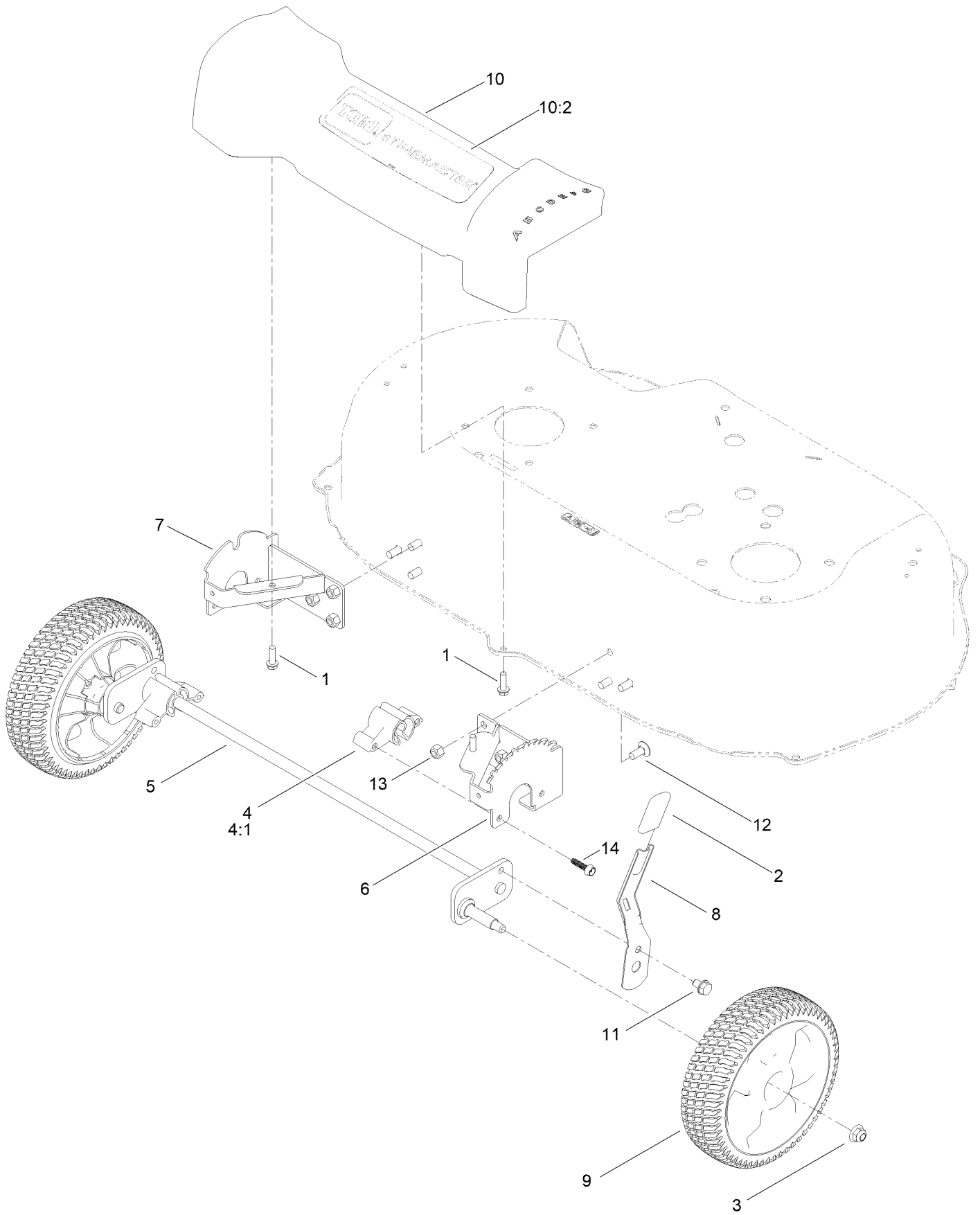
## Engine and Belt Assembly (continued)

<i>Ref.</i>	<i>Part Number</i>	<i>Qty.</i>	<i>Description</i>	<i>Ref.</i>	<i>Part Number</i>	<i>Qty.</i>	<i>Description</i>
1		1	Engine-Briggs, 14D9320110F1 ●■	14	95-1727	3	Screw-Taptite
10	137-9176	1	Pulley-Engine	15	3290-465	1	Washer-Belleville
11	121-5765	1	V-Belt	16	26-0671	1	Screw-HH
12	120-9470	1	V-Belt, Traction	17	32144-1	2	Screw-Taptite
13	139-1734	1	Guide-Belt, Wa	18	131-0889-03	1	Guard-Engine
				19	126-2713	2	Screw-HHF

● Not serviced separately

■ Obtain parts from [www.briggsandstratton.com](http://www.briggsandstratton.com)

# Front Wheel and Height-of-Cut Assembly

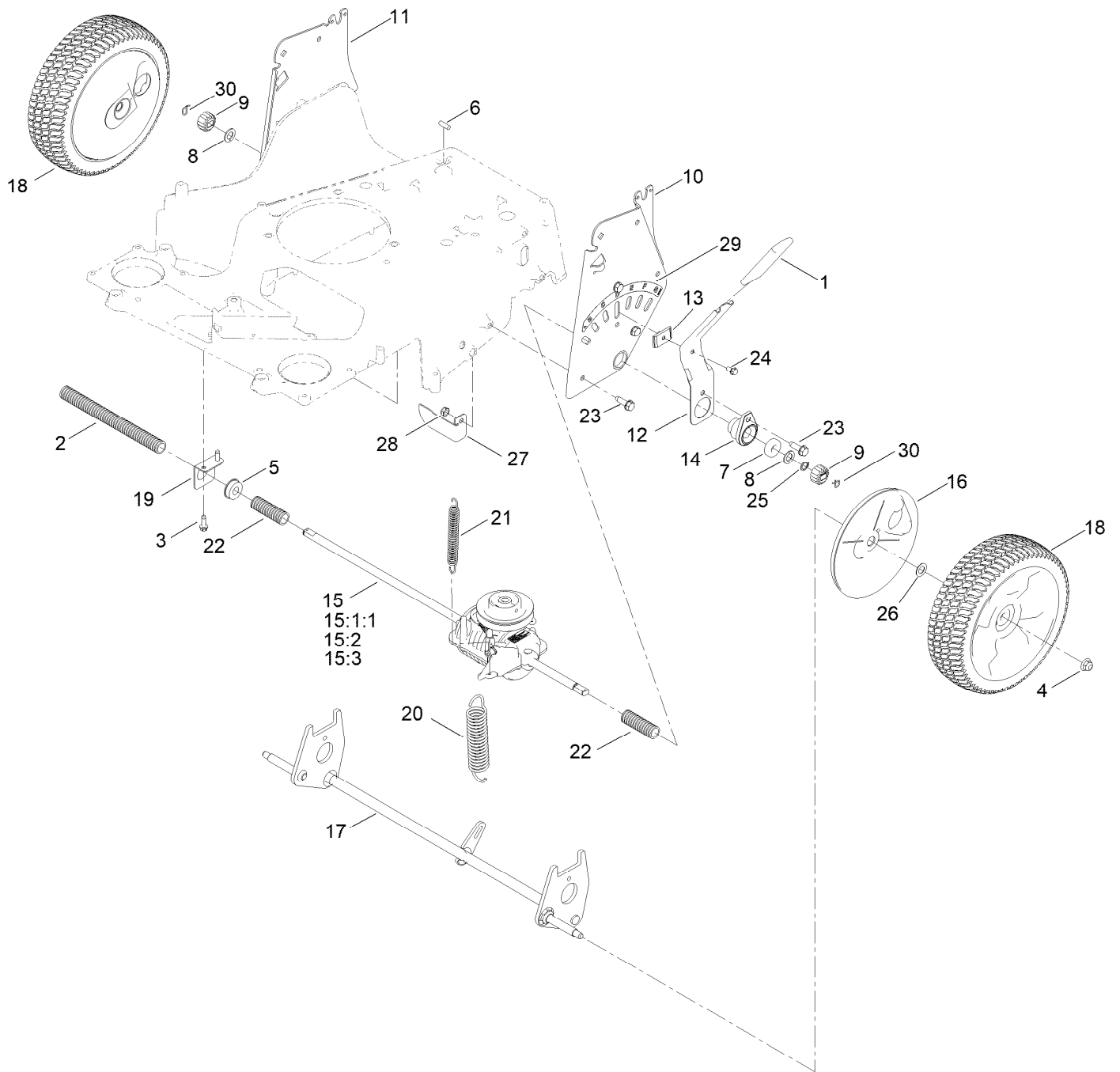


## Front Wheel and Height-of-Cut Assembly (continued)

<i>Ref.</i>	<i>Part Number</i>	<i>Qty.</i>	<i>Description</i>	<i>Ref.</i>	<i>Part Number</i>	<i>Qty.</i>	<i>Description</i>
1	46-8091	3	Screw-HWH	9	125-2510	2	8 Inch Wheel ASM
2	120-9535	1	Grip-Lever	10	125-5027	1	Front Cover ASM
3	119-4042	2	Nut-HF, NI	10		1	Front Cover ASM ●
4	147-0519	2	Bushing-Pivot, Front	10:2	120-7047	1	Artwork-Toro Timemaster
4:1	15-4318	1	Resin-Nylon 66	11	700057	1	Screw-HWH
5	139-1753	1	Front Axle ASM	12	3230-23	6	Bolt-CARR
6	120-7037-03	1	Plate-HOC, LH	13	3296-29	6	Nut-Lock, NI
7	120-7038-03	1	Plate-HOC, RH	14	130-6658	4	Screw-Flange, Plastic
8	120-7043	1	Arm-Spring				

● Not serviced separately

# Rear Wheel and Height-of-Cut Assembly

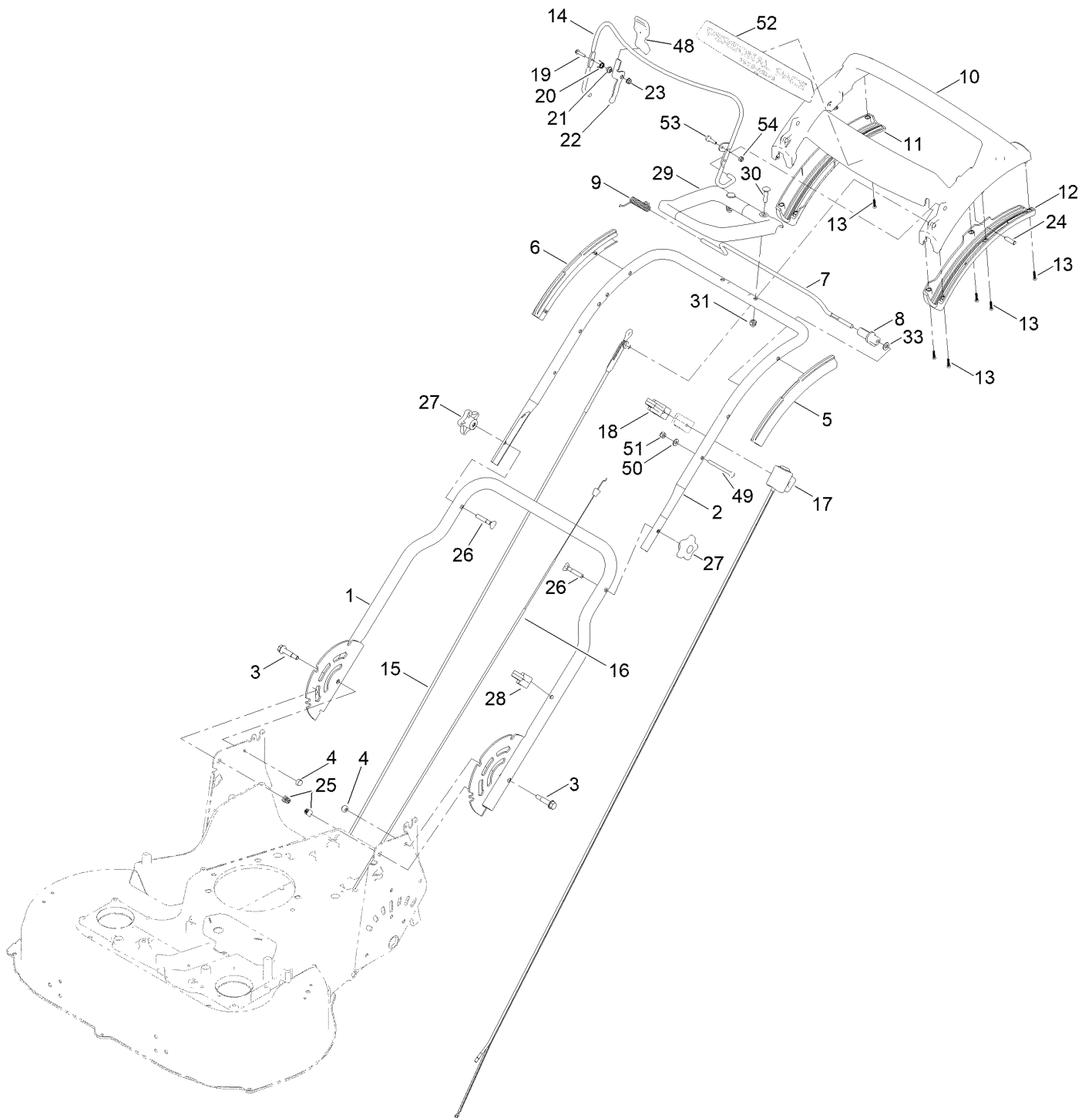




## Rear Wheel and Height-of-Cut Assembly (continued)

<i>Ref.</i>	<i>Part Number</i>	<i>Qty.</i>	<i>Description</i>	<i>Ref.</i>	<i>Part Number</i>	<i>Qty.</i>	<i>Description</i>
1	137-4796	1	Grip-Lever, Lift	15:3	32151-61	1	Ring-Retaining
2	121-5799	1	Conduit-Convolute	16	120-6233	2	Cover-Gear
3	49-2040	2	Screw-HWHTF	17	139-1747	1	Rear Axle ASM
4	119-4042	2	Nut-HF, NI	18	125-2509	2	10 Inch Wheel Gear ASM
5	104-8699	1	Bearing-Ball	19	138-3233	1	Mount-Bearing
6	106-5681	1	Pin-Stop	20	120-7026	1	Spring-Extension
7	133-2603	2	Bearing-Ball	21	120-7027	1	Spring-Extension
8	110-7191	2	Washer-Thrust	22	121-5800	2	Conduit-Convolute
9	131-5399	2	Gear-Pinion, 15T	23	701243	8	Screw-Thd Roll, HWH
10	120-3342-03	1	Plate-HOC, LH	24	32144-4	1	Screw-HWH
11	120-3343-03	1	Plate-HOC, RH	25	32151-61	1	Ring-Retaining
12	137-9124	1	Arm-Spring	26	36-4780	2	Washer-Plain
13	120-5209	1	Key-Arm, Spring	27	138-5338	1	Bracket-Stop
14	136-5929	2	Retainer-Bearing	28	3296-47	1	Nut-Lock,NI
15	131-9665	1	Transmission Kit	29	125-2497	1	Decal-HOC, Rear
15:1:1	130-2370	1	Transmission Pulley Kit	30	130-2369	2	Pin-Snap
15:2	130-2369	2	Pin-Snap				

# Handle Assembly



## Handle Assembly (continued)

<i>Ref.</i>	<i>Part Number</i>	<i>Qty.</i>	<i>Description</i>	<i>Ref.</i>	<i>Part Number</i>	<i>Qty.</i>	<i>Description</i>
1	145-4021-05	1	Handle-Lower, ASM	20	107-7462	1	Spring-Torsion
2	145-4004-05	1	Handle-Upper	21	107-7463	1	Spacer
3	139-1694	2	Bolt-Shoulder, HHF	22	161-4788	1	Lever
4	3296-29	2	Nut-Lock, NI	23	32128-17	1	Nut-Lock, Flange
5	140-2367	1	Guide-Curved, LH (Rwd)	24	139-6577	2	Pin-Handle, Pp
6	140-2366	1	Guide-Curved, RH (Rwd)	25	132-4516	2	Plug-Square
7	139-5464	1	Rod-Control, Traction	26	137-3107	2	Screw-Handle
8	139-6554	1	Lever-Traction, Rwd	27	117-5976	2	Knob-Handle
9	140-4194	1	Spring-Torsion	28	114-7988	1	Guide-Cable
10	139-6569	1	Handle-Personal Pace, Curved	29	144-0220	1	Handle-Assist
11	139-6567	1	Bottom-Handle, RH	30	99-6005	2	Bolt-Carriage
12	139-6568	1	Bottom-Handle, LH	31	137-4808	2	Nut-Acorn
13	94-4496	10	Screw-PPH	33	120-9683	1	Washer-Plain
14	147-0505-03	1	Bail-Brake [black]	48	112-8884	1	Knob
15	161-3177	1	Cable-Brake	49	321-57	1	Screw-HH
16	145-4007	1	Cable-Traction	50	3256-1	1	Washer-Flat
17	117-5975	1	Switch Housing ASM	51	3296-73	1	Nut-Lock, NI
18	139-6581	1	Anchor-Cable, Rwd	52	145-5601	1	Decal-Handle, Pp
19	106-9169	1	Screw-HWH	53	139-1709	1	Screw-Shoulder
				54	137-3085	1	Nut-Hex

# Attachments and Accessories

## For 21219 TimeMaster 30in Lawn Mower

<b>Product Name</b>	<b>Model/Part</b>
Hi-Lift Replacement Blade Kit .....	20122P
Oil-30/10W-30 Synthetic (Quart).....	138-6053
Fuel Stabilizer .05 oz .....	130-2393
4-Cycle Fuel, Snow And Lawn 32oz Can .....	131-3823
Traction Assist Handle Kit.....	144-6377
Mower Cover .....	490-7461
Bag-Walk Behind (Toro).....	490-7318
Lawn Striping Kit with 30in Roller.....	20602
Summer Oil-Case of 24 (20oz Bottles).....	38916
Engine Maintenance Kit.....	130-8146
Toro Premium Fuel Treatment 12oz Bottle.....	131-6572
Toro 4-Cycle SAE 30 Oil (32oz Bottle) .....	38903

**Notes:**

**Notes:**

**Notes:**



**Count on it.**