



Count on it.

Parts Catalog

**53cm Super Recycler®
Lawn Mower**

Model No. 21693—Serial No. 414500000 and Up



Ordering Replacement Parts

To order replacement parts, please supply the part number, the quantity, and the description of each part desired.

Understanding Reference Numbers

Each identified part in an illustration has a reference number. The reference number for a part also appears in the parts list, along with other information about the part.

This catalog uses two special reference number formats, one to indicate parts in a service assembly and another to indicate the quantity of a given part in an illustration.

Service Assembly Reference Numbers

Parts in service assemblies have reference numbers in the form a:b. The a represents the reference number of the entire service assembly and the b represents a sequential number unique to each part within the service assembly.

For example, a wheel assembly might be identified by reference number 6, the tire by 6:1, the valve by 6:2, and the wheel by 6:3. When you order the assembly identified by reference number 6, you receive all parts identified by reference numbers 6:1, 6:2, and 6:3. However, you may also order any part individually. Reference numbers of this type appear in illustration and in parts lists.

Reference Numbers Indicating Quantity

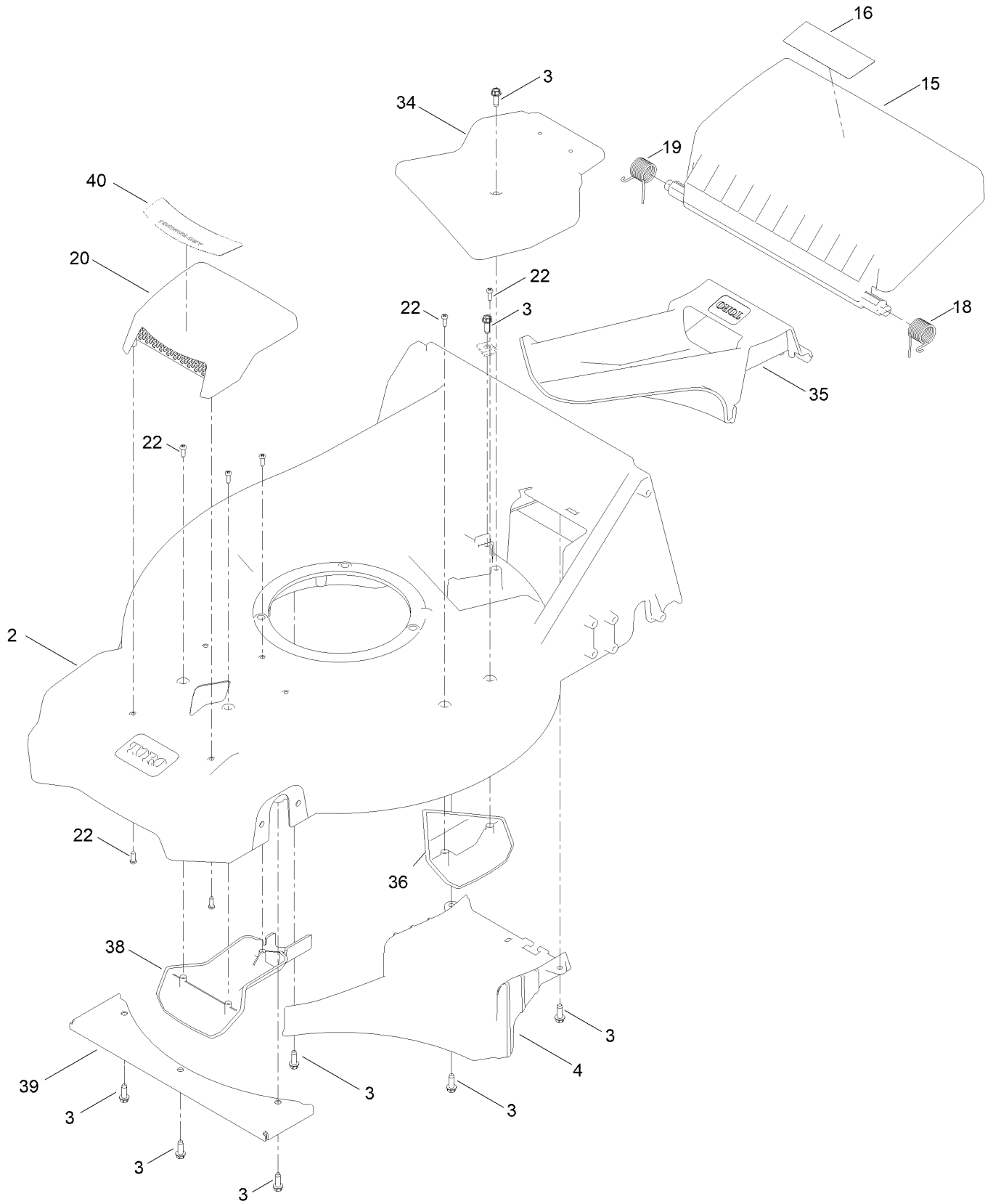
In an illustration, if a reference number indicates more than one part, the reference number has the form nX y. The n represents the quantity of the part, the X is the multiplication symbol, and the y represents the reference number.

For example, in an illustration, the reference number 2X 37 means that two of the parts identified by reference number 37 are indicated.

Contents

Housing Assembly	4
Grass Bag Assembly	6
Decal Assembly	8
Engine and Blade Assembly	10
Front Wheel and Height-of-Cut Assembly	12
Rear Wheel and Height-of-Cut Assembly	14
Handle Assembly	16
Attachments and Accessories	18

Housing Assembly

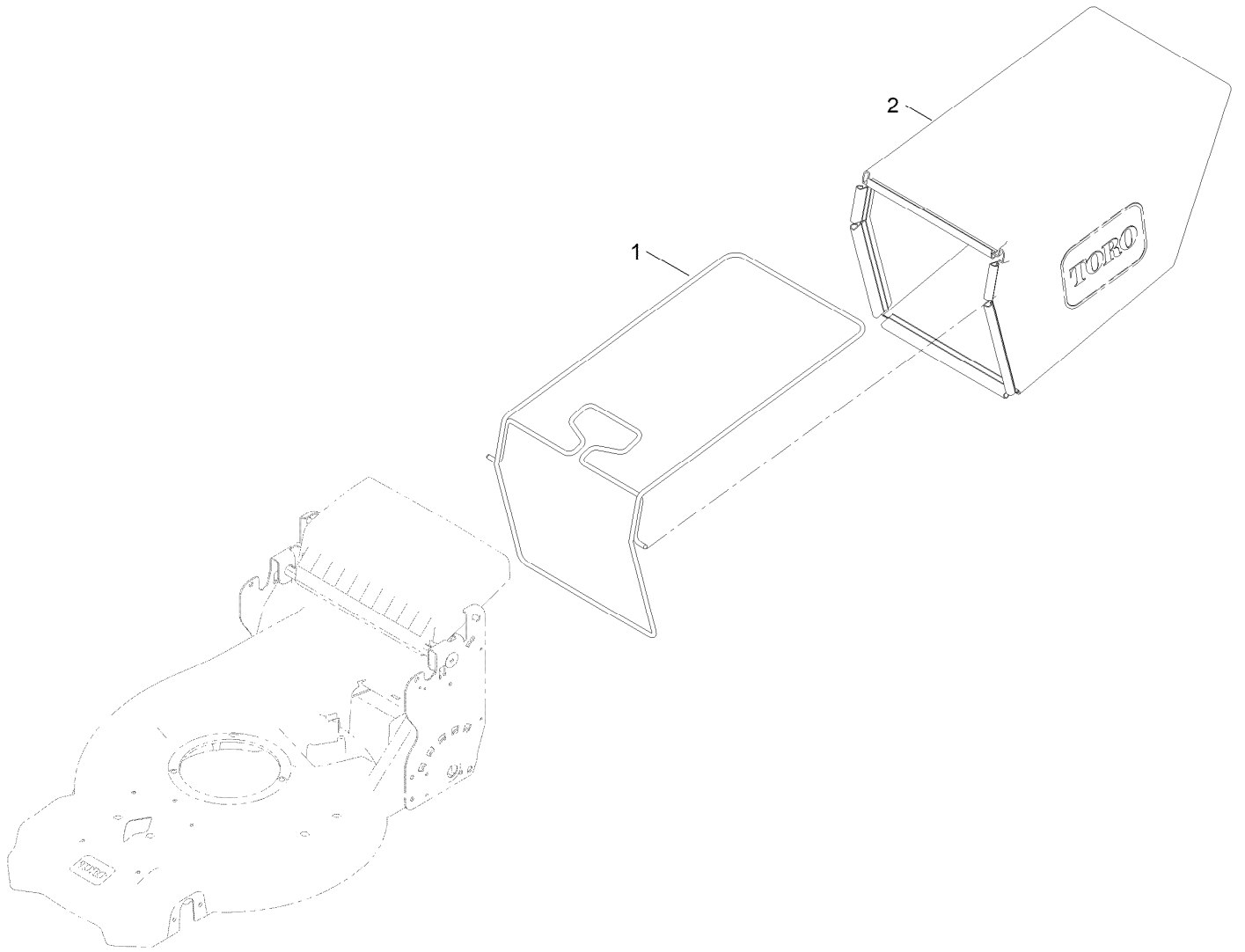


Housing Assembly (continued)

<i>Ref.</i>	<i>Part Number</i>	<i>Qty.</i>	<i>Description</i>	<i>Ref.</i>	<i>Part Number</i>	<i>Qty.</i>	<i>Description</i>
2	145-5836	1	Housing ASM	22	139-1703	9	Screw-Plastic, PPH
3	49-2040	8	Screw-HWHTF	34	144-0234	1	Cover-Belt, Top
4	144-0233	1	Ramp-Discharge	35	144-0236	1	Plug-Mulch
15	139-5477	1	Door-Rear	36	144-0237	1	Kicker-Housing
16	131-4514	1	Decal-Warning	38	144-6464	1	Cover-Intake, Bottom
18	139-5478	1	Spring-Torsion, LH	39	144-0235-03	1	Plate-Cover, CE
19	139-5479	1	Spring-Torsion, RH	40	145-5606	1	Decal-Cover, Intake (CE) ●
20	144-6531	1	ASM-Cover, Top Intake				

● Not illustrated

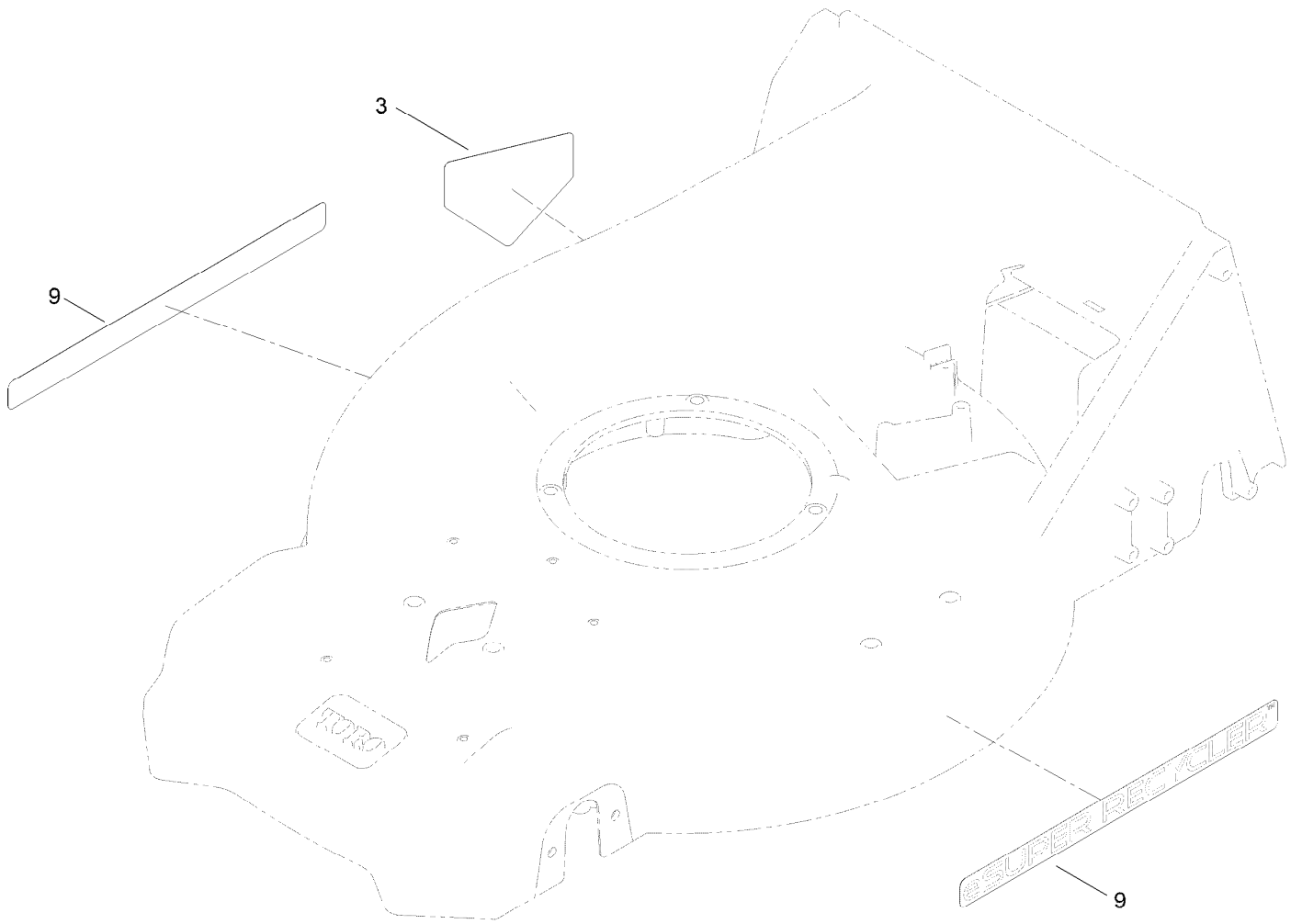
Grass Bag Assembly



Grass Bag Assembly (continued)

<i>Ref.</i>	<i>Part Number</i>	<i>Qty.</i>	<i>Description</i>
1	139-5470-03	1	ASM-Frame, Bag
2	147-0597	1	ASM-Bag, Grass

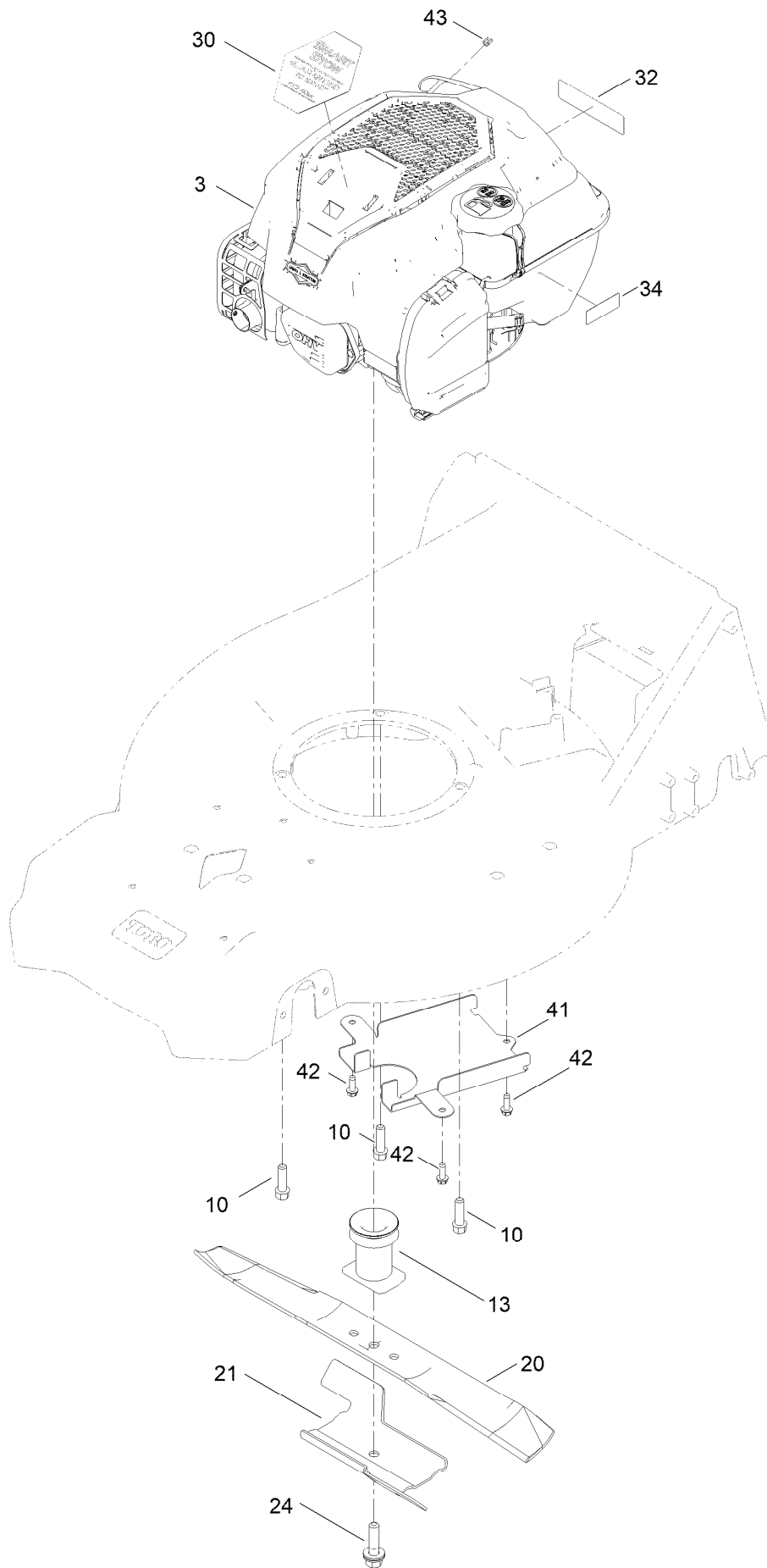
Decal Assembly



Decal Assembly (continued)

<i>Ref.</i>	<i>Part Number</i>	<i>Qty.</i>	<i>Description</i>
3	112-8760	1	Decal-Danger
9	147-0571	2	Decal - Esuper Recycler

Engine and Blade Assembly



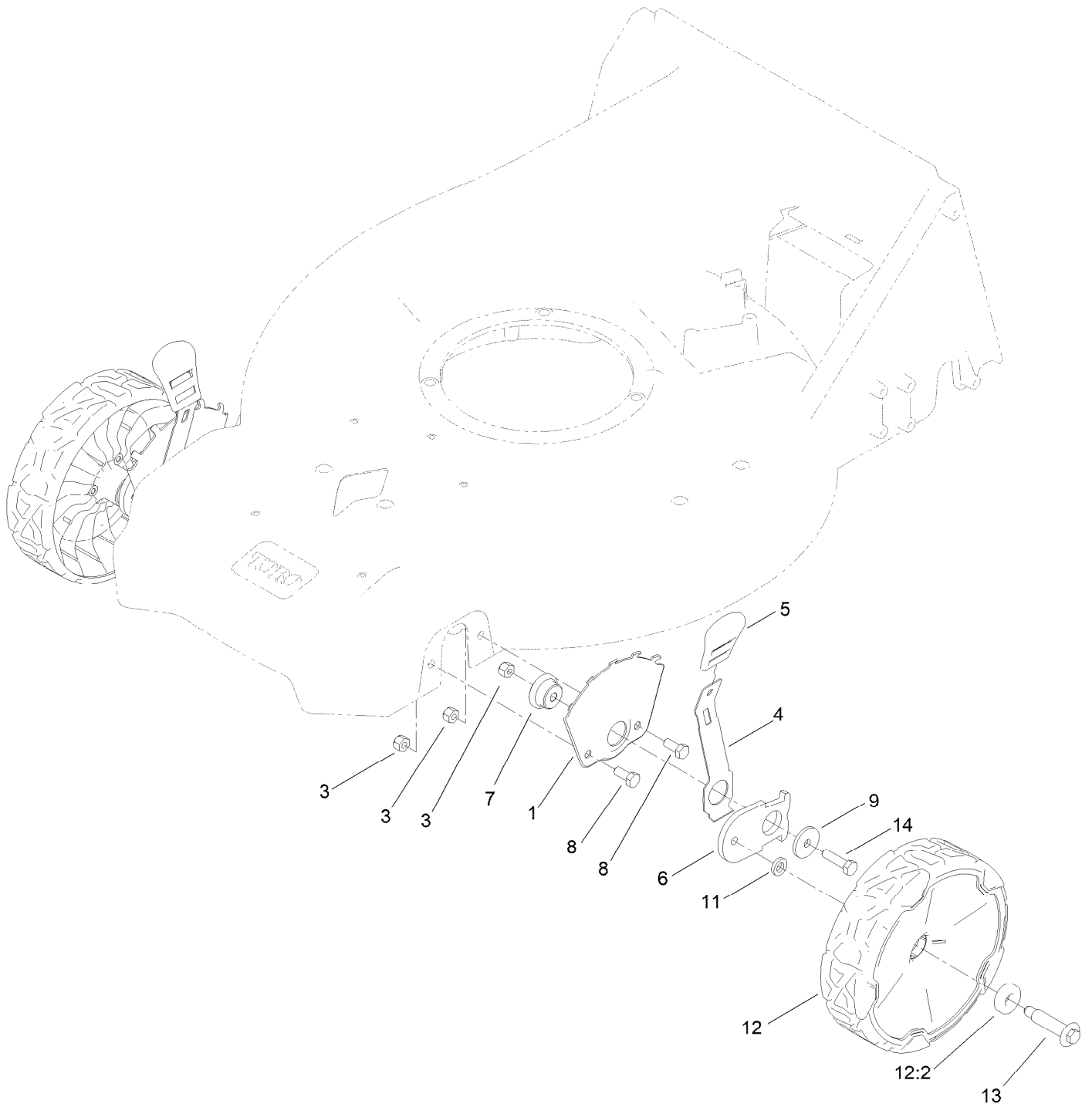
Engine and Blade Assembly (continued)

<i>Ref.</i>	<i>Part Number</i>	<i>Qty.</i>	<i>Description</i>	<i>Ref.</i>	<i>Part Number</i>	<i>Qty.</i>	<i>Description</i>
3		1	Engine-Briggs,104M020130F1 ●■	24	125-2466	1	Bolt-Blade
10	95-1727	3	Screw-Taptite	30	145-5603	1	Decal-Briggs 725 Exi SS
13	139-1816	1	Driver-Blade	32	147-8648	1	Decal-Shroud
20	133-8183-03	1	Blade-Recycling 21In (Bagging)	34	133-8198	1	Decal-Level, Fuel
21	105-6848-01	1	Accelerator-Blade	41	144-0238-05	1	Cover-Belt, Bottom
				42	49-2040	3	Screw-HWHTF
				43	2210-316	1	Stop-Rope

● Not serviced separately

■ Obtain parts from www.briggsandstratton.com

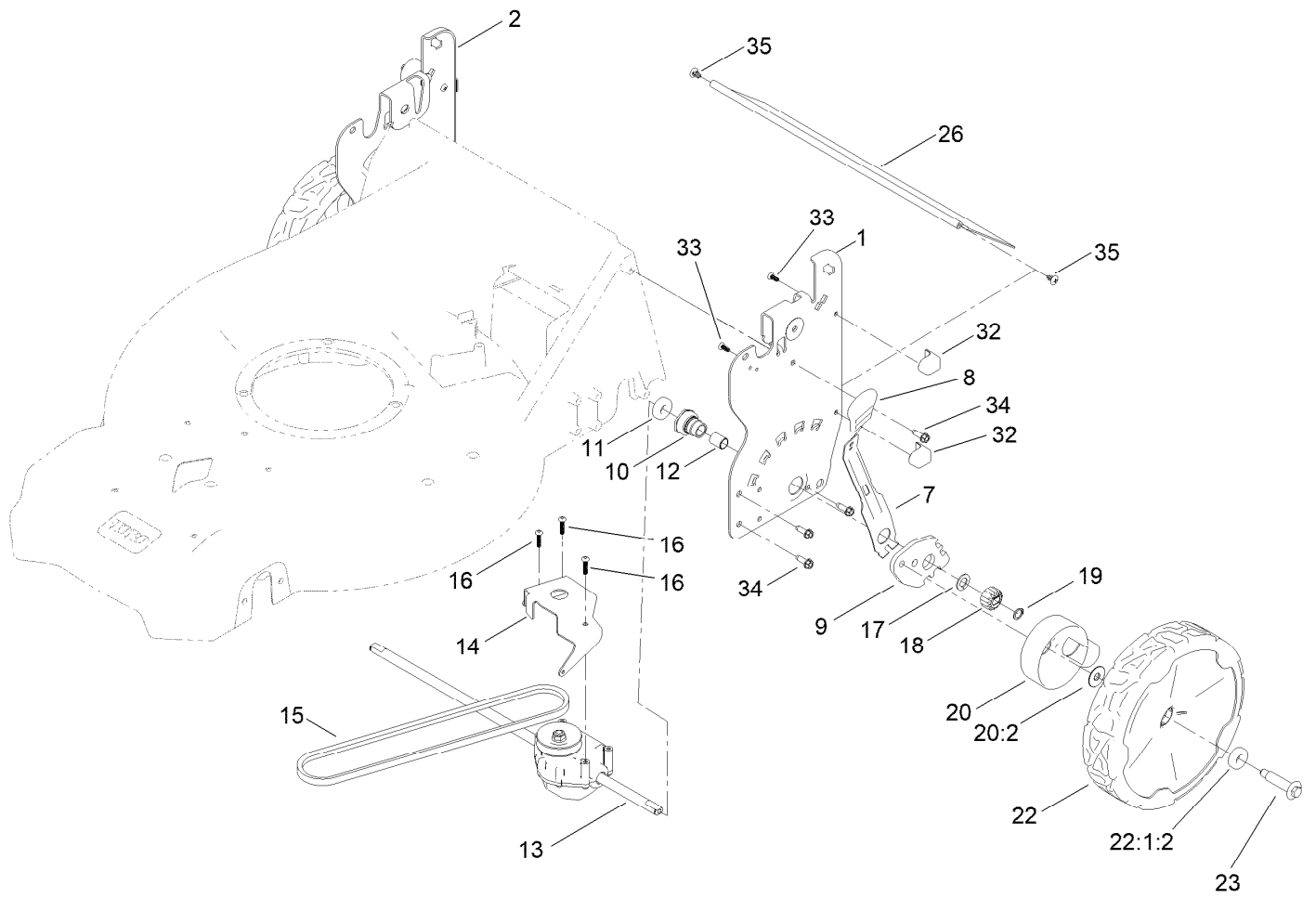
Front Wheel and Height-of-Cut Assembly



Front Wheel and Height-of-Cut Assembly (continued)

<i>Ref.</i>	<i>Part Number</i>	<i>Qty.</i>	<i>Description</i>	<i>Ref.</i>	<i>Part Number</i>	<i>Qty.</i>	<i>Description</i>
1	115-1956-05	2	Plate-HOC,Front Fsvq	9	139-1704	2	Washer-Flat
3	119-4038	6	Nut-Hex	11	139-5449	2	Washer-Wheel Bolt
4	105-1809	2	Arm-Spring	12	144-6469	2	ASM-Wheel, 8" (Bearings)
5	110-0549	2	Knob-HOC	12:2	52-2450	2	Bearing-Wheel
6	137-9128	2	Arm-Pivot, Front	13	614650	2	Bolt-Shoulder
7	105-1818	2	Bushing-Mount, HOC	14	120-9696	2	Screw-HH
8	137-3052	4	Screw-HH				

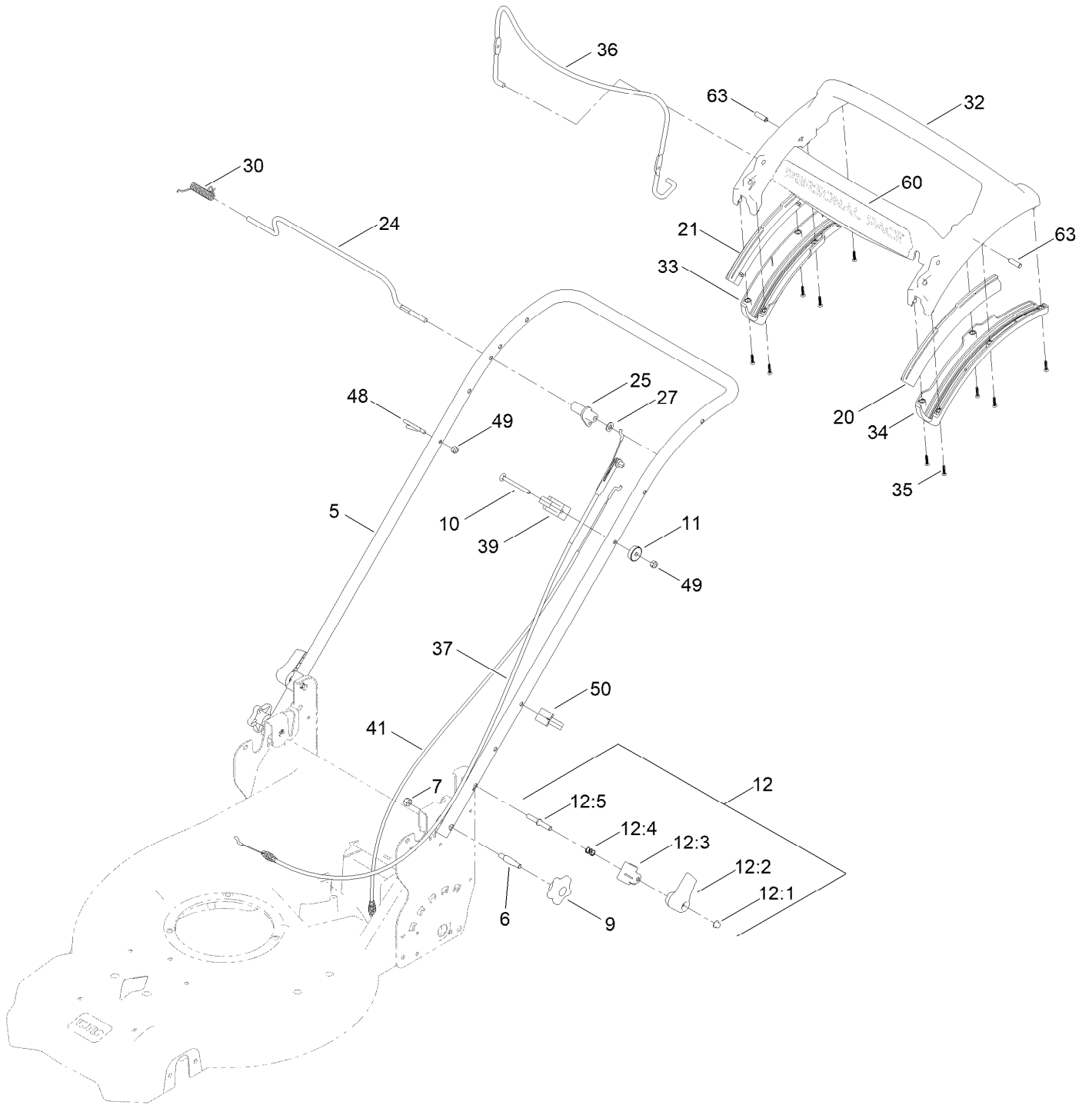
Rear Wheel and Height-of-Cut Assembly



Rear Wheel and Height-of-Cut Assembly (continued)

<i>Ref.</i>	<i>Part Number</i>	<i>Qty.</i>	<i>Description</i>	<i>Ref.</i>	<i>Part Number</i>	<i>Qty.</i>	<i>Description</i>
1	144-6477-05	1	Plate-HOC, LH	18	131-5399	2	Gear-Pinion, 15T
2	139-6592-05	1	Plate-HOC, RH (2 Hole)	19	32151-61	2	Ring-Retaining
7	132-4486	2	Arm-Spring	20	144-0240	2	ASM-Cover, Gear
8	110-0549	2	Knob-HOC	20:2	614426	1	Washer-Stepped
9	139-5451	2	Arm-Pivot, Rear	22	144-6474	2	ASM-9.65" Wheel, Geared
10	108-9779	2	Retainer-Bushing, HOC	22:1:2	52-2450	2	Bearing-Wheel
11	52-2450	2	Bearing-Wheel	23	614650	2	Bolt-Shoulder
12	108-9782	2	Bushing-Sleeve	26	139-6597	1	Shield-Trailing
13	144-0248	1	Transmission-Rwd, 5.25:1	32	140-2369	4	Pad-Smart Stow
14	132-4481-03	1	Bracket-Trans, Rwd Hi	33	137-9137	4	Screw-PPH
15	115-4669	1	Belt-V	34	49-2040	8	Screw-HWHTF
16	120-9676	3	Screw-Plastite	35	139-1692	2	Screw-PTH
17	110-7191	2	Washer-Thrust				

Handle Assembly



Handle Assembly (continued)

<i>Ref.</i>	<i>Part Number</i>	<i>Qty.</i>	<i>Description</i>	<i>Ref.</i>	<i>Part Number</i>	<i>Qty.</i>	<i>Description</i>
5	144-6516-05	1	Handle-Curved	27	120-9683	1	Washer-Plain
6	139-6588	2	Bolt-Shoulder, Handle	30	140-4194	1	Spring-Torsion
7	119-4038	2	Nut-Hex	32	139-6569	1	Handle-Personal Pace, Curved
9	117-5976	2	Knob-Handle	33	139-6567	1	Bottom-Handle, RH
10	144-0221	1	Screw-CARR	34	139-6568	1	Bottom-Handle, LH
11	136-9075	1	Washer-Curved	35	94-4496	10	Screw-PPH
12	138-3249	2	Quick Release ASM	36	145-5879-03	1	Bail-Brake
12:1	140-4157	1	Nut-Push	37	139-6594	1	Cable-Brake, Pp B&s
12:2	138-3248	1	Lever-Release	39	139-6581	1	Anchor-Cable, Rwd
12:3	138-3253	1	Anchor-Spring	41	139-6595	1	Cable-Traction, Rwd (Pp)
12:4	115-2858	1	Spring-Compression	48	86-9671	1	Guide-Rope
12:5	140-4158	1	Rod-Release	49	137-3094	2	Nut-Hex
20	140-2367	1	Guide-Curved, LH (Rwd)	50	114-7988	1	Guide-Cable
21	140-2366	1	Guide-Curved, RH (Rwd)	60	145-1459	1	Decal - Ads, Handle
24	139-5464	1	Rod-Control, Traction	63	139-6577	2	Pin-Handle, Pp
25	139-6554	1	Lever-Traction, Rwd				

Attachments and Accessories

For 21693 53cm Super Recycler Lawn Mower

Product Name	Model/Part
Fuel Stabilizer .05 oz	130-2393
Briggs Maint Kit.....	130-8148
4-Cycle Fuel, Snow And Lawn 32oz Can	131-3823
Toro Premium Fuel Treatment 12oz Bottle.....	131-6572
Oil-30/10W-30 Synthetic (Quart).....	138-6053
Discharge Chute ASM	144-0242
Lawn Striping Kit with 22in Roller.....	20601
Summer Oil-Case of 24 (20oz Bottles).....	38916
Smart Stow Walk Power Mower Cover	490-2012
Bag-Walk Behind (Toro).....	490-7318
Lawnmower Cover.....	490-7462

For 21693 53cm Super Recycler Lawn Mower

Product Name	Model/Part
Fuel Stabilizer .05 oz	130-2393
Briggs Maint Kit.....	130-8148
4-Cycle Fuel, Snow And Lawn 32oz Can	131-3823
Toro Premium Fuel Treatment 12oz Bottle.....	131-6572
Oil-30/10W-30 Synthetic (Quart).....	138-6053
Discharge Chute ASM	144-0242
Lawn Striping Kit with 22in Roller.....	20601
Summer Oil-Case of 24 (20oz Bottles).....	38916
Smart Stow Walk Power Mower Cover	490-2012
Bag-Walk Behind (Toro).....	490-7318
Lawnmower Cover.....	490-7462

Notes:



Count on it.