



# Z149

## Z Master<sup>®</sup> with 52in SFS Side Discharge Mower

Model No. 74179—230006001 and Up

## Parts Catalog

### Ordering Replacement Parts

To order replacement parts, please supply: the part number, the quantity, and the description of each part desired.

### Understanding Reference Numbers

Each identified part in an illustration has a reference number. The reference number for a part also appears in the parts list, along with other information about the part.

This catalog uses two special reference number formats, one to indicate parts in a service assembly and another to indicate the quantity of a given part in an illustration.

### Service Assembly Reference Numbers

Parts in service assemblies have reference numbers in the form **a:b**. The **a** represents the reference number of the entire service assembly and the **b** represents a sequential number unique to each part within the service assembly.

For example, a wheel assembly might be identified by reference number **6**, the tire by **6:1**, the valve by **6:2**, and the wheel by **6:3**. When you order the assembly identified by reference number **6**, you receive all parts identified by reference numbers **6:1**, **6:2**, and **6:3**. However, you may also order any part individually.

Reference numbers of this type appear in illustrations and in part lists.

### Reference Numbers Indicating Quantity

In an illustration, if a reference number indicates more than one part, the reference number has the form **nX y**. The **n** represents the quantity of the part, the **X** is the multiplication symbol, and the **y** represents the reference number.

For example, in an illustration, the reference number **2X 37** means that two of the parts identified by reference number **37** are indicated.

## Contents

<b>Description</b>	<b>Page</b>	<b>Description</b>	<b>Page</b>
Front Frame Assembly .....	4	Cylinder/Crankcase Assembly	
Caster Wheel Assembly No. 1-634662 .....	5	Kawasaki FH601V-DS06 .....	24
Front Spring Assembly No. 103-1987 .....	6	Valve/Camshaft Assembly	
Height of Cut Assembly .....	7	Kawasaki FH601V-DS06 .....	26
Main Frame Assembly .....	8	Cooling Equipment Assembly	
Seat Assembly No. 1-633705 .....	9	Kawasaki FH601V-DS06 .....	28
Fuel System Assembly .....	10	Electric Equipment Assembly	
Parking Brake System Assembly .....	11	Kawasaki FH601V-DS06 .....	30
Motion Control System Assembly .....	12	Control Equipment Assembly	
Hydraulic System Assembly .....	13	Kawasaki FH601V-DS06 .....	32
Pump, Idler and Belt Assembly .....	15	Carburetor Assembly	
Engine and Clutch Assembly .....	16	Kawasaki FH601V-DS06 .....	34
Deck and Wheel Gage Assembly .....	17	Lubrication Equipment Assembly	
Deck Assembly No. 106-5876 .....	18	Kawasaki FH601V-DS06 .....	36
Deck Spindle Assembly .....	19	Air-Filter Assembly	
Idler, Pulley/Lift Strut, Chain Assembly .....	20	Kawasaki FH601V-DS06 .....	37
Electrical System Assembly .....	21	Fuel Tank/Fuel Valve Assembly	
Electrical Schematic .....	22	Kawasaki FH601V-DS06 .....	38
Piston/Crankshaft Assembly		Starter/Decal	
Kawasaki FH601V-DS06 .....	23	Kawasaki FH601V-DS06 .....	39

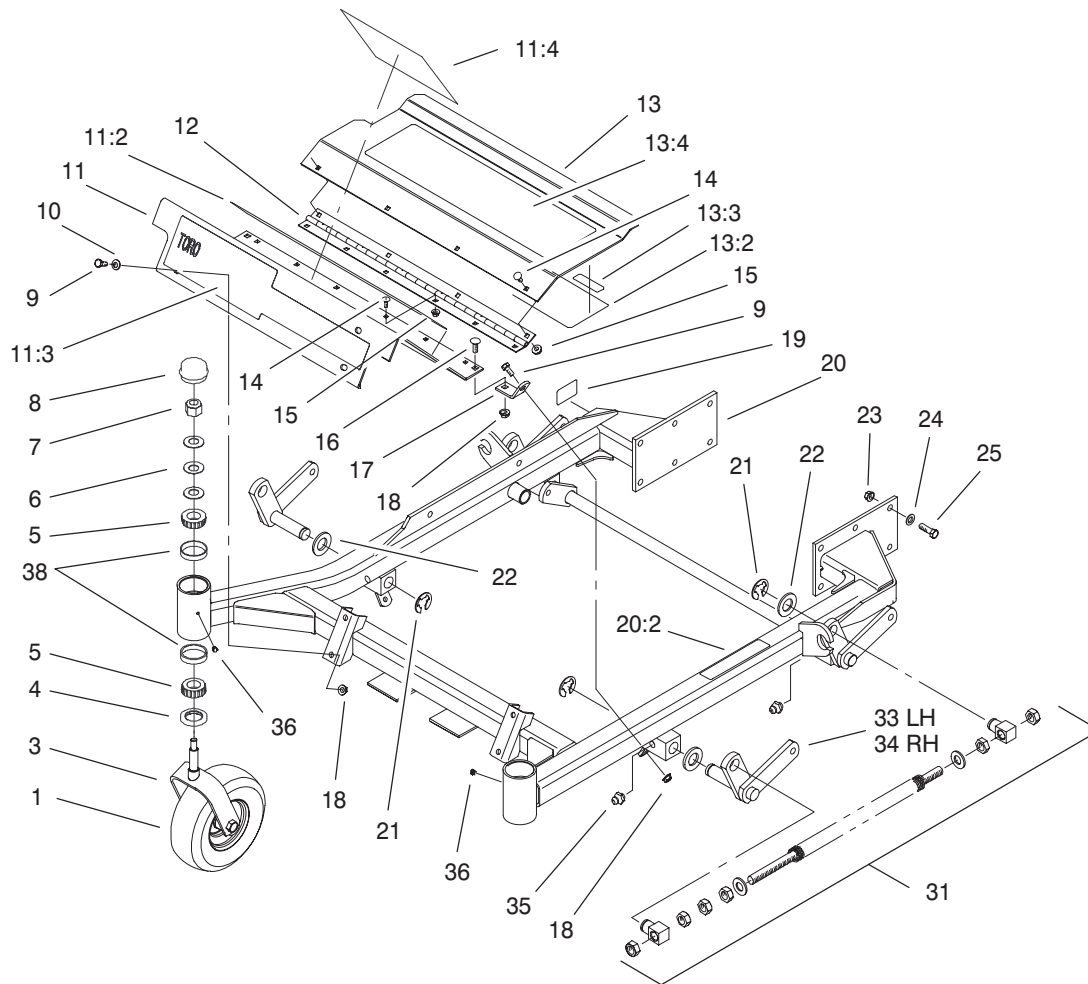
## Accessories

<b>Description</b>	<b>Model / Part No.</b>	<b>Description</b>	<b>Model / Part No.</b>
Recycler Kit .....	59225	Z-Stand Kit .....	105-1621
Bahaia Mulch Kit .....	59227	Hitch Kit .....	99-8924
High Sail Blades		Filter Minder .....	99-4664
(3 required for improved bagging) ...	56-2390-03	DFS Bagger .....	78490
Atomic Blades		Boot and Tube Kit (For DFS Bagger) .....	78493
(3 required for improved mulching) .....	104-1301	Twin Bagger Kit .....	78455
Steel Bagger .....	30107	Twin Bagger Finishing Kit .....	78497
Striping Kit .....	106-3370	ROPS .....	TORO Dealer
High Suspension Seat .....	99-8522		

## Part Description Abbreviations

Part descriptions in this catalog may include the following abbreviations.

<b>Abbreviation</b>	<b>Meaning</b>	<b>Abbreviation</b>	<b>Meaning</b>
AR .....	as required	HYD .....	hydraulic
ASM .....	assembly	INC .....	incorporated
CARR .....	carriage	LH .....	left hand
DEG .....	degrees	NI .....	nylon insert
FH .....	flat head	PPH .....	Phillips pan head
GA .....	gauge	PTH .....	Phillips truss head
HF .....	hex flange	PTO .....	power take off
HH .....	hex head	RH .....	right hand
HHF .....	hex head flange	SFH .....	slotted fillister head
HLH .....	hex lag head	SHH .....	slotted hex head
HJ .....	hex jam	SQH .....	square head
HOC .....	height-of-cut	SHWH .....	slotted hex washer head
HS .....	hex socket	SPH .....	slotted pan head
HSBH .....	hex socket button head	SRH .....	slotted round head
HSFH .....	hex socket flat head	STD .....	standard
HSH .....	hex socket head	TAP .....	self tapping
HWH .....	hex washer head	TTH .....	Torx truss head
HWHTF .....	hex washer head thread forming	WH .....	wing head

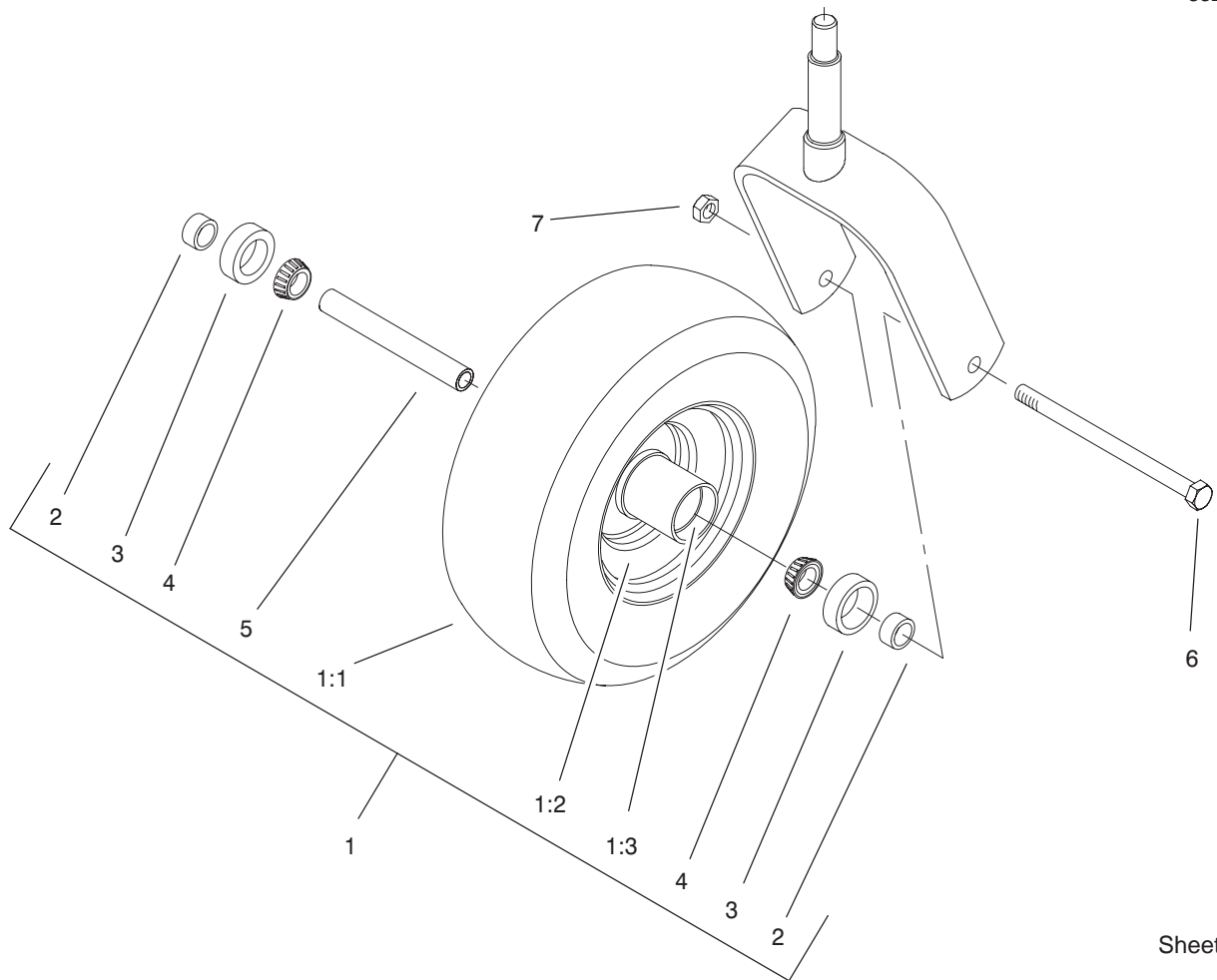


Sheet No.:2

## Front Frame Assembly

Ref. No.	Part No.	Qty.	Description
1	1-634662	2	Caster Wheel ASM
3	1-632511-01	2	Caster
4	1-543511	2	Seal-Grease
5	254-94	4	Bearing-Cone, Taper
6	1-633508	6	Washer-Bellville
7	3296-51	2	Nut-Lock, NI
8	1-543513	2	Cap-Grease
9	322-3	6	Screw-HH
10	3256-23	4	Washer-Flat
11	106-6588	1	Floorpan ASM
11:2	1-633553	1	Pad-Antiskid
11:3	1-633737	1	Decal
11:4	106-6571	1	Decal-Danger, Slope
12	1-653049	1	Hinge-Floorpan
13	99-3930	1	Footrest ASM
13:2	99-3924	1	Decal-Service
13:3	98-5954	1	Decal-Missing, Cover
13:4	1-633553	1	Pad-Antiskid
14	3229-10	10	Screw-CARR
15	32128-33	10	Nut-HF
16	3230-1	2	Bolt-CARR
17	99-3870-01	2	Bracket-Floorpan
18	32128-20	8	Nut-HF
19	105-2625	1	Decal-STD, Safety
20	99-3931	1	Front Frame ASM
20:2	1-633818	1	Decal-Warning

Ref. No.	Part No.	Qty.	Description
21	32151-103	6	Ring-Snap
22	3256-29	6	Washer-Flat
23	3290-357	12	Nut-HHF
24	98-5975	12	Washer-Bellville
25	323-7	12	Screw-HH
31	103-1987	2	Front Spring ASM
33	99-3871-01	1	LH Lift Arm ASM
34	99-3872-01	1	RH Lift Arm ASM
35	302-19	4	Fitting-Grease
36	1-811010	2	Plug
38	254-72	4	Bearing-Cup, Tapered

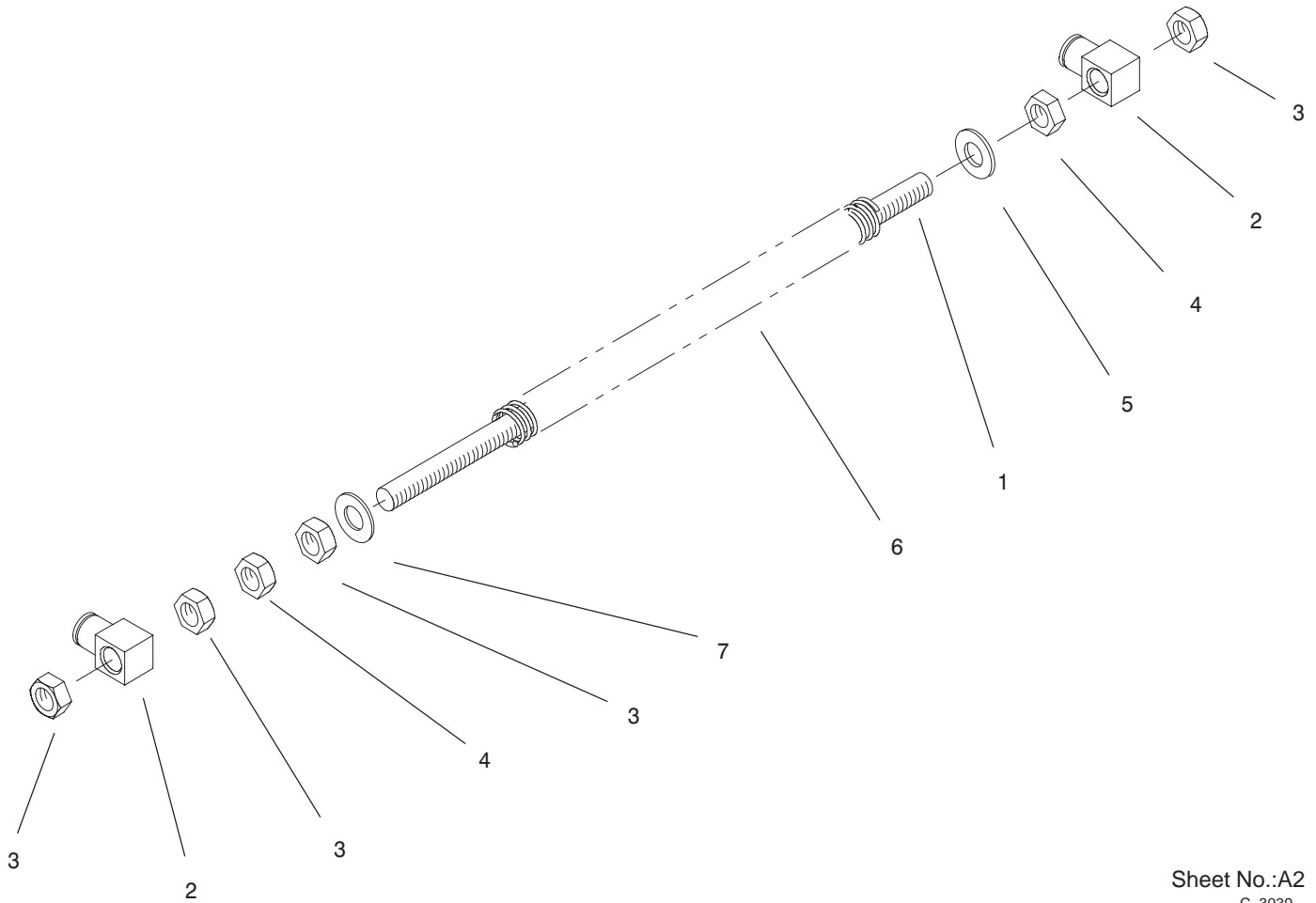


Sheet No.:A1  
C-3038

## Caster Wheel Assembly No. 1-634662

Ref. No.	Part No.	Qty.	Description
1	1-633582	1	Wheel And Tire ASM
1:1	1-633002	1	Tire
1:2	1-633583	1	Wheel
1:3	1-633584	2	Bearing-Cup
2	1-633581	2	Spacer-Bearing
3	1-633580	2	Seal-Bearing
4	1-633585	2	Bearing-Cone, Taper
5	1-633579	1	Spacer-Caster, Front
6	325-36	1	Screw-HH
7	3296-45	1	Nut-Lock, NI

Ref. No.	Part No.	Qty.	Description

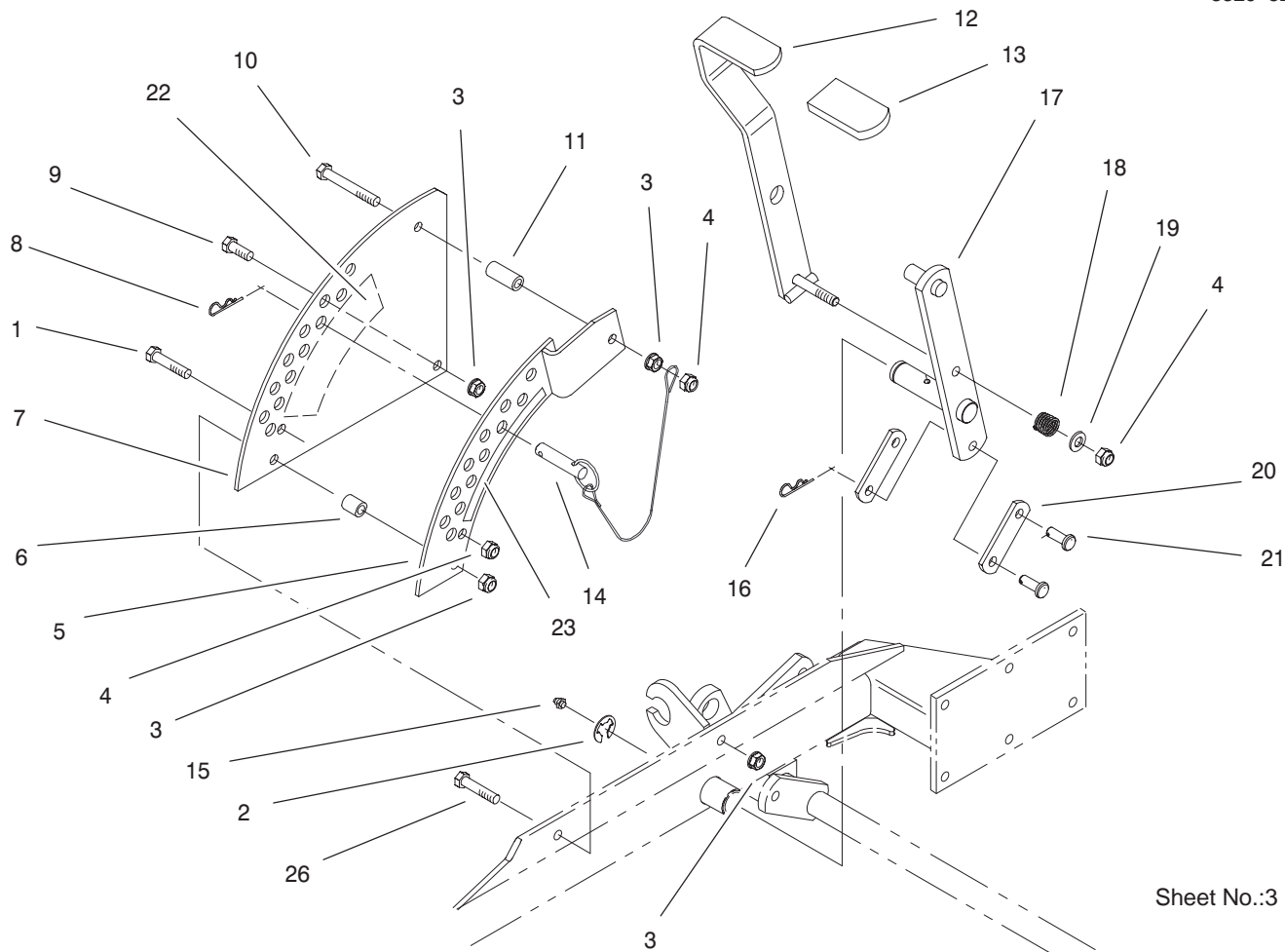


Sheet No.:A2  
C-3039

## Front Spring Assembly No. 103-1987

Ref. No.	Part No.	Qty.	Description
1	1-653011	1	Rod-Lift, Deck
2	1-633441	2	Swivel-Deck Mount, Rear
3	3217-11	4	Nut-Hex
4	3218-6	2	Nut-Jam
5	1-805517	1	Washer
6	1-653009	1	Spring-Compression
7	3256-27	1	Washer-Flat

Ref. No.	Part No.	Qty.	Description

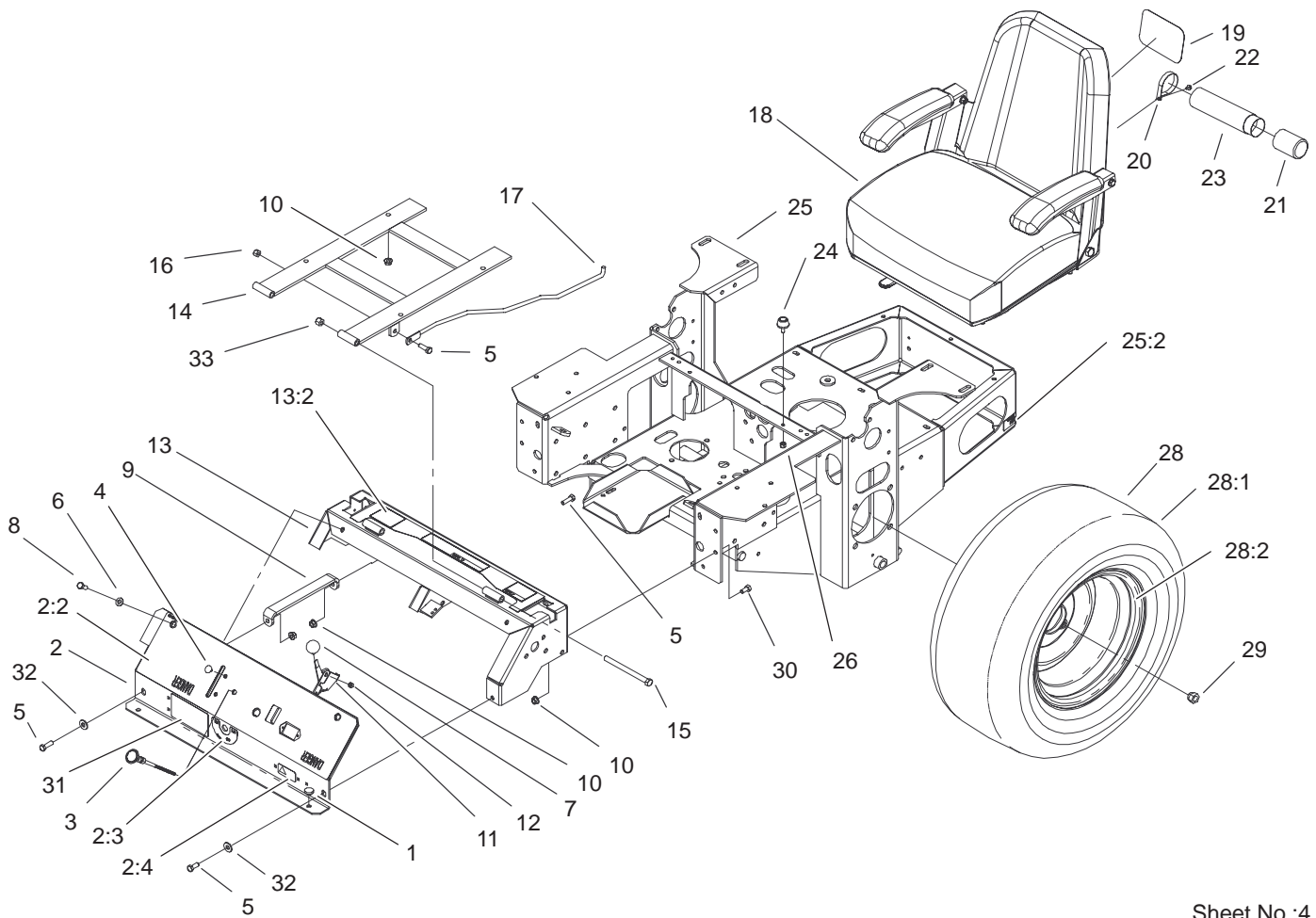


Sheet No.:3

## Height of Cut Assembly

Ref. No.	Part No.	Qty.	Description
1	323-9	1	Screw-HH
2	32151-103	1	Ring-Snap
3	3290-357	3	Nut-HHF
4	3296-39	3	Nut-Lock, NI
5	1-652235-01	1	Plate-Lift, Deck
6	1-633080	1	Bushing-Lever, Lift
7	1-653230-01	1	Plate-Lift, Deck
8	1-806005	1	Pin-Hair
9	323-6	1	Screw-HH
10	323-13	1	Screw-HH
11	1-633082	1	Bushing-Lever, Lift
12	103-2078-03	1	Handle-Lift
13	1-633295	1	Grip-Lever, Lift
14	1-633097	1	Pin-Hitch W/Lanyard
15	302-19	1	Fitting-Grease
16	1-806003	2	Pin-Hair
17	99-3922-03	1	Arm-Lift
18	1-633325	1	Spring-Compression
19	3256-24	1	Washer-Flat
20	1-633068	2	Arm-Lift, Deck
21	1-808284	2	Pin-Clevis
22	1-653140	1	Decal-Deck Height, Outer
23	1-653147	1	Decal-Deck Height, Inner
26	323-8	1	Screw-HH

Ref. No.	Part No.	Qty.	Description



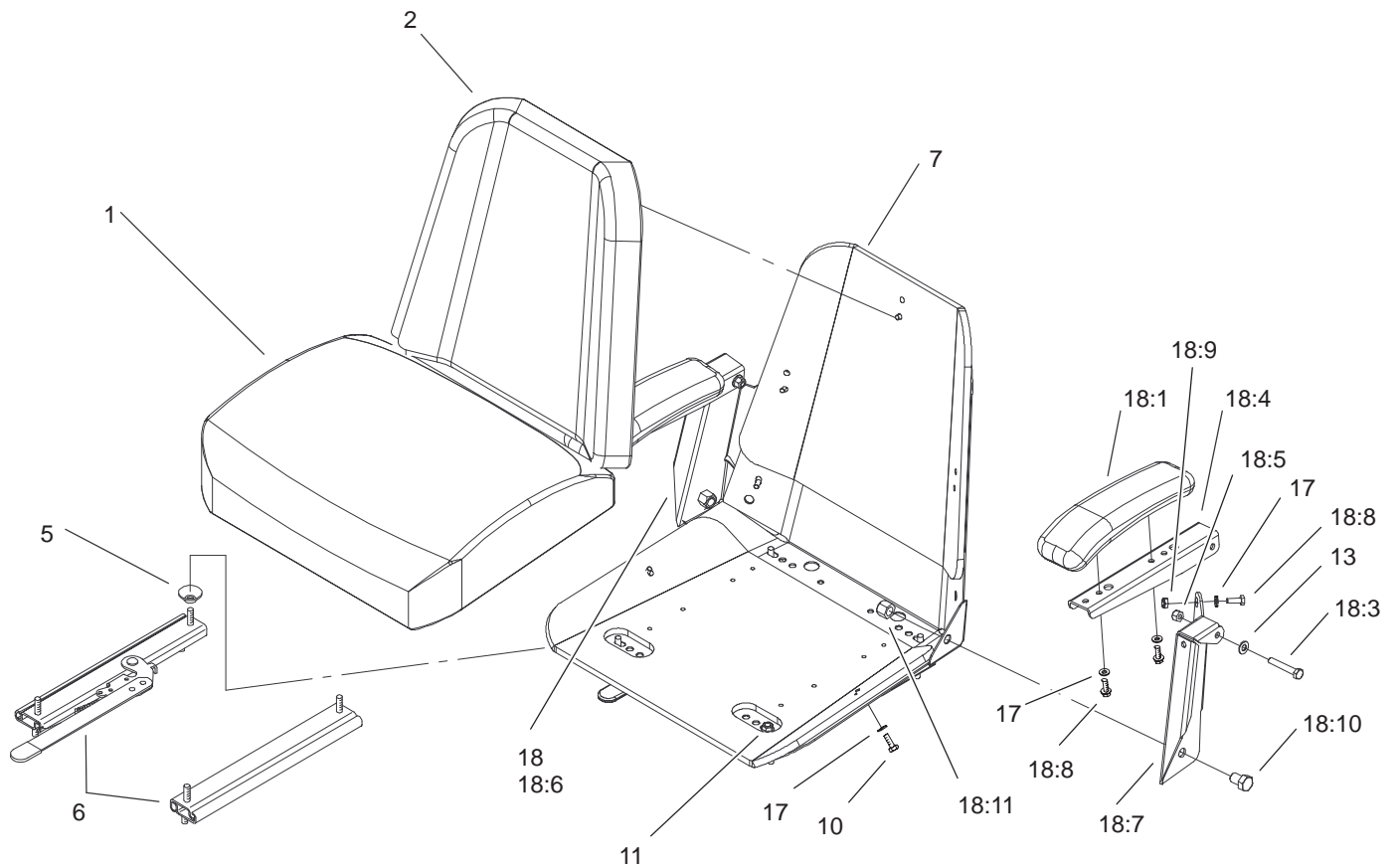
Sheet No.:4

## Main Frame Assembly

Ref. No.	Part No.	Qty.	Description
1	1-513658	2	Bumper-Catcher, Grass
2	106-6589	1	Console ASM
2:2	106-6586	1	Decal-Panel, Control
2:3	103-0262	1	Decal-Valve, Fuel
2:4	98-4387	1	Decal-Protection, Ear
3	1-603336	1	Control-Choke
4	1-807513	2	Bolt-CARR
5	322-5	3	Screw-HH
6	3256-23	2	Washer-Flat
7	1-513592	1	Knob-Ball
8	322-3	3	Screw-HH
9	1-653089-03	1	Bracket
10	32128-20	12	Nut-HF
11	1-633696	1	Cable-Throttle
12	3296-2	2	Nut-Lock
13	105-6123	1	Console Frame ASM
13:2	103-1997	1	Decal-Console, Top
14	1-632187-03	1	Frame-Seat
15	323-39	2	Screw-HH
16	3296-29	1	Nut-Lock, NI
17	103-1731	1	Rod-Retainer, Seat
18	1-633705	1	Seat ASM
19	99-4693	1	Decal-Logo, Toro
20	2412-120	2	R-Clamp
21	104-7048	1	Cap-Housing

Ref. No.	Part No.	Qty.	Description
22	32104-76	2	Screw
23	104-7050	1	Housing-Manual
24	1-523420	2	Bumper
25	105-3649	1	Main Frame ASM
25:2	65-2690	2	Decal-Surface, Hot
26	3296-42	2	Nut-Lock, NI
28	1-653159	2	Wheel And Tire ASM
28:1	1-653160	1	Tire
28:2	1-653161	1	Wheel
29	242-50	8	Nut-Lug
30	322-2	6	Screw-HH
31	99-8909	1	Decal-Z149
32	3256-3	2	Washer-Flat
33	3296-39	2	Nut-Lock, NI





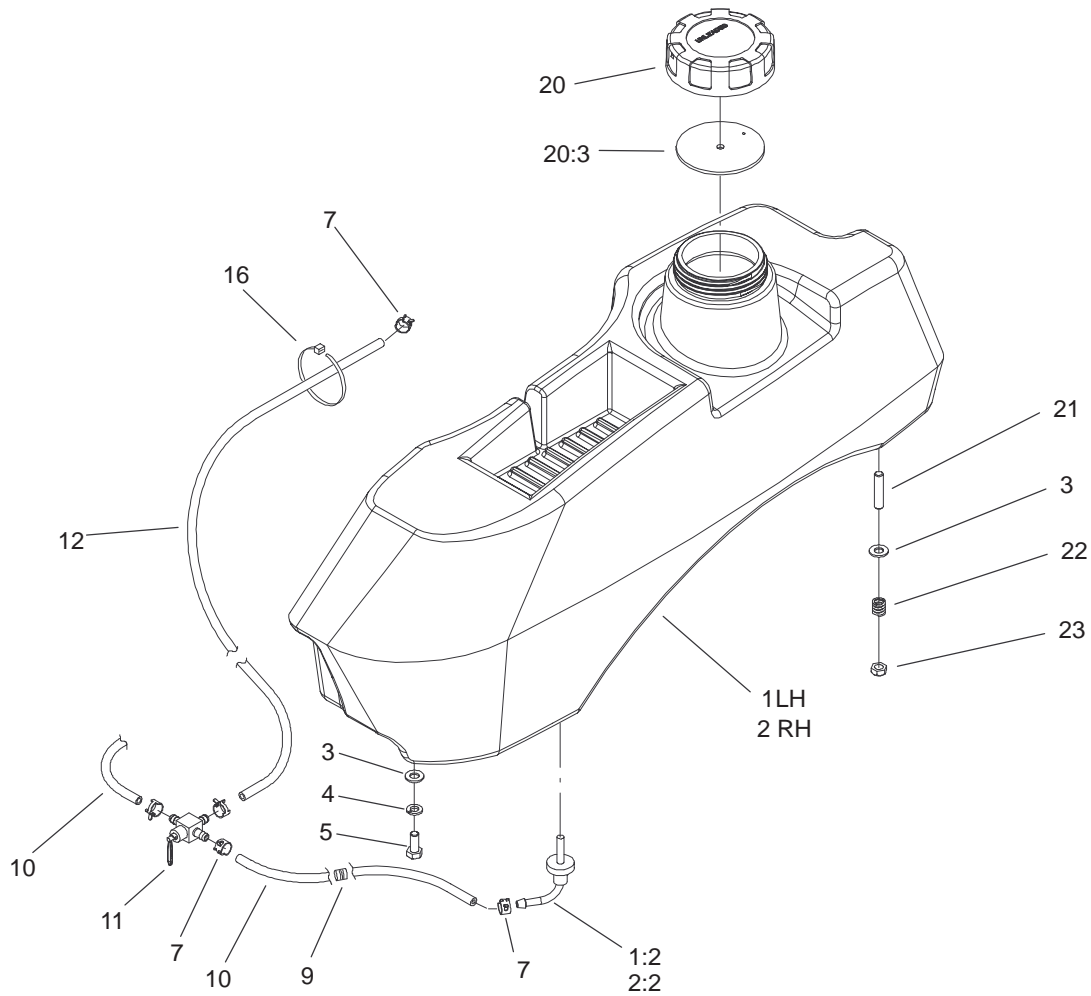
Sheet No.:A3

C-3037

## Seat Assembly No. 1-633705

Ref. No.	Part No.	Qty.	Description
1	103-0290	1	Cushion-Seat, Bottom
2	104-7754	1	Cushion-Seat, Back
5	1-543401	4	Spacer-Track
6	1-643255	1	Track-Seat
7	1-633859	1	Frame-Seat
10	321-4	11	Screw-HH
11	32128-20	4	Nut-HF
13	3256-23	4	Washer-Flat
17	3256-22	11	Washer-Flat
18	105-3620	1	Armrest Kit
18:1	1-633710	2	Cushion-Armrest
18:3	322-10	2	Screw-HH
18:4	105-3623	2	Channel, Armrest
18:5	32153-3	2	Nut-Lock
18:6	105-3621	1	Bracket-Armrest, RH
18:7	105-3622	1	Bracket-Armrest, LH
18:8	321-30	6	Screw-HH
18:9	3296-42	2	Nut-Lock, NI
18:10	325-2	2	Screw-HH
18:11	32153-5	2	Nut-Lock

Ref. No.	Part No.	Qty.	Description

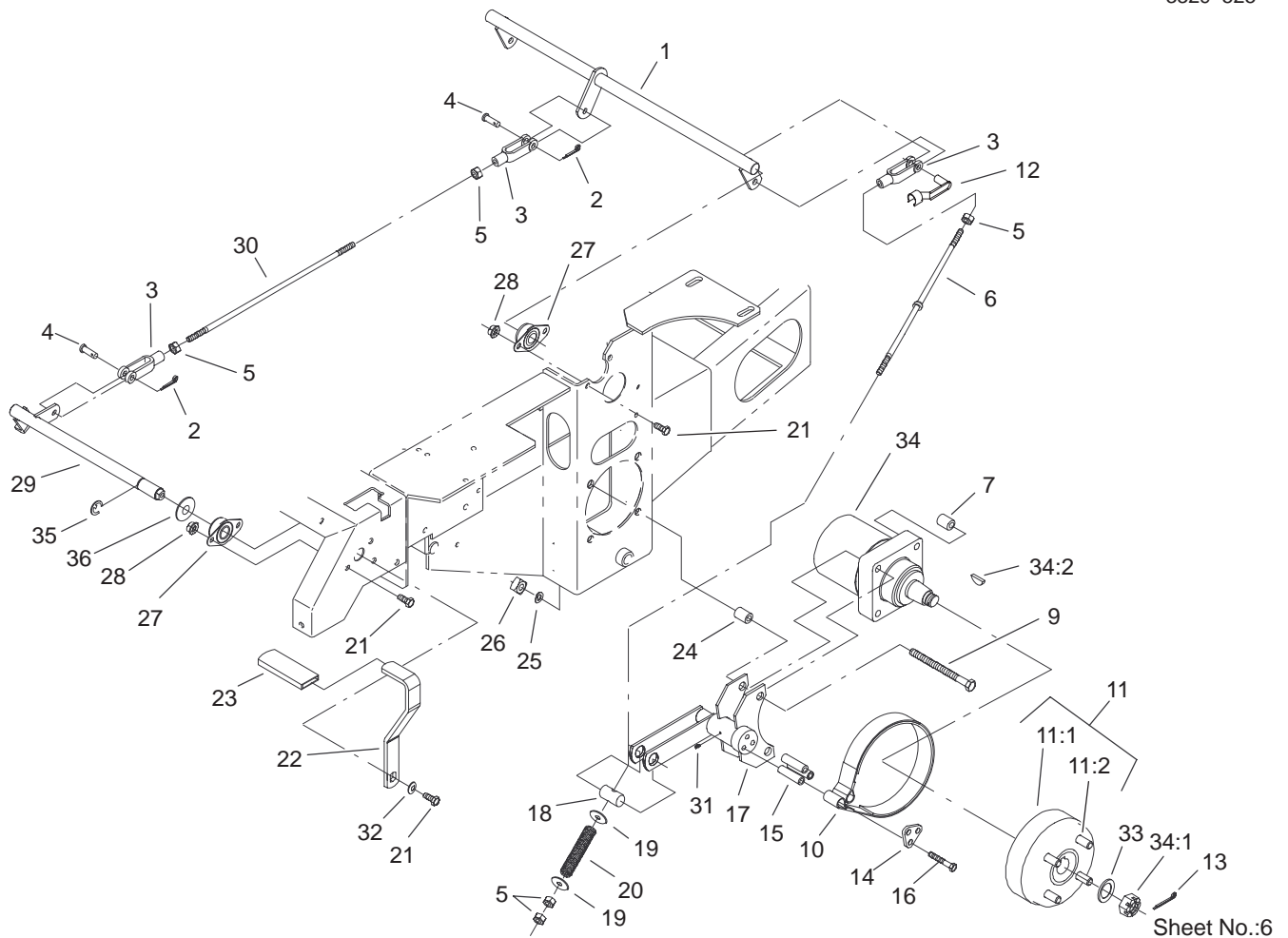


Sheet No.:5

## Fuel System Assembly

Ref. No.	Part No.	Qty.	Description
1	105-3625	1	LH Fuel Tank ASM
1:2	103-2605	1	Fitting-Fuel, Bulkhead
2	105-3624	1	RH Fuel Tank ASM
2:2	103-2605	1	Fitting-Fuel, Bulkhead
3	3256-23	8	Washer-Flat
4	1-805005	4	Washer-Lock
5	322-3	4	Screw-HH
7	1-303077	6	Clamp
9	1-543296	2	Grommet
10	1-543526	2	Hose-Fuel
11	1-633347	1	Valve-Fuel
12	103-0216	1	Hose
16	1-303335	1	Tie-Plastic
20	88-3980	2	Gas Cap ASM
20:3	88-4010	1	Gasket-Cap, Gas
21	1-633023	4	Stud
22	1-633349	4	Spring-Tank, Fuel
23	3296-47	4	Nut-Lock, NI

Ref. No.	Part No.	Qty.	Description

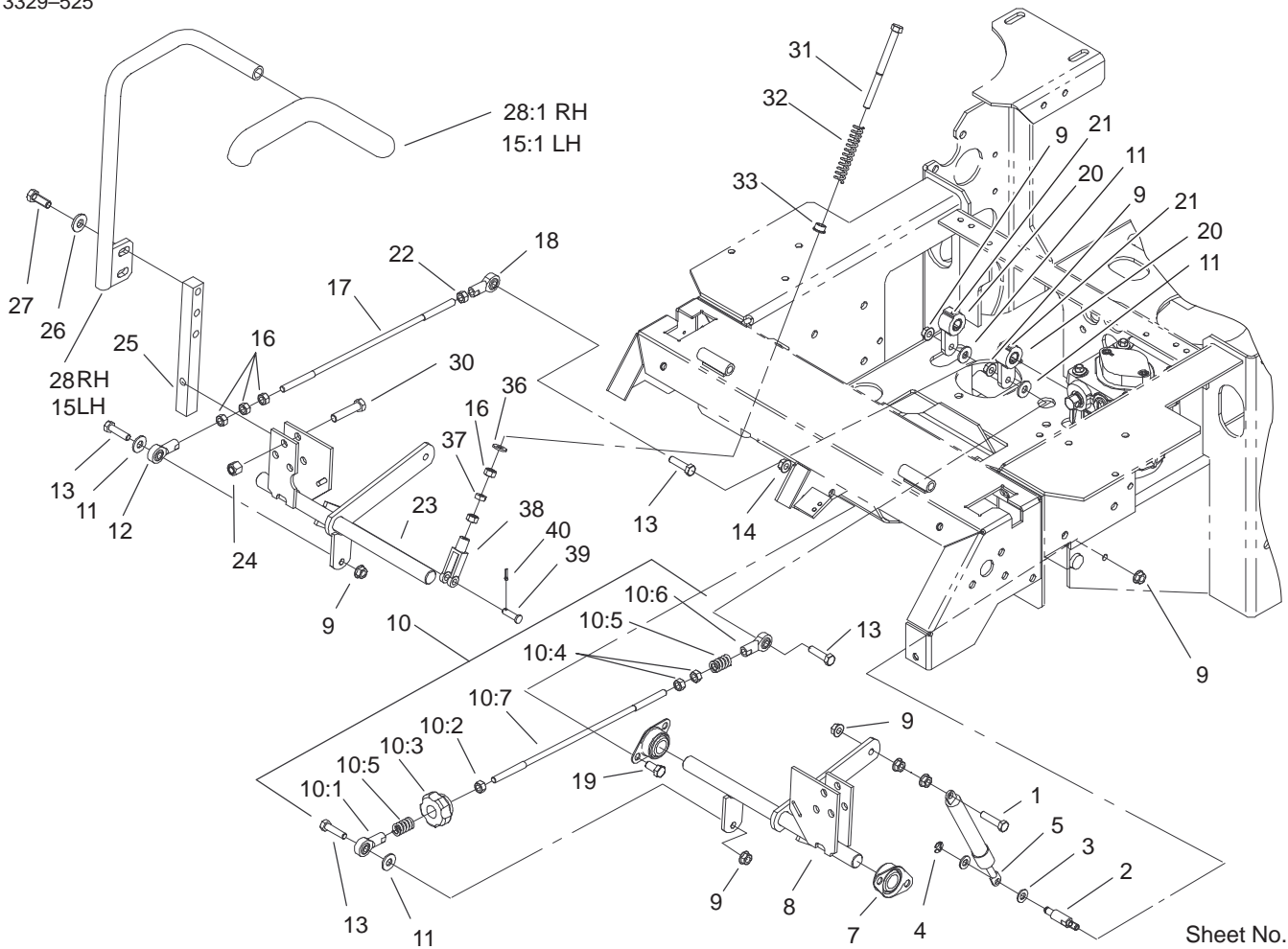


Sheet No.:6

## Parking Brake System Assembly

Ref. No.	Part No.	Qty.	Description	Ref. No.	Part No.	Qty.	Description
1	1-652073-03	1	Crank-Brake, Park	26	103-0131	8	Nut-Square
2	3272-10	2	Pin-Cotter	27	1-633102	4	Bearing-Flange, Side
3	1-633131	4	Yoke-Linkage, Brake	28	3290-357	8	Nut-HHF
4	1-808285	2	Pin-Clevis	29	103-3116	1	Shaft-Brake, Parking
5	3219-3	8	Nut-HH	30	1-653061	1	Linkage-Handle, Brake
6	103-0356	2	Rod-Brake	31	1481	2	Fitting-Grease
7	1-653068	4	Spacer-Wheel	32	98-5975	1	Washer-Belleville
9	325-13	8	Screw-HH	33	1-523157	2	Washer-Spacer
10	103-0355	2	Band-Brake	34	1-523328	2	Motor-Wheel
11	103-0590	2	Hub-Wheel	34:1	1-809036	1	Nut-HH
11:1	103-0589	1	Hub-Wheel	34:2	3257-42	1	Key-Woodruff
11:2	1-633926	4	Stud-Wheel	*34:99	1-000099	1	Seal Kit
12	103-2399	2	Pin-Spring, Clevis	*34:99	1-000139	1	Bearing Kit
13	1-806800	2	Pin-Cotter	*34:99	103-2748	1	Drive Link Kit
14	103-0374	2	Retainer-Band, Brake	35	32151-48	1	E-Ring
15	103-0384	6	Spacer	36	3256-28	1	Washer-Flat
16	322-9	6	Screw-HH				
17	103-0352-03	2	Bracket-Brake				
18	1-633144	2	Pin-Trunion				
19	3256-4	4	Washer-Flat				
20	1-633454	2	Spring-Brake				
21	323-4	9	Screw-HH				
22	1-653074-03	1	Handle-Brake, Park				
23	1-633268	1	Grip-Lever, Brake				
24	1-653069	4	Spacer-Wheel				
25	3253-7	8	Washer-Lock				

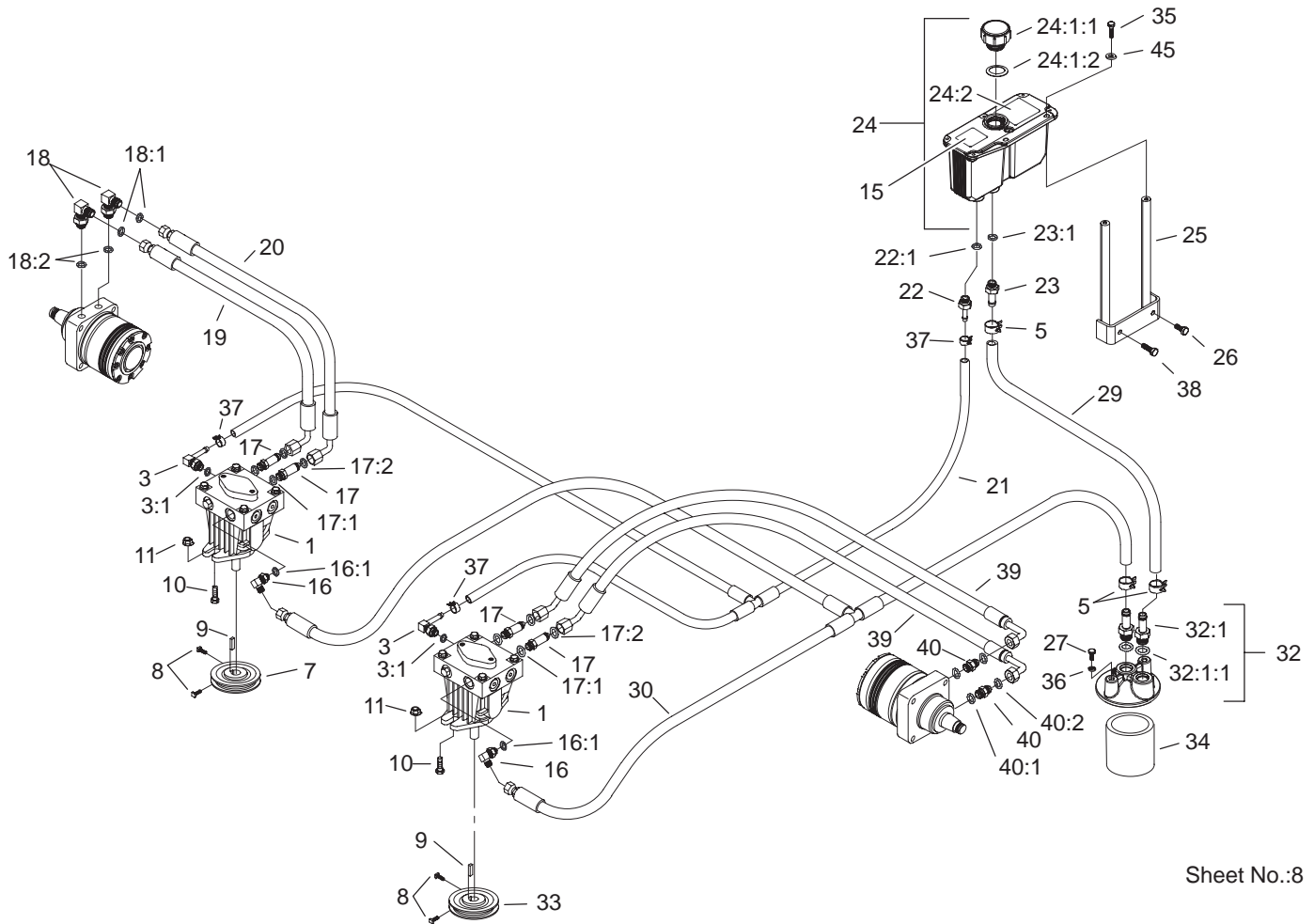
\* Not illustrated



## Motion Control System Assembly

Ref. No.	Part No.	Qty.	Description
1	1-403180	2	Screw-HH
2	1-653316	2	Pin-Damper
3	3256-23	4	Washer-Flat
4	32120-35	2	E-Ring
5	103-2913	2	Damper-Control, Motion
7	1-633102	4	Bearing-Flange, Side
8	103-2199	1	LH Motion Control ASM
9	32128-20	12	Nut-HF
10	103-3063	1	Tracking Rod ASM
10:1	1-543017	1	Balljoint-RH
10:2	3219-2	1	Nut-Hex
10:3	103-3060	1	Knob-Tracking
10:4	1-804524	2	Nut
10:5	1-323245	2	Spring-Compression
10:6	1-633152	1	Balljoint-Thread, LH
10:7	103-3066	1	Link-Rod, Tracking
11	3256-3	4	Washer-Flat
12	1-543017	1	Balljoint-RH
13	322-6	4	Screw-HH
14	3290-357	8	Nut-HHF
15	103-0631	1	LH Lever ASM
15:1	1-633257	1	Grip-Control, Motion
16	3219-2	7	Nut-Hex
17	103-3066	1	Link-Rod, Tracking

Ref. No.	Part No.	Qty.	Description
18	1-633152	1	Balljoint-Thread, LH
19	323-4	8	Screw-HH
20	103-3717	2	Arm-Control, Pump
21	1-803022	2	Screw-Set
22	1-804524	1	Nut
23	103-2200	1	RH Motion Control ASM
24	3296-39	6	Nut-Lock, NI
25	103-0407	2	Arm-Shaft, Control
26	98-5975	4	Washer-Belleville
27	323-6	4	Screw-HH
28	103-0632	1	RH Lever ASM
28:1	1-633257	1	Grip-Control, Motion
30	323-9	6	Screw-HH
31	1-603737	2	Bolt-Return, Neutral
32	1-603807	2	Spring-Return, Neutral
33	1-603735	2	Bushing-Flanged
36	3256-2	2	Washer-Flat
37	3220-2	2	Nut
38	1-303105	2	Yoke-Adjustable
39	1-808280	2	Pin-Clevis
40	3272-5	2	Pin-Cotter



Sheet No.:8

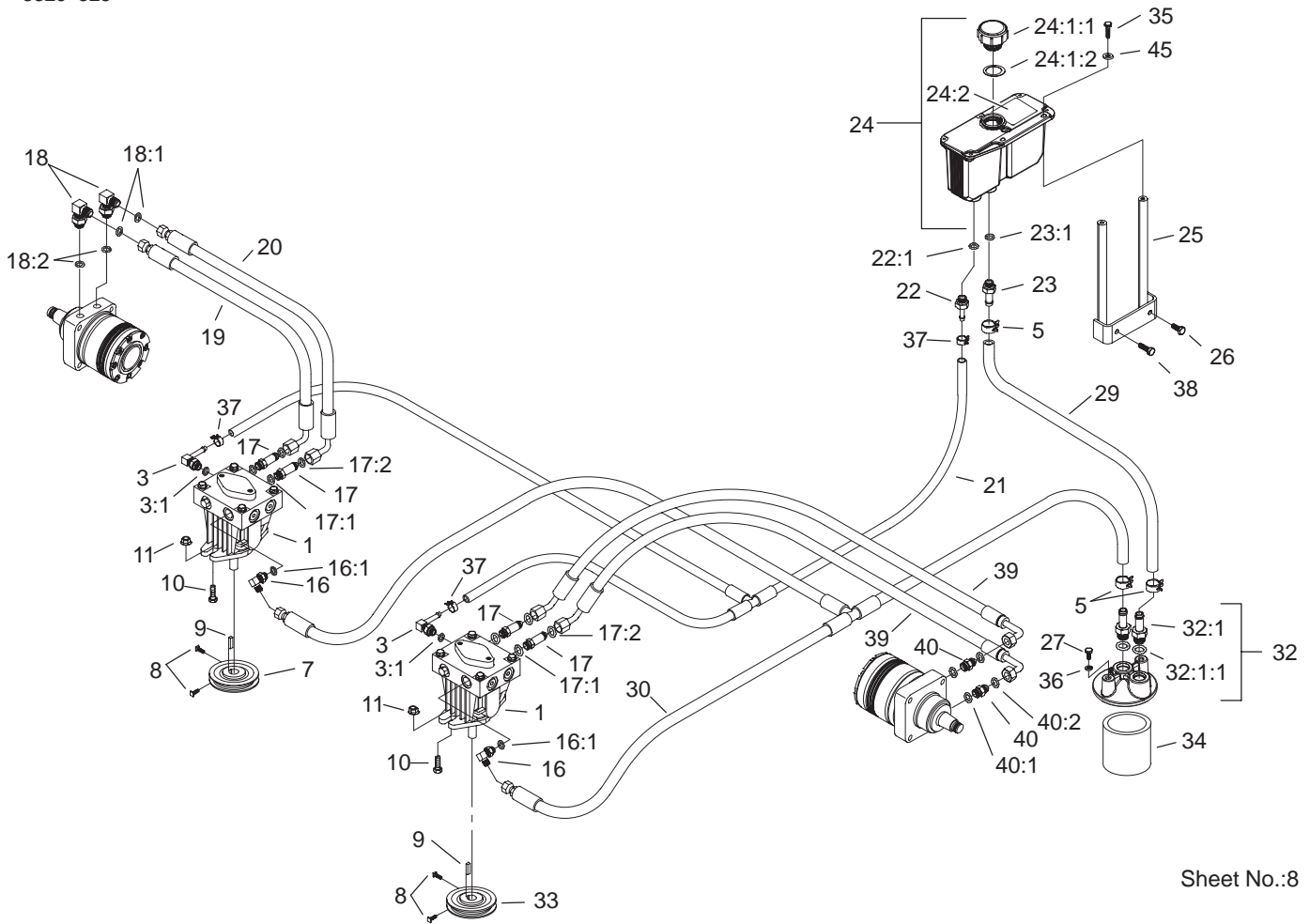
## Hydraulic System Assembly

Ref. No.	Part No.	Qty.	Description
1	103-1942	2	Pump-HYD
*1:1	105-6184	1	Seal Overhaul Kit
*1:2	105-6185	1	Plate-Valve
*1:8	103-2664	1	Input Shaft Kit
*1:9	94-6922	1	Bearing-Thrust
*1:10	103-2666	1	Cylinder Block Kit
*1:14	106-2053	1	Shock Valve Kit
3	103-1799	2	Elbow-90°
3:1	237-42	1	O-Ring
5	103-1988	3	Clamp-Hose
7	1-653156	2	Sheave
8	1-803050	4	Screw-Set
9	1-807272	2	Key
10	323-7	4	Screw-HH
11	3290-357	4	Nut-HHF
15	103-2644	1	Decal-Exhaust
16	103-1802	2	Fitting-HYD, 90°
16:1	237-42	1	O-Ring
17	103-1940	4	Adapter-HYD, Straight
17:1	237-79	1	O-Ring
17:2	1-603992	1	O-Ring
18	1-633605	2	Fitting-HYD, 90°
18:1	1-603992	1	O-Ring
18:2	237-80	1	O-Ring
19	1-653186	1	Hose-Front
20	1-653187	1	Hose-RH, Rear

Ref. No.	Part No.	Qty.	Description
21	103-2357	1	HYD Hose ASM
22	103-1801	1	Adapter-Straight
22:1	237-42	1	O-Ring
23	103-1912	1	Adapter-Straight
23:1	237-42	1	O-Ring
24	103-1947	1	HYD Reservoir ASM
☆24:1		1	Reservoir-HYD
24:1:1	103-1948	1	Cap-Reservoir, HYD
24:1:2	103-1949	1	Gasket-Cap
24:2	1-523552	1	Decal-Tank, HYD
25	103-3071-03	1	Stand-Reservoir
26	322-3	1	Screw-HH
27	321-3	2	Screw-HH
29	103-3077	1	HYD Hose ASM
30	103-2930	1	HYD Hose ASM
32	103-2889	1	Filter Head ASM
32:1	103-1912	2	Adapter-Straight
32:1:1	237-42	1	O-Ring
33	32128-20	2	Nut-HF
34	1-633750	1	Filter-HYD
34	1-633752	1	Filter-HYD, Winter
35	321-6	2	Screw-HH
36	1-805004	2	Washer-Lock
37	103-1716	3	Clamp-Hose
38	322-5	1	Screw-HH
39	103-3809	2	Hose-LH

\* Not illustrated

☆ Not serviced separately

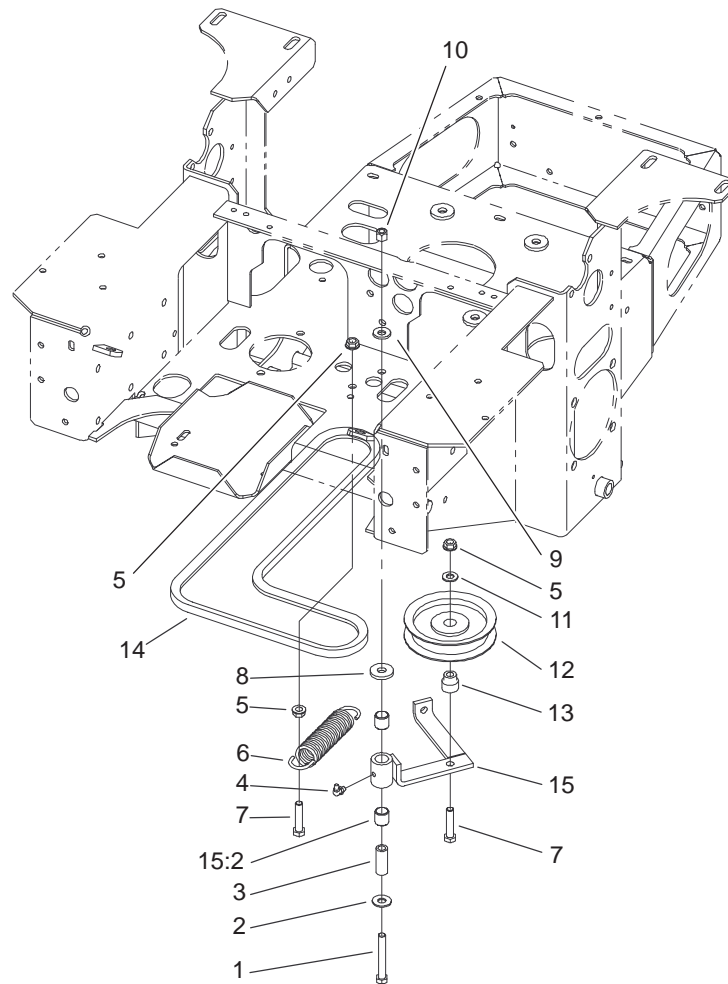


Sheet No.:8

## Hydraulic System Assembly (Continued)

Ref. No.	Part No.	Qty.	Description
40	1-603991	2	Fitting-Straight
40:1	237-80	1	O-Ring
40:2	1-603992	1	O-Ring
45	3256-22	2	Washer-Flat

Ref. No.	Part No.	Qty.	Description
----------	----------	------	-------------

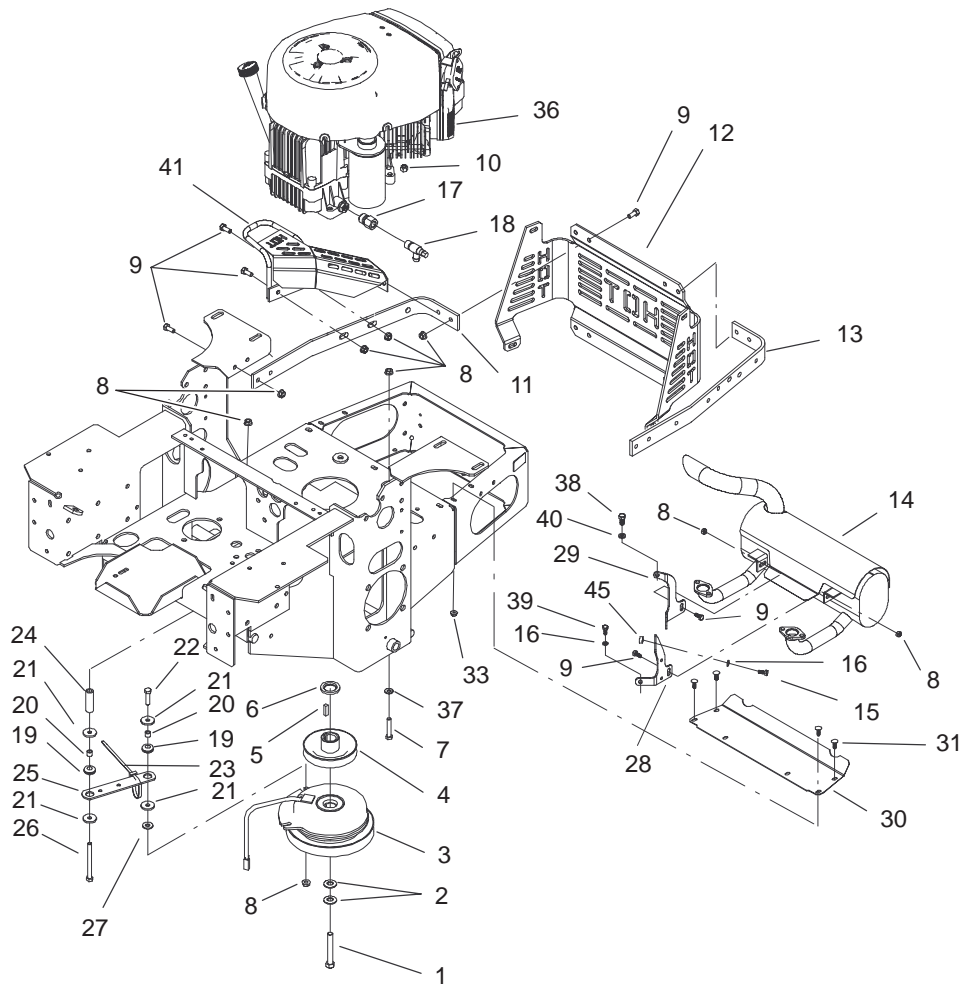


Sheet No.:9

## Pump, Idler and Belt Assembly

Ref. No.	Part No.	Qty.	Description	Ref. No.	Part No.	Qty.	Description
1	323-13	1	Screw-HH				
2	3256-4	1	Washer-Flat				
3	1-603044	1	Bushing				
4	302-40	1	Fitting-Grease				
5	3290-357	3	Nut-HHF				
6	103-1767	1	Spring-Extension				
7	323-9	2	Screw-HH				
8	63-8410	1	Washer				
9	98-5975	1	Washer-Belleville				
10	3296-39	1	Nut-Lock, NI				
11	3256-24	1	Washer-Flat				
12	1-603843	1	Pulley-Idler				
13	1-603496	1	Bushing-Idler				
14	1-653283	1	Belt-Pump				
15	1-654143	1	Idler Arm				
15:2	1-513034	2	Sleeve-Bearing				





Sheet No.:10

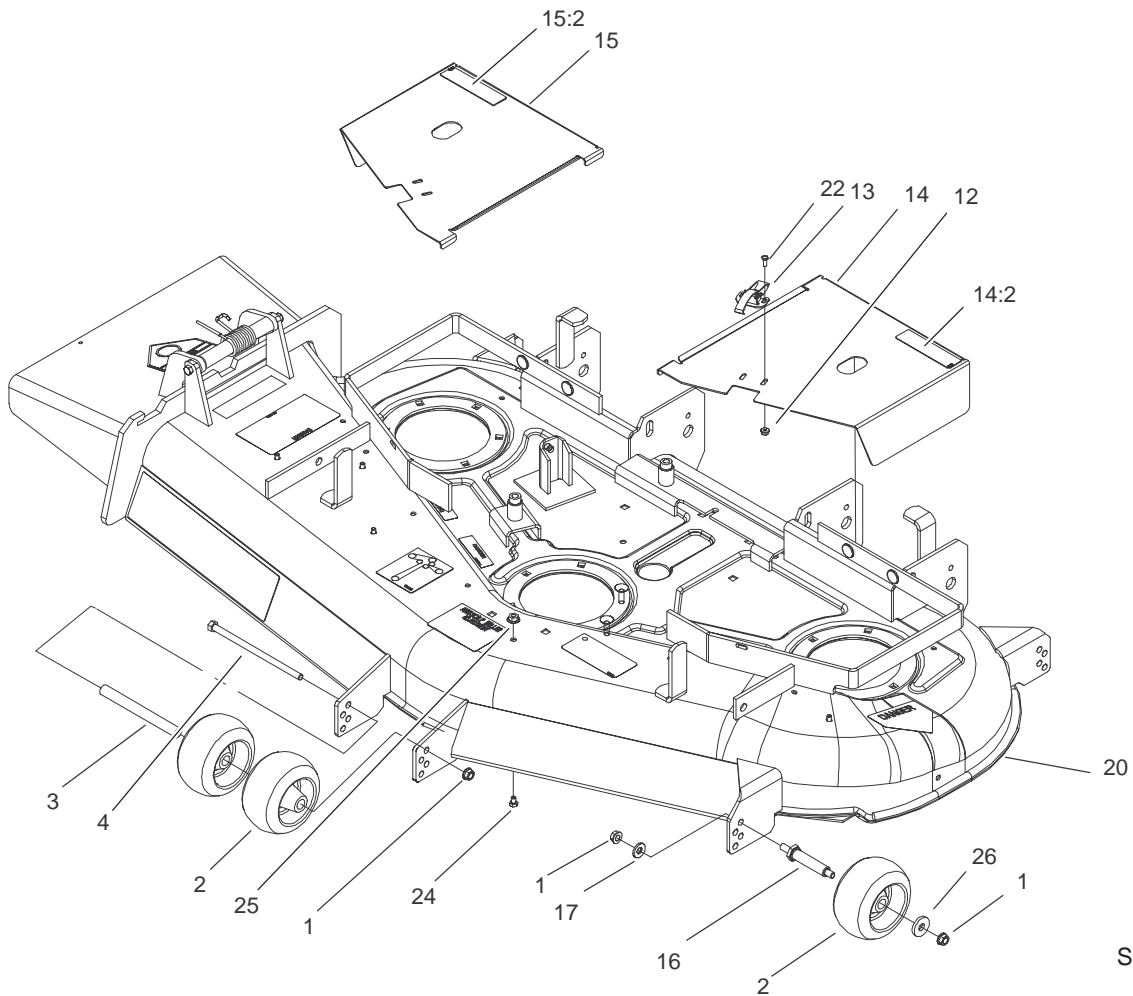
## Engine and Clutch Assembly

Ref. No.	Part No.	Qty.	Description
1	3212-12	1	Screw-HH
2	1-603610	2	Washer-Spring
3	103-0690	1	Clutch
4	1-653035	1	Sheave W/Hub
5	1-807259	1	Key
6	103-2308	1	Spacer-Crankshaft
7	322-9	4	Screw-HH
8	32128-20	29	Nut-HF
9	322-3	23	Screw-HH
10	3296-29	4	Nut-Lock, NI
11	103-3078-03	1	Strap-Guard, Engine RH
12	103-3219-03	1	Guard-Rear
13	103-3164-03	1	Strap-Guard, Engine LH
14	103-2761	1	Muffler
15	33113-025	1	Screw-HH
16	1-805004	3	Washer-Lock
17	103-1966	1	Adapter
18	103-1965	1	Valve-Drain, Oil
19	1-633630	2	Grommet-Brake
20	1-633545	2	Spacer-Grommet
21	1-613235	4	Washer
22	322-6	1	Screw-HH
23	1-303335	2	Tie-Plastic
24	103-2614	1	Spacer

Ref. No.	Part No.	Qty.	Description
25	1-633543-03	1	Strap-Clutch, Brake
26	322-22	1	Screw-HH
27	3256-3	3	Washer-Flat
28	103-2993-03	1	Bracket-Muffler, LH
29	103-2994-03	1	Bracket-Muffler, RH
30	103-2740-03	1	Deflector-Short
31	3229-10	4	Screw-CARR
33	32128-33	4	Nut-HF
☆36		1	Engine-Kawasaki, Fh601v-Ds06
37	1-303334	2	Washer-Spring
38	33114-020	1	Screw-HH
39	33113-016	2	Screw-HH
40	1-805005	1	Washer-Lock
41	103-3218-03	1	Guard-Tailpipe
45	103-3096	1	Spacer

☆ Not serviced separately



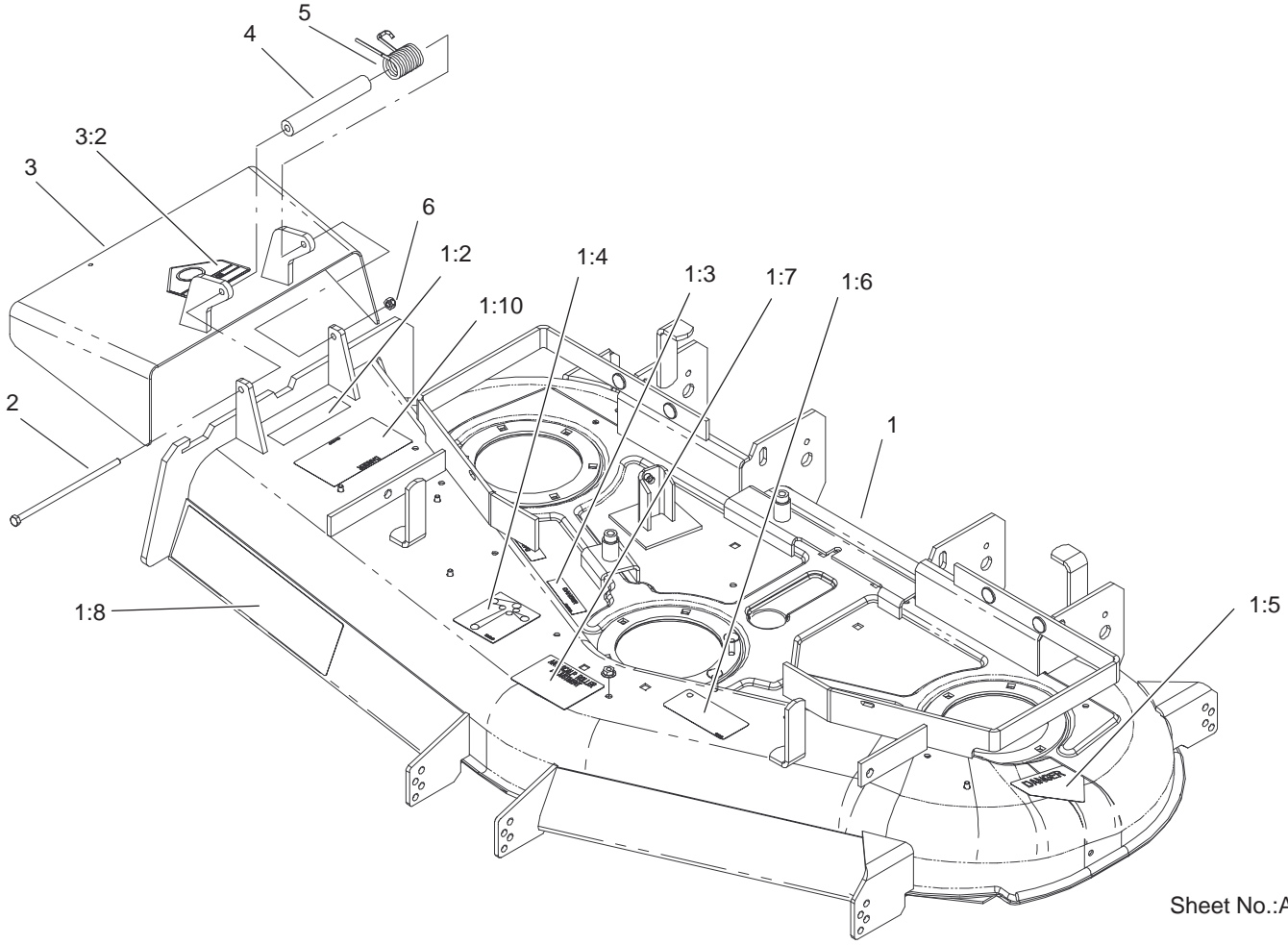


Sheet No.:14

## Deck and Wheel Gage Assembly

Ref. No.	Part No.	Qty.	Description
1	3290-357	7	Nut-HHF
2	68-2730	5	Wheel-Gage
3	98-5967	1	Spacer
4	323-28	1	Screw-HH
12	32128-17	4	Nut-Lock, Flange
13	249-21	2	Clamp-Slotted
14	99-3896	1	LH Cover ASM
14:2	67-5360	1	Decal-Danger
15	99-3895	1	RH Cover ASM
15:2	67-5360	1	Decal-Danger
16	99-2842	3	Spacer
17	98-5975	3	Washer-Belleville
20	106-5876	1	Deck ASM
22	3290-321	4	Screw-HWH
24	321-1	6	Screw-HH
25	32128-33	6	Nut-HF
26	1-373034	3	Washer

Ref. No.	Part No.	Qty.	Description



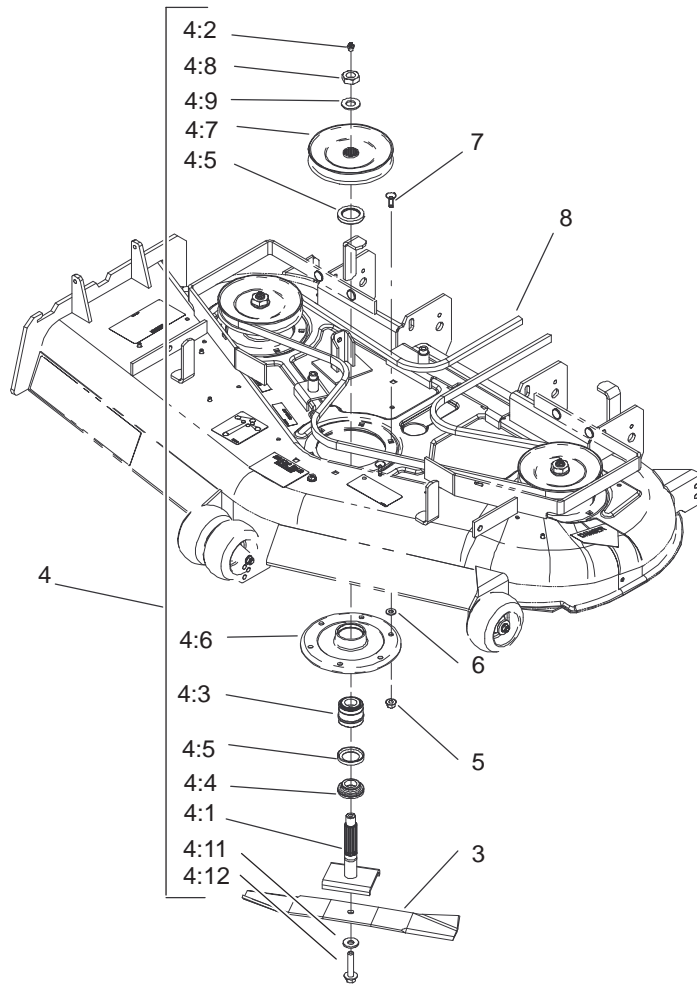
Sheet No.:A4

### Deck Assembly No. 106-5876

Ref. No.	Part No.	Qty.	Description
☆1		1	Deck ASM
1:2	104-8569	1	Decal-Warning
1:3	98-5954	3	Decal-Missing, Cover
1:4	99-3943	1	Decal-Routing, Belt
1:5	43-8480	1	Decal-Danger
1:6	93-7818	1	Decal-Torque, Blade Bolt
1:7	98-3798	1	Decal-Wheel, Gage
1:8	98-5953	1	Decal-Sfs
1:10	66-1340	1	Decal-Danger
2	322-50	1	Screw-HH
3	105-4623	1	Deflector ASM
3:2	93-1122	1	Decal-Danger
4	105-4622	1	Spacer
5	104-8554	1	Spring-Torsion
6	3296-29	1	Nut-Lock, NI

Ref. No.	Part No.	Qty.	Description

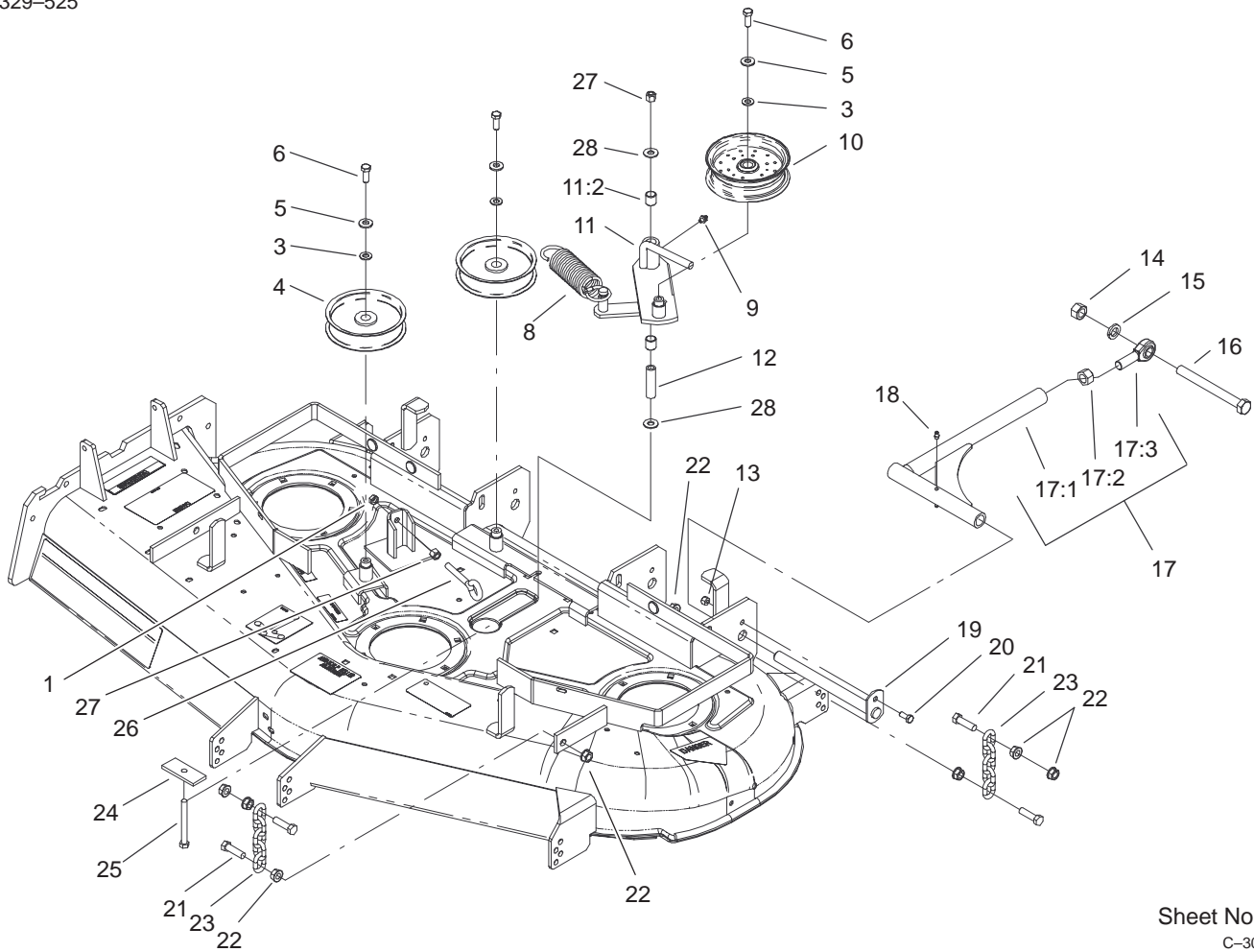
☆ Not serviced separately



Sheet No.:15

## Deck Spindle Assembly

Ref. No.	Part No.	Qty.	Description	Ref. No.	Part No.	Qty.	Description
3	56-2390	3	Blade				
4	100-3976	3	Spindle Housing ASM				
4:1	100-3972	1	Spindle Shaft ASM				
4:2	302-2	1	Fitting-Grease				
4:3	46-8530	1	Bearing ASM				
4:4	27-0950	1	Spacer				
4:5	253-139	2	Seal-Oil				
4:6	61-4160	1	Housing				
4:7	100-3970	1	Pulley And Hub ASM				
4:8	32146-20	1	Nut-Jam				
4:9	7-4150	1	Washer				
4:11	1-513435	1	Washer-Spring				
4:12	92-5816	1	Bolt-Blade				
5	32128-21	18	Nut-HF				
6	3256-24	6	Washer-Flat				
7	3231-22	18	Screw-CARR				
8	99-3904	1	Belt-Deck				

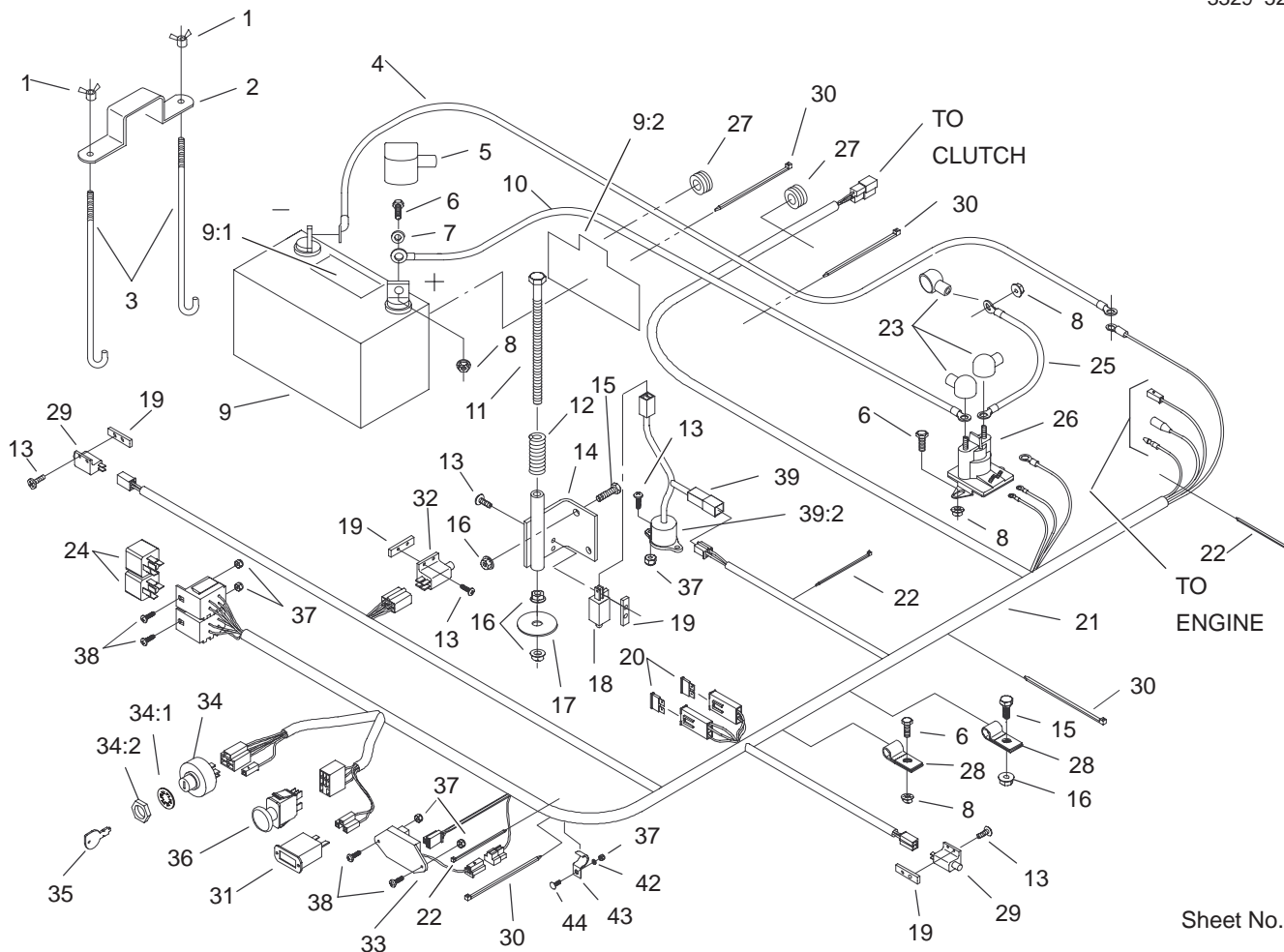


Sheet No.:16  
C-3040

## Idler, Pulley/Lift Strut, Chain Assembly

Ref. No.	Part No.	Qty.	Description
1	3217-7	1	Nut-Hex
3	3256-24	3	Washer-Flat
4	1-613098	2	Pulley-Idler
5	98-5975	3	Washer-Belleville
6	323-6	3	Screw-HH
8	103-3330	1	Spring-Extension
9	302-40	1	Fitting-Grease
10	1-413099	1	Pulley-Idler
11	99-3879	1	Idler Arm ASM
11:2	1-513034	2	Sleeve-Bearing
12	1-603384	1	Bushing-Pivot, Idler
13	3296-29	2	Nut-Lock, NI
14	3217-11	2	Nut-Hex
15	3253-8	2	Washer-Lock
16	1-800344	2	Screw
17	103-1081	2	Strut ASM
17:1	103-1072-01	1	Strut
17:2	3219-6	1	Nut-Hex
17:3	1-633029	1	Balljoint-Spherical
18	302-19	4	Fitting-Grease
19	1-632199-01	2	Pin-Strut
20	322-3	2	Screw-HH
21	1-800811	8	Screw-Cap, HH
22	32128-37	16	Nut-HF
23	1-633447	4	Chain-Lift, Deck
24	99-3946-01	1	Plate-Retainer, Bolt

Ref. No.	Part No.	Qty.	Description
25	1-800805	1	Screw-HH
26	94-2547	1	Bolt-Eye
27	3296-39	2	Nut-Lock, NI
28	1-809107	2	Washer-Hardened



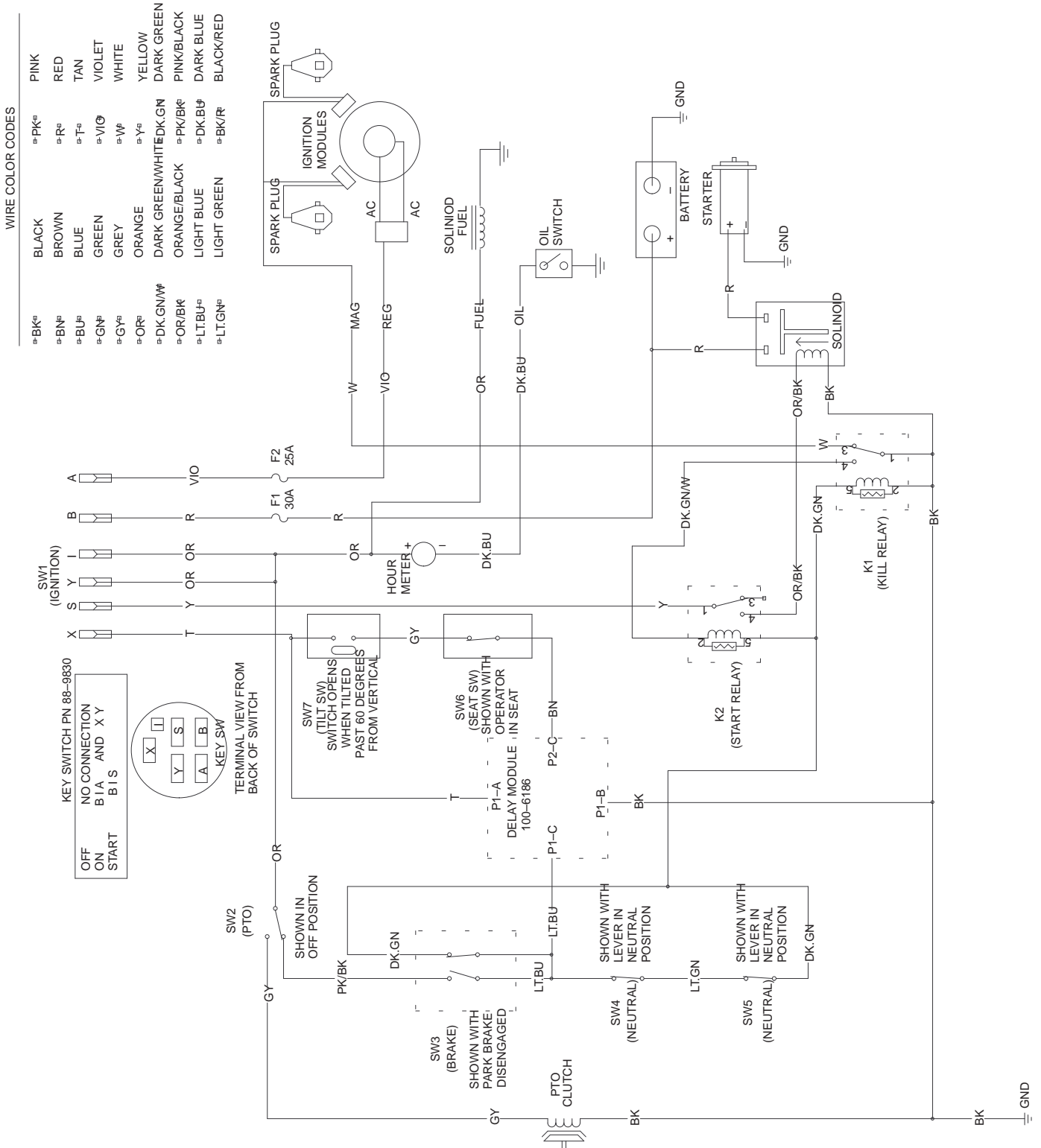
Sheet No.:19

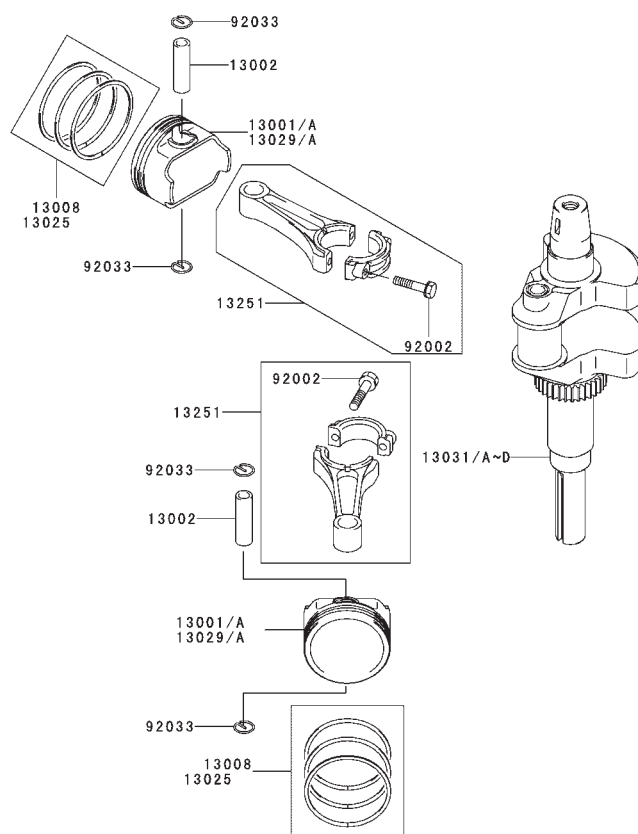
## Electrical System Assembly

Ref. No.	Part No.	Qty.	Description
1	1-543792	2	Wingnut
2	1-633652-03	1	Strap-Holddown
3	1-633651	2	Bolt-Holddown
4	103-0705	1	Cable-Ground, Negative
5	1-543391	1	Insulator-Battery
6	321-4	5	Screw-HH
7	3256-2	2	Washer-Flat
8	32128-33	6	Nut-HF
9	105-1692	1	Battery
9:1	104-4163	1	Decal-Battery
9:2	104-4164	1	Decal-Battery
10	103-0707	1	Cable-Battery, Positive
11	1-800282	1	Screw-HH
12	1-523415	1	Spring-Switch, Seat
13	3290-500	10	Screw-PPH
14	1-652072-03	1	Bracket-Switch, Seat
15	322-3	3	Screw-HH
16	32128-20	5	Nut-HF
17	1-653036	1	Washer
18	1-513152	1	Switch-Closed, Normally
19	1-633181	4	Plate-Tapped
20	1-816001	2	Fuse-Type, Blade
21	103-0623	1	Harness-Wire

Ref. No.	Part No.	Qty.	Description
22	1-303287	3	Tie-Plastic
23	1-543393	3	Insulator-Solenoid
24	1-643275	2	Relay
25	1-633306	1	Wire-Starter
26	1-513075	1	Switch-Solenoid
27	1-543286	2	Grommet
28	1-633396	2	Clip-Loom
29	1-513051	2	Switch-Open, Normally
30	1-303335	4	Tie-Plastic
31	1-513374	1	Meter-Hour
32	1-633111	1	Switch
33	100-6186	1	Module-Delay, Seat
34	88-9830	1	Key Switch ASM
34:1	3254-5	1	Washer-Tooth
34:2	218-461	1	Nut-HH
35	63-8360	2	Key-Ignition
36	1-633673	1	Switch-Delta
37	3296-2	7	Nut-Lock
38	1-807513	4	Bolt-CARR
39	1-644427	1	Tilt Switch ASM
39:2	1-643401	1	Decal-Switch, Mercury
42	3256-14	1	Washer-Flat
43	103-1193	1	Clip-Half, Loom
44	1-807533	1	Bolt-CARR

# Electrical Schematic

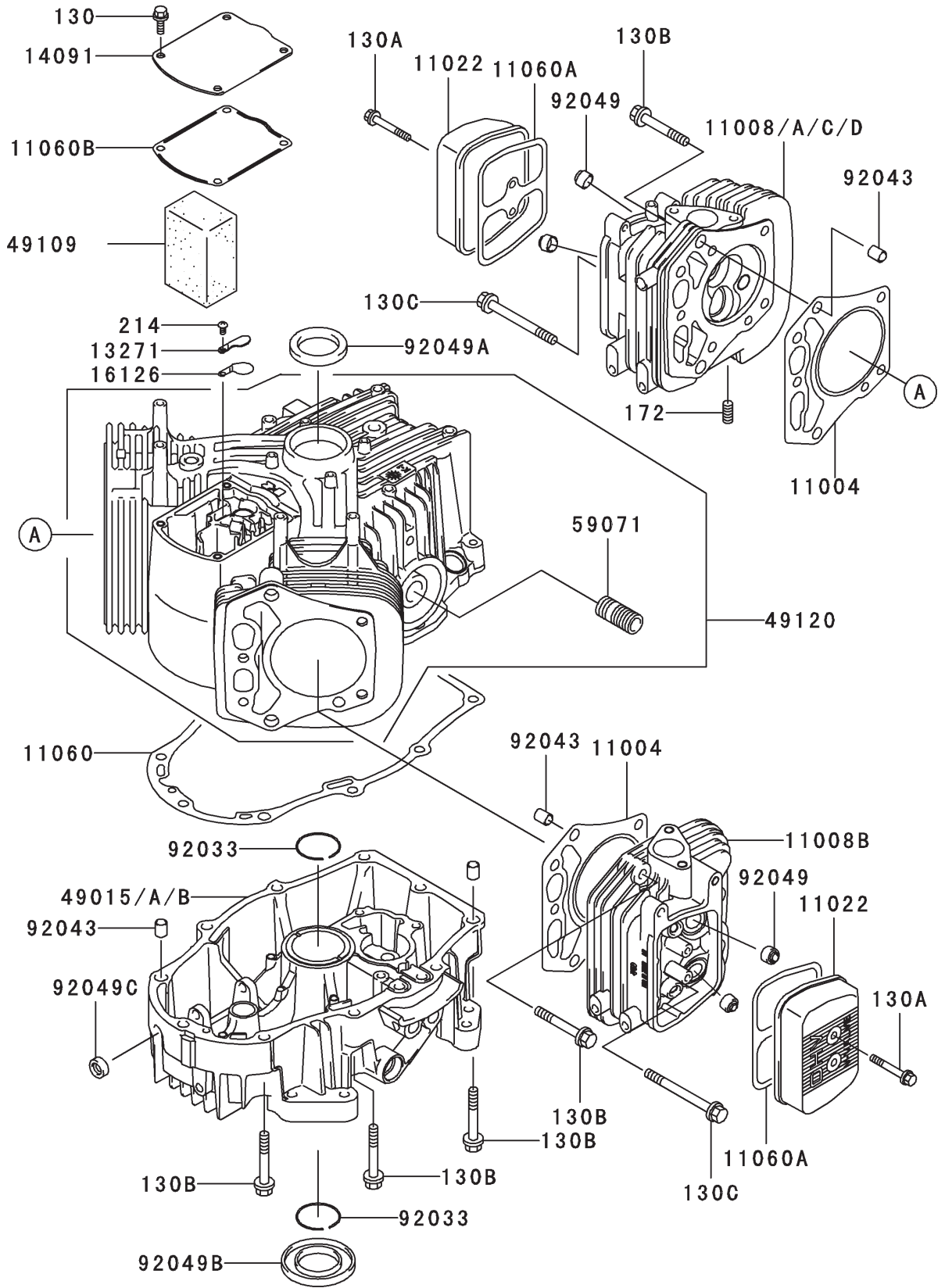




## Piston/Crankshaft Assembly Kawasaki FH601V-DS06

Ref. No.	Part No.	Qty.	Description	Ref. No.	Part No.	Qty.	Description
13001	13001-7007	2	Piston-Engine				
13002	13002-7001	2	Pin-Piston				
13008	13008-6058	2	Ring-Set-Piston				
13025	13025-7002	A/R	Ring-Set-Piston L, 0.50				
13029A	13029-7003	A/R	Piston-Engine L, 0.50				
13031	13031-7015	1	Crankshaft-Comp				
13251	13251-7006	2	Rod-Assy-Connecting				
92002	92002-2053	4	Bolt				
92033	92033-7005	4	Ring-Snap				

# Cylinder/Crankcase Assembly Kawasaki FH601V-DS06



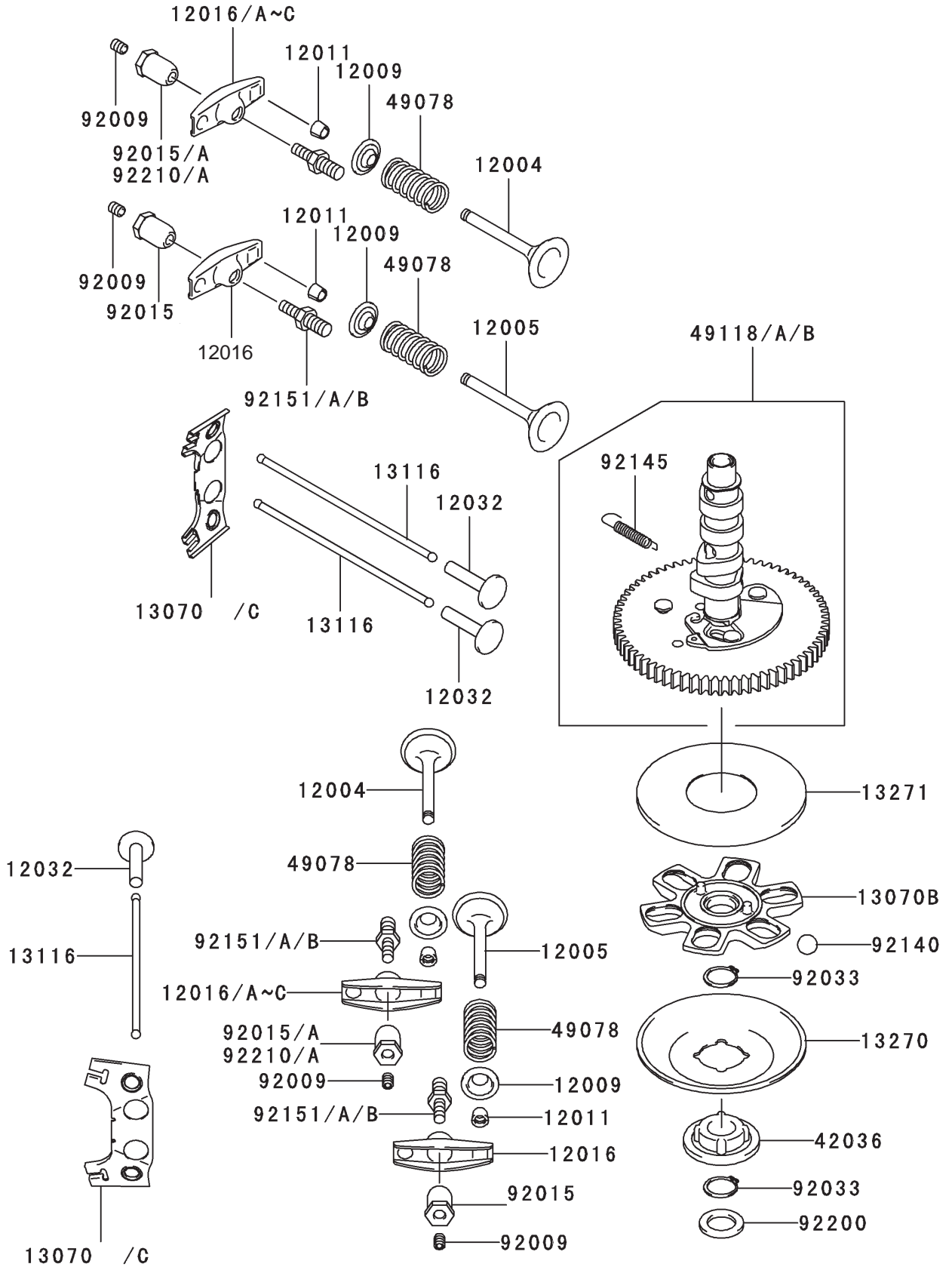


# Cylinder/Crankcase Assembly Kawasaki FH601V-DS06

Ref. No.	Part No.	Qty.	Description
11004	11004-7004	2	Gasket-Head
11008	11008-7007	1	Head-Comp-Cylinder No. 1
11008A	11008-7004	1	Head-Comp-Cylinder No. 2
11022	11022-7002	2	Case-Rocker
11060	11060-7012	1	Gasket, CrankCase Cover
11060A	11060-7013	2	Gasket, Rocker Case
11060B	11060-7014	1	Gasket, Breather
13271	13271-7006	1	Plate
14090	14091-7004	1	Cover
16126	16126-7001	1	Valve
49015	49015-6225	1	Cover-Crankcase
49109	49109-7003	1	Element-Breather
49120	49120-6130	1	Crankcase-Comp
59071	59071-2079	1	Joint
92033	92033-7004	2	Ring-Snap
92043	92043-7001	6	Pin
92049	92049-7001	4	Seal-Oil
92049A	92049-7002	1	Seal-Oil
92049B	92049-7004	1	Seal-Oil
92049C	92049-7005	1	Seal-Oil
130	130B0612	4	Bolt-Flanged
130A	130B0640	4	Bolt-Flanged
130B	130T0850	18	Bolt-Flanged
130C	130T0875	2	Bolt-Flanged
172	172G0818	4	Bolt-Stud
214	214B0408	1	Screw-Pan

Ref. No.	Part No.	Qty.	Description

# Valve/Camshaft Assembly Kawasaki FH601V-DS06

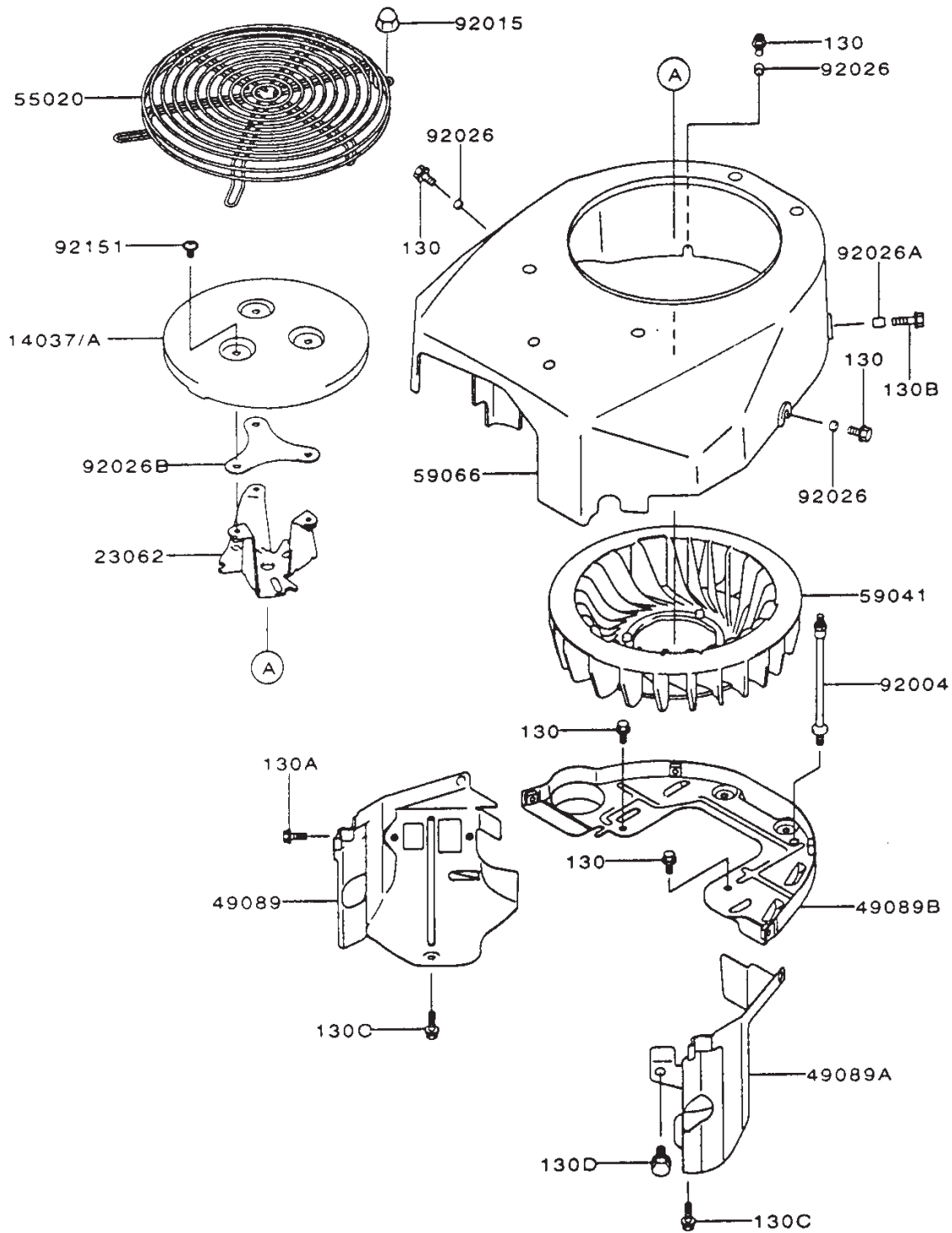


# Valve/Camshaft Assembly Kawasaki FH601V-DS06

Ref. No.	Part No.	Qty.	Description
12004	12004-7002	2	Valve-Intake
12005	12005-7002	2	Valve-Exhaust
12009	12009-7001	4	Retainer-Valve Spring
12011	12011-2056	8	Collet
12016	12016-7006	4	Arm-Rocker
12032	12032-7001	4	Tappet
13070	13070-7004	1	Guide
13070A	13070-7007	2	Guide
13116	13116-7002	4	Rod-Push
13270	13270-7002	1	Plate
13271	13271-7007	1	Plate
42036	42036-7001	1	Sleeve
49078	49078-7002	4	Spring-Engine Valve
49118	49118-7007	1	Camshaft-Comp
92009	92009-2341	4	Screw
92015	92015-2253	4	Nut
92033	92033-7001	2	Ring-Snap
92140	92140-7002	6	Ball
92145	92145-7001	1	Spring
92151	92151-7019	4	Bolt
92200	92200-7001	1	Washer

Ref. No.	Part No.	Qty.	Description

# Cooling Equipment Assembly Kawasaki FH601V-DS06

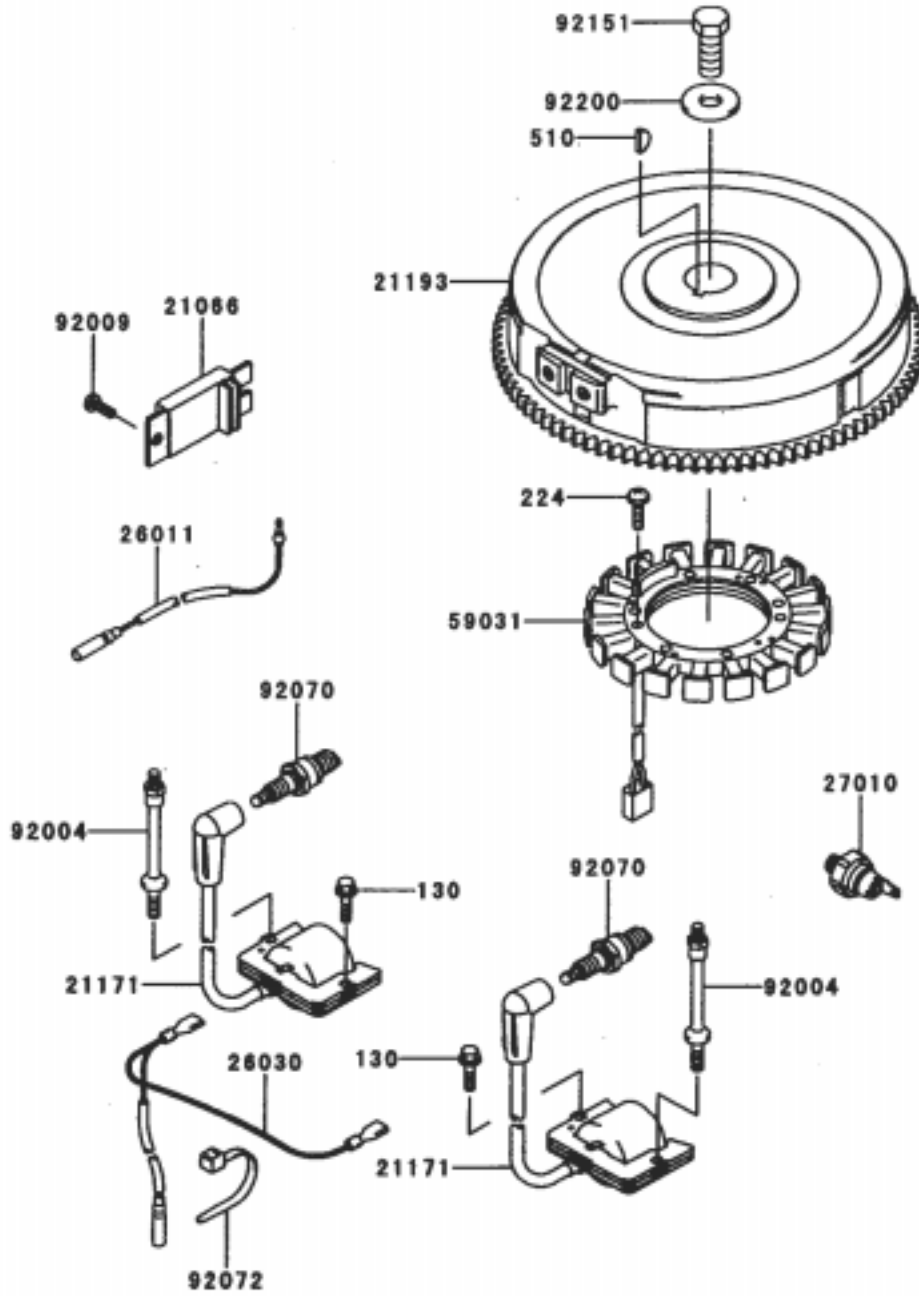


# Cooling Equipment Assembly Kawasaki FH601V-DS06

Ref. No.	Part No.	Qty.	Description
13270	13270-7007	1	Plate
14037	14037-7008-9H	1	Screen
14091	14091-7002	1	Cover
23062	23062-7005	1	Bracket-Comp
49089	49089-7004	1	Shroud-Engine
49089A	49089-7005	1	Shroud-Engine
49089B	49089-7006	1	Shroud-Engine
55020	55020-7002	1	Guard
59041	59041-7003	1	Fan
59066	59066-7004	1	Housing-Fan
92004	92004-2148	2	Stud
92009	92009-7008	3	Screw 6 x 10
92015	92015-1170	4	Nut
92026	92026-7001	3	Spacer, 6.2x7.9x5
92026A	92026-7003	1	Spacer, 6.5x7.9x10.5
92026C	92026-7007	A/R	Spacer
92200	92200-2078	1	Washer-6.5x18x2.0
130	130B0612	9	Bolt-Flanged
130A	130B0620	1	Bolt-Flanged
130B	130B0816	1	Bolt-Flanged

Ref. No.	Part No.	Qty.	Description

# Electric Equipment Assembly Kawasaki FH601V-DS06

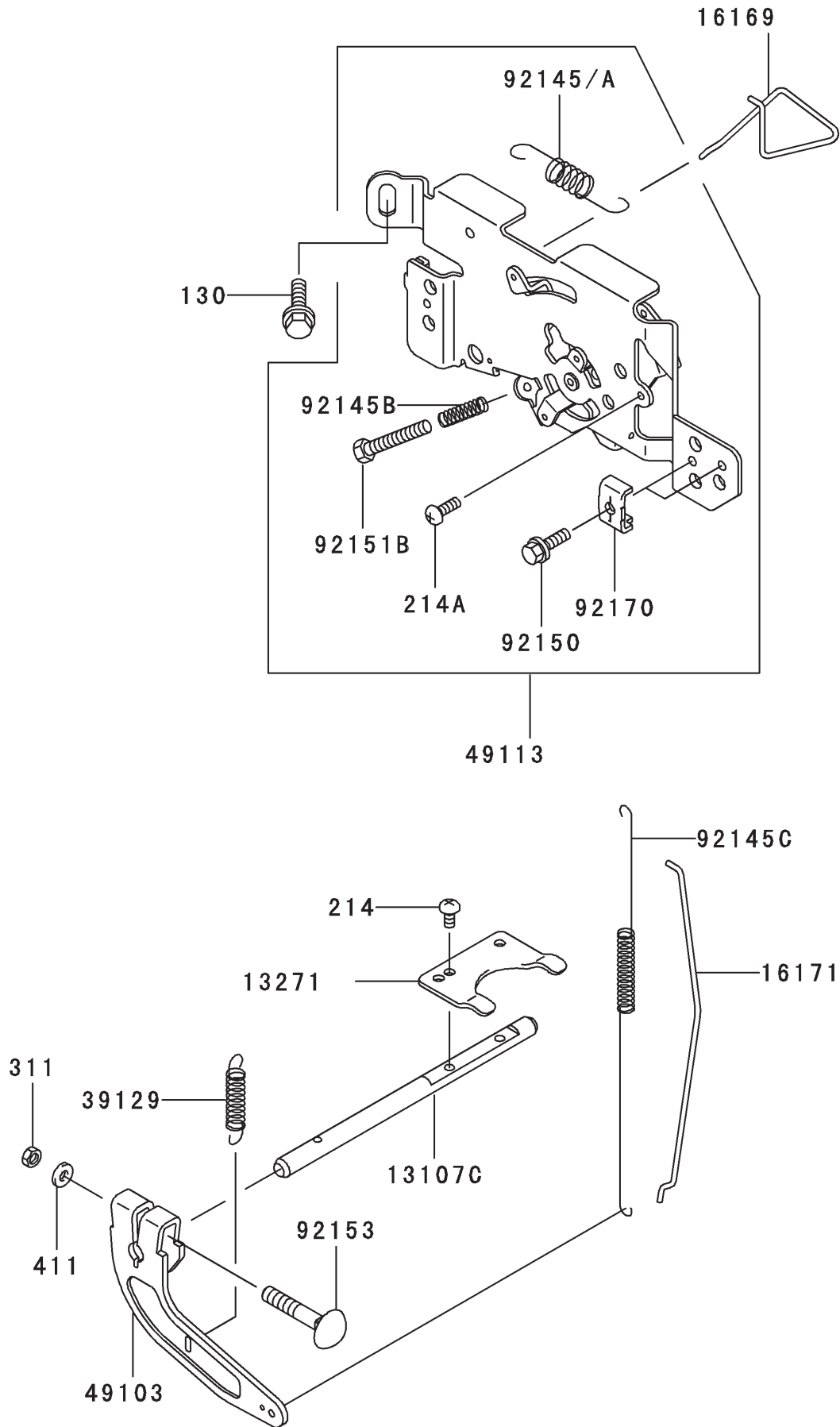


# Electric Equipment Assembly Kawasaki FH601V-DS06

Ref. No.	Part No.	Qty.	Description
21066	21066-7003	1	Regulator-Voltage
21171	21171-7001	2	Coil-Assy-Ignition
21193	21193-7012	1	Flywheel-Assy
26011	26011-7008	1	Wire-Lead
26030	26030-7002	1	Harness
27010	27010-7001	1	Switch
59031	59031-7001	1	Coil-Charging
92004	92004-2147	2	Stud
92009	92009-2308	1	Screw
92070	92070-7004	2	Plug-Spark, BPR5ES (NGK, Solid)
92072	92072-7003	2	Band
92151	92151-2097	1	Bolt, 12x30
92220	92220-7002	1	Washer
130	130B0620	1	Bolt-Flanged
224	224B0520	4	Screw-Pan-WP-Cross
510	510A5100	1	Key-Woodruff

Ref. No.	Part No.	Qty.	Description

# Control Equipment Assembly Kawasaki FH601V-DS06



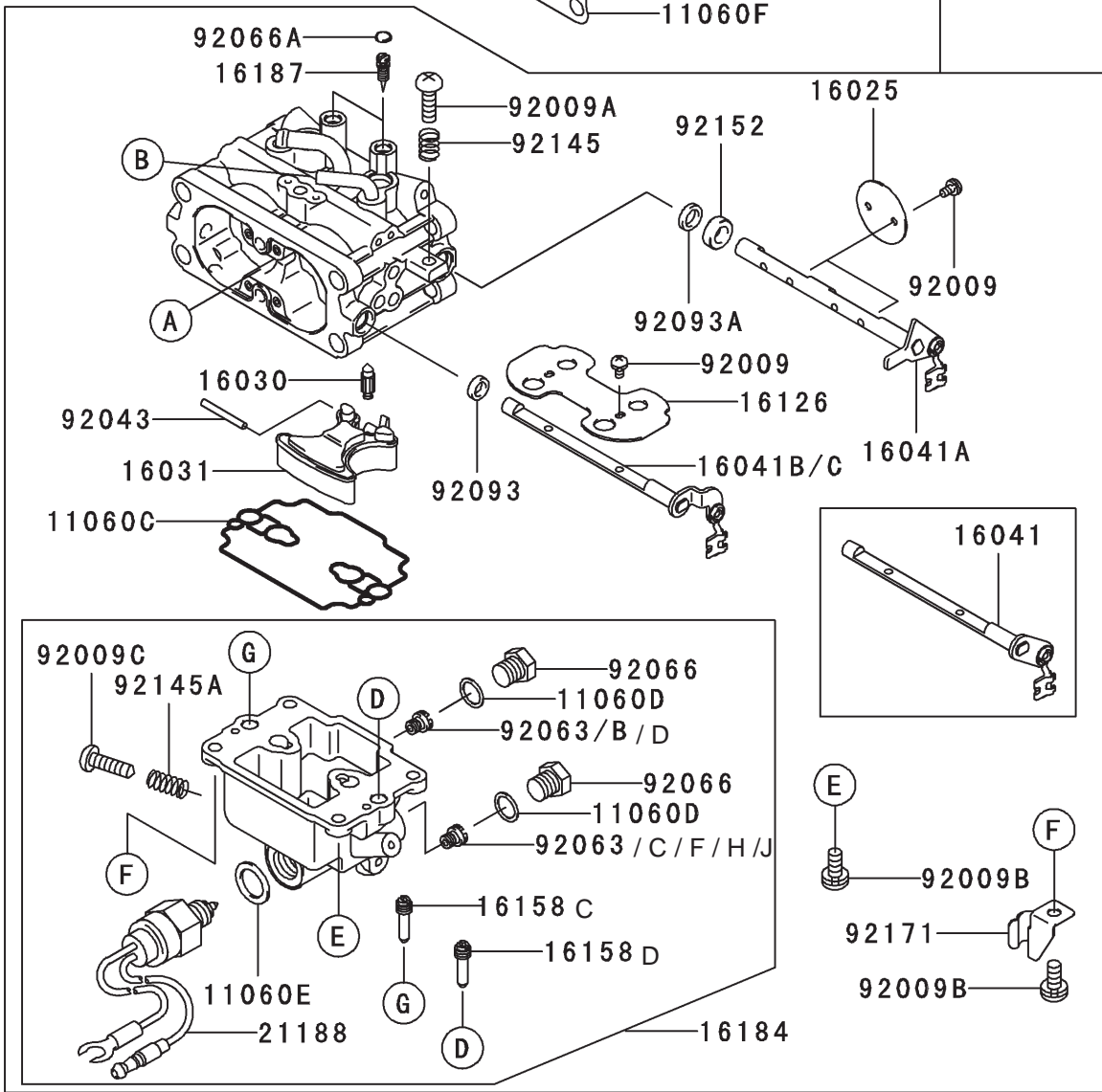
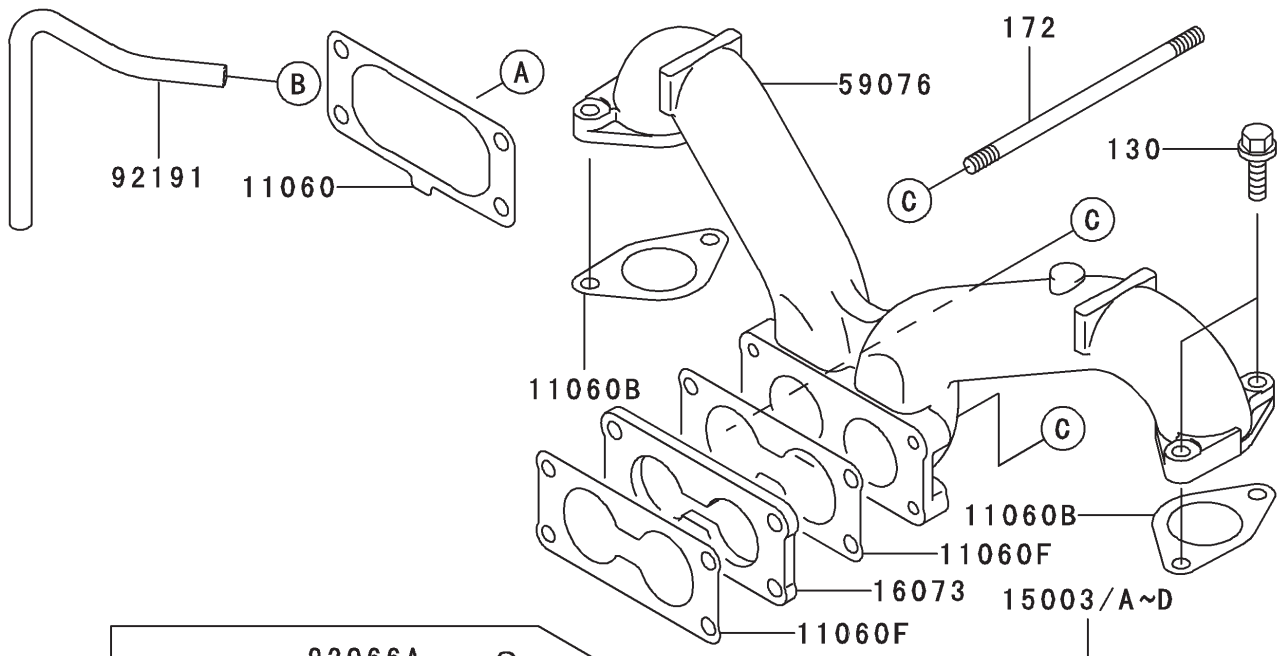


# Control Equipment Assembly Kawasaki FH601V-DS06

Ref. No.	Part No.	Qty.	Description
13107	13107-7013	1	Shaft
13270	13271-7018	1	Plate
16169	16169-7006	1	Link-Choke
16171	16171-7004	1	Link
39129	39129-7004	1	Spring-Governor
49103	49103-7004	1	Arm-Governor
49113	49113-7017	1	Panel-Comp-Control
92145	92145-7005	1	Spring
92145B	92145-7005	1	Spring
92145C	92145-7009	1	Spring
92150	92150-2182	2	Bolt, 5x18
92151B	92151-7014	1	Bolt, 5x30
92153	92151-7005	1	Bolt, 6x35
92170	92170-7001	2	Clamp
130	130B0612	2	Bolt-Flanged
214	214B0408	2	Screw-Pan
214A	214B0412	1	Screw-Pan
311	311B0600	1	Nut-Hex
411	411B0600	1	Washer-Plain

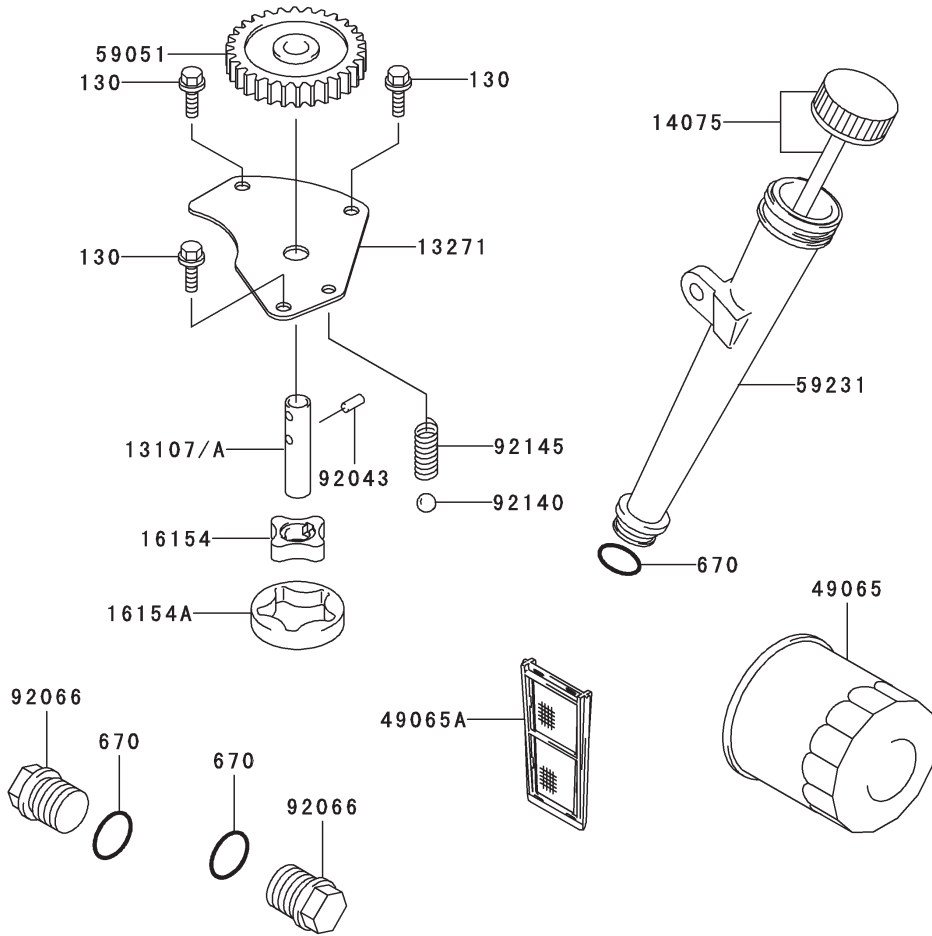
Ref. No.	Part No.	Qty.	Description

# Carburetor Assembly Kawasaki FH601V-DS06



# Carburetor Assembly Kawasaki FH601V-DS06

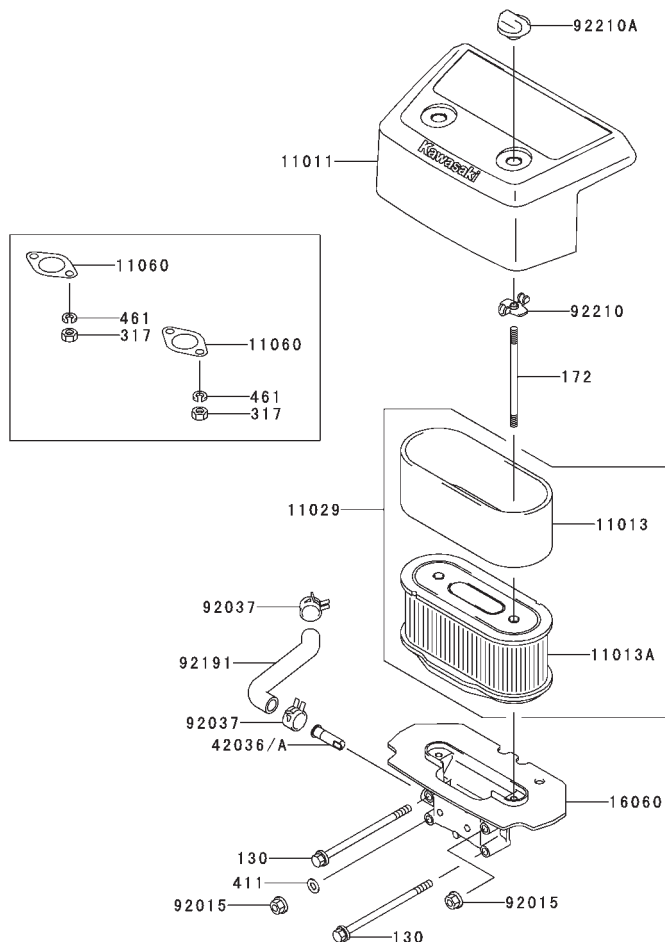
Ref. No.	Part No.	Qty.	Description	Ref. No.	Part No.	Qty.	Description
11060	11060-7009	1	Gasket, Air Filter				
11060F	11060-7024	2	Gasket, Carburetor				
11060B	11060-7011	2	Gasket-Manifold				
11060C	11060-7018	1	Gasket, Float Chamber				
11060D	11060-7019	2	Gasket, Main Plug				
11060E	11060-7020	1	Gasket, Solenoid				
15003	15003-7046	1	Carburetor-Assy				
16025	16025-7001	2	Valve-Throttle				
16030	16030-7002	1	Valve-Float				
16031	16031-7001	1	Float				
16041	16041-7007	1	Shaft-Carburetor, Choke				
16041A	16041-7002	1	Shaft-Carburetor Throttle				
16073	16073-7005	1	Insulator				
16126	16126-7004	1	Valve, Choke				
16158C	16158-7006	2	Jet-Slow				
16158D	16158-7007	2	Jet-Slow				
16184	16184-7006	1	Chamber-Assy-Float				
16187	16187-7002	2	Needle-Jet				
21188	21188-7001	1	Solenoid				
59076	59076-7002	1	Manifold-Intake				
92009	92009-7003	6	Screw				
92009A	92009-7004	1	Screw				
92009B	92009-7005	4	Screw				
92009C	92009-7006	1	Screw, Drain				
92043	92043-7004	1	Pin-Float				
92063B	92063-7010	1	Jet-Main				
92063C	92063-7011	1	Jet-Main				
92063D	92063-7017	A/R	Jet-Main				
92063F	92063-7018	A/R	Jet-Main				
92063H	92063-7019	A/R	Jet-Main				
92063J	92063-7020	A/R	Jet-Main				
92066	92066-7008	2	Plug, Main Jet				
92066A	92066-7009	2	Plug, Expansion				
92093	92093-7001	1	Seal				
92093A	92093-7002	2	Seal				
92145	92145-7010	1	Spring				
92145A	92145-7011	1	Spring				
92152	92152-7001	1	Collar				
92171	92171-7001	1	Clamp				
92191	92191-7010	1	Tube				
130	130B0620	4	Bolt-Flanged				
172	172G06105	2	Bolt-Stud				



## Lubrication Equipment Assembly Kawasaki FH601V-DS06

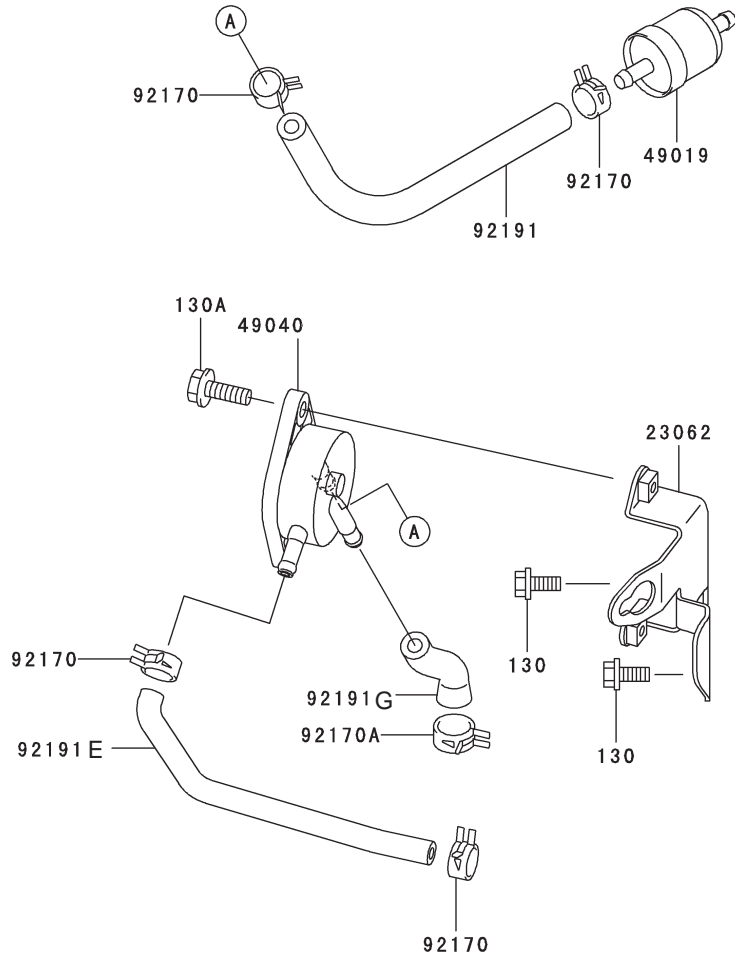
Ref. No.	Part No.	Qty.	Description
13107	13107-7009	1	Shaft, Oil Pump
13271	13271-7005	1	Plate
14075	14075-7002	1	Cap-Assy
16154	16154-2053	1	Rotor-Pump, In
16154A	16154-2054	1	Rotor-Pump, Out
49065	49065-2078	1	Filter-Oil
49065A	49065-7003	1	Filter-Oil
59051	59051-7004	1	Gear-Spur
59071	59071-7003	1	Joint
59231	59231-7002	1	Filler
92043	92043-7003	1	Pin
92066	92066-7003	2	Plug
92140	92140-7003	1	Ball
92145	92145-7002	1	Spring
130	130B0612	3	Bolt-Flanged
670	670D2016	4	O-Ring, 16mm

Ref. No.	Part No.	Qty.	Description



## Air-Filter Assembly Kawasaki FH601V-DS06

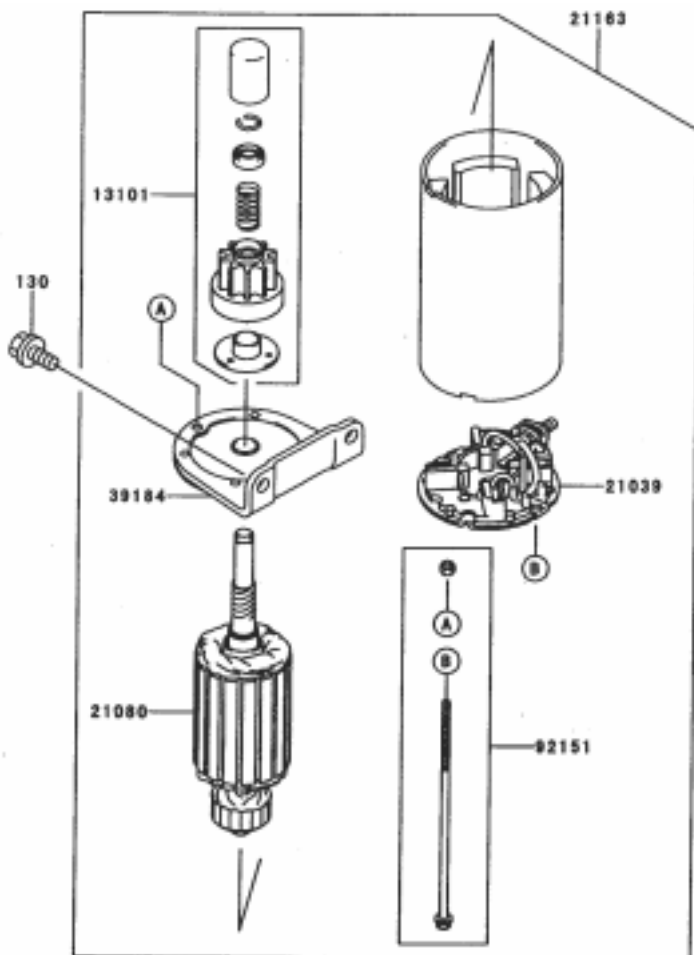
Ref. No.	Part No.	Qty.	Description	Ref. No.	Part No.	Qty.	Description
11011	11011-7003	1	Case-Air Filter				
11013	11013-7009	1	Element-Air Filter				
11013A	11013-7010	1	Element-Air Filter				
11029	11029-7002	1	Element-Assy-Air Filter				
11060	11060-7016	2	Gasket, Muffler				
16060	16060-7001	1	Pipe-Intake				
42036	42036-7002	1	Sleeve				
92015	92015-1193	2	Nut				
92037	92037-2079	2	Clamp				
92191	92191-7006	1	Tube				
92210	92210-7004	2	Nut				
92210A	92210-7008	2	Nut				
130	130B06105	2	Bolt-Flanged				
172	172G0690	2	Bolt-Stud				
317	317R0800	4	Nut-Hex-Small				
411	411B0600	1	Washer-Plain				
461	461F0800	4	Washer-Spring				



## Fuel Tank/Fuel Valve Assembly Kawasaki FH601V-DS06

Ref. No.	Part No.	Qty.	Description
23062	23062-7004-9H	1	Bracket-Comp
49019	49019-7001	1	Filter-Fuel
49040	49040-2075	1	Pump-Fuel
92170	92170-2088	4	Clamp
92170A	92170-7003	1	Clamp
92191	92191-7003	1	Tube,6.35x12.7x160
92191E	92191-7017	1	Tube
92191G	92191-7019	1	Tube
130	130B0616	2	Bolt-Flanged
130A	130B0620	2	Bolt-Flanged

Ref. No.	Part No.	Qty.	Description



### Starter/Decal – Kawasaki FH601V-DS06

Ref. No.	Part No.	Qty.	Description
13101	13101-7001	1	Gear-Assy
21039	21039-7001	1	Brush
21080	21080-7001	1	Armature
21163	21163-7001	1	Starter-Electric
39184	39184-7001	1	Bracket-Assy
92151	92151-7013	1	Bolt
130	130B0816	1	Bolt-Flanged
56033	56033-7001	1	Decal-Manual
56080	56080-7006	1	Decal-Brand

Ref. No.	Part No.	Qty.	Description

