



**Count on it.**

**Parts Catalog**

**Z Master® Professional 7500-D  
Series Riding Mower**

**With 72in TURBO FORCE® Rear Discharge  
Mower**

Model No. 72029—Serial No. 416288808 and Up



# Ordering Replacement Parts

To order replacement parts, please supply the part number, the quantity, and the description of each part desired.

## Understanding Reference Numbers

Each identified part in an illustration has a reference number. The reference number for a part also appears in the parts list, along with other information about the part.

This catalog uses two special reference number formats, one to indicate parts in a service assembly and another to indicate the quantity of a given part in an illustration.

## Service Assembly Reference Numbers

Parts in service assemblies have reference numbers in the form a:b. The a represents the reference number of the entire service assembly and the b represents a sequential number unique to each part within the service assembly.

For example, a wheel assembly might be identified by reference number 6, the tire by 6:1, the valve by 6:2, and the wheel by 6:3. When you order the assembly identified by reference number 6, you receive all parts identified by reference numbers 6:1, 6:2, and 6:3. However, you may also order any part individually. Reference numbers of this type appear in illustration and in parts lists.

## Reference Numbers Indicating Quantity

In an illustration, if a reference number indicates more than one part, the reference number has the form nX y. The n represents the quantity of the part, the X is the multiplication symbol, and the y represents the reference number.

For example, in an illustration, the reference number 2X 37 means that two of the parts identified by reference number 37 are indicated.

# Contents

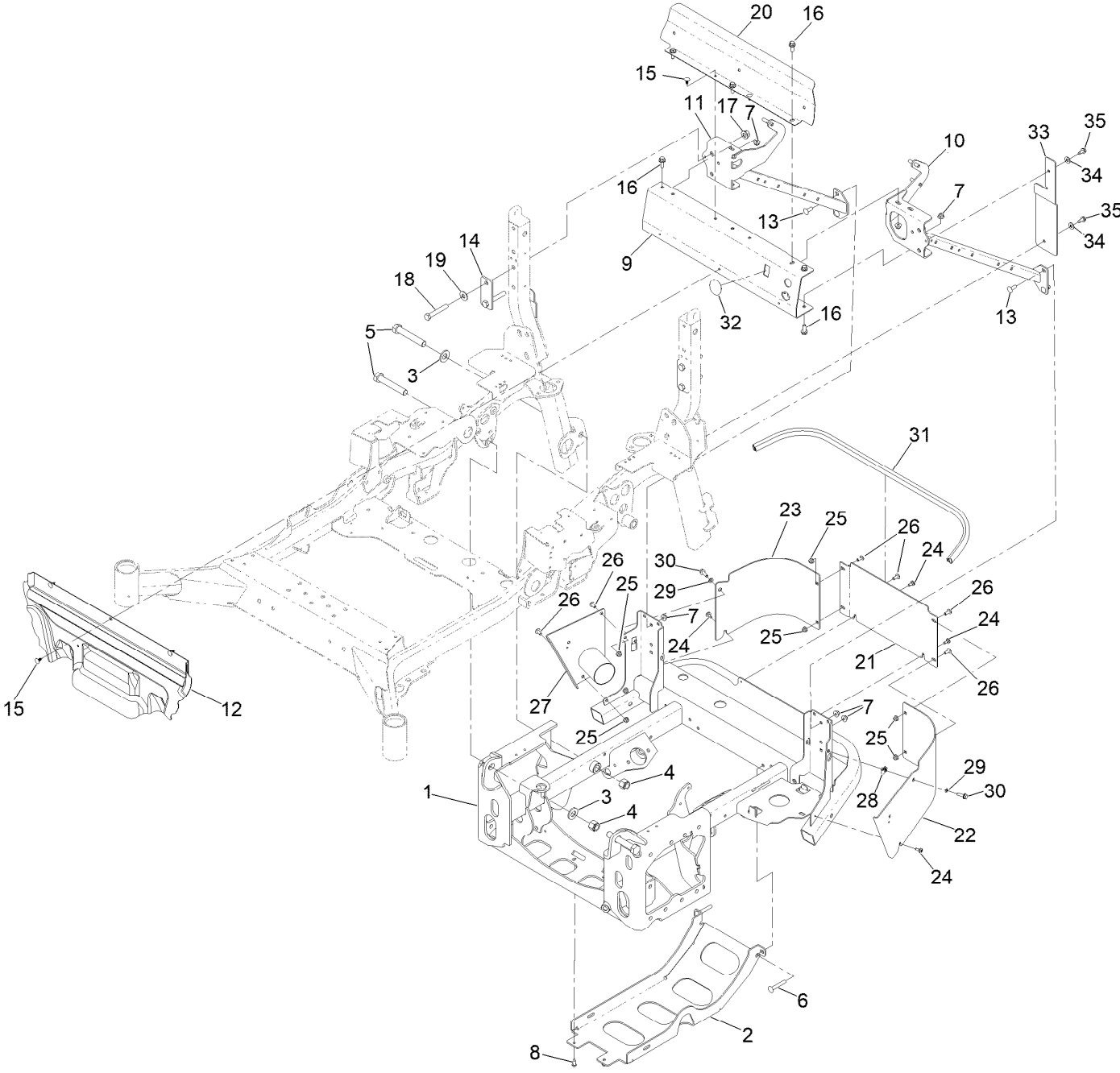
|                                                                 |     |
|-----------------------------------------------------------------|-----|
| Rear Frame Assembly                                             | 6   |
| Frame and Roll-Over Protection System Assembly                  | 8   |
| Roll-Over Protection System Assembly No. 142-9749               | 10  |
| Caster Wheel Assembly                                           | 12  |
| Transmission Assembly                                           | 14  |
| Hydraulic Gear Pump Assembly No. 112-9542                       | 16  |
| Charge Pump Housing Assembly Transmission Assembly No. 131-5510 | 18  |
| Transmission Assembly (cont.) Center Section Assembly           | 20  |
| Transmission Assembly (cont.) Gear Case and Clutch Assembly     | 22  |
| Rear Wheel Assembly                                             | 24  |
| Parking Brake Assembly                                          | 26  |
| Fuel System Assembly                                            | 28  |
| RH Fuel Tank Assembly No. 142-8638                              | 30  |
| LH Fuel Tank Assembly 142-8637                                  | 32  |
| Seat Mounting Assembly                                          | 34  |
| Seat Assembly No. 147-4984                                      | 36  |
| Motion Control Assembly                                         | 38  |
| Front Linkage Rod Assembly No. 142-8447                         | 40  |
| Hood and Covers Assembly                                        | 42  |
| Hood Assembly No. 135-7930                                      | 44  |
| Electrical Assembly                                             | 46  |
| Wire Harness Assembly No. 142-7960                              | 48  |
| Deck Lift Assembly                                              | 50  |
| Engine Assembly                                                 | 52  |
| HDAC Assembly No. 142-3554                                      | 54  |
| Deck, Driveshaft and Tunnel Assembly                            | 56  |
| Deck Assembly                                                   | 58  |
| Deck Decal Assembly No. 140-0970                                | 60  |
| Spindle Assembly No. 137-9780                                   | 62  |
| Gearbox Assembly                                                | 64  |
| Gearbox Assembly No. 142-8061                                   | 66  |
| Idler Mount Assembly No. 126-3372                               | 68  |
| Driveshaft Assembly No. 110-3575                                | 70  |
| Discharge Tunnel Assembly No. 126-2789                          | 72  |
| Hydraulic Assembly                                              | 74  |
| Hydraulic Reservoir Assembly No. 142-5034                       | 76  |
| 5 Stud Wheel Hub Kit Assembly No. 135-5333                      | 78  |
| Valve Assembly No. 131-1934                                     | 80  |
| Cooling Assembly                                                | 82  |
| Cooling Assembly No. 121-3330                                   | 84  |
| Cylinder Block Assembly                                         | 86  |
| Gear Housing Assembly                                           | 88  |
| Flywheel Housing and Oil Sump Assembly                          | 90  |
| Cylinder Head and Cover Assembly                                | 92  |
| Suction Manifold Assembly                                       | 94  |
| Exhaust Manifold Assembly                                       | 96  |
| Camshaft and Driving Gear Assembly                              | 98  |
| Turbine Assembly                                                | 100 |
| Crankshaft and Piston Assembly                                  | 102 |
| Oil Pump Assembly                                               | 104 |
| Oil Pump Assembly (cont.)                                       | 106 |
| Cooling Water System Assembly                                   | 108 |
| Fuel Injection Pump Assembly                                    | 110 |
| Governor Assembly                                               | 112 |

## Contents (continued)

|                                        |     |
|----------------------------------------|-----|
| Fuel Injection Valve Assembly .....    | 114 |
| Fuel Pipe Assembly .....               | 116 |
| Starting Motor Assembly .....          | 118 |
| Generator Assembly .....               | 120 |
| Electronic Control Unit Assembly ..... | 122 |
| Fuel System Assembly .....             | 124 |
| Gasket Set .....                       | 126 |
| Attachments and Accessories .....      | 128 |



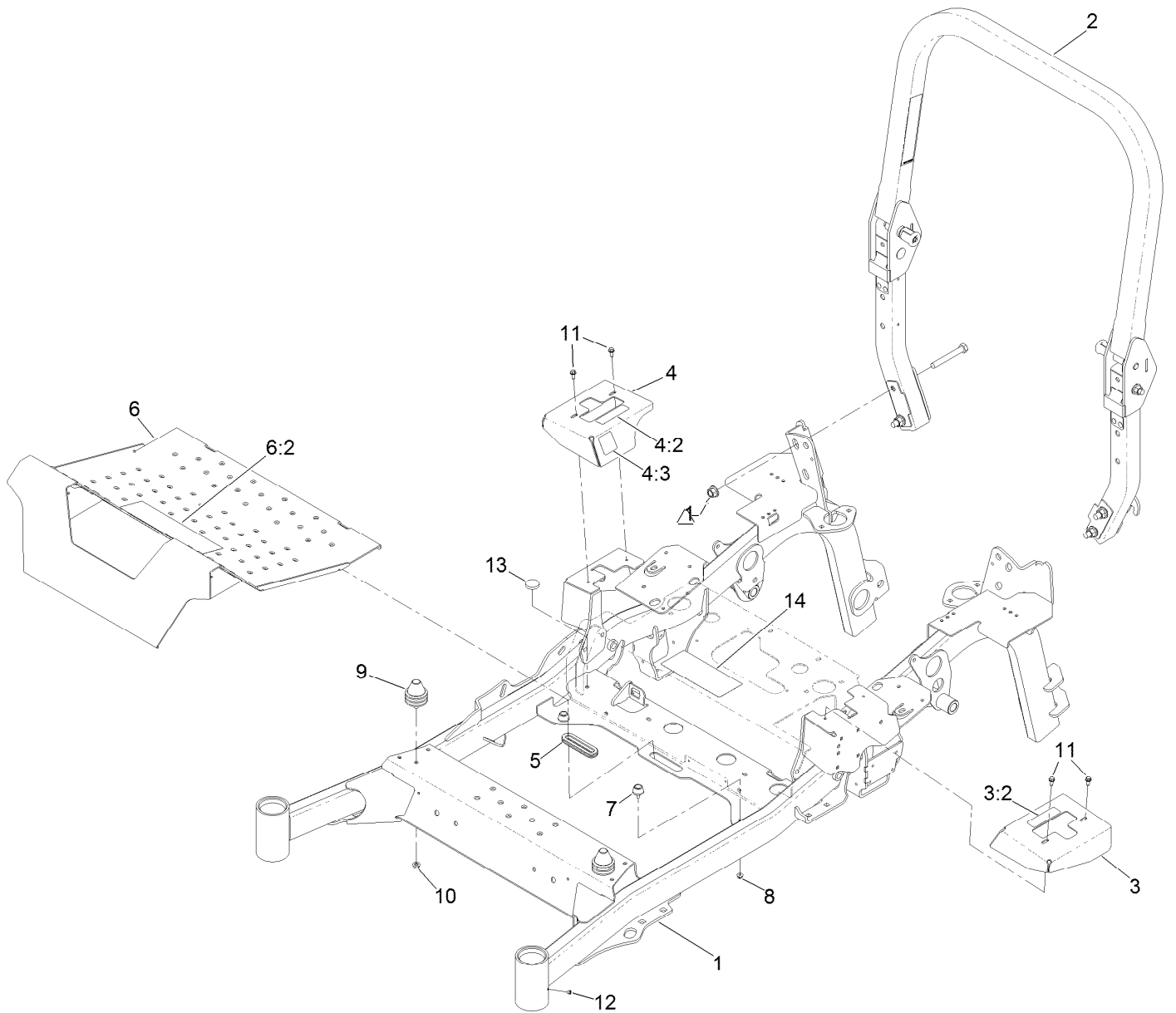
# Rear Frame Assembly



## Rear Frame Assembly (continued)

| <i>Ref.</i> | <i>Part Number</i> | <i>Qty.</i> | <i>Description</i>    | <i>Ref.</i> | <i>Part Number</i> | <i>Qty.</i> | <i>Description</i>   |
|-------------|--------------------|-------------|-----------------------|-------------|--------------------|-------------|----------------------|
| 1           | 126-5929-03        | 1           | Frame-Power           | 19          | 109-9505           | 4           | Washer-Spring        |
| 2           | 126-5922-03        | 1           | Plate-Skid            | 20          | 126-6557-03        | 1           | Shield-Air           |
| 3           | 103-2802           | 4           | Washer                | 21          | 126-8954-03        | 1           | Plate-Bumper, Center |
| 4           | 3296-51            | 4           | Nut-Lock, NI          | 22          | 126-8952-03        | 1           | Plate-Bumper, LH     |
| 5           | 328-8              | 4           | Screw-HH              | 23          | 126-8953-03        | 1           | Plate-Bumper, RH     |
| 6           | 3231-44            | 2           | Screw-CARR            | 24          | 120-7950           | 4           | Screw-Torx           |
| 7           | 104-8301           | 13          | Nut-HF, NI            | 25          | 104-8300           | 7           | Nut-HF, NI           |
| 8           | 138-9753           | 2           | Screw                 | 26          | 126-6268           | 7           | Screw-TTH            |
| 9           | 126-8567-03        | 1           | Channel-Cross         | 27          | 135-0880           | 1           | Plate-Exhaust        |
| 10          | 142-9442-03        | 1           | Wldmt-ROPS LH Brace   | 28          | 112-3306           | 2           | Nut                  |
| 11          | 142-9443-03        | 1           | Wldmt-ROPS RH Brace   | 29          | 3290-475           | 2           | Washer-Belleville    |
| 12          | 126-7458           | 1           | Panel-Deflector, Heat | 30          | 3234-29            | 2           | Screw-HHF            |
| 13          | 3231-22            | 4           | Screw-CARR            | 31          | 126-6845           | 1           | Seal-Bulb            |
| 14          | 135-0412-03        | 2           | Plate-Spacer          | 32          | 135-3728           | 1           | Decal-Cover          |
| 15          | 117-2382           | 6           | Plug-Plastic          | 33          | 142-3197           | 2           | Sheet-ROPS Airdam    |
| 16          | 131-2220           | 7           | Screw-HHF             | 34          | 3256-3             | 4           | Washer-Flat          |
| 17          | 99-5107            | 4           | Nut-Lock              | 35          | 32144-70           | 4           | Screw-HWHTF          |
| 18          | 112-7264           | 4           | Screw-HH              |             |                    |             |                      |

# Frame and Roll-Over Protection System Assembly

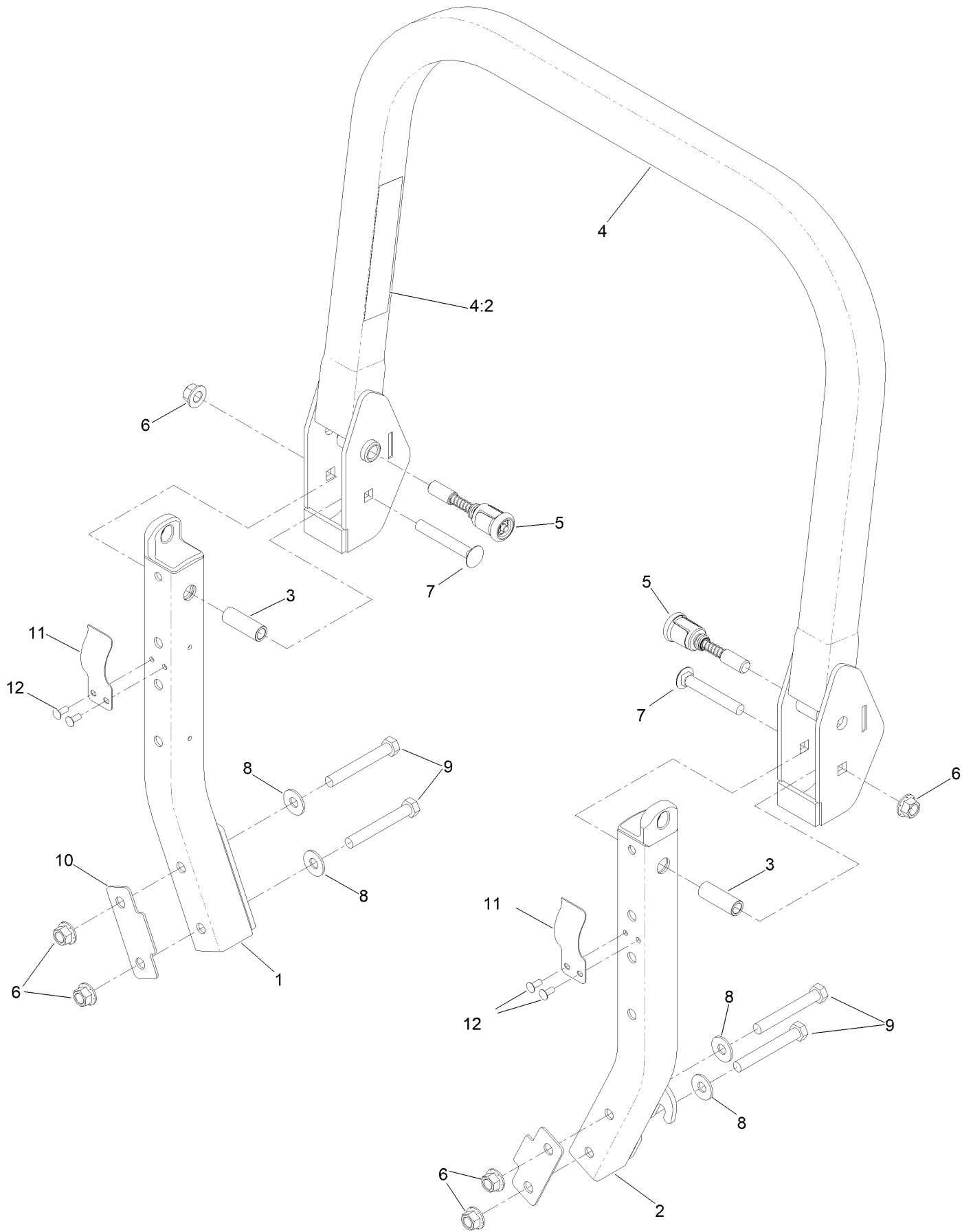




# Frame and Roll-Over Protection System Assembly (continued)

| <i>Ref.</i> | <i>Part Number</i> | <i>Qty.</i> | <i>Description</i>       | <i>Ref.</i> | <i>Part Number</i> | <i>Qty.</i> | <i>Description</i>     |
|-------------|--------------------|-------------|--------------------------|-------------|--------------------|-------------|------------------------|
| 1           | 146-1065           | 1           | Mainframe ASM, Rd        | 6:2         | 126-8383           | 1           | Decal-Danger           |
| 2           | 142-9749           | 1           | ASM, ROPS-7500D Diesel   | 7           | 109-2365           | 2           | Bumper-Rubber          |
| 3           | 146-3345           | 1           | Cover-Motion Control, LH | 8           | 104-7201           | 2           | Nut-HF, NI             |
| 3:2         | 99-8936            | 1           | Decal-Control, Motion    | 9           | 126-5491           | 2           | Isolator               |
| 4           | 146-3346           | 1           | Cover-Motion Control, RH | 10          | 104-8300           | 2           | Nut-HF, NI             |
| 4:2         | 99-8936            | 1           | Decal-Control, Motion    | 11          | 32144-10           | 4           | Screw-HWH              |
| 4:3         | 116-5988           | 1           | Decal-Park Brake, CE     | 12          | 1-811010           | 2           | Plug                   |
| 5           | 126-7065           | 1           | Grommet-Rubber           | 13          | 109-9233           | 1           | Bumper-Push-In, Rubber |
| 6           | 126-9066           | 1           | Pan-Floor                | 14          | 126-9279           | 1           | Decal-Service Aid      |

# Roll-Over Protection System Assembly No. 142-9749

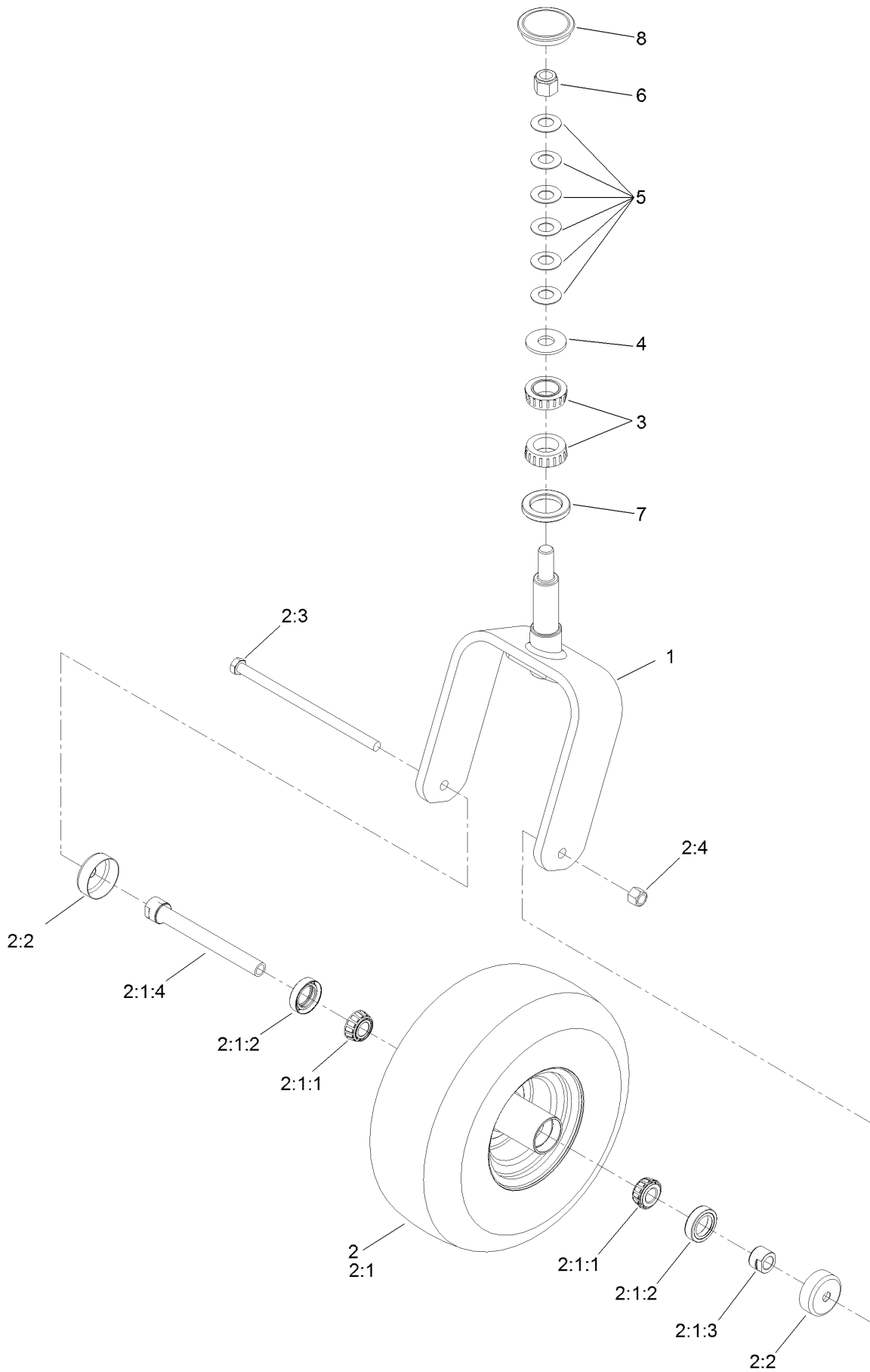


# Roll-Over Protection System Assembly No. 142-9749 (continued)

| <i>Ref.</i> | <i>Part Number</i> | <i>Qty.</i> | <i>Description</i>     | <i>Ref.</i> | <i>Part Number</i> | <i>Qty.</i> | <i>Description</i> |
|-------------|--------------------|-------------|------------------------|-------------|--------------------|-------------|--------------------|
| 1           |                    | 1           | Lower-ROPS, RH ●       | 7           | 3233-10            | 2           | Screw-CARR         |
| 2           |                    | 1           | Lower-ROPS, LH ●       | 8           | 109-9505           | 4           | Washer-Spring      |
| 3           | 109-6653           | 2           | Spacer                 | 9           | 325-35             | 4           | Screw-HH           |
| 4           | 142-2385           | 1           | ASM,ROPS Upper W/Decal | 10          | 116-0960           | 2           | Spacer             |
| 4:2         | 107-3069           | 1           | Decal-Warning          | 11          | 110-5696           | 2           | Spring-Leaf        |
| 5           | 116-0104           | 2           | Pin-Spring             | 12          | 3290-412           | 4           | Rivet-Blind        |
| 6           | 99-5107            | 6           | Nut-Lock               |             |                    |             |                    |

● Not serviced separately

# Caster Wheel Assembly

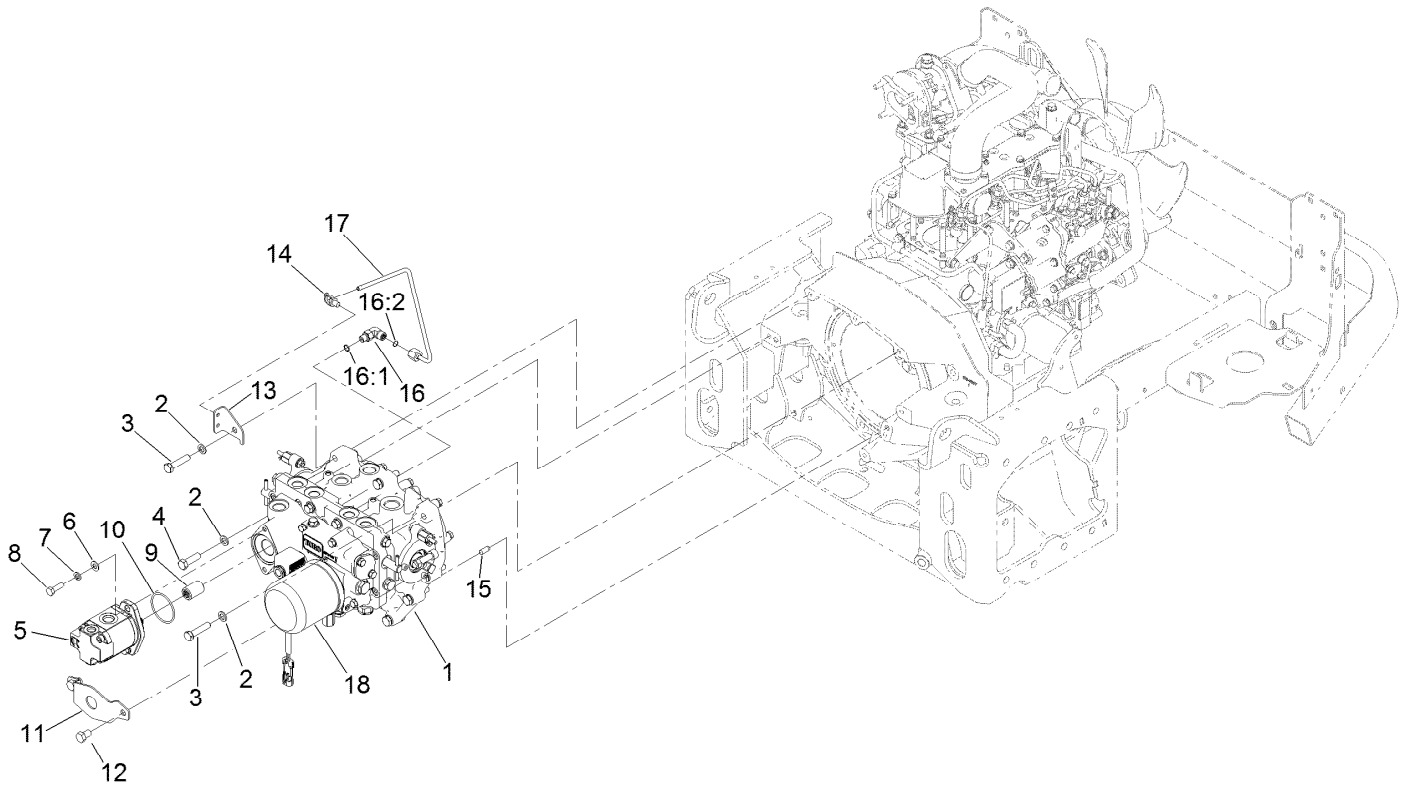


## Caster Wheel Assembly (continued)

| <i>Ref.</i> | <i>Part Number</i> | <i>Qty.</i> | <i>Description</i>   | <i>Ref.</i> | <i>Part Number</i> | <i>Qty.</i> | <i>Description</i>         |
|-------------|--------------------|-------------|----------------------|-------------|--------------------|-------------|----------------------------|
| 1           | 126-8601-01        | 1           | Fork-Caster          | 2:3         | 325-39             | 1           | Screw-HH                   |
| 2           | 126-9344           | 1           | Wheel And Tire ASM   | 2:4         | 3296-23            | 1           | Nut-Lock, NI               |
| 2:1         |                    | 1           | Tire And Wheel ASM ● | 3           | 103-9028           | 2           | Bearing-Roller, Cone Taper |
| 2:1:1       | 1-633585           | 2           | Bearing-Cone, Taper  | 4           | 3256-8             | 1           | Washer-Flat                |
| 2:1:2       | 103-0063           | 2           | Seal-Caster          | 5           | 1-633508           | 6           | Washer-Bellville           |
| 2:1:3       | 103-3051           | 1           | Spacer-Nut           | 6           | 3296-51            | 1           | Nut-Lock, NI               |
| 2:1:4       | 126-5361           | 1           | Axle Caster ASM      | 7           | 135-0355           | 1           | Seal-Grease                |
| 2:2         | 103-2768           | 2           | Guard-Seal           | 8           | 126-9369           | 1           | Cap-Grease                 |

● Not serviced separately

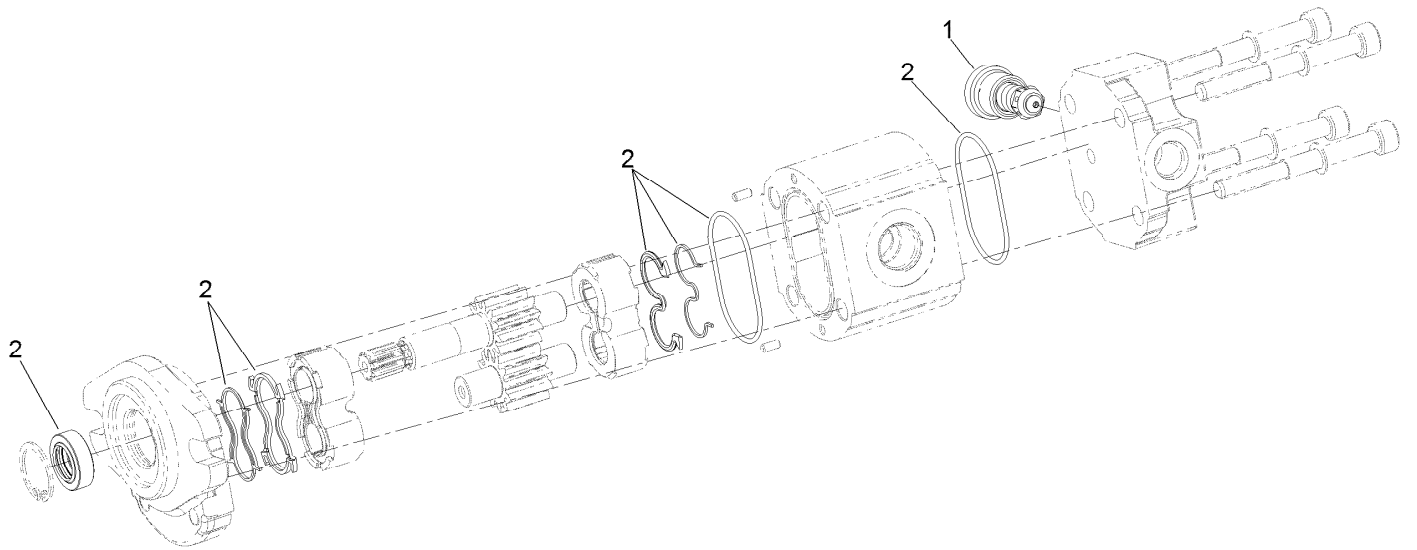
# Transmission Assembly



## Transmission Assembly (continued)

| <i>Ref.</i> | <i>Part Number</i> | <i>Qty.</i> | <i>Description</i> | <i>Ref.</i> | <i>Part Number</i> | <i>Qty.</i> | <i>Description</i>    |
|-------------|--------------------|-------------|--------------------|-------------|--------------------|-------------|-----------------------|
| 1           | 131-5510           | 1           | Transmisson ASM    | 11          | 114-4088           | 1           | Shield-Seal           |
| 2           | 48-9590            | 7           | Washer-Lock        | 12          | 33115-016          | 2           | Screw-HH              |
| 3           | 33115-045          | 6           | Screw-HH           | 13          | 126-6806           | 1           | Support-Tube          |
| 4           | 33115-035          | 1           | Screw-HH           | 14          | 32180-030          | 1           | Clip-Tie              |
| 5           | 112-9542           | 1           | HYD Gear Pump ASM  | 15          | 87-1910            | 2           | Pin-Dowel             |
| 6           | 3256-23            | 2           | Washer-Plain       | 16          | 340-132            | 1           | Fitting-Elbow, 90 DEG |
| 7           | 3253-4             | 2           | Washer-Lock        | 16:1        | 237-78             | 1           | O-Ring                |
| 8           | 33114-025          | 2           | Screw-HH           | 16:2        | 237-21             | 1           | O-Ring                |
| 9           | 108-9920           | 1           | Coupler-Spline     | 17          | 126-8689           | 1           | Tube ASM              |
| 10          | 108-9919           | 1           | O-Ring             | 18          | 108-5194           | 1           | Filter-Oil, HYD       |

# Hydraulic Gear Pump Assembly No. 112-9542

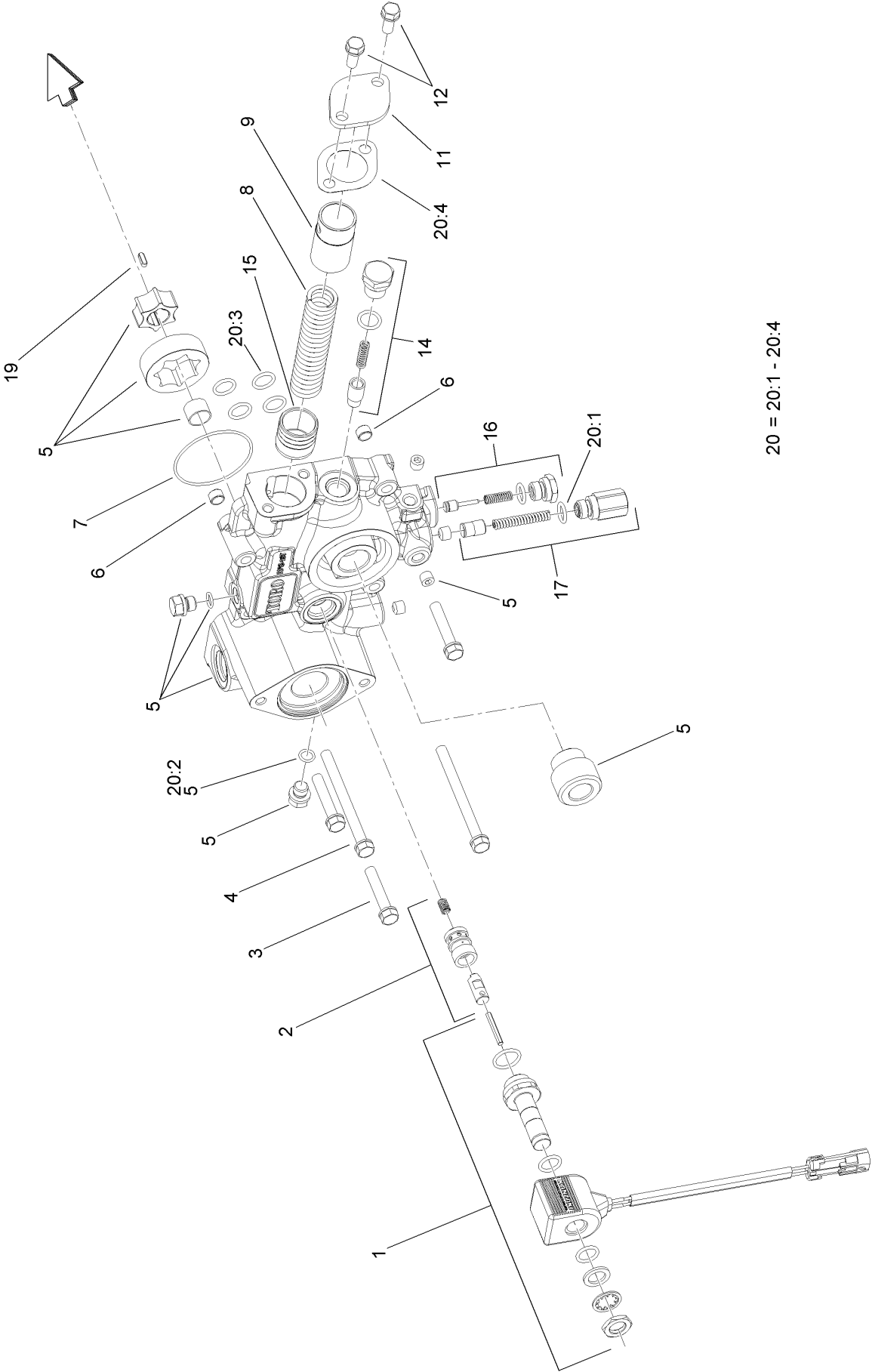




# Hydraulic Gear Pump Assembly No. 112-9542 (continued)

| <i>Ref.</i> | <i>Part Number</i> | <i>Qty.</i> | <i>Description</i> |
|-------------|--------------------|-------------|--------------------|
| 1           | 112-0198           | 1           | Valve              |
| 2           | 112-0199           | 1           | Seal Kit           |

# Charge Pump Housing Assembly Transmission Assembly No. 131-5510



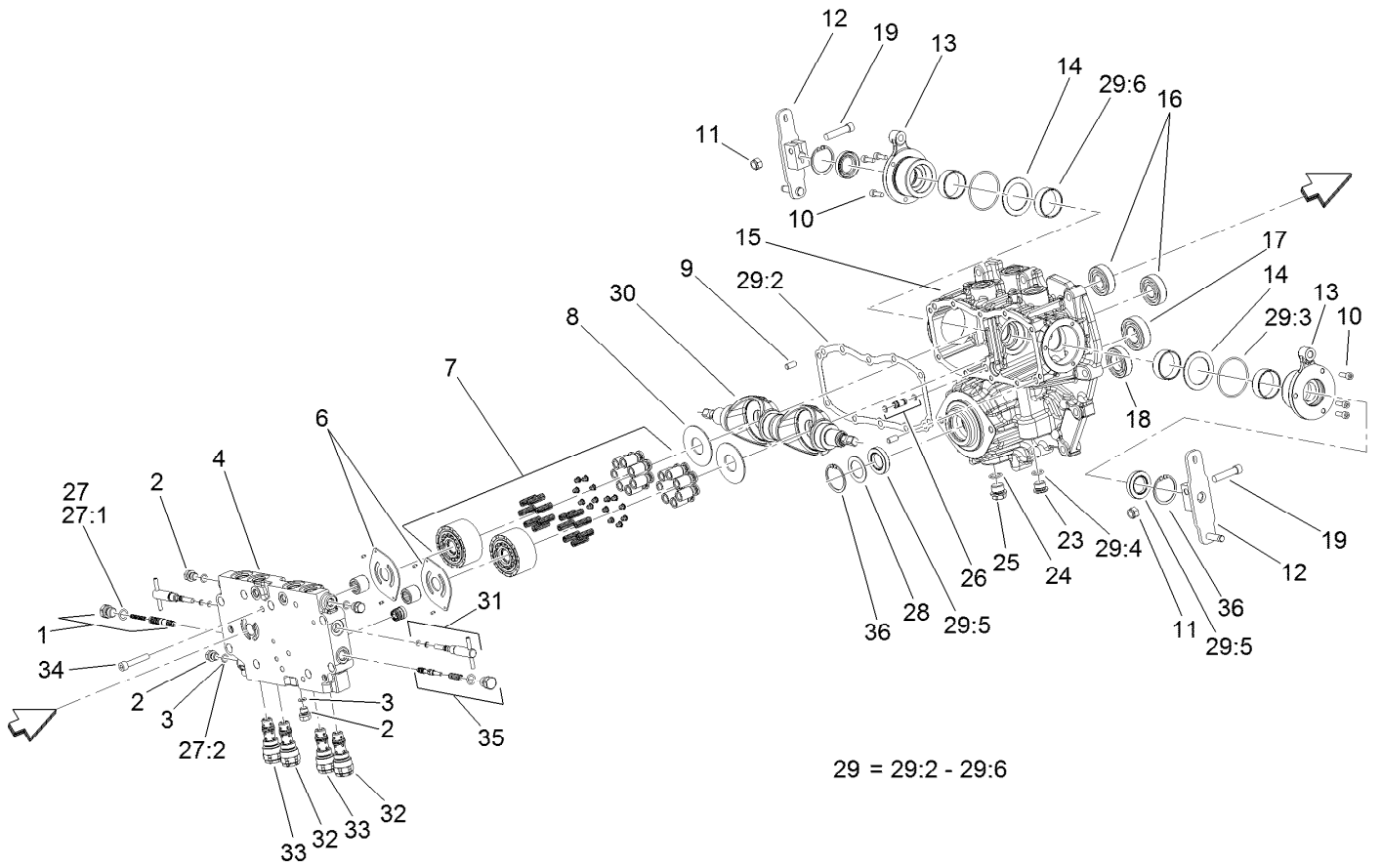
20 = 20:1 - 20:4

## Charge Pump Housing Assembly Transmission Assembly No. 131-5510 (continued)

| <i>Ref.</i> | <i>Part Number</i> | <i>Qty.</i> | <i>Description</i>  | <i>Ref.</i> | <i>Part Number</i> | <i>Qty.</i> | <i>Description</i>      |
|-------------|--------------------|-------------|---------------------|-------------|--------------------|-------------|-------------------------|
| 1           | 107-0851           | 1           | Solenoid ASM        | 14          | 107-0843           | 1           | Filter Bypass Valve ASM |
| 2           | 107-0850           | 1           | Solenoid Valve ASM  | 15          | 107-0818           | 1           | Piston                  |
| 3           | 107-0863           | 3           | Bolt                | 16          | 107-0842           | 1           | Charge Relief Valve ASM |
| 4           | 107-0864           | 2           | Bolt                | 17          | 107-0841           | 1           | Pressure Valve ASM      |
| 5           | 107-0840           | 1           | Pump Body ASM       | 19          | 107-0865           | 1           | Key                     |
| 6           | 107-0848           | 2           | Pin                 | 20          | 107-0855           | 1           | Charge Pump Seal Kit    |
| 7           | 107-0856           | 1           | O-Ring              | 20:1        | 93-0418            | 2           | O-Ring                  |
| 8           | 107-0845           | 1           | Spring              | 20:2        | 107-0817           | 2           | O Ring-Plug             |
| 9           | 107-0844           | 1           | Collar              | 20:3        | 104-3298           | 6           | Packing                 |
| 11          | 107-0846           | 1           | Cover               | 20:4        | 107-0847           | 1           | Gasket                  |
| 12          | 93-0457            | 2           | Bolt And Washer ASM |             |                    |             |                         |

# Transmission Assembly (cont.)

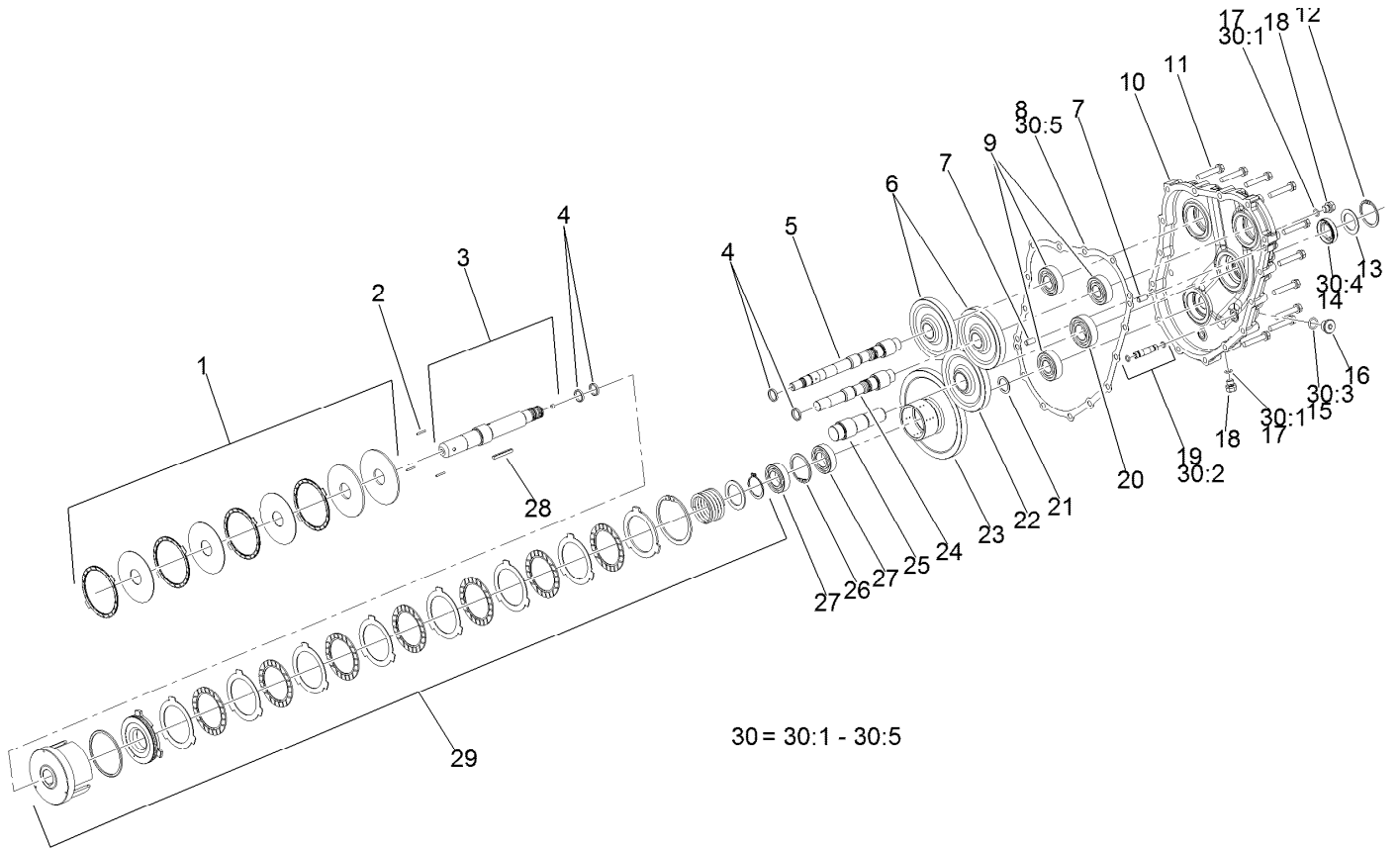
## Center Section Assembly



## Transmission Assembly (cont.) Center Section Assembly (continued)

| <i>Ref.</i> | <i>Part Number</i> | <i>Qty.</i> | <i>Description</i>    | <i>Ref.</i> | <i>Part Number</i> | <i>Qty.</i> | <i>Description</i>    |
|-------------|--------------------|-------------|-----------------------|-------------|--------------------|-------------|-----------------------|
| 1           | 107-0807           | 1           | Valve-Flushing, RH    | 25          | 107-0867           | 1           | Plug                  |
| 2           | 107-0857           | 6           | Plug                  | 26          | 107-0812           | 1           | Pipe                  |
| 3           | 107-0817           | 6           | O Ring-Plug           | 27          | 107-0852           | 1           | Center Case Seal Kit  |
| 4           | 121-3377           | 1           | Center Case, Complete | 27:1        | 93-0418            | 2           | O-Ring                |
| 6           | 107-0805           | 2           | Plate-Valve           | 27:2        | 107-0817           | 6           | O Ring-Plug           |
| 7           | 107-0824           | 2           | Cylinder Block ASM    | 28          | 107-0813           | 1           | Spacer                |
| 8           | 107-0830           | 2           | Plate-Thrust          | 29          | 107-0853           | 1           | Pump Housing Seal Kit |
| 9           | 92-0765            | 4           | Pin-Parallel          | 29:2        | 107-0810           | 1           | Gasket-Case, Center   |
| 10          | 107-0859           | 6           | Bolt                  | 29:3        | 107-0817           | 2           | O Ring-Plug           |
| 11          | 120-6681           | 2           | U-Nut                 | 29:4        | 104-3298           | 1           | Packing               |
| 12          | 120-6680           | 2           | Arm-Control           | 29:5        | 107-0814           | 3           | Seal                  |
| 13          | 107-0832           | 2           | Side Cover ASM        | 29:6        | 107-0825           | 4           | Ring-Seal             |
| 14          | 107-0829           | 2           | Washer                | 30          | 120-6679           | 2           | Plate-Swash           |
| 15          | 120-5151           | 1           | Pump Housing ASM      | 31          | 107-0808           | 2           | Valve-Bypass          |
| 16          | 107-0826           | 2           | Bearing               | 32          | 107-0804           | 2           | Valve-Rear            |
| 17          | 107-0821           | 1           | Bearing               | 33          | 107-0803           | 2           | Valve-Front           |
| 18          | 107-0838           | 1           | Bearing               | 34          | 107-0863           | 8           | Bolt                  |
| 19          | 120-6682           | 2           | Bolt                  | 35          | 107-0806           | 1           | Valve-Flushing, LH    |
| 23          | 107-0861           | 1           | Plug-NPTF             | 36          | 92-0757            | 2           | Ring-Snap             |
| 24          | 237-79             | 1           | O-Ring                |             |                    |             |                       |

# Transmission Assembly (cont.) Gear Case and Clutch Assembly

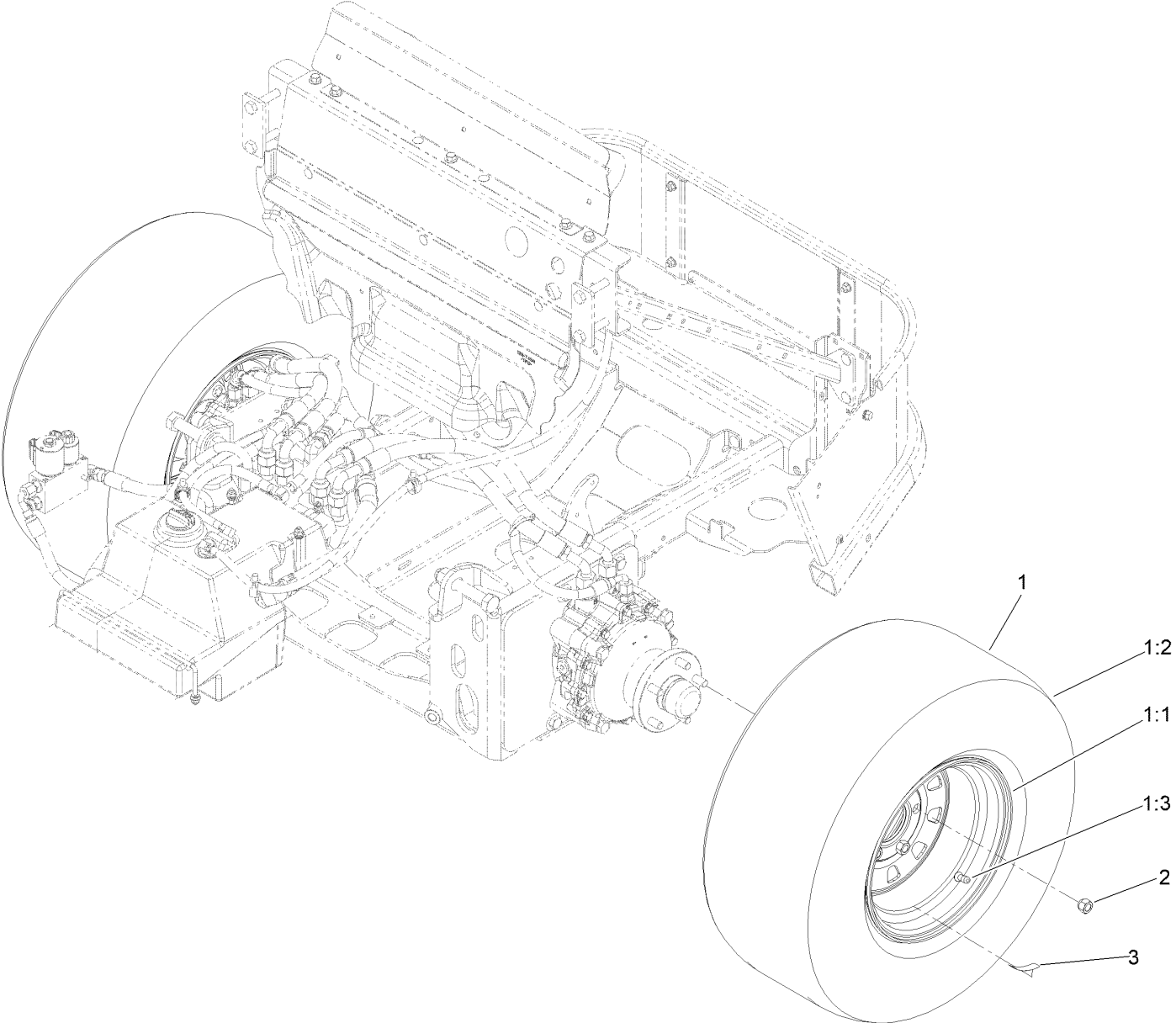


## Transmission Assembly (cont.) Gear Case and Clutch Assembly (continued)

| <i>Ref.</i> | <i>Part Number</i> | <i>Qty.</i> | <i>Description</i>   | <i>Ref.</i> | <i>Part Number</i> | <i>Qty.</i> | <i>Description</i>    |
|-------------|--------------------|-------------|----------------------|-------------|--------------------|-------------|-----------------------|
| 1           | 107-0839           | 1           | PTO Brake ASM        | 19          | 107-0811           | 1           | Pipe                  |
| 2           | 107-0837           | 3           | Rod-Push             | 20          | 107-0821           | 2           | Bearing               |
| 3           | 107-0833           | 1           | PTO Shaft ASM        | 21          | 107-0836           | 1           | Spacer                |
| 4           | 107-0825           | 2           | Ring-Seal            | 22          | 107-0820           | 1           | Gear-Input            |
| 5           | 107-0827           | 1           | Shaft-Pump           | 23          | 107-0834           | 1           | Gear-PTO              |
| 6           | 107-0823           | 2           | Gear-Pump            | 24          | 107-0822           | 1           | Shaft-Pump            |
| 7           | 92-0765            | 4           | Pin-Parallel         | 25          | 107-0819           | 1           | Shaft-Input           |
| 8           | 107-0816           | 1           | Gasket-Housing, Gear | 26          | 92-0758            | 1           | Ring-Snap             |
| 9           | 107-0826           | 4           | Bearing              | 27          | 107-0838           | 3           | Bearing               |
| 10          | 120-5152           | 1           | Housing-Case, Gear   | 28          | 107-0866           | 1           | Key                   |
| 11          | 107-0863           | 13          | Bolt                 | 29          | 107-0835           | 1           | Clutch Cylinder ASM   |
| 12          | 92-0757            | 1           | Ring-Snap            | 30          | 107-0854           | 1           | Gear Housing Seal Kit |
| 13          | 107-0813           | 1           | Spacer               | 30:1        | 107-0817           | 2           | O Ring-Plug           |
| 14          | 107-0814           | 1           | Seal                 | 30:2        |                    | 2           | O-Ring ●              |
| 15          | 104-3298           | 1           | Packing              | 30:3        | 104-3298           | 1           | Packing               |
| 16          | 107-0861           | 1           | Plug-NPTF            | 30:4        | 107-0814           | 1           | Seal                  |
| 17          | 107-0817           | 6           | O Ring-Plug          | 30:5        | 107-0816           | 1           | Gasket-Housing, Gear  |
| 18          | 107-0857           | 6           | Plug                 |             |                    |             |                       |

● Not serviced separately

# Rear Wheel Assembly

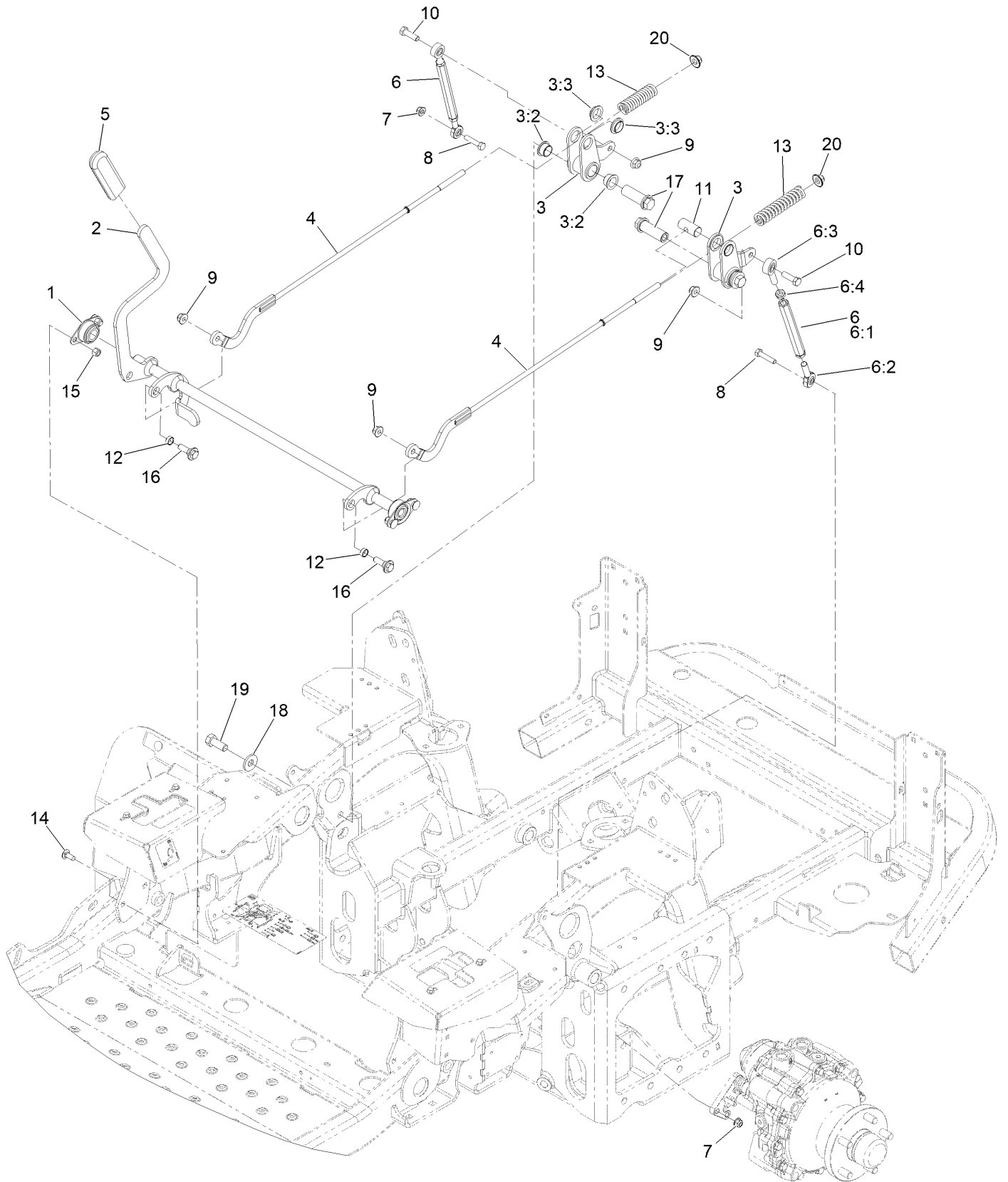




## Rear Wheel Assembly (continued)

| <i>Ref.</i> | <i>Part Number</i> | <i>Qty.</i> | <i>Description</i> | <i>Ref.</i> | <i>Part Number</i> | <i>Qty.</i> | <i>Description</i>      |
|-------------|--------------------|-------------|--------------------|-------------|--------------------|-------------|-------------------------|
| 1           | 126-8104           | 2           | Tire ASM           | 1:3         | 232-27             | 1           | Stem-Valve              |
| 1:1         | 126-8106           | 1           | Rim                | 2           | 242-50             | 10          | Nut-Lug                 |
| 1:2         | 126-8033           | 1           | Tire               | 3           | 135-0328           | 2           | Decal-Torque, Wheel Nut |

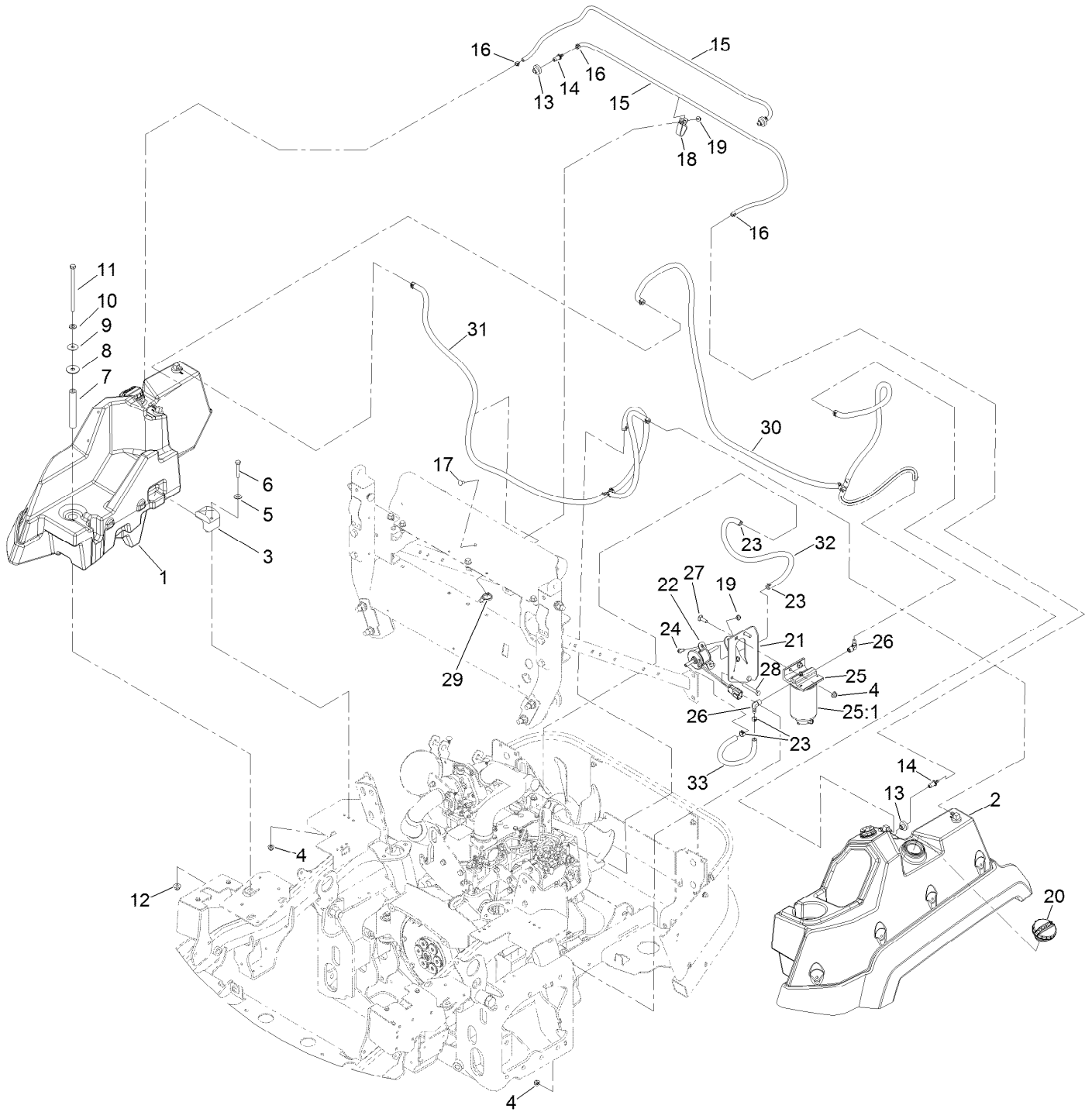
# Parking Brake Assembly



## Parking Brake Assembly (continued)

| <i>Ref.</i> | <i>Part Number</i> | <i>Qty.</i> | <i>Description</i>   | <i>Ref.</i> | <i>Part Number</i> | <i>Qty.</i> | <i>Description</i>  |
|-------------|--------------------|-------------|----------------------|-------------|--------------------|-------------|---------------------|
| 1           | 1-633102           | 2           | Bearing-Flange, Side | 8           | 322-7              | 2           | Screw-HH            |
| 2           | 142-4901           | 1           | Shaft-Brake          | 9           | 104-8301           | 4           | Nut-HF, NI          |
| 3           | 126-3010           | 2           | Brake Bellcrank ASM  | 10          | 323-7              | 2           | Screw-HH            |
| 3:2         | 109-8054           | 2           | Bushing-Flange       | 11          | 1-633144           | 2           | Pin-Trunion         |
| 3:3         | 135-2840           | 2           | Bushing-Flange       | 12          | 133-5109           | 2           | Bearing-Sleeve      |
| 4           | 142-4897           | 2           | Link-Brake, Upper    | 13          | 109-2230           | 2           | Spring-Compression  |
| 5           | 1-633268           | 1           | Grip-Lever           | 14          | 3230-23            | 4           | Bolt-CARR           |
| 6           | 126-9171           | 2           | Turnbuckle ASM       | 15          | 3296-29            | 4           | Nut-Lock, NI        |
| 6:1         | 126-9172           | 1           | Turnbuckle           | 16          | 614672             | 2           | Screw-Shoulder, HWH |
| 6:2         | 126-9302           | 1           | Bearing-End, LH Rod  | 17          | 109-5891           | 2           | Hub-Threaded        |
| 6:3         | 1-613204           | 1           | Balljoint            | 18          | 1-513435           | 2           | Washer-Spring       |
| 6:4         | 3220-3             | 1           | Nut-HJ               | 19          | 325-5              | 2           | Screw-HH            |
| 7           | 104-8300           | 2           | Nut-HF, NI           | 20          | 109-6658           | 2           | Nut-Flange, NI      |

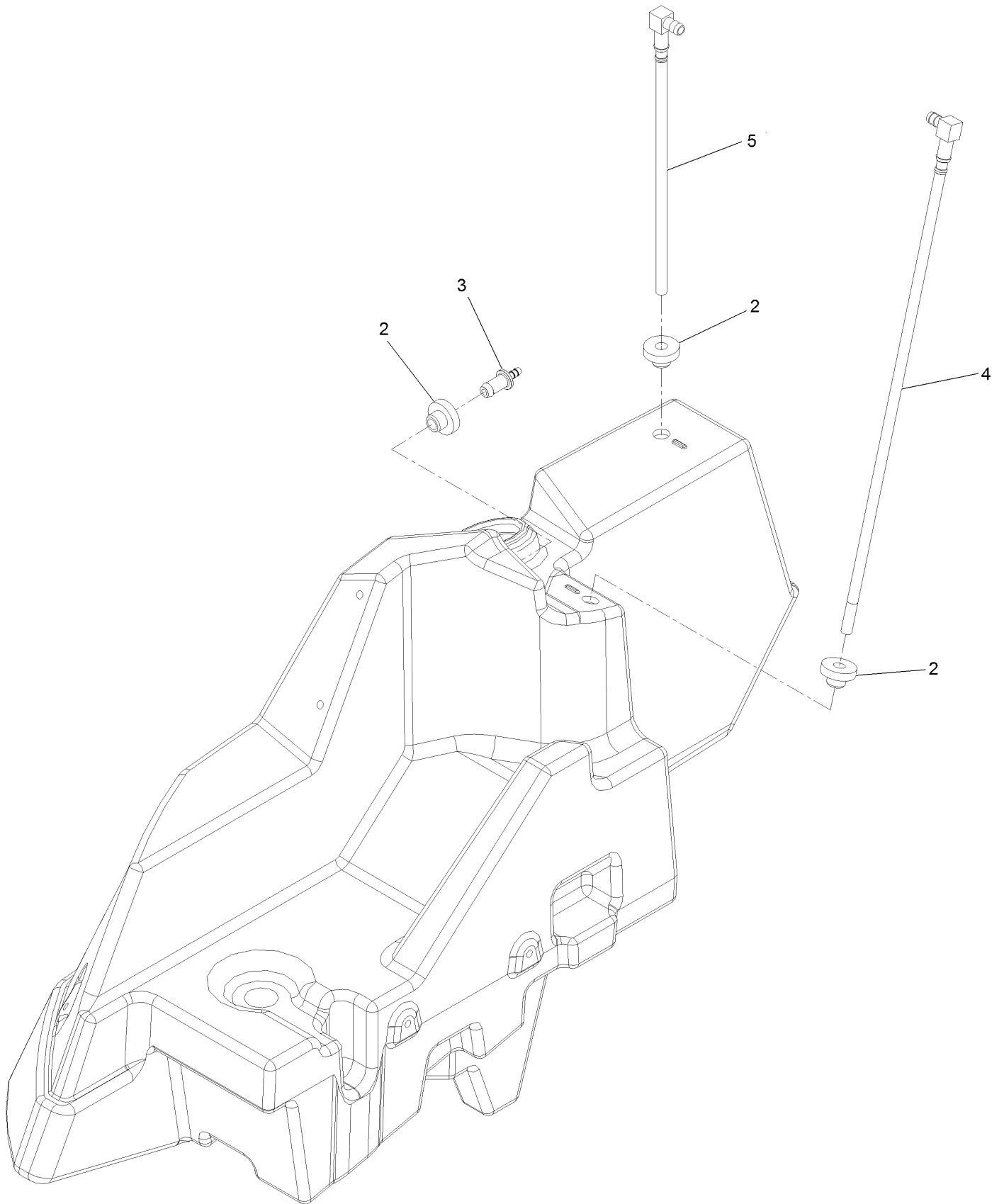
# Fuel System Assembly



## Fuel System Assembly (continued)

| <i>Ref.</i> | <i>Part Number</i> | <i>Qty.</i> | <i>Description</i>        | <i>Ref.</i> | <i>Part Number</i> | <i>Qty.</i> | <i>Description</i>               |
|-------------|--------------------|-------------|---------------------------|-------------|--------------------|-------------|----------------------------------|
| 1           | 142-8638           | 1           | RH Fuel Tank ASM          | 19          | 104-7201           | 5           | Nut-HF, NI                       |
| 2           | 142-8637           | 1           | LH Fuel Tank ASM          | 20          | 135-2715           | 2           | Cap-Fuel, Diesel                 |
| 3           | 107-4543           | 4           | Clamp                     | 21          | 135-0166-03        | 1           | Bracket-Filter And Pump,<br>Fuel |
| 4           | 104-8300           | 8           | Nut-HF, NI                | 22          | 121-5613           | 1           | Pump-Fuel, Electric              |
| 5           | 3256-3             | 4           | Washer-Flat               | 23          | 92-2379            | 4           | Clamp-Hose                       |
| 6           | 322-21             | 4           | Screw-HH                  | 24          | 32105-15           | 2           | Screw-HWH                        |
| 7           | 126-8335           | 2           | Tube-Spacer               | 25          | 110-9044           | 1           | Separator-Filter                 |
| 8           | 95-1905            | 2           | Washer-Rubber             | 25:1        | 110-9049           | 1           | Filter-Spin On, Fuel/Water       |
| 9           | 105-6814           | 2           | Washer-Plain              | 26          | 353-781            | 2           | Fitting-HYD, 90                  |
| 10          | 3256-24            | 2           | Washer-Plain              | 27          | 3230-22            | 2           | Screw-CARR                       |
| 11          | 323-22             | 2           | Screw-HH                  | 28          | 322-11             | 2           | Screw-HH                         |
| 12          | 104-8301           | 2           | Nut-HF, NI                | 29          | 32180-030          | 1           | Clip-Tie                         |
| 13          | 46-6560            | 2           | Bushing                   | 30          | 135-0510           | 1           | Line-Fuel, Suction               |
| 14          | 116-4630           | 2           | Fitting-Orifice, Straight | 31          | 135-0511           | 1           | Line-Fuel, Return                |
| 15          | 117-6395           | 2           | Hose-Fuel                 | 32          | 109-0308           | 1           | Hose-Fuel                        |
| 16          | 2412-80            | 4           | Clamp-Hose                | 33          | 110-4105           | 1           | Hose-Fuel                        |
| 17          | 3229-11            | 3           | Screw-CARR                |             |                    |             |                                  |
| 18          | 92-5753            | 3           | Clamp-Hose                |             |                    |             |                                  |

# RH Fuel Tank Assembly No. 142-8638

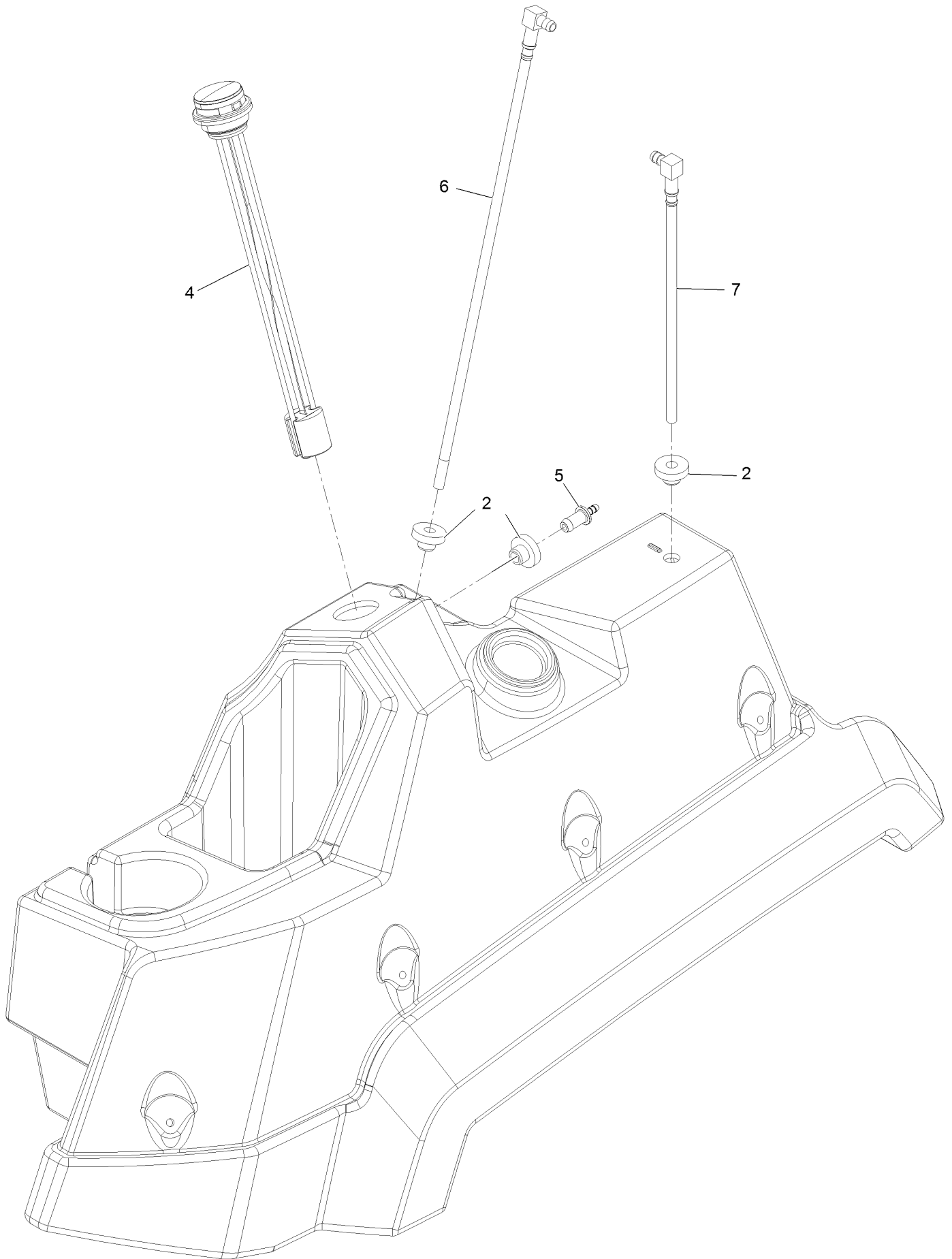


# RH Fuel Tank Assembly No. 142-8638 (continued)

| <i>Ref.</i> | <i>Part Number</i> | <i>Qty.</i> | <i>Description</i>        |
|-------------|--------------------|-------------|---------------------------|
| 2           | 46-6560            | 3           | Bushing                   |
| 3           | 116-4630           | 1           | Fitting-Orifice, Straight |

| <i>Ref.</i> | <i>Part Number</i> | <i>Qty.</i> | <i>Description</i> |
|-------------|--------------------|-------------|--------------------|
| 4           | 126-8647           | 1           | Pick-Up-Fuel       |
| 5           | 126-8649           | 1           | Return-Fuel        |

# LH Fuel Tank Assembly 142-8637

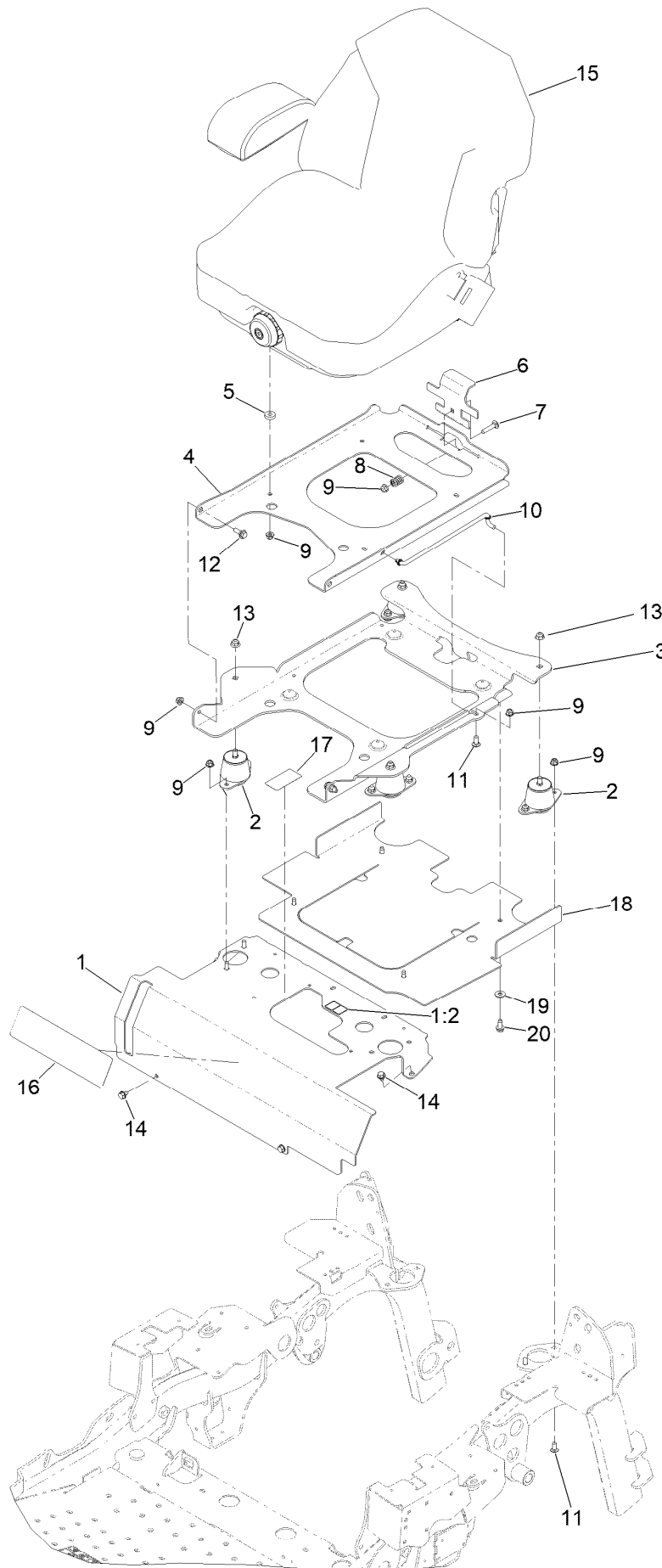




## LH Fuel Tank Assembly 142-8637 (continued)

| <i>Ref.</i> | <i>Part Number</i> | <i>Qty.</i> | <i>Description</i>        | <i>Ref.</i> | <i>Part Number</i> | <i>Qty.</i> | <i>Description</i> |
|-------------|--------------------|-------------|---------------------------|-------------|--------------------|-------------|--------------------|
| 2           | 46-6560            | 3           | Bushing                   | 6           | 126-8647           | 1           | Pick-Up-Fuel       |
| 4           | 126-8660           | 1           | Gauge-Fuel                | 7           | 126-8649           | 1           | Return-Fuel        |
| 5           | 116-4630           | 1           | Fitting-Orifice, Straight |             |                    |             |                    |

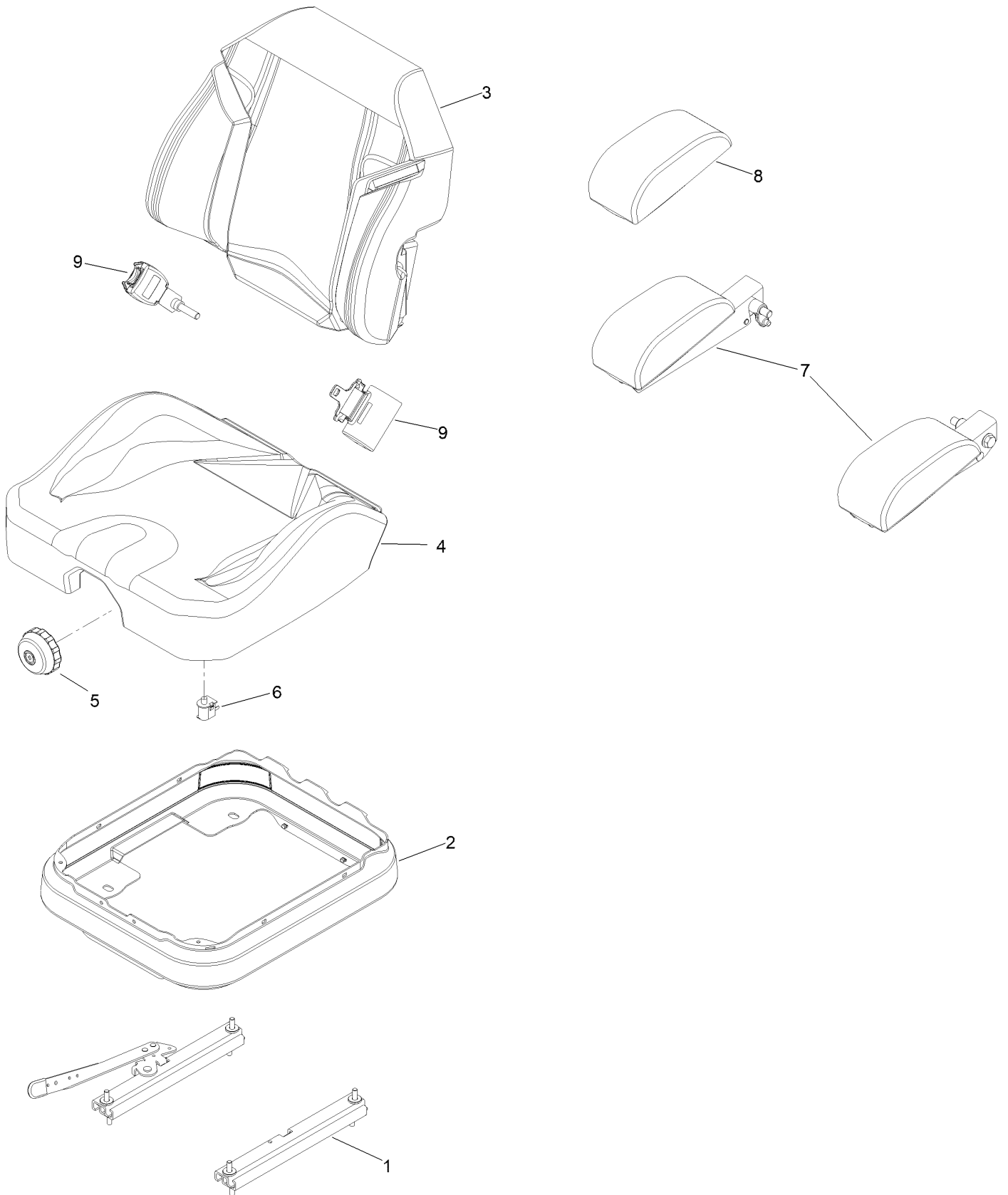
# Seat Mounting Assembly



## Seat Mounting Assembly (continued)

| <i>Ref.</i> | <i>Part Number</i> | <i>Qty.</i> | <i>Description</i>      | <i>Ref.</i> | <i>Part Number</i> | <i>Qty.</i> | <i>Description</i>        |
|-------------|--------------------|-------------|-------------------------|-------------|--------------------|-------------|---------------------------|
| 1           | 142-6637           | 1           | Mount-Seat W/Decals     | 11          | 3230-23            | 9           | Bolt-CARR                 |
| 1:2         | 106-5517           | 1           | Decal-Warning           | 12          | 116-1297           | 2           | Screw-Shoulder            |
| 2           | 109-9034           | 4           | Isolator-Seat           | 13          | 104-8301           | 4           | Nut-HF, NI                |
| 3           | 142-9423-03        | 1           | Plate,Tilt Seat Support | 14          | 9266934            | 4           | Screw                     |
| 4           | 126-2700-03        | 1           | Plate-Frame, Seat       | 15          | 147-4984           | 1           | Seat-Suspension           |
| 5           | 26-4840            | 4           | Spacer-Pin, Mounting    | 16          | 140-1215           | 1           | Decal-Console             |
| 6           | 126-1855           | 1           | Plate-Latch, Seat       | 17          | 135-2837           | 1           | Decal-Fluid, Transmission |
| 7           | 3230-4             | 1           | Bolt-CARR               | 18          | 142-9671           | 1           | Shield-Heat               |
| 8           | 107-3017           | 1           | Spring-Compression      | 19          | 3256-3             | 4           | Washer-Flat               |
| 9           | 104-8300           | 16          | Nut-HF, NI              | 20          | 32144-70           | 4           | Screw-HWHTF               |
| 10          | 116-0070           | 1           | Rod-Prop                |             |                    |             |                           |

# Seat Assembly No. 147-4984

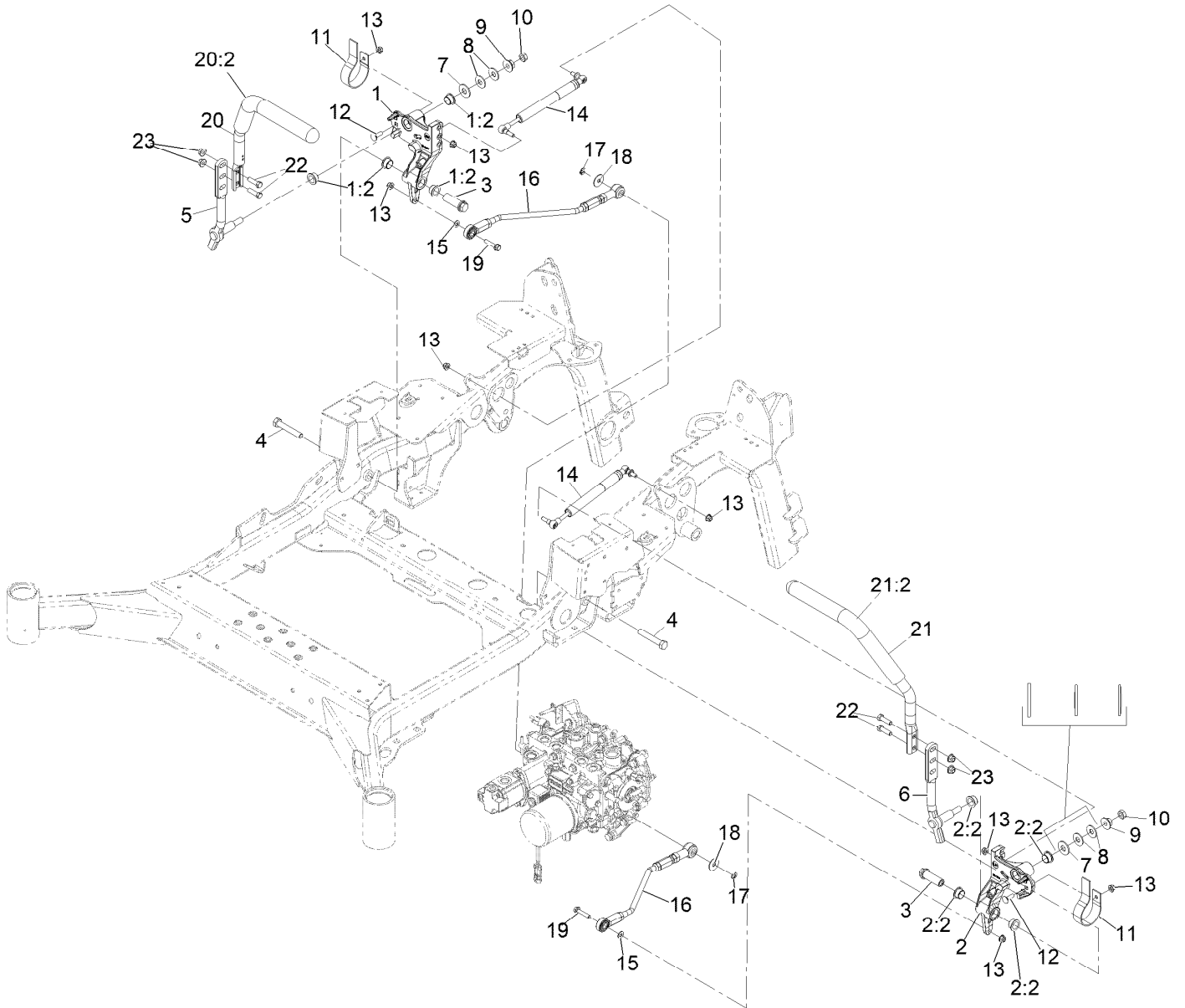


## Seat Assembly No. 147-4984 (continued)

| <i>Ref.</i> | <i>Part Number</i> | <i>Qty.</i> | <i>Description</i>       |
|-------------|--------------------|-------------|--------------------------|
| 1           | 140-8012           | 1           | Seat Track Set           |
| 2           | 116-5659           | 1           | Cover-Suspension Bellows |
| 3           | 140-8004           | 1           | Cover-Back               |
| 4           | 140-8005           | 1           | Cover-Cushion            |
| 5           | 116-8911           | 1           | Knob-Adjuster            |

| <i>Ref.</i> | <i>Part Number</i> | <i>Qty.</i> | <i>Description</i>    |
|-------------|--------------------|-------------|-----------------------|
| 6           | 82-2190            | 1           | Switch-Bail           |
| 7           | 147-4985           | 1           | Armrest Kit           |
| 8           | 109-9802           | 1           | Arm Rest Pad Set      |
| 9           | 126-2061           | 1           | Seat Belt Service Kit |

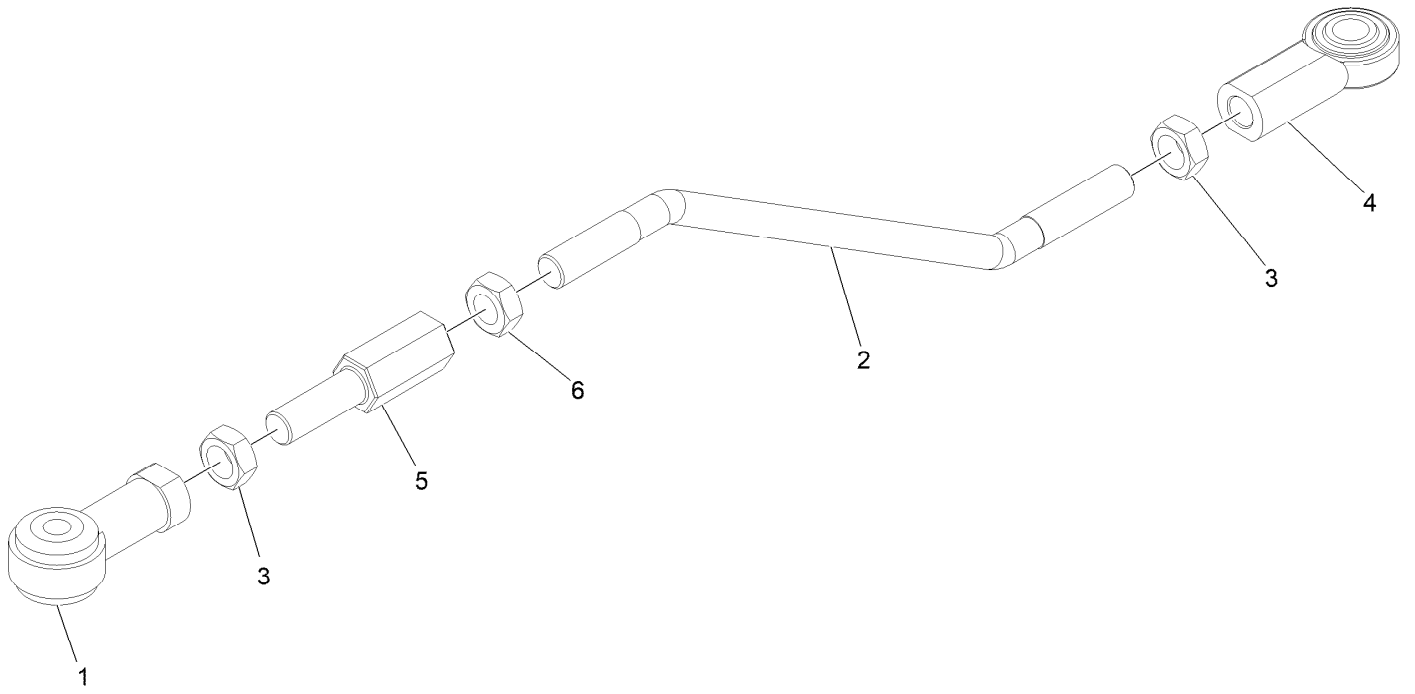
# Motion Control Assembly



## Motion Control Assembly (continued)

| <i>Ref.</i> | <i>Part Number</i> | <i>Qty.</i> | <i>Description</i>                | <i>Ref.</i> | <i>Part Number</i> | <i>Qty.</i> | <i>Description</i>               |
|-------------|--------------------|-------------|-----------------------------------|-------------|--------------------|-------------|----------------------------------|
| 1           | 116-0880           | 1           | RH Motion Control And Bushing ASM | 12          | 3230-2             | 2           | Bolt-Carriage 5/16-18 X 1        |
| 1:2         | 109-8054           | 4           | Bushing-Flanged                   | 13          | 104-8300           | 8           | Nut-Nyloc 5/16-18 Flg            |
| 2           | 116-0881           | 1           | LH Motion Control And Bushing ASM | 14          | 146-0859           | 2           | Damper, Motion Control           |
| 2:2         | 109-8054           | 4           | Bushing-Flanged                   | 15          | 3256-23            | 2           | Washer-5/16 SAE                  |
| 3           | 109-5891           | 2           | Hub-Threaded                      | 16          | 142-8447           | 2           | ASM, Front Linkage Rod           |
| 4           | 325-12             | 2           | Screw-HH 1/2-13 X 3               | 17          | 32151-47           | 2           | Ring-Retaining                   |
| 5           | 116-0039           | 1           | Lever-Control Motion, RH          | 18          | 130-8094           | 2           | Washer-Plain                     |
| 6           | 116-0040           | 1           | Lever-Control Motion, LH          | 19          | 115-1794           | 2           | Screw-Hex Flange 5/16-18 X 1 1/2 |
| 7           | 3256-6             | 2           | Washer                            | 20          | 126-7700           | 1           | RH Steering Handle ASM           |
| 8           | 109-9505           | 4           | Washer, Spring Disc 1/2           | 20:2        | 109-5668           | 1           | Grip-Lever, Control              |
| 9           | 32128-56           | 2           | Nut-Hex 1/2-13 Flange             | 21          | 126-7699           | 1           | LH Steering Handle ASM           |
| 10          | 3218-5             | 2           | Nut-Jam 1/2-13                    | 21:2        | 109-5668           | 1           | Grip-Lever, Control              |
| 11          | 109-5575           | 2           | Spring-Leaf                       | 22          | 323-7              | 4           | Screw-HH 3/8-16 X 1 1/4          |
|             |                    |             |                                   | 23          | 104-8301           | 4           | Nut-Nyloc 3/8-16 Flg             |

# Front Linkage Rod Assembly No. 142-8447



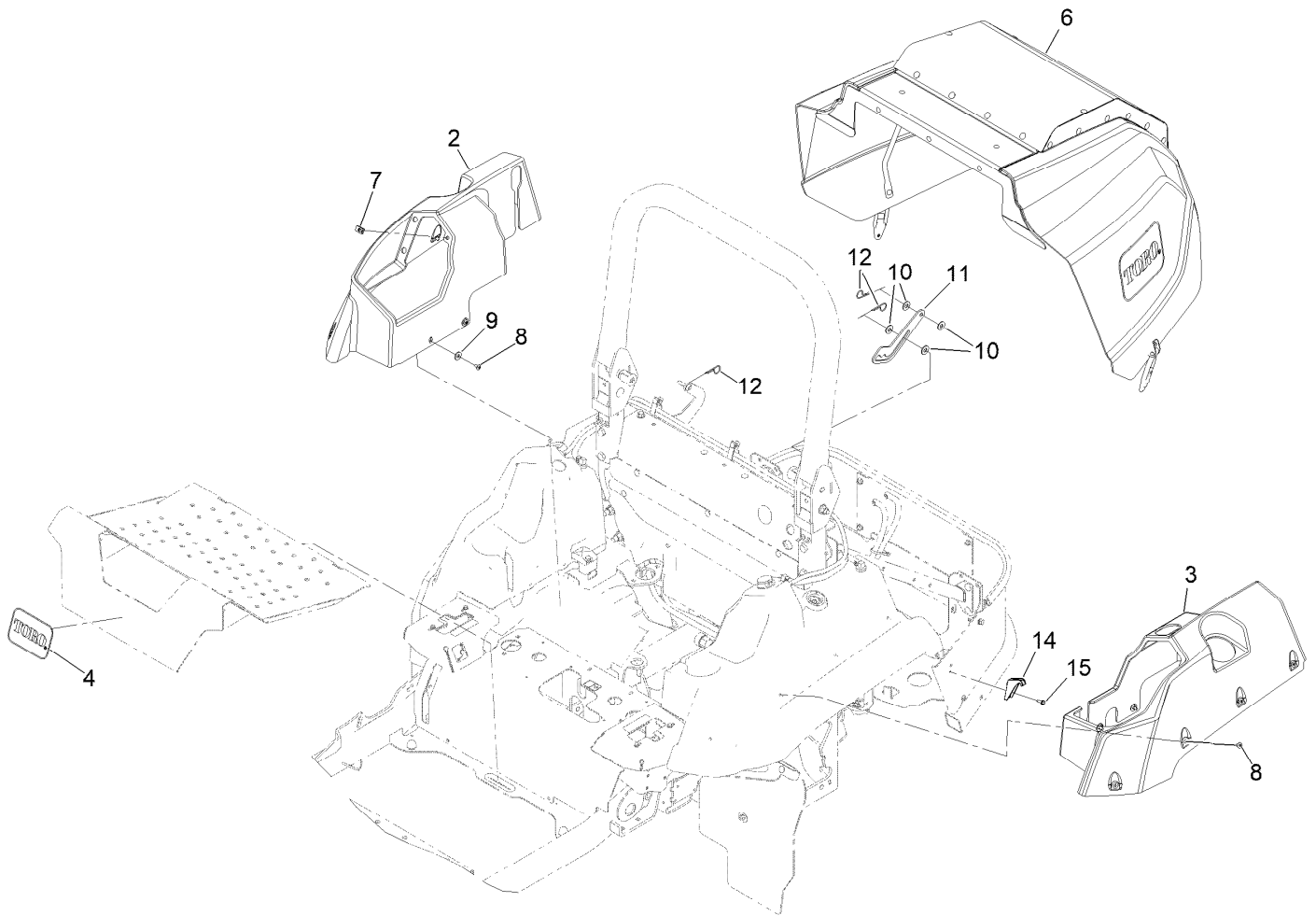


# Front Linkage Rod Assembly No. 142-8447 (continued)

| <i>Ref.</i> | <i>Part Number</i> | <i>Qty.</i> | <i>Description</i>        |
|-------------|--------------------|-------------|---------------------------|
| 1           | 142-8415           | 1           | Rod End - Isolated 1/2-20 |
| 2           | 142-8412           | 1           | Rod - Linkage             |
| 3           | 3220-5             | 2           | Nut-Jam 1/2-20            |

| <i>Ref.</i> | <i>Part Number</i> | <i>Qty.</i> | <i>Description</i> |
|-------------|--------------------|-------------|--------------------|
| 4           | 142-8416           | 1           | Rod End - 1/2-20   |
| 5           | 142-8413           | 1           | Rod - Adjustment   |
| 6           | 3220-12            | 1           | Nut-Hex Jam LH     |

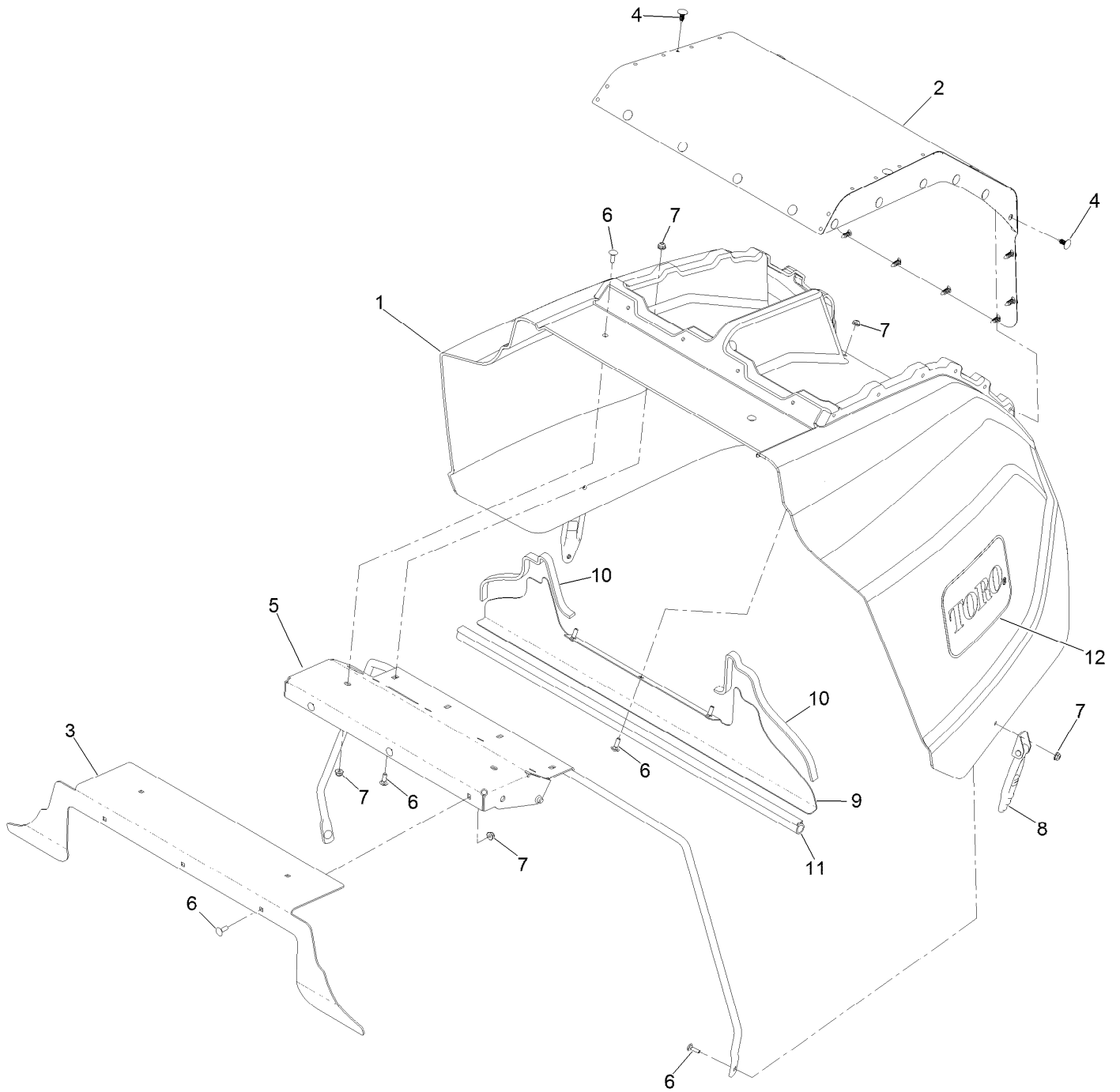
# Hood and Covers Assembly



## Hood and Covers Assembly (continued)

| <i>Ref.</i> | <i>Part Number</i> | <i>Qty.</i> | <i>Description</i> | <i>Ref.</i> | <i>Part Number</i> | <i>Qty.</i> | <i>Description</i> |
|-------------|--------------------|-------------|--------------------|-------------|--------------------|-------------|--------------------|
| 2           | 126-8655           | 1           | Cover-Tank, RH     | 9           | 3256-71            | 4           | Washer-Flat        |
| 3           | 146-2024           | 1           | Cover-Tank, LH     | 10          | 3256-4             | 4           | Washer-Flat        |
| 4           | 68-3640            | 1           | Decal              | 11          | 142-6010           | 1           | Prop-Hood          |
| 6           | 135-7930           | 1           | Hood ASM           | 12          | 3290-255           | 3           | Pin-Cotter, Hair   |
| 7           | 107069             | 1           | Clip               | 14          | 126-8672           | 2           | Latch-Catch        |
| 8           | 126-8216           | 12          | Screw-Torx         | 15          | 32144-10           | 2           | Screw-HWH          |

# Hood Assembly No. 135-7930

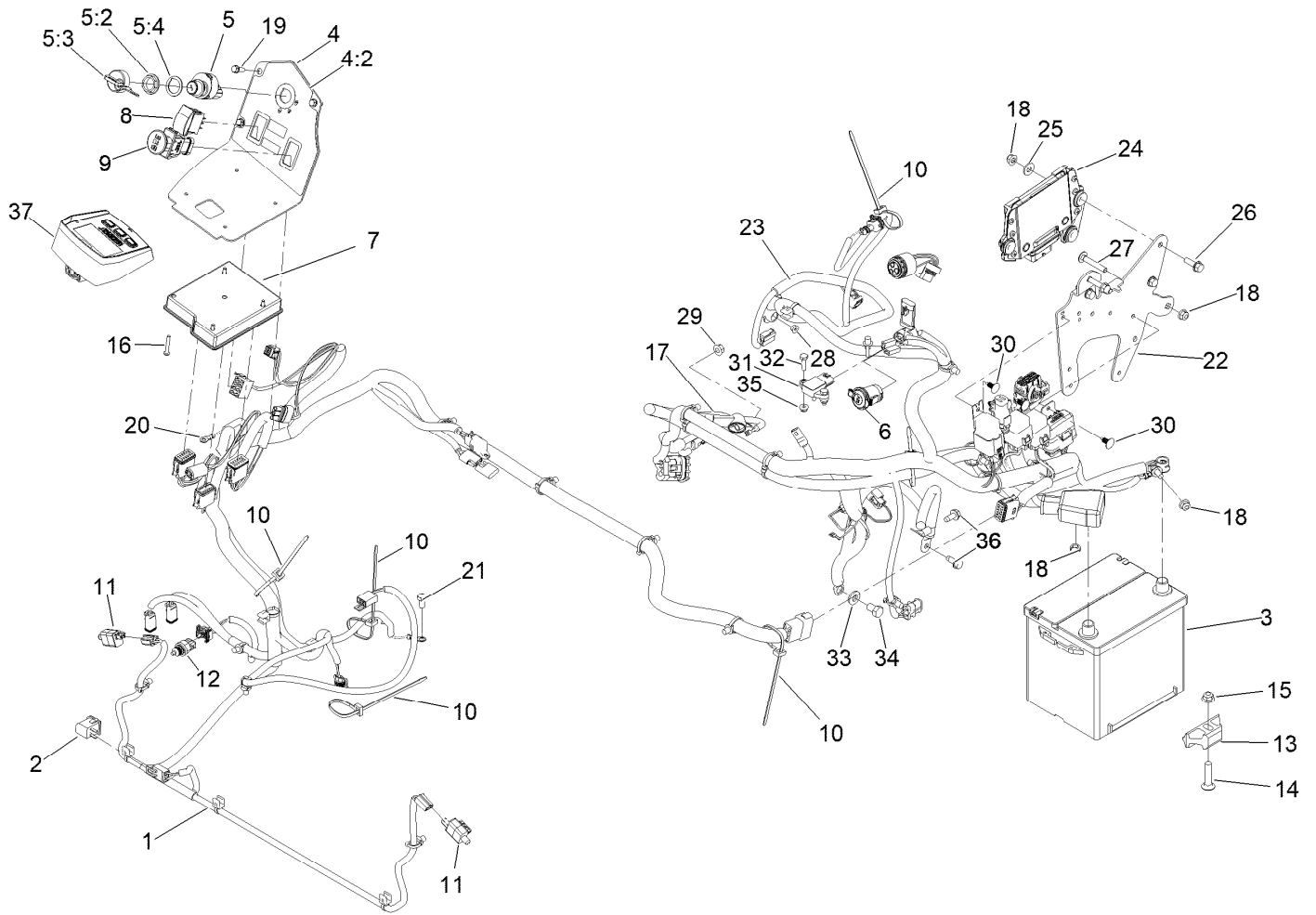


## Hood Assembly No. 135-7930 (continued)

| <i>Ref.</i> | <i>Part Number</i> | <i>Qty.</i> | <i>Description</i> |
|-------------|--------------------|-------------|--------------------|
| 1           | 135-7929           | 1           | Hood               |
| 2           | 135-6746-03        | 1           | Screen-Intake      |
| 3           | 135-6750-03        | 1           | Block Off-Hood     |
| 4           | 117-2382           | 24          | Plug-Plastic       |
| 5           | 126-6524-03        | 1           | Support-Hood       |
| 6           | 3229-1             | 14          | Screw-CARR         |

| <i>Ref.</i> | <i>Part Number</i> | <i>Qty.</i> | <i>Description</i> |
|-------------|--------------------|-------------|--------------------|
| 7           | 104-7201           | 14          | Nut-HF, NI         |
| 8           | 103-2898           | 2           | Latch-Rubber       |
| 9           | 135-7572-03        | 1           | Plate-Seal         |
| 10          | 135-7573           | 2           | Seal-Foam          |
| 11          | 126-6846           | 1           | Seal-Bulb          |
| 12          | 62-7400            | 2           | Decal-Toro Logo    |

# Electrical Assembly

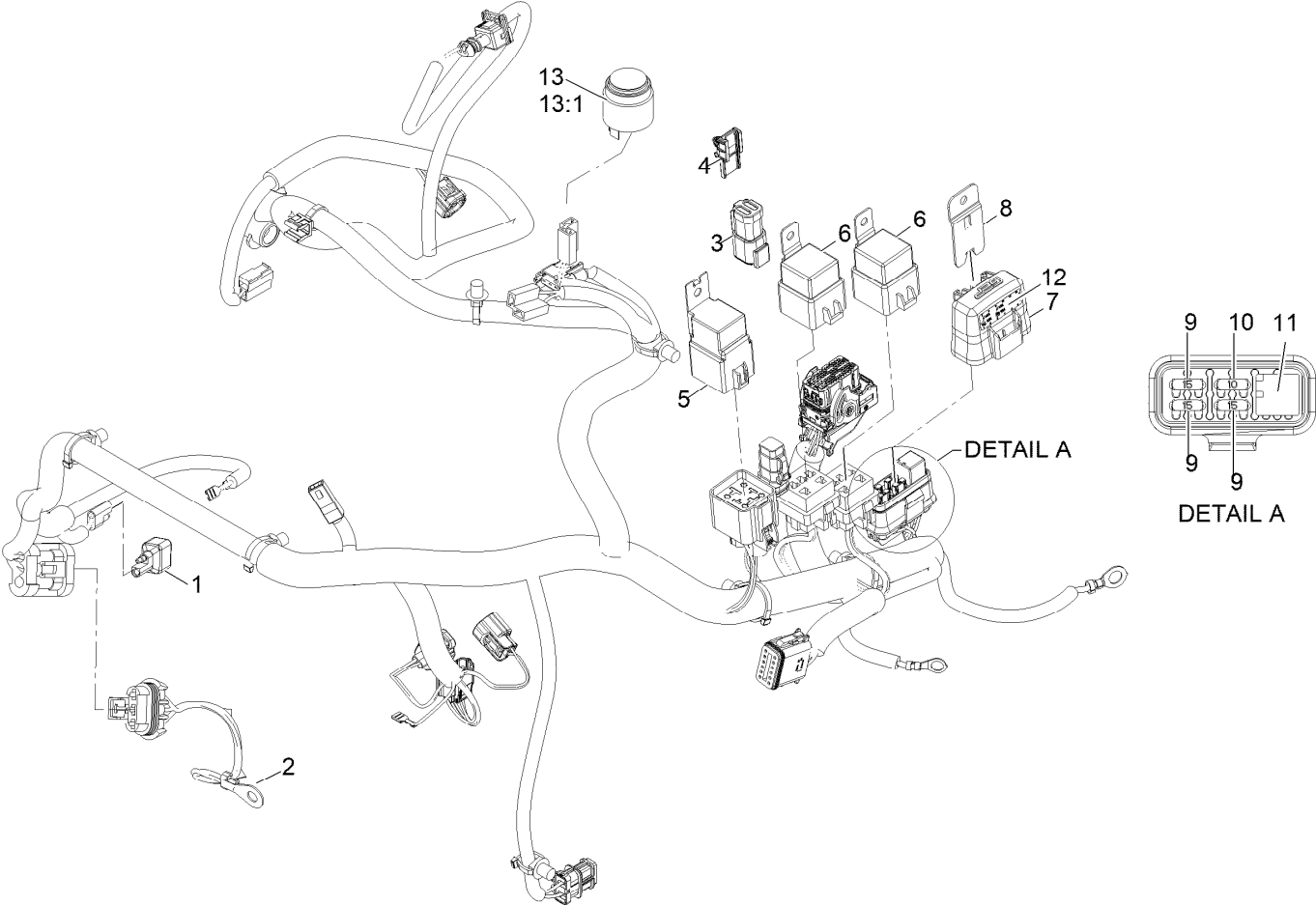


## Electrical Assembly (continued)

| <i>Ref.</i> | <i>Part Number</i> | <i>Qty.</i> | <i>Description</i>              | <i>Ref.</i> | <i>Part Number</i> | <i>Qty.</i> | <i>Description</i>   |
|-------------|--------------------|-------------|---------------------------------|-------------|--------------------|-------------|----------------------|
| 1           | 126-7262           | 1           | Harness-Wire                    | 17          | 126-7406           | 1           | Cable-Battery        |
| 2           | 82-2190            | 1           | Switch-Bail                     | 18          | 104-8300           | 7           | Nut-HF, NI           |
| 3           | 106-5187           | 1           | Battery- Dry, 12V, 525 CCA      | 19          | 32105-15           | 3           | Screw-HWH            |
| 4           | 135-6122           | 1           | Console ASM                     | 20          | 135-3998           | 1           | Harness-Wire, Jumper |
| 4:2         | 126-9278           | 1           | Decal-Control Panel             | 21          | 139-9940           | 1           | Screw-HH             |
| 5           | 126-6285           | 1           | Ignition Switch ASM             | 22          | 135-0503-03        | 1           | Bracket-Mount, Ecu   |
| 5:2         | 108-8660           | 1           | Nut-Mounting                    | 23          | 142-7960           | 1           | Harness-Wire, Yanmar |
| 5:3         | 106-5270           | 1           | Ignition Key Set                | 24          | 135-4281           | 1           | Ecu ●                |
| 5:4         | 108-8659           | 1           | Washer-Backup                   | 25          | 3256-3             | 3           | Washer-Flat          |
| 6           | 126-6499           | 1           | Port-Power, 12V                 | 26          | 3234-29            | 3           | Screw-HHF            |
| 7           | 135-3427           | 1           | Module-Mcu                      | 27          | 3230-6             | 2           | Bolt-CARR            |
| 8           | 100-1535           | 1           | Switch-Rocker,<br>(On)-Off-(On) | 28          | 33003-00           | 1           | Nut-HF               |
| 9           | 126-6187           | 1           | Switch-PTO, Sealed              | 29          | 127-2371           | 1           | Nut-HF               |
| 10          | 3290-378           | 5           | Tie-Cable                       | 30          | 117-2382           | 4           | Plug-Plastic         |
| 11          | 110-6765           | 2           | Switch                          | 31          | 126-9261           | 1           | Sensor-Atm           |
| 12          | 126-7698           | 1           | Sensor-Temperature              | 32          | 321-5              | 2           | Screw-HH             |
| 13          | 138-6335           | 1           | Retainer-Battery                | 33          | 98-5975            | 1           | Washer-Belleville    |
| 14          | 3231-5             | 1           | Screw-CARR                      | 34          | 33115-016          | 1           | Screw-HH             |
| 15          | 104-8301           | 1           | Nut-HF, NI                      | 35          | 104-7201           | 2           | Nut-HF, NI           |
| 16          | 126-5092           | 4           | Screw-PPH                       | 36          | 32144-70           | 2           | Screw-HWHTF          |
|             |                    |             |                                 | 37          | 126-9976           | 1           | Module-Horizon       |

● Contact an Authorized Service Dealer

# Wire Harness Assembly No. 142-7960

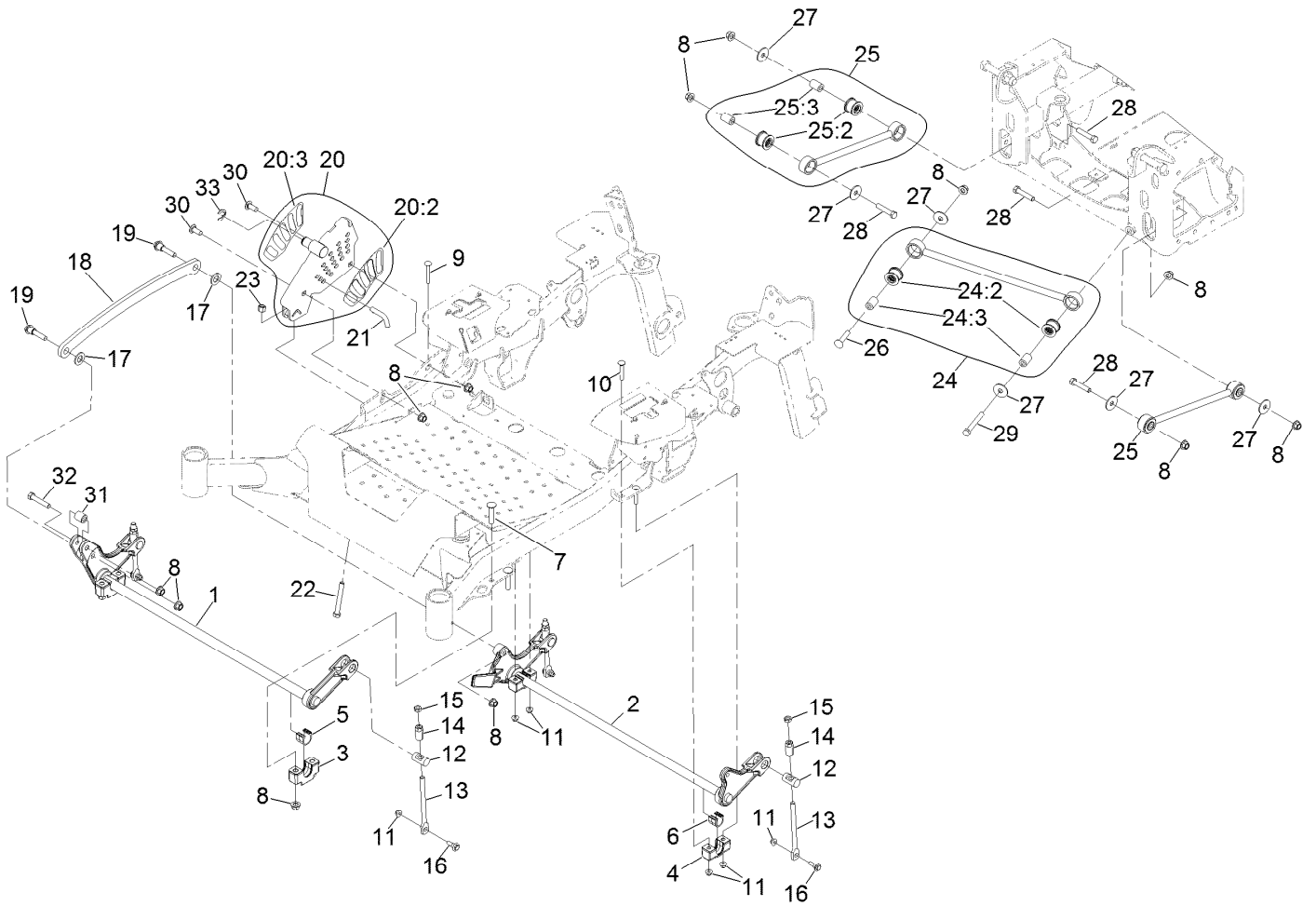




## Wire Harness Assembly No. 142-7960 (continued)

| <i>Ref.</i> | <i>Part Number</i> | <i>Qty.</i> | <i>Description</i>         | <i>Ref.</i> | <i>Part Number</i> | <i>Qty.</i> | <i>Description</i>      |
|-------------|--------------------|-------------|----------------------------|-------------|--------------------|-------------|-------------------------|
| 1           | 100-4918           | 1           | Diode                      | 8           | 32180-177          | 1           | Clip-Mounting           |
| 2           | 99-3441            | 1           | Harness-Wire, Fusible Link | 9           | 121-8867           | 3           | Fuse-Mini Blade, 15 Amp |
| 3           | 32160-359          | 1           | Connector (6M)             | 10          | 121-8866           | 1           | Fuse-Mini Blade, 10 Amp |
| 4           | 32180-103          | 1           | Clip-Connector             | 11          | 126-3991           | 1           | Relay-Micro             |
| 5           | 127-7514           | 1           | Relay-70A                  | 12          | 126-9100           | 1           | Decal-Fuse              |
| 6           | 99-7430            | 2           | Relay-Mini                 | 13          | 80-9330            | 1           | Audio Alarm ASM         |
| 7           | 32180-176          | 1           | Cover-Block, Fuse          | 13:1        | 104-5107           | 1           | Nut-Plastic, Knurled    |

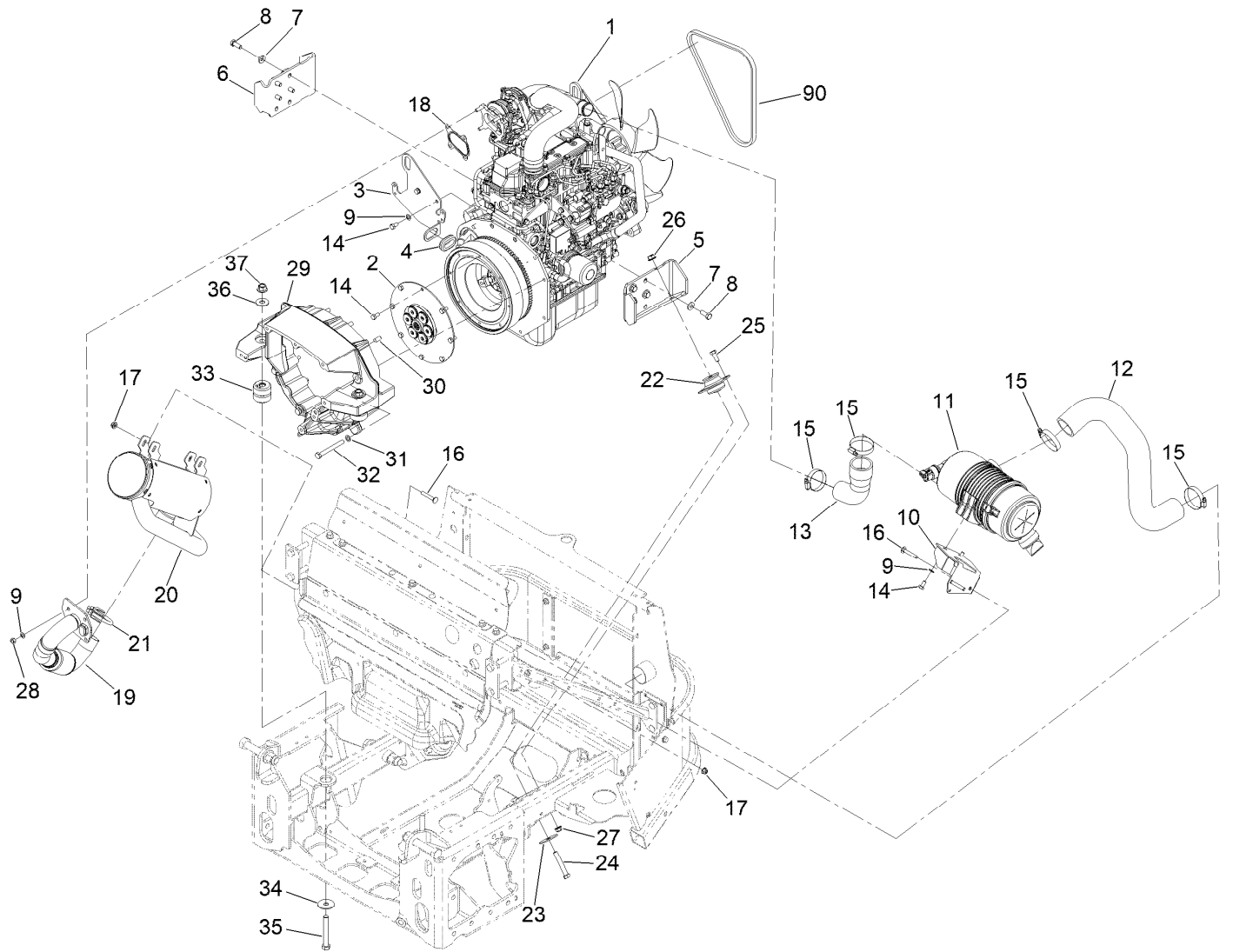
# Deck Lift Assembly



## Deck Lift Assembly (continued)

| <i>Ref.</i> | <i>Part Number</i> | <i>Qty.</i> | <i>Description</i>                   | <i>Ref.</i> | <i>Part Number</i> | <i>Qty.</i> | <i>Description</i>         |
|-------------|--------------------|-------------|--------------------------------------|-------------|--------------------|-------------|----------------------------|
| 1           | 135-1216-03        | 1           | Lift-Deck, Front                     | 20:2        | 126-9275           | 1           | Decal-HOC                  |
| 2           | 116-2645-03        | 1           | Lift-Deck, Rear                      | 20:3        | 135-1432           | 1           | Decal-HOC, Outer           |
| 3           | 109-9409           | 2           | Support-Bearing, Cross Shaft (Front) | 21          | 116-5584           | 1           | Pin-HOC                    |
| 4           | 127-0553           | 2           | Support-Bearing, Cross Shaft (Rear)  | 22          | 116-0559           | 1           | Bolt-TAP                   |
| 5           | 109-9410           | 2           | Bearing-Cross Shaft, Front           | 23          | 3296-23            | 1           | Nut-Lock, NI               |
| 6           | 109-7173           | 2           | Bearing-Cross Shaft, Rear            | 24          | 109-5013           | 1           | Panhard Rod ASM            |
| 7           | 116-1700           | 4           | Bolt-CARR                            | 24:2        | 109-5009           | 2           | Bushing-Suspension, Rubber |
| 8           | 99-5107            | 15          | Nut-Lock                             | 24:3        | 109-5010           | 2           | Spacer                     |
| 9           | 3231-9             | 1           | Screw-CARR                           | 25          | 109-7952           | 2           | Deck Strut ASM             |
| 10          | 3231-7             | 3           | Screw-CARR                           | 25:2        | 109-5009           | 2           | Bushing-Suspension, Rubber |
| 11          | 104-8301           | 8           | Nut-HF, NI                           | 25:3        | 109-5010           | 2           | Spacer                     |
| 12          | 109-8353           | 4           | Trunnion                             | 26          | 3233-34            | 1           | Screw-CARR                 |
| 13          | 109-8007           | 4           | Link-Adjuster, Deck Lift             | 27          | 86-1990            | 6           | Washer-Thrust              |
| 14          | 109-7840           | 4           | Adjuster-Lift, Deck                  | 28          | 325-10             | 4           | Screw-HH                   |
| 15          | 3218-5             | 4           | Nut-Jam                              | 29          | 325-17             | 1           | Screw-HH                   |
| 16          | 109-9840           | 4           | Screw-Shoulder, HHF                  | 30          | 3233-26            | 2           | Screw-CARR, Shortneck      |
| 17          | 3256-28            | 2           | Washer-Flat                          | 31          | 135-1215           | 1           | Spacer-Pivot               |
| 18          | 116-0797-03        | 1           | Link-Lift, Deck                      | 32          | 325-11             | 1           | Screw-HH                   |
| 19          | 116-2022           | 2           | Screw-HHF, Shoulder                  | 33          | 32151-91           | 1           | Ring-Retaining             |
| 20          | 126-7866           | 1           | HOC ASM                              |             |                    |             |                            |

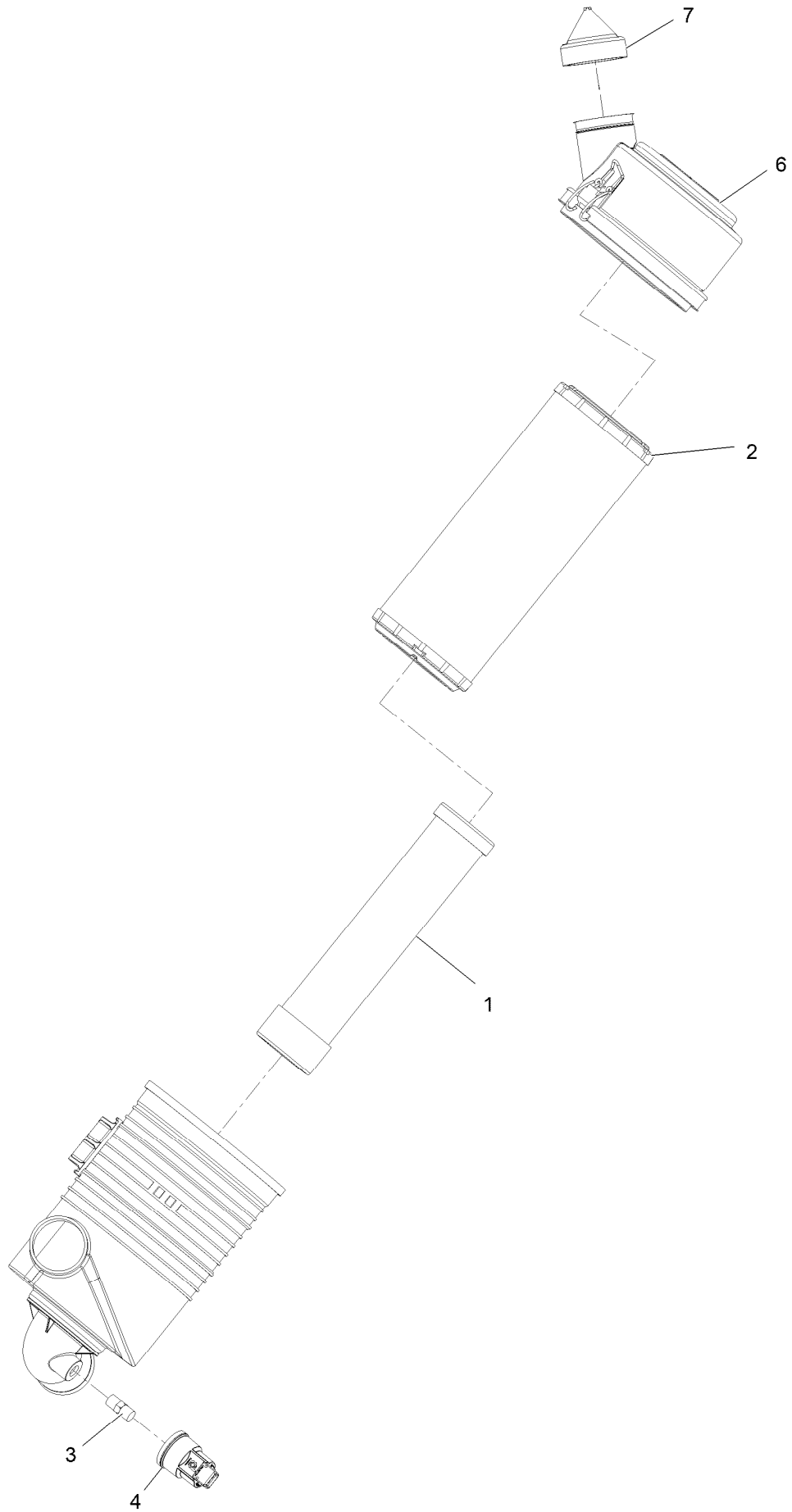
# Engine Assembly



## Engine Assembly (continued)

| <i>Ref.</i> | <i>Part Number</i> | <i>Qty.</i> | <i>Description</i>               | <i>Ref.</i> | <i>Part Number</i> | <i>Qty.</i> | <i>Description</i>      |
|-------------|--------------------|-------------|----------------------------------|-------------|--------------------|-------------|-------------------------|
| 1           | 138-6926           | 1           | Engine-Yanmar,<br>3Tnv80Ft-Zmtr1 | 20          | 126-8911           | 1           | Muffler                 |
| 2           | 126-6531           | 1           | Coupler-Flywheel                 | 21          | 18-2130            | 1           | Clamp                   |
| 3           | 126-7610-03        | 1           | Bracket-Guide                    | 22          | 142-8456           | 2           | Mount- Isolator, Engine |
| 4           | 108-3723           | 1           | Grommet                          | 23          | 87-5100            | 2           | Washer-Snubbing         |
| 5           | 126-9282-03        | 1           | Mount-Engine, LH                 | 24          | 324-11             | 2           | Screw-HH                |
| 6           | 126-9285-03        | 1           | Mount-Engine, RH                 | 25          | 323-6              | 4           | Screw-HH                |
| 7           | 98-5975            | 8           | Washer-Belleville                | 26          | 114-8417           | 2           | Nut-HF, NI              |
| 8           | 33115-025          | 8           | Screw-HH                         | 27          | 104-8301           | 4           | Nut-HF, NI              |
| 9           | 3290-475           | 8           | Washer-Belleville                | 28          | 33014-00           | 4           | Nut-Hex                 |
| 10          | 126-8730-03        | 1           | Bracket-Cleaner, Air             | 29          | 126-8786           | 1           | Housing-Flywheel        |
| 11          | 142-3554           | 1           | ASM, Hdac                        | 30          | 126-8893           | 2           | Pin-Dowel               |
| 12          | 120-9177           | 1           | Hose-Air                         | 31          | 48-9590            | 7           | Washer-Lock             |
| 13          | 126-7288           | 1           | Hose-Air                         | 32          | 33115-090          | 7           | Screw-HH                |
| 14          | 139-9940           | 12          | Screw-HH                         | 33          | 142-8457           | 2           | Mount-Isolator          |
| 15          | 2412-130           | 4           | Clamp-Hose                       | 34          | 86-1990            | 2           | Washer-Thrust           |
| 16          | 3230-6             | 4           | Bolt-CARR                        | 35          | 325-15             | 2           | Screw-HH                |
| 17          | 104-8300           | 4           | Nut-HF, NI                       | 36          | 3256-6             | 2           | Washer-Flat             |
| 18          | 136-2307           | 1           | Gasket-Header                    | 37          | 99-5107            | 2           | Nut-Lock                |
| 19          | 126-9329           | 1           | Header Pipe                      | 90          | 135-4195           | 1           | V-Belt                  |

# HDAC Assembly No. 142-3554

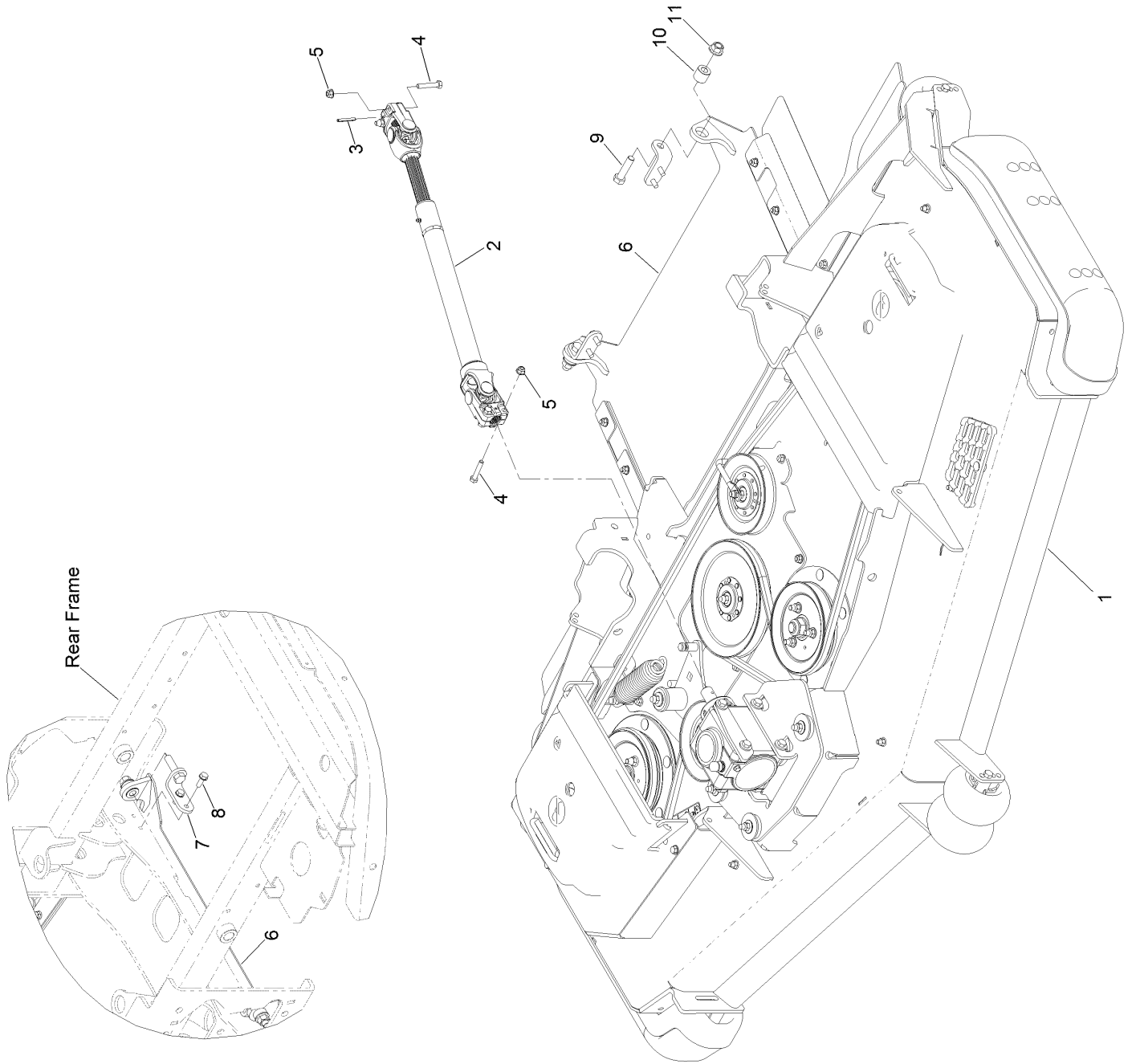


## HDAC Assembly No. 142-3554 (continued)

| <i>Ref.</i> | <i>Part Number</i> | <i>Qty.</i> | <i>Description</i> |
|-------------|--------------------|-------------|--------------------|
| 1           | 103-1326           | 1           | Filter, Safety Air |
| 2           | 108-3810           | 1           | Filter-Air         |
| 3           | 94-1416            | 1           | Adapter-Indicator  |

| <i>Ref.</i> | <i>Part Number</i> | <i>Qty.</i> | <i>Description</i>     |
|-------------|--------------------|-------------|------------------------|
| 4           | 126-7651           | 1           | Indicator-Mini         |
| 6           | 98-9771            | 1           | Cover ASM              |
| 7           | AUA189052          | 1           | Valve-Dust-Air Cleaner |

# Deck, Driveshaft and Tunnel Assembly



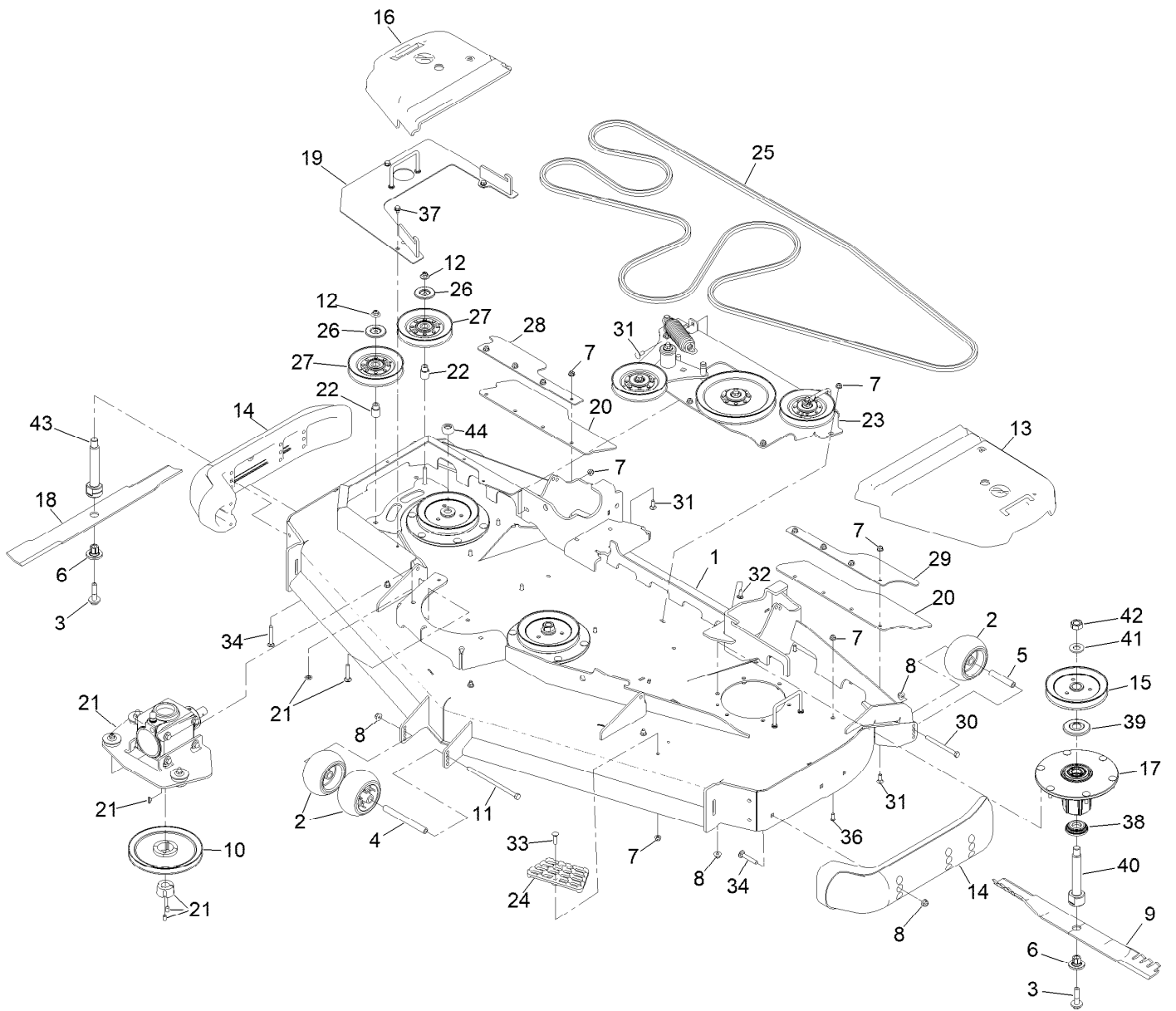


## Deck, Driveshaft and Tunnel Assembly (continued)

| <i>Ref.</i> | <i>Part Number</i> | <i>Qty.</i> | <i>Description</i>   | <i>Ref.</i> | <i>Part Number</i> | <i>Qty.</i> | <i>Description</i> |
|-------------|--------------------|-------------|----------------------|-------------|--------------------|-------------|--------------------|
| 1           |                    | 1           | Deck ASM-72Rd ●      | 7           | 126-2793-03        | 2           | Bracket-Discharge  |
| 2           | 110-3575           | 1           | Driveshaft ASM       | 8           | 32144-41           | 4           | Screw-Taptite      |
| 3           | 32121-34           | 2           | Pin-Roll             | 9           | 325-8              | 2           | Screw-HH           |
| 4           | 322-9              | 4           | Screw-HH             | 10          | 126-1705           | 2           | Bushing-Sleeve     |
| 5           | 104-8300           | 4           | Nut-HF, NI           | 11          | 99-5107            | 2           | Nut-Lock           |
| 6           | 126-2789           | 1           | Discharge Tunnel ASM |             |                    |             |                    |

● Not serviced separately

# Deck Assembly

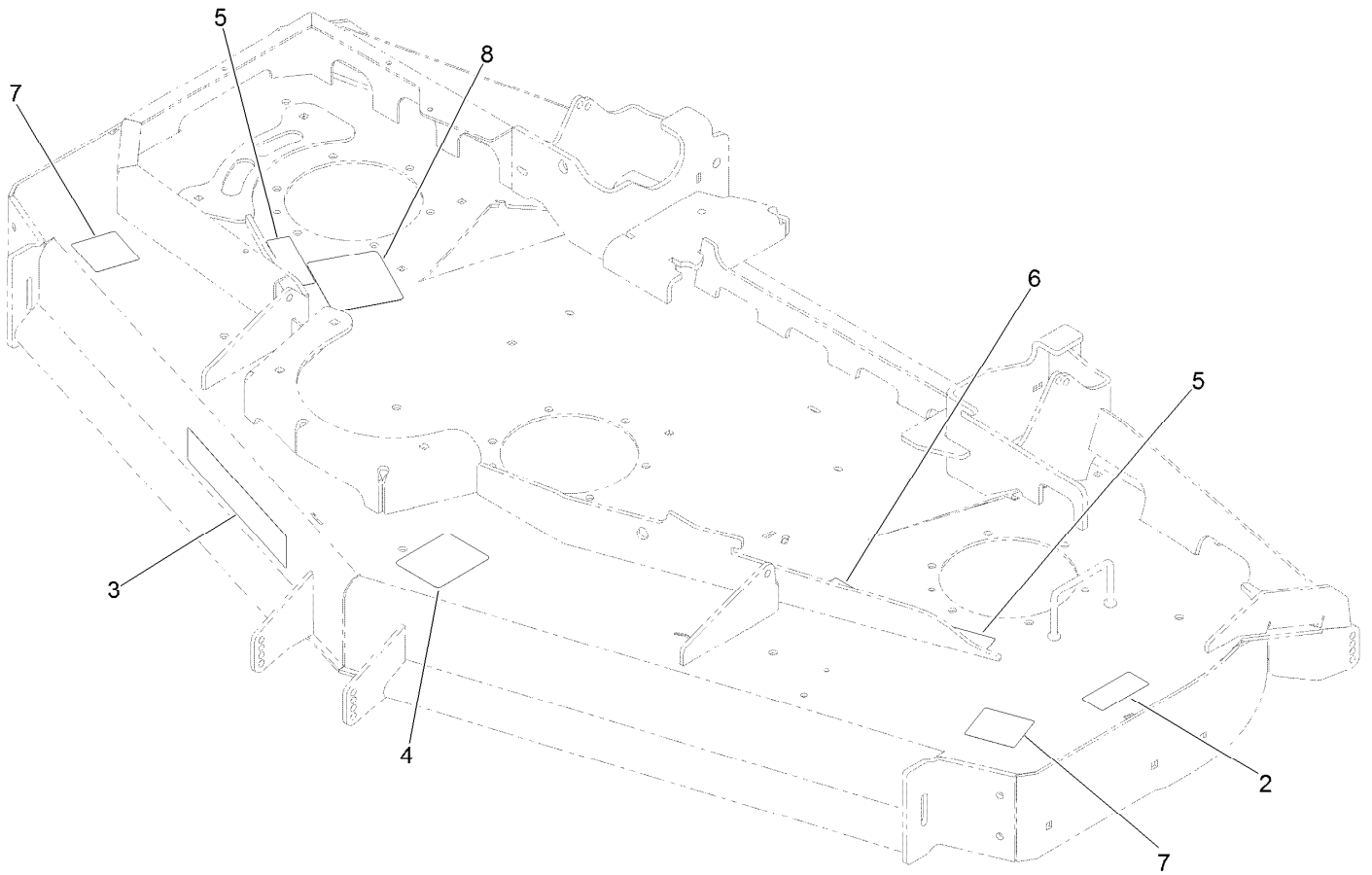


## Deck Assembly (continued)

| <i>Ref.</i> | <i>Part Number</i> | <i>Qty.</i> | <i>Description</i>      | <i>Ref.</i> | <i>Part Number</i> | <i>Qty.</i> | <i>Description</i>                |
|-------------|--------------------|-------------|-------------------------|-------------|--------------------|-------------|-----------------------------------|
| 1           | 140-0970           | 1           | Deck Decal ASM          | 23          | 126-3372           | 1           | Idler Mount ASM                   |
| 2           | 1-603299           | 4           | Roller-Scalp, Anti      | 24          | 126-4781-03        | 1           | Step-Deck                         |
| 3           | 109-9220           | 3           | Screw-Sems              | 25          | 126-7628           | 1           | Belt-Bb                           |
| 4           | 98-5967            | 1           | Spacer-Wheel            | 26          | 126-8043           | 2           | Shield-Dust                       |
| 5           | 98-7912            | 2           | Tube-Spanner            | 27          | 126-8766           | 2           | Idler V                           |
| 6           | 137-9787           | 3           | Bushing-Hex             | 28          | 135-0402-01        | 1           | Support-Flap, Outer (RH)          |
| 7           | 104-8300           | 19          | Nut-HF, NI              | 29          | 135-0403-01        | 1           | Support-Flap, Outer (LH)          |
| 8           | 104-8301           | 27          | Nut-HF, NI              | 30          | 323-23             | 2           | Screw-HH                          |
| 9           | 140-1239           | 2           | Blade-24.50 Atomic      | 31          | 3230-16            | 9           | Screw-CARR                        |
| 10          | 107-4767           | 1           | Pulley                  | 32          | 3230-23            | 5           | Bolt-CARR                         |
| 11          | 108-5388           | 1           | Screw-HH                | 33          | 3230-3             | 1           | Screw-CARR                        |
| 12          | 109-6658           | 2           | Nut-Flange, NI          | 34          | 3231-31            | 8           | Screw-CARR                        |
| 13          | 109-6938           | 1           | Cover-Belt, LH          | 36          | 3274-55            | 4           | Screw-HSBH                        |
| 14          | 112-1479           | 2           | Skid-Bumper, Deck       | 37          | 9266934            | 3           | Screw                             |
| 15          | 138-6058           | 3           | Sheave-Blade Drive 6.50 | 38          | 137-9784           | 3           | Guard-Bottom                      |
| 16          | 116-0094           | 1           | Cover-Belt, RH          | 39          | 103-1330           | 3           | Guard-Bearing, Top                |
| 17          | 137-9780           | 3           | Spindle ASM             | 40          | 138-6045           | 2           | Shaft-Spindle                     |
| 18          | 140-1245           | 1           | Blade-24.50 Cr Low Flow | 41          | 103-2802           | 3           | Washer                            |
| 19          | 125-9374-01        | 1           | Cover-Reverse Drive     | 42          | 116-7306           | 2           | Nut-Hex                           |
| 20          | 135-0709           | 2           | Guard-Tire              | 43          | 140-1188           | 1           | Shaft-Spindle, Int. Hex LH<br>Thd |
| 21          |                    | 1           | Gearbox ASM ●           |             |                    |             |                                   |
| 22          | 126-3312           | 2           | Standoff-Idler          | 44          | 140-1230           | 1           | Nut-Hex,LH,Lock                   |

● Not serviced separately

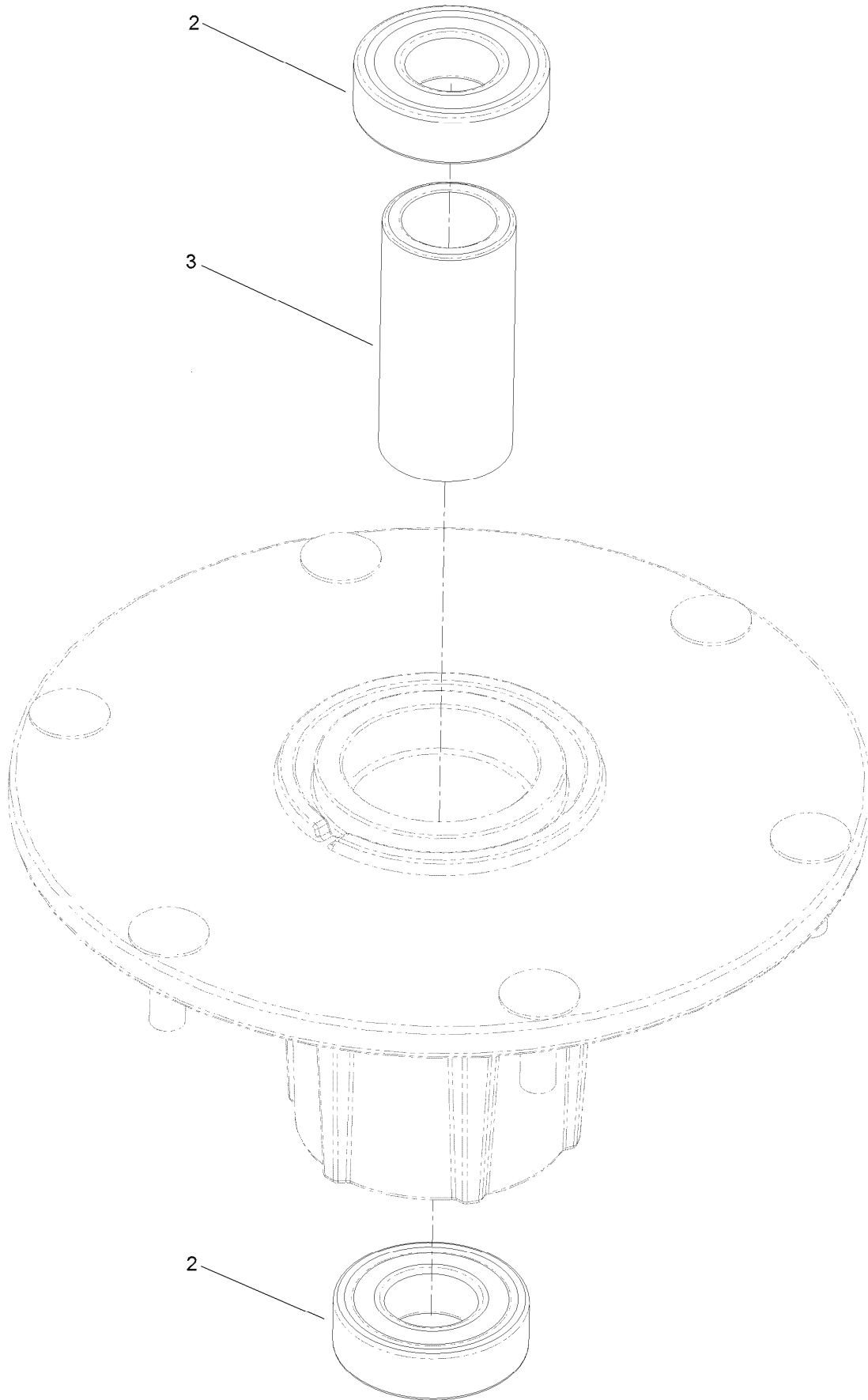
# Deck Decal Assembly No. 140-0970



## Deck Decal Assembly No. 140-0970 (continued)

| <i>Ref.</i> | <i>Part Number</i> | <i>Qty.</i> | <i>Description</i>       | <i>Ref.</i> | <i>Part Number</i> | <i>Qty.</i> | <i>Description</i>             |
|-------------|--------------------|-------------|--------------------------|-------------|--------------------|-------------|--------------------------------|
| 2           | 116-8283           | 1           | Decal-Torque, Bolt       | 6           | 126-9280           | 1           | Decal-Belt Routing Rear        |
| 3           | 107-1620           | 1           | Decal                    | 7           | 135-0664           | 2           | Decal-Danger, Thrown<br>Object |
| 4           | 109-6036           | 1           | Decal-Roller, Anti-Scalp | 8           | 140-1198           | 1           | Decal-Spindle Cr, CE           |
| 5           | 112-9028           | 2           | Decal-Cover, Missing     |             |                    |             |                                |

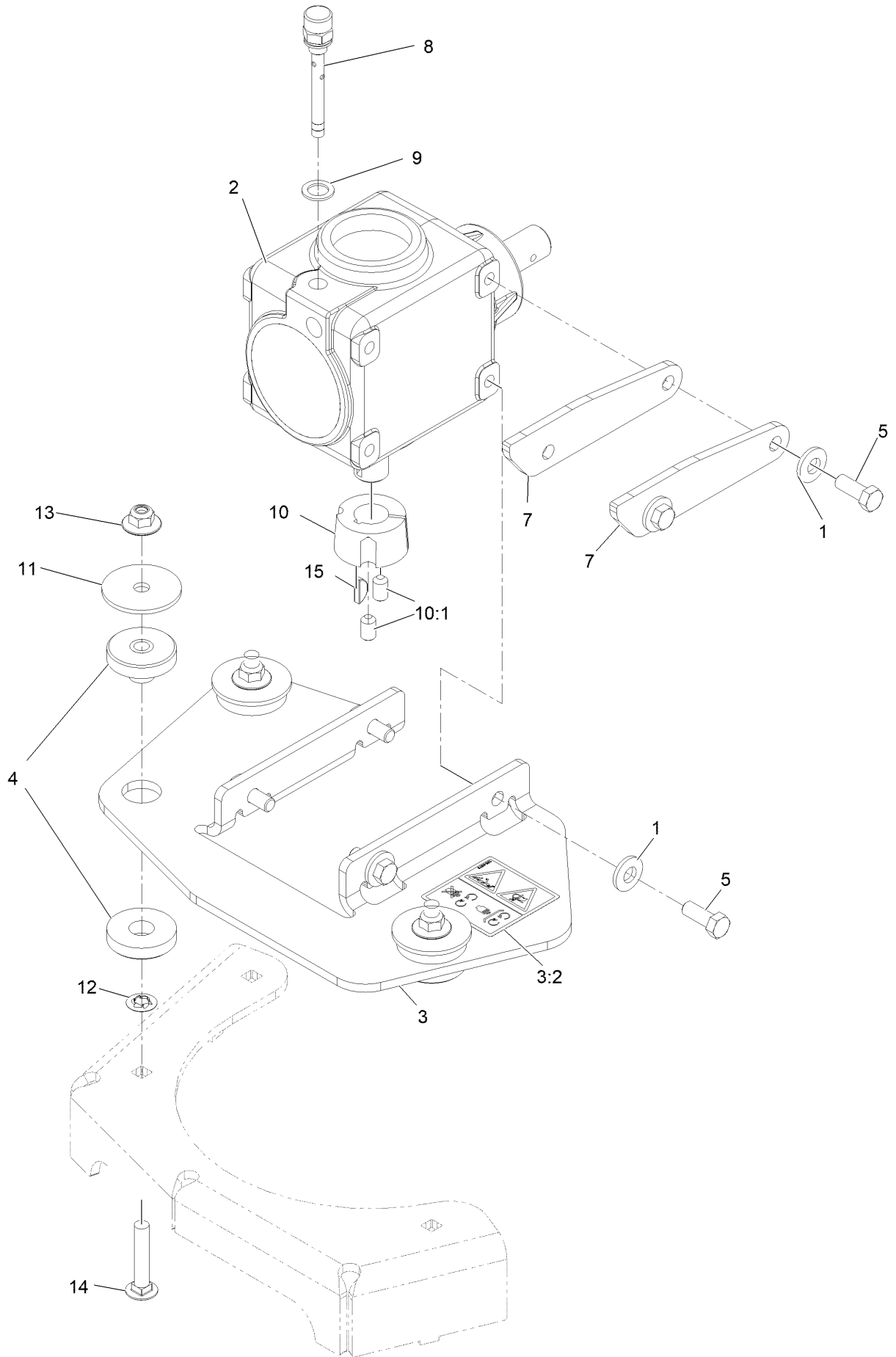
# Spindle Assembly No. 137-9780



## Spindle Assembly No. 137-9780 (continued)

| <i>Ref.</i> | <i>Part Number</i> | <i>Qty.</i> | <i>Description</i> |
|-------------|--------------------|-------------|--------------------|
| 2           | 116-0720           | 2           | Bearing-Ball       |
| 3           | 138-6042           | 1           | Spacer-Bearing     |

# Gearbox Assembly

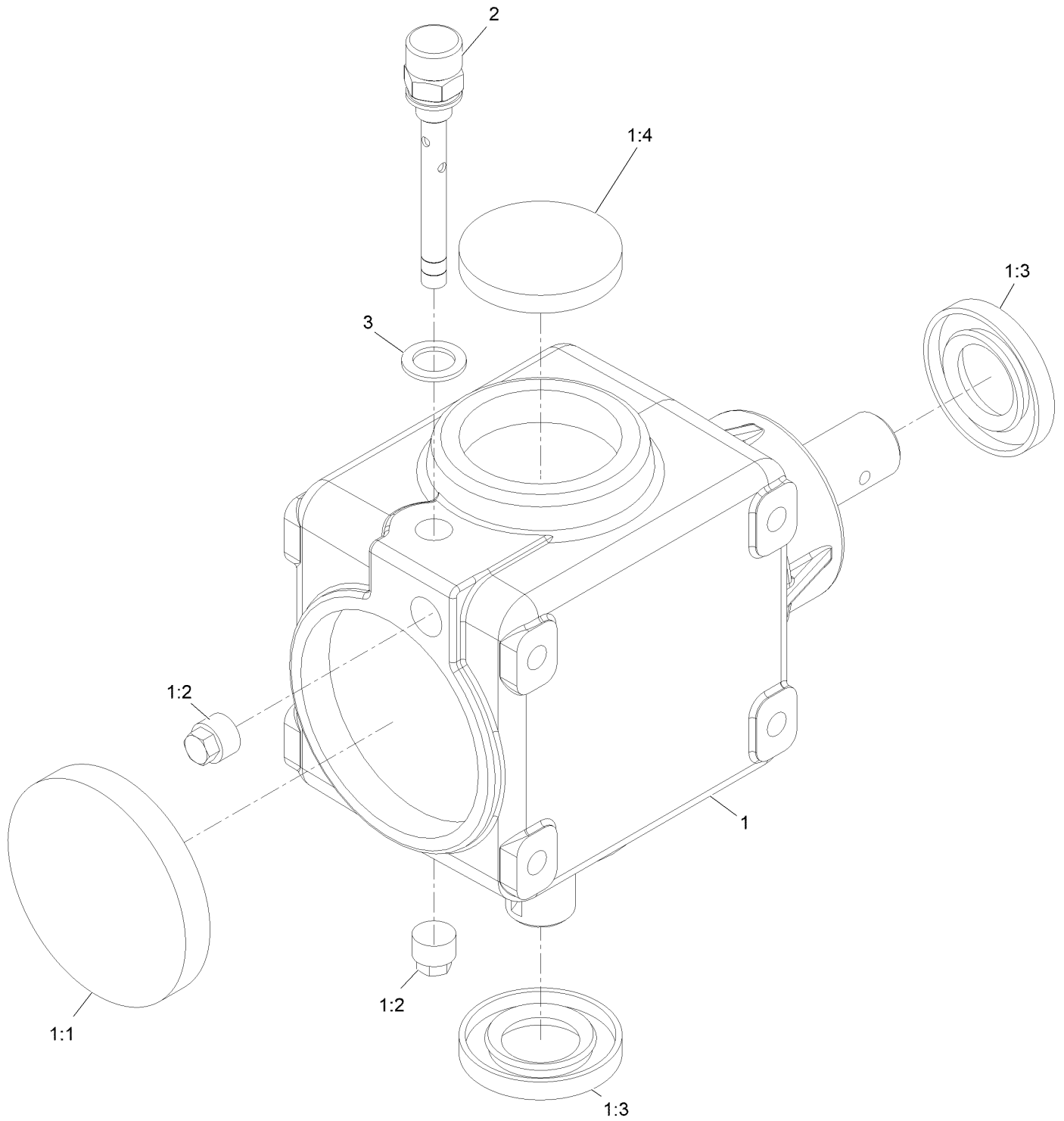




## Gearbox Assembly (continued)

| <i>Ref.</i> | <i>Part Number</i> | <i>Qty.</i> | <i>Description</i>            | <i>Ref.</i> | <i>Part Number</i> | <i>Qty.</i> | <i>Description</i>         |
|-------------|--------------------|-------------|-------------------------------|-------------|--------------------|-------------|----------------------------|
| 1           | 98-5975            | 6           | Washer-Spring Disc 3/8        | 9           | 130-4899           | 1           | Washer                     |
| 2           | 142-8061           | 1           | Gearbox ASM                   | 10          | 23-1640            | 1           | Bushing-Taperlock          |
| 3           | 135-0874           | 1           | Mount-Gearbox                 | 10:1        | 3247-4             | 2           | Setscrew-HSH 3/8-16 X 5/8  |
| 3:2         | 135-0679           | 1           | Decal-Hazard,<br>Entanglement | 11          | 83-1040            | 3           | Washer                     |
| 4           | 126-3074           | 3           | Mount-ISO                     | 12          | 107-3154           | 3           | Nut-Push 3/8-16            |
| 5           | 323-6              | 6           | Screw-HH 3/8-16 X 1           | 13          | 109-6658           | 3           | Nut-Nyloc 3/8-16 Flg       |
| 7           | 126-3544           | 2           | Stop-Gearbox                  | 14          | 3231-6             | 3           | Bolt-Carriage 3/8-16 X 2   |
| 8           | 130-8661           | 1           | Plug-Breather                 | 15          | 3257-5             | 1           | Key-Woodruff #9 3/4 X 3/16 |

# Gearbox Assembly No. 142-8061

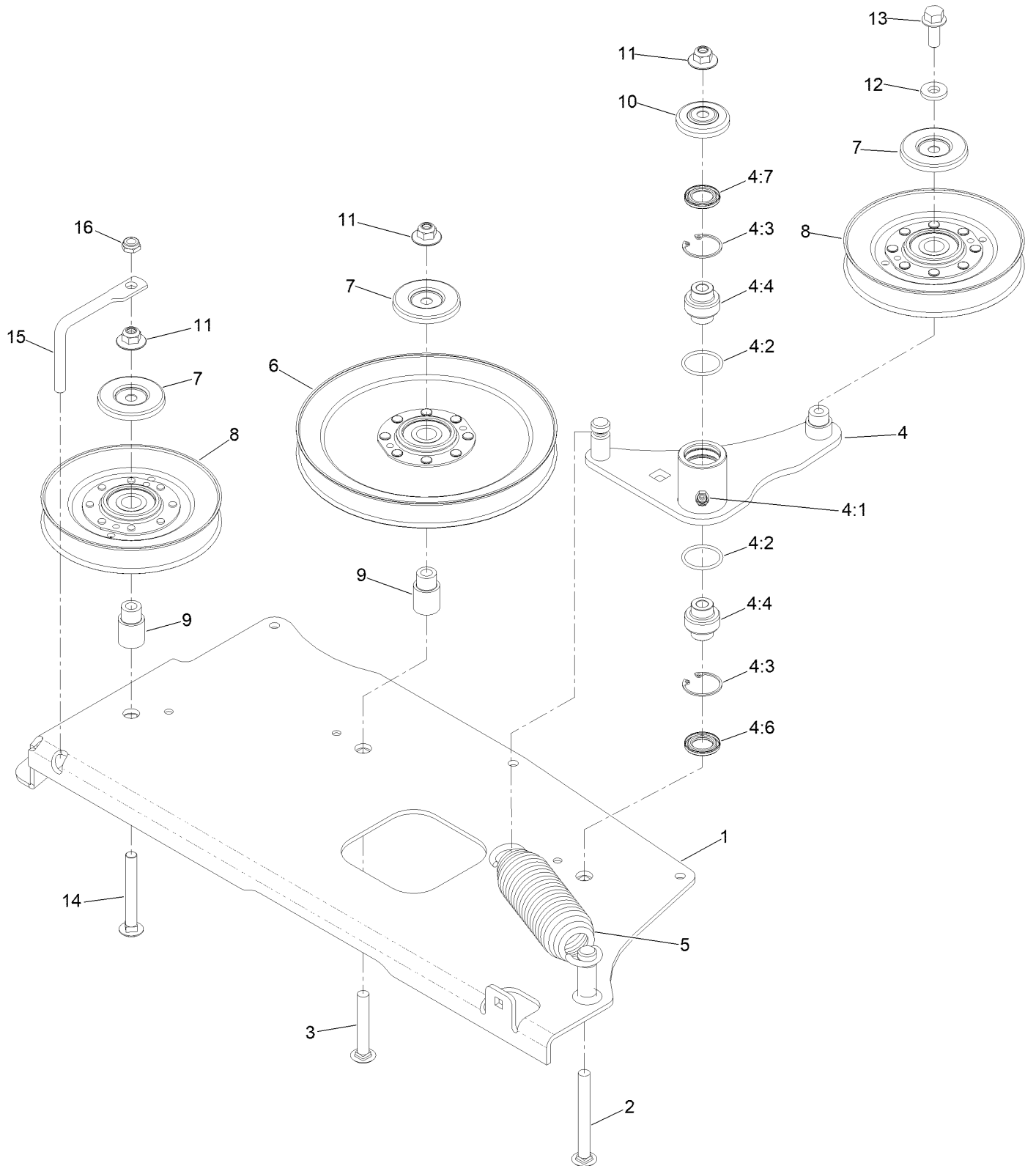


## Gearbox Assembly No. 142-8061 (continued)

| <i>Ref.</i> | <i>Part Number</i> | <i>Qty.</i> | <i>Description</i>   | <i>Ref.</i> | <i>Part Number</i> | <i>Qty.</i> | <i>Description</i> |
|-------------|--------------------|-------------|----------------------|-------------|--------------------|-------------|--------------------|
| 1           |                    | 1           | Gearbox ASM-90 DEG ● | 1:4         | 107-2935           | 1           | Cap-Oil            |
| 1:1         | 107-2932           | 1           | Cap-Oil              | 2           | 130-8661           | 1           | Plug-Breather      |
| 1:2         | 107-2933           | 2           | Plug                 | 3           | 130-4899           | 1           | Washer             |
| 1:3         | 117-9247           | 2           | Seal                 |             |                    |             |                    |

● Not serviced separately

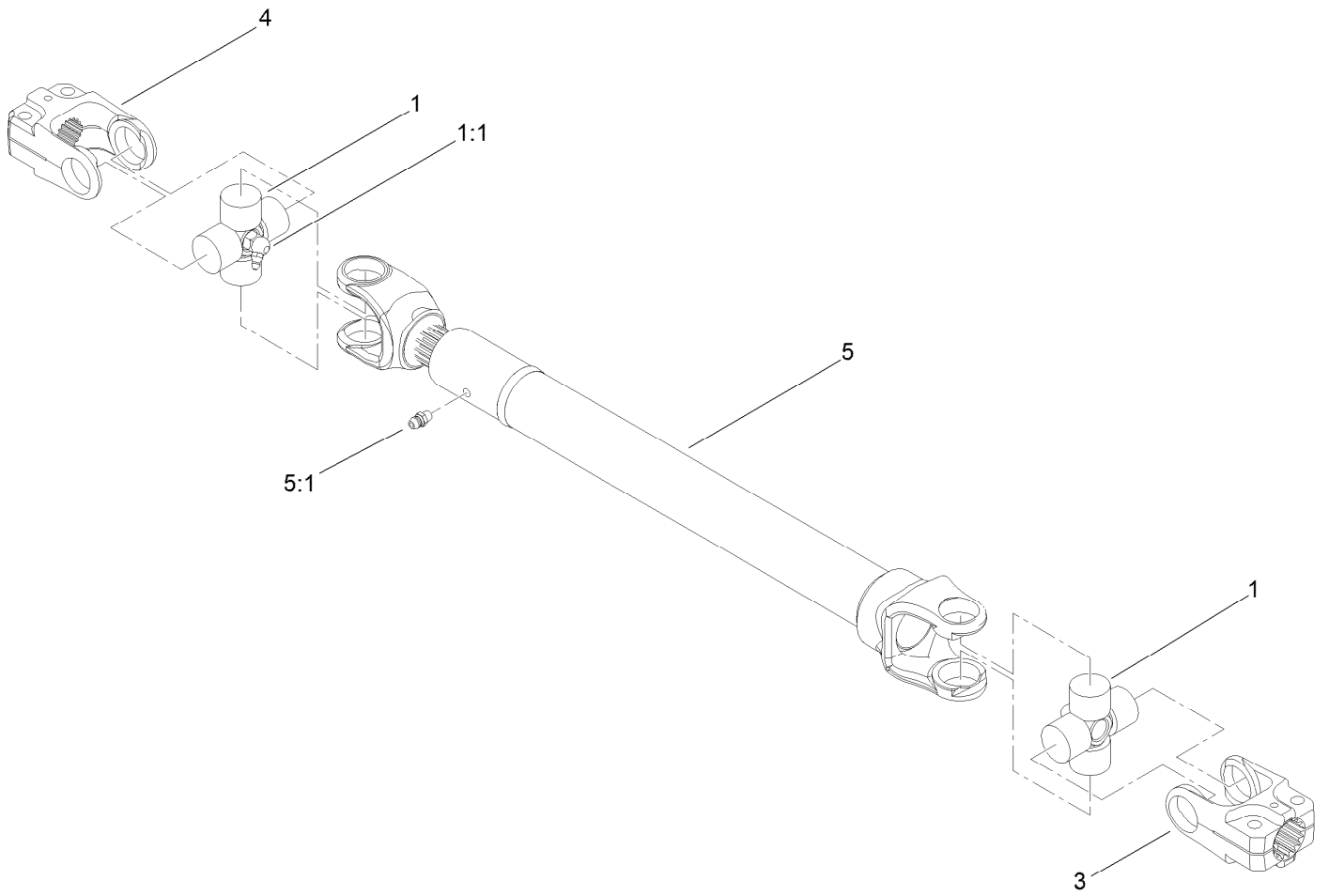
# Idler Mount Assembly No. 126-3372



## Idler Mount Assembly No. 126-3372 (continued)

| <i>Ref.</i> | <i>Part Number</i> | <i>Qty.</i> | <i>Description</i>      | <i>Ref.</i> | <i>Part Number</i> | <i>Qty.</i> | <i>Description</i> |
|-------------|--------------------|-------------|-------------------------|-------------|--------------------|-------------|--------------------|
| 1           | 126-3373-01        | 1           | Mount-Idler             | 6           | 126-7460           | 1           | Idler-V            |
| 2           | 116-1502           | 1           | Bolt-Shoulder, Carriage | 7           | 126-8043           | 3           | Shield-Dust        |
| 3           | 3231-44            | 1           | Screw-CARR              | 8           | 126-8766           | 2           | Idler V            |
| 4           | 126-2967           | 1           | Idler Arm ASM           | 9           | 126-3312           | 2           | Standoff-Idler     |
| 4:1         | 302-11             | 1           | Fitting-Lube, 45 DEG    | 10          | 103-2916           | 1           | Guard-Top          |
| 4:2         | 106-7159           | 2           | O-Ring                  | 11          | 109-6658           | 3           | Nut-Flange, NI     |
| 4:3         | 32120-10           | 2           | Ring-Snap               | 12          | 43-0940            | 1           | Spacer             |
| 4:4         | 103-3504           | 2           | Bearing-Spherical       | 13          | 3234-11            | 1           | Screw-HHF          |
| 4:6         | 103-3505           | 1           | Seal-Lip, Double        | 14          | 3231-10            | 1           | Screw-CARR         |
| 4:7         | 103-3506           | 1           | Seal-Lip, Single        | 15          | 135-0362           | 1           | Guide-Belt         |
| 5           | 116-6317           | 1           | Spring-Extension        | 16          | 3296-59            | 1           | Nut-Lock, NI       |

# Driveshaft Assembly No. 110-3575

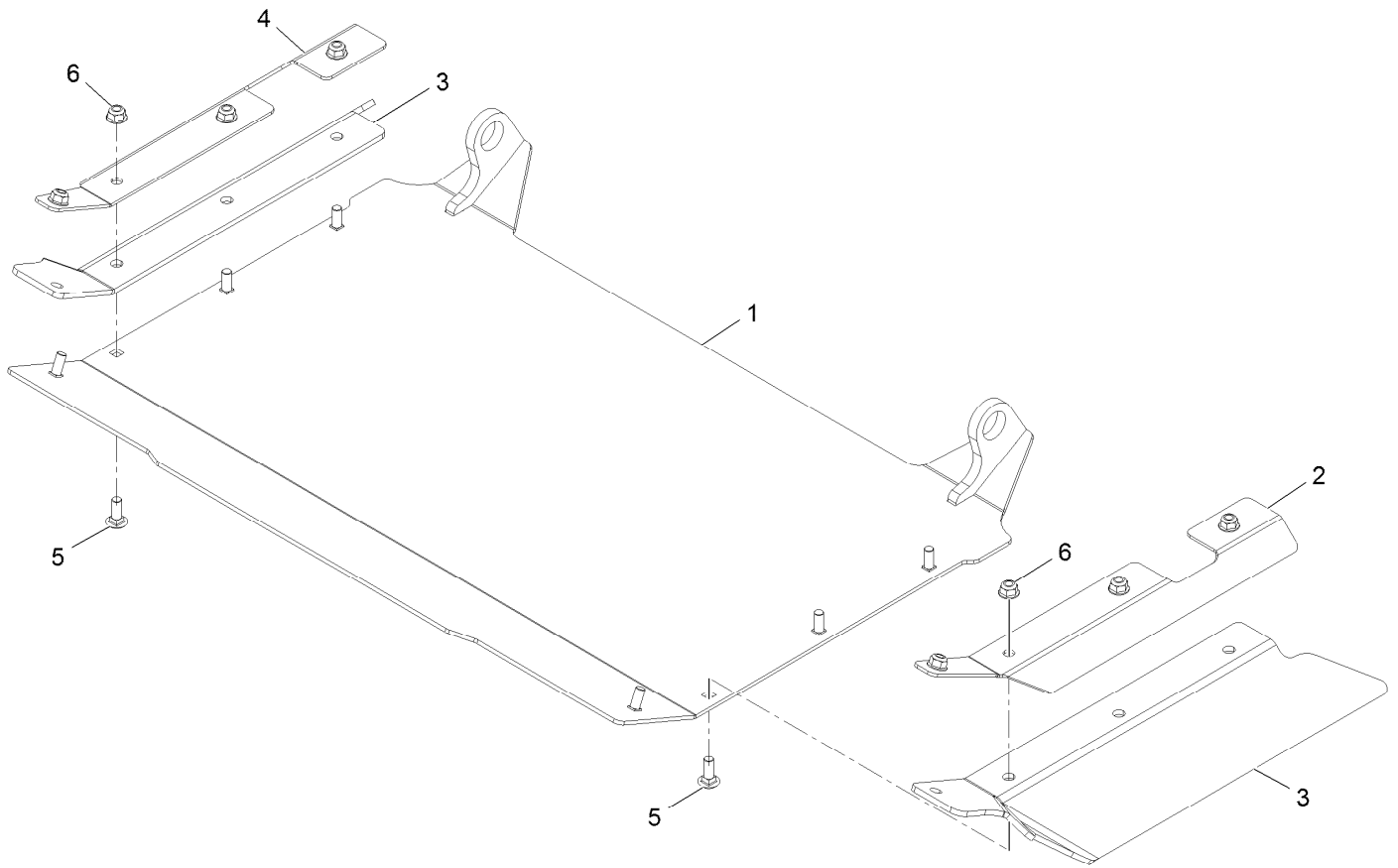


## Driveshaft Assembly No. 110-3575 (continued)

| <i>Ref.</i> | <i>Part Number</i> | <i>Qty.</i> | <i>Description</i>    | <i>Ref.</i> | <i>Part Number</i> | <i>Qty.</i> | <i>Description</i> |
|-------------|--------------------|-------------|-----------------------|-------------|--------------------|-------------|--------------------|
| 1           | 112-1687           | 2           | Cross And Bearing Kit | 4           | 54-9090            | 1           | Yoke-End           |
| 1:1         | 62-3820            | 1           | Fitting-Grease        | 5           |                    | 1           | Tube-Yoke, Slip ●  |
| 3           | 54-9040            | 1           | Yoke-End              | 5:1         | 302-22             | 1           | Fitting-Grease     |

● Not serviced separately

# Discharge Tunnel Assembly No. 126-2789



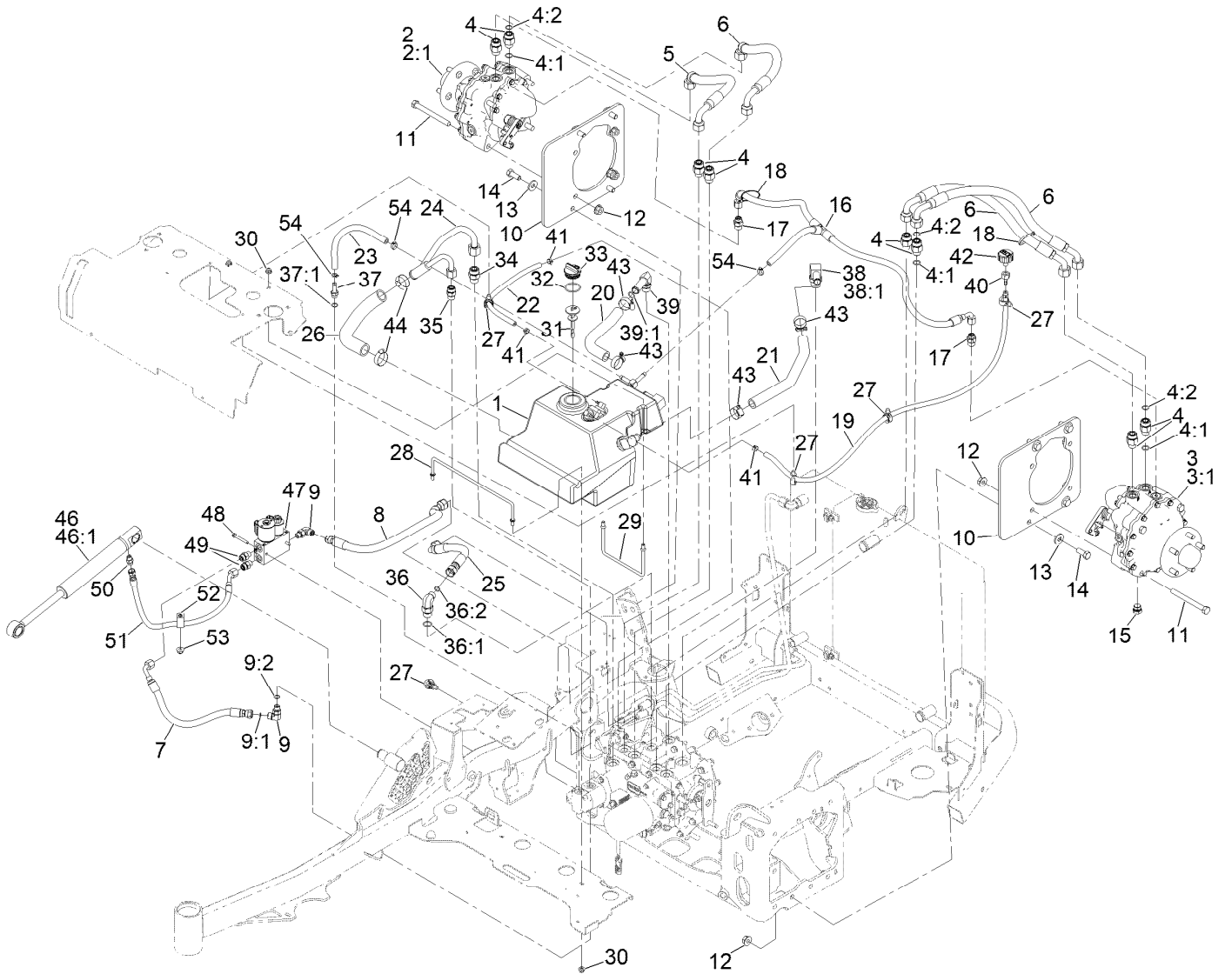


# Discharge Tunnel Assembly No. 126-2789 (continued)

| <i>Ref.</i> | <i>Part Number</i> | <i>Qty.</i> | <i>Description</i>  | <i>Ref.</i> | <i>Part Number</i> | <i>Qty.</i> | <i>Description</i>          |
|-------------|--------------------|-------------|---------------------|-------------|--------------------|-------------|-----------------------------|
| 1           | 126-2790-03        | 1           | Discharge-Tunnel 72 | 4           | 126-2798-03        | 1           | Bracket-Flap, RH            |
| 2           | 126-2797-03        | 1           | Bracket-Flap, LH    | 5           | 3230-16            | 8           | Bolt-Carriage 5/16-18 X 7/8 |
| 3           | 126-2799           | 2           | Flap-Rubber         | 6           | 104-8300           | 8           | Nut-Nyloc 5/16-18 Flg       |

# Hydraulic Assembly

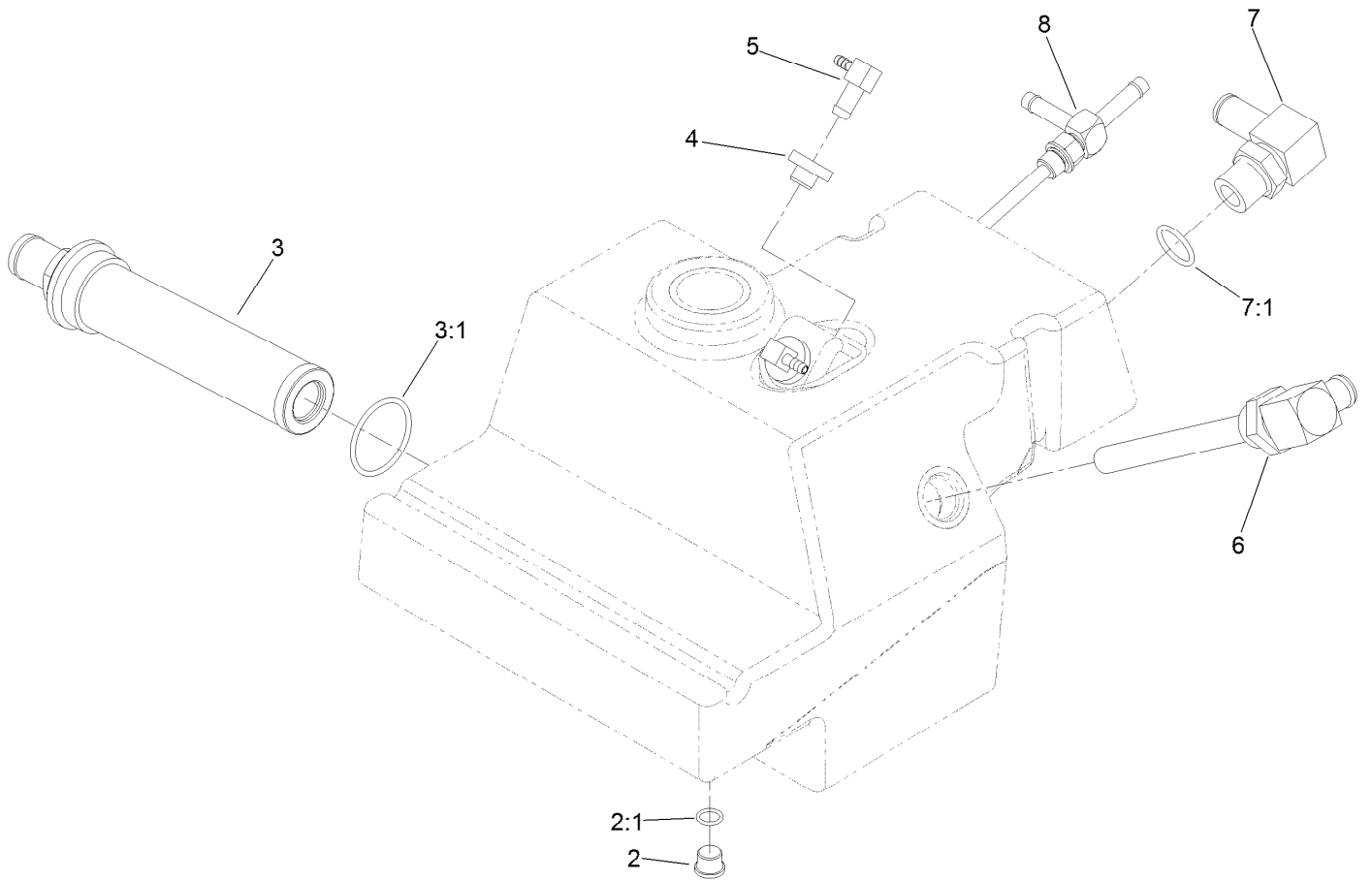
|      |      |      |      |      |
|------|------|------|------|------|
| 17   | 34   | 35   | 49   | 50   |
| 17:1 | 34:2 | 35:1 | 49:1 | 50:2 |
| 17:2 | 34:1 | 35:2 | 49:2 | 50:1 |



## Hydraulic Assembly (continued)

| <i>Ref.</i> | <i>Part Number</i> | <i>Qty.</i> | <i>Description</i>    | <i>Ref.</i> | <i>Part Number</i> | <i>Qty.</i> | <i>Description</i>    |
|-------------|--------------------|-------------|-----------------------|-------------|--------------------|-------------|-----------------------|
| 1           | 142-5034           | 1           | HYD Reservoir ASM     | 31          | 112-6365           | 1           | Dipstick              |
| 2           | 126-8133           | 1           | Motor-HYD, RH         | 32          | 94-8166            | 1           | O-Ring                |
| 2:1         | 135-5333           | 1           | 5 Stud Wheel Hub Kit  | 33          | 93-7498            | 1           | Plug-Plastic          |
| 3           | 126-8134           | 1           | Motor-HYD, LH         | 34          | 340-7              | 1           | Fitting-Straight      |
| 3:1         | 135-5333           | 1           | 5 Stud Wheel Hub Kit  | 34:1        | 237-65             | 1           | O-Ring                |
| 4           | 340-155            | 8           | Fitting-Straight      | 34:2        | 237-80             | 1           | O-Ring                |
| 4:1         | 237-79             | 1           | O-Ring                | 35          | 340-4              | 1           | Fitting-Straight      |
| 4:2         | 237-151            | 1           | O-Ring                | 35:1        | 237-30             | 1           | O-Ring                |
| 5           | 126-8686           | 1           | Hose ASM, HYD         | 35:2        | 237-79             | 1           | O-Ring                |
| 6           | 126-8687           | 3           | Hose ASM, HYD         | 36          | 340-105            | 1           | Fitting-Elbow, 90 DEG |
| 7           | 126-8684           | 1           | Hose ASM              | 36:1        | 237-80             | 1           | O-Ring                |
| 8           | 126-8685           | 1           | Hose ASM              | 36:2        | 237-30             | 1           | O-Ring                |
| 9           | 340-77             | 2           | Fitting-Elbow, 90 DEG | 37          | 103-1912           | 1           | Adapter-Straight      |
| 9:1         | 237-22             | 1           | O-Ring                | 37:1        | 237-42             | 1           | O-Ring                |
| 9:2         | 237-42             | 1           | O-Ring                | 38          | 353-987            | 1           | Fitting-Elbow, 90     |
| 10          | 126-7469-03        | 2           | Plate-Motor           | 38:1        | 237-81             | 1           | O-Ring                |
| 11          | 325-19             | 8           | Screw-HH              | 39          | 87-8170            | 1           | Fitting-90            |
| 12          | 32128-49           | 16          | Nut-HHF               | 39:1        | 237-80             | 1           | O-Ring                |
| 13          | 1-513435           | 8           | Washer-Spring         | 40          | 354-95             | 1           | Fitting-Straight      |
| 14          | 325-6              | 8           | Screw-HH              | 41          | 2412-98            | 4           | Clamp-Hose            |
| 15          | 142-2435           | 2           | Plug-Magnetic         | 42          | 68-6150            | 1           | Breather              |
| 16          | 135-3731           | 1           | Tee Hose ASM          | 43          | 2412-129           | 4           | Clamp-Hose            |
| 17          | 340-3              | 2           | Fitting-Straight      | 44          | 2412-34            | 2           | Clamp-Hose            |
| 17:1        | 237-22             | 1           | O-Ring                | 46          | 126-7841           | 1           | Lift Cylinder ASM     |
| 17:2        | 237-79             | 1           | O-Ring                | 46:1        | 142-2767           | 1           | Kit, CYL Repair       |
| 18          | 3290-378           | 2           | Tie-Cable             | 47          | 131-1934           | 1           | Deck Lift Valve ASM   |
| 19          | 126-6776           | 1           | Hose-Fuel             | 48          | 321-18             | 2           | Screw-HH              |
| 20          | 126-6767           | 1           | Hose-Return           | 49          | 340-2              | 2           | Fitting-Straight      |
| 21          | 126-6768           | 1           | Hose-Return           | 49:1        | 237-22             | 1           | O-Ring                |
| 22          | 126-6778           | 1           | Hose-Fuel             | 49:2        | 237-42             | 1           | O-Ring                |
| 23          | 126-6766           | 1           | Hose                  | 50          | 126-8692           | 1           | Fitting-HYD, Straight |
| 24          | 126-8688           | 1           | Tube ASM              | 50:1        | 237-78             | 1           | O-Ring                |
| 25          | 126-8682           | 1           | Hose ASM              | 50:2        | 237-21             | 1           | O-Ring                |
| 26          | 126-6774           | 1           | Hose-Suction          | 51          | 126-8683           | 1           | Hose ASM              |
| 27          | 32180-030          | 5           | Clip-Tie              | 52          | 1-633396           | 1           | Clip-Loom             |
| 28          | 126-7547           | 1           | Rod-Support, HYD Tank | 53          | 104-8301           | 1           | Nut-HF, NI            |
| 29          | 126-7546           | 1           | Rod-Support, HYD Tank | 54          | 135-7984           | 3           | Clamp-Hose            |
| 30          | 104-8300           | 4           | Nut-HF, NI            |             |                    |             |                       |

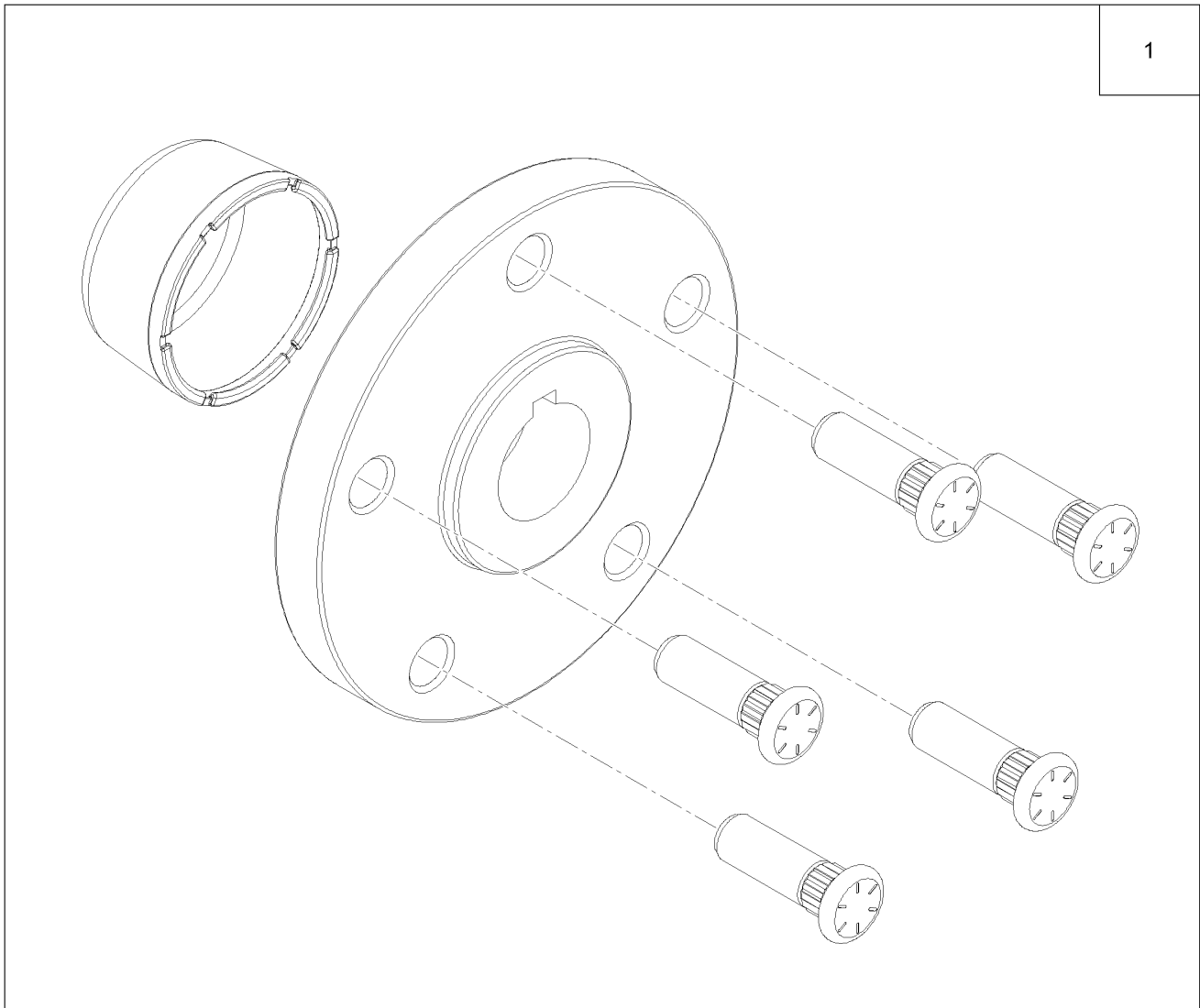
# Hydraulic Reservoir Assembly No. 142-5034



# Hydraulic Reservoir Assembly No. 142-5034 (continued)

| <i>Ref.</i> | <i>Part Number</i> | <i>Qty.</i> | <i>Description</i> | <i>Ref.</i> | <i>Part Number</i> | <i>Qty.</i> | <i>Description</i>     |
|-------------|--------------------|-------------|--------------------|-------------|--------------------|-------------|------------------------|
| 2           | 353-989            | 1           | Plug-Hex, Hollow   | 5           | 104-5228           | 2           | Fitting-Elbow, 90 DEG  |
| 2:1         | 237-42             | 1           | O-Ring             | 6           | 126-6782           | 1           | Fitting-Standpipe      |
| 3           | 104-7546           | 1           | Tank Strainer ASM  | 7           | 353-987            | 1           | Fitting-Elbow, 90      |
| 3:1         | 340-136            | 1           | O-Ring             | 7:1         | 237-81             | 1           | O-Ring                 |
| 4           | 46-6560            | 2           | Bushing            | 8           | 135-3740           | 1           | Fitting-Tee, Drop Tube |

# 5 Stud Wheel Hub Kit Assembly No. 135-5333



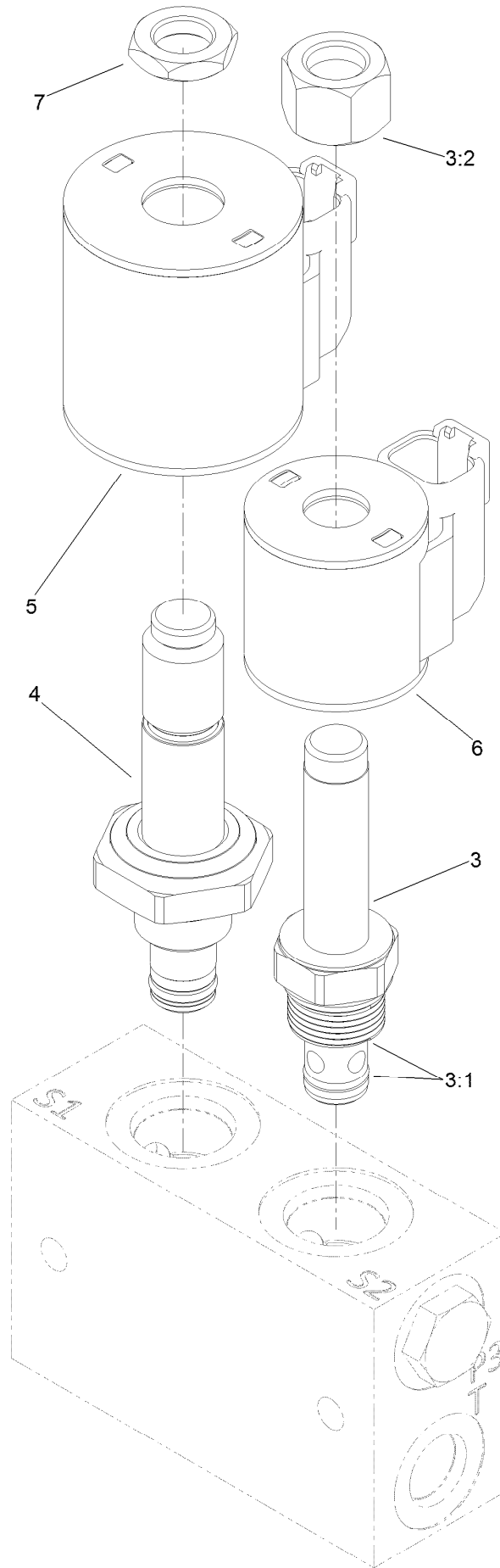
# 5 Stud Wheel Hub Kit Assembly No. 135-5333 (continued)

---

| <i>Ref.</i> | <i>Part Number</i> | <i>Qty.</i> | <i>Description</i> |
|-------------|--------------------|-------------|--------------------|
| 1           | 135-5332           | 1           | Wheel Hub ASM      |

---

# Valve Assembly No. 131-1934



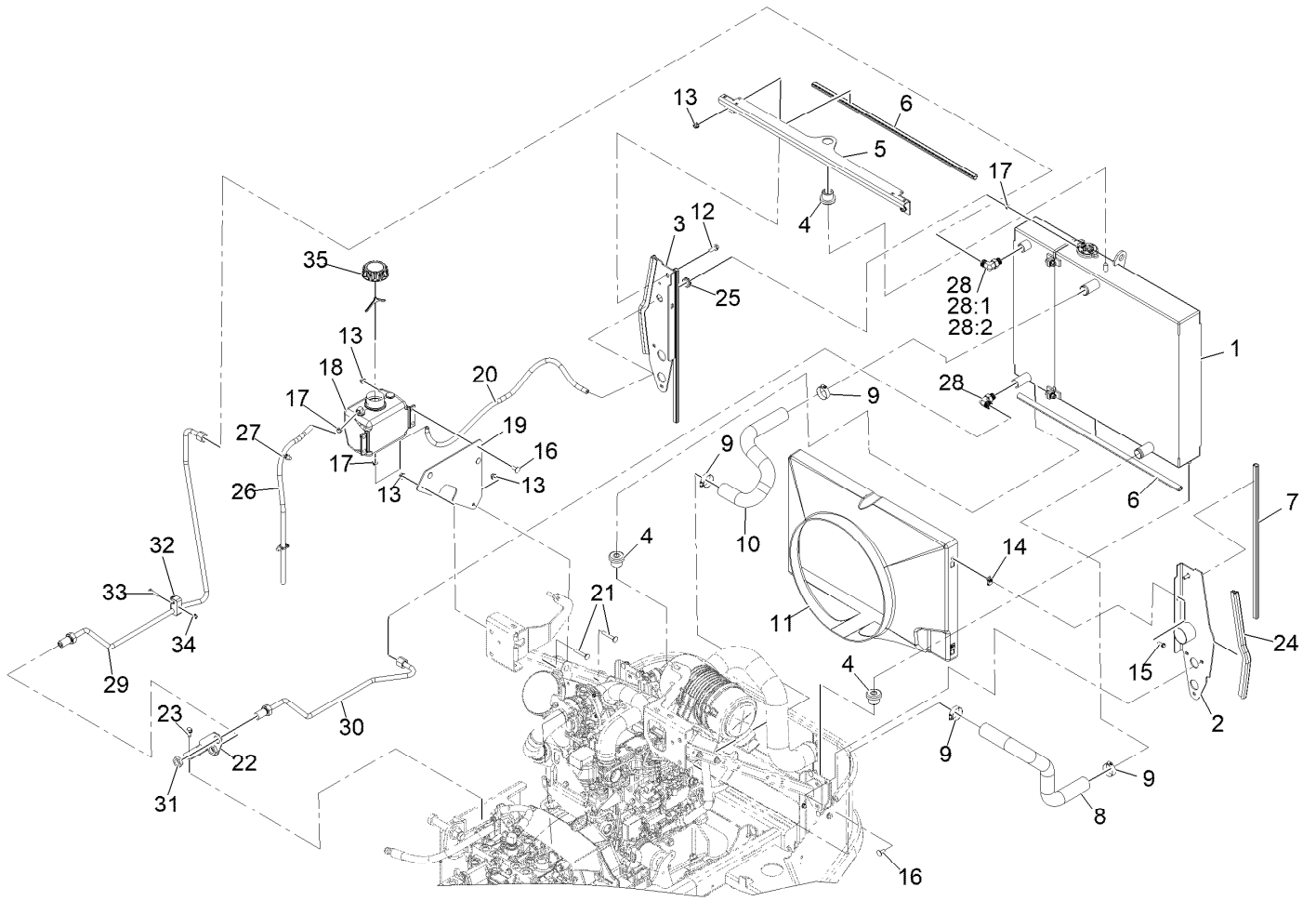


## Valve Assembly No. 131-1934 (continued)

| <i>Ref.</i> | <i>Part Number</i> | <i>Qty.</i> | <i>Description</i> |
|-------------|--------------------|-------------|--------------------|
| 3           | 107-7517           | 1           | Valve-Solenoid     |
| 3:1         | 105-9156           | 1           | Seal Kit           |
| 3:2         | 107-7812           | 1           | Nut-Solenoid       |
| 4           | 131-1935           | 1           | Valve-Solenoid     |

| <i>Ref.</i> | <i>Part Number</i> | <i>Qty.</i> | <i>Description</i> |
|-------------|--------------------|-------------|--------------------|
| 5           | 115-3021           | 1           | Coil-12V           |
| 6           | 119-8036           | 1           | Coil               |
| 7           | 110-2634           | 1           | Nut-Coil           |

# Cooling Assembly



## Cooling Assembly (continued)

| <i>Ref.</i> | <i>Part Number</i> | <i>Qty.</i> | <i>Description</i>                        | <i>Ref.</i> | <i>Part Number</i> | <i>Qty.</i> | <i>Description</i>            |
|-------------|--------------------|-------------|-------------------------------------------|-------------|--------------------|-------------|-------------------------------|
| 1           | 121-3330           | 1           | Cooling ASM                               | 20          | 109-0284           | 1           | Hose-Fuel Line 29"            |
| 2           | 126-9026-03        | 1           | Support-Radiator, LH                      | 21          | 3230-6             | 2           | Bolt-Carriage 3/16-18 X 2     |
| 3           | 126-9028-03        | 1           | Support-Radiator, RH                      | 22          | 126-6781-03        | 1           | Bracket-Bulkhead              |
| 4           | 119-1422           | 3           | Mount-Isolator                            | 23          | 32144-70           | 2           | Screw-HWH 5/16-18 X 3/4<br>Tf |
| 5           | 120-0068-03        | 1           | Bracket-Cooling, Top                      | 24          | 126-6847           | 2           | Seal-Bulb                     |
| 6           | 119-1427           | 2           | Seal-Bulb                                 | 25          | 237-124            | 1           | Grommet                       |
| 7           | 119-1426           | 2           | Seal-Bulb                                 | 26          | 110-4103           | 1           | Hose-Fuel                     |
| 8           | 126-7787           | 1           | Hose-Radiator, Lower                      | 27          | 32180-030          | 2           | Clip-Tie                      |
| 9           | 2412-34            | 4           | Clamp-Hose                                | 28          | 340-98             | 2           | Fitting-Elbow, 90 DEG         |
| 10          | 126-7788           | 1           | Hose-Radiator, Upper                      | 28:1        | 237-79             | 1           | O-Ring                        |
| 11          | 126-6720           | 1           | Shroud-Fan                                | 28:2        | 237-30             | 1           | O-Ring                        |
| 12          | 3234-29            | 2           | Screw-HH Flg 5/16-18 X 1                  | 29          | 126-8690           | 1           | Hydraulic Tube ASM            |
| 13          | 104-8300           | 13          | Nut-Nyloc 5/16-18 Flg                     | 30          | 126-8691           | 1           | Hydraulic Tube ASM            |
| 14          | 107069             | 4           | Nut-Retainer-Panel 1/4-20                 | 31          | 340-127            | 2           | Nut-Bulkhead                  |
| 15          | 32105-15           | 4           | Screw-Machine 1/4-20 X 3/4                | 32          | 135-0641           | 1           | Clamp-Twin                    |
| 16          | 3230-23            | 9           | Bolt-Carriage 5/16-18 X 3/4<br>Short Neck | 33          | 321-13             | 1           | Screw-HH 1/4-20 X 1 3/8       |
| 17          | 2412-98            | 3           | Clamp-Hose                                | 34          | 104-7201           | 1           | Nut-Nyloc 1/4-20 Flg          |
| 18          | 135-4692           | 1           | Tank-Overflow, W/Cap                      | 35          | 135-4693           | 1           | Cap-W/Tether                  |
| 19          | 126-9178-03        | 1           | Bracket-Bottle                            |             |                    |             |                               |

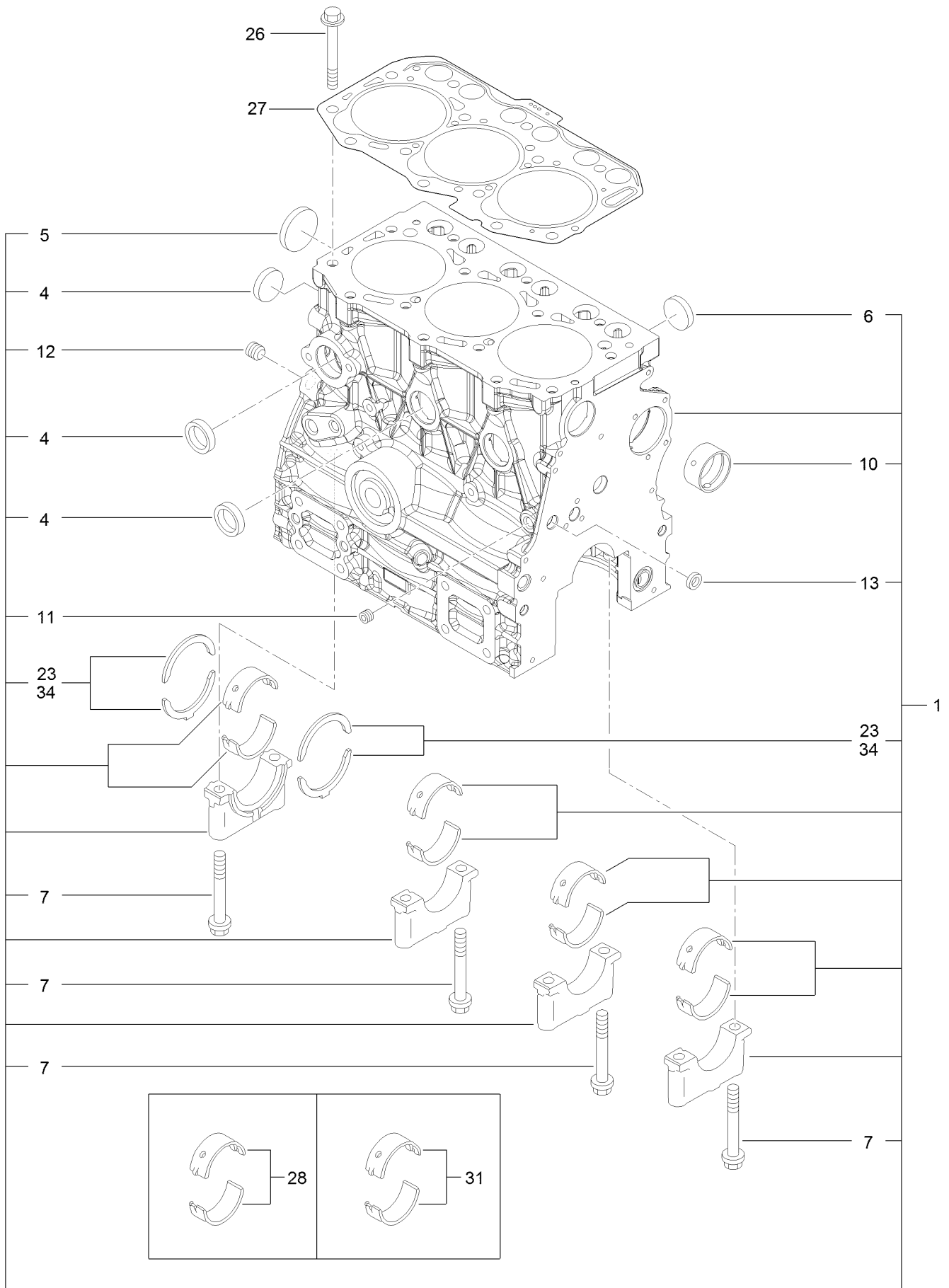


## Cooling Assembly No. 121-3330 (continued)

| <i>Ref.</i> | <i>Part Number</i> | <i>Qty.</i> | <i>Description</i> | <i>Ref.</i> | <i>Part Number</i> | <i>Qty.</i> | <i>Description</i> |
|-------------|--------------------|-------------|--------------------|-------------|--------------------|-------------|--------------------|
| 1           | 121-3328           | 1           | Radiator           | 6           | 3217-6             | 3           | Nut-Hex            |
| 2           | 121-3329           | 1           | Oil Cooler         | 7           | 119-1430           | 1           | Radiator Cap ASM   |
| 3           | 322-5              | 3           | Screw-HH           | 7:1         |                    | 1           | Cap-Radiator ●     |
| 4           | 3256-23            | 6           | Washer-Plain       | 7:1:1       | 117-3276           | 1           | Decal-Danger       |
| 5           | 3253-4             | 3           | Washer-Lock        | 8           | 99-8551            | 1           | Plug-Pipe          |

● Not serviced separately

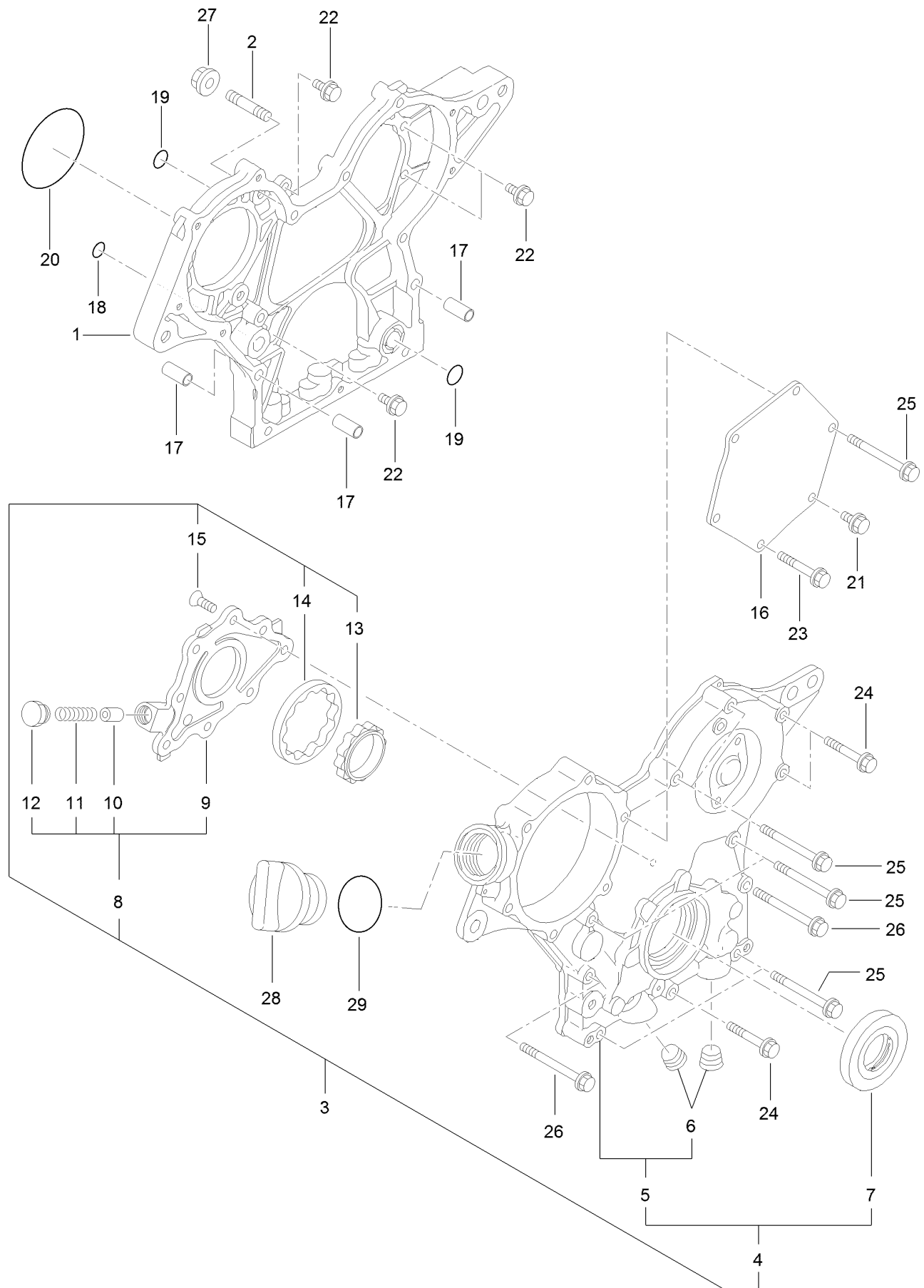
# Cylinder Block Assembly



## Cylinder Block Assembly (continued)

| <i>Ref.</i> | <i>Part Number</i> | <i>Qty.</i> | <i>Description</i> | <i>Ref.</i> | <i>Part Number</i> | <i>Qty.</i> | <i>Description</i>  |
|-------------|--------------------|-------------|--------------------|-------------|--------------------|-------------|---------------------|
| 1           | 135-4030           | 1           | Cylinder Block ASM | 13          | 125-7237           | 1           | Plug                |
| 4           | 135-4031           | 4           | Plug-Cup           | 23          | 135-4036           | 2           | Thrust Bearing ASM  |
| 5           | 135-4032           | 1           | Plug-Dish          | 26          | 135-4037           | 14          | Bolt-Head, Cylinder |
| 6           | 135-4033           | 3           | Plug-Cup           | 27          | 135-4038           | 1           | Head Gasket Set     |
| 7           | 135-4034           | 8           | Bolt-Cap           | 28          | 135-4039           | 4           | Main Bearing ASM    |
| 10          | 135-4035           | 1           | Bushing-Camshaft   | 31          | 135-4040           | 4           | Main Bearing ASM    |
| 11          | 125-6969           | 1           | Plug               | 34          | 135-4041           | 2           | Bearing-Thrust      |
| 12          | 125-6973           | 1           | Plug               |             |                    |             |                     |

# Gear Housing Assembly

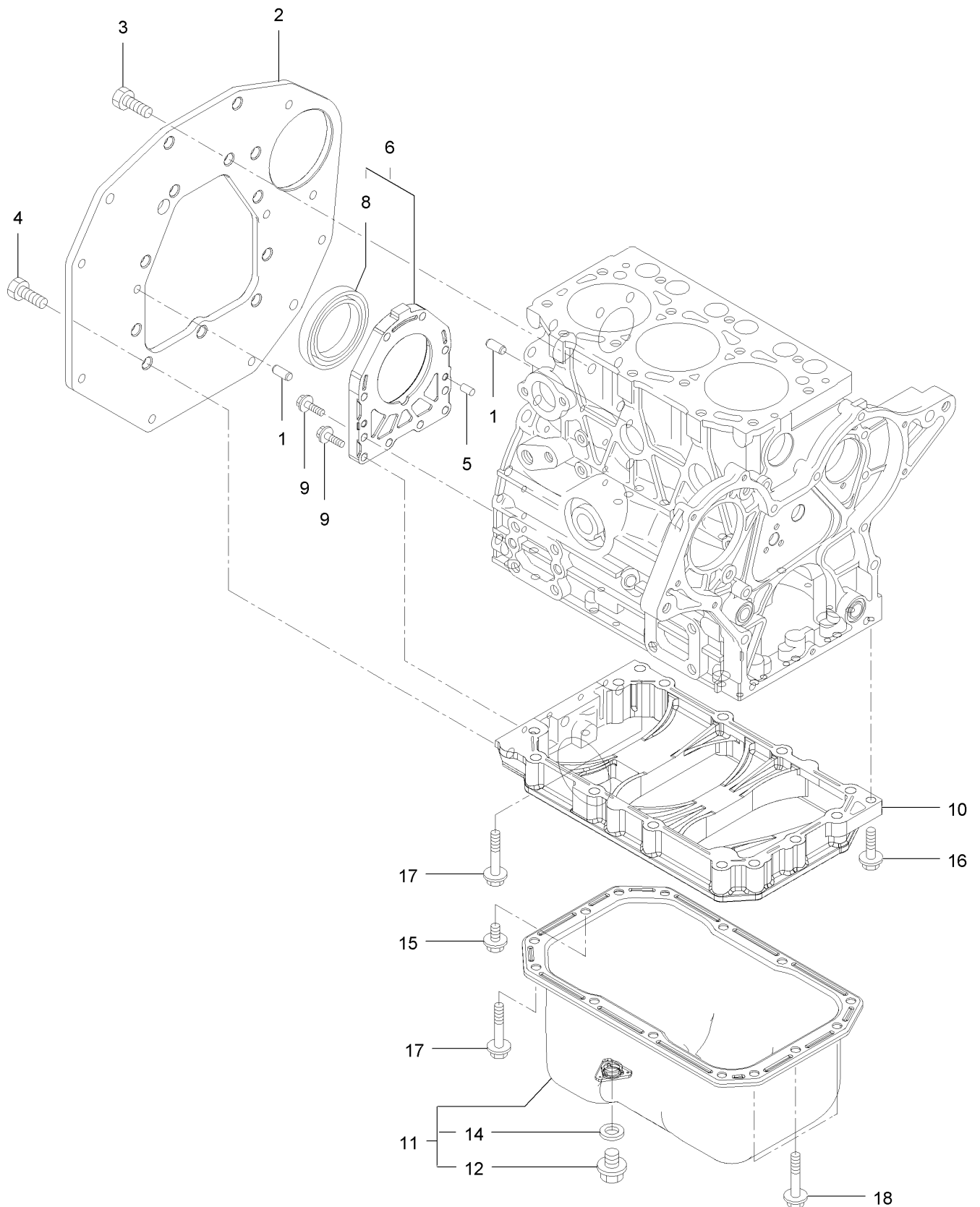




## Gear Housing Assembly (continued)

| <i>Ref.</i> | <i>Part Number</i> | <i>Qty.</i> | <i>Description</i>  | <i>Ref.</i> | <i>Part Number</i> | <i>Qty.</i> | <i>Description</i> |
|-------------|--------------------|-------------|---------------------|-------------|--------------------|-------------|--------------------|
| 1           | 135-4042           | 1           | Case-Gear           | 16          | 135-4056           | 1           | Cover-Pump         |
| 2           | 135-4043           | 3           | Bolt-Stud           | 17          | 135-4057           | 4           | Dowel-Pipe         |
| 3           | 135-4044           | 1           | Gear Case Cover ASM | 18          | 127-2973           | 1           | O-Ring             |
| 4           | 135-4045           | 1           | Gear Case Cover ASM | 19          | 135-4058           | 3           | O-Ring             |
| 5           | 135-4046           | 1           | Cover-Case, Gear    | 20          | 125-6957           | 1           | O-Ring             |
| 6           | 133-6798           | 2           | Plug                | 21          | 125-7206           | 1           | Bolt               |
| 7           | 135-4047           | 1           | Seal-Oil            | 22          | 125-7208           | 4           | Bolt               |
| 8           | 135-4048           | 1           | Cover ASM           | 23          | 125-7211           | 4           | Bolt               |
| 9           | 135-4049           | 1           | Cover-Pump          | 24          | 125-7211           | 3           | Bolt               |
| 10          | 135-4050           | 1           | Valve-Relief        | 25          | 135-4059           | 7           | Bolt               |
| 11          | 135-4051           | 1           | Spring              | 26          | 136-8257           | 2           | Bolt               |
| 12          | 135-4052           | 1           | Plug                | 27          | 125-7229           | 3           | Nut                |
| 13          | 135-4053           | 1           | Rotor-Inner         | 28          | 125-6972           | 1           | Cover-Filler       |
| 14          | 135-4054           | 1           | Rotor-Outer         | 29          | 125-7197           | 1           | O-Ring             |
| 15          | 135-4055           | 8           | Screw               |             |                    |             |                    |

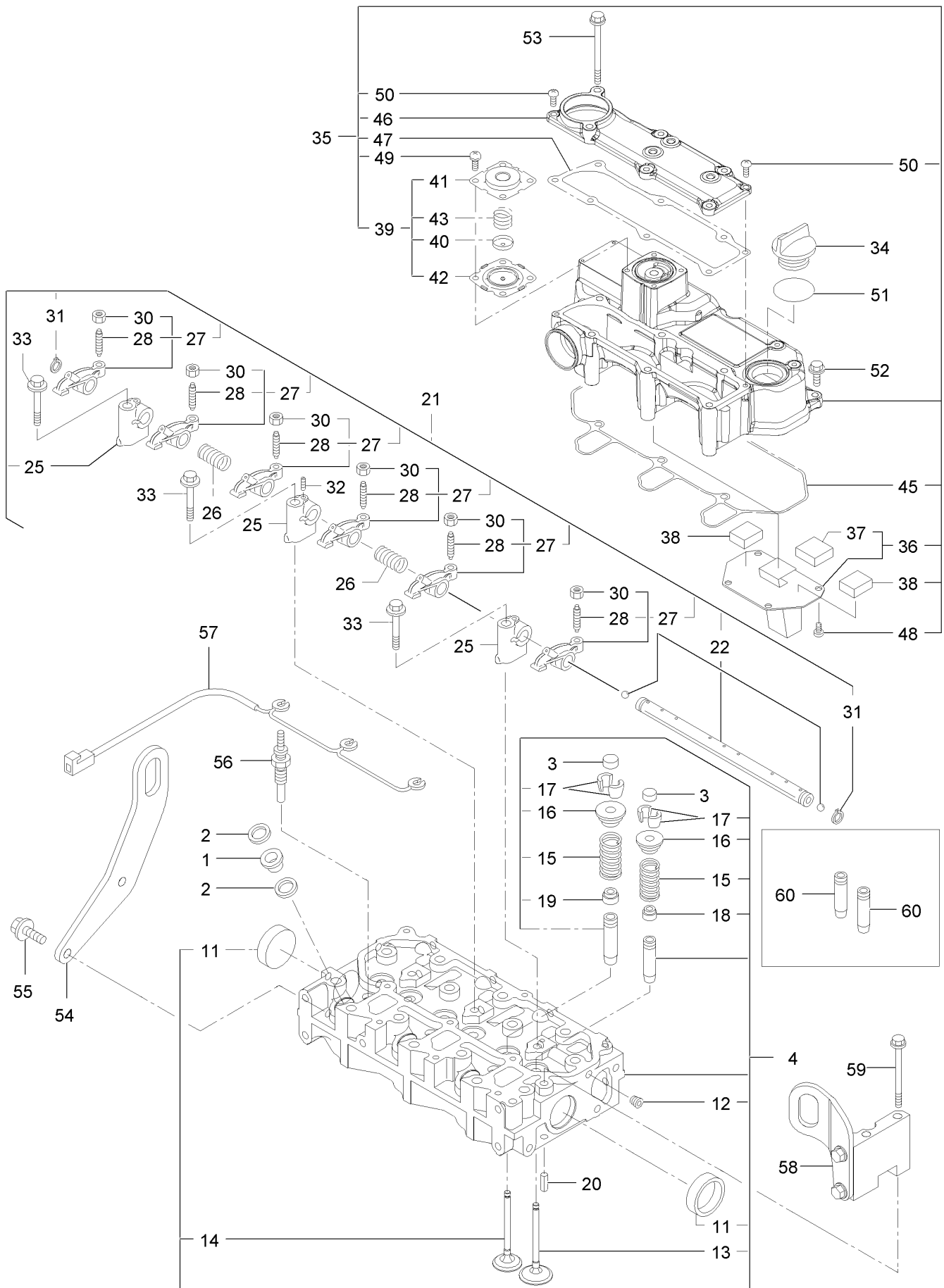
# Flywheel Housing and Oil Sump Assembly



## Flywheel Housing and Oil Sump Assembly (continued)

| <i>Ref.</i> | <i>Part Number</i> | <i>Qty.</i> | <i>Description</i> | <i>Ref.</i> | <i>Part Number</i> | <i>Qty.</i> | <i>Description</i> |
|-------------|--------------------|-------------|--------------------|-------------|--------------------|-------------|--------------------|
| 1           | 125-6995           | 2           | Pin                | 10          | 135-4066           | 1           | Spacer-Pan, Oil    |
| 2           | 135-4060           | 1           | Flange-Mounting    | 11          | 135-4067           | 1           | Oil Pan ASM        |
| 3           | 135-4061           | 9           | Bolt               | 12          | 135-4068           | 1           | Plug               |
| 4           | 125-7226           | 3           | Bolt               | 14          | 136-8236           | 1           | Washer-Seal        |
| 5           | 135-4062           | 2           | Pin-Parallel       | 15          | 125-7212           | 1           | Bolt               |
| 6           | 135-4063           | 1           | Case ASM-Oil Seal  | 16          | 125-7216           | 1           | Bolt               |
| 8           | 135-4064           | 1           | Seal-Oil           | 17          | 125-7219           | 11          | Bolt               |
| 9           | 135-4065           | 10          | Bolt               | 18          | 125-7220           | 3           | Bolt               |

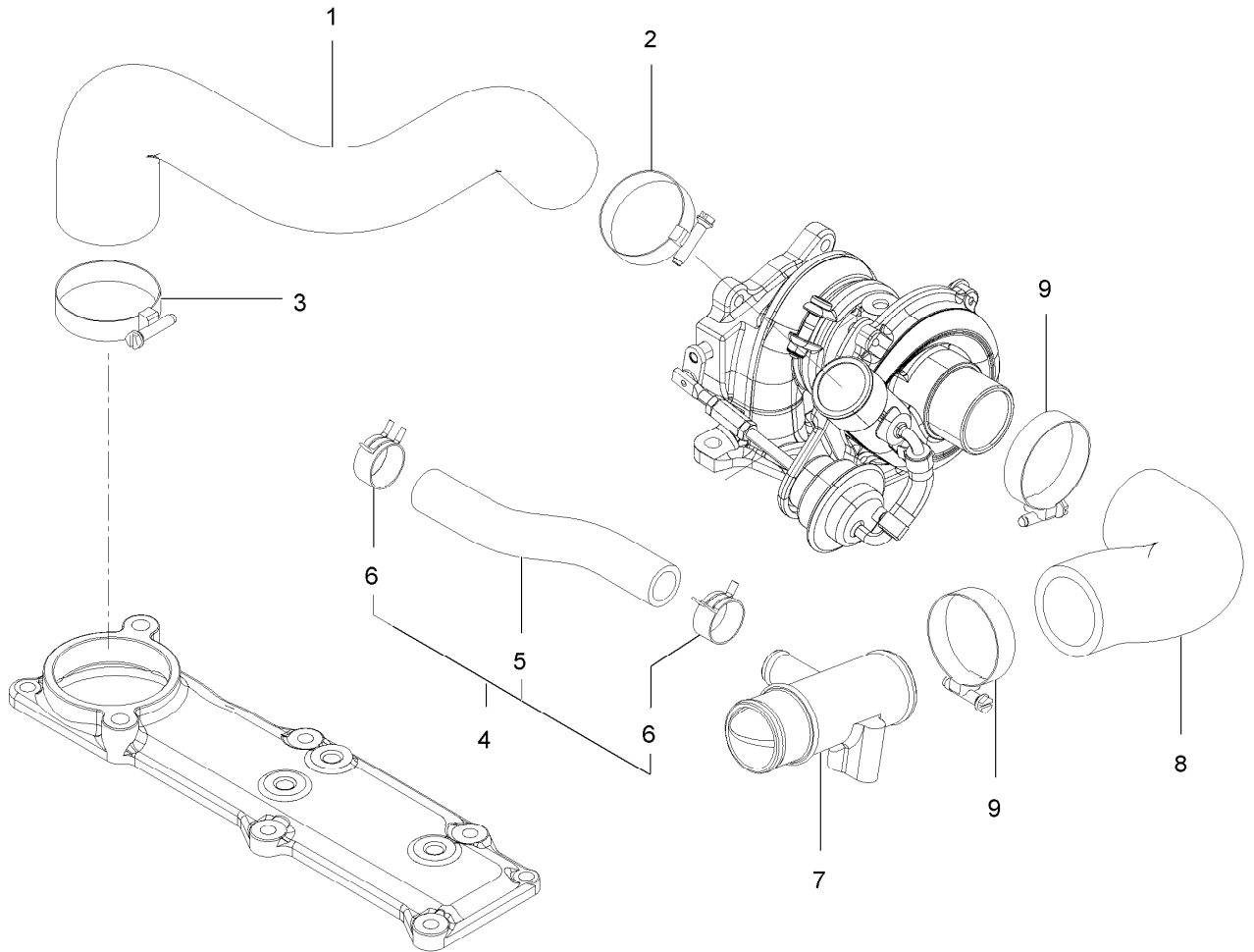
# Cylinder Head and Cover Assembly



## Cylinder Head and Cover Assembly (continued)

| <i>Ref.</i> | <i>Part Number</i> | <i>Qty.</i> | <i>Description</i>  | <i>Ref.</i> | <i>Part Number</i> | <i>Qty.</i> | <i>Description</i>          |
|-------------|--------------------|-------------|---------------------|-------------|--------------------|-------------|-----------------------------|
| 1           | 135-4069           | 3           | Protector-Nozzle    | 36          | 135-4085           | 1           | Plate-Baffle                |
| 2           | 135-4070           | 6           | Gasket-Nozzle       | 37          | 135-4086           | 1           | Baffle-Breather             |
| 3           | 135-4071           | 6           | Cap-Valve           | 38          | 135-4086           | 2           | Baffle-Breather             |
| 4           | 135-4072           | 1           | Head ASM-Cylinder   | 39          | 135-4088           | 1           | Diaphragm ASM               |
| 11          | 135-4073           | 2           | Plug-Cup            | 40          | 135-4089           | 1           | Plate-Diaphragm             |
| 12          | 133-6797           | 1           | Plug                | 41          | 135-4090           | 1           | Cover-Diaphragm             |
| 13          | 135-4074           | 3           | Valve-Suction       | 42          | 135-4091           | 1           | Diaphragm                   |
| 14          | 135-4075           | 3           | Valve-Exhaust       | 43          | 135-4092           | 1           | Spring-Diaphragm            |
| 15          | 135-4076           | 6           | Spring-Valve        | 45          | 135-4093           | 1           | Gasket-Cover, Cylinder Head |
| 16          | 125-7054           | 6           | Retainer            | 46          | 135-4094           | 1           | Cover ASM-Bonnet            |
| 17          | 125-6914           | 12          | Cotter              | 47          | 135-4095           | 1           | Gasket                      |
| 18          | 125-6915           | 3           | Seal-Stem, Valve    | 48          | 125-7186           | 4           | Screw                       |
| 19          | 125-6916           | 3           | Seal-Stem, Valve    | 49          | 125-7186           | 4           | Screw                       |
| 20          | 125-7184           | 2           | Pin-Spring          | 50          | 127-3168           | 2           | Screw                       |
| 21          | 135-4077           | 1           | Rocker Support ASM  | 51          | 125-7197           | 1           | O-Ring                      |
| 22          | 135-4078           | 1           | Rocker Shaft ASM    | 52          | 125-7209           | 3           | Bolt                        |
| 25          | 135-4079           | 3           | Support-Arm, Rocker | 53          | 135-4096           | 6           | Bolt                        |
| 26          | 135-4080           | 2           | Spring-Rocker       | 54          | 135-4097           | 1           | Lifter-Engine               |
| 27          | 135-4081           | 6           | Rocker Arm ASM      | 55          | 125-7214           | 2           | Bolt                        |
| 28          | 125-7013           | 6           | Screw-Adjust, Valve | 56          | 135-4291           | 3           | Plug-Glow                   |
| 30          | 125-7014           | 6           | Nut                 | 57          | 135-4294           | 1           | Connector-Glow Plug         |
| 31          | 135-7082           | 2           | Ring                | 58          | 135-4292           | 1           | Lifter ASM                  |
| 32          | 135-4083           | 1           | Screw               | 59          | 127-3178           | 2           | Bolt                        |
| 33          | 125-7218           | 3           | Bolt                | 60          | 125-6917           | 6           | Guide                       |
| 34          | 125-6972           | 1           | Cover-Filler        |             |                    |             |                             |
| 35          | 135-4084           | 1           | Bonnet ASM          |             |                    |             |                             |

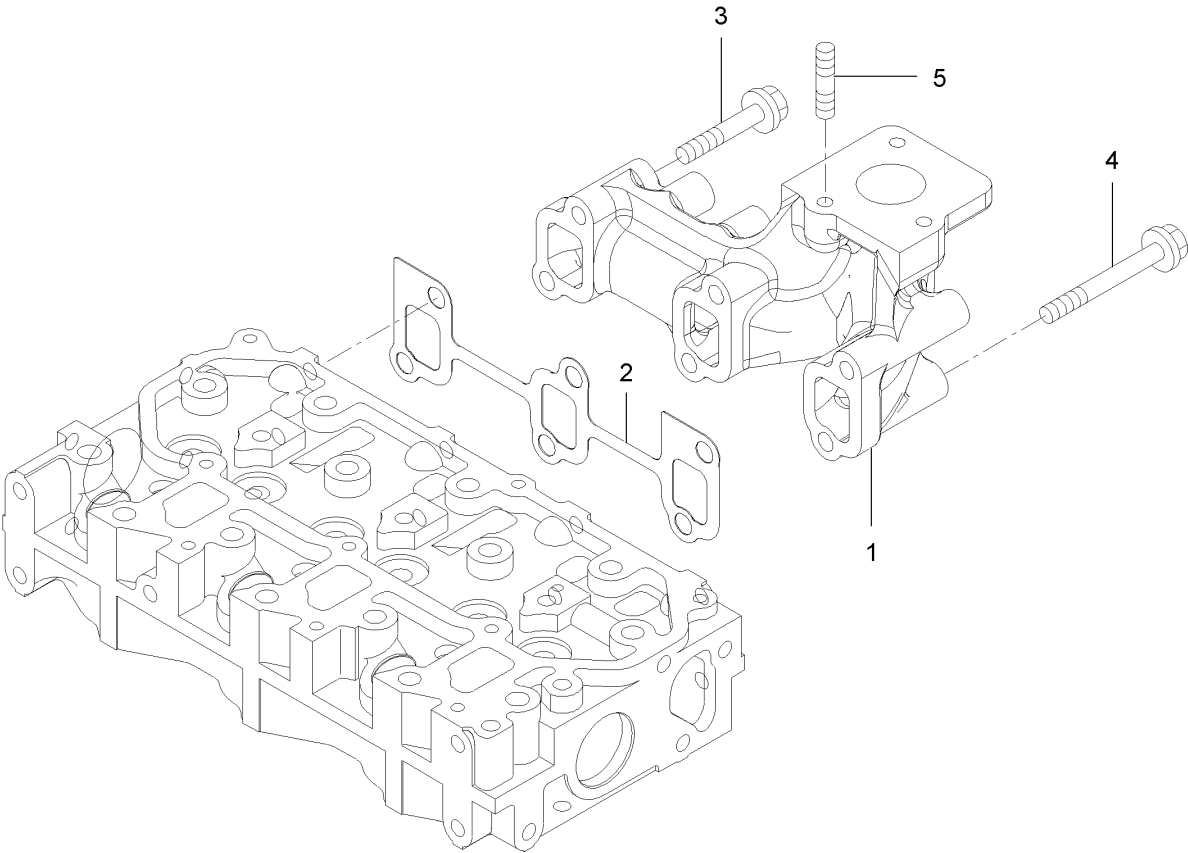
# Suction Manifold Assembly



## Suction Manifold Assembly (continued)

| <i>Ref.</i> | <i>Part Number</i> | <i>Qty.</i> | <i>Description</i> | <i>Ref.</i> | <i>Part Number</i> | <i>Qty.</i> | <i>Description</i> |
|-------------|--------------------|-------------|--------------------|-------------|--------------------|-------------|--------------------|
| 1           | 135-4101           | 1           | Hose-Air Intake    | 6           | 125-7040           | 2           | Clip-Hose          |
| 2           | 125-7189           | 1           | Clamp-Hose         | 7           | 135-4104           | 1           | Joint-Breather     |
| 3           | 127-3170           | 1           | Clamp-Hose         | 8           | 135-4105           | 1           | Hose-Intake, Air   |
| 4           | 135-4102           | 1           | Hose ASM-Breather  | 9           | 127-3170           | 2           | Clamp-Hose         |
| 5           | 135-4103           | 1           | Hose-Breather      |             |                    |             |                    |

# Exhaust Manifold Assembly

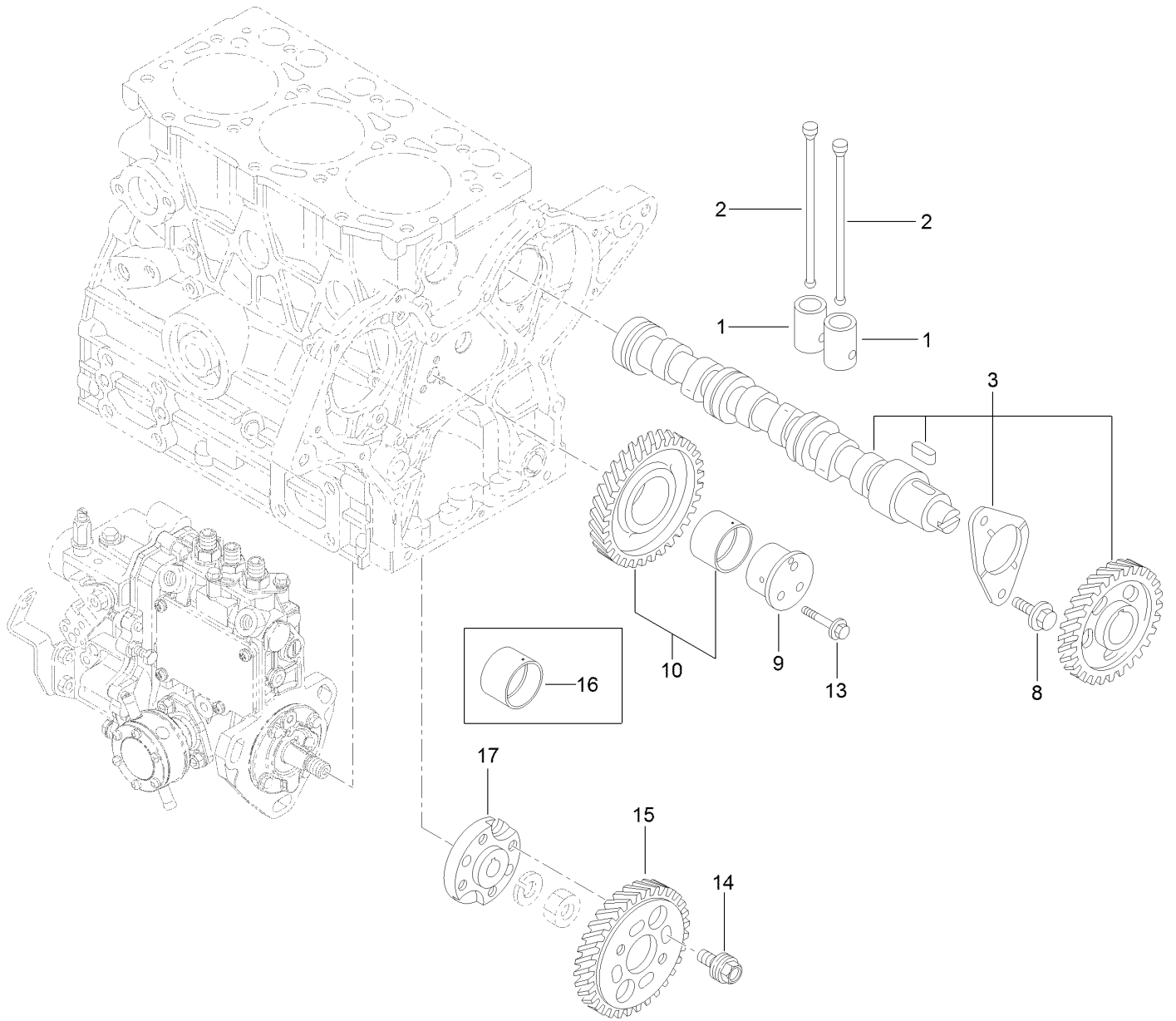




## Exhaust Manifold Assembly (continued)

| <i>Ref.</i> | <i>Part Number</i> | <i>Qty.</i> | <i>Description</i>       | <i>Ref.</i> | <i>Part Number</i> | <i>Qty.</i> | <i>Description</i> |
|-------------|--------------------|-------------|--------------------------|-------------|--------------------|-------------|--------------------|
| 1           | 135-4106           | 1           | Manifold-Exhaust         | 4           | 133-6606           | 3           | Bolt               |
| 2           | 135-4107           | 1           | Gasket-Manifold, Exhaust | 5           | 125-7043           | 3           | Stud               |
| 3           | 133-6714           | 3           | Bolt                     |             |                    |             |                    |

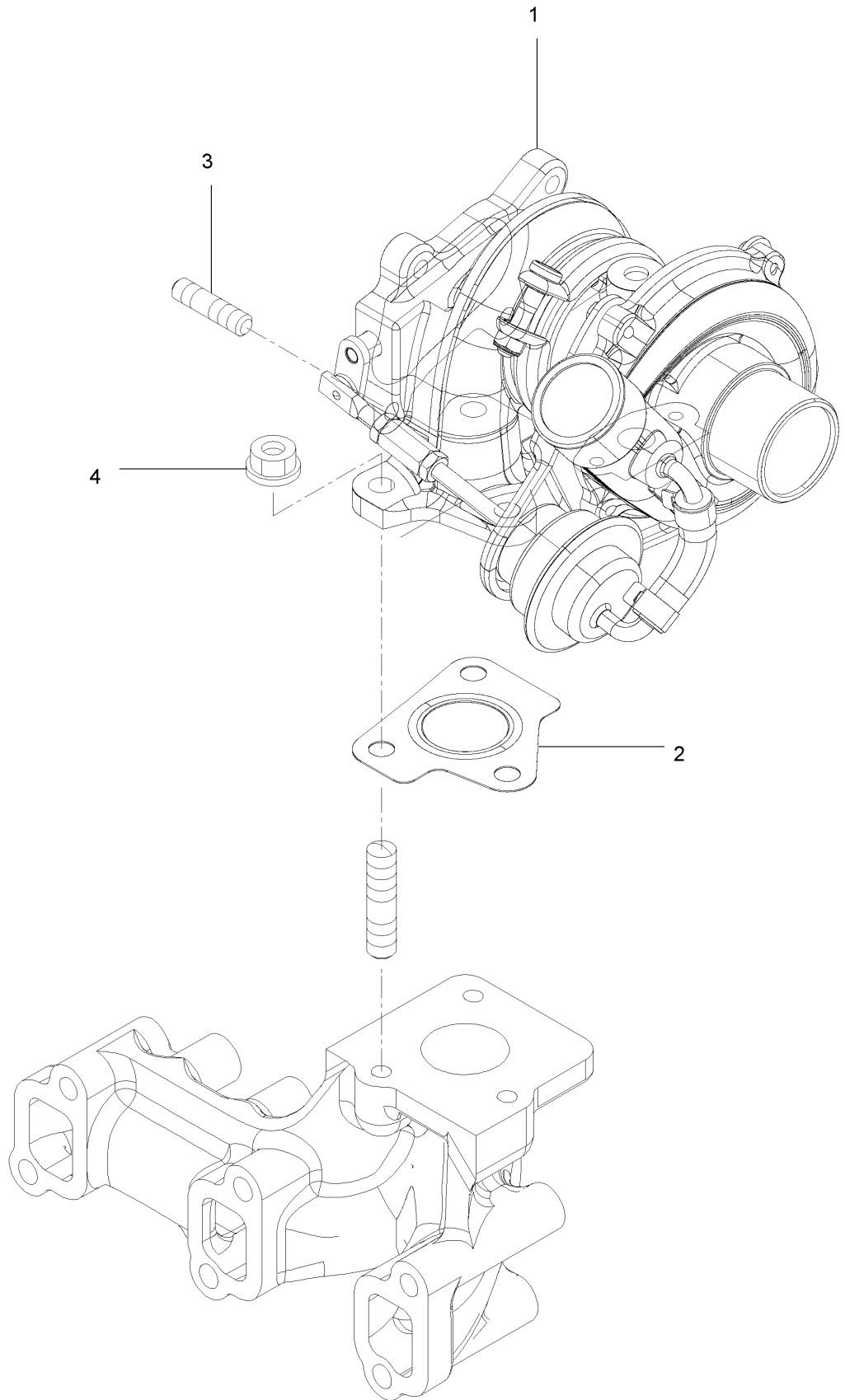
# Camshaft and Driving Gear Assembly



## Camshaft and Driving Gear Assembly (continued)

| <i>Ref.</i> | <i>Part Number</i> | <i>Qty.</i> | <i>Description</i> | <i>Ref.</i> | <i>Part Number</i> | <i>Qty.</i> | <i>Description</i> |
|-------------|--------------------|-------------|--------------------|-------------|--------------------|-------------|--------------------|
| 1           | 135-4108           | 6           | Tappet             | 13          | 135-4147           | 3           | Bolt               |
| 2           | 135-4109           | 6           | Push-Rod           | 14          | 125-7020           | 4           | Bolt               |
| 3           | 135-4110           | 1           | Camshaft ASM       | 15          | 135-4148           | 1           | Gear-Pump          |
| 8           | 125-7206           | 2           | Bolt               | 16          | 135-4149           | 1           | Bushing-Gear, Idle |
| 9           | 135-4145           | 1           | Shaft-Idle         | 17          | 135-4150           | 1           | Flange             |
| 10          | 135-4146           | 1           | Idle Gear ASM      |             |                    |             |                    |

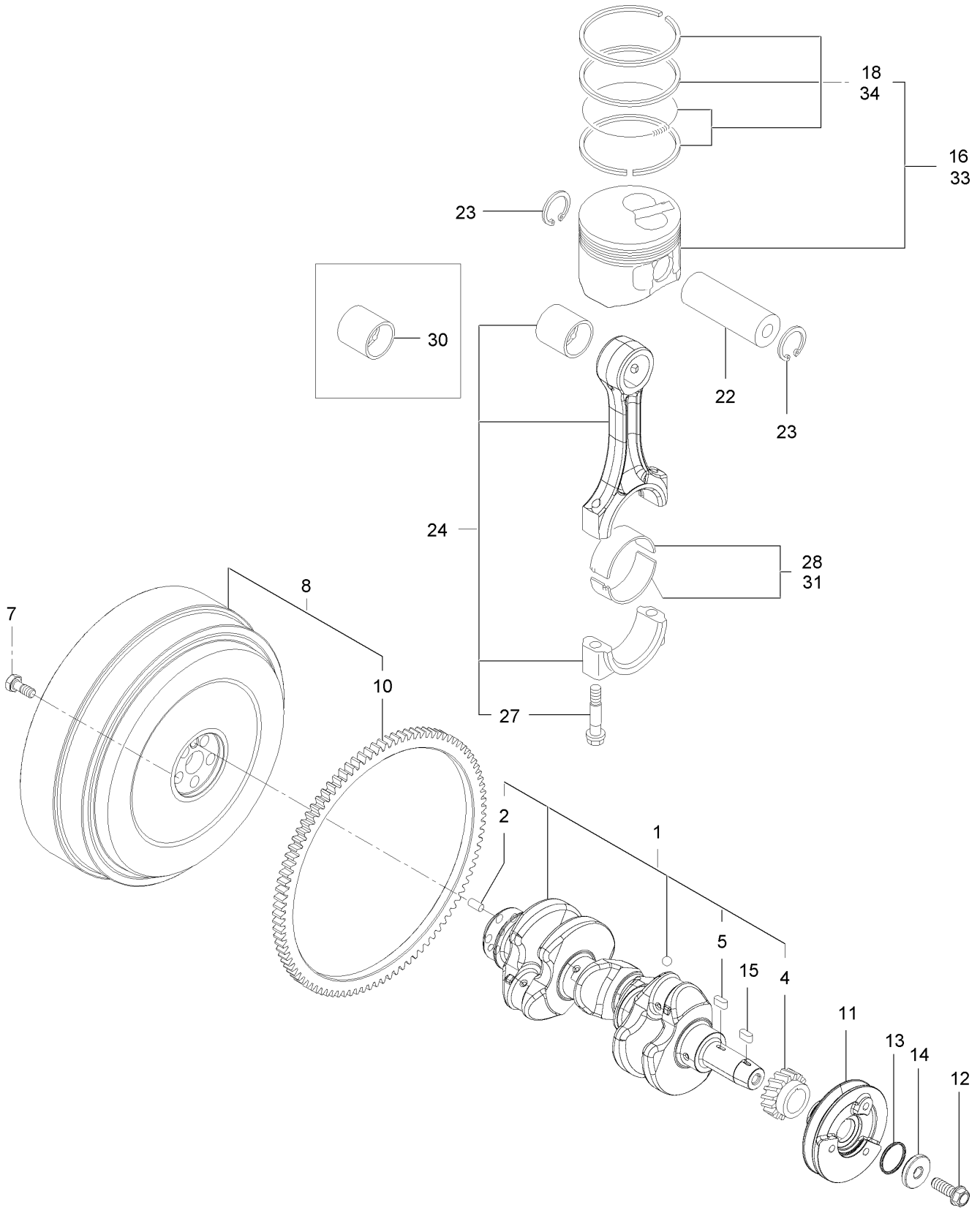
# Turbine Assembly



## Turbine Assembly (continued)

| <i>Ref.</i> | <i>Part Number</i> | <i>Qty.</i> | <i>Description</i> | <i>Ref.</i> | <i>Part Number</i> | <i>Qty.</i> | <i>Description</i> |
|-------------|--------------------|-------------|--------------------|-------------|--------------------|-------------|--------------------|
| 1           | 135-4151           | 1           | Turbocharger       | 3           | 125-6906           | 4           | Stud               |
| 2           | 127-3799           | 1           | Gasket-In, T C     | 4           | 125-7229           | 3           | Nut                |

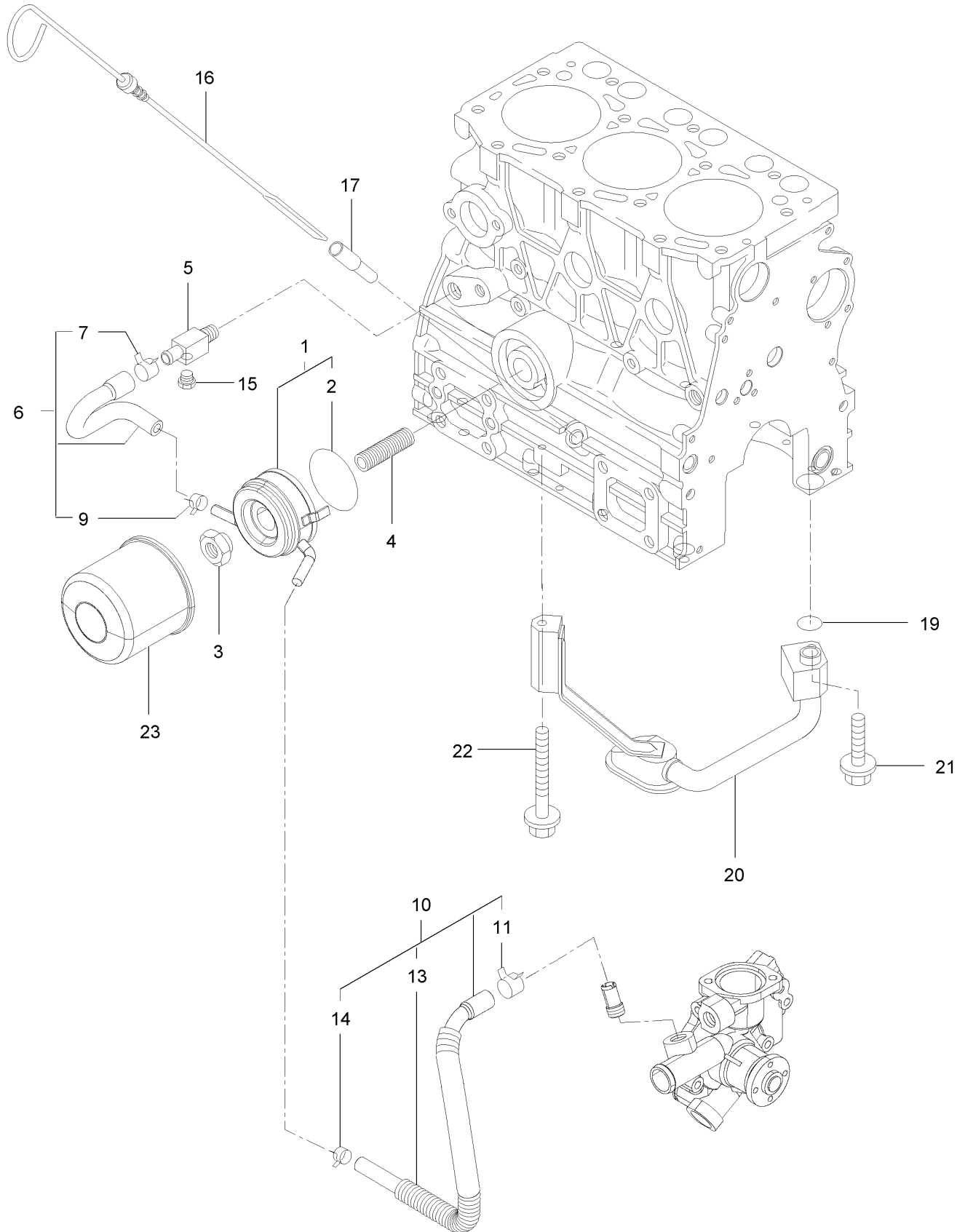
# Crankshaft and Piston Assembly



## Crankshaft and Piston Assembly (continued)

| <i>Ref.</i> | <i>Part Number</i> | <i>Qty.</i> | <i>Description</i>   | <i>Ref.</i> | <i>Part Number</i> | <i>Qty.</i> | <i>Description</i>   |
|-------------|--------------------|-------------|----------------------|-------------|--------------------|-------------|----------------------|
| 1           | 135-4152           | 1           | Crankshaft ASM       | 16          | 135-4163           | 3           | Piston ASM           |
| 2           | 125-6995           | 1           | Pin                  | 18          | 135-4164           | 3           | Ring ASM             |
| 4           | 135-4153           | 1           | Gear-Crankshaft      | 22          | 135-4165           | 3           | Pin-Piston           |
| 5           | 135-4154           | 1           | Key                  | 23          | 135-4166           | 6           | Ring                 |
| 7           | 135-4155           | 5           | Bolt, Flywheel 5     | 24          | 135-4167           | 3           | Rod ASM-Connecting   |
| 8           | 135-4156           | 1           | Flywheel ASM         | 27          | 135-4168           | 6           | Bolt-Rod, Connecting |
| 10          | 135-4157           | 1           | Gear-Ring            | 28          | 135-4169           | 3           | Bearing-Pin, Crank   |
| 11          | 135-4158           | 1           | V-Pulley, Crankshaft | 30          | 135-4170           | 3           | Bearing-Pin, Piston  |
| 12          | 135-4159           | 1           | Bolt-Flange          | 31          | 135-4171           | 3           | Bearing-Pin (0.25)   |
| 13          | 135-4160           | 1           | Gasket-Washer        | 33          | 135-4172           | 3           | Piston ASM           |
| 14          | 135-4161           | 1           | Washer               | 34          | 135-4173           | 3           | Ring ASM             |
| 15          | 135-4154           | 1           | Key                  |             |                    |             |                      |

# Oil Pump Assembly

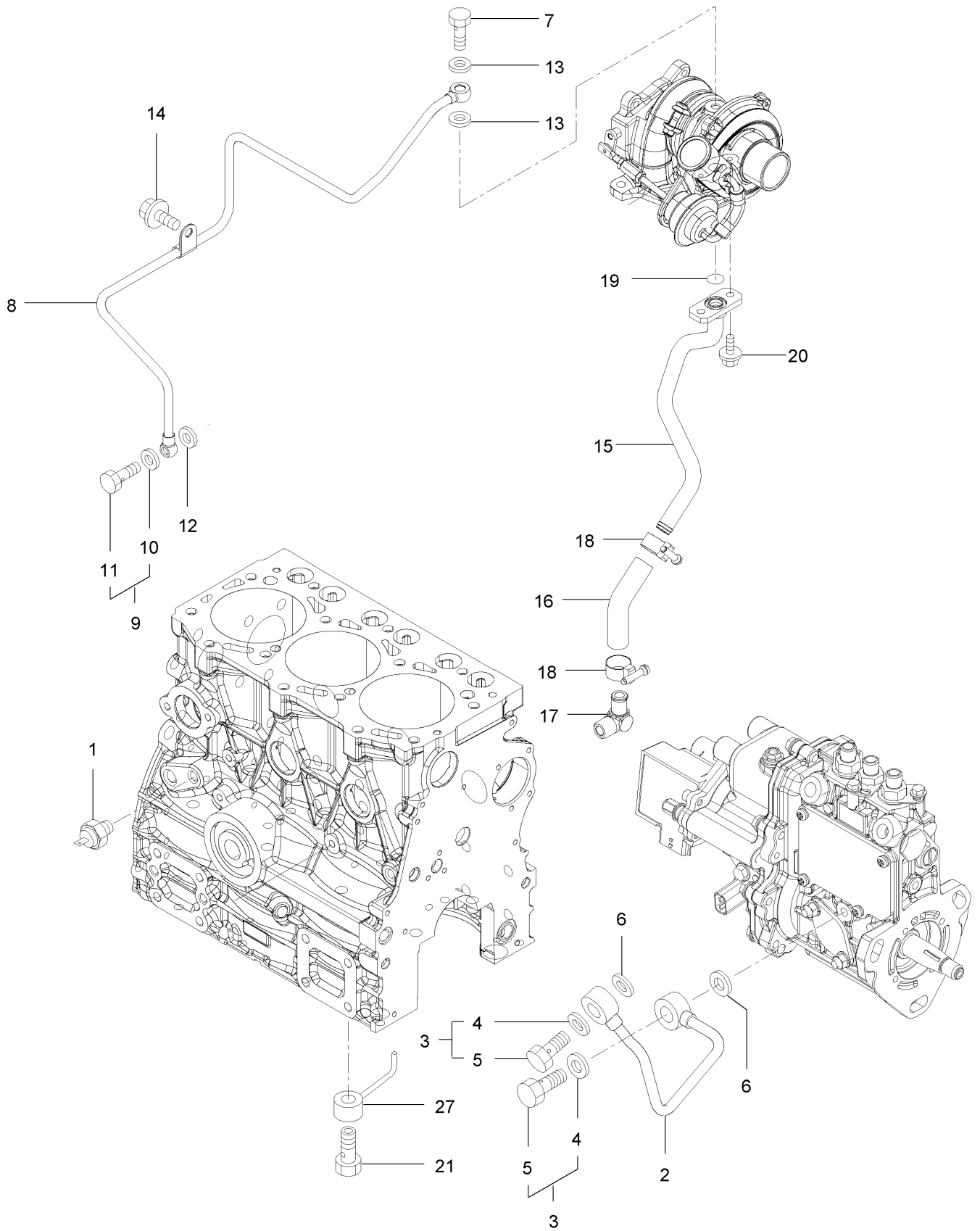




## Oil Pump Assembly (continued)

| <i>Ref.</i> | <i>Part Number</i> | <i>Qty.</i> | <i>Description</i> | <i>Ref.</i> | <i>Part Number</i> | <i>Qty.</i> | <i>Description</i> |
|-------------|--------------------|-------------|--------------------|-------------|--------------------|-------------|--------------------|
| 1           | 135-4174           | 1           | Cooler-Oil         | 13          | 125-6946           | 1           | Tube               |
| 2           | 125-7075           | 1           | O-Ring             | 14          | 125-7191           | 1           | Clamp-Hose         |
| 3           | 125-7041           | 1           | Nut-Cooler, Oil    | 15          | 125-7171           | 1           | Plug-Drain         |
| 4           | 135-4175           | 1           | Stud-Lo Filter     | 16          | 135-4177           | 1           | Dipstick           |
| 5           | 125-6990           | 1           | Joint              | 17          | 125-6954           | 1           | Guide-Dipstick     |
| 6           | 135-4176           | 1           | Pipe ASM-Cooler In | 19          | 135-4178           | 1           | O-Ring             |
| 7           | 125-7162           | 1           | Clip               | 20          | 135-4179           | 1           | Pipe ASM-Oil Inlet |
| 9           | 125-7191           | 1           | Clamp-Hose         | 21          | 135-4147           | 1           | Bolt               |
| 10          | 125-7079           | 1           | Pipe ASM           | 22          | 136-8257           | 1           | Bolt               |
| 11          | 125-7162           | 1           | Clip               | 23          | 135-4181           | 1           | Filter-Oil, Engine |

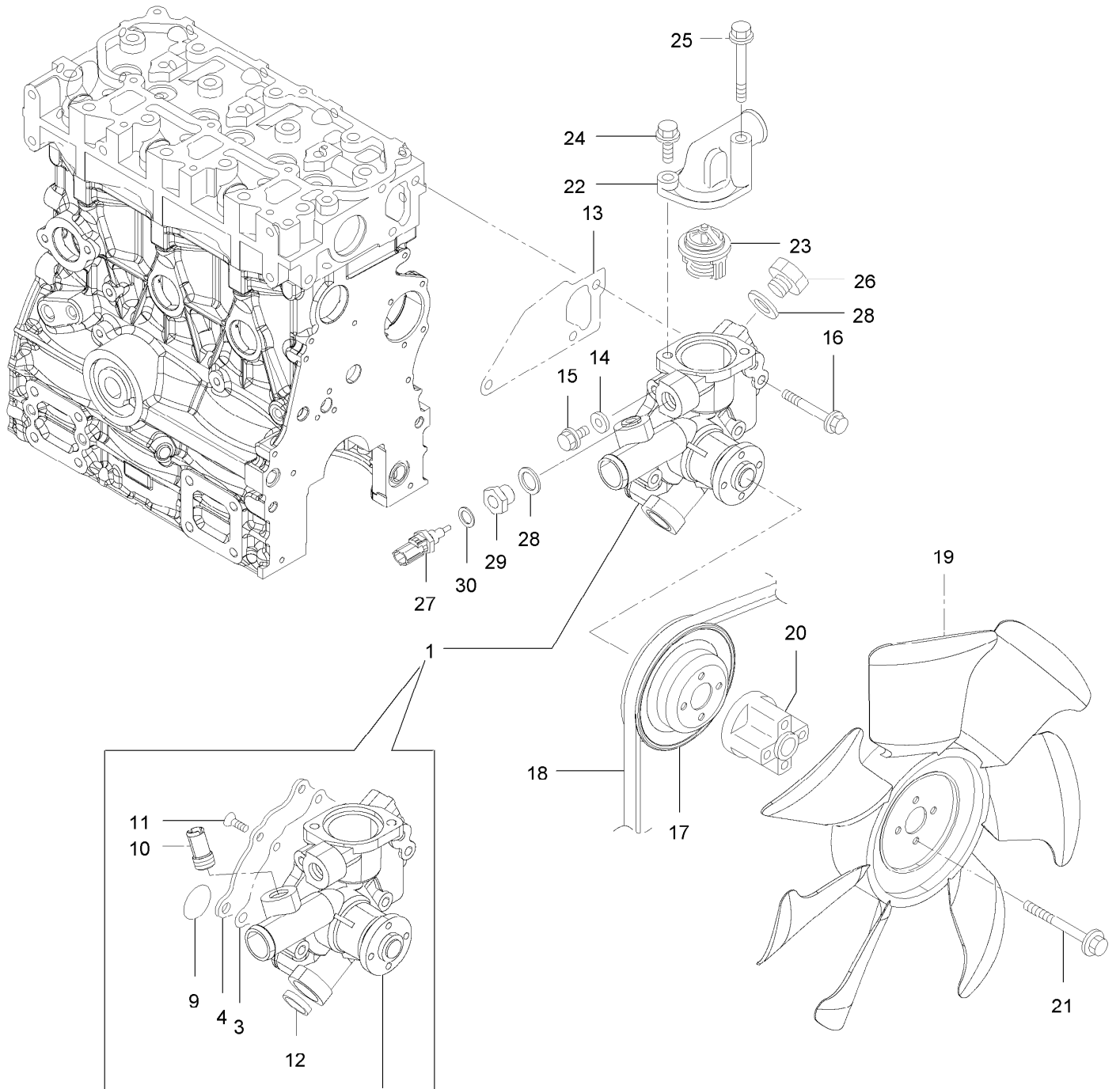
# Oil Pump Assembly (cont.)



## Oil Pump Assembly (cont.) (continued)

| <i>Ref.</i> | <i>Part Number</i> | <i>Qty.</i> | <i>Description</i> | <i>Ref.</i> | <i>Part Number</i> | <i>Qty.</i> | <i>Description</i> |
|-------------|--------------------|-------------|--------------------|-------------|--------------------|-------------|--------------------|
| 1           | 125-6918           | 1           | Switch-Oil         | 12          | 125-7174           | 1           | Washer-Seal        |
| 2           | 135-4182           | 1           | Pipe-Oil           | 13          | 125-7193           | 2           | Gasket             |
| 3           | 125-6988           | 2           | Joint Bolt ASM     | 14          | 125-7212           | 1           | Bolt               |
| 4           | 125-7174           | 2           | Washer-Seal        | 15          | 135-4184           | 1           | Pipe-Lo Return     |
| 5           | 125-7194           | 2           | Bolt-Joint         | 16          | 127-2992           | 1           | Joint              |
| 6           | 125-7174           | 2           | Washer-Seal        | 17          | 127-3003           | 1           | Elbow              |
| 7           | 125-6952           | 1           | Bolt-Joint, Pipe   | 18          | 127-3169           | 2           | Clamp-Hose         |
| 8           | 135-4183           | 1           | Pipe ASM-Lo        | 19          | 125-7198           | 1           | O-Ring             |
| 9           | 125-6988           | 1           | Joint Bolt ASM     | 20          | 125-7208           | 2           | Bolt               |
| 10          | 125-7174           | 1           | Washer-Seal        | 21          | 135-4185           | 3           | Valve ASM-Check    |
| 11          | 125-7194           | 1           | Bolt-Joint         | 27          | 135-4186           | 3           | Nozzle ASM-Piston  |

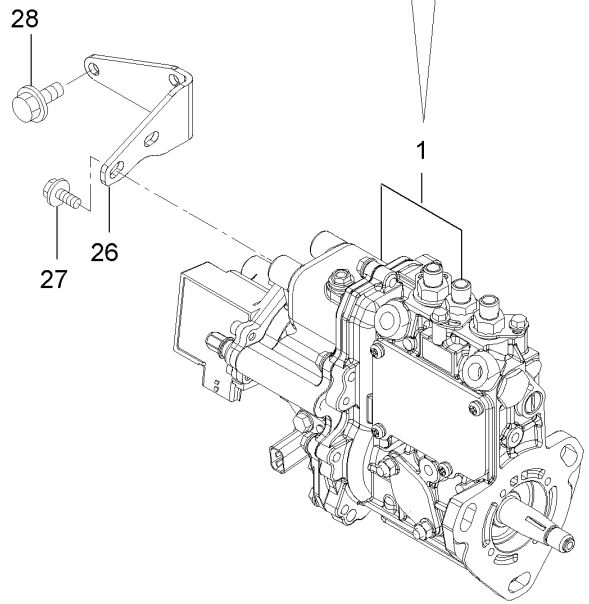
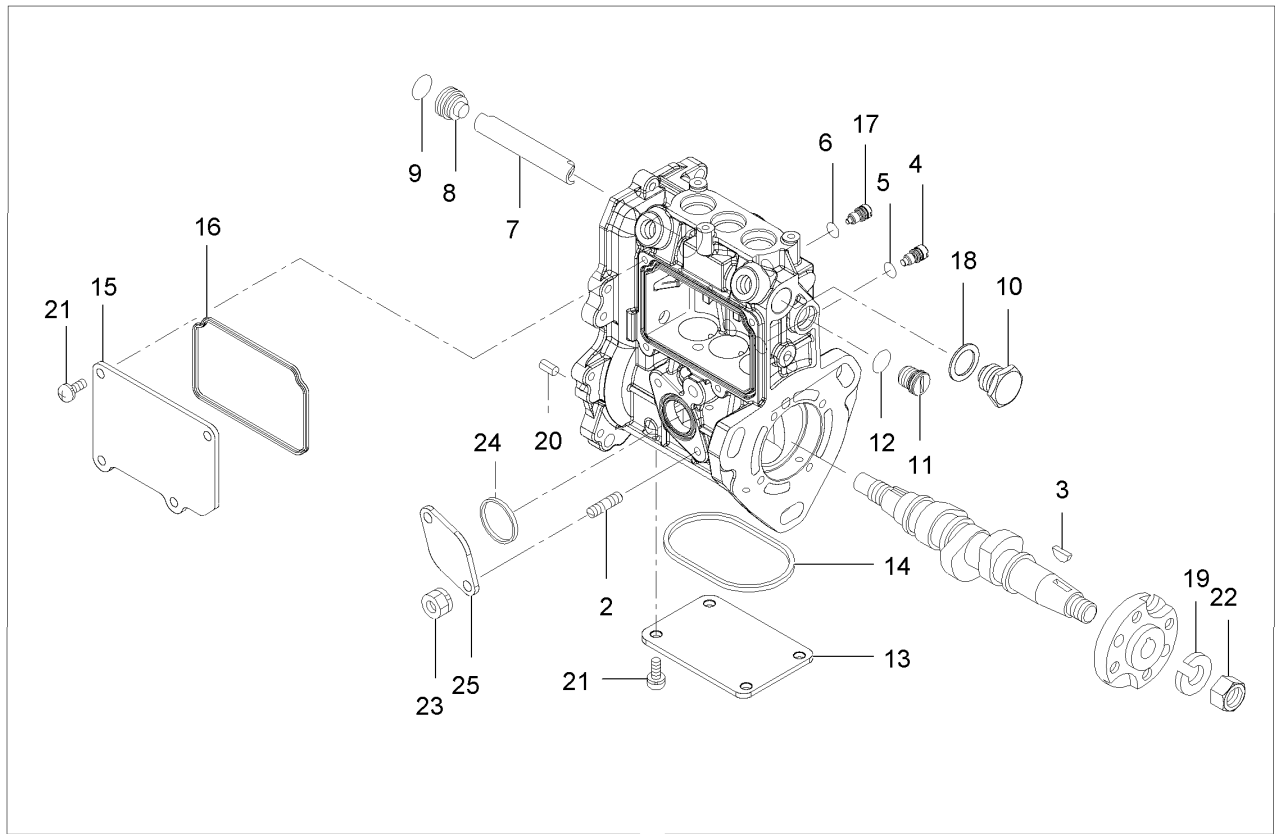
# Cooling Water System Assembly



## Cooling Water System Assembly (continued)

| <i>Ref.</i> | <i>Part Number</i> | <i>Qty.</i> | <i>Description</i> | <i>Ref.</i> | <i>Part Number</i> | <i>Qty.</i> | <i>Description</i>    |
|-------------|--------------------|-------------|--------------------|-------------|--------------------|-------------|-----------------------|
| 1           | 135-4187           | 1           | Pump ASM-Water     | 19          | 135-4196           | 1           | Fan-Cooling 1         |
| 3           | 135-4188           | 1           | Gasket             | 20          | 135-4197           | 1           | Spacer-Fan            |
| 4           | 135-4189           | 1           | Cover              | 21          | 135-4059           | 4           | Bolt                  |
| 9           | 135-4190           | 1           | O-Ring             | 22          | 135-4199           | 1           | Cover-Thermostat      |
| 10          | 135-4191           | 1           | Joint-Pipe         | 23          | 135-4200           | 1           | Thermostat            |
| 11          | 133-2504           | 4           | Screw              | 24          | 135-4201           | 1           | Bolt                  |
| 12          | 135-4192           | 1           | Plug               | 25          | 135-4202           | 1           | Bolt                  |
| 13          | 135-4193           | 1           | Gasket-Pump, Water | 26          | 125-6953           | 1           | Plug                  |
| 14          | 125-7192           | 1           | Gasket             | 27          | 125-7124           | 1           | Sensor-Thermostat, CW |
| 15          | 125-7212           | 1           | Bolt               | 28          | 125-6979           | 2           | Gasket                |
| 16          | 125-7220           | 3           | Bolt               | 29          | 135-4203           | 1           | Joint                 |
| 17          | 135-4194           | 1           | V-Pulley           | 30          | 125-7176           | 1           | Washer-Seal           |
| 18          | 135-4195           | 1           | V-Belt             |             |                    |             |                       |

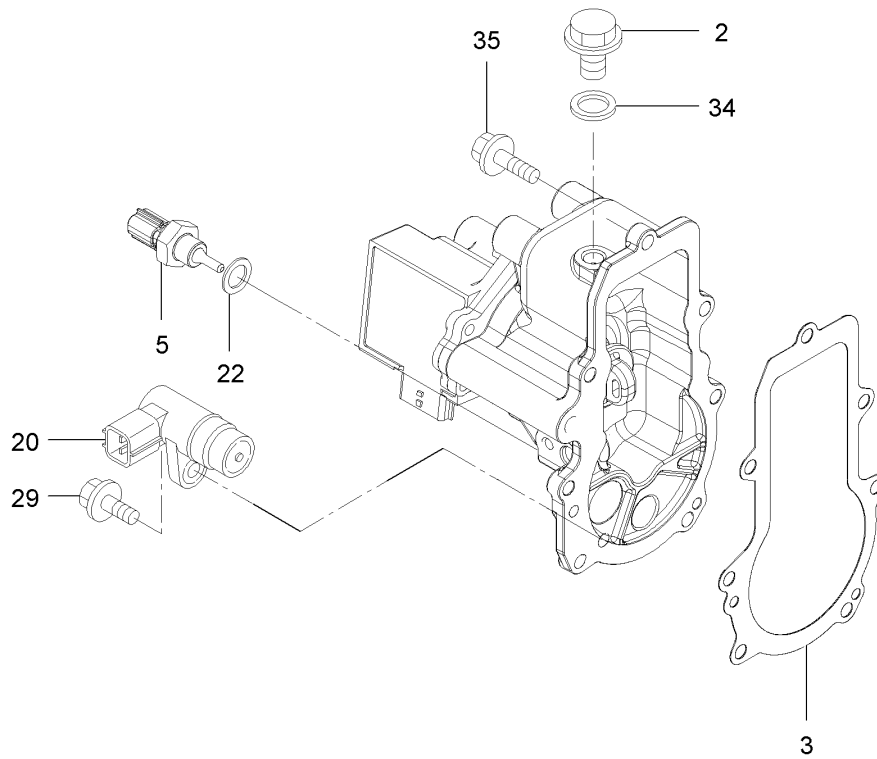
# Fuel Injection Pump Assembly



## Fuel Injection Pump Assembly (continued)

| <i>Ref.</i> | <i>Part Number</i> | <i>Qty.</i> | <i>Description</i>    | <i>Ref.</i> | <i>Part Number</i> | <i>Qty.</i> | <i>Description</i> |
|-------------|--------------------|-------------|-----------------------|-------------|--------------------|-------------|--------------------|
| 1           | 135-4204           | 1           | Fie ASM               | 15          | 135-4217           | 1           | Cover              |
| 2           | 135-4205           | 2           | Bolt-Stud             | 16          | 135-4218           | 1           | Gasket             |
| 3           | 135-4206           | 1           | Key-Feather, Woodruff | 17          | 135-4219           | 1           | Stopper-Rack       |
| 4           | 125-7156           | 3           | Stopper               | 18          | 136-8236           | 1           | Washer-Seal        |
| 5           | 135-4207           | 3           | O-Ring                | 19          | 135-4220           | 1           | Washer-Spring      |
| 6           | 135-4207           | 1           | O-Ring                | 20          | 125-7183           | 2           | Pin-Spring         |
| 7           | 135-4209           | 1           | Deflector             | 21          | 135-4221           | 8           | Screw              |
| 8           | 135-4210           | 1           | Plug-Deflector        | 22          | 133-2506           | 1           | Nut                |
| 9           | 135-4211           | 1           | O-Ring                | 23          | 135-4222           | 2           | Nut                |
| 10          | 135-4212           | 1           | Plug-Deflector        | 24          | 135-4223           | 1           | Gasket             |
| 11          | 135-4213           | 1           | Plug-Rack             | 25          | 135-4224           | 1           | Cover-Pump         |
| 12          | 135-4214           | 1           | O-Ring                | 26          | 135-4225           | 1           | Support            |
| 13          | 135-4215           | 1           | Cover                 | 27          | 125-7213           | 2           | Bolt               |
| 14          | 135-4216           | 1           | Gasket                | 28          | 125-7595           | 2           | Bolt               |

# Governor Assembly

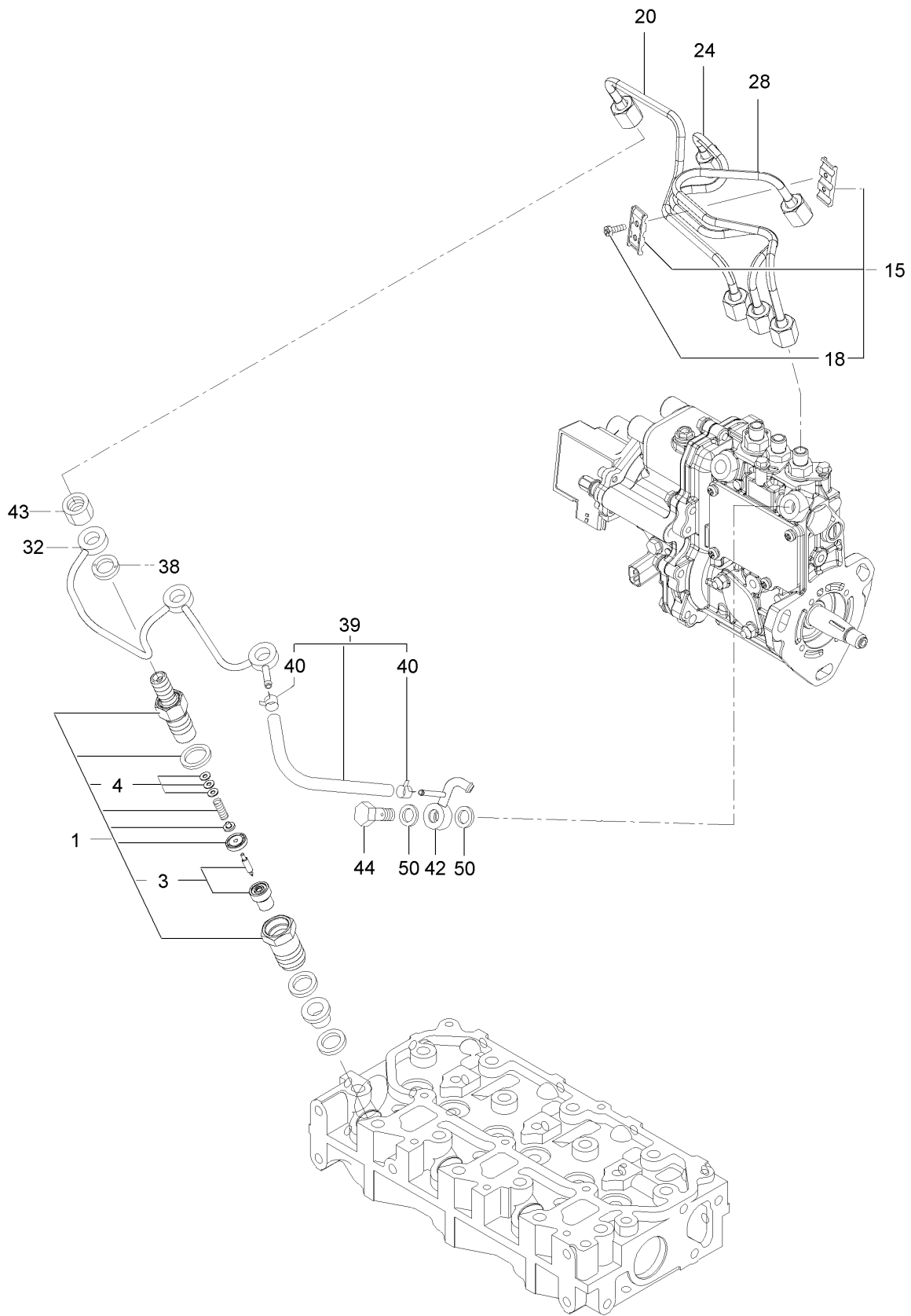




## Governor Assembly (continued)

| <i>Ref.</i> | <i>Part Number</i> | <i>Qty.</i> | <i>Description</i> | <i>Ref.</i> | <i>Part Number</i> | <i>Qty.</i> | <i>Description</i> |
|-------------|--------------------|-------------|--------------------|-------------|--------------------|-------------|--------------------|
| 2           | 135-4226           | 1           | Plug               | 22          | 125-7176           | 1           | Washer-Seal        |
| 3           | 135-4227           | 1           | Gasket             | 29          | 125-7208           | 1           | Bolt               |
| 5           | 135-4228           | 1           | Sensor-Oil Temp    | 34          | 125-7175           | 1           | Washer-Seal        |
| 20          | 125-7152           | 1           | Sensor             | 35          | 125-7209           | 7           | Bolt               |

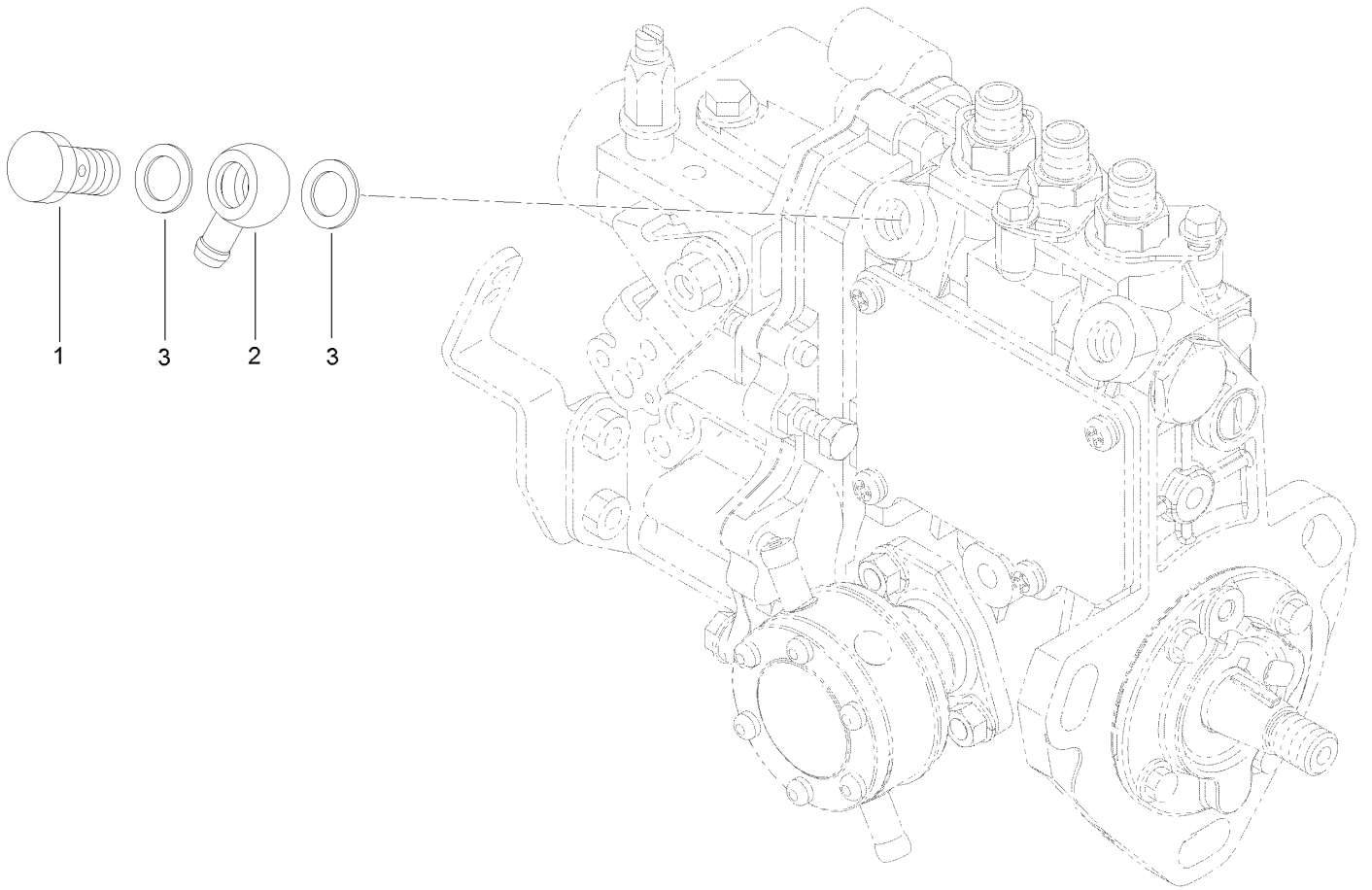
# Fuel Injection Valve Assembly



## Fuel Injection Valve Assembly (continued)

| <i>Ref.</i> | <i>Part Number</i> | <i>Qty.</i> | <i>Description</i> | <i>Ref.</i> | <i>Part Number</i> | <i>Qty.</i> | <i>Description</i> |
|-------------|--------------------|-------------|--------------------|-------------|--------------------|-------------|--------------------|
| 1           | 135-4229           | 3           | Nozzle ASM         | 32          | 135-4236           | 1           | Pipe ASM           |
| 3           | 135-4230           | 3           | Nozzle ASM         | 38          | 135-4237           | 3           | Gasket             |
| 4           | 135-4231           | 3           | Adjusting Shim Set | 39          | 135-4238           | 1           | Hose ASM           |
| 15          | 135-4232           | 1           | Retainer-Pipe      | 40          | 136-8225           | 2           | Clamp-Hose         |
| 18          | 125-7027           | 2           | Bolt               | 42          | 135-4239           | 1           | Joint-Over Flow    |
| 20          | 135-4233           | 1           | Pipe ASM (Inj No1) | 43          | 135-4240           | 3           | Nut-Nozzle         |
| 24          | 135-4234           | 1           | Pipe ASM (Inj No2) | 44          | 135-4241           | 1           | Check Valve ASM    |
| 28          | 135-4235           | 1           | Pipe ASM (Inj No3) | 50          | 125-7176           | 2           | Washer-Seal        |

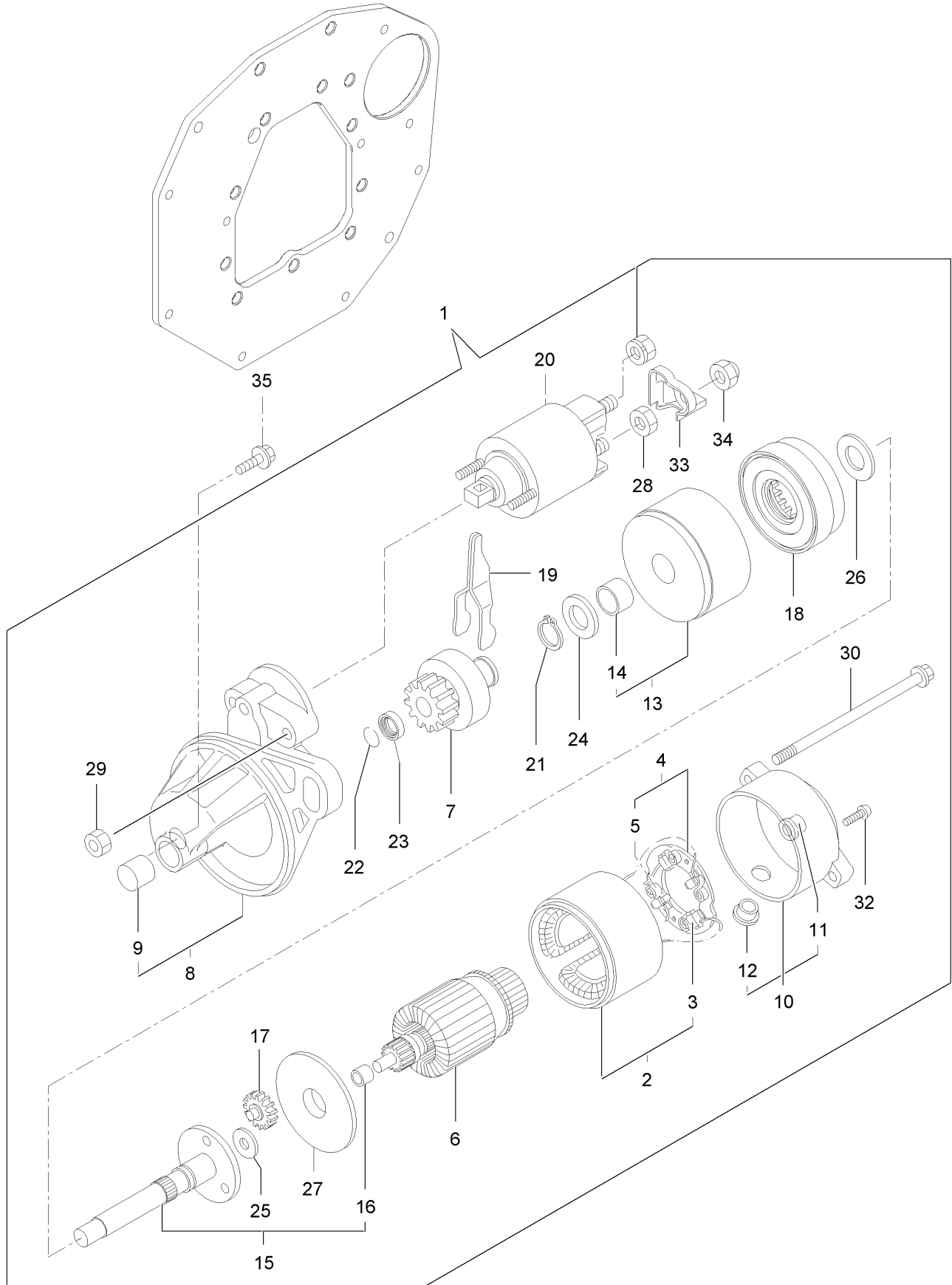
# Fuel Pipe Assembly



## Fuel Pipe Assembly (continued)

| <i>Ref.</i> | <i>Part Number</i> | <i>Qty.</i> | <i>Description</i> |
|-------------|--------------------|-------------|--------------------|
| 1           | 135-4242           | 1           | Bolt-Joint, Pipe   |
| 2           | 135-4243           | 1           | Joint-Pipe         |
| 3           | 125-7176           | 2           | Washer-Seal        |

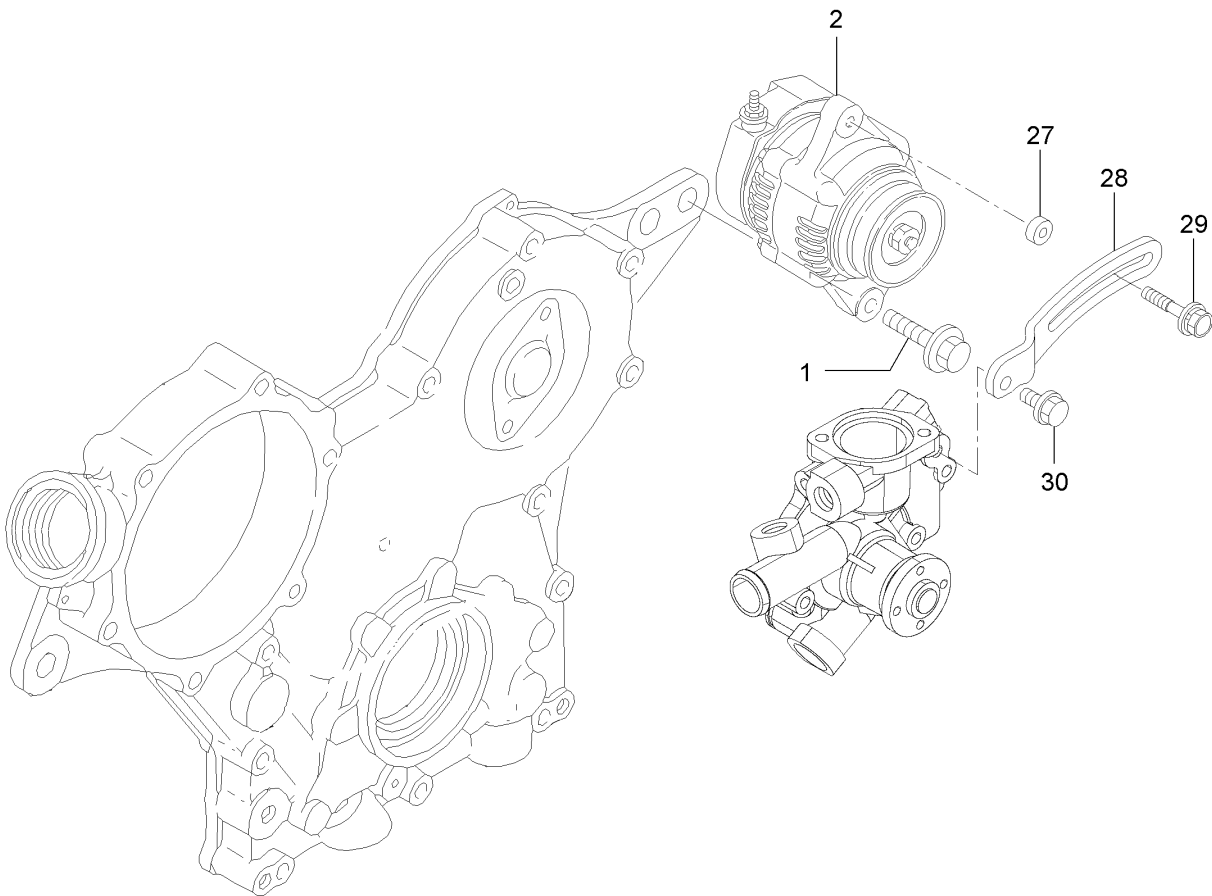
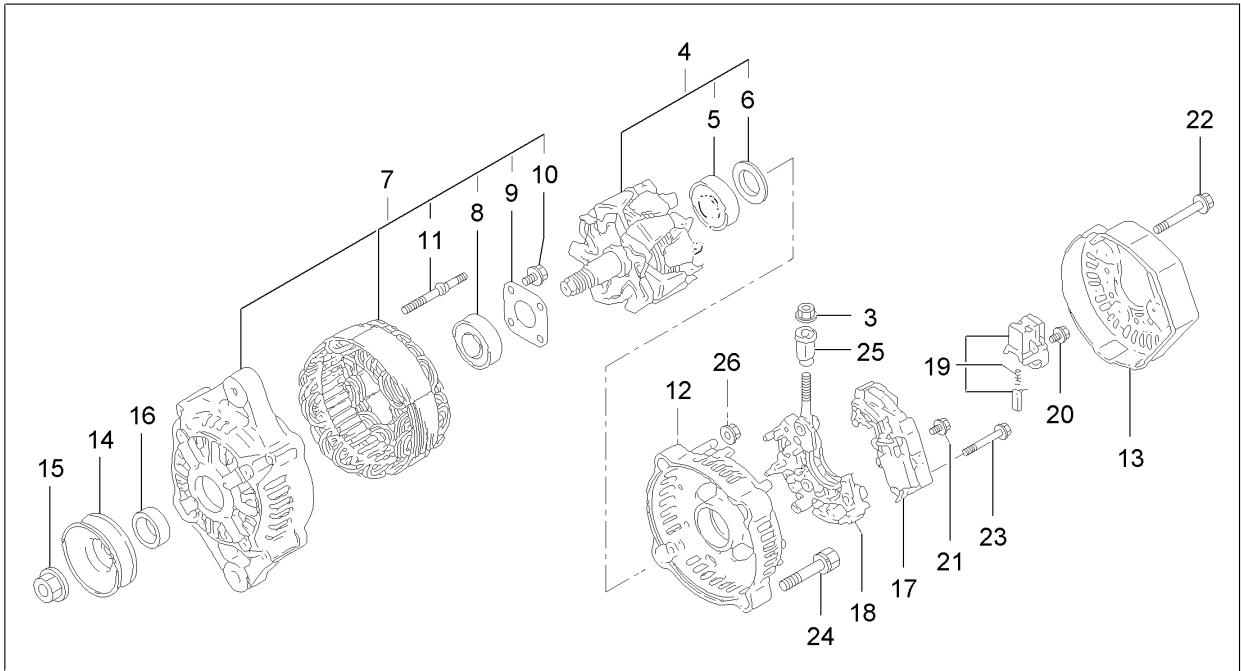
# Starting Motor Assembly



## Starting Motor Assembly (continued)

| <i>Ref.</i> | <i>Part Number</i> | <i>Qty.</i> | <i>Description</i> | <i>Ref.</i> | <i>Part Number</i> | <i>Qty.</i> | <i>Description</i> |
|-------------|--------------------|-------------|--------------------|-------------|--------------------|-------------|--------------------|
| 1           | 135-4244           | 1           | Starter ASM        | 18          | 135-4261           | 1           | Gear               |
| 2           | 135-4245           | 1           | Yoke ASM           | 19          | 135-4262           | 1           | Lever              |
| 3           | 135-4246           | 2           | Starter Kit        | 20          | 135-4263           | 1           | Switch ASM         |
| 4           | 135-4247           | 1           | Holder ASM         | 21          | 135-4264           | 1           | Ring               |
| 5           | 135-4248           | 4           | Spring             | 22          | 135-4265           | 1           | Ring               |
| 6           | 135-4249           | 1           | Armature ASM       | 23          | 135-4266           | 1           | Nut                |
| 7           | 135-4250           | 1           | Clutch ASM         | 24          | 135-4267           | 1           | Washer             |
| 8           | 135-4251           | 1           | Housing ASM        | 25          | 135-4268           | 1           | Washer             |
| 9           | 135-4252           | 1           | Bearing-Needle     | 26          | 135-4269           | 1           | Washer             |
| 10          | 135-4253           | 1           | Frame ASM          | 27          | 135-4270           | 1           | Plate              |
| 11          | 135-4254           | 1           | Bearing            | 28          | 135-4271           | 1           | Nut                |
| 12          | 135-4255           | 1           | Cover              | 29          | 135-4272           | 2           | Nut                |
| 13          | 135-4256           | 1           | Bearing ASM        | 30          | 135-4273           | 2           | Bolt-Through       |
| 14          | 135-4257           | 1           | Bearing            | 32          | 135-4274           | 2           | Screw              |
| 15          | 135-4258           | 1           | Shaft ASM          | 33          | 135-4275           | 1           | Cover-Terminal     |
| 16          | 135-4259           | 1           | Bearing            | 34          | 135-4276           | 1           | Nut                |
| 17          | 135-4260           | 3           | Gear               | 35          | 127-3179           | 2           | Bolt               |

# Generator Assembly

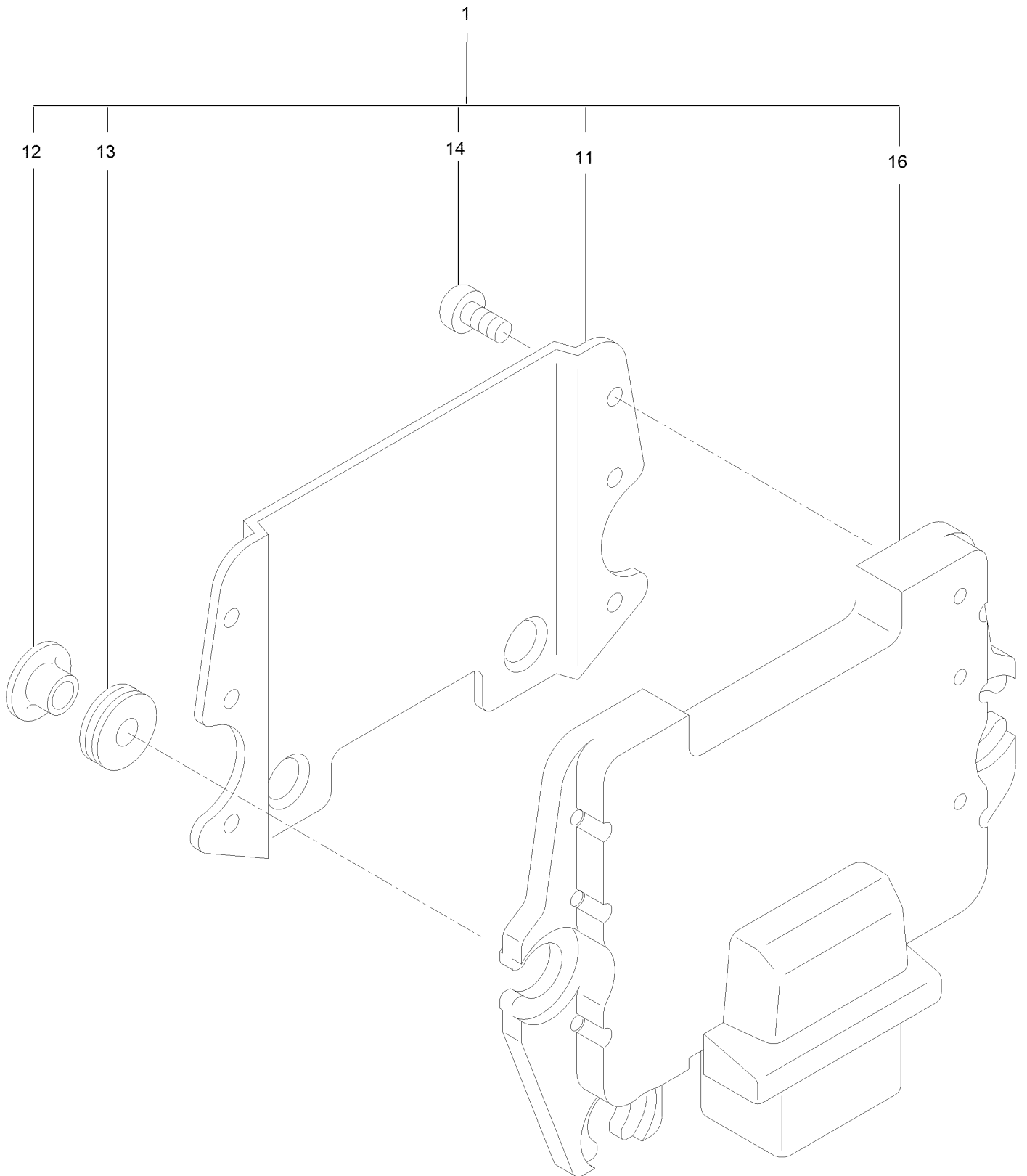




## Generator Assembly (continued)

| <i>Ref.</i> | <i>Part Number</i> | <i>Qty.</i> | <i>Description</i> | <i>Ref.</i> | <i>Part Number</i> | <i>Qty.</i> | <i>Description</i> |
|-------------|--------------------|-------------|--------------------|-------------|--------------------|-------------|--------------------|
| 1           | 135-4277           | 1           | Bolt               | 16          | 127-2957           | 1           | Collar             |
| 2           | 135-4278           | 1           | Alternator         | 17          | 135-4026           | 1           | Regulator ASM      |
| 3           | 127-3190           | 1           | Nut                | 18          | 127-3848           | 1           | Holder             |
| 4           | 127-3843           | 1           | Rotor ASM          | 19          | 127-2993           | 1           | Holder             |
| 5           | 127-2983           | 1           | Bearing-Ball       | 20          | 127-2965           | 6           | Screw              |
| 6           | 127-2962           | 1           | Cover              | 21          | 127-2966           | 1           | Screw              |
| 7           | 135-4025           | 1           | Frame ASM          | 22          | 127-2967           | 3           | Bolt               |
| 8           | 127-2958           | 1           | Bearing-Ball       | 23          | 127-2968           | 2           | Screw              |
| 9           | 127-2959           | 1           | Plate-Retainer     | 24          | 127-2969           | 2           | Bolt               |
| 10          | 127-2960           | 4           | Screw              | 25          | 127-2970           | 1           | Bushing-Insulation |
| 11          | 127-2961           | 2           | Stud               | 26          | 127-2971           | 2           | Nut                |
| 12          | 127-3845           | 1           | Frame              | 27          | 125-6947           | 1           | Spacer             |
| 13          | 127-3846           | 1           | Cover              | 28          | 135-4279           | 1           | Adjuster-Belt      |
| 14          | 127-2954           | 1           | Pulley             | 29          | 125-7134           | 1           | Bolt               |
| 15          | 127-2955           | 1           | Nut                | 30          | 125-7595           | 1           | Bolt               |

# Electronic Control Unit Assembly



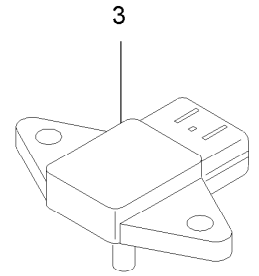
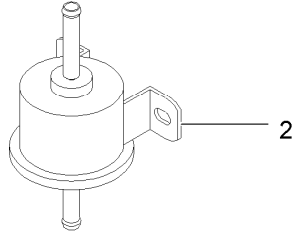
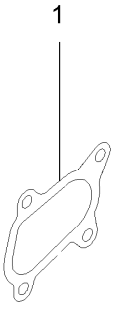
# Electronic Control Unit Assembly (continued)

| <i>Ref.</i> | <i>Part Number</i> | <i>Qty.</i> | <i>Description</i> | <i>Ref.</i> | <i>Part Number</i> | <i>Qty.</i> | <i>Description</i> |
|-------------|--------------------|-------------|--------------------|-------------|--------------------|-------------|--------------------|
| 1           |                    | 1           | Ecu ASM ●          | 13          | 125-6908           | 3           | Absorber           |
| 11          | 125-7129           | 1           | Shield             | 14          | 125-7187           | 6           | Screw              |
| 12          | 125-7130           | 3           | Collar             | 16          | 135-4281           | 1           | Ecu ■              |

● Not serviced separately

■ Contact an Authorized Service Dealer

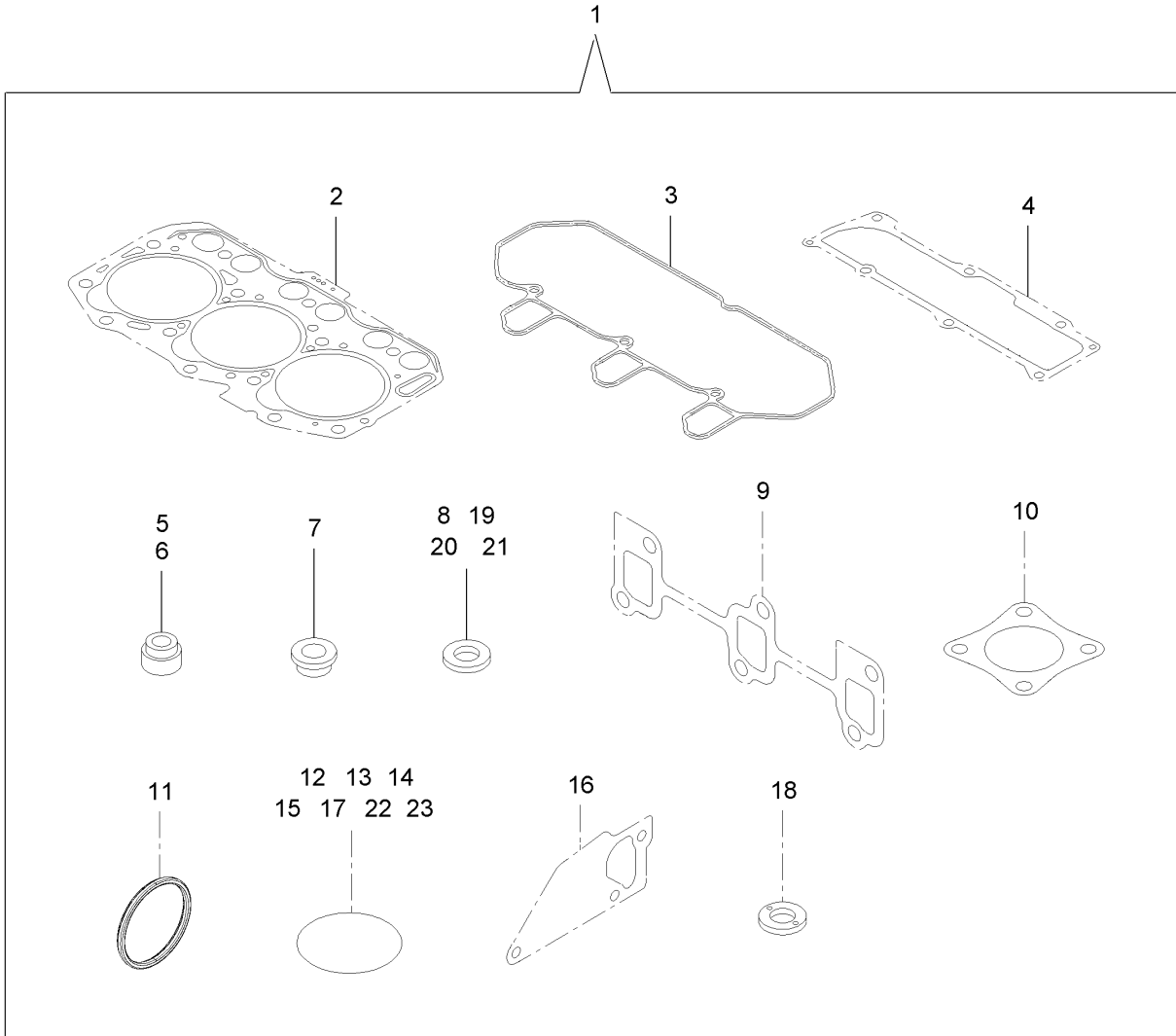
# Fuel System Assembly



## Fuel System Assembly (continued)

| <i>Ref.</i> | <i>Part Number</i> | <i>Qty.</i> | <i>Description</i>  |
|-------------|--------------------|-------------|---------------------|
| 1           | 127-3779           | 1           | Gasket-Out, T C     |
| 2           | 121-5613           | 1           | Pump-Fuel, Electric |
| 3           | 135-4282           | 1           | Sensor              |

# Gasket Set



## Gasket Set (continued)

| <i>Ref.</i> | <i>Part Number</i> | <i>Qty.</i> | <i>Description</i>             | <i>Ref.</i> | <i>Part Number</i> | <i>Qty.</i> | <i>Description</i> |
|-------------|--------------------|-------------|--------------------------------|-------------|--------------------|-------------|--------------------|
| 1           | 135-4283           | 1           | Gasket Kit                     | 13          | 127-2973           | 1           | O-Ring             |
| 2           | 135-4038           | 1           | Head Gasket Set                | 14          | 135-4058           | 3           | O-Ring             |
| 3           | 135-4093           | 1           | Gasket-Cover, Cylinder<br>Head | 15          | 135-4293           | 1           | O-Ring             |
| 4           | 135-4095           | 1           | Gasket                         | 16          | 135-4193           | 1           | Gasket-Pump, Water |
| 5           | 125-6915           | 3           | Seal-Stem, Valve               | 17          | 125-6957           | 1           | O-Ring             |
| 6           | 125-6916           | 3           | Seal-Stem, Valve               | 18          | 135-4237           | 3           | Gasket             |
| 7           | 135-4069           | 3           | Protector-Nozzle               | 19          | 125-7174           | 4           | Washer-Seal        |
| 8           | 135-4070           | 6           | Gasket-Nozzle                  | 20          | 125-7176           | 4           | Washer-Seal        |
| 9           | 135-4107           | 1           | Gasket-Manifold, Exhaust       | 21          | 125-7192           | 1           | Gasket             |
| 10          | 135-4290           | 1           | Gasket-Silencer                | 22          | 125-7197           | 2           | O-Ring             |
| 11          | 135-4160           | 1           | Gasket-Washer                  | 23          | 135-4295           | 1           | O-Ring             |
| 12          | 125-6909           | 1           | O-Ring                         |             |                    |             |                    |

# Attachments and Accessories

## For 72029 Z Master Professional 7500-D Series Riding Mower With 72in TURBO FORCE Rear Discharge Mower

| <b>Product Name</b>                                                       | <b>Model/Part</b> |
|---------------------------------------------------------------------------|-------------------|
| Premium Transmission/Hydraulic Tractor Fluid (55 Gallon Drum).....        | 108-1183          |
| Premium Transmission/Hydraulic Tractor Fluid (5 Gallon Pail) .....        | 108-1184          |
| Deck Skid Bumper (White).....                                             | 126-0854          |
| Sunshade Kit .....                                                        | 126-8077          |
| Anti-Scalp and Wear Bar Kit .....                                         | 127-6650          |
| Jack Kit.....                                                             | 127-6666          |
| Jack Mount Kit .....                                                      | 135-1768          |
| Trash Container Kit.....                                                  | 135-2473          |
| Slow Moving Vehicle Kit.....                                              | 135-2891          |
| Rear Guard Kit.....                                                       | 135-3445          |
| Hitch Kit .....                                                           | 135-3616          |
| Worklight Kit .....                                                       | 135-7076          |
| 15W40 Oil 32oz. ....                                                      | 137-1051          |
| Oil-30/10W-30 Synthetic (Quart).....                                      | 138-6053          |
| Oil-30/10W-30 Synthetic (Gallon) .....                                    | 138-6054          |
| Blade-24.50 Atomic .....                                                  | 140-1239          |
| Blade-24.50 Cr Low Flow.....                                              | 140-1245          |
| 6 Pack-Blade, 24.5 Atomic.....                                            | 140-4875          |
| Tilt Sensor-Diesel .....                                                  | 142-3372          |
| Hood Intake Kit .....                                                     | 142-4189          |
| Heat Deflector Kit, ZMaster Professional 7500-D Series Riding Mower ..... | 147-7913          |



**Notes:**

**Notes:**

**Notes:**



**Count on it.**