



**Count on it.**

**Parts Catalog**

**GrandStand® Mower**

**With 36in TURBO FORCE® Cutting Unit**

Model No. 74534—Serial No. 405600000 and Up



# Ordering Replacement Parts

To order replacement parts, please supply the part number, the quantity, and the description of each part desired.

## Understanding Reference Numbers

Each identified part in an illustration has a reference number. The reference number for a part also appears in the parts list, along with other information about the part.

This catalog uses two special reference number formats, one to indicate parts in a service assembly and another to indicate the quantity of a given part in an illustration.

## Service Assembly Reference Numbers

Parts in service assemblies have reference numbers in the form a:b. The a represents the reference number of the entire service assembly and the b represents a sequential number unique to each part within the service assembly.

For example, a wheel assembly might be identified by reference number 6, the tire by 6:1, the valve by 6:2, and the wheel by 6:3. When you order the assembly identified by reference number 6, you receive all parts identified by reference numbers 6:1, 6:2, and 6:3. However, you may also order any part individually. Reference numbers of this type appear in illustration and in parts lists.

## Reference Numbers Indicating Quantity

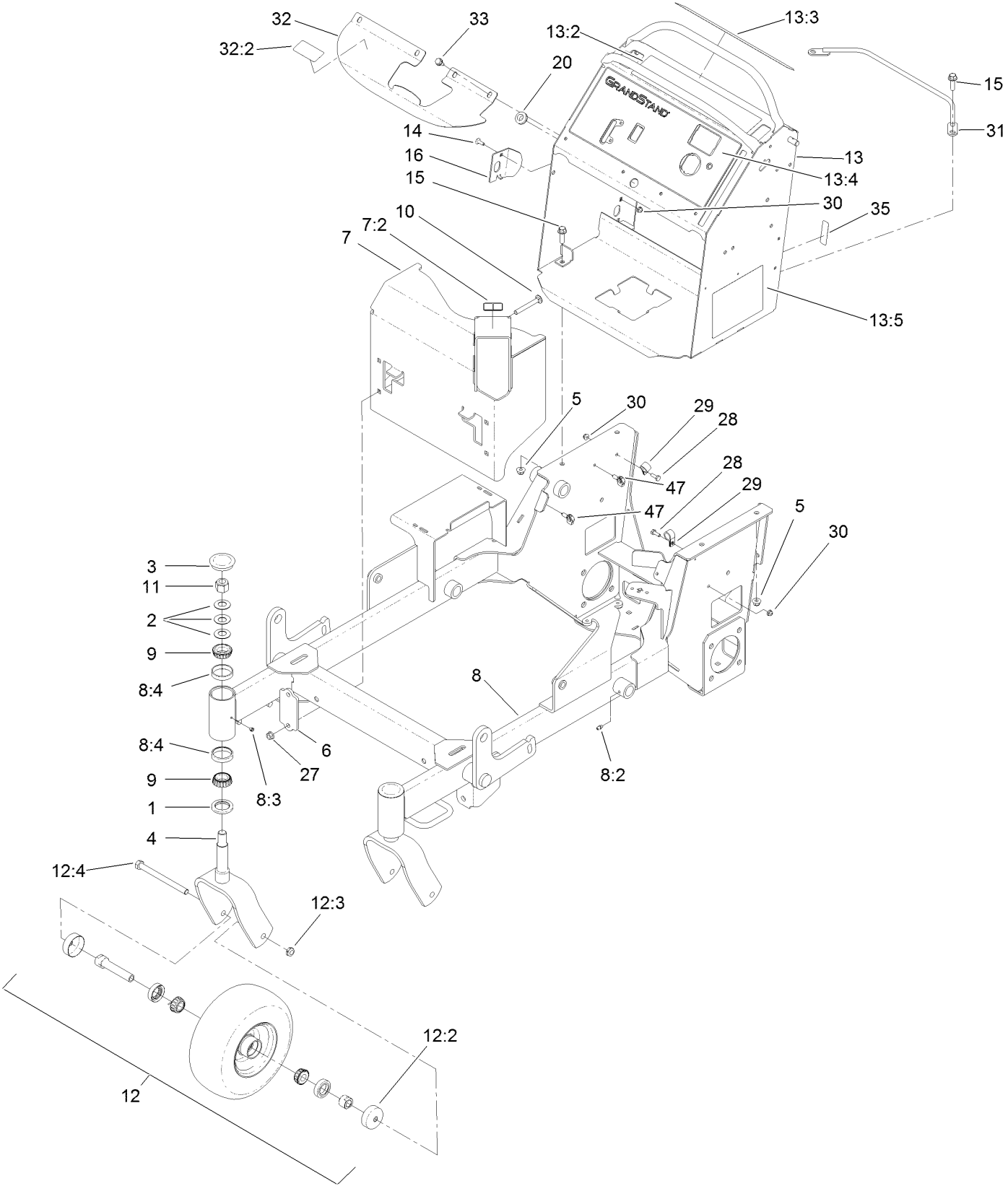
In an illustration, if a reference number indicates more than one part, the reference number has the form nX y. The n represents the quantity of the part, the X is the multiplication symbol, and the y represents the reference number.

For example, in an illustration, the reference number 2X 37 means that two of the parts identified by reference number 37 are indicated.

# Contents

Main Frame Assembly . . . . .	4
Wheel and Bearing Assembly . . . . .	6
Parking Brake Assembly . . . . .	8
Height-of-Cut Plate Assembly . . . . .	10
Deck Lift Assembly . . . . .	12
Deck Lift Spring Assembly No. 119-2337 . . . . .	14
Cushion and Platform Assembly . . . . .	16
Cushion Assembly No. 130-1767 . . . . .	18
Platform Assembly No. 132-9402 . . . . .	20
Traction Drive Assembly . . . . .	22
Hydraulic Motor Assembly 104-1171 . . . . .	24
Hydraulic Pump Assembly No. 119-0177 . . . . .	26
Hydraulic Pump Assembly No. 119-0176 . . . . .	28
Pump Idler Assembly No. 117-7685 . . . . .	30
Motion Control Assembly . . . . .	32
Engine Assembly . . . . .	34
Fuel Tank Assembly . . . . .	36
Vent Hose Assembly . . . . .	38
Electrical Assembly . . . . .	40
Deck Assembly . . . . .	42
Deflector Assembly No. 119-2347 . . . . .	44
Spindle Assembly No. 117-7638 . . . . .	46
Deck Decal Assembly No. 121-6015 . . . . .	48
Attachments and Accessories . . . . .	50

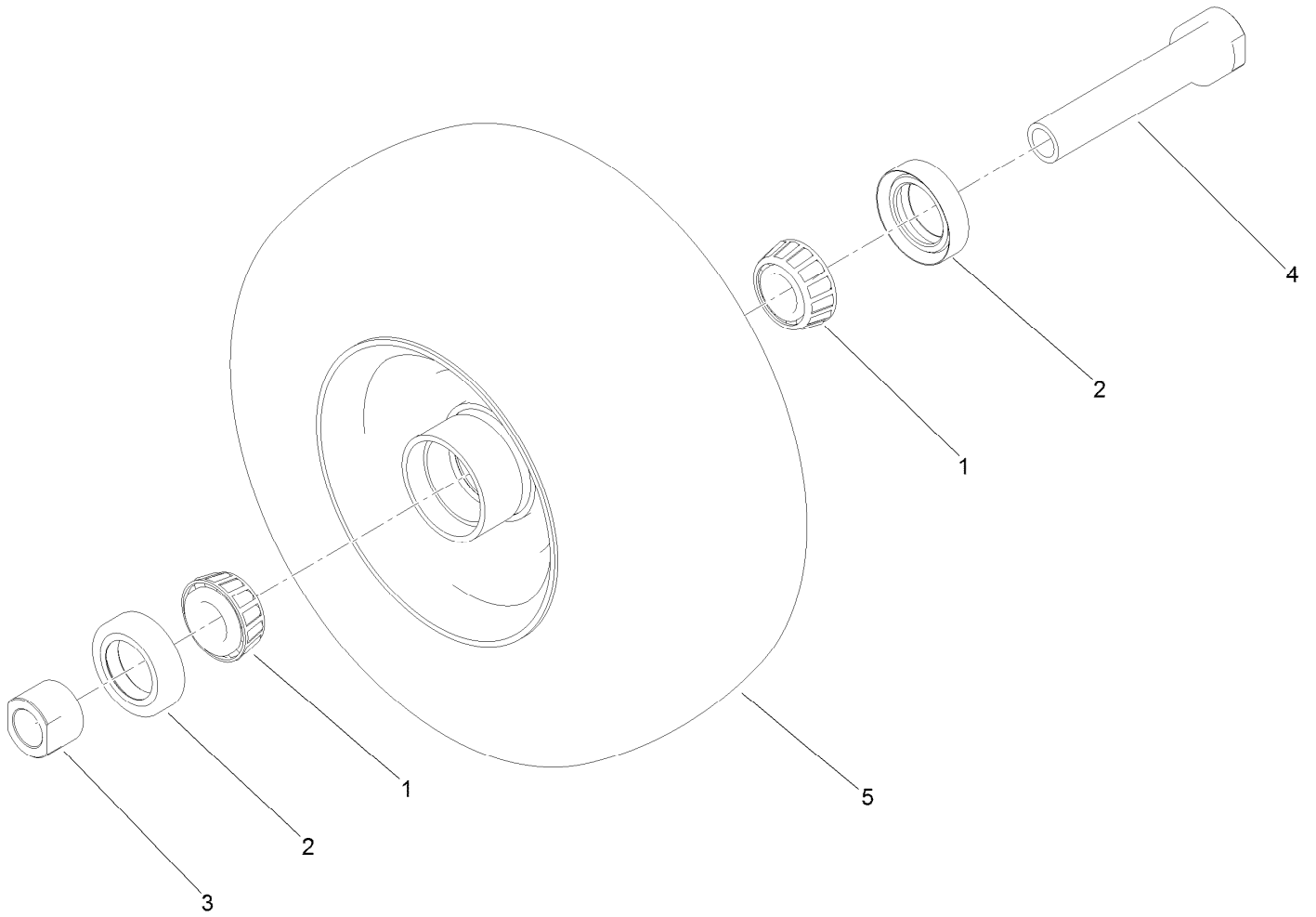
# Main Frame Assembly



## Main Frame Assembly (continued)

<i>Ref.</i>	<i>Part Number</i>	<i>Qty.</i>	<i>Description</i>	<i>Ref.</i>	<i>Part Number</i>	<i>Qty.</i>	<i>Description</i>
1	116-5647	2	Seal-Grease	13	125-4675	1	Control Tower ASM
2	1-633508	6	Washer-Bellville	13:2	117-0454	1	Decal-OPC
3	103-4882	2	Cap-Grease	13:3	139-2878	1	Decal-Warning
4	121-7988-01	2	Fork-Caster	13:4	125-4679	1	Decal-Panel, Control
5	104-8301	4	Nut-HF, NI	13:5	139-1531	1	Decal-Service
6	119-7303-01	2	Bracket-Mounting, Guard	14	1-807512	1	Bolt-CARR
7	116-8739	1	Muffler Guard ASM	15	119-4061	4	Screw-HHF
7:2	106-5517	1	Decal-Warning	16	119-7312	1	Plate-Striker
8	125-4650	1	Frame ASM	20	112-7069	1	Grommet
8:2	302-5	7	Fitting-Grease	27	32128-21	4	Nut-HF Lock
8:3	1-811010	2	Plug	28	321-4	2	Screw-HH
8:4	1-543508	4	Cup-Bearing	29	2412-87	2	Clamp-Cable
9	1-543509	4	Bearing-Roller, Tapered	30	104-7201	3	Nut-HF, NI
10	3231-10	4	Screw-CARR	31	119-1878-03	1	Retainer-Cable
11	3296-51	2	Nut-Lock, NI	32	119-0239	1	Cover-Tank
12	140-1890	2	Wheel, Tire And Bearing ASM	32:2	116-8775	1	Decal-Fill, Fuel
12:2	103-2768	2	Guard-Seal	33	32144-70	4	Screw-HWHTF
12:3	3296-45	1	Nut-Hex	35	116-8772	1	Decal-Fuse
12:4	325-20	1	Screw-HH	47	32180-040	2	Clip-Harness

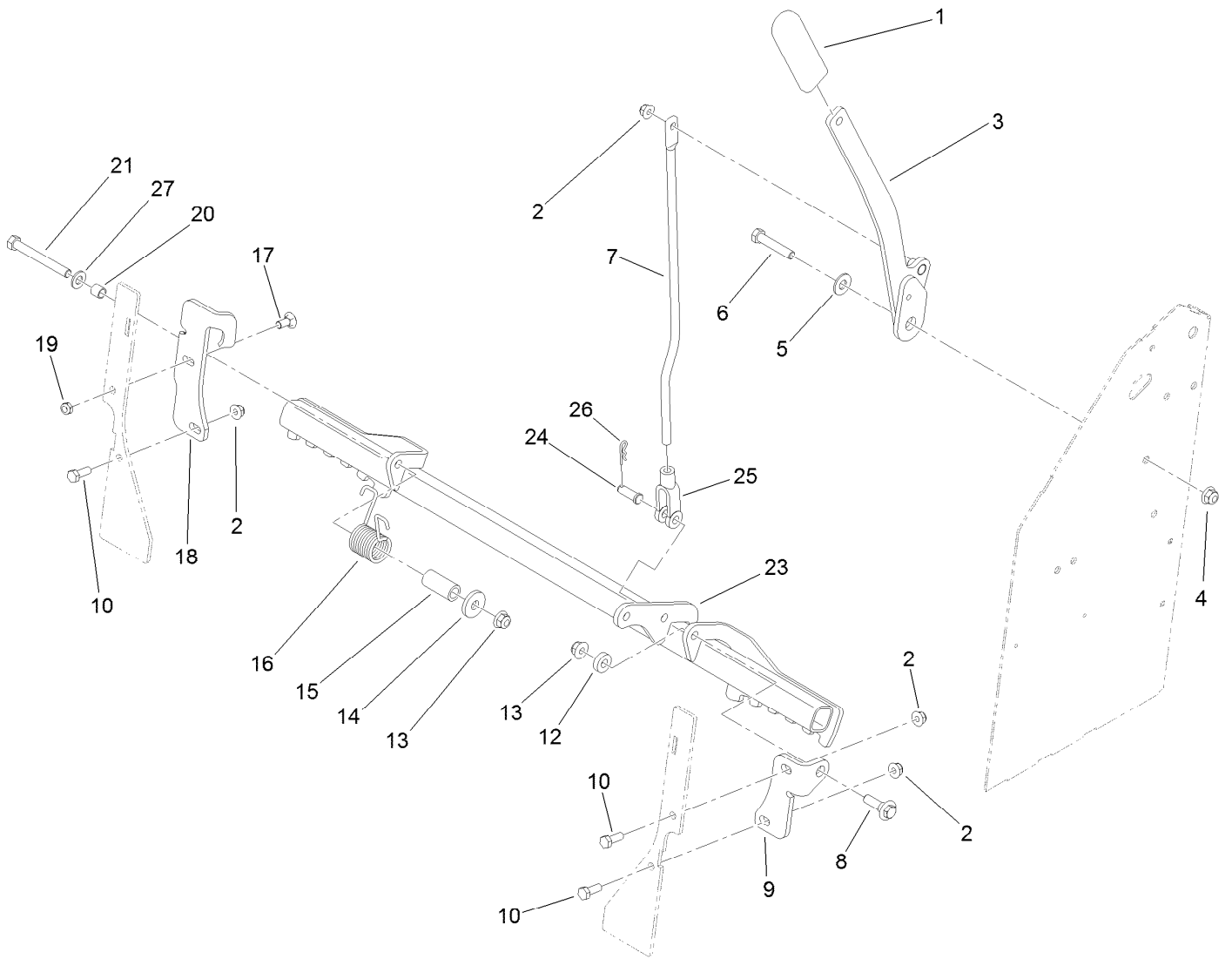
# Wheel and Bearing Assembly



## Wheel and Bearing Assembly (continued)

<i>Ref.</i>	<i>Part Number</i>	<i>Qty.</i>	<i>Description</i>	<i>Ref.</i>	<i>Part Number</i>	<i>Qty.</i>	<i>Description</i>
1	1-633585	2	Bearing-Cone, Taper	4	126-5359	1	Caster Axle ASM
2	103-0063	2	Seal-Caster	5	140-1892	1	Wheel And Tire ASM
3	103-3051	1	Spacer-Nut				

# Parking Brake Assembly

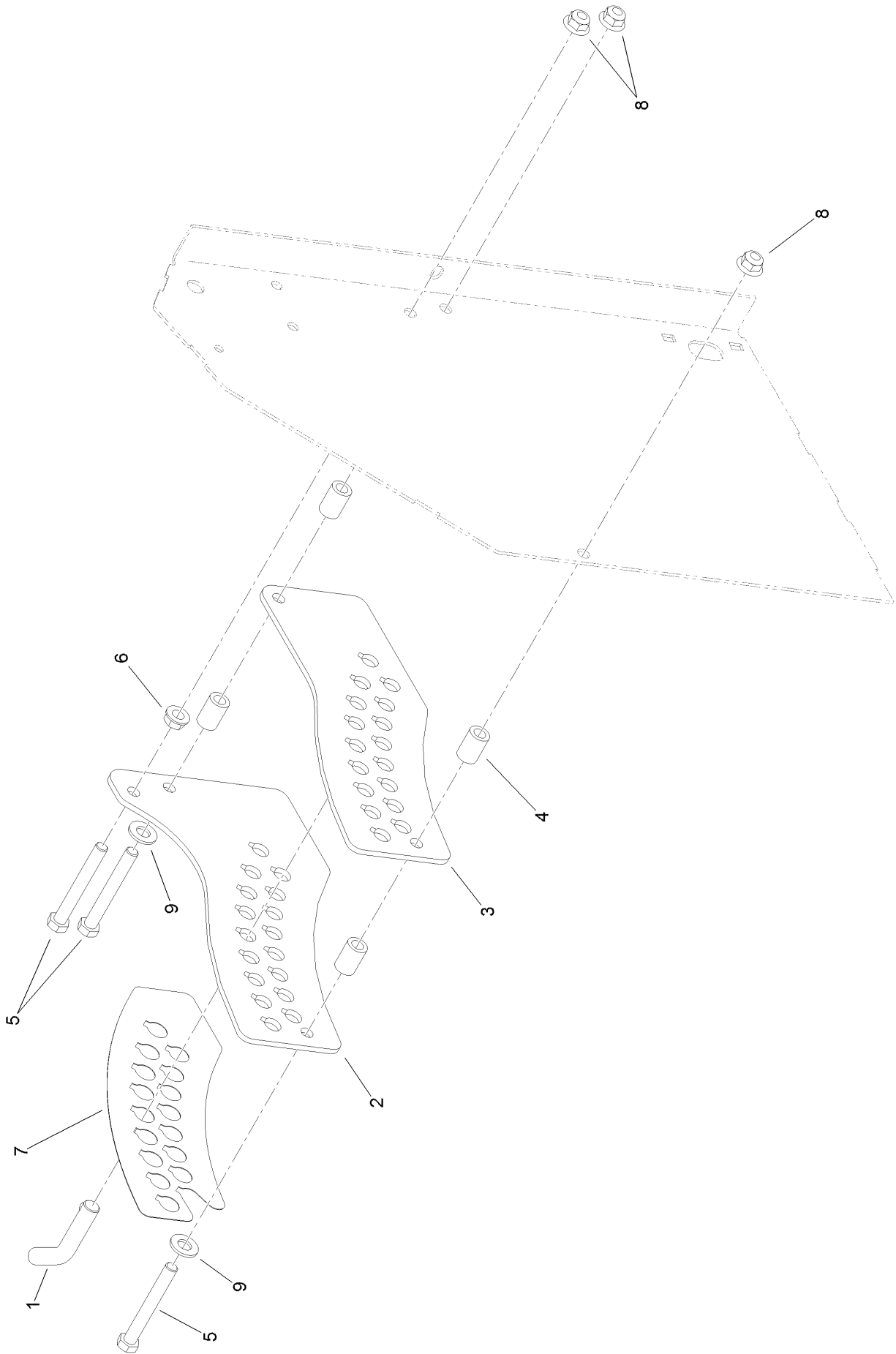




## Parking Brake Assembly (continued)

<i>Ref.</i>	<i>Part Number</i>	<i>Qty.</i>	<i>Description</i>	<i>Ref.</i>	<i>Part Number</i>	<i>Qty.</i>	<i>Description</i>
1	1-633268	1	Grip-Lever	15	117-9683	1	Spacer
2	104-8300	4	Nut-HF, NI	16	108-4052	1	Spring-Torsion
3	119-1861-01	1	Handle-Brake	17	3230-1	1	Bolt-CARR
4	104-8301	1	Nut-HF, NI	18	125-4667-01	1	Bracket-Brake Mount, RH
5	3256-4	1	Washer-Flat	19	3296-47	1	Nut-Lock,NI
6	323-10	1	Screw-HH	20	117-9684	1	Spacer
7	117-6199	1	Rod-Link, Brake	21	323-20	1	Screw-HH
8	614672	1	Screw-Shoulder, HWH	23	116-4600-03	1	Bar-Brake
9	119-1860-01	1	Bracket-Brake Mount, LH	24	283-2	1	Pin-Clevis
10	322-4	3	Screw-HH	25	1-633131	1	Yoke-Linkage, Brake
12	5-0652	1	Spacer	26	3290-307	1	Pin-Cotter
13	104-8301	2	Nut-HF, NI	27	3256-24	1	Washer-Plain
14	1-373034	1	Washer				

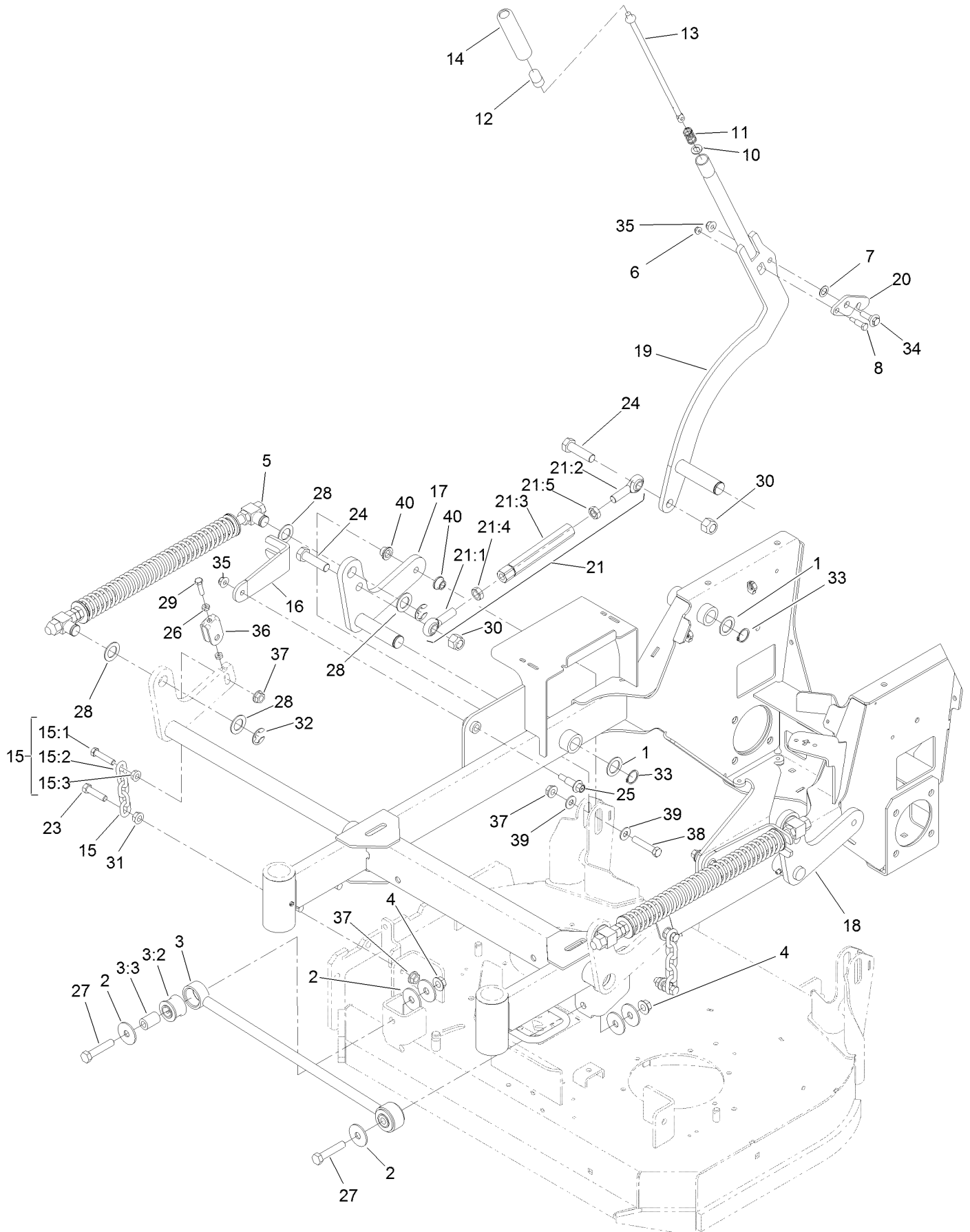
# Height-of-Cut Plate Assembly



## Height-of-Cut Plate Assembly (continued)

<i>Ref.</i>	<i>Part Number</i>	<i>Qty.</i>	<i>Description</i>	<i>Ref.</i>	<i>Part Number</i>	<i>Qty.</i>	<i>Description</i>
1	116-5584	1	Pin-HOC	6	3290-357	1	Nut-HSF
2	117-5286-01	1	Plate-HOC, Outside	7	119-2317	1	Decal-HOC
3	117-5287-01	1	Plate-HOC, Inside	8	104-8301	3	Nut-HF, NI
4	114-2754	4	Spacer	9	3256-24	2	Washer-Plain
5	323-14	3	Screw-HH				

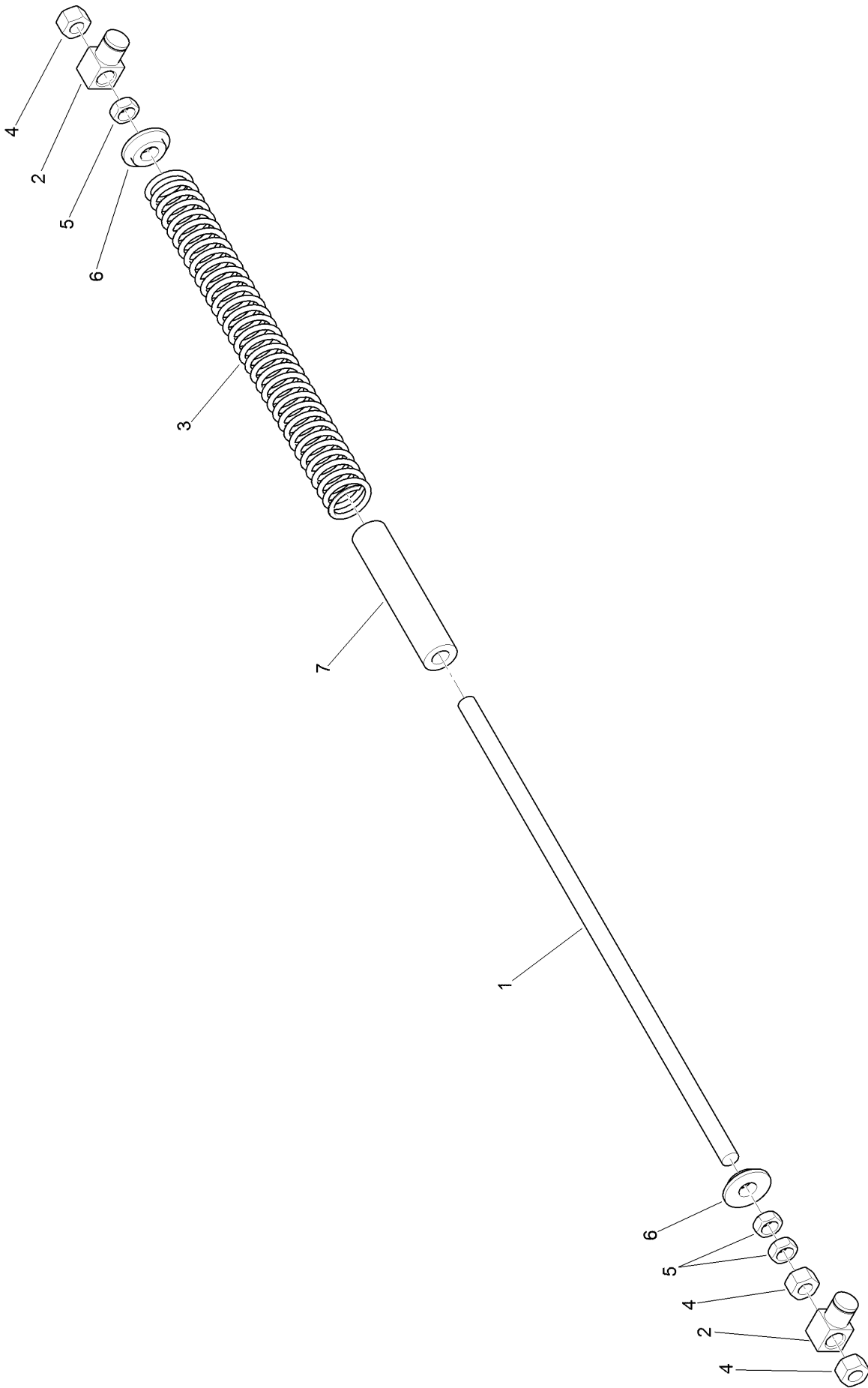
# Deck Lift Assembly



## Deck Lift Assembly (continued)

<i>Ref.</i>	<i>Part Number</i>	<i>Qty.</i>	<i>Description</i>	<i>Ref.</i>	<i>Part Number</i>	<i>Qty.</i>	<i>Description</i>
1	1-523157	3	Washer-Spacer	21	119-0383	1	Deck Lift Link ASM
2	86-1990	4	Washer-Thrust	21:1	1-633029	1	Balljoint-Spherical
3	109-5013	1	Panhard Rod ASM	21:2	117-5291	1	Balljoint-Spherical
3:2	109-5009	2	Bushing-Suspension, Rubber	21:3	119-0382	1	Link-Lift, Deck
3:3	109-5010	2	Spacer	21:4	3220-6	1	Nut-Jam
4	32128-23	2	Nut-HF	21:5	117-5293	1	Nut-Jam
5	119-2337	2	Deck Lift Spring ASM	23	324-7	2	Screw-HH
6	104-7201	1	Nut-HF, NI	24	327-22	2	Screw-HH
7	98-1629	1	Washer	25	62-1330	2	Bolt-Shoulder
8	119-2309	1	Bolt-Shldr,HH	26	3218-2	4	Nut-Hex Jam
10	114-1207	1	Washer-Special	27	325-10	2	Screw-HH
11	114-8187	1	Spring-Compression	28	119-2332	8	Washer-Flat
12	115-2750	1	Knob	29	119-3626	2	Screw-HH
13	136-0530	1	Rod-Latch, Release	30	3296-53	2	Nut-Lock, NI
14	115-3592	1	Grip	31	32128-37	2	Nut-HF
15	116-0756	2	Deck Lift Chain ASM	32	32151-103	4	Ring-Retaining, EXT
15:1	1-633447	1	Chain-Lift, Deck	33	32151-29	3	Ring-Retaining
15:2	109-9065	1	Screw-HH	34	614672	1	Screw-Shoulder, HWH
15:3	32128-37	1	Nut-HF	35	104-8301	3	Nut-HF, NI
16	119-2302-01	2	Bracket-Fork	36	109-9066	2	Yoke-Adjust, Deck
17	121-6014-01	1	Arm-Lift, RH	37	32128-42	6	Nut-HF
18	121-6013-01	1	Arm-Lift, LH	38	324-9	2	Screw-HH
19	117-5290-01	1	Arm-Lift, HOC	39	3256-4	4	Washer-Flat
20	117-5292	1	Latch-HOC	40	116-2428	4	Bushing-Flanged

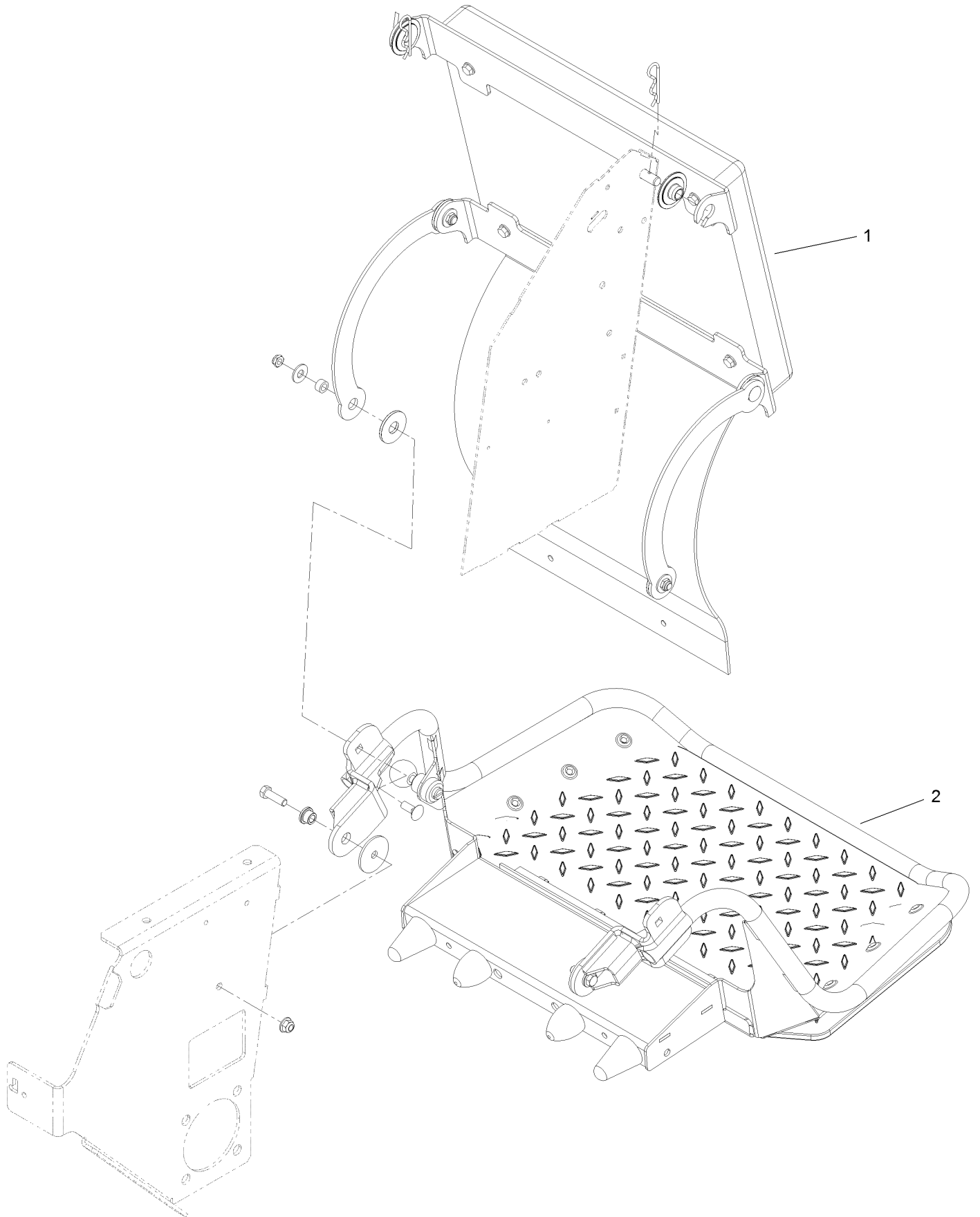
# Deck Lift Spring Assembly No. 119-2337



# Deck Lift Spring Assembly No. 119-2337 (continued)

<i>Ref.</i>	<i>Part Number</i>	<i>Qty.</i>	<i>Description</i>	<i>Ref.</i>	<i>Part Number</i>	<i>Qty.</i>	<i>Description</i>
1	1-633096	1	Rod-Lift, Deck	5	3218-6	3	Nut-Jam
2	1-633441	2	Swivel-Deck Mount, Rear	6	119-2334	2	Washer-Step
3	119-2327	1	Spring-Compression	7	119-2335	1	Tube-Guide, Spring
4	3217-11	3	Nut-Hex				

# Cushion and Platform Assembly

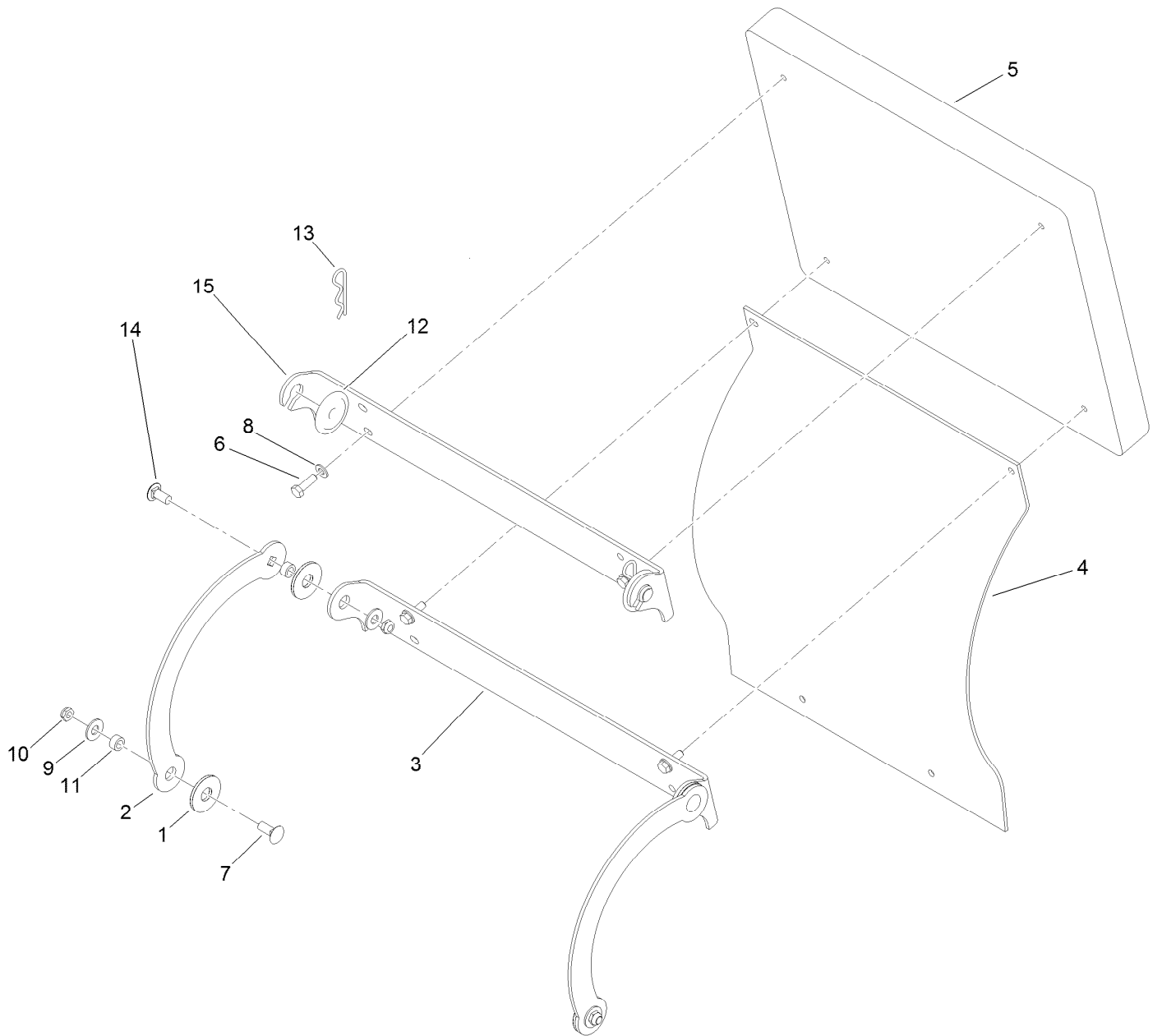




## Cushion and Platform Assembly (continued)

<i>Ref.</i>	<i>Part Number</i>	<i>Qty.</i>	<i>Description</i>
1	130-1767	1	Cushion ASM
2	132-9402	1	Platform ASM

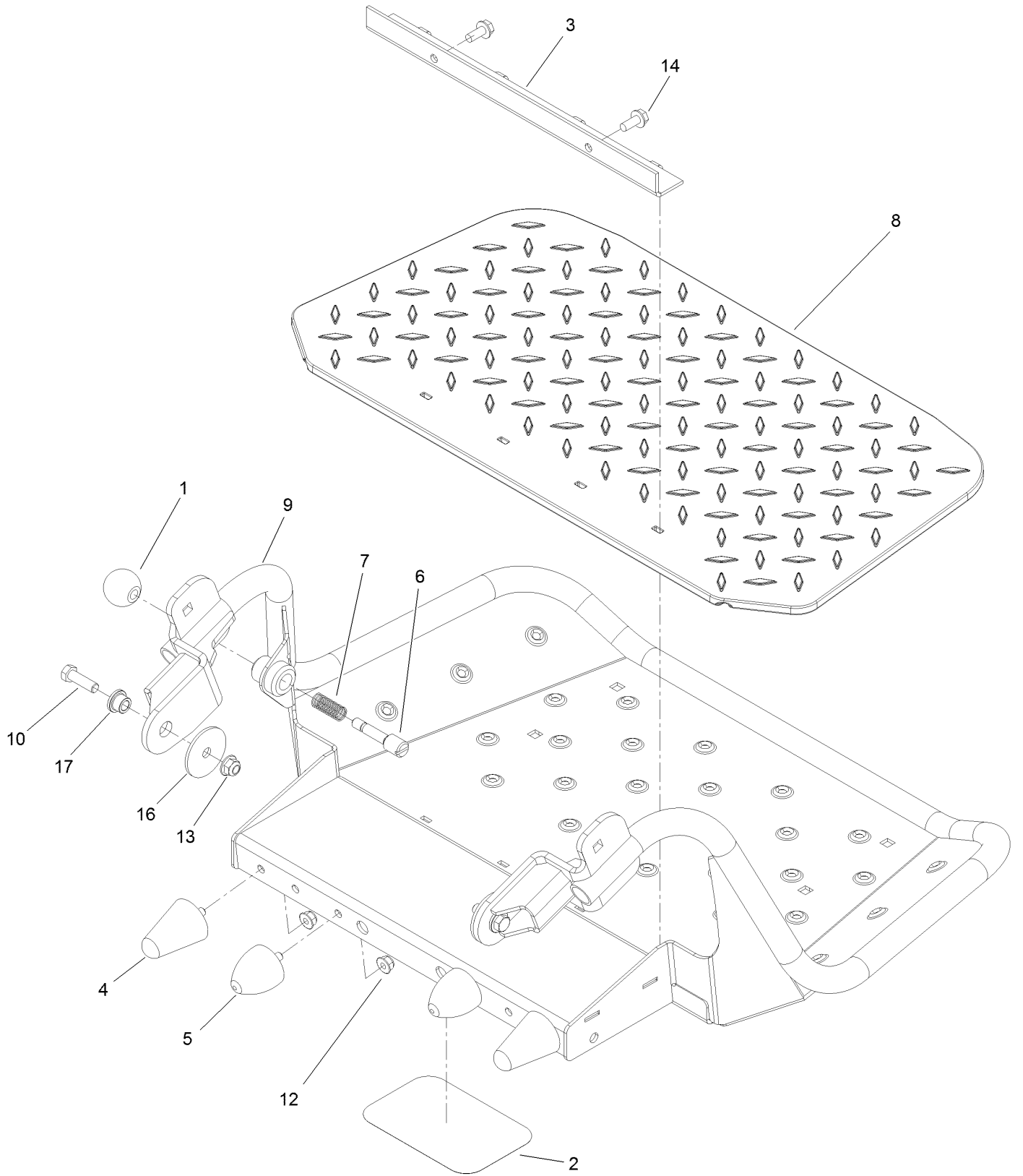
# Cushion Assembly No. 130-1767



## Cushion Assembly No. 130-1767 (continued)

<i>Ref.</i>	<i>Part Number</i>	<i>Qty.</i>	<i>Description</i>	<i>Ref.</i>	<i>Part Number</i>	<i>Qty.</i>	<i>Description</i>
1	114-0463	4	Washer-Friction, Composite	9	3256-4	4	Washer-Flat
2	114-1915-01	2	Link-Pad	10	3296-59	4	Nut-Lock, NI
3	116-2061-03	1	Hinge-Pad	11	111044	4	Spacer
4	130-1769	1	Shield-Rear	12	116-2886	2	Slide-Bushing
5	117-9739	1	Pad-Cushion	13	3290-355	2	Pin-Hair
6	121-7999	4	Screw-HH, Patch	14	3231-27	2	Screw-CARR
7	3231-2	2	Bolt-CARR	15	116-2757-03	1	Hinge-Pad
8	3256-23	4	Washer-Plain				

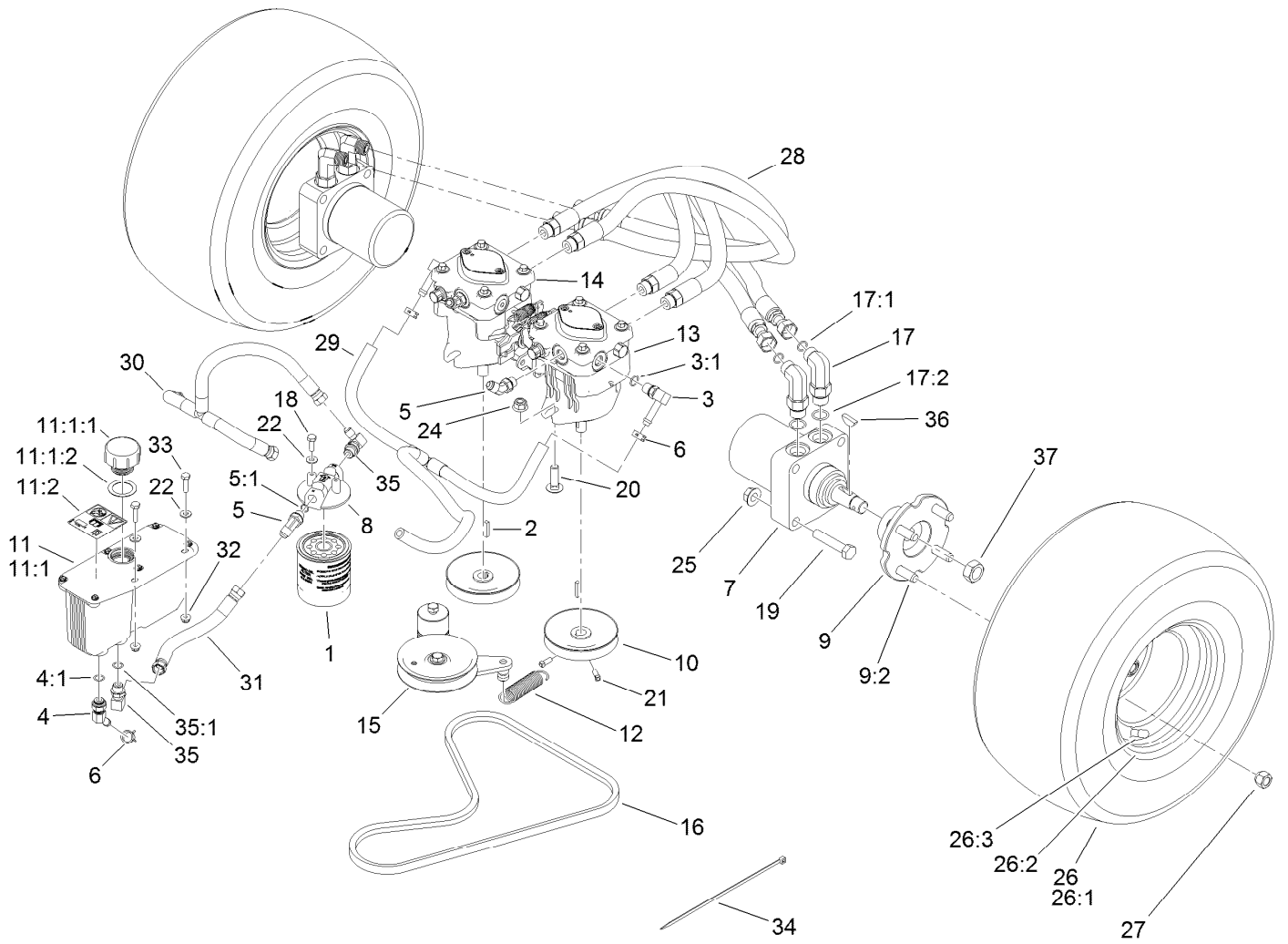
# Platform Assembly No. 132-9402



## Platform Assembly No. 132-9402 (continued)

<i>Ref.</i>	<i>Part Number</i>	<i>Qty.</i>	<i>Description</i>	<i>Ref.</i>	<i>Part Number</i>	<i>Qty.</i>	<i>Description</i>
1	1-603175	1	Knob-Ball	9	132-9403-01	1	Platform ASM
2	68-3640	1	Decal	10	323-7	2	Screw-HH
3	114-1920-03	1	Clamp-Shield	12	104-8300	4	Nut-HF, NI
4	114-1925	2	Bumper-Rubber	13	104-8301	2	Nut-HF, NI
5	114-1926	2	Bumper-Rubber	14	32144-11	2	Screw-HWH
6	119-8650	1	Pin-Latch	16	83-1040	2	Washer-Flat
7	114-5348	1	Spring	17	109-8788	2	Bushing-Flanged
8	126-7157	1	Mat-Platform				

# Traction Drive Assembly



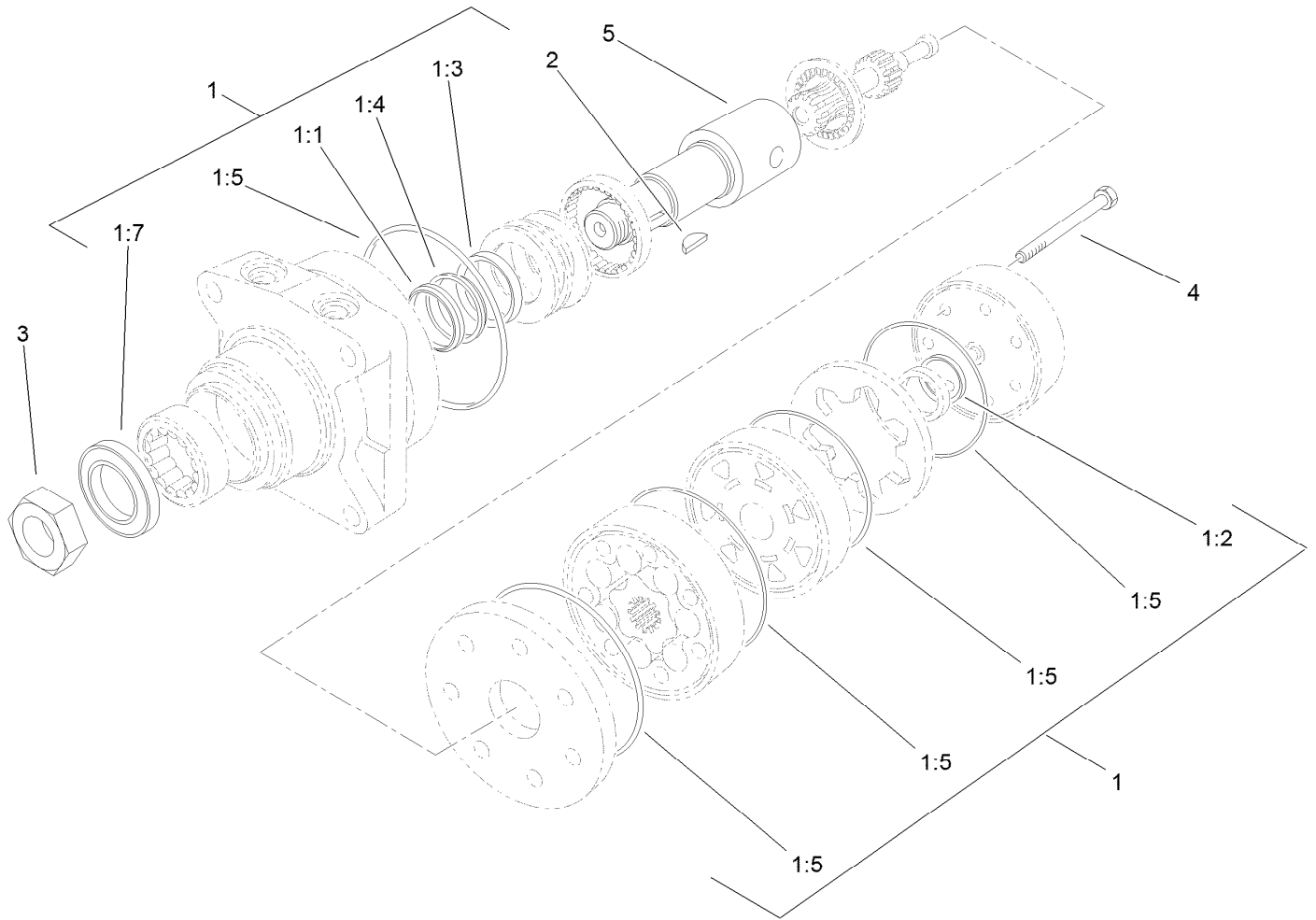
## Traction Drive Assembly (continued)

<i>Ref.</i>	<i>Part Number</i>	<i>Qty.</i>	<i>Description</i>	<i>Ref.</i>	<i>Part Number</i>	<i>Qty.</i>	<i>Description</i>
1	114-3494	1	Element-Filter, 25 Micron	17:1	237-30	1	O-Ring
2	1-807272	2	Key	17:2	237-80	1	O-Ring
3	100-4887	2	Fitting-Elbow, 90	18	321-3	2	Screw-HH
3:1	237-42	1	O-Ring	19	325-10	8	Screw-HH
4	103-1807	1	Fitting-Barbed, 45 DEG	20	3232-3	4	Bolt-CARR
4:1	237-42	1	O-Ring	21	3241-5	4	Screw-Set
5	353-212	3	Fitting-Elbow, 45 DEG	22	3256-22	4	Washer-Flat
5:1	237-42	1	O-Ring	24	114-8417	4	Nut-HF, NI
6	103-1988	3	Clamp-Hose	25	32128-23	8	Nut-HF
7	104-1171	2	HYD Motor ASM	26	140-4271	2	Wheel And Tire ASM
8	104-7836	1	Head-Filter	26:1	140-1887	1	Rim-8 Inch Black
9	105-0800	2	Wheel Hub ASM	26:2	116-4606	1	Tire
9:2	10-6830	4	Stud-Type, Drive	26:3	232-27	1	Stem-Valve
10	105-5648	2	Pulley-Pump	27	242-50	8	Nut-Lug
11	107-8433	1	HYD Reservoir ASM	28	119-0173	4	HYD Hose ASM
11:1		1	Reservoir-HYD ●■	29	119-8745	1	HYD Hose ASM
11:1:1	103-1948	1	Cap-Reservoir, HYD	30	119-0206	1	HYD Hose ASM
11:1:2	103-1949	1	Gasket-Cap	31	119-0203	1	HYD Hose ASM
11:2	115-4212	1	Decal-Warning	32	104-7201	2	Nut-HF, NI
12	108-4056	1	Spring-Extension	33	321-6	2	Screw-HH
13	119-0176	1	Hydraulic Pump ASM	34	3290-378	1	Tie-Cable
14	119-0177	1	Hydraulic Pump ASM	35	103-1802	2	Fitting-Elbow, 90 DEG
15	117-7685	1	Pump Idler ASM	35:1	237-42	1	O-Ring
16	119-0174	1	Belt-V	36	3257-8	2	Key-Woodruff
17	119-8680	4	Fitting-Elbow, 90	37	85-7310	2	Nut-Motor, Wheel

● Not illustrated

■ Not serviced separately

# Hydraulic Motor Assembly 104-1171



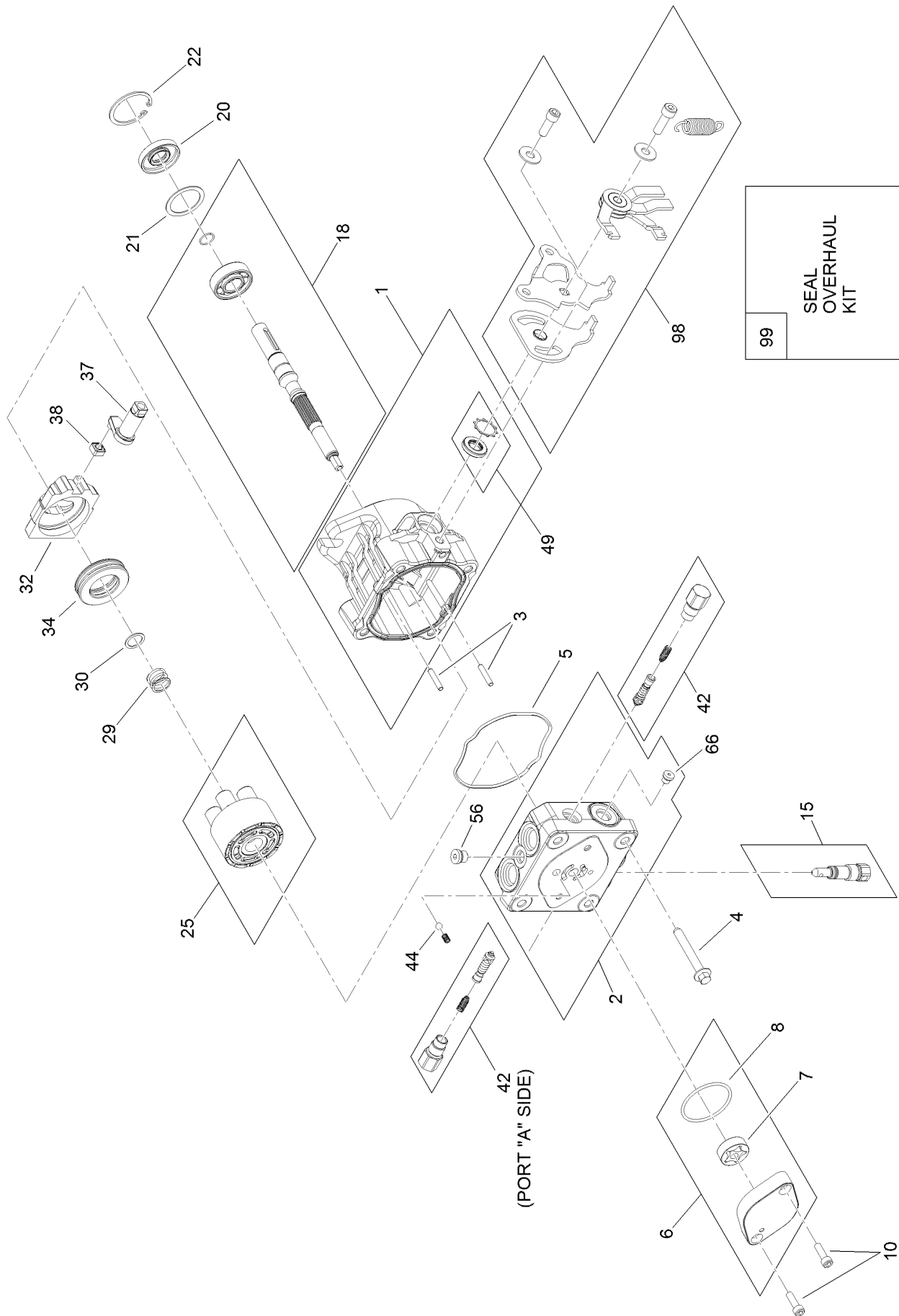


# Hydraulic Motor Assembly 104-1171 (continued)

<i>Ref.</i>	<i>Part Number</i>	<i>Qty.</i>	<i>Description</i>	<i>Ref.</i>	<i>Part Number</i>	<i>Qty.</i>	<i>Description</i>
1	1-000119	1	Seal Kit	1:7		1	Seal-Dirt And Water ●
1:1		1	Ring-Back Up ●	2	3257-8	1	Key-Woodruff
1:2		1	Seal-Commutator ●	3	85-7310	1	Nut-Motor, Wheel
1:3		1	Seal-Shaft (Viton) ●	4	106-5549	6	Bolt-Special
1:4		1	Washer-Back Up (Steel) ●	5	106-8764	1	Shaft-Coupling
1:5		5	Ring-Seal (Viton) ●				

● Not serviced separately

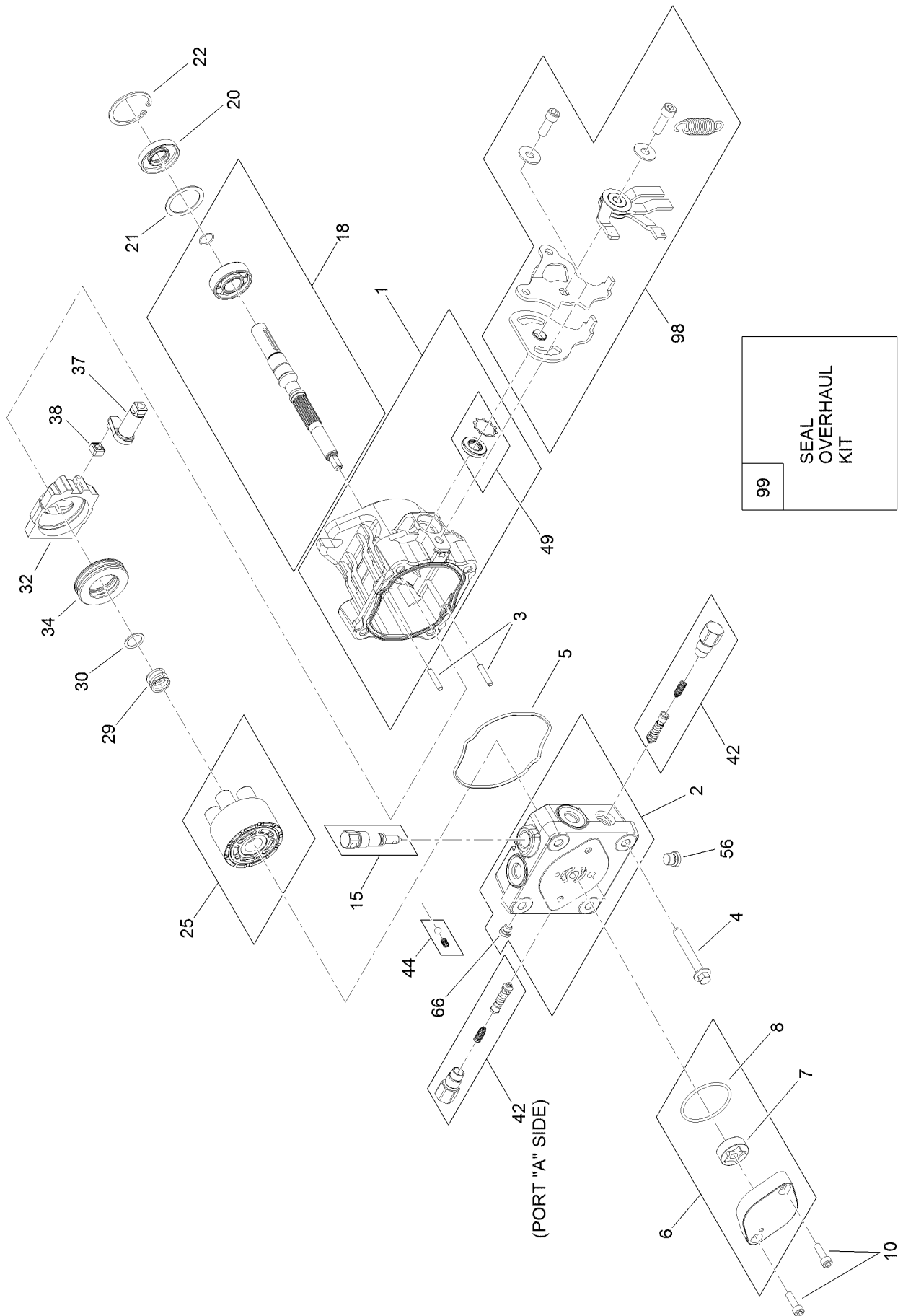
# Hydraulic Pump Assembly No. 119-0177



## Hydraulic Pump Assembly No. 119-0177 (continued)

<i>Ref.</i>	<i>Part Number</i>	<i>Qty.</i>	<i>Description</i>	<i>Ref.</i>	<i>Part Number</i>	<i>Qty.</i>	<i>Description</i>
1	115-4464	1	Housing Kit	29	94-1936	1	Spring-Block
2	119-0184	1	End Cap STD Charge Kit	30	94-1937	1	Washer-Thrust
3	106-8753	2	Pin-Headless, Straight	32	94-1907	1	Swashplate-Variable
4	106-8754	4	Bolt-HF	34	94-6922	1	Bearing-Thrust
5	106-8755	1	O-Ring	37	115-4458	1	Arm-Trunnion, Tapered Square
6	106-8756	1	Charge Pump Kit	38	94-1910	1	Guide-Slot
7	104-2122	1	Gerotor ASM	42	98-3252	2	Valve-Check (W/Poppet)
8	106-8757	1	O-Ring	44	112-4164	1	Charge Relief Kit
10	104-2111	2	Capscrew	49	106-8761	1	Trunnion Seal / Retainer Kit
15	106-8759	1	Bypass Valve Kit	56	106-8762	1	Plug-HSH
18	103-2664	1	Input Shaft Kit	66	106-8763	1	Plug-HSH
20	104-5310	1	Seal-Lip	98	115-4459	1	Return Kit
21	104-5308	1	Spacer	99	105-6184	1	Seal Overhaul Kit
22	104-5309	1	Ring-Retaining				
25	103-2666	1	Cylinder Block Kit				

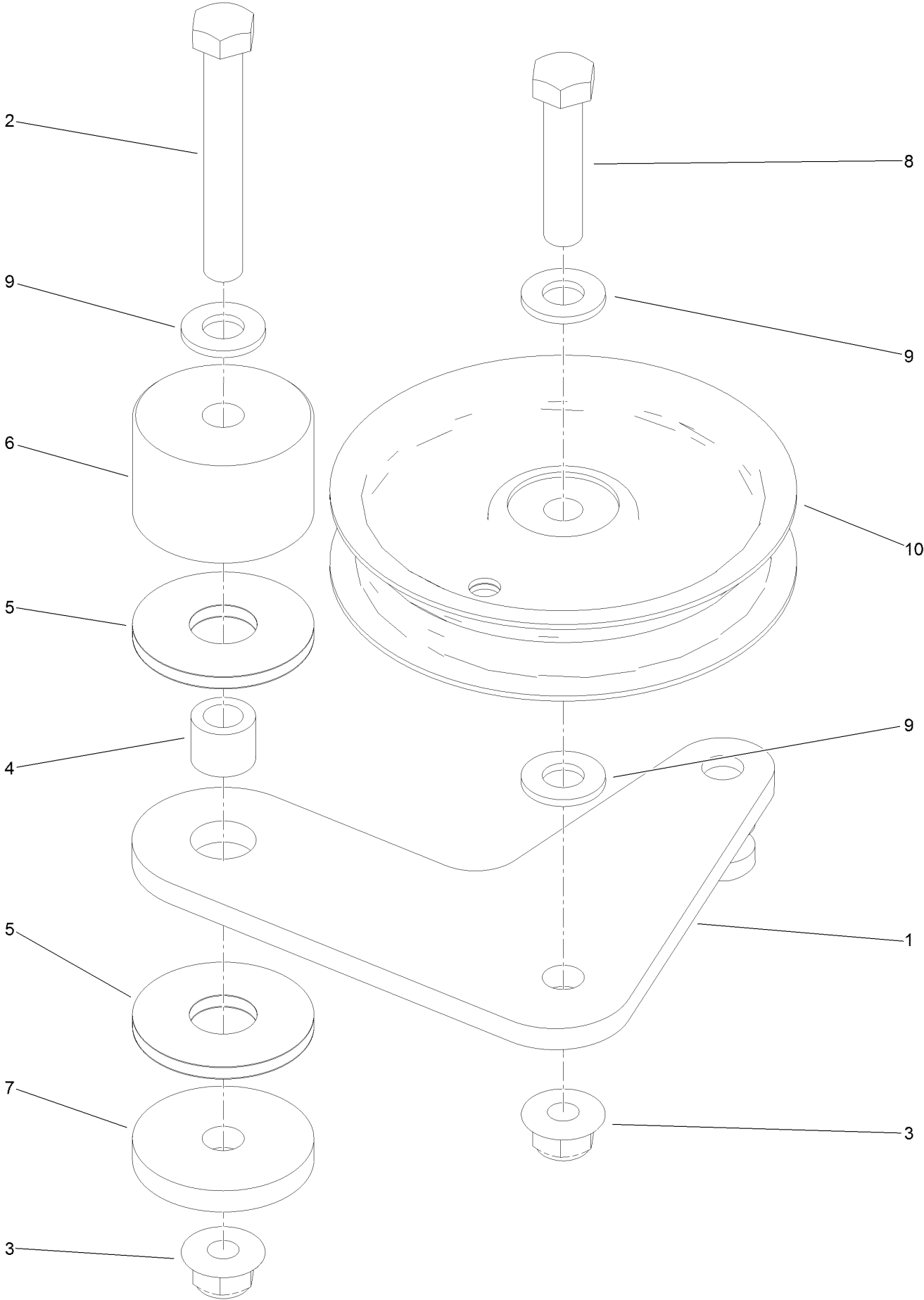
# Hydraulic Pump Assembly No. 119-0176



# Hydraulic Pump Assembly No. 119-0176 (continued)

<i>Ref.</i>	<i>Part Number</i>	<i>Qty.</i>	<i>Description</i>	<i>Ref.</i>	<i>Part Number</i>	<i>Qty.</i>	<i>Description</i>
1	115-4464	1	Housing Kit	29	94-1936	1	Spring-Block
2	119-0184	1	End Cap STD Charge Kit	30	94-1937	1	Washer-Thrust
3	106-8753	2	Pin-Headless, Straight	32	94-1907	1	Swashplate-Variable
4	106-8754	4	Bolt-HF	34	94-6922	1	Bearing-Thrust
5	106-8755	1	O-Ring	37	115-4458	1	Arm-Trunnion, Tapered Square
6	106-8756	1	Charge Pump Kit	38	94-1910	1	Guide-Slot
7	104-2122	1	Gerotor ASM	42	98-3252	2	Valve-Check (W/Poppet)
8	106-8757	1	O-Ring	44	112-4164	1	Charge Relief Kit
10	104-2111	2	Capscrew	49	106-8761	1	Trunnion Seal / Retainer Kit
15	106-8759	1	Bypass Valve Kit	56	106-8762	1	Plug-HSH
18	103-2664	1	Input Shaft Kit	66	106-8763	1	Plug-HSH
20	104-5310	1	Seal-Lip	98	115-4459	1	Return Kit
21	104-5308	1	Spacer	99	105-6184	1	Seal Overhaul Kit
22	104-5309	1	Ring-Retaining				
25	103-2666	1	Cylinder Block Kit				

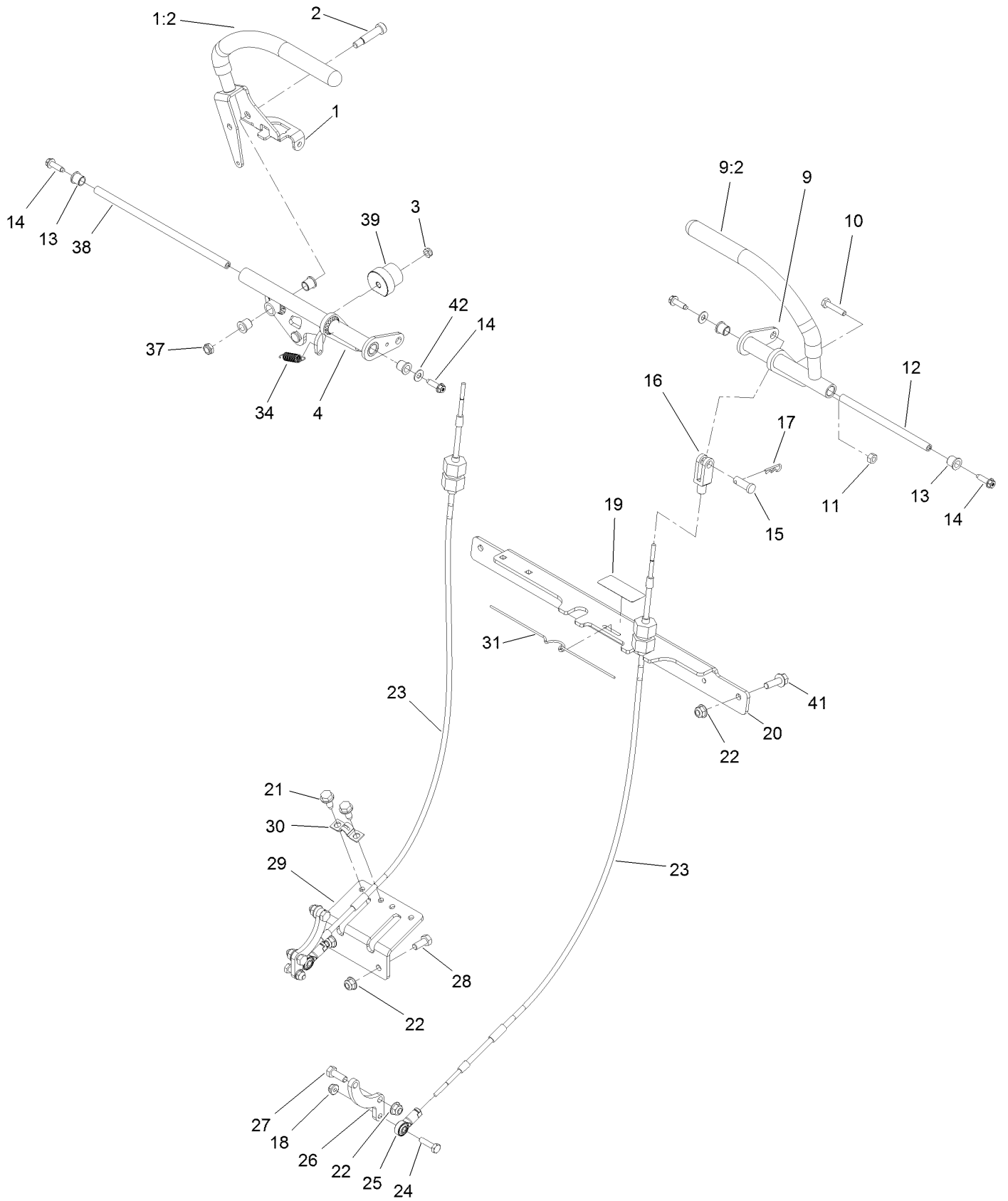
# Pump Idler Assembly No. 117-7685



## Pump Idler Assembly No. 117-7685 (continued)

<i>Ref.</i>	<i>Part Number</i>	<i>Qty.</i>	<i>Description</i>	<i>Ref.</i>	<i>Part Number</i>	<i>Qty.</i>	<i>Description</i>
1	117-7684	1	Plate-Idler	6	116-7599	1	Hub, Idler
2	323-13	1	Screw-HH	7	110-9981	1	Washer-Plain
3	104-8301	2	Nut-HF, NI	8	323-9	1	Screw-HH
4	1-413088	1	Bushing-Lever, Lift	9	3256-24	3	Washer-Plain
5	114-0463	2	Washer-Friction, Composite	10	93-1622	1	Pulley-Idler

# Motion Control Assembly

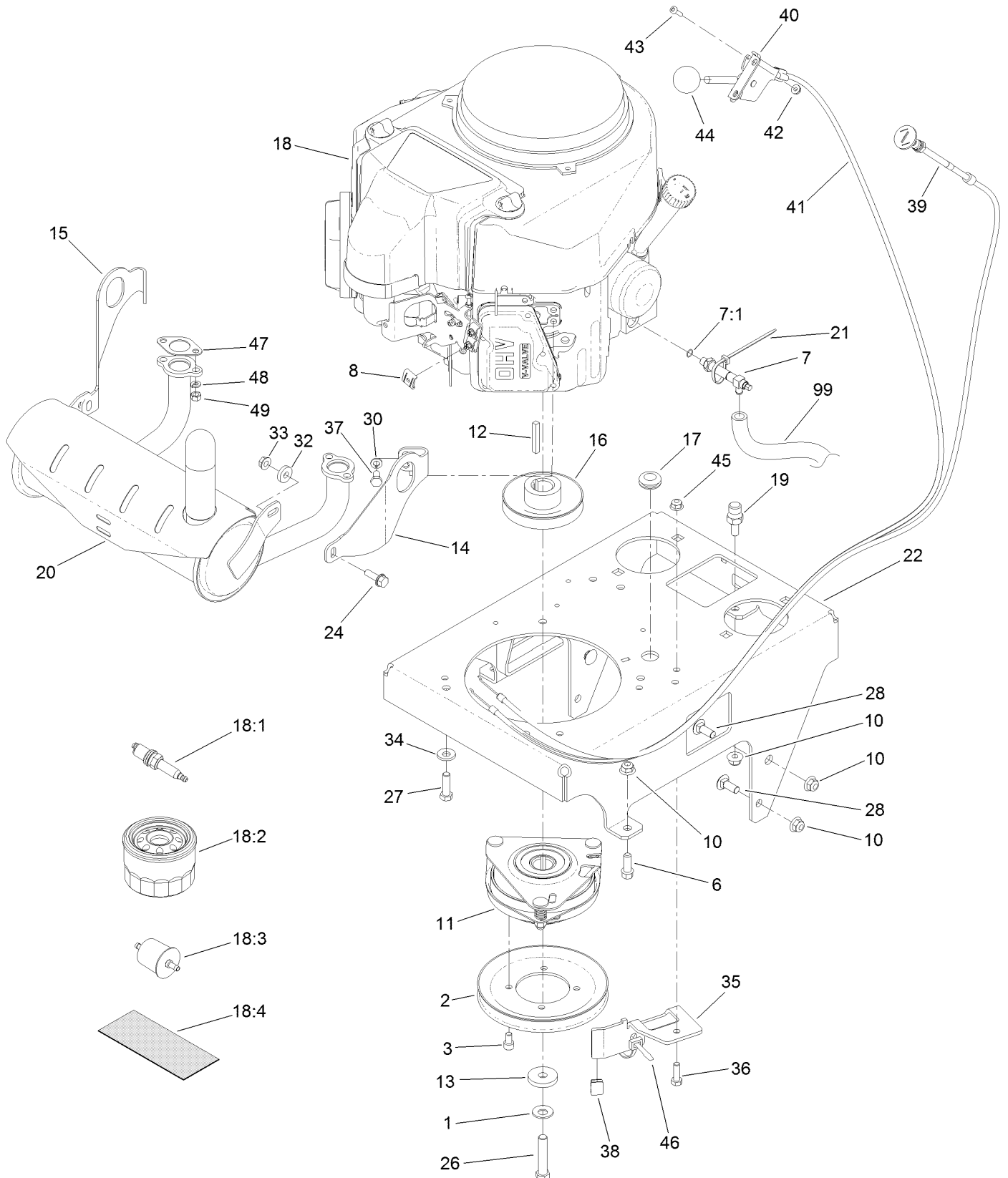




## Motion Control Assembly (continued)

<i>Ref.</i>	<i>Part Number</i>	<i>Qty.</i>	<i>Description</i>	<i>Ref.</i>	<i>Part Number</i>	<i>Qty.</i>	<i>Description</i>
1	120-8393	1	RH Lever ASM	21	32144-70	4	Screw-HWHTF
1:2	119-0222	1	Grip	22	104-8300	8	Nut-HF, NI
2	114-0239	1	Screw-HSH	23	117-6225	2	Cable ASM
3	3296-56	1	Nut-Lock, NI	24	321-6	2	Screw-HH
4	131-7403	1	RH Motion Control ASM	25	117-6222	2	Rod End-Ball Joint
9	125-4671	1	LH Motion Control ASM	26	117-6204	2	Arm-Control, Pump
9:2	119-0222	1	Grip	27	322-4	4	Screw-HH
10	114-0282	2	Screw-HH	28	322-3	2	Screw-HH
11	3217-5	2	Nut-Hex	29	117-6238-01	1	Bracket-Clamp, Cable
12	119-1885	1	Shaft-Pivot, Motion Control	30	93-2279	2	Clamp-Cable
13	103-9928	6	Bearing	31	114-0433	1	Clip-Spring
14	80-0700	4	Screw-Hwhtx	34	114-0249	1	Spring-Extension
15	1-808284	2	Pin-Clevis	37	3296-47	1	Nut-Lock,NI
16	119-1869	2	Yoke-Female	38	119-1886	1	Shaft-Pivot
17	3290-307	2	Pin-Cotter	39	126-1499	1	Cam
18	104-7201	2	Nut-HF, NI	41	3234-29	2	Screw-HHF
19	119-1854	1	Decal-Tracking, Hydro	42	3256-1	2	Washer-Flat
20	117-6239-01	1	Bracket-Cross				

# Engine Assembly

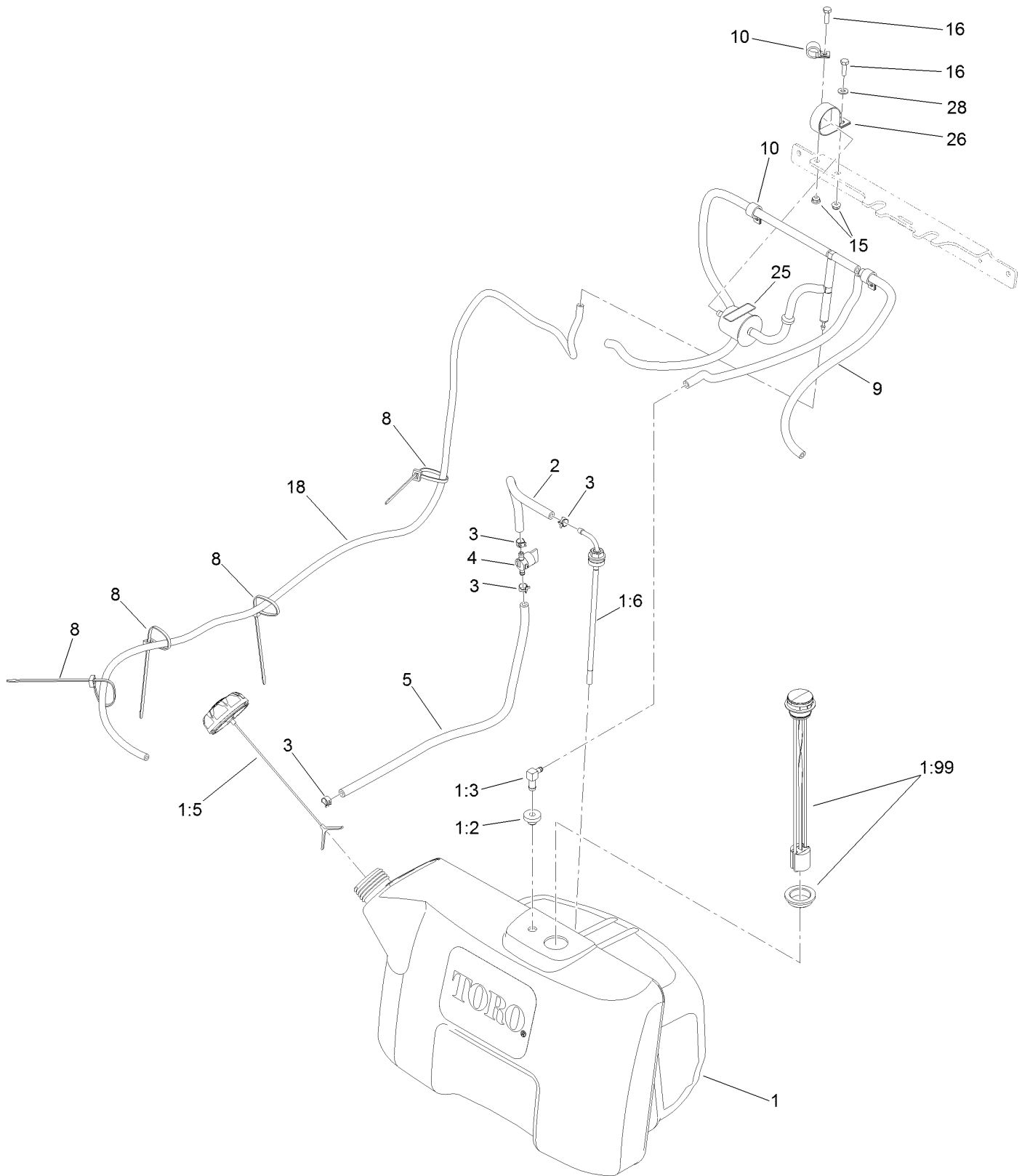


## Engine Assembly (continued)

<i>Ref.</i>	<i>Part Number</i>	<i>Qty.</i>	<i>Description</i>	<i>Ref.</i>	<i>Part Number</i>	<i>Qty.</i>	<i>Description</i>
1	1-603610	1	Washer-Spring	24	3234-29	2	Screw-HHF
2	119-0215	1	Pulley	26	3212-9	1	Screw-HH
3	119-0221	4	Screw-HSH	27	323-7	4	Screw-HH
6	92-1624	2	Screw-HWH Thd Form	28	3231-2	4	Bolt-CARR
7	116-6126	1	Valve-Drain, Oil	30	3253-4	4	Washer-Lock
7:1	138-4636	1	O-Ring	32	104-7658	2	Spacer
8	81-1690	1	Clamp-Cable	33	32128-25	2	Nut-HF
10	104-8301	7	Nut-HF, NI	34	98-5975	3	Washer-Belleville
11	119-0220	1	Clutch/Brake ASM	35	121-5984-03	1	Bracket-Stop, Clutch
12	608006	1	Key-Square	36	322-5	1	Screw-HH
13	107-4136	1	Washer-Flat	37	33114-016	4	Screw-HH
14	127-1901	1	Bracket-Muffler, LH	38	109-3765	1	Bumper
15	127-1902	1	Bracket-Muffler, RH	39	106-9962	1	Control-Choke, Push/Pull
16	112-7067	1	Pulley	40	110-5547	1	Lever-Control
17	112-7069	1	Grommet	41	119-1882	1	Cable-Control
18		1	Engine Kawasaki, Fs541V ●	42	32128-17	2	Nut-Lock, Flange
18:1	92-2153	1	Plug-Spark	43	1-807533	2	Bolt-CARR
18:2	119-5852	1	Filter-Oil	44	1-603175	1	Knob-Ball
18:3	120-2235	1	Filter-Fuel	45	104-8300	1	Nut-HF, NI
18:4	120-7447	1	Filter-Air, Foam	46	3290-378	2	Tie-Cable
19	132-4729	1	Anchor-Spring, Short	47	1-653313	2	Gasket-Exhaust
20	131-1183	1	Muffler	48	114-3550	4	Washer-Lock
21	3290-378	1	Tie-Cable	49	114-3549	4	Nut
22	119-0155-01	1	Base-Engine	99	103-1964	1	Hose-Drain, Oil

● Not serviced separately

# Fuel Tank Assembly

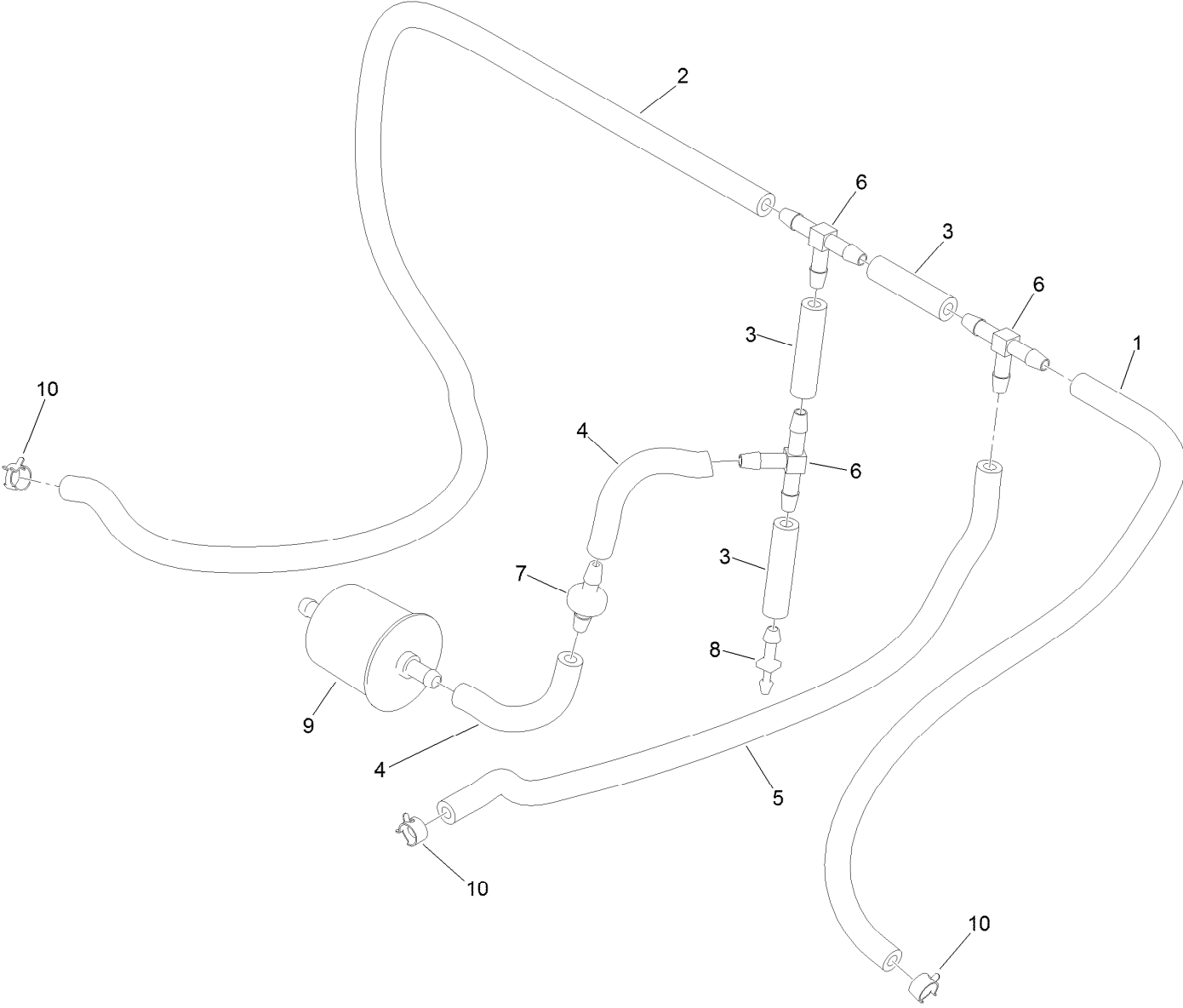


## Fuel Tank Assembly (continued)

<i>Ref.</i>	<i>Part Number</i>	<i>Qty.</i>	<i>Description</i>	<i>Ref.</i>	<i>Part Number</i>	<i>Qty.</i>	<i>Description</i>
1	135-0650	1	Tank ASM	5	109-0301	1	Hose-Fuel
1:2	46-6560	3	Bushing	8	3290-378	4	Tie-Cable
1:3	1-643172	3	Elbow-90 DEG	9		1	Vent Hose ASM ●
1:5	126-1789	1	Cap-Fuel, Ratcheting	10	2412-87	3	Clamp-Cable
1:6	116-3408	1	Fitting-Fuel, Bulkhead	15	104-7201	2	Nut-HF, NI
1:99	126-6924	1	Fuel Gauge Replacement Kit	16	321-5	2	Screw-HH
2	109-0297	1	Hose-Fuel	18	110-4102	1	Hose-Fuel
3	2412-98	4	Clamp-Hose	25	116-4769	1	Decal-Filter, Emissions
4	1-603770	1	Valve-Fuel	26	2412-96	1	Clamp-R
				28	3256-22	1	Washer-Flat

● Not serviced separately

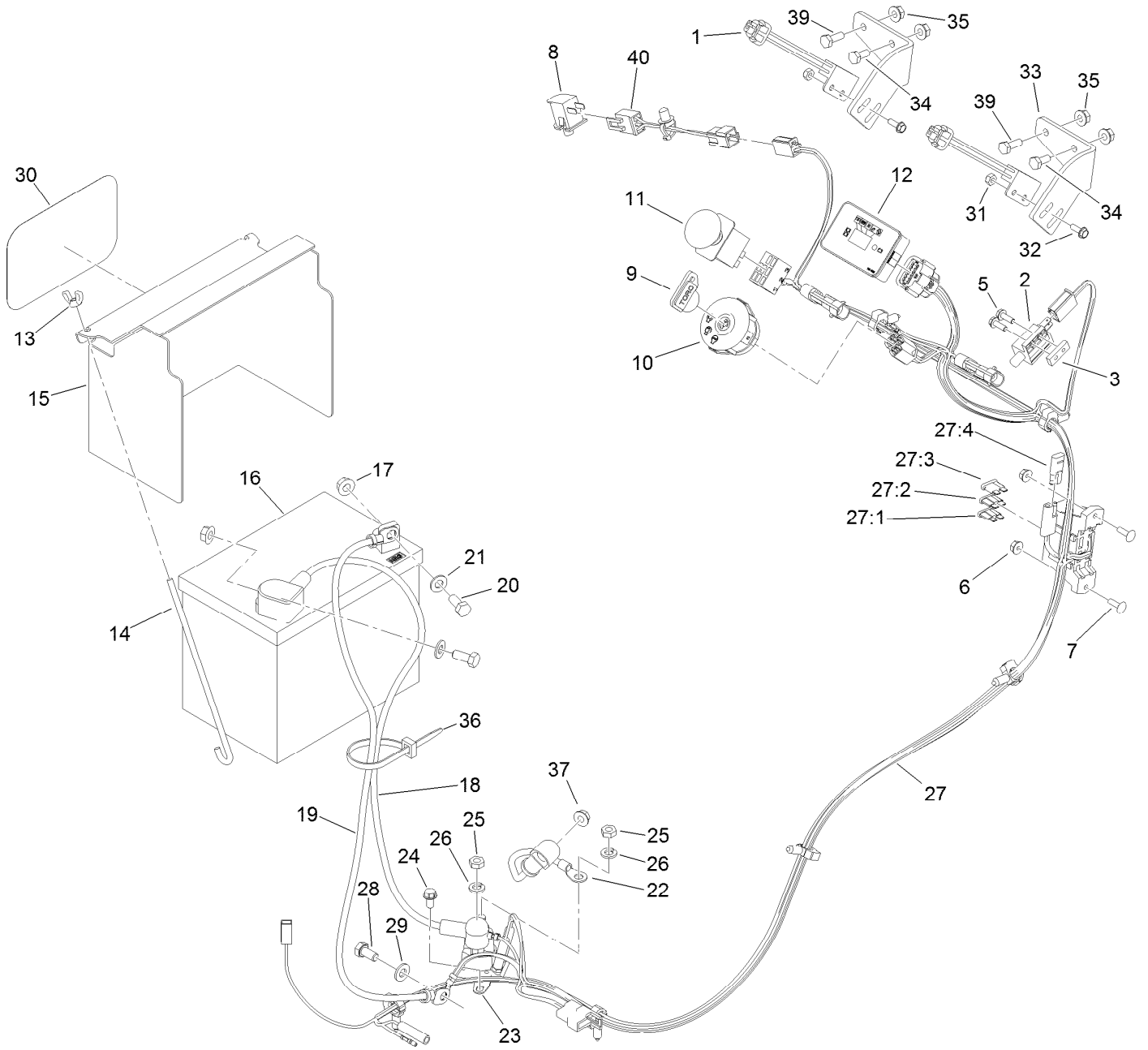
# Vent Hose Assembly



## Vent Hose Assembly (continued)

<i>Ref.</i>	<i>Part Number</i>	<i>Qty.</i>	<i>Description</i>	<i>Ref.</i>	<i>Part Number</i>	<i>Qty.</i>	<i>Description</i>
1	110-5701	1	Hose-Fuel	6	99-5005	3	Fitting-Tee, Barbed
2	110-5702	1	Hose-Fuel	7	99-5000	1	Valve-Check, Fuel
3	99-9415	3	Hose-Fuel	8	106-8150	1	Fitting-Straight
4	109-0650	2	Hose-Fuel	9	120-2235	1	Filter-Fuel
5	109-0296	1	Hose-Fuel	10	2412-98	3	Clamp-Hose

# Electrical Assembly

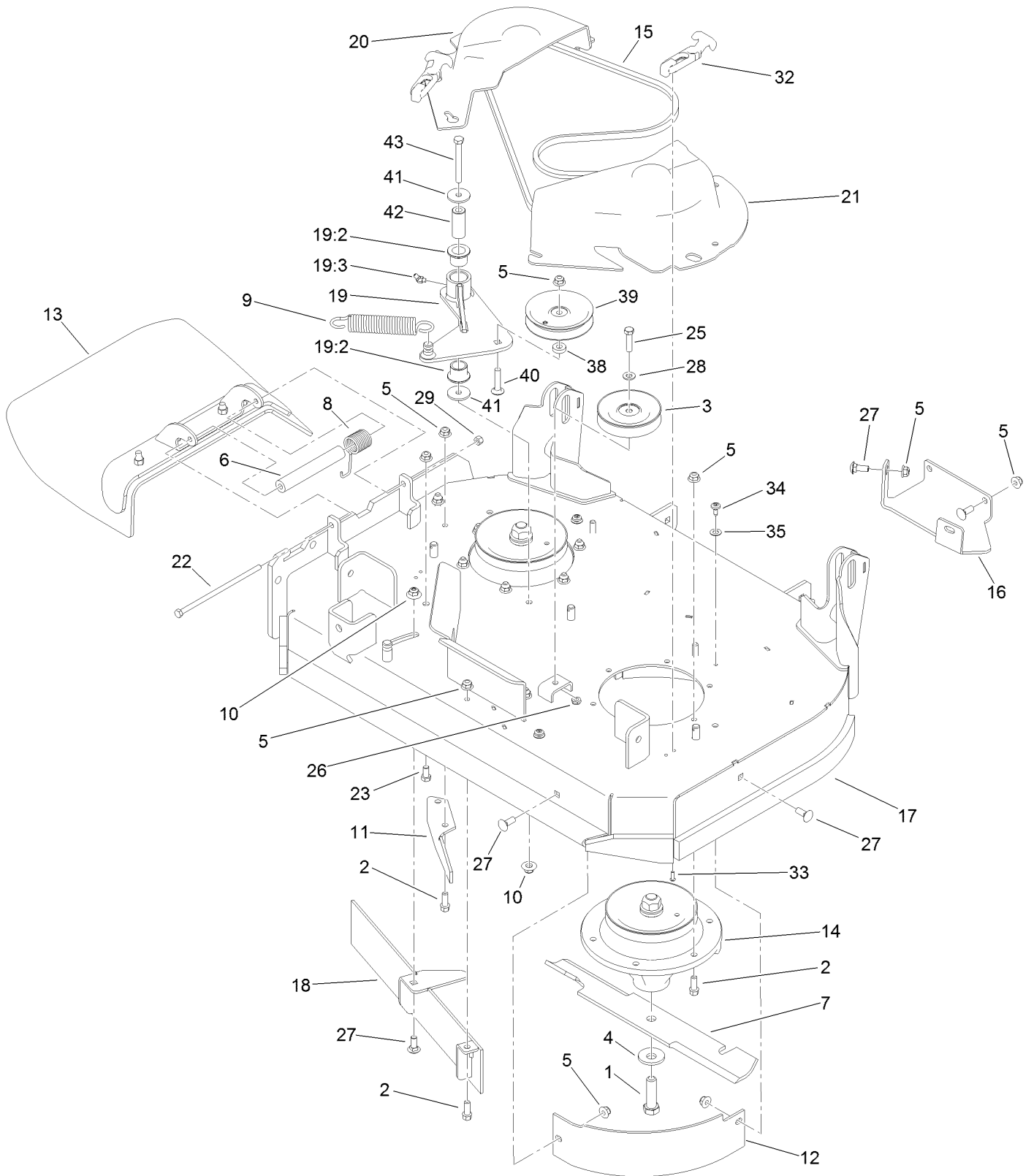




## Electrical Assembly (continued)

<i>Ref.</i>	<i>Part Number</i>	<i>Qty.</i>	<i>Description</i>	<i>Ref.</i>	<i>Part Number</i>	<i>Qty.</i>	<i>Description</i>
1	105-0023	2	Switch-Proximity	24	32144-4	2	Screw-HWH
2	1-513152	1	Switch-Closed, Normally	25	3220-2	2	Nut-Jam
3	1-633181	1	Plate-Tapped	26	3253-4	2	Washer-Lock
5	32105-2	2	Screw-SHWH	27	119-0181	1	Harness-Wire
6	32128-17	2	Nut-Lock, Flange	27:1	109103	1	Fuse-Blade, 30 Amp
7	1-807533	2	Bolt-CARR	27:2	109102	1	Fuse-Blade, 25 Amp
8	82-2190	1	Switch-Bail	27:3	218-578	1	Fuse-Blade, 10 Amp
9	63-8360	1	Key-Ignition	27:4	116-0053	1	Cap-Plug
10	137-4101	1	Switch-Ignition	28	33114-016	1	Screw-HH
11	114-0279	1	Switch-PTO, On-On	29	33094-00	1	Washer-Plain
12	117-3886	1	Module-Hour Meter	30	68-3640	1	Decal
13	1-543792	2	Wingnut	31	3296-2	4	Nut-Lock, NI
14	1-633651	2	Bolt-Holddown	32	32105-23	4	Screw
15	117-0543-01	1	Cover-Battery	33	119-8503-01	2	Bracket-Mount, Switch
16	104-8162	1	Battery	34	321-3	2	Screw-HH
17	109-5715	2	Nut-HHF, Smooth	35	32128-32	4	Nut-HHF
18	120-6442	1	Cable-Battery, Positive	36	3290-378	1	Tie-Cable
19	103-0705	1	Cable-Ground, Negative	37	32128-33	1	Nut-HF
20	322-3	2	Screw-HH	39	321-4	2	Screw-HH
21	3256-23	2	Washer-Plain	40	130-1779	1	Harness-Wire, Jumper (OPC)
22	106-8268	1	Cable-Battery, Red				
23	117-1197	1	Solenoid				

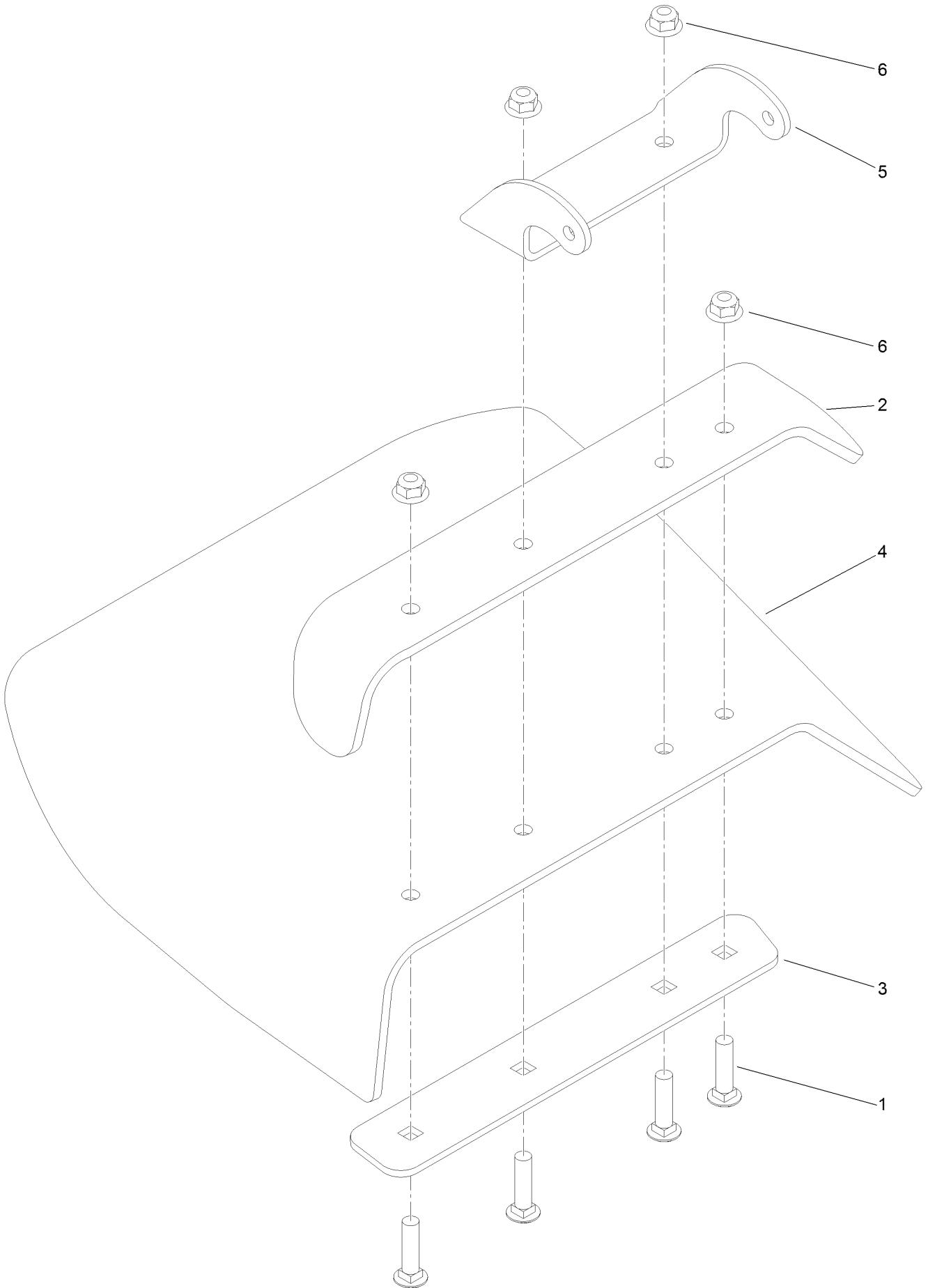
# Deck Assembly



## Deck Assembly (continued)

<i>Ref.</i>	<i>Part Number</i>	<i>Qty.</i>	<i>Description</i>	<i>Ref.</i>	<i>Part Number</i>	<i>Qty.</i>	<i>Description</i>
1	51-4060	2	Screw-Blade	19:3	302-11	1	Fitting-Lube, 45 DEG
2	92-1624	15	Screw-HWH Thd Form	20	119-1802	1	Cover-Belt, RH
3	92-7099	1	Pulley-Idler	21	119-1803	1	Cover-Belt, LH
4	103-0865	2	Washer-Blade Bolt, Heavy	22	322-50	1	Screw-HH
5	104-8301	25	Nut-HF, NI	23	323-4	2	Screw-HH
6	105-4622	1	Spacer	25	323-8	1	Screw-HH
7	105-7781-03	2	Blade-18In, Hi Flow	26	3296-59	1	Nut-Lock, NI
8	108-4052	1	Spring-Torsion	27	3231-2	7	Bolt-CARR
9	119-0394	1	Spring-Extension	28	3256-24	1	Washer-Plain
10	109-6658	2	Nut-Flange, NI	29	3296-29	1	Nut-Lock, NI
11	110-0754-01	1	Baffle-Discharge	32	103-4080	2	Latch-Rubber
12	110-6903-03	1	Baffle-Front, LH	33	3274-39	4	Screw-HSBH
13	119-2347	1	Deflector ASM	34	120-7950	4	Screw-Torx
14	117-7638	2	Spindle ASM	35	73-0041	4	Washer-Thrust
15	117-7641	1	Belt-V	38	5-0652	1	Spacer
16	117-7687-01	1	Plate-Skid	39	93-1622	1	Pulley-Idler
17	121-6015	1	Deck And Decal ASM	40	3231-5	1	Screw-CARR
18	119-0153-03	1	Front Baffle ASM	41	1-213069	2	Washer
19	119-0180	1	Idler Arm ASM	42	119-0208	1	Spacer-Plain
19:2	33-3090	2	Bushing	43	323-20	1	Screw-HH

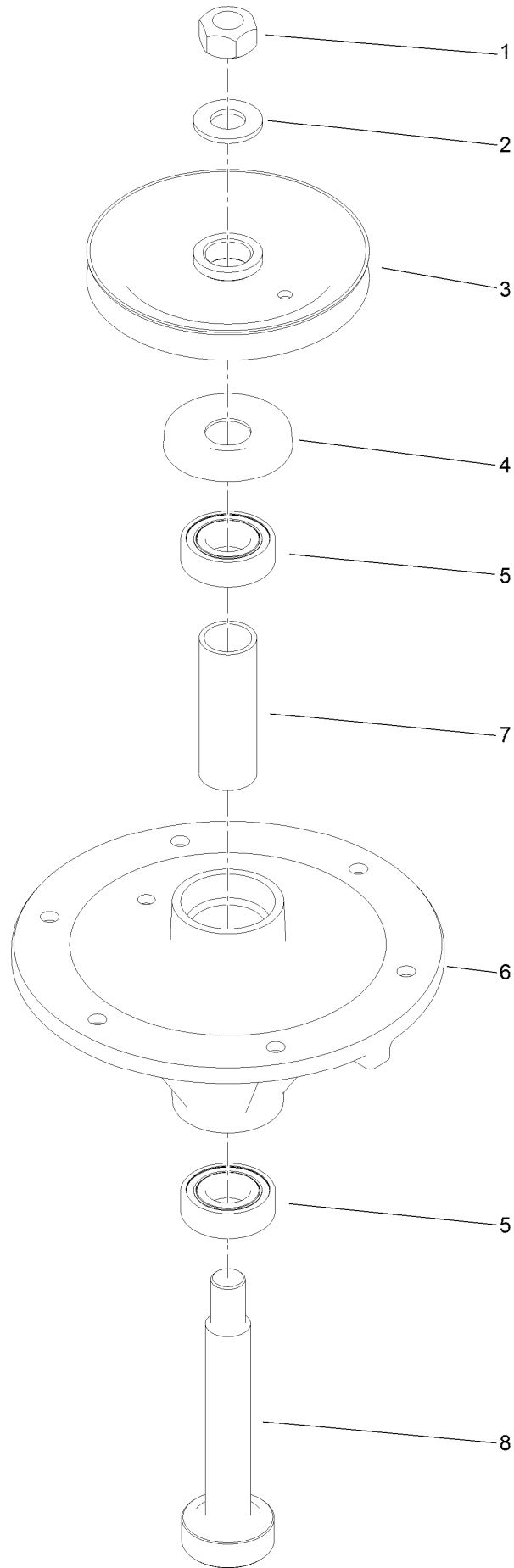
# Deflector Assembly No. 119-2347



## Deflector Assembly No. 119-2347 (continued)

<i>Ref.</i>	<i>Part Number</i>	<i>Qty.</i>	<i>Description</i>	<i>Ref.</i>	<i>Part Number</i>	<i>Qty.</i>	<i>Description</i>
1	3231-4	4	Screw-CARR	4	119-2346	1	Deflector-Rubber
2	110-0792-01	1	Deflector	5	110-9923-01	1	Bracket-Mounting, Deflector
3	110-0793-03	1	Strap-Discharge	6	104-8301	4	Nut-HF, NI

# Spindle Assembly No. 117-7638

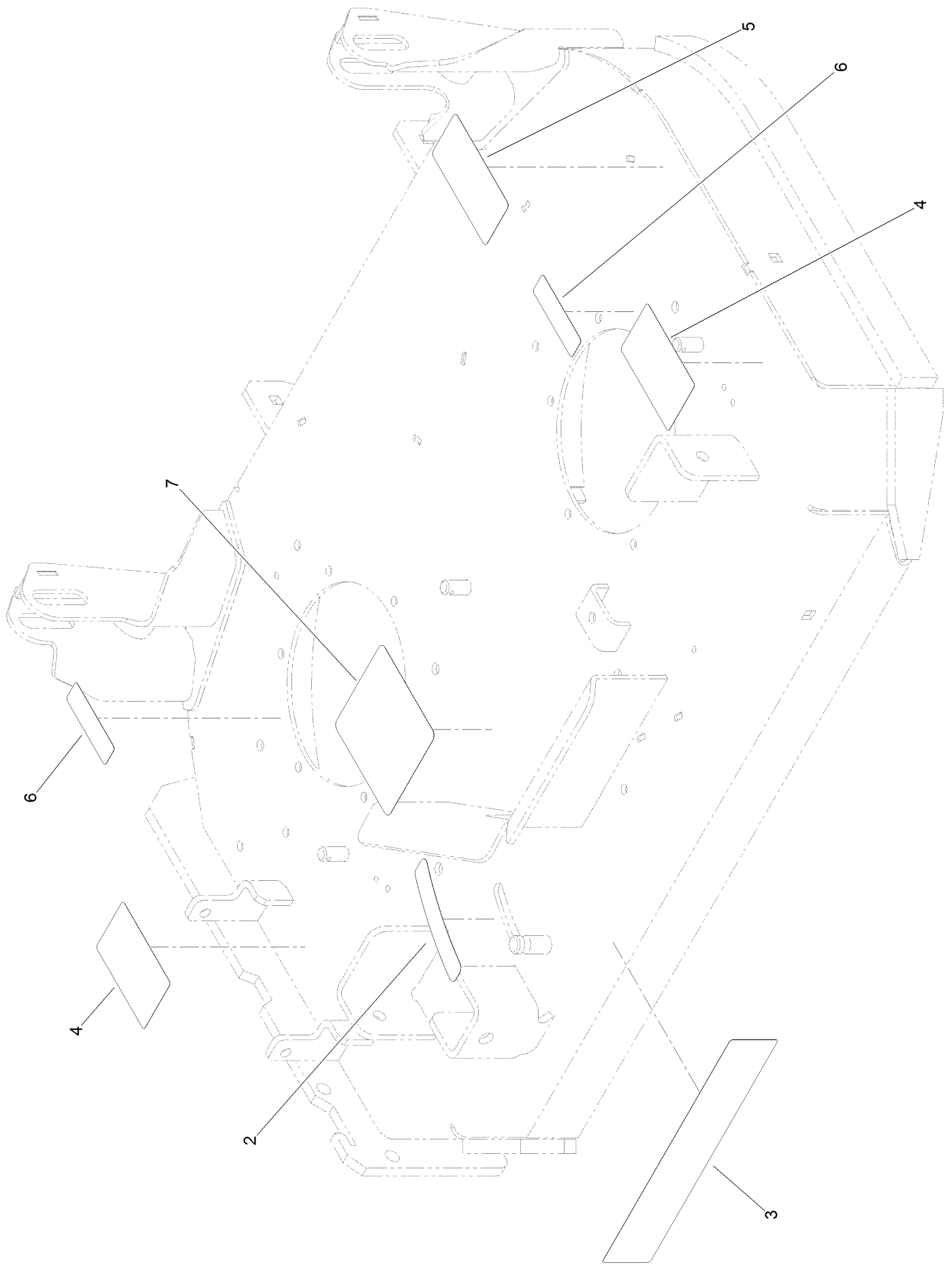


## Spindle Assembly No. 117-7638 (continued)

<i>Ref.</i>	<i>Part Number</i>	<i>Qty.</i>	<i>Description</i>
1	3219-7	1	Nut-Hex
2	7-4150	1	Washer
3	117-7614	1	Pulley
4	106-0873	1	Shield-Bearing

<i>Ref.</i>	<i>Part Number</i>	<i>Qty.</i>	<i>Description</i>
5	116-0720	2	Bearing-Ball
6	108-6696	1	Housing-Spindle
7	110-0727	1	Spacer-Bearing
8	110-0726	1	Shaft-Spindle

# Deck Decal Assembly No. 121-6015





## Deck Decal Assembly No. 121-6015 (continued)

<i>Ref.</i>	<i>Part Number</i>	<i>Qty.</i>	<i>Description</i>	<i>Ref.</i>	<i>Part Number</i>	<i>Qty.</i>	<i>Description</i>
2	110-2067	1	Decal-Setting, Baffle	5	93-7818	1	Decal-Torque, Blade Bolt
3	119-0197	1	Decal	6	119-0217	2	Decal-Danger
4	121-6049	2	Decal-Danger	7	119-0186	1	Decal-Routing, Belt

# Attachments and Accessories

## For 74534 GrandStand Mower With 36in TURBO FORCE Cutting Unit

<b>Product Name</b>	<b>Model/Part</b>
Blade-Hi Flow, 18in (6 Pack).....	108-1117
Blade-Atomic, 18in (6 Pack) .....	108-1118
Blade-Lo Flow, 18in (6 Pack) .....	110-0406
Blade-Recycler, 18in (6 Pack).....	110-0408
Blade-Med Flow, 18in (6 Pack) .....	110-0409
36in Recycler Kit.....	110-2080
Light Kit.....	114-3505
Hypr-Oil 500 (quart).....	114-4713
Hypr-Oil 500 (gallon).....	114-4714
Hypr-Oil 500-5 (5 gallon).....	114-4715
Weight Kit .....	117-3620
Striping Kit .....	117-8560
Operator-Controlled Discharge Chute Kit with Bag .....	117-8565
Oil Filter .....	119-5852
Fuel Filter.....	120-2235
Air Filter Element .....	120-7447
Bagger Adaptor Kit .....	121-7515
Trash Bag Kit .....	121-7530
MVP Filter, Belt and Blade Kit .....	127-1646
Soft Bag (3 Bushel).....	30104
Spark Plug .....	92-2153
Spark Arrestor .....	98-9099

## For 74534 GrandStand Mower With 36in TURBO FORCE Cutting Unit

<b>Product Name</b>	<b>Model/Part</b>
Blade-Hi Flow, 18in (6 Pack).....	108-1117
Blade-Atomic, 18in (6 Pack) .....	108-1118
Blade-Lo Flow, 18in (6 Pack) .....	110-0406
Blade-Recycler, 18in (6 Pack).....	110-0408
Blade-Med Flow, 18in (6 Pack) .....	110-0409
36in Recycler Kit.....	110-2080
Light Kit.....	114-3505
Hypr-Oil 500 (quart).....	114-4713
Hypr-Oil 500 (gallon).....	114-4714
Hypr-Oil 500-5 (5 gallon).....	114-4715
Weight Kit .....	117-3620
Striping Kit .....	117-8560
Operator-Controlled Discharge Chute Kit with Bag .....	117-8565
Oil Filter .....	119-5852
Fuel Filter.....	120-2235
Air Filter Element .....	120-7447
Bagger Adaptor Kit .....	121-7515
Trash Bag Kit .....	121-7530
MVP Filter, Belt and Blade Kit .....	127-1646

# Attachments and Accessories (continued)

Soft Bag (3 Bushel).....	30104
Spark Plug .....	92-2153
Spark Arrestor .....	98-9099



**Count on it.**