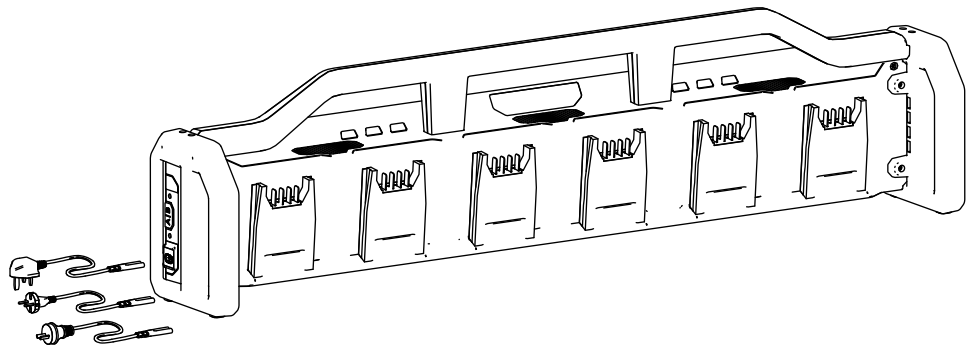


**Operator's Manual**

# Revolution® 60V 6-Pod Battery Charger

Model No. 66560—Serial No. 323000001 and Up



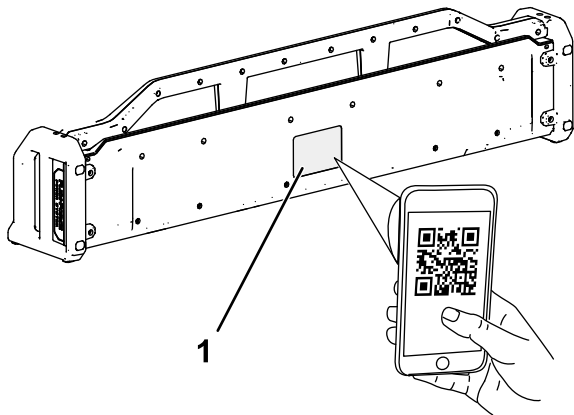
# Introduction

This charger and battery pack(s) are intended to be used by homeowners and professional operators. These battery packs are designed to be charged only by Flex-Force Power System® 60V lithium-ion battery chargers. This charger is designed to charge only Flex-Force™ 60V lithium-ion battery packs. It is not designed to charge any other batteries. Using these products for purposes other than their intended use could prove dangerous to you and bystanders.

Read this information carefully to learn how to operate and maintain your product properly and to avoid injury and product damage. You are responsible for operating the product properly and safely.

Whenever you need service, genuine parts, or additional information, contact an Authorized Service Dealer or distributor, or the tool manufacturer's Customer Service and have the model and serial numbers of your product ready. [Figure 1](#) identifies the location of the model and serial numbers on the product. Write the numbers in the space provided.

**Important:** With your mobile device, you can scan the QR code on the serial number decal (if equipped) for more information.



**Figure 1**

1. Model number, serial number, and QR code location

|                         |
|-------------------------|
| <b>Model No.</b> _____  |
| <b>Serial No.</b> _____ |

## Safety-Alert Symbol

The safety-alert symbol ([Figure 2](#)) shown in this manual and on the machine identifies important safety messages that you must follow to prevent accidents.



g000502

**Figure 2**

Safety-alert symbol

The safety-alert symbol appears above information that alerts you to unsafe actions or situations and is followed by the word **DANGER**, **WARNING**, or **CAUTION**.

**DANGER** indicates an imminently hazardous situation which, if not avoided, **will** result in death or serious injury.

**WARNING** indicates a potentially hazardous situation which, if not avoided, **could** result in death or serious injury.

**CAUTION** indicates a potentially hazardous situation which, if not avoided, **may** result in minor or moderate injury.

This manual uses two other words to highlight information. **Important** calls attention to special mechanical information and **Note** emphasizes general information worthy of special attention.

# Safety

## IMPORTANT SAFETY INSTRUCTIONS

1. **SAVE THESE INSTRUCTIONS**—This manual contains important safety and operating instructions for Flex-Force 60V lithium-ion battery packs and Flex-Force 60V lithium-ion battery chargers.
2. Before using the battery charger, read all the instructions and cautionary markings on the battery charger, battery pack, and product using the battery pack.
3. **CAUTION**—To reduce risk of injury, charge Flex-Force 60V lithium-ion battery packs with Flex-Force 60V lithium-ion battery chargers only. Other brands of battery packs may burst, causing personal injury and damage.
4. **WARNING**—Plugging the battery charger into an outlet that is not 220 to 240 V can cause a fire or electric shock. Do not plug the battery charger into an outlet other than 220 to 240 V. For a different style of connection, use an attachment plug adapter of the proper configuration for the power outlet if needed.
5. The charger complies with Part 15 of the FCC rules. Operation is subject to the following 2 conditions: (1) This devices may not cause harmful interference; and (2) this device must accept any interference received, including interference that may cause undesired operation.

### I. Training

1. Do not allow children or untrained people to operate or service this device. Allow only people who are responsible, trained, familiar with the instructions, and physically capable to operate or service the device.
2. Do not allow children to use or play with the battery pack or battery charger; local regulations may restrict the age of the operator.

### II. Preparation

1. Use appliances only with specifically designated battery packs. Using other types of battery packs may create a risk of injury and/or fire.
2. Do not use a damaged or modified battery pack or battery charger. It may exhibit unpredictable behavior, resulting in fire, explosion, or risk of injury.
3. If the supply cord to the battery charger is damaged, contact an Authorized Service Dealer or distributor to service or replace it.

### III. Operation

1. Charge the battery pack with only the battery charger specified by the tool manufacturer. A charger suitable for 1 type of battery pack may create a risk of fire when used with another battery pack.
2. Charge the battery pack in a well-ventilated area only.
3. Follow all charging instructions and do not charge the battery pack outside of the temperature range specified in the instructions. Otherwise, you may damage the battery pack and increase the risk of fire.
4. Under abusive conditions, the battery pack may eject liquid; avoid contact. If you accidentally come into contact with the liquid, flush with water. If the liquid contacts your eyes, seek medical help. Liquid ejected from the battery pack may cause irritation or burns.
5. Do not expose a battery pack or tool to fire or excessive temperature. Exposure to fire or temperature above 130°C (265°F) may cause explosion.
6. **CAUTION**—A mistreated battery pack may present a risk of fire, explosion, or chemical burn.
  - Do not disassemble the battery pack.
  - Replace the battery pack with a genuine Flex-Force 60V battery pack only; using another type of battery pack may cause a fire or risk of injury.
  - Keep battery packs out of the reach of children and in the original packaging until you are ready to use them.

## IV. Maintenance and Storage

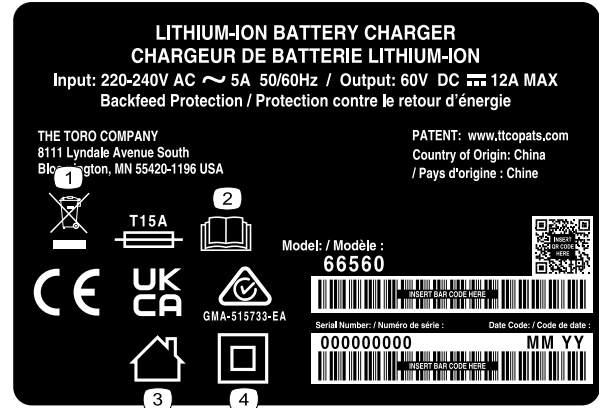
1. Do not allow children to clean or maintain the battery charger.
2. When the battery pack is not in use, keep it away from metal objects such as paper clips, coins, keys, nails, and screws that can make a connection from 1 terminal to another. Shorting the battery terminals may cause burns or a fire.
3. Do not attempt to repair the battery pack or battery charger. Have an Authorized Service Dealer or distributor perform service on the battery pack or battery charger using identical replacement parts to ensure that the product is safely maintained.
4. Check with local codes for possible special battery disposal instructions.

## SAVE THESE INSTRUCTIONS

## Safety and Instructional Decals



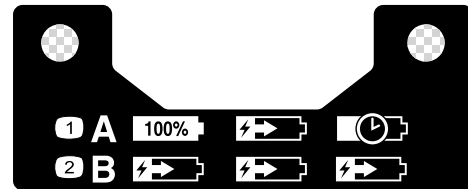
Safety decals and instructions are easily visible to the operator and are located near any area of potential danger. Replace any decal that is damaged or missing.



decal145-3803

**145-3803**

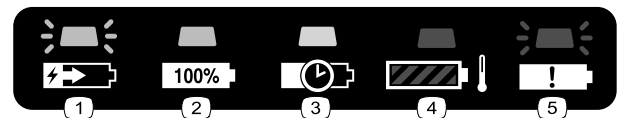
1. Do not dispose improperly.
2. Read the *Operator's Manual*.
3. For indoor use.
4. Double insulated.



decal145-8275

**145-8275**

1. Sequential Rapid charging mode—one battery charges fully at a time (other batteries remain on standby).
2. Parallel charging mode—all batteries are charged to the same level.

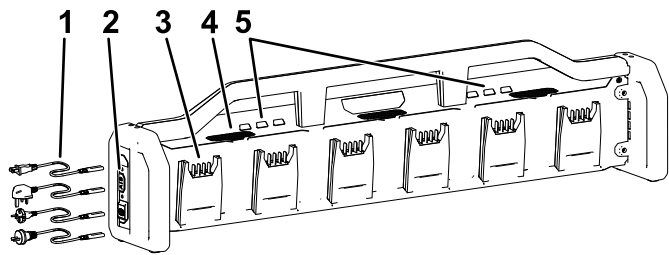


decal145-3802

**145-3802**

1. The battery pack is charging.
2. The battery pack is fully charged.
3. The battery pack charging is on standby while other batteries charge (charging mode dependent).
4. The battery pack is over or under the appropriate temperature range.
5. Battery pack charging fault.

# Product Overview



g394595


**Figure 3**

1. Cables
2. A-B charging mode button
3. Charging terminals
4. Charger venting areas
5. Charger LED indicator lights

---

## Specifications

### Battery Charger

|               |   |
|---------------|---|
| <b>Model</b>  | <b>66560</b>  |
| <b>Type</b>   | Flex-Force Power System 60V Pro 6-Pod Battery Charger   |
| <b>Input</b>  | 220 to 240 V AC ~ 5.0A, 50/60Hz   |
| <b>Output</b> | 60V DC  12.0A MAX |

### Appropriate Temperature Ranges

|                               |                               |
|-------------------------------|-------------------------------|
| Charge battery pack at        | 5°C (41°F) to 40°C (104°F)*   |
| Use battery pack at           | -30°C (-22°F) to 49°C (120°F) |
| Store battery pack/charger at | 5°C (41°F) to 40°C (104°F)*   |

\*Charging time will increase if you do not charge the battery within this range.

Store the tool, battery pack, and battery charger in an enclosed clean, dry area.

# Operation

## Charging the Battery Pack

**Important:** The battery pack is not fully charged when you purchase it. Before using the tool for the first time, place the battery pack in the charger and charge it until the LED display indicates the battery pack is fully charged. Read all safety precautions.

**Important:** Charge the battery pack only in temperatures that are within the appropriate range; refer to [Specifications \(page 5\)](#).

**Note:** At any time, press the battery-charge-indicator button on the battery pack to display the current charge (LED indicators).

1. Ensure that the vents on the battery and charger are clear of any dust and debris.

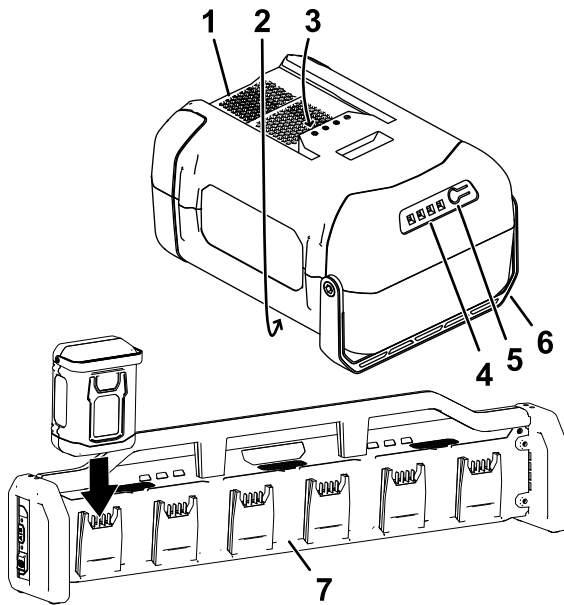


Figure 4

g505618

1. Battery pack cavity
2. Battery pack venting areas
3. Battery pack terminals
4. LED indicators (current charge)
5. Battery-charge-indicator button
6. Handle
7. Charger

2. Line up the cavity on the battery pack with a tongue on the charger ([Figure 4](#)).
3. Slide the battery pack into the charger until it is fully seated ([Figure 4](#)).

**Note:** During normal operation, a fan sound is audible from the charger while the battery packs is charging.

4. If multiple battery packs are connected to the charger, you can switch between 2 charging modes by pressing the A/B button on the side of the charger:
  - Sequential Rapid charging (mode A): One battery is given charging priority; when the priority battery is fully charged, another battery becomes the priority battery. This results in individual fully-charged batteries, faster.
  - Parallel charging (mode B): All connected battery packs are charged in parallel, to the same level. This results in all connected batteries being evenly charged.

**Note:** A battery connected to the charger may not always be charging; if the indicator light on the charger is yellow, that battery is on standby.

Other batteries may have priority (they are charged first due to their state of charge or the charging mode selected); once other batteries have charged to the necessary level, the battery on standby begins to charge.

5. To remove the battery pack, slide the battery backward out of the charger.
6. Refer to the following table to interpret the LED indicator light on the battery charger.

| Indicator light | Indicates  |
|-----------------|--|
| Off             | No battery pack inserted   |
| Yellow          | Battery pack is on standby while other battery pack(s) are charging                    |
| Green blinking  | Battery pack is charging   |
| Green           | Battery pack is charged  |
| Red             | Battery pack and/or battery charger is over or under the appropriate temperature range |
| Red blinking    | Battery pack charging fault*   |

\*Refer to [Troubleshooting \(page 8\)](#) for more information.

**Important:** The battery can be left on the charger for short periods between uses.

**If the battery will not be used for longer periods, remove the battery from the charger; refer to [Storage \(page 7\)](#).**

# Maintenance

Maintenance and servicing are not required under normal conditions.

When you clean the surface of the equipment, wipe it only with a dry cloth.

Do not disassemble the equipment; if it is damaged, contact your Authorized Service Dealer or distributor.

## Storage

**Important:** Store the machine, battery pack, and charger only in temperatures that are within the appropriate range; refer to [Specifications \(page 5\)](#).

**Important:** If you are storing the machine for a year or longer, remove the battery pack from the machine and charge the battery pack until 1 or 2 LED indicators turn green on the battery. Do not store a fully charged or fully depleted battery. When you are ready to use the machine again, charge the battery pack until the left indicator light turns green on the charger or all 4 LED indicators turn green on the battery.

- Disconnect the machine from the power supply (i.e., remove the battery pack) and check for damage after use.
- Clean all foreign material from the machine.
- Do not store the machine or charger with the battery pack installed.
- When not in use, store the machine, battery pack, and battery charger out of the reach of children.
- Keep the machine, battery pack, and battery charger away from corrosive agents such as garden chemicals and de-icing salts.
- To reduce the risk of serious personal injury, do not store the battery pack outside or in vehicles.
- Store the machine, battery pack, and battery charger in an enclosed clean, dry area.

# Troubleshooting

Perform only the steps described in these instructions. All further inspection, maintenance, and repair work must be performed by an authorized service center or a similarly qualified specialist if you cannot solve the problem yourself.

| Problem   | Possible Cause  | Corrective Action  |
|---|---|--|
| The battery charger is not working.                             | <ol style="list-style-type: none"> <li data-bbox="586 331 1029 386">1. The battery charger is over or under the appropriate temperature range.</li> <li data-bbox="586 449 1029 504">2. The outlet that the battery charger is plugged into does not have power.</li> </ol> | <ol style="list-style-type: none"> <li data-bbox="1062 331 1505 436">1. Unplug the battery charger and move it to a place where it is dry and the temperature is between 5°C (41°F) and 40°C (104°F).</li> <li data-bbox="1062 449 1505 504">2. Contact your licensed electrician to repair the outlet.</li> </ol>   |
| The LED indicator light on the battery charger is red.          | <ol style="list-style-type: none"> <li data-bbox="586 527 1029 602">1. The battery charger and/or battery pack is over or under the appropriate temperature range.</li> </ol>   | <ol style="list-style-type: none"> <li data-bbox="1062 527 1505 653">1. Unplug the battery charger and move the battery charger and battery pack to a place where it is dry and the temperature is between 5°C (41°F) and 40°C (104°F).</li> </ol>   |
| The LED indicator light on the battery charger is blinking red. | <ol style="list-style-type: none"> <li data-bbox="586 678 1029 753">1. There is an error in the communication between the battery pack and the charger.</li> <li data-bbox="586 1031 1029 1058">2. The battery pack is weak.</li> </ol>                                     | <ol style="list-style-type: none"> <li data-bbox="1062 678 1505 1016">1. Remove the battery pack from the battery charger, unplug the battery charger from the outlet, and wait 10 seconds. Plug the battery charger into the outlet again and place the battery pack on the battery charger. If the LED indicator light on the battery charger is still blinking red, repeat this procedure again. If the LED indicator light on the battery charger is still blinking red after 2 attempts, properly dispose of the battery pack at a battery recycling facility.</li> <li data-bbox="1062 1031 1505 1157">2. Contact your authorized service dealer or distributor if the battery is in warranty, or properly dispose of the battery pack at a battery recycling facility.</li> </ol> |