



Count on it.

Parts Catalog

60in Z Master® 4000 Series Riding Mower

Model No. 74054—Serial No. 414327670 and Up



Ordering Replacement Parts

To order replacement parts, please supply the part number, the quantity, and the description of each part desired.

Understanding Reference Numbers

Each identified part in an illustration has a reference number. The reference number for a part also appears in the parts list, along with other information about the part.

This catalog uses two special reference number formats, one to indicate parts in a service assembly and another to indicate the quantity of a given part in an illustration.

Service Assembly Reference Numbers

Parts in service assemblies have reference numbers in the form a:b. The a represents the reference number of the entire service assembly and the b represents a sequential number unique to each part within the service assembly.

For example, a wheel assembly might be identified by reference number 6, the tire by 6:1, the valve by 6:2, and the wheel by 6:3. When you order the assembly identified by reference number 6, you receive all parts identified by reference numbers 6:1, 6:2, and 6:3. However, you may also order any part individually. Reference numbers of this type appear in illustration and in parts lists.

Reference Numbers Indicating Quantity

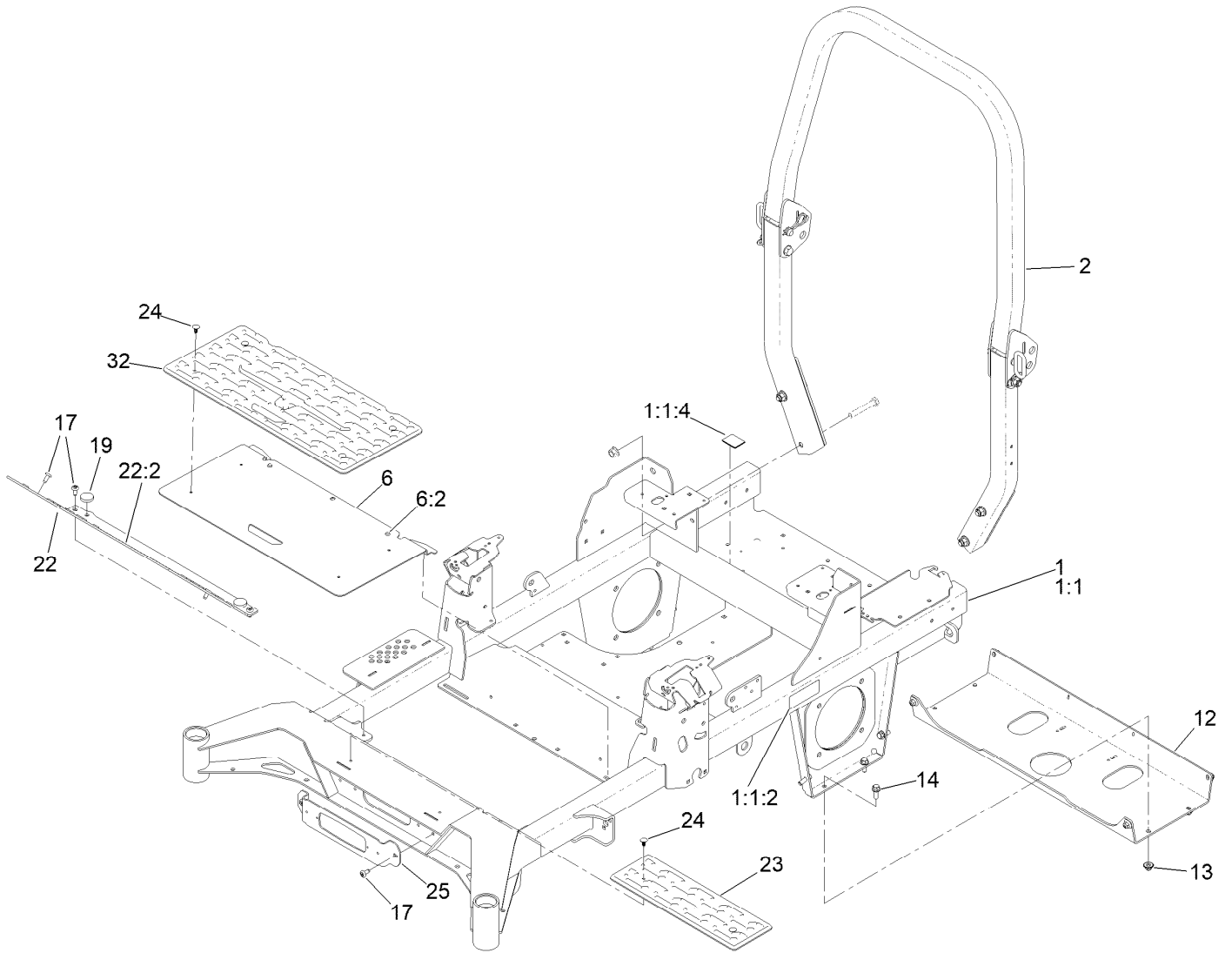
In an illustration, if a reference number indicates more than one part, the reference number has the form nX y. The n represents the quantity of the part, the X is the multiplication symbol, and the y represents the reference number.

For example, in an illustration, the reference number 2X 37 means that two of the parts identified by reference number 37 are indicated.

Contents

Frame Assembly	4
Roll-Over Protection System Assembly No. 139-8062	6
Hydraulic Drive Assembly	8
RH Transaxle Assembly No. 145-3695	10
LH Transaxle Assembly No. 145-3696	12
Throttle Cable and Guard Assembly	14
Fuel System Assembly	16
Fuel Tank Assembly No. 139-6722	18
Seat Mount Assembly	20
Seat Assembly No. 144-2632	22
Motion Control Assembly	24
Left and Right Control Arm Assembly	26
Caster Wheel Assembly	28
Caster Wheel and Fork Assembly	30
Rear Wheel Assembly	32
Electrical Assembly	34
Wire Harness Assembly No. 139-8078	36
Deck Lift Assembly	38
Deck Strut Assembly No. 140-1179	40
Engine, Clutch and Muffler Assembly	42
Decal Assembly	44
Deck Assembly	46
Deck Decal Assembly No. 144-6588	48
Spindle Assembly No. 137-9780	50
Deflector Assembly No. 144-2635	52
Idler Arm Assembly No. 139-1087	54
Attachments and Accessories	56

Frame Assembly



Frame Assembly (continued)

<i>Ref.</i>	<i>Part Number</i>	<i>Qty.</i>	<i>Description</i>	<i>Ref.</i>	<i>Part Number</i>	<i>Qty.</i>	<i>Description</i>
1	144-6590	1	Frame Decal ASM	14	3234-42	8	Screw-HHF
1:1		1	Frame-60 ●	17	138-9753	6	Screw
1:1:2	126-4363	2	Decal-Warning	19	109-9233	2	Bumper-Push-In, Rubber
1:1:4	144-2687	1	Decal, Belt Routing	22	140-4995	1	Toeboard
2	139-8062	1	ASM-ROPS	22:2	126-8383	1	Decal-Danger
6	138-6098	1	Floor Pan ASM	23	140-4992	1	Step
6:2	109-9233	2	Bumper-Push-In, Rubber	24	117-2382	6	Plug-Plastic
12	139-6717-01	1	Plate-Hydro	25	140-4994-01	1	Bracket-Light
13	109-6658	8	Nut-Flange, NI	32	140-7950	1	Floormat-Fixed Seat

● Not serviced separately

Roll-Over Protection System Assembly No. 139-8062

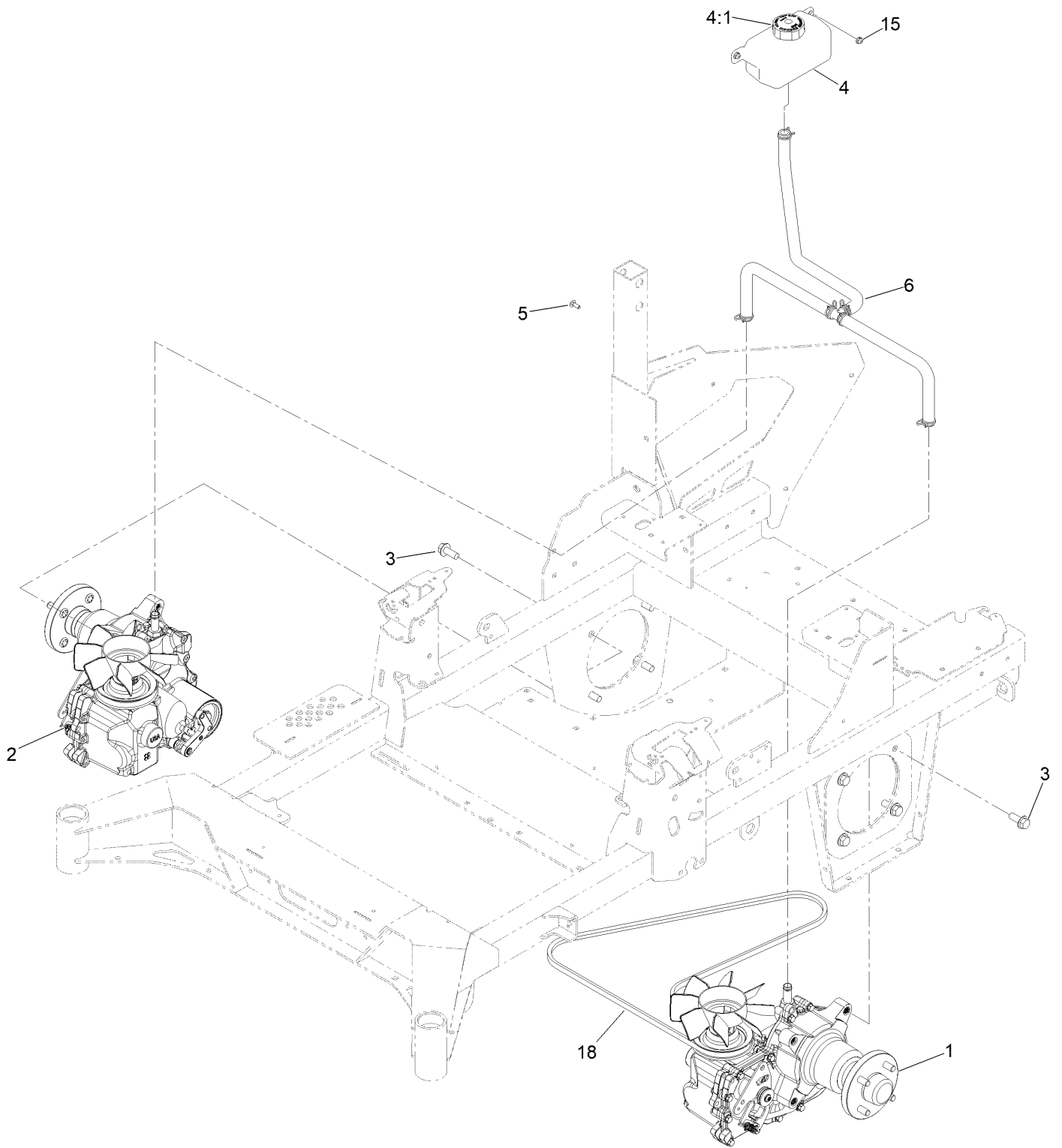


Roll-Over Protection System Assembly No. 139-8062 (continued)

<i>Ref.</i>	<i>Part Number</i>	<i>Qty.</i>	<i>Description</i>	<i>Ref.</i>	<i>Part Number</i>	<i>Qty.</i>	<i>Description</i>
1		1	Upper ROPS ASM ●	5	103-4553	2	ROPS Fold Pin ASM
1:2	107-3069	1	Decal-Warning	6	99-5107	6	Nut-Lock
2		1	RH Lower ROPS ASM ●	7	109-5337	2	Bumper-ROPS
3		1	LH Lower ROPS ASM ●	8	109-9505	4	Washer-Spring
4	126-9209	2	Bolt-Shoulder	9	325-13	4	Screw-HH

● Not serviced separately

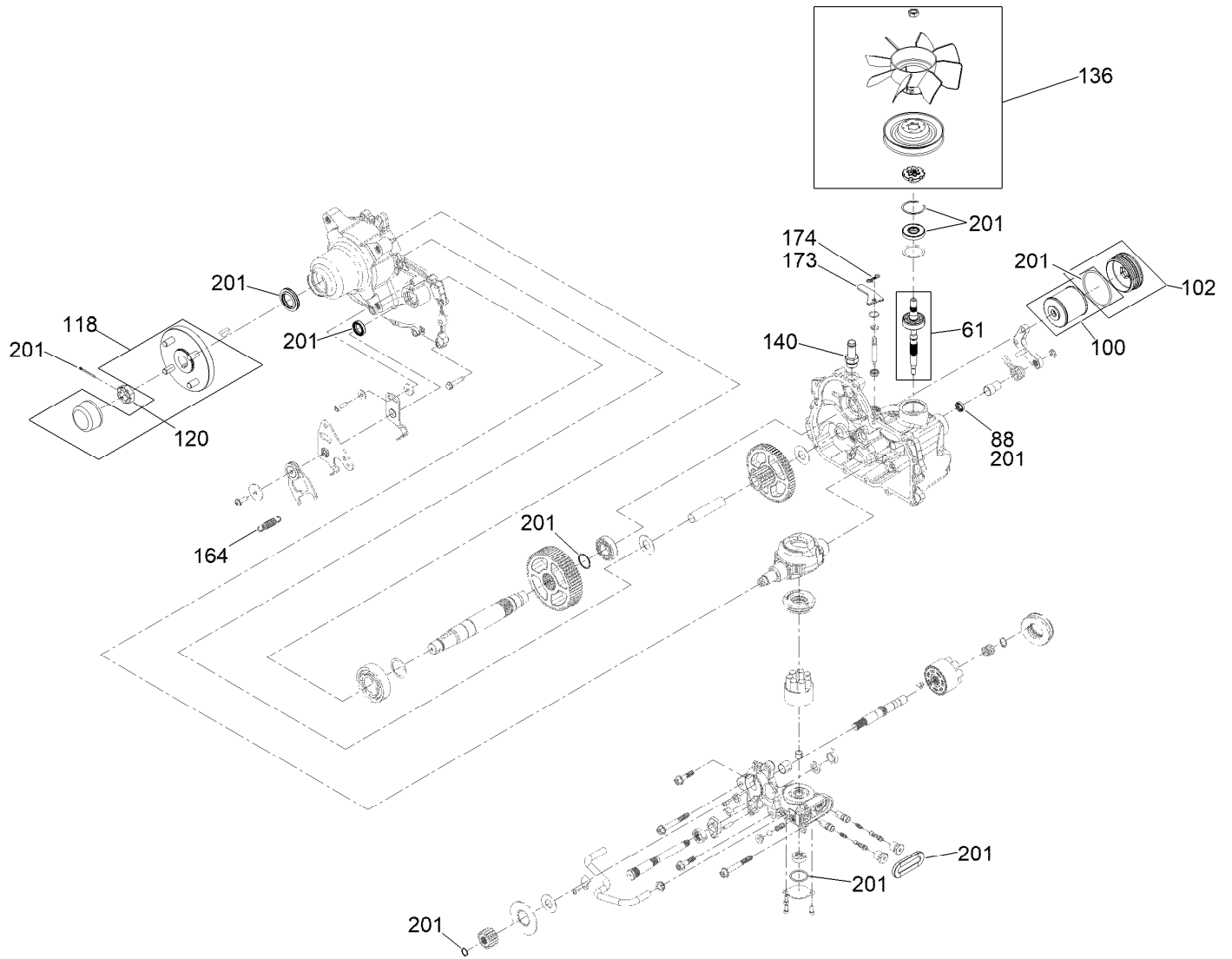
Hydraulic Drive Assembly



Hydraulic Drive Assembly (continued)

<i>Ref.</i>	<i>Part Number</i>	<i>Qty.</i>	<i>Description</i>	<i>Ref.</i>	<i>Part Number</i>	<i>Qty.</i>	<i>Description</i>
1	145-3696	1	LH Transaxle ASM W/Arm	5	3229-28	2	Screw-CARR
2	145-3695	1	RH Transaxle ASM W/Arm	6	140-1225	1	ASM-Hose, Hydraulic
3	3234-38	8	Screw-HHF	15	104-7201	2	Nut-HF, NI
4	119-9908	1	Hydraulic Reservoir ASM	18	140-7994	1	Belt-V
4:1	109-3320	1	Cap-Reservoir, HYD				

RH Transaxle Assembly No. 145-3695



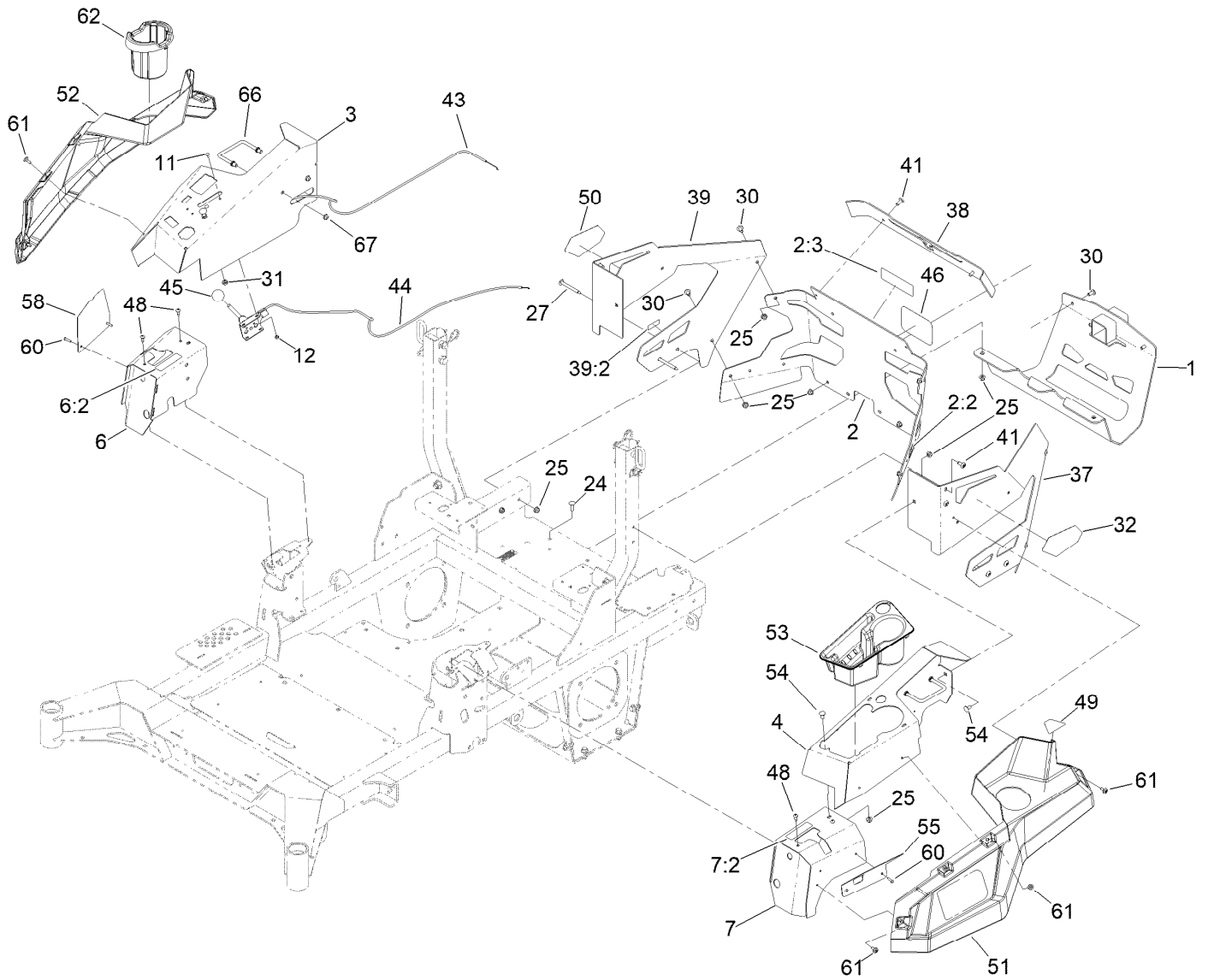
RH Transaxle Assembly No. 145-3695 (continued)

<i>Ref.</i>	<i>Part Number</i>	<i>Qty.</i>	<i>Description</i>	<i>Ref.</i>	<i>Part Number</i>	<i>Qty.</i>	<i>Description</i>
61	147-1671	1	Kit, Input Shaft	136	144-6597	1	Kit, Fan And Pulley
88	145-3637	1	Seal, Brake	140	144-6601	1	Fitting-5/8 Beaded, 7/8 SAE
100	144-6598	1	Kit, Filter	164	125-4684	1	Spring-Extension
102	144-6599	1	Kit, Filler Cap	173	139-8091	1	Plate-Lever, Bypass
118	144-6594	1	Hub-4 Bolt	174	119-1415	1	Pin-Cotter, Locking
120	144-6595	1	Nut, Slotted	201	144-6600	1	Kit, Seal

LH Transaxle Assembly No. 145-3696 (continued)

<i>Ref.</i>	<i>Part Number</i>	<i>Qty.</i>	<i>Description</i>	<i>Ref.</i>	<i>Part Number</i>	<i>Qty.</i>	<i>Description</i>
61	147-1671	1	Kit, Input Shaft	136	144-6597	1	Kit, Fan And Pulley
88	145-3637	1	Seal, Brake	140	144-6601	1	Fitting-5/8 Beaded, 7/8 SAE
100	144-6598	1	Kit, Filter	164	125-4684	1	Spring-Extension
102	144-6599	1	Kit, Filler Cap	173	139-8091	1	Plate-Lever, Bypass
118	144-6594	1	Hub-4 Bolt	174	119-1415	1	Pin-Cotter, Locking
120	144-6595	1	Nut, Slotted	201	144-6600	1	Kit, Seal

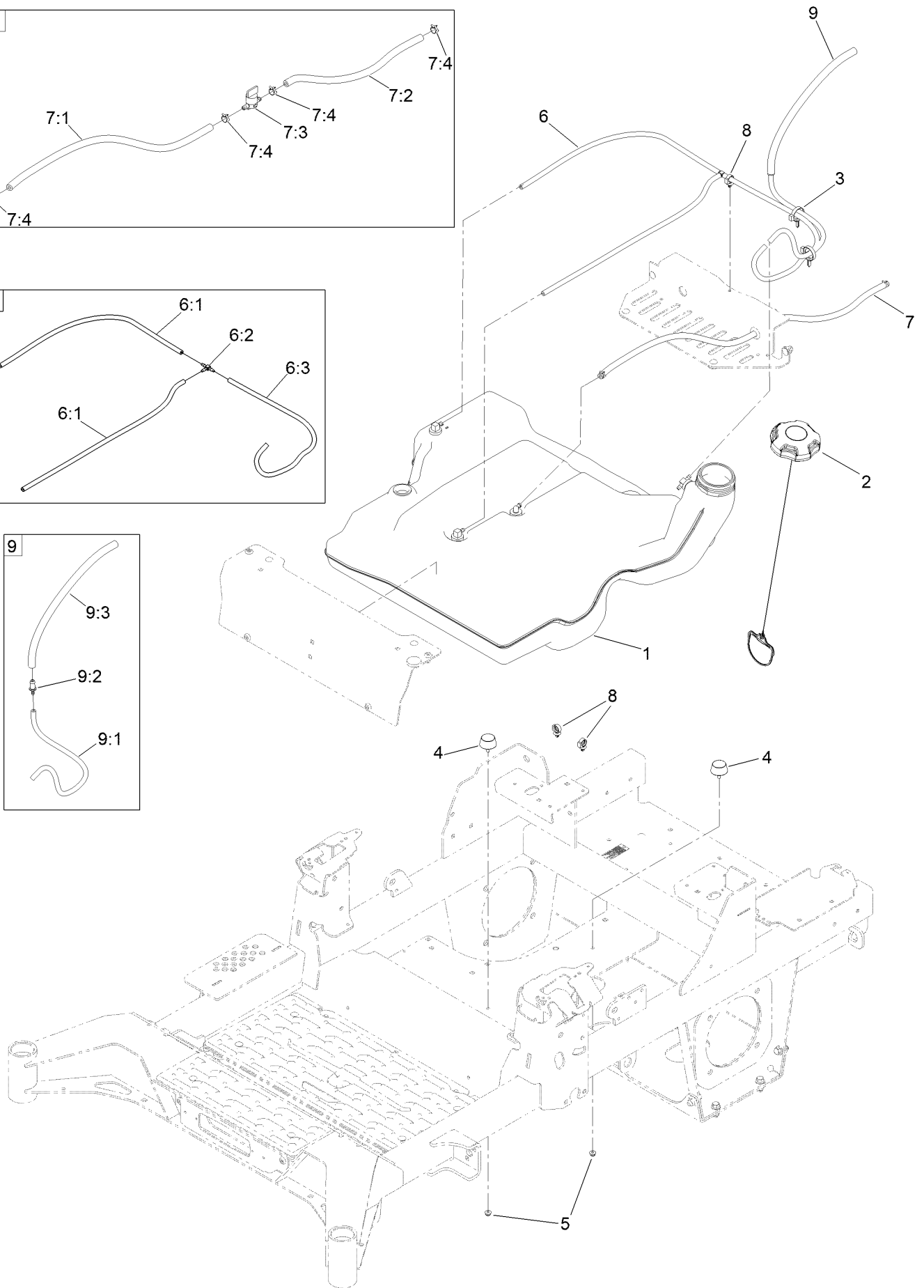
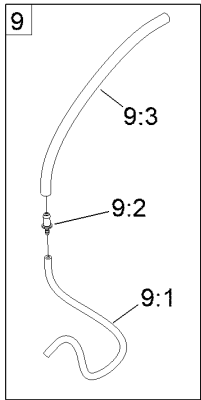
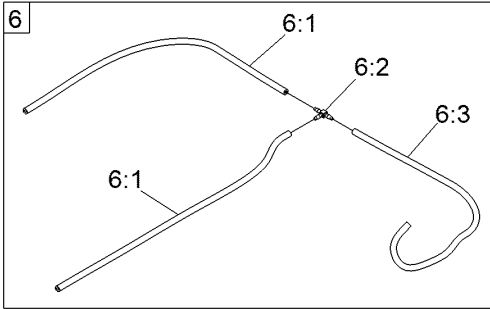
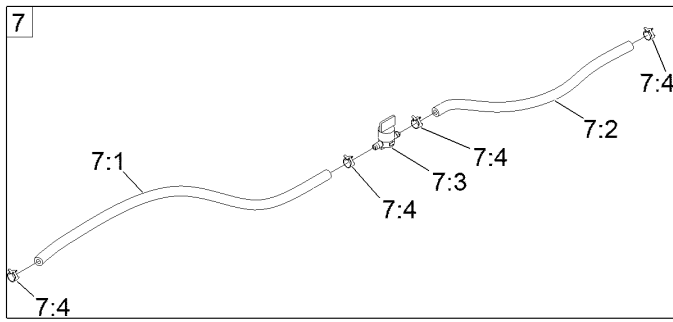
Throttle Cable and Guard Assembly



Throttle Cable and Guard Assembly (continued)

<i>Ref.</i>	<i>Part Number</i>	<i>Qty.</i>	<i>Description</i>	<i>Ref.</i>	<i>Part Number</i>	<i>Qty.</i>	<i>Description</i>
1	147-2408-03	1	Guard-Muffler	39:2	133-8062	1	Decal-Spark Arrestor
2	147-6259	1	Rear Guard ASM	41	138-9753	6	Screw
2:2	106-5517	2	Decal-Warning	43	139-6735	1	Cable-Control, Choke
2:3	161-6763	1	Decal-Hitch	44	139-6734	1	Cable-Control, Throttle
3	144-6551-01	1	Console-RH	45	1-603175	1	Knob-Ball
4	144-2638-01	1	Console-LH	46	105-8278	1	Decal
6	140-4867	1	RH Cover ASM	48	87-6620	4	Screw-Tph Thd Form
6:2	99-8936	1	Decal-Control, Motion	49	126-9939	1	Decal-Fill, Fuel
7	140-4866	1	LH Cover ASM	50	140-7987	1	Decal-4000 Series, RH
7:2	99-8936	1	Decal-Control, Motion	51	140-7979	1	Side Pod, LH
11	1-807513	2	Bolt-CARR	52	140-7980	1	Side Pod, RH
12	3296-2	2	Nut-Lock, NI	53	140-7968	1	Cup Holder
24	3230-22	2	Screw-CARR	54	3230-18	4	Screw-CARR
25	104-8300	16	Nut-HF, NI	55	140-7996-03	1	Plate-Cover, LH Front
27	126-6267	4	Screw-TTH	58	140-7998-03	1	Plate-Cover, RH Front
30	126-6268	6	Screw-TTH	60	130-8451	4	Rivet-Trifold
31	3220-3	1	Nut-HJ	61	120-7950	8	Screw-Torx
32	139-1149	1	Decal - 4000 Series, LH	62	140-8019	1	Cupholder-RH
37	145-6964-01	1	Guard-Rear, LH	66	144-2642	2	Rod-Support, Pod
38	140-1221-01	1	Guard-Rear, Top	67	3296-59	4	Nut-Lock, NI
39	145-7012	1	RH Rear Guard ASM				

Fuel System Assembly



Fuel System Assembly (continued)

<i>Ref.</i>	<i>Part Number</i>	<i>Qty.</i>	<i>Description</i>	<i>Ref.</i>	<i>Part Number</i>	<i>Qty.</i>	<i>Description</i>
1	139-6722	1	Fuel Tank ASM	7:1	109-0298	1	Line-Fuel
2	137-4119	1	Cap-Fuel, Ratcheting	7:2	114-3766	1	Hose-Fuel
3	104-2490	2	Clamp-Hose	7:3	1-603770	1	Valve-Fuel
4	131-8834	2	Bumper	7:4	2412-98	4	Clamp-Hose
5	104-7201	2	Nut-HF, NI	8	126-5523	3	Clip
6	139-8067	1	Vent Hose ASM	9	140-4957	1	ASM-Fuel Vent
6:1	138-3152	2	Hose-Fuel	9:1	138-3152	1	Hose-Fuel
6:2	120-2234	1	Fitting-Tee	9:2	116-4630	1	Fitting-Orifice, Straight
6:3	140-4956	1	Hose-Fuel	9:3	116-4344	1	Hose-Fuel
7	139-8068	1	Fuel Hose ASM				

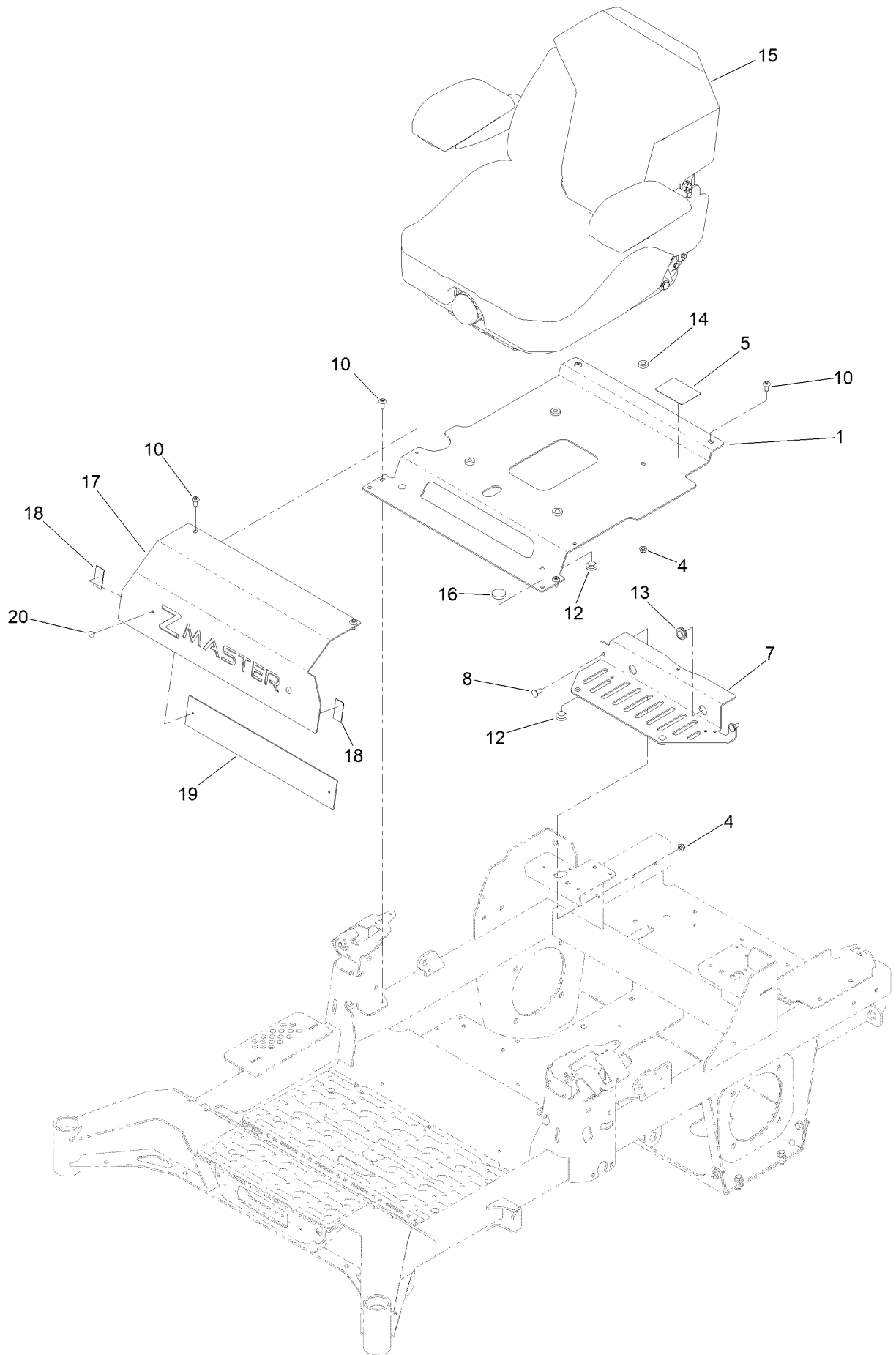
Fuel Tank Assembly No. 139-6722



Fuel Tank Assembly No. 139-6722 (continued)

<i>Ref.</i>	<i>Part Number</i>	<i>Qty.</i>	<i>Description</i>	<i>Ref.</i>	<i>Part Number</i>	<i>Qty.</i>	<i>Description</i>
2	46-6560	4	Bushing	5	139-8058	1	Gauge-Fuel
3	140-4955	1	Connector Elbow-90 DEG	6	126-9057	2	Fitting-90 DEG
4	133-9269	1	Grommet-Fuel	7	140-4954	1	Fitting-Tee

Seat Mount Assembly



Seat Mount Assembly (continued)

<i>Ref.</i>	<i>Part Number</i>	<i>Qty.</i>	<i>Description</i>	<i>Ref.</i>	<i>Part Number</i>	<i>Qty.</i>	<i>Description</i>
1	140-1165-03	1	Pan-Seat [black]	14	5-0652	4	Spacer
4	104-8300	6	Nut-HF, NI	15	144-2632	1	Seat ASM-Suspension
5	144-2669	1	Decal-Service Aid	16	109-9233	1	Bumper-Push-In, Rubber
7	147-2436-03	1	Plate-Tank Retainer, Rear	17	147-4987-03	1	Plate-Tank Retainer, Front
8	3230-23	2	Bolt-CARR	18	130-0733	2	Pad-Rubber
10	138-9753	6	Screw	19	147-4954-01	1	Plate-Backer
12	135-0505	4	Bumper-Seat	20	130-8451	2	Rivet-Trifold
13	1-543286	1	Grommet				

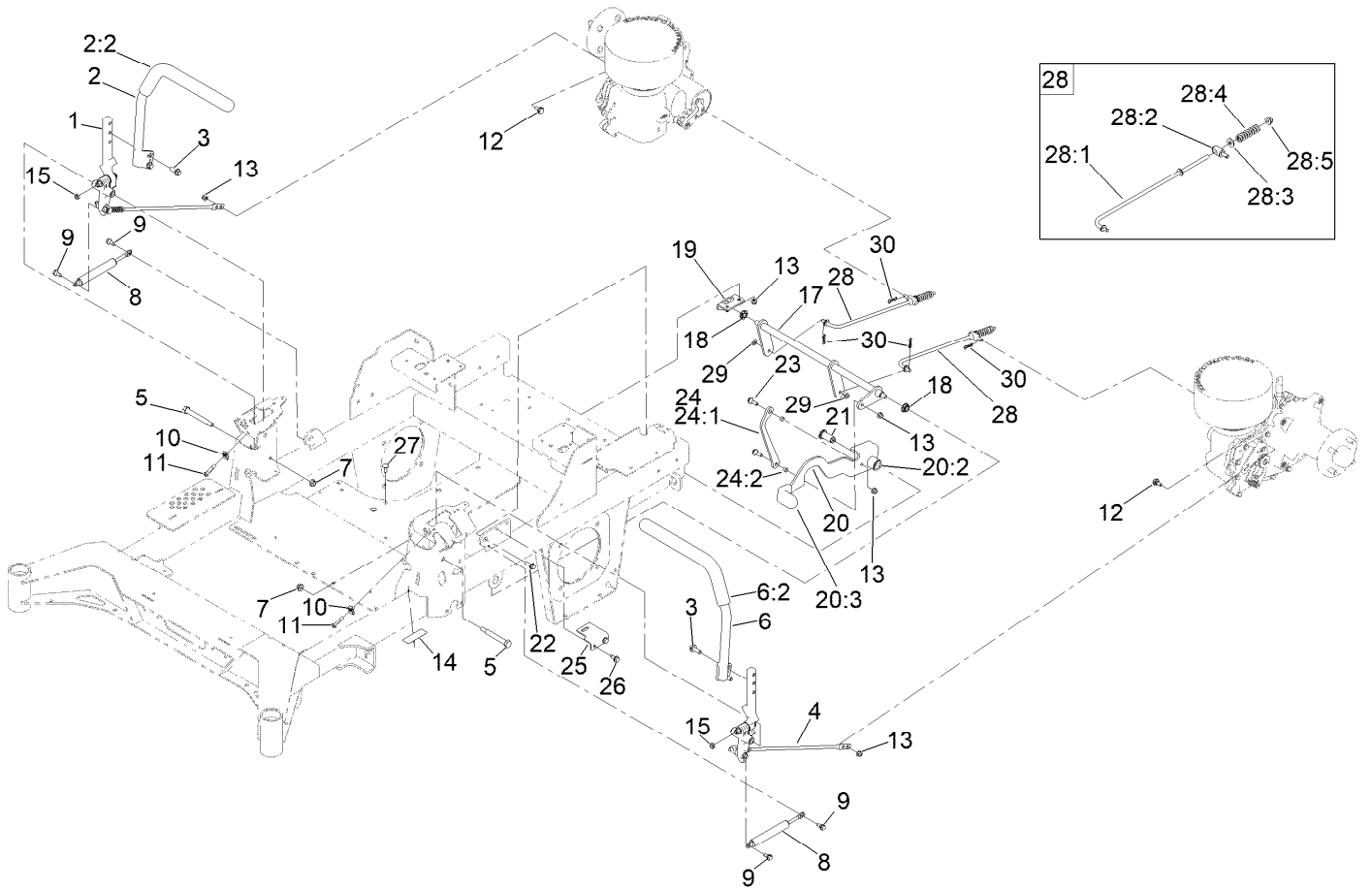
Seat Assembly No. 144-2632



Seat Assembly No. 144-2632 (continued)

<i>Ref.</i>	<i>Part Number</i>	<i>Qty.</i>	<i>Description</i>	<i>Ref.</i>	<i>Part Number</i>	<i>Qty.</i>	<i>Description</i>
1	140-8012	1	Seat Track Set	6	126-8560	1	Kit-Seat Belt
2	116-8911	1	Knob-Adjuster	7	145-3643	1	Cover-Back, Seat
3	126-8559	1	Bellows-Seat	8	145-3659	1	Cover-Bottom, Seat
4	145-3641	1	Armrest Kit	9	82-2190	1	Switch-Bail
5	145-3642	1	Pads-Armrest				

Motion Control Assembly



Motion Control Assembly (continued)

<i>Ref.</i>	<i>Part Number</i>	<i>Qty.</i>	<i>Description</i>	<i>Ref.</i>	<i>Part Number</i>	<i>Qty.</i>	<i>Description</i>
1	139-6697	1	Motion Control ASM-RH	20	139-6726	1	Brake Lever ASM W/Grip
2	147-2390	1	RH Handle ASM	20:2	109-8054	2	Bushing-Flange
2:2	109-5668	1	Grip-Lever, Control	20:3	132-4749	1	Grip-Lever
3	3234-42	4	Screw-HHF	21	139-6743	1	Pivot-Handle
4	139-6696	1	Motion Control ASM-LH	22	3234-29	1	Screw-HHF
5	115-5099	2	Bolt-Pivot	23	116-2670	2	Screw-Shoulder
6	147-2391	1	LH Handle ASM	24	144-6566	1	Brake Link ASM
6:2	109-5668	1	Grip-Lever, Control	24:1	144-6565	1	Plate-Link, Handle
7	104-8301	2	Nut-HF, NI	24:2	116-4976	2	Bushing-Sleeve
8	142-6851	2	Damper	25	139-6745	1	Plate-Switch
9	126-4424	4	Screw-Shoulder	26	32144-70	2	Screw-HWHTF
10	112-3306	2	Nut	27	3230-23	2	Bolt-CARR
11	126-4299	2	Screw-HSBH	28	144-0353	2	Brake Rod ASM
12	37-8771	2	Bolt-Shoulder, HF	28:1	140-4952	1	Rod-Brake
13	104-8300	6	Nut-HF, NI	28:2	139-6741	1	Fitting-Rod
14	115-9625	1	Decal-Brake, Parking	28:3	3256-3	1	Washer-Flat
15	3218-3	2	Nut-Jam	28:4	144-2645	1	Spring-Compression
17	144-2658	1	Brake ASM	28:5	104-8301	1	Nut-HF, NI
18	126-5820	2	Bearing-Spherical	29	3256-45	2	Washer-Flat
19	139-6742	1	Bracket-Brake	30	119-1415	4	Pin-Cotter, Locking

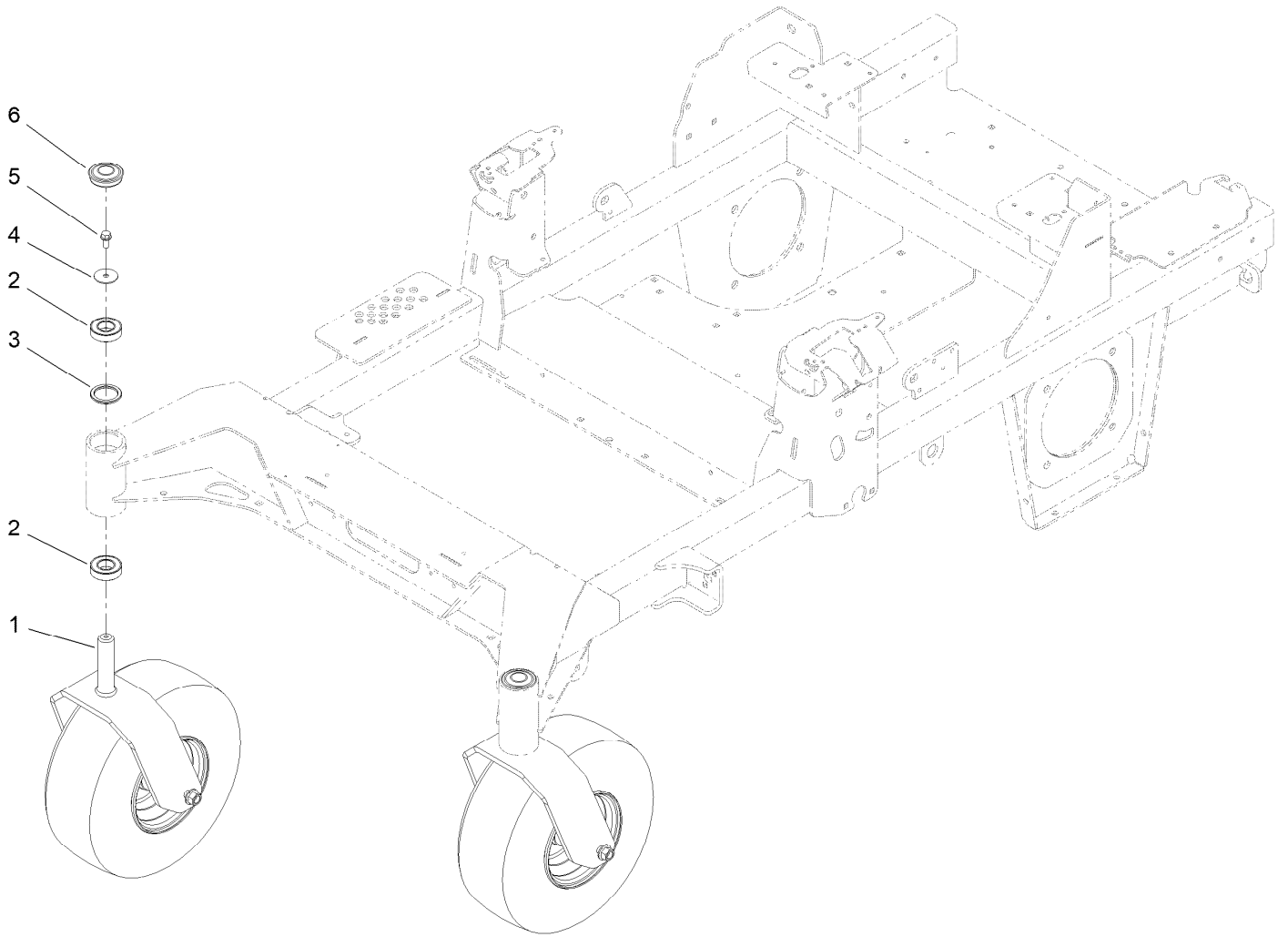
Left and Right Control Arm Assembly



Left and Right Control Arm Assembly (continued)

<i>Ref.</i>	<i>Part Number</i>	<i>Qty.</i>	<i>Description</i>	<i>Ref.</i>	<i>Part Number</i>	<i>Qty.</i>	<i>Description</i>
1	126-3773	1	Control Arm ASM	6	117-1198	1	Bolt-Pivot
1:2	126-8909	2	Bushing	7	3256-24	1	Washer-Plain
1:3	1-413152	2	Bushing-Sleeve	8	32152-2	1	Nut-Lock, Cone
2	126-7296	1	Washer-Friction	9	126-5434	1	Swivel
3	126-8182	1	Arm-Control	10	140-4949	1	Link-Control
4	117-1240	1	Washer	11	126-8195	1	Spring-Return, Neutral
5	119-8925	1	Washer-Belleville	12	104-8300	2	Nut-HF, NI

Caster Wheel Assembly

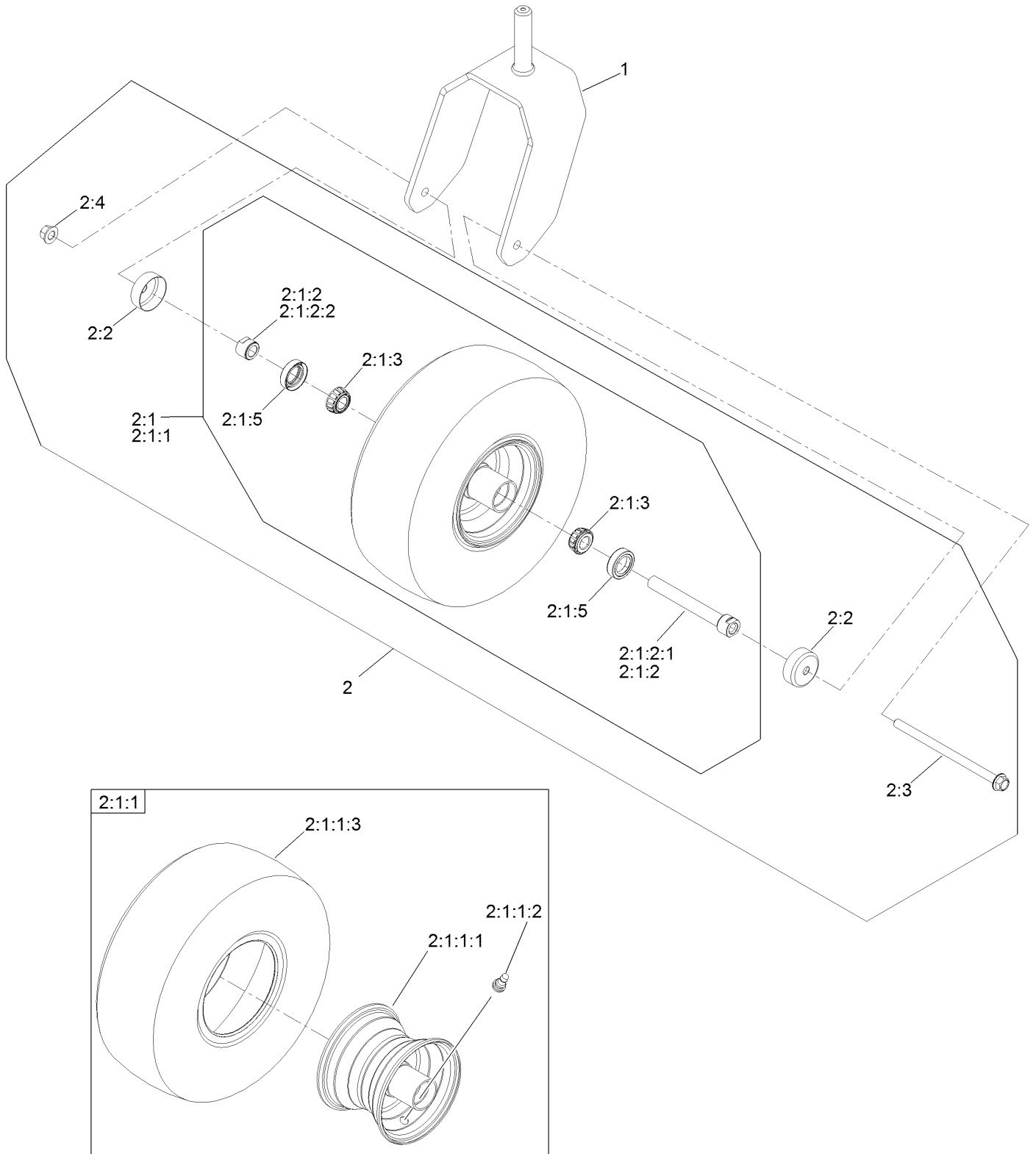


Caster Wheel Assembly (continued)

<i>Ref.</i>	<i>Part Number</i>	<i>Qty.</i>	<i>Description</i>	<i>Ref.</i>	<i>Part Number</i>	<i>Qty.</i>	<i>Description</i>
1		2	ASM-Front Caster W/Fork ●	4	3256-68	2	Washer-Flat
2	109-3678	4	Bearing-Ball	5	100-1668	2	Screw-HHF
3	145-3660	2	Spacer-Bearing	6	144-0375	2	Cap, Grease

● Not serviced separately

Caster Wheel and Fork Assembly

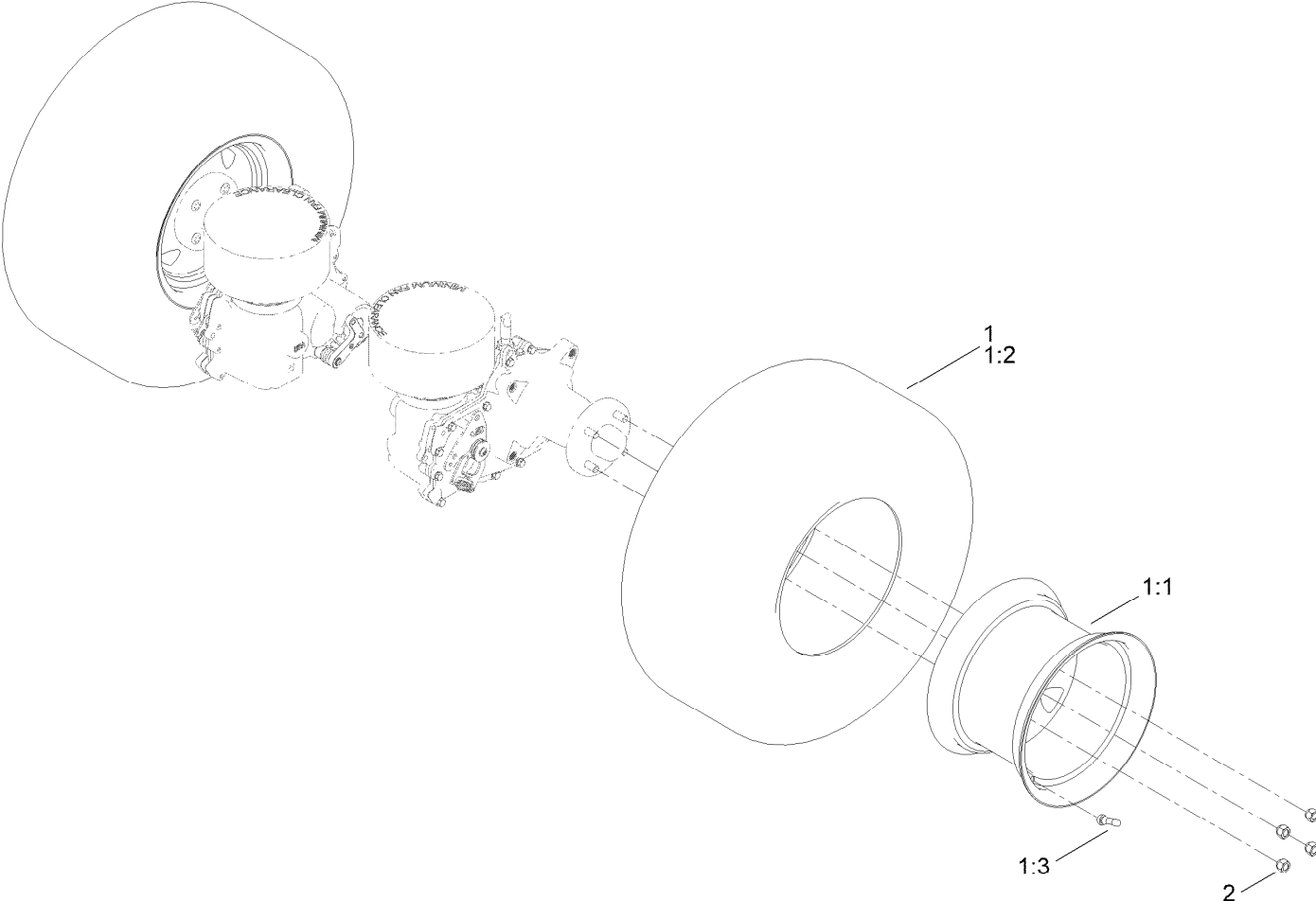


Caster Wheel and Fork Assembly (continued)

<i>Ref.</i>	<i>Part Number</i>	<i>Qty.</i>	<i>Description</i>	<i>Ref.</i>	<i>Part Number</i>	<i>Qty.</i>	<i>Description</i>
1	147-0295-01	1	15In Caster Fork [red]	2:1:2		1	Caster Axle ASM ●
2	140-4943	1	ASM-Pneumatic 15X6.50-6	2:1:2:1	126-5220	1	Axle-Caster
2:1		1	ASM Whl/Brgs 15X6.5-6 ●	2:1:2:2	103-3051	1	Spacer-Nut
2:1:1	140-4945	1	Wheel And Tire ASM 15X6.5-6	2:1:3	1-633585	2	Bearing-Cone, Taper
2:1:1:1	139-3624	1	Wheel Rim 6X4.5	2:1:5	103-0063	2	Seal-Caster
2:1:1:2	5108	1	Valve	2:2	103-2768	2	Guard-Seal
2:1:1:3	140-4946	1	Tire	2:3	126-5389	1	Screw-HHF
				2:4	99-5107	1	Nut-Lock

● Not serviced separately

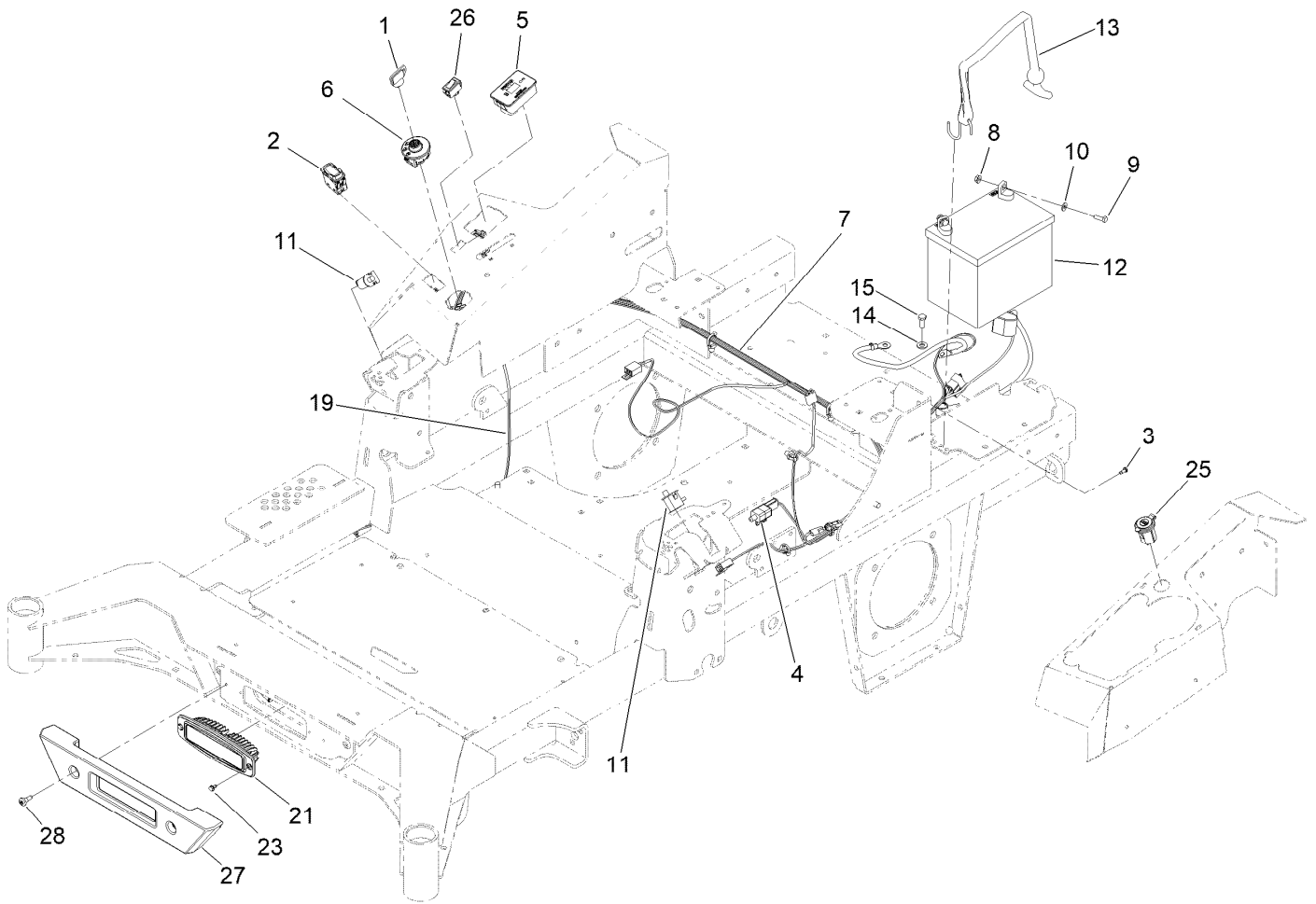
Rear Wheel Assembly



Rear Wheel Assembly (continued)

<i>Ref.</i>	<i>Part Number</i>	<i>Qty.</i>	<i>Description</i>	<i>Ref.</i>	<i>Part Number</i>	<i>Qty.</i>	<i>Description</i>
1	144-6620	2	Wheel And Tire ASM	1:3	232-27	1	Stem-Valve
1:1	144-6606	1	Wheel	2	242-50	2	Nut-Lug
1:2	140-7986	1	Tire				

Electrical Assembly



Electrical Assembly (continued)

<i>Ref.</i>	<i>Part Number</i>	<i>Qty.</i>	<i>Description</i>	<i>Ref.</i>	<i>Part Number</i>	<i>Qty.</i>	<i>Description</i>
1	1-603511	1	Keys-Ignition (Spare Pair)	11	82-2190	2	Switch-Bail
1	63-8360	1	Key-Ignition	12	104-8162	1	Battery
2	139-6368	1	Switch-Rocker, On-None-On	13	142-8697	1	Strap, Bungee
3	99-8445	1	Screw-HWH	14	33094-00	1	Washer-Plain
4	110-6765	1	Switch	15	33114-020	1	Screw-HH
5	116-5609	1	Module ASM	19	140-1213	1	Harness-Wire, Light Kit
6	137-4100	1	Switch-Ignition	21	139-8089	1	Mount-Flush, Light
7	139-8078	1	Harness-Wire	23	104-2065	2	Screw-HWH
8	32128-33	2	Nut-HF	25	140-7955	1	Port-Power, USB
9	321-4	2	Screw-HH	26	92-8875	1	Switch-Rocker
10	3256-22	2	Washer-Flat	27	140-4993	1	Bumper-Front
				28	135-2015	2	Screw-Shoulder

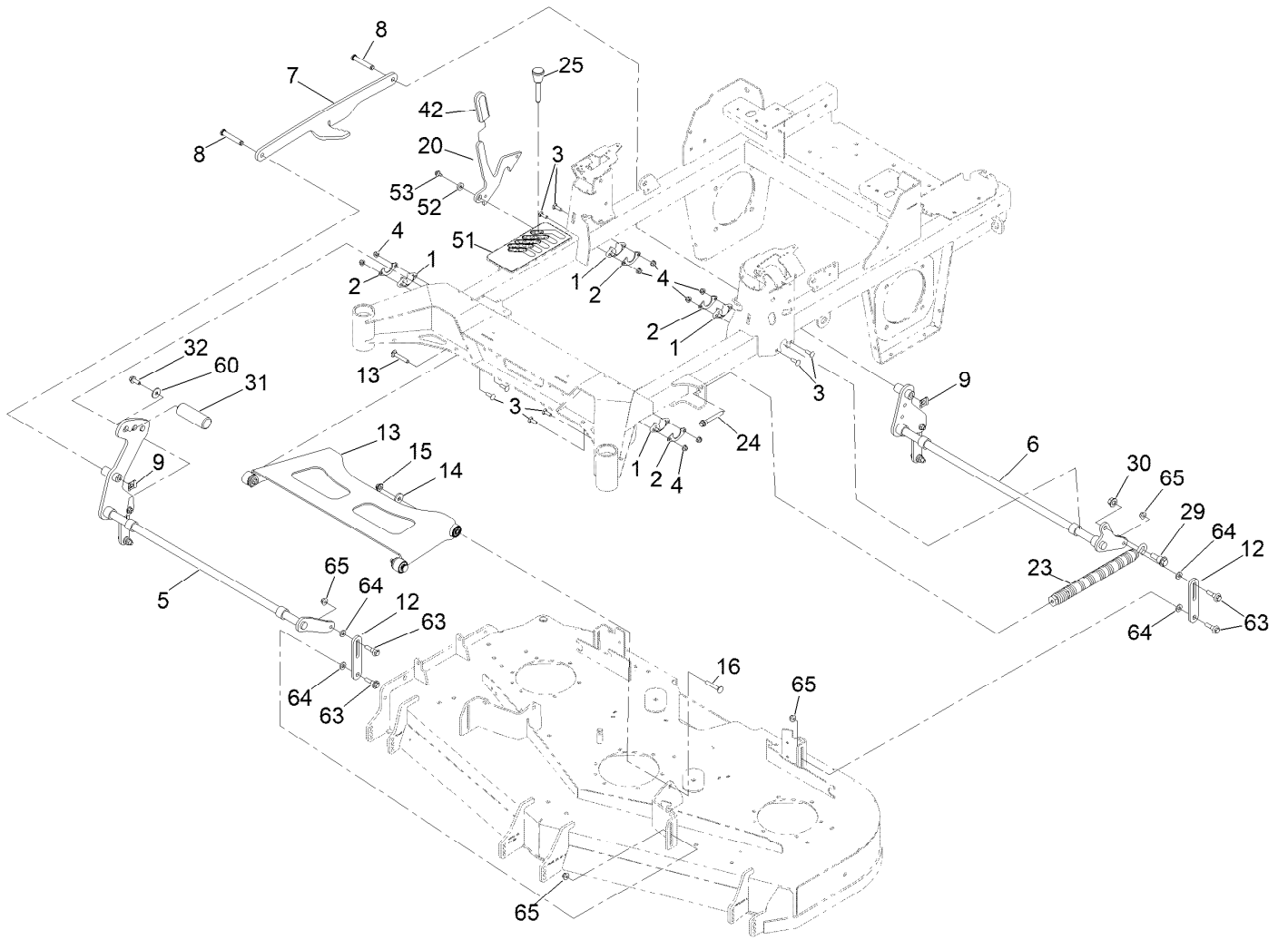
Wire Harness Assembly No. 139-8078



Wire Harness Assembly No. 139-8078 (continued)

<i>Ref.</i>	<i>Part Number</i>	<i>Qty.</i>	<i>Description</i>	<i>Ref.</i>	<i>Part Number</i>	<i>Qty.</i>	<i>Description</i>
11	116-0053	3	Cap-Plug	16	32180-176	1	Cover-Block, Fuse
12	103-3895	1	Diode	17	32180-177	1	Clip-Mounting
13	121-8867	1	Fuse-Mini Blade, 15 Amp	18	126-8876	1	Insulator-Battery
14	121-8868	1	Fuse-Mini Blade, 20 Amp	19	1-543393	1	Insulator-Solenoid
15	126-3991	1	Relay-Micro	24	121-8869	1	Fuse-Mini Blade, 25 Amp

Deck Lift Assembly



Deck Lift Assembly (continued)

<i>Ref.</i>	<i>Part Number</i>	<i>Qty.</i>	<i>Description</i>	<i>Ref.</i>	<i>Part Number</i>	<i>Qty.</i>	<i>Description</i>
1	139-5872	4	Bearing-Flange	23	116-0886	1	Spring-Extension
2	116-2887	4	Gusset-Lift, Deck	24	92-7674	1	Bolt-Shoulder
3	3230-22	8	Screw-CARR	25	126-5401	1	Pin-HOC
4	104-8300	8	Nut-HF, NI	29	116-0780	1	Screw-Shoulder, HHF
5	139-8050-03	1	Front Deck Lift Shaft ASM	30	99-5107	1	Nut-Lock
6	140-4975-03	1	Shaft-Lift, Deck	31	140-4959	1	Pedal-Foot Lift
7	126-4639-03	1	Link-HOC	32	3234-42	1	Screw-HHF
8	126-9181	2	Pin-Clevis	42	132-4749	1	Grip-Lever
9	138-8491	2	Clip-Pin	51	139-6699	1	Decal-HOC
12	145-5702-03	4	Link-Lift, Deck	52	104-7658	1	Spacer
13	140-1179	1	Deck Strut W/ Bushings ASM	53	9266934	1	Screw
14	1-373034	2	Washer	60	2844	1	Washer
15	109-6658	2	Nut-Flange, NI	63	130-0742	8	Bolt-Shoulder
16	3231-7	2	Screw-CARR	64	43-0940	8	Spacer
20	145-8475-03	1	Plate-Transport Lock	65	104-8301	8	Nut-HF, NI

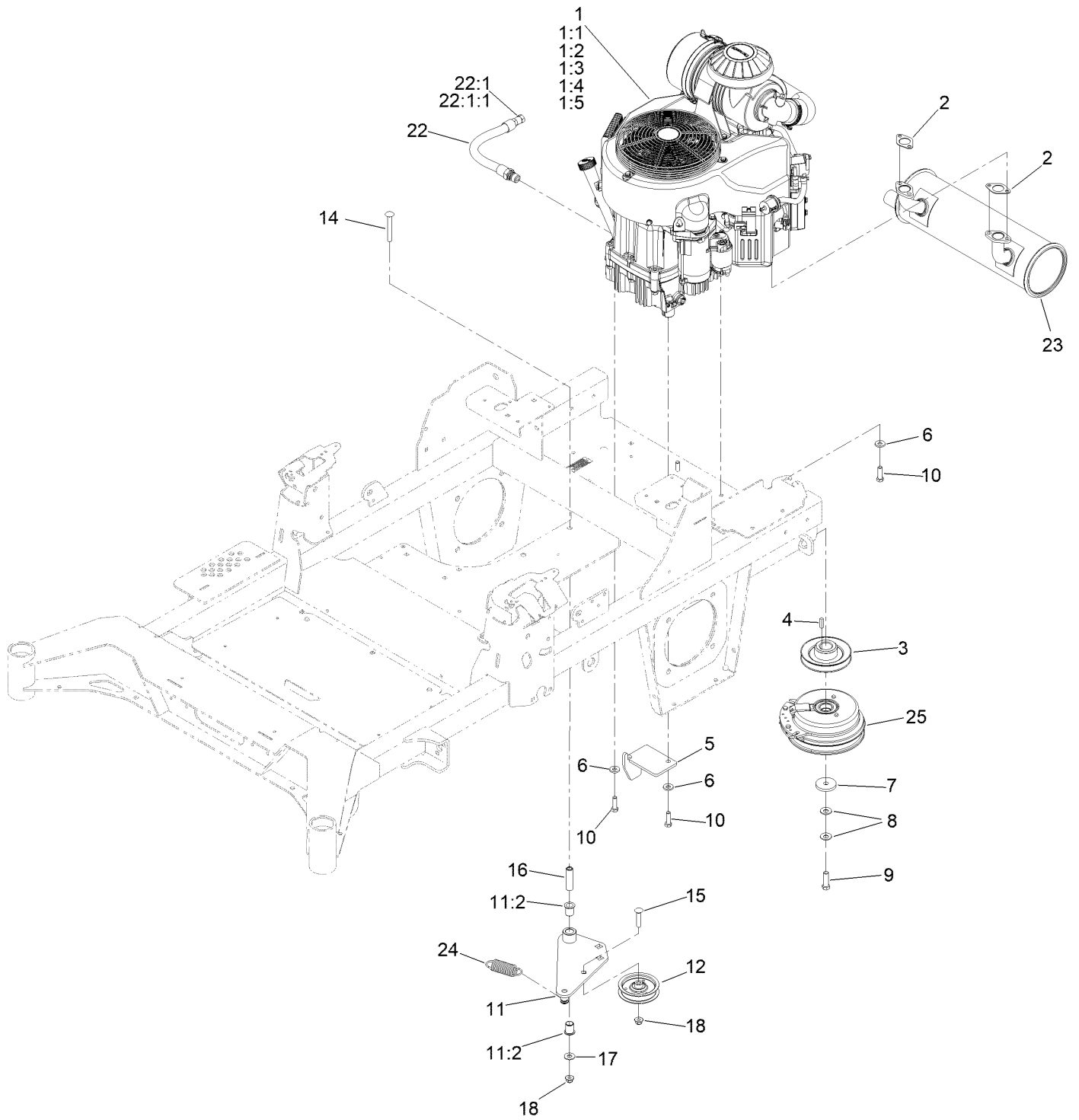
Deck Strut Assembly No. 140-1179



Deck Strut Assembly No. 140-1179 (continued)

<i>Ref.</i>	<i>Part Number</i>	<i>Qty.</i>	<i>Description</i>	<i>Ref.</i>	<i>Part Number</i>	<i>Qty.</i>	<i>Description</i>
2	126-8360	4	Bushing-Rubber, Suspension	4	3231-7	2	Screw-CARR
3	108-6544	4	Spacer	5	2844	2	Washer
				6	104-8301	2	Nut-HF, NI

Engine, Clutch and Muffler Assembly



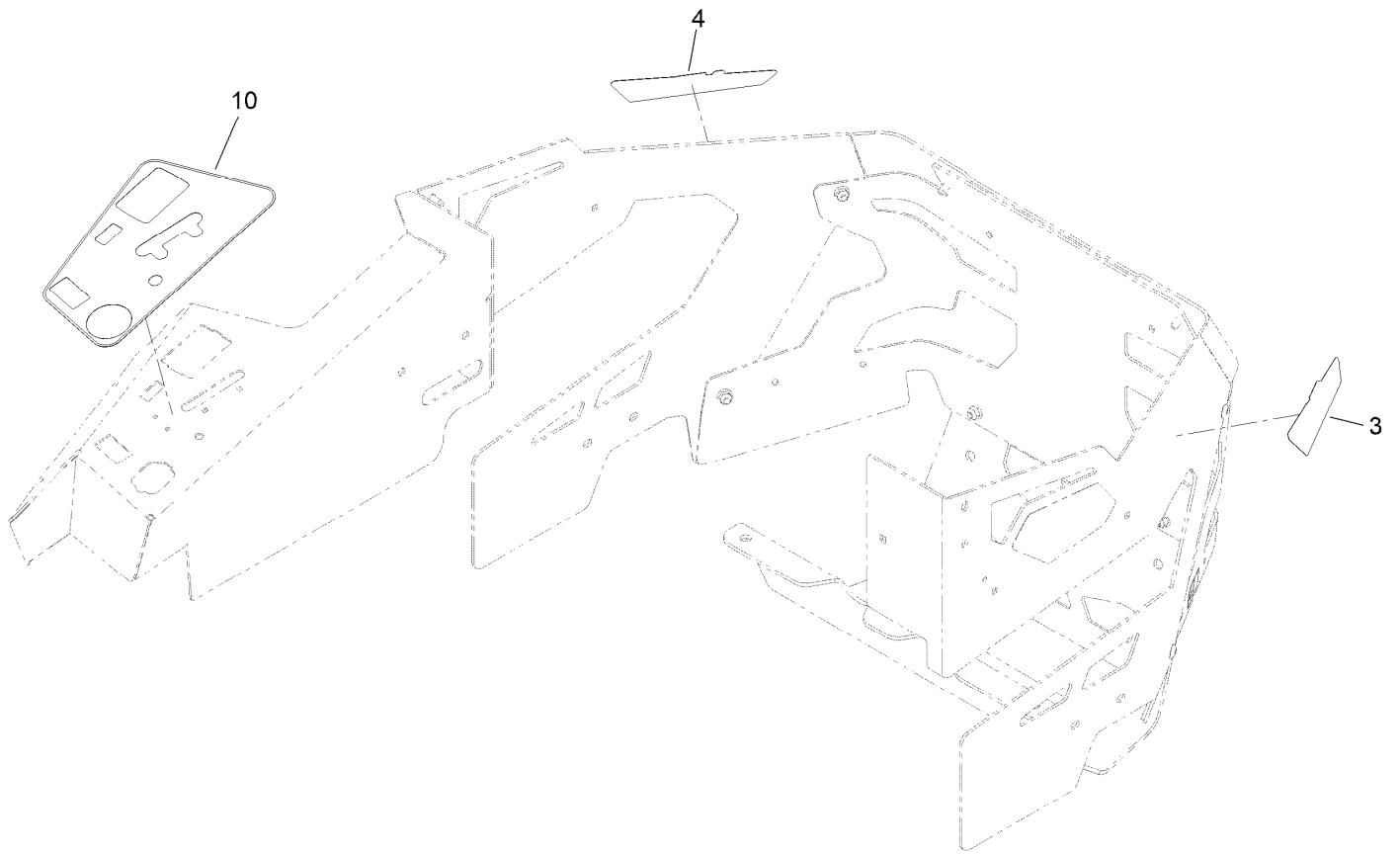
Engine, Clutch and Muffler Assembly (continued)

<i>Ref.</i>	<i>Part Number</i>	<i>Qty.</i>	<i>Description</i>	<i>Ref.</i>	<i>Part Number</i>	<i>Qty.</i>	<i>Description</i>
1		1	Engine-Kawasaki, Fx801V-S04-R ■▲	10	323-7	4	Screw-HH
1:1	KW10761	1	Filter-Oil Kaw	11	144-2671	1	Idler Arm ASM
1:2	119-5944	1	Element-Filter, Air (Outer)	11:2	138-2573	2	Bushing-Flange
1:3	119-5945	1	Element-Filter, Air (Inner)	12	140-4964	1	Pulley-Idler, Flat
1:4	142-6949	1	Filter-Fuel	14	3231-42	1	Screw-CARR
1:5	92-2153	1	Plug-Spark	15	3231-29	1	Screw-CARR
2	1-653313	2	Gasket-Exhaust	16	139-6690	1	Bushing, Idler Pivot
3	139-6702	1	Sheave, W/Hub	17	3256-4	1	Washer-Flat
4	1-807259	1	Key	18	104-8301	2	Nut-HF, NI
5	140-1190	1	Anchor-Clutch	22	116-4924	1	Engine Oil Drain Hose ASM
6	98-5975	4	Washer-Belleville	22:1	353-508	1	Plug-HH ●
7	109-6919	1	Washer-Plain	22:1:1	237-42	1	O-Ring
8	1-603610	2	Washer-Spring	23	139-1079	1	Muffler
9	109-9761	1	Screw-HH	24	1-653331	1	Spring-Idler
				25	116-1604	1	Clutch

● Torque to 24-26 ft-lb
▲ Obtain parts from www.kawpower.com

■ Not serviced separately

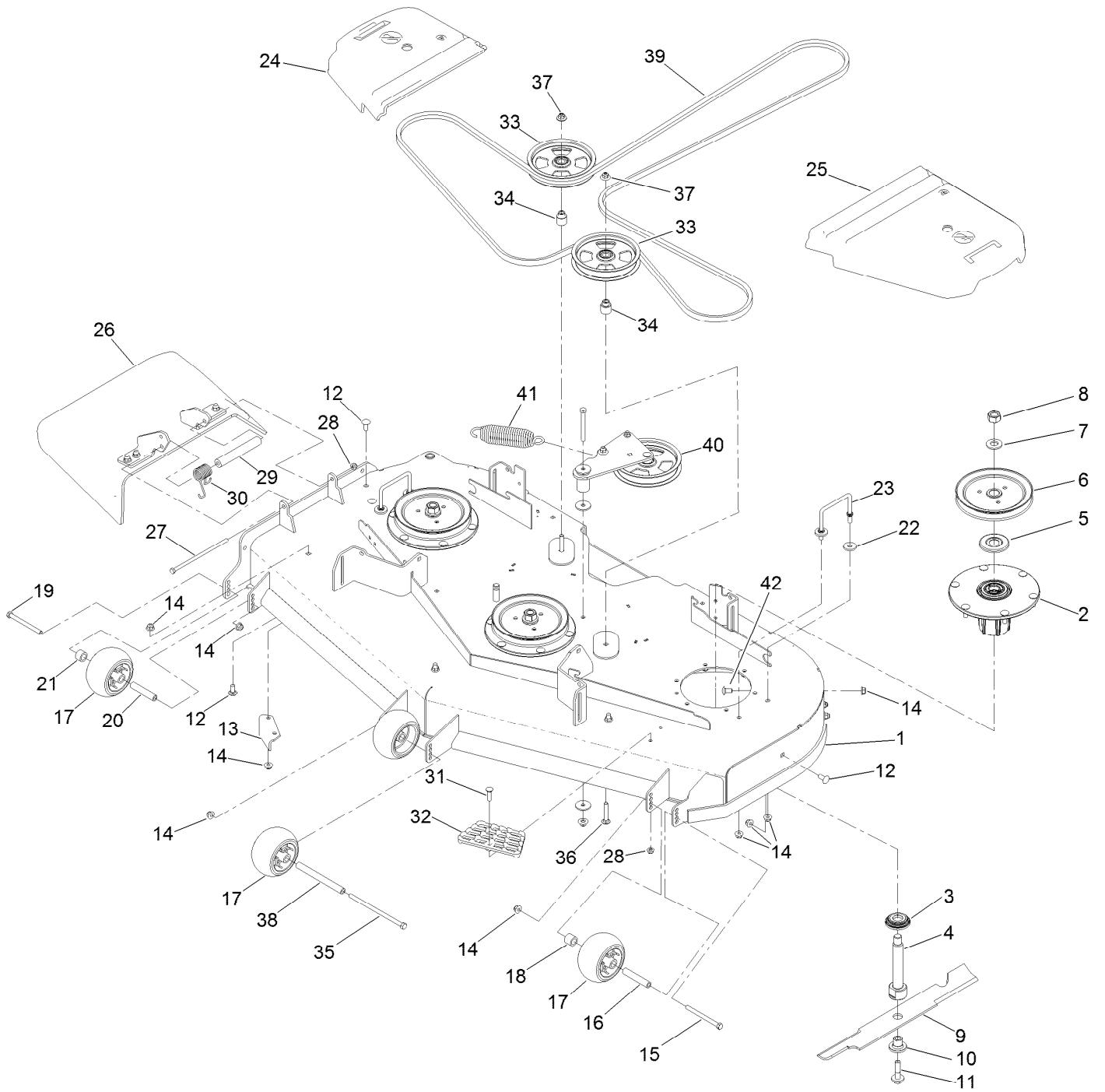
Decal Assembly



Decal Assembly (continued)

<i>Ref.</i>	<i>Part Number</i>	<i>Qty.</i>	<i>Description</i>
3	144-0440	1	Decal - HD
4	144-0441	1	Decal - HD
10	144-6569	1	Decal-Panel, Control

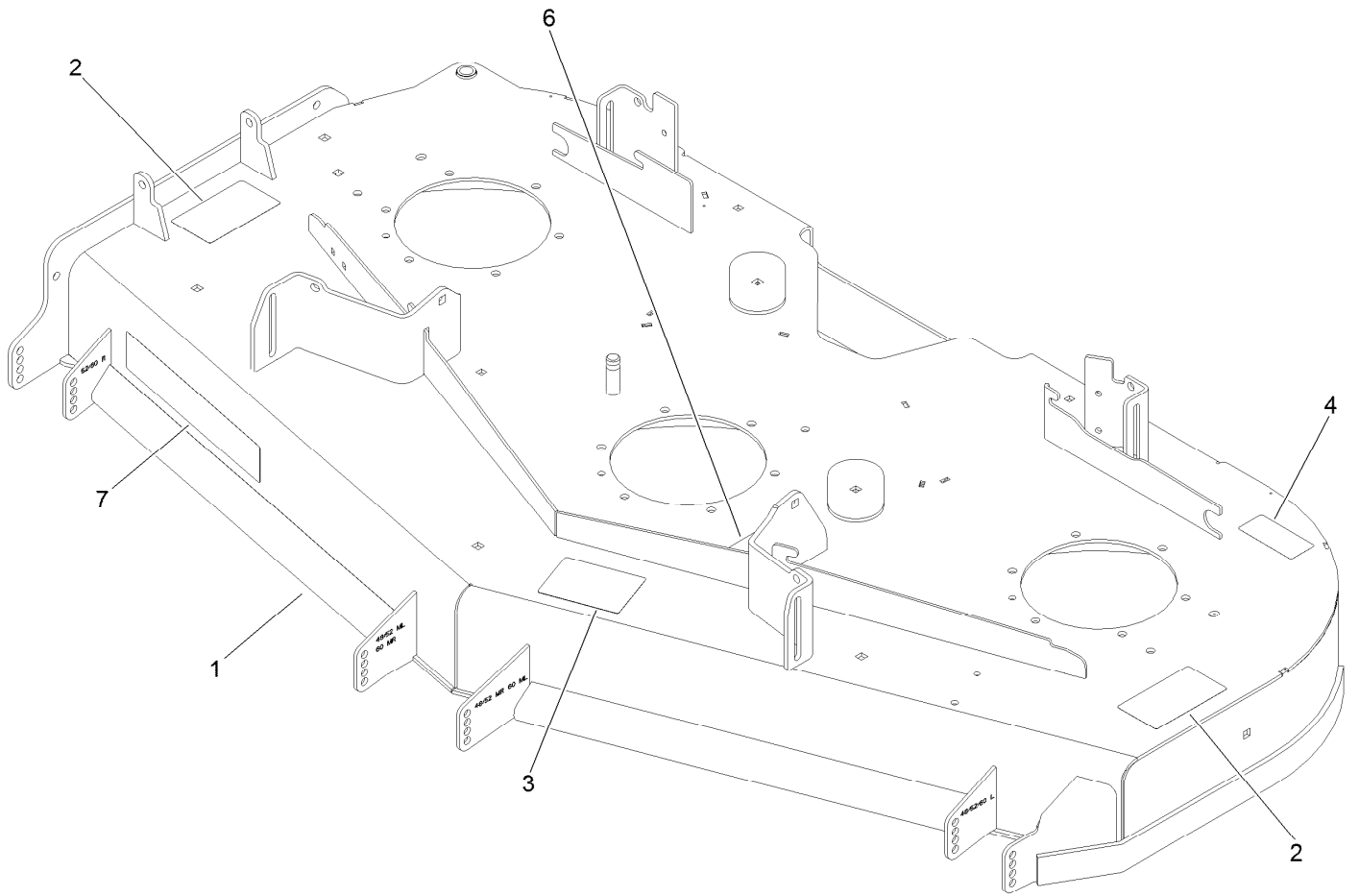
Deck Assembly



Deck Assembly (continued)

<i>Ref.</i>	<i>Part Number</i>	<i>Qty.</i>	<i>Description</i>	<i>Ref.</i>	<i>Part Number</i>	<i>Qty.</i>	<i>Description</i>
1	144-6588	1	Deck Decal ASM	22	1-373034	4	Washer
2	137-9780	3	Spindle ASM	23	109-6982	2	Wireform-Cover
3	137-9784	3	Guard-Bottom	24	116-0094	1	Cover-Belt, RH
4	138-6045	3	Shaft-Spindle	25	109-6938	1	Cover-Belt, LH
5	103-1330	3	Guard-Bearing, Top	26	144-2635	1	Rubber Deflector ASM
6	138-6059	3	Sheave-Drive, Blade	27	322-50	1	Screw-HH
7	103-2802	3	Washer	28	104-8300	2	Nut-HF, NI
8	116-7306	3	Nut-Hex	29	105-4622	1	Spacer
9	140-1240	3	Blade	30	108-4052	1	Spring-Torsion
10	137-9787	3	Bushing-Hex	31	3230-3	1	Screw-CARR
11	109-9220	3	Screw-Sems	32	126-4781-03	1	Step-Deck
12	3231-27	6	Screw-CARR	33	132-9424	2	Pulley-Idler, Flat
13	107-8541-01	1	Baffle-Discharge	34	139-8061	2	Bushing, Idler
14	104-8301	34	Nut-HF, NI	35	108-5388	1	Screw-HH
15	323-23	1	Screw-HH	36	3231-7	2	Screw-CARR
16	98-7912	1	Tube-Spanner	37	109-6658	2	Nut-Flange, NI
17	1-603299	4	Roller-Scalp, Anti	38	98-5967	1	Spacer-Wheel
18	98-7913	1	Tube-Spacer	39	144-0357	1	Belt-V
19	323-17	1	Screw-HH	40	139-1087	1	Idler Arm ASM
20	133-2129	1	Tube-Shafting	41	116-6317	1	Spring-Extension
21	133-2128	1	Tube-Spacer	42	3231-21	3	Screw-CARR

Deck Decal Assembly No. 144-6588



Deck Decal Assembly No. 144-6588 (continued)

<i>Ref.</i>	<i>Part Number</i>	<i>Qty.</i>	<i>Description</i>	<i>Ref.</i>	<i>Part Number</i>	<i>Qty.</i>	<i>Description</i>
1		1	Deck ASM W/Decals 60 ●	4	116-8283	1	Decal-Torque, Bolt
2	117-3848	2	Decal-Danger	6	109-6035	1	Decal-Routing, Belt
3	127-0326	1	Decal-Scalp, Anti	7	107-1619	1	Decal

● Not serviced separately

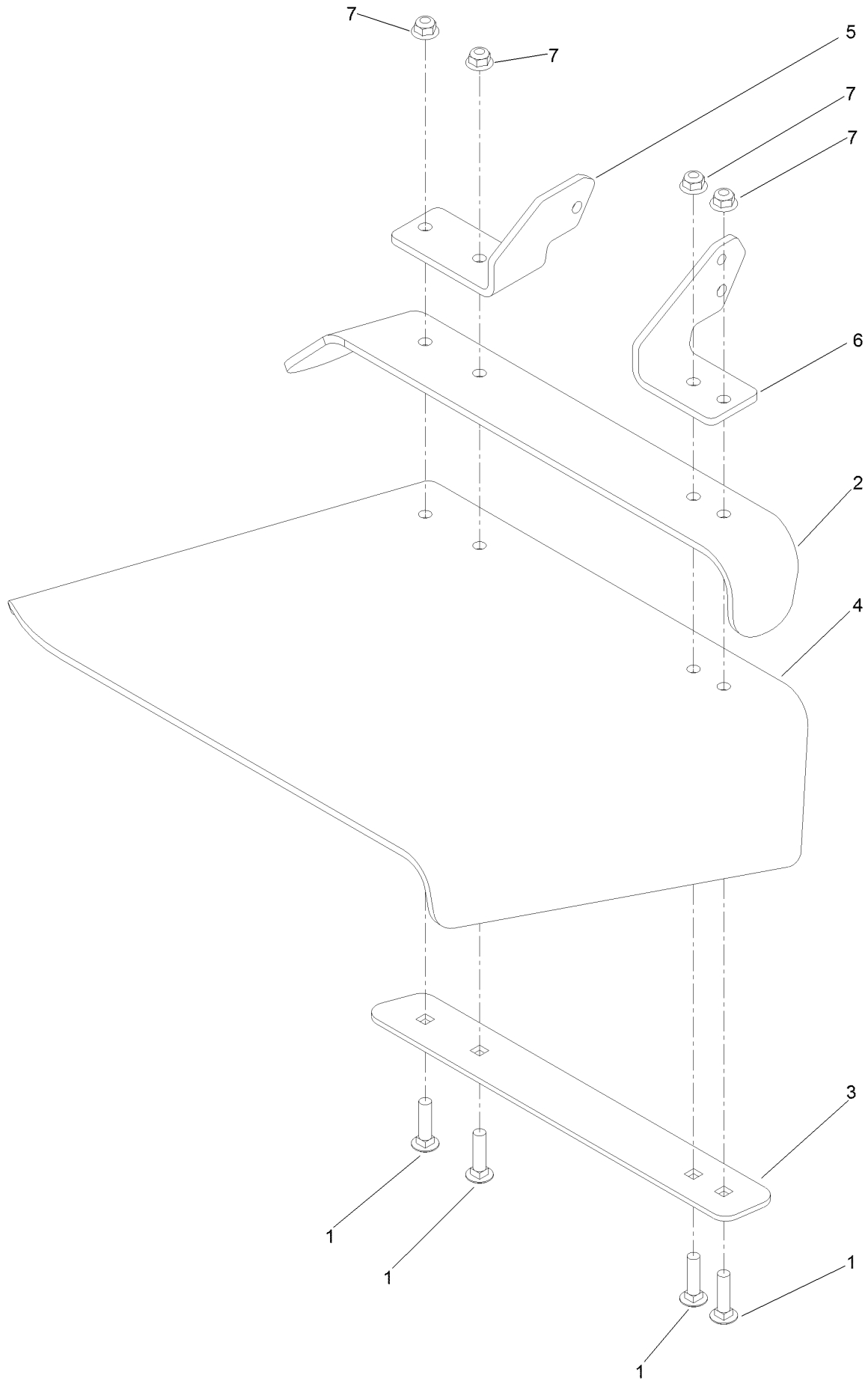
Spindle Assembly No. 137-9780



Spindle Assembly No. 137-9780 (continued)

<i>Ref.</i>	<i>Part Number</i>	<i>Qty.</i>	<i>Description</i>
2	116-0720	2	Bearing-Ball
3	138-6042	1	Spacer-Bearing

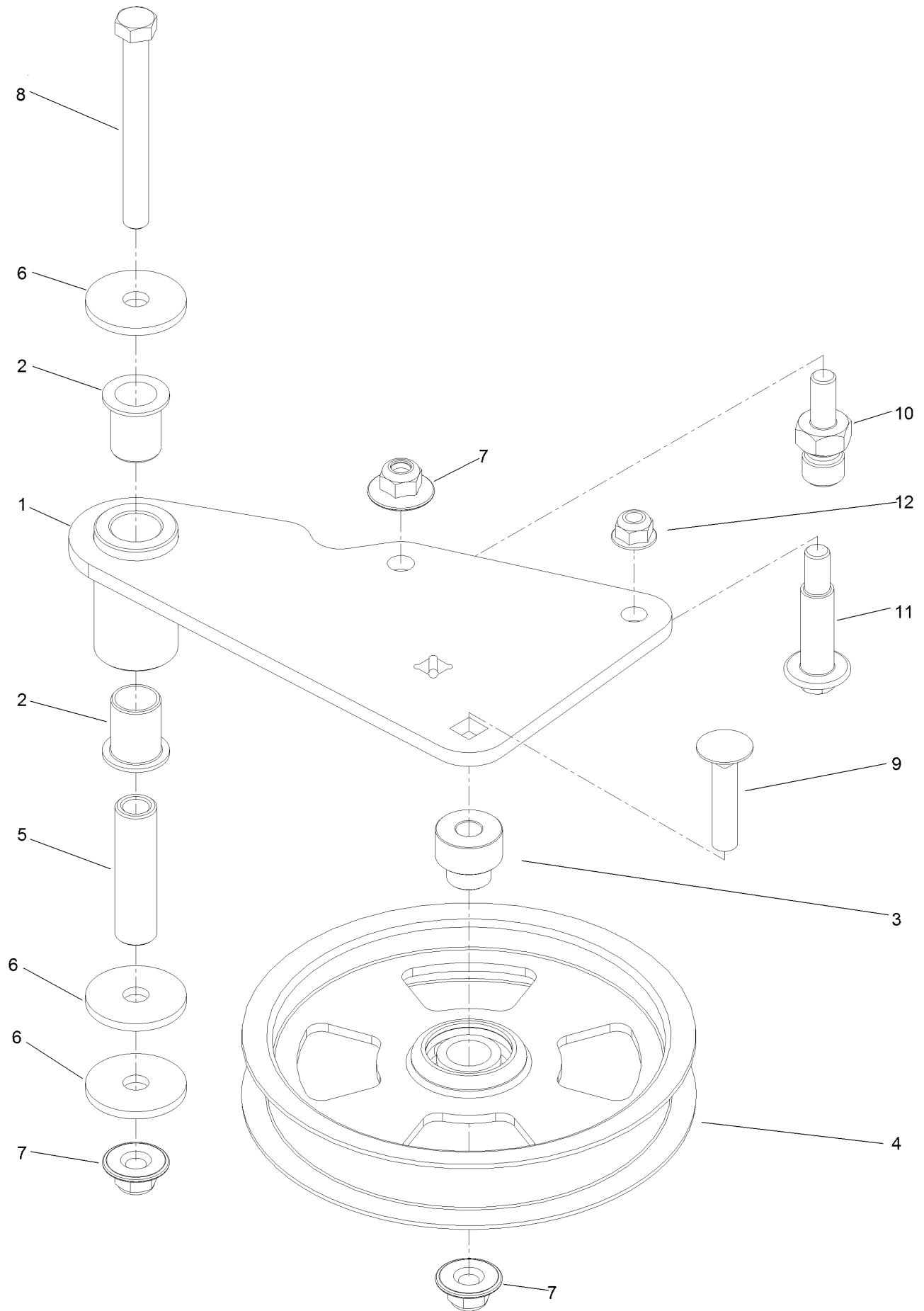
Deflector Assembly No. 144-2635



Deflector Assembly No. 144-2635 (continued)

<i>Ref.</i>	<i>Part Number</i>	<i>Qty.</i>	<i>Description</i>	<i>Ref.</i>	<i>Part Number</i>	<i>Qty.</i>	<i>Description</i>
1	3231-4	4	Screw-CARR	5	108-4059-01	1	Plate-Hinge, Rear
2	106-3246-01	1	Deflector	6	106-3253-01	1	Plate-Hinge, Front
3	106-3248-03	1	Strap-Discharge	7	104-8301	4	Nut-HF, NI
4	139-8114	1	Deflector-Deck, Rubber				

Idler Arm Assembly No. 139-1087



Idler Arm Assembly No. 139-1087 (continued)

<i>Ref.</i>	<i>Part Number</i>	<i>Qty.</i>	<i>Description</i>	<i>Ref.</i>	<i>Part Number</i>	<i>Qty.</i>	<i>Description</i>
1	139-1086	1	Idler Arm ASM	7	109-6658	3	Nut-Flange, NI
2	138-2573	2	Bushing-Flange	8	323-15	1	Screw-HH
3	139-8060	1	Bushing, Idler	9	3231-5	1	Screw-CARR
4	132-9424	1	Pulley-Idler, Flat	10	132-4729	1	Anchor-Spring, Short
5	139-6690	1	Bushing, Idler Pivot	11	136-9028	1	Bolt-Shoulder, HWH
6	1-213069	3	Washer	12	104-8301	1	Nut-HF, NI

Attachments and Accessories

For 74054 60in Z Master 4000 Series Riding Mower

Product Name	Model/Part
Anti-Scalp Kit (Trim Side).....	108-4140
Hypr-Oil 500 (quart).....	114-4713
Hypr-Oil 500 (gallon).....	114-4714
Hypr-Oil 500-5 (5 gallon).....	114-4715
Striper Kit.....	126-7882
Jack Kit.....	127-6666
Recycler Kit	139-6655
Blade-20.5 High Flow	140-1240
Blade-20.50 Atomic	140-1241
Blade-20.50 Medium Flow	140-4853
Blade-20.50, Low Flow	140-4854
Blade-20.50 Recycler	140-4855
6 Pack-Blade, 20.5 High Flow.....	140-4877
6 Pack-Blade, 20.5 Med Flow	140-4878
6 Pack-Blade, 20.5 Low Flow	140-4879
6 Pack-Blade, 20.5 Atomic.....	140-4880
6 Pack-Blade, 20.5 Recycler.....	140-4881
Trimmer Mount	144-2665
Jack Mount Kit.....	144-2676
Hardtop Sun Canopy	144-3719
60" Chute Gate Kit.....	144-6572
Asm-Semi Pneumatic 15x6.50-6	145-1919
Handle Extension Kit	145-3615
Tweel-Turf.....	147-4600
Blade-20.50 High Flow	147-6252
6 Pack-Blade, 20.50 High Flow.....	147-6256
15inx6n6 Caster Tweel Asm	147-6337
Bucket Mount Kit, Z Master 2000 or 4000 Series Riding Mower	147-6345
Universal Mount Kit, Z Master 2000 or 4000 Series Riding Mower	147-6346
Kit-Elec Deck Lift	147-7867
Fuel Pickup with Screen Kit	161-6806
Spark Arrestor Screen	75-6880
Bagger Kit, Z Master 2000 / 4000	78439
Z 4000 60in Completion Kit.....	78466

Notes:

Notes:

Notes:



Count on it.