



Count on it.

Parts Catalog

**60in Z Master® 4000 Series
Riding Mower**

Model No. 74004—Serial No. 40000000 and Up



Ordering Replacement Parts

To order replacement parts, please supply the part number, the quantity, and the description of each part desired.

Understanding Reference Numbers

Each identified part in an illustration has a reference number. The reference number for a part also appears in the parts list, along with other information about the part.

This catalog uses two special reference number formats, one to indicate parts in a service assembly and another to indicate the quantity of a given part in an illustration.

Service Assembly Reference Numbers

Parts in service assemblies have reference numbers in the form a:b. The a represents the reference number of the entire service assembly and the b represents a sequential number unique to each part within the service assembly.

For example, a wheel assembly might be identified by reference number 6, the tire by 6:1, the valve by 6:2, and the wheel by 6:3. When you order the assembly identified by reference number 6, you receive all parts identified by reference numbers 6:1, 6:2, and 6:3. However, you may also order any part individually. Reference numbers of this type appear in illustration and in parts lists.

Reference Numbers Indicating Quantity

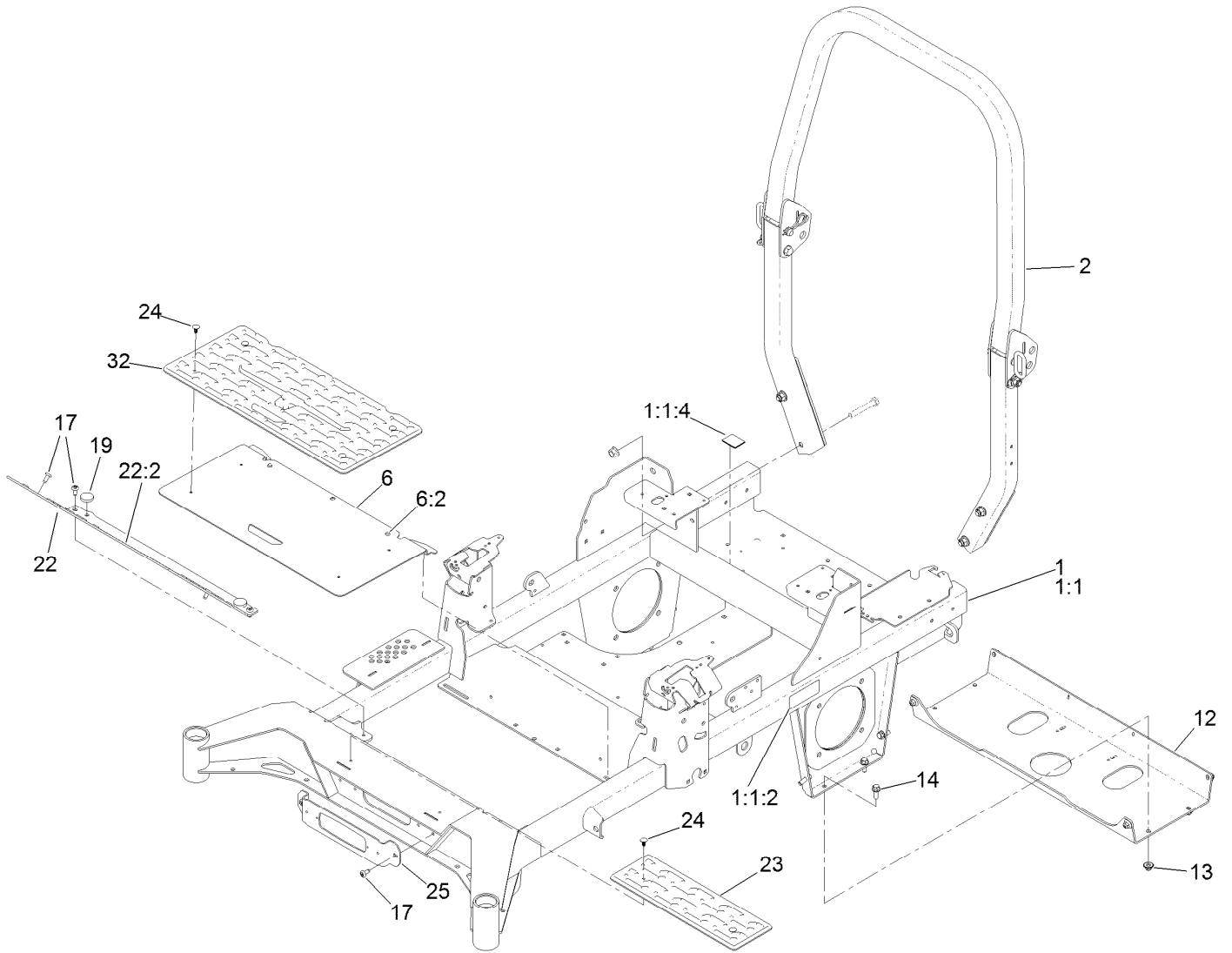
In an illustration, if a reference number indicates more than one part, the reference number has the form nX y. The n represents the quantity of the part, the X is the multiplication symbol, and the y represents the reference number.

For example, in an illustration, the reference number 2X 37 means that two of the parts identified by reference number 37 are indicated.

Contents

| | |
|---|----|
| Frame Assembly | 4 |
| Roll-Over Protection System Assembly No. 139-8062 | 6 |
| Hydro Assembly | 8 |
| LH Transaxle Assembly No. 139-1074 | 10 |
| RH Transaxle Assembly No. 139-1075 | 12 |
| Throttle, Choke Cables and Guard Assembly | 14 |
| Fuel System Assembly | 16 |
| Fuel Tank Assembly No. 139-6722 | 18 |
| Seat Mount Assembly | 20 |
| Motion Control Assembly | 22 |
| Left and Right Control Arm Assembly | 24 |
| Caster Wheel Assembly | 26 |
| Caster and Wheel Assembly | 28 |
| Rear Wheel Assembly | 30 |
| Electrical Assembly | 32 |
| Wire Harness Assembly No. 139-8078 | 34 |
| Deck Lift Assembly | 36 |
| Deck Strut Assembly No. 140-1179 | 38 |
| Engine, Clutch and Muffler Assembly | 40 |
| Decal Assembly | 42 |
| Deck Assembly | 44 |
| Deck Decal Assembly No. 144-6588 | 46 |
| Spindle Assembly No. 137-9780 | 48 |
| Deflector Assembly No. 144-2635 | 50 |
| Idler Arm Assembly No. 139-1087 | 52 |
| Attachments and Accessories | 54 |

Frame Assembly



Frame Assembly (continued)

| <i>Ref.</i> | <i>Part Number</i> | <i>Qty.</i> | <i>Description</i> | <i>Ref.</i> | <i>Part Number</i> | <i>Qty.</i> | <i>Description</i> |
|-------------|--------------------|-------------|------------------------|-------------|--------------------|-------------|------------------------|
| 1 | 144-6590 | 1 | Frame Decal ASM | 14 | 3234-42 | 8 | Screw-HHF |
| 1:1 | | 1 | Frame-60 ● | 17 | 138-9753 | 6 | Screw |
| 1:1:2 | 126-4363 | 2 | Decal-Warning | 19 | 109-9233 | 2 | Bumper-Push-In, Rubber |
| 1:1:4 | 144-2687 | 1 | Decal, Belt Routing | 22 | 140-4995 | 1 | Toeboard |
| 2 | 139-8062 | 1 | ASM-ROPS | 22:2 | 126-8383 | 1 | Decal-Danger |
| 6 | 138-6098 | 1 | Floor Pan ASM | 23 | 140-4992 | 1 | Step |
| 6:2 | 109-9233 | 2 | Bumper-Push-In, Rubber | 24 | 117-2382 | 6 | Plug-Plastic |
| 12 | 139-6717-01 | 1 | Plate-Hydro | 25 | 140-4994-01 | 1 | Bracket-Light |
| 13 | 109-6658 | 8 | Nut-Flange, NI | 32 | 140-7950 | 1 | Floormat-Fixed Seat |

● Not serviced separately

Roll-Over Protection System Assembly No. 139-8062

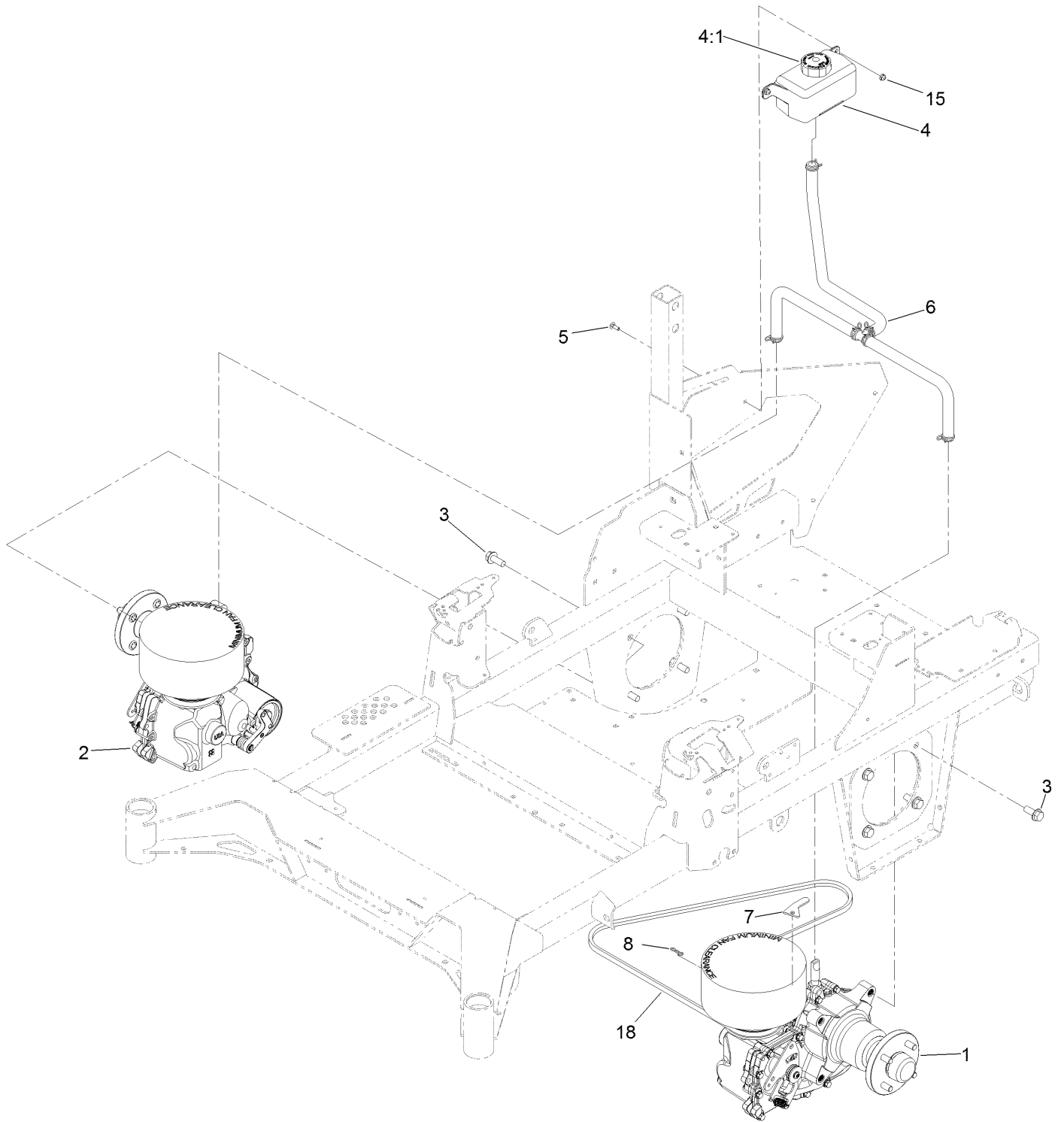


Roll-Over Protection System Assembly No. 139-8062 (continued)

| <i>Ref.</i> | <i>Part Number</i> | <i>Qty.</i> | <i>Description</i> | <i>Ref.</i> | <i>Part Number</i> | <i>Qty.</i> | <i>Description</i> |
|-------------|--------------------|-------------|---------------------|-------------|--------------------|-------------|--------------------|
| 1 | | 1 | Upper ROPS ASM ● | 5 | 103-4553 | 2 | ROPS Fold Pin ASM |
| 1:2 | 107-3069 | 1 | Decal-Warning | 6 | 99-5107 | 6 | Nut-Lock |
| 2 | | 1 | RH Lower ROPS ASM ● | 7 | 109-5337 | 2 | Bumper-ROPS |
| 3 | | 1 | LH Lower ROPS ASM ● | 8 | 109-9505 | 4 | Washer-Spring |
| 4 | 126-9209 | 2 | Bolt-Shoulder | 9 | 325-13 | 4 | Screw-HH |

● Not serviced separately

Hydro Assembly

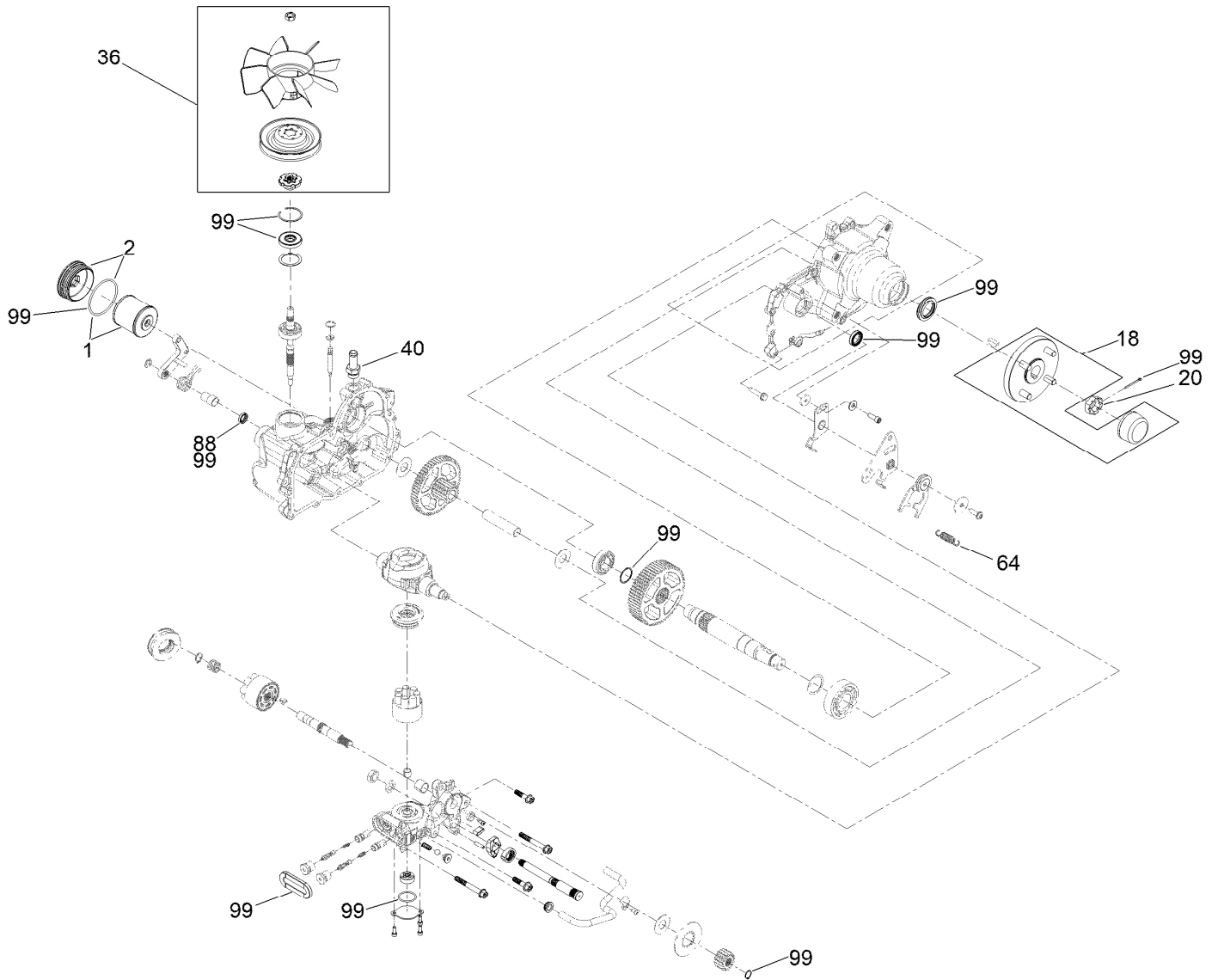


Hydro Assembly (continued)

| <i>Ref.</i> | <i>Part Number</i> | <i>Qty.</i> | <i>Description</i> | <i>Ref.</i> | <i>Part Number</i> | <i>Qty.</i> | <i>Description</i> |
|-------------|--------------------|-------------|-------------------------|-------------|--------------------|-------------|---------------------|
| 1 | 139-1074 | 1 | LH Transaxle ASM | 6 | 140-1225 | 1 | ASM-Hose, Hydraulic |
| 2 | 139-1075 | 1 | RH Transaxle ASM | 7 | 139-8091 | 2 | Plate-Lever, Bypass |
| 3 | 3234-38 | 8 | Screw-HHF | 8 | 119-1415 | 2 | Pin-Cotter, Locking |
| 4 | 119-9908 | 1 | Hydraulic Reservoir ASM | 15 | 104-7201 | 2 | Nut-HF, NI |
| 4:1 | 109-3320 | 1 | Cap-Reservoir, HYD | 18 | 140-7994 | 1 | Belt-V |
| 5 | 3229-28 | 2 | Screw-CARR | | | | |

LH Transaxle Assembly

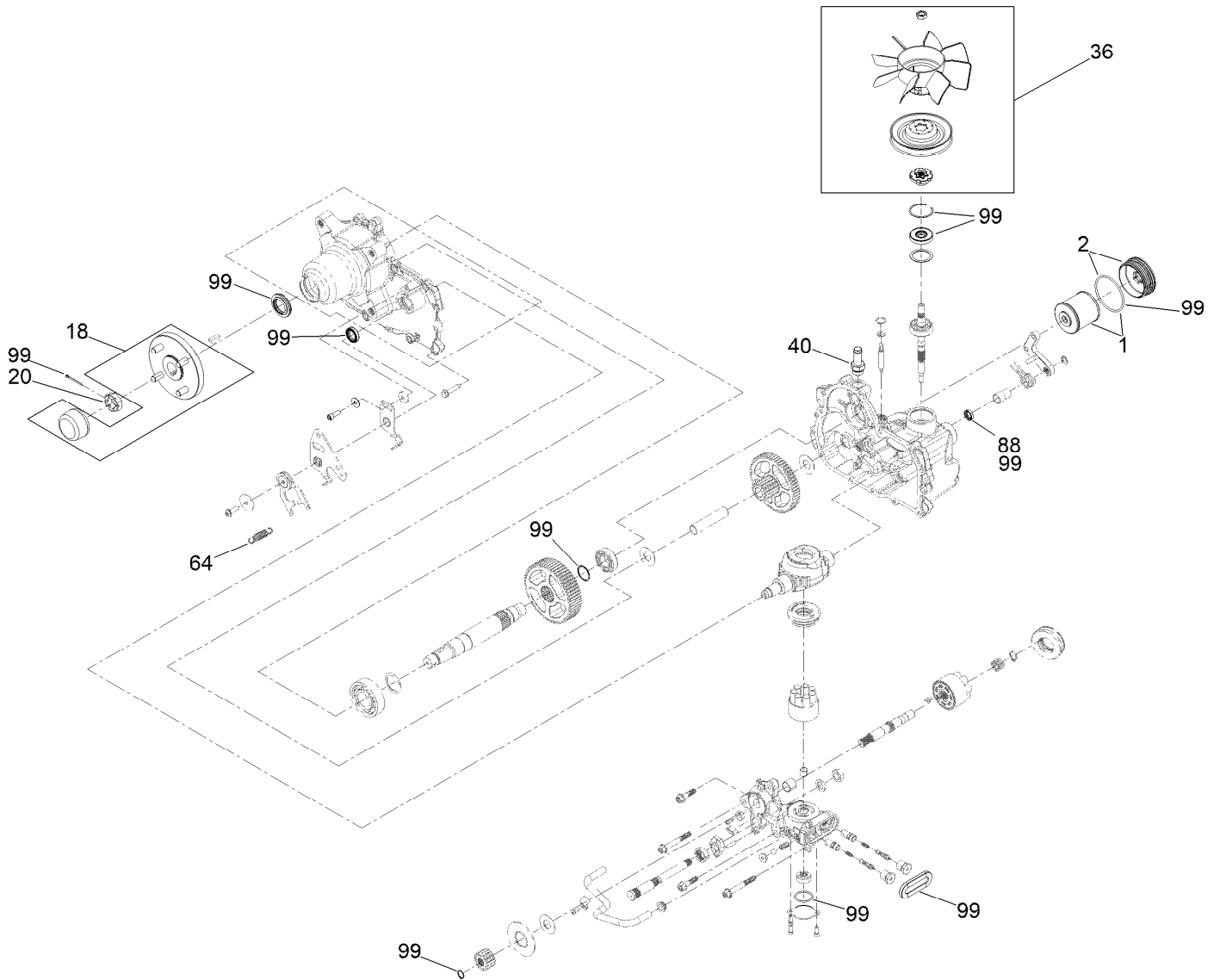
No. 139-1074



LH Transaxle Assembly No. 139-1074 (continued)

| <i>Ref.</i> | <i>Part Number</i> | <i>Qty.</i> | <i>Description</i> | <i>Ref.</i> | <i>Part Number</i> | <i>Qty.</i> | <i>Description</i> |
|-------------|--------------------|-------------|---------------------|-------------|--------------------|-------------|-----------------------------|
| 1 | 144-6598 | 1 | Kit, Filter | 40 | 144-6601 | 1 | Fitting-5/8 Beaded, 7/8 SAE |
| 2 | 144-6599 | 1 | Kit, Filler Cap | 64 | 125-4684 | 1 | Spring-Extension |
| 18 | 144-6594 | 1 | Hub-4 Bolt | 88 | 145-3637 | 1 | Seal, Brake |
| 20 | 144-6595 | 1 | Nut, Slotted | 99 | 144-6600 | 1 | Kit, Seal |
| 36 | 144-6597 | 1 | Kit, Fan And Pulley | | | | |

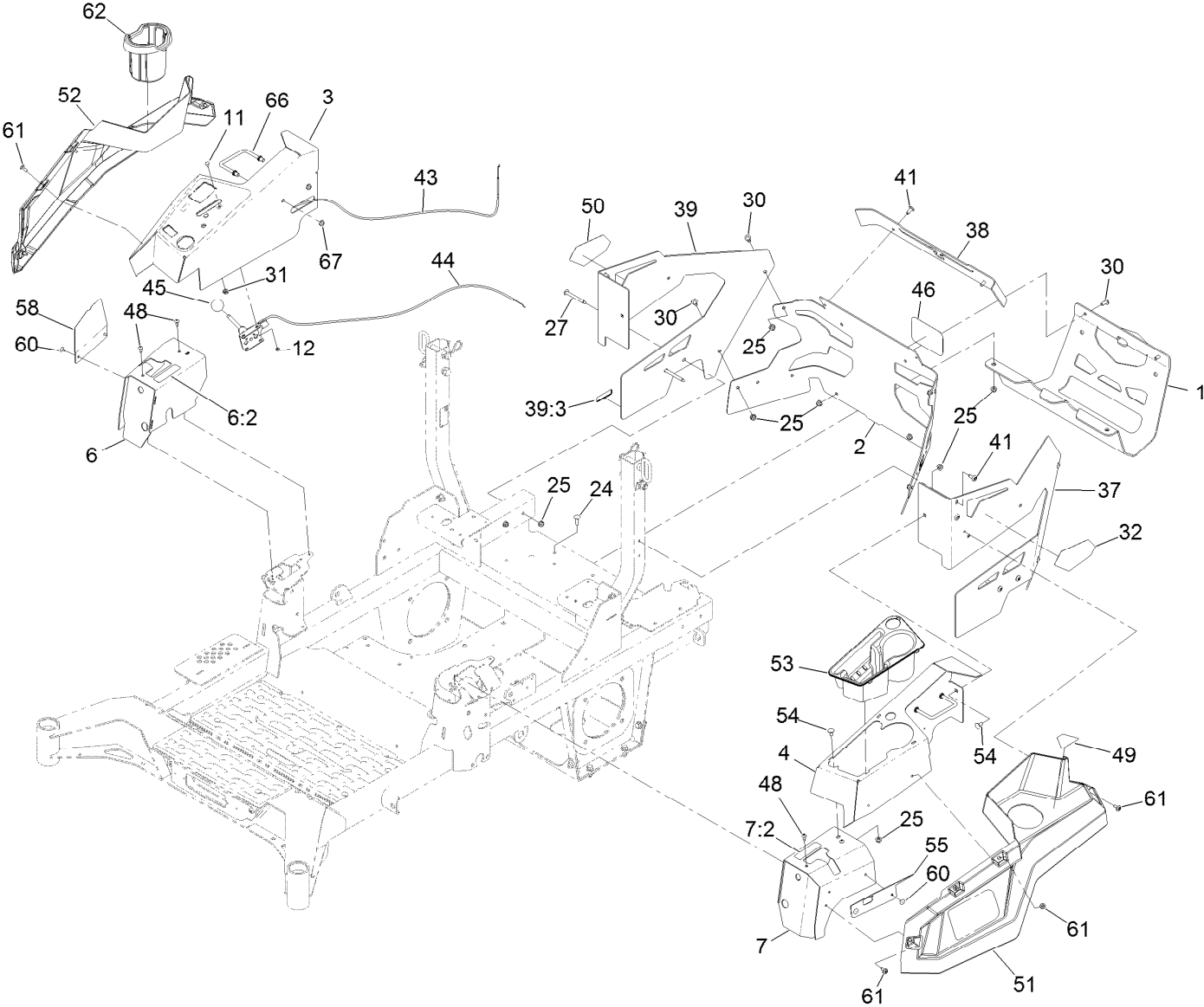
RH Transaxle Assembly No. 139-1075



RH Transaxle Assembly No. 139-1075 (continued)

| <i>Ref.</i> | <i>Part Number</i> | <i>Qty.</i> | <i>Description</i> | <i>Ref.</i> | <i>Part Number</i> | <i>Qty.</i> | <i>Description</i> |
|-------------|--------------------|-------------|---------------------|-------------|--------------------|-------------|-----------------------------|
| 1 | 144-6598 | 1 | Kit, Filter | 40 | 144-6601 | 1 | Fitting-5/8 Beaded, 7/8 SAE |
| 2 | 144-6599 | 1 | Kit, Filler Cap | 64 | 125-4684 | 1 | Spring-Extension |
| 18 | 144-6594 | 1 | Hub-4 Bolt | 88 | 145-3637 | 1 | Seal, Brake |
| 20 | 144-6595 | 1 | Nut, Slotted | 99 | 144-6600 | 1 | Kit, Seal |
| 36 | 144-6597 | 1 | Kit, Fan And Pulley | | | | |

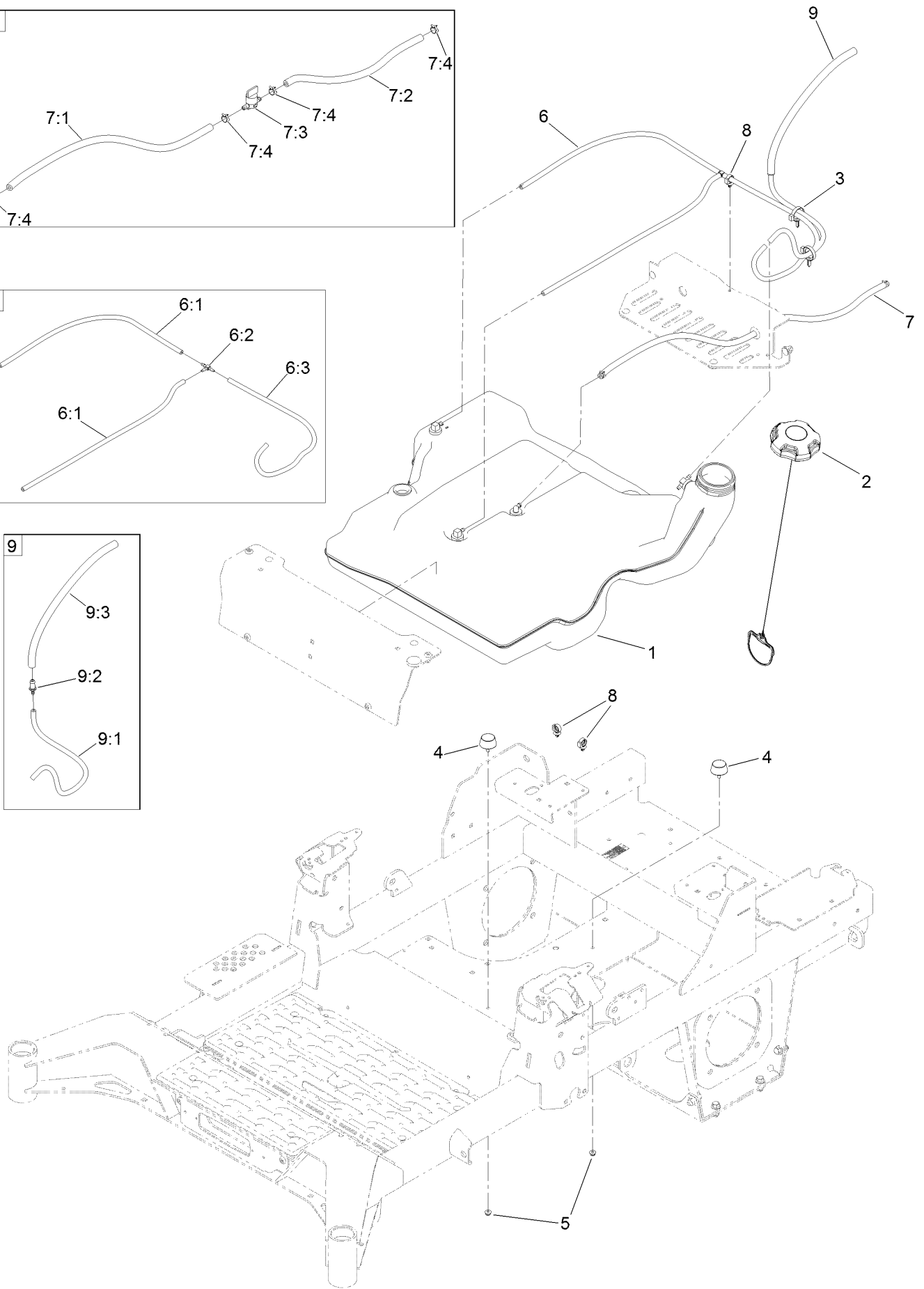
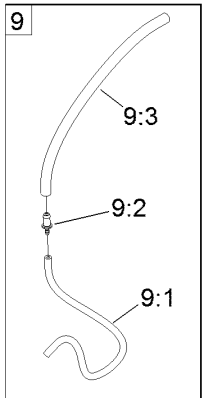
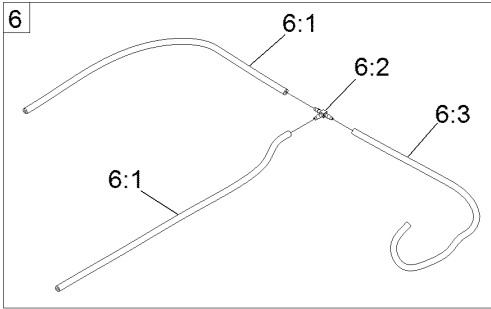
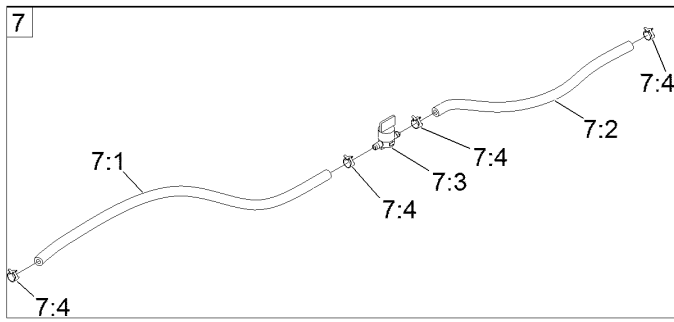
Throttle, Choke Cables and Guard Assembly



Throttle, Choke Cables and Guard Assembly (continued)

| <i>Ref.</i> | <i>Part Number</i> | <i>Qty.</i> | <i>Description</i> | <i>Ref.</i> | <i>Part Number</i> | <i>Qty.</i> | <i>Description</i> |
|-------------|--------------------|-------------|-------------------------|-------------|--------------------|-------------|-------------------------|
| 1 | 139-6719-03 | 1 | Guard-Muffler [black] | 41 | 138-9753 | 6 | Screw |
| 2 | 144-2637 | 1 | Rear Guard ASM | 43 | 139-6735 | 1 | Cable-Control, Choke |
| 3 | 144-6551-01 | 1 | Console-RH | 44 | 139-6734 | 1 | Cable-Control, Throttle |
| 4 | 144-2638-01 | 1 | Console-LH | 45 | 1-603175 | 1 | Knob-Ball |
| 6 | 140-4867 | 1 | RH Cover ASM | 46 | 105-8278 | 1 | Decal |
| 6:2 | 99-8936 | 1 | Decal-Control, Motion | 48 | 87-6620 | 4 | Screw-Tph Thd Form |
| 7 | 140-4866 | 1 | LH Cover ASM | 49 | 126-9939 | 1 | Decal-Fill, Fuel |
| 7:2 | 99-8936 | 1 | Decal-Control, Motion | 50 | 140-7987 | 1 | Decal-4000 Series, RH |
| 11 | 1-807513 | 2 | Bolt-CARR | 51 | 140-7979 | 1 | Side Pod, LH |
| 12 | 3296-2 | 2 | Nut-Lock, NI | 52 | 140-7980 | 1 | Side Pod, RH |
| 24 | 3230-22 | 2 | Screw-CARR | 53 | 140-7968 | 1 | Cup Holder |
| 25 | 104-8300 | 16 | Nut-HF, NI | 54 | 3230-18 | 4 | Screw-CARR |
| 27 | 126-6267 | 4 | Screw-TTH | 55 | 140-7996-03 | 1 | Plate-Cover, LH Front |
| 30 | 126-6268 | 6 | Screw-TTH | 58 | 140-7998-03 | 1 | Plate-Cover, RH Front |
| 31 | 3220-3 | 1 | Nut-HJ | 60 | 132-5064 | 4 | Rivet-Pop |
| 32 | 139-1149 | 1 | Decal - 4000 Series, LH | 61 | 120-7950 | 8 | Screw-Torx |
| 37 | 140-7952-01 | 1 | Guard-Rear, LH | 62 | 140-8019 | 1 | Cupholder-RH |
| 38 | 140-1221-01 | 1 | Guard-Rear, Top | 66 | 144-2642 | 2 | Rod-Support, Pod |
| 39 | 140-4865 | 1 | RH Rear Guard ASM | 67 | 3296-59 | 4 | Nut-Lock, NI |
| 39:3 | 133-8062 | 1 | Decal-Spark Arrestor | | | | |

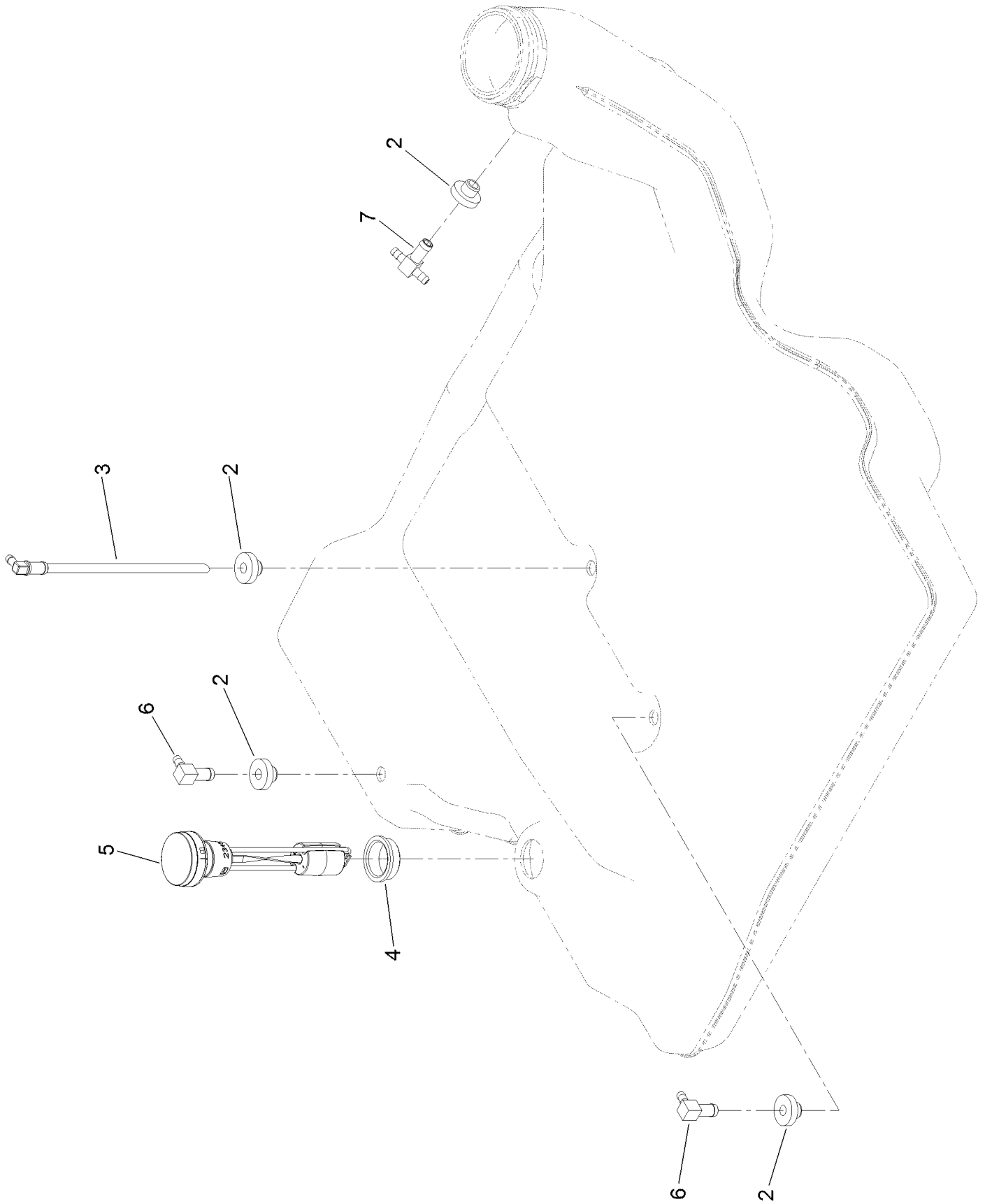
Fuel System Assembly



Fuel System Assembly (continued)

| <i>Ref.</i> | <i>Part Number</i> | <i>Qty.</i> | <i>Description</i> | <i>Ref.</i> | <i>Part Number</i> | <i>Qty.</i> | <i>Description</i> |
|-------------|--------------------|-------------|----------------------|-------------|--------------------|-------------|---------------------------|
| 1 | 139-6722 | 1 | Fuel Tank ASM | 7:1 | 109-0298 | 1 | Line-Fuel |
| 2 | 135-4801 | 1 | Cap-Fuel, Ratcheting | 7:2 | 114-3766 | 1 | Hose-Fuel |
| 3 | 104-2490 | 2 | Clamp-Hose | 7:3 | 1-603770 | 1 | Valve-Fuel |
| 4 | 131-8834 | 2 | Bumper | 7:4 | 2412-98 | 4 | Clamp-Hose |
| 5 | 104-7201 | 2 | Nut-HF, NI | 8 | 126-5523 | 3 | Clip |
| 6 | 139-8067 | 1 | Vent Hose ASM | 9 | 140-4957 | 1 | ASM-Fuel Vent |
| 6:1 | 138-3152 | 2 | Hose-Fuel | 9:1 | 138-3152 | 1 | Hose-Fuel |
| 6:2 | 120-2234 | 1 | Fitting-Tee | 9:2 | 116-4630 | 1 | Fitting-Orifice, Straight |
| 6:3 | 140-4956 | 1 | Hose-Fuel | 9:3 | 116-4344 | 1 | Hose-Fuel |
| 7 | 139-8068 | 1 | Fuel Hose ASM | | | | |

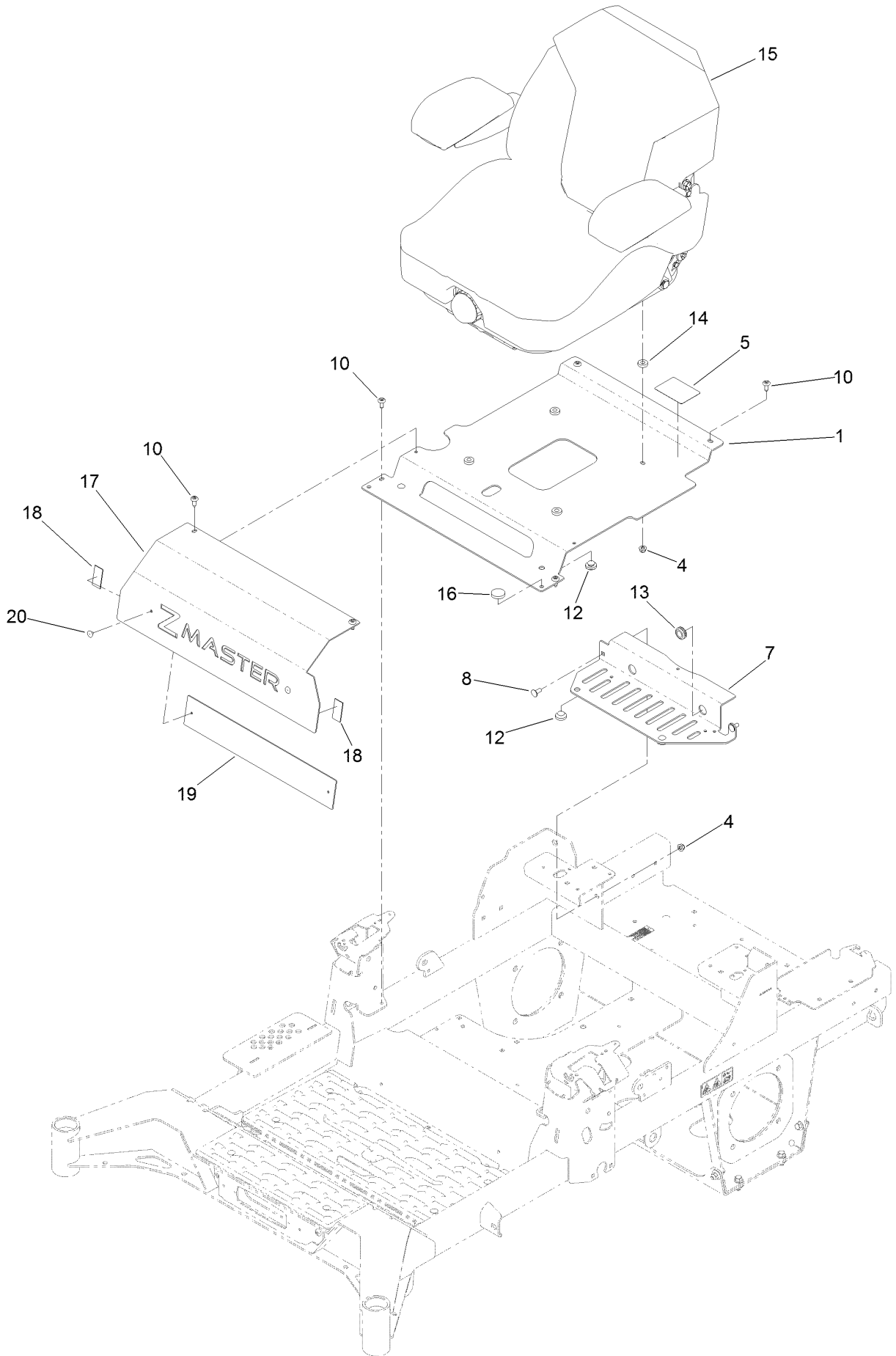
Fuel Tank Assembly No. 139-6722



Fuel Tank Assembly No. 139-6722 (continued)

| <i>Ref.</i> | <i>Part Number</i> | <i>Qty.</i> | <i>Description</i> | <i>Ref.</i> | <i>Part Number</i> | <i>Qty.</i> | <i>Description</i> |
|-------------|--------------------|-------------|------------------------|-------------|--------------------|-------------|--------------------|
| 2 | 46-6560 | 4 | Bushing | 5 | 139-8058 | 1 | Gauge-Fuel |
| 3 | 140-4955 | 1 | Connector Elbow-90 DEG | 6 | 126-9057 | 2 | Fitting-90 DEG |
| 4 | 133-9269 | 1 | Grommet-Fuel | 7 | 140-4954 | 1 | Fitting-Tee |

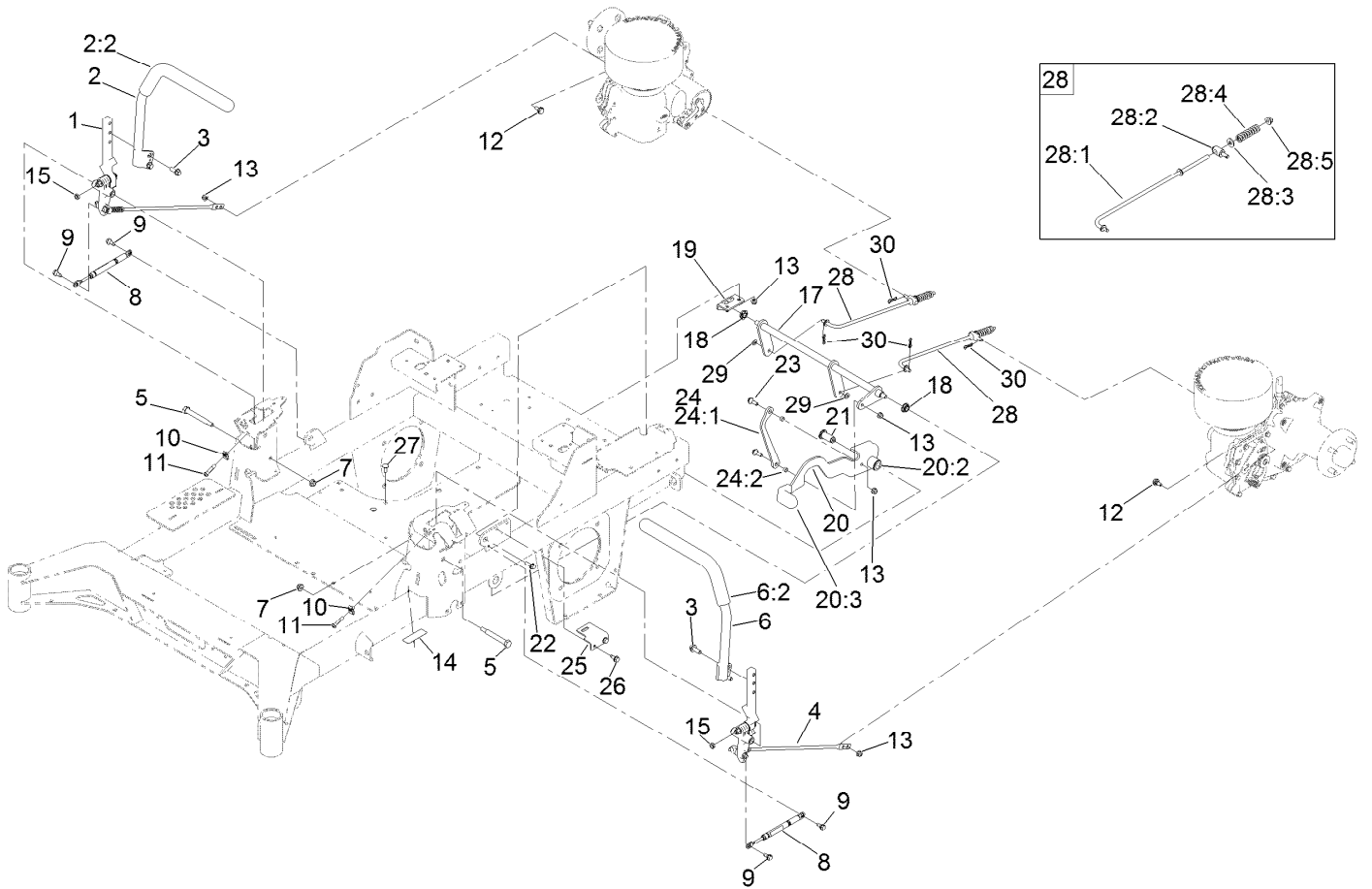
Seat Mount Assembly



Seat Mount Assembly (continued)

| <i>Ref.</i> | <i>Part Number</i> | <i>Qty.</i> | <i>Description</i> | <i>Ref.</i> | <i>Part Number</i> | <i>Qty.</i> | <i>Description</i> |
|-------------|--------------------|-------------|---------------------------|-------------|--------------------|-------------|----------------------------|
| 1 | 140-1165-03 | 1 | Pan-Seat [black] | 14 | 5-0652 | 4 | Spacer |
| 4 | 104-8300 | 6 | Nut-HF, NI | 15 | 144-2632 | 1 | Seat ASM-Suspension |
| 5 | 144-2669 | 1 | Decal-Service Aid | 16 | 109-9233 | 1 | Bumper-Push-In, Rubber |
| 7 | 139-6707-03 | 1 | Plate-Tank Retainer, Rear | 17 | 140-1207-03 | 1 | Plate-Tank Retainer, Front |
| 8 | 3230-23 | 2 | Bolt-CARR | 18 | 130-0733 | 2 | Pad-Rubber |
| 10 | 138-9753 | 6 | Screw | 19 | 140-4910-01 | 1 | Plate-Backer |
| 12 | 135-0505 | 4 | Bumper-Seat | 20 | 132-5064 | 2 | Rivet-Pop |
| 13 | 112-7069 | 1 | Grommet | | | | |

Motion Control Assembly



Motion Control Assembly (continued)

| <i>Ref.</i> | <i>Part Number</i> | <i>Qty.</i> | <i>Description</i> | <i>Ref.</i> | <i>Part Number</i> | <i>Qty.</i> | <i>Description</i> |
|-------------|--------------------|-------------|-----------------------|-------------|--------------------|-------------|------------------------|
| 1 | 139-6697 | 1 | Motion Control ASM-RH | 20 | 139-6726 | 1 | Brake Lever ASM W/Grip |
| 2 | 139-1089 | 1 | Handle ASM - RH | 20:2 | 109-8054 | 2 | Bushing-Flange |
| 2:2 | 109-5668 | 1 | Grip-Lever, Control | 20:3 | 132-4749 | 1 | Grip-Lever |
| 3 | 3234-42 | 4 | Screw-HHF | 21 | 139-6743 | 1 | Pivot-Handle |
| 4 | 139-6696 | 1 | Motion Control ASM-LH | 22 | 3234-29 | 1 | Screw-HHF |
| 5 | 115-5099 | 2 | Bolt-Pivot | 23 | 116-2670 | 2 | Screw-Shoulder |
| 6 | 139-1090 | 1 | Handle ASM - LH | 24 | 144-6566 | 1 | Brake Link ASM |
| 6:2 | 109-5668 | 1 | Grip-Lever, Control | 24:1 | 144-6565 | 1 | Plate-Link, Handle |
| 7 | 104-8301 | 2 | Nut-HF, NI | 24:2 | 116-4976 | 2 | Bushing-Sleeve |
| 8 | 126-4322 | 2 | Damper | 25 | 139-6745 | 1 | Plate-Switch |
| 9 | 126-4424 | 4 | Screw-Shoulder | 26 | 32144-70 | 2 | Screw-HWHTF |
| 10 | 112-3306 | 2 | Nut | 27 | 3230-23 | 2 | Bolt-CARR |
| 11 | 126-4299 | 2 | Screw-HSBH | 28 | 144-0353 | 2 | Brake Rod ASM |
| 12 | 37-8771 | 2 | Bolt-Shoulder, HF | 28:1 | 140-4952 | 1 | Rod-Brake |
| 13 | 104-8300 | 6 | Nut-HF, NI | 28:2 | 139-6741 | 1 | Fitting-Rod |
| 14 | 115-9625 | 1 | Decal-Brake, Parking | 28:3 | 3256-3 | 1 | Washer-Flat |
| 15 | 3218-3 | 2 | Nut-Jam | 28:4 | 144-2645 | 1 | Spring-Compression |
| 17 | 144-2658 | 1 | Brake ASM | 28:5 | 104-8301 | 1 | Nut-HF, NI |
| 18 | 126-5820 | 2 | Bearing-Spherical | 29 | 3256-45 | 2 | Washer-Flat |
| 19 | 139-6742 | 1 | Bracket-Brake | 30 | 119-1415 | 4 | Pin-Cotter, Locking |

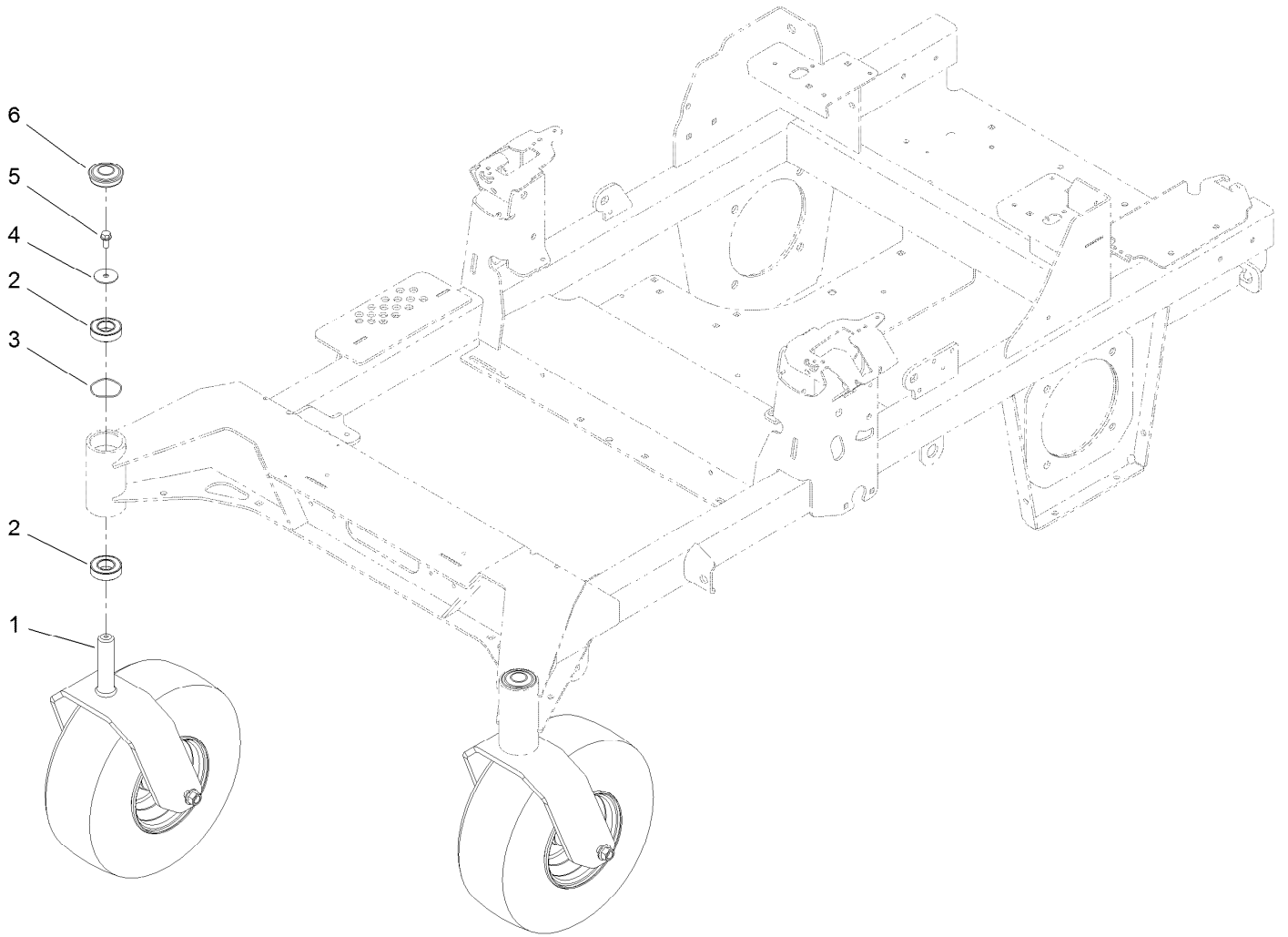
Left and Right Control Arm Assembly



Left and Right Control Arm Assembly (continued)

| <i>Ref.</i> | <i>Part Number</i> | <i>Qty.</i> | <i>Description</i> | <i>Ref.</i> | <i>Part Number</i> | <i>Qty.</i> | <i>Description</i> |
|-------------|--------------------|-------------|--------------------|-------------|--------------------|-------------|------------------------|
| 1 | 126-3773 | 1 | Control Arm ASM | 6 | 117-1198 | 1 | Bolt-Pivot |
| 1:2 | 126-8909 | 2 | Bushing | 7 | 3256-24 | 1 | Washer-Plain |
| 1:3 | 1-413152 | 2 | Bushing-Sleeve | 8 | 32152-2 | 1 | Nut-Lock, Cone |
| 2 | 126-7296 | 1 | Washer-Friction | 9 | 126-5434 | 1 | Swivel |
| 3 | 126-8182 | 1 | Arm-Control | 10 | 140-4949 | 1 | Link-Control |
| 4 | 117-1240 | 1 | Washer | 11 | 126-8195 | 1 | Spring-Return, Neutral |
| 5 | 119-8925 | 1 | Washer-Belleville | 12 | 104-8300 | 2 | Nut-HF, NI |

Caster Wheel Assembly

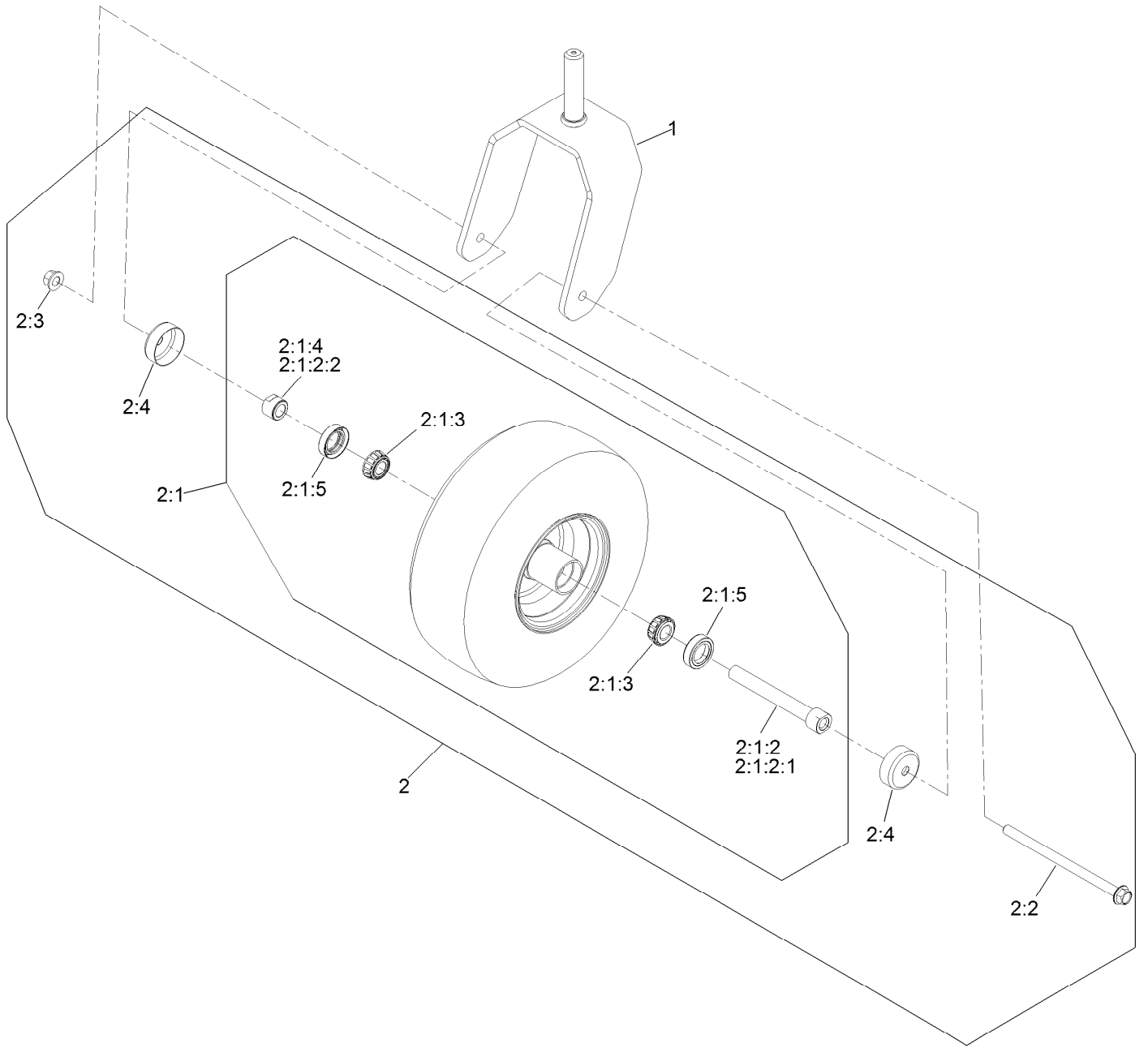


Caster Wheel Assembly (continued)

| <i>Ref.</i> | <i>Part Number</i> | <i>Qty.</i> | <i>Description</i> | <i>Ref.</i> | <i>Part Number</i> | <i>Qty.</i> | <i>Description</i> |
|-------------|--------------------|-------------|---------------------------|-------------|--------------------|-------------|--------------------|
| 1 | | 2 | ASM-Front Caster W/Fork ● | 4 | 3256-68 | 2 | Washer-Flat |
| 2 | 109-3678 | 4 | Bearing-Ball | 5 | 3234-5 | 2 | Screw-HHF |
| 3 | 126-5897 | 2 | Spring | 6 | 144-0375 | 2 | Cap, Grease |

● Not serviced separately

Caster and Wheel Assembly

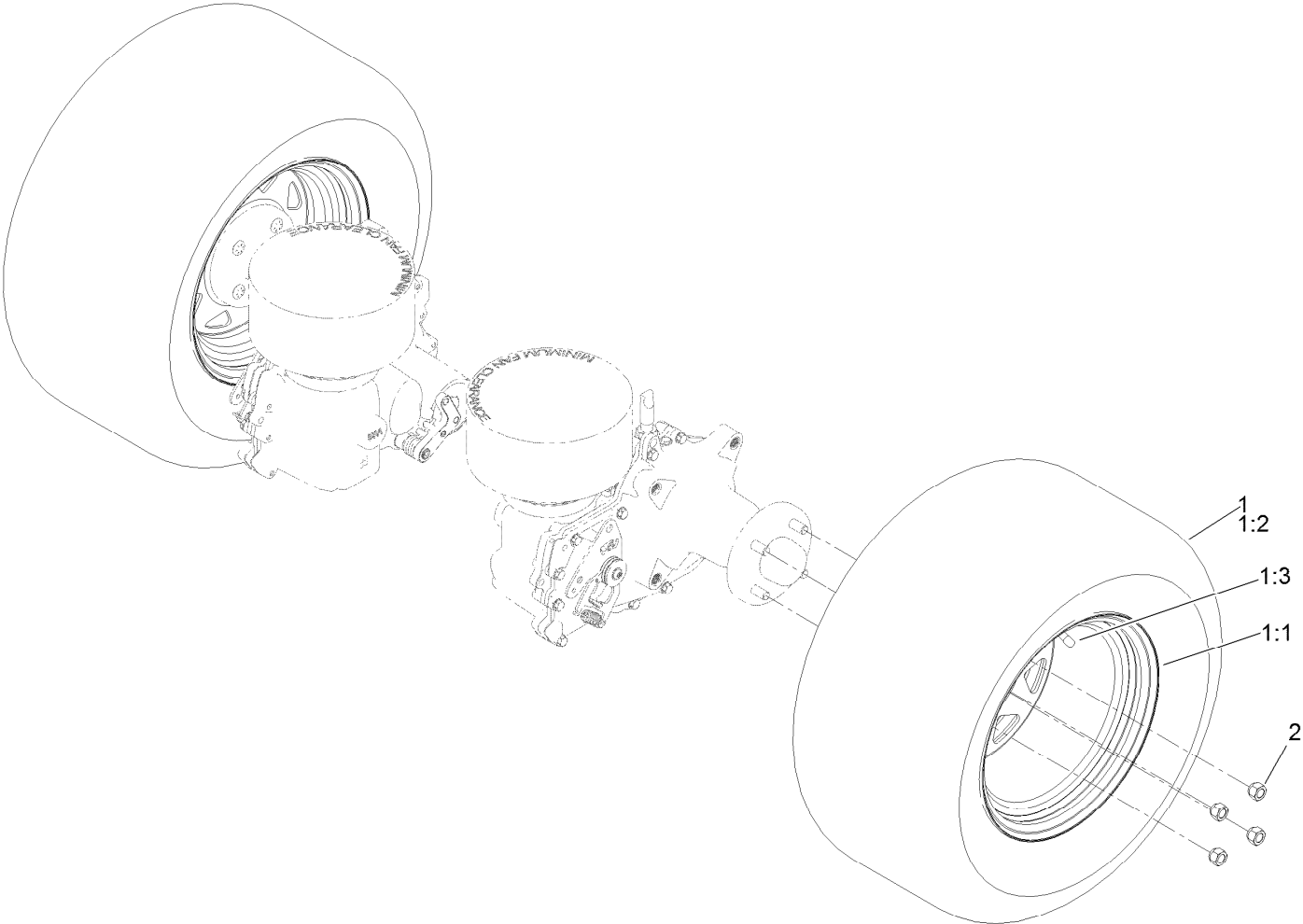


Caster and Wheel Assembly (continued)

| <i>Ref.</i> | <i>Part Number</i> | <i>Qty.</i> | <i>Description</i> | <i>Ref.</i> | <i>Part Number</i> | <i>Qty.</i> | <i>Description</i> |
|-------------|--------------------|-------------|--------------------------|-------------|--------------------|-------------|---------------------|
| 1 | 126-4312-01 | 1 | Fork-Caster | 2:1:3 | 1-633585 | 2 | Bearing-Cone, Taper |
| 2 | 140-4896 | 1 | Semi Pneumatic ASM | 2:1:4 | 103-3051 | 1 | Spacer-Nut |
| | | | 13X6.50-6 | 2:1:5 | 103-0063 | 2 | Seal-Caster |
| 2:1 | | 1 | ASM Whl/Brgs 13X6.50-6 ● | 2:2 | 126-5389 | 1 | Screw-HHF |
| 2:1:2 | 126-7796 | 1 | Caster Axle ASM | 2:3 | 99-5107 | 1 | Nut-Lock |
| 2:1:2:1 | 126-5220 | 1 | Axle-Caster | 2:4 | 103-2768 | 2 | Guard-Seal |
| 2:1:2:2 | 103-3051 | 1 | Spacer-Nut | | | | |

● Not serviced separately

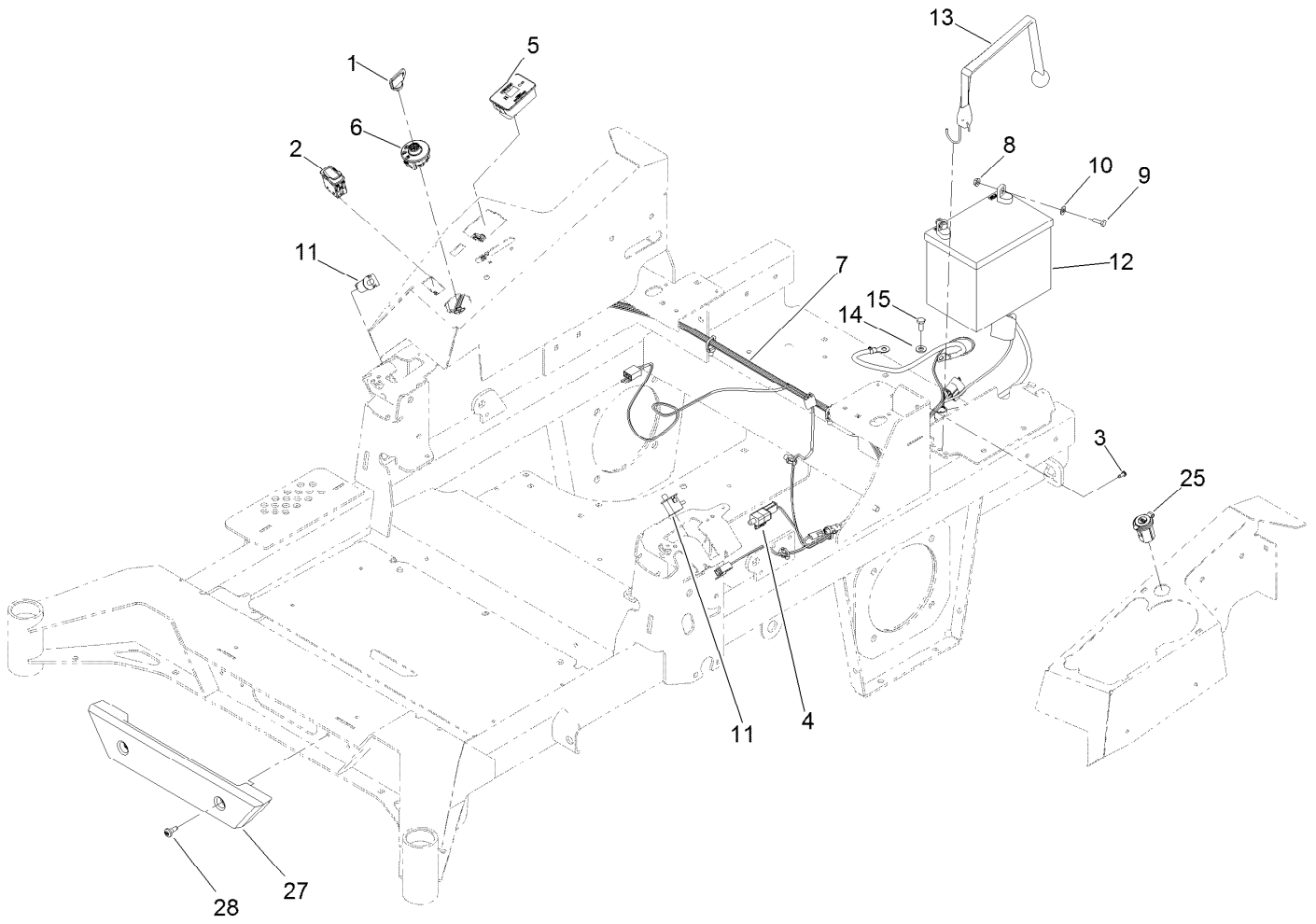
Rear Wheel Assembly



Rear Wheel Assembly (continued)

| <i>Ref.</i> | <i>Part Number</i> | <i>Qty.</i> | <i>Description</i> | <i>Ref.</i> | <i>Part Number</i> | <i>Qty.</i> | <i>Description</i> |
|-------------|--------------------|-------------|--------------------|-------------|--------------------|-------------|--------------------|
| 1 | 144-6607 | 2 | Wheel And Tire ASM | 1:3 | 232-27 | 1 | Stem-Valve |
| 1:1 | 144-6606 | 1 | Wheel | 2 | 242-50 | 8 | Nut-Lug |
| 1:2 | 140-7975 | 1 | Tire | | | | |

Electrical Assembly



Electrical Assembly (continued)

| <i>Ref.</i> | <i>Part Number</i> | <i>Qty.</i> | <i>Description</i> | <i>Ref.</i> | <i>Part Number</i> | <i>Qty.</i> | <i>Description</i> |
|-------------|--------------------|-------------|------------------------------|-------------|--------------------|-------------|--------------------|
| 1 | 1-603511 | 1 | Keys-Ignition (Spare Pair) | 9 | 321-4 | 2 | Screw-HH |
| 1 | 63-8360 | 1 | Key-Ignition | 10 | 3256-22 | 2 | Washer-Flat |
| 2 | 139-6368 | 1 | Switch-Rocker, On-None-On | 11 | 82-2190 | 2 | Switch-Bail |
| 3 | 105-6849 | 1 | Screw-Forming, Thread | 12 | 104-8162 | 1 | Battery |
| 4 | 110-6765 | 1 | Switch | 13 | 126-7627 | 1 | Strap-Bungee |
| 5 | 116-5609 | 1 | Module ASM | 14 | 33094-00 | 1 | Washer-Plain |
| 6 | 137-4100 | 1 | Switch-Ignition | 15 | 33114-020 | 1 | Screw-HH |
| 7 | 139-8078 | 1 | Harness-Wire | 25 | 140-7955 | 1 | Port-Power, USB |
| 8 | 32128-33 | 2 | Nut-HF | 27 | 140-4996 | 1 | Bumper-Front |
| | | | | 28 | 135-2015 | 2 | Screw-Shoulder |

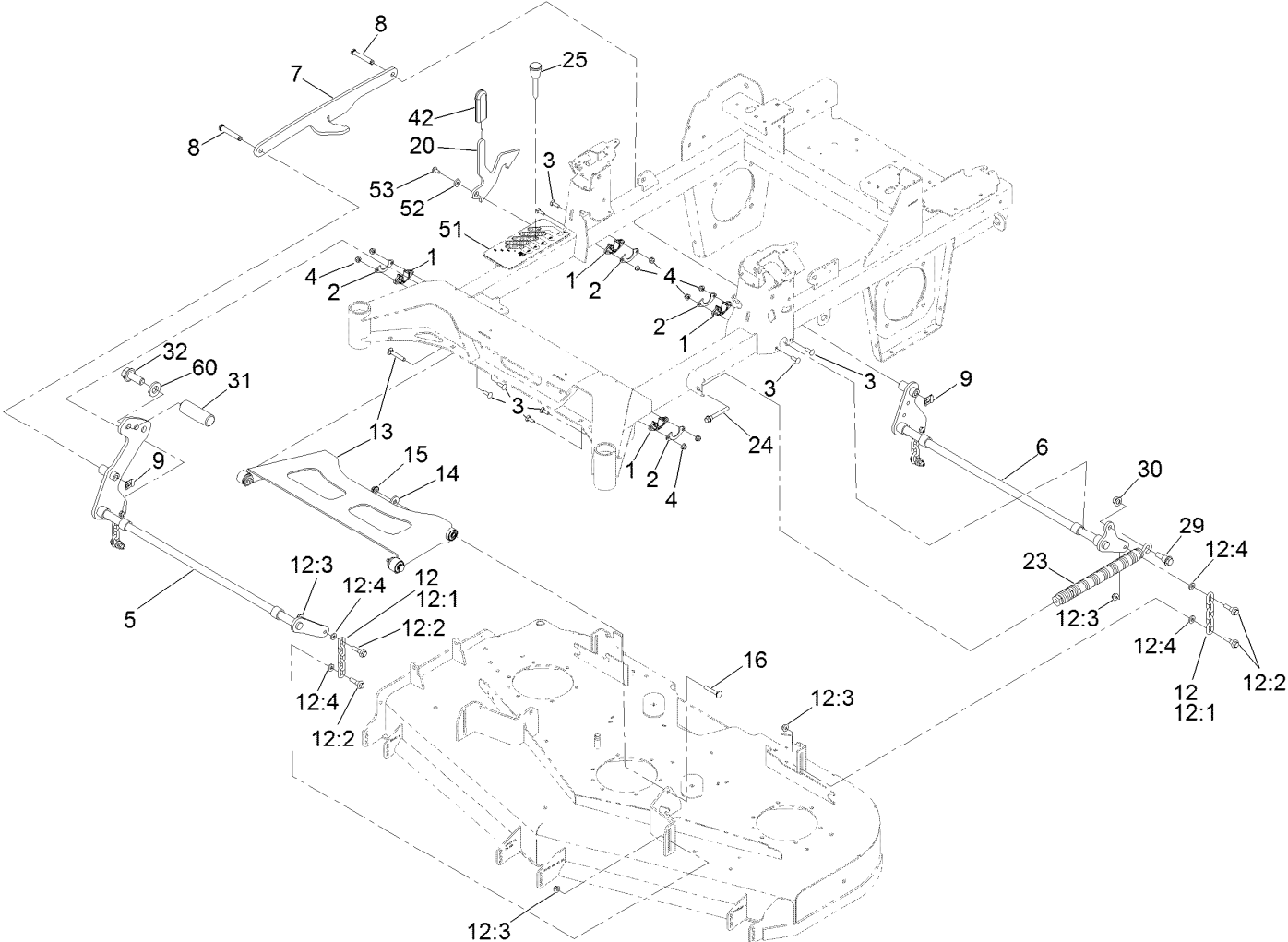
Wire Harness Assembly No. 139-8078



Wire Harness Assembly No. 139-8078 (continued)

| <i>Ref.</i> | <i>Part Number</i> | <i>Qty.</i> | <i>Description</i> | <i>Ref.</i> | <i>Part Number</i> | <i>Qty.</i> | <i>Description</i> |
|-------------|--------------------|-------------|-------------------------|-------------|--------------------|-------------|-------------------------|
| 11 | 116-0053 | 3 | Cap-Plug | 16 | 32180-176 | 1 | Cover-Block, Fuse |
| 12 | 103-3895 | 1 | Diode | 17 | 32180-177 | 1 | Clip-Mounting |
| 13 | 121-8867 | 1 | Fuse-Mini Blade, 15 Amp | 18 | 126-8876 | 1 | Insulator-Battery |
| 14 | 121-8868 | 1 | Fuse-Mini Blade, 20 Amp | 19 | 1-543393 | 1 | Insulator-Solenoid |
| 15 | 126-3991 | 1 | Relay-Micro | 24 | 121-8869 | 1 | Fuse-Mini Blade, 25 Amp |

Deck Lift Assembly



Deck Lift Assembly (continued)

| <i>Ref.</i> | <i>Part Number</i> | <i>Qty.</i> | <i>Description</i> | <i>Ref.</i> | <i>Part Number</i> | <i>Qty.</i> | <i>Description</i> |
|-------------|--------------------|-------------|-------------------------------|-------------|--------------------|-------------|----------------------|
| 1 | 115-5065 | 4 | Bushing-Flange | 14 | 1-373034 | 2 | Washer |
| 2 | 116-2887 | 4 | Gusset-Lift, Deck | 15 | 109-6658 | 2 | Nut-Flange, NI |
| 3 | 3230-22 | 8 | Screw-CARR | 16 | 3231-7 | 2 | Screw-CARR |
| 4 | 104-8300 | 8 | Nut-HF, NI | 20 | 140-1249 | 1 | Plate-Transport Lock |
| 5 | 139-8050-03 | 1 | Front Deck Lift Shaft ASM | 23 | 116-0886 | 1 | Spring-Extension |
| 6 | 140-4975-03 | 1 | Shaft-Lift, Deck | 24 | 92-7674 | 1 | Bolt-Shoulder |
| 7 | 126-4639-03 | 1 | Link-HOC | 25 | 126-5401 | 1 | Pin-HOC |
| 8 | 126-9181 | 2 | Pin-Clevis | 29 | 116-0780 | 1 | Screw-Shoulder, HHF |
| 9 | 138-8491 | 2 | Clip-Pin | 30 | 99-5107 | 1 | Nut-Lock |
| 12 | 126-8877 | 4 | Deck Chain ASM | 31 | 140-4959 | 1 | Pedal-Foot Lift |
| 12:1 | 1-633447 | 1 | Chain-Lift, Deck | 32 | 3234-42 | 1 | Screw-HHF |
| 12:2 | 130-0742 | 2 | Bolt-Shoulder | 42 | 132-4749 | 1 | Grip-Lever |
| 12:3 | 104-8301 | 2 | Nut-HF, NI | 51 | 139-6699 | 1 | Decal-HOC |
| 12:4 | 43-0940 | 2 | Spacer | 52 | 104-7658 | 1 | Spacer |
| 13 | 140-1179 | 1 | Deck Strut W/ Bushings ASM | 53 | 9266934 | 1 | Screw |
| | | | | 60 | 2844 | 1 | Washer |

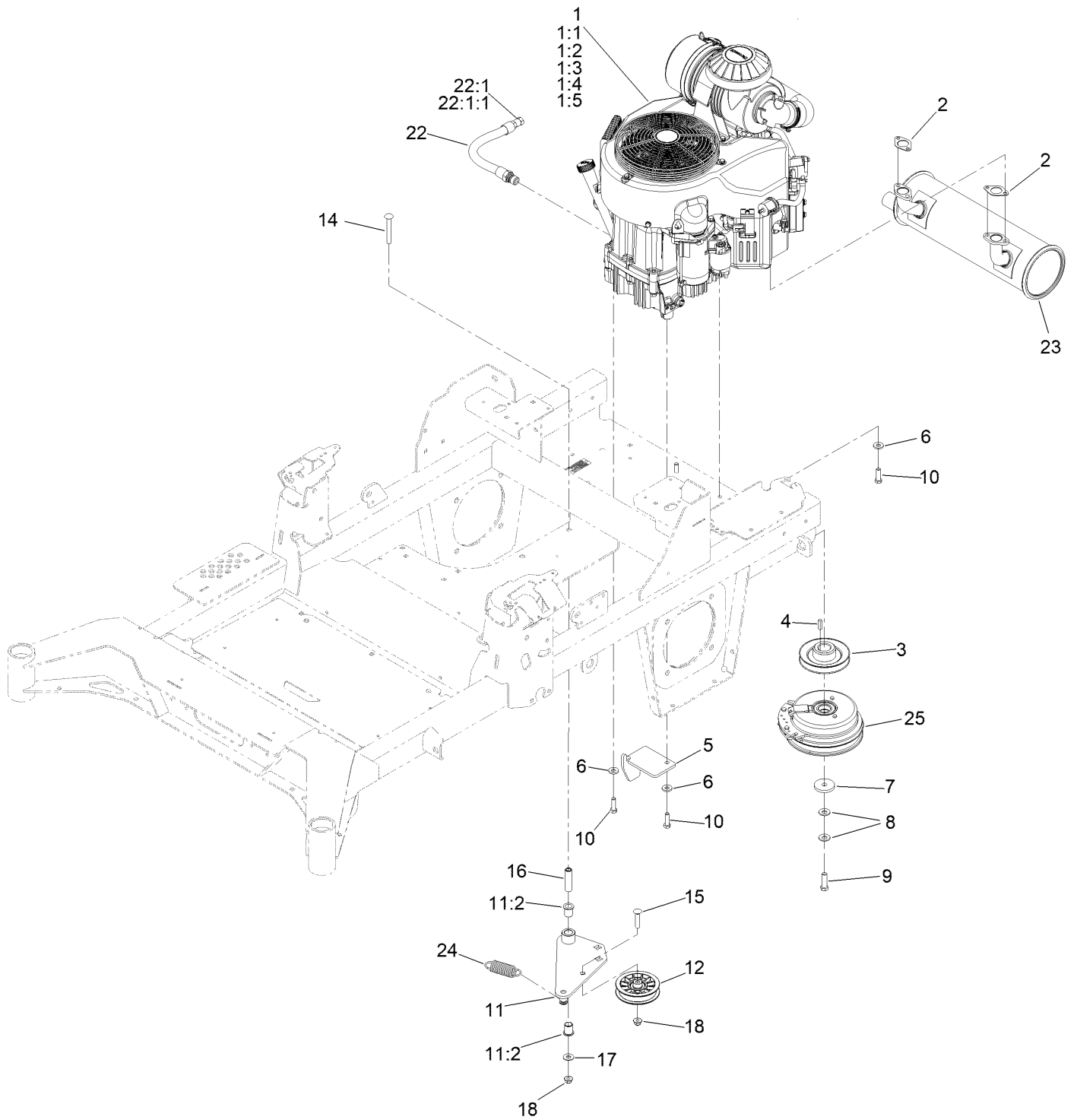
Deck Strut Assembly No. 140-1179



Deck Strut Assembly No. 140-1179 (continued)

| <i>Ref.</i> | <i>Part Number</i> | <i>Qty.</i> | <i>Description</i> | <i>Ref.</i> | <i>Part Number</i> | <i>Qty.</i> | <i>Description</i> |
|-------------|--------------------|-------------|-------------------------------|-------------|--------------------|-------------|--------------------|
| 2 | 126-8360 | 4 | Bushing-Rubber, Suspension | 4 | 3231-7 | 2 | Screw-CARR |
| 3 | 108-6544 | 4 | Spacer | 5 | 2844 | 2 | Washer |
| | | | | 6 | 104-8301 | 2 | Nut-HF, NI |

Engine, Clutch and Muffler Assembly



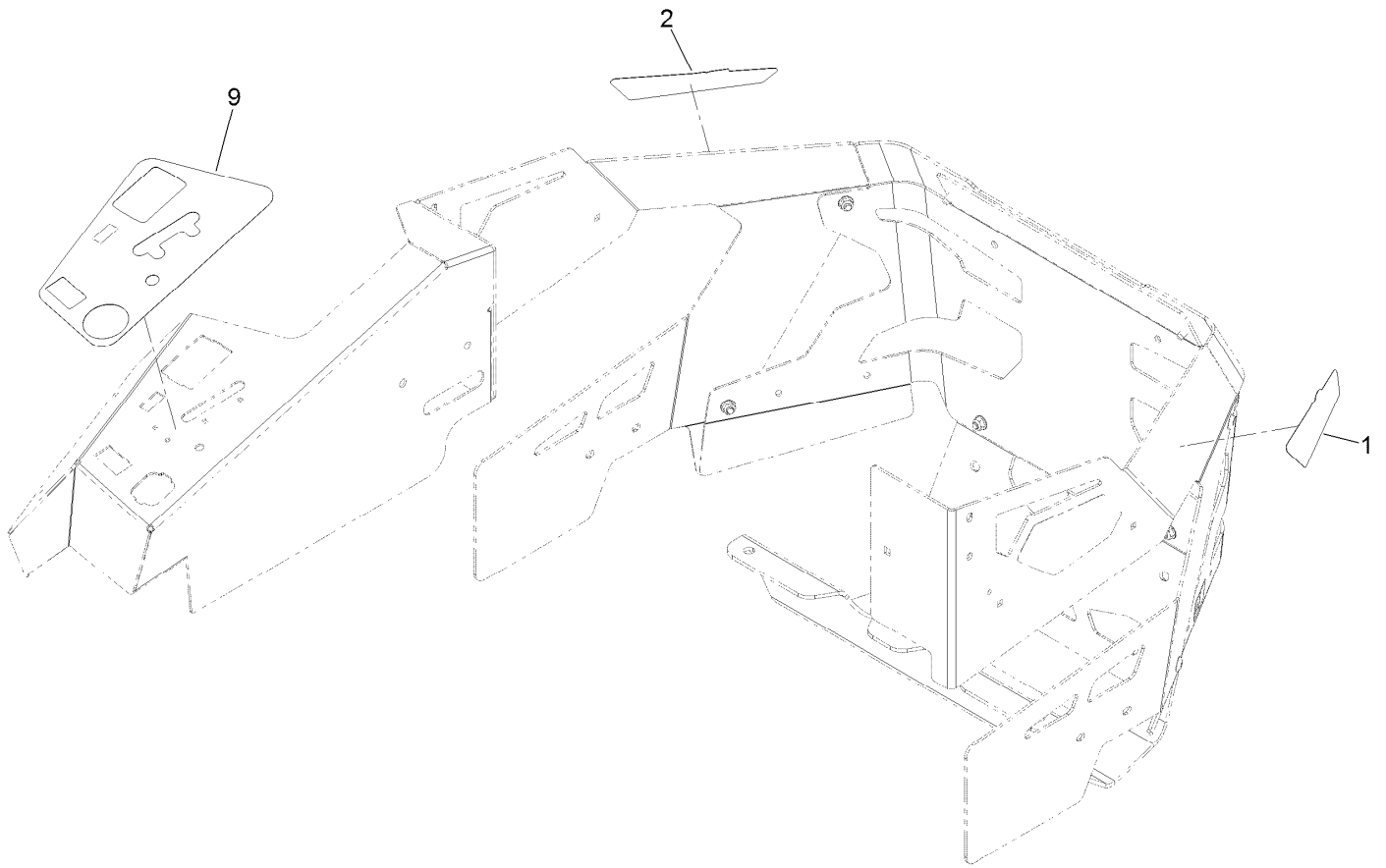
Engine, Clutch and Muffler Assembly (continued)

| <i>Ref.</i> | <i>Part Number</i> | <i>Qty.</i> | <i>Description</i> | <i>Ref.</i> | <i>Part Number</i> | <i>Qty.</i> | <i>Description</i> |
|-------------|--------------------|-------------|-------------------------------------|-------------|--------------------|-------------|---------------------------|
| 1 | | 1 | Engine-Kawasaki, Fx801V-S04-R ■▲ | 10 | 323-7 | 4 | Screw-HH |
| 1:1 | KW10761 | 1 | Filter-Oil Kaw | 11 | 144-2671 | 1 | Idler Arm ASM |
| 1:2 | 119-5944 | 1 | Element-Filter, Air (Outer) | 11:2 | 138-2573 | 2 | Bushing-Flange |
| 1:3 | 119-5945 | 1 | Element-Filter, Air (Inner) | 12 | 116-2456 | 1 | Pulley-Flat Idler |
| 1:4 | 142-6949 | 1 | Filter-Fuel | 14 | 3231-42 | 1 | Screw-CARR |
| 1:5 | 92-2153 | 1 | Plug-Spark | 15 | 3231-29 | 1 | Screw-CARR |
| 2 | 1-653313 | 2 | Gasket-Exhaust | 16 | 139-6690 | 1 | Bushing, Idler Pivot |
| 3 | 139-6702 | 1 | Sheave, W/Hub | 17 | 3256-4 | 1 | Washer-Flat |
| 4 | 1-807259 | 1 | Key | 18 | 104-8301 | 2 | Nut-HF, NI |
| 5 | 140-1190 | 1 | Anchor-Clutch | 22 | 116-4924 | 1 | Engine Oil Drain Hose ASM |
| 6 | 98-5975 | 4 | Washer-Belleville | 22:1 | 353-508 | 1 | Plug-HH ● |
| 7 | 109-6919 | 1 | Washer-Plain | 22:1:1 | 237-42 | 1 | O-Ring |
| 8 | 1-603610 | 2 | Washer-Spring | 23 | 139-1079 | 1 | Muffler |
| 9 | 109-9761 | 1 | Screw-HH | 24 | 1-653331 | 1 | Spring-Idler |
| | | | | 25 | 116-1604 | 1 | Clutch |

● Torque to 24-26 ft-lb
▲ Obtain parts from www.kawpower.com

■ Not serviced separately

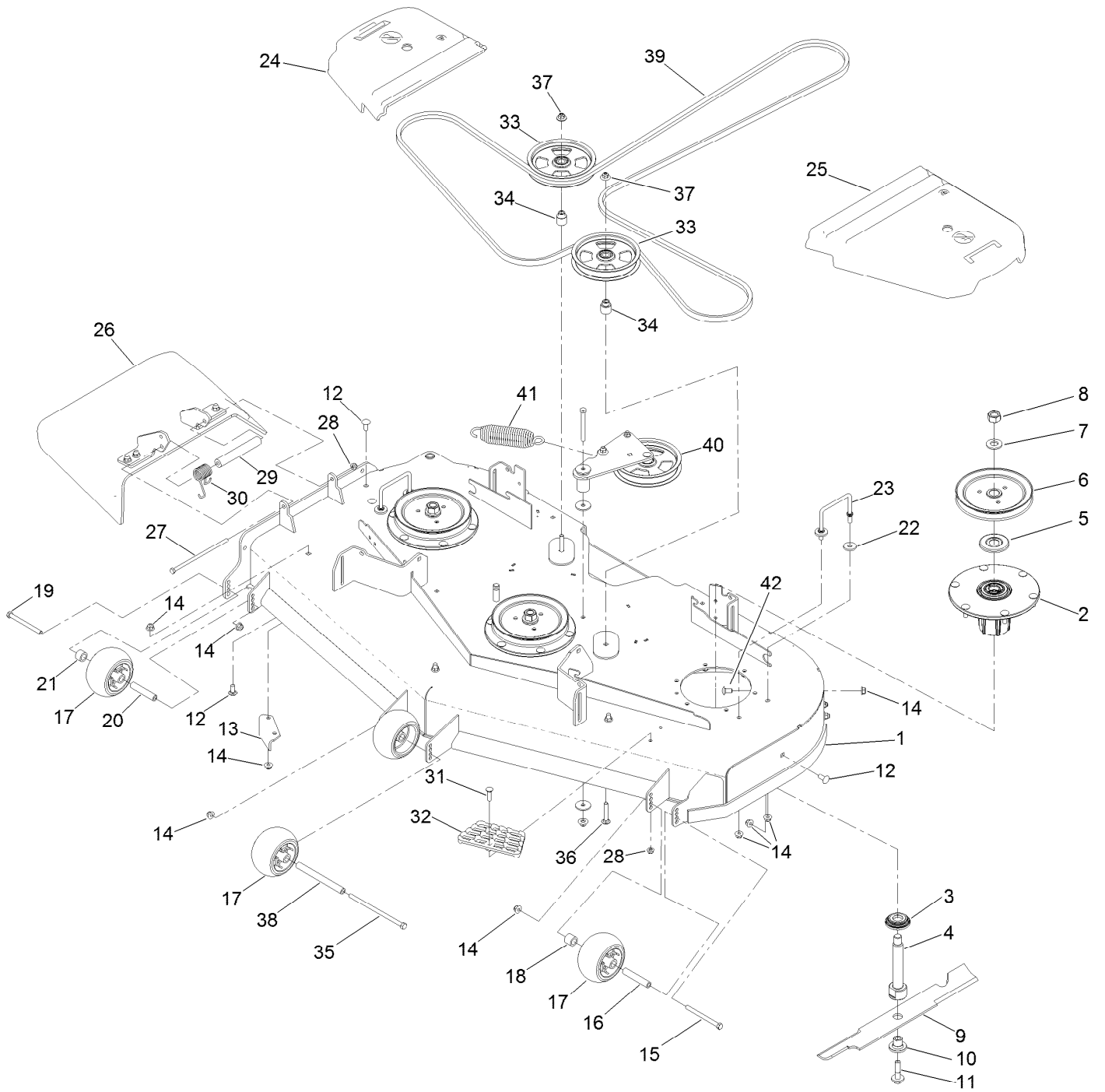
Decal Assembly



Decal Assembly (continued)

| <i>Ref.</i> | <i>Part Number</i> | <i>Qty.</i> | <i>Description</i> |
|-------------|--------------------|-------------|----------------------|
| 1 | 144-0438 | 1 | Decal - Pro |
| 2 | 144-0439 | 1 | Decal - Pro |
| 9 | 144-0405 | 1 | Decal-Panel, Control |

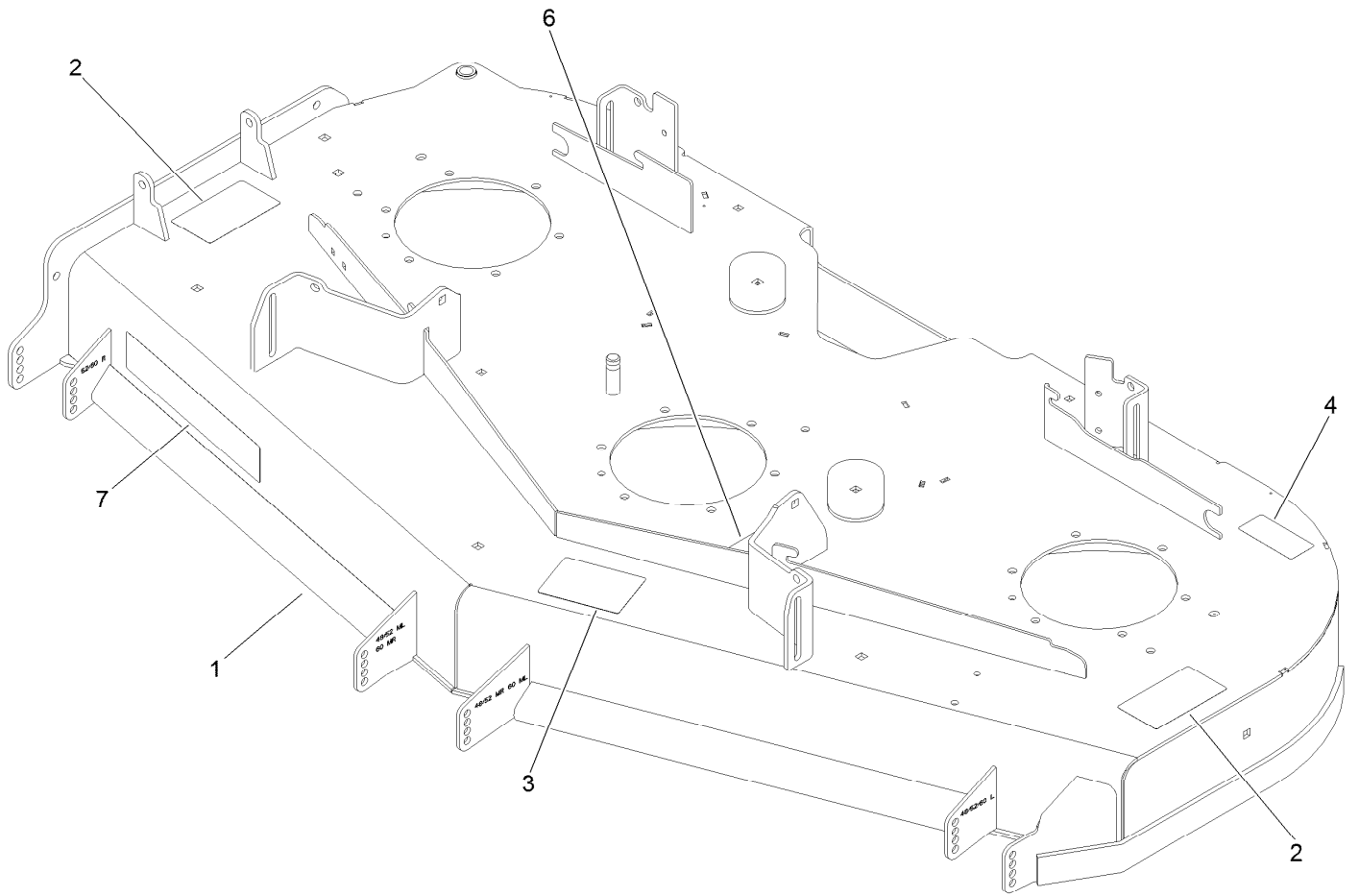
Deck Assembly



Deck Assembly (continued)

| <i>Ref.</i> | <i>Part Number</i> | <i>Qty.</i> | <i>Description</i> | <i>Ref.</i> | <i>Part Number</i> | <i>Qty.</i> | <i>Description</i> |
|-------------|--------------------|-------------|---------------------|-------------|--------------------|-------------|----------------------|
| 1 | 144-6588 | 1 | Deck Decal ASM | 22 | 1-373034 | 4 | Washer |
| 2 | 137-9780 | 3 | Spindle ASM | 23 | 109-6982 | 2 | Wireform-Cover |
| 3 | 137-9784 | 3 | Guard-Bottom | 24 | 116-0094 | 1 | Cover-Belt, RH |
| 4 | 138-6045 | 3 | Shaft-Spindle | 25 | 109-6938 | 1 | Cover-Belt, LH |
| 5 | 103-1330 | 3 | Guard-Bearing, Top | 26 | 144-2635 | 1 | Rubber Deflector ASM |
| 6 | 138-6059 | 3 | Sheave-Drive, Blade | 27 | 322-50 | 1 | Screw-HH |
| 7 | 103-2802 | 3 | Washer | 28 | 104-8300 | 2 | Nut-HF, NI |
| 8 | 116-7306 | 3 | Nut-Hex | 29 | 105-4622 | 1 | Spacer |
| 9 | 140-1240 | 3 | Blade | 30 | 108-4052 | 1 | Spring-Torsion |
| 10 | 137-9787 | 3 | Bushing-Hex | 31 | 3230-3 | 1 | Screw-CARR |
| 11 | 109-9220 | 3 | Screw-Sems | 32 | 126-4781-03 | 1 | Step-Deck |
| 12 | 3231-27 | 6 | Screw-CARR | 33 | 132-9424 | 2 | Pulley-Idler, Flat |
| 13 | 107-8541-01 | 1 | Baffle-Discharge | 34 | 139-8061 | 2 | Bushing, Idler |
| 14 | 104-8301 | 34 | Nut-HF, NI | 35 | 108-5388 | 1 | Screw-HH |
| 15 | 323-23 | 1 | Screw-HH | 36 | 3231-7 | 2 | Screw-CARR |
| 16 | 98-7912 | 1 | Tube-Spanner | 37 | 109-6658 | 2 | Nut-Flange, NI |
| 17 | 1-603299 | 4 | Roller-Scalp, Anti | 38 | 98-5967 | 1 | Spacer-Wheel |
| 18 | 98-7913 | 1 | Tube-Spacer | 39 | 144-0357 | 1 | Belt-V |
| 19 | 323-17 | 1 | Screw-HH | 40 | 139-1087 | 1 | Idler Arm ASM |
| 20 | 133-2129 | 1 | Tube-Shafting | 41 | 116-6317 | 1 | Spring-Extension |
| 21 | 133-2128 | 1 | Tube-Spacer | 42 | 3231-21 | 3 | Screw-CARR |

Deck Decal Assembly No. 144-6588



Deck Decal Assembly No. 144-6588 (continued)

| <i>Ref.</i> | <i>Part Number</i> | <i>Qty.</i> | <i>Description</i> | <i>Ref.</i> | <i>Part Number</i> | <i>Qty.</i> | <i>Description</i> |
|-------------|--------------------|-------------|------------------------|-------------|--------------------|-------------|---------------------|
| 1 | | 1 | Deck ASM W/Decals 60 ● | 4 | 116-8283 | 1 | Decal-Torque, Bolt |
| 2 | 117-3848 | 2 | Decal-Danger | 6 | 109-6035 | 1 | Decal-Routing, Belt |
| 3 | 127-0326 | 1 | Decal-Scalp, Anti | 7 | 107-1619 | 1 | Decal |

● Not serviced separately

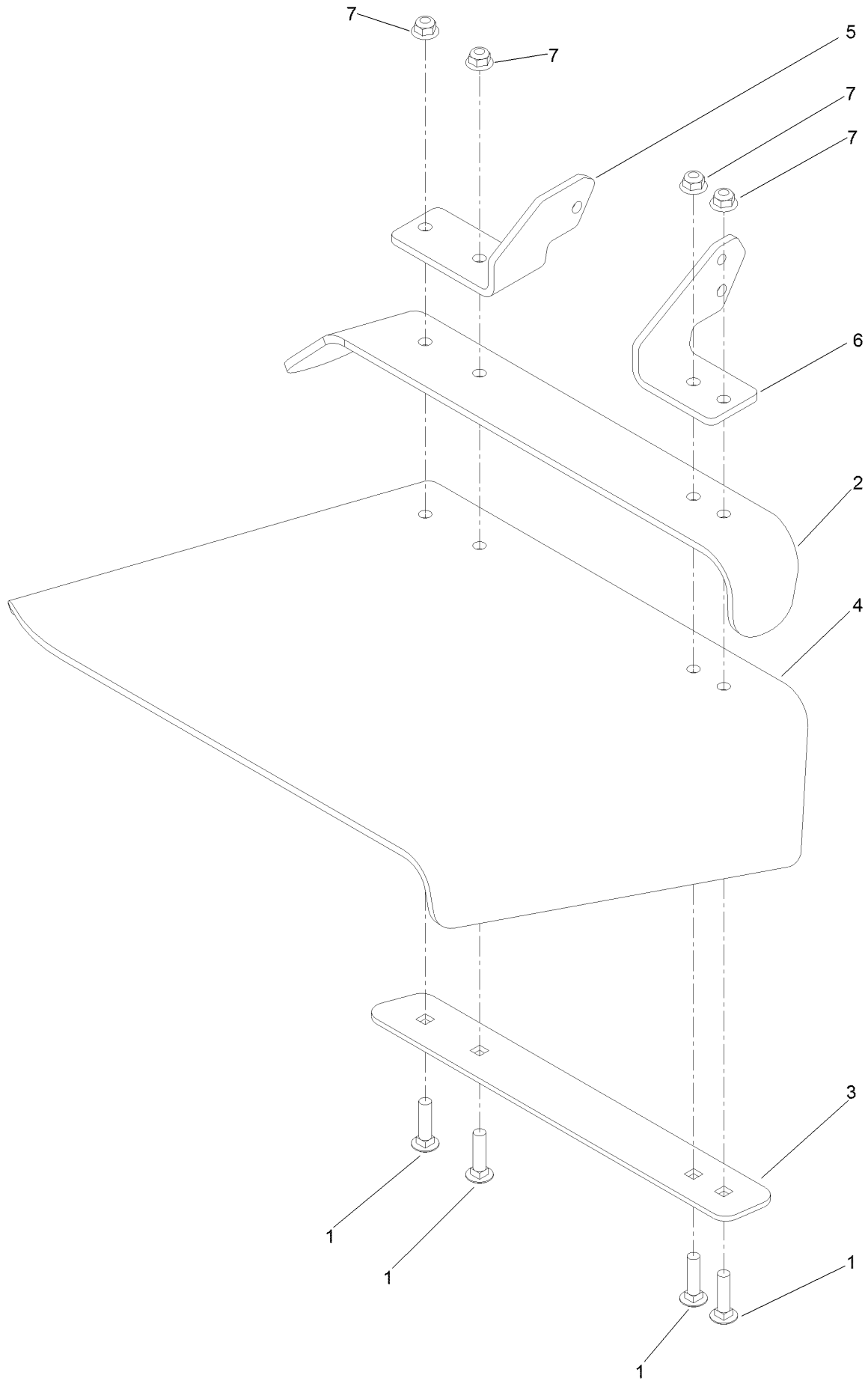
Spindle Assembly No. 137-9780



Spindle Assembly No. 137-9780 (continued)

| <i>Ref.</i> | <i>Part Number</i> | <i>Qty.</i> | <i>Description</i> |
|-------------|--------------------|-------------|--------------------|
| 2 | 116-0720 | 2 | Bearing-Ball |
| 3 | 138-6042 | 1 | Spacer-Bearing |

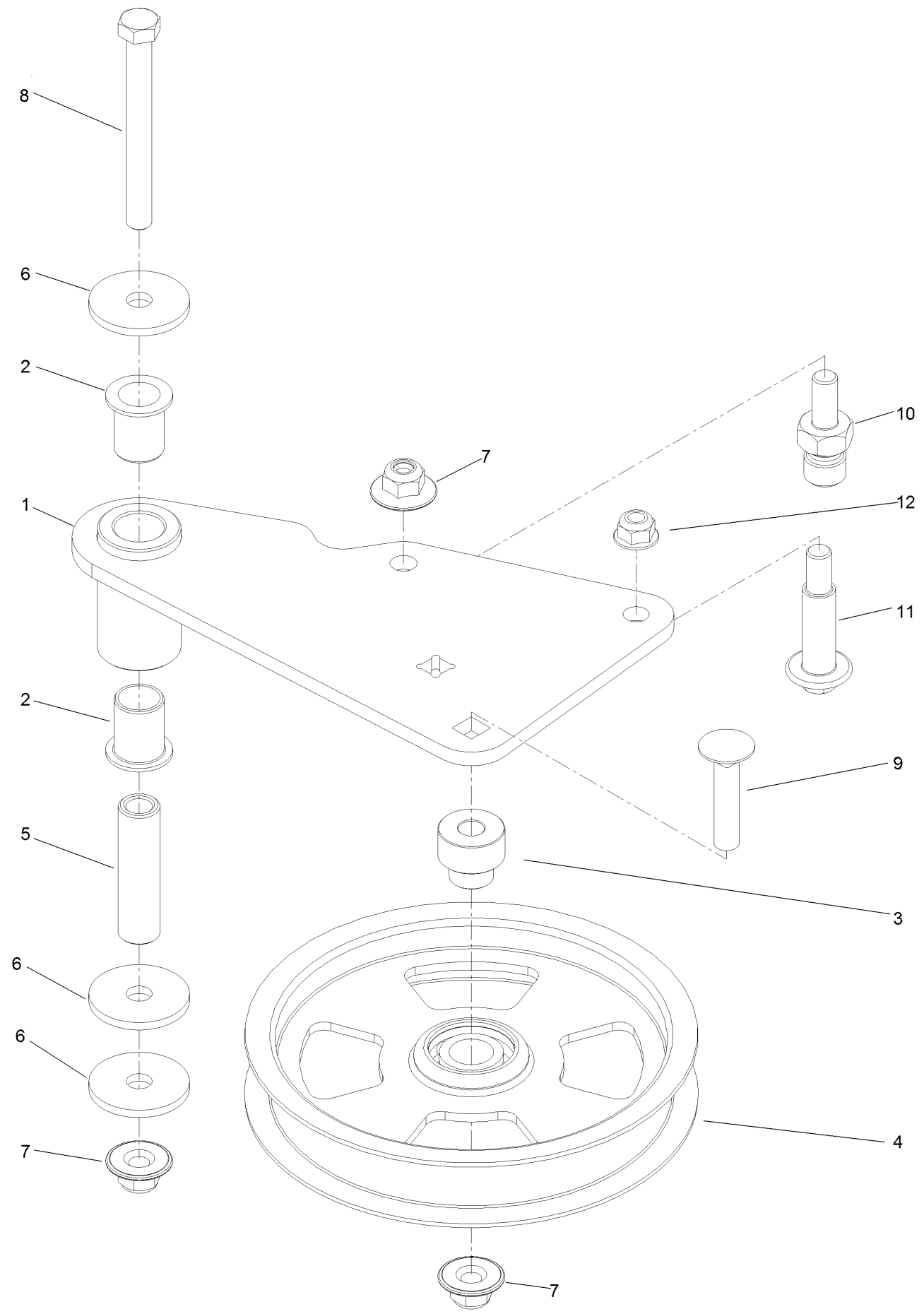
Deflector Assembly No. 144-2635



Deflector Assembly No. 144-2635 (continued)

| <i>Ref.</i> | <i>Part Number</i> | <i>Qty.</i> | <i>Description</i> | <i>Ref.</i> | <i>Part Number</i> | <i>Qty.</i> | <i>Description</i> |
|-------------|--------------------|-------------|------------------------|-------------|--------------------|-------------|--------------------|
| 1 | 3231-4 | 4 | Screw-CARR | 5 | 108-4059-01 | 1 | Plate-Hinge, Rear |
| 2 | 106-3246-01 | 1 | Deflector | 6 | 106-3253-01 | 1 | Plate-Hinge, Front |
| 3 | 106-3248-03 | 1 | Strap-Discharge | 7 | 104-8301 | 4 | Nut-HF, NI |
| 4 | 139-8114 | 1 | Deflector-Deck, Rubber | | | | |

Idler Arm Assembly No. 139-1087



Idler Arm Assembly No. 139-1087 (continued)

| <i>Ref.</i> | <i>Part Number</i> | <i>Qty.</i> | <i>Description</i> | <i>Ref.</i> | <i>Part Number</i> | <i>Qty.</i> | <i>Description</i> |
|-------------|--------------------|-------------|----------------------|-------------|--------------------|-------------|----------------------|
| 1 | 139-1086 | 1 | Idler Arm ASM | 7 | 109-6658 | 3 | Nut-Flange, NI |
| 2 | 138-2573 | 2 | Bushing-Flange | 8 | 323-15 | 1 | Screw-HH |
| 3 | 139-8060 | 1 | Bushing, Idler | 9 | 3231-5 | 1 | Screw-CARR |
| 4 | 132-9424 | 1 | Pulley-Idler, Flat | 10 | 132-4729 | 1 | Anchor-Spring, Short |
| 5 | 139-6690 | 1 | Bushing, Idler Pivot | 11 | 136-9028 | 1 | Bolt-Shoulder, HWH |
| 6 | 1-213069 | 3 | Washer | 12 | 104-8301 | 1 | Nut-HF, NI |

Attachments and Accessories

For 74004 60in Z Master 4000 Series Riding Mower

| Product Name | Model/Part |
|-----------------------------------|-------------------|
| Hypr-Oil 500 (quart) | 114-4713 |
| Hypr-Oil 500 (gallon)..... | 114-4714 |
| Hypr-Oil 500-5 (5 gallon)..... | 114-4715 |
| Striper Kit..... | 126-7882 |
| Jack Kit..... | 127-6666 |
| Tweel-Turf Tire..... | 139-3649 |
| Blade-20.5 High Flow | 140-1240 |
| Blade-20.50 Atomic | 140-1241 |
| Blade-20.50 Medium Flow | 140-4853 |
| Blade-20.50, Low Flow | 140-4854 |
| Blade-20.50 Recycler | 140-4855 |
| 6 Pack-Blade, 20.5 High Flow..... | 140-4877 |
| 6 Pack-Blade, 20.5 Med Flow | 140-4878 |
| 6 Pack-Blade, 20.5 Low Flow | 140-4879 |
| 6 Pack-Blade, 20.5 Atomic..... | 140-4880 |
| 6 Pack-Blade, 20.5 Recycler..... | 140-4881 |
| Recycler Kit-60" | 144-0388 |
| Base Light Kit-4000 Series | 144-0389 |
| Electric Deck Lift Kit-4000..... | 144-0390 |
| Trimmer Mount | 144-2665 |
| Jack Mount Kit..... | 144-2676 |
| Spark Arrestor Screen | 75-6880 |
| Z 4000 Bagger Kit..... | 78463 |
| Z 4000 60in Completion Kit..... | 78466 |

Notes:



Count on it.