



**Count on it.**

**Parts Catalog**

**GrandStand® Multi Force® Mower  
With 52in TURBO FORCE® Cutting Unit**

Model No. 74529—Serial No. 404314000 and Up



# Ordering Replacement Parts

To order replacement parts, please supply the part number, the quantity, and the description of each part desired.

## Understanding Reference Numbers

Each identified part in an illustration has a reference number. The reference number for a part also appears in the parts list, along with other information about the part.

This catalog uses two special reference number formats, one to indicate parts in a service assembly and another to indicate the quantity of a given part in an illustration.

## Service Assembly Reference Numbers

Parts in service assemblies have reference numbers in the form a:b. The a represents the reference number of the entire service assembly and the b represents a sequential number unique to each part within the service assembly.

For example, a wheel assembly might be identified by reference number 6, the tire by 6:1, the valve by 6:2, and the wheel by 6:3. When you order the assembly identified by reference number 6, you receive all parts identified by reference numbers 6:1, 6:2, and 6:3. However, you may also order any part individually. Reference numbers of this type appear in illustration and in parts lists.

## Reference Numbers Indicating Quantity

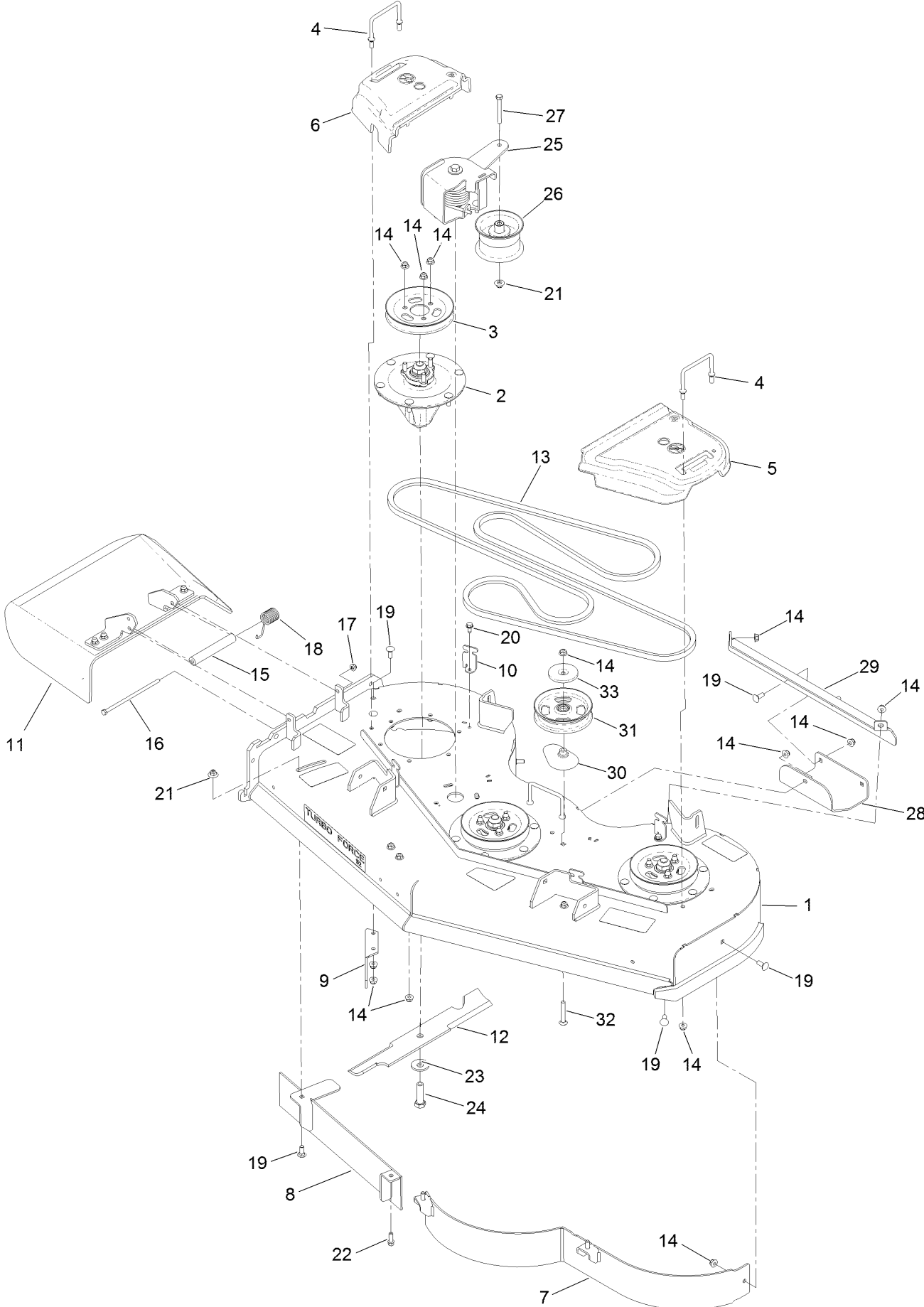
In an illustration, if a reference number indicates more than one part, the reference number has the form nX y. The n represents the quantity of the part, the X is the multiplication symbol, and the y represents the reference number.

For example, in an illustration, the reference number 2X 37 means that two of the parts identified by reference number 37 are indicated.

# Contents

52 Inch Deck Assembly .....	4
Deck Decal Assembly No. 127-1936 .....	6
Spindle Assembly No. 127-0560 .....	8
Deflector Assembly No. 120-2451 .....	10
Ground Drive Assembly .....	12
RH Transaxle Assembly No. 136-4102 .....	14
LH Transaxle Assembly No. 136-4103 .....	16
Motion Control Assembly .....	18
Control Handle Assembly No. 132-5157 .....	20
Control Handle Assembly No. 132-5158 .....	22
Parking Brake Assembly .....	24
Deck Lift Assembly .....	26
HOC Lever Assembly No. 130-1755 .....	28
Frame Assembly .....	30
Wheel, Tire and Bearing Assembly No. 130-4558 .....	32
Platform Assembly .....	34
Engine Assembly .....	36
Fuel Tank Assembly .....	38
Wire Harness Assembly .....	40
Attachments and Accessories .....	42

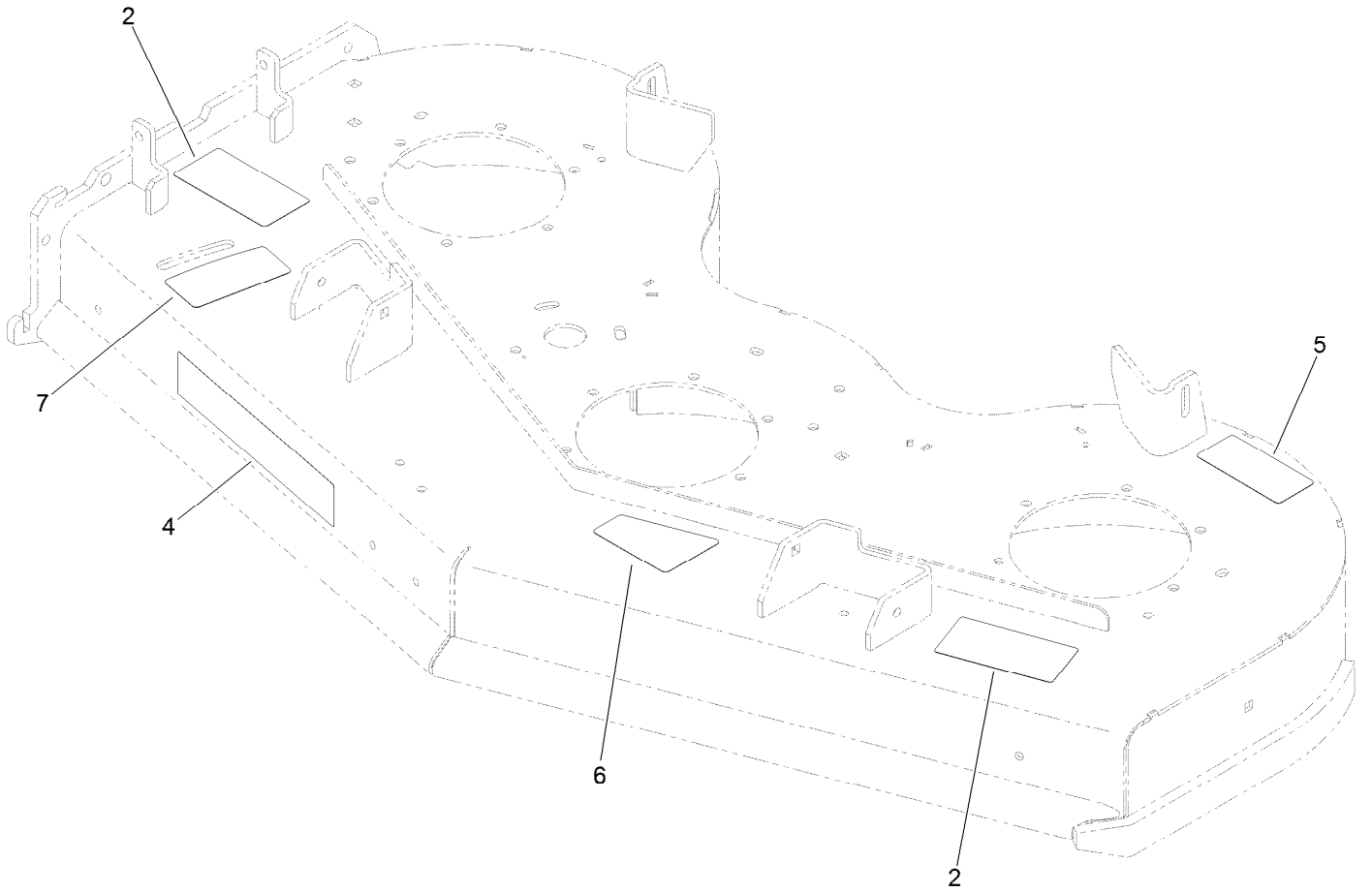
# 52 Inch Deck Assembly



## 52 Inch Deck Assembly (continued)

<i>Ref.</i>	<i>Part Number</i>	<i>Qty.</i>	<i>Description</i>	<i>Ref.</i>	<i>Part Number</i>	<i>Qty.</i>	<i>Description</i>
1	127-1936	1	Deck ASM	18	108-4052	1	Spring-Torsion
2	127-0560	3	Spindle ASM	19	3231-2	9	Bolt-CARR
3	120-6433	3	Pulley	20	32144-70	4	Screw-HWHTF
4	109-6982	3	Wireform-Cover	21	109-6658	2	Nut-Flange, NI
5	109-6936	1	Cover-Belt, LH	22	92-1624	3	Screw-HWH Thd Form
6	109-6935	1	Cover-Belt, RH	23	103-0865	3	Washer-Blade Bolt, Heavy
7	114-1979-01	1	Baffle-52 Inch	24	51-4060	3	Screw-Blade
8	121-1790-01	1	Baffle	25	136-7395	1	Idler Torsion ASM
9	130-6594-01	1	Baffle-Discharge	26	127-1971	1	Pulley-Idler
10	117-5758-03	4	Bracket-Cover	27	323-14	1	Screw-HH
11	120-2451	1	Deflector ASM	28	114-1908-01	1	Skid
12	105-7781-03	3	Blade-18In, Hi Flow	29	130-6648-01	1	Bracket-Skid
13	131-1122	1	Belt-V	30	109-2872	1	Spacer-Pulley
14	104-8301	48	Nut-HF, NI	31	136-5405	1	Pulley-Idler, Flat
15	105-4622	1	Spacer	32	3231-44	1	Screw-CARR
16	322-50	1	Screw-HH	33	132-5154	1	Shield-Dust
17	104-8300	1	Nut-HF, NI				

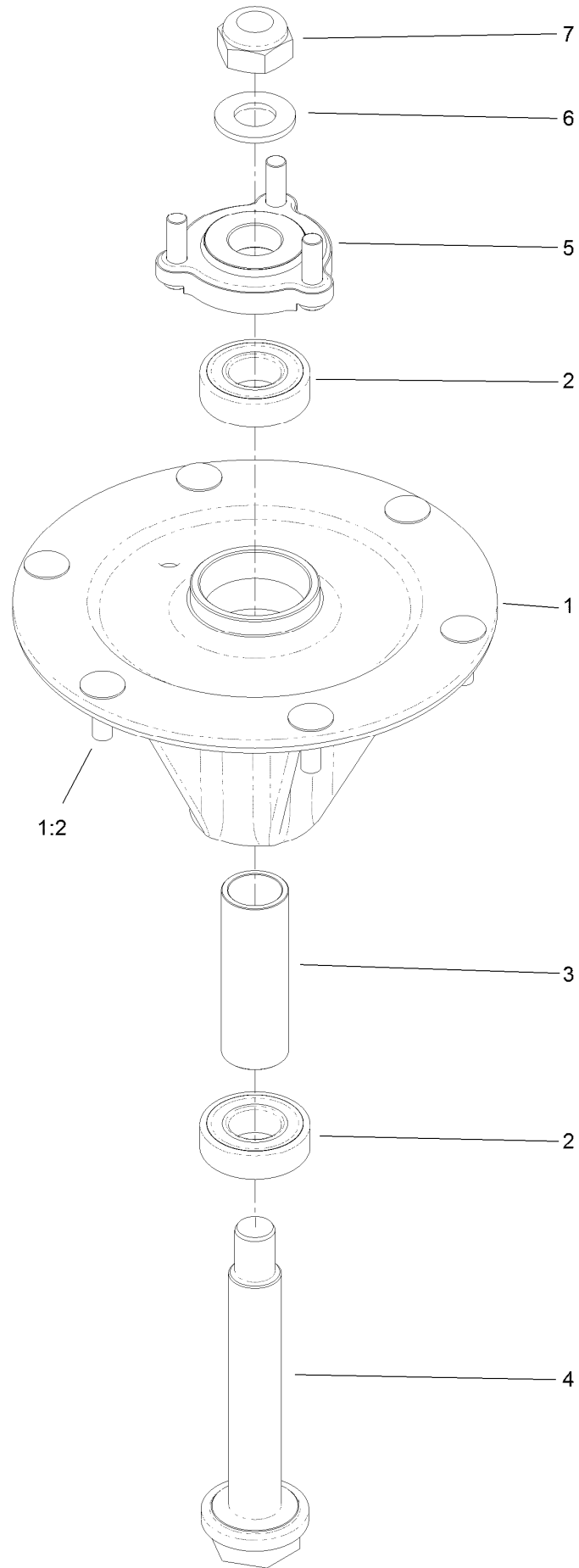
# Deck Decal Assembly No. 127-1936



## Deck Decal Assembly No. 127-1936 (continued)

<i>Ref.</i>	<i>Part Number</i>	<i>Qty.</i>	<i>Description</i>	<i>Ref.</i>	<i>Part Number</i>	<i>Qty.</i>	<i>Description</i>
2	133-4604	2	Decal-Danger	6	131-3507	1	Decal-Belt, Tension (CE)
4	107-1618	1	Decal	7	131-1180	1	Decal-Adjustment, Baffle
5	93-7818	1	Decal-Torque, Blade Bolt				

# Spindle Assembly No. 127-0560



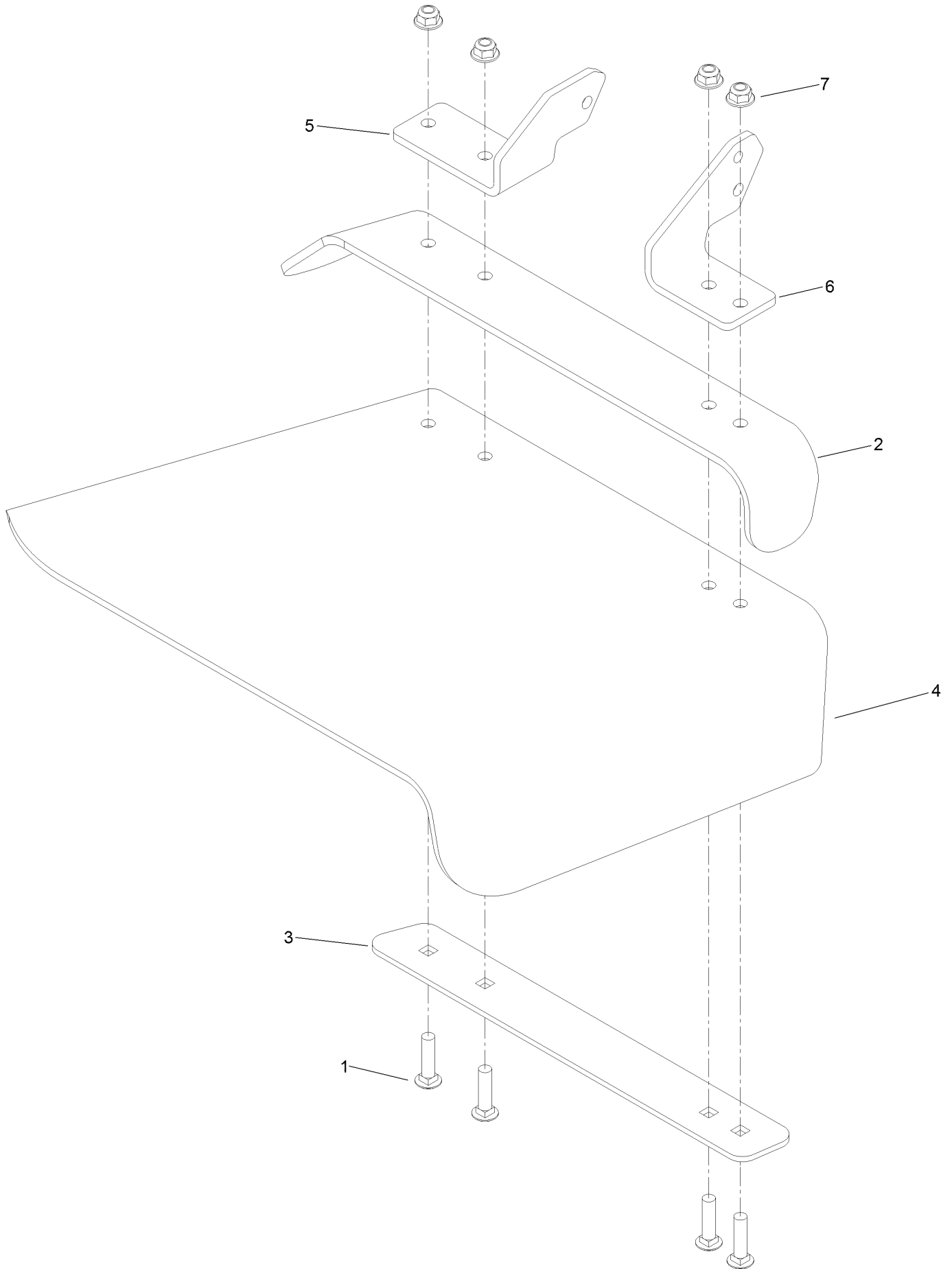


# Spindle Assembly No. 127-0560 (continued)

<i>Ref.</i>	<i>Part Number</i>	<i>Qty.</i>	<i>Description</i>	<i>Ref.</i>	<i>Part Number</i>	<i>Qty.</i>	<i>Description</i>
1		1	Spindle Housing ASM W/Studs ●	4	127-0556	1	Shaft-Spindle, Ball Bearing
1:2	114-8195	6	Bolt-Neck, Ribbed	5	127-0557	1	Hub-Spindle (W/Studs)
2	116-0720	2	Bearing-Ball	6	92-5836	1	Washer
3	127-0554	1	Spacer-Bearing	7	3296-67	1	Nut-Lock, NI

● Not serviced separately

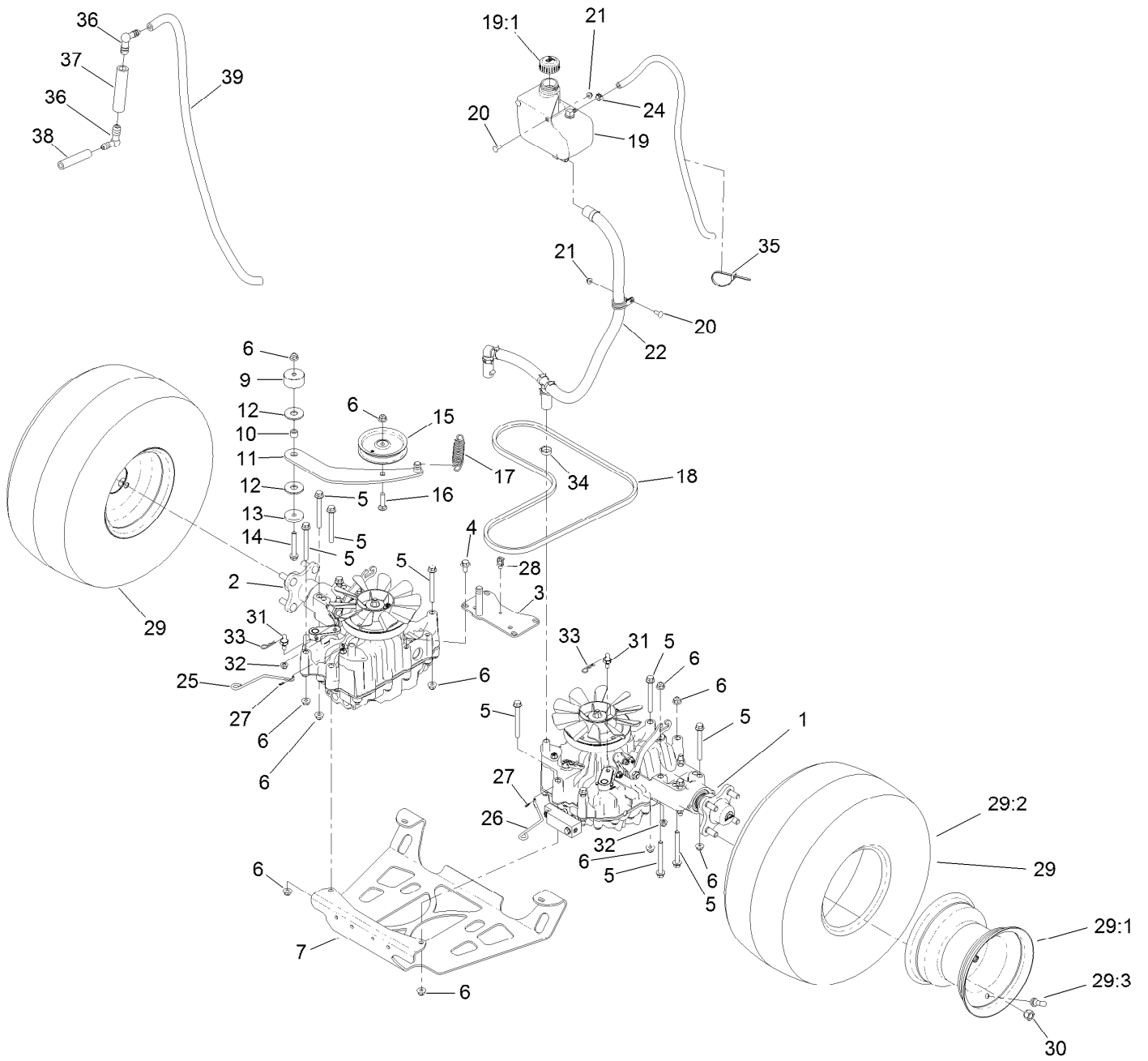
# Deflector Assembly No. 120-2451



## Deflector Assembly No. 120-2451 (continued)

<i>Ref.</i>	<i>Part Number</i>	<i>Qty.</i>	<i>Description</i>	<i>Ref.</i>	<i>Part Number</i>	<i>Qty.</i>	<i>Description</i>
1	3231-4	4	Screw-CARR	5	108-4059-01	1	Plate-Hinge, Rear
2	106-3246-01	1	Deflector	6	106-3253-01	1	Plate-Hinge, Front
3	106-3248-03	1	Strap-Discharge	7	104-8301	4	Nut-HF, NI
4	110-0759	1	Deflector-Rubber				

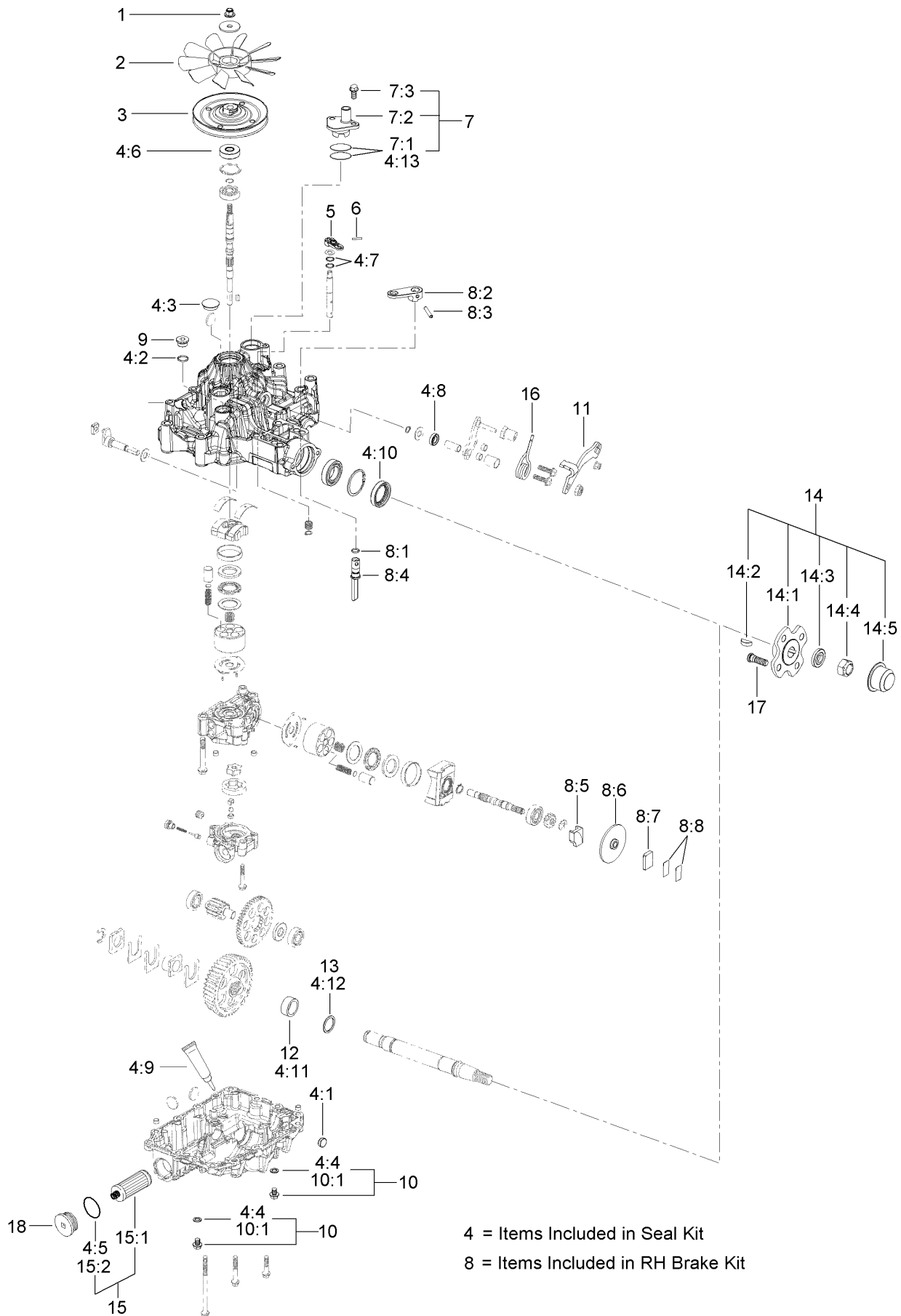
# Ground Drive Assembly



## Ground Drive Assembly (continued)

<i>Ref.</i>	<i>Part Number</i>	<i>Qty.</i>	<i>Description</i>	<i>Ref.</i>	<i>Part Number</i>	<i>Qty.</i>	<i>Description</i>
1	136-4103	1	LH Transmission ASM	22	131-7427	1	HYD Hose ASM
2	136-4102	1	RH Transmission ASM	24	92-2379	1	Clamp-Hose
3	131-1131-03	1	Support-Transaxle	25	131-7469	1	Rod-Bypass, RH
4	93-2569	4	Screw-HHF	26	131-7470	1	Rod-Bypass, LH
5	116-4701	16	Screw-HHF	27	108-2992	2	Pin-Hair
6	104-8301	18	Nut-HF, NI	28	32180-030	1	Clip-Tie
7	138-1108-03	1	Plate-Skid	29	132-7574	2	Wheel And Tire ASM
9	117-5351	1	Spacer	29:1	133-1414	1	Rim-8 Inch, Gray
10	1-413088	1	Bushing-Lever, Lift	29:2	133-1417	1	Tire
11	131-1175	1	Arm-Idler	29:3	232-27	1	Stem-Valve
12	114-0463	2	Washer-Friction, Composite	30	242-50	8	Nut-Lug
13	110-9981	1	Washer-Plain	31	132-7584	2	Spacer-Hex
14	3234-39	1	Screw-HHF	32	104-8300	2	Nut-HF, NI
15	93-1622	1	Pulley-Idler	33	3290-250	2	Pin-Cotter
16	3231-4	1	Screw-CARR	34	2412-141	2	Clamp-Drive, Worm
17	138-1104	1	Spring-Extension	35	3290-378	1	Tie-Cable
18	131-1124	1	Belt-V	36	136-1290	2	Fitting-Elbow 90
19	132-1135	1	Tank-HYD	37	83-2080	1	Hose-Valve, Tank
19:1	133-8677	1	Cap-Vented	38	133-0223	1	Hose-Fuel
20	3229-25	3	Screw-CARR	39	110-3257	1	Hose-Fuel
21	104-7201	3	Nut-HF, NI				

# RH Transaxle Assembly No. 136-4102



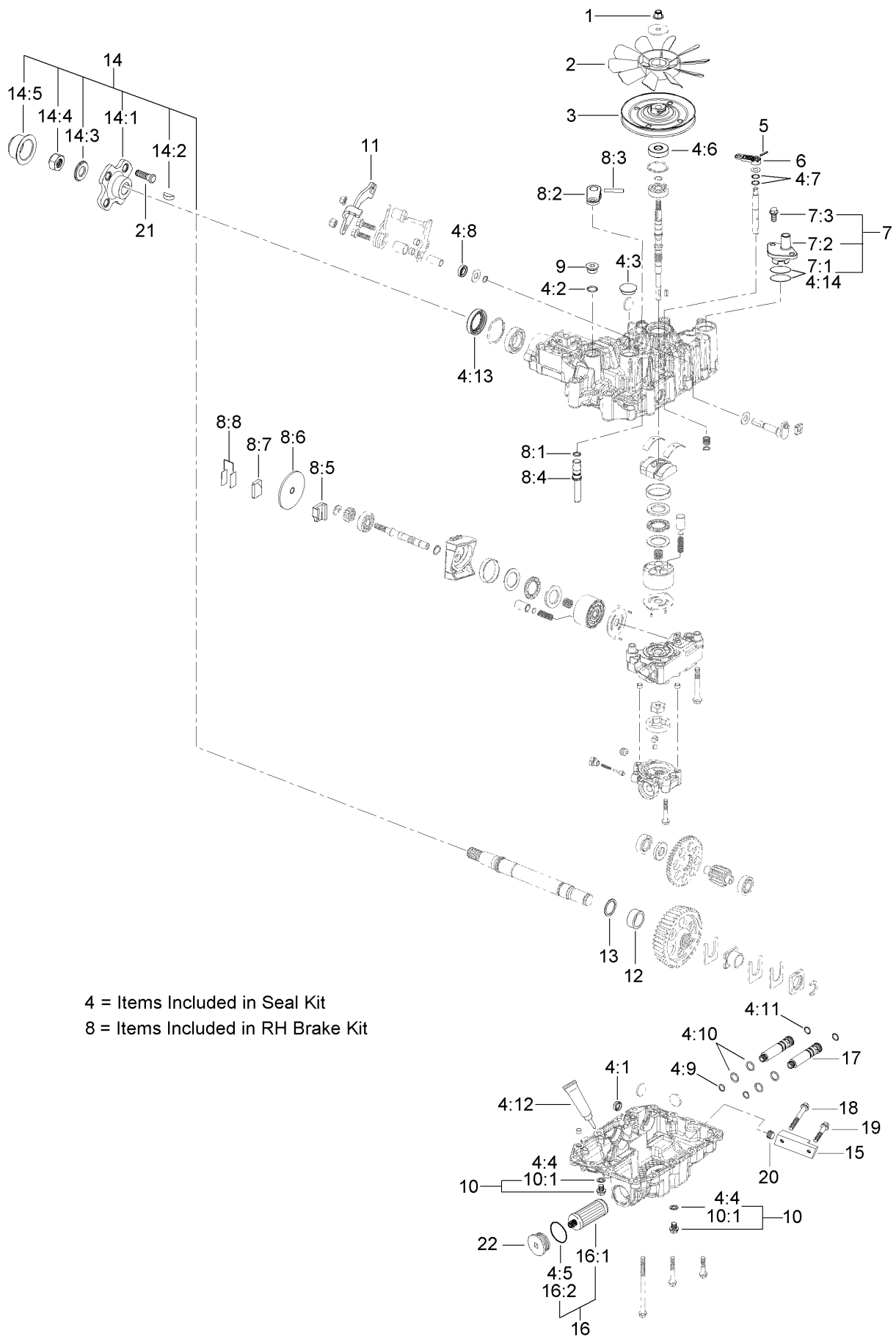
# RH Transaxle Assembly No. 136-4102 (continued)

<i>Ref.</i>	<i>Part Number</i>	<i>Qty.</i>	<i>Description</i>	<i>Ref.</i>	<i>Part Number</i>	<i>Qty.</i>	<i>Description</i>
1	132-4737	1	Nut-Lock	8:3		1	Pin-Roll ■
2	132-4738	1	Fan	8:4		1	Shaft-Brake ■
3	132-4739	1	Pulley	8:5		1	Actuator-Brake ■
4	138-4628	1	Seal Kit	8:6		1	Disc-Brake ■
4:1	100-6926	1	Cap-Sealing	8:7		1	Shoe-Brake ■
4:2	132-4736	1	O-Ring	8:8		1	Shim Kit ■
4:3		1	Cap-Seal ■	9	132-4735	1	Cap-Oil
4:4		2	Seal-Washer ■	10	132-4746	1	Drain Bolt Kit
4:5		1	Packing ■	10:1		1	Seal-Washer ■
4:6	132-4744	1	Seal-Shaft	11	136-5401	1	Lever-Control, RH
4:7		2	O-Ring ■	12	132-4747	1	Sleeve
4:8		1	Seal-Oil ■	13	132-4748	1	Washer
4:9	121-0959	1	Sealant	14	136-5406	1	Axle Flange Kit
4:10	132-4745	1	Seal-Axle	14:1		1	Flange ■
4:11	132-4747	1	Sleeve	14:2		1	Key-Woodruff ■
4:12	132-4748	1	Washer	14:3		1	Washer ■
4:13		1	Packing ■	14:4	137-4128	1	Nut-Lock
5	104-3265	1	Pin	14:5		1	Nut-Cap ■
6	132-4700	1	Lever-Bypass	14:6	139-5588	1	Axle ●
7	133-1461	1	Expansion Fitting Kit	15	132-4743	1	Hydro Filter Kit
7:1	136-4051	2	Seal-Fitting, Expansion	15:1	136-5409	2	Filter
7:2		1	Fitting ■	15:2	136-5410	2	O-Ring
7:3		1	Bolt-Flange ■	16	137-4109	1	Spring-Torsion
8	133-1462	1	RH Brake Kit	17	137-9509	4	Stud-Wheel
8:1		1	O-Ring ■	18	138-4613	1	Cap-Oil Filter
8:2		1	Arm-Brake ■				

● Not illustrated

■ Not serviced separately

# LH Transaxle Assembly No. 136-4103





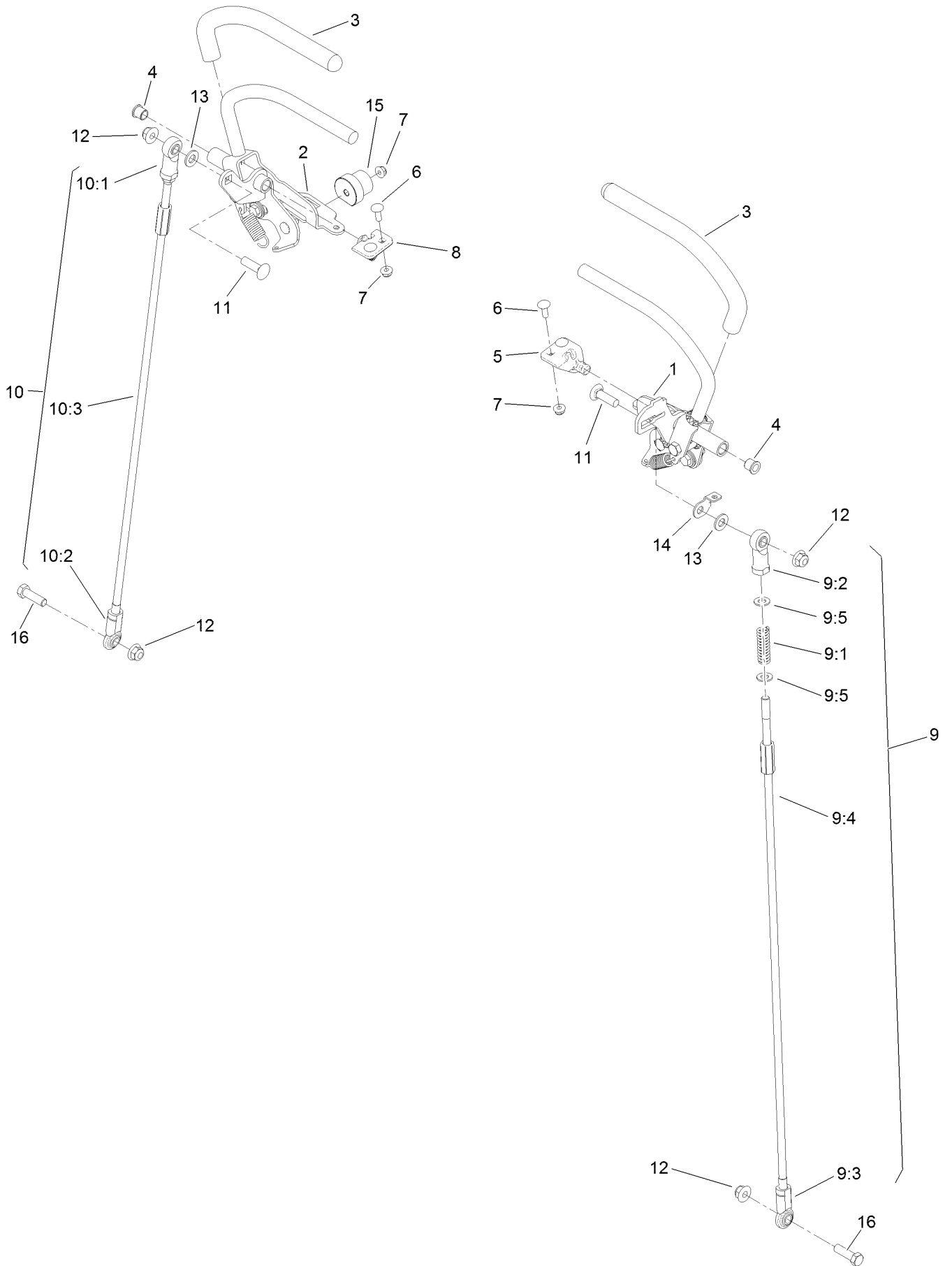
# LH Transaxle Assembly No. 136-4103 (continued)

<i>Ref.</i>	<i>Part Number</i>	<i>Qty.</i>	<i>Description</i>	<i>Ref.</i>	<i>Part Number</i>	<i>Qty.</i>	<i>Description</i>
1	132-4737	1	Nut-Lock	8:4		1	Shaft-Brake ■
2	132-4738	1	Fan	8:5		1	Actuator-Brake ■
3	132-4739	1	Pulley	8:6		1	Disc-Brake ■
4	136-5407	1	Seal Kit	8:7		1	Shoe-Brake ■
4:1	100-6926	1	Cap-Sealing	8:8		1	Shim Kit ■
4:2	132-4736	1	O-Ring	9	132-4735	1	Cap-Oil
4:3		1	Cap-Seal ■	10	132-4746	1	Drain Bolt Kit
4:4		2	Seal-Washer ■	10:1		1	Seal-Washer ■
4:5		1	Packing ■	11	136-5401	1	Lever-Control, RH
4:6	132-4744	1	Seal-Shaft	12	132-4747	1	Sleeve
4:7		2	O-Ring ■	13	132-4748	1	Washer
4:8		1	Seal-Oil ■	14	136-5406	1	Axle Flange Kit
4:9		2	O-Ring ■	14:1		1	Flange ■
4:10		4	O-Ring ■	14:2		1	Key-Woodruff ■
4:11		2	O-Ring ■	14:3		1	Washer ■
4:12	121-0959	1	Sealant	14:4	137-4128	1	Nut-Lock
4:13	132-4745	1	Seal-Axle	14:5		1	Nut-Cap ■
4:14		1	Packing ■	14:6	139-5588	1	Axle ●
5	104-3265	1	Pin	15	136-5408	1	Manifold
6	132-4700	1	Lever-Bypass	16	132-4743	1	Hydro Filter Kit
7	133-1461	1	Expansion Fitting Kit	16:1	136-5409	2	Filter
7:1	136-4051	2	Seal-Fitting, Expansion	16:2	136-5410	2	O-Ring
7:2		1	Fitting ■	17	137-4107	2	Connector
7:3		1	Bolt-Flange ■	18	125-7222	1	Bolt
8	133-1468	1	Brake Kit,Left	19	33104-045	1	Screw-HHF
8:1		1	O-Ring ■	20	93-0474	1	Plug
8:2		1	Arm-Brake ■	21	137-9509	4	Stud-Wheel
8:3		1	Pin-Roll ■	22	138-4613	1	Cap-Oil Filter

● Not illustrated

■ Not serviced separately

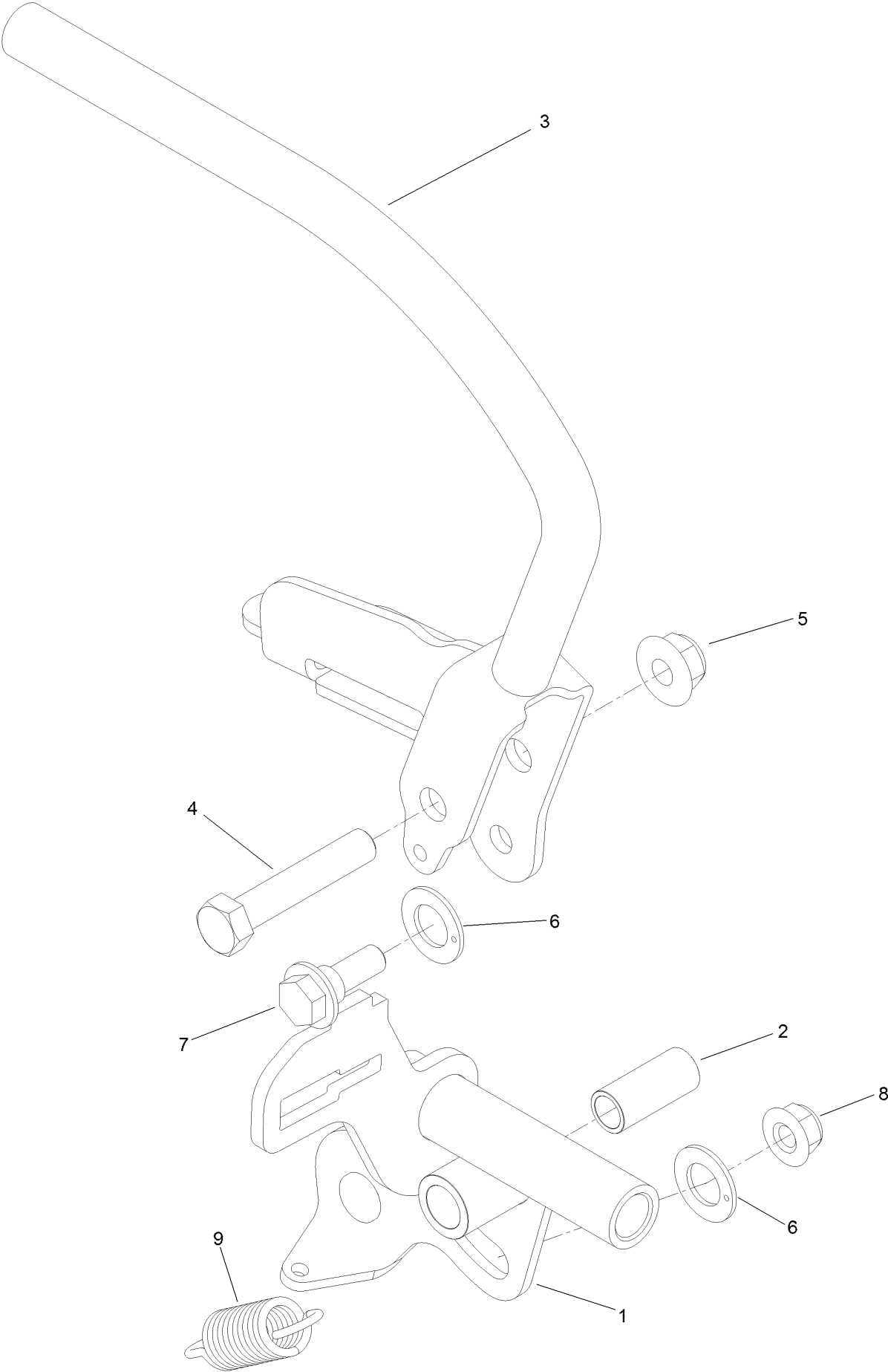
# Motion Control Assembly



## Motion Control Assembly (continued)

<i>Ref.</i>	<i>Part Number</i>	<i>Qty.</i>	<i>Description</i>	<i>Ref.</i>	<i>Part Number</i>	<i>Qty.</i>	<i>Description</i>
1	132-5157	1	LH Control Handle ASM	9:4	132-7515	1	Rod-Control
2	132-5158	1	RH Control Handle ASM	9:5	3256-45	2	Washer-Flat
3	119-0222	2	Grip	10	130-1807	1	RH Control Rod ASM
4	103-9928	2	Bearing	10:1	92-7008	1	End-Rod, Female
5	120-3288	1	Tab-Pivot, LH	10:2	103-1167	1	Joint-Ball End, LH
6	3229-1	4	Screw-CARR	10:3	132-7515	1	Rod-Control
7	104-7201	6	Nut-HF, NI	11	3231-28	2	Screw-CARR
8	120-3287	1	Tab-Pivot, RH	12	104-8301	4	Nut-HF, NI
9	130-1803	1	LH Control Rod ASM	13	3256-24	2	Washer-Plain
9:1	1-603807	1	Spring-Return, Neutral	14	132-7538	1	Bracket-Adjustment, Speed
9:2	92-7008	1	End-Rod, Female	15	126-1499	2	Cam
9:3	103-1167	1	Joint-Ball End, LH	16	323-7	2	Screw-HH

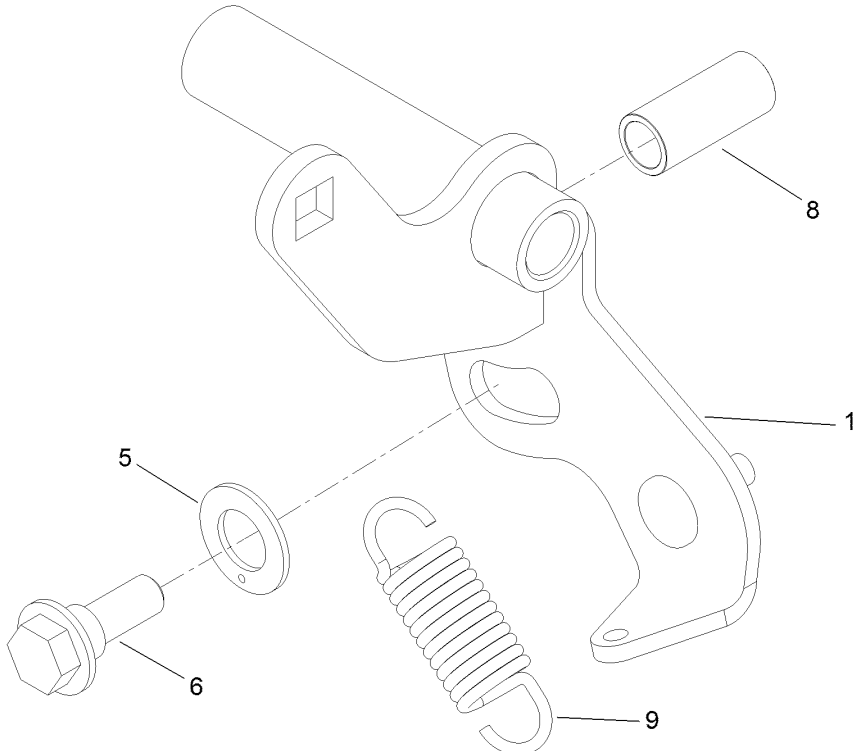
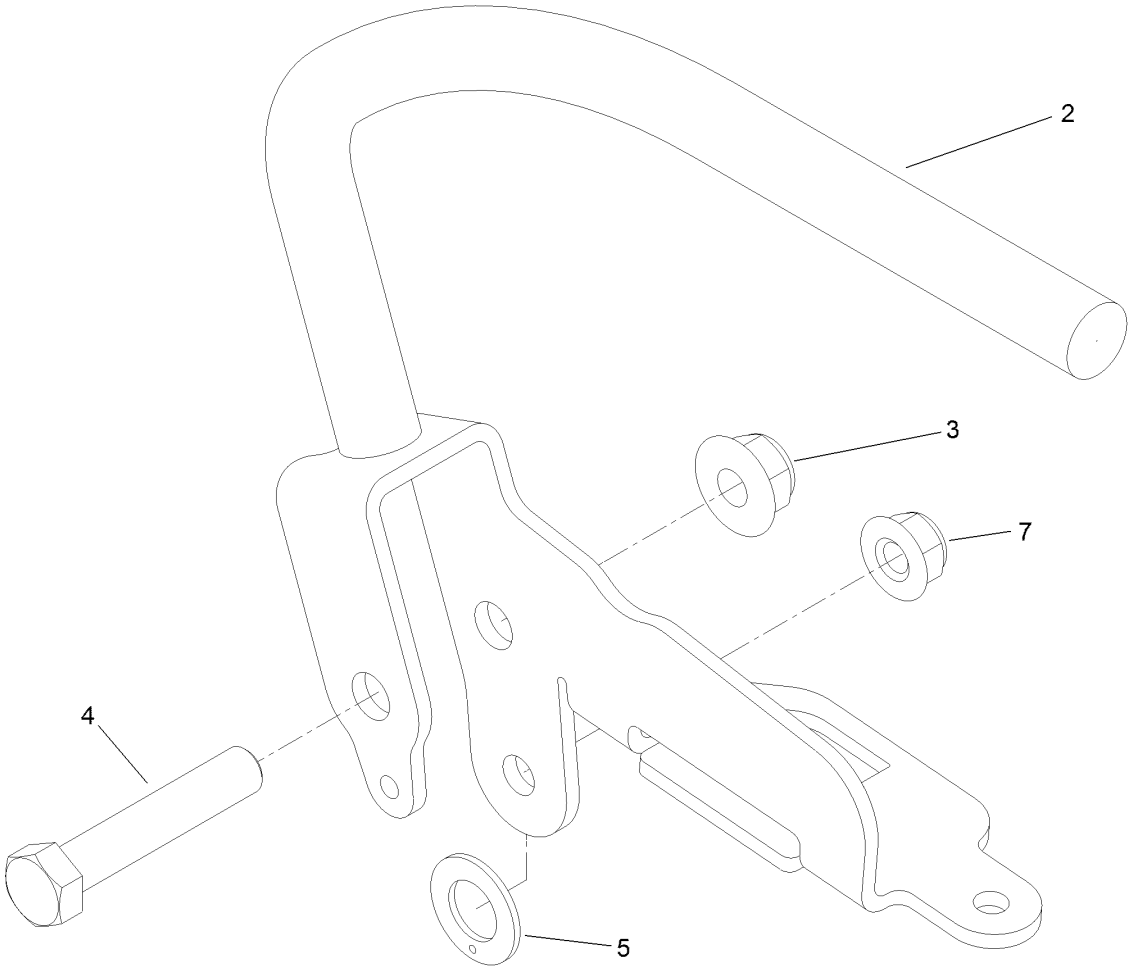
# Control Handle Assembly No. 132-5157



## Control Handle Assembly No. 132-5157 (continued)

<i>Ref.</i>	<i>Part Number</i>	<i>Qty.</i>	<i>Description</i>	<i>Ref.</i>	<i>Part Number</i>	<i>Qty.</i>	<i>Description</i>
1	132-5115	1	Pivot-Control, Motion (LH)	6	110-7191	2	Washer-Thrust
2	131-3562	1	Bearing-Sleeve	7	116-2670	1	Screw-Shoulder
3	132-5114-03	1	Lever-LH	8	104-8300	1	Nut-HF, NI
4	323-10	1	Screw-HH	9	132-5146	1	Spring-Extension
5	104-8301	1	Nut-HF, NI				

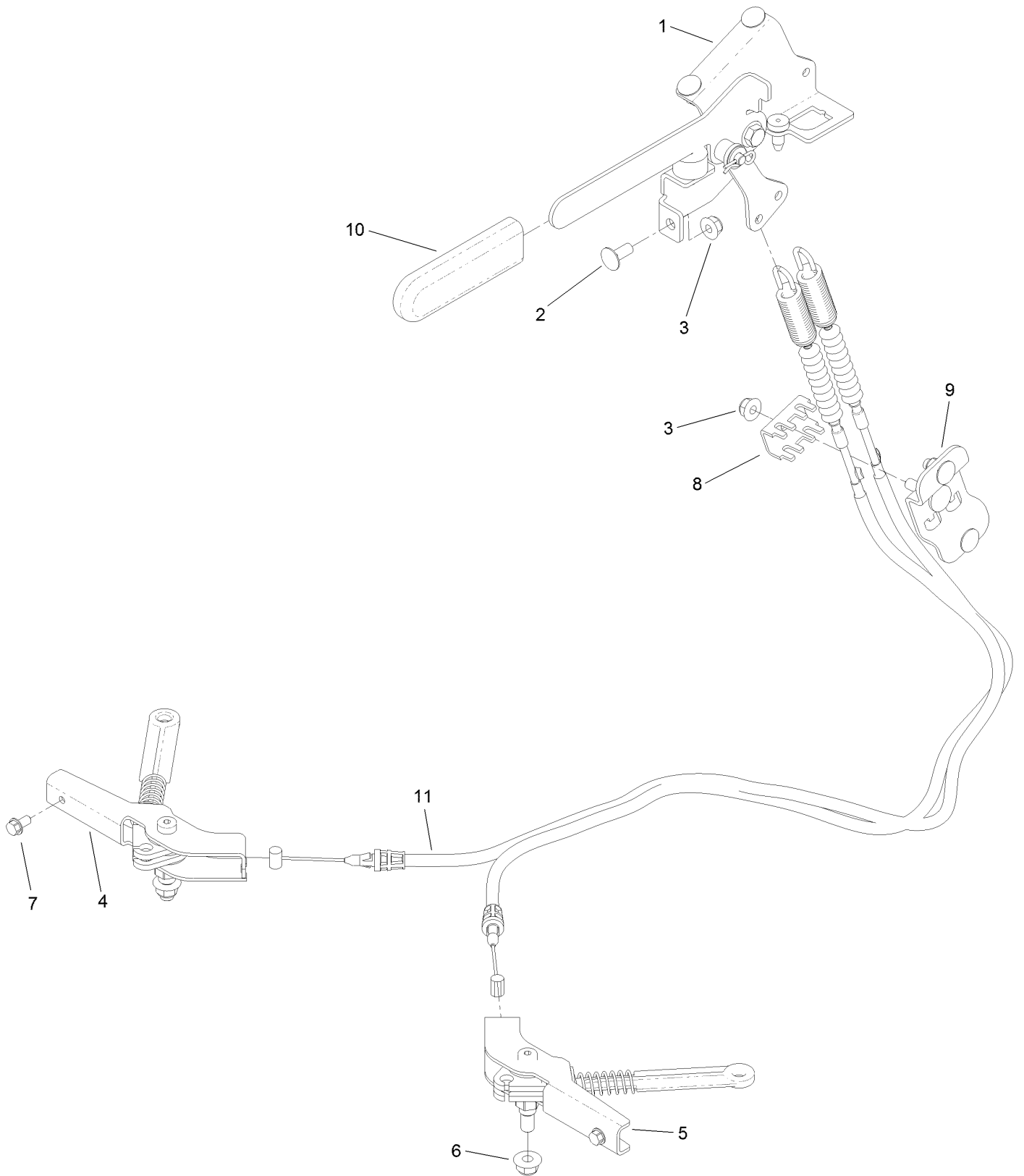
# Control Handle Assembly No. 132-5158



## Control Handle Assembly No. 132-5158 (continued)

<i>Ref.</i>	<i>Part Number</i>	<i>Qty.</i>	<i>Description</i>	<i>Ref.</i>	<i>Part Number</i>	<i>Qty.</i>	<i>Description</i>
1	120-8490	1	Pivot-Control, Motion (RH)	6	116-2670	1	Screw-Shoulder
2	130-1825-03	1	Lever-RH	7	104-8300	1	Nut-HF, NI
3	104-8301	1	Nut-HF, NI	8	131-3562	1	Bearing-Sleeve
4	323-10	1	Screw-HH	9	132-5146	1	Spring-Extension
5	110-7191	2	Washer-Thrust				

# Parking Brake Assembly

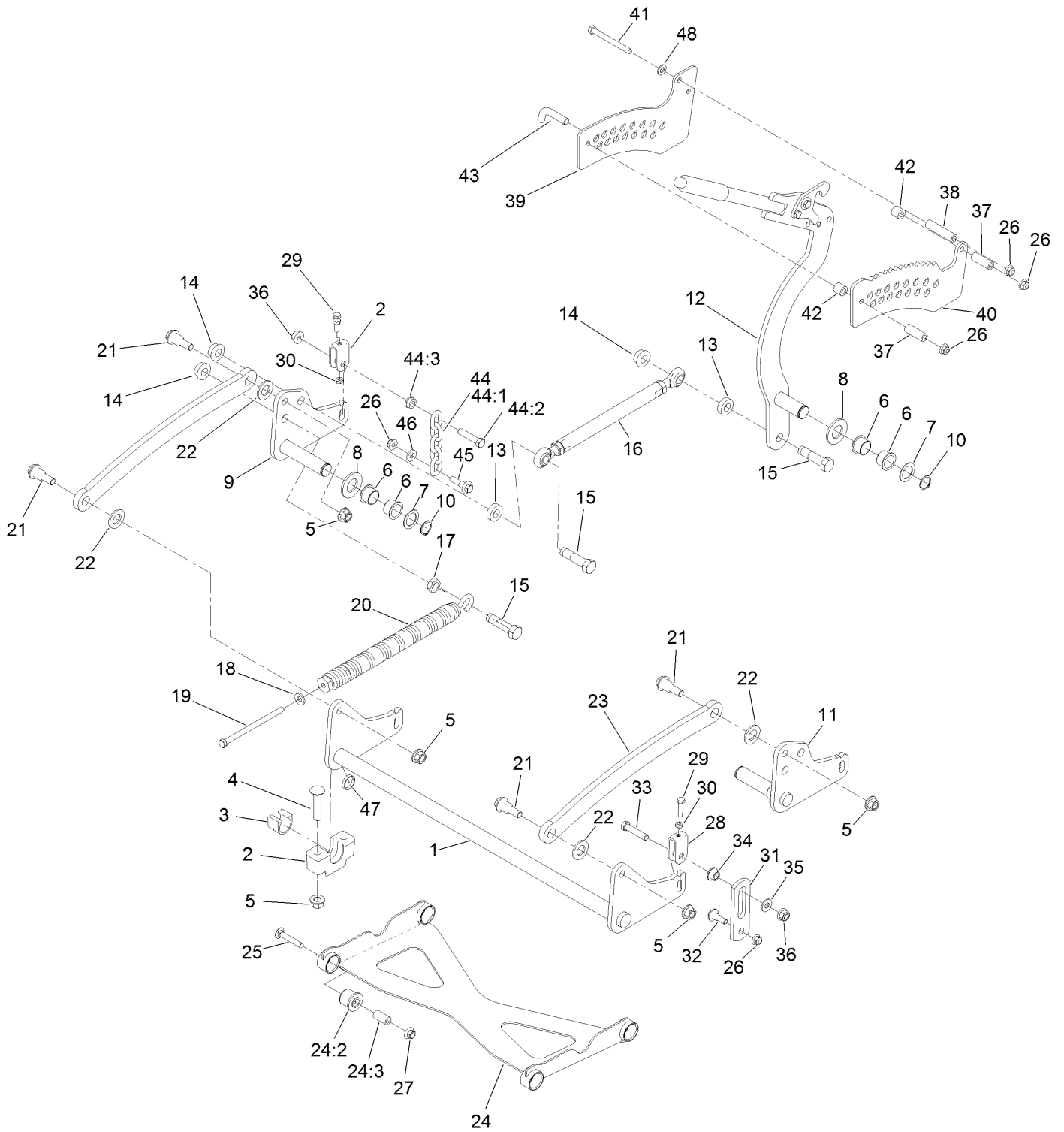




## Parking Brake Assembly (continued)

<i>Ref.</i>	<i>Part Number</i>	<i>Qty.</i>	<i>Description</i>	<i>Ref.</i>	<i>Part Number</i>	<i>Qty.</i>	<i>Description</i>
1	132-5170	1	Brake Handle ASM	7	32144-4	2	Screw-HWH
2	3230-23	5	Bolt-CARR	8	132-1187	1	Clamp-Cable
3	104-8300	6	Nut-HF, NI	9	132-7582	1	Mount-Cable, Brake
4	132-5168	1	RH Brake Caliper ASM	10	1-633268	1	Grip-Lever
5	132-5169	1	LH Brake Caliper ASM	11	131-1195	2	Cable-Brake
6	104-8301	2	Nut-HF, NI				

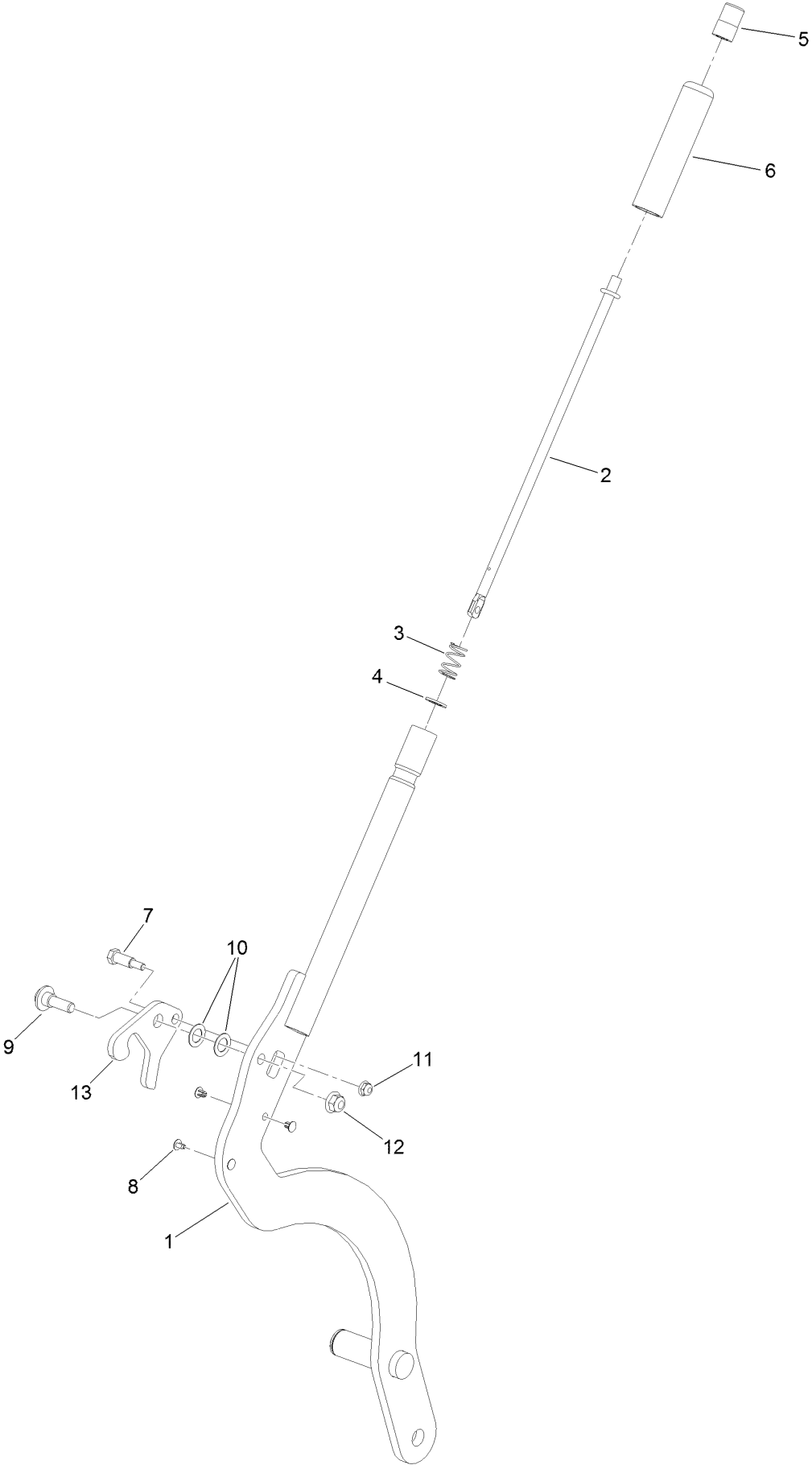
# Deck Lift Assembly



## Deck Lift Assembly (continued)

<i>Ref.</i>	<i>Part Number</i>	<i>Qty.</i>	<i>Description</i>	<i>Ref.</i>	<i>Part Number</i>	<i>Qty.</i>	<i>Description</i>
1	120-8405-01	1	Shaft-Cross, Front	25	3231-7	4	Screw-CARR
2	109-9409	2	Support-Bearing, Cross Shaft (Front)	26	104-8301	7	Nut-HF, NI
3	109-9410	2	Bearing-Cross Shaft, Front	27	32128-19	4	Nut-HF Lock, Large Flg
4	116-1700	4	Bolt-CARR	28	109-9066	4	Yoke-Adjust, Deck
5	99-5107	8	Nut-Lock	29	322-47	4	Screw-HH
6	127-0369	6	Bushing	30	3218-2	8	Nut-Hex Jam
7	10-8110	3	Washer-Thrust	31	130-6589	2	Link-Lift
8	3256-62	3	Washer-Flat	32	109-9840	2	Screw-Shoulder, HHF
9	127-0616-01	1	Arm-Lift, Rear (RH)	33	109-9065	2	Screw-HH
10	32151-29	3	Ring-Retaining	34	116-2428	2	Bushing-Flanged
11	127-0615-01	1	Arm-Lift, Rear (LH)	35	3256-4	2	Washer-Flat
12	130-1755	1	HOC Lever ASM	36	114-8417	4	Nut-HF, NI
13	119-6223	2	Washer	37	95-6448	2	Spacer
14	138-4932	3	Nut-Hex Flg	38	138-1111	1	Spacer
15	138-4931	3	Screw-Lock	39	132-7581	1	HOC Plate And Decal ASM
16	130-6615	1	HOC Link ASM	40	138-4887	1	Plate-HOC, Inner
17	3218-6	1	Nut-Jam	41	323-42	3	Screw-HH
18	98-5975	1	Washer-Belleville	42	121-1760	2	Spacer
19	323-58	1	Bolt-TAP, HH	43	116-5584	1	Pin-HOC
20	116-0886	1	Spring-Extension	44	116-0756	2	Deck Lift Chain ASM
21	116-0780	4	Screw-Shoulder, HHF	44:1	1-633447	1	Chain-Lift, Deck
22	3256-28	4	Washer-Flat	44:2	109-9065	1	Screw-HH
23	127-1948-03	2	Link-Lift	44:3	32128-37	1	Nut-HF
24	137-4129	1	Deck Strut ASM	45	130-0742	2	Bolt-Shoulder
24:2	137-4108	4	Bushing-Rubber	46	43-0940	2	Spacer
24:3	108-6544	4	Spacer	47	133-1431	1	Spacer-Split
				48	3256-24	3	Washer-Plain

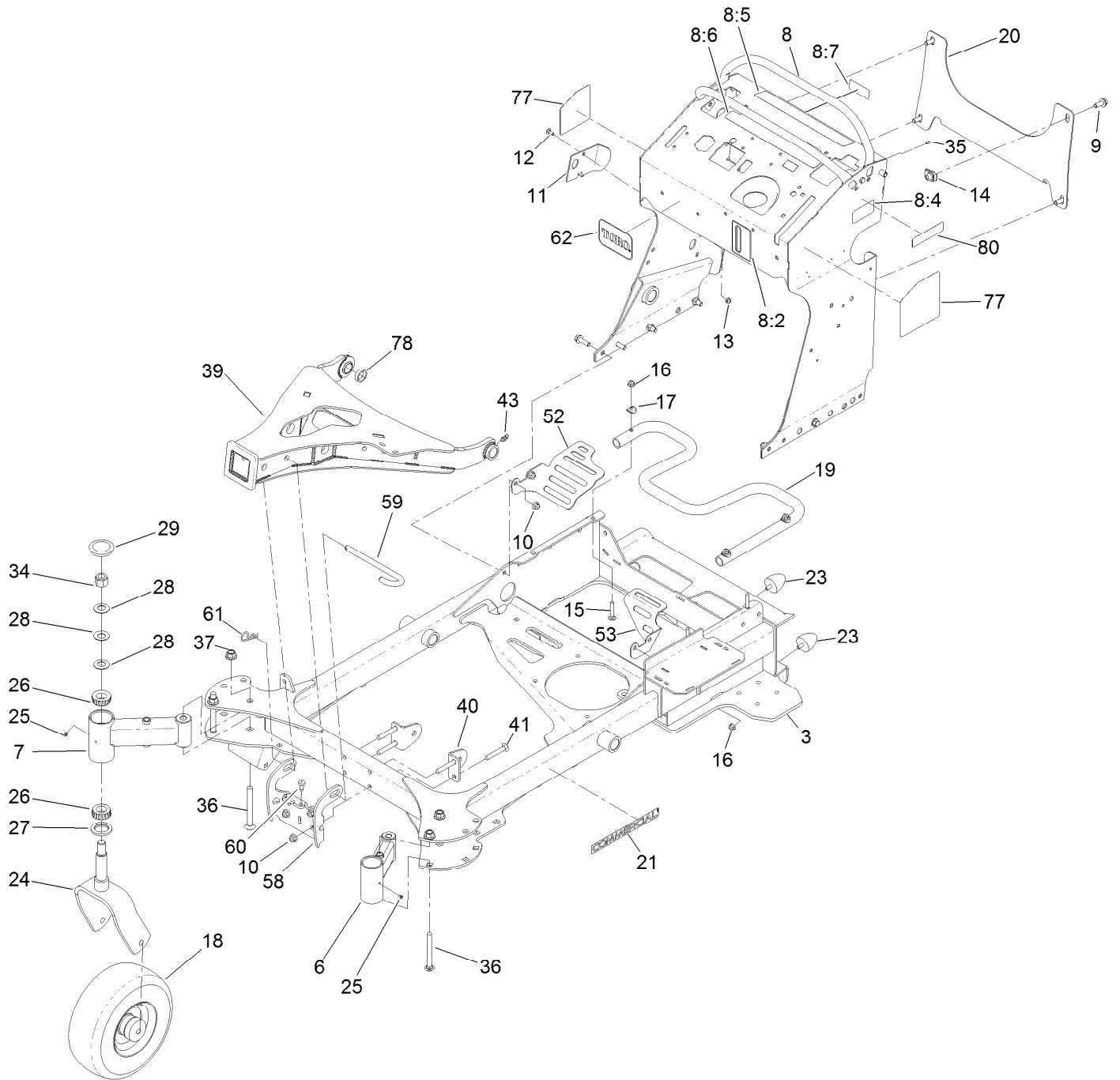
# HOC Lever Assembly No. 130-1755



## HOC Lever Assembly No. 130-1755 (continued)

<i>Ref.</i>	<i>Part Number</i>	<i>Qty.</i>	<i>Description</i>	<i>Ref.</i>	<i>Part Number</i>	<i>Qty.</i>	<i>Description</i>
1	130-1775-01	1	Lever-Lift	8	103-1363	4	Rivet
2	136-0530	1	Rod-Latch, Release	9	614672	1	Screw-Shoulder, HWH
3	114-8187	1	Spring-Compression	10	98-1629	2	Washer
4	114-1207	1	Washer-Special	11	104-7201	1	Nut-HF, NI
5	115-2750	1	Knob	12	104-8301	1	Nut-HF, NI
6	115-3592	1	Grip	13	138-4888	1	Latch-HOC
7	119-2309	1	Bolt-Shldr,HH				

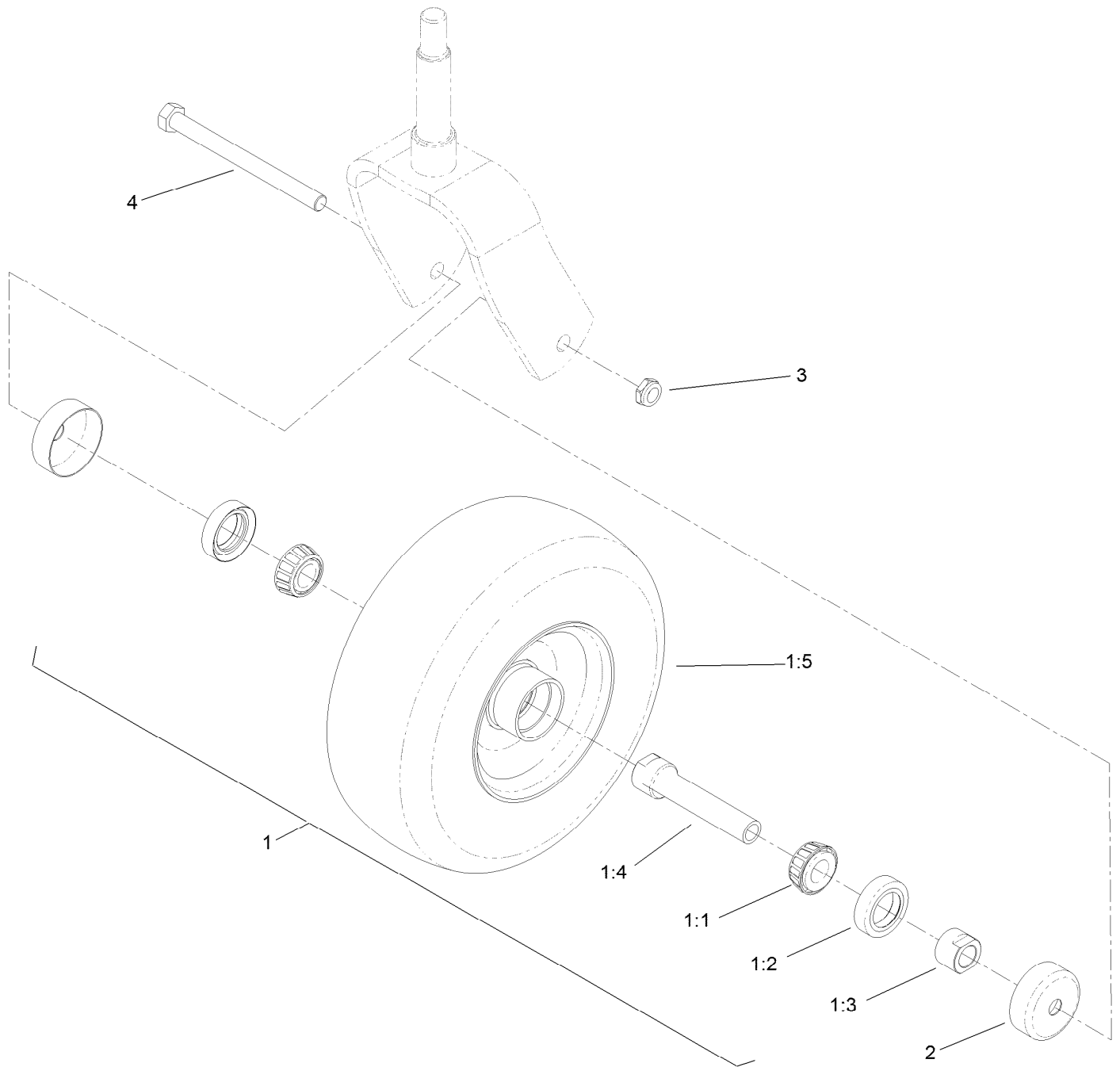
# Frame Assembly



## Frame Assembly (continued)

<i>Ref.</i>	<i>Part Number</i>	<i>Qty.</i>	<i>Description</i>	<i>Ref.</i>	<i>Part Number</i>	<i>Qty.</i>	<i>Description</i>
3	131-1510-01	1	Frame	24	121-7988-01	2	Fork-Caster
6	131-1523-01	1	Tube-Castor, Short	25	1-811010	2	Plug
7	131-1524-01	1	Tube-Castor, Long	26	1-543509	4	Bearing-Roller, Tapered
8	132-7537	1	Tower Decal ASM	27	116-5647	2	Seal-Grease
8:2	131-3524	1	Decal-Level, Oil	28	1-633508	6	Washer-Bellville
8:4	116-8775	1	Decal-Fill, Fuel	29	103-4882	2	Cap-Grease
8:5	139-2878	1	Decal-Warning	34	3296-51	2	Nut-Lock, NI
8:6	131-3526	1	Decal-Controls	35	3290-271	2	Rivet-Pop
8:7	131-3528	1	Decal-Fuse	36	3233-7	4	Screw-CARR
9	3234-42	4	Screw-HHF	37	99-5107	4	Nut-Lock
10	104-8301	12	Nut-HF, NI	39	133-4662-03	1	A-Frame
11	131-7455	1	Plate-Striker	40	127-0649-01	2	Bracket-Cylinder
12	3229-11	1	Screw-CARR	41	3231-44	4	Screw-CARR
13	104-7201	1	Nut-HF, NI	43	302-40	1	Fitting-Grease, 90 DEG
14	105-4886	4	Nut-Tinnerman	52	132-7578-01	1	Guard-Fan, RH
15	3230-5	3	Bolt-CARR	53	132-7598-01	1	Guard-Fan, LH
16	104-8300	7	Nut-HF, NI	58	133-5320-01	1	Bracket-Lock
17	107-3844	3	Washer	59	133-2021	1	Pin-Hitch
18	130-4558	2	Wheel/Tire And Bearing ASM	60	87-8460	2	Bumper-Rubber
19	132-5161-01	1	Tube-Mount, Fuel Tank	61	92-2762	1	Pin-Hair
20	132-1145-03	1	Bracket-Cross	62	126-5060	1	Decal-Logo, Toro
21	117-3591	2	Decal-Commercial	77	133-4648	1	Decal Service-Multiforce
23	114-1926	4	Bumper-Rubber	78	116-6758	1	Spacer
				80	133-8062	1	Decal-Spark Arrestor

# Wheel, Tire and Bearing Assembly No. 130-4558





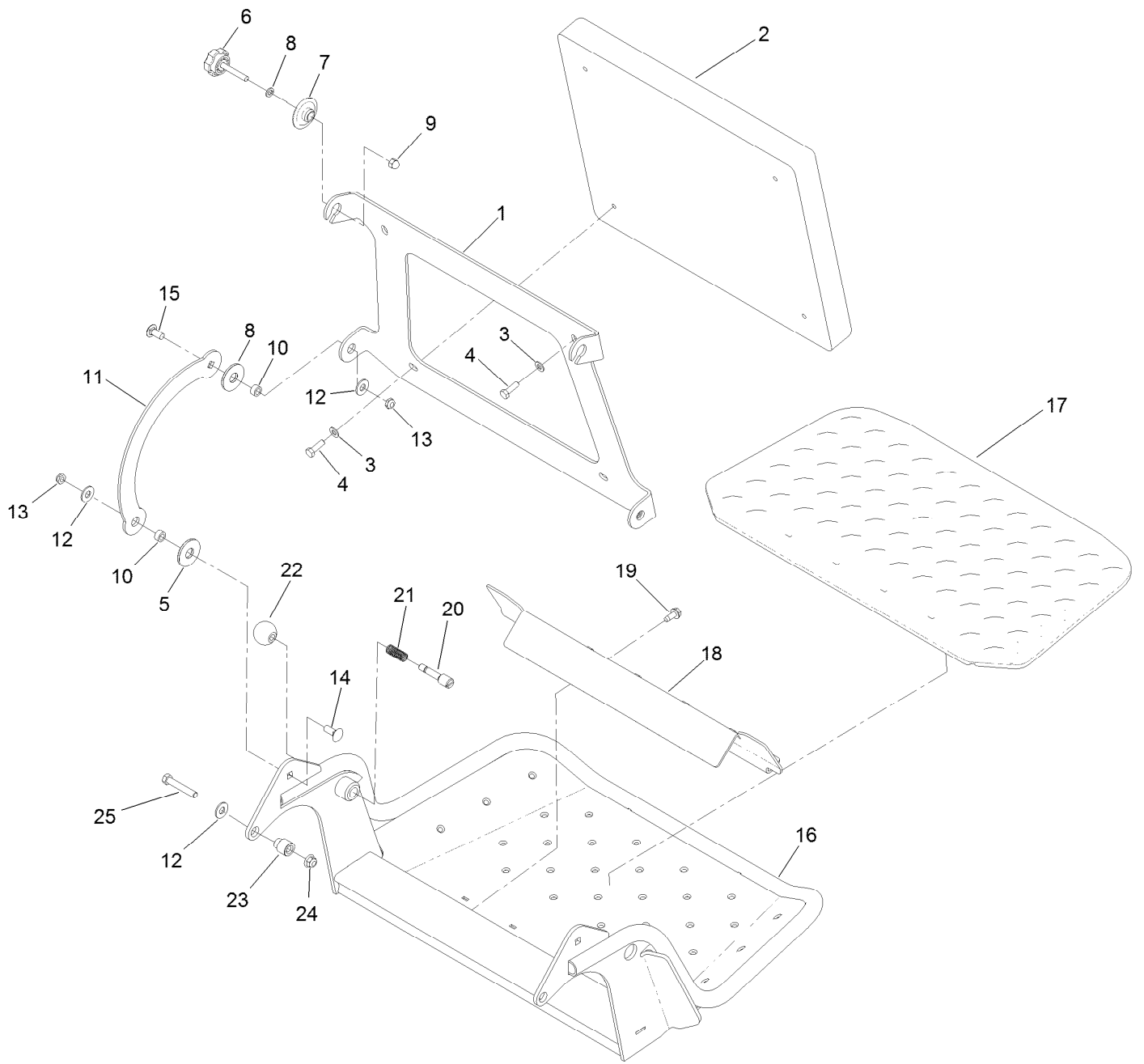
# Wheel, Tire and Bearing Assembly No. 130-4558 (continued)

<i>Ref.</i>	<i>Part Number</i>	<i>Qty.</i>	<i>Description</i>	<i>Ref.</i>	<i>Part Number</i>	<i>Qty.</i>	<i>Description</i>
1		1	Wheel And Bearing ASM ●	1:5	130-4563	1	Wheel And Tire ASM
1:1	1-633585	2	Bearing-Cone, Taper	2	103-2768	2	Guard-Seal
1:2	103-0063	2	Seal-Caster	3	3296-45	1	Nut-Hex
1:3	103-3051	1	Spacer-Nut ■	4	325-20	1	Screw-HH
1:4	126-5359	1	Caster Axle ASM				

● Not serviced separately

■ Use Pro-Lock, Nut Type (P/N 1-840022, .5ml tube) on spacer nut

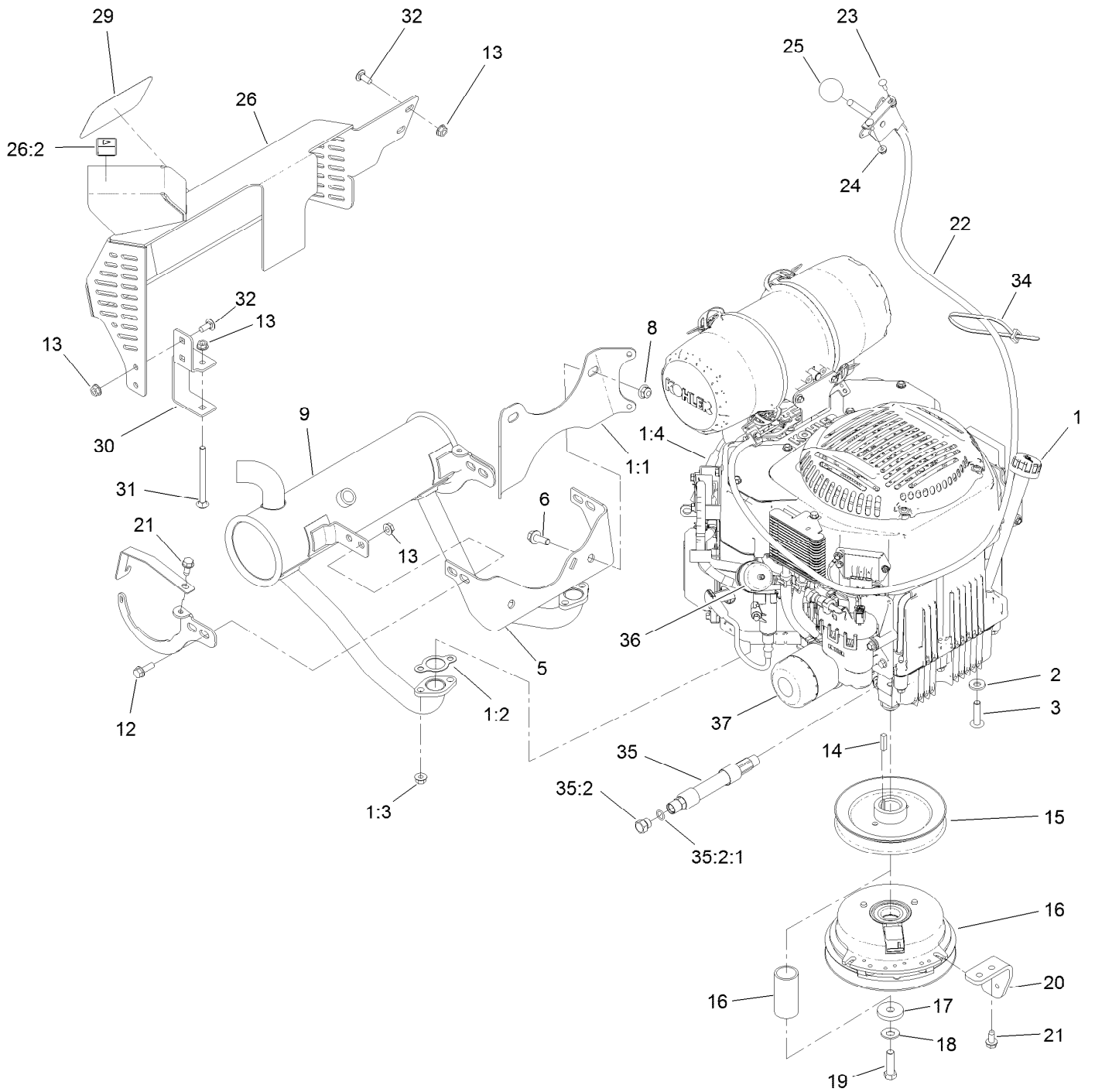
# Platform Assembly



## Platform Assembly (continued)

<i>Ref.</i>	<i>Part Number</i>	<i>Qty.</i>	<i>Description</i>	<i>Ref.</i>	<i>Part Number</i>	<i>Qty.</i>	<i>Description</i>
1	120-8499-03	1	Hinge-Pad	14	3231-2	2	Bolt-CARR
2	117-9739	1	Pad-Cushion	15	3231-27	2	Screw-CARR
3	3256-23	4	Washer-Plain	16	120-8475-01	1	Platform
4	121-7999	4	Screw-HH, Patch	17	126-7157	1	Mat-Platform
5	114-0463	4	Washer-Friction, Composite	18	3345-771	1	Shield Clamp Kit
6	133-1426	2	Knob	19	32144-70	2	Screw-HWHTF
7	116-2886	2	Slide-Bushing	20	119-8650	1	Pin-Latch
8	3253-4	2	Washer-Lock	21	114-5348	1	Spring
9	131-4535	2	Nut-Acorn	22	1-603175	1	Knob-Ball
10	111044	4	Spacer	23	132-7583	2	Bushing-Flanged
11	114-1915-01	2	Link-Pad	24	104-8301	2	Nut-HF, NI
12	3256-4	6	Washer-Flat	25	323-45	2	Screw-HH
13	3296-59	4	Nut-Lock, NI				

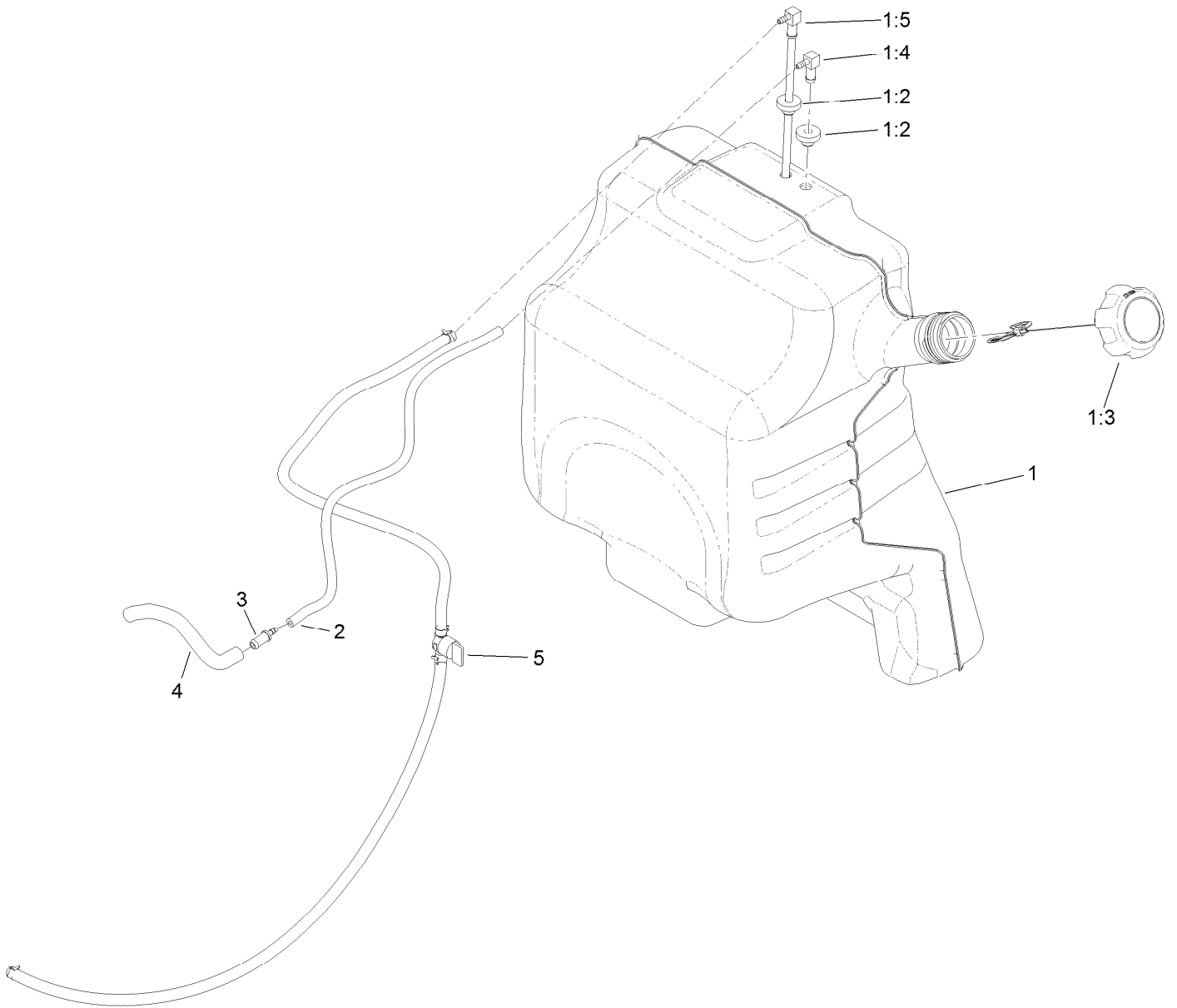
# Engine Assembly



## Engine Assembly (continued)

<i>Ref.</i>	<i>Part Number</i>	<i>Qty.</i>	<i>Description</i>	<i>Ref.</i>	<i>Part Number</i>	<i>Qty.</i>	<i>Description</i>
1	131-1159	1	Engine-Kohler, Ecv749	20	131-3586-03	1	Stop-Clutch
1:1	131-7400	1	Bracket-Muffler	21	32144-70	4	Screw-HWHTF
1:2	110-6697	2	Gasket-Exhaust	22	132-5152	1	Throttle ASM
1:3	68-9400	4	Nut-Flange	23	1-807533	2	Bolt-CARR
1:4	116-5395	1	Sensor-Oxygen	24	32128-17	2	Nut-Lock, Flange
2	98-5975	4	Washer-Belleville	25	1-603175	1	Knob-Ball
3	126-0983	4	Screw-BHTF	26	131-3550	1	Muffler Guard ASM
5	132-1168	1	Bracket-Muffler	26:2	106-5517	1	Decal-Warning
6	3234-42	2	Screw-HHF	29	94-2579	1	Decal
8	104-8301	2	Nut-HF, NI	30	131-3530-03	1	Bracket-Mounting, Guard
9	133-4634	1	Muffler-Kohler	31	106-9758	1	Screw-CARR
12	3234-17	4	Screw-HHF	32	3230-23	4	Bolt-CARR
13	32128-25	9	Nut-HF	34	3290-378	1	Tie-Cable
14	1-807259	1	Key	35	133-4657	1	Hose ASM
15	120-8498	1	Pulley	35:2	353-508	1	Plug-HH
16	138-8800	1	Clutch-200Cms	35:2:1	237-42	1	O-Ring
17	107-4136	1	Washer-Flat	36	94-9695	1	Filter-Fuel
18	1-603610	1	Washer-Spring	37	98020	1	Filter-Oil
19	3212-6	1	Screw-HH				

# Fuel Tank Assembly



## Fuel Tank Assembly (continued)

<i>Ref.</i>	<i>Part Number</i>	<i>Qty.</i>	<i>Description</i>	<i>Ref.</i>	<i>Part Number</i>	<i>Qty.</i>	<i>Description</i>
1	132-7560	1	Fuel Tank ASM	2	110-8255	1	Hose-Fuel
1:2	46-6560	2	Bushing	3	98-2952	1	Fitting-Straight
1:3	137-4127	1	Cap-Fuel	4	132-7576	1	Hose-Fuel
1:4	104-5228	1	Fitting-Elbow, 90 DEG	5	132-7545	1	Fuel Line ASM
1:5	132-7559	1	*obs* Fuel Tube ASM				





## Wire Harness Assembly (continued)

<i>Ref.</i>	<i>Part Number</i>	<i>Qty.</i>	<i>Description</i>	<i>Ref.</i>	<i>Part Number</i>	<i>Qty.</i>	<i>Description</i>
1	136-5422	1	Harness-Wire	14	137-4101	1	Switch-Ignition
2	82-2190	2	Switch-Bail	15	63-8360	1	Key-Ignition
3	104-8162	1	Battery	16	3253-3	1	Washer-Lock
4	130-6635-01	1	Bracket-Hold Down, Battery	17	3217-5	1	Nut-Hex
5	104-7201	2	Nut-HF, NI	18	3290-500	1	Screw-PPH
6	1-633651	2	Bolt-Holddown	19	3256-14	1	Washer-Flat
7	112-7063	1	Cable-Battery, Black	20	3296-2	1	Nut-Lock, NI
8	130-6570	1	Module-Meter, Hour	21	1-643275	1	Relay
9	3256-23	2	Washer-Plain	22	67-1300	1	Decal
10	322-3	2	Screw-HH	23	1-643267	1	Indicator-LED, Red
11	115-3864	1	Cable-Battery, Positive	24	133-4654	1	Switch-Plunger
12	109-5715	2	Nut-HHF, Smooth	99	3290-378	4	Tie-Cable
13	114-0279	1	Switch-PTO, On-On				

# Attachments and Accessories

## For 74529 GrandStand Multi Force Mower With 52in TURBO FORCE Cutting Unit

<b>Product Name</b>	<b>Model/Part</b>
Air Cleaner Filter .....	100-4556
Filter Air Safety .....	103-1326
Blade-Recycler, 18in .....	105-7779-03
Blade-Hi Flow, 18in .....	105-7781-03
Blade-Med Flow, 18in .....	105-7794-03
Blade-Low Flow, 18in .....	105-7795-03
Blade-Atomic, 18in .....	105-7796-03
Turbo Baffle Kit .....	107-1634
Blade-Hi Flow, 18in (6 Pack) .....	108-1117
Blade-Atomic, 18in (6 Pack) .....	108-1118
Blade-Lo Flow, 18in (6 Pack) .....	110-0406
Blade-Recycler, 18in (6 Pack) .....	110-0408
Blade-Med Flow, 18in (6 Pack) .....	110-0409
15-Pound Cast Weight .....	112-7059-01
Hypr-Oil 500 (quart) .....	114-4713
Hypr-Oil 500 (gallon) .....	114-4714
Hypr-Oil 500-5 (5 gallon) .....	114-4715
Recycler Kit .....	115-7467
Brake Hub Puller .....	116-6518
Harness Wire Splitter .....	121-5988
Spark Plug .....	130-8380
Fuel Filter .....	130-8381
Toro Premium Fuel Treatment 12oz Bottle .....	131-6572
Blade And Belt Kit-52 In .....	132-4741
Hydro Filter Kit .....	132-4743
Speed Setting Tool .....	132-7595
Chute Gate Kit W/ Bag .....	133-1434
Trash Bag Assembly .....	133-1435
Roller Striper Kit .....	133-1436
Light Kit .....	133-1437
Electric Accessory Port .....	133-1438
HOC Set Blocks .....	133-1439
Anti-Scalp Kit, 48/52 Grandstand Deck .....	133-1440
Trimmer Rack .....	133-1441
Hydro Oil Change Kit .....	133-1457
Strobe Light Kit .....	133-1495
5 Gallon Bucket .....	133-2533
Snow Tires .....	133-4603
Wheel Weight Kit .....	133-5386
Quick-Attach-Male .....	136-0513
Hydraulic Cap Lock Kit .....	136-5420
Wheel And Bearing Asm .....	136-5448
Bucket Mount Kit .....	136-5681
Case Drain Kit .....	136-7436
Multiforce EC Float Kit .....	136-8350

## Attachments and Accessories (continued)

Broom Rubber Flap Kit .....	137-3920
Lift Cylinder Lock Kit .....	137-4106
Pneumatic Castor Wheel Kit .....	137-4136
Bagger Enhancement Kit.....	139-1529
Idler Kit, Blower Kit for GrandStand Multi Force Mower.....	139-1546
Starter Fuse Kit, GrandStand Mower .....	139-5555
18x8.5x10 X-Tweel Turf.....	139-7890
6in Hose Kit, E-Z Vac Twin Bagger, 2016 and After Grandstand Mower .....	139-7930
Blower Upgrade Kit, Twin Bagger, 2016 and After Grandstand Mower .....	139-7940
Soft Bag (3 Bushel).....	30104
10W30 4-Cycle Engine Oil (32oz Bottle).....	38280
Toro 4-Cycle SAE 30 Oil (32oz Bottle) .....	38903
Twin Bagger Kit.....	78524
Blower Drive 52in.....	78526
E-Z Vac Bagger .....	78570
52in E-Z Vac Blower Drive Kit .....	78575
Pro Force Blower .....	78593
Grandstand Multi Force Broom.....	78596
48in Snowthrower, Multi-Force .....	78598
Grandstand Multi Force High-Flow Kit .....	78601
Dethatcher, 46in Multi Force .....	78690
Dethatcher Mount .....	78691
Aerator, 38in Multi Force.....	78694
Aerator Mount, Multi Force .....	78695
Leaf Plow Without Mount .....	78697
Spark Arrestor .....	98-9099
Filter-Oil.....	98020
Kit-Grandstand, Filter, Winter .....	HYD14084
Snow Deflector .....	MSC04587B
Straight Blade, ATV Plow Shoe Kit.....	MSC13040
Blade Extension Kit,6in,stb .....	MSC13850B
Grandstand Low Flow Hydraulics Kit .....	MSC13950
Grandstand Side Plow Kit.....	MSC13960
Kit-Plow Side,4'0"STB,Grandstand.....	MSC14780
Blade Crate (Snowplow), ATV Poly S .....	STB13567B
Blade Crate (snowplow),4-0,atv Poly S.....	STB13759B
Urethane Edge Kit .....	STB13801
Plug-Quick Connect.....	T56152150
Cap-Connect, Quick .....	T56152152



**Count on it.**