



Count on it.

Parts Catalog

GrandStand® Mower

With 52in TURBO FORCE® Cutting Unit

Model No. 74505—Serial No. 403281091 and Up



Ordering Replacement Parts

To order replacement parts, please supply the part number, the quantity, and the description of each part desired.

Understanding Reference Numbers

Each identified part in an illustration has a reference number. The reference number for a part also appears in the parts list, along with other information about the part.

This catalog uses two special reference number formats, one to indicate parts in a service assembly and another to indicate the quantity of a given part in an illustration.

Service Assembly Reference Numbers

Parts in service assemblies have reference numbers in the form a:b. The a represents the reference number of the entire service assembly and the b represents a sequential number unique to each part within the service assembly.

For example, a wheel assembly might be identified by reference number 6, the tire by 6:1, the valve by 6:2, and the wheel by 6:3. When you order the assembly identified by reference number 6, you receive all parts identified by reference numbers 6:1, 6:2, and 6:3. However, you may also order any part individually. Reference numbers of this type appear in illustration and in parts lists.

Reference Numbers Indicating Quantity

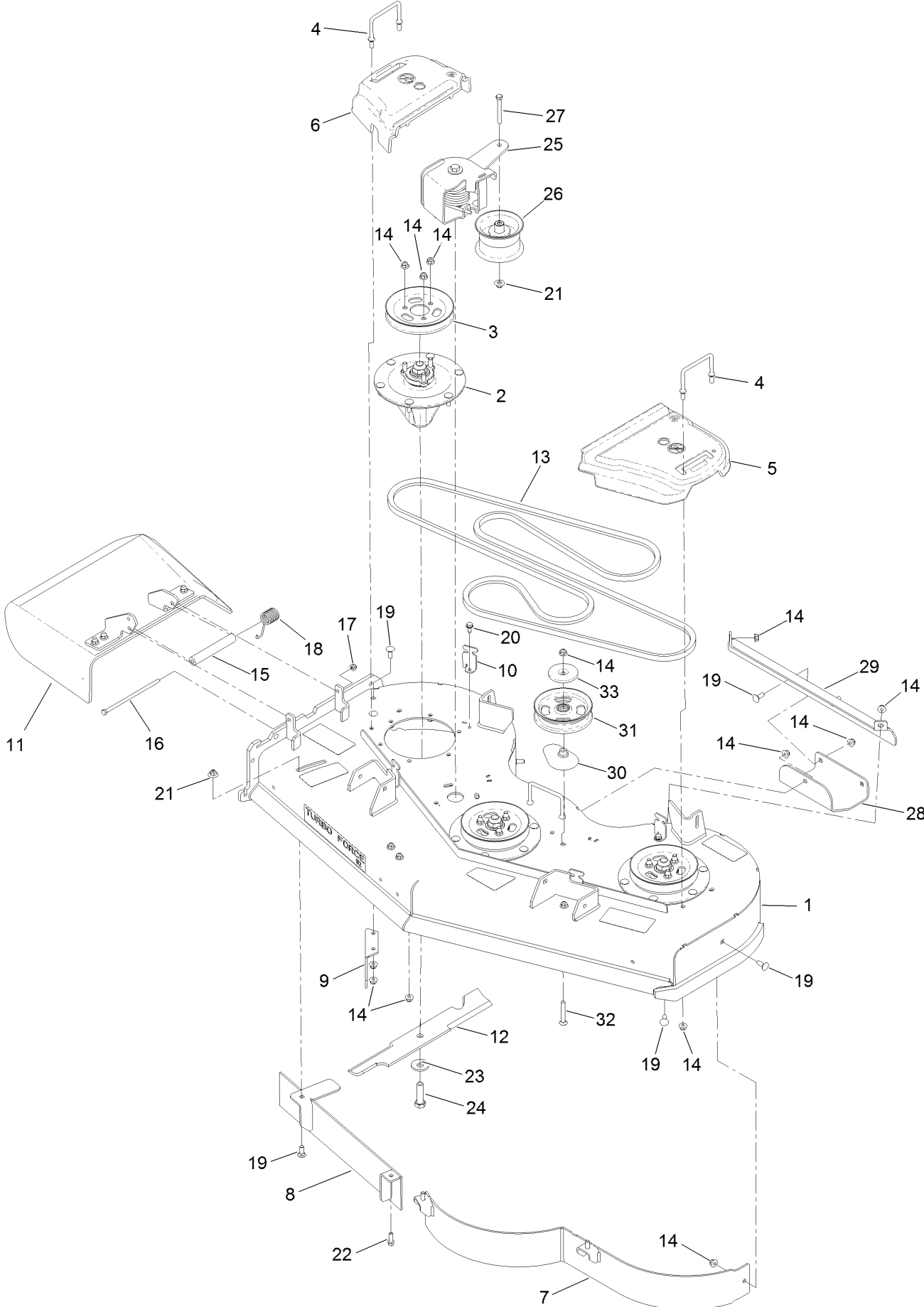
In an illustration, if a reference number indicates more than one part, the reference number has the form nX y. The n represents the quantity of the part, the X is the multiplication symbol, and the y represents the reference number.

For example, in an illustration, the reference number 2X 37 means that two of the parts identified by reference number 37 are indicated.

Contents

52 Inch Deck Assembly	4
Deck Decal Assembly No. 127-1936	6
Spindle Assembly No. 127-0560	8
Deflector Assembly No. 120-2451	10
Ground Drive Assembly	12
LH Transaxle Assembly No. 136-4101	14
RH Transaxle Assembly No. 136-4102	16
Motion Control Assembly	18
Control Handle Assembly No. 132-5157	20
Control Handle Assembly No. 132-5158	22
Parking Brake Assembly	24
Deck Lift Assembly	26
HOC Lever Assembly No. 130-1755	28
Frame Assembly	30
Wheel, Tire and Bearing Assembly No. 130-4558	32
Platform Assembly	34
Engine Assembly	36
Fuel Tank Assembly	38
Wire Harness Assembly	40
Attachments and Accessories	42

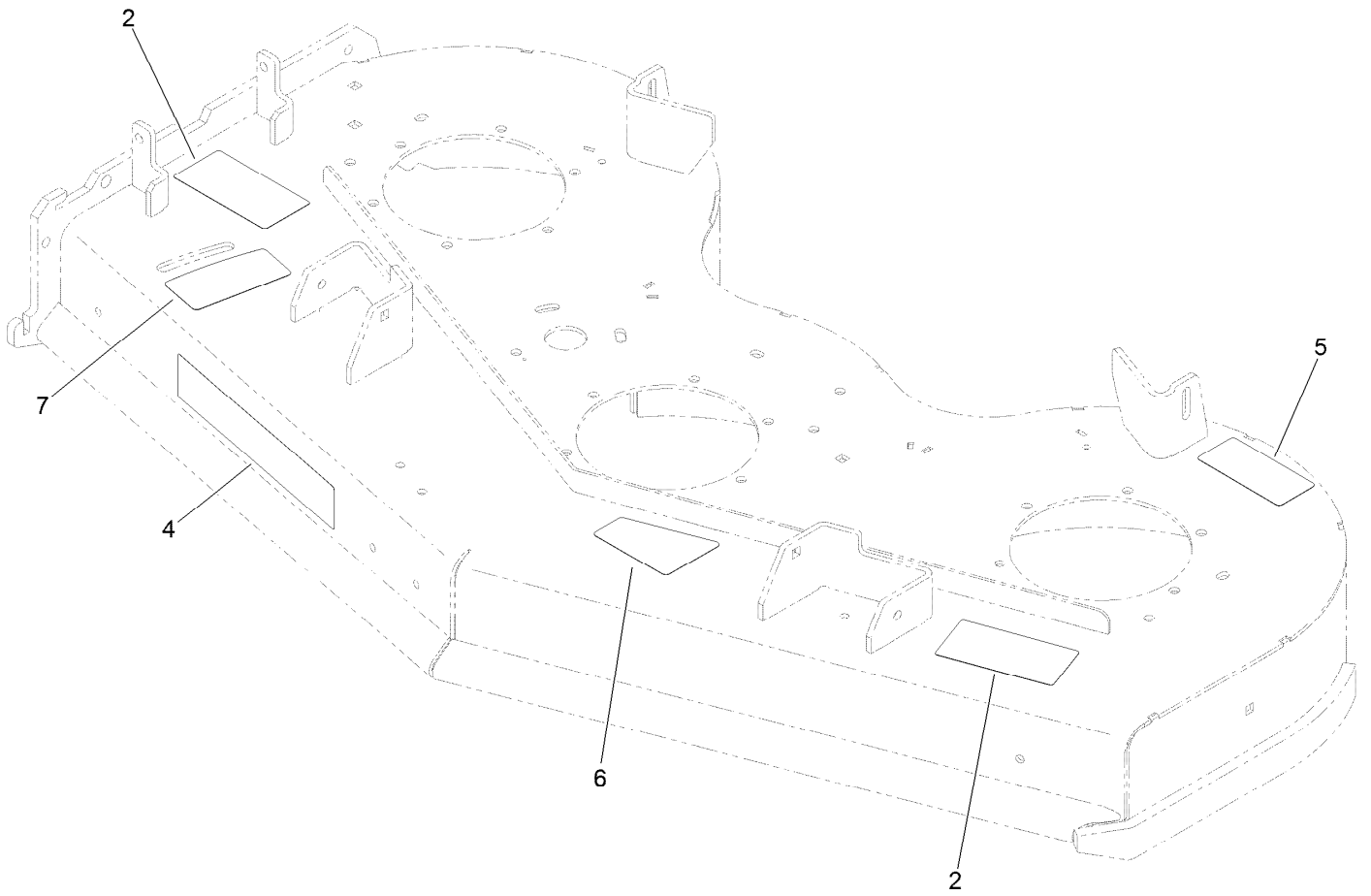
52 Inch Deck Assembly



52 Inch Deck Assembly (continued)

<i>Ref.</i>	<i>Part Number</i>	<i>Qty.</i>	<i>Description</i>	<i>Ref.</i>	<i>Part Number</i>	<i>Qty.</i>	<i>Description</i>
1	127-1936	1	Deck ASM	18	108-4052	1	Spring-Torsion
2	127-0560	3	Spindle ASM	19	3231-2	9	Bolt-CARR
3	120-6433	3	Pulley	20	32144-70	4	Screw-HWHTF
4	109-6982	3	Wireform-Cover	21	109-6658	2	Nut-Flange, NI
5	109-6936	1	Cover-Belt, LH	22	92-1624	3	Screw-HWH Thd Form
6	109-6935	1	Cover-Belt, RH	23	103-0865	3	Washer-Blade Bolt, Heavy
7	114-1979-01	1	Baffle-52 Inch	24	51-4060	3	Screw-Blade
8	121-1790-01	1	Baffle	25	136-7395	1	Idler Torsion ASM
9	130-6594-01	1	Baffle-Discharge	26	127-1971	1	Pulley-Idler
10	117-5758-03	4	Bracket-Cover	27	323-14	1	Screw-HH
11	120-2451	1	Deflector ASM	28	114-1908-01	1	Skid
12	105-7781-03	3	Blade-18In, Hi Flow	29	130-6648-01	1	Bracket-Skid
13	131-1122	1	Belt-V	30	109-2872	1	Spacer-Pulley
14	104-8301	48	Nut-HF, NI	31	136-5405	1	Pulley-Idler, Flat
15	105-4622	1	Spacer	32	3231-44	1	Screw-CARR
16	322-50	1	Screw-HH	33	132-5154	1	Shield-Dust
17	104-8300	1	Nut-HF, NI				

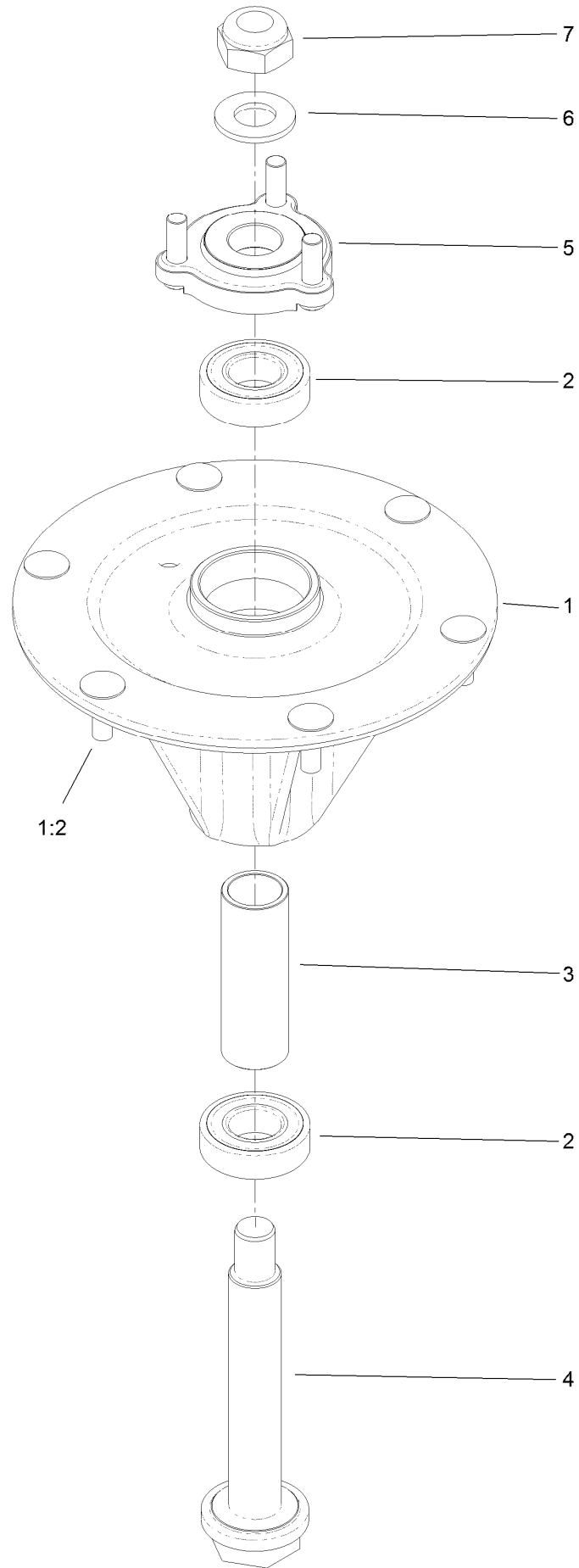
Deck Decal Assembly No. 127-1936



Deck Decal Assembly No. 127-1936 (continued)

<i>Ref.</i>	<i>Part Number</i>	<i>Qty.</i>	<i>Description</i>	<i>Ref.</i>	<i>Part Number</i>	<i>Qty.</i>	<i>Description</i>
2	133-4604	2	Decal-Danger	6	131-3507	1	Decal-Belt, Tension (CE)
4	107-1618	1	Decal	7	131-1180	1	Decal-Adjustment, Baffle
5	93-7818	1	Decal-Torque, Blade Bolt				

Spindle Assembly No. 127-0560



Spindle Assembly No. 127-0560 (continued)

<i>Ref.</i>	<i>Part Number</i>	<i>Qty.</i>	<i>Description</i>
1		1	Spindle Housing ASM W/Studs ●
1:2	114-8195	6	Bolt-Neck, Ribbed
2	116-0720	2	Bearing-Ball
3	127-0554	1	Spacer-Bearing

<i>Ref.</i>	<i>Part Number</i>	<i>Qty.</i>	<i>Description</i>
4	127-0556	1	Shaft-Spindle, Ball Bearing
5	127-0557	1	Hub-Spindle (W/Studs)
6	92-5836	1	Washer
7	3296-67	1	Nut-Lock, NI

● Not serviced separately

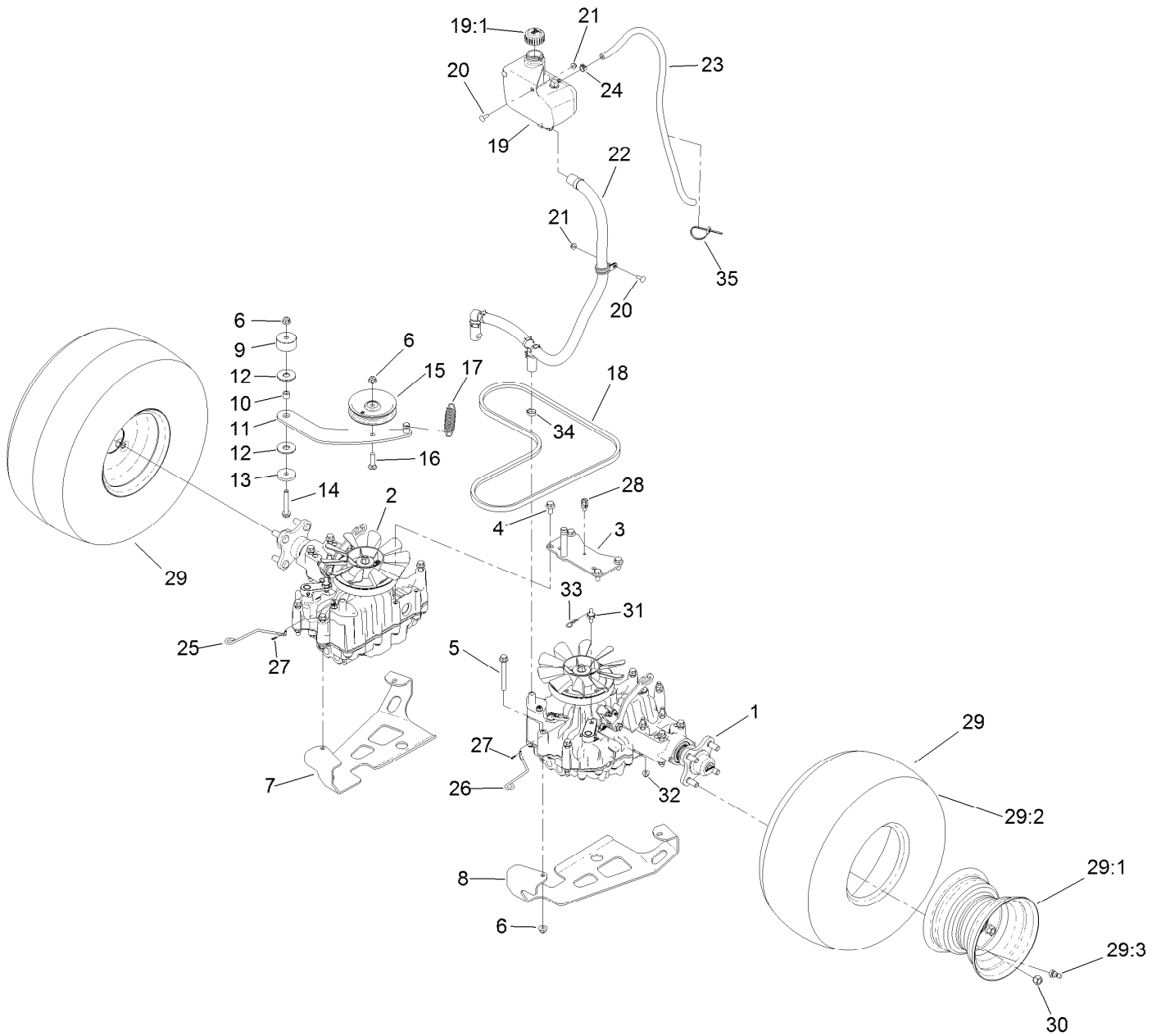
Deflector Assembly No. 120-2451



Deflector Assembly No. 120-2451 (continued)

<i>Ref.</i>	<i>Part Number</i>	<i>Qty.</i>	<i>Description</i>	<i>Ref.</i>	<i>Part Number</i>	<i>Qty.</i>	<i>Description</i>
1	3231-4	4	Screw-CARR	5	108-4059-01	1	Plate-Hinge, Rear
2	106-3246-01	1	Deflector	6	106-3253-01	1	Plate-Hinge, Front
3	106-3248-03	1	Strap-Discharge	7	104-8301	4	Nut-HF, NI
4	110-0759	1	Deflector-Rubber				

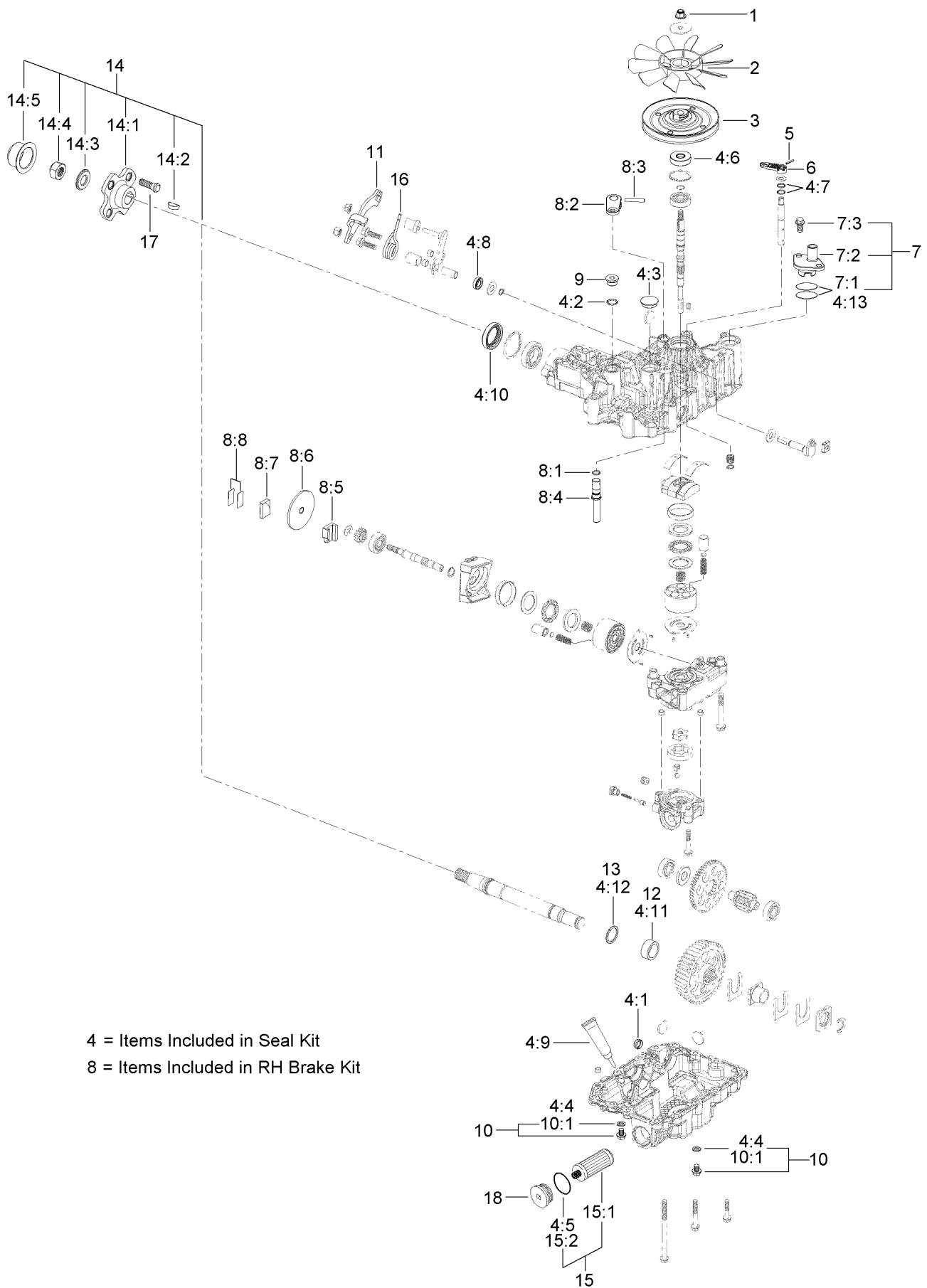
Ground Drive Assembly



Ground Drive Assembly (continued)

<i>Ref.</i>	<i>Part Number</i>	<i>Qty.</i>	<i>Description</i>	<i>Ref.</i>	<i>Part Number</i>	<i>Qty.</i>	<i>Description</i>
1	136-4101	1	LH Transmission ASM	19:1	133-8677	1	Cap-Vented
2	136-4102	1	RH Transmission ASM	20	3229-25	3	Screw-CARR
3	131-1131-03	1	Support-Transaxle	21	104-7201	3	Nut-HF, NI
4	93-2569	4	Screw-HHF	22	131-7427	1	HYD Hose ASM
5	116-4701	16	Screw-HHF	23	109-0309	1	Hose-Fuel
6	104-8301	18	Nut-HF, NI	24	92-2379	1	Clamp-Hose
7	131-7405-03	1	Plate-Skid, Transmission (RH)	25	131-7469	1	Rod-Bypass, RH
8	131-7404-03	1	Plate-Skid, Transmission (LH)	26	131-7470	1	Rod-Bypass, LH
9	117-5351	1	Spacer	27	108-2992	2	Pin-Hair
10	1-413088	1	Bushing-Lever, Lift	28	32180-030	1	Clip-Tie
11	131-1175	1	Arm-Idler	29	132-7574	2	Wheel And Tire ASM
12	114-0463	2	Washer-Friction, Composite	29:1	133-1414	1	Rim-8 Inch, Gray
13	110-9981	1	Washer-Plain	29:2	133-1417	1	Tire
14	3234-39	1	Screw-HHF	29:3	232-27	1	Stem-Valve
15	93-1622	1	Pulley-Idler	30	242-50	8	Nut-Lug
16	3231-4	1	Screw-CARR	31	132-7584	2	Spacer-Hex
17	138-1104	1	Spring-Extension	32	104-8300	2	Nut-HF, NI
18	131-1124	1	Belt-V	33	3290-250	2	Pin-Cotter
19	132-1135	1	Tank-HYD	34	2412-141	2	Clamp-Drive, Worm
				35	3290-378	1	Tie-Cable

LH Transaxle Assembly No. 136-4101



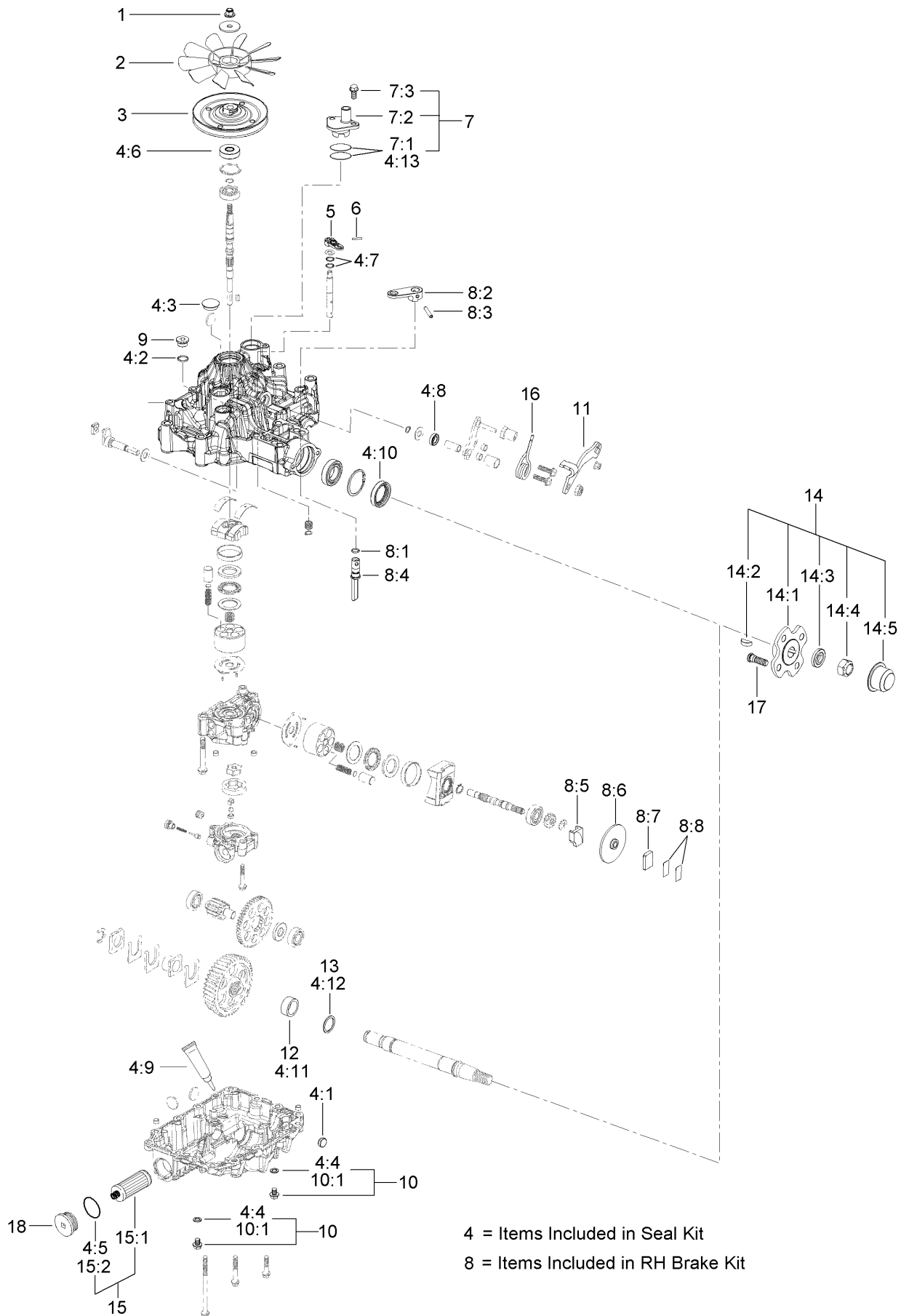
LH Transaxle Assembly No. 136-4101 (continued)

<i>Ref.</i>	<i>Part Number</i>	<i>Qty.</i>	<i>Description</i>	<i>Ref.</i>	<i>Part Number</i>	<i>Qty.</i>	<i>Description</i>
1	132-4737	1	Nut-Lock	8:3		1	Pin-Roll ■
2	132-4738	1	Fan	8:4		1	Shaft-Brake ■
3	132-4739	1	Pulley	8:5		1	Actuator-Brake ■
4	138-4628	1	Seal Kit	8:6		1	Disc-Brake ■
4:1	100-6926	1	Cap-Sealing	8:7		1	Shoe-Brake ■
4:2	132-4736	1	O-Ring	8:8		1	Shim Kit ■
4:3		1	Cap-Seal ■	9	132-4735	1	Cap-Oil
4:4		2	Seal-Washer ■	10	132-4746	1	Drain Bolt Kit
4:5		1	Packing ■	10:1		1	Seal-Washer ■
4:6	132-4744	1	Seal-Shaft	11	136-5401	1	Lever-Control, RH
4:7		2	O-Ring ■	12	132-4747	1	Sleeve
4:8		1	Seal-Oil ■	13	132-4748	1	Washer
4:9	121-0959	1	Sealant	14	136-5406	1	Axle Flange Kit
4:10	132-4745	1	Seal-Axle	14:1		1	Flange ■
4:11	132-4747	1	Sleeve	14:2		1	Key-Woodruff ■
4:12	132-4748	1	Washer	14:3		1	Washer ■
4:13		1	Packing ■	14:4	137-4128	1	Nut-Lock
5	104-3265	1	Pin	14:5		1	Nut-Cap ■
6	132-4700	1	Lever-Bypass	14:6	139-5588	1	Axle ●
7	133-1461	1	Expansion Fitting Kit	15	132-4743	1	Hydro Filter Kit
7:1	136-4051	2	Seal-Fitting, Expansion	15:1	136-5409	2	Filter
7:2		1	Fitting ■	15:2	136-5410	2	O-Ring
7:3		1	Bolt-Flange ■	16	137-4109	1	Spring-Torsion
8	133-1468	1	Brake Kit,Left	17	137-9509	4	Stud-Wheel
8:1		1	O-Ring ■	18	138-4613	1	Cap-Oil Filter
8:2		1	Arm-Brake ■				

● Not illustrated

■ Not serviced separately

RH Transaxle Assembly No. 136-4102



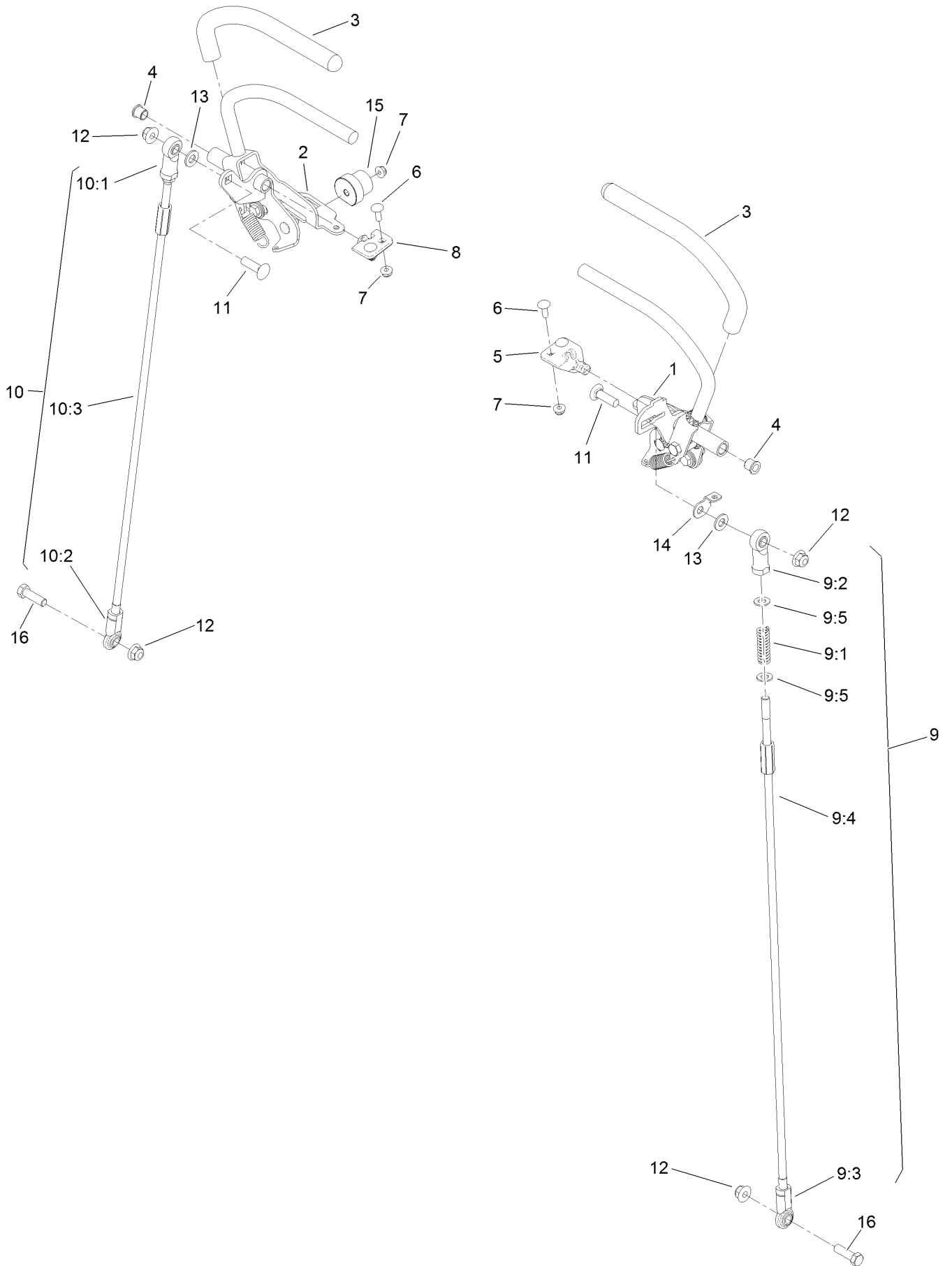
RH Transaxle Assembly No. 136-4102 (continued)

<i>Ref.</i>	<i>Part Number</i>	<i>Qty.</i>	<i>Description</i>	<i>Ref.</i>	<i>Part Number</i>	<i>Qty.</i>	<i>Description</i>
1	132-4737	1	Nut-Lock	8:3		1	Pin-Roll ■
2	132-4738	1	Fan	8:4		1	Shaft-Brake ■
3	132-4739	1	Pulley	8:5		1	Actuator-Brake ■
4	138-4628	1	Seal Kit	8:6		1	Disc-Brake ■
4:1	100-6926	1	Cap-Sealing	8:7		1	Shoe-Brake ■
4:2	132-4736	1	O-Ring	8:8		1	Shim Kit ■
4:3		1	Cap-Seal ■	9	132-4735	1	Cap-Oil
4:4		2	Seal-Washer ■	10	132-4746	1	Drain Bolt Kit
4:5		1	Packing ■	10:1		1	Seal-Washer ■
4:6	132-4744	1	Seal-Shaft	11	136-5401	1	Lever-Control, RH
4:7		2	O-Ring ■	12	132-4747	1	Sleeve
4:8		1	Seal-Oil ■	13	132-4748	1	Washer
4:9	121-0959	1	Sealant	14	136-5406	1	Axle Flange Kit
4:10	132-4745	1	Seal-Axle	14:1		1	Flange ■
4:11	132-4747	1	Sleeve	14:2		1	Key-Woodruff ■
4:12	132-4748	1	Washer	14:3		1	Washer ■
4:13		1	Packing ■	14:4	137-4128	1	Nut-Lock
5	104-3265	1	Pin	14:5		1	Nut-Cap ■
6	132-4700	1	Lever-Bypass	14:6	139-5588	1	Axle ●
7	133-1461	1	Expansion Fitting Kit	15	132-4743	1	Hydro Filter Kit
7:1	136-4051	2	Seal-Fitting, Expansion	15:1	136-5409	2	Filter
7:2		1	Fitting ■	15:2	136-5410	2	O-Ring
7:3		1	Bolt-Flange ■	16	137-4109	1	Spring-Torsion
8	133-1462	1	RH Brake Kit	17	137-9509	4	Stud-Wheel
8:1		1	O-Ring ■	18	138-4613	1	Cap-Oil Filter
8:2		1	Arm-Brake ■				

● Not illustrated

■ Not serviced separately

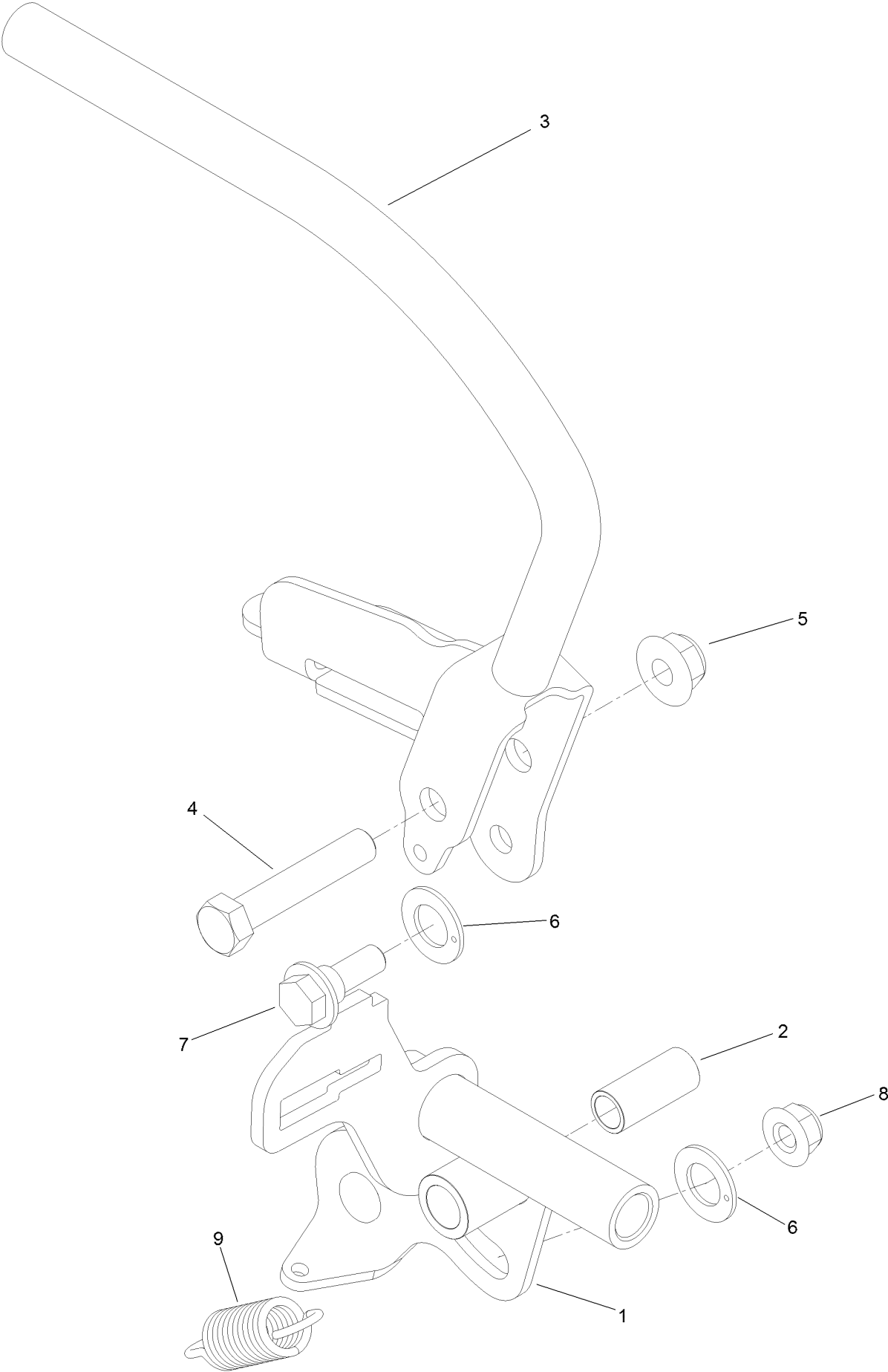
Motion Control Assembly



Motion Control Assembly (continued)

<i>Ref.</i>	<i>Part Number</i>	<i>Qty.</i>	<i>Description</i>	<i>Ref.</i>	<i>Part Number</i>	<i>Qty.</i>	<i>Description</i>
1	132-5157	1	LH Control Handle ASM	9:4	132-7515	1	Rod-Control
2	132-5158	1	RH Control Handle ASM	9:5	3256-45	2	Washer-Flat
3	119-0222	2	Grip	10	130-1807	1	RH Control Rod ASM
4	103-9928	2	Bearing	10:1	92-7008	1	End-Rod, Female
5	120-3288	1	Tab-Pivot, LH	10:2	103-1167	1	Joint-Ball End, LH
6	3229-1	4	Screw-CARR	10:3	132-7515	1	Rod-Control
7	104-7201	6	Nut-HF, NI	11	3231-28	2	Screw-CARR
8	120-3287	1	Tab-Pivot, RH	12	104-8301	4	Nut-HF, NI
9	130-1803	1	LH Control Rod ASM	13	3256-24	2	Washer-Plain
9:1	1-603807	1	Spring-Return, Neutral	14	132-7538	1	Bracket-Adjustment, Speed
9:2	92-7008	1	End-Rod, Female	15	126-1499	2	Cam
9:3	103-1167	1	Joint-Ball End, LH	16	323-7	2	Screw-HH

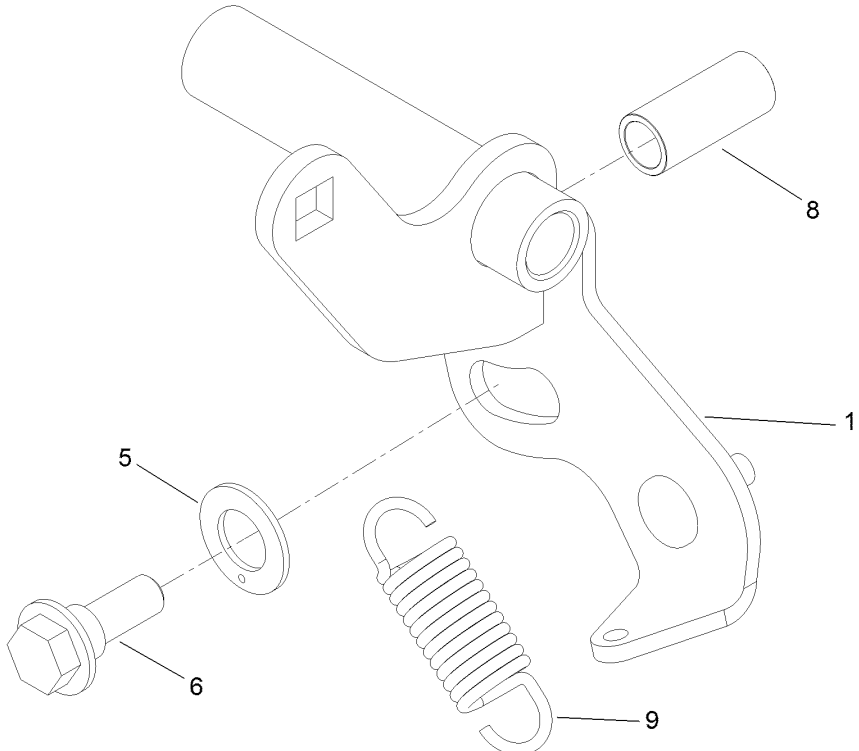
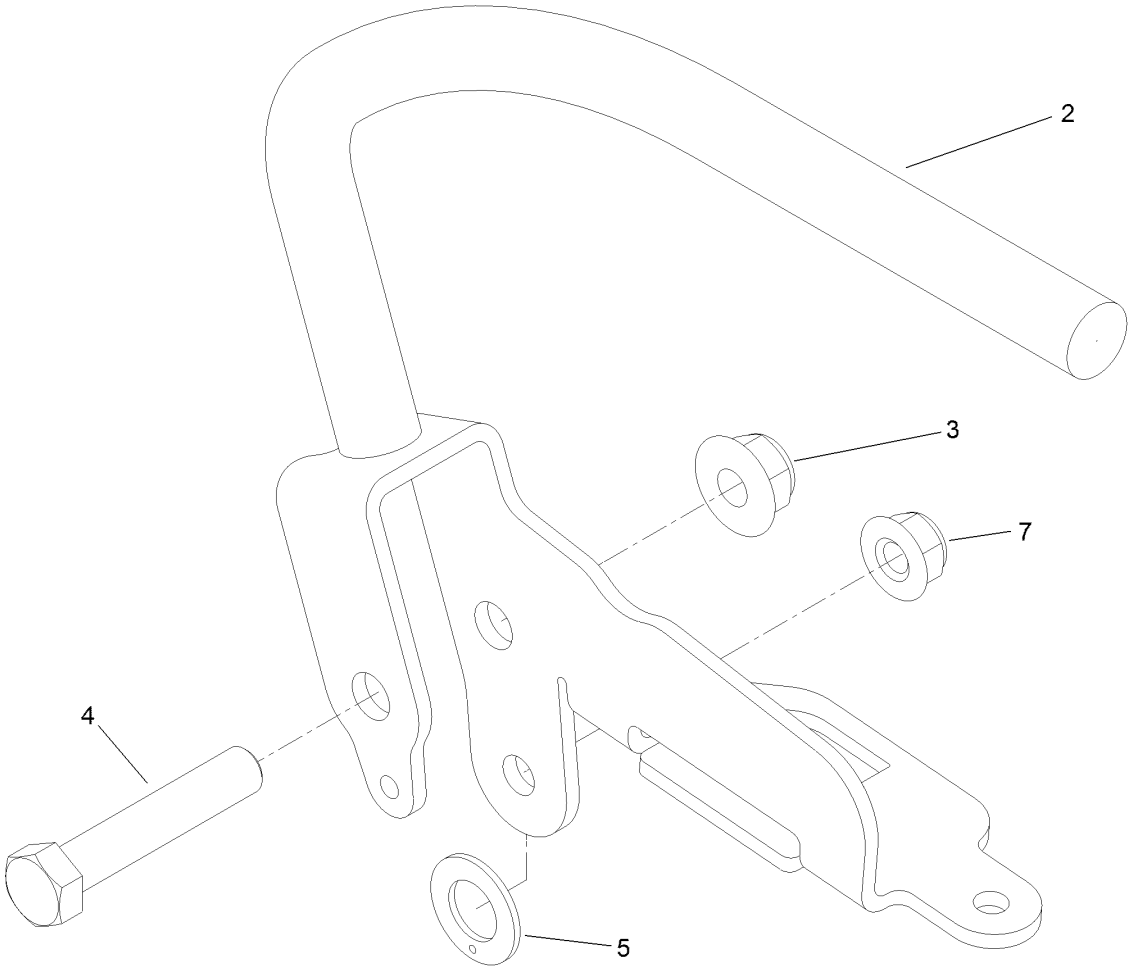
Control Handle Assembly No. 132-5157



Control Handle Assembly No. 132-5157 (continued)

<i>Ref.</i>	<i>Part Number</i>	<i>Qty.</i>	<i>Description</i>	<i>Ref.</i>	<i>Part Number</i>	<i>Qty.</i>	<i>Description</i>
1	132-5115	1	Pivot-Control, Motion (LH)	6	110-7191	2	Washer-Thrust
2	131-3562	1	Bearing-Sleeve	7	116-2670	1	Screw-Shoulder
3	132-5114-03	1	Lever-LH	8	104-8300	1	Nut-HF, NI
4	323-10	1	Screw-HH	9	132-5146	1	Spring-Extension
5	104-8301	1	Nut-HF, NI				

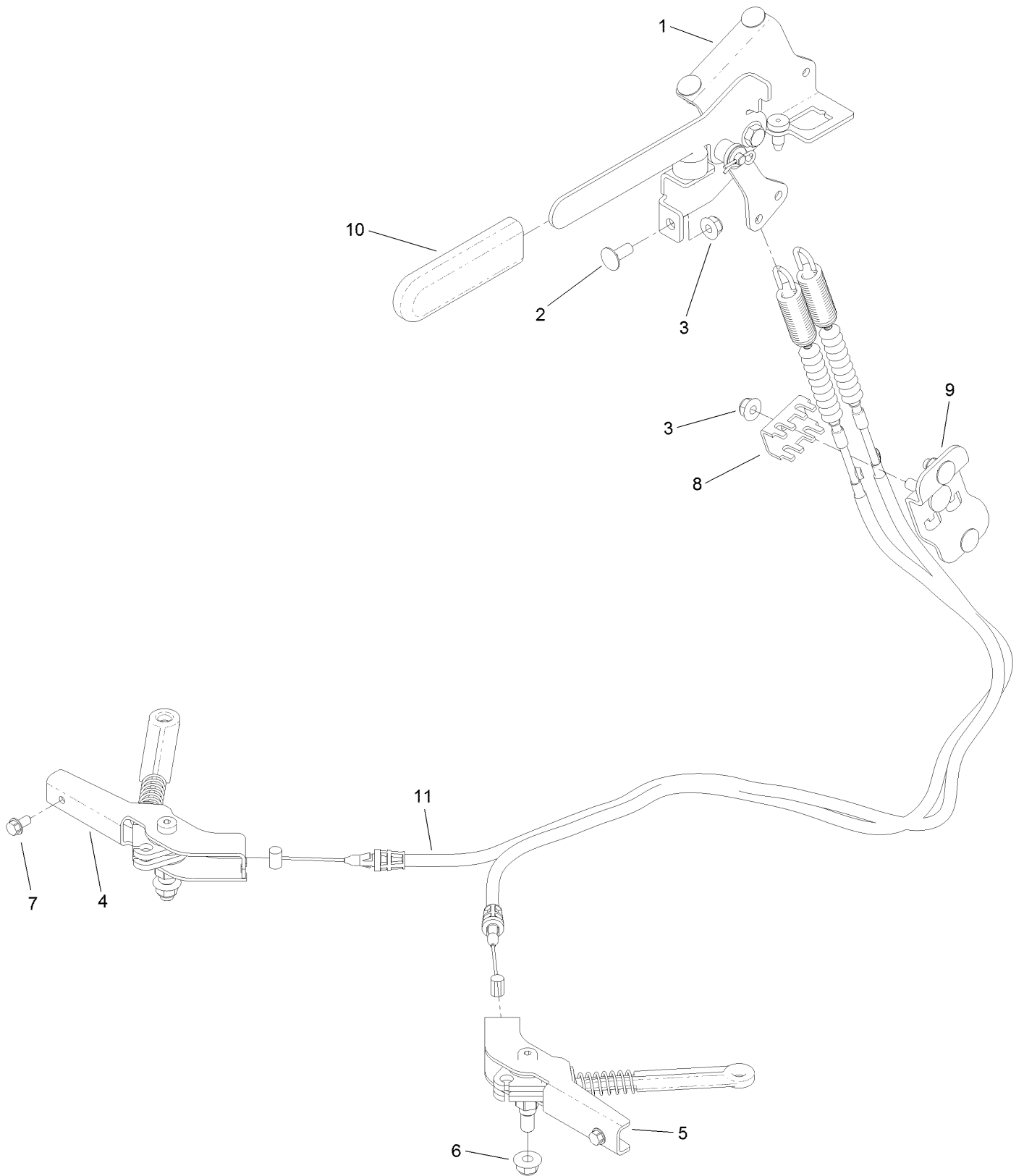
Control Handle Assembly No. 132-5158



Control Handle Assembly No. 132-5158 (continued)

<i>Ref.</i>	<i>Part Number</i>	<i>Qty.</i>	<i>Description</i>	<i>Ref.</i>	<i>Part Number</i>	<i>Qty.</i>	<i>Description</i>
1	120-8490	1	Pivot-Control, Motion (RH)	6	116-2670	1	Screw-Shoulder
2	130-1825-03	1	Lever-RH	7	104-8300	1	Nut-HF, NI
3	104-8301	1	Nut-HF, NI	8	131-3562	1	Bearing-Sleeve
4	323-10	1	Screw-HH	9	132-5146	1	Spring-Extension
5	110-7191	2	Washer-Thrust				

Parking Brake Assembly



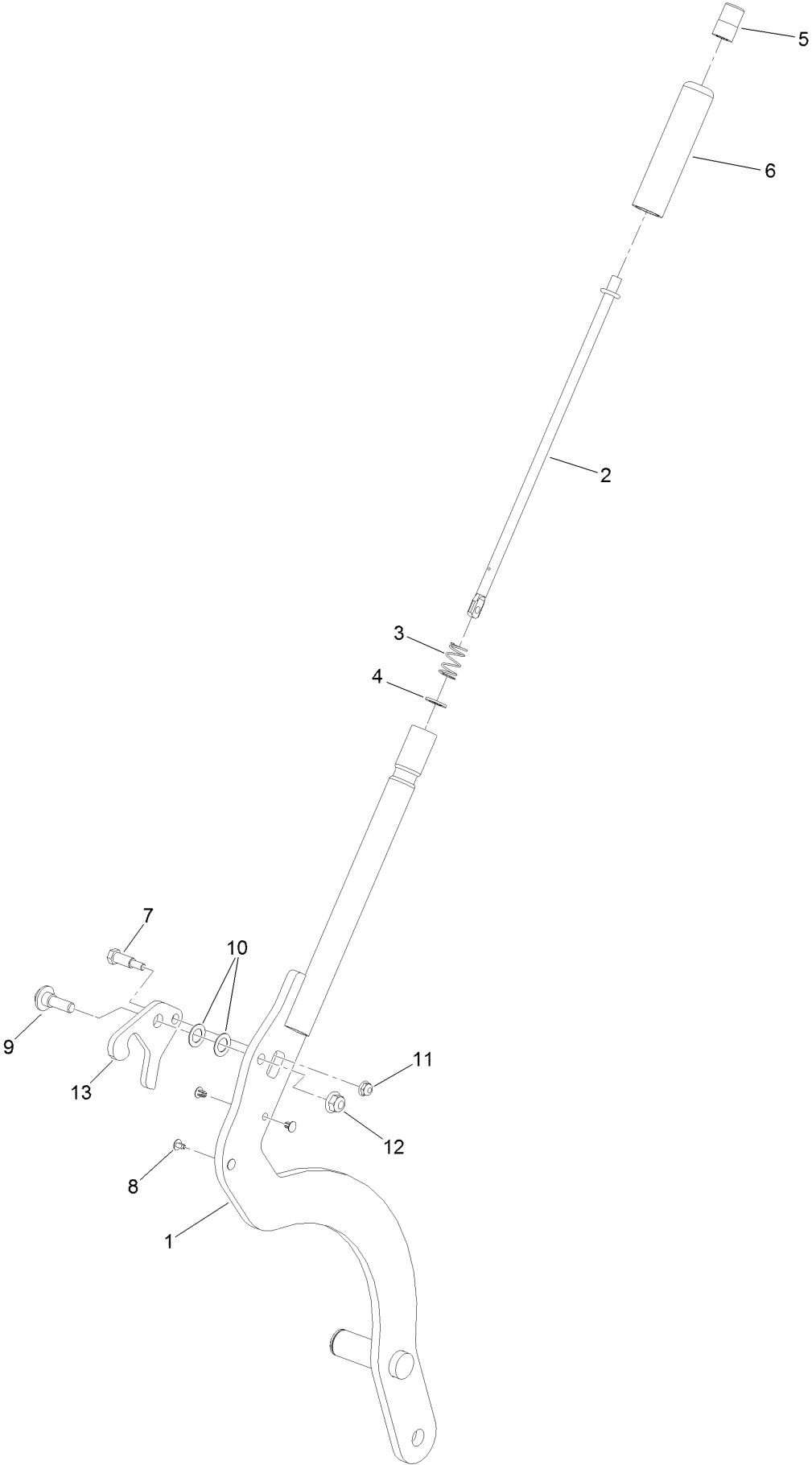
Parking Brake Assembly (continued)

<i>Ref.</i>	<i>Part Number</i>	<i>Qty.</i>	<i>Description</i>	<i>Ref.</i>	<i>Part Number</i>	<i>Qty.</i>	<i>Description</i>
1	132-5170	1	Brake Handle ASM	7	32144-4	2	Screw-HWH
2	3230-23	5	Bolt-CARR	8	132-1187	1	Clamp-Cable
3	104-8300	6	Nut-HF, NI	9	132-7582	1	Mount-Cable, Brake
4	132-5168	1	RH Brake Caliper ASM	10	1-633268	1	Grip-Lever
5	132-5169	1	LH Brake Caliper ASM	11	131-1195	2	Cable-Brake
6	104-8301	2	Nut-HF, NI				

Deck Lift Assembly (continued)

<i>Ref.</i>	<i>Part Number</i>	<i>Qty.</i>	<i>Description</i>	<i>Ref.</i>	<i>Part Number</i>	<i>Qty.</i>	<i>Description</i>
1	120-8405-01	1	Shaft-Cross, Front	25	3231-7	4	Screw-CARR
2	109-9409	2	Support-Bearing, Cross Shaft (Front)	26	104-8301	7	Nut-HF, NI
3	109-9410	2	Bearing-Cross Shaft, Front	27	32128-19	4	Nut-HF Lock, Large Flg
4	116-1700	4	Bolt-CARR	28	109-9066	4	Yoke-Adjust, Deck
5	99-5107	8	Nut-Lock	29	322-47	4	Screw-HH
6	127-0369	6	Bushing	30	3218-2	8	Nut-Hex Jam
7	10-8110	3	Washer-Thrust	31	130-6589	2	Link-Lift
8	3256-62	3	Washer-Flat	32	109-9840	2	Screw-Shoulder, HHF
9	120-8411-01	1	Arm-Lift, RH	33	109-9065	2	Screw-HH
10	32151-29	3	Ring-Retaining	34	116-2428	2	Bushing-Flanged
11	120-8410-01	1	Arm-Lift, LH	35	3256-4	2	Washer-Flat
12	130-1755	1	HOC Lever ASM	36	114-8417	4	Nut-HF, NI
13	119-6223	2	Washer	37	104-0151	2	Spacer
14	AU230-42110	3	Nut-Hex, Center Lock	38	84-2350	1	Spacer-Long
15	327-7	3	Screw-HH	39	132-7581	1	HOC Plate And Decal ASM
16	130-6615	1	HOC Link ASM	40	131-1103-01	1	Plate-HOC, Inner
17	3218-6	1	Nut-Jam	41	116-4701	3	Screw-HHF
18	98-5975	1	Washer-Belleville	42	80-7590	2	Spacer
19	323-58	1	Bolt-TAP, HH	43	116-5584	1	Pin-HOC
20	116-0886	1	Spring-Extension	44	116-0756	2	Deck Lift Chain ASM
21	116-0780	4	Screw-Shoulder, HHF	44:1	1-633447	1	Chain-Lift, Deck
22	3256-28	4	Washer-Flat	44:2	109-9065	1	Screw-HH
23	127-1948-03	2	Link-Lift	44:3	32128-37	1	Nut-HF
24	137-4129	1	Deck Strut ASM	45	130-0742	2	Bolt-Shoulder
24:2	137-4108	4	Bushing-Rubber	46	43-0940	2	Spacer
24:3	108-6544	4	Spacer	47	133-1431	1	Spacer-Split

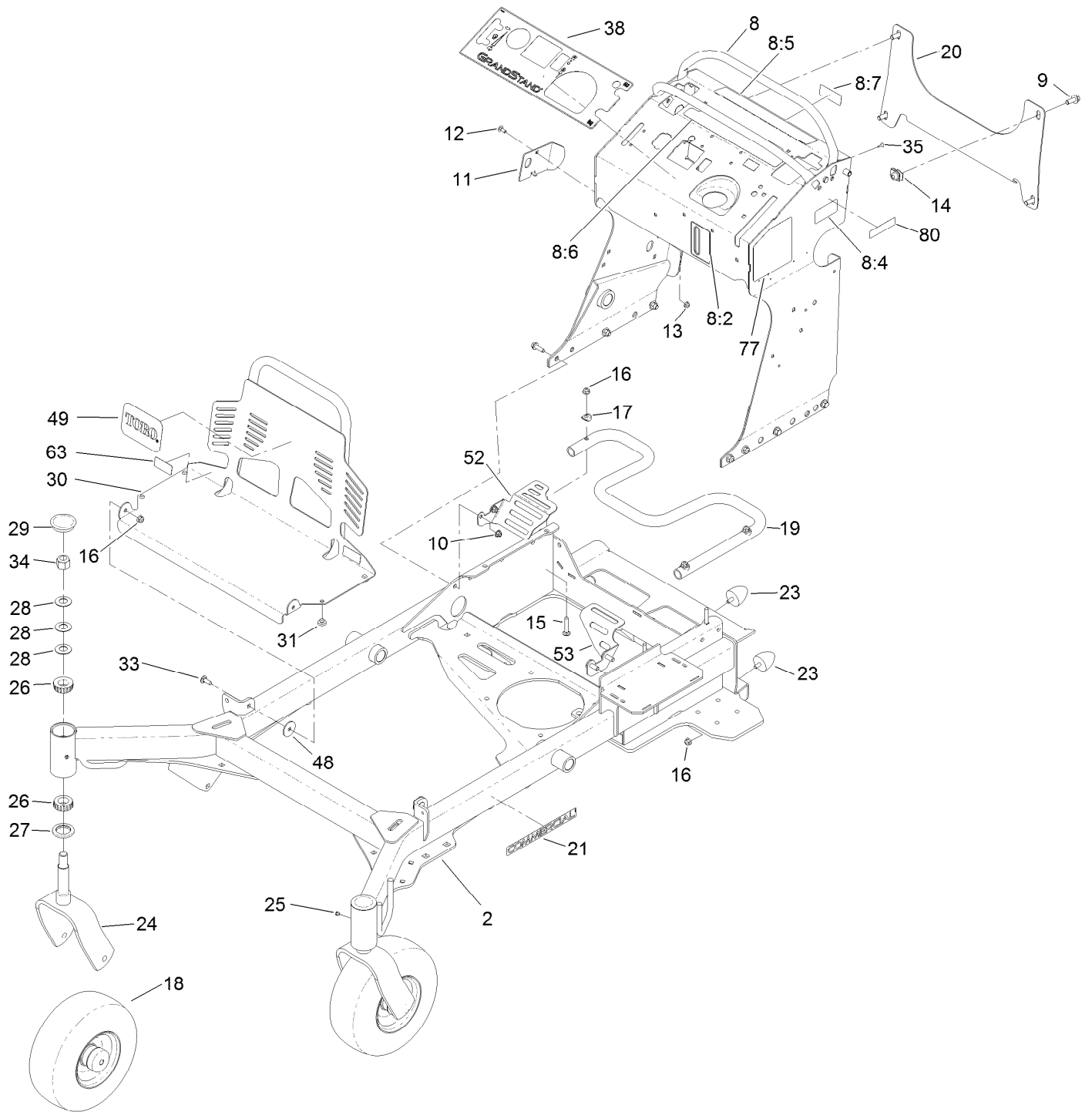
HOC Lever Assembly No. 130-1755



HOC Lever Assembly No. 130-1755 (continued)

<i>Ref.</i>	<i>Part Number</i>	<i>Qty.</i>	<i>Description</i>	<i>Ref.</i>	<i>Part Number</i>	<i>Qty.</i>	<i>Description</i>
1	130-1775-01	1	Lever-Lift	8	103-1363	4	Rivet
2	136-0530	1	Rod-Latch, Release	9	614672	1	Screw-Shoulder, HWH
3	114-8187	1	Spring-Compression	10	98-1629	1	Washer
4	114-1207	1	Washer-Special	11	104-7201	1	Nut-HF, NI
5	115-2750	1	Knob	12	104-8301	1	Nut-HF, NI
6	115-3592	1	Grip	13	131-7452	1	Latch-HOC
7	119-2309	1	Bolt-Shldr,HH				

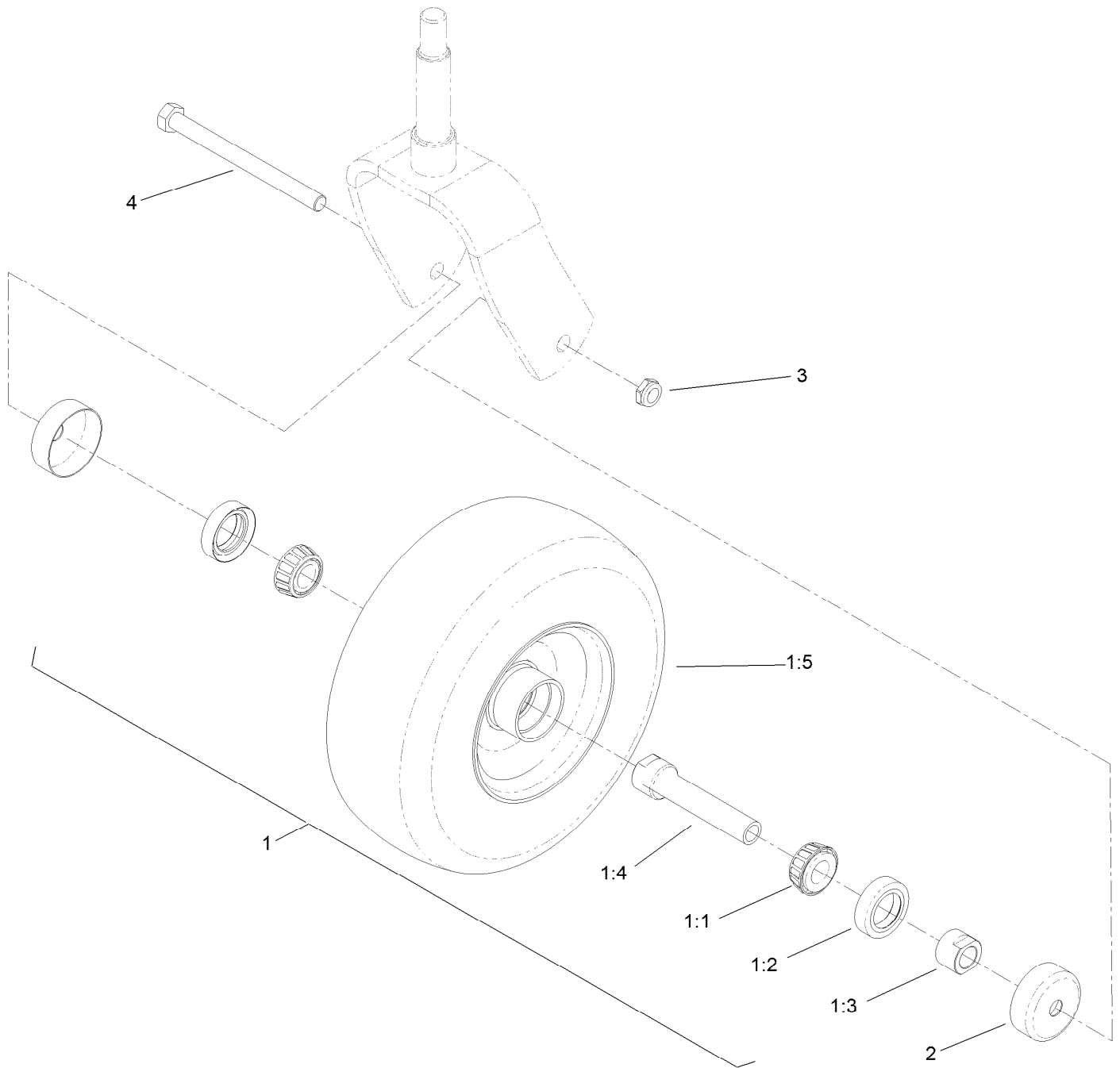
Frame Assembly



Frame Assembly (continued)

<i>Ref.</i>	<i>Part Number</i>	<i>Qty.</i>	<i>Description</i>	<i>Ref.</i>	<i>Part Number</i>	<i>Qty.</i>	<i>Description</i>
2	131-7423-01	1	Frame	23	114-1926	4	Bumper-Rubber
8	132-7537	1	Tower Decal ASM	24	121-7988-01	2	Fork-Caster
8:2	131-3524	1	Decal-Level, Oil	25	1-811010	2	Plug
8:4	116-8775	1	Decal-Fill, Fuel	26	1-543509	4	Bearing-Roller, Tapered
8:5	136-5438	1	Decal-Caution	27	116-5647	2	Seal-Grease
8:6	131-3526	1	Decal-Controls	28	1-633508	6	Washer-Bellville
8:7	131-3528	1	Decal-Fuse	29	103-4882	2	Cap-Grease
9	3234-42	4	Screw-HHF	30	132-5150-03	1	Guard-Engine
10	104-8301	8	Nut-HF, NI	31	1-513658	4	Bumper
11	131-7455	1	Plate-Striker	33	3230-10	2	Bolt-CARR
12	3229-11	1	Screw-CARR	34	3296-51	2	Nut-Lock, NI
13	104-7201	1	Nut-HF, NI	35	3290-271	2	Rivet-Pop
14	105-4886	4	Nut-Tinnerman	38	131-3525	1	Decal-Panel, Control
15	3230-5	3	Bolt-CARR	48	107-3002	2	Washer-Nylon
16	104-8300	9	Nut-HF, NI	49	105-8278	1	Decal
17	107-3844	3	Washer	52	132-7578-01	1	Guard-Fan, RH
18	130-4558	2	Wheel/Tire And Bearing ASM	53	132-7598-01	1	Guard-Fan, LH
19	132-5161-01	1	Tube-Mount, Fuel Tank	63	133-4641	2	Decal-Warning, No Riders
20	132-1145-03	1	Bracket-Cross	77	131-3529	1	Decal-Service Aid
21	117-3591	2	Decal-Commercial	80	133-8062	1	Decal-Spark Arrestor

Wheel, Tire and Bearing Assembly No. 130-4558



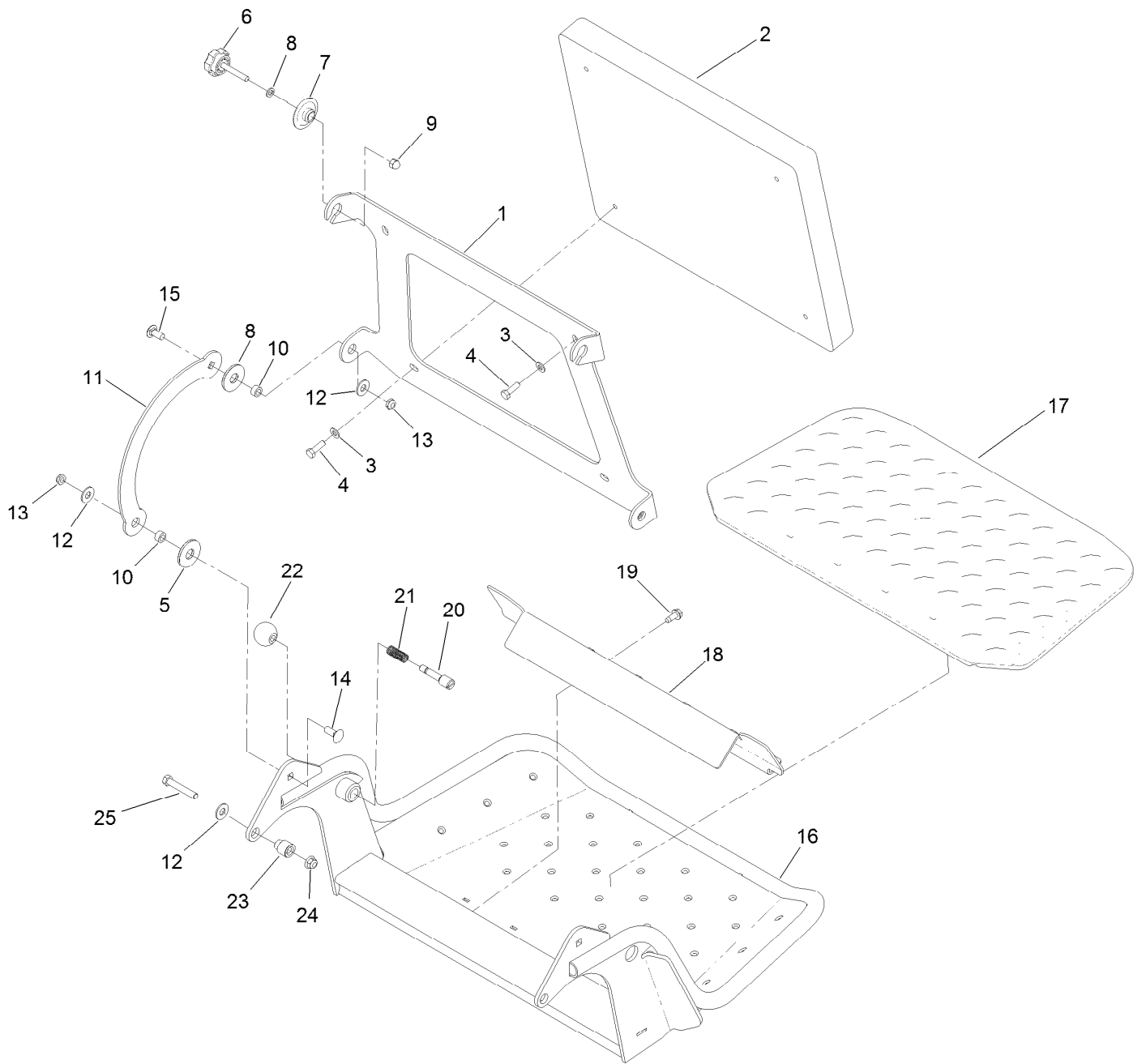
Wheel, Tire and Bearing Assembly No. 130-4558 (continued)

<i>Ref.</i>	<i>Part Number</i>	<i>Qty.</i>	<i>Description</i>	<i>Ref.</i>	<i>Part Number</i>	<i>Qty.</i>	<i>Description</i>
1		1	Wheel And Bearing ASM ●	1:5	130-4563	1	Wheel And Tire ASM
1:1	1-633585	2	Bearing-Cone, Taper	2	103-2768	2	Guard-Seal
1:2	103-0063	2	Seal-Caster	3	3296-45	1	Nut-Hex
1:3	103-3051	1	Spacer-Nut ■	4	325-20	1	Screw-HH
1:4	126-5359	1	Caster Axle ASM				

● Not serviced separately

■ Use Pro-Lock, Nut Type (P/N 1-840022, .5ml tube) on spacer nut

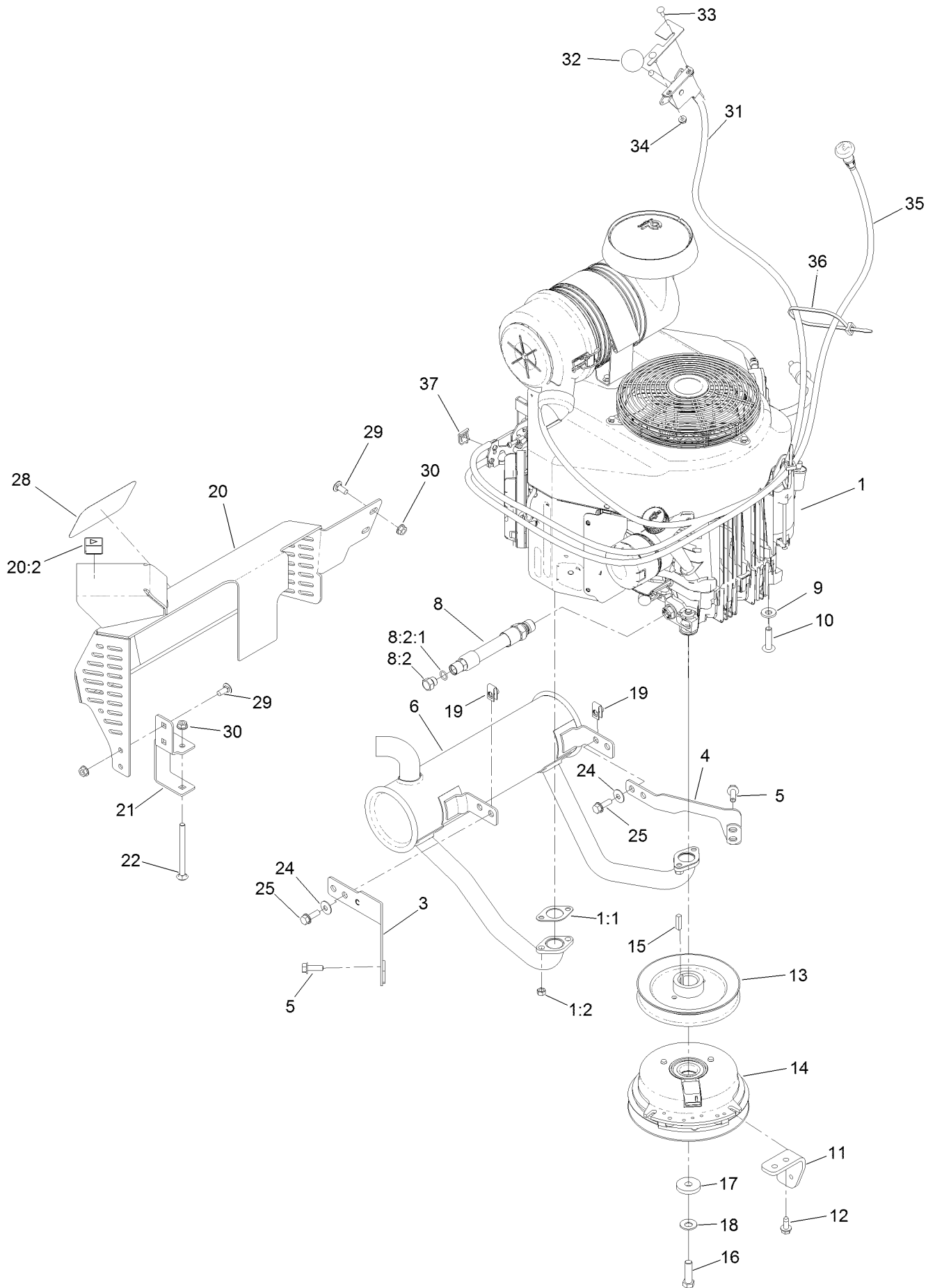
Platform Assembly



Platform Assembly (continued)

<i>Ref.</i>	<i>Part Number</i>	<i>Qty.</i>	<i>Description</i>	<i>Ref.</i>	<i>Part Number</i>	<i>Qty.</i>	<i>Description</i>
1	120-8499-03	1	Hinge-Pad	14	3231-2	2	Bolt-CARR
2	117-9739	1	Pad-Cushion	15	3231-27	2	Screw-CARR
3	3256-23	4	Washer-Plain	16	120-8475-01	1	Platform
4	121-7999	4	Screw-HH, Patch	17	126-7157	1	Mat-Platform
5	114-0463	4	Washer-Friction, Composite	18	3345-771	1	Shield Clamp Kit
6	133-1426	2	Knob	19	32144-70	2	Screw-HWHTF
7	116-2886	2	Slide-Bushing	20	119-8650	1	Pin-Latch
8	3253-4	2	Washer-Lock	21	114-5348	1	Spring
9	131-4535	2	Nut-Acorn	22	1-603175	1	Knob-Ball
10	111044	4	Spacer	23	132-7583	2	Bushing-Flanged
11	114-1915-01	2	Link-Pad	24	104-8301	2	Nut-HF, NI
12	3256-4	6	Washer-Flat	25	323-45	2	Screw-HH
13	3296-59	4	Nut-Lock, NI				

Engine Assembly

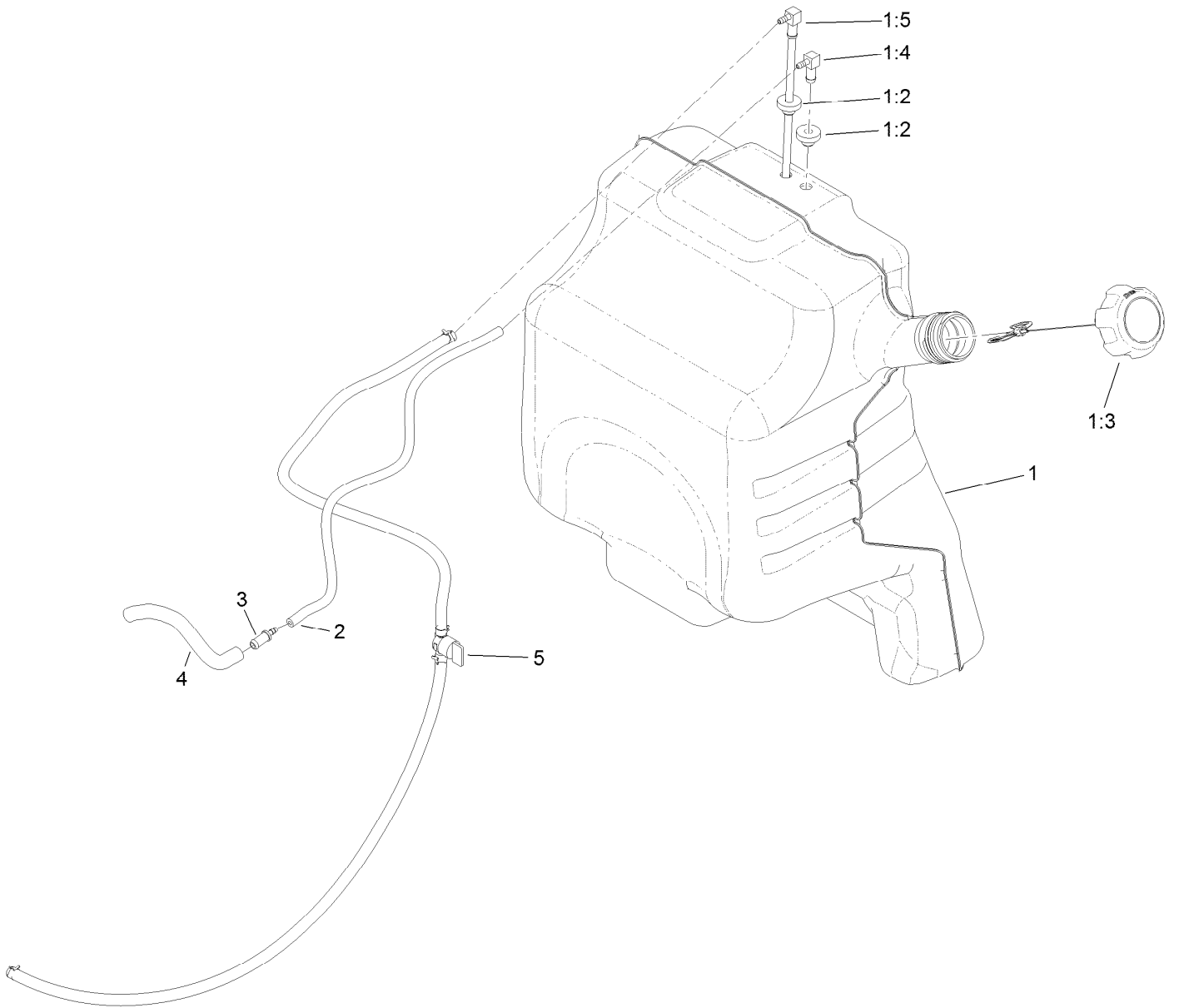


Engine Assembly (continued)

<i>Ref.</i>	<i>Part Number</i>	<i>Qty.</i>	<i>Description</i>	<i>Ref.</i>	<i>Part Number</i>	<i>Qty.</i>	<i>Description</i>
1	131-3519	1	Engine-Kawasaki, Fx691V	19	94-2413	4	Nut-U
1:1	1-653313	2	Gasket-Exhaust	20	131-3550	1	Muffler Guard ASM
1:2	114-3549	4	Nut	20:2	106-5517	1	Decal-Warning
3	132-1173	1	Bracket-Muffler, Front	21	131-3530-03	1	Bracket-Mounting, Guard
4	132-1174	1	Bracket-Muffler, Rear	22	106-9758	1	Screw-CARR
5	33104-025	4	Screw-HHF	24	3290-456	4	Washer-Belleville
6	133-4633	1	Muffler	25	3234-29	4	Screw-HHF
8	133-4659	1	Hose ASM	28	94-2579	1	Decal
8:2	353-508	1	Plug-HH	29	3230-23	4	Bolt-CARR
8:2:1	237-42	1	O-Ring	30	32128-25	5	Nut-HF
9	98-5975	4	Washer-Belleville	31	132-5152	1	Throttle ASM
10	126-0983	4	Screw-BHTF	32	1-603175	1	Knob-Ball
11	131-3586-03	1	Stop-Clutch	33	1-807533	2	Bolt-CARR
12	32144-70	2	Screw-HWHTF	34	32128-17	2	Nut-Lock, Flange
13	120-8498	1	Pulley	35	132-5140	1	Cable-Choke
14	131-1100	1	Clutch	36	3290-378	2	Tie-Cable
15	1-807259	1	Key	37	81-1690	1	Clamp-Cable
16	3212-6	1	Screw-HH	39	121-4570	1	Filter-Fuel ●
17	107-4136	1	Washer-Flat	40	119-5852	1	Filter-Oil ●
18	1-603610	1	Washer-Spring				

● Not illustrated

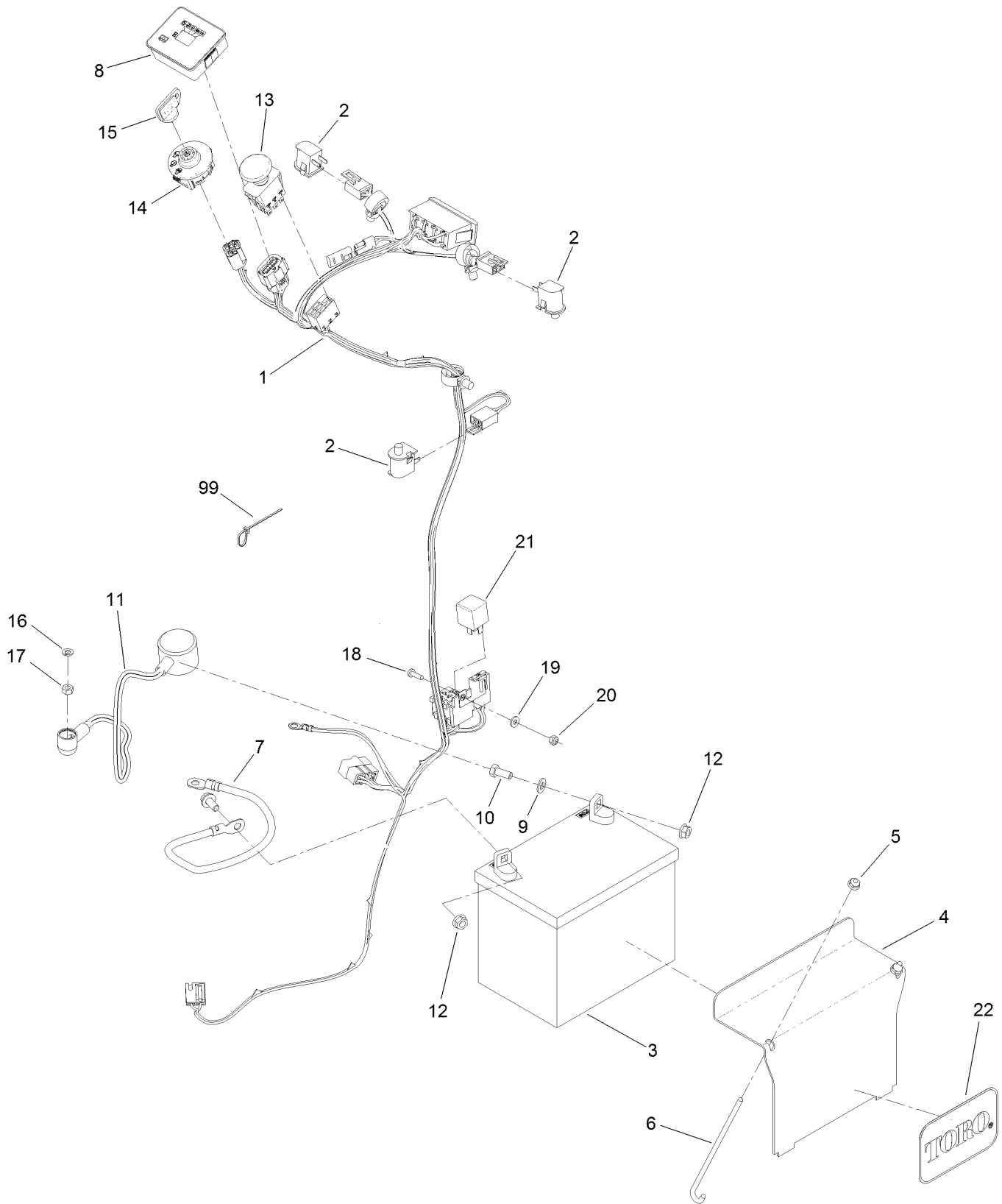
Fuel Tank Assembly



Fuel Tank Assembly (continued)

<i>Ref.</i>	<i>Part Number</i>	<i>Qty.</i>	<i>Description</i>	<i>Ref.</i>	<i>Part Number</i>	<i>Qty.</i>	<i>Description</i>
1	132-7560	1	Fuel Tank ASM	2	110-8255	1	Hose-Fuel
1:2	46-6560	2	Bushing	3	98-2952	1	Fitting-Straight
1:3	137-4127	1	Cap-Fuel	4	132-7576	1	Hose-Fuel
1:4	104-5228	1	Fitting-Elbow, 90 DEG	5	132-7546	1	Fuel Line ASM
1:5	132-7559	1	*obs* Fuel Tube ASM				

Wire Harness Assembly



Wire Harness Assembly (continued)

<i>Ref.</i>	<i>Part Number</i>	<i>Qty.</i>	<i>Description</i>	<i>Ref.</i>	<i>Part Number</i>	<i>Qty.</i>	<i>Description</i>
1	136-5423	1	Harness-Wire	13	114-0279	1	Switch-PTO, On-On
2	82-2190	3	Switch-Bail	14	137-4101	1	Switch-Ignition
3	104-8162	1	Battery	15	63-8360	1	Key-Ignition
4	130-6635-01	1	Bracket-Hold Down, Battery	16	3253-3	1	Washer-Lock
5	104-7201	2	Nut-HF, NI	17	3217-5	1	Nut-Hex
6	1-633651	2	Bolt-Holddown	18	3290-500	1	Screw-PPH
7	112-7063	1	Cable-Battery, Black	19	3256-14	1	Washer-Flat
8	130-6570	1	Module-Meter, Hour	20	3296-2	1	Nut-Lock, NI
9	3256-23	2	Washer-Plain	21	1-643275	1	Relay
10	322-3	2	Screw-HH	22	67-1300	1	Decal
11	115-3864	1	Cable-Battery, Positive	99	3290-378	4	Tie-Cable
12	109-5715	2	Nut-HHF, Smooth				

Attachments and Accessories

For 74505 GrandStand Mower With 52in TURBO FORCE Cutting Unit

Product Name	Model/Part
Blade-Recycler, 18in.....	105-7779-03
Blade-Hi Flow, 18in.....	105-7781-03
Blade-Med Flow, 18in.....	105-7794-03
Blade-Low Flow, 18in.....	105-7795-03
Blade-Atomic, 18in.....	105-7796-03
Turbo Baffle Kit.....	107-1634
Blade-Hi Flow, 18in (6 Pack).....	108-1117
Blade-Atomic, 18in (6 Pack).....	108-1118
Blade-Lo Flow, 18in (6 Pack).....	110-0406
Blade-Recycler, 18in (6 Pack).....	110-0408
Blade-Med Flow, 18in (6 Pack).....	110-0409
15-Pound Cast Weight.....	112-7059-01
Hypr-Oil 500 (quart).....	114-4713
Hypr-Oil 500 (gallon).....	114-4714
Hypr-Oil 500-5 (5 gallon).....	114-4715
Recycler Kit.....	115-7467
Brake Hub Puller.....	116-6518
Oil Filter.....	119-5852
Element-Filter, Air (Outer).....	119-5944
Element-Filter, Air (Inner).....	119-5945
Fuel Filter.....	120-2235
Harness Wire Splitter.....	121-5988
Toro Premium Fuel Treatment 12oz Bottle.....	131-6572
Blade And Belt Kit-52 In.....	132-4741
Hydro Filter Kit.....	132-4743
Speed Setting Tool.....	132-7595
Stand-On Weight Kit.....	133-1428
Chute Gate Kit W/ Bag.....	133-1434
Trash Bag Assembly.....	133-1435
Roller Striper Kit.....	133-1436
Light Kit.....	133-1437
Electric Accessory Port.....	133-1438
HOC Set Blocks.....	133-1439
Anti-Scalp Kit, 48/52 Grandstand Deck.....	133-1440
Trimmer Rack.....	133-1441
Hydro Oil Change Kit.....	133-1457
Strobe Light Kit.....	133-1495
5 Gallon Bucket.....	133-2533
Hydraulic Cap Lock Kit.....	136-5420
Bucket Mount Kit.....	136-5681
Pneumatic Castor Wheel Kit.....	137-4136
Bagger Enhancement Kit.....	139-1529
18x8.5n10 X-Tweel Turf.....	139-7890
6in Hose Kit, E-Z Vac Twin Bagger, 2016 and After Grandstand Mower.....	139-7930
Blower Upgrade Kit, Twin Bagger, 2016 and After Grandstand Mower.....	139-7940
Soft Bag (3 Bushel).....	30104

Attachments and Accessories (continued)

10W30 4-Cycle Engine Oil (32oz Bottle).....	38280
Toro 4-Cycle SAE 30 Oil (32oz Bottle)	38903
Twin Bagger Kit.....	78524
Blower Drive 52in.....	78526
E-Z Vac Bagger	78570
52in E-Z Vac Blower Drive Kit	78575
Spark Plug	92-2153
Spark Arrestor	98-9099



Count on it.