



Count on it.

Parts Catalog

GrandStand® Mower

With 48in TURBO FORCE® Cutting Unit

Model No. 74518—Serial No. 40000000 and Up



Ordering Replacement Parts

To order replacement parts, please supply the part number, the quantity, and the description of each part desired.

Understanding Reference Numbers

Each identified part in an illustration has a reference number. The reference number for a part also appears in the parts list, along with other information about the part.

This catalog uses two special reference number formats, one to indicate parts in a service assembly and another to indicate the quantity of a given part in an illustration.

Service Assembly Reference Numbers

Parts in service assemblies have reference numbers in the form a:b. The a represents the reference number of the entire service assembly and the b represents a sequential number unique to each part within the service assembly.

For example, a wheel assembly might be identified by reference number 6, the tire by 6:1, the valve by 6:2, and the wheel by 6:3. When you order the assembly identified by reference number 6, you receive all parts identified by reference numbers 6:1, 6:2, and 6:3. However, you may also order any part individually. Reference numbers of this type appear in illustration and in parts lists.

Reference Numbers Indicating Quantity

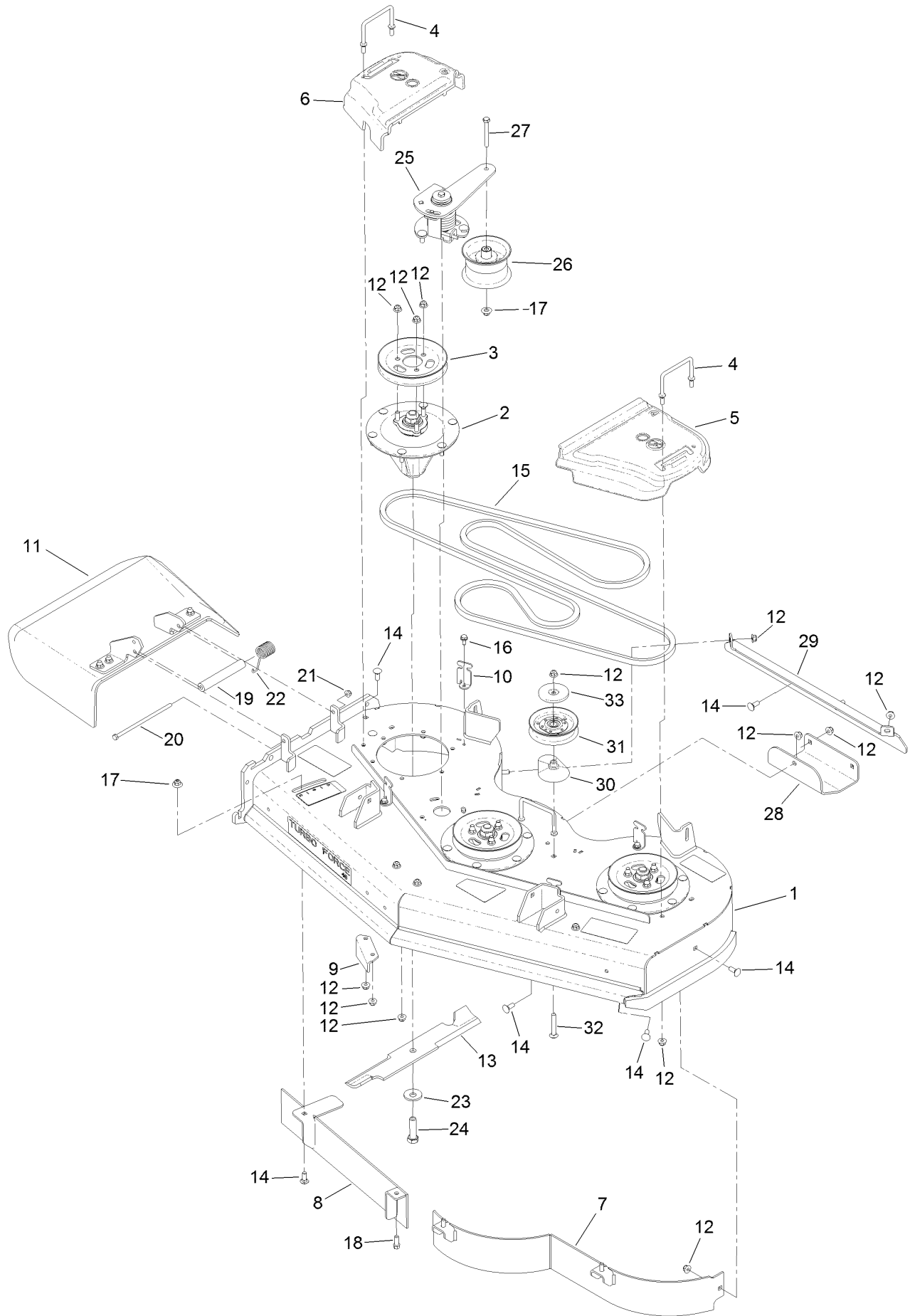
In an illustration, if a reference number indicates more than one part, the reference number has the form nX y. The n represents the quantity of the part, the X is the multiplication symbol, and the y represents the reference number.

For example, in an illustration, the reference number 2X 37 means that two of the parts identified by reference number 37 are indicated.

Contents

48 Inch Deck Assembly	4
Deck Decal Assembly No. 127-1931	6
Spindle Assembly No. 127-0560	8
Deflector Assembly No. 120-2451	10
Ground Drive Assembly	12
LH Transaxle Assembly No. 136-4101	14
RH Transaxle Assembly No. 136-4102	16
Motion Control Assembly	18
Control Handle Assembly No. 132-5157	20
Control Handle Assembly No. 132-5158	22
Parking Brake Assembly	24
Deck Lift Assembly	26
HOC Lever Assembly No. 130-1755	28
Frame Assembly	30
Wheel, Tire and Bearing Assembly No. 130-4558	32
Platform Assembly	34
Engine Assembly	36
Fuel Tank Assembly	38
Wire Harness Assembly	40
Attachments and Accessories	42

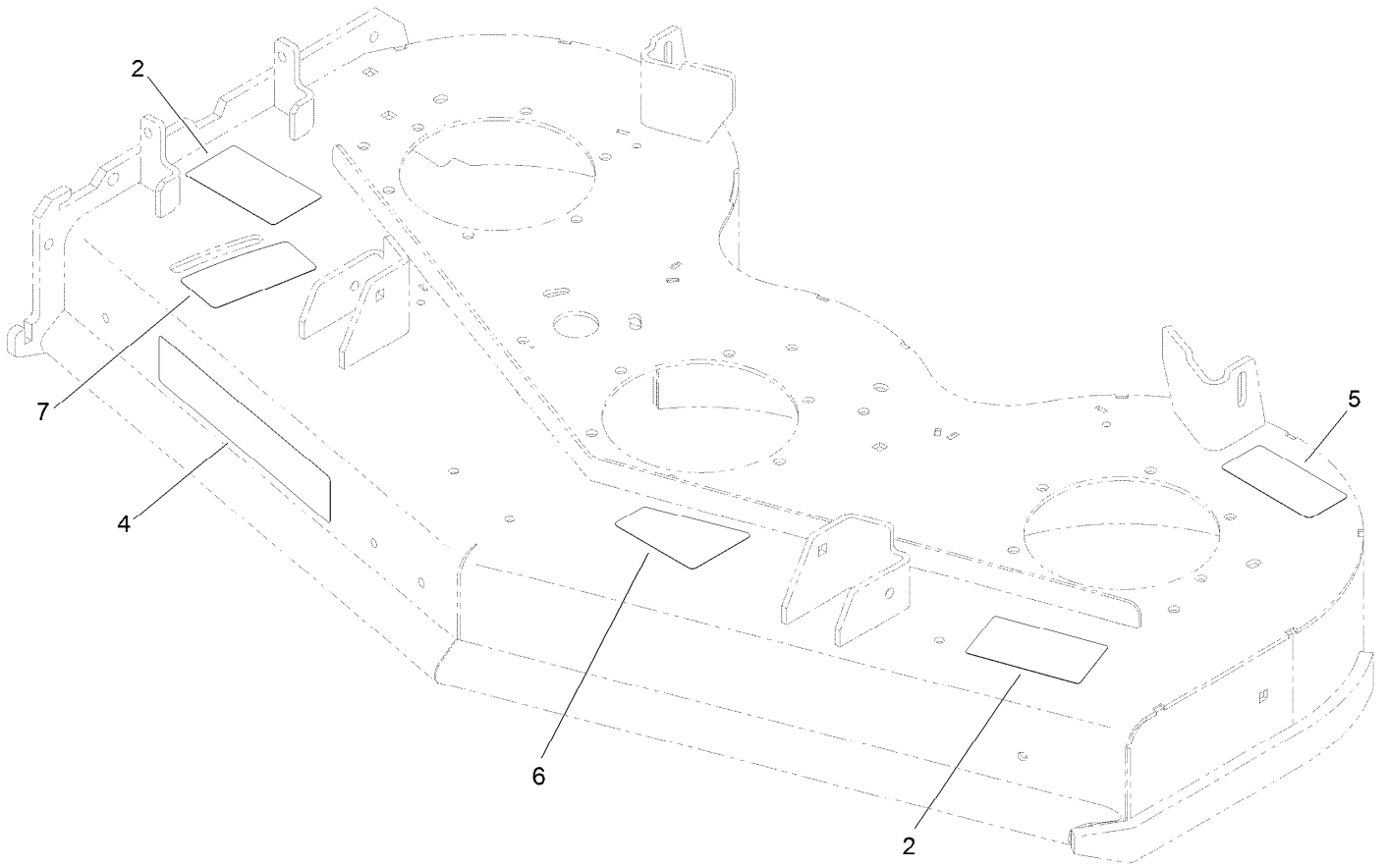
48 Inch Deck Assembly



48 Inch Deck Assembly (continued)

<i>Ref.</i>	<i>Part Number</i>	<i>Qty.</i>	<i>Description</i>	<i>Ref.</i>	<i>Part Number</i>	<i>Qty.</i>	<i>Description</i>
1	127-1931	1	Deck ASM	18	92-1624	3	Screw-HWH Thd Form
2	127-0560	3	Spindle ASM	19	105-4622	1	Spacer
3	120-6433	3	Pulley	20	322-50	1	Screw-HH
4	109-6982	3	Wireform-Cover	21	104-8300	1	Nut-HF, NI
5	109-6936	1	Cover-Belt, LH	22	108-4052	1	Spring-Torsion
6	109-6935	1	Cover-Belt, RH	23	103-0865	3	Washer-Blade Bolt, Heavy
7	117-0410-01	1	48 Inch Baffle ASM	24	51-4060	3	Screw-Blade
8	121-1790-01	1	Baffle	25	130-1812	1	Torsion Idler ASM
9	107-8541-01	1	Baffle-Discharge	26	127-1971	1	Pulley-Idler
10	117-5758-03	4	Bracket-Cover	27	323-14	1	Screw-HH
11	120-2451	1	Deflector ASM	28	114-1908-01	1	Skid
12	104-8301	48	Nut-HF, NI	29	130-6649-01	1	Bracket-Skid
13	107-3192-03	3	Blade-16.5 Inch (High Flow)	30	109-2872	1	Spacer-Pulley
14	3231-2	9	Bolt-CARR	31	132-7543	1	Idler-Pulley, Flat
15	131-1121	1	Belt-V	32	3231-44	1	Screw-CARR
16	32144-70	4	Screw-HWHTF	33	132-5154	1	Shield-Dust
17	109-6658	2	Nut-Flange, NI				

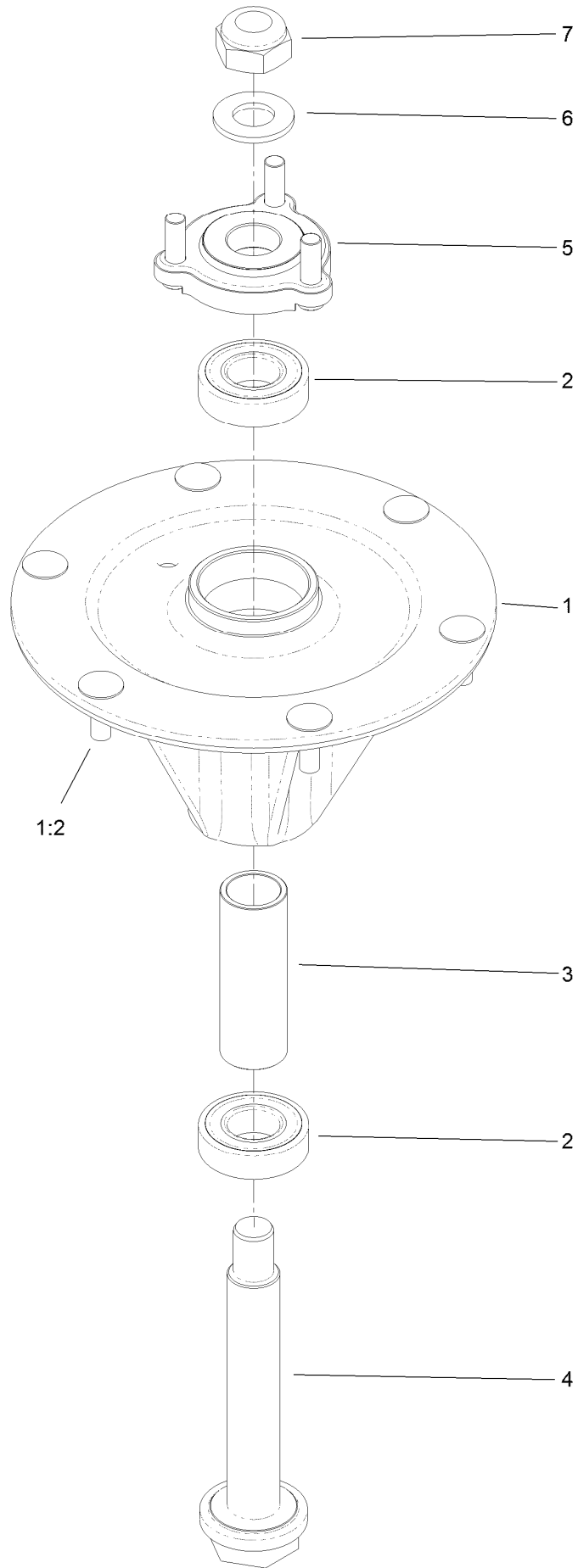
Deck Decal Assembly No. 127-1931



Deck Decal Assembly No. 127-1931 (continued)

<i>Ref.</i>	<i>Part Number</i>	<i>Qty.</i>	<i>Description</i>	<i>Ref.</i>	<i>Part Number</i>	<i>Qty.</i>	<i>Description</i>
2	133-4604	2	Decal-Danger	6	131-3507	1	Decal-Belt, Tension (CE)
4	107-1690	1	Decal	7	131-1180	1	Decal-Adjustment, Baffle
5	93-7818	1	Decal-Torque, Blade Bolt				

Spindle Assembly No. 127-0560



Spindle Assembly No. 127-0560 (continued)

<i>Ref.</i>	<i>Part Number</i>	<i>Qty.</i>	<i>Description</i>
1		1	Spindle Housing ASM W/Studs ●
1:2	114-8195	6	Bolt-Neck, Ribbed
2	116-0720	2	Bearing-Ball
3	127-0554	1	Spacer-Bearing

<i>Ref.</i>	<i>Part Number</i>	<i>Qty.</i>	<i>Description</i>
4	127-0556	1	Shaft-Spindle, Ball Bearing
5	127-0557	1	Hub-Spindle (W/Studs)
6	92-5836	1	Washer
7	3296-67	1	Nut-Lock, NI

● Not serviced separately

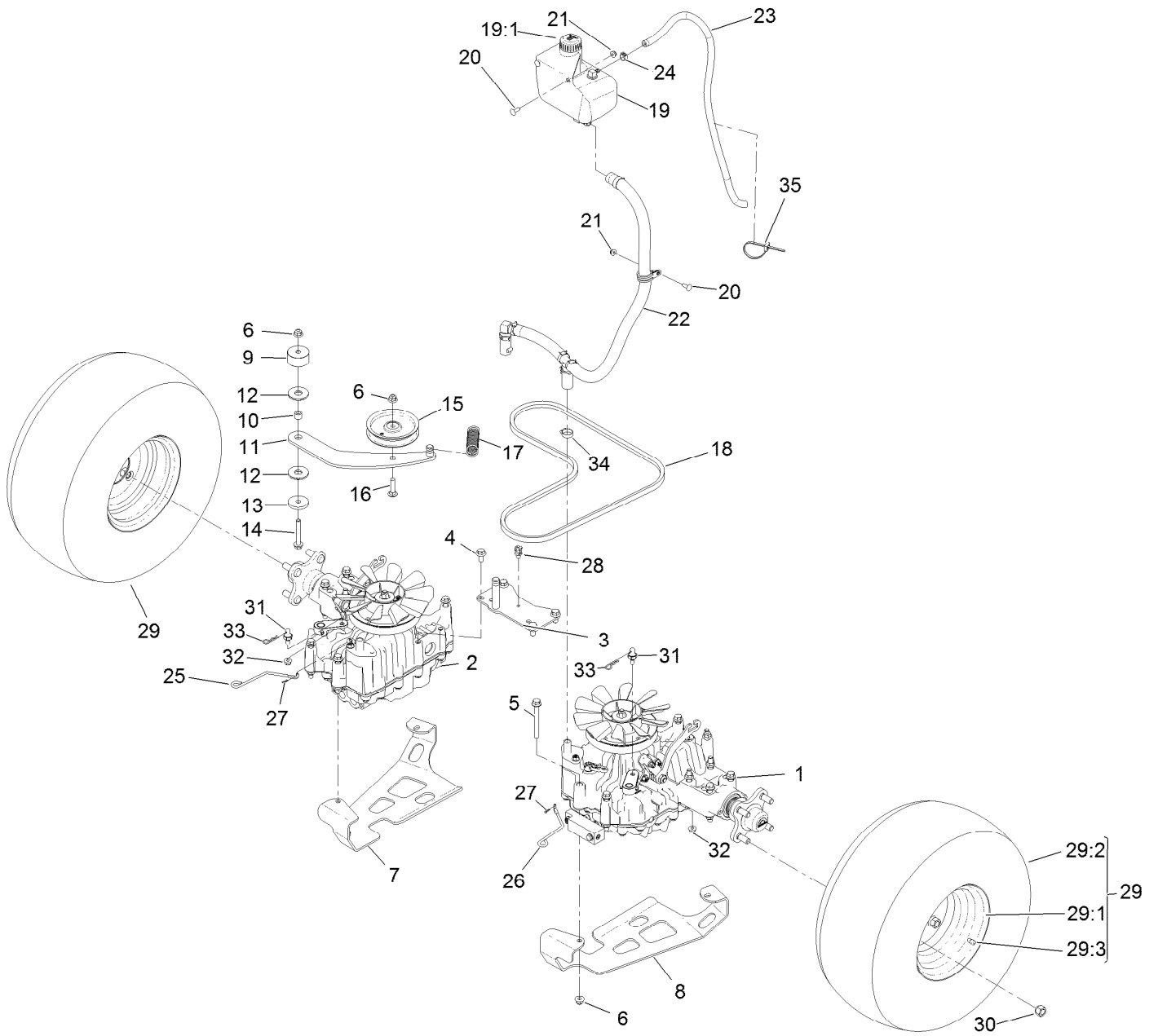
Deflector Assembly No. 120-2451



Deflector Assembly No. 120-2451 (continued)

<i>Ref.</i>	<i>Part Number</i>	<i>Qty.</i>	<i>Description</i>	<i>Ref.</i>	<i>Part Number</i>	<i>Qty.</i>	<i>Description</i>
1	3231-4	4	Screw-CARR	5	108-4059-01	1	Plate-Hinge, Rear
2	106-3246-01	1	Deflector	6	106-3253-01	1	Plate-Hinge, Front
3	106-3248-03	1	Strap-Discharge	7	104-8301	4	Nut-HF, NI
4	110-0759	1	Deflector-Rubber				

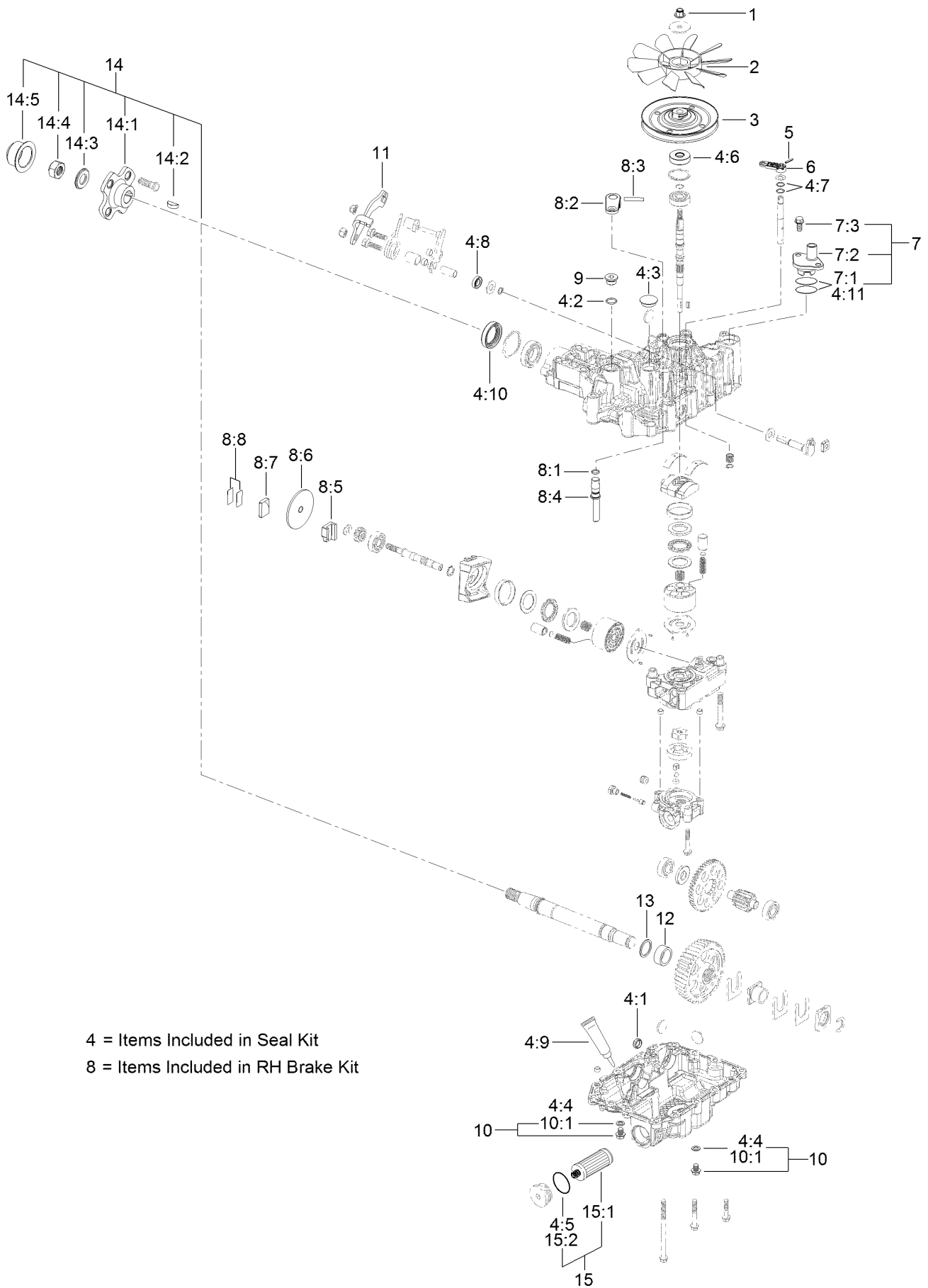
Ground Drive Assembly



Ground Drive Assembly (continued)

<i>Ref.</i>	<i>Part Number</i>	<i>Qty.</i>	<i>Description</i>	<i>Ref.</i>	<i>Part Number</i>	<i>Qty.</i>	<i>Description</i>
1	136-4101	1	LH Transmission ASM	19:1	133-8677	1	Cap-Vented
2	136-4102	1	RH Transmission ASM	20	3229-25	3	Screw-CARR
3	131-1131-03	1	Support-Transaxle	21	104-7201	3	Nut-HF, NI
4	93-2569	4	Screw-HHF	22	131-7427	1	HYD Hose ASM
5	116-4701	16	Screw-HHF	23	109-0309	1	Hose-Fuel
6	104-8301	18	Nut-HF, NI	24	92-2379	1	Clamp-Hose
7	131-7405-03	1	Plate-Skid, Transmission (RH)	25	131-7469	1	Rod-Bypass, RH
8	131-7404-03	1	Plate-Skid, Transmission (LH)	26	131-7470	1	Rod-Bypass, LH
9	117-5351	1	Spacer	27	108-2992	2	Pin-Hair
10	1-413088	1	Bushing-Lever, Lift	28	32180-030	1	Clip-Tie
11	131-1175	1	Arm-Idler	29	132-7574	2	Wheel And Tire ASM
12	114-0463	2	Washer-Friction, Composite	29:1	133-1414	1	Rim-8 Inch, Gray
13	110-9981	1	Washer-Plain	29:2	133-1417	1	Tire
14	3234-39	1	Screw-HHF	29:3	232-27	1	Stem-Valve
15	93-1622	1	Pulley-Idler	30	242-50	8	Nut-Lug
16	3231-4	1	Screw-CARR	31	132-7584	2	Spacer-Hex
17	132-1184	1	Spring-Extension	32	104-8300	2	Nut-HF, NI
18	131-1124	1	Belt-V	33	3290-250	2	Pin-Cotter
19	132-1135	1	Tank-HYD	34	2412-141	2	Clamp-Drive, Worm
				35	3290-378	1	Tie-Cable

LH Transaxle Assembly No. 136-4101



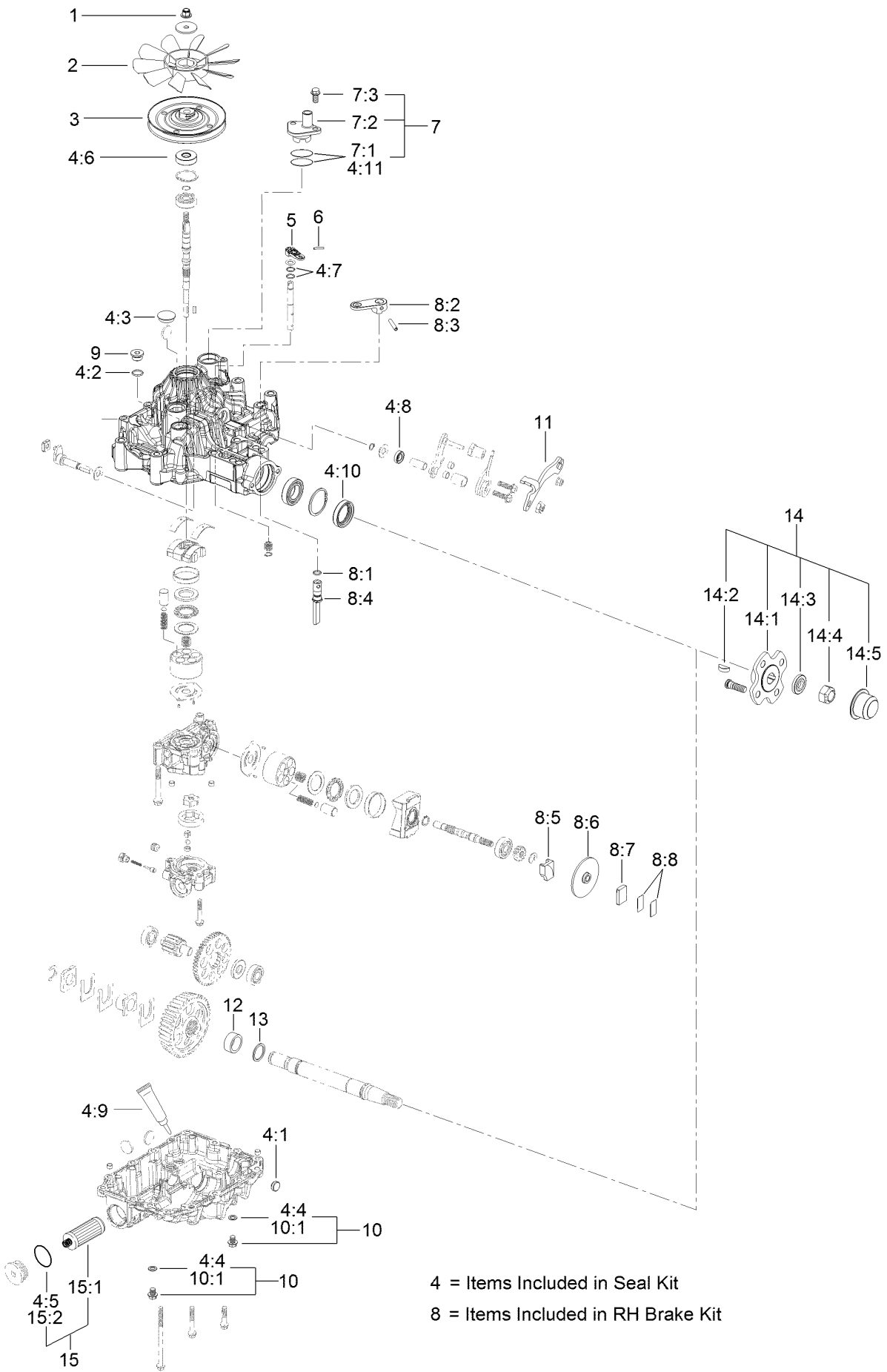
LH Transaxle Assembly No. 136-4101 (continued)

<i>Ref.</i>	<i>Part Number</i>	<i>Qty.</i>	<i>Description</i>	<i>Ref.</i>	<i>Part Number</i>	<i>Qty.</i>	<i>Description</i>
1	132-4737	1	Nut-Lock	8:2		1	Arm-Brake ■
2	132-4738	1	Fan	8:3		1	Pin-Roll ■
3	132-4739	1	Pulley	8:4		1	Shaft-Brake ■
4	136-5402	1	Seal Kit	8:5		1	Actuator-Brake ■
4:1	100-6926	1	Cap-Sealing	8:6		1	Disc-Brake ■
4:2	132-4736	1	O-Ring	8:7		1	Shoe-Brake ■
4:3		1	Cap-Seal ■	8:8		1	Shim Kit ■
4:4		2	Seal-Washer ■	9	132-4735	1	Cap-Oil
4:5		1	Packing ■	10	132-4746	1	Drain Bolt Kit
4:6	132-4744	1	Seal-Shaft	10:1		1	Seal-Washer ■
4:7		2	O-Ring ■	11	136-5401	1	Lever-Control, RH
4:8		1	Seal-Oil ■	12	132-4747	1	Sleeve
4:9	121-0959	1	Sealant	13	132-4748	1	Washer
4:10	132-4745	1	Seal-Axle	14	136-5406	1	Axle Flange Kit
4:11		1	Packing ■	14:1		1	Flange ■
5	104-3265	1	Pin	14:2		1	Key-Woodruff ■
6	132-4700	1	Lever-Bypass	14:3		1	Washer ■
7	133-1461	1	Expansion Fitting Kit	14:4	137-4128	1	Nut-Lock
7:1	136-4051	2	Seal-Fitting, Expansion	14:5		1	Nut-Cap ■
7:2		1	Fitting ■	14:6	139-5588	1	Axle ●
7:3		1	Bolt-Flange ■	15	132-4743	1	Hydro Filter Kit
8	133-1468	1	Brake Kit,Left	15:1	136-5409	2	Filter
8:1		1	O-Ring ■	15:2	136-5410	2	O-Ring

● Not illustrated

■ Not serviced separately

RH Transaxle Assembly No. 136-4102



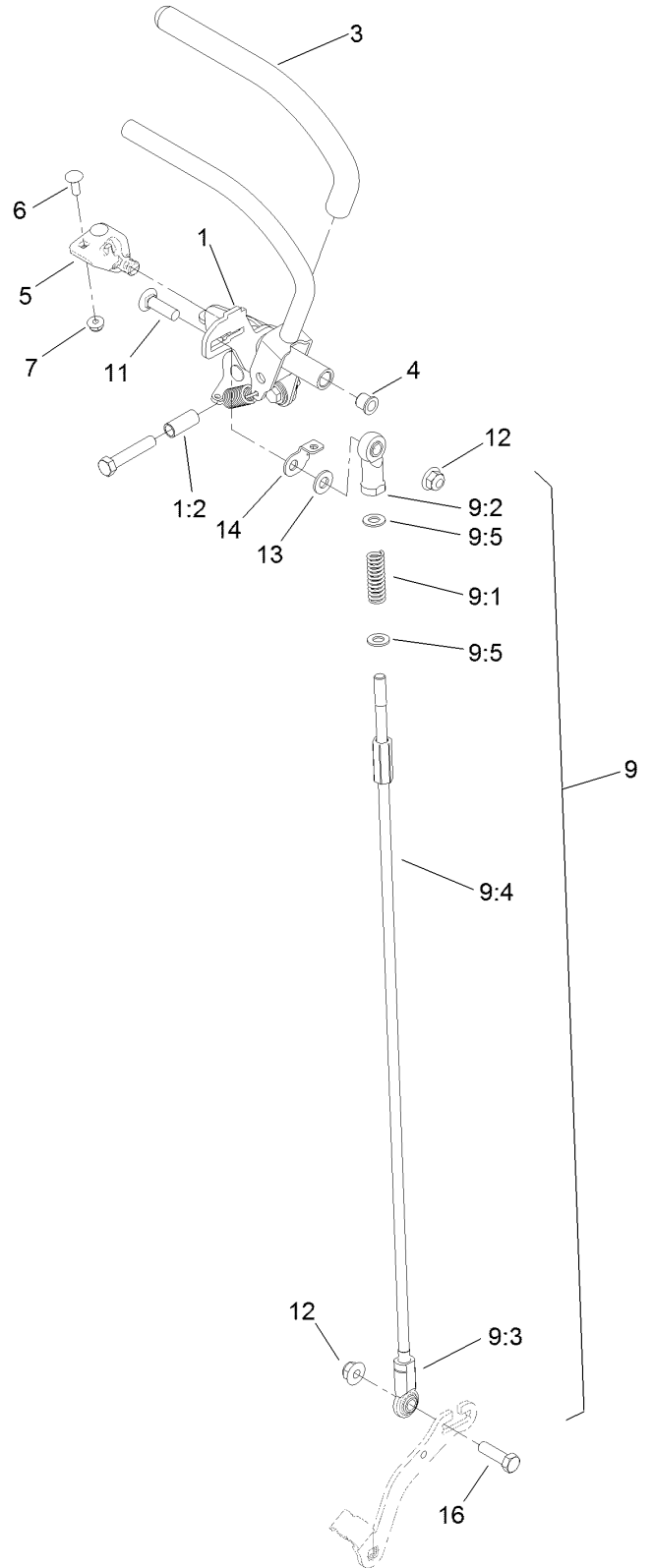
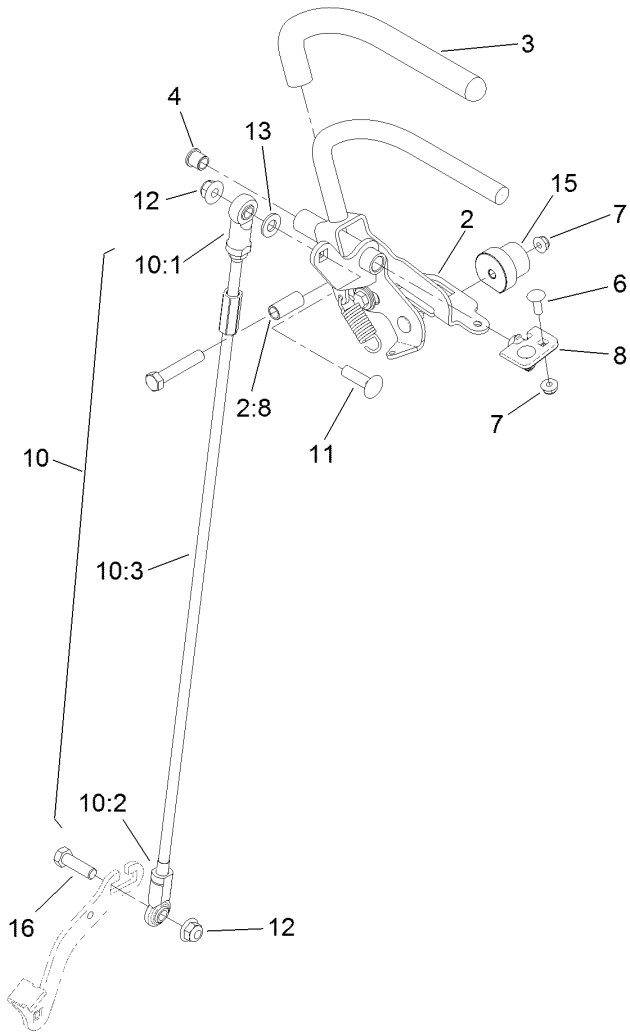
RH Transaxle Assembly No. 136-4102 (continued)

<i>Ref.</i>	<i>Part Number</i>	<i>Qty.</i>	<i>Description</i>	<i>Ref.</i>	<i>Part Number</i>	<i>Qty.</i>	<i>Description</i>
1	132-4737	1	Nut-Lock	8:2		1	Arm-Brake ■
2	132-4738	1	Fan	8:3		1	Pin-Roll ■
3	132-4739	1	Pulley	8:4		1	Shaft-Brake ■
4	136-5402	1	Seal Kit	8:5		1	Actuator-Brake ■
4:1	100-6926	1	Cap-Sealing	8:6		1	Disc-Brake ■
4:2	132-4736	1	O-Ring	8:7		1	Shoe-Brake ■
4:3		1	Cap-Seal ■	8:8		1	Shim Kit ■
4:4		2	Seal-Washer ■	9	132-4735	1	Cap-Oil
4:5		1	Packing ■	10	132-4746	1	Drain Bolt Kit
4:6	132-4744	1	Seal-Shaft	10:1		1	Seal-Washer ■
4:7		2	O-Ring ■	11	136-5401	1	Lever-Control, RH
4:8		1	Seal-Oil ■	12	132-4747	1	Sleeve
4:9	121-0959	1	Sealant	13	132-4748	1	Washer
4:10	132-4745	1	Seal-Axle	14	136-5406	1	Axle Flange Kit
4:11		1	Packing ■	14:1		1	Flange ■
5	104-3265	1	Pin	14:2		1	Key-Woodruff ■
6	132-4700	1	Lever-Bypass	14:3		1	Washer ■
7	133-1461	1	Expansion Fitting Kit	14:4	137-4128	1	Nut-Lock
7:1	136-4051	2	Seal-Fitting, Expansion	14:5		1	Nut-Cap ■
7:2		1	Fitting ■	14:6	139-5588	1	Axle ●
7:3		1	Bolt-Flange ■	15	132-4743	1	Hydro Filter Kit
8	133-1462	1	RH Brake Kit	15:1	136-5409	2	Filter
8:1		1	O-Ring ■	15:2	136-5410	2	O-Ring

● Not illustrated

■ Not serviced separately

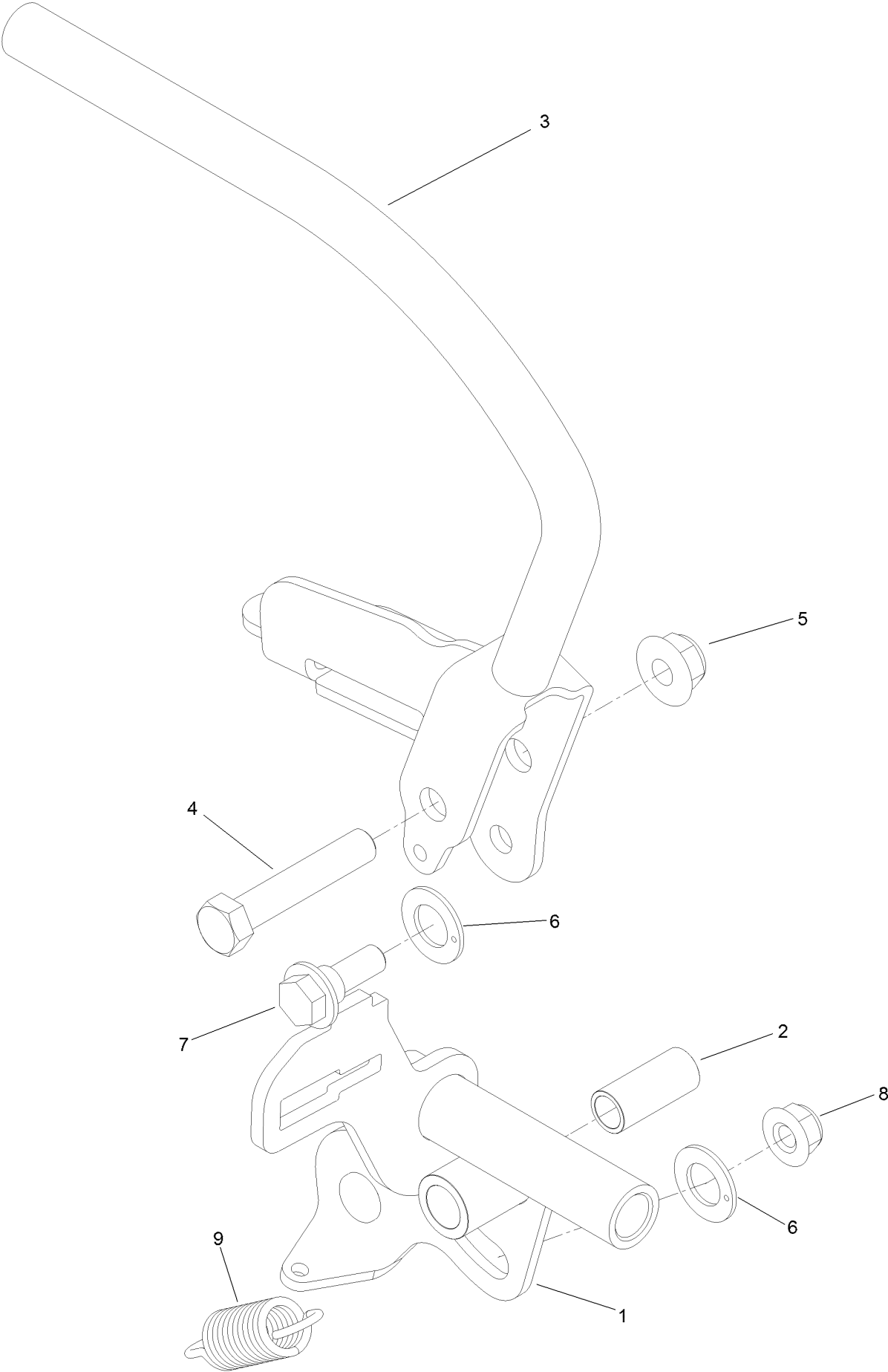
Motion Control Assembly



Motion Control Assembly (continued)

<i>Ref.</i>	<i>Part Number</i>	<i>Qty.</i>	<i>Description</i>	<i>Ref.</i>	<i>Part Number</i>	<i>Qty.</i>	<i>Description</i>
1	132-5157	1	LH Control Handle ASM	9:3	103-1167	1	Joint-Ball End, LH
1:2	131-3562	1	Bearing-Sleeve	9:4	132-7515	1	Rod-Control
2	132-5158	1	RH Control Handle ASM	9:5	3256-45	2	Washer-Flat
2:8	131-3562	1	Bearing-Sleeve	10	130-1807	1	RH Control Rod ASM
3	119-0222	2	Grip	10:1	92-7008	1	End-Rod, Female
4	103-9928	2	Bearing	10:2	103-1167	1	Joint-Ball End, LH
5	120-3288	1	Tab-Pivot, LH	10:3	132-7515	1	Rod-Control
6	3229-1	4	Screw-CARR	11	3231-28	2	Screw-CARR
7	104-7201	6	Nut-HF, NI	12	104-8301	4	Nut-HF, NI
8	120-3287	1	Tab-Pivot, RH	13	3256-24	2	Washer-Plain
9	130-1803	1	LH Control Rod ASM	14	132-7538	1	Bracket-Adjustment, Speed
9:1	1-603807	1	Spring-Return, Neutral	15	126-1499	2	Cam
9:2	92-7008	1	End-Rod, Female	16	323-7	2	Screw-HH

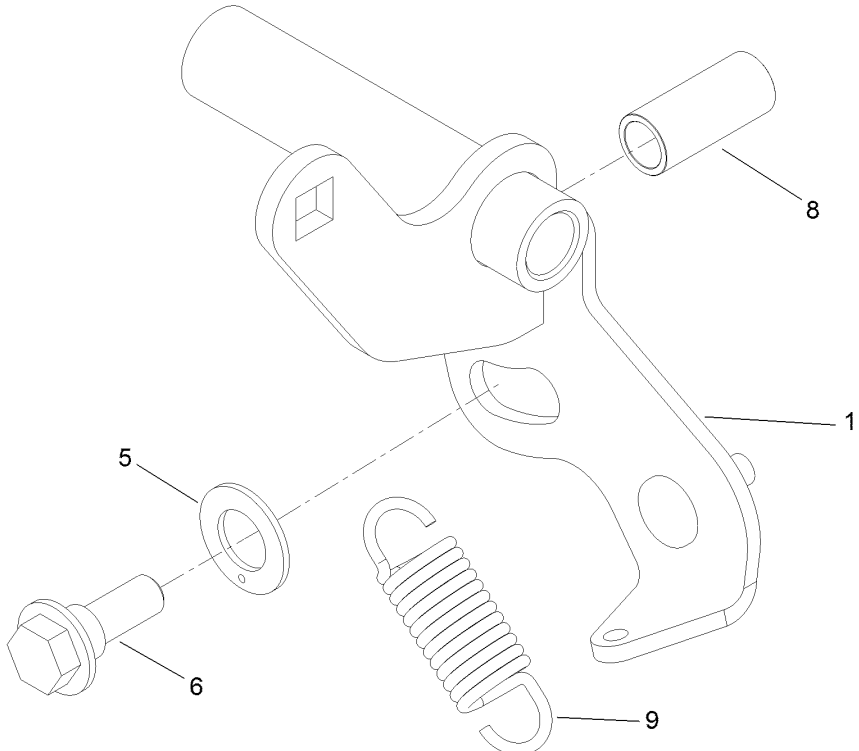
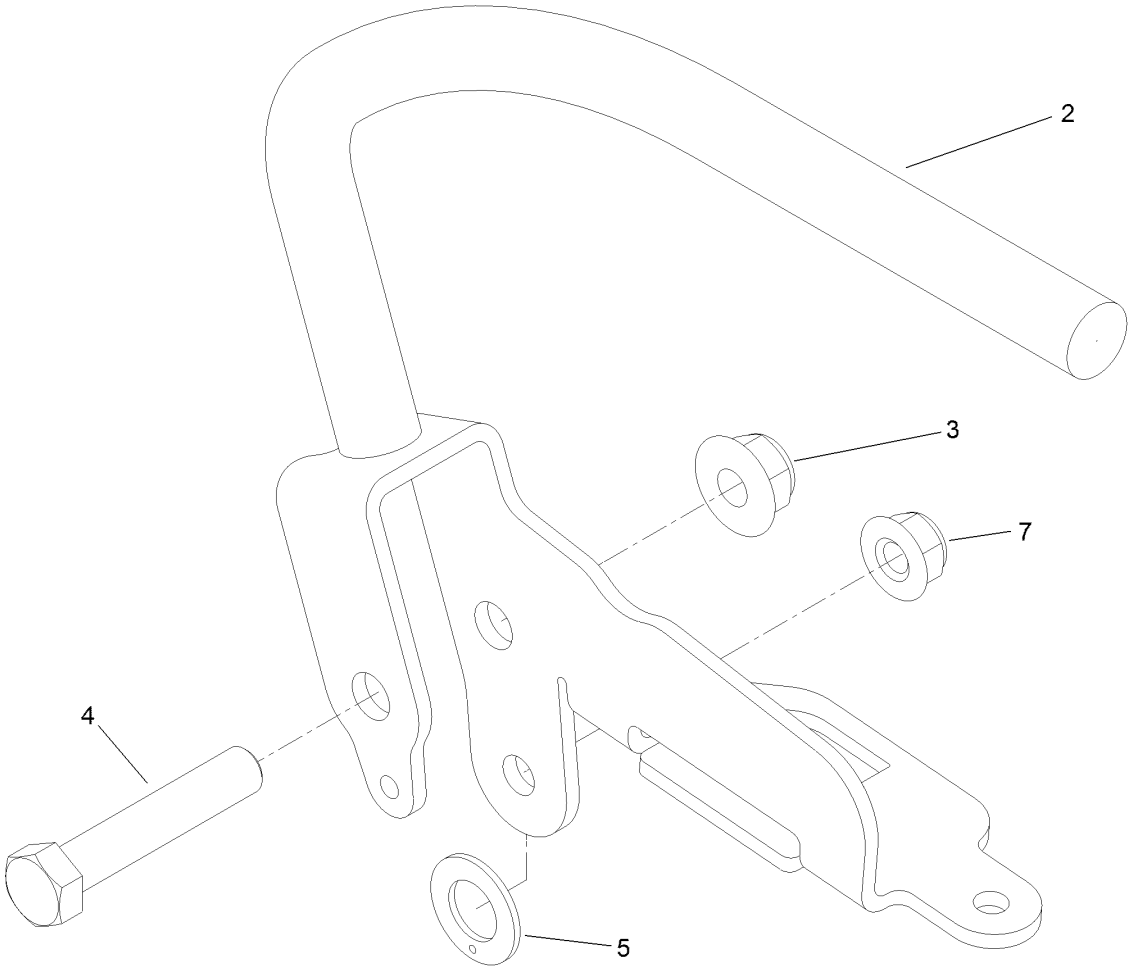
Control Handle Assembly No. 132-5157



Control Handle Assembly No. 132-5157 (continued)

<i>Ref.</i>	<i>Part Number</i>	<i>Qty.</i>	<i>Description</i>	<i>Ref.</i>	<i>Part Number</i>	<i>Qty.</i>	<i>Description</i>
1	132-5115	1	Pivot-Control, Motion (LH)	6	110-7191	2	Washer-Thrust
2	131-3562	1	Bearing-Sleeve	7	116-2670	1	Screw-Shoulder
3	132-5114-03	1	Lever-LH	8	104-8300	1	Nut-HF, NI
4	323-10	1	Screw-HH	9	132-5146	1	Spring-Extension
5	104-8301	1	Nut-HF, NI				

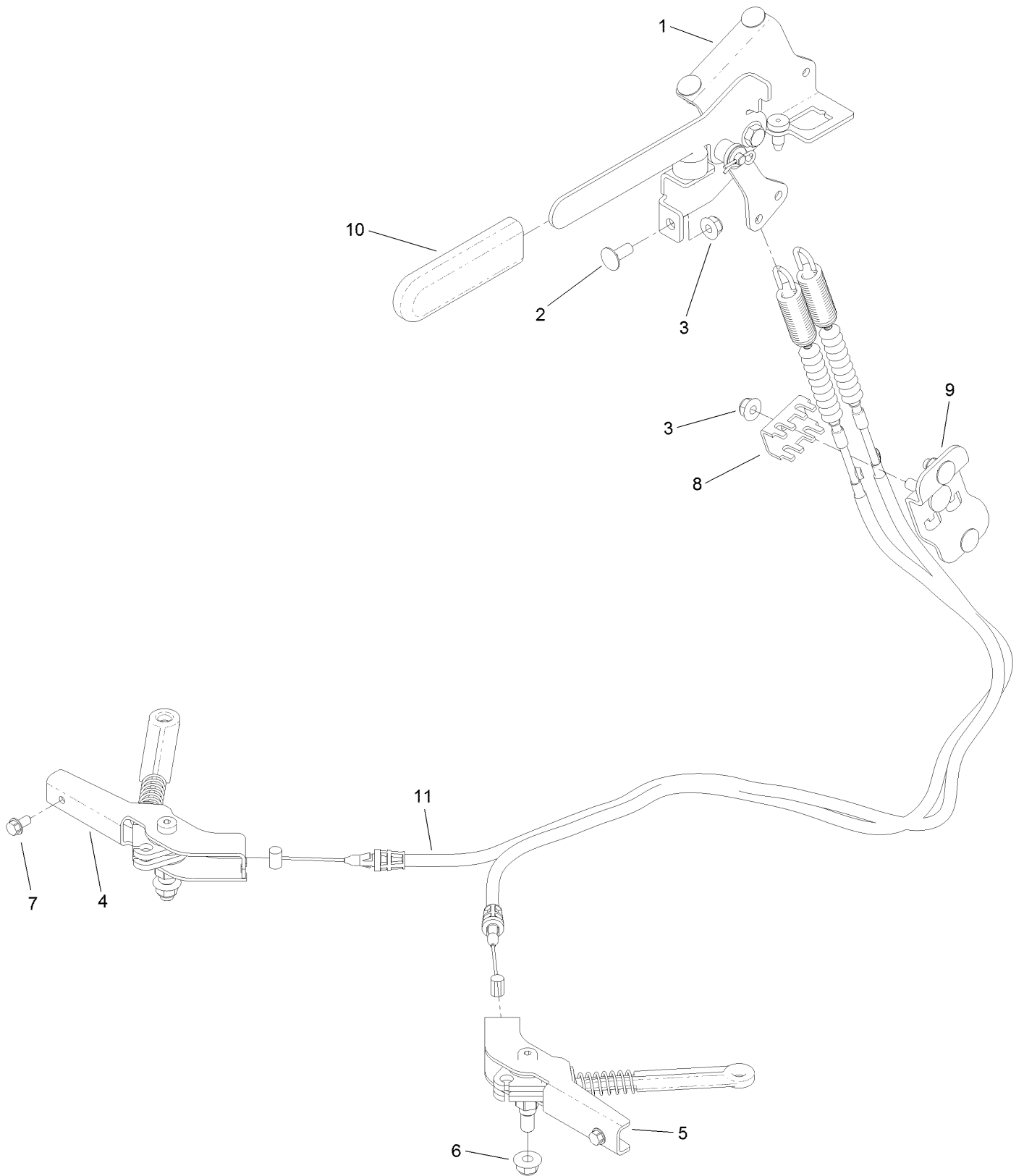
Control Handle Assembly No. 132-5158



Control Handle Assembly No. 132-5158 (continued)

<i>Ref.</i>	<i>Part Number</i>	<i>Qty.</i>	<i>Description</i>	<i>Ref.</i>	<i>Part Number</i>	<i>Qty.</i>	<i>Description</i>
1	120-8490	1	Pivot-Control, Motion (RH)	6	116-2670	1	Screw-Shoulder
2	130-1825-03	1	Lever-RH	7	104-8300	1	Nut-HF, NI
3	104-8301	1	Nut-HF, NI	8	131-3562	1	Bearing-Sleeve
4	323-10	1	Screw-HH	9	132-5146	1	Spring-Extension
5	110-7191	2	Washer-Thrust				

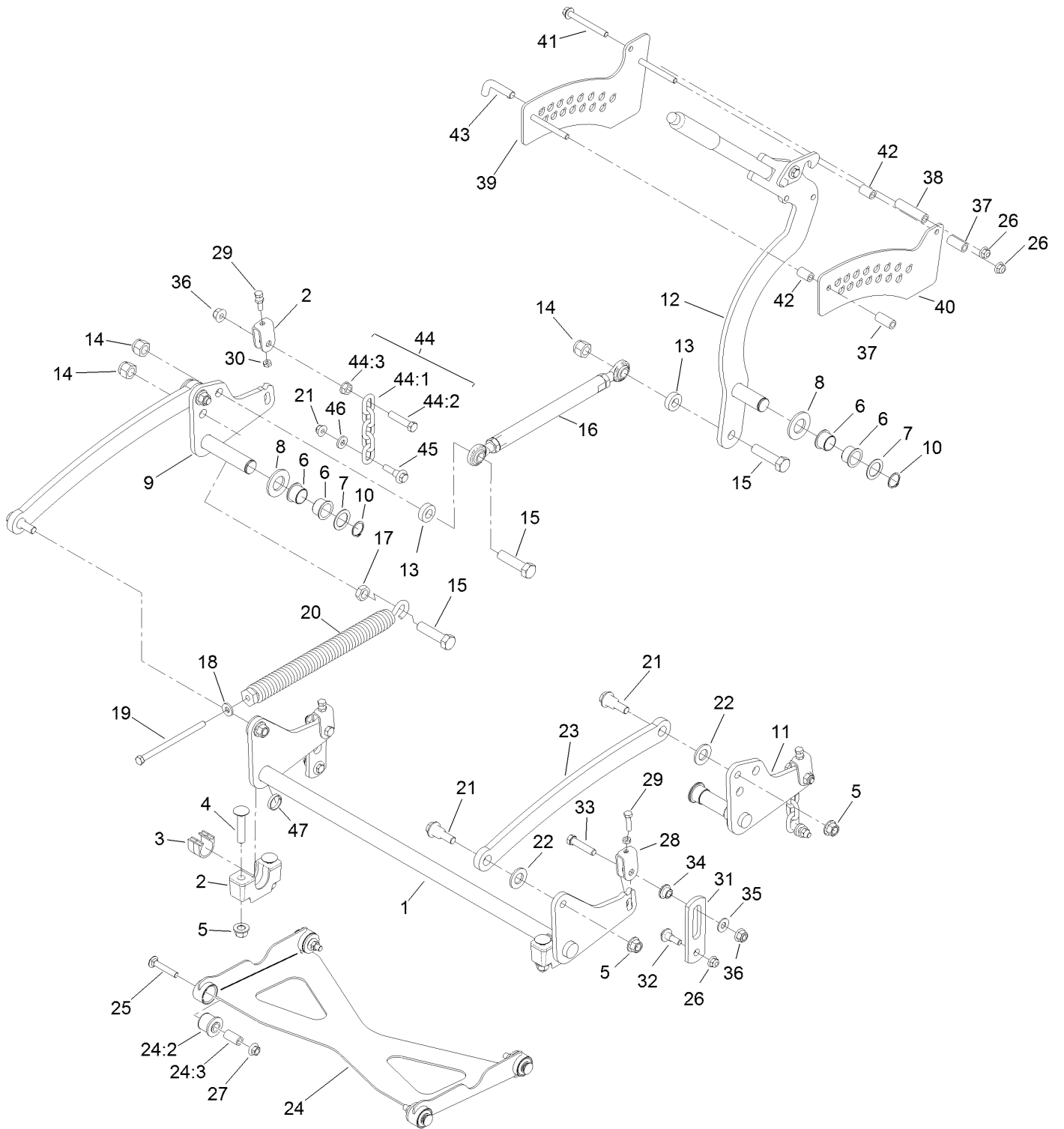
Parking Brake Assembly



Parking Brake Assembly (continued)

<i>Ref.</i>	<i>Part Number</i>	<i>Qty.</i>	<i>Description</i>	<i>Ref.</i>	<i>Part Number</i>	<i>Qty.</i>	<i>Description</i>
1	132-5170	1	Brake Handle ASM	7	32144-4	2	Screw-HWH
2	3230-23	5	Bolt-CARR	8	132-1187	1	Clamp-Cable
3	104-8300	6	Nut-HF, NI	9	132-7582	1	Mount-Cable, Brake
4	132-5168	1	RH Brake Caliper ASM	10	1-633268	1	Grip-Lever
5	132-5169	1	LH Brake Caliper ASM	11	131-1195	2	Cable-Brake
6	104-8301	2	Nut-HF, NI				

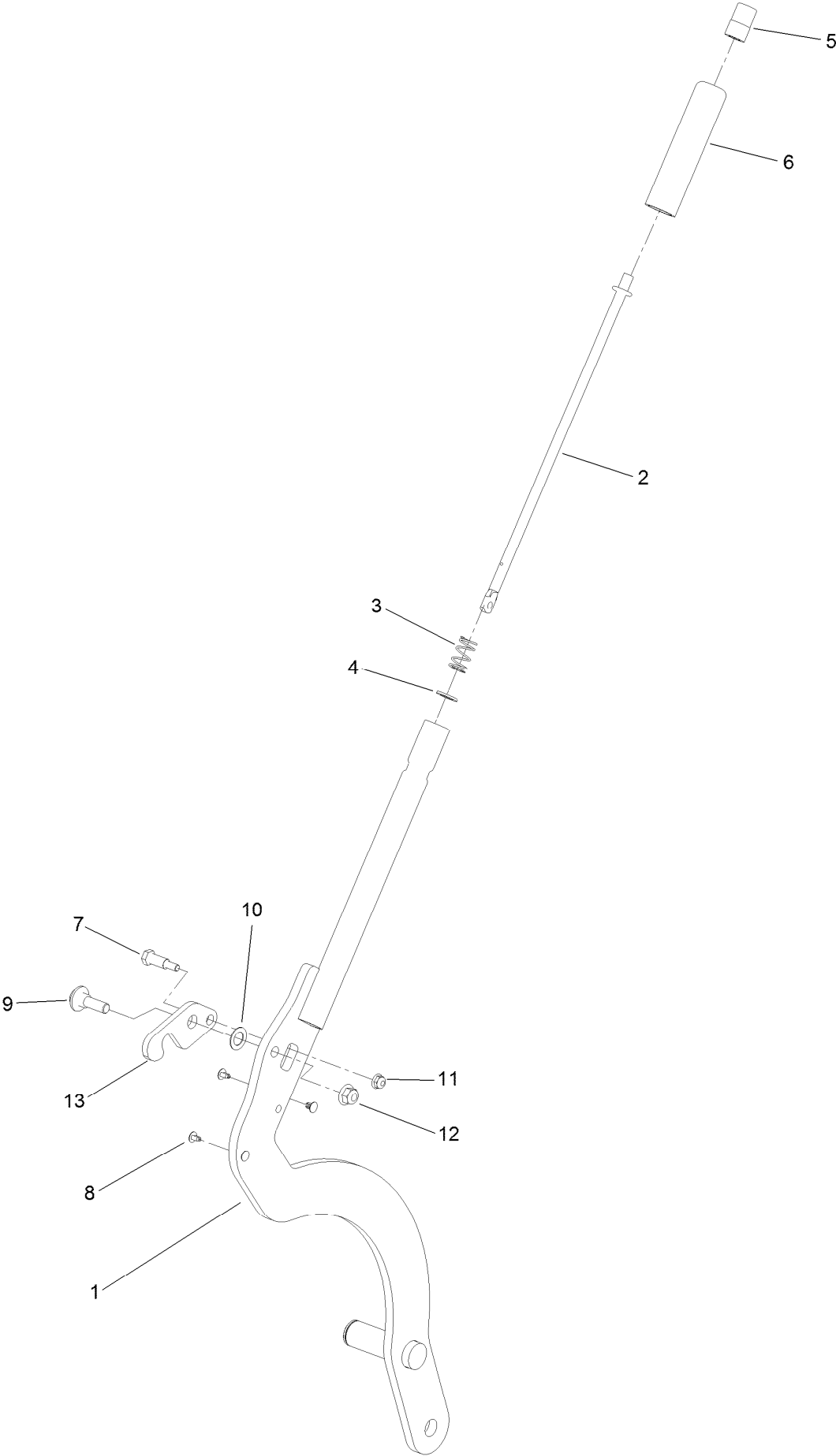
Deck Lift Assembly



Deck Lift Assembly (continued)

<i>Ref.</i>	<i>Part Number</i>	<i>Qty.</i>	<i>Description</i>	<i>Ref.</i>	<i>Part Number</i>	<i>Qty.</i>	<i>Description</i>
1	120-8405-01	1	Shaft-Cross, Front	24:3	108-6544	4	Spacer
2	109-9409	2	Support-Bearing, Cross Shaft (Front)	25	3231-7	4	Screw-CARR
3	109-9410	2	Bearing-Cross Shaft, Front	26	104-8301	7	Nut-HF, NI
4	116-1700	4	Bolt-CARR	27	32128-19	4	Nut-HF Lock, Large Flg
5	99-5107	8	Nut-Lock	28	109-9066	4	Yoke-Adjust, Deck
6	127-0369	6	Bushing	29	322-47	4	Screw-HH
7	10-8110	3	Washer-Thrust	30	3218-2	8	Nut-Hex Jam
8	3256-62	3	Washer-Flat	31	130-6589	2	Link-Lift
9	120-8411-01	1	Arm-Lift, RH	32	109-9840	2	Screw-Shoulder, HHF
10	32151-29	3	Ring-Retaining	33	109-9065	2	Screw-HH
11	120-8410-01	1	Arm-Lift, LH	34	116-2428	2	Bushing-Flanged
12	130-1755	1	HOC Lever ASM	35	3256-4	2	Washer-Flat
13	119-6223	2	Washer	36	114-8417	4	Nut-HF, NI
14	AU230-42110	3	Nut-Hex, Center Lock	37	104-0151	2	Spacer
15	327-7	3	Screw-HH	38	84-2350	1	Spacer-Long
16	130-6615	1	HOC Link ASM	39	132-7581	1	HOC Plate And Decal ASM
17	3218-6	1	Nut-Jam	40	131-1103-01	1	Plate-HOC, Inner
18	98-5975	1	Washer-Belleville	41	116-4701	3	Screw-HHF
19	323-58	1	Bolt-TAP, HH	42	80-7590	2	Spacer
20	116-0886	1	Spring-Extension	43	116-5584	1	Pin-HOC
21	116-0780	4	Screw-Shoulder, HHF	44	116-0756	2	Deck Lift Chain ASM
22	3256-28	4	Washer-Flat	44:1	1-633447	1	Chain-Lift, Deck
23	127-1948-03	2	Link-Lift	44:2	109-9065	1	Screw-HH
24	136-5675	1	Deck Strut ASM	44:3	32128-37	1	Nut-HF
24:2	126-8360	4	Bushing-Rubber, Suspension	45	130-0742	2	Bolt-Shoulder
				46	43-0940	2	Spacer
				47	133-1431	1	Spacer-Split

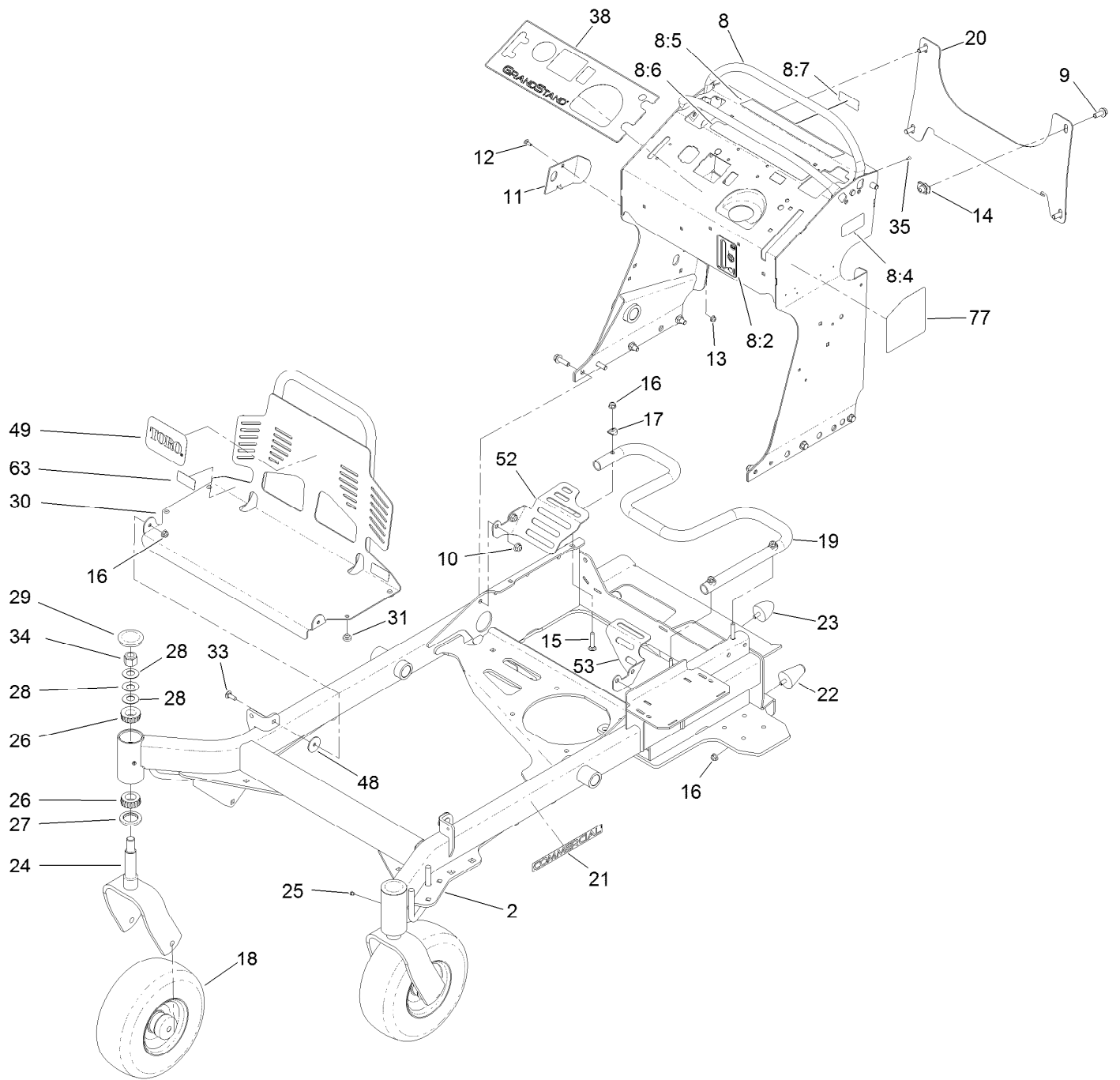
HOC Lever Assembly No. 130-1755



HOC Lever Assembly No. 130-1755 (continued)

<i>Ref.</i>	<i>Part Number</i>	<i>Qty.</i>	<i>Description</i>	<i>Ref.</i>	<i>Part Number</i>	<i>Qty.</i>	<i>Description</i>
1	130-1775-01	1	Lever-Lift	8	103-1363	4	Rivet
2	136-0530	1	Rod-Latch, Release	9	614672	1	Screw-Shoulder, HWH
3	114-8187	1	Spring-Compression	10	98-1629	1	Washer
4	114-1207	1	Washer-Special	11	104-7201	1	Nut-HF, NI
5	115-2750	1	Knob	12	104-8301	1	Nut-HF, NI
6	115-3592	1	Grip	13	131-7452	1	Latch-HOC
7	119-2309	1	Bolt-Shldr,HH				

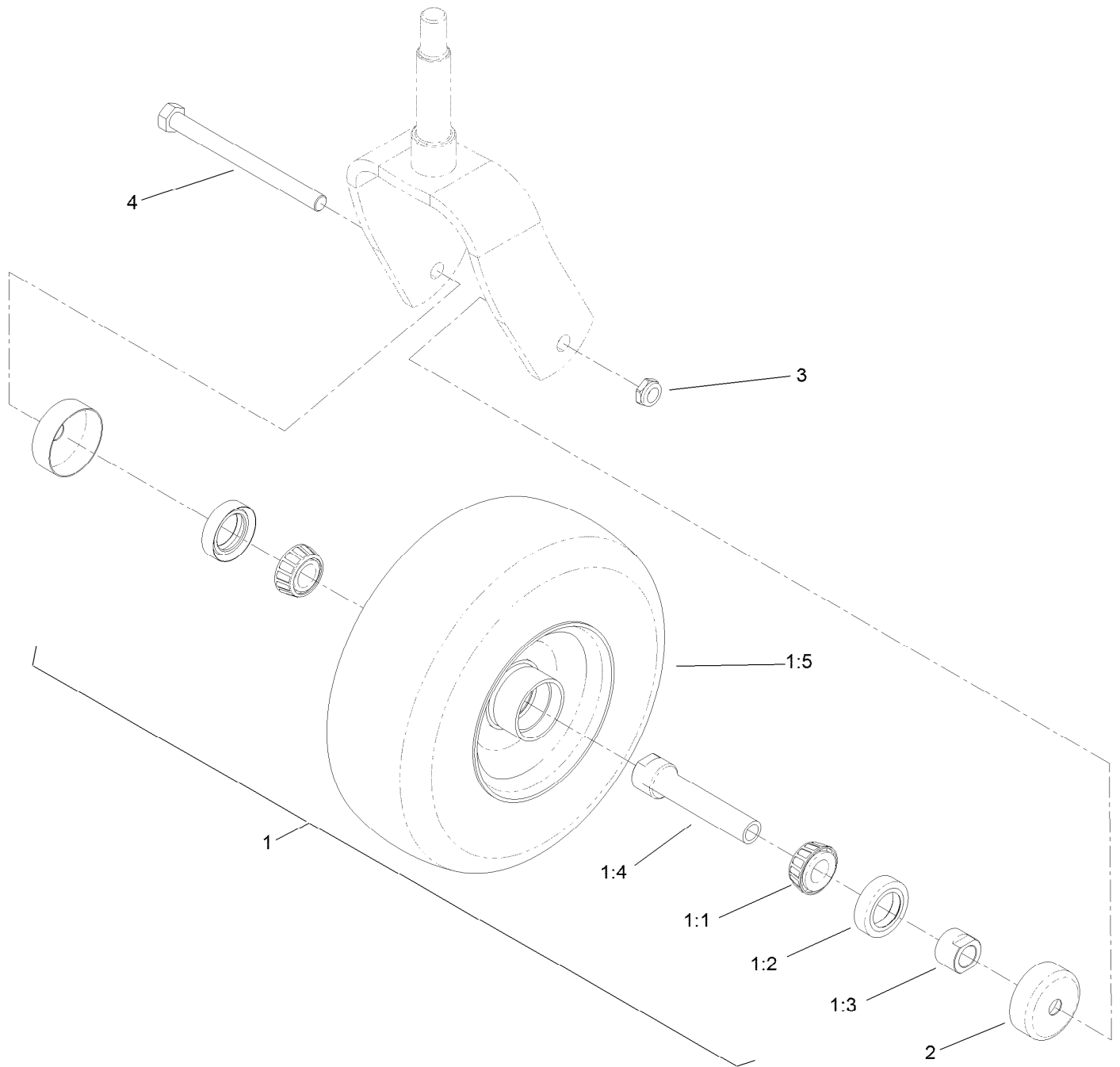
Frame Assembly



Frame Assembly (continued)

<i>Ref.</i>	<i>Part Number</i>	<i>Qty.</i>	<i>Description</i>	<i>Ref.</i>	<i>Part Number</i>	<i>Qty.</i>	<i>Description</i>
2	131-7423-01	1	Frame	22	114-1925	2	Bumper-Rubber
8	132-7537	1	Tower Decal ASM	23	114-1926	2	Bumper-Rubber
8:2	131-3524	1	Decal-Level, Oil	24	121-7988-01	2	Fork-Caster
8:4	116-8775	1	Decal-Fill, Fuel	25	1-811010	2	Plug
8:5	131-3527	1	Decal-Caution	26	1-543509	4	Bearing-Roller, Tapered
8:6	131-3526	1	Decal-Controls	27	116-5647	2	Seal-Grease
8:7	131-3528	1	Decal-Fuse	28	1-633508	6	Washer-Bellville
9	3234-42	4	Screw-HHF	29	103-4882	2	Cap-Grease
10	104-8301	8	Nut-HF, NI	30	132-5150-03	1	Guard-Engine
11	131-7455	1	Plate-Striker	31	1-513658	4	Bumper
12	3229-11	1	Screw-CARR	33	3230-10	2	Bolt-CARR
13	104-7201	1	Nut-HF, NI	34	3296-51	2	Nut-Lock, NI
14	105-4886	4	Nut-Tinnerman	35	3290-271	2	Rivet-Pop
15	3230-5	3	Bolt-CARR	38	130-1790	1	Decal-Panel, Control
16	104-8300	9	Nut-HF, NI	48	107-3002	2	Washer-Nylon
17	107-3844	3	Washer	49	105-8278	1	Decal
18	130-4558	2	Wheel/Tire And Bearing ASM	52	132-7578-01	1	Guard-Fan, RH
19	132-5161-01	1	Tube-Mount, Fuel Tank	53	132-7598-01	1	Guard-Fan, LH
20	132-1145-03	1	Bracket-Cross	63	133-4641	2	Decal-Warning, No Riders
21	117-3591	2	Decal-Commercial	77	131-3529	1	Decal-Service Aid

Wheel, Tire and Bearing Assembly No. 130-4558



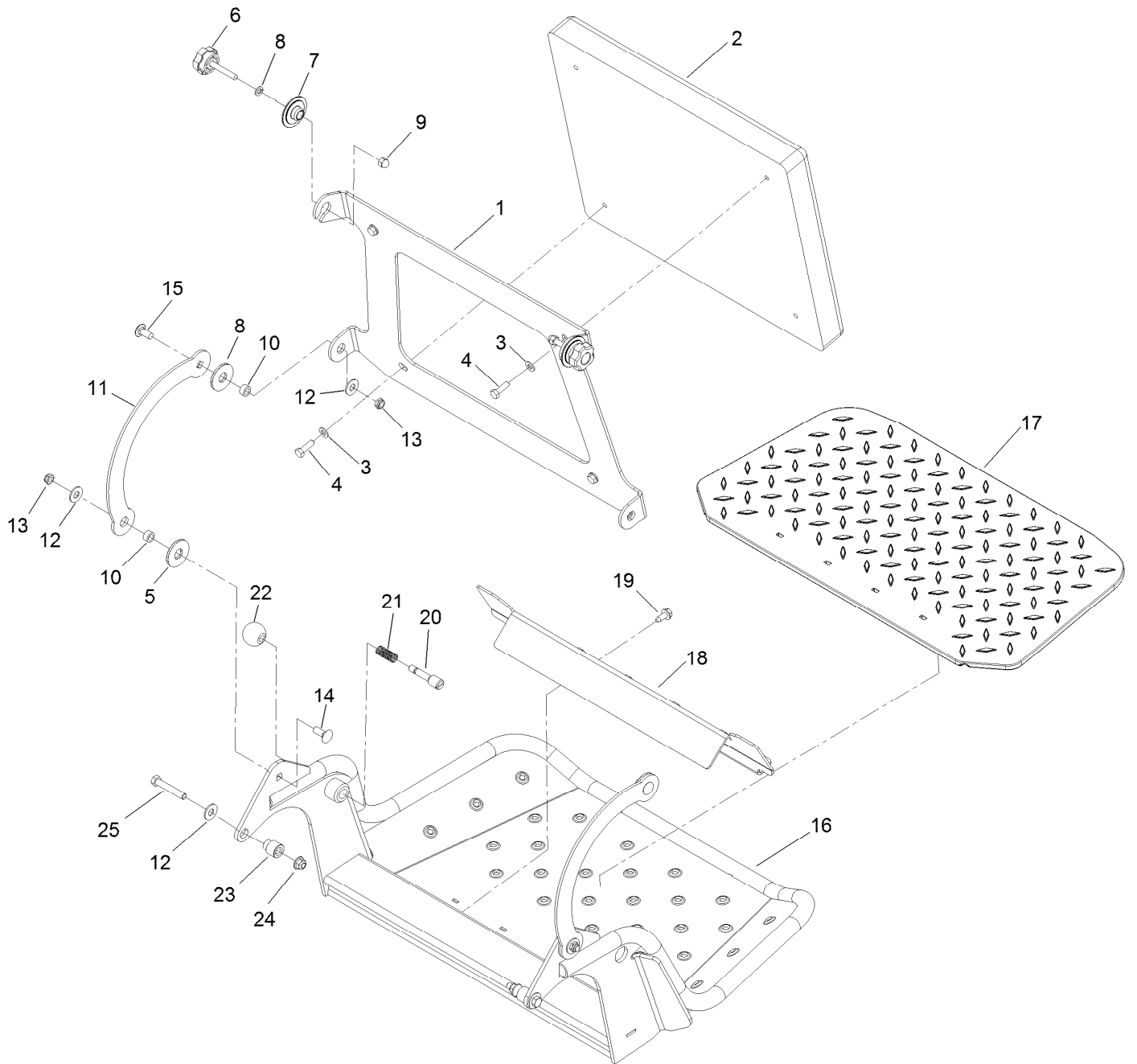
Wheel, Tire and Bearing Assembly No. 130-4558 (continued)

<i>Ref.</i>	<i>Part Number</i>	<i>Qty.</i>	<i>Description</i>	<i>Ref.</i>	<i>Part Number</i>	<i>Qty.</i>	<i>Description</i>
1		1	Wheel And Bearing ASM ●	1:5	130-4563	1	Wheel And Tire ASM
1:1	1-633585	2	Bearing-Cone, Taper	2	103-2768	2	Guard-Seal
1:2	103-0063	2	Seal-Caster	3	3296-45	1	Nut-Hex
1:3	103-3051	1	Spacer-Nut ■	4	325-20	1	Screw-HH
1:4	126-5359	1	Caster Axle ASM				

● Not serviced separately

■ Use Pro-Lock, Nut Type (P/N 1-840022, .5ml tube) on spacer nut

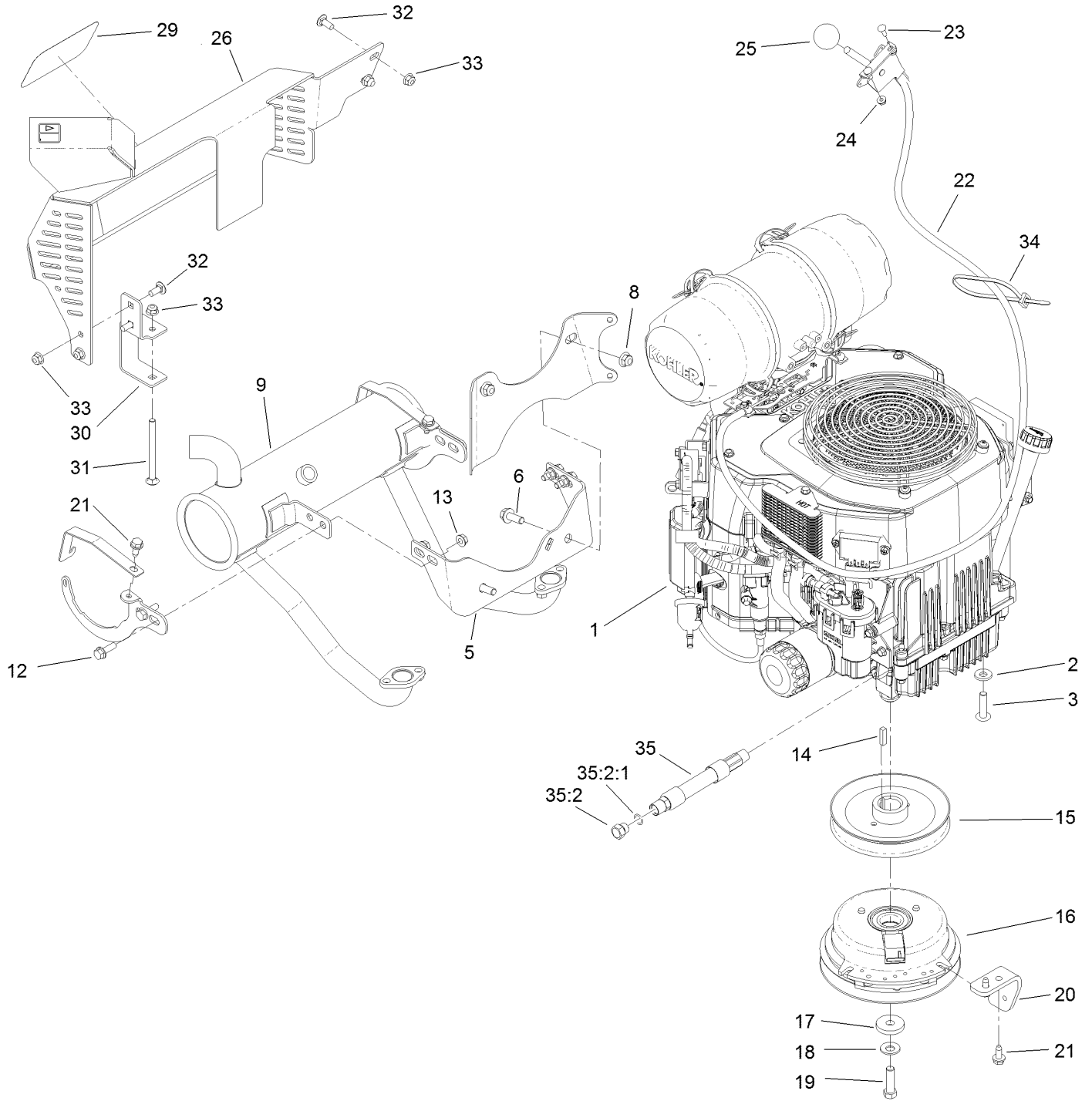
Platform Assembly



Platform Assembly (continued)

<i>Ref.</i>	<i>Part Number</i>	<i>Qty.</i>	<i>Description</i>	<i>Ref.</i>	<i>Part Number</i>	<i>Qty.</i>	<i>Description</i>
1	120-8499-03	1	Hinge-Pad	14	3231-2	2	Bolt-CARR
2	117-9739	1	Pad-Cushion	15	3231-27	2	Screw-CARR
3	3256-23	4	Washer-Plain	16	120-8475-01	1	Platform
4	121-7999	4	Screw-HH, Patch	17	126-7157	1	Mat-Platform
5	114-0463	4	Washer-Friction, Composite	18	136-5669-01	1	Clamp-Shield
6	133-1426	2	Knob	19	32144-70	2	Screw-HWHTF
7	116-2886	2	Slide-Bushing	20	119-8650	1	Pin-Latch
8	3253-4	2	Washer-Lock	21	114-5348	1	Spring
9	131-4535	2	Nut-Acorn	22	1-603175	1	Knob-Ball
10	111044	4	Spacer	23	132-7583	2	Bushing-Flanged
11	114-1915-01	2	Link-Pad	24	104-8301	2	Nut-HF, NI
12	3256-4	6	Washer-Flat	25	323-11	2	Screw-HH
13	3296-59	4	Nut-Lock, NI				

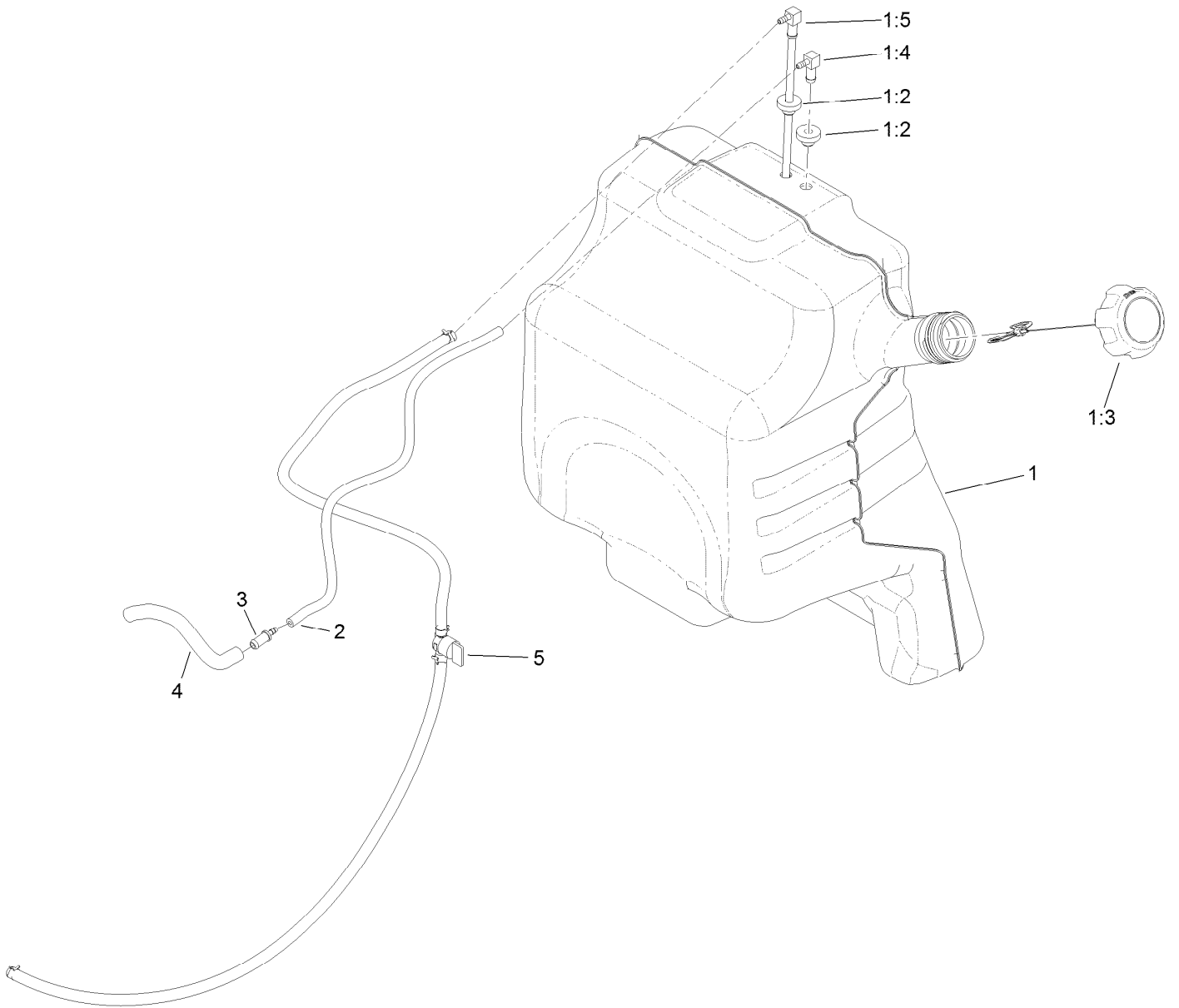
Engine Assembly



Engine Assembly (continued)

<i>Ref.</i>	<i>Part Number</i>	<i>Qty.</i>	<i>Description</i>	<i>Ref.</i>	<i>Part Number</i>	<i>Qty.</i>	<i>Description</i>
1	130-6637	1	Engine-Kohler, Evc730	21	32144-70	4	Screw-HWHTF
2	98-5975	4	Washer-Belleville	22	132-5152	1	Throttle ASM
3	126-0983	4	Screw-BHTF	23	1-807533	2	Bolt-CARR
5	132-1168	1	Bracket-Muffler	24	32128-17	2	Nut-Lock, Flange
6	3234-42	2	Screw-HHF	25	1-603175	1	Knob-Ball
8	104-8301	2	Nut-HF, NI	26	131-3550	1	Muffler Guard ASM
9	133-4634	1	Muffler-Kohler	29	94-2579	1	Decal
12	3234-17	4	Screw-HHF	30	131-3530-03	1	Bracket-Mounting, Guard
13	32128-25	4	Nut-HF	31	106-9758	1	Screw-CARR
14	1-807259	1	Key	32	3230-23	4	Bolt-CARR
15	120-8498	1	Pulley	33	104-8300	5	Nut-HF, NI
16	131-1100	1	Clutch	34	3290-378	1	Tie-Cable
17	107-4136	1	Washer-Flat	35	133-4657	1	Hose ASM
18	1-603610	1	Washer-Spring	35:2	353-508	1	Plug-HH
19	3212-6	1	Screw-HH	35:2:1	237-42	1	O-Ring
20	131-3586-03	1	Stop-Clutch				

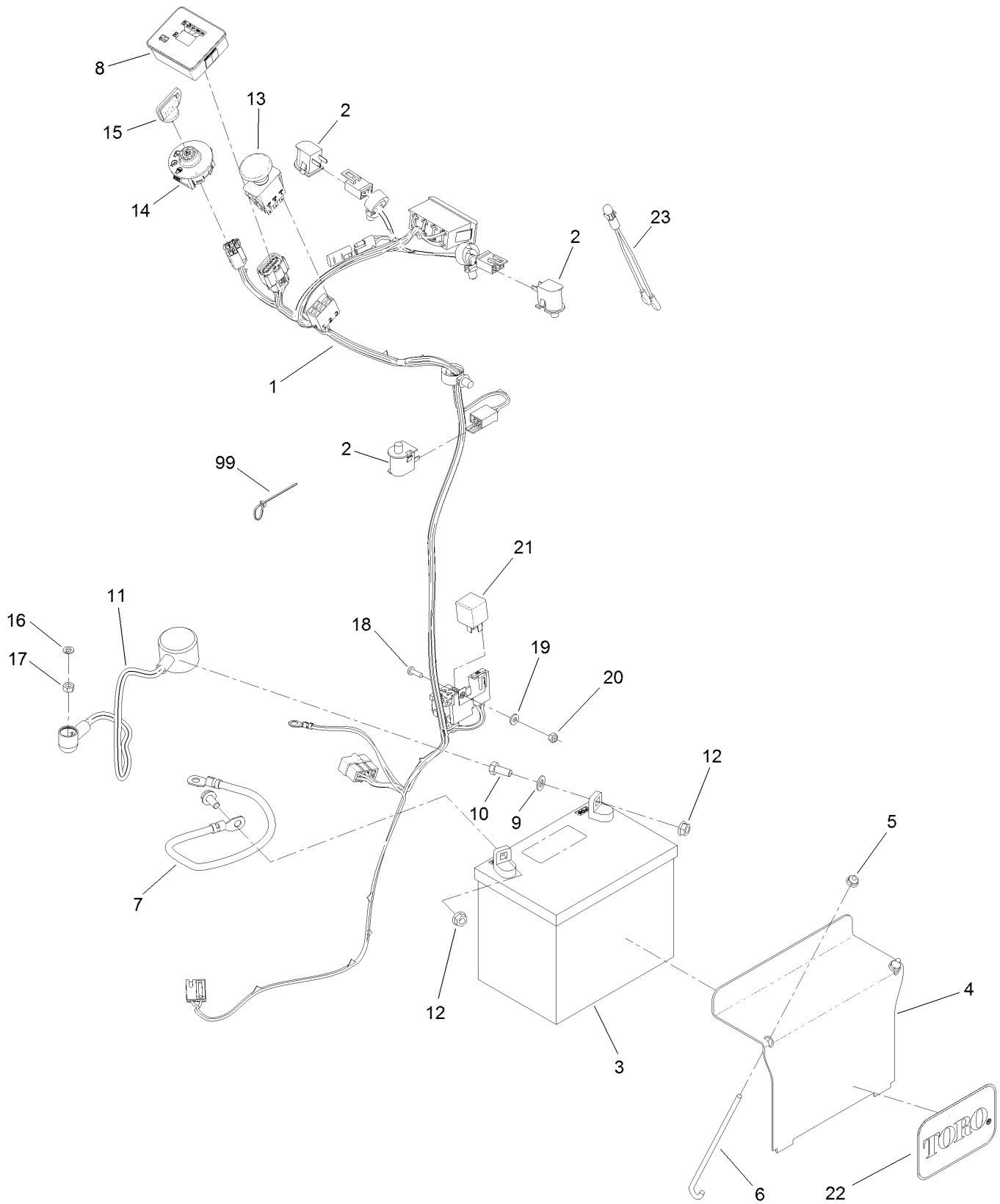
Fuel Tank Assembly



Fuel Tank Assembly (continued)

<i>Ref.</i>	<i>Part Number</i>	<i>Qty.</i>	<i>Description</i>	<i>Ref.</i>	<i>Part Number</i>	<i>Qty.</i>	<i>Description</i>
1	132-7560	1	Fuel Tank ASM	2	110-8255	1	Hose-Fuel
1:2	46-6560	2	Bushing	3	98-2952	1	Fitting-Straight
1:3	115-7788	1	Cap-Fuel	4	132-7576	1	Hose-Fuel
1:4	104-5228	1	Fitting-Elbow, 90 DEG	5	132-7545	1	Fuel Line ASM
1:5	132-7559	1	*obs* Fuel Tube ASM				

Wire Harness Assembly



Wire Harness Assembly (continued)

<i>Ref.</i>	<i>Part Number</i>	<i>Qty.</i>	<i>Description</i>	<i>Ref.</i>	<i>Part Number</i>	<i>Qty.</i>	<i>Description</i>
1	136-5422	1	Harness-Wire	13	114-0279	1	Switch-PTO, On-On
2	82-2190	3	Switch-Bail	14	117-2222	1	Switch-Ignition
3	104-8162	1	Battery	15	63-8360	1	Key-Ignition
4	130-6635-01	1	Bracket-Hold Down, Battery	16	3253-3	1	Washer-Lock
5	104-7201	2	Nut-HF, NI	17	3217-5	1	Nut-Hex
6	1-633651	2	Bolt-Holddown	18	3290-500	1	Screw-PPH
7	112-7063	1	Cable-Battery, Black	19	3256-14	1	Washer-Flat
8	130-6570	1	Module-Meter, Hour	20	3296-2	1	Nut-Lock, NI
9	3256-23	2	Washer-Plain	21	1-643275	1	Relay
10	322-3	2	Screw-HH	22	67-1300	1	Decal
11	115-3864	1	Cable-Battery, Positive	23	1-643267	1	Indicator-LED, Red
12	109-5715	2	Nut-HHF, Smooth	99	3290-378	4	Tie-Cable

Attachments and Accessories

For 74518 GrandStand Mower With 48in TURBO FORCE Cutting Unit

Product Name	Model/Part
Air Cleaner Filter.....	100-4556
Filter Air Safety	103-1326
Blade-Hi Flow, 16.5in.....	107-3192-03
Blade-Low Flow, 16.5in.....	107-3193-03
Blade-Mid Flow, 16.5in	107-3194-03
Blade-Atomic, 16.5in	107-3195-03
Blade-Recycling, 16.5in.....	107-3196-03
Bagging Enhancement Kit	108-4091
Blade-Hi Flow, 16.5in (6 Pack).....	110-0414
Blade-Lo Flow, 16.5in (6 Pack)	110-0415
Blade-Recycler, 16.5in (6 Pack).....	110-0416
Blade-Atomic, 16.5in (6 Pack)	110-0417
Blade-Mid Flow, 16.5in (6 Pack)	110-0418
15-Pound Cast Weight.....	112-7059-01
Hypr-Oil 500 (quart)	114-4713
Hypr-Oil 500 (gallon).....	114-4714
Hypr-Oil 500-5 (5 gallon).....	114-4715
Recycler Kit	115-7466
Brake Hub Puller.....	116-6518
Harness Wire Splitter	121-5988
Spark Plug	130-8380
Fuel Filter.....	130-8381
Toro Premium Fuel Treatment 12oz Bottle.....	131-6572
Blade And Belt Kit-48 In.....	132-4740
Hydro Filter Kit.....	132-4743
Speed Setting Tool.....	132-7595
Stand-On Weight Kit	133-1428
Chute Gate Kit W/ Bag.....	133-1434
Trash Bag Assembly.....	133-1435
Roller Striper Kit.....	133-1436
Light Kit.....	133-1437
Electric Accessory Port.....	133-1438
HOC Set Blocks.....	133-1439
Anti-Scalp Kit, 48/52 Grandstand Deck.....	133-1440
Trimmer Rack	133-1441
Hydro Oil Change Kit	133-1457
Strobe Light Kit	133-1495
5 Gallon Bucket	133-2533
Hydraulic Cap Lock Kit.....	136-5420
Bucket Mount Kit.....	136-5681
Pneumatic Castor Wheel Kit	137-4136
Bagger Enhancement Kit.....	139-1529
Starter Fuse Kit, GrandStand Mower	139-5555
18x8.5n10 X-Tweel Turf.....	139-7890
6in Hose Kit, E-Z Vac Twin Bagger, 2016 and After Grandstand Mower	139-7930
Blower Upgrade Kit, Twin Bagger, 2016 and After Grandstand Mower.....	139-7940

Attachments and Accessories (continued)

Soft Bag (3 Bushel).....	30104
10W30 4-Cycle Engine Oil (32oz Bottle).....	38280
Toro 4-Cycle SAE 30 Oil (32oz Bottle)	38903
Twin Bagger Kit.....	78524
Blower Drive 48In	78525
E-Z Vac Bagger	78570
48in Ez Vac Blower Drive K	78574
Spark Arrestor	98-9099
Filter-Oil	98020



Count on it.