



**Count on it.**

**Parts Catalog**

**TimeCutter® MyRIDE® 54in Zero Turn**

**Riding Mower**

**Model No. 77507—Serial No. 417200000 and Up**



# Ordering Replacement Parts

To order replacement parts, please supply the part number, the quantity, and the description of each part desired.

## Understanding Reference Numbers

Each identified part in an illustration has a reference number. The reference number for a part also appears in the parts list, along with other information about the part.

This catalog uses two special reference number formats, one to indicate parts in a service assembly and another to indicate the quantity of a given part in an illustration.

## Service Assembly Reference Numbers

Parts in service assemblies have reference numbers in the form a:b. The a represents the reference number of the entire service assembly and the b represents a sequential number unique to each part within the service assembly.

For example, a wheel assembly might be identified by reference number 6, the tire by 6:1, the valve by 6:2, and the wheel by 6:3. When you order the assembly identified by reference number 6, you receive all parts identified by reference numbers 6:1, 6:2, and 6:3. However, you may also order any part individually. Reference numbers of this type appear in illustration and in parts lists.

## Reference Numbers Indicating Quantity

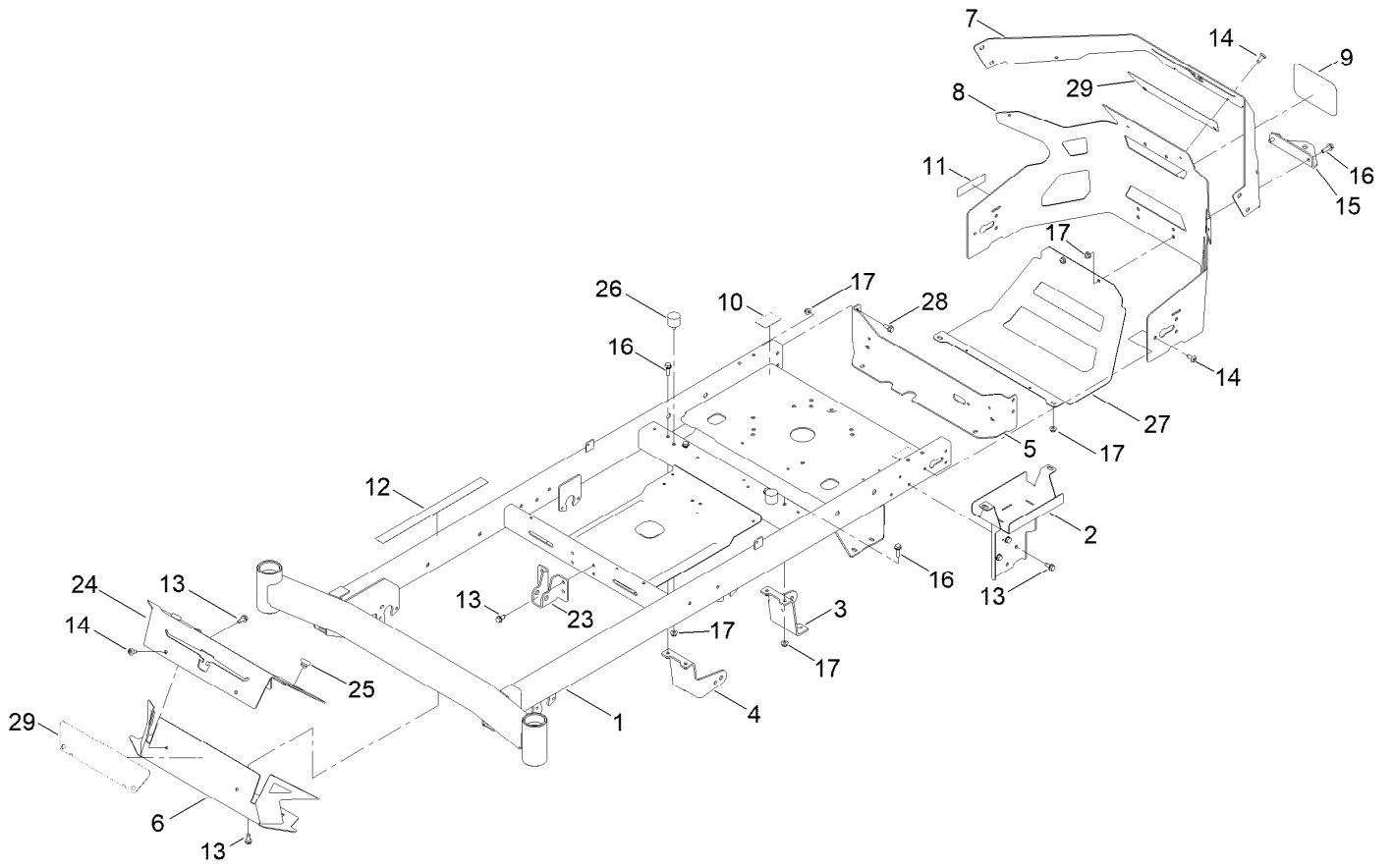
In an illustration, if a reference number indicates more than one part, the reference number has the form nX y. The n represents the quantity of the part, the X is the multiplication symbol, and the y represents the reference number.

For example, in an illustration, the reference number 2X 37 means that two of the parts identified by reference number 37 are indicated.

# Contents

Frame Assembly . . . . .	4
Deck Lift Assembly . . . . .	6
Caster Wheel Assembly . . . . .	8
Wheel Assembly No. 145-4692 . . . . .	10
Traction Drive Assembly . . . . .	12
LH Transaxle Assembly No. 139-7470 . . . . .	14
RH Transaxle Assembly No. 139-7471 . . . . .	16
Brake Assembly . . . . .	18
Tire Assembly . . . . .	20
Motion Control Assembly . . . . .	22
Engine and Muffler Assembly . . . . .	24
Fuel Pod Assembly . . . . .	26
Electrical Assembly . . . . .	28
54in Deck and Decal Assembly . . . . .	30
Decal Assembly . . . . .	32
Seat Pan Assembly . . . . .	34
Seat Assembly No. 147-8731 . . . . .	36
Clutch Assembly . . . . .	38
Attachments and Accessories . . . . .	40

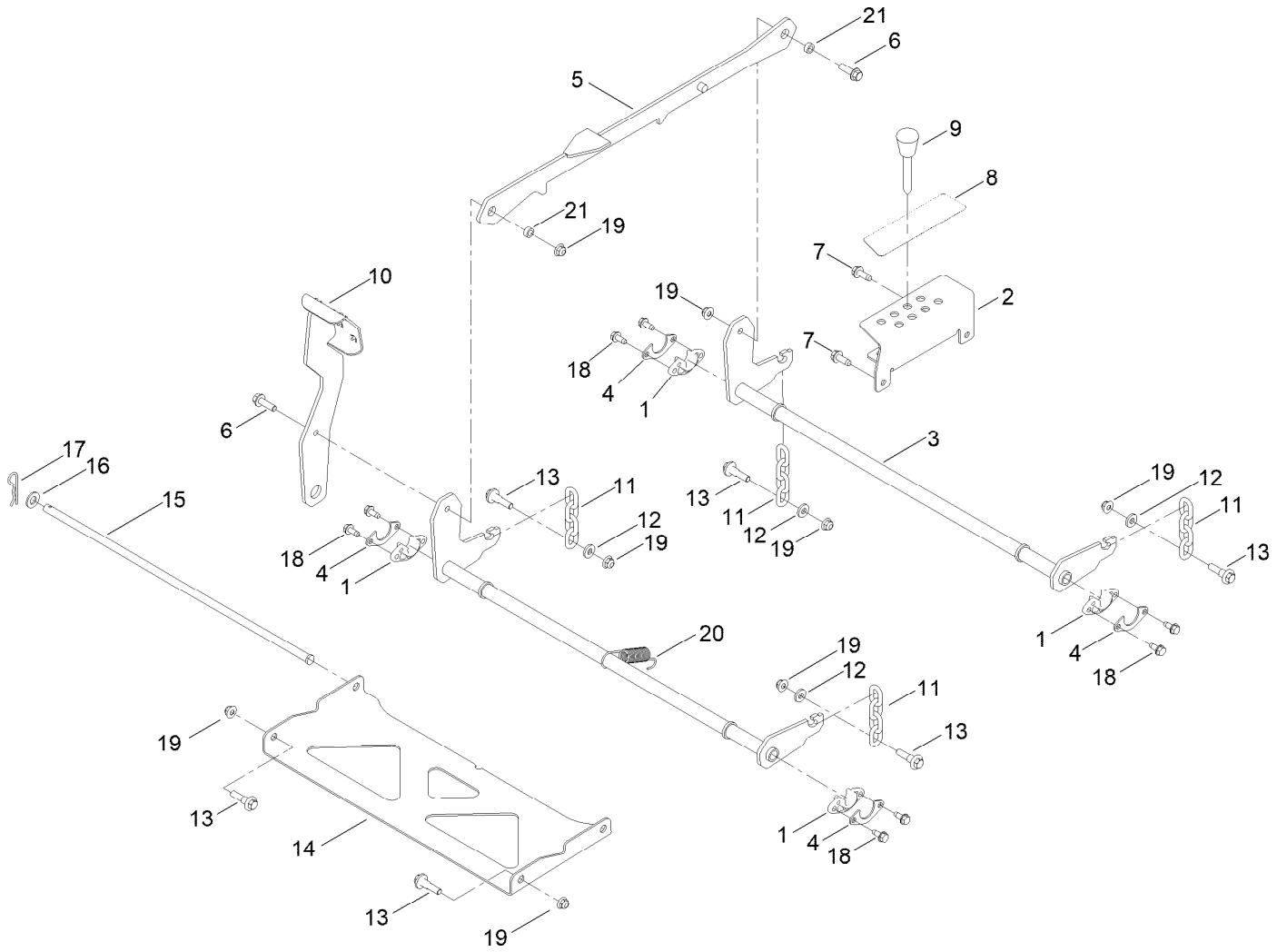
# Frame Assembly



## Frame Assembly (continued)

<i>Ref.</i>	<i>Part Number</i>	<i>Qty.</i>	<i>Description</i>	<i>Ref.</i>	<i>Part Number</i>	<i>Qty.</i>	<i>Description</i>
1	147-8724	1	Service ASM-Frame, Tc	14	138-9753	12	Screw
2	145-6283-05	1	Wa-Battery Mount	15	117-1232-03	1	Bracket-Hitch
3	161-6506-01	1	Mount-Drive, LH	16	139-2596	6	Screw-HHF
4	161-6507-01	1	Mount-Drive, RH	17	119-4041	14	Nut-HF
5	147-8709-03	1	Plate-Mount	23	145-6323-01	1	Bracket-Mount Damper, Lower
6	147-2966-05	1	Footrest-Top	24	147-2850-05	1	Plate-Kick, Mr
7	147-2995-05	1	Plate-Rear Cladding Tc	25	140-3460	2	Bumper-Rubber
8	147-2994-05	1	Guard-Engine Tc	26	137-4803	2	Bumper-Rubber
9	127-7590	1	Decal	27	147-7717-03	1	Guard-Muffler [black]
10	161-6207	2	Decal-Bypass	28	139-2598	4	Screw-HHF
11	142-5864	1	Decal-Spark Arrester	29	147-7699	2	Decal-Backer, Red
12	144-5288	1	Decal-Warning				
13	32144-70	11	Screw-HWHTF				

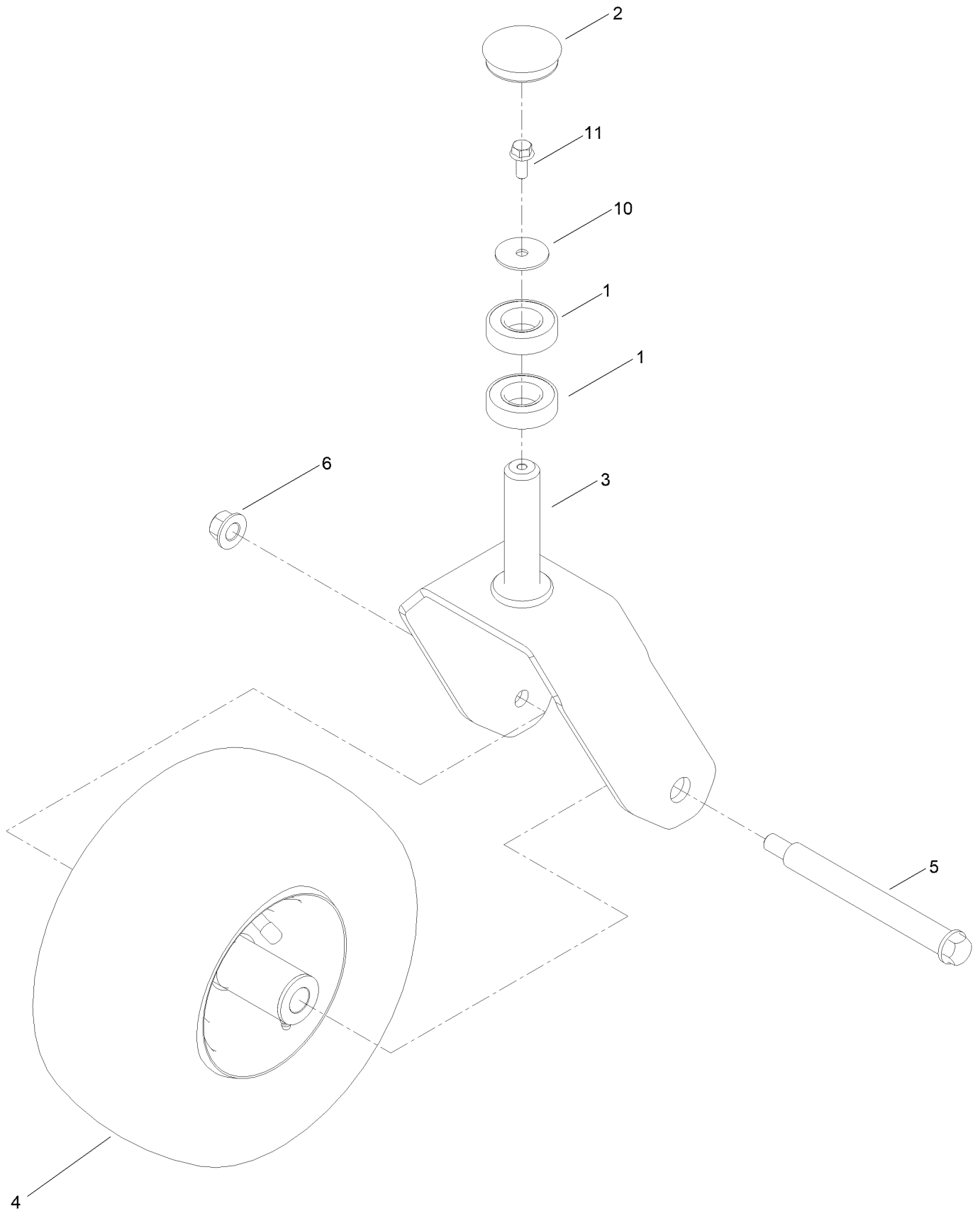
# Deck Lift Assembly



## Deck Lift Assembly (continued)

<i>Ref.</i>	<i>Part Number</i>	<i>Qty.</i>	<i>Description</i>	<i>Ref.</i>	<i>Part Number</i>	<i>Qty.</i>	<i>Description</i>
1	139-5872	4	Bearing-Flange	12	138-7207	4	Spacer-Hub, Blower
2	145-6257-05	1	Bracket-HOC	13	130-0742	6	Bolt-Shoulder
3	145-4645-05	2	Pivot ASM-Decklift [blk-Txt]	14	145-6248-03	1	Pan-Deck Pivot
4	138-7204	4	Gusset-Deck Lift	15	145-6288	1	Pin-Deck
5	145-0557-05	1	Link ASM-HOC [blk-Txt]	16	139-2611	1	Washer-Flat
6	119-4061	2	Screw-HHF	17	139-2562	1	Pin-Hair
7	139-2428	2	Screw-HWH	18	32144-70	8	Screw-HWHTF
8	147-2866	1	Decal-HOC, Tc	19	119-4042	8	Nut-HF, NI
9	140-2146	1	HOC Pin ASM	20	138-7206	1	Spring-Extension
10	145-6278-05	1	Pedal ASM [blk-Txt]	21	140-2093	2	Spacer
11	138-7205	4	Chain-Decklift, 4-Link				

# Caster Wheel Assembly

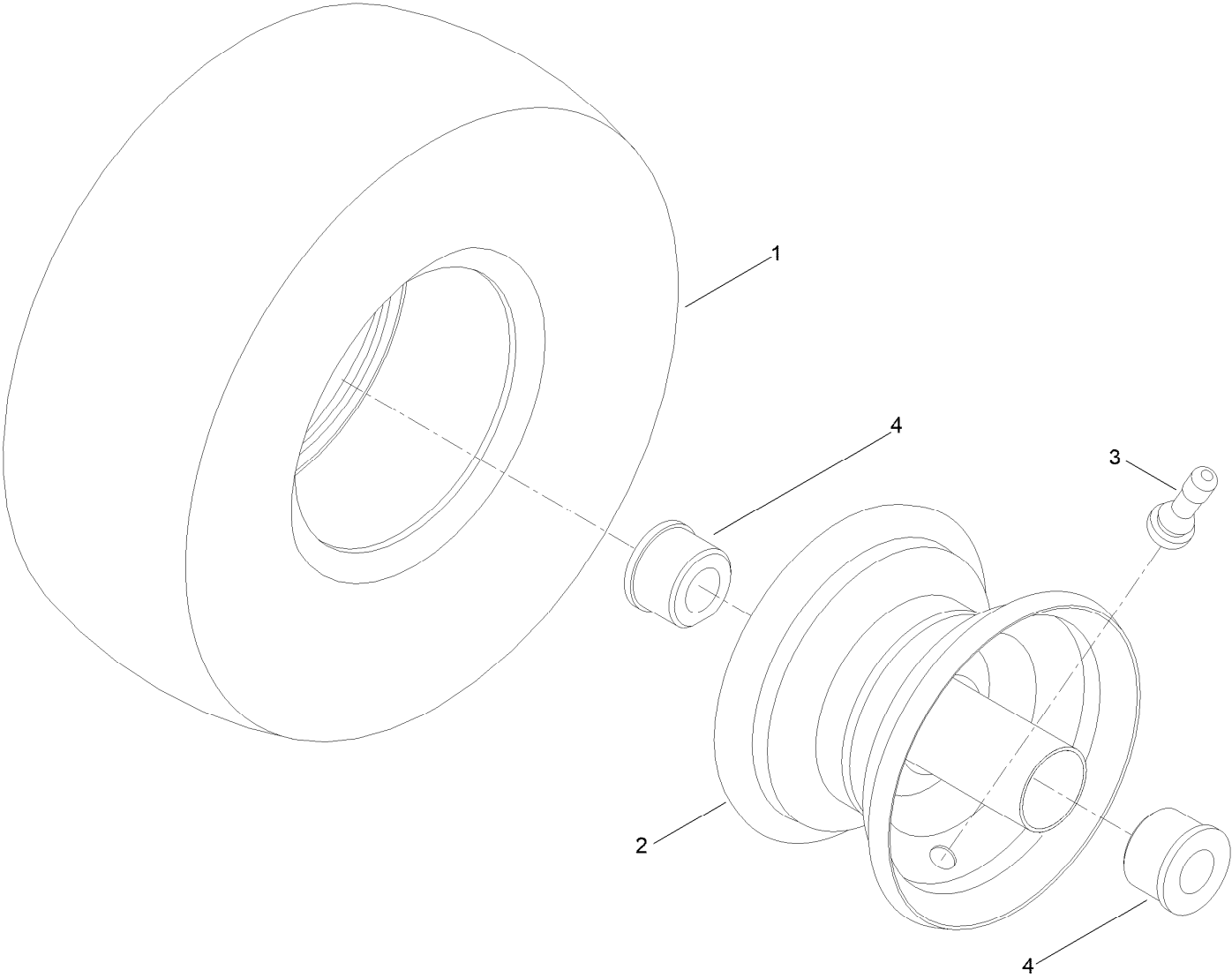




## Caster Wheel Assembly (continued)

<i>Ref.</i>	<i>Part Number</i>	<i>Qty.</i>	<i>Description</i>	<i>Ref.</i>	<i>Part Number</i>	<i>Qty.</i>	<i>Description</i>
1	109-3678	4	Bearing-Ball	5	145-4649	2	Screw-Shoulder HHF
2	144-0375	2	Cap, Grease	6	99-5107	2	Nut-Lock
3	145-4674-05	2	Fork	10	115-1151	2	Washer-Flat
4	145-4692	2	Wheel ASM - Caster 12X6-5	11	139-2598	2	Screw-HHF

# Wheel Assembly No. 145-4692

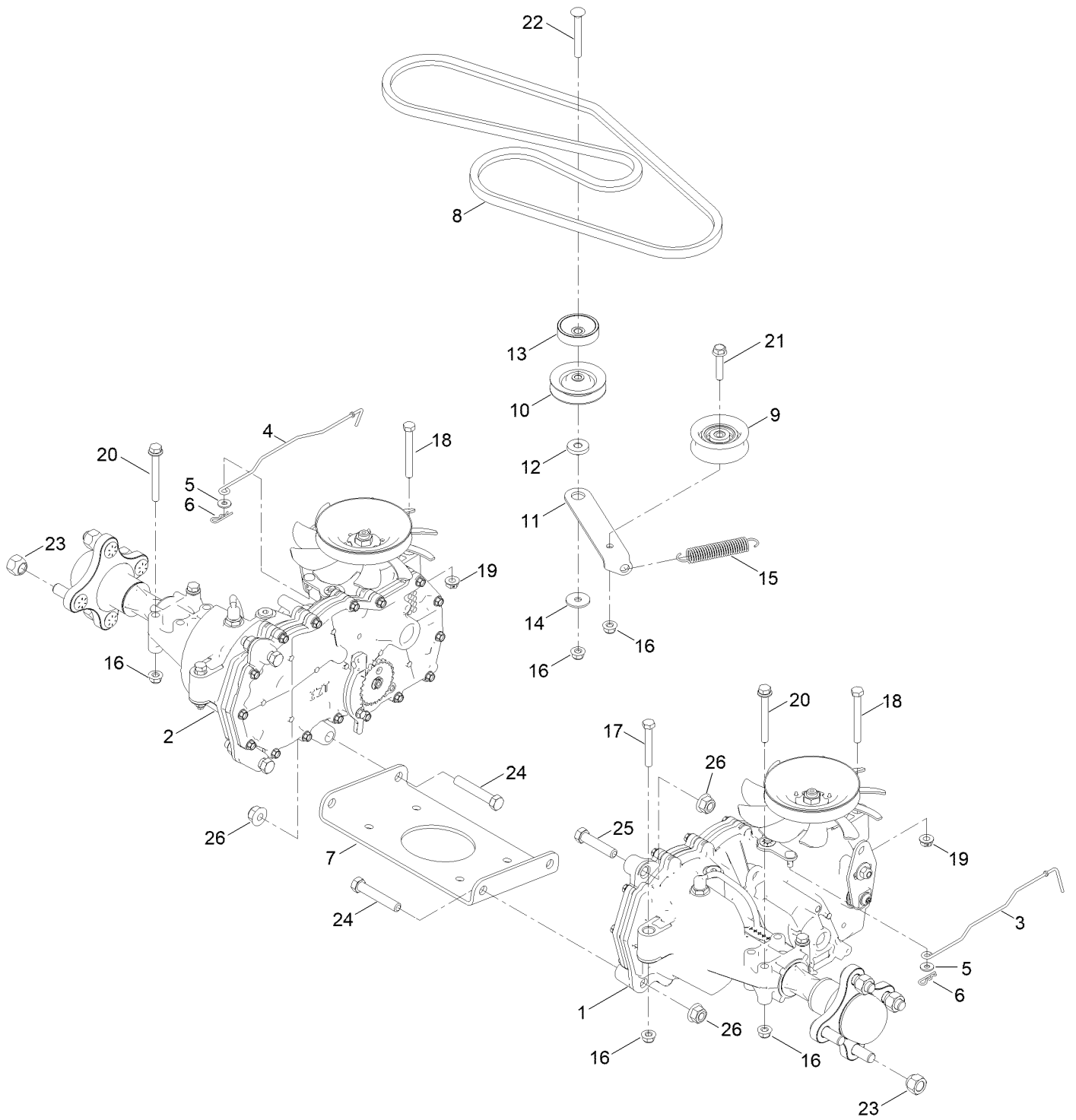


## Wheel Assembly No. 145-4692 (continued)

<i>Ref.</i>	<i>Part Number</i>	<i>Qty.</i>	<i>Description</i>
1	145-4672	1	Tire 12X6-5
2	145-4673	1	Wheel (W/ Zerk And Bushings)

<i>Ref.</i>	<i>Part Number</i>	<i>Qty.</i>	<i>Description</i>
3	232-27	1	Stem-Valve
4	114-1640	2	Bushing-Flange

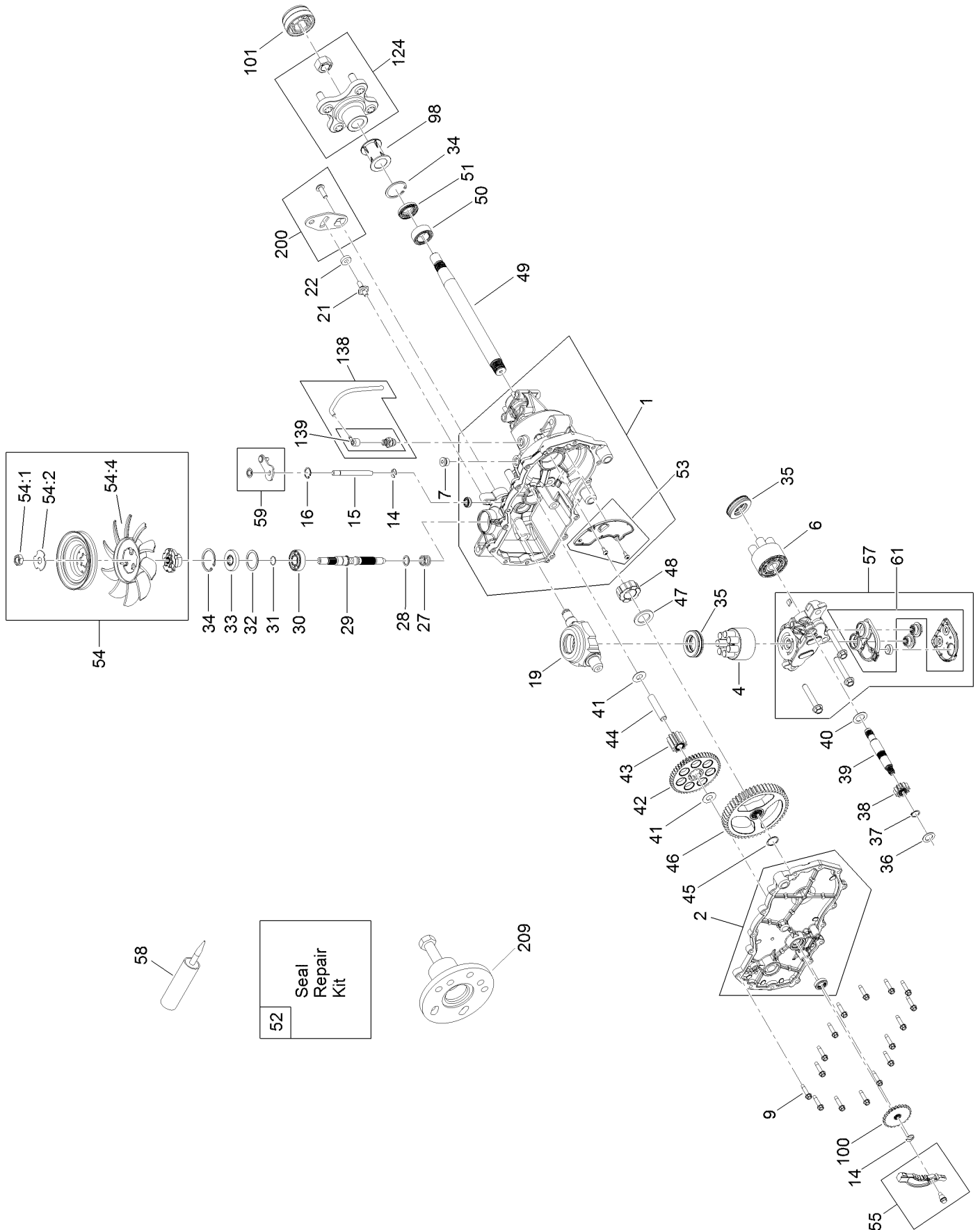
# Traction Drive Assembly



## Traction Drive Assembly (continued)

<i>Ref.</i>	<i>Part Number</i>	<i>Qty.</i>	<i>Description</i>	<i>Ref.</i>	<i>Part Number</i>	<i>Qty.</i>	<i>Description</i>
1	139-7470	1	LH Hydro Transaxle ASM	14	5-4460	1	Washer-Pivot
2	139-7471	1	RH Hydro Transaxle ASM	15	137-7040	1	Spring-Return, Pedal
3	147-2988	1	Rod-Bypass, LH	16	104-8300	8	Nut-HF, NI
4	147-2989	1	Rod-Bypass, RH	17	322-11	2	Screw-HH
5	119-8952	2	Washer-Spcl	18	145-6388	2	Screw-HH Spcl
6	3290-307	2	Pin-Cotter	19	139-2574	2	Nut-HF
7	145-6390-03	1	Plate-Cross Hydro	20	138-7590	4	Screw-HHF
8	145-6361	1	V-Belt (A Sec 63.8 EI)	21	115-1794	1	Screw-HHF
9	138-7597	1	Pulley-Idler, Flat	22	3230-8	1	Screw-CARR
10	68-0030	1	Idler	23	139-2564	8	Nut-Lug
11	147-2925	1	Arm-Idler	24	324-10	4	Screw-HH
12	138-7277	1	Spacer-Arm, Idler	25	324-8	2	Screw-HH
13	138-9809	1	Spacer	26	114-8417	6	Nut-HF, NI

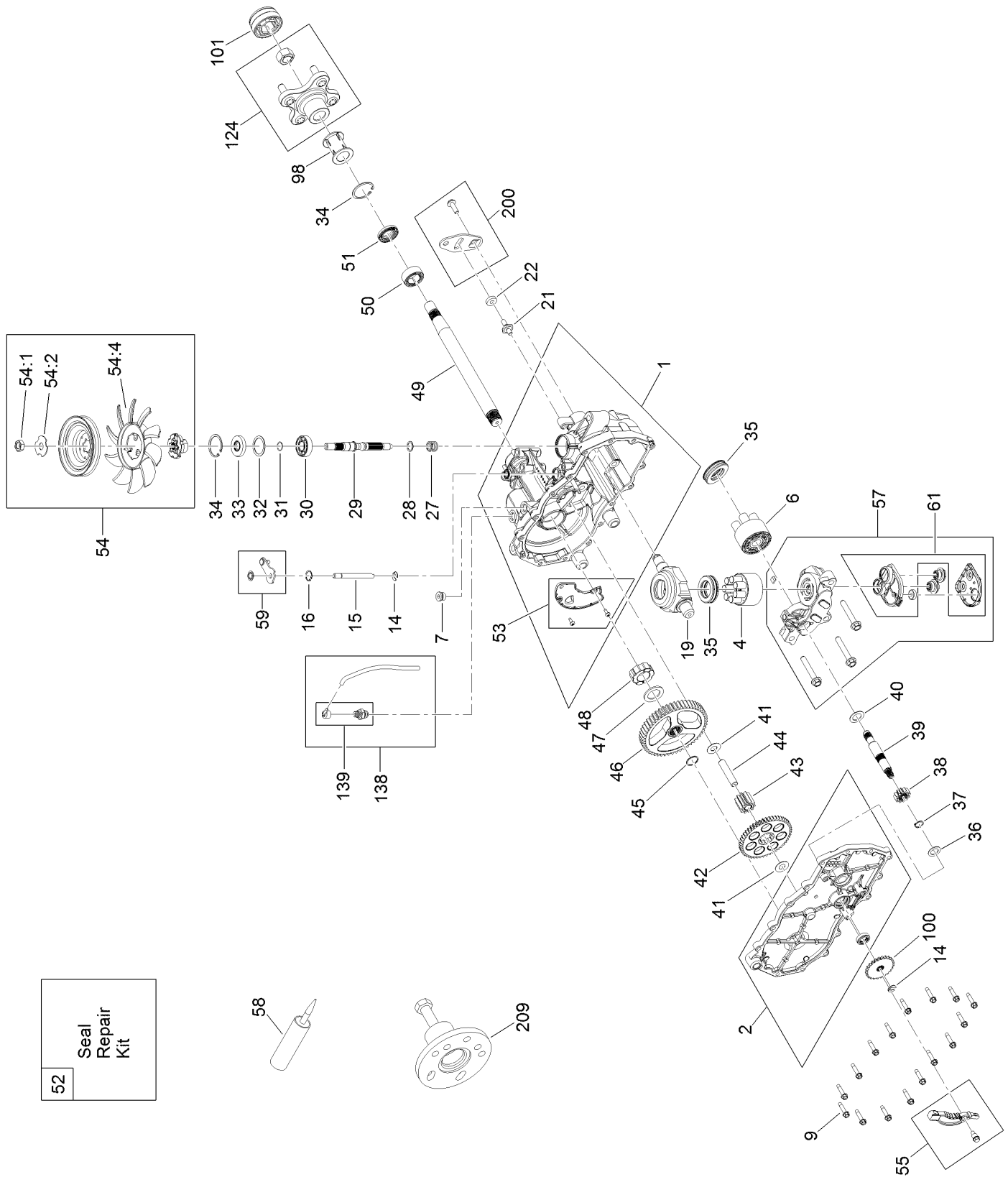
# LH Transaxle Assembly No. 139-7470



## LH Transaxle Assembly No. 139-7470 (continued)

<i>Ref.</i>	<i>Part Number</i>	<i>Qty.</i>	<i>Description</i>	<i>Ref.</i>	<i>Part Number</i>	<i>Qty.</i>	<i>Description</i>
1	106-8695	1	Main Housing ASM	44	104-5329	1	Pin-Jackshaft
2	106-8696	1	Side ASM	45	112-9854	1	Ring-Spiral, Retaining
4	110-8561	1	Pump Block ASM	46	112-9855	1	Gear-52T, Bull
6	103-2666	1	Cylinder Block Kit	47	112-9856	1	Washer
7	104-2189	1	Plug-Thread, Straight	48	112-9857	1	Bearing-Sleeve
9	117-5359	16	Screw-HHF	49	120-7104	1	Shaft-Axle
14	106-8677	2	Ring-Retaining, External	50	112-9859	1	Bushing-Axle
15	106-8678	1	Rod-Bypass	51	112-9860	1	Seal-Lip
16	106-8679	1	Ring-Retaining, Internal	52	106-8686	1	Seal Kit
19	104-5304	1	Swashplate-Trunnion	53	106-8697	1	Expansion Plate Kit
21	104-2116	1	Stud	54	135-7349	1	Fan And Pulley Kit
22	112-9853	1	Puck-Friction	54:1	116-9714	1	Nut-HJ
27	94-1936	1	Spring-Block	54:2	116-9708	1	Washer-Slotted
28	94-1937	1	Washer-Thrust	54:4	135-7364	1	Fan 7.0 X 10 Blade
29	104-5306	1	Shaft-Input	55	106-8688	1	Brake Arm Kit
30	104-5311	1	Bearing-Ball	57	112-9861	1	Center Section Filter Kit
31	104-5307	1	Ring-Retaining	58	104-2147	1	Sealant, Silicone - Non-Flammable
32	104-5308	1	Spacer				
33	104-5310	1	Seal-Lip	59	120-5549	1	Bypass Kit
34	104-5309	2	Ring-Retaining	61	114-1634	1	Filter Kit
35	94-6922	2	Bearing-Thrust	98	120-7109	1	Tube-Axle
36	104-5339	1	Washer-Flat	100	106-8694	1	Disc-Brake, Cog
37	104-5340	1	Ring-Retaining	101	115-5057	1	Cover-Nut, Axle
38	132-0912	1	Gear-12T	124	109-5939	1	Hub Kit
39	106-8683	1	Shaft-Motor	138	112-9866	1	Breather Kit
40	104-5360	1	Washer	139	114-1635	1	Breather ASM
41	94-1933	2	Washer	200	117-5362	1	Control Arm Kit
42	132-0911	1	Gear-49T	209	114-8467	1	Puller-Hub, 4 Bolt
43	104-5318	1	Gear-Jackshaft, 10T				

# RH Transaxle Assembly No. 139-7471

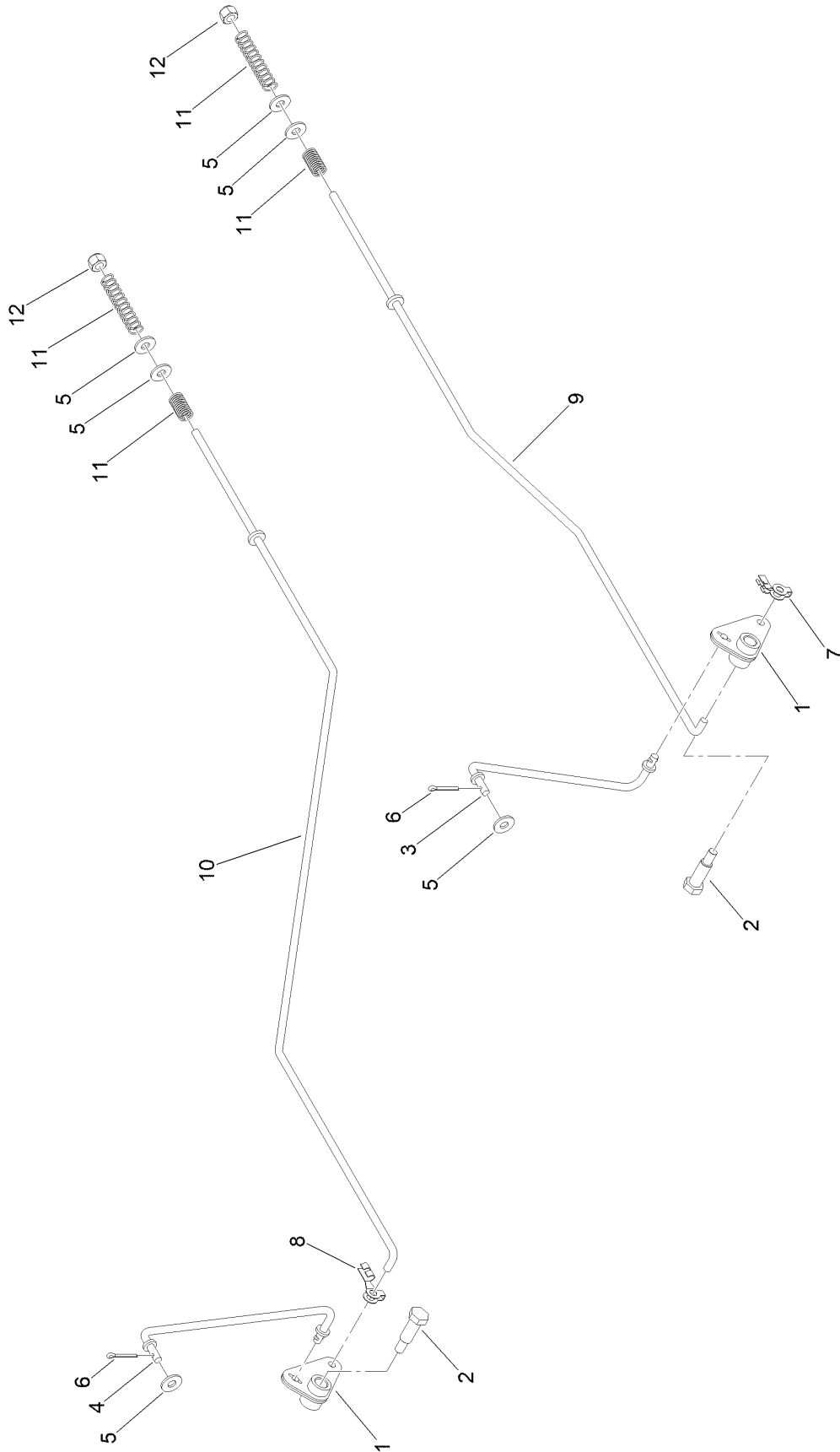




## RH Transaxle Assembly No. 139-7471 (continued)

<i>Ref.</i>	<i>Part Number</i>	<i>Qty.</i>	<i>Description</i>	<i>Ref.</i>	<i>Part Number</i>	<i>Qty.</i>	<i>Description</i>
1	106-8674	1	Main Housing ASM	44	104-5329	1	Pin-Jackshaft
2	106-8675	1	Side ASM	45	112-9854	1	Ring-Spiral, Retaining
4	110-8561	1	Pump Block ASM	46	112-9855	1	Gear-52T, Bull
6	103-2666	1	Cylinder Block Kit	47	112-9856	1	Washer
7	104-2189	1	Plug-Thread, Straight	48	112-9857	1	Bearing-Sleeve
9	117-5359	16	Screw-HHF	49	120-7104	1	Shaft-Axle
14	106-8677	2	Ring-Retaining, External	50	112-9859	1	Bushing-Axle
15	106-8678	1	Rod-Bypass	51	112-9860	1	Seal-Lip
16	106-8679	1	Ring-Retaining, Internal	52	106-8686	1	Seal Kit
19	104-5304	1	Swashplate-Trunnion	53	106-8687	1	Expansion Plate Kit
21	104-2116	1	Stud	54	135-7349	1	Fan And Pulley Kit
22	112-9853	1	Puck-Friction	54:1	116-9714	1	Nut-HJ
27	94-1936	1	Spring-Block	54:2	116-9708	1	Washer-Slotted
28	94-1937	1	Washer-Thrust	54:4	135-7364	1	Fan 7.0 X 10 Blade
29	104-5306	1	Shaft-Input	55	106-8688	1	Brake Arm Kit
30	104-5311	1	Bearing-Ball	57	112-9862	1	Center Section Filter Kit
31	104-5307	1	Ring-Retaining	58	104-2147	1	Sealant, Silicone - Non-Flammable
32	104-5308	1	Spacer	59	107-2489	1	Bypass Arm Kit
33	104-5310	1	Seal-Lip	61	114-1634	1	Filter Kit
34	104-5309	2	Ring-Retaining	98	120-7109	1	Tube-Axle
35	94-6922	2	Bearing-Thrust	100	106-8694	1	Disc-Brake, Cog
36	104-5339	1	Washer-Flat	101	115-5057	1	Cover-Nut, Axle
37	104-5340	1	Ring-Retaining	124	109-5939	1	Hub Kit
38	132-0912	1	Gear-12T	138	112-9866	1	Breather Kit
39	106-8683	1	Shaft-Motor	139	114-1635	1	Breather ASM
40	104-5360	1	Washer	200	117-5362	1	Control Arm Kit
41	94-1933	2	Washer	209	114-8467	1	Puller-Hub, 4 Bolt
42	132-0911	1	Gear-49T				
43	104-5318	1	Gear-Jackshaft, 10T				

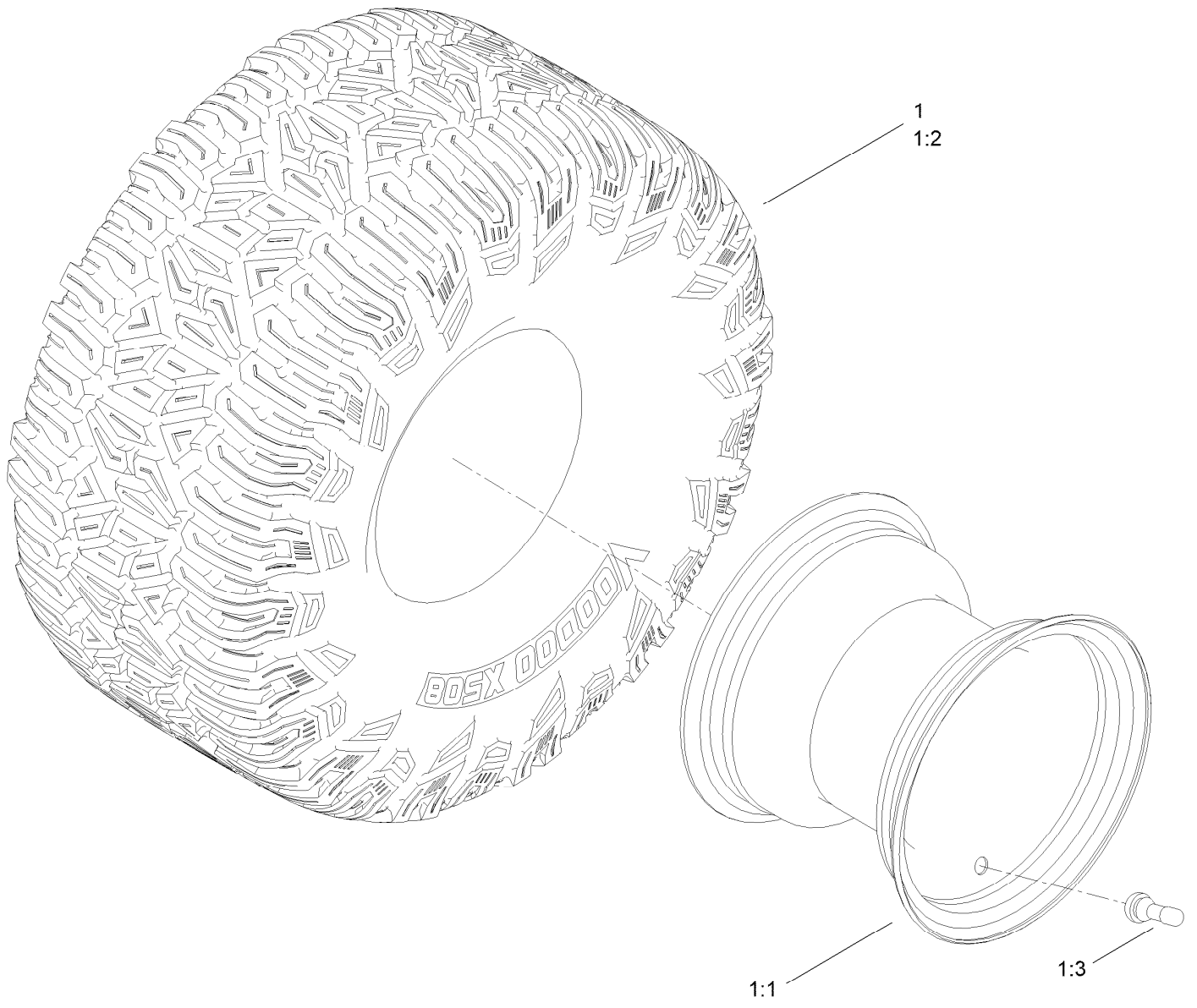
# Brake Assembly



## Brake Assembly (continued)

<i>Ref.</i>	<i>Part Number</i>	<i>Qty.</i>	<i>Description</i>	<i>Ref.</i>	<i>Part Number</i>	<i>Qty.</i>	<i>Description</i>
1	161-6420	2	Bellcrank	7	144-1816	1	Clip-Rod, LH (7L, 1/4In)
2	145-6364	2	Bolt-Shoulder	8	144-1815	1	Clip-Rod, RH (7R, 1/4In)
3	145-4607	1	Link-Brake, LH	9	144-1860	1	Rod-Brake, LH
4	145-6238	1	Link-Brake, RH	10	144-1851	1	Rod-Brake, RH
5	119-8952	6	Washer-Spcl	11	117-1169	4	Spring-Compression
6	120-9716	2	Pin-Cotter	12	3296-42	2	Nut-Lock, NI

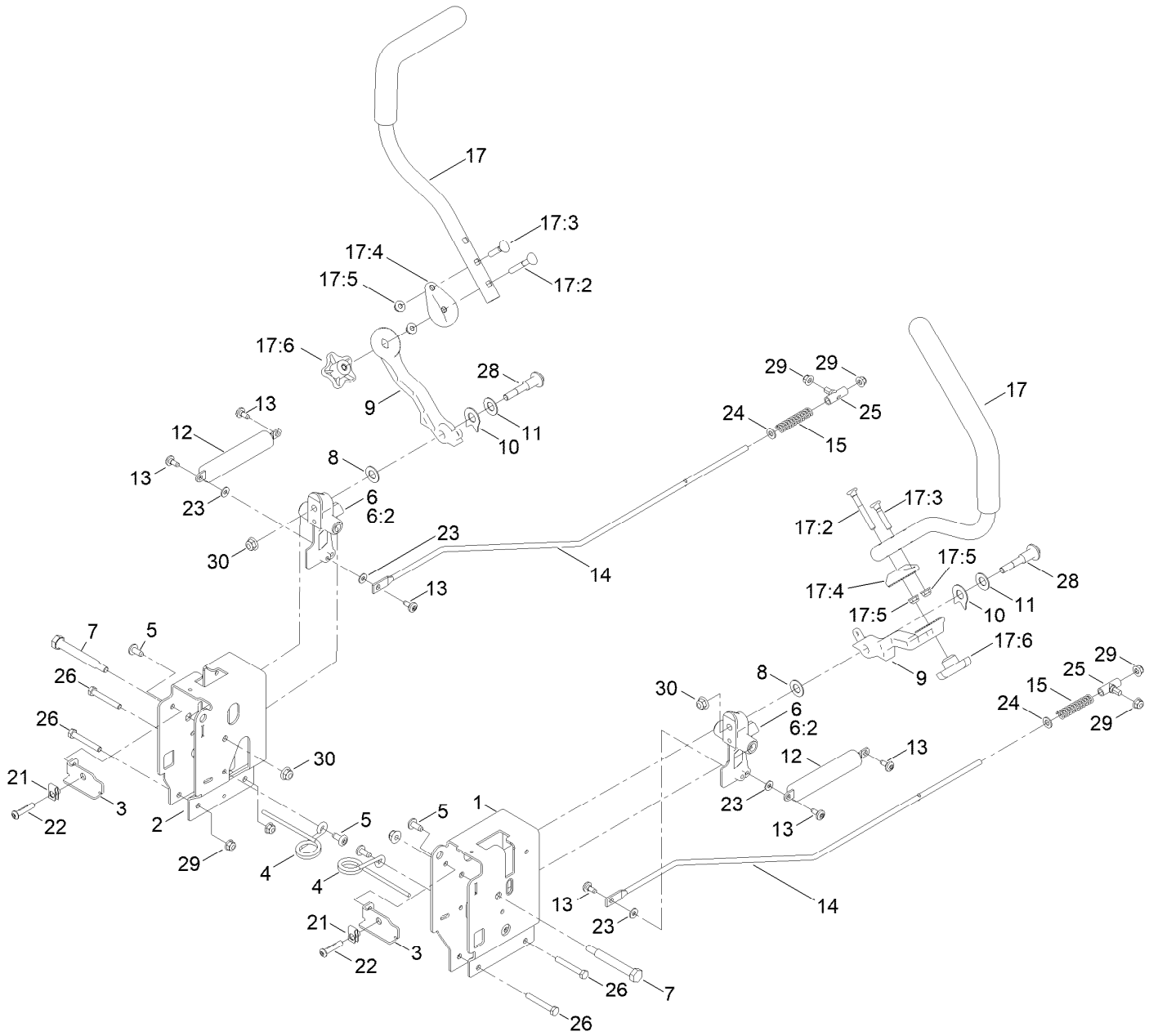
# Tire Assembly



## Tire Assembly (continued)

<i>Ref.</i>	<i>Part Number</i>	<i>Qty.</i>	<i>Description</i>	<i>Ref.</i>	<i>Part Number</i>	<i>Qty.</i>	<i>Description</i>
1	145-6391	2	Tire ASM	1:2	147-5179	1	Tire
1:1	147-5180	1	Rim	1:3	232-27	1	Stem-Valve

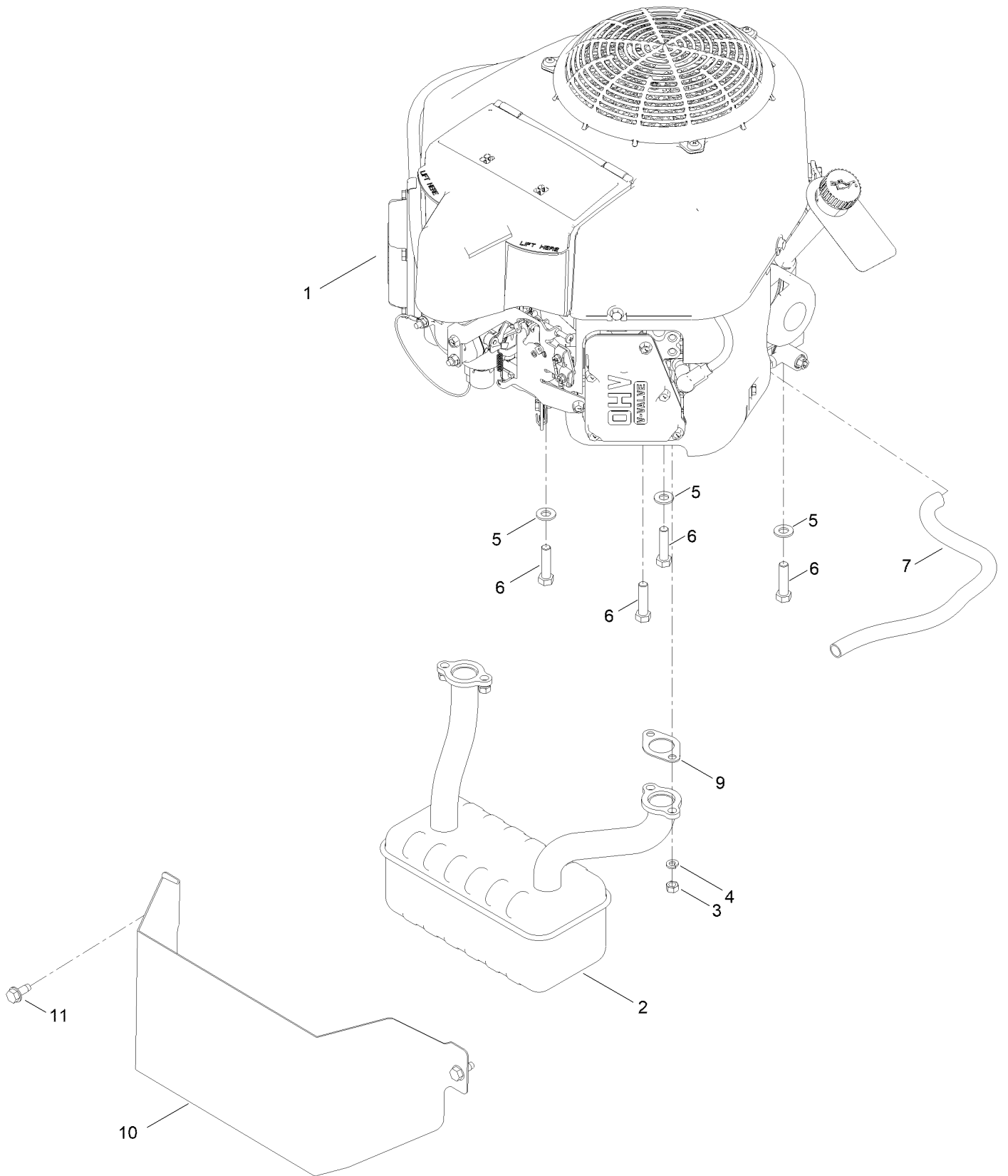
# Motion Control Assembly



## Motion Control Assembly (continued)

<i>Ref.</i>	<i>Part Number</i>	<i>Qty.</i>	<i>Description</i>	<i>Ref.</i>	<i>Part Number</i>	<i>Qty.</i>	<i>Description</i>
1	145-4615-03	1	Control Box - LH G7	17	161-6525	2	Handle-Control, ASM
2	145-4647-03	1	Control Box - RH G7	17:2	145-6366	1	Screw-Handle
3	147-7580-03	2	Adjustment Plate-Control Box	17:3	137-3008	1	Screw-Handle
4	145-6253	2	Spring-Torsion	17:4	147-5192-05	1	Disc-Adjustment Handle, 32 Teeth
5	138-9753	4	Screw	17:5	138-8401	2	Nut-HF
6	145-4648	2	Pivot Arm ASM	17:6	117-5976	1	Knob-Handle
6:2	256-156	2	Bushing-Flange	21	112-3306	2	Nut
7	115-5099	2	Bolt-Pivot	22	126-4299	2	Screw-HSBH
8	120-2273	2	Washer-Nylon	23	119-8952	4	Washer-Spcl
9	147-5191-05	2	Arm-Control, 32 Teeth	24	120-9683	2	Washer-Plain
10	142-8478	2	Spacer, Anti-Rotation	25	138-7218	2	Mount-Rod, Hydro
11	119-8925	2	Washer-Belleville	26	120-9738	4	Screw-HH
12	132-6853	2	Damper-Non Cavitating	28	117-1198	2	Bolt-Pivot
13	120-7950	6	Screw-Torx	29	104-8300	8	Nut-HF, NI
14	145-4699	2	Rod - Hydro, LH	30	104-8301	4	Nut-HF, NI
15	138-7252	2	Spring-Compression				

# Engine and Muffler Assembly





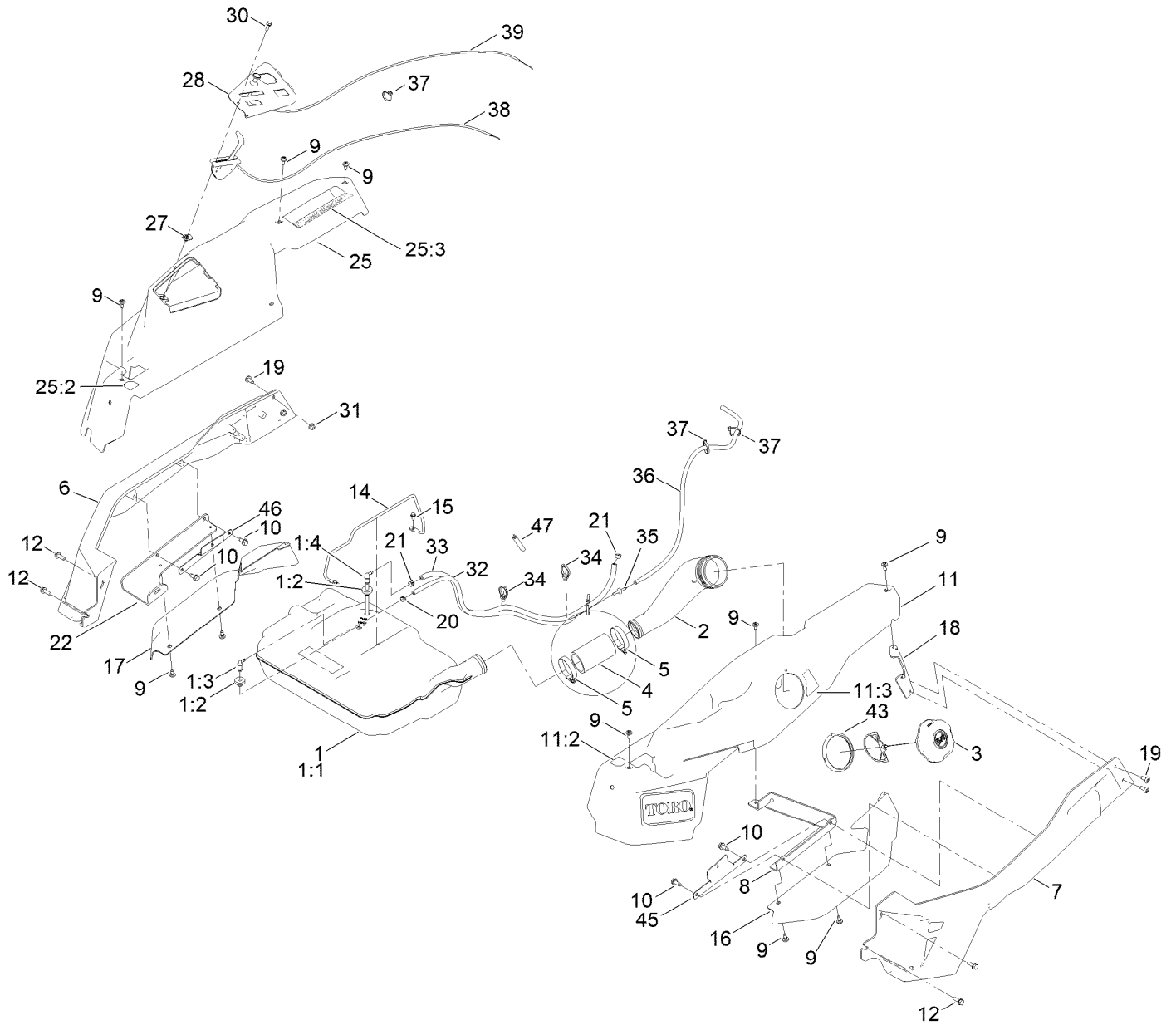
## Engine and Muffler Assembly (continued)

<i>Ref.</i>	<i>Part Number</i>	<i>Qty.</i>	<i>Description</i>	<i>Ref.</i>	<i>Part Number</i>	<i>Qty.</i>	<i>Description</i>
1		1	Engine-Kawasaki, Fr691V-_s07-R ●■	6	323-50	4	Bolt-HH
2	139-5867	1	Muffler	7	106-7022	1	Tube-Drain, Oil
3	114-3549	4	Nut	9	1-653313	2	Gasket-Exhaust
4	114-3550	4	Washer-Lock	10	161-6221-03	1	Heat Shield-Muffler
5	3256-24	3	Washer-Plain	11	32144-70	2	Screw-HWHTF

● Not serviced separately

■ Obtain parts from [www.kawpower.com](http://www.kawpower.com)

# Fuel Pod Assembly

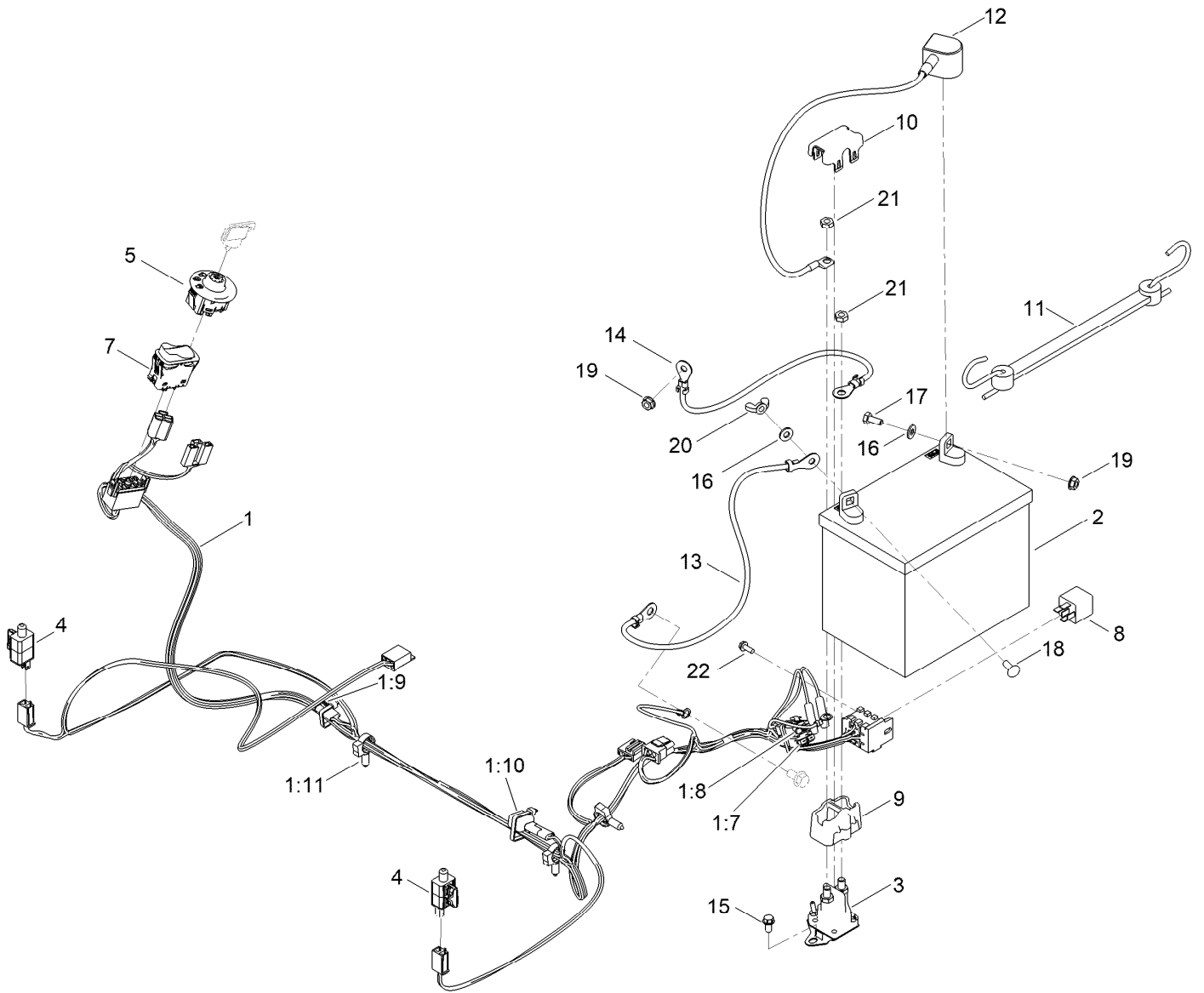


## Fuel Pod Assembly (continued)

<i>Ref.</i>	<i>Part Number</i>	<i>Qty.</i>	<i>Description</i>	<i>Ref.</i>	<i>Part Number</i>	<i>Qty.</i>	<i>Description</i>
1	145-6304	1	Fuel Tank ASM	20	2412-80	1	Clamp-Hose
1:1		1	Tank-Fuel ●	21	2412-98	2	Clamp-Hose
1:2	46-6560	2	Bushing	22	147-5173-03	1	Bracket-Mr Spring
1:3	144-5302	1	Fitting-Elbow 90	25	147-8744	1	Pod ASM - RH , Mr W/Decals
1:4	147-2934	1	Fitting-Pickup, Fuel	25:2	139-2394	1	Decal-Control Lever, RH
2	147-7657	1	Neck-Filler, Fuel	25:3	147-7574	1	Decal - Myride
3	137-4119	1	Cap-Fuel, Ratcheting	27	107069	1	Clip
4	145-4698	1	Hose-Filler, Fuel	28	147-2990-03	1	Panel-Control
5	2412-130	2	Clamp-Hose	30	32105-15	1	Screw-HWH
6	147-2973-05	1	Cast-Tube, RH [blk-Txt]	31	119-4041	2	Nut-HF
7	147-2972-05	1	Cast-Tube, LH [blk-Txt]	32	140-4956	1	Hose-Fuel
8	147-2974-03	1	Mount-Pod Bracket LH	33	109-0275	1	Hose-Fuel
9	120-7950	10	Screw-Torx	34	32180-030	2	Clip-Tie
10	32144-70	4	Screw-HWHTF	35	144-1983	1	Adapter Orifice
11	147-8741	1	Pod ASM - LH W/Decals	36	108-6344	1	Hose-Fuel
11:2	139-2395	1	Decal-Control Lever, LH	37	614249	4	Tie-Cable
11:3	147-2399	1	Decal-Fuel Fill	38	139-2403	1	Cable-Throttle
12	32144-41	4	Screw-Taptite	39	139-2402	1	Cable-Choke
14	147-5176	1	Rod-Hold Down	43	147-7712	1	Ring-Retaining
15	32144-4	2	Screw-HWH	45	161-4609-03	1	Bracket-Alignment, Pod LH
16	147-2978	1	Fender-Time Cutter, LH	46	161-4611-03	1	Bracket- Alignment, Pod RH Mr
17	147-2979	1	Fender-Time Cutter, RH	47	161-6414	1	Trim-Edge Guard
18	147-2976-03	1	Bracket-Rear Pod, LH				
19	138-9753	4	Screw				

● Not serviced separately

# Electrical Assembly



## Electrical Assembly (continued)

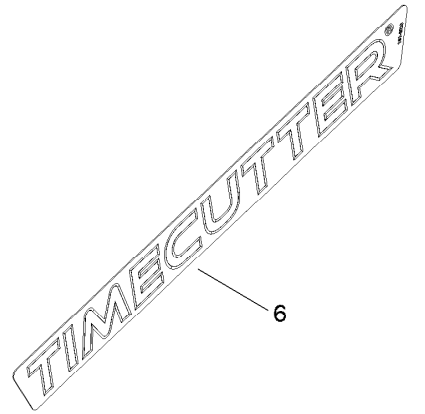
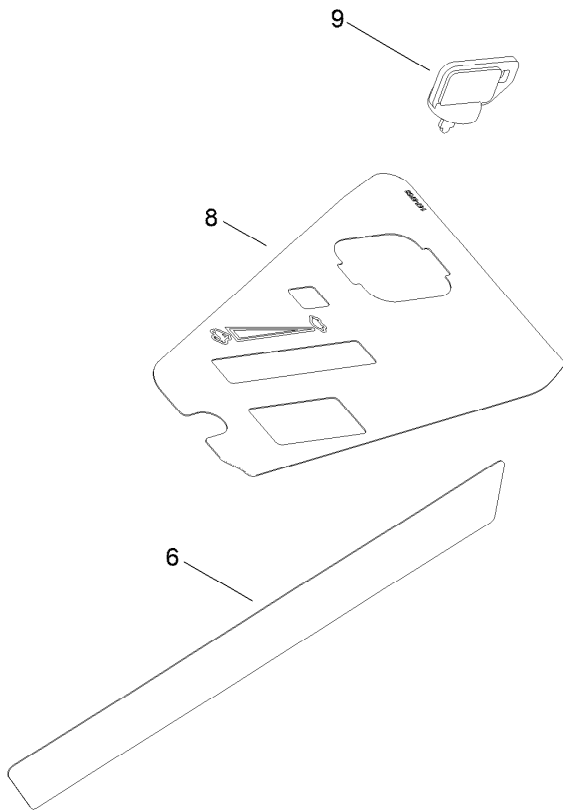
<i>Ref.</i>	<i>Part Number</i>	<i>Qty.</i>	<i>Description</i>	<i>Ref.</i>	<i>Part Number</i>	<i>Qty.</i>	<i>Description</i>
1	145-6382	1	Harness-Wire, Main	10	140-2081	1	Cap-Solenoid
1:7	109355	1	Fuse-Blade, 15 Amp	11	104-2466	1	Holddown-Battery
1:8	109102	1	Fuse-Blade, 25 Amp	12	147-2941	1	Cable-Battery,Red
1:9	32180-435	1	Cap-Over Mold, 1M/1F	13	119-8899	1	Cable-Battery, Black
1:10	100-4918	1	Diode	14	121-0711	1	Cable-Battery, Positive
1:11	32180-047	3	Clip-Tubing, Harness	15	32144-4	2	Screw-HWH
2	140-2076	1	Battery - Wet	16	3256-22	2	Washer-Flat
3	117-1197	1	Solenoid	17	321-3	1	Screw-HH
4	110-6765	2	Switch	18	3229-1	1	Screw-CARR
5	137-4100	1	Switch-Ignition	19	32128-33	2	Nut-HF
7	139-6368	1	Switch-Rocker, On-None-On	20	32103-22	1	Nut-Wing
8	1-643275	1	Relay	21	3220-2	2	Nut-Jam
9	140-2080	1	Cover-Solenoid	22	139-1713	1	Screw-Thd Roll



## 54in Deck and Decal Assembly (continued)

<i>Ref.</i>	<i>Part Number</i>	<i>Qty.</i>	<i>Description</i>	<i>Ref.</i>	<i>Part Number</i>	<i>Qty.</i>	<i>Description</i>
1	161-6250	1	54 In Deck & Decal ASM	23	147-2910	1	Belt-V (A Sec, 145.5 El)
1:2	147-3023	1	Decal-Danger Deflector	24	137-2019	1	Rod-Pivot
1:3	147-5152	2	Decal-Danger, Deck	25	138-7502	1	Deflector-Discharge
1:4	147-3025	1	Decal-Routing, Belt	26	138-7268	1	Spring-Torsion
1:5	147-3024	1	Decal-Scalp, Anti	27	138-9800-03	1	Baffle-Cutoff
7	139-2448-03	1	Baffle-Corner	28	1-603299	3	Roller-Scalp, Anti
8	138-9753	2	Screw	29	133-9289	2	Fitting-Washout
9	139-3214	3	Spindle ASM	29:2	133-9290	1	O-Ring
9:2	120-7935	2	Spacer	30	145-0411	3	Bolt-Blade, Sems
9:3	138-9770	2	Bearing-Ball	31	95-3270	1	Connector-Hose
10	139-3272-03	2	Bracket-Cover, Belt	32	138-7266	1	Spring-Return, Hook
11	32144-41	12	Screw-Taptite	33	138-7264	1	Spring-Extension
12	117-7268	3	Shaft-Spindle	34	32144-4	4	Screw-HWH
13	138-7261	3	Pulley ASM	35	3256-24	2	Washer-Plain
14	132-9420	3	Pulley-Idler, Flat	36	323-9	3	Screw-HH
15	115-4986	1	Spacer	37	110-9981	1	Washer-Plain
16	114-0463	2	Washer-Friction, Composite	38	63-7400	2	Washer-Rebound
17	144-1906	2	Cover-Belt	39	3219-6	3	Nut-Hex
18	94-6961	2	Screw	40	323-11	1	Screw-HH
19	115-2454-03	3	Blade-Hi Lift	41	104-8301	5	Nut-HF, NI
20	138-7262	1	Arm-Idler	42	112-3977	3	Bolt-Shoulder
21	138-7270	1	Guide-Belt, Idler	43	3296-59	1	Nut-Lock, NI
22	138-7207	1	Spacer-Hub, Blower	44	144-1944	2	Pin-Hair

# Decal Assembly

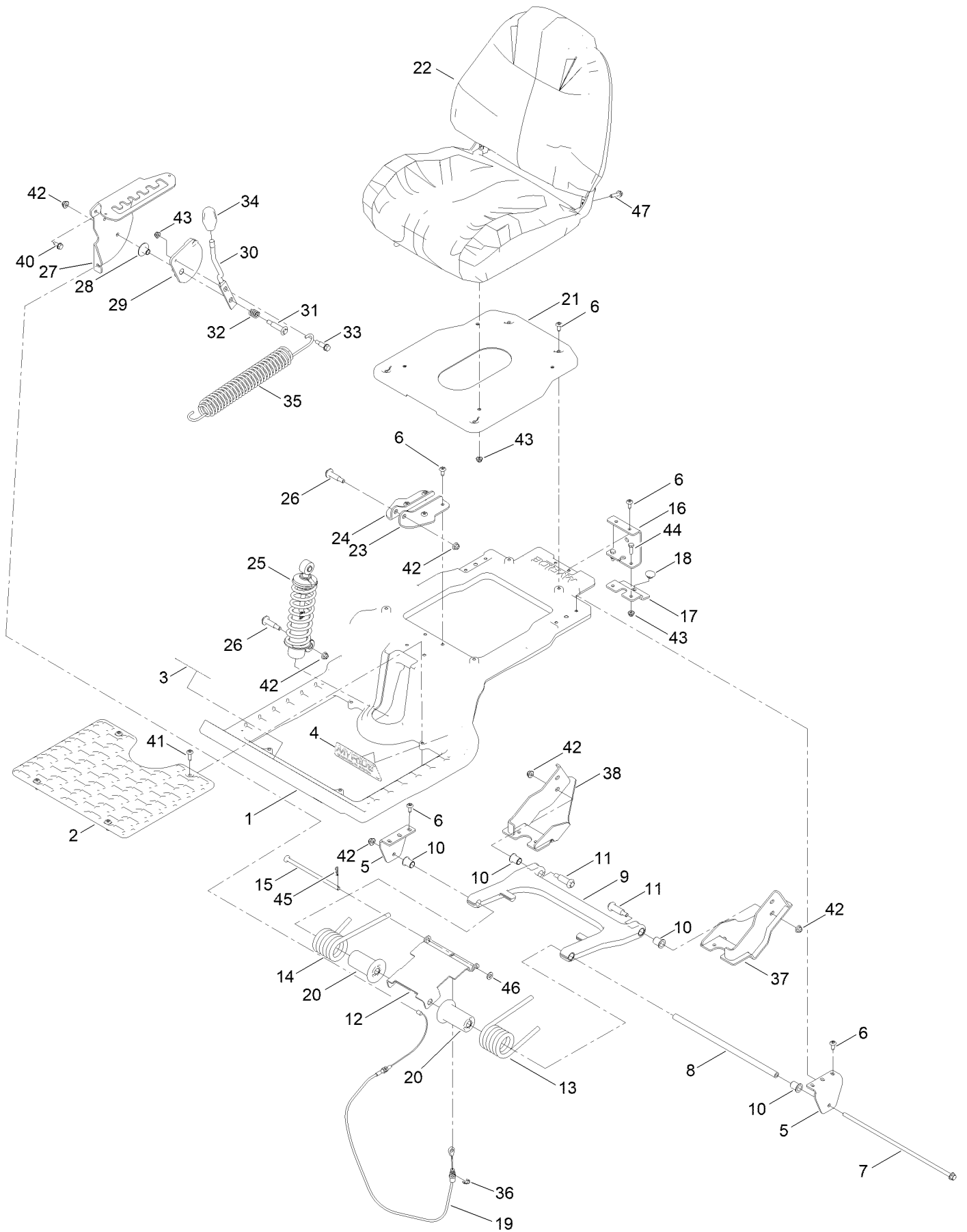




## Decal Assembly (continued)

<i>Ref.</i>	<i>Part Number</i>	<i>Qty.</i>	<i>Description</i>
6	161-6220	2	Decal - Timecutter
8	147-8753	1	Decal - Control Panel W/Out Hour Meter
9	63-8360	1	Key-Ignition

# Seat Pan Assembly

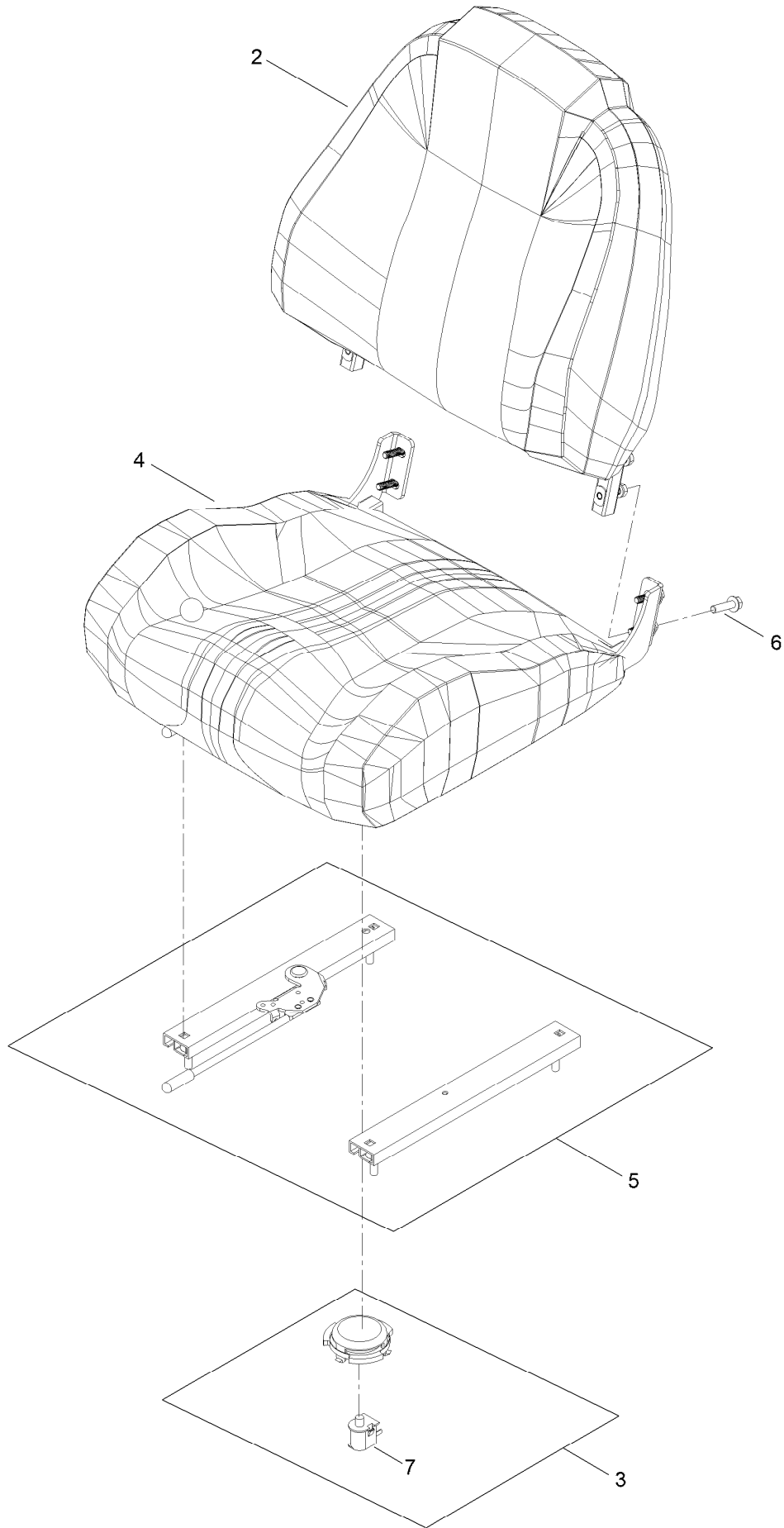


## Seat Pan Assembly (continued)

<i>Ref.</i>	<i>Part Number</i>	<i>Qty.</i>	<i>Description</i>	<i>Ref.</i>	<i>Part Number</i>	<i>Qty.</i>	<i>Description</i>
1	145-6394-05	1	Platform, Myride	25	139-2427	1	Shock/Spring ASM
2	145-6395-05	1	Platform, Myride	26	136-7198	2	Bolt-Shoulder
3	147-7662	1	Decal - Myride	27	145-6309-05	1	Bracket-Mr Gate
4	147-7575	1	Decal - Myride	28	139-5800	1	Bushing - Flange
5	138-7517	2	Bracket-Mount, Swing Arm	29	147-5171	1	Pulley-Cam
6	138-9753	14	Screw	30	147-5172	1	Lever-Adjustment, Threaded
7	138-7548	1	Screw-HHF	31	92-1057	1	Bolt-Shoulder
8	138-7549	1	Tube-Spacer	32	139-5858	1	Spring-Compression
9	145-6312	1	Arm-Swing	33	140-3759	1	Bolt-Shoulder,HHF
10	138-2573	4	Bushing-Flange	34	147-8715	1	Knob-Mr
11	138-2547	2	Bolt-Shoulder	35	138-9848	1	Spring-Extension
12	138-7566-03	1	Plate-Adjuster	36	32120-47	1	Ring-Retaining, External
13	137-1983	1	Spring-Torsion, LH	37	147-8721-03	1	Mount-Mr Swing Arm, LH
14	137-7018	1	Spring-Torsion, RH	38	147-8722-03	1	Mount-Mr Swing Arm, RH
15	138-9813	1	Rod-Adjustment	40	32144-70	3	Screw-HWHTF
16	138-9788	1	Bracket-Cable	41	147-7606	4	Screw-Spcl
17	139-2361-03	1	Bracket Lower	42	119-4042	6	Nut-HF, NI
18	135-0505	1	Bumper-Seat	43	119-4041	7	Nut-HF
19	147-7713	1	Cable-Adjustment, Myride	44	139-1716	2	Screw-HH
20	138-9776	2	Retainer-Spring	45	137-3083	1	Pin-Hair
21	145-6265-03	1	Pan-Seat	46	115-1166	1	Washer-Plain
22	147-8731	1	Seat King Sk220 Seat	47	119-4036	4	Screw-HHF ●
23	133-9318-03	1	Bracket-Shock Mount, Upper (LH)				
24	133-9319-03	1	Bracket-Shock Mount, Upper (RH)				

● Not illustrated

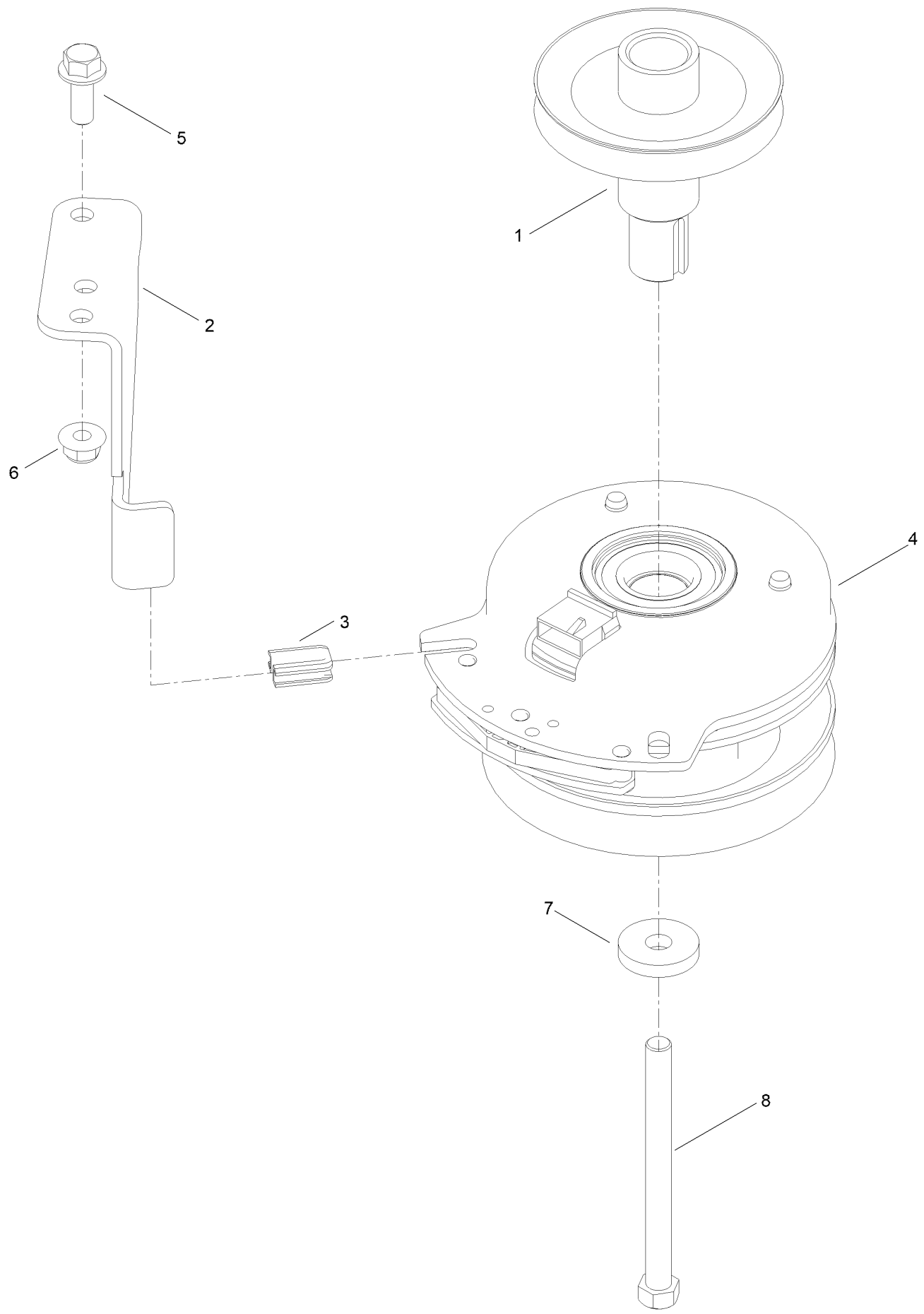
# Seat Assembly No. 147-8731



## Seat Assembly No. 147-8731 (continued)

<i>Ref.</i>	<i>Part Number</i>	<i>Qty.</i>	<i>Description</i>	<i>Ref.</i>	<i>Part Number</i>	<i>Qty.</i>	<i>Description</i>
2	147-8735	1	Toro Back Cover	5	147-8740	1	Slide ASM-Seat
3	147-8736	1	Seat Switch Delta 6500-02 Open	6	119-4036	4	Screw-HHF
4	147-8739	1	Toro Seat Cover	7	82-2190	1	Switch-Bail

# Clutch Assembly



## Clutch Assembly (continued)

<i>Ref.</i>	<i>Part Number</i>	<i>Qty.</i>	<i>Description</i>	<i>Ref.</i>	<i>Part Number</i>	<i>Qty.</i>	<i>Description</i>
1	138-9792	1	Pulley-Engine	5	3234-42	1	Screw-HHF
2	137-7000	1	Stop-Clutch (Wide)	6	104-8301	1	Nut-HF, NI
3	120-2217	1	Isolator-Clutch	7	112843	1	Washer
4	127-3410	1	Clutch-PTO	8	3212-19	1	Screw-HH

# Attachments and Accessories

## For 77507 TimeCutter MyRIDE 54in Zero Turn Riding Mower

<b>Product Name</b>	<b>Model/Part</b>
Residential Z Max 50in Bagger .....	79501
54 Inch Recycler Kit .....	139-3235
54 Inch Bagging Enhancement Kit .....	140-5054
Kit-Striping, 54/60in .....	147-8781
ROPS Kit .....	79487
Floormat Kit .....	147-8764
Assist Bar Kit .....	161-4450
Mount, Jack TC.....	147-8836
Jack Kit.....	127-6666
Heavy Duty Spring Kit.....	140-2051
Transport Lock Kit.....	161-4510
Kit-Caster Wheel .....	147-8772
Arm Rest Kit.....	147-8773
Toro Deluxe Rider Cover.....	490-7319
Led Light Kit.....	147-8757
Kit-Slope Sensor.....	79489
Kit, Hour Meter.....	147-8791
Blade-Hi Lift, 18.75 Inch For 54 Inch TC .....	115-2454-03P
4-Cycle Fuel, Snow And Lawn 32oz Can .....	131-3823
Toro Premium Fuel Treatment 12oz Bottle.....	131-6572
Oil-30/10W-30 Synthetic (Quart).....	138-6053
10W30 4-Cycle Engine Oil (32oz Bottle).....	38280
Toro 4-Cycle SAE 30 Oil (32oz Bottle) .....	38903
Plate-Brake Pad .....	79007



**Notes:**

**Notes:**

**Notes:**



**Count on it.**