



EN Flex-Force Power System™ 60V MAX Axial Blower

51820, 51820T

ES Soplador Axial Flex-Force Power System™ 60V MAX

51820, 51820T

FR Souffleur axial Flex-Force Power System™ 60 V MAX

51820, 51820T





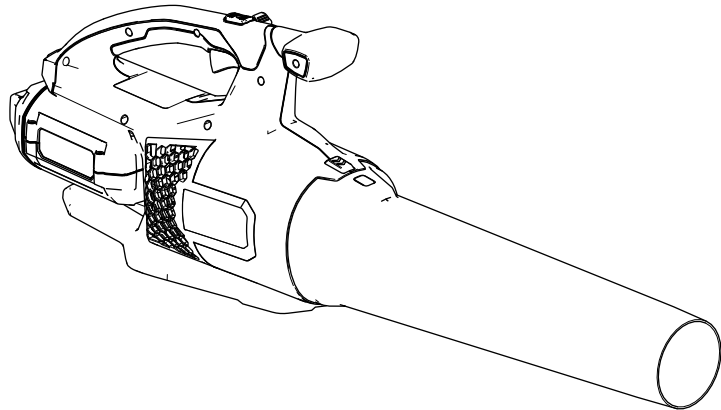
Count on it.

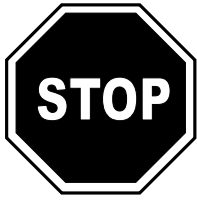
Operator's Manual

Flex-Force Power System™ 60V MAX Axial Blower

Model No. 51820—Serial No. 323000001 and Up

Model No. 51820T—Serial No. 323000001 and Up





For assistance, please see www.Toro.com/support for instructional videos or contact 1-888-384-9939 before returning this product.

⚠ WARNING

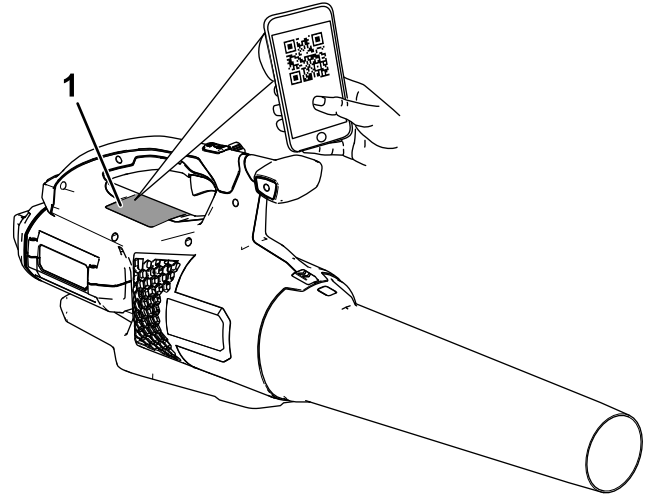
**CALIFORNIA
Proposition 65 Warning**

The power cord on this product contains lead, a chemical known to the State of California to cause birth defects or other reproductive harm. Wash hands after handling.

Use of this product may cause exposure to chemicals known to the State of California to cause cancer, birth defects, or other reproductive harm.

Whenever you need service, genuine Toro parts, or additional information, contact an Authorized Service Dealer or Toro Customer Service and have the model and serial numbers of your product ready. [Figure 1](#) identifies the location of the model and serial numbers on the product. Write the numbers in the space provided.

Important: With your mobile device, you can scan the QR code (if equipped) on the serial number plate to access warranty, parts, and other product information.



g426535

Figure 1

1. Model and serial number location.

Model No. _____

Serial No. _____

Introduction

This blower is intended to be used by residential homeowners to move leaf-like debris as needed outdoors. It is designed to use Toro 60V lithium-ion battery packs. These battery packs are designed to be charged only by Toro 60V lithium-ion battery chargers. Using these products for purposes other than their intended use could prove dangerous to you and bystanders.

Model 51820T does not include a battery or a charger.

Read this information carefully to learn how to operate and maintain your product properly and to avoid injury and product damage. You are responsible for operating the product properly and safely.

Visit www.Toro.com for more information, including safety tips, training materials, accessory information, help finding a dealer, or to register your product.

Safety-Alert Symbol

The safety-alert symbol (Figure 2) shown in this manual and on the machine identifies important safety messages that you must follow to prevent accidents.



Figure 2
Safety-alert symbol

g000502

The safety-alert symbol appears above information that alerts you to unsafe actions or situations and is followed by the word **DANGER**, **WARNING**, or **CAUTION**.

DANGER indicates an imminently hazardous situation which, if not avoided, **will** result in death or serious injury.

WARNING indicates a potentially hazardous situation which, if not avoided, **could** result in death or serious injury.

CAUTION indicates a potentially hazardous situation which, if not avoided, **may** result in minor or moderate injury.

This manual uses two other words to highlight information. **Important** calls attention to special mechanical information and **Note** emphasizes general information worthy of special attention.

Safety

IMPORTANT SAFETY INSTRUCTIONS

⚠ WARNING

When using electric gardening tools, always read and follow basic safety warnings and instructions to reduce the risk of fire, electric shock, and personal injury, including the following:

Read All Instructions

I. Training

1. The operator of the tool is responsible for any accidents or hazards occurring to others or their property.
2. Do not allow children to use or play with the tool, battery pack, or the battery charger; local regulations may restrict the age of the operator.
3. Do not allow children or untrained people to operate or service this device. Allow only people who are responsible, trained, familiar with the instructions, and physically capable to operate or service the device.
4. Before using the tool, battery pack, and battery charger, read all the instructions and cautionary markings on these products.
5. Become familiar with the controls and proper use of the tool, battery pack, and battery charger.

II. Preparation

1. Keep bystanders and children away from the operating area.
2. Use only the battery pack specified by Toro. Using other accessories and attachments may increase the risk of injury and fire.
3. Plugging the battery charger into an outlet that is not 120 V can cause a fire or electric shock. Do not plug the battery charger into an outlet other than 120 V. For a different style of connection, use an attachment plug adapter of the proper configuration for the power outlet if needed.
4. Do not use a damaged or modified battery pack or battery charger, which may exhibit unpredictable behavior that results in fire, explosion, or risk of injury.
5. If the supply cord to the battery charger is damaged, contact an Authorized Service Dealer to replace it.
6. Charge the battery pack with only the battery charger specified by Toro. A charger suitable for

- one type of battery pack may create a risk of fire when used with another battery pack.
7. Charge the battery pack in a well-ventilated area only.
 8. Follow all charging instructions and do not charge the battery pack outside of the temperature range specified in the instructions. Otherwise, you may damage the battery pack and increase the risk of fire.
 9. Do not operate the tool without all guards and other safety protective devices in place and functioning properly on the tool.
 10. Dress properly—Wear appropriate clothing, including eye protection; long pants; substantial, slip-resistant footwear; and hearing protection. Tie back long hair and do not wear loose clothing or loose jewelry that can get caught in moving parts. Wear a dust mask in dusty operating conditions.
 12. Ensure that the ventilation openings are kept clear of debris.
 13. Do not insert any object into the opening or use the tool with a blocked opening. Keep the opening free from dust, lint, hair, or anything else that could reduce the air flow.
 14. Use extra care when using the tool to clean stairways.
 15. Under abusive conditions, the battery pack may eject liquid; avoid contact. If you accidentally come into contact with the liquid, flush with water. If the liquid contacts your eyes, seek medical help. Liquid ejected from the battery pack may cause irritation or burns.
 16. Do not expose a battery pack or tool to fire or excessive temperature. Exposure to fire or temperature above 130°C (265°F) may cause explosion.

III. Operation

1. Avoid dangerous environments—Do not use the tool in rain or in damp or wet locations.
2. Use the proper tool for your application—Using the tool for purposes other than its intended use could prove dangerous to you and bystanders.
3. Prevent unintentional starting—Ensure that the switch is in the OFF position before connecting to the battery pack and handling the tool. Do not carry the tool with your finger on the switch or energize the tool with the switch in the ON position.
4. Operate the tool only in daylight or good artificial light.
5. Remove the battery pack from the tool before adjusting it or changing accessories.
6. Keep your hands and feet away from the opening and all moving parts.
7. Stop the tool, remove the battery pack from the tool, and wait for all movement to stop before adjusting, servicing, cleaning, or storing the tool.
8. Remove the battery pack from the tool whenever you leave it unattended.
9. Do not force the tool—Allow the tool to do the job better and safer at the rate for which it was designed.
10. Do not overreach—Keep proper footing and balance at all times, especially on slopes. Walk, never run with the tool.
11. Stay alert—Watch what you are doing and use common sense when operating the tool. Do not use the tool while ill, tired, or under the influence of alcohol or drugs.
17. CAUTION—A mistreated battery pack may present a risk of fire, explosion, or chemical burn.
 - Do not disassemble the battery pack.
 - Replace the battery pack with a genuine Toro battery pack only; using another type of battery pack may cause a fire or risk of injury.
 - Keep battery packs out of the reach of children and in the original packaging until you are ready to use them.

IV. Maintenance and Storage

1. Maintain the tool with care—Keep it clean and in good repair for best performance and to reduce the risk of injury. Follow the instructions for lubricating and changing accessories. Keep handles dry, clean, and free from oil and grease.
2. When the battery pack is not in use, keep it away from metal objects such as paper clips, coins, keys, nails, and screws that can make a connection from one terminal to another. Shorting the battery terminals may cause burns or a fire.
3. Keep your hands and feet away from moving parts.
4. Stop the tool, remove the battery pack from the tool, and wait for all movement to stop before adjusting, servicing, cleaning, or storing the tool.
5. Check the tool for damaged parts—If there are damaged guards or other parts, determine whether it will operate properly. Check for misaligned and binding moving parts, broken parts, mounting, and any other condition that may affect its operation. Unless indicated in the instructions, have an Authorized Service Dealer repair or replace a damaged guard or part.
6. Keep all fasteners on the tool tight.
7. Do not attempt to service or repair the tool, battery pack, or battery charger except as indicated in the instructions. Have an Authorized Service Dealer perform service using identical replacement parts to ensure that the product is safely maintained.
8. Store an idle tool indoors in a place that is dry, secure, and out of the reach of children.

**SAVE THESE
INSTRUCTIONS**

Safety and Instructional Decals



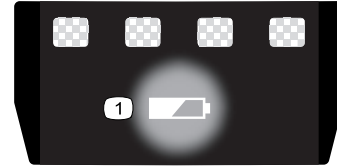
Safety decals and instructions are easily visible to the operator and are located near any area of potential danger. Replace any decal that is damaged or missing.



decal137-9454

137-9454

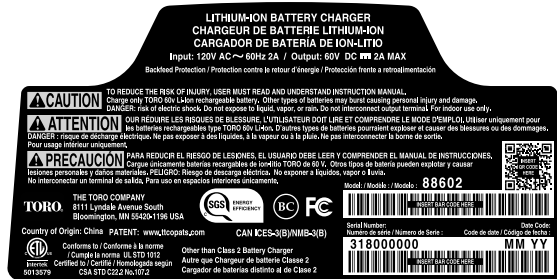
1. Read the *Operator's Manual*.
2. Call2Recycle® battery recycling program
3. Keep away from open fire or flames.
4. Do not expose to rain.



decal137-9461

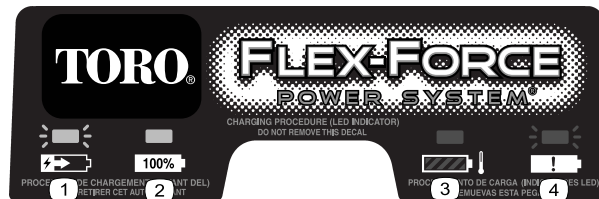
137-9461

1. Battery charge status



decal137-9462

137-9462



decal137-9463

137-9463

1. The battery pack is charging.
2. The battery pack is fully charged.
3. The battery pack is over or under the appropriate temperature range.
4. Battery pack charging fault



140-8496

decal140-8496



140-8497

decal140-8497

1. Warning—read the *Operator's Manual*; stay away from moving parts; keep all guards and shields in place; wear eye protection; do not expose to rain.
2. Warning—keep bystanders away from the machine in all directions.

3. Thrown object hazard—keep bystanders away.

1. Warning—read the *Operator's Manual*; stay away from moving parts; keep all guards and shields in place; wear eye protection; do not expose to rain.
2. Warning—keep bystanders away from the machine in all directions.

3. Thrown object hazard—keep bystanders away.

Setup

Important: The battery pack is not fully charged when you purchase it. Before using the tool for the first time, refer to [Charging the Battery Pack \(page 12\)](#).

Mounting the Battery Charger (Optional)

If desired, mount the battery charger securely on a wall using the wall-mount key holes on the back of the charger.

Mount it indoors (such as a garage or other dry place), near a power outlet, and out of the reach of children.

Refer to [Figure 3](#) for assistance in mounting the charger.

Slide the charger over the appropriately positioned hardware to secure the charger in place (hardware not included).

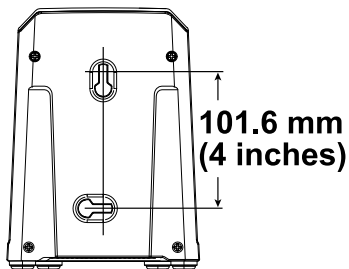


Figure 3

g290534

Assembling the Blower

Slide the blower tube onto the blower housing. You may need to press down on the tube latch for the blower tube to lock into place ([Figure 4](#)).

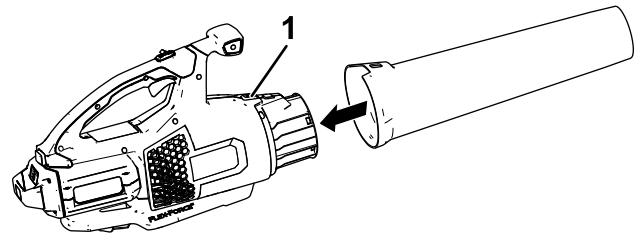


Figure 4

g273147

1. Tube latch

Product Overview

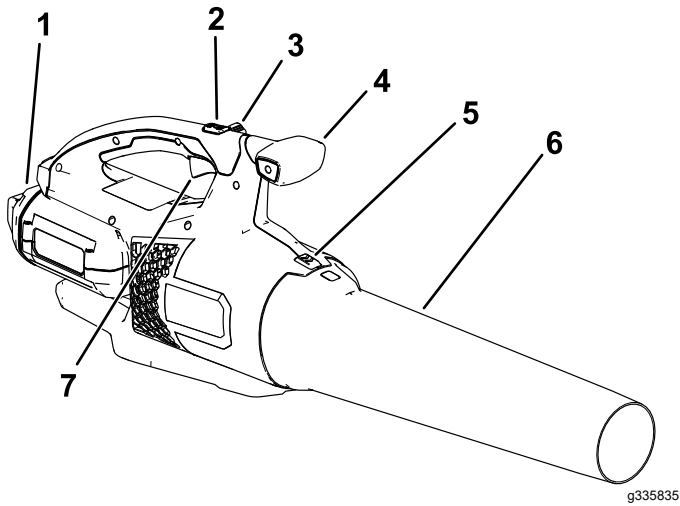


Figure 5

- | | |
|-------------------------------|---------------------------|
| 1. Battery and battery cavity | 5. Blower tube latch |
| 2. Turbo boost button | 6. Blower tube |
| 3. Speed lock | 7. Variable-speed trigger |
| 4. Handle knob | |

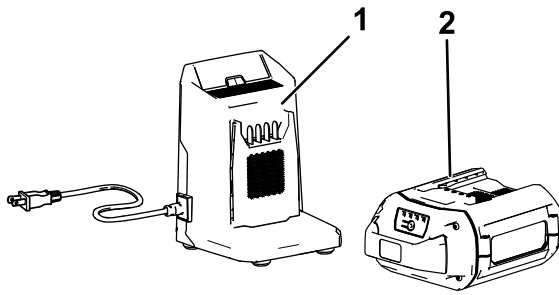


Figure 6

- | | |
|--|---|
| 1. Battery charger Model 88602 (included with Model 51820) | 2. Battery pack Model 88625 (included with Model 51820) |
|--|---|

Specifications

Model	51820, 51820T
Rated Voltage	60V DC maximum, 54 VDC nominal usage
Charger Type	Toro 60V lithium-ion chargers
Battery Type	Toro 60V lithium-ion batteries

Appropriate Temperature Ranges

Charge/ store the battery pack at	5°C (41°F) to 40°C (104°F)*
Use the battery pack at	-30°C (-22°F) to 49°C (120°F)
Use the blower at	0°C (32°F) to 49°C (120°F)

*Charging time will increase if you do not charge the battery within this range.

Store the tool, battery pack, and battery charger in an enclosed clean, dry area.

Attachments/Accessories

A selection of Toro approved attachments and accessories is available for use with the machine to enhance and expand its capabilities. Contact your Authorized Service Dealer or authorized Toro distributor or go to www.Toro.com for a list of all approved attachments and accessories.

To ensure optimum performance and continued safety certification of the machine, use only genuine Toro replacement parts and accessories. Replacement parts and accessories made by other manufacturers could be dangerous.

Operation

⚠ WARNING

The blower can throw debris, possibly causing serious personal injury to you or bystanders.

- Do not blow hard objects, such as nails or bolts.
- Do not operate the blower near bystanders or pets.
- Be careful of blowing direction (i.e., blow away from bystanders, windows, automobiles, etc.). Only use as much speed as required.
- Use extra care when cleaning debris from stairs or other tight areas.

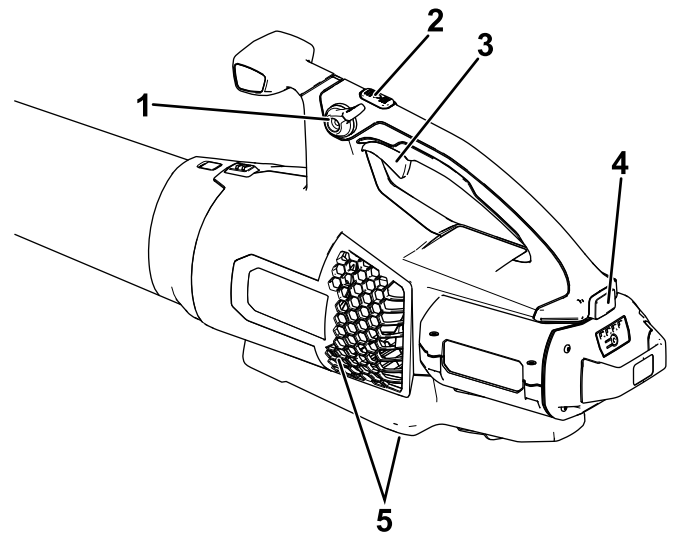


Figure 8

g267241

- | | |
|---------------------------|-------------------------|
| 1. Speed lock | 4. Battery latch |
| 2. Turbo boost button | 5. Blower venting areas |
| 3. Variable-speed trigger | |

Starting the Blower

Important: Use the battery pack only in temperatures that are within the appropriate range; refer to [Specifications \(page 9\)](#).

1. Make sure that the vents on the blower are clear of any dust and debris.
2. Align the cavity on the battery pack with the tongue in the handle housing ([Figure 7](#)).
3. Grasp the handle, and push the battery pack into the handle until the latch locks into place ([Figure 7](#)).

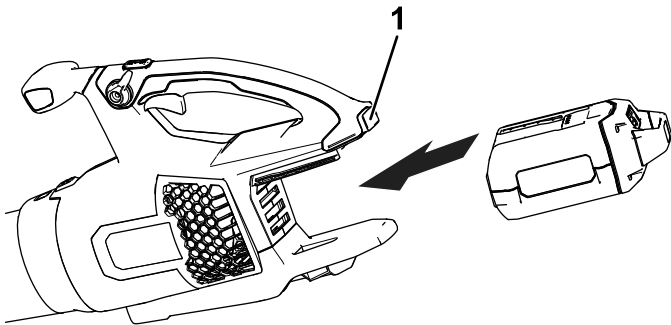


Figure 7

g273146

1. Battery latch

4. To start the blower, squeeze the variable-speed trigger ([Figure 8](#)).

Note: Engage the speed lock to keep the machine on without pressing the variable-speed trigger ([Figure 8](#)).

Adjusting the Air Speed of the Blower

To achieve maximum performance (air speed), fully depress the variable-speed trigger, then press and hold the turbo boost button for the desired amount of time (Figure 8).

To adjust the air speed as you blow, use the variable-speed trigger (Figure 8).

To maintain the current air speed, engage the speed lock (Figure 8).

Shutting Off the Blower

To shut off the blower, disengage the speed lock (if in use) and release the variable-speed trigger (Figure 8).

Important: After stopping the blower, do not leave the speed lock engaged with the battery pack in the blower.

Whenever you are not using the blower or are transporting the blower to or from the work area, remove the battery pack.

Removing the Blower Tube

Press down on the tab latch to separate the blower tube from the blower (Figure 9).

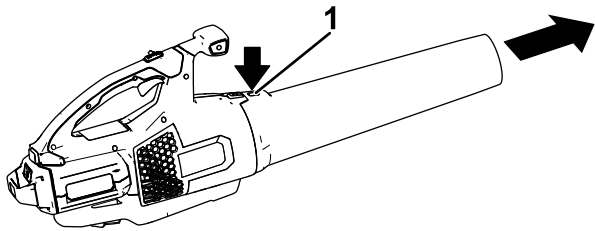


Figure 9

g273159

1. Tube latch

Removing the Battery from the Blower

Press the battery latch to release the battery pack and slide the battery pack out of the blower (Figure 10).

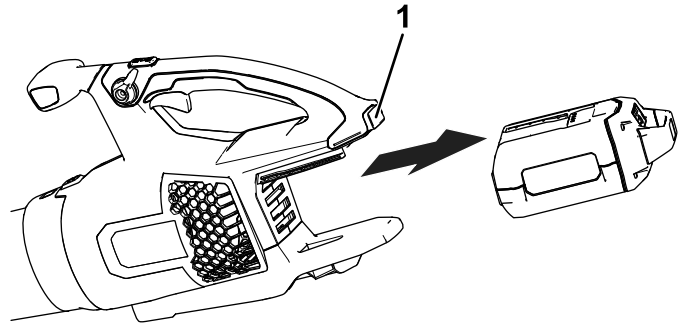


Figure 10

g267488

1. Battery latch

Charging the Battery Pack

Important: The battery pack is not fully charged when you purchase it. Before using the tool for the first time, place the battery pack in the charger and charge it until the LED display indicates the battery pack is fully charged. Read all safety precautions.

Important: Charge the battery pack only in temperatures that are within the appropriate range; refer to [Specifications \(page 9\)](#).

Note: At any time, press the battery-charge-indicator button on the battery pack to display the current charge (LED indicators).

1. Make sure that the vents on the battery and battery charger are clear of any dust and debris.

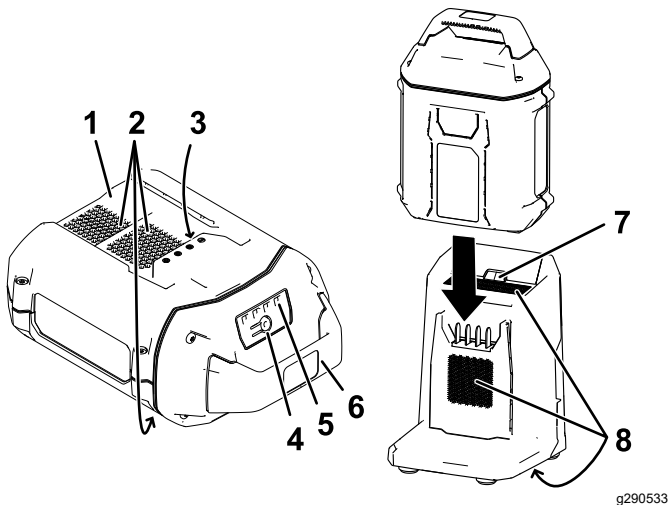


Figure 11

- | | |
|------------------------------------|------------------------------------|
| 1. Battery pack cavity | 5. LED indicators (current charge) |
| 2. Battery pack venting areas | 6. Handle |
| 3. Battery pack terminals | 7. Charger LED indicator light |
| 4. Battery-charge-indicator button | 8. Charger venting areas |
2. Line up the cavity in the battery pack ([Figure 11](#)) with the tongue on the charger.
 3. Slide the battery pack into the charger until it is fully seated ([Figure 11](#)).
 4. To remove the battery pack, slide the battery backward out of the charger.
 5. Refer to the following table to interpret the LED indicator light on the battery charger.

Indicator light	Indicates
Off	No battery pack inserted
Green blinking	Battery pack is charging

Green	Battery pack is charged
Red	Battery pack and/or battery charger is over or under the appropriate temperature range
Red blinking	Battery pack charging fault*

*Refer to [Troubleshooting \(page 14\)](#) for more information.

Important: The battery can be left on the charger for short periods between uses.

If the battery will not be used for longer periods, remove the battery from the charger; refer to [Storage \(page 13\)](#).

Storage

Important: Store the tool, battery pack, and charger only in temperatures that are within the appropriate range; refer to [Specifications \(page 9\)](#).

Important: If you are storing the battery pack for the off-season, remove the battery pack from the tool and charge the battery pack until 2 or 3 LED indicators turn green on the battery. Do not store a fully charged or fully depleted battery. When you are ready to use the tool again, charge the battery pack until the left indicator light turns green on the charger or all 4 LED indicators turn green on the battery.

- Disconnect the product from the power supply (i.e., remove the plug from the power supply or the battery pack) and check for damage after use.
- Do not store the tool with the battery pack installed.
- Clean all foreign material from the product.
- When not in use, store the tool, battery pack, and battery charger out of the reach of children.
- Keep the tool, battery pack, and battery charger away from corrosive agents, such as garden chemicals and de-icing salts.
- To reduce the risk of serious personal injury, do not store the battery pack outside or in vehicles.
- Store the tool, battery pack, and battery charger in an enclosed clean, dry area.

Preparing the Battery Pack for Recycling

Important: Upon removal, cover the terminals of the battery pack with heavy-duty adhesive tape. Do not attempt to destroy or disassemble the battery pack or remove any of its components.



Lithium-ion battery packs labeled with the Call2Recycle seal can be recycled at any participating retailer or battery recycling facility in the Call2Recycle program (US and Canada only). To locate a participating retailer or facility closest to you, please call 1-800-822-8837 or visit www.call2recycle.org. If you cannot locate a participating retailer or facility nearby, or if your rechargeable battery is not labeled with the Call2Recycle seal, please contact your local municipality for more information on how to responsibly recycle the battery. If you are located outside of the US and Canada, please contact your authorized Toro distributor.

Troubleshooting

Perform only the steps described in these instructions. All further inspection, maintenance, and repair work must be performed by an authorized service center or a similarly qualified specialist if you cannot solve the problem yourself.

Always remove the battery from the tool when troubleshooting, inspecting, maintaining, or cleaning the tool.

Problem	Possible Cause	Corrective Action
The tool does not start.	<ol style="list-style-type: none"> 1. The battery is not fully installed in the tool. 2. The battery pack is not charged. 3. The battery pack is damaged. 4. There is another electrical problem with the tool. 	<ol style="list-style-type: none"> 1. Remove and then replace the battery into the tool, making sure that it is fully installed and latched. 2. Remove the battery pack from the tool and charge it. 3. Replace the battery pack. 4. Contact an Authorized Service Dealer.
The tool does not reach full power.	<ol style="list-style-type: none"> 1. The battery pack charge capacity is too low. 2. The air vents are blocked. 	<ol style="list-style-type: none"> 1. Remove the battery pack from the tool and fully charge the battery pack. 2. Clean the air vents.
The tool does not run or does not run continuously.	<ol style="list-style-type: none"> 1. There is moisture on the leads of the battery pack. 2. The battery is not fully installed in the tool. 3. The battery pack is low on charge. 	<ol style="list-style-type: none"> 1. Allow the battery pack to dry or wipe it dry. 2. Remove and then replace the battery in the tool, ensuring that it is fully installed and latched. 3. Charge the battery pack.
The speed lock does not hold when engaged.	<ol style="list-style-type: none"> 1. The speed lock screw is loose. 	<ol style="list-style-type: none"> 1. Tighten the speed lock screw by turning the speed lock screw $\frac{1}{4}$ turn. If the speed lock still does not hold when engaged, turn the speed lock screw an additional $\frac{1}{4}$ turn.
The battery pack loses charge quickly.	<ol style="list-style-type: none"> 1. The battery pack is over or under the appropriate temperature range. 	<ol style="list-style-type: none"> 1. Move the battery pack to a place where it is dry and the temperature is between 5°C (41°F) and 40°C (104°F).
The battery charger is not working.	<ol style="list-style-type: none"> 1. The battery charger is over or under the appropriate temperature range. 2. The outlet that the battery charger is plugged into does not have power. 	<ol style="list-style-type: none"> 1. Unplug the battery charger and move it to a place where it is dry and the temperature is between 5°C (41°F) and 40°C (104°F). 2. Contact your licensed electrician to repair the outlet.
The LED indicator light on the battery charger is red.	<ol style="list-style-type: none"> 1. The battery charger and/or battery pack is over or under the appropriate temperature range. 	<ol style="list-style-type: none"> 1. Unplug the battery charger and move the battery charger and battery pack to a place where it is dry and the temperature is between 5°C (41°F) and 40°C (104°F).

Problem	Possible Cause	Corrective Action
<p>The LED indicator light on the battery charger is blinking red.</p>	<ol style="list-style-type: none"> 1. There is an error in the communication between the battery pack and the charger. 2. The battery pack is weak. 	<ol style="list-style-type: none"> 1. Remove the battery pack from the battery charger, unplug the battery charger from the outlet, and wait 10 seconds. Plug the battery charger into the outlet again and place the battery pack on the battery charger. If the LED indicator light on the battery charger is still blinking red, repeat this procedure again. If the LED indicator light on the battery charger is still blinking red after 2 attempts, properly dispose of the battery pack at a battery recycling facility. 2. Properly dispose of the battery pack at a battery recycling facility.

California Proposition 65 Warning Information

What is this warning?

You may see a product for sale that has a warning label like the following:



WARNING: Cancer and Reproductive Harm—www.p65Warnings.ca.gov.

What is Prop 65?

Prop 65 applies to any company operating in California, selling products in California, or manufacturing products that may be sold in or brought into California. It mandates that the Governor of California maintain and publish a list of chemicals known to cause cancer, birth defects, and/or other reproductive harm. The list, which is updated annually, includes hundreds of chemicals found in many everyday items. The purpose of Prop 65 is to inform the public about exposure to these chemicals.

Prop 65 does not ban the sale of products containing these chemicals but instead requires warnings on any product, product packaging, or literature with the product. Moreover, a Prop 65 warning does not mean that a product is in violation of any product safety standards or requirements. In fact, the California government has clarified that a Prop 65 warning "is not the same as a regulatory decision that a product is 'safe' or 'unsafe.'" Many of these chemicals have been used in everyday products for years without documented harm. For more information, go to <https://oag.ca.gov/prop65/faqs-view-all>.

A Prop 65 warning means that a company has either (1) evaluated the exposure and has concluded that it exceeds the "no significant risk level"; or (2) has chosen to provide a warning based on its understanding about the presence of a listed chemical without attempting to evaluate the exposure.

Does this law apply everywhere?

Prop 65 warnings are required under California law only. These warnings are seen throughout California in a wide range of settings, including but not limited to restaurants, grocery stores, hotels, schools, and hospitals, and on a wide variety of products. Additionally, some online and mail order retailers provide Prop 65 warnings on their websites or in catalogs.

How do the California warnings compare to federal limits?

Prop 65 standards are often more stringent than federal and international standards. There are various substances that require a Prop 65 warning at levels that are far lower than federal action limits. For example, the Prop 65 standard for warnings for lead is 0.5 µg/day, which is well below the federal and international standards.

Why don't all similar products carry the warning?

- Products sold in California require Prop 65 labelling while similar products sold elsewhere do not.
- A company involved in a Prop 65 lawsuit reaching a settlement may be required to use Prop 65 warnings for its products, but other companies making similar products may have no such requirement.
- The enforcement of Prop 65 is inconsistent.
- Companies may elect not to provide warnings because they conclude that they are not required to do so under Prop 65; a lack of warnings for a product does not mean that the product is free of listed chemicals at similar levels.

Why does the manufacturer include this warning?

the manufacturer has chosen to provide consumers with as much information as possible so that they can make informed decisions about the products they buy and use. the manufacturer provides warnings in certain cases based on its knowledge of the presence of one or more listed chemicals without evaluating the level of exposure, as not all the listed chemicals provide exposure limit requirements. While the exposure from the manufacturer products may be negligible or well within the "no significant risk" range, out of an abundance of caution, the manufacturer has elected to provide the Prop 65 warnings. Moreover, if the manufacturer does not provide these warnings, it could be sued by the State of California or by private parties seeking to enforce Prop 65 and subject to substantial penalties.



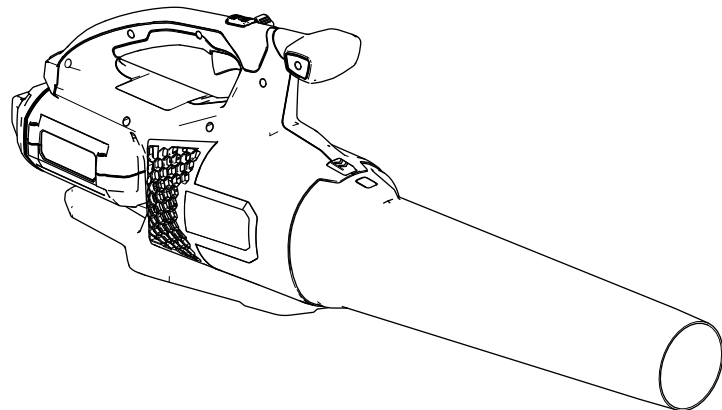
Count on it.

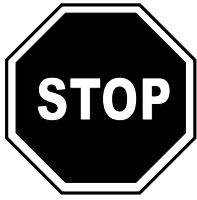
Manual del operador

Soplador Axial Flex-Force Power System™ 60V MAX

Nº de modelo 51820—Nº de serie 323000001 y superiores

Nº de modelo 51820T—Nº de serie 323000001 y superiores





Si necesita ayuda, consulte los videos instruccionales en www.Toro.com/support o llame al 1-888-384-9939 antes de devolver este producto.

⚠ ADVERTENCIA

CALIFORNIA

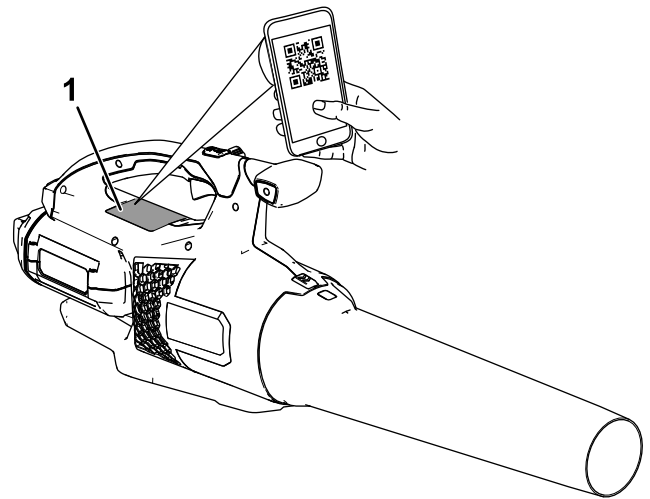
Advertencia de la Propuesta 65

El cable eléctrico de este producto contiene plomo, que el Estado de California sabe que causa defectos congénitos u otros peligros para la reproducción. Lávese las manos después de manejar el material.

El uso de este producto puede provocar la exposición a sustancias químicas que el Estado de California considera causantes de cáncer, defectos congénitos u otros trastornos del sistema reproductor.

Cuando necesite asistencia técnica, piezas genuinas Toro o información adicional, póngase en contacto con un Servicio Técnico Autorizado o con Atención al cliente de Toro, y tenga a mano los números de modelo y serie de su producto. **Figura 1** identifica la ubicación de los números de modelo y serie en el producto. Escriba los números en el espacio provisto.

Importante: Con su dispositivo móvil, puede escanear el código QR (en su caso) de la place del número de serie para acceder a información sobre la garantía, las piezas, y otra información sobre el producto.



g426535

Figura 1

1. Ubicación de los números de modelo y de serie.

Nº de modelo	_____
Nº de serie	_____

Introducción

Este soplador está diseñado para ser usado por usuarios domésticos para mover hojas y otros residuos similares en espacios exteriores. Está diseñada para usar baterías de ion litio de 60 V de Toro. Estas baterías están diseñadas para ser cargadas únicamente con cargadores de batería de ion litio de 60 V de Toro. El uso de estos productos para propósitos diferentes a los previstos puede ser peligroso para usted y para otras personas.

El Modelo 51820T no incluye batería ni cargador.

Lea este manual detenidamente para aprender a utilizar y mantener correctamente su producto, y para evitar lesiones y daños al producto. Usted es responsable de utilizar el producto de forma correcta y segura.

Visite www.Toro.com para obtener más información, incluidos consejos de seguridad, materiales de formación, información sobre accesorios, ayuda para encontrar a un distribuidor o para registrar su producto.

Símbolo de alerta de seguridad

El símbolo de alerta de seguridad (Figura 2) que aparece en este manual y en la máquina identifica mensajes de seguridad importantes que usted debe observar para evitar accidentes.



Figura 2

Símbolo de alerta de seguridad

g000502

El símbolo de alerta de seguridad aparece encima de información que le alerta ante acciones o situaciones inseguras, y va seguido de la palabra **PELIGRO**, **ADVERTENCIA**, o **CUIDADO**.

PELIGRO: Indica una situación peligrosa inminente, que si no se evita, **causará** la muerte o lesiones graves.

ADVERTENCIA indica una situación potencialmente peligrosa que si no se evita, **podría** causar la muerte o lesiones graves.

CUIDADO: Indica una situación potencialmente peligrosa que si no se evita, **podría** causar lesiones menores o moderadas.

Este manual utiliza dos palabras más para resaltar información. **Importante** llama la atención sobre información mecánica especial, y **Nota** resalta información general que merece una atención especial.

Seguridad

INSTRUCCIONES DE SEGURIDAD IMPORTANTES

⚠ ADVERTENCIA

Al utilizar herramientas de jardinería eléctricas, lea y observe siempre las normas básicas de seguridad y las instrucciones, a fin de reducir el riesgo de incendio, descarga eléctrica y lesiones personales:

Lea todas las instrucciones

I. Formación

1. El operador de la herramienta es responsable de cualquier accidente o peligro que afecte a otras personas o a su propiedad.
2. No deje que los niños utilicen o jueguen con la herramienta, la batería o el cargador de la batería; la normativa local puede restringir la edad del operador.
3. No permita que este dispositivo sea utilizado o mantenido por niños o por personas que no hayan recibido la formación adecuada. Sólo permita que manejen o mantengan el dispositivo personas responsables, formadas, familiarizadas con las instrucciones y físicamente capaces de utilizar la máquina.
4. Antes de utilizar la herramienta, la batería y el cargador de la batería, lea todas las instrucciones y símbolos de advertencia de estos productos.
5. Familiarícese con los controles y con el uso correcto de la herramienta, la batería y el cargador de la batería.

II. Preparación

1. Mantenga a otras personas y niños alejados de la zona de trabajo.
2. Utilice únicamente la batería especificada por Toro. El uso de otros accesorios puede aumentar el riesgo de incendio y lesiones.
3. Si se enchufa el cargador en una toma de corriente que no sea de 120 voltios, puede causar un incendio o una descarga eléctrica. No conecte el cargador de la batería a una toma de corriente que no sea de 120 V. Para otros tipos de conexión, utilice un adaptador en el enchufe del accesorio del tipo correcto para la toma de corriente, si es necesario.
4. No utilice la batería o el cargador de la batería si están dañados o modificados, porque podrían

mostrar un comportamiento impredecible con resultado de incendio, explosión o riesgo de lesiones.

5. Si el cable de alimentación del cargador de la batería está dañado, póngase en contacto con un Servicio Técnico Autorizado para cambiarlo.
6. Cargue la batería únicamente con el cargador de la batería especificado por Toro. Un cargador que sea idóneo para un tipo determinado de batería puede crear un riesgo de incendio si se utiliza con otro tipo de batería.
7. Cargue la batería únicamente en una zona bien ventilada.
8. Siga todas las instrucciones de carga y no cargue la batería si la temperatura está fuera del intervalo especificado en las instrucciones. Podría dañar la batería y aumentar el riesgo de incendio.
9. No utilice la herramienta a menos que estén instalados todos los protectores y otros dispositivos de seguridad y que funcionen correctamente.
10. Vestimenta adecuada – lleve ropa adecuada, incluida protección ocular, pantalón largo, calzado resistente y antideslizante y protección auditiva. Si tiene el pelo largo, recójase, y no lleve prendas holgadas o joyas sueltas que puedan quedar atrapadas en las piezas móviles. Lleve una mascarilla en condiciones de mucho polvo.

III. Operación

1. Evite entornos peligrosos – No utilice la herramienta bajo la lluvia o en lugares húmedos o mojados.
2. Utilice la herramienta correcta para su aplicación – El uso de la herramienta para otros propósitos que los previstos podría ser peligroso para usted y para otras personas.
3. Evite el encendido accidental – Asegúrese de que el interruptor está en la posición de DESCONECTADO antes de conectar la batería y manejar la herramienta. No transporte la herramienta con el dedo sobre el interruptor; no energice la herramienta con el interruptor en la posición de ENCENDIDO.
4. Use la herramienta únicamente en condiciones de luz diurna o buena luz artificial.
5. Retire la batería de la herramienta antes de ajustarla o cambiar de accesorio.
6. Mantenga las manos y los pies alejados de la abertura y de todas las piezas en movimiento.
7. Pare la herramienta, retire la batería de la herramienta y espere a que se detenga todo

movimiento antes de ajustar, revisar, limpiar o almacenar la herramienta.

8. Retire la batería de la herramienta antes de dejarla desatendida.
9. No fuerce la herramienta— deje que la herramienta haga el trabajo mejor y con más seguridad a la velocidad para la que fue diseñada.
10. No intente alcanzar zonas demasiado alejadas – pise firme y mantenga el equilibrio en todo momento, sobre todo en pendientes. Camine, no corra nunca con la herramienta.
11. Manténgase alerta—Esté atento a lo que está haciendo y utilice el sentido común mientras trabaja con la herramienta. No utilice la herramienta si está enfermo, cansado o bajo la influencia de alcohol o drogas.
12. Asegúrese de que los orificios de ventilación están libres de residuos.
13. No introduzca ningún objeto en la abertura, ni utilice la herramienta con la abertura bloqueada. Mantenga la abertura libre de polvo, pelusas, pelo o cualquier otra cosa que pudiera reducir el flujo de aire.
14. Extreme las precauciones al utilizar la herramienta para limpiar escaleras.
15. En condiciones abusivas, la batería puede expulsar líquido; evite el contacto. En caso de un contacto accidental con el líquido, enjuague con agua. Si el líquido entra en contacto con sus ojos, busque ayuda médica. El líquido expulsado de la batería puede causar irritación o quemaduras.
16. No exponga la batería o el cargador al fuego o a temperaturas excesivas. La exposición al fuego o a temperaturas superiores a los 130 °C (265 °F) puede causar una explosión.
17. CUIDADO – una batería maltratada puede representar un riesgo de incendio, explosión o quemadura química.
 - No desmonte la batería.
 - Sustituya la batería únicamente por una batería Toro genuina; el uso de otro tipo de batería podría provocar un incendio o un riesgo de lesión.
 - Mantenga las baterías fuera del alcance de los niños y en el embalaje original hasta su uso.

IV. Mantenimiento y almacenamiento

1. No descuide el mantenimiento de la herramienta — debe estar siempre limpia y en buenas condiciones de uso para obtener el mejor rendimiento y para reducir el riesgo de lesiones. Siga las instrucciones al lubricar y cambiar de accesorio. Mantenga las empuñaduras secas, limpias y libres de aceite y grasa.
2. Cuando la batería no está en uso, debe mantenerse alejada de objetos metálicos como clips, monedas, llaves, clavos y tornillos que pudieran hacer una conexión entre un terminal y otro. Un cortocircuito entre los terminales de la batería puede causar quemaduras o un incendio.
3. Mantenga las manos y los pies alejados de las piezas en movimiento.
4. Pare la herramienta, retire la batería de la herramienta y espere a que se detenga todo movimiento antes de ajustar, revisar, limpiar o almacenar la herramienta.
5. Inspeccione la herramienta en busca de piezas dañadas – si hay protectores u otras piezas dañadas, determine si la herramienta funciona correctamente. Compruebe que las piezas móviles están correctamente alineadas y que se mueven libremente sin agarrotarse, que están correctamente montadas, que no hay piezas rotas, y que no hay otras circunstancias que pudieran afectar a su uso. A menos que se indique lo contrario en las instrucciones, haga que un Servicio Técnico Autorizado repare o sustituya cualquier protector o componente dañado.
6. Mantenga firmemente apretadas todas las fijaciones de la herramienta.
7. No intente reparar o mantener la herramienta, la batería o el cargador de la batería, salvo con arreglo a lo indicado en las instrucciones. Haga que un Servicio Técnico Autorizado realice el mantenimiento usando piezas de repuesto idénticas para mantener el nivel de seguridad del producto.
8. Cuando la herramienta no se está utilizando, guárdela en un lugar seco y seguro, fuera del alcance de los niños.

**GUARDE ESTAS
INSTRUCCIONES**

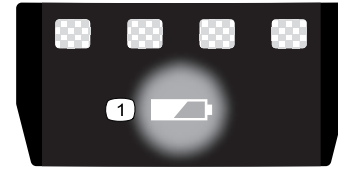
Pegatinas de seguridad e instrucciones



Las calcomanías de seguridad e instrucciones están a la vista del operador y están ubicadas cerca de cualquier zona de peligro potencial. Sustituya cualquier calcomanía que esté dañada o que falte.



137-9454

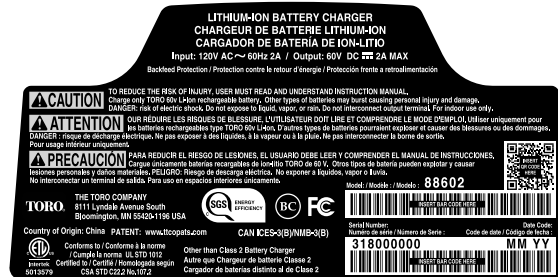


137-9461

decal137-9461

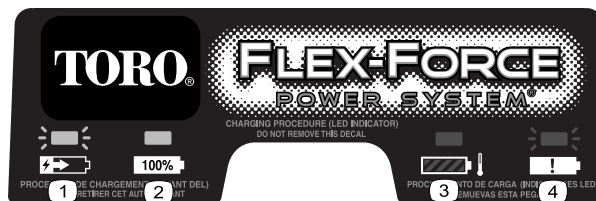
1. Estado de carga de la batería

1. Lea el *Manual del operador*.
2. Programa de reciclado de baterías Call2Recycle®
3. Mantenga alejada de fuegos o llamas desnudas.
4. No exponer a la lluvia.



137-9462

decal137-9462



137-9463

decal137-9463

1. La batería se está cargando.
2. La batería está completamente cargada.
3. La temperatura de la batería está por encima o por debajo del intervalo de temperatura adecuado.
4. Fallo de carga de la batería



140-8496

decal140-8496



140-8497

decal140-8497

1. Advertencia – lea el *Manual del operador*; no se acerque a las piezas en movimiento; mantenga colocados todos los protectores y defensas; utilice protección ocular; no exponer a la lluvia.
2. Advertencia – mantenga a otras personas alejadas de la máquina en todas las direcciones.

3. Peligro de objetos arrojados – mantenga alejadas a otras personas.

1. Advertencia – lea el *Manual del operador*; no se acerque a las piezas en movimiento; mantenga colocados todos los protectores y defensas; utilice protección ocular; no exponer a la lluvia.
2. Advertencia – mantenga a otras personas alejadas de la máquina en todas las direcciones.

3. Peligro de objetos arrojados – mantenga alejadas a otras personas.

Montaje

Importante: En el momento de la compra la batería no está totalmente cargada. Antes de usar la herramienta por primera vez, consulte [Carga de la batería \(página 12\)](#).

Cómo montar el cargador de la batería (opcional)

Si lo desea, monte el cargador de la batería firmemente en la pared utilizando los orificios de montaje en pared en la parte trasera del cargador.

Móntelo en un espacio interior (tal como un garaje u otro lugar seco), cerca de una toma de corriente y fuera del alcance de los niños.

Consulte la [Figura 3](#) para obtener asistencia sobre el montaje del cargador.

Coloque el cargador sobre las fijaciones correctamente posicionadas para fijarlo en su lugar (fijaciones no incluidas).

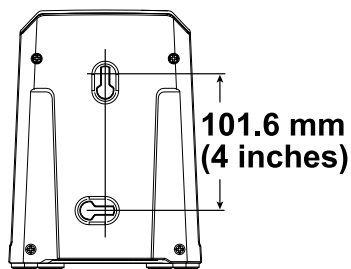


Figura 3

g290534

Montaje del soplador

Deslice el tubo del soplador sobre la carcasa del soplador. Puede ser necesario presionar hacia abajo sobre el cierre del tubo para que el tubo del soplador encaje en su sitio ([Figura 4](#)).

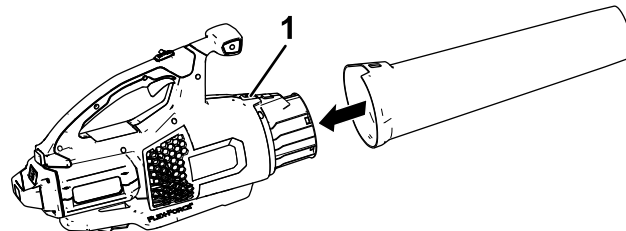


Figura 4

g273147

1. Cierre del tubo

El producto

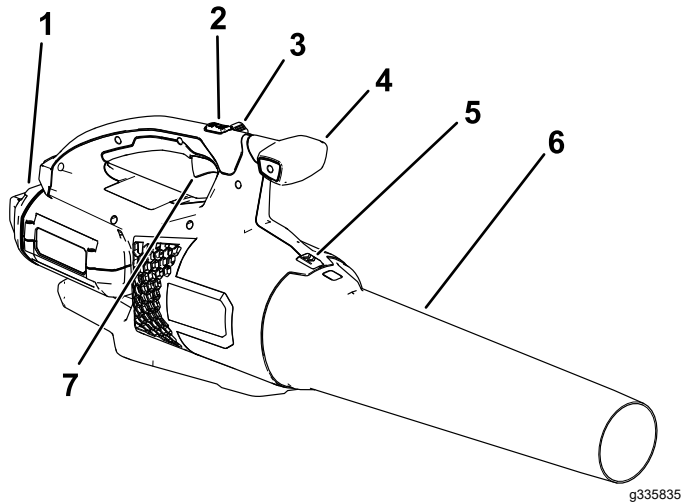


Figura 5

- | | |
|----------------------------------|-----------------------------------|
| 1. Batería y hueco de la batería | 5. Enganche del tubo del soplador |
| 2. Botón de potencia turbo | 6. Tubo del soplador |
| 3. Bloqueo de velocidad | 7. Gatillo de velocidad variable |
| 4. Pomo | |

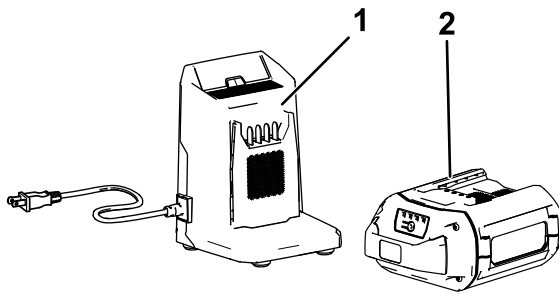


Figura 6

- | | |
|--|--|
| 1. Cargador de batería modelo 88602 (incluido con el modelo 51820) | 2. Batería modelo 88625 (incluida con el Modelo 51820) |
|--|--|

Especificaciones

Modelo	51820, 51820T
Voltaje nominal	Máximo 60 VCC , uso nominal 54 VCC
Tipo de cargador	Cargadores de ion litio Toro de 60 V
Tipo de batería	Baterías de ion litio Toro de 60 V

Intervalos de temperatura adecuados

Cargue/guarde la batería a	5 °C a 40 °C (41 °F a 104 °F)*
Utilice la batería a	Entre -30 °C y 49 °C (-22 °F y 120 °F)
Utilice el soplador a	0 °C a 49 °C (32 °F a 120 °F)

*El tiempo de carga será mayor si la temperatura no está en este intervalo durante la carga.

Guarde la herramienta, la batería y el cargador en un lugar cerrado, limpio y seco.

Accesorios

Está disponible una selección de aperos y accesorios homologados por Toro que se pueden utilizar con la máquina a fin de potenciar y aumentar sus prestaciones. Póngase en contacto con su Servicio Técnico Autorizado o con su distribuidor autorizado Toro, o visite www.Toro.com para obtener una lista de todos los aperos y accesorios homologados.

Para asegurar un rendimiento óptimo y mantener la certificación de seguridad de la máquina, utilice solamente piezas y accesorios genuinos Toro. Las piezas de repuesto y los accesorios de otros fabricantes podrían ser peligrosos.

Operación

⚠ ADVERTENCIA

El soplador puede arrojar residuos, que podrían causar graves lesiones personales a usted o a otras personas.

- No sople objetos duros como clavos o pernos.
- No utilice el soplador cerca de otras personas o animales domésticos.
- Esté atento al sentido del chorro de aire (por ejemplo, no lo dirija hacia otras personas, ventanas, automóviles, etc.). Utilice la mínima velocidad posible.
- Extreme el cuidado al soplar residuos en escaleras u otros lugares de espacio reducido.

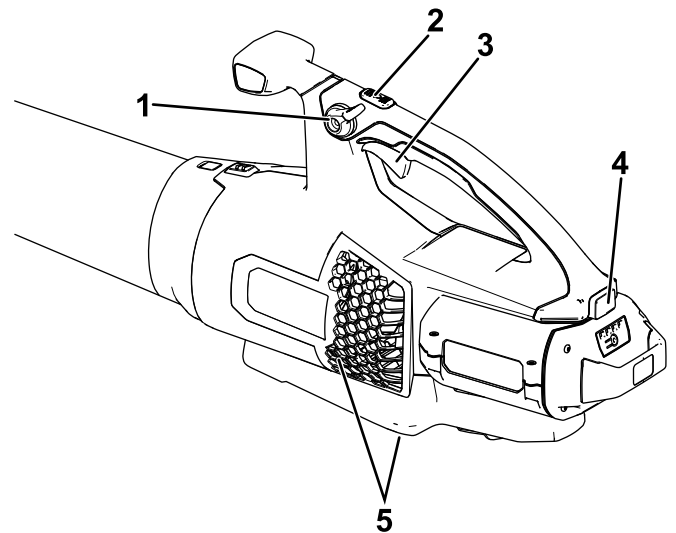


Figura 8

g267241

- | | |
|----------------------------------|--------------------------------------|
| 1. Bloqueo de velocidad | 4. Cierre de la batería |
| 2. Botón de potencia turbo | 5. Zonas de ventilación del soplador |
| 3. Gatillo de velocidad variable | |

Cómo arrancar el soplador

Importante: Utilice la batería solo a temperaturas que estén dentro del intervalo apropiado; consulte [Especificaciones \(página 9\)](#).

1. Compruebe que los orificios de ventilación del soplador están libres de polvo y residuos.
2. Alinee el hueco de la batería con la lengüeta del alojamiento de la empuñadura ([Figura 7](#)).
3. Sujete la empuñadura e introduzca la batería en la empuñadura hasta que el cierre se bloquee en su sitio ([Figura 7](#)).

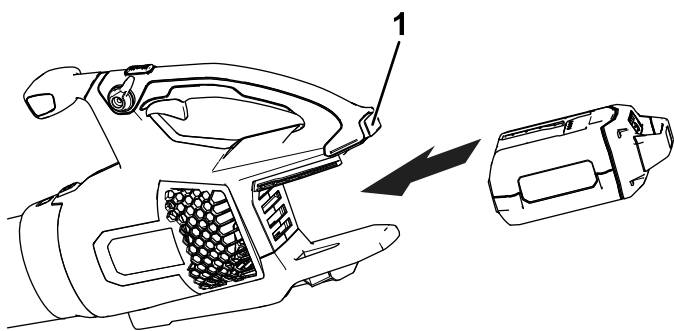


Figura 7

g273146

1. Cierre de la batería

4. Para arrancar el soplador, apriete el gatillo de velocidad variable ([Figura 8](#)).

Nota: Active el bloqueo de velocidad para mantener la máquina encendida sin tener que apretar el gatillo de velocidad variable ([Figura 8](#)).

Cómo ajustar la velocidad del aire del soplador

Para obtener el máximo rendimiento (velocidad de aire), presione a fondo el gatillo de velocidad variable, luego mantenga pulsado el botón de potencia turbo durante el tiempo deseado (Figura 8).

Para ajustar la velocidad del aire mientras sopla, utilice el gatillo de velocidad variable (Figura 8).

Para mantener la velocidad actual del aire, active el bloqueo de velocidad (Figura 8).

Cómo apagar el soplador

Para apagar el soplador, desactive el bloqueo de velocidad (si lo está usando) y suelte el gatillo de velocidad variable (Figura 8).

Importante: Después de apagar el soplador, no deje puesto el bloqueo de velocidad con la batería instalada en el soplador.

Cuando no esté utilizando el soplador o lo esté transportando hacia o desde el área de trabajo, retire la batería.

Desmontaje del tubo del soplador

Presione hacia abajo sobre el cierre para separar el tubo del soplador del soplador (Figura 9).

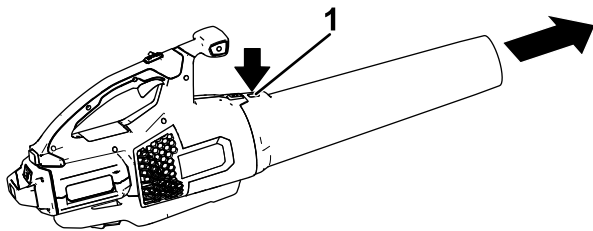


Figura 9

g273159

1. Cierre del tubo

Cómo retirar la batería del soplador

Presione el cierre de la batería para liberar la batería, y retire la batería del soplador (Figura 10).

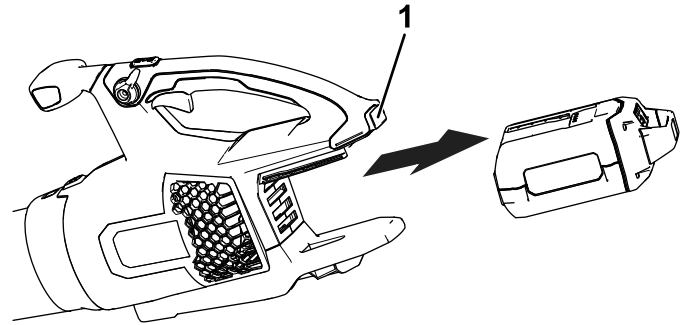


Figura 10

g267488

1. Cierre de la batería

Carga de la batería

Importante: En el momento de la compra la batería no está totalmente cargada. Antes de usar la herramienta por primera vez, coloque la batería en el cargador y cárguela hasta que el indicador LED indique que la batería está completamente cargada. Lea todas las precauciones de seguridad.

Importante: Cargue la batería solo a temperaturas que estén dentro del intervalo apropiado; consulte [Especificaciones \(página 9\)](#).

Nota: En cualquier momento, presione el botón del indicador de carga de la batería de la batería para mostrar la carga actual (indicadores LED).

1. Compruebe que los orificios de ventilación de la batería y del cargador de la batería están libres de polvo y residuos.

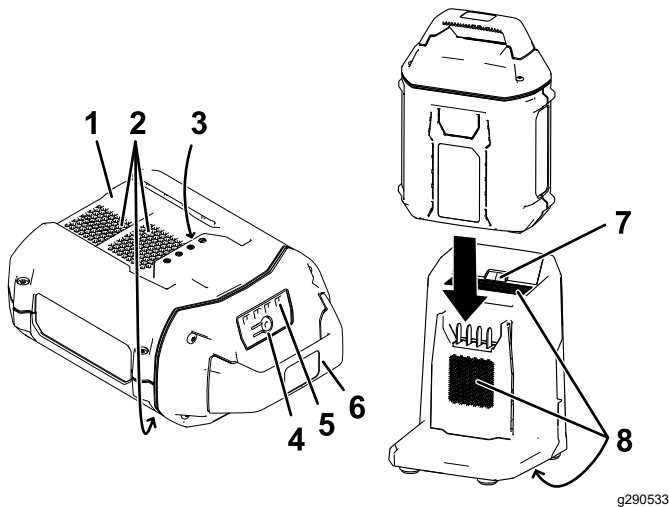


Figura 11

- | | |
|---|--------------------------------------|
| 1. Hueco de la batería | 5. Indicadores LED (carga actual) |
| 2. Zonas de ventilación de la batería | 6. Empuñadura |
| 3. Terminales de la batería | 7. Indicador LED del cargador |
| 4. Botón del indicador de carga de la batería | 8. Zonas de ventilación del cargador |

2. Alinee el hueco de la batería (Figura 11) con la lengüeta del cargador.
3. Introduzca la batería en el cargador hasta que esté completamente asentada (Figura 11).
4. Para retirar la batería, deslice la batería hacia atrás para sacarla del cargador.
5. Consulte la tabla siguiente para interpretar el indicador LED del cargador de la batería.

Indicador	Indica:
Apagado	No hay batería insertada

Verde intermitente	La batería se está cargando
Verde	La batería está cargada
Rojo	La batería y/o el cargador de la batería está por encima o por debajo del intervalo de temperatura adecuado
Rojo intermitente	Fallo de carga de la batería*

*Consulte [Solución de problemas \(página 14\)](#) si desea más información.

Importante: La batería puede permanecer conectada al cargador durante periodos cortos entre usos.

Si la batería no se va a utilizar durante periodos más largos, retire la batería del cargador; consulte [Almacenamiento \(página 13\)](#).

Almacenamiento

Importante: Almacene la herramienta, la batería y el cargador solo a temperaturas que estén dentro del intervalo apropiado; consulte [Especificaciones \(página 9\)](#).

Importante: Si va a almacenar la batería fuera de temporada, retire la batería de la herramienta y cargue la batería hasta que 2 o 3 de los indicadores LED de la batería cambien a verde. **No almacene la batería completamente cargada ni completamente descargada. Antes de volver a usar la herramienta, cargue la batería hasta que se encienda el indicador izquierdo del cargador en verde, o hasta que los 4 indicadores LED de la batería cambien a verde.**

- Desconecte el producto del suministro de energía (es decir, retire el enchufe del suministro de energía o la batería) y compruebe si hay daños después del uso.
- No almacene la herramienta con la batería instalada.
- Limpie cualquier material extraño del producto.
- Cuando no se estén utilizando, almacene la herramienta, la batería y el cargador de la batería fuera del alcance de los niños.
- Mantenga la herramienta, la batería y el cargador de baterías alejados de agentes corrosivos como productos químicos de jardín o sal para deshielo.
- Para reducir el riesgo de lesiones personales graves, no almacene la batería en el exterior o en un vehículo.
- Guarde la herramienta, la batería y el cargador en un lugar cerrado, limpio y seco.

Preparación de la batería para el reciclado

Importante: Al retirarla, cubra los terminales de la batería con cinta adhesiva de servicio pesado. **No intente destruir o desmontar la batería ni intente retirar cualquiera de los componentes de la misma.**



Las baterías de ion litio etiquetadas con el sello Call2Recycle pueden ser recicladas en cualquier comercio o instalación de reciclado de baterías adscrito al programa Call2Recycle (solo EUA y Canadá). Para localizar un comercio o una instalación adscrito cercano, llame al 1-800-822-8837 o visite www.call2recycle.org. Si no puede localizar un comercio o instalación adscrito cercano, o si su batería recargable no está etiquetada con el sello Call2Recycle, póngase en contacto con su ayuntamiento para obtener más información sobre el reciclado responsable de la batería. Si se encuentra fuera de EUA o Canadá, póngase en contacto con su distribuidor Toro autorizado.

Solución de problemas

Realice solo los pasos descritos en estas instrucciones. Cualquier otro trabajo de inspección, mantenimiento o reparación debe ser realizado por un Servicio Técnico Autorizado o por un especialista autorizado si no puede solucionar el problema usted mismo.

Retire siempre la batería de la herramienta antes de inspeccionar, limpiar, localizar averías o realizar mantenimiento de la herramienta.

Problema	Posible causa	Acción correctora
La herramienta no arranca.	<ol style="list-style-type: none"> 1. La batería no está correctamente instalada en la herramienta. 2. La batería no está cargada. 3. La batería está dañada. 4. Hay otro problema eléctrico con la herramienta. 	<ol style="list-style-type: none"> 1. Retire y luego vuelva a colocar la batería en la herramienta, asegurándose de que está completamente instalada y bloqueada. 2. Retire la batería de la herramienta y cárguela. 3. Sustituya la batería. 4. Póngase en contacto con el Servicio Técnico Autorizado.
La herramienta no alcanza la potencia completa.	<ol style="list-style-type: none"> 1. La batería está casi descargada. 2. Los orificios de ventilación están obstruidos. 	<ol style="list-style-type: none"> 1. Retire la batería de la herramienta y cargue la batería completamente. 2. Limpie los orificios de ventilación.
La herramienta no funciona, o no funciona de forma intermitente.	<ol style="list-style-type: none"> 1. Hay humedad en los cables de la batería. 2. La batería no está correctamente instalada en la herramienta. 3. La batería tiene poca carga. 	<ol style="list-style-type: none"> 1. Deje que la batería se seque o séquela con un paño. 2. Retire y luego vuelva a colocar la batería en la herramienta, asegurándose de que está completamente instalada y bloqueada. 3. Cargue la batería.
El bloqueo de velocidad se desactiva solo.	<ol style="list-style-type: none"> 1. El tornillo del bloqueo de velocidad no está bien apretado. 	<ol style="list-style-type: none"> 1. Apriete el tornillo del bloqueo de velocidad girándolo $\frac{1}{4}$ de vuelta. Si el bloqueo de velocidad aún no se mantiene activado, gire el tornillo del bloqueo de velocidad $\frac{1}{4}$ de vuelta más.
La batería se descarga rápidamente.	<ol style="list-style-type: none"> 1. La temperatura de la batería está por encima o por debajo del intervalo de temperatura adecuado. 	<ol style="list-style-type: none"> 1. Traslade la batería a un lugar seco cuya temperatura sea de entre 5 °C y 40 °C (41 °F y 104 °F).
El cargador de baterías no funciona.	<ol style="list-style-type: none"> 1. La temperatura del cargador de baterías está por encima o por debajo del intervalo de temperatura adecuado. 2. La toma de corriente en la que está enchufado el cargador de baterías no tiene corriente. 	<ol style="list-style-type: none"> 1. Desenchufe el cargador de baterías y trasládalo a un lugar seco cuya temperatura sea de entre 5 °C y 40 °C (41 °F y 104 °F). 2. Póngase en contacto con un electricista autorizado para que repare la toma de corriente.
El indicador LED del cargador de la batería está rojo.	<ol style="list-style-type: none"> 1. El cargador de la batería y/o la batería está por encima o por debajo del intervalo de temperatura adecuado. 	<ol style="list-style-type: none"> 1. Desenchufe el cargador de la batería y mueva el cargador de la batería y la batería a un lugar seco cuya temperatura sea de entre 5 °C (41 °F) y 40 °C (104 °F).

Problema	Posible causa	Acción correctora
El indicador LED del cargador de la batería parpadea en rojo.	<ol style="list-style-type: none"> 1. Hay un error de comunicaciones entre la batería y el cargador. 2. La batería está casi agotada. 	<ol style="list-style-type: none"> 1. Retire la batería del cargador, desconecte el cargador de la toma de corriente y espere 10 segundos. Vuelva a enchufar el cargador en la toma de corriente y coloque la batería en el cargador. Si el indicador LED del cargador sigue parpadeando en rojo, repita este procedimiento. Si el indicador LED del cargador sigue parpadeando después de 2 intentos, elimine la batería correctamente en una instalación de reciclado de baterías. 2. Elimine correctamente la batería en una instalación de reciclado de baterías.

Información sobre las Advertencias de la Proposición 65 de California

¿Qué significa esta advertencia?

Puede ver un producto a la venta que lleva una etiqueta de advertencia como la siguiente:



ADVERTENCIA: Cáncer y daños reproductivos – www.p65Warnings.ca.gov.

¿Qué es la Proposición 65?

La Proposición 65 afecta a cualquier empresa que tenga presencia en California, que venda productos en California, o que fabrique productos que podrían ser introducidos o vendidos en California. Esta ley exige que el Gobernador de California mantenga y publique una lista de sustancias químicas identificadas como causantes de cáncer, defectos de nacimiento y/u otros daños reproductivos. La lista, que se actualiza anualmente, incluye cientos de productos químicos que se encuentran en muchos artículos de uso diario. El propósito de la Proposición 65 es informar al público sobre la exposición a estos productos químicos.

La Proposición 65 no prohíbe la venta de productos que contengan estos productos químicos, sino que requiere la presencia de advertencias en el producto, el envase y la documentación suministrada con el producto. Además, una advertencia de la Proposición 65 no significa que el producto contravenga ninguna norma o requisito de seguridad. De hecho, el gobierno de California ha aclarado que una advertencia bajo la Proposición 65 "no es lo mismo que una decisión legal sobre la 'seguridad' o la 'inseguridad' de un producto". Muchos de estos productos químicos han sido utilizados durante años en productos de uso diario sin que se hayan producido daños documentados. Para obtener más información, visite <https://oag.ca.gov/prop65/faqs-view-all>.

Una advertencia de la Proposición 65 significa que una empresa (1) ha evaluado la exposición y ha concluido que supera el nivel de "sin riesgo significativo"; o (2) ha optado por proporcionar una advertencia basándose en sus conocimientos respecto a la presencia de un producto químico de los incluidos en la lista, sin intentar evaluar la exposición.

¿Esta ley es aplicable en todas partes?

Las advertencias de la Proposición 65 sólo son obligatorias bajo la legislación de California. Estas advertencias se ven por toda California en una gran variedad de entornos, incluyendo entre otros restaurantes, tiendas de alimentación, hoteles, escuelas y hospitales, y en una amplia variedad de productos. Además, algunos minoristas de Internet y de la venta por correo incluyen advertencias de la Proposición 65 en sus sitios web o en sus catálogos.

¿Qué diferencia hay entre las advertencias de California y los límites federales?

Las normas de la Proposición 65 son a menudo más exigentes que las normas federales o internacionales. Varias sustancias requieren una advertencia bajo la Proposición 65 a niveles muy inferiores a los límites federales. Por ejemplo, el nivel exigido por la Proposición 65 para las advertencias sobre el plomo es de 0.5 µg/día, que es muy inferior a lo que exigen las normas federales e internacionales.

¿Por qué no llevan la advertencia todos los productos similares?

- Los productos vendidos en California deben llevar etiquetas bajo la Proposición 65, mientras que otros productos similares que se venden en otros lugares no las necesitan.
- Una empresa puede estar obligada a incluir advertencias de Proposición 65 en sus productos como condición de un acuerdo tras un procedimiento legal relacionado con la Proposición 65, pero otras empresas que fabrican productos similares no tienen necesariamente la misma obligación.
- La aplicación de la Proposición 65 no es uniforme.
- Algunas empresas pueden optar por no proporcionar advertencias porque concluyen que no están obligadas a hacerlo bajo la Proposición 65; la falta de advertencias en un producto no significa que el producto esté libre de los productos químicos incluidos en la lista a niveles similares.

¿Por qué incluye el fabricante esta advertencia?

El fabricante ha optado por proporcionar a los consumidores la mayor cantidad posible de información para que puedan tomar decisiones informadas sobre los productos que compra y utiliza. El fabricante proporciona advertencias en ciertos casos basándose en sus conocimientos sobre la presencia de uno o más productos químicos de la lista, sin evaluar el nivel de exposición, puesto que la lista no incluye límites de exposición para todos los productos químicos que contiene. Aunque la exposición que provocan los productos del fabricante puede ser insignificante, o estar dentro de los límites de la categoría "sin riesgo significativo", el fabricante ha optado por proporcionar las advertencias de la Proposición 65 por simple precaución. Además, si el fabricante no proporcionara estas advertencias, podría ser demandada por el Estado de California o por particulares bajo la Proposición 65, y estar sujeta a importantes sanciones.



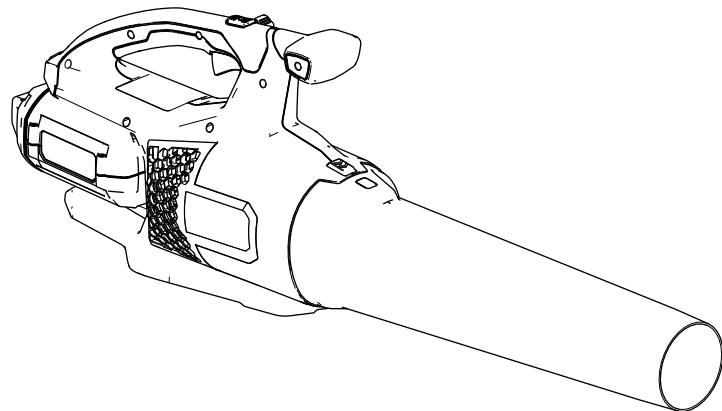
Count on it.

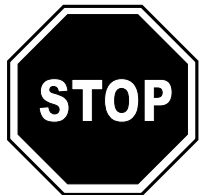
Manuel de l'utilisateur

Souffleur axial Flex-Force Power System™ 60 V MAX

N° de modèle 51820—N° de série 323000001 et suivants

N° de modèle 51820T—N° de série 323000001 et suivants





Si vous avez besoin d'aide, visionnez les vidéos d'instruction sur www.Toro.com/support ou appelez le 1-888-384-9939 avant de renvoyer ce produit.

⚠ ATTENTION

CALIFORNIE

Proposition 65 - Avertissement

Le cordon d'alimentation de cette machine contient du plomb, une substance chimique considérée par l'état de Californie comme susceptible de provoquer des malformations congénitales et autres troubles de la reproduction. Lavez-vous les mains après avoir manipulé la batterie.

L'utilisation de ce produit peut entraîner une exposition à des substances chimiques considérées pas l'état de Californie comme capables de provoquer des cancers, des anomalies congénitales ou d'autres troubles de la reproduction.

obtenir l'adresse d'un dépositaire ou pour enregistrer votre produit, rendez-vous sur le site www.Toro.com.

Pour obtenir des prestations de service, des pièces Toro d'origine ou des renseignements complémentaires, munissez-vous des numéros de modèle et de série du produit et contactez un dépositaire-réparateur ou le service client Toro agréé. La [Figure 1](#) indique l'emplacement des numéros de modèle et de série du produit. Inscrivez les numéros dans l'espace réservé à cet effet.

Important: Avec votre appareil mobile, vous pouvez scanner le code QR (selon l'équipement) sur la plaque du numéro de série pour accéder à l'information sur la garantie, les pièces et autres renseignements concernant le produit.

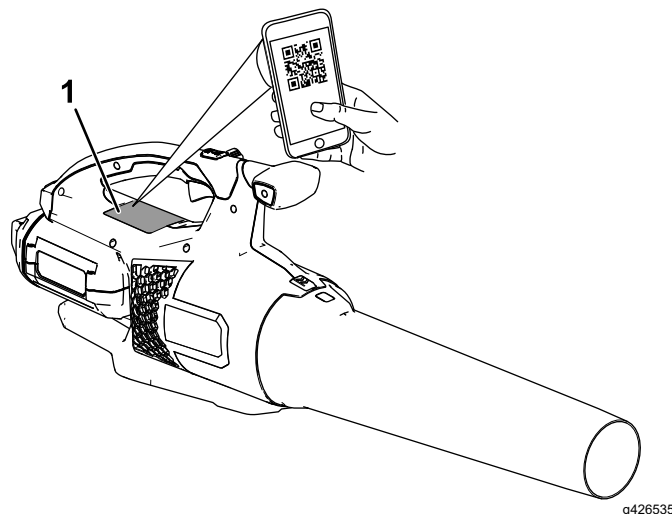


Figure 1

1. Emplacement des numéros de modèle et de série

N° de modèle _____

N° de série _____

Introduction

Ce souffleur est destiné au grand public et permet de déblayer les débris assimilables aux feuilles en extérieur, selon les besoins. Elle fonctionne avec les batteries ion-lithium Toro de 60 V. Ces batteries sont conçues pour être chargées uniquement avec les chargeurs de batteries ion-lithium Toro de 60 V. L'utilisation de ces produits à d'autres fins que celles prévues peut être dangereuse pour vous-même et toute personne à proximité.

Le modèle 51820T ne comprend pas de batterie ni de chargeur.

Lisez attentivement cette notice pour apprendre comment utiliser et entretenir correctement votre produit, et éviter ainsi de l'endommager ou de vous blesser. Vous êtes responsable de l'utilisation sûre et correcte du produit.

Pour plus d'information, y compris des conseils de sécurité, des documents de formation, des renseignements concernant un accessoire, pour

Symbole de sécurité

Le symbole de sécurité (Figure 2) utilisé dans ce manuel et sur l'appareil identifie d'importants messages de sécurité dont vous devez tenir compte pour éviter des accidents.



Figure 2
Symbole de sécurité

g000502

Le symbole de sécurité apparaît au-dessus de toute information signalant des actions ou des situations dangereuses. Il est suivi de la mention **DANGER**, **ATTENTION** ou **PRUDENCE**.

DANGER signale un danger immédiat qui, s'il n'est pas évité, **entraînera obligatoirement** des blessures graves ou mortelles.

ATTENTION signale un danger potentiel qui, s'il n'est pas évité, **risque d'entraîner** des blessures graves ou mortelles.

PRUDENCE signale un danger potentiel qui, s'il n'est pas évité, **peut éventuellement entraîner** des blessures légères ou modérées.

Ce manuel utilise également deux autres termes pour faire passer des renseignements essentiels. **Important**, pour attirer l'attention sur une information d'ordre mécanique spécifique, et **Remarque**, pour souligner une information d'ordre général méritant une attention particulière.

Sécurité

IMPORTANTES CONSIGNES DE SÉCURITÉ

⚠ ATTENTION

Quand vous utilisez des outils de jardinage électriques, lisez et respectez toujours les mises en garde et consignes de sécurité élémentaires afin de réduire les risques d'incendie, de choc électrique et de blessure, notamment :

Lire toutes les instructions

I. Formation à l'utilisation

1. L'utilisateur de l'outil est responsable des accidents et dommages causés aux autres personnes et à leurs biens.
2. N'autorisez pas les enfants à utiliser ou jouer avec l'outil, la batterie ou le chargeur de batterie; certaines législations imposent un âge minimum pour les utilisateurs.
3. Ne confiez pas l'utilisation ou l'entretien de cet appareil à des enfants ou à des personnes non compétentes. Seules les personnes responsables, formées à l'utilisation de l'appareil, ayant lu et compris les instructions et physiquement aptes sont autorisées à utiliser l'appareil ou à en faire l'entretien.
4. Avant d'utiliser l'outil, la batterie et le chargeur de batterie, lisez toutes les instructions et mises en garde qui figurent dessus.
5. Familiarisez-vous avec les commandes et le maniement correct de l'outil, de la batterie et du chargeur de batterie.

II. Avant l'utilisation

1. N'admettez personne, notamment les enfants, dans le périmètre de travail.
2. Utilisez uniquement la batterie spécifiée par Toro. L'utilisation d'autres accessoires et outils peut accroître le risque de blessure et d'incendie.
3. Vous pouvez causer un incendie ou un choc électrique si vous branchez le chargeur de batterie à une prise qui n'est pas de 120 V. Ne branchez pas le chargeur de batterie à une prise autre que 120 V. Pour un autre mode de connexion, vous pouvez, au besoin, utiliser un adaptateur configuré correctement pour la prise.
4. N'utilisez pas la batterie ou le chargeur de batterie s'ils sont endommagés ou modifiés,

- car ils pourraient se comporter de manière imprévisible et causer un incendie, une explosion ou des blessures.
5. Si le cordon d'alimentation relié au chargeur de batterie est endommagé, contactez un dépositaire-réparateur agréé pour le faire remplacer.
 6. Chargez la batterie uniquement avec le chargeur spécifié par Toro. Un chargeur convenant à un certain type de batterie peut créer un risque d'incendie s'il est utilisé avec une autre batterie.
 7. Ne chargez la batterie que dans un endroit bien aéré.
 8. Suivez toutes les instructions de charge et ne chargez pas la batterie hors de la plage de température spécifiée dans les instructions. Vous risquez sinon d'endommager la batterie et d'accroître le risque d'incendie.
 9. N'utilisez pas l'outil s'il manque des capots ou d'autres dispositifs de protection, ou s'ils sont défectueux.
 10. Portez une tenue adéquate – Portez une tenue appropriée, y compris une protection oculaire, un pantalon, des chaussures solides à semelle antidérapante et des protecteurs d'oreilles. Si vos cheveux sont longs, attachez-les et ne portez pas de vêtements amples ou de bijoux pendants qui pourraient se prendre dans les pièces mobiles. Portez un masque antipoussière si l'atmosphère est poussiéreuse.
 8. Retirez la batterie de l'outil chaque fois que vous le laissez sans surveillance.
 9. Ne faites pas forcer l'outil – Vous obtiendrez des performances supérieures et plus sûres si vous l'utilisez à la vitesse pour laquelle elle est prévue.
 10. Ne travaillez pas trop loin devant vous – gardez toujours les pieds solidement ancrés au sol et maintenez votre équilibre, en particulier sur les terrains en pente. Avancez toujours à une allure normale avec l'outil, ne courez pas.
 11. Restez alerte – concentrez-vous sur votre tâche et faites preuve de bon sens lorsque vous utilisez l'outil. N'utilisez pas l'outil si vous êtes malade ou fatigué(e), ni sous l'emprise de l'alcool, de drogues ou de médicaments.
 12. Vérifiez toujours que les prises d'air sont dégagées.
 13. N'insérez aucun objet dans l'ouverture et n'utilisez pas l'outil si l'ouverture est bouchée. Gardez l'ouverture libre de poussière, peluches, cheveux ou de toute autre saleté qui pourrait gêner la circulation de l'air.
 14. Faites preuve d'une extrême prudence quand vous utilisez l'outil pour nettoyer les marches d'un escalier.
 15. Dans des conditions d'utilisation abusive, du liquide peut jaillir hors de la batterie; évitez tout contact. En cas de contact accidentel avec le liquide, rincez à l'eau. En cas de contact du liquide avec les yeux, consultez un médecin. Le liquide éjecté de la batterie peut causer des irritations ou des brûlures.

III. Utilisation

1. Évitez les environnements dangereux – n'utilisez pas l'outil sous la pluie ou dans des endroits humides ou détrempés.
2. Utilisez l'outil correct pour la tâche à accomplir – l'utilisation de l'outil à d'autres fins que celle prévue peut être dangereuse pour vous-même et pour toute personne à proximité.
3. Évitez tout démarrage accidentel – assurez-vous que l'interrupteur est en position ARRÊT avant de brancher la batterie et de manipuler l'outil. Ne gardez pas le doigt sur l'interrupteur quand vous transportez l'outil et ne mettez pas l'outil sous tension quand l'interrupteur est en position MARCHÉ.
4. Utilisez l'outil uniquement à la lumière du jour ou sous un bon éclairage artificiel.
5. Retirez la batterie de l'outil avant de le régler ou de changer d'accessoire.
6. N'approchez jamais les mains ou les pieds de l'ouverture et des pièces mobiles.
7. Arrêtez l'outil, retirez la batterie et attendez l'arrêt de tout mouvement avant de régler, réviser, nettoyer ou ranger l'outil.
16. N'exposez pas les batteries ou les outils au feu ou à une température excessive. L'exposition au feu ou à une température supérieure à 130 °C (265 °F) peut provoquer une explosion.
17. PRUDENCE – la batterie peut présenter un risque d'incendie, d'explosion ou de brûlure chimique en cas de mauvais traitement.
 - Ne démontez pas la batterie.
 - Remplacez toujours la batterie par une batterie Toro d'origine; l'utilisation de tout autre type de batterie peut entraîner un incendie ou des blessures.
 - Conservez les batteries hors de la portée des enfants et dans leur emballage d'origine jusqu'au dernier moment avant de les utiliser.

IV. Entretien et remisage

1. Entretenez bien l'outil – gardez-le propre et en bon état pour assurer des performances optimales et réduire les risques de blessure. Suivez les instructions de graissage et de remplacement des accessoires. Gardez les poignées propres et sèches, et exemptes d'huile et de graisse.
2. Lorsque la batterie ne sert pas, rangez-la à l'écart d'objets métalliques tels que trombones, pièces de monnaie, clés, clous et vis qui pourraient relier les bornes entre elles. Un court-circuit aux bornes de la batterie peut causer des brûlures ou un incendie.
3. N'approchez jamais les mains ou les pieds des pièces mobiles.
4. Arrêtez l'outil, retirez la batterie et attendez l'arrêt de tout mouvement avant de régler, réviser, nettoyer ou ranger l'outil.
5. Vérifiez si des pièces de l'outil sont endommagées – si vous constatez que des capots, ou d'autres pièces, sont endommagés, déterminez si cela gênera le bon fonctionnement de l'outil. Vérifiez qu'aucune pièce mobile n'est mal alignée ou grippée, et qu'aucune pièce n'est cassée, mal fixée ou présente tout autre défaut susceptible d'en affecter le fonctionnement. Sauf indication contraire dans les instructions, faites réparer ou remplacer les protections ou les pièces endommagées par un dépositaire-réparateur agréé.
6. Maintenez toutes les fixations de l'outil bien serrées.
7. Respectez toujours les instructions pour réviser ou réparer l'outil, la batterie ou le chargeur de batterie. Pour assurer l'entretien sécuritaire du produit, ne le confiez qu'à un dépositaire-réparateur agréé utilisant exclusivement des pièces de rechange identiques.
8. Lorsque l'outil ne sert pas, rangez-le dans un local sec, sécurisé et hors de la portée des enfants.

**CONSERVEZ CES
INSTRUCTIONS**

Autocollants de sécurité et d'instruction



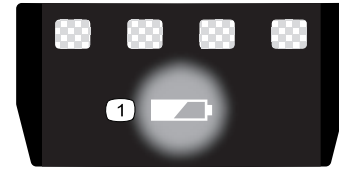
Des autocollants de sécurité et des instructions bien visibles par l'opérateur sont placés près de tous les endroits potentiellement dangereux. Remplacez tout autocollant endommagé ou manquant.



137-9454

decal137-9454

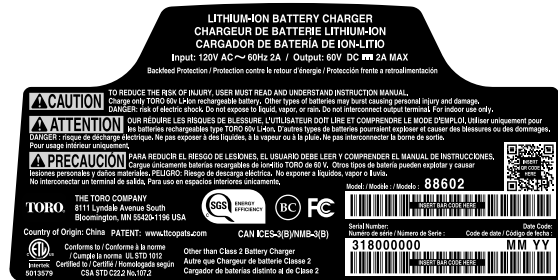
1. Lisez le *Manuel de l'utilisateur*.
2. Programme de recyclage des batteries Call2Recycle®
3. Tenir à l'écart du feu ou des flammes.
4. Ne pas exposer à la pluie



137-9461

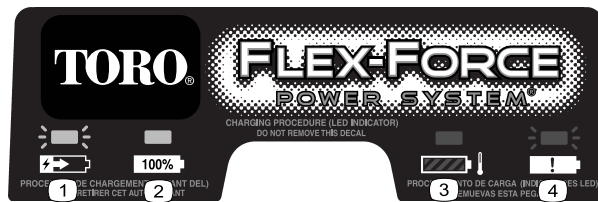
decal137-9461

1. État de charge de la batterie



137-9462

decal137-9462



137-9463

decal137-9463

1. La batterie est en charge.
2. La batterie est complètement chargée.
3. La température de la batterie est supérieure ou inférieure à la plage de température appropriée.
4. Anomalie de charge de la batterie



140-8496

decal140-8496



140-8497

decal140-8497

1. Attention – lisez le *Manuel de l'utilisateur*; n'approchez pas des pièces en mouvement; laissez toutes les protections et tous les capots en place; protégez-vous les yeux; n'exposez pas à la pluie.
2. Attention – n'autorisez personne à s'approcher de l'appareil, quelle que soit la direction.
3. Risque de projection d'objets – n'autorisez personne à s'approcher de l'appareil.

1. Attention – lisez le *Manuel de l'utilisateur*; n'approchez pas des pièces en mouvement; laissez toutes les protections et tous les capots en place; protégez-vous les yeux; n'exposez pas à la pluie.
2. Attention – n'autorisez personne à s'approcher de l'appareil, quelle que soit la direction.
3. Risque de projection d'objets – n'autorisez personne à s'approcher de la machine.

Mise en service

Important: La batterie n'est pas complètement chargée à l'achat. Avant la toute première utilisation de l'outil, voir [Charge de la batterie \(page 12\)](#).

Montage du chargeur de batterie (option)

Si vous le souhaitez, vous pouvez fixer le chargeur de batterie solidement sur un mur à l'aide des fentes situées au dos.

Montez-le à l'intérieur (par exemple dans un garage ou tout autre endroit à l'abri de l'humidité), à proximité d'une prise de courant et hors de la portée des enfants.

Voir la [Figure 3](#) pour vous aider à monter le chargeur.

Pour fixer le chargeur en place, insérez-le sur les fixations installées à la bonne position (fixations non incluses).

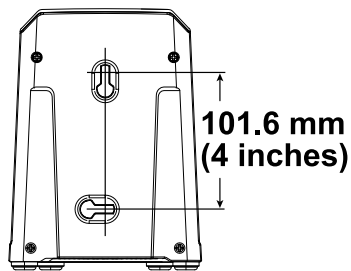


Figure 3

g290534

Assemblage du souffleur

Glissez le tube du souffleur sur le carter du souffleur. Vous devrez éventuellement appuyer sur le verrou du tube du souffleur pour le bloquer en position ([Figure 4](#)).

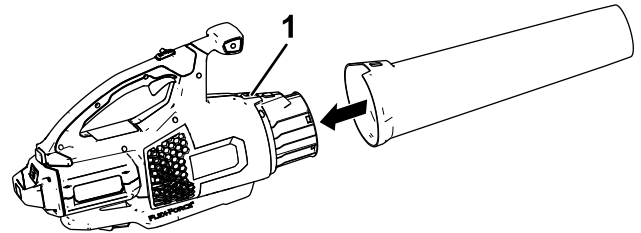


Figure 4

g273147

1. Verrou de tube

Vue d'ensemble du produit

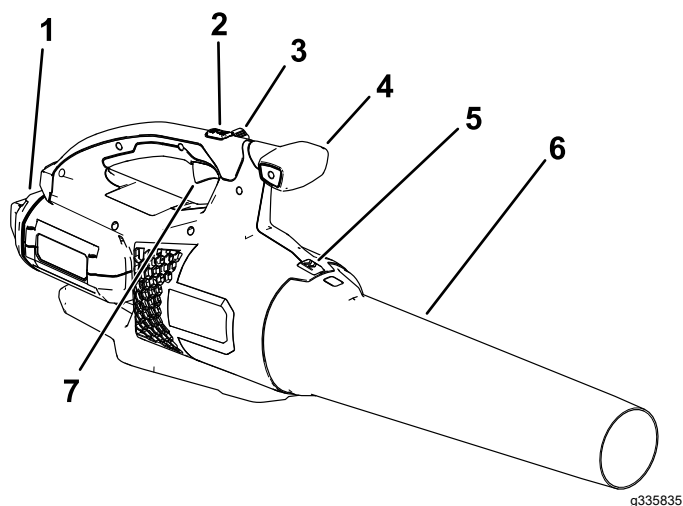


Figure 5

- | | |
|-------------------------------------|---------------------------------|
| 1. Batterie et cavité dans batterie | 5. Verrou du tube du souffleur |
| 2. Bouton Turbo Boost | 6. Tube de souffleur |
| 3. Blocage de vitesse | 7. Gâchette de vitesse variable |
| 4. Bouton du manche | |

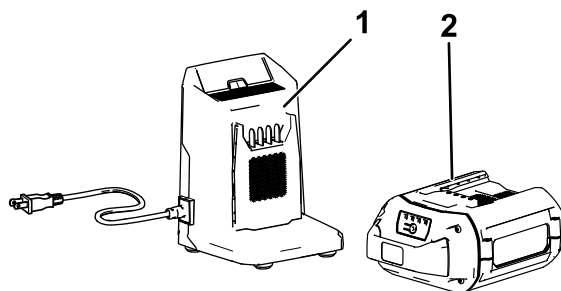


Figure 6

- | | |
|--|---|
| 1. Chargeur de batterie modèle 88602 (inclus avec le modèle 51820) | 2. Batterie modèle 88625 (incluse avec le modèle 51820) |
|--|---|

Caractéristiques techniques

Modèle	51820, 51820T
Tension nominale	60 V c.c. maximum, 54 V c.c. utilisation nominale
Type de chargeur	Chargeurs de batteries ion-lithium Toro de 60 V
Type de batterie	Batteries ion-lithium Toro de 60 V

Plages de température adéquates

Charger/ranger la batterie entre	5 °C (41 °F) et 40 °C (104 °F)*
Utiliser la batterie entre	-30 °C (-22 °F) et 49 °C (120 °F)
Utiliser le souffleur entre	0 °C (32 °F) et 49 °C (120 °F)

*Le temps de charge sera plus long en dehors de cette plage de température.

Rangez l'outil, la batterie et le chargeur dans un lieu fermé, propre et sec.

Accessoires/outils

Une sélection d'outils et accessoires agréés par Toro est disponible pour augmenter et améliorer les capacités de l'appareil. Pour obtenir la liste de tous les accessoires et outils agréés, contactez votre dépositaire-réparateur ou distributeur Toro agréé, ou rendez-vous sur le site www.Toro.com.

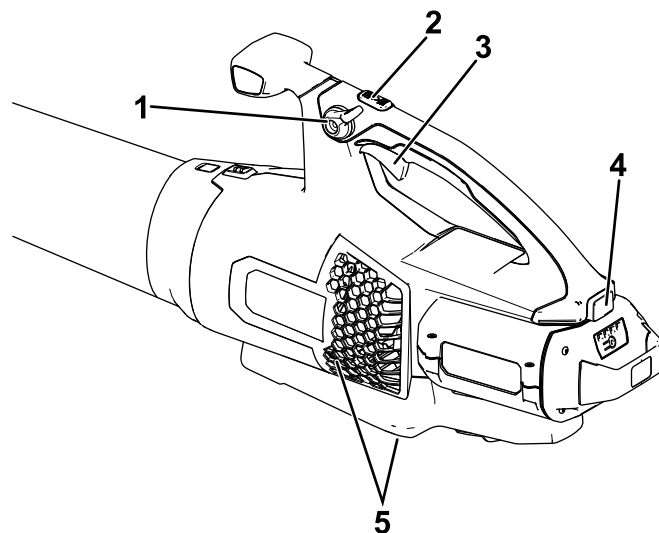
Pour garantir un rendement optimal et conserver la certification de sécurité de l'appareil, utilisez uniquement des pièces de rechange et accessoires Toro d'origine. Les pièces de rechange et accessoires d'autres constructeurs peuvent être dangereux.

Utilisation

⚠ ATTENTION

Le souffleur peut projeter des débris et vous blesser gravement, ainsi que toute personne à proximité.

- Ne soufflez pas sur des objets durs du type clous ou boulons.
- N'utilisez pas le souffleur près de personnes ou d'animaux.
- Attention à la direction du soufflage (ne soufflez pas vers en direction de personnes, fenêtres, automobiles, etc.). Utilisez uniquement la vitesse nécessaire.
- Soyez particulièrement prudent lorsque vous nettoyez des escaliers ou d'autres endroits peu accessibles.



g267241

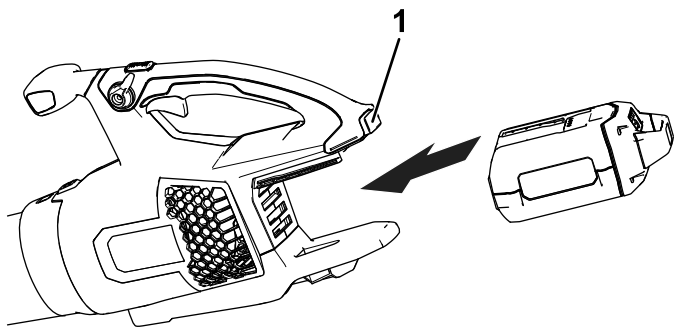
Figure 8

- | | |
|---------------------------------|------------------------|
| 1. Blocage de vitesse | 4. Verrou de batterie |
| 2. Bouton Turbo Boost | 5. Évents du souffleur |
| 3. Gâchette de vitesse variable | |

Démarrage du souffleur

Important: Utilisez la batterie uniquement à des températures comprises dans la plage adéquate; voir [Caractéristiques techniques \(page 9\)](#).

1. Assurez-vous que les évents du souffleur sont exempts de toute poussière et tout débris.
2. Alignez le creux de la batterie sur la languette du corps du manche ([Figure 7](#)).
3. Tenez la batterie par la poignée et poussez-la dans la poignée de l'outil jusqu'à ce que le verrou s'enclenche en position ([Figure 7](#)).



g273146

Figure 7

1. Verrou de batterie

4. Pour mettre le souffleur en marche, serrez la gâchette de vitesse variable ([Figure 8](#)).

Remarque: Enclenchez le blocage de vitesse pour garder l'appareil en marche sans avoir à appuyer sur la gâchette de vitesse variable ([Figure 8](#)).

Réglage du débit d'air du souffleur

Pour obtenir des performances optimales (débit d'air), appuyez à fond sur la gâchette de vitesse variable, puis maintenez le bouton Turbo Boost enfoncé pendant la durée souhaitée (Figure 8).

Pour régler le débit du souffleur en marche, serrez la gâchette de vitesse variable (Figure 8).

Pour maintenir le débit d'air actuel, engagez le blocage de vitesse (Figure 8).

Arrêt du souffleur

Pour arrêter le souffleur, déverrouillez le blocage de vitesse (le cas échéant) et relâchez la gâchette de vitesse variable (Figure 8).

Important: Après avoir arrêté le souffleur, ne laissez pas le blocage de vitesse enclenché alors que la batterie se trouve sur le souffleur.

Chaque fois que vous cessez d'utiliser le souffleur ou que vous le transportez vers ou de la zone de travail, enlevez la batterie.

Retrait du tube du souffleur

Appuyez sur la languette de verrouillage pour séparer le tube du souffleur (Figure 9).

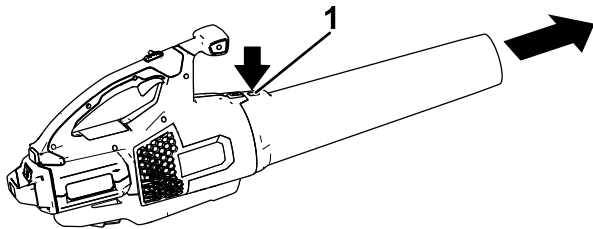


Figure 9

g273159

1. Verrou de tube

Retrait de la batterie du souffleur

Appuyez sur le verrou de la batterie pour la débloquer et sortez-la du souffleur (Figure 10).

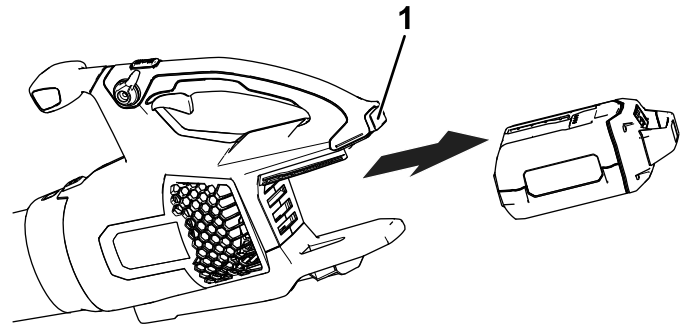


Figure 10

g267488

1. Verrou de batterie

Charge de la batterie

Important: La batterie n'est pas complètement chargée à l'achat. Avant d'utiliser l'outil pour la première fois, placez la batterie dans le chargeur et chargez-la jusqu'à ce que les DEL indiquent que la batterie est complètement chargée. Lisez toutes les consignes de sécurité.

Important: Chargez la batterie uniquement à des températures comprises dans la plage adéquate; voir [Caractéristiques techniques \(page 9\)](#).

Remarque: À tout moment, appuyez sur le bouton indicateur de charge de la batterie pour afficher la charge actuelle (DEL).

1. Vérifiez que les événements de la batterie et du chargeur sont exempts de poussière et de débris.

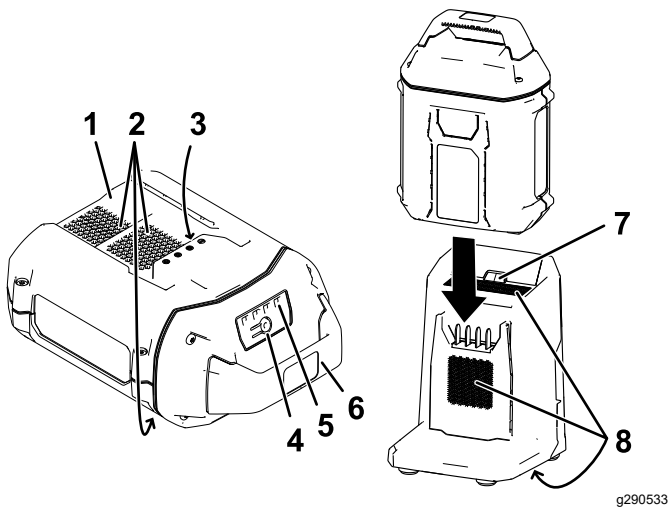


Figure 11

- | | |
|--------------------------------|---------------------------|
| 1. Creux de la batterie | 5. DEL (charge actuelle) |
| 2. Événements de la batterie | 6. Poignée |
| 3. Bornes de la batterie | 7. Diode du chargeur |
| 4. Bouton indicateur de charge | 8. Événements du chargeur |
2. Placez le creux de la batterie (Figure 11) en face de la languette du chargeur.
 3. Glissez la batterie dans le chargeur jusqu'à ce qu'elle soit complètement enclenchée (Figure 11).
 4. Pour retirer la batterie du chargeur, faites-la glisser vers l'arrière.
 5. Reportez-vous au tableau ci-dessous pour interpréter les indications de la diode sur le chargeur de batteries.

Diode	Indication
Éteinte	Pas de batterie présente
Clignote-ment vert	La batterie est en charge

Verte	La batterie est chargée
Rouge	La température du chargeur et/ou de la batterie est supérieure ou inférieure à la plage appropriée.
Clignote-ment rouge	Anomalie de charge de la batterie*

*Voir la section [Dépistage des défauts \(page 14\)](#) pour plus de précisions.

Important: Vous pouvez laisser la batterie dans le chargeur pendant une courte période entre deux utilisations.

Si la batterie ne doit pas servir pendant une période prolongée, retirez-la du chargeur; voir [Remisage \(page 13\)](#).

Remisage

Important: Remisez l'outil, la batterie et le chargeur uniquement à des températures comprises dans la plage adéquate; voir [Caractéristiques techniques \(page 9\)](#).

Important: Si vous remisez la batterie à la fin de la saison, retirez-la de l'outil et chargez-la jusqu'à ce que 2 ou 3 de ses diodes deviennent vertes. Ne remisez pas une batterie complètement chargée ou complètement déchargée. Avant de réutiliser l'outil, chargez la batterie jusqu'à ce que le voyant gauche devienne vert sur le chargeur, ou que les 4 diodes de la batterie deviennent vertes.

- Débranchez le produit de l'alimentation (autrement dit, retirez la prise de l'alimentation ou de la batterie) et recherchez tout dommage éventuel après utilisation.
- Ne remisez pas l'outil en laissant la batterie dessus.
- Débarrassez l'appareil de tout corps étranger.
- Lorsqu'ils ne sont pas utilisés, rangez l'outil, la batterie et le chargeur de batteries hors de la portée des enfants.
- N'approchez pas l'outil, la batterie et le chargeur des agents corrosifs, tels les produits chimiques de jardinage et les sels de dégivrage.
- Pour réduire les risques de blessures graves, ne rangez pas la batterie à l'extérieur ou dans un véhicule.
- Rangez l'outil, la batterie et le chargeur dans un lieu fermé, propre et sec.

Préparation de la batterie pour le recyclage

Important: Après avoir retiré la batterie, recouvrez les bornes de ruban adhésif épais. N'essayez pas de détruire ou de démonter la batterie ni de déposer aucun de ses composants.



Les batteries lithium-ion qui portent le label Call2Recycle peuvent être recyclées auprès de n'importe quel revendeur ou centre de recyclage de batteries participant au programme Call2Recycle (États-Unis et Canada uniquement). Pour trouver le revendeur ou le centre participant le plus proche, téléphonez au 1-800-822-8837 ou rendez-vous sur www.call2recycle.org. Si vous ne trouvez pas de revendeur ou de centre à proximité, ou si votre batterie rechargeable ne porte pas le label Call2Recycle, contactez votre municipalité pour vous renseigner sur le recyclage responsable de la batterie. Hors des États-Unis et du Canada, veuillez contacter votre dépositaire Toro agréé.

Dépistage des défauts

Effectuez uniquement les opérations décrites dans cette notice. Tout autre contrôle, entretien ou réparation doit être réalisé par un centre d'entretien agréé ou un spécialiste qualifié si vous n'arrivez pas à résoudre le problème vous-même.

Retirez toujours la batterie avant de dépanner, de contrôler, de nettoyer ou de faire l'entretien de l'outil.

Problème	Cause possible	Mesure corrective
L'outil ne démarre pas.	<ol style="list-style-type: none">1. La batterie n'est pas complètement installée dans l'outil.2. La batterie n'est pas chargée.3. La batterie est endommagée.4. L'outil a un problème de nature électrique.	<ol style="list-style-type: none">1. Retirez et remettez la batterie en place dans l'outil, en vérifiant qu'elle est complètement insérée et enclenchée.2. Retirez la batterie de l'outil et chargez-la.3. Remplacez la batterie.4. Contactez un dépositaire-réparateur agréé.
L'outil n'atteint pas sa pleine puissance.	<ol style="list-style-type: none">1. La capacité de charge de la batterie est trop faible.2. Les prises d'air sont obstruées.	<ol style="list-style-type: none">1. Retirez la batterie de l'outil et chargez-la complètement.2. Nettoyez les prises d'air.
L'outil ne fonctionne pas ou fonctionne par intermittence.	<ol style="list-style-type: none">1. Il y a de l'humidité sur les fils de la batterie.2. La batterie n'est pas complètement installée dans l'outil.3. La charge de la batterie est faible.	<ol style="list-style-type: none">1. Laissez sécher ou essuyez la batterie.2. Retirez et remettez la batterie en place dans l'outil, en vérifiant qu'elle est complètement insérée et enclenchée.3. Rechargez la batterie.
Le blocage de vitesse ne reste pas enclenché quand la commande est engagée.	<ol style="list-style-type: none">1. La vis de blocage de vitesse est desserrée.	<ol style="list-style-type: none">1. Resserrez la vis de blocage de vitesse en la tournant d'un quart de tour. Si le blocage de vitesse ne reste toujours pas enclenché, tournez la vis d'un quart de tour supplémentaire.
La batterie se décharge rapidement.	<ol style="list-style-type: none">1. La température de la batterie est supérieure ou inférieure à la plage de température adéquate.	<ol style="list-style-type: none">1. Placez la batterie dans un endroit sec, où la température est comprise entre 5 °C (41 °F) et 40 °C (104 °F).
Le chargeur de batteries est défectueux.	<ol style="list-style-type: none">1. La température du chargeur de batteries est supérieure ou inférieure à la plage de température adéquate.2. La prise utilisée pour brancher le chargeur n'est pas sous tension.	<ol style="list-style-type: none">1. Débranchez le chargeur de batteries et placez-le dans un endroit sec où la température est comprise entre 5 et 40 °C (41 et 104 °F).2. Demandez à un électricien qualifié de réparer la prise.
La diode du chargeur de batteries est rouge.	<ol style="list-style-type: none">1. La température du chargeur et/ou de la batterie est supérieure ou inférieure à la plage de température adéquate.	<ol style="list-style-type: none">1. Débranchez le chargeur de batteries et placez-le, ainsi que la batterie, dans un endroit sec où la température est comprise entre 5 et 40 °C (41 et 104 °F).

Problème	Cause possible	Mesure corrective
<p>La diode du chargeur de batteries clignote en rouge.</p>	<ol style="list-style-type: none"> 1. Une erreur de communication s'est produite entre la batterie et le chargeur. 2. La batterie est faible. 	<ol style="list-style-type: none"> 1. Retirez la batterie du chargeur, débranchez le chargeur de la prise secteur et patientez 10 secondes. Rebranchez le chargeur sur la prise secteur et insérez la batterie dans le chargeur. Si la DEL du chargeur clignote encore en rouge, répétez cette procédure. Si la DEL du chargeur de batteries clignote encore en rouge après 2 tentatives, mettez la batterie au rebut correctement dans un centre de recyclage de batteries. 2. Débarrassez-vous correctement de la batterie dans un centre de recyclage de batteries.

Remarques:

Remarques:

Proposition 65 de Californie – Information concernant cet avertissement

En quoi consiste cet avertissement?

Certains produits commercialisés présentent une étiquette d'avertissement semblable à ce qui suit :



AVERTISSEMENT : Cancer et troubles de la reproduction –
www.p65Warnings.ca.gov.

Qu'est-ce que la Proposition 65?

La Proposition 65 s'applique à toute société exerçant son activité en Californie, qui vend des produits en Californie ou qui fabrique des produits susceptibles d'être vendus ou importés en Californie. Elle stipule que le Gouverneur de Californie doit tenir et publier une liste des substances chimiques connues comme causant des cancers, malformations congénitales et/ou autres troubles de la reproduction. Cette liste, qui est mise à jour chaque année, comprend des centaines de substances chimiques présentes dans de nombreux objets du quotidien. La Proposition 65 a pour objet d'informer le public quant à l'exposition à ces substances chimiques.

La Proposition 65 n'interdit pas la vente de produits contenant ces substances chimiques, mais impose la présence d'avertissements sur tout produit concerné, sur son emballage ou sur la documentation fournie avec le produit. D'autre part, un avertissement de la Proposition 65 ne signifie pas qu'un produit est en infraction avec les normes ou exigences de sécurité du produit. D'ailleurs, le gouvernement californien a clairement indiqué qu'un avertissement de la Proposition 65 « n'est pas une décision réglementaire quant au caractère « sûr » ou « dangereux » d'un produit ». Bon nombre de ces substances chimiques sont utilisées dans des produits du quotidien depuis des années, sans aucun effet nocif documenté. Pour plus de renseignements, rendez-vous sur <https://oag.ca.gov/prop65/faqs-view-all>.

Un avertissement de la Proposition 65 signifie qu'une société a soit (1) évalué l'exposition et conclu qu'elle dépassait le « niveau ne posant aucun risque significatif »; soit (2) choisi d'émettre un avertissement simplement sur la base de sa compréhension quant à la présence d'une substance chimique de la liste, sans tenter d'en évaluer l'exposition.

Cette loi s'applique-t-elle partout?

Les avertissements de la Proposition 65 sont exigés uniquement en vertu de la loi californienne. Ces avertissements sont présents dans tout l'état de Californie, dans des environnements très variés, notamment mais pas uniquement les restaurants, magasins d'alimentation, hôtels, écoles et hôpitaux, et sur un vaste éventail de produits. En outre, certains détaillants en ligne et par correspondance fournissent des avertissements de la Proposition 65 sur leurs sites internet ou dans leurs catalogues.

Quelles différences entre les avertissements de Californie et les limites fédérales?

Les normes de la Proposition 65 sont souvent plus strictes que les normes fédérales et internationales. Diverses substances exigent un avertissement de la Proposition 65 à des niveaux bien inférieurs aux limites d'intervention fédérales. Par exemple, la norme de la Proposition 65 en matière d'avertissements pour le plomb se situe à 0,5 µg/jour, soit bien moins que les normes fédérales et internationales.

Pourquoi l'avertissement ne figure-t-il pas sur tous les produits semblables?

- Pour les produits commercialisés en Californie, l'étiquetage Proposition 65 est exigé, tandis qu'il ne l'est pas sur des produits similaires commercialisés ailleurs.
- Il se peut qu'une société impliquée dans un procès lié à la Proposition 65 et parvenant à un accord soit obligée d'utiliser les avertissements de la Proposition 65 pour ses produits, tandis que d'autres sociétés fabriquant des produits semblables peuvent ne pas être soumises à cette obligation.
- L'application de la Proposition 65 n'est pas uniforme.
- Certaines sociétés peuvent choisir de ne pas indiquer d'avertissements car elles considèrent qu'elles n'y sont pas obligées au titre de la Proposition 65; l'absence d'avertissements sur un produit ne signifie pas que le produit ne contient pas de substances de la liste à des niveaux semblables.

Pourquoi le fabricant inclut-il cet avertissement?

Le fabricant a choisi de fournir aux consommateurs le plus d'information possible afin qu'ils puissent prendre des décisions éclairées quant aux produits qu'ils achètent et utilisent. Le fabricant fournit des avertissements dans certains cas d'après ses connaissances quant à la présence de l'une ou plusieurs des substances chimiques de la liste, sans en évaluer le niveau d'exposition, car des exigences de limites ne sont pas fournies pour tous les produits chimiques de la liste. Bien que l'exposition associée aux produits du fabricant puisse être négligeable ou parfaitement dans les limites « sans aucun risque significatif », par mesure de précaution, le fabricant a décidé de fournir les avertissements de la Proposition 65. De plus, en l'absence de ces avertissements, le fabricant pourrait faire l'objet de poursuites par l'État de Californie ou par des particuliers cherchant à faire appliquer la Proposition 65, et donc être assujéti à d'importantes pénalités.