



Count on it.

Parts Catalog

**Z Master® Professional 7500-D
Series Riding Mower**

**With 60in TURBO FORCE® Rear Discharge
Mower**

Model No. 72028—Serial No. 416288794 and Up



Ordering Replacement Parts

To order replacement parts, please supply the part number, the quantity, and the description of each part desired.

Understanding Reference Numbers

Each identified part in an illustration has a reference number. The reference number for a part also appears in the parts list, along with other information about the part.

This catalog uses two special reference number formats, one to indicate parts in a service assembly and another to indicate the quantity of a given part in an illustration.

Service Assembly Reference Numbers

Parts in service assemblies have reference numbers in the form a:b. The a represents the reference number of the entire service assembly and the b represents a sequential number unique to each part within the service assembly.

For example, a wheel assembly might be identified by reference number 6, the tire by 6:1, the valve by 6:2, and the wheel by 6:3. When you order the assembly identified by reference number 6, you receive all parts identified by reference numbers 6:1, 6:2, and 6:3. However, you may also order any part individually. Reference numbers of this type appear in illustration and in parts lists.

Reference Numbers Indicating Quantity

In an illustration, if a reference number indicates more than one part, the reference number has the form nX y. The n represents the quantity of the part, the X is the multiplication symbol, and the y represents the reference number.

For example, in an illustration, the reference number 2X 37 means that two of the parts identified by reference number 37 are indicated.

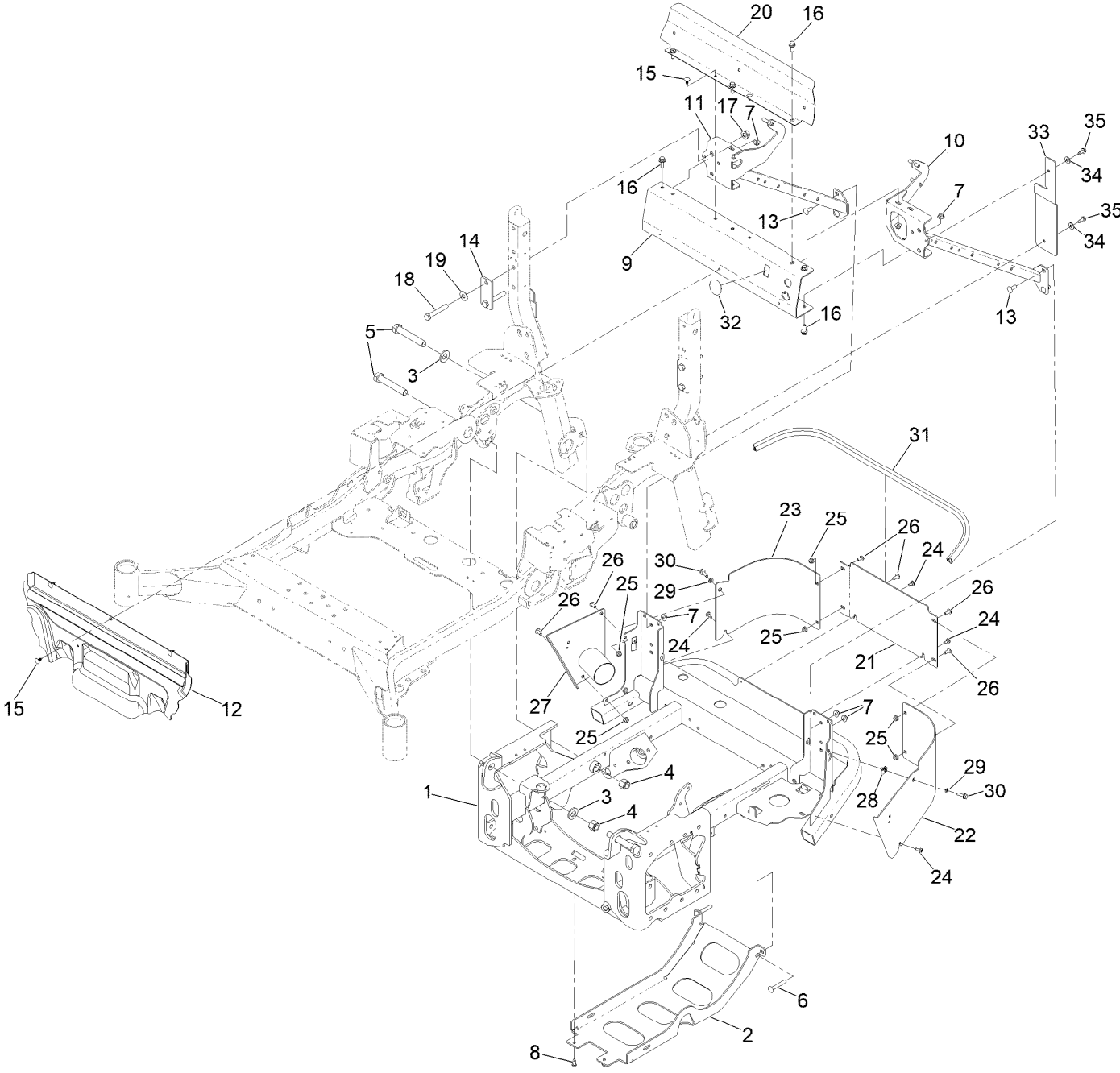
Contents

| | |
|---|-----|
| Rear Frame Assembly | 6 |
| Frame and Roll-Over Protection System Assembly | 8 |
| Roll-Over Protection System Assembly No. 142-9749 | 10 |
| Caster Wheel Assembly | 12 |
| Transmission Assembly | 14 |
| Charge Pump Housing Assembly Transmission Assembly No. 131-5510 | 16 |
| Transmission Assembly (cont.) Center Section Assembly | 18 |
| Transmission Assembly (cont.) Gear Case and Clutch Assembly | 20 |
| Hydraulic Gear Pump Assembly No. 112-9542 | 22 |
| Rear Wheel Assembly | 24 |
| Parking Brake Assembly | 26 |
| Fuel System Assembly | 28 |
| RH Fuel Tank Assembly No. 142-8638 | 30 |
| LH Fuel Tank Assembly No. 146-1835 | 32 |
| Seat Mounting Assembly | 34 |
| Seat Assembly No. 147-4984 | 36 |
| Motion Control Assembly | 38 |
| Front Linkage Rod Assembly No. 142-8447 | 40 |
| Hood and Covers Assembly | 42 |
| Hood Assembly No. 135-7930 | 44 |
| Electrical Assembly | 46 |
| Wire Harness Assembly No. 142-7960 | 48 |
| Deck Lift Assembly | 50 |
| Engine Assembly | 52 |
| HDAC Assembly No. 142-3554 | 54 |
| Deck, Driveshaft and Tunnel Assembly | 56 |
| Deck Assembly | 58 |
| Deck Decal Assembly No. 140-0965 | 60 |
| Spindle Assembly No. 137-9780 | 62 |
| Gearbox Assembly | 64 |
| Gearbox Assembly No. 142-8061 | 66 |
| Idler Mount Assembly No. 126-3271 | 68 |
| Driveshaft Assembly No. 110-3575 | 70 |
| Discharge Tunnel Assembly No. 126-3317 | 72 |
| Hydraulic Assembly | 74 |
| Hydraulic Reservoir Assembly No. 142-5034 | 76 |
| 5 Stud Wheel Hub Kit Assembly No. 135-5333 | 78 |
| Valve Assembly No. 131-1934 | 80 |
| Cooling Assembly | 82 |
| Cooling Assembly No. 121-3330 | 84 |
| Cylinder Block Assembly | 86 |
| Gear Housing Assembly | 88 |
| Flywheel Housing and Oil Sump Assembly | 90 |
| Cylinder Head and Cover Assembly | 92 |
| Suction Manifold Assembly | 94 |
| Exhaust Manifold Assembly | 96 |
| Camshaft and Driving Gear Assembly | 98 |
| Turbine Assembly | 100 |
| Crankshaft and Piston Assembly | 102 |
| Oil Pump Assembly | 104 |
| Oil Pump Assembly (cont.) | 106 |
| Cooling Water System Assembly | 108 |
| Fuel Injection Pump Assembly | 110 |
| Governor Assembly | 112 |

Contents (continued)

| | |
|--|-----|
| Fuel Injection Valve Assembly | 114 |
| Fuel Pipe Assembly | 116 |
| Starting Motor Assembly | 118 |
| Generator Assembly | 120 |
| Electronic Control Unit Assembly | 122 |
| Fuel System Assembly | 124 |
| Gasket Set | 126 |
| Attachments and Accessories | 128 |

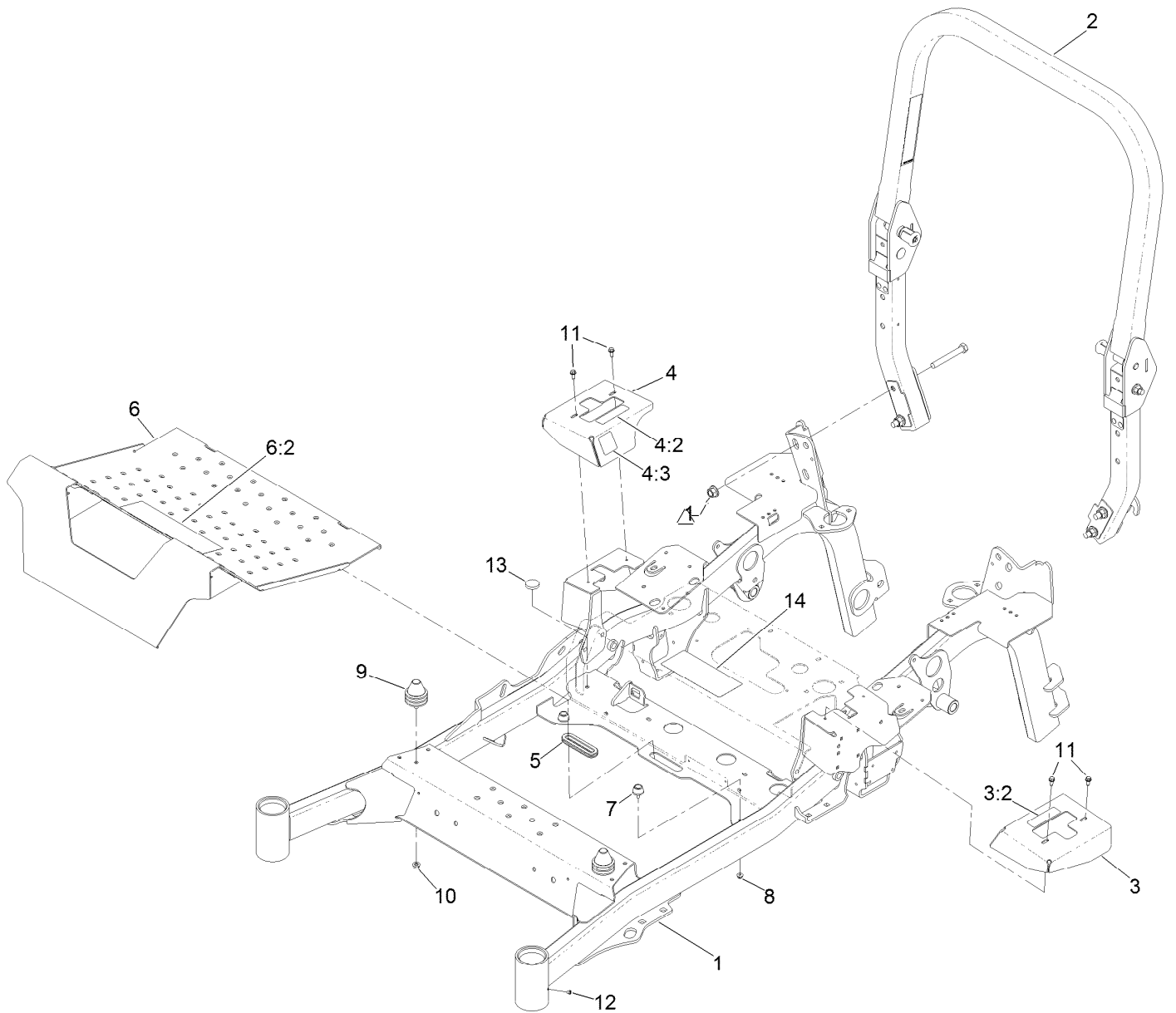
Rear Frame Assembly



Rear Frame Assembly (continued)

| <i>Ref.</i> | <i>Part Number</i> | <i>Qty.</i> | <i>Description</i> | <i>Ref.</i> | <i>Part Number</i> | <i>Qty.</i> | <i>Description</i> |
|-------------|--------------------|-------------|-----------------------|-------------|--------------------|-------------|----------------------|
| 1 | 126-5929-03 | 1 | Frame-Power | 19 | 109-9505 | 4 | Washer-Spring |
| 2 | 126-5922-03 | 1 | Plate-Skid | 20 | 126-6557-03 | 1 | Shield-Air |
| 3 | 103-2802 | 4 | Washer | 21 | 126-8954-03 | 1 | Plate-Bumper, Center |
| 4 | 3296-51 | 4 | Nut-Lock, NI | 22 | 126-8952-03 | 1 | Plate-Bumper, LH |
| 5 | 328-8 | 4 | Screw-HH | 23 | 126-8953-03 | 1 | Plate-Bumper, RH |
| 6 | 3231-44 | 2 | Screw-CARR | 24 | 120-7950 | 4 | Screw-Torx |
| 7 | 104-8301 | 13 | Nut-HF, NI | 25 | 104-8300 | 7 | Nut-HF, NI |
| 8 | 138-9753 | 2 | Screw | 26 | 126-6268 | 7 | Screw-TTH |
| 9 | 126-8567-03 | 1 | Channel-Cross | 27 | 135-0880 | 1 | Plate-Exhaust |
| 10 | 142-9442-03 | 1 | Wldmt-ROPS LH Brace | 28 | 112-3306 | 2 | Nut |
| 11 | 142-9443-03 | 1 | Wldmt-ROPS RH Brace | 29 | 3290-475 | 2 | Washer-Belleville |
| 12 | 126-7458 | 1 | Panel-Deflector, Heat | 30 | 3234-29 | 2 | Screw-HHF |
| 13 | 3231-22 | 4 | Screw-CARR | 31 | 126-6845 | 1 | Seal-Bulb |
| 14 | 135-0412-03 | 2 | Plate-Spacer | 32 | 135-3728 | 1 | Decal-Cover |
| 15 | 117-2382 | 6 | Plug-Plastic | 33 | 142-3197 | 2 | Sheet-ROPS Airdam |
| 16 | 131-2220 | 7 | Screw-HHF | 34 | 3256-3 | 4 | Washer-Flat |
| 17 | 99-5107 | 4 | Nut-Lock | 35 | 32144-70 | 4 | Screw-HWHTF |
| 18 | 112-7264 | 4 | Screw-HH | | | | |

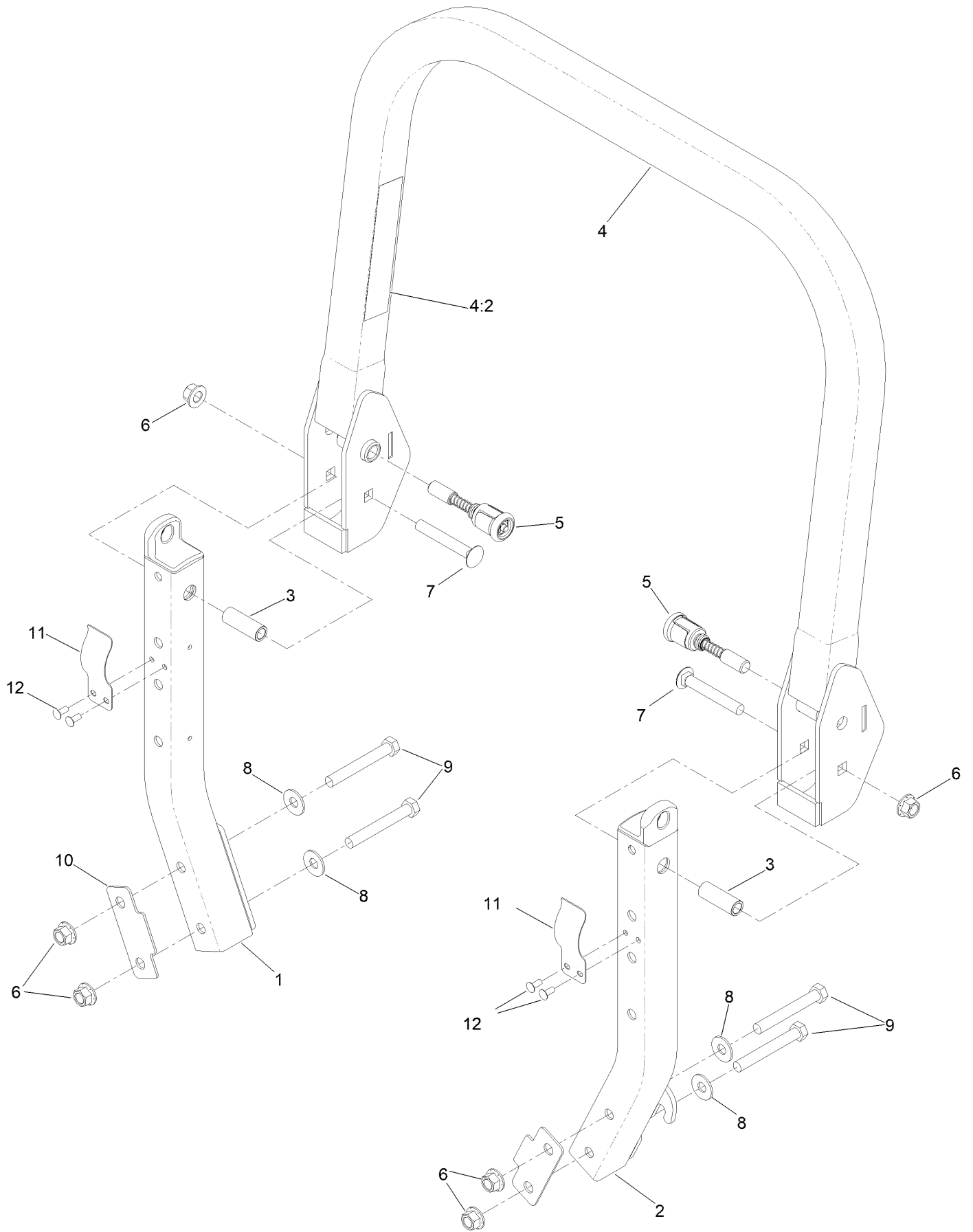
Frame and Roll-Over Protection System Assembly



Frame and Roll-Over Protection System Assembly (continued)

| <i>Ref.</i> | <i>Part Number</i> | <i>Qty.</i> | <i>Description</i> | <i>Ref.</i> | <i>Part Number</i> | <i>Qty.</i> | <i>Description</i> |
|-------------|--------------------|-------------|--------------------------|-------------|--------------------|-------------|------------------------|
| 1 | 146-1065 | 1 | Mainframe ASM, Rd | 6:2 | 126-8383 | 1 | Decal-Danger |
| 2 | 142-9749 | 1 | ASM, ROPS-7500D Diesel | 7 | 109-2365 | 2 | Bumper-Rubber |
| 3 | 146-3345 | 1 | Cover-Motion Control, LH | 8 | 104-7201 | 2 | Nut-HF, NI |
| 3:2 | 99-8936 | 1 | Decal-Control, Motion | 9 | 126-5491 | 2 | Isolator |
| 4 | 146-3346 | 1 | Cover-Motion Control, RH | 10 | 104-8300 | 2 | Nut-HF, NI |
| 4:2 | 99-8936 | 1 | Decal-Control, Motion | 11 | 32144-10 | 4 | Screw-HWH |
| 4:3 | 116-5988 | 1 | Decal-Park Brake, CE | 12 | 1-811010 | 2 | Plug |
| 5 | 126-7065 | 1 | Grommet-Rubber | 13 | 109-9233 | 1 | Bumper-Push-In, Rubber |
| 6 | 126-9066 | 1 | Pan-Floor | 14 | 126-9279 | 1 | Decal-Service Aid |

Roll-Over Protection System Assembly No. 142-9749

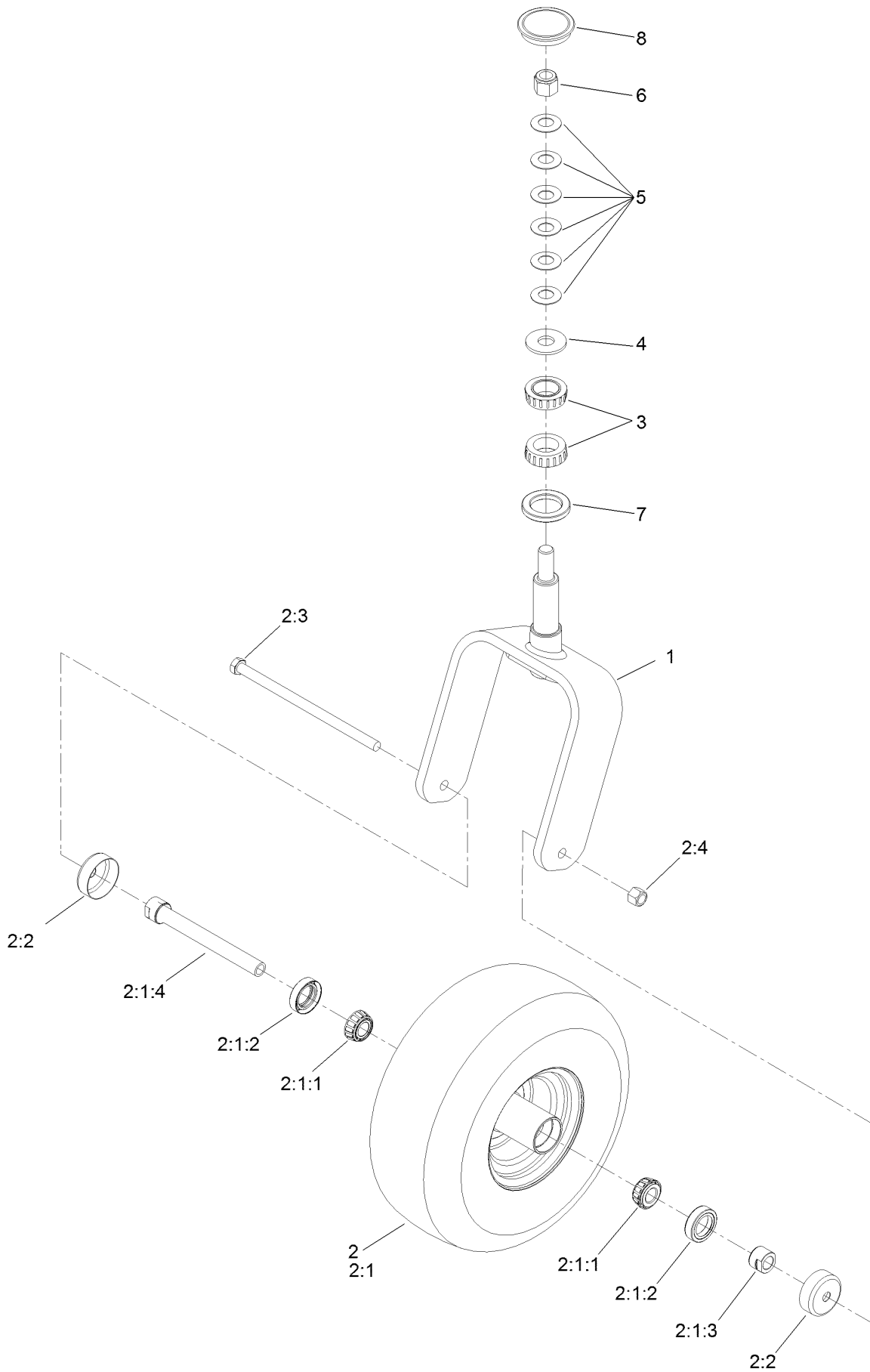


Roll-Over Protection System Assembly No. 142-9749 (continued)

| <i>Ref.</i> | <i>Part Number</i> | <i>Qty.</i> | <i>Description</i> | <i>Ref.</i> | <i>Part Number</i> | <i>Qty.</i> | <i>Description</i> |
|-------------|--------------------|-------------|------------------------|-------------|--------------------|-------------|--------------------|
| 1 | | 1 | Lower-ROPS, RH ● | 7 | 3233-10 | 2 | Screw-CARR |
| 2 | | 1 | Lower-ROPS, LH ● | 8 | 109-9505 | 4 | Washer-Spring |
| 3 | 109-6653 | 2 | Spacer | 9 | 325-35 | 4 | Screw-HH |
| 4 | 142-2385 | 1 | ASM,ROPS Upper W/Decal | 10 | 116-0960 | 2 | Spacer |
| 4:2 | 107-3069 | 1 | Decal-Warning | 11 | 110-5696 | 2 | Spring-Leaf |
| 5 | 116-0104 | 2 | Pin-Spring | 12 | 3290-412 | 4 | Rivet-Blind |
| 6 | 99-5107 | 6 | Nut-Lock | | | | |

● Not serviced separately

Caster Wheel Assembly

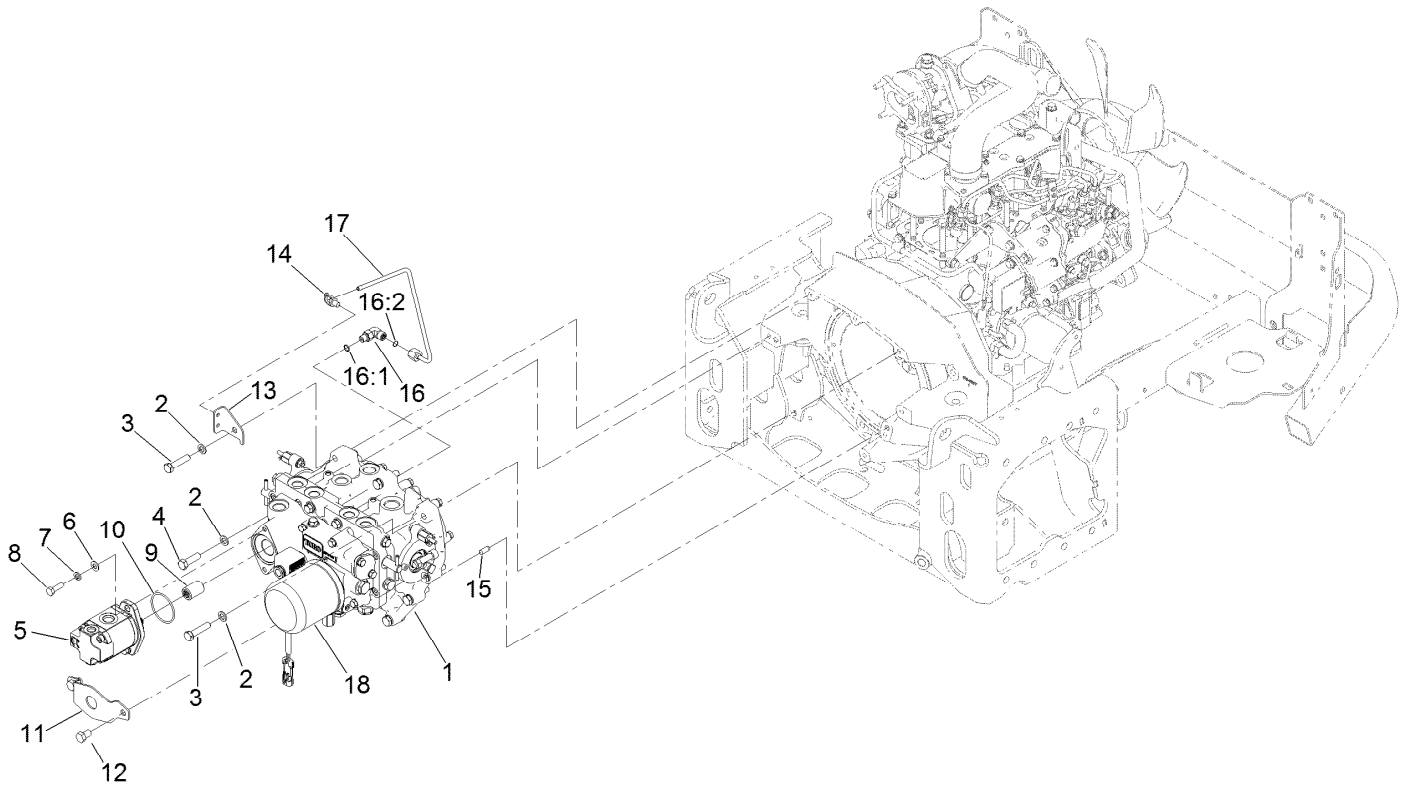


Caster Wheel Assembly (continued)

| <i>Ref.</i> | <i>Part Number</i> | <i>Qty.</i> | <i>Description</i> | <i>Ref.</i> | <i>Part Number</i> | <i>Qty.</i> | <i>Description</i> |
|-------------|--------------------|-------------|----------------------|-------------|--------------------|-------------|----------------------------|
| 1 | 126-8601-01 | 1 | Fork-Caster | 2:3 | 325-39 | 1 | Screw-HH |
| 2 | 126-9344 | 1 | Wheel And Tire ASM | 2:4 | 3296-23 | 1 | Nut-Lock, NI |
| 2:1 | | 1 | Tire And Wheel ASM ● | 3 | 103-9028 | 2 | Bearing-Roller, Cone Taper |
| 2:1:1 | 1-633585 | 2 | Bearing-Cone, Taper | 4 | 3256-8 | 1 | Washer-Flat |
| 2:1:2 | 103-0063 | 2 | Seal-Caster | 5 | 1-633508 | 6 | Washer-Bellville |
| 2:1:3 | 103-3051 | 1 | Spacer-Nut | 6 | 3296-51 | 1 | Nut-Lock, NI |
| 2:1:4 | 126-5361 | 1 | Axle Caster ASM | 7 | 135-0355 | 1 | Seal-Grease |
| 2:2 | 103-2768 | 2 | Guard-Seal | 8 | 126-9369 | 1 | Cap-Grease |

● Not serviced separately

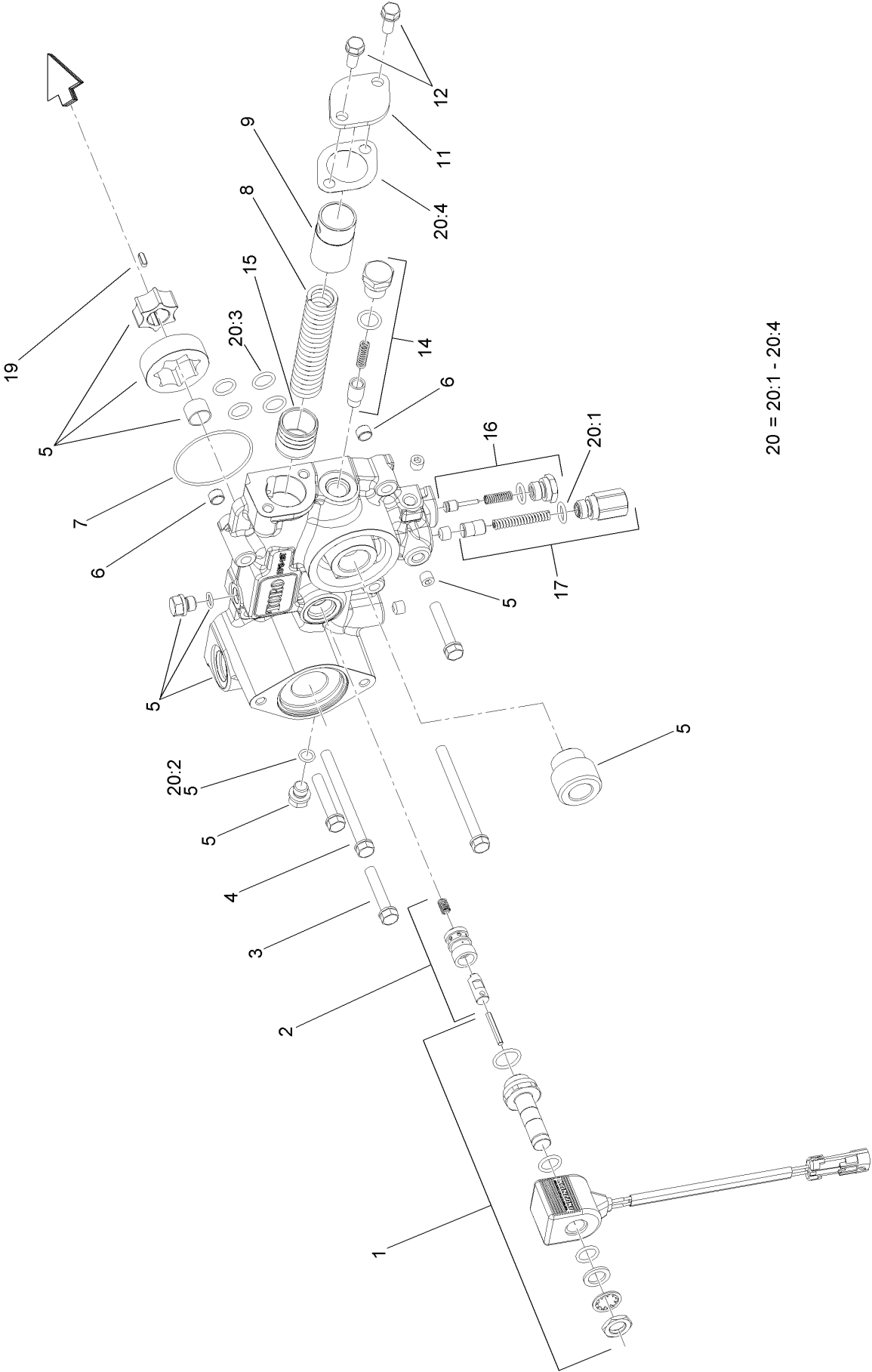
Transmission Assembly



Transmission Assembly (continued)

| <i>Ref.</i> | <i>Part Number</i> | <i>Qty.</i> | <i>Description</i> | <i>Ref.</i> | <i>Part Number</i> | <i>Qty.</i> | <i>Description</i> |
|-------------|--------------------|-------------|--------------------|-------------|--------------------|-------------|-----------------------|
| 1 | 131-5510 | 1 | Transmisson ASM | 11 | 114-4088 | 1 | Shield-Seal |
| 2 | 48-9590 | 7 | Washer-Lock | 12 | 33115-016 | 2 | Screw-HH |
| 3 | 33115-045 | 6 | Screw-HH | 13 | 126-6806 | 1 | Support-Tube |
| 4 | 33115-035 | 1 | Screw-HH | 14 | 32180-030 | 1 | Clip-Tie |
| 5 | 112-9542 | 1 | HYD Gear Pump ASM | 15 | 87-1910 | 2 | Pin-Dowel |
| 6 | 3256-23 | 2 | Washer-Plain | 16 | 340-132 | 1 | Fitting-Elbow, 90 DEG |
| 7 | 3253-4 | 2 | Washer-Lock | 16:1 | 237-78 | 1 | O-Ring |
| 8 | 33114-025 | 2 | Screw-HH | 16:2 | 237-21 | 1 | O-Ring |
| 9 | 108-9920 | 1 | Coupler-Spline | 17 | 126-8689 | 1 | Tube ASM |
| 10 | 108-9919 | 1 | O-Ring | 18 | 108-5194 | 1 | Filter-Oil, HYD |

Charge Pump Housing Assembly Transmission Assembly No. 131-5510



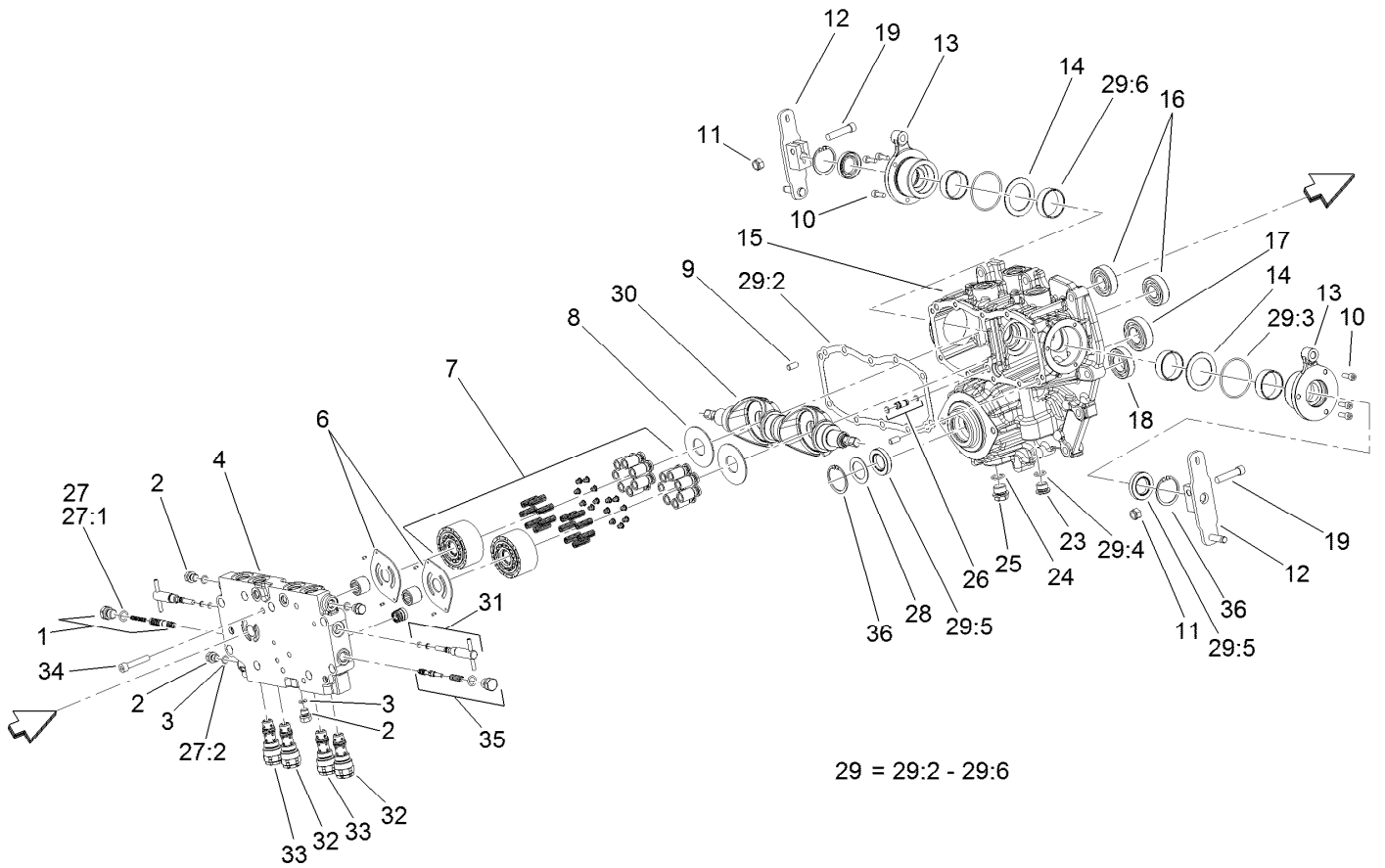
20 = 20:1 - 20:4

Charge Pump Housing Assembly Transmission Assembly No. 131-5510 (continued)

| <i>Ref.</i> | <i>Part Number</i> | <i>Qty.</i> | <i>Description</i> | <i>Ref.</i> | <i>Part Number</i> | <i>Qty.</i> | <i>Description</i> |
|-------------|--------------------|-------------|---------------------|-------------|--------------------|-------------|-------------------------|
| 1 | 107-0851 | 1 | Solenoid ASM | 14 | 107-0843 | 1 | Filter Bypass Valve ASM |
| 2 | 107-0850 | 1 | Solenoid Valve ASM | 15 | 107-0818 | 1 | Piston |
| 3 | 107-0863 | 3 | Bolt | 16 | 107-0842 | 1 | Charge Relief Valve ASM |
| 4 | 107-0864 | 2 | Bolt | 17 | 107-0841 | 1 | Pressure Valve ASM |
| 5 | 107-0840 | 1 | Pump Body ASM | 19 | 107-0865 | 1 | Key |
| 6 | 107-0848 | 2 | Pin | 20 | 107-0855 | 1 | Charge Pump Seal Kit |
| 7 | 107-0856 | 1 | O-Ring | 20:1 | 93-0418 | 2 | O-Ring |
| 8 | 107-0845 | 1 | Spring | 20:2 | 107-0817 | 2 | O Ring-Plug |
| 9 | 107-0844 | 1 | Collar | 20:3 | 104-3298 | 6 | Packing |
| 11 | 107-0846 | 1 | Cover | 20:4 | 107-0847 | 1 | Gasket |
| 12 | 93-0457 | 2 | Bolt And Washer ASM | | | | |

Transmission Assembly (cont.)

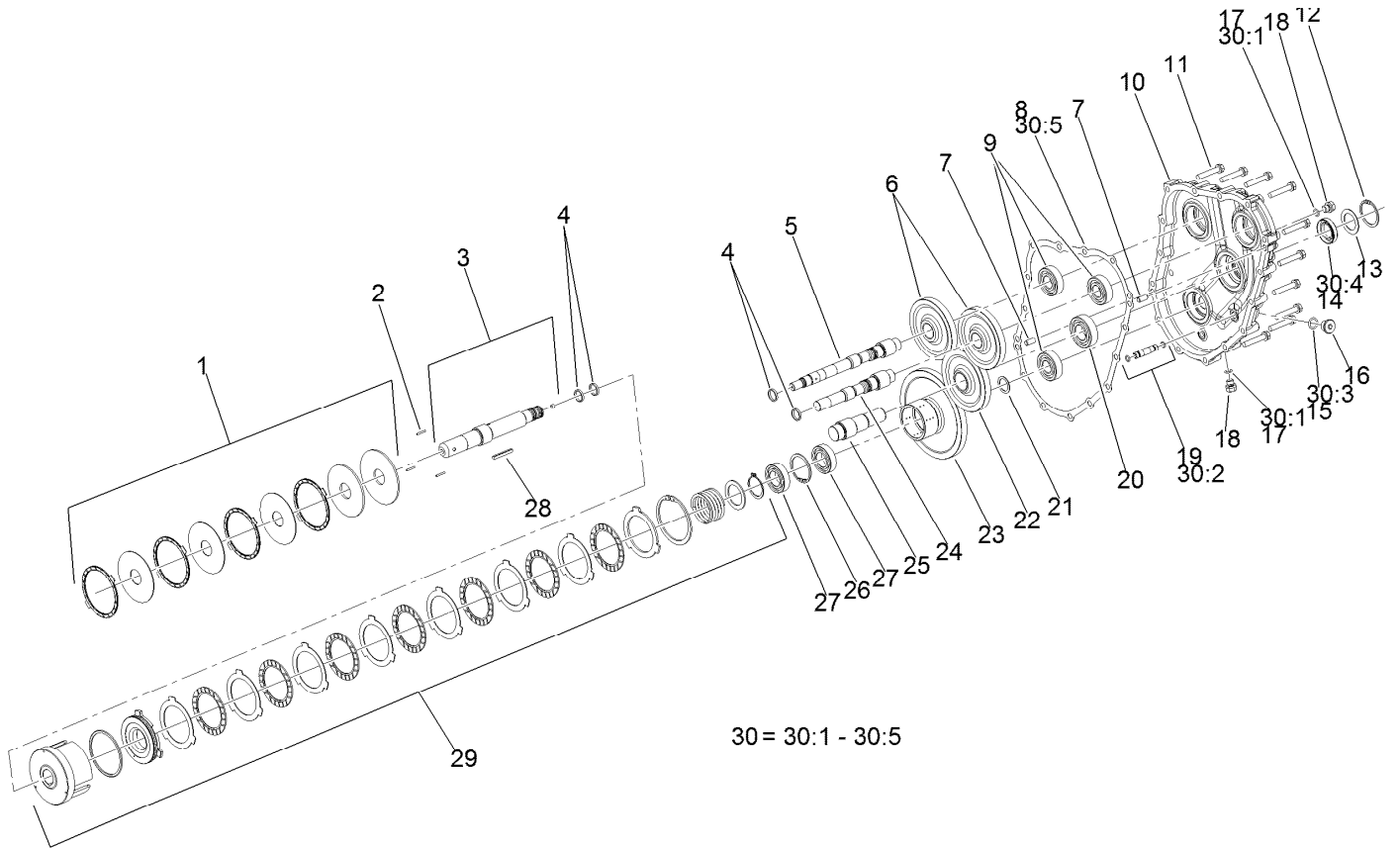
Center Section Assembly



Transmission Assembly (cont.) Center Section Assembly (continued)

| <i>Ref.</i> | <i>Part Number</i> | <i>Qty.</i> | <i>Description</i> | <i>Ref.</i> | <i>Part Number</i> | <i>Qty.</i> | <i>Description</i> |
|-------------|--------------------|-------------|-----------------------|-------------|--------------------|-------------|-----------------------|
| 1 | 107-0807 | 1 | Valve-Flushing, RH | 25 | 107-0867 | 1 | Plug |
| 2 | 107-0857 | 6 | Plug | 26 | 107-0812 | 1 | Pipe |
| 3 | 107-0817 | 6 | O Ring-Plug | 27 | 107-0852 | 1 | Center Case Seal Kit |
| 4 | 121-3377 | 1 | Center Case, Complete | 27:1 | 93-0418 | 2 | O-Ring |
| 6 | 107-0805 | 2 | Plate-Valve | 27:2 | 107-0817 | 6 | O Ring-Plug |
| 7 | 107-0824 | 2 | Cylinder Block ASM | 28 | 107-0813 | 1 | Spacer |
| 8 | 107-0830 | 2 | Plate-Thrust | 29 | 107-0853 | 1 | Pump Housing Seal Kit |
| 9 | 92-0765 | 4 | Pin-Parallel | 29:2 | 107-0810 | 1 | Gasket-Case, Center |
| 10 | 107-0859 | 6 | Bolt | 29:3 | 107-0817 | 2 | O Ring-Plug |
| 11 | 120-6681 | 2 | U-Nut | 29:4 | 104-3298 | 1 | Packing |
| 12 | 120-6680 | 2 | Arm-Control | 29:5 | 107-0814 | 3 | Seal |
| 13 | 107-0832 | 2 | Side Cover ASM | 29:6 | 107-0825 | 4 | Ring-Seal |
| 14 | 107-0829 | 2 | Washer | 30 | 120-6679 | 2 | Plate-Swash |
| 15 | 120-5151 | 1 | Pump Housing ASM | 31 | 107-0808 | 2 | Valve-Bypass |
| 16 | 107-0826 | 2 | Bearing | 32 | 107-0804 | 2 | Valve-Rear |
| 17 | 107-0821 | 1 | Bearing | 33 | 107-0803 | 2 | Valve-Front |
| 18 | 107-0838 | 1 | Bearing | 34 | 107-0863 | 8 | Bolt |
| 19 | 120-6682 | 2 | Bolt | 35 | 107-0806 | 1 | Valve-Flushing, LH |
| 23 | 107-0861 | 1 | Plug-NPTF | 36 | 92-0757 | 2 | Ring-Snap |
| 24 | 237-79 | 1 | O-Ring | | | | |

Transmission Assembly (cont.) Gear Case and Clutch Assembly

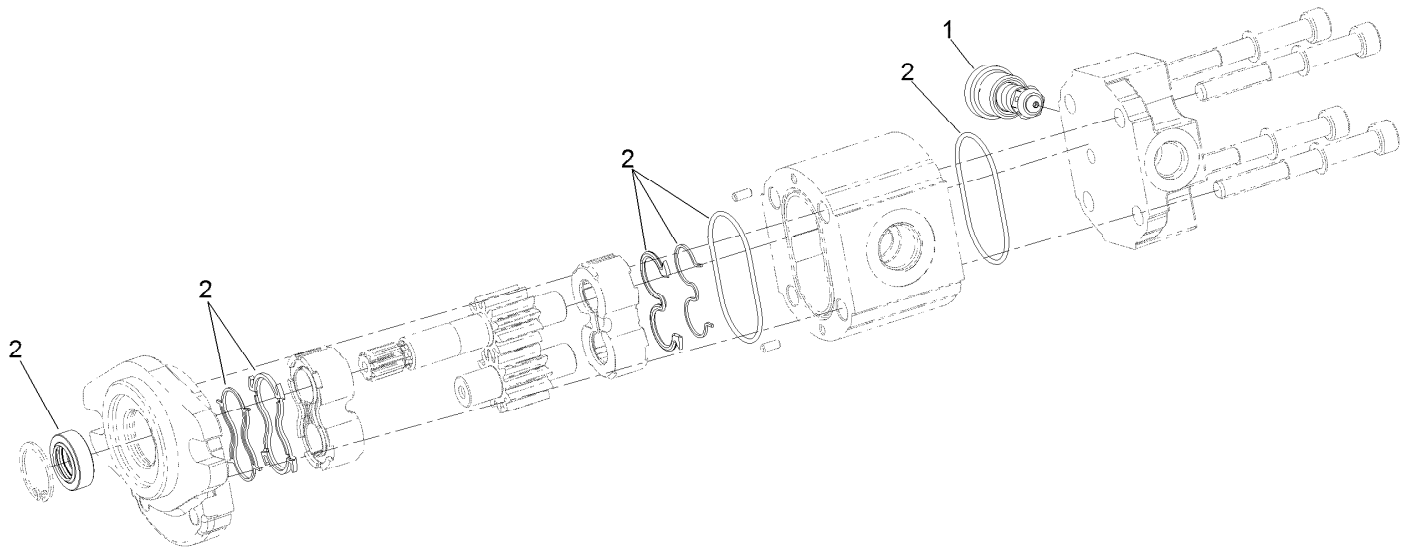


Transmission Assembly (cont.) Gear Case and Clutch Assembly (continued)

| <i>Ref.</i> | <i>Part Number</i> | <i>Qty.</i> | <i>Description</i> | <i>Ref.</i> | <i>Part Number</i> | <i>Qty.</i> | <i>Description</i> |
|-------------|--------------------|-------------|----------------------|-------------|--------------------|-------------|-----------------------|
| 1 | 107-0839 | 1 | PTO Brake ASM | 19 | 107-0811 | 1 | Pipe |
| 2 | 107-0837 | 3 | Rod-Push | 20 | 107-0821 | 2 | Bearing |
| 3 | 107-0833 | 1 | PTO Shaft ASM | 21 | 107-0836 | 1 | Spacer |
| 4 | 107-0825 | 2 | Ring-Seal | 22 | 107-0820 | 1 | Gear-Input |
| 5 | 107-0827 | 1 | Shaft-Pump | 23 | 107-0834 | 1 | Gear-PTO |
| 6 | 107-0823 | 2 | Gear-Pump | 24 | 107-0822 | 1 | Shaft-Pump |
| 7 | 92-0765 | 4 | Pin-Parallel | 25 | 107-0819 | 1 | Shaft-Input |
| 8 | 107-0816 | 1 | Gasket-Housing, Gear | 26 | 92-0758 | 1 | Ring-Snap |
| 9 | 107-0826 | 4 | Bearing | 27 | 107-0838 | 3 | Bearing |
| 10 | 120-5152 | 1 | Housing-Case, Gear | 28 | 107-0866 | 1 | Key |
| 11 | 107-0863 | 13 | Bolt | 29 | 107-0835 | 1 | Clutch Cylinder ASM |
| 12 | 92-0757 | 1 | Ring-Snap | 30 | 107-0854 | 1 | Gear Housing Seal Kit |
| 13 | 107-0813 | 1 | Spacer | 30:1 | 107-0817 | 2 | O Ring-Plug |
| 14 | 107-0814 | 1 | Seal | 30:2 | | 2 | O-Ring ● |
| 15 | 104-3298 | 1 | Packing | 30:3 | 104-3298 | 1 | Packing |
| 16 | 107-0861 | 1 | Plug-NPTF | 30:4 | 107-0814 | 1 | Seal |
| 17 | 107-0817 | 6 | O Ring-Plug | 30:5 | 107-0816 | 1 | Gasket-Housing, Gear |
| 18 | 107-0857 | 6 | Plug | | | | |

● Not serviced separately

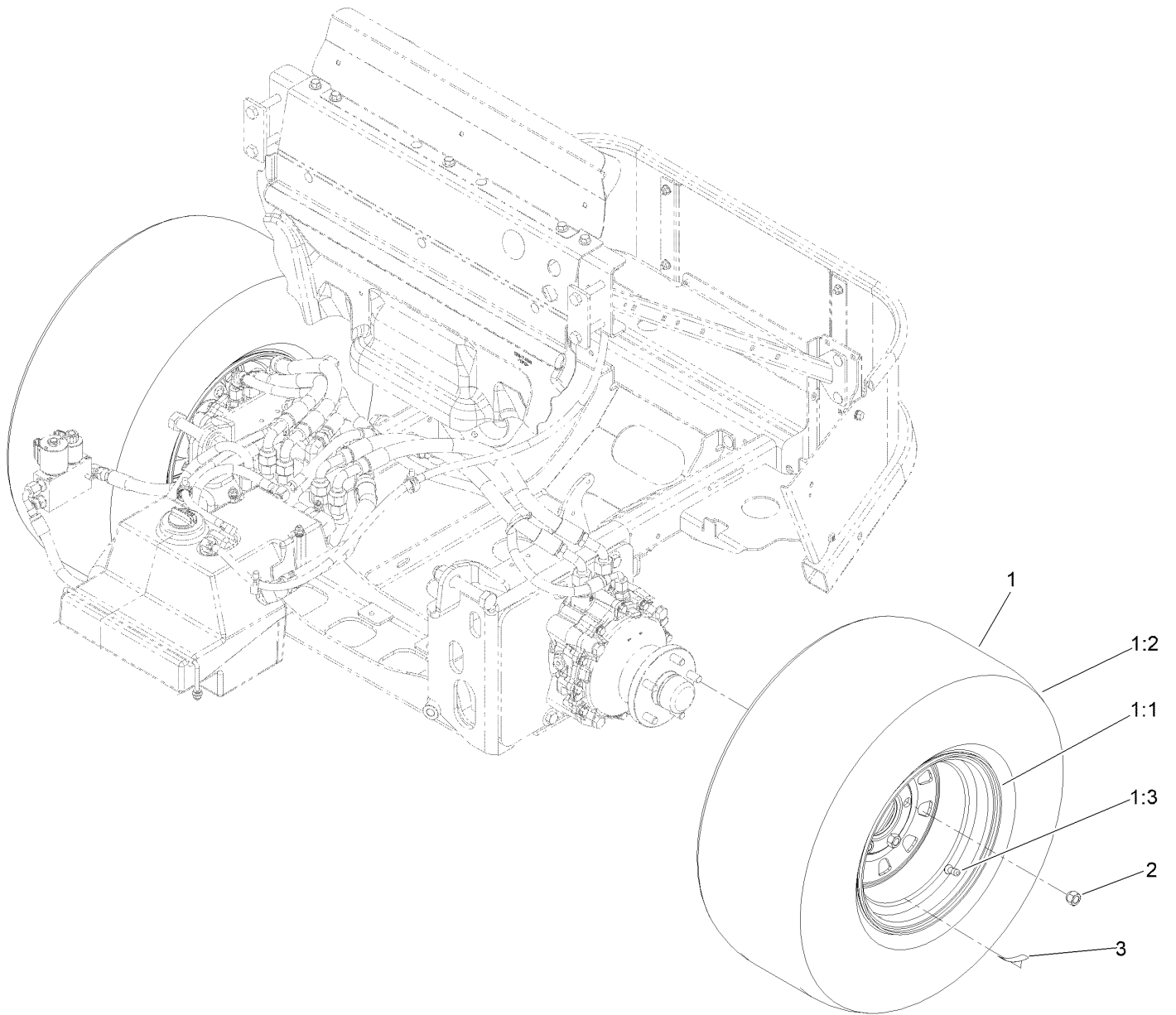
Hydraulic Gear Pump Assembly No. 112-9542



Hydraulic Gear Pump Assembly No. 112-9542 (continued)

| <i>Ref.</i> | <i>Part Number</i> | <i>Qty.</i> | <i>Description</i> |
|-------------|--------------------|-------------|--------------------|
| 1 | 112-0198 | 1 | Valve |
| 2 | 112-0199 | 1 | Seal Kit |

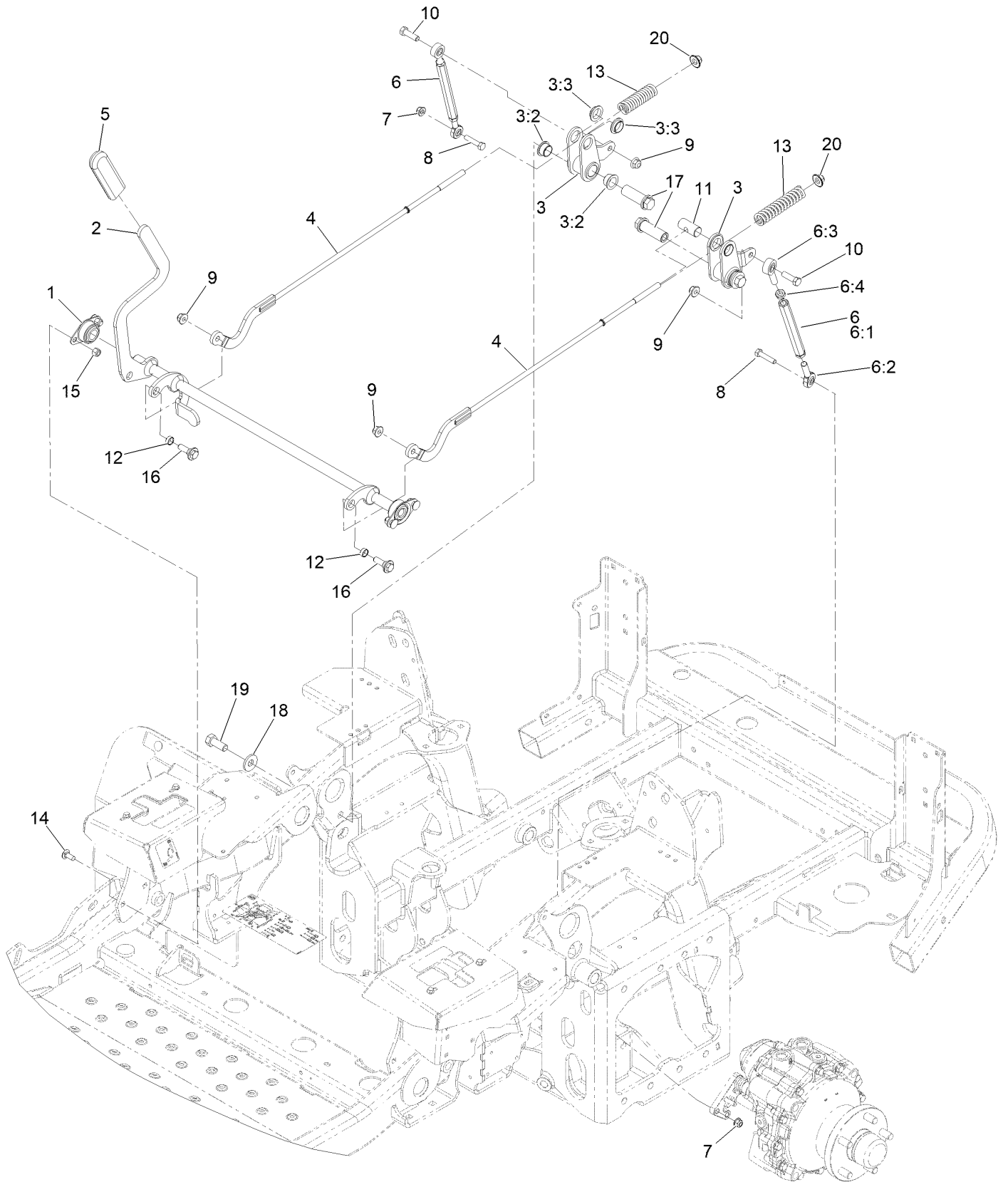
Rear Wheel Assembly



Rear Wheel Assembly (continued)

| <i>Ref.</i> | <i>Part Number</i> | <i>Qty.</i> | <i>Description</i> | <i>Ref.</i> | <i>Part Number</i> | <i>Qty.</i> | <i>Description</i> |
|-------------|--------------------|-------------|--------------------|-------------|--------------------|-------------|-------------------------|
| 1 | 126-8104 | 2 | Tire ASM | 1:3 | 232-27 | 1 | Stem-Valve |
| 1:1 | 126-8106 | 1 | Rim | 2 | 242-50 | 10 | Nut-Lug |
| 1:2 | 126-8033 | 1 | Tire | 3 | 135-0328 | 2 | Decal-Torque, Wheel Nut |

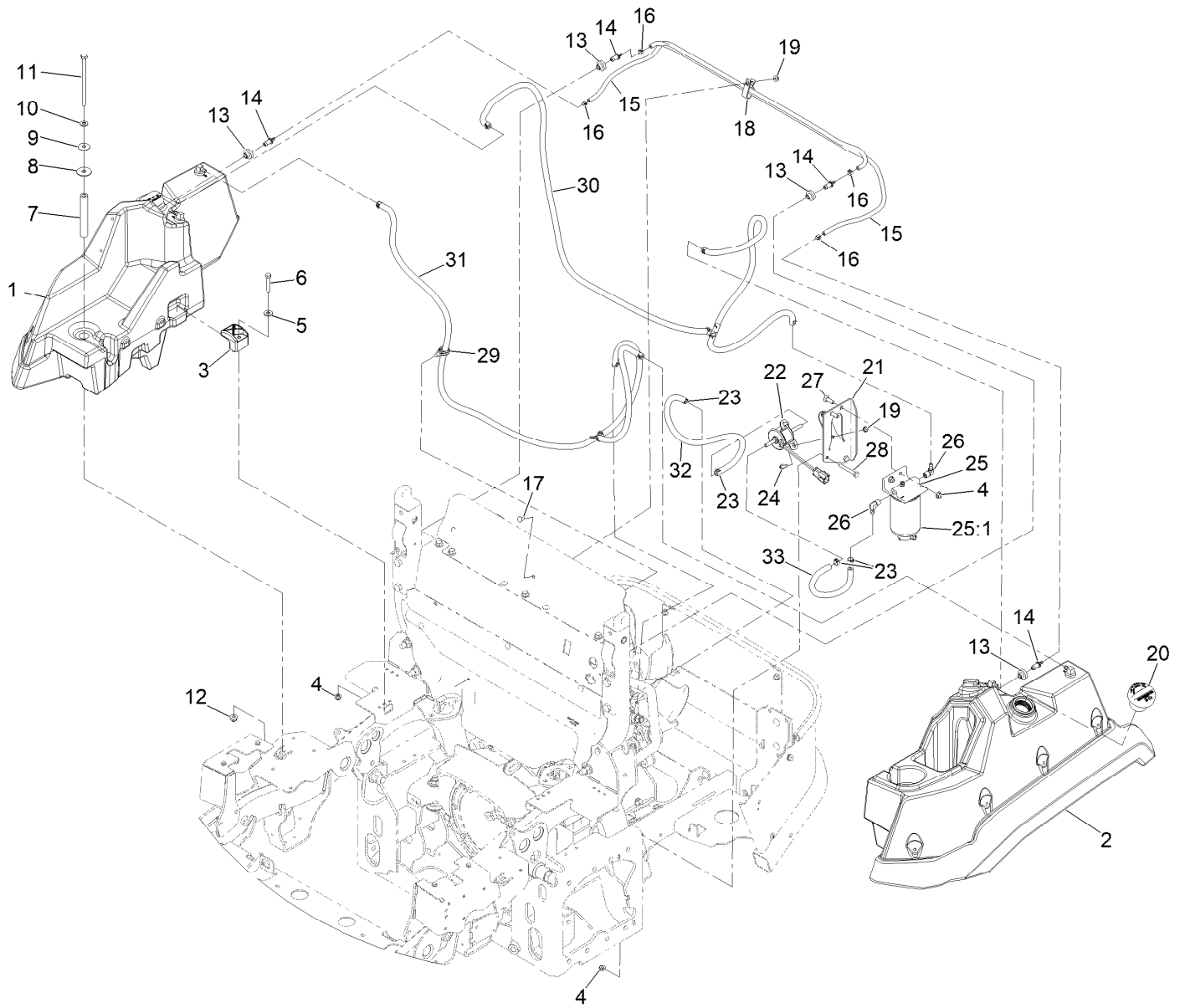
Parking Brake Assembly



Parking Brake Assembly (continued)

| <i>Ref.</i> | <i>Part Number</i> | <i>Qty.</i> | <i>Description</i> | <i>Ref.</i> | <i>Part Number</i> | <i>Qty.</i> | <i>Description</i> |
|-------------|--------------------|-------------|----------------------|-------------|--------------------|-------------|---------------------|
| 1 | 1-633102 | 2 | Bearing-Flange, Side | 8 | 322-7 | 2 | Screw-HH |
| 2 | 142-4901 | 1 | Shaft-Brake | 9 | 104-8301 | 4 | Nut-HF, NI |
| 3 | 126-3010 | 2 | Brake Bellcrank ASM | 10 | 323-7 | 2 | Screw-HH |
| 3:2 | 109-8054 | 2 | Bushing-Flange | 11 | 1-633144 | 2 | Pin-Trunion |
| 3:3 | 135-2840 | 2 | Bushing-Flange | 12 | 133-5109 | 2 | Bearing-Sleeve |
| 4 | 142-4897 | 2 | Link-Brake, Upper | 13 | 109-2230 | 2 | Spring-Compression |
| 5 | 1-633268 | 1 | Grip-Lever | 14 | 3230-23 | 4 | Bolt-CARR |
| 6 | 126-9171 | 2 | Turnbuckle ASM | 15 | 3296-29 | 4 | Nut-Lock, NI |
| 6:1 | 126-9172 | 1 | Turnbuckle | 16 | 614672 | 2 | Screw-Shoulder, HWH |
| 6:2 | 126-9302 | 1 | Bearing-End, LH Rod | 17 | 109-5891 | 2 | Hub-Threaded |
| 6:3 | 1-613204 | 1 | Balljoint | 18 | 1-513435 | 2 | Washer-Spring |
| 6:4 | 3220-3 | 1 | Nut-HJ | 19 | 325-5 | 2 | Screw-HH |
| 7 | 104-8300 | 2 | Nut-HF, NI | 20 | 109-6658 | 2 | Nut-Flange, NI |

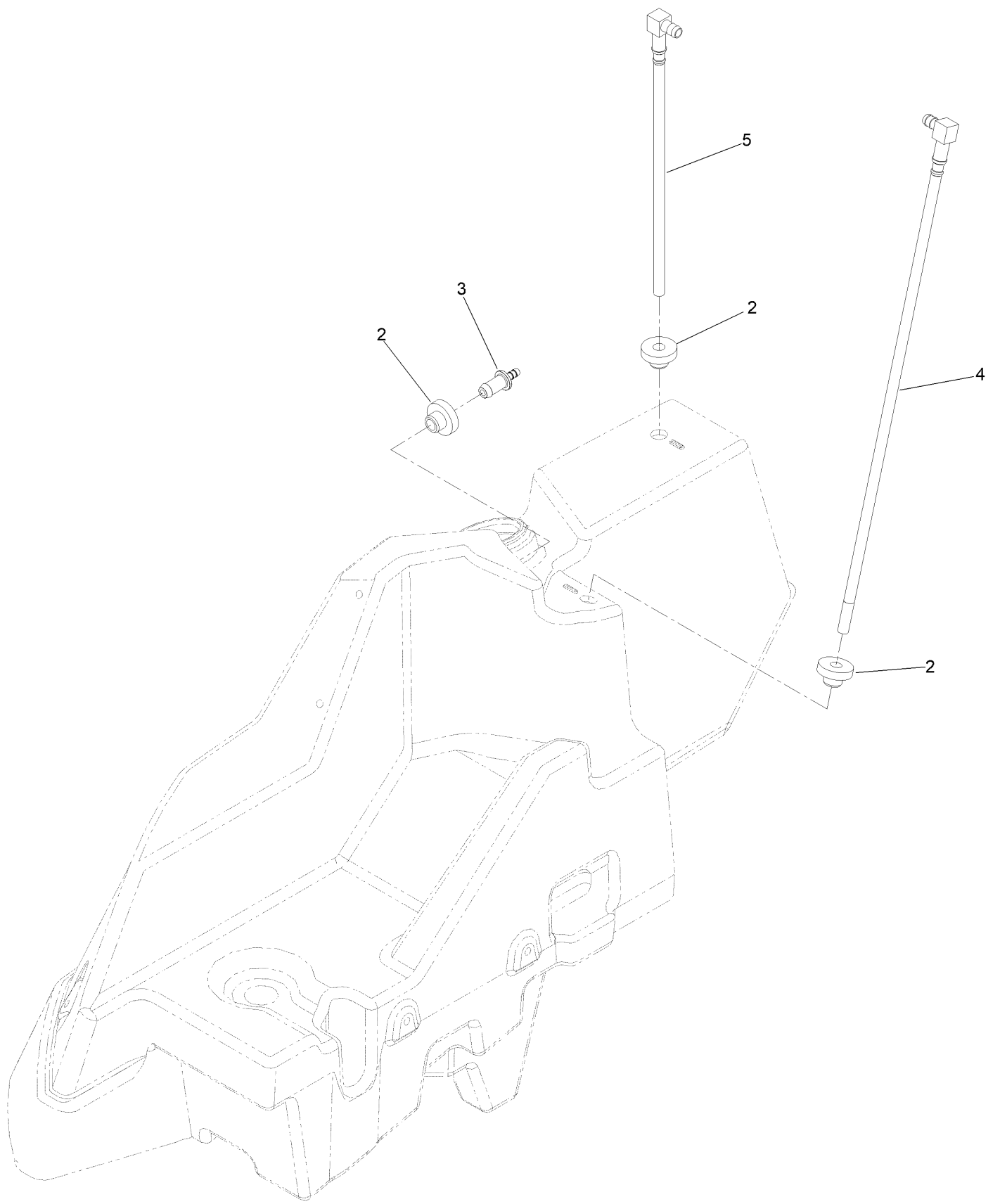
Fuel System Assembly



Fuel System Assembly (continued)

| <i>Ref.</i> | <i>Part Number</i> | <i>Qty.</i> | <i>Description</i> | <i>Ref.</i> | <i>Part Number</i> | <i>Qty.</i> | <i>Description</i> |
|-------------|--------------------|-------------|---------------------------|-------------|--------------------|-------------|---|
| 1 | 142-8638 | 1 | RH Fuel Tank ASM | 19 | 104-7201 | 5 | Nut-HF, NI |
| 2 | 146-1835 | 1 | ASM-Fuel Tank, LH | 20 | 142-8000 | 2 | Cap-Fuel, Diesel Low Or Ultra Low Sulfur |
| 3 | 107-4543 | 4 | Clamp | 21 | 135-0166-03 | 1 | Bracket-Filter And Pump, Fuel |
| 4 | 104-8300 | 8 | Nut-HF, NI | 22 | 121-5613 | 1 | Pump-Fuel, Electric |
| 5 | 3256-3 | 4 | Washer-Flat | 23 | 92-2379 | 4 | Clamp-Hose |
| 6 | 322-21 | 4 | Screw-HH | 24 | 32105-15 | 2 | Screw-HWH |
| 7 | 126-8335 | 2 | Tube-Spacer | 25 | 110-9044 | 1 | Separator-Filter |
| 8 | 95-1905 | 2 | Washer-Rubber | 25:1 | 110-9049 | 1 | Filter-Spin On, Fuel/Water |
| 9 | 105-6814 | 2 | Washer-Plain | 26 | 353-781 | 2 | Fitting-HYD, 90 |
| 10 | 3256-24 | 2 | Washer-Plain | 27 | 3230-22 | 2 | Screw-CARR |
| 11 | 323-22 | 2 | Screw-HH | 28 | 322-11 | 2 | Screw-HH |
| 12 | 104-8301 | 2 | Nut-HF, NI | 29 | 32180-030 | 1 | Clip-Tie |
| 13 | 46-6560 | 2 | Bushing | 30 | 135-0510 | 1 | Line-Fuel, Suction |
| 14 | 116-4630 | 2 | Fitting-Orifice, Straight | 31 | 135-0511 | 1 | Line-Fuel, Return |
| 15 | 117-6395 | 2 | Hose-Fuel | 32 | 109-0308 | 1 | Hose-Fuel |
| 16 | 2412-80 | 4 | Clamp-Hose | 33 | 110-4105 | 1 | Hose-Fuel |
| 17 | 3229-11 | 3 | Screw-CARR | | | | |
| 18 | 92-5753 | 3 | Clamp-Hose | | | | |

RH Fuel Tank Assembly No. 142-8638

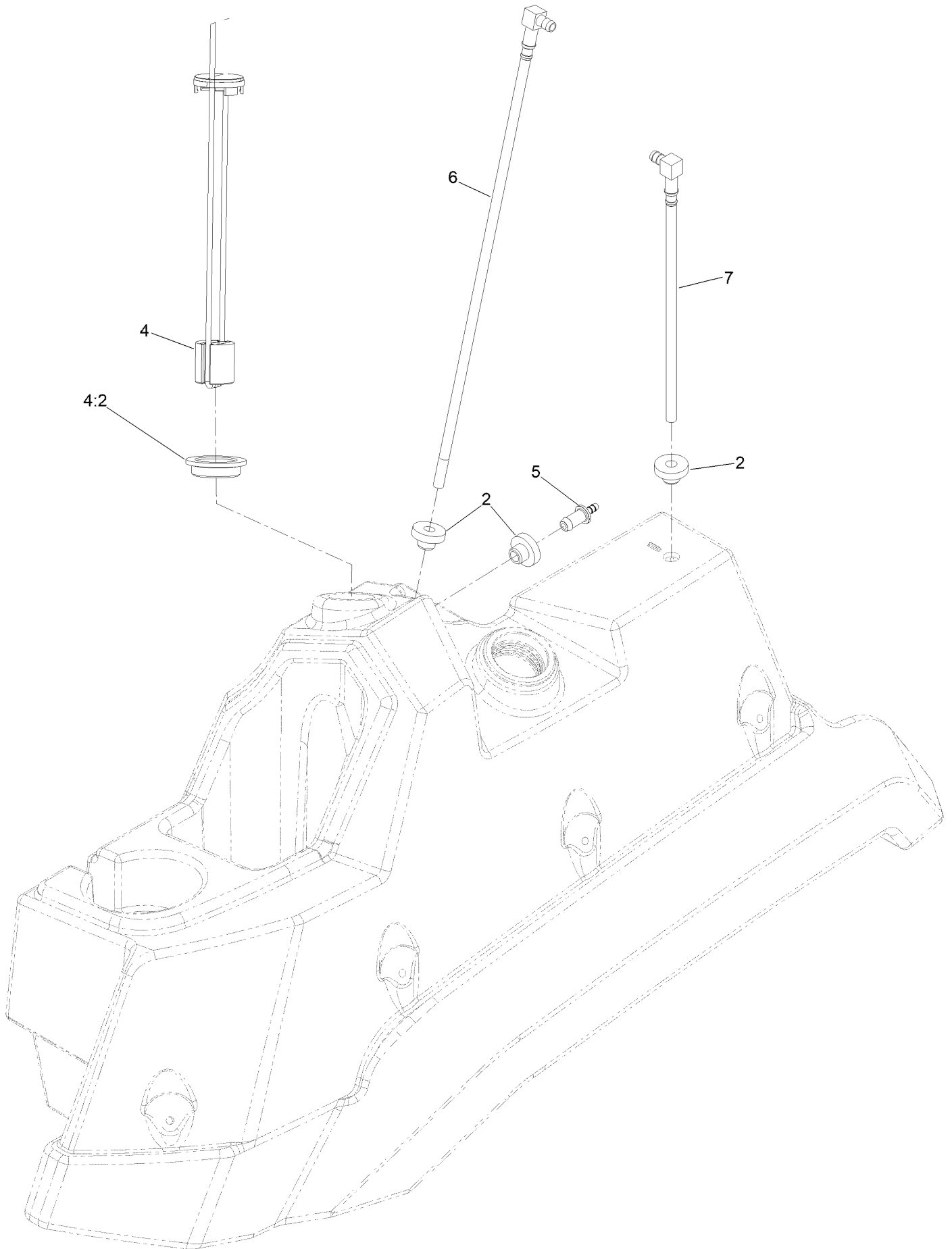


RH Fuel Tank Assembly No. 142-8638 (continued)

| <i>Ref.</i> | <i>Part Number</i> | <i>Qty.</i> | <i>Description</i> |
|-------------|--------------------|-------------|---------------------------|
| 2 | 46-6560 | 3 | Bushing |
| 3 | 116-4630 | 1 | Fitting-Orifice, Straight |

| <i>Ref.</i> | <i>Part Number</i> | <i>Qty.</i> | <i>Description</i> |
|-------------|--------------------|-------------|--------------------|
| 4 | 126-8647 | 1 | Pick-Up-Fuel |
| 5 | 126-8649 | 1 | Return-Fuel |

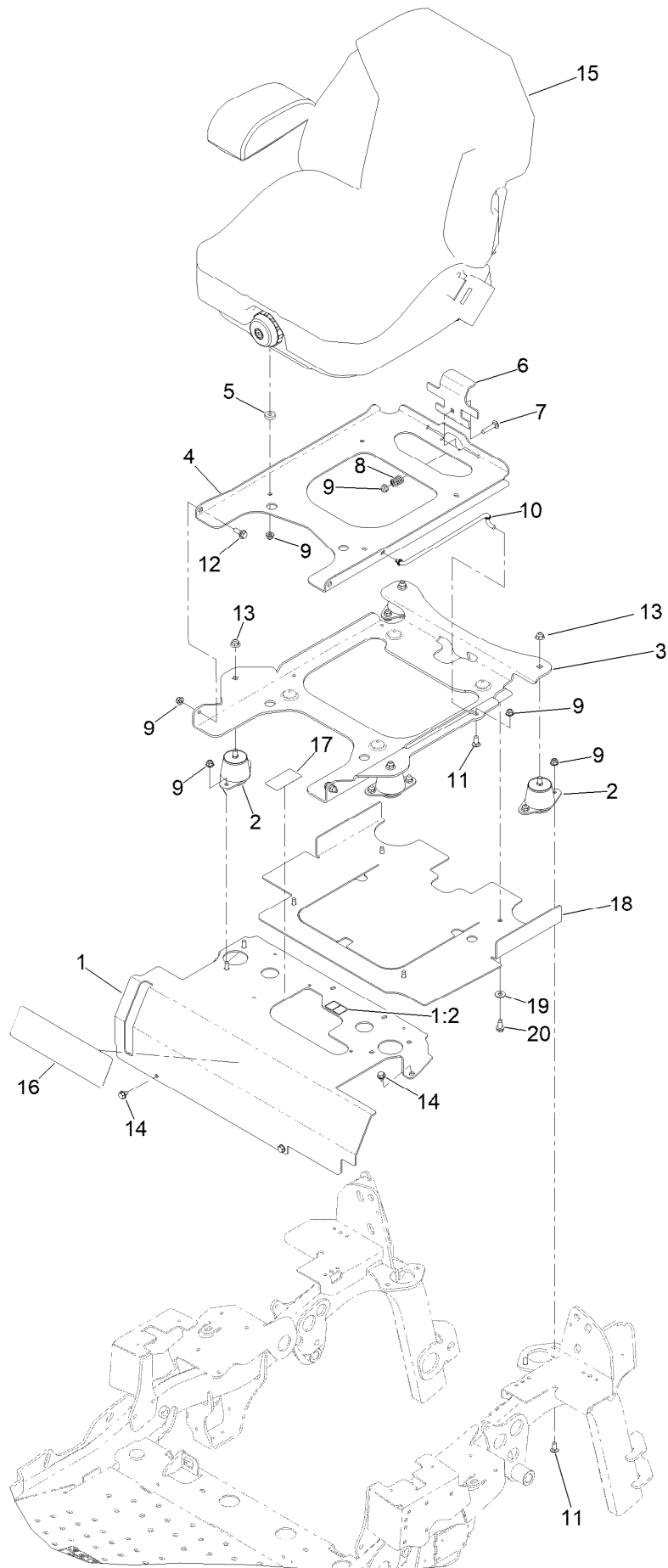
LH Fuel Tank Assembly No. 146-1835



LH Fuel Tank Assembly No. 146-1835 (continued)

| <i>Ref.</i> | <i>Part Number</i> | <i>Qty.</i> | <i>Description</i> | <i>Ref.</i> | <i>Part Number</i> | <i>Qty.</i> | <i>Description</i> |
|-------------|--------------------|-------------|--------------------|-------------|--------------------|-------------|---------------------------|
| 2 | 46-6560 | 3 | Bushing | 5 | 116-4630 | 1 | Fitting-Orifice, Straight |
| 4 | 146-1833 | 1 | Gauge-Fuel | 6 | 126-8647 | 1 | Pick-Up-Fuel |
| 4:2 | 146-2382 | 1 | Seal-Fuel Gauge | 7 | 126-8649 | 1 | Return-Fuel |

Seat Mounting Assembly



Seat Mounting Assembly (continued)

| <i>Ref.</i> | <i>Part Number</i> | <i>Qty.</i> | <i>Description</i> | <i>Ref.</i> | <i>Part Number</i> | <i>Qty.</i> | <i>Description</i> |
|-------------|--------------------|-------------|-------------------------|-------------|--------------------|-------------|---------------------------|
| 1 | 142-6637 | 1 | Mount-Seat W/Decals | 11 | 3230-23 | 9 | Bolt-CARR |
| 1:2 | 106-5517 | 1 | Decal-Warning | 12 | 116-1297 | 2 | Screw-Shoulder |
| 2 | 109-9034 | 4 | Isolator-Seat | 13 | 104-8301 | 4 | Nut-HF, NI |
| 3 | 142-9423-03 | 1 | Plate,Tilt Seat Support | 14 | 9266934 | 4 | Screw |
| 4 | 126-2700-03 | 1 | Plate-Frame, Seat | 15 | 147-4984 | 1 | Seat-Suspension |
| 5 | 26-4840 | 4 | Spacer-Pin, Mounting | 16 | 140-1215 | 1 | Decal-Console |
| 6 | 126-1855 | 1 | Plate-Latch, Seat | 17 | 135-2837 | 1 | Decal-Fluid, Transmission |
| 7 | 3230-4 | 1 | Bolt-CARR | 18 | 142-9671 | 1 | Shield-Heat |
| 8 | 107-3017 | 1 | Spring-Compression | 19 | 3256-3 | 4 | Washer-Flat |
| 9 | 104-8300 | 16 | Nut-HF, NI | 20 | 32144-70 | 4 | Screw-HWHTF |
| 10 | 116-0070 | 1 | Rod-Prop | | | | |

Seat Assembly No. 147-4984

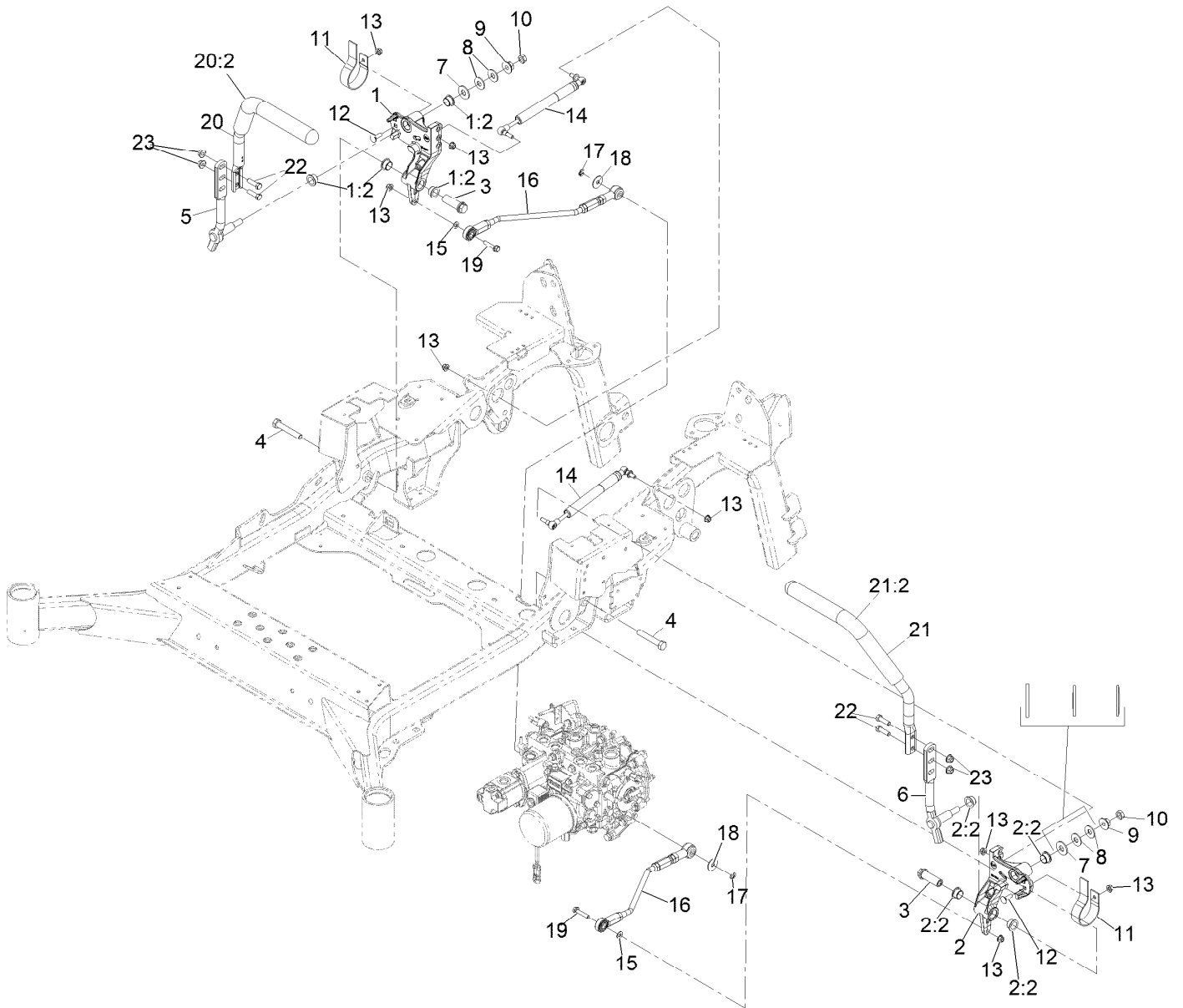


Seat Assembly No. 147-4984 (continued)

| <i>Ref.</i> | <i>Part Number</i> | <i>Qty.</i> | <i>Description</i> |
|-------------|--------------------|-------------|--------------------------|
| 1 | 140-8012 | 1 | Seat Track Set |
| 2 | 116-5659 | 1 | Cover-Suspension Bellows |
| 3 | 140-8004 | 1 | Cover-Back |
| 4 | 140-8005 | 1 | Cover-Cushion |
| 5 | 116-8911 | 1 | Knob-Adjuster |

| <i>Ref.</i> | <i>Part Number</i> | <i>Qty.</i> | <i>Description</i> |
|-------------|--------------------|-------------|-----------------------|
| 6 | 82-2190 | 1 | Switch-Bail |
| 7 | 147-4985 | 1 | Armrest Kit |
| 8 | 109-9802 | 1 | Arm Rest Pad Set |
| 9 | 126-2061 | 1 | Seat Belt Service Kit |

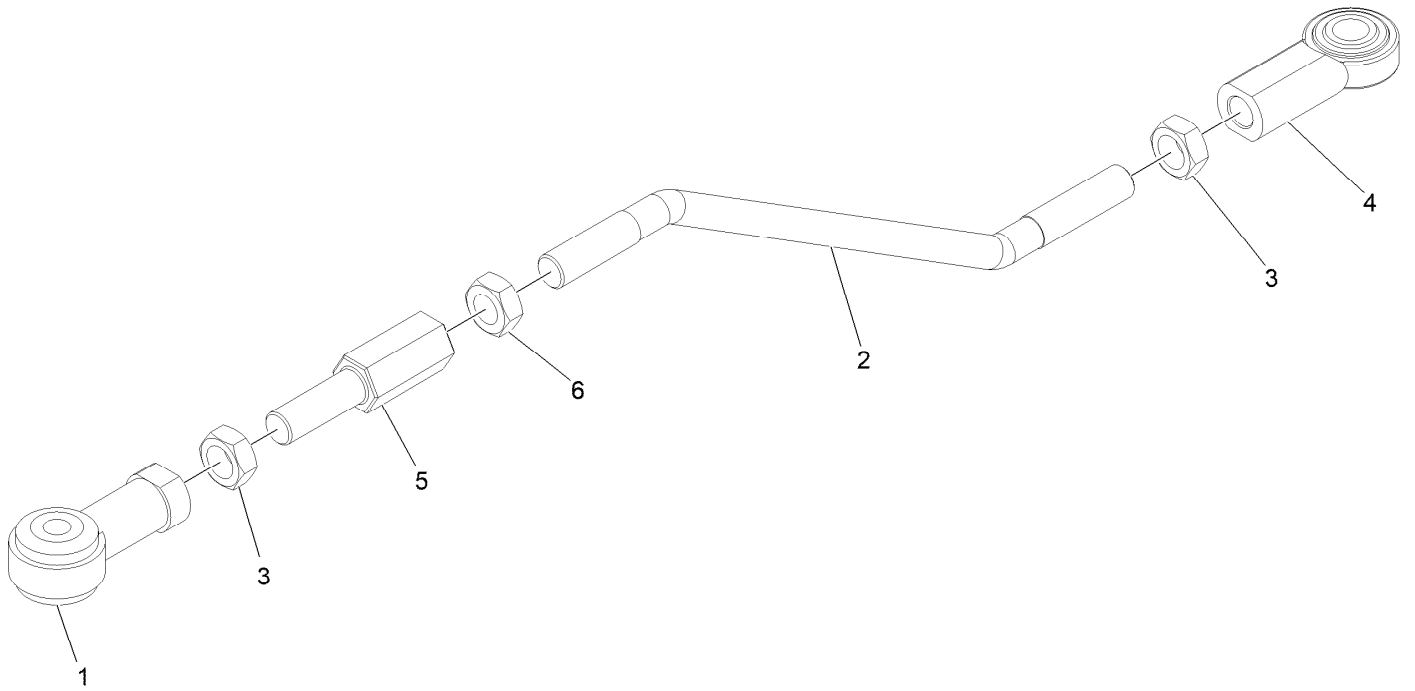
Motion Control Assembly



Motion Control Assembly (continued)

| <i>Ref.</i> | <i>Part Number</i> | <i>Qty.</i> | <i>Description</i> | <i>Ref.</i> | <i>Part Number</i> | <i>Qty.</i> | <i>Description</i> |
|-------------|--------------------|-------------|-----------------------------------|-------------|--------------------|-------------|----------------------------------|
| 1 | 116-0880 | 1 | RH Motion Control And Bushing ASM | 12 | 3230-2 | 2 | Bolt-Carriage 5/16-18 X 1 |
| 1:2 | 109-8054 | 4 | Bushing-Flanged | 13 | 104-8300 | 8 | Nut-Nyloc 5/16-18 Flg |
| 2 | 116-0881 | 1 | LH Motion Control And Bushing ASM | 14 | 146-0859 | 2 | Damper, Motion Control |
| 2:2 | 109-8054 | 4 | Bushing-Flanged | 15 | 3256-23 | 2 | Washer-5/16 SAE |
| 3 | 109-5891 | 2 | Hub-Threaded | 16 | 142-8447 | 2 | ASM, Front Linkage Rod |
| 4 | 325-12 | 2 | Screw-HH 1/2-13 X 3 | 17 | 32151-47 | 2 | Ring-Retaining |
| 5 | 116-0039 | 1 | Lever-Control Motion, RH | 18 | 130-8094 | 2 | Washer-Plain |
| 6 | 116-0040 | 1 | Lever-Control Motion, LH | 19 | 115-1794 | 2 | Screw-Hex Flange 5/16-18 X 1 1/2 |
| 7 | 3256-6 | 2 | Washer | 20 | 126-7700 | 1 | RH Steering Handle ASM |
| 8 | 109-9505 | 4 | Washer, Spring Disc 1/2 | 20:2 | 109-5668 | 1 | Grip-Lever, Control |
| 9 | 32128-56 | 2 | Nut-Hex 1/2-13 Flange | 21 | 126-7699 | 1 | LH Steering Handle ASM |
| 10 | 3218-5 | 2 | Nut-Jam 1/2-13 | 21:2 | 109-5668 | 1 | Grip-Lever, Control |
| 11 | 109-5575 | 2 | Spring-Leaf | 22 | 323-7 | 4 | Screw-HH 3/8-16 X 1 1/4 |
| | | | | 23 | 104-8301 | 4 | Nut-Nyloc 3/8-16 Flg |

Front Linkage Rod Assembly No. 142-8447

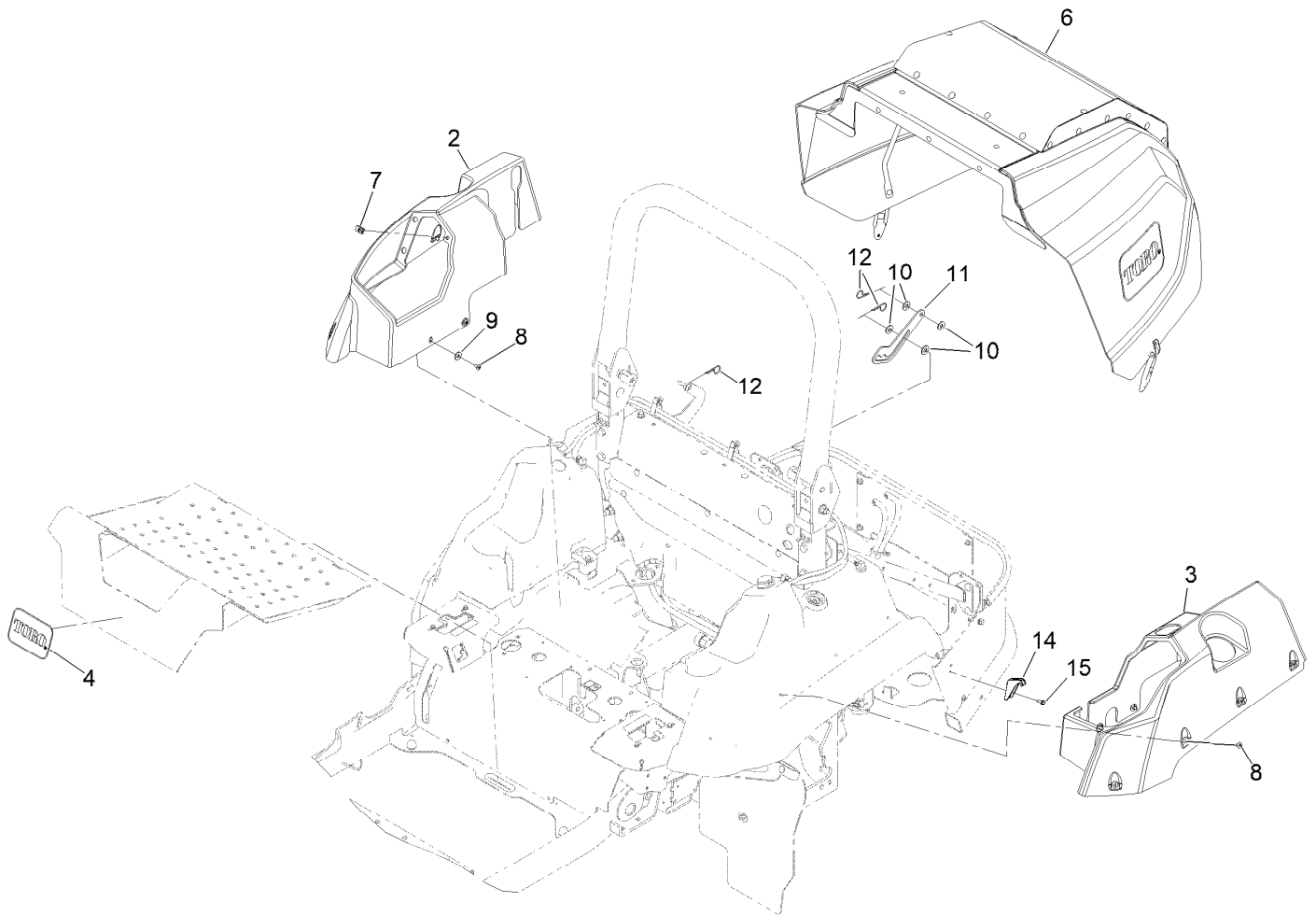


Front Linkage Rod Assembly No. 142-8447 (continued)

| <i>Ref.</i> | <i>Part Number</i> | <i>Qty.</i> | <i>Description</i> |
|-------------|--------------------|-------------|---------------------------|
| 1 | 142-8415 | 1 | Rod End - Isolated 1/2-20 |
| 2 | 142-8412 | 1 | Rod - Linkage |
| 3 | 3220-5 | 2 | Nut-Jam 1/2-20 |

| <i>Ref.</i> | <i>Part Number</i> | <i>Qty.</i> | <i>Description</i> |
|-------------|--------------------|-------------|--------------------|
| 4 | 142-8416 | 1 | Rod End - 1/2-20 |
| 5 | 142-8413 | 1 | Rod - Adjustment |
| 6 | 3220-12 | 1 | Nut-Hex Jam LH |

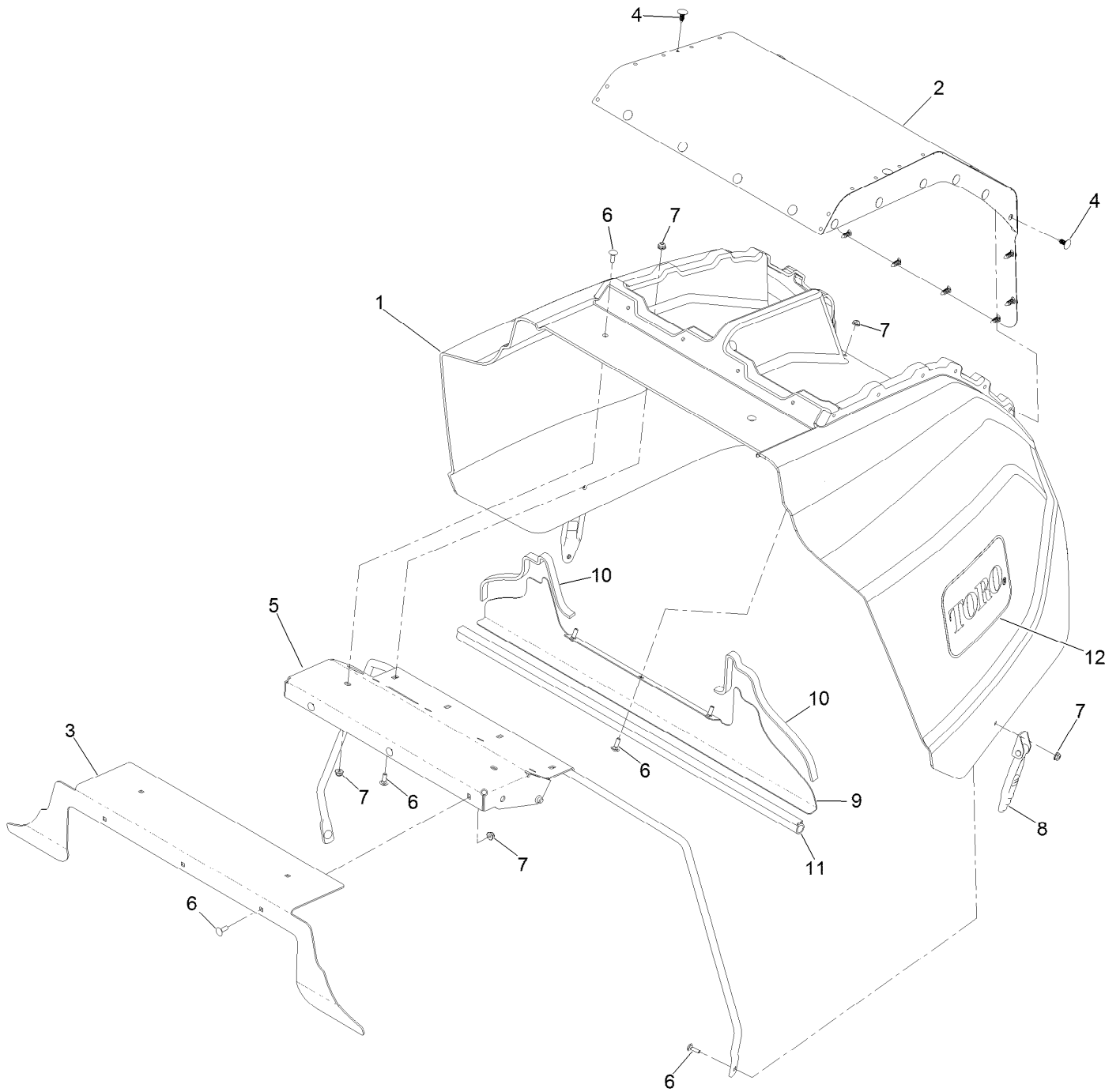
Hood and Covers Assembly



Hood and Covers Assembly (continued)

| <i>Ref.</i> | <i>Part Number</i> | <i>Qty.</i> | <i>Description</i> | <i>Ref.</i> | <i>Part Number</i> | <i>Qty.</i> | <i>Description</i> |
|-------------|--------------------|-------------|--------------------|-------------|--------------------|-------------|--------------------|
| 2 | 126-8655 | 1 | Cover-Tank, RH | 9 | 3256-71 | 4 | Washer-Flat |
| 3 | 146-2024 | 1 | Cover-Tank, LH | 10 | 3256-4 | 4 | Washer-Flat |
| 4 | 68-3640 | 1 | Decal | 11 | 142-6010 | 1 | Prop-Hood |
| 6 | 135-7930 | 1 | Hood ASM | 12 | 3290-255 | 3 | Pin-Cotter, Hair |
| 7 | 107069 | 1 | Clip | 14 | 126-8672 | 2 | Latch-Catch |
| 8 | 126-8216 | 12 | Screw-Torx | 15 | 32144-10 | 2 | Screw-HWH |

Hood Assembly No. 135-7930

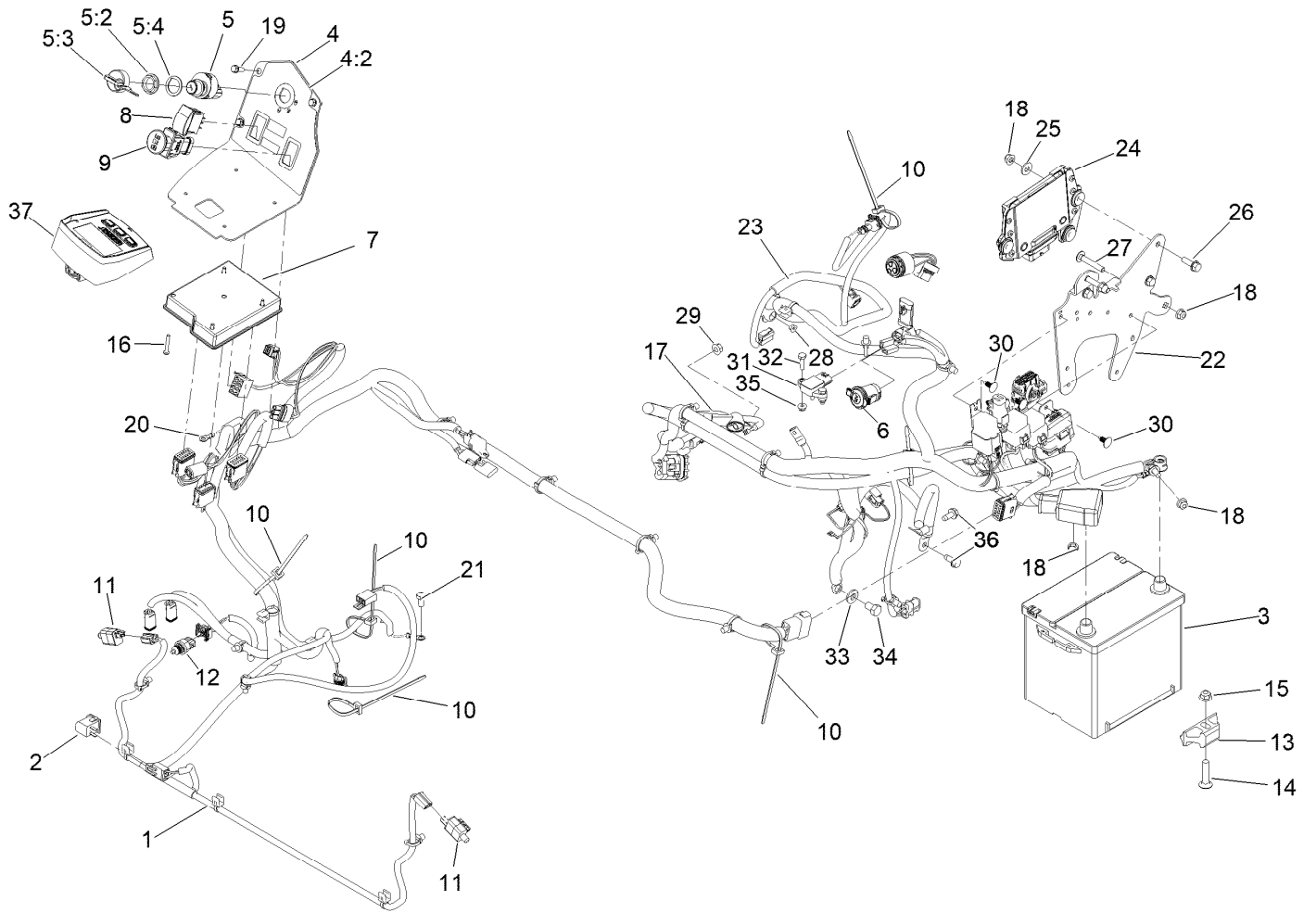


Hood Assembly No. 135-7930 (continued)

| <i>Ref.</i> | <i>Part Number</i> | <i>Qty.</i> | <i>Description</i> |
|-------------|--------------------|-------------|--------------------|
| 1 | 135-7929 | 1 | Hood |
| 2 | 135-6746-03 | 1 | Screen-Intake |
| 3 | 135-6750-03 | 1 | Block Off-Hood |
| 4 | 117-2382 | 24 | Plug-Plastic |
| 5 | 126-6524-03 | 1 | Support-Hood |
| 6 | 3229-1 | 14 | Screw-CARR |

| <i>Ref.</i> | <i>Part Number</i> | <i>Qty.</i> | <i>Description</i> |
|-------------|--------------------|-------------|--------------------|
| 7 | 104-7201 | 14 | Nut-HF, NI |
| 8 | 103-2898 | 2 | Latch-Rubber |
| 9 | 135-7572-03 | 1 | Plate-Seal |
| 10 | 135-7573 | 2 | Seal-Foam |
| 11 | 126-6846 | 1 | Seal-Bulb |
| 12 | 62-7400 | 2 | Decal-Toro Logo |

Electrical Assembly

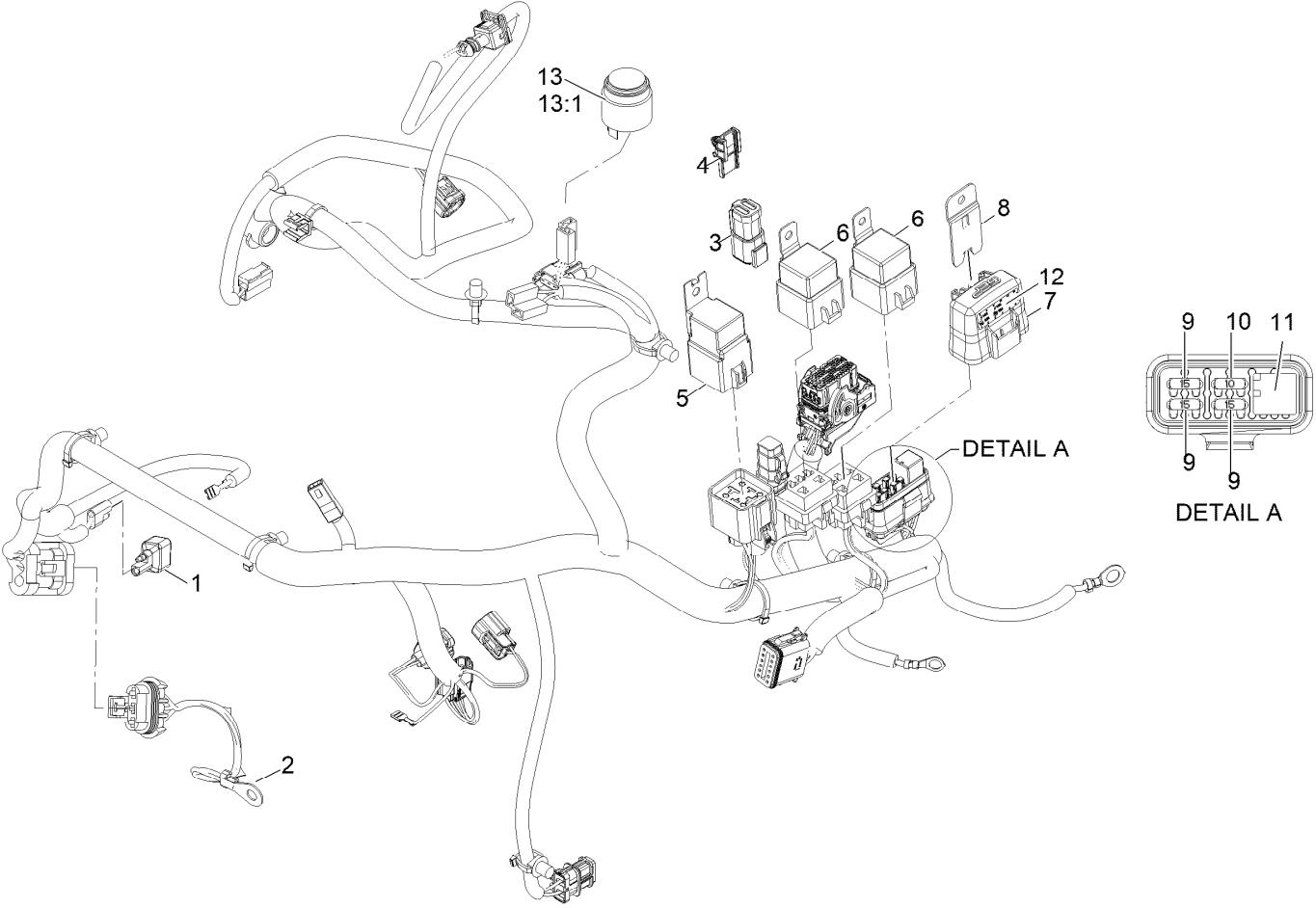


Electrical Assembly (continued)

| <i>Ref.</i> | <i>Part Number</i> | <i>Qty.</i> | <i>Description</i> | <i>Ref.</i> | <i>Part Number</i> | <i>Qty.</i> | <i>Description</i> |
|-------------|--------------------|-------------|---------------------------------|-------------|--------------------|-------------|----------------------|
| 1 | 126-7262 | 1 | Harness-Wire | 17 | 126-7406 | 1 | Cable-Battery |
| 2 | 82-2190 | 1 | Switch-Bail | 18 | 104-8300 | 7 | Nut-HF, NI |
| 3 | 106-5187 | 1 | Battery- Dry, 12V, 525 CCA | 19 | 32105-15 | 3 | Screw-HWH |
| 4 | 135-6122 | 1 | Console ASM | 20 | 135-3998 | 1 | Harness-Wire, Jumper |
| 4:2 | 126-9278 | 1 | Decal-Control Panel | 21 | 139-9940 | 1 | Screw-HH |
| 5 | 126-6285 | 1 | Ignition Switch ASM | 22 | 135-0503-03 | 1 | Bracket-Mount, Ecu |
| 5:2 | 108-8660 | 1 | Nut-Mounting | 23 | 142-7960 | 1 | Harness-Wire, Yanmar |
| 5:3 | 106-5270 | 1 | Ignition Key Set | 24 | 135-4281 | 1 | Ecu ● |
| 5:4 | 108-8659 | 1 | Washer-Backup | 25 | 3256-3 | 3 | Washer-Flat |
| 6 | 126-6499 | 1 | Port-Power, 12V | 26 | 3234-29 | 3 | Screw-HHF |
| 7 | 135-3427 | 1 | Module-Mcu | 27 | 3230-6 | 2 | Bolt-CARR |
| 8 | 100-1535 | 1 | Switch-Rocker, (On)-Off-(On) | 28 | 33003-00 | 1 | Nut-HF |
| 9 | 126-6187 | 1 | Switch-PTO, Sealed | 29 | 127-2371 | 1 | Nut-HF |
| 10 | 3290-378 | 5 | Tie-Cable | 30 | 117-2382 | 4 | Plug-Plastic |
| 11 | 110-6765 | 2 | Switch | 31 | 126-9261 | 1 | Sensor-Atm |
| 12 | 126-7698 | 1 | Sensor-Temperature | 32 | 321-5 | 2 | Screw-HH |
| 13 | 138-6335 | 1 | Retainer-Battery | 33 | 98-5975 | 1 | Washer-Belleville |
| 14 | 3231-5 | 1 | Screw-CARR | 34 | 33115-016 | 1 | Screw-HH |
| 15 | 104-8301 | 1 | Nut-HF, NI | 35 | 104-7201 | 2 | Nut-HF, NI |
| 16 | 126-5092 | 4 | Screw-PPH | 36 | 32144-70 | 2 | Screw-HWHTF |
| | | | | 37 | 126-9976 | 1 | Module-Horizon |

● Contact an Authorized Service Dealer

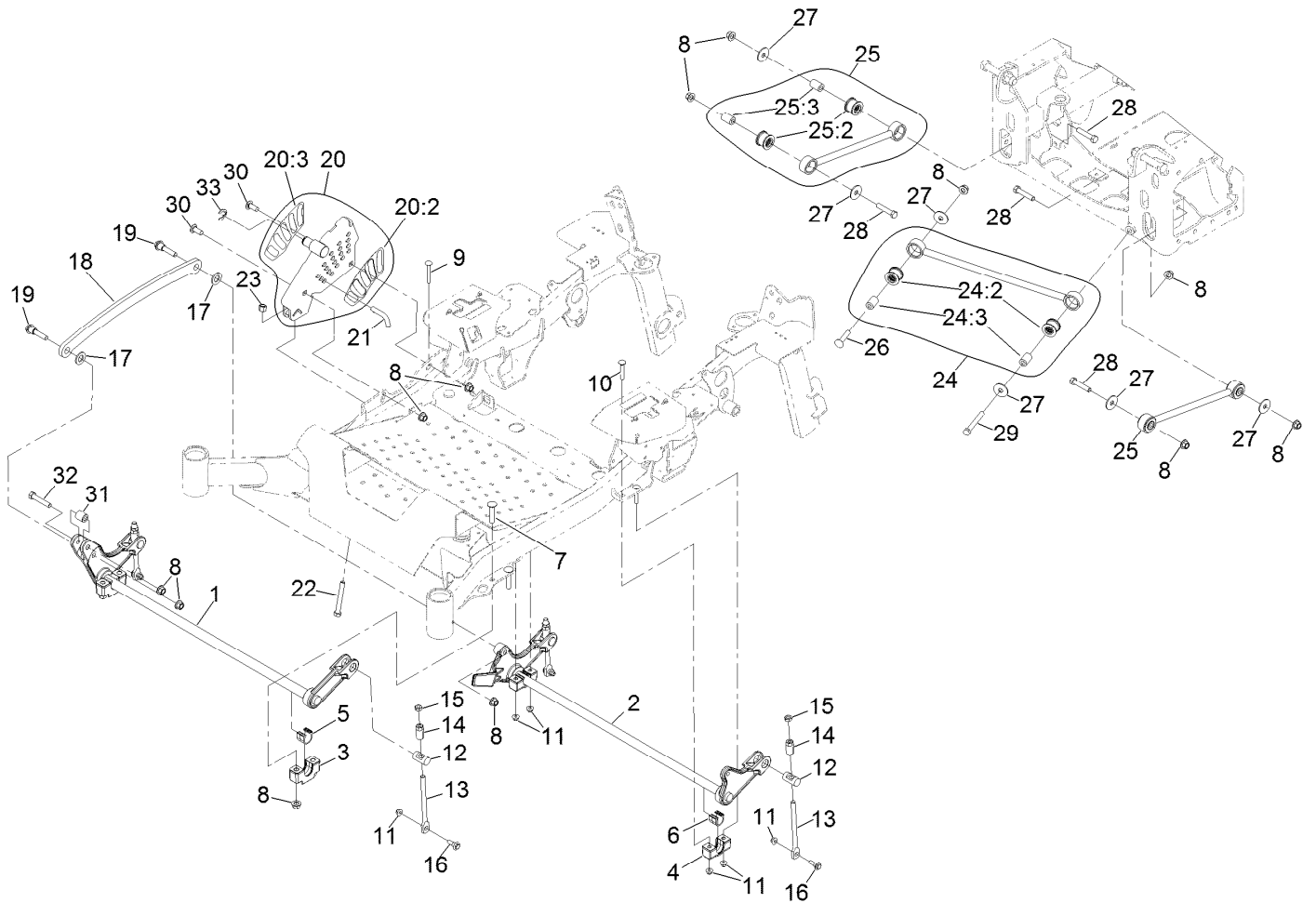
Wire Harness Assembly No. 142-7960



Wire Harness Assembly No. 142-7960 (continued)

| <i>Ref.</i> | <i>Part Number</i> | <i>Qty.</i> | <i>Description</i> | <i>Ref.</i> | <i>Part Number</i> | <i>Qty.</i> | <i>Description</i> |
|-------------|--------------------|-------------|----------------------------|-------------|--------------------|-------------|-------------------------|
| 1 | 100-4918 | 1 | Diode | 8 | 32180-177 | 1 | Clip-Mounting |
| 2 | 99-3441 | 1 | Harness-Wire, Fusible Link | 9 | 121-8867 | 3 | Fuse-Mini Blade, 15 Amp |
| 3 | 32160-359 | 1 | Connector (6M) | 10 | 121-8866 | 1 | Fuse-Mini Blade, 10 Amp |
| 4 | 32180-103 | 1 | Clip-Connector | 11 | 126-3991 | 1 | Relay-Micro |
| 5 | 127-7514 | 1 | Relay-70A | 12 | 126-9100 | 1 | Decal-Fuse |
| 6 | 99-7430 | 2 | Relay-Mini | 13 | 80-9330 | 1 | Audio Alarm ASM |
| 7 | 32180-176 | 1 | Cover-Block, Fuse | 13:1 | 104-5107 | 1 | Nut-Plastic, Knurled |

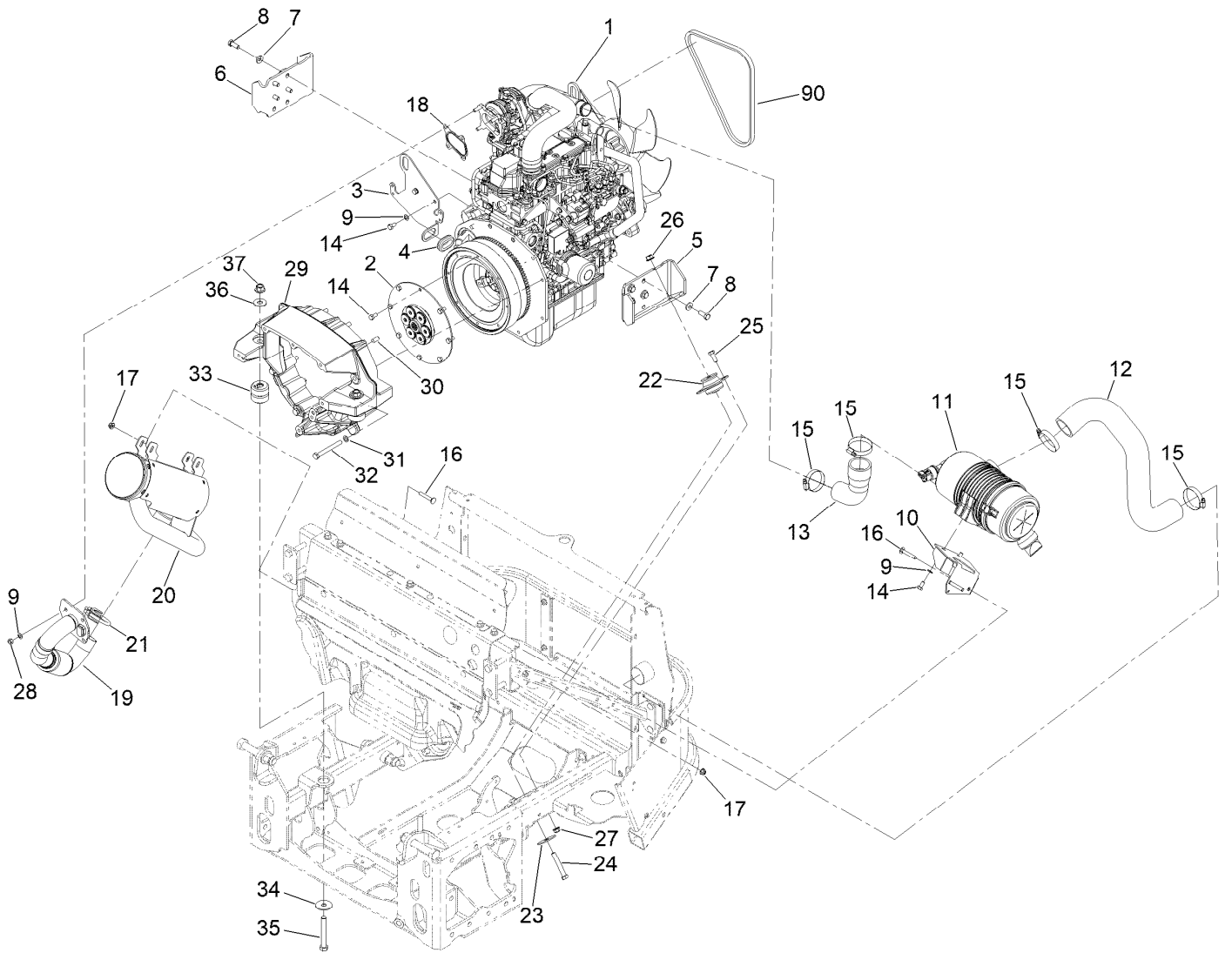
Deck Lift Assembly



Deck Lift Assembly (continued)

| <i>Ref.</i> | <i>Part Number</i> | <i>Qty.</i> | <i>Description</i> | <i>Ref.</i> | <i>Part Number</i> | <i>Qty.</i> | <i>Description</i> |
|-------------|--------------------|-------------|--------------------------------------|-------------|--------------------|-------------|----------------------------|
| 1 | 135-1216-03 | 1 | Lift-Deck, Front | 20:2 | 126-9275 | 1 | Decal-HOC |
| 2 | 116-2645-03 | 1 | Lift-Deck, Rear | 20:3 | 135-1432 | 1 | Decal-HOC, Outer |
| 3 | 109-9409 | 2 | Support-Bearing, Cross Shaft (Front) | 21 | 116-5584 | 1 | Pin-HOC |
| 4 | 127-0553 | 2 | Support-Bearing, Cross Shaft (Rear) | 22 | 116-0559 | 1 | Bolt-TAP |
| 5 | 109-9410 | 2 | Bearing-Cross Shaft, Front | 23 | 3296-23 | 1 | Nut-Lock, NI |
| 6 | 109-7173 | 2 | Bearing-Cross Shaft, Rear | 24 | 109-5013 | 1 | Panhard Rod ASM |
| 7 | 116-1700 | 4 | Bolt-CARR | 24:2 | 109-5009 | 2 | Bushing-Suspension, Rubber |
| 8 | 99-5107 | 15 | Nut-Lock | 24:3 | 109-5010 | 2 | Spacer |
| 9 | 3231-9 | 1 | Screw-CARR | 25 | 109-7952 | 2 | Deck Strut ASM |
| 10 | 3231-7 | 3 | Screw-CARR | 25:2 | 109-5009 | 2 | Bushing-Suspension, Rubber |
| 11 | 104-8301 | 8 | Nut-HF, NI | 25:3 | 109-5010 | 2 | Spacer |
| 12 | 109-8353 | 4 | Trunnion | 26 | 3233-34 | 1 | Screw-CARR |
| 13 | 109-8007 | 4 | Link-Adjuster, Deck Lift | 27 | 86-1990 | 6 | Washer-Thrust |
| 14 | 109-7840 | 4 | Adjuster-Lift, Deck | 28 | 325-10 | 4 | Screw-HH |
| 15 | 3218-5 | 4 | Nut-Jam | 29 | 325-17 | 1 | Screw-HH |
| 16 | 109-9840 | 4 | Screw-Shoulder, HHF | 30 | 3233-26 | 2 | Screw-CARR, Shortneck |
| 17 | 3256-28 | 2 | Washer-Flat | 31 | 135-1215 | 1 | Spacer-Pivot |
| 18 | 116-0797-03 | 1 | Link-Lift, Deck | 32 | 325-11 | 1 | Screw-HH |
| 19 | 116-2022 | 2 | Screw-HHF, Shoulder | 33 | 32151-91 | 1 | Ring-Retaining |
| 20 | 126-7866 | 1 | HOC ASM | | | | |

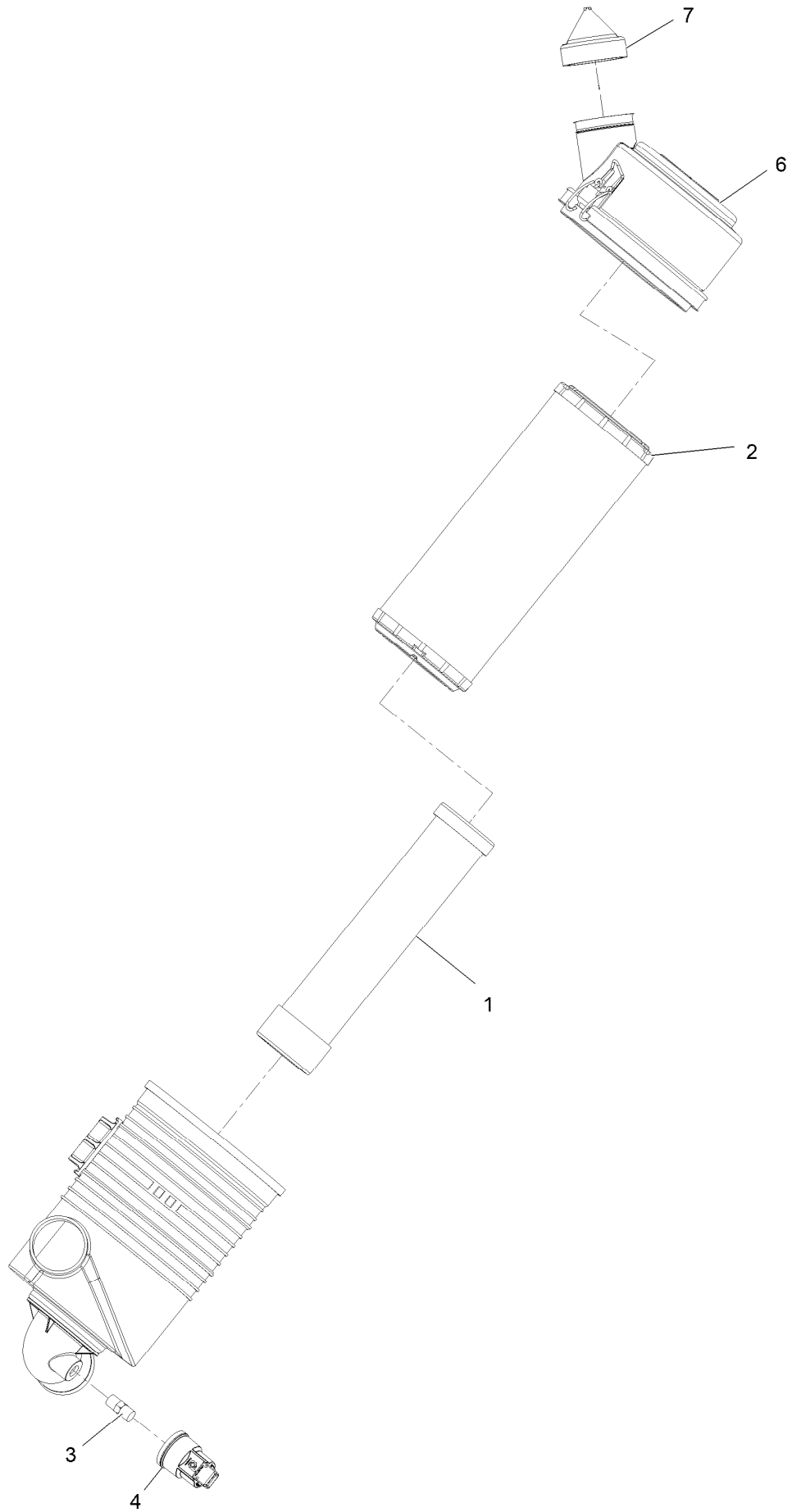
Engine Assembly



Engine Assembly (continued)

| <i>Ref.</i> | <i>Part Number</i> | <i>Qty.</i> | <i>Description</i> | <i>Ref.</i> | <i>Part Number</i> | <i>Qty.</i> | <i>Description</i> |
|-------------|--------------------|-------------|----------------------------------|-------------|--------------------|-------------|-------------------------|
| 1 | 138-6926 | 1 | Engine-Yanmar, 3Tnv80Ft-Zmtr1 | 20 | 126-8911 | 1 | Muffler |
| 2 | 126-6531 | 1 | Coupler-Flywheel | 21 | 18-2130 | 1 | Clamp |
| 3 | 126-7610-03 | 1 | Bracket-Guide | 22 | 142-8456 | 2 | Mount- Isolator, Engine |
| 4 | 108-3723 | 1 | Grommet | 23 | 87-5100 | 2 | Washer-Snubbing |
| 5 | 126-9282-03 | 1 | Mount-Engine, LH | 24 | 324-11 | 2 | Screw-HH |
| 6 | 126-9285-03 | 1 | Mount-Engine, RH | 25 | 323-6 | 4 | Screw-HH |
| 7 | 98-5975 | 8 | Washer-Belleville | 26 | 114-8417 | 2 | Nut-HF, NI |
| 8 | 33115-025 | 8 | Screw-HH | 27 | 104-8301 | 4 | Nut-HF, NI |
| 9 | 3290-475 | 8 | Washer-Belleville | 28 | 33014-00 | 4 | Nut-Hex |
| 10 | 126-8730-03 | 1 | Bracket-Cleaner, Air | 29 | 126-8786 | 1 | Housing-Flywheel |
| 11 | 142-3554 | 1 | ASM, Hdac | 30 | 126-8893 | 2 | Pin-Dowel |
| 12 | 120-9177 | 1 | Hose-Air | 31 | 48-9590 | 7 | Washer-Lock |
| 13 | 126-7288 | 1 | Hose-Air | 32 | 33115-090 | 7 | Screw-HH |
| 14 | 139-9940 | 12 | Screw-HH | 33 | 142-8457 | 2 | Mount-Isolator |
| 15 | 2412-130 | 4 | Clamp-Hose | 34 | 86-1990 | 2 | Washer-Thrust |
| 16 | 3230-6 | 4 | Bolt-CARR | 35 | 325-15 | 2 | Screw-HH |
| 17 | 104-8300 | 4 | Nut-HF, NI | 36 | 3256-6 | 2 | Washer-Flat |
| 18 | 136-2307 | 1 | Gasket-Header | 37 | 99-5107 | 2 | Nut-Lock |
| 19 | 126-9329 | 1 | Header Pipe | 90 | 135-4195 | 1 | V-Belt |

HDAC Assembly No. 142-3554

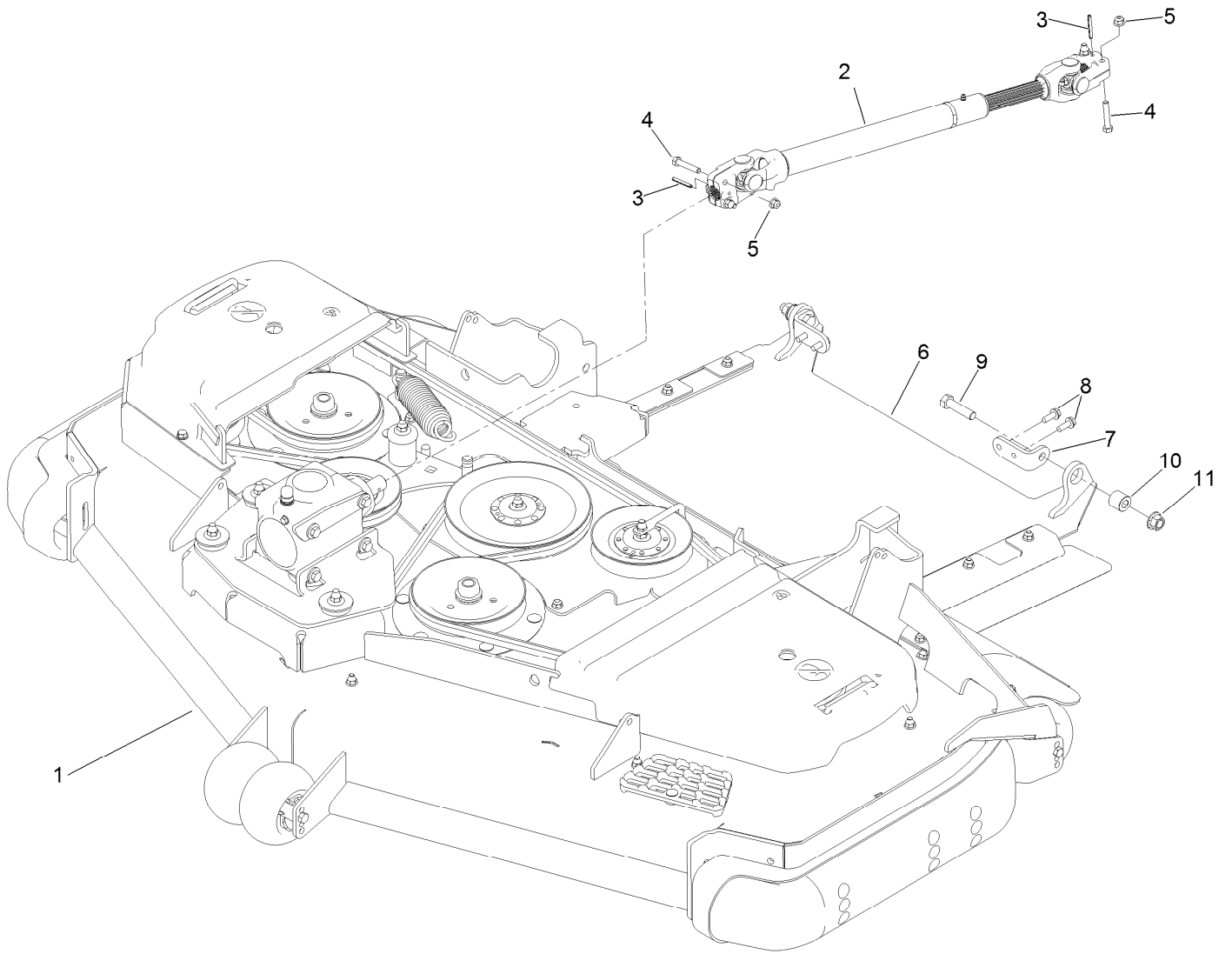


HDAC Assembly No. 142-3554 (continued)

| <i>Ref.</i> | <i>Part Number</i> | <i>Qty.</i> | <i>Description</i> |
|-------------|--------------------|-------------|--------------------|
| 1 | 103-1326 | 1 | Filter, Safety Air |
| 2 | 108-3810 | 1 | Filter-Air |
| 3 | 94-1416 | 1 | Adapter-Indicator |

| <i>Ref.</i> | <i>Part Number</i> | <i>Qty.</i> | <i>Description</i> |
|-------------|--------------------|-------------|------------------------|
| 4 | 126-7651 | 1 | Indicator-Mini |
| 6 | 98-9771 | 1 | Cover ASM |
| 7 | AUA189052 | 1 | Valve-Dust-Air Cleaner |

Deck, Driveshaft and Tunnel Assembly

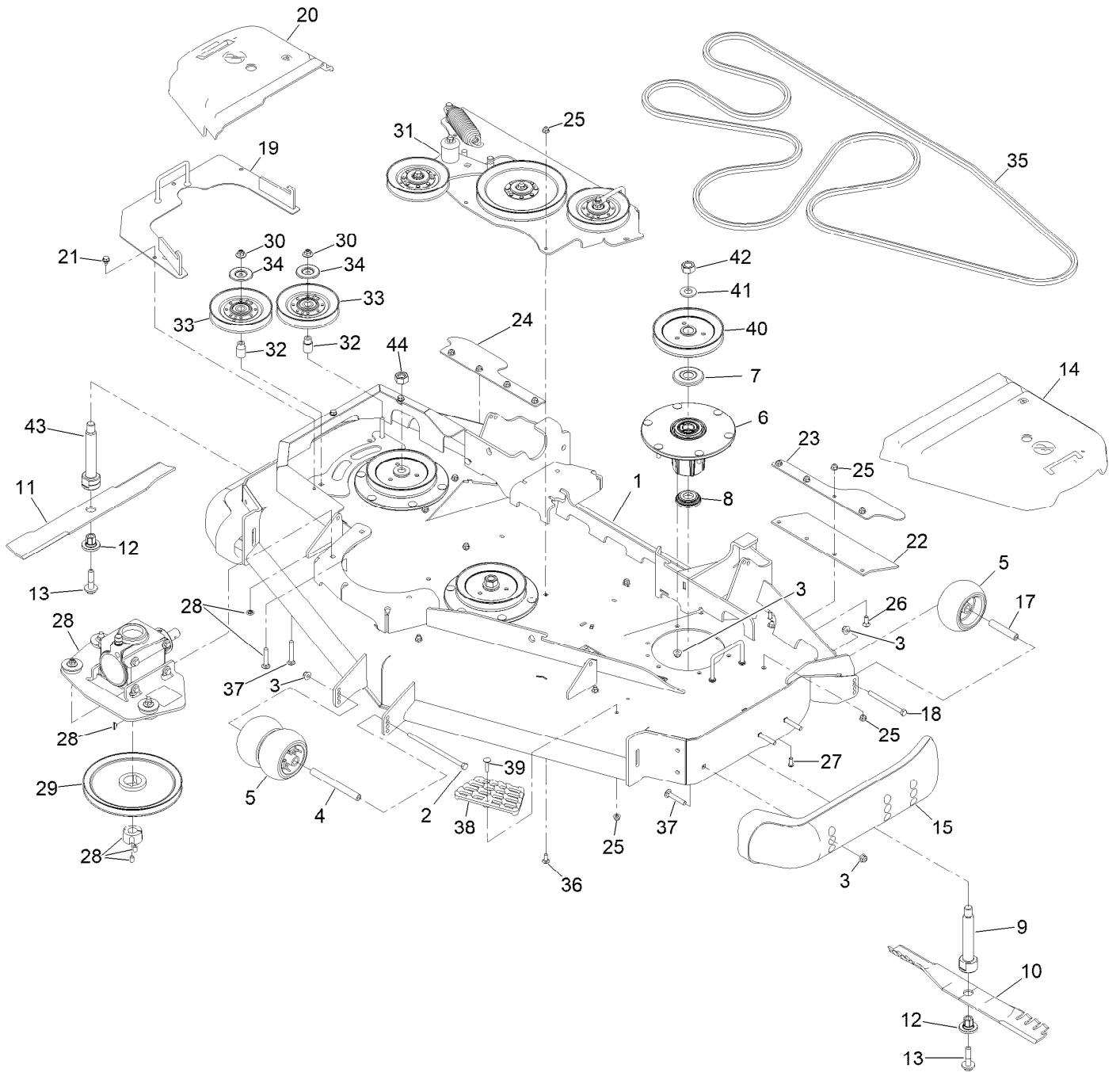


Deck, Driveshaft and Tunnel Assembly (continued)

| <i>Ref.</i> | <i>Part Number</i> | <i>Qty.</i> | <i>Description</i> | <i>Ref.</i> | <i>Part Number</i> | <i>Qty.</i> | <i>Description</i> |
|-------------|--------------------|-------------|----------------------|-------------|--------------------|-------------|--------------------|
| 1 | | 1 | Deck ASM-60Rd ● | 7 | 126-2793-03 | 2 | Bracket-Discharge |
| 2 | 110-3575 | 1 | Driveshaft ASM | 8 | 32144-41 | 4 | Screw-Taptite |
| 3 | 32121-34 | 2 | Pin-Roll | 9 | 325-8 | 2 | Screw-HH |
| 4 | 322-9 | 4 | Screw-HH | 10 | 126-1705 | 2 | Bushing-Sleeve |
| 5 | 104-8300 | 4 | Nut-HF, NI | 11 | 99-5107 | 2 | Nut-Lock |
| 6 | 126-3317 | 1 | Discharge Tunnel ASM | | | | |

● Not serviced separately

Deck Assembly

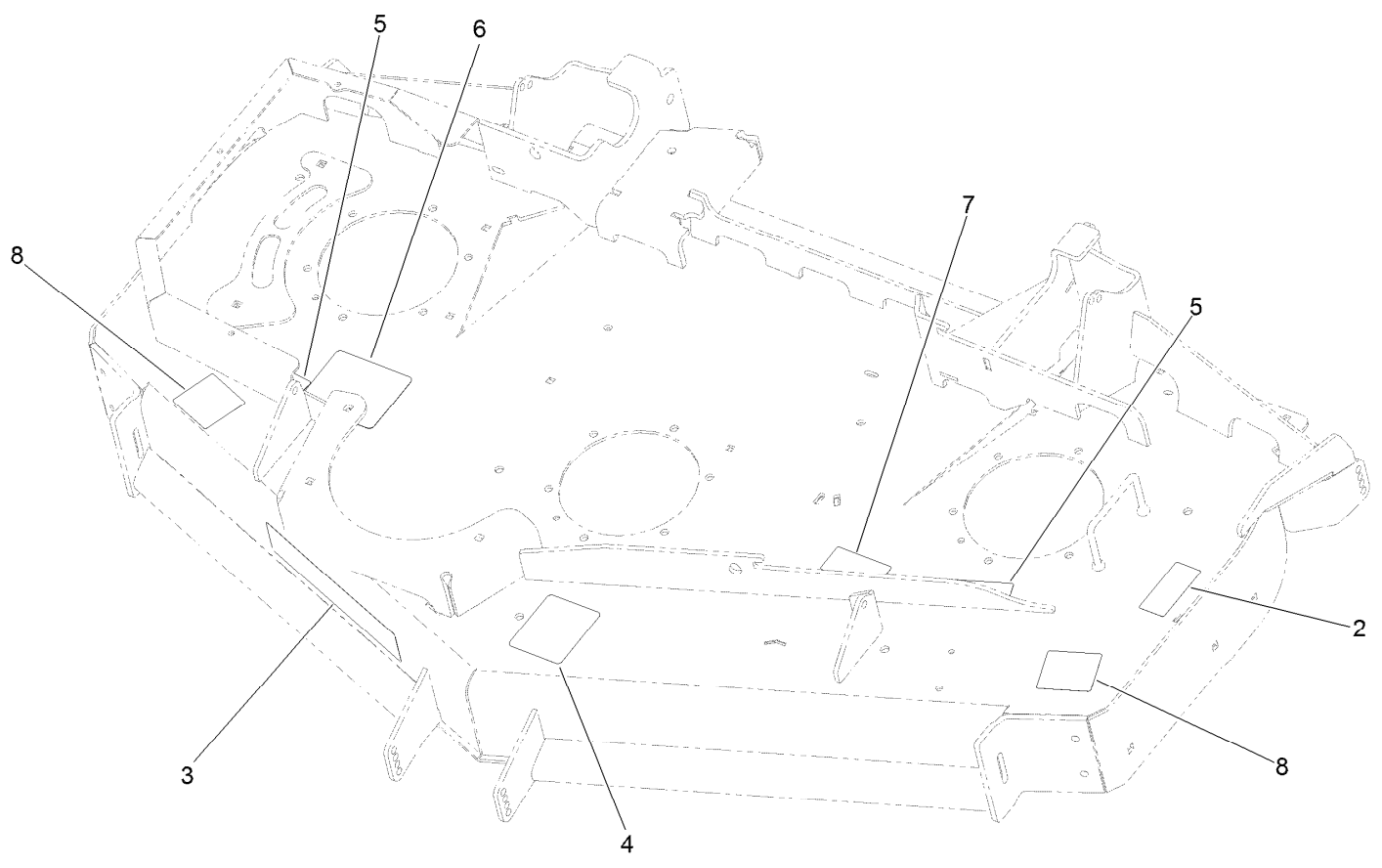


Deck Assembly (continued)

| <i>Ref.</i> | <i>Part Number</i> | <i>Qty.</i> | <i>Description</i> | <i>Ref.</i> | <i>Part Number</i> | <i>Qty.</i> | <i>Description</i> |
|-------------|--------------------|-------------|--------------------------|-------------|--------------------|-------------|-----------------------------------|
| 1 | 140-0965 | 1 | Deck Decal ASM | 24 | 135-0329-01 | 1 | Support-Flap, Outer (RH) |
| 2 | 108-5388 | 1 | Screw-HH | 25 | 104-8300 | 21 | Nut-HF, NI |
| 3 | 104-8301 | 27 | Nut-HF, NI | 26 | 3230-16 | 9 | Screw-CARR |
| 4 | 98-5967 | 1 | Spacer-Wheel | 27 | 3274-55 | 6 | Screw-HSBH |
| 5 | 1-603299 | 4 | Roller-Scalp, Anti | 28 | | 1 | Gearbox ASM ● |
| 6 | 137-9780 | 3 | Spindle ASM | 29 | 126-2822 | 1 | Pulley |
| 7 | 103-1330 | 1 | Guard-Bearing, Top | 30 | 109-6658 | 2 | Nut-Flange, NI |
| 8 | 137-9784 | 3 | Guard-Bottom | 31 | 126-3271 | 1 | Idler Mount ASM |
| 9 | 138-6045 | 2 | Shaft-Spindle | 32 | 126-3312 | 2 | Standoff-Idler |
| 10 | 140-1241 | 2 | Blade-20.50 Atomic | 33 | 126-8766 | 2 | Idler V |
| 11 | 140-1244 | 1 | Blade-20.50 Cr Low Flow | 34 | 126-8043 | 2 | Shield-Dust |
| 12 | 137-9787 | 3 | Bushing-Hex | 35 | 126-7631 | 1 | Belt-Bb |
| 13 | 109-9220 | 3 | Screw-Sems | 36 | 3230-23 | 5 | Bolt-CARR |
| 14 | 109-6938 | 1 | Cover-Belt, LH | 37 | 3231-31 | 8 | Screw-CARR |
| 15 | 112-1479 | 2 | Skid-Bumper, Deck | 38 | 126-4781-03 | 1 | Step-Deck |
| 17 | 98-7912 | 2 | Tube-Spanner | 39 | 3230-3 | 1 | Screw-CARR |
| 18 | 323-23 | 2 | Screw-HH | 40 | 138-6058 | 3 | Sheave-Blade Drive 6.50 |
| 19 | 116-8195-01 | 1 | Cover-Drive Reverse | 41 | 103-2802 | 3 | Washer |
| 20 | 116-8190 | 1 | Cover-Belt, RH | 42 | 116-7306 | 2 | Nut-Hex |
| 21 | 9266934 | 3 | Screw | 43 | 140-1188 | 1 | Shaft-Spindle, Int. Hex LH Thd |
| 22 | 116-8191 | 2 | Guard-Tire | 44 | 140-1230 | 1 | Nut-Hex,LH,Lock |
| 23 | 135-0401-01 | 1 | Support-Flap, Outer (LH) | | | | |

● Not serviced separately

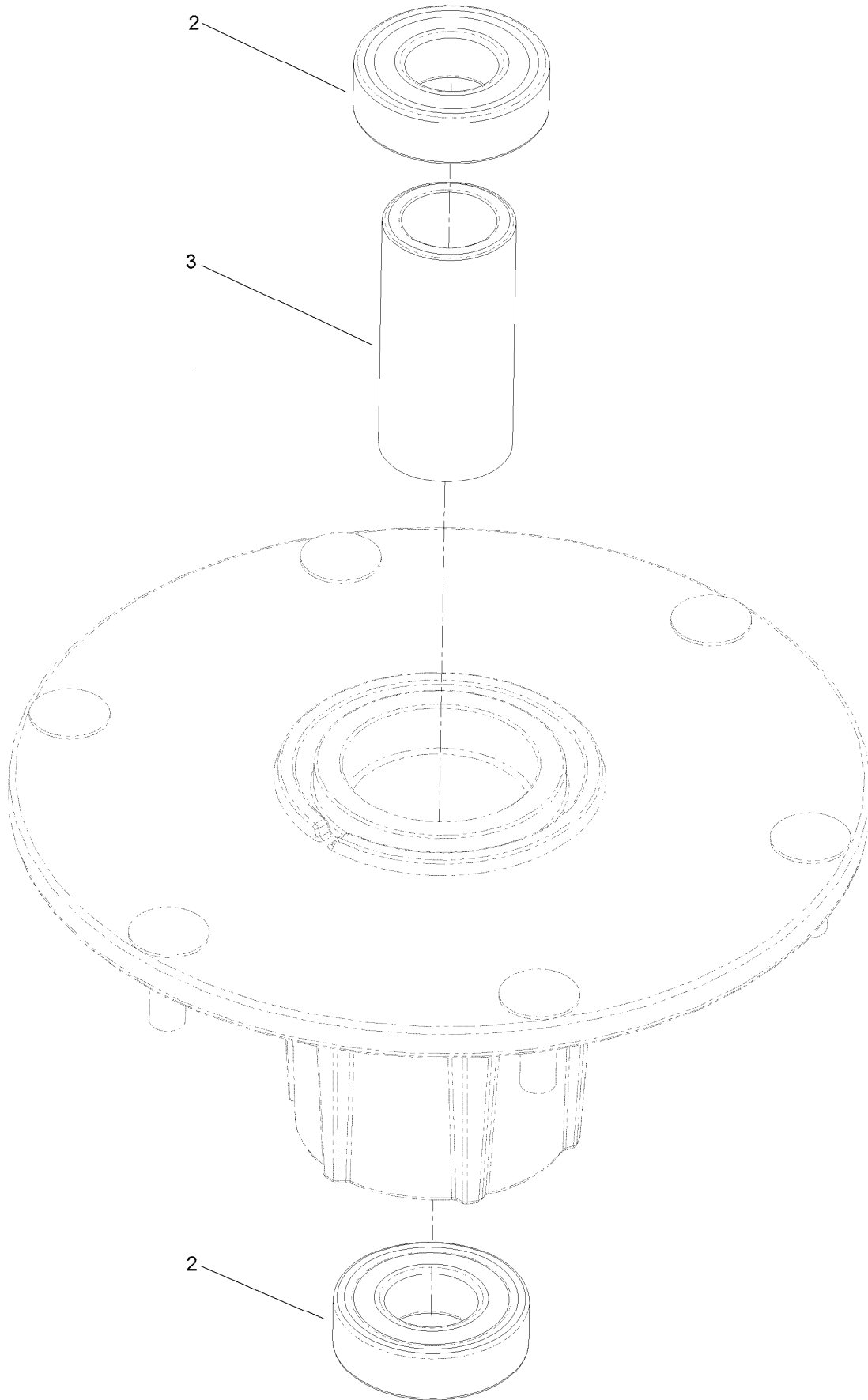
Deck Decal Assembly No. 140-0965



Deck Decal Assembly No. 140-0965 (continued)

| <i>Ref.</i> | <i>Part Number</i> | <i>Qty.</i> | <i>Description</i> | <i>Ref.</i> | <i>Part Number</i> | <i>Qty.</i> | <i>Description</i> |
|-------------|--------------------|-------------|--------------------------|-------------|--------------------|-------------|--------------------------------|
| 2 | 116-8283 | 1 | Decal-Torque, Bolt | 6 | 140-1198 | 1 | Decal-Spindle Cr, CE |
| 3 | 107-1619 | 1 | Decal | 7 | 126-9280 | 1 | Decal-Belt Routing Rear |
| 4 | 109-6036 | 1 | Decal-Roller, Anti-Scalp | 8 | 135-0664 | 2 | Decal-Danger, Thrown Object |
| 5 | 112-9028 | 2 | Decal-Cover, Missing | | | | |

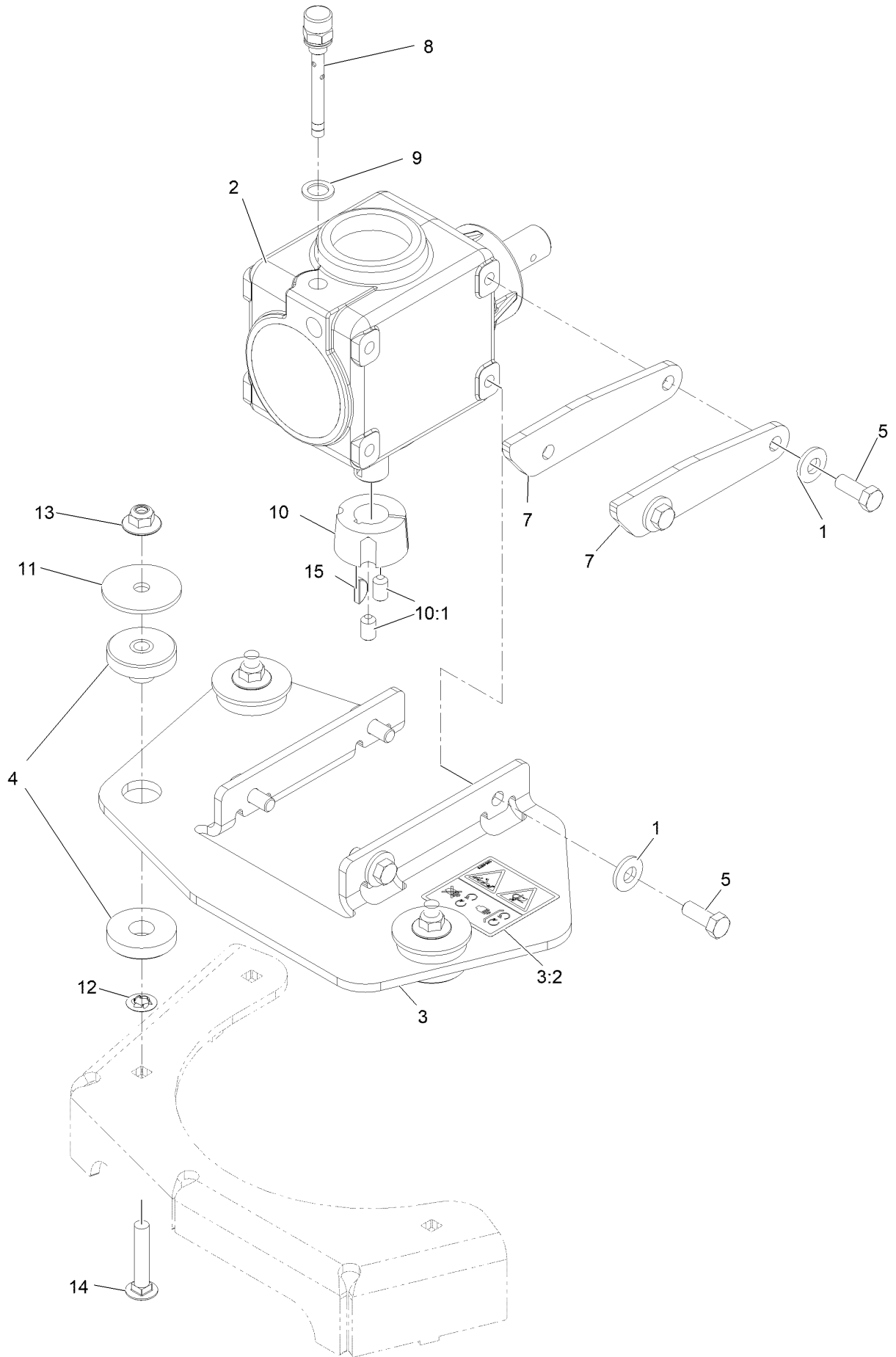
Spindle Assembly No. 137-9780



Spindle Assembly No. 137-9780 (continued)

| <i>Ref.</i> | <i>Part Number</i> | <i>Qty.</i> | <i>Description</i> |
|-------------|--------------------|-------------|--------------------|
| 2 | 116-0720 | 2 | Bearing-Ball |
| 3 | 138-6042 | 1 | Spacer-Bearing |

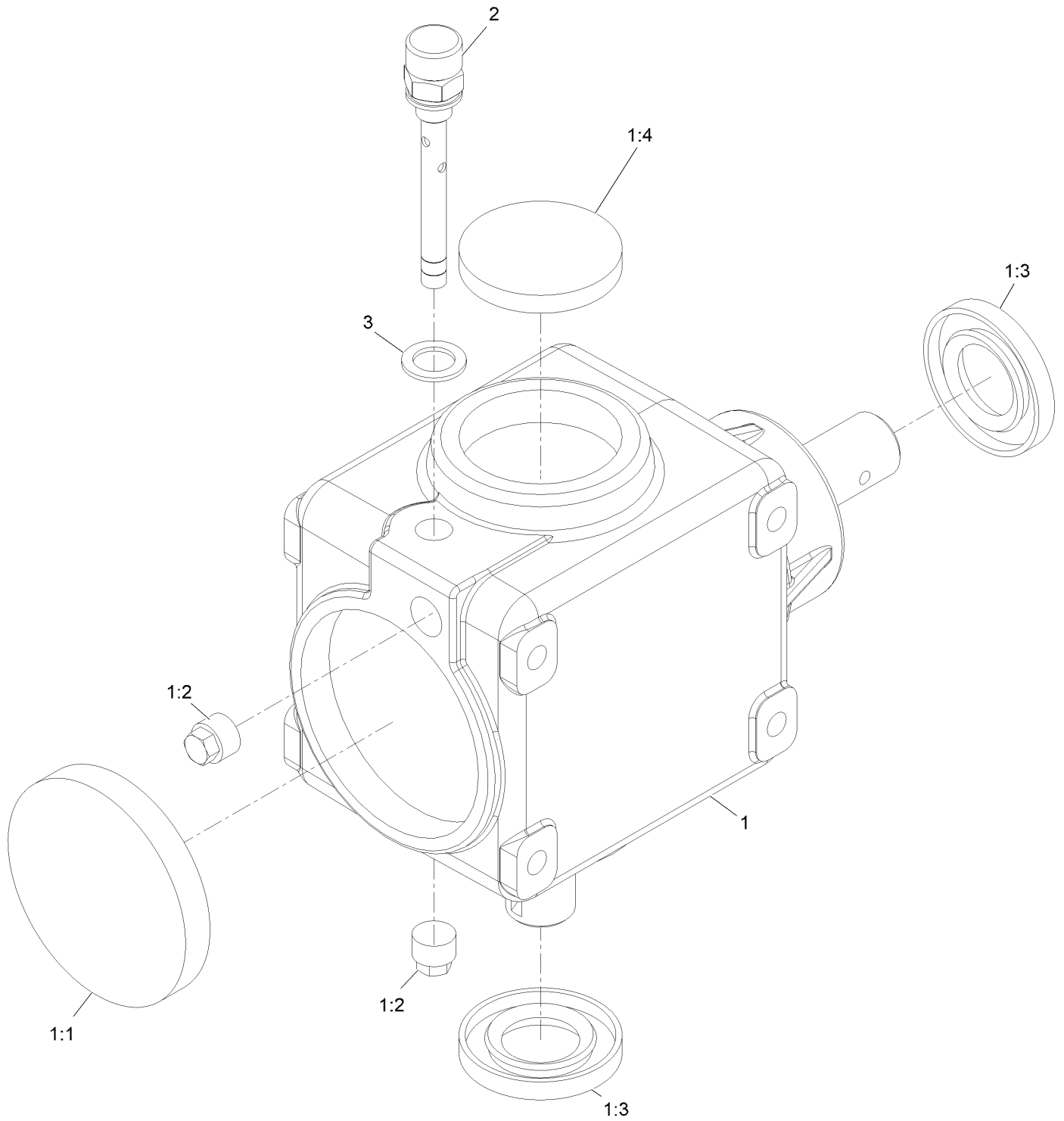
Gearbox Assembly



Gearbox Assembly (continued)

| <i>Ref.</i> | <i>Part Number</i> | <i>Qty.</i> | <i>Description</i> | <i>Ref.</i> | <i>Part Number</i> | <i>Qty.</i> | <i>Description</i> |
|-------------|--------------------|-------------|-------------------------------|-------------|--------------------|-------------|----------------------------|
| 1 | 98-5975 | 6 | Washer-Spring Disc 3/8 | 9 | 130-4899 | 1 | Washer |
| 2 | 142-8061 | 1 | Gearbox ASM | 10 | 23-1640 | 1 | Bushing-Taperlock |
| 3 | 135-0874 | 1 | Mount-Gearbox | 10:1 | 3247-4 | 2 | Setscrew-HSH 3/8-16 X 5/8 |
| 3:2 | 135-0679 | 1 | Decal-Hazard, Entanglement | 11 | 83-1040 | 3 | Washer |
| 4 | 126-3074 | 3 | Mount-ISO | 12 | 107-3154 | 3 | Nut-Push 3/8-16 |
| 5 | 323-6 | 6 | Screw-HH 3/8-16 X 1 | 13 | 109-6658 | 3 | Nut-Nyloc 3/8-16 Flg |
| 7 | 126-3544 | 2 | Stop-Gearbox | 14 | 3231-6 | 3 | Bolt-Carriage 3/8-16 X 2 |
| 8 | 130-8661 | 1 | Plug-Breather | 15 | 3257-5 | 1 | Key-Woodruff #9 3/4 X 3/16 |

Gearbox Assembly No. 142-8061

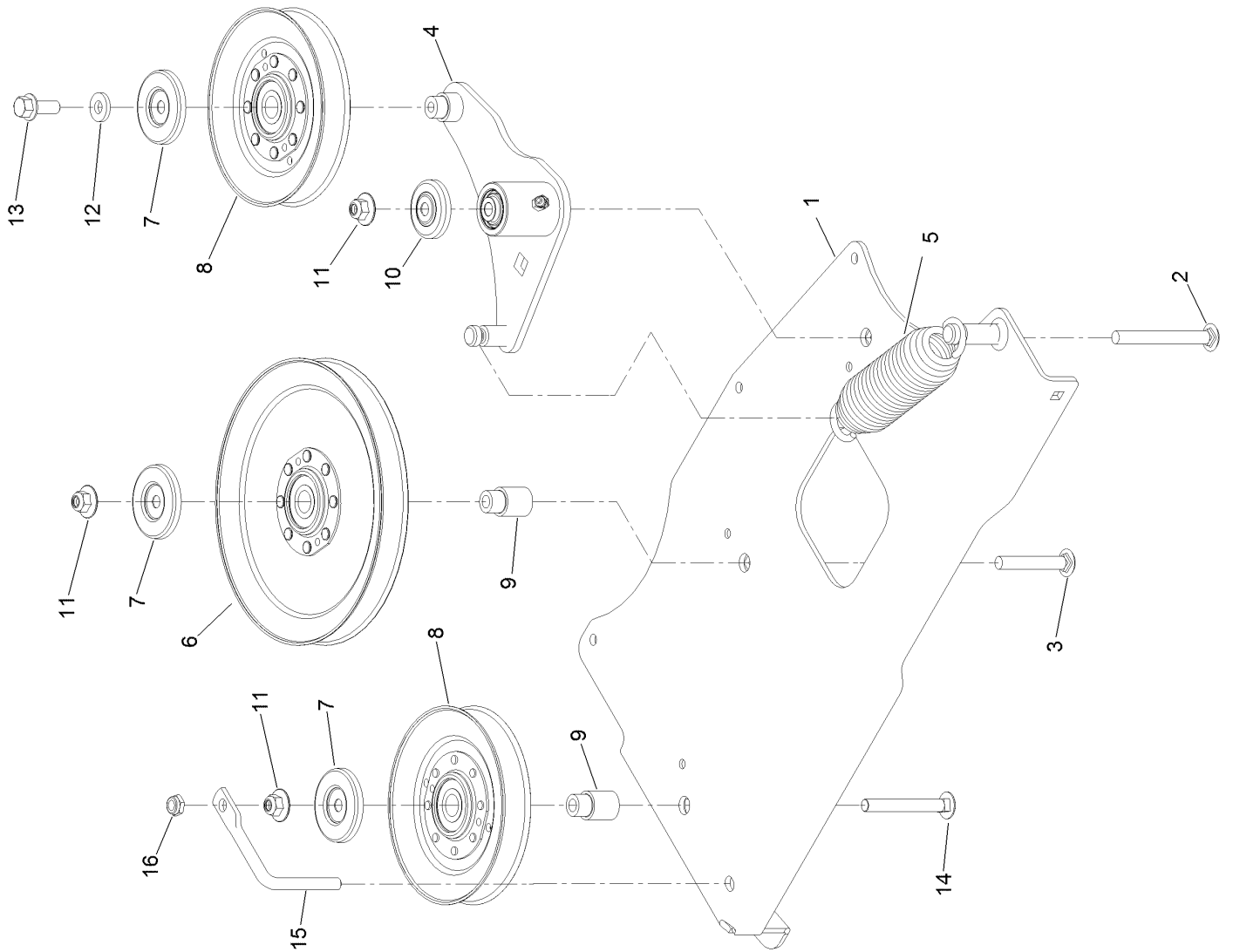
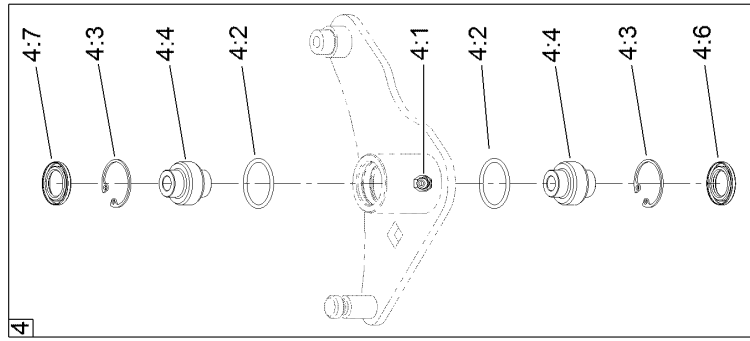


Gearbox Assembly No. 142-8061 (continued)

| <i>Ref.</i> | <i>Part Number</i> | <i>Qty.</i> | <i>Description</i> | <i>Ref.</i> | <i>Part Number</i> | <i>Qty.</i> | <i>Description</i> |
|-------------|--------------------|-------------|----------------------|-------------|--------------------|-------------|--------------------|
| 1 | | 1 | Gearbox ASM-90 DEG ● | 1:4 | 107-2935 | 1 | Cap-Oil |
| 1:1 | 107-2932 | 1 | Cap-Oil | 2 | 130-8661 | 1 | Plug-Breather |
| 1:2 | 107-2933 | 2 | Plug | 3 | 130-4899 | 1 | Washer |
| 1:3 | 117-9247 | 2 | Seal | | | | |

● Not serviced separately

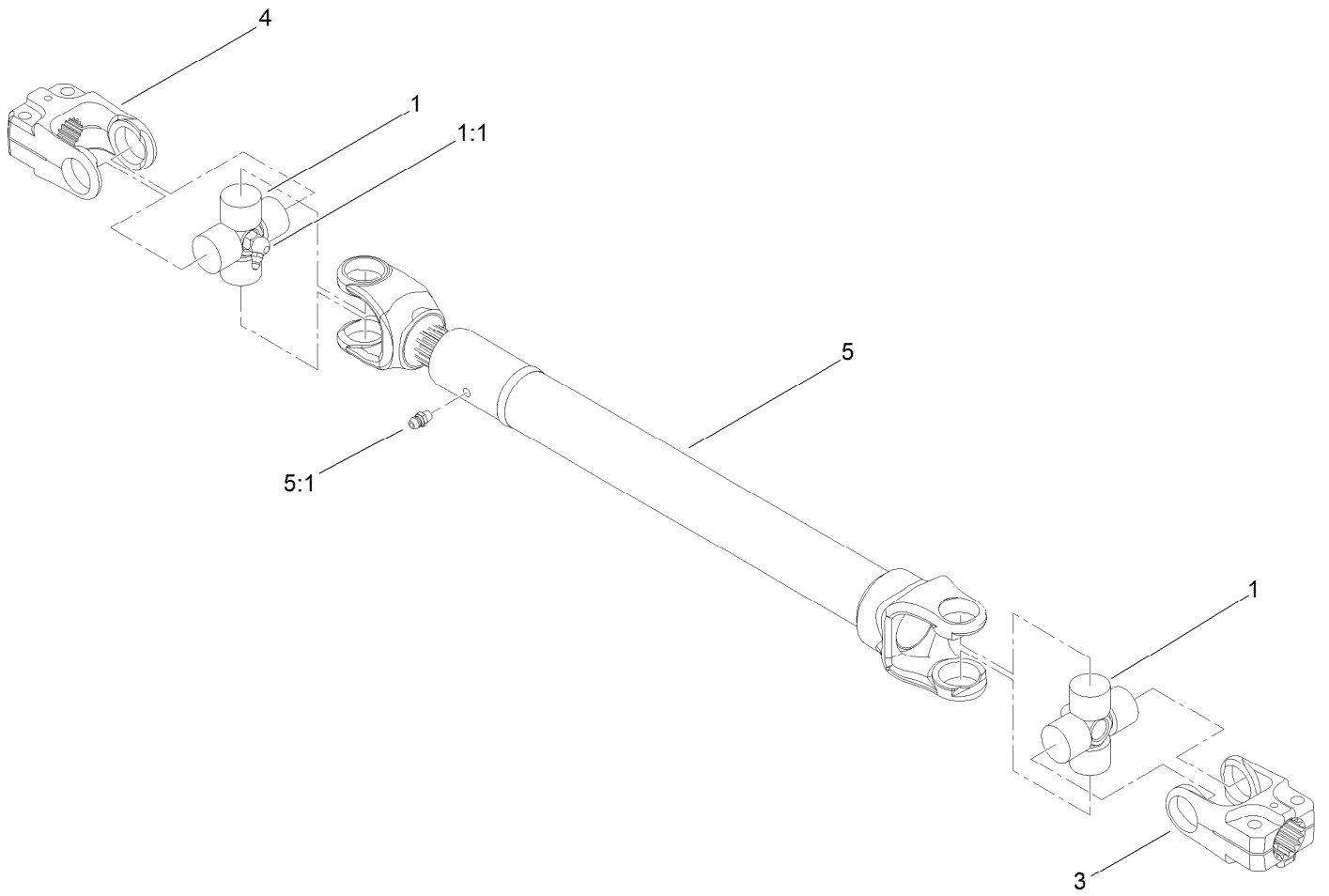
Idler Mount Assembly No. 126-3271



Idler Mount Assembly No. 126-3271 (continued)

| <i>Ref.</i> | <i>Part Number</i> | <i>Qty.</i> | <i>Description</i> | <i>Ref.</i> | <i>Part Number</i> | <i>Qty.</i> | <i>Description</i> |
|-------------|--------------------|-------------|-------------------------|-------------|--------------------|-------------|--------------------|
| 1 | 126-3272-01 | 1 | Mount-Idler | 6 | 126-7460 | 1 | Idler-V |
| 2 | 116-1502 | 1 | Bolt-Shoulder, Carriage | 7 | 126-8043 | 3 | Shield-Dust |
| 3 | 3231-44 | 1 | Screw-CARR | 8 | 126-8766 | 2 | Idler V |
| 4 | 126-2967 | 1 | Idler Arm ASM | 9 | 126-3312 | 2 | Standoff-Idler |
| 4:1 | 302-11 | 1 | Fitting-Lube, 45 DEG | 10 | 103-2916 | 1 | Guard-Top |
| 4:2 | 106-7159 | 2 | O-Ring | 11 | 109-6658 | 3 | Nut-Flange, NI |
| 4:3 | 32120-10 | 2 | Ring-Snap | 12 | 43-0940 | 1 | Spacer |
| 4:4 | 103-3504 | 2 | Bearing-Spherical | 13 | 3234-11 | 1 | Screw-HHF |
| 4:6 | 103-3505 | 1 | Seal-Lip, Double | 14 | 3231-10 | 1 | Screw-CARR |
| 4:7 | 103-3506 | 1 | Seal-Lip, Single | 15 | 135-0362 | 1 | Guide-Belt |
| 5 | 116-6317 | 1 | Spring-Extension | 16 | 3296-59 | 1 | Nut-Lock, NI |

Driveshaft Assembly No. 110-3575

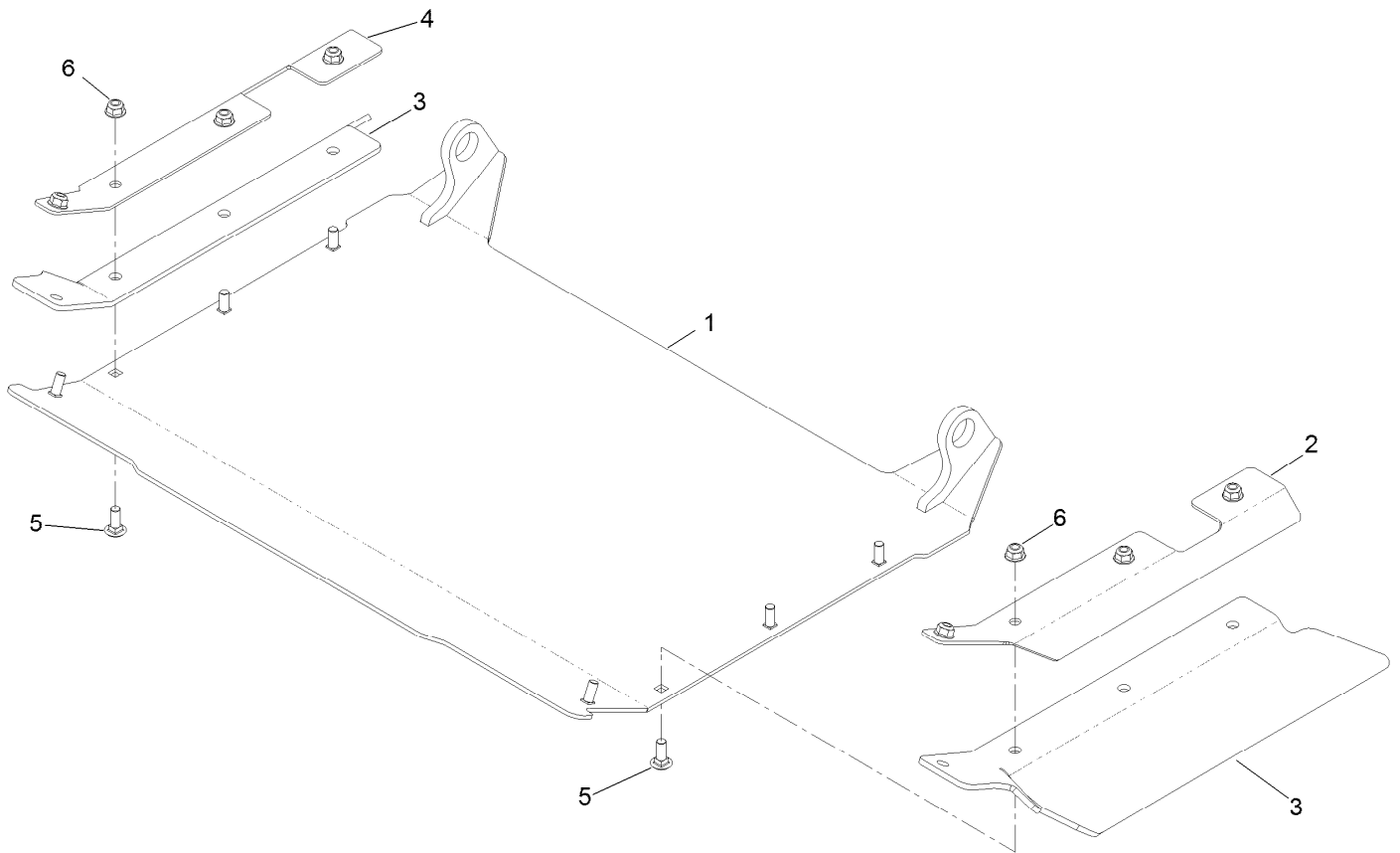


Driveshaft Assembly No. 110-3575 (continued)

| <i>Ref.</i> | <i>Part Number</i> | <i>Qty.</i> | <i>Description</i> | <i>Ref.</i> | <i>Part Number</i> | <i>Qty.</i> | <i>Description</i> |
|-------------|--------------------|-------------|-----------------------|-------------|--------------------|-------------|--------------------|
| 1 | 112-1687 | 2 | Cross And Bearing Kit | 4 | 54-9090 | 1 | Yoke-End |
| 1:1 | 62-3820 | 1 | Fitting-Grease | 5 | | 1 | Tube-Yoke, Slip ● |
| 3 | 54-9040 | 1 | Yoke-End | 5:1 | 302-22 | 1 | Fitting-Grease |

● Not serviced separately

Discharge Tunnel Assembly No. 126-3317

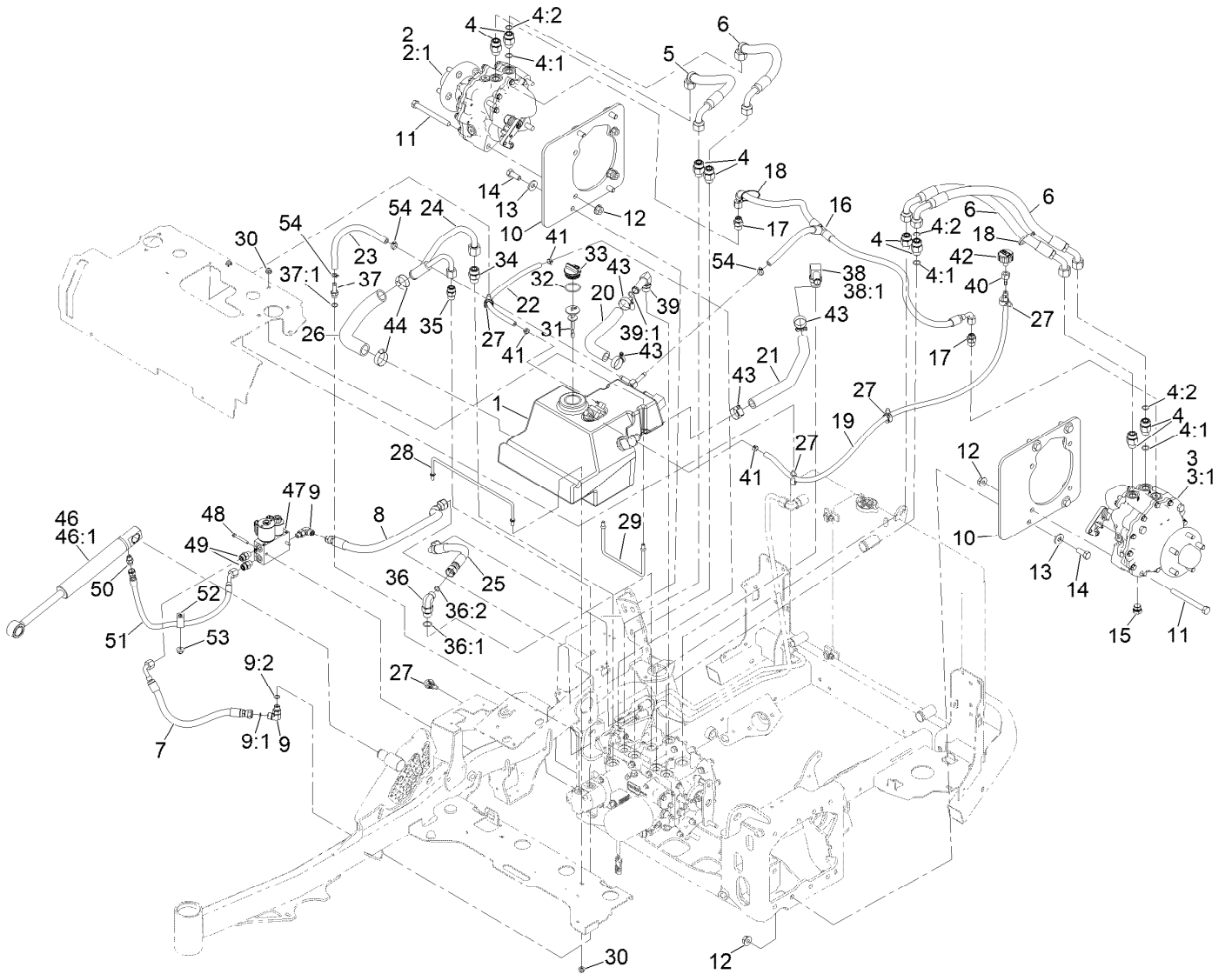


Discharge Tunnel Assembly No. 126-3317 (continued)

| <i>Ref.</i> | <i>Part Number</i> | <i>Qty.</i> | <i>Description</i> | <i>Ref.</i> | <i>Part Number</i> | <i>Qty.</i> | <i>Description</i> |
|-------------|--------------------|-------------|--------------------|-------------|--------------------|-------------|--------------------|
| 1 | 126-3318-03 | 1 | Tunnel-Discharge | 4 | 126-2798-03 | 1 | Bracket-Flap, RH |
| 2 | 126-2797-03 | 1 | Bracket-Flap, LH | 5 | 3230-16 | 8 | Screw-CARR |
| 3 | 126-2799 | 2 | Flap-Rubber | 6 | 104-8300 | 8 | Nut-HF, NI |

Hydraulic Assembly

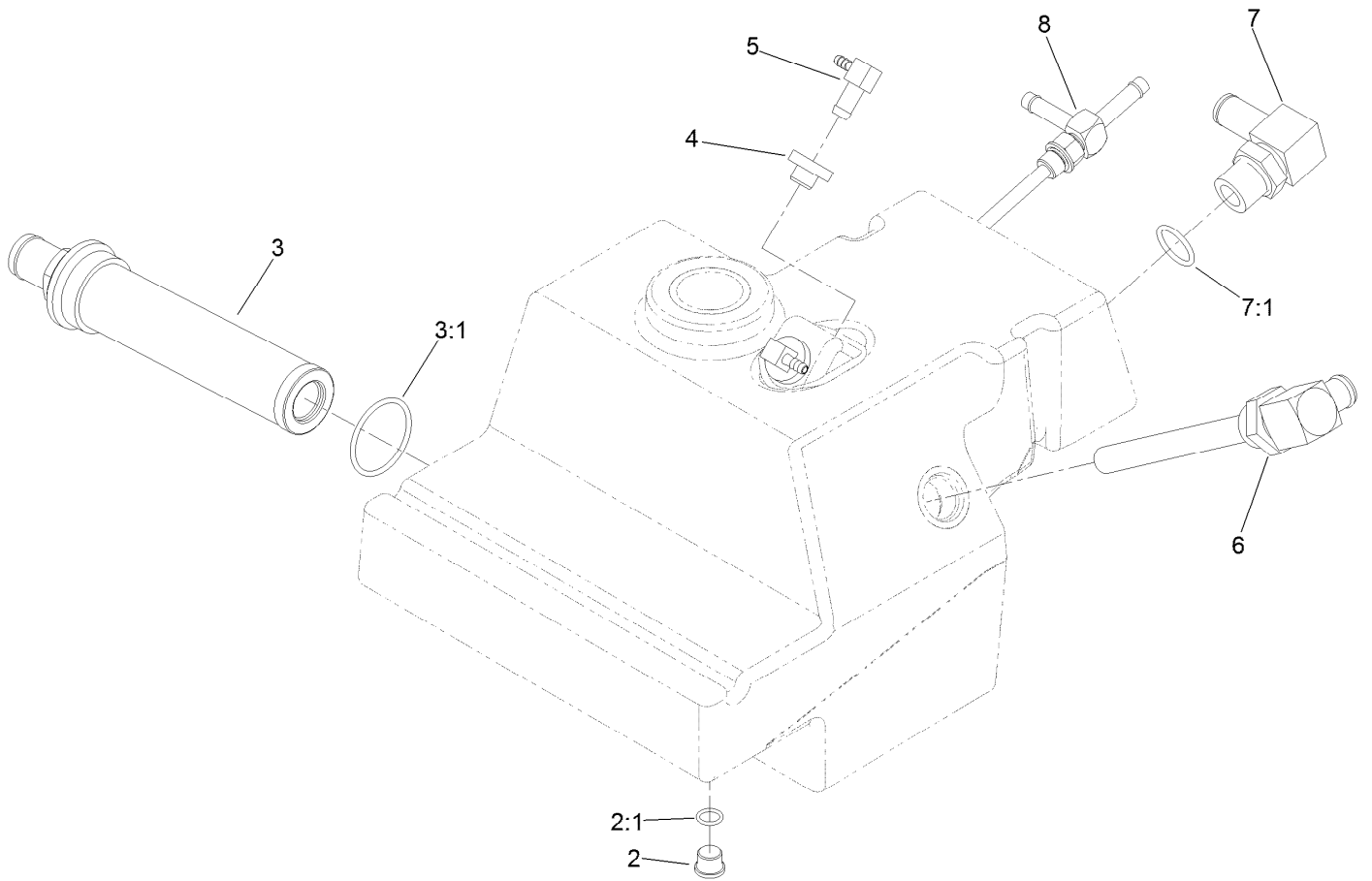
| | | | | |
|------|------|------|------|------|
| 17 | 34 | 35 | 49 | 50 |
| 17:1 | 34:2 | 35:1 | 49:1 | 50:2 |
| 17:2 | 34:1 | 35:2 | 49:2 | 50:1 |



Hydraulic Assembly (continued)

| <i>Ref.</i> | <i>Part Number</i> | <i>Qty.</i> | <i>Description</i> | <i>Ref.</i> | <i>Part Number</i> | <i>Qty.</i> | <i>Description</i> |
|-------------|--------------------|-------------|-----------------------|-------------|--------------------|-------------|-----------------------|
| 1 | 142-5034 | 1 | HYD Reservoir ASM | 31 | 112-6365 | 1 | Dipstick |
| 2 | 126-8133 | 1 | Motor-HYD, RH | 32 | 94-8166 | 1 | O-Ring |
| 2:1 | 135-5333 | 1 | 5 Stud Wheel Hub Kit | 33 | 93-7498 | 1 | Plug-Plastic |
| 3 | 126-8134 | 1 | Motor-HYD, LH | 34 | 340-7 | 1 | Fitting-Straight |
| 3:1 | 135-5333 | 1 | 5 Stud Wheel Hub Kit | 34:1 | 237-65 | 1 | O-Ring |
| 4 | 340-155 | 8 | Fitting-Straight | 34:2 | 237-80 | 1 | O-Ring |
| 4:1 | 237-79 | 1 | O-Ring | 35 | 340-4 | 1 | Fitting-Straight |
| 4:2 | 237-151 | 1 | O-Ring | 35:1 | 237-30 | 1 | O-Ring |
| 5 | 126-8686 | 1 | Hose ASM, HYD | 35:2 | 237-79 | 1 | O-Ring |
| 6 | 126-8687 | 3 | Hose ASM, HYD | 36 | 340-105 | 1 | Fitting-Elbow, 90 DEG |
| 7 | 126-8684 | 1 | Hose ASM | 36:1 | 237-80 | 1 | O-Ring |
| 8 | 126-8685 | 1 | Hose ASM | 36:2 | 237-30 | 1 | O-Ring |
| 9 | 340-77 | 2 | Fitting-Elbow, 90 DEG | 37 | 103-1912 | 1 | Adapter-Straight |
| 9:1 | 237-22 | 1 | O-Ring | 37:1 | 237-42 | 1 | O-Ring |
| 9:2 | 237-42 | 1 | O-Ring | 38 | 353-987 | 1 | Fitting-Elbow, 90 |
| 10 | 126-7469-03 | 2 | Plate-Motor | 38:1 | 237-81 | 1 | O-Ring |
| 11 | 325-19 | 8 | Screw-HH | 39 | 87-8170 | 1 | Fitting-90 |
| 12 | 32128-49 | 16 | Nut-HHF | 39:1 | 237-80 | 1 | O-Ring |
| 13 | 1-513435 | 8 | Washer-Spring | 40 | 354-95 | 1 | Fitting-Straight |
| 14 | 325-6 | 8 | Screw-HH | 41 | 2412-98 | 4 | Clamp-Hose |
| 15 | 142-2435 | 2 | Plug-Magnetic | 42 | 68-6150 | 1 | Breather |
| 16 | 135-3731 | 1 | Tee Hose ASM | 43 | 2412-129 | 4 | Clamp-Hose |
| 17 | 340-3 | 2 | Fitting-Straight | 44 | 2412-34 | 2 | Clamp-Hose |
| 17:1 | 237-22 | 1 | O-Ring | 46 | 126-7841 | 1 | Lift Cylinder ASM |
| 17:2 | 237-79 | 1 | O-Ring | 46:1 | 142-2767 | 1 | Kit, CYL Repair |
| 18 | 3290-378 | 2 | Tie-Cable | 47 | 131-1934 | 1 | Deck Lift Valve ASM |
| 19 | 126-6776 | 1 | Hose-Fuel | 48 | 321-18 | 2 | Screw-HH |
| 20 | 126-6767 | 1 | Hose-Return | 49 | 340-2 | 2 | Fitting-Straight |
| 21 | 126-6768 | 1 | Hose-Return | 49:1 | 237-22 | 1 | O-Ring |
| 22 | 126-6778 | 1 | Hose-Fuel | 49:2 | 237-42 | 1 | O-Ring |
| 23 | 126-6766 | 1 | Hose | 50 | 126-8692 | 1 | Fitting-HYD, Straight |
| 24 | 126-8688 | 1 | Tube ASM | 50:1 | 237-78 | 1 | O-Ring |
| 25 | 126-8682 | 1 | Hose ASM | 50:2 | 237-21 | 1 | O-Ring |
| 26 | 126-6774 | 1 | Hose-Suction | 51 | 126-8683 | 1 | Hose ASM |
| 27 | 32180-030 | 5 | Clip-Tie | 52 | 1-633396 | 1 | Clip-Loom |
| 28 | 126-7547 | 1 | Rod-Support, HYD Tank | 53 | 104-8301 | 1 | Nut-HF, NI |
| 29 | 126-7546 | 1 | Rod-Support, HYD Tank | 54 | 135-7984 | 3 | Clamp-Hose |
| 30 | 104-8300 | 4 | Nut-HF, NI | | | | |

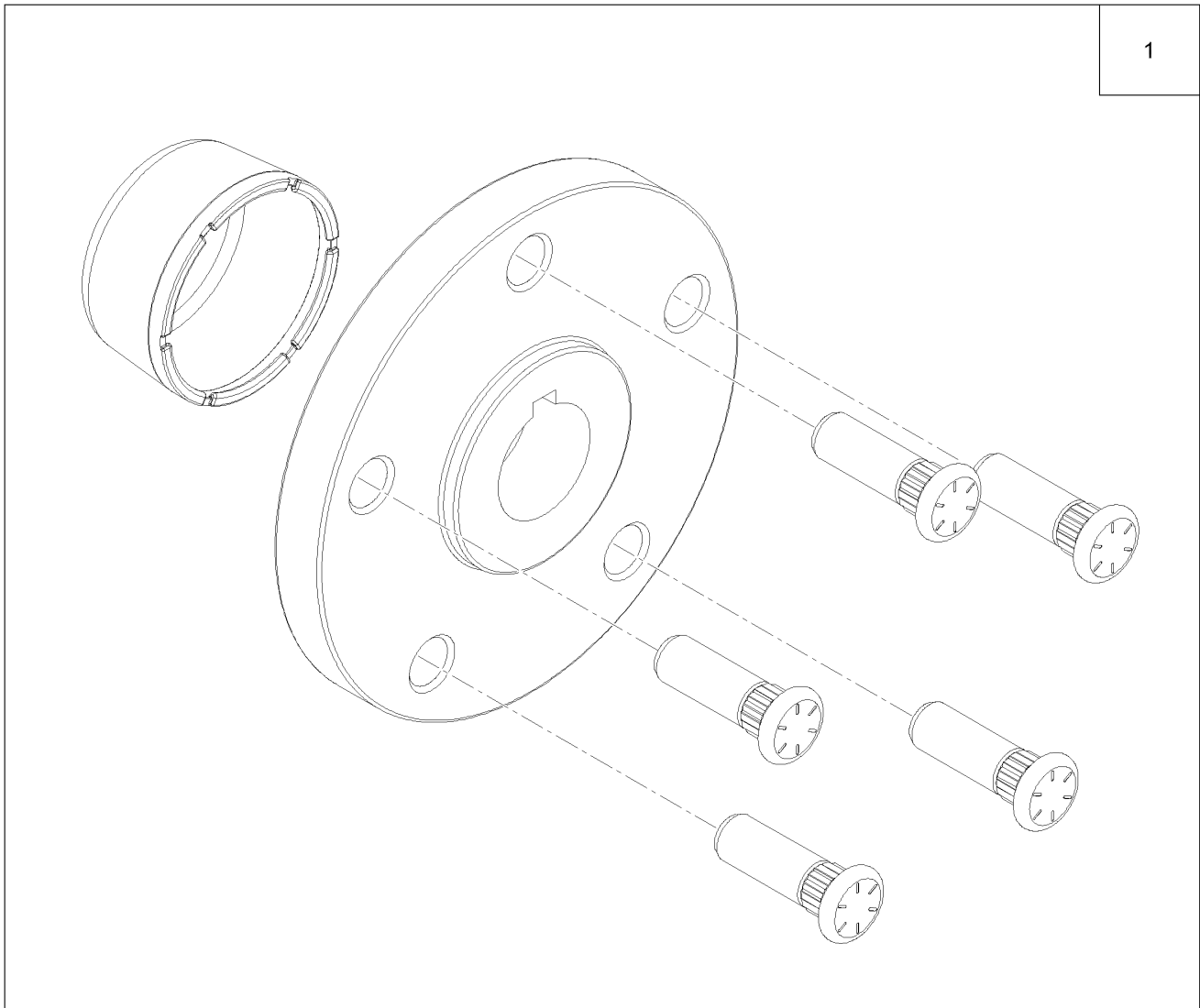
Hydraulic Reservoir Assembly No. 142-5034



Hydraulic Reservoir Assembly No. 142-5034 (continued)

| <i>Ref.</i> | <i>Part Number</i> | <i>Qty.</i> | <i>Description</i> | <i>Ref.</i> | <i>Part Number</i> | <i>Qty.</i> | <i>Description</i> |
|-------------|--------------------|-------------|--------------------|-------------|--------------------|-------------|------------------------|
| 2 | 353-989 | 1 | Plug-Hex, Hollow | 5 | 104-5228 | 2 | Fitting-Elbow, 90 DEG |
| 2:1 | 237-42 | 1 | O-Ring | 6 | 126-6782 | 1 | Fitting-Standpipe |
| 3 | 104-7546 | 1 | Tank Strainer ASM | 7 | 353-987 | 1 | Fitting-Elbow, 90 |
| 3:1 | 340-136 | 1 | O-Ring | 7:1 | 237-81 | 1 | O-Ring |
| 4 | 46-6560 | 2 | Bushing | 8 | 135-3740 | 1 | Fitting-Tee, Drop Tube |

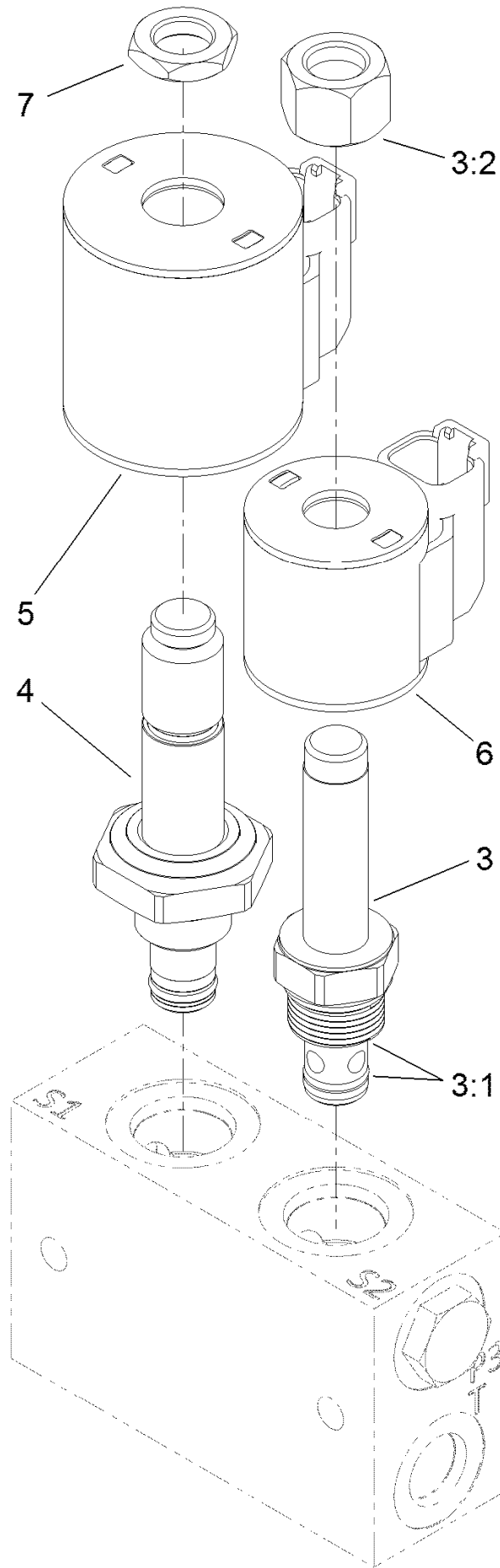
5 Stud Wheel Hub Kit Assembly No. 135-5333



5 Stud Wheel Hub Kit Assembly No. 135-5333 (continued)

| <i>Ref.</i> | <i>Part Number</i> | <i>Qty.</i> | <i>Description</i> |
|-------------|--------------------|-------------|--------------------|
| 1 | 135-5332 | 1 | Wheel Hub ASM |

Valve Assembly No. 131-1934

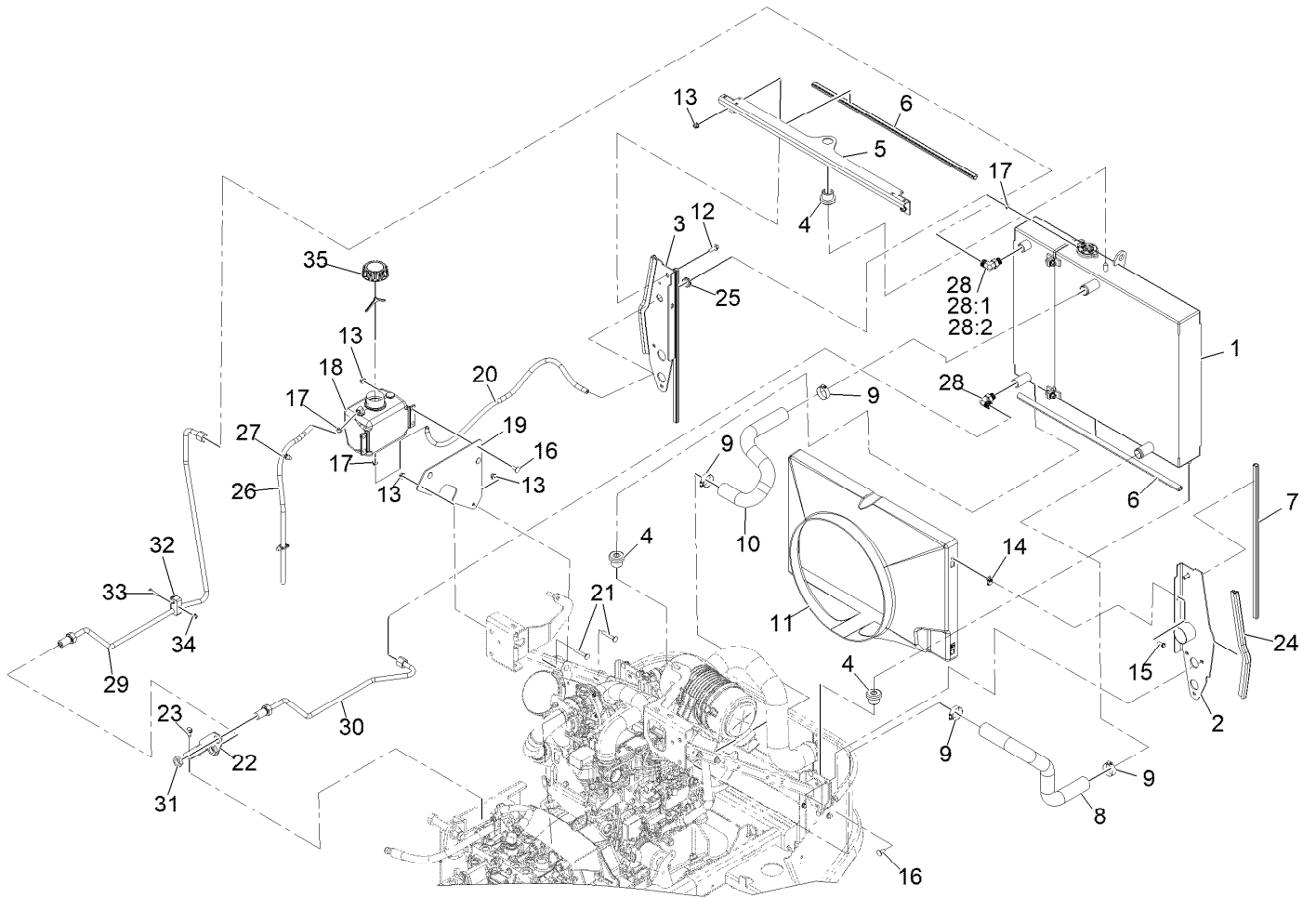


Valve Assembly No. 131-1934 (continued)

| <i>Ref.</i> | <i>Part Number</i> | <i>Qty.</i> | <i>Description</i> |
|-------------|--------------------|-------------|--------------------|
| 3 | 107-7517 | 1 | Valve-Solenoid |
| 3:1 | 105-9156 | 1 | Seal Kit |
| 3:2 | 107-7812 | 1 | Nut-Solenoid |
| 4 | 131-1935 | 1 | Valve-Solenoid |

| <i>Ref.</i> | <i>Part Number</i> | <i>Qty.</i> | <i>Description</i> |
|-------------|--------------------|-------------|--------------------|
| 5 | 115-3021 | 1 | Coil-12V |
| 6 | 119-8036 | 1 | Coil |
| 7 | 110-2634 | 1 | Nut-Coil |

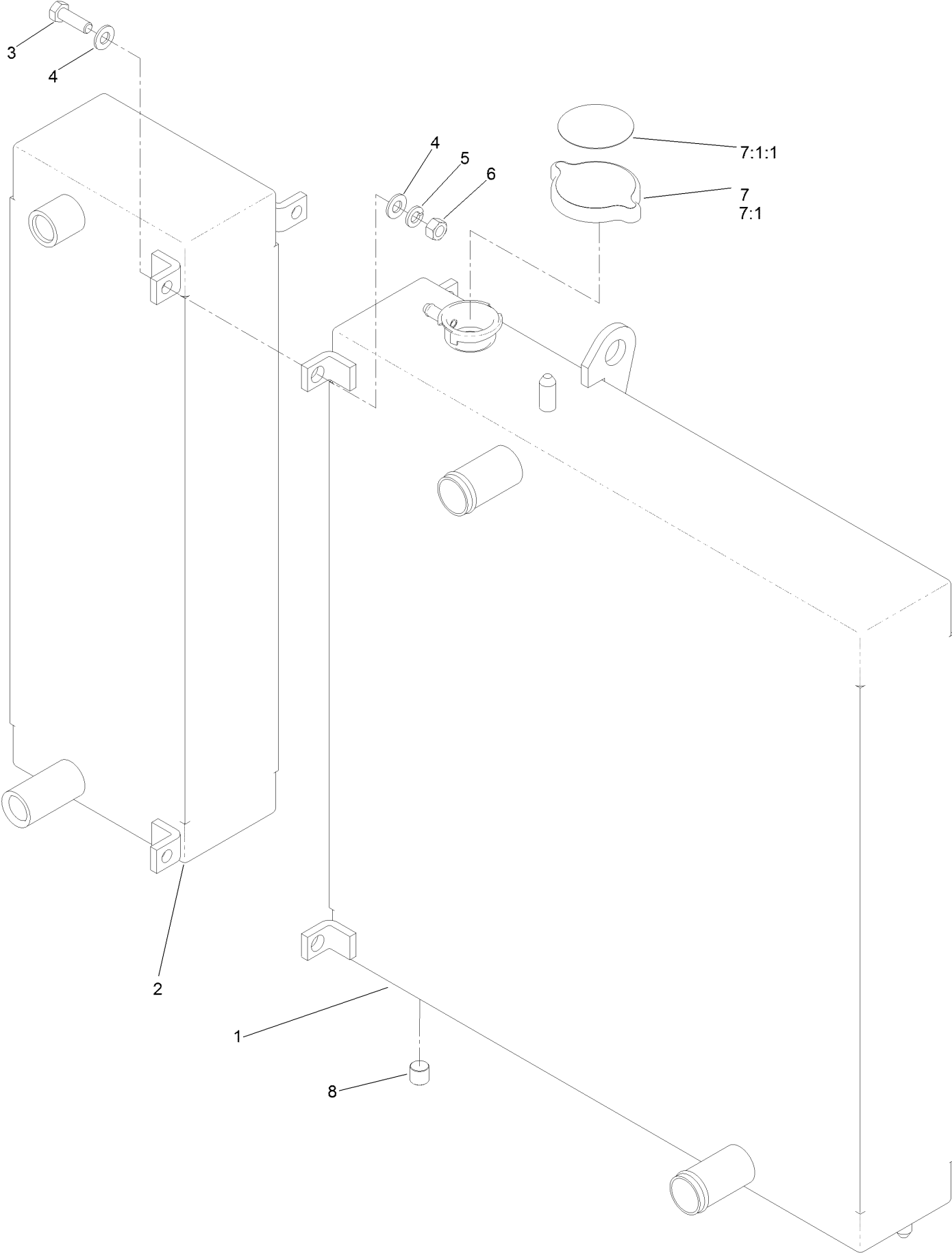
Cooling Assembly



Cooling Assembly (continued)

| <i>Ref.</i> | <i>Part Number</i> | <i>Qty.</i> | <i>Description</i> | <i>Ref.</i> | <i>Part Number</i> | <i>Qty.</i> | <i>Description</i> |
|-------------|--------------------|-------------|---|-------------|--------------------|-------------|-------------------------------|
| 1 | 121-3330 | 1 | Cooling ASM | 20 | 109-0284 | 1 | Hose-Fuel Line 29" |
| 2 | 126-9026-03 | 1 | Support-Radiator, LH | 21 | 3230-6 | 2 | Bolt-Carriage 3/16-18 X 2 |
| 3 | 126-9028-03 | 1 | Support-Radiator, RH | 22 | 126-6781-03 | 1 | Bracket-Bulkhead |
| 4 | 119-1422 | 3 | Mount-Isolator | 23 | 32144-70 | 2 | Screw-HWH 5/16-18 X 3/4 Tf |
| 5 | 120-0068-03 | 1 | Bracket-Cooling, Top | 24 | 126-6847 | 2 | Seal-Bulb |
| 6 | 119-1427 | 2 | Seal-Bulb | 25 | 237-124 | 1 | Grommet |
| 7 | 119-1426 | 2 | Seal-Bulb | 26 | 110-4103 | 1 | Hose-Fuel |
| 8 | 126-7787 | 1 | Hose-Radiator, Lower | 27 | 32180-030 | 2 | Clip-Tie |
| 9 | 2412-34 | 4 | Clamp-Hose | 28 | 340-98 | 2 | Fitting-Elbow, 90 DEG |
| 10 | 126-7788 | 1 | Hose-Radiator, Upper | 28:1 | 237-79 | 1 | O-Ring |
| 11 | 126-6720 | 1 | Shroud-Fan | 28:2 | 237-30 | 1 | O-Ring |
| 12 | 3234-29 | 2 | Screw-HH Flg 5/16-18 X 1 | 29 | 126-8690 | 1 | Hydraulic Tube ASM |
| 13 | 104-8300 | 13 | Nut-Nyloc 5/16-18 Flg | 30 | 126-8691 | 1 | Hydraulic Tube ASM |
| 14 | 107069 | 4 | Nut-Retainer-Panel 1/4-20 | 31 | 340-127 | 2 | Nut-Bulkhead |
| 15 | 32105-15 | 4 | Screw-Machine 1/4-20 X 3/4 | 32 | 135-0641 | 1 | Clamp-Twin |
| 16 | 3230-23 | 9 | Bolt-Carriage 5/16-18 X 3/4 Short Neck | 33 | 321-13 | 1 | Screw-HH 1/4-20 X 1 3/8 |
| 17 | 2412-98 | 3 | Clamp-Hose | 34 | 104-7201 | 1 | Nut-Nyloc 1/4-20 Flg |
| 18 | 135-4692 | 1 | Tank-Overflow, W/Cap | 35 | 135-4693 | 1 | Cap-W/Tether |
| 19 | 126-9178-03 | 1 | Bracket-Bottle | | | | |

Cooling Assembly No. 121-3330

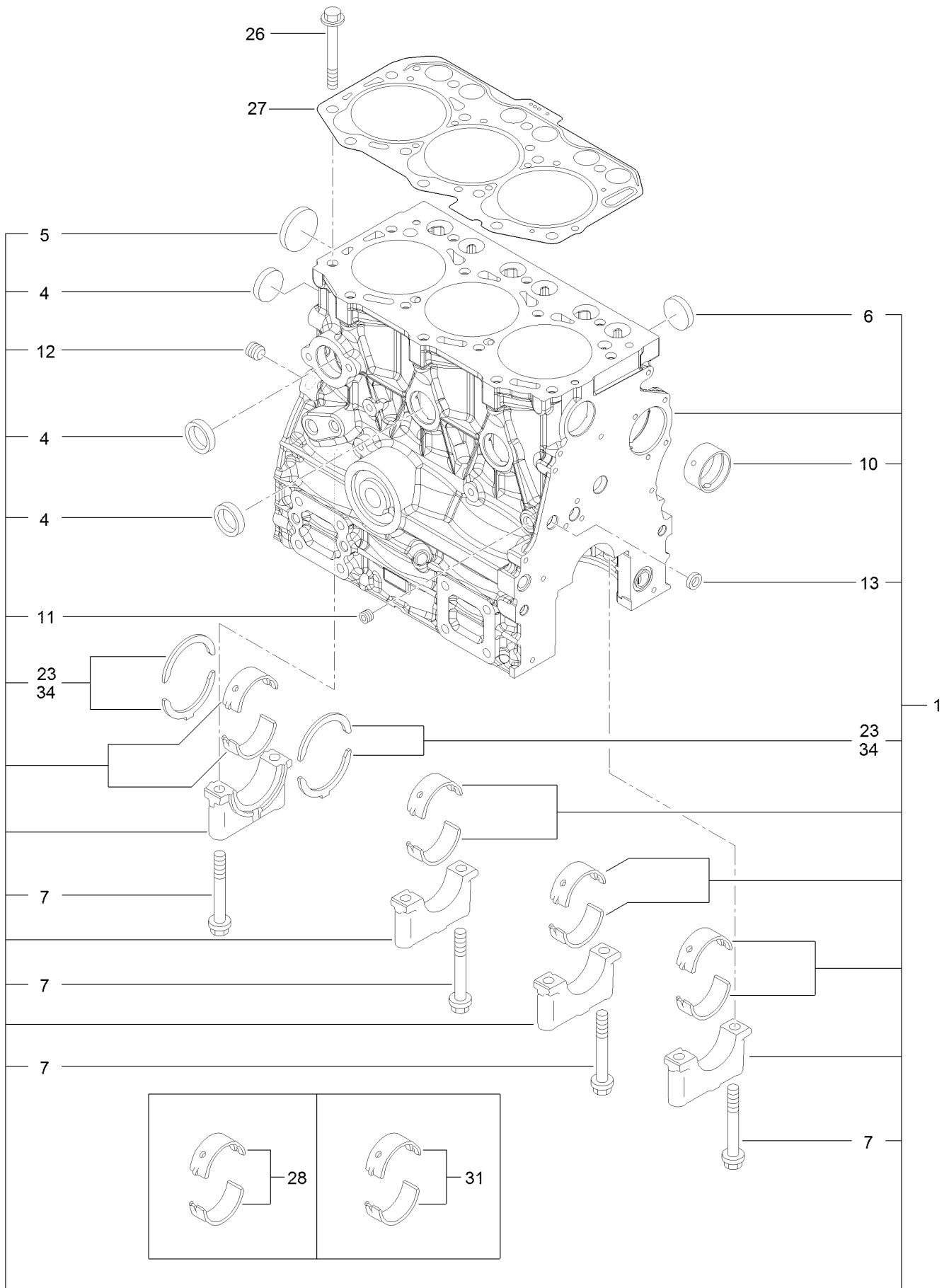


Cooling Assembly No. 121-3330 (continued)

| <i>Ref.</i> | <i>Part Number</i> | <i>Qty.</i> | <i>Description</i> | <i>Ref.</i> | <i>Part Number</i> | <i>Qty.</i> | <i>Description</i> |
|-------------|--------------------|-------------|--------------------|-------------|--------------------|-------------|--------------------|
| 1 | 121-3328 | 1 | Radiator | 6 | 3217-6 | 3 | Nut-Hex |
| 2 | 121-3329 | 1 | Oil Cooler | 7 | 119-1430 | 1 | Radiator Cap ASM |
| 3 | 322-5 | 3 | Screw-HH | 7:1 | | 1 | Cap-Radiator ● |
| 4 | 3256-23 | 6 | Washer-Plain | 7:1:1 | 117-3276 | 1 | Decal-Danger |
| 5 | 3253-4 | 3 | Washer-Lock | 8 | 99-8551 | 1 | Plug-Pipe |

● Not serviced separately

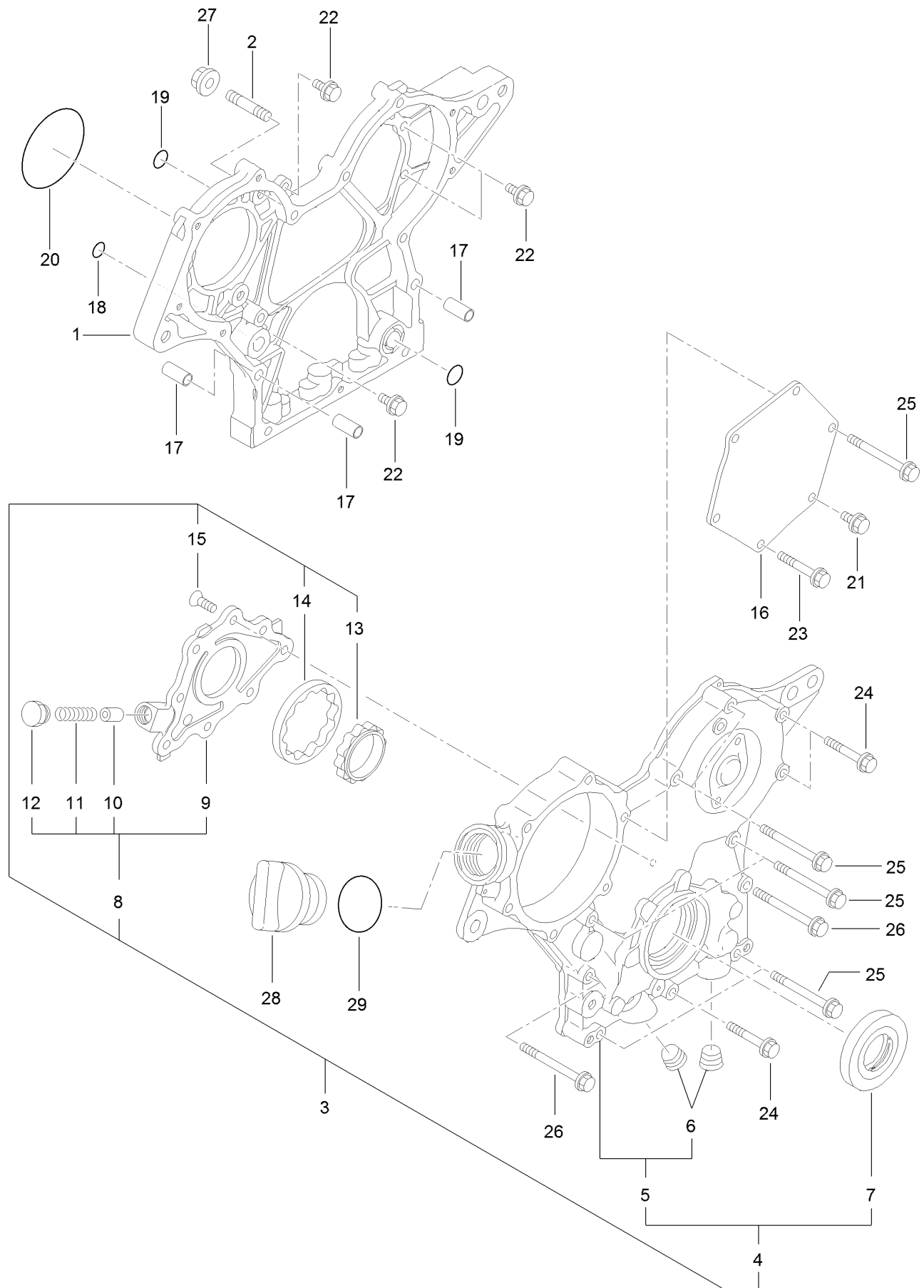
Cylinder Block Assembly



Cylinder Block Assembly (continued)

| <i>Ref.</i> | <i>Part Number</i> | <i>Qty.</i> | <i>Description</i> | <i>Ref.</i> | <i>Part Number</i> | <i>Qty.</i> | <i>Description</i> |
|-------------|--------------------|-------------|--------------------|-------------|--------------------|-------------|---------------------|
| 1 | 135-4030 | 1 | Cylinder Block ASM | 13 | 125-7237 | 1 | Plug |
| 4 | 135-4031 | 4 | Plug-Cup | 23 | 135-4036 | 2 | Thrust Bearing ASM |
| 5 | 135-4032 | 1 | Plug-Dish | 26 | 135-4037 | 14 | Bolt-Head, Cylinder |
| 6 | 135-4033 | 3 | Plug-Cup | 27 | 135-4038 | 1 | Head Gasket Set |
| 7 | 135-4034 | 8 | Bolt-Cap | 28 | 135-4039 | 4 | Main Bearing ASM |
| 10 | 135-4035 | 1 | Bushing-Camshaft | 31 | 135-4040 | 4 | Main Bearing ASM |
| 11 | 125-6969 | 1 | Plug | 34 | 135-4041 | 2 | Bearing-Thrust |
| 12 | 125-6973 | 1 | Plug | | | | |

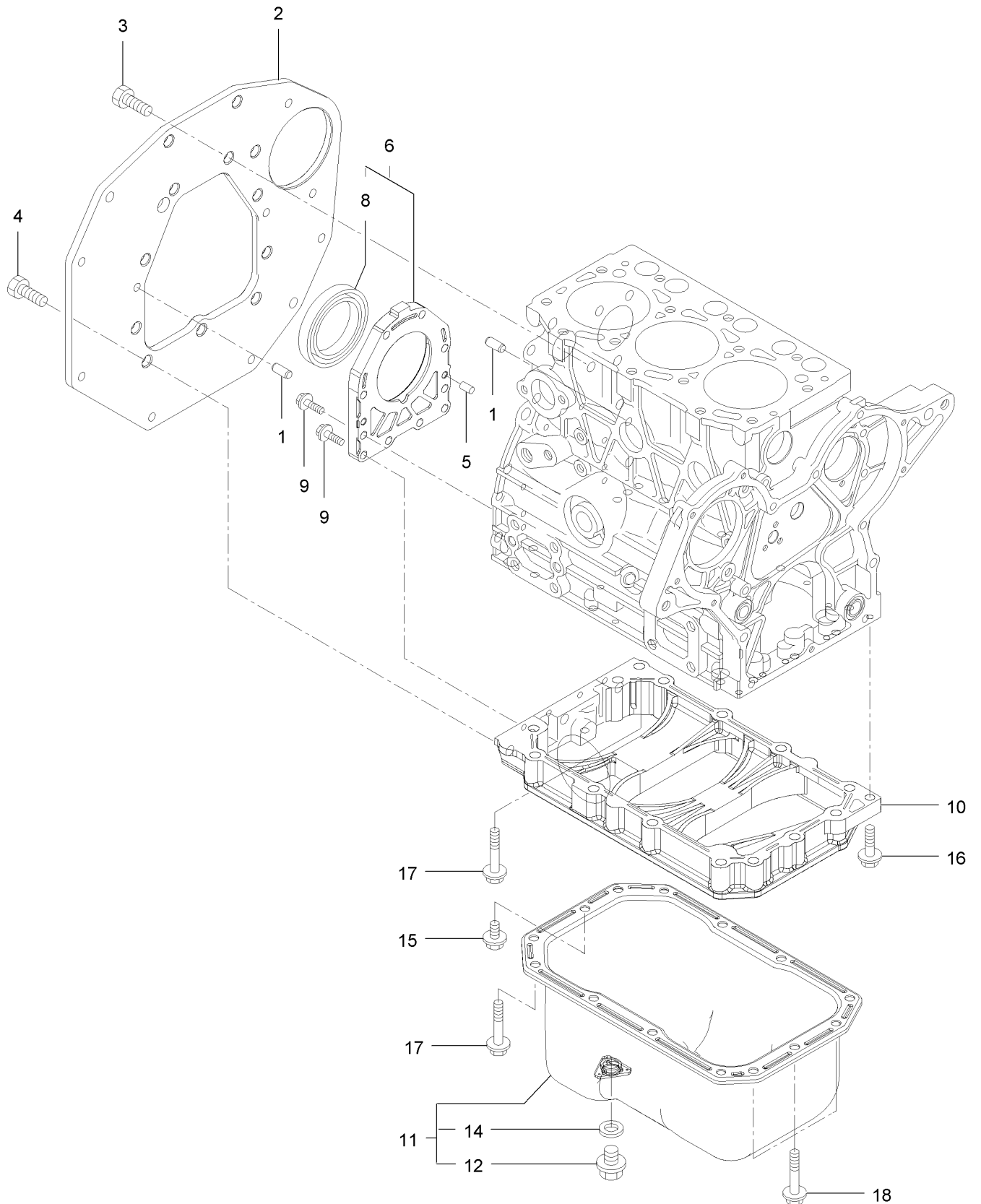
Gear Housing Assembly



Gear Housing Assembly (continued)

| <i>Ref.</i> | <i>Part Number</i> | <i>Qty.</i> | <i>Description</i> | <i>Ref.</i> | <i>Part Number</i> | <i>Qty.</i> | <i>Description</i> |
|-------------|--------------------|-------------|---------------------|-------------|--------------------|-------------|--------------------|
| 1 | 135-4042 | 1 | Case-Gear | 16 | 135-4056 | 1 | Cover-Pump |
| 2 | 135-4043 | 3 | Bolt-Stud | 17 | 135-4057 | 4 | Dowel-Pipe |
| 3 | 135-4044 | 1 | Gear Case Cover ASM | 18 | 127-2973 | 1 | O-Ring |
| 4 | 135-4045 | 1 | Gear Case Cover ASM | 19 | 135-4058 | 3 | O-Ring |
| 5 | 135-4046 | 1 | Cover-Case, Gear | 20 | 125-6957 | 1 | O-Ring |
| 6 | 133-6798 | 2 | Plug | 21 | 125-7206 | 1 | Bolt |
| 7 | 135-4047 | 1 | Seal-Oil | 22 | 125-7208 | 4 | Bolt |
| 8 | 135-4048 | 1 | Cover ASM | 23 | 125-7211 | 4 | Bolt |
| 9 | 135-4049 | 1 | Cover-Pump | 24 | 125-7211 | 3 | Bolt |
| 10 | 135-4050 | 1 | Valve-Relief | 25 | 135-4059 | 7 | Bolt |
| 11 | 135-4051 | 1 | Spring | 26 | 136-8257 | 2 | Bolt |
| 12 | 135-4052 | 1 | Plug | 27 | 125-7229 | 3 | Nut |
| 13 | 135-4053 | 1 | Rotor-Inner | 28 | 125-6972 | 1 | Cover-Filler |
| 14 | 135-4054 | 1 | Rotor-Outer | 29 | 125-7197 | 1 | O-Ring |
| 15 | 135-4055 | 8 | Screw | | | | |

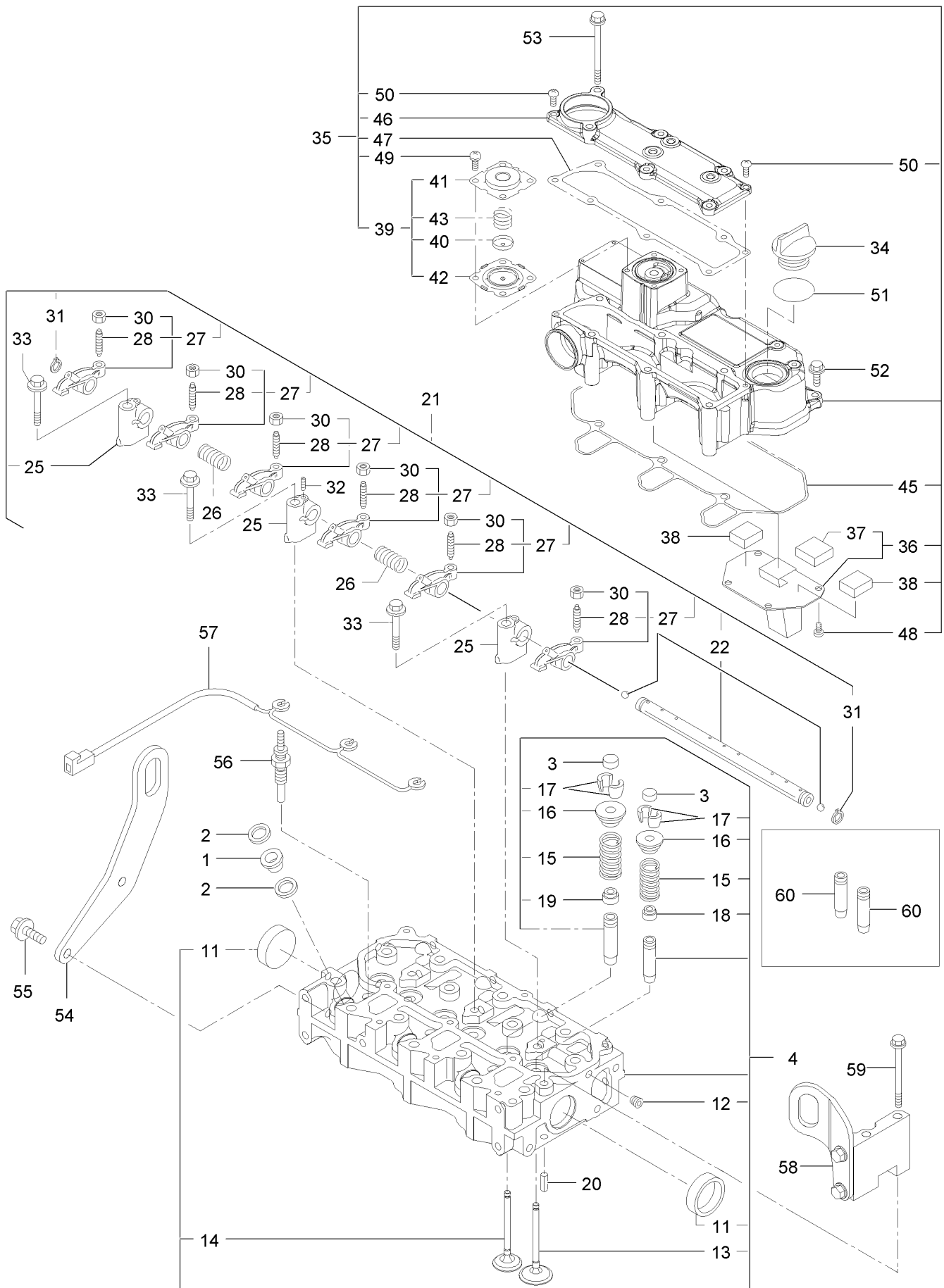
Flywheel Housing and Oil Sump Assembly



Flywheel Housing and Oil Sump Assembly (continued)

| <i>Ref.</i> | <i>Part Number</i> | <i>Qty.</i> | <i>Description</i> | <i>Ref.</i> | <i>Part Number</i> | <i>Qty.</i> | <i>Description</i> |
|-------------|--------------------|-------------|--------------------|-------------|--------------------|-------------|--------------------|
| 1 | 125-6995 | 2 | Pin | 10 | 135-4066 | 1 | Spacer-Pan, Oil |
| 2 | 135-4060 | 1 | Flange-Mounting | 11 | 135-4067 | 1 | Oil Pan ASM |
| 3 | 135-4061 | 9 | Bolt | 12 | 135-4068 | 1 | Plug |
| 4 | 125-7226 | 3 | Bolt | 14 | 136-8236 | 1 | Washer-Seal |
| 5 | 135-4062 | 2 | Pin-Parallel | 15 | 125-7212 | 1 | Bolt |
| 6 | 135-4063 | 1 | Case ASM-Oil Seal | 16 | 125-7216 | 1 | Bolt |
| 8 | 135-4064 | 1 | Seal-Oil | 17 | 125-7219 | 11 | Bolt |
| 9 | 135-4065 | 10 | Bolt | 18 | 125-7220 | 3 | Bolt |

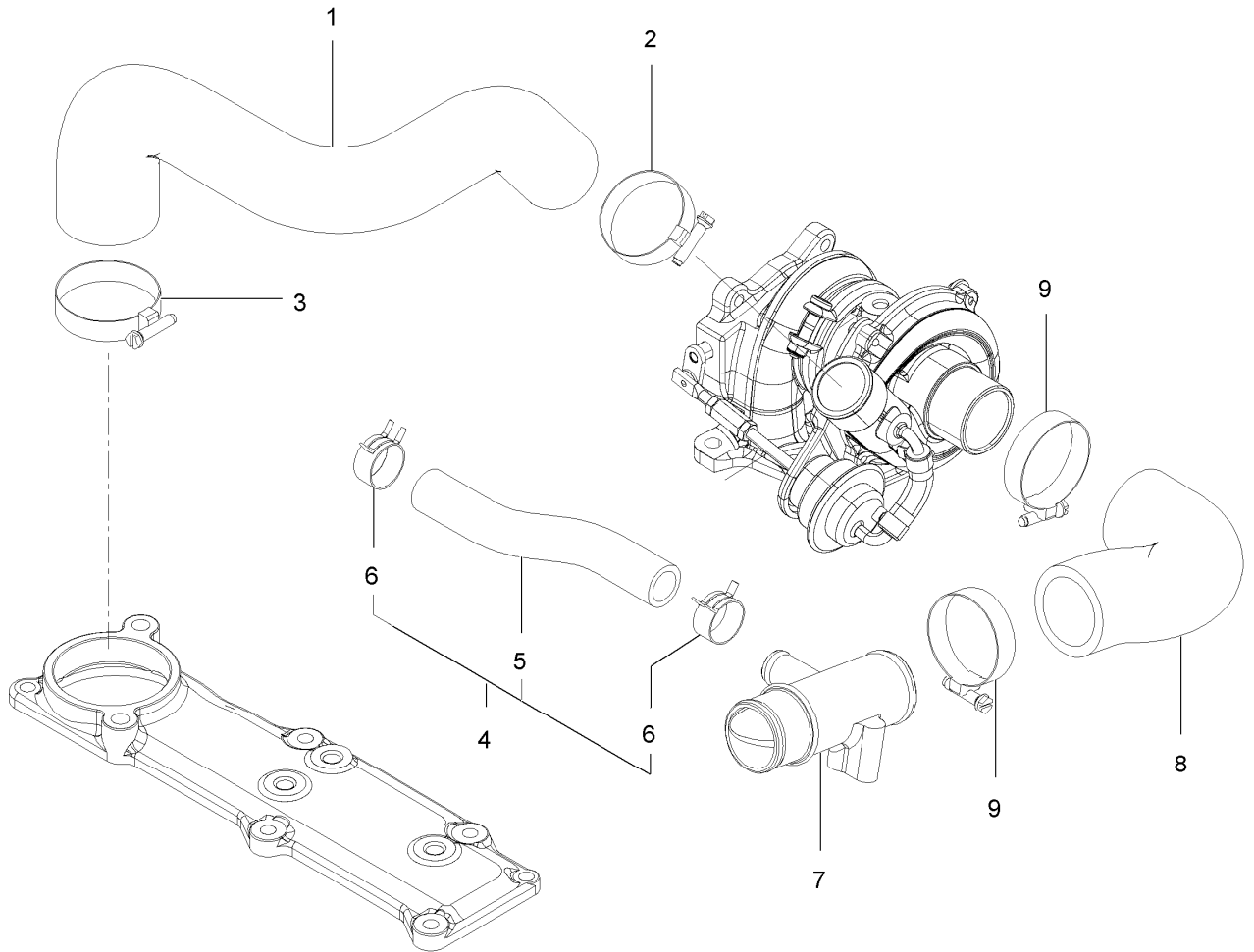
Cylinder Head and Cover Assembly



Cylinder Head and Cover Assembly (continued)

| <i>Ref.</i> | <i>Part Number</i> | <i>Qty.</i> | <i>Description</i> | <i>Ref.</i> | <i>Part Number</i> | <i>Qty.</i> | <i>Description</i> |
|-------------|--------------------|-------------|---------------------|-------------|--------------------|-------------|-----------------------------|
| 1 | 135-4069 | 3 | Protector-Nozzle | 36 | 135-4085 | 1 | Plate-Baffle |
| 2 | 135-4070 | 6 | Gasket-Nozzle | 37 | 135-4086 | 1 | Baffle-Breather |
| 3 | 135-4071 | 6 | Cap-Valve | 38 | 135-4086 | 2 | Baffle-Breather |
| 4 | 135-4072 | 1 | Head ASM-Cylinder | 39 | 135-4088 | 1 | Diaphragm ASM |
| 11 | 135-4073 | 2 | Plug-Cup | 40 | 135-4089 | 1 | Plate-Diaphragm |
| 12 | 133-6797 | 1 | Plug | 41 | 135-4090 | 1 | Cover-Diaphragm |
| 13 | 135-4074 | 3 | Valve-Suction | 42 | 135-4091 | 1 | Diaphragm |
| 14 | 135-4075 | 3 | Valve-Exhaust | 43 | 135-4092 | 1 | Spring-Diaphragm |
| 15 | 135-4076 | 6 | Spring-Valve | 45 | 135-4093 | 1 | Gasket-Cover, Cylinder Head |
| 16 | 125-7054 | 6 | Retainer | 46 | 135-4094 | 1 | Cover ASM-Bonnet |
| 17 | 125-6914 | 12 | Cotter | 47 | 135-4095 | 1 | Gasket |
| 18 | 125-6915 | 3 | Seal-Stem, Valve | 48 | 125-7186 | 4 | Screw |
| 19 | 125-6916 | 3 | Seal-Stem, Valve | 49 | 125-7186 | 4 | Screw |
| 20 | 125-7184 | 2 | Pin-Spring | 50 | 127-3168 | 2 | Screw |
| 21 | 135-4077 | 1 | Rocker Support ASM | 51 | 125-7197 | 1 | O-Ring |
| 22 | 135-4078 | 1 | Rocker Shaft ASM | 52 | 125-7209 | 3 | Bolt |
| 25 | 135-4079 | 3 | Support-Arm, Rocker | 53 | 135-4096 | 6 | Bolt |
| 26 | 135-4080 | 2 | Spring-Rocker | 54 | 135-4097 | 1 | Lifter-Engine |
| 27 | 135-4081 | 6 | Rocker Arm ASM | 55 | 125-7214 | 2 | Bolt |
| 28 | 125-7013 | 6 | Screw-Adjust, Valve | 56 | 135-4291 | 3 | Plug-Glow |
| 30 | 125-7014 | 6 | Nut | 57 | 135-4294 | 1 | Connector-Glow Plug |
| 31 | 135-7082 | 2 | Ring | 58 | 135-4292 | 1 | Lifter ASM |
| 32 | 135-4083 | 1 | Screw | 59 | 127-3178 | 2 | Bolt |
| 33 | 125-7218 | 3 | Bolt | 60 | 125-6917 | 6 | Guide |
| 34 | 125-6972 | 1 | Cover-Filler | | | | |
| 35 | 135-4084 | 1 | Bonnet ASM | | | | |

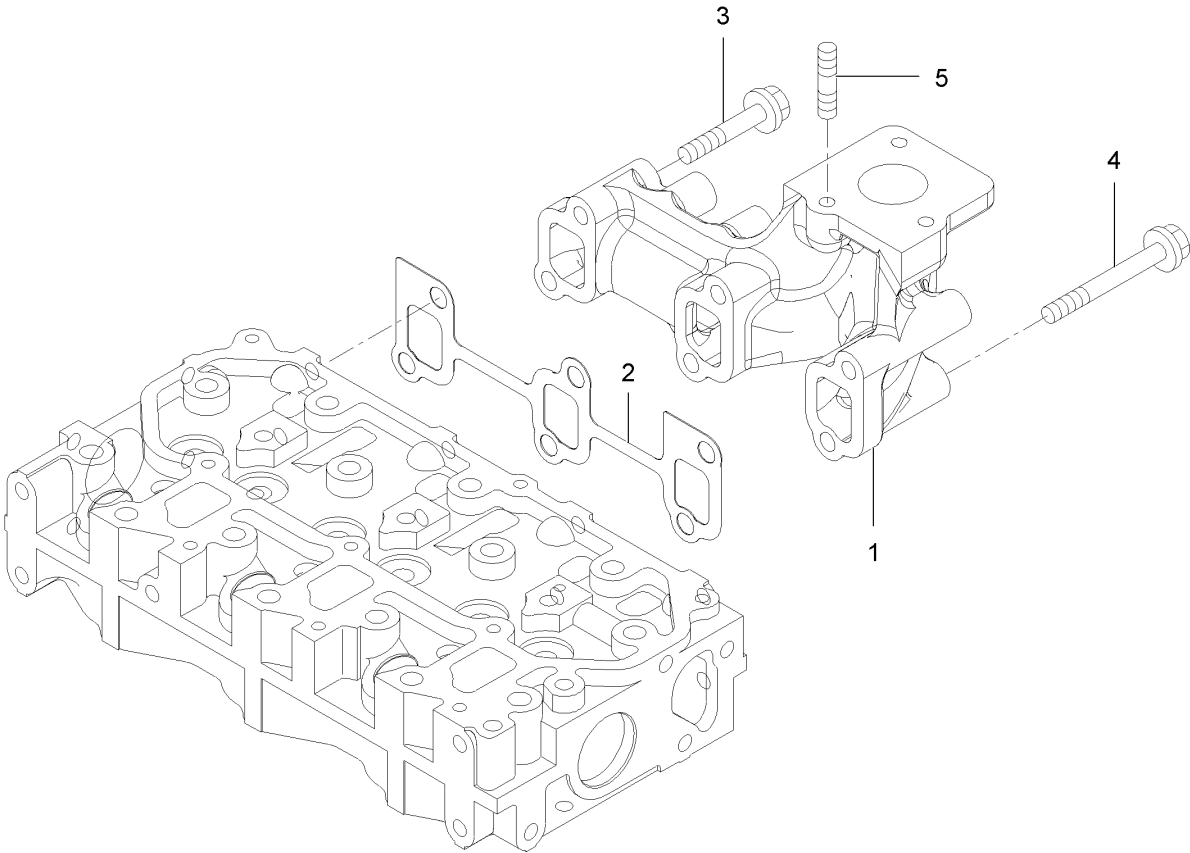
Suction Manifold Assembly



Suction Manifold Assembly (continued)

| <i>Ref.</i> | <i>Part Number</i> | <i>Qty.</i> | <i>Description</i> | <i>Ref.</i> | <i>Part Number</i> | <i>Qty.</i> | <i>Description</i> |
|-------------|--------------------|-------------|--------------------|-------------|--------------------|-------------|--------------------|
| 1 | 135-4101 | 1 | Hose-Air Intake | 6 | 125-7040 | 2 | Clip-Hose |
| 2 | 125-7189 | 1 | Clamp-Hose | 7 | 135-4104 | 1 | Joint-Breather |
| 3 | 127-3170 | 1 | Clamp-Hose | 8 | 135-4105 | 1 | Hose-Intake, Air |
| 4 | 135-4102 | 1 | Hose ASM-Breather | 9 | 127-3170 | 2 | Clamp-Hose |
| 5 | 135-4103 | 1 | Hose-Breather | | | | |

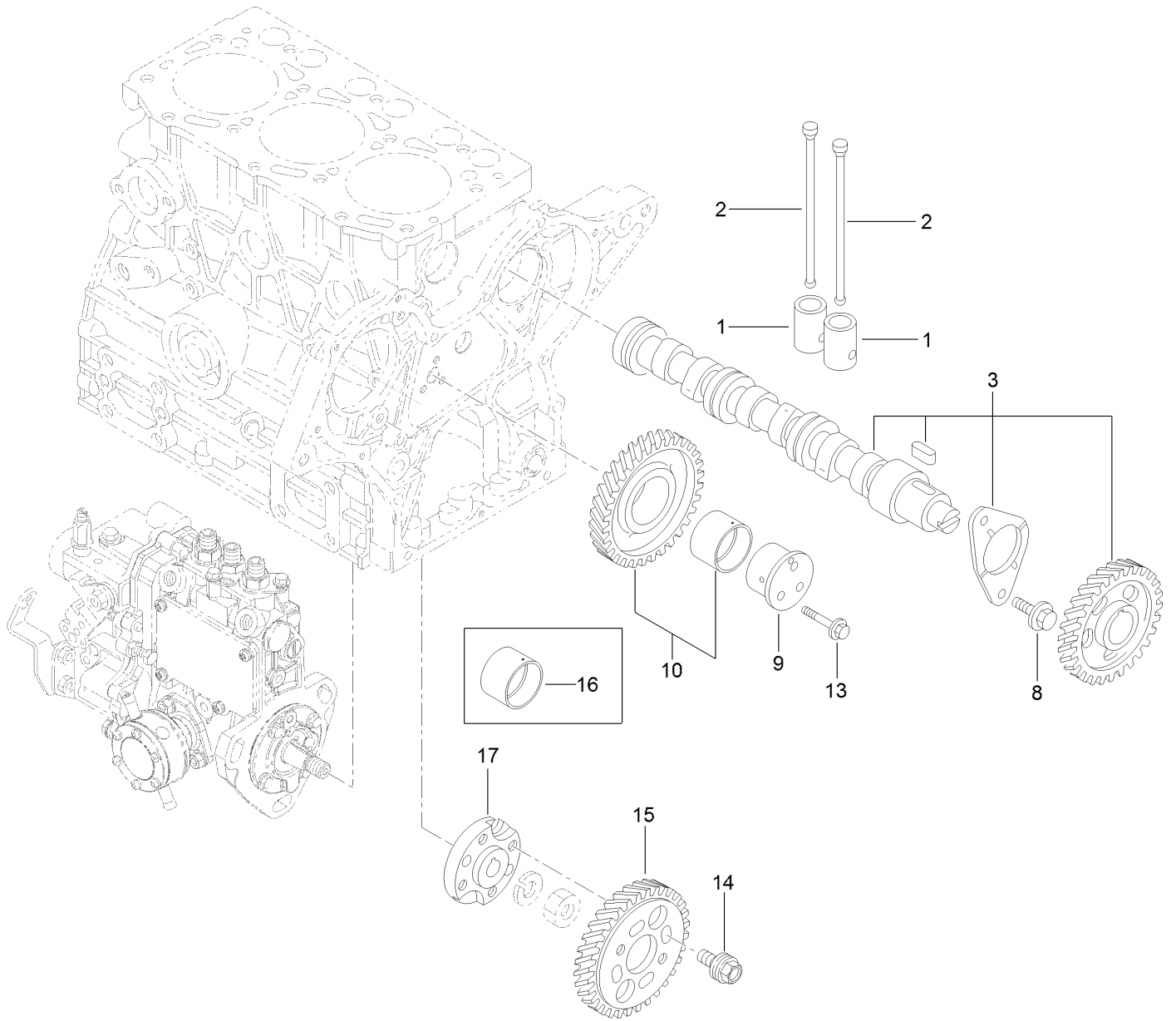
Exhaust Manifold Assembly



Exhaust Manifold Assembly (continued)

| <i>Ref.</i> | <i>Part Number</i> | <i>Qty.</i> | <i>Description</i> | <i>Ref.</i> | <i>Part Number</i> | <i>Qty.</i> | <i>Description</i> |
|-------------|--------------------|-------------|--------------------------|-------------|--------------------|-------------|--------------------|
| 1 | 135-4106 | 1 | Manifold-Exhaust | 4 | 133-6606 | 3 | Bolt |
| 2 | 135-4107 | 1 | Gasket-Manifold, Exhaust | 5 | 125-7043 | 3 | Stud |
| 3 | 133-6714 | 3 | Bolt | | | | |

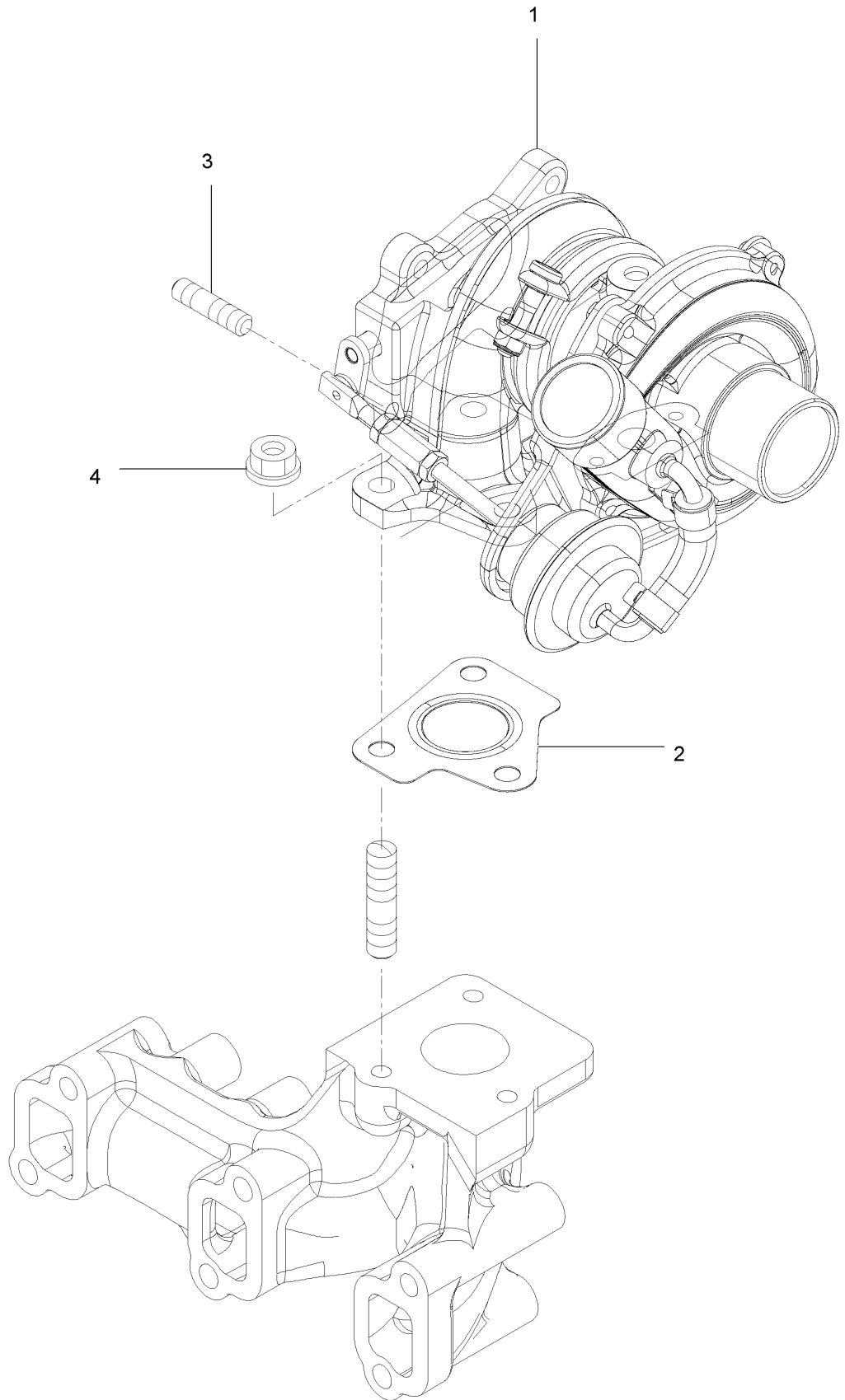
Camshaft and Driving Gear Assembly



Camshaft and Driving Gear Assembly (continued)

| <i>Ref.</i> | <i>Part Number</i> | <i>Qty.</i> | <i>Description</i> | <i>Ref.</i> | <i>Part Number</i> | <i>Qty.</i> | <i>Description</i> |
|-------------|--------------------|-------------|--------------------|-------------|--------------------|-------------|--------------------|
| 1 | 135-4108 | 6 | Tappet | 13 | 135-4147 | 3 | Bolt |
| 2 | 135-4109 | 6 | Push-Rod | 14 | 125-7020 | 4 | Bolt |
| 3 | 135-4110 | 1 | Camshaft ASM | 15 | 135-4148 | 1 | Gear-Pump |
| 8 | 125-7206 | 2 | Bolt | 16 | 135-4149 | 1 | Bushing-Gear, Idle |
| 9 | 135-4145 | 1 | Shaft-Idle | 17 | 135-4150 | 1 | Flange |
| 10 | 135-4146 | 1 | Idle Gear ASM | | | | |

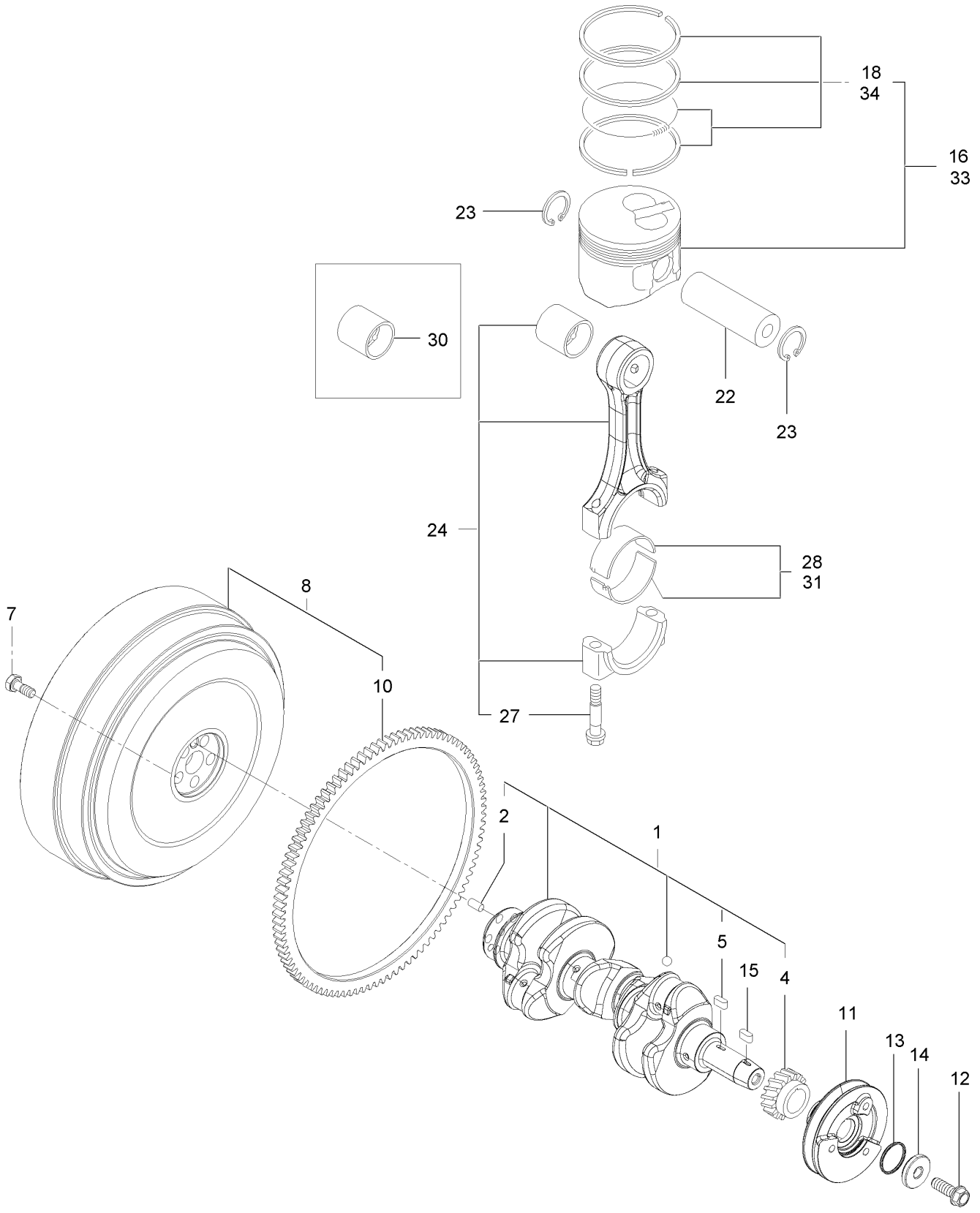
Turbine Assembly



Turbine Assembly (continued)

| <i>Ref.</i> | <i>Part Number</i> | <i>Qty.</i> | <i>Description</i> | <i>Ref.</i> | <i>Part Number</i> | <i>Qty.</i> | <i>Description</i> |
|-------------|--------------------|-------------|--------------------|-------------|--------------------|-------------|--------------------|
| 1 | 135-4151 | 1 | Turbocharger | 3 | 125-6906 | 4 | Stud |
| 2 | 127-3799 | 1 | Gasket-In, T C | 4 | 125-7229 | 3 | Nut |

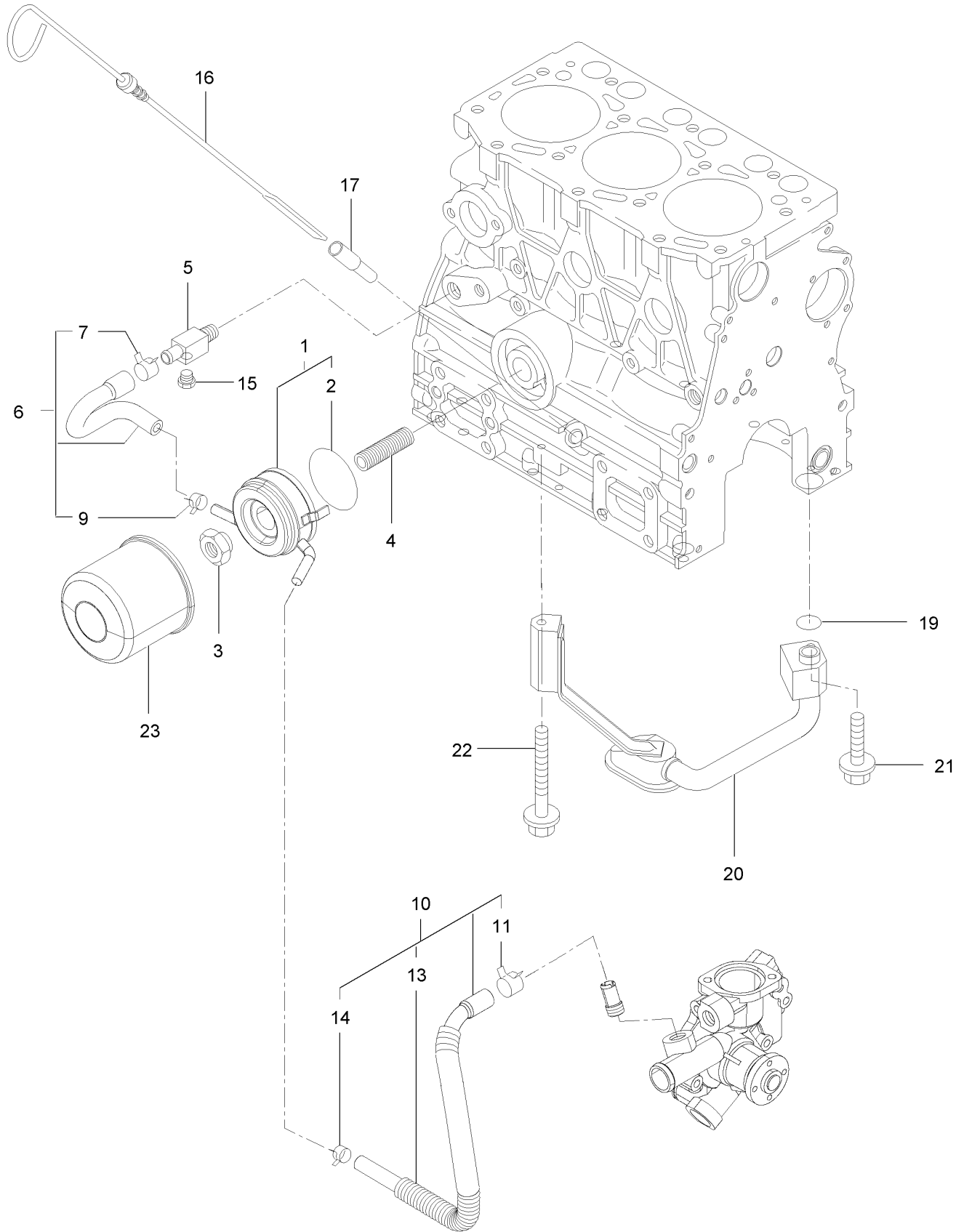
Crankshaft and Piston Assembly



Crankshaft and Piston Assembly (continued)

| <i>Ref.</i> | <i>Part Number</i> | <i>Qty.</i> | <i>Description</i> | <i>Ref.</i> | <i>Part Number</i> | <i>Qty.</i> | <i>Description</i> |
|-------------|--------------------|-------------|----------------------|-------------|--------------------|-------------|----------------------|
| 1 | 135-4152 | 1 | Crankshaft ASM | 16 | 135-4163 | 3 | Piston ASM |
| 2 | 125-6995 | 1 | Pin | 18 | 135-4164 | 3 | Ring ASM |
| 4 | 135-4153 | 1 | Gear-Crankshaft | 22 | 135-4165 | 3 | Pin-Piston |
| 5 | 135-4154 | 1 | Key | 23 | 135-4166 | 6 | Ring |
| 7 | 135-4155 | 5 | Bolt, Flywheel 5 | 24 | 135-4167 | 3 | Rod ASM-Connecting |
| 8 | 135-4156 | 1 | Flywheel ASM | 27 | 135-4168 | 6 | Bolt-Rod, Connecting |
| 10 | 135-4157 | 1 | Gear-Ring | 28 | 135-4169 | 3 | Bearing-Pin, Crank |
| 11 | 135-4158 | 1 | V-Pulley, Crankshaft | 30 | 135-4170 | 3 | Bearing-Pin, Piston |
| 12 | 135-4159 | 1 | Bolt-Flange | 31 | 135-4171 | 3 | Bearing-Pin (0.25) |
| 13 | 135-4160 | 1 | Gasket-Washer | 33 | 135-4172 | 3 | Piston ASM |
| 14 | 135-4161 | 1 | Washer | 34 | 135-4173 | 3 | Ring ASM |
| 15 | 135-4154 | 1 | Key | | | | |

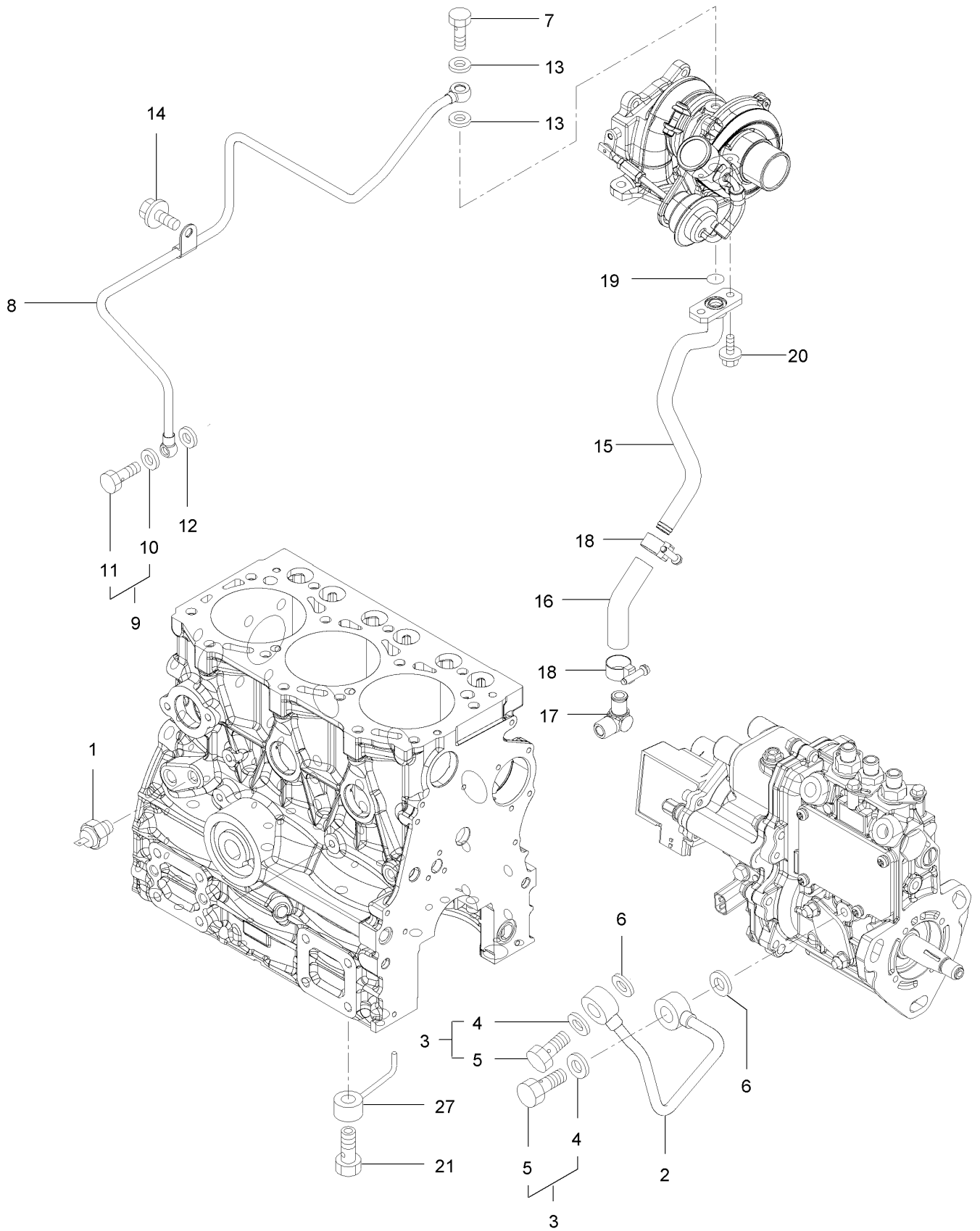
Oil Pump Assembly



Oil Pump Assembly (continued)

| <i>Ref.</i> | <i>Part Number</i> | <i>Qty.</i> | <i>Description</i> | <i>Ref.</i> | <i>Part Number</i> | <i>Qty.</i> | <i>Description</i> |
|-------------|--------------------|-------------|--------------------|-------------|--------------------|-------------|--------------------|
| 1 | 135-4174 | 1 | Cooler-Oil | 13 | 125-6946 | 1 | Tube |
| 2 | 125-7075 | 1 | O-Ring | 14 | 125-7191 | 1 | Clamp-Hose |
| 3 | 125-7041 | 1 | Nut-Cooler, Oil | 15 | 125-7171 | 1 | Plug-Drain |
| 4 | 135-4175 | 1 | Stud-Lo Filter | 16 | 135-4177 | 1 | Dipstick |
| 5 | 125-6990 | 1 | Joint | 17 | 125-6954 | 1 | Guide-Dipstick |
| 6 | 135-4176 | 1 | Pipe ASM-Cooler In | 19 | 135-4178 | 1 | O-Ring |
| 7 | 125-7162 | 1 | Clip | 20 | 135-4179 | 1 | Pipe ASM-Oil Inlet |
| 9 | 125-7191 | 1 | Clamp-Hose | 21 | 135-4147 | 1 | Bolt |
| 10 | 125-7079 | 1 | Pipe ASM | 22 | 136-8257 | 1 | Bolt |
| 11 | 125-7162 | 1 | Clip | 23 | 135-4181 | 1 | Filter-Oil, Engine |

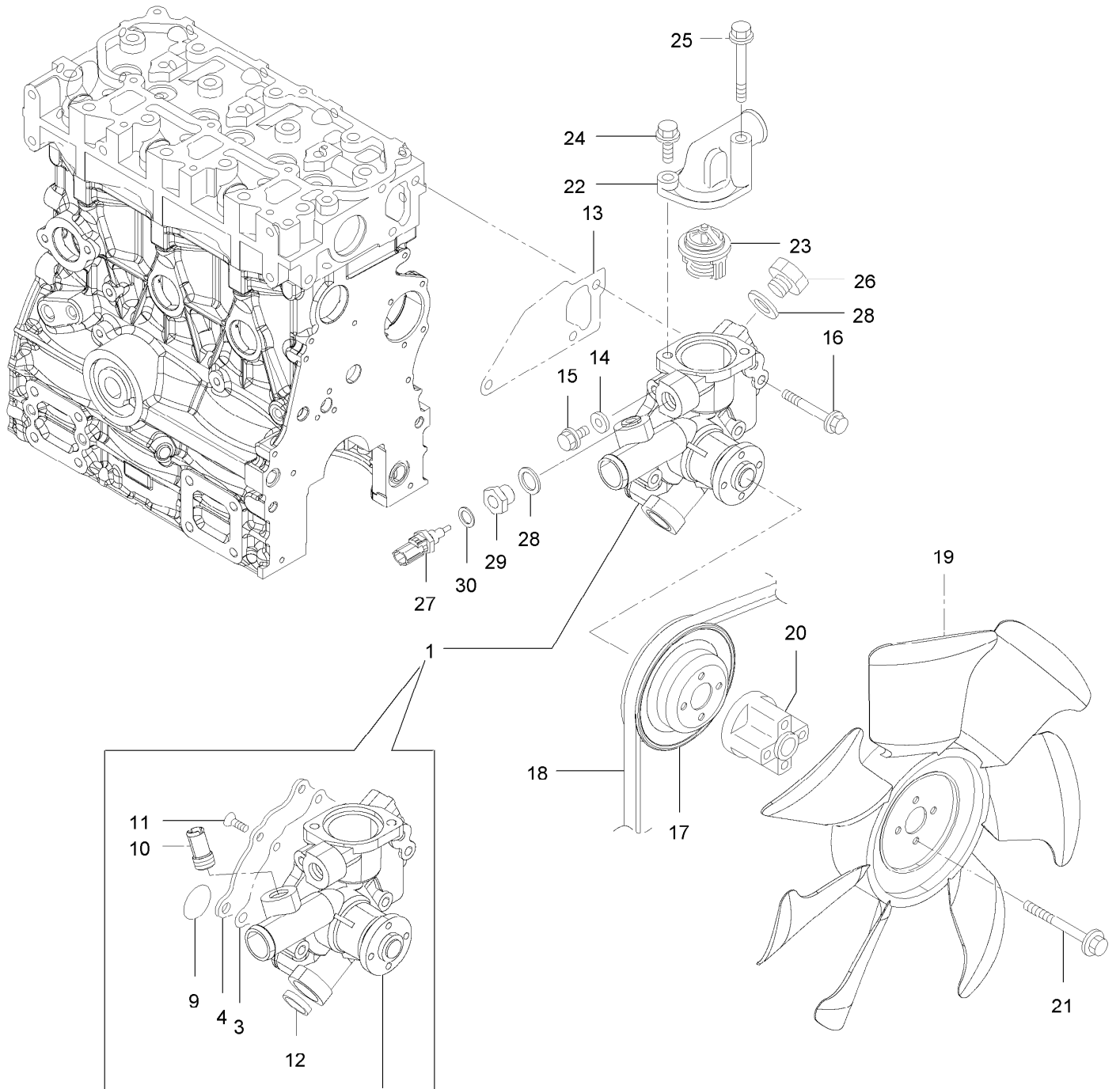
Oil Pump Assembly (cont.)



Oil Pump Assembly (cont.) (continued)

| <i>Ref.</i> | <i>Part Number</i> | <i>Qty.</i> | <i>Description</i> | <i>Ref.</i> | <i>Part Number</i> | <i>Qty.</i> | <i>Description</i> |
|-------------|--------------------|-------------|--------------------|-------------|--------------------|-------------|--------------------|
| 1 | 125-6918 | 1 | Switch-Oil | 12 | 125-7174 | 1 | Washer-Seal |
| 2 | 135-4182 | 1 | Pipe-Oil | 13 | 125-7193 | 2 | Gasket |
| 3 | 125-6988 | 2 | Joint Bolt ASM | 14 | 125-7212 | 1 | Bolt |
| 4 | 125-7174 | 2 | Washer-Seal | 15 | 135-4184 | 1 | Pipe-Lo Return |
| 5 | 125-7194 | 2 | Bolt-Joint | 16 | 127-2992 | 1 | Joint |
| 6 | 125-7174 | 2 | Washer-Seal | 17 | 127-3003 | 1 | Elbow |
| 7 | 125-6952 | 1 | Bolt-Joint, Pipe | 18 | 127-3169 | 2 | Clamp-Hose |
| 8 | 135-4183 | 1 | Pipe ASM-Lo | 19 | 125-7198 | 1 | O-Ring |
| 9 | 125-6988 | 1 | Joint Bolt ASM | 20 | 125-7208 | 2 | Bolt |
| 10 | 125-7174 | 1 | Washer-Seal | 21 | 135-4185 | 3 | Valve ASM-Check |
| 11 | 125-7194 | 1 | Bolt-Joint | 27 | 135-4186 | 3 | Nozzle ASM-Piston |

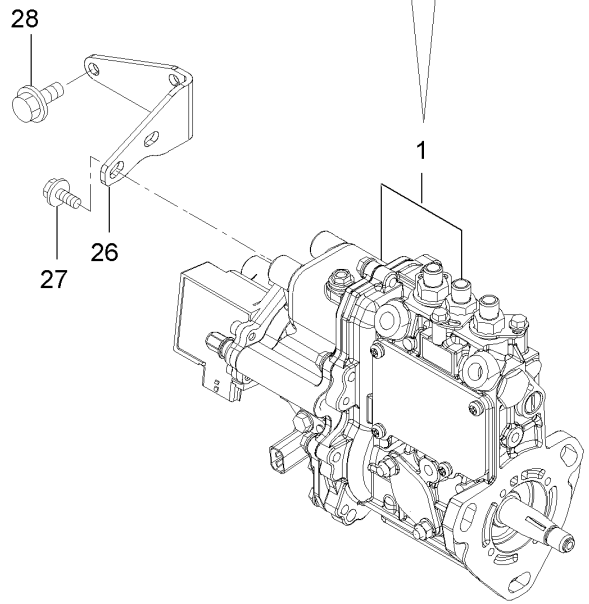
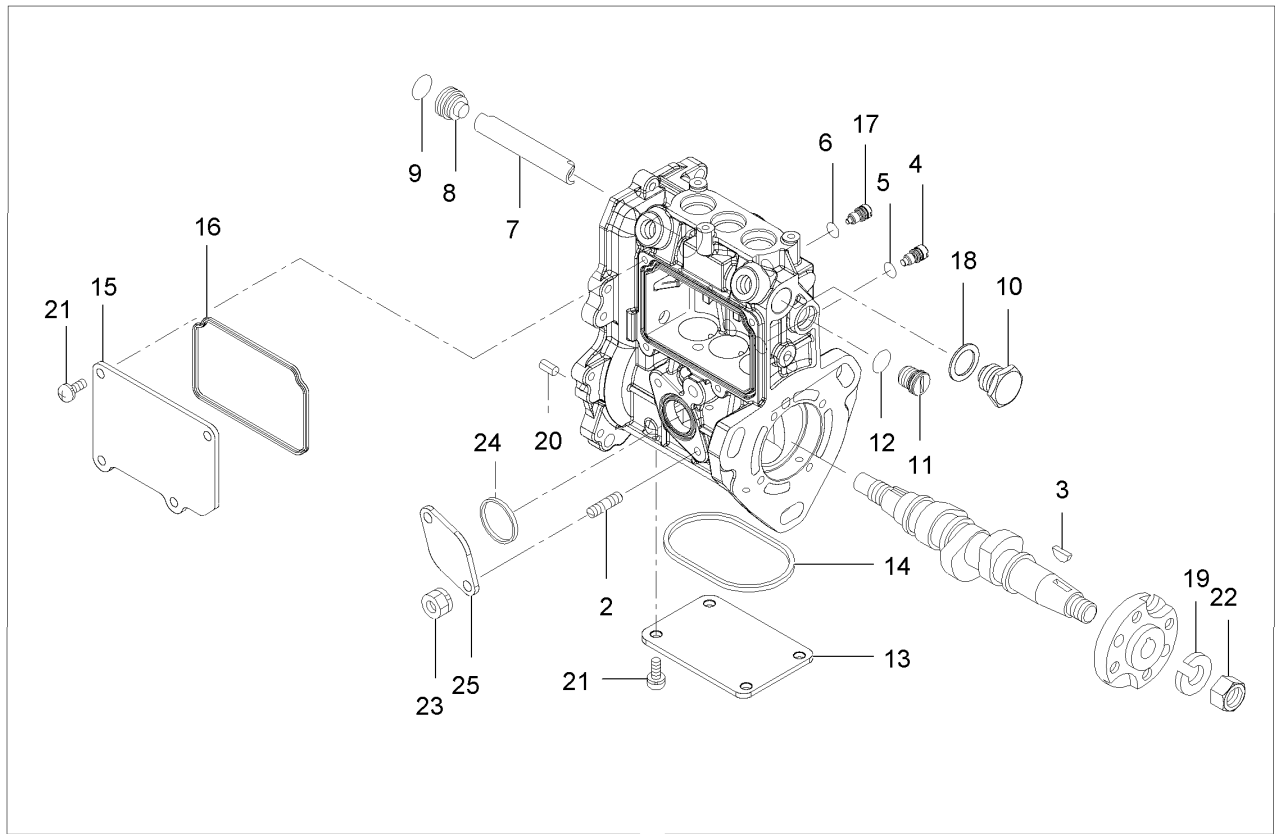
Cooling Water System Assembly



Cooling Water System Assembly (continued)

| <i>Ref.</i> | <i>Part Number</i> | <i>Qty.</i> | <i>Description</i> | <i>Ref.</i> | <i>Part Number</i> | <i>Qty.</i> | <i>Description</i> |
|-------------|--------------------|-------------|--------------------|-------------|--------------------|-------------|-----------------------|
| 1 | 135-4187 | 1 | Pump ASM-Water | 19 | 135-4196 | 1 | Fan-Cooling 1 |
| 3 | 135-4188 | 1 | Gasket | 20 | 135-4197 | 1 | Spacer-Fan |
| 4 | 135-4189 | 1 | Cover | 21 | 135-4059 | 4 | Bolt |
| 9 | 135-4190 | 1 | O-Ring | 22 | 135-4199 | 1 | Cover-Thermostat |
| 10 | 135-4191 | 1 | Joint-Pipe | 23 | 135-4200 | 1 | Thermostat |
| 11 | 133-2504 | 4 | Screw | 24 | 135-4201 | 1 | Bolt |
| 12 | 135-4192 | 1 | Plug | 25 | 135-4202 | 1 | Bolt |
| 13 | 135-4193 | 1 | Gasket-Pump, Water | 26 | 125-6953 | 1 | Plug |
| 14 | 125-7192 | 1 | Gasket | 27 | 125-7124 | 1 | Sensor-Thermostat, CW |
| 15 | 125-7212 | 1 | Bolt | 28 | 125-6979 | 2 | Gasket |
| 16 | 125-7220 | 3 | Bolt | 29 | 135-4203 | 1 | Joint |
| 17 | 135-4194 | 1 | V-Pulley | 30 | 125-7176 | 1 | Washer-Seal |
| 18 | 135-4195 | 1 | V-Belt | | | | |

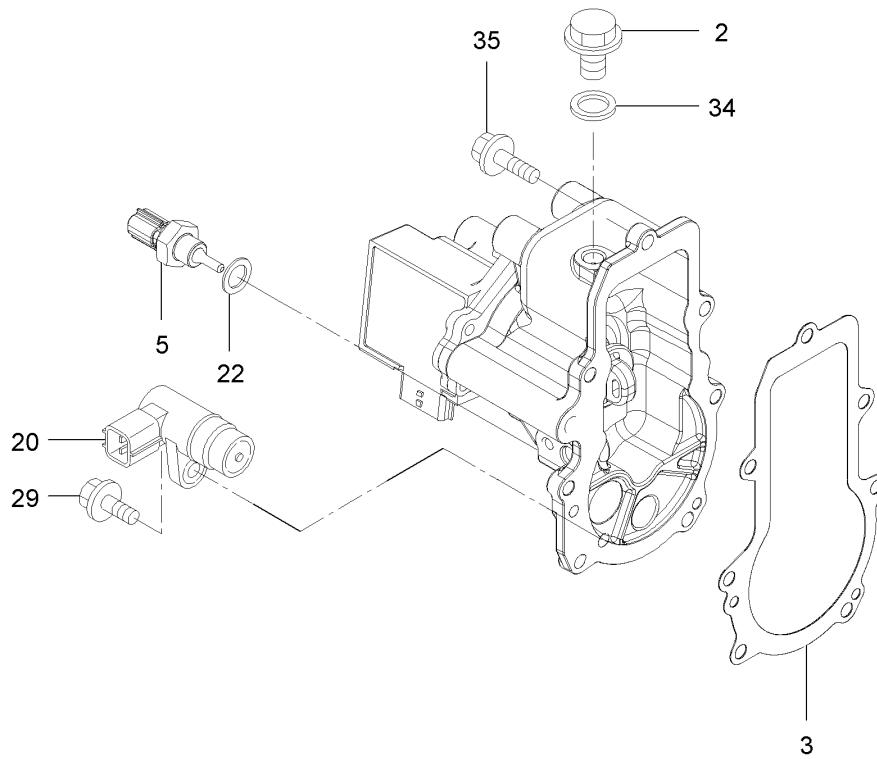
Fuel Injection Pump Assembly



Fuel Injection Pump Assembly (continued)

| <i>Ref.</i> | <i>Part Number</i> | <i>Qty.</i> | <i>Description</i> | <i>Ref.</i> | <i>Part Number</i> | <i>Qty.</i> | <i>Description</i> |
|-------------|--------------------|-------------|-----------------------|-------------|--------------------|-------------|--------------------|
| 1 | 135-4204 | 1 | Fie ASM | 15 | 135-4217 | 1 | Cover |
| 2 | 135-4205 | 2 | Bolt-Stud | 16 | 135-4218 | 1 | Gasket |
| 3 | 135-4206 | 1 | Key-Feather, Woodruff | 17 | 135-4219 | 1 | Stopper-Rack |
| 4 | 125-7156 | 3 | Stopper | 18 | 136-8236 | 1 | Washer-Seal |
| 5 | 135-4207 | 3 | O-Ring | 19 | 135-4220 | 1 | Washer-Spring |
| 6 | 135-4207 | 1 | O-Ring | 20 | 125-7183 | 2 | Pin-Spring |
| 7 | 135-4209 | 1 | Deflector | 21 | 135-4221 | 8 | Screw |
| 8 | 135-4210 | 1 | Plug-Deflector | 22 | 133-2506 | 1 | Nut |
| 9 | 135-4211 | 1 | O-Ring | 23 | 135-4222 | 2 | Nut |
| 10 | 135-4212 | 1 | Plug-Deflector | 24 | 135-4223 | 1 | Gasket |
| 11 | 135-4213 | 1 | Plug-Rack | 25 | 135-4224 | 1 | Cover-Pump |
| 12 | 135-4214 | 1 | O-Ring | 26 | 135-4225 | 1 | Support |
| 13 | 135-4215 | 1 | Cover | 27 | 125-7213 | 2 | Bolt |
| 14 | 135-4216 | 1 | Gasket | 28 | 125-7595 | 2 | Bolt |

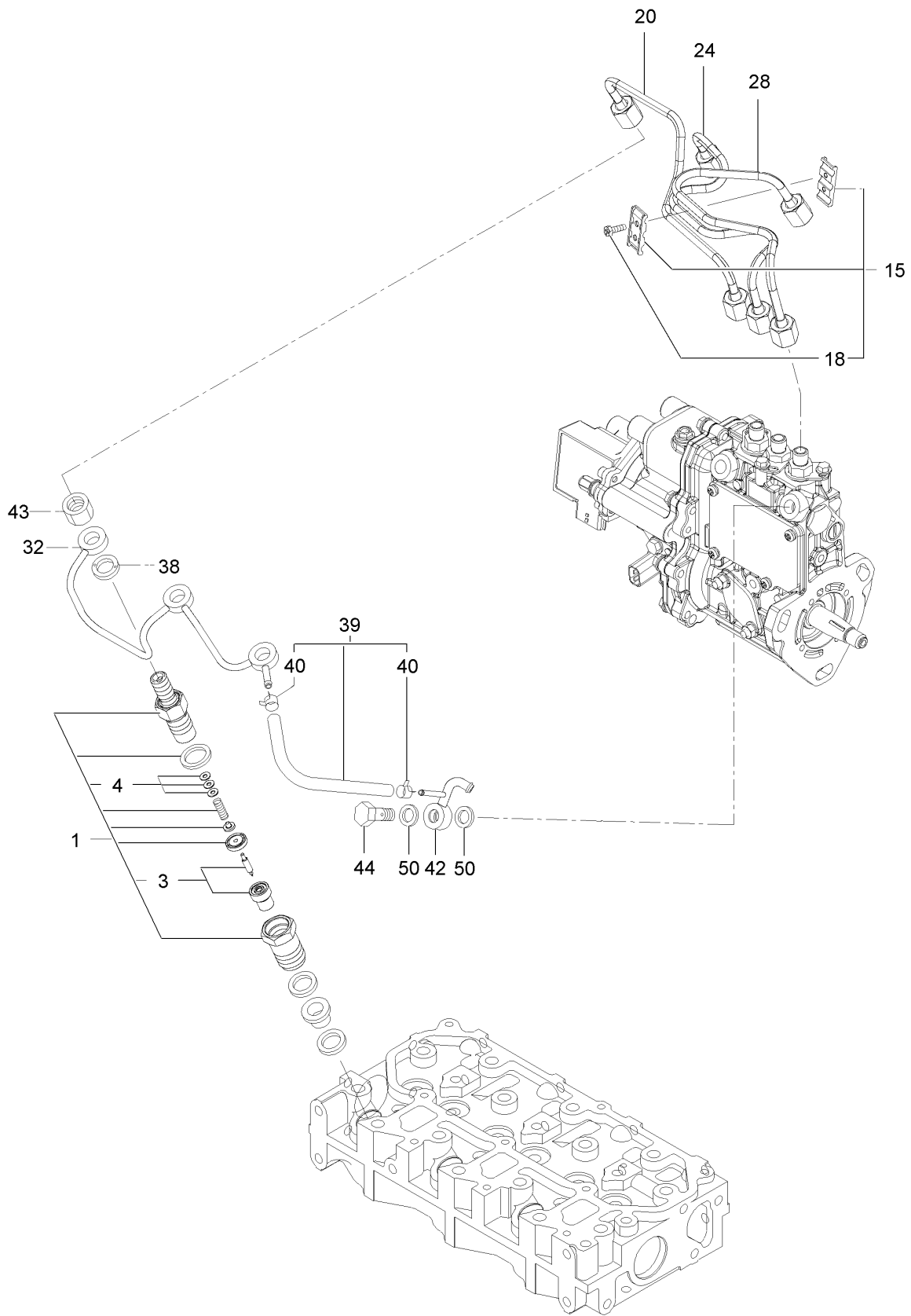
Governor Assembly



Governor Assembly (continued)

| <i>Ref.</i> | <i>Part Number</i> | <i>Qty.</i> | <i>Description</i> | <i>Ref.</i> | <i>Part Number</i> | <i>Qty.</i> | <i>Description</i> |
|-------------|--------------------|-------------|--------------------|-------------|--------------------|-------------|--------------------|
| 2 | 135-4226 | 1 | Plug | 22 | 125-7176 | 1 | Washer-Seal |
| 3 | 135-4227 | 1 | Gasket | 29 | 125-7208 | 1 | Bolt |
| 5 | 135-4228 | 1 | Sensor-Oil Temp | 34 | 125-7175 | 1 | Washer-Seal |
| 20 | 125-7152 | 1 | Sensor | 35 | 125-7209 | 7 | Bolt |

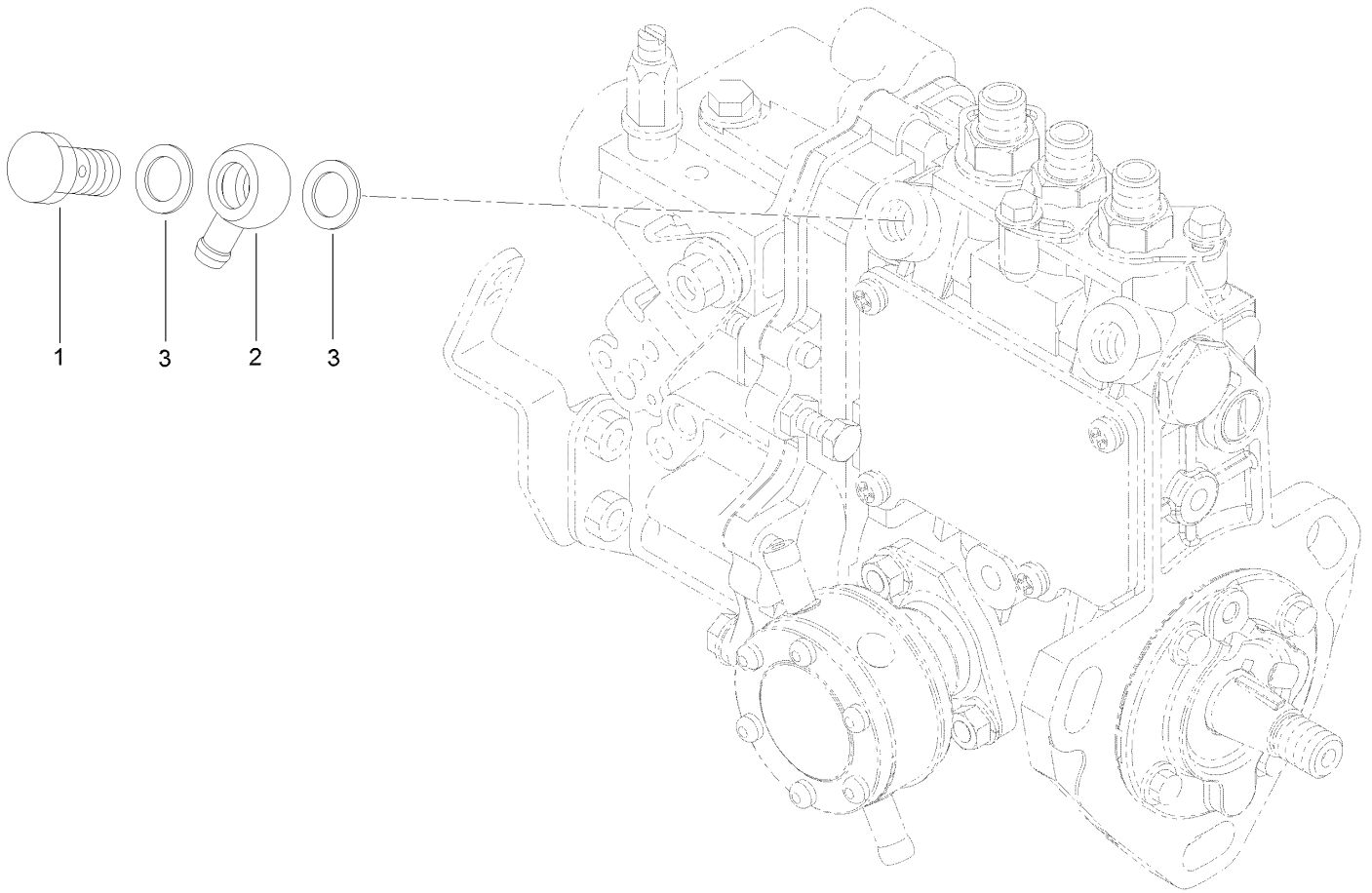
Fuel Injection Valve Assembly



Fuel Injection Valve Assembly (continued)

| <i>Ref.</i> | <i>Part Number</i> | <i>Qty.</i> | <i>Description</i> | <i>Ref.</i> | <i>Part Number</i> | <i>Qty.</i> | <i>Description</i> |
|-------------|--------------------|-------------|--------------------|-------------|--------------------|-------------|--------------------|
| 1 | 135-4229 | 3 | Nozzle ASM | 32 | 135-4236 | 1 | Pipe ASM |
| 3 | 135-4230 | 3 | Nozzle ASM | 38 | 135-4237 | 3 | Gasket |
| 4 | 135-4231 | 3 | Adjusting Shim Set | 39 | 135-4238 | 1 | Hose ASM |
| 15 | 135-4232 | 1 | Retainer-Pipe | 40 | 136-8225 | 2 | Clamp-Hose |
| 18 | 125-7027 | 2 | Bolt | 42 | 135-4239 | 1 | Joint-Over Flow |
| 20 | 135-4233 | 1 | Pipe ASM (Inj No1) | 43 | 135-4240 | 3 | Nut-Nozzle |
| 24 | 135-4234 | 1 | Pipe ASM (Inj No2) | 44 | 135-4241 | 1 | Check Valve ASM |
| 28 | 135-4235 | 1 | Pipe ASM (Inj No3) | 50 | 125-7176 | 2 | Washer-Seal |

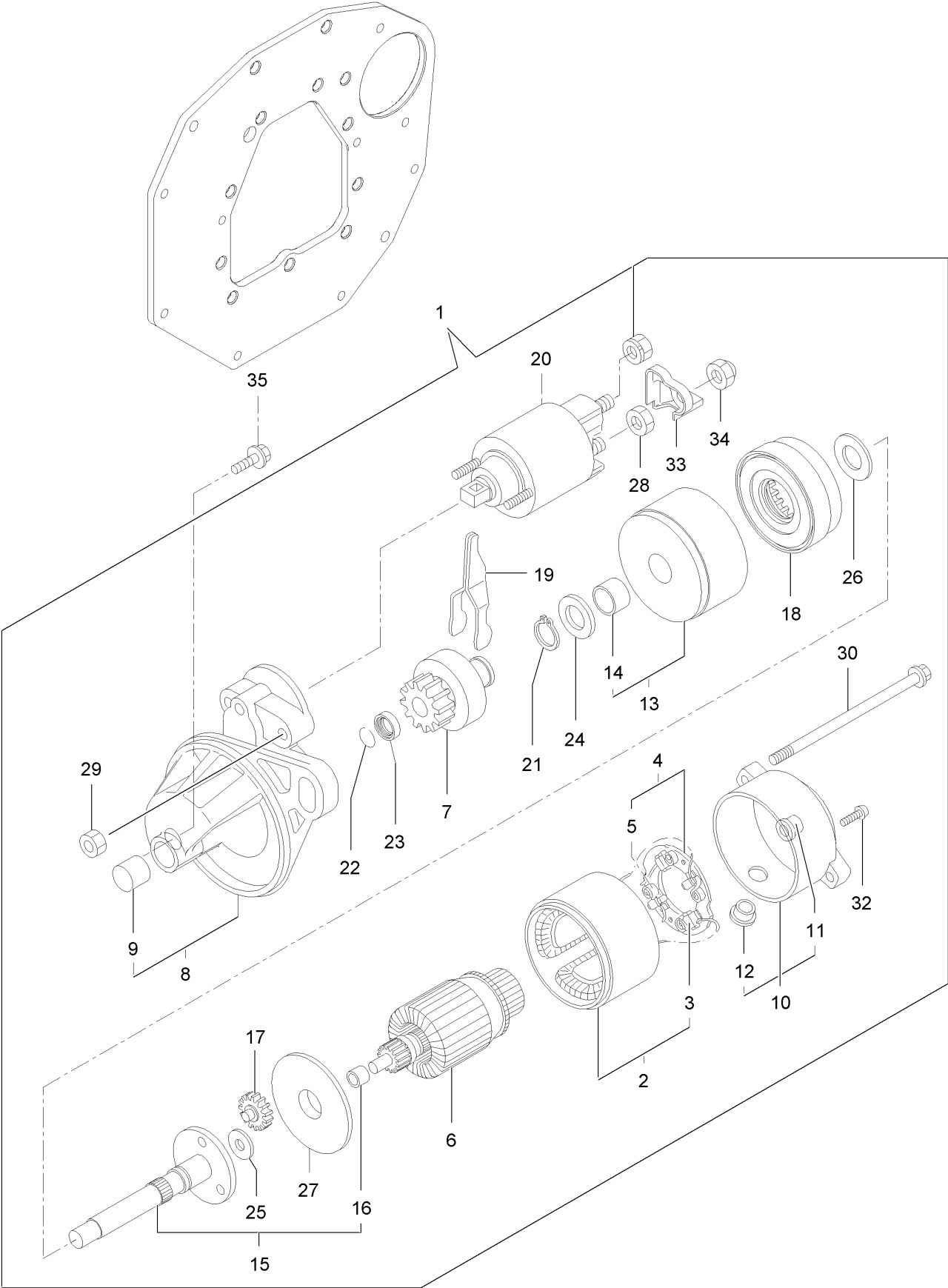
Fuel Pipe Assembly



Fuel Pipe Assembly (continued)

| <i>Ref.</i> | <i>Part Number</i> | <i>Qty.</i> | <i>Description</i> |
|-------------|--------------------|-------------|--------------------|
| 1 | 135-4242 | 1 | Bolt-Joint, Pipe |
| 2 | 135-4243 | 1 | Joint-Pipe |
| 3 | 125-7176 | 2 | Washer-Seal |

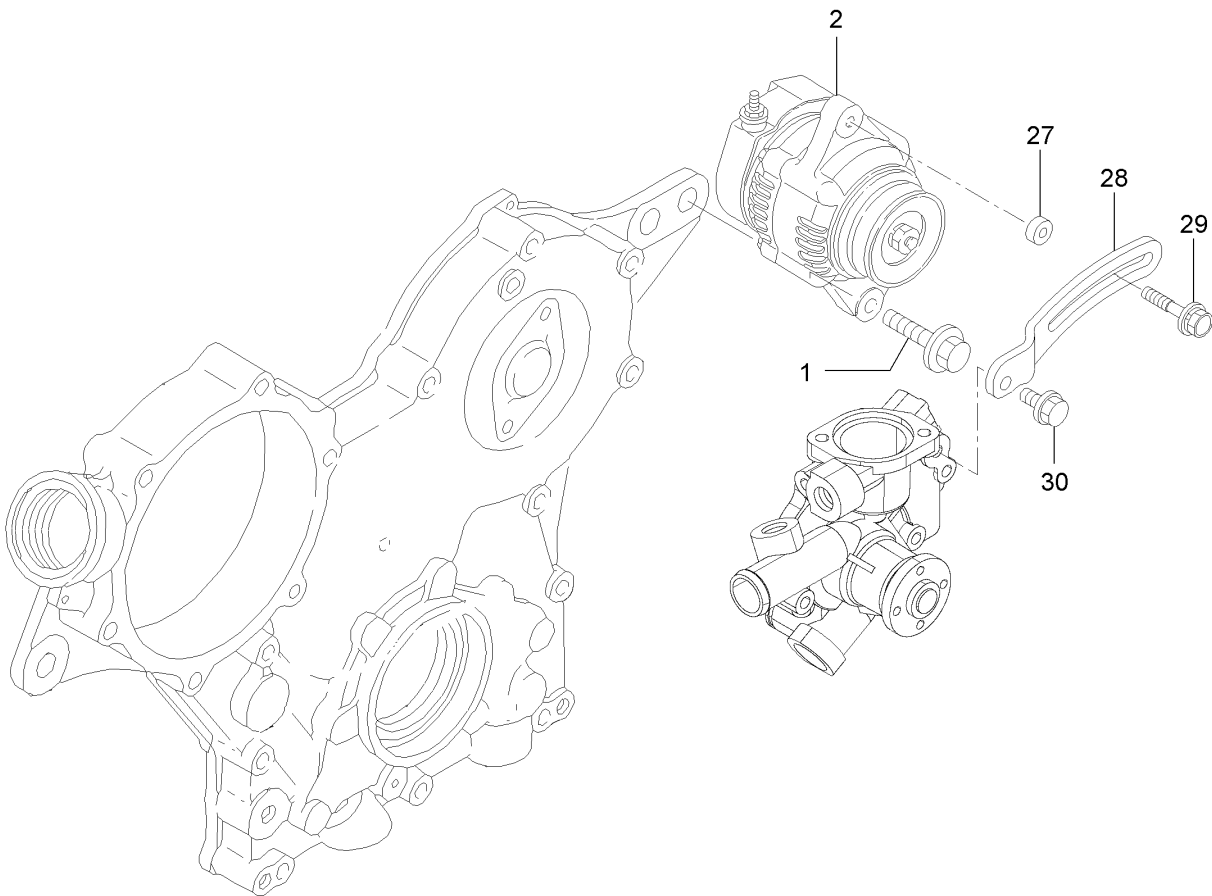
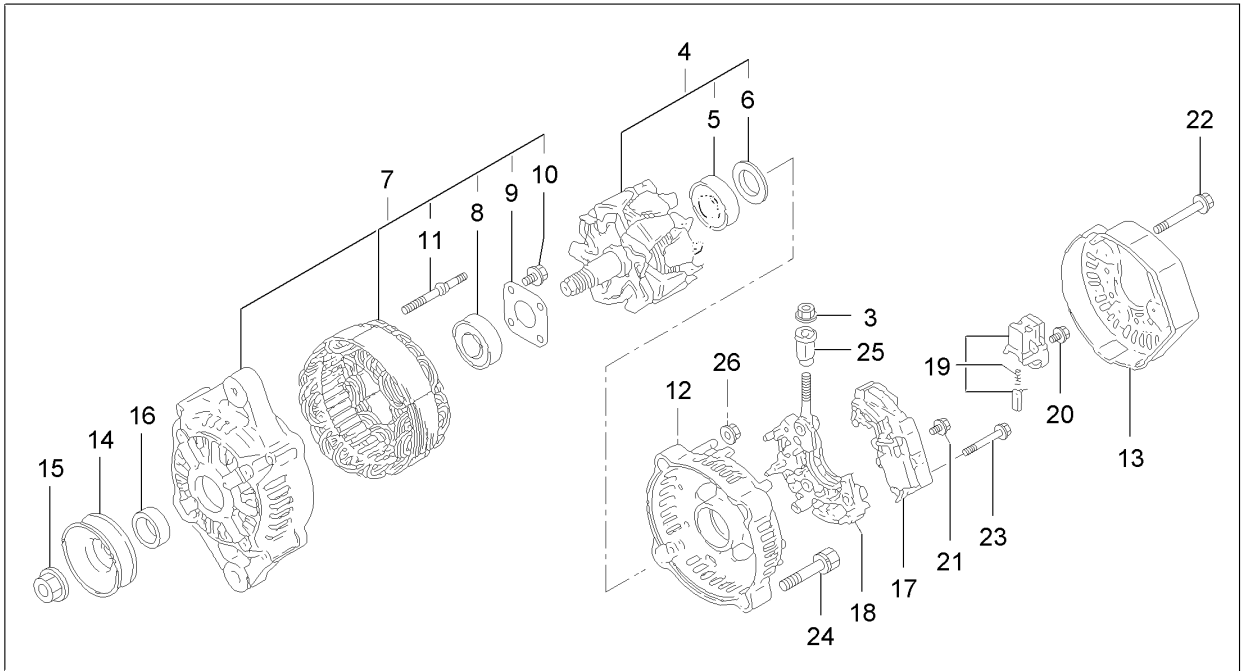
Starting Motor Assembly



Starting Motor Assembly (continued)

| <i>Ref.</i> | <i>Part Number</i> | <i>Qty.</i> | <i>Description</i> | <i>Ref.</i> | <i>Part Number</i> | <i>Qty.</i> | <i>Description</i> |
|-------------|--------------------|-------------|--------------------|-------------|--------------------|-------------|--------------------|
| 1 | 135-4244 | 1 | Starter ASM | 18 | 135-4261 | 1 | Gear |
| 2 | 135-4245 | 1 | Yoke ASM | 19 | 135-4262 | 1 | Lever |
| 3 | 135-4246 | 2 | Starter Kit | 20 | 135-4263 | 1 | Switch ASM |
| 4 | 135-4247 | 1 | Holder ASM | 21 | 135-4264 | 1 | Ring |
| 5 | 135-4248 | 4 | Spring | 22 | 135-4265 | 1 | Ring |
| 6 | 135-4249 | 1 | Armature ASM | 23 | 135-4266 | 1 | Nut |
| 7 | 135-4250 | 1 | Clutch ASM | 24 | 135-4267 | 1 | Washer |
| 8 | 135-4251 | 1 | Housing ASM | 25 | 135-4268 | 1 | Washer |
| 9 | 135-4252 | 1 | Bearing-Needle | 26 | 135-4269 | 1 | Washer |
| 10 | 135-4253 | 1 | Frame ASM | 27 | 135-4270 | 1 | Plate |
| 11 | 135-4254 | 1 | Bearing | 28 | 135-4271 | 1 | Nut |
| 12 | 135-4255 | 1 | Cover | 29 | 135-4272 | 2 | Nut |
| 13 | 135-4256 | 1 | Bearing ASM | 30 | 135-4273 | 2 | Bolt-Through |
| 14 | 135-4257 | 1 | Bearing | 32 | 135-4274 | 2 | Screw |
| 15 | 135-4258 | 1 | Shaft ASM | 33 | 135-4275 | 1 | Cover-Terminal |
| 16 | 135-4259 | 1 | Bearing | 34 | 135-4276 | 1 | Nut |
| 17 | 135-4260 | 3 | Gear | 35 | 127-3179 | 2 | Bolt |

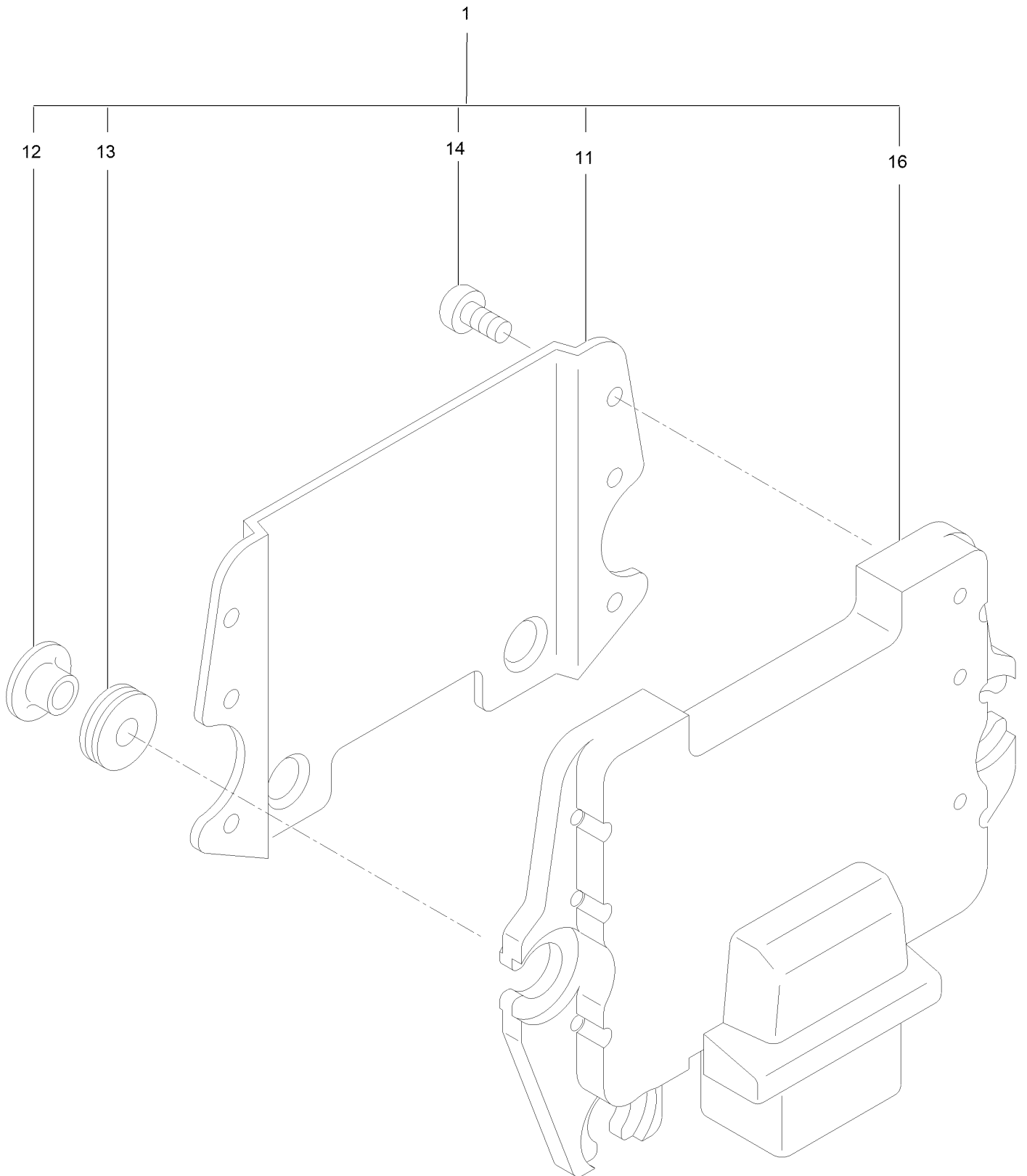
Generator Assembly



Generator Assembly (continued)

| <i>Ref.</i> | <i>Part Number</i> | <i>Qty.</i> | <i>Description</i> | <i>Ref.</i> | <i>Part Number</i> | <i>Qty.</i> | <i>Description</i> |
|-------------|--------------------|-------------|--------------------|-------------|--------------------|-------------|--------------------|
| 1 | 135-4277 | 1 | Bolt | 16 | 127-2957 | 1 | Collar |
| 2 | 135-4278 | 1 | Alternator | 17 | 135-4026 | 1 | Regulator ASM |
| 3 | 127-3190 | 1 | Nut | 18 | 127-3848 | 1 | Holder |
| 4 | 127-3843 | 1 | Rotor ASM | 19 | 127-2993 | 1 | Holder |
| 5 | 127-2983 | 1 | Bearing-Ball | 20 | 127-2965 | 6 | Screw |
| 6 | 127-2962 | 1 | Cover | 21 | 127-2966 | 1 | Screw |
| 7 | 135-4025 | 1 | Frame ASM | 22 | 127-2967 | 3 | Bolt |
| 8 | 127-2958 | 1 | Bearing-Ball | 23 | 127-2968 | 2 | Screw |
| 9 | 127-2959 | 1 | Plate-Retainer | 24 | 127-2969 | 2 | Bolt |
| 10 | 127-2960 | 4 | Screw | 25 | 127-2970 | 1 | Bushing-Insulation |
| 11 | 127-2961 | 2 | Stud | 26 | 127-2971 | 2 | Nut |
| 12 | 127-3845 | 1 | Frame | 27 | 125-6947 | 1 | Spacer |
| 13 | 127-3846 | 1 | Cover | 28 | 135-4279 | 1 | Adjuster-Belt |
| 14 | 127-2954 | 1 | Pulley | 29 | 125-7134 | 1 | Bolt |
| 15 | 127-2955 | 1 | Nut | 30 | 125-7595 | 1 | Bolt |

Electronic Control Unit Assembly



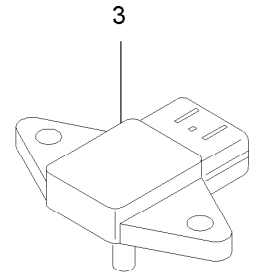
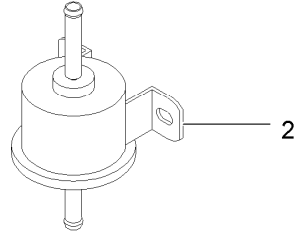
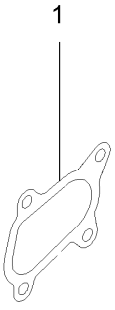
Electronic Control Unit Assembly (continued)

| <i>Ref.</i> | <i>Part Number</i> | <i>Qty.</i> | <i>Description</i> | <i>Ref.</i> | <i>Part Number</i> | <i>Qty.</i> | <i>Description</i> |
|-------------|--------------------|-------------|--------------------|-------------|--------------------|-------------|--------------------|
| 1 | | 1 | Ecu ASM ● | 13 | 125-6908 | 3 | Absorber |
| 11 | 125-7129 | 1 | Shield | 14 | 125-7187 | 6 | Screw |
| 12 | 125-7130 | 3 | Collar | 16 | 135-4281 | 1 | Ecu ■ |

● Not serviced separately

■ Contact an Authorized Service Dealer

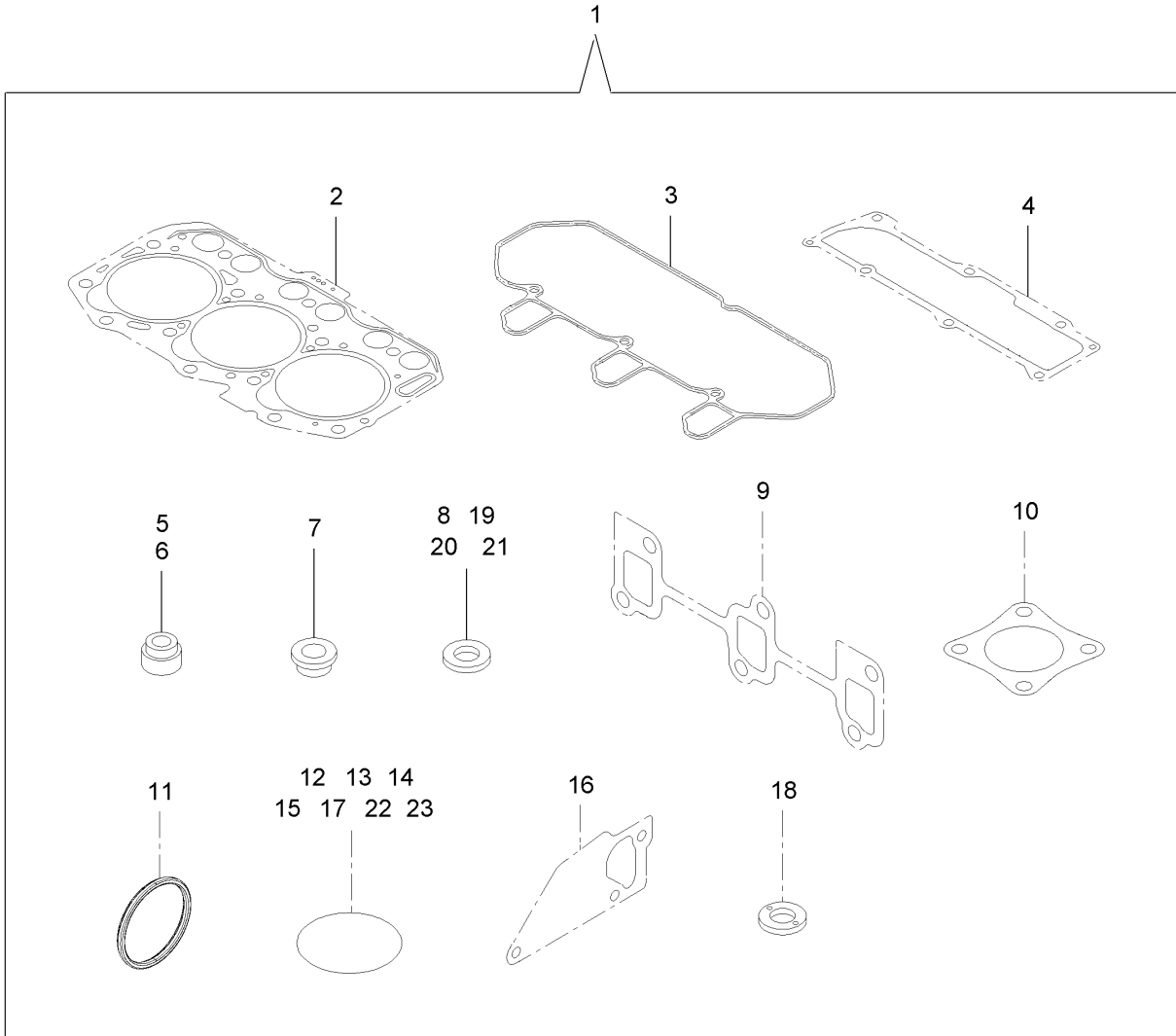
Fuel System Assembly



Fuel System Assembly (continued)

| <i>Ref.</i> | <i>Part Number</i> | <i>Qty.</i> | <i>Description</i> |
|-------------|--------------------|-------------|---------------------|
| 1 | 127-3779 | 1 | Gasket-Out, T C |
| 2 | 121-5613 | 1 | Pump-Fuel, Electric |
| 3 | 135-4282 | 1 | Sensor |

Gasket Set



Gasket Set (continued)

| <i>Ref.</i> | <i>Part Number</i> | <i>Qty.</i> | <i>Description</i> | <i>Ref.</i> | <i>Part Number</i> | <i>Qty.</i> | <i>Description</i> |
|-------------|--------------------|-------------|--------------------------------|-------------|--------------------|-------------|--------------------|
| 1 | 135-4283 | 1 | Gasket Kit | 13 | 127-2973 | 1 | O-Ring |
| 2 | 135-4038 | 1 | Head Gasket Set | 14 | 135-4058 | 3 | O-Ring |
| 3 | 135-4093 | 1 | Gasket-Cover, Cylinder Head | 15 | 135-4293 | 1 | O-Ring |
| 4 | 135-4095 | 1 | Gasket | 16 | 135-4193 | 1 | Gasket-Pump, Water |
| 5 | 125-6915 | 3 | Seal-Stem, Valve | 17 | 125-6957 | 1 | O-Ring |
| 6 | 125-6916 | 3 | Seal-Stem, Valve | 18 | 135-4237 | 3 | Gasket |
| 7 | 135-4069 | 3 | Protector-Nozzle | 19 | 125-7174 | 4 | Washer-Seal |
| 8 | 135-4070 | 6 | Gasket-Nozzle | 20 | 125-7176 | 4 | Washer-Seal |
| 9 | 135-4107 | 1 | Gasket-Manifold, Exhaust | 21 | 125-7192 | 1 | Gasket |
| 10 | 135-4290 | 1 | Gasket-Silencer | 22 | 125-7197 | 2 | O-Ring |
| 11 | 135-4160 | 1 | Gasket-Washer | 23 | 135-4295 | 1 | O-Ring |
| 12 | 125-6909 | 1 | O-Ring | | | | |

Attachments and Accessories

For 72028 Z Master Professional 7500-D Series Riding Mower With 60in TURBO FORCE Rear Discharge Mower

| Product Name | Model/Part |
|---|-------------------|
| Premium Transmission/Hydraulic Tractor Fluid (55 Gallon Drum)..... | 108-1183 |
| Premium Transmission/Hydraulic Tractor Fluid (5 Gallon Pail) | 108-1184 |
| Deck Skid Bumper (White)..... | 126-0854 |
| Sunshade Kit | 126-8077 |
| Anti-Scalp and Wear Bar Kit | 127-6650 |
| Jack Kit..... | 127-6666 |
| Jack Mount Kit | 135-1768 |
| Trash Container Kit..... | 135-2473 |
| Slow Moving Vehicle Kit..... | 135-2891 |
| Rear Guard Kit..... | 135-3445 |
| Hitch Kit | 135-3616 |
| Worklight Kit | 135-7076 |
| 15W40 Oil 32oz. | 137-1051 |
| Oil-30/10W-30 Synthetic (Quart)..... | 138-6053 |
| Oil-30/10W-30 Synthetic (Gallon) | 138-6054 |
| Blade-20.50 Atomic | 140-1241 |
| Blade-20.50 Cr Low Flow..... | 140-1244 |
| 6 Pack-Blade, 20.5 Atomic..... | 140-4880 |
| Tilt Sensor-Diesel | 142-3372 |
| Hood Intake Kit | 142-4189 |
| CE Kit | 144-0378 |
| Heat Deflector Kit, ZMaster Professional 7500-D Series Riding Mower | 147-7913 |

Notes:

Notes:

Notes:



Count on it.