



**Count on it.**

**Parts Catalog**

**Z Master® Professional 7500-D  
Series Riding Mower**

**With 60in TURBO FORCE® Rear Discharge  
Mower**

Model No. 72028—Serial No. 415206762 and Up



# Ordering Replacement Parts

To order replacement parts, please supply the part number, the quantity, and the description of each part desired.

## Understanding Reference Numbers

Each identified part in an illustration has a reference number. The reference number for a part also appears in the parts list, along with other information about the part.

This catalog uses two special reference number formats, one to indicate parts in a service assembly and another to indicate the quantity of a given part in an illustration.

## Service Assembly Reference Numbers

Parts in service assemblies have reference numbers in the form a:b. The a represents the reference number of the entire service assembly and the b represents a sequential number unique to each part within the service assembly.

For example, a wheel assembly might be identified by reference number 6, the tire by 6:1, the valve by 6:2, and the wheel by 6:3. When you order the assembly identified by reference number 6, you receive all parts identified by reference numbers 6:1, 6:2, and 6:3. However, you may also order any part individually. Reference numbers of this type appear in illustration and in parts lists.

## Reference Numbers Indicating Quantity

In an illustration, if a reference number indicates more than one part, the reference number has the form nX y. The n represents the quantity of the part, the X is the multiplication symbol, and the y represents the reference number.

For example, in an illustration, the reference number 2X 37 means that two of the parts identified by reference number 37 are indicated.

# Contents

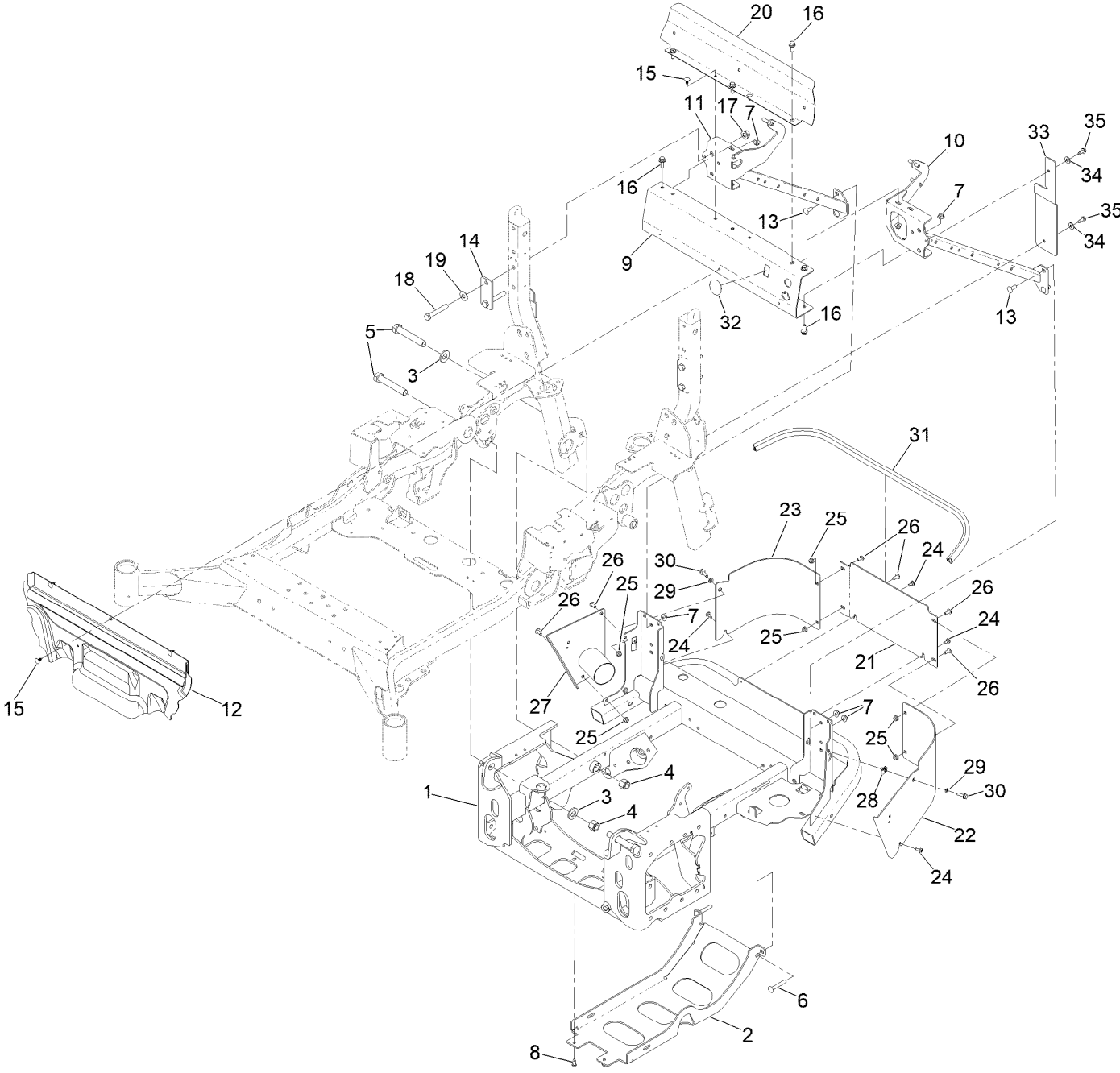
Rear Frame Assembly	6
Frame and Roll-Over Protection System Assembly	8
Roll-Over Protection System Assembly No. 142-9749	10
Caster Wheel Assembly	12
Transmission Assembly	14
Charge Pump Housing Assembly Transmission Assembly No. 131-5510	16
Transmission Assembly (cont.) Center Section Assembly	18
Transmission Assembly (cont.) Gear Case and Clutch Assembly	20
Hydraulic Gear Pump Assembly No. 112-9542	22
Rear Wheel Assembly	24
Parking Brake Assembly	26
Fuel System Assembly	28
RH Fuel Tank Assembly No. 142-8638	30
LH Fuel Tank Assembly 142-8637	32
Seat Mounting Assembly	34
Seat Assembly No. 147-4984	36
Motion Control Assembly	38
Hood and Cover Assembly	40
Hood Assembly No. 135-7930	42
Rod Linkage Assembly No. 126-6131	44
Electrical Assembly	46
Wire Harness Assembly No. 142-7960	48
Deck Lift Assembly	50
Engine Assembly	52
HDAC Assembly No. 142-3554	54
Deck, Driveshaft and Tunnel Assembly	56
Deck Assembly	58
Deck Decal Assembly No. 140-0965	60
Spindle Assembly No. 137-9780	62
Gear Box and Mount Assembly	64
Gear Box Assembly No. 130-8659	66
Idler Mount Assembly No. 126-3271	68
Driveshaft Assembly No. 110-3575	70
Discharge Tunnel Assembly No. 126-3317	72
Hydraulic Assembly	74
Hydraulic Reservoir Assembly No. 142-5034	76
5 Stud Wheel Hub Kit Assembly No. 135-5333	78
Valve Assembly No. 131-1934	80
Cooling Assembly	82
Cooling Assembly No. 121-3330	84
Cylinder Block Assembly	86
Gear Housing Assembly	88
Flywheel Housing and Oil Sump Assembly	90
Cylinder Head and Cover Assembly	92
Suction Manifold Assembly	94
Exhaust Manifold Assembly	96
Camshaft and Driving Gear Assembly	98
Turbine Assembly	100
Crankshaft and Piston Assembly	102
Oil Pump Assembly	104
Oil Pump Assembly (cont.)	106
Cooling Water System Assembly	108
Fuel Injection Pump Assembly	110
Governor Assembly	112

## Contents (continued)

Fuel Injection Valve Assembly .....	114
Fuel Pipe Assembly .....	116
Starting Motor Assembly .....	118
Generator Assembly .....	120
Electronic Control Unit Assembly .....	122
Fuel System Assembly .....	124
Gasket Set .....	126
Attachments and Accessories .....	128



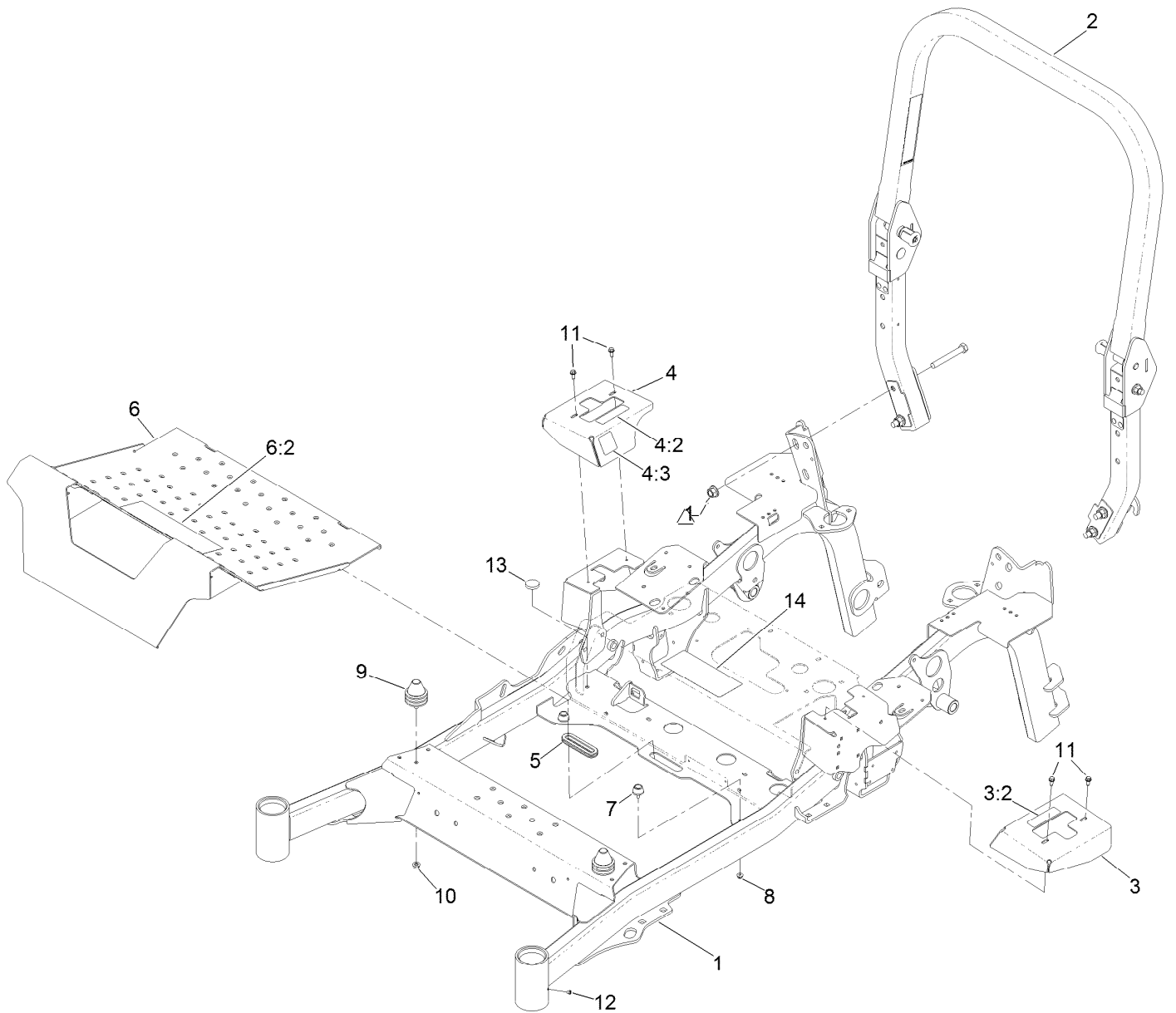
# Rear Frame Assembly



## Rear Frame Assembly (continued)

<i>Ref.</i>	<i>Part Number</i>	<i>Qty.</i>	<i>Description</i>	<i>Ref.</i>	<i>Part Number</i>	<i>Qty.</i>	<i>Description</i>
1	126-5929-03	1	Frame-Power	19	109-9505	4	Washer-Spring
2	126-5922-03	1	Plate-Skid	20	126-6557-03	1	Shield-Air
3	103-2802	4	Washer	21	126-8954-03	1	Plate-Bumper, Center
4	3296-51	4	Nut-Lock, NI	22	126-8952-03	1	Plate-Bumper, LH
5	328-8	4	Screw-HH	23	126-8953-03	1	Plate-Bumper, RH
6	3231-44	2	Screw-CARR	24	120-7950	4	Screw-Torx
7	104-8301	13	Nut-HF, NI	25	104-8300	7	Nut-HF, NI
8	138-9753	2	Screw	26	126-6268	7	Screw-TTH
9	126-8567-03	1	Channel-Cross	27	135-0880	1	Plate-Exhaust
10	142-9442-03	1	Wldmt-ROPS LH Brace	28	112-3306	2	Nut
11	142-9443-03	1	Wldmt-ROPS RH Brace	29	3290-475	2	Washer-Belleville
12	126-7458	1	Panel-Deflector, Heat	30	3234-29	2	Screw-HHF
13	3231-22	4	Screw-CARR	31	126-6845	1	Seal-Bulb
14	135-0412-03	2	Plate-Spacer	32	135-3728	1	Decal-Cover
15	117-2382	6	Plug-Plastic	33	142-3197	2	Sheet-ROPS Airdam
16	131-2220	7	Screw-HHF	34	3256-3	4	Washer-Flat
17	99-5107	4	Nut-Lock	35	32144-70	4	Screw-HWHTF
18	112-7264	4	Screw-HH				

# Frame and Roll-Over Protection System Assembly

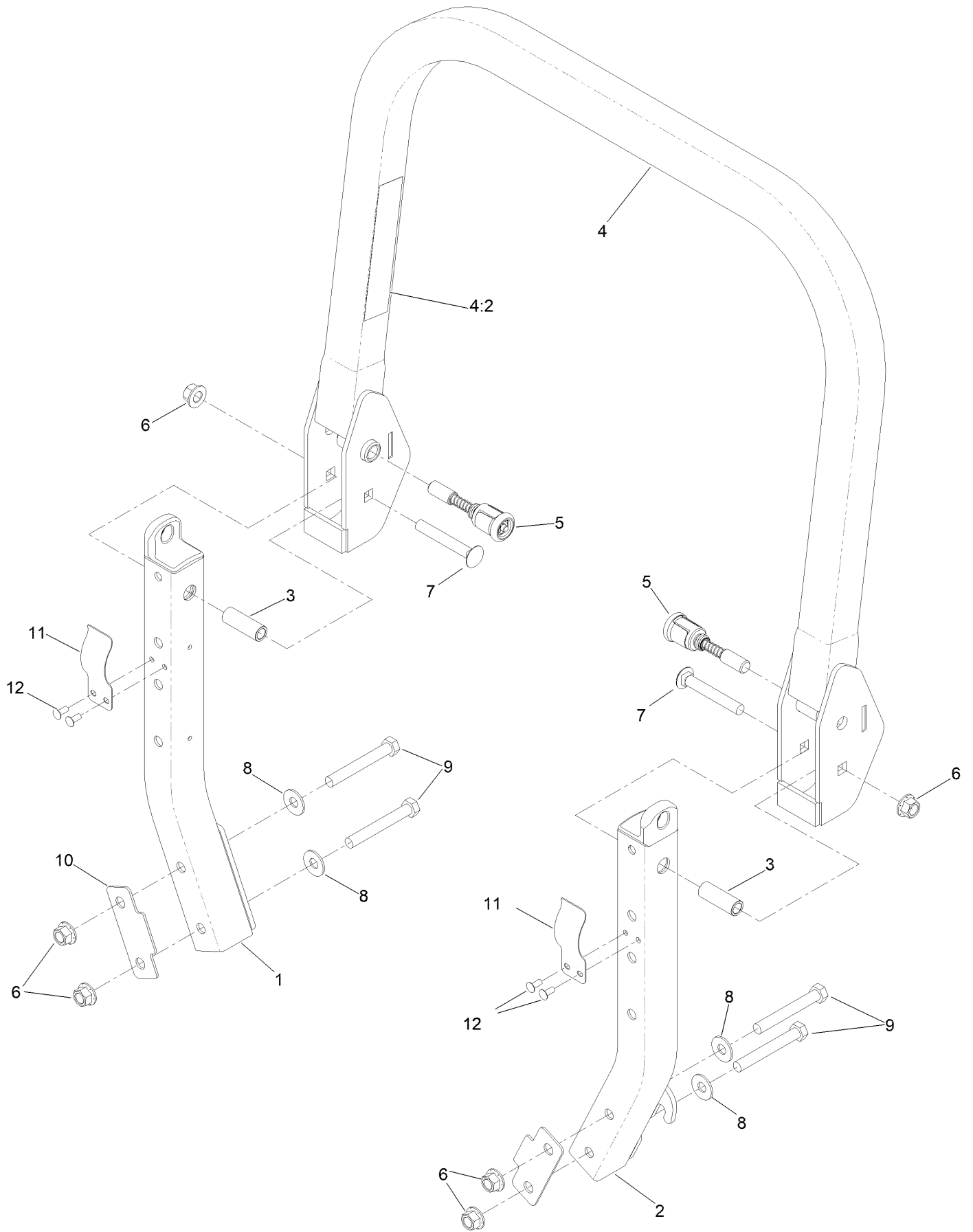




# Frame and Roll-Over Protection System Assembly (continued)

<i>Ref.</i>	<i>Part Number</i>	<i>Qty.</i>	<i>Description</i>	<i>Ref.</i>	<i>Part Number</i>	<i>Qty.</i>	<i>Description</i>
1	146-1065	1	Mainframe ASM, Rd	6:2	126-8383	1	Decal-Danger
2	142-9749	1	ASM, ROPS-7500D Diesel	7	109-2365	2	Bumper-Rubber
3	126-1821	1	Cover-Motion Control, LH	8	104-7201	2	Nut-HF, NI
3:2	99-8936	1	Decal-Control, Motion	9	126-5491	2	Isolator
4	126-1831	1	Cover-Motion Control, RH	10	104-8300	2	Nut-HF, NI
4:2	99-8936	1	Decal-Control, Motion	11	32144-10	4	Screw-HWH
4:3	116-5988	1	Decal-Park Brake, CE	12	1-811010	2	Plug
5	126-7065	1	Grommet-Rubber	13	109-9233	1	Bumper-Push-In, Rubber
6	126-9066	1	Pan-Floor	14	126-9279	1	Decal-Service Aid

# Roll-Over Protection System Assembly No. 142-9749

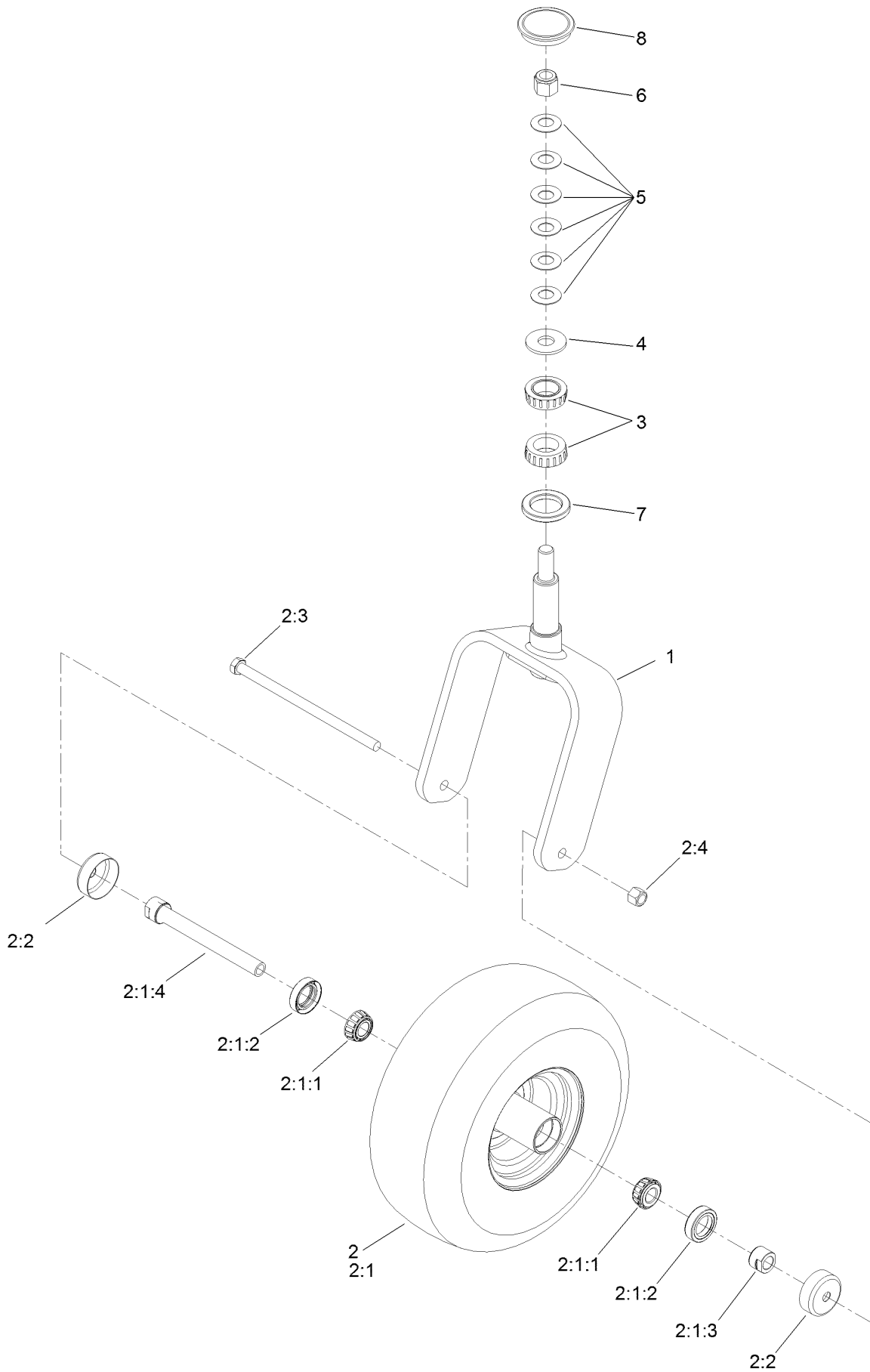


# Roll-Over Protection System Assembly No. 142-9749 (continued)

<i>Ref.</i>	<i>Part Number</i>	<i>Qty.</i>	<i>Description</i>	<i>Ref.</i>	<i>Part Number</i>	<i>Qty.</i>	<i>Description</i>
1		1	Lower-ROPS, RH ●	7	3233-10	2	Screw-CARR
2		1	Lower-ROPS, LH ●	8	109-9505	4	Washer-Spring
3	109-6653	2	Spacer	9	325-35	4	Screw-HH
4	142-2385	1	ASM,ROPS Upper W/Decal	10	116-0960	2	Spacer
4:2	107-3069	1	Decal-Warning	11	110-5696	2	Spring-Leaf
5	116-0104	2	Pin-Spring	12	3290-412	4	Rivet-Blind
6	99-5107	6	Nut-Lock				

● Not serviced separately

# Caster Wheel Assembly

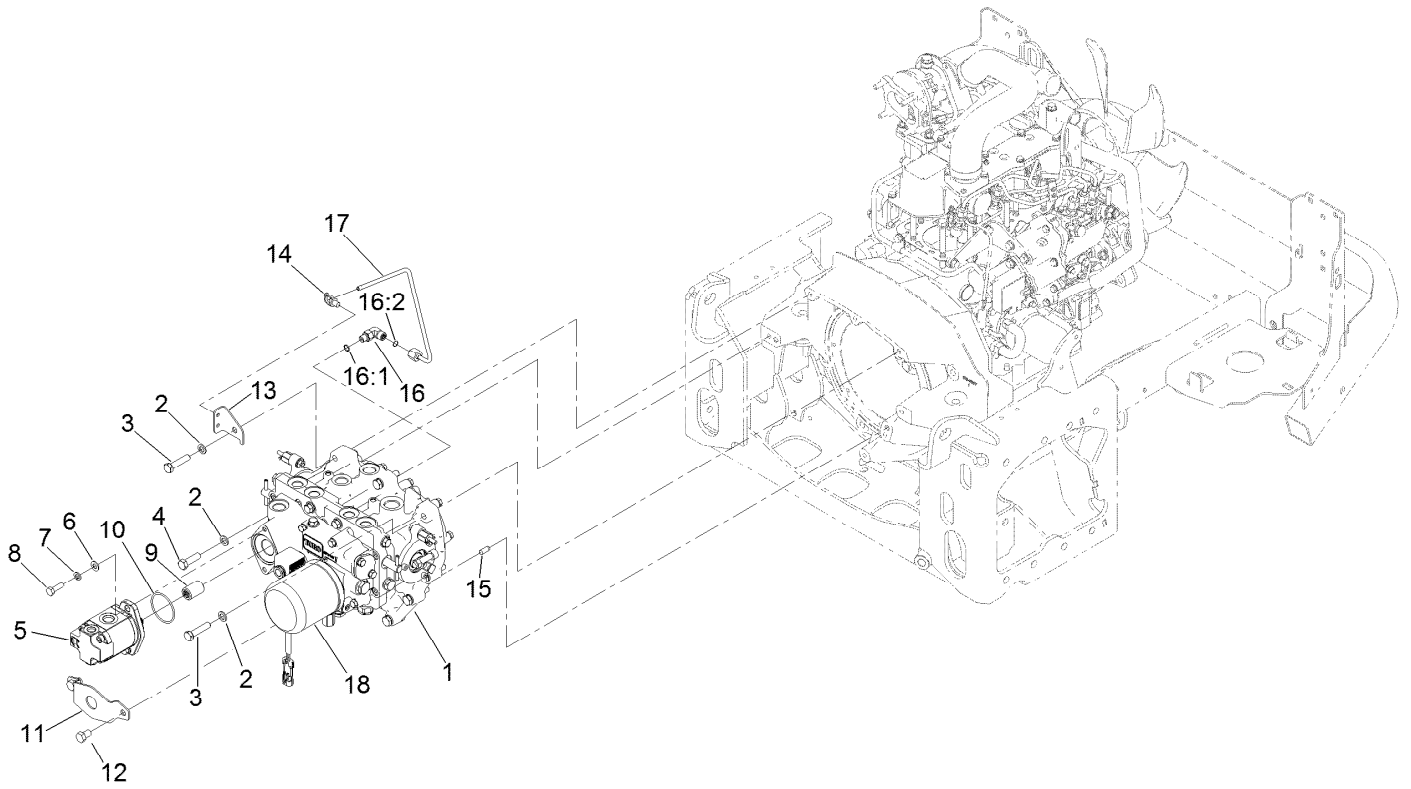


## Caster Wheel Assembly (continued)

<i>Ref.</i>	<i>Part Number</i>	<i>Qty.</i>	<i>Description</i>	<i>Ref.</i>	<i>Part Number</i>	<i>Qty.</i>	<i>Description</i>
1	126-8601-01	1	Fork-Caster	2:3	325-39	1	Screw-HH
2	126-9344	1	Wheel And Tire ASM	2:4	3296-23	1	Nut-Lock, NI
2:1		1	Tire And Wheel ASM ●	3	103-9028	2	Bearing-Roller, Cone Taper
2:1:1	1-633585	2	Bearing-Cone, Taper	4	3256-8	1	Washer-Flat
2:1:2	103-0063	2	Seal-Caster	5	1-633508	6	Washer-Bellville
2:1:3	103-3051	1	Spacer-Nut	6	3296-51	1	Nut-Lock, NI
2:1:4	126-5361	1	Axle Caster ASM	7	135-0355	1	Seal-Grease
2:2	103-2768	2	Guard-Seal	8	126-9369	1	Cap-Grease

● Not serviced separately

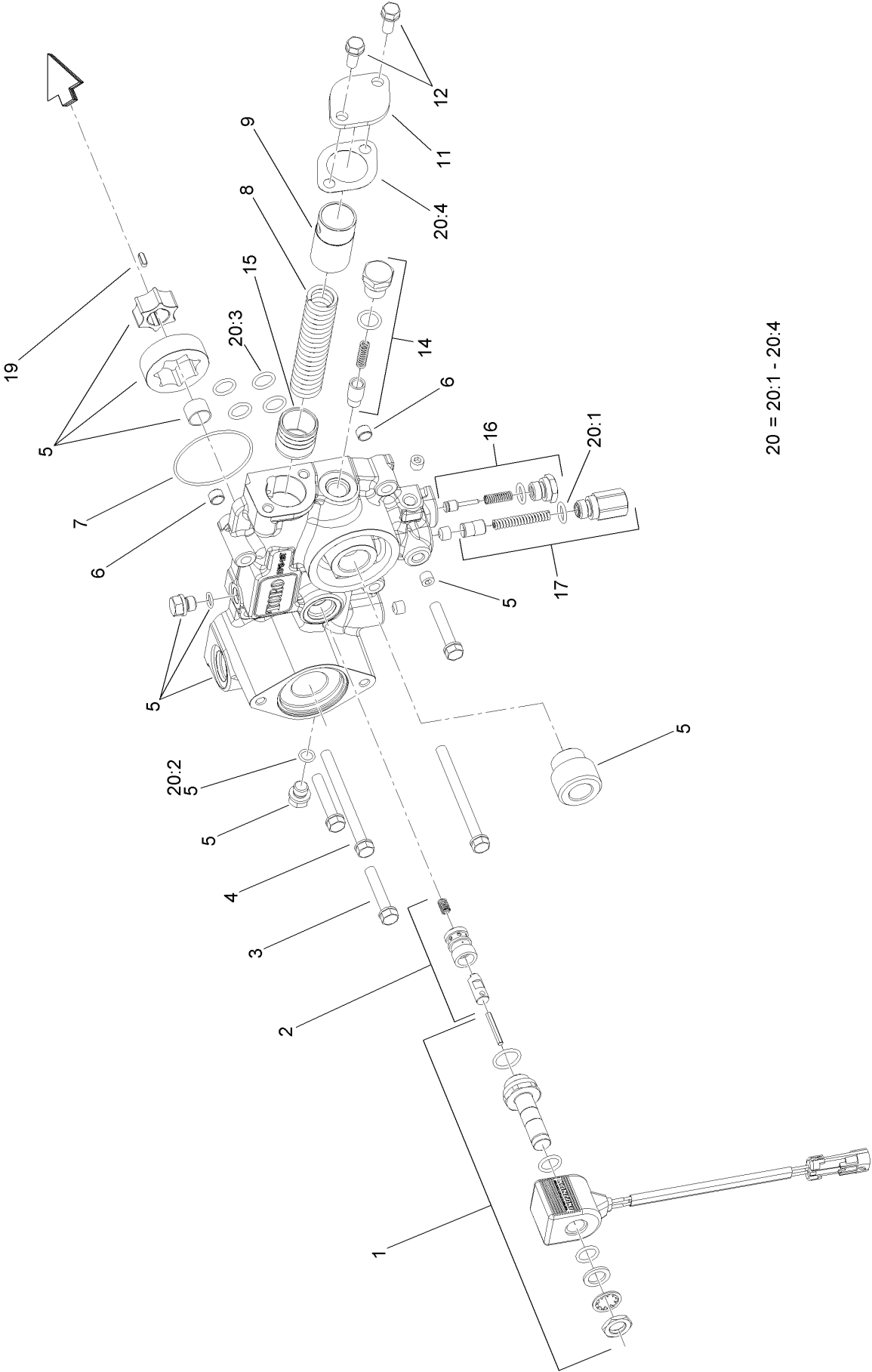
# Transmission Assembly



## Transmission Assembly (continued)

<i>Ref.</i>	<i>Part Number</i>	<i>Qty.</i>	<i>Description</i>	<i>Ref.</i>	<i>Part Number</i>	<i>Qty.</i>	<i>Description</i>
1	131-5510	1	Transmisson ASM	11	114-4088	1	Shield-Seal
2	48-9590	7	Washer-Lock	12	33115-016	2	Screw-HH
3	33115-045	6	Screw-HH	13	126-6806	1	Support-Tube
4	33115-035	1	Screw-HH	14	32180-030	1	Clip-Tie
5	112-9542	1	HYD Gear Pump ASM	15	87-1910	2	Pin-Dowel
6	3256-23	2	Washer-Plain	16	340-132	1	Fitting-Elbow, 90 DEG
7	3253-4	2	Washer-Lock	16:1	237-78	1	O-Ring
8	33114-025	2	Screw-HH	16:2	237-21	1	O-Ring
9	108-9920	1	Coupler-Spline	17	126-8689	1	Tube ASM
10	108-9919	1	O-Ring	18	108-5194	1	Filter-Oil, HYD

# Charge Pump Housing Assembly Transmission Assembly No. 131-5510



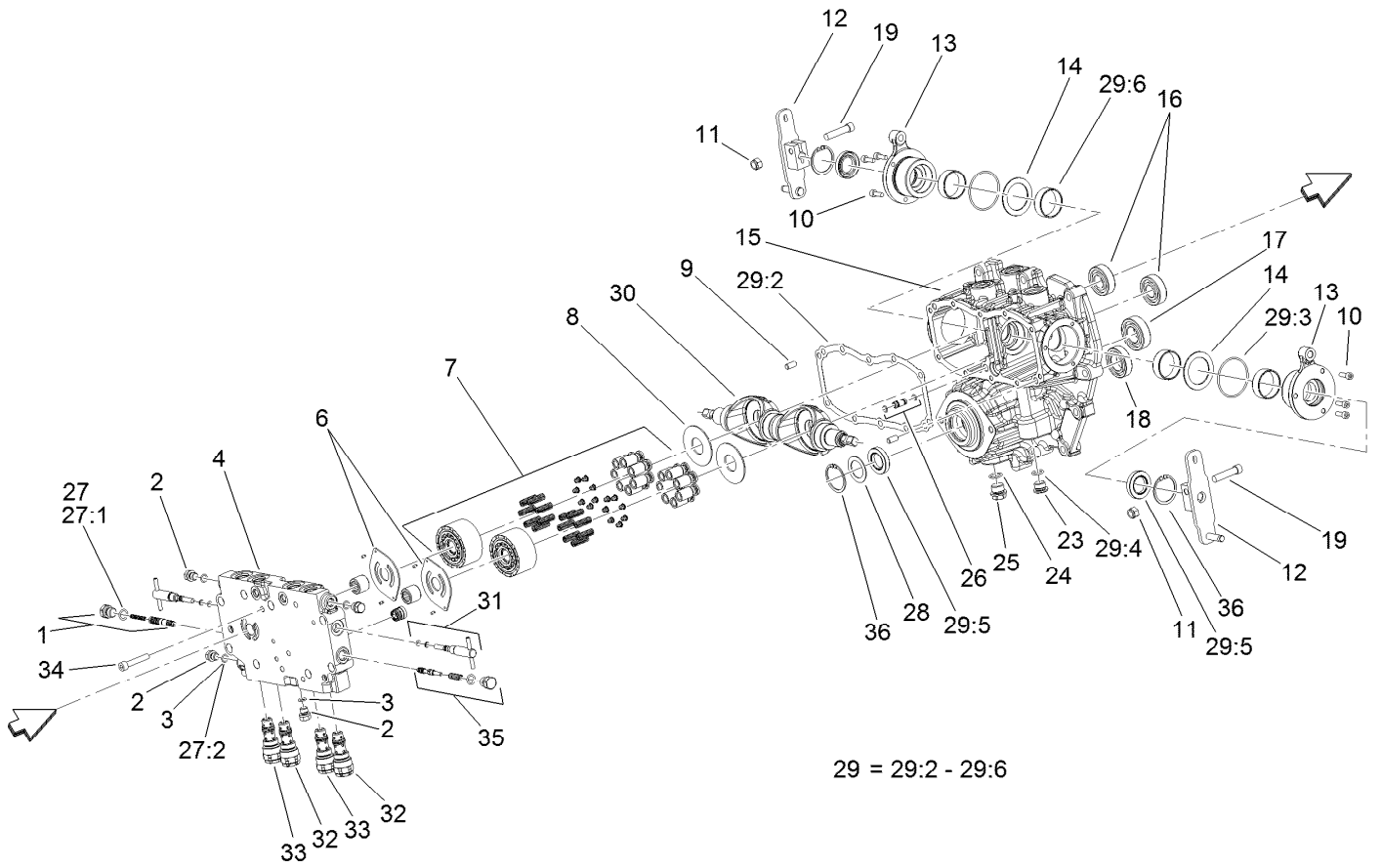


# Charge Pump Housing Assembly Transmission Assembly No. 131-5510 (continued)

<i>Ref.</i>	<i>Part Number</i>	<i>Qty.</i>	<i>Description</i>	<i>Ref.</i>	<i>Part Number</i>	<i>Qty.</i>	<i>Description</i>
1	107-0851	1	Solenoid ASM	14	107-0843	1	Filter Bypass Valve ASM
2	107-0850	1	Solenoid Valve ASM	15	107-0818	1	Piston
3	107-0863	3	Bolt	16	107-0842	1	Charge Relief Valve ASM
4	107-0864	2	Bolt	17	107-0841	1	Pressure Valve ASM
5	107-0840	1	Pump Body ASM	19	107-0865	1	Key
6	107-0848	2	Pin	20	107-0855	1	Charge Pump Seal Kit
7	107-0856	1	O-Ring	20:1	93-0418	2	O-Ring
8	107-0845	1	Spring	20:2	107-0817	2	O Ring-Plug
9	107-0844	1	Collar	20:3	104-3298	6	Packing
11	107-0846	1	Cover	20:4	107-0847	1	Gasket
12	93-0457	2	Bolt And Washer ASM				

# Transmission Assembly (cont.)

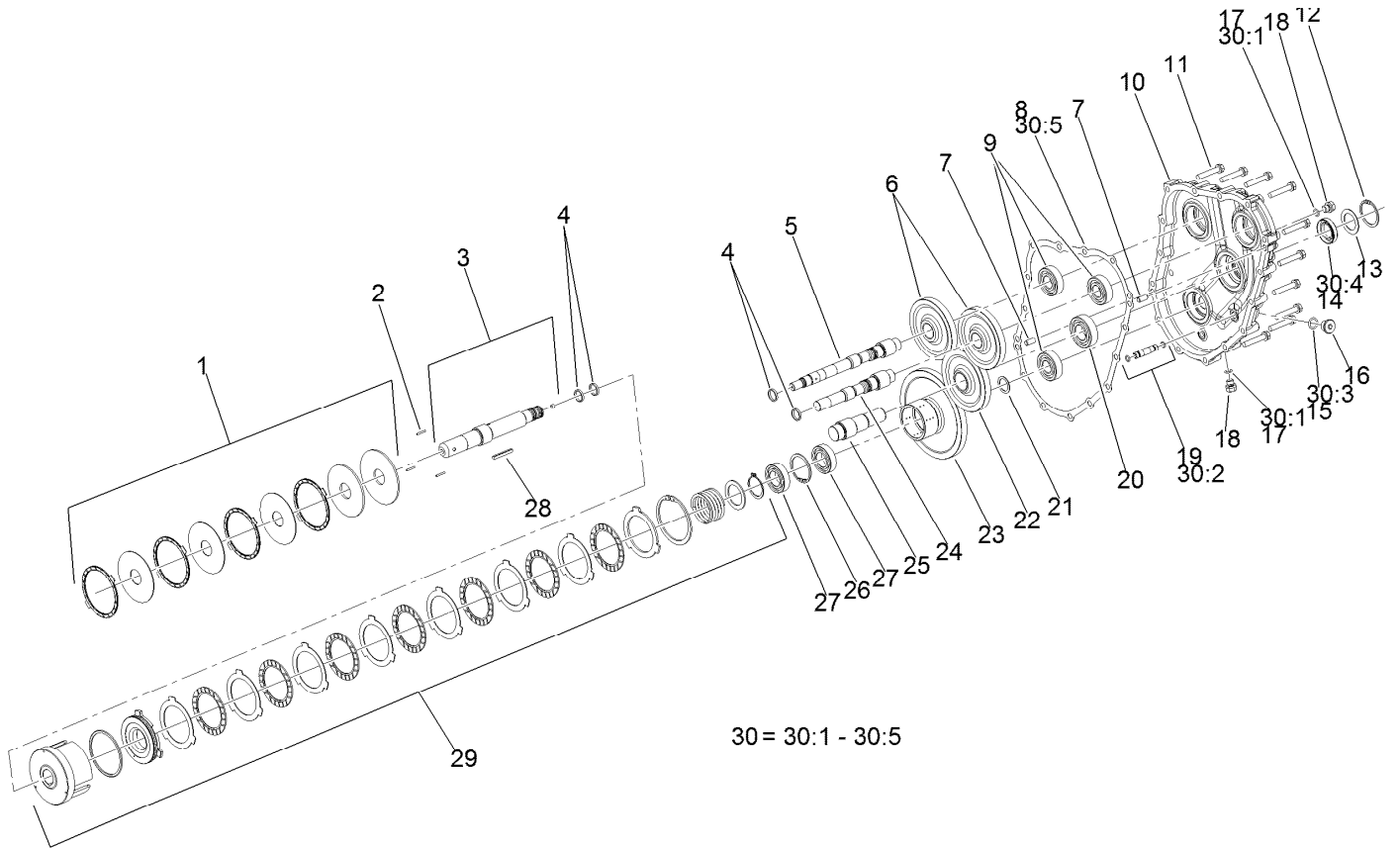
## Center Section Assembly



## Transmission Assembly (cont.) Center Section Assembly (continued)

<i>Ref.</i>	<i>Part Number</i>	<i>Qty.</i>	<i>Description</i>	<i>Ref.</i>	<i>Part Number</i>	<i>Qty.</i>	<i>Description</i>
1	107-0807	1	Valve-Flushing, RH	25	107-0867	1	Plug
2	107-0857	6	Plug	26	107-0812	1	Pipe
3	107-0817	6	O Ring-Plug	27	107-0852	1	Center Case Seal Kit
4	121-3377	1	Center Case, Complete	27:1	93-0418	2	O-Ring
6	107-0805	2	Plate-Valve	27:2	107-0817	6	O Ring-Plug
7	107-0824	2	Cylinder Block ASM	28	107-0813	1	Spacer
8	107-0830	2	Plate-Thrust	29	107-0853	1	Pump Housing Seal Kit
9	92-0765	4	Pin-Parallel	29:2	107-0810	1	Gasket-Case, Center
10	107-0859	6	Bolt	29:3	107-0817	2	O Ring-Plug
11	120-6681	2	U-Nut	29:4	104-3298	1	Packing
12	120-6680	2	Arm-Control	29:5	107-0814	3	Seal
13	107-0832	2	Side Cover ASM	29:6	107-0825	4	Ring-Seal
14	107-0829	2	Washer	30	120-6679	2	Plate-Swash
15	120-5151	1	Pump Housing ASM	31	107-0808	2	Valve-Bypass
16	107-0826	2	Bearing	32	107-0804	2	Valve-Rear
17	107-0821	1	Bearing	33	107-0803	2	Valve-Front
18	107-0838	1	Bearing	34	107-0863	8	Bolt
19	120-6682	2	Bolt	35	107-0806	1	Valve-Flushing, LH
23	107-0861	1	Plug-NPTF	36	92-0757	2	Ring-Snap
24	237-79	1	O-Ring				

# Transmission Assembly (cont.) Gear Case and Clutch Assembly

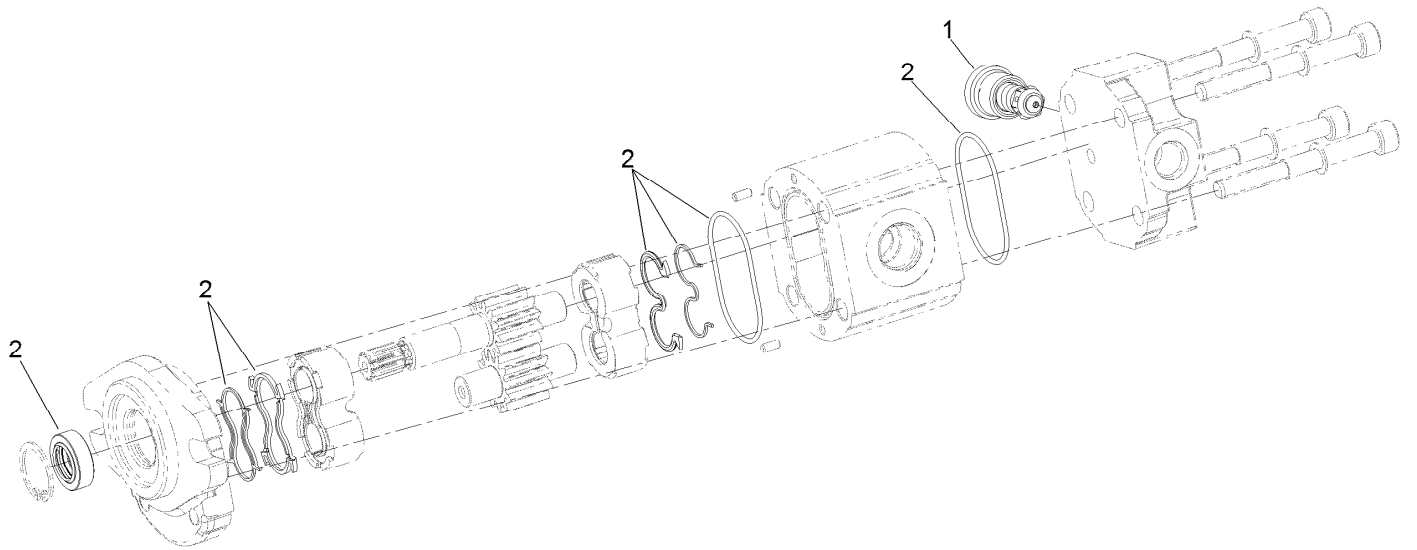


## Transmission Assembly (cont.) Gear Case and Clutch Assembly (continued)

<i>Ref.</i>	<i>Part Number</i>	<i>Qty.</i>	<i>Description</i>	<i>Ref.</i>	<i>Part Number</i>	<i>Qty.</i>	<i>Description</i>
1	107-0839	1	PTO Brake ASM	19	107-0811	1	Pipe
2	107-0837	3	Rod-Push	20	107-0821	2	Bearing
3	107-0833	1	PTO Shaft ASM	21	107-0836	1	Spacer
4	107-0825	2	Ring-Seal	22	107-0820	1	Gear-Input
5	107-0827	1	Shaft-Pump	23	107-0834	1	Gear-PTO
6	107-0823	2	Gear-Pump	24	107-0822	1	Shaft-Pump
7	92-0765	4	Pin-Parallel	25	107-0819	1	Shaft-Input
8	107-0816	1	Gasket-Housing, Gear	26	92-0758	1	Ring-Snap
9	107-0826	4	Bearing	27	107-0838	3	Bearing
10	120-5152	1	Housing-Case, Gear	28	107-0866	1	Key
11	107-0863	13	Bolt	29	107-0835	1	Clutch Cylinder ASM
12	92-0757	1	Ring-Snap	30	107-0854	1	Gear Housing Seal Kit
13	107-0813	1	Spacer	30:1	107-0817	2	O Ring-Plug
14	107-0814	1	Seal	30:2		2	O-Ring ●
15	104-3298	1	Packing	30:3	104-3298	1	Packing
16	107-0861	1	Plug-NPTF	30:4	107-0814	1	Seal
17	107-0817	6	O Ring-Plug	30:5	107-0816	1	Gasket-Housing, Gear
18	107-0857	6	Plug				

● Not serviced separately

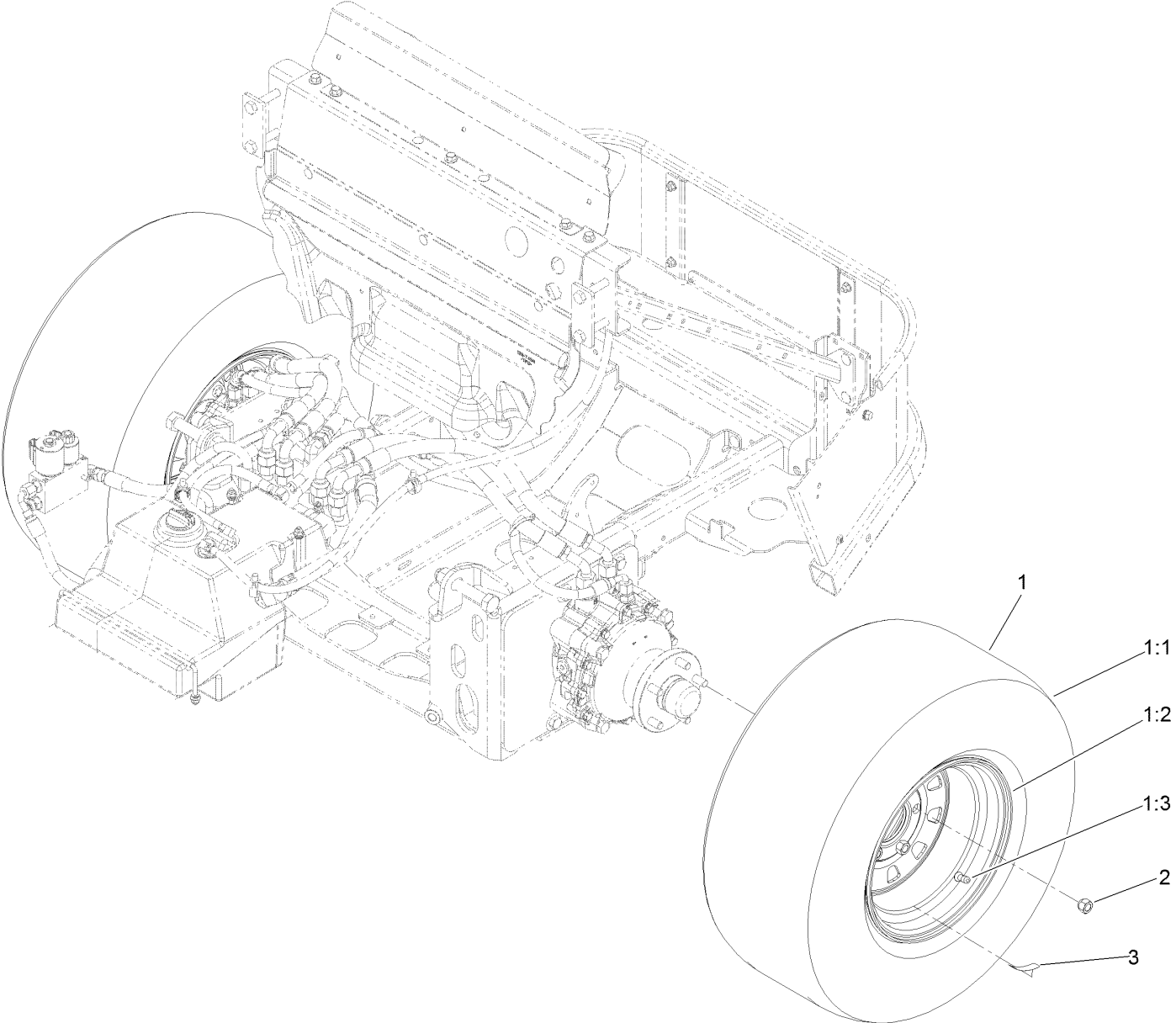
# Hydraulic Gear Pump Assembly No. 112-9542



# Hydraulic Gear Pump Assembly No. 112-9542 (continued)

<i>Ref.</i>	<i>Part Number</i>	<i>Qty.</i>	<i>Description</i>
1	112-0198	1	Valve
2	112-0199	1	Seal Kit

# Rear Wheel Assembly

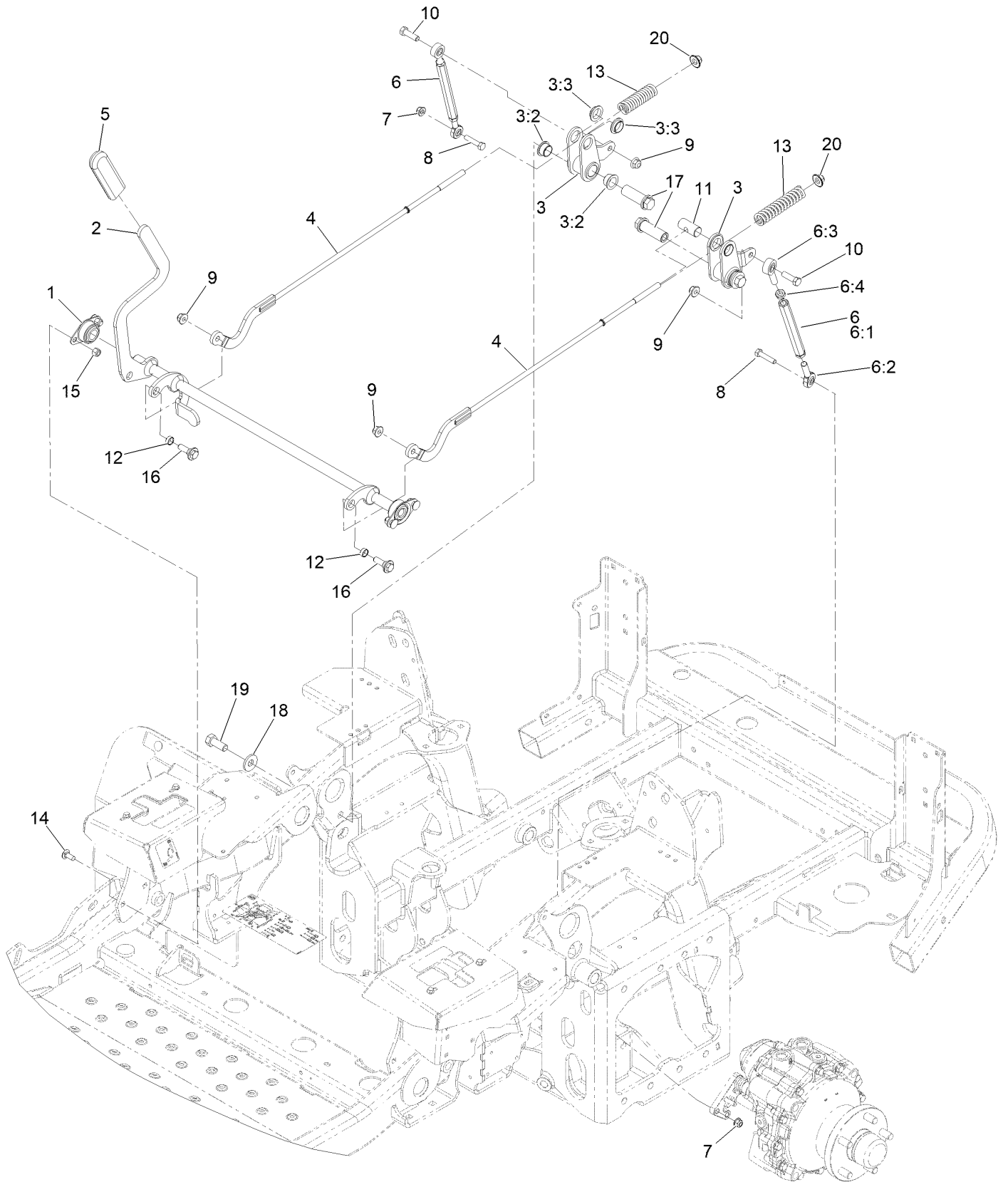




## Rear Wheel Assembly (continued)

<i>Ref.</i>	<i>Part Number</i>	<i>Qty.</i>	<i>Description</i>	<i>Ref.</i>	<i>Part Number</i>	<i>Qty.</i>	<i>Description</i>
1	126-8104	2	Tire ASM	1:3	232-27	1	Stem-Valve
1:1	126-8106	1	Rim	2	242-50	10	Nut-Lug
1:2	126-8033	1	Tire	3	135-0328	2	Decal-Torque, Wheel Nut

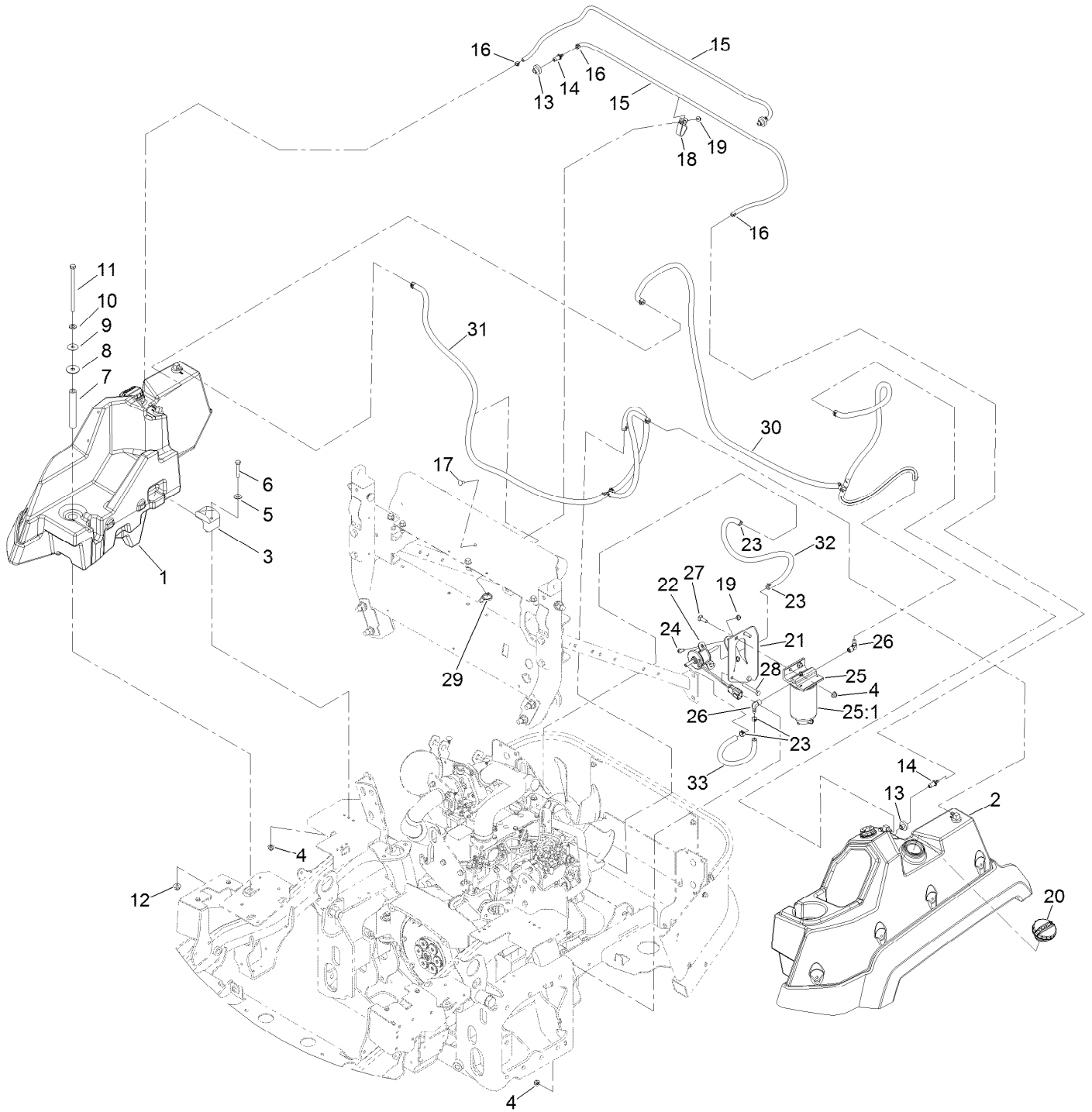
# Parking Brake Assembly



## Parking Brake Assembly (continued)

<i>Ref.</i>	<i>Part Number</i>	<i>Qty.</i>	<i>Description</i>	<i>Ref.</i>	<i>Part Number</i>	<i>Qty.</i>	<i>Description</i>
1	1-633102	2	Bearing-Flange, Side	8	322-7	2	Screw-HH
2	142-4901	1	Shaft-Brake	9	104-8301	4	Nut-HF, NI
3	126-3010	2	Brake Bellcrank ASM	10	323-7	2	Screw-HH
3:2	109-8054	2	Bushing-Flange	11	1-633144	2	Pin-Trunion
3:3	135-2840	2	Bushing-Flange	12	133-5109	2	Bearing-Sleeve
4	142-4897	2	Link-Brake, Upper	13	109-2230	2	Spring-Compression
5	1-633268	1	Grip-Lever	14	3230-23	4	Bolt-CARR
6	126-9171	2	Turnbuckle ASM	15	3296-29	4	Nut-Lock, NI
6:1	126-9172	1	Turnbuckle	16	614672	2	Screw-Shoulder, HWH
6:2	126-9302	1	Bearing-End, LH Rod	17	109-5891	2	Hub-Threaded
6:3	1-613204	1	Balljoint	18	1-513435	2	Washer-Spring
6:4	3220-3	1	Nut-HJ	19	325-5	2	Screw-HH
7	104-8300	2	Nut-HF, NI	20	109-6658	2	Nut-Flange, NI

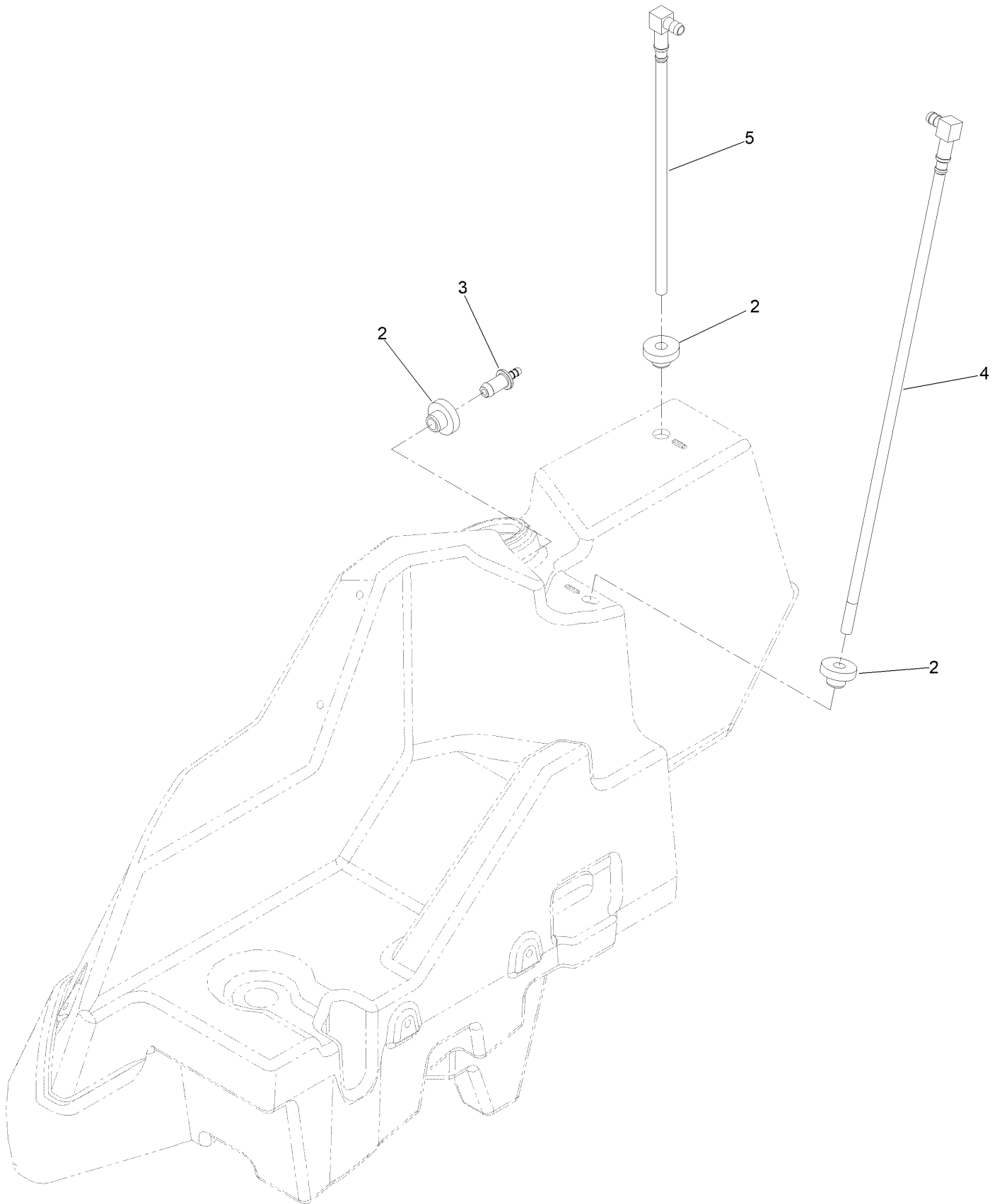
# Fuel System Assembly



## Fuel System Assembly (continued)

<i>Ref.</i>	<i>Part Number</i>	<i>Qty.</i>	<i>Description</i>	<i>Ref.</i>	<i>Part Number</i>	<i>Qty.</i>	<i>Description</i>
1	142-8638	1	RH Fuel Tank ASM	19	104-7201	5	Nut-HF, NI
2	142-8637	1	LH Fuel Tank ASM	20	135-2715	2	Cap-Fuel, Diesel
3	107-4543	4	Clamp	21	135-0166-03	1	Bracket-Filter And Pump, Fuel
4	104-8300	8	Nut-HF, NI	22	121-5613	1	Pump-Fuel, Electric
5	3256-3	4	Washer-Flat	23	92-2379	4	Clamp-Hose
6	322-21	4	Screw-HH	24	32105-15	2	Screw-HWH
7	126-8335	2	Tube-Spacer	25	110-9044	1	Separator-Filter
8	95-1905	2	Washer-Rubber	25:1	110-9049	1	Filter-Spin On, Fuel/Water
9	105-6814	2	Washer-Plain	26	353-781	2	Fitting-HYD, 90
10	3256-24	2	Washer-Plain	27	3230-22	2	Screw-CARR
11	323-22	2	Screw-HH	28	322-11	2	Screw-HH
12	104-8301	2	Nut-HF, NI	29	32180-030	1	Clip-Tie
13	46-6560	2	Bushing	30	135-0510	1	Line-Fuel, Suction
14	116-4630	2	Fitting-Orifice, Straight	31	135-0511	1	Line-Fuel, Return
15	117-6395	2	Hose-Fuel	32	109-0308	1	Hose-Fuel
16	2412-80	4	Clamp-Hose	33	110-4105	1	Hose-Fuel
17	3229-11	3	Screw-CARR				
18	92-5753	3	Clamp-Hose				

# RH Fuel Tank Assembly No. 142-8638

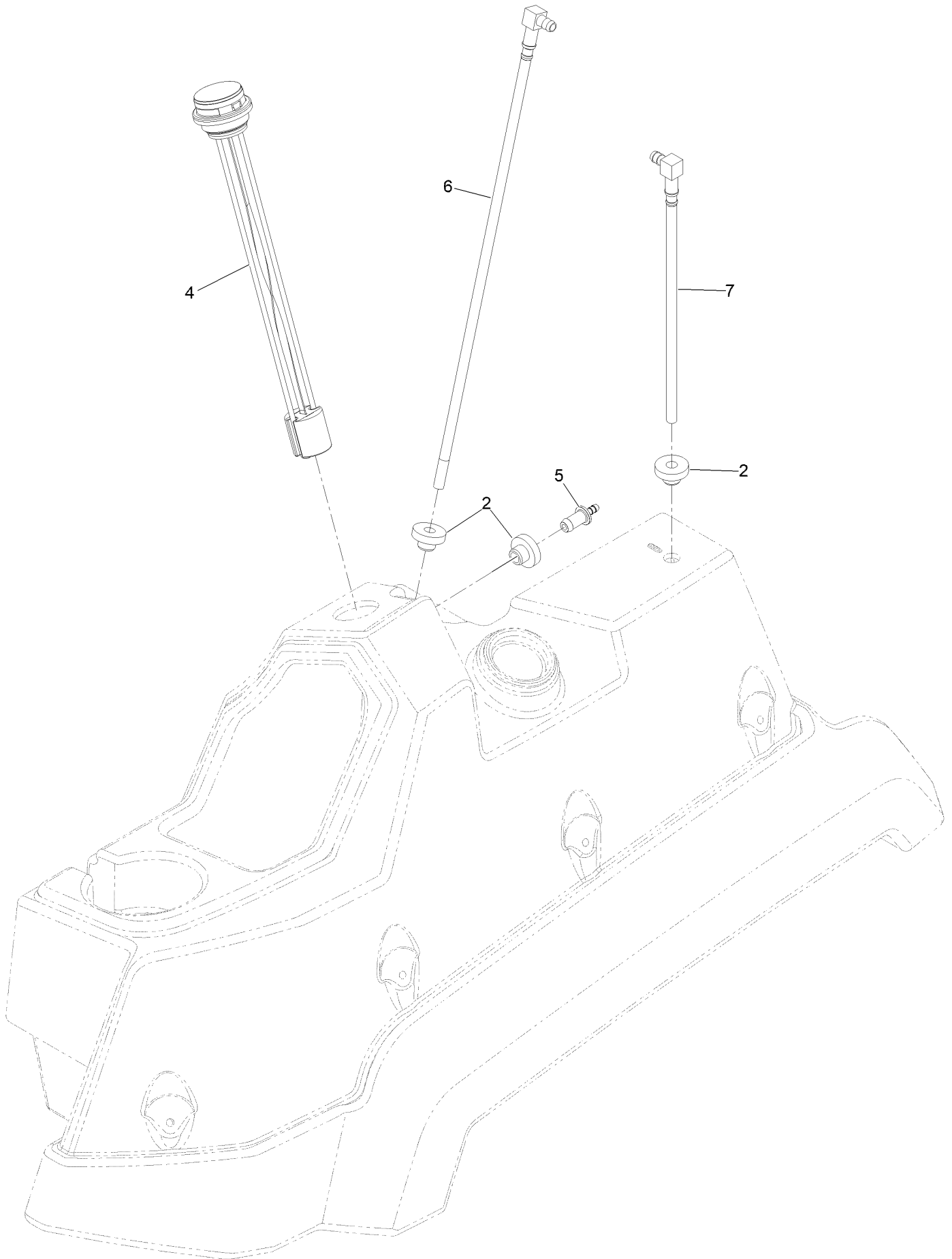


## RH Fuel Tank Assembly No. 142-8638 (continued)

<i>Ref.</i>	<i>Part Number</i>	<i>Qty.</i>	<i>Description</i>
2	46-6560	3	Bushing
3	116-4630	1	Fitting-Orifice, Straight

<i>Ref.</i>	<i>Part Number</i>	<i>Qty.</i>	<i>Description</i>
4	126-8647	1	Pick-Up-Fuel
5	126-8649	1	Return-Fuel

# LH Fuel Tank Assembly 142-8637

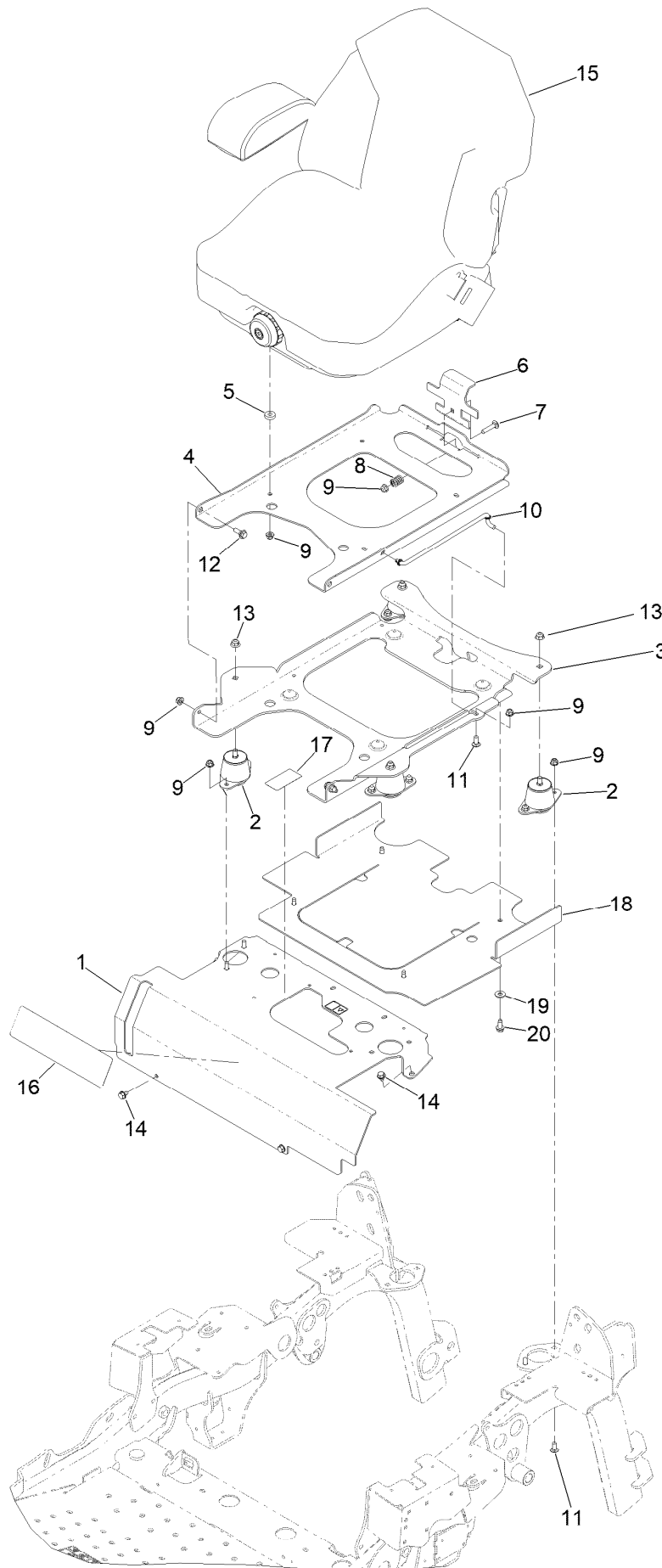




## LH Fuel Tank Assembly 142-8637 (continued)

<i>Ref.</i>	<i>Part Number</i>	<i>Qty.</i>	<i>Description</i>	<i>Ref.</i>	<i>Part Number</i>	<i>Qty.</i>	<i>Description</i>
2	46-6560	3	Bushing	6	126-8647	1	Pick-Up-Fuel
4	126-8660	1	Gauge-Fuel	7	126-8649	1	Return-Fuel
5	116-4630	1	Fitting-Orifice, Straight				

# Seat Mounting Assembly



## Seat Mounting Assembly (continued)

<i>Ref.</i>	<i>Part Number</i>	<i>Qty.</i>	<i>Description</i>	<i>Ref.</i>	<i>Part Number</i>	<i>Qty.</i>	<i>Description</i>
1	142-6637	1	Mount-Seat W/Decals	11	3230-23	9	Bolt-CARR
2	109-9034	4	Isolator-Seat	12	116-1297	2	Screw-Shoulder
3	142-9423-03	1	Plate,Tilt Seat Support	13	104-8301	4	Nut-HF, NI
4	126-2700-03	1	Plate-Frame, Seat	14	9266934	4	Screw
5	26-4840	4	Spacer-Pin, Mounting	15	147-4984	1	Seat-Suspension
6	126-1855	1	Plate-Latch, Seat	16	140-1215	1	Decal-Console
7	3230-4	1	Bolt-CARR	17	135-2837	1	Decal-Fluid, Transmission
8	107-3017	1	Spring-Compression	18	142-9671	1	Shield-Heat
9	104-8300	16	Nut-HF, NI	19	3256-3	4	Washer-Flat
10	116-0070	1	Rod-Prop	20	32144-70	4	Screw-HWHTF

# Seat Assembly No. 147-4984

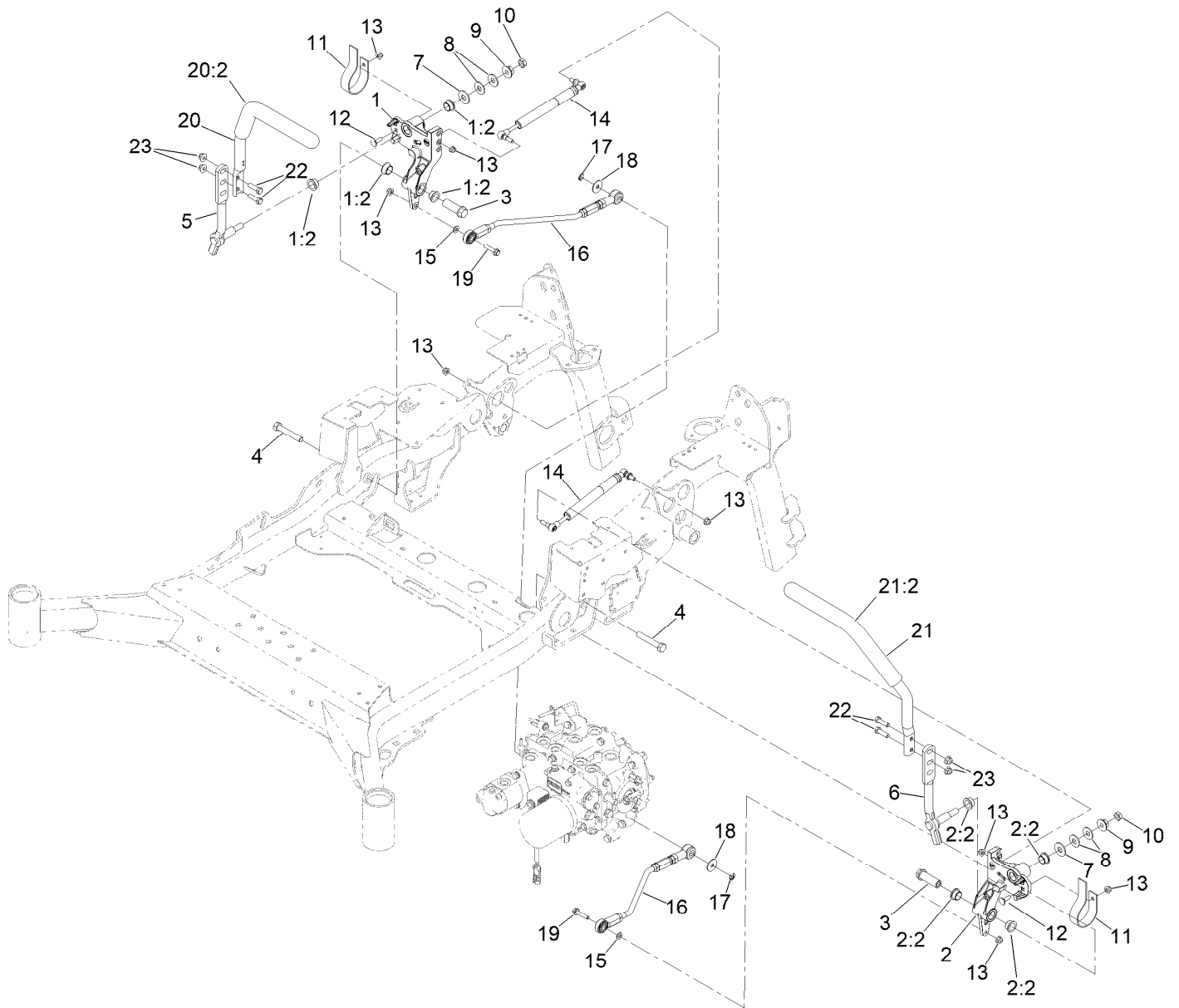


## Seat Assembly No. 147-4984 (continued)

<i>Ref.</i>	<i>Part Number</i>	<i>Qty.</i>	<i>Description</i>
1	140-8012	1	Seat Track Set
2	116-5659	1	Cover-Suspension Bellows
3	140-8004	1	Cover-Back
4	140-8005	1	Cover-Cushion
5	116-8911	1	Knob-Adjuster

<i>Ref.</i>	<i>Part Number</i>	<i>Qty.</i>	<i>Description</i>
6	82-2190	1	Switch-Bail
7	147-4985	1	Armrest Kit
8	109-9802	1	Arm Rest Pad Set
9	126-2061	1	Seat Belt Service Kit

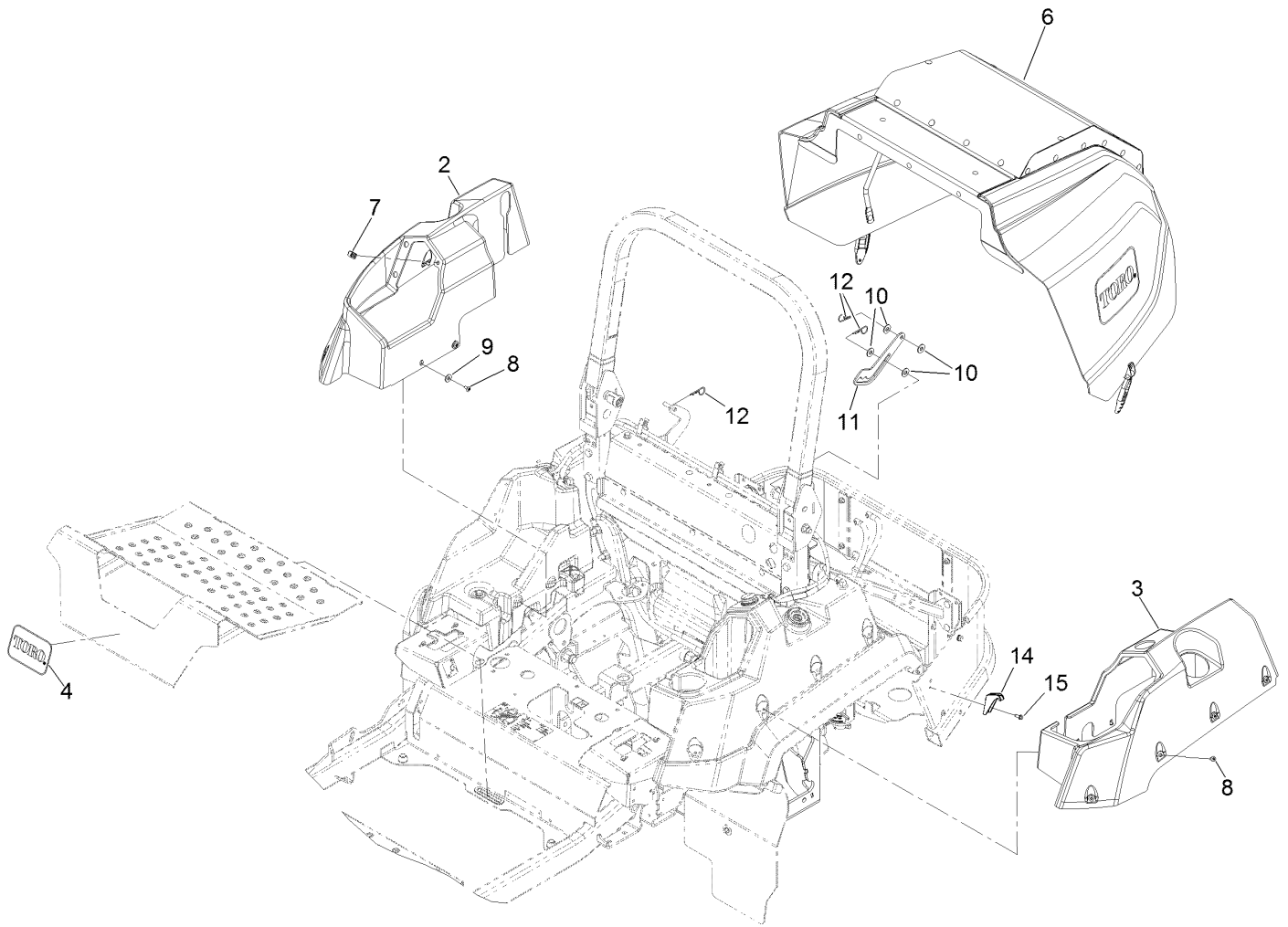
# Motion Control Assembly



## Motion Control Assembly (continued)

<i>Ref.</i>	<i>Part Number</i>	<i>Qty.</i>	<i>Description</i>	<i>Ref.</i>	<i>Part Number</i>	<i>Qty.</i>	<i>Description</i>
1	116-0880	1	RH Motion Control And Bushing ASM	12	3230-2	2	Bolt-CARR
1:2	109-8054	4	Bushing-Flange	13	104-8300	8	Nut-HF, NI
2	116-0881	1	LH Motion Control And Bushing ASM	14	142-8117	2	Damper, Motion Control
2:2	109-8054	4	Bushing-Flange	15	3256-23	2	Washer-Plain
3	109-5891	2	Hub-Threaded	16	126-6131	2	Front Linkage Rod ASM
4	325-12	2	Screw-HH	17	32151-47	2	Ring-Retaining
5	116-0039	1	Lever-Control Motion, RH	18	130-8094	2	Washer-Plain
6	116-0040	1	Lever-Control Motion, LH	19	115-1794	2	Screw-HHF
7	3256-6	2	Washer-Flat	20	126-7700	1	RH Steering Handle ASM
8	109-9505	4	Washer-Spring	20:2	109-5668	1	Grip-Lever, Control
9	32128-56	2	Nut-HF	21	126-7699	1	LH Steering Handle ASM
10	3218-5	2	Nut-Jam	21:2	109-5668	1	Grip-Lever, Control
11	109-5575	2	Spring-Leaf	22	323-7	4	Screw-HH
				23	104-8301	4	Nut-HF, NI

# Hood and Cover Assembly

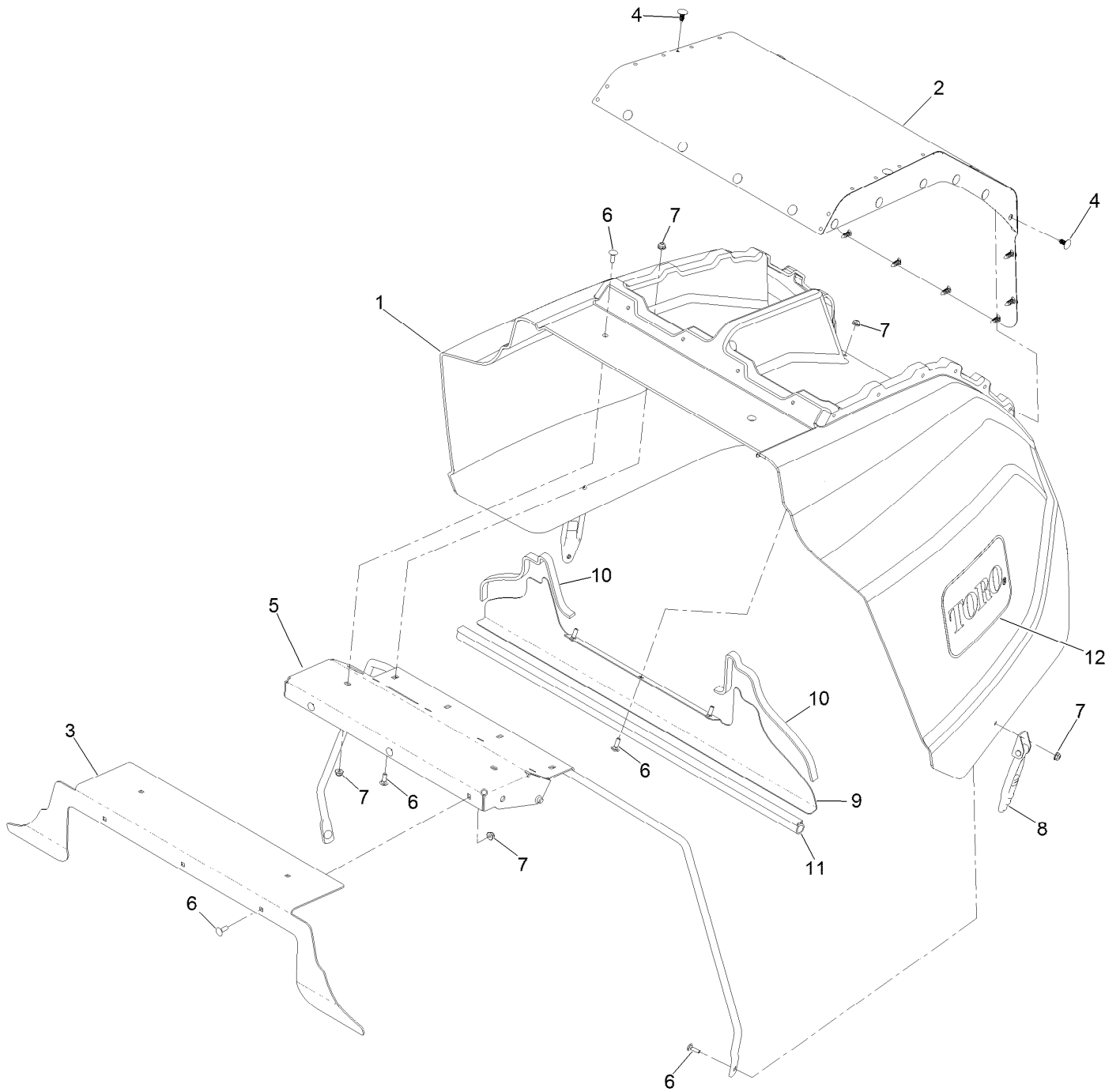




## Hood and Cover Assembly (continued)

<i>Ref.</i>	<i>Part Number</i>	<i>Qty.</i>	<i>Description</i>	<i>Ref.</i>	<i>Part Number</i>	<i>Qty.</i>	<i>Description</i>
2	126-8655	1	Cover-Tank, RH	9	3256-71	4	Washer-Flat
3	126-8656	1	Cover-Tank, LH	10	3256-4	4	Washer-Flat
4	68-3640	1	Decal	11	142-6010	1	Prop-Hood
6	135-7930	1	Hood ASM	12	3290-255	3	Pin-Cotter, Hair
7	107069	1	Clip	14	126-8672	2	Latch-Catch
8	126-8216	12	Screw-Torx	15	32144-10	2	Screw-HWH

# Hood Assembly No. 135-7930

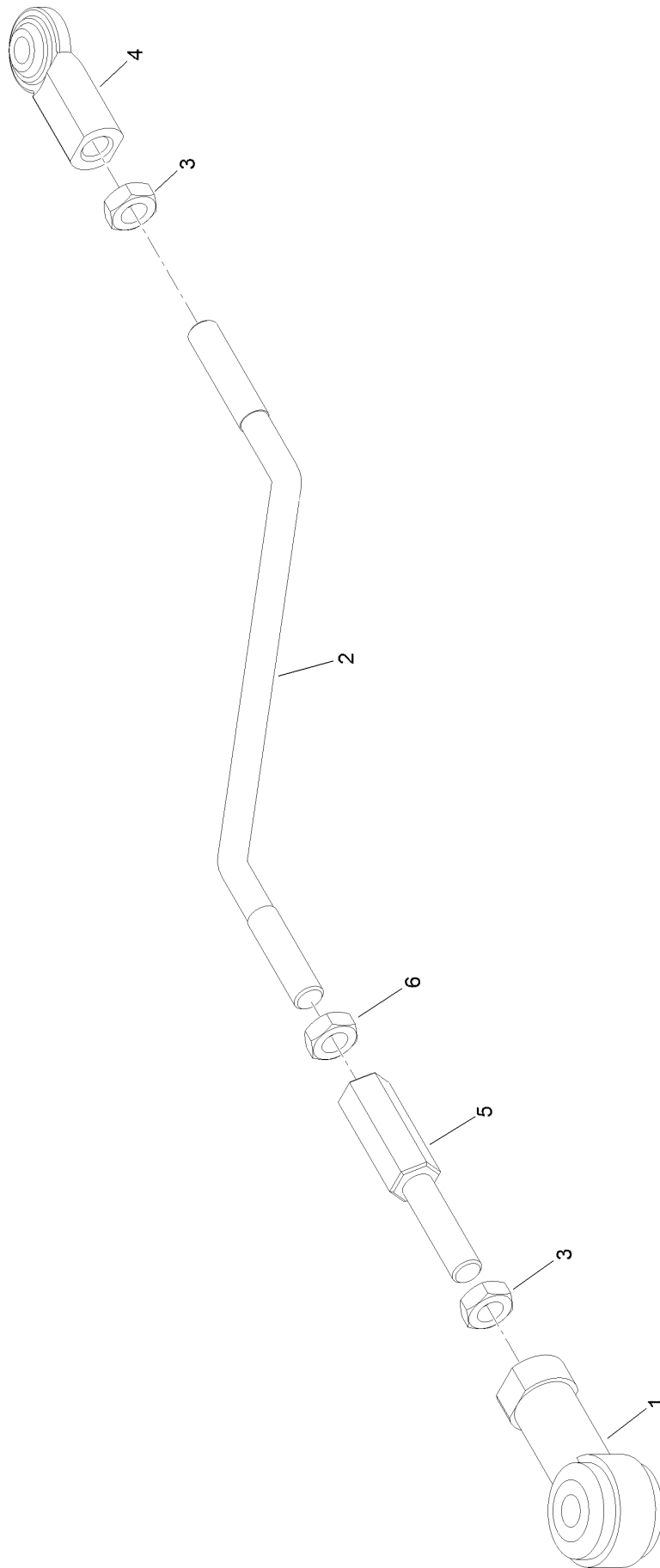


## Hood Assembly No. 135-7930 (continued)

<i>Ref.</i>	<i>Part Number</i>	<i>Qty.</i>	<i>Description</i>
1	135-7929	1	Hood
2	135-6746-03	1	Screen-Intake
3	135-6750-03	1	Block Off-Hood
4	117-2382	24	Plug-Plastic
5	126-6524-03	1	Support-Hood
6	3229-1	14	Screw-CARR

<i>Ref.</i>	<i>Part Number</i>	<i>Qty.</i>	<i>Description</i>
7	104-7201	14	Nut-HF, NI
8	103-2898	2	Latch-Rubber
9	135-7572-03	1	Plate-Seal
10	135-7573	2	Seal-Foam
11	126-6846	1	Seal-Bulb
12	62-7400	2	Decal-Toro Logo

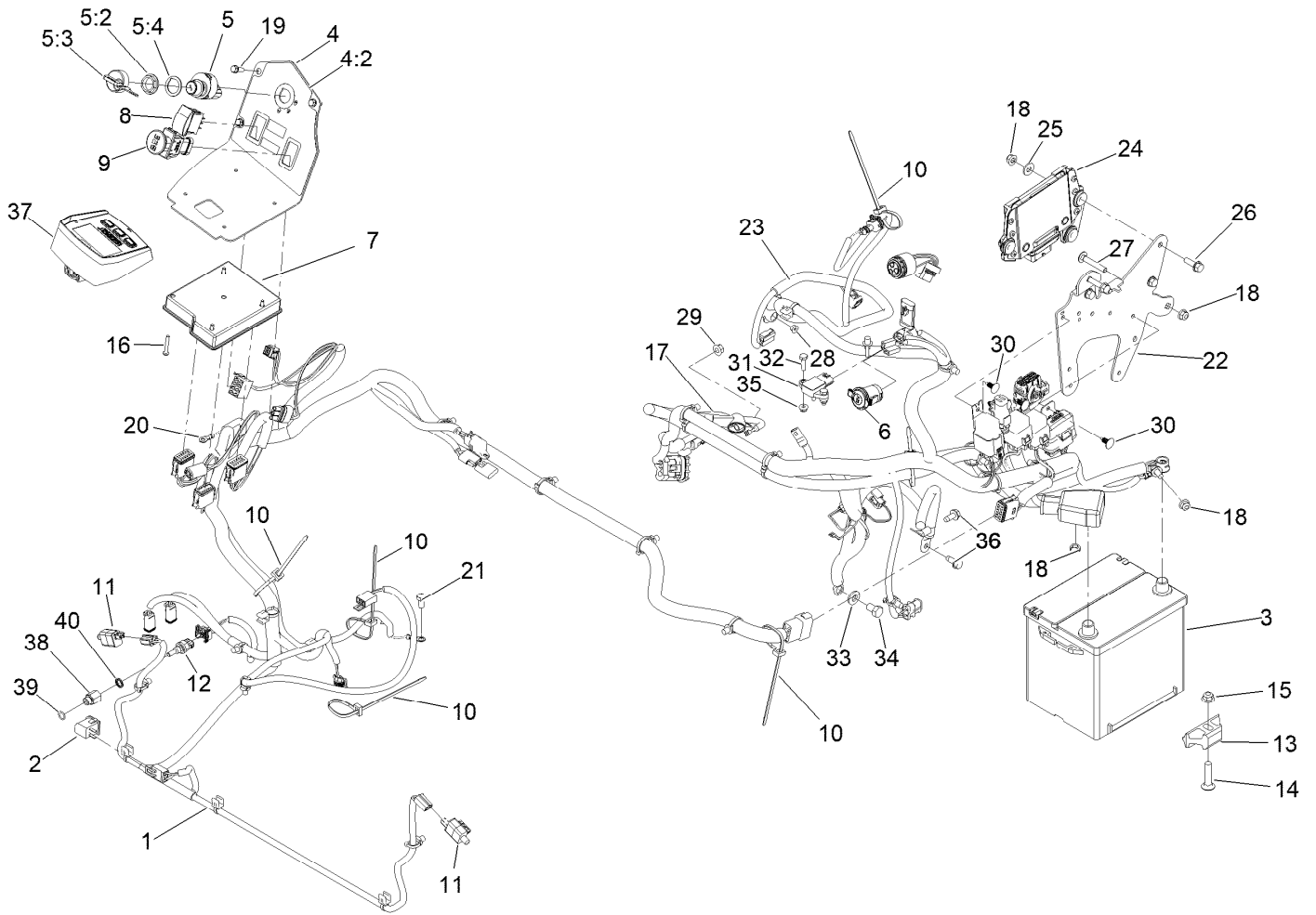
# Rod Linkage Assembly No. 126-6131



## Rod Linkage Assembly No. 126-6131 (continued)

<i>Ref.</i>	<i>Part Number</i>	<i>Qty.</i>	<i>Description</i>	<i>Ref.</i>	<i>Part Number</i>	<i>Qty.</i>	<i>Description</i>
1	105-7199	1	End-Rod, Isolated	4	103-2463	1	Joint-Ball, End
2	126-6469	1	Rod-Linkage, Rear	5	116-4755	1	Rod-Adjustment
3	3220-3	2	Nut-HJ	6	3220-16	1	Nut-Hex Jam, LH

# Electrical Assembly

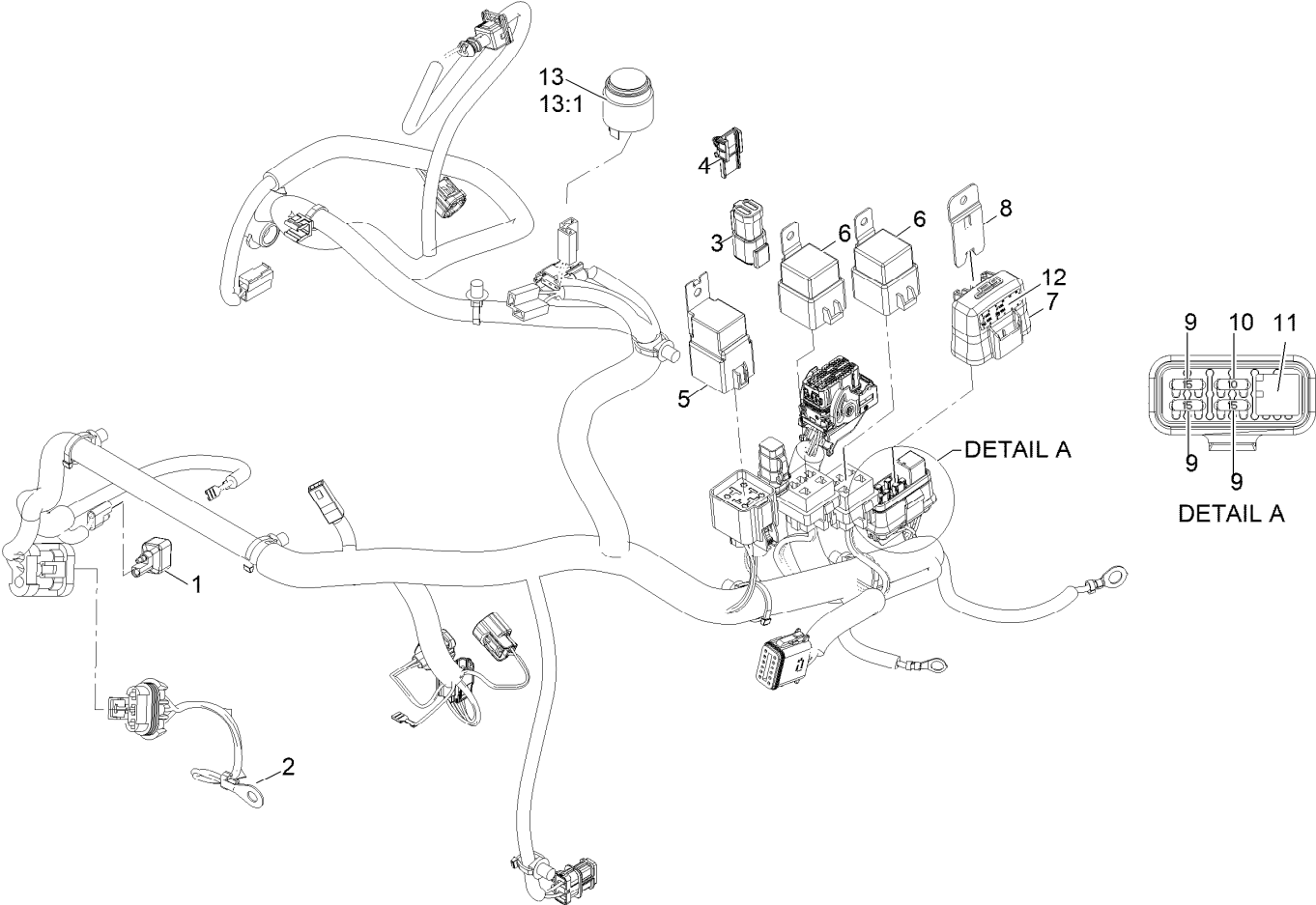


## Electrical Assembly (continued)

<i>Ref.</i>	<i>Part Number</i>	<i>Qty.</i>	<i>Description</i>	<i>Ref.</i>	<i>Part Number</i>	<i>Qty.</i>	<i>Description</i>
1	126-7262	1	Harness-Wire	19	32105-15	3	Screw-HWH
2	82-2190	1	Switch-Bail	20	135-3998	1	Harness-Wire, Jumper
3	106-5187	1	Battery- Dry, 12V, 525 CCA	21	99-5132	1	Bolt
4	135-6122	1	Console ASM	22	135-0503-03	1	Bracket-Mount, Ecu
4:2	126-9278	1	Decal-Control Panel	23	142-7960	1	Harness-Wire, Yanmar
5	126-6285	1	Ignition Switch ASM	24	135-4281	1	Ecu ●
5:2	108-8660	1	Nut-Mounting	25	3256-3	3	Washer-Flat
5:3	106-5270	1	Ignition Key Set	26	3234-29	3	Screw-HHF
5:4	108-8659	1	Washer-Backup	27	3230-6	2	Bolt-CARR
6	126-6499	1	Port-Power, 12V	28	33003-00	1	Nut-HF
7	135-3427	1	Module-Mcu	29	127-2371	1	Nut-HF
8	100-1535	1	Switch-Rocker, (On)-Off-(On)	30	117-2382	4	Plug-Plastic
9	126-6187	1	Switch-PTO, Sealed	31	126-9261	1	Sensor-Atm
10	3290-378	5	Tie-Cable	32	321-5	2	Screw-HH
11	110-6765	2	Switch	33	98-5975	1	Washer-Belleville
12	146-3504	1	Sensor-Temperature	34	33115-016	1	Screw-HH
13	138-6335	1	Retainer-Battery	35	104-7201	2	Nut-HF, NI
14	3231-5	1	Screw-CARR	36	32144-70	2	Screw-HWHTF
15	104-8301	1	Nut-HF, NI	37	126-9976	1	Module-Horizon
16	126-5092	4	Screw-PPH	38	146-3493	1	Fitting-STR, 6MORB-M12, Stl, Cz
17	126-7406	1	Cable-Battery	39	237-42	1	O-Ring
18	104-8300	7	Nut-HF, NI	40	146-3529	1	Washer-Seal, M12

● Contact an Authorized Service Dealer

# Wire Harness Assembly No. 142-7960

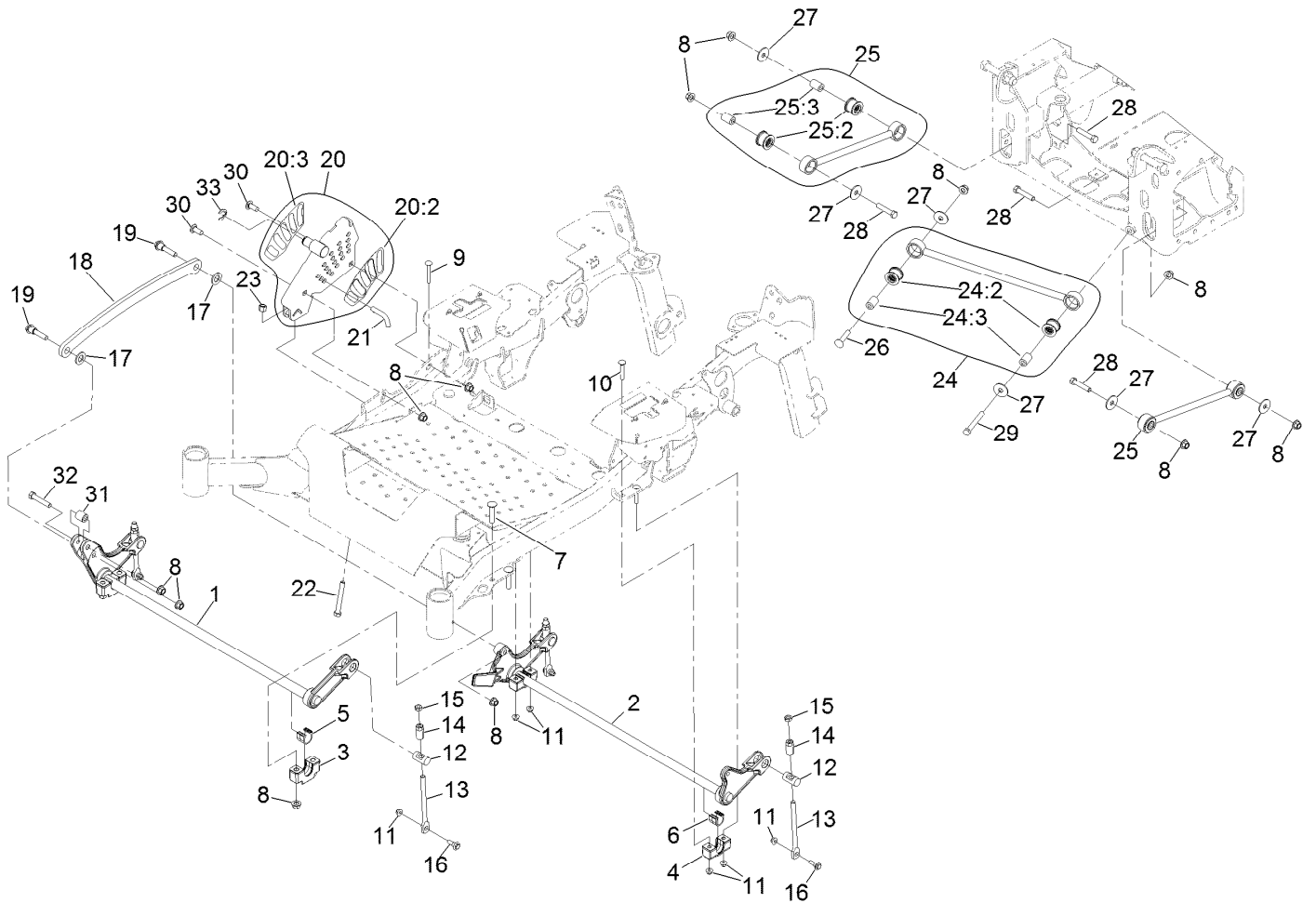




## Wire Harness Assembly No. 142-7960 (continued)

<i>Ref.</i>	<i>Part Number</i>	<i>Qty.</i>	<i>Description</i>	<i>Ref.</i>	<i>Part Number</i>	<i>Qty.</i>	<i>Description</i>
1	100-4918	1	Diode	8	32180-177	1	Clip-Mounting
2	99-3441	1	Harness-Wire, Fusible Link	9	121-8867	3	Fuse-Mini Blade, 15 Amp
3	32160-359	1	Connector (6M)	10	121-8866	1	Fuse-Mini Blade, 10 Amp
4	32180-103	1	Clip-Connector	11	126-3991	1	Relay-Micro
5	127-7514	1	Relay-70A	12	126-9100	1	Decal-Fuse
6	99-7430	2	Relay-Mini	13	80-9330	1	Audio Alarm ASM
7	32180-176	1	Cover-Block, Fuse	13:1	104-5107	1	Nut-Plastic, Knurled

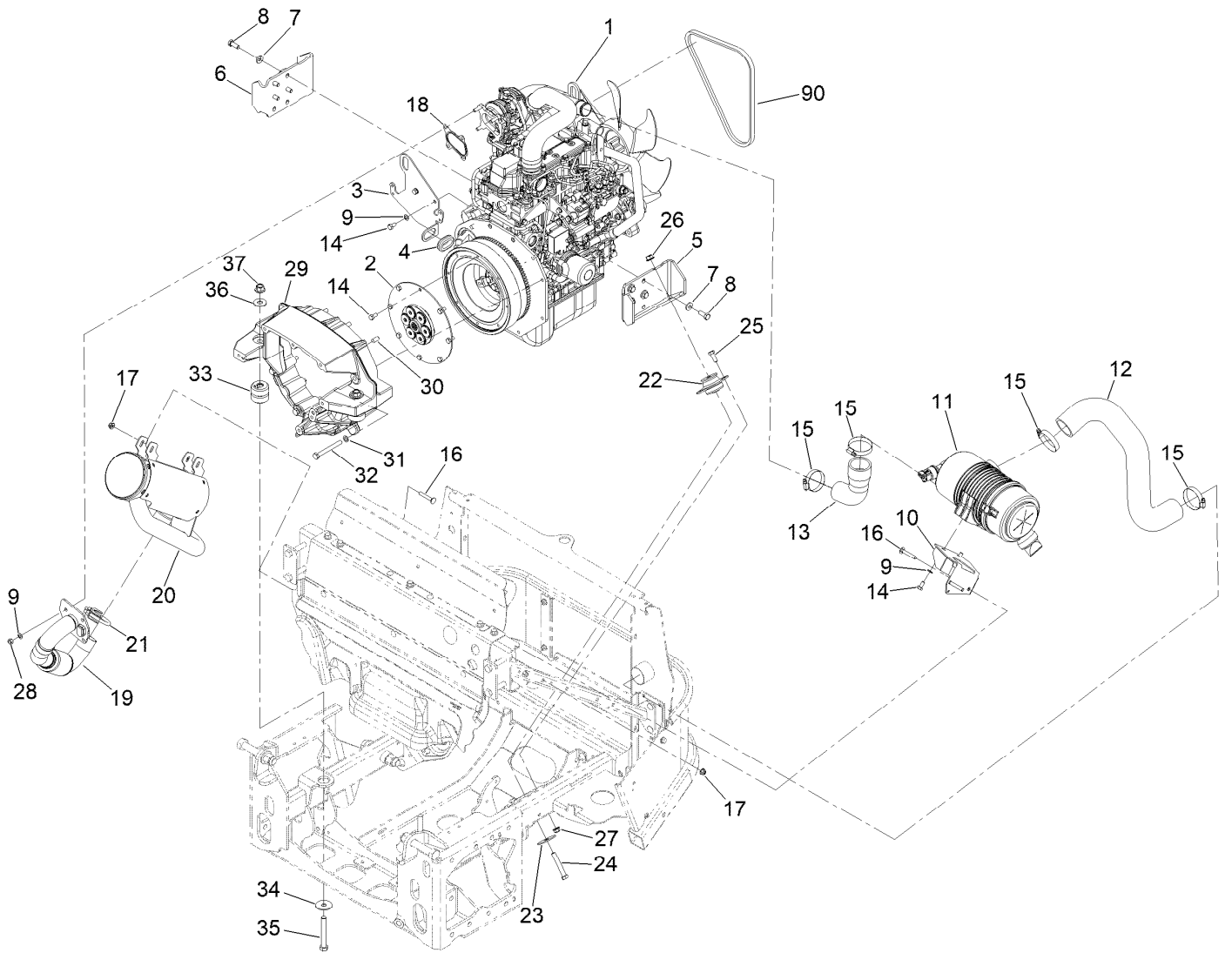
# Deck Lift Assembly



## Deck Lift Assembly (continued)

<i>Ref.</i>	<i>Part Number</i>	<i>Qty.</i>	<i>Description</i>	<i>Ref.</i>	<i>Part Number</i>	<i>Qty.</i>	<i>Description</i>
1	135-1216-03	1	Lift-Deck, Front	20:2	126-9275	1	Decal-HOC
2	116-2645-03	1	Lift-Deck, Rear	20:3	135-1432	1	Decal-HOC, Outer
3	109-9409	2	Support-Bearing, Cross Shaft (Front)	21	116-5584	1	Pin-HOC
4	127-0553	2	Support-Bearing, Cross Shaft (Rear)	22	116-0559	1	Bolt-TAP
5	109-9410	2	Bearing-Cross Shaft, Front	23	3296-23	1	Nut-Lock, NI
6	109-7173	2	Bearing-Cross Shaft, Rear	24	109-5013	1	Panhard Rod ASM
7	116-1700	4	Bolt-CARR	24:2	109-5009	2	Bushing-Suspension, Rubber
8	99-5107	15	Nut-Lock	24:3	109-5010	2	Spacer
9	3231-9	1	Screw-CARR	25	109-7952	2	Deck Strut ASM
10	3231-7	3	Screw-CARR	25:2	109-5009	2	Bushing-Suspension, Rubber
11	104-8301	8	Nut-HF, NI	25:3	109-5010	2	Spacer
12	109-8353	4	Trunnion	26	3233-34	1	Screw-CARR
13	109-8007	4	Link-Adjuster, Deck Lift	27	86-1990	6	Washer-Thrust
14	109-7840	4	Adjuster-Lift, Deck	28	325-10	4	Screw-HH
15	3218-5	4	Nut-Jam	29	325-17	1	Screw-HH
16	109-9840	4	Screw-Shoulder, HHF	30	3233-26	2	Screw-CARR, Shortneck
17	3256-28	2	Washer-Flat	31	135-1215	1	Spacer-Pivot
18	116-0797-03	1	Link-Lift, Deck	32	325-11	1	Screw-HH
19	116-2022	2	Screw-HHF, Shoulder	33	32151-91	1	Ring-Retaining
20	126-7866	1	HOC ASM				

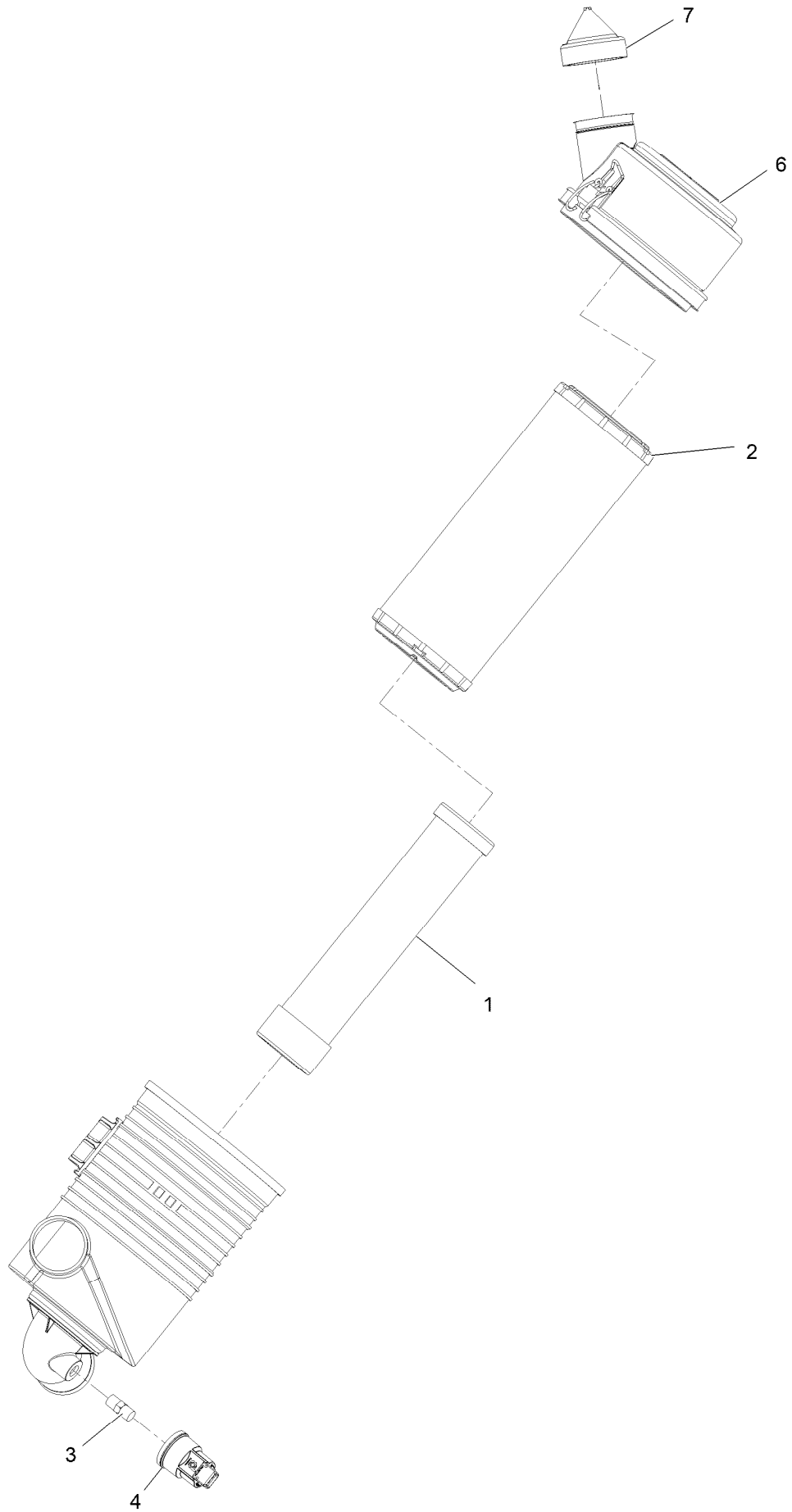
# Engine Assembly



## Engine Assembly (continued)

<i>Ref.</i>	<i>Part Number</i>	<i>Qty.</i>	<i>Description</i>	<i>Ref.</i>	<i>Part Number</i>	<i>Qty.</i>	<i>Description</i>
1	138-6926	1	Engine-Yanmar, 3Tnv80Ft-Zmtr1	20	126-8911	1	Muffler
2	126-6531	1	Coupler-Flywheel	21	18-2130	1	Clamp
3	126-7610-03	1	Bracket-Guide	22	142-8456	2	Mount- Isolator, Engine
4	108-3723	1	Grommet	23	87-5100	2	Washer-Snubbing
5	126-9282-03	1	Mount-Engine, LH	24	324-11	2	Screw-HH
6	126-9285-03	1	Mount-Engine, RH	25	323-6	4	Screw-HH
7	98-5975	8	Washer-Belleville	26	114-8417	2	Nut-HF, NI
8	33115-025	8	Screw-HH	27	104-8301	4	Nut-HF, NI
9	3290-475	8	Washer-Belleville	28	33014-00	4	Nut-Hex
10	126-8730-03	1	Bracket-Cleaner, Air	29	126-8786	1	Housing-Flywheel
11	142-3554	1	ASM, Hdac	30	126-8893	2	Pin-Dowel
12	120-9177	1	Hose-Air	31	48-9590	7	Washer-Lock
13	126-7288	1	Hose-Air	32	33115-090	7	Screw-HH
14	99-5132	12	Bolt	33	142-8457	2	Mount-Isolator
15	2412-130	4	Clamp-Hose	34	86-1990	2	Washer-Thrust
16	3230-6	4	Bolt-CARR	35	325-15	2	Screw-HH
17	104-8300	4	Nut-HF, NI	36	3256-6	2	Washer-Flat
18	136-2307	1	Gasket-Header	37	99-5107	2	Nut-Lock
19	126-9329	1	Header Pipe	90	135-4195	1	V-Belt

# HDAC Assembly No. 142-3554

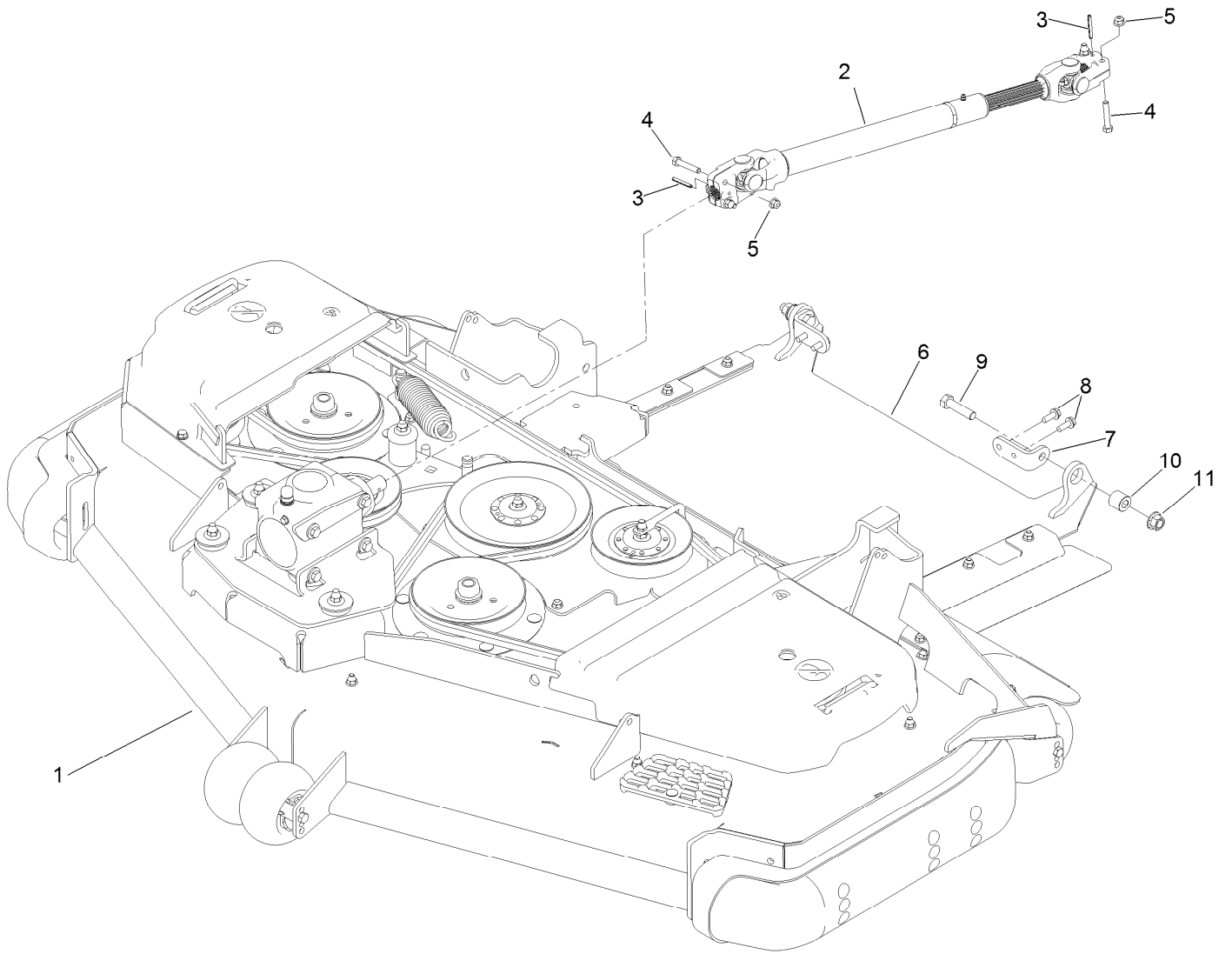


## HDAC Assembly No. 142-3554 (continued)

<i>Ref.</i>	<i>Part Number</i>	<i>Qty.</i>	<i>Description</i>
1	103-1326	1	Filter, Safety Air
2	108-3810	1	Filter-Air
3	94-1416	1	Adapter-Indicator

<i>Ref.</i>	<i>Part Number</i>	<i>Qty.</i>	<i>Description</i>
4	126-7651	1	Indicator-Mini
6	98-9771	1	Cover ASM
7	AUA189052	1	Valve-Dust-Air Cleaner

# Deck, Driveshaft and Tunnel Assembly



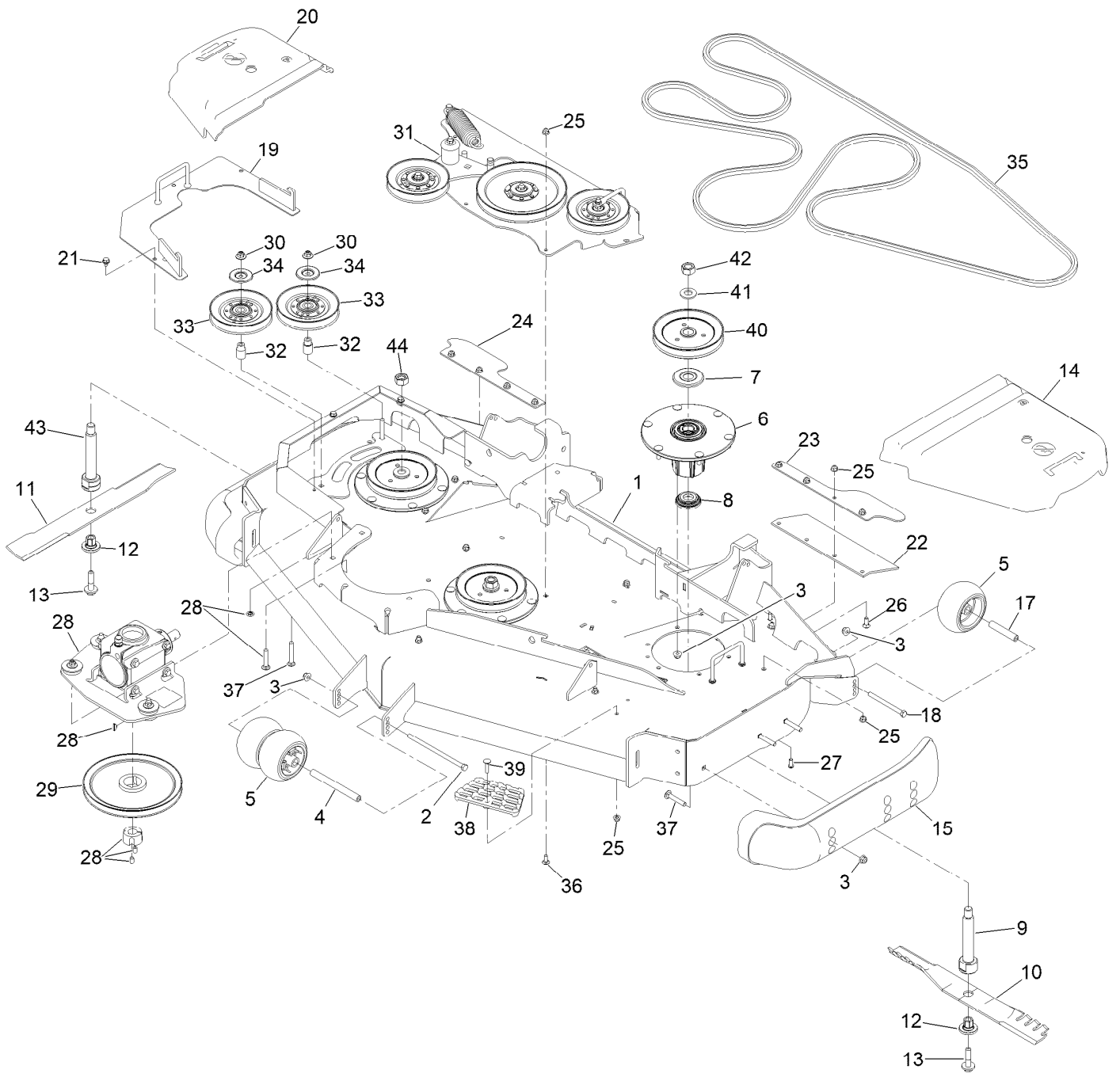


## Deck, Driveshaft and Tunnel Assembly (continued)

<i>Ref.</i>	<i>Part Number</i>	<i>Qty.</i>	<i>Description</i>	<i>Ref.</i>	<i>Part Number</i>	<i>Qty.</i>	<i>Description</i>
1		1	Deck ASM-60Rd ●	7	126-2793-03	2	Bracket-Discharge
2	110-3575	1	Driveshaft ASM	8	32144-41	4	Screw-Taptite
3	32121-34	2	Pin-Roll	9	325-8	2	Screw-HH
4	322-9	4	Screw-HH	10	126-1705	2	Bushing-Sleeve
5	104-8300	4	Nut-HF, NI	11	99-5107	2	Nut-Lock
6	126-3317	1	Discharge Tunnel ASM				

● Not serviced separately

# Deck Assembly

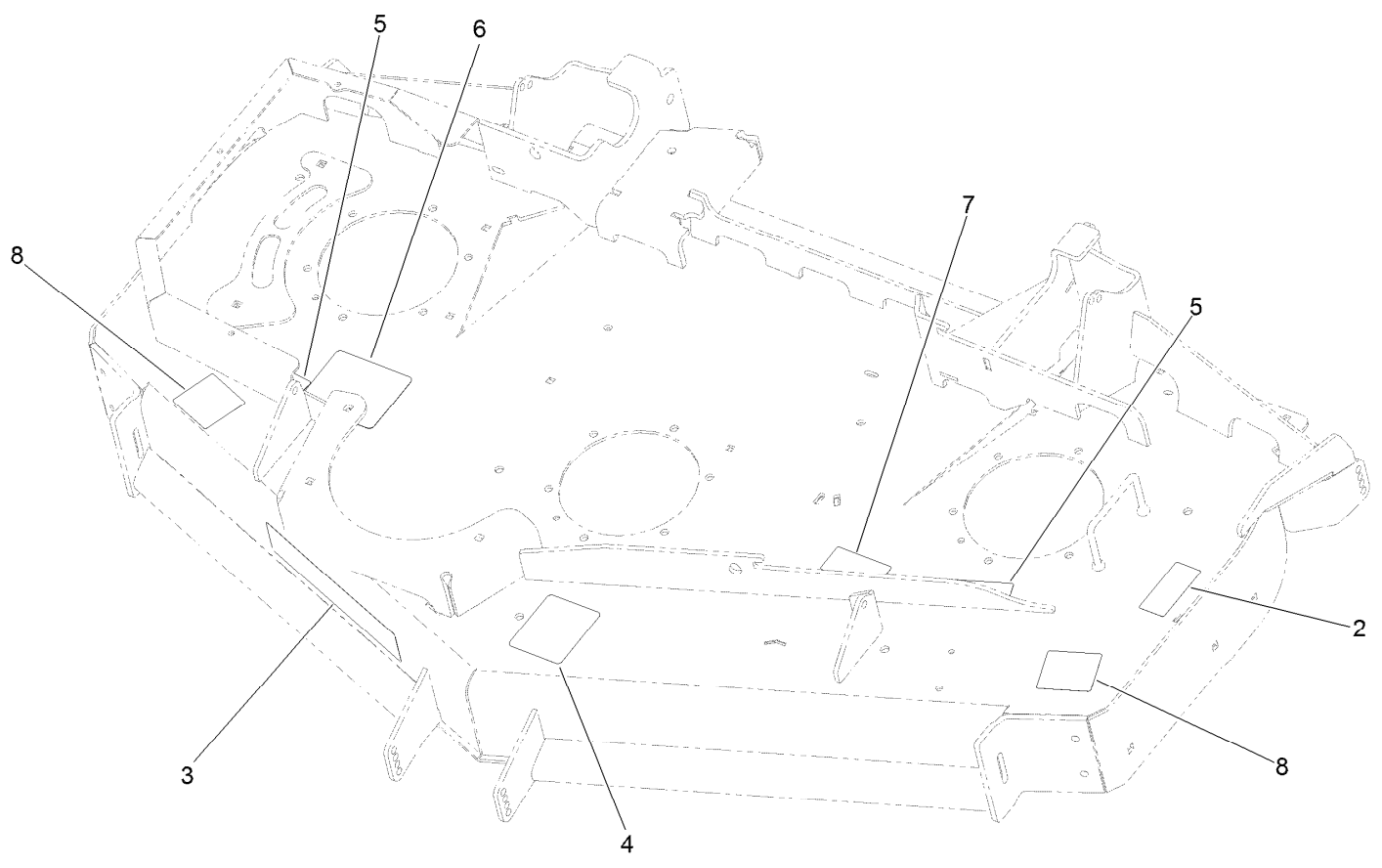


## Deck Assembly (continued)

<i>Ref.</i>	<i>Part Number</i>	<i>Qty.</i>	<i>Description</i>	<i>Ref.</i>	<i>Part Number</i>	<i>Qty.</i>	<i>Description</i>
1	140-0965	1	Deck Decal ASM	24	135-0329-01	1	Support-Flap, Outer (RH)
2	108-5388	1	Screw-HH	25	104-8300	21	Nut-HF, NI
3	104-8301	27	Nut-HF, NI	26	3230-16	9	Screw-CARR
4	98-5967	1	Spacer-Wheel	27	3274-55	6	Screw-HSBH
5	1-603299	4	Roller-Scalp, Anti	28		1	Gearbox ASM ●
6	137-9780	3	Spindle ASM	29	126-2822	1	Pulley
7	103-1330	1	Guard-Bearing, Top	30	109-6658	2	Nut-Flange, NI
8	137-9784	3	Guard-Bottom	31	126-3271	1	Idler Mount ASM
9	138-6045	2	Shaft-Spindle	32	126-3312	2	Standoff-Idler
10	140-1241	2	Blade-20.50 Atomic	33	126-8766	2	Idler V
11	140-1244	1	Blade-20.50 Cr Low Flow	34	126-8043	2	Shield-Dust
12	137-9787	3	Bushing-Hex	35	126-7631	1	Belt-Bb
13	109-9220	3	Screw-Sems	36	3230-23	5	Bolt-CARR
14	109-6938	1	Cover-Belt, LH	37	3231-31	8	Screw-CARR
15	112-1479	2	Skid-Bumper, Deck	38	126-4781-03	1	Step-Deck
17	98-7912	2	Tube-Spanner	39	3230-3	1	Screw-CARR
18	323-23	2	Screw-HH	40	138-6058	3	Sheave-Blade Drive 6.50
19	116-8195-01	1	Cover-Drive Reverse	41	103-2802	3	Washer
20	116-8190	1	Cover-Belt, RH	42	116-7306	2	Nut-Hex
21	9266934	3	Screw	43	140-1188	1	Shaft-Spindle, Int. Hex LH Thd
22	116-8191	2	Guard-Tire	44	140-1230	1	Nut-Hex,LH,Lock
23	135-0401-01	1	Support-Flap, Outer (LH)				

● Not serviced separately

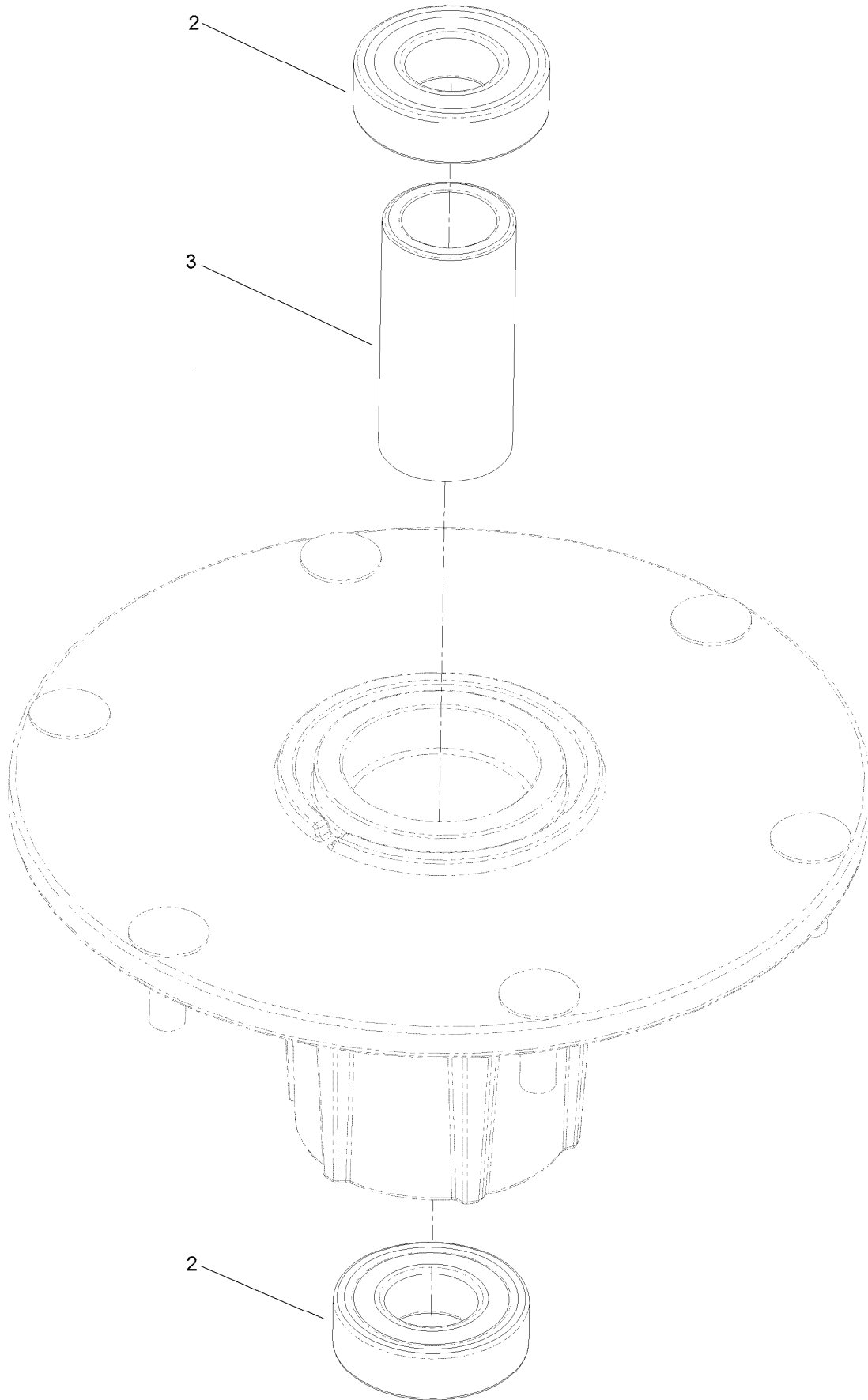
# Deck Decal Assembly No. 140-0965



## Deck Decal Assembly No. 140-0965 (continued)

<i>Ref.</i>	<i>Part Number</i>	<i>Qty.</i>	<i>Description</i>	<i>Ref.</i>	<i>Part Number</i>	<i>Qty.</i>	<i>Description</i>
2	116-8283	1	Decal-Torque, Bolt	6	140-1198	1	Decal-Spindle Cr, CE
3	107-1619	1	Decal	7	126-9280	1	Decal-Belt Routing Rear
4	109-6036	1	Decal-Roller, Anti-Scalp	8	135-0664	2	Decal-Danger, Thrown Object
5	112-9028	2	Decal-Cover, Missing				

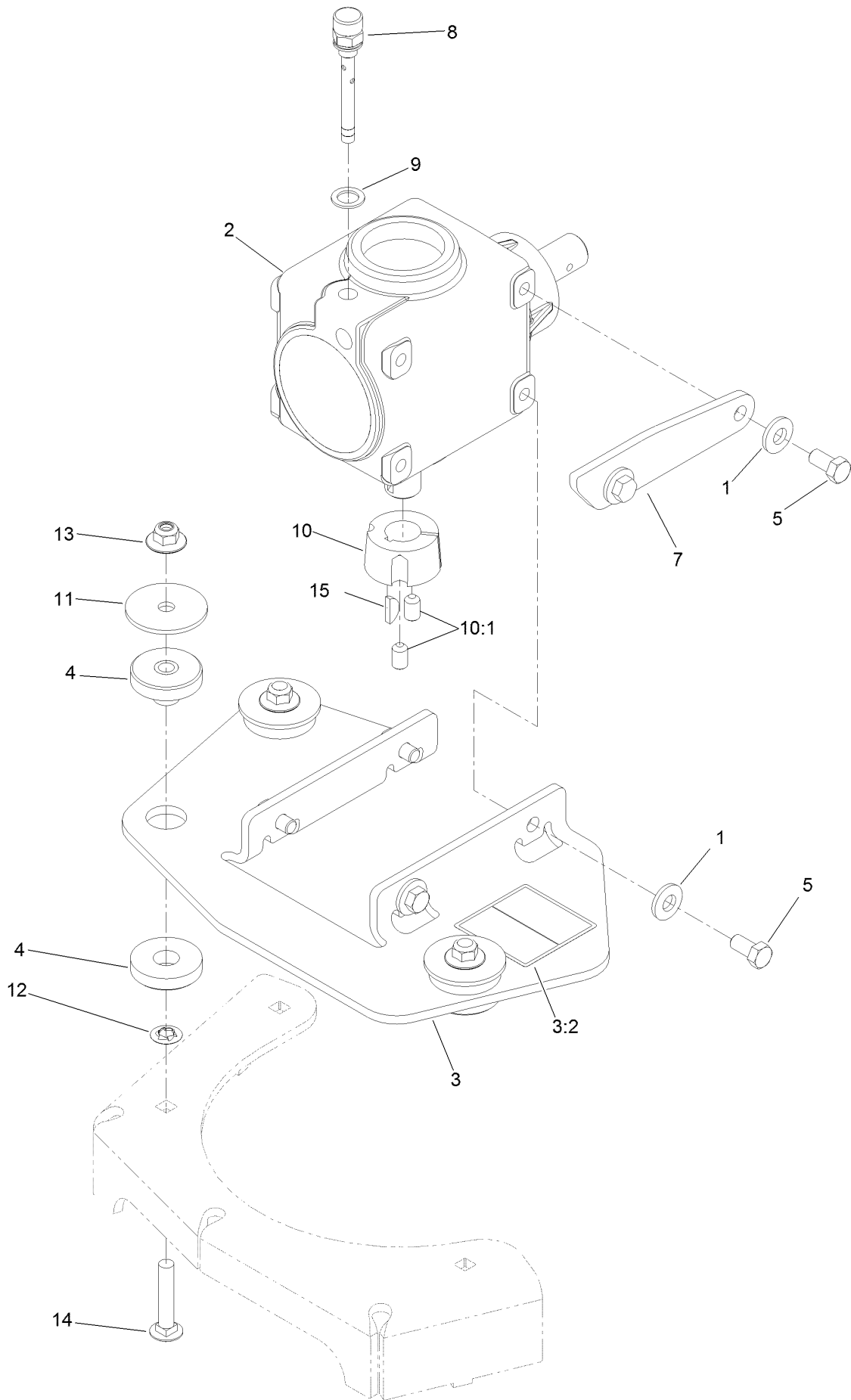
# Spindle Assembly No. 137-9780



## Spindle Assembly No. 137-9780 (continued)

<i>Ref.</i>	<i>Part Number</i>	<i>Qty.</i>	<i>Description</i>
2	116-0720	2	Bearing-Ball
3	138-6042	1	Spacer-Bearing

# Gear Box and Mount Assembly

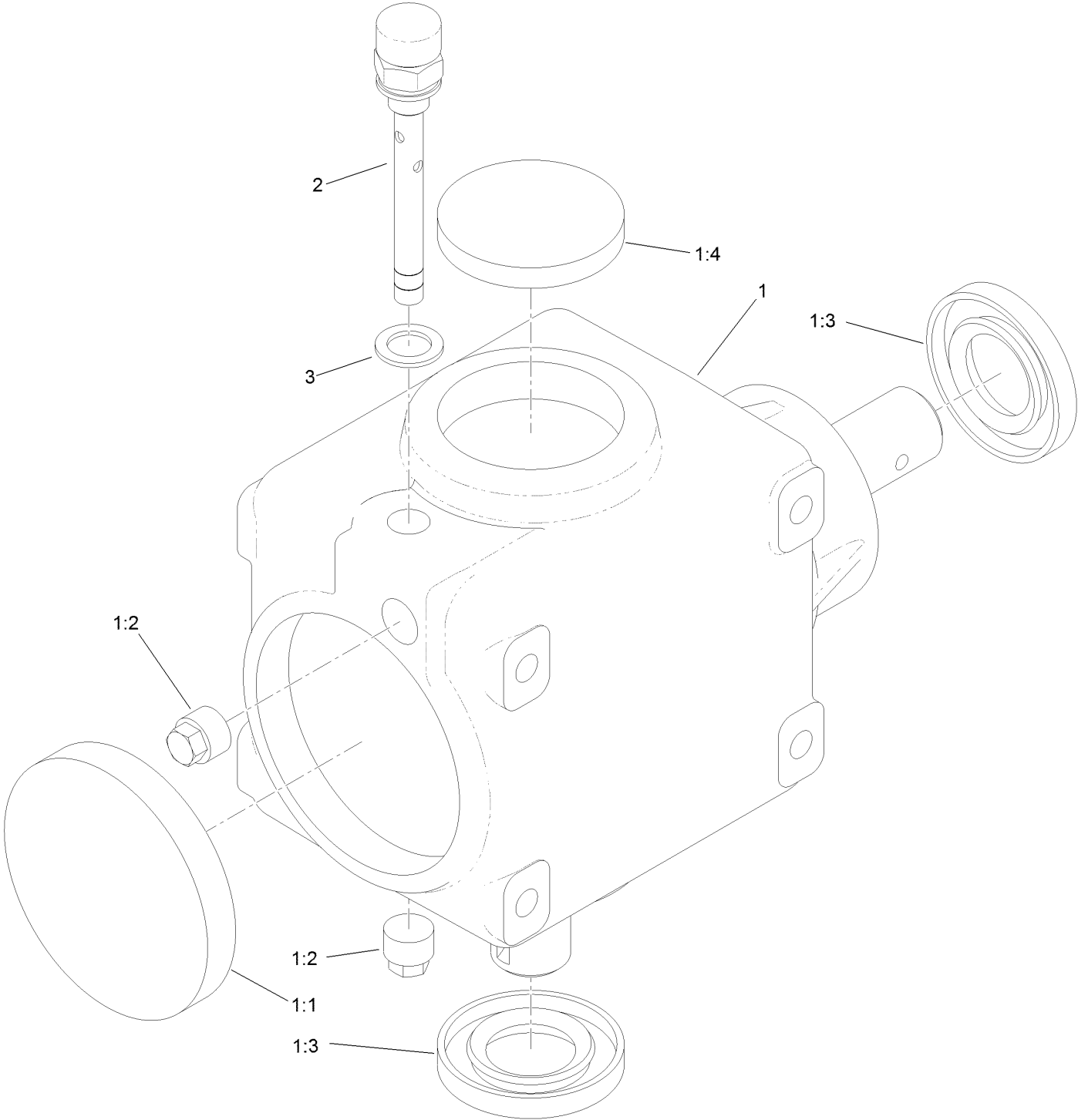




## Gear Box and Mount Assembly (continued)

<i>Ref.</i>	<i>Part Number</i>	<i>Qty.</i>	<i>Description</i>	<i>Ref.</i>	<i>Part Number</i>	<i>Qty.</i>	<i>Description</i>
1	98-5975	6	Washer-Belleville	9	130-4899	1	Washer
2	130-8659	1	Gearbox ASM	10	23-1640	1	Bushing-Taperlock
3	135-0874	1	Mount-Gearbox	10:1	3247-4	2	Screw-Set
3:2	135-0679	1	Decal-Hazard, Entanglement	11	83-1040	3	Washer-Flat
4	126-3074	3	Mount-ISO	12	107-3154	3	Nut-Push
5	323-6	6	Screw-HH	13	109-6658	3	Nut-Flange, NI
7	126-3544	1	Stop-Gearbox	14	3231-6	3	Screw-CARR
8	130-8661	1	Plug-Breather	15	3257-5	1	Key-Woodruff

# Gear Box Assembly No. 130-8659

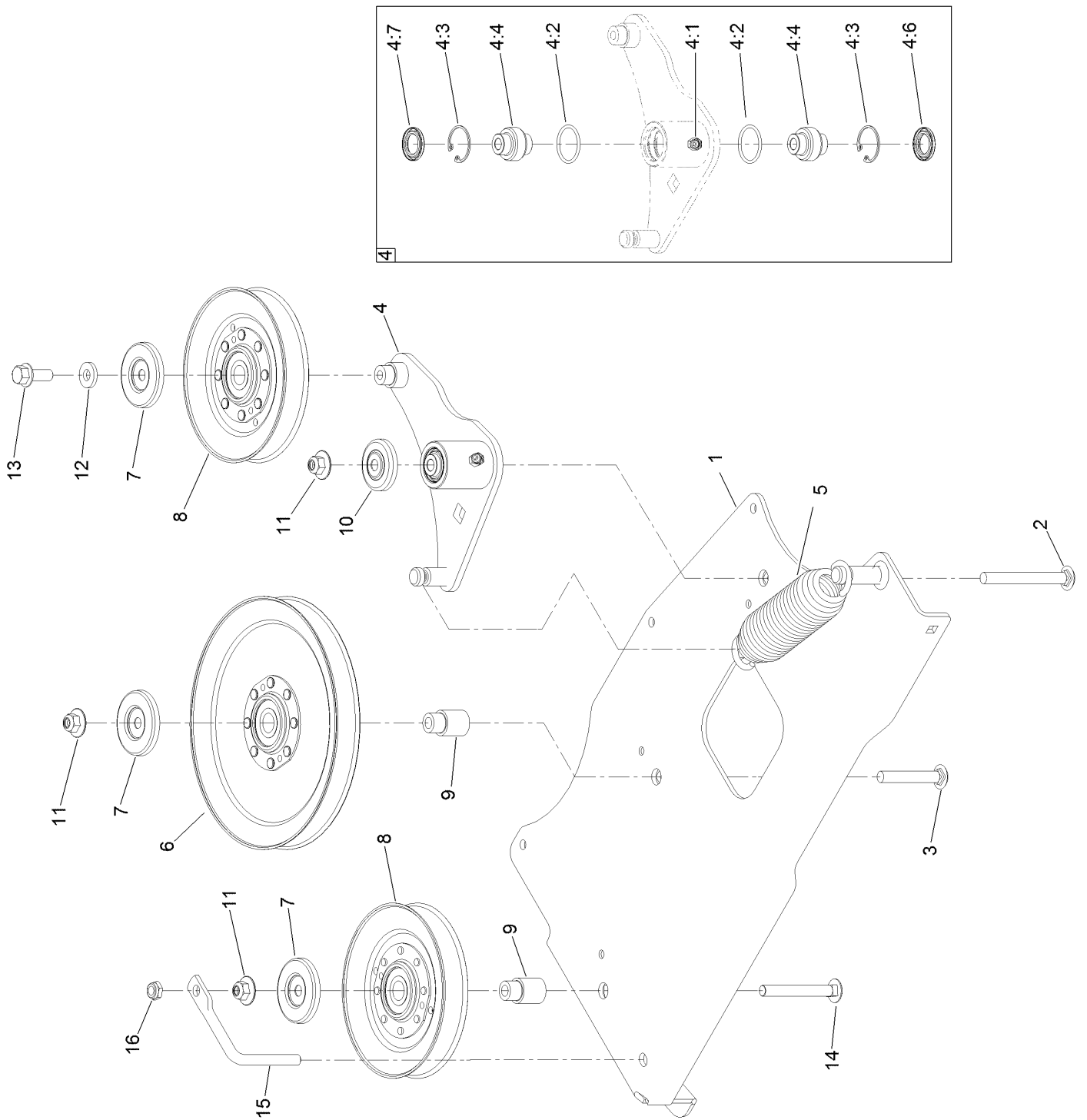


## Gear Box Assembly No. 130-8659 (continued)

<i>Ref.</i>	<i>Part Number</i>	<i>Qty.</i>	<i>Description</i>	<i>Ref.</i>	<i>Part Number</i>	<i>Qty.</i>	<i>Description</i>
1		1	Gearbox ASM ●	1:4	107-2935	1	Cap-Oil
1:1	107-2932	1	Cap-Oil	2	130-8661	1	Plug-Breather
1:2	107-2933	2	Plug	3	130-4899	1	Washer
1:3	117-9247	2	Seal				

● Not serviced separately

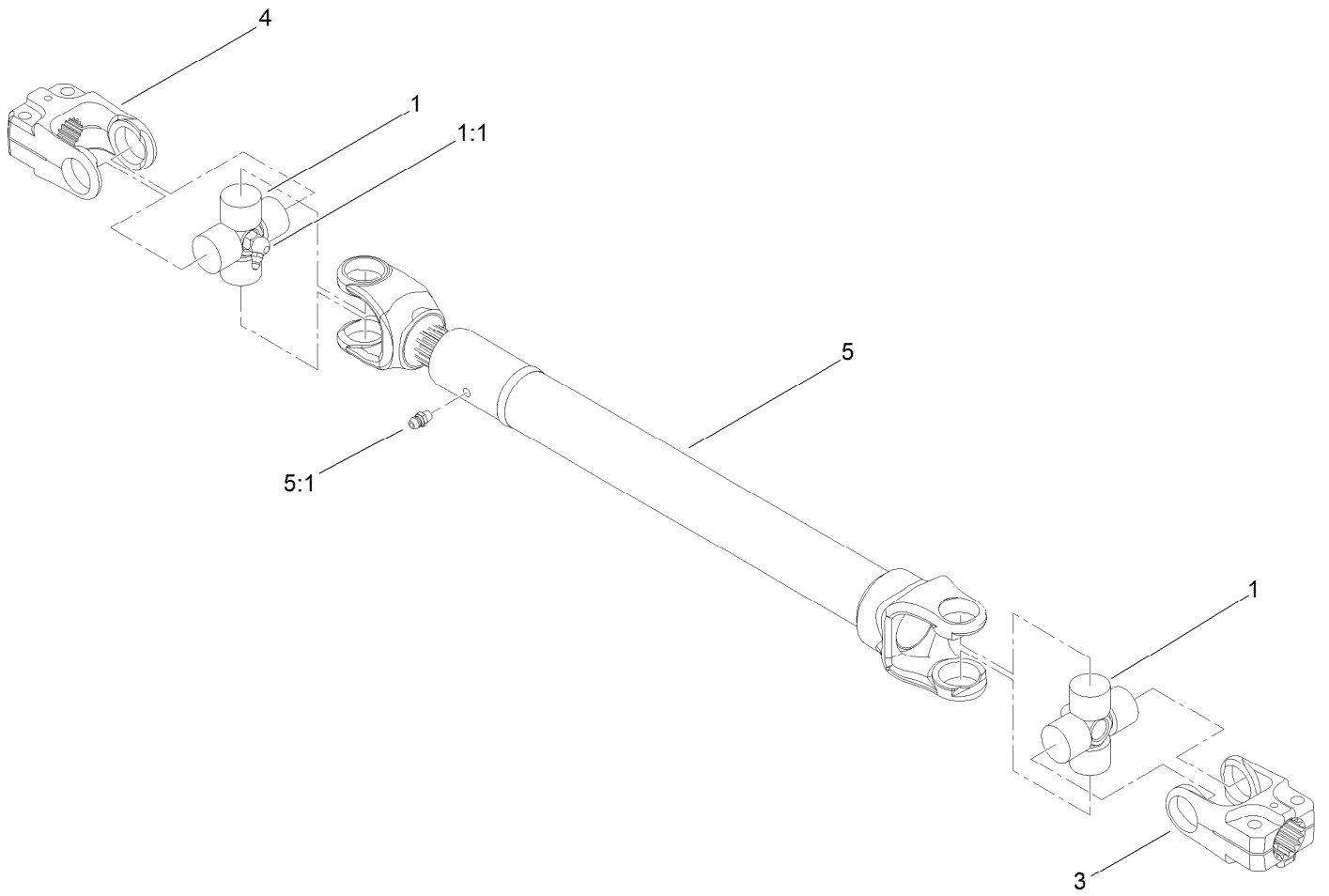
# Idler Mount Assembly No. 126-3271



## Idler Mount Assembly No. 126-3271 (continued)

<i>Ref.</i>	<i>Part Number</i>	<i>Qty.</i>	<i>Description</i>	<i>Ref.</i>	<i>Part Number</i>	<i>Qty.</i>	<i>Description</i>
1	126-3272-01	1	Mount-Idler	6	126-7460	1	Idler-V
2	116-1502	1	Bolt-Shoulder, Carriage	7	126-8043	3	Shield-Dust
3	3231-44	1	Screw-CARR	8	126-8766	2	Idler V
4	126-2967	1	Idler Arm ASM	9	126-3312	2	Standoff-Idler
4:1	302-11	1	Fitting-Lube, 45 DEG	10	103-2916	1	Guard-Top
4:2	106-7159	2	O-Ring	11	109-6658	3	Nut-Flange, NI
4:3	32120-10	2	Ring-Snap	12	43-0940	1	Spacer
4:4	103-3504	2	Bearing-Spherical	13	3234-11	1	Screw-HHF
4:6	103-3505	1	Seal-Lip, Double	14	3231-10	1	Screw-CARR
4:7	103-3506	1	Seal-Lip, Single	15	135-0362	1	Guide-Belt
5	116-6317	1	Spring-Extension	16	3296-59	1	Nut-Lock, NI

# Driveshaft Assembly No. 110-3575

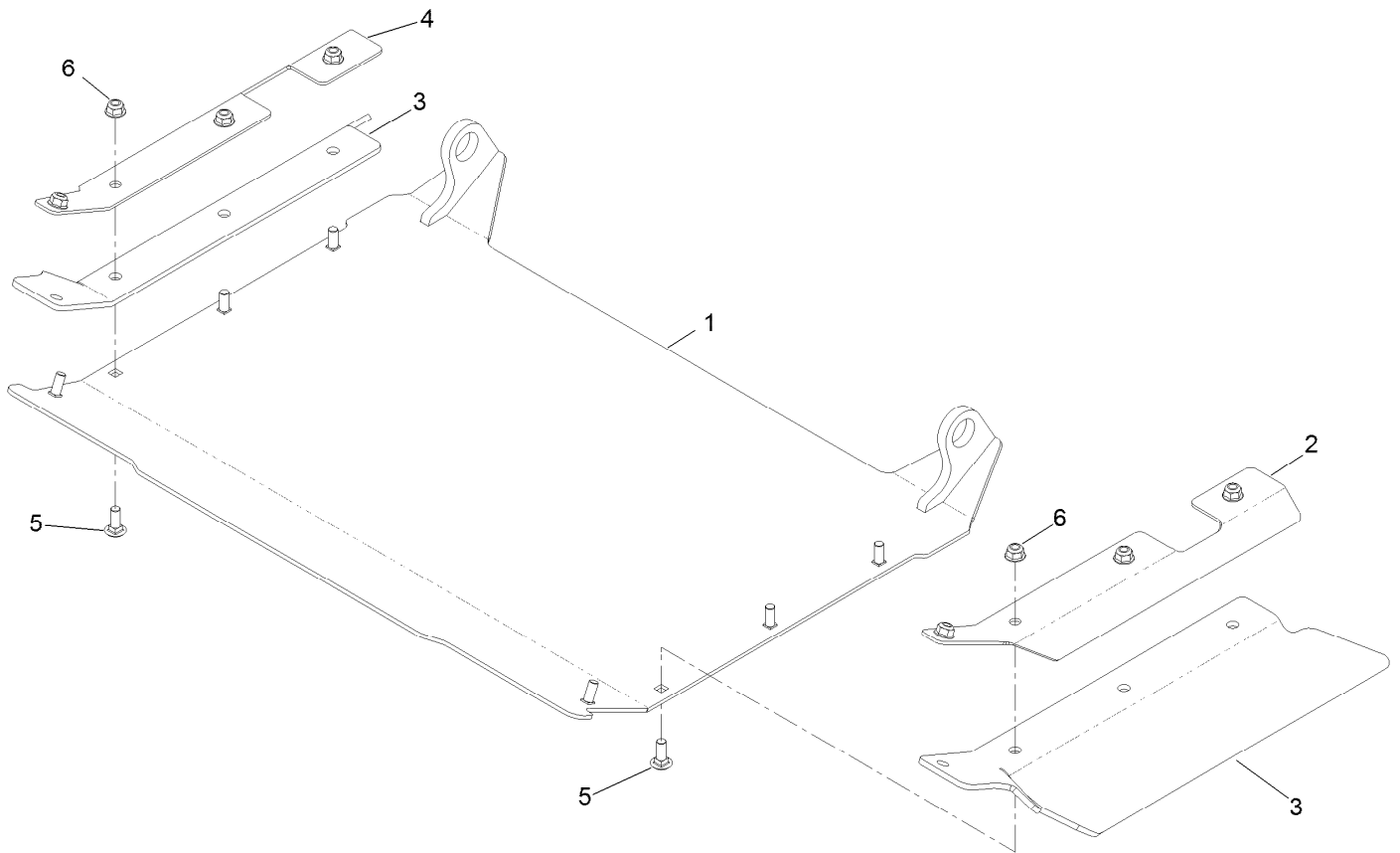


## Driveshaft Assembly No. 110-3575 (continued)

<i>Ref.</i>	<i>Part Number</i>	<i>Qty.</i>	<i>Description</i>	<i>Ref.</i>	<i>Part Number</i>	<i>Qty.</i>	<i>Description</i>
1	112-1687	2	Cross And Bearing Kit	4	54-9090	1	Yoke-End
1:1	62-3820	1	Fitting-Grease	5		1	Tube-Yoke, Slip ●
3	54-9040	1	Yoke-End	5:1	302-22	1	Fitting-Grease

● Not serviced separately

# Discharge Tunnel Assembly No. 126-3317



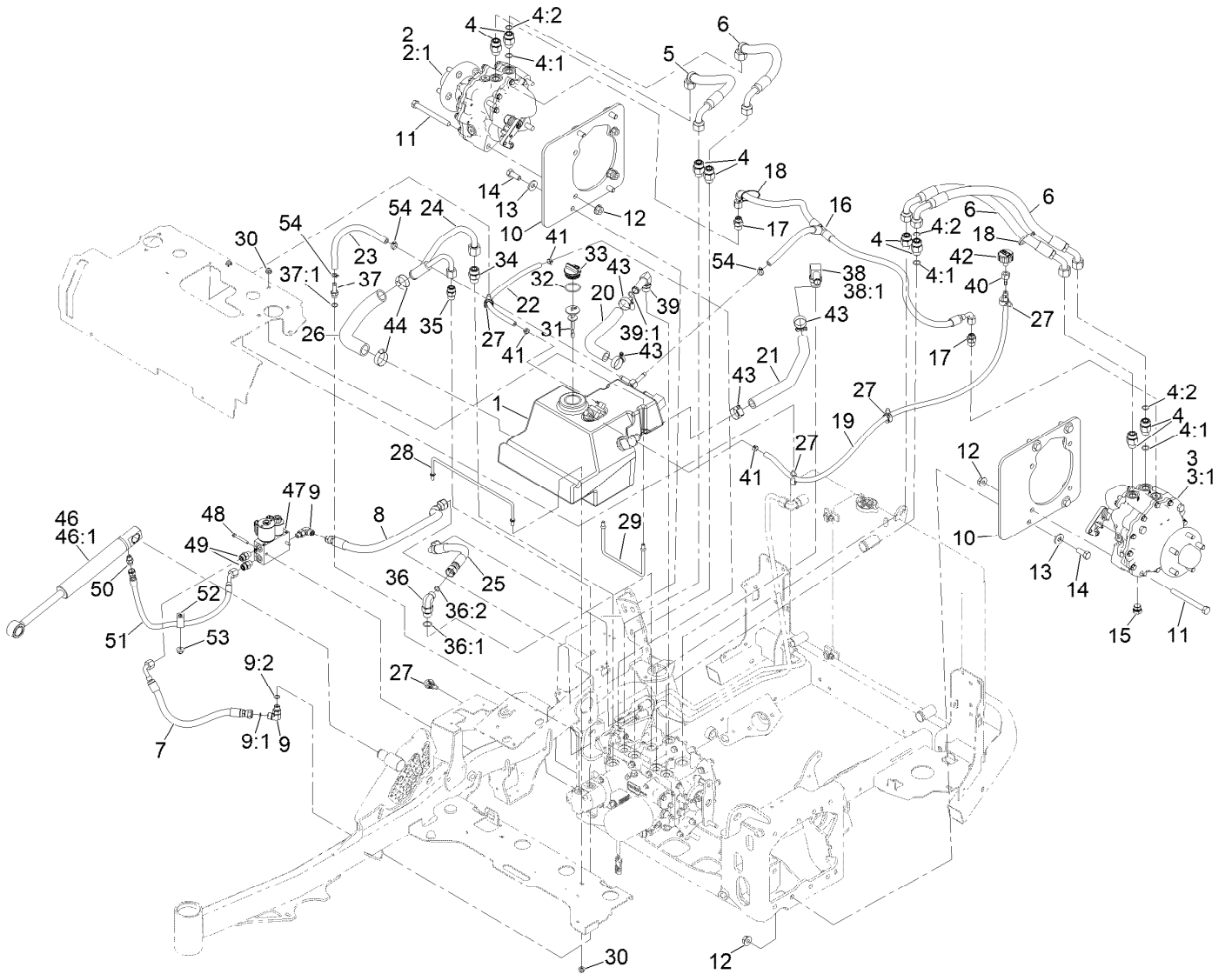


# Discharge Tunnel Assembly No. 126-3317 (continued)

<i>Ref.</i>	<i>Part Number</i>	<i>Qty.</i>	<i>Description</i>	<i>Ref.</i>	<i>Part Number</i>	<i>Qty.</i>	<i>Description</i>
1	126-3318-03	1	Tunnel-Discharge	4	126-2798-03	1	Bracket-Flap, RH
2	126-2797-03	1	Bracket-Flap, LH	5	3230-16	8	Screw-CARR
3	126-2799	2	Flap-Rubber	6	104-8300	8	Nut-HF, NI

# Hydraulic Assembly

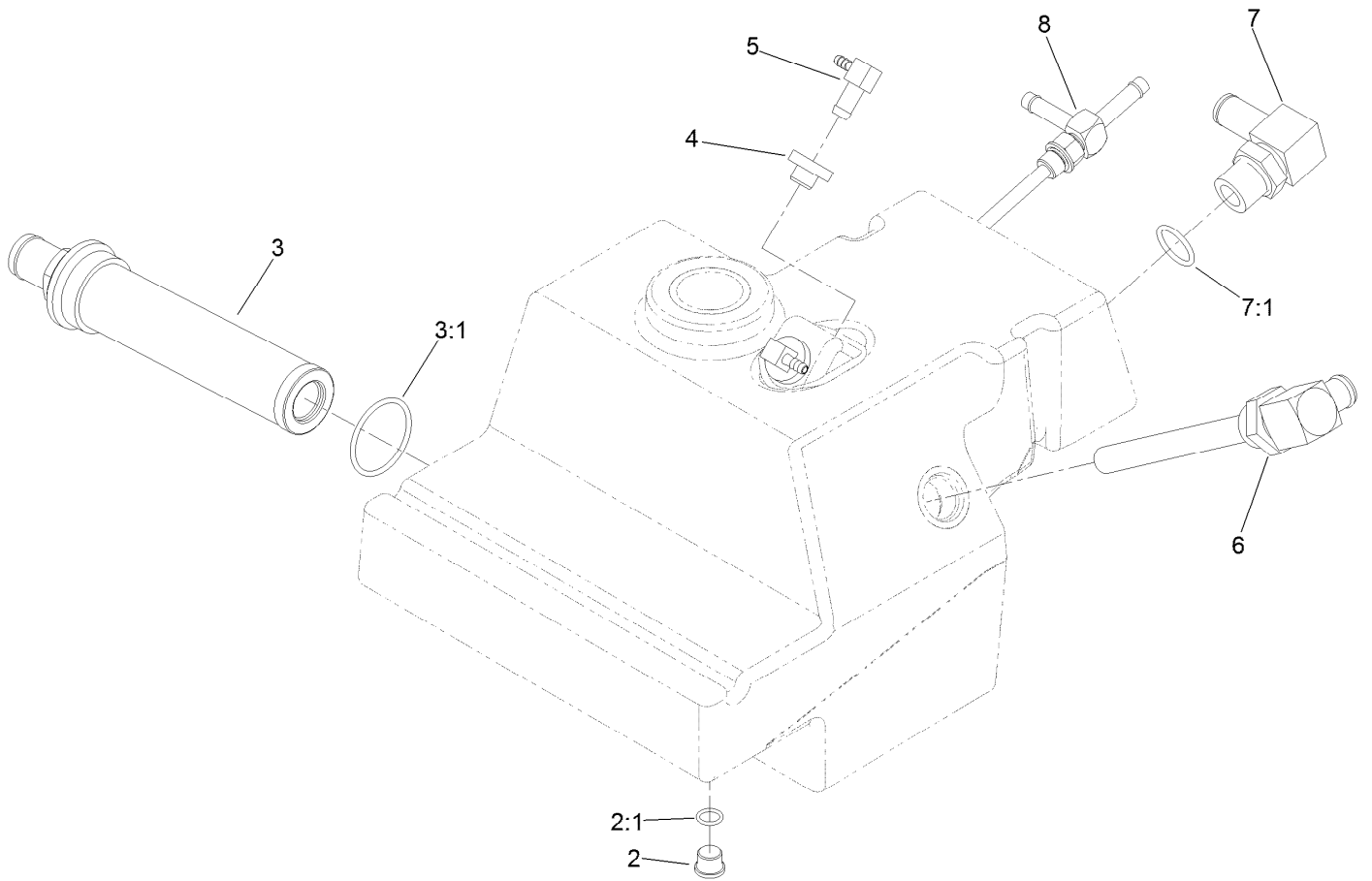
17	34	35	49	50
17:1	34:2	35:1	49:1	50:2
17:2	34:1	35:2	49:2	50:1



## Hydraulic Assembly (continued)

<i>Ref.</i>	<i>Part Number</i>	<i>Qty.</i>	<i>Description</i>	<i>Ref.</i>	<i>Part Number</i>	<i>Qty.</i>	<i>Description</i>
1	142-5034	1	HYD Reservoir ASM	31	112-6365	1	Dipstick
2	126-8133	1	Motor-HYD, RH	32	94-8166	1	O-Ring
2:1	135-5333	1	5 Stud Wheel Hub Kit	33	93-7498	1	Plug-Plastic
3	126-8134	1	Motor-HYD, LH	34	340-7	1	Fitting-Straight
3:1	135-5333	1	5 Stud Wheel Hub Kit	34:1	237-65	1	O-Ring
4	340-155	8	Fitting-Straight	34:2	237-80	1	O-Ring
4:1	237-79	1	O-Ring	35	340-4	1	Fitting-Straight
4:2	237-151	1	O-Ring	35:1	237-30	1	O-Ring
5	126-8686	1	Hose ASM, HYD	35:2	237-79	1	O-Ring
6	126-8687	3	Hose ASM, HYD	36	340-105	1	Fitting-Elbow, 90 DEG
7	126-8684	1	Hose ASM	36:1	237-80	1	O-Ring
8	126-8685	1	Hose ASM	36:2	237-30	1	O-Ring
9	340-77	2	Fitting-Elbow, 90 DEG	37	103-1912	1	Adapter-Straight
9:1	237-22	1	O-Ring	37:1	237-42	1	O-Ring
9:2	237-42	1	O-Ring	38	353-987	1	Fitting-Elbow, 90
10	126-7469-03	2	Plate-Motor	38:1	237-81	1	O-Ring
11	325-19	8	Screw-HH	39	87-8170	1	Fitting-90
12	32128-49	16	Nut-HHF	39:1	237-80	1	O-Ring
13	1-513435	8	Washer-Spring	40	354-95	1	Fitting-Straight
14	325-6	8	Screw-HH	41	2412-98	4	Clamp-Hose
15	142-2435	2	Plug-Magnetic	42	68-6150	1	Breather
16	135-3731	1	Tee Hose ASM	43	2412-129	4	Clamp-Hose
17	340-3	2	Fitting-Straight	44	2412-34	2	Clamp-Hose
17:1	237-22	1	O-Ring	46	126-7841	1	Lift Cylinder ASM
17:2	237-79	1	O-Ring	46:1	142-2767	1	Kit, CYL Repair
18	3290-378	2	Tie-Cable	47	131-1934	1	Deck Lift Valve ASM
19	126-6776	1	Hose-Fuel	48	321-18	2	Screw-HH
20	126-6767	1	Hose-Return	49	340-2	2	Fitting-Straight
21	126-6768	1	Hose-Return	49:1	237-22	1	O-Ring
22	126-6778	1	Hose-Fuel	49:2	237-42	1	O-Ring
23	126-6766	1	Hose	50	126-8692	1	Fitting-HYD, Straight
24	126-8688	1	Tube ASM	50:1	237-78	1	O-Ring
25	126-8682	1	Hose ASM	50:2	237-21	1	O-Ring
26	126-6774	1	Hose-Suction	51	126-8683	1	Hose ASM
27	32180-030	5	Clip-Tie	52	1-633396	1	Clip-Loom
28	126-7547	1	Rod-Support, HYD Tank	53	104-8301	1	Nut-HF, NI
29	126-7546	1	Rod-Support, HYD Tank	54	135-7984	3	Clamp-Hose
30	104-8300	4	Nut-HF, NI				

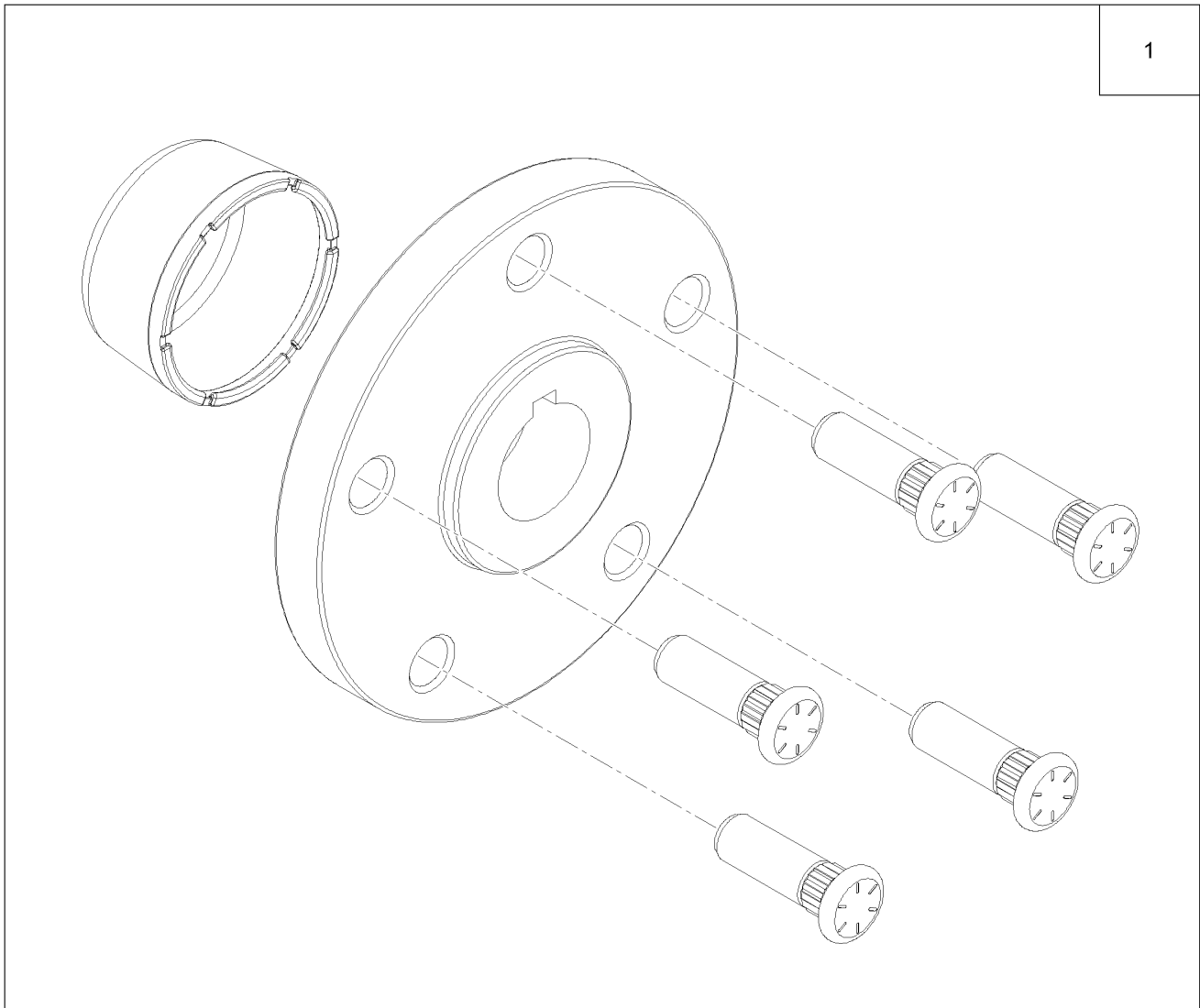
# Hydraulic Reservoir Assembly No. 142-5034



# Hydraulic Reservoir Assembly No. 142-5034 (continued)

<i>Ref.</i>	<i>Part Number</i>	<i>Qty.</i>	<i>Description</i>	<i>Ref.</i>	<i>Part Number</i>	<i>Qty.</i>	<i>Description</i>
2	353-989	1	Plug-Hex, Hollow	5	104-5228	2	Fitting-Elbow, 90 DEG
2:1	237-42	1	O-Ring	6	126-6782	1	Fitting-Standpipe
3	104-7546	1	Tank Strainer ASM	7	353-987	1	Fitting-Elbow, 90
3:1	340-136	1	O-Ring	7:1	237-81	1	O-Ring
4	46-6560	2	Bushing	8	135-3740	1	Fitting-Tee, Drop Tube

# 5 Stud Wheel Hub Kit Assembly No. 135-5333



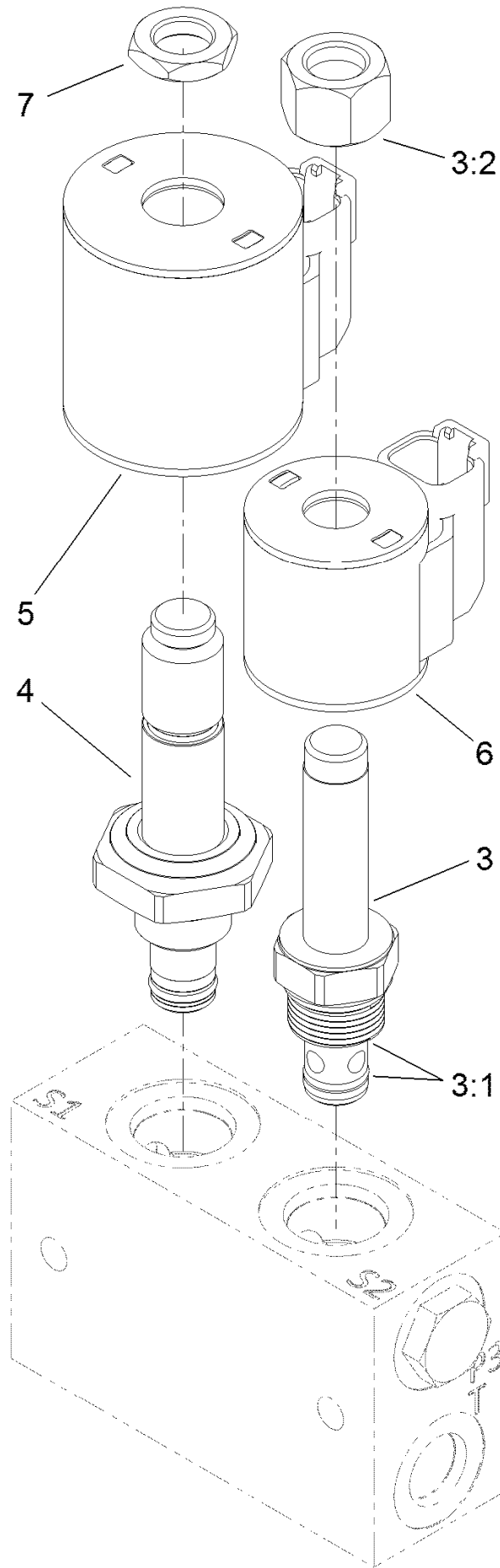
# 5 Stud Wheel Hub Kit Assembly No. 135-5333 (continued)

---

<i>Ref.</i>	<i>Part Number</i>	<i>Qty.</i>	<i>Description</i>
1	135-5332	1	Wheel Hub ASM

---

# Valve Assembly No. 131-1934



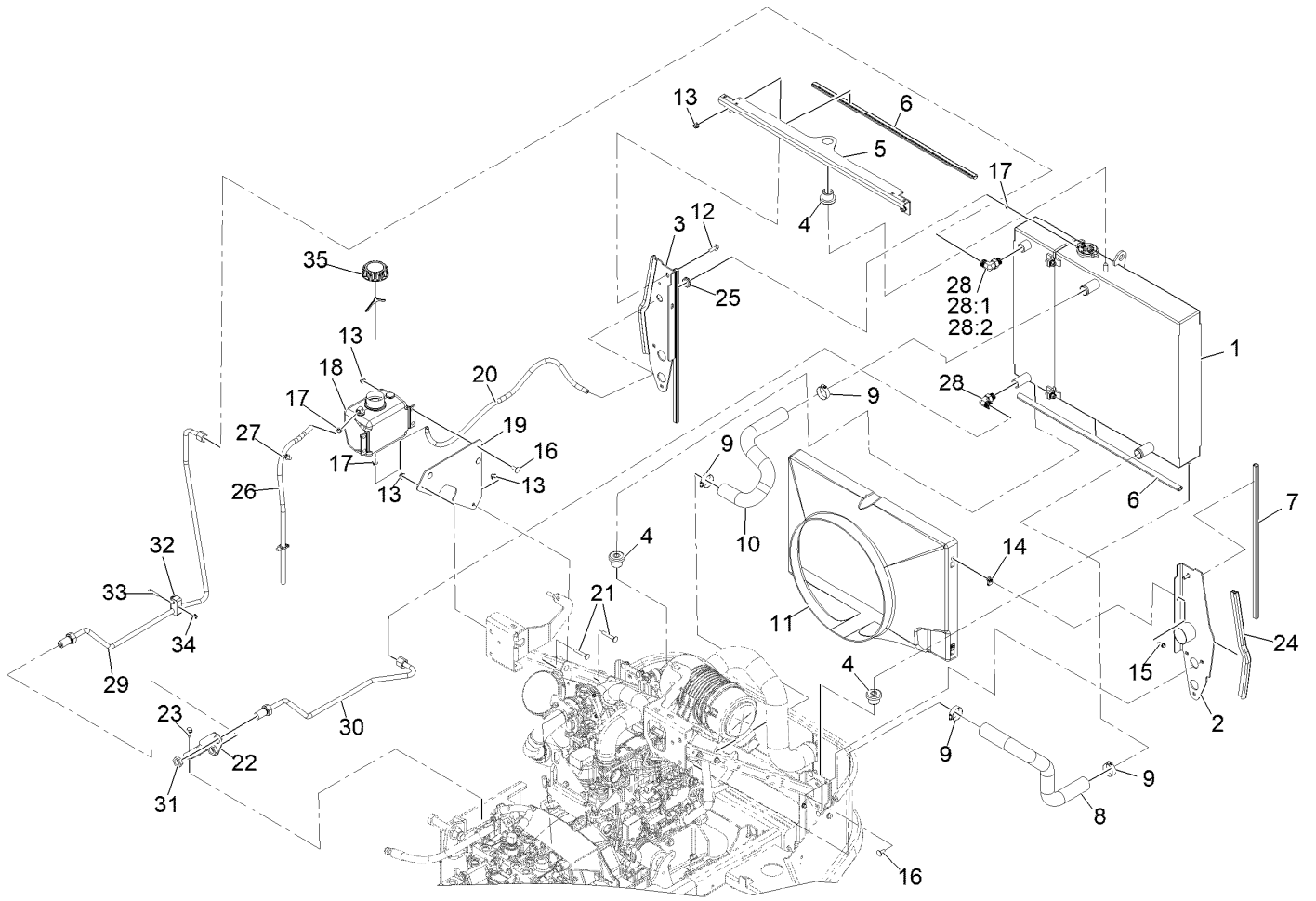


## Valve Assembly No. 131-1934 (continued)

<i>Ref.</i>	<i>Part Number</i>	<i>Qty.</i>	<i>Description</i>
3	107-7517	1	Valve-Solenoid
3:1	105-9156	1	Seal Kit
3:2	107-7812	1	Nut-Solenoid
4	131-1935	1	Valve-Solenoid

<i>Ref.</i>	<i>Part Number</i>	<i>Qty.</i>	<i>Description</i>
5	115-3021	1	Coil-12V
6	119-8036	1	Coil
7	110-2634	1	Nut-Coil

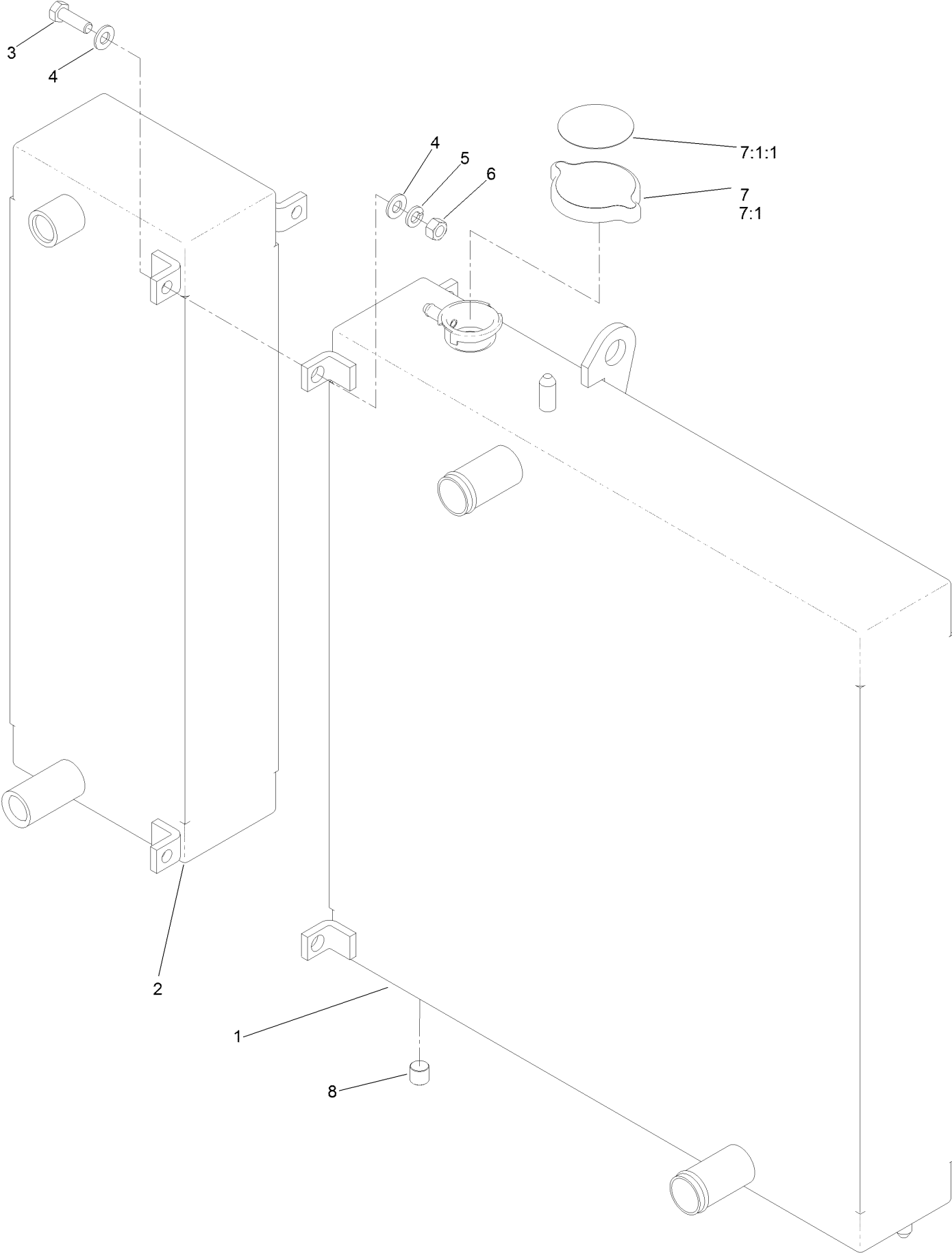
# Cooling Assembly



## Cooling Assembly (continued)

<i>Ref.</i>	<i>Part Number</i>	<i>Qty.</i>	<i>Description</i>	<i>Ref.</i>	<i>Part Number</i>	<i>Qty.</i>	<i>Description</i>
1	121-3330	1	Cooling ASM	20	109-0284	1	Hose-Fuel Line 29"
2	126-9026-03	1	Support-Radiator, LH	21	3230-6	2	Bolt-Carriage 3/16-18 X 2
3	126-9028-03	1	Support-Radiator, RH	22	126-6781-03	1	Bracket-Bulkhead
4	119-1422	3	Mount-Isolator	23	32144-70	2	Screw-HWH 5/16-18 X 3/4 Tf
5	120-0068-03	1	Bracket-Cooling, Top	24	126-6847	2	Seal-Bulb
6	119-1427	2	Seal-Bulb	25	237-124	1	Grommet
7	119-1426	2	Seal-Bulb	26	110-4103	1	Hose-Fuel
8	126-7787	1	Hose-Radiator, Lower	27	32180-030	2	Clip-Tie
9	2412-34	4	Clamp-Hose	28	340-98	2	Fitting-Elbow, 90 DEG
10	126-7788	1	Hose-Radiator, Upper	28:1	237-79	1	O-Ring
11	126-6720	1	Shroud-Fan	28:2	237-30	1	O-Ring
12	3234-29	2	Screw-HH Flg 5/16-18 X 1	29	126-8690	1	Hydraulic Tube ASM
13	104-8300	13	Nut-Nyloc 5/16-18 Flg	30	126-8691	1	Hydraulic Tube ASM
14	107069	4	Nut-Retainer-Panel 1/4-20	31	340-127	2	Nut-Bulkhead
15	32105-15	4	Screw-Machine 1/4-20 X 3/4	32	135-0641	1	Clamp-Twin
16	3230-23	9	Bolt-Carriage 5/16-18 X 3/4 Short Neck	33	321-13	1	Screw-HH 1/4-20 X 1 3/8
17	2412-98	3	Clamp-Hose	34	104-7201	1	Nut-Nyloc 1/4-20 Flg
18	135-4692	1	Tank-Overflow, W/Cap	35	135-4693	1	Cap-W/Tether
19	126-9178-03	1	Bracket-Bottle				

# Cooling Assembly No. 121-3330

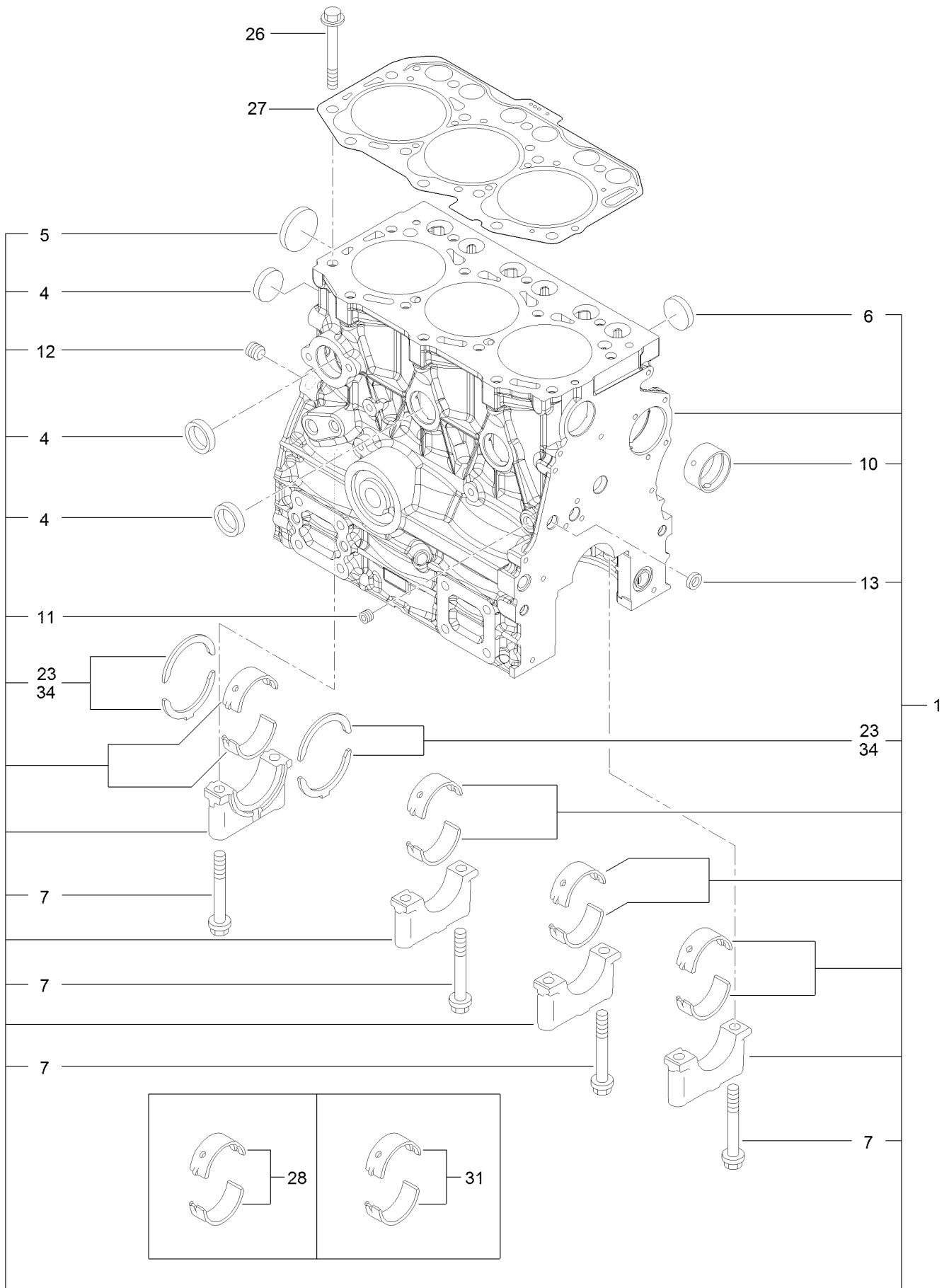


## Cooling Assembly No. 121-3330 (continued)

<i>Ref.</i>	<i>Part Number</i>	<i>Qty.</i>	<i>Description</i>	<i>Ref.</i>	<i>Part Number</i>	<i>Qty.</i>	<i>Description</i>
1	121-3328	1	Radiator	6	3217-6	3	Nut-Hex
2	121-3329	1	Oil Cooler	7	119-1430	1	Radiator Cap ASM
3	322-5	3	Screw-HH	7:1		1	Cap-Radiator ●
4	3256-23	6	Washer-Plain	7:1:1	117-3276	1	Decal-Danger
5	3253-4	3	Washer-Lock	8	99-8551	1	Plug-Pipe

● Not serviced separately

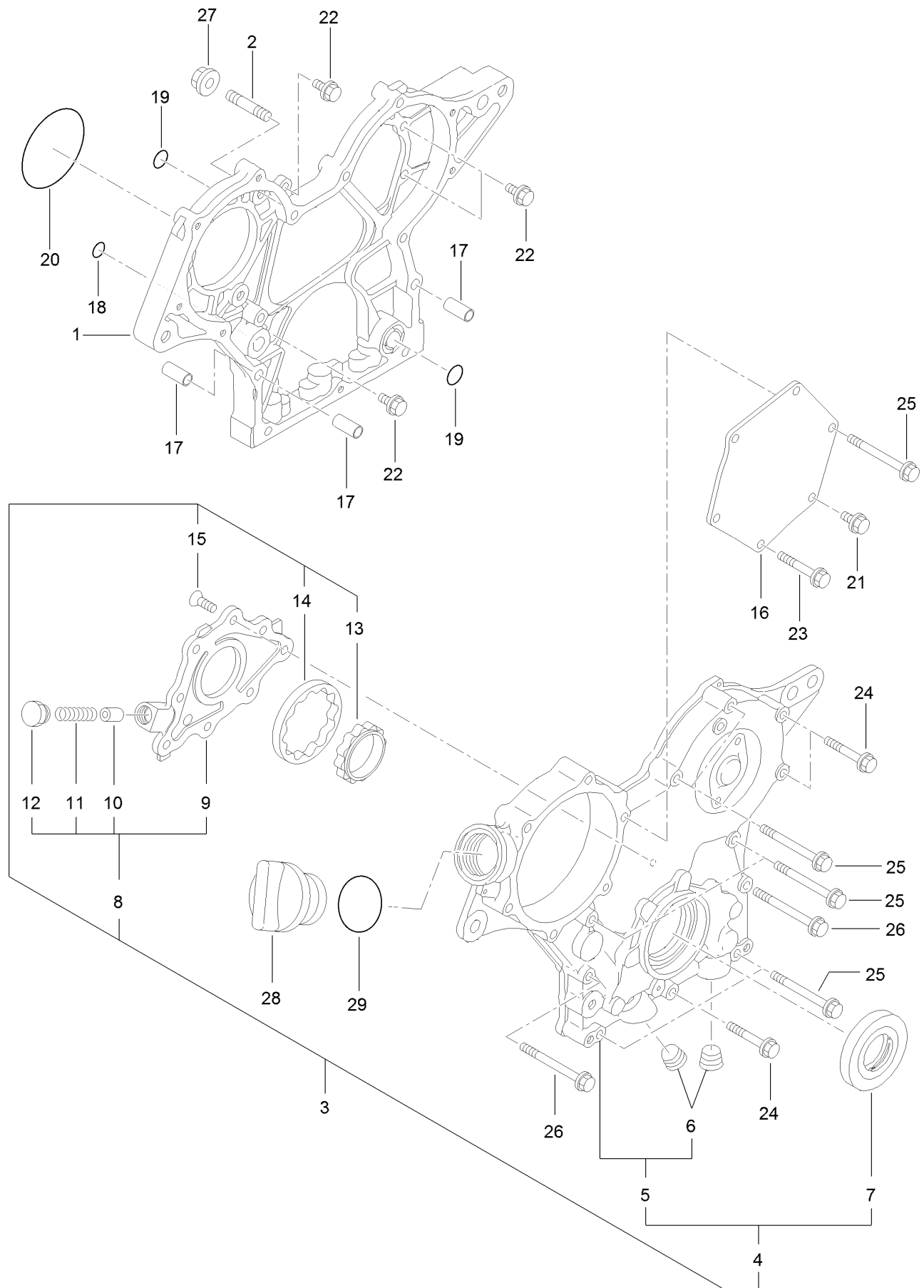
# Cylinder Block Assembly



## Cylinder Block Assembly (continued)

<i>Ref.</i>	<i>Part Number</i>	<i>Qty.</i>	<i>Description</i>	<i>Ref.</i>	<i>Part Number</i>	<i>Qty.</i>	<i>Description</i>
1	135-4030	1	Cylinder Block ASM	13	125-7237	1	Plug
4	135-4031	4	Plug-Cup	23	135-4036	2	Thrust Bearing ASM
5	135-4032	1	Plug-Dish	26	135-4037	14	Bolt-Head, Cylinder
6	135-4033	3	Plug-Cup	27	135-4038	1	Head Gasket Set
7	135-4034	8	Bolt-Cap	28	135-4039	4	Main Bearing ASM
10	135-4035	1	Bushing-Camshaft	31	135-4040	4	Main Bearing ASM
11	125-6969	1	Plug	34	135-4041	2	Bearing-Thrust
12	125-6973	1	Plug				

# Gear Housing Assembly

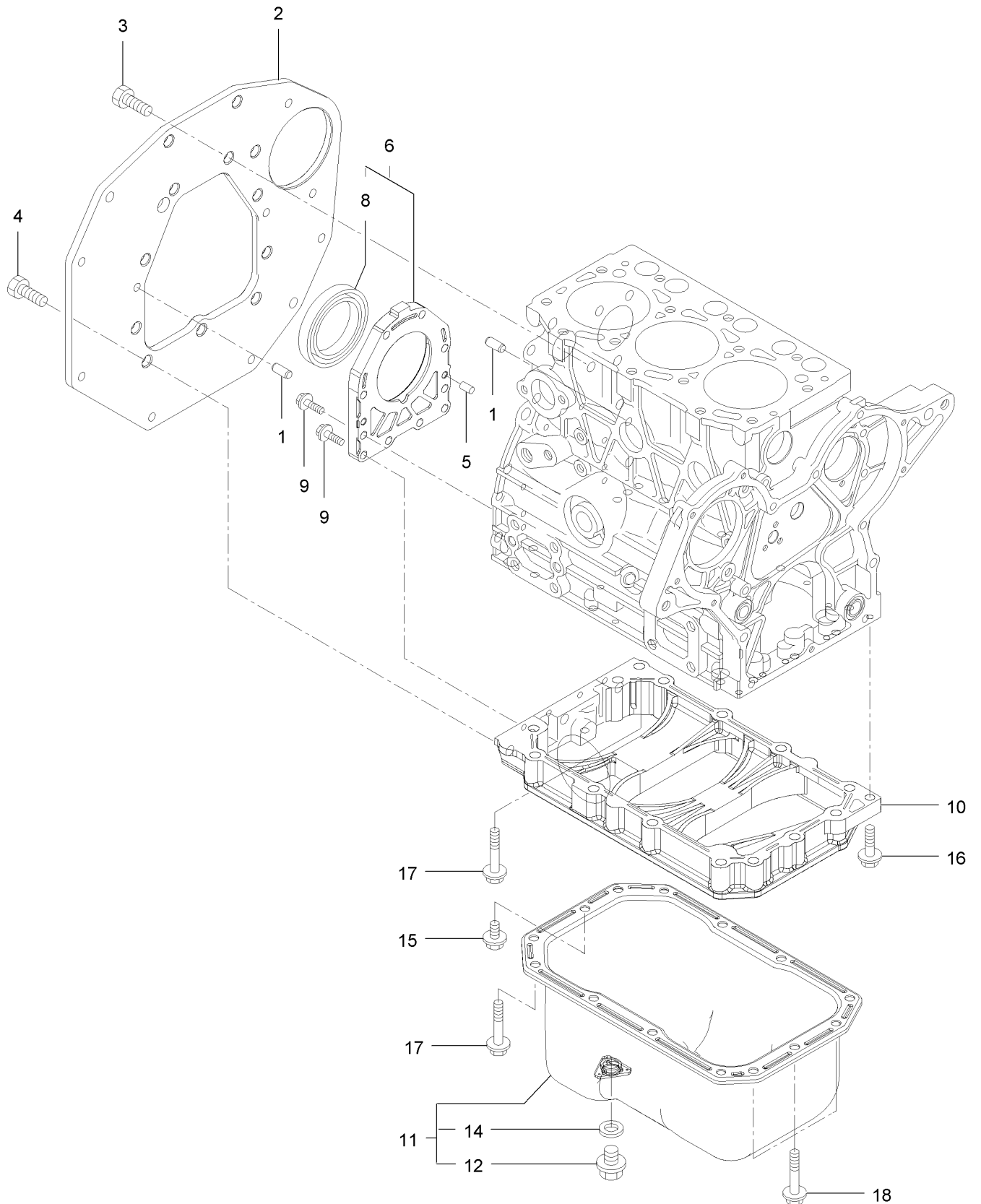




## Gear Housing Assembly (continued)

<i>Ref.</i>	<i>Part Number</i>	<i>Qty.</i>	<i>Description</i>	<i>Ref.</i>	<i>Part Number</i>	<i>Qty.</i>	<i>Description</i>
1	135-4042	1	Case-Gear	16	135-4056	1	Cover-Pump
2	135-4043	3	Bolt-Stud	17	135-4057	4	Dowel-Pipe
3	135-4044	1	Gear Case Cover ASM	18	127-2973	1	O-Ring
4	135-4045	1	Gear Case Cover ASM	19	135-4058	3	O-Ring
5	135-4046	1	Cover-Case, Gear	20	125-6957	1	O-Ring
6	133-6798	2	Plug	21	125-7206	1	Bolt
7	135-4047	1	Seal-Oil	22	125-7208	4	Bolt
8	135-4048	1	Cover ASM	23	125-7211	4	Bolt
9	135-4049	1	Cover-Pump	24	125-7211	3	Bolt
10	135-4050	1	Valve-Relief	25	135-4059	7	Bolt
11	135-4051	1	Spring	26	136-8257	2	Bolt
12	135-4052	1	Plug	27	125-7229	3	Nut
13	135-4053	1	Rotor-Inner	28	125-6972	1	Cover-Filler
14	135-4054	1	Rotor-Outer	29	125-7197	1	O-Ring
15	135-4055	8	Screw				

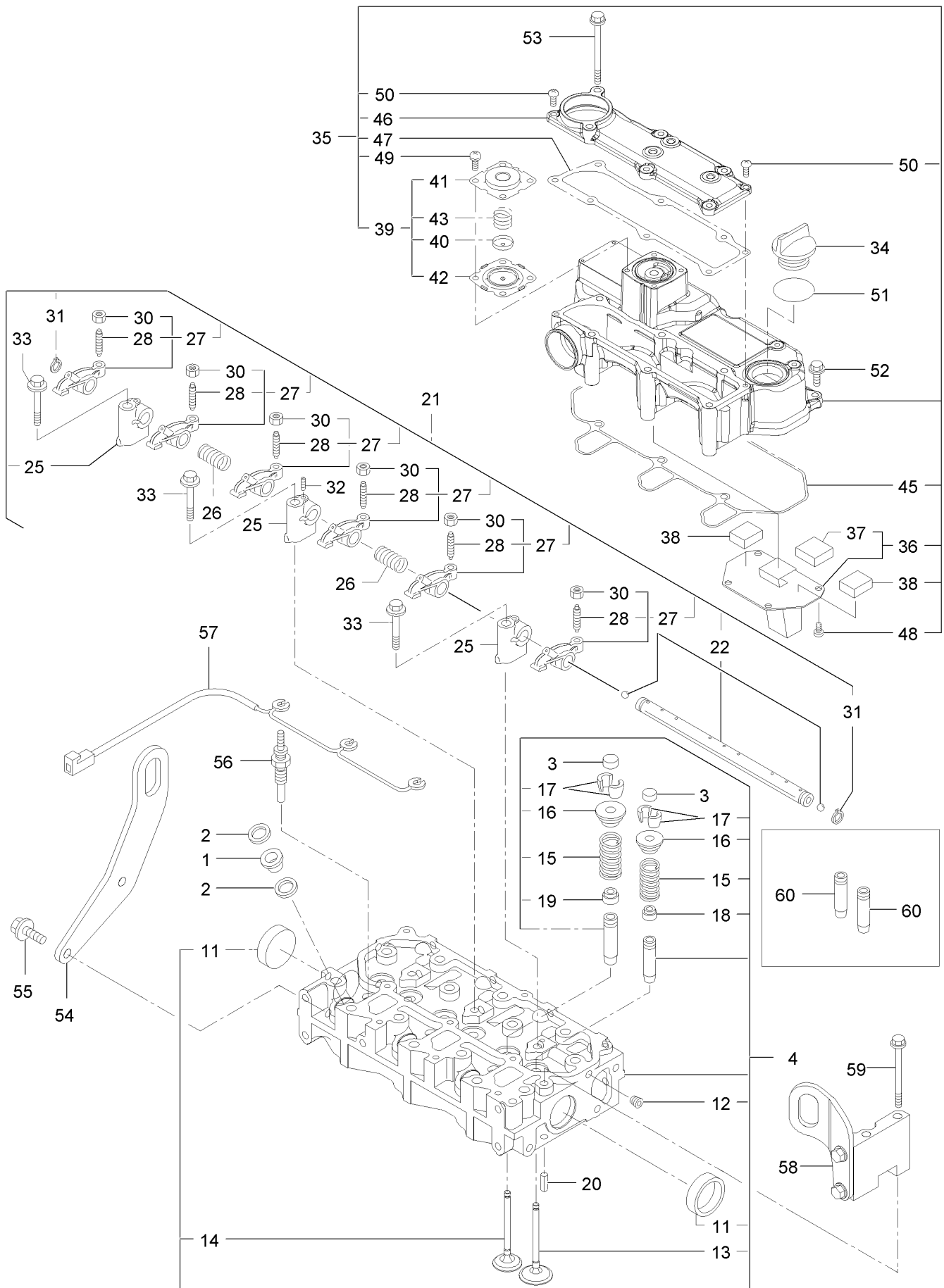
# Flywheel Housing and Oil Sump Assembly



## Flywheel Housing and Oil Sump Assembly (continued)

<i>Ref.</i>	<i>Part Number</i>	<i>Qty.</i>	<i>Description</i>	<i>Ref.</i>	<i>Part Number</i>	<i>Qty.</i>	<i>Description</i>
1	125-6995	2	Pin	10	135-4066	1	Spacer-Pan, Oil
2	135-4060	1	Flange-Mounting	11	135-4067	1	Oil Pan ASM
3	135-4061	9	Bolt	12	135-4068	1	Plug
4	125-7226	3	Bolt	14	136-8236	1	Washer-Seal
5	135-4062	2	Pin-Parallel	15	125-7212	1	Bolt
6	135-4063	1	Case ASM-Oil Seal	16	125-7216	1	Bolt
8	135-4064	1	Seal-Oil	17	125-7219	11	Bolt
9	135-4065	10	Bolt	18	125-7220	3	Bolt

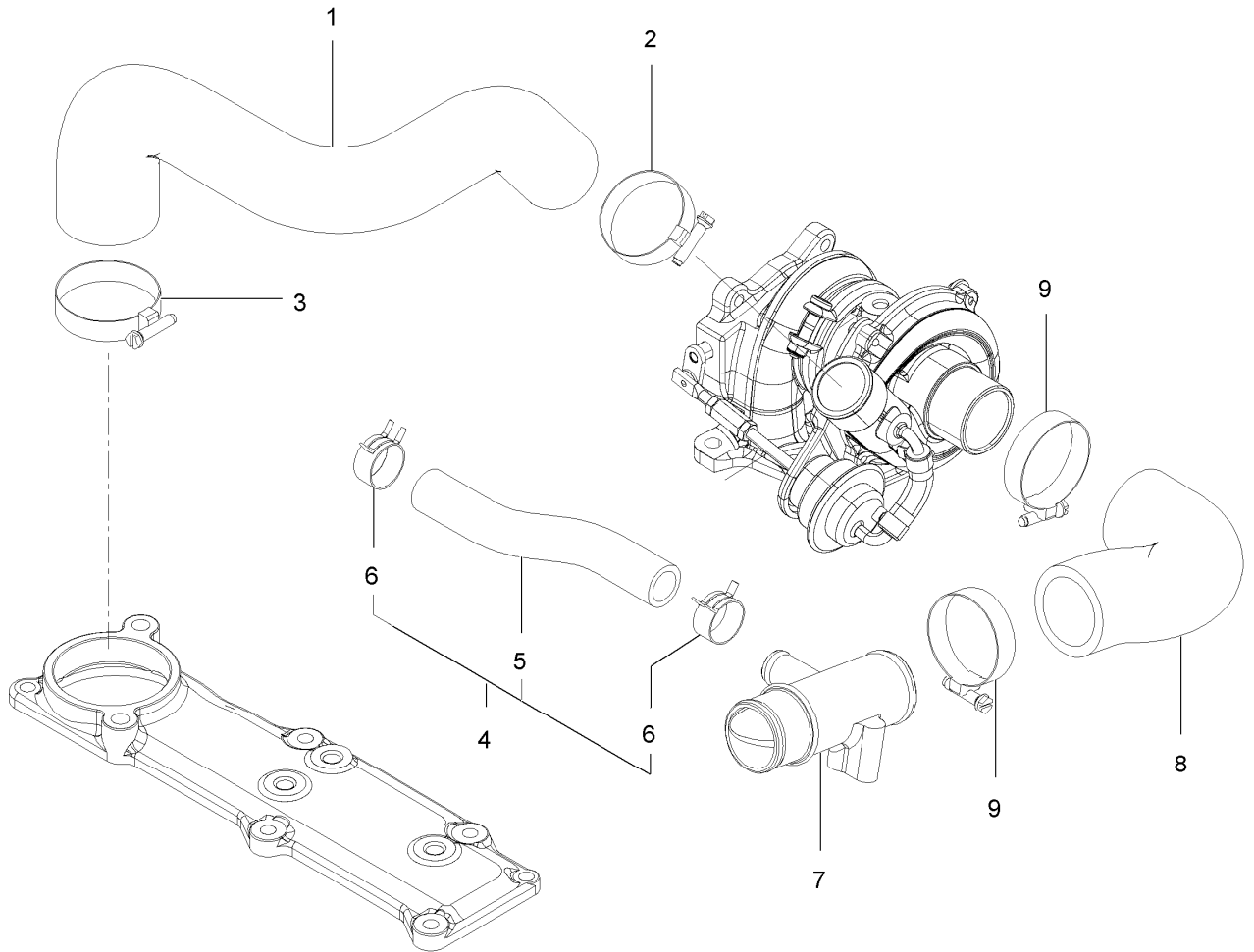
# Cylinder Head and Cover Assembly



## Cylinder Head and Cover Assembly (continued)

<i>Ref.</i>	<i>Part Number</i>	<i>Qty.</i>	<i>Description</i>	<i>Ref.</i>	<i>Part Number</i>	<i>Qty.</i>	<i>Description</i>
1	135-4069	3	Protector-Nozzle	36	135-4085	1	Plate-Baffle
2	135-4070	6	Gasket-Nozzle	37	135-4086	1	Baffle-Breather
3	135-4071	6	Cap-Valve	38	135-4086	2	Baffle-Breather
4	135-4072	1	Head ASM-Cylinder	39	135-4088	1	Diaphragm ASM
11	135-4073	2	Plug-Cup	40	135-4089	1	Plate-Diaphragm
12	133-6797	1	Plug	41	135-4090	1	Cover-Diaphragm
13	135-4074	3	Valve-Suction	42	135-4091	1	Diaphragm
14	135-4075	3	Valve-Exhaust	43	135-4092	1	Spring-Diaphragm
15	135-4076	6	Spring-Valve	45	135-4093	1	Gasket-Cover, Cylinder Head
16	125-7054	6	Retainer	46	135-4094	1	Cover ASM-Bonnet
17	125-6914	12	Cotter	47	135-4095	1	Gasket
18	125-6915	3	Seal-Stem, Valve	48	125-7186	4	Screw
19	125-6916	3	Seal-Stem, Valve	49	125-7186	4	Screw
20	125-7184	2	Pin-Spring	50	127-3168	2	Screw
21	135-4077	1	Rocker Support ASM	51	125-7197	1	O-Ring
22	135-4078	1	Rocker Shaft ASM	52	125-7209	3	Bolt
25	135-4079	3	Support-Arm, Rocker	53	135-4096	6	Bolt
26	135-4080	2	Spring-Rocker	54	135-4097	1	Lifter-Engine
27	135-4081	6	Rocker Arm ASM	55	125-7214	2	Bolt
28	125-7013	6	Screw-Adjust, Valve	56	135-4291	3	Plug-Glow
30	125-7014	6	Nut	57	135-4294	1	Connector-Glow Plug
31	135-7082	2	Ring	58	135-4292	1	Lifter ASM
32	135-4083	1	Screw	59	127-3178	2	Bolt
33	125-7218	3	Bolt	60	125-6917	6	Guide
34	125-6972	1	Cover-Filler				
35	135-4084	1	Bonnet ASM				

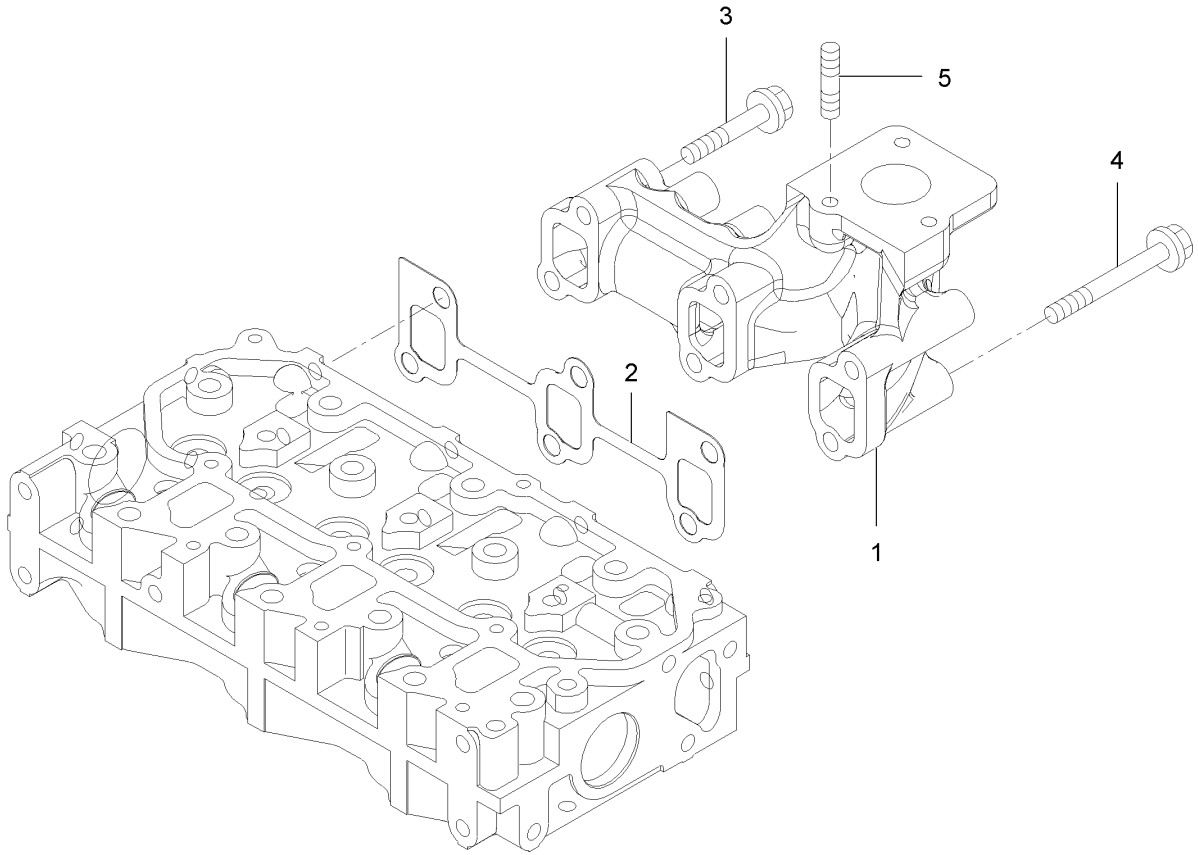
# Suction Manifold Assembly



## Suction Manifold Assembly (continued)

<i>Ref.</i>	<i>Part Number</i>	<i>Qty.</i>	<i>Description</i>	<i>Ref.</i>	<i>Part Number</i>	<i>Qty.</i>	<i>Description</i>
1	135-4101	1	Hose-Air Intake	6	125-7040	2	Clip-Hose
2	125-7189	1	Clamp-Hose	7	135-4104	1	Joint-Breather
3	127-3170	1	Clamp-Hose	8	135-4105	1	Hose-Intake, Air
4	135-4102	1	Hose ASM-Breather	9	127-3170	2	Clamp-Hose
5	135-4103	1	Hose-Breather				

# Exhaust Manifold Assembly

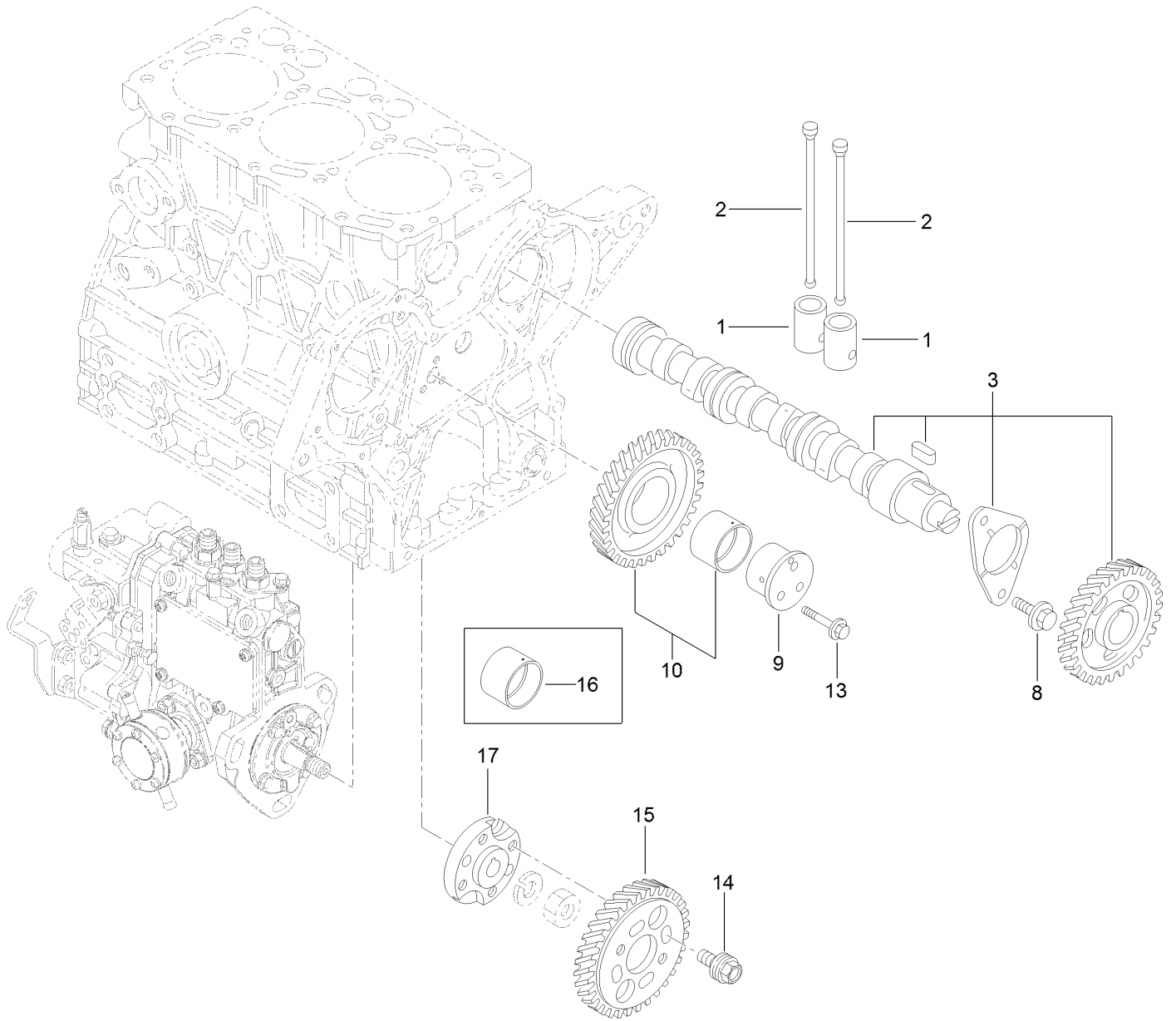




## Exhaust Manifold Assembly (continued)

<i>Ref.</i>	<i>Part Number</i>	<i>Qty.</i>	<i>Description</i>	<i>Ref.</i>	<i>Part Number</i>	<i>Qty.</i>	<i>Description</i>
1	135-4106	1	Manifold-Exhaust	4	133-6606	3	Bolt
2	135-4107	1	Gasket-Manifold, Exhaust	5	125-7043	3	Stud
3	133-6714	3	Bolt				

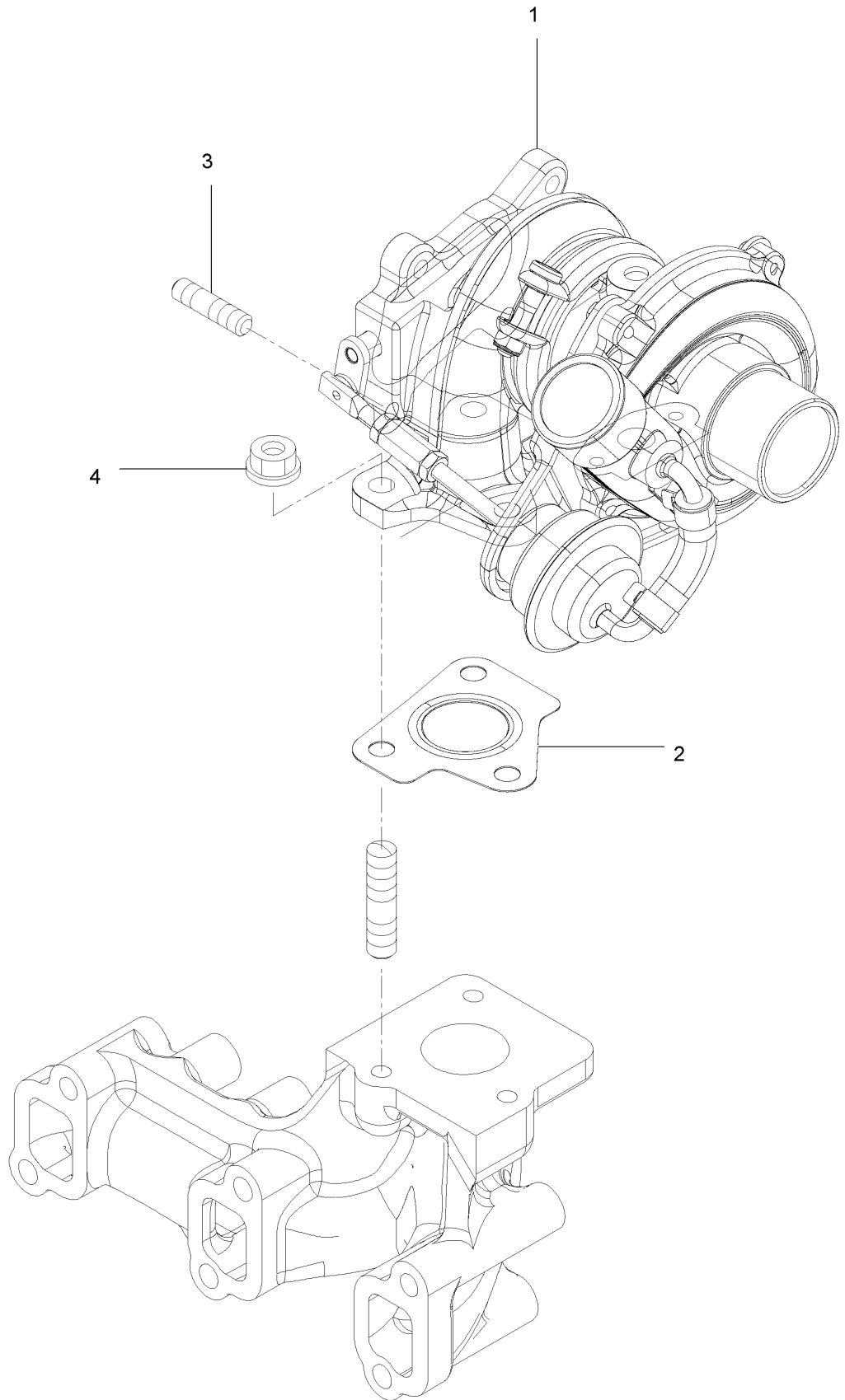
# Camshaft and Driving Gear Assembly



## Camshaft and Driving Gear Assembly (continued)

<i>Ref.</i>	<i>Part Number</i>	<i>Qty.</i>	<i>Description</i>	<i>Ref.</i>	<i>Part Number</i>	<i>Qty.</i>	<i>Description</i>
1	135-4108	6	Tappet	13	135-4147	3	Bolt
2	135-4109	6	Push-Rod	14	125-7020	4	Bolt
3	135-4110	1	Camshaft ASM	15	135-4148	1	Gear-Pump
8	125-7206	2	Bolt	16	135-4149	1	Bushing-Gear, Idle
9	135-4145	1	Shaft-Idle	17	135-4150	1	Flange
10	135-4146	1	Idle Gear ASM				

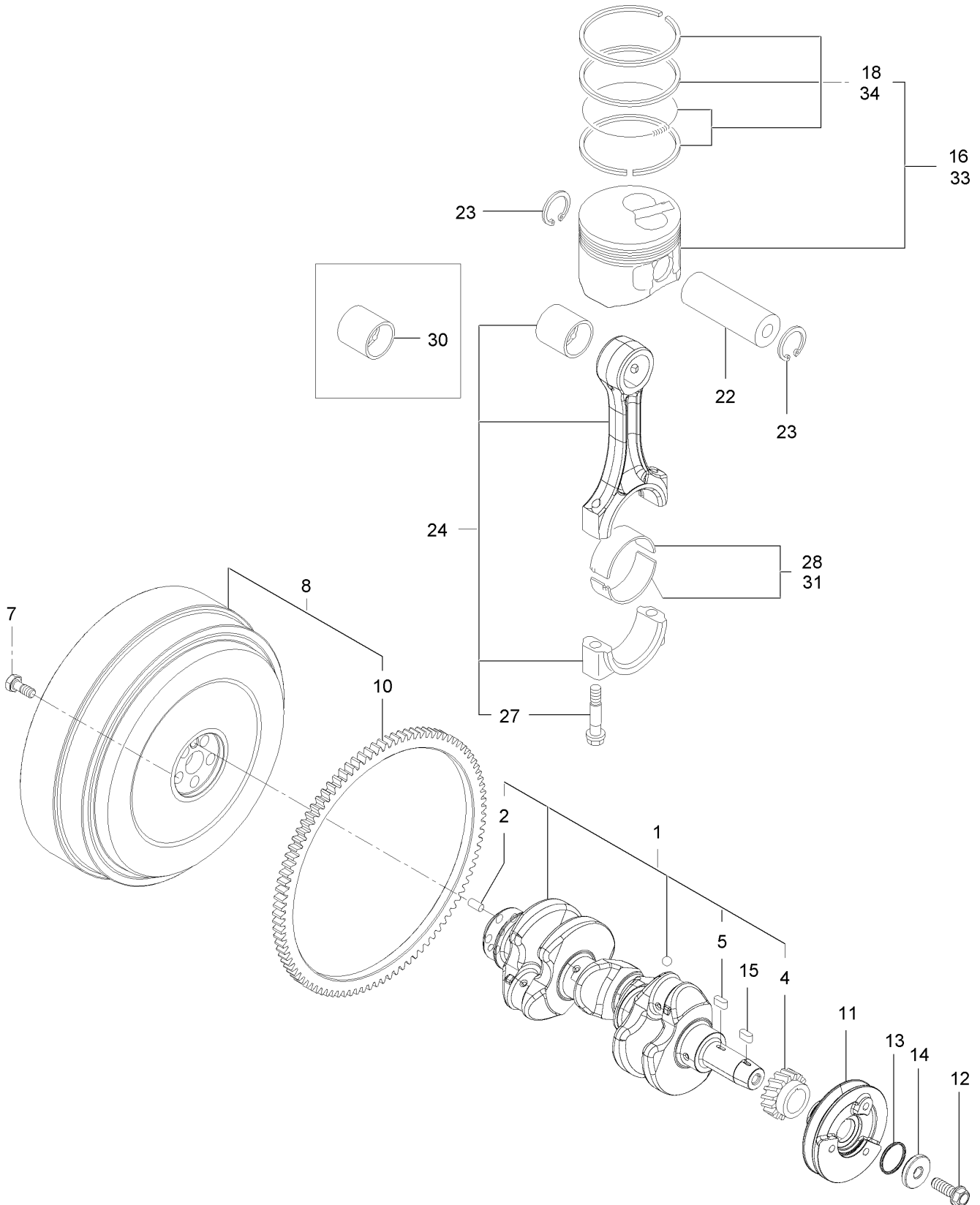
# Turbine Assembly



## Turbine Assembly (continued)

<i>Ref.</i>	<i>Part Number</i>	<i>Qty.</i>	<i>Description</i>	<i>Ref.</i>	<i>Part Number</i>	<i>Qty.</i>	<i>Description</i>
1	135-4151	1	Turbocharger	3	125-6906	4	Stud
2	127-3799	1	Gasket-In, T C	4	125-7229	3	Nut

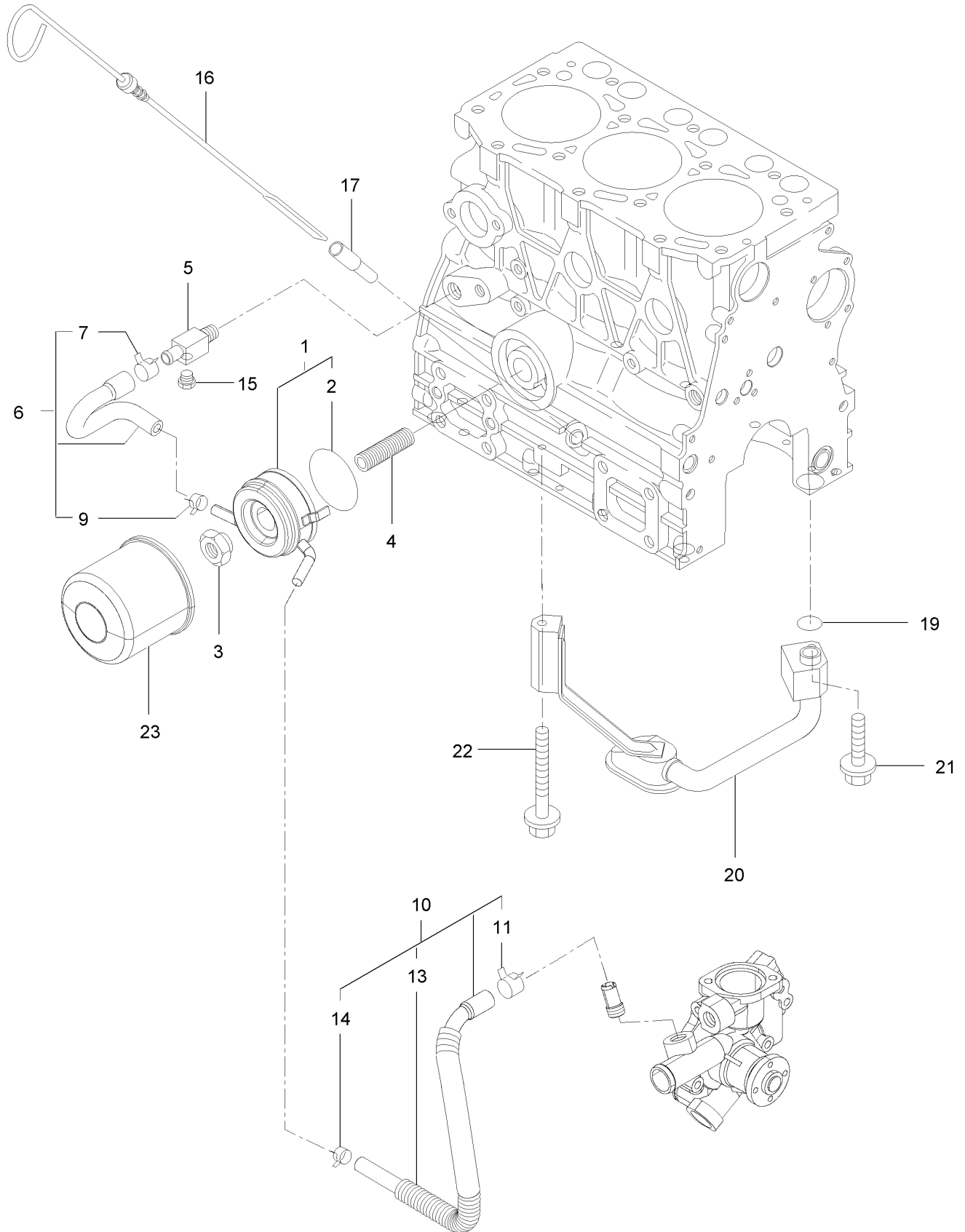
# Crankshaft and Piston Assembly



## Crankshaft and Piston Assembly (continued)

<i>Ref.</i>	<i>Part Number</i>	<i>Qty.</i>	<i>Description</i>	<i>Ref.</i>	<i>Part Number</i>	<i>Qty.</i>	<i>Description</i>
1	135-4152	1	Crankshaft ASM	16	135-4163	3	Piston ASM
2	125-6995	1	Pin	18	135-4164	3	Ring ASM
4	135-4153	1	Gear-Crankshaft	22	135-4165	3	Pin-Piston
5	135-4154	1	Key	23	135-4166	6	Ring
7	135-4155	5	Bolt, Flywheel 5	24	135-4167	3	Rod ASM-Connecting
8	135-4156	1	Flywheel ASM	27	135-4168	6	Bolt-Rod, Connecting
10	135-4157	1	Gear-Ring	28	135-4169	3	Bearing-Pin, Crank
11	135-4158	1	V-Pulley, Crankshaft	30	135-4170	3	Bearing-Pin, Piston
12	135-4159	1	Bolt-Flange	31	135-4171	3	Bearing-Pin (0.25)
13	135-4160	1	Gasket-Washer	33	135-4172	3	Piston ASM
14	135-4161	1	Washer	34	135-4173	3	Ring ASM
15	135-4154	1	Key				

# Oil Pump Assembly

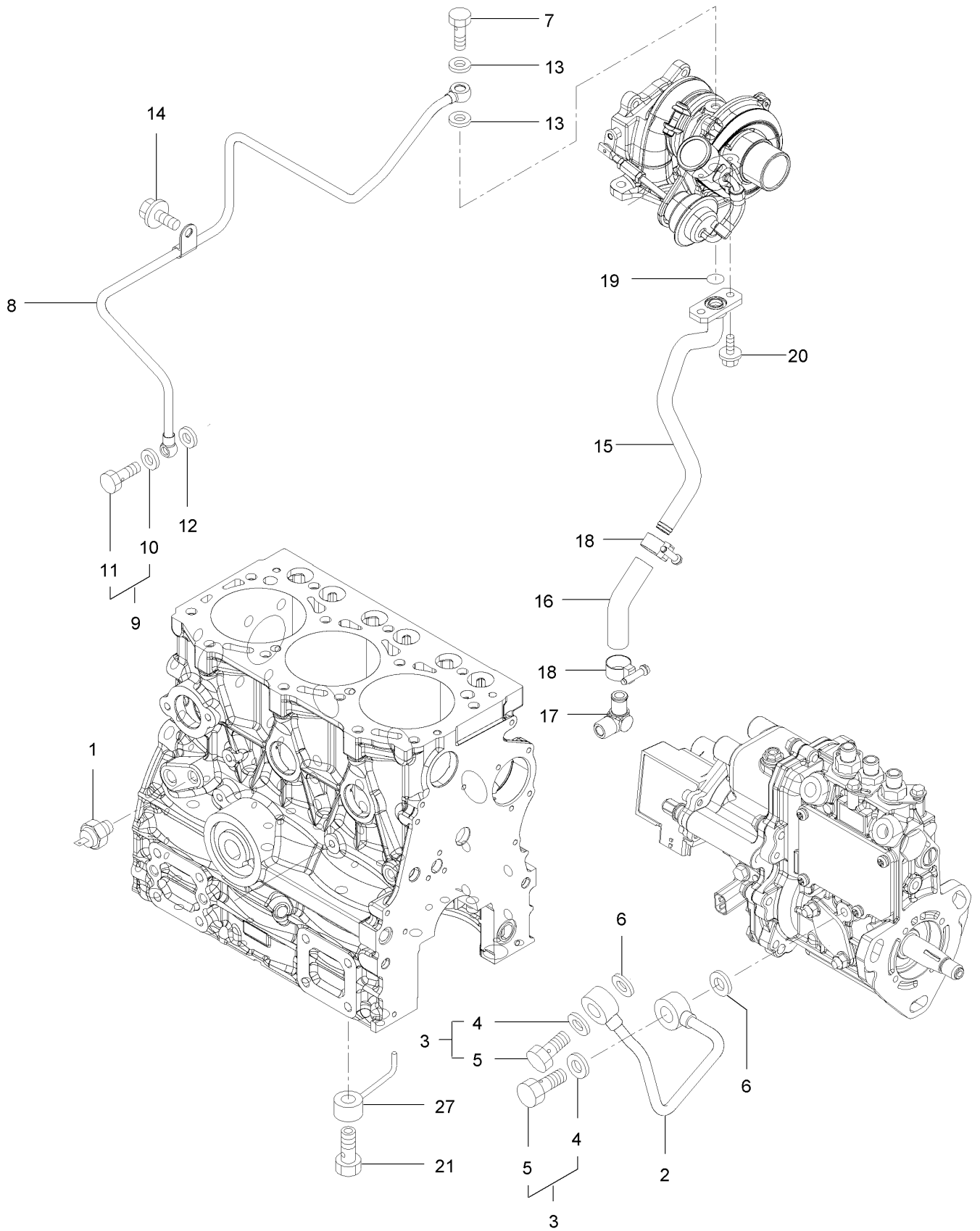




## Oil Pump Assembly (continued)

<i>Ref.</i>	<i>Part Number</i>	<i>Qty.</i>	<i>Description</i>	<i>Ref.</i>	<i>Part Number</i>	<i>Qty.</i>	<i>Description</i>
1	135-4174	1	Cooler-Oil	13	125-6946	1	Tube
2	125-7075	1	O-Ring	14	125-7191	1	Clamp-Hose
3	125-7041	1	Nut-Cooler, Oil	15	125-7171	1	Plug-Drain
4	135-4175	1	Stud-Lo Filter	16	135-4177	1	Dipstick
5	125-6990	1	Joint	17	125-6954	1	Guide-Dipstick
6	135-4176	1	Pipe ASM-Cooler In	19	135-4178	1	O-Ring
7	125-7162	1	Clip	20	135-4179	1	Pipe ASM-Oil Inlet
9	125-7191	1	Clamp-Hose	21	135-4147	1	Bolt
10	125-7079	1	Pipe ASM	22	136-8257	1	Bolt
11	125-7162	1	Clip	23	135-4181	1	Filter-Oil, Engine

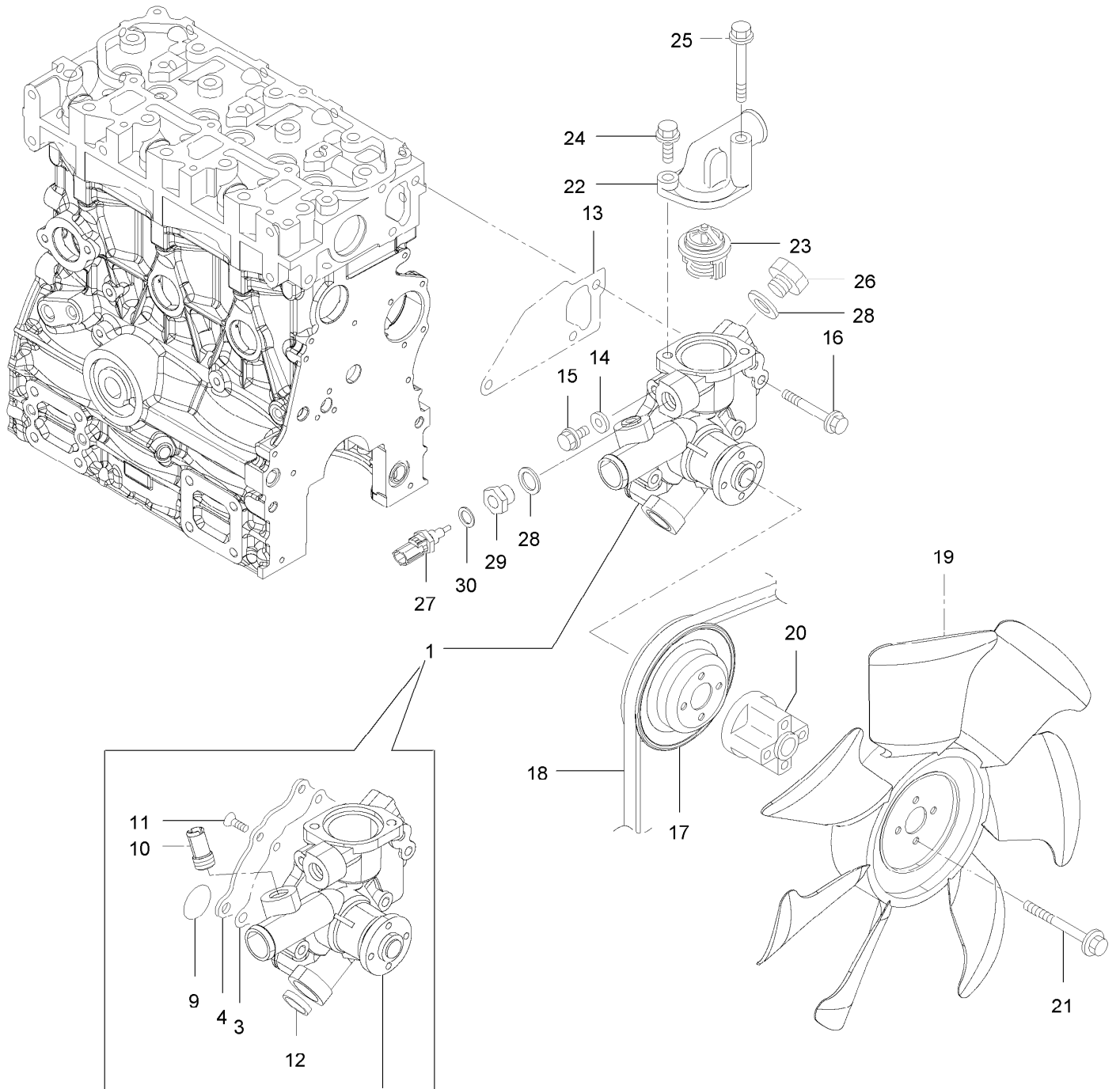
# Oil Pump Assembly (cont.)



## Oil Pump Assembly (cont.) (continued)

<i>Ref.</i>	<i>Part Number</i>	<i>Qty.</i>	<i>Description</i>	<i>Ref.</i>	<i>Part Number</i>	<i>Qty.</i>	<i>Description</i>
1	125-6918	1	Switch-Oil	12	125-7174	1	Washer-Seal
2	135-4182	1	Pipe-Oil	13	125-7193	2	Gasket
3	125-6988	2	Joint Bolt ASM	14	125-7212	1	Bolt
4	125-7174	2	Washer-Seal	15	135-4184	1	Pipe-Lo Return
5	125-7194	2	Bolt-Joint	16	127-2992	1	Joint
6	125-7174	2	Washer-Seal	17	127-3003	1	Elbow
7	125-6952	1	Bolt-Joint, Pipe	18	127-3169	2	Clamp-Hose
8	135-4183	1	Pipe ASM-Lo	19	125-7198	1	O-Ring
9	125-6988	1	Joint Bolt ASM	20	125-7208	2	Bolt
10	125-7174	1	Washer-Seal	21	135-4185	3	Valve ASM-Check
11	125-7194	1	Bolt-Joint	27	135-4186	3	Nozzle ASM-Piston

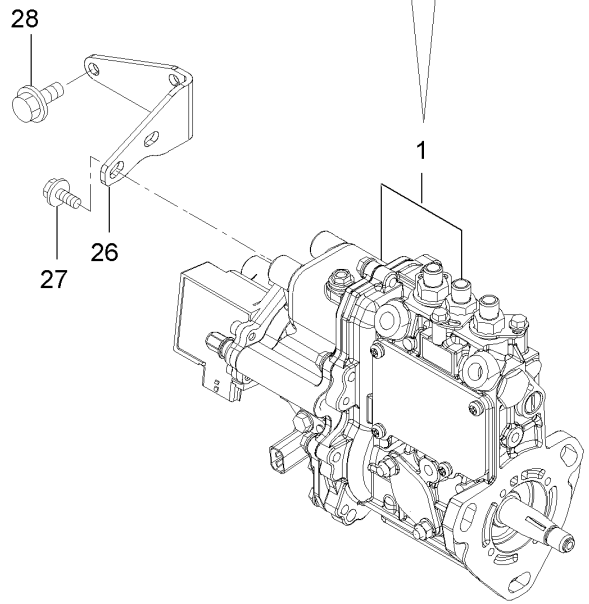
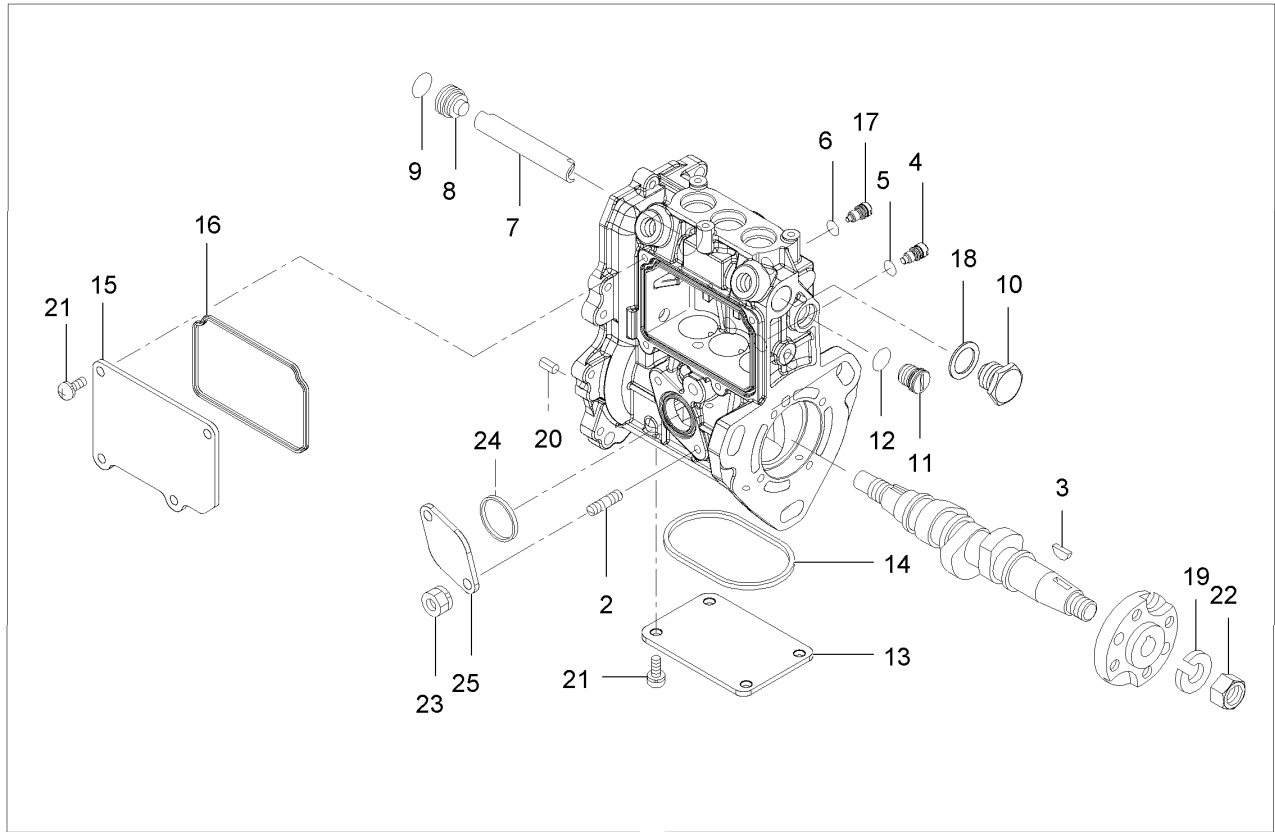
# Cooling Water System Assembly



## Cooling Water System Assembly (continued)

<i>Ref.</i>	<i>Part Number</i>	<i>Qty.</i>	<i>Description</i>	<i>Ref.</i>	<i>Part Number</i>	<i>Qty.</i>	<i>Description</i>
1	135-4187	1	Pump ASM-Water	19	135-4196	1	Fan-Cooling 1
3	135-4188	1	Gasket	20	135-4197	1	Spacer-Fan
4	135-4189	1	Cover	21	135-4059	4	Bolt
9	135-4190	1	O-Ring	22	135-4199	1	Cover-Thermostat
10	135-4191	1	Joint-Pipe	23	135-4200	1	Thermostat
11	133-2504	4	Screw	24	135-4201	1	Bolt
12	135-4192	1	Plug	25	135-4202	1	Bolt
13	135-4193	1	Gasket-Pump, Water	26	125-6953	1	Plug
14	125-7192	1	Gasket	27	125-7124	1	Sensor-Thermostat, CW
15	125-7212	1	Bolt	28	125-6979	2	Gasket
16	125-7220	3	Bolt	29	135-4203	1	Joint
17	135-4194	1	V-Pulley	30	125-7176	1	Washer-Seal
18	135-4195	1	V-Belt				

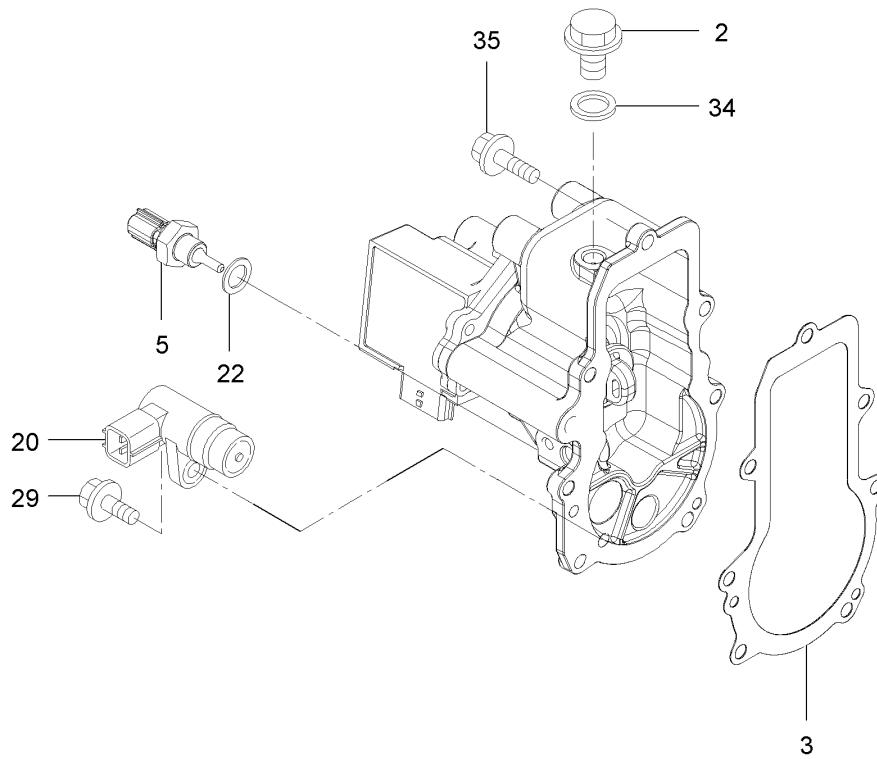
# Fuel Injection Pump Assembly



## Fuel Injection Pump Assembly (continued)

<i>Ref.</i>	<i>Part Number</i>	<i>Qty.</i>	<i>Description</i>	<i>Ref.</i>	<i>Part Number</i>	<i>Qty.</i>	<i>Description</i>
1	135-4204	1	Fie ASM	15	135-4217	1	Cover
2	135-4205	2	Bolt-Stud	16	135-4218	1	Gasket
3	135-4206	1	Key-Feather, Woodruff	17	135-4219	1	Stopper-Rack
4	125-7156	3	Stopper	18	136-8236	1	Washer-Seal
5	135-4207	3	O-Ring	19	135-4220	1	Washer-Spring
6	135-4207	1	O-Ring	20	125-7183	2	Pin-Spring
7	135-4209	1	Deflector	21	135-4221	8	Screw
8	135-4210	1	Plug-Deflector	22	133-2506	1	Nut
9	135-4211	1	O-Ring	23	135-4222	2	Nut
10	135-4212	1	Plug-Deflector	24	135-4223	1	Gasket
11	135-4213	1	Plug-Rack	25	135-4224	1	Cover-Pump
12	135-4214	1	O-Ring	26	135-4225	1	Support
13	135-4215	1	Cover	27	125-7213	2	Bolt
14	135-4216	1	Gasket	28	125-7595	2	Bolt

# Governor Assembly

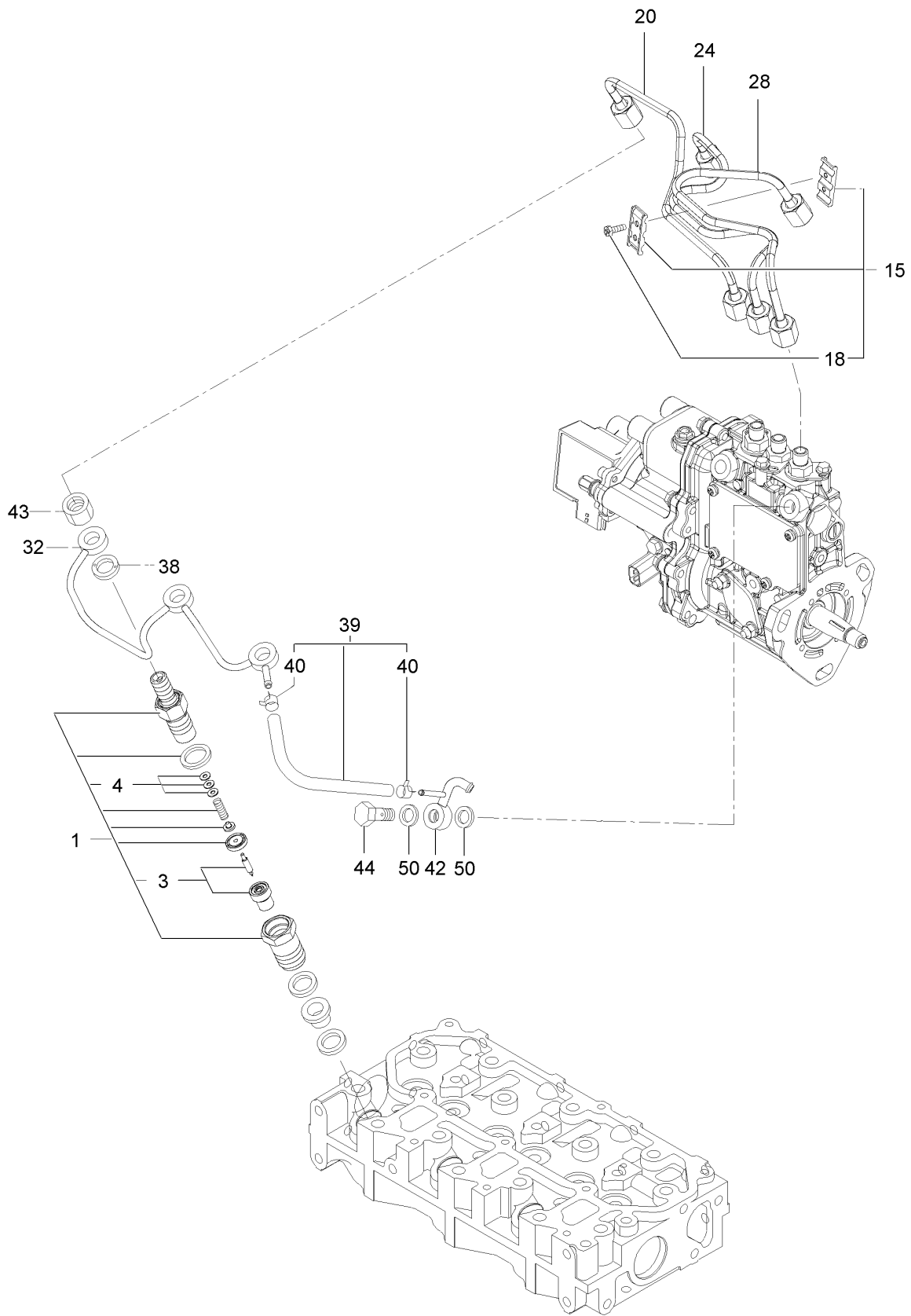




## Governor Assembly (continued)

<i>Ref.</i>	<i>Part Number</i>	<i>Qty.</i>	<i>Description</i>	<i>Ref.</i>	<i>Part Number</i>	<i>Qty.</i>	<i>Description</i>
2	135-4226	1	Plug	22	125-7176	1	Washer-Seal
3	135-4227	1	Gasket	29	125-7208	1	Bolt
5	135-4228	1	Sensor-Oil Temp	34	125-7175	1	Washer-Seal
20	125-7152	1	Sensor	35	125-7209	7	Bolt

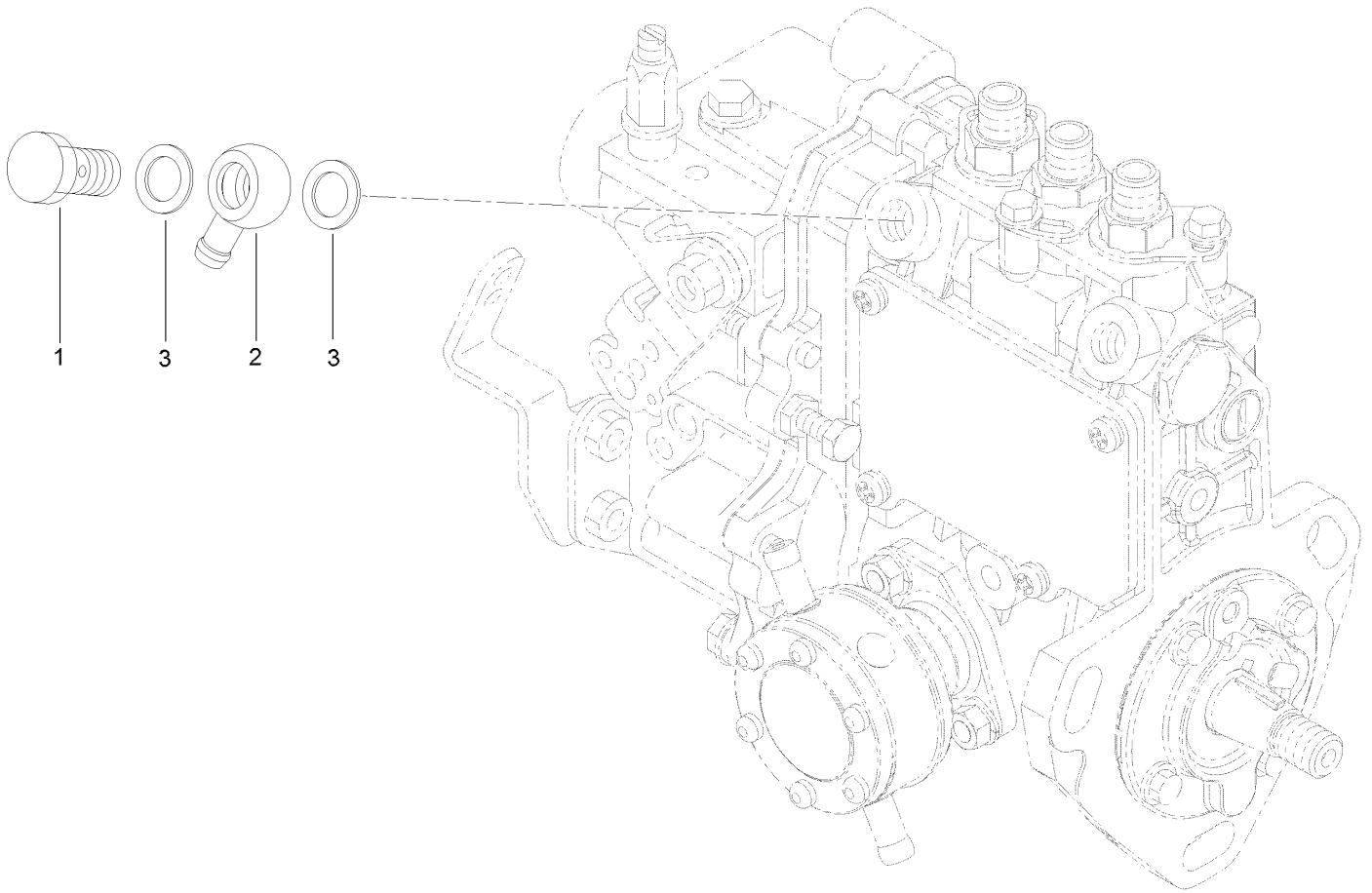
# Fuel Injection Valve Assembly



## Fuel Injection Valve Assembly (continued)

<i>Ref.</i>	<i>Part Number</i>	<i>Qty.</i>	<i>Description</i>	<i>Ref.</i>	<i>Part Number</i>	<i>Qty.</i>	<i>Description</i>
1	135-4229	3	Nozzle ASM	32	135-4236	1	Pipe ASM
3	135-4230	3	Nozzle ASM	38	135-4237	3	Gasket
4	135-4231	3	Adjusting Shim Set	39	135-4238	1	Hose ASM
15	135-4232	1	Retainer-Pipe	40	136-8225	2	Clamp-Hose
18	125-7027	2	Bolt	42	135-4239	1	Joint-Over Flow
20	135-4233	1	Pipe ASM (Inj No1)	43	135-4240	3	Nut-Nozzle
24	135-4234	1	Pipe ASM (Inj No2)	44	135-4241	1	Check Valve ASM
28	135-4235	1	Pipe ASM (Inj No3)	50	125-7176	2	Washer-Seal

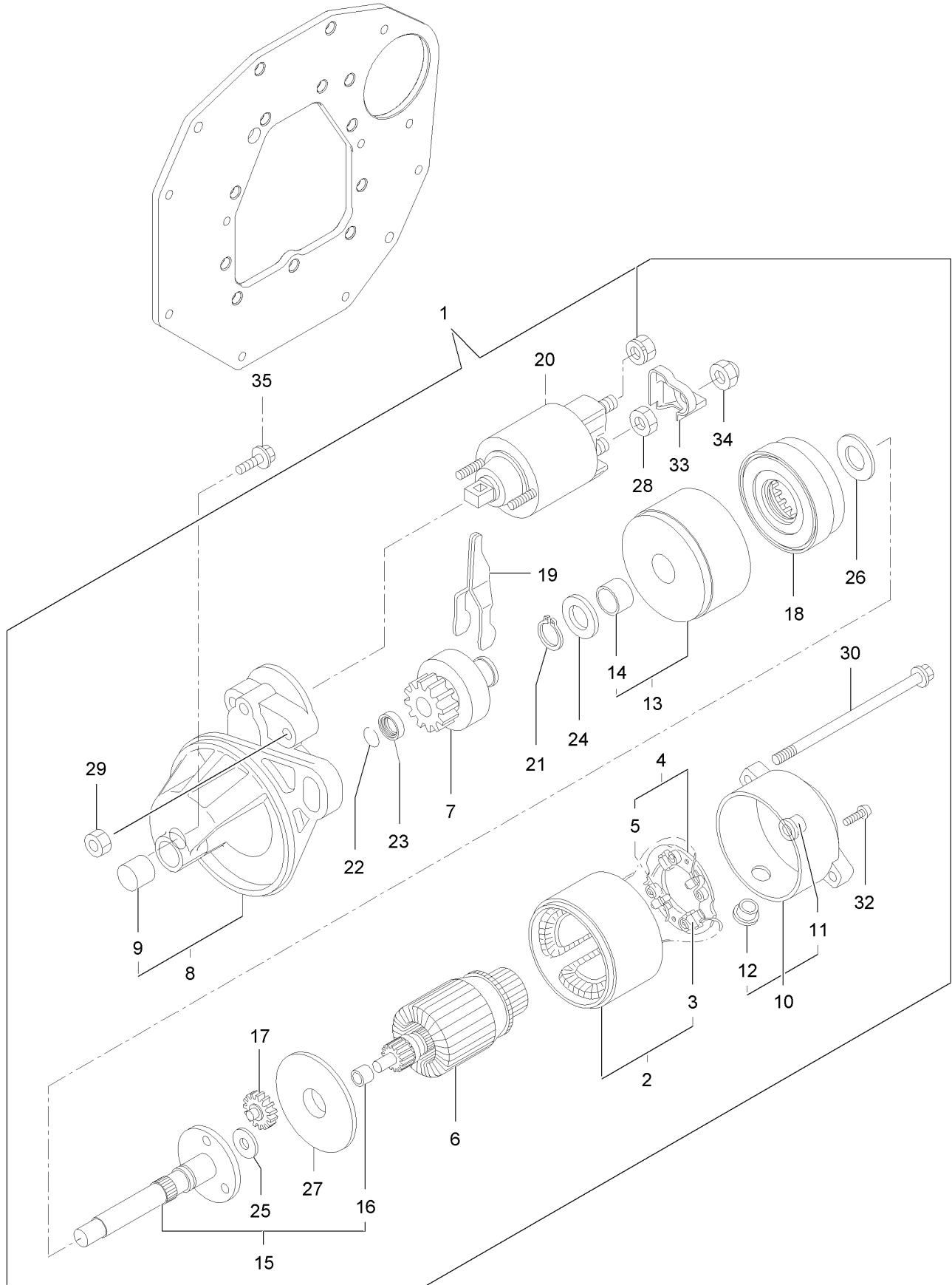
# Fuel Pipe Assembly



## Fuel Pipe Assembly (continued)

<i>Ref.</i>	<i>Part Number</i>	<i>Qty.</i>	<i>Description</i>
1	135-4242	1	Bolt-Joint, Pipe
2	135-4243	1	Joint-Pipe
3	125-7176	2	Washer-Seal

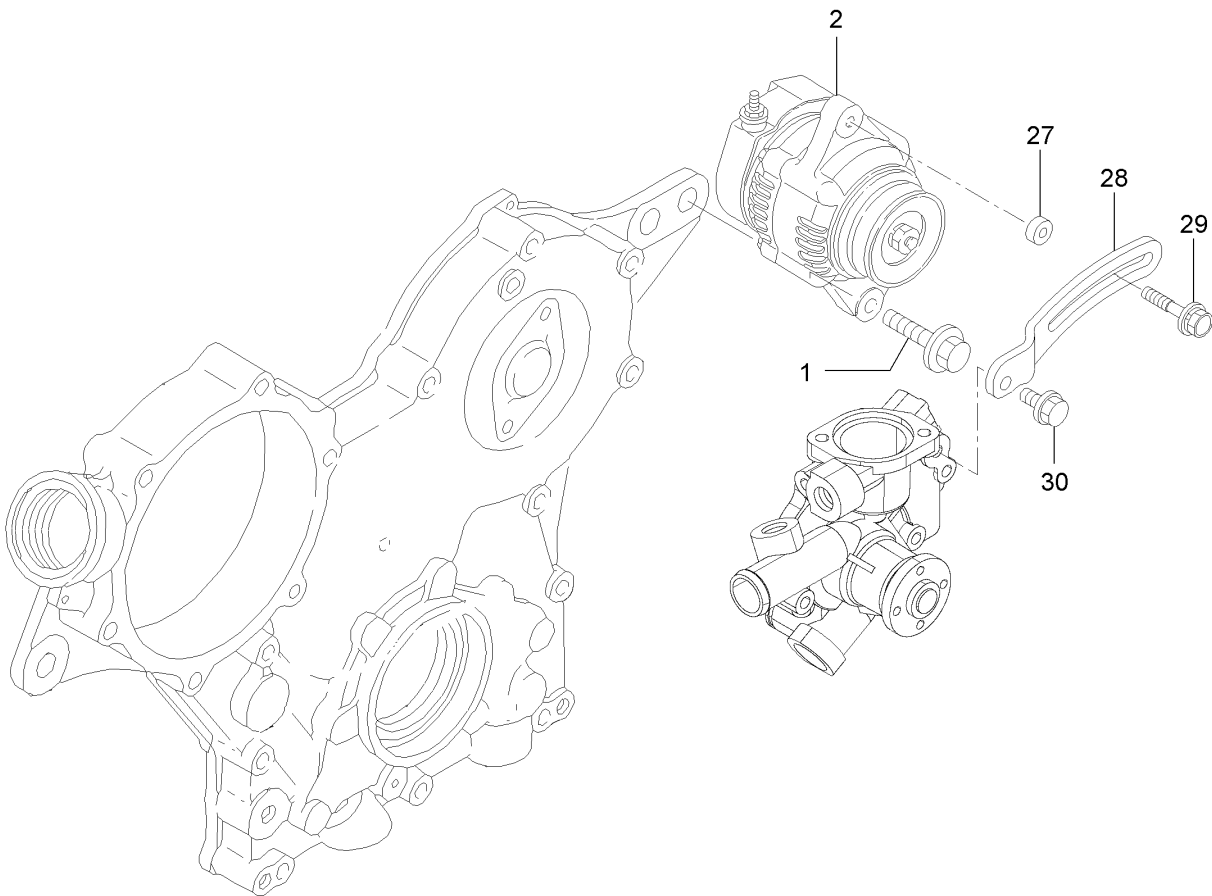
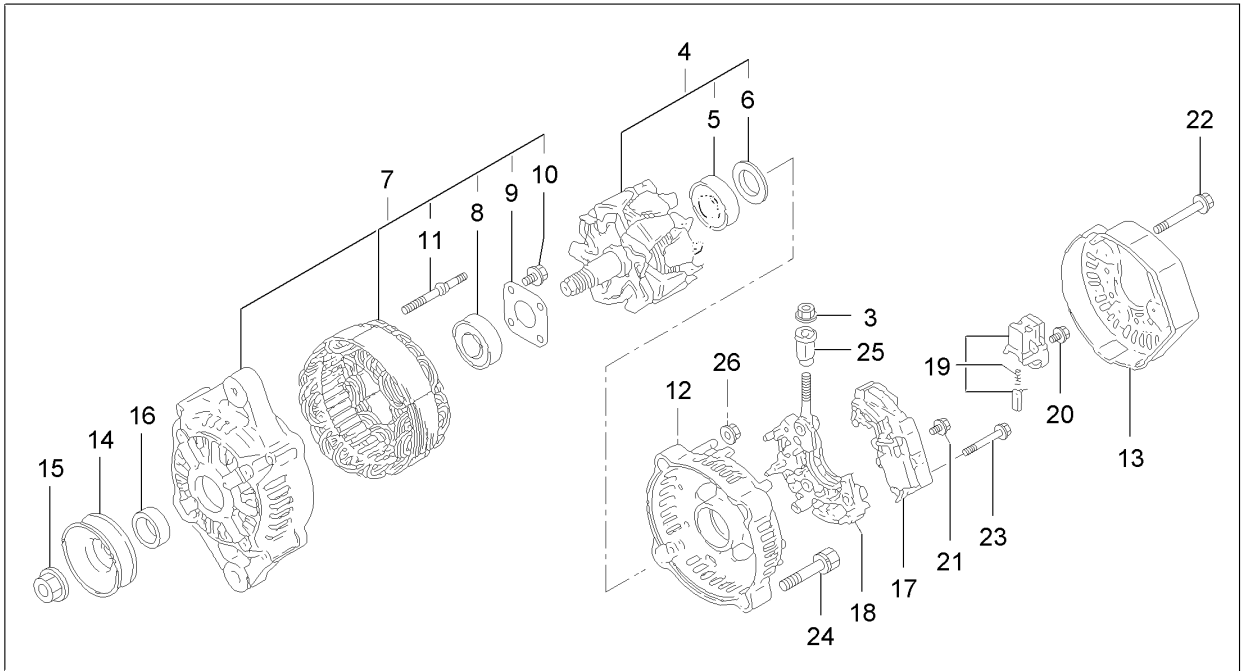
# Starting Motor Assembly



## Starting Motor Assembly (continued)

<i>Ref.</i>	<i>Part Number</i>	<i>Qty.</i>	<i>Description</i>	<i>Ref.</i>	<i>Part Number</i>	<i>Qty.</i>	<i>Description</i>
1	135-4244	1	Starter ASM	18	135-4261	1	Gear
2	135-4245	1	Yoke ASM	19	135-4262	1	Lever
3	135-4246	2	Starter Kit	20	135-4263	1	Switch ASM
4	135-4247	1	Holder ASM	21	135-4264	1	Ring
5	135-4248	4	Spring	22	135-4265	1	Ring
6	135-4249	1	Armature ASM	23	135-4266	1	Nut
7	135-4250	1	Clutch ASM	24	135-4267	1	Washer
8	135-4251	1	Housing ASM	25	135-4268	1	Washer
9	135-4252	1	Bearing-Needle	26	135-4269	1	Washer
10	135-4253	1	Frame ASM	27	135-4270	1	Plate
11	135-4254	1	Bearing	28	135-4271	1	Nut
12	135-4255	1	Cover	29	135-4272	2	Nut
13	135-4256	1	Bearing ASM	30	135-4273	2	Bolt-Through
14	135-4257	1	Bearing	32	135-4274	2	Screw
15	135-4258	1	Shaft ASM	33	135-4275	1	Cover-Terminal
16	135-4259	1	Bearing	34	135-4276	1	Nut
17	135-4260	3	Gear	35	127-3179	2	Bolt

# Generator Assembly

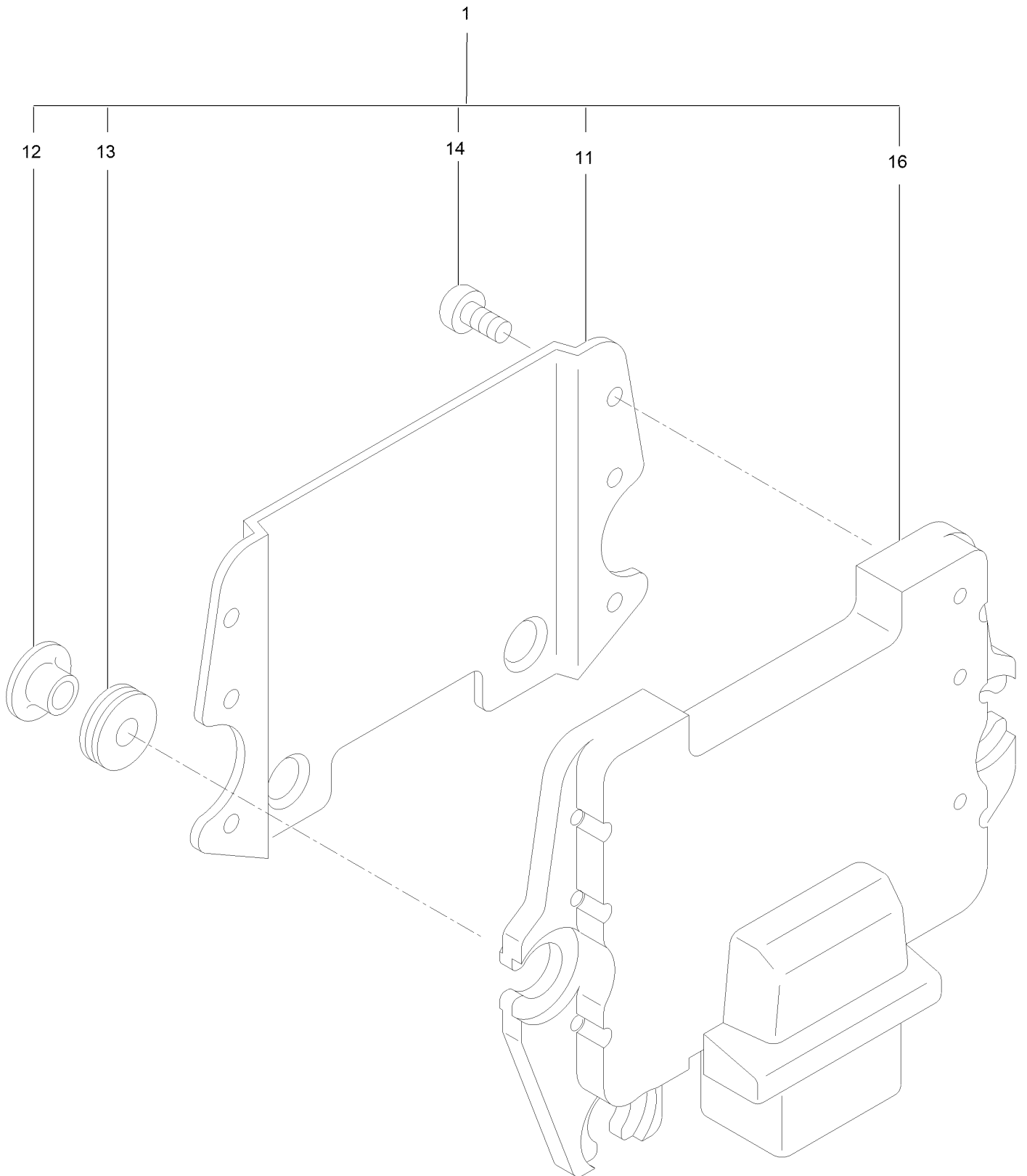




## Generator Assembly (continued)

<i>Ref.</i>	<i>Part Number</i>	<i>Qty.</i>	<i>Description</i>	<i>Ref.</i>	<i>Part Number</i>	<i>Qty.</i>	<i>Description</i>
1	135-4277	1	Bolt	16	127-2957	1	Collar
2	135-4278	1	Alternator	17	135-4026	1	Regulator ASM
3	127-3190	1	Nut	18	127-3848	1	Holder
4	127-3843	1	Rotor ASM	19	127-2993	1	Holder
5	127-2983	1	Bearing-Ball	20	127-2965	6	Screw
6	127-2962	1	Cover	21	127-2966	1	Screw
7	135-4025	1	Frame ASM	22	127-2967	3	Bolt
8	127-2958	1	Bearing-Ball	23	127-2968	2	Screw
9	127-2959	1	Plate-Retainer	24	127-2969	2	Bolt
10	127-2960	4	Screw	25	127-2970	1	Bushing-Insulation
11	127-2961	2	Stud	26	127-2971	2	Nut
12	127-3845	1	Frame	27	125-6947	1	Spacer
13	127-3846	1	Cover	28	135-4279	1	Adjuster-Belt
14	127-2954	1	Pulley	29	125-7134	1	Bolt
15	127-2955	1	Nut	30	125-7595	1	Bolt

# Electronic Control Unit Assembly



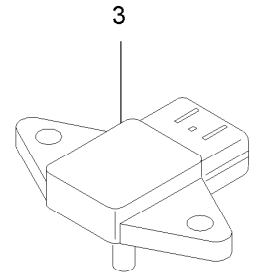
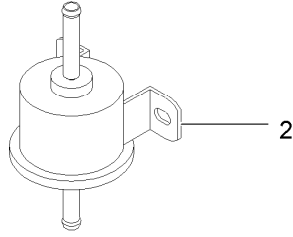
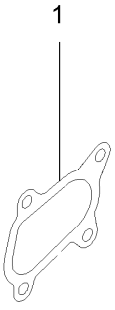
# Electronic Control Unit Assembly (continued)

<i>Ref.</i>	<i>Part Number</i>	<i>Qty.</i>	<i>Description</i>	<i>Ref.</i>	<i>Part Number</i>	<i>Qty.</i>	<i>Description</i>
1		1	Ecu ASM ●	13	125-6908	3	Absorber
11	125-7129	1	Shield	14	125-7187	6	Screw
12	125-7130	3	Collar	16	135-4281	1	Ecu ■

● Not serviced separately

■ Contact an Authorized Service Dealer

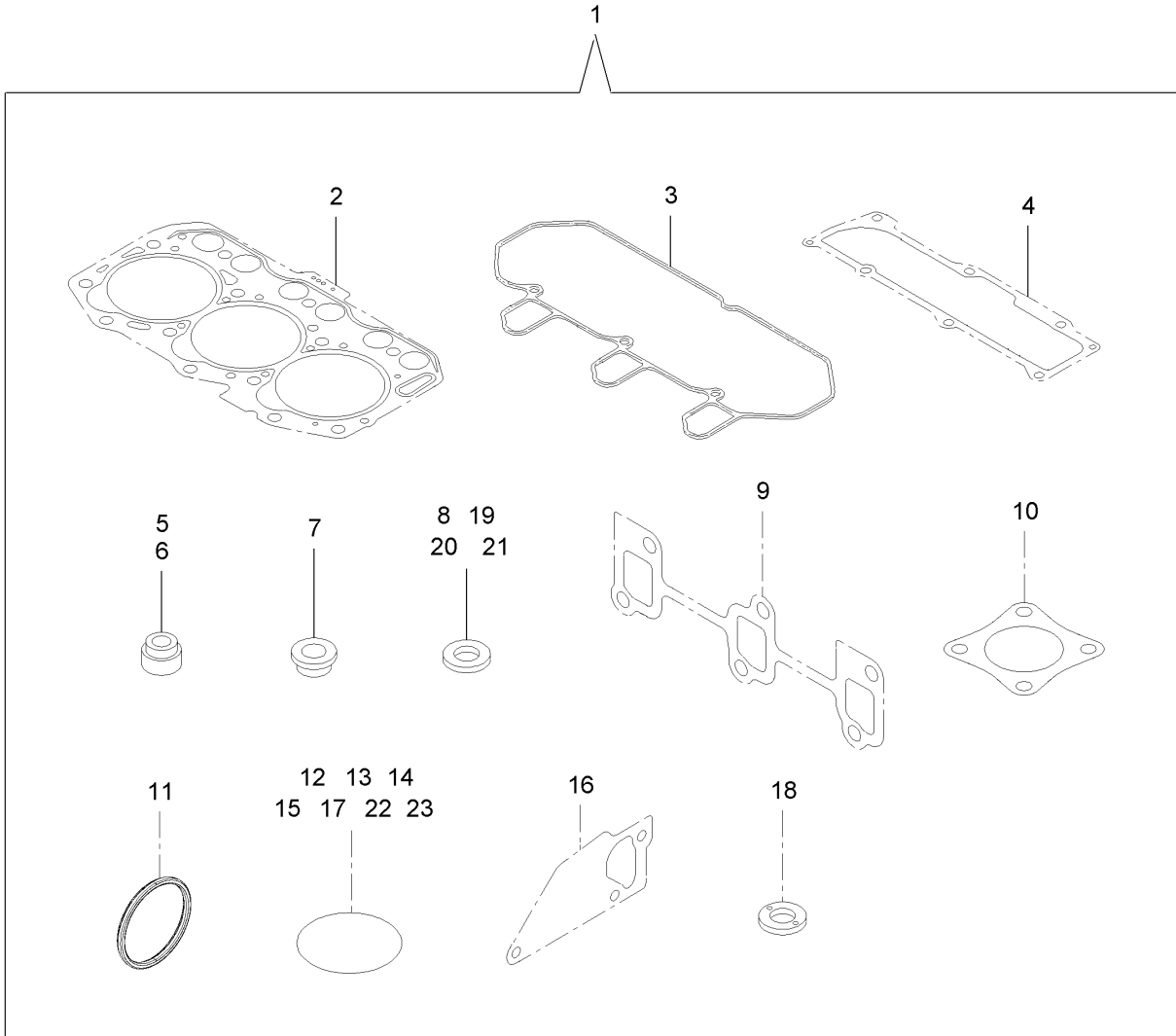
# Fuel System Assembly



## Fuel System Assembly (continued)

<i>Ref.</i>	<i>Part Number</i>	<i>Qty.</i>	<i>Description</i>
1	127-3779	1	Gasket-Out, T C
2	121-5613	1	Pump-Fuel, Electric
3	135-4282	1	Sensor

# Gasket Set



## Gasket Set (continued)

<i>Ref.</i>	<i>Part Number</i>	<i>Qty.</i>	<i>Description</i>	<i>Ref.</i>	<i>Part Number</i>	<i>Qty.</i>	<i>Description</i>
1	135-4283	1	Gasket Kit	13	127-2973	1	O-Ring
2	135-4038	1	Head Gasket Set	14	135-4058	3	O-Ring
3	135-4093	1	Gasket-Cover, Cylinder Head	15	135-4293	1	O-Ring
4	135-4095	1	Gasket	16	135-4193	1	Gasket-Pump, Water
5	125-6915	3	Seal-Stem, Valve	17	125-6957	1	O-Ring
6	125-6916	3	Seal-Stem, Valve	18	135-4237	3	Gasket
7	135-4069	3	Protector-Nozzle	19	125-7174	4	Washer-Seal
8	135-4070	6	Gasket-Nozzle	20	125-7176	4	Washer-Seal
9	135-4107	1	Gasket-Manifold, Exhaust	21	125-7192	1	Gasket
10	135-4290	1	Gasket-Silencer	22	125-7197	2	O-Ring
11	135-4160	1	Gasket-Washer	23	135-4295	1	O-Ring
12	125-6909	1	O-Ring				

# Attachments and Accessories

## For 72028 Z Master Professional 7500-D Series Riding Mower With 60in TURBO FORCE Rear Discharge Mower

<b>Product Name</b>	<b>Model/Part</b>
Premium Transmission/Hydraulic Tractor Fluid (55 Gallon Drum).....	108-1183
Premium Transmission/Hydraulic Tractor Fluid (5 Gallon Pail) .....	108-1184
Deck Skid Bumper (White).....	126-0854
Sunshade Kit .....	126-8077
Anti-Scalp and Wear Bar Kit .....	127-6650
Jack Kit.....	127-6666
Jack Mount Kit .....	135-1768
Trash Container Kit.....	135-2473
Slow Moving Vehicle Kit.....	135-2891
Rear Guard Kit.....	135-3445
Hitch Kit .....	135-3616
Worklight Kit .....	135-7076
15W40 Oil 32oz. ....	137-1051
Oil-30/10W-30 Synthetic (Quart).....	138-6053
Oil-30/10W-30 Synthetic (Gallon) .....	138-6054
Blade-20.50 Atomic .....	140-1241
Blade-20.50 Cr Low Flow.....	140-1244
6 Pack-Blade, 20.5 Atomic.....	140-4880
Tilt Sensor-Diesel .....	142-3372
Hood Intake Kit .....	142-4189
CE Kit .....	144-0378
Heat Deflector Kit, ZMaster Professional 7500-D Series Riding Mower .....	147-7913



**Notes:**

**Notes:**

**Notes:**



**Count on it.**