



Count on it.

Parts Catalog

**Workman® GTX
Lithium Utility Vehicle**

Model No. 07433LT—Serial No. 40000000 and Up



Ordering Replacement Parts

To order replacement parts, please supply the part number, the quantity, and the description of each part desired.

Understanding Reference Numbers

Each identified part in an illustration has a reference number. The reference number for a part also appears in the parts list, along with other information about the part.

This catalog uses two special reference number formats, one to indicate parts in a service assembly and another to indicate the quantity of a given part in an illustration.

Service Assembly Reference Numbers

Parts in service assemblies have reference numbers in the form a:b. The a represents the reference number of the entire service assembly and the b represents a sequential number unique to each part within the service assembly.

For example, a wheel assembly might be identified by reference number 6, the tire by 6:1, the valve by 6:2, and the wheel by 6:3. When you order the assembly identified by reference number 6, you receive all parts identified by reference numbers 6:1, 6:2, and 6:3. However, you may also order any part individually. Reference numbers of this type appear in illustration and in parts lists.

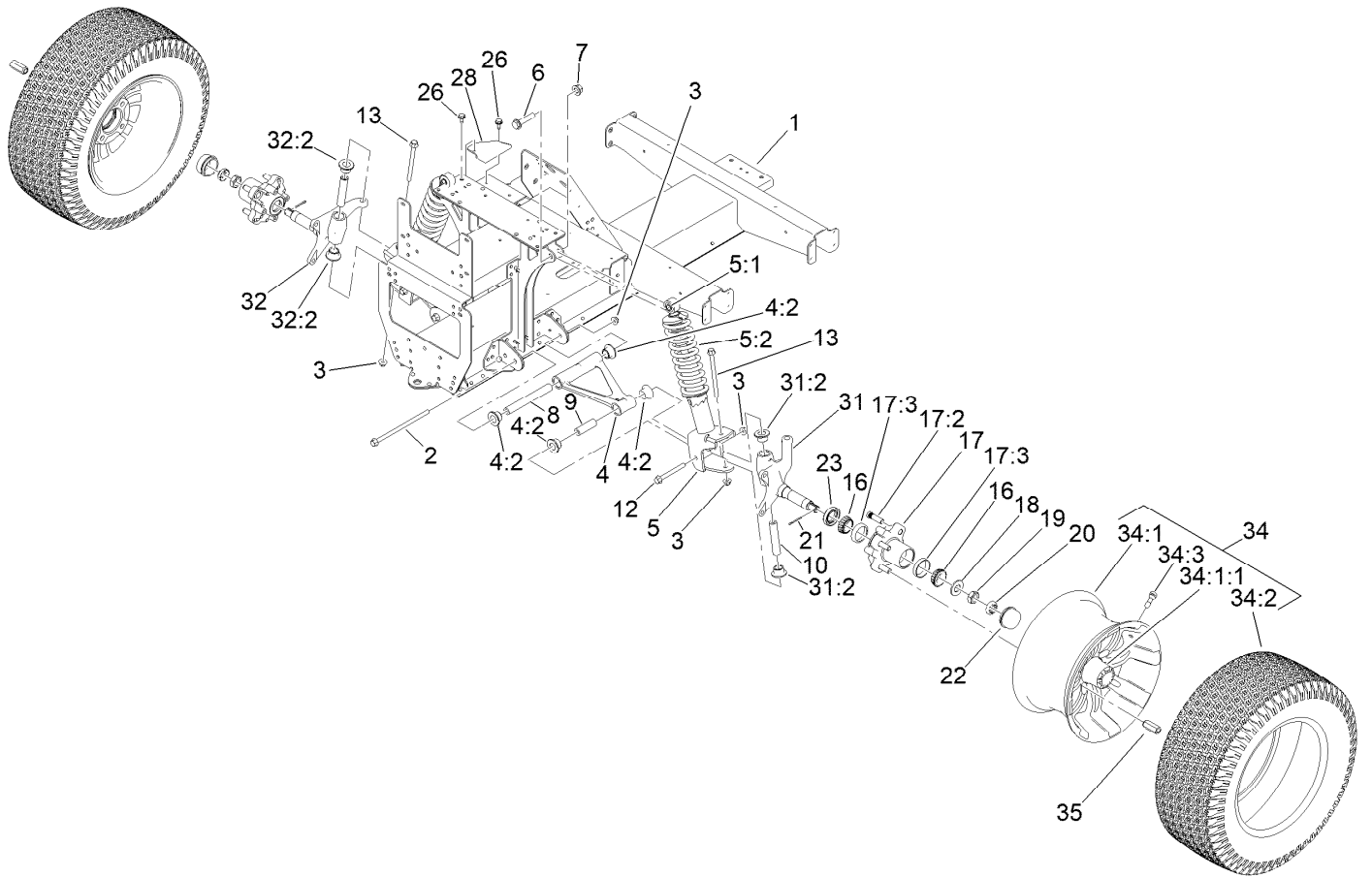
Reference Numbers Indicating Quantity

In an illustration, if a reference number indicates more than one part, the reference number has the form nX y. The n represents the quantity of the part, the X is the multiplication symbol, and the y represents the reference number.

For example, in an illustration, the reference number 2X 37 means that two of the parts identified by reference number 37 are indicated.

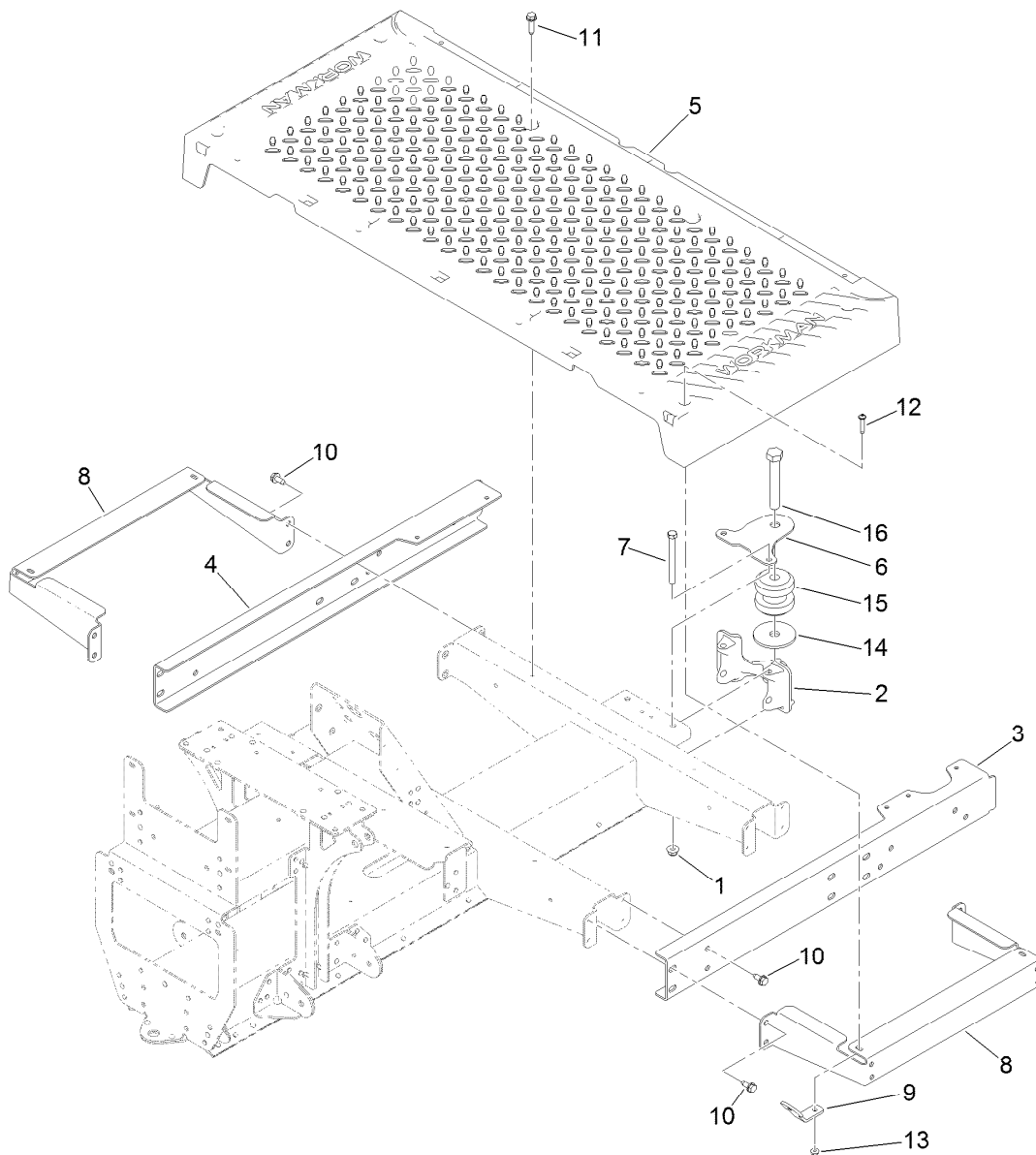
Contents

Front Frame and Suspension Assembly	4
Floor Plate and Rear Suspension Mount Assembly	5
Rear Frame and Suspension Assembly	6
Frame Mount and Rear Shock/Spring Assembly	7
Brake Assembly	8
Master Cylinder Assembly No. 104-6782	9
Brake Caliper Assembly No. 140-2575	10
Steering Assembly	11
Pedal and Control Assembly	12
Hood and Fender Assembly	13
Dash Assembly	14
Seatbase Assembly	15
Cargo Bed Assembly	16
Onboard Charger Assembly	17
Inverter/Controller Assembly	18
Wire Harness Assembly No. 122-2325	19
Accelerator Pedal and Horn Assembly	20
Battery Assembly	21
Rear Wheel and Transaxle Assembly	22
Transaxle Assembly No. 136-6340	23
Electric Motor Assembly No. 137-6936	24
Seatbase Assembly	26
Attachments and Accessories	27



Front Frame and Suspension Assembly

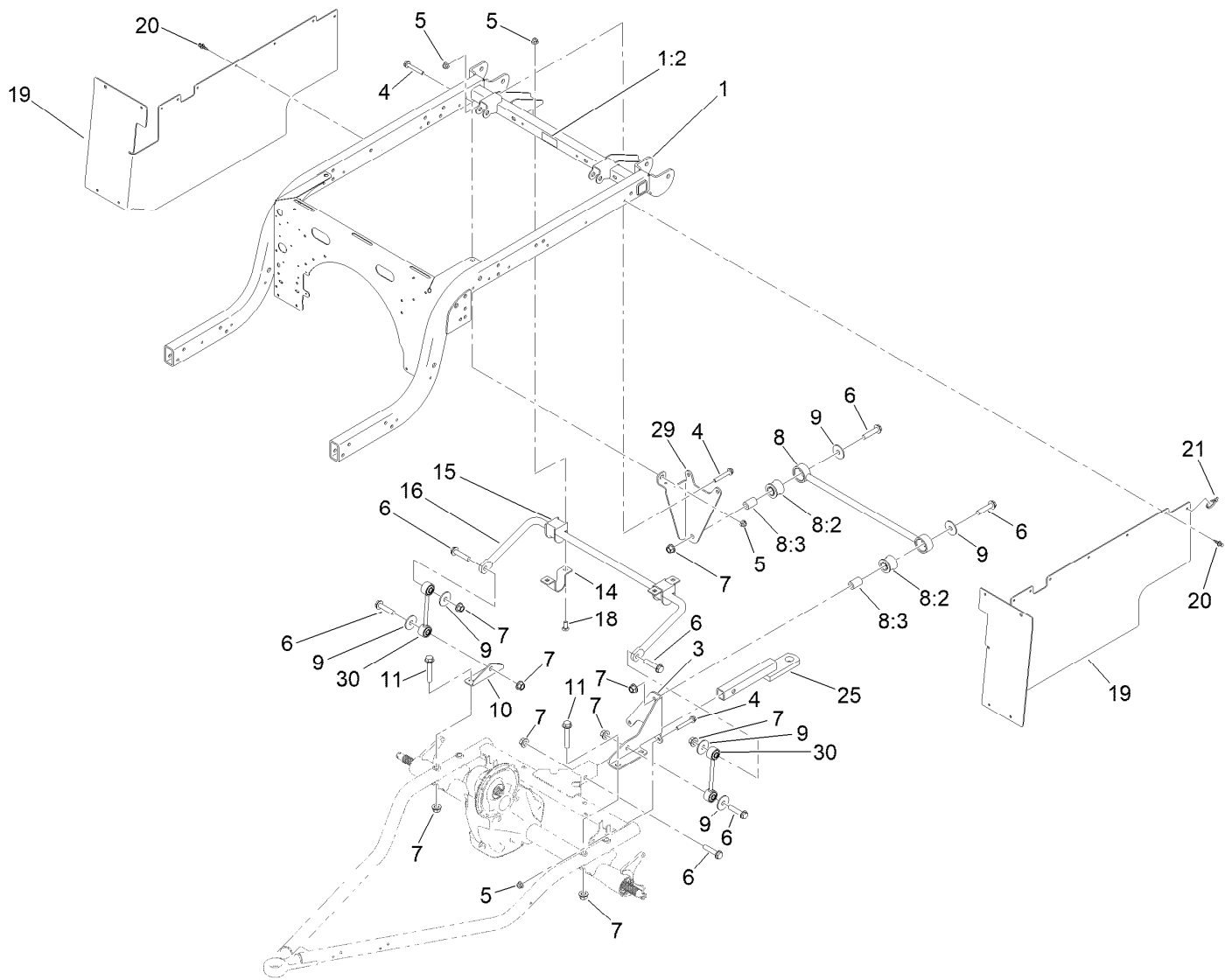
Ref.	Part Number	Qty.	Description	Ref.	Part Number	Qty.	Description
1	147-8209-03	1	Front Frame ASM	17:3	254-72	2	Bearing-Cup, Tapered
2	139-3360	2	Screw-HF	18	93-0309	2	Washer-Tab
3	139-3380	6	Nut-HF	19	3220-7	2	Nut-Jam
4	144-2161	2	Control Arm ASM	20	93-0307	2	Nut-Lock, Retainer
4:2	140-4615	4	Bushing-Flange	21	3272-12	2	Pin-Cotter
5	139-4484	2	Strut ASM, 250 Lb (16.33" EXT Length)	22	241-119	2	Cap-Dust
5:1	131-8574	1	Isolator-Shock	23	112-1690	2	Seal-Oil
5:2	137-6719	1	Spring-Compression, 250Lb	26	32144-70	2	Screw-HWHTF
6	3234-46	2	Screw-HHF	28	131-8339-03	1	Reinforcement-Tower
7	99-5107	2	Nut-Lock	31	147-2830	1	Spindle ASM, LH
8	131-8581	2	Sleeve-Control Arm, Inner	31:2	140-4615	2	Bushing-Flange
9	131-8583	2	Sleeve-Control Arm, Outer	32	147-2840	1	Spindle ASM, RH
10	131-8582	2	Sleeve-Kingpin	32:2	140-4615	2	Bushing-Flange
12	139-3370	2	Screw-HF	34	147-2763	2	Al Wheel And Tire ASM
13	139-3350	2	Screw-HF	34:1	147-2764	1	Wheel-Aluminum
16	254-94	4	Bearing-Cone, Tapered	34:1:1	147-2839	1	Cap-Aluminum Wheel
17	127-8851	2	Front Hub ASM	34:2	120-3271	1	Tire
17:2	10-6830	4	Stud-Type, Drive	34:3	232-27	1	Stem-Valve
				35	139-3603	8	Nut-Lug



Floor Plate and Rear Suspension Mount Assembly

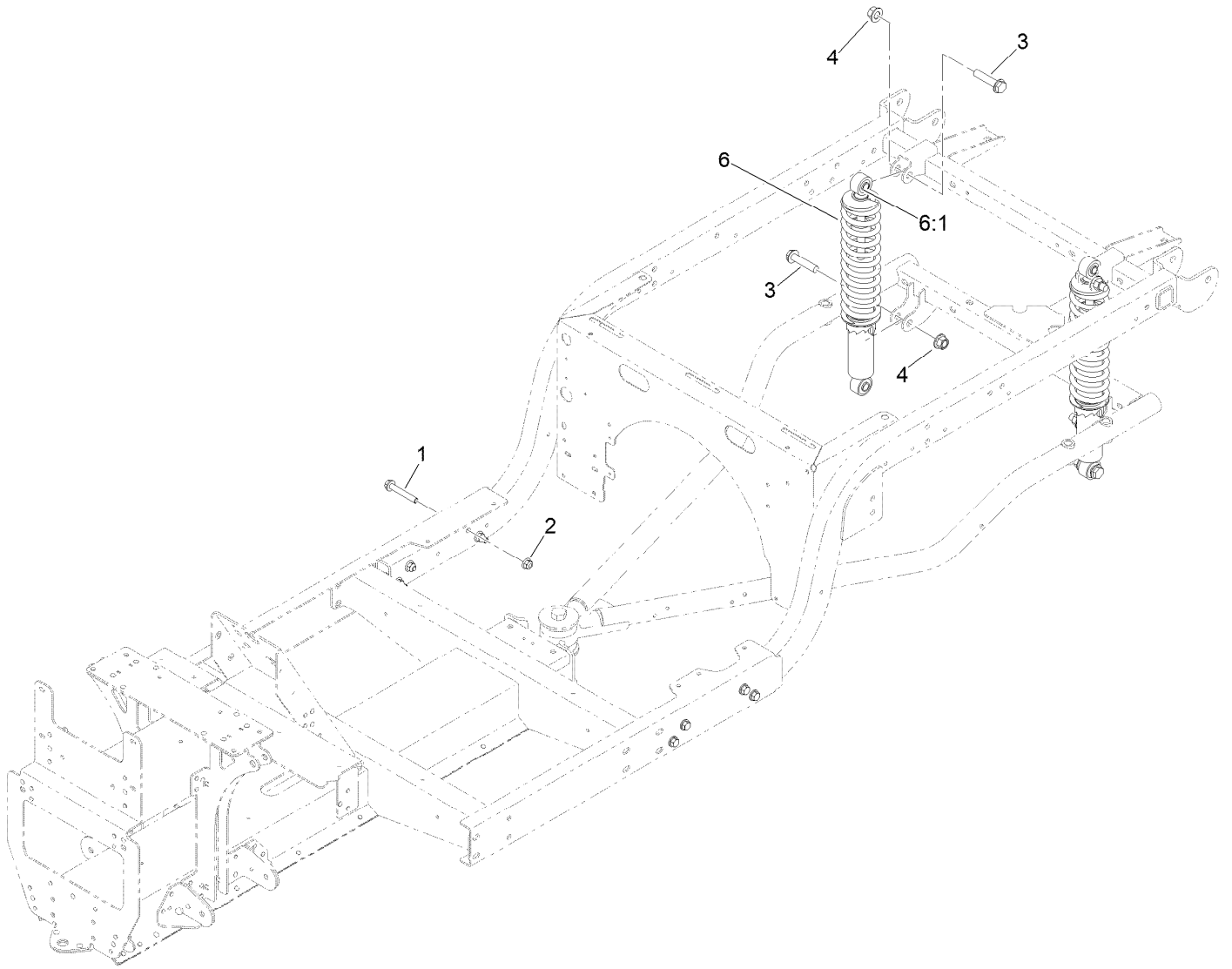
Ref.	Part Number	Qty.	Description
1	104-8301	2	Nut-HF, NI
2	131-8466	1	Mount-Suspension, Rear
3	127-7820-03	1	Channel-Frame, Front (LH)
4	127-7821-03	1	Channel-Frame, Front (RH)
5	127-7829	1	Plate-Floor
6	131-8597	1	Plate-Gimbal, Upper
7	323-42	2	Screw-HH
8	127-7837-03	2	Bracket-Support, Floor Plate

Ref.	Part Number	Qty.	Description
9	127-7832	2	Bracket-Angle
10	32144-70	16	Screw-HWHTF
11	32144-49	4	Screw-HWHTF
12	132-6777	4	Screw-Twh Thd Roll
13	104-7201	4	Nut-HF, NI
14	110-4549	1	Washer-Snubbing
15	131-8480	1	Isolator
16	104-5877	1	Screw-HH



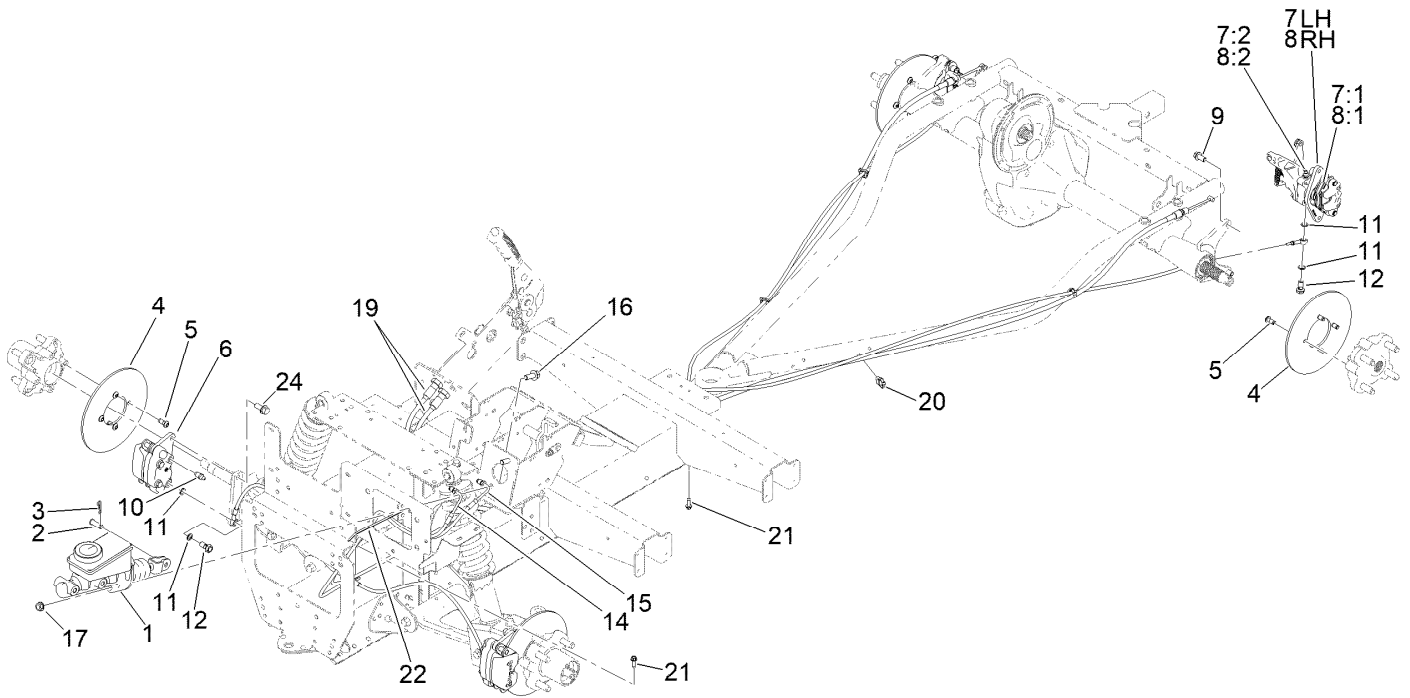
Rear Frame and Suspension Assembly

<i>Ref.</i>	<i>Part Number</i>	<i>Qty.</i>	<i>Description</i>	<i>Ref.</i>	<i>Part Number</i>	<i>Qty.</i>	<i>Description</i>
1	140-2498	1	Rear Frame ASM	11	3234-40	4	Screw-HF
1:2	115-2047	1	Decal-Surface, Hot	14	139-4644	2	Clamp, Anti-Sway Bar
3	127-7411-03	1	Bracket-Bar, Stabilizer	15	87-3910	2	Bushing-Rubber
4	3234-39	5	Screw-HHF	16	131-8310-03	1	Bar-Sway, Anti
5	104-8301	9	Nut-HF, NI	18	3231-22	4	Screw-CARR
6	3234-46	7	Screw-HHF	19	131-8346	2	Panel-Side
7	99-5107	11	Nut-Lock	20	125-9622	20	Rivet-Blind
8	109-5013	1	Panhard Rod ASM	21	3290-378	2	Tie-Cable
8:2	109-5009	2	Bushing-Suspension, Rubber	25	137-6741	1	Ball Mount ASM
8:3	109-5010	2	Spacer	29	139-4648-03	1	Bracket-Stabilizer Bar [black]
9	86-1990	6	Washer-Thrust	30	139-4606	2	Link ASM-Sway Bar
10	131-8315	1	Bracket-Link, Sway Bar				



Frame Mount and Rear Shock/Spring Assembly

<i>Ref.</i>	<i>Part Number</i>	<i>Qty.</i>	<i>Description</i>
1	3234-39	8	Screw-HHF
2	104-8301	8	Nut-HF, NI
3	3234-46	4	Screw-HHF
4	99-5107	4	Nut-Lock
6	139-4608	2	Shock/Spring ASM
6:1	131-8574	2	Isolator-Shock



Brake Assembly

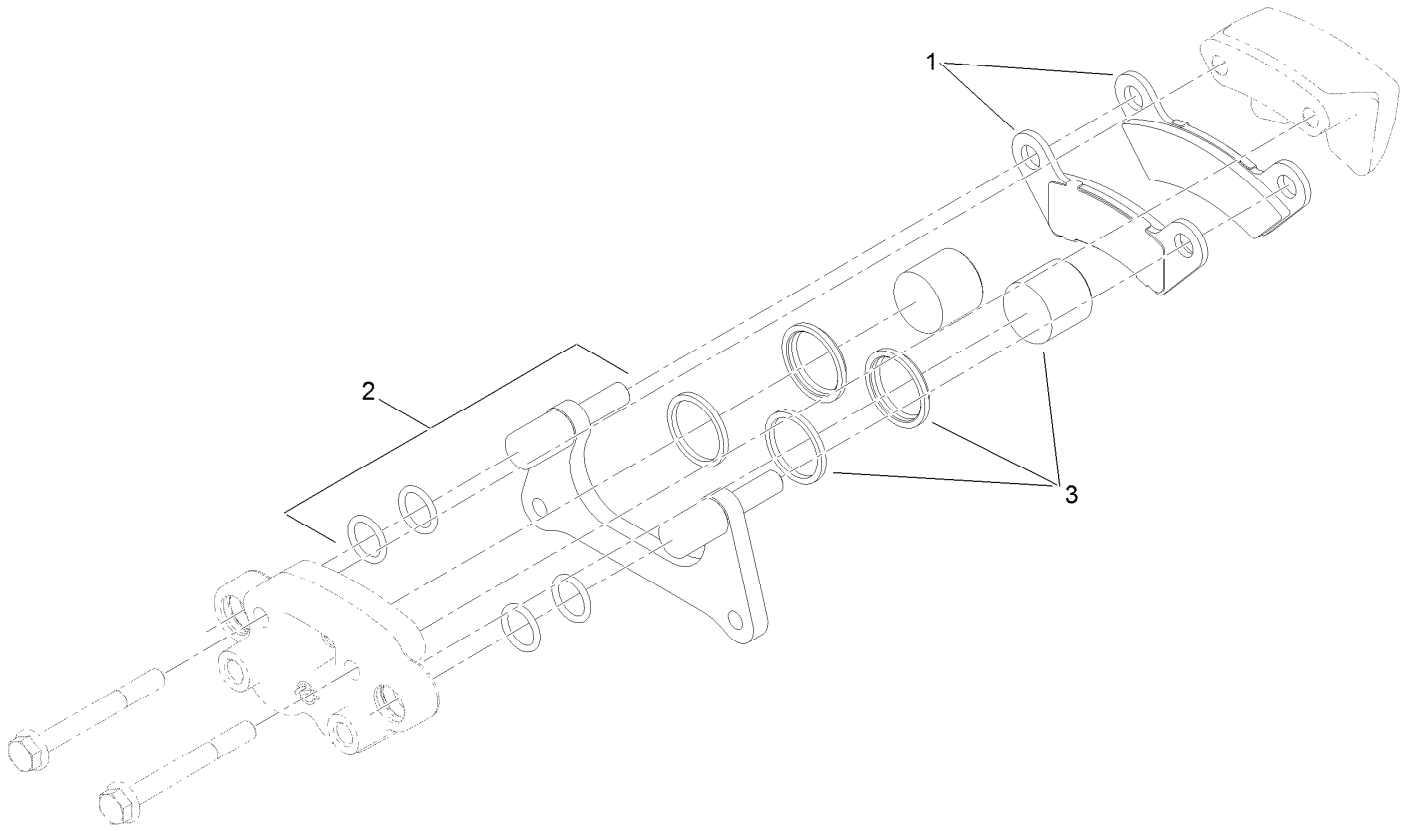
Ref.	Part Number	Qty.	Description	Ref.	Part Number	Qty.	Description
1	104-6782	1	Master Cylinder ASM	8:3	136-6328	2	Spring-Rattle, Anti ●
2	283-2	1	Pin-Clevis	9	144-5550	4	Screw-Spl
3	1-806003	1	Pin-Cotter	10	119-9509	2	Screw-Bleed
4	139-4474	4	Rotor-Brake	11	115-2341	8	Washer-Banjo
5	121-9671	16	Screw-HSBH	12	120-4875	4	Bolt-Flange, Banjo
6	140-2575	2	Brake Caliper ASM	14	127-7781	1	Brake Line-Front
7	140-2585	1	Brake Caliper ASM, LH	15	127-7782	1	Brake Line-Rear
7:1	140-2595	1	Brake Pad Service Kit (Rear, Qty 4)	16	3234-11	2	Screw-HHF
7:2	119-9509	1	Screw-Bleed	17	3290-357	2	Nut-HSF
7:3	136-6328	2	Spring-Rattle, Anti ●	19	131-8406	2	Cable-Park Brake
8	140-2590	1	Brake Caliper ASM, RH	20	32180-030	4	Clip-Tie
8:1	140-2595	1	Brake Pad Service Kit (Rear, Qty 4)	21	49-2040	2	Screw-HWHTF
8:2	119-9509	1	Screw-Bleed	22	3290-378	1	Tie-Cable
				24	3234-25	4	Screw-HHF

● Not illustrated



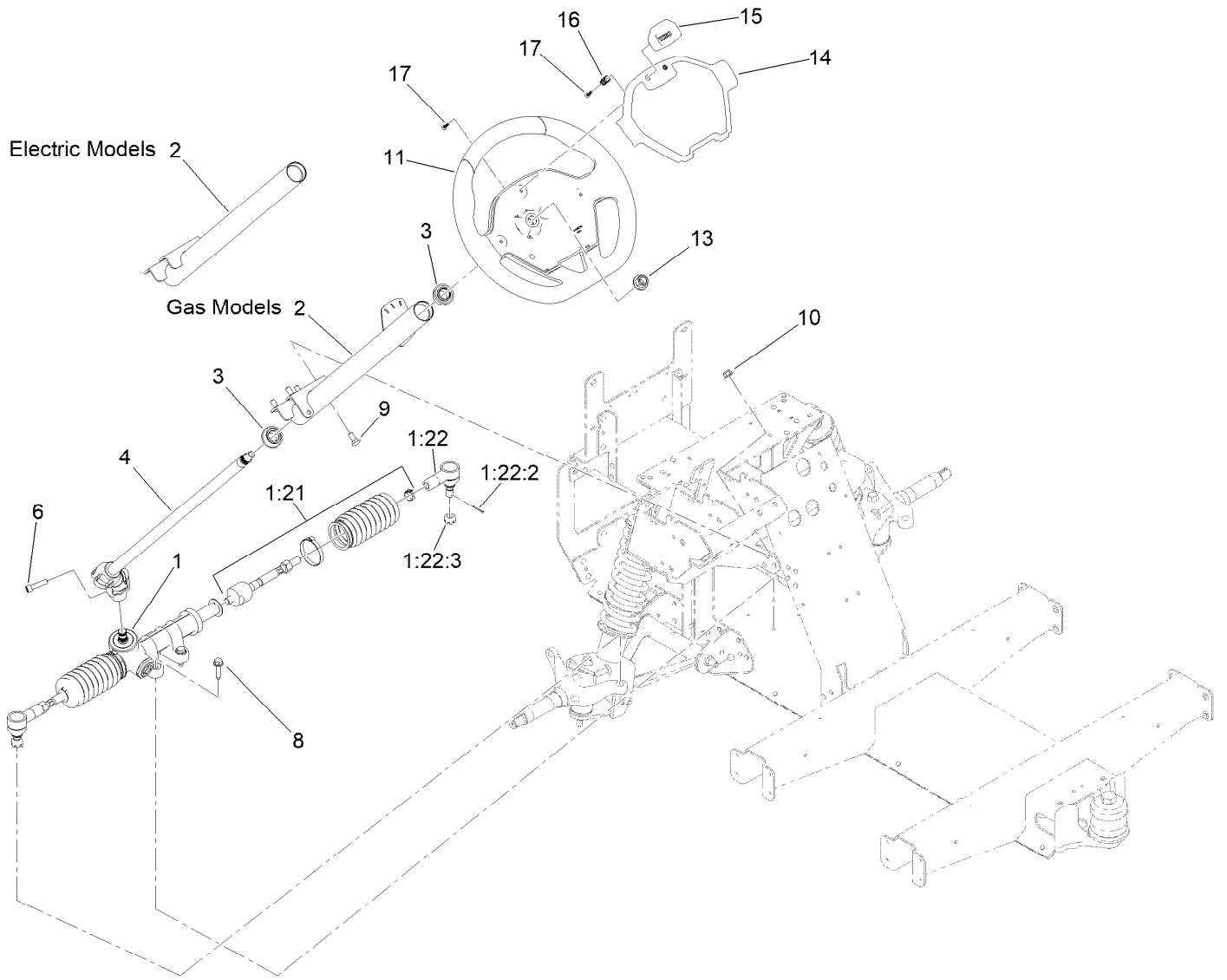
Master Cylinder Assembly No. 104-6782

<i>Ref.</i>	<i>Part Number</i>	<i>Qty.</i>	<i>Description</i>
1	104-6845	1	Reservoir ASM
1:1	92-4112	1	Cap ASM
2	93-8971	2	Seal-Port, Flange
3	92-4103	1	Pin-Stop
4	92-4102	1	Secondary Piston ASM
5	92-4110	1	Clevis
6	21-0360	1	Nut-Hex
7	94-5209	1	Cover-Dust
8	94-5210	1	Rod-Push
9	92-4109	1	Ring-Snap
10	92-4108	1	Retainer-Washer
11	92-4101	1	Primary Piston ASM



Brake Caliper Assembly No. 140-2575

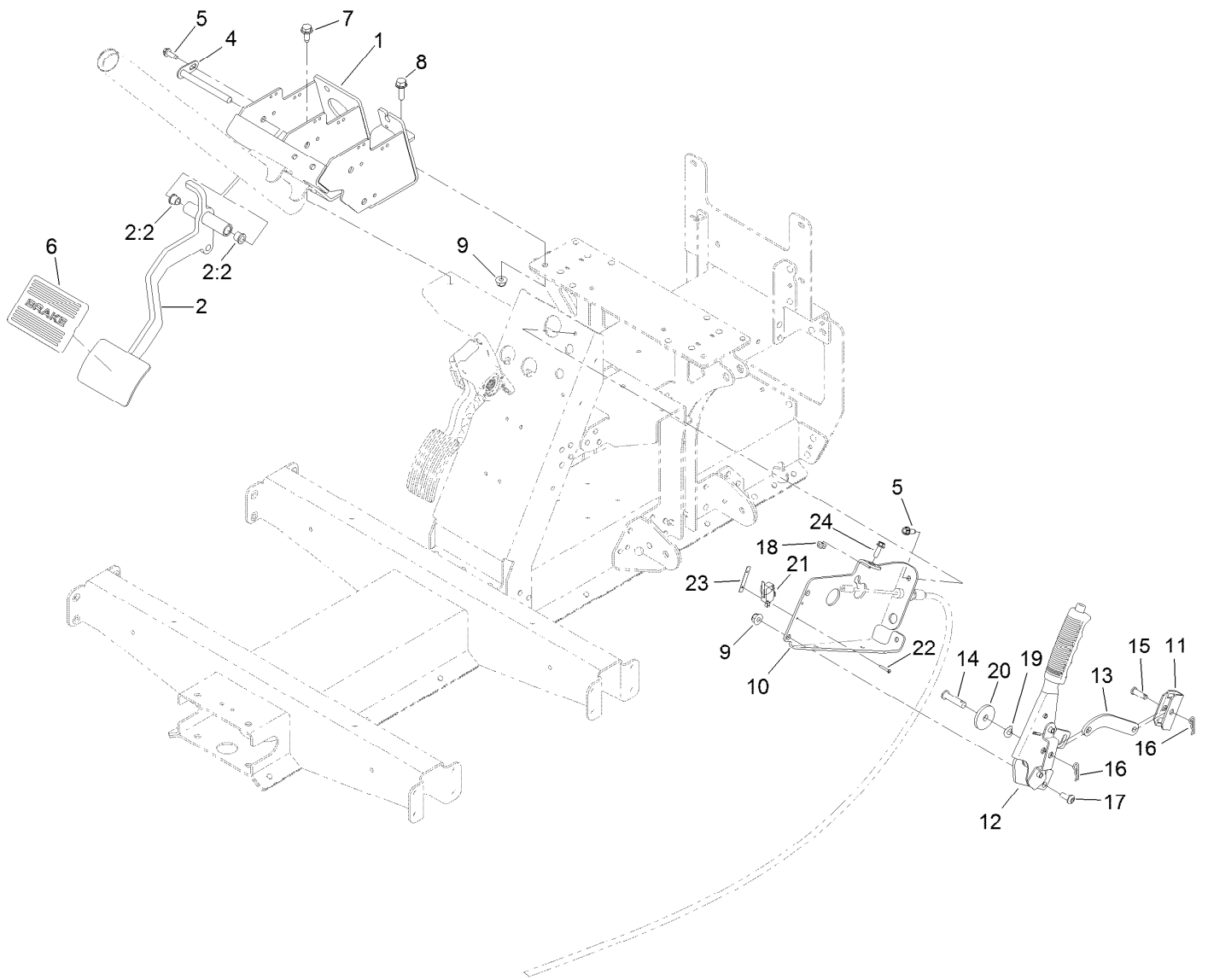
<i>Ref.</i>	<i>Part Number</i>	<i>Qty.</i>	<i>Description</i>
1	140-2580	1	Brake Pad Service Kit (Front, Qty 4)
2	119-9511	1	Bracket Kit
3	133-0614	1	Piston Kit



Steering Assembly

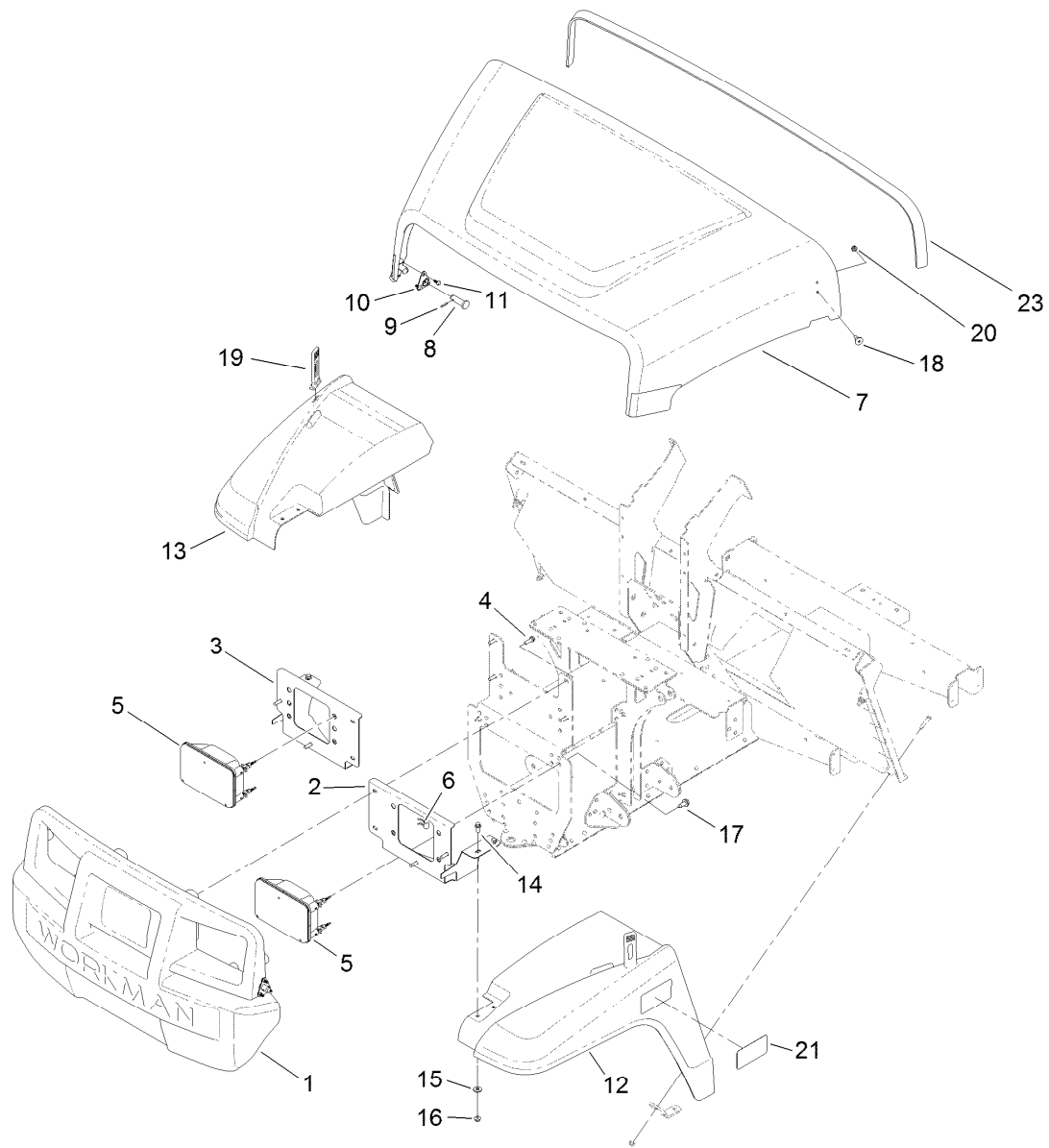
Ref.	Part Number	Qty.	Description
1	138-0114	1	Steering Rack ASM
1:21	140-4591	1	Kit-Tie Rod ASM, Gtx
1:22	140-4592	1	Kit-Rod End ASM
1:22:2	3272-42	1	Pin-Cotter
1:22:3	140-2493	1	Nut-Hex, Slotted
2	145-2056	1	Steering Column ASM, Gtx Electric
3	112-3262	2	Bearing
4	145-2050	1	Steering Shaft ASM
6	145-7145	1	Screw-HSH,Lock

Ref.	Part Number	Qty.	Description
8	32144-49	4	Screw-HWHTF
9	3230-1	4	Bolt-CARR
10	104-8300	4	Nut-HF, NI
11	144-5570	1	Steering Wheel ASM
13	99-5107	1	Nut-Lock
14	144-5567	1	Cover-Wheel, Steering
15	144-5566	1	Clip-Wheel, Steering
16	144-5537	2	Spring-Compression
17	94-4496	5	Screw-PPH



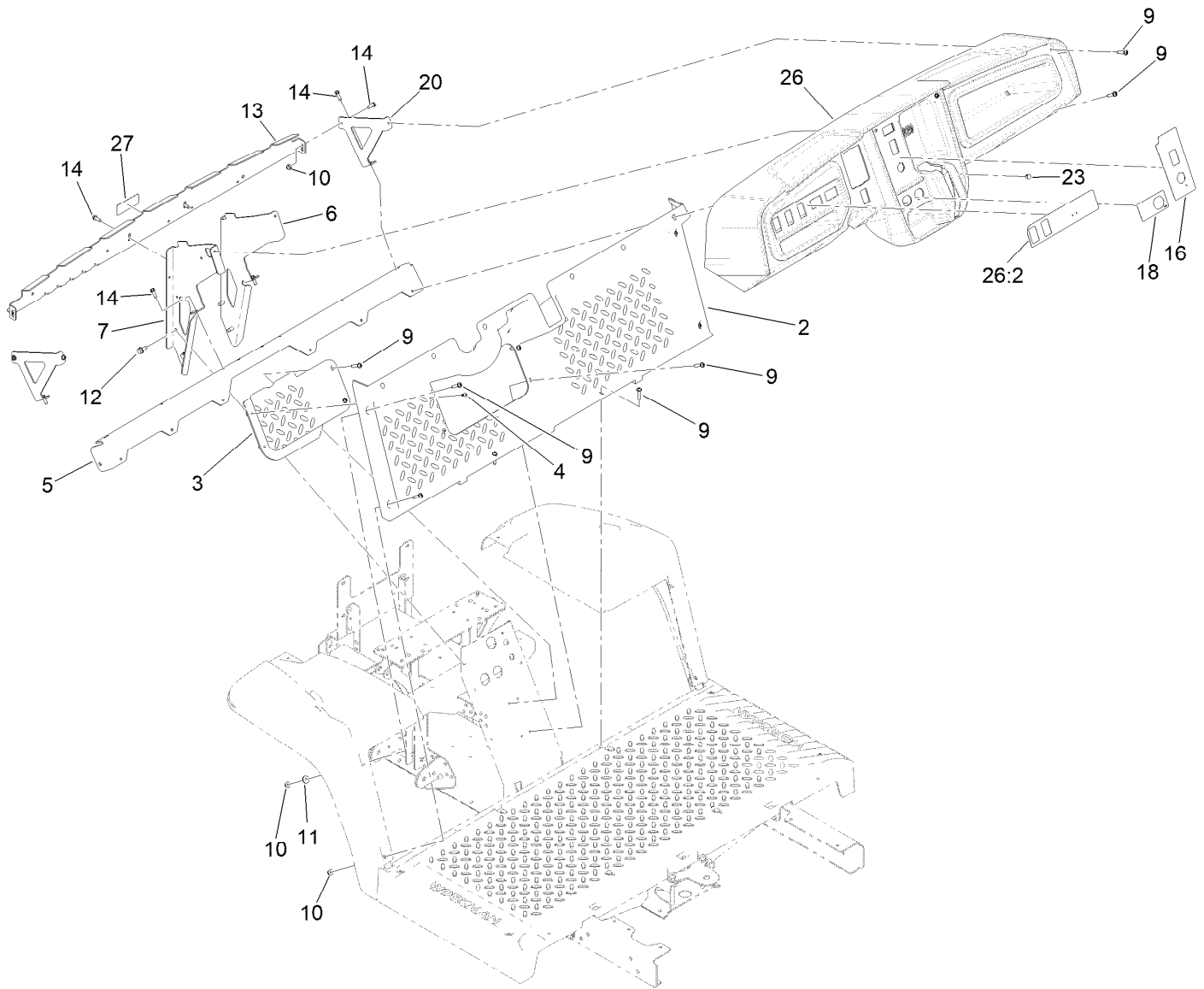
Pedal and Control Assembly

<i>Ref.</i>	<i>Part Number</i>	<i>Qty.</i>	<i>Description</i>	<i>Ref.</i>	<i>Part Number</i>	<i>Qty.</i>	<i>Description</i>
1	127-8817-03	1	Mount-Pedal	13	144-0516	1	Link-Park, Brake
2	138-9385	1	Brake Pedal ASM	14	283-10	1	Pin-Clevis
2:2	256-116	2	Bushing-Flange	15	1-808280	1	Pin-Clevis
4	131-8459	1	Shaft-Pivot	16	1-806003	2	Pin-Cotter
5	49-2040	3	Screw-HWHTF	17	3274-55	2	Screw-HSBH
6	7-3900	1	Pad-Brake	18	104-7201	1	Nut-HF, NI
7	32144-70	2	Screw-HWHTF	19	121-4605	1	Washer-Spring
8	3234-29	1	Screw-HHF	20	131-8496	1	Washer-Plain
9	104-8300	3	Nut-HF, NI	21	108-6496	1	Switch (W/Boot)
10	140-4836-03	1	Mount-Park Brake	22	3290-313	2	Screw-SPH
11	87-3480	1	Bracket-Equalizer, Cable	23	3290-354	1	Nut-Speed
12	131-8320	1	Lever-Brake, Park	24	115-5103	1	Screw-HHF



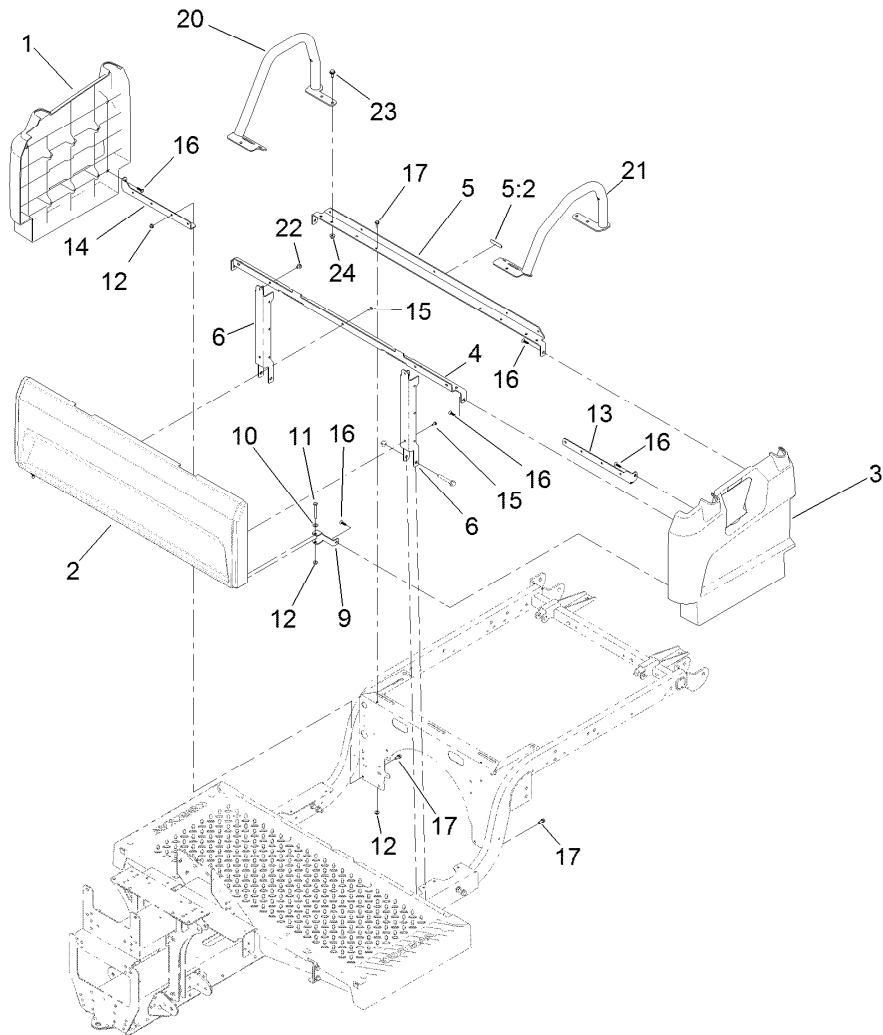
Hood and Fender Assembly

<i>Ref.</i>	<i>Part Number</i>	<i>Qty.</i>	<i>Description</i>	<i>Ref.</i>	<i>Part Number</i>	<i>Qty.</i>	<i>Description</i>
1	132-8530	1	Bumper	12	127-7771	1	Fender-Front, LH
2	131-8455-03	1	Bracket-Headlight, LH	13	127-7772	1	Fender-Front, RH
3	131-8456-03	1	Bracket-Headlight, RH	14	3234-33	4	Screw-HHF
4	46-8091	8	Screw-HWH	15	3256-2	4	Washer-Flat
5	138-9260	2	Headlight ASM	16	104-7201	4	Nut-HF, NI
6	115-2408	6	Clip-Speed	17	32144-70	2	Screw-HWHTF
7	136-6281	1	Hood	18	125-1122	2	Screw
8	117-5094	2	Pin-Clevis	19	131-8402	2	Strap-Down, Hold
9	32121-50	2	Pin-Spring	20	3296-56	2	Nut-Lock, NI
10	112-3308	2	Retainer-Pin	21	140-4585	2	Decal-Fender, Gtx, Lithium
11	121-9605	6	Screw-HWH	23	133-7210	1	Seal-Trim, Hood



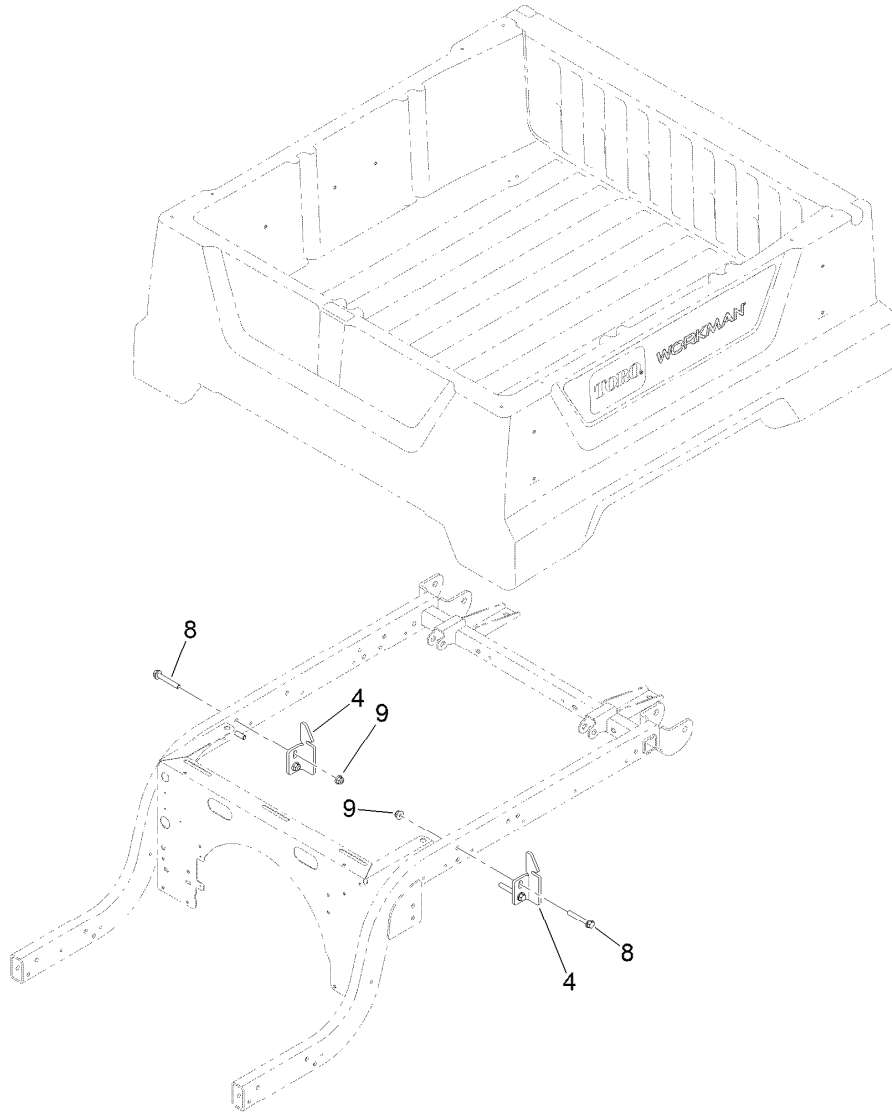
Dash Assembly

Ref.	Part Number	Qty.	Description	Ref.	Part Number	Qty.	Description
2	147-8212	1	Footboard	13	131-8568-03	1	Reinforcement-Dash
3	127-7847	1	Cover-Footboard	14	49-2040	8	Screw-HWHTF
4	107-7461	2	Screw-Plastite	16	145-2263	1	Decal-Control Panel, Electric
5	127-7831-03	1	Angle	18	131-8493	1	Decal-USB
6	131-8336-03	1	Bracket-Dash, RH	20	131-8569-03	2	Bracket-Dash, Side
7	145-2094-03	1	Bracket-Dash, LH	23	104-9368	1	Plug-Dome
9	132-6777	20	Screw-Twh Thd Roll	26	145-2098	1	Dash-Gtx Lithium
10	104-7201	6	Nut-HF, NI	26:2	145-2261	1	Decal-Dashboard, Gtx
11	3256-2	2	Washer-Flat	27	145-8016	1	Decal-Gtx Electric
12	32144-70	4	Screw-HWHTF				



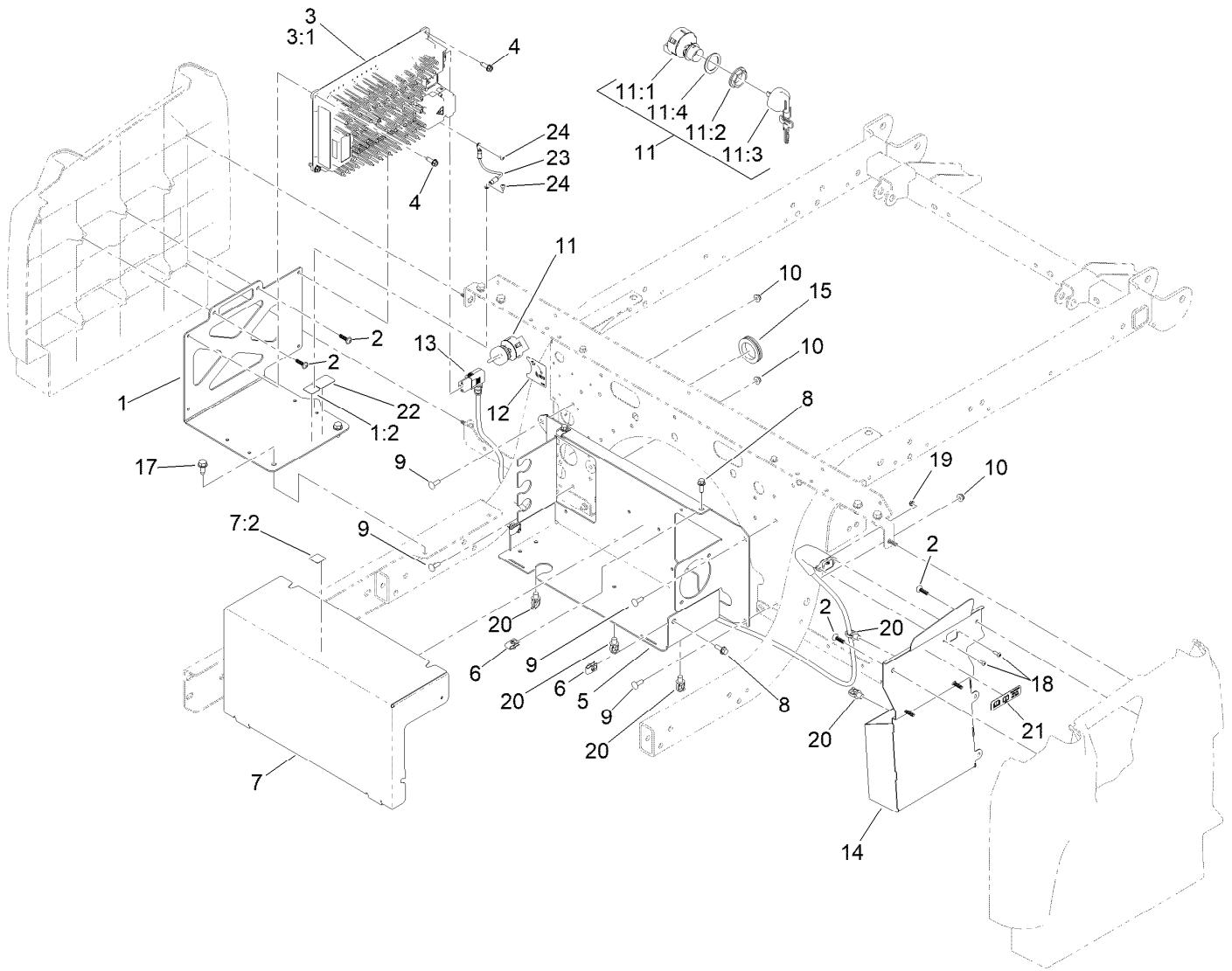
Seatbase Assembly

<i>Ref.</i>	<i>Part Number</i>	<i>Qty.</i>	<i>Description</i>	<i>Ref.</i>	<i>Part Number</i>	<i>Qty.</i>	<i>Description</i>
1	127-7805	1	Side-Base, Seat (RH)	13	127-7842-03	1	Bracket-Support, Side (LH)
2	133-7188	1	Panel-Base, Seat	14	127-7843-03	1	Bracket-Support, Side (RH)
3	127-7807	1	Side-Base, Seat (LH)	15	112-6349	5	Screw-HWH
4	133-7345-03	1	Support-Seat	16	120-2349	8	Screw
5	137-6991	1	Seat Support ASM	17	3234-33	6	Screw-HHF
5:2	120-9570	1	Decal-Warning	20	131-8352-05	1	Restraint-Hip, RH
6	127-7841-03	2	Channel-Support, Seat	21	131-8353-05	1	Restraint-Hip, LH
9	127-7844-03	2	Clamp-Plate, Floor	22	46-6810	2	Screw And Washer ASM
10	3256-22	2	Washer-Flat	23	32144-70	6	Screw-HWHTF
11	321-18	2	Screw-HH	24	104-8300	6	Nut-HF, NI
12	104-7201	8	Nut-HF, NI				



Cargo Bed Assembly

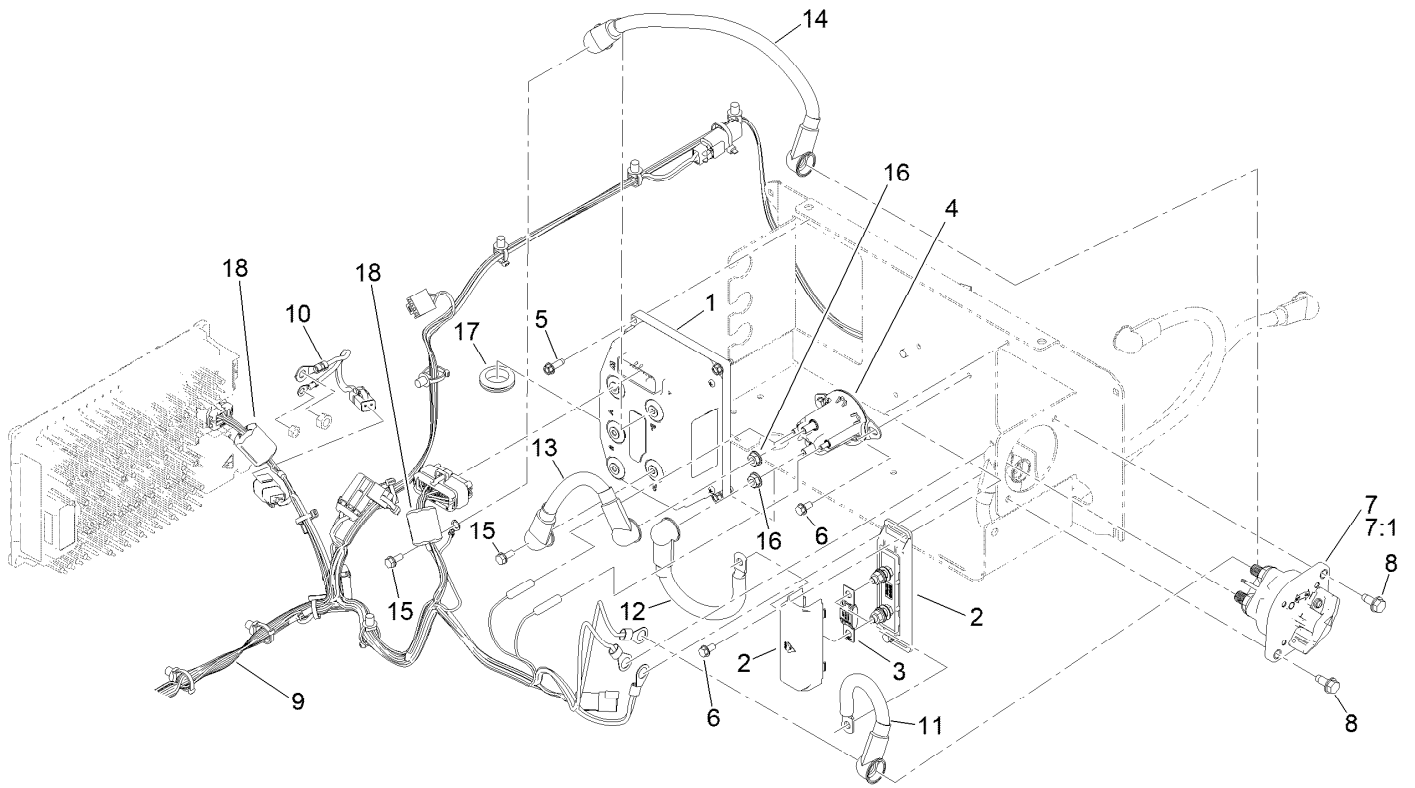
<i>Ref.</i>	<i>Part Number</i>	<i>Qty.</i>	<i>Description</i>
4	127-7428-03	2	Striker-Latch, Bed
8	3234-39	4	Screw-HHF
9	104-8301	4	Nut-HF, NI



Onboard Charger Assembly

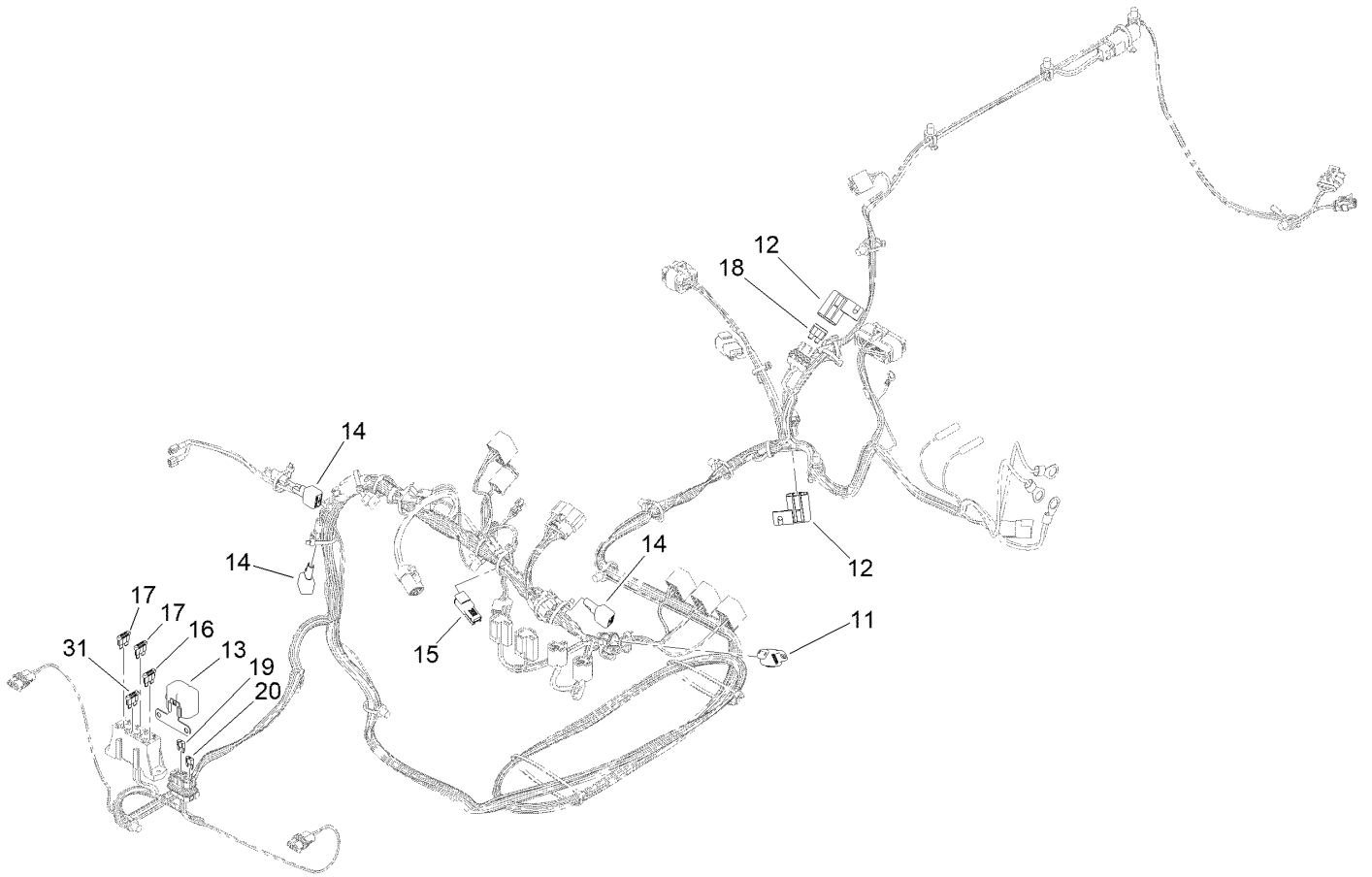
Ref.	Part Number	Qty.	Description	Ref.	Part Number	Qty.	Description
1	147-8213	1	Bracket-Charger	11:3	110-5221	1	Set-Key, Supervisor
1:2	145-7345	1	Decal-Voltage, High	11:4	108-8659	1	Washer-Backup
2	120-2349	6	Screw	12	131-8527	1	Decal-Mode
3	144-5475	1	Charger-Onboard, 900W	13	140-4628	1	Cordset W/Filter
3:1	140-2494	1	Charger Kit-Service	14	140-2496-05	1	Bracket-Charger Outlet ASM [blk
4	49-2040	4	Screw-HWHTF	15	240-7	1	Grommet-Rubber
5	145-8035-03	1	Bracket-Electronics Mount	17	32144-70	2	Screw-HWHTF
6	107069	4	Clip	18	3250-26	2	Screw-PPH
7	147-8214	1	Cover-Front	19	3296-54	2	Nut-Lock
7:2	145-7345	1	Decal-Voltage, High	20	32180-030	5	Clip-Tie
8	120-9678	4	Screw-HHF	21	140-4590	1	Decal-Charger Input Lithium
9	1-807512	4	Bolt-CARR	22	147-8205	1	Decal-Fuse 60V
10	104-7201	4	Nut-HF, NI	23	122-2792	1	Harness-Wire, Charger Bonding
11	110-2580	1	Switch-Key, Supervisor	24	125-0519	2	Screw-Self Tapping
11:1		1	Switch-Key ●				
11:2	108-8660	1	Nut-Mounting				

● Not serviced separately



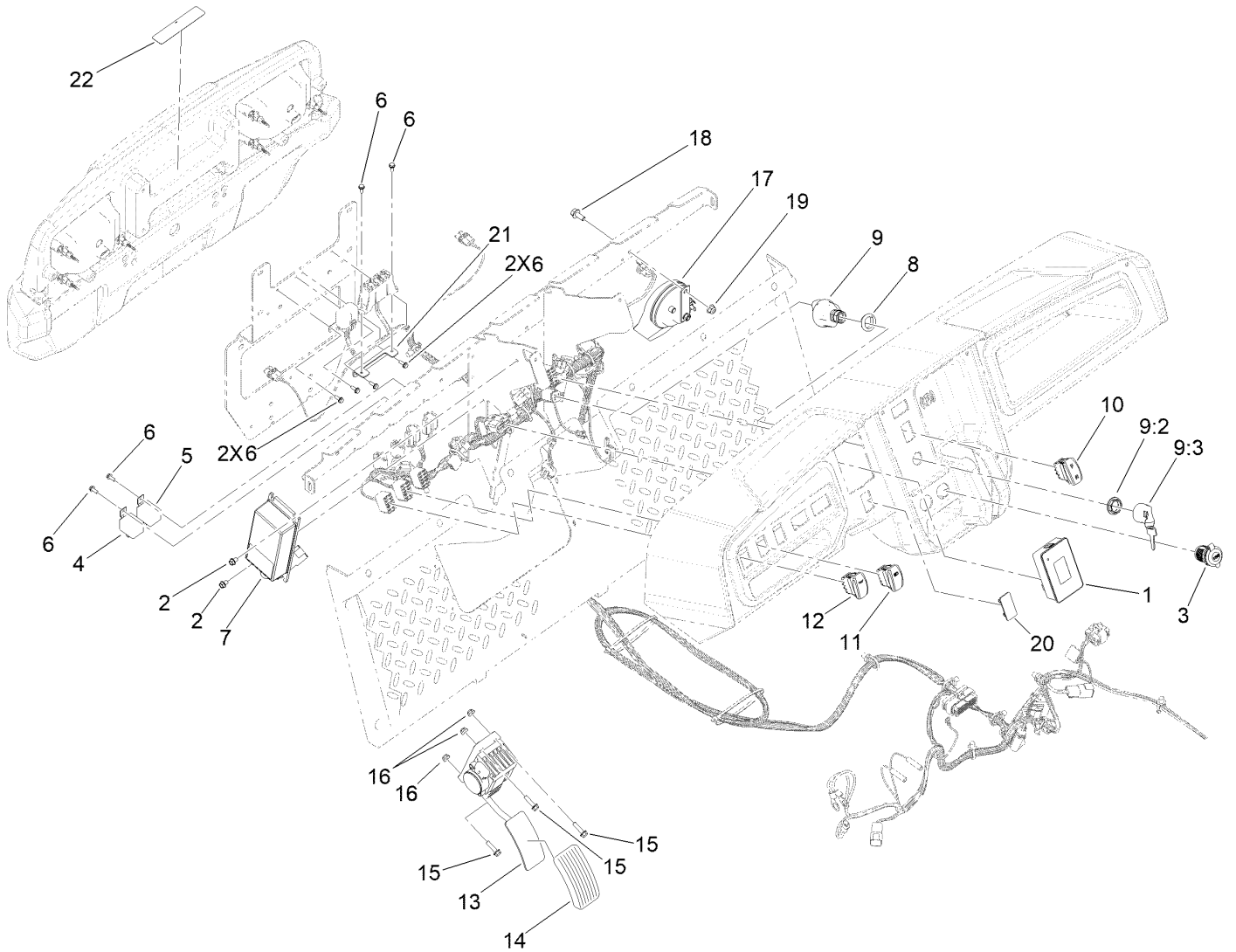
Inverter/Controller Assembly

<i>Ref.</i>	<i>Part Number</i>	<i>Qty.</i>	<i>Description</i>	<i>Ref.</i>	<i>Part Number</i>	<i>Qty.</i>	<i>Description</i>
1	145-5050	1	Inv/Ctrlr-48V,185Arms	10	122-2375	1	Harness-Wire, Charger Power Interface
2	145-4958	1	Holder-Fuse	11	145-8041	1	Cable-Battery,Rd ASM
3	122-2561	1	Fuse-200A	12	145-8042	1	Cable-Battery,Rd ASM
4	122-2616	1	Contactora-Powerseal	13	145-8043	1	Cable-Battery,Rd ASM
5	49-2040	4	Screw-HWHTF	14	145-8044	1	Cable-Battery,Bk ASM
6	32144-4	4	Screw-HWH	15	145-5782	2	Screw-Sems
7	122-0603	1	Switch-Disconnect	16	107-0380	2	Nut-HF
7:1	33006-00	1	Nut-HF	17	240-5	1	Grommet
8	32144-70	2	Screw-HWHTF	18	147-8183	2	Ferrite, Snap-On
9	122-2325	1	Harness-Wire, Gtx-Li				



Wire Harness Assembly No. 122-2325

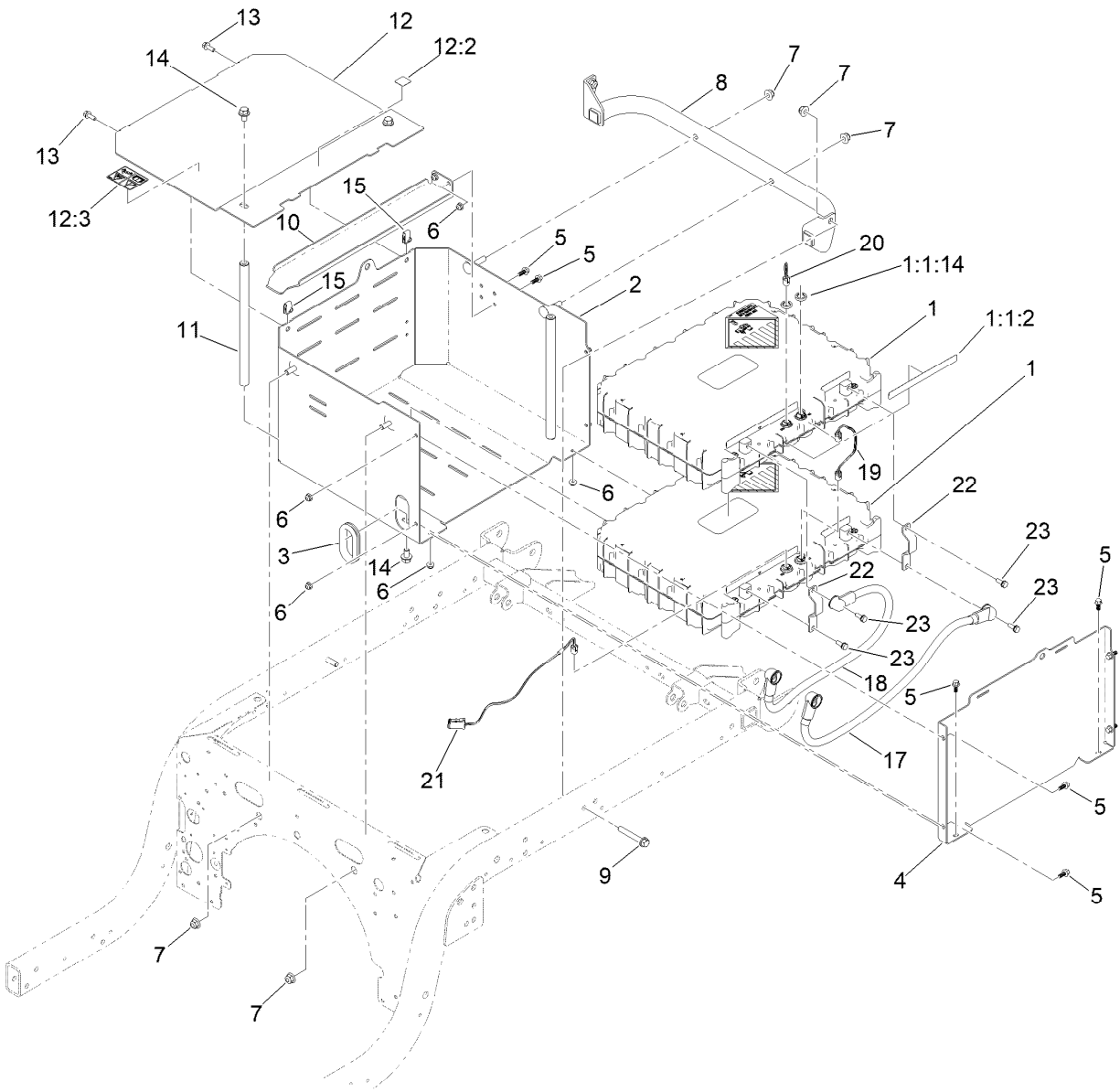
<i>Ref.</i>	<i>Part Number</i>	<i>Qty.</i>	<i>Description</i>
11	32180-089	1	Cap-Plug, 3 Way
12	32180-567	2	Cover-Aptiv, Modified
13	32180-179	1	Cover-Bussman
14	100-4918	3	Diode
15	32180-282	1	Resistor-120 Ohm
16	117-4724	1	Fuse-Blade, 10A
17	117-4726	2	Fuse-Blade, 20A
18	117-4728	1	Fuse-Blade, 30A
19	121-8864	1	Fuse-Mini Blade, 5 Amp
20	121-8866	1	Fuse-Mini Blade, 10 Amp
31	117-4722	1	Fuse-Blade, 5A



Accelerator Pedal and Horn Assembly

Ref.	Part Number	Qty.	Description	Ref.	Part Number	Qty.	Description
1	122-2152	1	Controller, Tdm-1601	11	144-2405	1	Switch-Rocker, On-None-On
2	99-8445	2	Screw-HWH	12	144-2415	1	Switch-Rocker, (On)-None-Off
3	131-8388	1	Socket-USB	13	144-2740	1	Pedal ASM-Accelerator
4	122-2401	1	Relay, 48V Coil, 50A At 48V	14	140-4572	1	Pedal Pad-Throttle
5	122-2400	1	Relay, 12V Coil, 50A At 48V	15	120-4654	3	Screw-HHF
6	32144-1	8	Screw-Taptite	16	104-7201	3	Nut-HF, NI
7	144-6975	1	Converter DC-DC	17	107-0358	1	Horn
8	145-7110	1	Adapter-Switch, Key	18	3234-5	1	Screw-HHF
9	122-2513	1	Switch-Ignition, Suns	19	104-8300	1	Nut-HF, NI
9:1	121-5160	1	Nut-Hex ●	20	99-7420	1	Plug-Hole
9:2	122-2704	1	Nut-Face, M22 (Plastic)	21	145-8046	1	Bracket-Fuse Block
9:3	121-5162	1	Set-Key, Ignition	22	147-8184	1	Decal-Fuse Block 12V/60V
10	122-2654	1	Switch-Rocker, On-None-On				

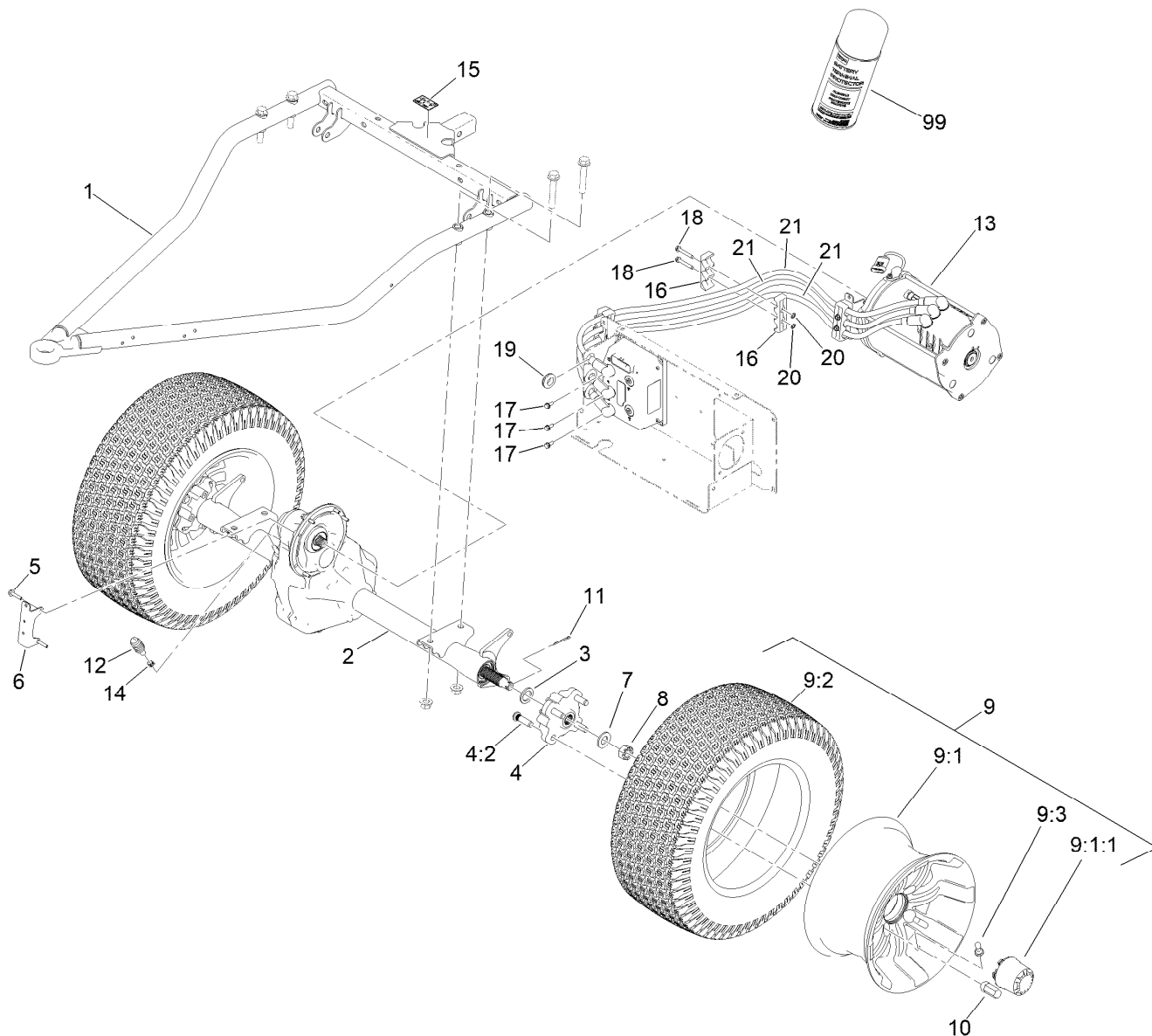
● Not illustrated



Battery Assembly

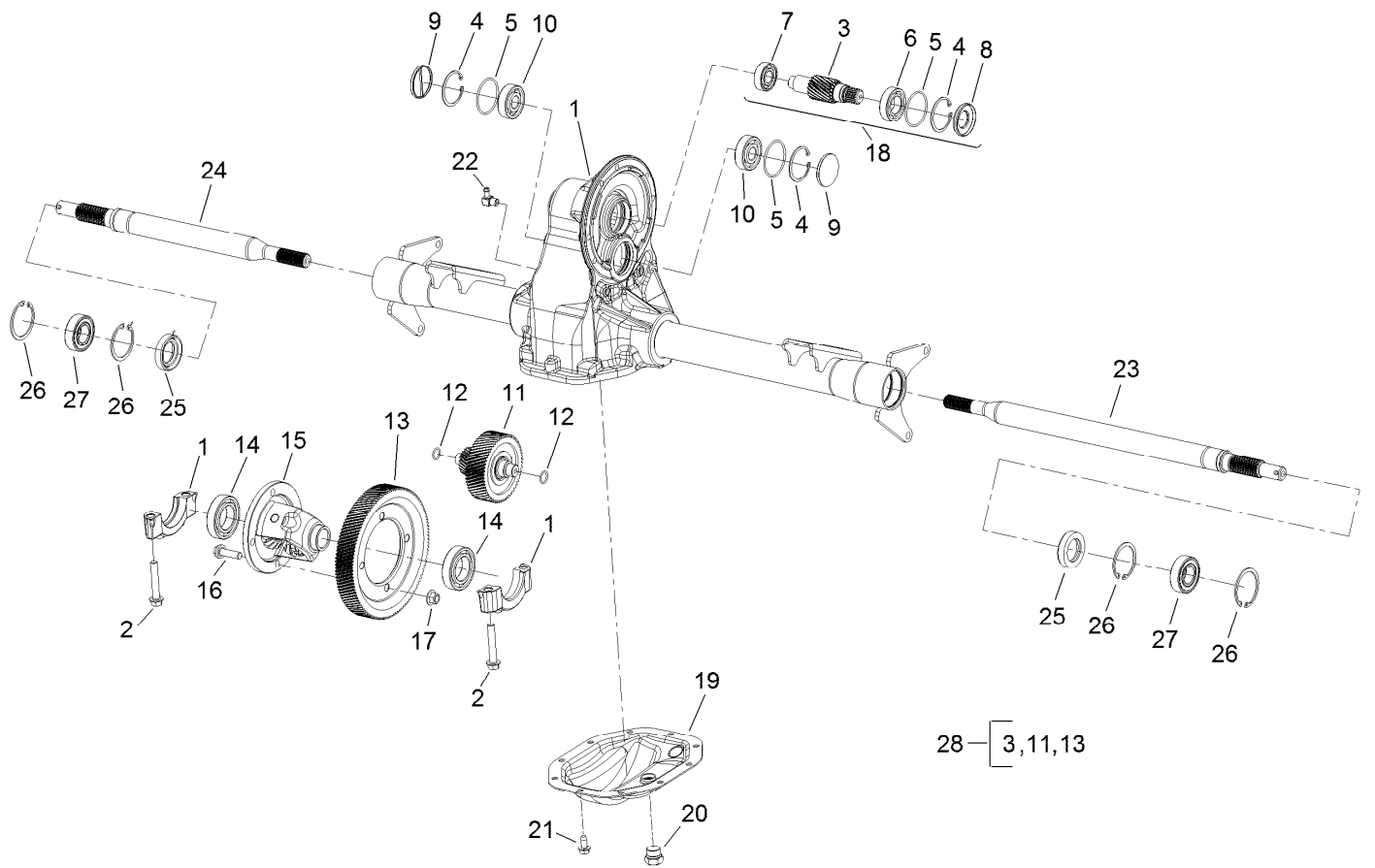
Ref.	Part Number	Qty.	Description	Ref.	Part Number	Qty.	Description
1	145-5320	2	Battery ASM	12:3	139-4610	1	Decal-Warning
1:1:2	145-5338	1	Decal-Warning, Battery	13	120-9678	2	Screw-HHF
1:1:14	32180-466	2	Nut-Mounting, Jwpf Panel Lock	14	3234-9	4	Screw-HHF
2	147-2792-03	1	Bracket ASM [black]	15	107069	2	Clip
3	240-12	1	Grommet-Rubber	16	107-0384	1	Powercord-AC ●
4	145-8033-03	1	Panel-Left	17	145-8039	1	Cable-Battery,Rd ASM
5	99-6810	8	Screw-HHF	18	145-8040	1	Cable-Battery,Bk ASM
6	104-7201	8	Nut-HF, NI	19	140-9565	1	Harness-Wire, Data Interface
7	104-8301	6	Nut-HF, NI	20	122-2323	1	Harness-Wire, Can Terminator
8	145-8004-03	1	Battery Mount ASM [black]	21	122-2736	1	Harness-Wire, Battery Interface
9	3234-39	2	Screw-HHF	22	145-7343	2	Bar-Bus, 200A
10	147-2755-03	1	Bracket-Hold Down [black]	23	145-5783	4	Screw-Sems
11	147-2779	2	Bar-Round, Battery				
12	147-8215	1	Panel-Top				
12:2	145-7345	1	Decal-Voltage, High				

● Not illustrated



Rear Wheel and Transaxle Assembly

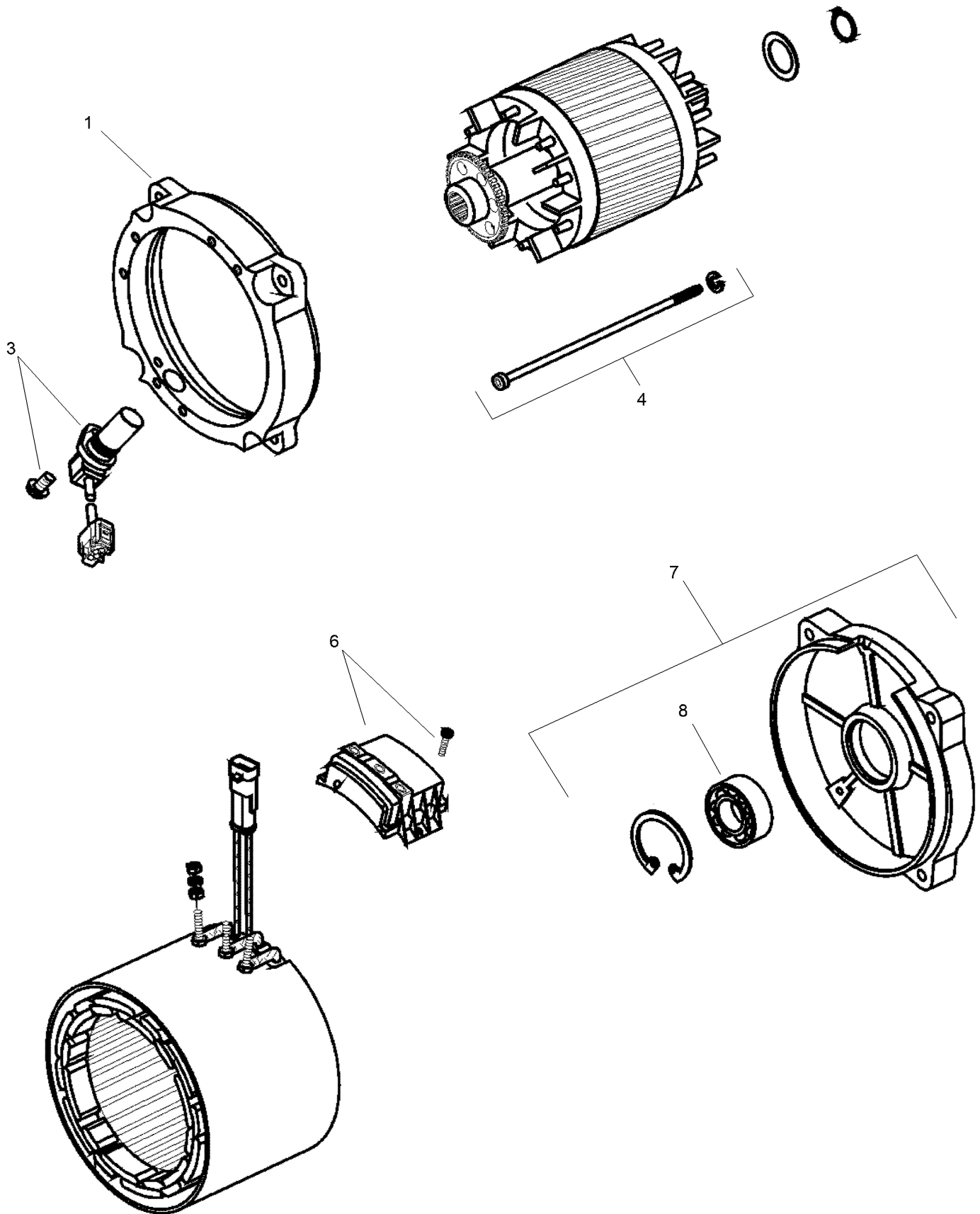
Ref.	Part Number	Qty.	Description	Ref.	Part Number	Qty.	Description
1	140-2568-03	1	Gtx-E Swing Arm ASM [black]	9:3	232-27	1	Stem-Valve
2	136-6340	1	Transaxle ASM	10	139-3603	8	Nut-Lug
3	131-8570	2	Spacer-Hardened	11	1-806800	2	Pin-Cotter
4	140-9951	2	Rear Hub ASM	12	127-8859	1	Bellows-Breather
4:2	10-6830	4	Stud-Type, Drive	13	137-6936	1	Motor-AC
5	33103-030	6	Screw-HHF	14	2412-146	1	Clamp-Hose
6	145-8038	1	Bracket-Cable	15	137-9984	1	Decal-Load, Towing
7	92-5836	2	Washer	16	145-7166	6	Clamp-Cable
8	32136-5	2	Nut-Hex, Slotted	17	145-5782	3	Screw-Sems
9	147-2763	2	Al Wheel And Tire ASM	18	92-1616	6	Screw-HWHTF
9:1	147-2764	1	Wheel-Aluminum	19	240-6	3	Grommet-Rubber
9:1:1	147-2839	1	Cap-Aluminum Wheel	20	32115-15	2	Nut-Push
9:2	120-3271	1	Tire	21	145-8045	3	Cable-Battery,Rd ASM
				99	107-0392	1	Protection-Terminal, Aerosol



Transaxle Assembly No. 136-6340

Ref.	Part Number	Qty.	Description	Ref.	Part Number	Qty.	Description
1	133-2447	1	Housing-Axle	15	133-2461	1	Differential ASM
2	133-2448	4	Bolt-Cap, Bearing	16	133-2462	4	Bolt-HHF
3	133-2485	1	Gear-Input	17	133-2463	4	Nut-Lock
4	133-2450	3	Ring-Retaining	18	133-2487	1	Input Gear Kit
5	133-2451	3	O-Ring	19	136-6341	1	Plate-Cover
6	133-2452	1	Bearing-Ball	20	133-2466	1	Plug-HH
7	133-2453	1	Bearing-Ball	21	133-2467	10	Screw-Tapping
8	133-2454	1	Seal-Oil	22	133-2468	1	Elbow-Hose
9	133-2455	2	Plug-Cap, End	23	133-2469	1	Shaft-Axle, LH
10	133-2456	2	Bearing-Ball	24	133-2470	1	Shaft-Axle, RH
11	133-2486	1	Intermediate Gear ASM	25	112-3140	2	Seal-Oil
12	133-2458	2	O-Ring	26	133-2472	4	Ring-Retaining
13	133-2459	1	Gear-Drive, Final	27	108-2425	2	Bearing-Ball
14	133-2460	2	Bearing-Ball	28	108-2409	1	Internal Gear Kit

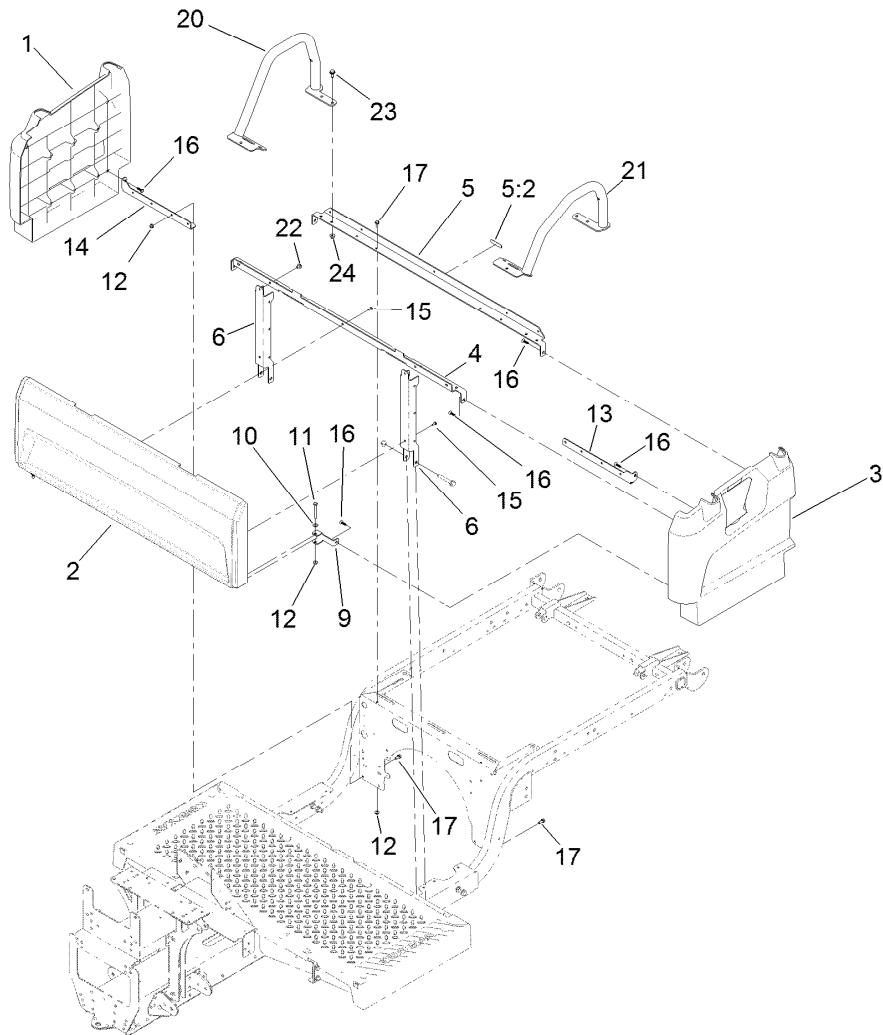
Electric Motor Assembly No. 137-6936



Electric Motor Assembly No. 137-6936 (continued)

<i>Ref.</i>	<i>Part Number</i>	<i>Qty.</i>	<i>Description</i>
1	132-4924	1	Bracket-End, Drive
3	132-4925	1	Sensor
4	132-4926	1	Screw

<i>Ref.</i>	<i>Part Number</i>	<i>Qty.</i>	<i>Description</i>
6	132-4927	1	Plate-Connection
7	132-4928	1	Bracket-End, Rear
8	132-4929	1	Bearing



Seatbase Assembly

<i>Ref.</i>	<i>Part Number</i>	<i>Qty.</i>	<i>Description</i>	<i>Ref.</i>	<i>Part Number</i>	<i>Qty.</i>	<i>Description</i>
1	127-7805	1	Side-Base, Seat (RH)	13	127-7842-03	1	Bracket-Support, Side (LH)
2	133-7188	1	Panel-Base, Seat	14	127-7843-03	1	Bracket-Support, Side (RH)
3	127-7807	1	Side-Base, Seat (LH)	15	112-6349	5	Screw-HWH
4	133-7345-03	1	Support-Seat	16	120-2349	8	Screw
5	137-6991	1	Seat Support ASM	17	3234-33	6	Screw-HHF
5:2	120-9570	1	Decal-Warning	20	145-2075-05	1	Hip Restraint ASM, RH
6	127-7841-03	2	Channel-Support, Seat	21	145-2070-05	1	Hip Restraint ASM, LH
9	127-7844-03	2	Clamp-Plate, Floor	22	46-6810	2	Screw And Washer ASM
10	3256-22	2	Washer-Flat	23	32144-70	6	Screw-HWHTF
11	321-18	2	Screw-HH	24	104-8300	6	Nut-HF, NI
12	104-7201	8	Nut-HF, NI				

Attachments and Accessories

For 07433LT Workman GTX Lithium Utility Vehicle

Product Name	Model/Part
Hose Reel Mounting Kit	07027
Trash Can Mounting Kit	07028
Bed Rack Kit	07031
ROPS Kit	07032
Cargo Bed Kit	07046
Bench Seat Base Kit	07047
Bucket Seat Base Kit	07048
Cab Kit	07142
48V Electric Lift Kit	07143
Brush Guard Kit	07145
Front Hitch Kit, Workman GTX Series Utility Vehicles with Brush Guard	07146
Front Hitch Kit, Workman GTX or MDX Series Utility Vehicles without Brush Guard	07147
Storage Box Kit	07156
6in L-Track Kit	07158
2in L-Track Kit	07159
GTX Ball Cage ROPS, Certified	07161
48V 6 Foot Bed Electric Lift Kit	07168
Canopy W/ ROPS	07169
Rear Attachment Receiver, Workman GTX Series Utility Vehicle with Steel Cargo Bed	07186
Canopy Mount Kit, Workman GTX Utility Vehicle with Extended Flatbed	07199
Steel Cargo Bed Base, Workman GTX Series Utility Vehicle	07450
Steel Cargo Bed Solid Sides Kit, Workman GTX Series Utility Vehicle	07451
Workman GTX 2-Person Canopy	07921
Folding Windshield Kit, Workman GTX Utility Vehicle with Canopy	07923
Exterior Mirror Kit	130-5448
Interior Mirror Kit	130-5449
Beacon Kit	130-5484
Work Light Kit	130-5485
Windshield Washer Fluid Kit, 2015 and after Workman MD/HD Series Utility Vehicle	130-5615
Small Seat Cover	131-6690
Reverse Alarm Kit	131-8549
Power Point Kit	131-8550
Wide Angle Mirror Kit, Utility Vehicle with Canopy	133-1009
Wide Angle Mirror Kit	133-1038
Horn Kit	133-3017
Bracket-Mount, Radio	133-7111-03
Mount-Ball	133-7116
Road Light and Homologation Kit	133-7128
Cab Mount Kit, Workman GTX Utility Vehicle with Extended Flatbed	133-7198
Service Hood ASM	133-7209
Door Mount Mirror Kit	136-1997
Small Bedrack Mount Grip Kit	136-6311
Large Bedrack Mount Grip Kit	136-6312
Glove Box Cover Kit	137-2883
Plate-Skid	137-2887-03

Attachments and Accessories (continued)

Ignition Switch ASM (Key1)	138-3505
Ignition Switch ASM (Key2)	138-3506
Ignition Switch ASM (Key3)	138-3507
Ignition Switch ASM (Key4)	138-3508
Ignition Switch ASM (Key5)	138-3509
Brake and Signal LED Light Kit, Workman GTX Gasoline Utility Vehicle or Serial Number 404400000 and After Workman GTX Electric Utility Vehicle	140-4785
LED Homologation Lamp Kit.....	147-2798

Notes:

Notes:

Notes:



Count on it.