



Count on it.

Parts Catalog

**TimeCutter® MyRIDE® 54in Zero
Turn**

Riding Mower

Model No. 77503—Serial No. 417130000 and Up



Ordering Replacement Parts

To order replacement parts, please supply the part number, the quantity, and the description of each part desired.

Understanding Reference Numbers

Each identified part in an illustration has a reference number. The reference number for a part also appears in the parts list, along with other information about the part.

This catalog uses two special reference number formats, one to indicate parts in a service assembly and another to indicate the quantity of a given part in an illustration.

Service Assembly Reference Numbers

Parts in service assemblies have reference numbers in the form a:b. The a represents the reference number of the entire service assembly and the b represents a sequential number unique to each part within the service assembly.

For example, a wheel assembly might be identified by reference number 6, the tire by 6:1, the valve by 6:2, and the wheel by 6:3. When you order the assembly identified by reference number 6, you receive all parts identified by reference numbers 6:1, 6:2, and 6:3. However, you may also order any part individually. Reference numbers of this type appear in illustration and in parts lists.

Reference Numbers Indicating Quantity

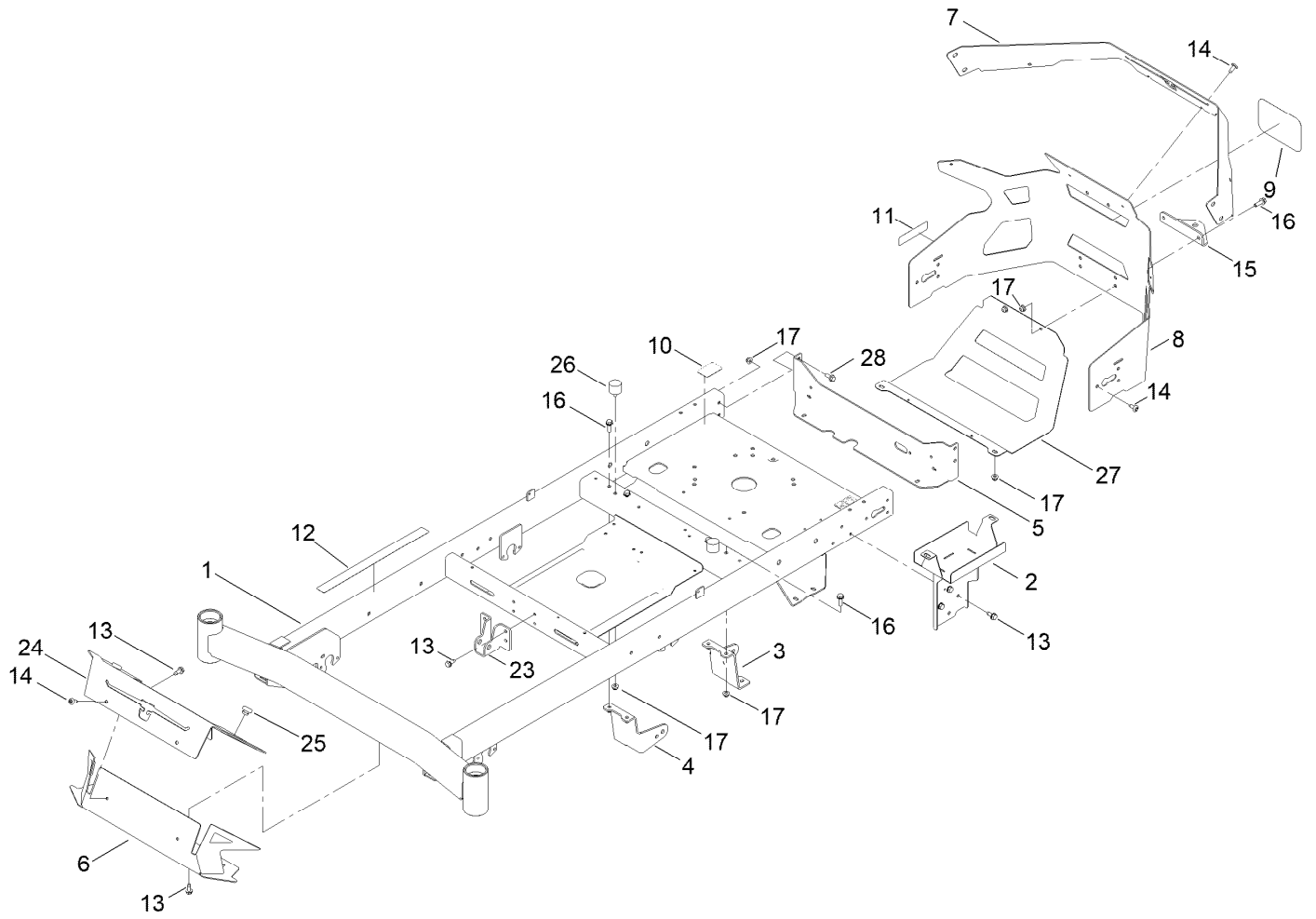
In an illustration, if a reference number indicates more than one part, the reference number has the form nX y. The n represents the quantity of the part, the X is the multiplication symbol, and the y represents the reference number.

For example, in an illustration, the reference number 2X 37 means that two of the parts identified by reference number 37 are indicated.

Contents

Frame Assembly	4
Decklift Assembly	6
Caster Wheel Assembly	8
Traction Drive Assembly	10
LH Transaxle Assembly No. 139-7470	12
RH Transaxle Assembly No. 139-7471	14
Brake Assembly	16
Tire Assembly	18
Motion Control Assembly	20
Engine and Muffler Assembly	22
Fuel Pod Assembly	24
Electrical Assembly	26
54in Deck and Decal Assembly	28
Model Specific Assembly	30
Seat Pan Assembly	32
Seat Assembly No. 147-8731	34
Clutch Assembly	36
Attachments and Accessories	38

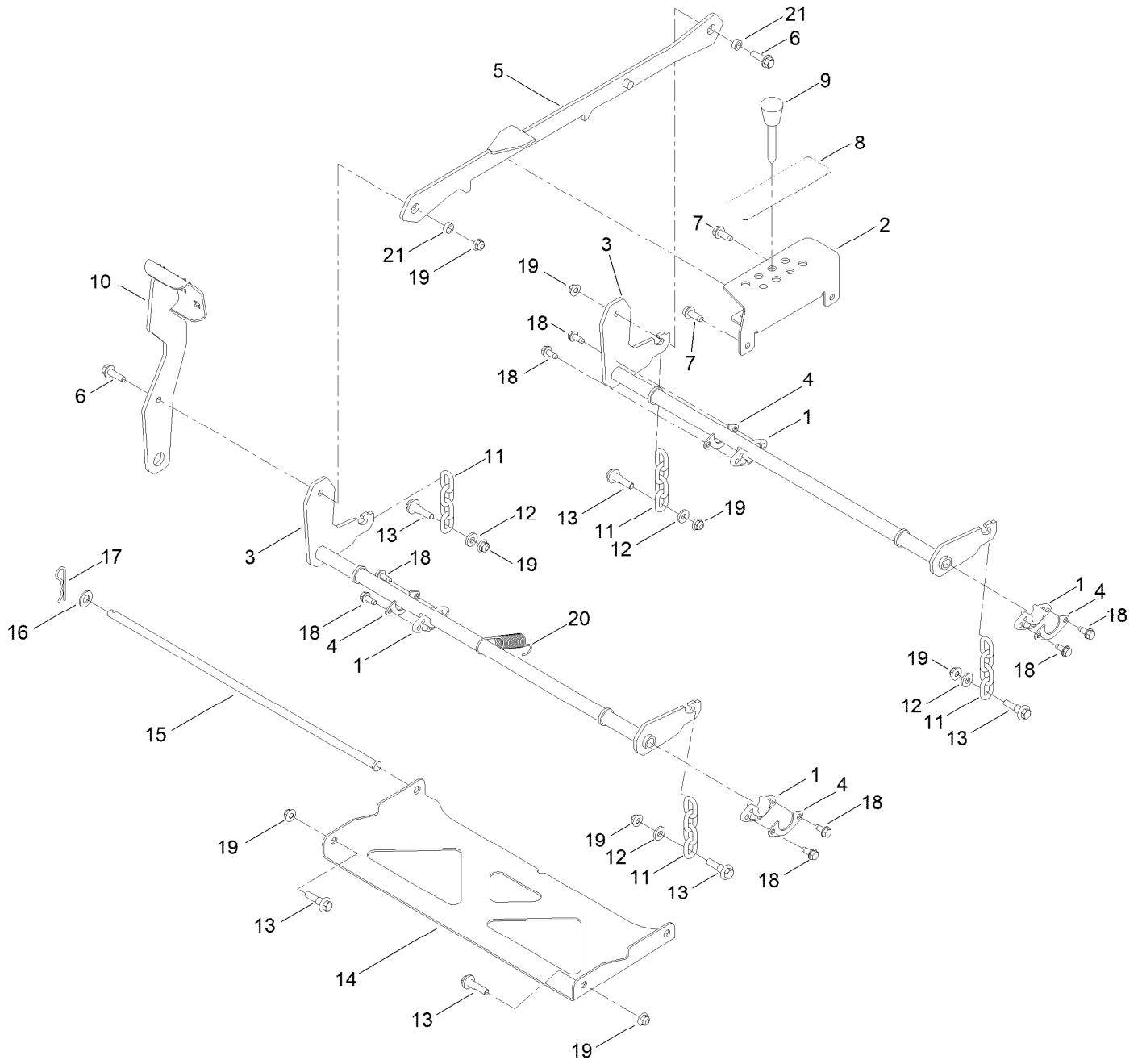
Frame Assembly



Frame Assembly (continued)

<i>Ref.</i>	<i>Part Number</i>	<i>Qty.</i>	<i>Description</i>	<i>Ref.</i>	<i>Part Number</i>	<i>Qty.</i>	<i>Description</i>
1	147-8723	1	Service ASM-Frame, Tc	13	32144-70	15	Screw-HWHTF
2	145-6283-01	1	Wa-Battery Mount	14	138-9753	12	Screw
3	145-6306-01	1	Mount-Drive, LH	15	117-1232-03	1	Bracket-Hitch
4	145-6307-01	1	Mount-Drive, RH	16	139-2596	2	Screw-HHF
5	147-8709-03	1	Plate-Mount	17	119-4041	10	Nut-HF
6	147-2966-03	1	Footrest-Top	23	145-6323-01	1	Bracket-Mount Damper, Lower
7	147-2995-01	1	Plate-Rear Cladding Tc	24	147-2850-01	1	Plate-Kick, Mr
8	147-2994-03	1	Guard-Engine Tc	25	140-3460	2	Bumper-Rubber
9	99-4693	1	Decal	26	137-4803	2	Bumper-Rubber
10	121-2989	2	Decal-Bypass	27	147-7717-03	1	Guard-Muffler [black]
11	142-5864	1	Decal-Spark Arrester	28	139-2598	4	Screw-HHF
12	144-5288	1	Decal-Warning				

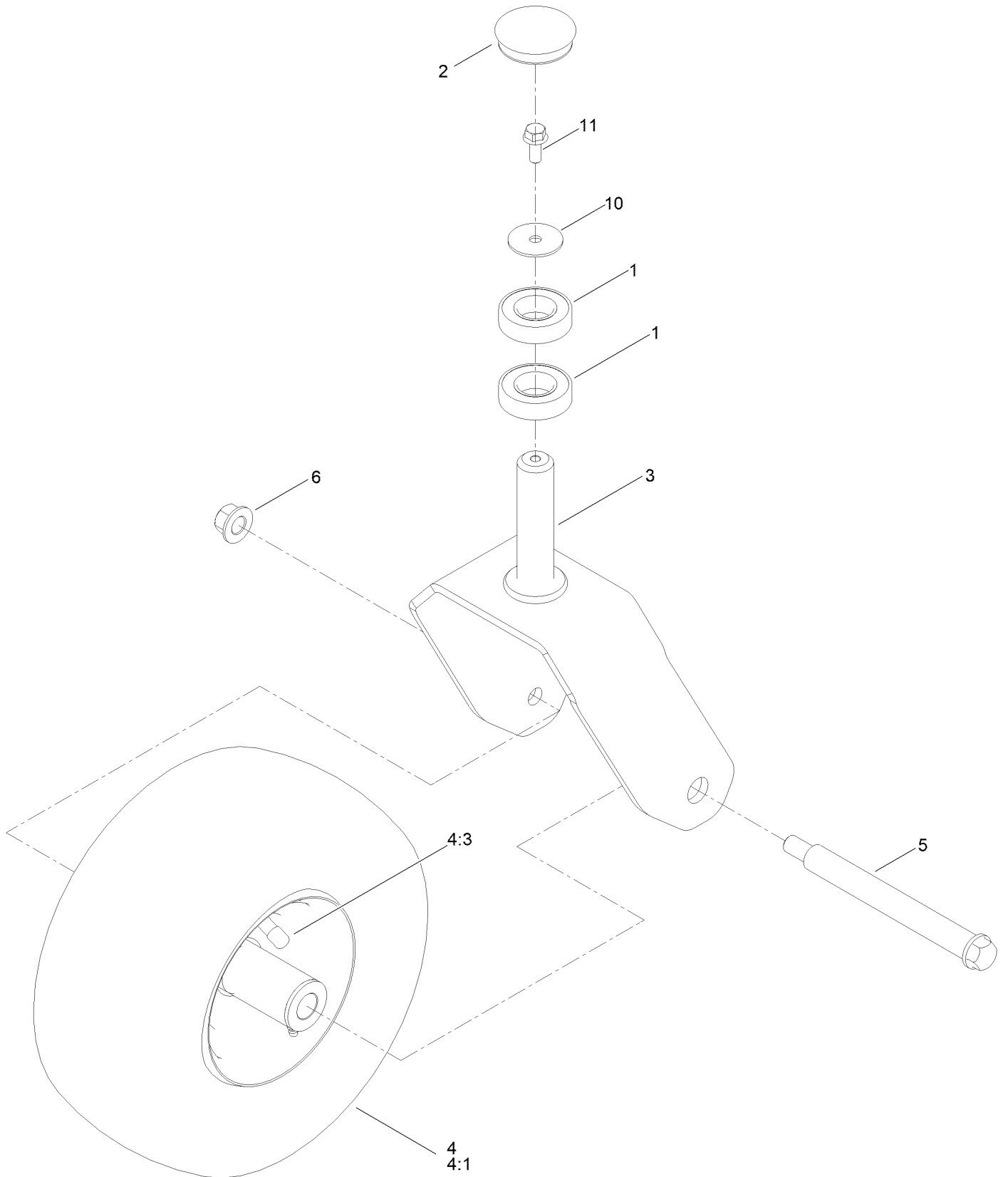
Decklift Assembly



Decklift Assembly (continued)

<i>Ref.</i>	<i>Part Number</i>	<i>Qty.</i>	<i>Description</i>	<i>Ref.</i>	<i>Part Number</i>	<i>Qty.</i>	<i>Description</i>
1	139-5872	4	Bearing-Flange	12	138-7207	4	Spacer-Hub, Blower
2	145-6257-01	1	Bracket-HOC	13	130-0742	6	Bolt-Shoulder
3	145-4645-01	2	Pivot ASM-Decklift [red]	14	145-6248-03	1	Pan-Deck Pivot
4	138-7204	4	Gusset-Deck Lift	15	145-6288	1	Pin-Deck
5	145-0557-01	1	Link ASM-HOC [red]	16	139-2611	1	Washer-Flat
6	119-4061	2	Screw-HHF	17	139-2562	1	Pin-Hair
7	139-2428	2	Screw-HWH	18	32144-70	8	Screw-HWHTF
8	147-2866	1	Decal-HOC, Tc	19	119-4042	8	Nut-HF, NI
9	140-2146	1	HOC Pin ASM	20	138-7206	1	Spring-Extension
10	145-6278-01	1	Pedal ASM [red]	21	140-2093	2	Spacer
11	138-7205	4	Chain-Decklift, 4-Link				

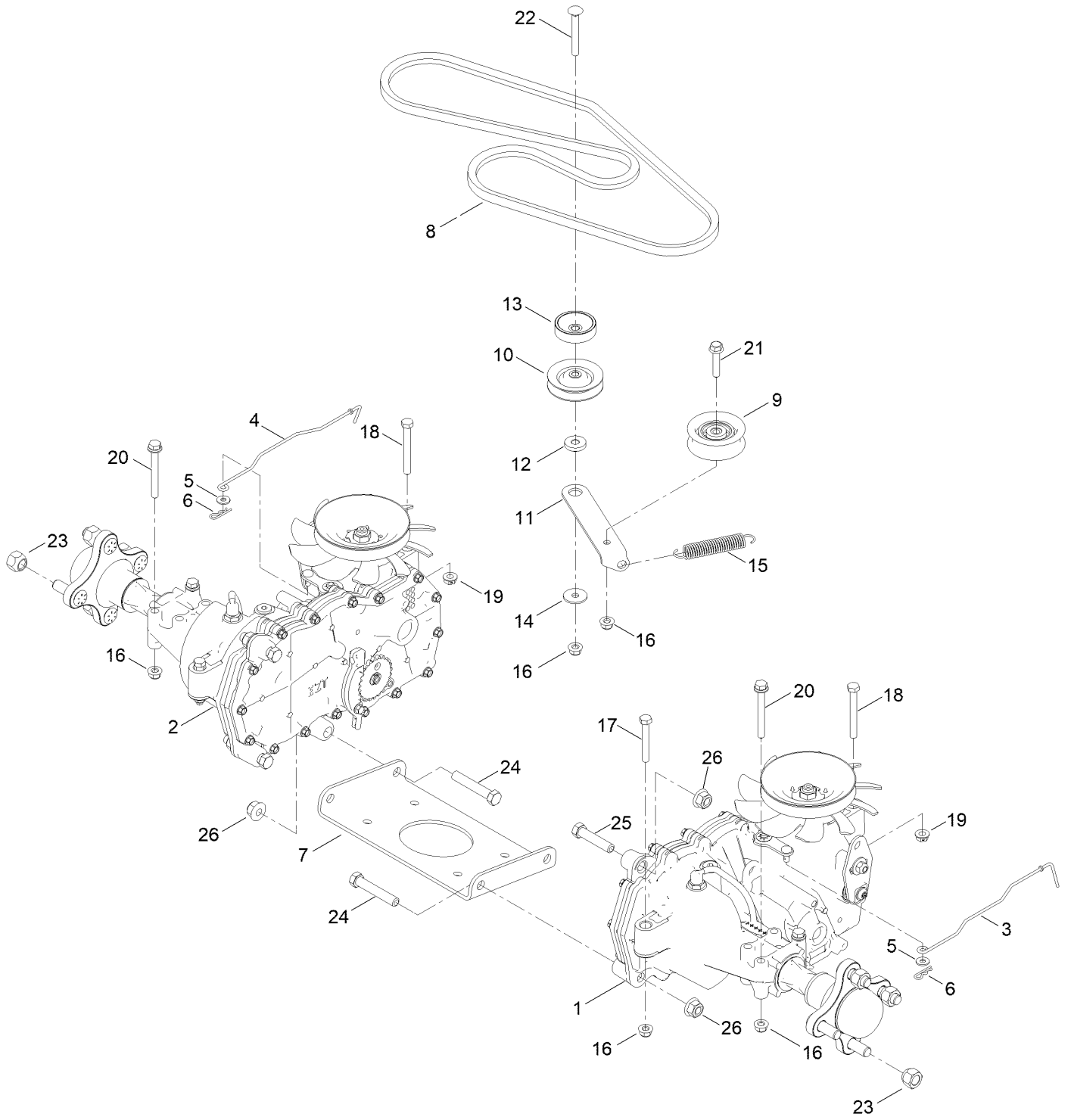
Caster Wheel Assembly



Caster Wheel Assembly (continued)

<i>Ref.</i>	<i>Part Number</i>	<i>Qty.</i>	<i>Description</i>	<i>Ref.</i>	<i>Part Number</i>	<i>Qty.</i>	<i>Description</i>
1	109-3678	4	Bearing-Ball	4:3	232-27	1	Stem-Valve
2	144-0375	2	Cap, Grease	5	145-4649	2	Screw-Shoulder HHF
3	145-4674-01	2	Fork	6	99-5107	2	Nut-Lock
4	145-4692	2	Wheel ASM - Caster 12X6-5	10	115-1151	2	Washer-Flat
4:1	145-4672	1	Tire 12X6-5	11	139-2598	2	Screw-HHF

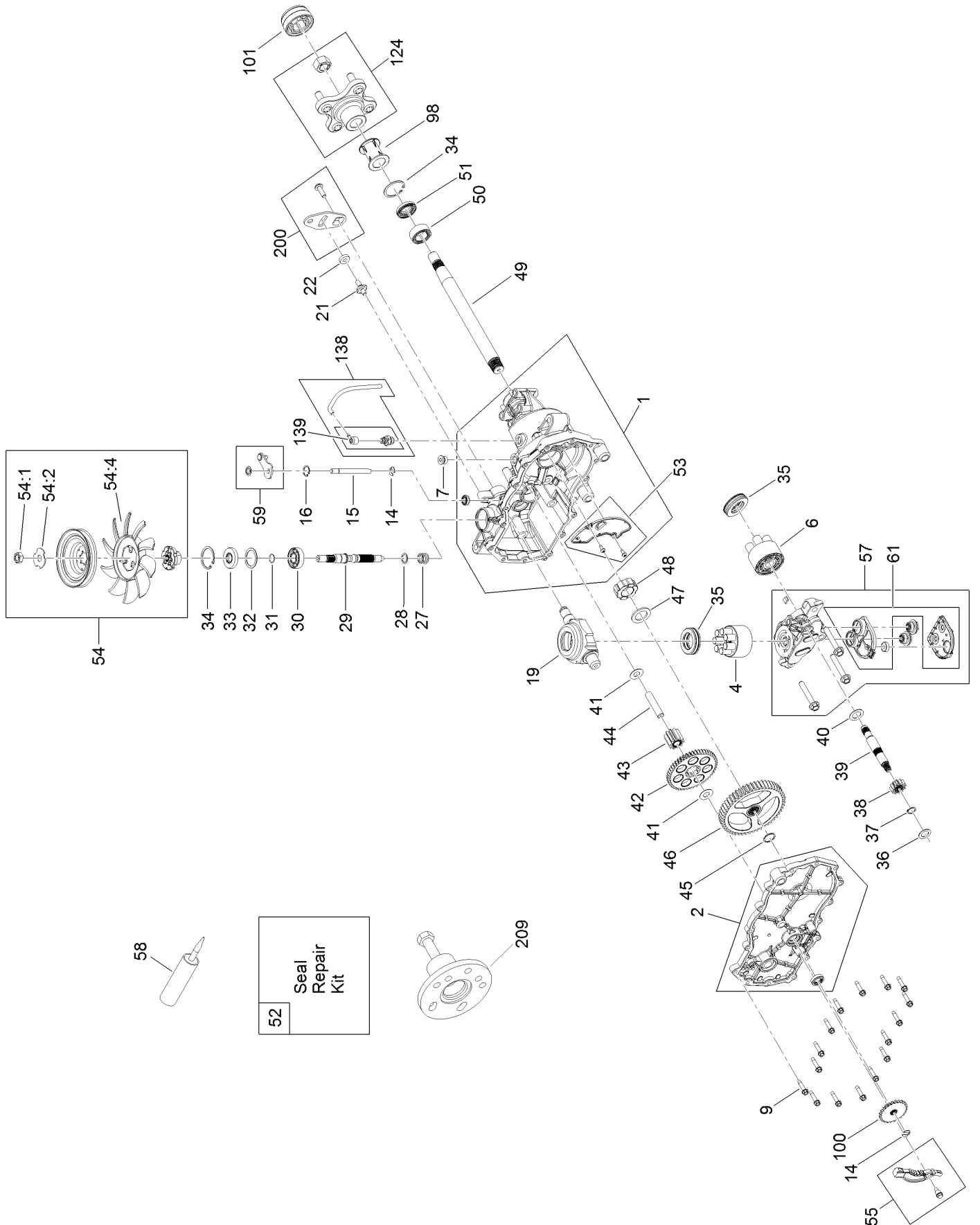
Traction Drive Assembly



Traction Drive Assembly (continued)

<i>Ref.</i>	<i>Part Number</i>	<i>Qty.</i>	<i>Description</i>	<i>Ref.</i>	<i>Part Number</i>	<i>Qty.</i>	<i>Description</i>
1	139-7470	1	LH Hydro Transaxle ASM	14	5-4460	1	Washer-Pivot
2	139-7471	1	RH Hydro Transaxle ASM	15	137-7040	1	Spring-Return, Pedal
3	147-2988	1	Rod-Bypass, LH	16	104-8300	8	Nut-HF, NI
4	147-2989	1	Rod-Bypass, RH	17	322-11	2	Screw-HH
5	119-8952	2	Washer-Spcl	18	145-6388	2	Screw-HH Spcl
6	3290-307	2	Pin-Cotter	19	139-2574	2	Nut-HF
7	145-6390-03	1	Plate-Cross Hydro	20	138-7590	4	Screw-HHF
8	145-6361	1	V-Belt (A Sec 63.8 EI)	21	115-1794	1	Screw-HHF
9	138-7597	1	Pulley-Idler, Flat	22	3230-8	1	Screw-CARR
10	68-0030	1	Idler	23	242-50	8	Nut-Lug
11	147-2925	1	Arm-Idler	24	324-10	4	Screw-HH
12	138-7277	1	Spacer-Arm, Idler	25	324-8	2	Screw-HH
13	138-9809	1	Spacer	26	114-8417	6	Nut-HF, NI

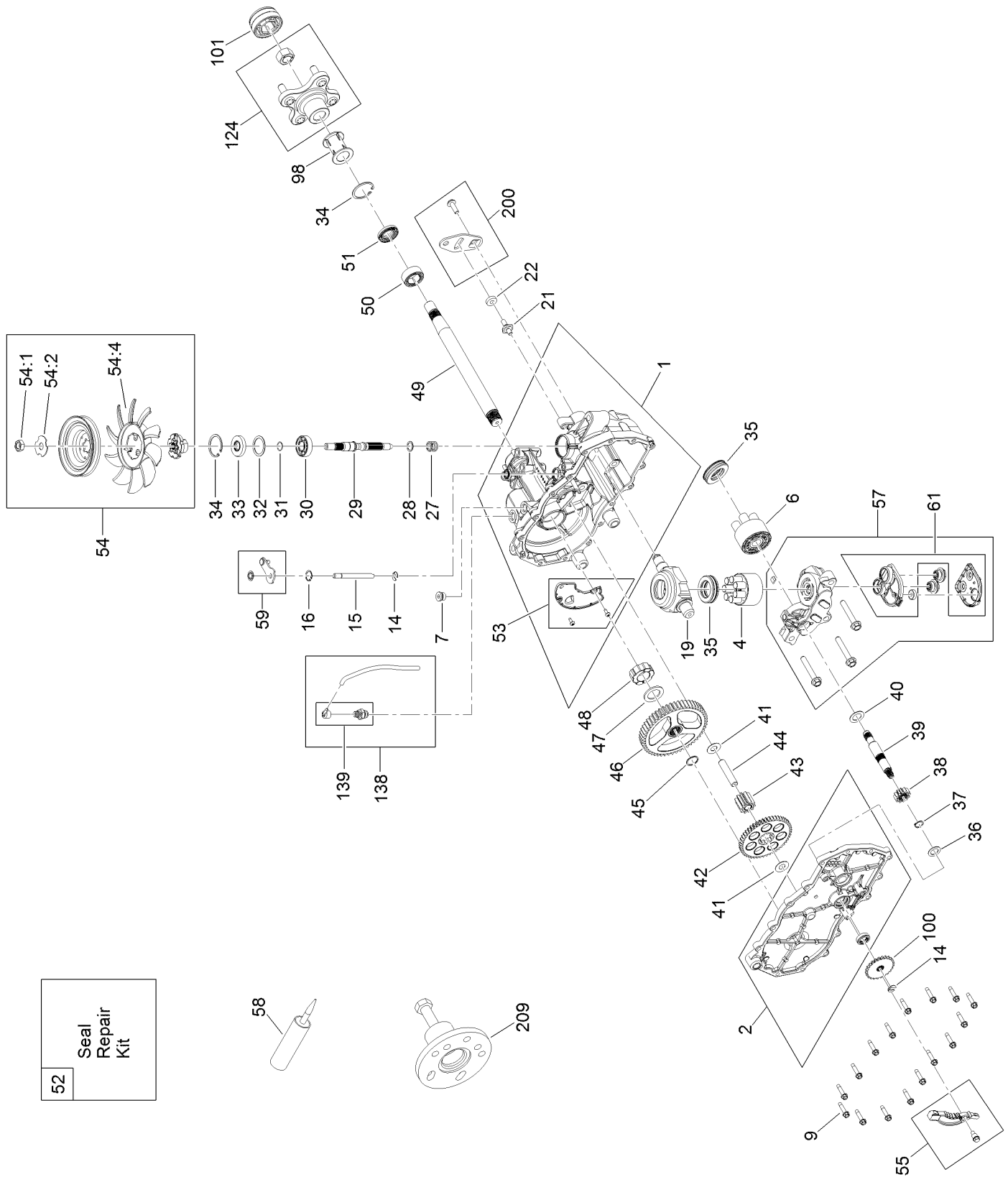
LH Transaxle Assembly No. 139-7470



LH Transaxle Assembly No. 139-7470 (continued)

<i>Ref.</i>	<i>Part Number</i>	<i>Qty.</i>	<i>Description</i>	<i>Ref.</i>	<i>Part Number</i>	<i>Qty.</i>	<i>Description</i>
1	106-8695	1	Main Housing ASM	44	104-5329	1	Pin-Jackshaft
2	106-8696	1	Side ASM	45	112-9854	1	Ring-Spiral, Retaining
4	110-8561	1	Pump Block ASM	46	112-9855	1	Gear-52T, Bull
6	103-2666	1	Cylinder Block Kit	47	112-9856	1	Washer
7	104-2189	1	Plug-Thread, Straight	48	112-9857	1	Bearing-Sleeve
9	117-5359	16	Screw-HHF	49	120-7104	1	Shaft-Axle
14	106-8677	2	Ring-Retaining, External	50	112-9859	1	Bushing-Axle
15	106-8678	1	Rod-Bypass	51	112-9860	1	Seal-Lip
16	106-8679	1	Ring-Retaining, Internal	52	106-8686	1	Seal Kit
19	104-5304	1	Swashplate-Trunnion	53	106-8697	1	Expansion Plate Kit
21	104-2116	1	Stud	54	135-7349	1	Fan And Pulley Kit
22	112-9853	1	Puck-Friction	54:1	116-9714	1	Nut-HJ
27	94-1936	1	Spring-Block	54:2	116-9708	1	Washer-Slotted
28	94-1937	1	Washer-Thrust	54:4	135-7364	1	Fan 7.0 X 10 Blade
29	104-5306	1	Shaft-Input	55	106-8688	1	Brake Arm Kit
30	104-5311	1	Bearing-Ball	57	112-9861	1	Center Section Filter Kit
31	104-5307	1	Ring-Retaining	58	104-2147	1	Sealant, Silicone - Non-Flammable
32	104-5308	1	Spacer				
33	104-5310	1	Seal-Lip	59	120-5549	1	Bypass Kit
34	104-5309	2	Ring-Retaining	61	114-1634	1	Filter Kit
35	94-6922	2	Bearing-Thrust	98	120-7109	1	Tube-Axle
36	104-5339	1	Washer-Flat	100	106-8694	1	Disc-Brake, Cog
37	104-5340	1	Ring-Retaining	101	115-5057	1	Cover-Nut, Axle
38	132-0912	1	Gear-12T	124	109-5939	1	Hub Kit
39	106-8683	1	Shaft-Motor	138	112-9866	1	Breather Kit
40	104-5360	1	Washer	139	114-1635	1	Breather ASM
41	94-1933	2	Washer	200	117-5362	1	Control Arm Kit
42	132-0911	1	Gear-49T	209	114-8467	1	Puller-Hub, 4 Bolt
43	104-5318	1	Gear-Jackshaft, 10T				

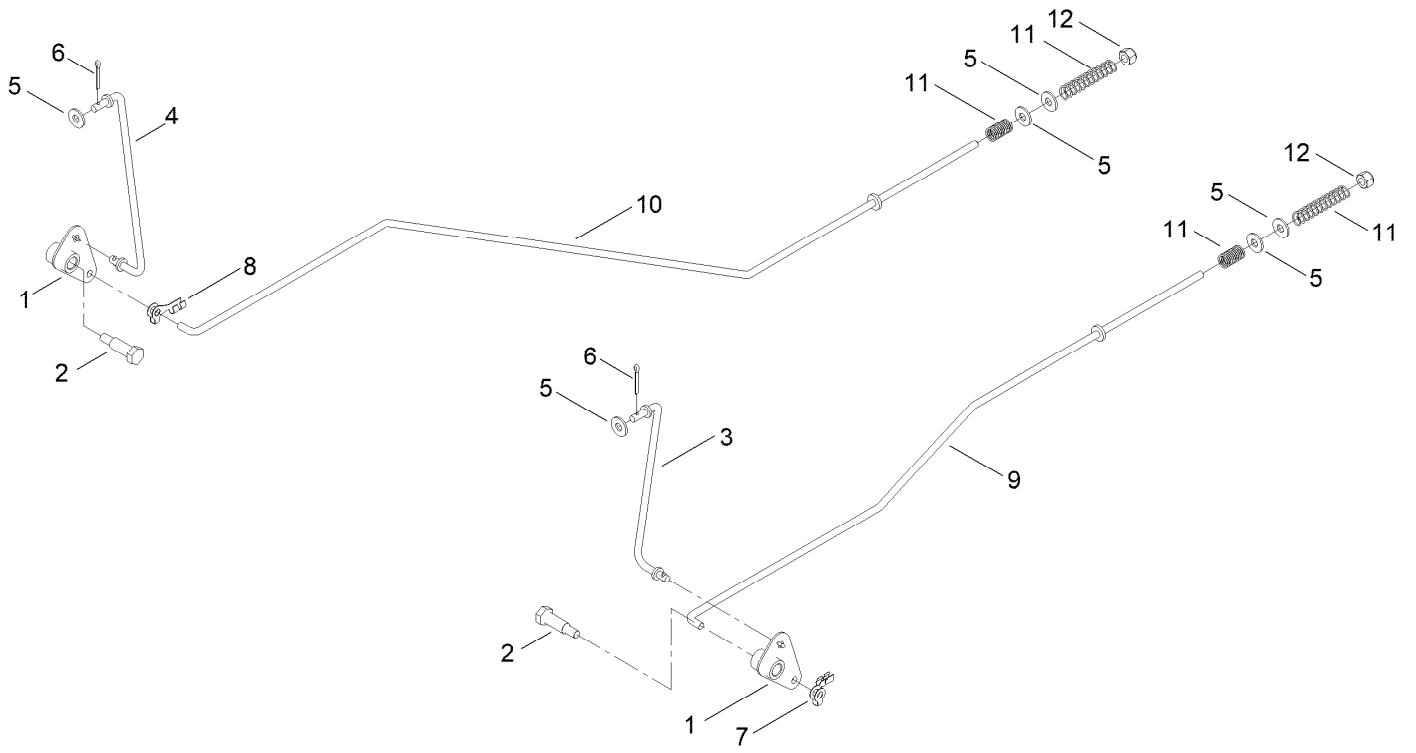
RH Transaxle Assembly No. 139-7471



RH Transaxle Assembly No. 139-7471 (continued)

<i>Ref.</i>	<i>Part Number</i>	<i>Qty.</i>	<i>Description</i>	<i>Ref.</i>	<i>Part Number</i>	<i>Qty.</i>	<i>Description</i>
1	106-8674	1	Main Housing ASM	44	104-5329	1	Pin-Jackshaft
2	106-8675	1	Side ASM	45	112-9854	1	Ring-Spiral, Retaining
4	110-8561	1	Pump Block ASM	46	112-9855	1	Gear-52T, Bull
6	103-2666	1	Cylinder Block Kit	47	112-9856	1	Washer
7	104-2189	1	Plug-Thread, Straight	48	112-9857	1	Bearing-Sleeve
9	117-5359	16	Screw-HHF	49	120-7104	1	Shaft-Axle
14	106-8677	2	Ring-Retaining, External	50	112-9859	1	Bushing-Axle
15	106-8678	1	Rod-Bypass	51	112-9860	1	Seal-Lip
16	106-8679	1	Ring-Retaining, Internal	52	106-8686	1	Seal Kit
19	104-5304	1	Swashplate-Trunnion	53	106-8687	1	Expansion Plate Kit
21	104-2116	1	Stud	54	135-7349	1	Fan And Pulley Kit
22	112-9853	1	Puck-Friction	54:1	116-9714	1	Nut-HJ
27	94-1936	1	Spring-Block	54:2	116-9708	1	Washer-Slotted
28	94-1937	1	Washer-Thrust	54:4	135-7364	1	Fan 7.0 X 10 Blade
29	104-5306	1	Shaft-Input	55	106-8688	1	Brake Arm Kit
30	104-5311	1	Bearing-Ball	57	112-9862	1	Center Section Filter Kit
31	104-5307	1	Ring-Retaining	58	104-2147	1	Sealant, Silicone - Non-Flammable
32	104-5308	1	Spacer				
33	104-5310	1	Seal-Lip	59	107-2489	1	Bypass Arm Kit
34	104-5309	2	Ring-Retaining	61	114-1634	1	Filter Kit
35	94-6922	2	Bearing-Thrust	98	120-7109	1	Tube-Axle
36	104-5339	1	Washer-Flat	100	106-8694	1	Disc-Brake, Cog
37	104-5340	1	Ring-Retaining	101	115-5057	1	Cover-Nut, Axle
38	132-0912	1	Gear-12T	124	109-5939	1	Hub Kit
39	106-8683	1	Shaft-Motor	138	112-9866	1	Breather Kit
40	104-5360	1	Washer	139	114-1635	1	Breather ASM
41	94-1933	2	Washer	200	117-5362	1	Control Arm Kit
42	132-0911	1	Gear-49T	209	114-8467	1	Puller-Hub, 4 Bolt
43	104-5318	1	Gear-Jackshaft, 10T				

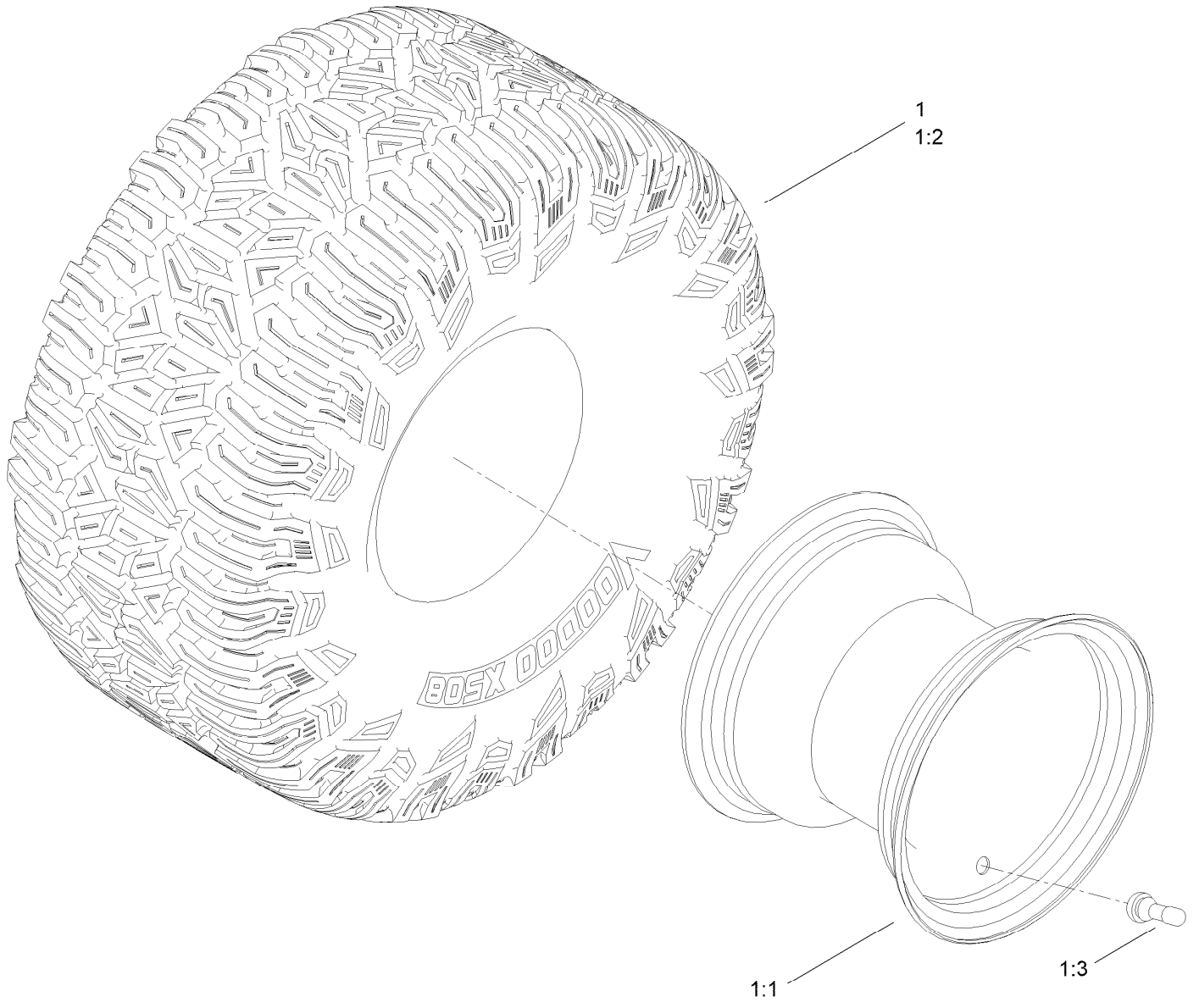
Brake Assembly



Brake Assembly (continued)

<i>Ref.</i>	<i>Part Number</i>	<i>Qty.</i>	<i>Description</i>	<i>Ref.</i>	<i>Part Number</i>	<i>Qty.</i>	<i>Description</i>
1	144-1858	2	Bellcrank	7	144-1816	1	Clip-Rod, LH (7L, 1/4In)
2	145-6364	2	Bolt-Shoulder	8	144-1815	1	Clip-Rod, RH (7R, 1/4In)
3	145-4607	1	Link-Brake, LH	9	144-1860	1	Rod-Brake, LH
4	145-6238	1	Link-Brake, RH	10	144-1851	1	Rod-Brake, RH
5	119-8952	6	Washer-Spcl	11	117-1169	4	Spring-Compression
6	120-9716	2	Pin-Cotter	12	3296-42	2	Nut-Lock, NI

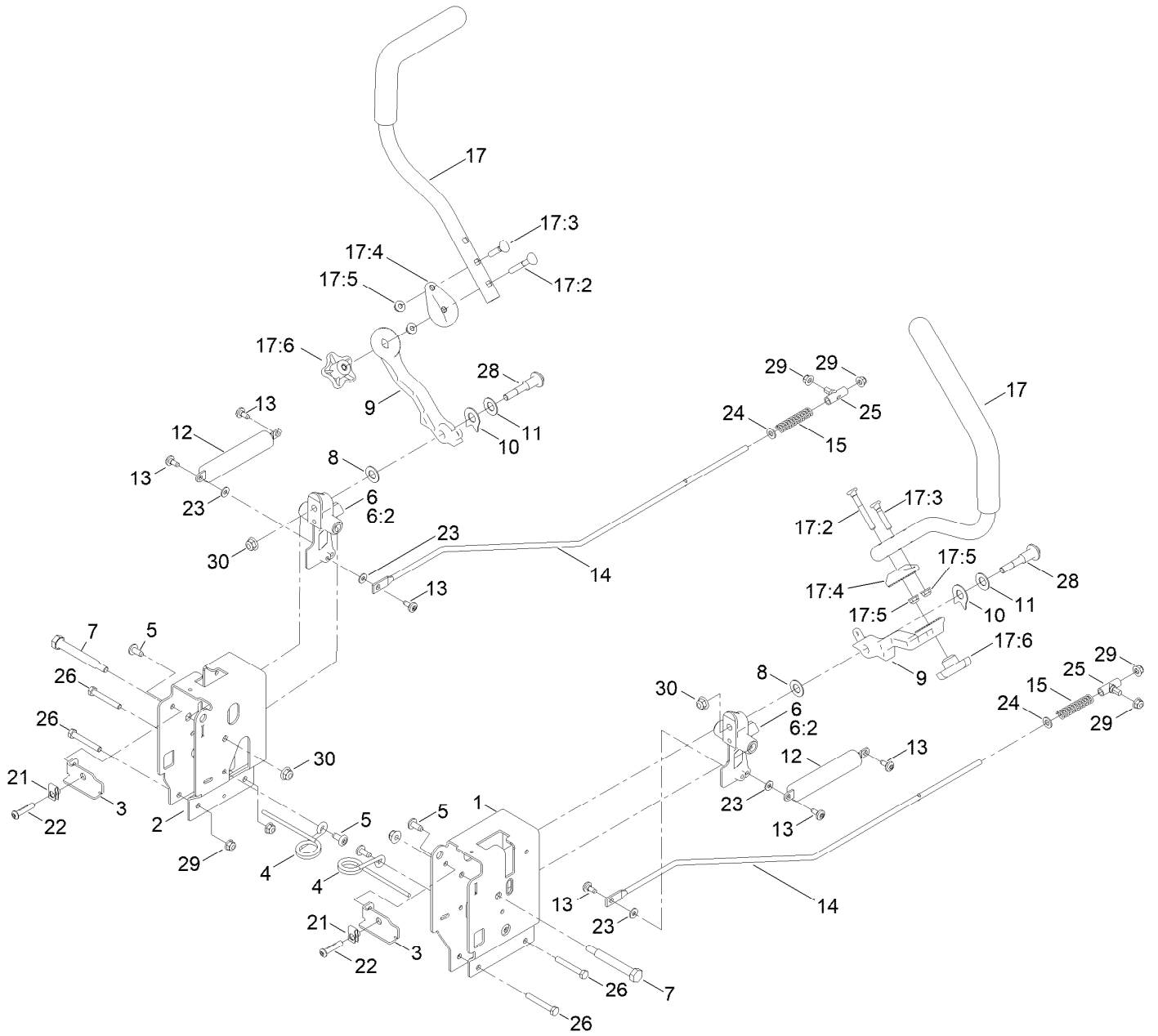
Tire Assembly



Tire Assembly (continued)

<i>Ref.</i>	<i>Part Number</i>	<i>Qty.</i>	<i>Description</i>	<i>Ref.</i>	<i>Part Number</i>	<i>Qty.</i>	<i>Description</i>
1	145-6391	2	Tire ASM	1:2	147-5179	1	Tire
1:1	147-5180	1	Rim	1:3	232-27	1	Stem-Valve

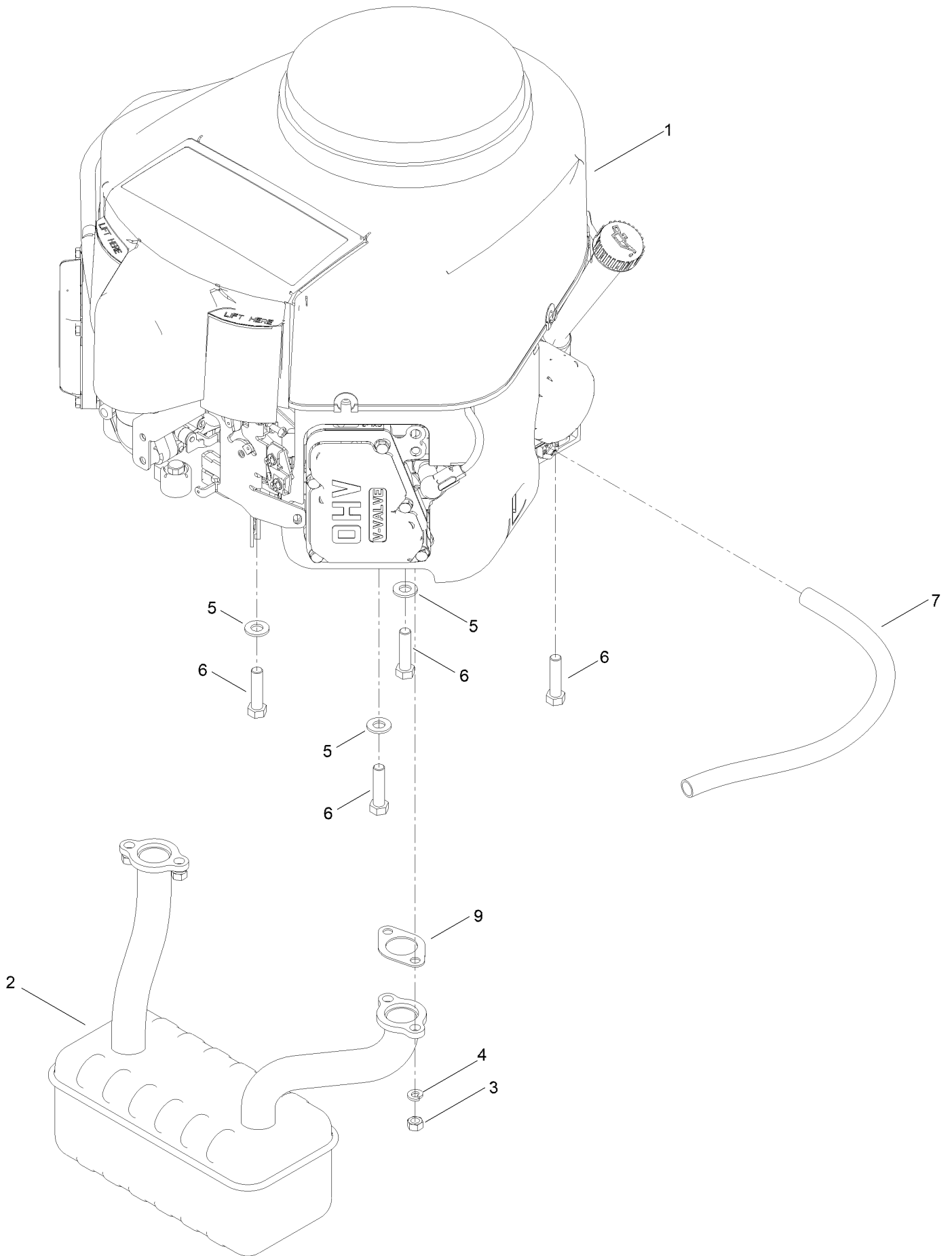
Motion Control Assembly



Motion Control Assembly (continued)

<i>Ref.</i>	<i>Part Number</i>	<i>Qty.</i>	<i>Description</i>	<i>Ref.</i>	<i>Part Number</i>	<i>Qty.</i>	<i>Description</i>
1	145-4615-03	1	Control Box - LH G7	17	161-6523	2	Handle-Control, ASM
2	145-4647-03	1	Control Box - RH G7	17:2	145-6366	1	Screw-Handle
3	147-7580-03	2	Adjustment Plate-Control Box	17:3	137-3008	1	Screw-Handle
4	145-6253	2	Spring-Torsion	17:4	147-5192-05	1	Disc-Adjustment Handle, 32 Teeth
5	138-9753	4	Screw	17:5	138-8401	2	Nut-HF
6	145-4648	2	Pivot Arm ASM	17:6	117-5976	1	Knob-Handle
6:2	256-156	2	Bushing-Flange	21	112-3306	2	Nut
7	115-5099	2	Bolt-Pivot	22	126-4299	2	Screw-HSBH
8	120-2273	2	Washer-Nylon	23	119-8952	4	Washer-Spcl
9	147-5191-05	2	Arm-Control, 32 Teeth	24	120-9683	2	Washer-Plain
10	142-8478	2	Spacer, Anti-Rotation	25	138-7218	2	Mount-Rod, Hydro
11	119-8925	2	Washer-Belleville	26	120-9738	4	Screw-HH
12	132-6853	2	Damper-Non Cavitating	28	117-1198	2	Bolt-Pivot
13	120-7950	6	Screw-Torx	29	104-8300	8	Nut-HF, NI
14	145-4699	2	Rod - Hydro, LH	30	104-8301	4	Nut-HF, NI
15	138-7252	2	Spring-Compression				

Engine and Muffler Assembly



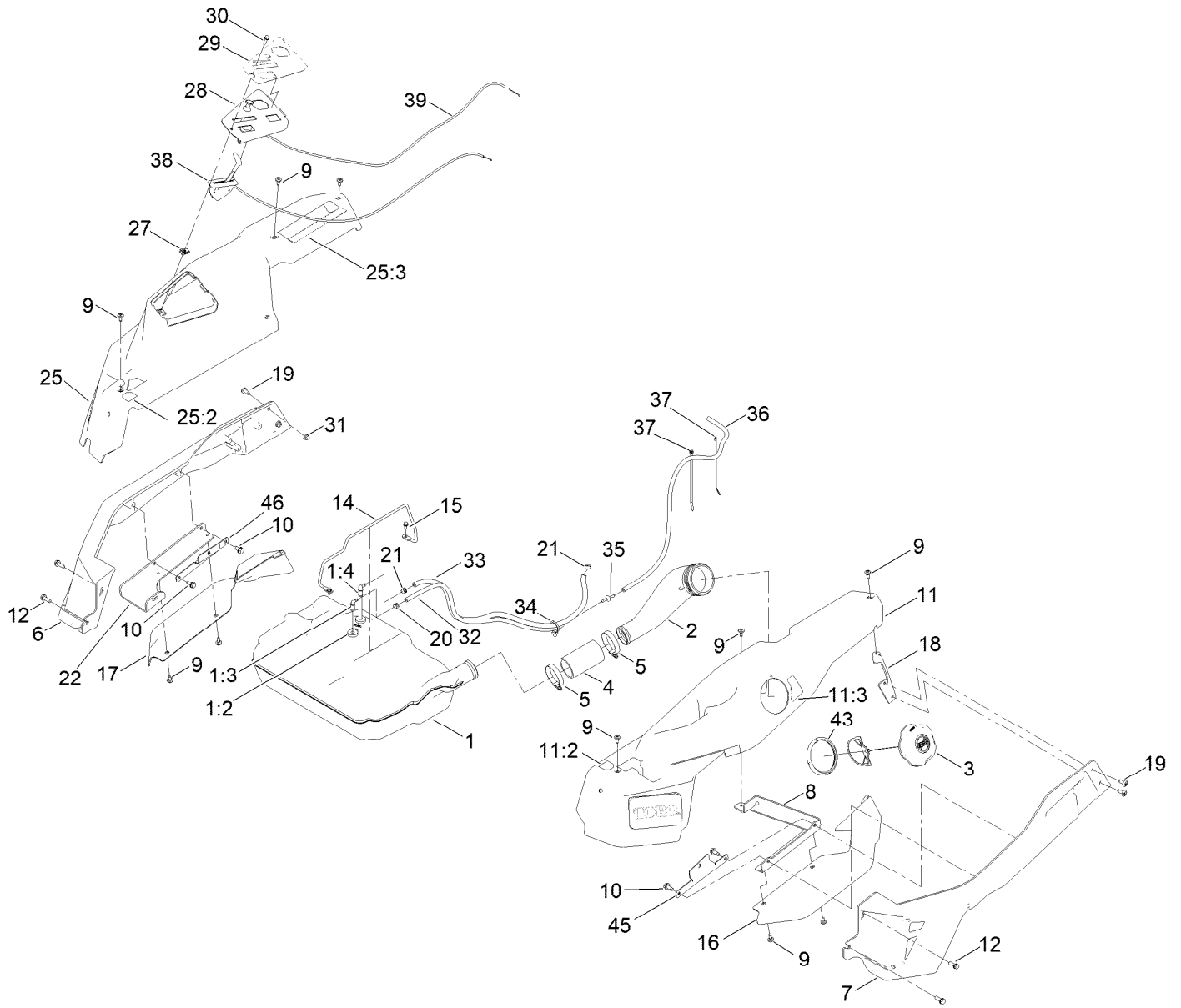
Engine and Muffler Assembly (continued)

<i>Ref.</i>	<i>Part Number</i>	<i>Qty.</i>	<i>Description</i>	<i>Ref.</i>	<i>Part Number</i>	<i>Qty.</i>	<i>Description</i>
1		1	Engine-Kawasaki, Fr691V-_s07-R ●■	5	3256-24	3	Washer-Plain
2	139-5867	1	Muffler	6	323-50	4	Bolt-HH
3	114-3549	4	Nut	7	106-7022	1	Tube-Drain, Oil
4	114-3550	4	Washer-Lock	9	1-653313	2	Gasket-Exhaust

● Not serviced separately

■ Obtain parts from www.kawpower.com

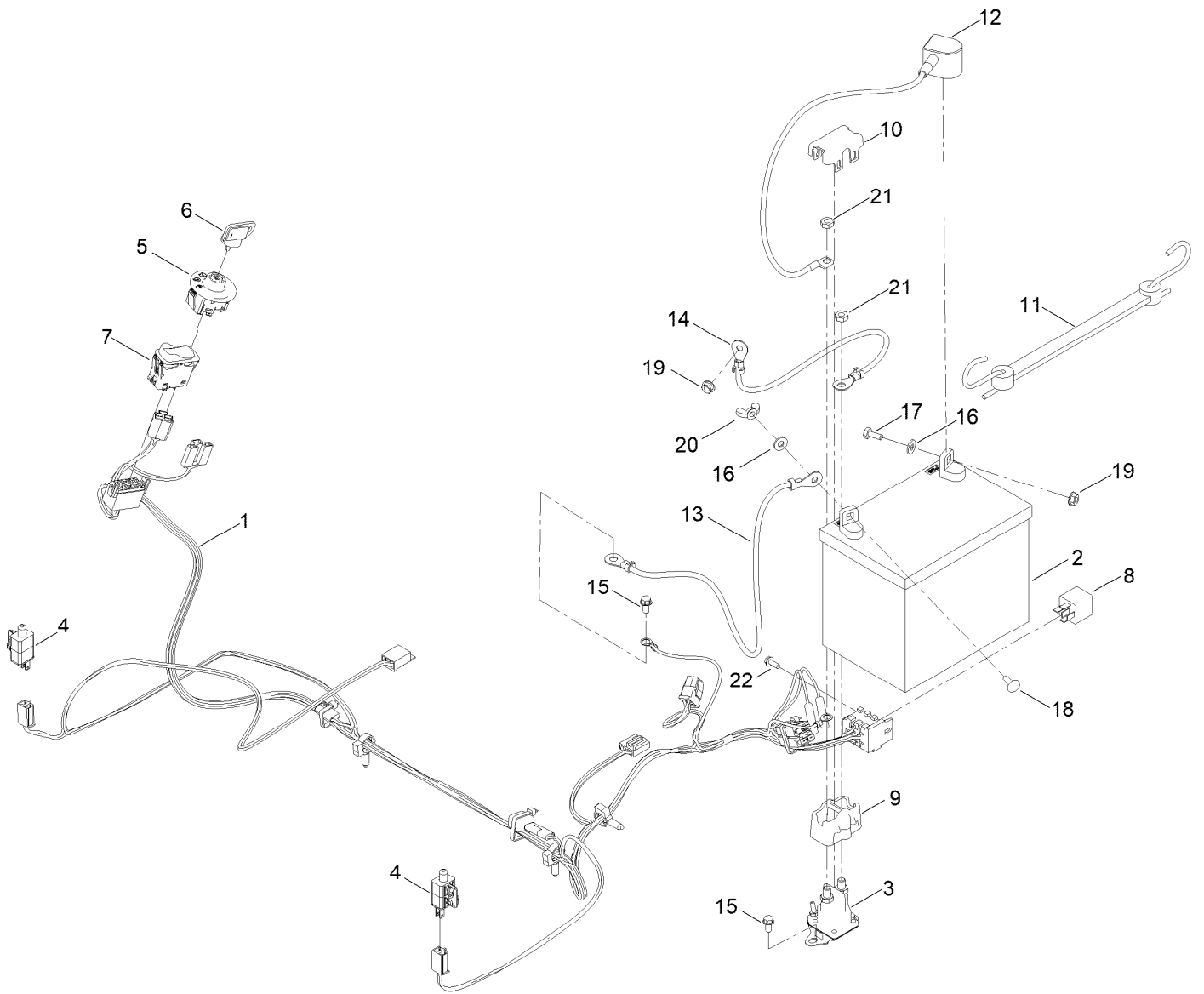
Fuel Pod Assembly



Fuel Pod Assembly (continued)

<i>Ref.</i>	<i>Part Number</i>	<i>Qty.</i>	<i>Description</i>	<i>Ref.</i>	<i>Part Number</i>	<i>Qty.</i>	<i>Description</i>
1	145-6304	1	Fuel Tank ASM	21	2412-98	2	Clamp-Hose
1:2	46-6560	2	Bushing	22	147-5173-03	1	Bracket-Mr Spring
1:3	144-5302	1	Fitting-Elbow 90	25	147-8744	1	Pod ASM - RH , Mr W/Decals
1:4	147-2934	1	Fitting-Pickup, Fuel	25:2	139-2394	1	Decal-Control Lever, RH
2	147-7657	1	Neck-Filler, Fuel	25:3	147-7574	1	Decal - Myride
3	137-4119	1	Cap-Fuel, Ratcheting	27	107069	1	Clip
4	145-4698	1	Hose-Filler, Fuel	28	147-2990-03	1	Panel-Control
5	2412-130	2	Clamp-Hose	29	147-8753	1	Decal - Control Panel W/Out Hour Meter
6	147-2973-01	1	Cast-Tube, RH [red]	30	32105-15	1	Screw-HWH
7	147-2972-01	1	Cast-Tube, LH [red]	31	119-4041	2	Nut-HF
8	147-2974-03	1	Mount-Pod Bracket LH	32	140-4956	1	Hose-Fuel
9	120-7950	10	Screw-Torx	33	109-0275	1	Hose-Fuel
10	32144-70	4	Screw-HWHTF	34	32180-030	1	Clip-Tie
11	147-8741	1	Pod ASM - LH W/Decals	35	144-1983	1	Adapter Orifice
11:2	139-2395	1	Decal-Control Lever, LH	36	108-6344	1	Hose-Fuel
11:3	147-2399	1	Decal-Fuel Fill	37	614249	2	Tie-Cable
12	32144-41	4	Screw-Taptite	38	139-2403	1	Cable-Throttle
14	147-5176	1	Rod-Hold Down	39	139-2402	1	Cable-Choke
15	32144-4	2	Screw-HWH	43	147-7712	1	Ring-Retaining
16	147-2978	1	Fender-Time Cutter, LH	45	161-4609-03	1	Bracket-Alignment, Pod LH
17	147-2979	1	Fender-Time Cutter, RH	46	161-4611-03	1	Bracket- Alignment, Pod RH Mr
18	147-2976-03	1	Bracket-Rear Pod, LH				
19	138-9753	4	Screw				
20	2412-80	1	Clamp-Hose				

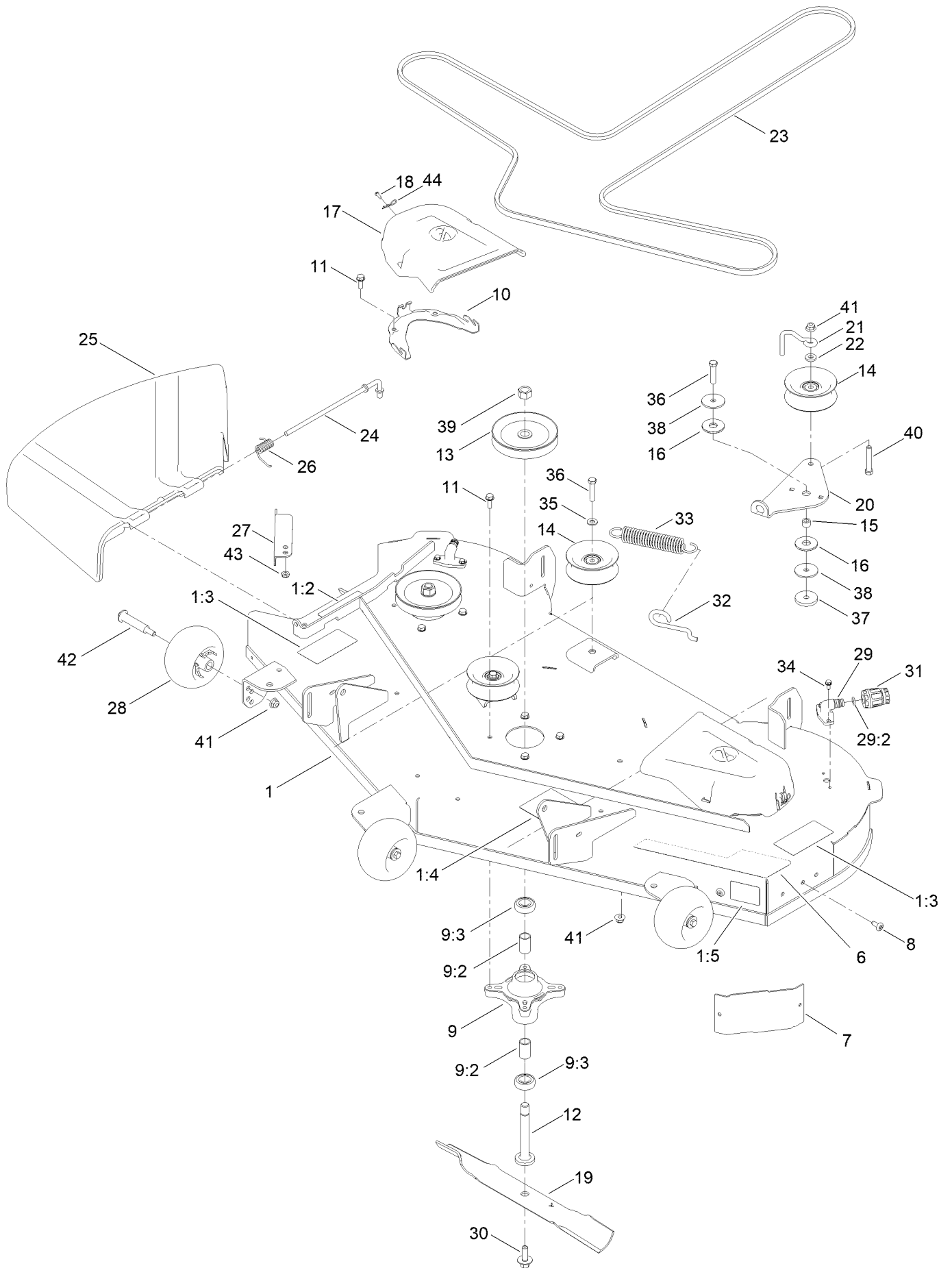
Electrical Assembly



Electrical Assembly (continued)

<i>Ref.</i>	<i>Part Number</i>	<i>Qty.</i>	<i>Description</i>	<i>Ref.</i>	<i>Part Number</i>	<i>Qty.</i>	<i>Description</i>
1	145-6382	1	Harness-Wire, Main	12	147-2941	1	Cable-Battery,Red
2	140-2076	1	Battery - Wet	13	119-8899	1	Cable-Battery, Black
3	117-1197	1	Solenoid	14	121-0711	1	Cable-Battery, Positive
4	110-6765	2	Switch	15	32144-4	2	Screw-HWH
5	137-4100	1	Switch-Ignition	16	3256-22	2	Washer-Flat
6	63-8360	1	Key-Ignition	17	321-3	1	Screw-HH
7	139-6368	1	Switch-Rocker, On-None-On	18	3229-1	1	Screw-CARR
8	1-643275	1	Relay	19	32128-33	2	Nut-HF
9	140-2080	1	Cover-Solenoid	20	32103-22	1	Nut-Wing
10	140-2081	1	Cap-Solenoid	21	3220-2	2	Nut-Jam
11	104-2466	1	Holddown-Battery	22	139-1713	1	Screw-Thd Roll

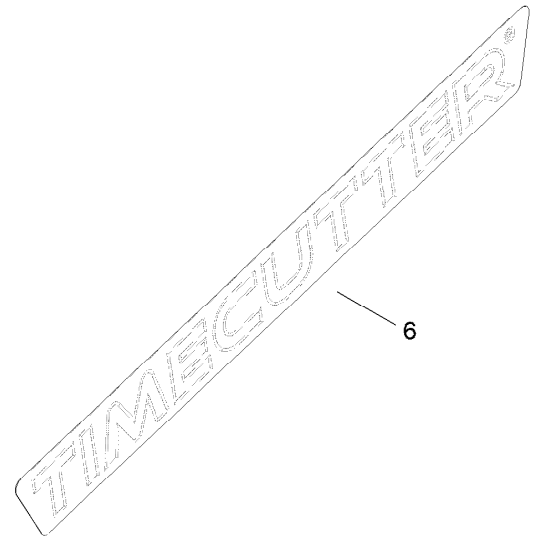
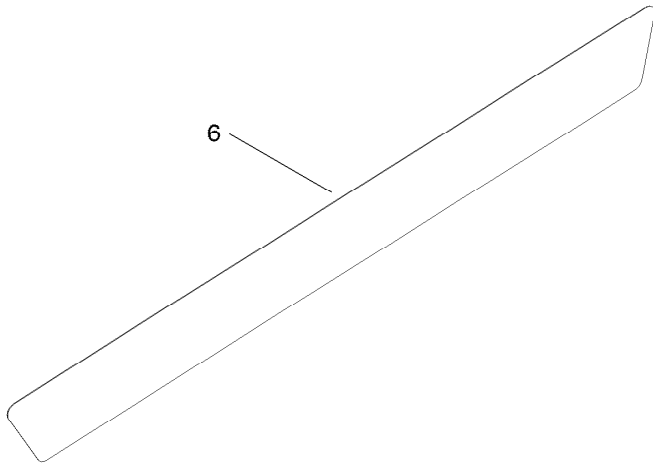
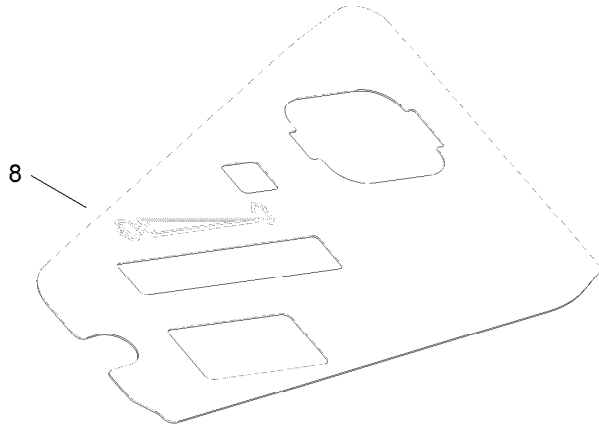
54in Deck and Decal Assembly



54in Deck and Decal Assembly (continued)

<i>Ref.</i>	<i>Part Number</i>	<i>Qty.</i>	<i>Description</i>	<i>Ref.</i>	<i>Part Number</i>	<i>Qty.</i>	<i>Description</i>
1	147-8746	1	54 In Deck & Decal ASM	23	147-2910	1	Belt-V (A Sec, 145.5 El)
1:2	130-0731	1	Decal-Danger	24	137-2019	1	Rod-Pivot
1:3	132-0872	2	Decal-Danger, Deck	25	138-7502	1	Deflector-Discharge
1:4	99-3943	1	Decal-Routing, Belt	26	138-7268	1	Spring-Torsion
1:5	112-9840	1	Decal-Scalp, Anti	27	138-9800-03	1	Baffle-Cutoff
6	147-7563	1	Decal - Iron Forged 54	28	1-603299	3	Roller-Scalp, Anti
7	139-2448-03	1	Baffle-Corner	29	133-9289	2	Fitting-Washout
8	138-9753	2	Screw	29:2	133-9290	1	O-Ring
9	139-3214	3	Spindle ASM	30	145-0411	3	Bolt-Blade, Sems
9:2	120-7935	2	Spacer	31	95-3270	1	Connector-Hose
9:3	138-9770	2	Bearing-Ball	32	138-7266	1	Spring-Return, Hook
10	139-3272-03	2	Bracket-Cover, Belt	33	138-7264	1	Spring-Extension
11	32144-41	12	Screw-Taptite	34	32144-4	4	Screw-HWH
12	117-7268	3	Shaft-Spindle	35	3256-24	2	Washer-Plain
13	138-7261	3	Pulley ASM	36	323-9	3	Screw-HH
14	132-9420	3	Pulley-Idler, Flat	37	110-9981	1	Washer-Plain
15	115-4986	1	Spacer	38	63-7400	2	Washer-Rebound
16	114-0463	2	Washer-Friction, Composite	39	3219-6	3	Nut-Hex
17	144-1906	2	Cover-Belt	40	323-11	1	Screw-HH
18	94-6961	2	Screw	41	104-8301	5	Nut-HF, NI
19	115-2454-03	3	Blade-Hi Lift	42	112-3977	3	Bolt-Shoulder
20	138-7262	1	Arm-Idler	43	3296-59	1	Nut-Lock, NI
21	138-7270	1	Guide-Belt, Idler	44	144-1944	2	Pin-Hair
22	138-7207	1	Spacer-Hub, Blower				

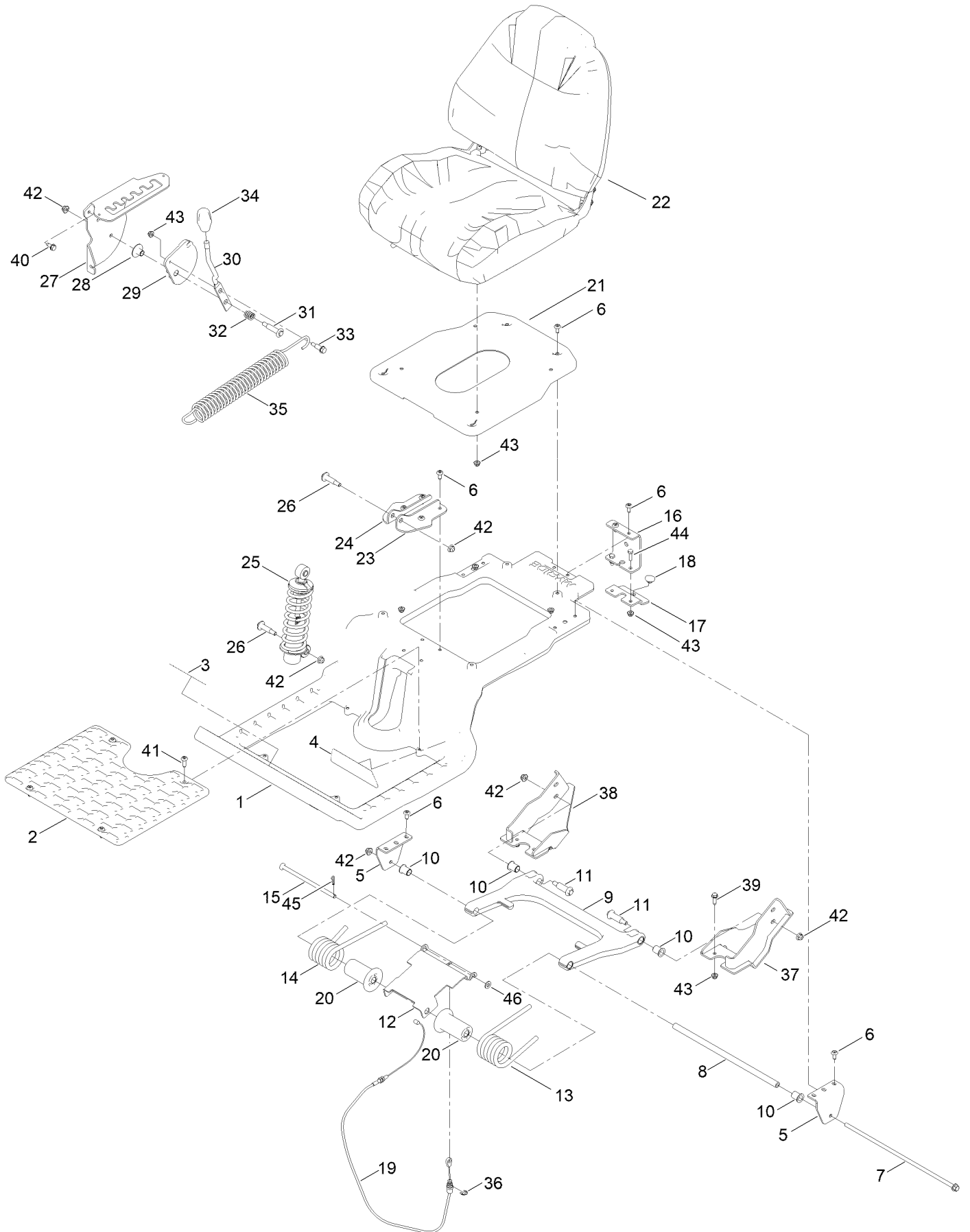
Model Specific Assembly



Model Specific Assembly (continued)

<i>Ref.</i>	<i>Part Number</i>	<i>Qty.</i>	<i>Description</i>
6	147-7560	2	Decal-Timecutter
8	161-4638-03	1	Shield-Heat [black]

Seat Pan Assembly

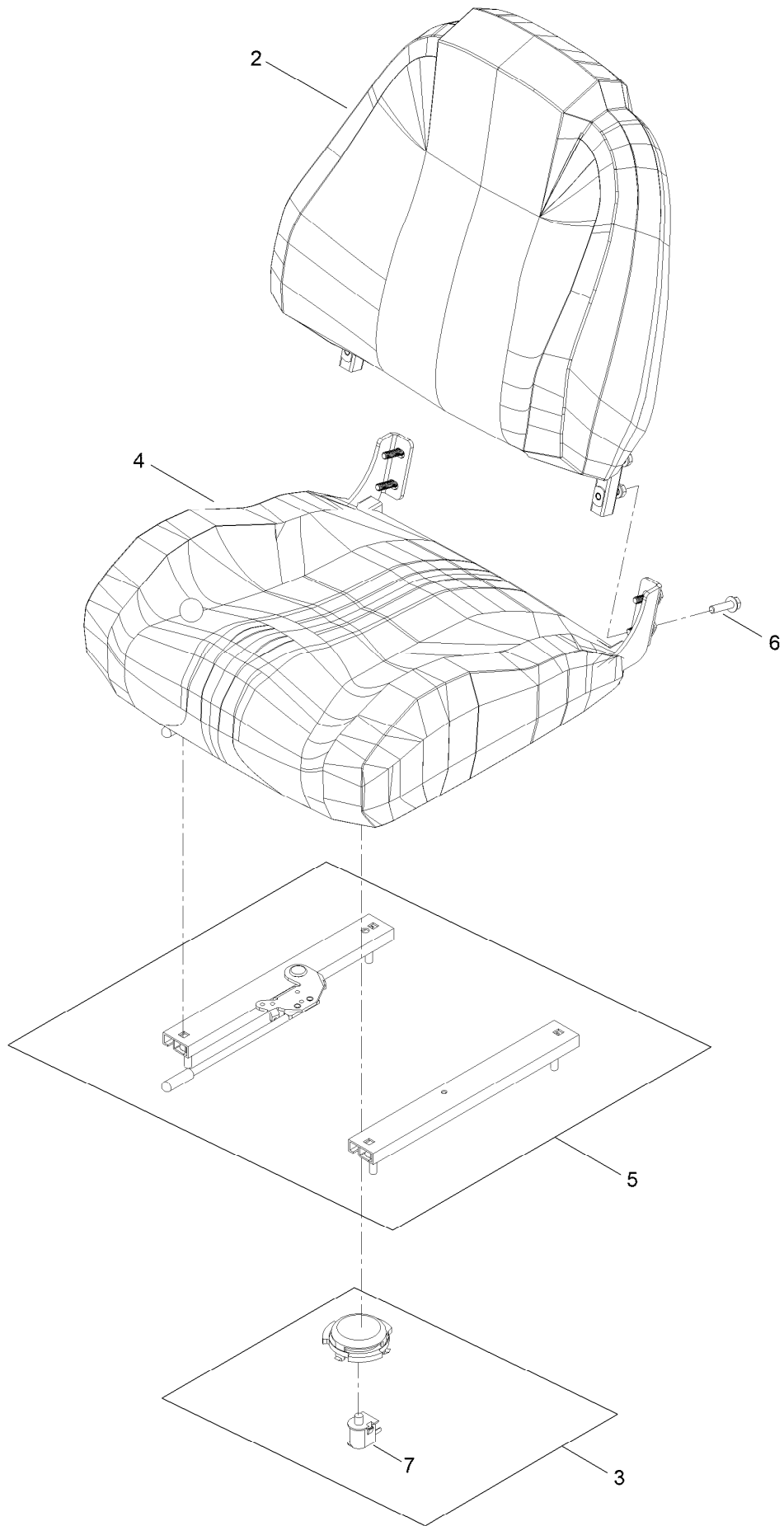


Seat Pan Assembly (continued)

<i>Ref.</i>	<i>Part Number</i>	<i>Qty.</i>	<i>Description</i>	<i>Ref.</i>	<i>Part Number</i>	<i>Qty.</i>	<i>Description</i>
1	145-6394-05	1	Platform, Myride	25	139-2427	1	Shock/Spring ASM
2	145-6395-05	1	Platform, Myride	26	136-7198	2	Bolt-Shoulder
3	147-7662	1	Decal - Myride	27	145-6309-01	1	Bracket-Mr Gate
4	147-7575	1	Decal - Myride	28	139-5800	1	Bushing - Flange
5	138-7517	2	Bracket-Mount, Swing Arm	29	147-5171	1	Pulley-Cam
6	138-9753	14	Screw	30	147-5172	1	Lever-Adjustment, Threaded
7	138-7548	1	Screw-HHF	31	92-1057	1	Bolt-Shoulder
8	138-7549	1	Tube-Spacer	32	139-5858	1	Spring-Compression
9	145-6312	1	Arm-Swing	33	140-3759	1	Bolt-Shoulder,HHF
10	138-2573	4	Bushing-Flange	34	147-8715	1	Knob-Mr
11	138-2547	2	Bolt-Shoulder	35	138-9848	1	Spring-Extension
12	138-7566-03	1	Plate-Adjuster	36	32120-47	1	Ring-Retaining, External
13	137-1983	1	Spring-Torsion, LH	37	147-8721-03	1	Mount-Mr Swing Arm, LH
14	137-7018	1	Spring-Torsion, RH	38	147-8722-03	1	Mount-Mr Swing Arm, RH
15	138-9813	1	Rod-Adjustment	39	701243	4	Screw-Thd Roll, HWH
16	138-9788	1	Bracket-Cable	40	32144-70	3	Screw-HWHTF
17	139-2361-03	1	Bracket Lower	41	147-7606	4	Screw-Spcl
18	135-0505	1	Bumper-Seat	42	119-4042	6	Nut-HF, NI
19	147-7713	1	Cable-Adjustment, Myride	43	119-4041	11	Nut-HF
20	138-9776	2	Retainer-Spring	44	139-1716	2	Screw-HH
21	145-6265-03	1	Pan-Seat	45	137-3083	1	Pin-Hair
22	147-8731	1	Seat King Sk220 Seat	46	115-1166	1	Washer-Plain
23	133-9318-03	1	Bracket-Shock Mount, Upper (LH)	47	119-4036	4	Screw-HHF ●
24	133-9319-03	1	Bracket-Shock Mount, Upper (RH)				

● Not illustrated

Seat Assembly No. 147-8731

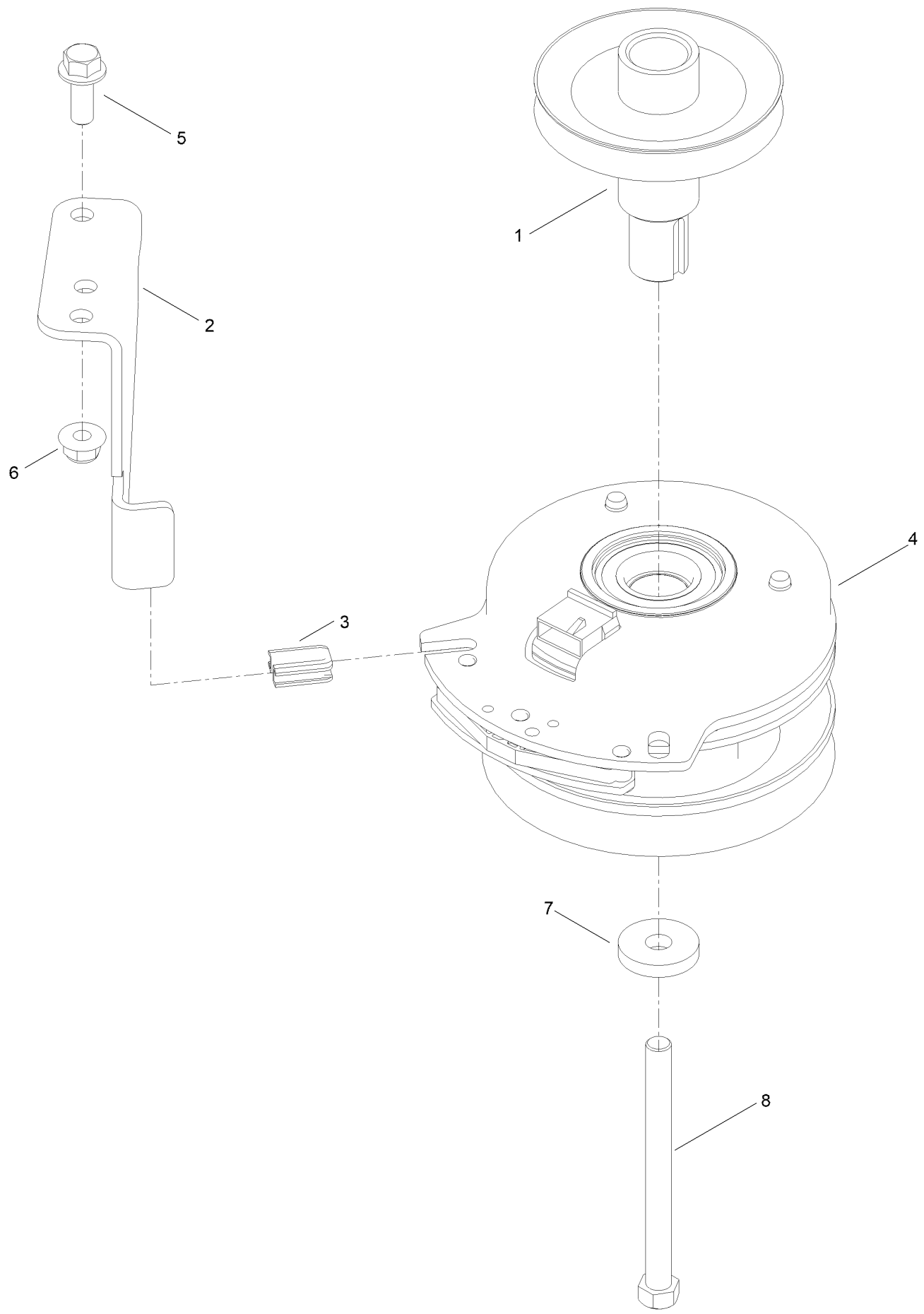


Seat Assembly No. 147-8731 (continued)

<i>Ref.</i>	<i>Part Number</i>	<i>Qty.</i>	<i>Description</i>
2	147-8735	1	Toro Back Cover
3	147-8736	1	Seat Switch Delta 6500-02 Open
4	147-8739	1	Toro Seat Cover

<i>Ref.</i>	<i>Part Number</i>	<i>Qty.</i>	<i>Description</i>
5	147-8740	1	Slide ASM-Seat
6	119-4036	4	Screw-HHF
7	82-2190	1	Switch-Bail

Clutch Assembly



Clutch Assembly (continued)

<i>Ref.</i>	<i>Part Number</i>	<i>Qty.</i>	<i>Description</i>	<i>Ref.</i>	<i>Part Number</i>	<i>Qty.</i>	<i>Description</i>
1	138-9792	1	Pulley-Engine	5	3234-42	1	Screw-HHF
2	137-7000	1	Stop-Clutch (Wide)	6	104-8301	1	Nut-HF, NI
3	120-2217	1	Isolator-Clutch	7	112843	1	Washer
4	127-3410	1	Clutch-PTO	8	3212-19	1	Screw-HH

Attachments and Accessories

For 77503 TimeCutter MyRIDE 54in Zero Turn Riding Mower

Product Name	Model/Part
Residential Z Max 50in Bagger	79501
54 Inch Recycler Kit	139-3235
54 Inch Bagging Enhancement Kit	140-5054
Kit-Striping, 54/60in	147-8781
ROPS Kit	79487
Floormat Kit	147-8764
Assist Bar Kit	161-4450
Mount, Jack TC.....	147-8836
Heavy Duty Spring Kit.....	140-2051
Transport Lock Kit.....	161-4510
Kit-Caster Wheel	147-8772
Arm Rest Kit.....	147-8773
Toro Deluxe Rider Cover.....	490-7319
Led Light Kit.....	147-8757
Kit-Slope Sensor.....	79489
Kit, Hour Meter.....	147-8791
Blade-Hi Lift, 18.75 Inch For 54 Inch TC	115-2454-03P
4-Cycle Fuel, Snow And Lawn 32oz Can	131-3823
Toro Premium Fuel Treatment 12oz Bottle	131-6572
Oil-30/10W-30 Synthetic (Quart).....	138-6053
10W30 4-Cycle Engine Oil (32oz Bottle).....	38280
Toro 4-Cycle SAE 30 Oil (32oz Bottle)	38903
Plate-Brake Pad	79007
Jack Kit.....	127-6666

Notes:



Count on it.