



Count on it.

Parts Catalog

**Titan® MyRIDE® 60in Zero Turn
Riding Mower**

Model No. 76614—Serial No. 417018554 and Up



Ordering Replacement Parts

To order replacement parts, please supply the part number, the quantity, and the description of each part desired.

Understanding Reference Numbers

Each identified part in an illustration has a reference number. The reference number for a part also appears in the parts list, along with other information about the part.

This catalog uses two special reference number formats, one to indicate parts in a service assembly and another to indicate the quantity of a given part in an illustration.

Service Assembly Reference Numbers

Parts in service assemblies have reference numbers in the form a:b. The a represents the reference number of the entire service assembly and the b represents a sequential number unique to each part within the service assembly.

For example, a wheel assembly might be identified by reference number 6, the tire by 6:1, the valve by 6:2, and the wheel by 6:3. When you order the assembly identified by reference number 6, you receive all parts identified by reference numbers 6:1, 6:2, and 6:3. However, you may also order any part individually. Reference numbers of this type appear in illustration and in parts lists.

Reference Numbers Indicating Quantity

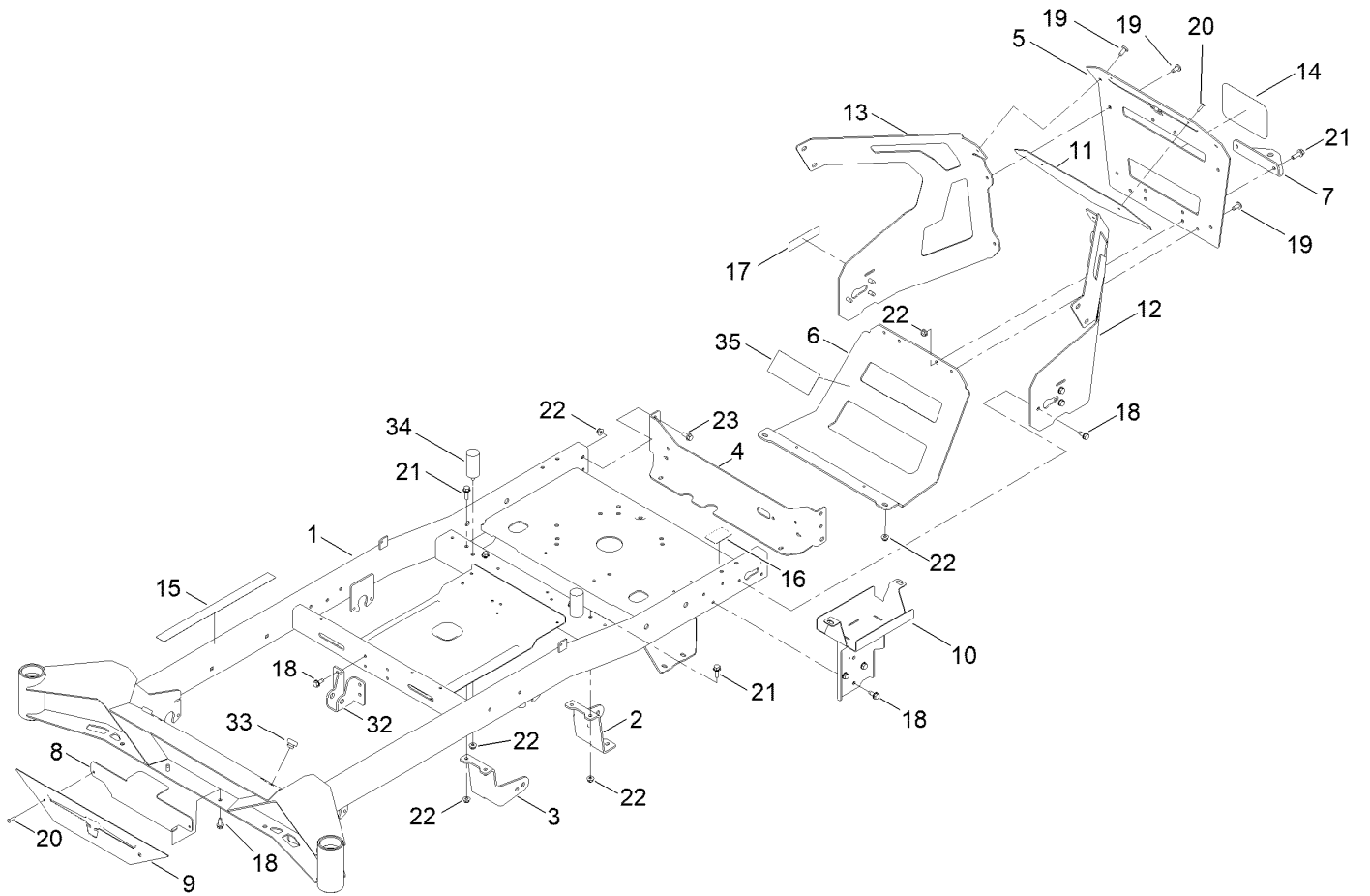
In an illustration, if a reference number indicates more than one part, the reference number has the form nX y. The n represents the quantity of the part, the X is the multiplication symbol, and the y represents the reference number.

For example, in an illustration, the reference number 2X 37 means that two of the parts identified by reference number 37 are indicated.

Contents

Frame Assembly	4
Decklift Assembly	6
Caster Fork and Wheel Assembly	8
Hydraulic Drive Assembly	10
LH Hydro Transmission Assembly No. 147-2860	12
RH Hydro Transmission Assembly No. 147-2861	14
Parking Brake Assembly	16
Rear Wheel Assembly	18
Motion Control Assembly	20
Engine and Muffler Assembly	22
Fuel Tank Assembly	24
Electrical Assembly	26
60 Inch Deck and Decal Assembly	28
Deck Decal Assembly No. 147-8751	30
Seat Pan Assembly	32
Clutch Assembly	34
Attachments and Accessories	36

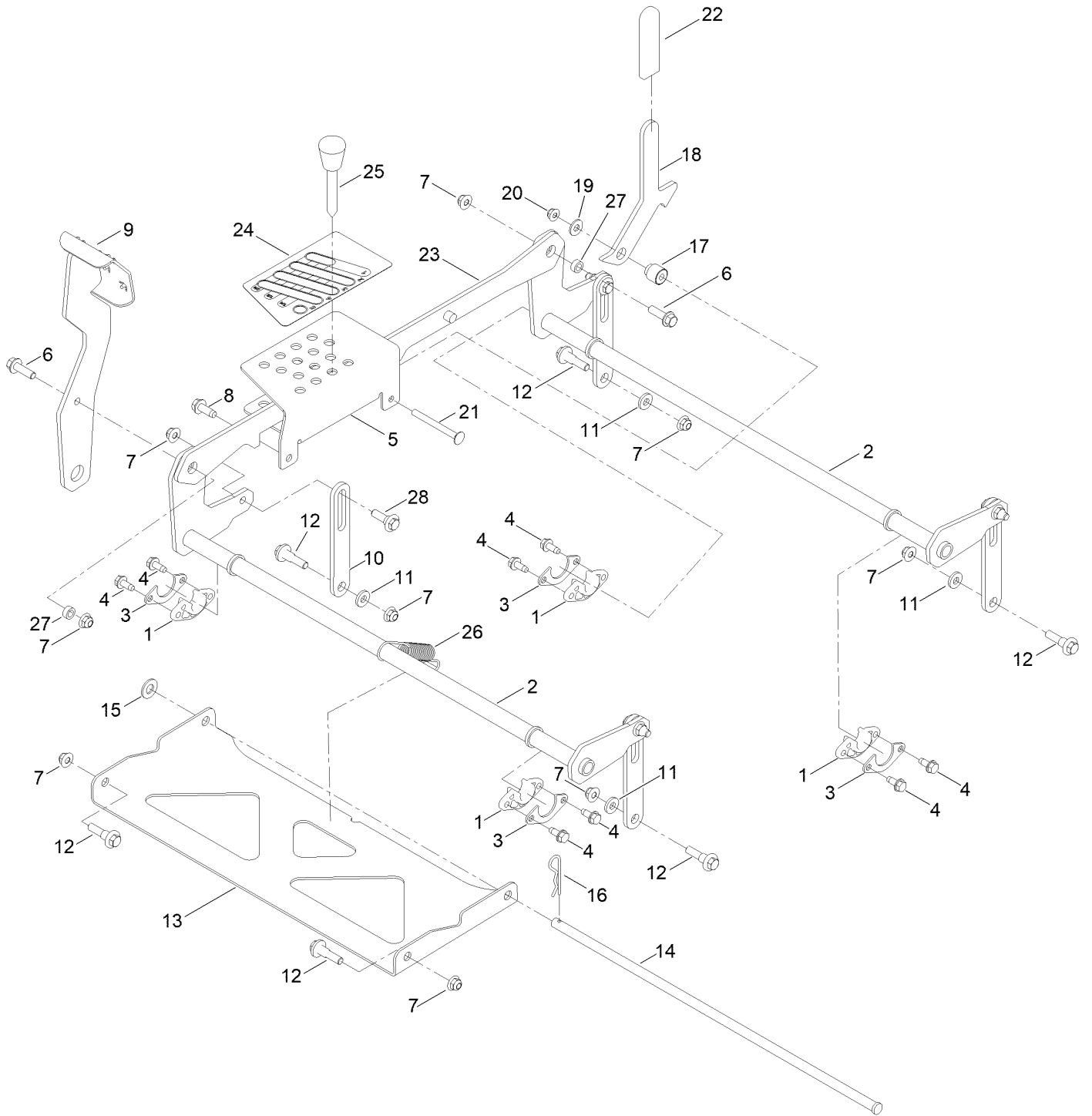
Frame Assembly



Frame Assembly (continued)

<i>Ref.</i>	<i>Part Number</i>	<i>Qty.</i>	<i>Description</i>	<i>Ref.</i>	<i>Part Number</i>	<i>Qty.</i>	<i>Description</i>
1	161-6608	1	Service ASM-Frame, Titan	15	144-5288	1	Decal-Warning
2	161-6506-01	1	Mount-Drive, LH	16	161-6207	1	Decal-Bypass
3	161-6507-01	1	Mount-Drive, RH	17	142-5864	1	Decal-Spark Arrester
4	163-3137-03	1	Plate-Mount, Rear	18	32144-70	15	Screw-HWHTF
5	147-2998-03	1	Guard-Engine	19	138-9753	8	Screw
6	147-3000-03	1	Guard-Muffler	20	130-8451	4	Rivet-Trifold
7	117-1232-03	1	Bracket-Hitch	21	139-2596	6	Screw-HHF
8	147-2878-01	1	Plate-Backer	22	119-4041	14	Nut-HF
9	147-2879-03	1	Logo-Plate-Front	23	139-2598	4	Screw-HHF
10	145-6283-01	1	Wa-Battery Mount	32	145-6323-01	1	Bracket-Mount Damper, Lower
11	147-2999-01	1	Plate-Backer	33	140-3460	2	Bumper-Rubber
12	147-2996-01	1	Guard-Engine LH	34	145-6310	2	Bumper-Rubber
13	147-2997-01	1	Guard-Engine-RH	35	161-6260	1	Tape-Heat
14	99-4693	1	Decal				

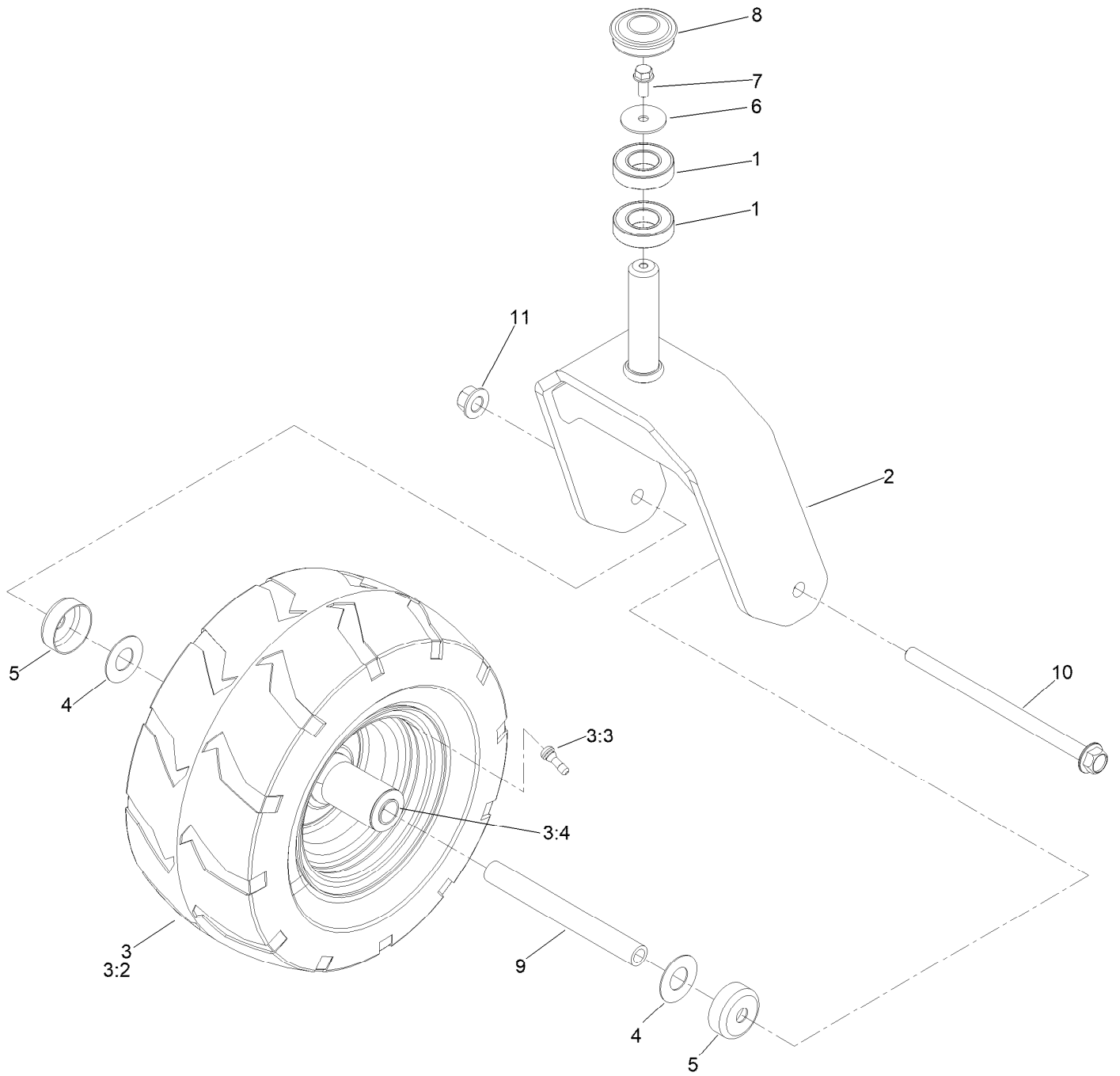
Decklift Assembly



Decklift Assembly (continued)

<i>Ref.</i>	<i>Part Number</i>	<i>Qty.</i>	<i>Description</i>	<i>Ref.</i>	<i>Part Number</i>	<i>Qty.</i>	<i>Description</i>
1	139-5872	4	Bearing-Flange	15	139-2611	1	Washer-Flat
2	161-4632-01	2	Pivot ASM-Decklift [red]	16	139-2562	1	Pin-Hair
3	138-7204	4	Gusset-Deck Lift	17	145-6282	1	Spacer-Stepped
4	32144-70	8	Screw-HWHTF	18	145-6279	1	Plate-Transport Lock
5	145-6260-01	1	Bracket-HOC	19	137-3082	1	Washer-Plain
6	119-4061	2	Screw-HHF	20	119-4041	1	Nut-HF
7	119-4042	12	Nut-HF, NI	21	138-0741	1	Screw-CARR
8	139-2428	1	Screw-HWH	22	140-0413	1	Grip-Handle
9	145-6278-01	1	Pedal ASM [red]	23	145-6262-01	1	Link ASM-HOC [red]
10	161-4635-01	4	Link-HOC	24	147-2867	1	Decal-HOC, Titan
11	138-7207	4	Spacer-Hub, Blower	25	140-2146	1	HOC Pin ASM
12	130-0742	6	Bolt-Shoulder	26	138-7206	1	Spring-Extension
13	145-6248-03	1	Pan-Deck Pivot	27	140-2093	2	Spacer
14	145-6288	1	Pin-Deck	28	614672	4	Screw-Shoulder, HWH

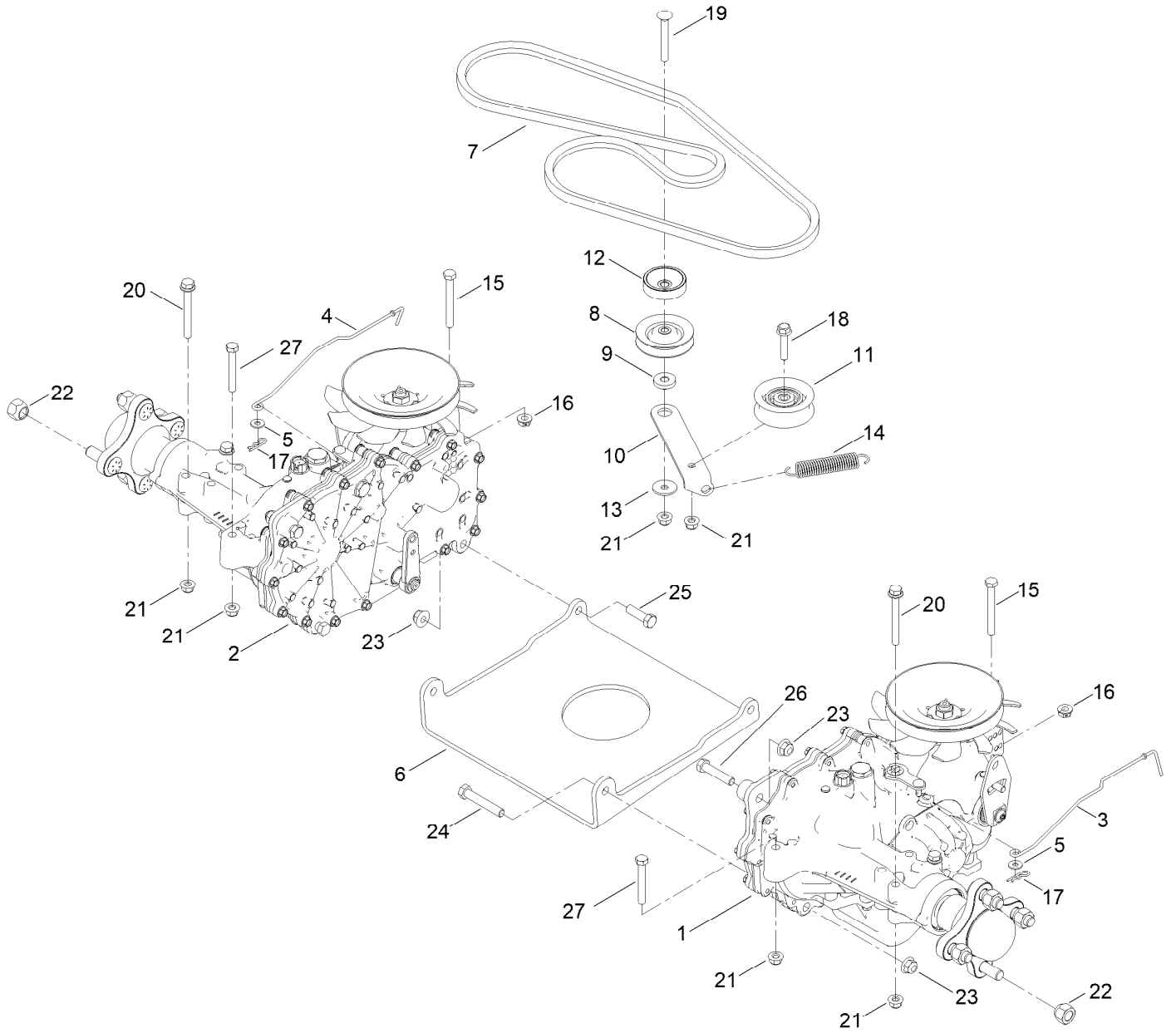
Caster Fork and Wheel Assembly



Caster Fork and Wheel Assembly (continued)

<i>Ref.</i>	<i>Part Number</i>	<i>Qty.</i>	<i>Description</i>	<i>Ref.</i>	<i>Part Number</i>	<i>Qty.</i>	<i>Description</i>
1	109-3678	4	Bearing-Ball	5	138-7208	4	Guard-Seal
2	145-6375-01	2	Castor Fork [red]	6	115-1151	2	Washer-Flat
3	147-7647	2	Tire And Wheel ASM	7	100-1668	2	Screw-HHF
3:2	147-7648	1	Tire 13X6.5-6, Treaded	8	144-0375	2	Cap, Grease
3:3	232-27	1	Stem-Valve	9	133-4487	2	Spanner-Wheel
3:4	147-7652	2	Bearing	10	139-2559	2	Screw-HHF
4	136-5590	4	Washer	11	139-1689	2	Nut-HF

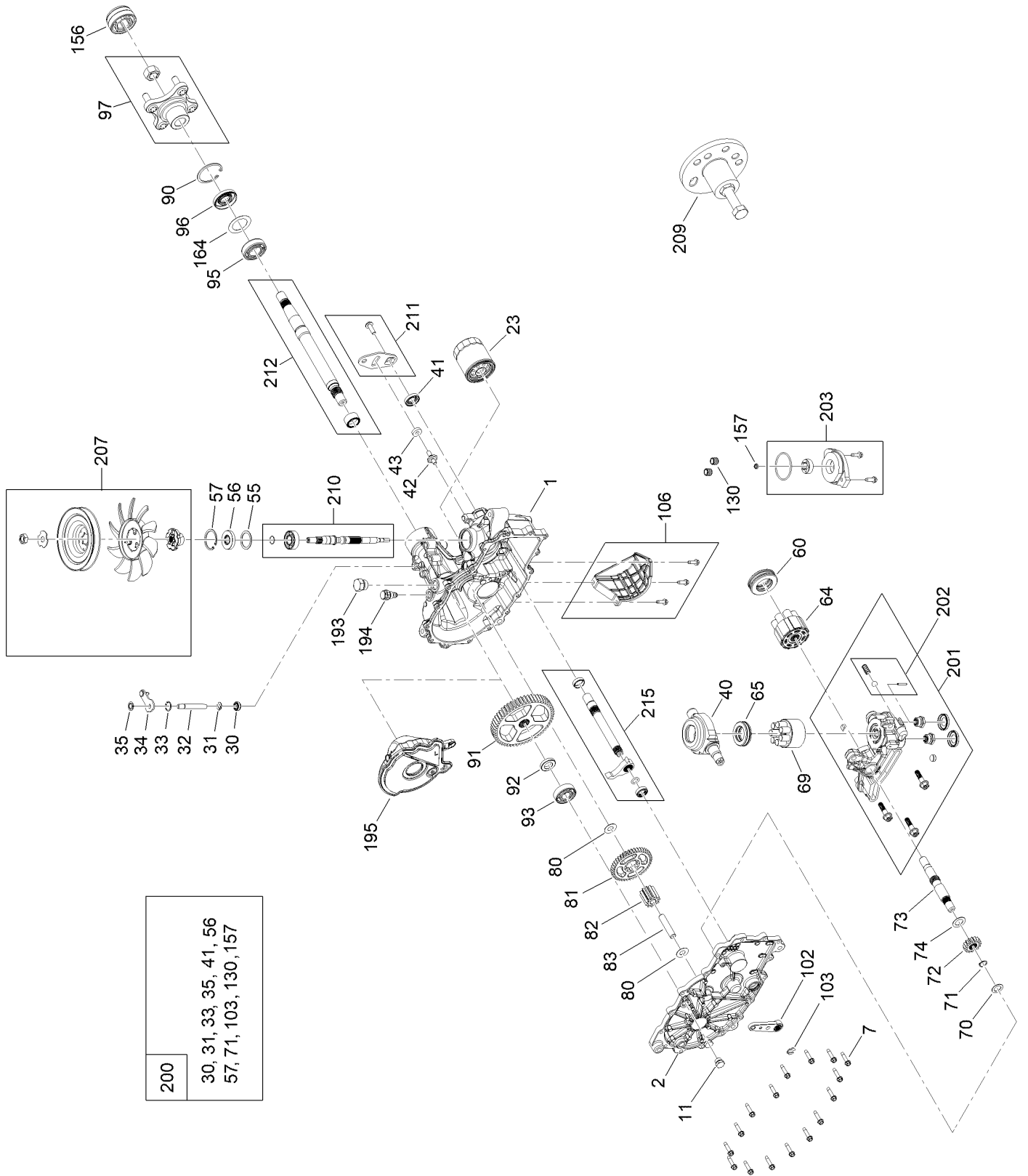
Hydraulic Drive Assembly



Hydraulic Drive Assembly (continued)

<i>Ref.</i>	<i>Part Number</i>	<i>Qty.</i>	<i>Description</i>	<i>Ref.</i>	<i>Part Number</i>	<i>Qty.</i>	<i>Description</i>
1	147-2860	1	LH Hydro Transmission ASM	14	137-7040	1	Spring-Return, Pedal
2	147-2861	1	RH Hydro Transmission ASM	15	145-6388	2	Screw-HH Spcl
3	147-2987	1	Rod-Bypass, LH	16	139-2574	2	Nut-HF
4	147-2986	1	Rod-Bypass, RH	17	3290-307	2	Pin-Cotter
5	119-8952	2	Washer-Spcl	18	115-1794	1	Screw-HHF
6	145-6383-03	1	Plate-Hydro	19	3230-8	1	Screw-CARR
7	145-6363	1	V-Belt (A Sec 66.30 EI)	20	138-7590	4	Screw-HHF
8	68-0030	1	Idler	21	104-8300	8	Nut-HF, NI
9	138-7277	1	Spacer-Arm, Idler	22	139-2564	8	Nut-Lug
10	147-2925	1	Arm-Idler	23	104-8301	6	Nut-HF, NI
11	138-7597	1	Pulley-Idler, Flat	24	323-11	2	Screw-HH
12	138-9809	1	Spacer	25	323-7	2	Screw-HH
13	5-4460	1	Washer-Pivot	26	323-9	2	Screw-HH
				27	322-11	2	Screw-HH

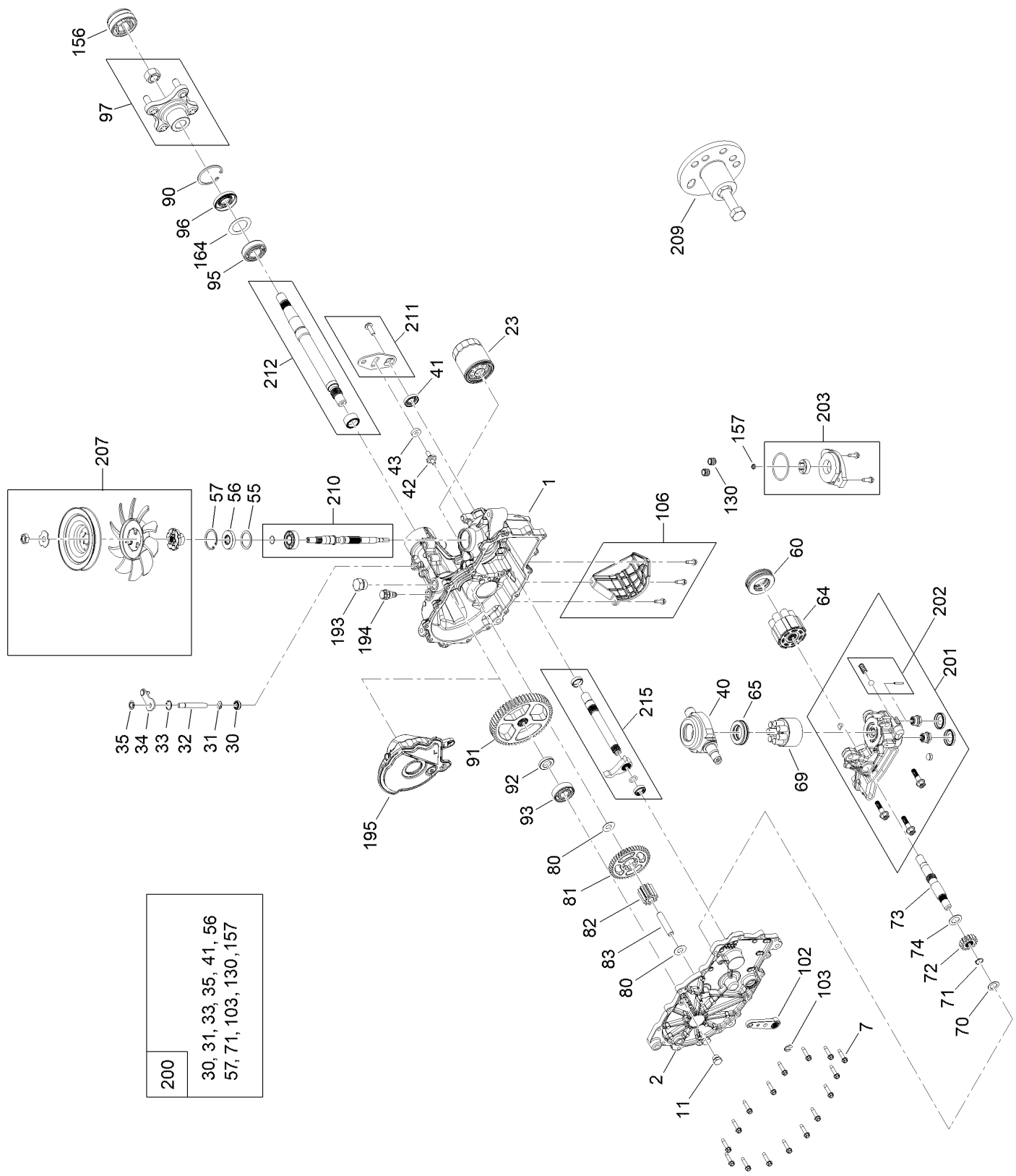
LH Hydro Transmission Assembly No. 147-2860



LH Hydro Transmission Assembly No. 147-2860 (continued)

<i>Ref.</i>	<i>Part Number</i>	<i>Qty.</i>	<i>Description</i>	<i>Ref.</i>	<i>Part Number</i>	<i>Qty.</i>	<i>Description</i>
1	140-8345	1	RH Main Housing Kit	83	104-5329	1	Pin-Jackshaft
2	140-8349	1	RH Side Cover Kit	90	104-2169	1	Ring-Retaining
7	117-5359	16	Screw-HHF	91	114-1694	1	Gear-54T
11	135-1140	1	Plug-Straight	92	120-7975	1	Spacer
23	109-3321	1	Element-Oil Filter, HYD	93	135-1361	1	Bearing-Ball
30	139-7497	1	Seal-Lip	95	130-8477	1	Bearing-Ball
31	106-8677	1	Ring-Retaining, External	96	104-2144	1	Seal
32	114-1685	1	Rod-Bypass	97	109-5939	1	Hub Kit
33	106-8679	1	Ring-Retaining, Internal	102	125-0021	1	Handle-Brake
34	112-9852	1	Arm-Bypass	103	131-0906	1	Ring-Retaining, EXT
35	106-8681	1	Ring-Retaining, External	106	139-7499	1	Filter Guard Kit
40	104-5304	1	Swashplate-Trunnion	130	126-3251	2	Tube-Charge
41	104-5313	1	Seal-Lip	156	115-5057	1	Cover-Nut, Axle
42	104-2116	1	Stud	157	126-1930	1	Gerotor Seal Kit
43	112-9853	1	Puck-Friction	164	121-5745	1	Spacer
55	104-5308	1	Spacer	193	140-8343	1	Plug
56	104-5310	1	Seal-Lip	194	140-8356	1	Breather Fitting ASM
57	104-5309	1	Ring-Retaining	195	140-8357	1	RH Internal Expansion Tank ASM
60	112-4154	1	Bearing-Thrust	200	140-8351	1	Seal Kit
64	139-4074	1	Cylinder Block ASM Kit	201	147-2906	1	Kit, Center Section, LH Charge
65	94-6922	1	Bearing-Thrust	202	114-8464	1	Charge Relief Kit
69	110-8561	1	Pump Block ASM	203	114-8465	1	Charge Kit
70	104-5339	1	Washer-Flat	207	135-7343	1	Fan And Pulley Kit
71	104-5340	1	Ring-Retaining	209	114-8467	1	Puller-Hub, 4 Bolt
72	114-1690	1	Gear-14T	210	139-7502	1	Input Shaft Kit
73	114-1691	1	Shaft-Motor	211	117-5362	1	Control Arm Kit
74	104-5360	1	Washer	212	114-8470	1	Axle Shaft Kit
80	94-1933	2	Washer	215	140-8352	1	Inboard Kit
81	114-1692	1	Gear-45T				
82	114-1693	1	Gear-11T				

RH Hydro Transmission Assembly No. 147-2861

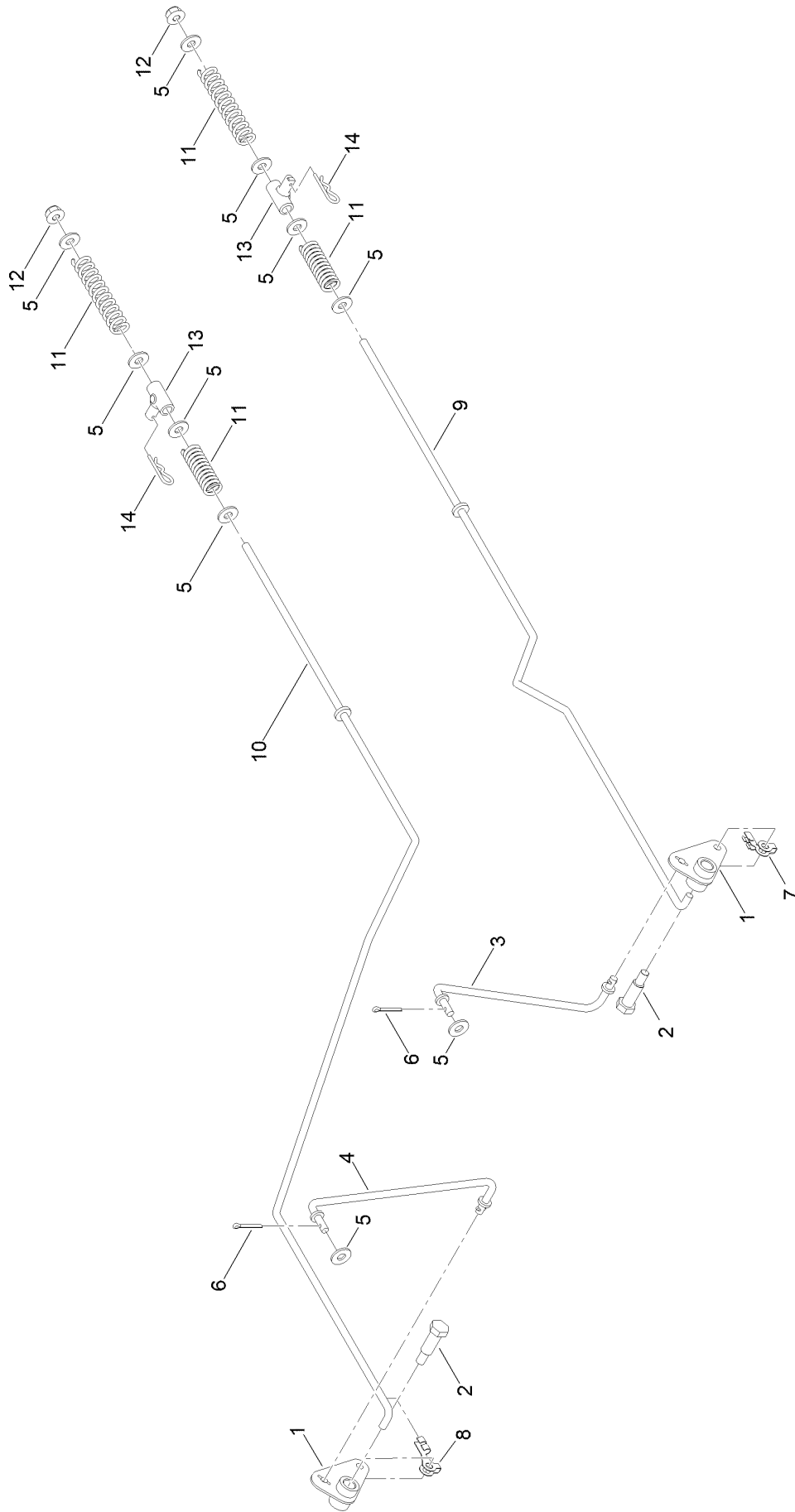


- | |
|---|
| 200 |
| 30, 31, 33, 35, 41, 56
57, 71, 103, 130, 157 |

RH Hydro Transmission Assembly No. 147-2861 (continued)

<i>Ref.</i>	<i>Part Number</i>	<i>Qty.</i>	<i>Description</i>	<i>Ref.</i>	<i>Part Number</i>	<i>Qty.</i>	<i>Description</i>
1	140-8347	1	LH Main Housing Kit	83	104-5329	1	Pin-Jackshaft
2	140-8350	1	LH Side Cover Kit	90	104-2169	1	Ring-Retaining
7	117-5359	16	Screw-HHF	91	114-1694	1	Gear-54T
11	135-1140	1	Plug-Straight	92	120-7975	1	Spacer
23	109-3321	1	Element-Oil Filter, HYD	93	135-1361	1	Bearing-Ball
30	139-7497	1	Seal-Lip	95	130-8477	1	Bearing-Ball
31	106-8677	1	Ring-Retaining, External	96	104-2144	1	Seal
32	114-1685	1	Rod-Bypass	97	109-5939	1	Hub Kit
33	106-8679	1	Ring-Retaining, Internal	102	125-0021	1	Handle-Brake
34	107-2490	1	Arm-Bypass	103	131-0906	1	Ring-Retaining, EXT
35	106-8681	1	Ring-Retaining, External	106	139-7498	1	Filter Guard Kit
40	104-5304	1	Swashplate-Trunnion	130	126-3251	2	Tube-Charge
41	104-5313	1	Seal-Lip	156	115-5057	1	Cover-Nut, Axle
42	104-2116	1	Stud	157	126-1930	1	Gerotor Seal Kit
43	112-9853	1	Puck-Friction	164	121-5745	1	Spacer
55	104-5308	1	Spacer	193	140-8343	1	Plug
56	104-5310	1	Seal-Lip	194	140-8356	1	Breather Fitting ASM
57	104-5309	1	Ring-Retaining	195	140-8358	1	LH Internal Expansion Tank ASM
60	112-4154	1	Bearing-Thrust	200	140-8351	1	Seal Kit
64	139-4074	1	Cylinder Block ASM Kit	201	147-2907	1	Kit, Center Section, RH Charge
65	94-6922	1	Bearing-Thrust	202	114-8464	1	Charge Relief Kit
69	110-8561	1	Pump Block ASM	203	114-8465	1	Charge Kit
70	104-5339	1	Washer-Flat	207	135-7343	1	Fan And Pulley Kit
71	104-5340	1	Ring-Retaining	209	114-8467	1	Puller-Hub, 4 Bolt
72	114-1690	1	Gear-14T	210	139-7502	1	Input Shaft Kit
73	114-1691	1	Shaft-Motor	211	117-5362	1	Control Arm Kit
74	104-5360	1	Washer	212	114-8470	1	Axle Shaft Kit
80	94-1933	2	Washer	215	140-8353	1	Inboard Kit
81	114-1692	1	Gear-45T				
82	114-1693	1	Gear-11T				

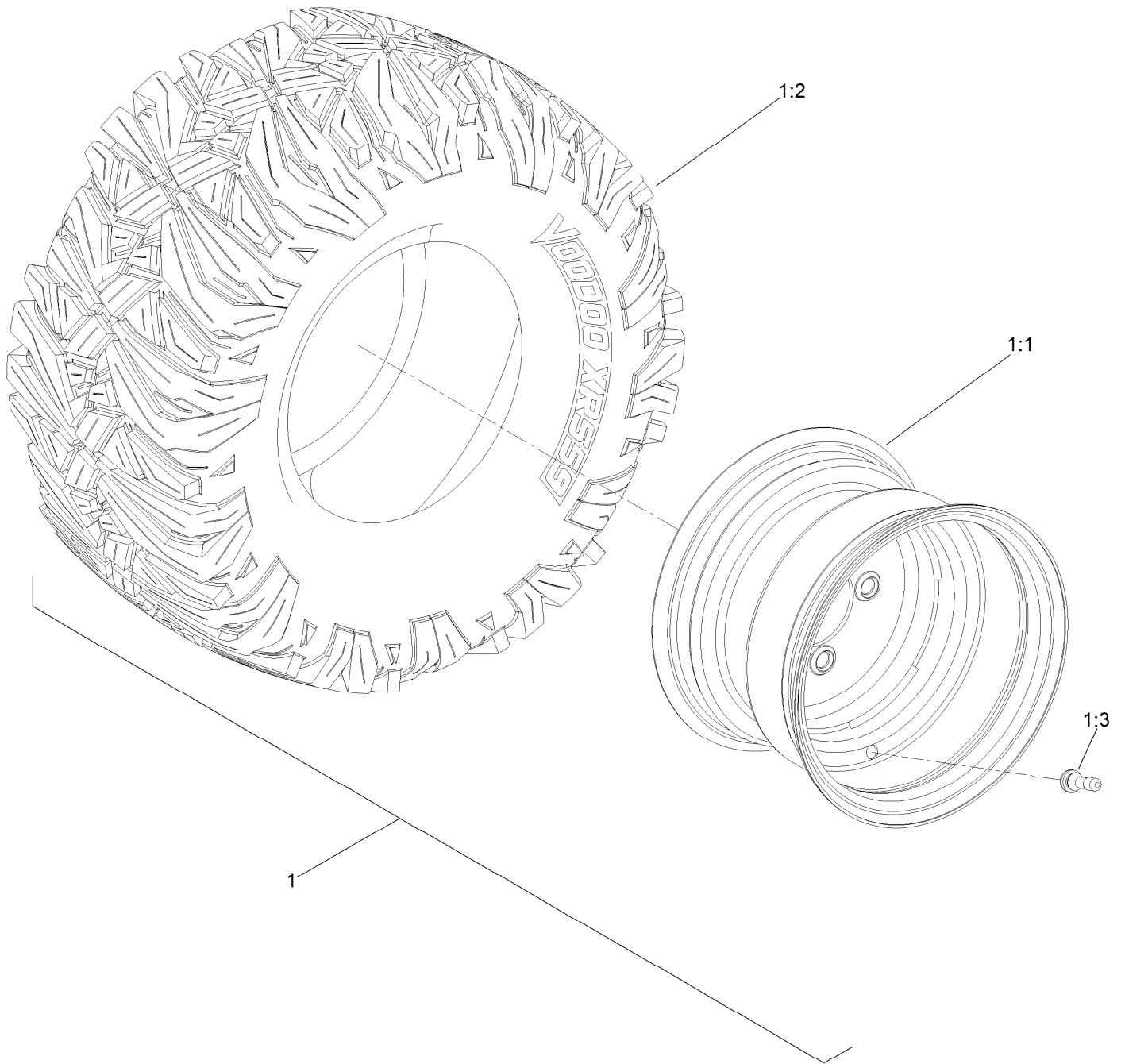
Parking Brake Assembly



Parking Brake Assembly (continued)

<i>Ref.</i>	<i>Part Number</i>	<i>Qty.</i>	<i>Description</i>	<i>Ref.</i>	<i>Part Number</i>	<i>Qty.</i>	<i>Description</i>
1	161-6420	2	Bellcrank	8	144-1815	1	Clip-Rod, RH (7R, 1/4In)
2	145-6364	2	Bolt-Shoulder	9	145-0408	1	Rod-Brake LH
3	145-4607	1	Link-Brake, LH	10	145-0407	1	Rod-Brake, RH
4	145-6238	1	Link-Brake, RH	11	138-7252	4	Spring-Compression
5	119-8952	10	Washer-Spcl	12	119-4040	2	Nut-HF, NI
6	120-9716	2	Pin-Cotter	13	119-8857	2	Mount-Pivot
7	144-1816	1	Clip-Rod, LH (7L, 1/4In)	14	137-3083	2	Pin-Hair

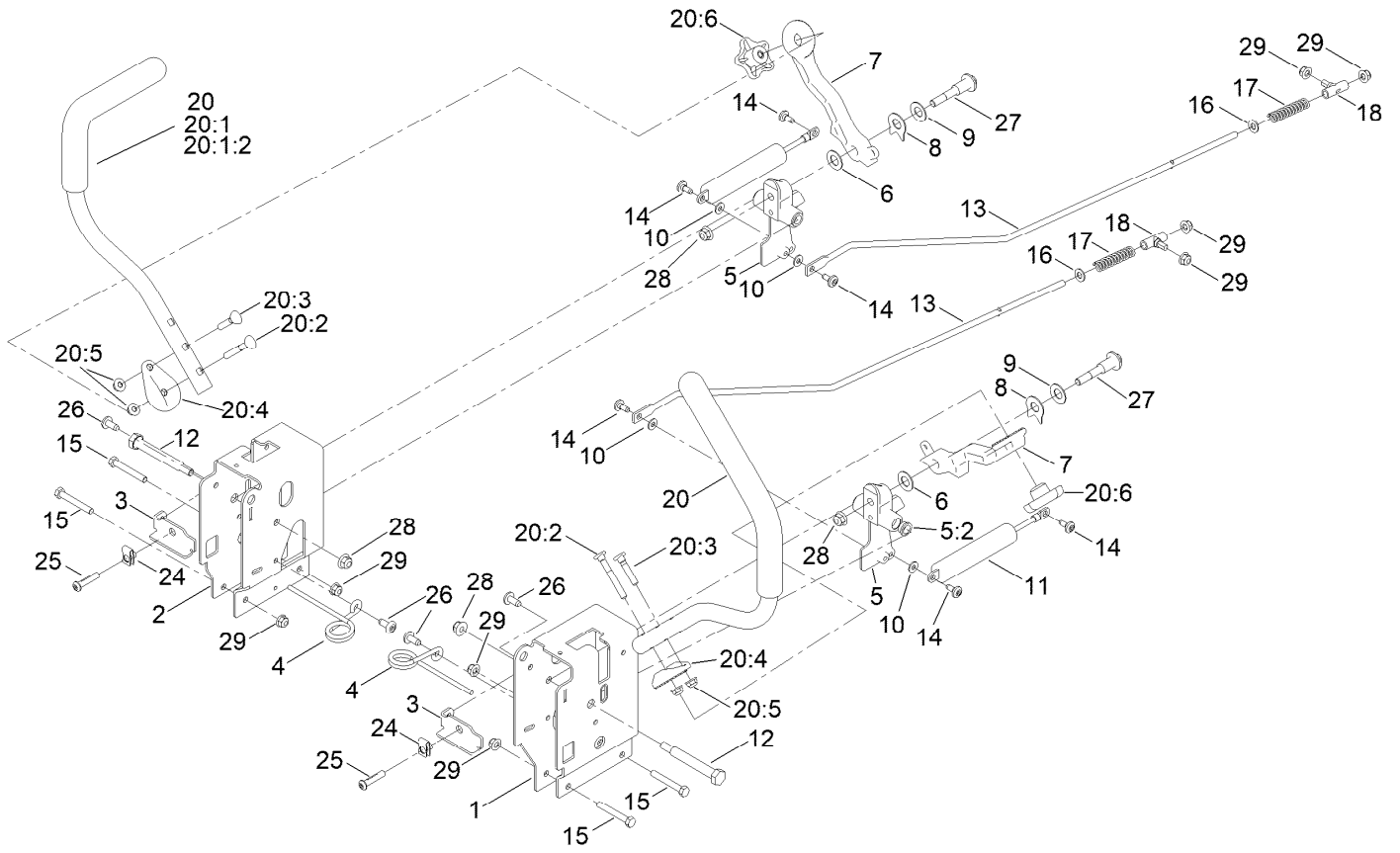
Rear Wheel Assembly



Rear Wheel Assembly (continued)

<i>Ref.</i>	<i>Part Number</i>	<i>Qty.</i>	<i>Description</i>	<i>Ref.</i>	<i>Part Number</i>	<i>Qty.</i>	<i>Description</i>
1	145-6393	2	Tire ASM-22X11-10 Nos2.4	1:2	147-5177	1	Tire
1:1	147-5178	1	Rim	1:3	232-27	1	Stem-Valve

Motion Control Assembly

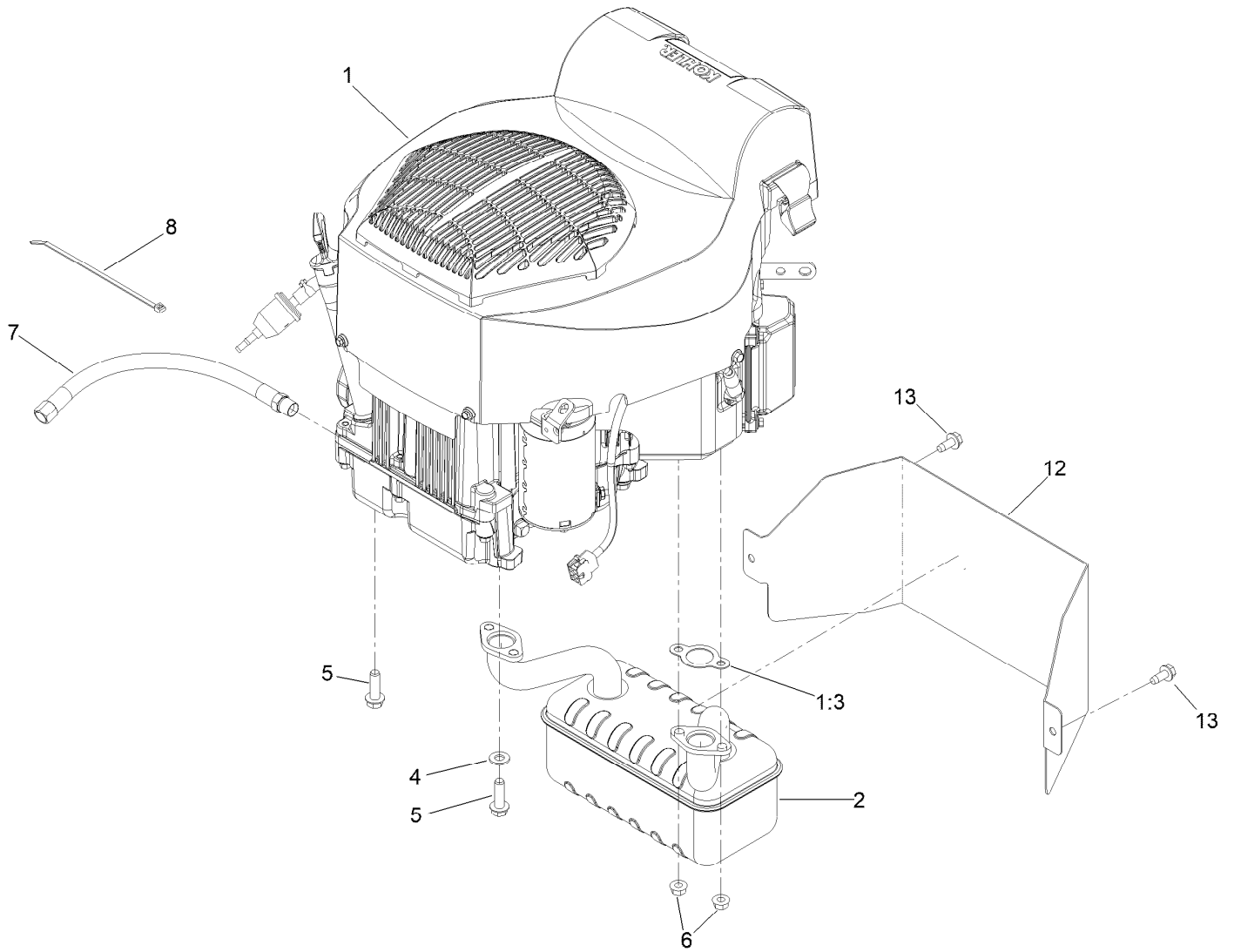


Motion Control Assembly (continued)

<i>Ref.</i>	<i>Part Number</i>	<i>Qty.</i>	<i>Description</i>	<i>Ref.</i>	<i>Part Number</i>	<i>Qty.</i>	<i>Description</i>
1	145-4615-03	1	Control Box - LH G7	17	138-7252	2	Spring-Compression
2	145-4647-03	1	Control Box - RH G7	18	138-7218	2	Mount-Rod, Hydro
3	147-7580-03	2	Adjustment Plate-Control Box	20	161-6523	2	Handle-Control, ASM
4	145-6253	2	Spring-Torsion	20:1		1	Handle-Control, ●
5	145-4648	2	Pivot Arm ASM	20:1:2	147-3029	1	Grip
5:2	256-156	2	Bushing-Flange	20:2	145-6366	1	Screw-Handle
6	120-2273	2	Washer-Nylon	20:3	137-3008	1	Screw-Handle
7	147-5191-05	2	Arm-Control, 32 Teeth	20:4	147-5192-05	1	Disc-Adjustment Handle, 32 Teeth
8	142-8478	2	Spacer, Anti-Rotation	20:5	138-8401	2	Nut-HF
9	119-8925	2	Washer-Belleville	20:6	117-5976	1	Knob-Handle
10	119-8952	4	Washer-Spcl	24	112-3306	2	Nut
11	132-6853	2	Damper-Non Cavitating	25	126-4299	2	Screw-HSBH
12	115-5099	2	Bolt-Pivot	26	138-9753	4	Screw
13	161-9725	2	Rod-Hydro	27	117-1198	2	Bolt-Pivot
14	120-7950	6	Screw-Torx	28	104-8301	4	Nut-HF, NI
15	322-11	4	Screw-HH	29	104-8300	8	Nut-HF, NI
16	120-9683	2	Washer-Plain				

● Not serviced separately

Engine and Muffler Assembly



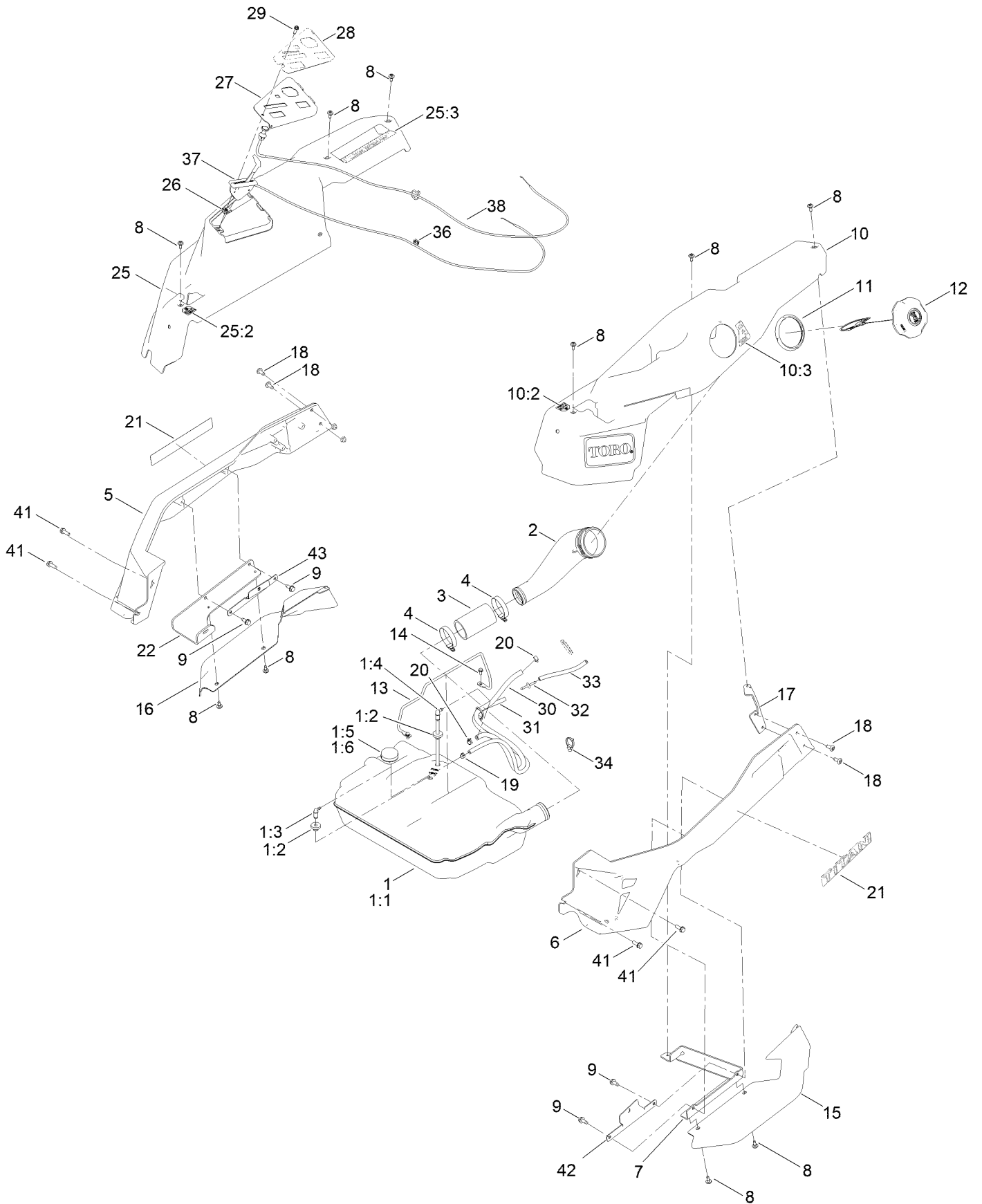
Engine and Muffler Assembly (continued)

<i>Ref.</i>	<i>Part Number</i>	<i>Qty.</i>	<i>Description</i>	<i>Ref.</i>	<i>Part Number</i>	<i>Qty.</i>	<i>Description</i>
1		1	Engine-Kohler Kt745 ■▲	6	33004-00	4	Nut-HF
1:3	110-6697	1	Gasket-Exhaust	7	117-1261	1	Hose-Drain, Oil
1:4	281-1	1	Plug-Pipe, SQH ●	8	614249	1	Tie-Cable
2	147-7707	1	Muffler	12	161-6221-03	1	Heat Shield-Muffler
4	3256-24	3	Washer-Plain	13	32144-70	2	Screw-HWHTF
5	32144-109	4	Screw-Thd				

● Not illustrated
 ▲ Obtain parts from www.kohlerplus.com

■ Not serviced separately

Fuel Tank Assembly



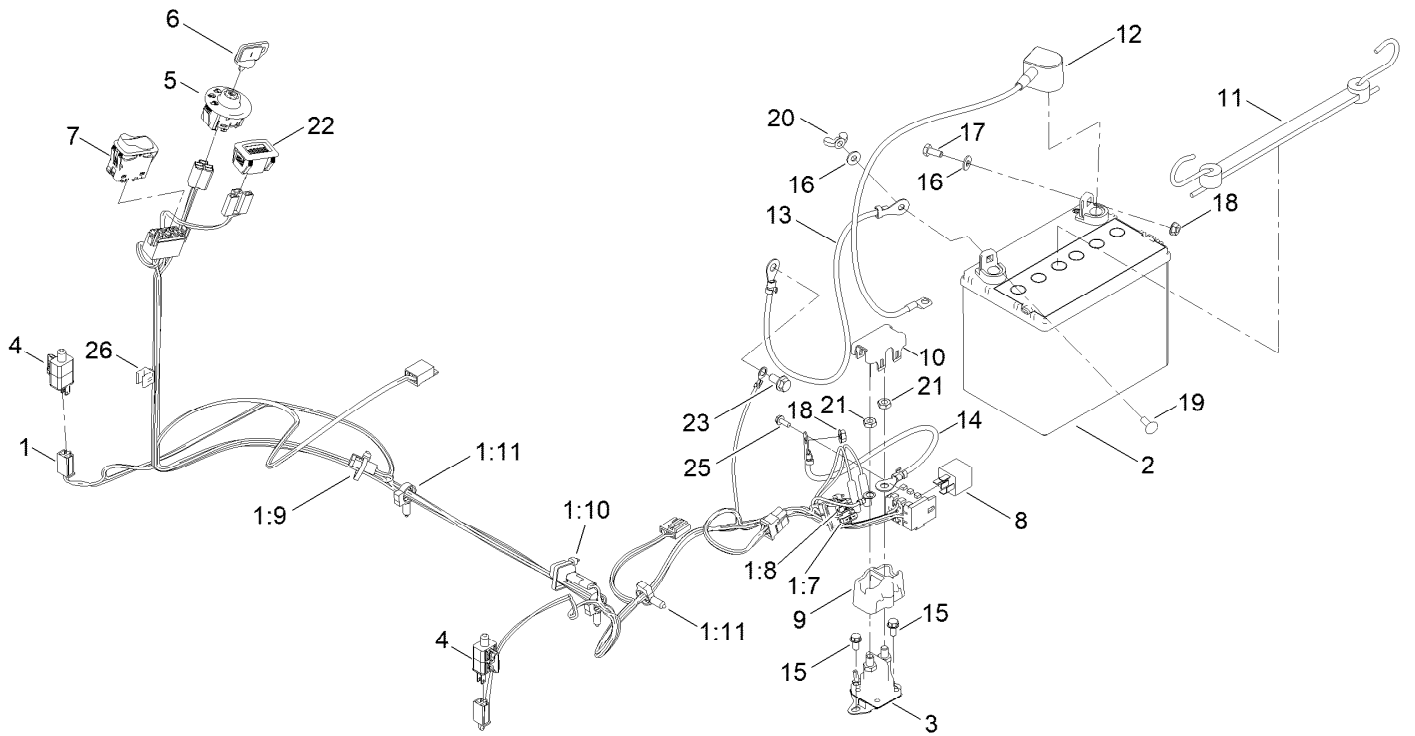
Fuel Tank Assembly (continued)

<i>Ref.</i>	<i>Part Number</i>	<i>Qty.</i>	<i>Description</i>	<i>Ref.</i>	<i>Part Number</i>	<i>Qty.</i>	<i>Description</i>
1	161-6589	1	Tank-Fuel, ASM	18	138-9753	4	Screw
1:1		1	Tank-Fuel ■	19	2412-80	1	Clamp-Hose
1:2	46-6560	2	Bushing	20	2412-98	2	Clamp-Hose
1:3	161-6609	1	Fitting-Elbow 90	21	147-7566	2	Decal-Titan
1:4	147-2934	1	Fitting-Pickup, Fuel	22	147-5173-03	1	Bracket-Mr Spring
1:5	133-9269	1	Grommet-Fuel	25	147-8744	1	Pod ASM - RH , Mr W/Decals
1:6	147-5166	1	Remote Gauge ASM	25:2	139-2394	1	Decal-Control Lever, RH
2	147-2852	1	Neck-Filler, Fuel	25:3	147-7574	1	Decal - Myride ●
3	145-4698	1	Hose-Filler, Fuel	26	107069	1	Clip
4	2412-130	2	Clamp-Hose	27	147-2990-03	1	Panel-Control
5	147-2973-01	1	Cast-Tube, RH [red]	28	147-7571	1	Decal - Control Panel
6	147-2972-01	1	Cast-Tube, LH [red]	29	49-2040	1	Screw-HWHTF
7	147-2974-03	1	Mount-Pod Bracket LH	30	109-0284	1	Hose-Fuel
8	120-7950	10	Screw-Torx	31	140-4956	1	Hose-Fuel
9	32144-70	4	Screw-HWHTF	32	144-1983	1	Adapter Orifice
10	147-8741	1	Pod ASM - LH W/Decals	33	136-1437	1	Hose-Fuel
10:2	139-2395	1	Decal-Control Lever, LH	34	32180-030	2	Clip-Tie
10:3	147-2399	1	Decal-Fuel Fill	36	32180-418	1	Clip-Harness
11	147-7712	1	Ring-Retaining	37	139-3267	1	Cable-Throttle
12	137-4119	1	Cap-Fuel, Ratcheting	38	147-2902	1	Cable-Choke
13	147-5176	1	Rod-Hold Down	41	32144-41	4	Screw-Taptite
14	32144-4	2	Screw-HWH	42	161-4609-03	1	Bracket-Alignment, Pod LH
15	147-2978	1	Fender-Time Cutter, LH	43	161-4611-03	1	Bracket- Alignment, Pod RH Mr
16	147-2979	1	Fender-Time Cutter, RH				
17	147-2976-03	1	Bracket-Rear Pod, LH				

● Not illustrated

■ Not serviced separately

Electrical Assembly



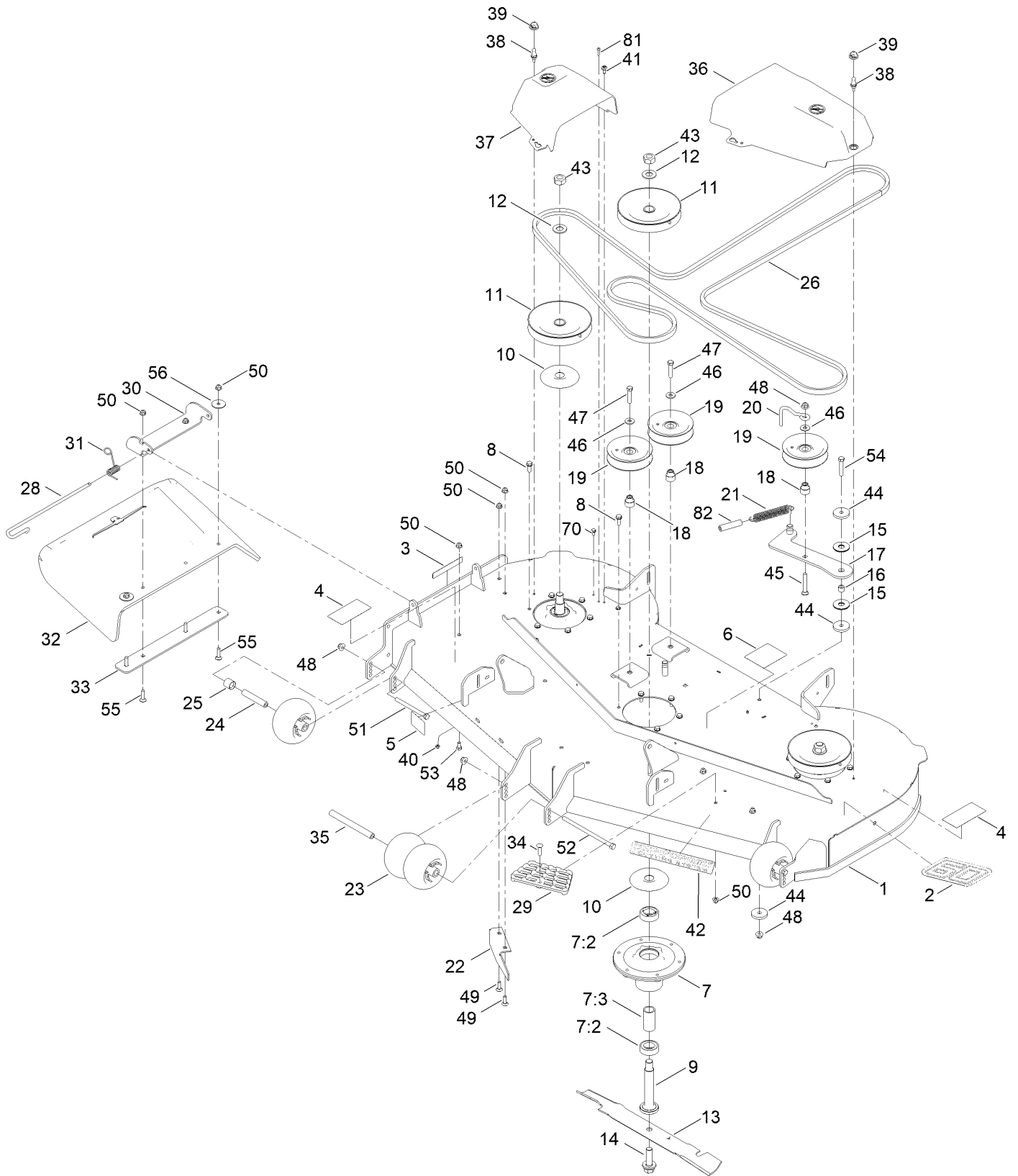
Electrical Assembly (continued)

<i>Ref.</i>	<i>Part Number</i>	<i>Qty.</i>	<i>Description</i>	<i>Ref.</i>	<i>Part Number</i>	<i>Qty.</i>	<i>Description</i>
1	145-6382	1	Harness-Wire, Main	11	104-2466	1	Holddown-Battery
1:7	109355	1	Fuse-Blade, 15 Amp	12	147-2941	1	Cable-Battery,Red
1:8	109102	1	Fuse-Blade, 25 Amp	13	119-8899	1	Cable-Battery, Black
1:9	32180-435	1	Cap-Over Mold, 1M/1F	14	121-0711	1	Cable-Battery, Positive
1:10	100-4918	1	Diode	15	32144-4	2	Screw-HWH
1:11	32180-047	3	Clip-Tubing, Harness	16	119-8952	2	Washer-Spcl
2		1	Battery- Wet, 12V, 300 CCA ● ■	17	137-3041	1	Screw-HH
3	117-1197	1	Solenoid	18	139-2575	2	Nut-HF
4	110-6765	2	Switch	19	137-3053	1	Screw-CARR
5	137-4100	1	Switch-Ignition	20	32103-22	1	Nut-Wing
6	63-8360	1	Key-Ignition	21	139-2580	2	Nut-HJ
7	139-6368	1	Switch-Rocker, On-None-On	22	139-6404	1	Hour Meter
8	1-643275	1	Relay	23	139-2593	1	Screw-HHF
9	140-2080	1	Cover-Solenoid	25	139-1713	1	Screw-Thd Roll
10	140-2081	1	Cap-Solenoid	26	32180-082	1	Clip-Edge W/Tie, Perpendicular

● Obtain locally.

■ Not serviced separately

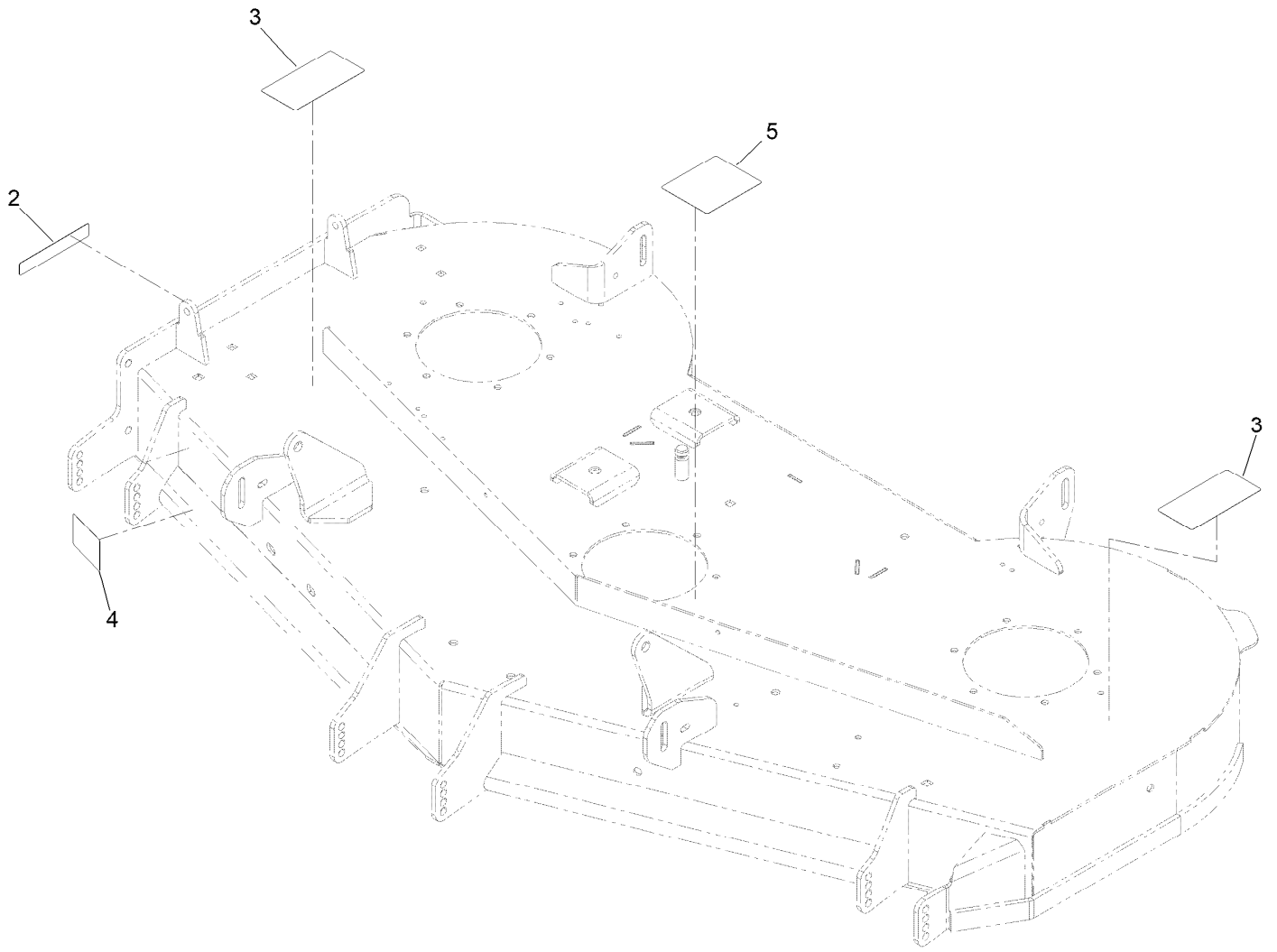
60 Inch Deck and Decal Assembly



60 Inch Deck and Decal Assembly (continued)

<i>Ref.</i>	<i>Part Number</i>	<i>Qty.</i>	<i>Description</i>	<i>Ref.</i>	<i>Part Number</i>	<i>Qty.</i>	<i>Description</i>
1	147-8751	1	60 In Deck & Decal ASM	30	114-1648-03	1	Bracket-Deflector, Upper
2	147-7570	1	Decal - Deck 60	31	138-7232	1	Spring-Torsion
3	130-0731	1	Decal-Danger	32	147-3015	1	Deflector - Molded
4	132-0872	2	Decal-Danger, Deck	33	115-5048-03	1	Plate-Deflector
5	130-0765	1	Decal-Scalp, Anti	34	139-1702	1	Bolt-Carriage
6	117-1194	1	Decal-Routing, Belt	35	98-5967	1	Spacer-Wheel
7	139-2357	3	Spindle ASM	36	147-2854	1	Cover-Belt, LH
7:2	116-0720	2	Bearing-Ball	37	147-2853	1	Cover-Belt, RH
7:3	138-7220	1	Spacer-Bearing	38	147-2872	2	Stud-Ball
8	32144-41	18	Screw-Taptite	39	147-2871	2	Grommet-Ball
9	115-2642	3	Shaft-Spindle	40	115-7373	2	Nut-Lock
10	138-7221	3	Shield-Bearing	41	120-7950	4	Screw-Torx
11	147-7674	3	Pulley	42	147-7567	1	Decal - Iron Forged
12	7-4150	3	Washer	43	3219-7	3	Nut-Hex
13	115-9649-03	3	Blade-Hi Flow	44	110-9981	3	Washer-Plain
14	145-0412	3	Screw-Blade	45	3231-31	1	Screw-CARR
15	114-0463	2	Washer-Friction, Composite	46	80-6990	3	Washer-Hardened
16	138-7225	1	Spacer	47	323-9	2	Screw-HH
17	145-7038	1	Idler Arm ASM	48	104-8301	5	Nut-HF, NI
18	138-7227	3	Bushing-Idler	49	3230-22	2	Screw-CARR
19	132-4718	3	Pulley-Idler, Flat	50	104-8300	10	Nut-HF, NI
20	136-5615	1	Guide-Belt, Idler	51	323-23	2	Screw-HH
21	138-7228	1	Spring-Extension	52	108-5388	1	Screw-HH
22	119-3388-03	1	Baffle-Cutoff	53	322-2	3	Screw-HH
23	1-603299	4	Roller-Scalp, Anti	54	323-10	1	Screw-HH
24	138-7229	2	Tube-Spanner	55	3230-3	4	Screw-CARR
25	104-0892	2	Spacer-Axle, Rear	56	3256-68	2	Washer-Flat
26	133-1168	1	Belt-V	70	32144-4	4	Screw-HWH
28	138-7231	1	Pin-Chute	81	130-8451	4	Rivet-Trifold
29	126-4781-03	1	Step-Deck	82	99-7375	1	Hose-Breather

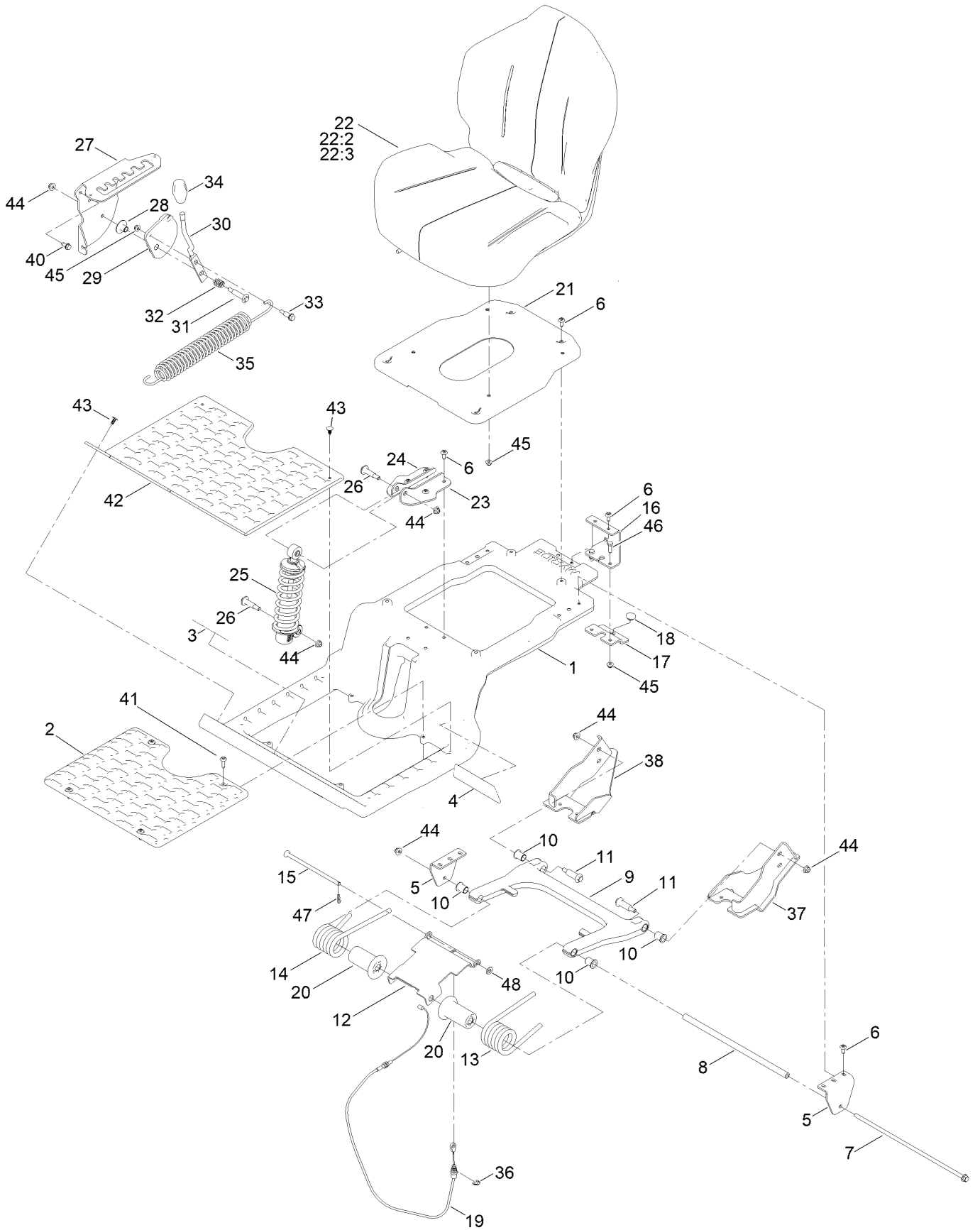
Deck Decal Assembly No. 147-8751



Deck Decal Assembly No. 147-8751 (continued)

<i>Ref.</i>	<i>Part Number</i>	<i>Qty.</i>	<i>Description</i>	<i>Ref.</i>	<i>Part Number</i>	<i>Qty.</i>	<i>Description</i>
2	130-0731	1	Decal-Danger	4	130-0765	1	Decal-Scalp, Anti
3	132-0872	2	Decal-Danger, Deck	5	117-1194	1	Decal-Routing, Belt

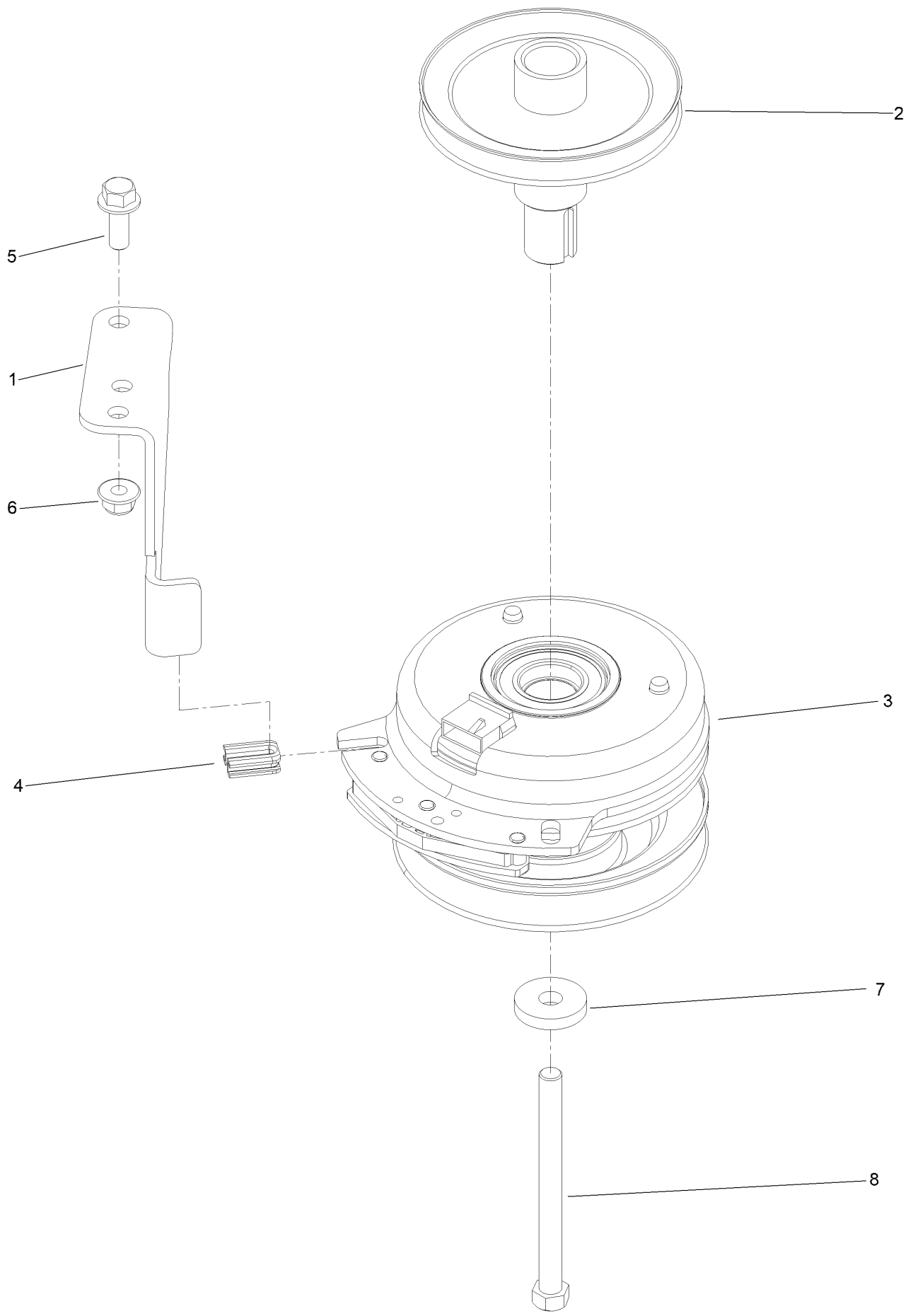
Seat Pan Assembly



Seat Pan Assembly (continued)

<i>Ref.</i>	<i>Part Number</i>	<i>Qty.</i>	<i>Description</i>	<i>Ref.</i>	<i>Part Number</i>	<i>Qty.</i>	<i>Description</i>
1	145-6394-05	1	Platform, Myride	24	133-9319-03	1	Bracket-Shock Mount, Upper (RH)
2	145-6395-05	1	Platform, Myride	25	139-2427	1	Shock/Spring ASM
3	147-7662	1	Decal - Myride	26	136-7198	2	Bolt-Shoulder
4	147-7575	1	Decal - Myride	27	145-6309-01	1	Bracket-Mr Gate
5	138-7517	2	Bracket-Mount, Swing Arm	28	139-5800	1	Bushing - Flange
6	138-9753	14	Screw	29	147-5171	1	Pulley-Cam
7	138-7548	1	Screw-HHF	30	147-5172	1	Lever-Adjustment, Threaded
8	138-7549	1	Tube-Spacer	31	92-1057	1	Bolt-Shoulder
9	145-6312	1	Arm-Swing	32	139-5858	1	Spring-Compression
10	138-2573	4	Bushing-Flange	33	140-3759	1	Bolt-Shoulder,HHF
11	138-2547	2	Bolt-Shoulder	34	147-8715	1	Knob-Mr
12	138-7566-03	1	Plate-Adjuster	35	138-9848	1	Spring-Extension
13	137-1983	1	Spring-Torsion, LH	36	32120-47	1	Ring-Retaining, External
14	137-7018	1	Spring-Torsion, RH	37	147-8721-03	1	Mount-Mr Swing Arm, LH
15	138-9813	1	Rod-Adjustment	38	147-8722-03	1	Mount-Mr Swing Arm, RH
16	138-9788	1	Bracket-Cable	40	32144-70	3	Screw-HWHTF
17	139-2361-03	1	Bracket Lower	41	147-7606	4	Screw-Spcl
18	135-0505	1	Bumper-Seat	42	147-7724	1	Floor Mat
19	147-7713	1	Cable-Adjustment, Myride	43	117-2382	4	Plug-Plastic
20	138-9776	2	Retainer-Spring	44	119-4042	6	Nut-HF, NI
21	147-7690-03	1	Pan-Seat [black]	45	119-4041	7	Nut-HF
22	147-8730	1	Seat ASM - Milsco Cs180D	46	139-1716	2	Screw-HH
22:2	161-4566	1	Kit-Adjuster	47	137-3083	1	Pin-Hair
22:3	82-2190	1	Switch-Bail	48	115-1166	1	Washer-Plain
23	133-9318-03	1	Bracket-Shock Mount, Upper (LH)				

Clutch Assembly



Clutch Assembly (continued)

<i>Ref.</i>	<i>Part Number</i>	<i>Qty.</i>	<i>Description</i>	<i>Ref.</i>	<i>Part Number</i>	<i>Qty.</i>	<i>Description</i>
1	137-7000	1	Stop-Clutch (Wide)	5	3234-42	1	Screw-HHF
2	138-9831	1	Pulley-Engine	6	104-8301	1	Nut-HF, NI
3	127-3410	1	Clutch-PTO	7	112843	1	Washer
4	120-2217	1	Isolator-Clutch	8	3212-19	1	Screw-HH

Attachments and Accessories

For 76614 Titan MyRIDE 60in Zero Turn Riding Mower

Product Name	Model/Part
Powered Bagger, Titan Models ROHS.....	79348
60in Recycler Kit.....	136-7490
Leaf Bagging Enhancement Kit	140-5122
Kit-Striping, 54/60in	147-8781
ROPS Kit	79487
Mount, Jack Titan	147-8824
Assist Bar Kit	161-4450
Jack Kit.....	127-6666
Heavy Duty Spring Kit.....	140-2051
Kit-Arm Rest	161-4567
10W30 4-Cycle Engine Oil (32oz Bottle).....	38280
Oil-30/10W-30 Synthetic (Quart).....	138-6053
Flat Free Caster Wheel Kit.....	145-0489
Hypr-Oil 500 (quart).....	114-4713
HD Bagger Cover Kit	140-5036
Toro Deluxe Rider Cover.....	490-7319
Led Light Kit.....	147-8757
Fuel Stabilizer .05 oz	130-2393
Hydro Service Kit.....	144-5347
Kit-Slope Sensor.....	79489
Blade-Hi Flow, 20.5in	115-9649-03P
4-Cycle Fuel, Snow And Lawn 32oz Can	131-3823
Toro Premium Fuel Treatment 12oz Bottle.....	131-6572
Toro 4-Cycle SAE 30 Oil (32oz Bottle)	38903

Notes:

Notes:

Notes:



Count on it.